

# PARTS CATALOGUE



ATV

XA60BA(JP)

MXU 300i



Release Date : 2024/04/12  
Print Date : 2024/10/16

## 本パーツリストについて

- 本パーツリストは XA60BA(JP).の全てのパーツ番号が記載されています。
- 車輻のカラーチャートとバイクに相違がある場合、現車を確認してください。
- 記号の意味:
  1. "\*\*\*"記号が記載している場合、注文時に色コードをパーツ番号の最後に記入してください。
  2. "#" 記号が記載している場合、パーツの設定変更はありますので、E-PARTSシステムで確認してください。

## ABOUT THIS PARTS LIST

- This parts list is compiled all service parts for model XA60BA(JP).
- Any difference between color chart and motorcycle will be revised according to motorcycle.
- The Mark:
  1. Marking "\*\*\*" must add color code in the end before ordering parts.
  2. Marking "#" are parts with modification, Please find the details from e-Parts system.
- When modification or additions to this parts list are made a revised edition at an appropriate time.

## 目次

● 本パーツリストについて .....	1
● XA60BA(JP)のカラーチャート .....	3
● 目次-エンジン関係 .....	5
● 目次-フレーム関係 .....	6
● エンジンパーツリスト .....	9
● フレームパーツリスト .....	49
● パーツ番号 検索 .....	113

## CONTENTS

● ABOUT THIS PARTS LIST .....	1
● COLOR CHART OF XA60BA(JP) .....	3
● CONTENTS-ENGINE GROUP .....	5
● CONTENTS-FRAME GROUP .....	6
● ENGINE PARTS LIST .....	9
● FRAME PARTS LIST .....	49
● PART NO. INDEX .....	113

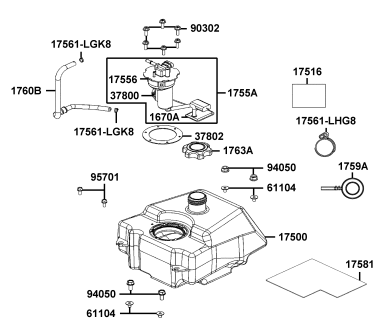
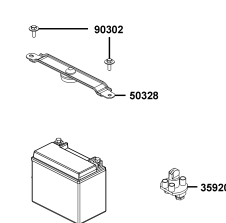
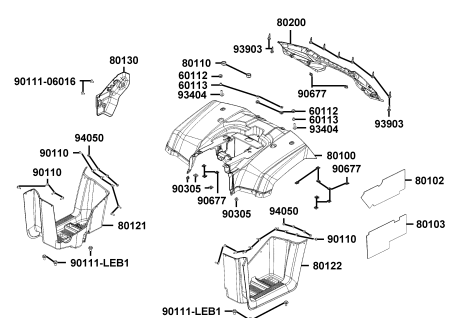
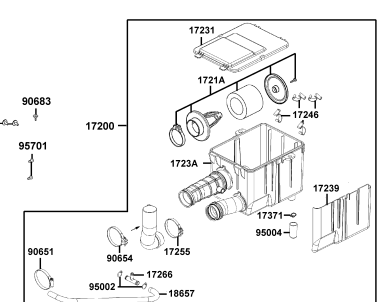
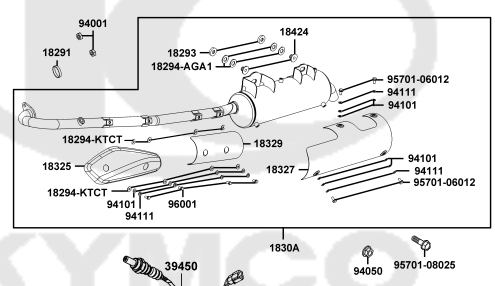
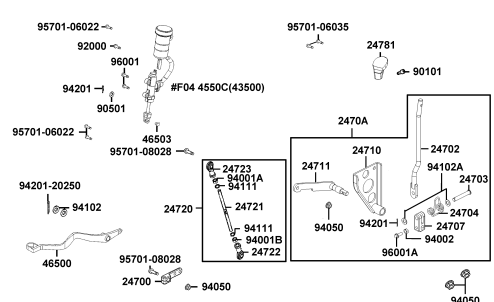
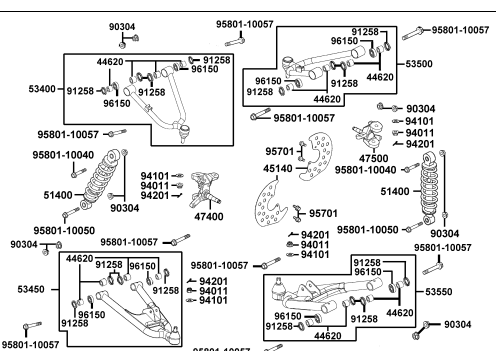
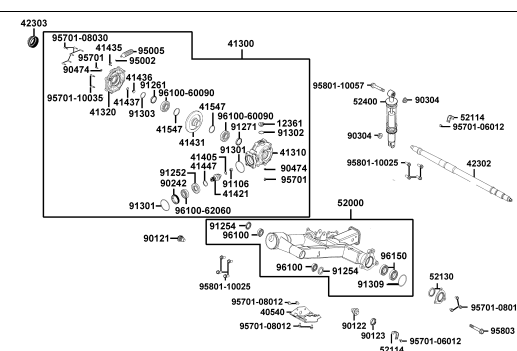
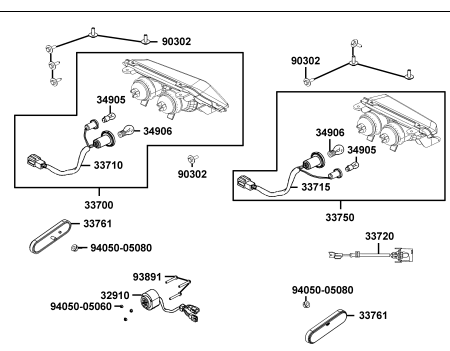
NO	モデル			XA60BA(JP)のカラーチャート				
	写真番号			NO. 1				
	基本色							
	コード			Black				
	パーツ名	パーツ番号	バージョン	CH001SA				
1	COVER COMP R CRANK	11330-LDE9-E00	0	M3A				
2	COVER WATER PUMP	19221-KHE7-900	0	M9A				
3	WHEEL ASSY RR HUB	42705-AGA1-M00	0	N1A				
4	RIM COMP FR WHEEL	44705-AGA1-M00	0					
5	"MUDGUARD,FRONT"	60200-AGA1-M00	0	N1R				
6	"FOOTWELL,RH"	80121-AGA1-M00	0					
7	"FOOTWELL,LH"	80122-AGA1-M00	0					
8	"PROTECTOR,MASTER	80130-AGA1-M00	0					
9	"MUDGUARD,REAR"	80200-AGA1-M00	0	N1S				
10	FORK ASSY FRONT R	51400-AGA1-M00	0					
11	CUSHION ASSY REAR	52400-AGA1-M00	0	N8A				
12	COVER LEFT	11341-LBA7-900	0	NJA				
13	CAP ACG	90084-4H28-001	1	T01				
14	SEAT ASSY	77200-AGA1-M00	0					
15	SW BATTERY LABEL	81218-AGA2-E60	0					
16	STRIPE FRONT COVER	86101-AEF6-C00	0					
17	SW LABEL	86182-AGA2-E60	0					
18	EPA CERTIFICATION	87237-AGA2-E01	0					
19	EMB CHANGE HANDLE	87311-AGA2-E60	0					
20	EMB CHANGE HANDLE	87311-AGA2-E61	0					
21	CAUTION SHIFT GEARS	87322-AGA2-B20	0					
22	USE CAUTION	87501-AGA2-E60	0					
23	WARNING HOT	87502-AGA2-E60	0					
24	LABEL TIRE ON ROAD	87505-AGA2-B20	0					
25	HITCH LABEL	87514-AEF2-C00	0					
販売開始日期								
販売中止日期								







# CONTENTS - FRAME GROUP 目次-フレーム関係

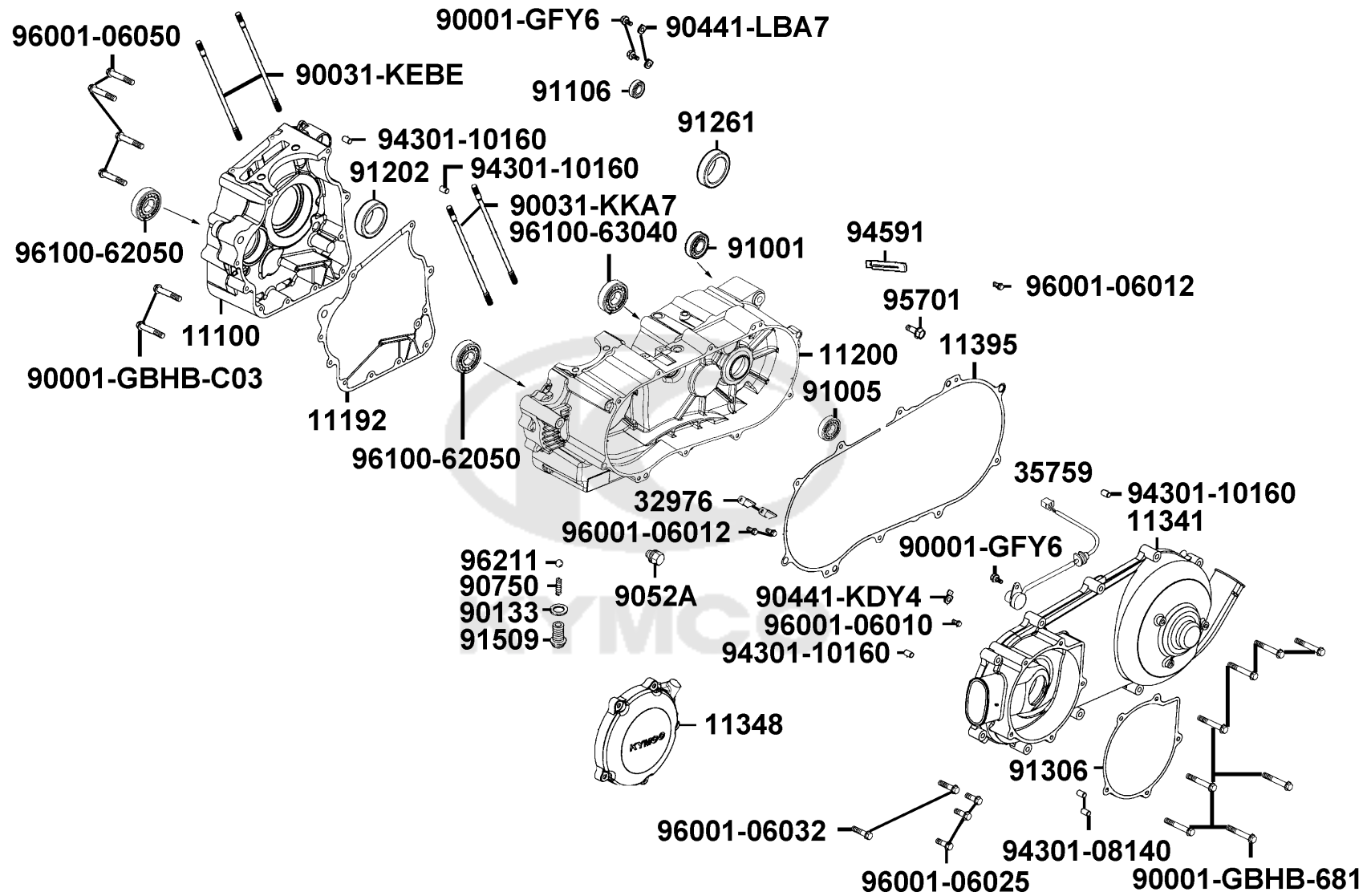
<p><b>F10 Fuel Tank</b></p> 	<p><b>F11 Battery</b></p> 	<p><b>F12 Fender Rear</b></p> 
<p><b>F13 Air Cleaner</b></p> 	<p><b>F14 Exhaust Muffler</b></p> 	<p><b>F15 PEDAL COMP CHANGE</b></p> 
<p><b>F16 Rear Cushion</b></p> 	<p><b>F17 Rear Cushion</b></p> 	<p><b>F18 Tail Light</b></p> 





E01

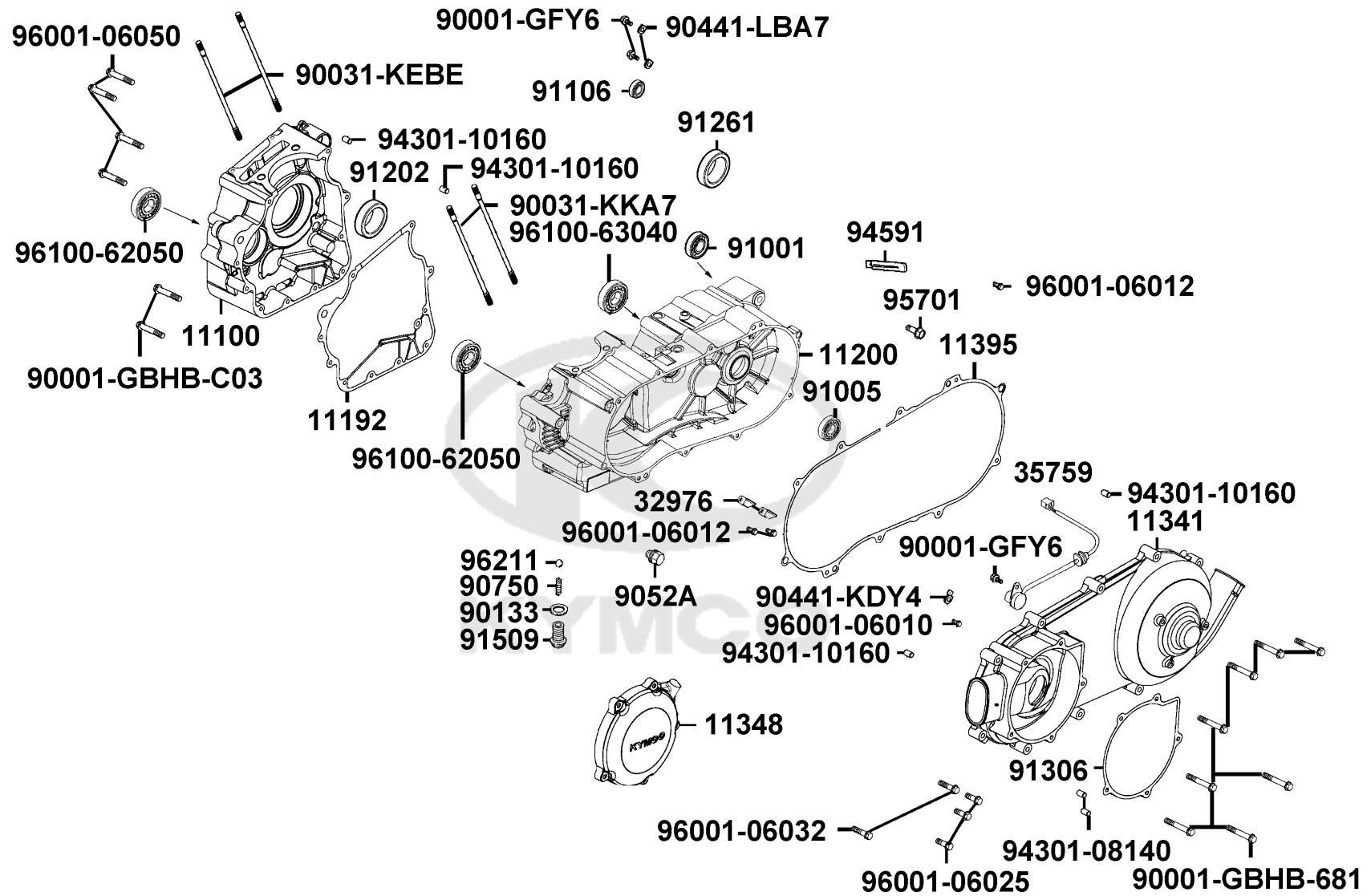
Crank Case



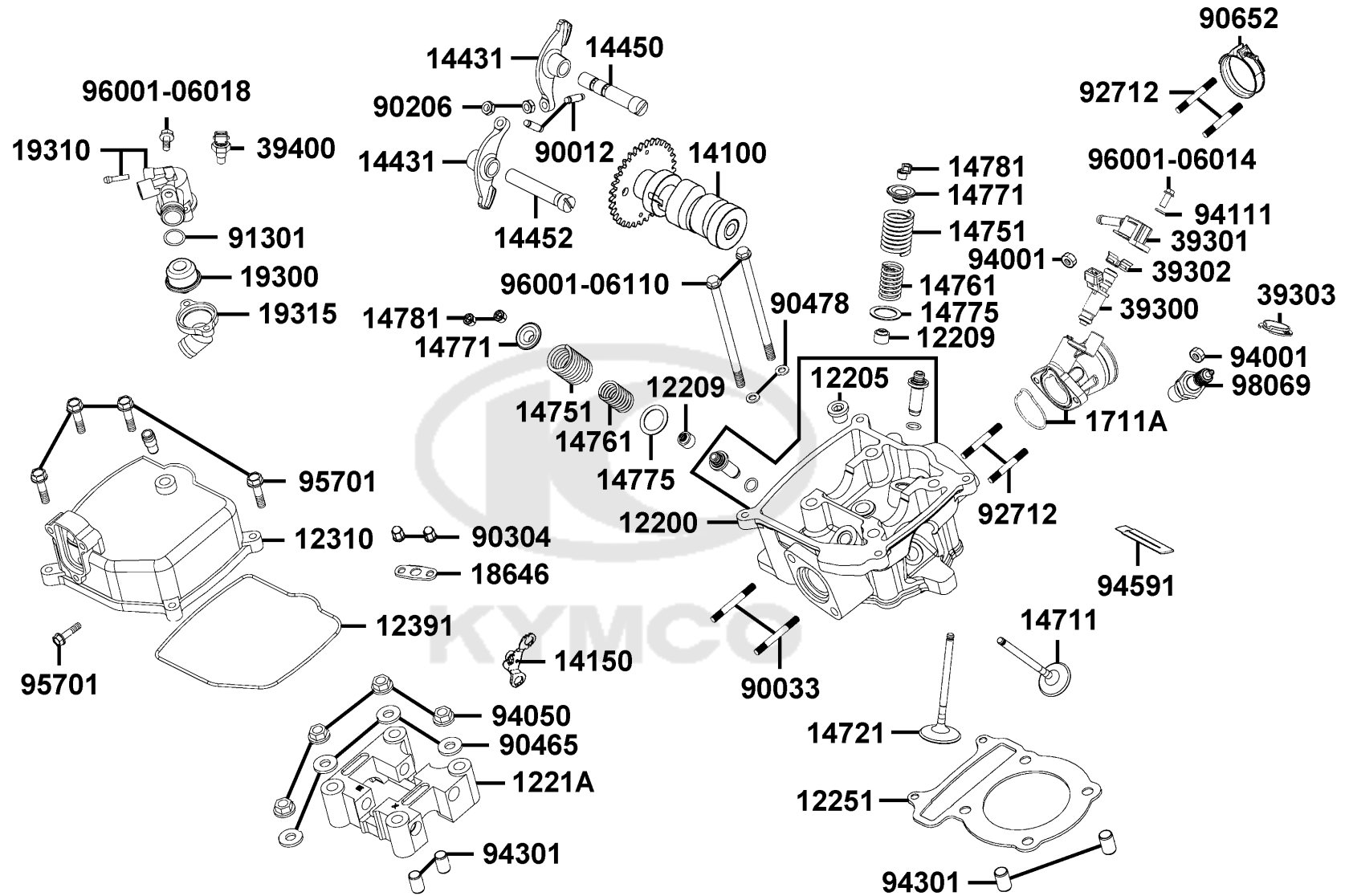
Sales mark 記号	Ref no 参照用番号	Part no パーツ番号	Description 部品名	Reg description 部品名	Regd no 必要個数	E01
	11100	11100-LDE9-E00	CRANK CASE COMP RIGHT	CRANK CASE COMP RIGHT	1	
	11192	11192-LBA7-900	GASKET CRANK CASE A	GASKET CRANK CASE A	1	
	11200	11200-LCD9-E00	CRANK CASE COMP LEFT	CRANK CASE COMP L	1	
**	11341	11341-LBA7-900	COVER LEFT	COVER LEFT	1	
	11348	11348-LBA7-900	COVER STARTING	COVER STARTING	1	
	11395	11395-LBA7-900	GASKET L COVER @A	GASKET L COVER @A	1	
	32976	32976-1G07-C00	CLAMPER WIRE HARNESS	CLAMPER WIRE HARNESS	2	
	35759	35759-LHM2-E00	SW ASSY GEAR CHANGE	SW ASSY GEAR CHANGE	1	
	90001-GBHB-681	90001-GBHB-681	BOLT FLANGE SHF 6*28	BOLT FLANGE SHF 6*28	8	
	90001-GBHB-C03	90001-GBHB-C03	BOLT FLANGE SHF 6*40	BOLT FLANGE SHF 6*40	2	
	90001-GFY6	90001-GFY6-901	SOCKET BOLT 6*10	SOCKET BOLT 6*10 (B)	3	
	90031-KEBE	90031-KEBE-900	BOLT A STUD 8MM	BOLT A STUD 8MM	2	
	90031-KKA7	90031-KKA7-900	BOLT STUD	BOLT STUD	2	
	90133	90133-LLB1-900	WASHER BOLT SEAT	WASHER BOLT SEAT	1	
	90441-KDY4	90441-KDY4-C00	PLATE BRG HOLD	PLATE BRG HOLD	1	
	90441-LBA7	90441-LBA7-900	PLATE BRG HOLD	PLATE BRG HOLD	2	
	9052A	9052A-LEB1-900	BOLT ASSY DRAIN PLUG	BOLT ASSY DRAIN PLUG	1	
	90750	90750-LLB1-900	SPRING BOLT SEAT INNER	SPRING BOLT SEAT INNER	1	
	91001	91001-KHV8-004	BRG BALL RADIAL 6305	BRG BALL RADIAL 6305	1	
	91005	91005-LBA7-900	BRG BALL RADIAL 6005LLU	BRG BALL RADIAL 6005LLU	1	

E01

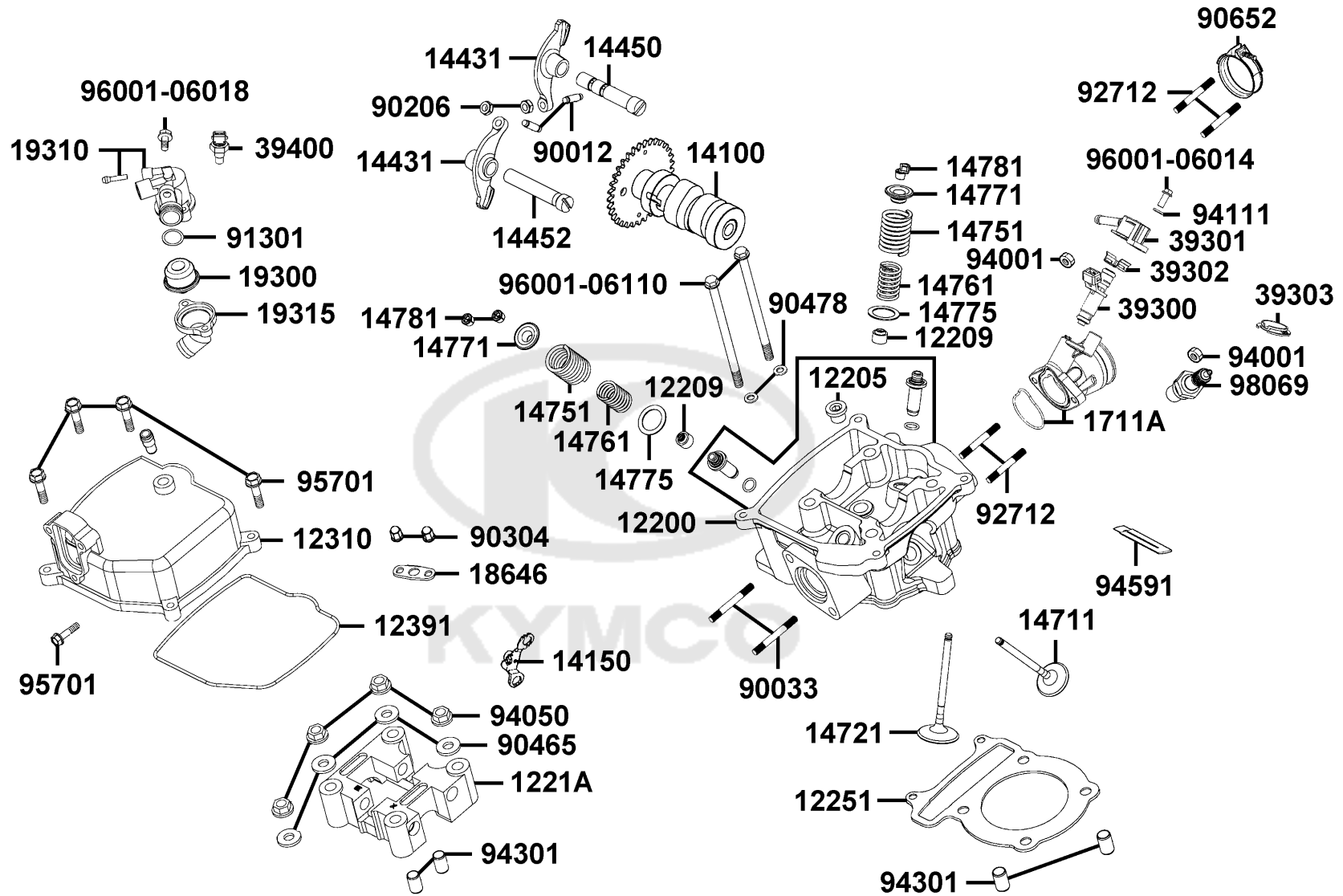
Crank Case



Sales mark 記号	Ref no 参照用番号	Part no パーツ番号	Description 部品名	Reg description 部品名	Regd no 必要個数	E01
91106		91106-LBA7-900	BRG NEEDLE 20*26*16	BRG NEEDLE 20*26*16	1	
91202		91202-KKC4-90B	OIL SEAL 27X42X7	OIL SEAL 27X42X7	1	
91261		91261-4E15-004	OIL SEAL 25*40*8	OIL SEAL 25*40*8	1	
91306		91306-LBA7-900	GASKET STARTING COVER	GASKET STARTING COVER	1	
91509		91509-LLB1-900	BOLT SEAT BALL STOPPER	BOLT SEAT BALL STOPPER	1	
94301-08140		94301-08140	DOWEL PIN 8*14	DOWEL PIN 8*14	2	
94301-10160		94301-10160	DOWEL PIN 10*16	DOWEL PIN 10*16	4	
94591		94591-LLB1-900	CLIP 2*100	CLIP 2*100	1	
95701		95701-08012-06	BOLT FLANGE 8*12	BOLT FLANGE 8*12	1	
96001-06010		96001-06010-06	BOLT FLANGE 6*10	BOLT FLANGE 6*10	1	
96001-06012		96001-06012-06	BOLT FLANGE SH 6*12	BOLT FLANGE SH 6*12	1	
96001-06025		96001-06025-06	BOLT FLANGE SH 6*25	BOLT FLANGE SH 6*25	1	
96001-06032		96001-06032-06	BOLT FLANGE 6*32	BOLT FLANGE 6*32	1	
96001-06050		96001-06050-06	BOLT FLANGE SH 6*50 (K)	BOLT FLANGE SH 6*50 (K)	1	
96100-62050		96100-62050-00	BEARING BALL RADIAL 6205	BEARING BALL RADIAL 6205	2	
96100-63040		96100-63040-00	BRG BALL RADIAL 6304	BEARING BALL RADIAL 6204	1	
96211		96211-12000	BALL STEEL #12	BALL STEEL #12	1	

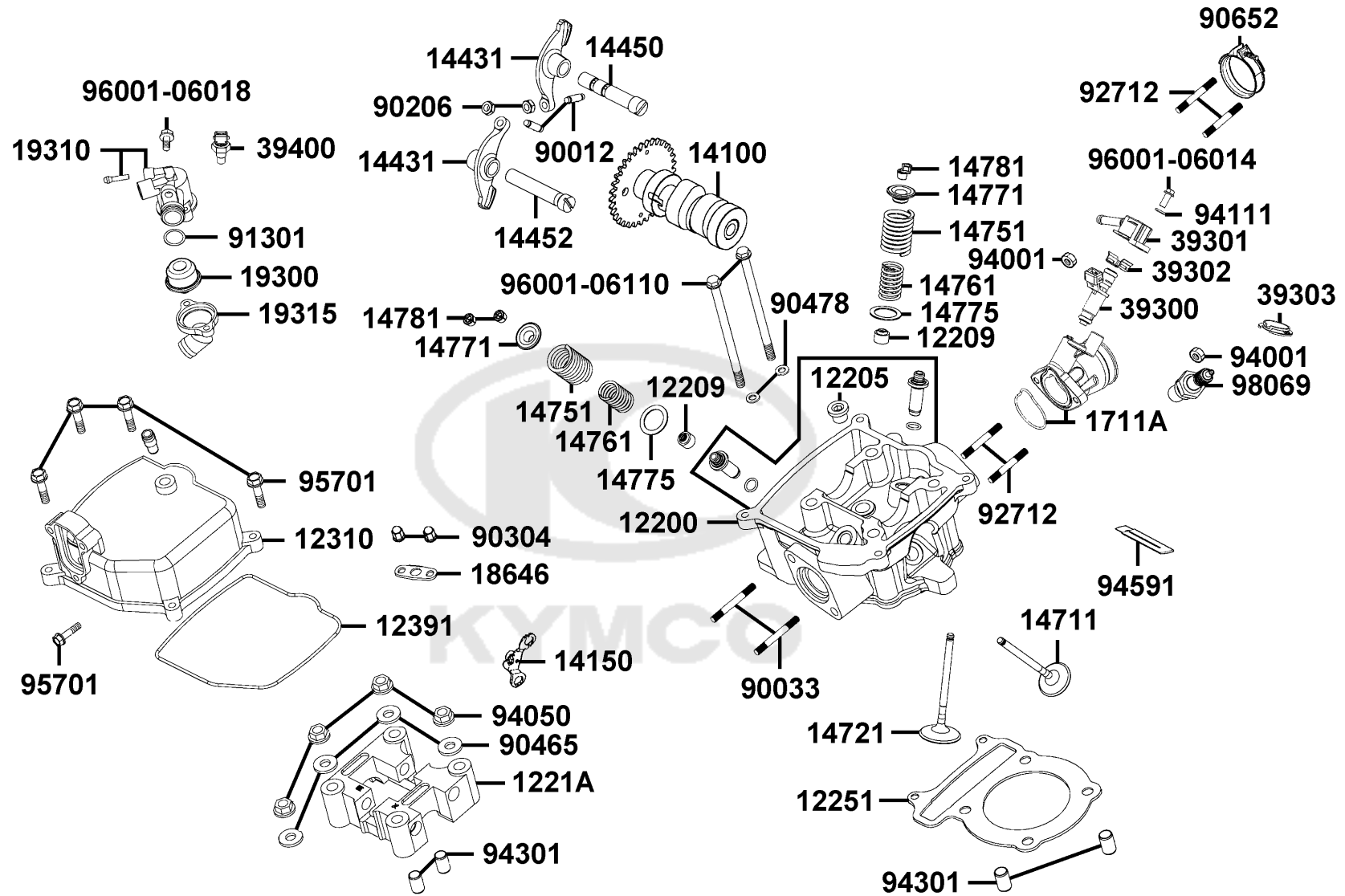


Sales mark 記号	Ref no 参照用番号	Part no パーツ番号	Description 部品名	Reg description 部品名	Regd no 必要個数	E02
12200		12200-AGA1-M00	HEAD COMP CYLN	HEAD COMP CYLN	1	
12205		12205-KHE8-301	BOLT SEALING 12MM	BOLT SEALING 12MM	1	
12209		12209-GDB4-68A	SEAL VALVE STEM	SEAL VALVE STEM	1	
1221A		1221A-LDB2-E00	HOLDER COMP CAM SHAFT	HOLDER COMP CAM SHAFT	1	
12251		12251-KHE7-901	GASKET CYLINDER HEAD	GASKET CYLINDER HEAD	1	
12310		12310-AGA1-M00	COVER COMP CYLN HEAD	COVER COMP CYLN HEAD	1	
12391		12391-LDB2-E00	GASKET HEAD COVER	GASKET HEAD COVER	1	
14100		14100-LDB2-E00	SHAFT COMP CAM	SHAFT COMP CAM	1	
14150		14150-LDB2-E00	PLATE COMP STOPPER	PLATE COMP STOPPER	1	
14431		14431-LDB2-E00	ARM VALVE ROCKER	ARM VALVE ROCKER	2	
14450		14450-KEBE-900	SHAFT COMP IN ROCKER ARM	SHAFT COMP IN ROCKER ARM	1	
14452		14452-LDB2-E00	SHAFT EXH ROCKER ARM	SHAFT EX ROCKER	1	
14711		14711-LDF2-900	VALVE INLET	VALVE INLET	1	
14721		14721-LDB2-E00	VALVE EXHAUST	VALVE EXHAUST	1	
14751		14751-KHE7-900	SPG VALVE OUTER	SPG VALVE OUTER	2	
14761		14761-KHE7-900	SPG VALVE INNER	SPG VALVE INNER	2	
14771		14771-GDB4-680	RETAINER VALVE SPRING	RETAINER VALVE SPRING	2	
14775		14775-MFA6-C00	SEAT VALVE SPG OUTER	SEAT VALVE SPG OUTER	2	
14781		14781-MFA6-001	COTTER VALVE	COTTER VALVE	4	
1711A		1711A-AGA1-M00	PIPE ASSY INLET	PIPE ASSY INLET	1	

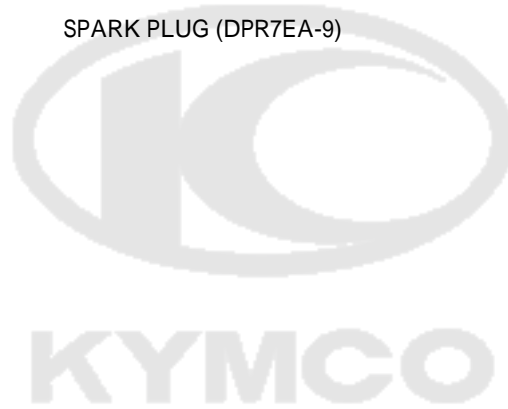




Sales mark 記号	Ref no 参照用番号	Part no パーツ番号	Description 部品名	Reg description 部品名	Regd no 必要個数	E02
18646		18646-GFY6-C10	GASKET A/I PIPE	GASKET A/I PIPE	1	
19300		19300-KAE1-004	THERMOSTAT ASSY	THERMOSTAT ASSY	1	
19310		19310-AGA1-M00	CASE COMP THERMOSTAT	CASE COMP THERMOSTAT	1	
19315		19315-KHE7-900	COVER THERMOSTAT	COVER THERMOSTAT	1	
39300		39300-AGA1-M00	FUEL INJECTOR	FUEL INJECTOR	1	
39301		39301-LKB3-C00	HOLDER ASSY FUEL	HOLDER ASSY FUEL	1	
39302		39302-KKE3-C00	CLIP SPRING FUEL INJECTOR	CLIP SPRING FUEL INJECTOR	1	
39303		39303-LEB2-C00	SEAL,HIGH TENSION FUEL INJECT	SEAL,HIGH TENSION FUEL INJECT	1	
39400		39400-LEA6-800	WATER TEMP SENSOR	WATER TEMP SENSOR	1	
90012		90012-3C33-001	SCREW TAPPET ADJUSTING	SCREW TAPPET ADJUSTING	2	
90033		90033-GFY6-C01	BOLT STUD 8*32	BOLT STUD 8*32	2	
90206		90206-0A01-001	NUT TAPPET ADJG	NUT TAPPET ADJG	2	
90304		90304-4H38-C00	NUT HEX CAP 6MM	NUT HEX CAP 6MM	2	
90465		90465-MDC4-C00	WASHER 8MM	WASHER 8MM	4	
90478		90478-7L00-001	WASHER A 6MM	WASHER A 6MM	2	
90652		90652-GFY6-901	BAND 49 AIR/C CONNECTING TUBE	BAND 49 AIR/C CONNECTING TUBE	1	
91301		91301-KHE7-900	O-RING 17.8*1.9	O-RING 17.8*1.9	1	
92712		92712-06028-0B	BOLT STUD 6*28	BOLT STUD 6*28	2	
94001		94001-06080-0S	NUT HEX 6MM	NUT HEX 6MM	2	
94050		94050-08080	NUT FLANGE 8MM	NUT FLANGE 8MM	4	

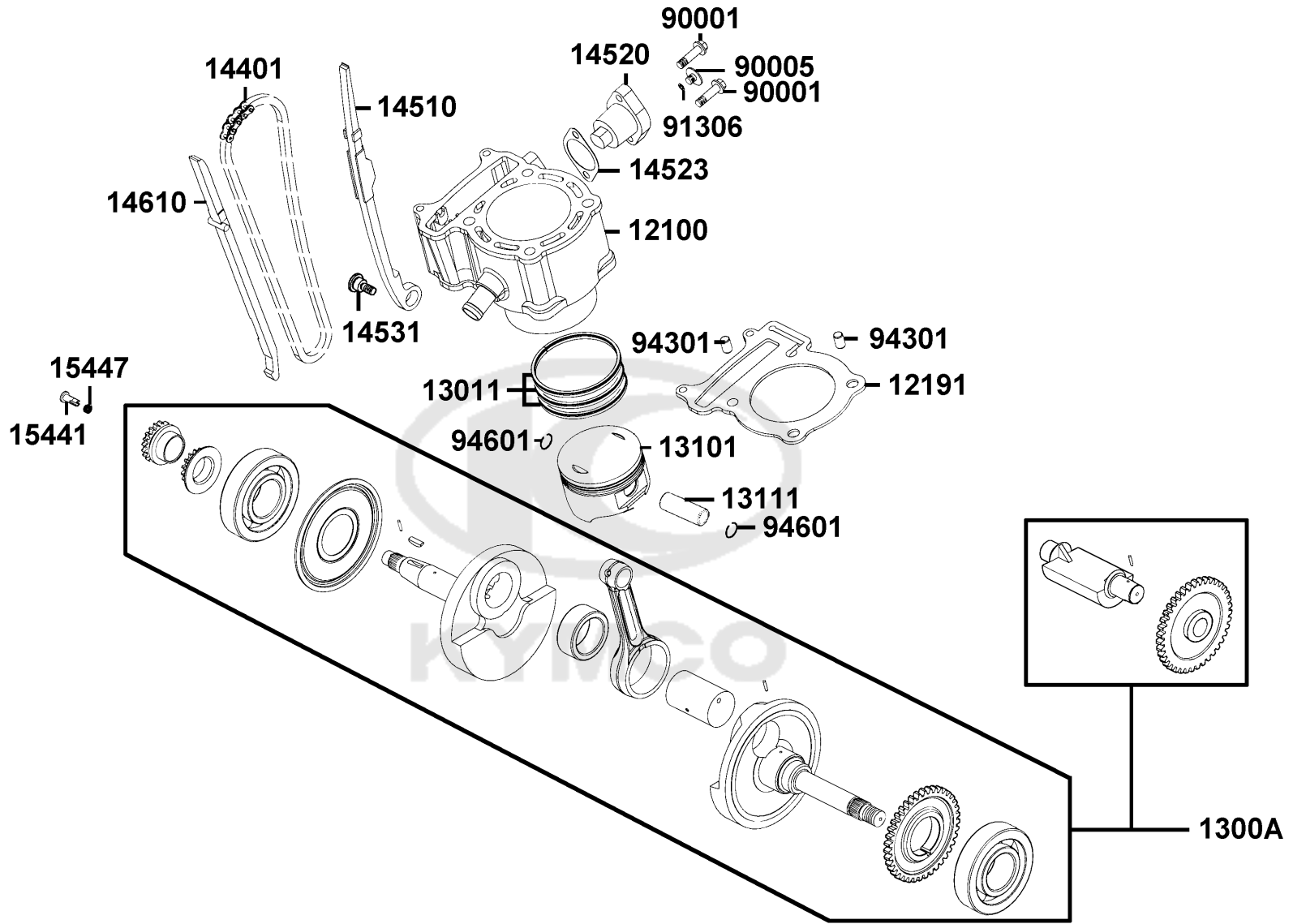


Sales mark 記号	Ref no 参照用番号	Part no パーツ番号	Description 部品名	Reg description 部品名	Regd no 必要個数	E02
94111		94111-06800	WASHER SPRING 6MM	WASHER SPRING 6MM	1	
94301		94301-10160	DOWEL PIN 10*16	DOWEL PIN 10*16	4	
94591		94591-KFBB-900	CLIP 2*70	CLIP 2*70	1	
95701		95701-06025-06	BOLT FLANGE 6*25	BOLT FLANGE 6*25	2	
96001-06014		96001-06014-02	BOLT FLANGE 6*14	BOLT FLANGE 6*14	1	
96001-06018		96001-06018-07G	BOLT FLANGE 6*18	BOLT FLANGE 6*18	1	
96001-06110		96001-06110-06	BOLT FLANGE SH 6*110	BOLT FLANGE SH 6*110	1	
98069		98069-5791R-00	SPARK PLUG (DPR7EA-9)	SPARK PLUG (DPR7EA-9)	1	



E03

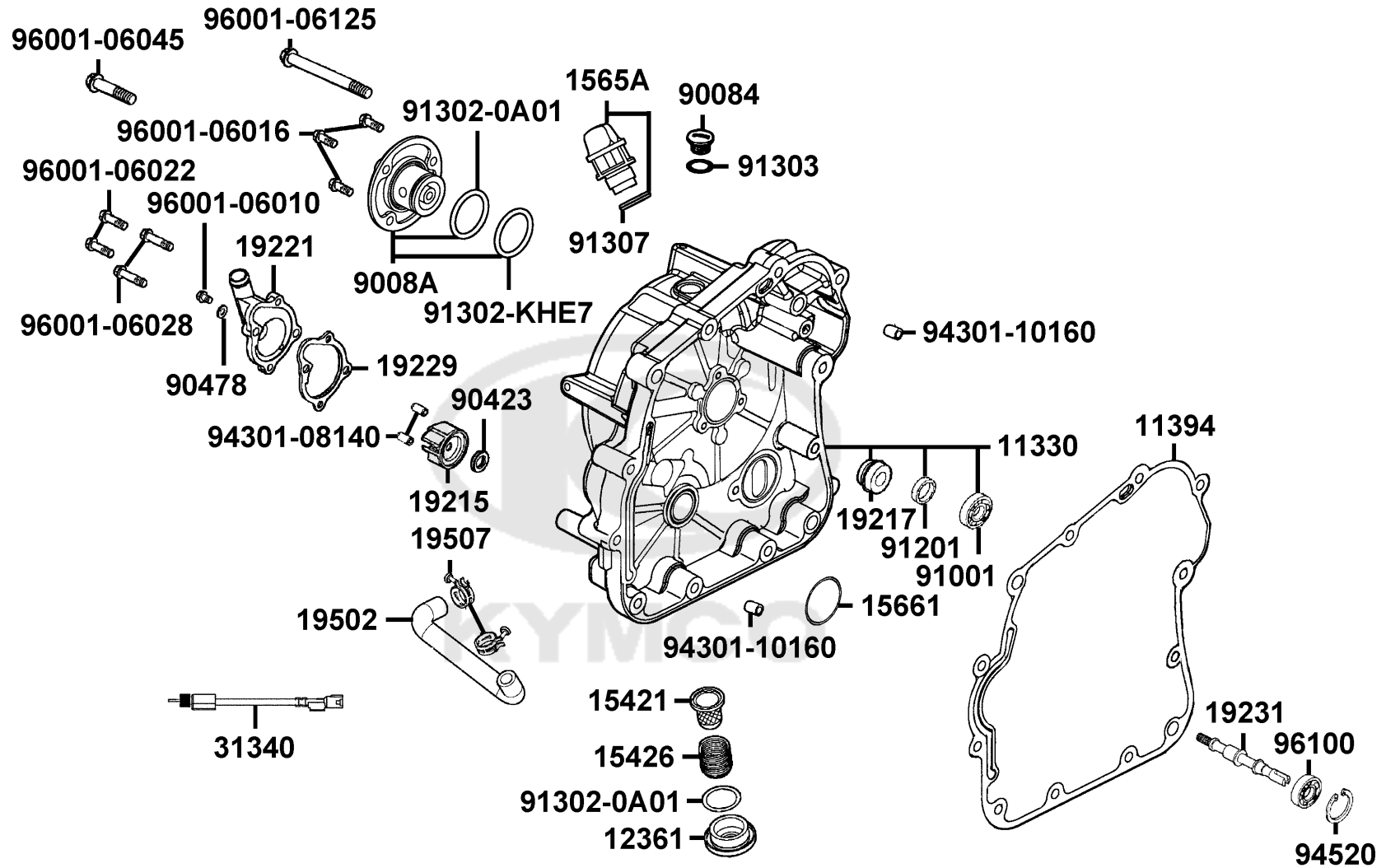
Cylinder Piston Crankshaft



Sales mark 記号	Ref no 参照用番号	Part no パーツ番号	Description 部品名	Reg description 部品名	Regd no 必要個数	E03
	12100	12100-LDE9-E00	CYLINDER COMP	CYLINDER COMP	1	
	12191	12191-KHE7-910	GASKET CYLINDER	GASKET CYLINDER	1	
	1300A	1300A-LDE9-305	CRANK BALANCER COMP	CRANK BALANCER COMP	1	
	13011	13011-KHE7-900	RING SET PISTON	RING SET PISTON	1	
	13101	13101-LDB2-E00	PISTON	PISTON	1	
	13111	13111-LDB2-E00	PIN PISTON	PIN PISTON	1	
	14401	14401-LDE9-E00	CHAIN CAM	CHAIN CAM	1	
	14510	14510-LDE9-E00	TENSIONER CAM CHAIN	TENSIONER CAM CHAIN	1	
	14520	14520-GFY6-90C	LIFTER ASSY.. TENSIONER	LIFTER ASSY.. TENSIONER	1	
#	14523	14523-KED9-920	GASKET TENSIONER LIFTER @A	GASKET TENSIONER LIFTER @A	1	
	14531	14531-KHE7-900	PIVOT CAM CHAIN TENSIONER	PIVOT CAM CHAIN TENSIONER	1	
	14610	14610-LDE9-E00	GUIDE COMP CAM CHAIN	GUIDE COMP CAM CHAIN	1	
	15441	15441-1K49-001	OIL THROUGH	OIL THROUGH	1	
	15447	15447-1K49-001	SPG OIL THROUGH	SPG OIL THROUGH	1	
	90001	90001-GBHB-C05	BOLT FLANGE SHF 6*22 (B)	BOLT FLANGE SHF 6*22 (B)	2	
	90005	90005-KED9-900	BOLT SPECIAL 6*6	BOLT SPECIAL 6*6	1	
	91306	91306-1E05-C00	O-RING 1.5*9.5	O-RING 1.5*9.5	1	
	94301	94301-10160	DOWEL PIN 10*16	DOWEL PIN 10*16	2	
	94601	94601-17000	CLIP PISTON PIN 17MM	CLIP PISTON PIN 17MM	2	

E04

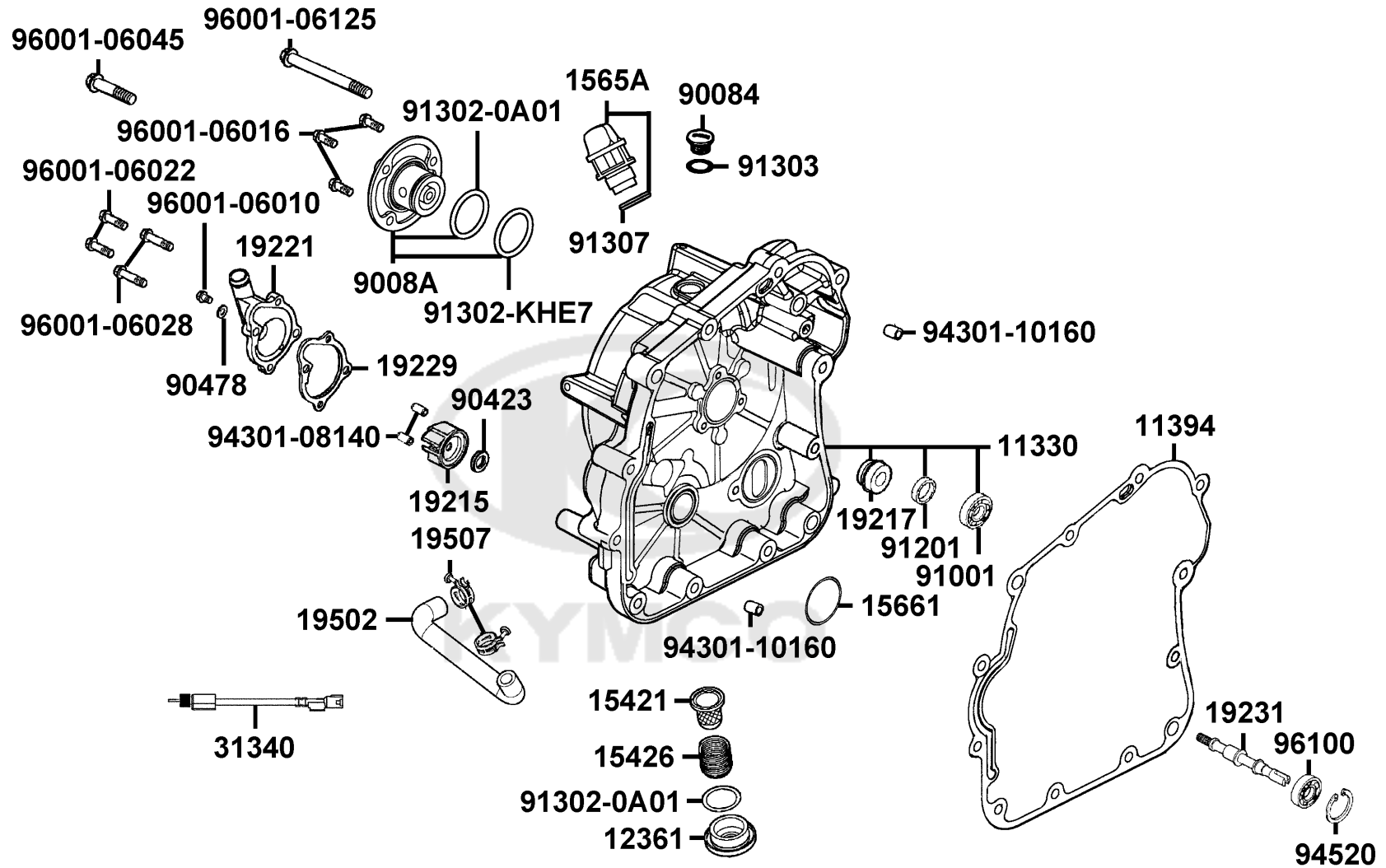
Right Crankcase Cover



Sales mark 記号	Ref no 参照用番号	Part no パーツ番号	Description 部品名	Reg description 部品名	Regd no 必要個数	E04
**	11330	11330-LDE9-E00	COVER COMP R CRANK CASE	COVER COMP R CRANK CASE	1	
	11394	11394-LBA7-900	GASKET R COVER	GASKET R COVER	1	
	12361	12361-GFY6-901	HOLE CAP TAPPET ADJUSTING	HOLE CAP TAPPET ADJUSTING	1	
	15421	15421-1G07-001	SCREEN OIL FILTER	SCREEN OIL FILTER	1	
	15426	15426-GAE1-921	SPG OIL FILTER SCREEN	SPG OIL FILTER SCREEN	1	
	1565A	1565A-KKAK-900	GAUGE OIL LEVEL ASSY	GAUGE OIL LEVEL ASSY	1	
	15661	15661-LBA7-900	FINDER OIL LEVEL	FINDER OIL LEVEL	1	
	19215	19215-KHE7-900	IMPELLER WATER PUMP	IMPELLER WATER PUMP	1	
	19217	19217-ZPA3-E00	SEAL MECHANICAL	SEAL MECHANICAL	1	
**	19221	19221-KHE7-900	COVER WATER PUMP	COVER WATER PUMP	1	
	19229	19229-LBA7-900	GASKET WATER PUMP	GASKET WATER OUMP	1	
	19231	19231-KKJ9-011	SHAFT WATER PUMP	SHAFT WATER PUMP	1	
	19502	19502-LBA7-900	HOSE B WATER	HOSE B WATER	1	
	19507	19507-LDB5-E00	CLAMP D 28	CLAMP D 28	2	
	31340	31340-AHH8-M00	SPEED SENSOR	SPEED SENSOR	1	
**	90084	90084-4H28-001	CAP ACG	CAP A.C.G	1	
	9008A	9008A-LBA7-900	CAP ASSY R COVER	CAP ASSY R COVER	1	
	90423	90423-KKJ9-001	WASHER 7.2*13*1.2	WASHER 7.2*13*1.2	1	
	90478	90478-7L00-001	WASHER A 6MM	WASHER A 6MM	1	
	91001	91001-KKJ9-006	BRG BALL RADIAL 6901	BRG BALL RADIAL 6901	1	

E04

Right Crankcase Cover

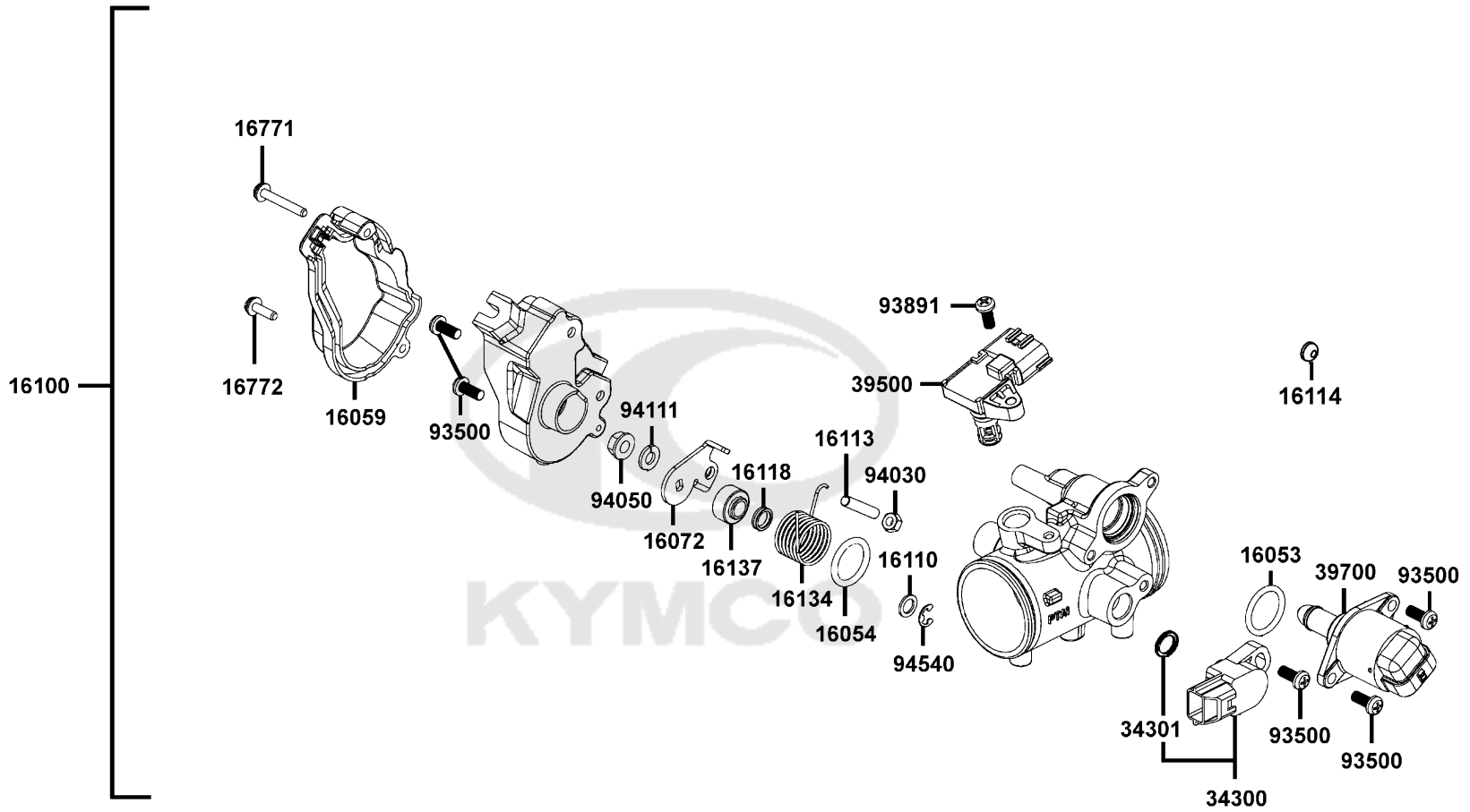




Sales mark 記号	Ref no 参照用番号	Part no パーツ番号	Description 部品名	Reg description 部品名	Regd no 必要個数	E04
91201		91201-KKJ9-004	OIL SEAL 12*20*4	OIL SEAL 12*20*4	1	
91302-0A01		91302-0A01-C00	O-RING 30.8MM	O-RING 30.8MM	2	
91302-KHE7		91302-KHE7-900	O-RING 27.4*2.1MM	O-RING 27.4*2.1MM	1	
91303		91303-3G77-001	O-RING 13.8*2.5	O-RING 13.8*2.5	1	
91307		91307-0E35-001	O RING 18*3	O RING 18*3	1	
94301-08140		94301-08140	DOWEL PIN 8*14	DOWEL PIN 8*14	2	
94301-10160		94301-10160	DOWEL PIN 10*16	DOWEL PIN 10*16	2	
94520		94520-26000	CIR CLIP INTERAL 26MM	CIR CLIP INTERAL 26MM	1	
96001-06010		96001-06010-00	BOLT FLANGE SH 6X10	BOLT FLANGE SH 6X10	1	
96001-06016		96001-06016-06	BOLT FLANGE SH 6X16	BOLT FLANGE SH 6X16	1	
96001-06022		96001-06022-06	BOLT FLANGE SH 6X22	BOLT FLANGE SH 6*22 (G)	1	
96001-06028		96001-06028-06	BOLT FLANGE SH 6*28	BOLT FLANGE SH 6*28	1	
96001-06045		96001-06045-06	BOLT FLANGE 6X45	BOLT FLANGE 6X45	1	
96001-06125		96001-06125-06	BOLT FLANGE SH 6*125	BOLT FLANGE SH 6*125	1	
96100		96100-60000-00	BEARING BALL RADIAL 6000	BEARING BALL RADIAL 6000	1	

E05

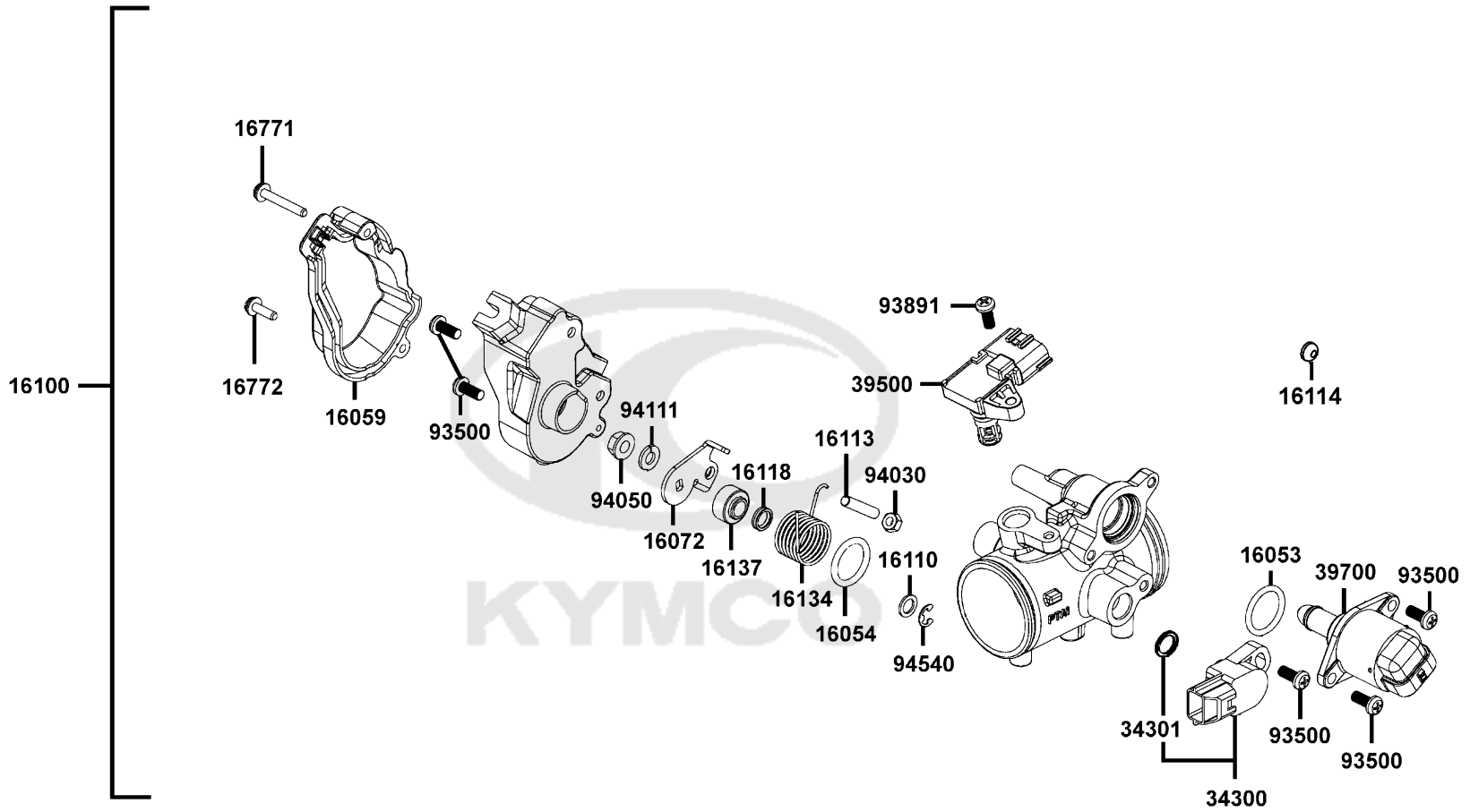
Throttle Body Assy



Sales mark 記号	Ref no 参照用番号	Part no パーツ番号	Description 部品名	Reg description 部品名	Regd no 必要個数	E05
16053		16053-PTA1-800	SEAL	SEAL	1	
16054		16054-PTA1-800	OIL RING	OIL RING	1	
16059		16059-LDB5-E00	COVER WIRE STAY	COVER WIRE STAY	1	
16072		16072-PTA1-800	DRUM. THROTTLE	DRUM. THROTTLE	1	
16100		16100-AGA1-M00	THROTTLE BODY ASSY	THROTTLE BODY ASSY	1	
16110		16110-KGC5-900	WASHER THROTTLE ASSY	WASHER THROTTLE ASSY	1	
16113		16113-PTA1-800	PILOT SCREW	PILOT SCREW	1	
16114		16114-LDB5-E00	SHAFT COVER	SHAFT COVER	1	
16118		16118-LBF2-900	SEAL THROTTLE SHAFT	SEAL THROTTLE SHAFT	1	
16134		16134-LDB5-E00	SPG THROTTLE SHAFT	SPG THROTTLE SHAFT	1	
16137		16137-PTA1-800	COLLAR LEVER	COLLAR LEVER	1	
16771		16771-GKAK-220	SCREW-WASHER M4x30	SCREW-WASHER M4x30	1	
16772		16772-AEC8-E00	SCREW WASHER M4*16	SCREW WASHER M4*16	1	
34300		34300-KKE3-900	THROTTLE POSITION SENSOR	THROTTLE POSITION SENSOR	1	
34301		34301-KKE3-900	O-RING T.P.S.	O-RING T.P.S.	1	
39500		39500-PTA1-800	SENSOR T-MAP	SENSOR T-MAP	1	
39700		39700-PTA1-800	BY PASS VALVE IDLE AIR	BY PASS VALVE IDLE AIR	1	
93500		93500-05012-0F	SCREW PAN 5X12	SCREW PAN 5X12	1	
93891		93891-04012-06	SCREW WASH 4*12	SCREW WASH 4*12	1	
94030		94030-PTA1-800	NUT HEX 5mm	NUT HEX 5mm	1	

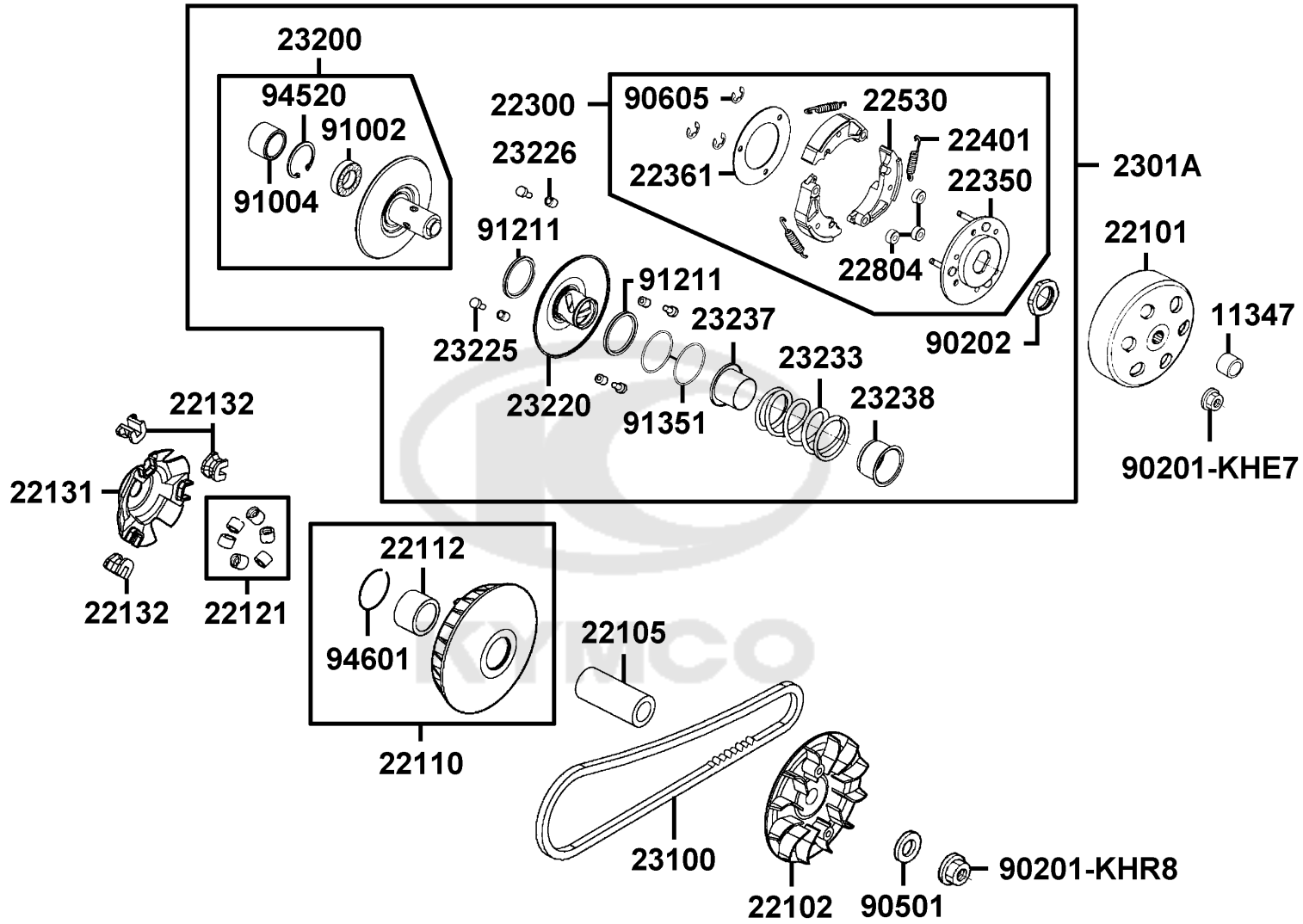
E05

# Throttle Body Assy

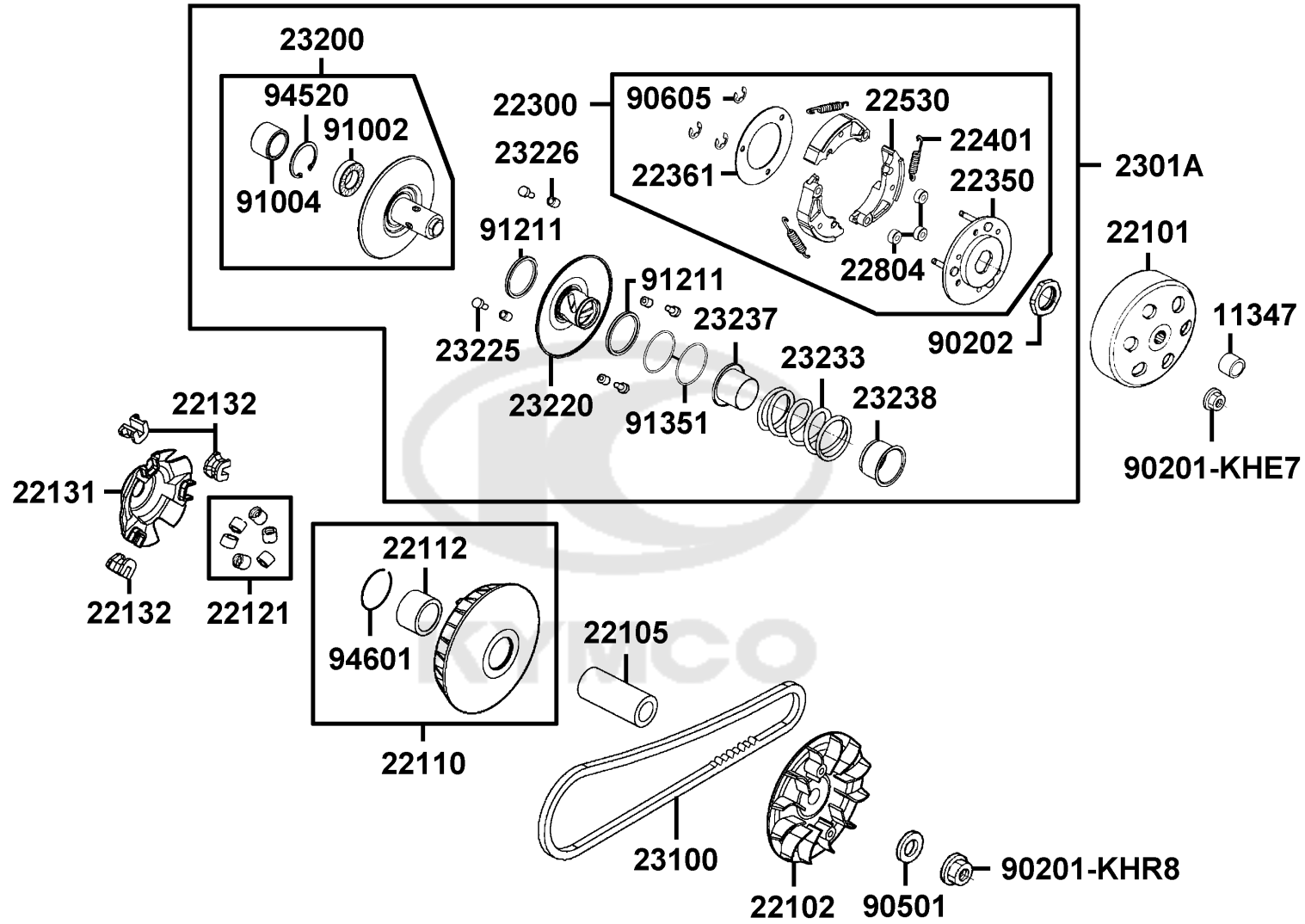


Sales mark 記号	Ref no 参照用番号	Part no パーツ番号	Description 部品名	Reg description 部品名	Regd no 必要個数	E05
94050	94050-06080	94050-06080	NUT FLANGE 6MM	NUT FLANGE 6MM	1	
94111	94111-06800	94111-06800	WASHER SPRING 6MM	WASHER SPRING 6MM	1	
94540	94540-50029	94540-50029	E CLIP SHAFT	E CLIP SHAFT	1	





Sales mark 記号	Ref no 参照用番号	Part no パーツ番号	Description 部品名	Reg description 部品名	Regd no 必要個数	E06
	11347	11347-LBA7-900	BOSS DRIVE SHAFT	BOSS DRIVE SHAFT	1	
	22101	22101-LBA7-900	OUTER CLUTCH	OUTER CLUTCH	1	
	22102	22102-KHE7-900	FACE DRIVE	FACE DRIVE	1	
	22105	22105-AGA1-M00	BOSS DRIVE FACE	BOSS DRIVE FACE	1	
	22110	22110-KHE7-900	FACE COMP MOVABLE DRIVE	FACE COMP MOVABLE DRIVE	1	
	22112	22112-KHE7-900	BUSH 27*33*37	BUSH 27*33*37	1	
	22121	22121-LBA7-305	ROLLER SET WEIGHT (1SET:6PCS)	ROLLER SET WEIGHT (1SET:6PCS)	1	
	22131	22131-LBA7-900	PLATE RAMP	PLATE RAMP	1	
	22132	22132-KHE7-305	PIECE SLIDE SET (1SET:3PCS)	PIECE SLIDE SET(1台分は注文数「1」にして下	1	
	22300	22300-LBA7-900	PLATE ASSY DRIVE	PLATE ASSY DRIVE	1	
	22350	22350-KHE7-900	PLATE COMP DRIVE	PLATE COMP DRIVE	1	
	22361	22361-LEA7-E00	PLATE CLUTCH SIDE	PLATE CLUTCH SIDE	1	
	22401	22401-LBA7-900	SPRING CLUTCH	SPRING CLUTCH	3	
	22530	22530-LBA7-900	WEIGHT CLUTCH	WEIGHT CLUTCH	3	
	22804	22804-GBB2-001	RUBBER CLUTCH DAMPER	RUBBER CLUTCH DAMPER	3	
	2301A	2301A-LBA7-900	PULLEY SUB ASSY	PULLEY SUB ASSY	1	
	23100	23100-KHE7-900	BELT DRIVE(Maker:BANDO)	BELT DRIVE(Maker:BANDO)	1	
	23200	23200-KHE7-900	FACE ASSY DRIVEN	FACE ASSY DRIVEN	1	
	23220	23220-LLJ3-E00	FACE COMP MOVABLE DRIVEN	FACE COMP MOVABLE DRIVEN	1	
	23225	23225-KHE7-900	PIN ROLLER GUIDE	PIN ROLLER GUIDE	4	

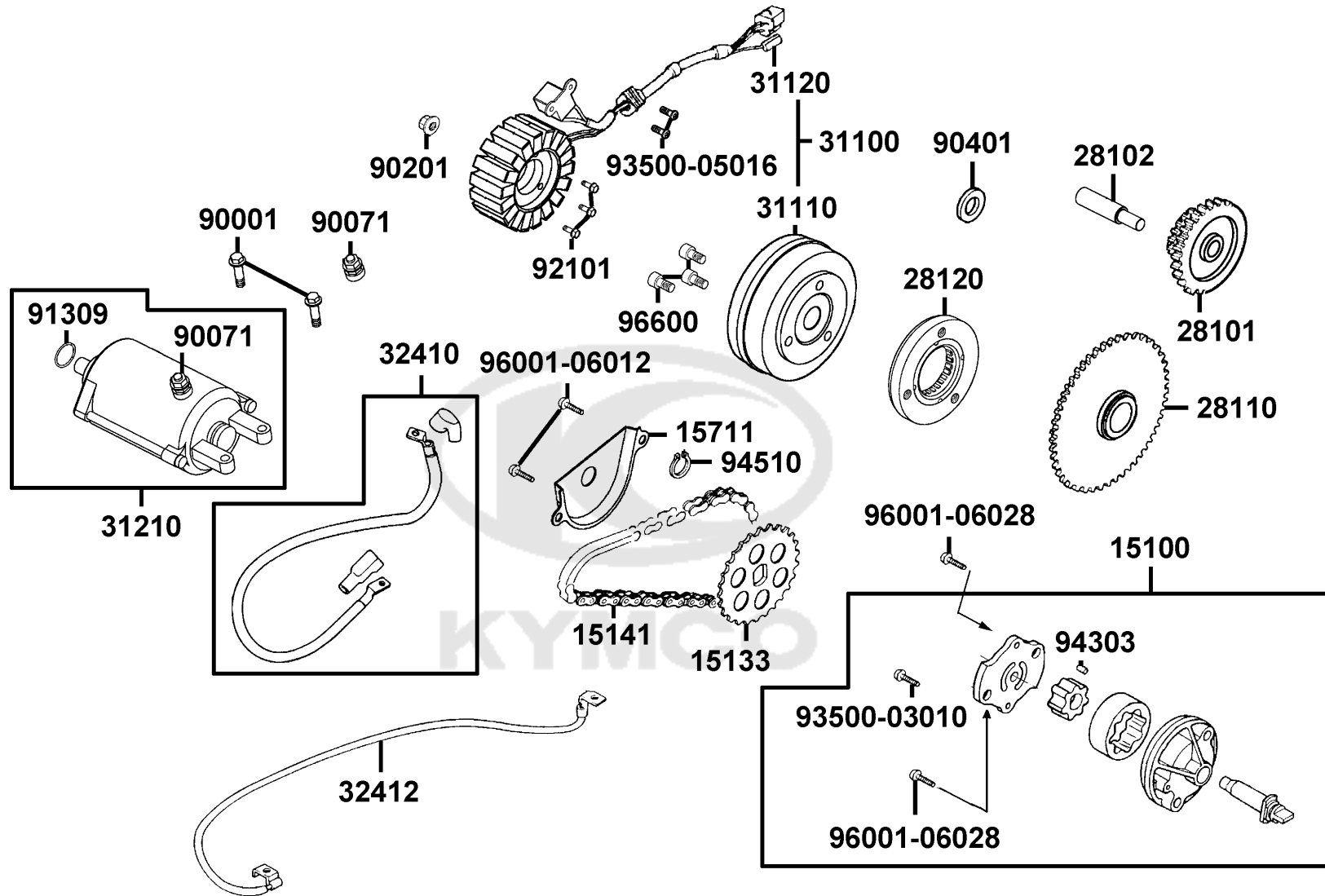




Sales mark 記号	Ref no 参照用番号	Part no パーツ番号	Description 部品名	Reg description 部品名	Regd no 必要個数	E06
23226		23226-GHC8-004	ROLLER GUIDE	ROLLER GUIDE	4	
23233		23233-LBA7-900	SPG DRIVEN FACE	SPG DRIVEN FACE	1	
23237		23237-KHE7-900	COLLAR SEAL	COLLAR SEAL	1	
23238		23238-KHE7-900	COLLAR SPG	COLLAR SPG	1	
90201-KHE7		90201-KHE7-900	NUT C FLANGE M12	NUT C FLANGE M12	1	
90201-KHR8		90201-KHR8-75A	NUT FLANGE 14MM	NUT FLANGE 14MM	1	
90202		90202-1G87-001	NUT SPECIAL 28MM	NUT SPECIAL 28MM	1	
90501		90501-LBA7-900	WASHER THRUST 16MM	WASHER THRUST 16MM	1	
90605		90605-1F66-C00	CIR CLIP 7MM	CIR CLIP 7MM	3	
91002		91002-GGA7-70A	BRG BALL RADIAL 6902U	BRG BALL RADIAL 6902U	1	
91004		91004-KHE7-900	BRG NDL 22*29*18	BRG NDL 22*29*18	1	
91211		91211-KHE7-900	SEAL DRIVEN FACE	SEAL DRIVEN FACE	2	
91351		91351-KHE7-900	O-RING PINION CAP	O-RING PINION CAP	2	
94520		94520-28000	CIR CLIP IN 28	CIR CLIP IN 28	1	
94601		94601-33000	CLIP PISTON PIN 33MM	CLIP PISTON PIN 33MM	1	

E07

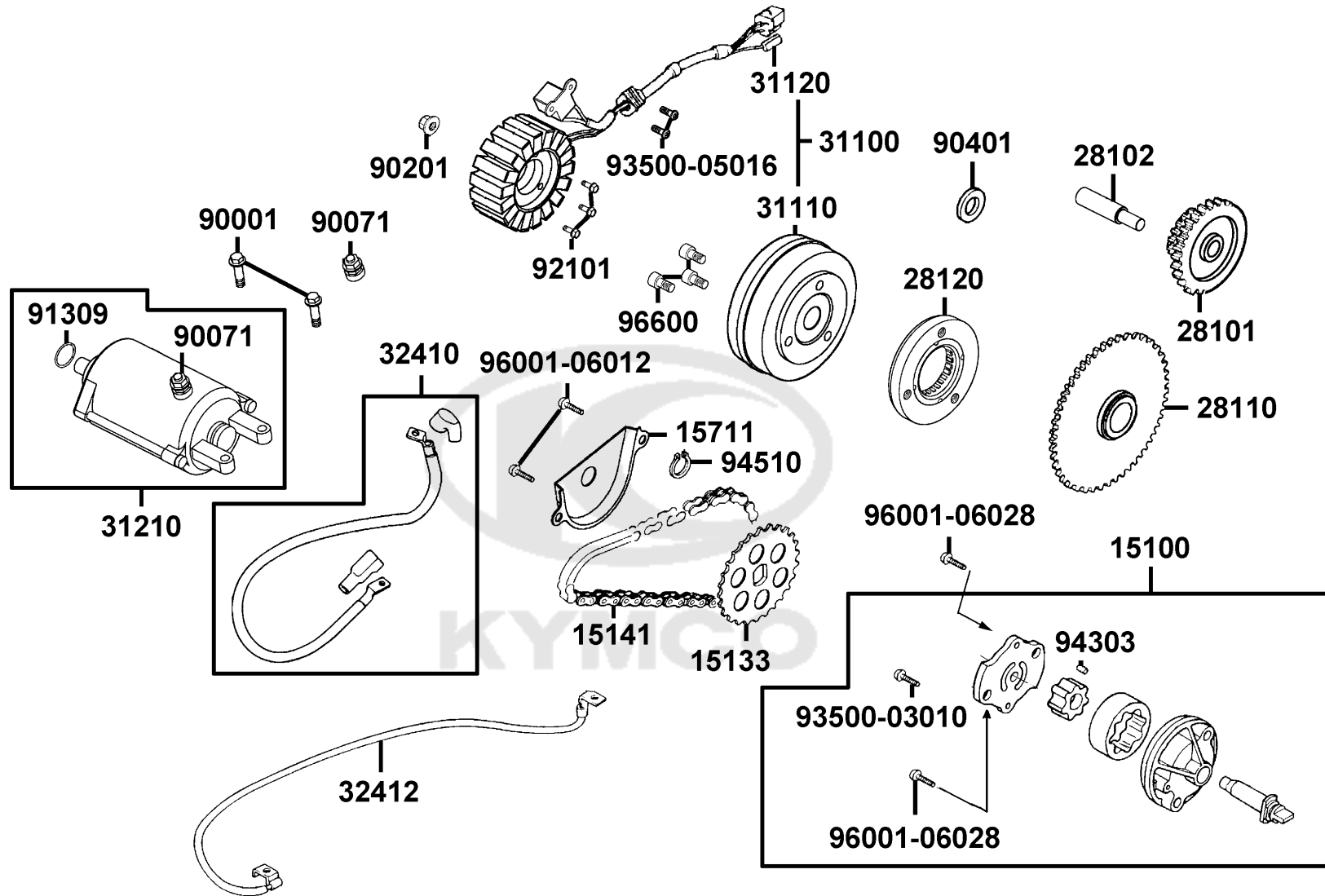
Starting Motor Oil Pump




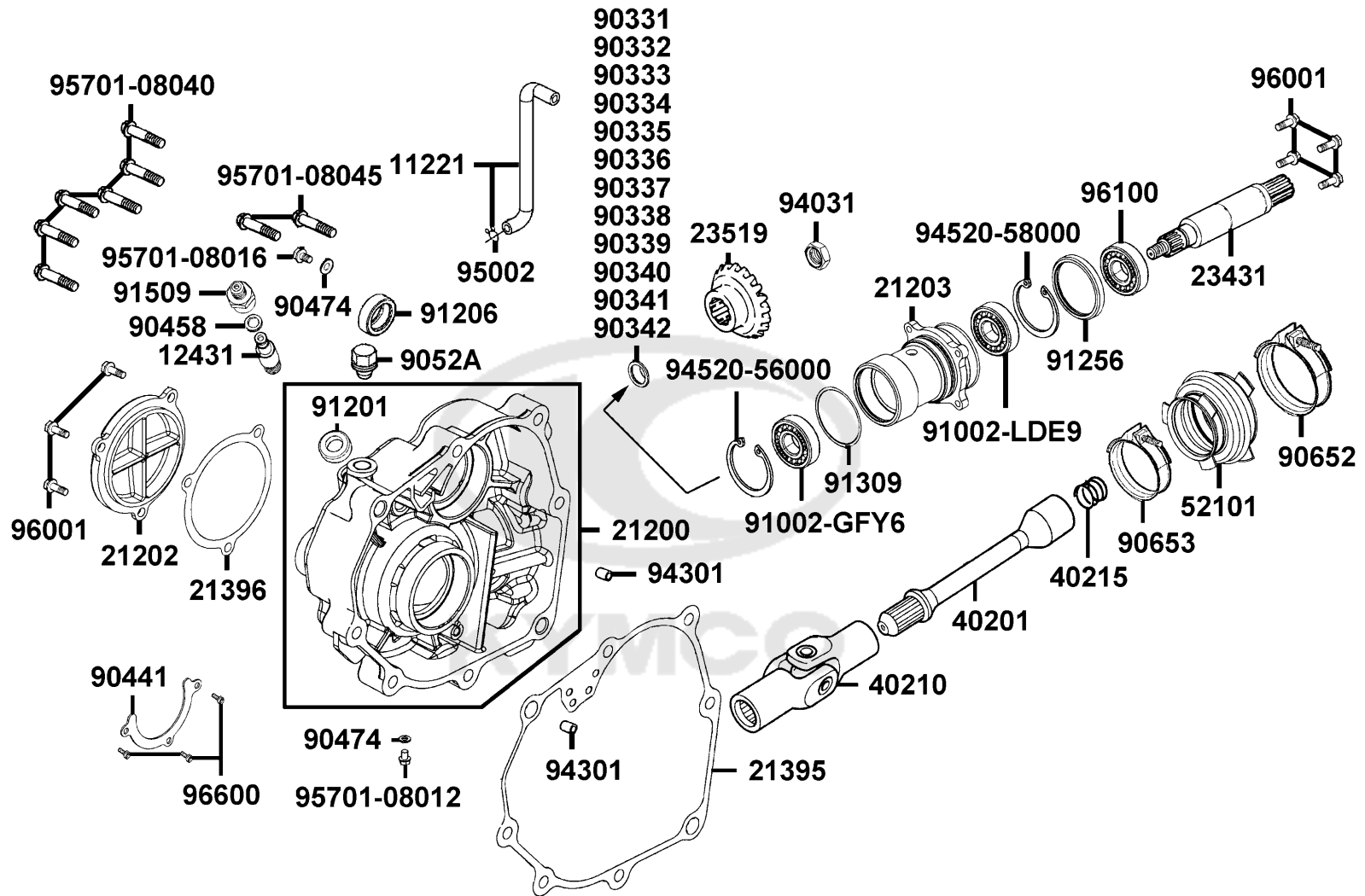
Sales mark 記号	Ref no 参照用番号	Part no パーツ番号	Description 部品名	Reg description 部品名	Regd no 必要個数	E07
15100		15100-LBA7-900	PUMP ASSY OIL	PUMP ASSY OIL	1	
15133		15133-KAM1-001	SPROCKET OIL PUMP DRIVE	SPROCKET OIL PUMP DRIVE	1	
15141		15141-LBA2-E00	CHAIN OIL PUMP	CHAIN OIL PUMP	1	
15711		15711-KHE7-900	SEPARATER OIL	SEPARATER OIL	1	
28101		28101-KHE7-900	GEAR STARTER REDUCTION	GEAR STARTER REDUCTION	1	
28102		28102-LDE9-E00	SHAFT STARTER REDUCTION	SHAFT STARTER REDUCTION	1	
28110		28110-LDB2-E00	GEAR COMP STARTING CLUTCH	GEAR COMP STARTING CLUTCH	1	
28120		28120-LDB2-E00	ONE WAY CLUTCH	ONE WAY CLUTCH	1	
31100		31100-AGA1-M00	AC GEN ASS'Y	AC GEN ASS'Y	1	
31110		31110-AGA1-M00	FLYWHEEL COMP	FLYWHEEL COMP	1	
31120		31120-LDE9-E00	STATOR COMP /D406	STATOR COMP /D406	1	
31210		31210-LBA7-900	MOTOR UNIT STARTER	MOTOR UNIT STARTER	1	
32410		32410-LBA7-900	CABLE STARTER MOTOR	CABLE STARTER MOTOR	1	
32412		32412-AGA1-M00	CABLE EARTH	CABLE EARTH	1	
90001		90001-GBHB-C05	BOLT FLANGE SHF 6*22 (B)	BOLT FLANGE SHF 6*22 (B)	2	
90071		90071-MLB0-001	NUT WASH 6MM	NUT WASH 6MM	2	
90201		90201-KHR8-75A	NUT FLANGE 14MM	NUT FLANGE 14MM	1	
90401		90401-KKJ9-001	WASHER THRUST 14*28*2	WASHER THRUST 14*28*2	1	
91309		91309-4E25-004	O-RING 24.4*3.1	O-RING 24.4*3.1	1	
92101		92101-05032-0G	BOLT HEX 5*32	BOLT HEX 5*32	1	

E07

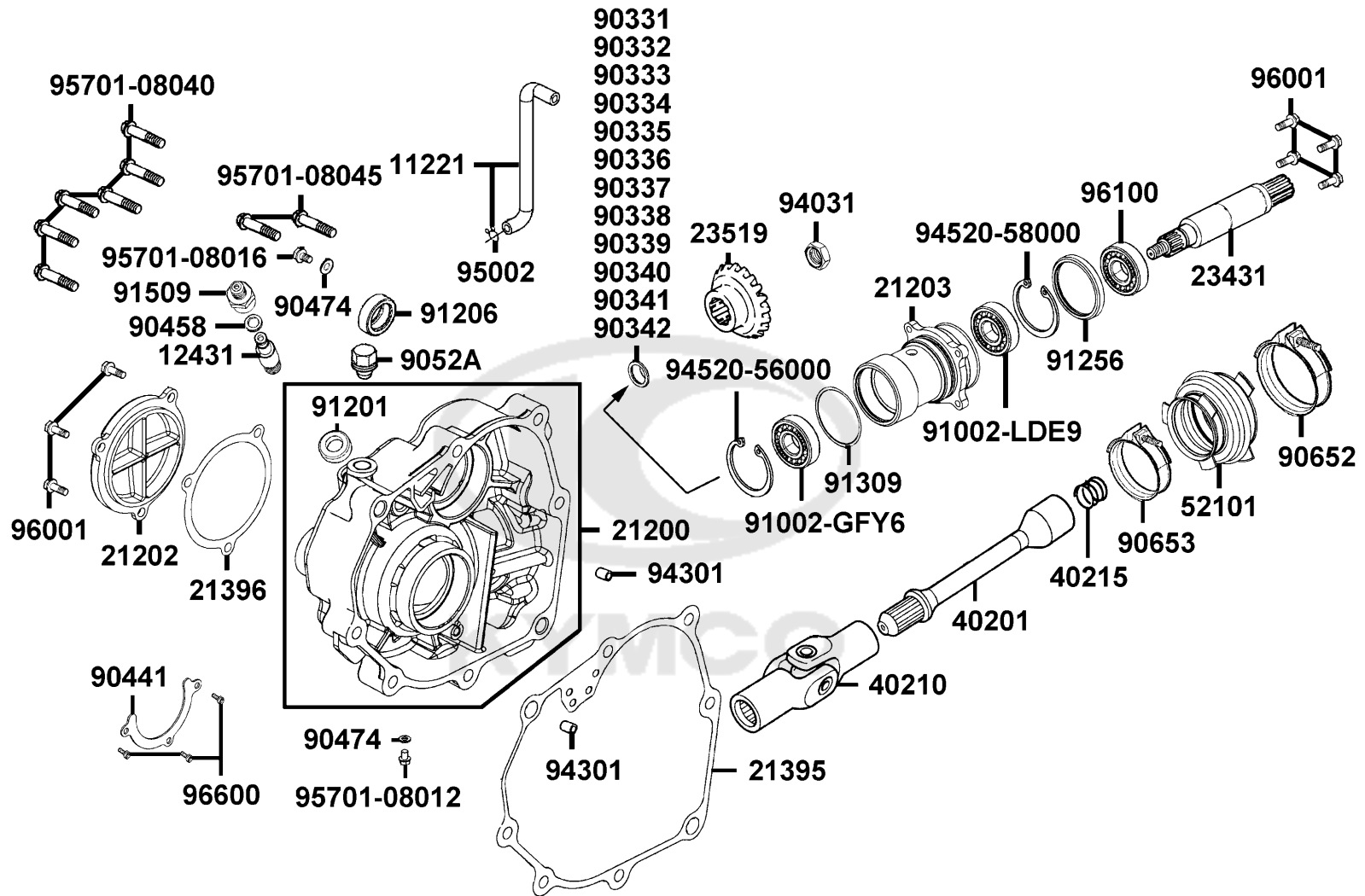
Starting Motor Oil Pump



Sales mark 記号	Ref no 参照用番号	Part no パーツ番号	Description 部品名	Reg description 部品名	Regd no 必要個数	E07
93500-03010	93500-03010-0F	93500-03010-0F	SCREW PAN 3X10	SCREW PAN 3X10	1	
93500-05016	93500-05016-0F	93500-05016-0F	SCREW PAN 5*16	SCREW PAN 5*16	1	
94303	94303-04065	94303-04065	DOWEL PIN 4*6.5	DOWEL PIN 4*6.5	1	
94510	94510-10000	94510-10000	CIR CLIP EX 10MM	CIR CLIP EX 10MM	1	
96001-06012	96001-06012-06	96001-06012-06	BOLT FLANGE SH 6*12	BOLT FLANGE SH 6*12	1	
96001-06028	96001-06028-06	96001-06028-06	BOLT FLANGE SH 6*28	BOLT FLANGE SH 6*28	1	
96600	96600-08015-16	96600-08015-16	SOCKET BOLT 8X15	SOCKET BOLT 8X15	1	
						



Sales mark 記号	Ref no 参照用番号	Part no パーツ番号	Description 部品名	Reg description 部品名	Regd no 必要個数	E08
	11221	11221-LBA7-900	TUBE MISSION BREATHER	TUBE MISSION BREATHER	1	
	12431	12431-LCD9-E00	GEAR TACHOMETER	GEAR TACHOMETER	1	
	21200	21200-LCD9-E00	CASE COMP MISSION	CASE COMP MISSION	1	
	21202	21202-LCD9-E00	CAP MISSION	CAP MISSION	1	
	21203	21203-LCD9-E00	CASE FINAL SHAFT	CASE FINAL SHAFT	1	
	21395	21395-LCD9-E00	GASKET MISSION CASE	GASKET MISSION CASE	1	
	21396	21396-LCD9-E00	GASKET MISSION COVER	GASKET MISSION COVER	1	
	23431	23431-LCD9-E00	SHAFT FINAL	SHAFT FINAL	1	
#	23519	23519-LCD9-E0A	GEAR BEVEL DRIVEN	GEAR BEVEL DRIVEN	1	
	40201	40201-AGA1-M00	SHAFT PROPELLER	SHAFT PROPELLER	1	
	40210	40210-AGA1-M00	JOINT YORK	JOINT YORK	1	
	40215	40215-AGA1-M00	SPG PROPELLER SHAFT	SPG PROPELLER SHAFT	1	
	52101	52101-AGA1-M00	BOOT JOINT	BOOT JOINT	1	
	90331	90331-LCD9-E00	SHIM DRIVEN BEVEL GEAR A	SHIM DRIVEN BEVEL GEAR A	1	
	90332	90332-LCD9-E00	SHIM DRIVEN BEVEL GEAR B	SHIM DRIVEN BEVEL GEAR B	1	
	90333	90333-LCD9-E00	SHIM DRIVEN BEVEL GEAR C	SHIM DRIVEN BEVEL GEAR C	1	
	90334	90334-LCD9-E00	SHIM DRIVEN BEVEL GEAR D	SHIM DRIVEN BEVEL GEAR D	1	
	90335	90335-LCD9-E00	SHIM DRIVEN BEVEL GEAR E	SHIM DRIVEN BEVEL GEAR E	1	
	90336	90336-LCD9-E00	SHIM DRIVEN BEVEL GEAR F	SHIM DRIVEN BEVEL GEAR F	1	
	90337	90337-LCD9-E00	SHIM DRIVEN BEVEL GEAR G	SHIM DRIVEN BEVEL GEAR G	1	

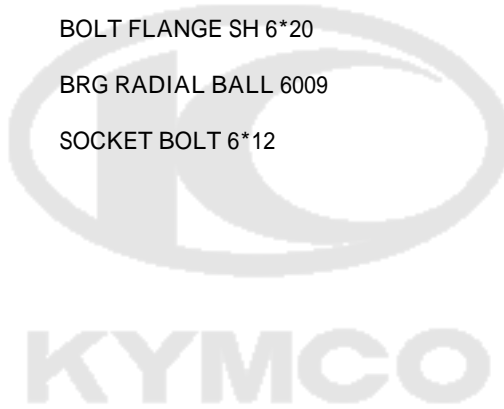


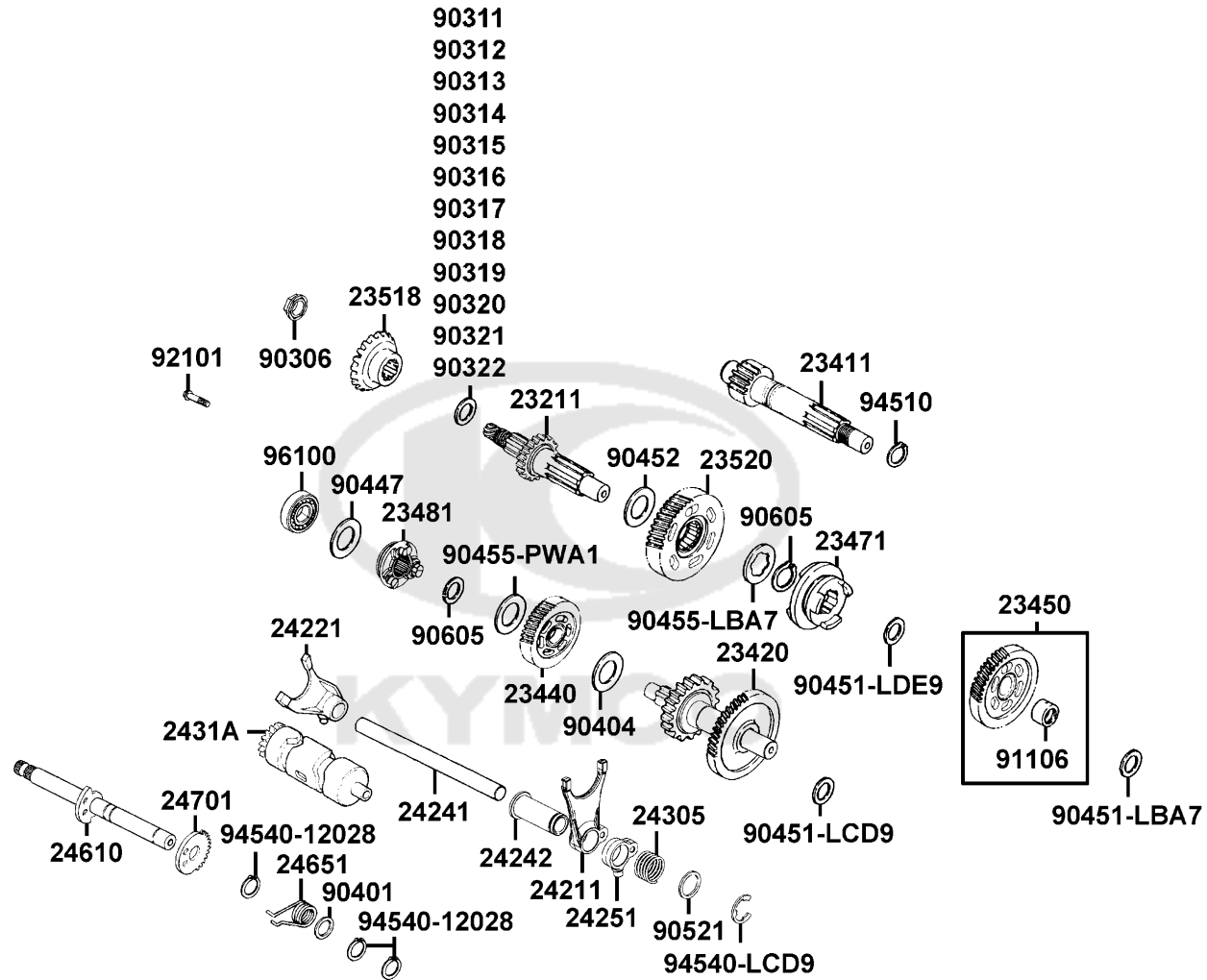


Sales mark 記号	Ref no 参照用番号	Part no パーツ番号	Description 部品名	Reg description 部品名	Regd no 必要個数	E08
90338	90338-LCD9-E00		SHIM DRIVEN BEVEL GEAR H	SHIM DRIVEN BEVEL GEAR H	1	
90339	90339-LCD9-E00		SHIM DRIVEN BEVEL GEAR I	SHIM DRIVEN BEVEL GEAR I	1	
90340	90340-LCD9-E00		SHIM DRIVEN BEVEL GEAR J	SHIM DRIVEN BEVEL GEAR J	1	
90341	90341-LCD9-E00		SHIM DRIVEN BEVEL GEAR K	SHIM DRIVEN BEVEL GEAR K	1	
90342	90342-LCD9-E00		SHIM DRIVEN BEVEL GEAR L (1.125-1.175)	SHIM DRIVEN BEVEL GEAR L	1	
90441	90441-PWA1-E00		PLATE BRG HOLD	PLATE BRG HOLD	1	
90458	90458-LBA7-E00		THRUST WASHER 8MM	THRUST WASHER 8MM	1	
90474	90474-3C33-C00		WASHER 8MM (T*2)	WASHER 8MM (T*2)	2	
9052A	9052A-GFY6-950		BOLT ASSY DRAIN PLUG	BOLT ASSY DRAIN PLUG	1	
90652	90652-AGA1-M00		BAND 90 CONNECTING TUBE	BAND 90 CONNECTING TUBE	1	
90653	90653-AGA1-M00		BAND 71 BOOT	BAND 71 BOOT	1	
91002-GFY6	91002-GFY6-90A		BRG BALL RADIAL 63/22 (22*56*15)	BRG BALL RADIAL 63/22	1	
91002-LDE9	91002-LDE9-E00		BRG BALL RADIAL 62/28	BRG BALL RADIAL 62/28	1	
91201	91201-9A51-004		OIL SEAL 12*18*3	OIL SEAL 12*18*3	1	
91206	91206-2F86-C00		OIL SEAL 14*28*7	OIL SEAL 14*28*7	1	
91256	91256-LCD9-E00		OIL SEAL 28*59*7	OIL SEAL 28*59*7	1	
91309	91309-LCD9-E00		O-RING	O-RING	1	
91509	91509-LBA7-E00		BOLT TACHOMETER	BOLT TACHOMETER	1	
94031	94031-LCD9-E00		NUT HEX 16MM	NUT HEX 16MM	1	
94301	94301-10160		DOWEL PIN 10*16	DOWEL PIN 10*16	2	

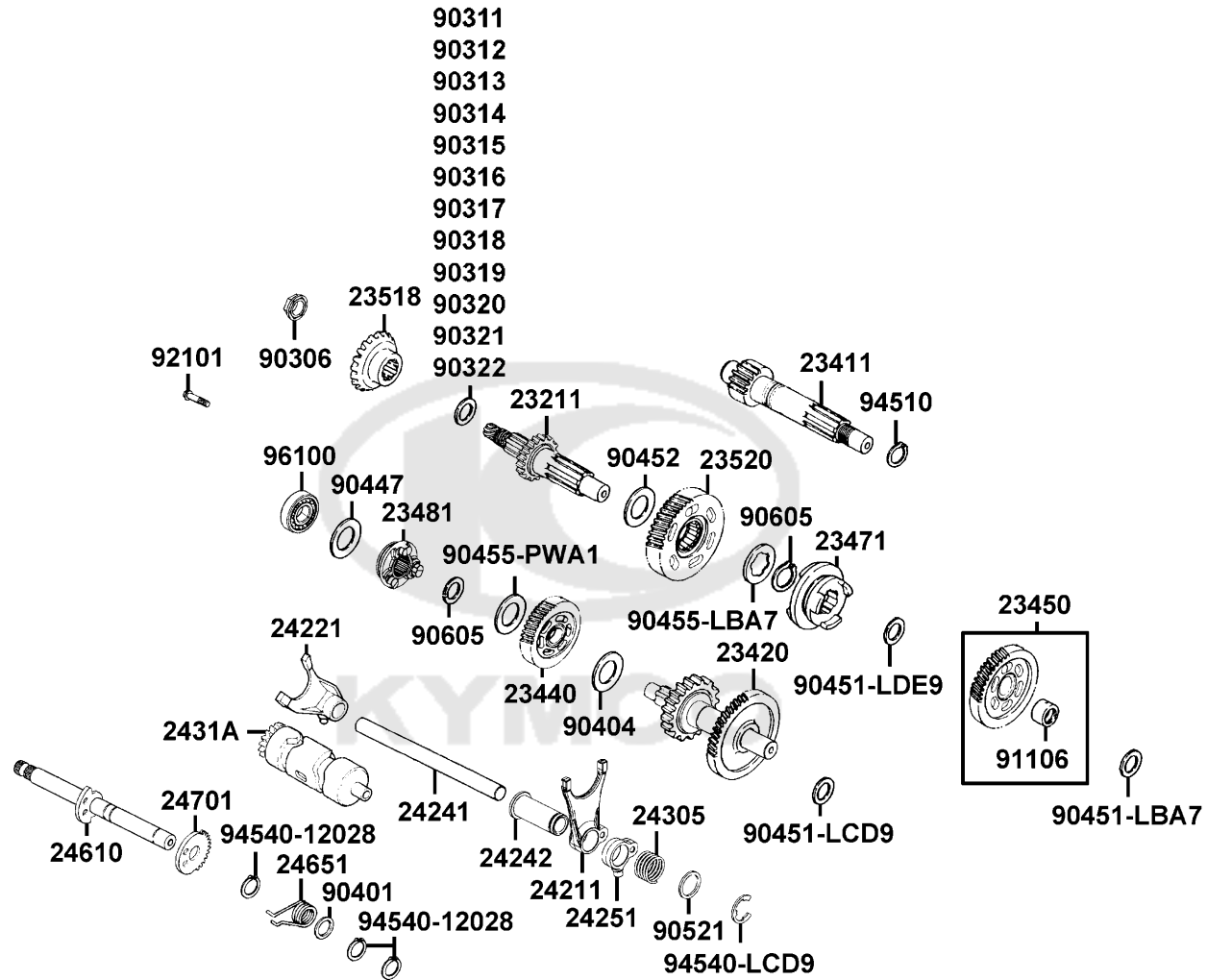


Sales mark 記号	Ref no 参照用番号	Part no パーツ番号	Description 部品名	Reg description 部品名	Regd no 必要個数	E08
94520-56000	94520-56000	94520-56000	CIR CLIP IN 56	CIR CLIP IN 56	1	
94520-58000	94520-58000	94520-58000	CIR CLIP IN 58	CIR CLIP IN 58	1	
95002	95002-02150	95002-02150	CLIP B14.5 TUBE	CLIP B14.5 TUBE	1	
95701-08012	95701-08012-06	95701-08012-06	BOLT FLANGE 8*12	BOLT FLANGE 8*12	1	
95701-08016	95701-08016-06	95701-08016-06	BOLT FLANGE 8*16	BOLT FLANGE 8*16	1	
95701-08040	95701-08040-06	95701-08040-06	BOLT FLANGE 8X40	BOLT FLANGE 6*22 (K)	1	
95701-08045	95701-08045-06	95701-08045-06	BOLT FLANGE 6*45	BOLT FLANGE 6*45	1	
96001	96001-06020-06	96001-06020-06	BOLT FLANGE SH 6*20	BOLT FLANGE SH 6*20	1	
96100	96100-60090-00	96100-60090-00	BRG RADIAL BALL 6009	BRG RADIAL BALL 6009	1	
96600	96600-06012-10	96600-06012-10	SOCKET BOLT 6*12	SOCKET BOLT 6*12	3	

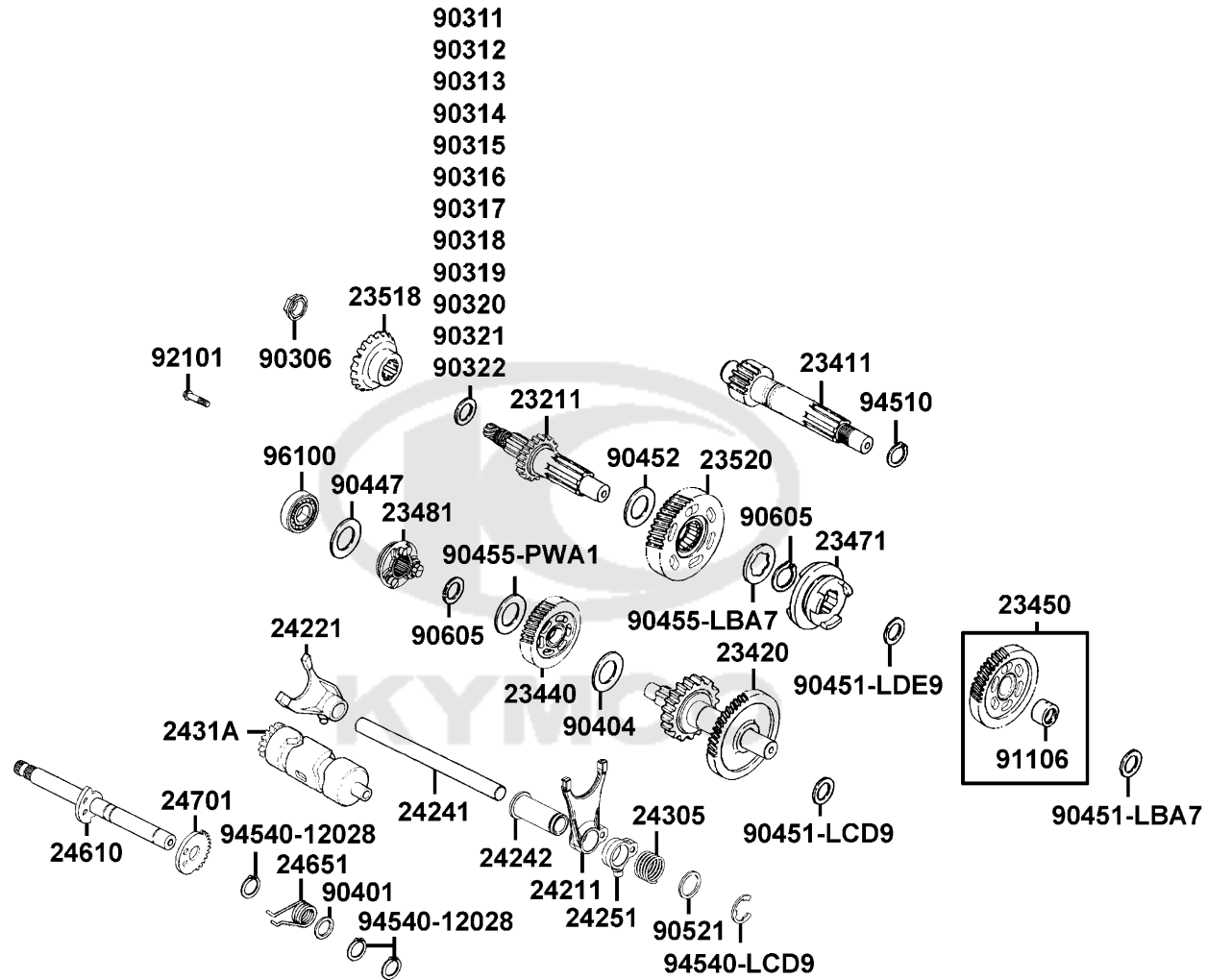




Sales mark 記号	Ref no 参照用番号	Part no パーツ番号	Description 部品名	Reg description 部品名	Regd no 必要個数	E09
	23211	23211-LCD9-E00	SHAFT MAIN (21T)	SHAFT MAIN	1	
	23411	23411-LCD9-E00	SHAFT DRIVE	SHAFT DRIVE	1	
	23420	23420-PWA1-E00	SHAFT COMP COUNTER (28T/50T)	SHAFT COMP COUNTER	1	
	23440	23440-PWA1-E00	GEAR ASSY FORWARD (39T)	GEAR ASSY FORWARD	1	
	23450	23450-LCD9-E00	GEAR COMP BACKWARD (61T)	GEAR BACKWARD	1	
	23471	23471-LCD9-E01	SHIFT REVERSE & LOWER	SHIFT REVERSE & LOWER	1	
	23481	23481-PWA1-E00	SHIFT FORWARD	SHIFT FORWARD	1	
#	23518	23518-LCD9-E0A	GEAR BEVEL DRIVE	GEAR BEVEL DRIVE	1	
	23520	23520-LCD9-E00	GEAR ASSY LOWER DRIVEN (41T)	GEAR ASSY LOWER DRIVEN	1	
	24211	24211-LCD9-E00	FORK RIGHT GEAR SHIFT	FORK RIGHT GEAR SHIFT	1	
	24221	24221-LCD9-E00	FORK , LEFT GEAR SHIFT	FORK LEFT GEAR SHIFT	1	
	24241	24241-LCD9-E00	SHAFT GEAR SHIFT FORK GUIDE	SHAFT GEAR SHIFT FORK GUIDE	1	
	24242	24242-LCD9-E00	SPRING FORK	SPRING FORK	1	
	24251	24251-LCD9-E00	GUIDE RIGHT FORK	GUIDE RIGHT FORK	1	
	24305	24305-PWA1-900	SPRING DRUM	SPRING DRUM	1	
	2431A	2431A-LCD9-E01	DRUM ASSY GEAR SHIFT	DRUM ASSY GEAR SHIFT	1	
	24610	24610-LCD9-E00	SPINDLE COMP DRUM SHIFT	SPINDLE COMP DRUM SHIFT	1	
	24651	24651-PTA7-900	SPRING GEAR SHIFT RETURN	SPRING GEAR SHIFT RETURN	1	
	24701	24701-LCD9-E00	GEAR CHANGE HNDL	GEAR CHANGE HNDL	1	
	90306	90306-LCD9-E00	NUT 18MM	NUT 18MM	1	



Sales mark 記号	Ref no 参照用番号	Part no パーツ番号	Description 部品名	Reg description 部品名	Regd no 必要個数	E09
90311		90311-LCD9-E00	SHIM FINAL BEVEL GEAR A (0.575-0.625)	SHIM DRIVEN BEVEL GEAR A 0.6	1	
90312		90312-LCD9-E00	SHIM FINAL BEVEL GEAR B (0.625-0.675)	SHIM DRIVEN BEVEL GEAR B 0.65	1	
90313		90313-LCD9-E00	SHIM FINAL BEVEL GEAR C (0.675-0.725)	SHIM DRIVEN BEVEL GEAR C 0.7	1	
90314		90314-LCD9-E00	SHIM FINAL BEVEL GEAR D (0.725-0.775)	SHIM DRIVEN BEVEL GEAR D 0.75	1	
90315		90315-LCD9-E00	SHIM FINAL BEVEL GEAR E (0.775-0.825)	SHIM DRIVEN BEVEL GEAR E 0.8	1	
90316		90316-LCD9-E00	SHIM FINAL BEVEL GEAR F (0.825-0.875)	SHIM DRIVEN BEVEL GEAR F 0.85	1	
90317		90317-LCD9-E00	SHIM FINAL BEVEL GEAR G (0.875-0.925)	SHIM DRIVEN BEVEL GEAR G 0.9	1	
90318		90318-LCD9-E00	SHIM FINAL BEVEL GEAR H (0.925-0.975)	SHIM DRIVEN BEVEL GEAR H 0.95	1	
90319		90319-LCD9-E00	SHIM FINAL BEVEL GEAR I (0.975-1.025)	SHIM DRIVEN BEVEL GEAR I 1.0	1	
90320		90320-LCD9-E00	SHIM FINAL BEVEL GEAR J (1.025-1.075)	SHIM DRIVEN BEVEL GEAR J 1.05	1	
90321		90321-LCD9-E00	SHIM FINAL BEVEL GEAR K (1.075-1.125)	SHIM DRIVEN BEVEL GEAR K 1.1	1	
90322		90322-LCD9-E00	SHIM FINAL BEVEL GEAR L (1.125-1.175)	SHIM DRIVEN BEVEL GEAR L 1.15	1	
90401		90401-KKJ9-001	WASHER THRUST 14*28*2	WASHER THRUST 14*28*2	1	
90404		90404-PWA1-E00	WASHER THRUST 25MM	WASHER THRUST 25MM	1	
90447		90447-KED9-900	WASHER THRUST 17.2MM	WASHER THRUST 17.2MM	1	
90451-LBA7		90451-LBA7-900	WASHER THRUST 20MM	WASHER THRUST 20MM	1	
90451-LCD9		90451-LCD9-E00	WASHER THRUST 20MM	WASHER THRUST 20MM	1	
90451-LDE9		90451-LDE9-E00	WASHER THRUST 30*20*3	WASHER THRUST 30*20*3	1	
90452		90452-LBA7-900	WASHER THRUST 25MM	WASHER THRUST 25MM	1	
90455-LBA7		90455-LBA7-900	WASHER SPLINE 25MM	WASHER SPLINE 25MM	1	



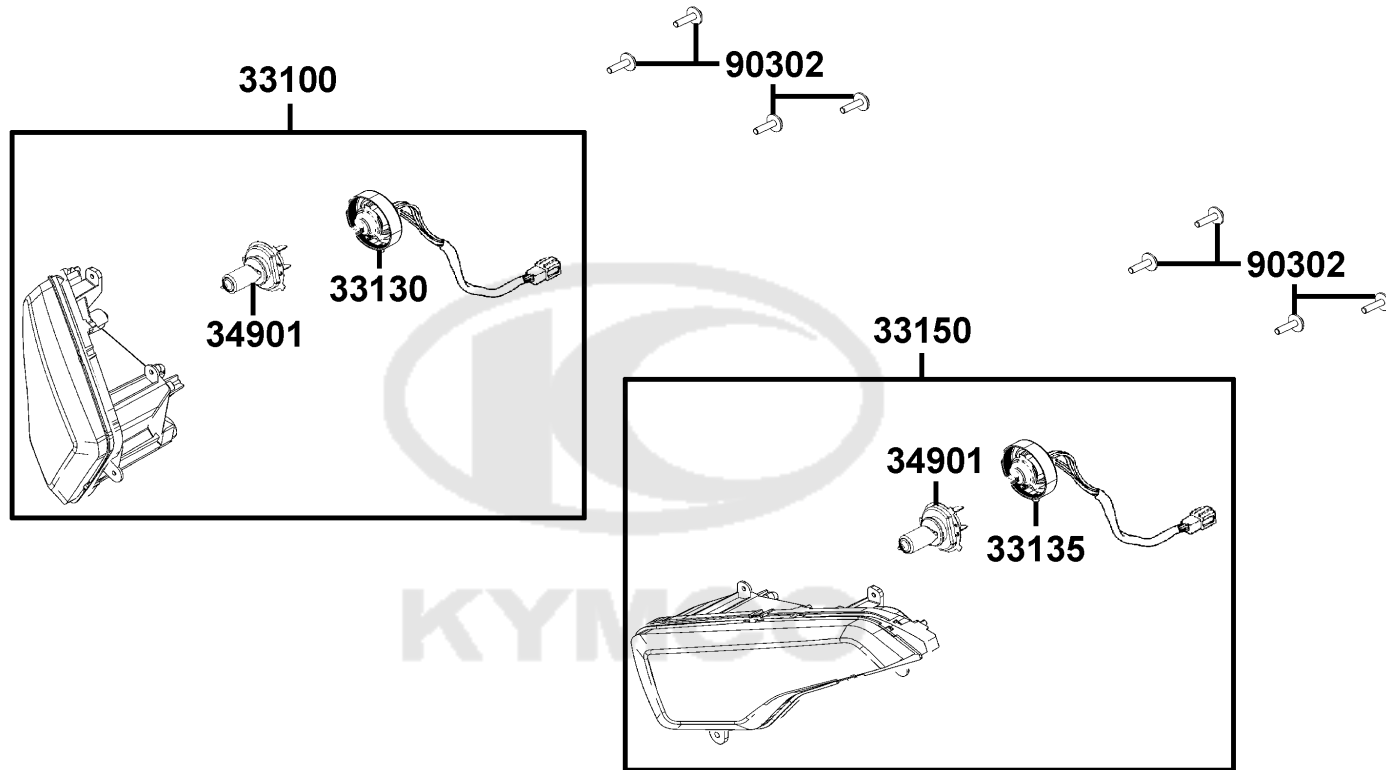


Sales mark 記号	Ref no 参照用番号	Part no パーツ番号	Description 部品名	Reg description 部品名	Regd no 必要個数	E09
90455-PWA1		90455-PWA1-E00	WASHER SPLINE 25*31*1.6	WASHER SPLINE 25*31*1.6	1	
90521		90521-0H28-C00	DIA WASHER 17*22*1.6 ( C )	DIA WASHER 17*22*1.6 ( C )	1	
90605		90605-KED9-900	SET RING 28MM	SET RING 28MM	2	
91106		91106-LBA7-900	BRG NEEDLE 20*26*16	BRG NEEDLE 20*26*16	1	
92101		92101-06020-0G	BOLT HEX 6X20	BOLT HEX 6X20	1	
94510		94510-25000	CIR CLIP EXTERNAL 25	CIR CLIP EXTERNAL 25	1	
94540-12028		94540-12028	E RING 12	E RING 12	3	
94540-LCD9		94540-LCD9-E00	E RING 15 SPECIAL	E RING 15 SPECIAL	1	
96100		96100-63030-00	BEARING BALL RADIAL 6303	BEARING BALL RADIAL 6303	1	



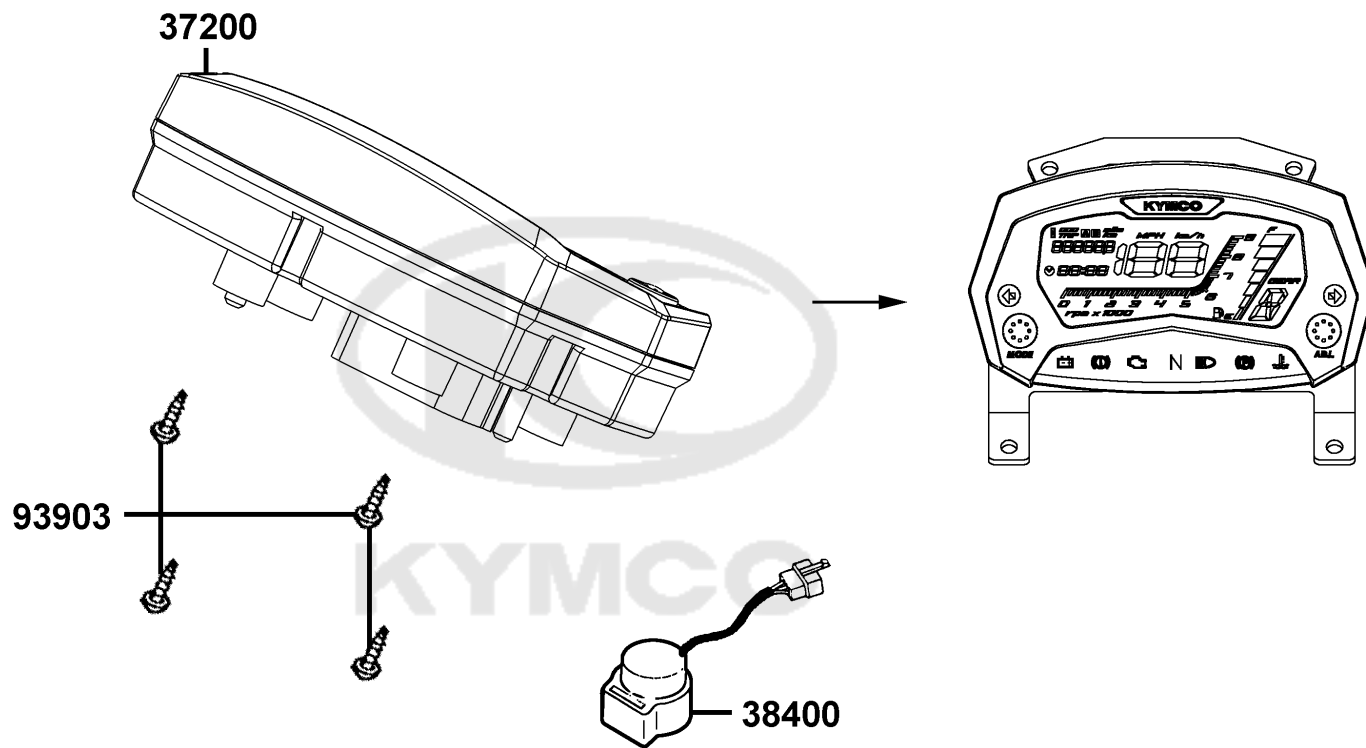
F01

Head Light



Sales mark 記号	Ref no 参照用番号	Part no パーツ番号	Description 部品名	Reg description 部品名	Regd no 必要個数	F01
33100		33100-AGA2-E00	LIGHT ASS'Y R HEAD	LIGHT ASS'Y R HEAD	1	
33130		33130-AGA2-E00	SOCKET COMP R	SOCKET COMP R	1	
33135		33135-AGA2-E00	SOCKET COMP L	SOCKET COMP L	1	
33150		33150-AGA2-E00	LIGHT ASS'Y L HEAD	LIGHT ASS'Y L HEAD	1	
34901		34901-LDC8-E10	BULB HEAD LIGHT	BULB HEAD LIGHT	1	
90302		90302-AGA1-M00	BOLT WASH 5X16	BOLT WASH 5X16	8	



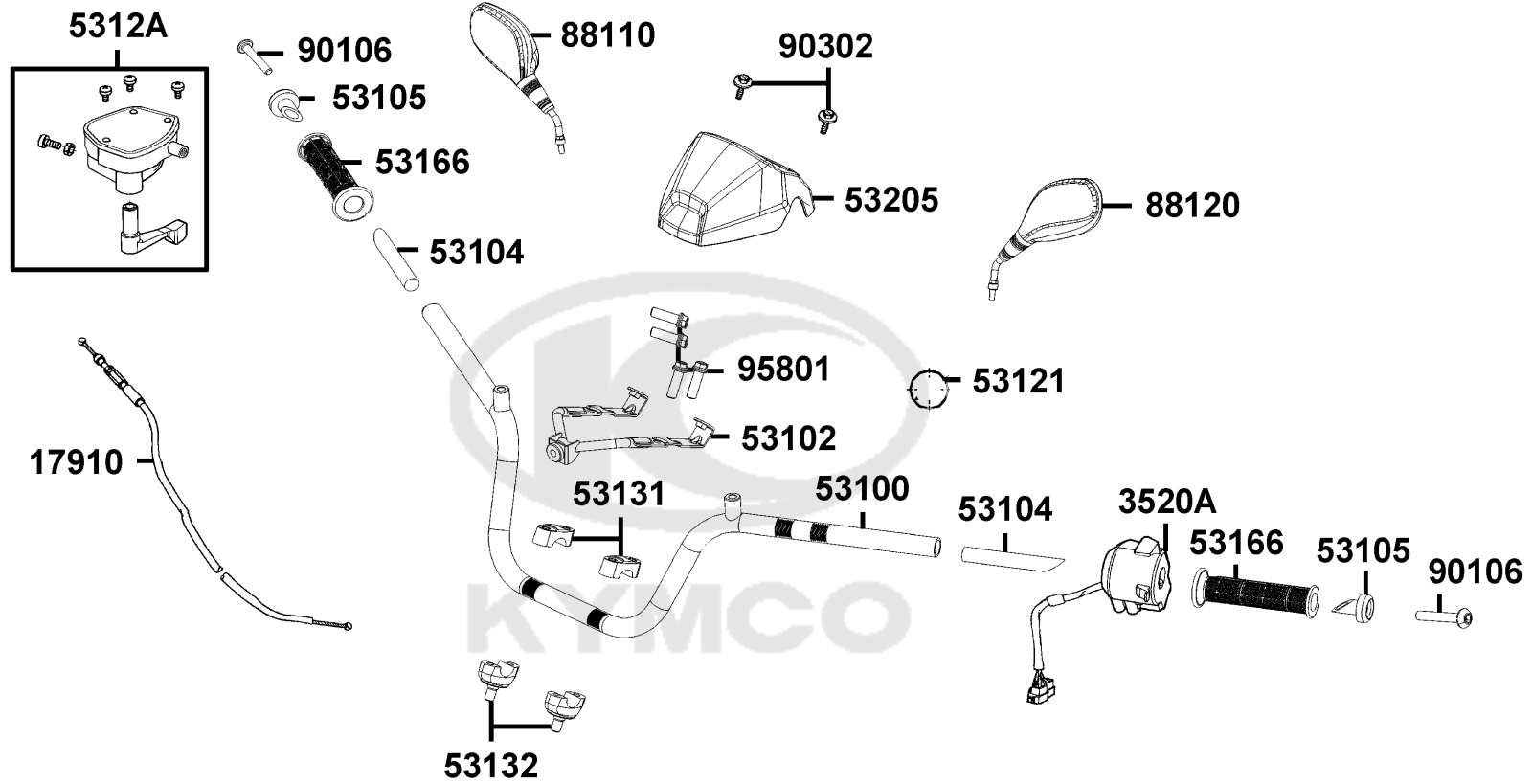


Sales mark 記号	Ref no 参照用番号	Part no パーツ番号	Description 部品名	Reg description 部品名	Regd no 必要個数	F02
37200	37200-AGA2-E00	37200-AGA2-E00	METER ASS'Y SPEED	METER ASS'Y SPEED	1	
38400	38400-LKJ1-900	38400-LKJ1-900	BUZZER	BUZZER	1	
93903	93903-35360-G	93903-35360-G	SCREW TAPPING 5*16	SCREW TAPPING 5*16	4	



F03

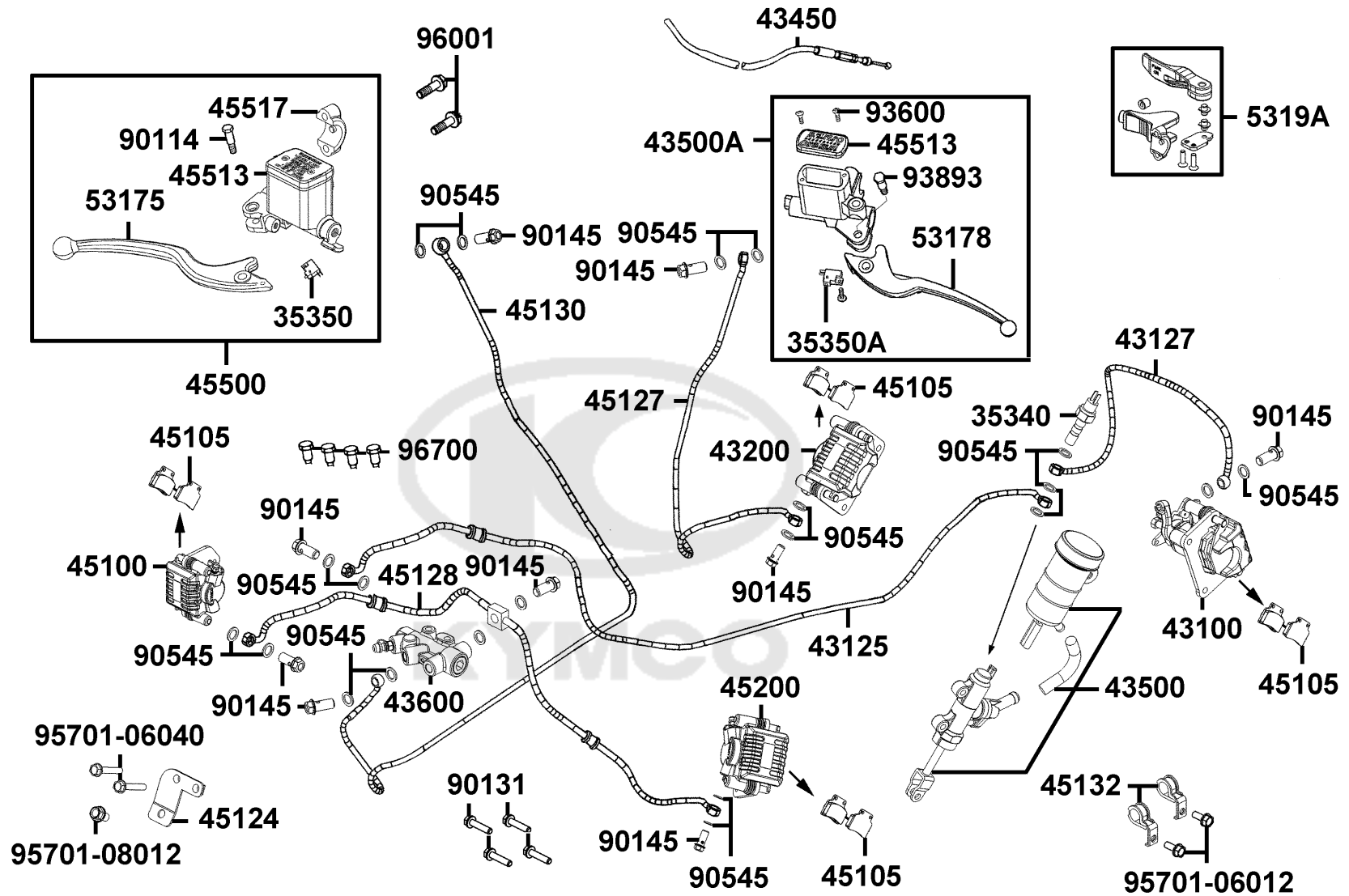
Handle Steering Handle Cover



Sales mark 記号	Ref no 参照用番号	Part no パーツ番号	Description 部品名	Reg description 部品名	Regd no 必要個数	F03
	17910	17910-AGA1-M00	CABLE COMP THROT	CABLE COMP THROT	1	
	3520A	3520A-AGA7-E00	SW ASS'Y LH HANDLE COMP	SW ASS'Y LH HANDLE COMP	1	
	53100	53100-AGA1-M00	HANDLE PIPE STRG	HANDLE PIPE STRG	1	
	53102	53102-AGA1-M00	STAY HANDLE COVER	STAY HANDLE COVER	1	
	53104	53104-AGA1-M00	PLUG HANDLE BAR	PLUG HANDLE BAR	2	
	53105	53105-AGA1-M00	END HANDLE BAR	END HANDLE BAR	2	
	53121	53121-AGA2-C00	VINYL TUBE	VINYL TUBE	1	
	5312A	5312A-AFF7-E00	LEVER ASSY THROT	LEVER ASSY THROT	1	
	53131	53131-3H98-C10	HOUSING UP THROT	HOUSING UP THROT	2	
	53132	53132-AGA1-M00	HOLDER UNDER HANDLE PIPE	HOLDER UNDER HANDLE PIPE	2	
	53166	53166-AGA1-E00	GRIP HANDLEBAR	GRIP HANDLEBAR	2	
**	53205	53205-AGA1-M00	COVER HANDLEBAR	COVER HANDLEBAR	1	
	88110	88110-AGA1-E00	MIRROR ASSY R BACK	MIRROR ASSY R BACK	1	
	88120	88120-AGA1-E00	MIRROR ASSY L BACK	MIRROR ASSY L BACK	1	
	90106	90106-KFC2-900	BOLT-WASH 8MM	BOLT-WASH 8MM	2	
	90302	90302-AGA1-M00	BOLT WASH 5X16	BOLT WASH 5X16	2	
	95801	95801-08035-07G	BOLT FLANGE 8*35 ( KG)	BOLT FLANGE 8*35 ( KG)	4	

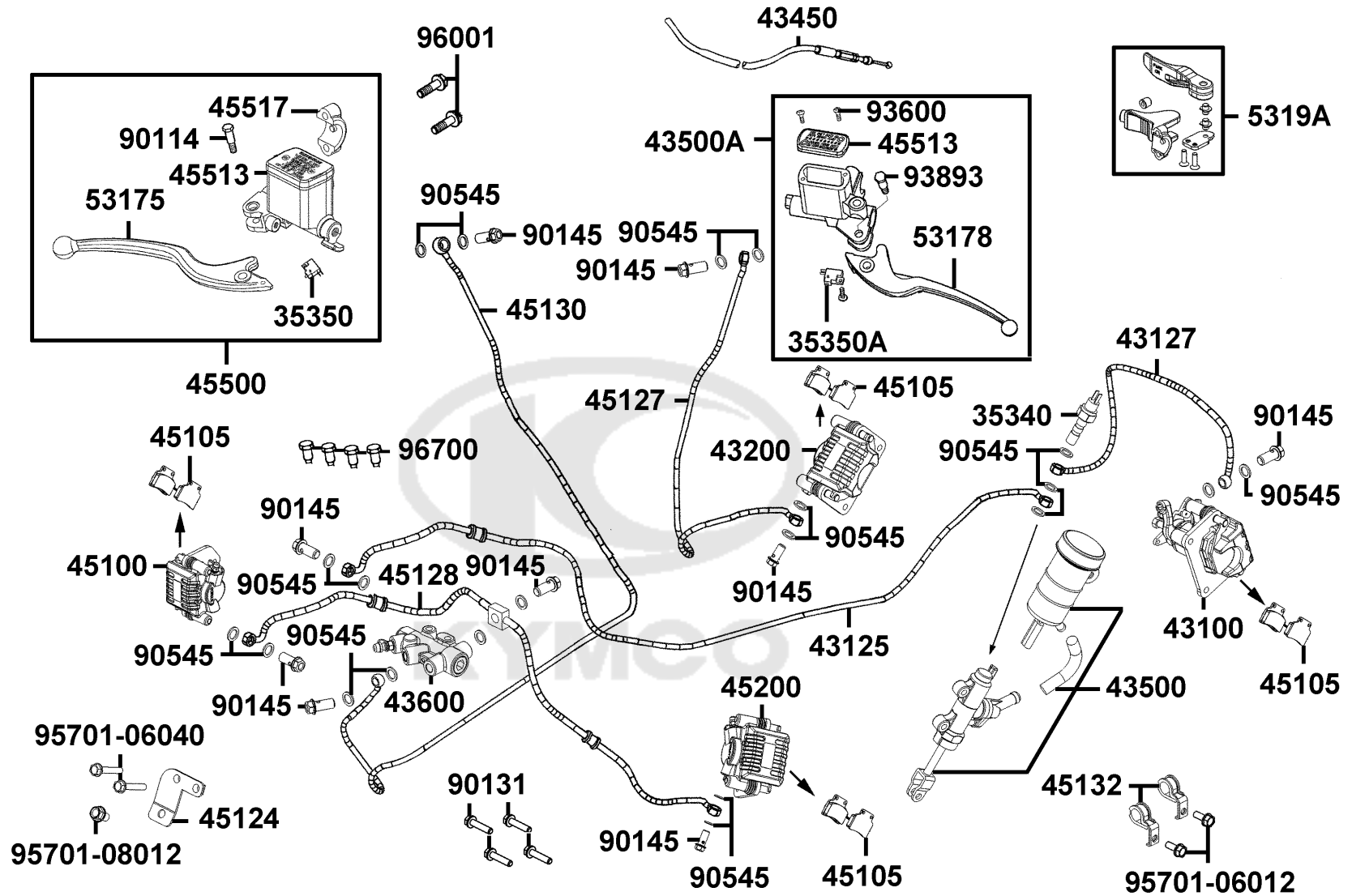
F04

# Brake Master Cylinder





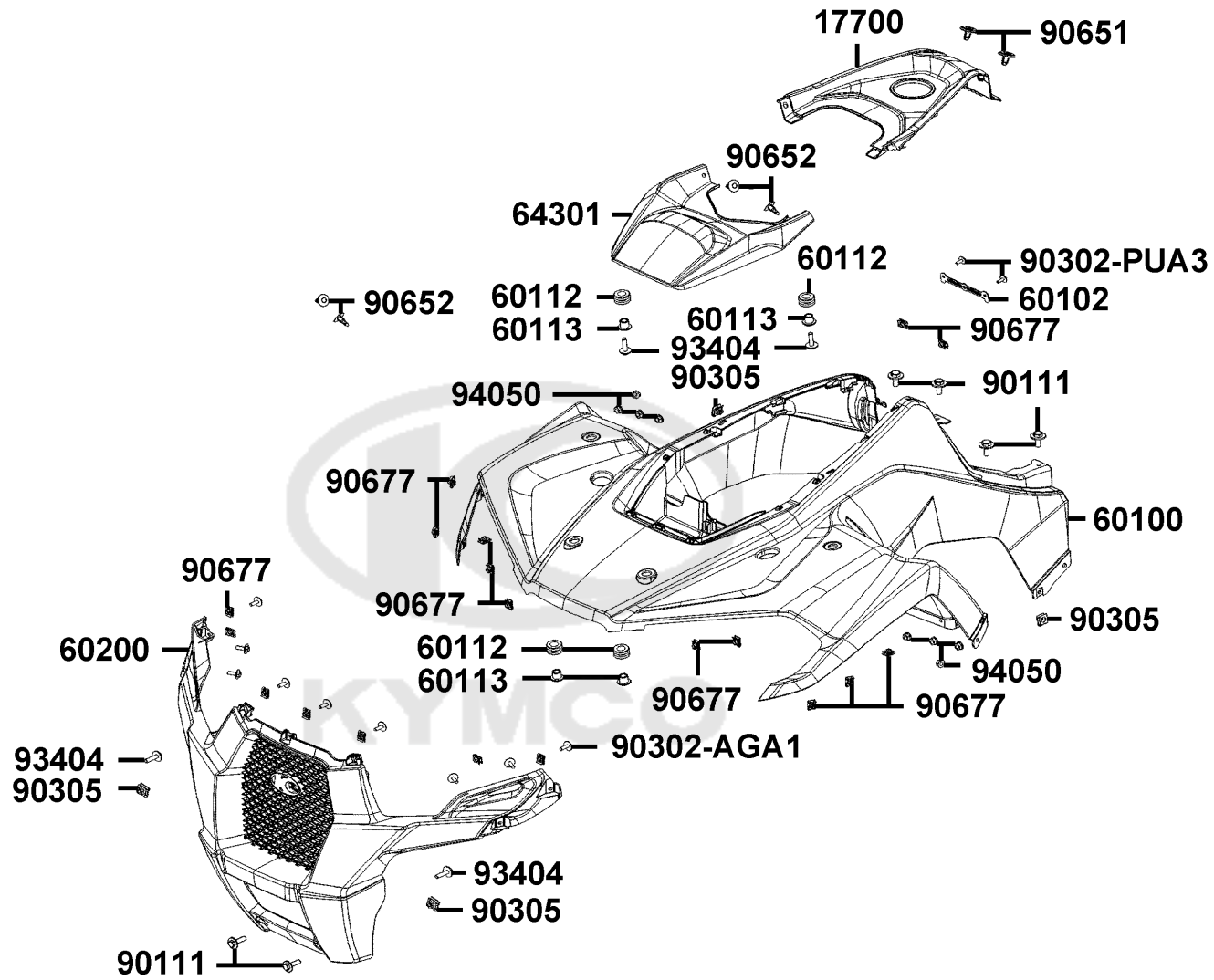
Sales mark 記号	Ref no 参照用番号	Part no パーツ番号	Description 部品名	Reg description 部品名	Regd no 必要個数	F04
	35340	35340-AGA1-M00	SW PRESSURE DOUBLE BANJO	SW PRESSURE DOUBLE BANJO	1	
	35350	35350-AGA1-M00	SW ASSY FR STOP	SW ASSY FR STOP	1	
	35350A	35350-KNBN-C00	SW ASSY RR STOP	SW ASSY RR STOP	1	
	43100	43100-AGA2-E00	CALIPER ASSY REAR	CALIPER ASSY REAR	1	
	43125	43125-AGA1-M00	HOSE COMP RR BRK(M/C-PGV)	HOSE COMP RR BRK(M/C-PGV)	1	
	43127	43127-AGA2-E00	HOSE ASSY RR BRK (M/C-C/P)	HOSE ASSY RR BRK (M/C-C/P)	1	
	43200	43200-AGA2-E00	CALIPER ASSY RR	CALIPER ASSY RR	1	
	43450	43450-AGA2-E00	CABLE PARKING BRAKE	CABLE PARKING BRAKE	1	
	43500	43500-AGA1-E00	M/C ASSY REAR	M/C ASSY REAR	1	
	43500A	43500-AGA1-M00	M/C ASSY REAR	M/C ASSY REAR	1	
	43600	43600-AGA1-M00	PGV ASSY	PGV ASSY	1	
	45100	45100-AGA1-M00	CALIPER ASSY FR R	CALIPER ASSY FR R	1	
	45105	45105-AGA1-305	PAD COMP A&B	PAD COMP A&B	1	
	45124	45124-AGA1-M00	STAY PGV	STAY PGV	1	
	45127	45127-AGA2-E00	HOSE ASSY RR BRAKE	HOSE ASSY RR BRAKE	1	
	45128	45128-AGA1-M00	HOSE BRAKE(PGV- FR R/L CALIPER)	HOSE BRAKE(PGV- FR R/L CALIPER)	1	
	45130	45130-AGA1-M00	HOSE BRK (RH M/C-PGV)	HOSE BRK (RH M/C-PGV)	1	
	45132	45132-AGA1-M00	CLAMPER FR BRAKE HOSE	CLAMPER FR BRAKE HOSE	2	
	45200	45200-AGA1-M00	CALIPER ASSY FR L	CALIPER ASSY FR L	1	
	45500	45500-AGA1-M00	CYLINDER ASSY FR(MASTER	CYLINDER ASSY FR(MASTER	1	



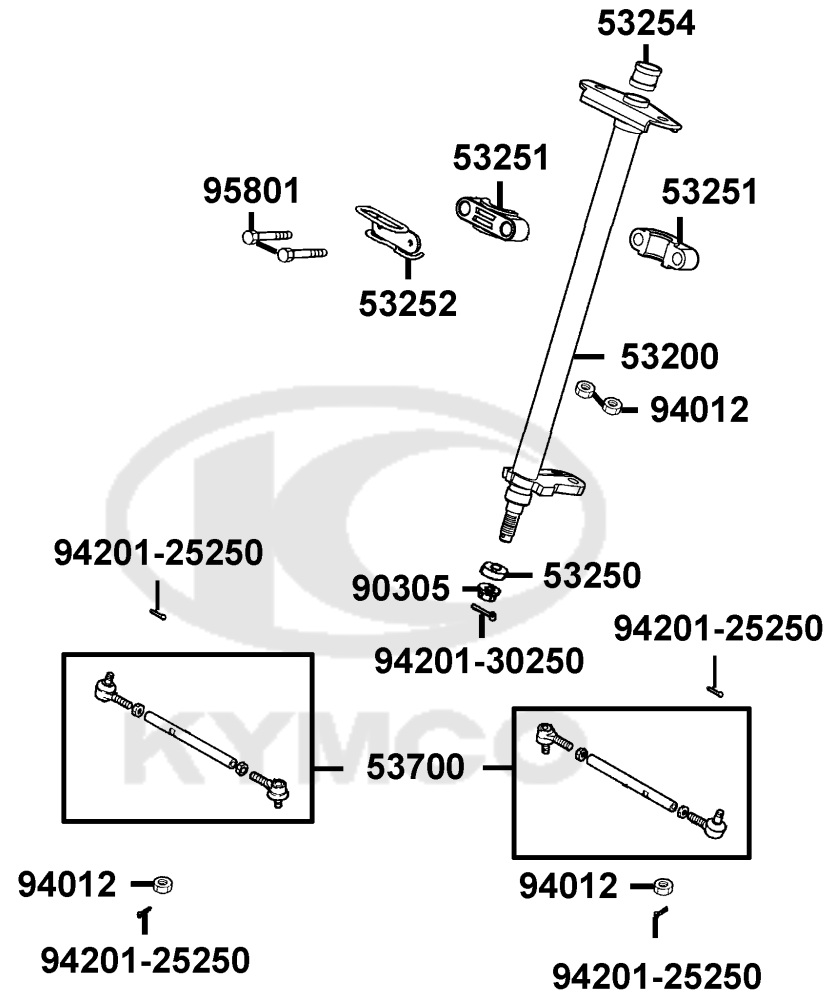
Sales mark 記号	Ref no 参照用番号	Part no パーツ番号	Description 部品名	Reg description 部品名	Regd no 必要個数	F04
45513		45513-AGA1-M00	CAP M/C	CAP M/C	1	
45517		45517-KFAF-910	HOLDER M/C	HOLDER M/C	1	
53175		53175-AGA1-M00	LEVER SET BRK	LEVER SET BRK	1	
53178		53178-KFC8-C00	LEVER L STRG HANDLE	LEVER L STRG HANDLE	1	
5319A		5319A-AGA2-E00	BRAKE ASSY PARKING	BRAKE ASSY PARKING	1	
90114		90114-1F66-C00	BOLT HANDLE LEVER	BOLT HANDLE LEVER	1	
90131		90131-PRB3-C00	BOLT, FLANGE	BOLT, FLANGE	4	
90145		90145-AGA1-M01	OIL BOLT 10*20	OIL BOLT 10*20	9	
90545		90545-3L00-C00	WASHER OIL BOLT	WASHER OIL BOLT	21	
93600		93600-04012-1G	SCREW FLAT 4*12	SCREW FLAT 4*12	1	
93893		93893-04012-18	SCREW WASHER 4*12	SCREW WASHER 4*12	1	
95701-06012		95701-06012-07G	BOLT FLANGE 6*12 (KG)	BOLT FLANGE 6*12 (KG)	2	
95701-06040		95701-06040-07G	BOLT FLANGE 6*40 (K)	BOLT FLANGE 6*40 (K)	2	
95701-08012		95701-08012-07G	BOLT FLANGE 8*12 (K)	BOLT FLANGE 8*12 (K)	1	
96001		96001-06022-07G	BOLT FLANGE SH 6X22(KC)	BOLT FLANGE SH 6X22(KC)	1	
96700		96700-06020-07G	BOLT FLANGE SH 6*20(K)	BOLT FLANGE SH 6*20(K)	4	

F05

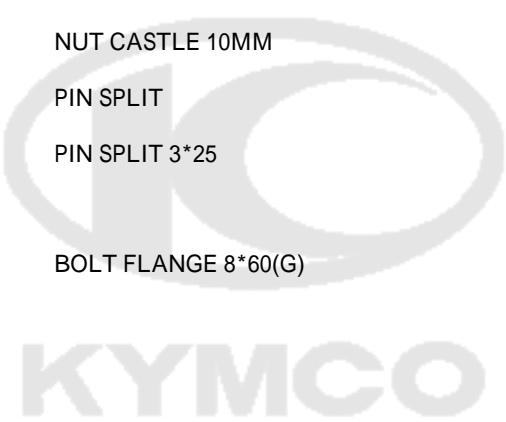
Front Cover Front Fender

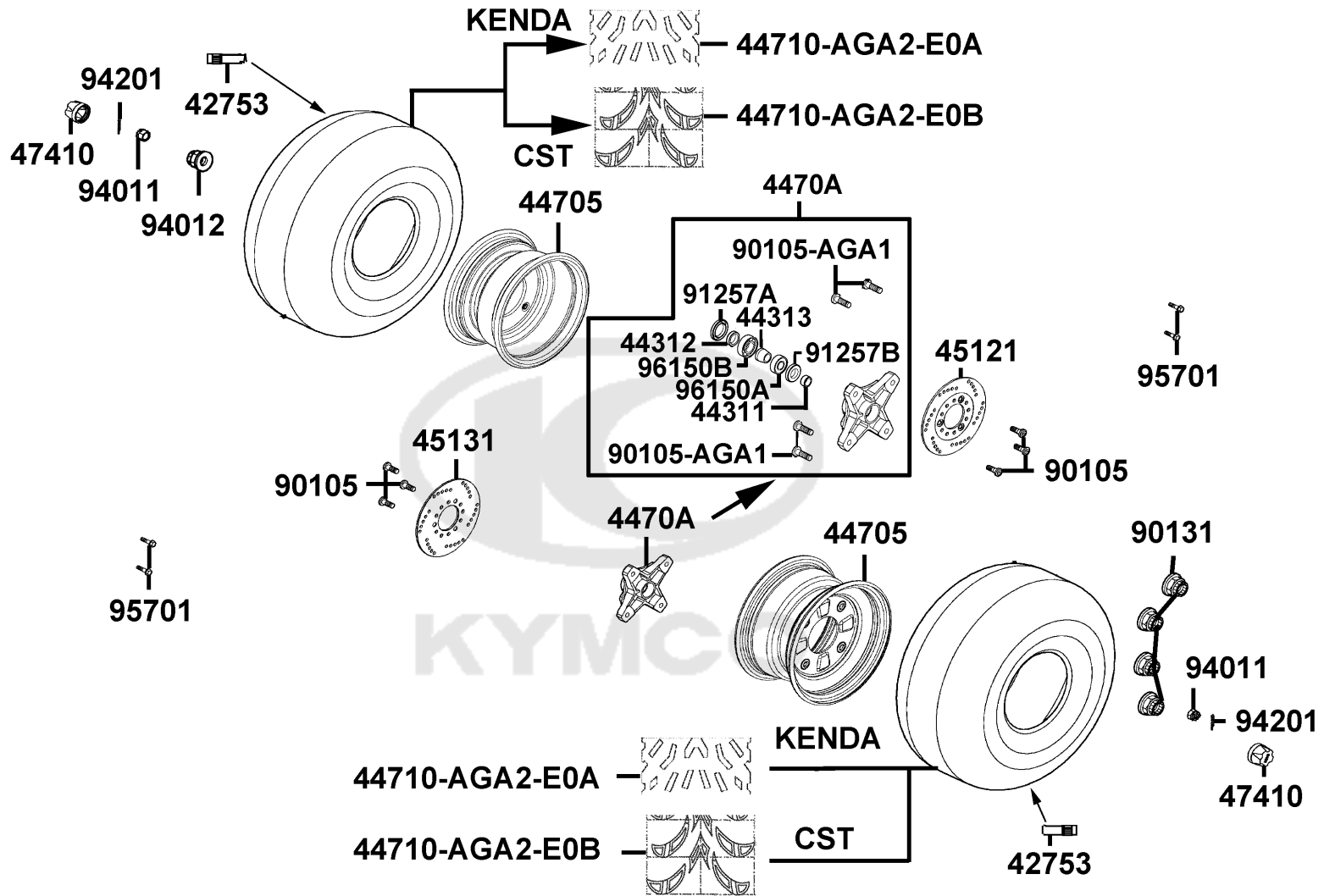


Sales mark 記号	Ref no 参照用番号	Part no パーツ番号	Description 部品名	Reg description 部品名	Regd no 必要個数	F05
**	17700	17700-AGA1-M00	COVER TANK	COVER TANK	1	
**	60100	60100-AGA1-M00	FENDER FRONT	FENDER FRONT	1	
	60102	60102-AGA1-M00	STAY FRONT	STAY FRONT	1	
	60112	60112-AGA1-M00	GROMMET	GROMMET	4	
	60113	60113-AGA1-M00	SPACER STEEL	SPACER STEEL	4	
**	60200	60200-AGA1-M00	MUDGUARD FRONT	MUDGUARD FRONT	1	
**	64301	64301-AGA1-M00	ACCESS PANEL RADIATOR	ACCESS PANEL RADIATOR	1	
	90111	90111-06016-07G	BOLT FLANGE 6*16 (K)	BOLT FLANGE 6*16 (K)	6	
	90302-AGA1	90302-AGA1-M00	BOLT WASH 5X16	BOLT WASH 5X16	9	
	90302-PUA3	90302-PUA3-B51	BOLT-WASH 5*12	BOLT-WASH 5*12	2	
	90305	90305-GHK8-C01	NUT CLIP 6MM	NUT CLIP 6MM	4	
	90651	90651-LCA5-E00	CLIP FENDER	CLIP FENDER	2	
	90652	90652-LCA4-C10	CLIP MUDGUARD	CLIP MUDGUARD	4	
	90677	90677-GAR1-C01	NUT CLIP 5MM	NUT CLIP 5MM	19	
	93404	93404-06025-07G	BOLT WASHER 6*25 (G)	BOLT WASHER 6*25 (G)	4	
	94050	94050-AGA1-M00	NUT LOCK	NUT LOCK	8	



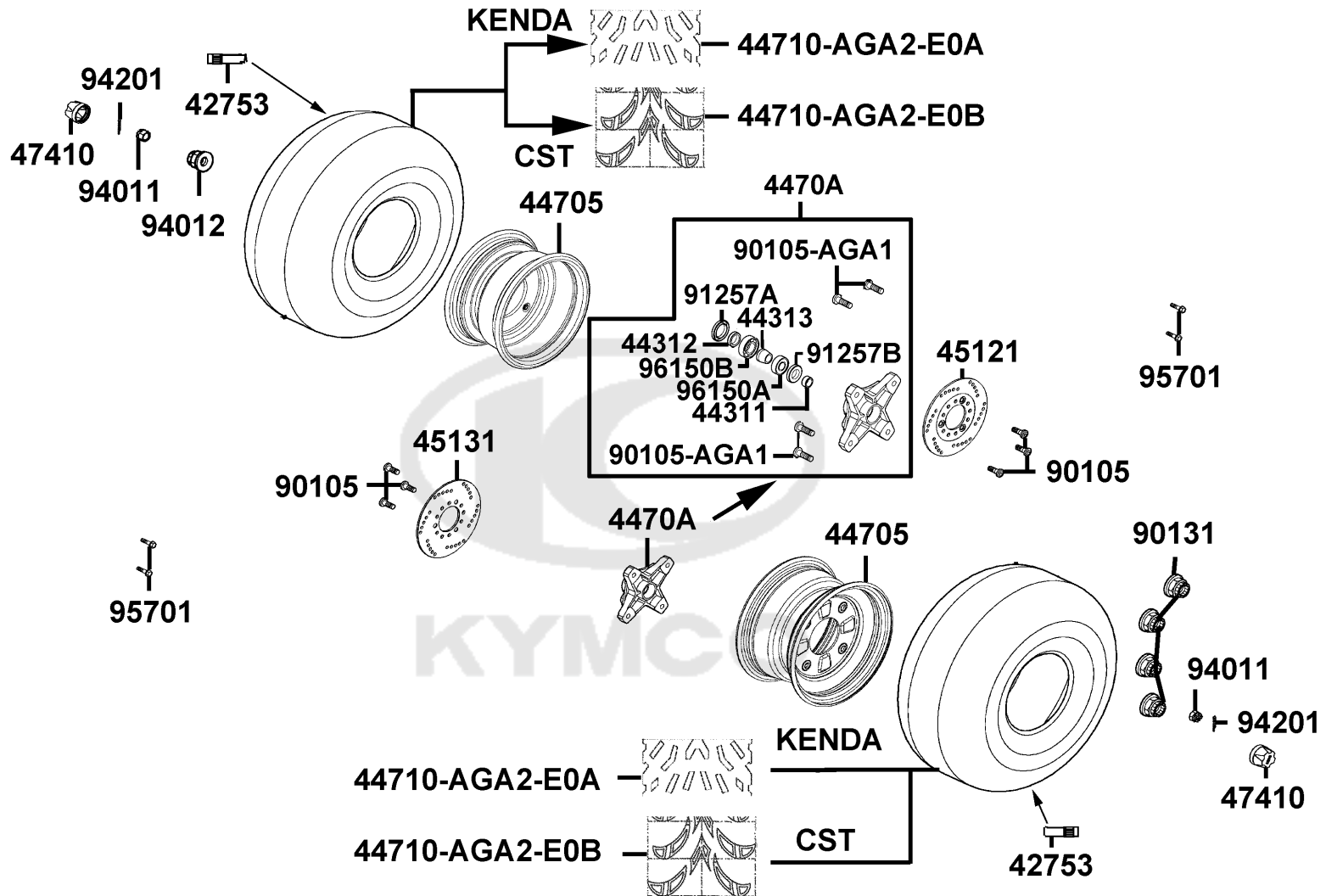
Sales mark 記号	Ref no 参照用番号	Part no パーツ番号	Description 部品名	Reg description 部品名	Regd no 必要個数	F06
53200		53200-AGA1-M00	STEM COMP STEERING	STEM COMP STEERING	1	
53250		53250-AGA1-M00	COLLAR STEM BOTTOM	COLLAR STEM BOTTOM	1	
53251		53251-AGA1-M00	HOLDER STEM STRG	HOLDER STEM STRG	2	
53252		53252-AGA1-M00	CLAMPER STEM HOLDER	CLAMPER STEM HOLDER	1	
53254		53254-AGA1-M00	SLEEVE STEM	SLEEVE STEM	1	
53700		53700-AGA1-M00	ROD ASSY STRG	ROD ASSY STRG	2	
90305		90305-MAA1-C01	U NUT FLANGE 14MM	U NUT FLANGE 14MM	1	
94012		94012-LLB1-900	NUT CASTLE 10MM	NUT CASTLE 10MM	4	
94201-25250		94201-25250-G	PIN SPLIT	PIN SPLIT	4	
94201-30250		94201-30250-G	PIN SPLIT 3*25	PIN SPLIT 3*25	1	
95801		95801-08060-07G	BOLT FLANGE 8*60(G)	BOLT FLANGE 8*60(G)	2	







Sales mark 記号	Ref no 参照用番号	Part no パーツ番号	Description 部品名	Reg description 部品名	Regd no 必要個数	F07
	42753	42753-0A01-C00	VALVE (TR 412) & CAP (C)	VALVE (TR 412) & CAP (C)	2	
#	44311	44311-AGA1-M00	COLLAR FR WHEEL SIDE A	COLLAR FR WHEEL SIDE A	2	
#	44312	44312-AGA1-M00	COLLAR FR WHEEL SIDE B	COLLAR FR WHEEL SIDE B	2	
#	44313	44313-AGA1-M00	COLLAR FR WHEEL DIST	COLLAR FR WHEEL DIST	2	
**	44705	44705-AGA1-M00	RIM COMP FR WHEEL	RIM COMP FR WHEEL	2	
	4470A	4470A-AGA1-M00	HUB ASSY FR WHEEL	HUB ASSY FR WHEEL	2	
	44710-AGA2-E0A	44710-AGA2-E0A	TIRE ASSY FR/KENDA	TIRE ASSY FR/KENDA	2	
	44710-AGA2-E0B	44710-AGA2-E0B	TIRE ASSY FR/CST	TIRE ASSY FR/CST	2	
	45121	45121-AGA1-M00	DISK FR BRK R	DISK FR BRK R	1	
	45131	45131-AGA1-M00	DISK FR BRK L	DISK FR BRK L	1	
	47410	47410-AGA1-M00	CAP WHEEL SHAFT	CAP WHEEL SHAFT	4	
#	90105-AGA1	90105-AGA1-M00	BOLT CONNECTOR	BOLT CONNECTOR	8	
	90105	90105-KCR3-C01	BOLT FR DISK 8*24(3???)	BOLT FR DISK 8*24(3???)	6	
	90131	90131-PRB3-C00	BOLT, FLANGE	BOLT, FLANGE	4	
#	91257A	91257-2L30-006	OIL SEAL 28*42*7	OIL SEAL 28*42*7	2	
#	91257B	91257-AGA1-M00	OIL SEAL 20X35X7	OIL SEAL 20X35X7	2	
	94011	94011-LLB1-900	NUT FLANGE CASTLE 14MM	NUT FLANGE CASTLE 14MM	2	
	94012	94012-LLB1-900	NUT CASTLE 10MM	NUT CASTLE 10MM	4	
	94201	94201-30250-G	PIN SPLIT 3*25	PIN SPLIT 3*25	2	
	95701	95701-08020-07G	BOLT FLANGE 8*20 (K)	BOLT FLANGE 8*20 (K)	4	



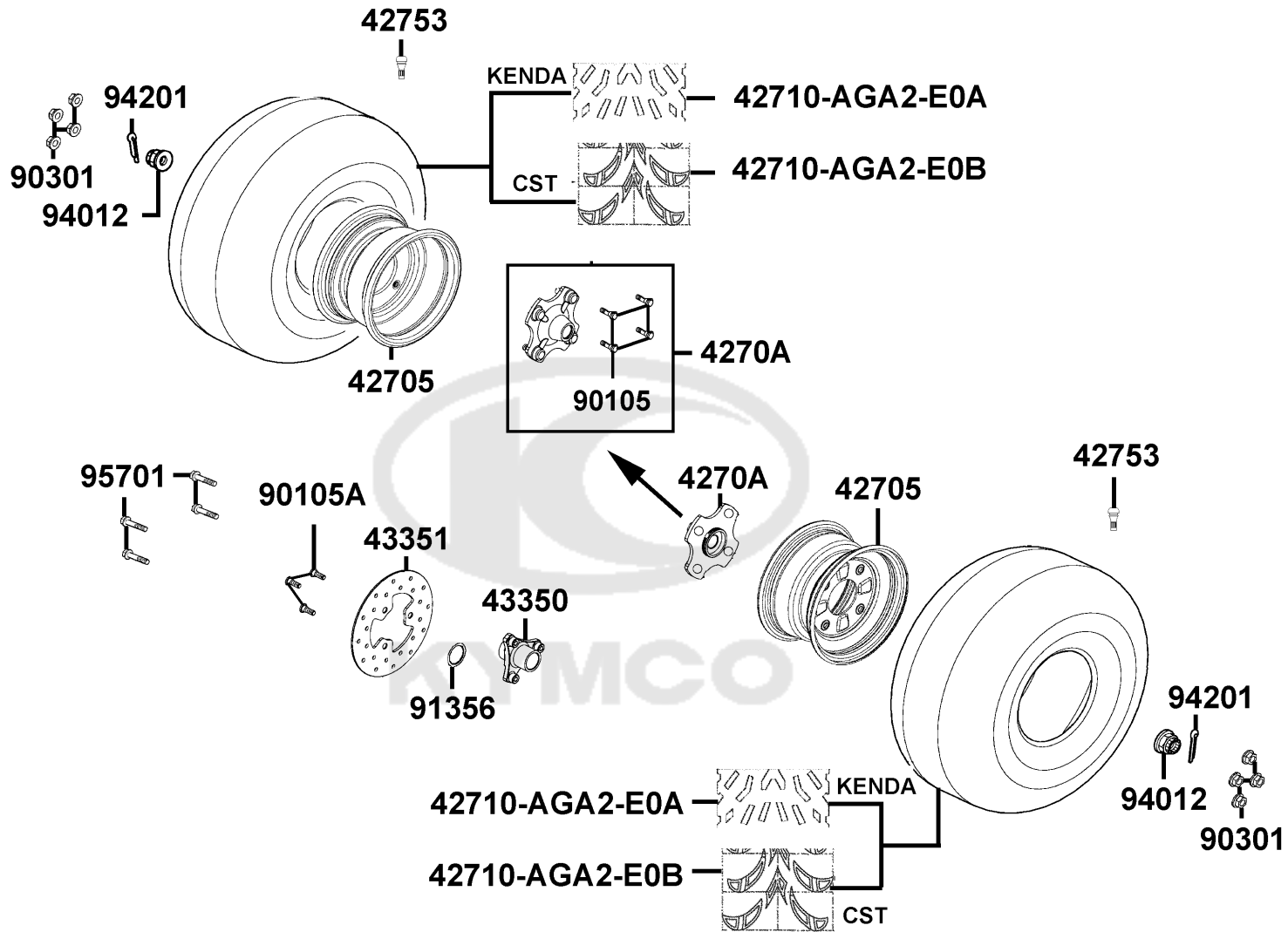
Sales mark 記号	Ref no 参照用番号	Part no パーツ番号	Description 部品名	Reg description 部品名	Regd no 必要個数	F07
------------------	-----------------	------------------	--------------------	------------------------	-----------------	-----

	96150B	96150-60040-10	BEARING BALL RADIAL 6004	BEARING BALL RADIAL 6004	2	
#	96150A	96150-62020-10	BEARING BALL RADIAL 6202	BEARING BALL RADIAL 6202	2	



F08

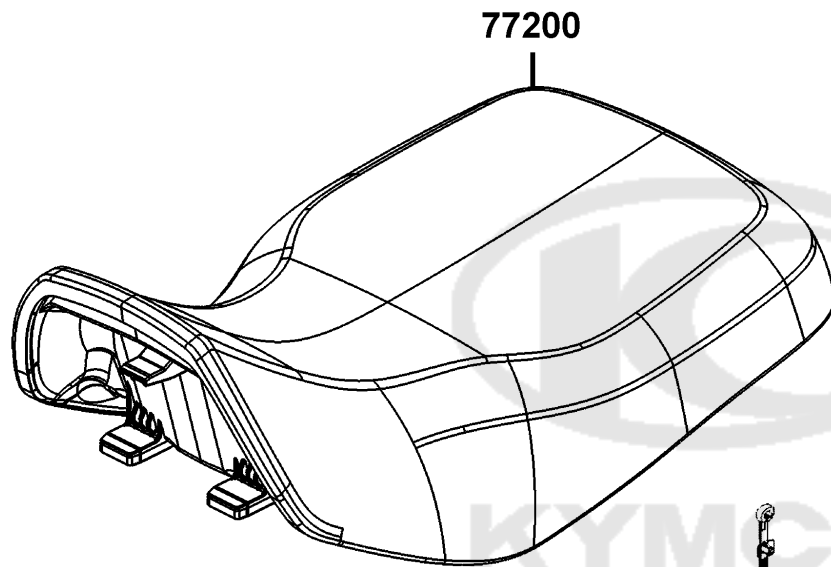
Rear Wheel



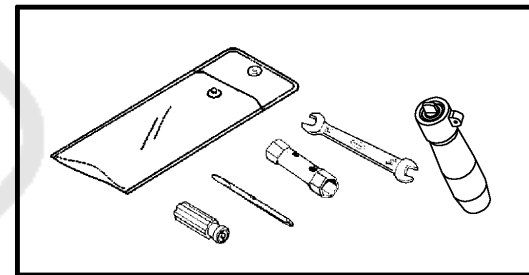
Sales mark 記号	Ref no 参照用番号	Part no パーツ番号	Description 部品名	Reg description 部品名	Regd no 必要個数	F08
**	42705	42705-AGA1-M00	WHEEL ASSY RR HUB	WHEEL ASSY RR HUB	2	
	4270A	4270A-AGA1-M00	CONNECTOR ASSY RR	CONNECTOR ASSY RR	2	
	42710-AGA2-E0A	42710-AGA2-E0A	TIRE ASSY RR/KENDA	TIRE ASSY RR/KENDA	2	
	42710-AGA2-E0B	42710-AGA2-E0B	TIRE ASSY RR/CST	TIRE ASSY RR/CST	2	
	42753	42753-0A01-C00	VALVE (TR 412) & CAP (C)	VALVE (TR 412) & CAP (C)	2	
	43350	43350-AGA1-M00	HUB BRK DISK	HUB BRK DISK	1	
	43351	43351-AGA1-M00	DISK RR BRK	DISK RR BRK	1	
#	90105	90105-AGA1-M00	BOLT CONNECTOR	BOLT CONNECTOR	8	
	90105A	90105-KCR3-C01	BOLT FR DISK 8*24(3???)	BOLT FR DISK 8*24(3???)	3	
	90301	90301-LBA7-C00	NUT WHEEL M10 (B)	NUT WHEEL M10 (B)	8	
	91356	91356-4E25-004	O-RING 29.7X2.4	O-RING 29.7X2.4	1	
	94012	94012-LDB5-E00	NUT FLANGE CASTLE 18MM	NUT FLANGE CASTLE 18MM	2	
	94201	94201-30250-G	PIN SPLIT 3*25	PIN SPLIT 3*25	2	
	95701	95701-08020-07G	BOLT FLANGE 8*20 (K)	BOLT FLANGE 8*20 (K)	4	

F09

Seat



77200



89010



95014

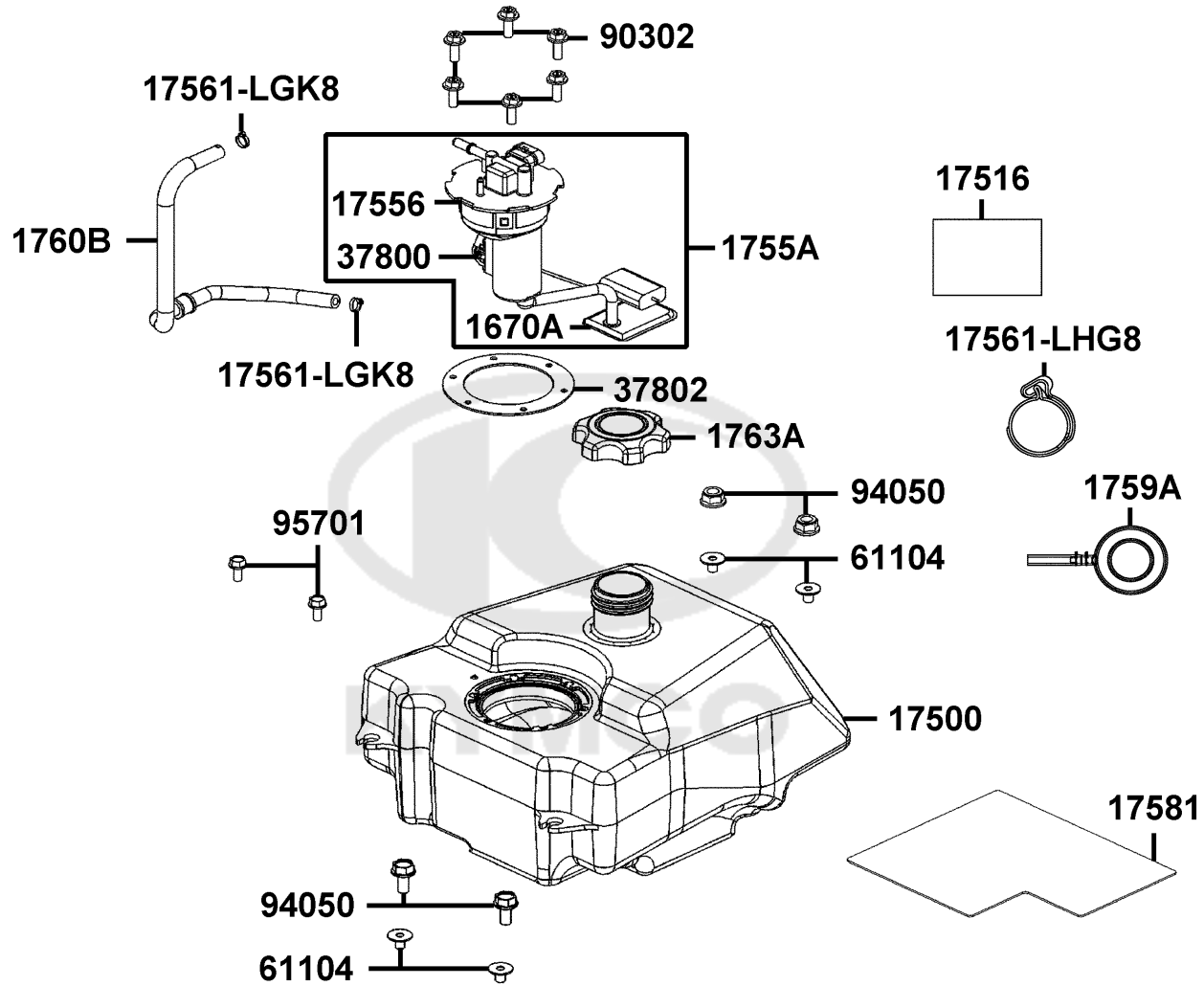
Sales mark 記号	Ref no 参照用番号	Part no パーツ番号	Description 部品名	Reg description 部品名	Regd no 必要個数	F09
------------------	-----------------	------------------	--------------------	------------------------	-----------------	-----

**	77200	77200-AGA1-M00	SEAT ASSY	SEAT ASSY	1	
	89010	89010-AGA1-M00	TOOL SET	TOOL SET	1	
#	95014	95014-PRB3-900	STRAP CABLE	STRAP CABLE	1	



F10

Fuel Tank

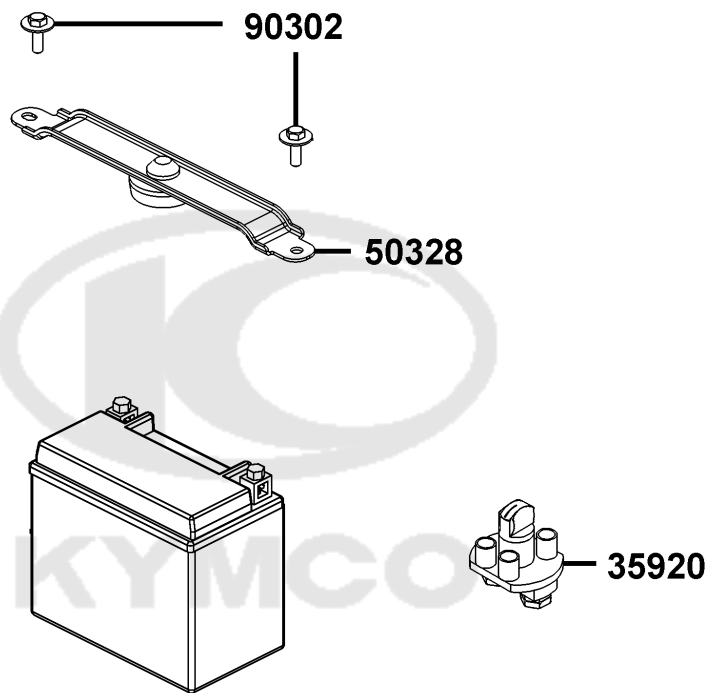




Sales mark 記号	Ref no 参照用番号	Part no パーツ番号	Description 部品名	Reg description 部品名	Regd no 必要個数	F10
#	1670A	1670A-AGA1-M00	FILLTER UPMP ASSY	FILLTER UPMP ASSY	1	
	17500	17500-AGA2-E00	TANK COMP FUEL	TANK COMP FUEL	1	
	17516	17516-AGA1-M00	SPONGE FUEL TANK	SPONGE FUEL TANK	2	
#	17556	17556-AGA1-M00	PACKING PUMP	PACKING PUMP	1	
	1755A	1755A-AGA1-M00	PUMP ASS'Y FUEL	PUMP ASS'Y FUEL	1	
	17561-LGK8	17561-LGK8-900	CLIP 12.0	CLIP 12.0	2	
	17561-LHG8	17561-LHG8-E00	CLIP 13.0	CLIP 13.0	1	
	17581	17581-AGA1-M00	SHIELD FUEL TANK	SHIELD FUEL TANK	1	
	1759A	1759A-AGA1-M00	TRAY ASSY,FUEL TANK	TRAY ASSY,FUEL TANK	1	
	1760B	1760B-AGA1-M00	"TUBE ASSY.,FUELM"	"TUBE ASSY.,FUELM"	1	
	1763A	1763A-AGA1-M00	CAP ASSY FUEL TANK	CAP ASSY FUEL TANK	1	
#	37800	37800-AGA1-M00	FUEL UNIT	FUEL UNIT	1	
	37802	37802-AGA1-M00	MOUNT FUEL PUMP	MOUNT FUEL PUMP	1	
	61104	61104-AGA1-M00	COLLAR FR FENDER	COLLAR FR FENDER	4	
	90302	90302-GBR2-C01	BOLT-WASH 5*16	BOLT-WASH 5*16	6	
	94050	94050-06080-G	NUT FLANGE 6MM	NUT FLANGE 6MM	4	
	95701	95701-06022-07G	BOLT FLANGE 6*22 (K)	BOLT FLANGE 6*22 (K)	2	

F11

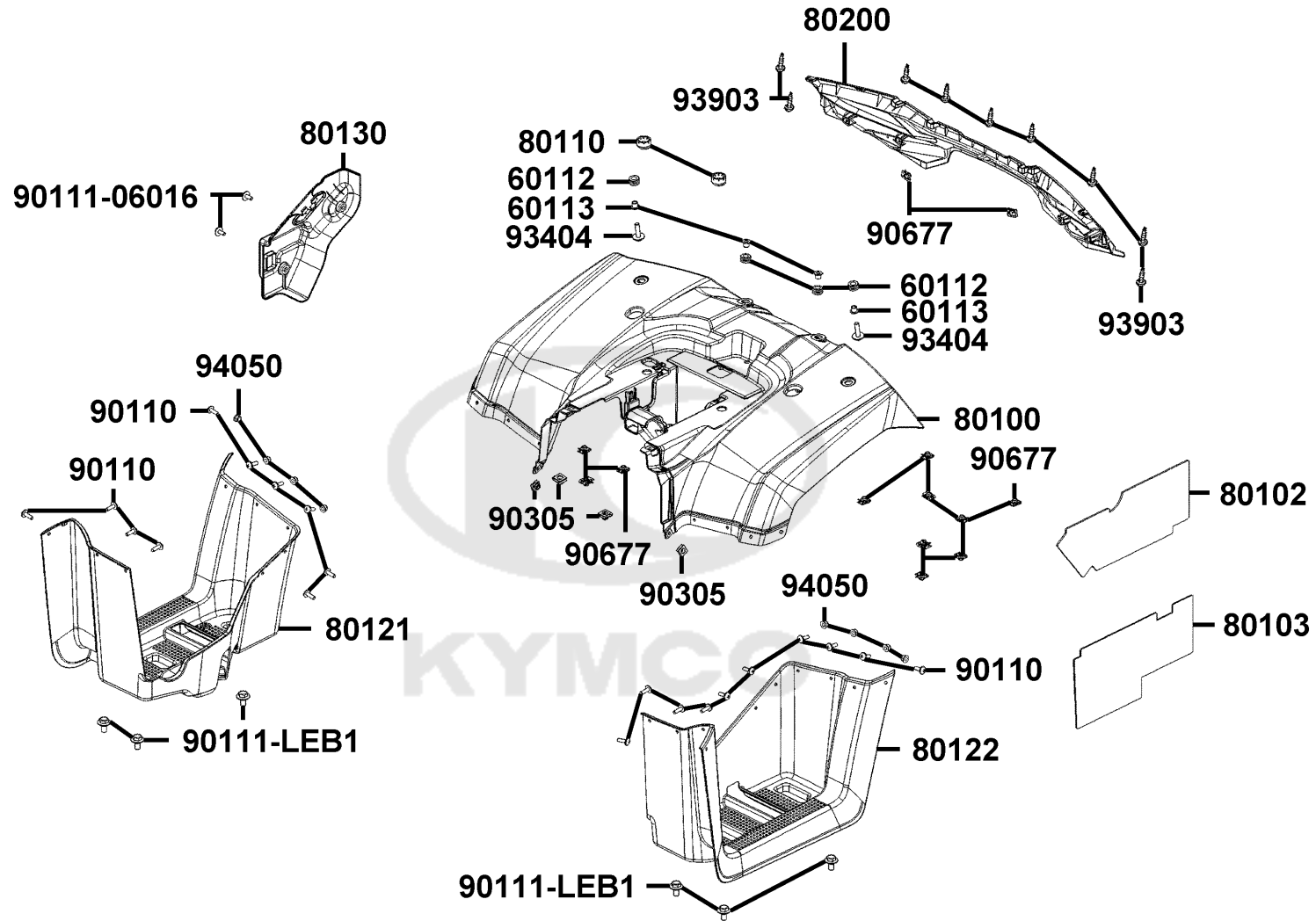
Battery



Sales mark 記号	Ref no 参照用番号	Part no パーツ番号	Description 部品名	Reg description 部品名	Regd no 必要個数	F11
------------------	-----------------	------------------	--------------------	------------------------	-----------------	-----

35920		35920-AFE6-E00	SWITCH COMP BATTERY	SWITCH COMP BATTERY	1	
50328		50328-AGA1-M00	STAY BATTERY	STAY BATTERY	1	
90302		90302-AGA1-M00	BOLT WASH 5X16	BOLT WASH 5X16	2	





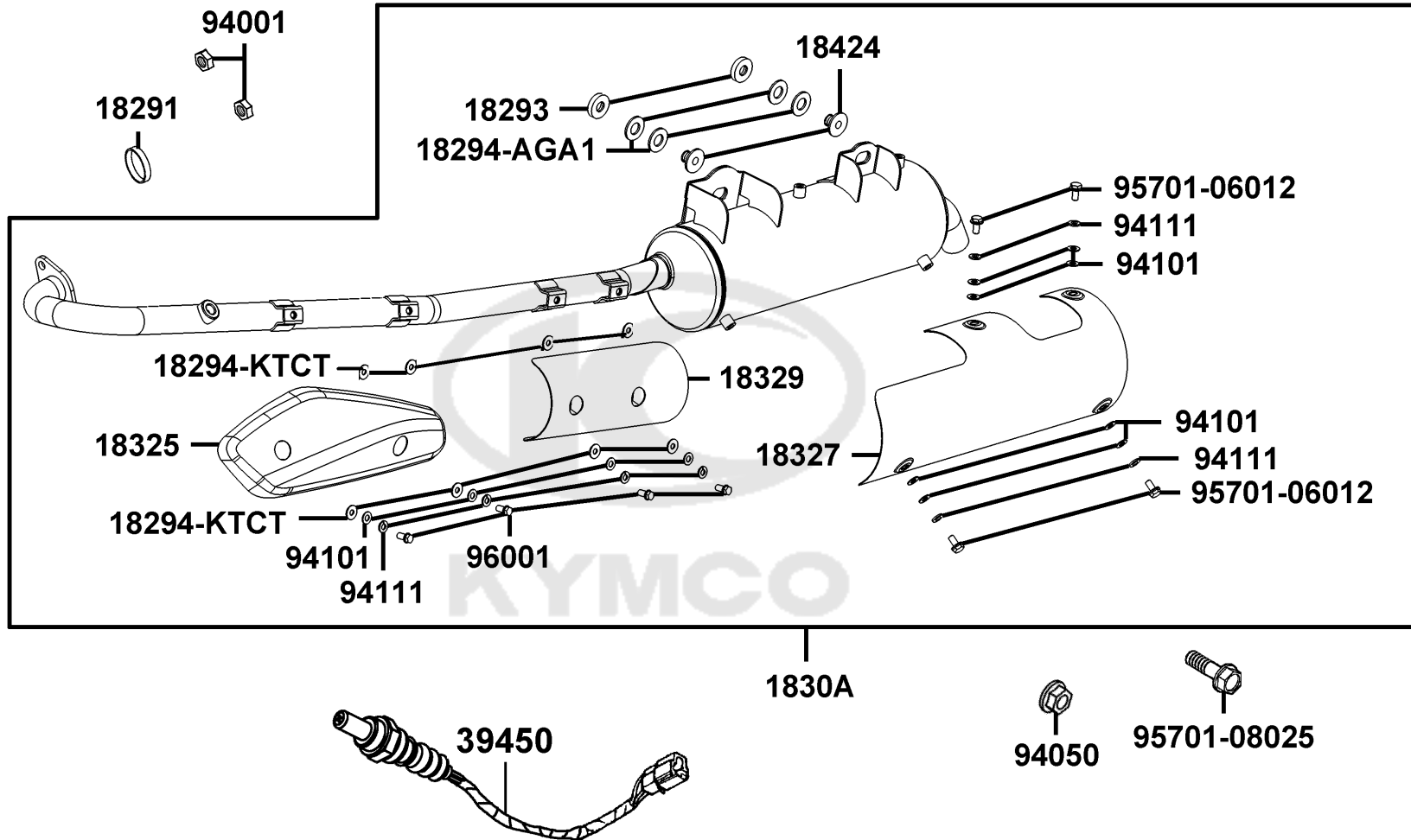
Sales mark 記号	Ref no 参照用番号	Part no パーツ番号	Description 部品名	Reg description 部品名	Regd no 必要個数	F12
	60112	60112-AGA1-M00	GROMMET	GROMMET	4	
	60113	60113-AGA1-M00	SPACER STEEL	SPACER STEEL	4	
**	80100	80100-AGA1-M00	FENDER REAR	FENDER REAR	1	
	80102	80102-AGA1-M00	SHILED LH LOWER	SHILED LH LOWER	1	
	80103	80103-AGA1-M00	SHIELD LH UPPER	SHIELD LH UPPER	1	
	80110	80110-AGA1-M00	RUBBER REAR FENDER	RUBBER REAR FENDER	2	
**	80121	80121-AGA1-M00	FOOTWELL RH	FOOTWELL RH	1	
**	80122	80122-AGA1-M00	FOOTWELL LH	FOOTWELL LH	1	
**	80130	80130-AGA1-M00	PROTECTOR MASTER CYLINDER	PROTECTOR MASTER CYLINDER	1	
**	80200	80200-AGA1-M00	MUDGUARD REAR	MUDGUARD REAR	1	
	90110	90110-AGA1-M00	SCREW SPECIAL 6X20	SCREW SPECIAL 6X20	20	
	90111-06016	90111-06016-07G	BOLT FLANGE 6*16 (K)	BOLT FLANGE 6*16 (K)	2	
	90111-LEB1	90111-LEB1-C11	BOLT FLANGE 6MM	BOLT FLANGE 6MM	6	
	90305	90305-GHK8-C01	NUT CLIP 6MM	NUT CLIP 6MM	4	
	90677	90677-GAR1-C01	NUT CLIP 5MM	NUT CLIP 5MM	13	
	93404	93404-06025-07G	BOLT WASHER 6*25 (G)	BOLT WASHER 6*25 (G)	2	
	93903	93903-35360-G	SCREW TAPPING 5*16	SCREW TAPPING 5*16	9	
	94050	94050-AGA1-M00	NUT LOCK	NUT LOCK	8	



Sales mark 記号	Ref no 参照用番号	Part no パーツ番号	Description 部品名	Reg description 部品名	Regd no 必要個数	F13
17200		17200-AGA1-M00	AIR/C ASSY	AIR/C ASSY	1	
1721A		1721A-AGA1-M00	ELEMENT COMP AIR/C	ELEMENT COMP AIR/C	1	
17231		17231-AGA1-M00	COVER AIR/C	COVER AIR/C	1	
17239		17239-AGA1-M00	SHIELD AIR/C	SHIELD AIR/C	1	
1723A		1723A-AGA1-M00	CASE ASSY AIR/C	CASE ASSY AIR/C	1	
17246		17246-AGA1-M00	CLAMP AIR/C	CLAMP AIR/C	4	
17255		17255-AGA1-M00	BAND A CONNECTING TUBE	BAND A CONNECTING TUBE	1	
17266		17266-AGA1-M00	JOINT 3 WAY	JOINT 3 WAY	1	
17371		17371-AGA1-M00	CLIP BREATHER TUBE	CLIP BREATHER TUBE	1	
18657		18657-AGA1-M00	TUBE B OIL CATCH	TUBE B OIL CATCH	1	
90651		90651-AGA1-M00	BAND 63	BAND 63	1	
90654		90654-AGA1-M00	BAND CONN TUBE	BAND CONN TUBE	1	
90683		90683-GAR1-C00	CLIP BODY COVER	CLIP BODY COVER	1	
93404		93404-06012-07G	BOLT WASHER 6*12	BOLT WASHER 6*12	2	
95002		95002-02150	CLIP B14.5 TUBE	CLIP B14.5 TUBE	1	
95004		95004-AGA1-M00	TUBE DRAIN	TUBE DRAIN	1	
95701		95701-06012-07G	BOLT FLANGE 6*12 (KG)	BOLT FLANGE 6*12 (KG)	2	

F14

Exhaust Muffler

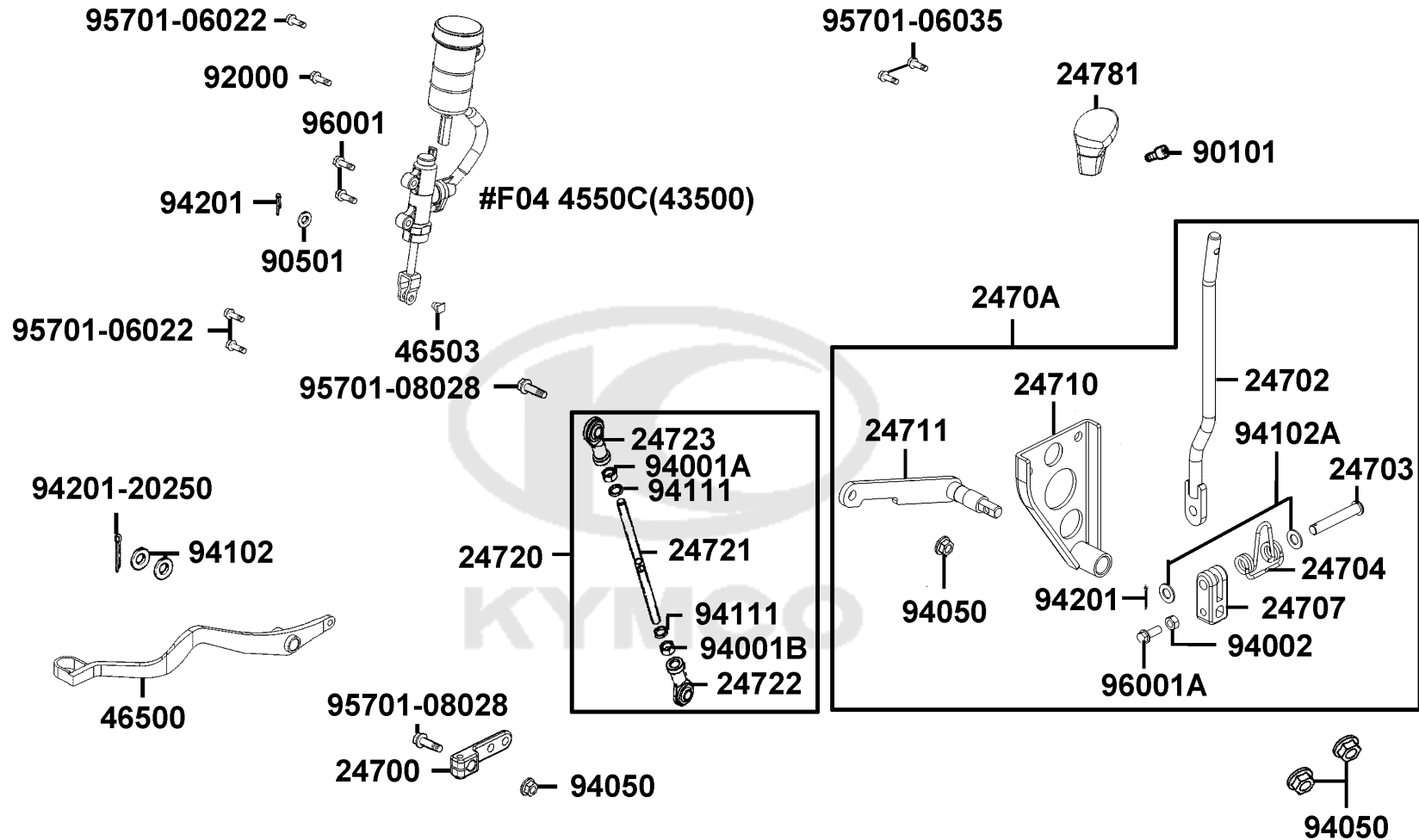




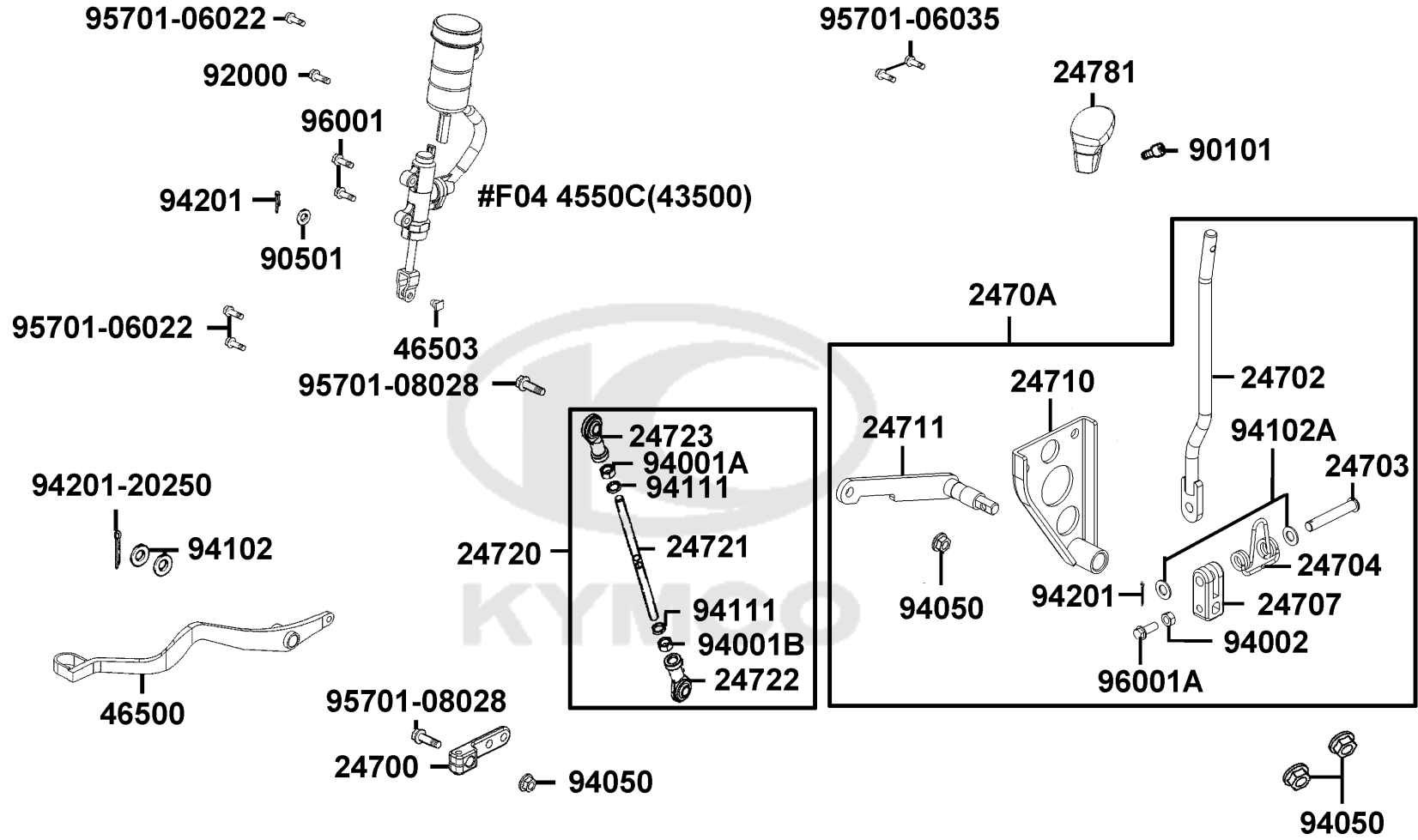
Sales mark 記号	Ref no 参照用番号	Part no パーツ番号	Description 部品名	Reg description 部品名	Regd no 必要個数	F14
18291		18291-LHB3-E11	GASKET EXH PIPE	GASKET EXH PIPE	1	
18293		18293-AGA1-M00	RUBBER MUFFLER STAY	RUBBER MUFFLER STAY	2	
18294-AGA1		18294-AGA1-M00	PACKING MUFFLER STAY	PACKING MUFFLER STAY	4	
18294-KTCT		18294-KTCT-C00	PACKING PROTECTOR	PACKING PROTECTOR	8	
1830A		1830A-AGA2-E00	MUFFLER ASSY EXH	MUFFLER ASSY EXH	1	
18325		18325-AGA1-M00	PROTECTOR EXH PIPE	PROTECTOR EXH PIPE	1	
18327		18327-AGA1-M00	PROTECTOR B COMP MUFFLER	PROTECTOR B COMP MUFFLER	1	
18329		18329-AGA1-M00	PROTECTOR D COMP MUFFLER	PROTECTOR D COMP MUFFLER	1	
18424		18424-AGA1-M00	COLLAR MUFF STAY	COLLAR MUFF STAY	2	
39450		39450-ZVA6-M00	O2 SENSOR	O2 SENSOR	1	
94001		94001-08080-0SG	NUT HEX 8MM	NUT HEX 8MM	2	
94050		94050-08080-G	NUT FLANGE 8MM	NUT FLANGE 8MM	1	
94101		94101-06200	WASHER PLAIN 6MM	WASHER PLAIN 6MM	12	
94111		94111-06800	WASHER SPRING 6MM	WASHER SPRING 6MM	8	
95701-06012		95701-06012-06	BOLT FLANGE 6X12	BOLT FLANGE 6*22 (K)	4	
95701-08025		95701-08025-07G	BOLT FLANGE 8*25 (KG)	BOLT FLANGE 8*25 (KG)	1	
96001		96001-06012-06	BOLT FLANGE SH 6*12	BOLT FLANGE SH 6*12	4	

F15

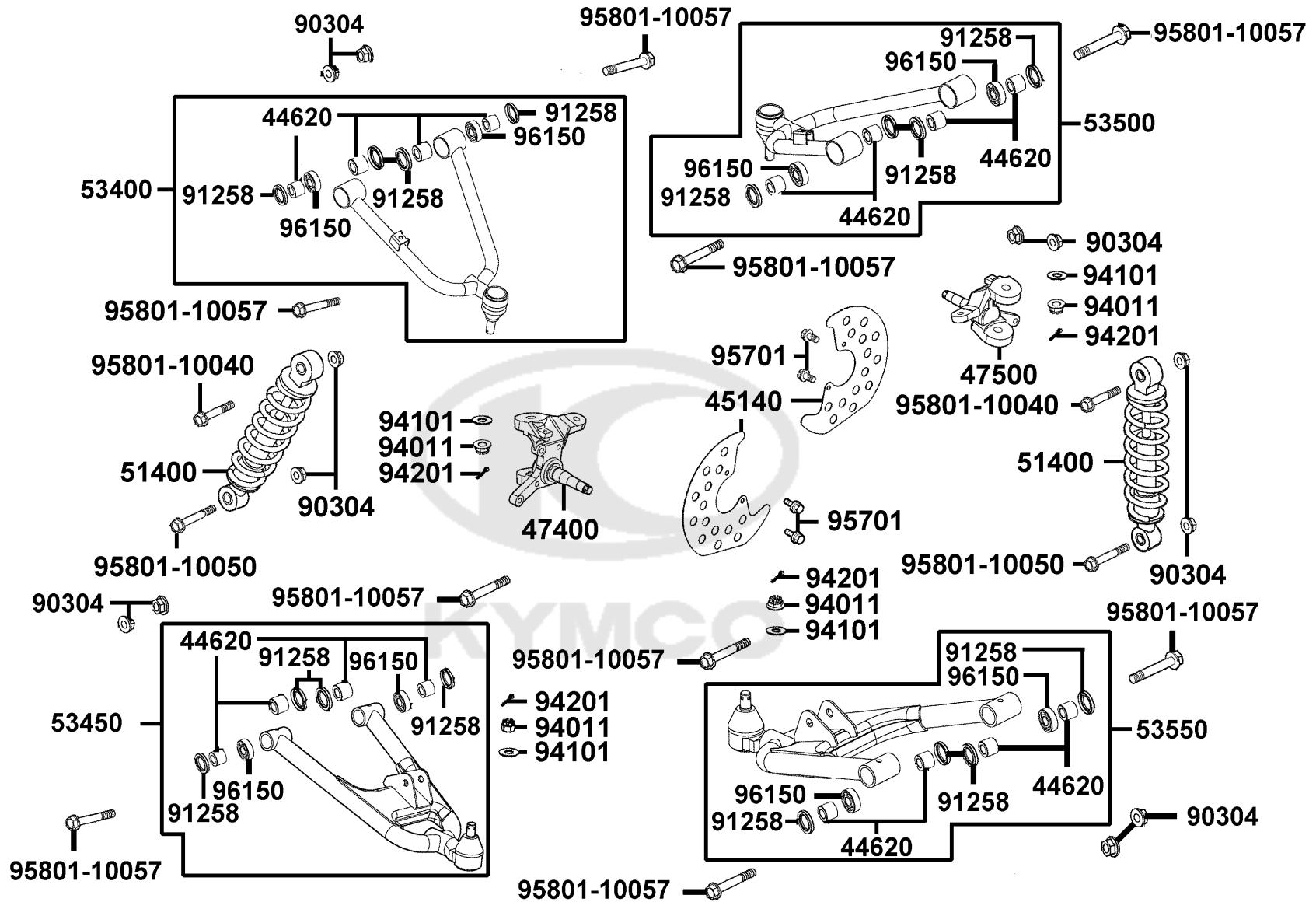
PEDAL COMP CHANGE



Sales mark 記号	Ref no 参照用番号	Part no パーツ番号	Description 部品名	Reg description 部品名	Regd no 必要個数	F15
24700	24700-AGA1-M00	24700-AGA1-M00	GEAR CHANGE HANDLE LINK	GEAR CHANGE HANDLE LINK	1	
24702	24702-AGA1-M00	24702-AGA1-M00	BAR CHANGE HANDLE	BAR CHANGE HANDLE	1	
24703	24703-AGA1-M00	24703-AGA1-M00	PIN CHANGE HANDLE	PIN CHANGE HANDLE	1	
24704	24704-AGA1-M00	24704-AGA1-M00	SPRING CHANGE HANDLE	SPRING CHANGE HANDLE	1	
24707	24707-AGA1-M00	24707-AGA1-M00	BRKT CHANGE HANDLE	BRKT CHANGE HANDLE	1	
2470A	2470A-AGA1-M00	2470A-AGA1-M00	PEDAL COMP CHANGE	PEDAL COMP CHANGE	1	
24710	24710-AGA1-M00	24710-AGA1-M00	STAY CHANGE HANDLE ASSY	STAY CHANGE HANDLE ASSY	1	
24711	24711-AGA1-M00	24711-AGA1-M00	SHAFT COMP CHANGE HANDLE	SHAFT COMP CHANGE HANDLE	1	
24720	24720-AGA1-M00	24720-AGA1-M00	"ROD ASSY.,CHANGE HANDLE"	"ROD ASSY.,CHANGE HANDLE"	1	
24721	24721-AGA1-M00	24721-AGA1-M00	ROD CHANGE HANDLE	ROD CHANGE HANDLE	1	
24722	24722-AGA1-M00	24722-AGA1-M00	JOINT R BALL	JOINT R BALL	1	
24723	24723-AGA1-M00	24723-AGA1-M00	JOINT L BALL	JOINT L BALL	1	
24781	24781-AGA1-M00	24781-AGA1-M00	COVER CHANGE HANDLE	COVER CHANGE HANDLE	1	
46500	46500-AGA1-M00	46500-AGA1-M00	PEDAL COMP RR BRK	PEDAL COMP RR BRK	1	
46503	46503-AGA1-M00	46503-AGA1-M00	PIN CLEVIS	PIN CLEVIS	1	
90101	90101-LCA5-C00	90101-LCA5-C00	SOCKET BOLT 5X12	SOCKET BOLT 5X12	1	
90501	90501-3L10-C00	90501-3L10-C00	WASH 7*12	WASH 7*12	1	
92000	92000-06022-07G	92000-06022-07G	BOLT TEX 6*22(K)	BOLT TEX 6*22(K)	1	
94001A	94001-08080-0S	94001-08080-0S	NUT HEX 8MM	NUT HEX 8MM	1	
94001B	94001-AGA1-M01	94001-AGA1-M01	NUT HEX LH 8MM	NUT HEX LH 8MM	1	



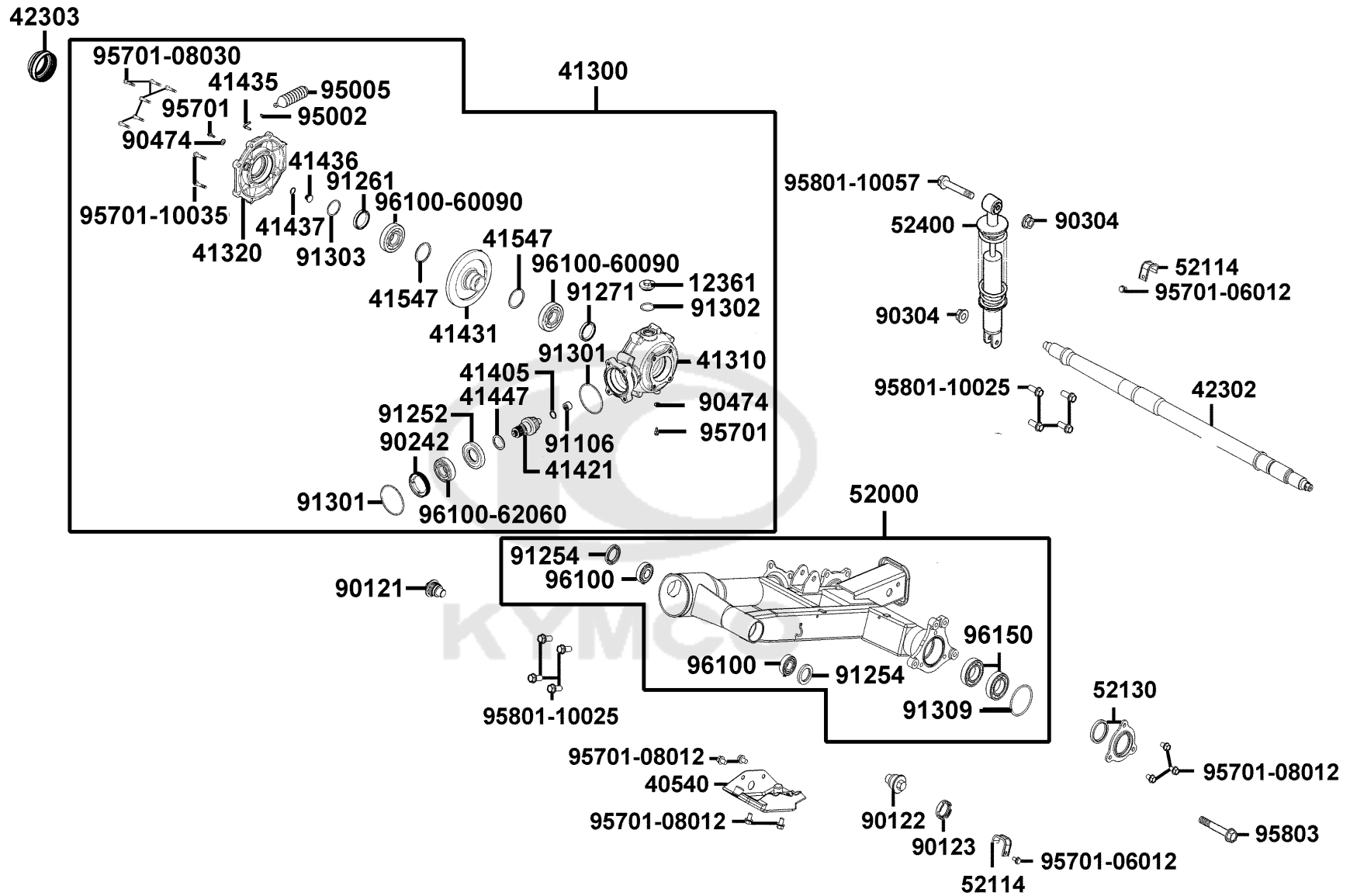
Sales mark 記号	Ref no 参照用番号	Part no パーツ番号	Description 部品名	Reg description 部品名	Regd no 必要個数	F15
94002		94002-06080-0S	NUT HEX 6MM	NUT HEX 6MM	1	
94050		94050-08080-G	NUT FLANGE 8MM	NUT FLANGE 8MM	4	
94102A		94102-08000	WASHER PLAIN 8MM	WASHER PLAIN 8MM	2	
94102		94102-14800-G	WASHER PLAIN 14MM(C)	WASHER PLAIN 14MM(C)	2	
94111		94111-08800	WASHER SPG 8MM	WASHER SPG 8MM	2	
94201		94201-20150-08G	PIN SPLIT 2*15	PIN SPLIT 2*15	1	
94201-20250		94201-20250-G	PIN SPLIT 2*25	PIN SPLIT 2*25	1	
95701-06022		95701-06022-07G	BOLT FLANGE 6*22 (K)	BOLT FLANGE 6*22 (K)	3	
95701-06035		95701-06035-07G	BOLT FLANGE 6*35 (KG)	BOLT FLANGE 6*35 (K)	2	
95701-08028		95701-08028-07G	BOLT FLANGE 8*28 (K)	BOLT FLANGE 8*28 (K)	2	
96001A		96001-06016-08	BOLT FLANGE SH 6*16	BOLT FLANGE SH 6*16	1	
96001		96001-06020-07G	BOLT FLANGE SH 6*20 (G)	BOLT FLANGE SH 6*20 (G)	2	



Sales mark 記号	Ref no 参照用番号	Part no パーツ番号	Description 部品名	Reg description 部品名	Regd no 必要個数	F16
	44620	44620-AGA1-M00	COLLAR SWING ARM	COLLAR SWING ARM	12	
	45140	45140-AGA1-M00	GUARD BRAKE DSIK	GUARD BRAKE DSIK	2	
	47400	47400-AGA1-M00	KNUCKLE ASSY R STRG	KNUCKLE ASSY R STRG	1	
	47500	47500-AGA1-M00	KNUCKLE ASSY L STRG	KNUCKLE ASSY L STRG	1	
**	51400	51400-AGA1-M00	FORK ASSY FRONT R	FORK ASSY FRONT R	1	
	53400	53400-AGA1-M00	ARM ASSY FR UPPER RH	ARM ASSY FR UPPER RH	1	
	53450	53450-AGA1-M00	ARM ASSY,FR LOWER RH	ARM ASSY,FR LOWER RH	1	
	53500	53500-AGA1-M00	ARM ASSY FR UPPER LH	ARM ASSY FR UPPER LH	1	
	53550	53550-AGA1-M00	ARM ASSY FR LOWER LH	ARM ASSY FR LOWER LH	1	
	90304	90304-GLW0-C01	NUT U FLANGE 10MM(C)	NUT U FLANGE 10MM(C)	13	
	91258	91258-AGA1-M00	OIL SEAL 18X26X4	OIL SEAL 18X26X4	12	
	94011	94011-12080-0S	NUT CASTLE 12MM	NUT CASTLE 12MM	4	
	94101	94101-12800-G	WASHER PLAIN 12MM (C)	WASHER PLAIN 12MM (C)	4	
	94201	94201-30250-G	PIN SPLIT 3*25	PIN SPLIT 3*25	4	
	95701	95701-06010-07G	BOLT FLANGE 6*10 (K)	BOLT FLANGE 6*10 (K)	4	
	95801-10040	95801-10040-07G	BOLT FLANGE 10*40	BOLT FLANGE 10*40	2	
	95801-10050	95801-10050-07G	BOLT FLANGE 10*50 (G)	BOLT FLANGE 10*50 (G)	2	
	95801-10057	95801-10057-07G	BOLT FLANGE 10*57 (G)	BOLT FLANGE 10*57 (G)	9	
	96150	96150-60000-10	BEARING BALL RADIAL 6000	BEARING BALL RADIAL 6000	8	

F17

Rear Cushion



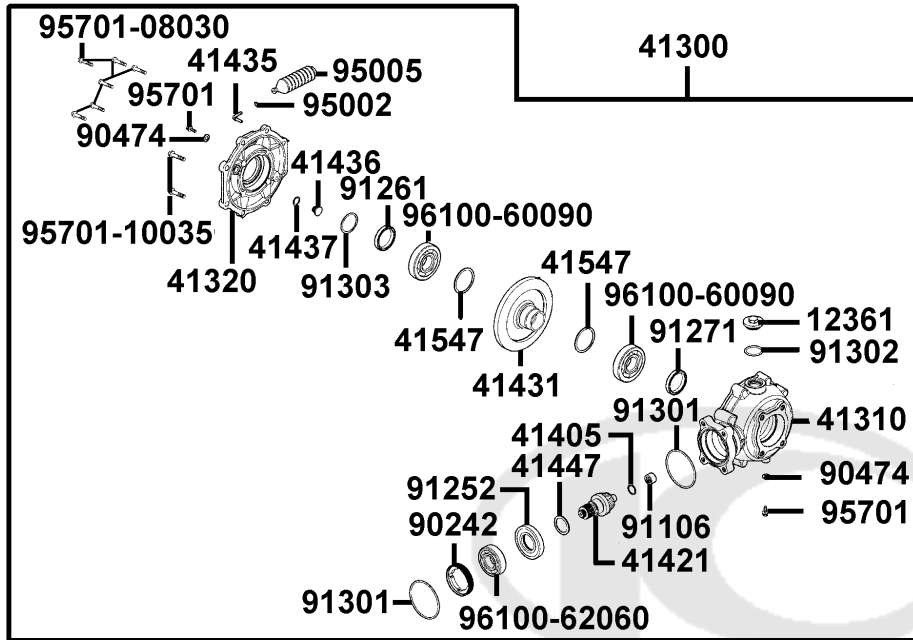


Sales mark 記号	Ref no 参照用番号	Part no パーツ番号	Description 部品名	Reg description 部品名	Regd no 必要個数	F17
	12361	12361-GFY6-C00	HOLE CAP TAPPET ADJUSTING	HOLE CAP TAPPET ADJUSTING	1	
	40540	40540-AGA1-M00	PLATE ASSY SKID	PLATE ASSY SKID	1	
	41300	41300-AGA1-M00	GEAR ASSY RR FINAL	GEAR ASSY RR FINAL	1	
	41310	41310-AGA1-M00	L SIDE CASE, RR FINAL	L SIDE CASE, RR FINAL	1	
	41320	41320-AGA1-M00	R SIDE CASE RR FINAL	R SIDE CASE RR FINAL	1	
	41405	41405-LCD9-E00	RING STOPPER	RING STOPPER	1	
	41421	41421-LCD9-E00	GEAR PINION	GEAR PINION	1	
	41431	41431-LCD9-E01	GEAR RING	GEAR RING	2	
	41435	41435-LCD9-E00	JOINT BREATHER	JOINT BREATHER	1	
	41436	41436-LCD9-E00	PIN RING GEAR STOPPER	PIN RING GEAR STOPPER	1	
	41437	41437-LCD9-E00	SHIM STOPPER PIN	SHIM STOPPER PIN	1	
	41447	41447-LCD9-E00	SHIM PINION GEAR	SHIM PINION GEAR	1	
	41547	41547-AGA2-E00	SHIM RING GEAR	SHIM RING GEAR	2	
	42302	42302-AGA1-M00	AXLE RR WHEEL	AXLE RR WHEEL	1	
	42303	42303-AGA1-M00	BOOT AXLE SHAFT	BOOT AXLE SHAFT	1	
	52000	52000-AGA1-M00	FORK ASSY RR	FORK ASSY RR	1	
	52114	52114-AGA1-M00	CLAMPER RR BRAKE HOSE	CLAMPER RR BRAKE HOSE	1	
	52130	52130-AGA1-M00	STOPPER ASSY BEARING	STOPPER ASSY BEARING	1	
**	52400	52400-AGA1-M00	CUSHION ASSY RR	CUSHION ASSY RR	1	
	90121	90121-LCD9-E00	FORK PIVOT BOLT RH	FORK PIVOT BOLT RH	1	

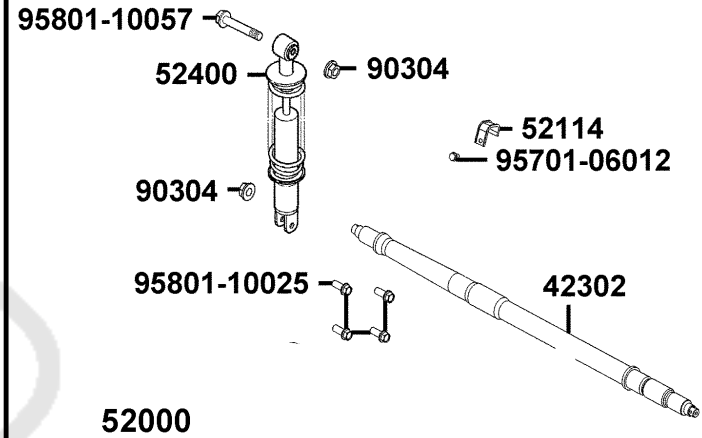
F17

Rear Cushion

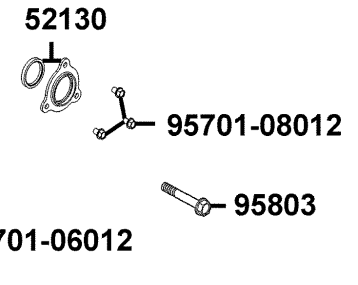
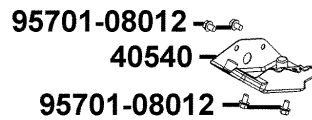
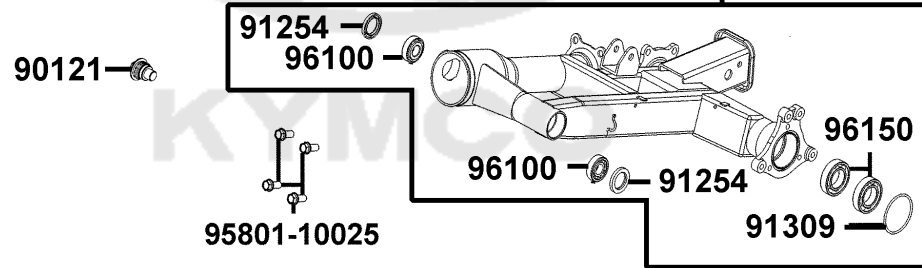
42303



41300



52000

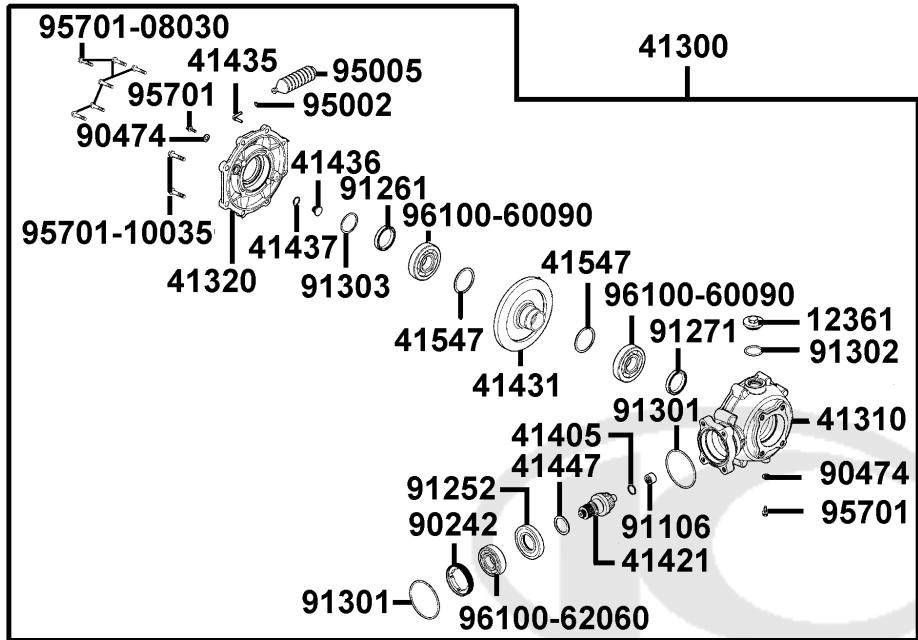


Sales mark 記号	Ref no 参照用番号	Part no パーツ番号	Description 部品名	Reg description 部品名	Regd no 必要個数	F17
90122	90122-LCD9-E00		FORK PIVOT BOLT LH	FORK PIVOT BOLT LH	1	
90123	90123-LCD9-E00		FORK PIVOT NUT LOCK	FORK PIVOT NUT LOCK	1	
90242	90242-LCD9-E00		NUT LOCK 65MM	NUT LOCK 65MM	1	
90304	90304-GLW0-C01		NUT U FLANGE 10MM(C)	NUT U FLANGE 10MM(C)	2	
90474	90474-3C33-C00		WASHER 8MM (T*2)	WASHER 8MM (T*2)	2	
91106	91106-LCD9-E00		BRG NEEDLE 14*20*12	BRG NEEDLE 14*20*12	1	
91252	91252-AGA1-M00		OIL SEAL 35X70X10	OIL SEAL 35X70X10	1	
91254	91254-LDE9-E00		DUST SEAL 26*40*5	DUST SEAL 26*40*5	2	
91261	91261-AGA1-M00		OIL SEAL 44X60X7	OIL SEAL 44X60X7	1	
91271	91271-AGA1-M00		OIL SEAL 42X62X7	OIL SEAL 42X62X7	1	
91301	91301-AGA1-M00		O-RING 74.4X3.1	O-RING 74.4X3.1	2	
91302	91302-AGA1-M00		O-RING 30.8MM	O-RING 30.8MM	1	
91303	91303-AGA1-M00		O-RING 31.7X3.5	O-RING 31.7X3.5	1	
91309	91309-AGA1-M00		O-RING 58.4X3.0	O-RING 58.4X3.0	1	
95002	95002-41050-00		CLIP D10.5 TUBE	CLIP D10.5 TUBE	1	
95005	95005-AGA1-M00		BREATHER TUBE RR GEAR ASSY	BREATHER TUBE RR GEAR ASSY	1	
95701-06012	95701-06012-07G		BOLT FLANGE 6*12 (KG)	BOLT FLANGE 6*12 (KG)	2	
95701-08012	95701-08012-07G		BOLT FLANGE 8*12 (K)	BOLT FLANGE 8*12 (K)	7	
95701	95701-08012-08G		BOLT FLANGE 8X12(C)	BOLT FLANGE 8X12(C)	2	
95701-08030	95701-08030-08G		BOLT FLANGE SMALL	BOLT FLANGE SMALL	6	

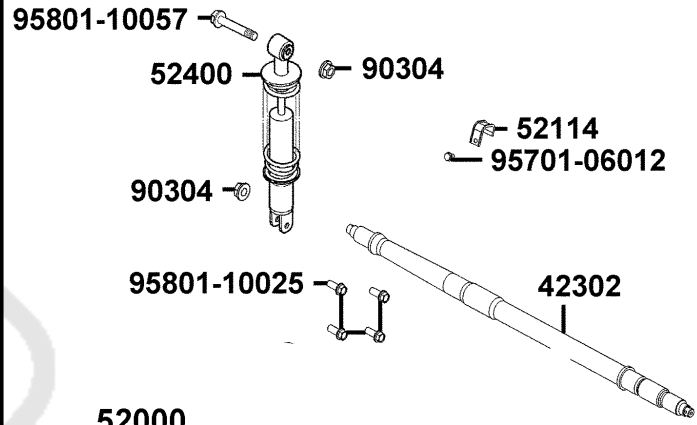
F17

Rear Cushion

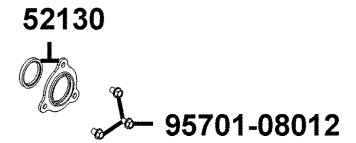
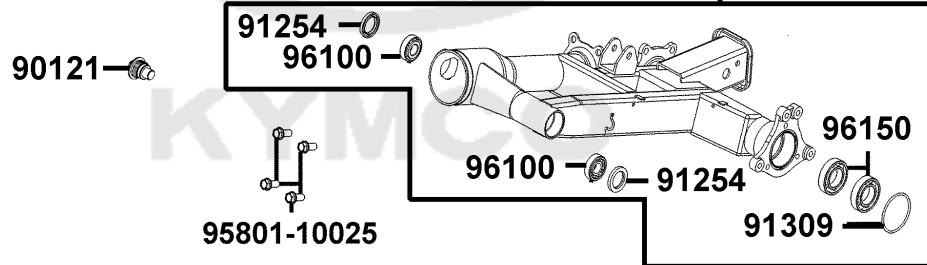
42303



41300



52000

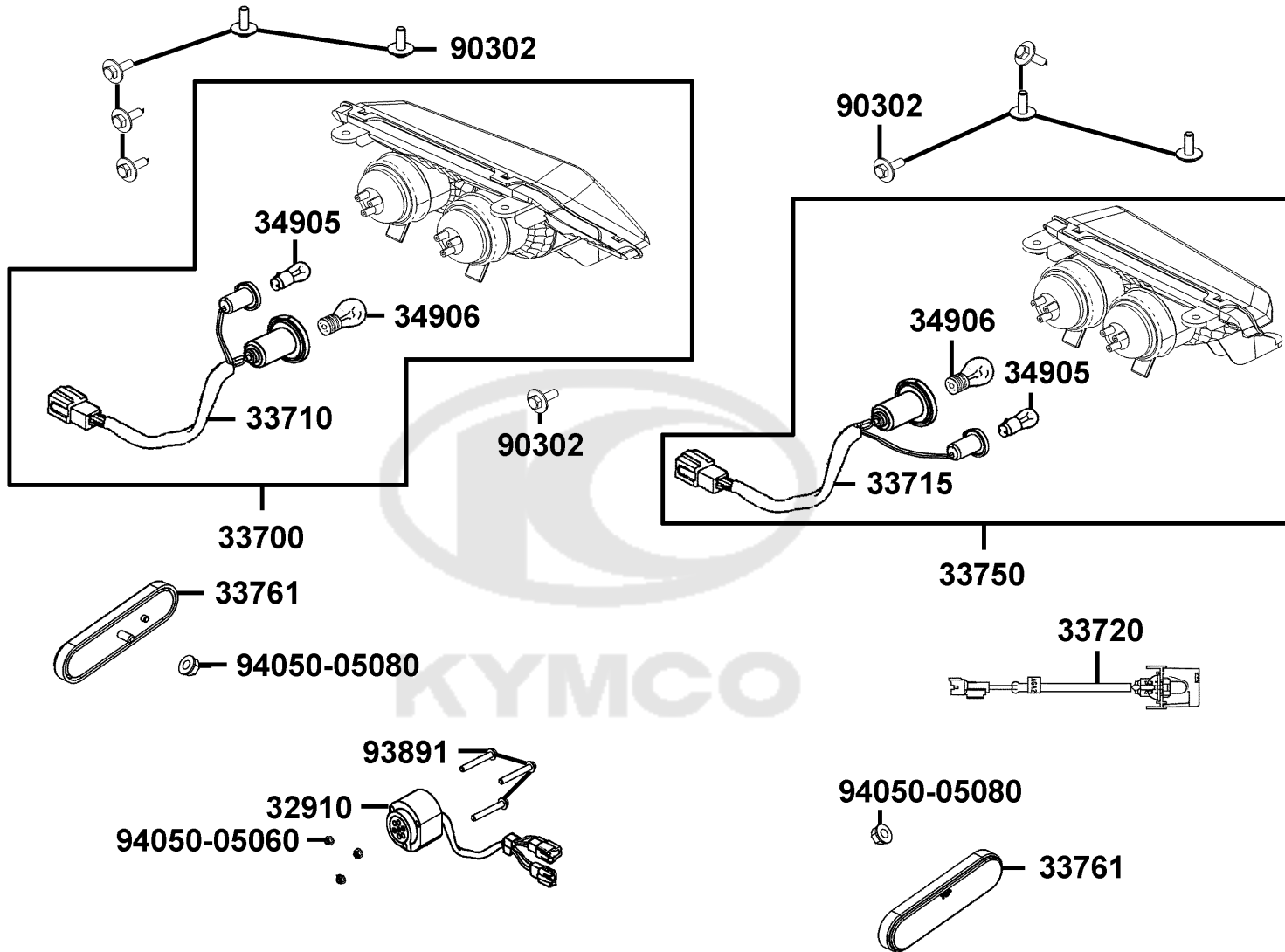


Sales mark 記号	Ref no 参照用番号	Part no パーツ番号	Description 部品名	Reg description 部品名	Regd no 必要個数	F17
95701-10035		95701-10035-08G	BOLT FLANGE	BOLT FLANGE	2	
95801-10025		95801-10025-07G	BOLT FLANGE 10X25	BOLT FLANGE 10X25	1	
95801-10057		95801-10057-07G	BOLT FLANGE 10*57 (G)	BOLT FLANGE 10*57 (G)	1	
95803		95803-LBA7-C00	BOLT FLANGE 10*53(G)	BOLT FLANGE 10*53(G)	1	
96100		96100-30203-10	BEARING BALL RADIAL	BEARING BALL RADIAL	2	
96100-60090		96100-60090-00	BRG RADIAL BALL 6009	BRG RADIAL BALL 6009	2	
96100-62060		96100-62060-00	BRG RADIAL BALL 6206	BRG RADIAL BALL 6206	1	
96150		96150-60060-10	BEARING BALL RADIAL 6006	BEARING BALL RADIAL 6006	2	

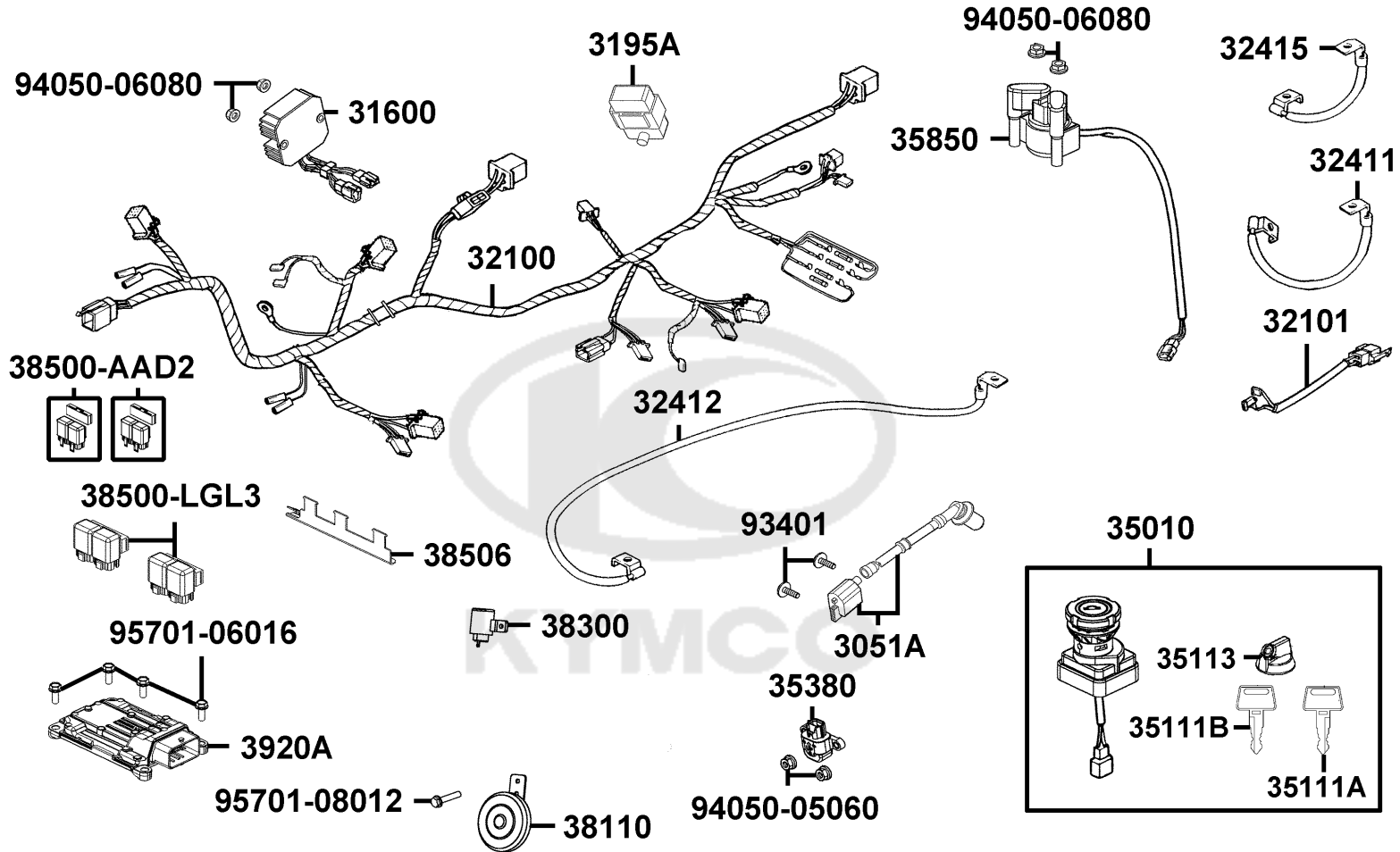


F18

Tail Light

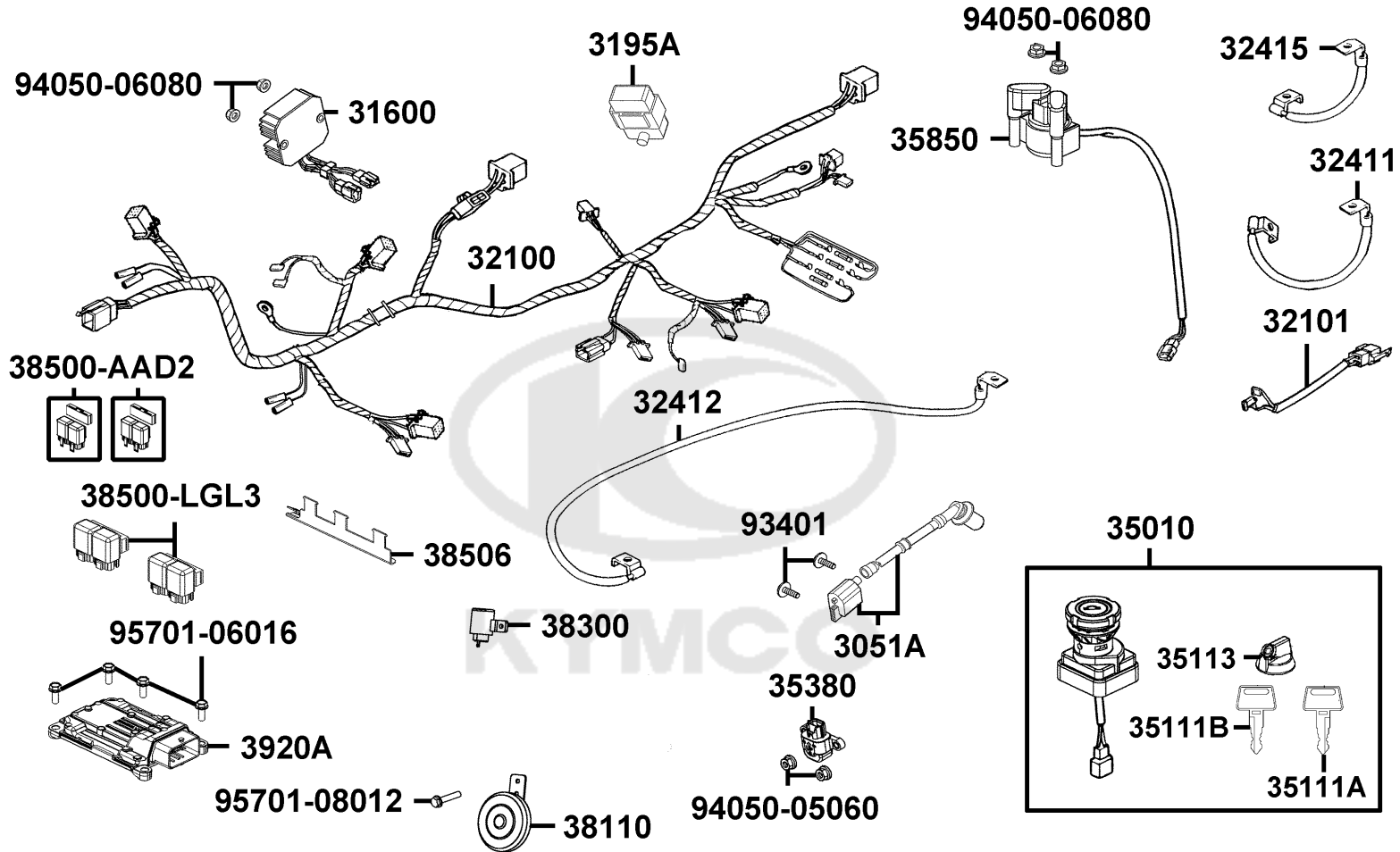


Sales mark 記号	Ref no 参照用番号	Part no パーツ番号	Description 部品名	Reg description 部品名	Regd no 必要個数	F18
32910		32910-LKA8-E70	ASSY TRAILER CONNECTOR /D106	ASSY TRAILER CONNECTOR /D106	1	
33700		33700-AGA2-E00	LIGHT ASS'Y RR COMB	LIGHT ASS'Y RR COMB	1	
33710		33710-AGA2-E00	SOCKET COMP R RR COMB	SOCKET COMP R RR COMB	1	
33715		33715-AGA2-E00	SOCKET COMP L RR COMB	SOCKET COMP L RR COMB	1	
33720		33720-AGA2-E00	LIGHT AAS'Y LICENSE	LIGHT AAS'Y LICENSE	1	
33750		33750-AGA2-E00	LIGHT ASS'Y RR COMB	LIGHT ASS'Y RR COMB	1	
33761		33761-AGA1-M00	REFLEX REFLECTOR (RED)	REFLEX REFLECTOR (RED)	2	
34905		34905-LCA5-E00	BULB WINKER (12V 10W)	BULB WINKER	1	
34906		34906-LBA8-E80	BULB TAIL & STOP	BULB TAIL & STOP	2	
90302		90302-AGA1-M00	BOLT WASH 5X16	BOLT WASH 5X16	12	
93891		93891-05035-07G	SCREW WASHER 5*35(K)	SCREW WASHER 5*35(K)	3	
94050-05060		94050-05060-G	NUT FLANGE 5MM (G)	NUT FLANGE 5MM (G)	6	
94050-05080		94050-05080-G	NUT FLANGE 5MM	NUT FLANGE 5MM	2	



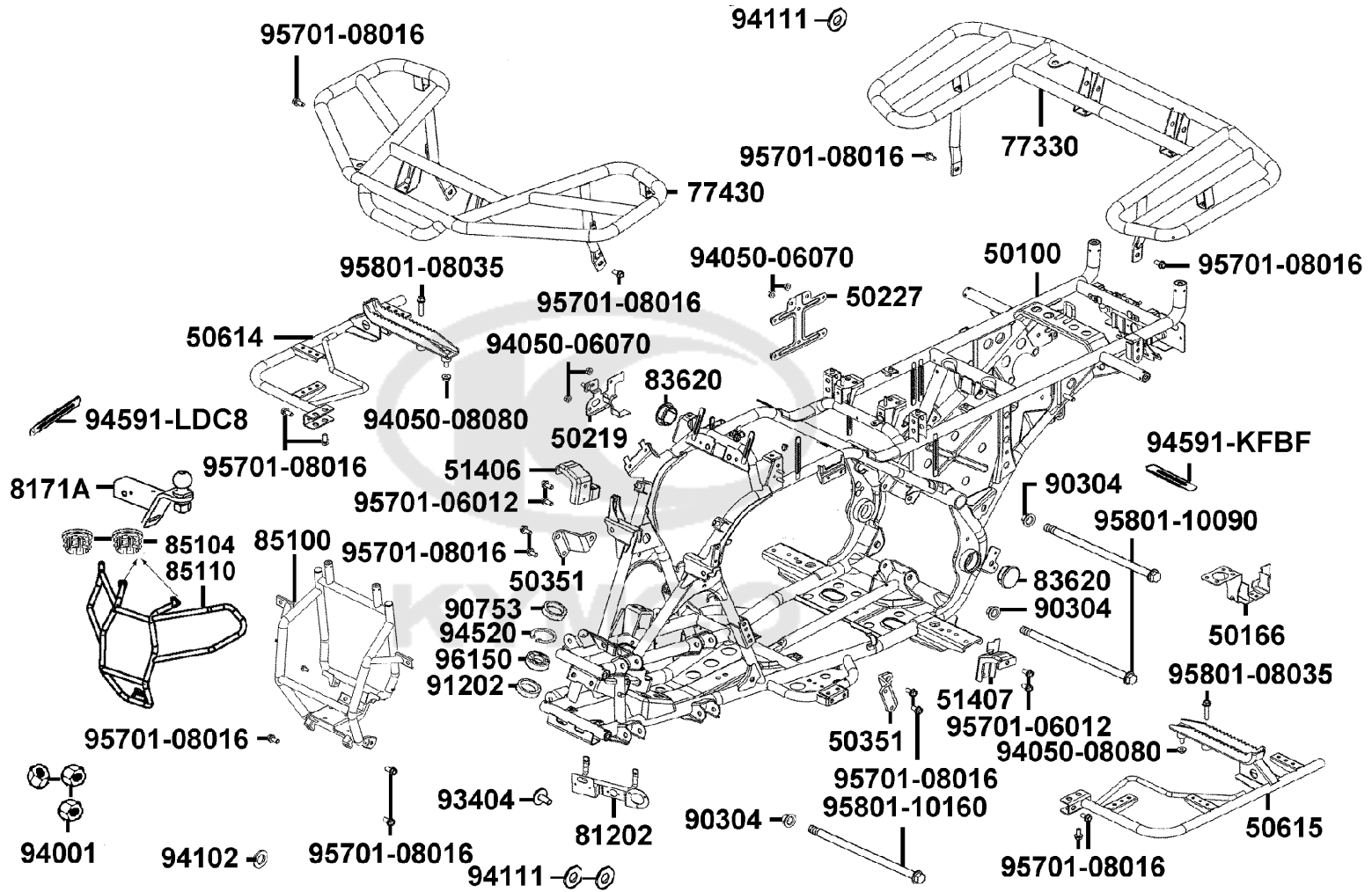


Sales mark 記号	Ref no 参照用番号	Part no パーツ番号	Description 部品名	Reg description 部品名	Regd no 必要個数	F19
	3051A	3051A-AGA1-M00	COIL ASS'Y IGNITION	COIL ASS'Y IGNITION	1	
	31600	31600-PRB8-900	REG RECT COMP	REG RECT COMP	1	
	3195A	3195A-LBA7-E00	HAZARD CONTROL ASSY	HAZARD CONTROL ASSY	1	
	32100	32100-AGA2-E00	HARNESS WIRE	HARNESS WIRE	1	
	32101	32101-AGA1-M00	SUB CORD	SUB CORD	1	
	32411	32411-AGA2-E00	CABLE BAT	CABLE BAT	1	
	32412	32412-AGA1-M00	CABLE EARTH	CABLE EARTH	1	
	32415	32415-AGA2-E00	CABLE BAT RELAY	CABLE BAT RELAY	1	
	35010	35010-AGA2-E00	KEY SET	KEY SET	1	
#	35111A	35111-AGA2-305	BLACK KEY R	BLACK KEY R	1	
#	35111B	35111-AGA2-306	BLACK KEY L	BLACK KEY L	1	
	35113	35113-AGA2-E00	KEY COVER	KEY COVER	1	
	35380	35380-ABE1-C00	SENSOR ANGLE	SENSOR ANGLE	1	
	35850	35850-ALL1-C00	SET START MAG	SET START MAG	1	
	38110	38110-KHB4-E0A	HORN COMP (D405)	HORN COMP	1	
	38300	38300-AGA2-E00	RELAY ASS'Y WINKER	RELAY ASS'Y WINKER	1	
	38500-AAD2	38500-AAD2-C00	RELAY ASSY LIGHT	RELAY ASSY LIGHT	2	
	38500-LGL3	38500-LGL3-90A	RELAY ASSY LIGHT/D402(12V 20A)	RELAY ASSY LIGHT/D402(12V 20A)(also for Fuel	2	
	38506	38506-AGA1-M00	STAY START RELAY	STAY START RELAY	1	
	3920A	3920A-AGA2-E00	MODULE ASSY ECU	MODULE ASSY ECU	1	

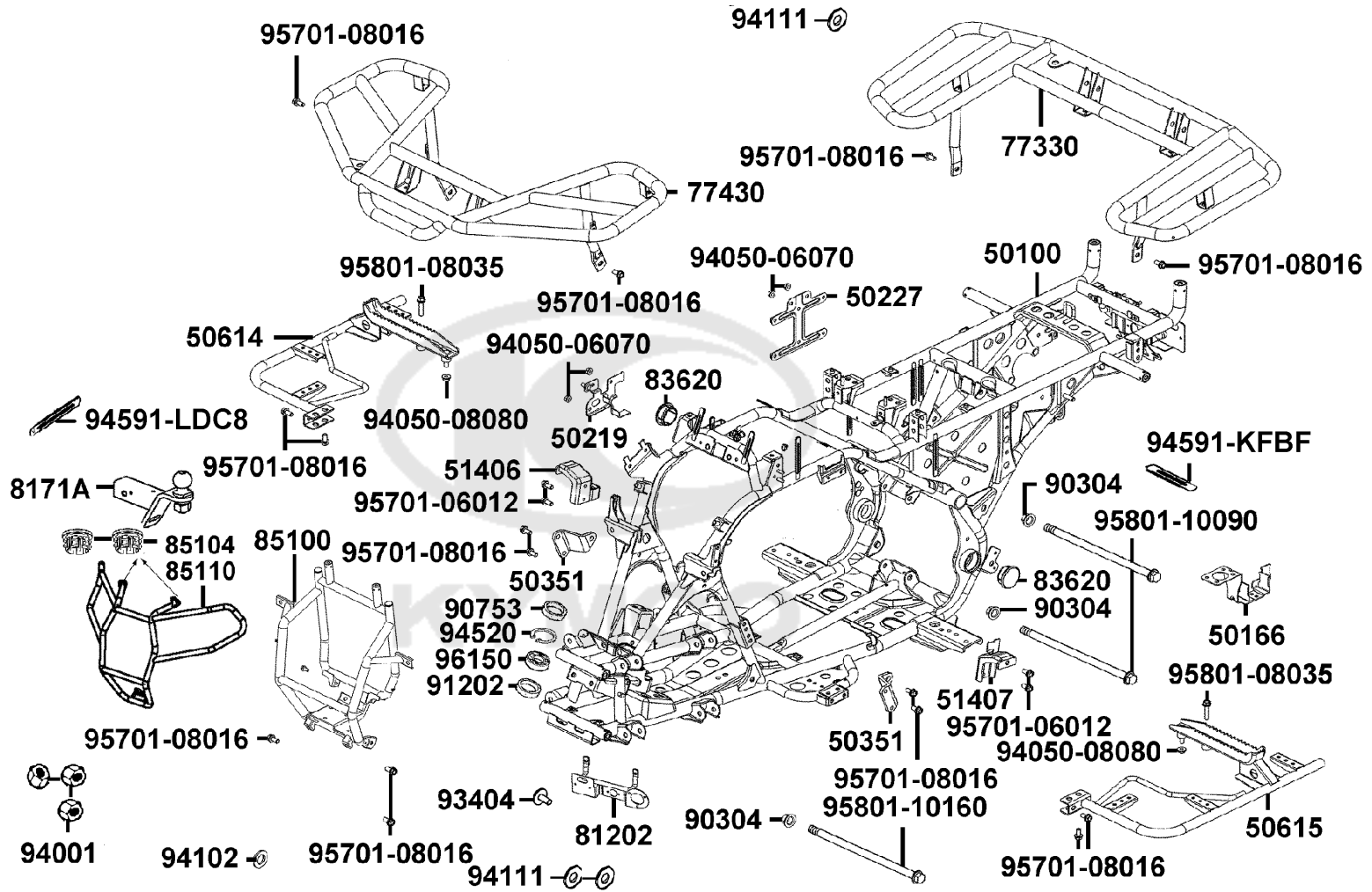


Sales mark 記号	Ref no 参照用番号	Part no パーツ番号	Description 部品名	Reg description 部品名	Regd no 必要個数	F19
93401	93401-04025-08	93401-04025-08	BOLT WASHER 4*25	BOLT WASHER 4*25	2	
94050-05060	94050-05060-G	94050-05060-G	NUT FLANGE 5MM (G)	NUT FLANGE 5MM (G)	2	
94050-06080	94050-06080-G	94050-06080-G	NUT FLANGE 6MM	NUT FLANGE 6MM	4	
95701-06016	95701-06016-07G	95701-06016-07G	BOLT FLANGE SH 6*16 (KG)	BOLT FLANGE SH 6*16 (KG)	4	
95701-08012	95701-08012-07G	95701-08012-07G	BOLT FLANGE 8*12 (K)	BOLT FLANGE 8*12 (K)	1	

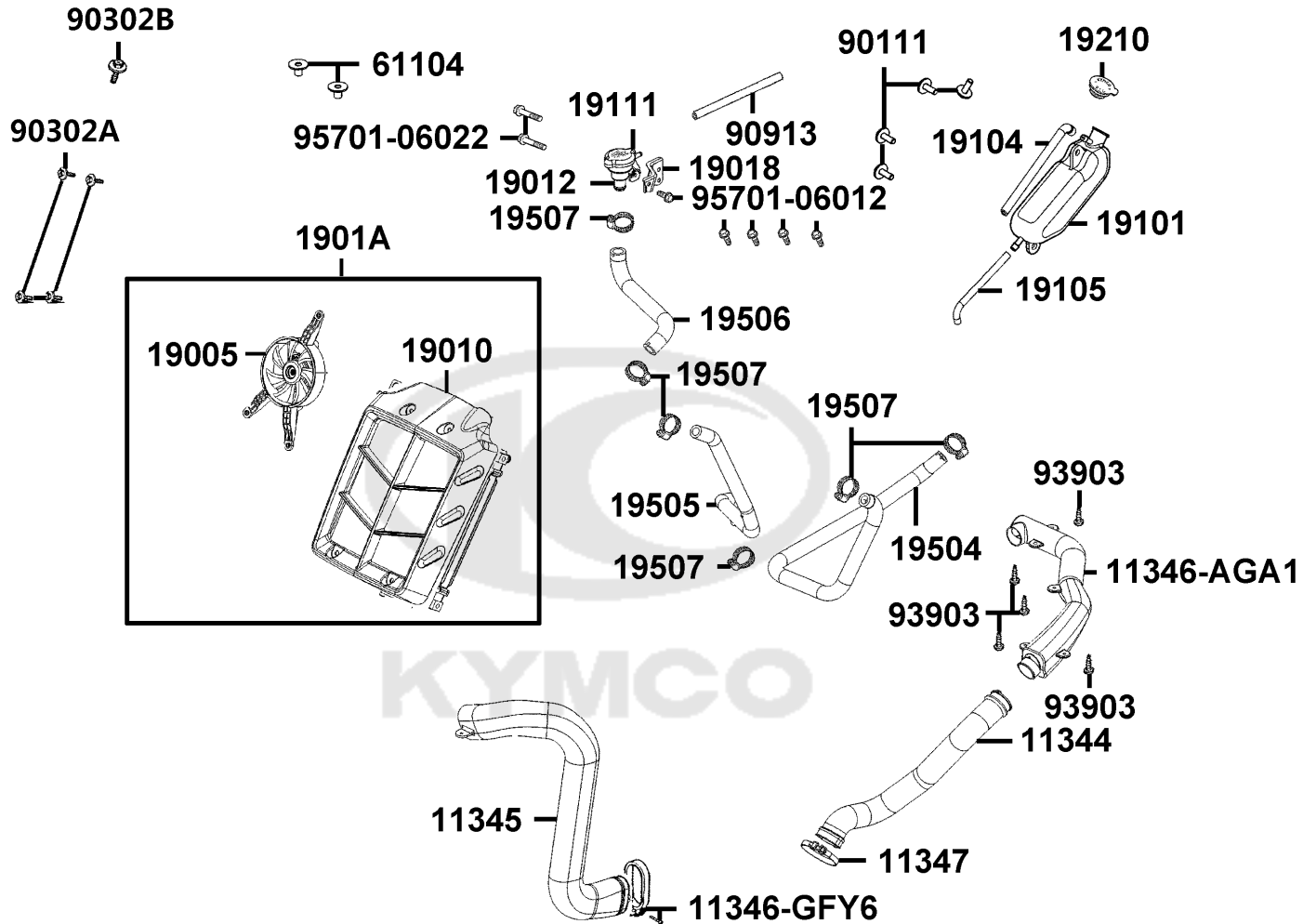




Sales mark 記号	Ref no 参照用番号	Part no パーツ番号	Description 部品名	Reg description 部品名	Regd no 必要個数	F20
	50100	50100-AGA1-M00	BODY COMP FRAME	BODY COMP FRAME	1	
	50166	50166-AGA1-M00	BRKT START MAG SW	BRKT START MAG SW	1	
	50219	50219-AGA1-M00	STAY WINKER RELAY	STAY WINKER RELAY	1	
	50227	50227-AGA1-M00	STAY ECU	STAY ECU	1	
	50351	50351-AGA1-M00	BRKT ENG HANGER	BRKT ENG HANGER	1	
	50614	50614-AGA1-M00	STAY R FLOOR PANEL	STAY R FLOOR PANEL	1	
	50615	50615-AGA1-M00	STAY L FLOOR PANEL	STAY L FLOOR PANEL	1	
	51406	51406-AGA1-M00	RH STAY FR CARRIER	RH STAY FR CARRIER	1	
	51407	51407-AGA1-M00	LH STAY FR CARRIER	LH STAY FR CARRIER	1	
	77330	77330-AGA2-E00	"REAR CARRIER,LUGGAGE"	"REAR CARRIER,LUGGAGE"	1	
	77430	77430-AGA2-E00	FRONT CARRIER LUGGAGE	FRONT CARRIER LUGGAGE	1	
	81202	81202-AGA2-E00	STAY LINCENSE PLATE	STAY LINCENSE PLATE	1	
	8171A	8171A-ZXA6-E03	HITCH ASSY	HITCH ASSY	1	
	83620	83620-AGA1-M00	CAP PIPE	CAP PIPE	2	
	85100	85100-AGA1-M00	PIPE COMP FRONT BUMPER	PIPE COMP FRONT BUMPER	1	
	85104	85104-AGA1-M00	CAP PIPE	CAP PIPE	2	
**	85110	85110-AGA1-M00	PIPE COMP ACCERY FRONT BUMPER	PIPE COMP ACCERY FRONT BUMPER	1	
	90304	90304-GLW0-C01	NUT U FLANGE 10MM(C)	NUT U FLANGE 10MM(C)	4	
	90753	90753-AGA1-M00	OIL SEAL 27X40X6	OIL SEAL 27X40X6	1	
	91202	91202-AGA1-M00	OIL SEAL 22X35X7	OIL SEAL 22X35X7	1	



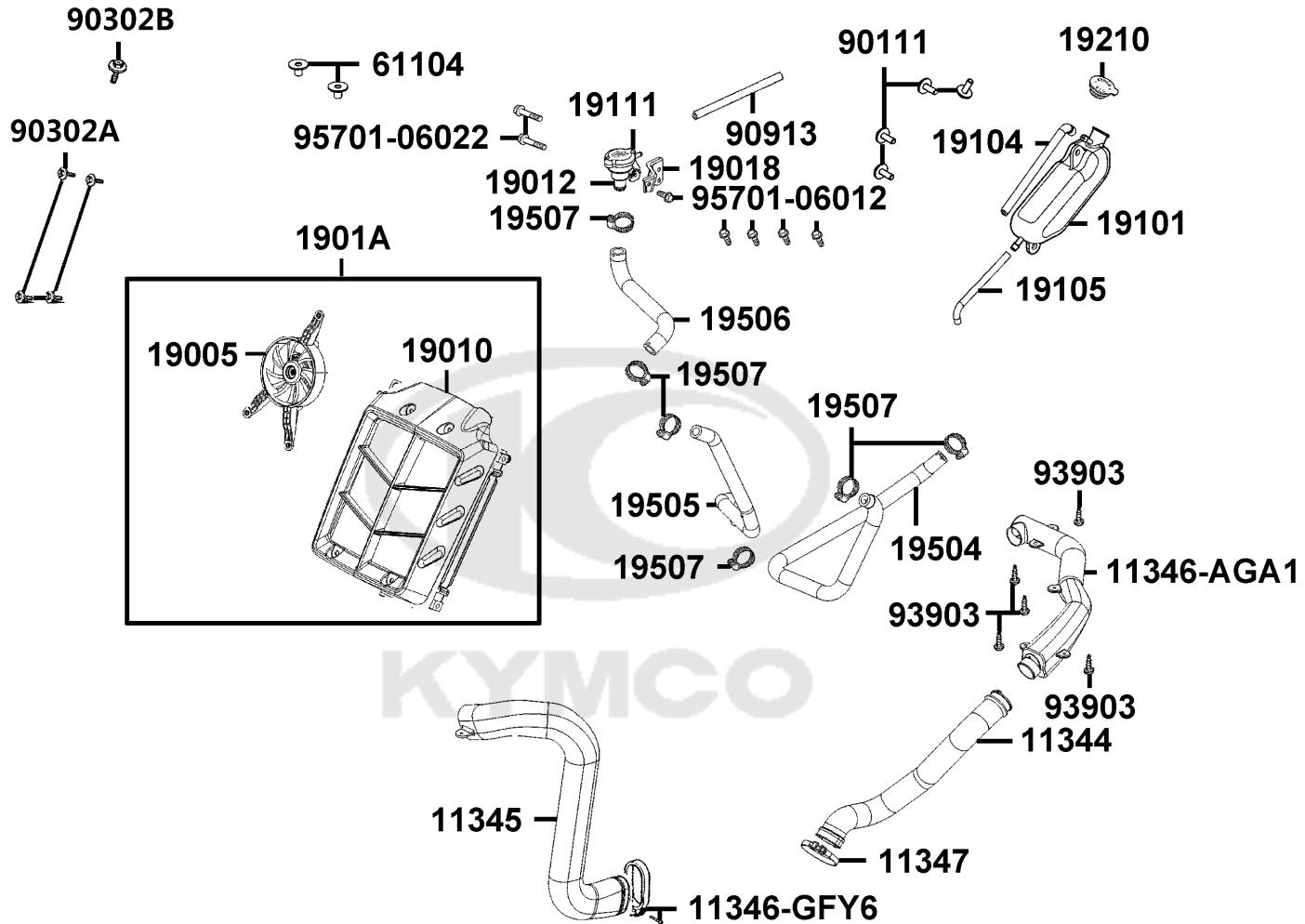
Sales mark 記号	Ref no 参照用番号	Part no パーツ番号	Description 部品名	Reg description 部品名	Regd no 必要個数	F20
93404		93404-06012-07G	BOLT WASHER 6*12	BOLT WASHER 6*12	4	
94001		94001-08080-07	NUT HEX 8mm	NUT HEX 8mm	3	
94050-06070		94050-06070-G	NUT FLANGE 6MM (KG)	NUT FLANGE 6MM (KG)	8	
94050-08080		94050-08080-G	NUT FLANGE 8MM	NUT FLANGE 8MM	2	
94102		94102-10800-G	WASHER PLAIN 10MM	WASHER PLAIN 10MM	2	
94111		94111-08800	WASHER SPG 8MM	WASHER SPG 8MM	3	
94520		94520-40000	CIR CLIP IN 40	CIR CLIP IN 40	1	
94591-KFBF		94591-KFBF-C00	CLIP 2*71	CLIP 2*71	1	
94591-LDC8		94591-LDC8-E10	CLIP BIND	CLIP BIND	1	
95701-06012		95701-06012-07G	BOLT FLANGE 6*12 (KG)	BOLT FLANGE 6*12 (KG)	4	
95701-08016		95701-08016-07G	BOLT FLANGE 8*16 (KG)	BOLT FLANGE 8*16 (KG)	15	
95801-08035		95801-08035-07G	BOLT FLANGE 8*35 (KG)	BOLT FLANGE 8*35 (KG)	2	
95801-10090		95801-10090-07G	BOLT FLANGE 10*90(K)	BOLT FLANGE 10*90(K)	2	
95801-10160		95801-10160-07G	BOLT FLANGE 10*160	BOLT FLANGE 10*160	1	
96150		96150-62030-10	BEARING BALL RADIAL 6203	BEARING BALL RADIAL 6203	1	





Sales mark 記号	Ref no 参照用番号	Part no パーツ番号	Description 部品名	Reg description 部品名	Regd no 必要個数
11344		11344-AGA1-M00	DUCT B L COVER	DUCT B L COVER	1
11345		11345-AGA1-M00	DUCT A, L COVER	DUCT A, L COVER	1
11346-AGA1		11346-AGA1-M00	DUCT C L COVER	DUCT C L COVER	1
11346-GFY6		11346-GFY6-C00	BAND L COVER DUCT	BAND L COVER DUCT	1
11347		11347-AGA1-M00	BAND L COVER DUCT	BAND L COVER DUCT	1
19005		19005-AGA1-M00	SHROUD ASS'Y	SHROUD ASS'Y	1
19010		19010-AGA1-M00	RADIATOR COMP	RADIATOR COMP	1
19012		19012-KHD8-C00	UNIT RADIATOR	UNIT RADIATOR	1
19018		19018-AGA1-M00	STAY UNIT RADIATOR	STAY UNIT RADIATOR	1
1901A		1901A-AGA1-M00	RADIATOR COMP	RADIATOR COMP	1
19101		19101-AGA1-M00	TANK RESERVE	TANK RESERVE	1
19104		19104-AGA1-M00	HOSE ASSY DRAIN	HOSE ASSY DRAIN	1
19105		19105-AGA1-M00	HOSE ASSY WATER	HOSE ASSY WATER	1
19111		19111-GBE2-C00	CAP COMP.	CAP COMP.	1
19210		19210-ABD6-C00	CAP RESERVE TANK	CAP RESERVE TANK	1
19504		19504-AGA1-M00	HOSE WATER D RADIATOR-ENG	HOSE WATER D RADIATOR-ENG	1
19505		19505-AGA1-M00	HOSE WATER F ENG-RADIATOR	HOSE WATER F ENG-RADIATOR	1
19506		19506-AGA1-M00	HOSE WATER G RADIATOR-PRESSURE	HOSE WATER G RADIATOR-PRESSURE VALVE	1
19507		19507-ABD6-C00	"CLAMP. D28"	"CLAMP. D28"	6
61104		61104-AGA1-M00	COLLAR FR FENDER	COLLAR FR FENDER	2

F21

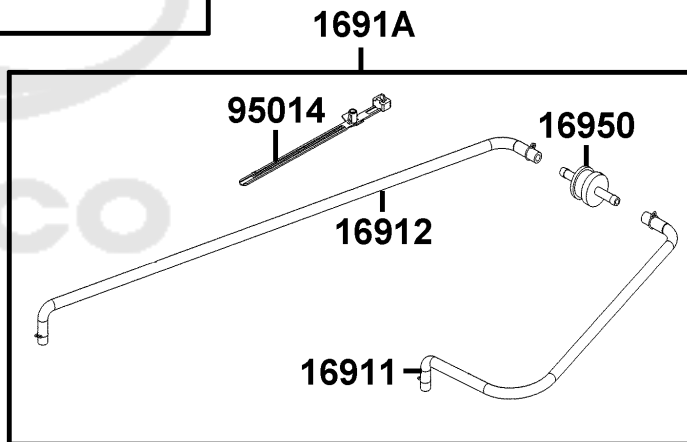
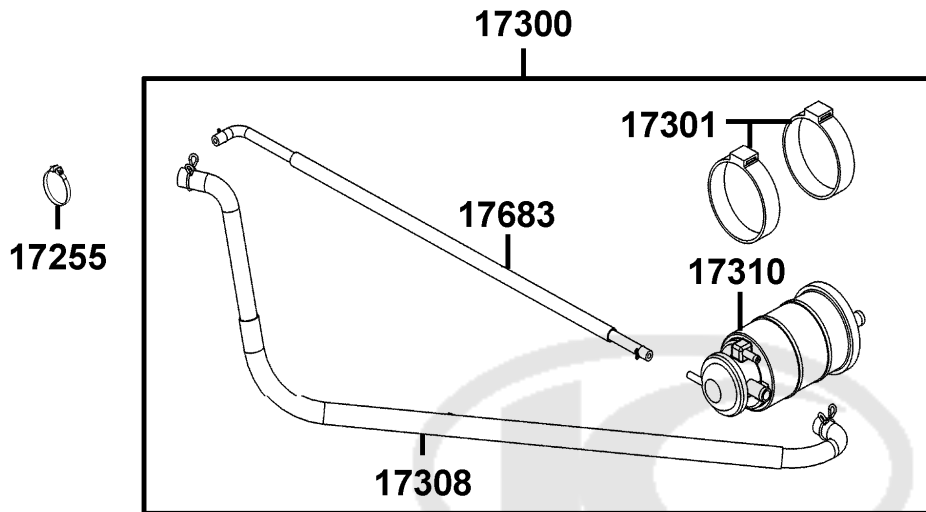


Sales mark 記号	Ref no 参照用番号	Part no パーツ番号	Description 部品名	Reg description 部品名	Regd no 必要個数	F21
90111		90111-06016-07G	BOLT FLANGE 6*16 (K)	BOLT FLANGE 6*16 (K)	4	
90302B		90302-AGA1-M00	BOLT WASH 5X16	BOLT WASH 5X16	1	
90302A		90302-GFY6-C11	BOLT-WASH 5*16	BOLT-WASH 5*16	4	
90913		90913-AGA1-M00	TUBE ASSY WATER	TUBE ASSY WATER	1	
93903		93903-35360-G	SCREW TAPPING 5*16	SCREW TAPPING 5*16	5	
95701-06012		95701-06012-07G	BOLT FLANGE 6*12 (KG)	BOLT FLANGE 6*12 (KG)	5	
95701-06022		95701-06022-07G	BOLT FLANGE 6*22 (K)	BOLT FLANGE 6*22 (K)	2	

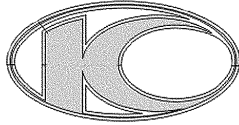


F22

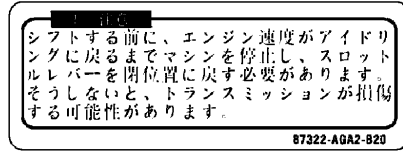
CANISTER-PCV ASSY



Sales mark 記号	Ref no 参照用番号	Part no パーツ番号	Description 部品名	Reg description 部品名	Regd no 必要個数	F22
#	16911	16911-AGA1-M00	HOSE ASSY BREATHER	HOSE ASSY BREATHER	1	
#	16912	16912-AGA1-M00	HOSE ASSY BREATHER	HOSE ASSY BREATHER	1	
	1691A	1691A-AGA1-M00	TUBE COMP FUEL STRAINER-CARB	TUBE COMP FUEL STRAINER-CARB	1	
#	16950	16950-PRA9-920	VALVE CHECK	VALVE CHECK	1	
	17255	17255-AGA1-M00	BAND A CONNECTING TUBE	BAND A CONNECTING TUBE	1	
	17300	17300-AGA1-M00	CANISTER-PCV ASSY	CANISTER-PCV ASSY	1	
	17301	17301-LGS6-M31	RUBBER CANISTER MOUNT	RUBBER CANISTER MOUNT	1	
#	17308	17308-AGA1-M00	TUBE ASSY CANISTER-T JOINT	TUBE ASSY CANISTER-T JOINT	2	
#	17310	17310-AGA1-M00	CANISTER COMP	CANISTER COMP	1	
#	17683	17683-AGA1-M00	TUBE ASSY VACUUM	TUBE ASSY VACUUM	1	
#	95014	95014-PRB3-900	STRAP CABLE	STRAP CABLE	1	



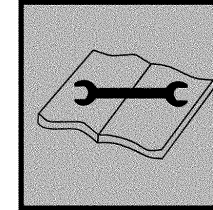
86101



87322



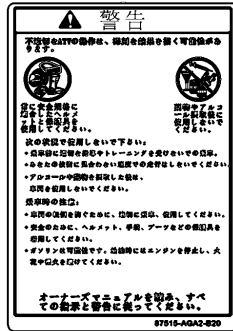
87501



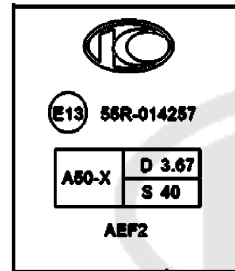
87560



87311



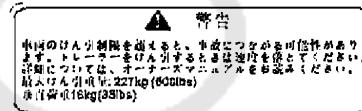
87515



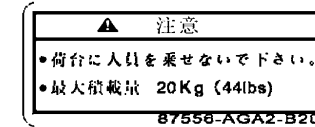
87514



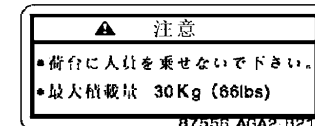
86182



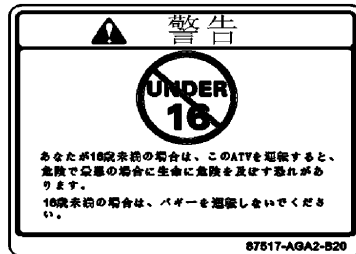
87514-AGA2-B20



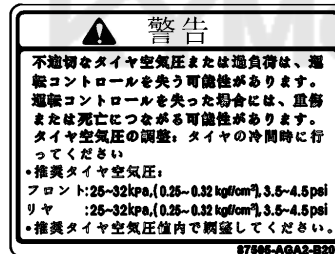
87556-AGA2-B20



87556-AGA2-B21



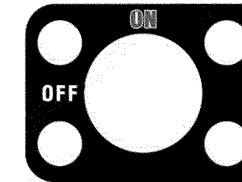
87517



87505



87502



81218

Sales mark 記号	Ref no 参照用番号	Part no パーツ番号	Description 部品名	Reg description 部品名	Regd no 必要個数	F23
**	81218	81218-AGA2-E60	SW BATTERY LABEL	SW BATTERY LABEL	1	
**	86101	86101-AEF6-C00	STRIPE FRONT COVER	STRIPE FRONT COVER	1	
**	86182	86182-AGA2-E60	SW LABEL	SW LABEL	1	
**	87311	87311-AGA2-E60	EMB CHANGE HANDLE	EMB CHANGE HANDLE	1	
**	87322	87322-AGA2-B20	CAUTION SHIFT GEARS	CAUTION SHIFT GEARS	1	
**	87501	87501-AGA2-E60	USE CAUTION	USE CAUTION	1	
**	87502	87502-AGA2-E60	WARNING HOT SURFACE	WARNING HOT SURFACE	2	
**	87505	87505-AGA2-B20	LABEL TIRE ON ROAD	LABEL TIRE ON ROAD	1	
**	87514	87514-AEF2-C00	HITCH LABEL	HITCH LABEL	1	
**	87514-AGA2-B20	87514-AGA2-B20	CAUTION MAXIMUM CAPACITY	CAUTION MAXIMUM CAPACITY	1	
**	87515	87515-AGA2-B20	CAUTION LIST ON ROAD	CAUTION LIST ON ROAD	1	
**	87517	87517-AGA2-B20	CAUTION DRIVE AGE	CAUTION DRIVE AGE	1	
**	87556-AGA2-B20	87556-AGA2-B20	CAUTION CARRIER MAX LOAD(20KG)	CAUTION CARRIER MAX LOAD(20KG)	1	
**	87556-AGA2-B21	87556-AGA2-B21	CAUTION CARRIER MAX LOAD	CAUTION CARRIER MAX LOAD	1	
**	87560	87560-AGA2-E60	MARK DRIVE CAUTION	MARK DRIVE CAUTION	1	

F24

Emblem Stripe



86623



86633



86563



86533



86523



86573



86643



86553



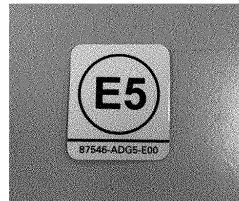
86543



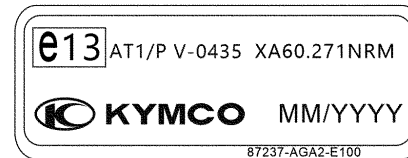
86653



87311



87546



87237



Sales mark 記号	Ref no 参照用番号	Part no パーツ番号	Description 部品名	Reg description 部品名	Regd no 必要個数	F24
**	86523	86523-AGA2-E60	STRIPE R FRONT FENDER	STRIPE R FRONT FENDER	1	
**	86533	86533-AGA2-E60	STRIPE L FRONT FENDER	STRIPE L FRONT FENDER	1	
**	86543	86543-AGA2-B20	STRIPE B R FENDER FR	STRIPE B R FENDER FR	1	
**	86553	86553-AGA2-B20	STRIPE B L FENDER FR	STRIPE B L FENDER FR	1	
**	86563	86563-AGA2-E60	STRIPE C R FENDER FR	STRIPE C R FENDER FR	1	
**	86573	86573-AGA2-E60	STRIPE C L FENDER FR	STRIPE C L FENDER FR	1	
**	86623	86623-AGA2-E60	STRIPE R FENDER RR	STRIPE R FENDER RR	1	
**	86633	86633-AGA2-E60	STRIPE L FENDER RR	STRIPE L FENDER RR	1	
**	86643	86643-AGA2-E60	STRIPE B R FENDER RR	STRIPE B R FENDER RR	1	
**	86653	86653-AGA2-E60	STRIPE B L FENDER RR	STRIPE B L FENDER RR	1	
**	87237	87237-AGA2-E01	EPA CERTIFICATION	EPA CERTIFICATION	1	
**	87311	87311-AGA2-E61	EMB CHANGE HANDLE	EMB CHANGE HANDLE	1	
**	87546	87546-AGE3-E00	LABEL FUEL TANK	LABEL FUEL TANK	1	

PART NO. INDEX  
 パーツ番号 検索

PART NO. パーツ番号	VERSION バージョン	PAGE ページ	PART NO. パーツ番号	VERSION バージョン	PAGE ページ	PART NO. パーツ番号	VERSION バージョン	PAGE ページ	
<b>11000</b>			1221A-LDB2-E00	0	E02	14531-KHE7-900	1	E03	
			12251-KHE7-901	0	E02	14610-LDE9-E00	0	E03	
			12310-AGA1-M00	0	E02	14711-LDF2-900	0	E02	
	11100-LDE9-E00	0	E01	12361-GFY6-901	1	E04	14721-LDB2-E00	0	E02
	11192-LBA7-900	0	E01	12361-GFY6-C00	5	F17	14751-KHE7-900	0	E02
	11200-LCD9-E00	0	E01	12391-LDB2-E00	0	E02	14761-KHE7-900	0	E02
	11221-LBA7-900	0	E08	12431-LCD9-E00	0	E08	14771-GDB4-680	0	E02
	11330-LDE9-E00	0	E04				14775-MFA6-C00	5	E02
	11341-LBA7-900	0	E01	<b>13000</b>			14781-MFA6-001	1	E02
	11344-AGA1-M00	0	F21				<b>15000</b>		
	11345-AGA1-M00	0	F21	1300A-LDE9-305	0	E03			
	11346-AGA1-M00	0	F21	13011-KHE7-900	0	E03			
	11346-GFY6-C00	1	F21	13101-LDB2-E00	0	E03	15100-LBA7-900	0	E07
	11347-AGA1-M00	0	F21	13111-LDB2-E00	0	E03	15133-KAM1-001	0	E07
11347-LBA7-900	0	E06				15141-LBA2-E00	0	E07	
11348-LBA7-900	0	E01	<b>14000</b>			15421-1G07-001	1	E04	
11394-LBA7-900	0	E04				15426-GAE1-921	1	E04	
11395-LBA7-900	0	E01	14100-LDB2-E00	0	E02	15441-1K49-001	0	E03	
			14150-LDB2-E00	0	E02	15447-1K49-001	0	E03	
<b>12000</b>			14401-LDE9-E00	0	E03	1565A-KKAK-900	0	E04	
			14431-LDB2-E00	0	E02	15661-LBA7-900	0	E04	
	12100-LDE9-E00	0	E03	14450-KEBE-900	0	E02	15711-KHE7-900	0	E07
	12191-KHE7-910	0	E03	14452-LDB2-E00	0	E02			
	12200-AGA1-M00	0	E02	14510-LDE9-E00	0	E03	<b>16000</b>		
	12205-KHE8-301	5	E02	14520-GFY6-90C	2	E03			
	12209-GDB4-68A	2	E02	14523-KED9-920	0	E03	16053-PTA1-800	0	E05

PART NO. INDEX  
 パーツ番号 検索

PART NO. パーツ番号	VERSION バージョン	PAGE ページ	PART NO. パーツ番号	VERSION バージョン	PAGE ページ	PART NO. パーツ番号	VERSION バージョン	PAGE ページ
16054-PTA1-800	0	E05	17246-AGA1-M00	0	F13			
16059-LDB5-E00	0	E05	17255-AGA1-M00	0	F13	<b>18000</b>		
16072-PTA1-800	0	E05	17255-AGA1-M00	0	F22			
16100-AGA1-M00	0	E05	17266-AGA1-M00	0	F13	18291-LHB3-E11	0	F14
16110-KGC5-900	1	E05	17300-AGA1-M00	0	F22	18293-AGA1-M00	0	F14
16113-PTA1-800	4	E05	17301-LGS6-M31	0	F22	18294-AGA1-M00	0	F14
16114-LDB5-E00	0	E05	17308-AGA1-M00	0	F22	18294-KTCT-C00	0	F14
16118-LBF2-900	2	E05	17310-AGA1-M00	0	F22	1830A-AGA2-E00	0	F14
16134-LDB5-E00	0	E05	17371-AGA1-M00	0	F13	18325-AGA1-M00	0	F14
16137-PTA1-800	0	E05	17500-AGA2-E00	0	F10	18327-AGA1-M00	0	F14
1670A-AGA1-M00	0	F10	17516-AGA1-M00	0	F10	18329-AGA1-M00	0	F14
16771-GKAK-220	0	E05	17556-AGA1-M00	0	F10	18424-AGA1-M00	0	F14
16772-AEC8-E00	0	E05	1755A-AGA1-M00	0	F10	18646-GFY6-C10	1	E02
16911-AGA1-M00	0	F22	17561-LGK8-900	1	F10	18657-AGA1-M00	0	F13
16912-AGA1-M00	0	F22	17561-LHG8-E00	0	F10			
1691A-AGA1-M00	0	F22	17581-AGA1-M00	0	F10	<b>19000</b>		
16950-PRA9-920	0	F22	1759A-AGA1-M00	0	F10			
<b>17000</b>			1760B-AGA1-M00	0	F10	19005-AGA1-M00	0	F21
			1763A-AGA1-M00	0	F10	19010-AGA1-M00	0	F21
			17683-AGA1-M00	0	F22	19012-KHD8-C00	0	F21
1711A-AGA1-M00	0	E02	17700-AGA1-M00	0	F05	19018-AGA1-M00	0	F21
17200-AGA1-M00	0	F13	17700-AGA1-M00	3	F05	1901A-AGA1-M00	0	F21
1721A-AGA1-M00	0	F13	17910-AGA1-M00	0	F03	19101-AGA1-M00	0	F21
17231-AGA1-M00	0	F13				19104-AGA1-M00	0	F21
17239-AGA1-M00	0	F13				19105-AGA1-M00	0	F21
1723A-AGA1-M00	0	F13				19111-GBE2-C00	0	F21

PART NO. INDEX  
 パーツ番号 検索

PART NO. パーツ番号	VERSION バージョン	PAGE ページ	PART NO. パーツ番号	VERSION バージョン	PAGE ページ	PART NO. パーツ番号	VERSION バージョン	PAGE ページ
19210-ABD6-C00	0	F21				23226-GHC8-004	0	E06
19215-KHE7-900	0	E04	<b>22000</b>			23233-LBA7-900	0	E06
19217-ZPA3-E00	0	E04				23237-KHE7-900	1	E06
19221-KHE7-900	0	E04	22101-LBA7-900	0	E06	23238-KHE7-900	0	E06
19229-LBA7-900	0	E04	22102-KHE7-900	0	E06	23411-LCD9-E00	0	E09
19231-KKJ9-011	0	E04	22105-AGA1-M00	0	E06	23420-PWA1-E00	0	E09
19300-KAE1-004	0	E02	22110-KHE7-900	0	E06	23431-LCD9-E00	0	E08
19310-AGA1-M00	0	E02	22112-KHE7-900	0	E06	23440-PWA1-E00	0	E09
19315-KHE7-900	0	E02	22121-LBA7-305	0	E06	23450-LCD9-E00	0	E09
19502-LBA7-900	0	E04	22131-LBA7-900	0	E06	23471-LCD9-E01	0	E09
19504-AGA1-M00	0	F21	22132-KHE7-305	0	E06	23481-PWA1-E00	0	E09
19505-AGA1-M00	0	F21	22300-LBA7-900	0	E06	23518-LCD9-E0A	0	E09
19506-AGA1-M00	0	F21	22350-KHE7-900	0	E06	23519-LCD9-E0A	0	E08
19507-ABD6-C00	0	F21	22361-LEA7-E00	0	E06	23520-LCD9-E00	0	E09
19507-LDB5-E00	1	E04	22401-LBA7-900	0	E06			
<b>21000</b>			22530-LBA7-900	0	E06	<b>24000</b>		
			22804-GBB2-001	0	E06			
			<b>23000</b>			24211-LCD9-E00	0	E09
21200-LCD9-E00	0	E08				24221-LCD9-E00	0	E09
21202-LCD9-E00	0	E08				24241-LCD9-E00	0	E09
21203-LCD9-E00	0	E08	2301A-LBA7-900	0	E06	24242-LCD9-E00	0	E09
21395-LCD9-E00	0	E08	23100-KHE7-900	0	E06	24251-LCD9-E00	0	E09
21396-LCD9-E00	0	E08	23200-KHE7-900	1	E06	24305-PWA1-900	0	E09
			23211-LCD9-E00	0	E09	2431A-LCD9-E01	0	E09
			23220-LLJ3-E00	0	E06	24610-LCD9-E00	0	E09
			23225-KHE7-900	1	E06	24651-PTA7-900	0	E09

PART NO. INDEX  
 パーツ番号 検索

PART NO. パーツ番号	VERSION バージョン	PAGE ページ	PART NO. パーツ番号	VERSION バージョン	PAGE ページ	PART NO. パーツ番号	VERSION バージョン	PAGE ページ
24700-AGA1-M00	0	F15				33130-AGA2-E00	0	F01
24701-LCD9-E00	0	E09	<b>31000</b>			33135-AGA2-E00	0	F01
24702-AGA1-M00	0	F15				33150-AGA2-E00	0	F01
24703-AGA1-M00	0	F15	31100-AGA1-M00	0	E07	33700-AGA2-E00	0	F18
24704-AGA1-M00	0	F15	31110-AGA1-M00	0	E07	33710-AGA2-E00	0	F18
24707-AGA1-M00	0	F15	31120-LDE9-E00	0	E07	33715-AGA2-E00	0	F18
2470A-AGA1-M00	0	F15	31210-LBA7-900	0	E07	33720-AGA2-E00	0	F18
24710-AGA1-M00	0	F15	31340-AHH8-M00	0	E04	33750-AGA2-E00	0	F18
24711-AGA1-M00	0	F15	31600-PRB8-900	0	F19	33761-AGA1-M00	0	F18
24720-AGA1-M00	0	F15	3195A-LBA7-E00	1	F19			
24721-AGA1-M00	0	F15				<b>34000</b>		
24722-AGA1-M00	0	F15	<b>32000</b>					
24723-AGA1-M00	0	F15				34300-KKE3-900	3	E05
24781-AGA1-M00	0	F15	32100-AGA2-E00	0	F19	34301-KKE3-900	2	E05
<b>28000</b>			32101-AGA1-M00	0	F19	34901-LDC8-E10	1	F01
			32410-LBA7-900	0	E07	34905-LCA5-E00	0	F18
			32411-AGA2-E00	0	F19	34906-LBA8-E80	1	F18
28101-KHE7-900	0	E07	32412-AGA1-M00	0	E07			
28102-LDE9-E00	0	E07	32412-AGA1-M00	0	F19	<b>35000</b>		
28110-LDB2-E00	0	E07	32415-AGA2-E00	0	F19			
28120-LDB2-E00	0	E07	32910-LKA8-E70	0	F18	35010-AGA2-E00	0	F19
<b>30000</b>			32976-1G07-C00	0	E01	35111-AGA2-305	0	F19
			<b>33000</b>			35111-AGA2-306	0	F19
						35113-AGA2-E00	0	F19
3051A-AGA1-M00	0	F19				3520A-AGA7-E00	0	F03
			33100-AGA2-E00	0	F01	35340-AGA1-M00	0	F04

PART NO. INDEX  
 パーツ番号 検索

PART NO. パーツ番号	VERSION バージョン	PAGE ページ	PART NO. パーツ番号	VERSION バージョン	PAGE ページ	PART NO. パーツ番号	VERSION バージョン	PAGE ページ
35350-AGA1-M00	0	F04	39301-LKB3-C00	0	E02	41447-LCD9-E00	0	F17
35350-KNBN-C00	1	F04	39302-KKE3-C00	1	E02	41547-AGA2-E00	0	F17
35380-ABE1-C00	0	F19	39303-LEB2-C00	1	E02			
35759-LHM2-E00	0	E01	39400-LEA6-800	2	E02	<b>42000</b>		
35850-ALL1-C00	1	F19	39450-ZVA6-M00	1	F14			
35920-AFE6-E00	0	F11	39500-PTA1-800	0	E05	42302-AGA1-M00	0	F17
			39700-PTA1-800	0	E05	42303-AGA1-M00	0	F17
<b>37000</b>			<b>40000</b>			42705-AGA1-M00	0	F08
37200-AGA2-E00	0	F02				4270A-AGA1-M00	0	F08
37800-AGA1-M00	0	F10	40201-AGA1-M00	0	E08	42710-AGA2-E0A	0	F08
37802-AGA1-M00	0	F10	40210-AGA1-M00	0	E08	42710-AGA2-E0B	0	F08
			40215-AGA1-M00	0	E08	42753-0A01-C00	1	F07
<b>38000</b>			40540-AGA1-M00	0	F17	42753-0A01-C00	1	F08
			<b>41000</b>			<b>43000</b>		
38110-KHB4-E0A	2	F19						
38300-AGA2-E00	0	F19				43100-AGA2-E00	0	F04
38400-LKJ1-900	0	F02	41300-AGA1-M00	0	F17	43125-AGA1-M00	0	F04
38500-AAD2-C00	5	F19	41310-AGA1-M00	0	F17	43127-AGA2-E00	0	F04
38500-LGL3-90A	5	F19	41320-AGA1-M00	0	F17	43200-AGA2-E00	0	F04
38506-AGA1-M00	0	F19	41405-LCD9-E00	0	F17	43350-AGA1-M00	0	F08
			41421-LCD9-E00	0	F17	43351-AGA1-M00	0	F08
<b>39000</b>			41431-LCD9-E01	0	F17	43450-AGA2-E00	0	F04
			41435-LCD9-E00	0	F17	43500-AGA1-E00	0	F04
3920A-AGA2-E00	0	F19	41436-LCD9-E00	0	F17	43500-AGA1-M00	0	F04
39300-AGA1-M00	0	E02	41437-LCD9-E00	0	F17	43600-AGA1-M00	0	F04

PART NO. INDEX  
 パーツ番号 検索

PART NO. パーツ番号	VERSION バージョン	PAGE ページ	PART NO. パーツ番号	VERSION バージョン	PAGE ページ	PART NO. パーツ番号	VERSION バージョン	PAGE ページ
<b>44000</b>			45513-AGA1-M00	0	F04	<b>51000</b>		
			45517-KFAF-910	1	F04			
44311-AGA1-M00	0	F07	<b>46000</b>			51400-AGA1-M00	0	F16
44312-AGA1-M00	0	F07				51406-AGA1-M00	0	F20
44313-AGA1-M00	0	F07	46500-AGA1-M00	0	F15	51407-AGA1-M00	0	F20
44620-AGA1-M00	0	F16	46503-AGA1-M00	0	F15	<b>52000</b>		
44705-AGA1-M00	0	F07	<b>47000</b>					
4470A-AGA1-M00	0	F07				52000-AGA1-M00	0	F17
44710-AGA2-E0A	0	F07	47400-AGA1-M00	0	F16	52101-AGA1-M00	0	E08
44710-AGA2-E0B	0	F07	47410-AGA1-M00	0	F07	52114-AGA1-M00	0	F17
<b>45000</b>			47500-AGA1-M00	0	F16	52130-AGA1-M00	0	F17
			<b>50000</b>			52400-AGA1-M00	0	F17
45100-AGA1-M00	0	F04				<b>53000</b>		
45105-AGA1-305	0	F04						
45121-AGA1-M00	0	F07	50100-AGA1-M00	0	F20	53100-AGA1-M00	0	F03
45124-AGA1-M00	0	F04	50166-AGA1-M00	0	F20	53102-AGA1-M00	0	F03
45127-AGA2-E00	0	F04	50219-AGA1-M00	0	F20	53104-AGA1-M00	0	F03
45128-AGA1-M00	0	F04	50227-AGA1-M00	0	F20	53105-AGA1-M00	0	F03
45130-AGA1-M00	0	F04	50328-AGA1-M00	0	F11	53121-AGA2-C00	0	F03
45131-AGA1-M00	0	F07	50351-AGA1-M00	0	F20	5312A-AFF7-E00	0	F03
45132-AGA1-M00	0	F04	50614-AGA1-M00	0	F20	53131-3H98-C10	1	F03
45140-AGA1-M00	0	F16	50615-AGA1-M00	0	F20	53132-AGA1-M00	0	F03
45200-AGA1-M00	0	F04				53166-AGA1-E00	0	F03
45500-AGA1-M00	0	F04						

## PART NO. INDEX

## パーツ番号 検索

PART NO. パーツ番号	VERSION バージョン	PAGE ページ	PART NO. パーツ番号	VERSION バージョン	PAGE ページ	PART NO. パーツ番号	VERSION バージョン	PAGE ページ
53175-AGA1-M00	0	F04				80130-AGA1-M00	0	F12
53178-KFC8-C00	0	F04	<b>61000</b>			80200-AGA1-M00	0	F12
5319A-AGA2-E00	0	F04						
53200-AGA1-M00	0	F06	61104-AGA1-M00	0	F10	<b>81000</b>		
53205-AGA1-M00	0	F03	61104-AGA1-M00	0	F21			
53205-AGA1-M00	2	F03				81202-AGA2-E00	0	F20
53250-AGA1-M00	0	F06	<b>64000</b>			81218-AGA2-E60	0	F23
53251-AGA1-M00	0	F06				8171A-ZXA6-E03	0	F20
53252-AGA1-M00	0	F06	64301-AGA1-M00	0	F05			
53254-AGA1-M00	0	F06	64301-AGA1-M00	3	F05	<b>83000</b>		
53400-AGA1-M00	0	F16						
53450-AGA1-M00	0	F16	<b>77000</b>			83620-AGA1-M00	0	F20
53500-AGA1-M00	0	F16						
53550-AGA1-M00	0	F16	77200-AGA1-M00	0	F09	<b>85000</b>		
53700-AGA1-M00	0	F06	77330-AGA2-E00	0	F20			
			77430-AGA2-E00	0	F20	85100-AGA1-M00	0	F20
<b>60000</b>			<b>80000</b>			85104-AGA1-M00	0	F20
						85110-AGA1-M00	0	F20
60100-AGA1-M00	0	F05						
60100-AGA1-M00	3	F05	80100-AGA1-M00	0	F12	<b>86000</b>		
60102-AGA1-M00	0	F05	80100-AGA1-M00	3	F12			
60112-AGA1-M00	0	F05	80102-AGA1-M00	0	F12	86101-AEF6-C00	0	F23
60112-AGA1-M00	0	F12	80103-AGA1-M00	0	F12	86182-AGA2-E60	0	F23
60113-AGA1-M00	0	F05	80110-AGA1-M00	0	F12	86523-AGA2-E60	0	F24
60113-AGA1-M00	0	F12	80121-AGA1-M00	0	F12	86523-AGA2-E60	1	F24
60200-AGA1-M00	0	F05	80122-AGA1-M00	0	F12	86533-AGA2-E60	0	F24



PART NO. INDEX  
 パーツ番号 検索

PART NO. パーツ番号	VERSION バージョン	PAGE ページ	PART NO. パーツ番号	VERSION バージョン	PAGE ページ	PART NO. パーツ番号	VERSION バージョン	PAGE ページ
86533-AGA2-E60	1	F24	87546-AGE3-E00	0	F24	90071-MLB0-001	0	E07
86543-AGA2-B20	0	F24	87556-AGA2-B20	0	F23	90084-4H28-001	1	E04
86553-AGA2-B20	0	F24	87556-AGA2-B21	0	F23	9008A-LBA7-900	0	E04
86563-AGA2-E60	0	F24	87560-AGA2-E60	0	F23	90101-LCA5-C00	0	F15
86573-AGA2-E60	0	F24				90105-AGA1-M00	0	F07
86623-AGA2-E60	0	F24	<b>88000</b>			90105-AGA1-M00	0	F08
86623-AGA2-E60	1	F24				90105-KCR3-C01	0	F07
86633-AGA2-E60	0	F24	88110-AGA1-E00	0	F03	90105-KCR3-C01	0	F08
86643-AGA2-E60	0	F24	88120-AGA1-E00	0	F03	90106-KFC2-900	2	F03
86643-AGA2-E60	1	F24				90110-AGA1-M00	0	F12
86653-AGA2-E60	0	F24	<b>89000</b>			90111-06016-07G	0	F05
86653-AGA2-E60	1	F24				90111-06016-07G	0	F12
<b>87000</b>			89010-AGA1-M00	0	F09	90111-06016-07G	0	F21
			<b>90000</b>			90111-LEB1-C11	0	F12
87237-AGA2-E01	0	F24				90114-1F66-C00	2	F04
87311-AGA2-E60	0	F23				90121-LCD9-E00	0	F17
87311-AGA2-E61	0	F24	90001-GBHB-681	0	E01	90122-LCD9-E00	0	F17
87322-AGA2-B20	0	F23	90001-GBHB-C03	0	E01	90123-LCD9-E00	0	F17
87501-AGA2-E60	0	F23	90001-GBHB-C05	0	E03	90131-PRB3-C00	0	F04
87502-AGA2-E60	0	F23	90001-GBHB-C05	0	E07	90131-PRB3-C00	0	F07
87505-AGA2-B20	0	F23	90001-GFY6-901	1	E01	90133-LLB1-900	0	E01
87514-AEF2-C00	0	F23	90005-KED9-900	2	E03	90145-AGA1-M01	0	F04
87514-AGA2-B20	0	F23	90012-3C33-001	2	E02	90201-KHE7-900	1	E06
87515-AGA2-B20	0	F23	90031-KEBE-900	0	E01	90201-KHR8-75A	1	E06
87517-AGA2-B20	0	F23	90031-KKA7-900	0	E01	90201-KHR8-75A	1	E07
			90033-GFY6-C01	1	E02	90202-1G87-001	1	E06

PART NO. INDEX  
 パーツ番号 検索

PART NO. パーツ番号	VERSION バージョン	PAGE ページ	PART NO. パーツ番号	VERSION バージョン	PAGE ページ	PART NO. パーツ番号	VERSION バージョン	PAGE ページ
90206-0A01-001	4	E02	90317-LCD9-E00	0	E09	90451-LBA7-900	0	E09
90242-LCD9-E00	0	F17	90318-LCD9-E00	0	E09	90451-LCD9-E00	0	E09
90301-LBA7-C00	0	F08	90319-LCD9-E00	0	E09	90451-LDE9-E00	0	E09
90302-AGA1-M00	0	F01	90320-LCD9-E00	0	E09	90452-LBA7-900	1	E09
90302-AGA1-M00	0	F03	90321-LCD9-E00	0	E09	90455-LBA7-900	0	E09
90302-AGA1-M00	0	F05	90322-LCD9-E00	0	E09	90455-PWA1-E00	0	E09
90302-AGA1-M00	0	F11	90331-LCD9-E00	0	E08	90458-LBA7-E00	0	E08
90302-AGA1-M00	0	F18	90332-LCD9-E00	0	E08	90465-MDC4-C00	1	E02
90302-AGA1-M00	0	F21	90333-LCD9-E00	0	E08	90474-3C33-C00	1	E08
90302-GBR2-C01	1	F10	90334-LCD9-E00	0	E08	90474-3C33-C00	1	F17
90302-GFY6-C11	1	F21	90335-LCD9-E00	0	E08	90478-7L00-001	0	E02
90302-PUA3-B51	1	F05	90336-LCD9-E00	0	E08	90478-7L00-001	0	E04
90304-4H38-C00	1	E02	90337-LCD9-E00	0	E08	90501-3L10-C00	0	F15
90304-GLW0-C01	0	F16	90338-LCD9-E00	0	E08	90501-LBA7-900	0	E06
90304-GLW0-C01	0	F17	90339-LCD9-E00	0	E08	90521-0H28-C00	0	E09
90304-GLW0-C01	0	F20	90340-LCD9-E00	0	E08	9052A-GFY6-950	0	E08
90305-GHK8-C01	0	F05	90341-LCD9-E00	0	E08	9052A-LEB1-900	0	E01
90305-GHK8-C01	0	F12	90342-LCD9-E00	0	E08	90545-3L00-C00	2	F04
90305-MAA1-C01	0	F06	90401-KKJ9-001	0	E07	90605-1F66-C00	0	E06
90306-LCD9-E00	0	E09	90401-KKJ9-001	0	E09	90605-KED9-900	0	E09
90311-LCD9-E00	0	E09	90404-PWA1-E00	0	E09	90651-AGA1-M00	0	F13
90312-LCD9-E00	0	E09	90423-KKJ9-001	0	E04	90651-LCA5-E00	0	F05
90313-LCD9-E00	0	E09	90441-KDY4-C00	0	E01	90652-AGA1-M00	0	E08
90314-LCD9-E00	0	E09	90441-LBA7-900	0	E01	90652-GFY6-901	1	E02
90315-LCD9-E00	0	E09	90441-PWA1-E00	0	E08	90652-LCA4-C10	6	F05
90316-LCD9-E00	0	E09	90447-KED9-900	0	E09	90653-AGA1-M00	0	E08

PART NO. INDEX  
 パーツ番号 検索

PART NO. パーツ番号	VERSION バージョン	PAGE ページ	PART NO. パーツ番号	VERSION バージョン	PAGE ページ	PART NO. パーツ番号	VERSION バージョン	PAGE ページ
90654-AGA1-M00	0	F13	91252-AGA1-M00	0	F17			
90677-GAR1-C01	1	F05	91254-LDE9-E00	0	F17	<b>92000</b>		
90677-GAR1-C01	1	F12	91256-LCD9-E00	0	E08			
90683-GAR1-C00	4	F13	91257-2L30-006	0	F07	92000-06022-07G	0	F15
90750-LLB1-900	0	E01	91257-AGA1-M00	0	F07	92101-05032-0G	0	E07
90753-AGA1-M00	0	F20	91258-AGA1-M00	0	F16	92101-06020-0G	0	E09
90913-AGA1-M00	0	F21	91261-4E15-004	0	E01	92712-06028-0B	0	E02
<b>91000</b>			91261-AGA1-M00	0	F17			
			91271-AGA1-M00	0	F17	<b>93000</b>		
			91301-AGA1-M00	0	F17			
91001-KHV8-004	0	E01	91301-KHE7-900	0	E02	93401-04025-08	0	F19
91001-KKJ9-006	0	E04	91302-0A01-C00	10	E04	93404-06012-07G	0	F13
91002-GFY6-90A	0	E08	91302-AGA1-M00	0	F17	93404-06012-07G	0	F20
91002-GGA7-70A	0	E06	91302-KHE7-900	0	E04	93404-06025-07G	1	F05
91002-LDE9-E00	0	E08	91303-3G77-001	0	E04	93404-06025-07G	1	F12
91004-KHE7-900	1	E06	91303-AGA1-M00	0	F17	93500-03010-0F	0	E07
91005-LBA7-900	1	E01	91306-1E05-C00	1	E03	93500-05012-0F	0	E05
91106-LBA7-900	0	E01	91306-LBA7-900	0	E01	93500-05016-0F	0	E07
91106-LBA7-900	0	E09	91307-0E35-001	1	E04	93600-04012-1G	1	F04
91106-LCD9-E00	0	F17	91309-4E25-004	0	E07	93891-04012-06	0	E05
91201-9A51-004	0	E08	91309-AGA1-M00	0	F17	93891-05035-07G	0	F18
91201-KKJ9-004	0	E04	91309-LCD9-E00	0	E08	93893-04012-18	0	F04
91202-AGA1-M00	0	F20	91351-KHE7-900	1	E06	93903-35360-G	0	F02
91202-KKC4-90B	0	E01	91356-4E25-004	0	F08	93903-35360-G	0	F12
91206-2F86-C00	0	E08	91509-LBA7-E00	0	E08	93903-35360-G	0	F21
91211-KHE7-900	1	E06	91509-LLB1-900	0	E01			

PART NO. INDEX  
 パーツ番号 検索

PART NO. パーツ番号	VERSION バージョン	PAGE ページ	PART NO. パーツ番号	VERSION バージョン	PAGE ページ	PART NO. パーツ番号	VERSION バージョン	PAGE ページ	
<b>94000</b>			94050-08080-G	1	F20	94301-10160	4	E08	
			94050-AGA1-M00	0	F05	94303-04065	0	E07	
			94050-AGA1-M00	0	F12	94510-10000	0	E07	
	94001-06080-0S	0	E02	94101-06200	1	F14	94510-25000	1	E09
	94001-08080-07	0	F20	94101-12800-G	0	F16	94520-26000	0	E04
	94001-08080-0S	0	F15	94102-08000	5	F15	94520-28000	1	E06
	94001-08080-0SG	0	F14	94102-10800-G	0	F20	94520-40000	1	F20
	94001-AGA1-M01	0	F15	94102-14800-G	0	F15	94520-56000	0	E08
	94002-06080-0S	0	F15	94111-06800	1	E02	94520-58000	0	E08
	94011-12080-0S	0	F16	94111-06800	1	E05	94540-12028	0	E09
	94011-LLB1-900	0	F07	94111-06800	1	F14	94540-50029	0	E05
	94012-LDB5-E00	0	F08	94111-08800	0	F15	94540-LCD9-E00	0	E09
	94012-LLB1-900	0	F06	94111-08800	0	F20	94591-KFBB-900	2	E02
	94012-LLB1-900	0	F07	94201-20150-08G	0	F15	94591-KFBB-C00	1	F20
	94030-PTA1-800	2	E05	94201-20250-G	0	F15	94591-LDC8-E10	1	F20
	94031-LCD9-E00	0	E08	94201-25250-G	0	F06	94591-LLB1-900	0	E01
	94050-05060-G	0	F18	94201-30250-G	0	F06	94601-17000	0	E03
	94050-05060-G	0	F19	94201-30250-G	0	F07	94601-33000	1	E06
	94050-05080-G	1	F18	94201-30250-G	0	F08			
	94050-06070-G	0	F20	94201-30250-G	0	F16	<b>95000</b>		
94050-06080	2	E05	94301-08140	4	E01				
94050-06080-G	1	F10	94301-08140	4	E04	95002-02150	0	E08	
94050-06080-G	1	F19	94301-10160	4	E01	95002-02150	0	F13	
94050-08080	4	E02	94301-10160	4	E02	95002-41050-00	0	F17	
94050-08080-G	1	F14	94301-10160	4	E03	95004-AGA1-M00	0	F13	
94050-08080-G	1	F15	94301-10160	4	E04	95005-AGA1-M00	0	F17	

## PART NO. INDEX

## パーツ番号 検索

PART NO. パーツ番号	VERSION バージョン	PAGE ページ	PART NO. パーツ番号	VERSION バージョン	PAGE ページ	PART NO. パーツ番号	VERSION バージョン	PAGE ページ
95014-PRB3-900	0	F09	95701-08025-07G	0	F14	96001-06016-06	1	E04
95014-PRB3-900	0	F22	95701-08028-07G	0	F15	96001-06016-08	6	F15
95701-06010-07G	0	F16	95701-08030-08G	1	F17	96001-06018-07G	0	E02
95701-06012-06	1	F14	95701-08040-06	0	E08	96001-06020-06	0	E08
95701-06012-07G	1	F04	95701-08045-06	0	E08	96001-06020-07G	0	F15
95701-06012-07G	1	F13	95701-10035-08G	0	F17	96001-06022-06	1	E04
95701-06012-07G	1	F17	95801-08035-07G	0	F03	96001-06022-07G	1	F04
95701-06012-07G	1	F20	95801-08035-07G	0	F20	96001-06025-06	1	E01
95701-06012-07G	1	F21	95801-08060-07G	0	F06	96001-06028-06	1	E04
95701-06016-07G	1	F19	95801-10025-07G	0	F17	96001-06028-06	1	E07
95701-06022-07G	1	F10	95801-10040-07G	1	F16	96001-06032-06	1	E01
95701-06022-07G	1	F15	95801-10050-07G	0	F16	96001-06045-06	0	E04
95701-06022-07G	1	F21	95801-10057-07G	1	F16	96001-06050-06	1	E01
95701-06025-06	2	E02	95801-10057-07G	1	F17	96001-06110-06	1	E02
95701-06035-07G	3	F15	95801-10090-07G	0	F20	96001-06125-06	0	E04
95701-06040-07G	1	F04	95801-10160-07G	0	F20	96100-30203-10	0	F17
95701-08012-06	1	E01	95803-LBA7-C00	0	F17	96100-60000-00	0	E04
95701-08012-06	1	E08				96100-60090-00	0	E08
95701-08012-07G	0	F04	<b>96000</b>			96100-60090-00	0	F17
95701-08012-07G	0	F17				96100-62050-00	2	E01
95701-08012-07G	0	F19	96001-06010-00	0	E04	96100-62060-00	2	F17
95701-08012-08G	1	F17	96001-06010-06	0	E01	96100-63030-00	1	E09
95701-08016-06	1	E08	96001-06012-06	1	E01	96100-63040-00	1	E01
95701-08016-07G	1	F20	96001-06012-06	1	E07	96150-60000-10	0	F16
95701-08020-07G	1	F07	96001-06012-06	1	F14	96150-60040-10	0	F07
95701-08020-07G	1	F08	96001-06014-02	0	E02	96150-60060-10	0	F17

PART NO. INDEX  
 パーツ番号 検索

PART NO. パーツ番号	VERSION バージョン	PAGE ページ	PART NO. パーツ番号	VERSION バージョン	PAGE ページ	PART NO. パーツ番号	VERSION バージョン	PAGE ページ
96150-62020-10	0	F07						
96150-62030-10	0	F20						
96211-12000	0	E01						
96600-06012-10	3	E08						
96600-08015-16	0	E07						
96700-06020-07G	0	F04						
<b>98000</b>								
98069-5791R-00	0	E02						

