

# PARTS CATALOGUE



UXV

UA90MA(JP)

UXV 450i



Release Date : 2024/07/01  
Print Date : 2024/10/16

## ABOUT THIS PARTS LIST

- This parts list is compiled all service parts for model UA90MA(JP).
- Any difference between color chart and motorcycle will be revised according to motorcycle.
- The Mark:
  1. Marking "\*\*\*" must add color code in the end before ordering parts.
  2. Marking "#" are parts with modification, Please find the details from e-Parts system.
- When modification or additions to this parts list are made a revised edition at an appropriate time.



# CONTENTS

● ABOUT THIS PARTS LIST .....	1
● COLOR CHART OF UA90MA(JP) .....	3
● CONTENTS-ENGINE GROUP .....	7
● CONTENTS-FRAME GROUP .....	9
● ENGINE PARTS LIST .....	12
● FRAME PARTS LIST .....	68
● PART NO. INDEX .....	158

NO	MODEL			COLOR CHART OF UA90MA(JP)			
	PHOTO NO			NO. 1			
	BASIC COLOR			Yellow Ochre			
	CODE			Yellow Ochre			
	PARTS NAME	PARTS NO.	VERSION	YR160SA			
1	RIM COMP RR WHEEL	42705-LEE8-E00	2	MAS			
2	RIM COMP FR WHEEL	44705-ALE8-E00	0				
3	CROSS PIPE COMP.	77532-ALE8-E00	1				
4	REAR PIPE COMP	77533-ALE8-E00	3				
5	COVER R COVER	11333-ALE8-E00	1	MLA			
6	COVER WIRE STAY	16059-LDB5-E00	4	N1R			
7	GRILLE RADIATOR	19102-LEE8-E00	1				
8	SUNTOP ROOF	60101-AFB9-M00	0				
9	PANEL SPLSH	60140-ALE8-E00	1				
10	MUDGUARD FRONT	60200-AEE9-E00	0				
11	PANEL RH TOP COVER	60310-ALE8-E00	0				
12	PANEL LH TOP COVER	60320-ALE8-E00	0				
13	PANEL FRONT	60400-AFB9-M00	0				
14	LIDGLOVE BOX	60410-ALE8-E00	2				
15	COVER FR STEERING	60420-ALE8-E00	0				
16	COVERRR. STEERING	60425-ALE8-E00	3				
17	COVER SHIFT LEVER	60450-AEE9-M00	0				
18	BOX LUGGAGE	60500-AEE9-M00	0				
19	CAP LUGGAGE BOX	60510-ALE8-E00	0				
20	MUDGUARD RH FRONT	61210-ALE8-E00	0				
21	MUDGUARD LH FRONT	61310-ALE8-E00	0				
22	PANEL R OUTER DOOR	63350-AFB9-M00	1				
23	PANEL R INNER DOOR	63351-AFB9-M00	1				
24	PANEL L OUTER DOOR	63360-AFB9-M00	1				
25	PANEL L INNER DOOR	63361-AFB9-M00	1				
DATE OF STARTING-SALES							
DATE OF END-SALES							

NO	MODEL			COLOR CHART OF UA90MA(JP)			
	PHOTO NO			NO. 1			
	BASIC COLOR			Yellow Ochre			
	CODE			Yellow Ochre			
	PARTS NAME	PARTS NO.	VERSION	YR160SA			
26	PLATE SKID	64300-ALE8-E00	1	N1R			
27	FLOOR PANEL	64310-AFB9-M00	0				
28	HOLDER GLOVE	64312-ALE8-E00	0				
29	HOLDER RH DRINK	64313-ALE8-E00	0				
30	SIDE PANELRH FLOOR	64315-ALE8-E00	3				
31	HOLDER LH DRINK	64323-ALE8-E00	0				
32	SIDE PANELLH FRONT	64325-ALE8-E00	3				
33	COVER TUNNEL	64330-ALE8-E00	3				
34	PANEL FLOORREAR	64340-ALE8-E00	5				
35	PANELRH SEAT	64355-ALE8-E00	4				
36	PANELRH SEAT	64365-ALE8-E00	4				
37	PANELRH SPLASH	64370-ALE8-E00	4				
38	PANEL SPLASH	64375-ALE8-E00	2				
39	SHIELD HEAT	64375-ZWA2-M00	1				
40	PANELLH SPLASH	64380-ALE8-E00	4				
41	CAP LUGGAGE BOX	64391-AEE9-M00	0				
42	BOX ASSY LUGGAGE	6439A-AEE9-M00	0				
43	PLATE SKID	64400-ALE8-E00	0				
44	PLATE SKID	64500-ALE8-E00	0				
45	PLATE SKID	64600-ALE8-E00	0				
46	COVER FUEL PUMP	64805-ALE8-E00	0				
47	BOX ASSY LUGGAGE	6480A-ALE8-E00	0				
48	PLATE TAIL GATE	80130-ALE8-E00	0				
49	COVERTAIL GATE	80200-ALE8-E00	4				
50	COVER B TAIL GATE	80220-ALE8-E00	0				
DATE OF STARTING-SALES							
DATE OF END-SALES							

NO	MODEL			COLOR CHART OF UA90MA(JP)			
	PHOTO NO			NO. 1			
	BASIC COLOR			Yellow Ochre			
	CODE			Yellow Ochre			
	PARTS NAME	PARTS NO.	VERSION	YR160SA			
51	COVER RH REFLECTOR	80230-ALE8-E00	0	N1R			
52	COVER LH REFLECTOR	80240-ALE8-E00	0				
53	HOLDER LATCH	80250-ALE8-E00	0				
54	COVER REAR	80260-ALE8-E00	0				
55	GUARD R RR BOOT	80330-LGN5-E01	1				
56	GUARD L RR BOOT	80340-LGN5-E01	1				
57	MOLDING RH REAR	83510-ALE8-E00	0				
58	COVER RH TAIL LIGHT	83520-AEE9-E00	0				
59	MOLDING LH REAR	83610-ALE8-E00	0				
60	COVER LH TAIL LIGHT	83620-AEE9-E00	0				
61	BAND HARNESS WIRE	90656-KUDU-900	0				
62	CALIPER ASSY RR BRK	43100-ALE8-E00	0				
63	CALIPER ASSY FR R	45100-LEE8-E00	4				
64	CALIPER ASSY FR L	45200-LEE8-E00	4				
65	SEAT ASSY.	77200-ZWA2-M00	4	T01			
66	HEADREST	77210-LEE8-900	2				
67	SEAT ASSYBACK	77400-AEE9-M00	2				
68	EMB K-LOGO 50mm	86102-ALC1-E00	3				
69	EMB K-LOGO 38MM	86102-LCD3-E00	4				
70	STRIPE SIDE COVER	86303-AFB9-M00	2				
71	WARNING CARGO-	87033-LEE8-E01	2				
72	WARNING TOWING-ON	87040-LEE8-E00	2				
73	WARNING CANOPY	87321-LEE8-E01	0				
74	WARNING CARGO-OFF	87323-LEE8-E00	2				
75	LABEL TIRE	87505-LEE8-E01	2				
DATE OF STARTING-SALES							
DATE OF END-SALES							

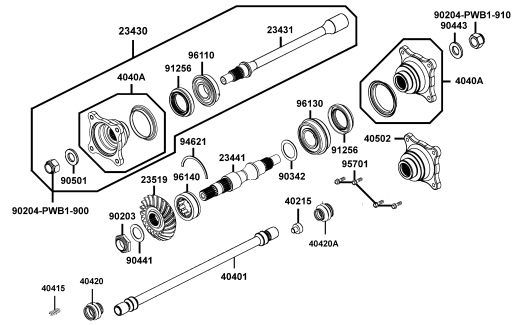
NO	MODEL			COLOR CHART OF UA90MA(JP)			
	PHOTO NO			NO. 1			
	BASIC COLOR			Yellow Ochre			
	CODE			Yellow Ochre			
	PARTS NAME	PARTS NO.	VERSION	YR160SA			
76	WARNING ENGAGE	87512-ALE8-E00	2	T01			
77	DRIVE WARNING LIST-	87515-ALE8-E00	2				
78	DRIVE WARNING	87516-ALE8-E00	3				
79	CAUTION SHIFT	87520-LDB5-M31	0				
80	USA EPA HANG TAG	87522-AFB9-M30	6				
81	WARNING TRIPLE	87560-ALE8-E00	4				
82	LABEL MIT	87571-LCA5-M30	2				
83	WARNING CARGO GATE	87577-LEE8-E00	2				
84	EMB SIDE COVER-UXV	86304-AFB9-M00	0	T02			
85	STRIPE KYMCO 120MM	87503-LDB5-900	2				
86	PANEL TRIM FRONT	60201-ALE8-E00	1	YSR			
87	TOP COVER FRONT	60300-ALE8-E00	1				
88	SIDE PANEL RH FRONT	60330-ALE8-E00	0				
89	SIDE PANEL LH FRONT	60340-ALE8-E00	0				
90	FENDER RH FRONT	61200-ALE8-E00	0				
91	FENDER LH FRONT	61300-ALE8-E00	0				
92	HOOD FRONT	64301-AEE9-M00	1				
93	PANEL RH SIDE	64350-ALE8-E00	0				
94	PANEL LH SIDE	64360-ALE8-E00	0				
95	LID TAIL GATE COVER	80210-AEE9-E00	0				
96	PANEL RH REAR	83500-ALE8-E00	1				
97	PANEL LH REAR	83600-ALE8-E00	1				
DATE OF STARTING-SALES							
DATE OF END-SALES							



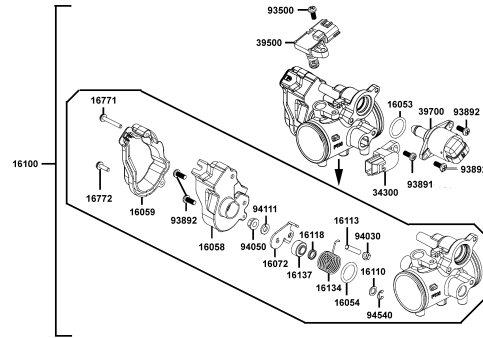


## CONTENTS - ENGINE GROUP

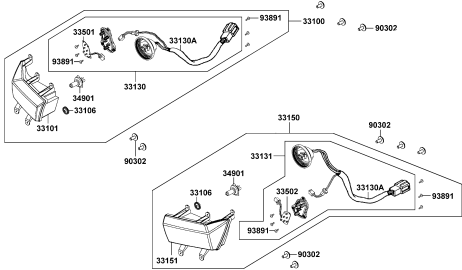
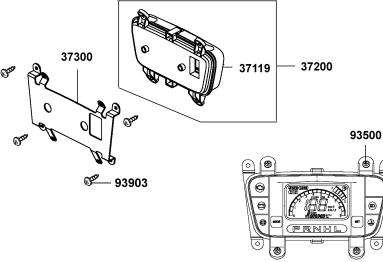
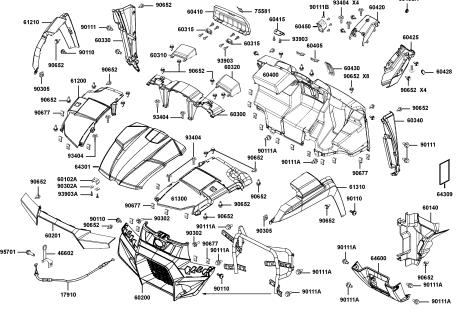
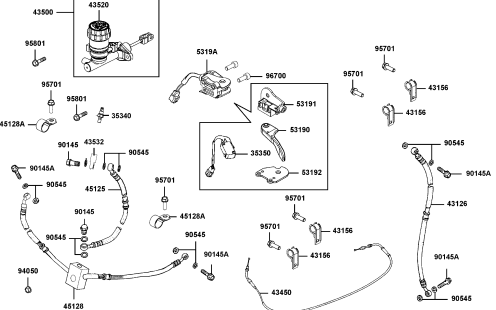
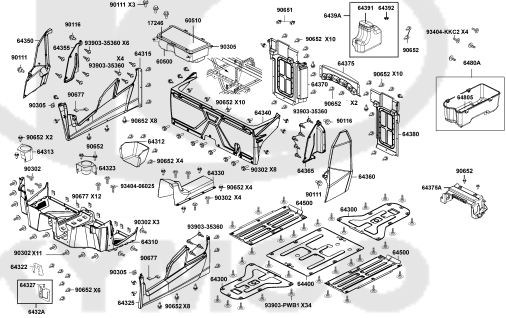
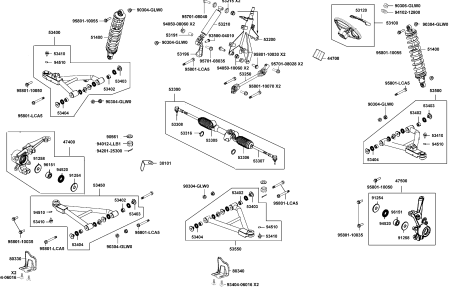
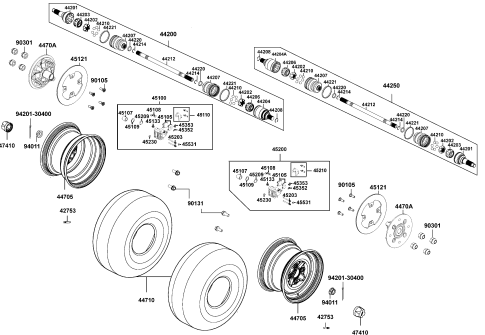
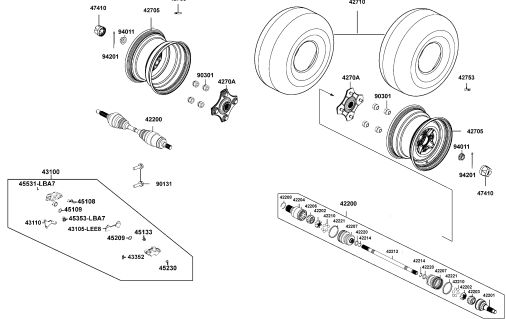
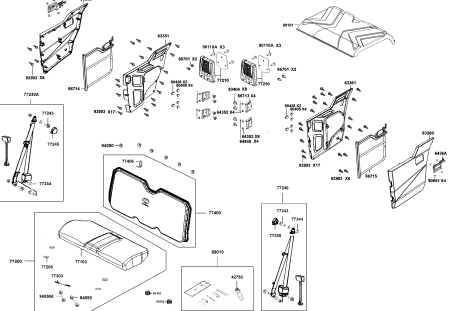
### E10 Shaft Drive Front



### E11 Throttle Body Assy



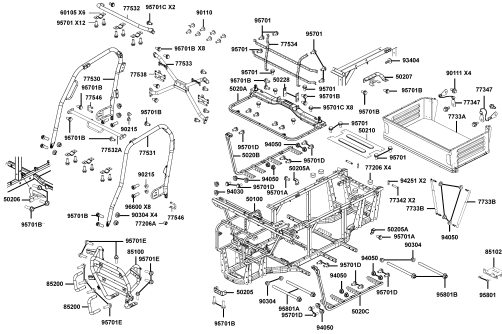
# CONTENTS - FRAME GROUP

<p><b>F01</b>    Head Light</p> 	<p><b>F02</b>    DIGITAL GAUGE</p> 	<p><b>F03</b>    Fender Front</p> 
<p><b>F04</b>    Hose Assy BrkBrake Assy</p> 	<p><b>F05</b>    Floor PanelBox Assy Luggage</p> 	<p><b>F06</b>    Cushion Assy FrWheel Assy</p> 
<p><b>F07</b>    Wheel Assy Fr</p> 	<p><b>F08</b>    Wheel Assy Rr</p> 	<p><b>F09</b>    Seat Assy</p> 

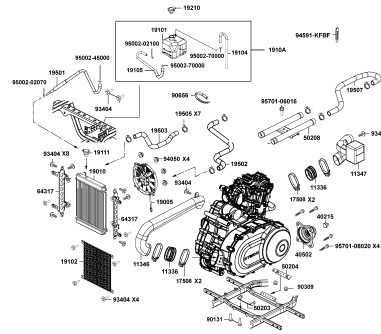


# CONTENTS - FRAME GROUP

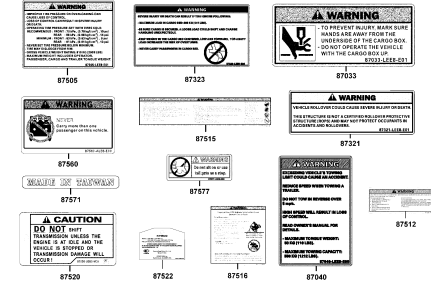
**F19** Body Comp FrameCargo Bed



**F20** Radiator CompShoroud



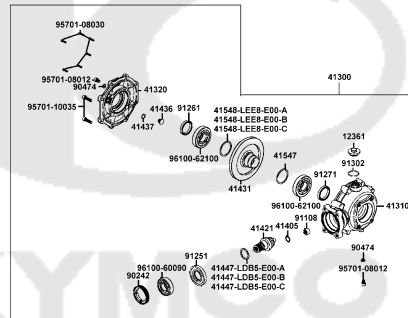
**F21** Caution Label



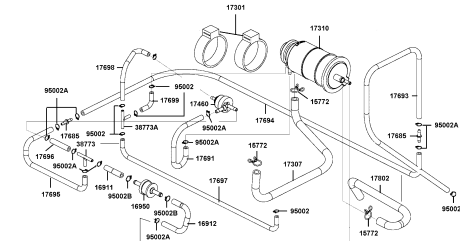
**F22** EmblemStripr



**F23** Gear Assy Rr Final

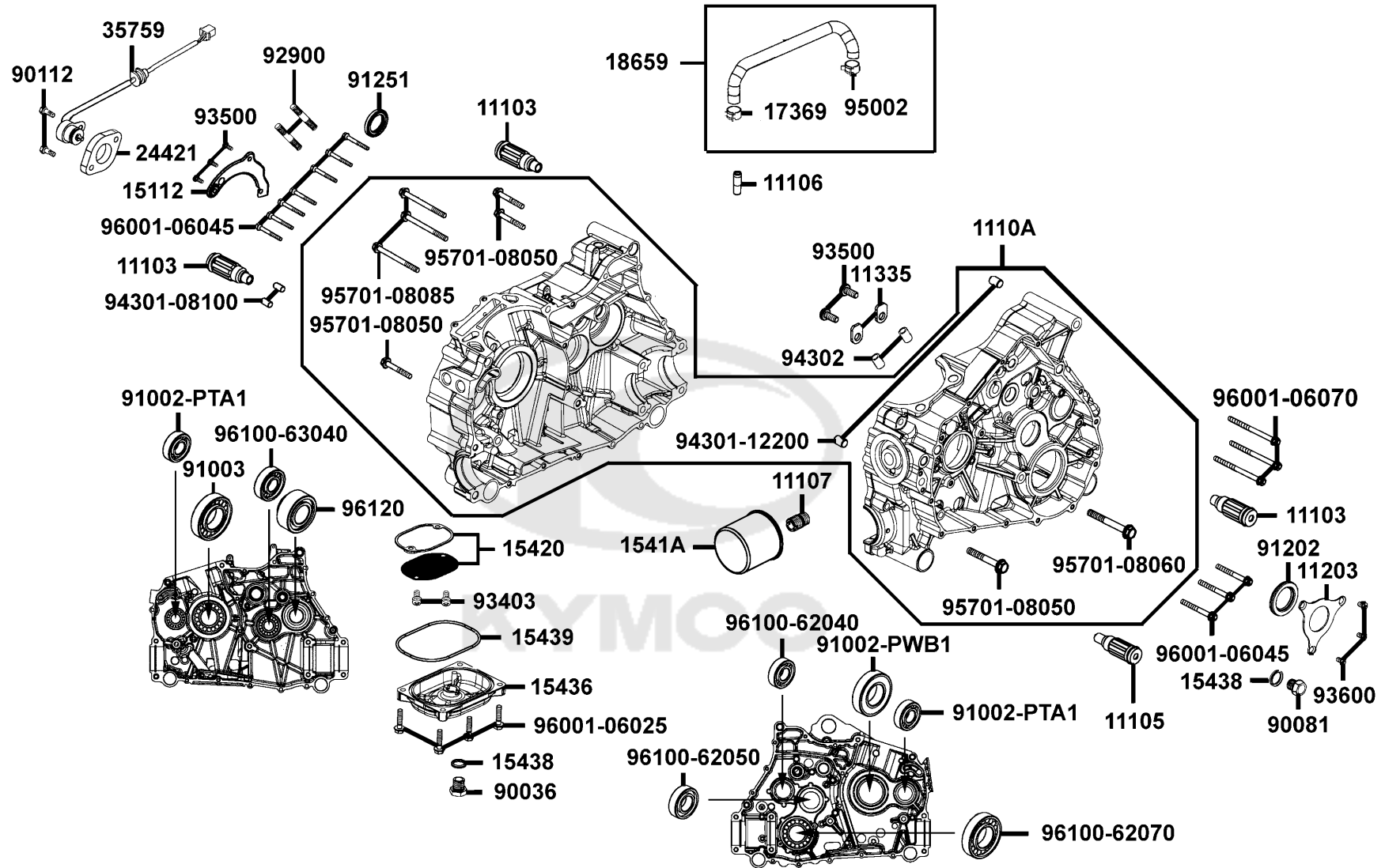


**F24** Canister



E01

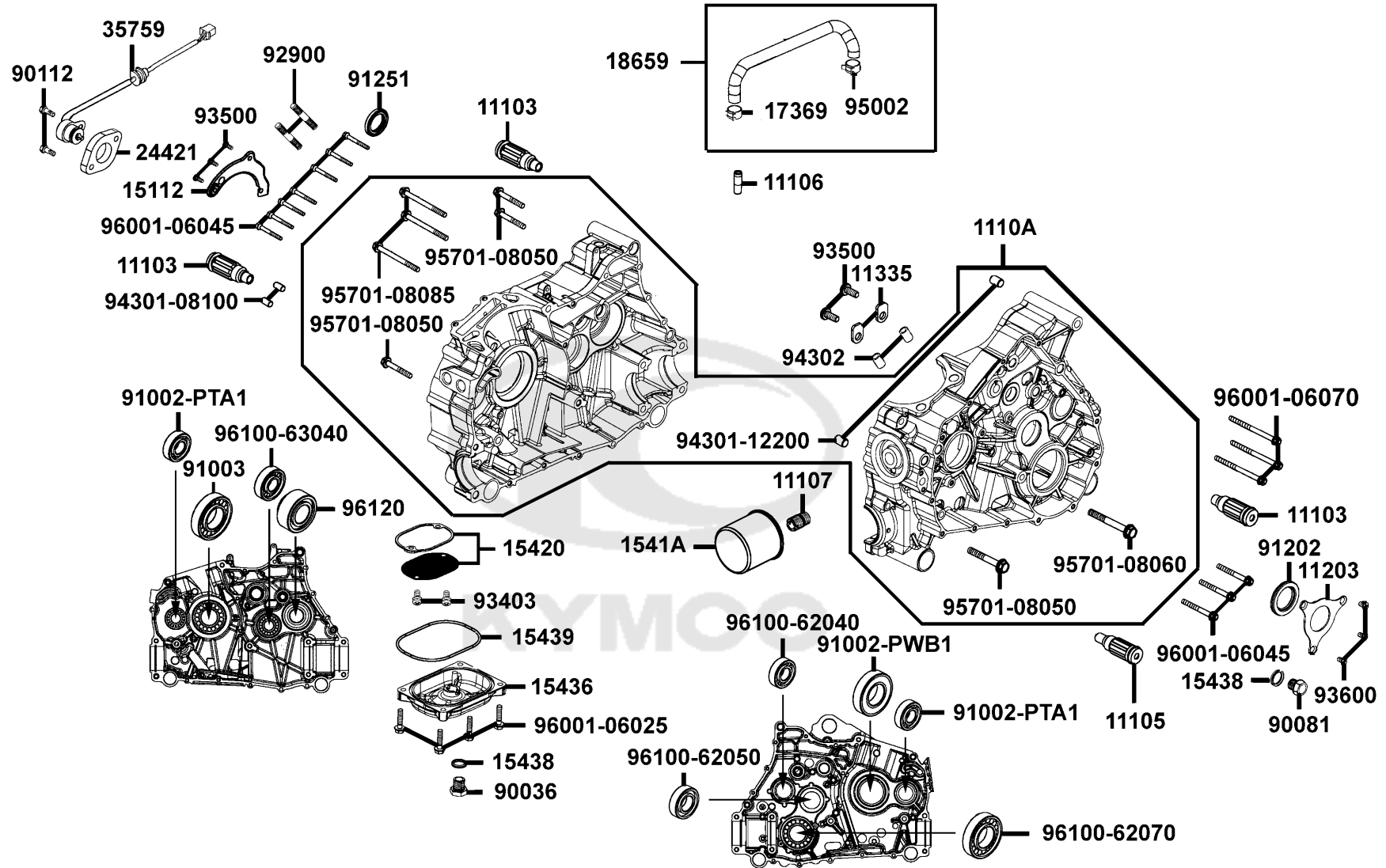
# Right Crank Case



Sales mark	Ref no	Part no	Description	Reg description	Regd no	E01
11103		11103-PTA1-800	RUB BUSH ENG HANGER	RUB BUSH ENG HANGER	3	
11105		11105-PTA1-800	LONG RUB BUSH ENG HANGER	LONG RUB BUSH ENG HANGER	1	
11106		11106-PWB1-900	PIPE BREATHER	PIPE BREATHER	1	
11107		11107-PWB1-900	PIPE OIL	PIPE OIL	1	
1110A		1110A-ALE8-E00	CRANK CASE R/L ASSY	CRANK CASE R/L ASSY	1	
11203		11203-PWB1-900	RETAINER CRANKSHAFT OIL SEAL	RETAINER CRANKSHAFT OIL SEAL	1	
11335		11335-PWB1-900	RETAINER BEARING	RETAINER BEARING	2	
15112		15112-PWB1-900	PLATE OIL GUIDE RIGHT	PLATE OIL GUIDE RIGHT	1	
1541A		1541A-PWB1-900	ELEMENT COMP OIL FILTER	ELEMENT COMP OIL FILTER	1	
15420		15420-PWB1-900	STRAINER OIL	STRAINER OIL	1	
15436		15436-PWB1-900	CAP OIL STRAINER	CAP OIL STRAINER	1	
15438		15438-PWB1-900	GASKET METAL COMPRESSION	GASKET METAL COMPRESSION	2	
15439		15439-PWB1-900	GASKET MOLDED-OIL STRAINER CAP	GASKET MOLDED-OIL STRAINER CAP	1	
17369		17369-KHC4-900	CLIP BREATHER TUBE	CLIP BREATHER TUBE	2	
18659		18659-AFB9-M00	TUBE BREATHER	TUBE BREATHER	1	
24421		24421-PWB1-900	SPACER SHIFT SENSOR	SPACER SHIFT SENSOR	1	
35759		35759-ALE8-E00	SW ASSY GEAR SENSOR	SW ASSY GEAR SENSOR	1	
90036		90036-PWB1-900	BOLT PLUG DRAIN SPECIAL 14X13.5 (C)	BOLT PLUG DRAIN SPECIAL 14X13.5 (C)	1	
90081		90081-PWB1-900	PLUG CASE 12X14	PLUG CASE 12X14	1	
90112		90112-KRDR-900	BOLT FLANGE 5*22	BOLT FLANGE 5*22	2	

E01

# Right Crank Case

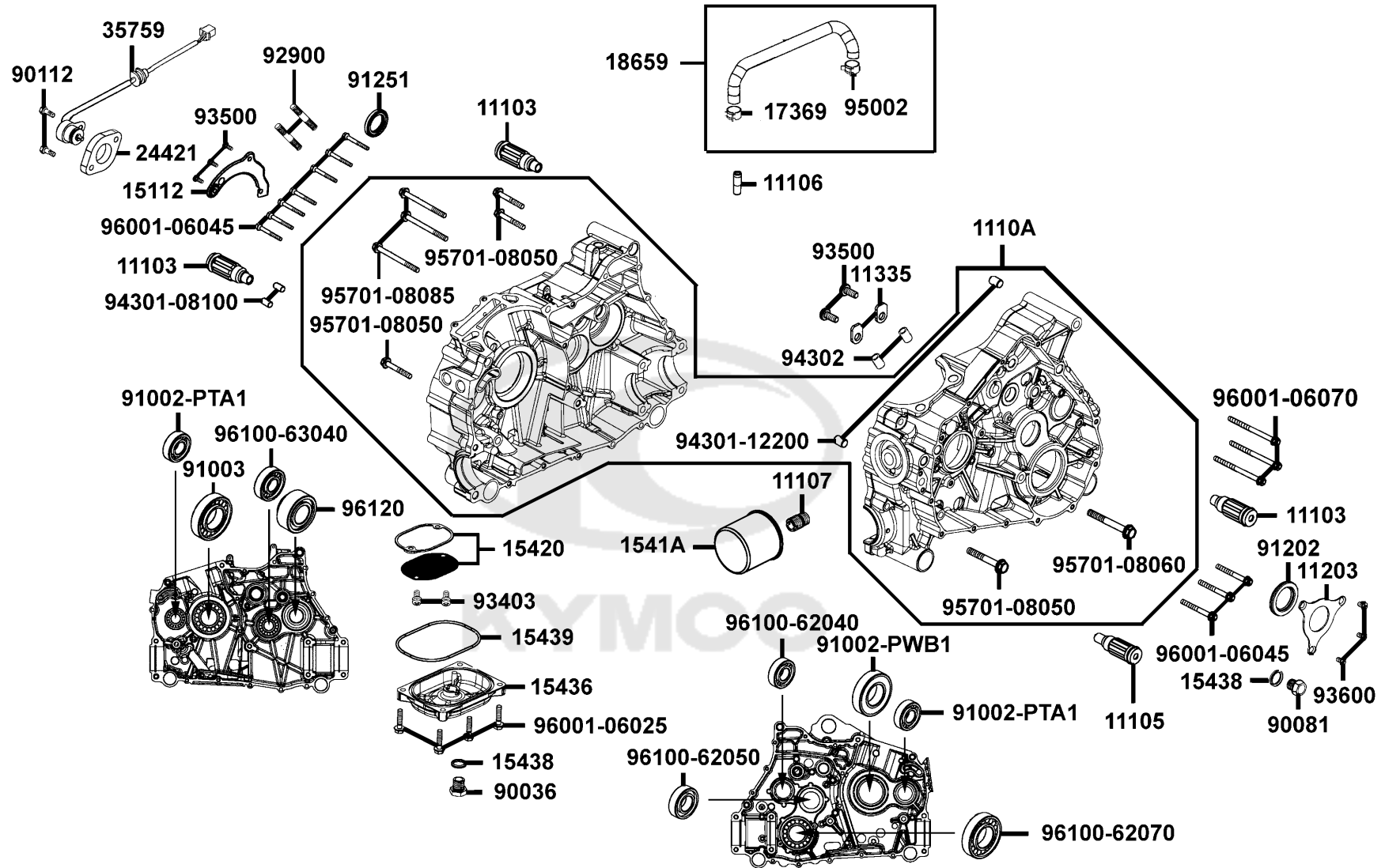



Sales mark	Ref no	Part no	Description	Reg description	Regd no	E01
	91002-PTA1	91002-PTA1-900	BRG BALL RADIAL ESB204JR2C3	BRG BALL RADIAL ESB204JR2C3	2	
	91002-PWB1	91002-PWB1-90A	BRG BALL RADIL 6207LUAC3	BRG BALL RADIL 6207LUAC3	1	
	91003	91003-ZXA6-M01	BRG, BALL RADIL 6207-9C3	BRG, BALL RADIL 6207-9C3	1	
	91202	91202-PWB1-900	OIL SEAL 34X52X6	OIL SEAL 34X52X6	1	
	91251	91251-PWB1-900	OIL SEAL 30X44X7	OIL SEAL 30X44X7	1	
	92900	92900-06040-0E	BOLT STUD 6*40	BOLT STUD 6*40	2	
	93403	93403-05012-06	BOLT-WASH 5X12	BOLT-WASH 5X12	1	
	93500	93500-PWB1-900	SCREW PAN 6X14 (C)	SCREW PAN 6X14 (C)	5	
	93600	93600-PWB1-900	SCREW FLAT 6X16	SCREW FLAT 6X16	3	
	94301-08100	94301-08100	DOWEL PIN 8*10	DOWEL PIN 8*10	2	
	94301-12200	94301-12200	DOWEL PIN 12*20	DOWEL PIN 12*20	2	
	94302	94302-KKE5-E00	D12 DOWEL PIN R/L CASE	D12 DOWEL PIN R/L CASE	2	
	95002	95002-KED9-M30	CLAMP D14.8 TUBE	CLAMP D14.8 TUBE	1	
	95701-08050	95701-08050-06	BOLT FLANGE 8*50	BOLT FLANGE 8*50	4	
	95701-08060	95701-08060-06	BOLT FLANGE 8X60	BOLT FLANGE 8X60	1	
	95701-08085	95701-08085-06	BOLT FLANGE 8X85	BOLT FLANGE 8X85	1	
	96001-06025	96001-06025-06	BOLT FLANGE SH 6*25	BOLT FLANGE SH 6*25	1	
	96001-06045	96001-06045-06	BOLT FLANGE 6X45	BOLT FLANGE 6X45	10	
	96001-06070	96001-06070-06	BOLT FLANGE SH 6*70	BOLT FLANGE SH 6*70	3	
	96100-62040	96100-62040-00	BEARING BALL RADIAL 6204	BEARING BALL RADIAL 6204	1	



E01

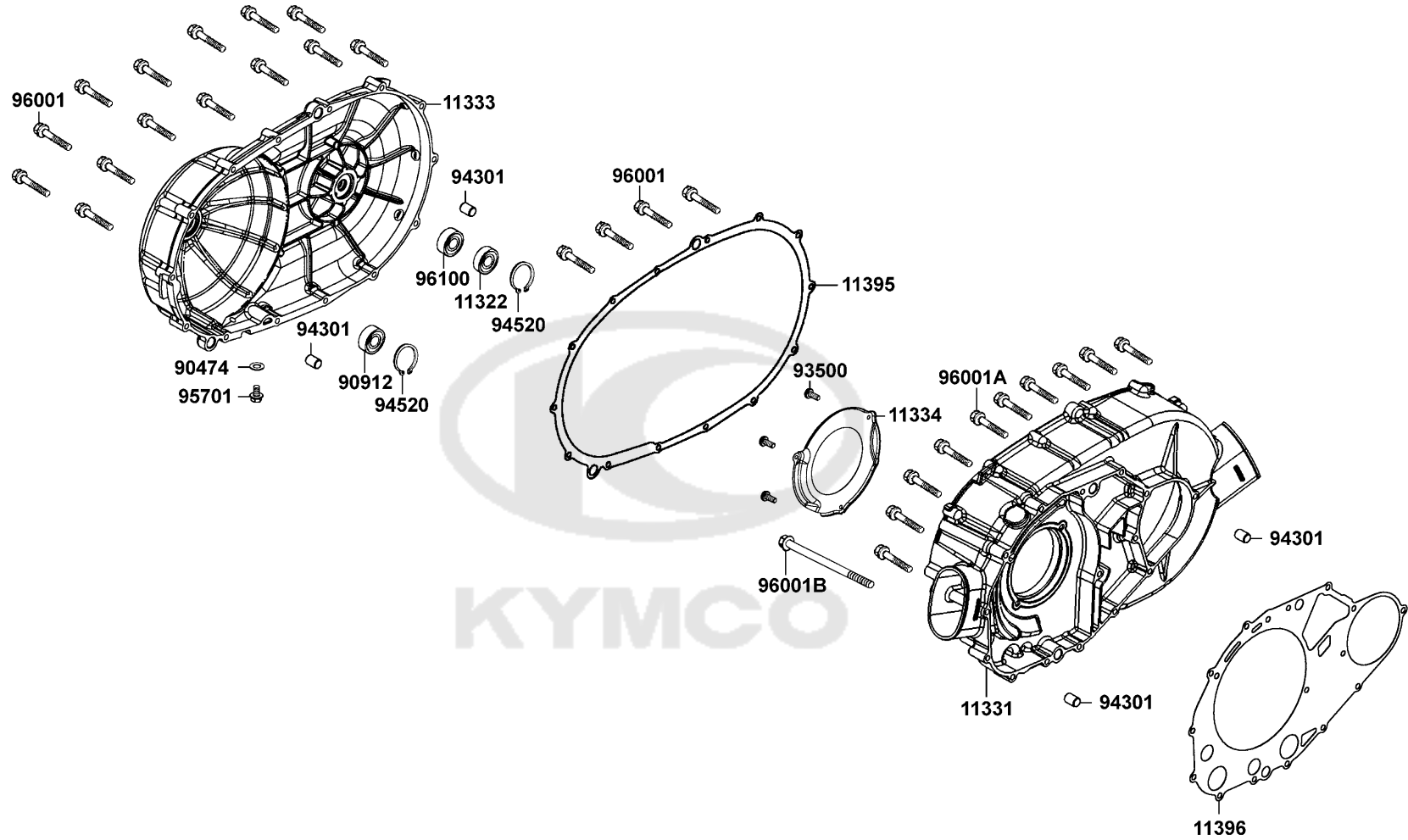
# Right Crank Case



Sales mark	Ref no	Part no	Description	Reg description	Regd no	<b>E01</b>
	96100-62050	96100-62050-00	BEARING BALL RADIAL 6205	BEARING BALL RADIAL 6205	1	
	96100-62070	96100-62070-00	BRG RADIAL BALL 6207	BRG RADIAL BALL 6207	1	
	96100-63040	96100-63040-00	BRG BALL RADIAL 6304	BRG BALL RADIAL 6304	1	
	96120	96120-ZXA6-M01	BEARING, BALL D/R 30X62X23.8	BEARING, BALL D/R 30X62X23.8	1	
						

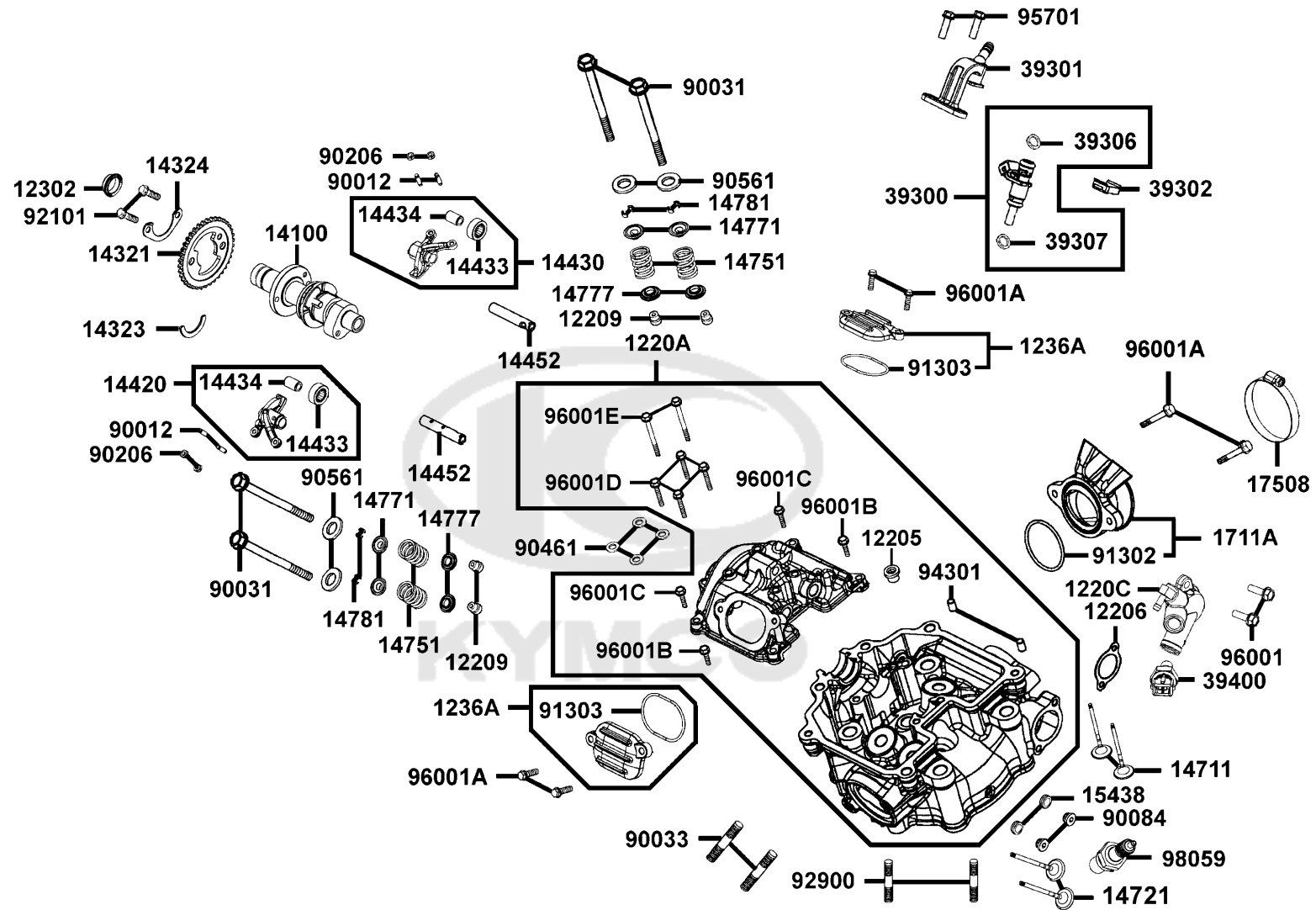
E02

# Cover Right Crank Case



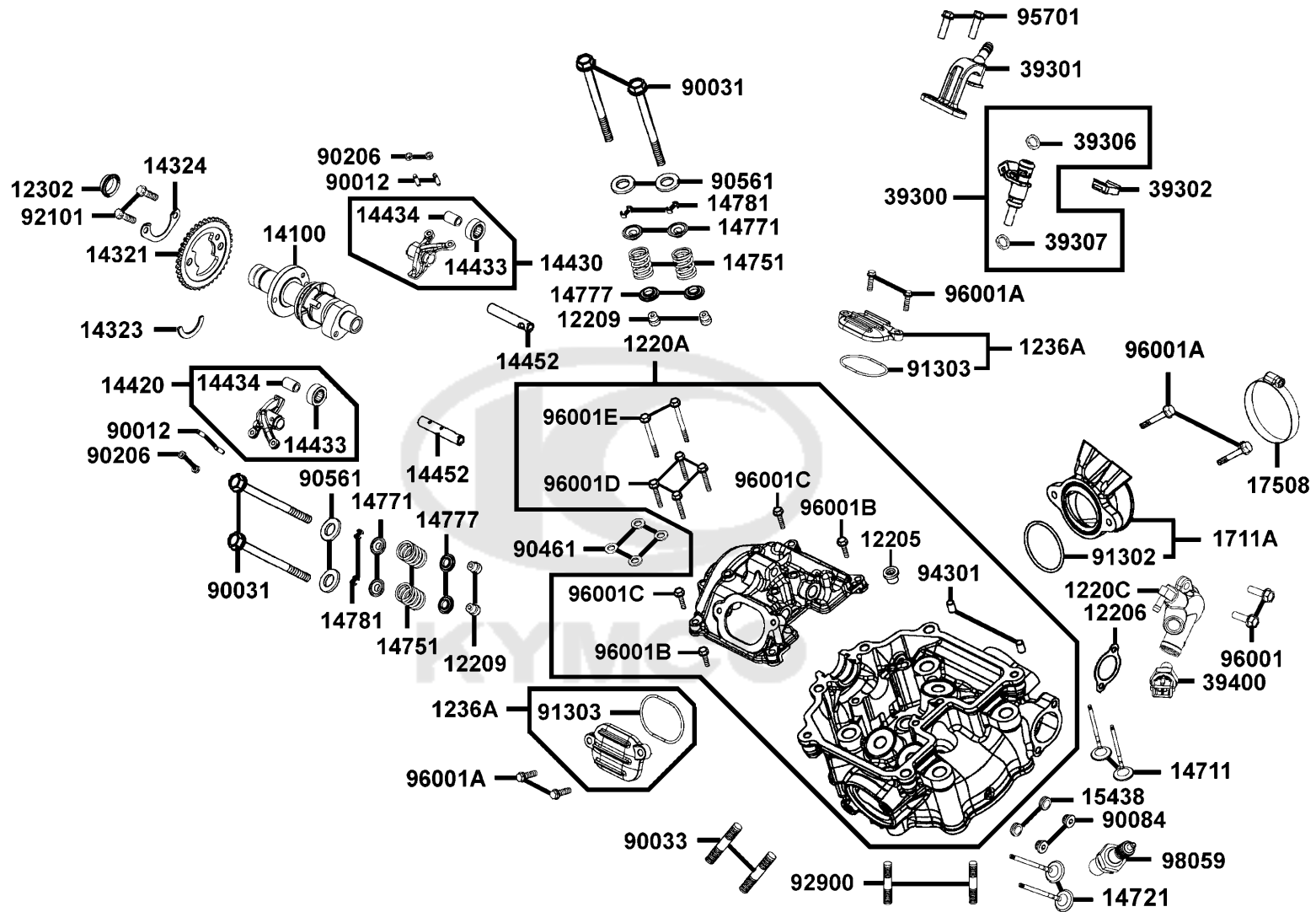
Sales mark	Ref no	Part no	Description	Reg description	Regd no	<b>E02</b>
	11322	11322-ALE8-E00	OIL SEAL 12X32X7	OIL SEAL 12X32X7	1	
	11331	11331-PWB1-800	COVER R CRANK CASE	COVER R CRANK CASE	1	
**	11333	11333-ALE8-E00	COVER R COVER	COVER R COVER	1	
	11334	11334-PWB1-900	PLATE AIR INTAKE	PLATE AIR INTAKE	1	
	11395	11395-PWB1-900	GASKET R COVER	GASKET R COVER	1	
	11396	11396-PWB1-900	GASKET R COVER	GASKET R COVER	1	
	90474	90474-3C33-001	WASHER 8MM	WASHER 8MM	1	
	90912	90912-KFLF-00A	BEARING 6201 LLU	BEARING 6201 LLU	1	
	90912	90912-KFLF-00E	BEARING 6201 LLU	BEARING 6201 LLU	1	
	93500	93500-PWB1-900	SCREW PAN 6X14 (C)	SCREW PAN 6X14 (C)	3	
	94301	94301-12200	DOWEL PIN 12*20	DOWEL PIN 12*20	4	
	94520	94520-32180	CIR CLIP IN 32	CIR CLIP IN 32	2	
	95701	95701-08012-06	BOLT FLANGE 8*12	BOLT FLANGE 8*12	1	
	96001	96001-06035-06	BOLT FLANGE SH 6*35	BOLT FLANGE SH 6*35	18	
	96001A	96001-06040-06	BOLT FLANGE SH 6*40	BOLT FLANGE SH 6*40	10	
	96001B	96001-06080-06	BOLT FLANGE SH 6X80	BOLT FLANGE SH 6X80	1	
	96100	96100-62010-00	BRG BALL RADIAL 6201	BRG BALL RADIAL 6201	1	

# Cylinder Head Cover Cylinder Head



Sales mark	Ref no	Part no	Description	Reg description	Regd no	E03
	12205	12205-KHE8-301	BOLT SEALING 12MM	BOLT SEALING 12MM	1	
	12206	12206-LBA2-E00	GASKET WATER COVER	GASKET WATER COVER	1	
	12209	12209-PWB1-900	SEAL VALVE STEM	SEAL VALVE STEM	4	
	1220A	1220A-ZXA6-M01	HEAD ASSY CYLINDER	HEAD ASSY CYLINDER	1	
	1220C	1220C-LKC3-305	COVER COMP	COVER COMP	1	
	12302	12302-PTA1-900	PLUG HEAD	PLUG HEAD	1	
	1236A	1236A-PWB1-900	CAP ASSY TAPPET ADJUSTING HOLE	CAP ASSY TAPPET ADJUSTING HOLE	2	
	14100	14100-PTA1-910	SHAFT COMP CAM	SHAFT COMP CAM	1	
	14321	14321-PTA1-900	SPROCKET CAMSHAFT	SPROCKET CAMSHAFT	1	
	14323	14323-PWB1-900	C-RING CAM RETAINER	C-RING CAM RETAINER	1	
	14324	14324-PWB1-900	WASHER LOCK AMSHAFT	WASHER LOCK AMSHAFT	1	
	14420	14420-ZXA6-M01	ARM COMP EXH VALVE ROCKER	ARM COMP EXH VALVE ROCKER	1	
	14430	14430-ZXA6-M01	ARM COMP, IN VALVE ROCKER	ARM COMP, IN VALVE ROCKER	1	
	14433	14433-PTA1-900	ROCKER ASSY ROCKER ARM	ROCKER ASSY ROCKER ARM	2	
	14434	14434-PTA1-900	PIN ROCKER ARM	PIN ROCKER ARM	2	
	14452	14452-PTA1-900	SHAFT IN ROCKER ARM	SHAFT IN ROCKER ARM	2	
	14711	14711-PTA1-900	VALVE INLET	VALVE INLET	2	
	14721	14721-ZXA6-M01	VALVE EXHAUST	VALVE EXHAUST	2	
	14751	14751-PTA1-900	SPRING VALVE OUTER	SPRING VALVE OUTER	4	
	14771	14771-PWB1-900	RETAINER UPPER SPRING	RETAINER UPPER SPRING	4	

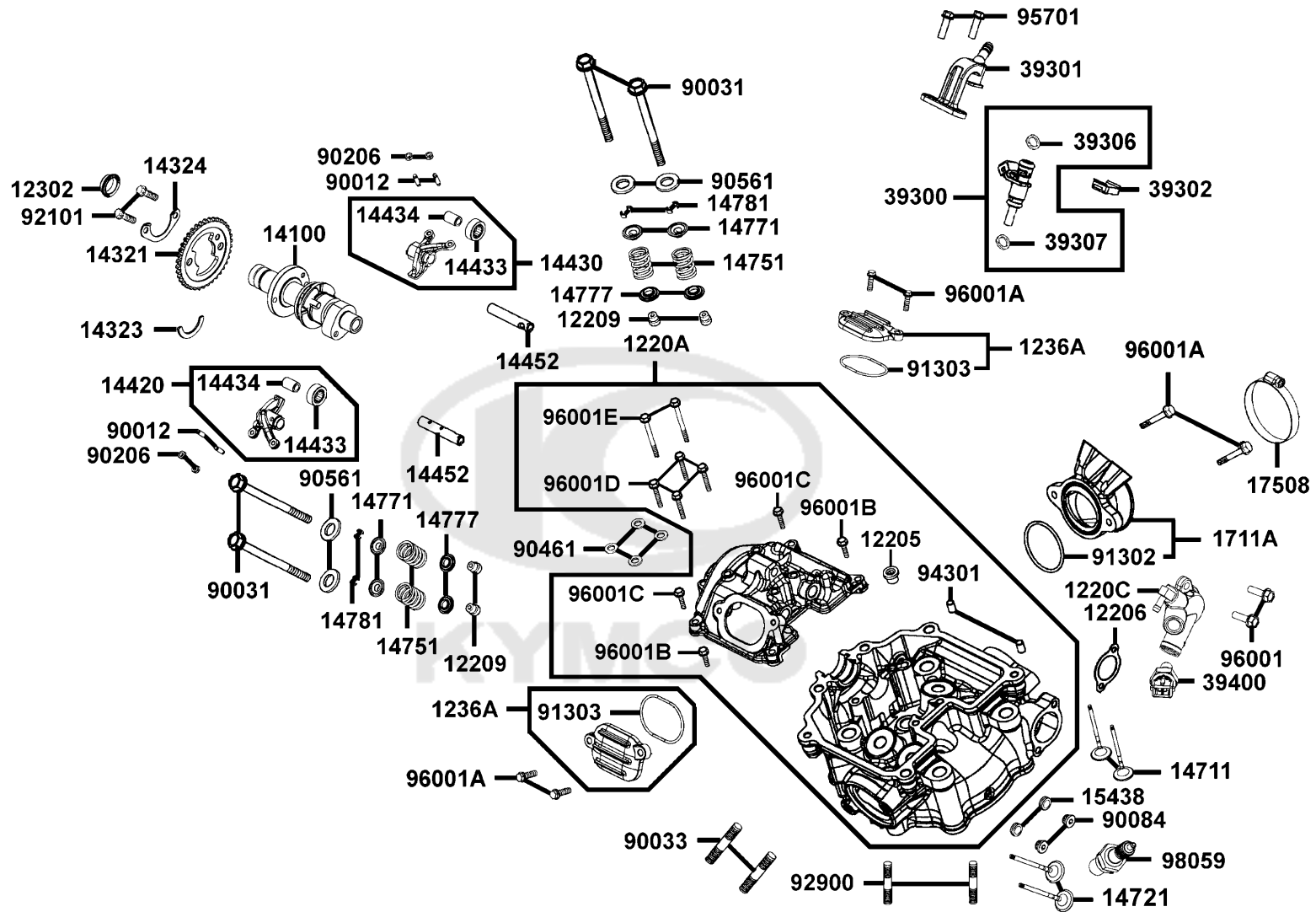
Cylinder Head Cover Cylinder Head



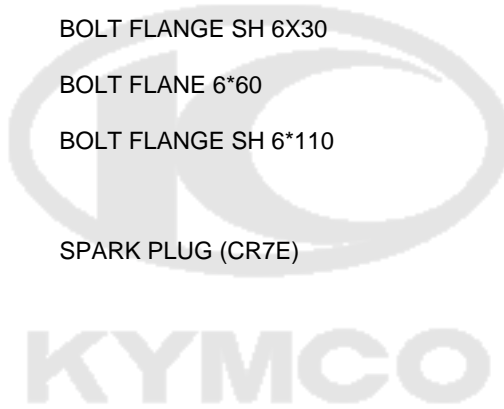
Sales mark	Ref no	Part no	Description	Reg description	Regd no	E03
	14777	14777-PWB1-900	SEAT VALVE SPRING	SEAT VALVE SPRING	4	
	14781	14781-MFA6-001	COTTER VALVE	COTTER VALVE	8	
	15438	15438-PWB1-900	GASKET METAL COMPRESSION	GASKET METAL COMPRESSION	2	
	1711A	1711A-PTA1-800	MANIFOLD ASSY.. INLET	MANIFOLD ASSY.. INLET	1	
	17508	17508-LGC7-E00	CLAMP D60	CLAMP D60	1	
	39300	39300-PTA1-800	INJECTOR FUEL	INJECTOR FUEL	1	
	39301	39301-LGC7-E00	ASSY FUEL RAIL	ASSY FUEL RAIL	1	
	39302	39302-KKE3-900	CLIP SPRING FUEL INJECTOR	CLIP SPRING FUEL INJECTOR	1	
	39306	39306-LEB2-305	O-RING A INJECTOR /BLACK	O-RING A INJECTOR /BLACK	1	
	39307	39307-LEB2-305	O-RING B INJECTOR /GREEN	O-RING B INJECTOR /GREEN	1	
	39400	39400-LEA6-800	WATER TEMP SENSOR	WATER TEMP SENSOR	1	
	90012	90012-3C33-001	SCREW TAPPET ADJUSTING	SCREW TAPPET ADJUSTING	4	
	90031	90031-PWB1-900	BOLT UBS 10x170	BOLT UBS 10x170	4	
	90033	90033-KGB4-C00	BOLT STUD M8X40 (C)	BOLT STUD M8X40 (C)	2	
	90084	90084-KKE5-E00	CAPE OIL CHANNEL	CAPE OIL CHANNEL	2	
	90206	90206-0A01-001	NUT TAPPET ADJG	NUT TAPPET ADJG	4	
	90461	90461-PWB1-900	WASHER SEALING	WASHER SEALING	4	
	90561	90561-PWB1-900	WASHER 21X10X2.2	WASHER 21X10X2.2	4	
	91302	91302-PTA1-800	O-RING INTAKE MANIFOLD 44.12X2.62	O-RING INTAKE MANIFOLD 44.12X2.62	1	
	91303	91303-PWB1-900	ORING INSPECTION CAP	ORING INSPECTION CAP	2	



Cylinder Head Cover Cylinder Head

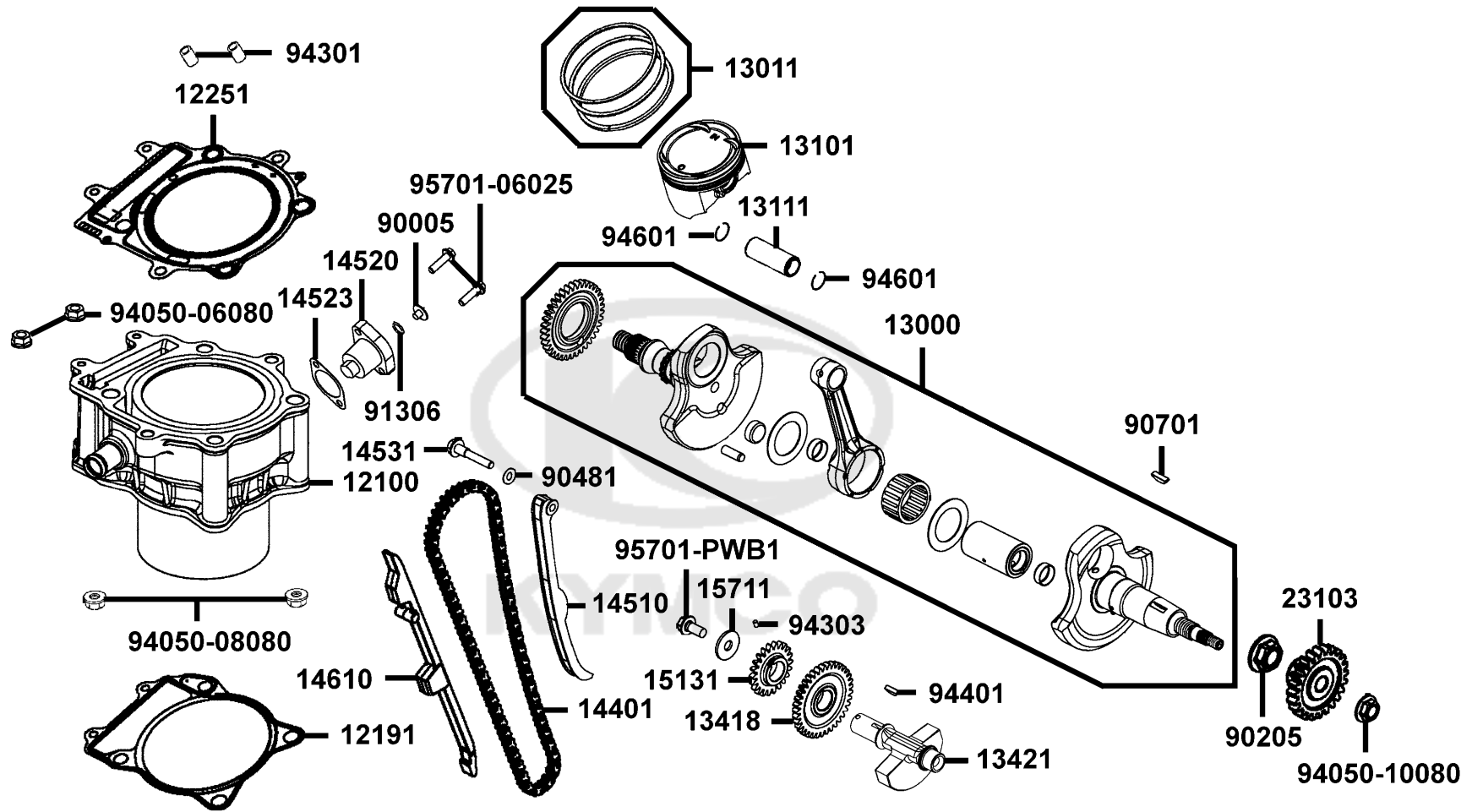


Sales mark	Ref no	Part no	Description	Reg description	Regd no	<b>E03</b>
92101		92101-06012-0HN	BOLT HEX 6X12	BOLT HEX 6X12	2	
92900		92900-PTA1-900	BOLT STUD 8*40	BOLT STUD 8*40	2	
94301		94301-08140	DOWEL PIN 8*14	DOWEL PIN 8*14	2	
95701		95701-06016-06	BOLT FLANGE 6X16	BOLT FLANGE 6X16	1	
96001		96001-06018-06	BOLT FLANGE SH 6X18	BOLT FLANGE SH 6X18	2	
96001A		96001-06020-06	BOLT FLANGE SH 6*20	BOLT FLANGE SH 6*20	3	
96001B		96001-06025-06	BOLT FLANGE SH 6*25	BOLT FLANGE SH 6*25	2	
96001C		96001-06030-06	BOLT FLANGE SH 6X30	BOLT FLANGE SH 6X30	4	
96001D		96001-06060-06	BOLT FLANE 6*60	BOLT FLANE 6*60	4	
96001E		96001-06110-06	BOLT FLANGE SH 6*110	BOLT FLANGE SH 6*110	2	
98059		98059-57916-00	SPARK PLUG (CR7E)	SPARK PLUG (CR7E)	1	



E04

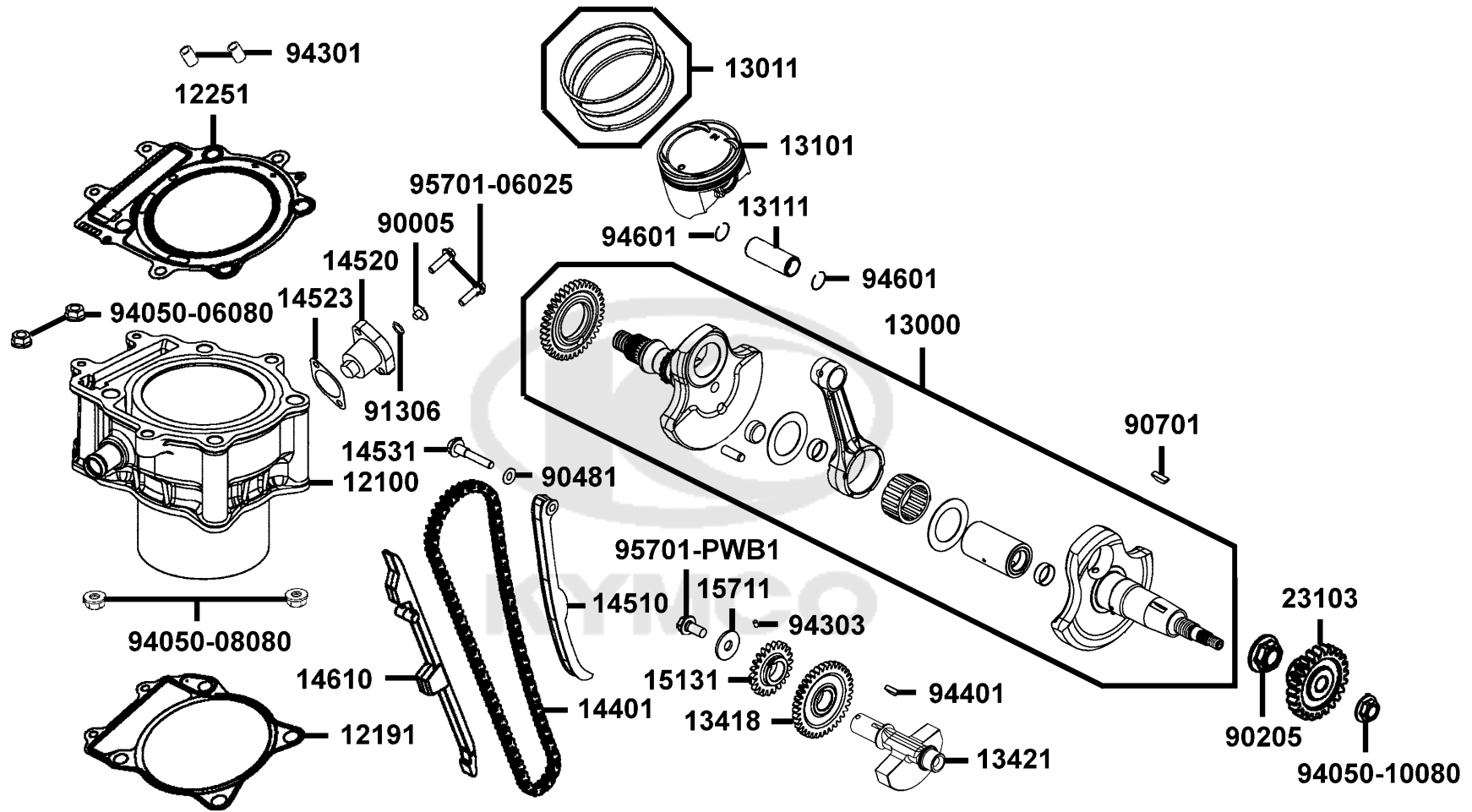
# Cylinder Piston Crankshaft



Sales mark	Ref no	Part no	Description	Reg description	Regd no	E04
	12100	12100-PTA1-900	CYLINDER COMP	CYLINDER COMP	1	
	12191	12191-PTA1-900	GASKET CYLINDER @A	GASKET CYLINDER @A	1	
	12251	12251-PTA1-900	GASKET CYLINDER HEAD	GASKET CYLINDER HEAD	1	
	13000	13000-AKB9-M00	CRANK SHAFT COMP	CRANK SHAFT COMP	1	
	13011	13011-PTA1-90B	RING SET PISTON	RING SET PISTON	1	
	13101	13101-LGC7-E00	PISTON	PISTON	1	
	13111	13111-PWB1-900	PIN PISTON	PIN PISTON	1	
	13418	13418-PWB1-900	GEAR A BALANCER SHAFT	GEAR A BALANCER SHAFT	1	
	13421	13421-ZXA6-M01	SHAFT BALANCER	SHAFT BALANCER	1	
	14401	14401-PWB1-900	CHAIN CAM	CHAIN CAM	1	
	14510	14510-ZXA6-M01	TENSIONER, CAM CHAIN	TENSIONER, CAM CHAIN	1	
	14520	14520-GFY6-90C	LIFTER ASSY.. TENSIONER	LIFTER ASSY.. TENSIONER	1	
	14523	14523-KED9-920	GASKET TENSIONER LIFTER @A	GASKET TENSIONER LIFTER @A	1	
	14531	14531-PWB1-900	PIVOT TENSION GUIDE	PIVOT TENSION GUIDE	1	
	14610	14610-ZXA6-M01	GUIDE CAM CHAIN	GUIDE CAM CHAIN	1	
	15131	15131-PWB1-900	SPROCKET OIL PUMP DRIVE	SPROCKET OIL PUMP DRIVE	1	
	15711	15711-PWB1-900	WASHER 10.2X30X2.5	WASHER 10.2X30X2.5	1	
	23103	23103-PTA1-900	GEAR PRIMARY DRIVE	GEAR PRIMARY DRIVE	1	
	90005	90005-KED9-900	BOLT SPECIAL 6*6	BOLT SPECIAL 6*6	1	
	90205	90205-LDB5-E00	NUT FLANGE 16 mm	NUT FLANGE 16 mm	1	

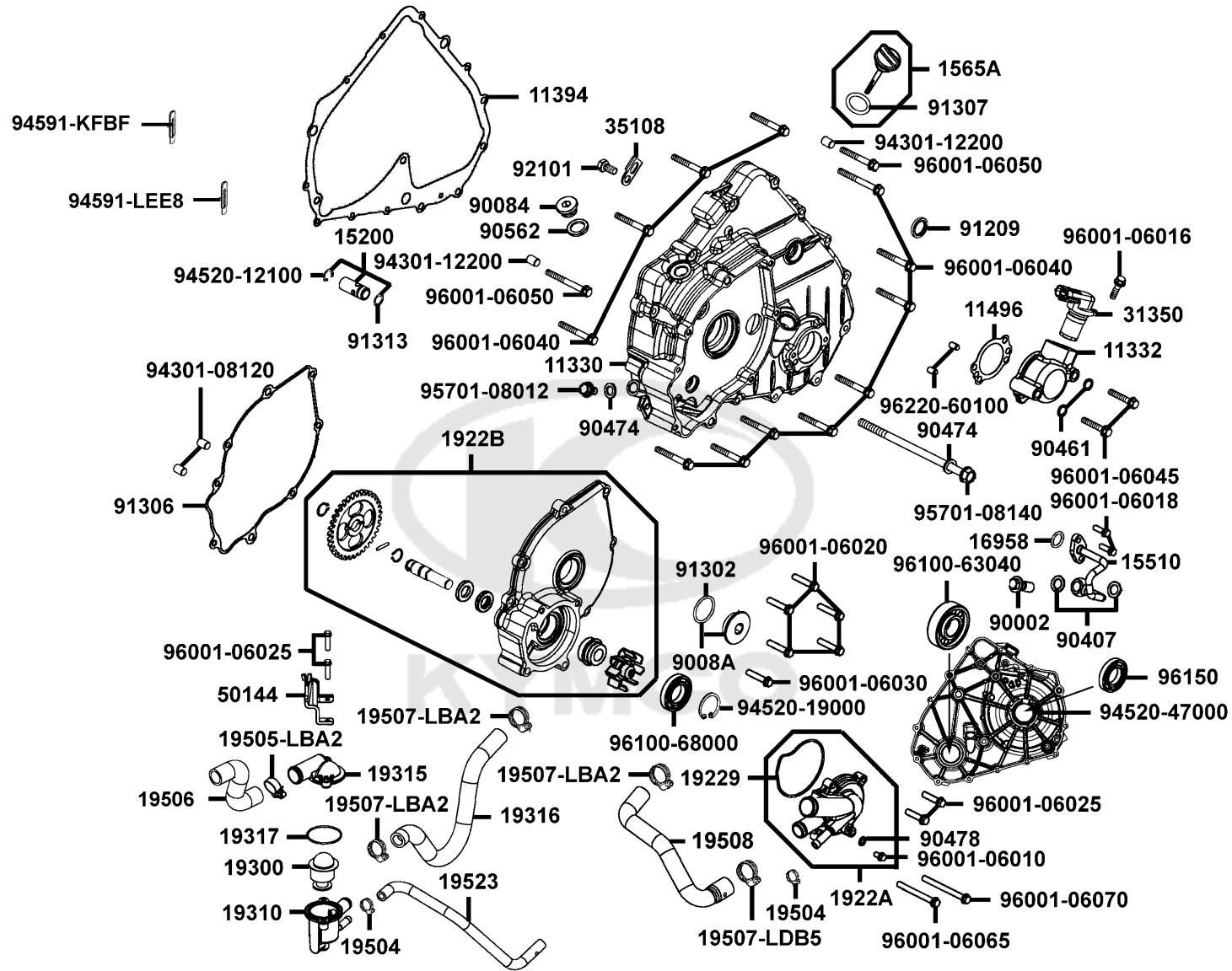
E04

# Cylinder Piston Crankshaft



Sales mark	Ref no	Part no	Description	Reg description	Regd no	<b>E04</b>
90481		90481-0E35-001	WASHER 8MM	WASHER 8MM	1	
90701		90701-LDB5-E00	KEY WAY ACG	KEY WAY ACG	1	
91306		91306-1E05-691	O-RING 1.5*9.5	O-RING 1.5*9.5	1	
94050-06080		94050-06080	NUT FLANGE 6MM	NUT FLANGE 6MM	2	
94050-08080		94050-08080	NUT FLANGE 8MM	NUT FLANGE 8MM	2	
94050-10080		94050-10080	NUT FLANGE 10MM	NUT FLANGE 10MM	1	
94301		94301-12200	DOWEL PIN 12*20	DOWEL PIN 12*20	2	
94303		94303-04065	DOWEL PIN 4*6.5	DOWEL PIN 4*6.5	1	
94401		94401-16150	KEY WOODRUFF 16*15	KEY WOODRUFF 16*15	1	
94601		94601-PWB1-900	CIRCLIP PISTON PIN 20MM	CIRCLIP PISTON PIN 20MM	2	
95701-06025		95701-06025-06	BOLT FLANGE 6*25	BOLT FLANGE 6*25	2	
95701-PWB1		95701-PWB1-900	BOLT FLANGE 10x20	BOLT FLANGE 10x20	1	

Cover Left Crank Case



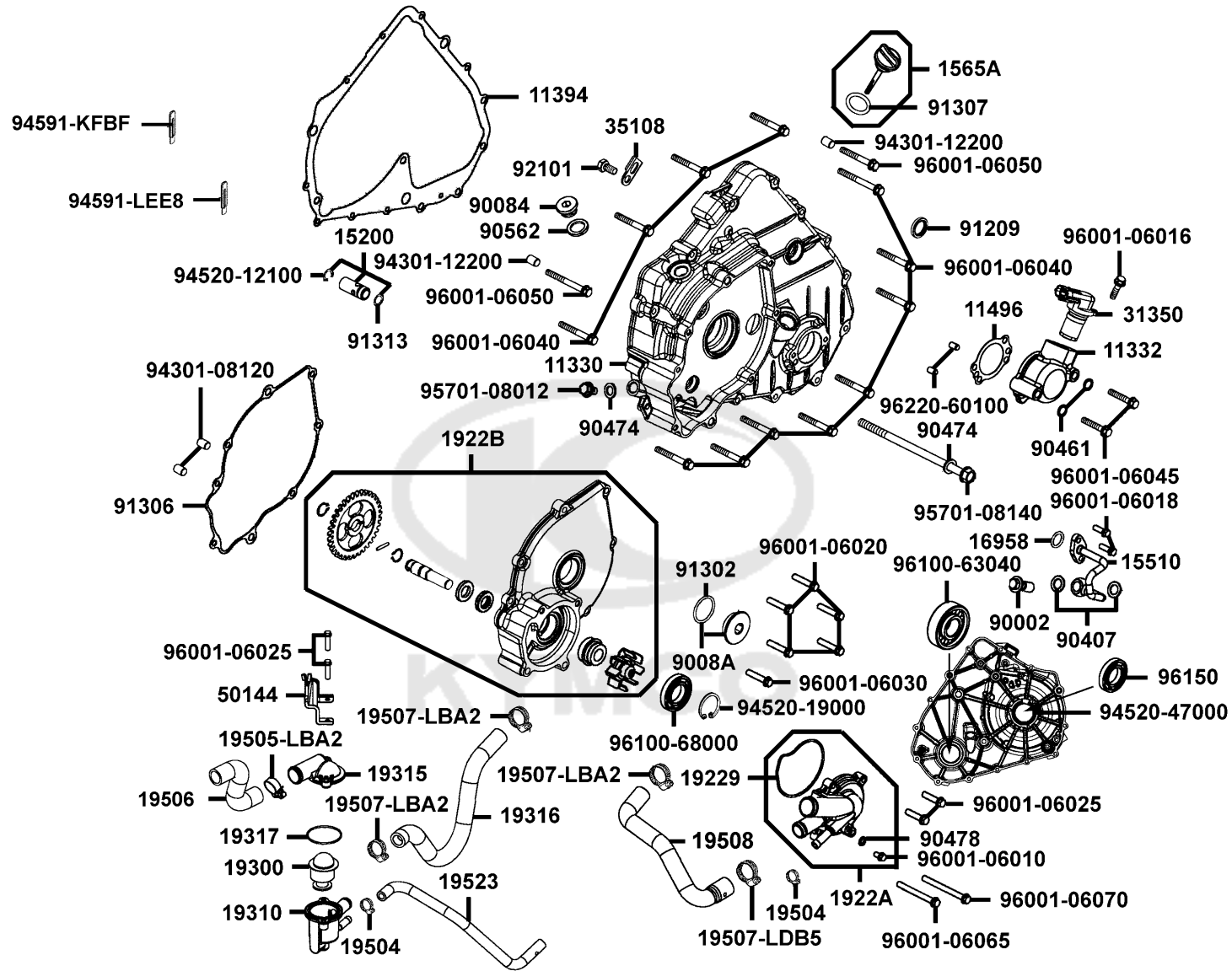
Sales mark	Ref no	Part no	Description	Reg description	Regd no	<b>E05</b>
11330		11330-PTA1-900	COVER LEFT CRANK CASE	COVER LEFT CRANK CASE	1	
11332		11332-PWB1-900	HOUSING SPEED SENSOR	HOUSING SPEED SENSOR	1	
11394		11394-PWB1-900	GASKET L COVER	GASKET L COVER	1	
11496		11496-PWB1-900	GASKET SENSOR HOUSING	GASKET SENSOR HOUSING	1	
15200		15200-PWB1-900	OIL RELIEF VALVE ASSY	OIL RELIEF VALVE ASSY	1	
15510		15510-PTA1-900	PIPE COMP OIL	PIPE COMP OIL	1	
1565A		1565A-PWB1-900	GAUGE ASSY.OIL LEVEL	GAUGE ASSY.OIL LEVEL	1	
16958		16958-PWB1-910	O-RING 10.77X2.62	O-RING 10.77X2.62	1	
19229		19229-LDB5-E00	RING WATER PUMP	RING WATER PUMP	1	
1922A		1922A-PTA1-900	COVER ASSY WATER PUMP	COVER ASSY WATER PUMP	1	
1922B		1922B-PTA1-900	WATER PUMP ASSY..L. COVER	WATER PUMP ASSY..L. COVER	1	
19300		19300-LBA2-E00	THERMOSTAT ASSY	THERMOSTAT ASSY	1	
19310		19310-LDB5-E00	CASE COMP THERMOSTAT	CASE COMP THERMOSTAT	1	
19315		19315-LBA2-E00	COVER THERMOSTAT	COVER THERMOSTAT	1	
19316		19316-ALE8-E00	HOSE A THERMOSTAT	HOSE A THERMOSTAT	1	
19317		19317-LBA2-E00	RING 48.3*2	RING 48.3*2	1	
19504		19504-LBA2-E00	CLAMP D16.8	CLAMP D16.8	2	
19505-LBA2		19505-LBA2-E00	CLAMP WATER HOSE	CLAMP WATER HOSE	1	
19506		19506-ALE8-E00	WATER HOSE RADIATOR	WATER HOSE RADIATOR	1	
19507-LBA2		19507-LBA2-E00	CLAMP D 27.5	CLAMP D 27.5	3	





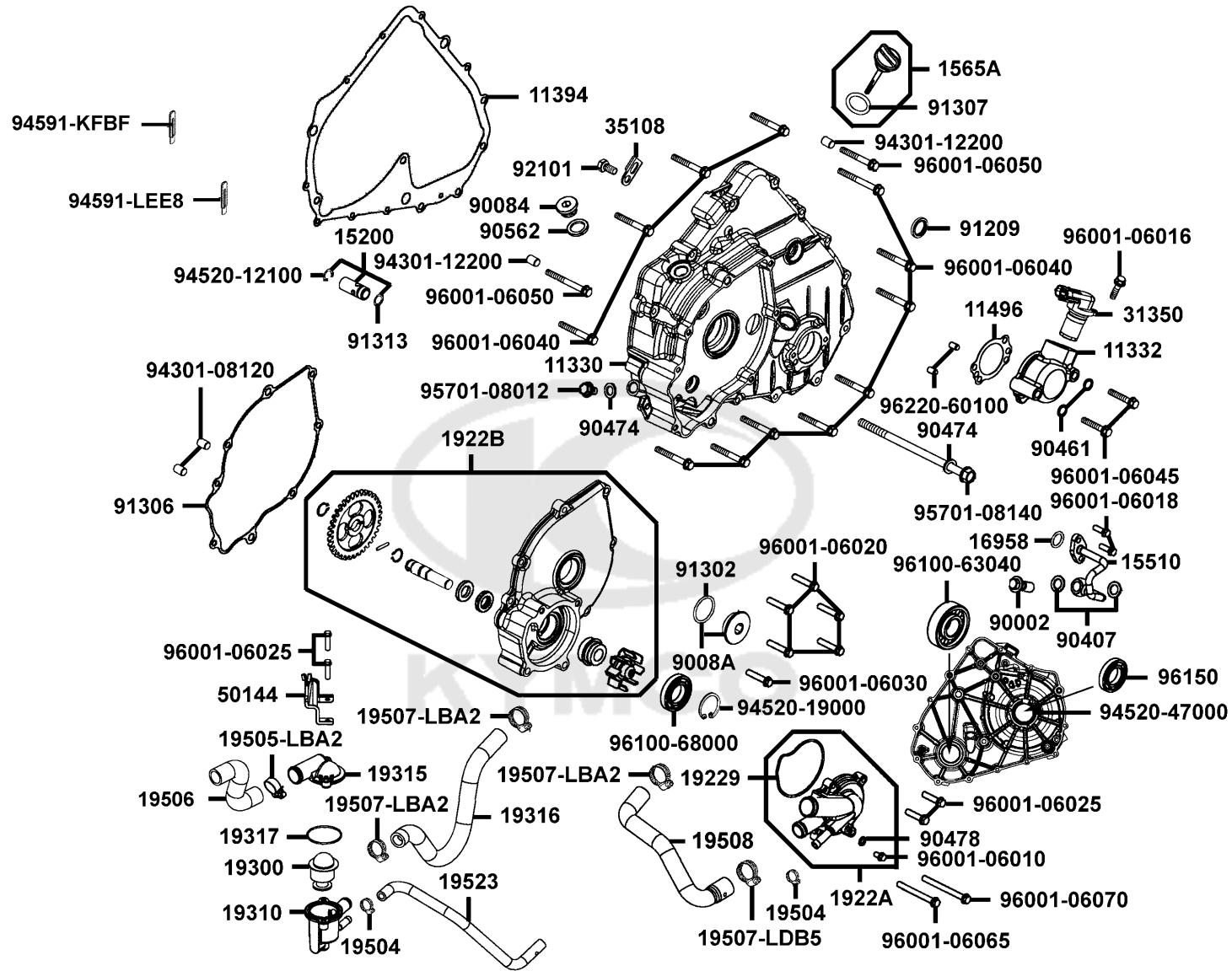
Sales mark	Ref no	Part no	Description	Reg description	Regd no	E05
	19507-LDB5	19507-LDB5-E00	CLAMP D 28	CLAMP D 28	1	
	19508	19508-ALE8-E00	HOSE WATER B	HOSE WATER B	1	
	19523	19523-ALE8-E00	HOSE THERMOSTAT B	HOSE THERMOSTAT B	1	
	31350	31350-LDB5-E0A	SENSOR SPEED	SENSOR SPEED	1	
	35108	35108-PWB1-900	STAY B ACG STATOR	STAY B ACG STATOR	1	
	50144	50144-PTA1-900	BRKT THERMOSTAT STAY	BRKT THERMOSTAT STAY	1	
	90002	90002-KKAK-900	BOLT B OIL PASS	BOLT B OIL PASS	1	
	90084	90084-PWB1-900	CAP ACG	CAP ACG	1	
	9008A	9008A-PTA1-900	CAP ASSY	CAP ASSY	1	
	90407	90407-KAM1-001	SEALING WASHER B OIL PIPE JOIN	SEALING WASHER B OIL PIPE JOIN	2	
	90461	90461-PWB1-900	WASHER SEALING	WASHER SEALING	2	
	90474	90474-3C33-001	WASHER 8MM	WASHER 8MM	2	
	90478	90478-7L00-001	WASHER A 6MM	WASHER A 6MM	1	
	90562	90562-PWB1-900	WASHER 16X22X2	WASHER 16X22X2	1	
	91209	91209-ZXA6-M01	OIL SEAL 12X22X9	OIL SEAL 12X22X9	1	
	91302	91302-5G67-004	O-RING 27.4*2.4	O-RING 27.4*2.4	1	
	91306	91306-PTA1-900	GASKET.STARTING COVER	GASKET.STARTING COVER	1	
	91307	91307-0E35-001	O RING 18*3	O RING 18*3	1	
	91313	91313-KED9-900	O-RING 15.5*1.5	O-RING 15.5*1.5	1	
	92101	92101-05012-0G	BOLT HEX 5X12	BOLT HEX 5X12	1	

Cover Left Crank Case



Sales mark	Ref no	Part no	Description	Reg description	Regd no	<b>E05</b>
94301-08120	94301-08120	94301-08120	DOWEL PIN 8*12	DOWEL PIN 8*12	2	
94301-12200	94301-12200	94301-12200	DOWEL PIN 12*20	DOWEL PIN 12*20	2	
94520-12100	94520-12100	94520-12100	CIR CLIP IN 12	CIR CLIP IN 12	1	
94520-19000	94520-19000	94520-19000	CIR CLIP IN 19	CIR CLIP IN 19	1	
94520-47000	94520-47000	94520-47000	CIR CLIP IN 47	CIR CLIP IN 47	1	
94591-KFBF	94591-KFBF-900	94591-KFBF-900	CLIP 2*70	CLIP 2*70	1	
94591-LEE8	94591-LEE8-E00	94591-LEE8-E00	CLIP 2*100	CLIP 2*100	1	
95701-08012	95701-08012-06	95701-08012-06	BOLT FLANGE 8*12	BOLT FLANGE 8*12	1	
95701-08140	95701-08140-06	95701-08140-06	BOLT FLANGE 8*140	BOLT FLANGE 8*140	1	
96001-06010	96001-06010-00	96001-06010-00	BOLT FLANGE SH 6X10	BOLT FLANGE SH 6X10	1	
96001-06016	96001-06016-06	96001-06016-06	BOLT FLANGE SH 6X16	BOLT FLANGE SH 6X16	1	
96001-06018	96001-06018-06	96001-06018-06	BOLT FLANGE SH 6X18	BOLT FLANGE SH 6X18	2	
96001-06020	96001-06020-06	96001-06020-06	BOLT FLANGE SH 6*20	BOLT FLANGE SH 6*20	5	
96001-06025	96001-06025-06	96001-06025-06	BOLT FLANGE SH 6*25	BOLT FLANGE SH 6*25	4	
96001-06030	96001-06030-06	96001-06030-06	BOLT FLANGE SH 6X30	BOLT FLANGE SH 6X30	1	
96001-06040	96001-06040-06	96001-06040-06	BOLT FLANGE SH 6*40	BOLT FLANGE SH 6*40	12	
96001-06045	96001-06045-06	96001-06045-06	BOLT FLANGE 6X45	BOLT FLANGE 6X45	2	
96001-06050	96001-06050-06	96001-06050-06	BOLT FLANGE SH 6*50 (K)	BOLT FLANGE SH 6*50 (K)	2	
96001-06065	96001-06065-06	96001-06065-06	BOLT FLANGE SH 6X65	BOLT FLANGE SH 6X65	1	
96001-06070	96001-06070-06	96001-06070-06	BOLT FLANGE SH 6*70	BOLT FLANGE SH 6*70	1	

Cover Left Crank Case



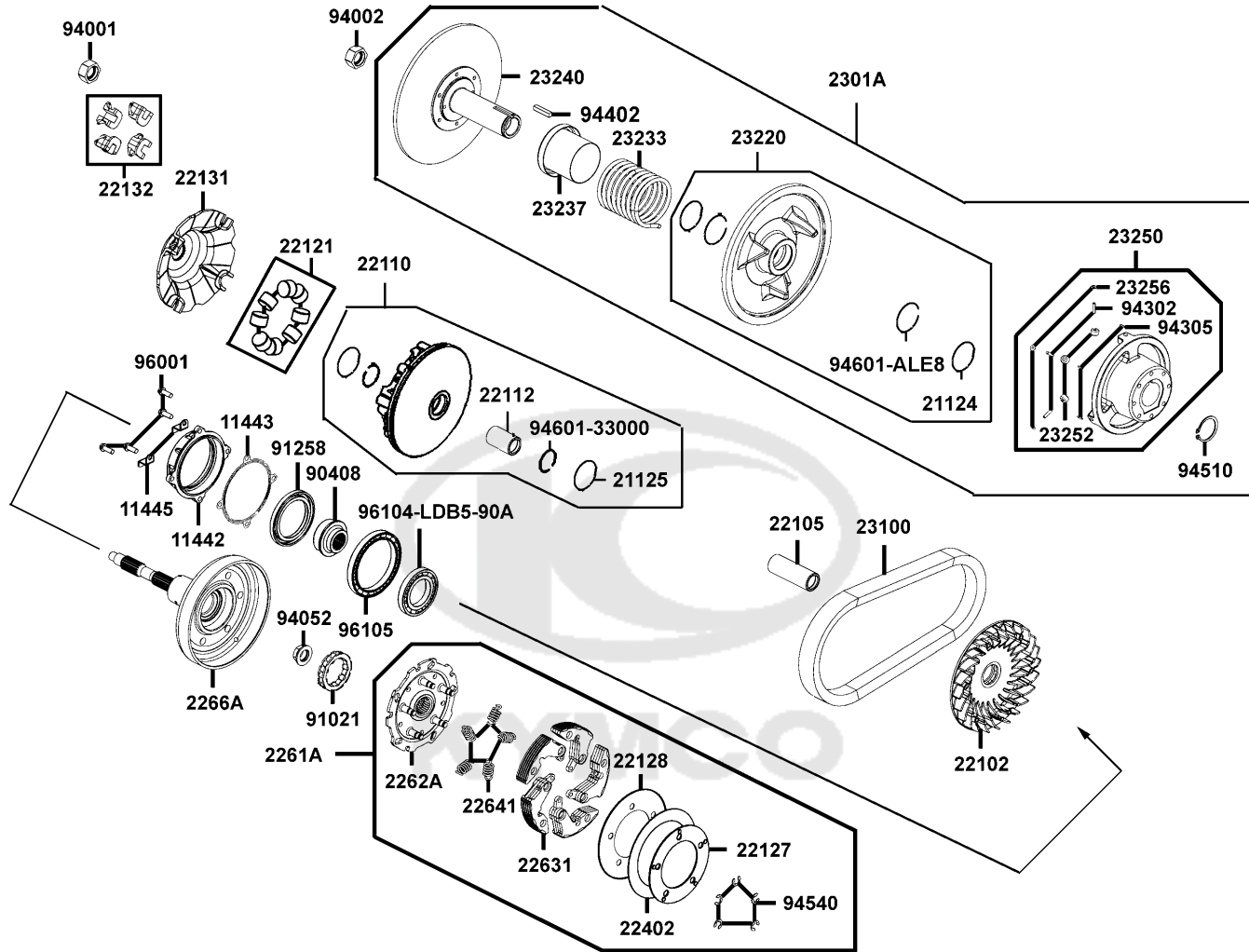
Sales mark	Ref no	Part no	Description	Reg description	Regd no	<b>E05</b>
------------	--------	---------	-------------	-----------------	---------	------------

96100-63040	96100-63040-00	96100-63040-00	BRG BALL RADIAL 6304	BRG BALL RADIAL 6304	1	
96100-68000	96100-68000-00	96100-68000-00	BEARING BALL RADIAL 6800	BEARING BALL RADIAL 6800	1	
96150	96150-PWB1-90B	96150-PWB1-90B	BEARING CONRAD S/R(16005)	BEARING CONRAD S/R(16005)	1	
96220-60100	96220-60100	96220-60100	ROLLER 6*10	ROLLER 6*10	2	



E06

# Drive Pulley

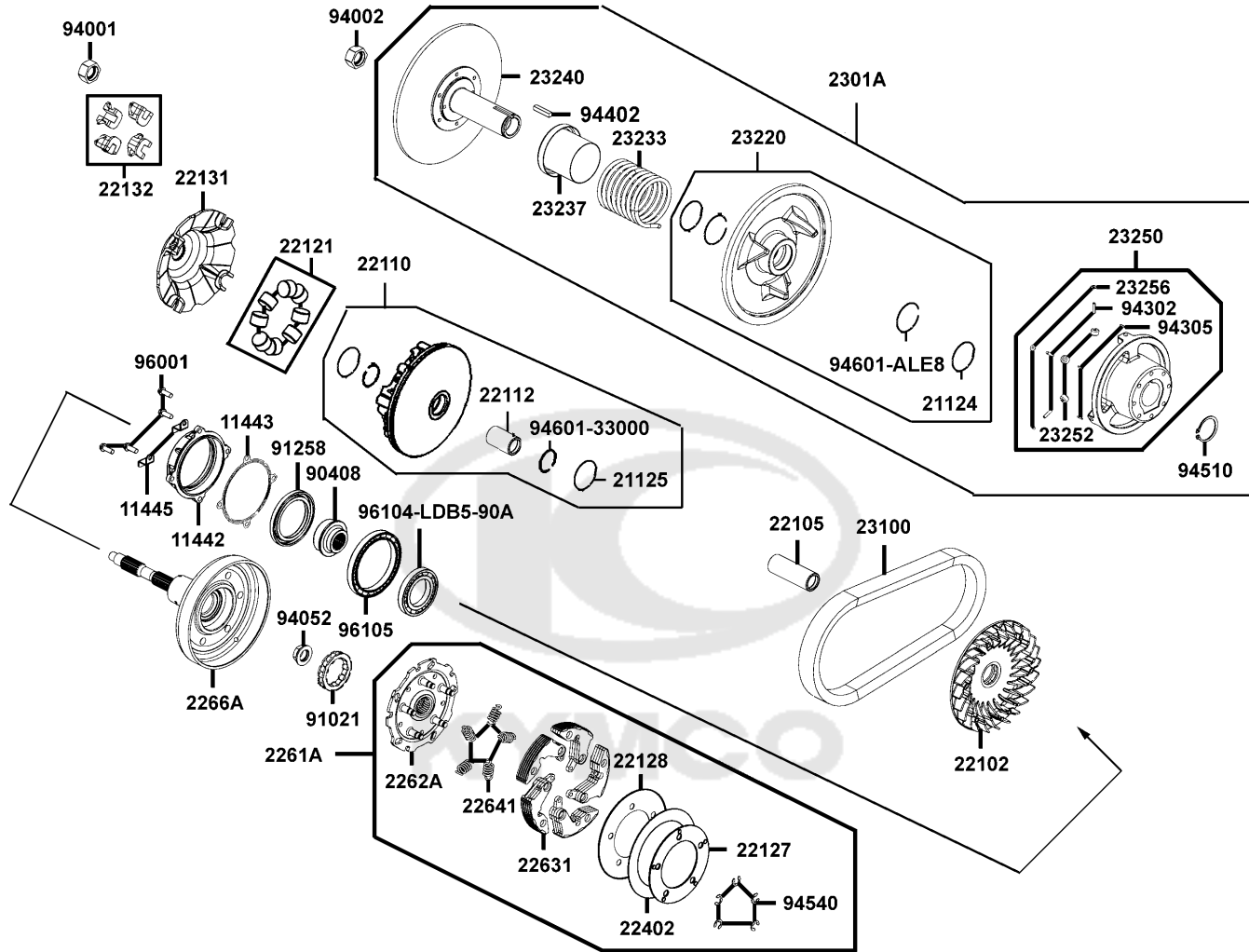


Sales mark	Ref no	Part no	Description	Reg description	Regd no	<b>E06</b>
11442		11442-LDB5-900	COVER PRIMARY SHAFT	COVER PRIMARY SHAFT	1	
11443		11443-LDB5-900	GASKET PRIMARY SHAFT COVER	GASKET PRIMARY SHAFT COVER	1	
11445		11445-LFA5-800	PLATE PRIMARY SHAFT COVER	PLATE PRIMARY SHAFT COVER	2	
21124		21124-LKF5-E00	OIL SEAL 35*45*4	OIL SEAL 35*45*4	2	
21125		21125-ALE8-E00	OIL SEAL 27*37*4	OIL SEAL 27*37*4	2	
22102		22102-ZXA6-M01	FACE DRIVE	FACE DRIVE	1	
22105		22105-ALE8-E00	BOSS DRIVE FACE	BOSS DRIVE FACE	1	
22110		22110-ALE8-E00	FACE COMP MOVABLE	FACE COMP MOVABLE	1	
22112		22112-ALE8-E00	BUSH 27X32X39.5	BUSH 27X32X39.5	1	
22121		22121-LGC7-305	ROLLER SET WEIGHT (1SET:8PCS)	ROLLER SET WEIGHT (1SET:8PCS)	1	
22127		22127-PWB1-900	SEAT ADJUSTER SPG	SEAT ADJUSTER SPG	1	
22128		22128-PWB1-900	PLATE ADJUSTER SPG	PLATE ADJUSTER SPG	1	
22131		22131-PWB1-900	PLATE RAMP	PLATE RAMP	1	
22132		22132-PWB1-305	PIECE SLIDE SET (1SET:4PCS)	PIECE SLIDE SET (1SET:4PCS)	4	
22402		22402-PWB1-900	SPG ADJUSTER	SPG ADJUSTER	1	
2261A		2261A-PWB1-800	CLUTCH ASSY PRIMARY	CLUTCH ASSY PRIMARY	1	
2262A		2262A-PWB1-800	PLATE COMP PRIMARY DRIVE	PLATE COMP PRIMARY DRIVE	1	
22631		22631-PWB1-900	WEIGHT COMP PRIMARY CLUTCH	WEIGHT COMP PRIMARY CLUTCH	5	
22641		22641-PWB1-900	PRIMARY CLUTCH SPG	PRIMARY CLUTCH SPG	5	
2266A		2266A-PWB1-800	GEAR ASSY PRIMARY DRIVE	GEAR ASSY PRIMARY DRIVE	1	



E06

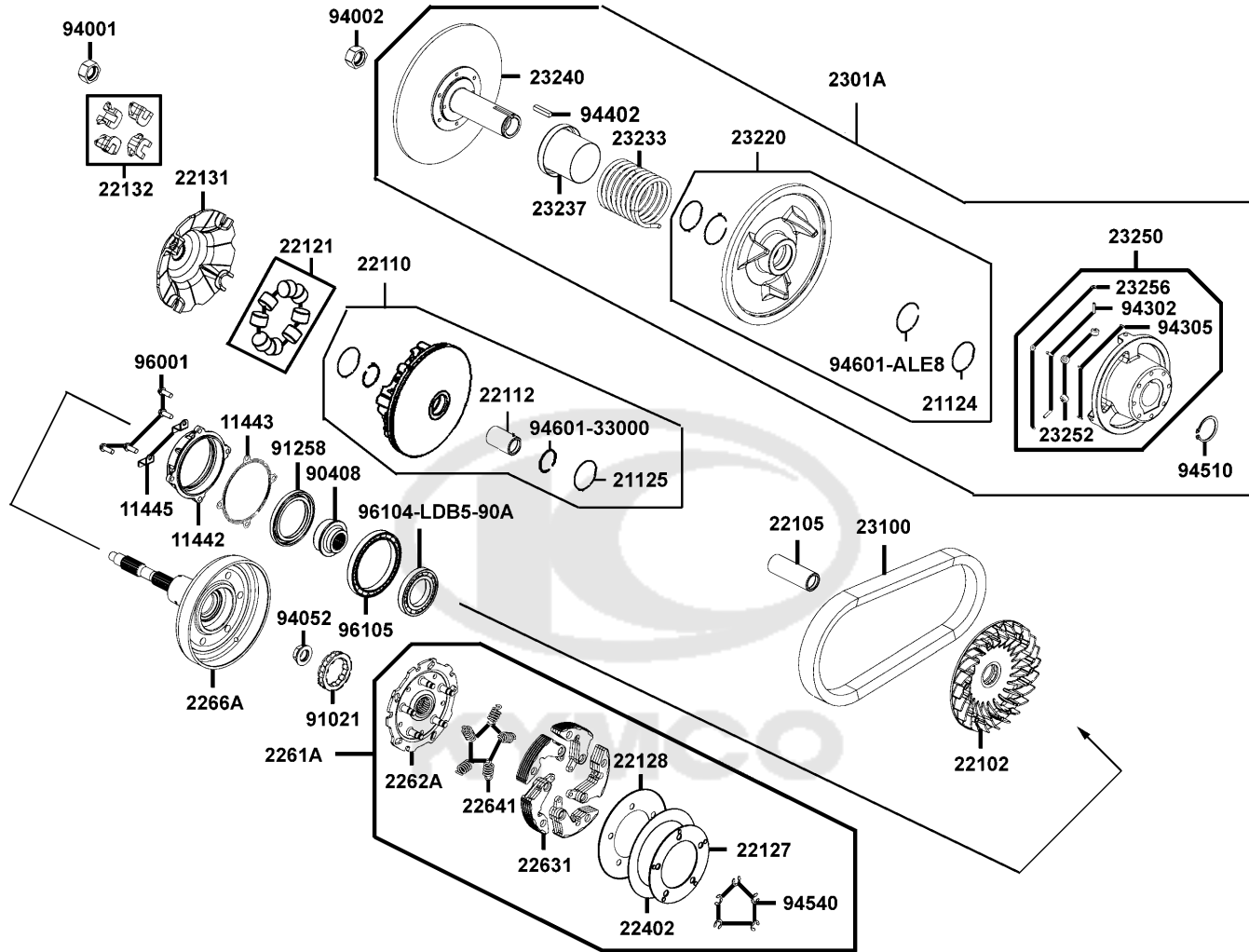
# Drive Pulley



Sales mark	Ref no	Part no	Description	Reg description	Regd no	<b>E06</b>
2301A		2301A-ALE8-E00	PULLEY SUB. ASSY. DRIVEN	PULLEY SUB. ASSY. DRIVEN	1	
23100		23100-ZXA6-M01	BELT. DRIVE	BELT. DRIVE	1	
23220		23220-ALE8-E00	FACE COMP MOVABLE	FACE COMP MOVABLE	1	
23233		23233-PWB1-900	SPG DRIVEN FACE	SPG DRIVEN FACE	1	
23237		23237-PWB1-900	COLLAR SEAL	COLLAR SEAL	1	
23240		23240-ALE8-E00	FACE ASSY DRIVEN	FACE ASSY DRIVEN	1	
23250		23250-ZXA6-M01	CAP ASSY DRIVEN CLUTCH	CAP ASSY DRIVEN CLUTCH	1	
23252		23252-PWB1-900	ROLLER DRIVEN CLUTCH	ROLLER DRIVEN CLUTCH	3	
23256		23256-PWB1-900	WASHER THRUST	WASHER THRUST	3	
90408		90408-PWB1-800	COLLAR PRIMARY DRIVE SHAFT	COLLAR PRIMARY DRIVE SHAFT	1	
91021		91021-LDB5-E00	BEARING ONE WAY	BEARING ONE WAY	1	
91258		91258-LDB5-900	OIL SEAL 56.5*80*7	OIL SEAL 56.5*80*7	1	
94001		94001-PWB1-900	NUT FLANGE 16MM	NUT FLANGE 16MM	1	
94002		94002-PWB1-900	NUT FLANGE 16MM	NUT FLANGE 16MM	1	
94052		94052-LFA5-800	NUT.FLANGE 18mm	NUT.FLANGE 18mm	1	
94302		94302-06025	PIN CAM ROLLER	PIN CAM ROLLER	3	
94305		94305-03161	PIN SPG 3x16	PIN SPG 3x16	3	
94402		94402-PWB1-900	KEY 6x6x30	KEY 6x6x30	1	
94510		94510-35150	CIRCLIP EX 35	CIRCLIP EX 35	1	
94540		94540-07017	E RING 7MM	E RING 7MM	5	

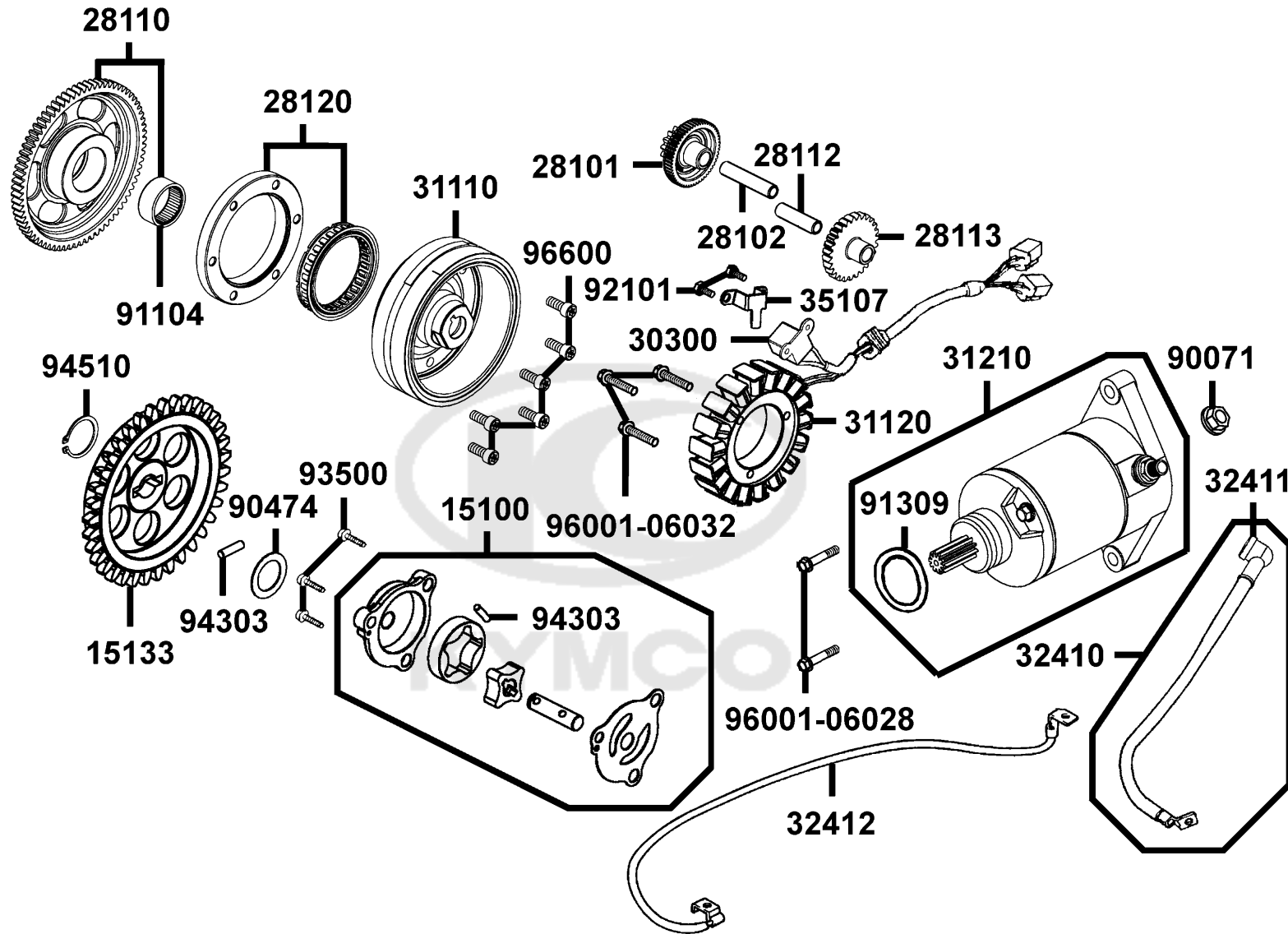
E06

# Drive Pulley

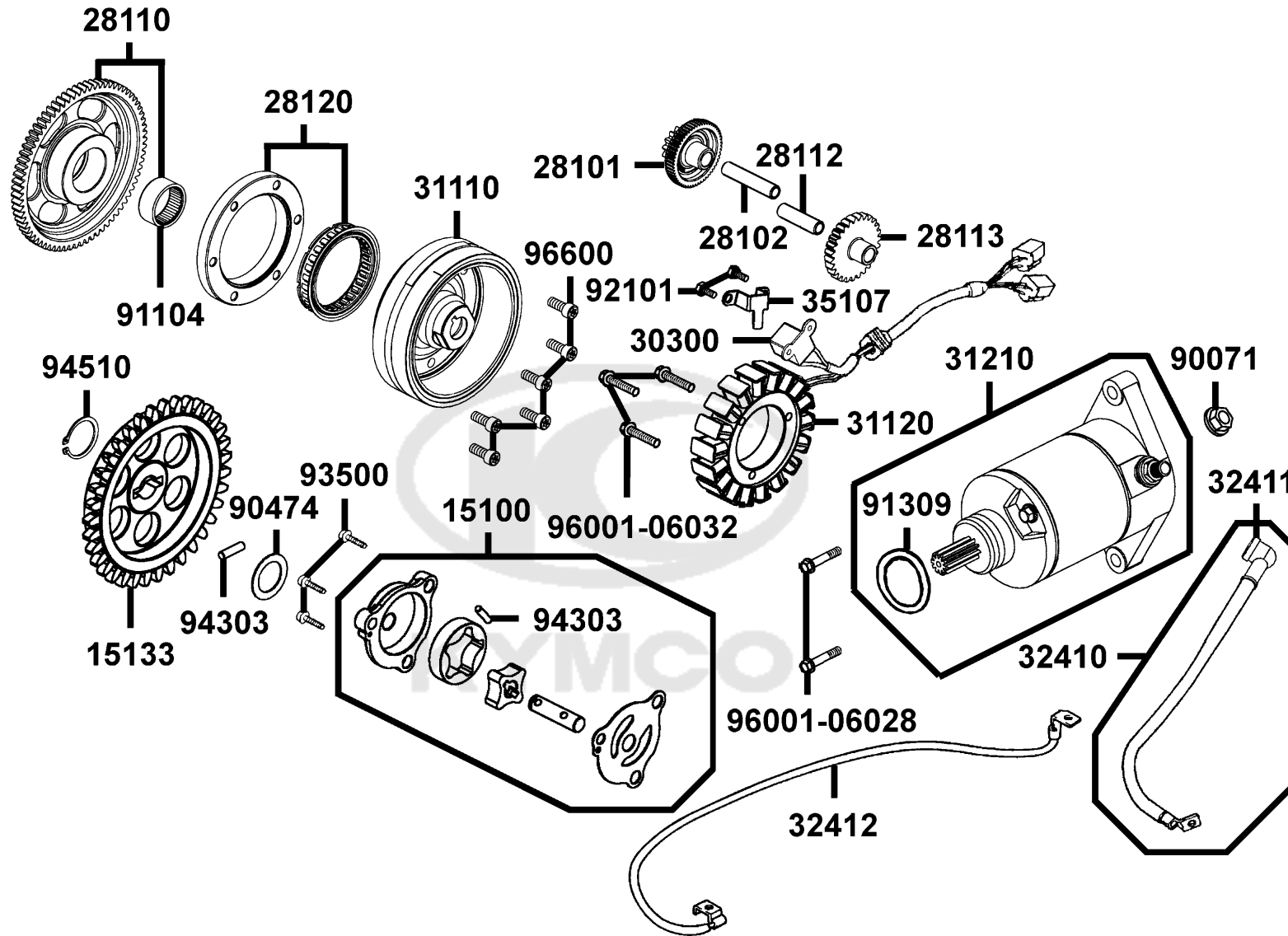


Sales mark	Ref no	Part no	Description	Reg description	Regd no	<b>E06</b>
	94601-33000	94601-33000	CLIP PISTON PIN 33MM	CLIP PISTON PIN 33MM	1	
	94601-ALE8	94601-ALE8-E00	CLIP 43mm	CLIP 43mm	1	
	96001	96001-06018-06	BOLT FLANGE SH 6X18	BOLT FLANGE SH 6X18	4	
	96104-LDB5-90A	96104-LDB5-90A	BEARING BALL RADIAL 16008	BEARING BALL RADIAL 16008	1	
	96105	96105-LFA5-80B	BEARING BALL RADIAL 6815RS	BEARING BALL RADIAL 6815RS	1	





Sales mark	Ref no	Part no	Description	Reg description	Regd no	E07
	15100	15100-PWB1-900	OIL PUMP ASSY	OIL PUMP ASSY	1	
	15133	15133-PWB1-900	SPROCKET OIL PUMP DRIVEN	SPROCKET OIL PUMP DRIVEN	1	
	28101	28101-PWB1-900	GEAR STARTER REDUCTION	GEAR STARTER REDUCTION	1	
	28102	28102-PWB1-900	SHAFT STARTER REDUCTION GEAR	SHAFT STARTER REDUCTION GEAR	1	
	28110	28110-ZXA6-M01	GEAR COMP., STARTING CLUTCH	GEAR COMP., STARTING CLUTCH	1	
	28112	28112-PWB1-900	SHAFT A STARTER REDUCTION GEAR	SHAFT A STARTER REDUCTION GEAR	1	
	28113	28113-PWB1-900	GEAR A STARTER REDUCTION	GEAR A STARTER REDUCTION	1	
	28120	28120-PWB1-90A	OUTER COMP. STARTING CLUTCH	OUTER COMP. STARTING CLUTCH	1	
	30300	30300-KED9-900	GENERATOR COMP PULSE	GENERATOR COMP PULSE	1	
	31110	31110-ALE8-E00	ROTOR IGNITION EFI (D406)	ROTOR IGNITION EFI (D406)	1	
	31120	31120-ALE8-E00	STATOR IGNITION EFI (D406)	STATOR IGNITION EFI (D406)	1	
	31210	31210-ALE8-E00	MOTOR UNIT STARTER	MOTOR UNIT STARTER	1	
	32410	32410-AEE9-M00	CABLE STARTER MOTOR	CABLE STARTER MOTOR	1	
	32411	32411-2C53-001	COVER STARTING MOTOR TERMINAL	COVER STARTING MOTOR TERMINAL	1	
	32412	32412-AEE9-M00	CABLE EARTH	CABLE EARTH	1	
	35107	35107-PWB1-900	STAY A ACG STATOR	STAY A ACG STATOR	1	
	90071	90071-MLB0-001	NUT WASH 6MM	NUT WASH 6MM	1	
	90474	90474-1G47-001	WASHER 10.5MM	WASHER 10.5MM	1	
	91104	91104-PWB1-90A	BRG NEEDLE 31X39X18	BRG NEEDLE 31X39X18	1	
	91309	91309-4E25-004	O-RING 24.4*3.1	O-RING 24.4*3.1	1	



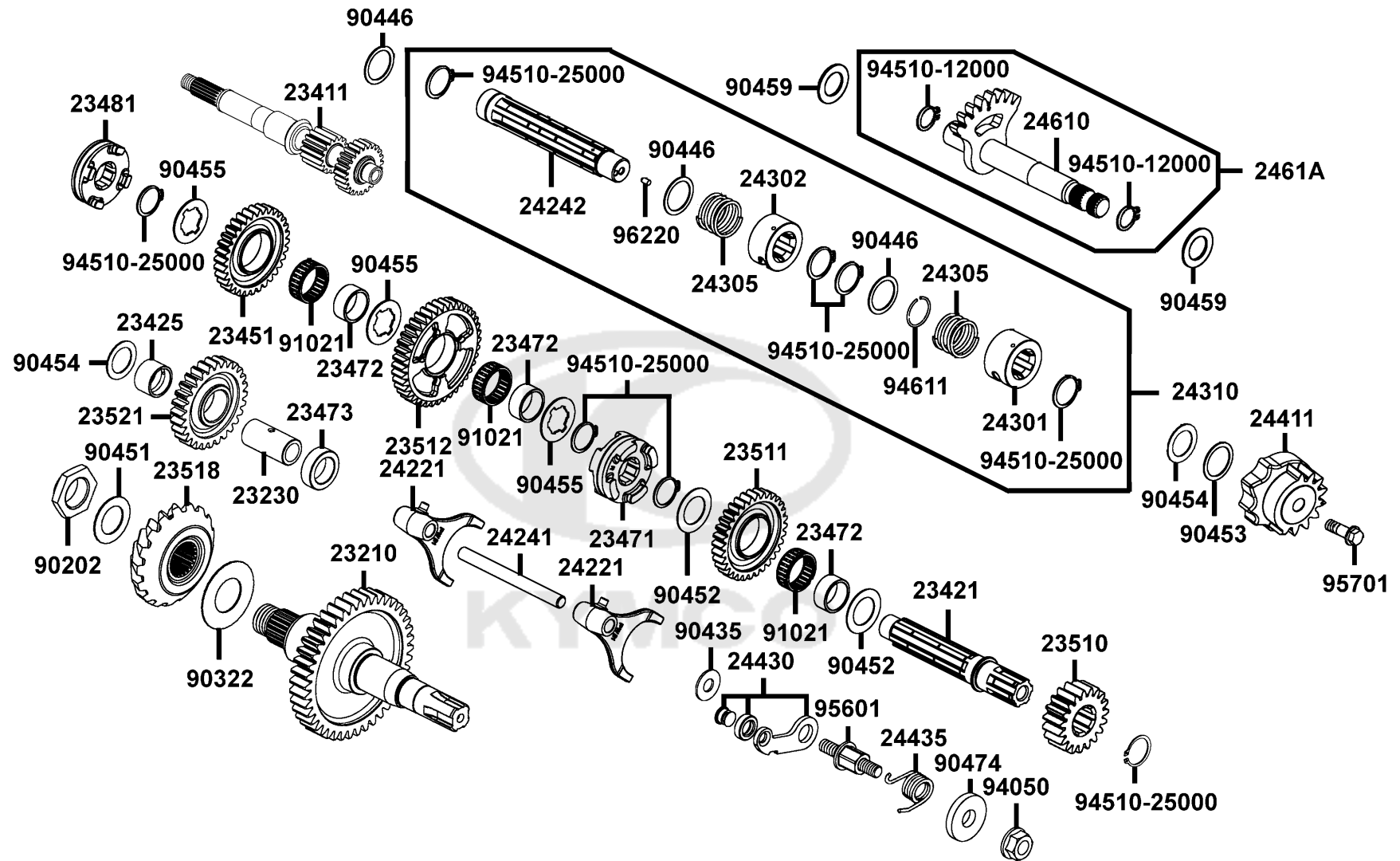
Sales mark	Ref no	Part no	Description	Reg description	Regd no	<b>E07</b>
92101		92101-05012-0G	BOLT HEX 5X12	BOLT HEX 5X12	1	
93500		93500-06025-0FN	SCREW PAN 6X25	SCREW PAN 6X25	1	
94303		94303-04160	PIN 4x16	PIN 4x16	2	
94510		94510-10000	CIR CLIP EX 10MM	CIR CLIP EX 10MM	1	
96001-06028		96001-06028-08N	BOLT FLANGE SH 6*28	BOLT FLANGE SH 6*28	2	
96001-06032		96001-06032-06N	BOLT FLANGE SH 6X32	BOLT FLANGE SH 6X32	3	
96600		96600-LDB5-E00	SOCKET BOLT 8X20	SOCKET BOLT 8X20	6	





E08

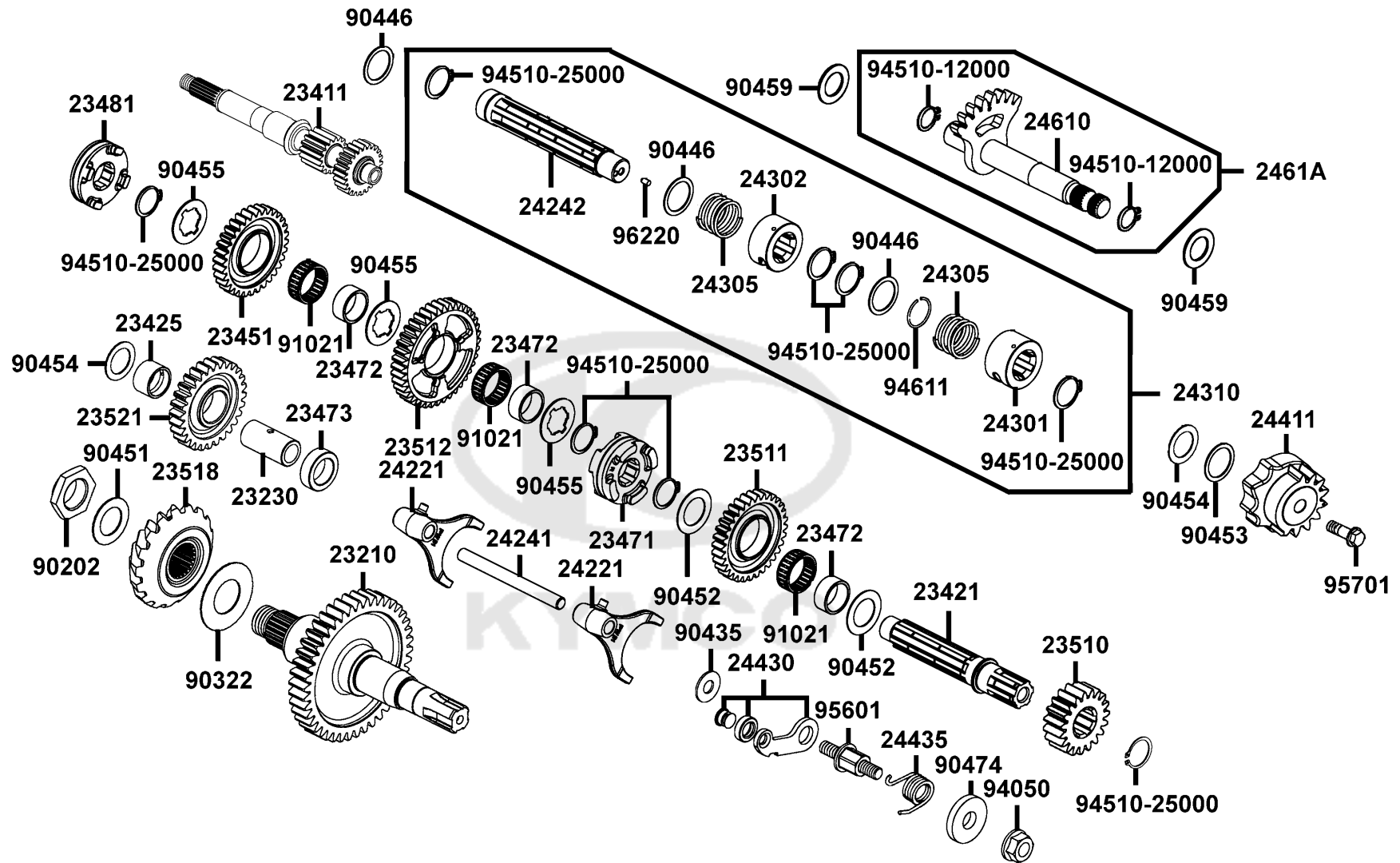
# Clutch Assy Primary



Sales mark	Ref no	Part no	Description	Reg description	Regd no	E08
	23210	23210-ALE8-E00	SHAFT COMP MAIN	SHAFT COMP MAIN	1	
	23230	23230-PWB1-900	SHAFT BACKWARD IDLE	SHAFT BACKWARD IDLE	1	
	23411	23411-ALE8-E00	SHAFT DRIVE	SHAFT DRIVE	1	
	23421	23421-PWB1-900	SHAFT COUNTER	SHAFT COUNTER	1	
	23425	23425-PWB1-900	BUSH BACKWARD IDLE GEAR	BUSH BACKWARD IDLE GEAR	1	
	23451	23451-PRB2-M00	GEAR BACKWARD DRIVEN 32T	GEAR BACKWARD DRIVEN 32T	1	
	23471	23471-PRB2-M00	SHIFT, FORWARD & LOWER	SHIFT, FORWARD & LOWER	1	
	23472	23472-PWB1-900	RING 25 INNER	RING 25 INNER	3	
	23473	23473-PWB1-900	COLLAR 20X30X9.5	COLLAR 20X30X9.5	1	
	23481	23481-PRB2-M00	SHIFT BACKWARD	SHIFT BACKWARD	1	
	23510	23510-ALE8-E00	GEAR FORWARD DRIVEN 18T	GEAR FORWARD DRIVEN 18T	1	
	23511	23511-PRB2-M00	GEAR FORWARD DRIVEN 32T	GEAR FORWARD DRIVEN 32T	1	
	23512	23512-PRB2-M00	GEAR LOWER DRIVEN 40T	GEAR LOWER DRIVEN 40T	1	
	23518	23518-ALE8-E00	BEVEL GEAR DRIVE	BEVEL GEAR DRIVE	1	
	23521	23521-PWB1-900	GEAR BACKWARD IDLE 28T	GEAR BACKWARD IDLE 28T	1	
	24221	24221-ZXA6-M01	FORK, SHIFT	FORK, SHIFT	2	
	24241	24241-PWB1-900	SHAFT SHIFT FORK	SHAFT SHIFT FORK	1	
	24242	24242-PRB2-M00	SHAFT DRUM GEAR SHIFT	SHAFT DRUM GEAR SHIFT	1	
	24301	24301-ALE8-E00	CAM FORWARD GEAR SHIFT	CAM FORWARD GEAR SHIFT	1	
	24302	24302-PRB2-M00	CAM REVERSE GEAR SHIFT	CAM REVERSE GEAR SHIFT	1	

E08

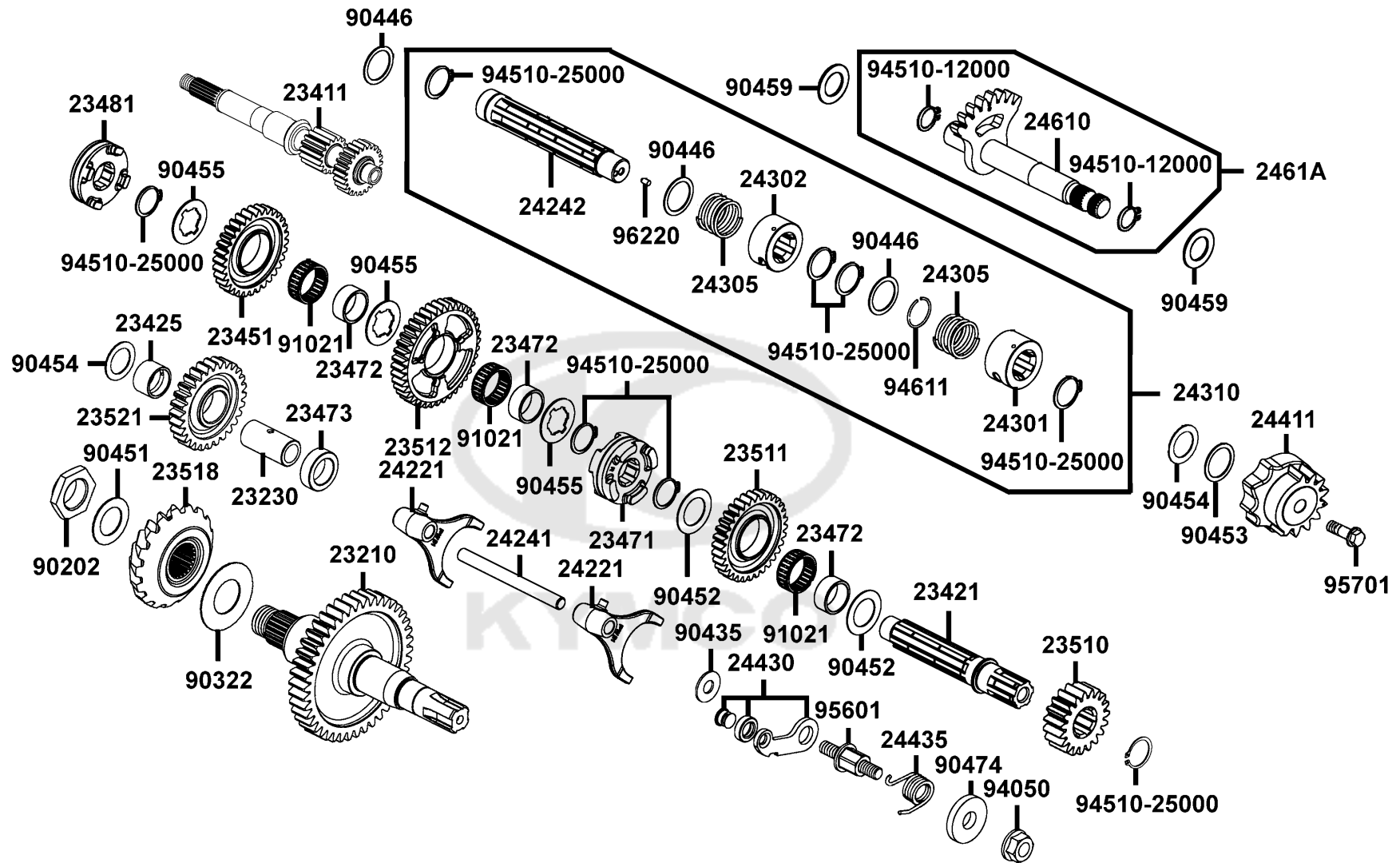
### Clutch Assy Primary



Sales mark	Ref no	Part no	Description	Reg description	Regd no	E08
	24305	24305-PWB1-900	SPRING DRUM	SPRING DRUM	2	
	24310	24310-ALE8-E00	DRUM ASSY GEAR SHIFT	DRUM ASSY GEAR SHIFT	1	
	24411	24411-PWB1-900	GEAR DRUM SHIFT	GEAR DRUM SHIFT	1	
	24430	24430-PWB1-900	STOPPER COMP DRUM	STOPPER COMP DRUM	1	
	24435	24435-PWB1-900	SPRING CAM STOPPER	SPRING CAM STOPPER	1	
	24610	24610-PTA1-900	SPINDLE COMP. DRUM SHIFT	SPINDLE COMP. DRUM SHIFT	1	
	2461A	2461A-PTA1-900	SPINDLE ASSY..DRUM SHIFT	SPINDLE ASSY..DRUM SHIFT	1	
	90202	90202-PWB1-900	NUT DRIVE B GEAR M20X1.5	NUT DRIVE B GEAR M20X1.5	1	
	90322	90322-PWB1-900	SHIM DRIVE BEVEL GEAR T=1.15MM	SHIM DRIVE BEVEL GEAR T=1.15MM	1	
	90435	90435-HCB3-001	WASHER 6.1MM	WASHER 6.1MM	1	
	90446	90446-PWB1-900	WASHER 25X32X1	WASHER 25X32X1	3	
	90451	90451-LBA7-900	WASHER THRUST 20MM	WASHER THRUST 20MM	1	
	90452	90452-LBA7-900	WASHER THRUST 25MM	WASHER THRUST 25MM	2	
	90453	90453-1G07-001	WASHER THRUST 20M/M	WASHER THRUST 20M/M	1	
	90454	90454-KED9-900	WASHER THRUST 20*1	WASHER THRUST 20*1	2	
	90455	90455-LBA7-900	WASHER SPLINE 25MM	WASHER SPLINE 25MM	3	
	90459	90459-PWB1-900	WASHER 12X20X1	WASHER 12X20X1	2	
	90474	90474-7D04-000	WASHER 6*17*23	WASHER 6*17*23	1	
	91021	91021-PWB1-90B	BRG NEEDLE KT30X35X12.8	BRG NEEDLE KT30X35X12.8	3	
	94050	94050-06080	NUT FLANGE 6MM	NUT FLANGE 6MM	1	

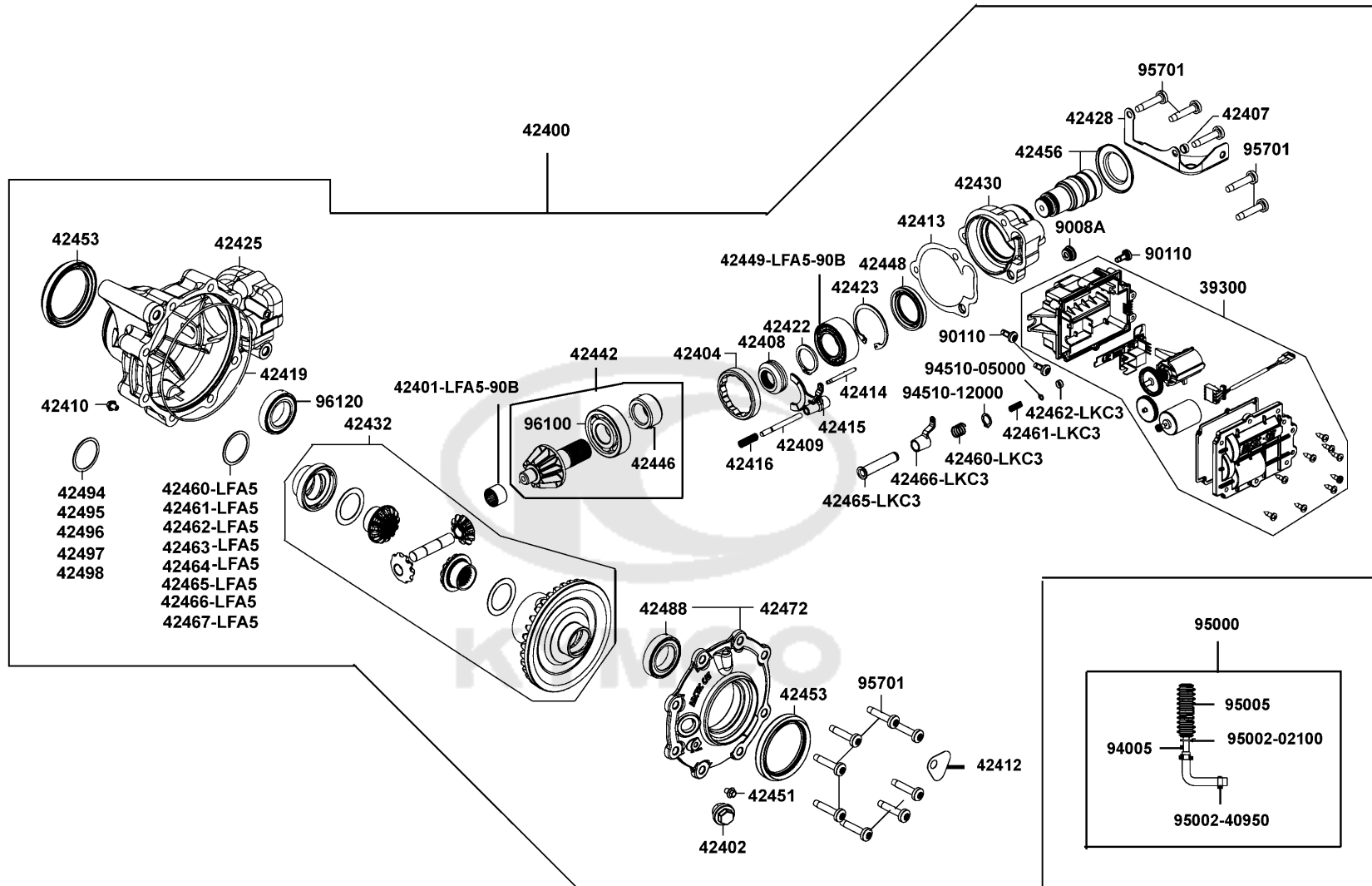
E08

# Clutch Assy Primary



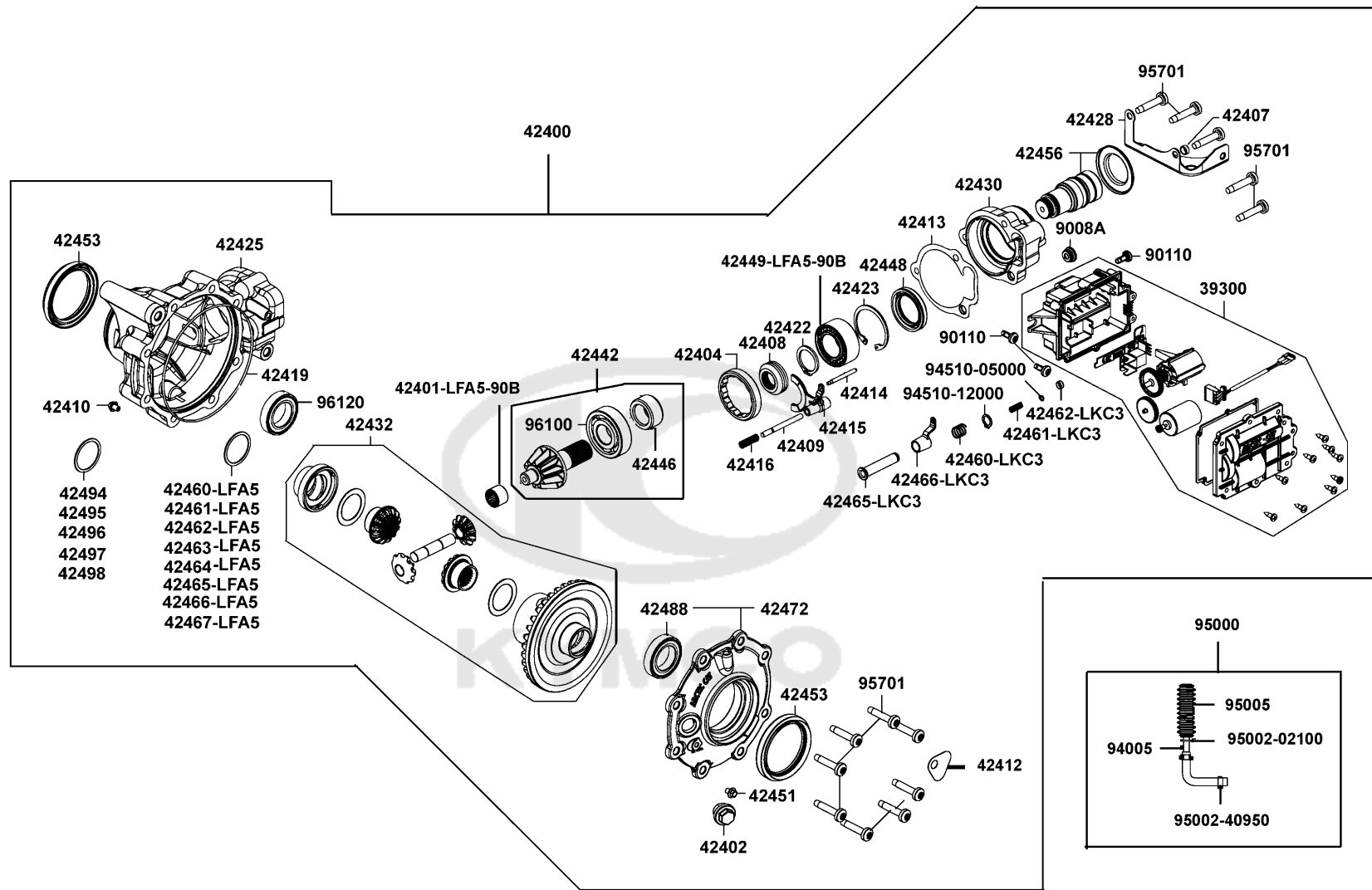
Sales mark	Ref no	Part no	Description	Reg description	Regd no	<b>E08</b>
	94510-12000	94510-12000	CIR CLIP EXTERNAL 12	CIR CLIP EXTERNAL 12	2	
	94510-25000	94510-25000	CIR CLIP EXTERNAL 25	CIR CLIP EXTERNAL 25	8	
	94611	94611-PWB1-900	CLIP DRUM SHAFT	CLIP DRUM SHAFT	1	
	95601	95601-PWB1-900	SUPPORT CAM STOPPER	SUPPORT CAM STOPPER	1	
	95701	95701-06025-06	BOLT FLANGE 6*25	BOLT FLANGE 6*25	1	
	96220	96220-40080	ROLLER 4*8	ROLLER 4*8	1	



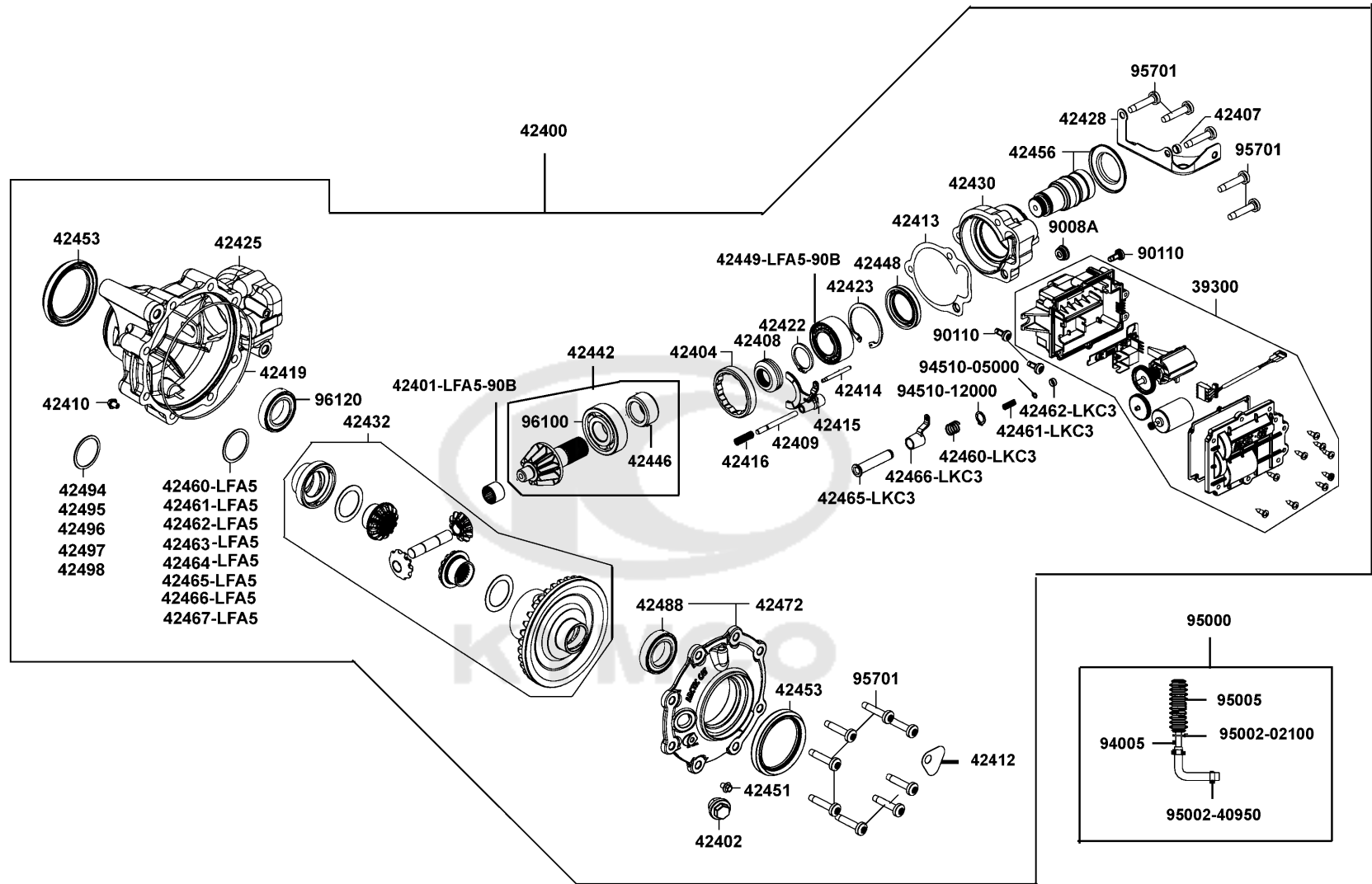


Sales mark	Ref no	Part no	Description	Reg description	Regd no	<b>E09</b>
39300		39300-LKC3-500	ACTUATOR	ACTUATOR	1	
42400		42400-LKC3-500	E-LOCK GEARCASE FRONT 3.6	E-LOCK GEARCASE FRONT 3.6	1	
42401-LFA5-90B		42401-LFA5-90B	BEARING.NEEDLE(16NQ2316)	BEARING.NEEDLE(16NQ2316)	1	
42402		42402-LFA5-900	PLUG FILL	PLUG FILL	1	
42404		42404-LFA5-900	COLLAR LOCK M64X1.5 RH	COLLAR LOCK M64X1.5 RH	1	
42407		42407-LFA5-900	PIN DOWEL	PIN DOWEL	1	
42408		42408-LKC3-500	COUPLER DRIVE	COUPLER DRIVE	1	
42409		42409-LKC3-500	SHAFT E-LOCK SELECTOR	SHAFT E-LOCK SELECTOR	1	
42410		42410-LFA5-900	PLUG DRAIN MAG	PLUG DRAIN MAG	1	
42412		42412-LFA5-900	TAG ID GEARCASE	TAG ID GEARCASE	1	
42413		42413-LKC3-500	GASKET FLANGE	GASKET FLANGE	1	
42414		42414-LKC3-500	SHAFT.,SELECTOR	SHAFT.,SELECTOR	1	
42415		42415-LKC3-500	FORK SELECTOR	FORK SELECTOR	1	
42416		42416-LKC3-500	COLLAR ACTUATOR	COLLAR ACTUATOR	1	
42419		42419-LKC3-500	GASKET HOUSING	GASKET HOUSING	1	
42422		42422-LFA5-900	RING RETAINING ONE	RING RETAINING ONE	1	
42423		42423-LFA5-900	RING RETAINING	RING RETAINING	1	
42425		42425-LKC3-500	HOUSING GEARCASE-FRONT MACH	HOUSING GEARCASE-FRONT MACH	1	
42428		42428-LKC3-500	BRACKET ACTUATOR-WELDMENT	BRACKET ACTUATOR-WELDMENT	1	
42430		42430-LKC3-500	HOUSING PINION-MACH	HOUSING PINION-MACH	1	





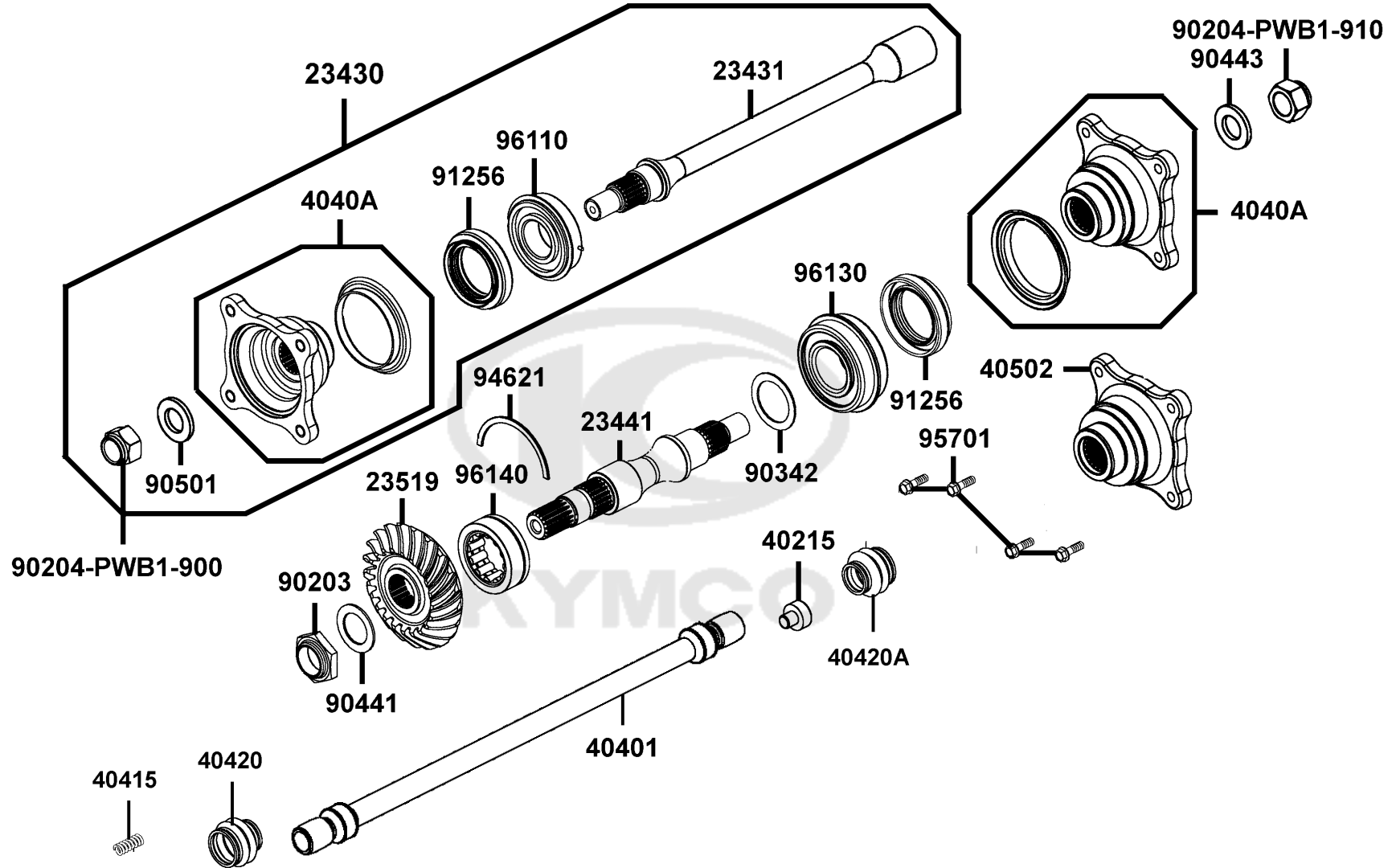
Sales mark	Ref no	Part no	Description	Reg description	Regd no	E09
	42432	42432-LEE8-810	E-LOCK.OPEN TYPE GEARCASE	E-LOCK.OPEN TYPE GEARCASE	1	
	42442	42442-LKC3-500	PINION(10 TOOTH)-ASSEMBLY	PINION(10 TOOTH)-ASSEMBLY	1	
	42446	42446-LFA5-900	COLLAR RETAINING	COLLAR RETAINING	1	
	42448	42448-LFA5-900	SEAL 38*55*14	SEAL 38*55*14	1	
	42449-LFA5-90B	42449-LFA5-90B	BEARING.BALL-DOUBLE ROW	BEARING.BALL-DOUBLE ROW	1	
	42451	42451-LFA5-900	PLUG OIL LEVEL	PLUG OIL LEVEL	1	
	42453	42453-LGC3-900	OIL SEAL 48*84*9	OIL SEAL 48*84*9	2	
	42456	42456-LKM8-510	SHAFT INPUT ASSEMBLY	SHAFT INPUT ASSEMBLY	1	
	42460-LFA5	42460-LFA5-900	SHIM 41*49*1.0	SHIM 41*49*1.0	2	
	42460-LKC3	42460-LKC3-500	SPRING A E-LOCK	SPRING A E-LOCK	1	
	42461-LFA5	42461-LFA5-900	SHIM 41*49*1.1	SHIM 41*49*1.1	2	
	42461-LKC3	42461-LKC3-500	SPRING B E-LOCK	SPRING B E-LOCK	1	
	42462-LFA5	42462-LFA5-900	SHIM 41*49*1.2	SHIM 41*49*1.2	2	
	42462-LKC3	42462-LKC3-500	CAP E-LOCK	CAP E-LOCK	1	
	42463-LFA5	42463-LFA5-900	SHIM 41*49*1.3	SHIM 41*49*1.3	2	
	42464-LFA5	42464-LFA5-900	SHIM 41*49*1.4	SHIM 41*49*1.4	2	
	42465-LFA5	42465-LFA5-900	SHIM 41*49*1.5	SHIM 41*49*1.5	2	
	42465-LKC3	42465-LKC3-500	SHAFT SELECTOR	SHAFT SELECTOR	1	
	42466-LFA5	42466-LFA5-900	SHIM 41*49*1.6	SHIM 41*49*1.6	2	
	42466-LKC3	42466-LKC3-500	STAY..SELECTOR	STAY..SELECTOR	1	



Sales mark	Ref no	Part no	Description	Reg description	Regd no	<b>E09</b>
	42467-LFA5	42467-LFA5-900	SHIM 41*49*1.7	SHIM 41*49*1.7	2	
	42472	42472-LKM8-500	COVER LOCK ASSEMBLY	COVER LOCK ASSEMBLY	1	
	42488	42488-LEE8-E00	BEARING BALL	BEARING BALL	1	
	42494	42494-LEE8-E00	SHIM 61*69*1.3mm	SHIM 61*69*1.3mm	1	
	42495	42495-LEE8-E00	SHIM 61*69*1.4mm	SHIM 61*69*1.4mm	1	
	42496	42496-LEE8-E00	SHIM 61*69*1.5mm	SHIM 61*69*1.5mm	1	
	42497	42497-LEE8-E00	SHIM 61*69*1.6mm	SHIM 61*69*1.6mm	1	
	42498	42498-LEE8-E00	SHIM 61*69*1.7 mm	SHIM 61*69*1.7 mm	1	
	9008A	9008A-LKC3-500	CAP ASSY E-LOCK	CAP ASSY E-LOCK	1	
	90110	90110-LFA5-900	BOLT SPECIAL 6X12	BOLT SPECIAL 6X12	3	
	94005	94005-PWB1-900	HOSE BARB INTAKE MANIFOLD	HOSE BARB INTAKE MANIFOLD	1	
	94510-05000	94510-05000	CIR CLIP EX5	CIR CLIP EX5	3	
	94510-12000	94510-12000	CIR CLIP EXTERNAL 12	CIR CLIP EXTERNAL 12	1	
	95000	95000-LEE8-E00	HOSE VENT-GEARCASE(55.5mm)	HOSE VENT-GEARCASE(55.5mm)	1	
	95002-02100	95002-02100	CLIP B15 TUBE	CLIP B15 TUBE	1	
	95002-40950	95002-40950-08	CLAMP D9.5 TUBE	CLAMP D9.5 TUBE	2	
	95005	95005-PWB1-900	BREATH TUBE RR GEAR ASSY	BREATH TUBE RR GEAR ASSY	1	
	95701	95701-08040-06	BOLT FLANGE 8X40	BOLT FLANGE 8X40	1	
	96100	96100-63050-00	BRG BALL RADIAL 6305	BRG BALL RADIAL 6305	1	
	96120	96120-60080-00	BEARING BALL 6008Z	BEARING BALL 6008Z	2	

E10

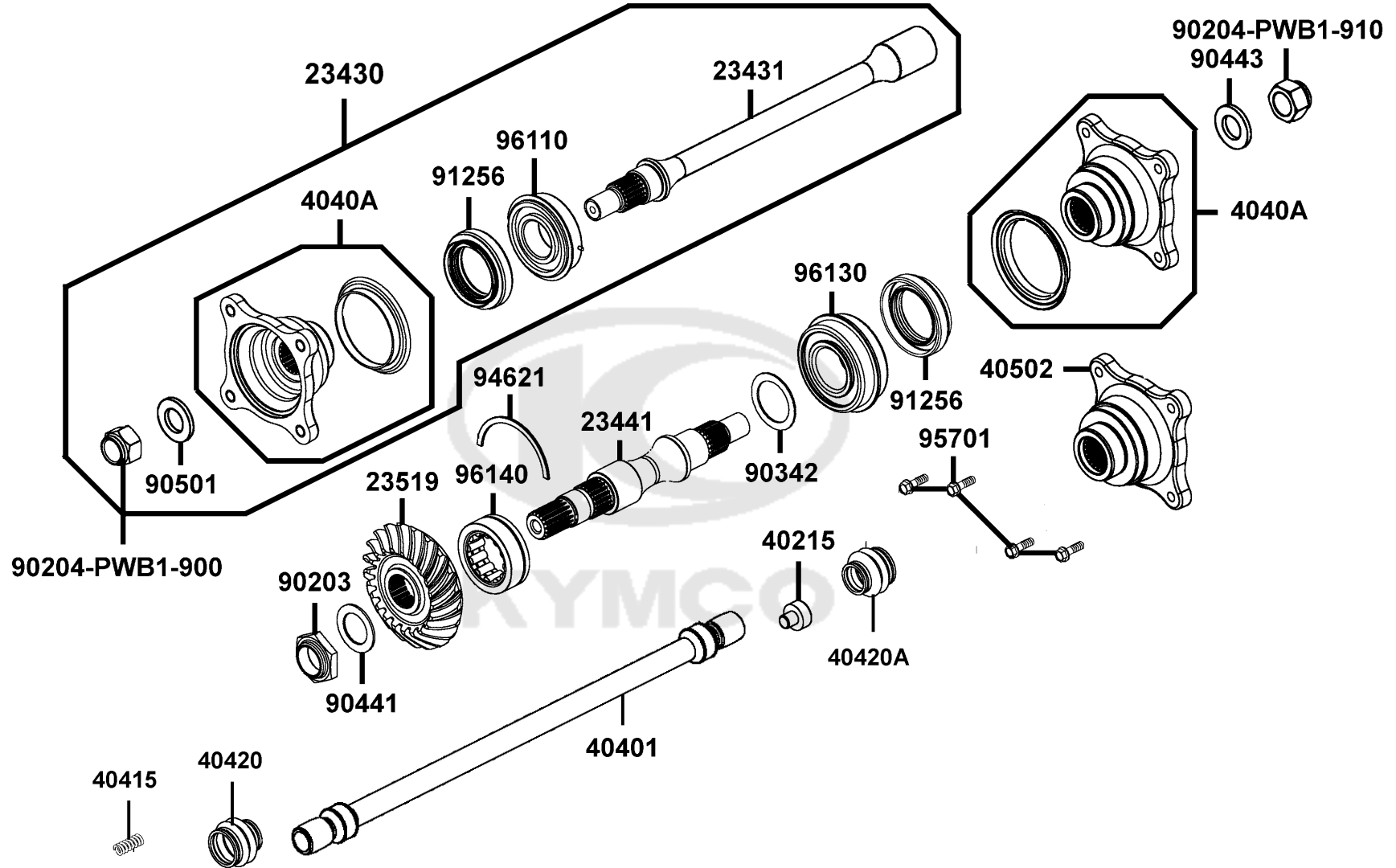
Shaft Drive Front




Sales mark	Ref no	Part no	Description	Reg description	Regd no	E10
	23430	23430-ZXA6-M01	SHAFT,FINAL DRIVEN,FRONT	SHAFT,FINAL DRIVEN,FRONT	1	
	23431	23431-ZXA6-M01	SHAT FINAL DRIVEN FRONT	SHAT FINAL DRIVEN FRONT	1	
	23441	23441-ALE8-E00	SHAFT FINAL DRIVEN REAR	SHAFT FINAL DRIVEN REAR	1	
	23519	23519-ALE8-E00	BEVEL GEAR DRIVE	BEVEL GEAR DRIVE	1	
	40215	40215-PWB1-900	BUMPER DRIVESHAFT	BUMPER DRIVESHAFT	1	
	40401	40401-ALE8-E00	SHAFT PROPELLER-FRONT	SHAFT PROPELLER-FRONT	1	
	4040A	4040A-PWB1-900	COUPLING REAR OUTPUT SHAFT	COUPLING REAR OUTPUT SHAFT	2	
	40415	40415-LDB5-E00	SPRING FR PROPELLER SHAFT	SPRING FR PROPELLER SHAFT	1	
	40420	40420-LFE9-E00	BOOT REAR PROPELLER SHAFT	BOOT REAR PROPELLER SHAFT	2	
	40420A	40420-ZWA2-E00	BOOT FRONT PROPELLER SHAFT	BOOT FRONT PROPELLER SHAFT	1	
	40502	40502-PRB2-900	FLANGE OUTPUT	FLANGE OUTPUT	1	
	90203	90203-PWB1-900	NUT DRIVEN B GEAR M22X1.5	NUT DRIVEN B GEAR M22X1.5	1	
	90204-PWB1-900	90204-PWB1-900	NUT HEX SHOULDER (M16X1.5)	NUT HEX SHOULDER (M16X1.5)	1	
	90204-PWB1-910	90204-PWB1-910	NUT HEX SHOULDER (M16X1.5)	NUT HEX SHOULDER (M16X1.5)	1	
	90342	90342-PWB1-900	SHIM DRIVEN BEVEL GEAR T=1.15MM	SHIM DRIVEN BEVEL GEAR T=1.15MM	1	
	90441	90441-LBA2-E00	WASHER 22*34*2.5	WASHER 22*34*2.5	1	
	90443	90443-KKE5-E00	WASHER 16mm	WASHER 16mm	1	
	90501	90501-KNBN-901	WASHER 16MM	WASHER 16MM	1	
	91256	91256-ZXA6-M01	OIL SEAL 34X52X9	OIL SEAL 34X52X9	2	
	94621	94621-PWB1-900	RING DRIVEN BEARING	RING DRIVEN BEARING	1	

E10

Shaft Drive Front

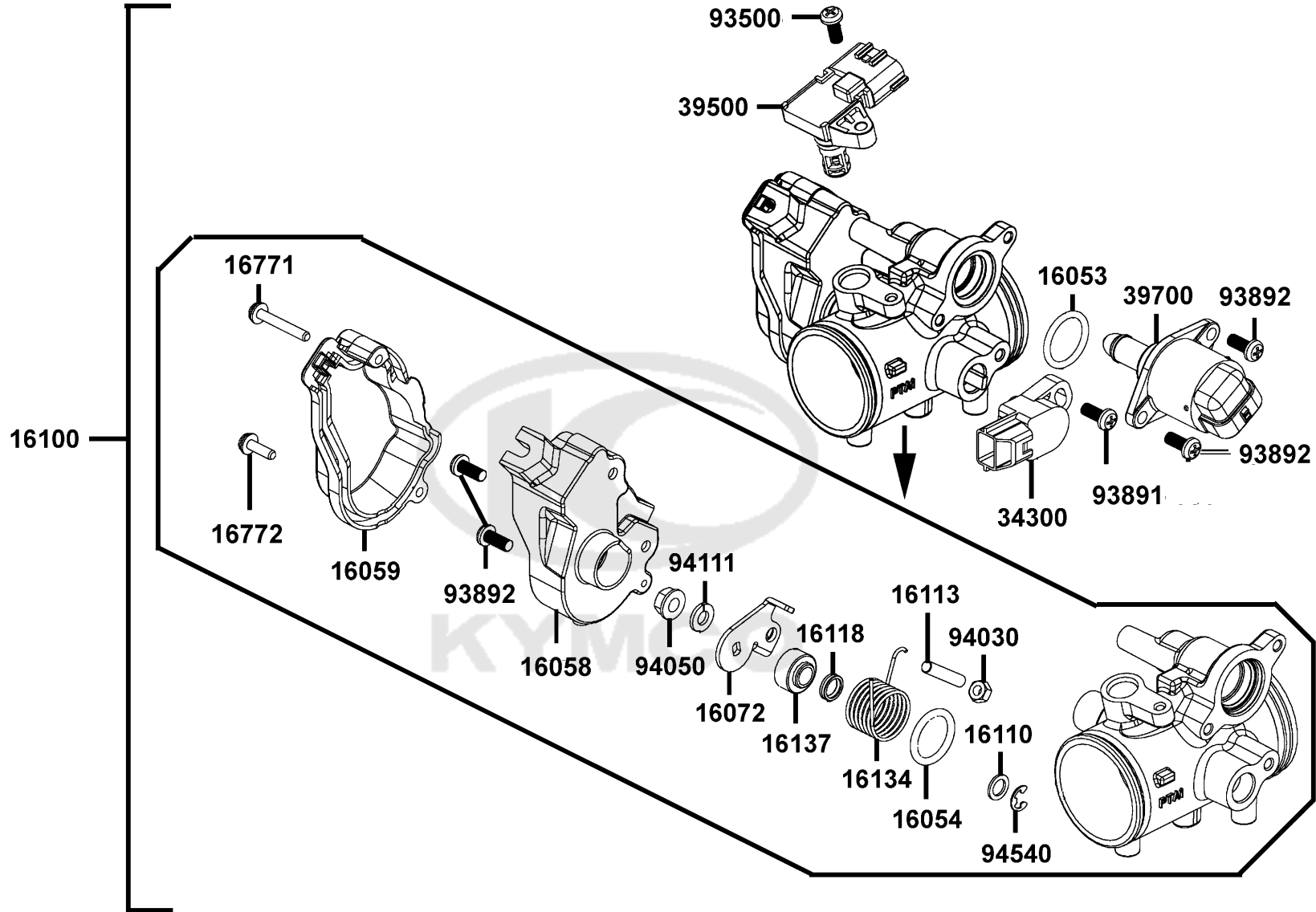


Sales mark	Ref no	Part no	Description	Reg description	Regd no	<b>E10</b>
95701		95701-08020-06	BOLT FLANGE 8*20MM **07 C.2005.07.01	BOLT FLANGE 8*20MM **07 C.2005.07.01	4	
96110		96110-ZXA6-M01	BRG BALL SNAP 25*25*15	BRG BALL SNAP 25*25*15	1	
96130		96130-ZXA6-M01	BEARING BALL D/R 25*52*20.6	BEARING BALL D/R 25*52*20.6	1	
96140		96140-PWB1-900	BRG ROLLER 30X50X17	BRG ROLLER 30X50X17	1	
						



E11

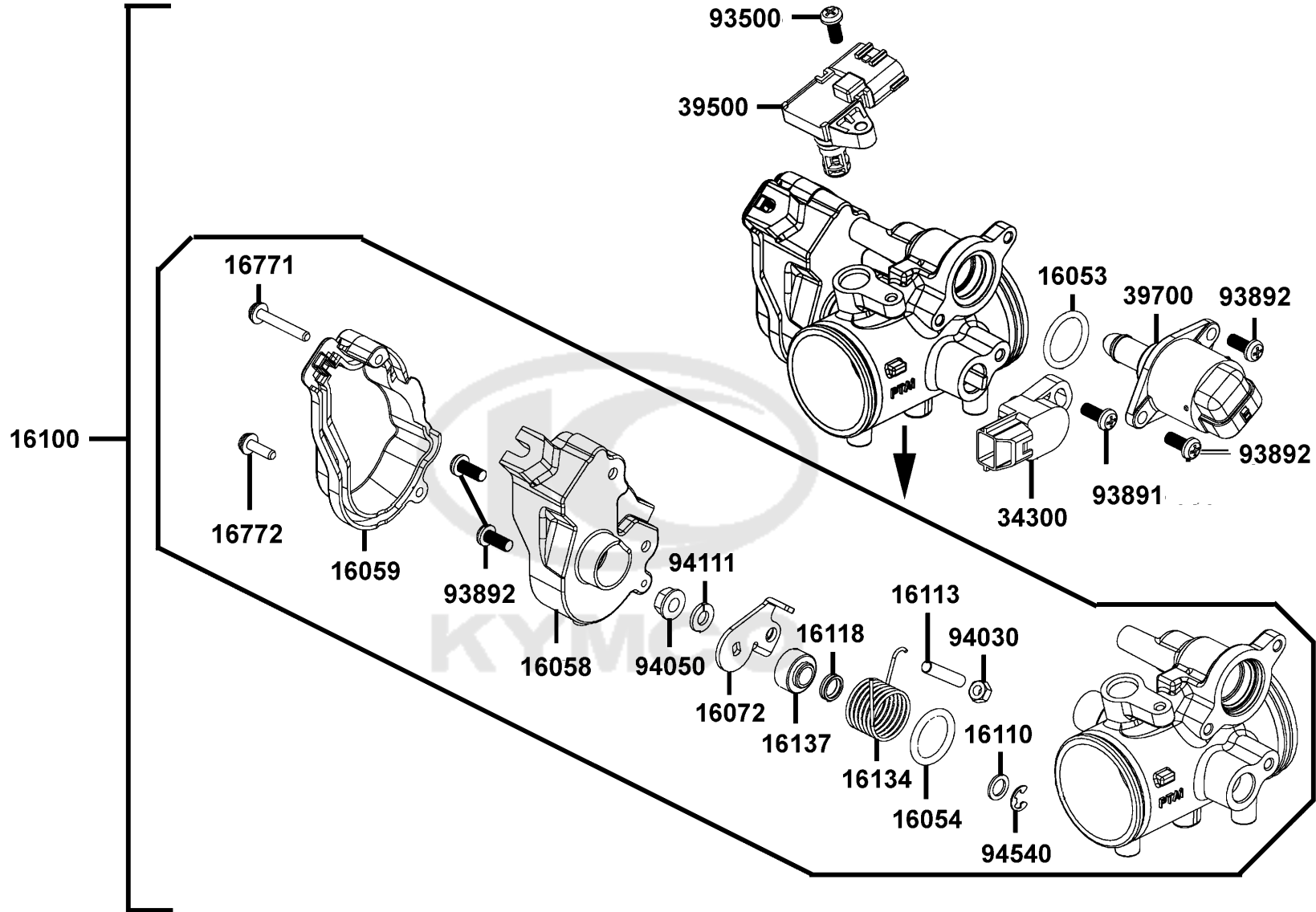
# Throttle Body Assy



Sales mark	Ref no	Part no	Description	Reg description	Regd no	E11
	16053	16053-PTA1-800	SEAL	SEAL	1	
	16054	16054-PTA1-800	OIL RING	OIL RING	1	
	16058	16058-AEC8-E00	BODY WIRE STAY	BODY WIRE STAY	1	
**	16059	16059-LDB5-E00	COVER WIRE STAY	COVER WIRE STAY	1	
	16072	16072-PTA1-800	DRUM. THROTTLE	DRUM. THROTTLE	1	
	16100	16100-AEF2-E00	THROTTLE BODY ASSY	THROTTLE BODY ASSY	1	
	16110	16110-KGC5-900	WASHER THROTTLE ASSY	WASHER THROTTLE ASSY	1	
	16113	16113-PTA1-800	PILOT SCREW	PILOT SCREW	1	
	16118	16118-LBF2-900	SEAL THROTTLE SHAFT	SEAL THROTTLE SHAFT	1	
	16134	16134-AEE9-M00	SPG THROTTLE SHAFT	SPG THROTTLE SHAFT	1	
	16137	16137-PTA1-800	COLLAR LEVER	COLLAR LEVER	1	
	16771	16771-GKAK-220	SCREW-WASHER M4x30	SCREW-WASHER M4x30	1	
	16772	16772-AEC8-E00	SCREW WASHER M4*16	SCREW WASHER M4*16	1	
	34300	34300-KKE3-900	THROTTLE POSITION SENSOR	THROTTLE POSITION SENSOR	1	
	39500	39500-PTA1-800	SENSOR T-MAP	SENSOR T-MAP	1	
	39700	39700-PTA1-800	BY PASS VALVE IDLE AIR	BY PASS VALVE IDLE AIR	1	
	93500	93500-04012-0F	SCREW PAN 4*12	SCREW PAN 4*12	1	
	93891	93891-05016-06	SCREW WASHER 5* 16	SCREW WASHER 5* 16	1	
	93892	93892-05012-06	SCREW WASHER 5*12	SCREW WASHER 5*12	4	
	94030	94030-PTA1-800	NUT HEX 5mm	NUT HEX 5mm	1	

E11

# Throttle Body Assy



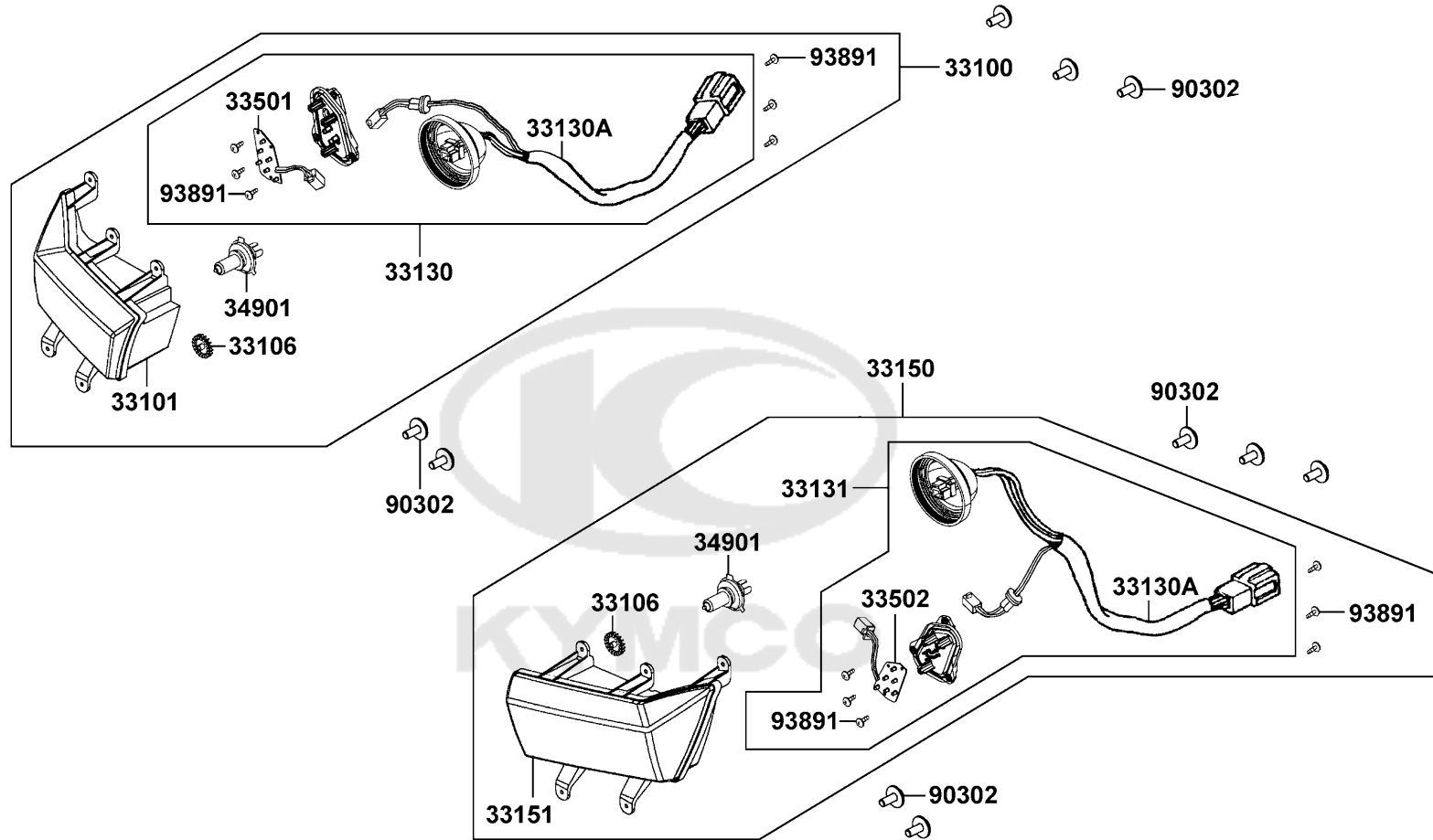
Sales mark	Ref no	Part no	Description	Reg description	Regd no	<b>E11</b>
------------	--------	---------	-------------	-----------------	---------	------------

94050	94050-06080	94050-06080	NUT FLANGE 6MM	NUT FLANGE 6MM	1	
94111	94111-06800	94111-06800	WASHER SPRING 6MM	WASHER SPRING 6MM	1	
94540	94540-50029	94540-50029	E CLIP SHAFT	E CLIP SHAFT	1	



F01

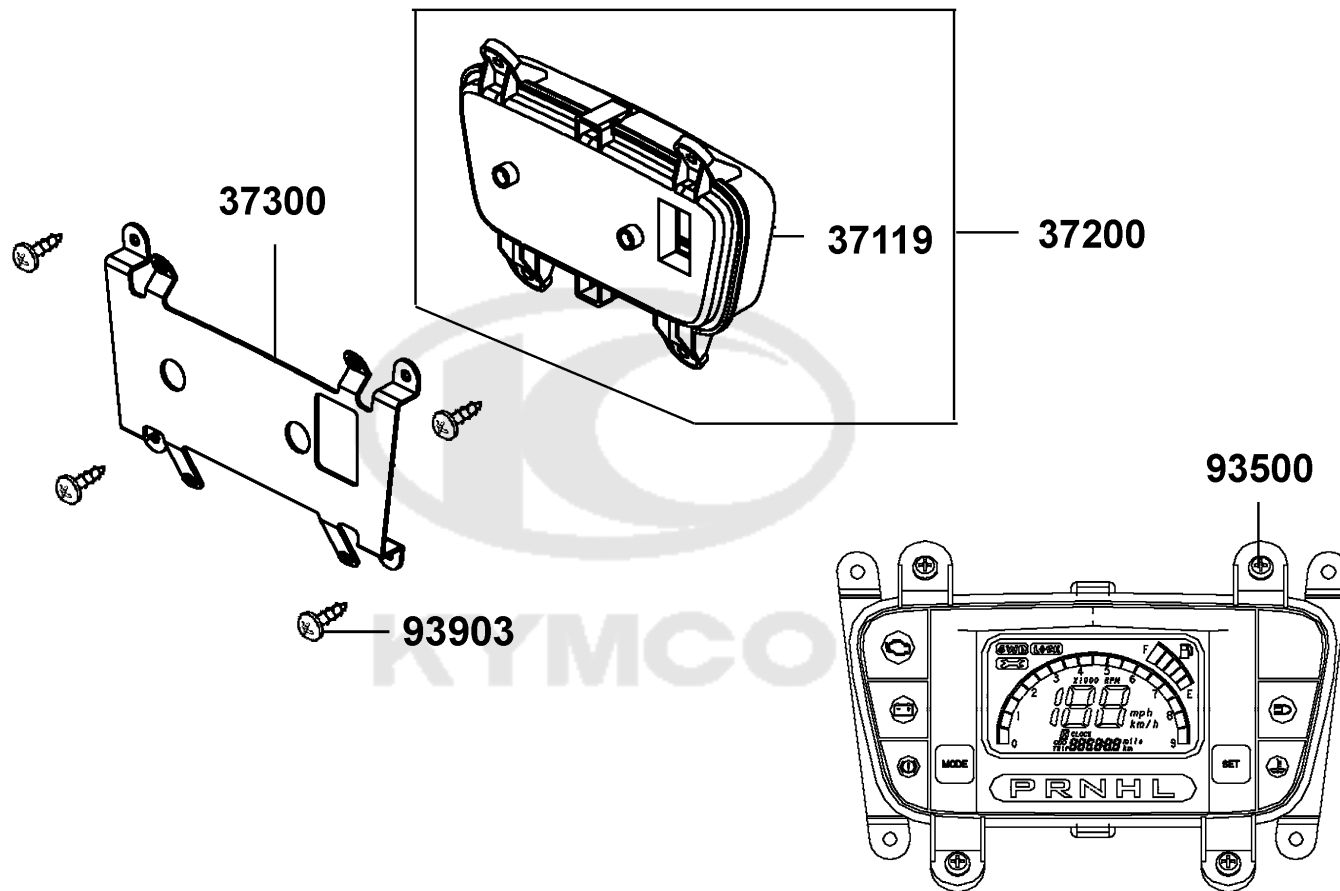
# Head Light



Sales mark	Ref no	Part no	Description	Reg description	Regd no	F01
	33100	33100-ALC1-E00	LIGHT ASSY..HEAD	LIGHT ASSY..HEAD	1	
	33101	33101-ALC1-E00	UNIT HEAD R LIGHT	UNIT HEAD R LIGHT	1	
	33106	33106-ALC1-E00	TURNTABLE ADJUST	TURNTABLE ADJUST	2	
	33130	33130-ALC1-305	SOCKET R UNIT	SOCKET R UNIT	1	
	33130A	33130-ALC1-E00	SOCKET UNIT	SOCKET UNIT	1	
	33131	33131-ALC1-305	SOCKET L UNIT	SOCKET L UNIT	1	
	33150	33150-ALC1-E00	LIGHT ASSYHEADL/H	LIGHT ASSYHEADL/H	1	
	33151	33151-ALC1-E00	UNIT HEAD L LIGHT	UNIT HEAD L LIGHT	1	
	33501	33501-ALC1-E00	BULB R POSITION LIGHT	BULB R POSITION LIGHT	1	
	33502	33502-ALC1-E00	BULB L POSITION LIGHT	BULB L POSITION LIGHT	1	
	34901	34901-KFA6-900	BULB HEAD LIGHT (HSI 12V 35/35W)	BULB HEAD LIGHT (HSI 12V 35/35W)	2	
	90302	90302-PWA1-900	BOLT-WASH 5*16	BOLT-WASH 5*16	4	
	93891	93891-ALC1-E00	SCREW TAPPING	SCREW TAPPING	12	

F02

DIGITAL GAUGE



Sales mark	Ref no	Part no	Description	Reg description	Regd no	<b>F02</b>
------------	--------	---------	-------------	-----------------	---------	------------

37119		37119-LKC3-E00	LENS ASSY	LENS ASSY	1	
37200		37200-AFB9-M07	DIGITAL GAUGE	DIGITAL GAUGE	1	
37300		37300-ALE8-E00	STAY METER	STAY METER	1	
93500		93500-05010-0G	SCREW PAN 5*10	SCREW PAN 5*10	4	
93903		93903-35360	SCREW TAPPING 5*16	SCREW TAPPING 5*16	4	







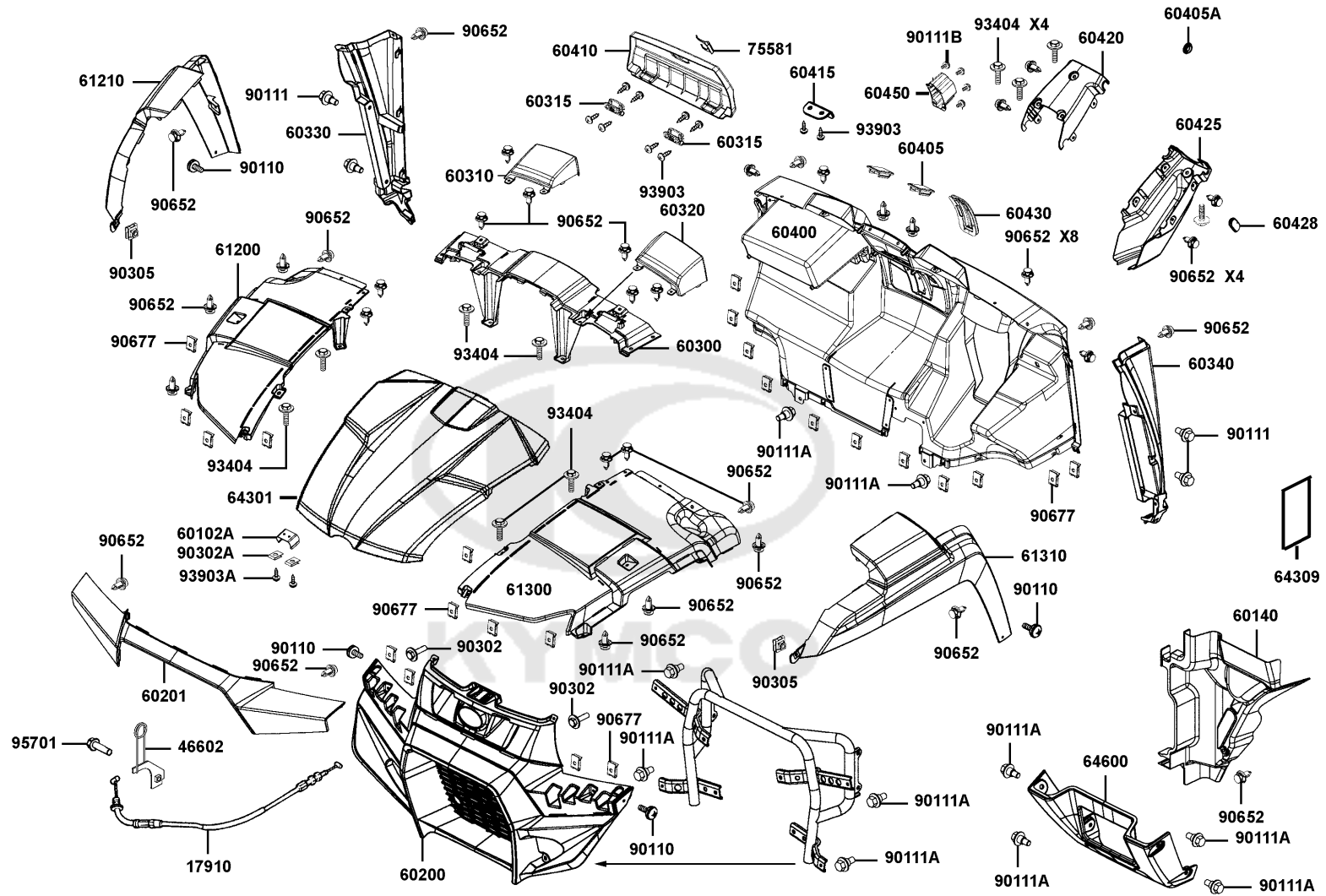
Sales mark	Ref no	Part no	Description	Reg description	Regd no	F03
	17910	17910-AFB9-M00	CABLE COMP THROT	CABLE COMP THROT	1	
	46602	46602-ALE8-E00	STAY PEDAL	STAY PEDAL	1	
	60102A	60102-ZWA2-M00	CLIP FENDER	CLIP FENDER	1	
**	60140	60140-ALE8-E00	PANEL SPLSH	PANEL SPLSH	1	
**	60200	60200-AEE9-E00	MUDGUARD FRONT	MUDGUARD FRONT	1	
**	60201	60201-ALE8-E00	PANEL TRIM FRONT	PANEL TRIM FRONT	1	
**	60300	60300-ALE8-E00	TOP COVER FRONT PANEL	TOP COVER FRONT PANEL	1	
**	60310	60310-ALE8-E00	PANEL RH TOP COVER	PANEL RH TOP COVER	1	
	60315	60315-LEE8-E00	HINGE LID	HINGE LID	1	
**	60320	60320-ALE8-E00	PANEL LH TOP COVER	PANEL LH TOP COVER	1	
**	60330	60330-ALE8-E00	SIDE PANEL RH FRONT	SIDE PANEL RH FRONT	1	
**	60340	60340-ALE8-E00	SIDE PANEL LH FRONT	SIDE PANEL LH FRONT	1	
**	60400	60400-AFB9-M00	PANEL FRONT	PANEL FRONT	1	
	60405	60405-AAA6-900	CAP COVER	CAP COVER	2	
	60405A	60405-LKC3-E00	GROMMET.CHOCK HOLE	GROMMET.CHOCK HOLE	1	
**	60410	60410-ALE8-E00	LID GLOVE BOX	LID GLOVE BOX	1	
	60415	60415-ALE8-E00	BRACKET COVER	BRACKET COVER	1	
**	60420	60420-ALE8-E00	COVER FR STEERING	COVER FR STEERING	1	
**	60425	60425-ALE8-E00	COVER RR STEERING	COVER RR STEERING	1	
	60428	60428-ALE8-900	GROMMET COVER	GROMMET COVER	1	



Sales mark	Ref no	Part no	Description	Reg description	Regd no	F03
	60430	60430-ALE8-E00	PLATE SHIFT LEVER	PLATE SHIFT LEVER	1	
**	60450	60450-AEE9-M00	COVER SHIFT LEVER	COVER SHIFT LEVER	1	
**	61200	61200-ALE8-E00	FENDER RH FRONT	FENDER RH FRONT	1	
**	61210	61210-ALE8-E00	MUDGUARD RH FRONT	MUDGUARD RH FRONT	1	
**	61300	61300-ALE8-E00	FENDER LH FRONT	FENDER LH FRONT	1	
**	61310	61310-ALE8-E00	MUDGUARD LH FRONT	MUDGUARD LH FRONT	1	
**	64301	64301-AEE9-M00	HOOD FRONT	HOOD FRONT	1	
	64309	64309-AEE9-M00	SPONGE FRONT HOOD	SPONGE FRONT HOOD	1	
**	64600	64600-ALE8-E00	PLATE SKID	PLATE SKID	1	
	75581	75581-KBCB-900	SET SPG LOCK KEY	SET SPG LOCK KEY	1	
	90110	90110-PWB1-900	SCREW SPECIAL 6X20	SCREW SPECIAL 6X20	5	
	90111	90111-1G87-001	BOLT FLANGE 6MM	BOLT FLANGE 6MM	4	
	90111A	90111-LEB1-900	BOLT FLANGE 6MM	BOLT FLANGE 6MM	10	
	90111B	90111-LEC8-E00	SCREW PAN 6x14	SCREW PAN 6x14	4	
	90302	90302-PWA1-900	BOLT-WASH 5*16	BOLT-WASH 5*16	2	
	90302A	90302-SDA4-004	NUT SPRING 4MM	NUT SPRING 4MM	2	
	90305	90305-GHK8-001	NUT CLIP 6MM	NUT CLIP 6MM	2	
	90652	90652-LEE8-E00	RIVET	RIVET	37	
	90677	90677-GAR1-004	NUT CLIP 5MM	NUT CLIP 5MM	23	
	93404	93404-06016-06	BOLT WASHER 6*16	BOLT WASHER 6*16	10	

F03

Fender Front



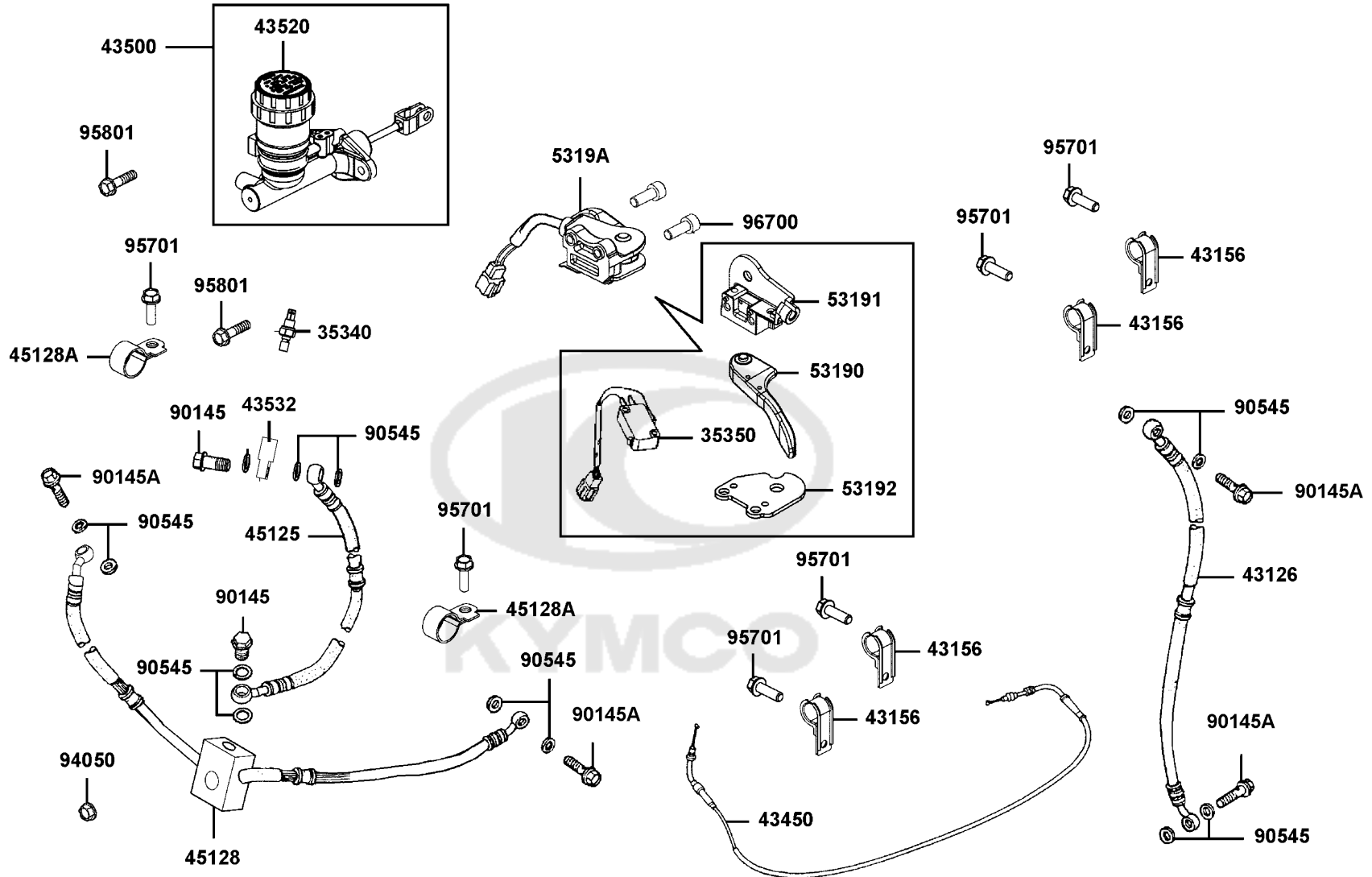
Sales mark	Ref no	Part no	Description	Reg description	Regd no	<b>F03</b>
------------	--------	---------	-------------	-----------------	---------	------------

93903		93903-34360	SCREW TAPPING 4X12	SCREW TAPPING 4X12	10	
93903A		93903-KEB7-900	SCREW WASHER 4*12	SCREW WASHER 4*12	2	
95701		95701-08020-06	BOLT FLANGE 8*20MM **07 C.2005.07.01	BOLT FLANGE 8*20MM **07 C.2005.07.01	1	



F04

# Hose Assy BrkBrake Assy Parking

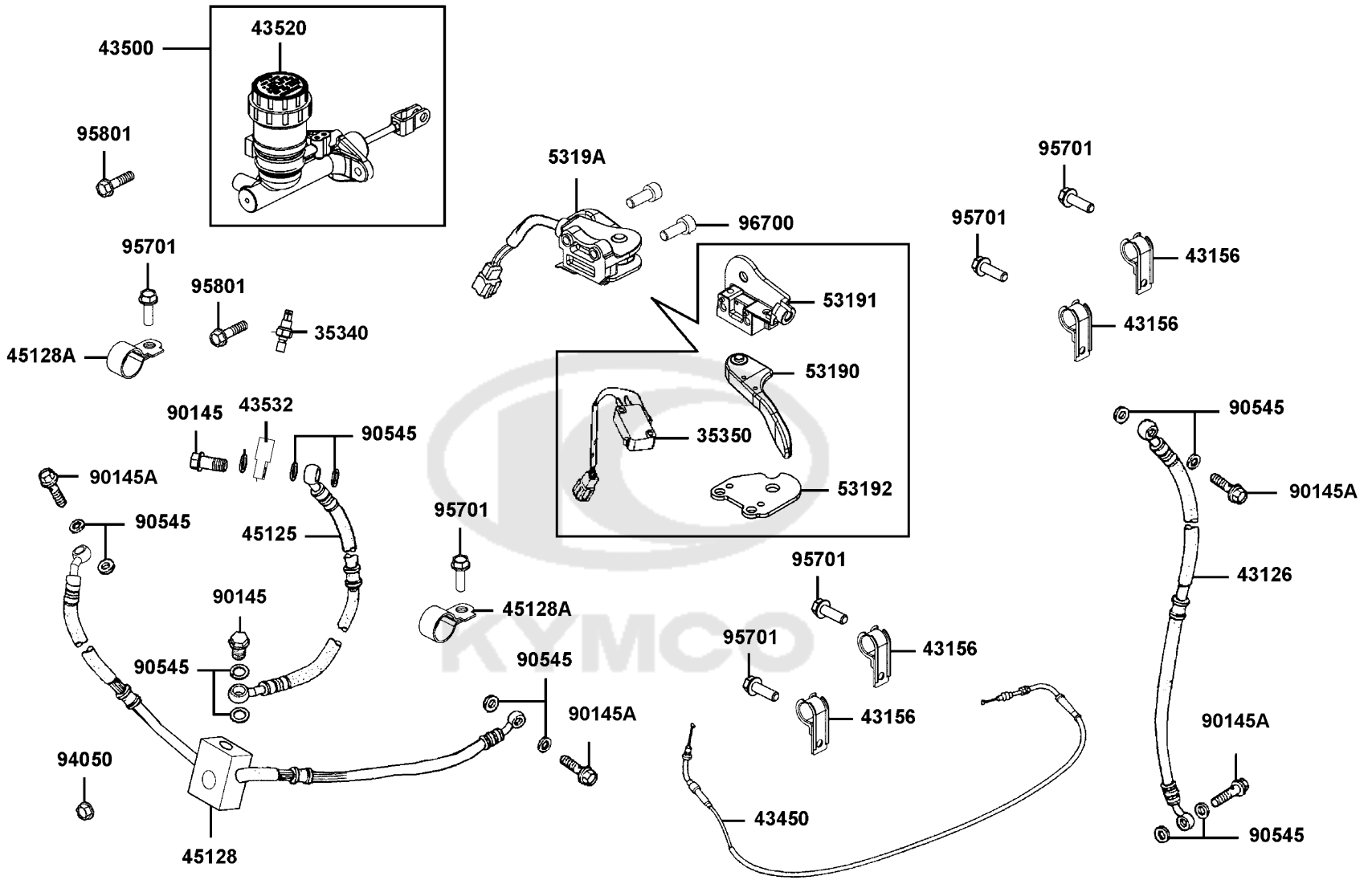


Sales mark	Ref no	Part no	Description	Reg description	Regd no	F04
	35340	35340-PWB1-900	PRESSURE SWITCH SINGLE BANJO	PRESSURE SWITCH SINGLE BANJO (EURO)	1	
	35350	35350-ALC1-E00	SW ASSY STOP	SW ASSY STOP	1	
	43126	43126-AKB9-M00	HOSE ASSY RR BRK	HOSE ASSY RR BRK	1	
	43156	43156-KKE5-E00	CLAMPER RR BRK HOSE	CLAMPER RR BRK HOSE	4	
	43450	43450-ALE8-E00	CABLE PARKING BRAKE	CABLE PARKING BRAKE	1	
	43500	43500-LEE8-E00	MASTER CYLINDER ASSY	MASTER CYLINDER ASSY	1	
	43520	43520-LEE8-305	CAP SET	CAP SET	1	
	43532	43532-ZWA2-M00	ADAPTER OIL PRESSURE SENSOR	ADAPTER OIL PRESSURE SENSOR	1	
	45125	45125-AKB9-M00	HOSE ASSY M/C FR BRK	HOSE ASSY M/C FR BRK	1	
	45128	45128-AKB9-M00	HOSE COMP FR BRK R (C/P)	HOSE COMP FR BRK R (C/P)	1	
	45128A	45128-LEA1-800	CLAMPER BRAKE HOSE	CLAMPER BRAKE HOSE	2	
	53190	53190-ALE8-M00	LEVER PARK BRAKE	LEVER PARK BRAKE	1	
	53191	53191-ALE8-M00	STAY PARK BRAKE	STAY PARK BRAKE	1	
	53192	53192-ALE8-M00	BRACKET PARK BRAKE	BRACKET PARK BRAKE	1	
	5319A	5319A-ALE8-M00	BRAKE ASSY PARKING	BRAKE ASSY PARKING	1	
	90145	90145-LBA2-E00	OIL BOLT 10*33	OIL BOLT 10*33	1	
	90145A	90145-LEA3-E00	OIL BOLT 10*22	OIL BOLT 10*22	4	
	90545	90545-3L00-001	WASHER OIL BOLT	WASHER OIL BOLT	13	
	94050	94050-08060	NUT FLANGE 8MM	NUT FLANGE 8MM	1	
	95701	95701-06012-06	BOLT FLANGE 6X12	BOLT FLANGE 6X12	6	



F04

# Hose Assy BrkBrake Assy Parking



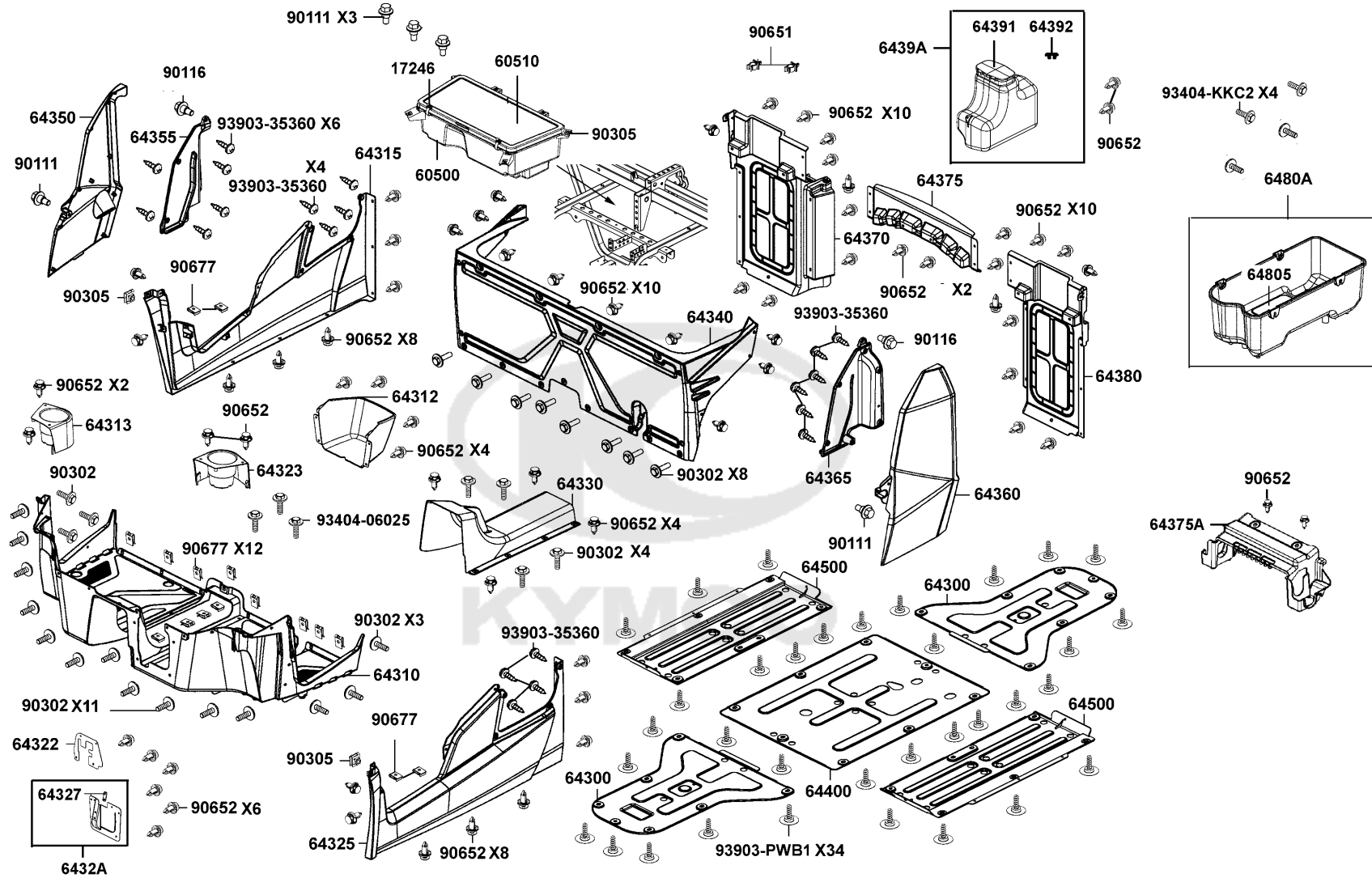
Sales mark	Ref no	Part no	Description	Reg description	Regd no	<b>F04</b>
------------	--------	---------	-------------	-----------------	---------	------------

95801		95801-08025-06	BOLT FLANGE 8*25	BOLT FLANGE 8*25	2	
96700		96700-06025-06	SOCKET BOLT 6X25	SOCKET BOLT 6X25	2	



F05

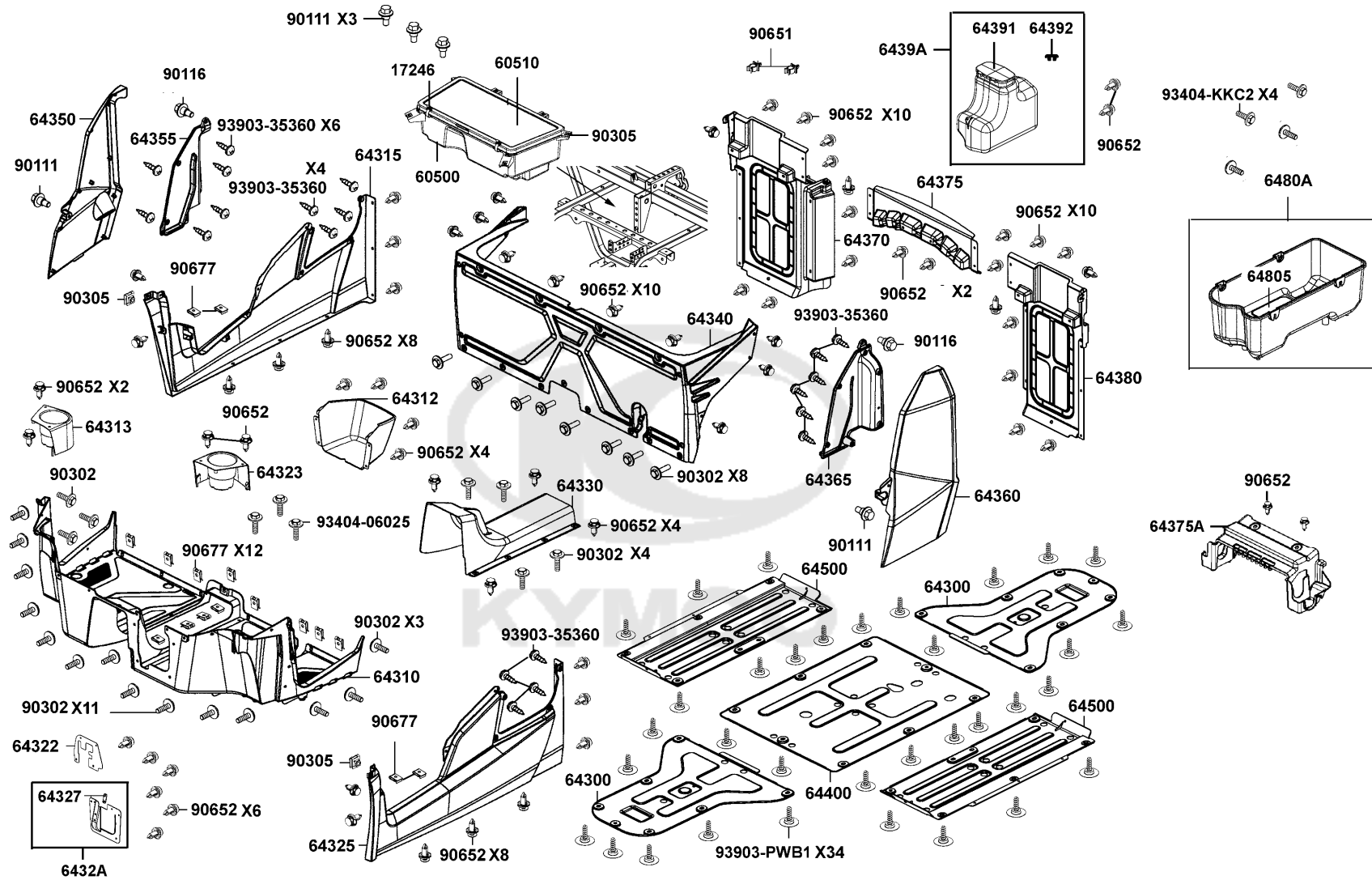
# Floor PanelBox Assy Luggage



Sales mark	Ref no	Part no	Description	Reg description	Regd no	F05
	17246	17246-ALE8-E00	CLAMP AIR/C	CLAMP AIR/C	2	
**	60500	60500-AEE9-M00	BOX LUGGAGE	BOX LUGGAGE	1	
**	60510	60510-ALE8-E00	CAP LUGGAGE BOX	CAP LUGGAGE BOX	1	
**	64300	64300-ALE8-E00	PLATE SKID	PLATE SKID	2	
**	64310	64310-AFB9-M00	FLOOR PANEL	FLOOR PANEL	1	
**	64312	64312-ALE8-E00	HOLDER GLOVE	HOLDER GLOVE	1	
**	64313	64313-ALE8-E00	HOLDER RH DRINK	HOLDER RH DRINK	1	
**	64315	64315-ALE8-E00	SIDE PANEL,RH FLOOR	SIDE PANEL,RH FLOOR	1	
	64322	64322-AFB9-M00	PANEL SPLASH	PANEL SPLASH	1	
**	64323	64323-ALE8-E00	HOLDER LH DRINK	HOLDER LH DRINK	1	
**	64325	64325-ALE8-E00	SIDE PANEL,LH FRONT	SIDE PANEL,LH FRONT	1	
	64327	64327-AFB9-M00	GUARD PANEL	GUARD PANEL	1	
	6432A	6432A-AFB9-M00	PANEL ASSY SPLASH	PANEL ASSY SPLASH	1	
**	64330	64330-ALE8-E00	COVER TUNNEL	COVER TUNNEL	1	
**	64340	64340-ALE8-E00	PANEL FLOOR REAR	PANEL FLOOR REAR	1	
**	64350	64350-ALE8-E00	PANEL RH SIDE	PANEL RH SIDE	1	
**	64355	64355-ALE8-E00	PANEL RH SEAT	PANEL RH SEAT	1	
**	64360	64360-ALE8-E00	PANEL LH SIDE	PANEL LH SIDE	1	
**	64365	64365-ALE8-E00	PANEL RH SEAT	PANEL RH SEAT	1	
**	64370	64370-ALE8-E00	PANEL RH SPLASH	PANEL RH SPLASH	1	

F05

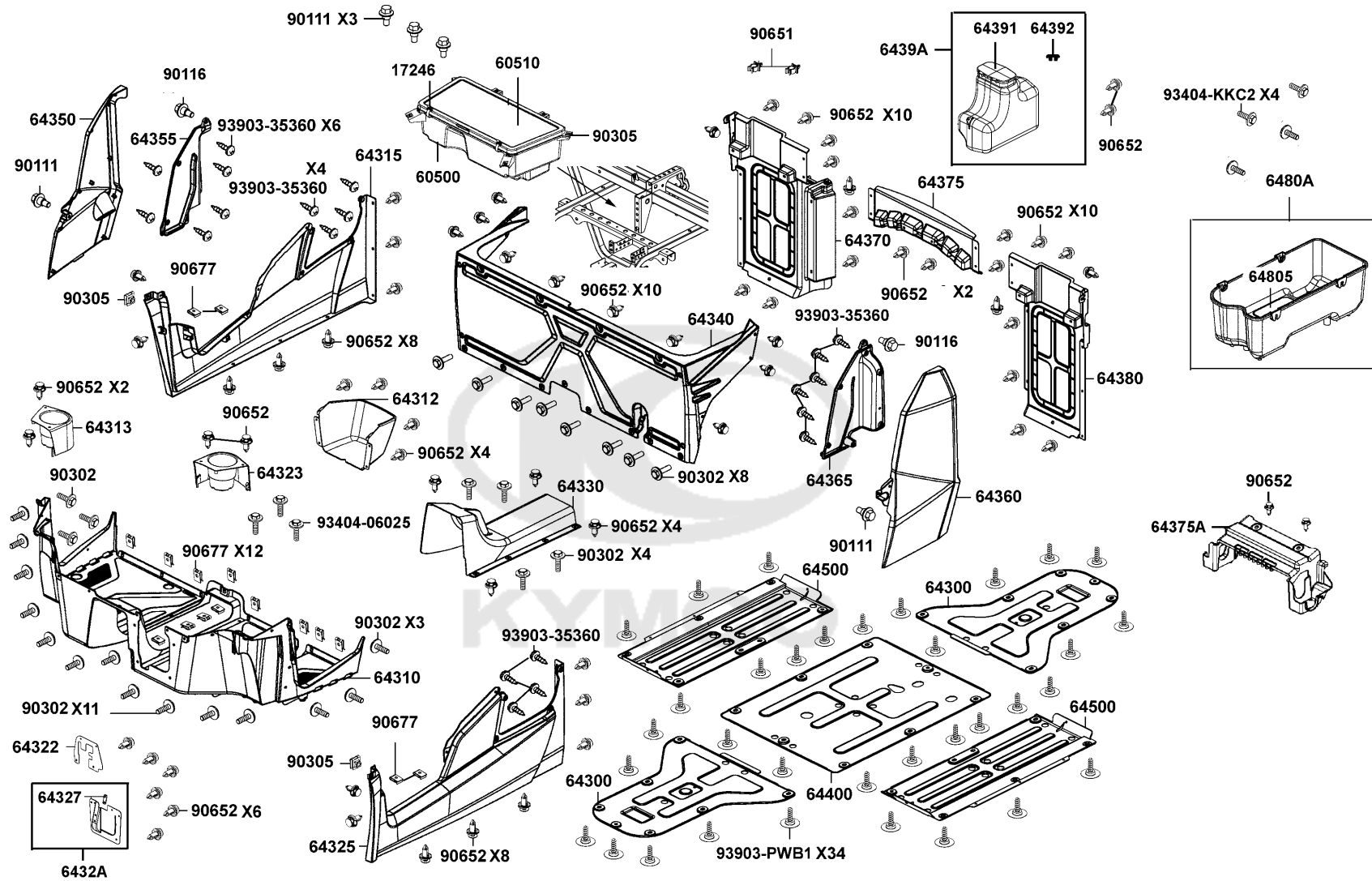
# Floor PanelBox Assy Luggage



Sales mark	Ref no	Part no	Description	Reg description	Regd no	F05
**	64375	64375-ALE8-E00	PANEL SPLASH	PANEL SPLASH	1	
**	64375A	64375-ZWA2-M00	PLUG,SWITCH HOLE	PLUG,SWITCH HOLE	1	
**	64380	64380-ALE8-E00	PANEL LH SPLASH	PANEL LH SPLASH	1	
**	64391	64391-AEE9-M00	CAP LUGGAGE BOX	CAP LUGGAGE BOX	1	
	64392	64392-ALE8-E00	PLUG UGGAGE BOX	PLUG UGGAGE BOX	1	
**	6439A	6439A-AEE9-M00	BOX ASSY LUGGAGE	BOX ASSY LUGGAGE	1	
**	64400	64400-ALE8-E00	PLATE SKID	PLATE SKID	1	
**	64500	64500-ALE8-E00	PLATE SKID	PLATE SKID	2	
**	64805	64805-ALE8-E00	COVER FUEL PUMP MAINT	COVER FUEL PUMP MAINT	1	
**	6480A	6480A-ALE8-E00	BOX ASSY LUGGAGE	BOX ASSY LUGGAGE	1	
	90111	90111-LEB1-900	BOLT FLANGE 6MM	BOLT FLANGE 6MM	5	
	90116	90116-KED9-900	SCREW PAN 6*24	SCREW PAN 6*24	2	
	90302	90302-PWB1-900	BOLT-WASH 5*22	BOLT-WASH 5*22	29	
	90305	90305-GHK8-001	NUT CLIP 6MM	NUT CLIP 6MM	8	
	90651	90651-ALH3-700	CLIP WIRE HARN	CLIP WIRE HARN	2	
	90652	90652-LEE8-E00	RIVET	RIVET	68	
	90677	90677-GAR1-004	NUT CLIP 5MM	NUT CLIP 5MM	16	
	93404-06025	93404-06025-06	BOLT WASHER 6*25	BOLT WASHER 6*25	6	
	93404-KKC2	93404-KKC2-900	BOLT WASH 6*16	BOLT WASH 6*16	4	
	93903-35360	93903-35360	SCREW TAPPING 5*16	SCREW TAPPING 5*16	20	

F05

# Floor PanelBox Assy Luggage



Sales mark	Ref no	Part no	Description	Reg description	Regd no	<b>F05</b>
------------	--------	---------	-------------	-----------------	---------	------------

93903-PWB1

93903-PWB1-900

SCREW BODY-SELF TAP #12x3/4 A

SCREW BODY-SELF TAP #12x3/4 A

34



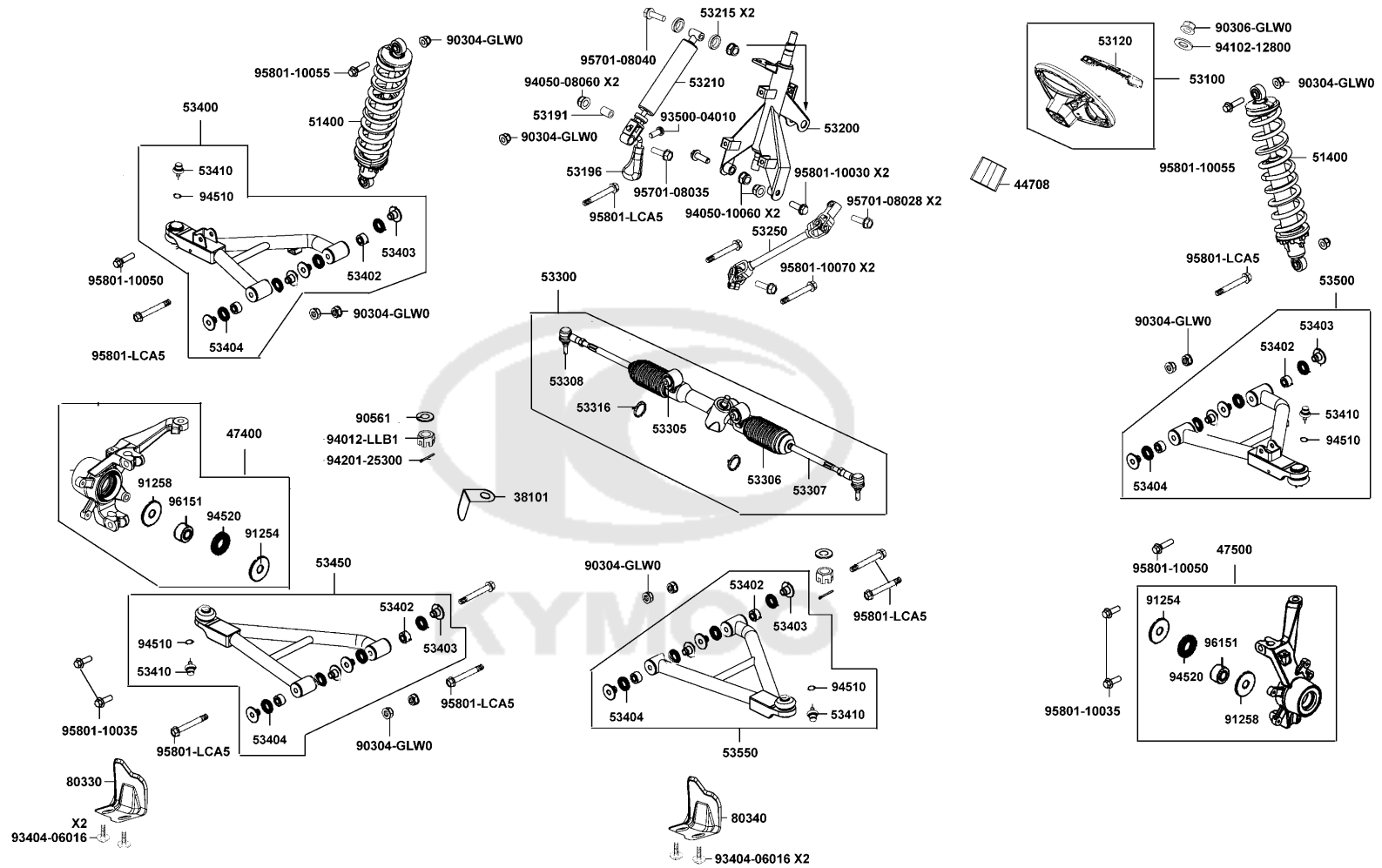




Sales mark	Ref no	Part no	Description	Reg description	Regd no	F06
38101		38101-ALE8-E00	STAY GROUND	STAY GROUND	1	
44708		44708-ALE8-E01	SPACERWHEEL STEERING	SPACERWHEEL STEERING	1	
47400		47400-ZWA2-M00	KNUCKLE ASSY STEERING-RH	KNUCKLE ASSY STEERING-RH	1	
47500		47500-ZWA2-M00	KNUCKLE ASSY STEERING-LH	KNUCKLE ASSY STEERING-LH	1	
51400		51400-ALE8-E00	CUSHION ASSY FR	CUSHION ASSY FR	2	
53100		53100-ALE8-900	WHEEL ASSY,STEERING	WHEEL ASSY,STEERING	1	
53120		53120-ALE8-900	COVER,WHEEL	COVER,WHEEL	1	
53191		53191-LAC5-900	COLLAR ADJUSTER	COLLAR ADJUSTER	1	
53196		53196-LAC5-900	GRIP ADJUSTER	GRIP ADJUSTER	1	
53200		53200-ALE8-E00	COLUMN STEERING	COLUMN STEERING	1	
53210		53210-ALE8-E00	ADJUSTER HANDLE	ADJUSTER HANDLE	1	
53215		53215-ALE8-E00	COLLAR ADJUST	COLLAR ADJUST	2	
53250		53250-ALE8-E00	STEERING SHAFT ASSY	STEERING SHAFT ASSY	1	
53300		53300-ALE8-E00	STEERING ASSY	STEERING ASSY	1	
53305		53305-LEE8-E00	BUSH	BUSH	2	
53306		53306-LEE8-E00	BOOT	BOOT	2	
53307		53307-ALE8-E00	TIE ROD	TIE ROD	2	
53308		53308-ALE8-E00	BALL JOINT TIE ROD	BALL JOINT TIE ROD	2	
53316		53316-LEE8-E00	BAND STRG ASSY	BAND STRG ASSY	2	
53400		53400-ALE8-E00	A-ARM ASSY FR UPPER RH	A-ARM ASSY FR UPPER RH	1	

F06

# Cushion Assy FrWheel Assy Steering



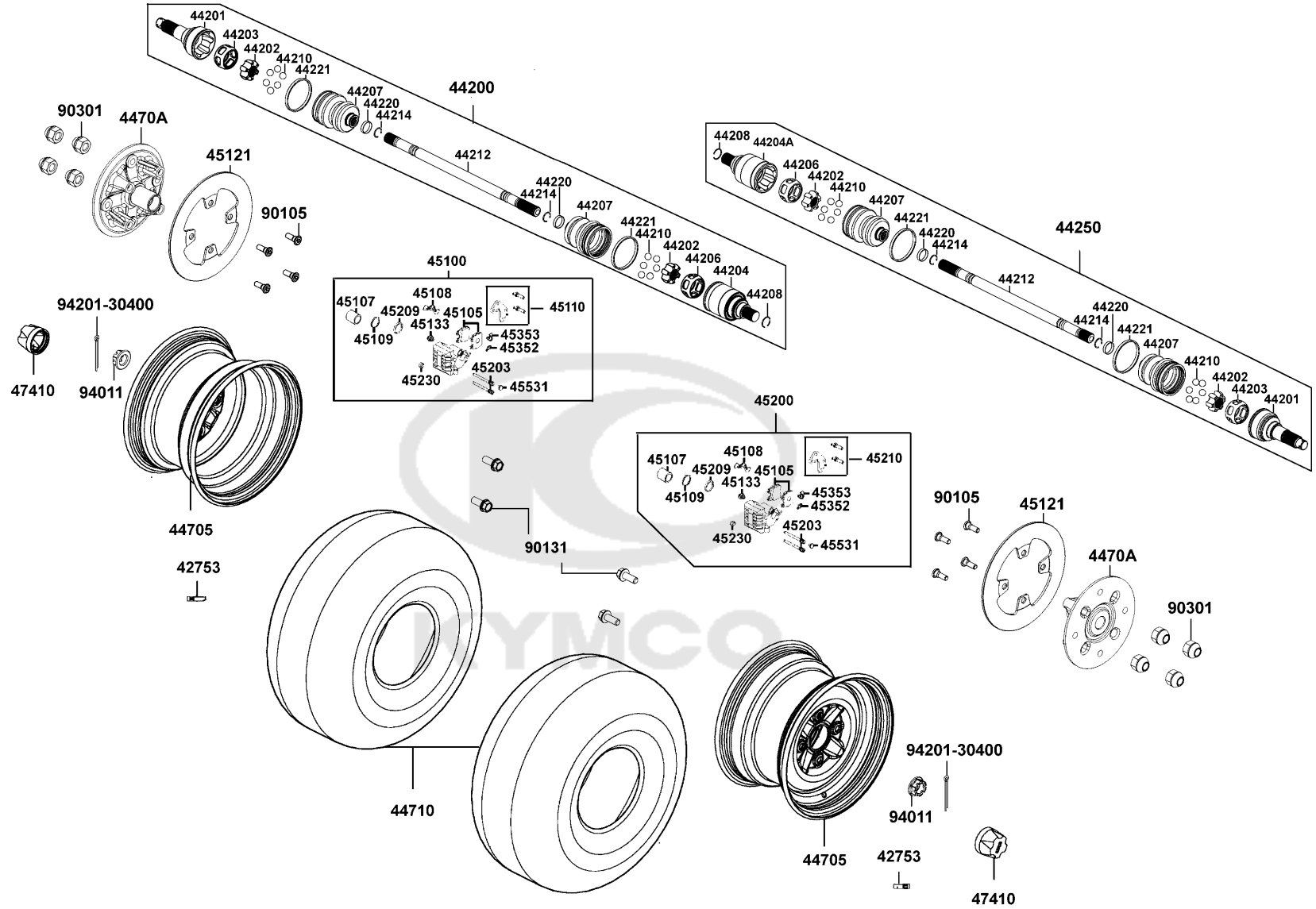
Sales mark	Ref no	Part no	Description	Reg description	Regd no	F06
	53402	53402-LEE8-E00	BEARING SPHERICAL PLAIN	BEARING SPHERICAL PLAIN	8	
	53403	53403-LEE8-E00	COLLAR SWING ARM	COLLAR SWING ARM	16	
	53404	53404-LEE8-E00	DUST SEAL 16*30*4.5	DUST SEAL 16*30*4.5	16	
	53410	53410-PRB1-900	BALL JOINT ASSY	BALL JOINT ASSY	4	
	53450	53450-ALE8-E00	A-ARM ASSY FR LOWER R	A-ARM ASSY FR LOWER R	1	
	53500	53500-ALE8-E00	A-ARM ASSY FR UPPER LH	A-ARM ASSY FR UPPER LH	1	
	53550	53550-ALE8-E00	A-ARM ASSY FR LOWER LH	A-ARM ASSY FR LOWER LH	1	
**	80330	80330-LGN5-E01	GUARD R RR BOOT	GUARD R RR BOOT	1	
**	80340	80340-LGN5-E01	GUARD L RR BOOT	GUARD L RR BOOT	1	
	90304-GLW0	90304-GLW0-90A	NUT U FLANGE 10MM	NUT U FLANGE 10MM	12	
	90306-GLW0	90306-GLW0-90A	NUT FLANGE 12MM	NUT FLANGE 12MM	1	
	90561	90561-PWB1-900	WASHER 21X10X2.2	WASHER 21X10X2.2	2	
	91254	91254-LDB5-E00	SEAL DUST CVJ 38X55X7	SEAL DUST CVJ 38X55X7	2	
	91258	91258-LDB5-E00	SEAL DUST HUB 38*55*7	SEAL DUST HUB 38*55*7	2	
	93404-06016	93404-06016-06	BOLT WASHER 6*16	BOLT WASHER 6*16	4	
	93500-04010	93500-04010-0F	SCREW 4X10	SCREW 4X10	1	
	94012-LLB1	94012-LLB1-900	NUT CASTLE 10MM	NUT CASTLE 10MM	2	
	94050-08060	94050-08060	NUT FLANGE 8MM	NUT FLANGE 8MM	2	
	94050-10060	94050-10060	NUT FLANGE 10MM	NUT FLANGE 10MM	2	
	94102-12800	94102-12800	WASHER PLAIN 12MM	WASHER PLAIN 12MM	1	



Sales mark	Ref no	Part no	Description	Reg description	Regd no	<b>F06</b>
94201-25300		94201-25300	PIN SPLIT 2.5*30	PIN SPLIT 2.5*30	2	
94510		94510-PWB1-900	CIRCLIP EX 29	CIRCLIP EX 29	4	
94520		94520-55000	CIR CLIP IN 55	CIR CLIP IN 55	2	
95701-08028		95701-08028-06	BOLT FLANGE 8*28	BOLT FLANGE 8*28	2	
95701-08035		95701-08035-06	BOLT FLANGE 8*35	BOLT FLANGE 8*35	1	
95701-08040		95701-08040-06	BOLT FLANGE 8X40	BOLT FLANGE 8X40	1	
95801-10030		95801-10030-06	BOLT FLANGE 10X30	BOLT FLANGE 10X30	2	
95801-10035		95801-10035-06	BOLT FLANGE 10*35	BOLT FLANGE 10*35	4	
95801-10050		95801-10050-06	BOLT FLANGE 10*50	BOLT FLANGE 10*50	2	
95801-10055		95801-10055-06	BOLT FLANGE 10*55	BOLT FLANGE 10*55	2	
95801-10070		95801-10070-06	BOLT FLANGE 10*70	BOLT FLANGE 10*70	2	
95801-LCA5		95801-LCA5-900	BOLT FLANGE 10*70	BOLT FLANGE 10*70	8	
96151		96151-PWB1-900	BEARING WHEEL	BEARING WHEEL	2	

F07

# Wheel Assy Fr

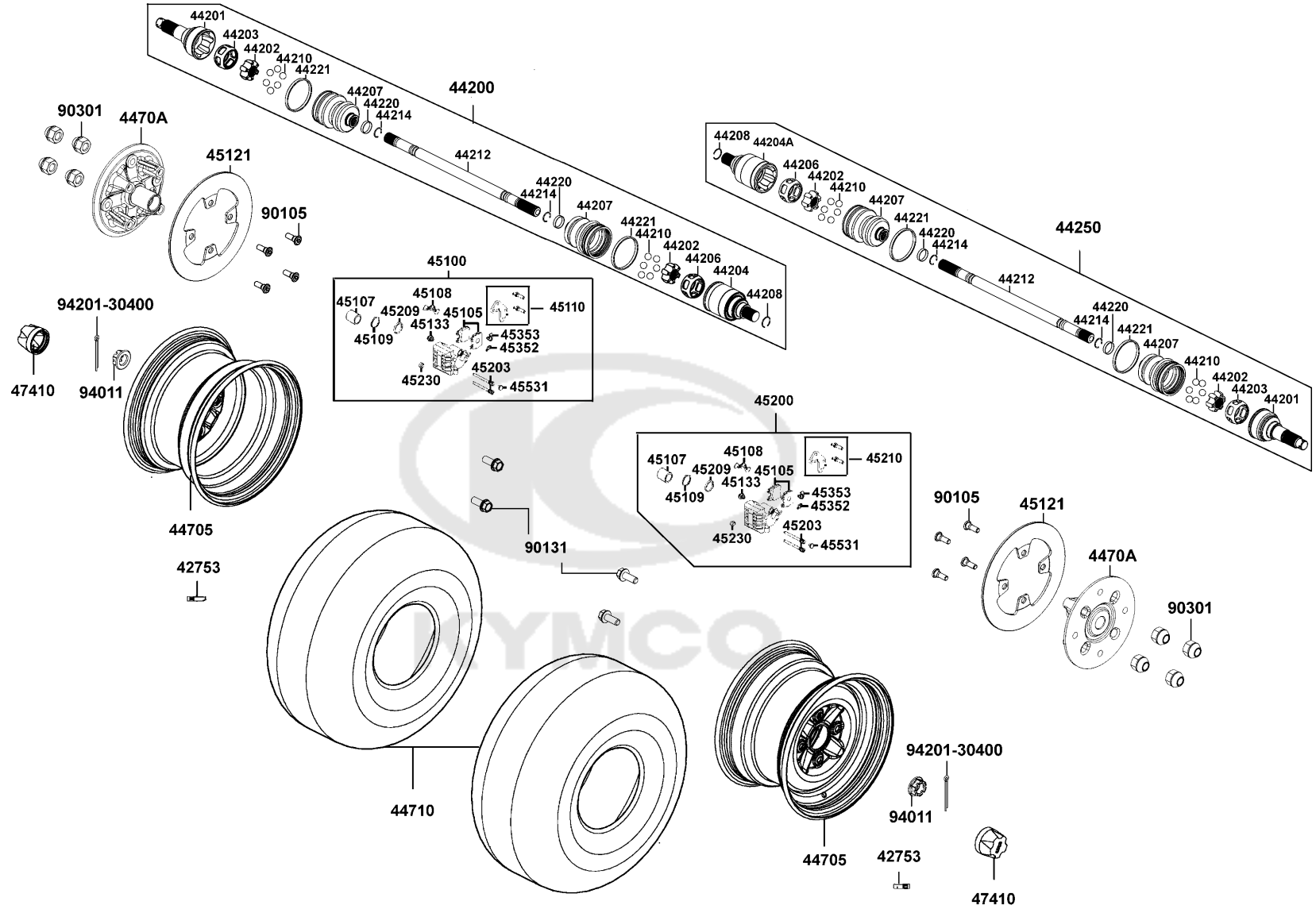


Sales mark	Ref no	Part no	Description	Reg description	Regd no	F07
	42753	42753-KNBN-90B	VALVE RIM (TR412)	VALVE RIM (TR412)	2	
	44200	44200-ALE8-M00	HALF SHAFT FR RH	HALF SHAFT FR RH	1	
	44201	44201-ALE8-M00	OUTER C.V JOINT	OUTER C.V JOINT	2	
	44202	44202-ALE8-M00	I/R	I/R	4	
	44203	44203-ALE8-M01	BJ-CAGE	BJ-CAGE	2	
	44204	44204-ALE8-M00	INNER C.V JOINT	INNER C.V JOINT	1	
	44204A	44204-ALE8-M01	INNER C.V JOINT	INNER C.V JOINT	1	
	44206	44206-ALE8-M00	DOJ-CAGE	DOJ-CAGE	2	
	44207	44207-ALE8-M00	C.V BOOT	C.V BOOT	4	
	44208	44208-ALE8-M00	C CLIP	C CLIP	2	
	44210	44210-ALE8-M00	BALL	BALL	24	
	44212	44212-ALE8-M00	CENTRAL BAR	CENTRAL BAR	2	
	44214	44214-ALE8-M00	C CLIP	C CLIP	2	
	44220	44220-ALE8-M00	CLAMP	CLAMP	4	
	44221	44221-ALE8-M00	CLAMP	CLAMP	4	
	44250	44250-ALE8-M00	HALF SHAFT FR LH	HALF SHAFT FR LH	1	
**	44705	44705-ALE8-E00	RIM COMP FR WHEEL	RIM COMP FR WHEEL	2	
	4470A	4470A-LEE8-900	HUB ASSY FRONT WHEEL	HUB ASSY FRONT WHEEL	2	
	44710	44710-LKM8-900	TIRE ASSY FR 25*8.00-12 2PR	TIRE ASSY FR 25*8.00-12 2PR	2	
**	45100	45100-LEE8-E00	CALIPER ASSY FR R	CALIPER ASSY FR R	1	



F07

# Wheel Assy Fr



Sales mark	Ref no	Part no	Description	Reg description	Regd no	F07
	45105	45105-PWA1-305	PAD SET	PAD SET	2	
	45107	45107-KFA6-900	PISTON C/P (Ø33.96MM)	PISTON C/P (Ø33.96MM)	2	
	45108	45108-LBA7-900	SPRING PAD	SPRING PAD	2	
	45109	45109-KFA6-900	DUST SEAL	DUST SEAL	2	
	45110	45110-LEE8-305	BRACKET ASSY-RH	BRACKET ASSY-RH	1	
	45121	45121-LKM8-900	DISK FR BRAKE	DISK FR BRAKE	2	
	45133	45133-LBA7-900	BOOT A	BOOT A	2	
**	45200	45200-LEE8-E00	CALIPER ASSY FR L	CALIPER ASSY FR L	1	
	45203	45203-LBA7-900	PIN HANGER	PIN HANGER	4	
	45209	45209-KFA6-900	SEAL PISTON	SEAL PISTON	2	
	45210	45210-LEE8-305	BRACKET ASSY LH	BRACKET ASSY LH	1	
	45230	45230-LBA7-900	BUSH PIN	BUSH PIN	2	
	45352	45352-LBA7-900	BLEEDER	BLEEDER	2	
	45353	45353-LBA7-900	CAP BLEEDER	CAP BLEEDER	2	
	45531	45531-LBA7-900	PLUG	PLUG	2	
	47410	47410-LDB5-E00	CAP WHEEL SHAFT	CAP WHEEL SHAFT	2	
	90105	90105-MLL0-731	BOLT STEP HOLDER 8*24	BOLT STEP HOLDER 8*24	8	
	90131	90131-PRB3-900	BOLT FLANGE 8X20	BOLT FLANGE 8X20	4	
	90301	90301-LDB5-E00	NUT WHEEL	NUT WHEEL	8	
	94011	94011-PWB1-900	NUT CASTLE FLANGE M22x1.5	NUT CASTLE FLANGE M22x1.5	2	



Sales mark	Ref no	Part no	Description	Reg description	Regd no	<b>F07</b>
------------	--------	---------	-------------	-----------------	---------	------------

94201-30400

94201-30400

PIN SPLIT 3\*40

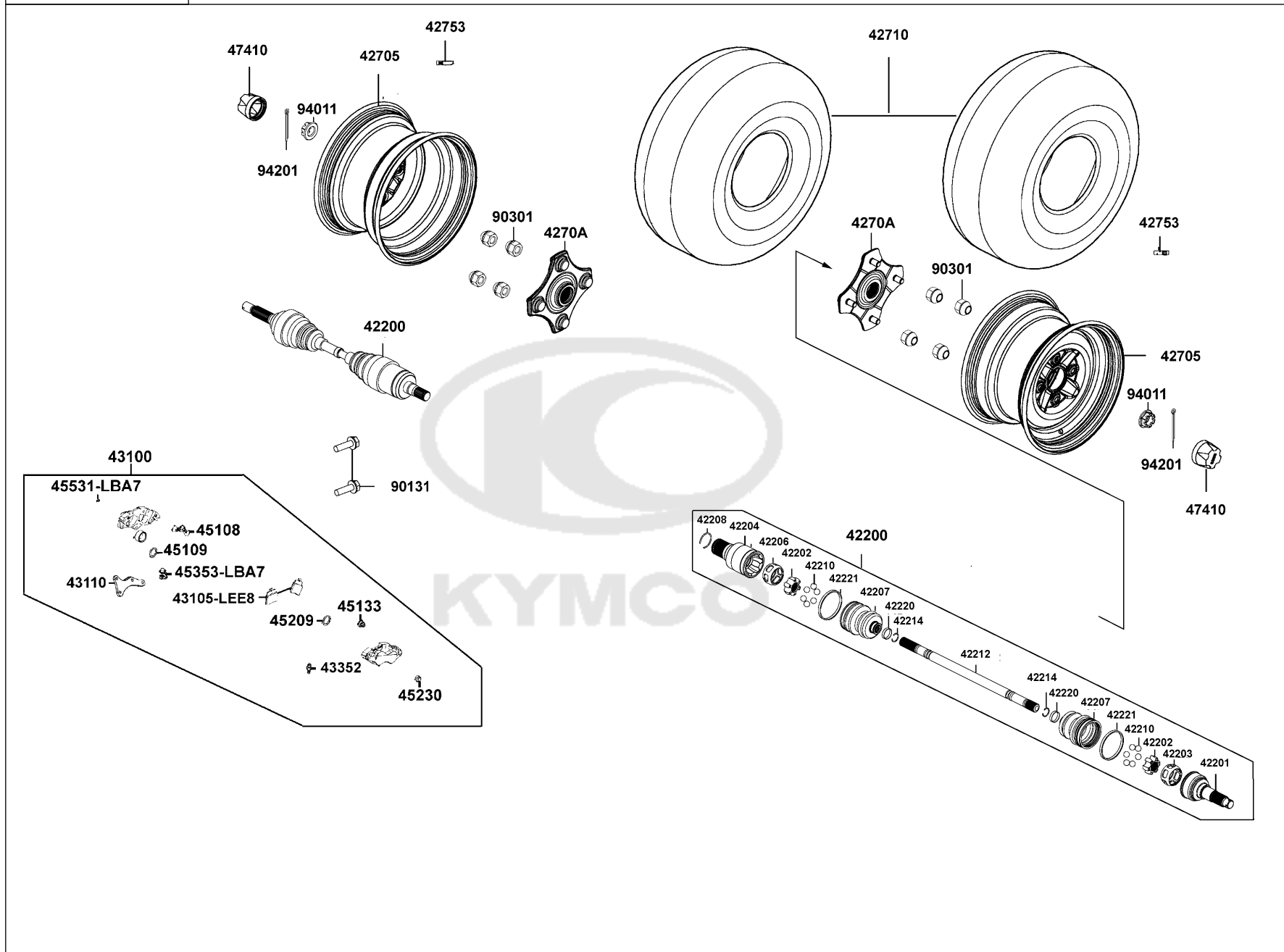
PIN SPLIT 3\*40

2



F08

# Wheel Assy Rr



Sales mark	Ref no	Part no	Description	Reg description	Regd no	F08
	42200	42200-ALE8-M00	HALF SHAFT RR LH/RH	HALF SHAFT RR LH/RH	2	
	42201	42201-ALE8-M00	OUTER C.V JOINT	OUTER C.V JOINT	1	
	42202	42202-ALE8-M00	I/R	I/R	2	
	42203	42203-ALE8-M00	BJ-CAGE	BJ-CAGE	1	
	42204	42204-ALE8-M00	INNER C.V JOINT	INNER C.V JOINT	1	
	42206	42206-ALE8-M00	DOJ CAGE	DOJ CAGE	1	
	42207	42207-ALE8-M00	CV BOOT	CV BOOT	2	
	42208	42208-ALE8-M00	C CLIP	C CLIP	1	
	42210	42210-ALE8-M00	BALL	BALL	12	
	42212	42212-ALE8-M00	CENTRAL BAR	CENTRAL BAR	1	
	42214	42214-ALE8-M00	C-CLIP	C-CLIP	2	
	42220	42220-ALE8-M00	CLAMP	CLAMP	2	
	42221	42221-ALE8-M00	CLAMP	CLAMP	2	
**	42705	42705-LEE8-E00	RIM COMP RR WHEEL	RIM COMP RR WHEEL	2	
	4270A	4270A-LEE8-900	HUB ASSY REAR WHEEL	HUB ASSY REAR WHEEL	2	
	42710	42710-LKM8-900	TIRE ASSY RR 25*10.00-12 4PR	TIRE ASSY RR 25*10.00-12 4PR	2	
	42753	42753-KNBN-90B	VALVE RIM (TR412)	VALVE RIM (TR412)	2	
**	43100	43100-ALE8-E00	CALIPER ASSY RR BRK	CALIPER ASSY RR BRK	1	
	43105-LEE8	43105-LEE8-305	PAD ASSY	PAD ASSY	1	
	43110	43110-LFE9-305	BRACKET ASSY	BRACKET ASSY	1	

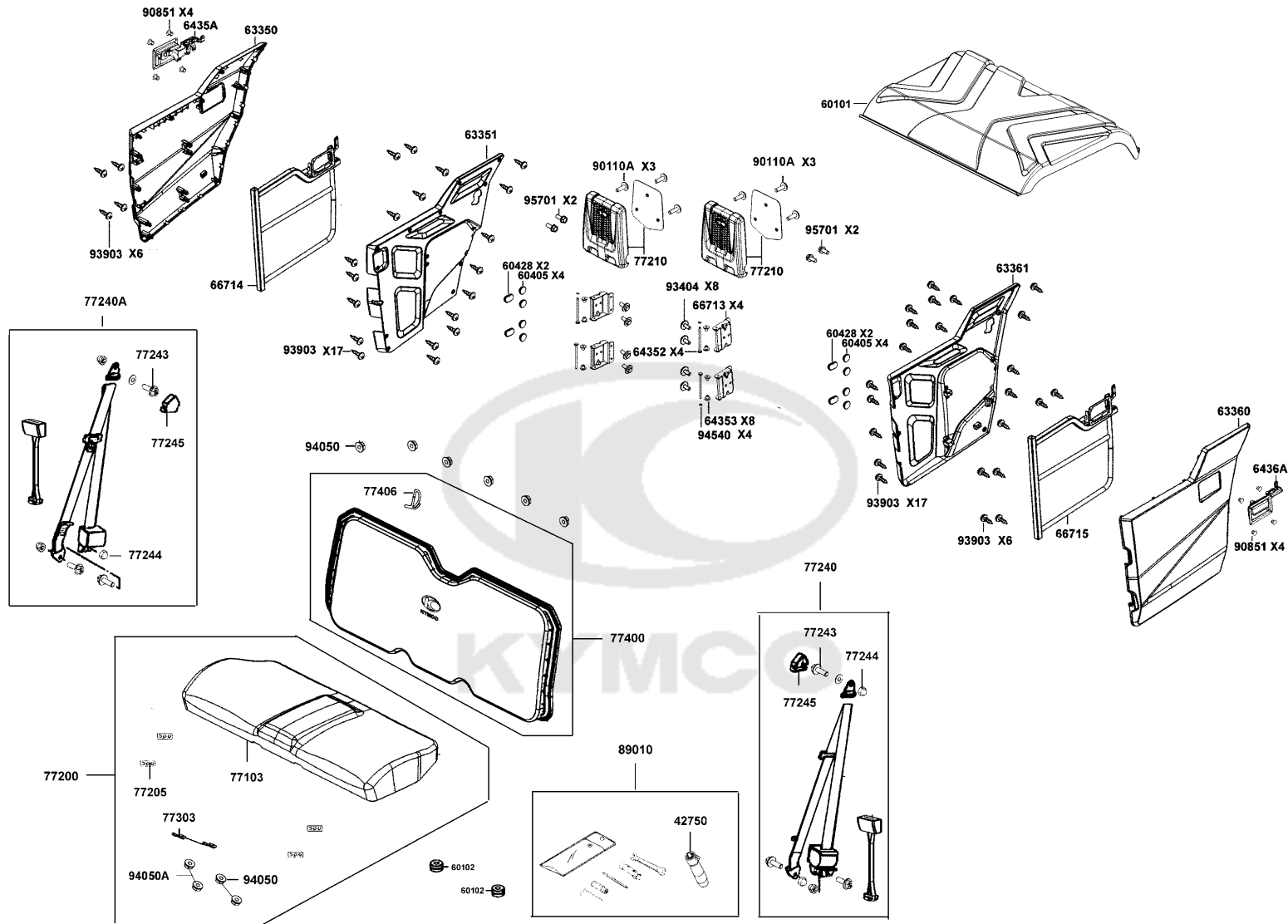


Sales mark	Ref no	Part no	Description	Reg description	Regd no	<b>F08</b>
43352		43352-KKD6-E90	SCREW BLEEDER	SCREW BLEEDER	1	
45108		45108-LBA7-900	SPRING PAD	SPRING PAD	1	
45109		45109-PWA1-900	DUST SEAL	DUST SEAL	1	
45133		45133-LBA7-900	BOOT A	BOOT A	1	
45209		45209-PWA1-900	SEAL PISTON	SEAL PISTON	1	
45230		45230-LBA7-900	BUSH PIN	BUSH PIN	1	
45353-LBA7		45353-LBA7-900	CAP BLEEDER	CAP BLEEDER	1	
45531-LBA7		45531-LBA7-900	PLUG	PLUG	1	
47410		47410-LDB5-E00	CAP WHEEL SHAFT	CAP WHEEL SHAFT	2	
90131		90131-LFB5-900	BOLT FLANGE 8X55	BOLT FLANGE 8X55	2	
90301		90301-LDB5-E00	NUT WHEEL	NUT WHEEL	8	
94011		94011-PWB1-900	NUT CASTLE FLANGE M22x1.5	NUT CASTLE FLANGE M22x1.5	2	
94201		94201-30400	PIN SPLIT 3*40	PIN SPLIT 3*40	2	



F09

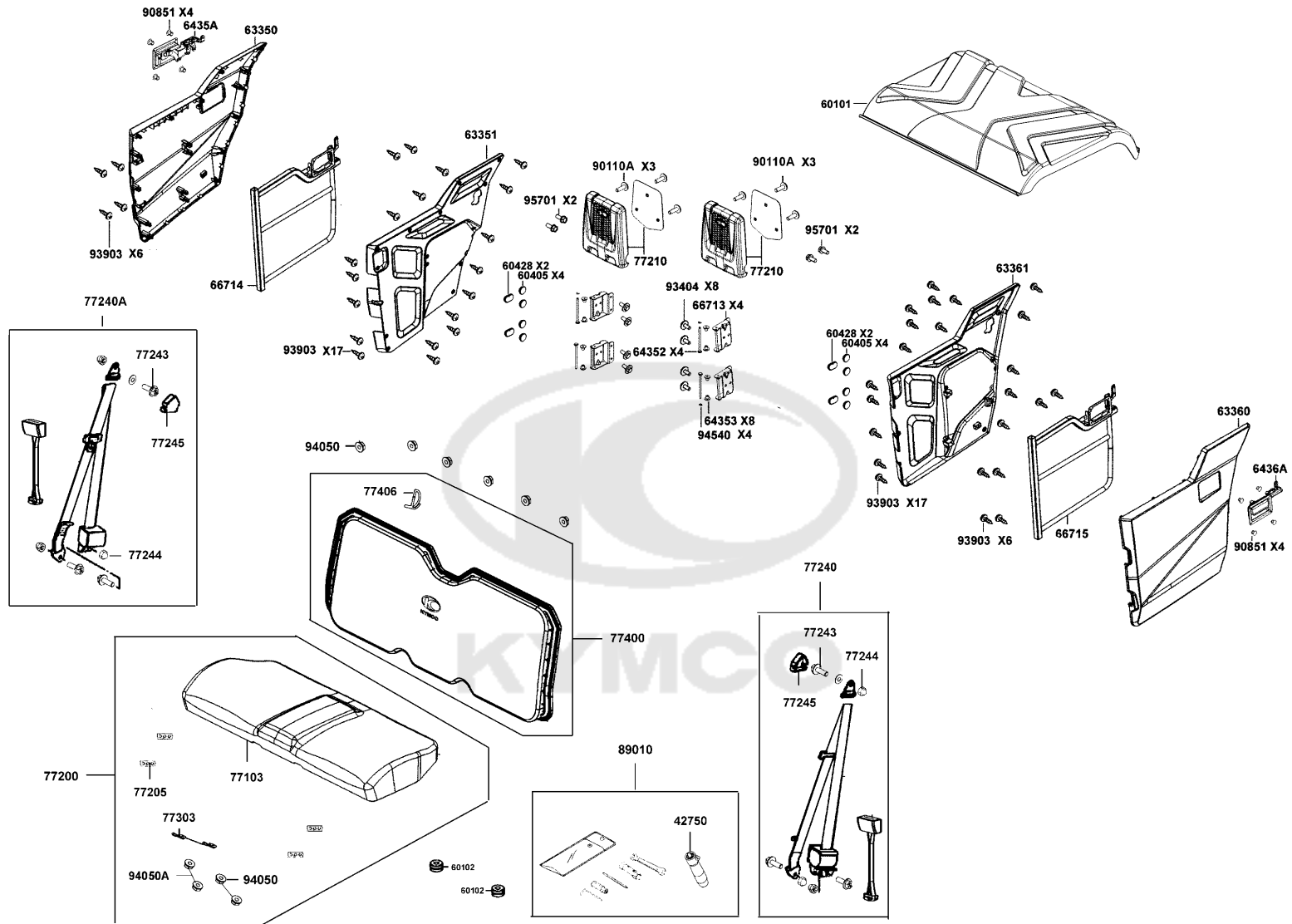
# Seat Assy



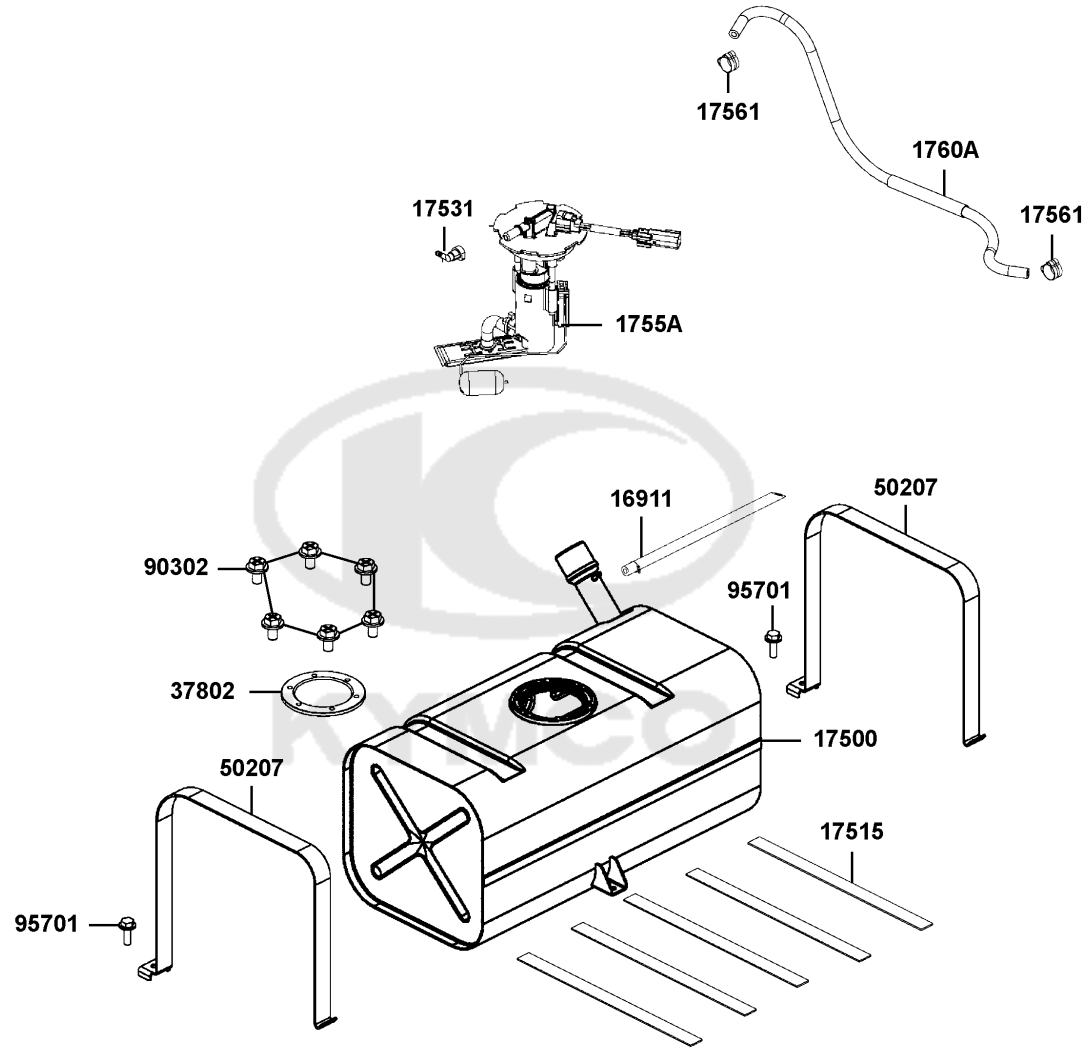
Sales mark	Ref no	Part no	Description	Reg description	Regd no	F09
	42750	42750-LEE8-E0A	GEAR AIR PRESSURE	GEAR AIR PRESSURE	1	
**	60101	60101-AFB9-M00	SUNTOP ROOF	SUNTOP ROOF	1	
	60102	60102-PWB1-900	GROMMET PANEL-SIDE	GROMMET PANEL-SIDE	2	
	60405	60405-LKC3-E00	GROMMET.CHOCK HOLE	GROMMET.CHOCK HOLE	8	
	60428	60428-ALE8-900	GROMMET COVER	GROMMET COVER	4	
**	63350	63350-AFB9-M00	PANEL R OUTER DOOR	PANEL R OUTER DOOR	1	
**	63351	63351-AFB9-M00	PANEL R INNER DOOR	PANEL R INNER DOOR	1	
**	63360	63360-AFB9-M00	PANEL L OUTER DOOR	PANEL L OUTER DOOR	1	
**	63361	63361-AFB9-M00	PANEL L INNER DOOR	PANEL L INNER DOOR	1	
	64352	64352-ZVA6-M00	SHAFT, DOOR HINGE	SHAFT, DOOR HINGE	4	
	64353	64353-ZVA6-M00	DOOR BUSH	DOOR BUSH	8	
	6435A	6435A-ZVA6-M00	DOOR LATCH ASSY R	DOOR LATCH ASSY R	1	
	6436A	6436A-ZVA6-M00	DOOR LATCH ASSY. L	DOOR LATCH ASSY. L	1	
	66713	66713-AFB9-M00	BRKT DOOR HINGE	BRKT DOOR HINGE	4	
	66714	66714-AFB9-M00	R PIPE COMP., DOOR	R PIPE COMP., DOOR	1	
	66715	66715-AFB9-M00	L PIPE COMP DOOR	L PIPE COMP DOOR	1	
	77103	77103-ALE8-E00	BAND SEAT	BAND SEAT	2	
**	77200	77200-ZWA2-M00	SEAT ASSY (REACH)	SEAT ASSY (REACH)	1	
	77205	77205-2F86-001	RUBBER B SEAT SETTING	RUBBER B SEAT SETTING	4	
**	77210	77210-LEE8-900	HEADREST (REACH)	HEADREST (REACH)	2	

F09

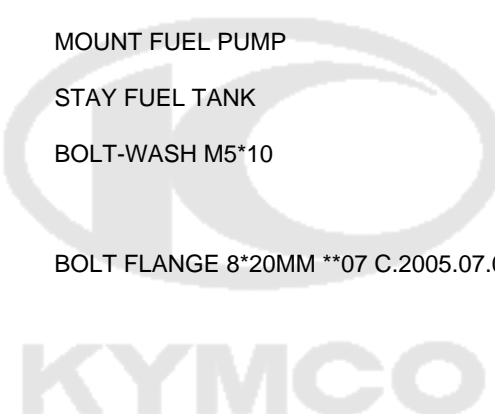
Seat Assy



Sales mark	Ref no	Part no	Description	Reg description	Regd no	F09
	77240	77240-ALE8-910	BELT SAFETY	BELT SAFETY	1	
	77240A	77240-ALE8-E01	BELT SAFETY	BELT SAFETY	1	
	77243	77243-LEE8-E00	BOLT	BOLT	6	
	77244	77244-LEE8-E01	NUT FLANGE	NUT FLANGE	8	
	77245	77245-LEE8-E00	CAP BOLT	CAP BOLT	2	
	77303	77303-ZWA2-M00	STAY SEAT	STAY SEAT	2	
**	77400	77400-AEE9-M00	SEAT ASSY BACK (REACH)	SEAT ASSY BACK (REACH)	1	
	77406	77406-ALE8-E00	TUBE BACK SEAT	TUBE BACK SEAT	1	
	89010	89010-LEE8-E00	TOOL SET	TOOL SET	1	
	90110A	90110-PWB1-900	SCREW SPECIAL 6X20	SCREW SPECIAL 6X20	6	
	90851	90851-ZVA6-M00	RIVET 4.8*12.8	RIVET 4.8*12.8	8	
	93404	93404-06020-06	BOLT WASHER 6X20	BOLT WASHER 6X20	8	
	93903	93903-25260	SCREW TAPPING 5*12	SCREW TAPPING 5*12	46	
	94050	94050-06060	NUT FLANGE 6MM	NUT FLANGE 6MM	8	
	94050A	94050-08080	NUT FLANGE 8MM	NUT FLANGE 8MM	2	
	94540	94540-04029	E RING 4	E RING 4	4	
	95701	95701-06012-06	BOLT FLANGE 6X12	BOLT FLANGE 6X12	4	

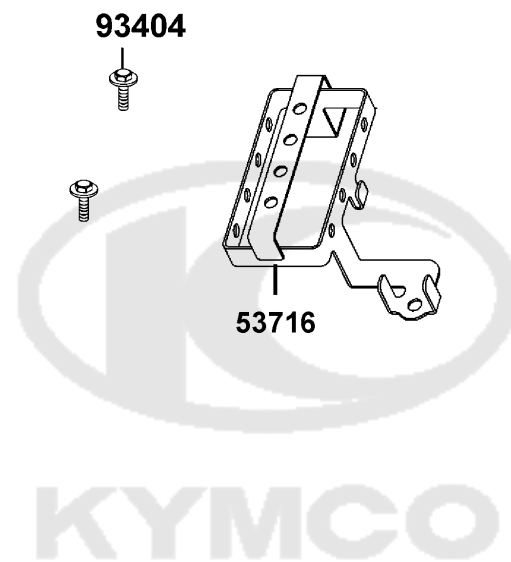


Sales mark	Ref no	Part no	Description	Reg description	Regd no	<b>F10</b>
	16911	16911-ACB2-M00	TUBE FUEL COMP	TUBE FUEL COMP	1	
**	17500	17500-ACB2-M00	TANK FUEL	TANK FUEL	1	
	17515	17515-LEE8-E00	SPONGE FUEL TANK	SPONGE FUEL TANK	5	
	17531	17531-LGC7-E00	CONNECTOR FUEL PUMP-90 DEGREE	CONNECTOR FUEL PUMP-90 DEGREE	1	
	1755A	1755A-AKB9-M00	FUEL PUMP ASSEMBLY	FUEL PUMP ASSEMBLY	1	
	17561	17561-LKB9-900	CLIP 12.5	CLIP 12.5	2	
	1760A	1760A-ALE8-800	TUBE ASSY FUEL TANK	TUBE ASSY FUEL TANK	1	
	37802	37802-LGC3-E00	MOUNT FUEL PUMP	MOUNT FUEL PUMP	1	
	50207	50207-LEE8-E00	STAY FUEL TANK	STAY FUEL TANK	2	
	90302	90302-LBF2-900	BOLT-WASH M5*10	BOLT-WASH M5*10	6	
	95701	95701-08020-06	BOLT FLANGE 8*20MM **07 C.2005.07.01	BOLT FLANGE 8*20MM **07 C.2005.07.01	2	



F11

Battery



Sales mark	Ref no	Part no	Description	Reg description	Regd no	<b>F11</b>
------------	--------	---------	-------------	-----------------	---------	------------

53716

53716-AEE9-M00

HOLDER BATTERY

HOLDER BATTERY

1

93404

93404-06016-06

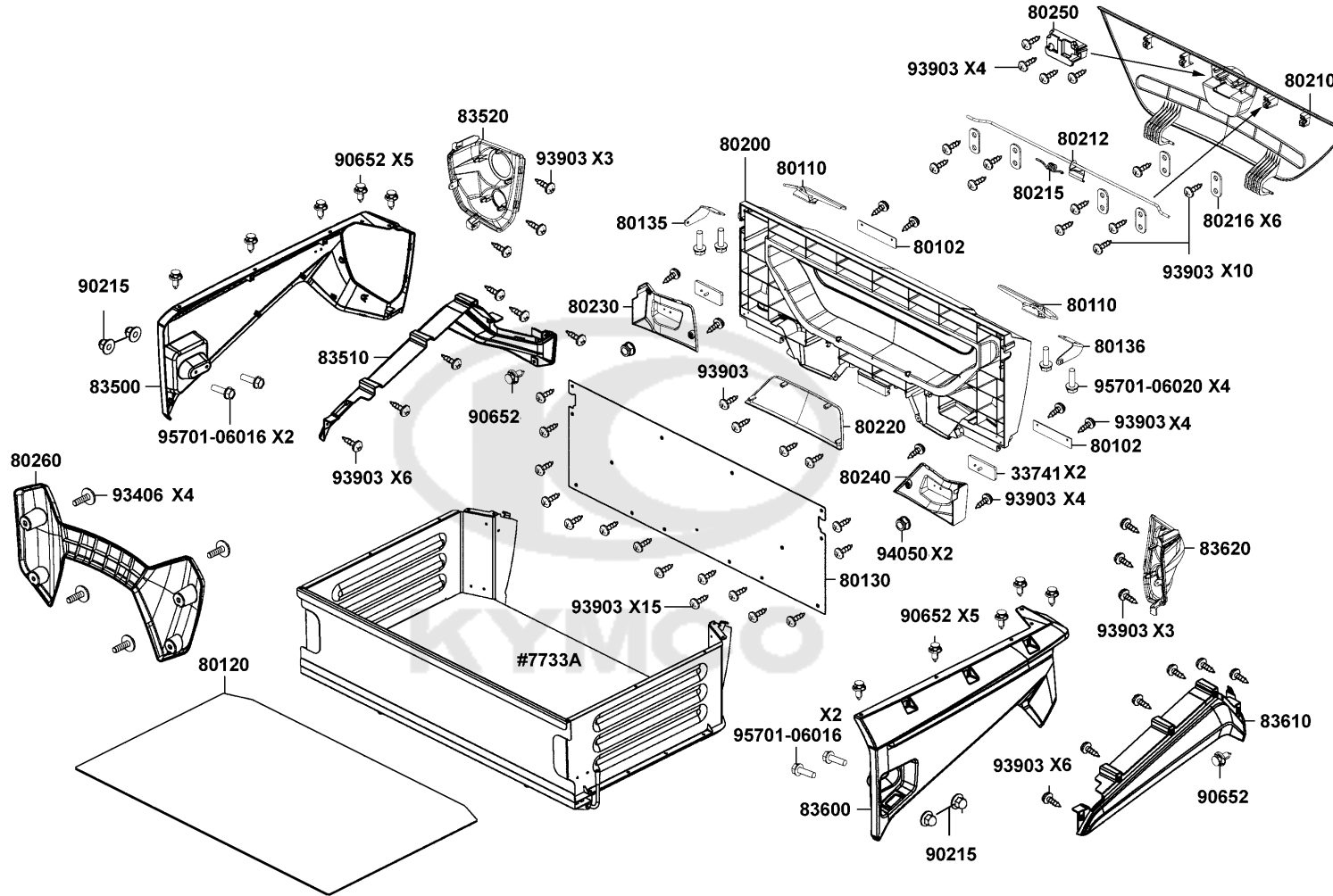
BOLT WASHER 6\*16

BOLT WASHER 6\*16

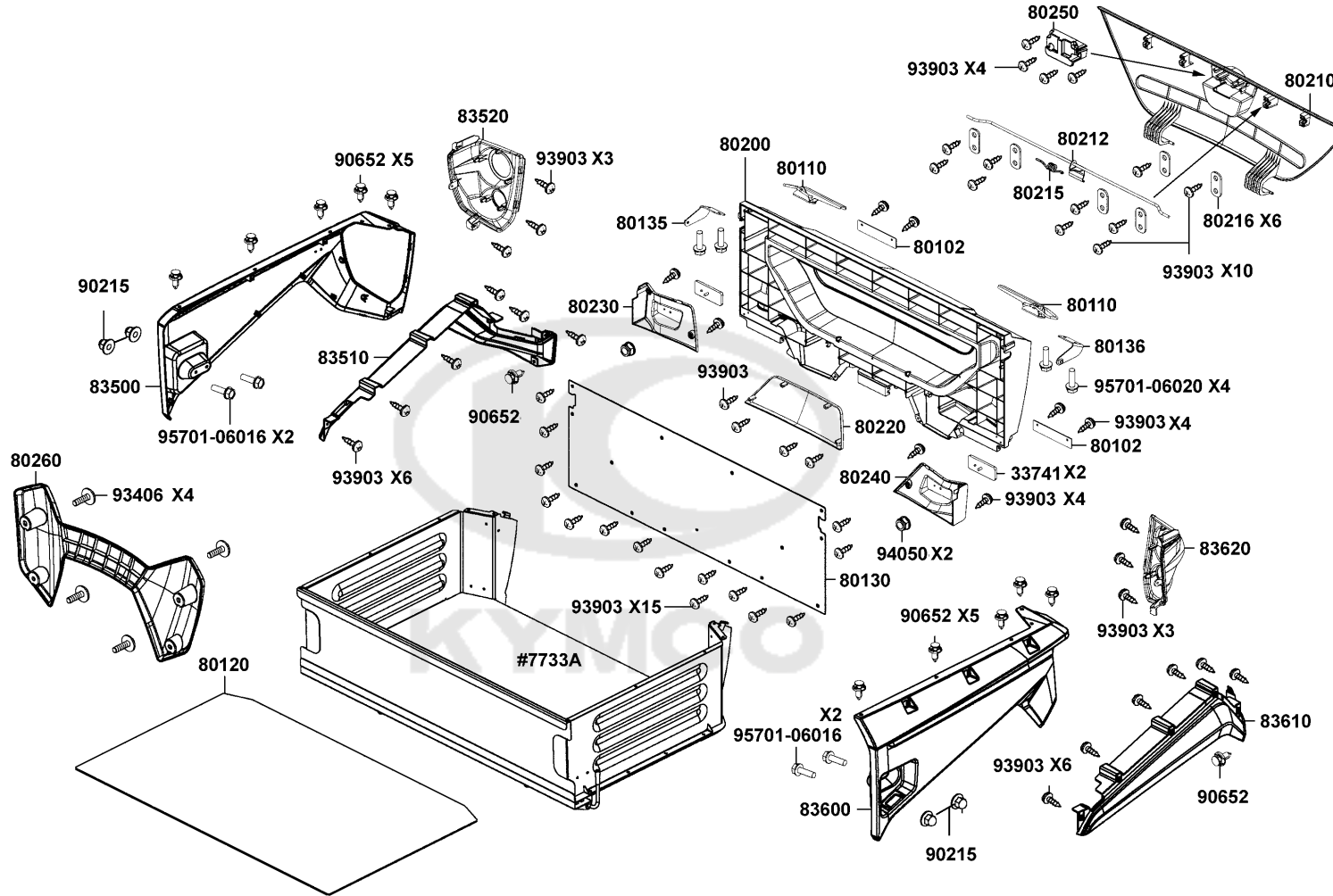
2



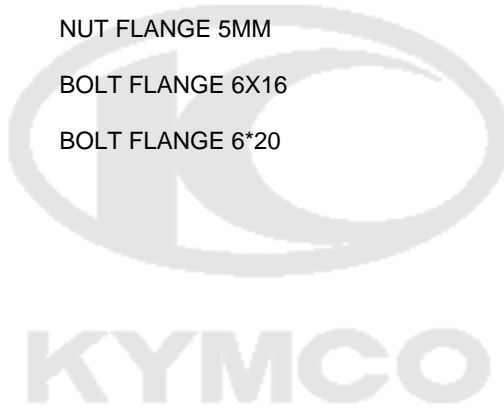


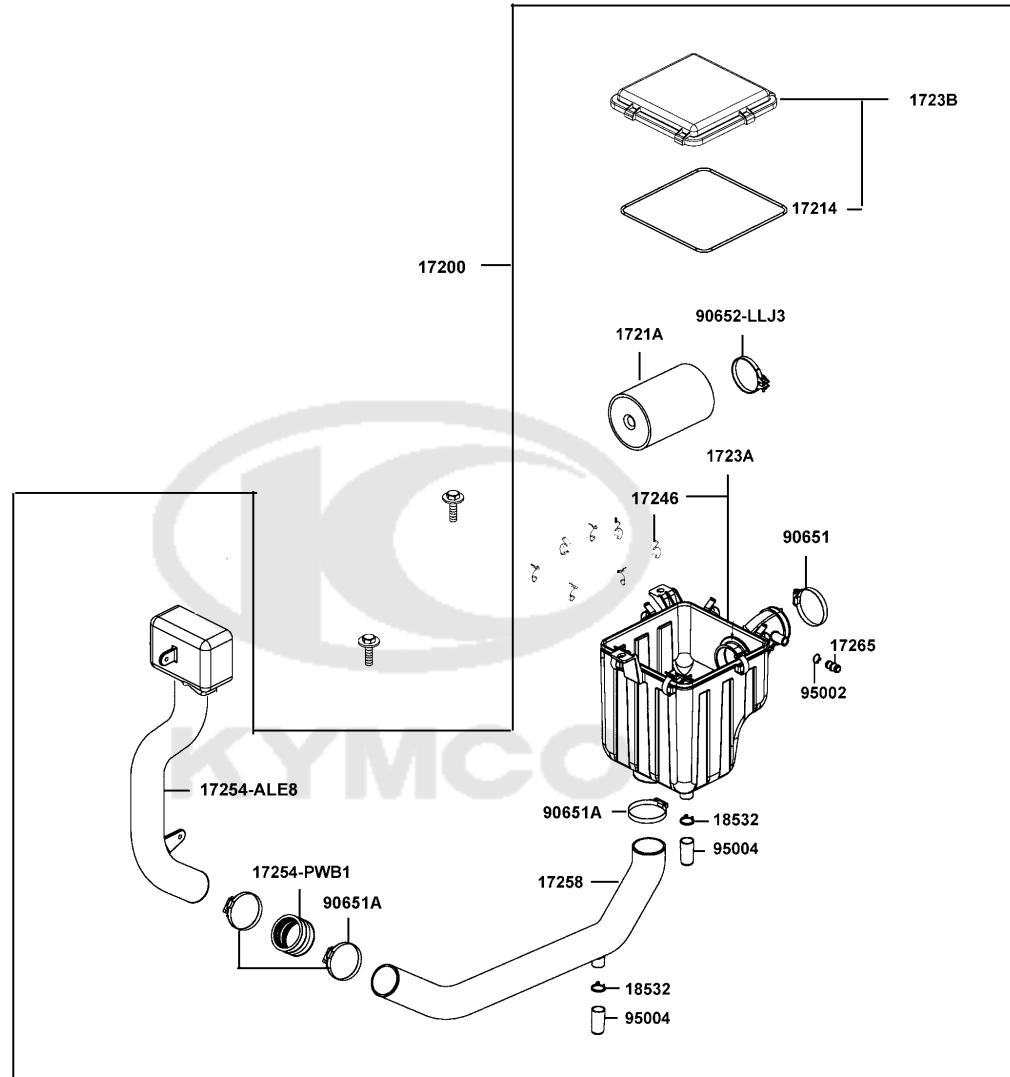


Sales mark	Ref no	Part no	Description	Reg description	Regd no	F12
	33741	33741-KHC5-M00	REFLEX REFLECTOR	REFLEX REFLECTOR	2	
	80102	80102-LEE8-E00	STAY HINGE	STAY HINGE	2	
	80110	80110-LEE8-E00	LATCH REAR STORAGELID	LATCH REAR STORAGELID	2	
	80120	80120-ALE8-E00	MAT CARGO BED	MAT CARGO BED	1	
**	80130	80130-ALE8-E00	PLATE TAIL GATE	PLATE TAIL GATE	1	
	80135	80135-ALE8-E00	BRACKET R TRUNK STOPPER	BRACKET R TRUNK STOPPER	1	
	80136	80136-ALE8-E00	BRACKET L TRUNK STOOPER	BRACKET L TRUNK STOOPER	1	
**	80200	80200-ALE8-E00	COVERTAIL GATE	COVERTAIL GATE	1	
**	80210	80210-AEE9-E00	LID TAIL GATE COVER	LID TAIL GATE COVER	1	
	80212	80212-ALE8-E00	LATCH LID	LATCH LID	1	
	80215	80215-ALE8-E00	SPRING LATCH	SPRING LATCH	1	
	80216	80216-ALE8-E00	STAY LATCH	STAY LATCH	6	
**	80220	80220-ALE8-E00	COVER B TAIL GATE	COVER B TAIL GATE	1	
**	80230	80230-ALE8-E00	COVER RH REFLECTOR	COVER RH REFLECTOR	1	
**	80240	80240-ALE8-E00	COVER LH REFLECTOR	COVER LH REFLECTOR	1	
**	80250	80250-ALE8-E00	HOLDER LATCH	HOLDER LATCH	1	
**	80260	80260-ALE8-E00	COVER REAR	COVER REAR	1	
**	83500	83500-ALE8-E00	PANEL RH REAR FENDER	PANEL RH REAR FENDER	1	
**	83510	83510-ALE8-E00	MOLDING RH REAR FENDER	MOLDING RH REAR FENDER	1	
**	83520	83520-AEE9-E00	COVER RH TAIL LIGHT	COVER RH TAIL LIGHT	1	



Sales mark	Ref no	Part no	Description	Reg description	Regd no	F12
**	83600	83600-ALE8-E00	PANEL LH REAR FENDER	PANEL LH REAR FENDER	1	
**	83610	83610-ALE8-E00	MOLDING LH REAR FENDER	MOLDING LH REAR FENDER	1	
**	83620	83620-AEE9-E00	COVER LH TAIL LIGHT	COVER LH TAIL LIGHT	1	
	90215	90215-KKC4-900	NUT CAP 6MM	NUT CAP 6MM	4	
	90652	90652-LEE8-E00	RIVET	RIVET	12	
	93406	93406-08016-06	BOLT WASHER 8*16 (G)	BOLT WASHER 8*16 (G)	4	
	93903	93903-35360	SCREW TAPPING 5*16	SCREW TAPPING 5*16	59	
	94050	94050-05060	NUT FLANGE 5MM	NUT FLANGE 5MM	2	
	95701-06016	95701-06016-06	BOLT FLANGE 6X16	BOLT FLANGE 6X16	4	
	95701-06020	95701-06020-06	BOLT FLANGE 6*20	BOLT FLANGE 6*20	4	

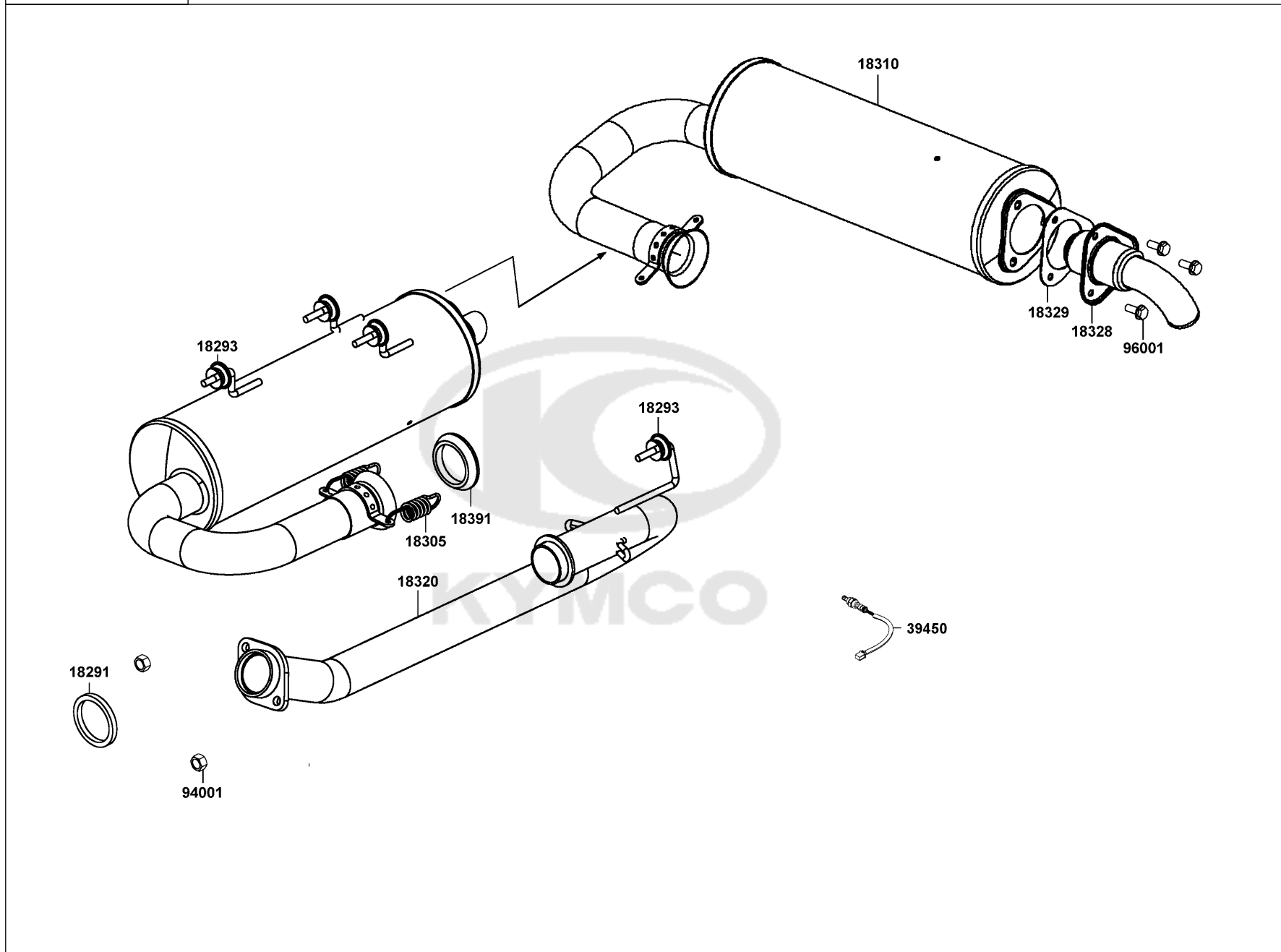




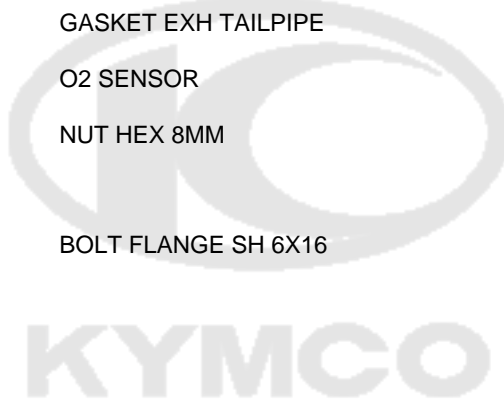
Sales mark	Ref no	Part no	Description	Reg description	Regd no	<b>F13</b>
17200		17200-AFB9-M00	AIR/C ASSY	AIR/C ASSY	1	
17214		17214-LDB5-E00	SEAL AIR/C CASE	SEAL AIR/C CASE	1	
1721A		1721A-LDB5-E00	ELEMENT COMP AIR/C	ELEMENT COMP AIR/C	1	
1723A		1723A-ALE8-E00	CASE ASSY AIR/C	CASE ASSY AIR/C	1	
1723B		1723B-ALE8-E00	COVER ASSY AIR/C	COVER ASSY AIR/C	1	
17246		17246-ALE8-E00	CLAMP AIR/C	CLAMP AIR/C	7	
17254-ALE8		17254-ALE8-E00	TUBE AIR/C IN	TUBE AIR/C IN	1	
17254-PWB1		17254-PWB1-900	BOOT AIR IN-CARB-LRG	BOOT AIR IN-CARB-LRG	1	
17258		17258-ALE8-E00	PIPE INTAKE	PIPE INTAKE	1	
17265		17265-LBA7-900	JOINT BLOW BY	JOINT BLOW BY	1	
18532		18532-6D34-671	CLIP AIR HOSE 21.5	CLIP AIR HOSE 21.5	2	
90651		90651-LEE8-E00	BAND 63	BAND 63	1	
90651A		90651-LFE9-E00	BAND 66	BAND 66	3	
90652-LLJ3		90652-LLJ3-E00	BAND CONNECTING TUBE	BAND CONNECTING TUBE	1	
93404		93404-06016-06	BOLT WASHER 6*16	BOLT WASHER 6*16	4	
95002		95002-02150	CLIP B14.5 TUBE	CLIP B14.5 TUBE	1	
95004		95004-LBA7-900	TUBE DRAIN	TUBE DRAIN	2	

F14

Exhaust Muffler



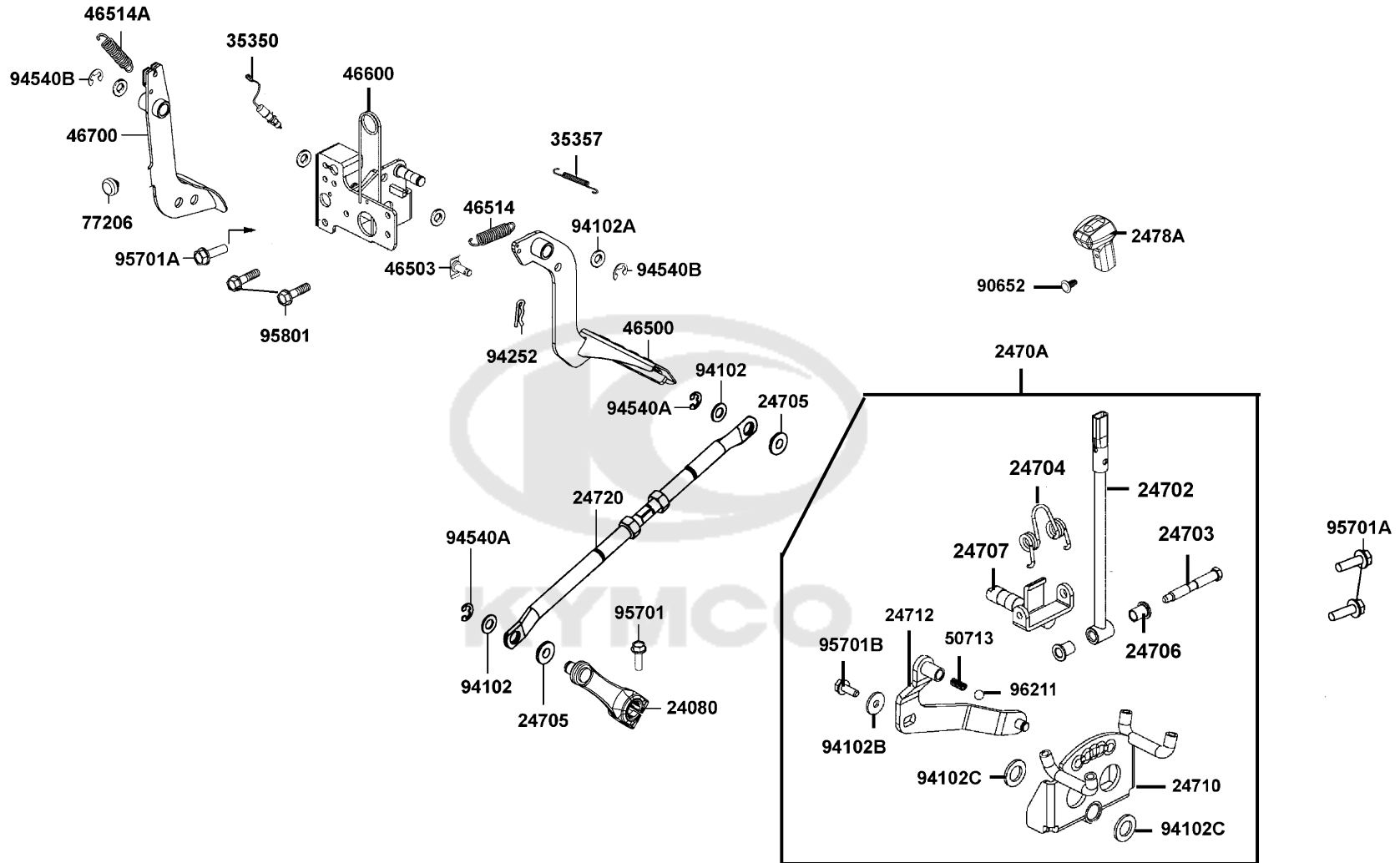
Sales mark	Ref no	Part no	Description	Reg description	Regd no	<b>F14</b>
18291		18291-PTA1-900	SEALEXHAUST PIPE	SEALEXHAUST PIPE	1	
18293		18293-PWB1-900	GROMMENT MUFFLER	GROMMENT MUFFLER	4	
18305		18305-PWB1-900	SPRING EXTENSION	SPRING EXTENSION	2	
18310		18310-AEE9-M00	MUFFLER BODY WELDMENT	MUFFLER BODY WELDMENT	1	
18320		18320-AEE9-M00	A PIPE COMP EXHAUST-BLACK	A PIPE COMP EXHAUST-BLACK	1	
18328		18328-ALE8-900	SPARK ARRESTER - WELDMENT	SPARK ARRESTER - WELDMENT	1	
18329		18329-PWB1-700	GASKET.SPARK ARRESTER	GASKET.SPARK ARRESTER	1	
18391		18391-PTA1-900	GASKET EXH TAILPIPE	GASKET EXH TAILPIPE	1	
39450		39450-ZVA6-M00	O2 SENSOR	O2 SENSOR	1	
94001		94001-08080-0S	NUT HEX 8MM	NUT HEX 8MM	2	
96001		96001-06016-06	BOLT FLANGE SH 6X16	BOLT FLANGE SH 6X16	3	





F15

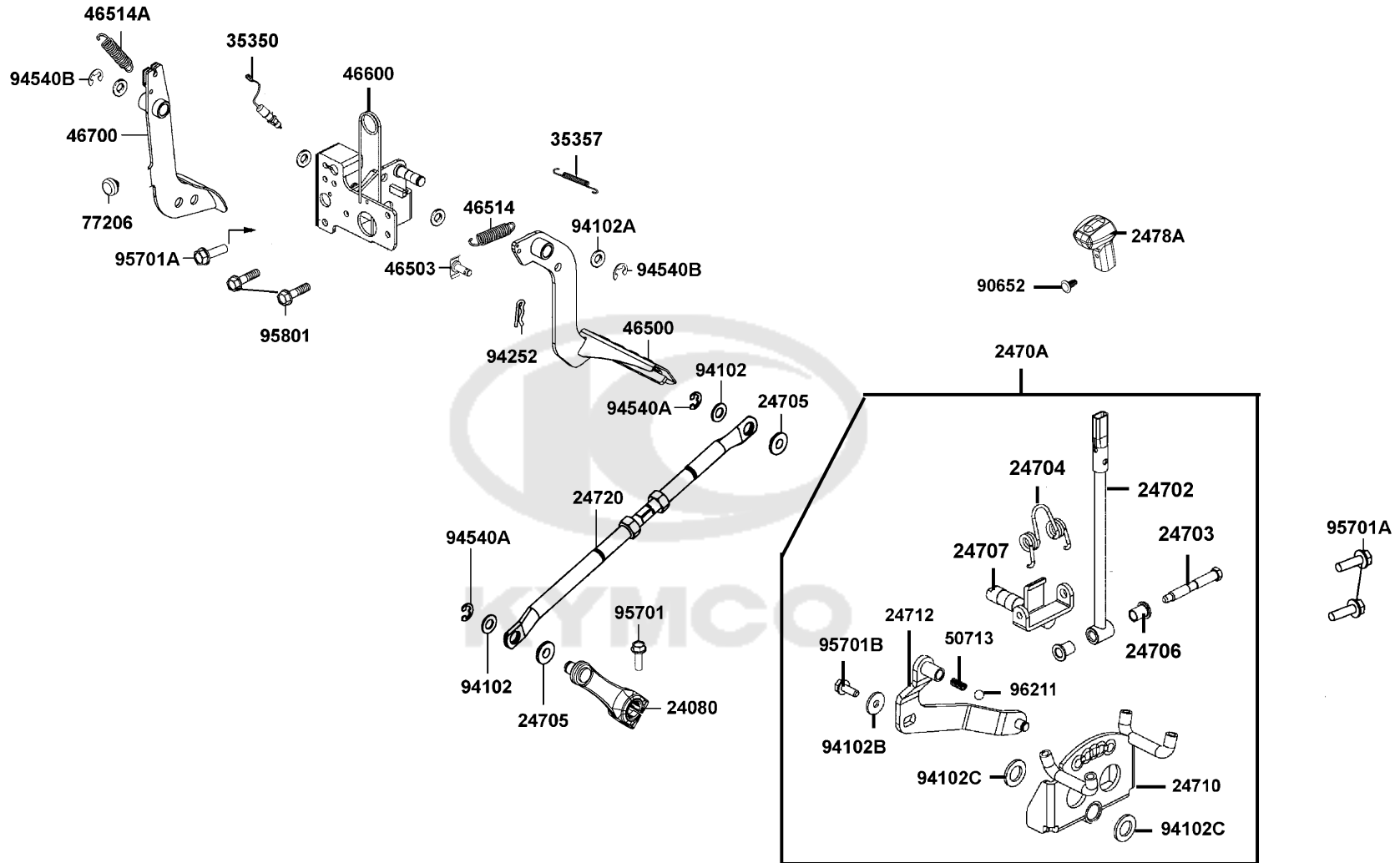
SHIFTER ASSY



Sales mark	Ref no	Part no	Description	Reg description	Regd no	F15
	24080	24080-ALE8-E00	ARM GEAR SELECT ASSY	ARM GEAR SELECT ASSY	1	
	24702	24702-AEE9-M00	ROD SHIFT LEVER	ROD SHIFT LEVER	1	
	24703	24703-LDB5-E00	BOLT SHIFT LEVER	BOLT SHIFT LEVER	1	
	24704	24704-LDB5-E00	SPRING SHIFT LEVER	SPRING SHIFT LEVER	1	
	24705	24705-PWB1-900	BUSHING SHIFT	BUSHING SHIFT	2	
	24706	24706-LDB5-E00	COLLAR SHIFT LEVER	COLLAR SHIFT LEVER	2	
	24707	24707-AEE9-M00	BRKT SHIFT LEVER	BRKT SHIFT LEVER	1	
	2470A	2470A-AEE9-M00	SHIFT ASSY	SHIFT ASSY	1	
	24710	24710-AEE9-M00	BRKT SHIFT	BRKT SHIFT	1	
	24712	24712-AEE9-M00	STAY SHIFT GUIDE	STAY SHIFT GUIDE	1	
	24720	24720-ALE8-E00	CABLE SHIFTER ASSY	CABLE SHIFTER ASSY	1	
	2478A	2478A-ALC1-E00	KNOB SHIFTER ASSY	KNOB SHIFTER ASSY	1	
	35350	35350-LBA7-900	REAR STOP SW	REAR STOP SW	1	
	35357	35357-ALE8-E00	SPRING STOP SWITCH	SPRING STOP SWITCH	1	
	46500	46500-ALE8-E00	PEDAL BRAKE	PEDAL BRAKE	1	
	46503	46503-LEE8-E00	RIN COMP BRK ROD	RIN COMP BRK ROD	1	
	46514	46514-ALE8-E00	SPRING BRAKE PEDAL	SPRING BRAKE PEDAL	1	
	46514A	46514-LLH6-M30	SPRING BRAKE ARM	SPRING BRAKE ARM	1	
	46600	46600-AKB9-M00	STAY PEDAL ASSY	STAY PEDAL ASSY	1	
	46700	46700-AFB9-M06	PEDAL THROT	PEDAL THROT	1	

F15

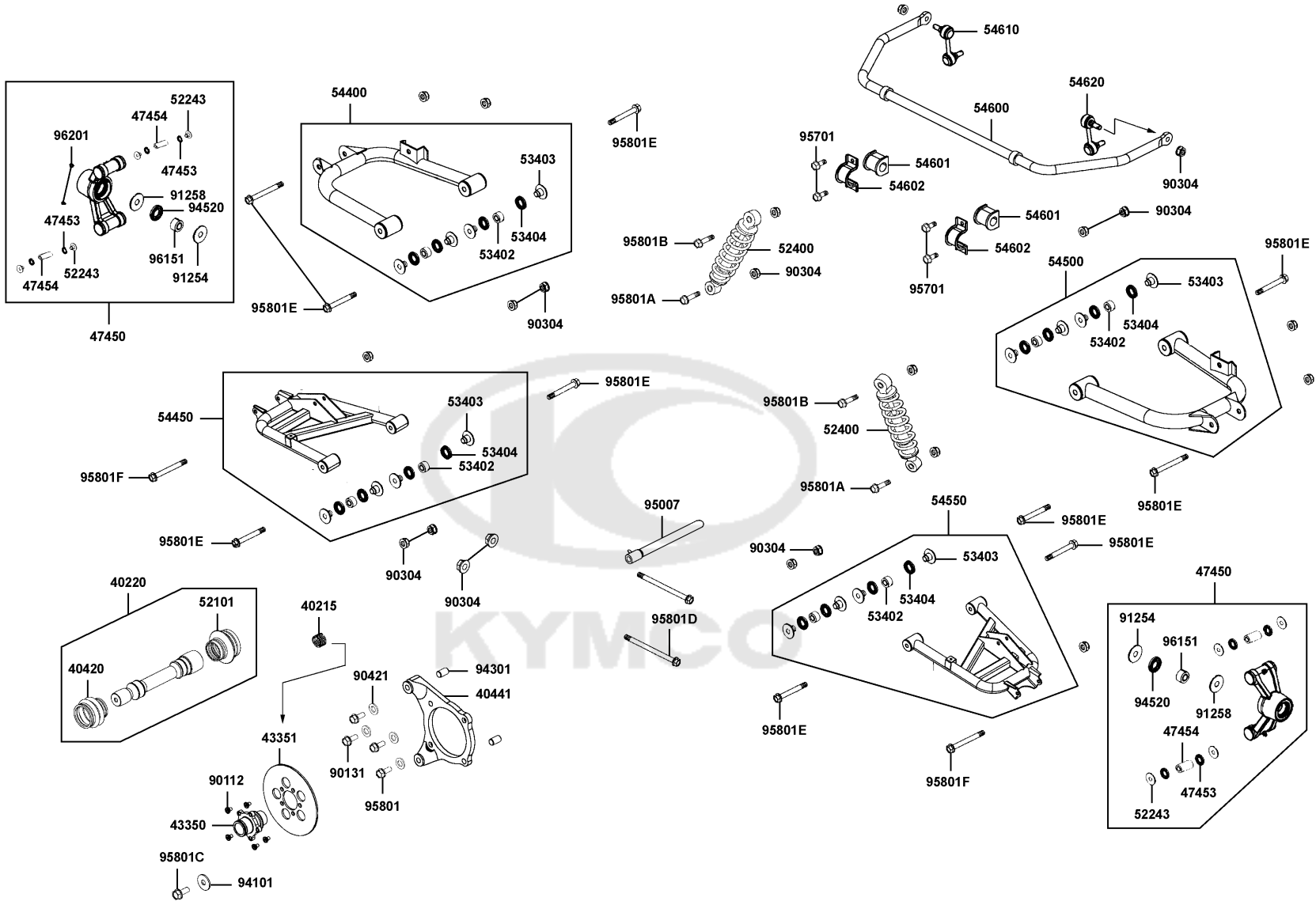
SHIFTER ASSY



Sales mark	Ref no	Part no	Description	Reg description	Regd no	F15
50713		50713-LDB5-E00	SPRING	SPRING	1	
77206		77206-KEB7-900	RUBBER SEAT CUSH	RUBBER SEAT CUSH	1	
90652		90652-PWB1-900	X'MAS TREE CLIP	X'MAS TREE CLIP	1	
94102		94102-08000	WASHER PLAIN 8MM	WASHER PLAIN 8MM	2	
94102A		94102-14800	WASHER PLAIN 14*26*2.3	WASHER PLAIN 14*26*2.3	4	
94102B		94102-ALE8-E00	WASHER PLAIN 6MM	WASHER PLAIN 6MM	1	
94102C		94102-LDB5-E00	WASHER PLAIN 14MM	WASHER PLAIN 14MM	2	
94252		94252-08000	LOCK PIN 8MM	LOCK PIN 8MM	1	
94540A		94540-06012	E RING	E RING	2	
94540B		94540-12028	E RING 12	E RING 12	2	
95701		95701-06022-06	BOLT FLANGE 6*22	BOLT FLANGE 6*22	1	
95701A		95701-08016-06	BOLT FLANGE 8*16	BOLT FLANGE 8*16	2	
95701B		95701-LDB5-E00	BOLT FLANGE 6*16	BOLT FLANGE 6*16	1	
95801		95801-08025-06	BOLT FLANGE 8*25	BOLT FLANGE 8*25	2	
96211		96211-08000	BALL STEEL #8	BALL STEEL #8	1	

F16

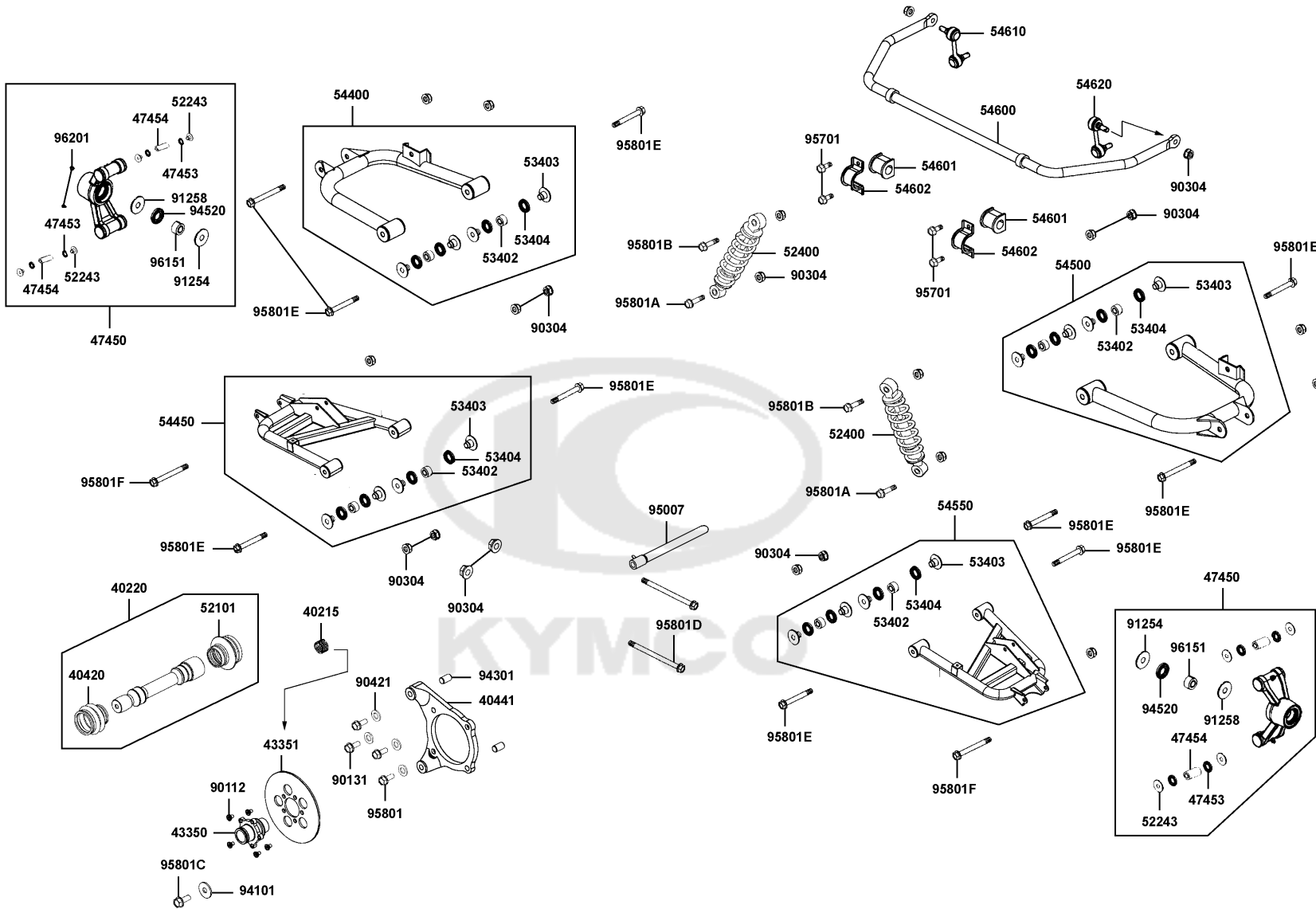
# Cushion RrDisk Assy Rr Brake



Sales mark	Ref no	Part no	Description	Reg description	Regd no	<b>F16</b>
40215		40215-LEE8-E00	SPRING RR PROPELLER	SPRING RR PROPELLER	1	
40220		40220-ALE8-E00	SHAFT ASSY.REAR	SHAFT ASSY.REAR	1	
40420		40420-LFE9-E00	BOOT REAR PROPELLER SHAFT	BOOT REAR PROPELLER SHAFT	1	
40441		40441-ALE8-E00	BRACKET CALIPER	BRACKET CALIPER	1	
43350		43350-ALE8-E00	HOLDER DISK RR BRK	HOLDER DISK RR BRK	1	
43351		43351-LKM8-900	DISK RR BRK	DISK RR BRK	1	
47450		47450-LEE8-900	KNUCKLE ASSY	KNUCKLE ASSY	2	
47453		47453-LEE8-E00	BUSH RR KNUCKLE	BUSH RR KNUCKLE	8	
47454		47454-LEE8-E00	COLLAR RR KNUCKLE	COLLAR RR KNUCKLE	4	
52101		52101-LEE8-E00	BOOT REAR PROPELLER SHAFT	BOOT REAR PROPELLER SHAFT	1	
52243		52243-KEC8-900	DUST SEAL RR CUSH ARM A	DUST SEAL RR CUSH ARM A	8	
52400		52400-ALE8-E00	CUSHION ASSY RR	CUSHION ASSY RR	2	
53402		53402-LEE8-E00	BEARING SPHERICAL PLAIN	BEARING SPHERICAL PLAIN	8	
53403		53403-LEE8-E00	COLLAR SWING ARM	COLLAR SWING ARM	16	
53404		53404-LEE8-E00	DUST SEAL 16*30*4.5	DUST SEAL 16*30*4.5	16	
54400		54400-ALE8-E00	A-ARM ASSY RR UPPER RH	A-ARM ASSY RR UPPER RH	1	
54450		54450-ZWA2-M00	A-ARM ASSY RR LOWER RH	A-ARM ASSY RR LOWER RH	1	
54500		54500-ALE8-E00	A-ARM ASSY RR UPPER LH	A-ARM ASSY RR UPPER LH	1	
54550		54550-ZWA2-M00	A-ARM ASSY RR LOWER LH	A-ARM ASSY RR LOWER LH	1	
54600		54600-ALE8-E00	BAR STABILIZER	BAR STABILIZER	1	

F16

# Cushion RrDisk Assy Rr Brake

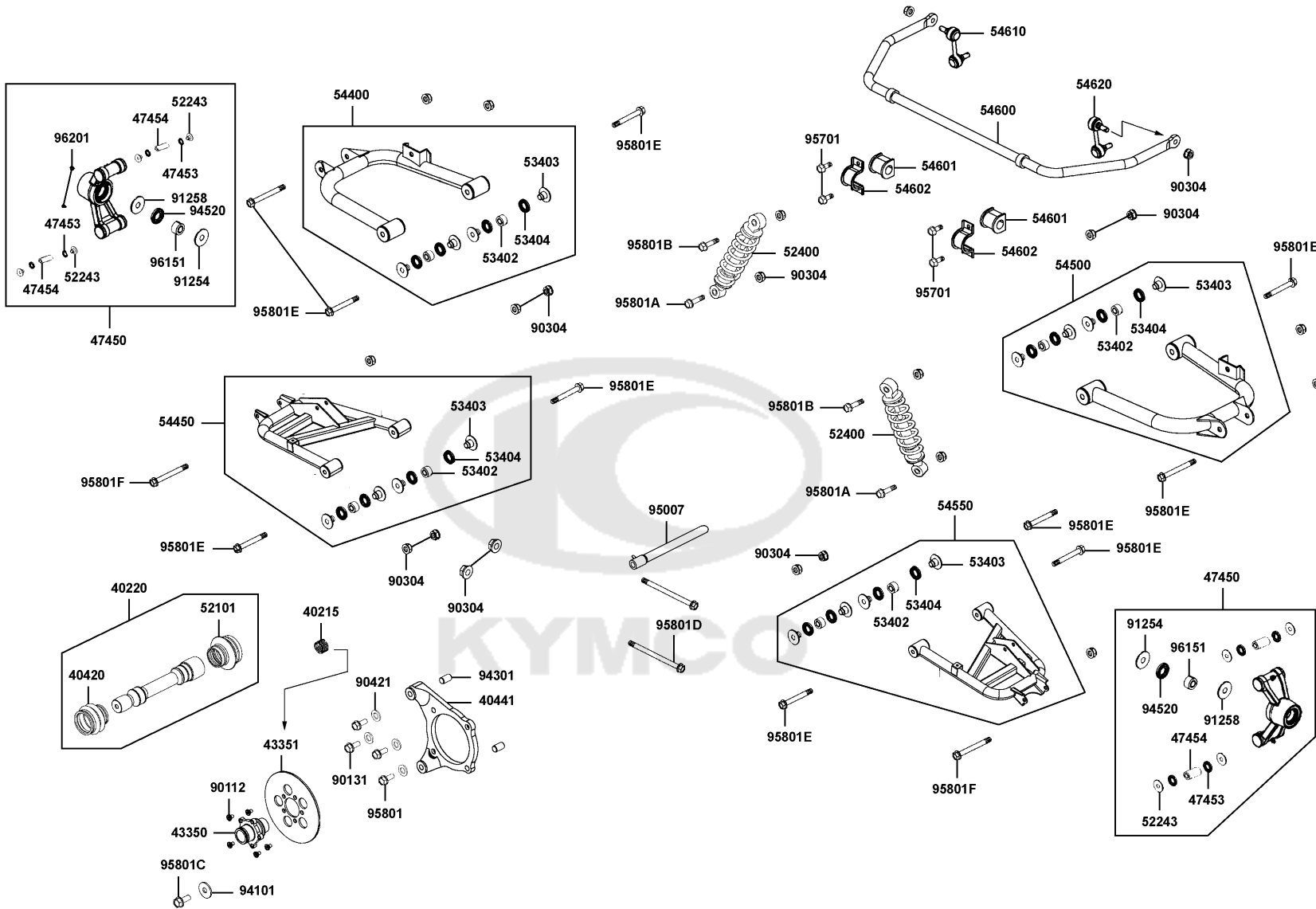



Sales mark	Ref no	Part no	Description	Reg description	Regd no	<b>F16</b>
54601		54601-LFE9-E00	BUSH STABILIZER	BUSH STABILIZER	2	
54602		54602-LFE9-E00	HOLDER STABILIZER	HOLDER STABILIZER	2	
54610		54610-LFE9-E00	JOINT STABILIZER RH	JOINT STABILIZER RH	1	
54620		54620-LFE9-E00	STABILIZER JOINT LH	STABILIZER JOINT LH	1	
90112		90112-LBD4-800	BOLT DISK	BOLT DISK	5	
90131		90131-LFB5-900	BOLT FLANGE 8X55	BOLT FLANGE 8X55	2	
90304		90304-GLW0-90A	NUT U FLANGE 10MM	NUT U FLANGE 10MM	22	
90421		90421-KAM1-004	WASHER SEALING 8*16*1.6	WASHER SEALING 8*16*1.6	4	
91254		91254-LDB5-E00	SEAL DUST CVJ 38X55X7	SEAL DUST CVJ 38X55X7	2	
91258		91258-LDB5-E00	SEAL DUST HUB 38*55*7	SEAL DUST HUB 38*55*7	2	
94101		94101-10800	WASHER PLAIN 10*22*1.6	WASHER PLAIN 10*22*1.6	1	
94301		94301-10120	DOWEL PIN 10*12	DOWEL PIN 10*12	2	
94520		94520-55000	CIR CLIP IN 55	CIR CLIP IN 55	2	
95007		95007-ZWA2-E00	HOSE VENT-GEARCASE	HOSE VENT-GEARCASE	1	
95701		95701-10020-06	BOLT FLANGE 10*20	BOLT FLANGE 10*20	4	
95801		95801-08065-06	BOLT FLANGE 8*65	BOLT FLANGE 8*65	2	
95801A		95801-10050-06	BOLT FLANGE 10*50	BOLT FLANGE 10*50	2	
95801B		95801-10060-06	BOLT FLANGE 10*60	BOLT FLANGE 10*60	2	
95801C		95801-10065-06	BOLT FLANGE 10*65	BOLT FLANGE 10*65	1	
95801D		95801-10120-06	BOLT FLANGE 10*120	BOLT FLANGE 10*120	2	



F16

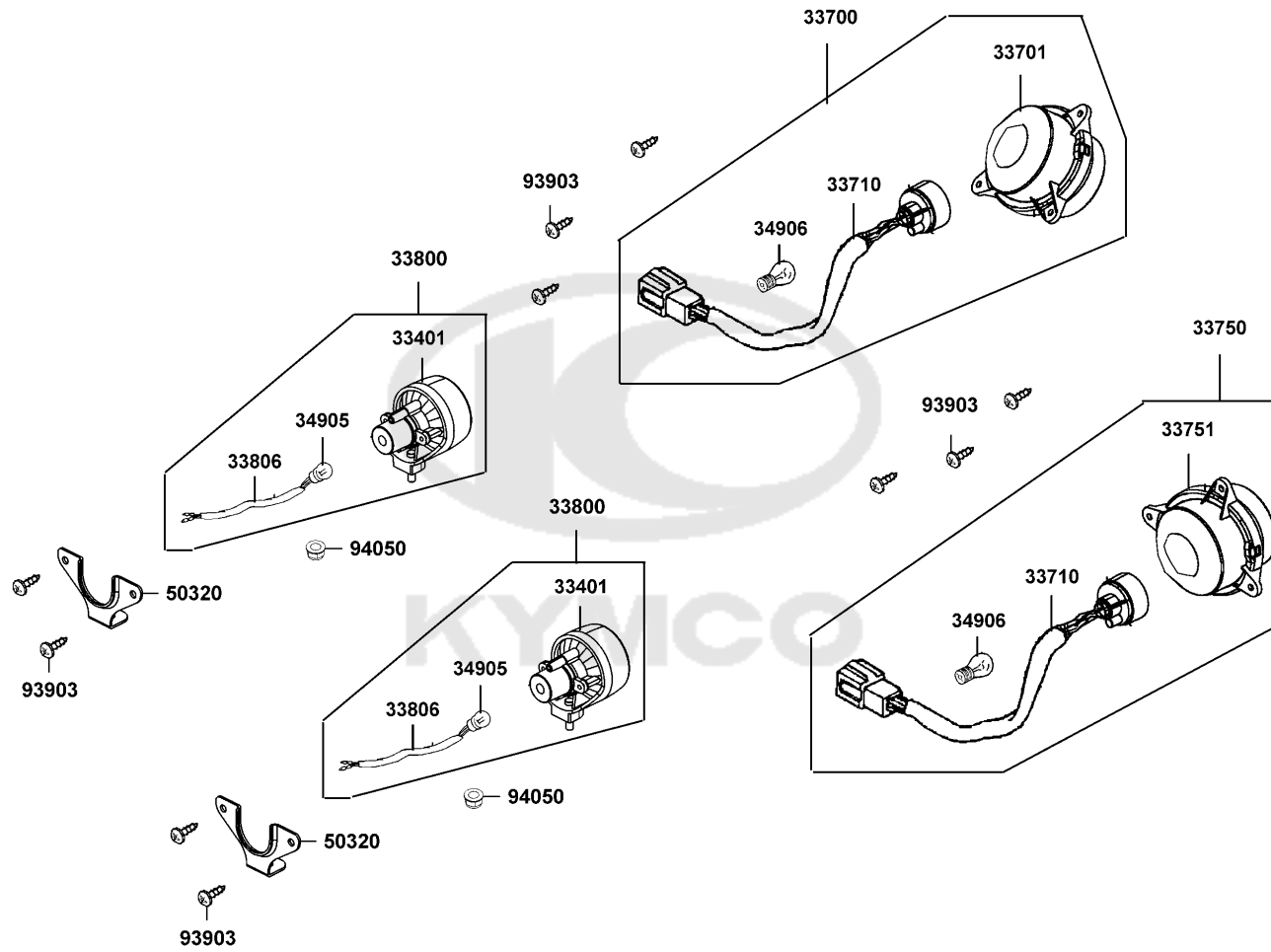
# Cushion RrDisk Assy Rr Brake



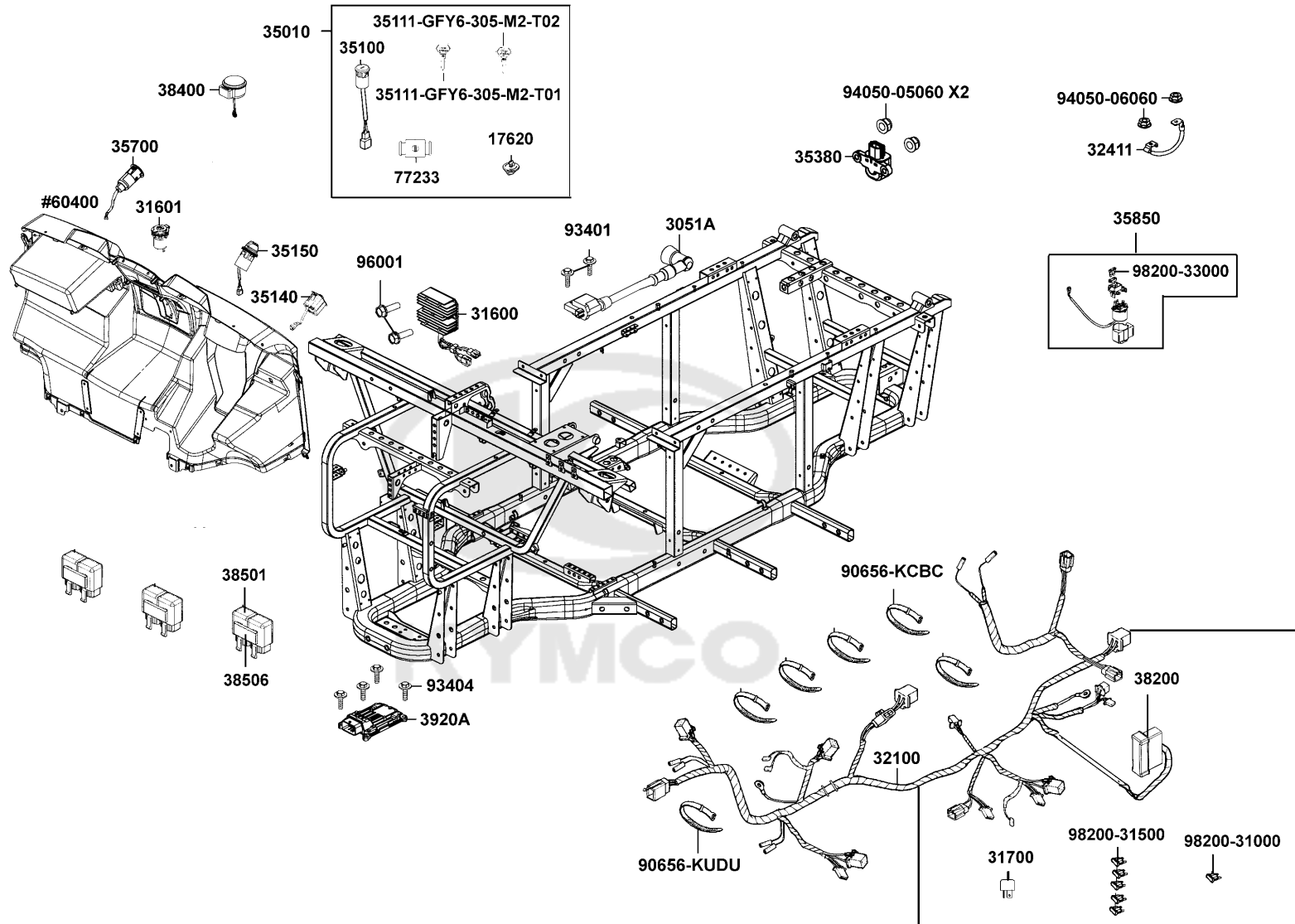
Sales mark	Ref no	Part no	Description	Reg description	Regd no	<b>F16</b>
	95801E	95801-LCA5-900	BOLT FLANGE 10*70	BOLT FLANGE 10*70	8	
	95801F	95801-LEE8-E00	BOLT FLANGE 10*100	BOLT FLANGE 10*100	2	
	96151	96151-PWB1-900	BEARING WHEEL	BEARING WHEEL	2	
	96201	96201-10000	NIPPLE GREASE	NIPPLE GREASE	4	
						

F17

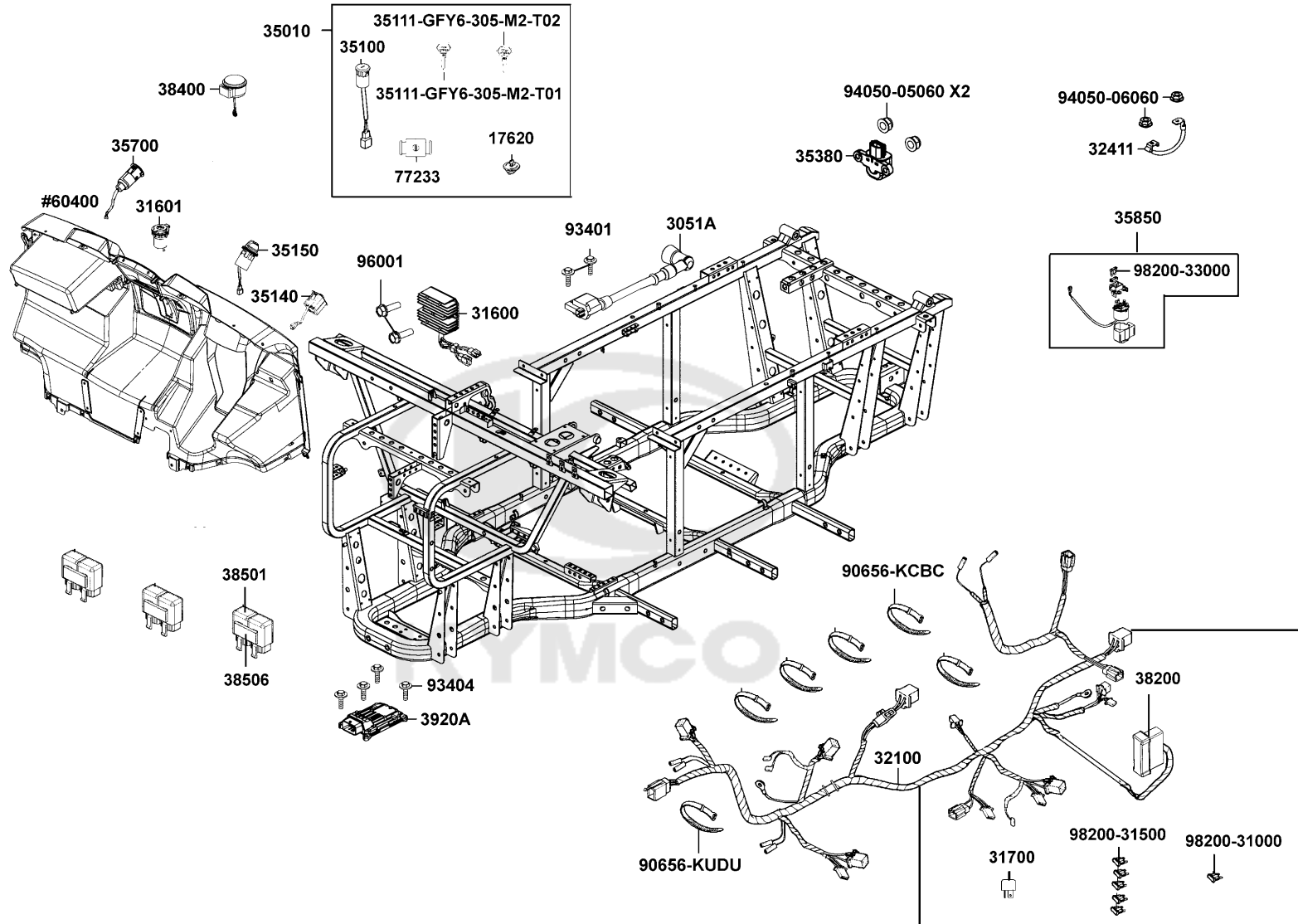
Light Assy Rr Comb



Sales mark	Ref no	Part no	Description	Reg description	Regd no	F17
33401		33401-LEE8-E01	UNIT WINKER FR	UNIT WINKER FR	2	
33700		33700-LGN5-900	LIGHT ASSY R RR COMB	LIGHT ASSY R RR COMB	1	
33701		33701-LGN5-E00	UNIT TAIL LIGHT R	UNIT TAIL LIGHT R	1	
33710		33710-LGN5-900	SOCKET COMP RR COMB	SOCKET COMP RR COMB	2	
33750		33750-LGN5-900	LIGHT ASSY L RR COMB	LIGHT ASSY L RR COMB	1	
33751		33751-LGN5-E00	UNIT TAIL LIGHT L	UNIT TAIL LIGHT L	1	
33800		33800-LGN5-900	LIGHT ASSY REVERSE	LIGHT ASSY REVERSE	2	
33806		33806-LGN5-900	SOCKET COMP R/L	SOCKET COMP R/L	2	
34905		34905-LCA5-900	BULB POSITION 12V5W	BULB POSITION 12V5W	2	
34906		34906-KPCP-900	BULB TAIL & STOP	BULB TAIL & STOP	2	
50320		50320-PRB3-900	STAY WINKER	STAY WINKER	2	
93903		93903-35360	SCREW TAPPING 5*16	SCREW TAPPING 5*16	10	
94050		94050-05060	NUT FLANGE 5MM	NUT FLANGE 5MM	2	



Sales mark	Ref no	Part no	Description	Reg description	Regd no	F18
	17620	17620-ALE8-M00	CAP COMP FUEL FILLER	CAP COMP FUEL FILLER	1	
	3051A	3051A-ALE8-E00	COIL ASS'Y IGNITION	COIL ASS'Y IGNITION	1	
	31600	31600-LKM5-E00	REG RECT COMP	REG RECT COMP	1	
	31601	31601-LDB5-E00	SOCKET COMP DC 12V	SOCKET COMP DC 12V	1	
	31700	31700-KEC8-E00	RECTIFIER COMP DIODE	RECTIFIER COMP DIODE	1	
	32100	32100-AFB9-M07	HARNESS WIRE	HARNESS WIRE	1	
	32411	32411-AEE9-M00	CABLE BAT	CABLE BAT	1	
	35010	35010-ALE8-M00	KEY SET	KEY SET	1	
	35100	35100-ACB2-305	SW ASSY COMB START	SW ASSY COMB START	1	
	35111-GFY6-305-M2-35111-GFY6-305-M2-T01		KEY COMP /SD/R CUT	KEY COMP /SD/R CUT	1	
	35111-GFY6-305-M2-35111-GFY6-305-M2-T02		KEY COMP /SD/L CUT	KEY COMP /SD/L CUT	1	
	35140	35140-ALE8-E00	SW UNIT 2WD/4WD/LOCK	SW UNIT 2WD/4WD/LOCK	1	
	35150	35150-LEE8-E00	SW UNIT LIGHTING	SW UNIT LIGHTING	1	
	35380	35380-LEA2-900	SENSOR ANGLE DETECT	SENSOR ANGLE DETECT	1	
	35700	35700-ALE8-E00	SAFETY BELT SY	SAFETY BELT SY	1	
	35850	35850-LDB5-E00	SET START MAG	SET START MAG	1	
	38200	38200-KHE7-900	BOX COMP FUSE	BOX COMP FUSE	1	
	38400	38400-LKJ1-900	BUZZER	BUZZER	1	
	38501	38501-LGL3-90A	RELAY COMP LIGHT	RELAY COMP LIGHT	9	
	38506	38506-LFB6-900	CUSHION.RELAY	CUSHION.RELAY	3	

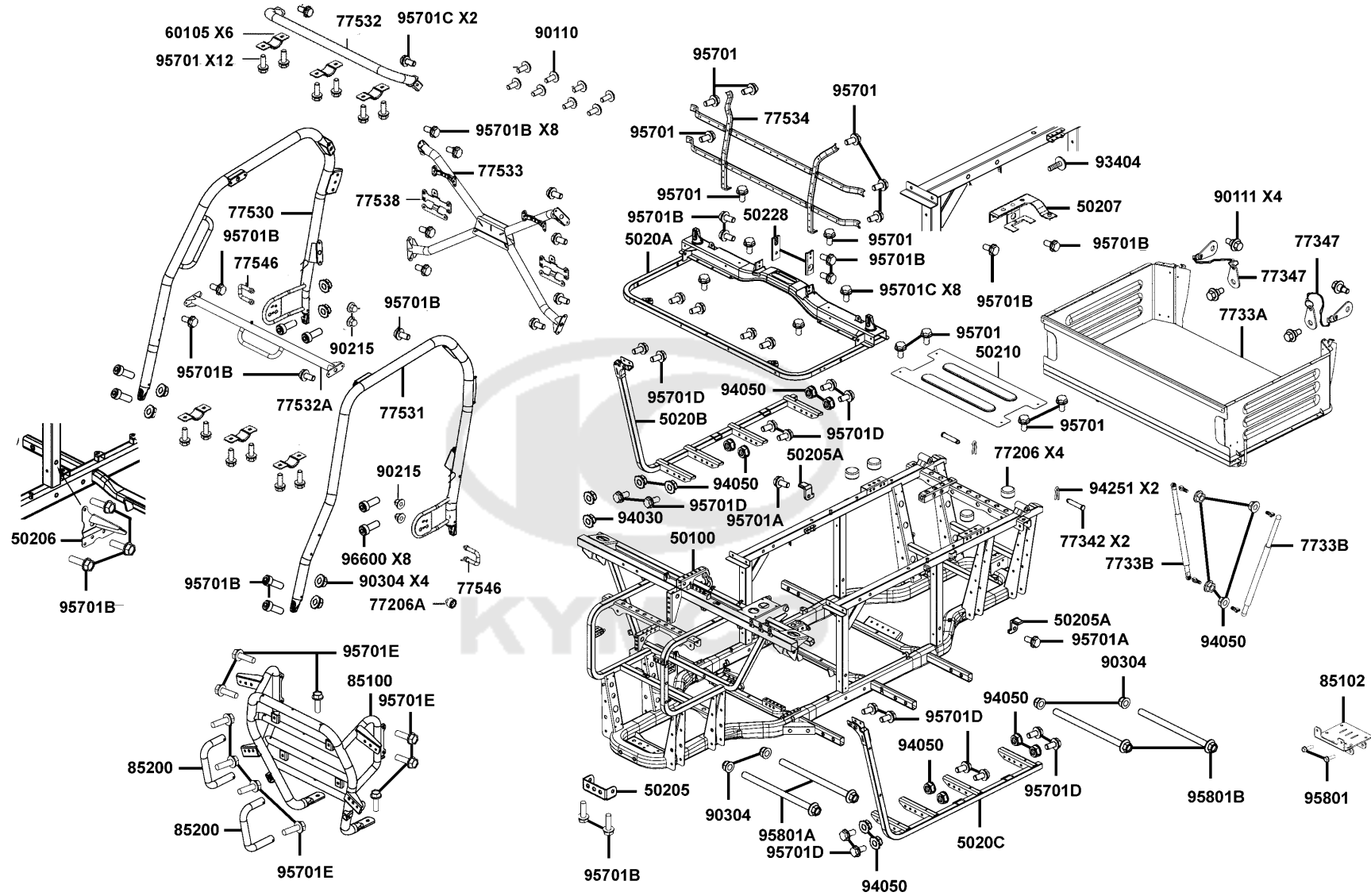


Sales mark	Ref no	Part no	Description	Reg description	Regd no	<b>F18</b>
	3920A	3920A-AEE9-E01	MODULE ASS'Y ECU	MODULE ASS'Y ECU	1	
	77233	77233-KBCB-345	LOCK ASSY INNER BOX	LOCK ASSY INNER BOX	1	
	90656-KCBC	90656-KCBC-900	BAND OIL HANDLE 8X146	BAND OIL HANDLE 8X146	5	
**	90656-KUDU	90656-KUDU-900	BAND HARNESS WIRE	BAND HARNESS WIRE	1	
	93401	93401-04025-06	BOLT WASHER 4X25	BOLT WASHER 4X25	2	
	93404	93404-06020-06	BOLT WASHER 6X20	BOLT WASHER 6X20	4	
	94050-05060	94050-05060	NUT FLANGE 5MM	NUT FLANGE 5MM	2	
	94050-06060	94050-06060	NUT FLANGE 6MM	NUT FLANGE 6MM	2	
	96001	96001-06016-06	BOLT FLANGE SH 6X16	BOLT FLANGE SH 6X16	2	
	98200-31000	98200-31000	BLADE FUSE 10A	BLADE FUSE 10A	1	
	98200-31500	98200-31500	BLADE FUSE 15A	BLADE FUSE 15A	5	
	98200-33000	98200-33000	BLADE FUSE 30A	BLADE FUSE 30A	1	



F19

# Body Comp FrameCargo Bed Assy



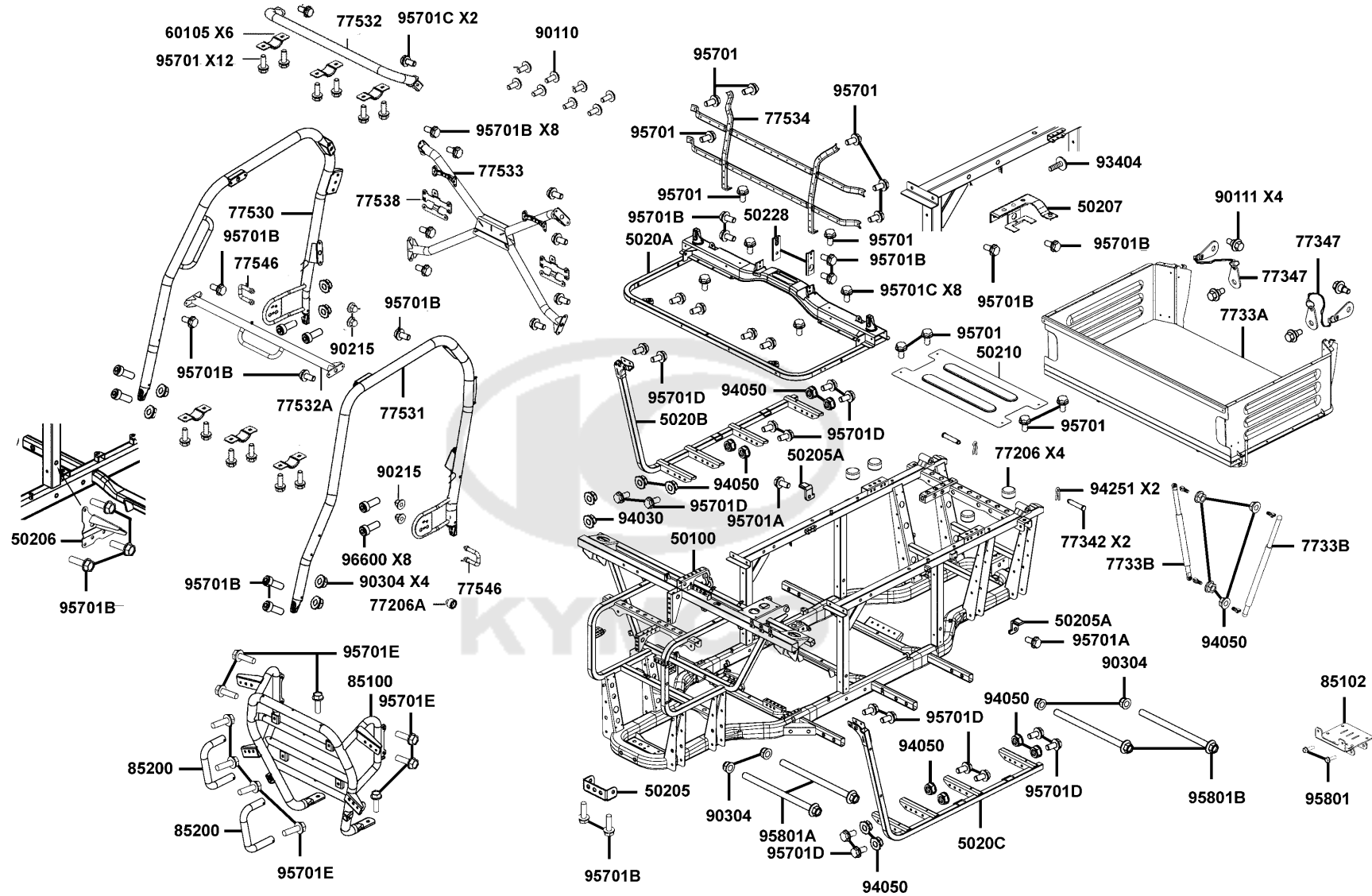
Sales mark	Ref no	Part no	Description	Reg description	Regd no	<b>F19</b>
50100		50100-AEE9-M00	BODY COMP FRAME	BODY COMP FRAME	1	
50205		50205-ALE8-E00	STAY DIFFERENTIAL GEAR	STAY DIFFERENTIAL GEAR	1	
50205A		50205-LEE8-E00	STAY LATCH	STAY LATCH	2	
50206		50206-ALE8-E00	BRKT SHIFTER	BRKT SHIFTER	1	
50207		50207-AFB9-M06	BRKT A/C	BRKT A/C	1	
5020A		5020A-AFB9-M07	CROSS PIPE COMP. SEAT	CROSS PIPE COMP. SEAT	1	
5020B		5020B-AFB9-M00	PIPE COMP R SIDE FRAME	PIPE COMP R SIDE FRAME	1	
5020C		5020C-AFB9-M00	PIPE COMP L SIDE FRAME	PIPE COMP L SIDE FRAME	1	
50210		50210-ALE8-E00	BRKT PROTECTOR	BRKT PROTECTOR	1	
50228		50228-ALE8-E00	BRKT SEAT BELT	BRKT SEAT BELT	2	
60105		60105-AFB9-M00	STAY TOP PANEL	STAY TOP PANEL	6	
77206		77206-LBA7-900	RUBBER SEAT CUSH	RUBBER SEAT CUSH	4	
77206A		77206-LKB9-900	RUBBER SEAT CUSH	RUBBER SEAT CUSH	2	
7733A		7733A-ALE8-E00	CARGO BED ASSY	CARGO BED ASSY	1	
7733B		7733B-ALE8-E00	GAS DAMPER	GAS DAMPER	2	
77342		77342-ALE8-E00	PIN CARGO BED	PIN CARGO BED	2	
77347		77347-LEE8-E00	ROPE CARGO BED	ROPE CARGO BED	2	
77530		77530-AFB9-M00	R PIPE COMP ROOF	R PIPE COMP ROOF	1	
77531		77531-AFB9-M00	L PIPE COMP ROOF	L PIPE COMP ROOF	1	
77532		77532-AFB9-M00	PIPE COMP TOP PANEL	PIPE COMP TOP PANEL	1	



Sales mark	Ref no	Part no	Description	Reg description	Regd no	F19
**	77532A	77532-ALE8-E00	CROSS PIPE COMP. ROOF	CROSS PIPE COMP. ROOF	1	
**	77533	77533-ALE8-E00	REAR PIPE COMP ROOF	REAR PIPE COMP ROOF	1	
	77534	77534-ALE8-E00	CROSS BRKT. SEAT	CROSS BRKT. SEAT	1	
	77538	77538-AFB9-M00	STAY HEADREST	STAY HEADREST	2	
	77546	77546-ZVA6-M01	HOOK DOOR	HOOK DOOR	2	
	85100	85100-ALE8-M00	PIPE FR BUMPER	PIPE FR BUMPER	1	
	85102	85102-ALE8-E01	PLATE WINCH	PLATE WINCH	1	
	85200	85200-ALE8-E00	HOLDER FR BUMPER	HOLDER FR BUMPER	2	
	90110	90110-KEB7-900	SCREW SPECIAL 6*14	SCREW SPECIAL 6*14	8	
	90111	90111-1G87-001	BOLT FLANGE 6MM	BOLT FLANGE 6MM	4	
	90215	90215-KKC4-900	NUT CAP 6MM	NUT CAP 6MM	4	
	90304	90304-GLW0-90A	NUT U FLANGE 10MM	NUT U FLANGE 10MM	8	
	93404	93404-06016-06	BOLT WASHER 6*16	BOLT WASHER 6*16	1	
	94030	94030-10080	NUT HEX 10MM	NUT HEX 10MM	4	
	94050	94050-08060	NUT FLANGE 8MM	NUT FLANGE 8MM	16	
	94251	94251-14000	PIN LOCK 14MM	PIN LOCK 14MM	2	
	95701	95701-06016-06	BOLT FLANGE 6X16	BOLT FLANGE 6X16	24	
	95701A	95701-08012-06	BOLT FLANGE 8*12	BOLT FLANGE 8*12	2	
	95701B	95701-08016-06	BOLT FLANGE 8*16	BOLT FLANGE 8*16	25	
	95701C	95701-08020-06	BOLT FLANGE 8*20MM **07 C.2005.07.01	BOLT FLANGE 8*20MM **07 C.2005.07.01	10	

F19

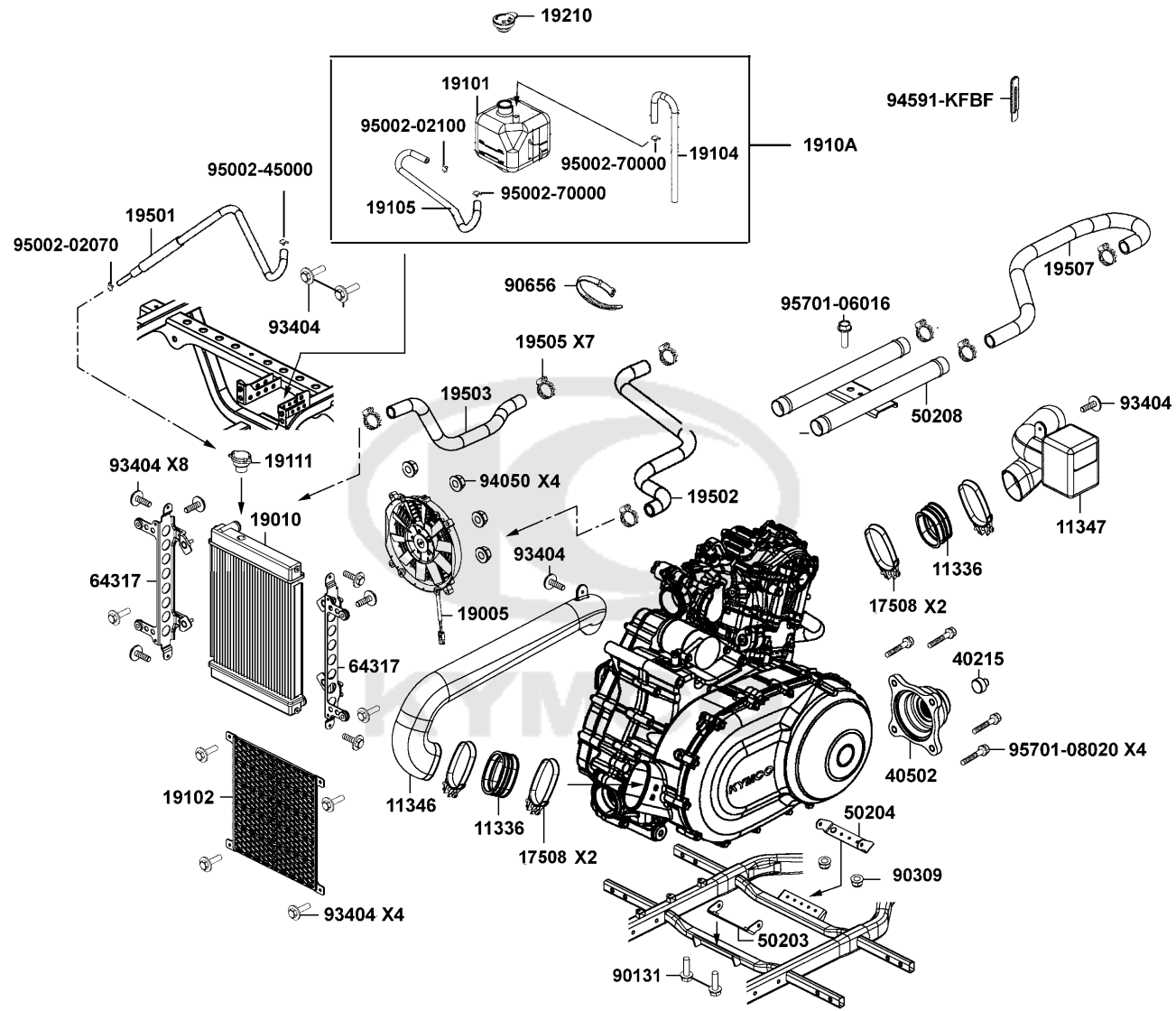
# Body Comp FrameCargo Bed Assy



Sales mark	Ref no	Part no	Description	Reg description	Regd no	<b>F19</b>
95701D	95701-08045-06	95701-08045-06	BOLT FLANGE 6*45	BOLT FLANGE 6*45	16	
95701E	95701-08050-06	95701-08050-06	BOLT FLANGE 8*50	BOLT FLANGE 8*50	4	
95801	95801-10085-06	95801-10085-06	BOLT FLANGE 10*85	BOLT FLANGE 10*85	2	
95801A	95801-10110-06	95801-10110-06	BOLT FLANGE 10*110	BOLT FLANGE 10*110	2	
95801B	95801-10185-06	95801-10185-06	BOLT FLANGE 10*185 (G)	BOLT FLANGE 10*185 (G)	2	
96600	96600-10028-06	96600-10028-06	SOCKET BOLT 10X28	SOCKET BOLT 10X28	8	



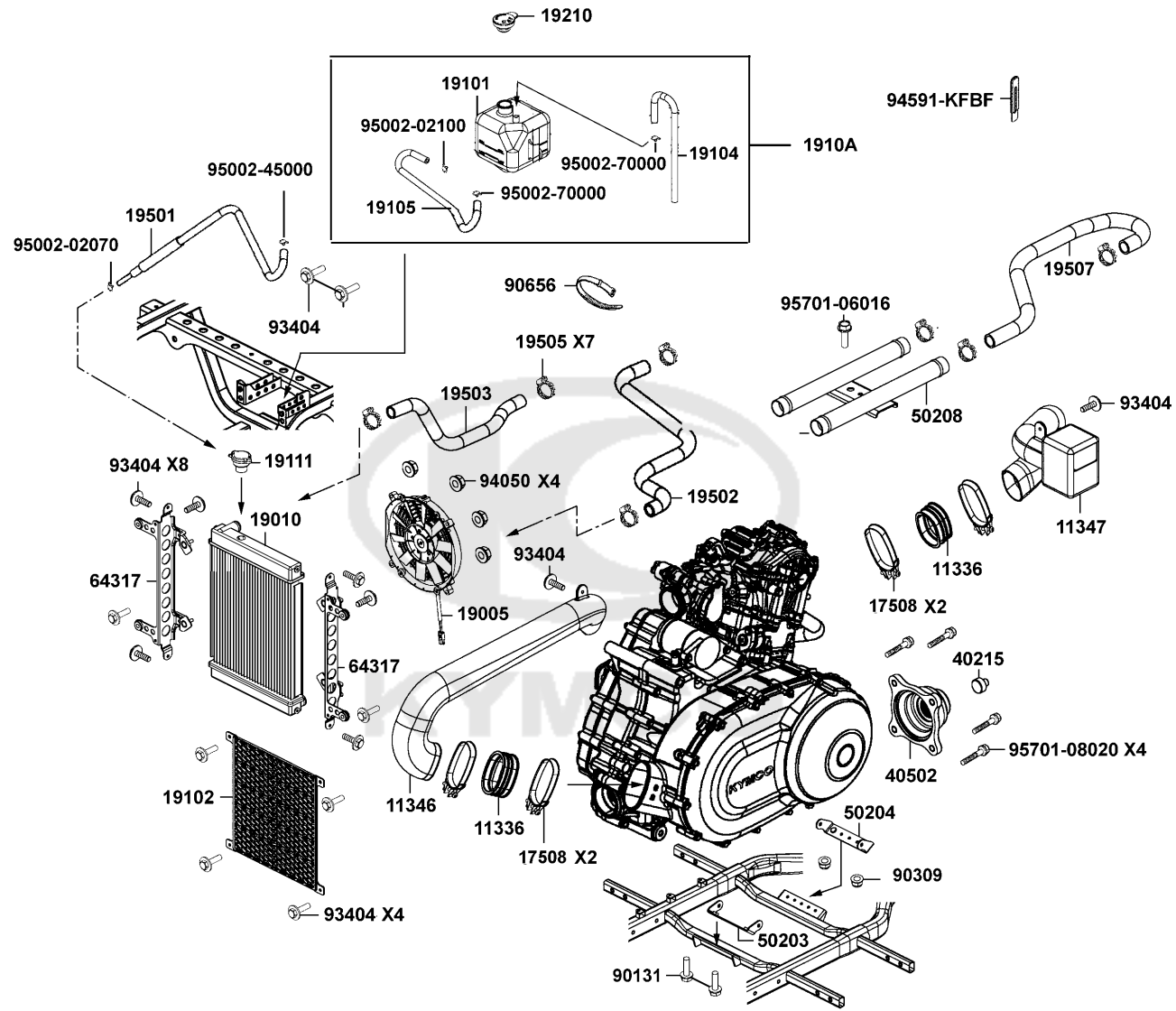
# Radiator CompShoroud



Sales mark	Ref no	Part no	Description	Reg description	Regd no	<b>F20</b>
	11336	11336-ALE8-E00	BOOT CVT DUCT	BOOT CVT DUCT	2	
	11346	11346-ALE8-E00	FR CVT DUCT	FR CVT DUCT	1	
	11347	11347-AKB9-M00	RR CVT DUCT	RR CVT DUCT	1	
	17508	17508-ZWA2-E00	CLAMP D90	CLAMP D90	2	
	19005	19005-LEE8-E0A	SHROUD ASSY	SHROUD ASSY	1	
	19010	19010-LKM8-700	RADIATOR COMP	RADIATOR COMP	1	
	19101	19101-LDB5-E00	TANK RESERVE	TANK RESERVE	1	
**	19102	19102-LEE8-E00	GRILLE RADIATOR	GRILLE RADIATOR	1	
	19104	19104-ALE8-E00	HOSE ASSY DRAIN	HOSE ASSY DRAIN	1	
	19105	19105-ALE8-E00	HOSE ASSY WATER	HOSE ASSY WATER	1	
	1910A	1910A-ALE8-E00	TANK ASSY RESERVE	TANK ASSY RESERVE	1	
	19111	19111-GBE2-004	CAP COMP	CAP COMP	1	
	19210	19210-KKC4-900	CAP RESERVE TANK	CAP RESERVE TANK	1	
	19501	19501-ALE8-E00	HOSE ASSY WATER	HOSE ASSY WATER	1	
	19502	19502-ALE8-E00	WATER HOSE RADIATOR	WATER HOSE RADIATOR	1	
	19503	19503-ALE8-E00	WATER HOSE RADIATOR	WATER HOSE RADIATOR	1	
	19505	19505-LBA2-E00	CLAMP WATER HOSE	CLAMP WATER HOSE	7	
	19507	19507-ALE8-E00	HOSE WATER	HOSE WATER	1	
	40215	40215-PWB1-900	BUMPER DRIVESHAFT	BUMPER DRIVESHAFT	1	
	40502	40502-PRB2-900	FLANGE OUTPUT	FLANGE OUTPUT	1	



# Radiator CompShoroud



Sales mark	Ref no	Part no	Description	Reg description	Regd no	<b>F20</b>
	50203	50203-ALE8-E00	BRKT HANGER FR	BRKT HANGER FR	1	
	50204	50204-ALE8-E00	BRKT HANGER RR	BRKT HANGER RR	1	
	50208	50208-ALE8-E00	WATER PIPE RADIATOR	WATER PIPE RADIATOR	1	
	64317	64317-LEE8-E00	STAY RADIATOR	STAY RADIATOR	2	
	90131	90131-PRB3-900	BOLT FLANGE 8X20	BOLT FLANGE 8X20	2	
	90309	90309-GLW0-90A	NUT U FLANGE 8MM	NUT U FLANGE 8MM	2	
**	90656	90656-KUDU-900	BAND HARNESS WIRE	BAND HARNESS WIRE	1	
	93404	93404-06016-06	BOLT WASHER 6*16	BOLT WASHER 6*16	16	
	94050	94050-06060	NUT FLANGE 6MM	NUT FLANGE 6MM	4	
	94591-KFBF	94591-KFBF-900	CLIP 2*70	CLIP 2*70	1	
	95002-02070	95002-02070	CLIP B7 TUBE	CLIP B7 TUBE	1	
	95002-02100	95002-02100	CLIP B15 TUBE	CLIP B15 TUBE	1	
	95002-45000	95002-45000	CLIP C8 TUBE	CLIP C8 TUBE	1	
	95002-70000	95002-70000	CLIP C11 TUBE	CLIP C11 TUBE	2	
	95701-06016	95701-06016-06	BOLT FLANGE 6X16	BOLT FLANGE 6X16	1	
	95701-08020	95701-08020-06	BOLT FLANGE 8*20MM **07 C.2005.07.01	BOLT FLANGE 8*20MM **07 C.2005.07.01	4	



Sales mark	Ref no	Part no	Description	Reg description	Regd no	<b>F21</b>
**	87033	87033-LEE8-E01	WARNING CARGO-PINCH POINT	WARNING CARGO-PINCH POINT	1	
**	87040	87040-LEE8-E00	WARNING TOWING-ON ROAD	WARNING TOWING-ON ROAD	1	
**	87321	87321-LEE8-E01	WARNING CANOPY	WARNING CANOPY	1	
**	87323	87323-LEE8-E00	WARNING CARGO-OFF ROAD	WARNING CARGO-OFF ROAD	1	
**	87505	87505-LEE8-E01	LABEL TIRE	LABEL TIRE	1	
**	87512	87512-ALE8-E00	WARNING ENGAGE REVERSE	WARNING ENGAGE REVERSE	1	
**	87515	87515-ALE8-E00	DRIVE WARNING LIST-OFF ROAD	DRIVE WARNING LIST-OFF ROAD	1	
**	87516	87516-ALE8-E00	DRIVE WARNING	DRIVE WARNING	1	
**	87520	87520-LDB5-M31	CAUTION SHIFT HANGTAG	CAUTION SHIFT HANGTAG	1	
**	87522	87522-AFB9-M30	USA EPA HANG TAG	USA EPA HANG TAG	1	
**	87560	87560-ALE8-E00	WARNING TRIPLE DRIVE	WARNING TRIPLE DRIVE	1	
**	87571	87571-LCA5-M30	LABEL MIT	LABEL MIT	1	
**	87577	87577-LEE8-E00	WARNING CARGO GATE	WARNING CARGO GATE	1	



86102-ALC1



86102-LCD3



87503



86303

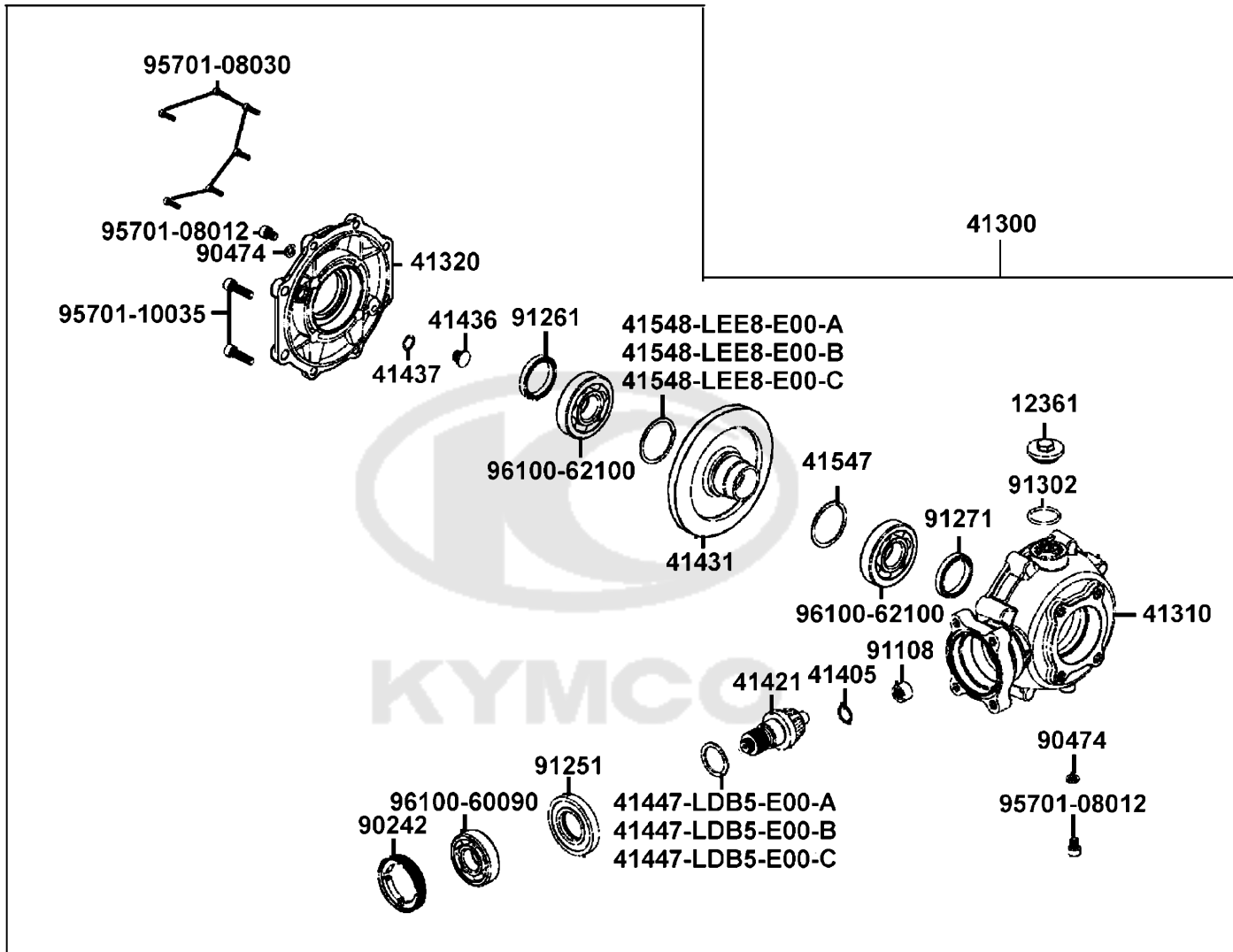


86304



Sales mark	Ref no	Part no	Description	Reg description	Regd no	<b>F22</b>
**	86102-ALC1	86102-ALC1-E00	EMB K-LOGO '50mm	EMB K-LOGO '50mm	1	
**	86102-LCD3	86102-LCD3-E00	EMB K-LOGO 38MM	EMB K-LOGO 38MM	1	
**	86303	86303-AFB9-M00	STRIPE SIDE COVER	STRIPE SIDE COVER	1	
**	86304	86304-AFB9-M00	EMB SIDE COVER-UXV	EMB SIDE COVER-UXV	2	
**	87503	87503-LDB5-900	STRIPE KYMCO 120MM	STRIPE KYMCO 120MM	1	



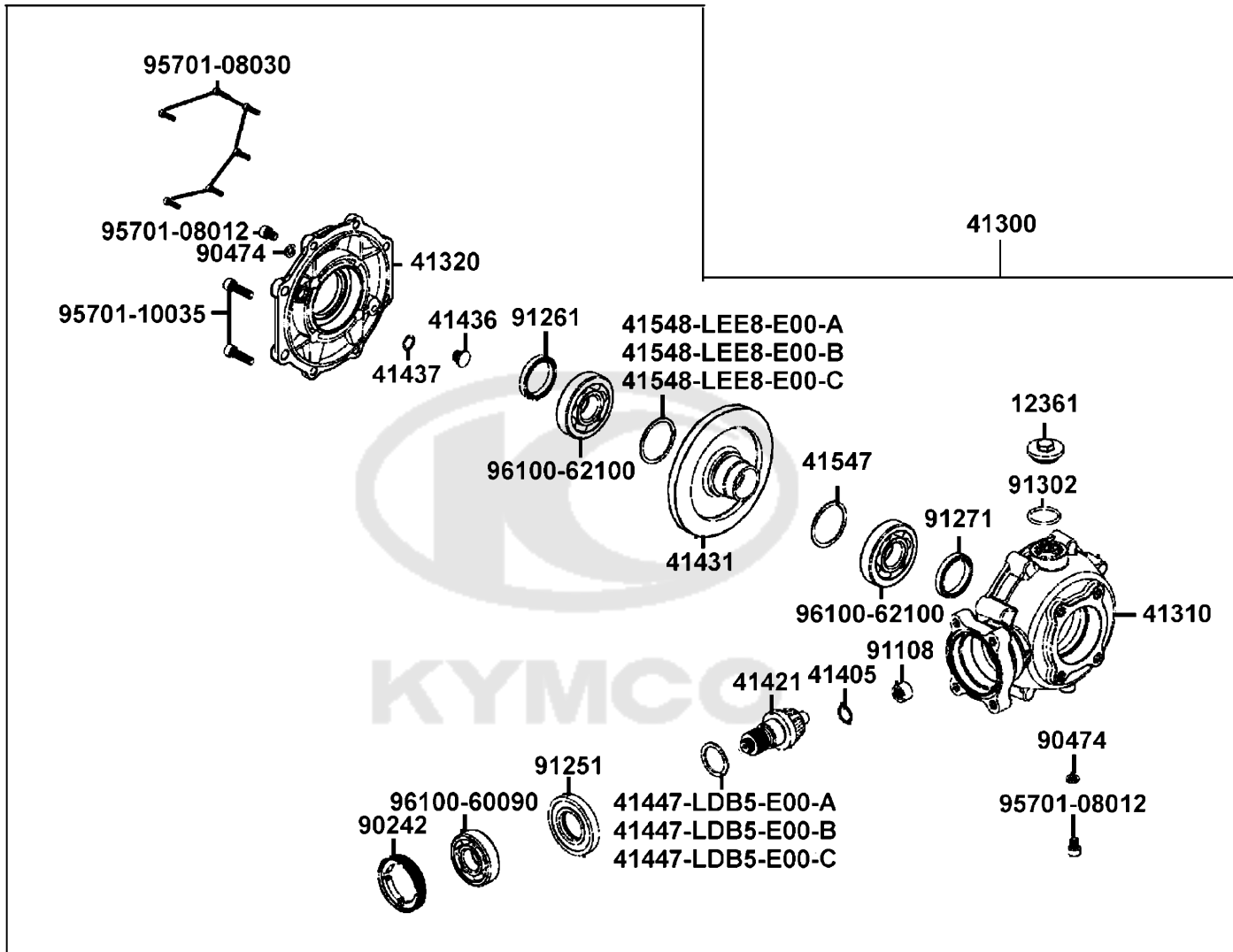


Sales mark	Ref no	Part no	Description	Reg description	Regd no	F23
	12361	12361-GFY6-901	HOLE CAP TAPPET ADJUSTING	HOLE CAP TAPPET ADJUSTING	1	
	41300	41300-LEE8-E00	GEAR ASSY RR FINAL	GEAR ASSY RR FINAL	1	
	41310	41310-LEE8-E00	L SIDE CASE RR	L SIDE CASE RR	1	
	41320	41320-LEE8-E00	R SIDE CASE RR FINAL	R SIDE CASE RR FINAL	1	
	41405	41405-LEE8-E00	RING STOPPER	RING STOPPER	1	
	41421	41421-LEE8-E00	GEAR PINION	GEAR PINION	1	
	41431	41431-LEE8-E00	GEAR RING	GEAR RING	1	
	41436	41436-LCD9-E00	PIN RING GEAR STOPPER	PIN RING GEAR STOPPER	1	
	41437	41437-LCD9-E00	SHIM STOPPER PIN	SHIM STOPPER PIN	1	
	41447-LDB5-E00-A	41447-LDB5-E00-A	SHIM PINION GEAR A	SHIM PINION GEAR A	1	
	41447-LDB5-E00-B	41447-LDB5-E00-B	SHIM PINION GEAR B	SHIM PINION GEAR B	1	
	41447-LDB5-E00-C	41447-LDB5-E00-C	SHIM PINION GEAR C	SHIM PINION GEAR C	1	
	41547	41547-LEE8-E00	C-RING-R90	C-RING-R90	1	
	41548-LEE8-E00-A	41548-LEE8-E00-A	SHIM RING GEAR (1.435~1.465)	SHIM RING GEAR (1.435~1.465)	1	
	41548-LEE8-E00-B	41548-LEE8-E00-B	SHIM RING GEAR (1.485~1.515)	SHIM RING GEAR (1.485~1.515)	1	
	41548-LEE8-E00-C	41548-LEE8-E00-C	SHIM RING GEAR (1.535~1.565)	SHIM RING GEAR (1.535~1.565)	1	
	90242	90242-LDB5-E00	NUT LOCK 74MM	NUT LOCK 74MM	1	
	90474	90474-3C33-001	WASHER 8MM	WASHER 8MM	1	
	91108	91108-LEE8-E00	BRG NEEDLE 20*22*28 (HK2220)	BRG NEEDLE 20*22*28 (HK2220)	1	
	91251	91251-LEE8-E00	OIL SEAL 38.5*80*10	OIL SEAL 38.5*80*10	1	



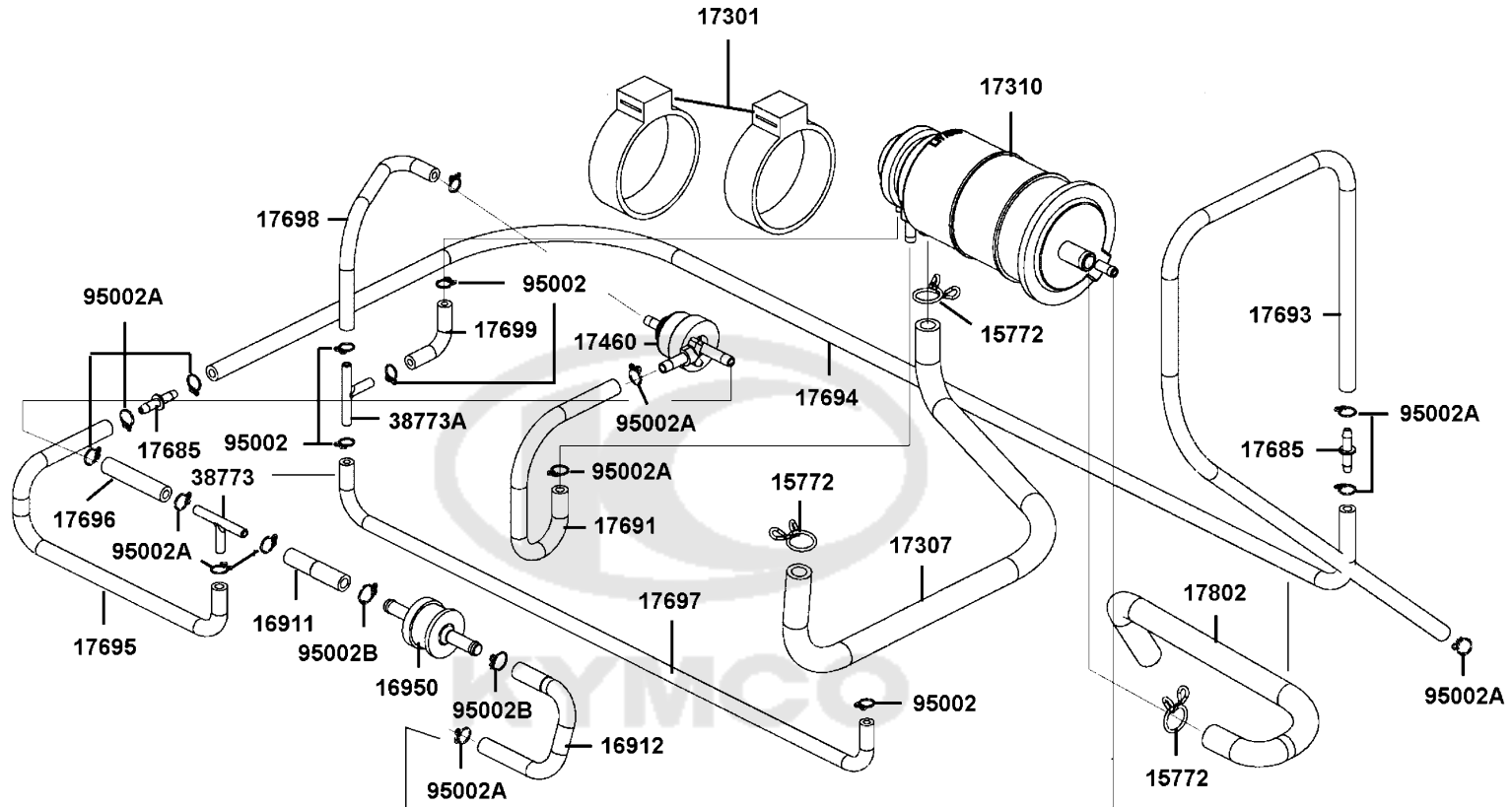
F23

Gear Assy Rr Final

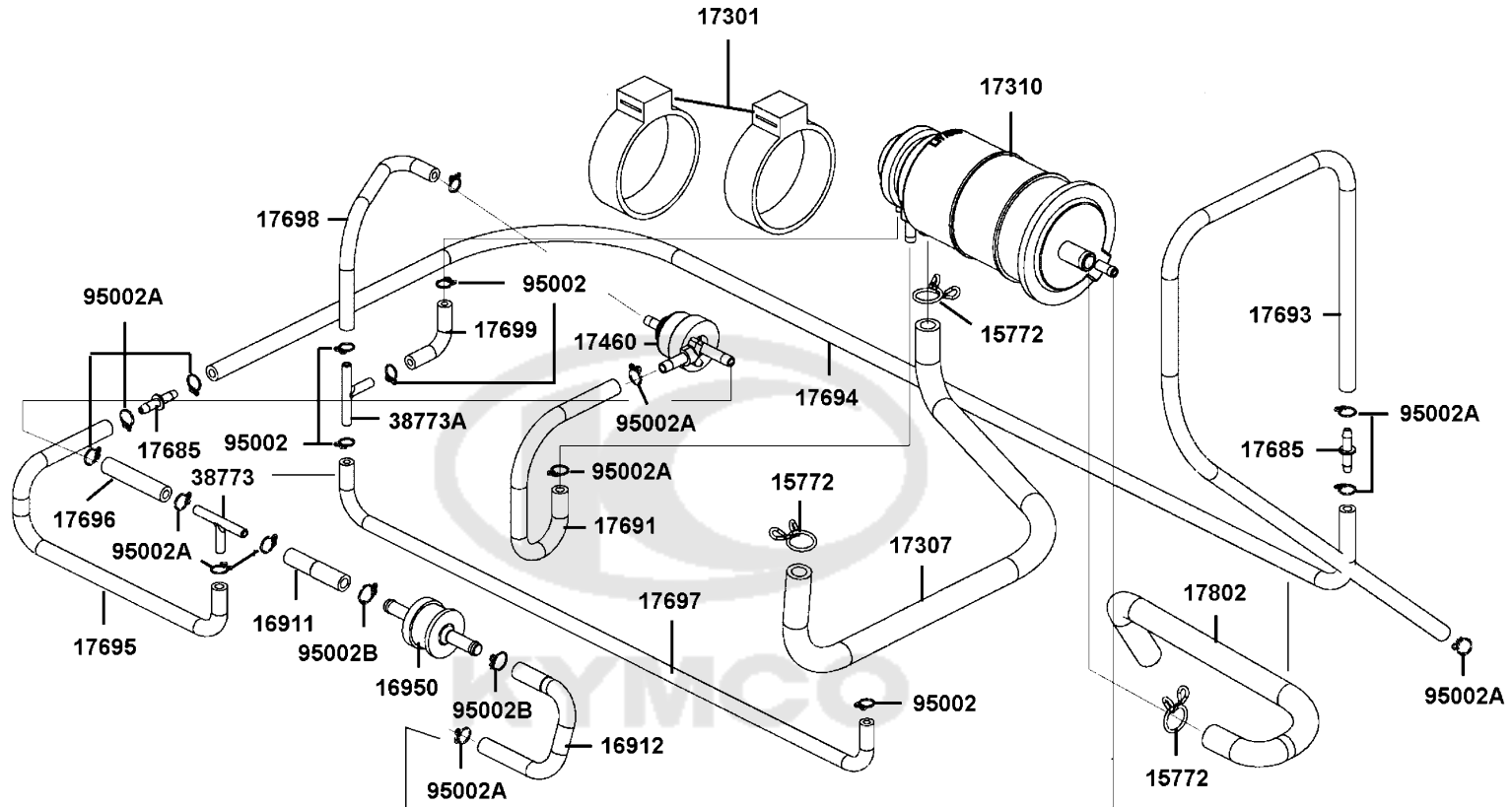


Sales mark	Ref no	Part no	Description	Reg description	Regd no	<b>F23</b>
91261		91261-LEE8-E00	OIL SEAL 48*92*10	OIL SEAL 48*92*10	1	
91271		91271-LEE8-E00	OIL SEAL 48*68*10	OIL SEAL 48*68*10	1	
91302		91302-0A01-021	O-RING 30.8M/M	O-RING 30.8M/M	1	
95701-08012		95701-08012-06	BOLT FLANGE 8*12	BOLT FLANGE 8*12	1	
95701-08030		95701-08030-06	BOLT FLANGE 8X30	BOLT FLANGE 8X30	1	
95701-10035		95701-10035-06	BOLT FLANGE 10X35	BOLT FLANGE 10X35	1	
96100-60090		96100-60090-00	BRG RADIAL BALL 6009	BRG RADIAL BALL 6009	1	
96100-62100		96100-62100-00	BEARING BALL RADIAL 6210	BEARING BALL RADIAL 6210	2	





Sales mark	Ref no	Part no	Description	Reg description	Regd no	F24
15772		15772-5L00-013	CLIP B14.5 TUBE	CLIP B14.5 TUBE	3	
16911		16911-AFB9-M00	HOSE ASSY BREATHER	HOSE ASSY BREATHER	1	
16912		16912-AFB9-M00	HOSE ASSY BREATHER	HOSE ASSY BREATHER	1	
16950		16950-PRA9-920	VALVE CHECK	VALVE CHECK	1	
17301		17301-GFY6-940	RUBBER CANISTER MOUNT	RUBBER CANISTER MOUNT	2	
17307		17307-AFB9-M00	HOSE ASSY CANISTER-T JOINT	HOSE ASSY CANISTER-T JOINT	1	
17310		17310-AGA8-M01	CANISTER COMP	CANISTER COMP	1	
17460		17460-AGA6-M01	VALVE COMP VAPOR CONTROL	VALVE COMP VAPOR CONTROL	1	
17685		17685-GFY6-940	JOINT COCK CARB TUBE	JOINT COCK CARB TUBE	2	
17691		17691-AFB9-M00	HOSE ASSY BREATHER	HOSE ASSY BREATHER	1	
17693		17693-AFB9-M00	HOSE A BREATHER	HOSE A BREATHER	1	
17694		17694-AFB9-M00	HOSE B BREATHER	HOSE B BREATHER	1	
17695		17695-AFB9-M00	TUBE C BREATHER	TUBE C BREATHER	1	
17696		17696-AFB9-M00	TUBE D BREATHER	TUBE D BREATHER	1	
17697		17697-AFB9-M00	TUBE A VACUUM	TUBE A VACUUM	1	
17698		17698-AFB9-M00	TUBE B VACUUM	TUBE B VACUUM	1	
17699		17699-AFB9-M00	TUBE C VACUUM	TUBE C VACUUM	1	
17802		17802-AFB9-M00	TUBE ASSY AIR	TUBE ASSY AIR	1	
38773		38773-ABD6-C00	JOINT 3 WAY 3.5	JOINT 3 WAY 3.5	1	
38773A		38773-PKB9-001	JOINT 3 WAY 3.5	JOINT 3 WAY 3.5	2	



Sales mark	Ref no	Part no	Description	Reg description	Regd no	<b>F24</b>
------------	--------	---------	-------------	-----------------	---------	------------

95002		95002-02070	CLIP B7 TUBE	CLIP B7 TUBE	6	
95002A		95002-02080	CLIP B8 TUBE	CLIP B8 TUBE	12	
95002B		95002-50000	CLIP C9 TUBE	CLIP C9 TUBE	2	



## PART NO. INDEX

PART NO.	VERSION	PAGE	PART NO.	VERSION	PAGE	PART NO.	VERSION	PAGE
<b>11000</b>			<b>12000</b>			<b>14000</b>		
11103-PTA1-800	1	E01	12100-PTA1-900	8	E04	14100-PTA1-910	1	E03
11105-PTA1-800	1	E01	12191-PTA1-900	1	E04	14321-PTA1-900	4	E03
11106-PWB1-900	2	E01	12205-KHE8-301	5	E03	14323-PWB1-900	1	E03
11107-PWB1-900	2	E01	12206-LBA2-E00	4	E03	14324-PWB1-900	2	E03
1110A-ALE8-E00	1	E01	12209-PWB1-900	2	E03	14401-PWB1-900	2	E04
11203-PWB1-900	2	E01	1220A-ZXA6-M01	2	E03	14420-ZXA6-M01	2	E03
11322-ALE8-E00	2	E02	1220C-LKC3-305	0	E03	14430-ZXA6-M01	1	E03
11330-PTA1-900	7	E05	12251-PTA1-900	3	E04	14433-PTA1-900	3	E03
11331-PWB1-800	2	E02	12302-PTA1-900	1	E03	14434-PTA1-900	2	E03
11332-PWB1-900	1	E05	12361-GFY6-901	1	F23	14452-PTA1-900	1	E03
11333-ALE8-E00	1	E02	1236A-PWB1-900	2	E03	14510-ZXA6-M01	3	E04
11334-PWB1-900	1	E02				14520-GFY6-90C	2	E04
11335-PWB1-900	2	E01	<b>13000</b>			14523-KED9-920	1	E04
11336-ALE8-E00	0	F20				14531-PWB1-900	9	E04
11346-ALE8-E00	1	F20	13000-AKB9-M00	1	E04	14610-ZXA6-M01	3	E04
11347-AKB9-M00	2	F20	13011-PTA1-90B	1	E04	14711-PTA1-900	4	E03
11394-PWB1-900	3	E05	13101-LGC7-E00	4	E04	14721-ZXA6-M01	1	E03
11395-PWB1-900	3	E02	13111-PWB1-900	3	E04	14751-PTA1-900	1	E03
11396-PWB1-900	3	E02	13418-PWB1-900	6	E04	14771-PWB1-900	3	E03
11442-LDB5-900	3	E06	13421-ZXA6-M01	2	E04	14777-PWB1-900	3	E03
11443-LDB5-900	5	E06				14781-MFA6-001	0	E03
11445-LFA5-800	1	E06						
11496-PWB1-900	2	E05						

## PART NO. INDEX

PART NO.	VERSION	PAGE	PART NO.	VERSION	PAGE	PART NO.	VERSION	PAGE	
<b>15000</b>			16100-AEF2-E00	1	E11	17258-ALE8-E00	0	F13	
			16110-KGC5-900	1	E11	17265-LBA7-900	1	F13	
			16113-PTA1-800	4	E11	17301-GFY6-940	3	F24	
	15100-PWB1-900	4	E07	16118-LBF2-900	2	E11	17307-AFB9-M00	3	F24
	15112-PWB1-900	1	E01	16134-AEE9-M00	1	E11	17310-AGA8-M01	2	F24
	15131-PWB1-900	2	E04	16137-PTA1-800	2	E11	17369-KHC4-900	0	E01
	15133-PWB1-900	3	E07	16771-GKAK-220	1	E11	17460-AGA6-M01	5	F24
	15200-PWB1-900	2	E05	16772-AEC8-E00	0	E11	17500-ACB2-M00	3	F10
	1541A-PWB1-900	1	E01	16911-ACB2-M00	2	F10	17508-LGC7-E00	1	E03
	15420-PWB1-900	2	E01	16911-AFB9-M00	3	F24	17508-ZWA2-E00	0	F20
	15436-PWB1-900	3	E01	16912-AFB9-M00	3	F24	17515-LEE8-E00	1	F10
	15438-PWB1-900	2	E01	16950-PRA9-920	1	F24	17531-LGC7-E00	1	F10
	15438-PWB1-900	2	E03	16958-PWB1-910	0	E05	1755A-AKB9-M00	4	F10
	15439-PWB1-900	2	E01				17561-LKB9-900	1	F10
	15510-PTA1-900	3	E05				1760A-ALE8-800	1	F10
	1565A-PWB1-900	6	E05				17620-ALE8-M00	4	F18
	15711-PWB1-900	1	E04				17685-GFY6-940	6	F24
15772-5L00-013	1	F24				17691-AFB9-M00	2	F24	
<b>16000</b>						17693-AFB9-M00	0	F24	
						17694-AFB9-M00	0	F24	
						17695-AFB9-M00	0	F24	
						17696-AFB9-M00	0	F24	
						17697-AFB9-M00	0	F24	
						17698-AFB9-M00	0	F24	
						17699-AFB9-M00	0	F24	
						17802-AFB9-M00	0	F24	
	16053-PTA1-800	2	E11	1711A-PTA1-800	3	E03			
	16054-PTA1-800	3	E11	17200-AFB9-M00	1	F13			
16058-AEC8-E00	0	E11	17214-LDB5-E00	2	F13				
16059-LDB5-E00	4	E11	1721A-LDB5-E00	2	F13				
16072-PTA1-800	4	E11	1723A-ALE8-E00	2	F13				
			1723B-ALE8-E00	4	F13				
			17246-ALE8-E00	0	F05				
			17246-ALE8-E00	0	F13				
			17254-ALE8-E00	0	F13				
			17254-PWB1-900	5	F13				



## PART NO. INDEX

PART NO.	VERSION	PAGE	PART NO.	VERSION	PAGE	PART NO.	VERSION	PAGE		
17910-AFB9-M00	0	F03	19210-KKC4-900	0	F20	<b>22000</b>				
<b>18000</b>			19229-LDB5-E00	1	E05					
			1922A-PTA1-900	4	E05					
			1922B-PTA1-900	9	E05		22102-ZXA6-M01	2	E06	
	18291-PTA1-900	1	F14	19300-LBA2-E00	1		E05	22105-ALE8-E00	3	E06
	18293-PWB1-900	4	F14	19310-LDB5-E00	2		E05	22110-ALE8-E00	5	E06
	18305-PWB1-900	1	F14	19315-LBA2-E00	2		E05	22112-ALE8-E00	0	E06
	18310-AEE9-M00	0	F14	19316-ALE8-E00	1		E05	22121-LGC7-305	0	E06
	18320-AEE9-M00	1	F14	19317-LBA2-E00	1		E05	22127-PWB1-900	0	E06
	18328-ALE8-900	1	F14	19501-ALE8-E00	0		F20	22128-PWB1-900	3	E06
	18329-PWB1-700	0	F14	19502-ALE8-E00	0		F20	22131-PWB1-900	3	E06
	18391-PTA1-900	1	F14	19503-ALE8-E00	0		F20	22132-PWB1-305	0	E06
18532-6D34-671	0	F13	19504-LBA2-E00	3	E05		22402-PWB1-900	0	E06	
18659-AFB9-M00	3	E01	19505-LBA2-E00	4	E05	2261A-PWB1-800	1	E06		
<b>19000</b>			19505-LBA2-E00	4	F20	2262A-PWB1-800	1	E06		
			19506-ALE8-E00	0	E05	22631-PWB1-900	1	E06		
			19507-ALE8-E00	0	F20	22641-PWB1-900	2	E06		
	19005-LEE8-E0A	2	F20	19507-LBA2-E00	1	E05	2266A-PWB1-800	3	E06	
	19010-LKM8-700	0	F20	19507-LDB5-E00	1	E05				
19101-LDB5-E00	4	F20	19508-ALE8-E00	1	E05	<b>23000</b>				
19102-LEE8-E00	0	F20	19523-ALE8-E00	1	E05					
19102-LEE8-E00	1	F20					2301A-ALE8-E00	7	E06	
19104-ALE8-E00	0	F20	<b>21000</b>				23100-ZXA6-M01	1	E06	
19105-ALE8-E00	1	F20					23103-PTA1-900	5	E04	
1910A-ALE8-E00	1	F20	21124-LKF5-E00	1	E06		23210-ALE8-E00	0	E08	
19111-GBE2-004	1	F20	21125-ALE8-E00	0	E06		23220-ALE8-E00	7	E06	

## PART NO. INDEX

PART NO.	VERSION	PAGE	PART NO.	VERSION	PAGE	PART NO.	VERSION	PAGE
23230-PWB1-900	2	E08				24720-ALE8-E00	1	F15
23233-PWB1-900	2	E06	<b>24000</b>			2478A-ALC1-E00	2	F15
23237-PWB1-900	2	E06				<b>28000</b>		
23240-ALE8-E00	0	E06	24080-ALE8-E00	0	F15			
23250-ZXA6-M01	2	E06	24221-ZXA6-M01	1	E08			
23252-PWB1-900	4	E06	24241-PWB1-900	3	E08	28101-PWB1-900	3	E07
23256-PWB1-900	1	E06	24242-PRB2-M00	0	E08	28102-PWB1-900	2	E07
23411-ALE8-E00	1	E08	24301-ALE8-E00	1	E08	28110-ZXA6-M01	1	E07
23421-PWB1-900	4	E08	24302-PRB2-M00	0	E08	28112-PWB1-900	1	E07
23425-PWB1-900	2	E08	24305-PWB1-900	1	E08	28113-PWB1-900	2	E07
23430-ZXA6-M01	0	E10	24310-ALE8-E00	1	E08	28120-PWB1-90A	1	E07
23431-ZXA6-M01	1	E10	24411-PWB1-900	5	E08			
23441-ALE8-E00	4	E10	24421-PWB1-900	1	E01	<b>30000</b>		
23451-PRB2-M00	0	E08	24430-PWB1-900	2	E08			
23471-PRB2-M00	5	E08	24435-PWB1-900	1	E08	30300-KED9-900	0	E07
23472-PWB1-900	2	E08	24610-PTA1-900	1	E08	3051A-ALE8-E00	4	F18
23473-PWB1-900	1	E08	2461A-PTA1-900	0	E08			
23481-PRB2-M00	0	E08	24702-AEE9-M00	0	F15	<b>31000</b>		
23510-ALE8-E00	3	E08	24703-LDB5-E00	5	F15			
23511-PRB2-M00	0	E08	24704-LDB5-E00	2	F15	31110-ALE8-E00	1	E07
23512-PRB2-M00	0	E08	24705-PWB1-900	3	F15	31120-ALE8-E00	1	E07
23518-ALE8-E00	6	E08	24706-LDB5-E00	1	F15	31210-ALE8-E00	1	E07
23519-ALE8-E00	4	E10	24707-AEE9-M00	0	F15	31350-LDB5-E0A	2	E05
23521-PWB1-900	4	E08	2470A-AEE9-M00	0	F15	31600-LKM5-E00	0	F18
			24710-AEE9-M00	0	F15	31601-LDB5-E00	4	F18
			24712-AEE9-M00	0	F15	31700-KEC8-E00	1	F18

## PART NO. INDEX

PART NO.	VERSION	PAGE	PART NO.	VERSION	PAGE	PART NO.	VERSION	PAGE
<b>32000</b>			33750-LGN5-900	2	F17	35380-LEA2-900	2	F18
32100-AFB9-M07	1	F18	33751-LGN5-E00	0	F17	35700-ALE8-E00	2	F18
32410-AEE9-M00	0	E07	33800-LGN5-900	1	F17	35759-ALE8-E00	7	E01
32411-2C53-001	0	E07	33806-LGN5-900	0	F17	35850-LDB5-E00	1	F18
32411-AEE9-M00	0	F18	<b>34000</b>			<b>37000</b>		
32412-AEE9-M00	1	E07	34300-KKE3-900	4	E11	37119-LKC3-E00	0	F02
<b>33000</b>			34901-KFA6-900	0	F01	37200-AFB9-M07	0	F02
33100-ALC1-E00	6	F01	34905-LCA5-900	0	F17	37300-ALE8-E00	0	F02
33101-ALC1-E00	0	F01	34906-KPCP-900	0	F17	37802-LGC3-E00	1	F10
33106-ALC1-E00	0	F01	<b>35000</b>			<b>38000</b>		
33130-ALC1-305	0	F01	35010-ALE8-M00	2	F18	38101-ALE8-E00	1	F06
33130-ALC1-E00	0	F01	35100-ACB2-305	0	F18	38200-KHE7-900	0	F18
33131-ALC1-305	0	F01	35107-PWB1-900	1	E07	38400-LKJ1-900	2	F18
33150-ALC1-E00	6	F01	35108-PWB1-900	1	E05	38501-LGL3-90A	4	F18
33151-ALC1-E00	0	F01	35111-GFY6-305-M2-T01	1	F18	38506-LFB6-900	0	F18
33401-LEE8-E01	0	F17	35111-GFY6-305-M2-T02	0	F18	38773-ABD6-C00	0	F24
33501-ALC1-E00	0	F01	35140-ALE8-E00	1	F18	38773-PKB9-001	0	F24
33502-ALC1-E00	0	F01	35150-LEE8-E00	0	F18	<b>39000</b>		
33700-LGN5-900	2	F17	35340-PWB1-900	1	F04	3920A-AEE9-E01	1	F18
33701-LGN5-E00	0	F17	35350-ALC1-E00	0	F04	39300-LKC3-500	7	E09
33710-LGN5-900	0	F17	35350-LBA7-900	6	F15			
33741-KHC5-M00	1	F12	35357-ALE8-E00	0	F15			

## PART NO. INDEX

PART NO.	VERSION	PAGE	PART NO.	VERSION	PAGE	PART NO.	VERSION	PAGE
39300-PTA1-800	1	E03				42206-ALE8-M00	0	F08
39301-LGC7-E00	1	E03	<b>41000</b>			42207-ALE8-M00	0	F08
39302-KKE3-900	2	E03				42208-ALE8-M00	0	F08
39306-LEB2-305	0	E03	41300-LEE8-E00	9	F23	42210-ALE8-M00	0	F08
39307-LEB2-305	0	E03	41310-LEE8-E00	6	F23	42212-ALE8-M00	0	F08
39400-LEA6-800	2	E03	41320-LEE8-E00	3	F23	42214-ALE8-M00	0	F08
39450-ZVA6-M00	1	F14	41405-LEE8-E00	2	F23	42220-ALE8-M00	0	F08
39500-PTA1-800	1	E11	41421-LEE8-E00	3	F23	42221-ALE8-M00	0	F08
39700-PTA1-800	1	E11	41431-LEE8-E00	3	F23	42400-LKC3-500	9	E09
			41436-LCD9-E00	2	F23	42401-LFA5-90B	0	E09
<b>40000</b>			41437-LCD9-E00	2	F23	42402-LFA5-900	2	E09
			41447-LDB5-E00-A	2	F23	42404-LFA5-900	2	E09
40215-LEE8-E00	2	F16	41447-LDB5-E00-B	2	F23	42407-LFA5-900	1	E09
40215-PWB1-900	1	E10	41447-LDB5-E00-C	2	F23	42408-LKC3-500	0	E09
40215-PWB1-900	1	F20	41547-LEE8-E00	2	F23	42409-LKC3-500	2	E09
40220-ALE8-E00	3	F16	41548-LEE8-E00-A	2	F23	42410-LFA5-900	3	E09
40401-ALE8-E00	0	E10	41548-LEE8-E00-B	2	F23	42412-LFA5-900	1	E09
4040A-PWB1-900	3	E10	41548-LEE8-E00-C	2	F23	42413-LKC3-500	2	E09
40415-LDB5-E00	1	E10				42414-LKC3-500	4	E09
40420-LFE9-E00	0	E10	<b>42000</b>			42415-LKC3-500	1	E09
40420-LFE9-E00	0	F16				42416-LKC3-500	1	E09
40420-ZWA2-E00	1	E10	42200-ALE8-M00	6	F08	42419-LKC3-500	5	E09
40441-ALE8-E00	1	F16	42201-ALE8-M00	0	F08	42422-LFA5-900	3	E09
40502-PRB2-900	0	E10	42202-ALE8-M00	0	F08	42423-LFA5-900	1	E09
40502-PRB2-900	0	F20	42203-ALE8-M00	0	F08	42425-LKC3-500	10	E09
			42204-ALE8-M00	0	F08	42428-LKC3-500	1	E09

## PART NO. INDEX

PART NO.	VERSION	PAGE	PART NO.	VERSION	PAGE	PART NO.	VERSION	PAGE	
42430-LKC3-500	4	E09	42496-LEE8-E00	0	E09	<b>44000</b>			
42432-LEE8-810	1	E09	42497-LEE8-E00	0	E09				
42442-LKC3-500	2	E09	42498-LEE8-E00	0	E09				
42446-LFA5-900	2	E09	42705-LEE8-E00	2	F08		44200-ALE8-M00	5	F07
42448-LFA5-900	1	E09	4270A-LEE8-900	1	F08		44201-ALE8-M00	0	F07
42449-LFA5-90B	0	E09	42710-LKM8-900	0	F08		44202-ALE8-M00	0	F07
42451-LFA5-900	3	E09	42750-LEE8-E0A	2	F09		44203-ALE8-M01	0	F07
42453-LGC3-900	1	E09	42753-KNBN-90B	1	F07		44204-ALE8-M00	0	F07
42456-LKM8-510	2	E09	42753-KNBN-90B	1	F08		44204-ALE8-M01	0	F07
42460-LFA5-900	2	E09	<b>43000</b>				44206-ALE8-M00	0	F07
42460-LKC3-500	1	E09				44207-ALE8-M00	0	F07	
42461-LFA5-900	2	E09				44208-ALE8-M00	0	F07	
42461-LKC3-500	1	E09		43100-ALE8-E00	0	F08	44210-ALE8-M00	0	F07
42462-LFA5-900	2	E09		43105-LEE8-305	0	F08	44212-ALE8-M00	0	F07
42462-LKC3-500	1	E09		43110-LFE9-305	0	F08	44214-ALE8-M00	0	F07
42463-LFA5-900	2	E09		43126-AKB9-M00	1	F04	44220-ALE8-M00	0	F07
42464-LFA5-900	2	E09		43156-KKE5-E00	1	F04	44221-ALE8-M00	0	F07
42465-LFA5-900	2	E09		43350-ALE8-E00	3	F16	44250-ALE8-M00	5	F07
42465-LKC3-500	2	E09		43351-LKM8-900	3	F16	44705-ALE8-E00	0	F07
42466-LFA5-900	2	E09	43352-KKD6-E90	1	F08	44708-ALE8-E01	4	F06	
42466-LKC3-500	3	E09	43450-ALE8-E00	1	F04	4470A-LEE8-900	1	F07	
42467-LFA5-900	2	E09	43500-LEE8-E00	7	F04	44710-LKM8-900	0	F07	
42472-LKM8-500	3	E09	43520-LEE8-305	0	F04				
42488-LEE8-E00	0	E09	43532-ZWA2-M00	4	F04	<b>45000</b>			
42494-LEE8-E00	0	E09							
42495-LEE8-E00	0	E09					45100-LEE8-E00	4	F07

## PART NO. INDEX

PART NO.	VERSION	PAGE	PART NO.	VERSION	PAGE	PART NO.	VERSION	PAGE
45105-PWA1-305	0	F07				50204-ALE8-E00	2	F20
45107-KFA6-900	0	F07	<b>46000</b>			50205-ALE8-E00	0	F19
45108-LBA7-900	0	F07				50205-LEE8-E00	5	F19
45108-LBA7-900	0	F08	46500-ALE8-E00	5	F15	50206-ALE8-E00	0	F19
45109-KFA6-900	0	F07	46503-LEE8-E00	2	F15	50207-AFB9-M06	0	F19
45109-PWA1-900	0	F08	46514-ALE8-E00	0	F15	50207-LEE8-E00	3	F10
45110-LEE8-305	0	F07	46514-LLH6-M30	3	F15	50208-ALE8-E00	0	F20
45121-LKM8-900	3	F07	46600-AKB9-M00	0	F15	5020A-AFB9-M07	1	F19
45125-AKB9-M00	1	F04	46602-ALE8-E00	1	F03	5020B-AFB9-M00	1	F19
45128-AKB9-M00	2	F04	46700-AFB9-M06	0	F15	5020C-AFB9-M00	1	F19
45128-LEA1-800	3	F04				50210-ALE8-E00	0	F19
45133-LBA7-900	0	F07	<b>47000</b>			50228-ALE8-E00	3	F19
45133-LBA7-900	0	F08				50320-PRB3-900	2	F17
45200-LEE8-E00	4	F07	47400-ZWA2-M00	0	F06	50713-LDB5-E00	2	F15
45203-LBA7-900	0	F07	47410-LDB5-E00	2	F07			
45209-KFA6-900	0	F07	47410-LDB5-E00	2	F08	<b>51000</b>		
45209-PWA1-900	0	F08	47450-LEE8-900	1	F16			
45210-LEE8-305	0	F07	47453-LEE8-E00	2	F16	51400-ALE8-E00	3	F06
45230-LBA7-900	0	F07	47454-LEE8-E00	1	F16			
45230-LBA7-900	0	F08	47500-ZWA2-M00	0	F06	<b>52000</b>		
45352-LBA7-900	0	F07						
45353-LBA7-900	0	F07	<b>50000</b>			52101-LEE8-E00	5	F16
45353-LBA7-900	0	F08				52243-KEC8-900	0	F16
45531-LBA7-900	0	F07	50100-AEE9-M00	1	F19	52400-ALE8-E00	3	F16
45531-LBA7-900	0	F08	50144-PTA1-900	1	E05			
			50203-ALE8-E00	1	F20			

## PART NO. INDEX

PART NO.	VERSION	PAGE	PART NO.	VERSION	PAGE	PART NO.	VERSION	PAGE	
<b>53000</b>			53404-LEE8-E00	1	F06	60140-ALE8-E00	1	F03	
			53404-LEE8-E00	1	F16	60200-AEE9-E00	0	F03	
			53410-PRB1-900	4	F06	60201-ALE8-E00	1	F03	
	53100-ALE8-900	2	F06	53450-ALE8-E00	5	F06	60300-ALE8-E00	1	F03
	53120-ALE8-900	2	F06	53500-ALE8-E00	7	F06	60310-ALE8-E00	0	F03
	53190-ALE8-M00	0	F04	53550-ALE8-E00	5	F06	60315-LEE8-E00	2	F03
	53191-ALE8-M00	0	F04	53716-AEE9-M00	1	F11	60320-ALE8-E00	0	F03
	53191-LAC5-900	2	F06				60330-ALE8-E00	0	F03
	53192-ALE8-M00	0	F04	<b>54000</b>			60340-ALE8-E00	0	F03
	53196-LAC5-900	4	F06				60400-AFB9-M00	0	F03
	5319A-ALE8-M00	4	F04	54400-ALE8-E00	3	F16	60405-AAA6-900	1	F03
	53200-ALE8-E00	9	F06	54450-ZWA2-M00	2	F16	60405-LKC3-E00	1	F03
	53210-ALE8-E00	7	F06	54500-ALE8-E00	3	F16	60405-LKC3-E00	1	F09
	53215-ALE8-E00	0	F06	54550-ZWA2-M00	2	F16	60410-ALE8-E00	2	F03
	53250-ALE8-E00	1	F06	54600-ALE8-E00	0	F16	60415-ALE8-E00	1	F03
	53300-ALE8-E00	7	F06	54601-LFE9-E00	1	F16	60420-ALE8-E00	0	F03
	53305-LEE8-E00	2	F06	54602-LFE9-E00	1	F16	60425-ALE8-E00	3	F03
	53306-LEE8-E00	1	F06	54610-LFE9-E00	1	F16	60428-ALE8-900	0	F03
	53307-ALE8-E00	2	F06	54620-LFE9-E00	1	F16	60428-ALE8-900	0	F09
	53308-ALE8-E00	3	F06				60430-ALE8-E00	0	F03
53316-LEE8-E00	0	F06	<b>60000</b>			60450-AEE9-M00	0	F03	
53400-ALE8-E00	7	F06				60500-AEE9-M00	0	F05	
53402-LEE8-E00	1	F06	60101-AFB9-M00	0	F09	60510-ALE8-E00	0	F05	
53402-LEE8-E00	1	F16	60102-PWB1-900	1	F09				
53403-LEE8-E00	2	F06	60102-ZWA2-M00	0	F03				
53403-LEE8-E00	2	F16	60105-AFB9-M00	2	F19				

## PART NO. INDEX

PART NO.	VERSION	PAGE	PART NO.	VERSION	PAGE	PART NO.	VERSION	PAGE
<b>61000</b>			64323-ALE8-E00	0	F05	<b>66000</b>		
61200-ALE8-E00	0	F03	64325-ALE8-E00	3	F05	66713-AFB9-M00	1	F09
61210-ALE8-E00	0	F03	64327-AFB9-M00	0	F05	66714-AFB9-M00	2	F09
61300-ALE8-E00	0	F03	6432A-AFB9-M00	0	F05	66715-AFB9-M00	2	F09
61310-ALE8-E00	0	F03	64330-ALE8-E00	3	F05	<b>75000</b>		
<b>63000</b>			64340-ALE8-E00	5	F05	75581-KBCB-900	0	F03
63350-AFB9-M00	1	F09	64350-ALE8-E00	0	F05	<b>77000</b>		
63351-AFB9-M00	1	F09	64352-ZVA6-M00	2	F09	77103-ALE8-E00	0	F09
63360-AFB9-M00	1	F09	64353-ZVA6-M00	1	F09	77200-ZWA2-M00	4	F09
63361-AFB9-M00	1	F09	64355-ALE8-E00	4	F05	77205-2F86-001	1	F09
<b>64000</b>			6435A-ZVA6-M00	0	F09	77206-KEB7-900	0	F15
64300-ALE8-E00	1	F05	64360-ALE8-E00	0	F05	77206-LBA7-900	1	F19
64301-AEE9-M00	1	F03	64365-ALE8-E00	4	F05	77206-LKB9-900	1	F19
64309-AEE9-M00	0	F03	6436A-ZVA6-M00	0	F09	77210-LEE8-900	2	F09
64310-AFB9-M00	0	F05	64370-ALE8-E00	4	F05	77233-KBCB-345	1	F18
64312-ALE8-E00	0	F05	64375-ALE8-E00	2	F05	77240-ALE8-910	3	F09
64313-ALE8-E00	0	F05	64375-ZWA2-M00	1	F05	77240-ALE8-E01	5	F09
64315-ALE8-E00	3	F05	64380-ALE8-E00	4	F05	77243-LEE8-E00	0	F09
64317-LEE8-E00	3	F20	64391-AEE9-M00	0	F05	77244-LEE8-E01	0	F09
64322-AFB9-M00	0	F05	64392-ALE8-E00	1	F05	77245-LEE8-E00	0	F09
			6439A-AEE9-M00	0	F05			
			64400-ALE8-E00	0	F05			
			64500-ALE8-E00	0	F05			
			64600-ALE8-E00	0	F03			
			64805-ALE8-E00	0	F05			
			6480A-ALE8-E00	0	F05			



## PART NO. INDEX

PART NO.	VERSION	PAGE	PART NO.	VERSION	PAGE	PART NO.	VERSION	PAGE		
77303-ZWA2-M00	0	F09	80212-ALE8-E00	1	F12	<b>86000</b>				
7733A-ALE8-E00	1	F19	80215-ALE8-E00	0	F12					
7733B-ALE8-E00	0	F19	80216-ALE8-E00	0	F12					
77342-ALE8-E00	2	F19	80220-ALE8-E00	0	F12		86102-ALC1-E00	3	F22	
77347-LEE8-E00	5	F19	80230-ALE8-E00	0	F12		86102-LCD3-E00	4	F22	
77400-AEE9-M00	2	F09	80240-ALE8-E00	0	F12		86303-AFB9-M00	2	F22	
77406-ALE8-E00	0	F09	80250-ALE8-E00	0	F12		86304-AFB9-M00	0	F22	
77530-AFB9-M00	1	F19	80260-ALE8-E00	0	F12		<b>87000</b>			
77531-AFB9-M00	1	F19	80330-LGN5-E01	1	F06					
77532-AFB9-M00	1	F19	80340-LGN5-E01	1	F06					
77532-ALE8-E00	1	F19						87033-LEE8-E01	2	F21
77533-ALE8-E00	3	F19	<b>83000</b>					87040-LEE8-E00	2	F21
77534-ALE8-E00	3	F19						87321-LEE8-E01	0	F21
77538-AFB9-M00	0	F19	83500-ALE8-E00	1	F12	87323-LEE8-E00		2	F21	
77546-ZVA6-M01	1	F19	83510-ALE8-E00	0	F12	87503-LDB5-900		2	F22	
<b>80000</b>			83520-AEE9-E00	0	F12	87505-LEE8-E01		2	F21	
			83600-ALE8-E00	1	F12	87512-ALE8-E00		2	F21	
			83610-ALE8-E00	0	F12	87515-ALE8-E00	2	F21		
			83620-AEE9-E00	0	F12	87516-ALE8-E00	3	F21		
80102-LEE8-E00	1	F12				87520-LDB5-M31	0	F21		
80110-LEE8-E00	5	F12	<b>85000</b>			87522-AFB9-M30	6	F21		
80120-ALE8-E00	1	F12				87560-ALE8-E00	4	F21		
80130-ALE8-E00	0	F12				87571-LCA5-M30	2	F21		
80135-ALE8-E00	0	F12	85100-ALE8-M00	0	F19	87577-LEE8-E00	2	F21		
80136-ALE8-E00	0	F12	85102-ALE8-E01	0	F19					
80200-ALE8-E00	4	F12	85200-ALE8-E00	1	F19					
80210-AEE9-E00	0	F12								

## PART NO. INDEX

PART NO.	VERSION	PAGE	PART NO.	VERSION	PAGE	PART NO.	VERSION	PAGE
<b>89000</b>	6	F09	90111-LEB1-900	1	F03	90302-PWB1-900	2	F05
			90111-LEB1-900	1	F05	90302-SDA4-004	3	F03
			90111-LEC8-E00	1	F03	90304-GLW0-90A	1	F06
89010-LEE8-E00			90112-KRDR-900	1	E01	90304-GLW0-90A	1	F16
<b>90000</b>	0	E05	90112-LBD4-800	1	F16	90304-GLW0-90A	1	F19
			90116-KED9-900	2	F05	90305-GHK8-001	1	F03
90002-KKAK-900			90131-LFB5-900	1	F08	90305-GHK8-001	1	F05
90005-KED9-900	2	E04	90131-LFB5-900	1	F16	90306-GLW0-90A	1	F06
90012-3C33-001	1	E03	90131-PRB3-900	1	F07	90309-GLW0-90A	1	F20
90031-PWB1-900	5	E03	90131-PRB3-900	1	F20	90322-PWB1-900	3	E08
90033-KGB4-C00	2	E03	90145-LBA2-E00	2	F04	90342-PWB1-900	3	E10
90036-PWB1-900	6	E01	90145-LEA3-E00	1	F04	90407-KAM1-001	0	E05
90071-MLB0-001	1	E07	90202-PWB1-900	2	E08	90408-PWB1-800	1	E06
90081-PWB1-900	2	E01	90203-PWB1-900	2	E10	90421-KAM1-004	0	F16
90084-KKE5-E00	5	E03	90204-PWB1-900	3	E10	90435-HCB3-001	0	E08
90084-PWB1-900	4	E05	90204-PWB1-910	1	E10	90441-LBA2-E00	1	E10
9008A-LKC3-500	1	E09	90205-LDB5-E00	4	E04	90443-KKE5-E00	1	E10
9008A-PTA1-900	3	E05	90206-0A01-001	4	E03	90446-PWB1-900	2	E08
90105-MLL0-731	1	F07	90215-KKC4-900	2	F12	90451-LBA7-900	1	E08
90110-KEB7-900	1	F19	90215-KKC4-900	2	F19	90452-LBA7-900	1	E08
90110-LFA5-900	1	E09	90242-LDB5-E00	2	F23	90453-1G07-001	0	E08
90110-PWB1-900	1	F03	90301-LDB5-E00	3	F07	90454-KED9-900	1	E08
90110-PWB1-900	1	F09	90301-LDB5-E00	3	F08	90455-LBA7-900	1	E08
90111-1G87-001	1	F03	90302-LBF2-900	2	F10	90459-PWB1-900	3	E08
90111-1G87-001	1	F19	90302-PWA1-900	3	F01	90461-PWB1-900	3	E03
			90302-PWA1-900	3	F03	90461-PWB1-900	3	E05

## PART NO. INDEX

PART NO.	VERSION	PAGE	PART NO.	VERSION	PAGE	PART NO.	VERSION	PAGE
90474-1G47-001	0	E07	90851-ZVA6-M00	0	F09	91302-5G67-004	0	E05
90474-3C33-001	1	E02	90912-KFLF-00A	1	E02	91302-PTA1-800	1	E03
90474-3C33-001	1	E05	90912-KFLF-00E	0	E02	91303-PWB1-900	1	E03
90474-3C33-001	1	F23				91306-1E05-691	0	E04
90474-7D04-000	0	E08	<b>91000</b>			91306-PTA1-900	6	E05
90478-7L00-001	0	E05				91307-0E35-001	1	E05
90481-0E35-001	1	E04	91002-PTA1-900	0	E01	91309-4E25-004	0	E07
90501-KNBN-901	0	E10	91002-PWB1-90A	1	E01	91313-KED9-900	3	E05
90545-3L00-001	2	F04	91003-ZXA6-M01	0	E01			
90561-PWB1-900	3	E03	91021-LDB5-E00	2	E06	<b>92000</b>		
90561-PWB1-900	3	F06	91021-PWB1-90B	1	E08			
90562-PWB1-900	1	E05	91104-PWB1-90A	1	E07	92101-05012-0G	0	E05
90651-ALH3-700	0	F05	91108-LEE8-E00	1	F23	92101-05012-0G	0	E07
90651-LEE8-E00	0	F13	91202-PWB1-900	1	E01	92101-06012-0HN	0	E03
90651-LFE9-E00	0	F13	91209-ZXA6-M01	0	E05	92900-06040-0E	2	E01
90652-LEE8-E00	1	F03	91251-LEE8-E00	3	F23	92900-PTA1-900	2	E03
90652-LEE8-E00	1	F05	91251-PWB1-900	2	E01			
90652-LEE8-E00	1	F12	91254-LDB5-E00	3	F06	<b>93000</b>		
90652-LLJ3-E00	0	F13	91254-LDB5-E00	3	F16			
90652-PWB1-900	1	F15	91256-ZXA6-M01	1	E10	93401-04025-06	0	F18
90656-KCBC-900	0	F18	91258-LDB5-900	2	E06	93403-05012-06	0	E01
90656-KUDU-900	0	F18	91258-LDB5-E00	2	F06	93404-06016-06	1	F03
90656-KUDU-900	0	F20	91258-LDB5-E00	2	F16	93404-06016-06	1	F06
90677-GAR1-004	2	F03	91261-LEE8-E00	3	F23	93404-06016-06	1	F11
90677-GAR1-004	2	F05	91271-LEE8-E00	3	F23	93404-06016-06	1	F13
90701-LDB5-E00	4	E04	91302-0A01-021	0	F23	93404-06016-06	1	F19

## PART NO. INDEX

PART NO.	VERSION	PAGE	PART NO.	VERSION	PAGE	PART NO.	VERSION	PAGE
93404-06016-06	1	F20	<b>94000</b>			94050-10060	0	F06
93404-06020-06	1	F09		94050-10080	1	E04		
93404-06020-06	1	F18		94052-LFA5-800	0	E06		
93404-06025-06	0	F05		94001-08080-0S	0	F14		
93404-KKC2-900	1	F05		94001-PWB1-900	4	E06		
93406-08016-06	0	F12		94002-PWB1-900	3	E06		
93500-04010-0F	0	F06		94005-PWB1-900	2	E09		
93500-04012-0F	0	E11		94011-PWB1-900	1	F07		
93500-05010-0G	1	F02		94011-PWB1-900	1	F08		
93500-06025-0FN	0	E07		94012-LLB1-900	1	F06		
93500-PWB1-900	2	E01		94030-10080	0	F19		
93500-PWB1-900	2	E02		94030-PTA1-800	2	E11		
93600-PWB1-900	3	E01		94050-05060	2	F12		
93891-05016-06	0	E11		94050-05060	2	F17		
93891-ALC1-E00	0	F01		94050-05060	2	F18		
93892-05012-06	0	E11		94050-06060	1	F09		
93903-25260	1	F09		94050-06060	1	F18		
93903-34360	0	F03		94050-06060	1	F20		
93903-35360	0	F02		94050-06080	2	E04		
93903-35360	0	F05	94050-06080	2	E08			
93903-35360	0	F12	94050-06080	2	E11			
93903-35360	0	F17	94050-08060	0	F04			
93903-KEB7-900	1	F03	94050-08060	0	F06			
93903-PWB1-900	1	F05	94050-08060	0	F19			
			94050-08080	0	E04			
			94050-08080	0	F09			
						94301-10800	0	F16
						94102-08000	5	F15
						94102-12800	0	F06
						94102-14800	0	F15
						94102-ALE8-E00	1	F15
						94102-LDB5-E00	1	F15
						94111-06800	0	E11
						94201-25300	0	F06
						94201-30400	0	F07
						94201-30400	0	F08
						94251-14000	0	F19
						94252-08000	1	F15
						94301-08100	1	E01
						94301-08120	0	E05
						94301-08140	4	E03
						94301-10120	0	F16
						94301-12200	1	E01
						94301-12200	1	E02
						94301-12200	1	E04
						94301-12200	1	E05
						94302-06025	0	E06
						94302-KKE5-E00	1	E01
						94303-04065	0	E04

## PART NO. INDEX

PART NO.	VERSION	PAGE	PART NO.	VERSION	PAGE	PART NO.	VERSION	PAGE
94303-04160	0	E07	94601-ALE8-E00	0	E06	95701-06016-06	1	F12
94305-03161	0	E06	94601-PWB1-900	1	E04	95701-06016-06	1	F19
94401-16150	0	E04	94611-PWB1-900	1	E08	95701-06016-06	1	F20
94402-PWB1-900	1	E06	94621-PWB1-900	1	E10	95701-06020-06	1	F12
94510-05000	0	E09				95701-06022-06	1	F15
94510-10000	0	E07	<b>95000</b>			95701-06025-06	2	E04
94510-12000	0	E08				95701-06025-06	2	E08
94510-12000	0	E09	95000-LEE8-E00	3	E09	95701-08012-06	0	E02
94510-25000	0	E08	95002-02070	2	F20	95701-08012-06	0	E05
94510-35150	0	E06	95002-02070	2	F24	95701-08012-06	0	F19
94510-PWB1-900	0	F06	95002-02080	0	F24	95701-08012-06	0	F23
94520-12100	0	E05	95002-02100	0	E09	95701-08016-06	0	F15
94520-19000	2	E05	95002-02100	0	F20	95701-08016-06	0	F19
94520-32180	0	E02	95002-02150	0	F13	95701-08020-06	1	E10
94520-47000	0	E05	95002-40950-08	0	E09	95701-08020-06	1	F03
94520-55000	0	F06	95002-45000	0	F20	95701-08020-06	1	F10
94520-55000	0	F16	95002-50000	1	F24	95701-08020-06	1	F19
94540-04029	0	F09	95002-70000	0	F20	95701-08020-06	1	F20
94540-06012	0	F15	95002-KED9-M30	1	E01	95701-08028-06	1	F06
94540-07017	1	E06	95004-LBA7-900	0	F13	95701-08030-06	0	F23
94540-12028	0	F15	95005-PWB1-900	1	E09	95701-08035-06	1	F06
94540-50029	0	E11	95007-ZWA2-E00	1	F16	95701-08040-06	0	E09
94591-KFBF-900	2	E05	95601-PWB1-900	2	E08	95701-08040-06	0	F06
94591-KFBF-900	2	F20	95701-06012-06	1	F04	95701-08045-06	1	F19
94591-LEE8-E00	1	E05	95701-06012-06	1	F09	95701-08050-06	0	E01
94601-33000	0	E06	95701-06016-06	1	E03	95701-08050-06	0	F19

## PART NO. INDEX

PART NO.	VERSION	PAGE	PART NO.	VERSION	PAGE	PART NO.	VERSION	PAGE
95701-08060-06	0	E01				96001-06065-06	0	E05
95701-08085-06	0	E01	<b>96000</b>			96001-06070-06	0	E01
95701-08140-06	0	E05				96001-06070-06	0	E05
95701-10020-06	0	F16	96001-06010-00	0	E05	96001-06080-06	1	E02
95701-10035-06	0	F23	96001-06016-06	0	E05	96001-06110-06	1	E03
95701-LDB5-E00	1	F15	96001-06016-06	0	F14	96100-60090-00	2	F23
95701-PWB1-900	4	E04	96001-06016-06	0	F18	96100-62010-00	0	E02
95801-08025-06	0	F04	96001-06018-06	0	E03	96100-62040-00	0	E01
95801-08025-06	0	F15	96001-06018-06	0	E05	96100-62050-00	2	E01
95801-08065-06	0	F16	96001-06018-06	0	E06	96100-62070-00	0	E01
95801-10030-06	0	F06	96001-06020-06	0	E03	96100-62100-00	0	F23
95801-10035-06	0	F06	96001-06020-06	0	E05	96100-63040-00	1	E01
95801-10050-06	1	F06	96001-06025-06	0	E01	96100-63040-00	1	E05
95801-10050-06	1	F16	96001-06025-06	0	E03	96100-63050-00	0	E09
95801-10055-06	0	F06	96001-06025-06	0	E05	96100-68000-00	0	E05
95801-10060-06	0	F16	96001-06028-08N	0	E07	96104-LDB5-90A	1	E06
95801-10065-06	0	F16	96001-06030-06	0	E03	96105-LFA5-80B	0	E06
95801-10070-06	1	F06	96001-06030-06	0	E05	96110-ZXA6-M01	0	E10
95801-10085-06	1	F19	96001-06032-06N	0	E07	96120-60080-00	0	E09
95801-10110-06	0	F19	96001-06035-06	0	E02	96120-ZXA6-M01	0	E01
95801-10120-06	0	F16	96001-06040-06	0	E02	96130-ZXA6-M01	0	E10
95801-10185-06	0	F19	96001-06040-06	0	E05	96140-PWB1-900	1	E10
95801-LCA5-900	1	F06	96001-06045-06	0	E01	96150-PWB1-90B	0	E05
95801-LCA5-900	1	F16	96001-06045-06	0	E05	96151-PWB1-900	2	F06
95801-LEE8-E00	1	F16	96001-06050-06	0	E05	96151-PWB1-900	2	F16
			96001-06060-06	0	E03	96201-10000	0	F16

## PART NO. INDEX

PART NO.	VERSION	PAGE	PART NO.	VERSION	PAGE	PART NO.	VERSION	PAGE
96211-08000	19	F15						
96220-40080	0	E08						
96220-60100	0	E05						
96600-10028-06	0	F19						
96600-LDB5-E00	3	E07						
96700-06025-06	1	F04						
<b>98000</b>								
98059-57916-00	2	E03						
98200-31000	1	F18						
98200-31500	1	F18						
98200-33000	0	F18						

