

PARTS CATALOGUE



MOTORCYCLES

RT30HC(JP)

AIR 150 FI



Release Date : 2016/10/13
Print Date : 2017/07/18

本パーツリストについて

- 本パーツリストは RT30HC(JP).の全てのパーツ番号が記載されています。
- 車輻のカラーチャートとバイクに相違がある場合は正規販売店もしくはKYMCO JAPANへお問い合わせください。
- 1. "***"記号が記載している場合、3文字の色コードをパーツ番号の最後に記入してください。
2. "#" 記号が記載している場合、パーツの設定、変更があります。正規販売店もしくはKYMCO JAPANへお問い合わせください。
- このパーツリストの変更または追加は、適切な時期に予告なく行われます。

ABOUT THIS PARTS LIST

- This parts list is compiled all service parts for model RT30HC(JP).
- Any difference between color chart and motorcycle will be revised according to motorcycle.
- The Mark:
 1. Marking "***" must add color code in the end before ordering parts.
 2. Marking "#" are parts with modification, Please find the details from e-Parts system.
- When modification or additions to this parts list are made a revised edition at an appropriate time.

目次

● 本パーツリストについて	1
● RT30HC(JP)のカラーチャート	3
● 目次-エンジン関	9
● 目次-フレーム関係	11
● エンジンパーツリスト	14
● フレームパーツリスト	52
● パーツ番号 検索	122

CONTENTS

● ABOUT THIS PARTS LIST	1
● COLOR CHART OF RT30HC(JP)	3
● CONTENTS-ENGINE GROUP	9
● CONTENTS-FRAME GROUP	11
● ENGINE PARTS LIST	14
● FRAME PARTS LIST	52
● PART NO. INDEX	122

NO	モデル			RT30HC(JP)のカラーチャート			
	写真番号			NO. 1	NO. 2	NO. 3	NO. 4
	基本色						
	コード				Shine Blue Metallic	White	
	パーツ名	パーツ番号	バージョン	PB331MA	PB331MA	NH138SA	RR357MA
1	COVER R SIDE	83520-ALH3-305	0	DH6		D14	DE5
2	COVER L SIDE	83620-ALH3-305	0				
3	END R STRG HANDLE	53102-KEC8-900	0	F1S			
4	END R STRG HANDLE	53105-LBB5-E00	2				
5	HOLDER HANDLE	45517-LBF3-800	1	M2A			
6	HOLDER HNDL PIPE	53131-LBF3-800	0				
7	LIGHT ASSY HEAD	33100-ALH3-900	0	M2S			
8	RIM UNIT HEAD LIGHT	33106-ALH3-900	0				
9	PIPE STRG HANDLE(ED)	53100-ALH3-900	7	M5A			
10	LEVER R STRG HND	53175-ALH3-900	1				
11	LEVER L STRG.HNDL	53178-ALH3-900	1	N1R			
12	COVER,BATTERY	50326-LGM5-900	4				
13	GRIP COMP THROT	53140-KFC8-900	0	N1S			
14	GRIP L HANDLE	53166-KNBN-911	0				
15	FENDER RR	80105-ALH3-900	1	NEA			
16	FORK COMP RR	52110-ALH3-900	2				
17	BASE HEAD LIGHT	61301-ALH3-900	0				
18	CRANK CASE SET RIGHT	11100-LGM5-305	0				
19	CRANK CASE SET LEFT	11200-LGM5-305	0				
20	COVER COMP R CRANK	11330-LEC8-E00	4				
21	COVER LEFT CRANK	11341-LBE8-900	2				
22	COVER REDUCTION	1135A-LBF3-800	0				
23	HEAD COMP CYLINDER	12200-LGM5-900	7				
24	COVER CYLINDER HEAD	12310-LGM5-900	1				
25	HOLE CAP TAPPET	12361-LBE8-900	1				
販売開始時期							
販売終了時期							

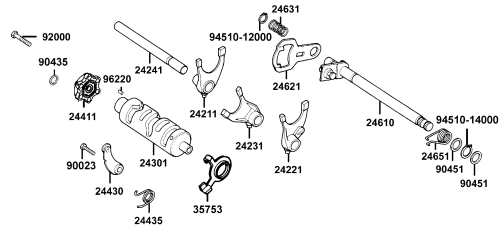
NO	モデル			RT30HC(JP)のカラーチャート			
	写真番号			NO. 5	NO. 6	NO. 7	
	基本色						
	コード			Deep Brown		Golden	
	パーツ名	パーツ番号	バージョン	RR357MA	YR378MA	YR378MA	
1	COVER R SIDE	83520-ALH3-305	0	DE5	DKN		
2	COVER L SIDE	83620-ALH3-305	0				
3	END R STRG HANDLE	53102-KEC8-900	0	F1S			
4	END R STRG HANDLE	53105-LBB5-E00	2				
5	HOLDER HANDLE	45517-LBF3-800	1	M2A			
6	HOLDER HNDL PIPE	53131-LBF3-800	0				
7	LIGHT ASSY HEAD	33100-ALH3-900	0	M2S			
8	RIM UNIT HEAD LIGHT	33106-ALH3-900	0				
9	PIPE STRG HANDLE(ED)	53100-ALH3-900	7	M5A			
10	LEVER R STRG HND	53175-ALH3-900	1				
11	LEVER L STRG.HNDL	53178-ALH3-900	1	N1R			
12	COVER,BATTERY	50326-LGM5-900	4				
13	GRIP COMP THROT	53140-KFC8-900	0	N1S			
14	GRIP L HANDLE	53166-KNBN-911	0				
15	FENDER RR	80105-ALH3-900	1	NEA			
16	FORK COMP RR	52110-ALH3-900	2				
17	BASE HEAD LIGHT	61301-ALH3-900	0				
18	CRANK CASE SET RIGHT	11100-LGM5-305	0				
19	CRANK CASE SET LEFT	11200-LGM5-305	0				
20	COVER COMP R CRANK	11330-LEC8-E00	4				
21	COVER LEFT CRANK	11341-LBE8-900	2				
22	COVER REDUCTION	1135A-LBF3-800	0				
23	HEAD COMP CYLINDER	12200-LGM5-900	7				
24	COVER CYLINDER HEAD	12310-LGM5-900	1				
25	HOLE CAP TAPPET	12361-LBE8-900	1				
販売開始時期							
販売終了時期							

NO	モデル			RT30HC(JP)のカラーチャート			
	写真番号			NO. 1	NO. 2	NO. 3	NO. 4
	基本色						
	コード				Shine Blue Metallic	White	
	パーツ名	パーツ番号	バージョン	PB331MA	PB331MA	NH138SA	RR357MA
26	MOTOR ASSY STARTER	31200-LBF3-800	0	NEA			
27	WHEEL ASSY RR	42600-ALH3-306	0				
28	FLANGE SET FINAL	42610-LGM6-305	0				
29	PANEL ASSY REAR	43000-ALH3-900	3				
30	WHEEL SET FR	44650-KKD7-305	1				
31	CAP MC	45513-LBF3-800	1				
32	CYLINDER SET FR	45530-LBF3-305	0				
33	BRIDGE FORK TOP	53230-ALH3-900	3				
34	CAP AC GENERATOR	90084-KKF9-901	0				
35	CAP ASSY	9008A-LBF3-800	1				
36	COVER,LEFT REAR	11361-LBF3-900	4	NEP			
37	CYLINDER COMP	12100-LBF3-900	4				
38	STEP ASSY R RR PILLION	50190-ALH3-900	0	NES			
39	STEP ASSY L RR PILLION	50191-ALH3-900	0				
40	STAY R STEP BAR	50600-ALH3-900	2				
41	BAR COMP STEP	50610-ALH3-900	1				
42	STAY L STEP BAR	50620-ALH3-900	2				
43	FORK SET , FRONT	5140A-ALH3-900	4				
44	BOTTOM CASE R	51420-ALH3-900	0	NJA			
45	FORK SET FR L	5150A-ALH3-900	4				
46	BOTTOM CASE L	51520-ALH3-900	0				
47	FENDER FRONT	61100-ALH3-900	1	CKP			
48	COVERA RR CENTER	83750-ALH3-900	1				
49	COVER B RR CENTER	83751-ALH3-900	1				
50	TANK SET FUEL	17500-LGM5-335	0	CKS		NMS	ENS
販売開始時期							
販売終了時期							

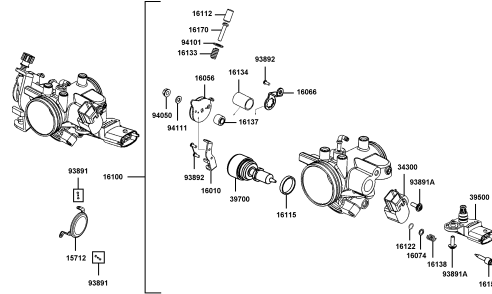
NO	モデル			RT30HC(JP)のカラーチャート						
	写真番号			NO. 5	NO. 6	NO. 7				
	基本色									
	コード			Deep Brown		Golden				
	パーツ名	パーツ番号	バージョン	RR357MA	YR378MA	YR378MA				
26	MOTOR ASSY STARTER	31200-LBF3-800	0	NEA						
27	WHEEL ASSY RR	42600-ALH3-306	0							
28	FLANGE SET FINAL	42610-LGM6-305	0							
29	PANEL ASSY REAR	43000-ALH3-900	3							
30	WHEEL SET FR	44650-KKD7-305	1							
31	CAP MC	45513-LBF3-800	1							
32	CYLINDER SET FR	45530-LBF3-305	0							
33	BRIDGE FORK TOP	53230-ALH3-900	3							
34	CAP AC GENERATOR	90084-KKF9-901	0							
35	CAP ASSY	9008A-LBF3-800	1							
36	COVER,LEFT REAR	11361-LBF3-900	4				NEP			
37	CYLINDER COMP	12100-LBF3-900	4				NES			
38	STEP ASSY R RR PILLION	50190-ALH3-900	0							
39	STEP ASSY L RR PILLION	50191-ALH3-900	0							
40	STAY R STEP BAR	50600-ALH3-900	2							
41	BAR COMP STEP	50610-ALH3-900	1							
42	STAY L STEP BAR	50620-ALH3-900	2							
43	FORK SET , FRONT	5140A-ALH3-900	4	NJA						
44	BOTTOM CASE R	51420-ALH3-900	0							
45	FORK SET FR L	5150A-ALH3-900	4							
46	BOTTOM CASE L	51520-ALH3-900	0							
47	FENDER FRONT	61100-ALH3-900	1	ENP						
48	COVERA RR CENTER	83750-ALH3-900	1				X2P			
49	COVER B RR CENTER	83751-ALH3-900	1							
50	TANK SET FUEL	17500-LGM5-335	0	ENS	X2S					
販売開始時期										
販売終了時期										

CONTENTS - ENGINE GROUP 目次-エンジン関

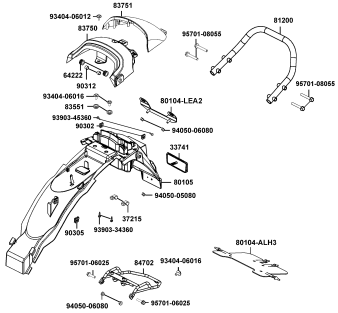
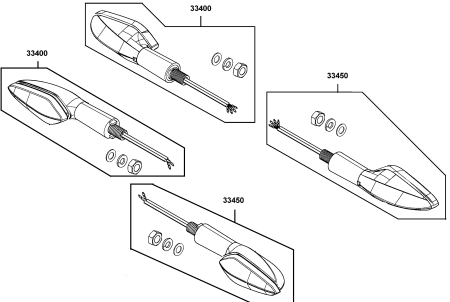
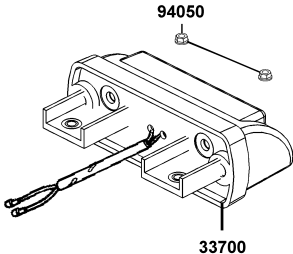
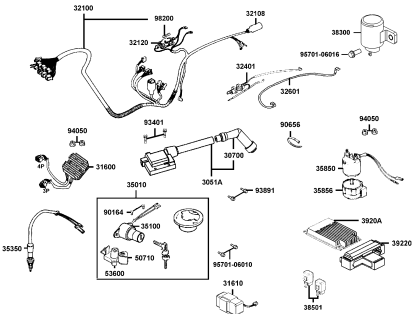
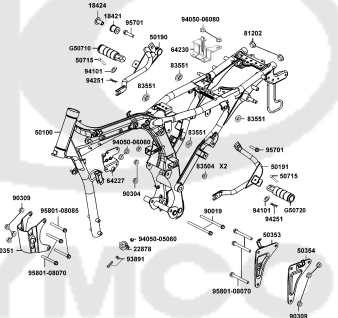
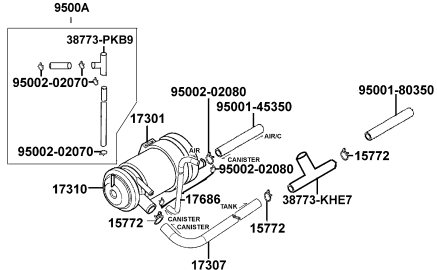
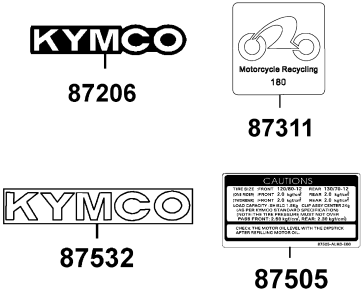

E10 Gearshift Drum Gearshift



E11 Throttle Body Assy

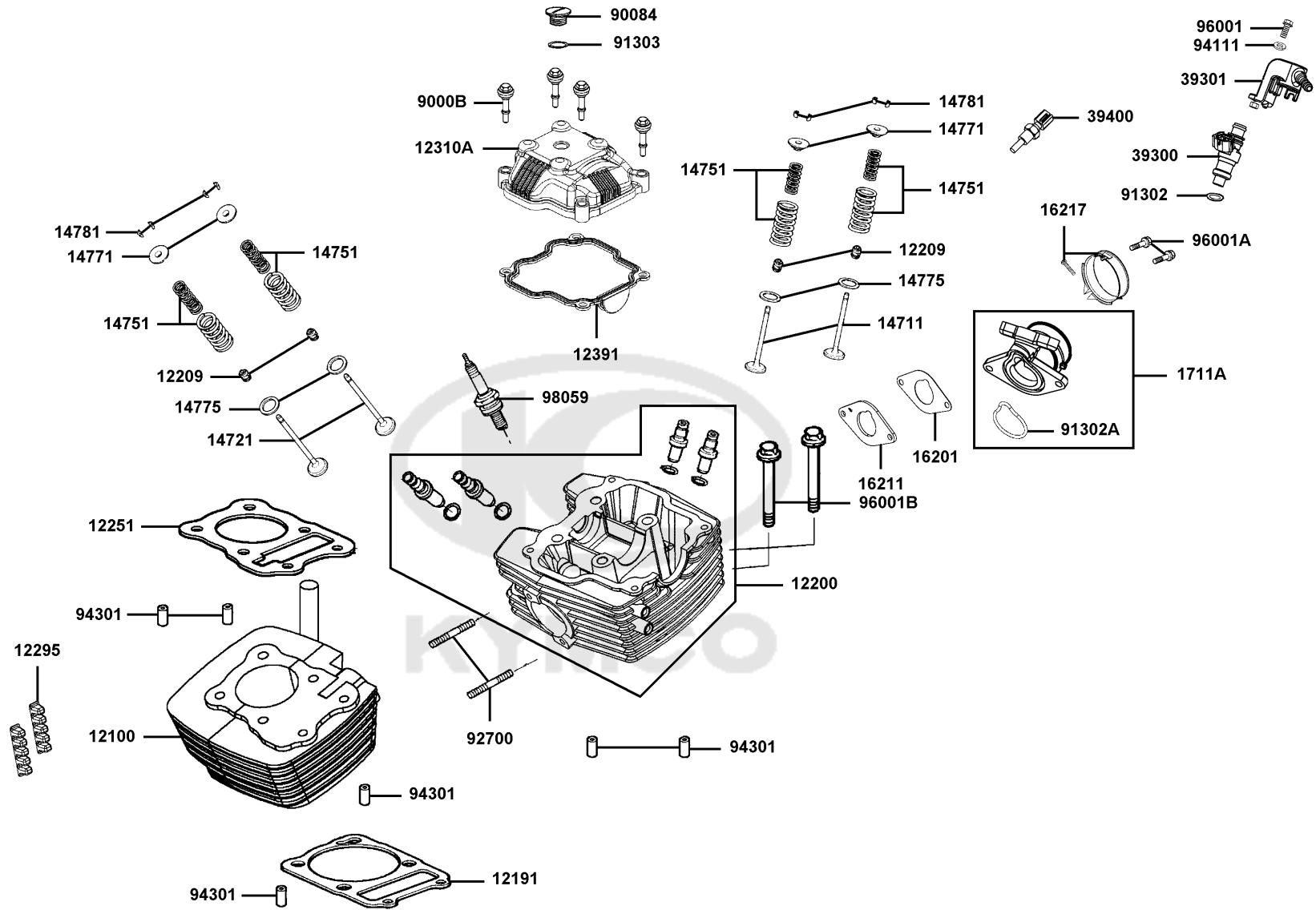


CONTENTS - FRAME GROUP 目次-フレーム関係

<p>F19 Rear Fender</p> 	<p>F20 Winker</p> 	<p>F21 Tail Light</p> 
<p>F22 Wire Harness</p> 	<p>F23 Frame Body</p> 	<p>F24 Ai Cleaner</p> 
<p>F25 Caution Label</p> 	<p>F26 Emblem Stripe</p> 	

E01

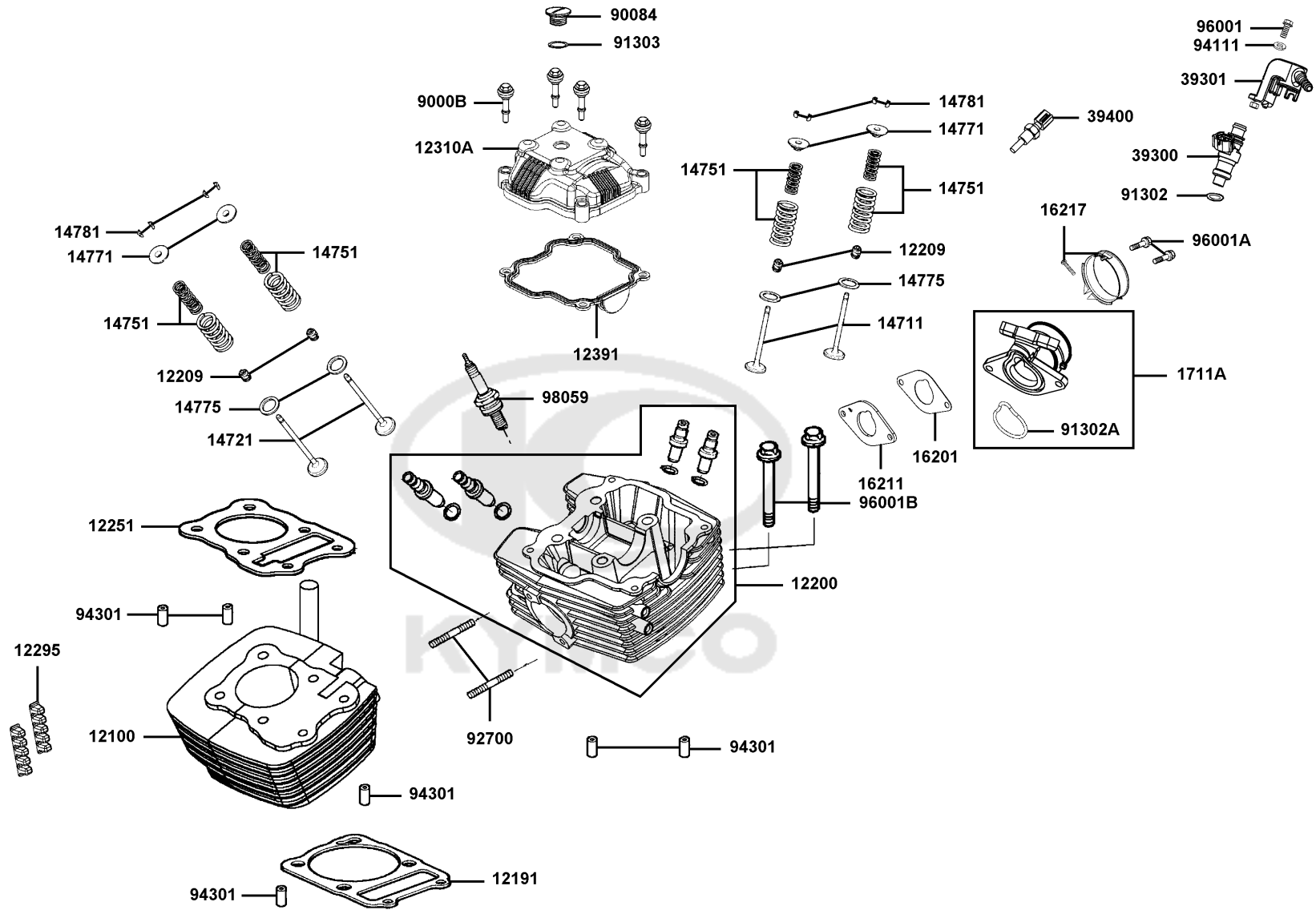
Cylinder Head Cylinder



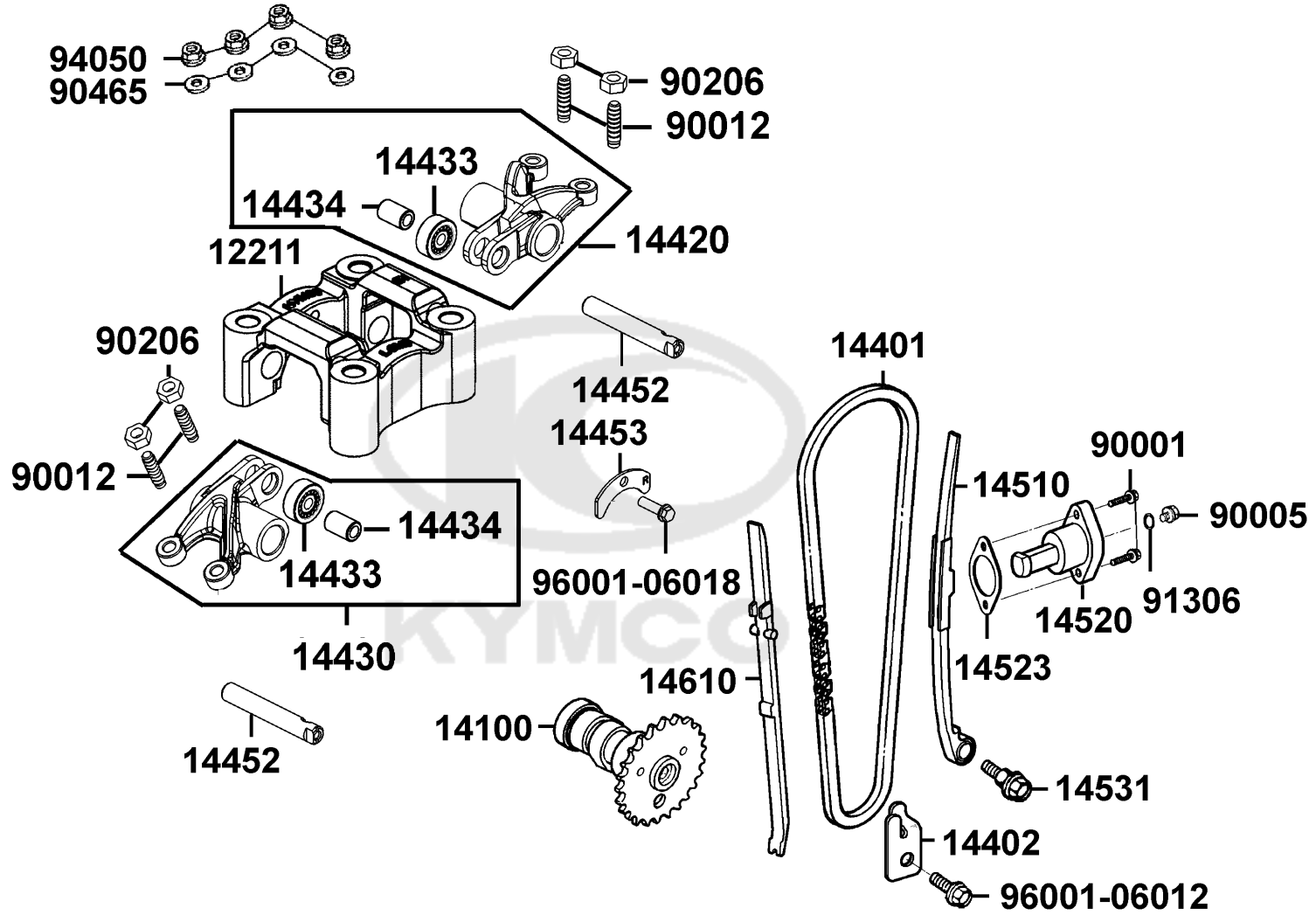
Sales mark 記号	Ref no 参照用番号	Part no パーツ番号	Description 部品名	Reg description 部品名	Regd no 必要個数	Ref Price 希望小売価格(税抜)	E01
**	12100	12100-LBF3-900	CYLINDER COMP	CYLINDER COMP	1	25670	
	12191	12191-LLB1-900	GASKET CYLINDER	GASKET CYLINDER	1	390	
**	12200	12200-LGM5-900	HEAD COMP CYLINDER	HEAD COMP CYLINDER	1	50380	
	12209	12209-GDB4-68B	SEAL VALVE STEM	SEAL VALVE STEM	1	490	
	12251	12251-KFB1-900	GASKET CYLINDER HEAD	GASKET CYLINDER HEAD	1	1510	
	12295	12295-LEC8-E00	RUBBER A INSERT CYLINDER	RUBBER A INSERT CYLINDER	2	260	
**	12310A	12310-LGM5-900	COVER CYLINDER HEAD	COVER CYLINDER HEAD	1	4380	
	12391	12391-LGM5-900	PACKING CYLN HAED	PACKING CYLN HAED	1	3550	
	14711	14711-KKA8-900	VALVE INLET	VALVE INLET	2	1720	
	14721	14721-LGM5-900	VALVE EXHAUST	VALVE EXHAUST	2	3530	
	14751	14751-KKA7-900	SPRING VALVE OUTER	SPRING VALVE OUTER	4	420	
	14771	14771-KKA7-900	RETAINER VALVE SRINPG	RETAINER VALVE SRINPG	4	440	
	14775	14775-KKA7-900	SEAT VALVE SPRING OUTER	SEAT VALVE SPRING OUTER	4	160	
	14781	14781-MFA6-001	COTTER VALVE	COTTER VALVE	8	200	
	16201	16201-LGM5-900	GASKET CARB INSULATOR	GASKET CARB INSULATOR	1	110	
	16211	16211-LGM5-900	GASKET. CARB INSULATOR	GASKET. CARB INSULATOR	1	490	
	16217	16217-LGM5-900	BAND INSULATOR	BAND INSULATOR	1	490	
	1711A	1711A-LGM5-900	PIPE ASSY. INLET	PIPE ASSY. INLET	1	4980	
	39300	39300-LGM5-800	INJECTOR.FUEL	INJECTOR.FUEL	1	14640	
	39301	39301-LGM5-920	HOLDER ASSY FUEL INJECTOR	HOLDER ASSY FUEL INJECTOR	1	510	

E01

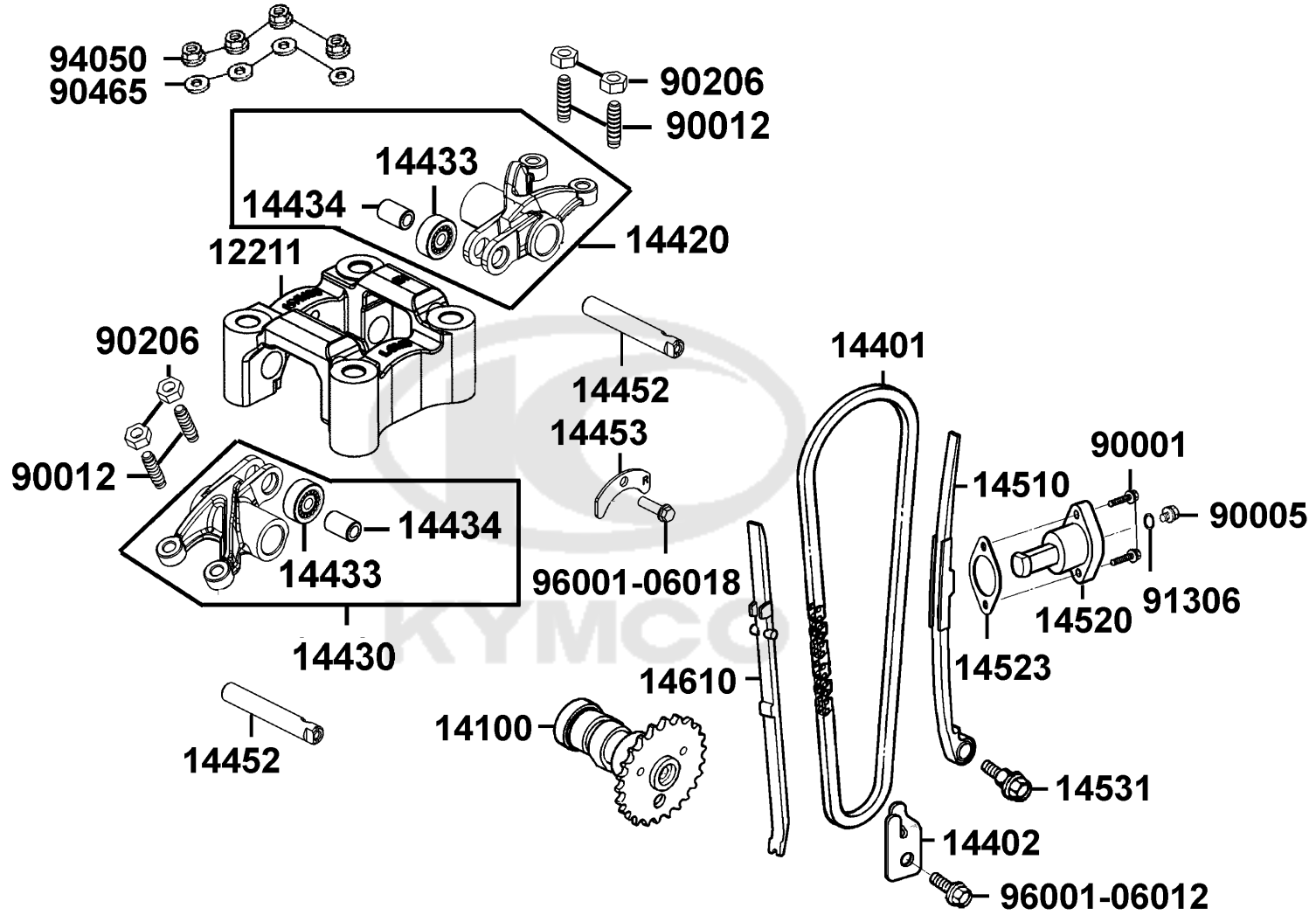
Cylinder Head Cylinder



Sales mark 記号	Ref no 参照用番号	Part no パーツ番号	Description 部品名	Reg description 部品名	Regd no 必要個数	Ref Price 希望小売価格(税抜)	E01
	39400	39400-LHJ3-900	SENSOR. HEAD TEMPERATURE	SENSOR. HEAD TEMPERATURE	1	5020	
	9000B	9000B-KHD6-900	BOLT ASSY SPECIAL 6*41.5	BOLT ASSY SPECIAL 6*41.5	4	440	
**	90084	90084-KKF9-901	CAP AC GENERATOR	CAP AC GENERATOR	1	320	
	91302A	91302-ALH3-900	O-RING	O-RING	1	320	
	91302	91302-KKE5-800	SEAL RING	SEAL RING	1	680	
	91303	91303-3G77-001	O-RING 13.8*2.5	O-RING 13.8*2.5	1	60	
	92700	92700-06035-0B	BOLT STUD 6X35	BOLT STUD 6X35	2	140	
	94111	94111-06800	WASHER SPRING 6MM	WASHER SPRING 6MM	1	60	
	94301	94301-10160	DOWEL PIN 10*16	DOWEL PIN 10*16	6	60	
	96001	96001-06014-06	BOLT FLANGE SH 6*14 (G)	BOLT FLANGE SH 6*14 (G)	1	60	
	96001A	96001-06022-06	BOLT FLANGE SH 6*22 (G)	BOLT FLANGE SH 6*22 (G)	1	60	
	96001B	96001-06110-00	BOLT FLANGE 6*110	BOLT FLANGE 6*110	2	200	
	98059	98059-58916-00	PLUG SPARK(CR8E)	PLUG SPARK(CR8E)	1	3050	



Sales mark 記号	Ref no 参照用番号	Part no パーツ番号	Description 部品名	Reg description 部品名	Regd no 必要個数	Ref Price 希望小売価格(税抜)	E02
12211		12211-LGM5-900	HOLDER CAM SHAFT	HOLDER CAM SHAFT	1	3810	
14100		14100-ALH3-900	SHAFT COMP CAM	SHAFT COMP CAM	1	5690	
14401		14401-KEC8-90A	CHAIN CAM	CHAIN CAM	1	4000	
14402		14402-KEC8-900	PLATE SET CAM CHAIN	PLATE SET CAM CHAIN	1	200	
14420		14420-LGM5-900	ARM COMP. EXH VALVE ROCKER	ARM COMP. EXH VALVE ROCKER	1	10390	
14430		14430-LGM5-900	ARM.IN VALVE ROCKER	ARM.IN VALVE ROCKER	1	10390	
14433		14433-PTA1-900	ROCKER ASSY ROCKER ARM	ROCKER ASSY ROCKER ARM	2	4950	
14434		14434-PTA1-900	PIN ROCKER ARM	PIN ROCKER ARM	2	1530	
14452		14452-KEC8-900	SHAFT EX ROCKER ARM	SHAFT EX ROCKER ARM	2	680	
14453		14453-KKA7-900	SET PLATE ROCKER ARM SHAFT	SET PLATE ROCKER ARM SHAFT	1	200	
14510		14510-KEC8-900	TENSIONER CAM CHAIN	TENSIONER CAM CHAIN	1	1820	
14520		14520-LBE8-900	LIFTER ASSY TENSIONER	LIFTER ASSY TENSIONER	1	2480	
14523		14523-KED9-900	GASKET TENSIONER LIFTER @A	GASKET TENSIONER LIFTER @A	1	200	
14531		14531-KKJ9-001	PIVOT CAM CHAIN TENSIONER	PIVOT CAM CHAIN TENSIONER	1	140	
14610		14610-KEC8-900	GUIDE COMP CAM CHAIN	GUIDE COMP CAM CHAIN	1	870	
90001		90001-KED9-900	BOLT FLANGE SHF 6*22	BOLT FLANGE SHF 6*22	2	110	
90005		90005-KED9-900	BOLT SPECIAL 6*6	BOLT SPECIAL 6*6	1	200	
90012		90012-3C33-001	SCREW TAPPET ADJUSTING	SCREW TAPPET ADJUSTING	4	110	
90206		90206-0A01-001	NUT TAPPET ADJG	NUT TAPPET ADJG	4	60	
90465		90465-MDC4-001	WASHER 8MM	WASHER 8MM	4	60	

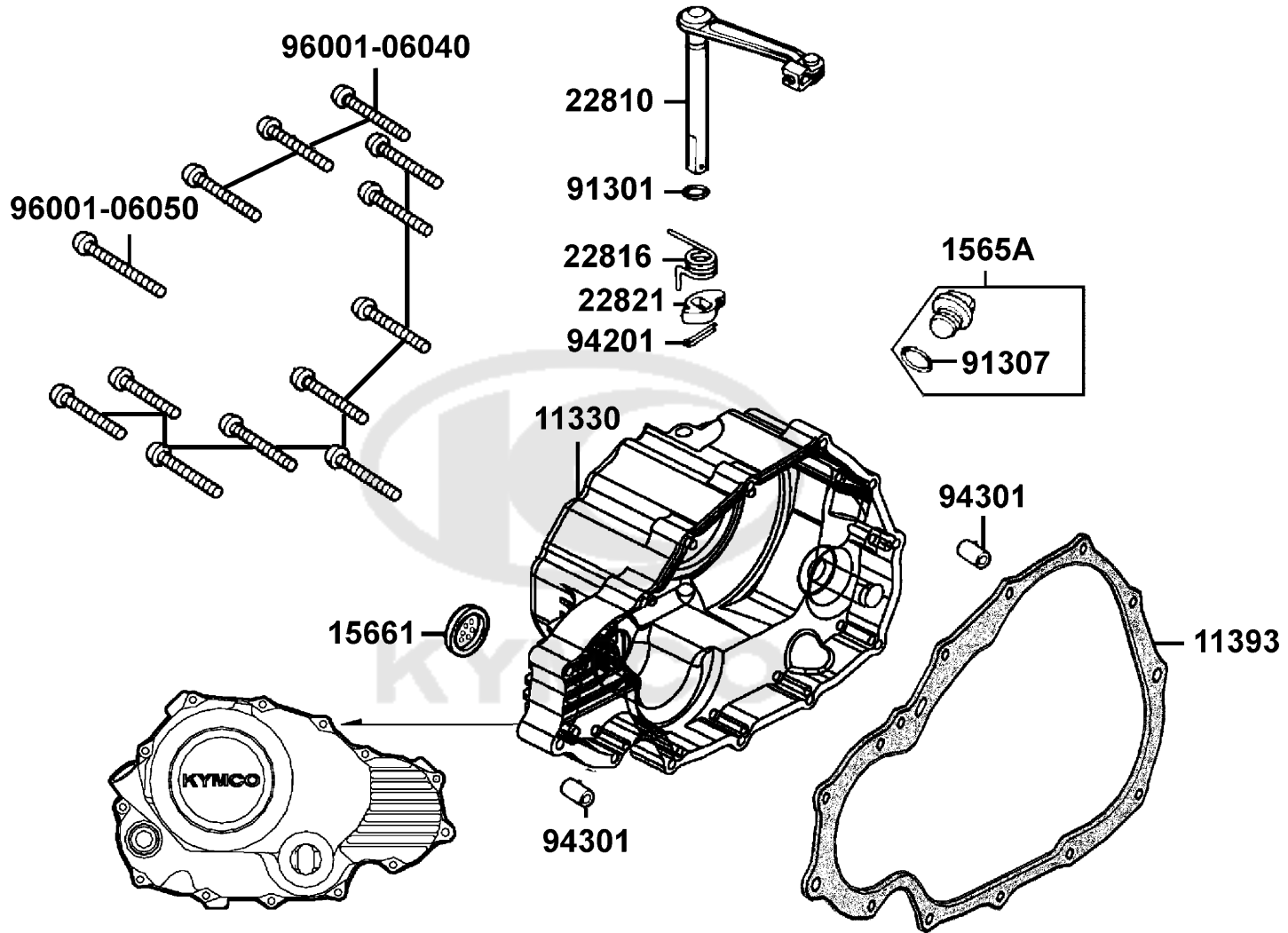


Sales mark 記号	Ref no 参照用番号	Part no パーツ番号	Description 部品名	Reg description 部品名	Regd no 必要個数	Ref Price 希望小売価格(税抜)	E02
91306	91306-1E05-691	91306-1E05-691	O-RING 1.5*9.5	O-RING 1.5*9.5	1	60	
94050	94050-08080	94050-08080	NUT FLANGE 8MM	NUT FLANGE 8MM	4	60	
96001-06012	96001-06012-06	96001-06012-06	BOLT FLANGE SH 6*12	BOLT FLANGE SH 6*12	1	60	
96001-06018	96001-06018-06	96001-06018-06	BOLT FLANGE SH 6X18	BOLT FLANGE SH 6X18	1	60	



E03

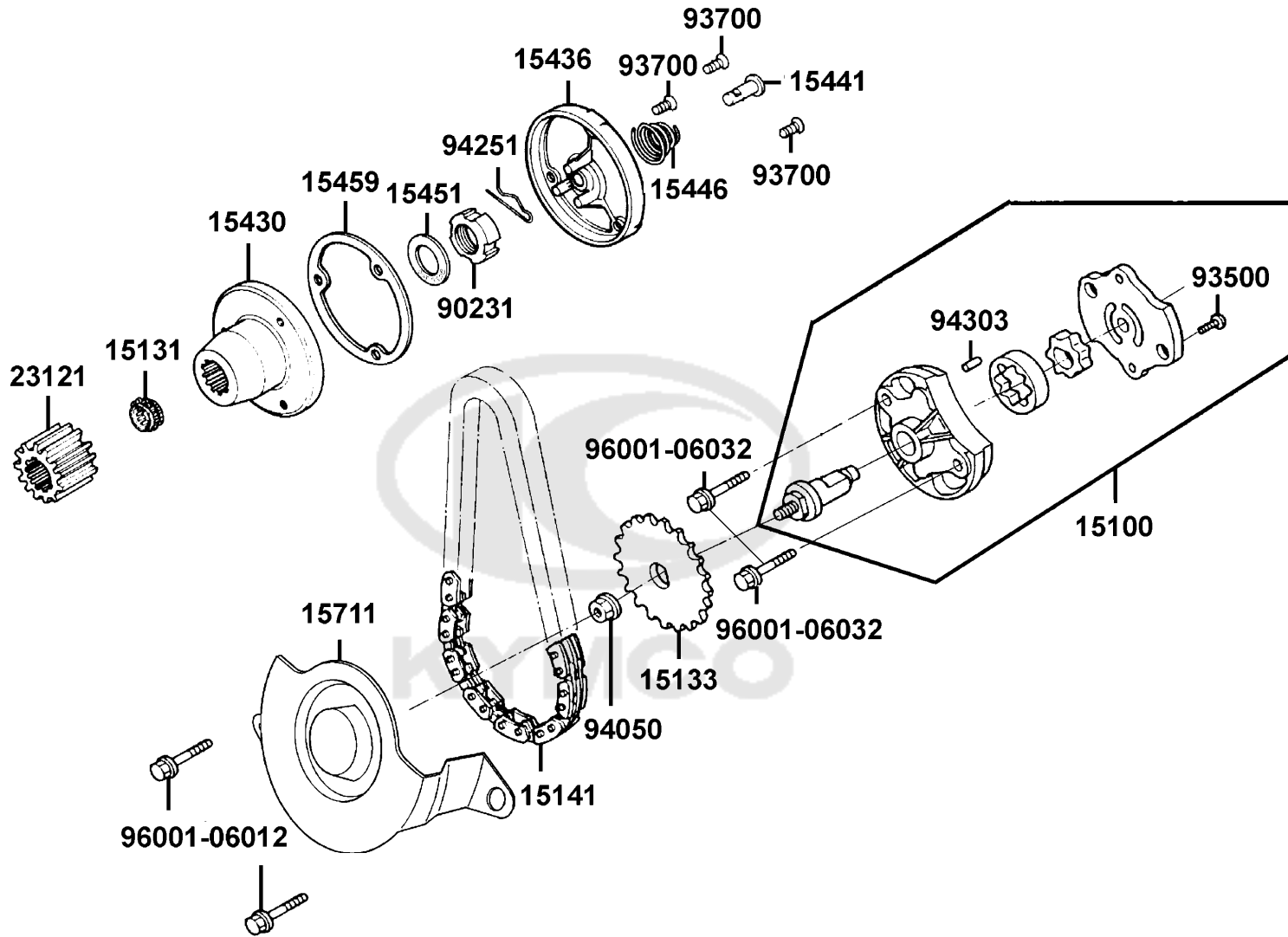
Right Crankcase cover



Sales mark 記号	Ref no 参照用番号	Part no パーツ番号	Description 部品名	Reg description 部品名	Regd no 必要個数	Ref Price 希望小売価格(税抜)	E03
**	11330	11330-LEC8-E00	COVER COMP R CRANK CASE	COVER COMP R CRANK CASE	1	18200	
	11393	11393-KEC2-980	GASKET RIGHT CRANK CASE COVER	GASKET RIGHT CRANK CASE COVER	1	1580	
	1565A	1565A-KKAK-900	GAUGE OIL LEVEL ASSY	GAUGE OIL LEVEL ASSY	1	870	
	15661	15661-LBA7-900	FINDER OIL LEVEL	FINDER OIL LEVEL	1	960	
	22810	22810-ALH3-900	LEVER COMP CLUTCH	LEVER COMP CLUTCH	1	1260	
	22816	22816-3E55-001	SPRING CLUTCH LEVER	SPRING CLUTCH LEVER	1	160	
	22821	22821-3E55-001	CAM CLUTCH LIFTER	CAM CLUTCH LIFTER	1	350	
	91301	91301-KBE2-710	O-RING 6.8*1.9	O-RING 6.8*1.9	1	70	
	91307	91307-0E35-001	O RING 18*3	O RING 18*3	1	60	
	94201	94201-20150	PIN SPLIT 2*15	PIN SPLIT 2*15	1	200	
	94301	94301-08140	DOWEL PIN 8*14	DOWEL PIN 8*14	2	110	
	96001-06040	96001-06040-02	BOLT FLANGE SH 6*40	BOLT FLANGE SH 6*40	12	200	
	96001-06050	96001-06050-02	BOLT FLANGE SH 6*50	BOLT FLANGE SH 6*50	1	200	

E04

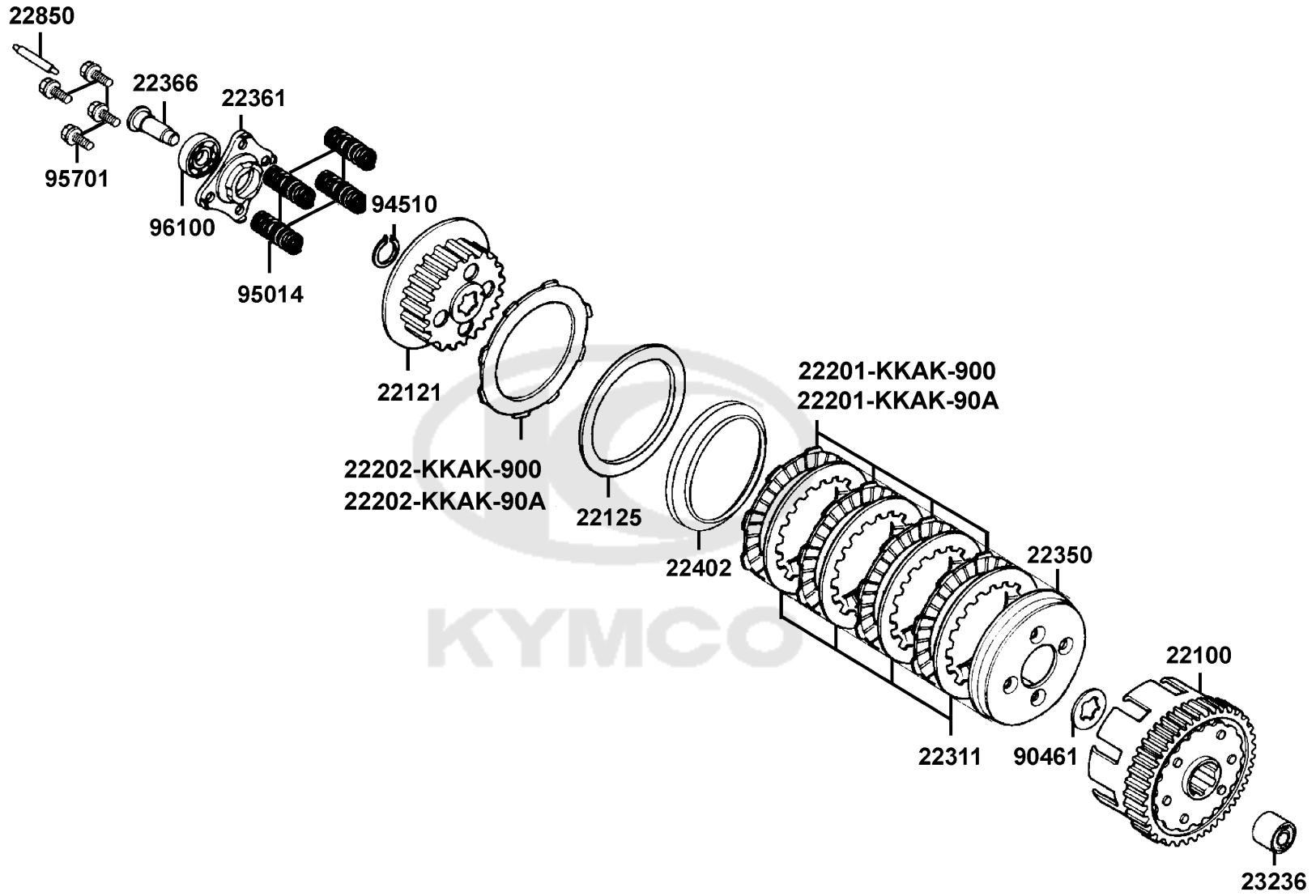
Oil Pump



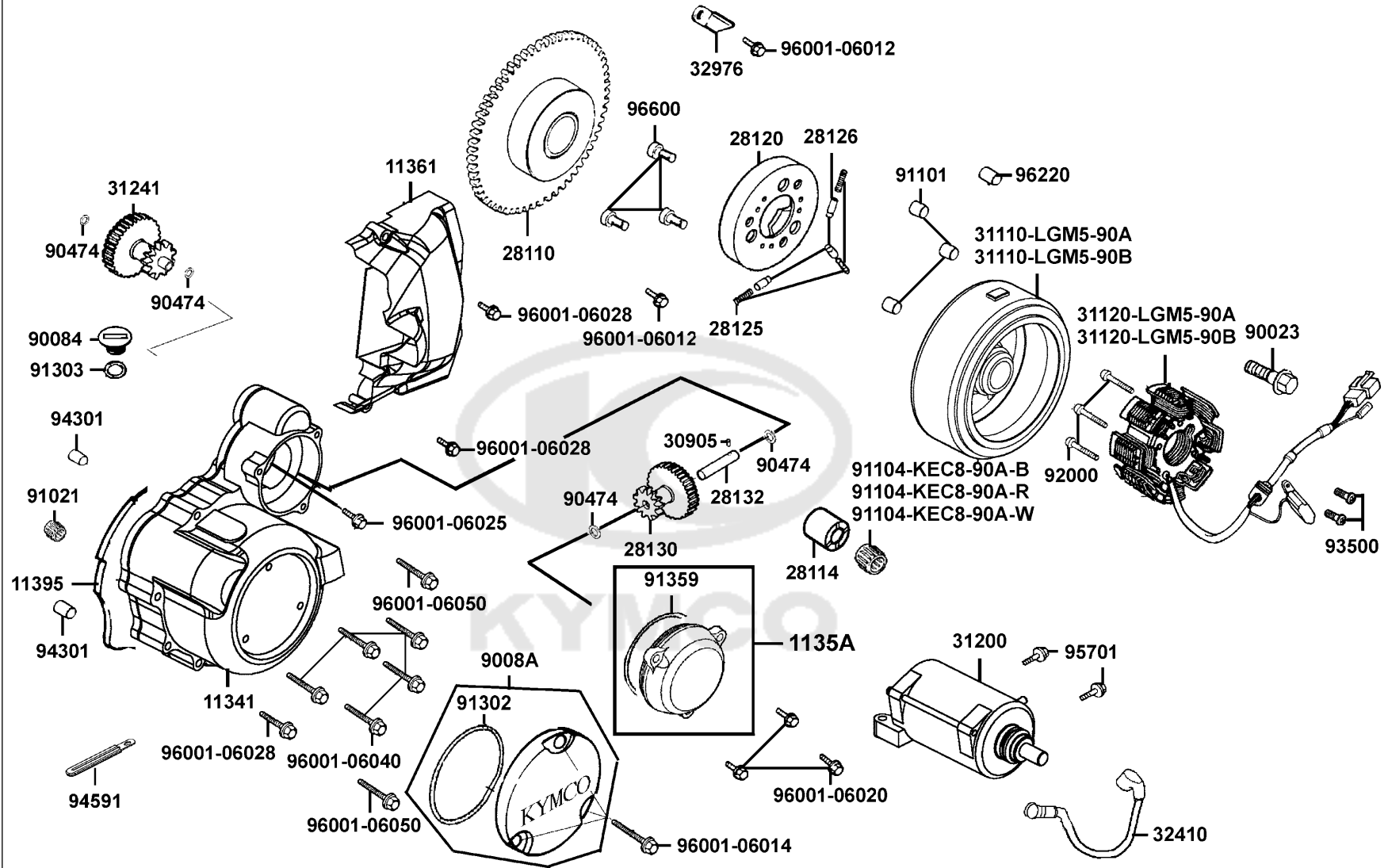
Sales mark 記号	Ref no 参照用番号	Part no パーツ番号	Description 部品名	Reg description 部品名	Regd no 必要個数	Ref Price 希望小売価格(税抜)	E04
15100		15100-LBE8-900	OIL PUMP ASSY	OIL PUMP ASSY	1	3240	
15131		15131-KEC2-900	SPROCKET OIL PUMP DRIVE	SPROCKET OIL PUMP DRIVE	1	2270	
15133		15133-GFY6-901	SPRKT OIL PUMP DRIVEN	SPRKT OIL PUMP DRIVEN	1	580	
15141		15141-KEC2-900	CHAIN OIL PUMP	CHAIN OIL PUMP	1	2010	
15430		15430-KKAK-910	ROTER COMP OIL FILTER	ROTER COMP OIL FILTER	1	1110	
15436		15436-1G07-001	CAP OIL FILTER ROTOR	CAP OIL FILTER ROTOR	1	770	
15441		15441-1G07-001	OIL THROUGH	OIL THROUGH	1	320	
15446		15446-1G07-001	SPRING OIL THROUGH	SPRING OIL THROUGH	1	160	
15451		15451-1G07-001	WASHER LOCK OIL FILTER ROTOR	WASHER LOCK OIL FILTER ROTOR	1	110	
15459		15459-1G07-980	GASKET OIL FILTER ROTOR CAP	GASKET OIL FILTER ROTOR CAP	1	160	
15711		15711-KEC2-900	SEPARATER OIL	SEPARATER OIL	1	350	
23121		23121-KEC2-900	GEAR PRIMARY DRIVE	GEAR PRIMARY DRIVE	1	1530	
90231		90231-2L00-011	NUT LOCK 16MM	NUT LOCK 16MM	1	300	
93500		93500-03012-02	SCREW PAN 3*12	SCREW PAN 3*12	1	60	
93700		93700-05012-0F	SCREW OVAL 5*12	SCREW OVAL 5*12	1	200	
94050		94050-06080	NUT FLANGE 6MM	NUT FLANGE 6MM	1	60	
94251		94251-08400	PIN LOCK 8MM	PIN LOCK 8MM	1	160	
94303		94303-04065	DOWEL PIN 4*6.5	DOWEL PIN 4*6.5	1	60	
96001-06012		96001-06012-06	BOLT FLANGE SH 6*12	BOLT FLANGE SH 6*12	1	60	
96001-06032		96001-06032-06	BOLT FLANGE 6*32	BOLT FLANGE 6*32	1	60	

E05

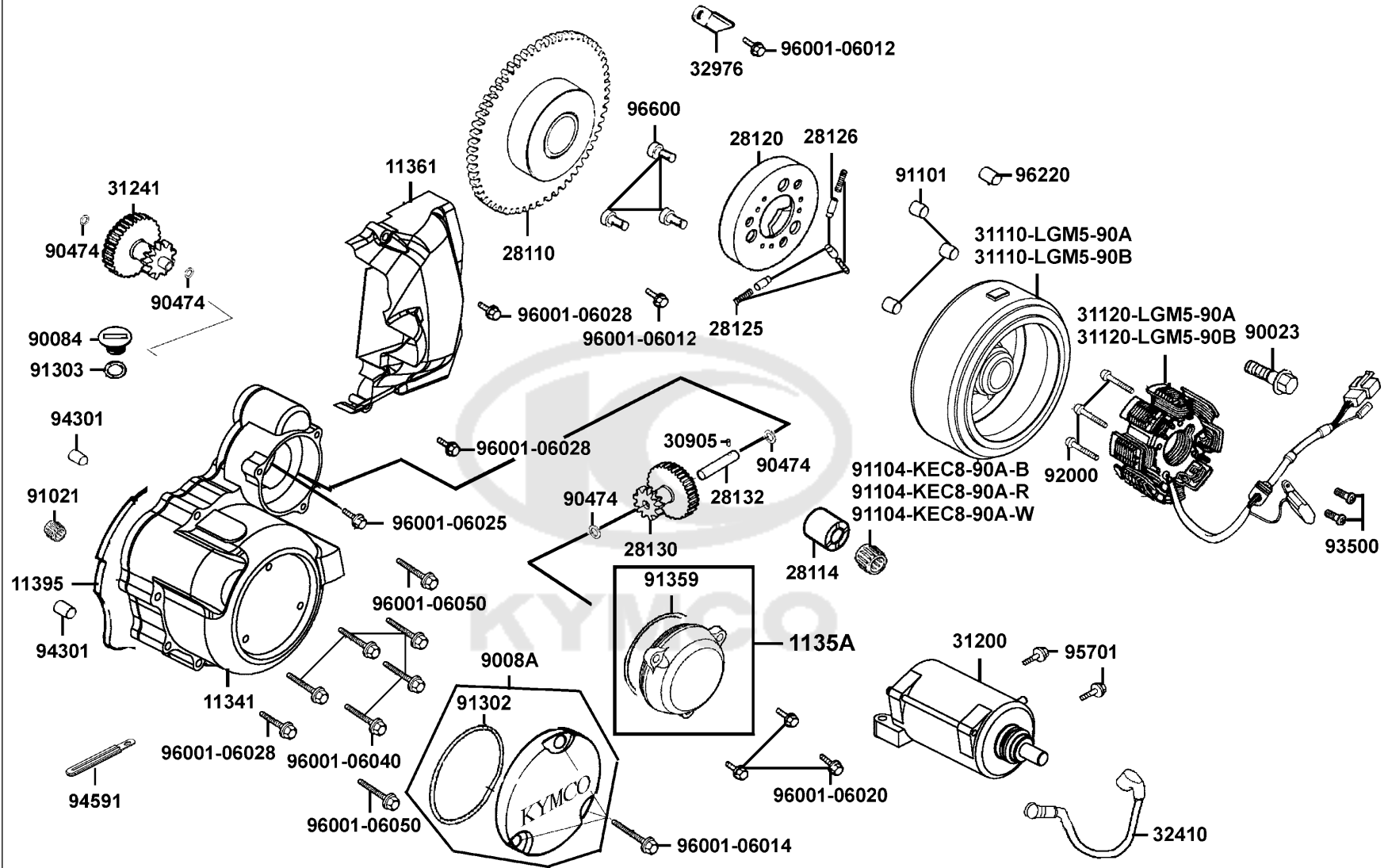
Clutch



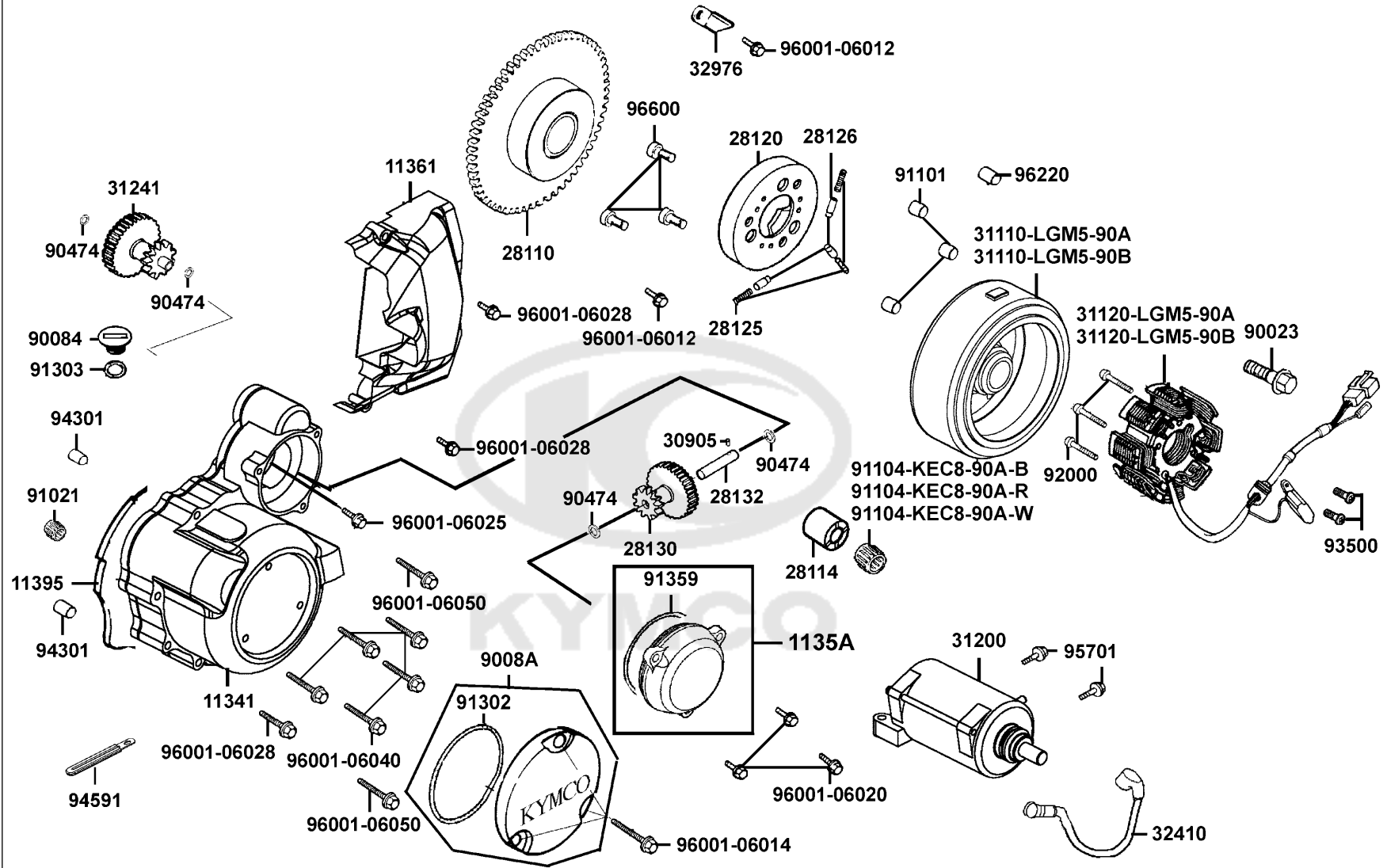
Sales mark 記号	Ref no 参照用番号	Part no パーツ番号	Description 部品名	Reg description 部品名	Regd no 必要個数	Ref Price 希望小売価格(税抜)	E05
22100		22100-3D24-001	OUTER COMP CLUTCH	OUTER COMP CLUTCH	1	10460	
22121		22121-1G07-011	CENTER CLUTCH	CENTER CLUTCH	1	3240	
22125		22125-KKAK-900	SEAT ADJUSTER SPG	SEAT ADJUSTER SPG	1	870	
22201-KKAK-900		22201-KKAK-900	DISK CLUTCH FRICTION	DISK CLUTCH FRICTION	4	920	
22201-KKAK-90A		22201-KKAK-90A	DISK CLUTCH FRICTION	DISK CLUTCH FRICTION	1	1250	
22202-KKAK-900		22202-KKAK-900	DISK CLUTCH FRICTION	DISK CLUTCH FRICTION	1	1340	
22202-KKAK-90A		22202-KKAK-90A	DISK CLUTCH FRICTION	DISK CLUTCH FRICTION	1	1820	
22311		22311-1G07-001	PLATE CLUTCH	PLATE CLUTCH	4	300	
22350		22350-1G07-012	PLATE CLUTCH PRESSURE	PLATE CLUTCH PRESSURE	1	2960	
22361		22361-1G07-001	PLATE CLUTCH LIFTER	PLATE CLUTCH LIFTER	1	770	
22366		22366-3C83-001	GUIDE PIN CLUTCH LIFTER	GUIDE PIN CLUTCH LIFTER	1	490	
22402		22402-KKAK-900	SPR ADJUSTER	SPR ADJUSTER	1	770	
22850		22850-3E55-001	ROD CLUTCH LIFTER	ROD CLUTCH LIFTER	1	200	
23236		23236-KEC2-900	COOLAR CLUTCH	COOLAR CLUTCH	1	770	
90461		90461-ALH3-900	WASHER SPLINE 20MM	WASHER SPLINE 20MM	1	320	
94510		94510-20000	CIR CLIP EX 20	CIR CLIP EX 20	1	60	
95014		95014-75110	SPRING CLUTCH	SPRING CLUTCH	4	300	
95701		95701-06022-06	BOLT FLANGE 6*22	BOLT FLANGE 6*22	1	60	
96100		96100-60010-00	BEARING RADIAL BALL 6001	BEARING RADIAL BALL 6001	1	960	



Sales mark 記号	Ref no 参照用番号	Part no パーツ番号	Description 部品名	Reg description 部品名	Regd no 必要個数	Ref Price 希望小売価格(税抜)	E06
**	11341	11341-LBE8-900	COVER LEFT CRANK CASE	COVER LEFT CRANK CASE	1	14590	
**	1135A	1135A-LBF3-800	COVER REDUCTION GEAR	COVER REDUCTION GEAR	1	2700	
**	11361	11361-LBF3-900	COVER.LEFT REAR CRANK CASE	COVER.LEFT REAR CRANK CASE	1	3200	
	11395	11395-KEC2-980	GASKET LEFT CRANK CASE	GASKET LEFT CRANK CASE	1	590	
	28110	28110-KKA7-900	GEAR COMP STARTING DRIVEN	GEAR COMP STARTING DRIVEN	1	4760	
	28114	28114-KKA7-900	BOSS STARTING GEAR COMP	BOSS STARTING GEAR COMP	1	1630	
	28120	28120-GFY6-315	OUTER COMP STARTING CLUTCH	OUTER COMP STARTING CLUTCH	1	7800	
	28125	28125-4F26-001	SPRING ROLLER STARTER CLUTCH	SPRING ROLLER STARTER CLUTCH	3	160	
	28126	28126-KUDU-900	CAP STARTING ROLLER SPRING	CAP STARTING ROLLER SPRING	3	160	
	28130	28130-KBE2-981	GEAR COMP REDUCTION	GEAR COMP REDUCTION	1	4570	
	28132	28132-KGG7-001	SHAFT REDUCTION GEAR	SHAFT REDUCTION GEAR	1	390	
	30905	30905-2F16-001	KNOCK PIN 3*5.2	KNOCK PIN 3*5.2	1	160	
	31110-LGM5-90A	31110-LGM5-90A	FLYWHEEL COMP (D402)	FLYWHEEL COMP /D402	1	10650	
	31110-LGM5-90B	31110-LGM5-90B	FLYWHEEL COMP (D406)	FLYWHEEL COMP /D406	1	10650	
	31120-LGM5-90B	31120-ALH3-90B	STATOR COMP (D406)	STATOR COMP (D406)	1	14830	
	31120-LGM5-90A	31120-LGM5-90A	STATOR COMP (D402)	STATOR COMP /D402	1	15400	
**	31200	31200-LBF3-800	MOTOR ASSY STARTER	MOTOR ASSY STARTER	1	20910	
	31241	31241-KBE2-981	SHAFT STARTER GEAR	SHAFT STARTER GEAR	1	4000	
	32410	32410-KKC4-900	CABLE STARTER MOTOR	CABLE STARTER MOTOR	1	1630	
	32976	32976-1G07-001	CLAMPER WIRE HARNESS	CLAMPER WIRE HARNESS	1	110	



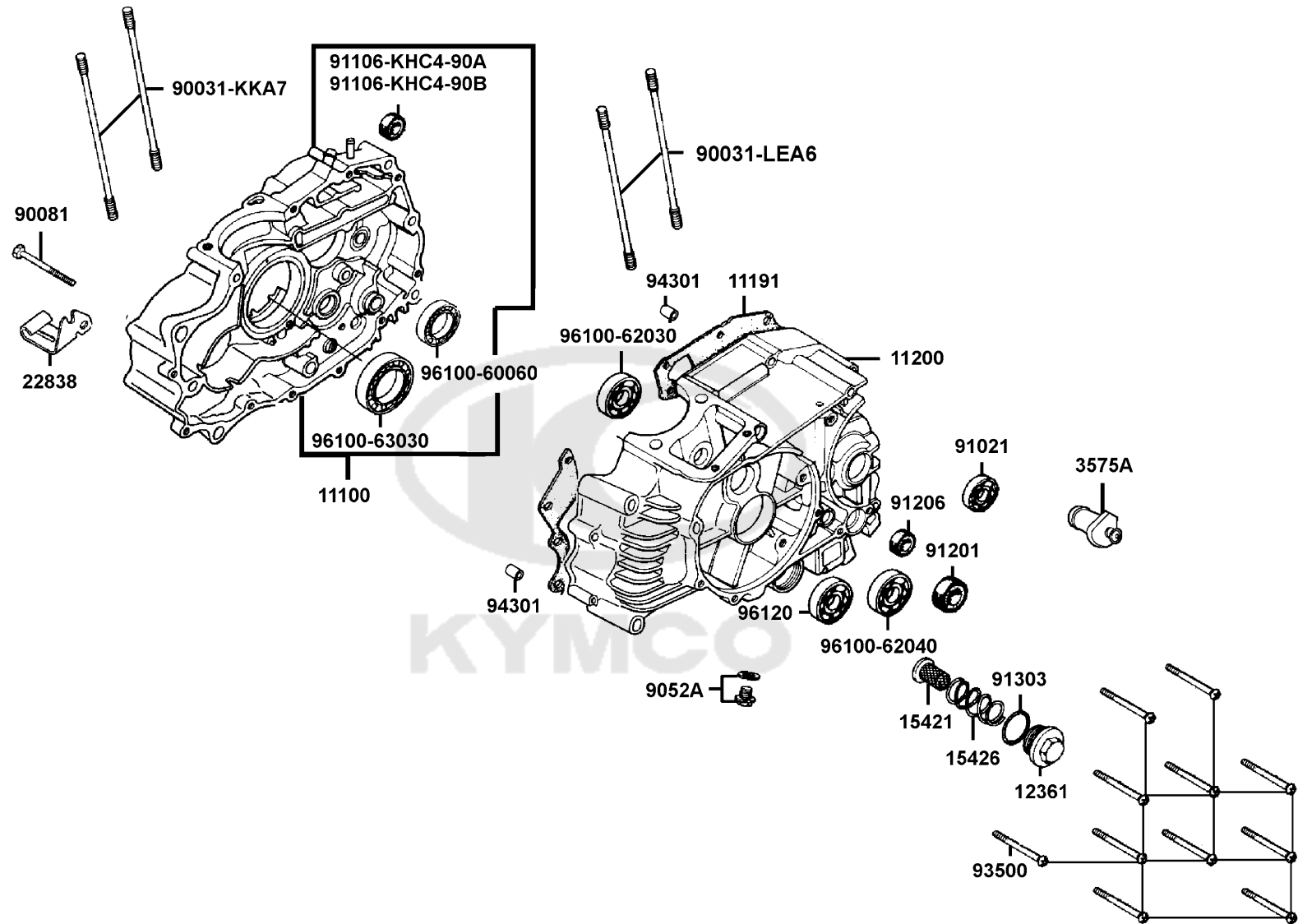
Sales mark 記号	Ref no 参照用番号	Part no パーツ番号	Description 部品名	Reg description 部品名	Regd no 必要個数	Ref Price 希望小売価格(税抜)	E06
	90023	90023-KGG7-001	BOLT ROTOR SETTING	BOLT ROTOR SETTING	1	320	
**	90084	90084-KKF9-901	CAP AC GENERATOR	CAP AC GENERATOR	1	320	
**	9008A	9008A-LBF3-800	CAP ASSY	CAP ASSY	1	2390	
	90474	90474-1G47-001	WASHER 10.5MM	WASHER 10.5MM	4	110	
	91021	91021-1H48-005	BEARING NEEDLE 1010	BEARING NEEDLE 1010	1	960	
	91101	91101-1K79-711	ROLLER 10*10	ROLLER 10*10	3	60	
	91104-KEC8-90A-B	91104-KEC8-90A-B	BEARING NEEDLE 22*28*17V2	BEARING NEEDLE 22*28*17V2	1	1910	
	91104-KEC8-90A-R	91104-KEC8-90A-R	BEARING NEEDLE 22*28*17V2	BEARING NEEDLE 22*28*17V2	1	1910	
	91104-KEC8-90A-W	91104-KEC8-90A-W	BEARING NEEDLE 22*28*17V2	BEARING NEEDLE 22*28*17V2	1	1910	
	91302	91302-5G67-004	O-RING 27.4*2.4	O-RING 27.4*2.4	1	200	
	91303	91303-3G77-001	O-RING 13.8*2.5	O-RING 13.8*2.5	1	60	
	91359	91359-3A71-004	O-RING 63*3.0	O-RING 63*3.0	1	70	
	92000	92000-05032-0G	BOLT HEX 5*32 (G)	BOLT HEX 5*32 (G)	1	200	
	93500	93500-05016-0F	SCREW PAN 5*16	SCREW PAN 5*16	1	200	
	94301	94301-10140	DOWEL PIN 10*14	DOWEL PIN 10*14	2	200	
	94591	94591-LEA7-E01	CLIP 2X150	CLIP 2X150	1	200	
	95701	95701-06028-02	BOLT FLANGE 6*28	BOLT FLANGE 6*28	2	200	
	96001-06012	96001-06012-06	BOLT FLANGE SH 6*12	BOLT FLANGE SH 6*12	1	60	
	96001-06014	96001-06014-02	BOLT FLANGE 6*14	BOLT FLANGE 6*14	3	200	
	96001-06020	96001-06020-02	BOLT FLANGE SH 6*20	BOLT FLANGE SH 6*20	3	200	



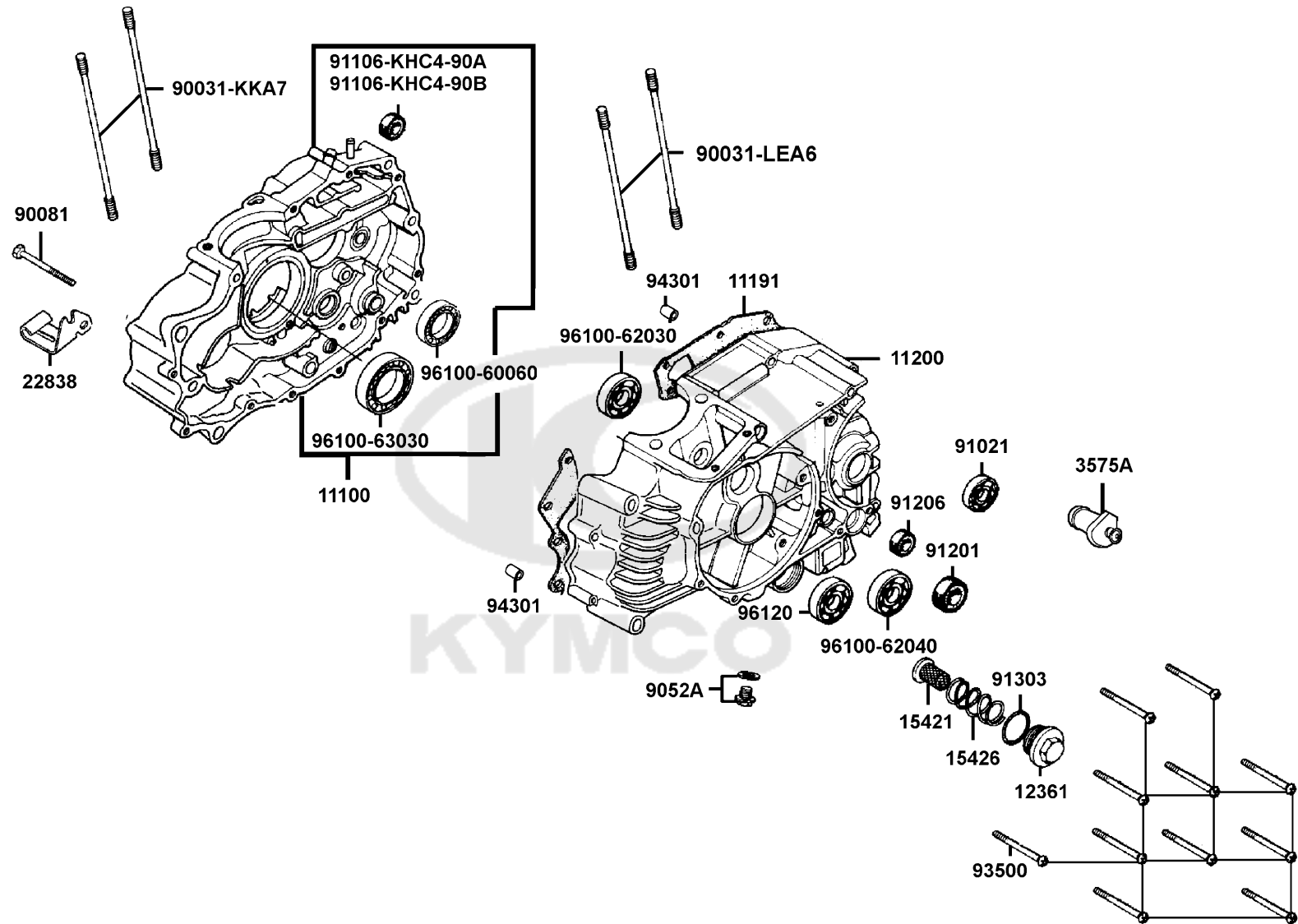
Sales mark 記号	Ref no 参照用番号	Part no パーツ番号	Description 部品名	Reg description 部品名	Regd no 必要個数	Ref Price 希望小売価格(税抜)	E06
------------------	-----------------	------------------	--------------------	------------------------	-----------------	-------------------------	-----

96001-06025	96001-06025-06	BOLT FLANGE SH 6*25	BOLT FLANGE SH 6*25	1	60	
96001-06028	96001-06028-02	BOLT FLANGE SH 6*28	BOLT FLANGE SH 6*28	3	200	
96001-06040	96001-06040-02	BOLT FLANGE SH 6*40	BOLT FLANGE SH 6*40	5	200	
96001-06050	96001-06050-02	BOLT FLANGE SH 6*50	BOLT FLANGE SH 6*50	2	200	
96220	96220-60100	ROLLER 6*10	ROLLER 6*10	1	60	
96600	96600-08015-16	SOCKET BOLT 8*15	SOCKET BOLT 8*15	1	390	





Sales mark 記号	Ref no 参照用番号	Part no パーツ番号	Description 部品名	Reg description 部品名	Regd no 必要個数	Ref Price 希望小売価格(税抜)	E07
**	11100	11100-LGM5-305	CRANK CASE SET RIGHT	CRANK CASE SET RIGHT	1	32320	
	11191	11191-KEC2-980	GASKET CRANK CASE	GASKET CRANK CASE	1	1870	
**	11200	11200-LGM5-305	CRANK CASE SET LEFT	CRANK CASE SET LEFT	1	41820	
**	12361	12361-LBE8-900	HOLE CAP TAPPET ADJUSTING	HOLE CAP TAPPET ADJUSTING	1	390	
	15421	15421-1G07-001	SCREEN OIL FILTER	SCREEN OIL FILTER	1	350	
	15426	15426-1G07-001	SPRING OIL FILTER SCREEN	SPRING OIL FILTER SCREEN	1	160	
	22838	22838-KEC2-900	HOLDER CLUTCH WIRE	HOLDER CLUTCH WIRE	1	300	
	3575A	3575A-0A01-021	CONTACT SET NEUTRA	CONTACT SET NEUTRA	1	680	
	90031-KKA7	90031-KKA7-900	BOLT STUD	BOLT STUD	2	580	
	90031-LEA6	90031-LEA6-900	BOLT A STUD 8*22	BOLT A STUD 8*22	2	580	
	90081	90081-KKAK-900	BOLT HS 6*55	BOLT HS 6*55	1	160	
	9052A	9052A-GFY6-950	BOLT ASSY DRAIN PLUG	BOLT ASSY DRAIN PLUG	1	120	
	91021	91021-1H48-005	BEARING NEEDLE 1010	BEARING NEEDLE 1010	1	960	
	91106-KHC4-90A	91106-KHC4-90A	BRG NEEDLE 15MM	BRG NEEDLE 15MM	1	340	
	91106-KHC4-90B	91106-KHC4-90B	BRG NEEDLE 15MM	BRG NEEDLE 15MM	1	270	
	91201	91201-0L30-034	OIL SEAL 20*34*7	OIL SEAL 20*34*7	1	200	
	91206	91206-2F86-014	OIL SEAL 14*28*7	OIL SEAL 14*28*7	1	200	
	91303	91303-1G07-001	O-RING 35*3.0	O-RING 35*3.0	1	60	
	93500	93500-06050-0B	SCREW PAN 6*50	SCREW PAN 6*50	11	60	
	94301	94301-10140	DOWEL PIN 10*14	DOWEL PIN 10*14	2	200	

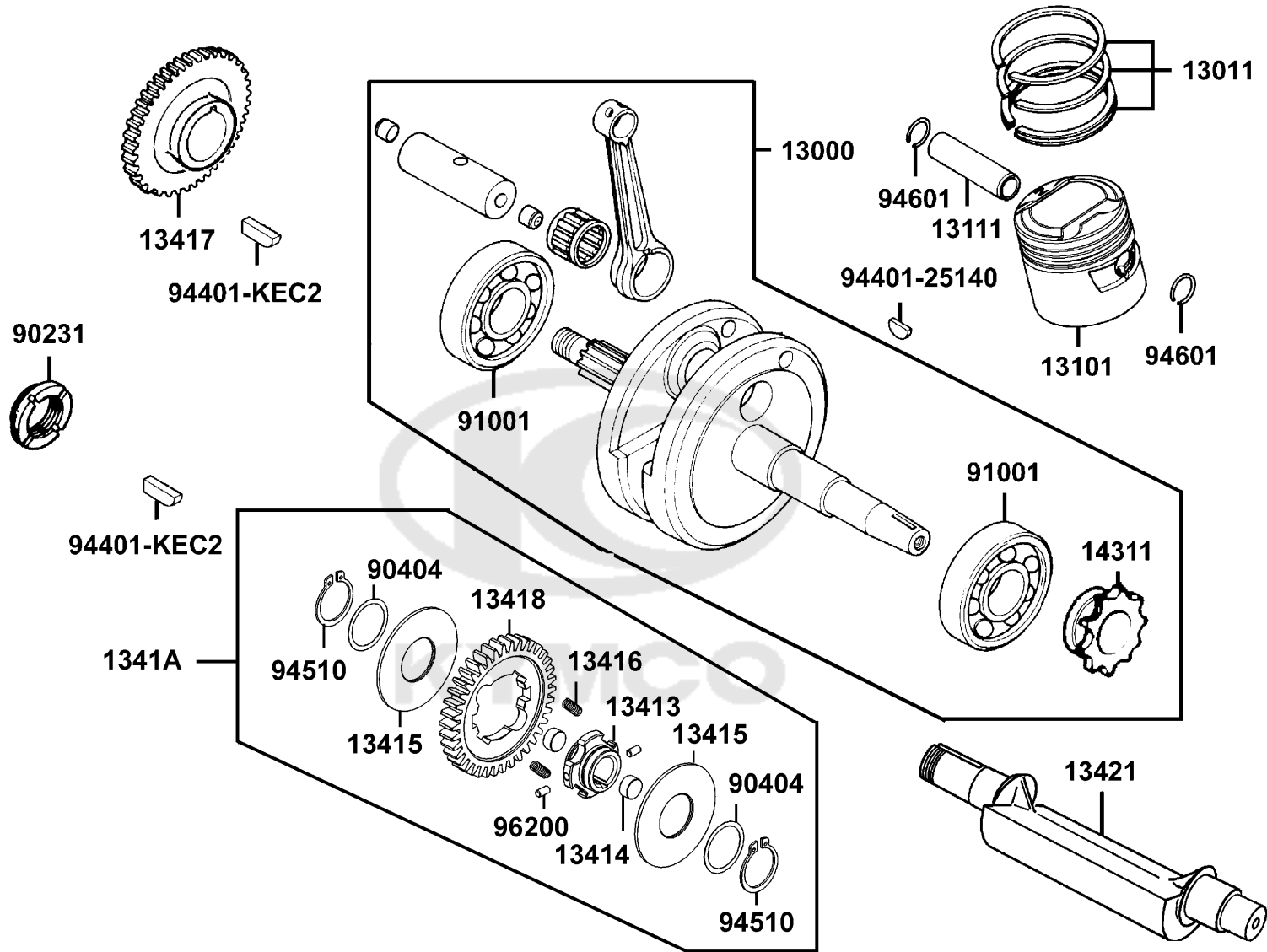


Sales mark 記号	Ref no 参照用番号	Part no パーツ番号	Description 部品名	Reg description 部品名	Regd no 必要個数	Ref Price 希望小売価格(税抜)	E07
96100-60060	96100-60060-00	96100-60060-00	BEARING BALL RADIAL 6006	BEARING BALL RADIAL 6006	1	1820	
96100-62030	96100-62030-00	96100-62030-00	BRG BALL RADIAL 6203	BRG BALL RADIAL 6203	1	260	
96100-62040	96100-62040-00	96100-62040-00	BEARING BALL RADIAL 6204	BEARING BALL RADIAL 6204	1	1250	
96100-63030	96100-63030-00	96100-63030-00	BEARING BALL RADIAL 6303	BEARING BALL RADIAL 6303	1	1340	
96120	96120-62020-00	96120-62020-00	BRG RADIAL BALL 6202	BRG RADIAL BALL 6202	1	960	



E08

Crankshaft Piston



Sales mark 記号	Ref no 参照用番号	Part no パーツ番号	Description 部品名	Reg description 部品名	Regd no 必要個数	Ref Price 希望小売価格(税抜)	E08
13000		13000-KKA8-900	CRANK SHAFT COMP	CRANK SHAFT COMP	1	27950	
13011		13011-KGAG-900	RING SET PISTON	RING SET PISTON	1	2410	
13101		13101-ALH3-900	PISTON	PISTON	1	3350	
13111		13111-4D14-001	PIN PISTON	PIN PISTON	1	490	
13413		13413-ALH3-900	INNER BALANCER SHAFT	INNER BALANCER SHAFT	1	7800	
13414		13414-ALH3-900	RUBBER BALANCER GEAR	RUBBER BALANCER GEAR	2	120	
13415		13415-ALH3-900	PLATE BALANCER GEAR	PLATE BALANCER GEAR	2	640	
13416		13416-ALH3-900	SRG BALANCER GEAR	SRG BALANCER GEAR	2	120	
13417		13417-ALH3-900	GEAR BALANCER DRIVE	GEAR BALANCER DRIVE	1	9260	
13418		13418-ALH3-900	GEAR BALANCER SHAFT	GEAR BALANCER SHAFT	1	6280	
1341A		1341A-ALH3-900	GEAR ASSY BALANCER SHAFT	GEAR ASSY BALANCER SHAFT	1	19120	
13421		13421-KKA8-900	SHAFT BALANCER	SHAFT BALANCER	1	5330	
14311		14311-KEC8-900	GEAR TIMING DRIVE	GEAR TIMING DRIVE	1	1720	
90231		90231-KEC2-900	NUT LOCK 16MM	NUT LOCK 16MM	1	390	
90404		90404-ALH3-900	WASHER WAVE	WASHER WAVE	2	320	
91001		91001-KEC8-900	BRG BALL RADIAL 63/28JR2	BRG BALL RADIAL 63/28JR2	2	3620	
94401-25140		94401-25140	WOODRUFF KEY 25*14	WOODRUFF KEY 25*14	1	160	
94401-KEC2		94401-KEC2-900	KEY WOODRUFF 16*13	KEY WOODRUFF 16*13	2	160	
94510		94510-25000	CIR CLIP EXTERNAL 25	CIR CLIP EXTERNAL 25	2	200	
94601		94601-15000	CLIP PISTON PIN 15MM	CLIP PISTON PIN 15MM	2	60	

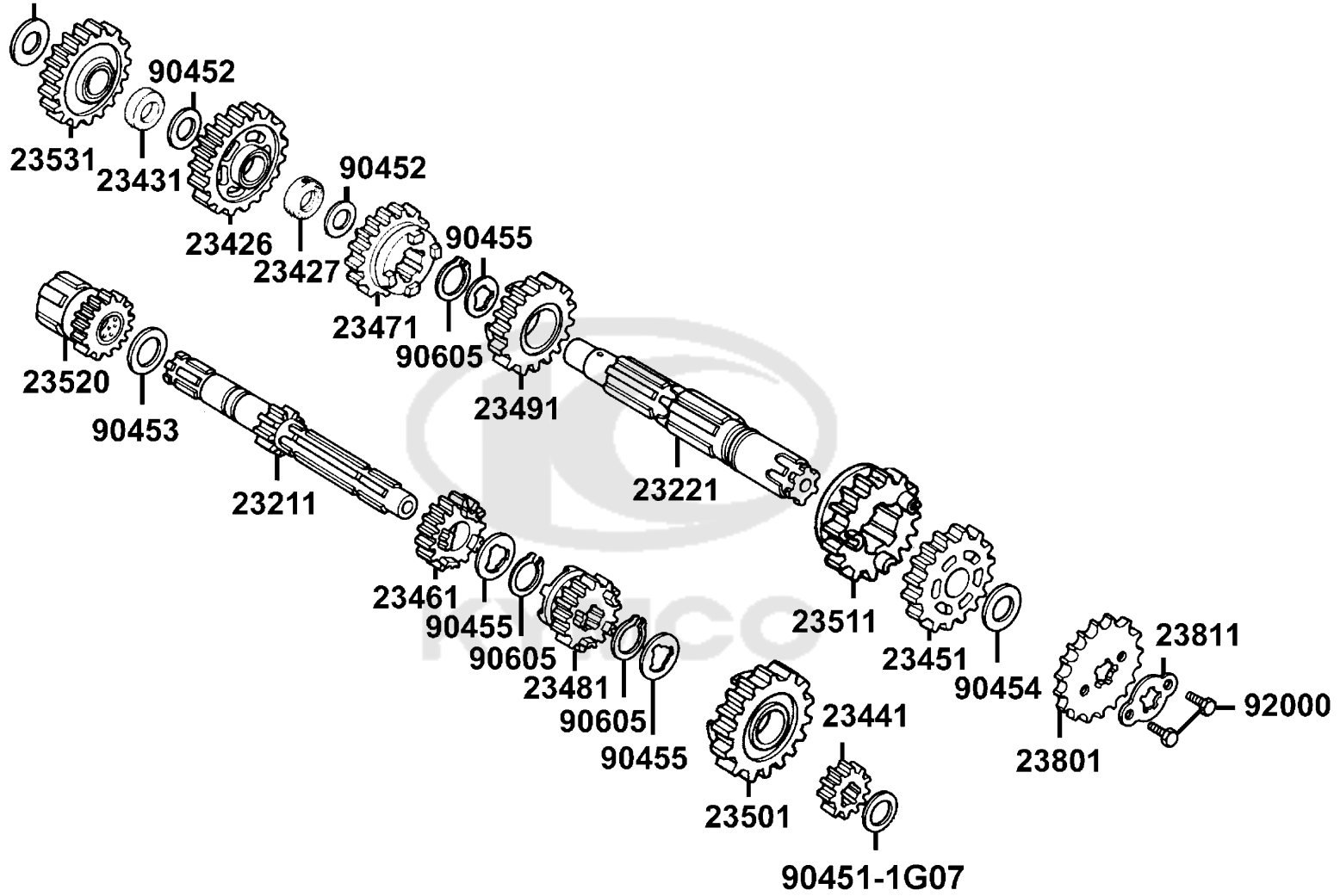
Sales mark 記号	Ref no 参照用番号	Part no パーツ番号	Description 部品名	Reg description 部品名	Regd no 必要個数	Ref Price 希望小売価格(税抜)
------------------	-----------------	------------------	--------------------	------------------------	-----------------	-------------------------

E08

96200	96200-40080		ROLLER 4*8	ROLLER 4*8	2	700
-------	-------------	--	------------	------------	---	-----

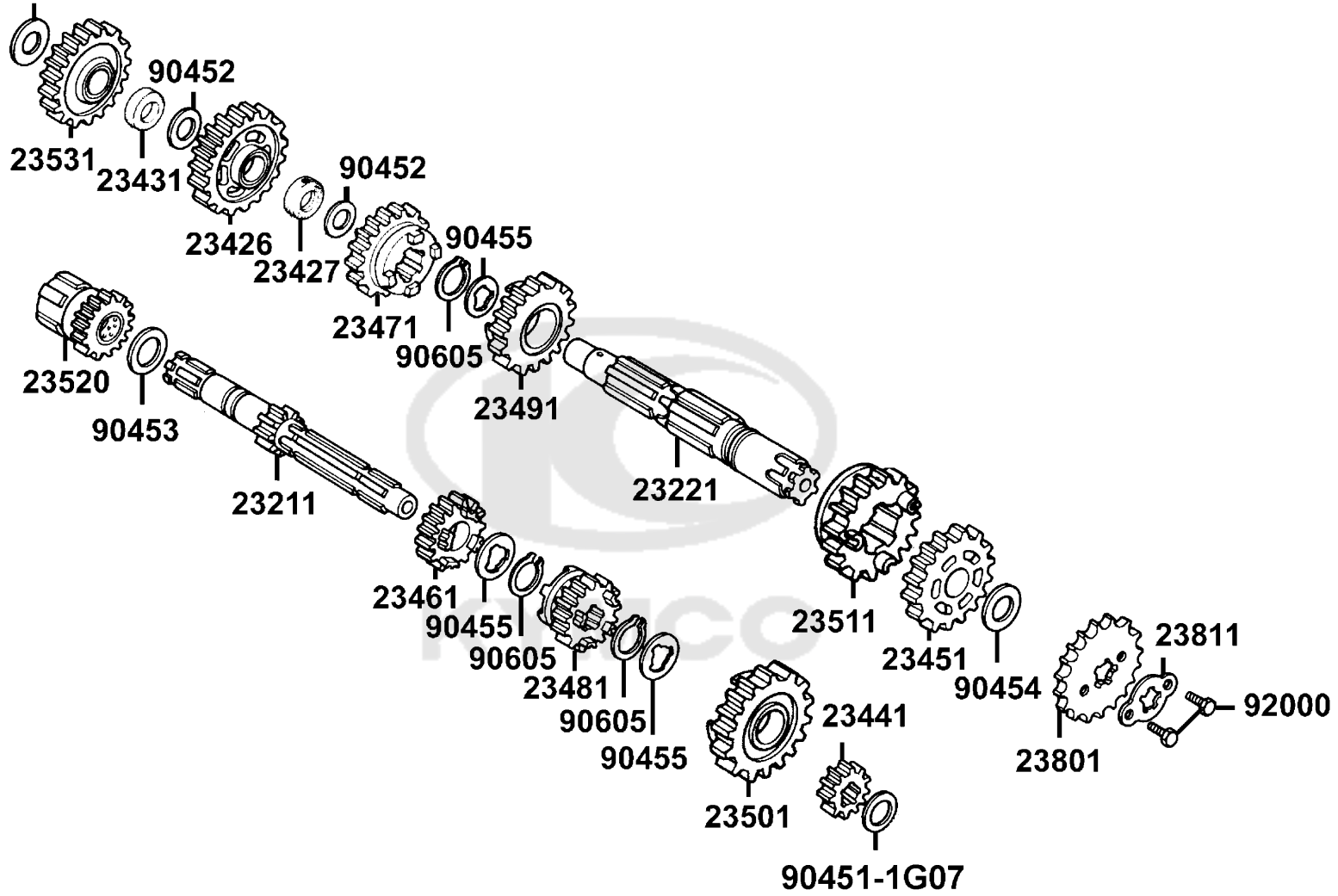


90451-3E65



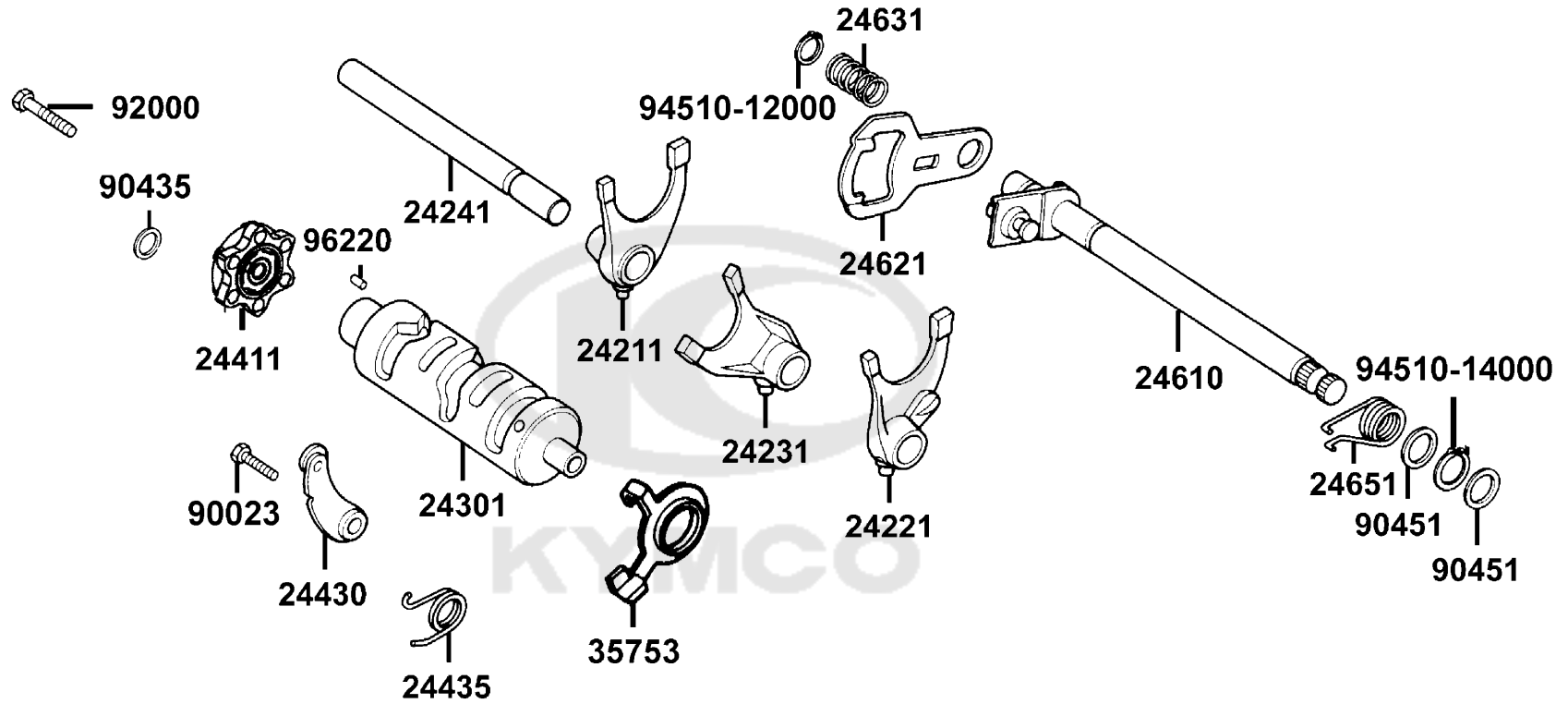
Sales mark 記号	Ref no 参照用番号	Part no パーツ番号	Description 部品名	Reg description 部品名	Regd no 必要個数	Ref Price 希望小売価格(税抜)	E09
23211	23211-KEC2-900	23211-KEC2-900	SHAFT MAIN TRANSMISSION	SHAFT MAIN TRANSMISSION	1	6090	
23221	23221-KKAK-900	23221-KKAK-900	SHAFT COUNTER TRANSMISSION	SHAFT COUNTER TRANSMISSION	1	8750	
23426	23426-KKAK-900	23426-KKAK-900	GEAR COUNTER SHAFT LOW	GEAR COUNTER SHAFT LOW	1	2200	
23427	23427-4K39-001	23427-4K39-001	COLLAR COUNTER SHAFT LOW GEAR	COLLAR COUNTER SHAFT LOW GEAR	1	390	
23431	23431-4K39-001	23431-4K39-001	COLLAR IDLE STARTER GEAR	COLLAR IDLE STARTER GEAR	1	390	
23441	23441-4K39-001	23441-4K39-001	GEAR M-2	GEAR M-2	1	2200	
23451	23451-4K39-901	23451-4K39-901	GEAR C-2 (32T)	GEAR C-2 (32T)	1	3050	
23451	23451-KKAK-900	23451-KKAK-900	GEAR C2	GEAR C2	1	3050	
23461	23461-4K39-001	23461-4K39-001	GEAR M-3 (20T)	GEAR M-3 (20T)	1	2480	
23471	23471-4K39-001	23471-4K39-001	GEAR C-3 (28T)	GEAR C-3 (28T)	1	4100	
23481	23481-4K39-001	23481-4K39-001	GEAR M-4 (23T)	GEAR M-4 (23T)	1	3910	
23491	23491-4K39-001	23491-4K39-001	GEAR C-4 (26T)	GEAR C-4 (26T)	1	2860	
23501	23501-KKA8-900	23501-KKA8-900	GEAR M-5 (25T)	GEAR M-5 (25T)	1	2960	
23511	23511-KKA8-900	23511-KKA8-900	GEAR C-5 (24T)	GEAR C-5 (24T)	1	3720	
23520	23520-KEC2-900	23520-KEC2-900	GEAR COMP STARTER	GEAR COMP STARTER	1	3240	
23531	23531-4K39-001	23531-4K39-001	GEAR ONLY IDLE STARTER	GEAR ONLY IDLE STARTER	1	2010	
23801	23801-KKAK-900	23801-KKAK-900	SPROCKET DRIVE	SPROCKET DRIVE	1	2010	
23811	23811-KCR3-601	23811-KCR3-601	PLATE A2 FIXING	PLATE A2 FIXING	1	160	
90451-1G07	90451-1G07-001	90451-1G07-001	WASHER THRUST 15MM	WASHER THRUST 15MM	1	110	
90451-3E65	90451-3E65-001	90451-3E65-001	WASHER THRUST 15M/M	WASHER THRUST 15M/M	1	110	

90451-3E65



Sales mark 記号	Ref no 参照用番号	Part no パーツ番号	Description 部品名	Reg description 部品名	Regd no 必要個数	Ref Price 希望小売価格(税抜)	E09
90452		90452-1G07-001	WASHER THRUST 16.5M/M	WASHER THRUST 16.5M/M	2	110	
90453		90453-1G07-001	WASHER THRUST 20M/M	WASHER THRUST 20M/M	1	110	
90454		90454-1G07-001	WASHER THRUST 20MM B	WASHER THRUST 20MM B	1	130	
90455		90455-1G07-001	WASHER SPLINE 20M/M A	WASHER SPLINE 20M/M A	3	130	
90605		90605-2L00-001	SET RING 20MM	SET RING 20MM	3	200	
92000		92000-06010-0G	BOLT HEX 6*10 (G)	BOLT HEX 6*10 (G)	1	200	

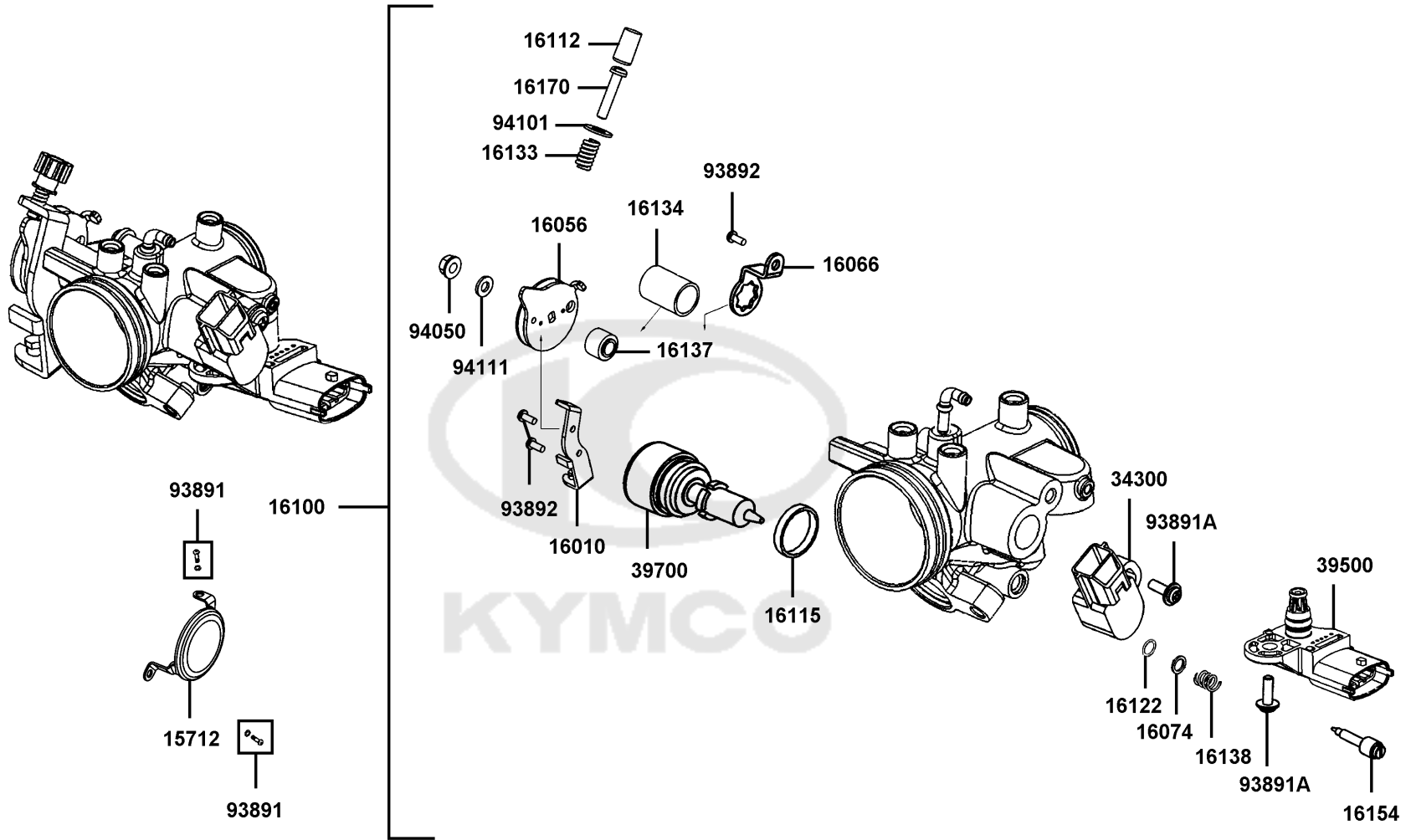




Sales mark 記号	Ref no 参照用番号	Part no パーツ番号	Description 部品名	Reg description 部品名	Regd no 必要個数	Ref Price 希望小売価格(税抜)	E10
24211		24211-1G07-002	FORK RIGHT GEAR SHIFT	FORK RIGHT GEAR SHIFT	1	4290	
24221		24221-3E55-002	FORK LEFT GEAR SHIFT	FORK LEFT GEAR SHIFT	1	4760	
24231		24231-1G07-011	FORK CENTER GEAR SHIFT	FORK CENTER GEAR SHIFT	1	4570	
24241		24241-1G07-001	SHAFT GEAR SHIFT FORK GUIDE	SHAFT GEAR SHIFT FORK GUIDE	1	390	
24301		24301-KKAK-900	DRUM GEAR SHIFT	DRUM GEAR SHIFT	1	7420	
24411		24411-KKAK-900	CAM GEAR SHIFT	CAM GEAR SHIFT	1	870	
24430		24430-3D24-001	STOPPER COMP GEAR SHIFT DRUM	STOPPER COMP GEAR SHIFT DRUM	1	490	
24435		24435-ALH3-900	SPG SHIFT DRUM STOPPER	SPG SHIFT DRUM STOPPER	1	110	
24610		24610-KFC6-001	SPINDLE COMP GEAR SHIFT	SPINDLE COMP GEAR SHIFT	1	1440	
24621		24621-1G07-761	PLATE GEAR SHIFT	PLATE GEAR SHIFT	1	1390	
24631		24631-1G07-001	SPRING GEAR SHIFT PLATE	SPRING GEAR SHIFT PLATE	1	160	
24651		24651-3H98-941	SPRING GEAR SHIFT RETURN	SPRING GEAR SHIFT RETURN	1	520	
35753		35753-0H28-602	ROTOR NEUTROL SWITCH	ROTOR NEUTROL SWITCH	1	200	
90023		90023-GBN2-001	BOLT SEAT LOCK 6*13.5 (B)	BOLT SEAT LOCK 6*13.5 (B)	1	110	
90435		90435-KGAG-900	WASHER 6.1MM	WASHER 6.1MM	1	60	
90451		90451-0A01-001	WASHER THRUST 14M/M	WASHER THRUST 14M/M	2	160	
92000		92000-06025-0G	BOLT HEX 6X25	BOLT HEX 6X25	1	200	
94510-12000		94510-12000	CIR CLIP EXTERNAL 12	CIR CLIP EXTERNAL 12	1	70	
94510-14000		94510-14000	CIR CLIP EXTERNAL 14	CIR CLIP EXTERNAL 14	1	70	
96220		96220-40100	ROLLER 4*10	ROLLER 4*10	1	160	

E11

Throttle Body Assy

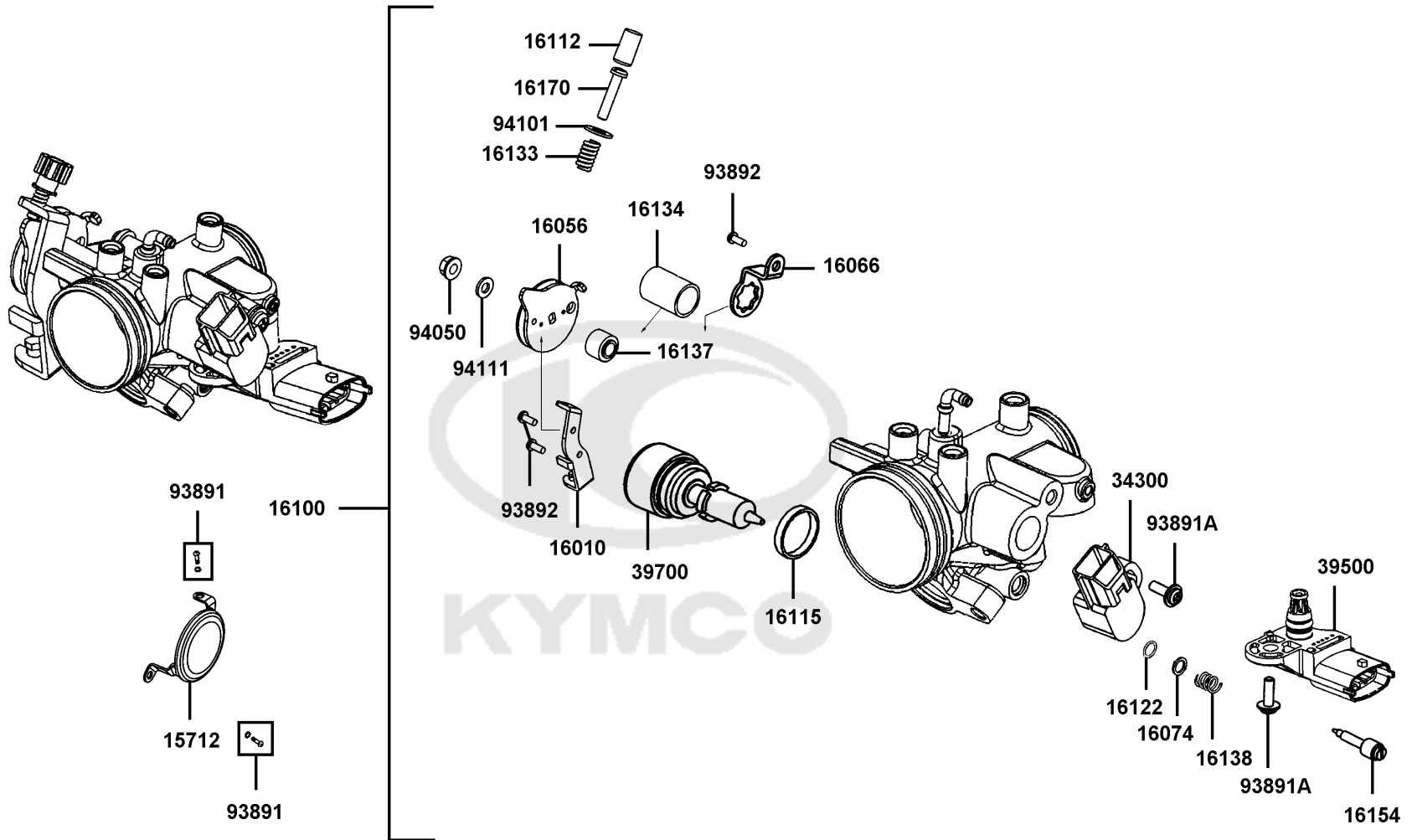


Sales mark 記号	Ref no 参照用番号	Part no パーツ番号	Description 部品名	Reg description 部品名	Regd no 必要個数	Ref Price 希望小売価格(税抜)
15712	15712-LGM5-900	15712-LGM5-900	COVER THROTTLE BODY	COVER THROTTLE BODY	1	580
16010	16010-LGM5-900	16010-LGM5-900	PLATE	PLATE	1	490
16056	16056-LGM5-900	16056-LGM5-900	LEVER ASSY..THROTTLE	LEVER ASSY..THROTTLE	1	580
16066	16066-LGK8-900	16066-LGK8-900	PLATE ISC	PLATE ISC	1	200
16074	16074-KEC3-900	16074-KEC3-900	WASHER IDLE SCREW	WASHER IDLE SCREW	1	160
16100	16100-LGM5-900	16100-LGM5-900	THROTTLE BODY ASSY	THROTTLE BODY ASSY	1	29500
16112	16112-KKE3-900	16112-KKE3-900	COVER IDLE SCREW	COVER IDLE SCREW	1	160
16115	16115-LGM5-900	16115-LGM5-900	COLLAR ISC	COLLAR ISC	1	300
16122	16122-KEC3-900	16122-KEC3-900	O-RING IDLE SCREW	O-RING IDLE SCREW	1	60
16133	16133-KEC3-900	16133-KEC3-900	SPG THROTTLE ADJ SCREW	SPG THROTTLE ADJ SCREW	1	160
16134	16134-KGC5-900	16134-KGC5-900	SPG THROTTLE SHAFT	SPG THROTTLE SHAFT	1	200
16137	16137-LGM5-900	16137-LGM5-900	COLLAR LEVER	COLLAR LEVER	1	200
16138	16138-KEC3-900	16138-KEC3-900	SPG IDLE SCREW	SPG IDLE SCREW	1	160
16154	16154-LGM5-900	16154-LGM5-900	SCREW.ISC ADJUST	SCREW.ISC ADJUST	1	390
16170	16170-KEC3-900	16170-KEC3-900	SCREW THROTTLE ADJUST	SCREW THROTTLE ADJUST	1	70
34300	34300-LFG7-900	34300-LFG7-900	THROTTLE POSITION SENSOR	THROTTLE POSITION SENSOR	1	5430
39500	39500-AAC9-900	39500-AAC9-900	SENSOR T-MAP	SENSOR T-MAP	1	8750
39700	39700-LGM5-800	39700-LGM5-800	VALVE.ISC	VALVE.ISC	1	43720
93891	93891-05006-02	93891-05006-02	PAN SCREW 5*6	PAN SCREW 5*6	2	60
93891A	93891-05016-06	93891-05016-06	SCREW WASHER 5*16	SCREW WASHER 5*16	1	60

E11

E11

Throttle Body Assy

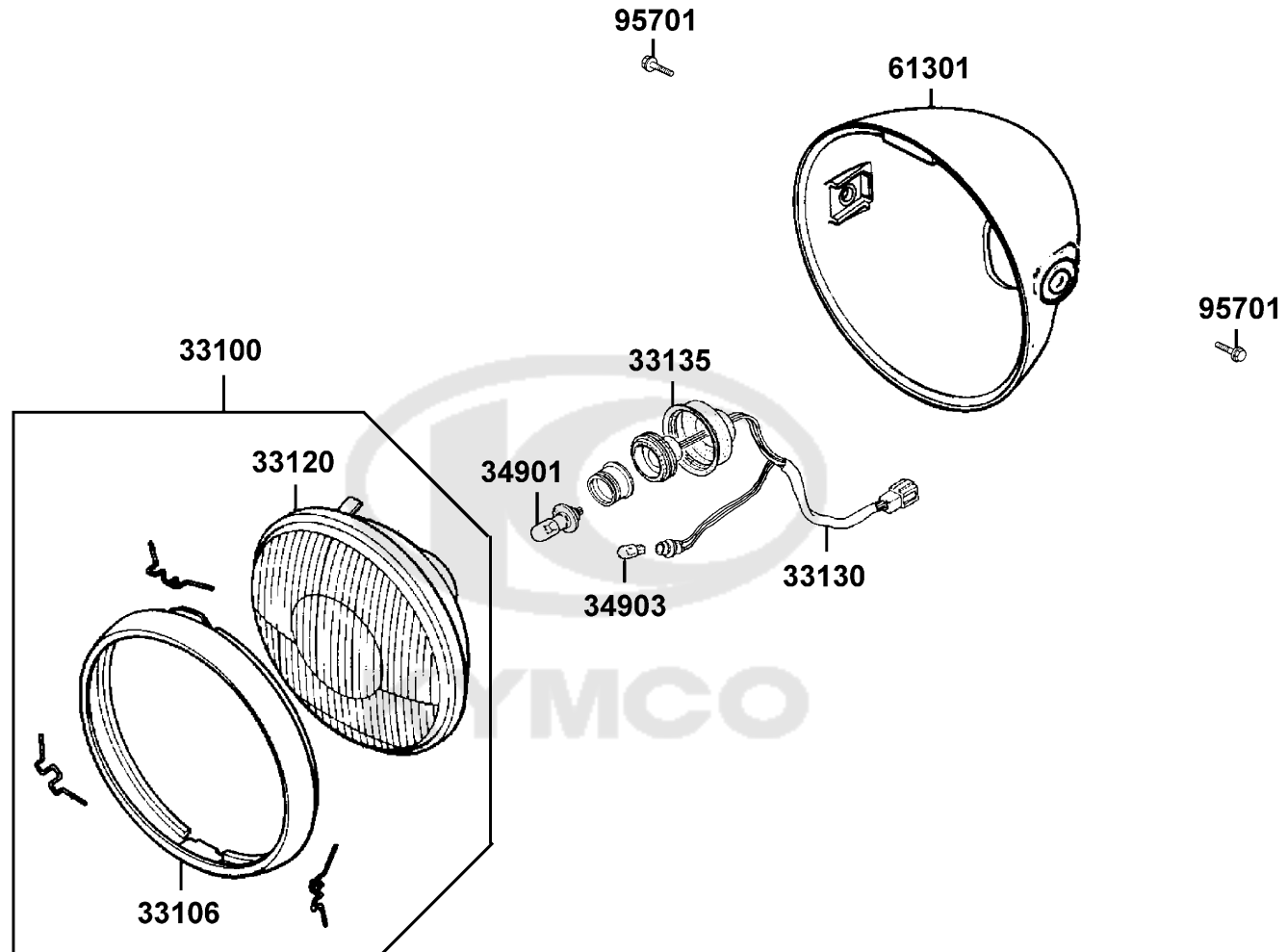


Sales mark 記号	Ref no 参照用番号	Part no パーツ番号	Description 部品名	Reg description 部品名	Regd no 必要個数	Ref Price 希望小売価格(税抜)	E11
93892	93892-05012-06	93892-05012-06	SCREW WASHER 5*12	SCREW WASHER 5*12	1	200	
94050	94050-06080	94050-06080	NUT FLANGE 6MM	NUT FLANGE 6MM	1	60	
94101	94101-KKE3-900	94101-KKE3-900	WASHER PLAN 4.5*8*0.8	WASHER PLAN 4.5*8*0.8	1	60	
94111	94111-06800	94111-06800	WASHER SPRING 6MM	WASHER SPRING 6MM	1	60	

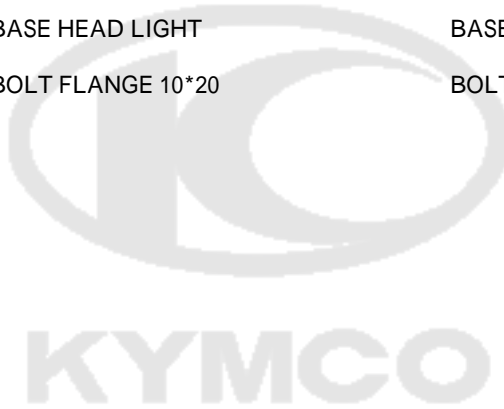


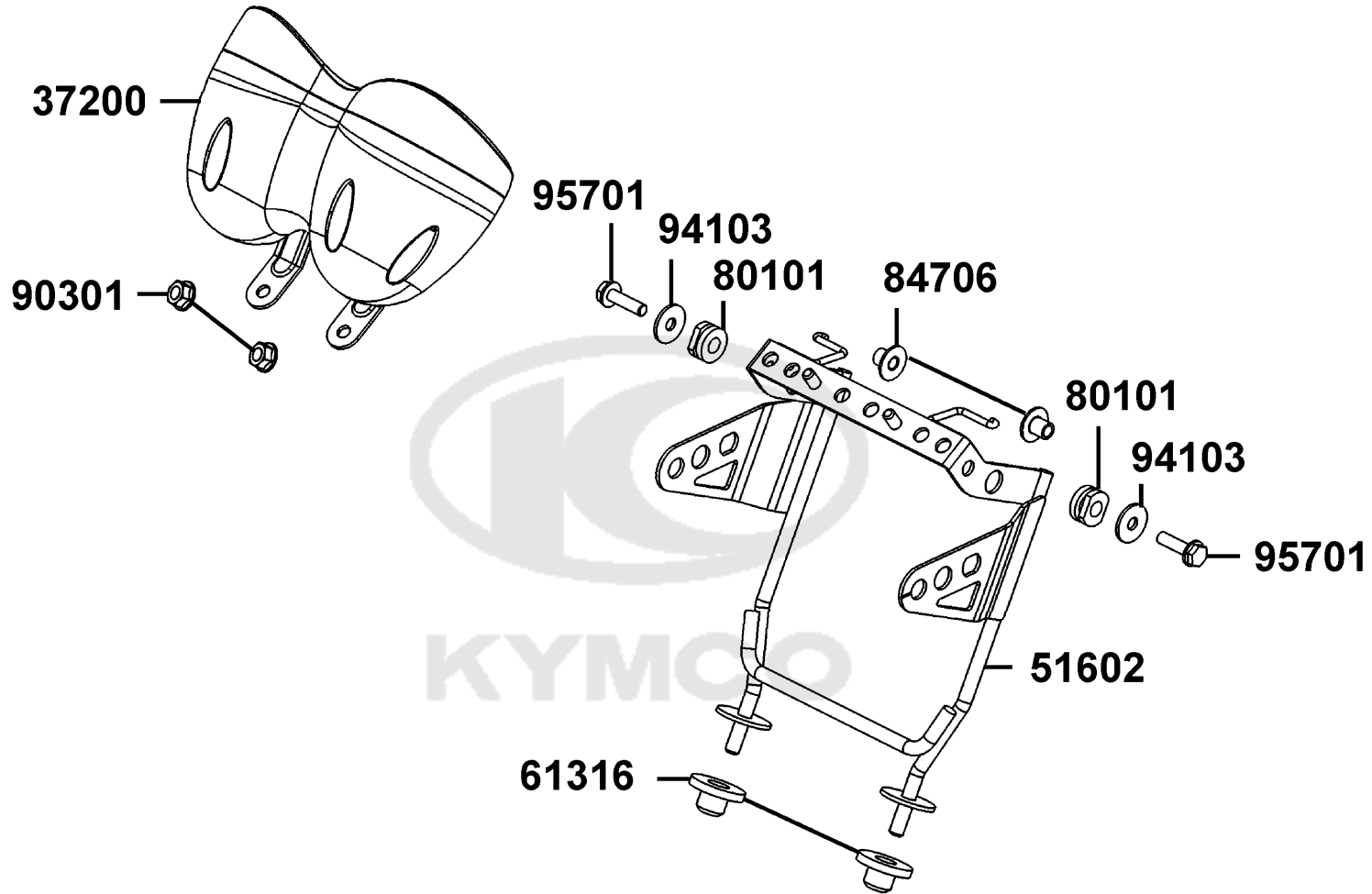
F01

Head Light

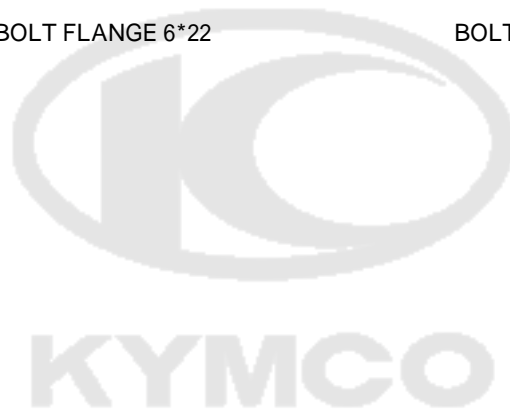


Sales mark 記号	Ref no 参照用番号	Part no パーツ番号	Description 部品名	Reg description 部品名	Regd no 必要個数	Ref Price 希望小売価格(税抜)	F01
**	33100	33100-ALH3-900	LIGHT ASSY HEAD	LIGHT ASSY HEAD	1	31040	
**	33106	33106-ALH3-900	RIM UNIT HEAD LIGHT	RIM UNIT HEAD LIGHT	1	4560	
	33120	33120-LGM6-920	UNIT HEAD LIGHT	UNIT HEAD LIGHT	1	6570	
	33130	33130-ALH3-900	SOCKET COMP HEAD LIGHT	SOCKET COMP HEAD LIGHT	1	3040	
	33135	33135-LGM6-920	COVER RUBBER	COVER RUBBER	1	870	
	34901	34901-KFA6-900	BULB HEAD LIGHT	BULB HEAD LIGHT	1	4190	
	34903	34903-KPCP-900	BULB POSITION LIGHT 12V5W **KCP-	BULB POSITION LIGHT 12V5W **KCP-9000	1	320	
**	61301	61301-ALH3-900	BASE HEAD LIGHT	BASE HEAD LIGHT	1	5710	
	95701	95701-10020-06	BOLT FLANGE 10*20	BOLT FLANGE 10*20	1	140	



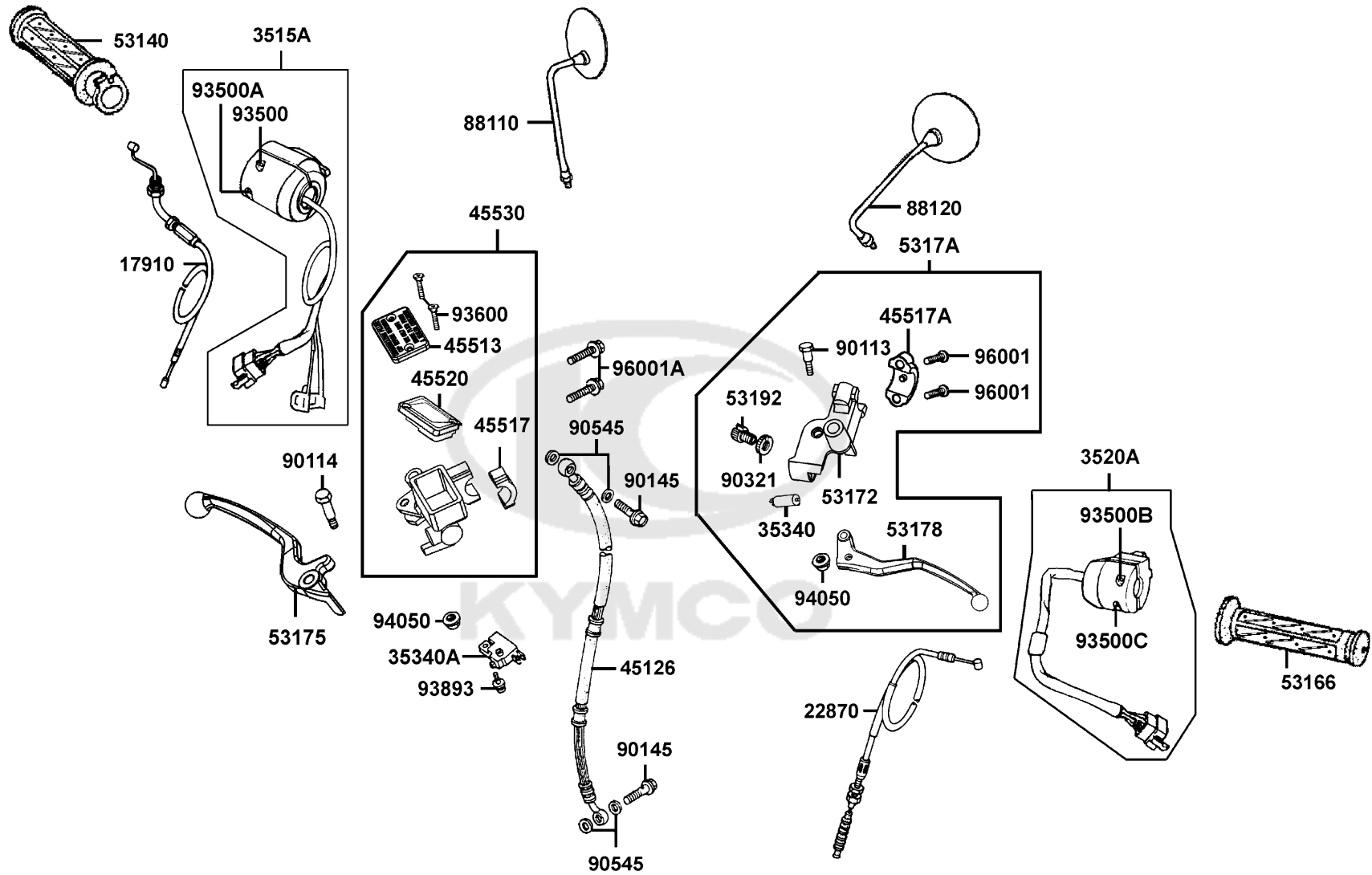


Sales mark 記号	Ref no 参照用番号	Part no パーツ番号	Description 部品名	Reg description 部品名	Regd no 必要個数	Ref Price 希望小売価格(税抜)	F02
37200		37200-ALH3-B20	METER ASSY.. SPEED	METER ASSY.. SPEED	1	39920	
51602		51602-ALH3-900	STAY SEED METER	STAY SEED METER	1	3770	
61316		61316-4A71-001	RUBBER H/L STAY	RUBBER H/L STAY	2	110	
80101		80101-2C83-001	RUBBER RR FENDER	RUBBER RR FENDER	6	110	
84706		84706-LGM5-900	COLLAR HEAD LIGHT STAY	COLLAR HEAD LIGHT STAY	6	200	
90301		90301-6C93-001	NUT 6MM OPENSTAY	NUT 6MM OPENSTAY	2	70	
94103		94103-06600	WASHER PLAIN 6MM	WASHER PLAIN 6MM	6	200	
95701		95701-06022-06	BOLT FLANGE 6*22	BOLT FLANGE 6*22	2	60	



F03

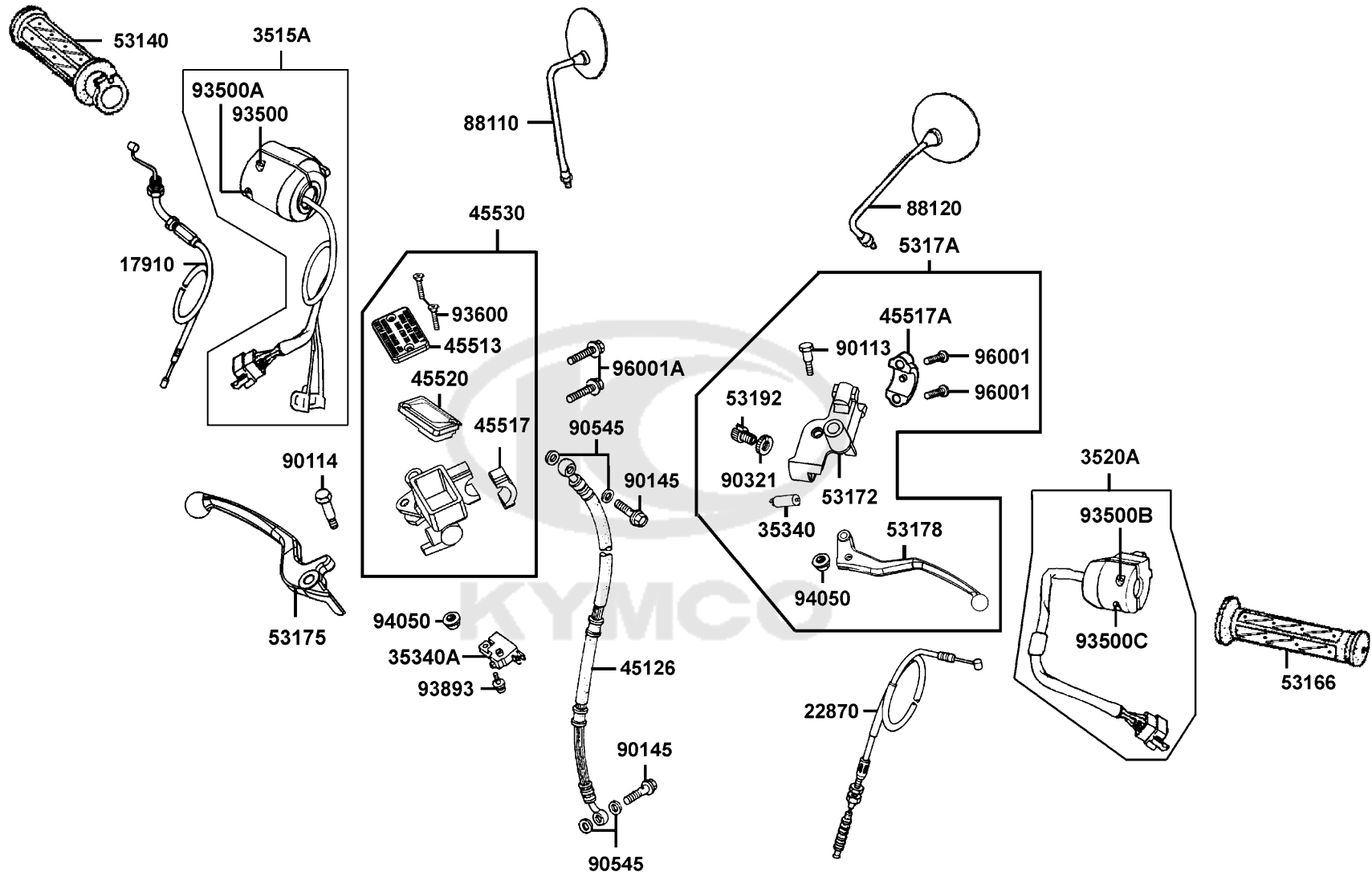
Cable Switch Lever Strg Hndl



Sales mark 記号	Ref no 参照用番号	Part no パーツ番号	Description 部品名	Reg description 部品名	Regd no 必要個数	Ref Price 希望小売価格(税抜)	F03
	17910	17910-ALH3-B20	CABLE COMP THROT	CABLE COMP THROT	1	2740	
	22870	22870-ALH3-900	CABLE COMP CLUTCH	CABLE COMP CLUTCH	1	1030	
	3515A	3515A-ALH3-B20	SW. ASSY.. RH. HANDLE COMP	SW. ASSY.. RH. HANDLE COMP	1	3880	
	3520A	3520A-ALH3-900	SW ASSY LH HANDLE COMP	SW ASSY LH HANDLE COMP	1	4790	
	35340	35340-GFY6-900	SW ASSY FR STOP	SW ASSY FR STOP	1	590	
	35340A	35340-KNBN-901	SW ASSY FR STOP	SW ASSY FR STOP	1	960	
	45126	45126-ALH3-900	HOSE ASSY FR BRK	HOSE ASSY FR BRK	1	6470	
**	45513	45513-LBF3-800	CAP M/C	CAP M/C	1	680	
	45517	45517-GFY6-900	HOLDER HNDL BRKT	HOLDER HNDL BRKT	1	260	
**	45517A	45517-LBF3-800	HOLDER HANDLE BRACKET	HOLDER HANDLE BRACKET	1	680	
	45520	45520-MGG7-007	DIAPHRAGM	DIAPHRAGM	1	960	
**	45530	45530-LBF3-305	CYLINDER SET FR MASTER	CYLINDER SET FR MASTER	1	11410	
**	53140	53140-KFC8-900	GRIP COMP THROT	GRIP COMP THROT	1	870	
**	53166	53166-KNBN-911	GRIP L HANDLE	GRIP L HANDLE	1	580	
	53172	53172-LBE8-B20	BRKT HANDLE L	BRKT HANDLE L	1	1530	
**	53175	53175-ALH3-900	LEVER R STRG HND	LEVER R STRG HND	1	1900	
**	53178	53178-ALH3-900	LEVER L STRG.HNDL	LEVER L STRG.HNDL	1	1900	
	5317A	5317A-ALH3-900	BRKT ASSY HNDL L	BRKT ASSY HNDL L	1	4760	
	53192	53192-KKAK-900	BOLT WIRE ADJUST	BOLT WIRE ADJUST	1	390	
	88110	88110-LBF3-810	MIRROR ASSY R BACK	MIRROR ASSY R BACK	1	3530	

F03

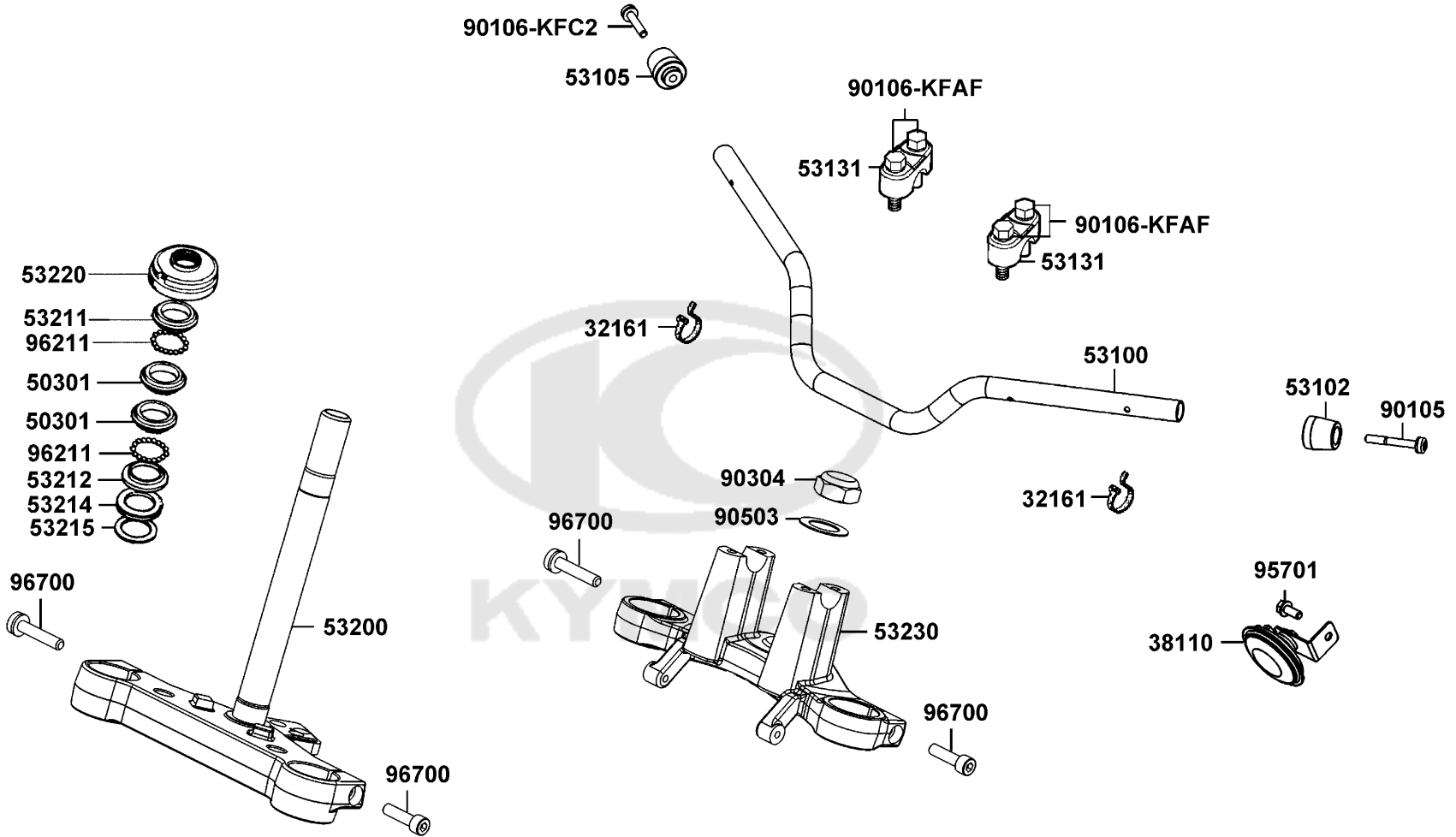
Cable Switch Lever Strg Hndl



Sales mark 記号	Ref no 参照用番号	Part no パーツ番号	Description 部品名	Reg description 部品名	Regd no 必要個数	Ref Price 希望小売価格(税抜)	F03
88120		88120-LBF3-810	MIRROR ASSY L BACK	MIRROR ASSY L BACK	1	3530	
90113		90113-4B22-001	BOLT L STRG HNDL LEVER PIVOT	BOLT L STRG HNDL LEVER PIVOT	1	200	
90114		90114-KKAK-900	BOLT HANDLE LEVER	BOLT HANDLE LEVER	1	110	
90145		90145-LEA3-E00	OIL BOLT 10x22	OIL BOLT 10x22	2	150	
90321		90321-KKAK-900	NUT FIXING	NUT FIXING	1	200	
90545		90545-3L00-001	WASHER OIL BOLT	WASHER OIL BOLT	4	60	
93500		93500-05016-1B	SCREW PAN 5*16	SCREW PAN 5*16	1	200	
93500A		93500-05025-1B	SCREW PAN 5*25	SCREW PAN 5*25	1	60	
93500B		93500-05032-1B	SCREW PAN 5*32	SCREW PAN 5*32	1	60	
93500C		93500-05045-1B	SCREW PAN 5*45	SCREW PAN 5*45	1	60	
93600		93600-04012-1G	SCREW FLAT 4*12	SCREW FLAT 4*12	2	60	
93893		93893-04012-18	SCREW WASHER 4*12	SCREW WASHER 4*12	1	60	
94050		94050-06080	NUT FLANGE 6MM	NUT FLANGE 6MM	2	60	
96001		96001-06020-06	BOLT FLANGE SH 6*20	BOLT FLANGE SH 6*20	2	200	
96001A		96001-06022-06	BOLT FLANGE SH 6*22 (G)	BOLT FLANGE SH 6*22 (G)	2	60	

F04

Steering Handle Stem

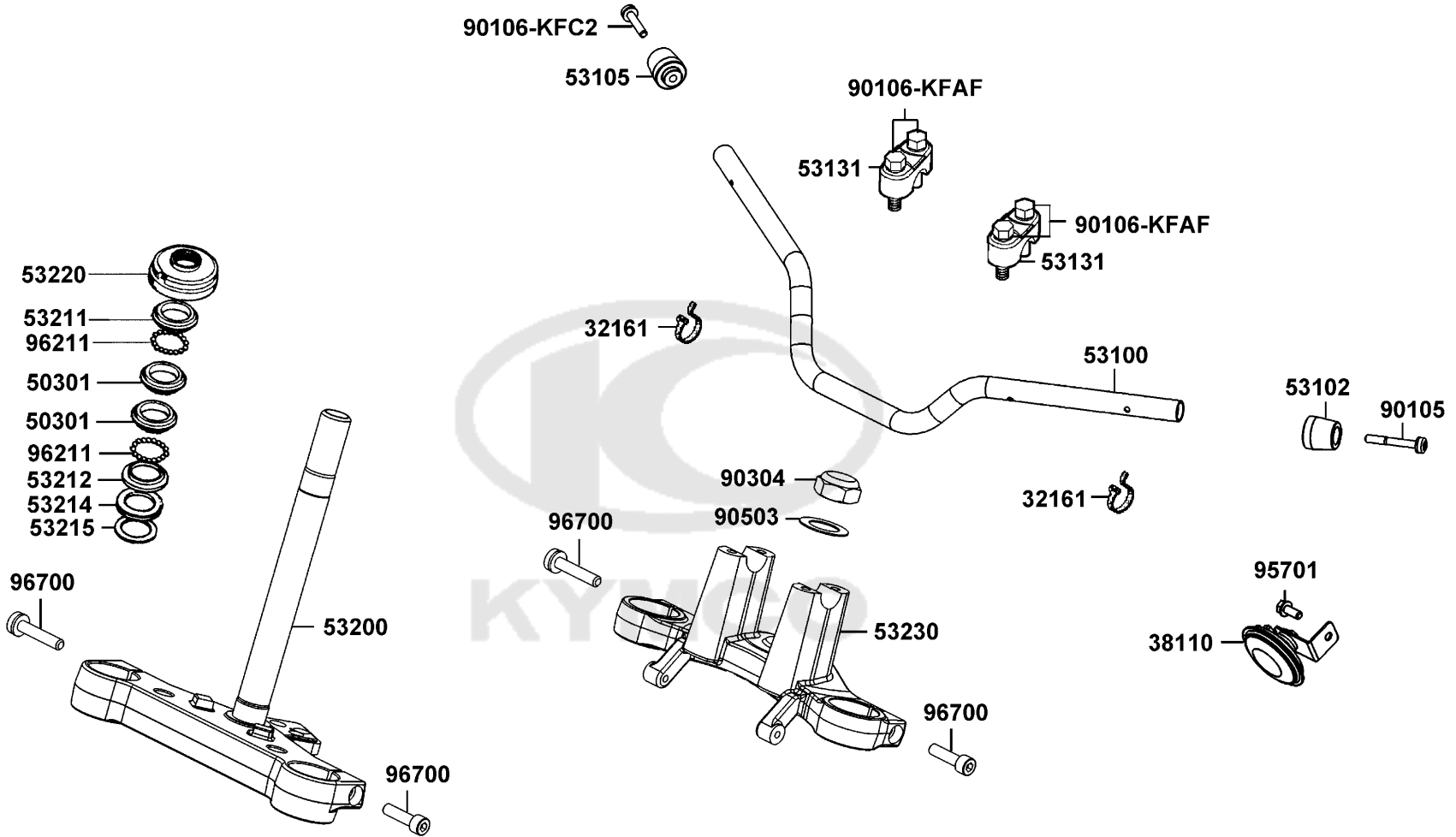


Sales mark 記号	Ref no 参照用番号	Part no パーツ番号	Description 部品名	Reg description 部品名	Regd no 必要個数	Ref Price 希望小売価格(税抜)
	32161	32161-4D04-001	BAND BI WIRE	BAND BI WIRE	2	200
	38110	38110-ALH3-900	HORN ASSY	HORN ASSY	1	2940
	50301	50301-0A41-011	RACE STEERING BALL	RACE STEERING BALL	2	440
**	53100	53100-ALH3-900	PIPE STRG HANDLE(ED)	PIPE STRG HANDLE(ED)	1	6260
**	53102	53102-KEC8-900	END R STRG HANDLE	END L STRG HANDLE	1	1340
**	53105	53105-LBB5-E00	END R STRG HANDLE	END R STRG HANDLE	1	1340
**	53131	53131-LBF3-800	HOLDER HNDL PIPE	HOLDER HNDL PIPE	2	1060
	53200	53200-ALH3-900	STEM COMP STEERING	STEM COMP STEERING	1	10860
	53211	53211-0H28-011	RACE STRG TOP CONE	RACE STRG TOP CONE	1	770
	53212	53212-0L30-011	RACE STRG BOTTOM CONE	RACE STRG BOTTOM CONE	1	770
	53214	53214-0A01-011	DUST SEAL STRG HEAD	DUST SEAL STRG HEAD	1	110
	53215	53215-0A01-001	WASH STRG HDL DUST-SEAL	WASH STRG HDL DUST-SEAL	1	110
	53220	53220-LBE8-900	THREAD COMP STRG HD TOP	THREAD COMP STRG HD TOP	1	800
**	53230	53230-ALH3-900	BRIDGE FORK TOP	BRIDGE FORK TOP	1	11950
	90105	90105-KHB4-900	BOLT WASH M8*60	BOLT WASH M8*60	1	1110
	90106-KFAF	90106-KFAF-900	BOLT SPECIAL	BOLT SPECIAL	4	130
	90106-KFC2	90106-KFC2-900	BOLT SPECIAL 8MM	BOLT SPECIAL 8MM	1	510
	90304	90304-KHBH-900	NUT STRG STEM	NUT STRG STEM	1	870
	90503	90503-0A51-870	WASHER STEERING STEM NUT	WASHER STEERING STEM NUT	1	130
	95701	95701-08012-06	BOLT FLANGE 6*22 (K)	BOLT FLANGE 6*22 (K)	1	60

F04

F04

Steering Handle Stem



Sales mark 記号	Ref no 参照用番号	Part no パーツ番号	Description 部品名	Reg description 部品名	Regd no 必要個数	Ref Price 希望小売価格(税抜)
------------------	-----------------	------------------	--------------------	------------------------	-----------------	-------------------------

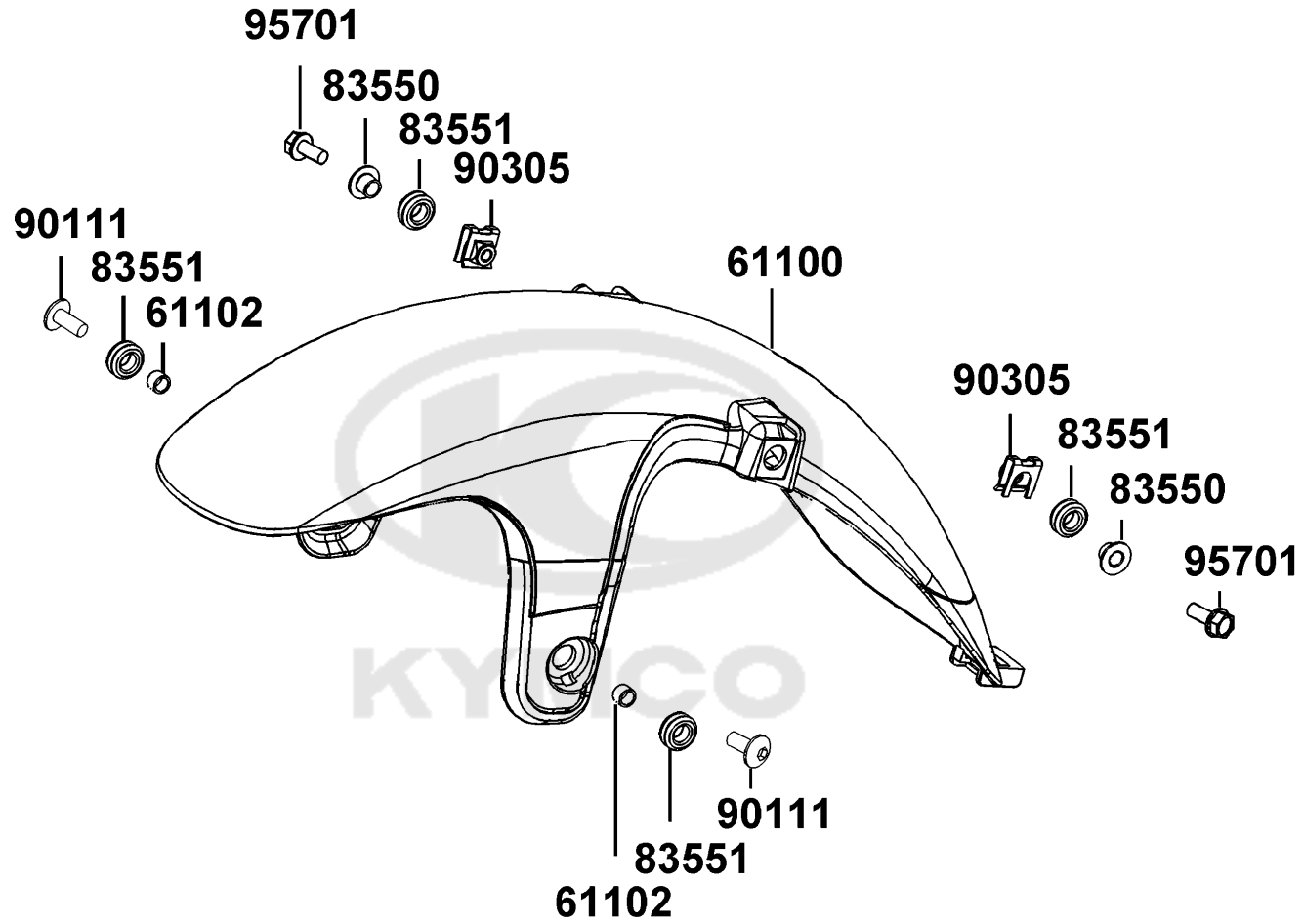
F04

96211	96211-06000	BALL STEEL #6	BALL STEEL #6	42	60
96700	96700-LCA1-E00	BOLT SOCKET 8*30	BOLT SOCKET 8*30	4	160



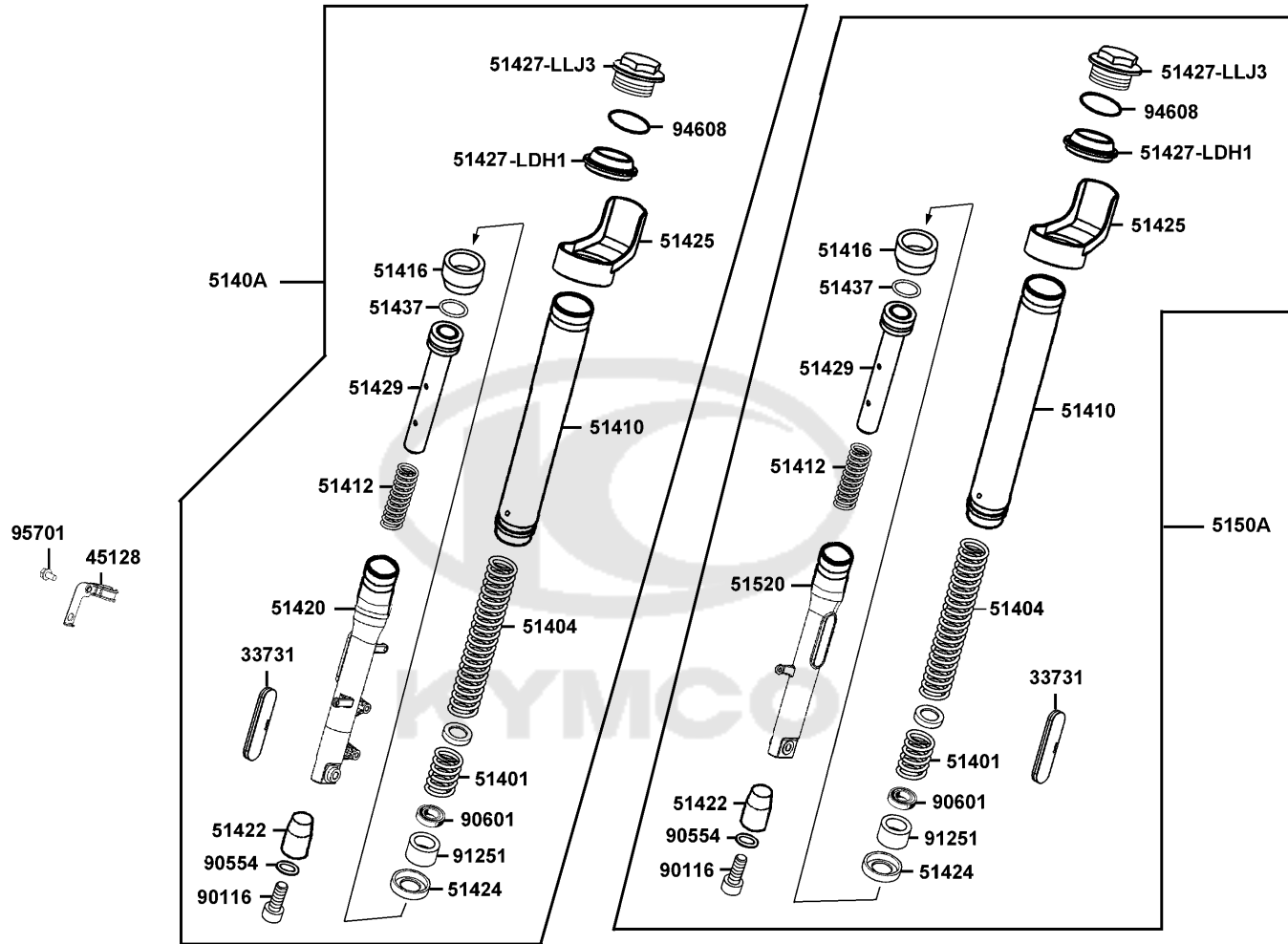
F05

Front Fender

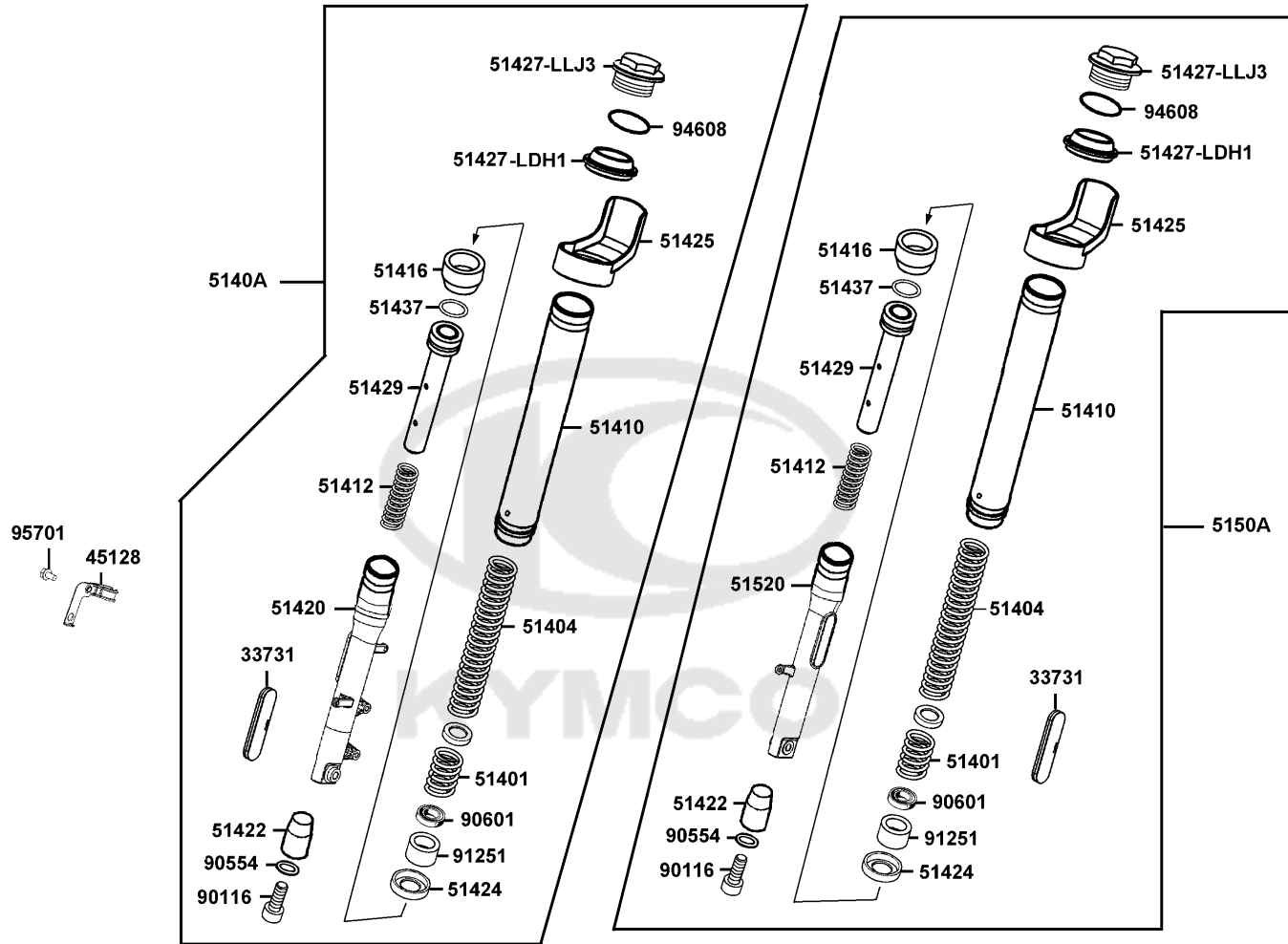


Sales mark 記号	Ref no 参照用番号	Part no パーツ番号	Description 部品名	Reg description 部品名	Regd no 必要個数	Ref Price 希望小売価格(税抜)	F05
**	61100	61100-ALH3-900	FENDER FRONT	FENDER FRONT	1	3870	
	61102	61102-LGL7-E00	COLLAR	COLLAR	1	110	
	83550	83550-KEC8-900	COLLAR	COLLAR	2	200	
	83551	83551-KEC8-900	GROMMET COVER	GROMMET COVER	4	130	
	90111	90111-LEC8-E00	SCREW PAN 6x14	SCREW PAN 6x14	2	140	
	90305	90305-LBA2-E00	NUT CLIP 6MM	NUT CLIP 6MM	2	200	
	95701	95701-06025-06	BOLT FLANGE 6*25	BOLT FLANGE 6*25	2	60	



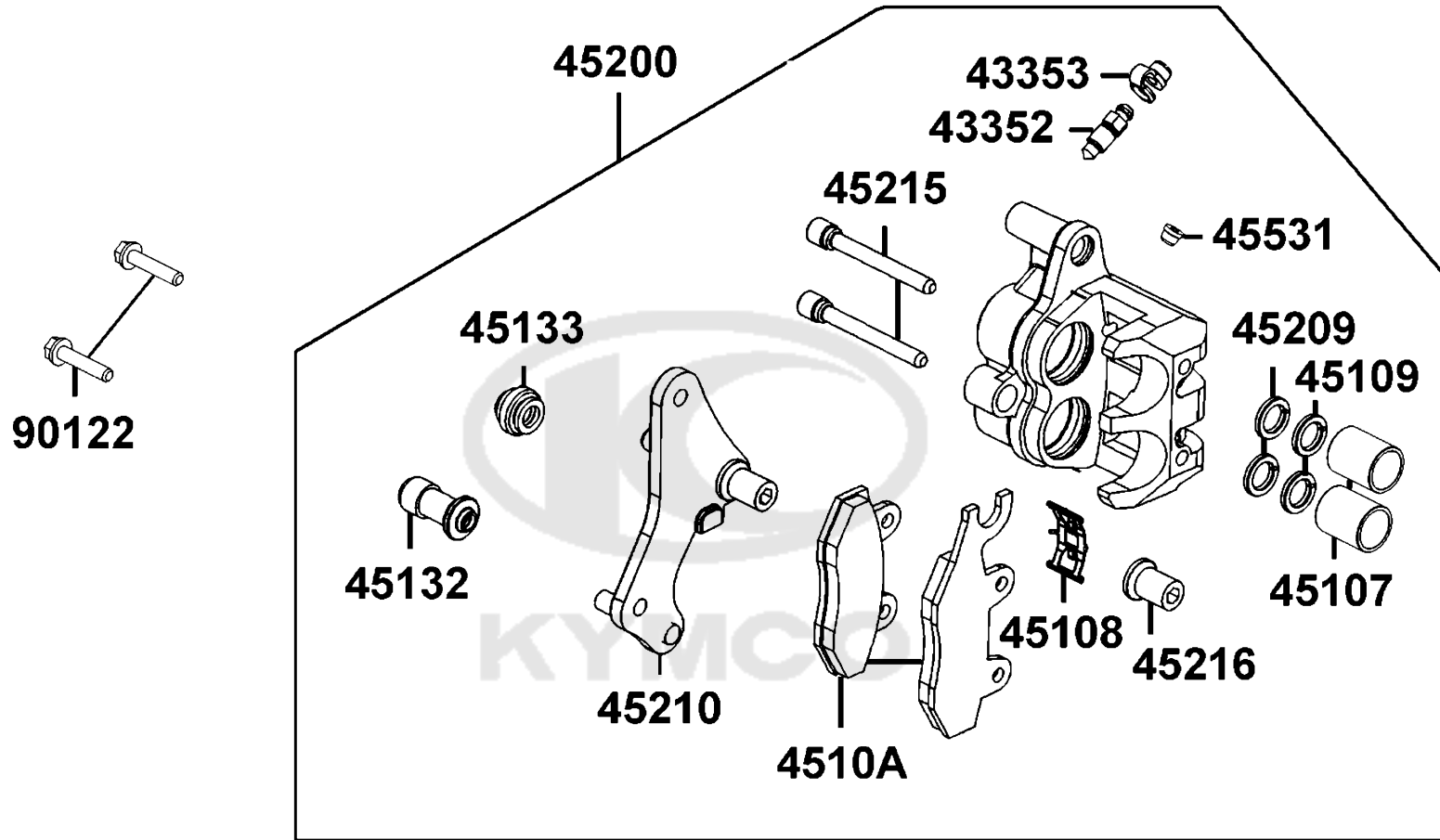


Sales mark 記号	Ref no 参照用番号	Part no パーツ番号	Description 部品名	Reg description 部品名	Regd no 必要個数	Ref Price 希望小売価格(税抜)	F06
	33731	33731-ALH3-900	REFLEX REFLECTOR SIDE	REFLEX REFLECTOR SIDE	2	590	
	45128	45128-LBA2-920	CLAMPER FR BRK HOSE	CLAMPER FR BRK HOSE	1	490	
	51401	51401-ALH3-900	SPRING	SPRING	2	1020	
	51404	51404-LGL7-E00	SPRING COLLAR	SPRING COLLAR	2	1250	
**	5140A	5140A-ALH3-900	FORK SET FR R	FORK SET FR R	1	26930	
	51410	51410-ALH3-900	FORK PIPE COMP	FORK PIPE COMP	2	14450	
	51412	51412-LLJ3-E00	REBOUND SPRING	REBOUND SPRING	2	200	
	51416	51416-LLJ3-E00	GUIDE BUSH	GUIDE BUSH	2	1820	
**	51420	51420-ALH3-900	BOTTOM CASE R	BOTTOM CASE R	1	8750	
	51422	51422-KED9-900	OIL LOCK PIECE	OIL LOCK PIECE	2	450	
	51424	51424-LLJ3-E00	SPACER	SPACER	2	300	
	51425	51425-LGL7-E00	DUST COVER	DUST COVER	2	680	
	51427-LDH1	51427-LDH1-E00	DUST SEAL	DUST SEAL	2	490	
	51427-LLJ3	51427-LLJ3-E00	FORK BOLT CAP	FORK BOLT CAP	2	230	
	51429	51429-ALH3-900	PIPE SEAT COMP	PIPE SEAT COMP	1	2410	
	51437	51437-LGL7-E00	PISTON RING	PISTON RING	2	300	
**	5150A	5150A-ALH3-900	FORK SET FR L	FORK SET FR L	1	26930	
**	51520	51520-ALH3-900	BOTTOM CASE L	BOTTOM CASE L	1	13310	
	90116	90116-3C83-72A	BOLT	BOLT	2	60	
	90554	90554-2C83-001	PACKING	PACKING	2	60	



Sales mark 記号	Ref no 参照用番号	Part no パーツ番号	Description 部品名	Reg description 部品名	Regd no 必要個数	Ref Price 希望小売価格(税抜)	F06
90601	90601-LLJ3-E00	90601-LLJ3-E00	OIL SEAL STOPPER RING	OIL SEAL STOPPER RING	2	200	
91251	91251-LLJ3-E00	91251-LLJ3-E00	OIL SEAL	OIL SEAL	2	2630	
94608	94608-LLJ3-E00	94608-LLJ3-E00	O-RING	O-RING	2	60	
95701	95701-06012-06	95701-06012-06	BOLT FLANGE 6*22 (K)	BOLT FLANGE 6*22 (K)	1	60	

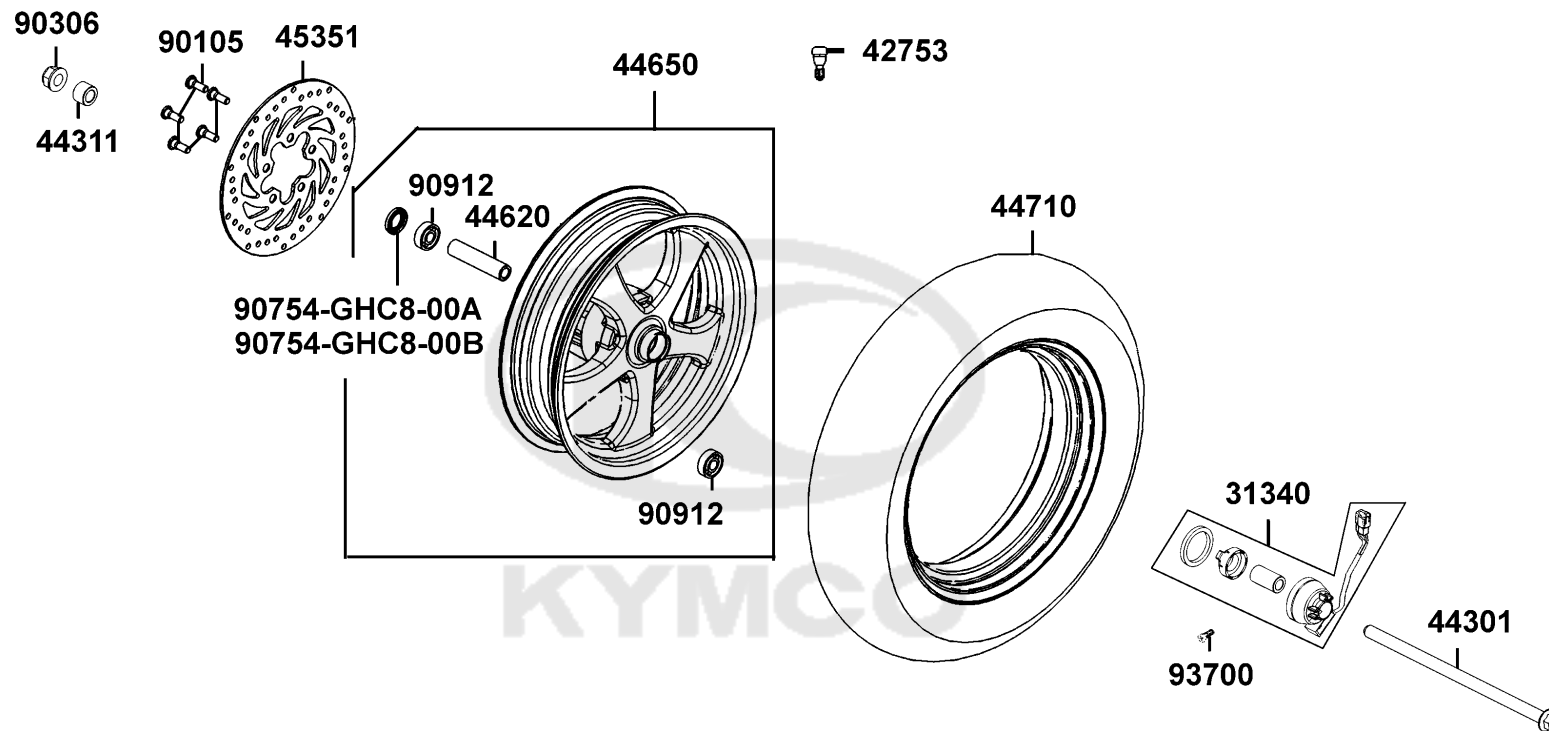




Sales mark 記号	Ref no 参照用番号	Part no パーツ番号	Description 部品名	Reg description 部品名	Regd no 必要個数	Ref Price 希望小売価格(税抜)	F07
	43352	43352-LHG7-E00	SCREW BLEEDER	SCREW BLEEDER	1	260	
	43353	43353-4A61-77A	CAP BLEEDER	CAP BLEEDER	1	130	
	45107	45107-MEN5-007	PISTON	PISTON	2	2200	
	45108	45108-MDL4-007	PAD SPG	PAD SPG	1	300	
	45109	45109-GBE2-007	DUST SEAL	DUST SEAL	2	140	
	4510A	4510A-KFW6-900	PAD SET	PAD SET	1	3620	
	45132	45132-1F66-017	BUSH BOOT PIN	BUSH BOOT PIN	1	780	
	45133	45133-MCA3-007	BOOT B	BOOT B	1	230	
**	45200	45200-ALH3-900	CALIPER ASSY FR	CALIPER ASSY FR	1	25100	
	45209	45209-GBE2-007	SEAL PISTON	SEAL PISTON	2	370	
	45210	45210-ALH3-305	BRACKET SET FR	BRACKET SET FR	1	2280	
	45215	45215-KECE-900	PIN HANGER	PIN HANGER	2	300	
	45216	45216-KFW6-90A	TORQUE NUT	TORQUE NUT	1	400	
	45531	45531-GAR1-951	PLUG	PLUG	1	110	
	90122	90122-LBA2-E00	BOLT FLANGE 8*38	BOLT FLANGE 8*38	1	390	

F08

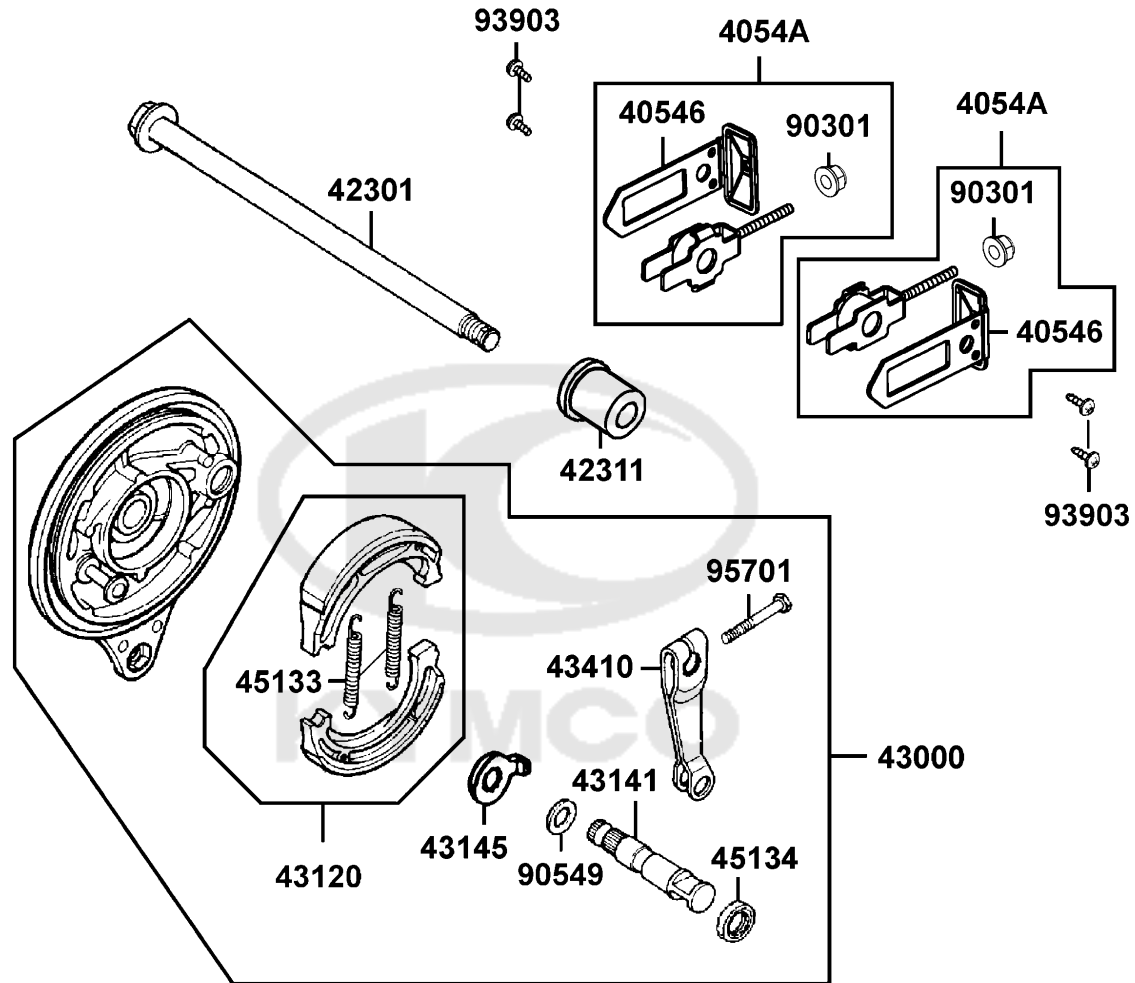
Front Wheel



Sales mark 記号	Ref no 参照用番号	Part no パーツ番号	Description 部品名	Reg description 部品名	Regd no 必要個数	Ref Price 希望小売価格(税抜)	F08
	31340	31340-ALH3-900	SPEED SENSOR ASSY	SPEED SENSOR ASSY	1	6280	
	42753	42753-KNBN-90B	VALAE RIM (TR412)	VALAE RIM (TR412)	1	630	
	44301	44301-LKE6-900	AXLE FR WHEEL M12*245MM	AXLE FR WHEEL M12*245MM	1	1350	
	44311	44311-GAR1-950	COLLAR FR WHEEL SIDE	COLLAR FR WHEEL SIDE	1	260	
	44620	44620-KHD8-900	COLLAR FR AXLE DISTANCE	COLLAR FR AXLE DISTANCE	1	490	
**	44650	44650-KKD7-305	WHEEL SET FR	WHEEL SET FR	1	36120	
	44710	44710-ALH3-900	TIRE ASSY FR 120/80/12	TIRE ASSY FR 120/80/12	1	19510	
	45351	45351-KHE7-E00	DISK RR BRAKE	DISK RR BRAKE	1	8940	
	90105	90105-KCR3-001	BOLT FR DISK 8*24	BOLT FR DISK 8*24	5	80	
	90306	90306-LFE2-900	NUT FLANGE 12MM	NUT FLANGE 12MM	1	320	
	90754-GHC8-00A	90754-GHC8-00A	SEAL DUST 20*32*5	SEAL DUST 20*32*5	1	100	
	90754-GHC8-00B	90754-GHC8-00B	SEAL DUST 20*32*5	SEAL DUST 20*32*5	1	100	
	90912	90912-KFLF-00A	BEARING 6201 LLU	BEARING 6201 LLU	2	610	
	93700	93700-05016-0H	SCREW OVAL 5*16 (C)	SCREW OVAL 5*16 (C)	1	60	

F09

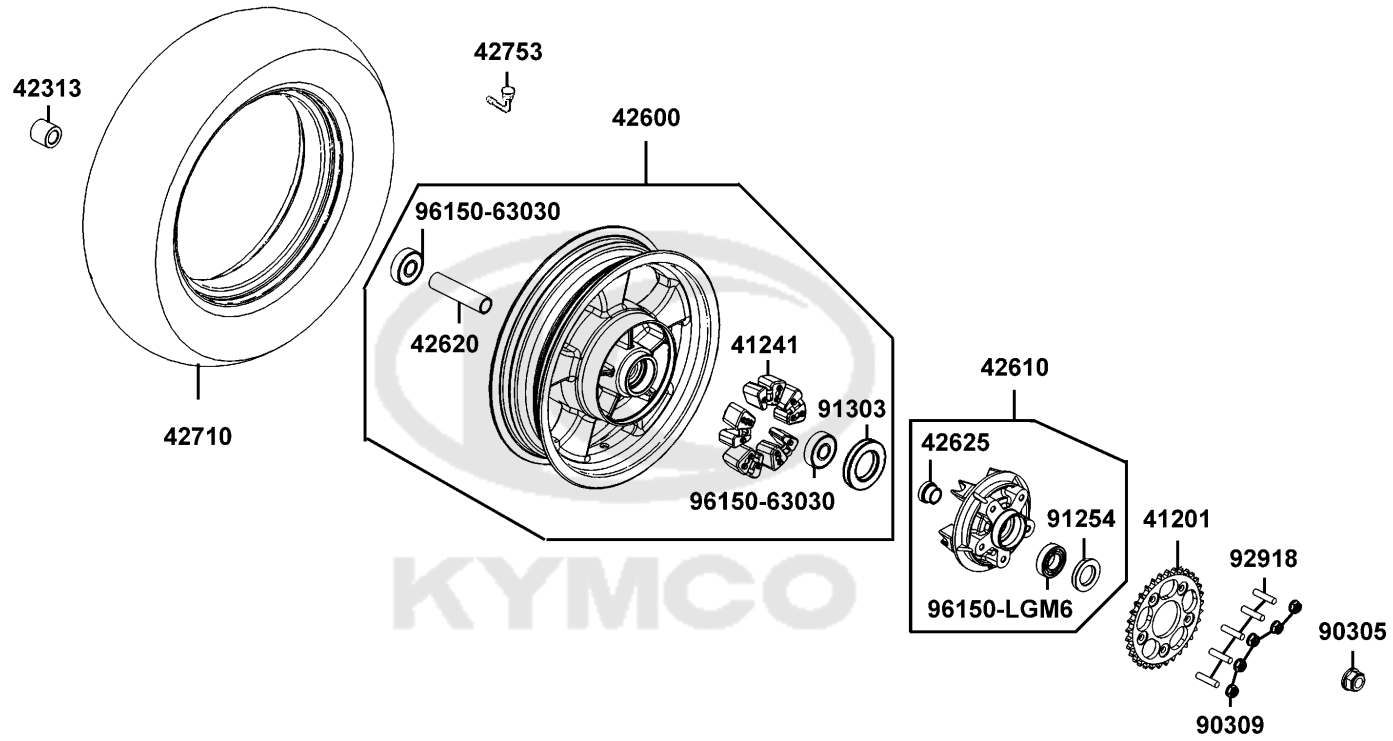
Rear Brake Panel



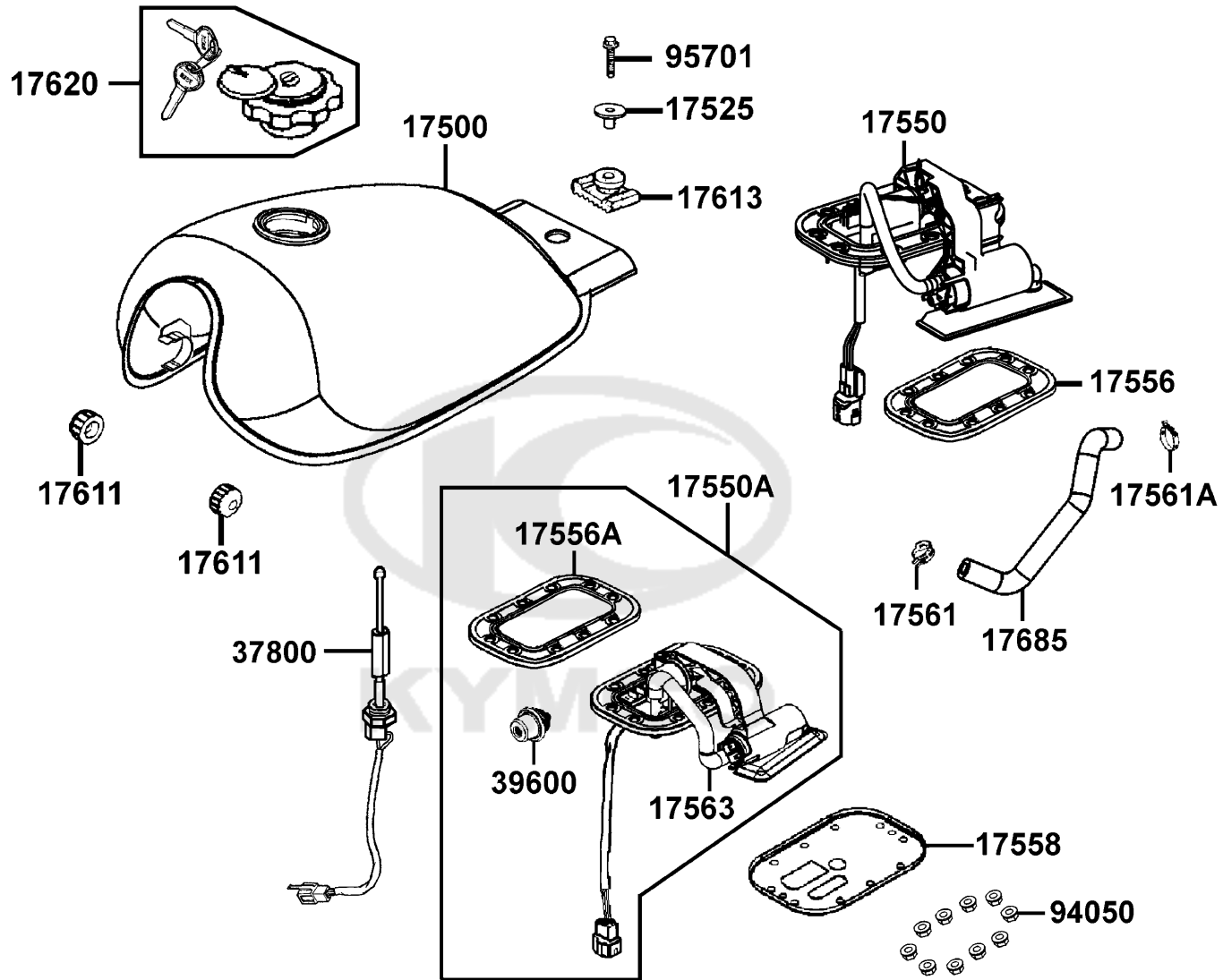
Sales mark 記号	Ref no 参照用番号	Part no パーツ番号	Description 部品名	Reg description 部品名	Regd no 必要個数	Ref Price 希望小売価格(税抜)	F09
	40546	40546-KGC4-E00	CAP REAR FORK END	CAP REAR FORK END	2	350	
	4054A	4054A-KGC4-E00	ADJUSTER CHAIN ASSY	ADJUSTER CHAIN ASSY	2	1820	
	42301	42301-KYCY-500	AXLE RR WHEEL M16*297MM	AXLE RR WHEEL M16*297MM	1	3430	
	42311	42311-LGM8-920	COLLAR RR AXLE A	COLLAR RR AXLE A	1	730	
**	43000	43000-ALH3-900	PANEL ASSY REAR BRAKE	PANEL ASSY REAR BRAKE	1	12390	
	43120	43120-ALH3-305	SHOE SET	SHOE SET	1	4000	
	43141	43141-ALH3-900	CAM REAR BRAKE	CAM REAR BRAKE	1	1340	
	43145	43145-ALH3-900	INDICATOR REAR BRAKE	INDICATOR REAR BRAKE	1	70	
	43410	43410-ALH3-900	ARM RR BRAKE	ARM RR BRAKE	1	2220	
	45133	45133-2L40-001	SPRING FRONT BRAKE SHOE	SPRING FRONT BRAKE SHOE	2	160	
	45134	45134-2L50-001	BRAKE CAM DUST SEAL	BRAKE CAM DUST SEAL	1	60	
	90301	90301-4C73-004	NUT U 6MM	NUT U 6MM	2	60	
	90549	90549-1A21-001	WASHER PLAIN 14M/M	WASHER PLAIN 14M/M	1	60	
	93903	93903-24280-02	SCREW TAPPING 4*10	SCREW TAPPING 4*10	4	60	
	95701	95701-06022-06	BOLT FLANGE 6*22	BOLT FLANGE 6*22	1	60	

F10

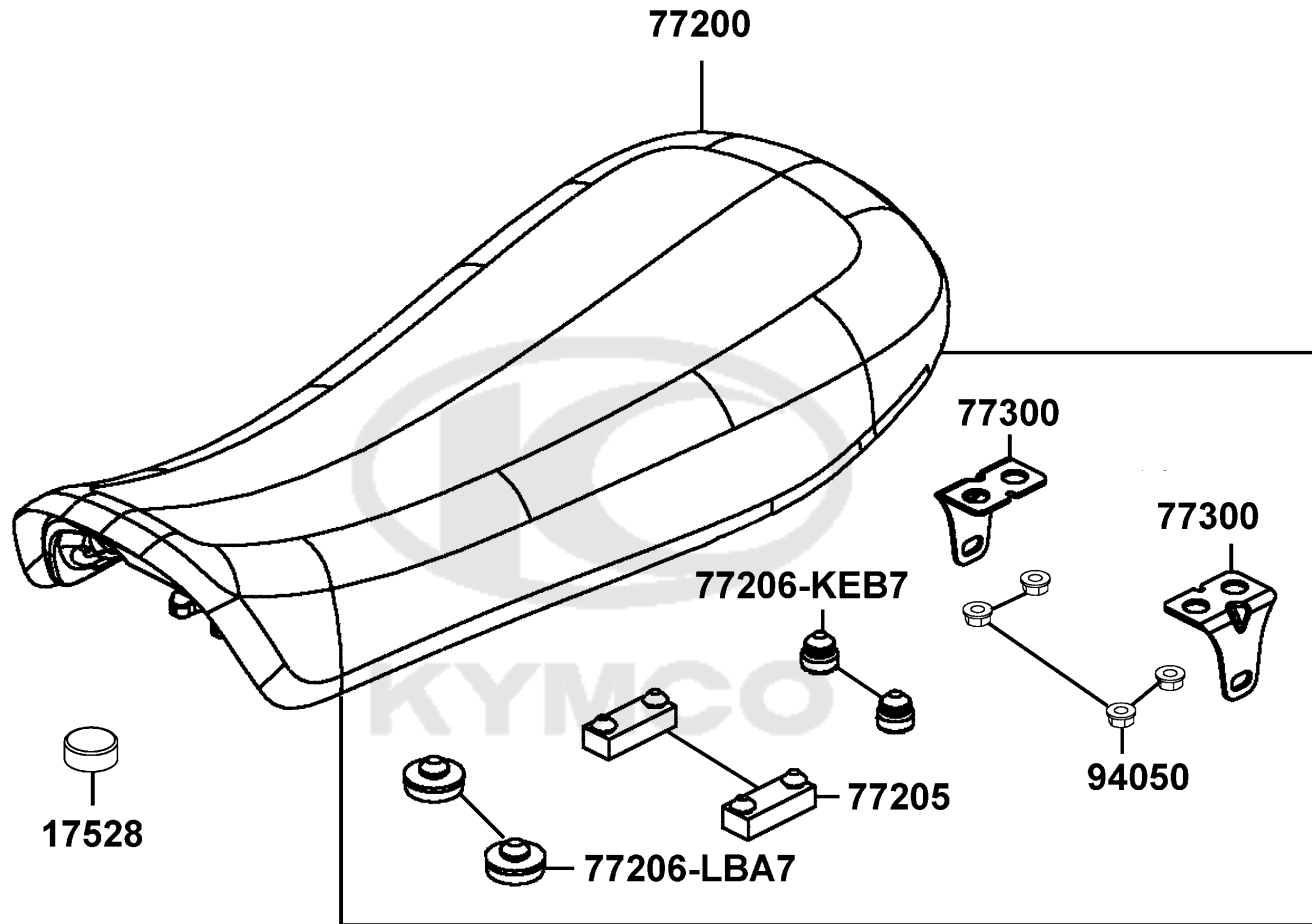
Rear Wheel



Sales mark 記号	Ref no 参照用番号	Part no パーツ番号	Description 部品名	Reg description 部品名	Regd no 必要個数	Ref Price 希望小売価格(税抜)	F10
	41201	41201-ALH3-900	SPRKT FINAL DRIVEN (33T)	SPRKT FINAL DRIVEN (33T)	1	5780	
	41241	41241-LGM6-920	DAMPER RR WHEEL	DAMPER RR WHEEL	5	580	
	42313	42313-KYCY-500	COLLAR RR HUB SIDE	COLLAR RR HUB SIDE	1	580	
**	42600	42600-ALH3-306	WHEEL ASSY RR	WHEEL ASSY RR	1	29620	
**	42610	42610-LGM6-305	FLANGE SET FINAL DRIVEN/F106	FLANGE SET FINAL DRIVEN/F106	1	14210	
	42620	42620-LGM8-920	COLLAR REAR AXLE DISTANCE	COLLAR REAR AXLE DISTANCE	1	300	
	42625	42625-LGM6-920	COLLAR B RR AXLE DIST	COLLAR B RR AXLE DIST	1	540	
	42710	42710-ALH3-900	TIRE ASS'Y REAR	TIRE ASS'Y REAR	1	18890	
	42753	42753-0D04-900	RIM VALVE (PVR 70)	RIM VALVE (PVR 70)	1	540	
	90305	90305-KKAK-900	NUT U 16MM	NUT U 16MM	1	920	
	90309	90309-GLW0-90A	NUT U FLANGE 8MM	NUT U FLANGE 8MM	5	110	
	91254	91254-KGC4-E01	DUST SEAL 27*45*7 **(0) C.2005.06.01	DUST SEAL 27*45*7 **(0) C.2005.06.01	1	230	
	91303	91303-KED9-900	O-RING 60.04*1.78	O-RING 60.04*1.78	1	110	
	92918	92918-LGM6-920	BOLT STUD II 8*12	BOLT STUD II 8*12	5	300	
	96150-63030	96150-63030-10	BEARING BALL RADIAL 6303	BEARING BALL RADIAL 6303	2	1720	
	96150-LGM6	96150-LGM6-920	BRG BALL RADIAL 60/22LLU	BRG BALL RADIAL 60/22LLU	1	2770	



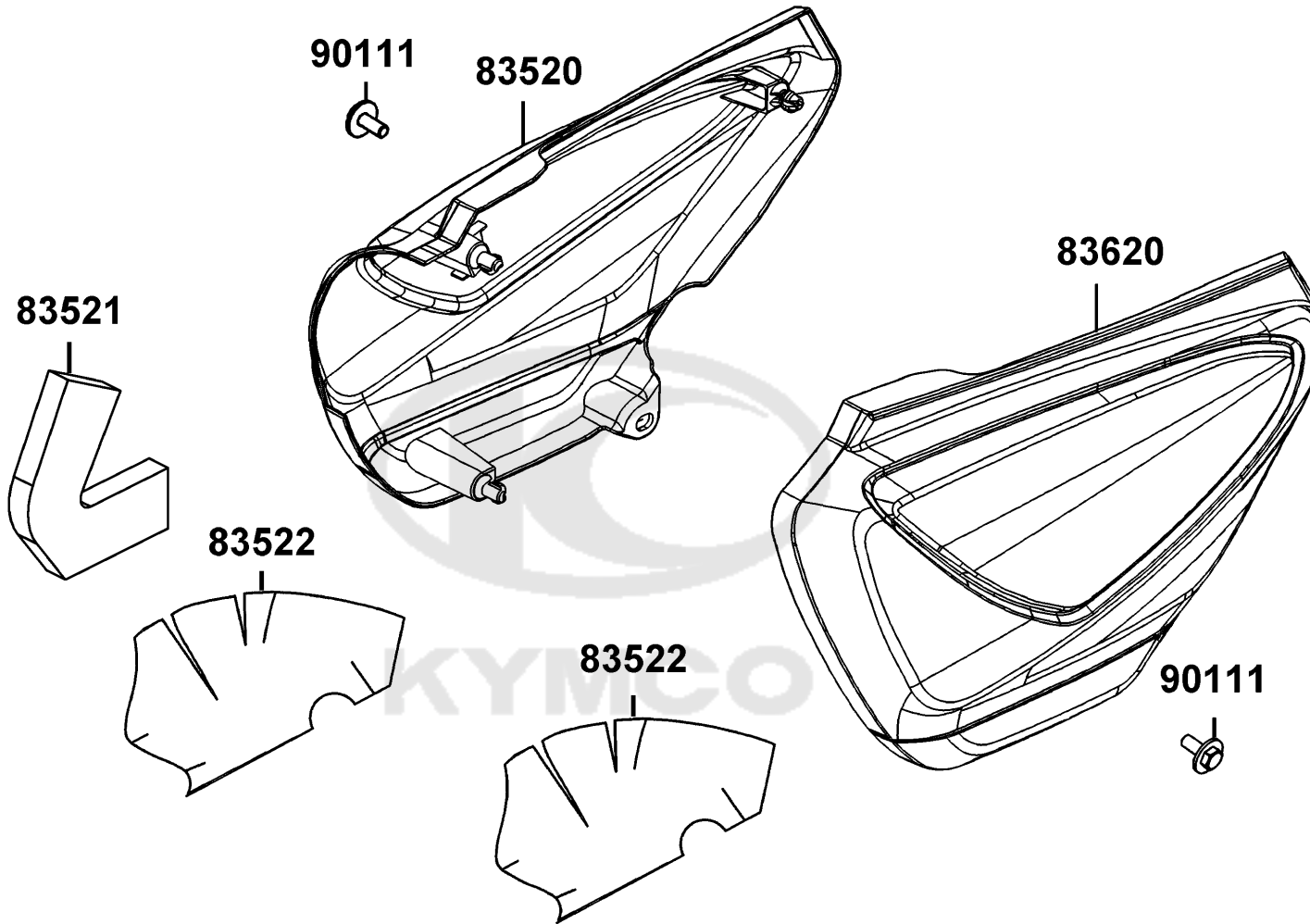
Sales mark 記号	Ref no 参照用番号	Part no パーツ番号	Description 部品名	Reg description 部品名	Regd no 必要個数	Ref Price 希望小売価格(税抜)	F11
**	17500	17500-LGM5-335	TANK SET FUEL	TANK SET FUEL	1	46530	
	17525	17525-KGG7-831	COLLAT FUEL TANK MT	COLLAT FUEL TANK MT	1	160	
	17550	17550-ALH3-900	FUEL PUMP ASSY	FUEL PUMP ASSY	1		
	17550A	17550-LGM5-900	FUEL PUMP ASSY /D106 **910 N.C.	FUEL PUMP ASSY /D106 **910 N.C.	1	28710	
	17556	17556-ALH3-900	PACKING PUMP	PACKING PUMP	1		
	17556A	17556-LGM5-900	PACKING PUMP	PACKING PUMP	1	4000	
	17558	17558-LGM5-900	PROTECTOR.PUMP	PROTECTOR.PUMP	1	390	
	17561	17561-LGK8-900	CLIP 12.0	CLIP 12.0	1	490	
	17561A	17561-LKB9-900	CLIP 12.5	CLIP 12.5	1	300	
	17563	17563-LGM5-910	TUBE PUMP	TUBE PUMP	1	3050	
	17611	17611-2F86-001	CUSHION FRONT FUEL TANK	CUSHION FRONT FUEL TANK	2	200	
	17613	17613-KFW6-911	CUSH FUEL TANK RR	CUSH FUEL TANK RR	1	130	
	17620	17620-KLAL-305	CAP COMP FUEL FILLER	CAP COMP FUEL FILLER	1	2200	
	17685	17685-ALH3-900	TUBE FUEL PUMP	TUBE FUEL PUMP	1	1790	
	37800	37800-LBF3-900	FUEL UNIT	FUEL UNIT	1	4760	
	39600	39600-LGM5-800	REGULATOR FUEL	REGULATOR FUEL	1	9130	
	94050	94050-05060	NUT FLANGE 5MM	NUT FLANGE 5MM	10	60	
	95701	95701-08025-06	BOLT FLANGE 6*22 (K)	BOLT FLANGE 6*22 (K)	1	60	



Sales mark 記号	Ref no 参照用番号	Part no パーツ番号	Description 部品名	Reg description 部品名	Regd no 必要個数	Ref Price 希望小売価格(税抜)
	17528	17528-LBE8-900	CAP BOLT FUEL TANK	CAP BOLT FUEL TANK	1	110
**	77200	77200-ALH3-B30	SEAT ASSY	SEAT ASSY	1	20910
	77205	77205-2F86-001	RUBBER B SEAT SETTING	RUBBER B SEAT SETTING	2	130
	77206-KEB7	77206-KEB7-900	RUBBER SEAT CUSH	RUBBER SEAT CUSH	2	110
	77206-LBA7	77206-LBA7-900	RUBBER SEAT CUSH	RUBBER SEAT CUSH	2	160
	77300	77300-ALH3-900	STAY	STAY	1	680
	94050	94050-06080	NUT FLANGE 6MM	NUT FLANGE 6MM	4	60

F12





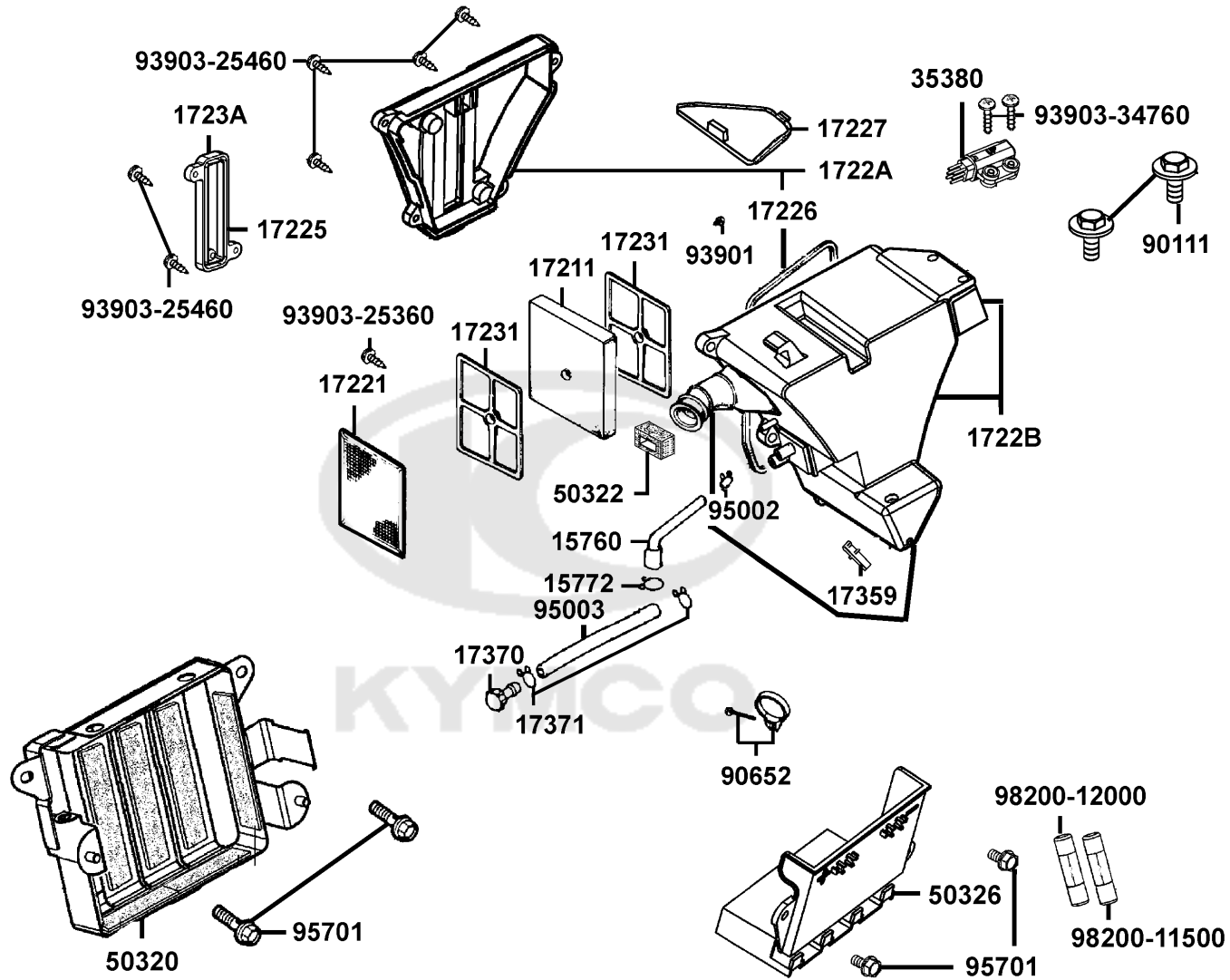
Sales mark 記号	Ref no 参照用番号	Part no パーツ番号	Description 部品名	Reg description 部品名	Regd no 必要個数	Ref Price 希望小売価格(税抜)	F13
------------------	-----------------	------------------	--------------------	------------------------	-----------------	-------------------------	-----

**	83520	83520-ALH3-305	COVER R SIDE (A:RR357/B:NH105)	COVER R SIDE (A:RR357/B:NH105)	1	5200	
	83521	83521-ALH3-900	SPONGE B	SPONGE B	1	760	
	83522	83522-ALH3-900	SPONGE A	SPONGE A	2	990	
**	83620	83620-ALH3-305	COVER L SIDE (A:RR357/B:NH105)	COVER L SIDE (A:RR357/B:NH105)	1	5200	
	90111	90111-LEB1-900	BOLT FLANGE 6MM	BOLT FLANGE 6MM	2	200	



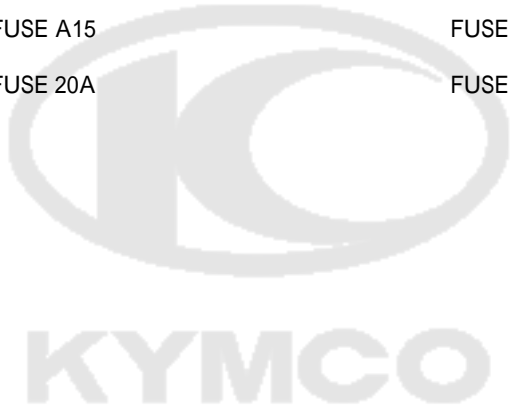
Sales mark 記号	Ref no 参照用番号	Part no パーツ番号	Description 部品名	Reg description 部品名	Regd no 必要個数	Ref Price 希望小売価格(税抜)
	15760	15760-KHC6-C00	TUBE BREATHER	TUBE BREATHER	1	230
	15772	15772-ALH3-900	CLIP BREATHER TUBE	CLIP BREATHER TUBE	1	60
	17211	17211-4K39-001	ELMENT AIR/C	ELMENT AIR/C	1	590
	17221	17221-KGG7-001	TRAP COMP	TRAP COMP	1	870
	17225	17225-KHC6-C00	SEAL COVER B AIR/C	SEAL COVER B AIR/C	1	200
	17226	17226-KGG7-001	SEAL AIR/C	SEAL AIR/C	1	130
	17227	17227-KHC6-C00	COVER TOOL BOX	COVER TOOL BOX	1	110
	1722A	1722A-KHC6-C00	COVER ASSY AIR/C CASE	COVER ASSY AIR/C CASE	1	960
	1722B	1722B-ALH3-900	CASE ASSY AIR/C	CASE ASSY AIR/C	1	5550
	17231	17231-4K39-001	PLATE ELEMENT SET	PLATE ELEMENT SET	2	230
	1723A	1723A-KHC6-C00	COVER B ASSY AIR/C	COVER B ASSY AIR/C	1	580
	17359	17359-4K19-671	JOINT BREATHER TUBE	JOINT BREATHER TUBE	1	60
	17370	17370-4K19-701	PLUG BREATHER TUBE	PLUG BREATHER TUBE	1	110
	17371	17371-1D74-671	CLIP BREATHER TUBE	CLIP BREATHER TUBE	2	60
	35380	35380-LDF2-900	SENSOR ANGLE DETECT	SENSOR ANGLE DETECT	1	11410
	50320	50320-KBE2-540	CASE COMP BATT	CASE COMP BATT	1	770
	50322	50322-KHC6-C00	CUSHION RUBBER	CUSHION RUBBER	1	110
**	50326	50326-LGM5-900	COVER BATTERY	COVER BATTERY	1	580
	90111	90111-KKD7-900	BOLT FLANGE 6MM	BOLT FLANGE 6MM	1	230
	90652	90652-KHE7-900	BAND CONNECTING TUBE	BAND CONNECTING TUBE	1	260

F14



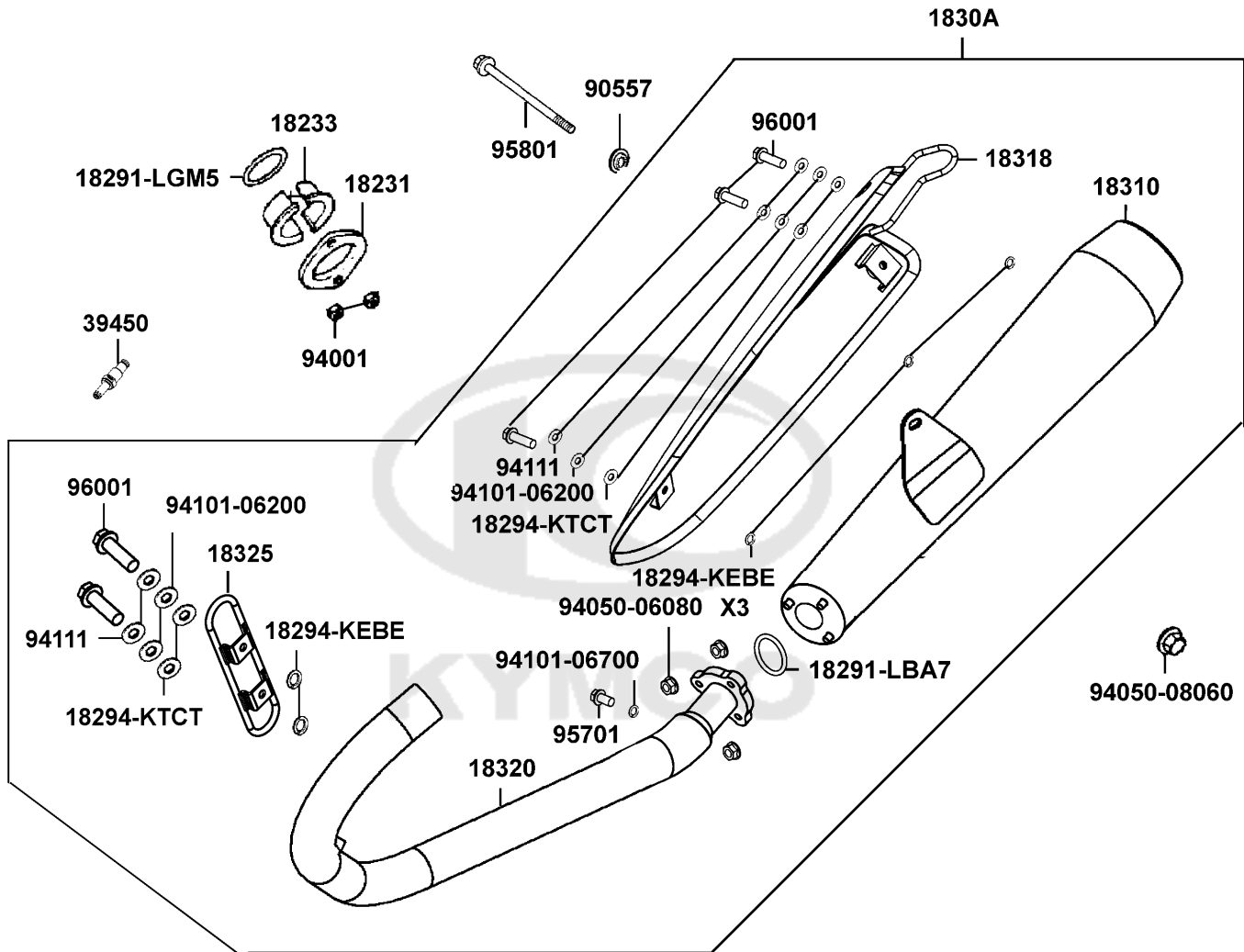
Sales mark 記号	Ref no 参照用番号	Part no パーツ番号	Description 部品名	Reg description 部品名	Regd no 必要個数	Ref Price 希望小売価格(税抜)
93901	93901-14060	93901-14060	SCREW TAPPING 4*6	SCREW TAPPING 4*6	1	200
93903-25360	93903-25360	93903-25360	SCREW TAPPING 5*16	SCREW TAPPING 5*16	1	60
93903-25460	93903-25460	93903-25460	SCREW TAPPING 5*20 **93903-25480	SCREW TAPPING 5*20 **93903-25480 C.2005	6	60
93903-34760	93903-34760	93903-34760	SCREW TAPPING 4*30	SCREW TAPPING 4*30	2	200
95002	95002-02120	95002-02120	CLIP B12 TUBE	CLIP B12 TUBE	2	60
95003	95003-23012-60	95003-23012-60	V TUBE 8X12X120	V TUBE 8X12X120	1	160
95701	95701-06012-06	95701-06012-06	BOLT FLANGE 6*22 (K)	BOLT FLANGE 6*22 (K)	1	60
98200-11500	98200-11500	98200-11500	FUSE A15	FUSE A15	2	60
98200-12000	98200-12000	98200-12000	FUSE 20A	FUSE 20A	1	110

F14



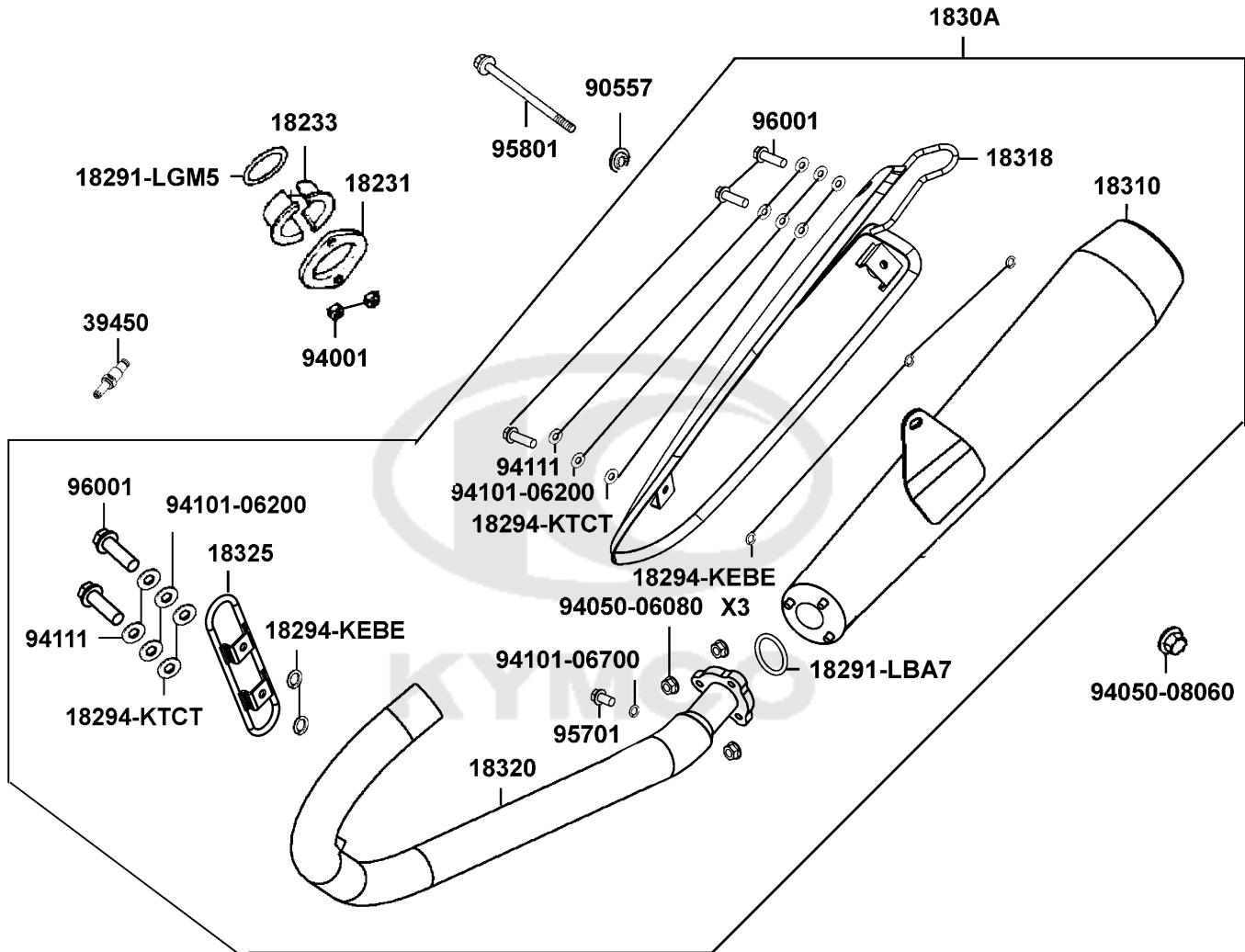
F15

Exhaust Muffler



Sales mark 記号	Ref no 参照用番号	Part no パーツ番号	Description 部品名	Reg description 部品名	Regd no 必要個数	Ref Price 希望小売価格(税抜)
18231	18231-3E65-671	18231-3E65-671	JOINT EXH PIPE	JOINT EXH PIPE	1	680
18233	18233-3L30-001	18233-3L30-001	COLLAR EXHAUST PIPE JOINT	COLLAR EXHAUST PIPE JOINT	2	200
18291-LBA7	18291-LBA7-900	18291-LBA7-900	GASKET EXH PIPE	GASKET EXH PIPE	1	230
18291-LGM5	18291-LGM5-900	18291-LGM5-900	GASKET EXH PIPE	GASKET EXH PIPE	1	390
18294-KEBE	18294-KEBE-900	18294-KEBE-900	PACKING PROTECTOR	PACKING PROTECTOR	5	110
18294-KTCT	18294-KTCT-900	18294-KTCT-900	PACKING PROTECTOR	PACKING PROTECTOR	5	130
1830A	1830A-ALH3-B20	1830A-ALH3-B20	MUFFLER ASSY EXH	MUFFLER ASSY EXH	1	37820
18310	18310-ALH3-900	18310-ALH3-900	MUFFLER COMP	MUFFLER COMP	1	32970
18318	18318-ALH3-B20	18318-ALH3-B20	MUFF. PROTECTOR	MUFF. PROTECTOR	1	11410
18320	18320-ALH3-900	18320-ALH3-900	PIPE EXHAUST BLACK	PIPE EXHAUST BLACK	1	14380
18325	18325-ALH3-900	18325-ALH3-900	PROTECTOR EXH PIPE	PROTECTOR EXH PIPE	1	2700
39450	39450-LGM5-800	39450-LGM5-800	SENSOR ASS'Y O2	SENSOR ASS'Y O2	1	28520
90557	90557-LBE8-900	90557-LBE8-900	SPECIAL WASHER 8MM	SPECIAL WASHER 8MM	1	230
94001	94001-06000-0S	94001-06000-0S	NUT HEX 6MM	NUT HEX 6MM	2	60
94050-06080	94050-06080	94050-06080	NUT FLANGE 6MM	NUT FLANGE 6MM	3	60
94050-08060	94050-08060	94050-08060	NUT FLANGE 8MM	NUT FLANGE 8MM	1	110
94101-06200	94101-06200	94101-06200	WASHER PLAIN 6MM	WASHER PLAIN 6MM	5	60
94101-06700	94101-06700	94101-06700	WASHER PLAIN 6MM	WASHER PLAIN 6MM	1	60
94111	94111-06800	94111-06800	WASHER SPRING 6MM	WASHER SPRING 6MM	5	60
95701	95701-06008-06	95701-06008-06	BOLT FLANGE 6*8	BOLT FLANGE 6*8	1	60

F15



Sales mark 記号	Ref no 参照用番号	Part no パーツ番号	Description 部品名	Reg description 部品名	Regd no 必要個数	Ref Price 希望小売価格(税抜)
------------------	-----------------	------------------	--------------------	------------------------	-----------------	-------------------------

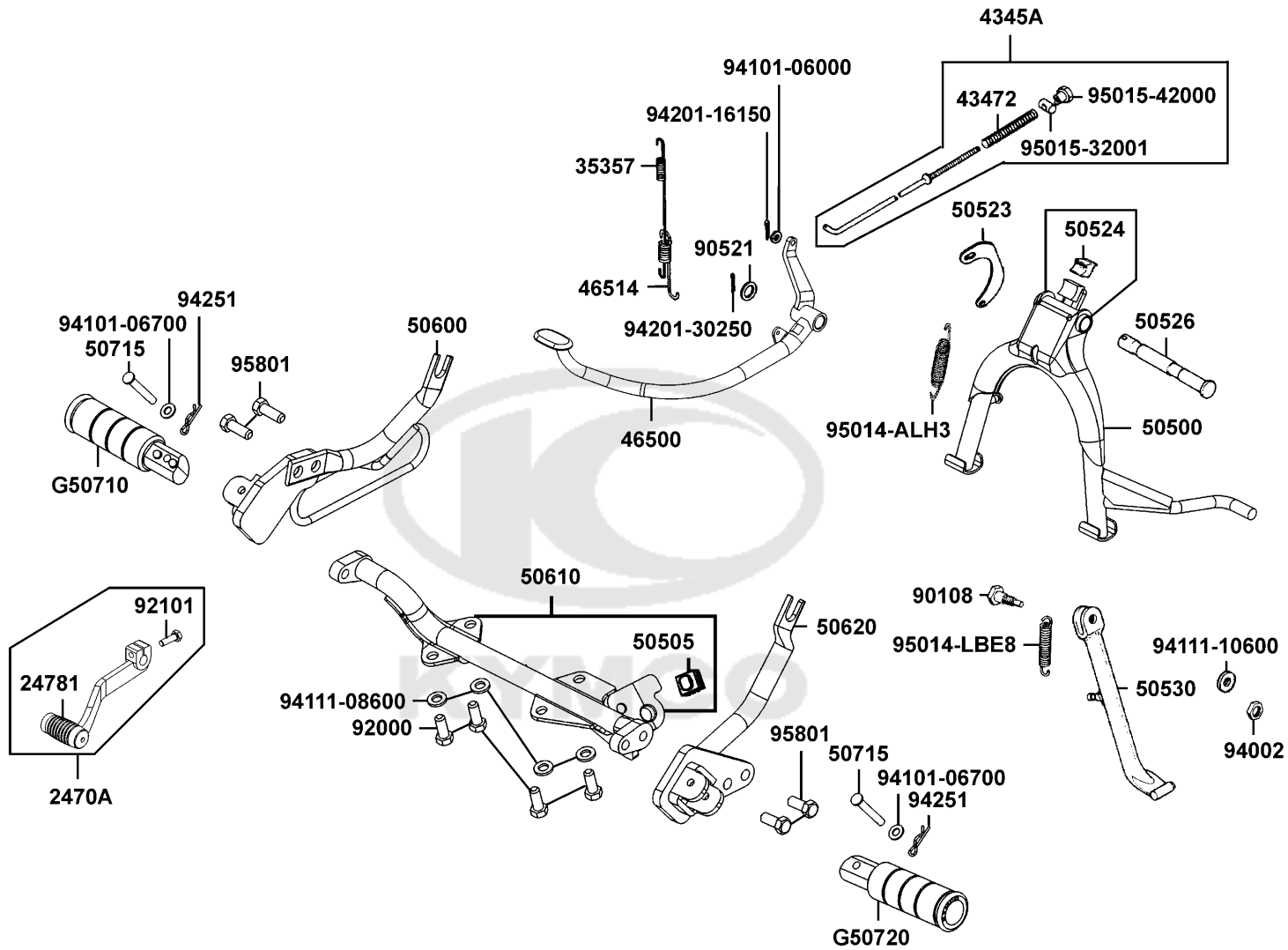
F15

95801	95801-08040-06		BOLT FLANGE 8*40	BOLT FLANGE 8*40	1	60
96001	96001-06016-06		BOLT FLANGE SH 6X16	BOLT FLANGE SH 6X16	5	60



F16

Pedal Stand

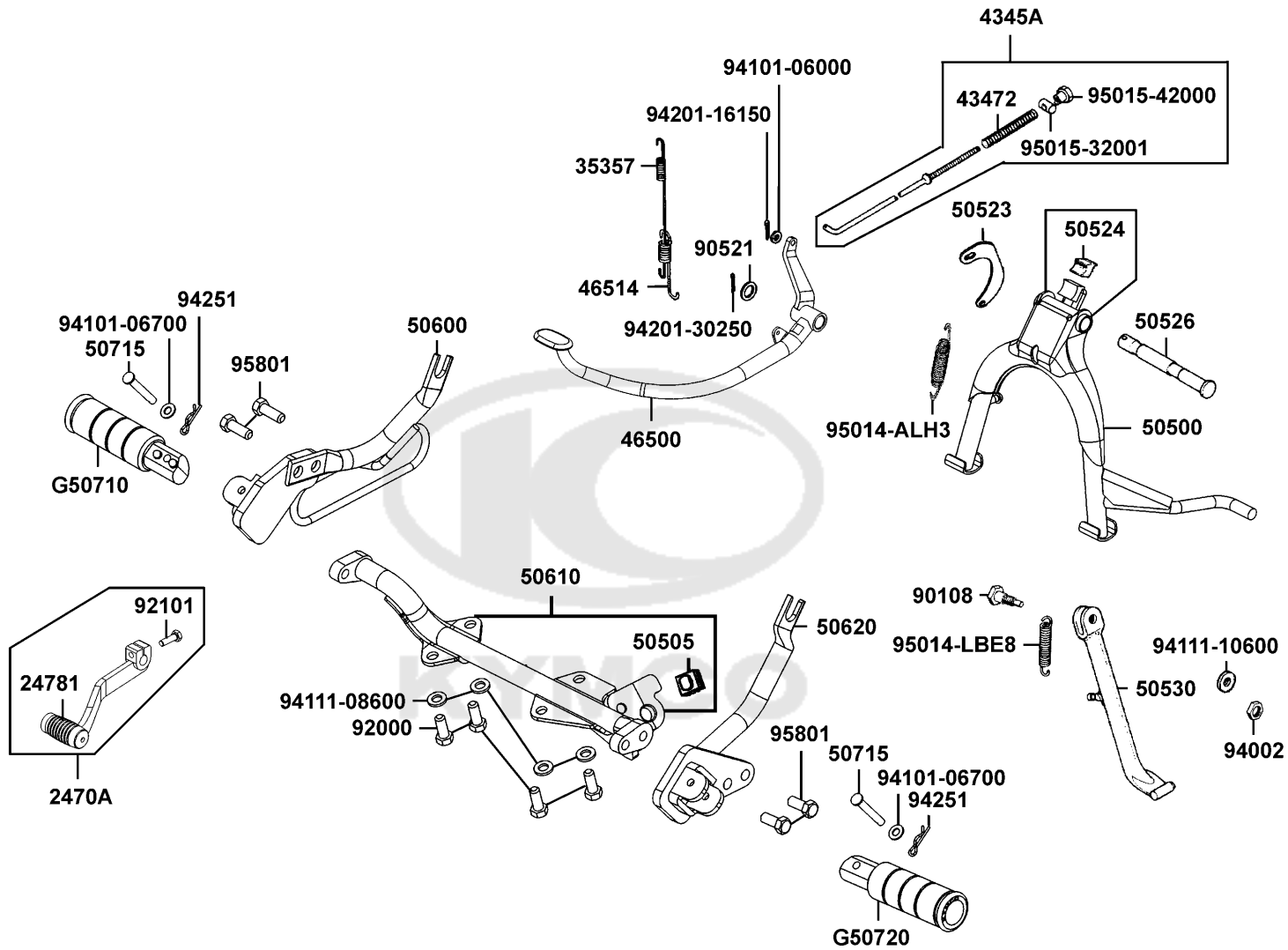


Sales mark 記号	Ref no 参照用番号	Part no パーツ番号	Description 部品名	Reg description 部品名	Regd no 必要個数	Ref Price 希望小売価格(税抜)
	2470A	2470A-ALH3-900	PEDAL ASSY CHANGE	PEDAL ASSY CHANGE	1	3090
	24781	24781-4K49-001	RUBBER PEDAL CHANGE	RUBBER PEDAL CHANGE	1	160
	35357	35357-LBE8-900	SPRING STOP SWITCH	SPRING STOP SWITCH	1	160
	4345A	4345A-ALH3-900	ROD RR.BRAKE ASSY	ROD RR.BRAKE ASSY	1	3040
	43472	43472-LBE8-900	RR BRK ROD SPRING	RR BRK ROD SPRING	1	160
	46500	46500-ALH3-900	PEDAL COMP RR BRAKE	PEDAL COMP RR BRAKE	1	5000
	46514	46514-LBE8-900	SPRING RR PEDAL	SPRING RR PEDAL	1	160
	50500	50500-ALH3-900	STAND MAIN	STAND MAIN	1	6800
	50505	50505-KUDU-900	STOPPER RUBBER STAND	STOPPER RUBBER STAND	1	160
	50523	50523-LBE8-900	HOOK MAIN STAND SPRING	HOOK MAIN STAND SPRING	1	390
	50524	50524-3G97-001	RUB STAND STOPPER	RUB STAND STOPPER	1	110
	50526	50526-LBE8-900	SHAFT MAIN STAND PIVOT	SHAFT MAIN STAND PIVOT	1	960
	50530	50530-ALH3-900	BAR (COMP) SIDE STAND	BAR (COMP) SIDE STAND	1	2140
**	50600	50600-ALH3-900	STAY R STEP BAR	STAY R STEP BAR	1	5330
**	50610	50610-ALH3-900	BAR COMP STEP	BAR COMP STEP	1	8180
**	50620	50620-ALH3-900	STAY L STEP BAR	STAY L STEP BAR	1	3810
	50715	50715-LEC8-E00	PIN RR STEP	PIN RR STEP	2	350
	90108	90108-LBE8-900	PIVOT SCREW SIDE STAND	PIVOT SCREW SIDE STAND	1	160
	90521	90521-0H28-001	DIA WASHER 17*22	DIA WASHER 17*22	1	60
	92000	92000-08020-0G	BOLT HEX 8X20	BOLT HEX 8X20	1	60

F16

F16

Pedal Stand

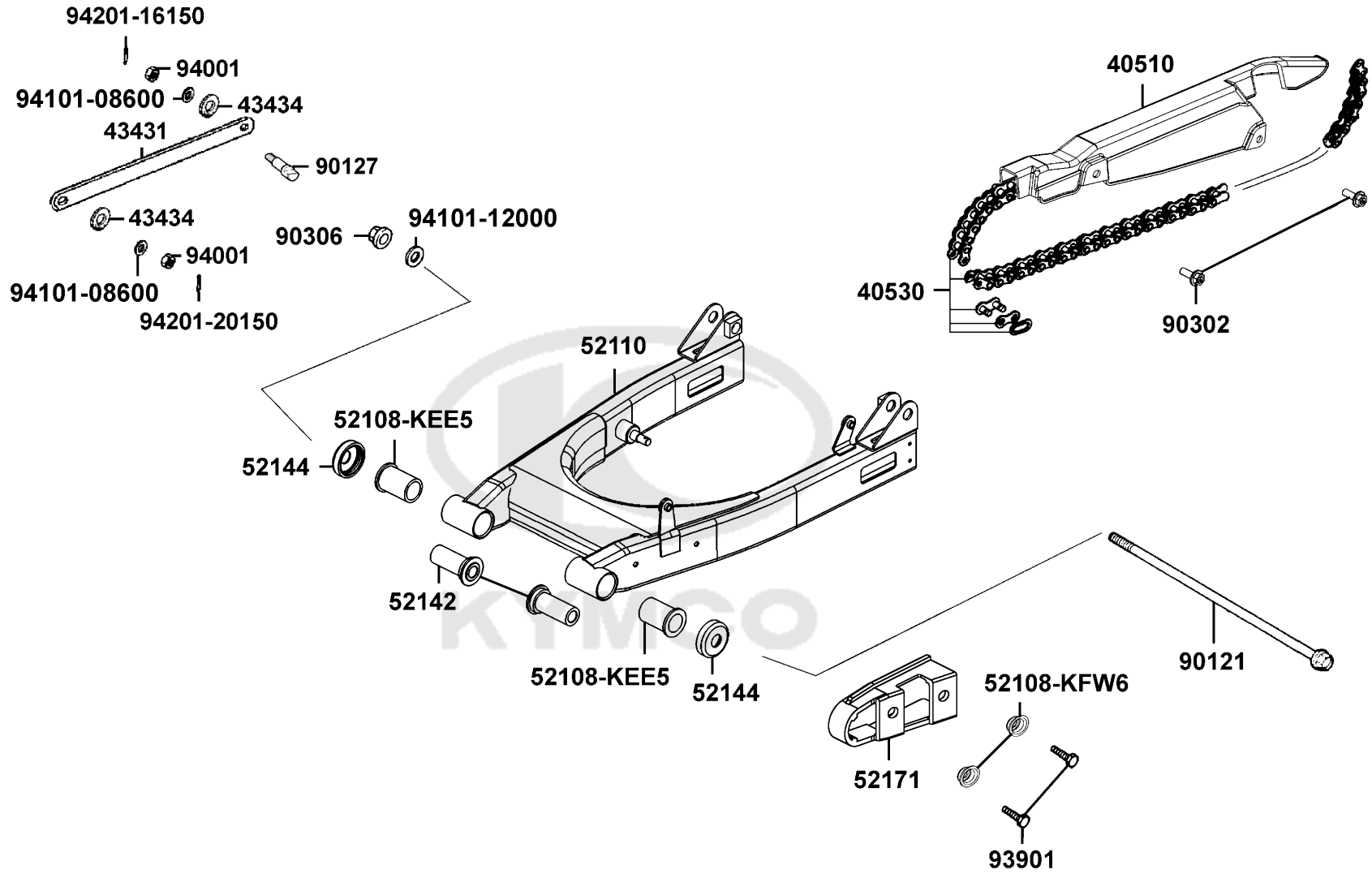


Sales mark 記号	Ref no 参照用番号	Part no パーツ番号	Description 部品名	Reg description 部品名	Regd no 必要個数	Ref Price 希望小売価格(税抜)
	92101	92101-06020-06	BOLT HEX 6X20	BOLT HEX 6X20	1	110
	94002	94002-10060-0S	NUT HEX 10MM	NUT HEX 10MM	1	60
	94101-06000	94101-06000	WASHER PLAIN 6MM	WASHER PLAIN 6MM	1	60
	94101-06700	94101-06700	WASHER PLAIN 6MM	WASHER PLAIN 6MM	2	60
	94111-08600	94111-08600	WASHER SPG 8MM	WASHER SPG 8MM	6	60
	94111-10600	94111-10600	WASHER SPG 10MM	WASHER SPG 10MM	1	60
	94201-16150	94201-16150	PIN SPLIT 1.6*15	PIN SPLIT 1.6*15	1	160
	94201-30250	94201-30250	PIN SPLIT 3.0*25	PIN SPLIT 3.0*25	1	60
	94251	94251-06100	PIN LOCK 6MM	PIN LOCK 6MM	2	130
	95014-ALH3	95014-ALH3-900	SPG B MAIN STAND	SPG B MAIN STAND	1	320
	95014-LBE8	95014-LBE8-900	SPG A SIDE STAND	SPG A SIDE STAND	1	160
	95015-32001	95015-32001	JOINT B BRAKE ARM	JOINT B BRAKE ARM	1	60
	95015-42000	95015-42000	NUT B ADJUST	NUT B ADJUST	1	60
	95801	95801-08025-06	BOLT FLANGE 8*25	BOLT FLANGE 8*25	4	160
	G50710	G50710-ALH3-Y00	BAR PILLION STEP R	BAR PILLION STEP R	1	1600
	G50720	G50720-ALH3-Y00	BAR PILLION STEP L	BAR PILLION STEP L	1	1600

F16

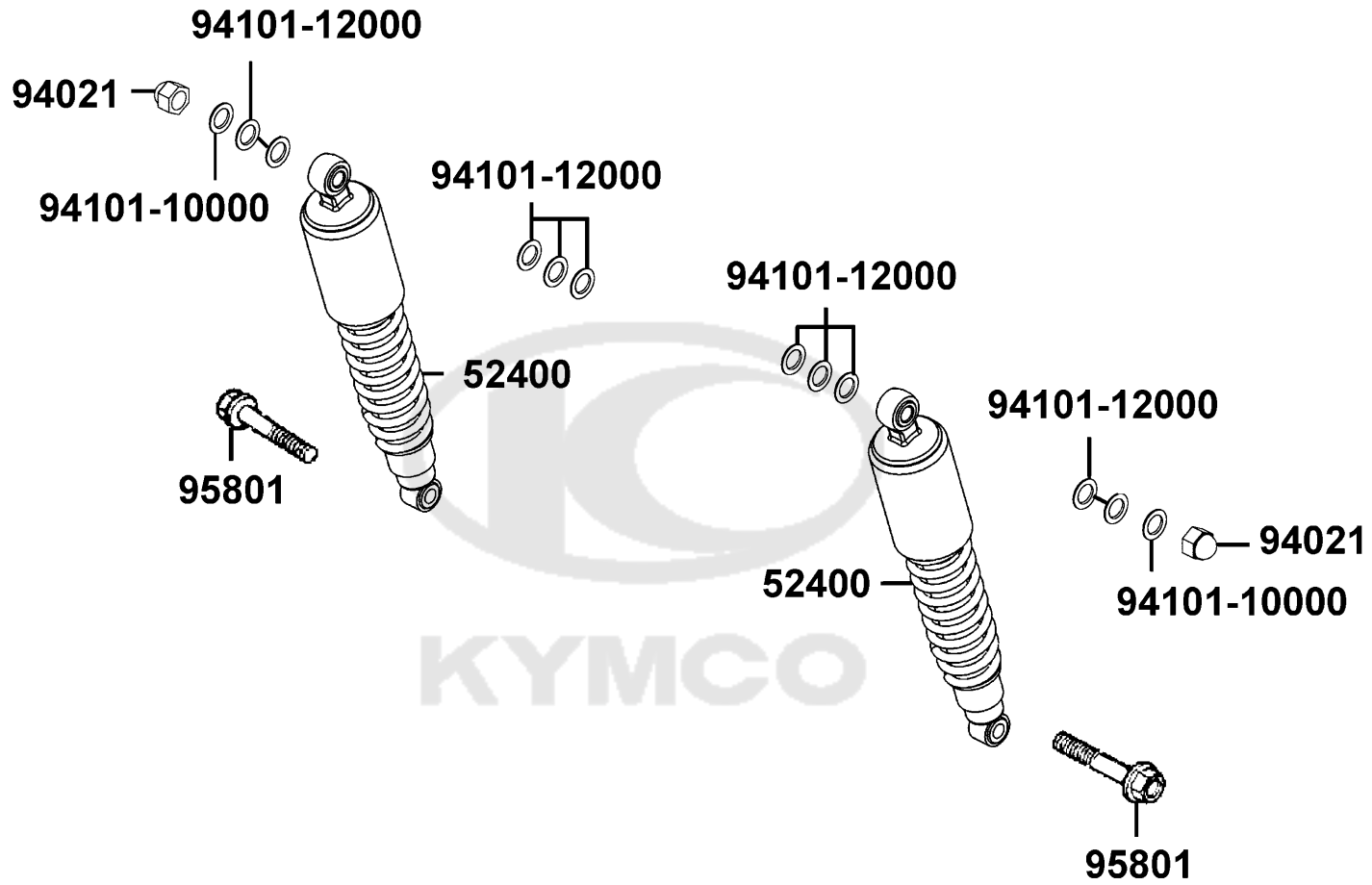
F17

Rear Fork Step Chain Case



Sales mark 記号	Ref no 参照用番号	Part no パーツ番号	Description 部品名	Reg description 部品名	Regd no 必要個数	Ref Price 希望小売価格(税抜)
	40510	40510-ALH3-900	COVER DRIVE CHAIN	COVER DRIVE CHAIN	1	500
	40530	40530-ALH3-900	CHAIN DRIVE(428UO-104L)	CHAIN DRIVE(428UO-104L)	1	8450
	43431	43431-ALH3-900	ARM REAR BRAKE STOPPER	ARM REAR BRAKE STOPPER	1	400
	43434	43434-2F86-001	RUBBER STOPPER ARM CUSHION	RUBBER STOPPER ARM CUSHION	2	70
	52108-KEE5	52108-KEE5-004	BUSH RR FORK	BUSH RR FORK	2	770
	52108-KFW6	52108-KFW6-901	COLLAR CHAIN SLIDER	COLLAR CHAIN SLIDER	2	110
**	52110	52110-ALH3-900	FORK COMP RR	FORK COMP RR	1	24360
	52142	52142-KKAK-900	COLLAR COMP RR FORK	COLLAR COMP RR FORK	2	1530
	52144	52144-LBA7-900	CAP RR FORK DUST SEAL	CAP RR FORK DUST SEAL	2	350
	52171	52171-KYCY-500	SLIDER CHAIN	SLIDER CHAIN	1	1110
	90121	90121-LBE8-900	BOLT RR FORK PIVOT M12/280MM	BOLT RR FORK PIVOT M12/280MM	1	1300
	90127	90127-LBE8-900	BOLT RR BRK PANEL STOPPER	BOLT RR BRK PANEL STOPPER	1	350
	90302	90302-GFY6-901	BOLT WASH 5*12 **(1) C.V.	BOLT WASH 5*12 **(1) C.V.	2	60
	90306	90306-GLW0-90A	NUT FLANGE 12MM	NUT FLANGE 12MM	1	320
	93901	93901-26160	SCREW TAPPING 6*12	SCREW TAPPING 6*12	3	
	94001	94001-08060-0S	NUT HEX 8MM	NUT HEX 8MM	2	320
	94101-08600	94101-08600	WASHER PLAIN 6.5*18*105	WASHER PLAIN 6.5*18*105	2	200
	94101-12000	94101-12000	WASHER PLAIN 12 MM	WASHER PLAIN 12 MM	3	60
	94201-16150	94201-16150	PIN SPLIT 1.6*15	PIN SPLIT 1.6*15	1	160
	94201-20150	94201-20150	PIN SPLIT 2*15	PIN SPLIT 2*15	1	200

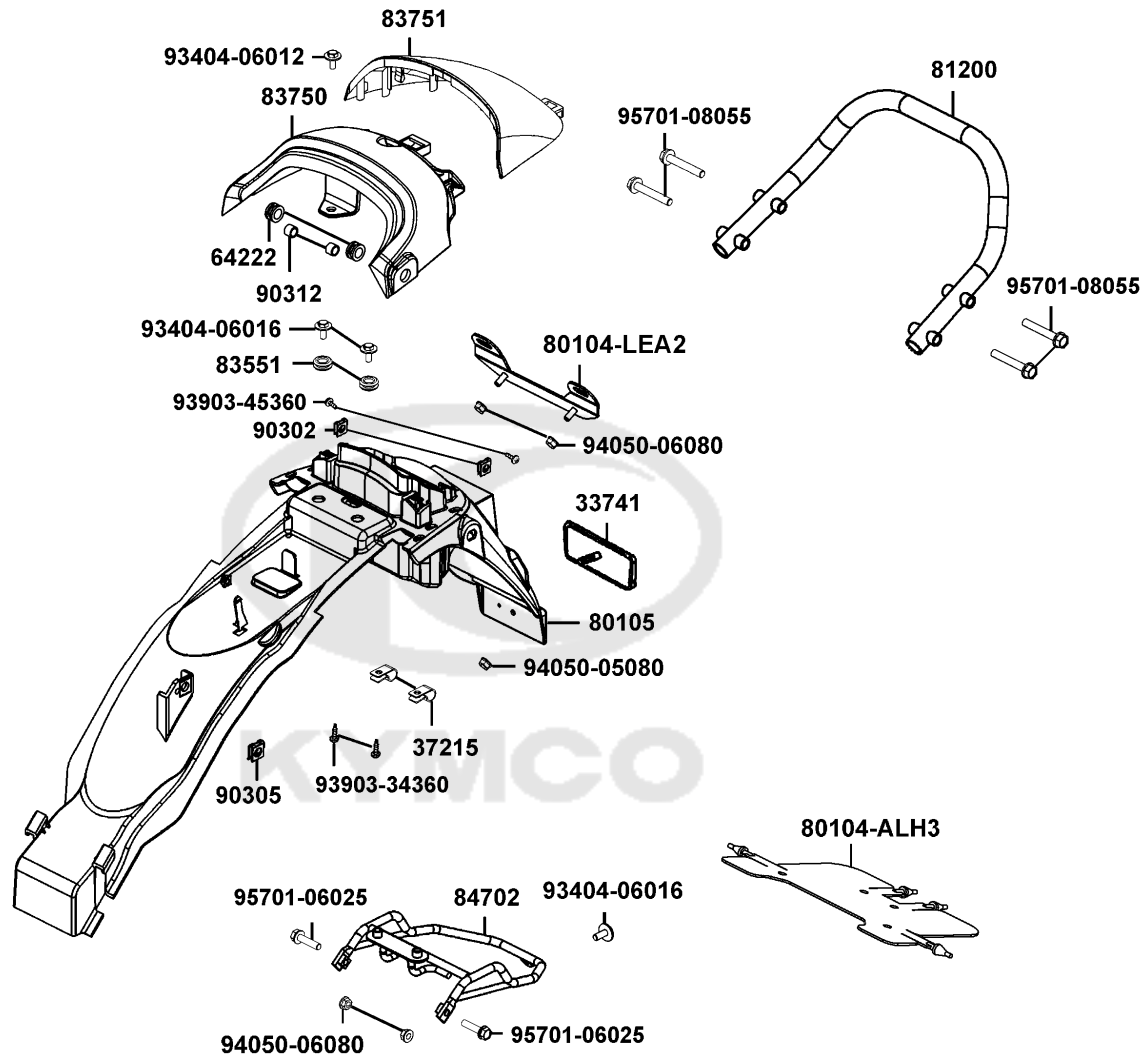
F17



Sales mark 記号	Ref no 参照用番号	Part no パーツ番号	Description 部品名	Reg description 部品名	Regd no 必要個数	Ref Price 希望小売価格(税抜)	F18
------------------	-----------------	------------------	--------------------	------------------------	-----------------	-------------------------	-----

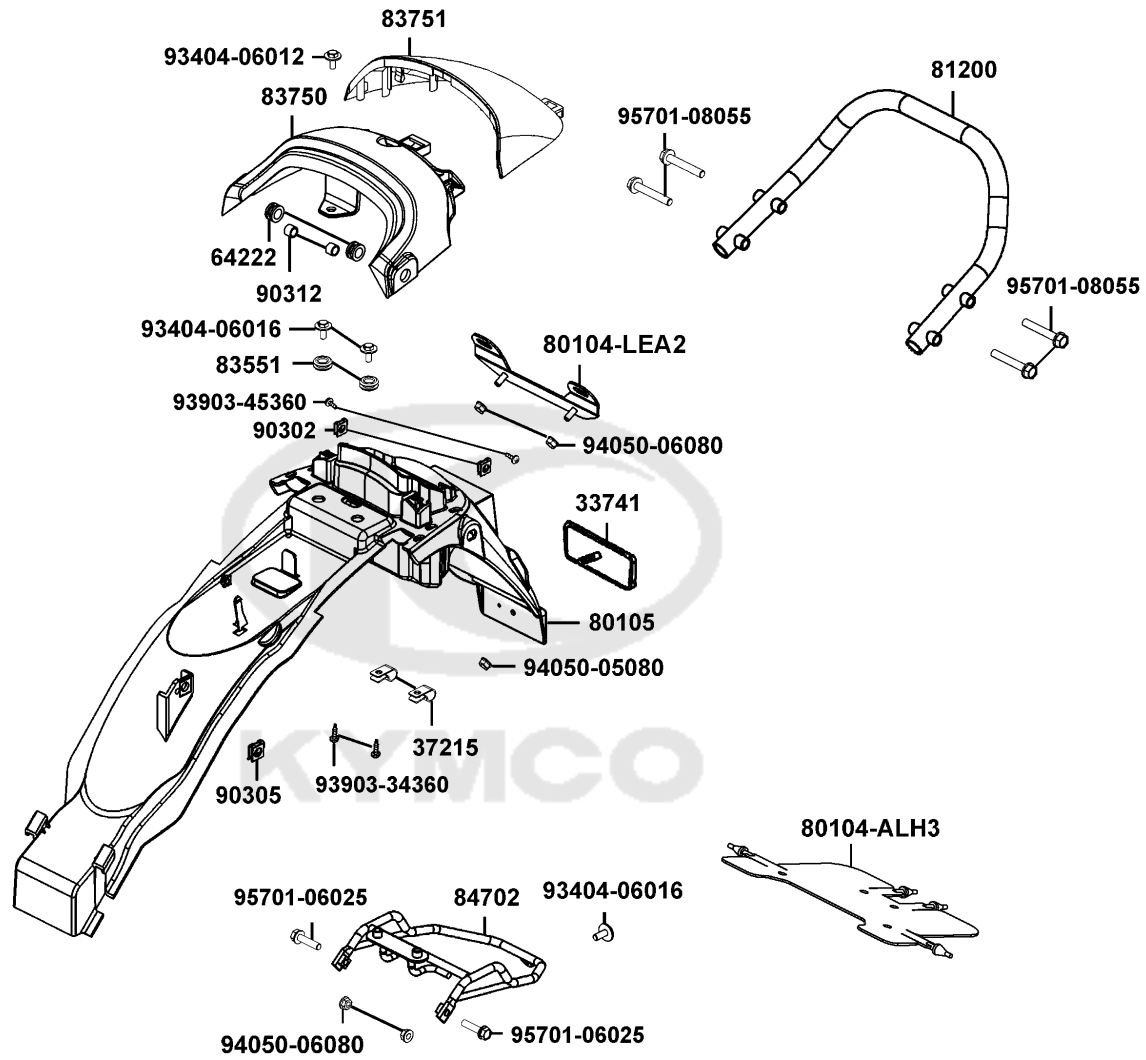
**	52400	52400-ALH3-900	CUSHION ASSY REAR	CUSHION ASSY REAR	2	10950	
	94021	94021-10020-0S	NUT HEX CAP 10MM	NUT HEX CAP 10MM	2	70	
	94101-10000	94101-10000	WASHER PLAIN 10MM	WASHER PLAIN 10MM	2	200	
	94101-12000	94101-12000	WASHER PLAIN 12 MM	WASHER PLAIN 12 MM	10	60	
	95801	95801-LBF3-800	BOLT FLANGE (12*38)	BOLT FLANGE (12*38)	2	490	





Sales mark 記号	Ref no 参照用番号	Part no パーツ番号	Description 部品名	Reg description 部品名	Regd no 必要個数	Ref Price 希望小売価格(税抜)
	33741	33741-ALH3-900	REFLEX REFLECTOR	REFLEX REFLECTOR	1	450
	37215	37215-LKG2-900	CLAMP	CLAMP	2	60
	64222	64222-LLJ3-E00	RUBBER WIND SCREEN	RUBBER WIND SCREEN	2	160
	80104-ALH3	80104-ALH3-900	PLATE A SPLASH GUARD	PLATE A SPLASH GUARD	1	180
	80104-LEA2	80104-LEA2-900	STAY LICENSE PLATE	STAY LICENSE PLATE	1	680
**	80105	80105-ALH3-900	FENDER RR	FENDER RR	1	1720
	81200	81200-ALH3-900	PIPE ASSY RR CROSS	PIPE ASSY RR CROSS	1	4840
	83551	83551-KEC8-900	GROMMET COVER	GROMMET COVER	3	130
**	83750	83750-ALH3-900	COVERA RR CENTER	COVERA RR CENTER	1	2380
**	83751	83751-ALH3-900	COVER B RR CENTER	COVER B RR CENTER	1	5740
	84702	84702-ALH3-900	STAY RR INNER RR FENDER	STAY RR INNER RR FENDER	1	2380
	90302	90302-LKB9-910	NUT SPRING 5MM	NUT SPRING 5MM	2	200
	90305	90305-GHK8-001	NUT CLIP 6MM	NUT CLIP 6MM	1	60
	90312	90312-LLJ3-E00	COLLAR WIND SCREEN	COLLAR WIND SCREEN	2	200
	93404-06012	93404-06012-06	BOLT WASHER 6*12 (G)	BOLT WASHER 6*12 (G)	1	200
	93404-06016	93404-06016-06	BOLT WASHER 6*16	BOLT WASHER 6*16	3	60
	93903-34360	93903-34360	SCREW WASHER 4*12	SCREW WASHER 4*12	2	60
	93903-45360	93903-45360	SCREW WASHER 4*12	SCREW WASHER 4*12	2	200
	94050-05080	94050-05080	NUT FLANGE 5MM	NUT FLANGE 5MM	1	200
	94050-06080	94050-06080	NUT FLANGE 6MM	NUT FLANGE 6MM	4	60

F19



Sales mark 記号	Ref no 参照用番号	Part no パーツ番号	Description 部品名	Reg description 部品名	Regd no 必要個数	Ref Price 希望小売価格(税抜)
------------------	-----------------	------------------	--------------------	------------------------	-----------------	-------------------------

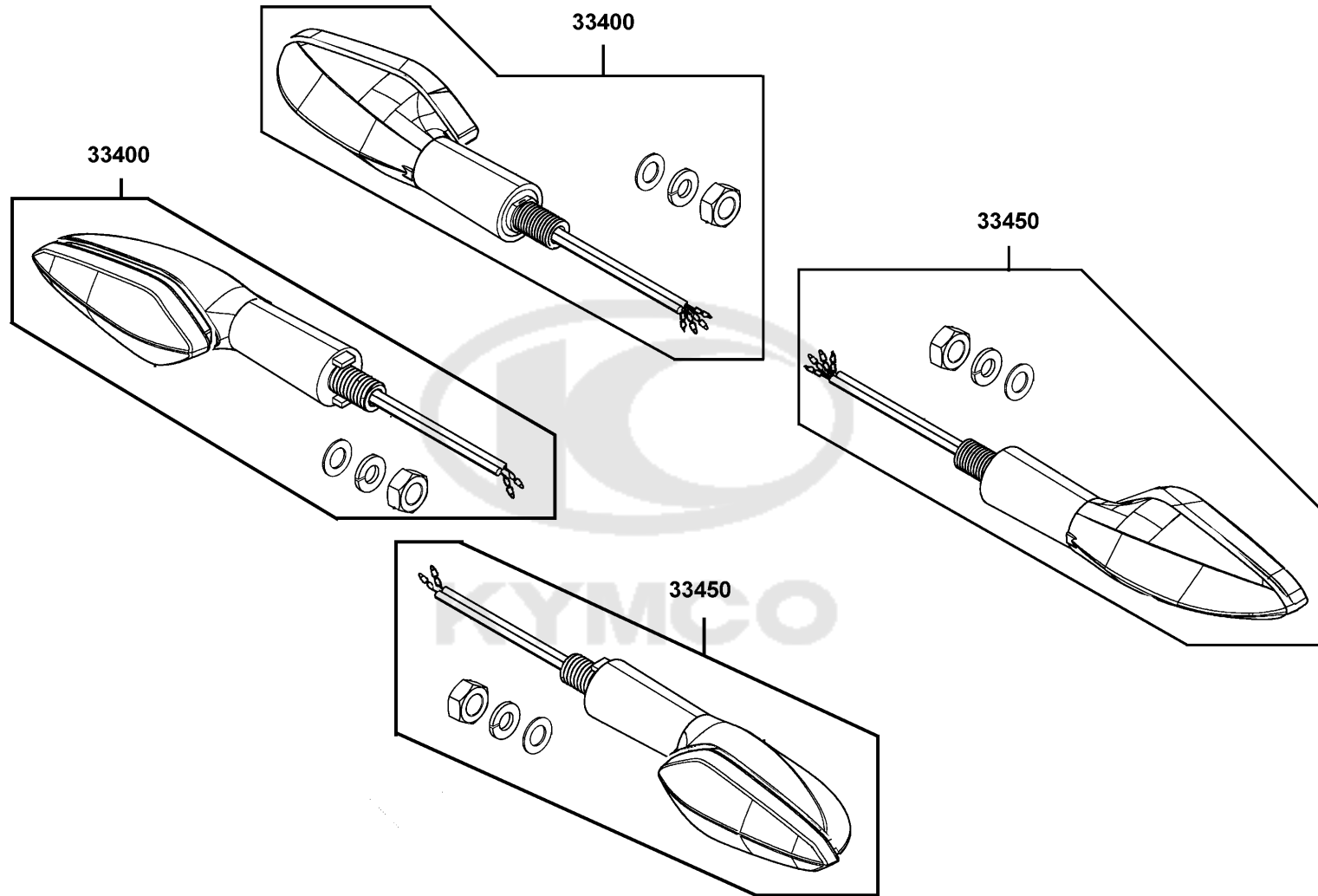
F19

95701-06025	95701-06025-06	BOLT FLANGE 6*25	BOLT FLANGE 6*25	2	60
95701-08055	95701-08055-06	BOLT FLANGE 8*55	BOLT FLANGE 8*55	4	230



F20

Winker



Sales mark 記号	Ref no 参照用番号	Part no パーツ番号	Description 部品名	Reg description 部品名	Regd no 必要個数	Ref Price 希望小売価格(税抜)
------------------	-----------------	------------------	--------------------	------------------------	-----------------	-------------------------

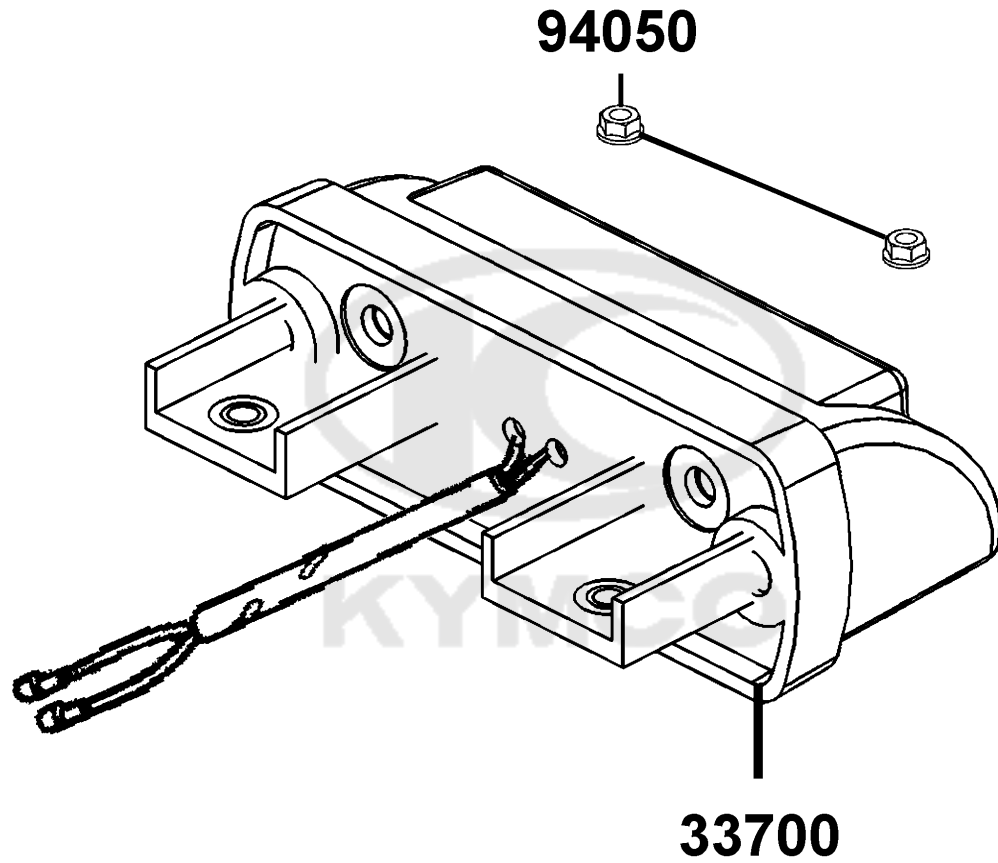
F20

33400	33400-ALH3-910	33400-ALH3-910	WINKER ASSY R FR	WINKER ASSY R FR	2	5900
33450	33450-ALH3-910	33450-ALH3-910	WINKER ASSY L FR	WINKER ASSY L FR	2	5900



F21

Tail Light

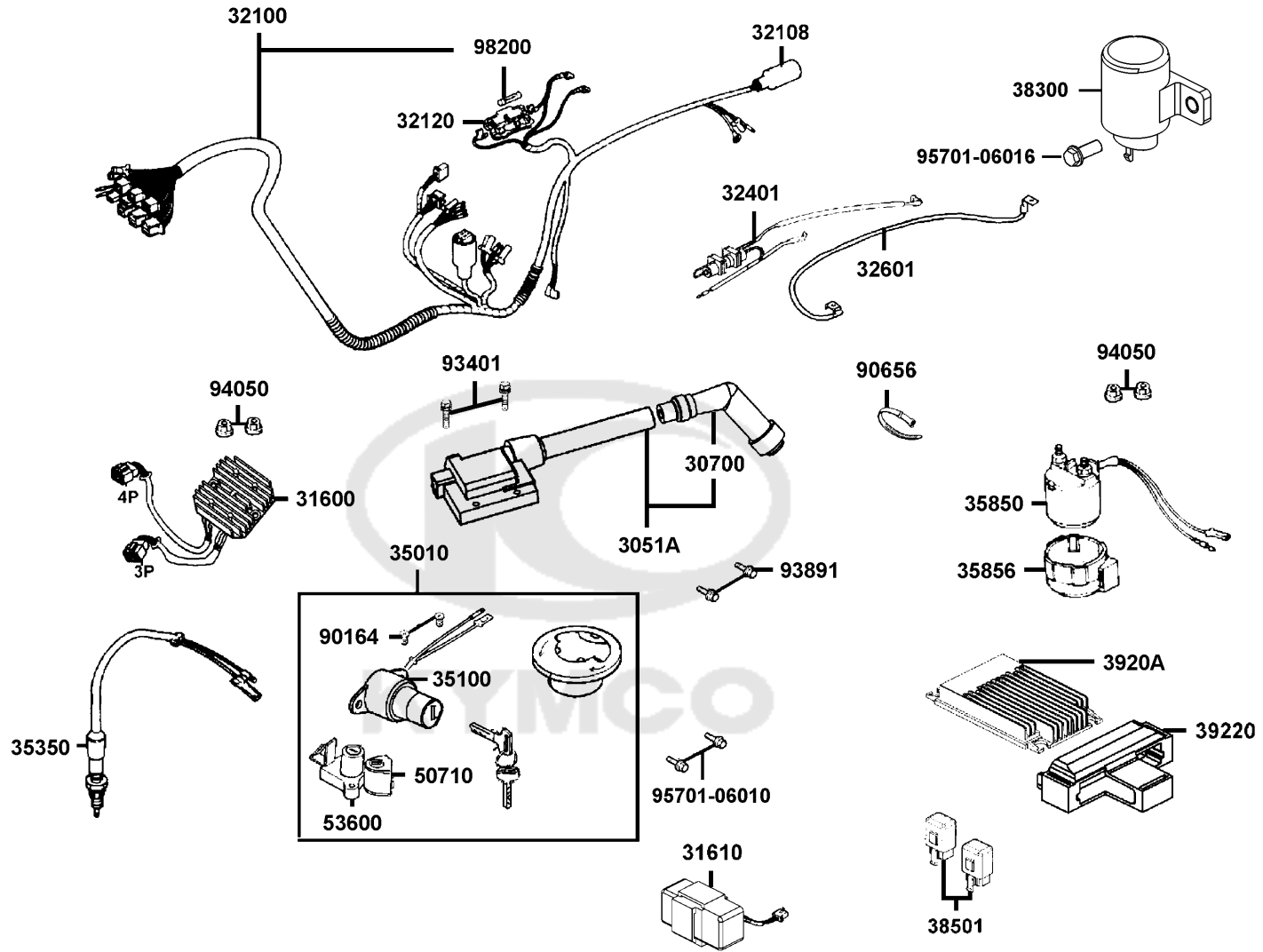


Sales mark 記号	Ref no 参照用番号	Part no パーツ番号	Description 部品名	Reg description 部品名	Regd no 必要個数	Ref Price 希望小売価格(税抜)
------------------	-----------------	------------------	--------------------	------------------------	-----------------	-------------------------

F21

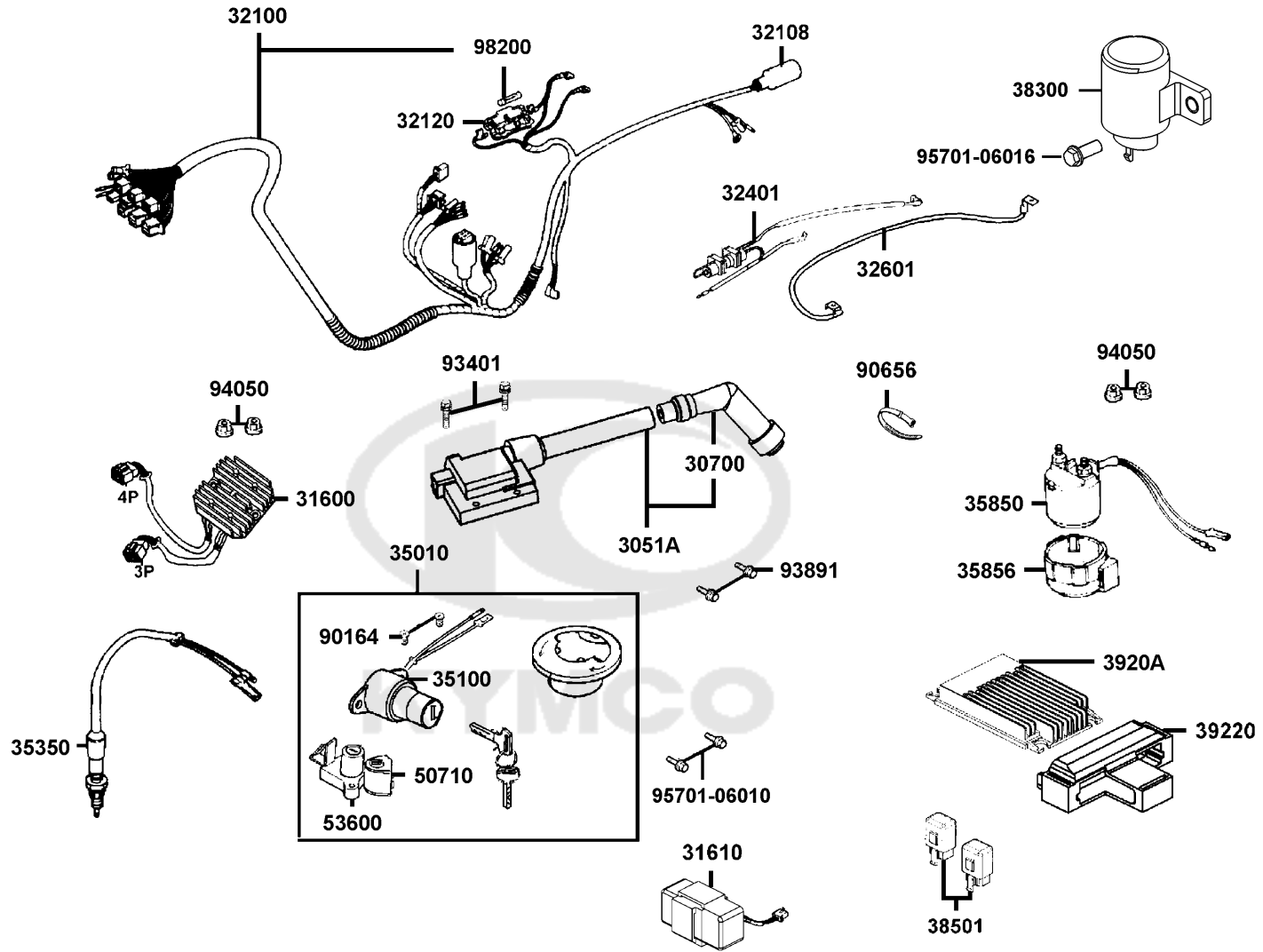
33700	33700-ALH3-900	LIGHT ASSY TAIL	LIGHT ASSY TAIL	1	6470
94050	94050-05080	NUT FLANGE 5MM	NUT FLANGE 5MM	2	200





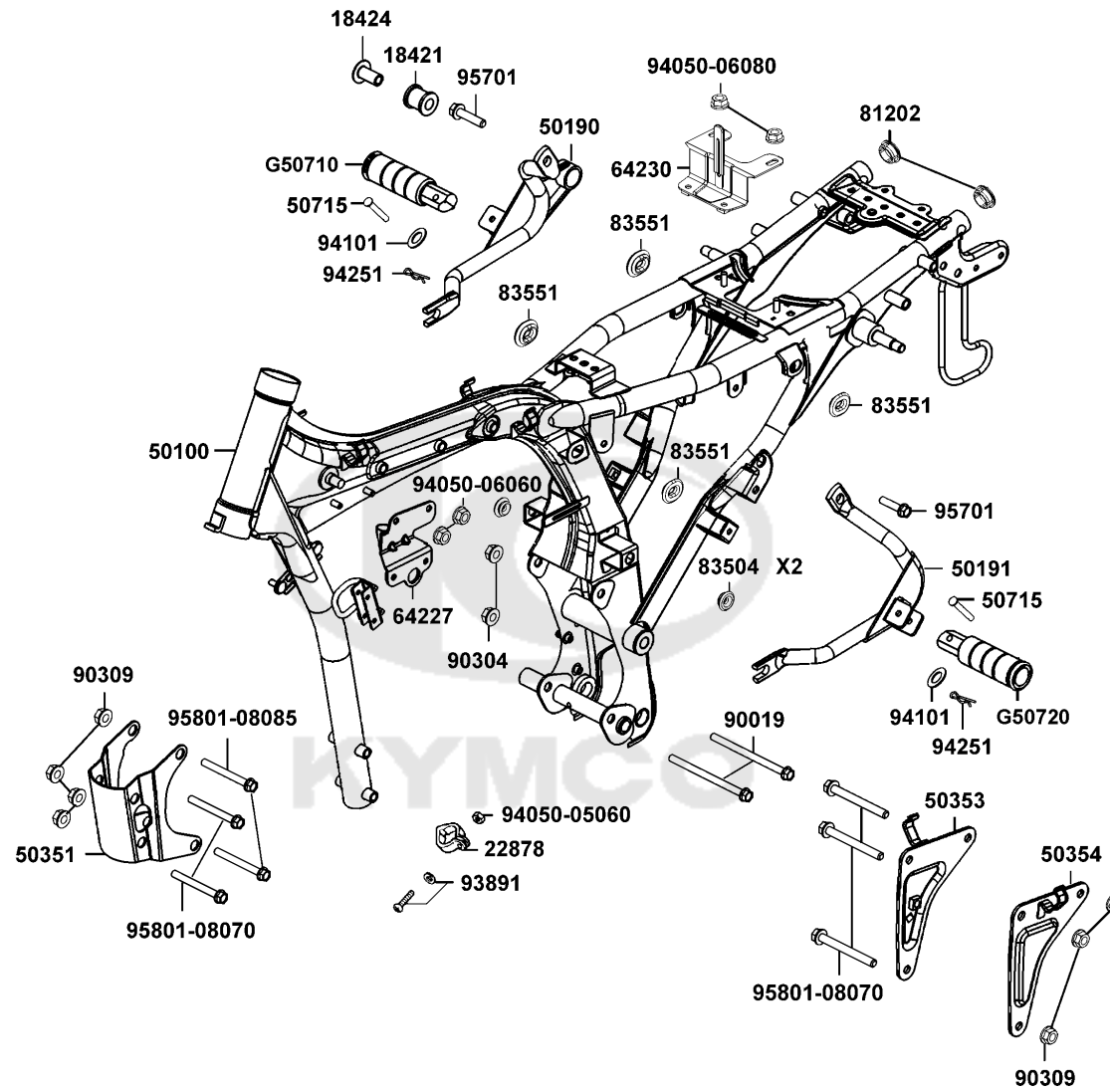
Sales mark 記号	Ref no 参照用番号	Part no パーツ番号	Description 部品名	Reg description 部品名	Regd no 必要個数	Ref Price 希望小売価格(税抜)
3051A		3051A-LGM5-600	COIL ASSY IGN	COIL ASSY IGN	1	7540
30700		30700-LGM5-900	CAP ASSY NOISE SUPPERSOR	CAP ASSY NOISE SUPPERSOR	1	1720
31600		31600-LKA9-910	REG RECT COMP	REG RECT COMP	1	12550
31610		31610-LBF2-900	FILTER CAPACITOR	FILTER CAPACITOR	1	2290
32100		32100-ALH3-900	HARNESS WIRE	HARNESS WIRE	1	31840
32108		32108-GAR1-711	COVER HARNESS WIRE	COVER HARNESS WIRE	1	300
32120		32120-3C83-831	CASE FUSE 10A	CASE FUSE 10A	1	110
32401		32401-LGM5-900	CABLE RELAY & BATTERY	CABLE RELAY & BATTERY	1	2670
32601		32601-LGM5-900	CORD BAT EARTH	CORD BAT EARTH	1	2010
35010		35010-LGM5-900	KEY SET	KEY SET	1	8560
35100		35100-LGM5-305	SW ASSY COMB	SW ASSY COMB	1	4760
35350		35350-KBE2-941	REAR STOP SW	REAR STOP SW	1	560
35850		35850-4A31-008	SW ASSY START MAG	SW ASSY START MAG	1	2670
35856		35856-GAB1-940	SHOCK RUBBER MAG	SHOCK RUBBER MAG	1	110
38300		38300-LGL7-E00	RELAY COMP..WINKER	RELAY COMP..WINKER	1	2670
38501		38501-LGL3-90A	RELAY COMP LIGHT	RELAY COMP LIGHT/ECU/Fuel Pump	1	1900
3920A		3920A-ALH3-900	ASSY ECU	ASSY ECU	1	29210
39220		39220-LGM5-900	CUSHION CASE.ECU	CUSHION CASE.ECU	1	580
50710		50710-0F86-315-M1	HOLDER HELMET ASSY	HOLDER HELMET ASSY	1	2670
53600		53600-LBE8-305	LOCK STEERING HNDL	LOCK STEERING HNDL	1	1730

F22



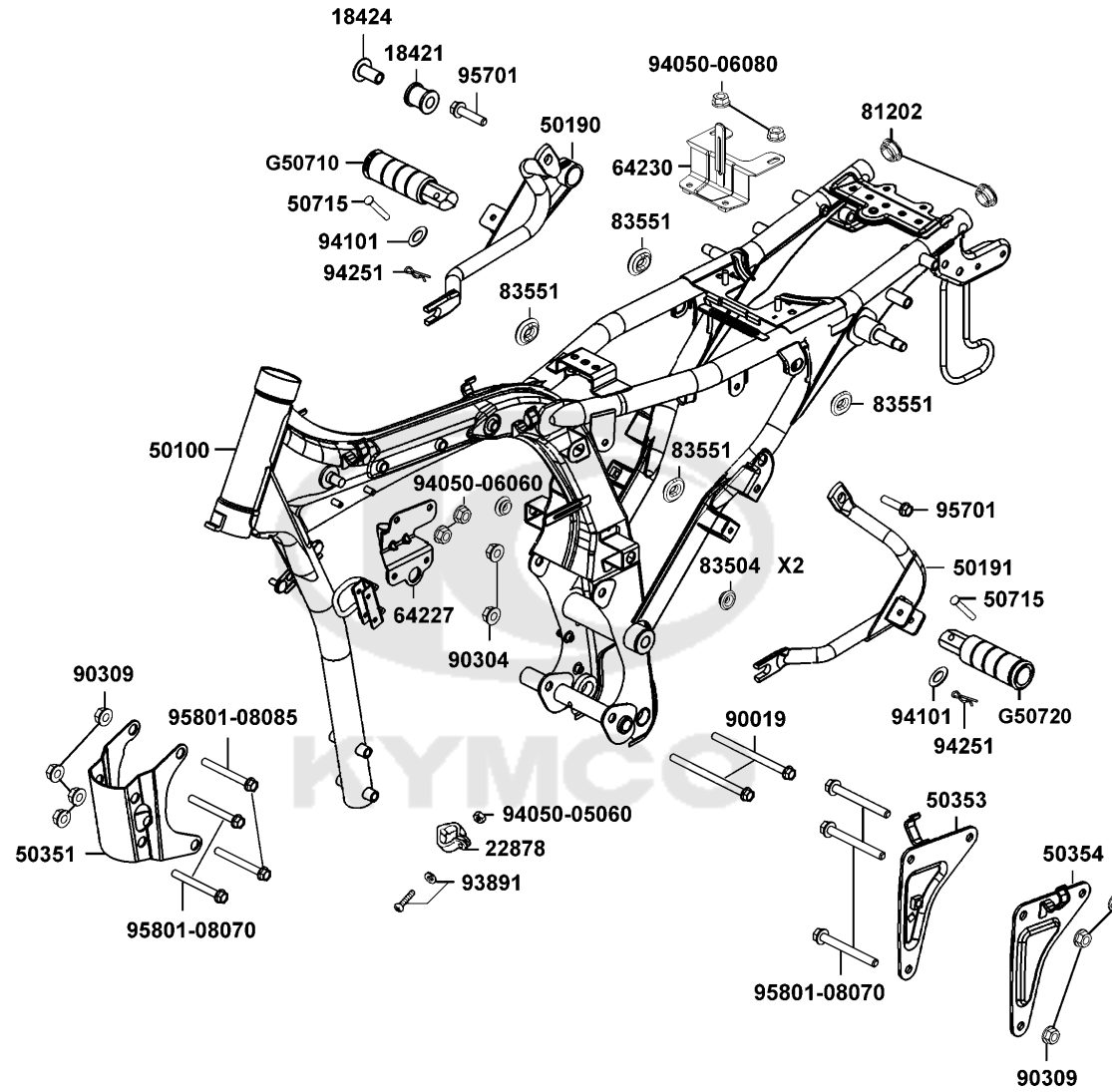
Sales mark 記号	Ref no 参照用番号	Part no パーツ番号	Description 部品名	Reg description 部品名	Regd no 必要個数	Ref Price 希望小売価格(税抜)	F22
90164		90164-0H28-900	SCREW FLAT U LOCK 6*12	SCREW FLAT U LOCK 6*12	2	60	
90656		90656-KCBC-900	BAND OIL HANDLE	BAND OIL HANDLE	1	60	
93401		93401-04025-06	BOLT WASHER 4*25 (G)	BOLT WASHER 4*25 (G)	1	60	
93891		93891-06012-06	SCREW WASHER 6*12 (G)	SCREW WASHER 6*12 (G)	2	60	
94050		94050-06060	NUT FLANGE 6MM	NUT FLANGE 6MM	4	60	
95701-06010		95701-06010-06	BOLT FLANGE 6*10	BOLT FLANGE 6*10	2	60	
95701-06016		95701-06016-06	BOLT FLANGE 6*22 (K)	BOLT FLANGE 6*22 (K)	1	110	
98200		98200-11000	FUSE A10	FUSE A10	1	60	





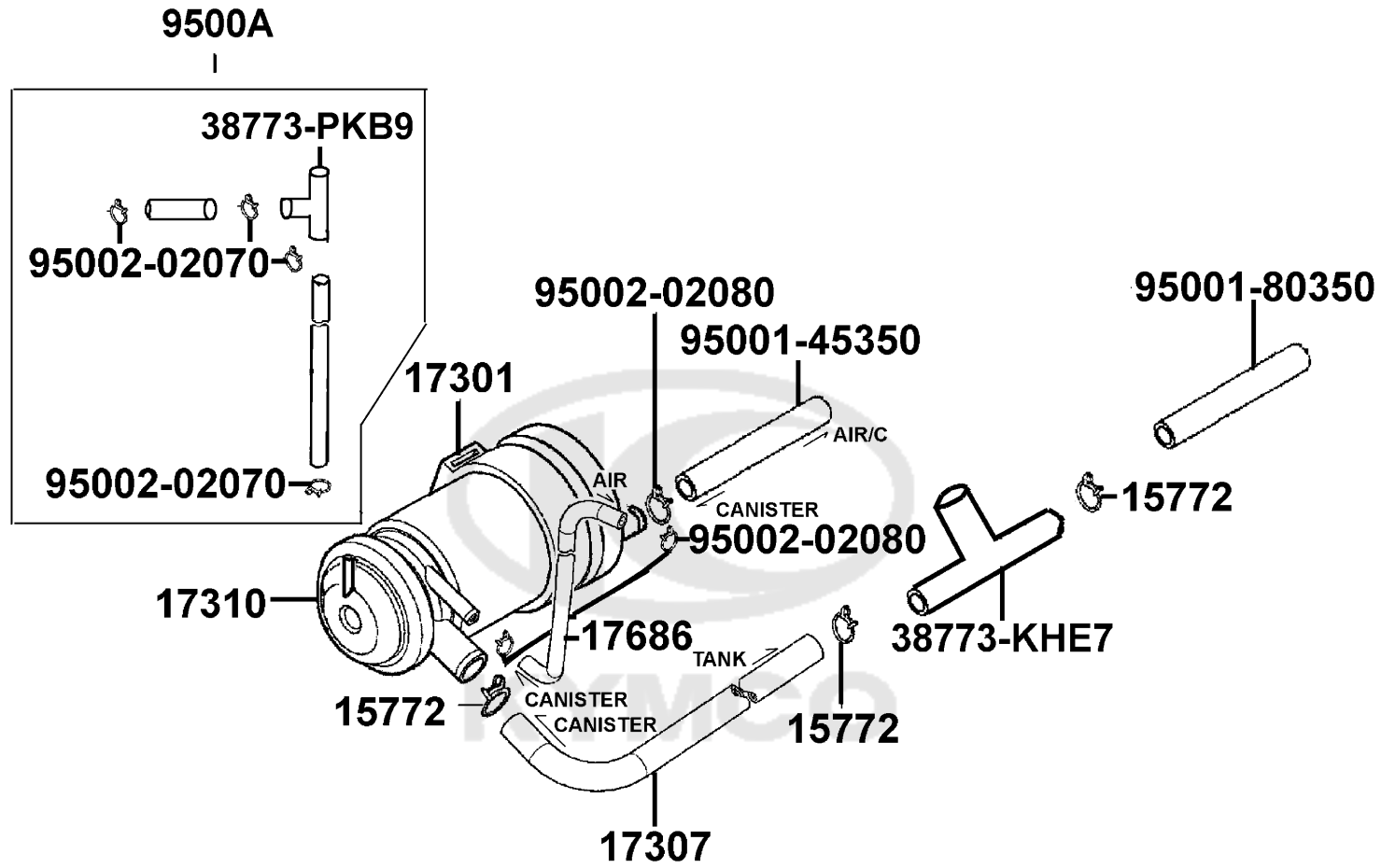
Sales mark 記号	Ref no 参照用番号	Part no パーツ番号	Description 部品名	Reg description 部品名	Regd no 必要個数	Ref Price 希望小売価格(税抜)
	18421	18421-LBE8-900	RUBBER MUFF MOUNT	RUBBER MUFF MOUNT	1	200
	18424	18424-LBE8-900	COLLAR MUFFLER MOUNT	COLLAR MUFFLER MOUNT	1	300
	22878	22878-KEC5-001	CLAMPER CLUTCH CABLE	CLAMPER CLUTCH CABLE	1	200
	50100	50100-ALH3-900	BODY COMP FRAME	BODY COMP FRAME	1	31680
**	50190	50190-ALH3-900	STEP ASSY R RR PILLION	STEP ASSY R RR PILLION	1	3680
**	50191	50191-ALH3-900	STEP ASSY L RR PILLION	STEP ASSY L RR PILLION	1	2890
	50351	50351-KHC6-E00	HANGER R FR ENG	HANGER R FR ENG	1	2290
	50353	50353-ALH3-900	BRKT R ENG HANG UP	BRKT R ENG HANG UP	1	1270
	50354	50354-LGM5-900	PLATE L ENG UP HANGER	PLATE L ENG UP HANGER	1	
	50715	50715-LBE8-900	PIN PILLION STEP	PIN PILLION STEP	2	200
	64227	64227-ALH3-900	STAY MAIN SW	STAY MAIN SW	1	1440
	64230	64230-LGM5-900	RR CENTER STAY AIR/C	RR CENTER STAY AIR/C	1	580
	81202	81202-LBE8-900	CAP UPPER PIPE END	CAP UPPER PIPE END	2	200
	83504	83504-GLE0-001	GROMMET RR COVER	GROMMET RR COVER	2	60
	83551	83551-KKAK-900	GROMMET AIR CLEANER CASE	GROMMET AIR CLEANER CASE	4	110
	90019	90019-LBE8-900	BOLT FLANGE 10X113	BOLT FLANGE 10X113	2	490
	90304	90304-GLW0-90A	NUT CAP 6MM	NUT CAP 6MM	2	200
	90309	90309-LBE8-900	U NUT 8MM	U NUT 8MM	7	160
	93891	93891-05022-07	SCREW WASHER 5X22	SCREW WASHER 5X22	1	60
	94050-05060	94050-05060	NUT FLANGE 5MM	NUT FLANGE 5MM	1	60

F23



Sales mark 記号	Ref no 参照用番号	Part no パーツ番号	Description 部品名	Reg description 部品名	Regd no 必要個数	Ref Price 希望小売価格(税抜)	F23
94050-06060	94050-06060	94050-06060	NUT FLANGE 6MM	NUT FLANGE 6MM	2	60	
94050-06080	94050-06080	94050-06080	NUT FLANGE 6MM	NUT FLANGE 6MM	2	60	
94101	94101-06700	94101-06700	WASHER PLAIN 6MM	WASHER PLAIN 6MM	2	60	
94251	94251-06100	94251-06100	PIN LOCK 6MM	PIN LOCK 6MM	2	130	
95701	95701-08016-06	95701-08016-06	BOLT FLANGE 8*16	BOLT FLANGE 8*16	2	110	
95801-08070	95801-08070-06	95801-08070-06	BOLT FLANGE 8X70	BOLT FLANGE 8X70	5	250	
95801-08085	95801-08085-06	95801-08085-06	BOLT FLANGE 8X85	BOLT FLANGE 8X85	2	300	
G50710	G50710-LBF2-Y00	G50710-LBF2-Y00	BAR PILLION STEP R	BAR PILLION STEP R	1	1600	
G50720	G50720-LBF2-Y00	G50720-LBF2-Y00	BAR PILLION STEP L	BAR PILLION STEP L	1	1600	



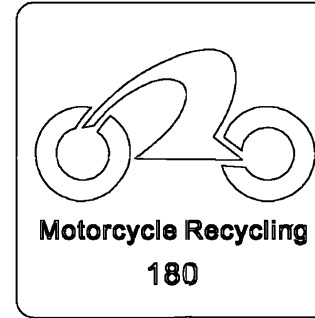


Sales mark 記号	Ref no 参照用番号	Part no パーツ番号	Description 部品名	Reg description 部品名	Regd no 必要個数	Ref Price 希望小売価格(税抜)
15772		15772-5L00-013	CLIP B14.5 TUBE	CLIP B14.5 TUBE	3	60
17301		17301-KNBN-960	RUBBER CANISTER MOUNT	RUBBER CANISTER MOUNT	1	210
17307		17307-KHD8-900	TUBE ASSY CANISTER-AIR/C	TUBE ASSY CANISTER-AIR/C	1	770
17310		17310-KBE2-540	CANISTER COMP	CANISTER COMP	1	1400
17686		17686-KBCB-900	TUBE FUEL FILLER-CANISTER	TUBE FUEL FILLER-CANISTER	1	540
38773-KHE7		38773-KHE7-M30	T JOINT	T JOINT	1	200
38773-PKB9		38773-PKB9-001	JOINT 3 WAY 3.5	JOINT 3 WAY 3.5	1	110
95001-45350		95001-45350-40	TUBE FUEL 4.5*350	TUBE FUEL 4.5*350	1	230
95001-80350		95001-80350-40	TUBE FUEL (CANISTER-AIR)	TUBE FUEL (CANISTER-AIR)	1	390
95002-02070		95002-02070	CLIP B7 TUBE	CLIP B7 TUBE	4	60
95002-02080		95002-02080	CLIP B8 TUBE	CLIP B8 TUBE	3	60
9500A		9500A-KACA-930	TUBE ASSY CANISTER-CARB	TUBE ASSY CANISTER-CARB	1	960

F24

KYMCO

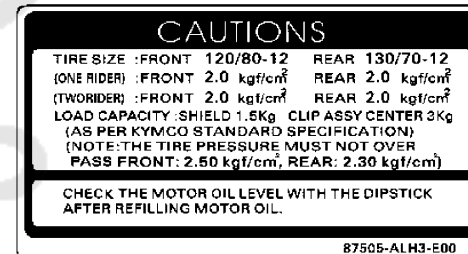
87206



87311

KYMCO

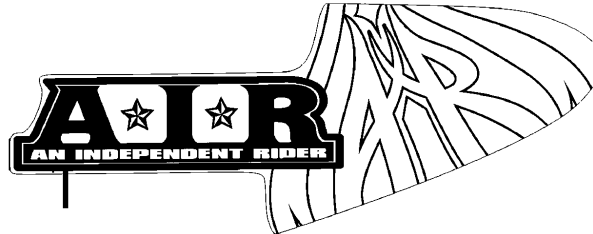
87532



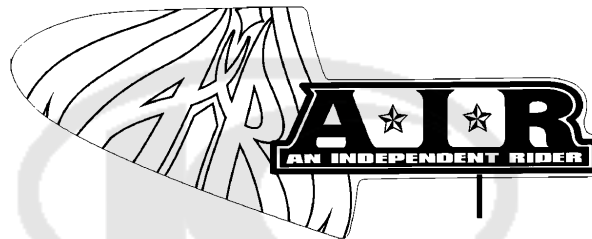
87505

Sales mark 記号	Ref no 参照用番号	Part no パーツ番号	Description 部品名	Reg description 部品名	Regd no 必要個数	Ref Price 希望小売価格(税抜)	F25
**	87206	87206-LBA2-E00	EMB MARK KYMCO	EMB MARK KYMCO	1	580	
**	87311	87311-LAD9-B20	STRIPE R MARK	EMB MARK ABS	1	200	
**	87505	87505-ALH3-E00	LABEL TIRE	LABEL TIRE	1	130	
**	87532	87532-KGAG-V00	MARK KYMCO	MARK KYMCO	1	200	





86231



86221



86204

Sales mark 記号	Ref no 参照用番号	Part no パーツ番号	Description 部品名	Reg description 部品名	Regd no 必要個数	Ref Price 希望小売価格(税抜)	F26
**	86204	86204-ALH3-900	EMB FUEL TANK	EMB FUEL TANK	1	1220	
**	86221	86221-ALH3-900	STRIPE R BODY COVER	STRIPE R BODY COVER	1	800	
**	86231	86231-ALH3-900	STRIPE L BODY COVER	STRIPE L BODY COVER	1	800	



PART NO. INDEX
 パーツ番号 検索

PART NO. パーツ番号	VERSION バージョン	PAGE ページ	PART NO. パーツ番号	VERSION バージョン	PAGE ページ	PART NO. パーツ番号	VERSION バージョン	PAGE ページ
11000			13000			14452-KEC8-900	1	E02
11100-LGM5-305	0	E07	13000-KKA8-900	3	E08	14453-KKA7-900	0	E02
11191-KEC2-980	1	E07	13011-KGAG-900	1	E08	14510-KEC8-900	2	E02
11200-LGM5-305	0	E07	13101-ALH3-900	1	E08	14520-LBE8-900	1	E02
11330-LEC8-E00	4	E03	13111-4D14-001	3	E08	14523-KED9-900	1	E02
11341-LBE8-900	2	E06	13413-ALH3-900	2	E08	14531-KKJ9-001	0	E02
1135A-LBF3-800	0	E06	13414-ALH3-900	0	E08	14610-KEC8-900	2	E02
11361-LBF3-900	4	E06	13415-ALH3-900	0	E08	14711-KKA8-900	1	E01
11393-KEC2-980	1	E03	13416-ALH3-900	1	E08	14721-LGM5-900	1	E01
11395-KEC2-980	1	E06	13417-ALH3-900	1	E08	14751-KKA7-900	0	E01
			13418-ALH3-900	0	E08	14771-KKA7-900	1	E01
12000			1341A-ALH3-900	3	E08	14775-KKA7-900	0	E01
12100-LBF3-900	4	E01	13421-KKA8-900	2	E08	14781-MFA6-001	0	E01
12191-LLB1-900	2	E01				15000		
12200-LGM5-900	7	E01	14000			15100-LBE8-900	0	E04
12209-GDB4-68B	0	E01	14100-ALH3-900	0	E02	15131-KEC2-900	0	E04
12211-LGM5-900	4	E02	14311-KEC8-900	1	E08	15133-GFY6-901	0	E04
12251-KFB1-900	0	E01	14401-KEC8-90A	0	E02	15141-KEC2-900	0	E04
12295-LEC8-E00	2	E01	14402-KEC8-900	0	E02	15421-1G07-001	1	E07
12310-LGM5-900	1	E01	14420-LGM5-900	2	E02	15426-1G07-001	0	E07
12361-LBE8-900	1	E07	14430-LGM5-900	2	E02	15430-KKAK-910	2	E04
12391-LGM5-900	4	E01	14433-PTA1-900	3	E02	15436-1G07-001	1	E04
			14434-PTA1-900	2	E02	15441-1G07-001	0	E04
						15446-1G07-001	0	E04

PART NO. INDEX
 パーツ番号 検索

PART NO. パーツ番号	VERSION バージョン	PAGE ページ	PART NO. パーツ番号	VERSION バージョン	PAGE ページ	PART NO. パーツ番号	VERSION バージョン	PAGE ページ
15451-1G07-001	0	E04	16201-LGM5-900	1	E01	17550-LGM5-900	5	F11
15459-1G07-980	1	E04	16211-LGM5-900	3	E01	17556-ALH3-900	2	F11
1565A-KKAK-900	0	E03	16217-LGM5-900	0	E01	17556-LGM5-900	0	F11
15661-LBA7-900	1	E03				17558-LGM5-900	4	F11
15711-KEC2-900	2	E04	17000			17561-LGK8-900	1	F11
15712-LGM5-900	3	E11				17561-LKB9-900	1	F11
15760-KHC6-C00	0	F14	1711A-LGM5-900	8	E01	17563-LGM5-910	1	F11
15772-5L00-013	1	F24	17211-4K39-001	0	F14	17611-2F86-001	0	F11
15772-ALH3-900	0	F14	17221-KGG7-001	0	F14	17613-KFW6-911	0	F11
			17225-KHC6-C00	0	F14	17620-KLAL-305	0	F11
16000			17226-KGG7-001	0	F14	17685-ALH3-900	1	F11
			17227-KHC6-C00	1	F14	17686-KBCB-900	0	F24
16010-LGM5-900	5	E11	1722A-KHC6-C00	2	F14	17910-ALH3-B20	0	F03
16056-LGM5-900	0	E11	1722B-ALH3-900	5	F14			
16066-LGK8-900	4	E11	17231-4K39-001	0	F14	18000		
16074-KEC3-900	4	E11	1723A-KHC6-C00	0	F14			
16100-LGM5-900	8	E11	17301-KNBN-960	0	F24	18231-3E65-671	0	F15
16112-KKE3-900	1	E11	17307-KHD8-900	2	F24	18233-3L30-001	0	F15
16115-LGM5-900	0	E11	17310-KBE2-540	1	F24	18291-LBA7-900	2	F15
16122-KEC3-900	1	E11	17359-4K19-671	0	F14	18291-LGM5-900	0	F15
16133-KEC3-900	1	E11	17370-4K19-701	0	F14	18294-KEBE-900	0	F15
16134-KGC5-900	2	E11	17371-1D74-671	0	F14	18294-KTCT-900	1	F15
16137-LGM5-900	1	E11	17500-LGM5-335	0	F11	1830A-ALH3-B20	0	F15
16138-KEC3-900	1	E11	17525-KGG7-831	0	F11	18310-ALH3-900	1	F15
16154-LGM5-900	0	E11	17528-LBE8-900	1	F12	18318-ALH3-B20	0	F15
16170-KEC3-900	0	E11	17550-ALH3-900	3	F11	18320-ALH3-900	1	F15

PART NO. INDEX
 パーツ番号 検索

PART NO. パーツ番号	VERSION バージョン	PAGE ページ	PART NO. パーツ番号	VERSION バージョン	PAGE ページ	PART NO. パーツ番号	VERSION バージョン	PAGE ページ
18325-ALH3-900	1	F15						
18421-LBE8-900	1	F23	23000			24000		
18424-LBE8-900	1	F23						
22000								
22100-3D24-001	4	E05	23121-KEC2-900	1	E04	24211-1G07-002	3	E10
22121-1G07-011	2	E05	23211-KEC2-900	0	E09	24221-3E55-002	3	E10
22125-KKAK-900	1	E05	23221-KKAK-900	0	E09	24231-1G07-011	2	E10
22201-KKAK-900	0	E05	23236-KEC2-900	1	E05	24241-1G07-001	0	E10
22201-KKAK-90A	0	E05	23426-KKAK-900	0	E09	24301-KKAK-900	3	E10
22202-KKAK-900	0	E05	23427-4K39-001	0	E09	24411-KKAK-900	2	E10
22202-KKAK-90A	0	E05	23431-4K39-001	0	E09	24430-3D24-001	1	E10
22311-1G07-001	0	E05	23441-4K39-001	0	E09	24435-ALH3-900	0	E10
22350-1G07-012	4	E05	23451-4K39-901	0	E09	24610-KFC6-001	3	E10
22361-1G07-001	0	E05	23451-KKAK-900	0	E09	24621-1G07-761	0	E10
22366-3C83-001	0	E05	23461-4K39-001	3	E09	24631-1G07-001	0	E10
22402-KKAK-900	1	E05	23471-4K39-001	1	E09	24651-3H98-941	1	E10
22810-ALH3-900	0	E03	23481-4K39-001	1	E09	2470A-ALH3-900	5	F16
22816-3E55-001	1	E03	23491-4K39-001	0	E09	24781-4K49-001	0	F16
22821-3E55-001	0	E03	23501-KKA8-900	3	E09			
22838-KEC2-900	1	E07	23511-KKA8-900	3	E09	28000		
22850-3E55-001	0	E05	23520-KEC2-900	0	E09			
22870-ALH3-900	4	F03	23531-4K39-001	0	E09	28110-KKA7-900	2	E06
22878-KEC5-001	0	F23	23801-KKAK-900	0	E09	28114-KKA7-900	2	E06
			23811-KCR3-601	0	E09	28120-GFY6-315	6	E06
						28125-4F26-001	0	E06
						28126-KUDU-900	1	E06
						28130-KBE2-981	1	E06

PART NO. INDEX
 パーツ番号 検索

PART NO. パーツ番号	VERSION バージョン	PAGE ページ	PART NO. パーツ番号	VERSION バージョン	PAGE ページ	PART NO. パーツ番号	VERSION バージョン	PAGE ページ			
28132-KGG7-001	0	E06	32401-LGM5-900	1	F22	35000					
30000			32410-KKC4-900	1	E06						
			32601-LGM5-900	1	F22						
			32976-1G07-001	1	E06						
3051A-LGM5-600	6	F22	33000			35010-LGM5-900	1	F22			
30700-LGM5-900	3	F22				35100-LGM5-305	1	F22			
30905-2F16-001	0	E06				3515A-ALH3-B20	0	F03			
31000						3520A-ALH3-900	3	F03			
						33100-ALH3-900	0	F01	35340-GFY6-900	1	F03
						33106-ALH3-900	0	F01	35340-KNBN-901	0	F03
						33120-LGM6-920	0	F01	35350-KBE2-941	0	F22
31110-LGM5-90A	4	E06				33130-ALH3-900	0	F01	35357-LBE8-900	1	F16
31110-LGM5-90B	1	E06				33135-LGM6-920	0	F01	35380-LDF2-900	2	F14
31120-ALH3-90B	3	E06				33400-ALH3-910	1	F20	35753-0H28-602	0	E10
31120-LGM5-90A	9	E06	33450-ALH3-910	0	F20	3575A-0A01-021	1	E07			
31200-LBF3-800	0	E06	33700-ALH3-900	1	F21	35850-4A31-008	0	F22			
31241-KBE2-981	1	E06	33731-ALH3-900	0	F06	35856-GAB1-940	0	F22			
31340-ALH3-900	8	F08	33741-ALH3-900	0	F19	37000					
31600-LKA9-910	1	F22	34000								
31610-LBF2-900	2	F22									
32000									34300-LFG7-900	1	E11
						34901-KFA6-900	0	F01	37200-ALH3-B20	0	F02
			34903-KPCP-900	0	F01	37215-LKG2-900	0	F19			
32100-ALH3-900	6	F22	38000			37800-LBF3-900	1	F11			
32108-GAR1-711	1	F22									
32120-3C83-831	0	F22									
32161-4D04-001	2	F04									
						38110-ALH3-900	0	F04			

PART NO. INDEX
 パーツ番号 検索

PART NO. パーツ番号	VERSION バージョン	PAGE ページ	PART NO. パーツ番号	VERSION バージョン	PAGE ページ	PART NO. パーツ番号	VERSION バージョン	PAGE ページ
38300-LGL7-E00	2	F22				43353-4A61-77A	0	F07
38501-LGL3-90A	4	F22	41000			43410-ALH3-900	6	F09
38773-KHE7-M30	2	F24				43431-ALH3-900	0	F17
38773-PKB9-001	0	F24	41201-ALH3-900	0	F10	43434-2F86-001	0	F17
			41241-LGM6-920	1	F10	4345A-ALH3-900	1	F16
39000			42000			43472-LBE8-900	2	F16
3920A-ALH3-900	3	F22				44000		
39220-LGM5-900	1	F22	42301-KYCY-500	0	F09			
39300-LGM5-800	2	E01	42311-LGM8-920	3	F09	44301-LKE6-900	1	F08
39301-LGM5-920	1	E01	42313-KYCY-500	3	F10	44311-GAR1-950	1	F08
39400-LHJ3-900	3	E01	42600-ALH3-306	0	F10	44620-KHD8-900	1	F08
39450-LGM5-800	1	F15	42610-LGM6-305	0	F10	44650-KKD7-305	1	F08
39500-AAC9-900	1	E11	42620-LGM8-920	1	F10	44710-ALH3-900	0	F08
39600-LGM5-800	0	F11	42625-LGM6-920	0	F10			
39700-LGM5-800	1	E11	42710-ALH3-900	2	F10	45000		
			42753-0D04-900	1	F10			
40000			42753-KNBN-90B	1	F08	45107-MEN5-007	0	F07
40510-ALH3-900	1	F17	43000			45108-MDL4-007	2	F07
40530-ALH3-900	2	F17				45109-GBE2-007	0	F07
40546-KGC4-E00	2	F09	43000-ALH3-900	3	F09	4510A-KFW6-900	2	F07
4054A-KGC4-E00	2	F09	43120-ALH3-305	0	F09	45126-ALH3-900	1	F03
			43141-ALH3-900	0	F09	45128-LBA2-920	3	F06
			43145-ALH3-900	2	F09	45132-1F66-017	0	F07
			43352-LHG7-E00	1	F07	45133-2L40-001	1	F09
						45133-MCA3-007	0	F07

PART NO. INDEX
 パーツ番号 検索

PART NO. パーツ番号	VERSION バージョン	PAGE ページ	PART NO. パーツ番号	VERSION バージョン	PAGE ページ	PART NO. パーツ番号	VERSION バージョン	PAGE ページ
45134-2L50-001	0	F09	50322-KHC6-C00	0	F14	51420-ALH3-900	0	F06
45200-ALH3-900	3	F07	50326-LGM5-900	4	F14	51422-KED9-900	0	F06
45209-GBE2-007	0	F07	50351-KHC6-E00	2	F23	51424-LLJ3-E00	0	F06
45210-ALH3-305	0	F07	50353-ALH3-900	0	F23	51425-LGL7-E00	0	F06
45215-KECE-900	0	F07	50354-LGM5-900	4	F23	51427-LDH1-E00	0	F06
45216-KFW6-90A	0	F07	50500-ALH3-900	7	F16	51427-LLJ3-E00	0	F06
45351-KHE7-E00	1	F08	50505-KUDU-900	1	F16	51429-ALH3-900	0	F06
45513-LBF3-800	1	F03	50523-LBE8-900	1	F16	51437-LGL7-E00	0	F06
45517-GFY6-900	5	F03	50524-3G97-001	1	F16	5150A-ALH3-900	4	F06
45517-LBF3-800	1	F03	50526-LBE8-900	1	F16	51520-ALH3-900	0	F06
45520-MGG7-007	0	F03	50530-ALH3-900	4	F16	51602-ALH3-900	3	F02
45530-LBF3-305	0	F03	50600-ALH3-900	2	F16			
45531-GAR1-951	0	F07	50610-ALH3-900	1	F16	52000		
			50620-ALH3-900	2	F16			
46000			50710-0F86-315-M1	0	F22	52108-KEE5-004	2	F17
			50715-LBE8-900	1	F23	52108-KFW6-901	1	F17
46500-ALH3-900	1	F16	50715-LEC8-E00	3	F16	52110-ALH3-900	2	F17
46514-LBE8-900	1	F16				52142-KKAK-900	0	F17
			51000			52144-LBA7-900	1	F17
50000						52171-KYCY-500	0	F17
			51401-ALH3-900	0	F06	52400-ALH3-900	3	F18
50100-ALH3-900	8	F23	51404-LGL7-E00	0	F06			
50190-ALH3-900	0	F23	5140A-ALH3-900	4	F06	53000		
50191-ALH3-900	0	F23	51410-ALH3-900	0	F06			
50301-0A41-011	3	F04	51412-LLJ3-E00	0	F06	53100-ALH3-900	7	F04
50320-KBE2-540	4	F14	51416-LLJ3-E00	0	F06	53102-KEC8-900	0	F04

PART NO. INDEX

パーツ番号 検索

PART NO. パーツ番号	VERSION バージョン	PAGE ページ	PART NO. パーツ番号	VERSION バージョン	PAGE ページ	PART NO. パーツ番号	VERSION バージョン	PAGE ページ
53105-LBB5-E00	2	F04						
53131-LBF3-800	0	F04	64000			83000		
53140-KFC8-900	0	F03						
53166-KNBN-911	0	F03	64222-LLJ3-E00	1	F19	83504-GLE0-001	0	F23
53172-LBE8-B20	1	F03	64227-ALH3-900	2	F23	83520-ALH3-305	0	F13
53175-ALH3-900	1	F03	64230-LGM5-900	2	F23	83521-ALH3-900	0	F13
53178-ALH3-900	1	F03				83522-ALH3-900	0	F13
5317A-ALH3-900	6	F03	77000			83550-KEC8-900	0	F05
53192-KKAK-900	0	F03				83551-KEC8-900	0	F05
53200-ALH3-900	1	F04	77200-ALH3-B30	0	F12	83551-KEC8-900	0	F19
53211-0H28-011	2	F04	77205-2F86-001	1	F12	83551-KKAK-900	0	F23
53212-0L30-011	1	F04	77206-KEB7-900	0	F12	83620-ALH3-305	0	F13
53214-0A01-011	0	F04	77206-LBA7-900	1	F12	83750-ALH3-900	1	F19
53215-0A01-001	0	F04	77300-ALH3-900	0	F12	83751-ALH3-900	1	F19
53220-LBE8-900	1	F04						
53230-ALH3-900	3	F04	80000			84000		
53600-LBE8-305	0	F22						
61000			80101-2C83-001	0	F02	84702-ALH3-900	6	F19
			80104-ALH3-900	0	F19	84706-LGM5-900	2	F02
			80104-LEA2-900	1	F19			
61100-ALH3-900	1	F05	80105-ALH3-900	1	F19	86000		
61102-LGL7-E00	1	F05						
61301-ALH3-900	0	F01	81000			86204-ALH3-900	0	F26
61316-4A71-001	0	F02				86221-ALH3-900	0	F26
			81200-ALH3-900	4	F19	86231-ALH3-900	0	F26
			81202-LBE8-900	1	F23			

PART NO. INDEX
 パーツ番号 検索

PART NO. パーツ番号	VERSION バージョン	PAGE ページ	PART NO. パーツ番号	VERSION バージョン	PAGE ページ	PART NO. パーツ番号	VERSION バージョン	PAGE ページ			
87000			90084-KKF9-901	0	E06	90304-KHBH-900	0	F04			
			9008A-LBF3-800	1	E06	90305-GHK8-001	1	F19			
			90105-KCR3-001	1	F08	90305-KKAK-900	0	F10			
			87206-LBA2-E00	2	F25	90105-KHB4-900	0	F04	90305-LBA2-E00	1	F05
			87311-LAD9-B20	2	F25	90106-KFAF-900	2	F04	90306-GLW0-90A	1	F17
			87505-ALH3-E00	1	F25	90106-KFC2-900	0	F04	90306-LFE2-900	1	F08
88000			87532-KGAG-V00	6	F25	90108-LBE8-900	1	F16	90309-GLW0-90A	1	F10
			90111-KKD7-900	1	F14	90111-LBE8-900	1	F14	90309-LBE8-900	1	F23
			90111-LEB1-900	1	F13	90111-LEC8-E00	1	F05	90312-LLJ3-E00	1	F19
			90111-LEC8-E00	1	F05	90113-4B22-001	0	F03	90321-KKAK-900	0	F03
			88110-LBF3-810	3	F03	90114-KKAK-900	0	F03	90404-ALH3-900	0	E08
			88120-LBF3-810	3	F03	90116-3C83-72A	0	F06	90435-KGAG-900	0	E10
90000			90121-LBE8-900	2	F17	90451-0A01-001	1	E10			
			90122-LBA2-E00	1	F07	90451-1G07-001	1	E09			
			90127-LBE8-900	1	F17	90451-3E65-001	0	E09			
			90001-KED9-900	1	E02	90145-LEA3-E00	1	F03	90452-1G07-001	0	E09
			90005-KED9-900	2	E02	90164-0H28-900	2	F22	90453-1G07-001	0	E09
			9000B-KHD6-900	2	E01	90206-0A01-001	4	E02	90454-1G07-001	0	E09
			90012-3C33-001	1	E02	90231-2L00-011	1	E04	90455-1G07-001	0	E09
			90019-LBE8-900	2	F23	90231-KEC2-900	1	E08	90461-ALH3-900	1	E05
			90023-GBN2-001	3	E10	90301-4C73-004	0	F09	90465-MDC4-001	0	E02
			90023-KGG7-001	1	E06	90301-6C93-001	1	F02	90474-1G47-001	0	E06
			90031-KKA7-900	0	E07	90302-GFY6-901	1	F17	90503-0A51-870	0	F04
			90031-LEA6-900	1	E07	90302-LKB9-910	1	F19	90521-0H28-001	0	F16
			90081-KKAK-900	0	E07	90304-GLW0-90A	1	F23	9052A-GFY6-950	4	E07
			90084-KKF9-901	0	E01				90545-3L00-001	2	F03

PART NO. INDEX
 パーツ番号 検索

PART NO. パーツ番号	VERSION バージョン	PAGE ページ	PART NO. パーツ番号	VERSION バージョン	PAGE ページ	PART NO. パーツ番号	VERSION バージョン	PAGE ページ
90549-1A21-001	0	F09	91301-KBE2-710	0	E03	93404-06016-06	0	F19
90554-2C83-001	0	F06	91302-5G67-004	0	E06	93500-03012-02	0	E04
90557-LBE8-900	1	F15	91302-ALH3-900	0	E01	93500-05016-0F	0	E06
90601-LLJ3-E00	0	F06	91302-KKE5-800	1	E01	93500-05016-1B	0	F03
90605-2L00-001	0	E09	91303-1G07-001	1	E07	93500-05025-1B	0	F03
90652-KHE7-900	0	F14	91303-3G77-001	0	E01	93500-05032-1B	0	F03
90656-KCBC-900	0	F22	91303-3G77-001	0	E06	93500-05045-1B	0	F03
90754-GHC8-00A	1	F08	91303-KED9-900	3	F10	93500-06050-0B	0	E07
90754-GHC8-00B	1	F08	91306-1E05-691	0	E02	93600-04012-1G	0	F03
90912-KFLF-00A	0	F08	91307-0E35-001	0	E03	93700-05012-0F	0	E04
			91359-3A71-004	0	E06	93700-05016-0H	0	F08
91000						93891-05006-02	0	E11
			92000			93891-05016-06	0	E11
91001-KEC8-900	0	E08				93891-05022-07	0	F23
91021-1H48-005	0	E06	92000-05032-0G	0	E06	93891-06012-06	0	F22
91021-1H48-005	0	E07	92000-06010-0G	0	E09	93892-05012-06	0	E11
91101-1K79-711	1	E06	92000-06025-0G	0	E10	93893-04012-18	0	F03
91104-KEC8-90A-B	0	E06	92000-08020-0G	0	F16	93901-14060	0	F14
91104-KEC8-90A-R	0	E06	92101-06020-06	0	F16	93901-26160	0	F17
91104-KEC8-90A-W	0	E06	92700-06035-0B	0	E01	93903-24280-02	0	F09
91106-KHC4-90A	0	E07	92918-LGM6-920	1	F10	93903-25360	0	F14
91106-KHC4-90B	0	E07				93903-25460	0	F14
91201-0L30-034	0	E07	93000			93903-34360	0	F19
91206-2F86-014	0	E07				93903-34760	0	F14
91251-LLJ3-E00	0	F06	93401-04025-06	0	F22	93903-45360	0	F19
91254-KGC4-E01	1	F10	93404-06012-06	0	F19			

PART NO. INDEX
 パーツ番号 検索

PART NO. パーツ番号	VERSION バージョン	PAGE ページ	PART NO. パーツ番号	VERSION バージョン	PAGE ページ	PART NO. パーツ番号	VERSION バージョン	PAGE ページ		
94000			94101-06700	0	F23	94401-KEC2-900	0	E08		
			94101-08600	0	F17	94510-12000	0	E10		
			94101-10000	0	F18	94510-14000	0	E10		
	94001-06000-0S	0	F15	94101-12000	0	F17	94510-20000	0	E05	
	94001-08060-0S	0	F17	94101-12000	0	F18	94510-25000	0	E08	
	94002-10060-0S	0	F16	94101-KKE3-900	1	E11	94591-LEA7-E01	1	E06	
	94021-10020-0S	0	F18	94103-06600	0	F02	94601-15000	0	E08	
	94050-05060	0	F11	94111-06800	0	E01	94608-LLJ3-E00	0	F06	
	94050-05060	0	F23	94111-06800	0	E11	95000			
	94050-05080	0	F19	94111-06800	0	F15				
	94050-05080	0	F21	94111-08600	0	F16				
	94050-06060	0	F22	94111-10600	0	F16		95001-45350-40	0	F24
	94050-06060	0	F23	94201-16150	0	F16		95001-80350-40	0	F24
	94050-06080	0	E04	94201-16150	0	F17		95002-02070	0	F24
	94050-06080	0	E11	94201-20150	0	E03		95002-02080	0	F24
	94050-06080	0	F03	94201-20150	0	F17		95002-02120	1	F14
	94050-06080	0	F12	94201-30250	0	F16		95003-23012-60	0	F14
	94050-06080	0	F15	94251-06100	0	F16		9500A-KACA-930	0	F24
	94050-06080	0	F19	94251-06100	0	F23	95014-75110	0	E05	
	94050-06080	0	F23	94251-08400	0	E04	95014-ALH3-900	0	F16	
94050-08060	0	F15	94301-08140	0	E03	95014-LBE8-900	1	F16		
94050-08080	0	E02	94301-10140	0	E06	95015-32001	0	F16		
94101-06000	0	F16	94301-10140	0	E07	95015-42000	0	F16		
94101-06200	0	F15	94301-10160	0	E01	95701-06008-06	1	F15		
94101-06700	0	F15	94303-04065	0	E04	95701-06010-06	1	F22		
94101-06700	0	F16	94401-25140	4	E08	95701-06012-06	1	F06		

PART NO. INDEX
 パーツ番号 検索

PART NO. パーツ番号	VERSION バージョン	PAGE ページ	PART NO. パーツ番号	VERSION バージョン	PAGE ページ	PART NO. パーツ番号	VERSION バージョン	PAGE ページ	
95701-06012-06	1	F14	96001-06016-06	0	F15	96600-08015-16	0	E06	
95701-06016-06	1	F22	96001-06018-06	0	E02	96700-LCA1-E00	2	F04	
95701-06022-06	1	E05	96001-06020-02	0	E06	98000			
95701-06022-06	1	F02	96001-06020-06	0	F03				
95701-06022-06	1	F09	96001-06022-06	1	E01				
95701-06025-06	2	F05	96001-06022-06	1	F03		98059-58916-00	2	E01
95701-06025-06	2	F19	96001-06025-06	0	E06		98200-11000	0	F22
95701-06028-02	0	E06	96001-06028-02	0	E06		98200-11500	0	F14
95701-08012-06	0	F04	96001-06032-06	0	E04		98200-12000	0	F14
95701-08016-06	0	F23	96001-06040-02	0	E03		G		
95701-08025-06	0	F11	96001-06040-02	0	E06				
95701-08055-06	0	F19	96001-06050-02	0	E03				
95701-10020-06	0	F01	96001-06050-02	0	E06	G50710-ALH3-Y00		0	F16
95801-08025-06	0	F16	96001-06110-00	0	E01	G50710-LBF2-Y00		1	F23
95801-08040-06	0	F15	96100-60010-00	0	E05	G50720-ALH3-Y00		0	F16
95801-08070-06	0	F23	96100-60060-00	0	E07	G50720-LBF2-Y00		1	F23
95801-08085-06	0	F23	96100-62030-00	0	E07				
95801-LBF3-800	2	F18	96100-62040-00	0	E07				
96000			96100-63030-00	0	E07				
			96120-62020-00	0	E07				
			96150-63030-10	0	F10				
96001-06012-06	0	E02	96150-LGM6-920	1	F10				
96001-06012-06	0	E04	96200-40080	0	E08				
96001-06012-06	0	E06	96211-06000	0	F04				
96001-06014-02	0	E06	96220-40100	0	E10				
96001-06014-06	0	E01	96220-60100	0	E06				