

PARTS CATALOGUE



ATV

LB30EA(JP)

MXU 150X



檔車

Motorcycles



速克達

Scooters



全地型車

ATV



代步車

Mobilescooters

Release Date : 2016/10/06
Print Date : 2017/07/18

本パーツリストについて

- 本パーツリストは LB30EA(JP).の全てのパーツ番号が記載されています。
- 車輻のカラーチャートとバイクに相違がある場合は正規販売店もしくはKYMCO JAPANへお問い合わせください。
- 1. "***"記号が記載している場合、3文字の色コードをパーツ番号の最後に記入してください。
2. "#" 記号が記載している場合、パーツの設定、変更があります。正規販売店もしくはKYMCO JAPANへお問い合わせください。
- このパーツリストの変更または追加は、適切な時期に予告なく行われます。

ABOUT THIS PARTS LIST

- This parts list is compiled all service parts for model LB30EA(JP).
- Any difference between color chart and motorcycle will be revised according to motorcycle.
- The Mark:
 1. Marking "***" must add color code in the end before ordering parts.
 2. Marking "#" are parts with modification, Please find the details from e-Parts system.
- When modification or additions to this parts list are made a revised edition at an appropriate time.

目次

● 本パーツリストについて	1
● LB30EA(JP)のカラーチャート	3
● 目次-エンジン関	6
● 目次-フレーム関係	7
● エンジンパーツリスト	10
● フレームパーツリスト	46
● パーツ番号 検索	110

CONTENTS

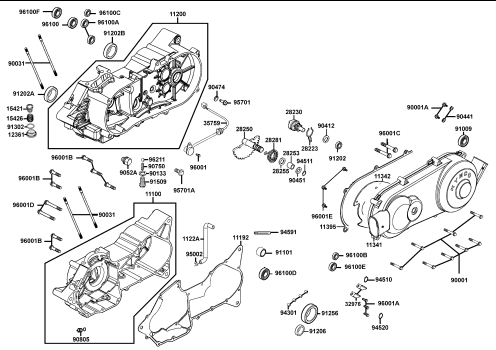
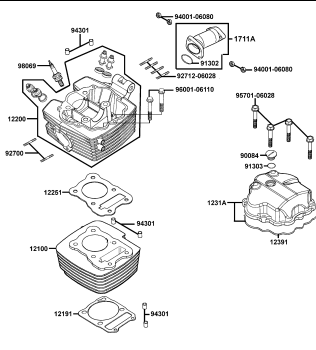
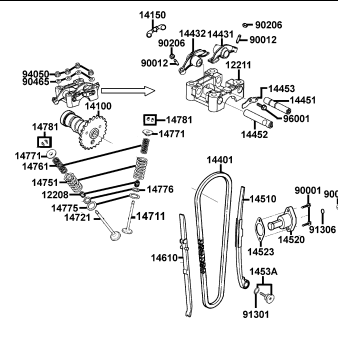
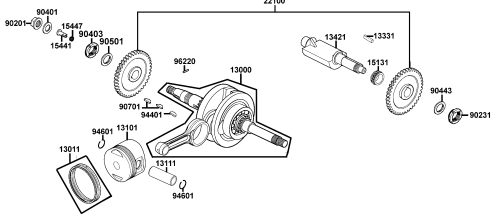
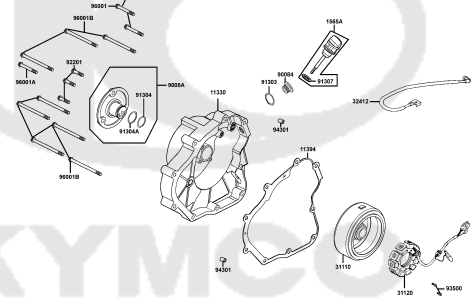
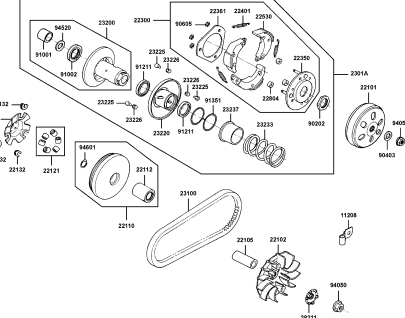
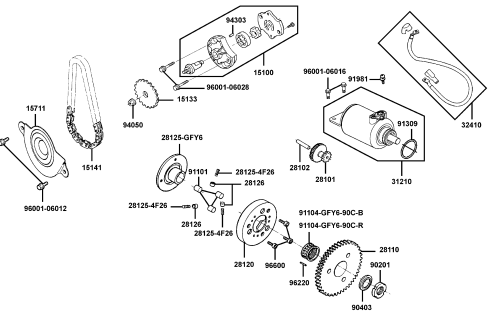
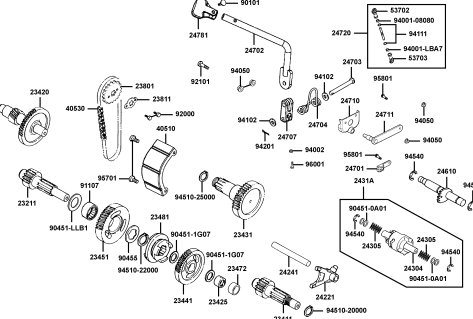
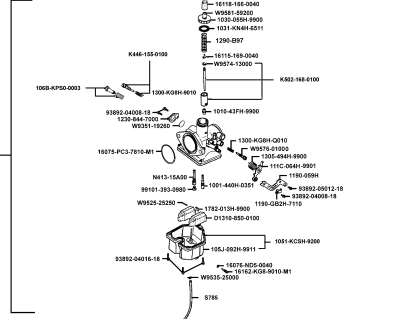
● ABOUT THIS PARTS LIST	1
● COLOR CHART OF LB30EA(JP)	3
● CONTENTS-ENGINE GROUP	6
● CONTENTS-FRAME GROUP	7
● ENGINE PARTS LIST	10
● FRAME PARTS LIST	46
● PART NO. INDEX	110

NO	モデル			LB30EA(JP)のカラーチャート					
	写真番号			NO. 1	NO. 2	NO. 3			
	基本色								
	コード			Blue	Red	Yellow			
	パーツ名	パーツ番号	バージョン	PB089SA	RR338SA	YR110SA			
1	COVER HANDLE	53205-LCA5-EV0	1	C3R	E4R	YRR			
2	FENDER FRONT	60100-LCA4-E00	1						
3	LEVER R STRG HANDLE	53175-LBD4-900	0	M2A					
4	LEVER L STRG HANDLE	53178-PWA8-900	0						
5	COVER TANK	17700-LCA4-E00	3	N1R					
6	GUIDE COVER CHANGE	60120-LCA4-E00	2						
7	COVER FRONT	64301-LCA4-E00	1						
8	BUMPER FRONT	64302-LCA5-E01	1						
9	FENDER RR	80100-LCA4-E00	1						
10	MUDGUARD.R FLOOR	80121-LCA4-E01	2						
11	MUDGUARD.L FLOOR	80122-LCA4-E01	2						
12	COVER.R SIDE	83500-LCA4-E01	2						
13	COVER.L SIDE	83600-LCA4-E01	2						
14	BAND HARNESS WIRE	90656-KUDU-900	0						
15	HUB ASSY RR	42610-LLB1-E01	6	N1S					
16	RIM COMP RR WHEEL	42705-LCA5-E00	4						
17	RIM COMP FR WHEEL	44705-LCA5-E00	3						
18	CUSHION ASSY FR	51400-LCA4-E00	4						
19	CUSHION ASSY RR	52400-LCA4-E00	3						
20	RR CARRIER LUGGAGE	77330-LCA4-E00	3						
21	FR CARRIER LUGGAGE	77430-LCA4-E00	3						
22	COVER L	11341-LCA4-E00	2	N8A					
23	CALIPER ASSY RR	43100-LLB1-800	6	NJA					
24	PANEL COMP FR RH	45100-LLB1-900	2						
25	PANEL COMP FR LH	46100-LLB1-900	2						
販売開始時期									
販売終了時期									

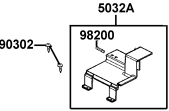
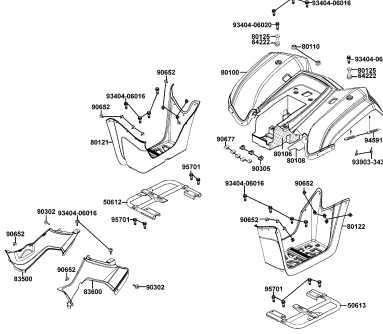
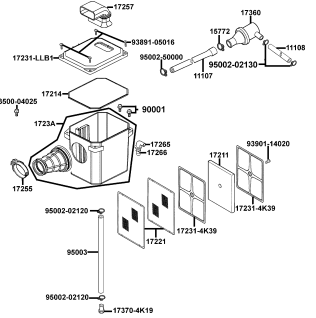
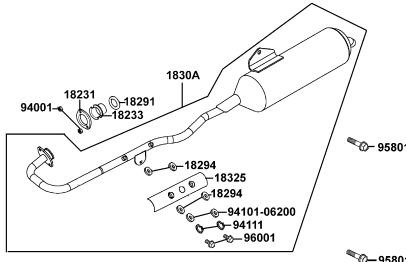
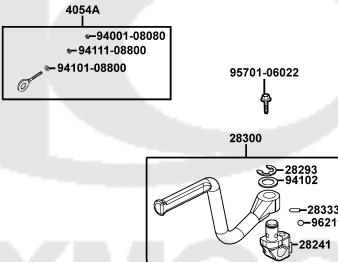
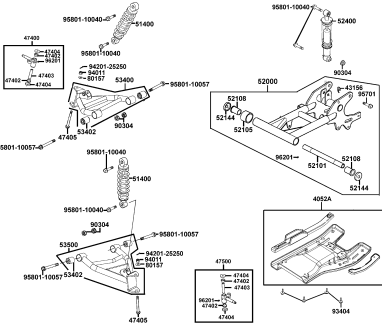
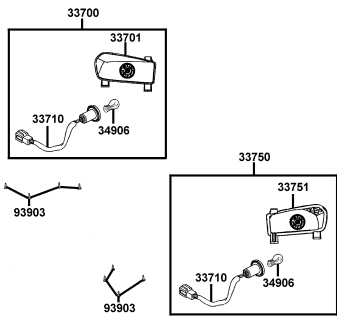
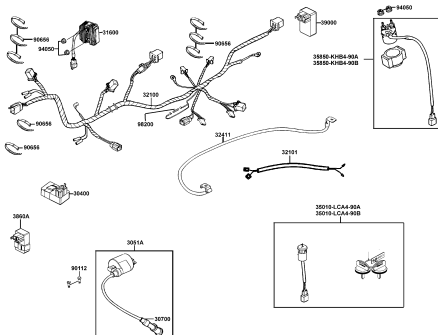
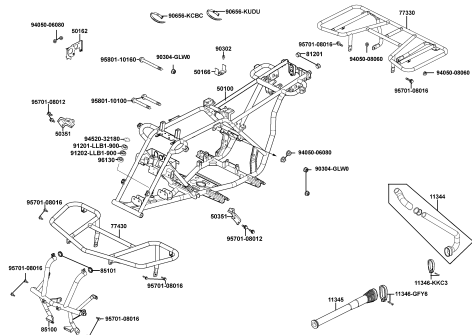
NO	モデル			LB30EA(JP)のカラーチャート						
	写真番号			NO. 1	NO. 2	NO. 3				
	基本色									
	コード			Blue	Red	Yellow				
	パーツ名	パーツ番号	バージョン	PB089SA	RR338SA	YR110SA				
26	CYLINDER COMP	12100-KKA8-900	6	NJS						
27	SEAT ASSY	77200-LCA4-E00	1	T01						
28	EMB K-LOGO 28.5MM	86102-KKC4-900	3							
29	SW LABEL	86182-LCA5-MVV	1							
30	SIDE R SKIRT	86323-LCA4-M30	0							
31	SIDE L SKIRT	86333-LCA4-M30	0							
32	KYMCO MARK	86613-LCA4-M30	0							
33	CAUTION SHIFIT GEARS	87322-LBA7-E00	3							
34	WARNING LABEL TIRE	87505-PWA8-M35	0							
35	CAUTION MAXIMUM	87514-PWA8-M35	0							
36	WARNING GENERAL	87515-LFE9-E00	0							
37	WARNING AGE 12	87517-PTA7-M35	0							
38	CAUTION SHIFT	87520-LDB5-M30	2							
39	USA EPA HANG TAG	87522-LCA4-M30	9							
40	WARNING TAG Y-12	87522-PTA7-M35	0							
41	CAUTION CARRIER MAX	87556-LLB1-E00	2							
42	CAUTION DRIVE AGE	87556-LLB1-E01	2							
43	WARNING DOUBLE	87560-PWB1-M35	1							
44	LABEL MIT	87571-LCA5-M30	1							
45	STRIPE B R FENDER FR	86513-LCA4-M30	0				T02			
46	STRIPE R FENDER FR	86523-LCA4-M30	0							
47	STRIPE L FENDER FR	86533-LCA4-M30	0							
48	STRIPE RR R FENDER	86623-LCA4-M30	0							
49	STRIPE RR L FENDER	86633-LCA4-M30	0							
50	STRIPE KYMCO	87532-LBE8-900	2	T03		T02				
販売開始時期										
販売終了時期										

NO	モデル			LB30EA(JP)のカラーチャート			
	写真番号			NO. 1	NO. 2	NO. 3	
	基本色						
	コード			Blue	Red	Yellow	
	パーツ名	パーツ番号	バージョン	PB089SA	RR338SA	YR110SA	
51	STRIPE K-LOGO 60MM	87532-LCA5-900	1	T03			
販売開始時期							
販売終了時期							

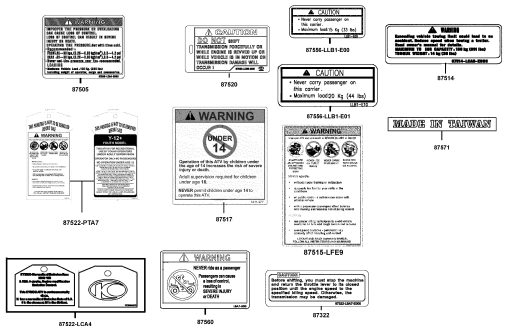













CONTENTS - ENGINE GROUP 目次-エンジン関

E01 Crank Case	E02 Cylinder Head	E03 Valve	
			
E04 Piston Crankshaft	E05 Right Crankcase	E06 Driven Pulley	
			
E07 Starting Motor	E08 Transmission	E09 Carburetor	
			

CONTENTS - FRAME GROUP 目次-フレーム関係

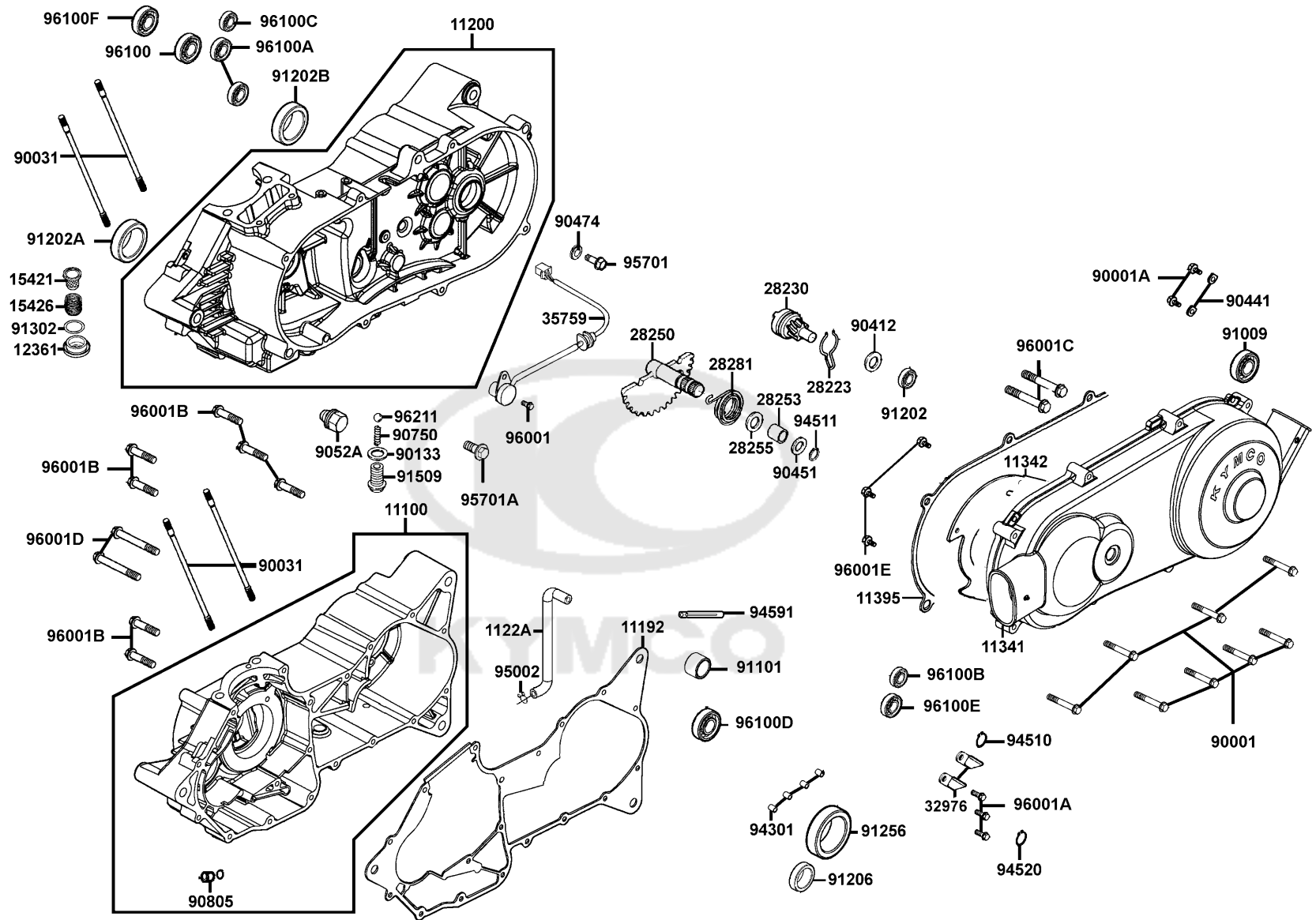
F10 Battery	F11 Luggage Box	F12 Air Cleaner
		
		
		

CONTENTS - FRAME GROUP 目次-フレーム関係

F19 Caution Label	F20 Emblem Stripe	F21 Key Comp																							
 <p>87501, 87500, 87514, 87516, 87517, 87515-LFE9, 87522-LCA4, 87505, 87522-PTA7, 87515-LFE9, 87522</p>	<p style="text-align: center;">KYMCO 87532-LBE8</p> <table style="width: 100%; text-align: center;"> <tr> <td style="width: 33%;">86323</td> <td style="width: 33%;">86333</td> <td style="width: 33%;">86182</td> </tr> <tr> <td>86102</td> <td>86523</td> <td>86533</td> </tr> <tr> <td>86613</td> <td></td> <td></td> </tr> <tr> <td>87532-LCA5</td> <td>86623</td> <td>86633</td> </tr> <tr> <td></td> <td></td> <td>86513</td> </tr> </table>	86323	86333	86182	86102	86523	86533	86613			87532-LCA5	86623	86633			86513	<table style="width: 100%; text-align: center;"> <tr> <td style="width: 50%;">35111-LCA5-325-M1</td> <td style="width: 50%;">35111-LCA5-326-M1</td> </tr> <tr> <td></td> <td></td> </tr> <tr> <td>35111-LCA5-325-M2</td> <td>35111-LCA5-326-M2</td> </tr> <tr> <td></td> <td></td> </tr> </table>	35111-LCA5-325-M1	35111-LCA5-326-M1			35111-LCA5-325-M2	35111-LCA5-326-M2		
86323	86333	86182																							
86102	86523	86533																							
86613																									
87532-LCA5	86623	86633																							
		86513																							
35111-LCA5-325-M1	35111-LCA5-326-M1																								
																									
35111-LCA5-325-M2	35111-LCA5-326-M2																								
																									
																									

E01

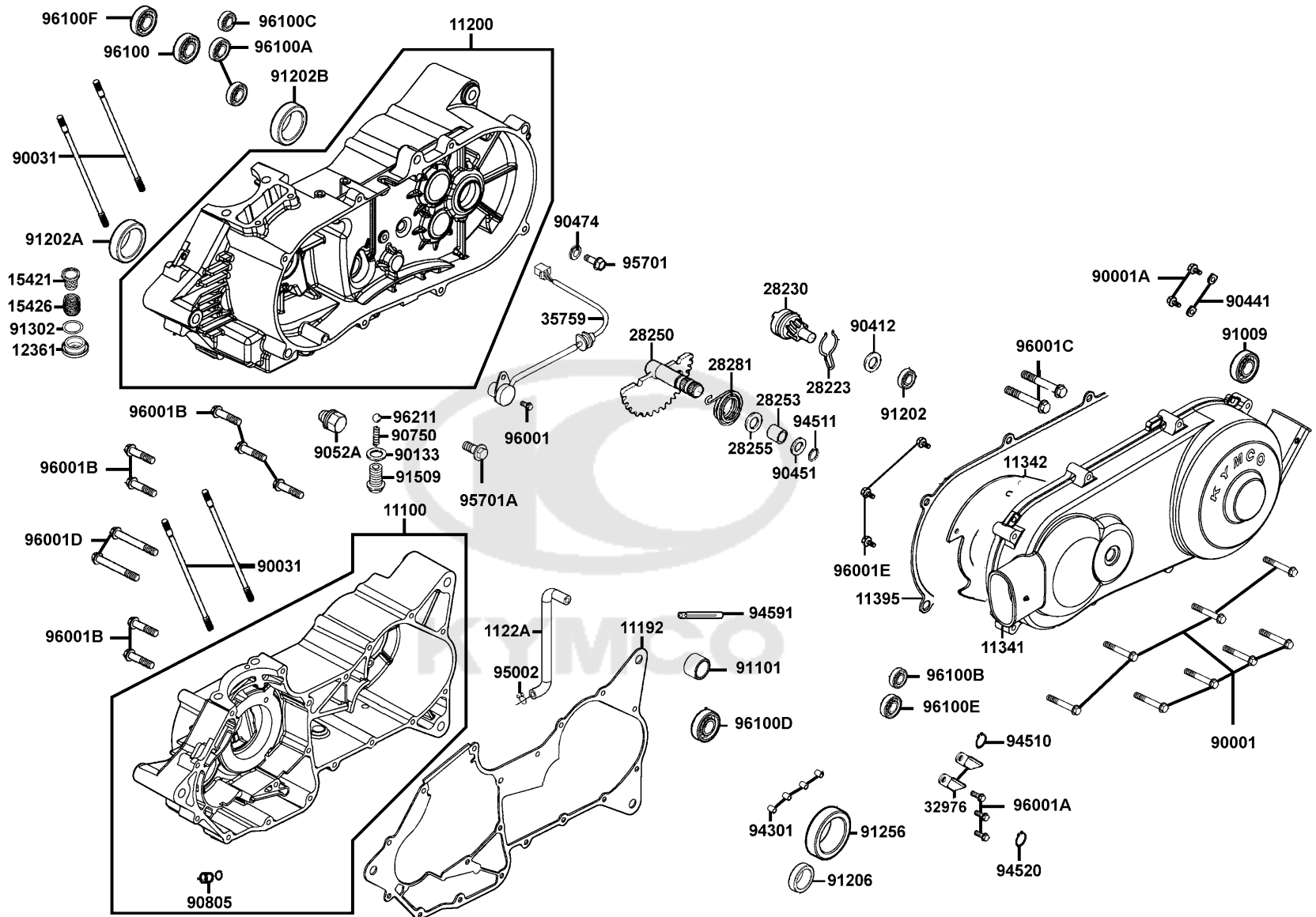
Crank Case



Sales mark 記号	Ref no 参照用番号	Part no パーツ番号	Description 部品名	Reg description 部品名	Regd no 必要個数	Ref Price 希望小売価格(税抜)	E01
	11100	11100-LLB1-910	CRANK CASE COMP RIGHT	CRANK CASE COMP RIGHT	1	23760	
	11192	11192-LLB1-900	GASKET CRANK CASE @ A	GASKET CRANK CASE @ A	1	2100	
	11200	11200-LLB1-900	CRANK CASE COMP LEFT	CRANK CASE COMP LEFT	1	33270	
	1122A	1122A-LLB1-900	TUBE ASSY MISSION BREATHER	TUBE ASSY MISSION BREATHER	1	430	
**	11341	11341-LCA4-E00	COVER L	COVER L	1	10280	
	11342	11342-LCA4-E00	PLATE L COVER	PLATE L COVER	1	480	
	11395	11395-LLB1-900	GASKET L COVER @ A	GASKET L COVER @ A	1	1060	
	12361	12361-GFY6-901	HOLE CAP TAPPET ADJUSTING	HOLE CAP TAPPET ADJUSTING	1	300	
	15421	15421-1G07-001	SCREEN OIL FILTER	SCREEN OIL FILTER	1	350	
	15426	15426-GAE1-921	SPG OIL FILTER SCREEN	SPG OIL FILTER SCREEN	1	160	
	28223	28223-KNBN-901	SPG KICK DRIVEN GEAR	SPG KICK DRIVEN GEAR	1	160	
	28230	28230-GHAH-721	GEAR COMP KICK DRIVEN	GEAR COMP KICK DRIVEN	1	2720	
	28250	28250-LCA4-E00	SPINDLE COMP KICK STARTER	SPINDLE COMP KICK STARTER	1	1820	
	28253	28253-GBN2-60A	BUSH KICK SPINDLE	BUSH KICK SPINDLE	1	200	
	28255	28255-GFS6-001	COLLAR KICK BOSS	COLLAR KICK BOSS	1	160	
	28281	28281-GBN2-60A	SPRING KICK RETURN	SPRING KICK RETURN	1	390	
	32976	32976-1G07-001	CLAMPER WIRE HARNESS	CLAMPER WIRE HARNESS	2	110	
	35759	35759-LLB1-900	SW ASSY GEAR CHANGE	SW ASSY GEAR CHANGE	1	2560	
	90001	90001-GBHB-711	BOLT FLANGE SHF 6*40	BOLT FLANGE SHF 6*40	8	60	
	90001A	90001-GFY6-901	SOCKET BOLT 6*10 (B)	SOCKET BOLT 6*10 (B)	2	110	

E01

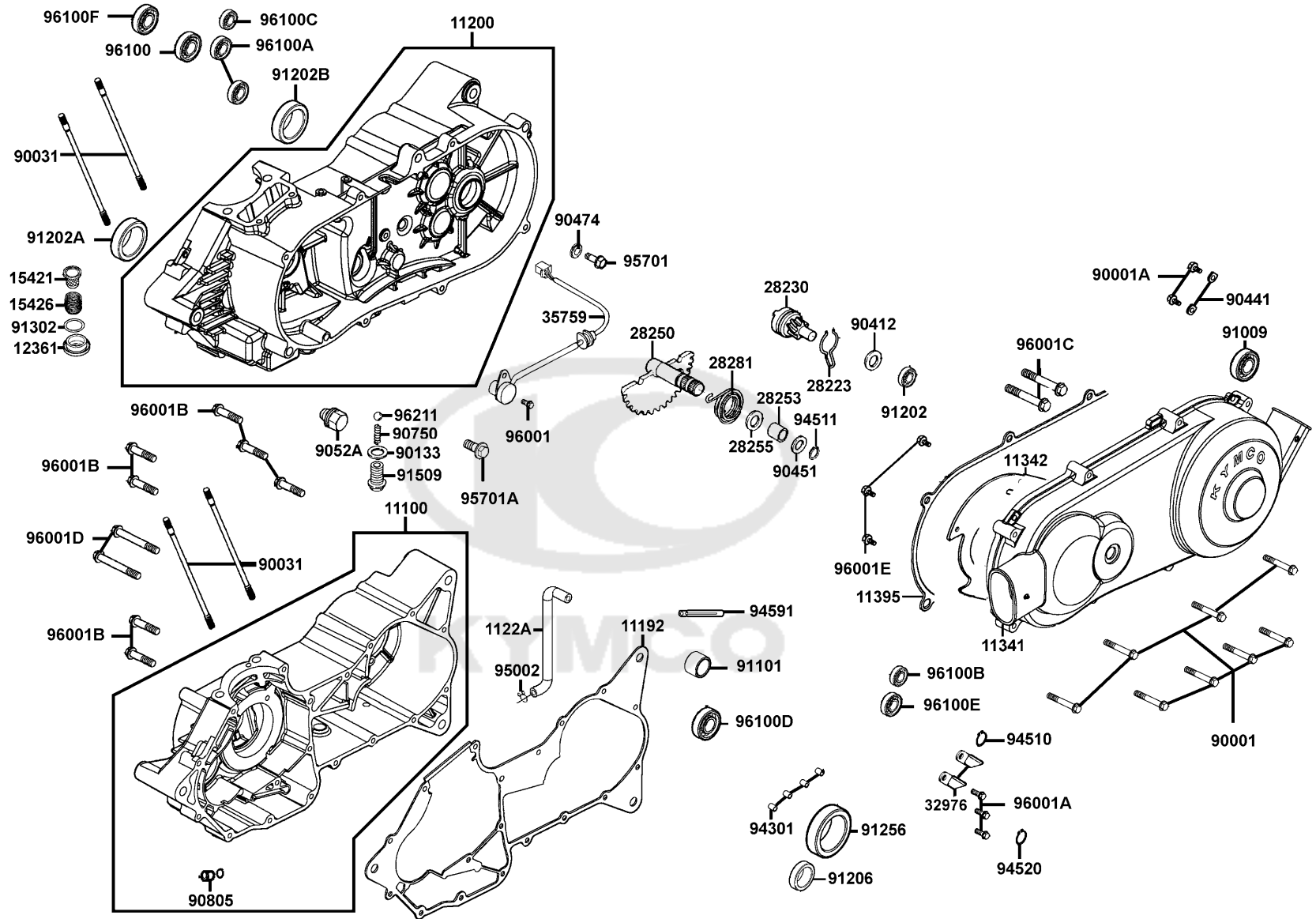
Crank Case



Sales mark 記号	Ref no 参照用番号	Part no パーツ番号	Description 部品名	Reg description 部品名	Regd no 必要個数	Ref Price 希望小売価格(税抜)	E01
90031		90031-KEBE-900	BOLT A STUD 8MM	BOLT A STUD 8MM	4	510	
90133		90133-LLB1-900	WASHER BOLT SEAT	WASHER BOLT SEAT	1	160	
90412		90412-3K29-001	WASHER THRUST 10M/M	WASHER THRUST 10M/M	1	200	
90441		90441-KDY4-901	PLATE BRG HOLD	PLATE BRG HOLD	2	80	
90451		90451-1E55-001	WASHER 14MM	WASHER 14MM	1	110	
90474		90474-3C33-001	WASHER 8MM	WASHER 8MM	1	60	
9052A		9052A-LEB1-900	BOLT ASSY DRAIN PLUG	BOLT ASSY DRAIN PLUG	1	870	
90750		90750-LLB1-900	SPRING BOLT SEAT INNER	SPRING BOLT SEAT INNER	1	130	
90805		90805-GBHB-901		CONE TYPE PLUG 6*7	1	60	
91009		91009-KKC3-900	BRG BALL RADIAL 6300LLUC3/2A	BRG BALL RADIAL 6300LLUC3/2A	1	1440	
91101		91101-LLB1-900	BRG NEEDLE 30*42*17	BRG NEEDLE 30*42*17	1	4200	
91101		91101-LLB1-90A	BRG NEEDLE 30*42*17	BRG NEEDLE 30*42*17	1	4200	
91202		91202-3B02-001	OIL SEAL 14*24*5	OIL SEAL 14*24*5	1	100	
91202B		91202-KKJ9-004	OIL SEAL 20*32*6	OIL SEAL 20*32*6	1	80	
91202A		91202-LHG7-E00	OIL SEAL 22X34X6	OIL SEAL 22X34X6	1	800	
91206		91206-2F86-014	OIL SEAL 14*28*7	OIL SEAL 14*28*7	1	200	
91256		91256-LLB1-900	OIL SEAL 24.8*52.2*7	OIL SEAL 24.8*52.2*7	1	960	
91302		91302-0A01-021	O-RING 30.8M/M	O-RING 30.8M/M	1	60	
91509		91509-LLB1-900	BOLT SEAT BALL STOPPER	BOLT SEAT BALL STOPPER	1	320	
94301		94301-10160	DOWEL PIN 10*16	DOWEL PIN 10*16	4	60	

E01

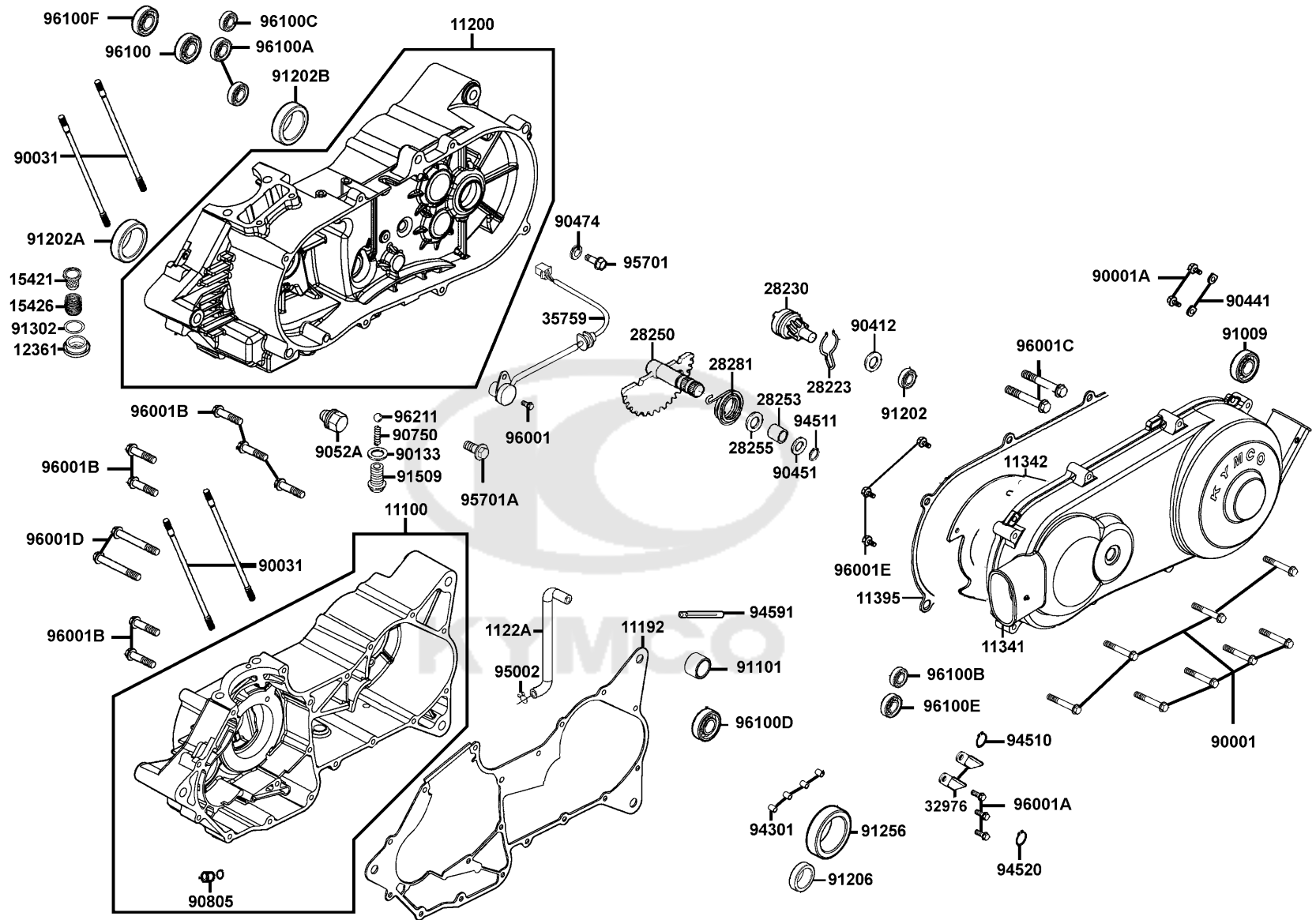
Crank Case



Sales mark 記号	Ref no 参照用番号	Part no パーツ番号	Description 部品名	Reg description 部品名	Regd no 必要個数	Ref Price 希望小売価格(税抜)	E01
94510	94510-20000		CIR CLIP EX 20	CIR CLIP EX 20	1	60	
94511	94511-14000		CIR CLIP EX 14	CIR CLIP EX 14	1	110	
94520	94520-52000		CIR CLIP IN 52	CIR CLIP IN 52	1	240	
94591	94591-LLB1-900		CLIP 2*100	CLIP 2*100	1	110	
95002	95002-02150		CLIP B14.5 TUBE	CLIP B14.5 TUBE	1	60	
95701	95701-08012-06		BOLT FLANGE 6*22 (K)	BOLT FLANGE 6*22 (K)	1	60	
95701A	95701-10012-06		BOLT FLANGE 10*12 (G)	BOLT FLANGE 10*12 (G)	1	320	
96001	96001-06010-06		BOLT FLANGE 6*10	BOLT FLANGE 6*10	1	200	
96001A	96001-06012-06		BOLT FLANGE SH 6*12	BOLT FLANGE SH 6*12	1	60	
96001B	96001-06032-06		BOLT FLANGE 6*32	BOLT FLANGE 6*32	1	60	
96001C	96001-06040-06		BOLT FLANGE SH 6*40	BOLT FLANGE SH 6*40	1	200	
96001D	96001-06060-06		BOLT FLANE 6*60	BOLT FLANE 6*60	1	200	
96001E	96001-GFY6-900		BOLT SPECIAL 5X10	BOLT SPECIAL 5X10	3	60	
96100	96100-62020-00		BEARING BALL RADIAL 6202	BEARING BALL RADIAL 6202	1	770	
96100A	96100-62030-00		BRG BALL RADIAL 6203	BRG BALL RADIAL 6203	2	260	
96100B	96100-62040-00		BEARING BALL RADIAL 6204	BEARING BALL RADIAL 6204	1	1250	
96100C	96100-62043-00		BEARING BALL RADIAL 6204	BEARING BALL RADIAL 6204	1	430	
96100D	96100-62050-00		BEARING BALL RADIAL 6205	BEARING BALL RADIAL 6205	1	1440	
96100E	96100-63020-00		BRG BALL RADIAL 6302	BRG BALL RADIAL 6302	1	1150	
96100F	96100-63030-00		BEARING BALL RADIAL 6303	BEARING BALL RADIAL 6303	1	1340	

E01

Crank Case



Sales mark 記号	Ref no 参照用番号	Part no パーツ番号	Description 部品名	Reg description 部品名	Regd no 必要個数	Ref Price 希望小売価格(税抜)	E01
------------------	-----------------	------------------	--------------------	------------------------	-----------------	-------------------------	-----

96211

96211-12000

BALL STEEL #12

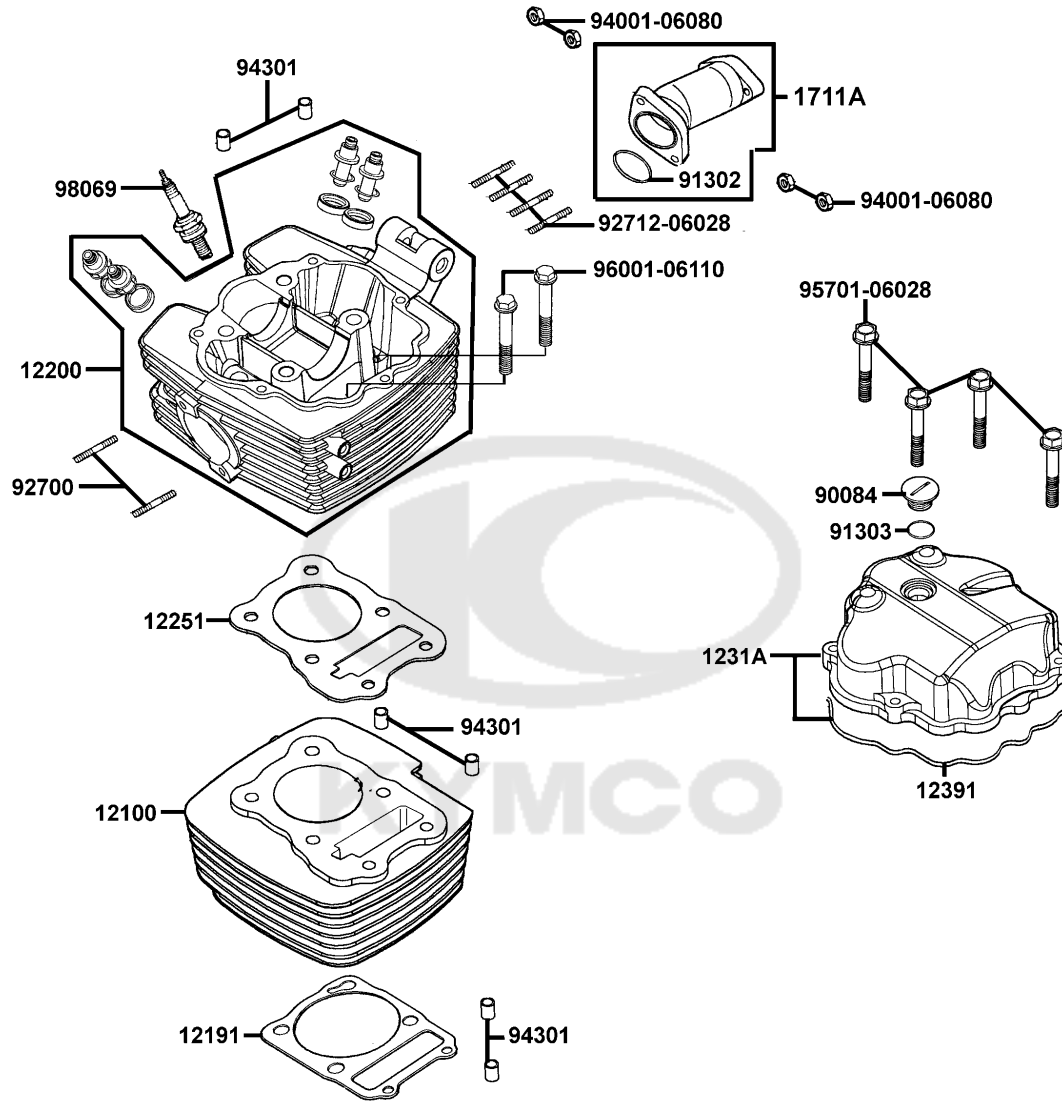
BALL STEEL #12

1

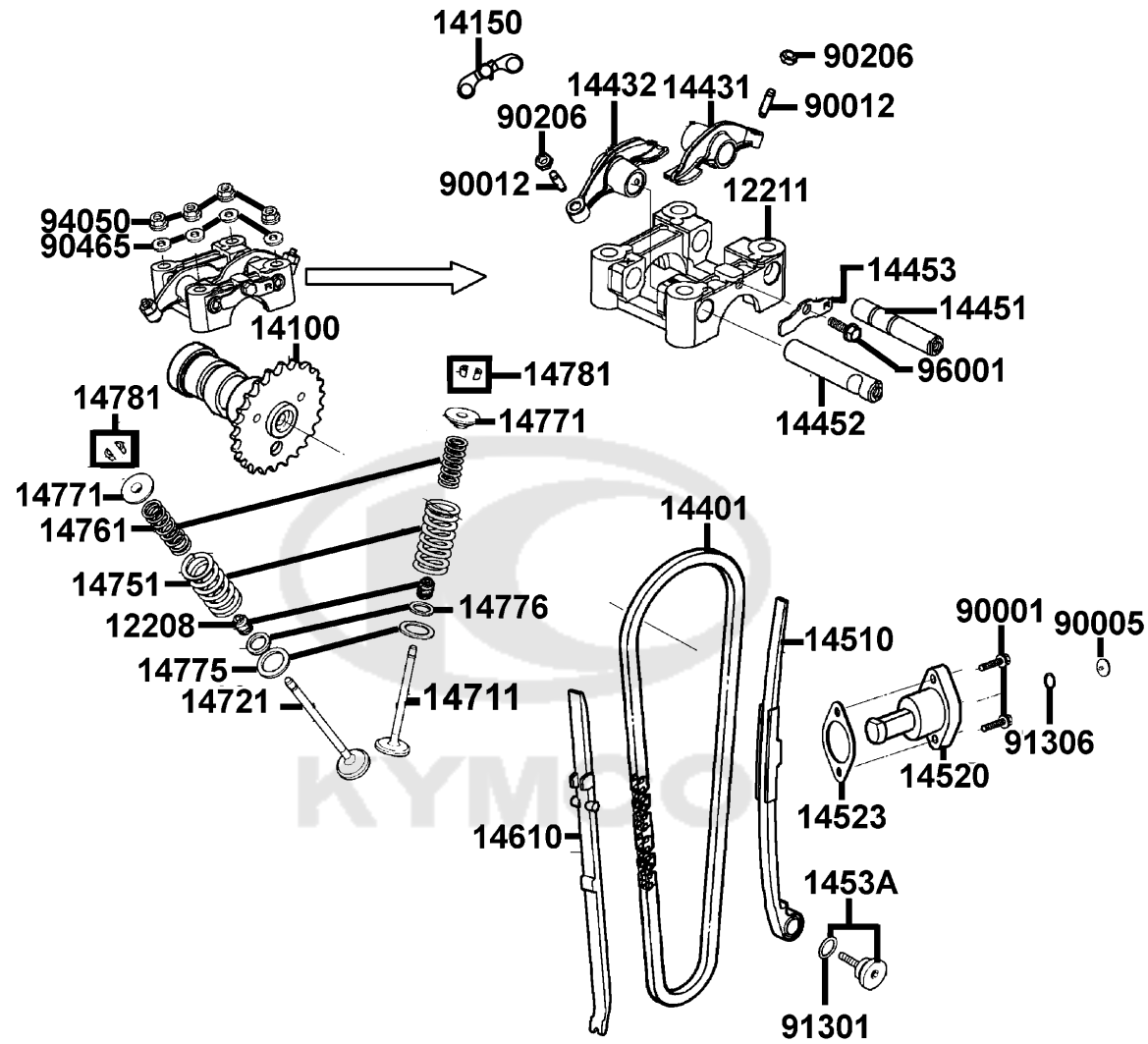
60



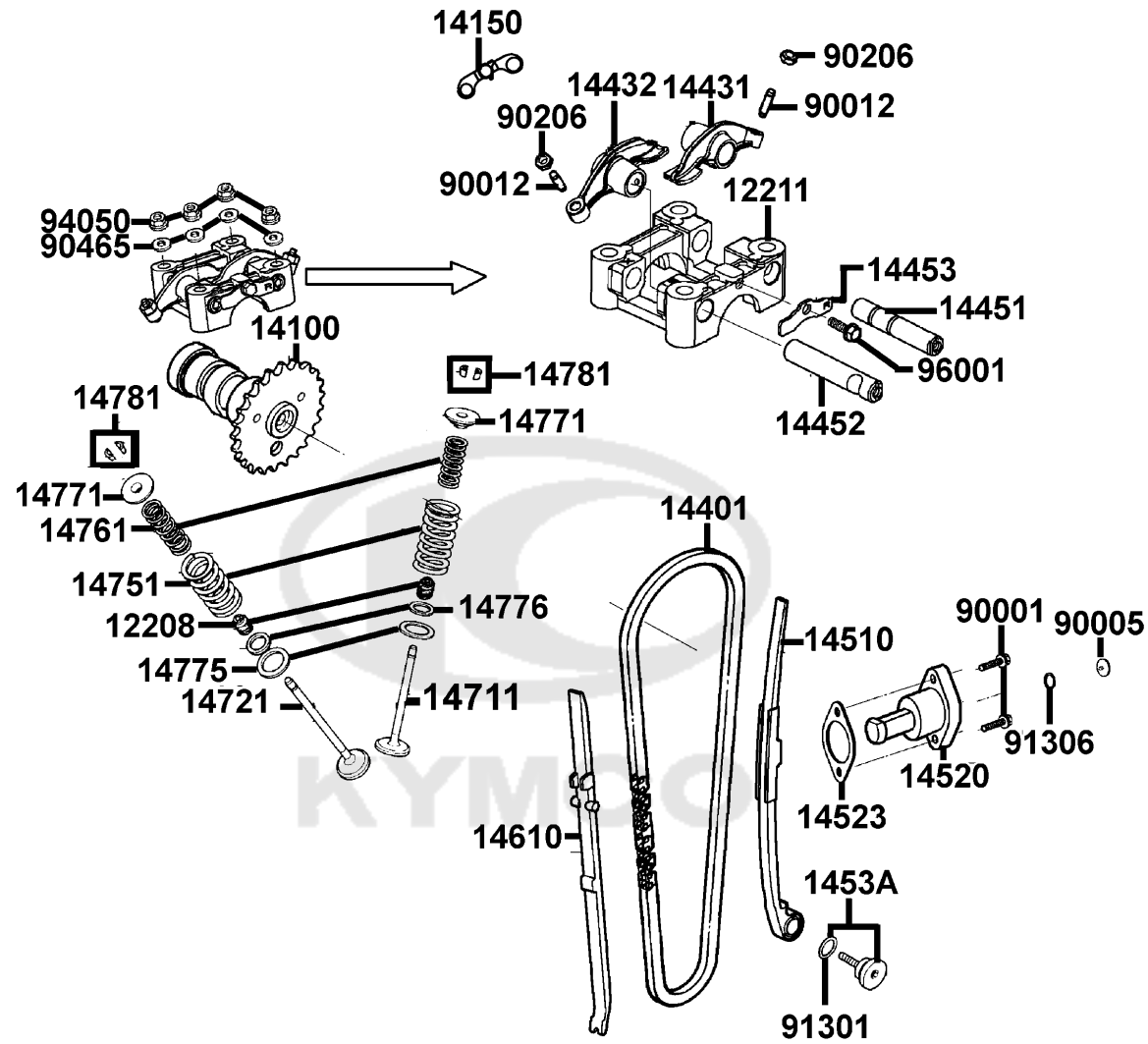
Cylinder Head



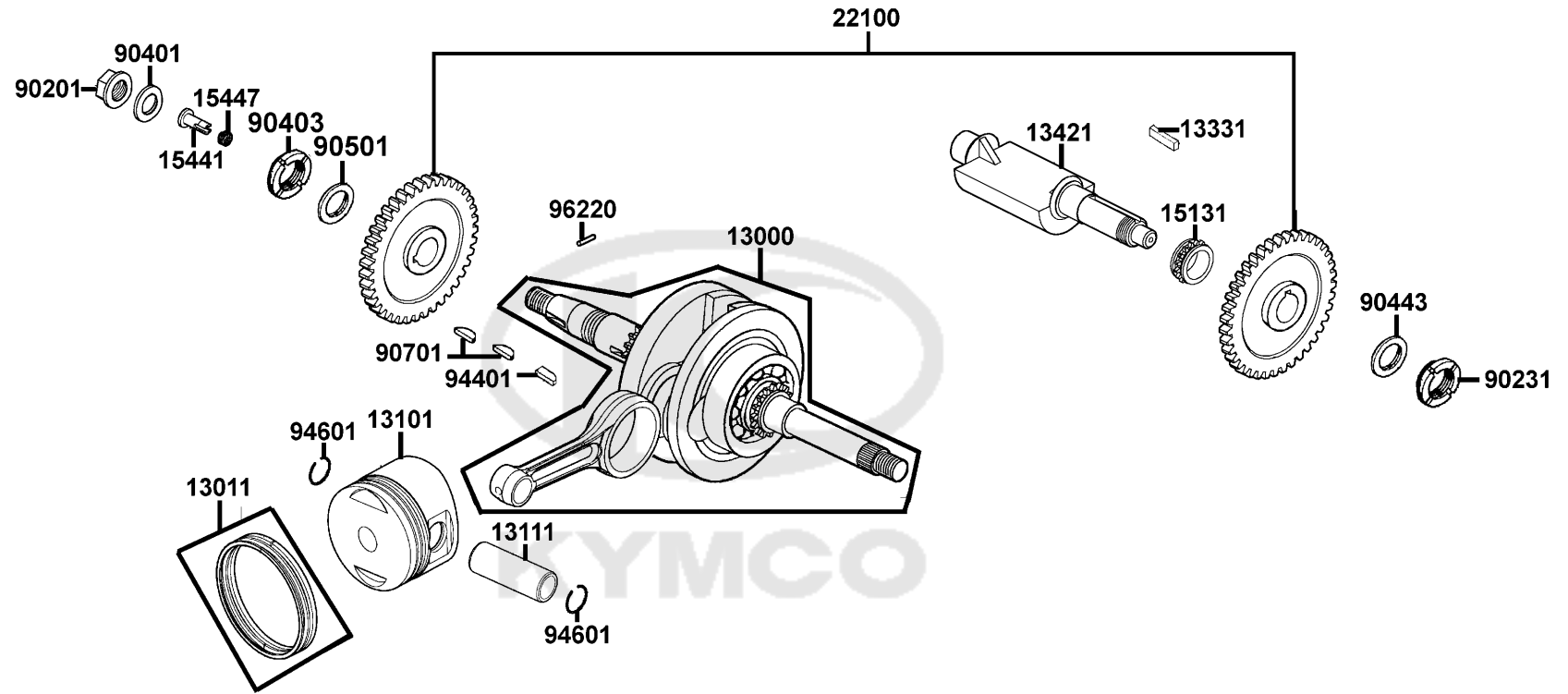
Sales mark 記号	Ref no 参照用番号	Part no パーツ番号	Description 部品名	Reg description 部品名	Regd no 必要個数	Ref Price 希望小売価格(税抜)	E02
**	12100	12100-KKA8-900	CYLINDER COMP	CYLINDER COMP	1	21390	
	12191	12191-LLB1-900	GASKET CYLINDER	GASKET CYLINDER	1	390	
	12200	12200-KFB1-E00	HEAD COMP CYLINDER	HEAD COMP CYLINDER	1	33500	
	12251	12251-KFB1-900	GASKET CYLINDER HEAD	GASKET CYLINDER HEAD	1	1510	
	1231A	1231A-LLB1-900	COVER ASSY HEAD	COVER ASSY HEAD	1	4440	
	12391	12391-KEC8-900	PACKING CYLINDER HEAD	PACKING CYLINDER HEAD	1	990	
	1711A	1711A-LLB1-900	PIPE COMP INLET	PIPE COMP INLET	1	1750	
	90084	90084-4H28-001	CAP ACG	CAP ACG	1	230	
	91302	91302-2L00-001	O-RING 33.5*3	O-RING 33.5*3	1	60	
	91303	91303-3G77-001	O-RING 13.8*2.5	O-RING 13.8*2.5	1	60	
	92700	92700-06035-3E	BOLT STUD 6*35(B)	BOLT STUD 6*35(B)	2	130	
	92712-06028	92712-06028-0B	BOLT STUD 6*28	BOLT STUD 6*28	4	200	
	94001-06080	94001-06080-0S	NUT HEX 6MM	NUT HEX 6MM	4	60	
	94301	94301-10160	DOWEL PIN 10*16	DOWEL PIN 10*16	6	60	
	95701-06028	95701-06028-06	BOLT FLANGE 6*28 (G)	BOLT FLANGE 6*28 (G)	1	200	
	96001-06110	96001-06110-06	BOLT FLANGE SH 6*110	BOLT FLANGE SH 6*110	1	60	
	98069	98069-5771R	SPARK PLUG (DR-8EA)	SPARK PLUG (DR-8EA)	1	880	



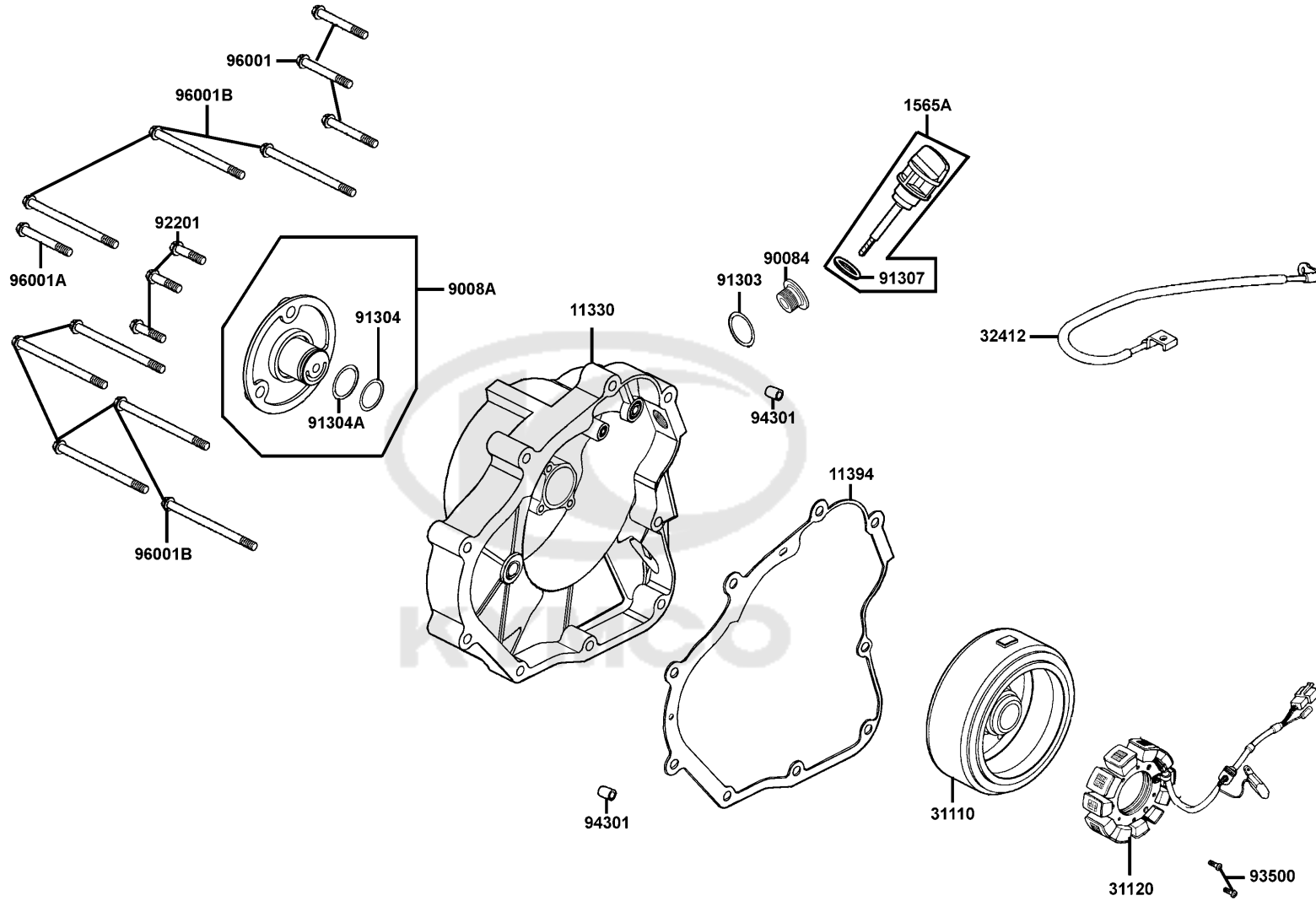
Sales mark 記号	Ref no 参照用番号	Part no パーツ番号	Description 部品名	Reg description 部品名	Regd no 必要個数	Ref Price 希望小売価格(税抜)
						E03
12208		12208-4C13-004	SEAL VALVE STEM	SEAL VALVE STEM	2	350
12211		12211-LCA4-E00	HOLDER CAM SHAFT	HOLDER CAM SHAFT	1	3170
14100		14100-LCA4-E00	SHAFT COMP CAM	SHAFT COMP CAM	1	7920
14150		14150-LCA4-E00	PLATE COMP STOPPER **(0)	PLATE COMP STOPPER **(0) C.2005.04.01	1	640
14401		14401-KEC8-90A	CHAIN CAM	CHAIN CAM	1	4000
14431		14431-LCA4-E00	ARM VALVE ROCKER	ARM VALVE ROCKER	1	3960
14432		14432-LCA4-E00	ARM EX VALVE ROCKER **(0)	ARM EX VALVE ROCKER **(0) C.2005.04.01	1	3960
14451		14451-LCA4-E00	SHAFT IN ROCLER ARM	SHAFT IN ROCLER ARM	1	880
14452		14452-KEC8-900	SHAFT EX ROCKER ARM	SHAFT EX ROCKER ARM	1	680
14453		14453-KEC8-900	SET PLATE ROCKER ARM SHAFT	SET PLATE ROCKER ARM SHAFT	1	80
14510		14510-LLB1-900	TENSIONER CAM CHAIN	TENSIONER CAM CHAIN	1	1400
14520		14520-GFY6-90C	LIFTER ASSY.. TENSIONER	LIFTER ASSY.. TENSIONER	1	2060
14523		14523-KED9-900	GASKET TENSIONER LIFTER @A	GASKET TENSIONER LIFTER @A	1	200
1453A		1453A-LLB1-900	PIVOT CAM CHAIN TENSIONER	PIVOT CAM CHAIN TENSIONER	1	320
14610		14610-LLB1-900	GUIDE COMP CAM CHAIN	GUIDE COMP CAM CHAIN	1	600
14711		14711-4G37-001	VALVE INLET	VALVE INLET	1	1510
14721		14721-4G37-001	VALVE EXHAUST	VALVE EXHAUST	1	3250
14751		14751-LLB1-900	SPG VALVE OUTER	SPG VALVE OUTER	2	960
14761		14761-LLB1-900	SPG VALVE INNER	SPG VALVE INNER	2	480
14771		14771-1G07-021	RETAINER VALVE SPRING	RETAINER VALVE SPRING	2	350



Sales mark 記号	Ref no 参照用番号	Part no パーツ番号	Description 部品名	Reg description 部品名	Regd no 必要個数	Ref Price 希望小売価格(税抜)	E03
14775		14775-1G07-001	SEAT VALVE SPG OUTER	SEAT VALVE SPG OUTER	2	130	
14776		14776-1G07-011	SEAT VALVE SPRING INNER	SEAT VALVE SPRING INNER	2	80	
14781		14781-1G07-021	COTTER VALVE	COTTER VALVE	4	340	
90001		90001-GBHB-661	BOLT FLANGE SH 6*22	BOLT FLANGE SH 6*22	2	60	
90005		90005-KED9-900	BOLT SPECIAL 6*6	BOLT SPECIAL 6*6	1	200	
90012		90012-4E15-001	SCREW TAPPING ADJUSTING	SCREW TAPPING ADJUSTING	2	240	
90206		90206-2L50-001	NUT TAPPET ADJUSTING	NUT TAPPET ADJUSTING	2	130	
90465		90465-MDC4-001	WASHER 8MM	WASHER 8MM	4	60	
91301		91301-GLR0-005	O-RING 15.2*1.5	O-RING 15.2*1.5	1	60	
91306		91306-1E05-691	O-RING 1.5*9.5	O-RING 1.5*9.5	1	60	
94050		94050-08080	NUT FLANGE 8MM	NUT FLANGE 8MM	4	60	
96001		96001-06014-06	BOLT FLANGE SH 6*14 (G)	BOLT FLANGE SH 6*14 (G)	1	60	



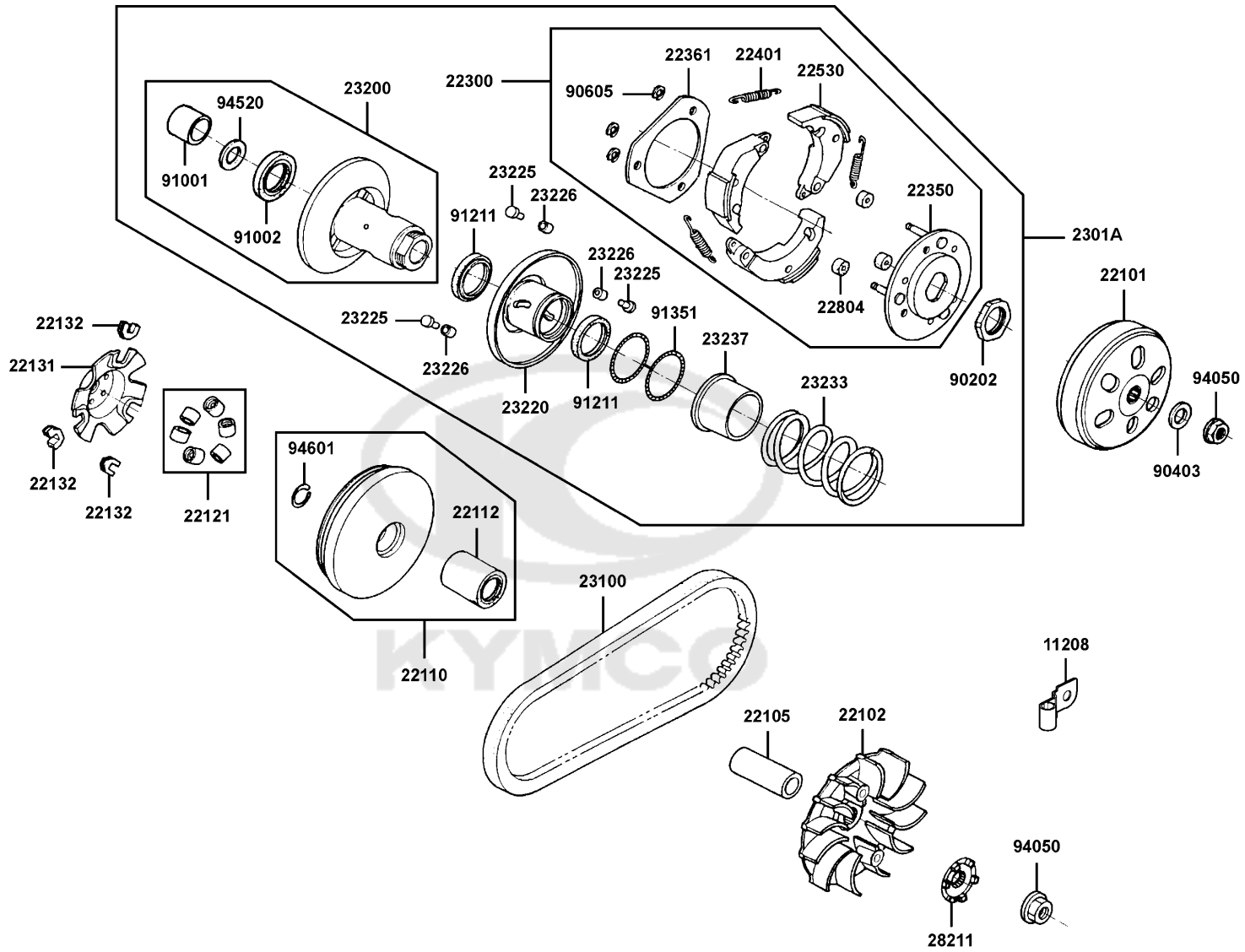
Sales mark 記号	Ref no 参照用番号	Part no パーツ番号	Description 部品名	Reg description 部品名	Regd no 必要個数	Ref Price 希望小売価格(税抜)	E04
13000		13000-LCA4-E00	CRANK SHAFT COMP	CRANK SHAFT COMP	1	29970	
13011		13011-KGAG-900	RING SET PISTON	RING SET PISTON	1	2410	
13101		13101-KGAG-901	PISTON	PISTON	1	2300	
13111		13111-4D14-001	PIN PISTON	PIN PISTON	1	490	
13331		13331-LLB1-900	KEY 5*4*20	KEY 5*4*20	1	160	
13421		13421-LLB1-900	SHAFT BALANCER	SHAFT BALANCER	1	4360	
15131		15131-LLB1-900	SPROCKET OIL PUMP DRIVE	SPROCKET OIL PUMP DRIVE	1	1030	
15441		15441-1K49-001	OIL THROUGH	OIL THROUGH	1	390	
15447		15447-1K49-001	SPG OIL THROUGH	SPG OIL THROUGH	1	160	
22100		22100-KKA8-305	GEAR COMP BLANCER	GEAR COMP BLANCER	1	16320	
90201		90201-LLB1-900	NUT FLANGE 14MM	NUT FLANGE 14MM	1	240	
90231		90231-KEC2-900	NUT LOCK 16MM	NUT LOCK 16MM	1	390	
90401		90401-KKJ9-001	WASHER THRUST 14*28*2	WASHER THRUST 14*28*2	1	160	
90403		90403-LLB1-900	WASHER THRUST 22.2*39*2.5	WASHER THRUST 22.2*39*2.5	1	320	
90443		90443-KEC2-900	WASHER GEAR BAL	WASHER GEAR BAL	1	200	
90501		90501-KNBN-901	WASHER 16MM	WASHER 16MM	1	80	
90701		90701-HFB6-011	KEY WOODRUFF 25*14*4	KEY WOODRUFF 25*14*4	2	60	
94401		94401-KEC2-900	KEY WOODRUFF 16*13	KEY WOODRUFF 16*13	1	160	
94601		94601-15000	CLIP PISTON PIN 15MM	CLIP PISTON PIN 15MM	2	60	
96220		96220-20118	ROLLER 2*11.8	ROLLER 2*11.8	1	60	



Sales mark 記号	Ref no 参照用番号	Part no パーツ番号	Description 部品名	Reg description 部品名	Regd no 必要個数	Ref Price 希望小売価格(税抜)	E05
11330		11330-LLB1-900	COVER COMP RIGHT	COVER COMP RIGHT	1	13420	
11394		11394-LLB1-900	GASKET R COVER @ A	GASKET R COVER @ A	1	800	
1565A		1565A-GFY6-900	GAUGE OIL LEVEL ASSY	GAUGE OIL LEVEL ASSY	1	390	
31110		31110-LCA4-E0A	FLYWHEEL COMP (D406)	FLYWHEEL COMP (D406)	1	8400	
31110		31110-LCA4-E0B	FLYWHEEL COMP (D402)	FLYWHEEL COMP (D402)	1	8400	
31120		31120-LCA4-E0A	STATOR COMP (D406)	STATOR COMP (D406)	1	11880	
31120		31120-LCA4-E0B	STATOR COMP (D402)	STATOR COMP (D402)	1	9510	
32412		32412-LLB1-900	CABLE EARTH	CABLE EARTH	1	1120	
90084		90084-4H28-001	CAP ACG	CAP ACG	1	230	
9008A		9008A-LLB1-900	CAP R COVER	CAP R COVER	1	1400	
91303		91303-3G77-001	O-RING 13.8*2.5	O-RING 13.8*2.5	1	60	
91304		91304-GHC8-004	O RING 23*2.4	O RING 23*2.4	1	60	
91304A		91304-LLB1-900	O-RING 26.5*4	O-RING 26.5*4	1	100	
91307		91307-0E35-001	O RING 18*3	O RING 18*3	1	60	
92201		92201-05025-0G	BOLT HEX 5*25	BOLT HEX 5*25	1	200	
93500		93500-05016-0F	SCREW PAN 5*16	SCREW PAN 5*16	1	200	
94301		94301-10160	DOWEL PIN 10*16	DOWEL PIN 10*16	2	60	
96001		96001-06012-06	BOLT FLANGE SH 6*12	BOLT FLANGE SH 6*12	1	60	
96001A		96001-06045-06	BOLT FLANGE 6*45 **07 C.2005.07.01	BOLT FLANGE 6*45 **07 C.2005.07.01	1	60	
96001B		96001-06125-06	BOLT FLANGE SH 6*125	BOLT FLANGE SH 6*125	1	390	

E06

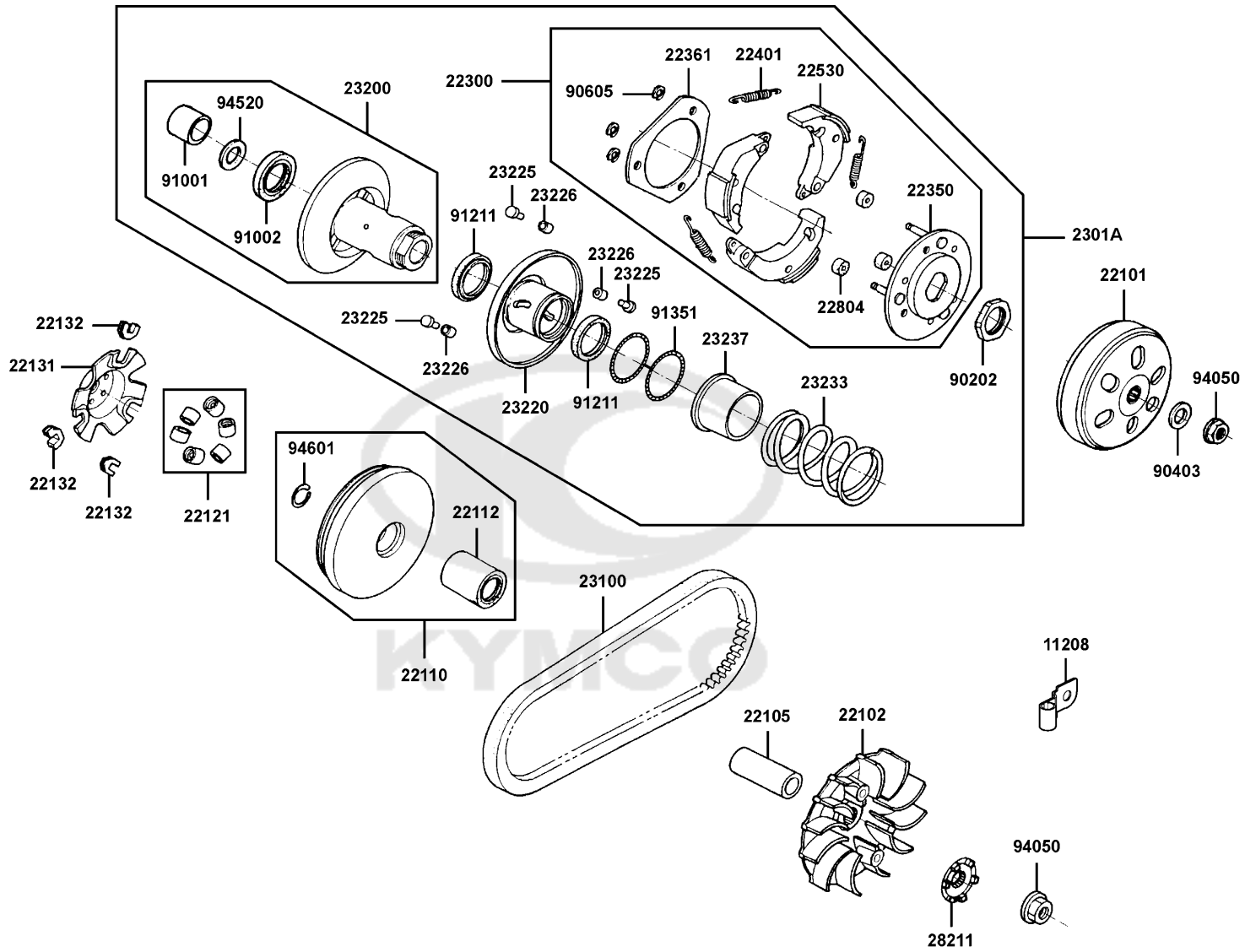
Driven Pulley



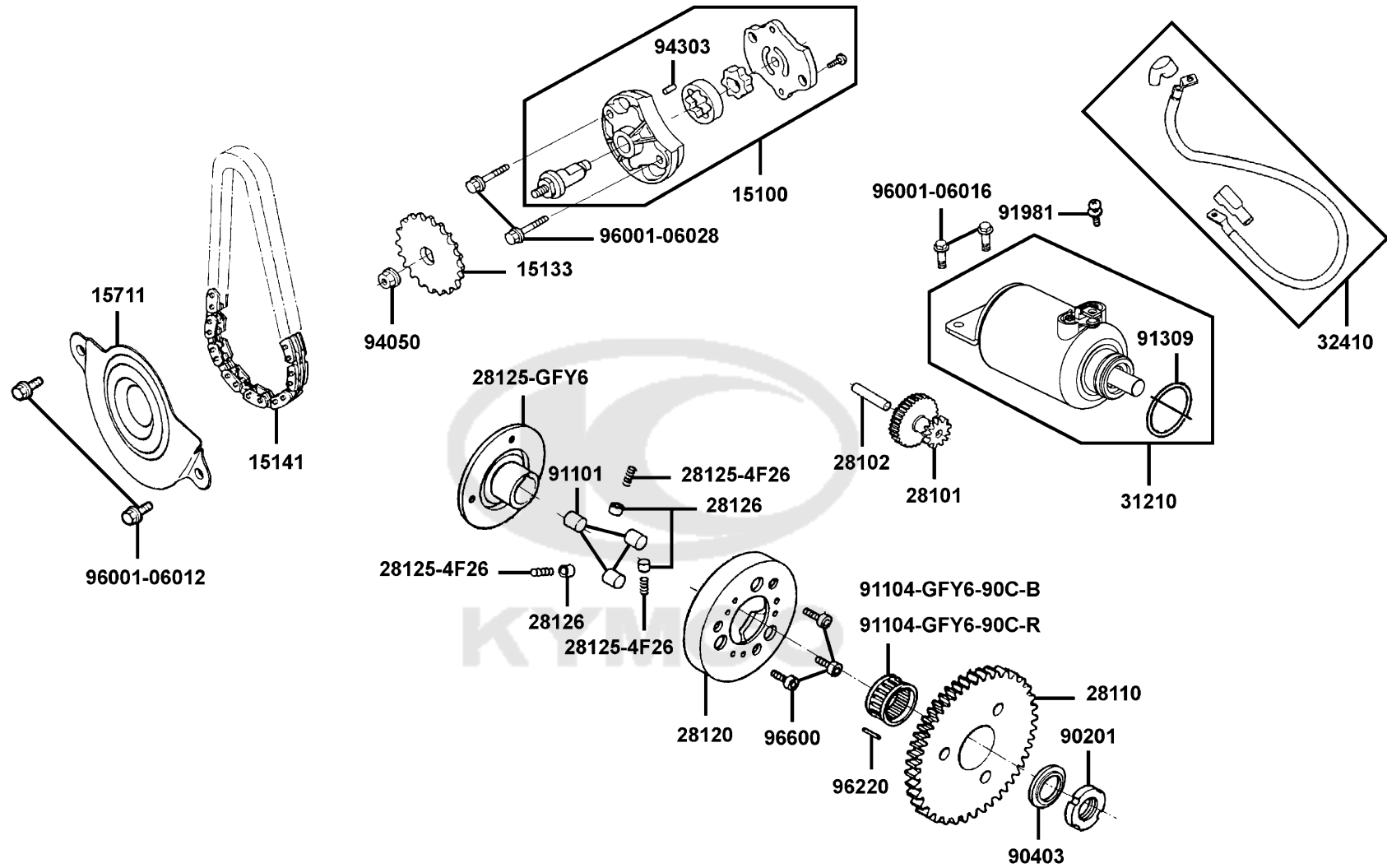
Sales mark 記号	Ref no 参照用番号	Part no パーツ番号	Description 部品名	Reg description 部品名	Regd no 必要個数	Ref Price 希望小売価格(税抜)	E06
11208		11208-LLB1-900	CLAMPER CARB DRAIN	CLAMPER CARB DRAIN	1	130	
22101		22101-KEBE-900	OUTER CLUTCH	OUTER CLUTCH	1	5330	
22102		22102-KKC3-900	FACE DRIVE	FACE DRIVE	1	2670	
22105		22105-LLB1-900	BOSS DRIVE FACE	BOSS DRIVE FACE	1	1190	
22110		22110-KKC3-900	FACE COMP MOVABLE DRIVE	FACE COMP MOVABLE DRIVE	1	4000	
22112		22112-KAAA-900	COLLAR DRIVE FACE	COLLAR DRIVE FACE	1	250	
22121		22121-KAAA-305	ROLLER SET WEIGHT (1SET:6PCS)	ROLLER SET WEIGHT (1SET:6PCS)	1	300	
22131		22131-KAAA-900	PLATE RAMP	PLATE RAMP	1	990	
22132		22132-KGN7-670	PIECE SLIDE	PIECE SLIDE	3	200	
22300		22300-LLB1-900	PLATE ASSY DRIVE	PLATE ASSY DRIVE	1	8510	
22350		22350-KGN7-671	PLATE COMP DRIVE	PLATE COMP DRIVE	1	5330	
22361		22361-LGE7-E00	PLATE CLUTCH SIDE	PLATE CLUTCH SIDE	1	540	
22401		22401-LLB1-900	SPRING CLUTCH	SPRING CLUTCH	3	160	
22530		22530-LLB1-900	WEIGHT CLUTCH	WEIGHT CLUTCH	3	1780	
22804		22804-GBB2-001	RUBBER CLUTCH DAMPER	RUBBER CLUTCH DAMPER	3	200	
2301A		2301A-LLB1-900	PULLEY SUB ASSY	PULLEY SUB ASSY	1	25030	
23100		23100-LLB1-90B	BELT DRIVE	BELT DRIVE	1	4040	
23200		23200-KEBE-900	FACE ASSY DRIVEN	FACE ASSY DRIVEN	1	9890	
23220		23220-LLB1-900	FACE COMP MOVABLE DRIVEN	FACE COMP MOVABLE DRIVEN	1	5900	
23225		23225-GHC8-004	PIN ROLLER GUIDE	PIN ROLLER GUIDE	3	60	

E06

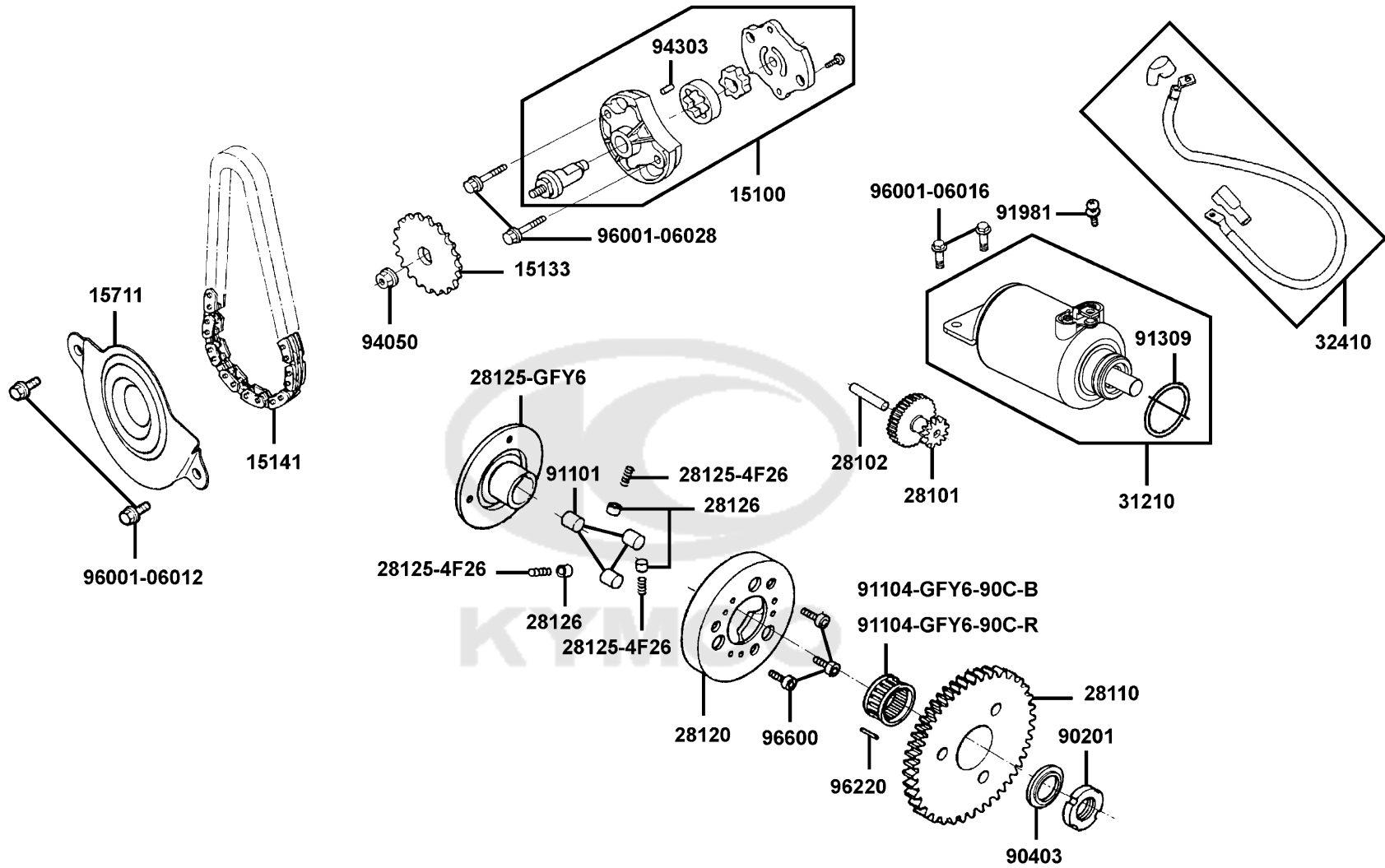
Driven Pulley



Sales mark 記号	Ref no 参照用番号	Part no パーツ番号	Description 部品名	Reg description 部品名	Regd no 必要個数	Ref Price 希望小売価格(税抜)	E06
23226	23226-GHC8-004	ROLLER GUIDE	ROLLER GUIDE	ROLLER GUIDE	3	60	
23233	23233-KGN7-671	SPG DRIVEN FACE	SPG DRIVEN FACE	SPG DRIVEN FACE	1	1560	
23237	23237-KHG8-901	COLLAR SEAL	COLLAR SEAL	COLLAR SEAL	1	610	
28211	28211-KFC8-900	RATCHET KICK STARTER	RATCHET KICK STARTER	RATCHET KICK STARTER	1	1150	
90202	90202-KGN7-671	NUT SPECIAL 28MM	NUT SPECIAL 28MM	NUT SPECIAL 28MM	1	250	
90403	90403-KGN7-671	WASHER THRUST	WASHER THRUST	WASHER THRUST	1	260	
90605	90605-1F66-721	CIR CLIP 7MM	CIR CLIP 7MM	CIR CLIP 7MM	3	60	
91001	91001-GFY6-90A	BRG NDL 20*29*18	BRG NDL 20*29*18	BRG NDL 20*29*18	1	480	
91002	91002-GGA7-70A	BRG BALL RADIAL 6902U	BRG BALL RADIAL 6902U	BRG BALL RADIAL 6902U	1	510	
91211	91211-KEBE-900	SEAL DRIVEN FACE 34*41*4	SEAL DRIVEN FACE 34*41*4	SEAL DRIVEN FACE 34*41*4	2	770	
91351	91351-6B42-000	O-RING PINION CAP	O-RING PINION CAP	O-RING PINION CAP	2	200	
94050	94050-12080	NUT C FLANGE 12MM	NUT C FLANGE 12MM	NUT C FLANGE 12MM	2	60	
94520	94520-28000	CIR CLIP IN 28	CIR CLIP IN 28	CIR CLIP IN 28	1	60	
94601	94601-33000	CLIP PISTON PIN 33MM	CLIP PISTON PIN 33MM	CLIP PISTON PIN 33MM	1	60	

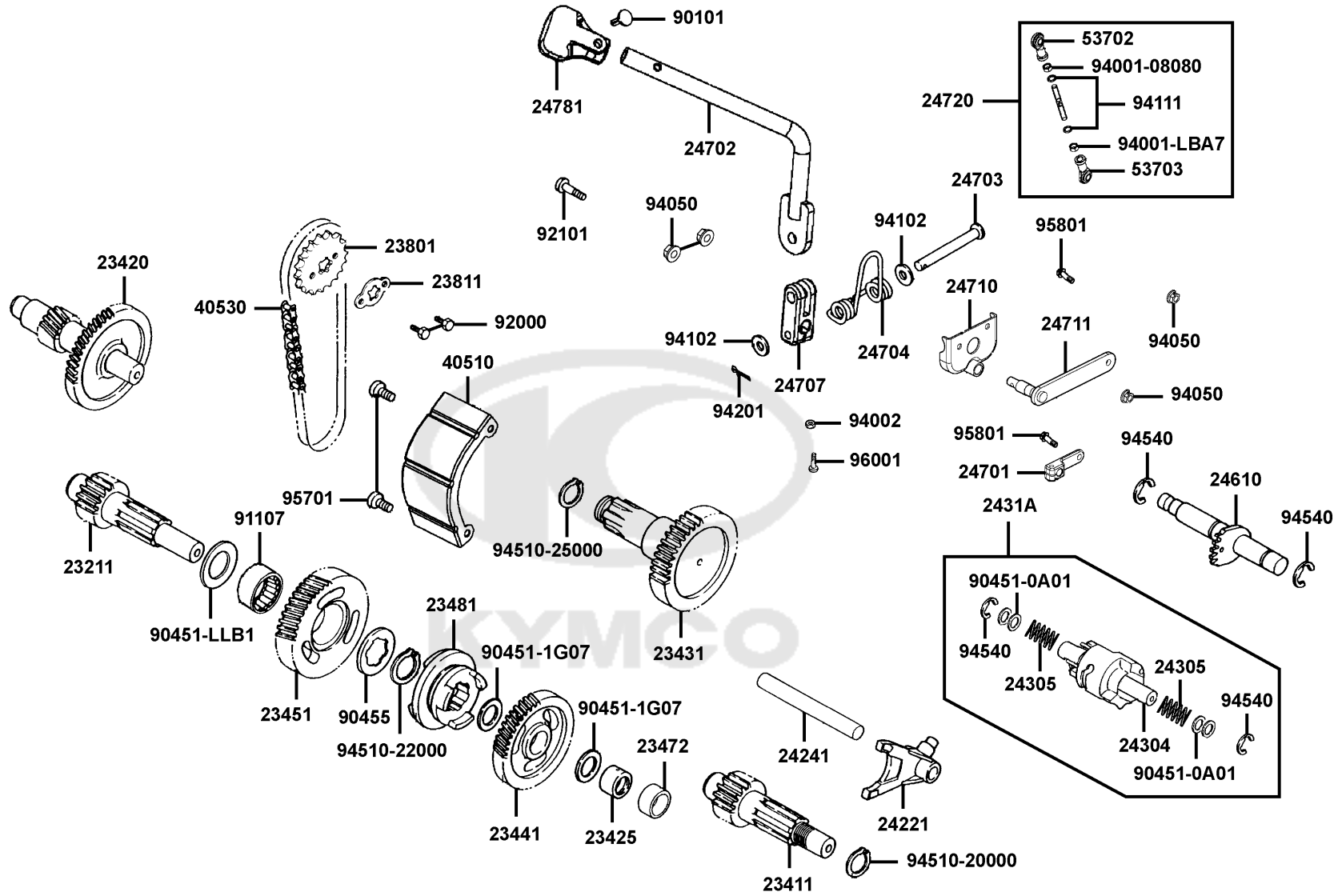


Sales mark 記号	Ref no 参照用番号	Part no パーツ番号	Description 部品名	Reg description 部品名	Regd no 必要個数	Ref Price 希望小売価格(税抜)	E07
15100		15100-LLB1-900	PUMP ASSY OIL	PUMP ASSY OIL	1	1900	
15133		15133-GFY6-901	SPRKT OIL PUMP DRIVEN	SPRKT OIL PUMP DRIVEN	1	580	
15141		15141-KEC2-900	CHAIN OIL PUMP	CHAIN OIL PUMP	1	2010	
15711		15711-LLB1-900	OIL SEPARATER	OIL SEPARATER	1	390	
28101		28101-GFY6-901	GEAR STARTER REDUCTION	GEAR STARTER REDUCTION	1	2860	
28102		28102-GFY6-901	SHAFT STARTER REDUCTION GEAR	SHAFT STARTER REDUCTION GEAR	1	300	
28110		28110-GFY6-901	GEAR COMP STARTING CLUTCH	GEAR COMP STARTING CLUTCH	1	4600	
28120		28120-GFY6-315	OUTER COMP STARTING CLUTCH	OUTER COMP STARTING CLUTCH	1	7800	
28125-4F26		28125-4F26-001	SPRING ROLLER STARTER CLUTCH	SPRING ROLLER STARTER CLUTCH	3	160	
28125-GFY6		28125-GFY6-960	FLANGE STARTING CLUTCH	FLANGE STARTING CLUTCH	1	2010	
28126		28126-KUDU-900	CAP STARTING ROLLER SPRING	CAP STARTING ROLLER SPRING	3	160	
31210		31210-LLB1-900	MOTOR UNIT START	MOTOR UNIT START	1	15050	
32410		32410-LLB1-900	CABLE START MOTOR	CABLE START MOTOR	1	1750	
90201		90201-GFY6-901	NUT LOCK 22MM	NUT LOCK 22MM	1	110	
90403		90403-KUDU-900	WASHER THRUST 22.2*39*2.5	WASHER THRUST 22.2*39*2.5	1	120	
91101		91101-1K79-711	ROLLER 10*10	ROLLER 10*10	3	60	
91104-GFY6-90C-B	91104-GFY6-90C-B		BRG NEEDLE/28*32*17/0.002-0.004	BRG NEEDLE/28*32*17/0.002-0.004	1	360	
91104-GFY6-90C-R	91104-GFY6-90C-R		BRG NEEDLE 28*32*17	BRG NEEDLE 28*32*17	1	360	
91309		91309-4E25-004	O-RING 24.4*3.1	O-RING 24.4*3.1	1	60	
91981		91981-KGN7-670	SCREW WASH 5*8	SCREW WASH 5*8	1	60	

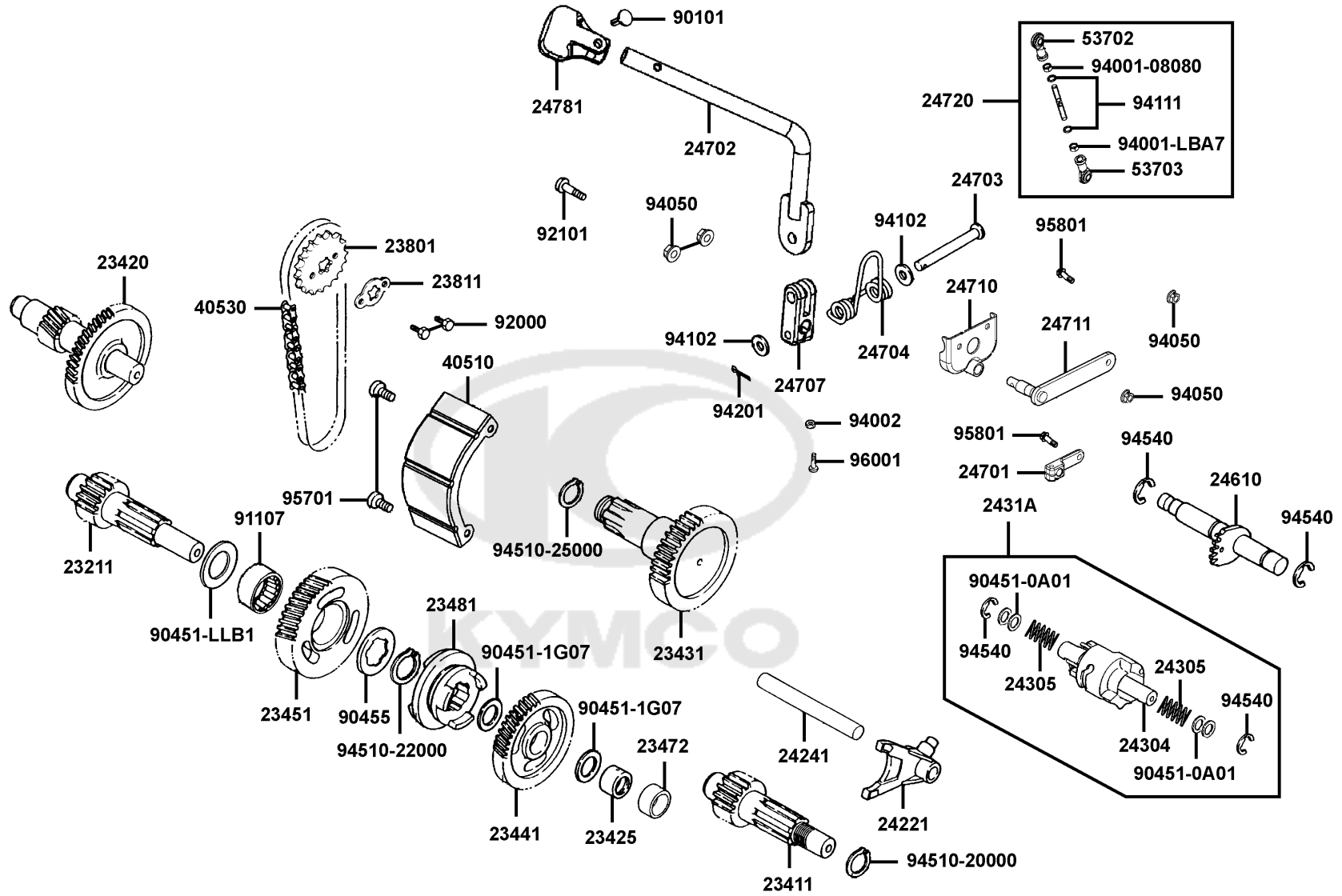


Sales mark 記号	Ref no 参照用番号	Part no パーツ番号	Description 部品名	Reg description 部品名	Regd no 必要個数	Ref Price 希望小売価格(税抜)	E07
94050	94050-06080	94050-06080	NUT FLANGE 6MM	NUT FLANGE 6MM	1	60	
94303	94303-04065	94303-04065	DOWEL PIN 4*6.5	DOWEL PIN 4*6.5	1	60	
96001-06012	96001-06012-06	96001-06012-06	BOLT FLANGE SH 6*12	BOLT FLANGE SH 6*12	1	60	
96001-06016	96001-06016-06	96001-06016-06	BOLT FLANGE SH 6X16	BOLT FLANGE SH 6X16	1	60	
96001-06028	96001-06028-06	96001-06028-06	BOLT FLANGE SH 6*28	BOLT FLANGE SH 6*28	1	60	
96220	96220-60100	96220-60100	ROLLER 6*10	ROLLER 6*10	1	60	
96600	96600-08010-16	96600-08010-16	SOCKET BOLT 8*10	SOCKET BOLT 8*10	1	60	



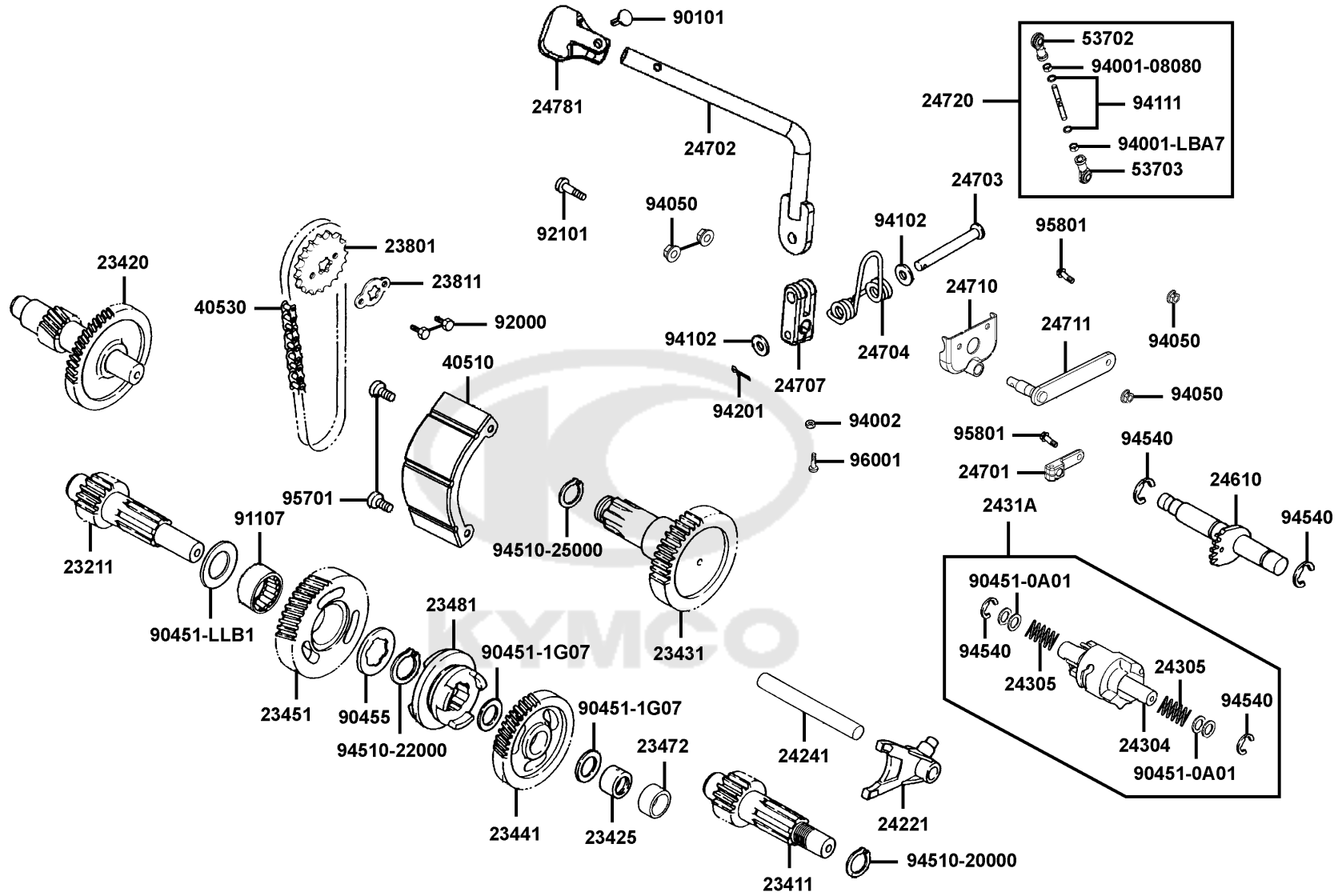


Sales mark 記号	Ref no 参照用番号	Part no パーツ番号	Description 部品名	Reg description 部品名	Regd no 必要個数	Ref Price 希望小売価格(税抜)	E08
23211		23211-LLB1-900	SHAFT MAIN	SHAFT MAIN	1	4760	
23411		23411-LCA4-E00	SHAFT DRIVE	SHAFT DRIVE	1	6820	
23420		23420-LCA4-E00	SHAFT COMP COUNTER	SHAFT COMP COUNTER	1	10480	
23425		23425-LLB1-900	BUSH 15MM	BUSH 15MM	1	320	
23431		23431-LLB1-910	SHAFT FINAL	SHAFT FINAL	1	7920	
23441		23441-LCA4-E00	GEAR FORWARD	GEAR FORWARD	1	11690	
23451		23451-LLB1-900	GEAR BACKWARD	GEAR BACKWARD	1	3490	
23472		23472-LLB1-900	COLLAR 15*20*11	COLLAR 15*20*11	1	560	
23481		23481-LCA4-E00	SHIFT MAIN	SHIFT MAIN	1	3960	
23801		23801-LLB1-900	SPROCKET DRIVE 14T	SPROCKET DRIVE 14T	1	1900	
23811		23811-LLB1-900	PLATE A2 FIXING	PLATE A2 FIXING	1	160	
24221		24221-LLB1-900	FORK GEAR SHIFT	FORK GEAR SHIFT	1	4120	
24241		24241-KGB4-C00	SHAFT GEAR SHIFT FORK GUIDE	SHAFT GEAR SHIFT FORK GUIDE	1	340	
24304		24304-LLB1-900	SHAFT DRUM	SHAFT DRUM	1	720	
24305		24305-LLB1-900	SPRING DRUM	SPRING DRUM	2	400	
2431A		2431A-LLB1-E00	DRUM ASSY GEAR SHIFT	DRUM ASSY GEAR SHIFT	1	10300	
24610		24610-LLB1-900	SPINDLE ASSY DRUM SHIFT	SPINDLE ASSY DRUM SHIFT	1	1900	
24701		24701-LCA4-E00	GEAR CHANGE HANDLE	GEAR CHANGE HANDLE	1	1270	
24702		24702-LCA4-E00	BAR CHANGE HANDLE	BAR CHANGE HANDLE	1	960	
24703		24703-LLB1-900	PIN CHANGE HANDLE	PIN CHANGE HANDLE	1	160	



Sales mark 記号	Ref no 参照用番号	Part no パーツ番号	Description 部品名	Reg description 部品名	Regd no 必要個数	Ref Price 希望小売価格(税抜)
24704	24704-LBA7-900		SPRING CHANGE HANDLE	SPRING CHANGE HANDLE	1	560
24707	24707-LBA7-900		BRKT CHANGE HANDLE	BRKT CHANGE HANDLE	1	1750
24710	24710-LCA4-E00		STAY CHANGE HANDLE ASSY	STAY CHANGE HANDLE ASSY	1	1110
24711	24711-LCA4-E00		SHAFT COMP CHANGE HANDLE	SHAFT COMP CHANGE HANDLE	1	1270
24720	24720-LCA4-E00		ROD ASSY CHANGE HANDLE	ROD ASSY CHANGE HANDLE	1	5230
24781	24781-LCA5-E00			COVER CHANGE HNDL	1	720
40510	40510-LLB1-900		COVER CHAIN	COVER CHAIN	1	240
40530	40530-LLB1-900		CHAIN DRIVE	CHAIN DRIVE	1	19010
53702	53702-LBA7-900			JOINT R BALL	1	1820
53703	53703-LBA7-900			JOINT L BALL	1	1820
90101	90101-LCA5-E00			SOCKET BOLT 5X12	1	
90451-0A01	90451-0A01-001		WASHER THRUST 14M/M	WASHER THRUST 14M/M	4	160
90451-1G07	90451-1G07-001		WASHER THRUST 15MM	WASHER THRUST 15MM	2	110
90451-LLB1	90451-LLB1-900		WASHER THRUST 22MM	WASHER THRUST 22MM	1	160
90455	90455-LLB1-900		WASHER SPLINE 22MM	WASHER SPLINE 22MM	1	200
91107	91107-LLB1-900		BRG NEEDLE 22*30*13	BRG NEEDLE 22*30*13	1	3250
91107	91107-LLB1-90A		BRG NEEDLE 22*30*13	BRG NEEDLE 22*30*13	1	3250
92000	92000-06010-0G		BOLT HEX 6*10 (G)	BOLT HEX 6*10 (G)	1	200
92101	92101-06020-0G		BOLT HEX 6X20	BOLT HEX 6X20	1	200
94001-08080	94001-08080-0S		NUT HEX 8MM	NUT HEX 8MM	1	160

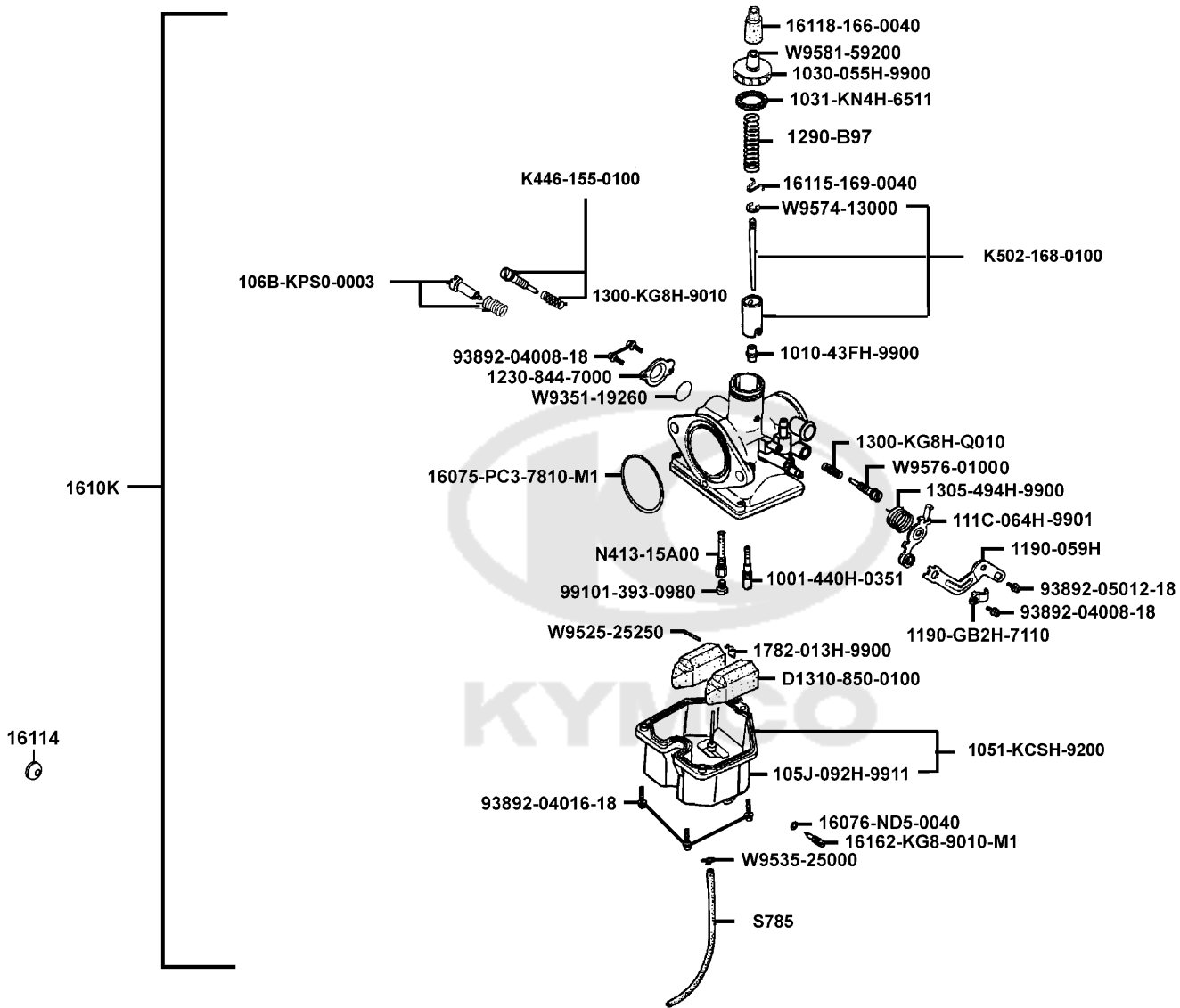
E08



Sales mark 記号	Ref no 参照用番号	Part no パーツ番号	Description 部品名	Reg description 部品名	Regd no 必要個数	Ref Price 希望小売価格(税抜)	E08
94001-LBA7		94001-LBA7-900		NUT HEX LH 8MM	1	110	
94002		94002-06060-0S	NUT HEX 6MM	NUT HEX 6MM	1	200	
94050		94050-08080	NUT FLANGE 8MM	NUT FLANGE 8MM	4	60	
94102		94102-08000	WASHER PLAIN 8MM	WASHER PLAIN 8MM	2	200	
94111		94111-08800	WASHER SPG 8MM	WASHER SPG 8MM	2	60	
94201		94201-20150	PIN SPLIT 2*15	PIN SPLIT 2*15	1	200	
94510-20000		94510-20000	CIR CLIP EX 20	CIR CLIP EX 20	1	60	
94510-22000		94510-22000		CIR CLIP EX 22MM	1	110	
94510-25000		94510-25000	CIR CLIP EXTERNAL 25	CIR CLIP EXTERNAL 25	1	200	
94540		94540-12028	E RING 12	E RING 12	4	110	
95701		95701-06012-06	BOLT FLANGE 6*22 (K)	BOLT FLANGE 6*22 (K)	1	60	
95801		95801-08028-06	BOLT FLANGE 8*28	BOLT FLANGE 8*28	2	200	
96001		96001-06016-06	BOLT FLANGE SH 6X16	BOLT FLANGE SH 6X16	1	60	

E09

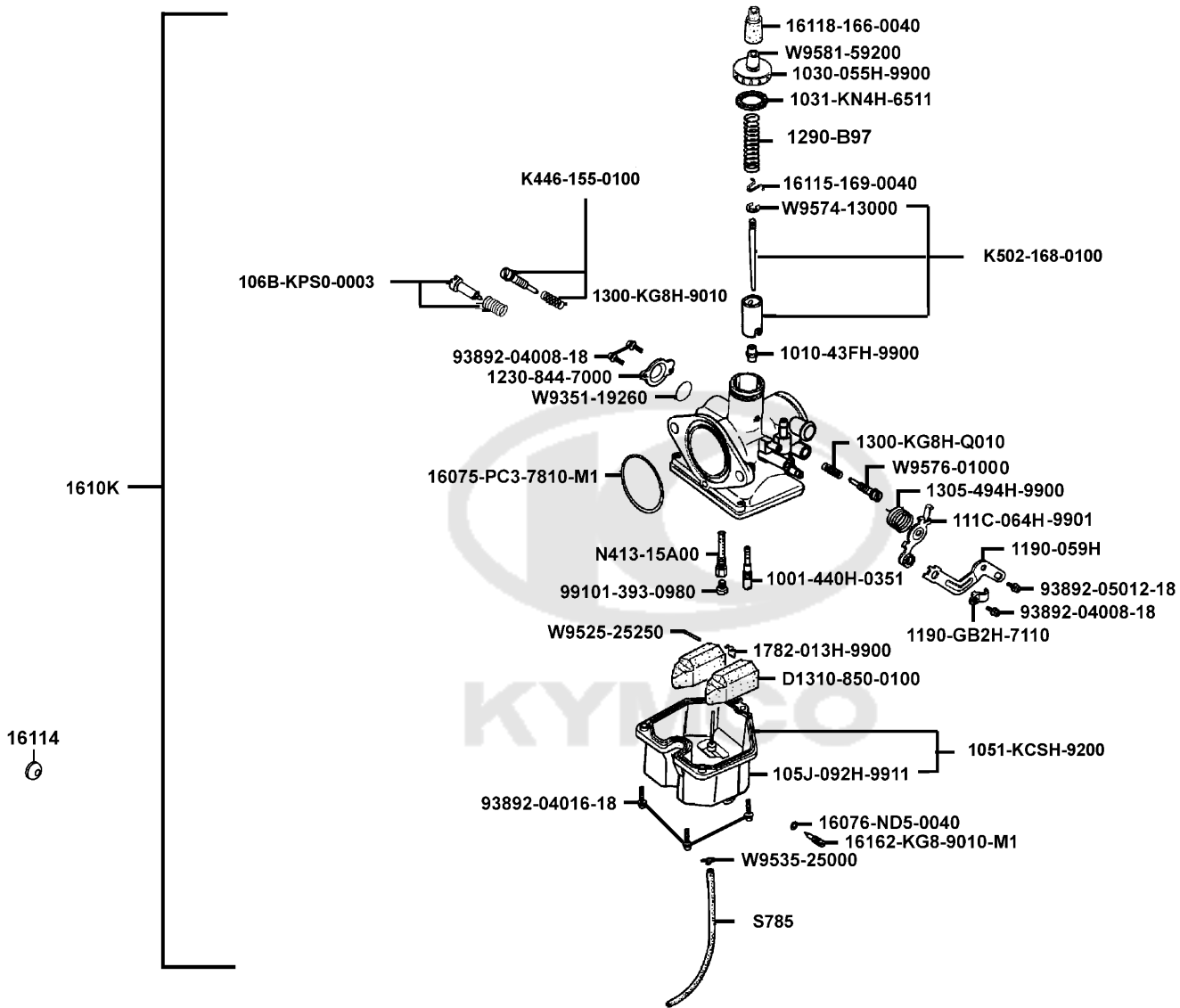
Carburetor



Sales mark 記号	Ref no 参照用番号	Part no パーツ番号	Description 部品名	Reg description 部品名	Regd no 必要個数	Ref Price 希望小売価格(税抜)	E09
	1001-440H-0351	1001-440H-0351	SLOW JET	SLOW JET	1	480	
	1010-43FH-9900	1010-43FH-9900	NEEDLE JET	NEEDLE JET	1	380	
	1030-055H-9900	1030-055H-9901	TOP	TOP	1	960	
	1031-KN4H-6511	1031-KN4H-6511	TOP GASKET	TOP GASKET	1	240	
	1051-KCSH-9200	1051-KCSH-9200	FLOAT CHAMBER GASKET	FLOAT CHAMBER GASKET	1	220	
	105J-092H-9911	105J-092H-9911	F.C.B COMP	F.C.B COMP	1	2660	
	106B-KPS0-0003	106B-KPS0-0003	FLOAT VALVE COMP	FLOAT VALVE COMP	1	1180	
	111C-064H-9901	111C-064H-9901		CHOKE LEVER	1	780	
	1190-059H	1190-059H-9901	STAY PLATE	STAY PLATE	1	800	
	1190-GB2H-7110	1190-GB2H-7111	STAY PLATE	STAY PLATE	1	320	
	1230-844-7000	1230-844-7000	DIAPHRAGM COVER	DIAPHRAGM COVER	1	160	
	1290-B97	1290-B97-2000	SPG COMPRESSION	SPG COMPRESSION	1	380	
	1300-KG8H-9010	1300-KG8H-9010	COMPR SPG	COMPR SPG	1	60	
	1300-KG8H-Q010	1300-KG8H-Q010	COMPR SPG	COMPR SPG	1	60	
	1305-494H-9900	1305-494H-9900		TORSION SPG	1	200	
	16075-PC3-7810-M1	16075-PC3-7810-M1	O-RING	O-RING	1	110	
	16076-ND5-0040	16076-ND5-0040	O RING	O RING	1	110	
	1610K	1610K-LLB1-810	CARBURETOR ASSY	CARBURETOR ASSY	1	28040	
	16114	16114-LDB5-E00	SHAFT COVER	SHAFT COVER	1	80	
	16115-169-0040	16115-169-0040	BAR CLIP	BAR CLIP	1	160	

E09

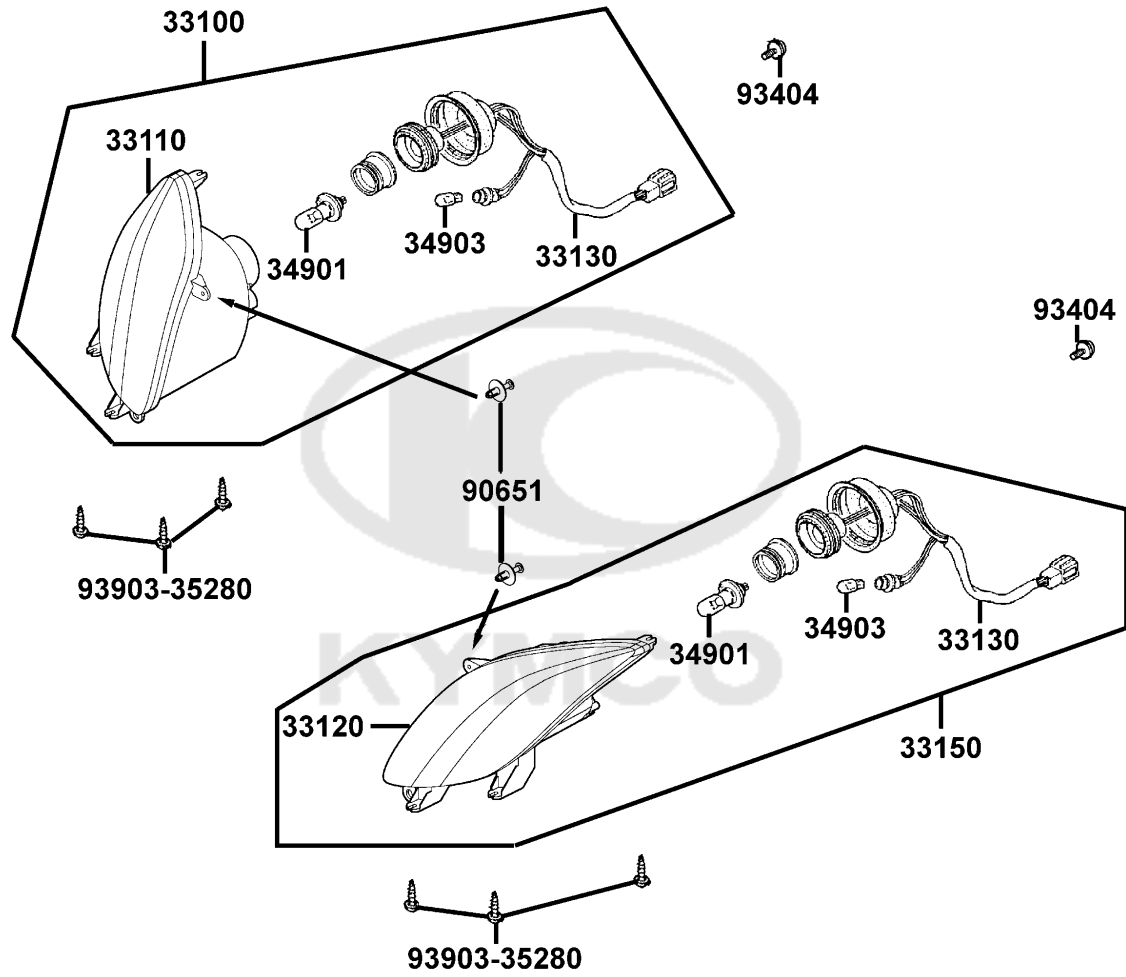
Carburetor



Sales mark 記号	Ref no 参照用番号	Part no パーツ番号	Description 部品名	Reg description 部品名	Regd no 必要個数	Ref Price 希望小売価格(税抜)	E09
	16118-166-0040	16118-166-0040	CABLE SEALING CAP	CABLE SEALING CAP	1	200	
	16162-KG8-9010-M1	16162-KG8-9010-M1	DRAIN SCREW PAN	DRAIN SCREW PAN	1	300	
	1782-013H-9900	1782-013H-9900	SPECIAL CLIP	SPECIAL CLIP	1	200	
	93892-04008-18	93892-04008-16	SCREW WASHER 4*8	SCREW WASHER 4*8	1	200	
	93892-04016-18	93892-04016-18-3	SCREW WASHER	SCREW WASHER	1	110	
	93892-05012-18	93892-05012-06	SCREW WASHER 5*12	SCREW WASHER 5*12	1	200	
	99101-393-0980	99101-393-0980		MAIN JET	1	400	
	D1310-850-0100	D1310-850-0100	FLOAT COMP	FLOAT COMP	1	1590	
	K446-155-0100	K446-155-0100	ADJUST SCREW ASSY	ADJUST SCREW ASSY	1	420	
	K502-168-0100	K502-168-0100	THROTTLE VALVE ASSY	THROTTLE VALVE ASSY	1	12170	
	N413-15A00	N413-15A00	NEEDLE JET HOLDER	NEEDLE JET HOLDER	1	620	
	S785	S785-1170	TUBE SET	TUBE SET	1	160	
	W9351-19260	W9351-19260	O-RING	O-RING	1	220	
	W9525-25250	W9525-25250	ARM PIN	ARM PIN	1	110	
	W9535-25000	W9535-25000	TUBE CLIP	TUBE CLIP	1	60	
	W9574-13000	W9574-13000	NEEDLE CLIP PLATE	NEEDLE CLIP PLATE	1	110	
	W9576-01000	W9576-01000	STOP SCREW	STOP SCREW	1	200	
	W9581-59200	W9581-59200	CABLE ADJUSTING BOLT	CABLE ADJUSTING BOLT	1	200	

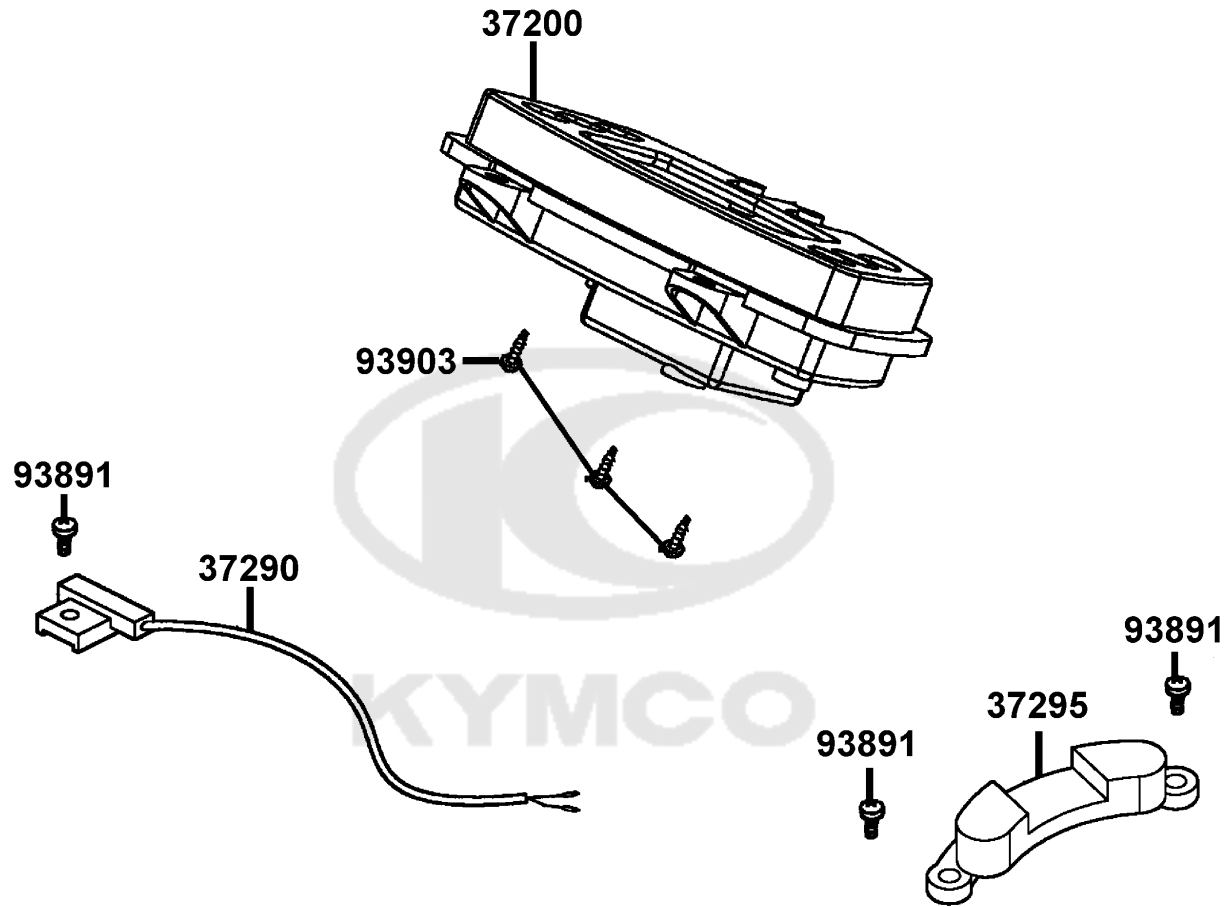
F01

Head Light



Sales mark 記号	Ref no 参照用番号	Part no パーツ番号	Description 部品名	Reg description 部品名	Regd no 必要個数	Ref Price 希望小売価格(税抜)	F01
33100		33100-LCA5-E00		LIGHT ASSY R HEAD	1	14820	
33110		33110-LCA5-E00		UNIT HEAD LIGHT R	1	9980	
33120		33120-LCA5-E00		UNIT HEAD LIGHT L	1	9510	
33130		33130-LCA5-E00		SOCKET COMP	2	1560	
33150		33150-LCA5-E00		LIGHT ASSY L HEAD	1	14820	
34901		34901-KFA6-900	BULB HEAD LIGHT	BULB HEAD LIGHT	2	4190	
34903		34903-KPCP-900	BULB POSITION LIGHT 12V5W **KCP-	BULB POSITION LIGHT 12V5W **KCP-9000	2	320	
90651		90651-LCA5-E00	CLIP FENDER	CLIP FENDER	2	100	
93404		93404-06016-06	BOLT WASHER 6*16	BOLT WASHER 6*16	2	60	
93903		93903-35260	SCREW WASHER 4*12	SCREW WASHER 4*12	6	60	





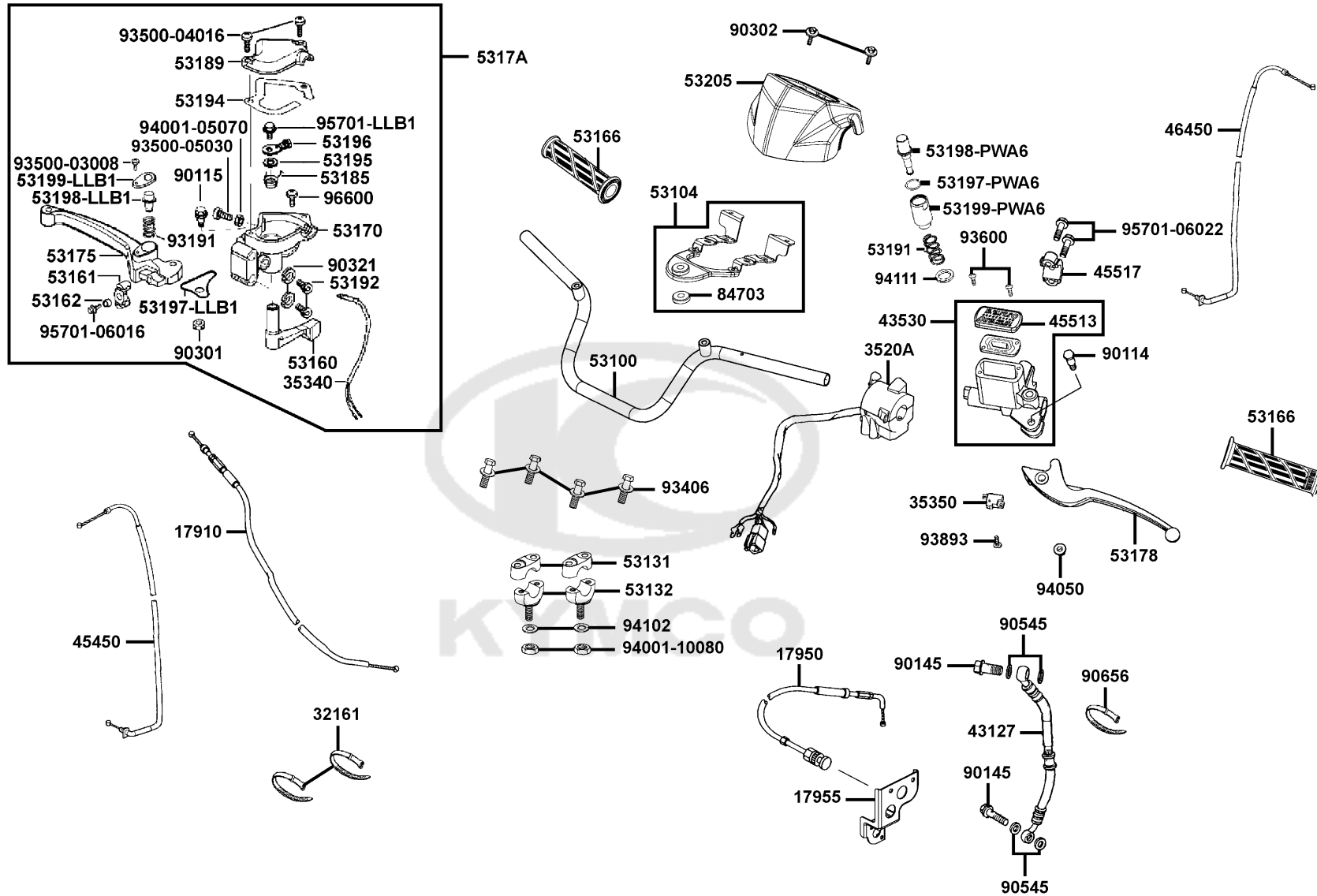
Sales mark 記号	Ref no 参照用番号	Part no パーツ番号	Description 部品名	Reg description 部品名	Regd no 必要個数	Ref Price 希望小売価格(税抜)	F02
------------------	-----------------	------------------	--------------------	------------------------	-----------------	-------------------------	-----

37200		37200-PWA8-900	METER ASSY SPEED	METER ASSY SPEED	1	20600	
37290		37290-LLB1-E00	SENSOR WHEEL RPM	SENSOR WHEEL RPM	1	1150	
37295		37295-LLB1-E00	SENSOR MAGNET WHEEL RPM	SENSOR MAGNET WHEEL RPM	1	580	
93891		93891-05012-06	SCREW WASHER 5*12	SCREW WASHER 5*12	3	60	
93903		93903-35260	SCREW WASHER 4*12	SCREW WASHER 4*12	3	60	



F03

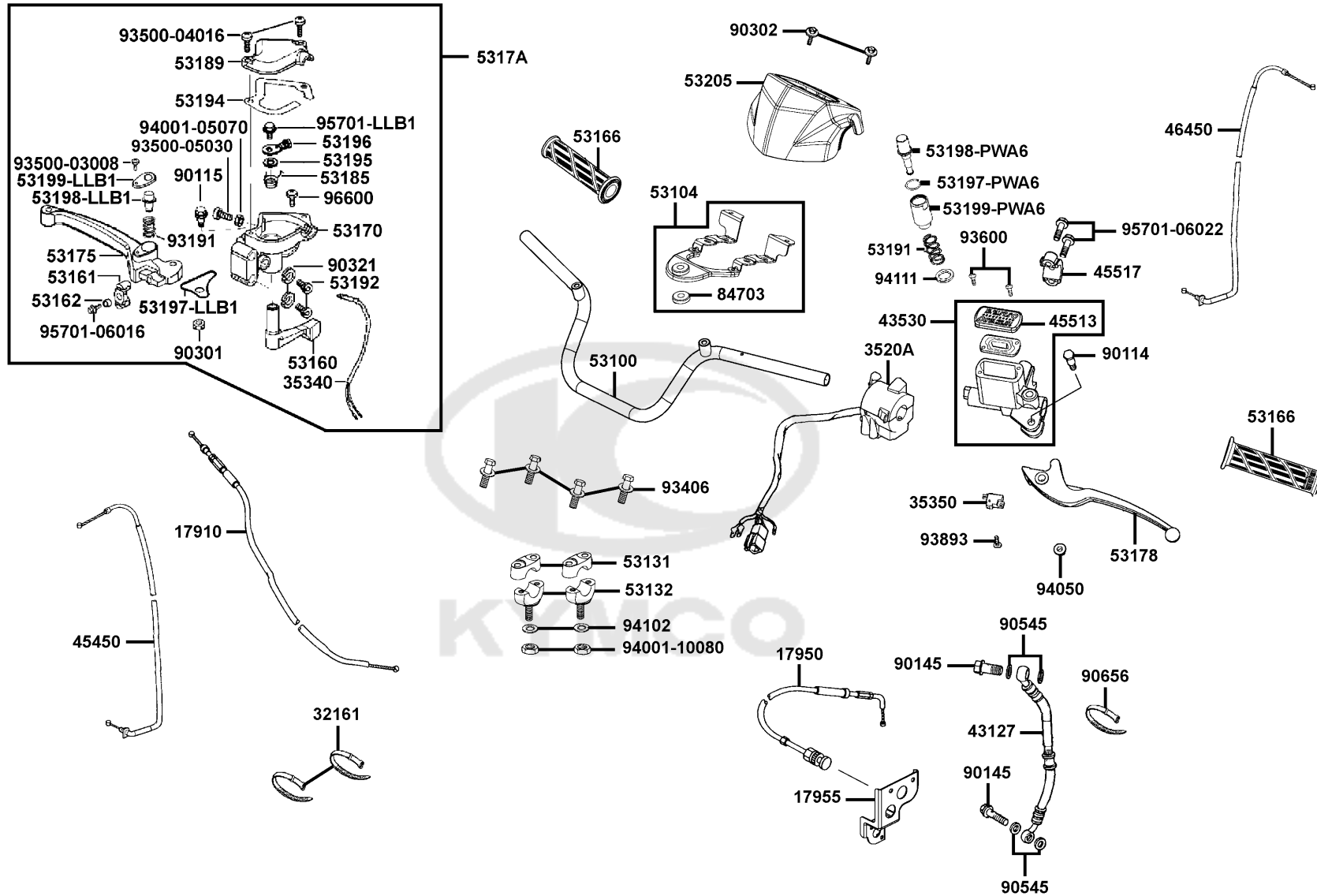
Handle Steering



Sales mark 記号	Ref no 参照用番号	Part no パーツ番号	Description 部品名	Reg description 部品名	Regd no 必要個数	Ref Price 希望小売価格(税抜)	F03
17910		17910-LCA4-E00	CABLE COMP THROT	CABLE COMP THROT	1	1110	
17950		17950-LLB1-900	CABLE COMP CHOKE	CABLE COMP CHOKE	1	730	
17955		17955-LLB1-900	STAY CHOKE & FUEL COCK	STAY CHOKE & FUEL COCK	1	640	
32161		32161-4D04-001	BAND BI WIRE	BAND BI WIRE	2	200	
3520A		3520A-LDF3-900	SW ASSY HANDLE COMP	SW ASSY HANDLE COMP	1	8950	
35340		35340-LLB1-800	SW ASSY FR STOP	SW ASSY FR STOP	1	1060	
35350		35350-KNBN-901	SW ASSY RR STOP	SW ASSY RR STOP	1	960	
43127		43127-LLB1-800	HOSE ASSY RR BRAKE	HOSE ASSY RR BRAKE	1	12420	
43530		43530-PWA6-305	CYLINDER SET RR MASTER	CYLINDER SET RR MASTER	1	16320	
45450		45450-LLB1-900	CABLE COMP FR BRK R	CABLE COMP FR BRK R	1	1370	
45513		45513-GLW0-91A	CAP MASTER CYLINDER	CAP MASTER CYLINDER	1	560	
45517		45517-KFAF-900	HOLDER M/C	HOLDER M/C	1	440	
46450		46450-LLB1-900	CABLE COMP FR BRK L	CABLE COMP FR BRK L	1	1440	
53100		53100-LCA4-600	HANDLE PIPE STRG	HANDLE PIPE STRG	1	3800	
53104		53104-LCA4-E00	STAY COMP HANDLE COVER	STAY COMP HANDLE COVER	1	1270	
53131		53131-4K39-001	HOLDER HANDLE PIPE	HOLDER HANDLE PIPE	2	440	
53132		53132-LLB1-900	HOLDER UNDER HANDLE PIPE	HOLDER UNDER HANDLE PIPE	2	1910	
53160		53160-LLB1-800	LEVER CHOKE	LEVER CHOKE	1	830	
53161		53161-LLB1-800	EQUALIZER BRAKE CABLE	EQUALIZER BRAKE CABLE	1	580	
53162		53162-LLB1-800	SPACER	SPACER	1	390	

F03

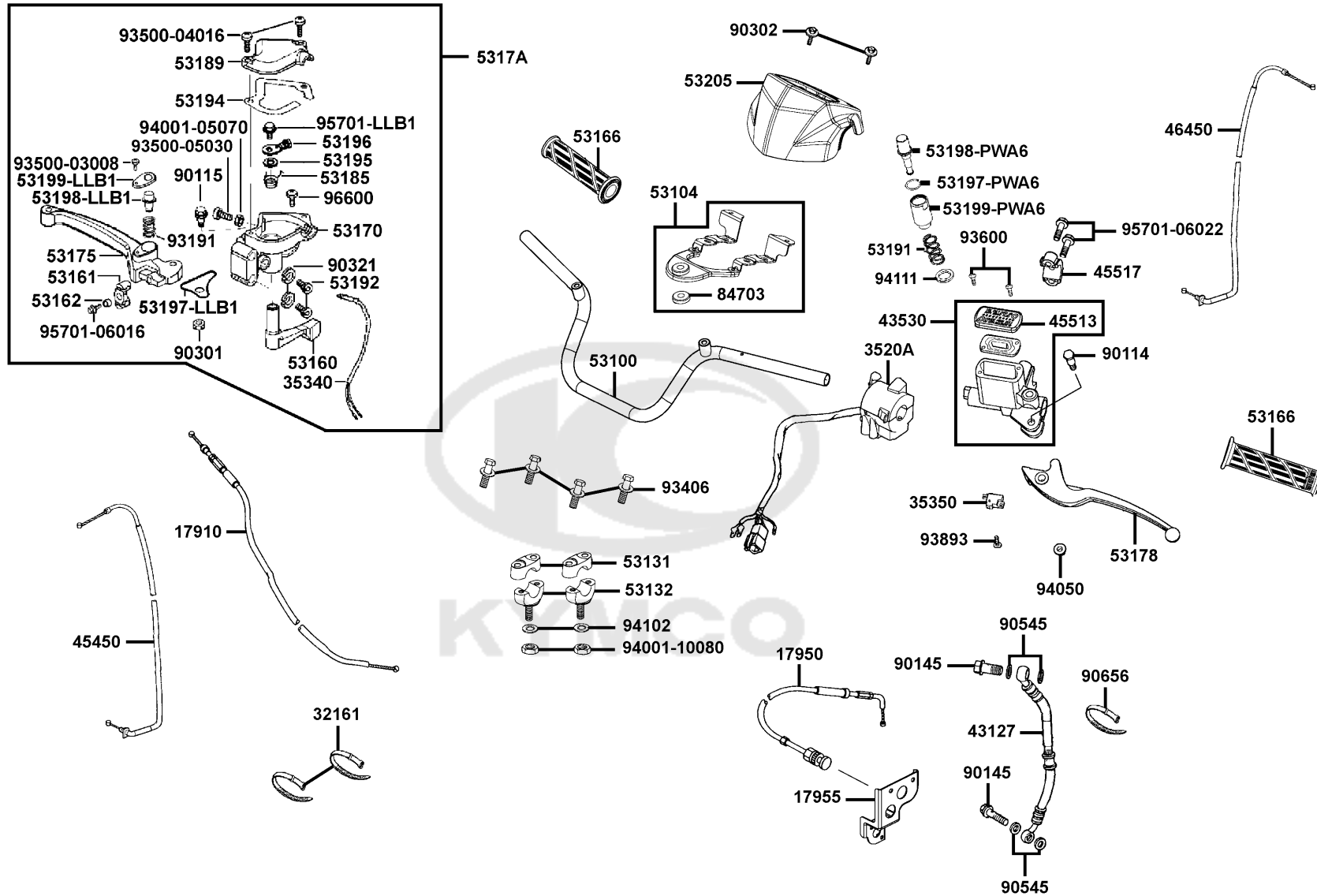
Handle Steering



Sales mark 記号	Ref no 参照用番号	Part no パーツ番号	Description 部品名	Reg description 部品名	Regd no 必要個数	Ref Price 希望小売価格(税抜)	F03
	53166	53166-KEC5-001	GRIP L HANDLE	GRIP L HANDLE	2	490	
	53170	53170-LLB1-800	BRKT HANDLE R	BRKT HANDLE R	1	1580	
**	53175	53175-LBD4-900	LEVER R STRG HANDLE	LEVER R STRG HANDLE	1	960	
**	53178	53178-PWA8-900	LEVER L STRG HANDLE	LEVER L STRG HANDLE	1	1510	
	5317A	5317A-LCA4-M01	BRKT ASSY HANDLE R	BRKT ASSY HANDLE R	1	8120	
	53185	53185-LLB1-800	SPPING RETURN	SPPING RETURN	1	490	
	53189	53189-LLB1-800	COVER BRKT R	COVER BRKT R	1	630	
	53191	53191-PWA6-900	SPRING RETURN	SPRING RETURN	1	120	
	53192	53192-LLB1-800	BOLT WIRE ADJUST	BOLT WIRE ADJUST	2	390	
	53194	53194-LLB1-800	PACKING	PACKING	1	200	
	53195	53195-LLB1-800	WASHER FLAT	WASHER FLAT	1	490	
	53196	53196-LLB1-800	PLATE CHOKE	PLATE CHOKE	1	490	
	53197-LLB1	53197-LLB1-800	STOPPER PBK	STOPPER PBK	1	390	
	53197-PWA6	53197-PWA6-900	CLIP	CLIP	1	80	
	53198-LLB1	53198-LLB1-800	BUTTON PBK	BUTTON PBK	1	390	
	53198-PWA6	53198-PWA6-900	BUTTON PARKING	BUTTON PARKING	1	560	
	53199-LLB1	53199-LLB1-800	COVER PBK	COVER PBK	1	390	
	53199-PWA6	53199-PWA6-900	COVER PARING	COVER PARING	1	720	
**	53205	53205-LCA5-EV0	COVER HANDLE	COVER HANDLE	1	1750	
	84703	84703-LLB1-900	RUBBER TAIL LIGHT	RUBBER TAIL LIGHT	1	70	

F03

Handle Steering

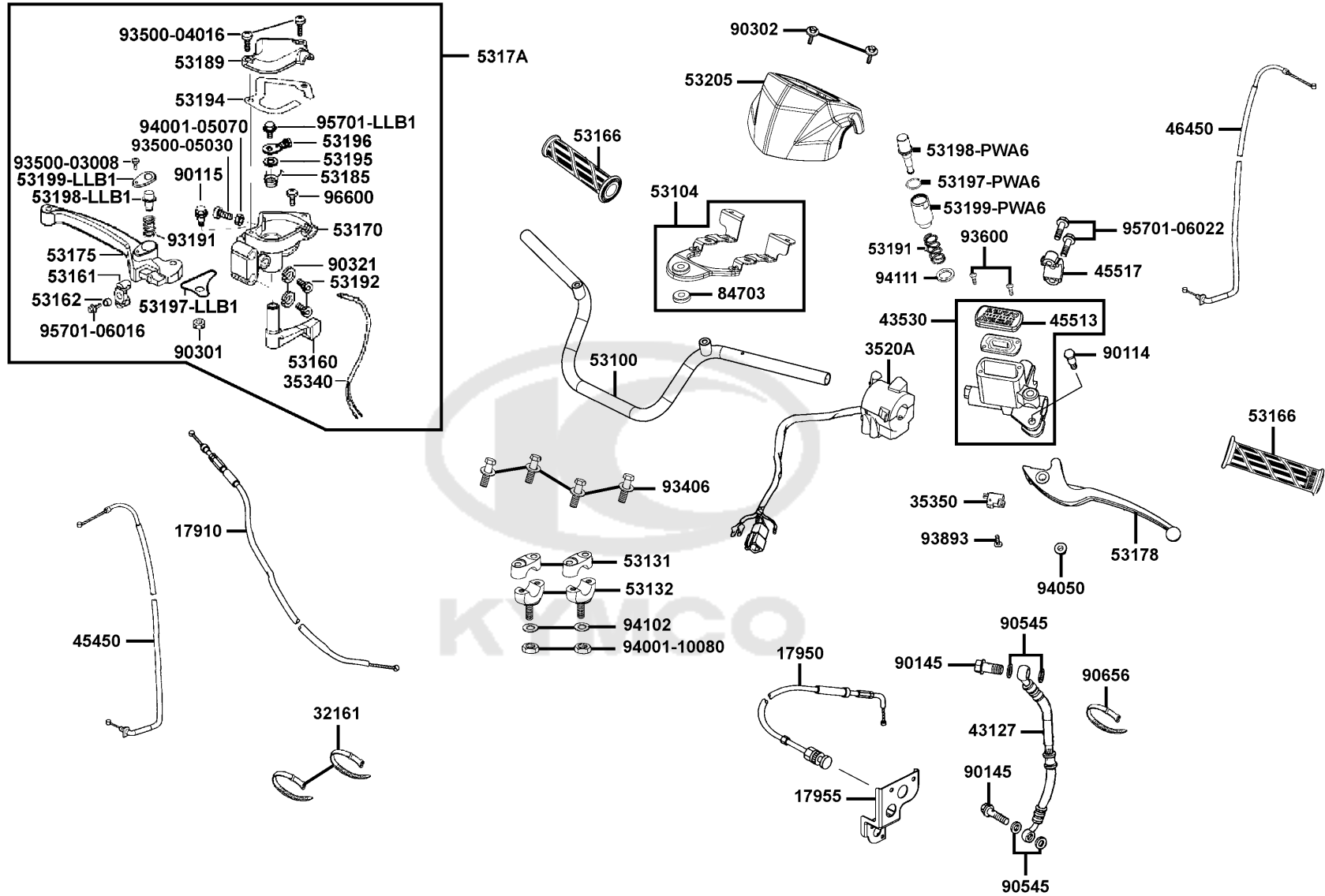


Sales mark 記号	Ref no 参照用番号	Part no パーツ番号	Description 部品名	Reg description 部品名	Regd no 必要個数	Ref Price 希望小売価格(税抜)
90114	90114-1F66-007	90114-1F66-007	BOLT HANDLE LEVER	BOLT HANDLE LEVER	1	60
90115	90115-LLB1-800	90115-LLB1-800	BOLT HANDLE LEVER PIROT	BOLT HANDLE LEVER PIROT	1	200
90145	90145-LEA3-E00	90145-LEA3-E00	OIL BOLT 10x22	OIL BOLT 10x22	2	150
90301	90301-LLB1-800	90301-LLB1-800	NUT U 6MM	NUT U 6MM	1	110
90302	90302-PWA1-900	90302-PWA1-900	BOLT-WASH 5*16	BOLT-WASH 5*16	2	60
90321	90321-LLB1-800	90321-LLB1-800	NUT FIXING	NUT FIXING	3	160
90545	90545-3L00-001	90545-3L00-001	WASHER OIL BOLT	WASHER OIL BOLT	4	60
90656	90656-KCBC-900	90656-KCBC-900	BAND OIL HANDLE	BAND OIL HANDLE	1	60
93191	93191-LLB1-800	93191-LLB1-800	SPG HAND BRAKE	SPG HAND BRAKE	1	490
93406	93406-LLB1-900	93406-LLB1-900	BOLT-WASHER 8*35	BOLT-WASHER 8*35	4	70
93500-03008	93500-03008-0G	93500-03008-0G	SCREW PAN 3*8	SCREW PAN 3*8	1	60
93500-04016	93500-04016-0G	93500-04016-0G	SCREW PAN 4*16	SCREW PAN 4*16	2	60
93500-05030	93500-05030-0G	93500-05030-0G	SCREW BOLT M5*30	SCREW BOLT M5*30	1	320
93600	93600-04012-1G	93600-04012-1G	SCREW FLAT 4*12	SCREW FLAT 4*12	2	60
93893	93893-04012-18	93893-04012-18	SCREW WASHER 4*12	SCREW WASHER 4*12	1	60
94001-05070	94001-05060-0S	94001-05060-0S	NUT HEX 5MM	NUT HEX 5MM	1	
94001-10080	94030-10080	94030-10080	NUT HEX 10MM	NUT HEX 10MM	2	200
94050	94050-06080	94050-06080	NUT FLANGE 6MM	NUT FLANGE 6MM	1	60
94102	94101-10800	94101-10800	WASHER PLAIN 10MM	WASHER PLAIN 10MM	2	200
94111	94111-PWA6-900	94111-PWA6-900	WASHER SPRING	WASHER SPRING	1	160

F03

F03

Handle Steering



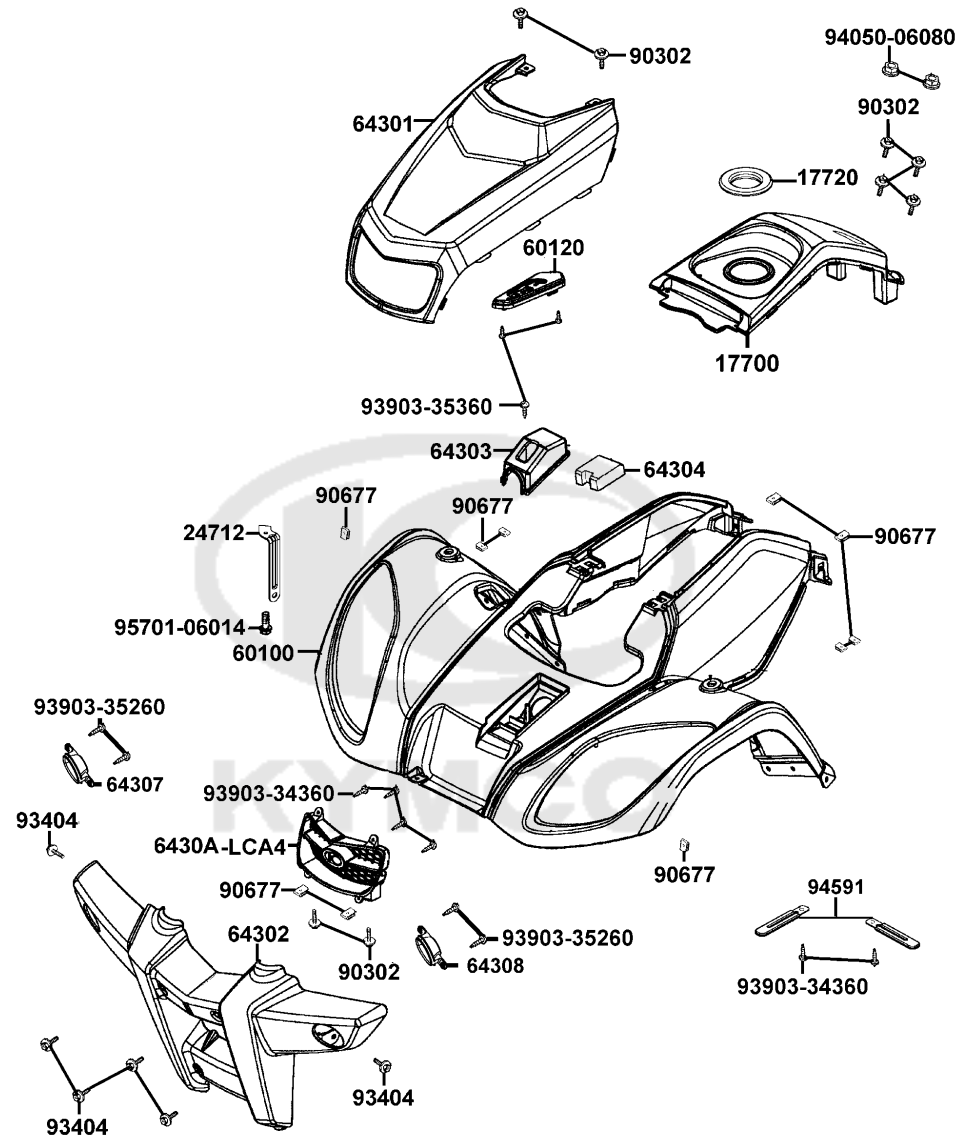
Sales mark 記号	Ref no 参照用番号	Part no パーツ番号	Description 部品名	Reg description 部品名	Regd no 必要個数	Ref Price 希望小売価格(税抜)	F03
------------------	-----------------	------------------	--------------------	------------------------	-----------------	-------------------------	-----

95701-06016	95701-06016-06	95701-06016-06	BOLT FLANGE 6*22 (K)	BOLT FLANGE 6*22 (K)	1	110	
95701-06022	95701-06022-06	95701-06022-06	BOLT FLANGE 6*22	BOLT FLANGE 6*22	2	60	
95701-LLB1	95701-LLB1-800	95701-LLB1-800	SPG HAND BRAKE	SPG HAND BRAKE	1	200	
96600	96600-06020-06	96600-06020-06	SOCKET BOLT 6*20(G)	SOCKET BOLT 6*20(G)	1	200	



F04

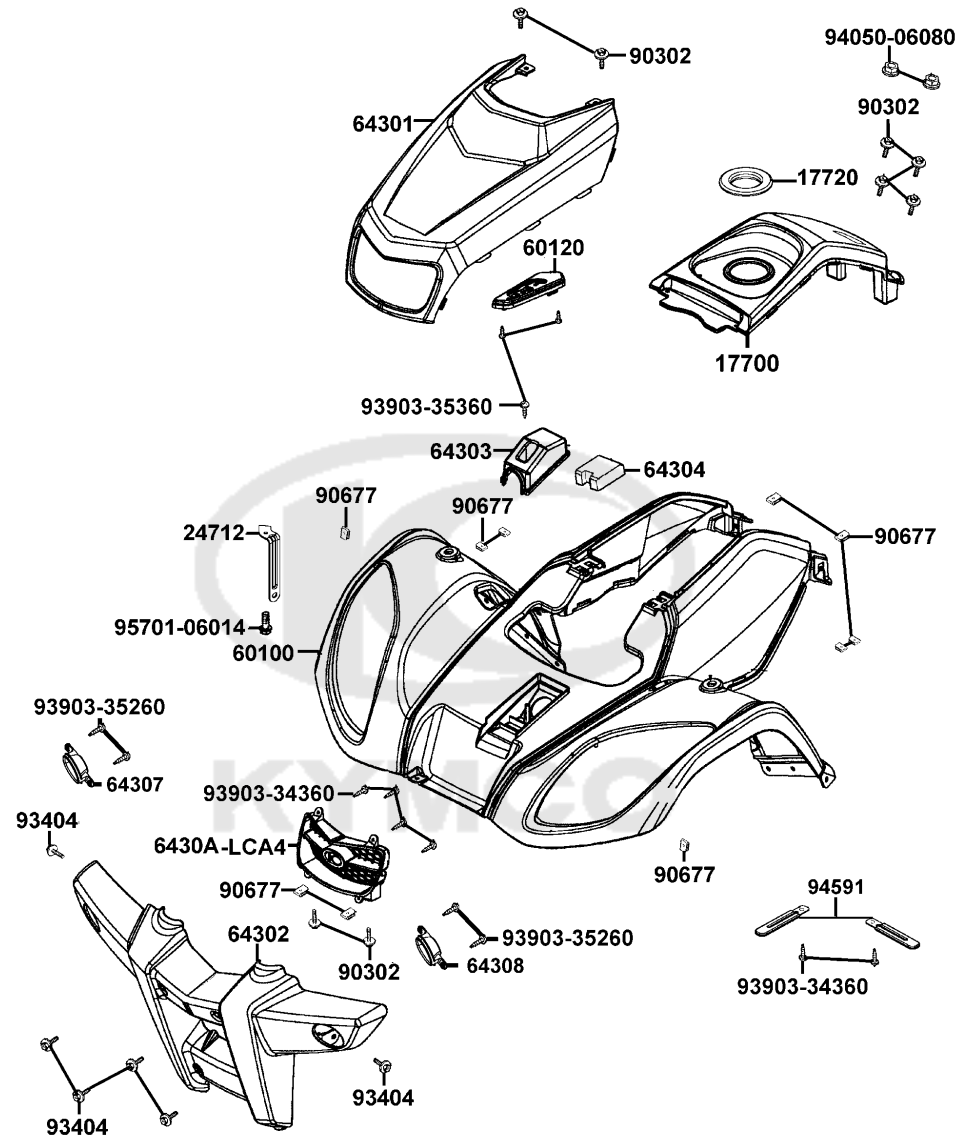
Front Cover Tank Cover



Sales mark 記号	Ref no 参照用番号	Part no パーツ番号	Description 部品名	Reg description 部品名	Regd no 必要個数	Ref Price 希望小売価格(税抜)	F04
**	17700	17700-LCA4-E00	COVER TANK	COVER TANK	1	1110	
	17720	17720-LBA7-900	TRAY TANK COVER	TRAY TANK COVER	1	320	
	24712	24712-LCA4-E00	STAY GUIDE COVER	STAY GUIDE COVER	1	320	
**	60100	60100-LCA4-E00	FENDER FRONT	FENDER FRONT	1	8880	
**	60120	60120-LCA4-E00	GUIDE COVER CHANGE HANDLE	GUIDE COVER CHANGE HANDLE	1	400	
**	64301	64301-LCA4-E00	COVER FR (BLACK)	COVER FR (BLACK)	1	1900	
**	64302	64302-LCA5-E01	BUMPER FR (Black)	BUMPER FR (Black)	1	2860	
	64303	64303-LLB1-900	COVER CVT ELEMENT	COVER CVT ELEMENT	1	320	
	64304	64304-LLB1-900	CVT ELEMENT	CVT ELEMENT	1	160	
	64307	64307-LCA5-900	CAP R FR BUMPER	CAP R FR BUMPER	1	240	
	64308	64308-LCA5-900	CAP L FR BUMPER	CAP L FR BUMPER	1	240	
	6430A-LCA4	6430A-LCA4-E00	GRILLEASSY FR COVER	GRILLEASSY FR COVER	1	1670	
	90302	90302-PWA1-900	BOLT-WASH 5*16	BOLT-WASH 5*16	8	60	
	90677	90677-GAR1-004	NUT CLIP 5MM	NUT CLIP 5MM	10	60	
	93404	93404-KKC2-900-06		BOLT-WASH 6X16	6	60	
	93903-34360	93903-34360	SCREW WASHER 4*12	SCREW WASHER 4*12	6	60	
	93903-35260	93903-35260	SCREW WASHER 4*12	SCREW WASHER 4*12	4	60	
	93903-35360	93903-35360	SCREW WASHER 4*12	SCREW WASHER 4*12	3	60	
	94050-06080	94050-06080	NUT FLANGE 6MM	NUT FLANGE 6MM	2	60	
	94591	94591-27000	CLIP 2*70	CLIP 2*70	2	110	

F04

Front Cover Tank Cover

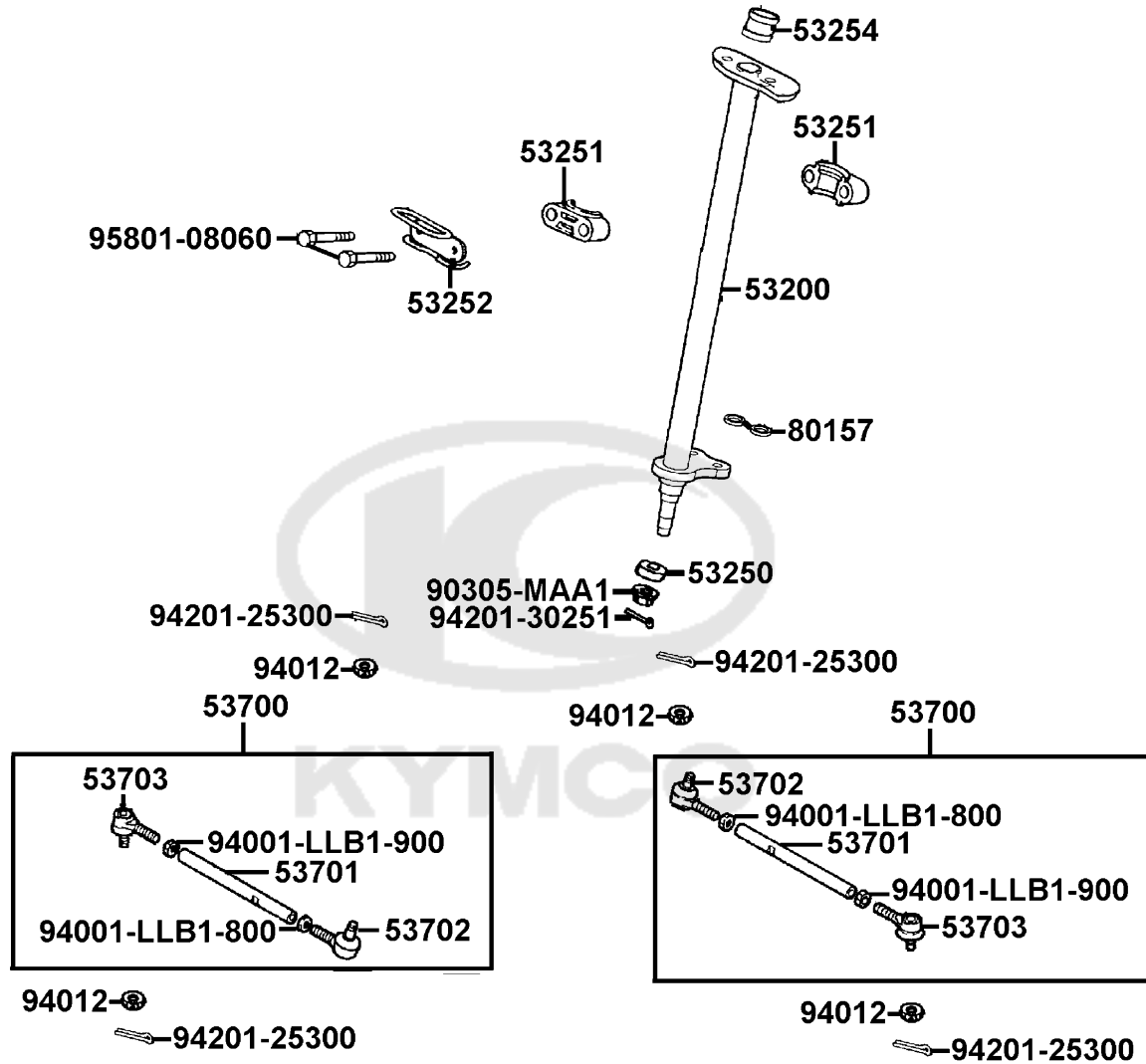


Sales mark 記号	Ref no 参照用番号	Part no パーツ番号	Description 部品名	Reg description 部品名	Regd no 必要個数	Ref Price 希望小売価格(税抜)
------------------	-----------------	------------------	--------------------	------------------------	-----------------	-------------------------

F04

95701-06014	95701-06014-06	BOLT FLANGE 6*14	BOLT FLANGE 6*14	1	130
-------------	----------------	------------------	------------------	---	-----

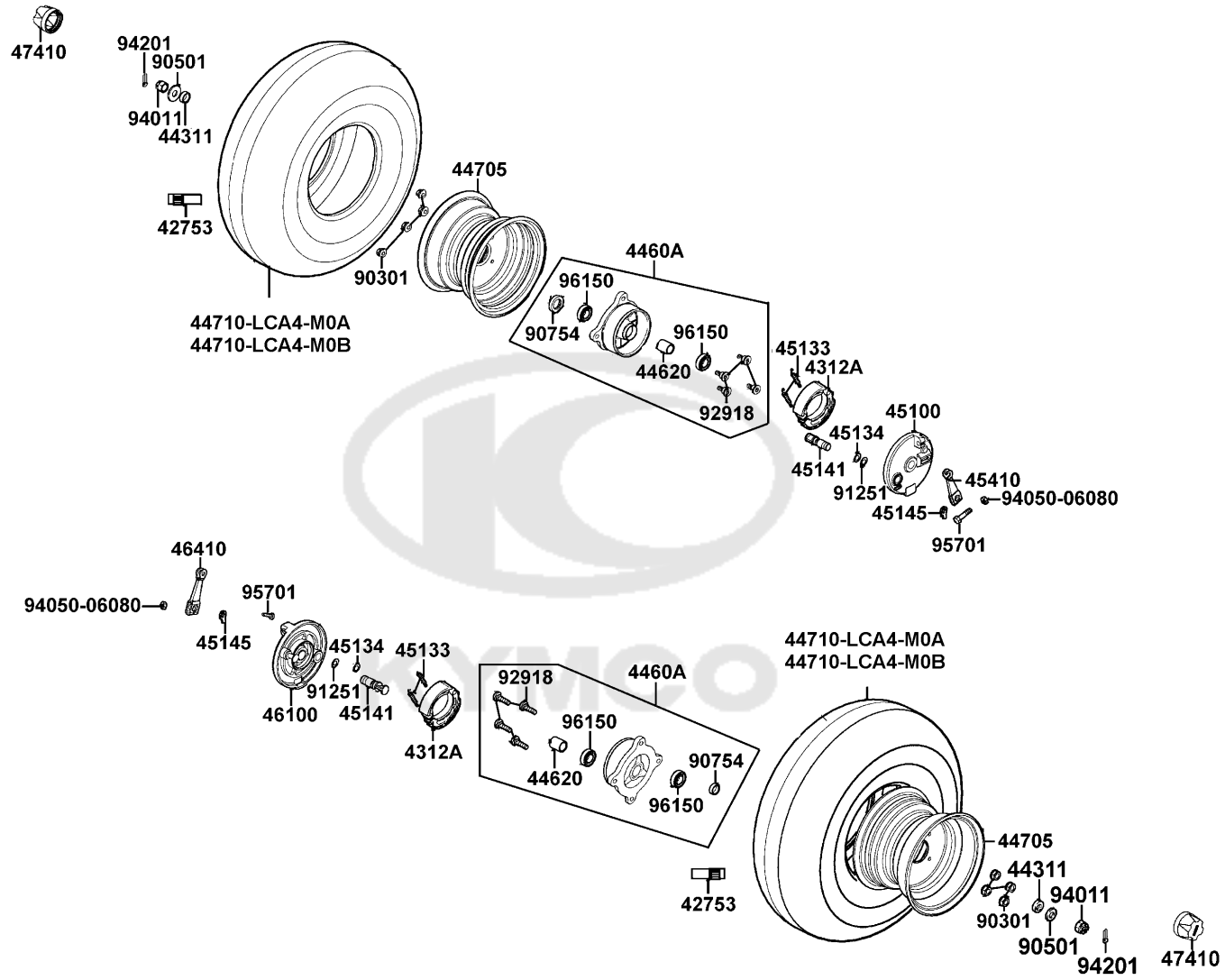




Sales mark 記号	Ref no 参照用番号	Part no パーツ番号	Description 部品名	Reg description 部品名	Regd no 必要個数	Ref Price 希望小売価格(税抜)	F05
53200		53200-LCA4-900	STEM COMP STRG	STEM COMP STRG	1	5550	
53250		53250-LLB1-900	COLLAR STEM BOTTOM	COLLAR STEM BOTTOM	1	200	
53251		53251-LCA5-E00	HOLDER STEM STEERING	HOLDER STEM STEERING	2	510	
53252		53252-LBA7-900	CLAMPER STEM HOLDER	CLAMPER STEM HOLDER	1	640	
53254		53254-LBA7-900	SLEEVE STEM	SLEEVE STEM	1	320	
53700		53700-LCA4-E00	ROD ASSY STEERING	ROD ASSY STEERING	2	4920	
53701		53701-LCA4-E00	ROD TIE	ROD TIE	2	3170	
53702		53702-LLB1-900	JOINT R BALL	JOINT R BALL	2	2220	
53703		53703-LLB1-900	JOINT L BALL	JOINT L BALL	2	2220	
80157		80157-KCBC-900	WASHER	WASHER	2	200	
90305		90305-MAA1-004	U NUT FLANGE 14MM	U NUT FLANGE 14MM	1	320	
94001-LLB1-800		94001-LLB1-800	NUT HEX 10MM	NUT HEX 10MM	2	110	
94001-LLB1-900		94001-LLB1-900	NUT HEX 6 MM	NUT HEX 6 MM	2	110	
94012		94012-LLB1-900	NUT CASTLE 10MM	NUT CASTLE 10MM	4	320	
94201-25300		94201-25300	PIN SPLIT 2.5*30	PIN SPLIT 2.5*30	4	200	
94201-30250		94201-30250	PIN SPLIT 3.0*25	PIN SPLIT 3.0*25	1	60	
95801		95801-08060-06	BOLT FLANGE 8*60	BOLT FLANGE 8*60	2	230	

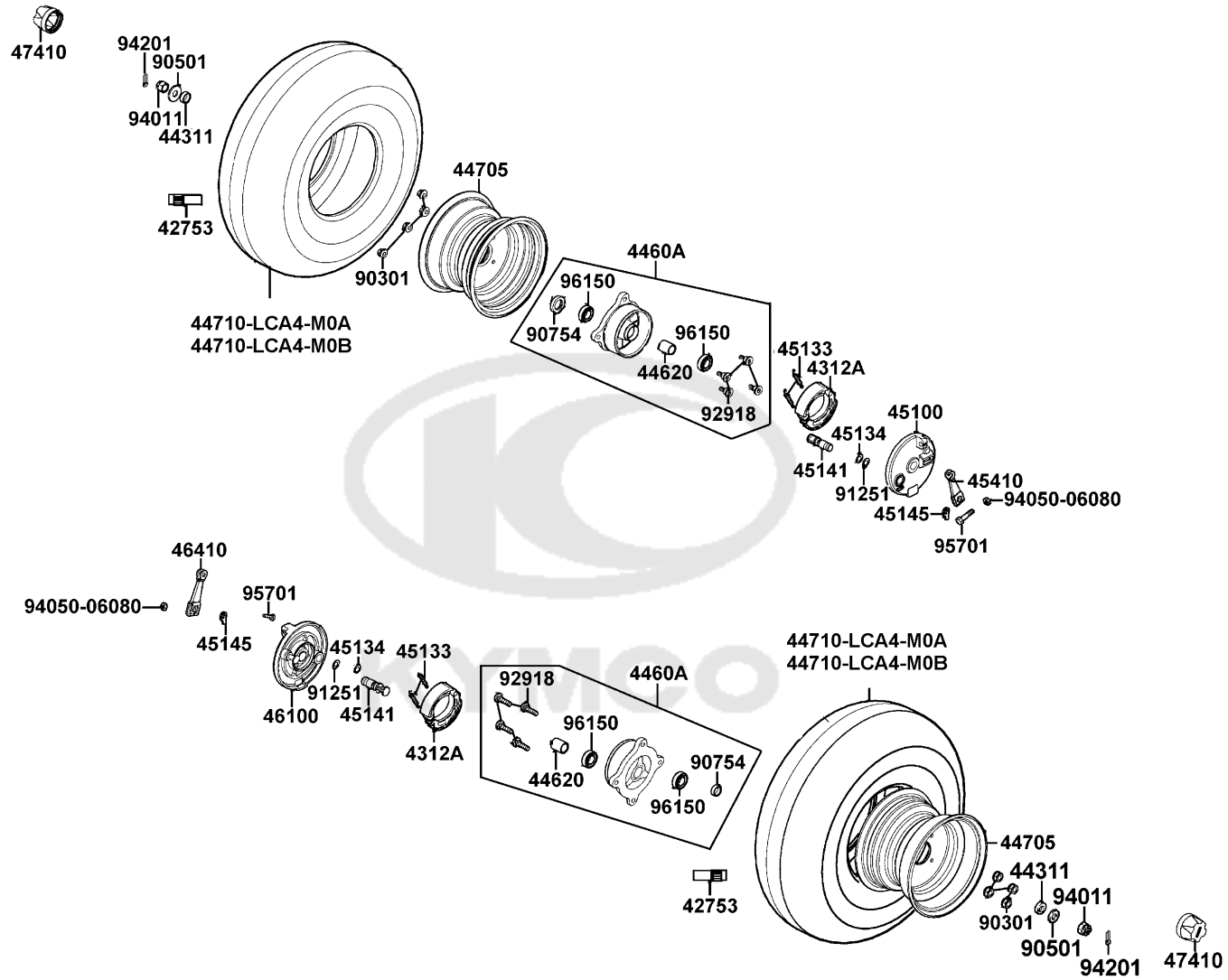
F06

Front Wheel



Sales mark 記号	Ref no 参照用番号	Part no パーツ番号	Description 部品名	Reg description 部品名	Regd no 必要個数	Ref Price 希望小売価格(税抜)
	42753	42753-KNBN-90B	VALAE RIM (TR412)	VALAE RIM (TR412)	2	630
	4312A	4312A-KXCX-900	SHOE ASSY RR BRK	SHOE ASSY RR BRK	2	1960
	44311	44311-LLB1-900	COLLAR FR WHEEL SIDE	COLLAR FR WHEEL SIDE	2	200
	4460A	4460A-LCA4-E00	HUB ASSY FR	HUB ASSY FR	2	7500
	44620	44620-LLB1-900	COLLAR FR DIST	COLLAR FR DIST	2	390
**	44705	44705-LCA5-E00		RIM COMP FR WHEEL	2	8240
	44710-LCA4-M0A	44710-LCA4-M0A	TIRE ASSY FR AT 21*7-10 4P TL	TIRE ASSY FR AT 21*7-10 4P TL	1	13200
	44710-LCA4-M0B	44710-LCA4-M0B	TIRE ASSY FR AT 21*7-10 /MAXXIS	TIRE ASSY FR AT 21*7-10 /MAXXIS	1	19680
**	45100	45100-LLB1-900	PANEL COMP FR RH	PANEL COMP FR RH	1	2960
	45133	45133-0H28-001	SPRING BRAKE SHOE	SPRING BRAKE SHOE	4	160
	45134	45134-2L50-001	BRAKE CAM DUST SEAL	BRAKE CAM DUST SEAL	2	60
	45141	45141-LLB1-900	CAM FR BRAKE	CAM FR BRAKE	2	770
	45145	45145-LLB1-900	INDICATOR FR BRK	INDICATOR FR BRK	2	70
	45410	45410-LLB1-900	ARM FR BRK RH	ARM FR BRK RH	1	510
**	46100	46100-LLB1-900	PANEL COMP FR LH	PANEL COMP FR LH	1	2960
	46410	46410-LLB1-900	ARM FR BRK LH	ARM FR BRK LH	1	510
	47410	47410-LCA5-E00		CAP WHEEL SHAFT	2	260
	90301	90301-LBA7-900	NUT WHEEL 10*14	NUT WHEEL 10*14	8	180
	90501	90501-LCA4-E00	WASHER 14MM	WASHER 14MM	2	200
	90754	90754-LLB1-900	DUST SEAL 22*35*7	DUST SEAL 22*35*7	2	200

F06

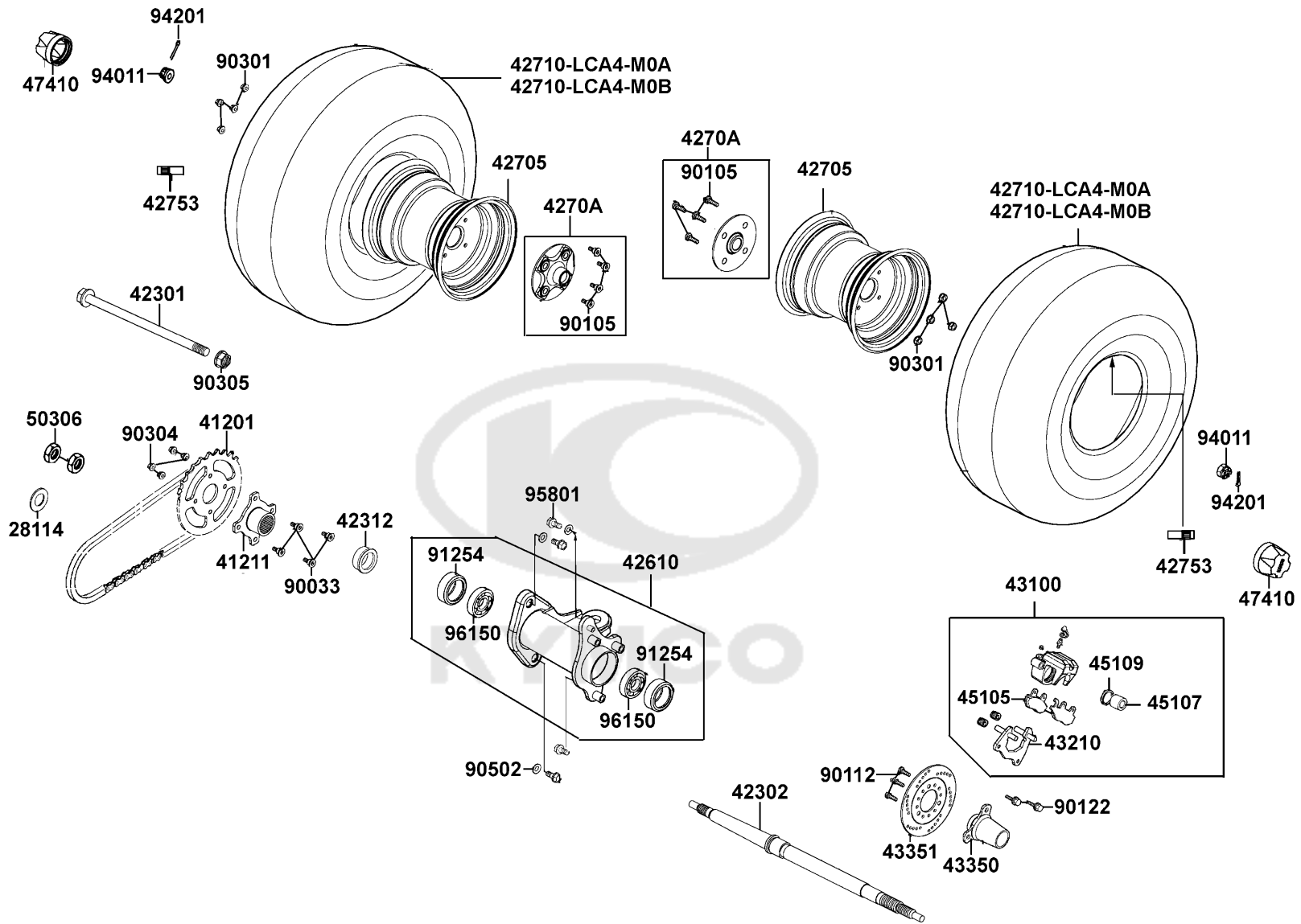


Sales mark 記号	Ref no 参照用番号	Part no パーツ番号	Description 部品名	Reg description 部品名	Regd no 必要個数	Ref Price 希望小売価格(税抜)	F06
91251		91251-GHC8-004	SEAL OIL 41*51*5	SEAL OIL 41*51*5	2	130	
92918		92918-LCA4-E00	BOLT STUD II 10*21	BOLT STUD II 10*21	8	230	
94011		94011-LLB1-900	NUT FLANGE CASTLE 14MM	NUT FLANGE CASTLE 14MM	2	510	
94050-06080		94050-06080	NUT FLANGE 6MM	NUT FLANGE 6MM	2	60	
94201		94201-30300	PIN SPLIT 3*30	PIN SPLIT 3*30	2	60	
95701		95701-06028-06	BOLT FLANGE 6*28 (G)	BOLT FLANGE 6*28 (G)	1	200	
96150		96150-60030-10	BEARING BALL RADIAL 6003	BEARING BALL RADIAL 6003	4	1630	



F07

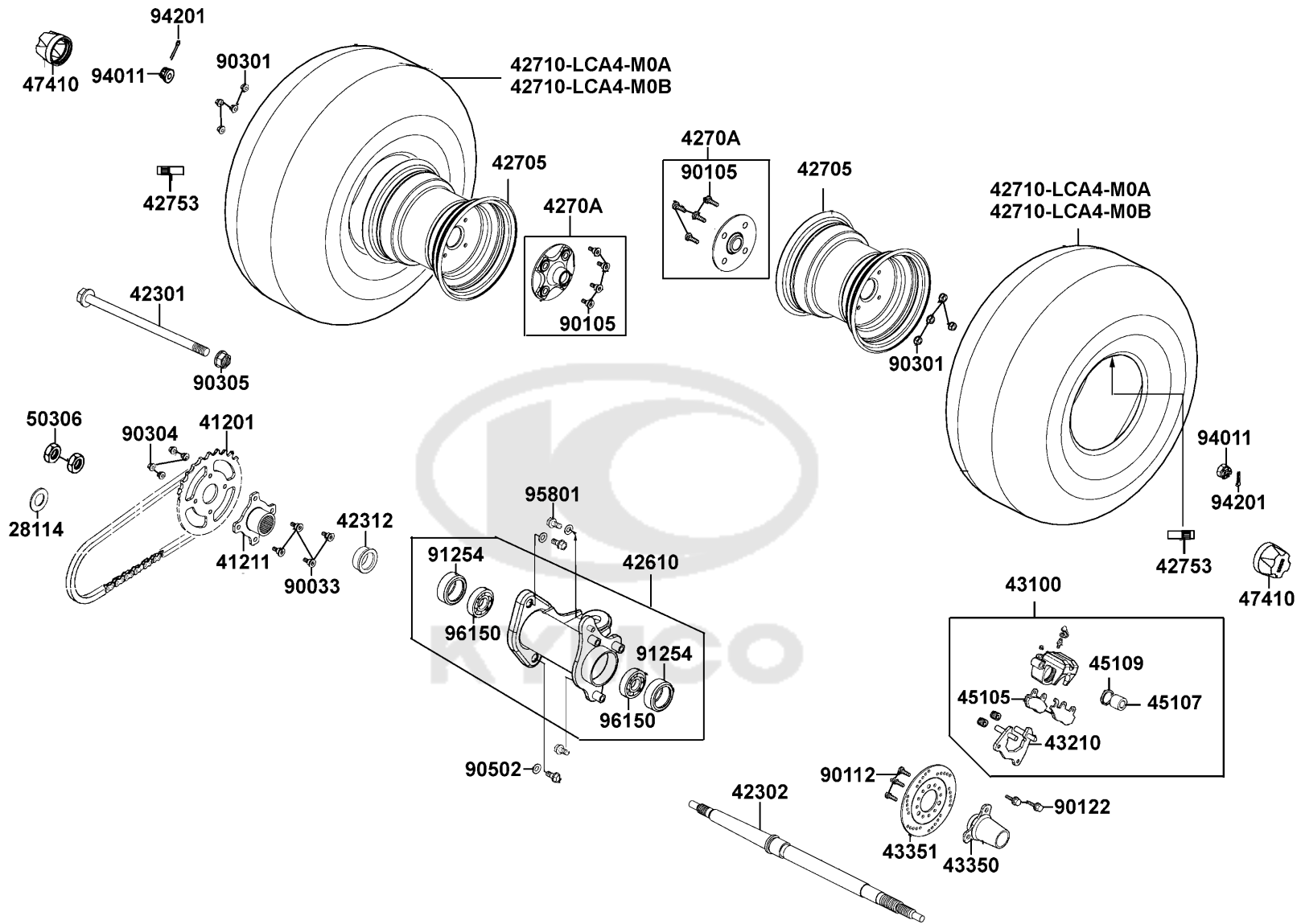
Rear Wheel



Sales mark 記号	Ref no 参照用番号	Part no パーツ番号	Description 部品名	Reg description 部品名	Regd no 必要個数	Ref Price 希望小売価格(税抜)	F07
	28114	28114-GAE1-94A	DISK SPRING	DISK SPRING	1	240	
	41201	41201-LLB1-E00	SPRKT FINAL DRIVEN	SPRKT FINAL DRIVEN	1	3650	
	41211	41211-LLB1-900	HOLDER SPROCKET	HOLDER SPROCKET	1	3240	
	42301	42301-LLB1-900	AXLE RR FORK M14*265MM	AXLE RR FORK M14*265MM	1	1630	
	42302	42302-LCA4-E00	SHAFT RR WHEEL	SHAFT RR WHEEL	1	19410	
	42312	42312-LLB1-900	COLLAR RR SIDE	COLLAR RR SIDE	1	770	
**	42610	42610-LLB1-E01	HUB ASSY RR	HUB ASSY RR	1	20600	
**	42705	42705-LCA5-E00		RIM COMP RR WHEEL	2	10300	
	4270A	4270A-LCA5-E00		CONNECTOR ASSY RR	2	5550	
	42710-LCA4-M0A	42710-LCA4-M0A	TIRE ASSY RR AT 22*10-10 4P TL	TIRE ASSY RR AT 22*10-10 4P TL	1	16830	
	42710-LCA4-M0B	42710-LCA4-M0B	TIRE ASSY RR AT 22*10-10 /MAXXIS	TIRE ASSY RR AT 22*10-10 /MAXXIS	1	28660	
	42753	42753-KNBN-90B	VALAE RIM (TR412)	VALAE RIM (TR412)	2	630	
**	43100	43100-LLB1-800	CALIPER ASSY RR	CALIPER ASSY RR	1	18440	
	43210	43210-LLB1-305	BRACKET RR	BRACKET RR	1	1820	
	43350	43350-LLB1-800	BRACKET BRAKE DISK	BRACKET BRAKE DISK	1	5710	
	43351	43351-KEBE-900	DISK RR BRAKE	DISK RR BRAKE	1	8320	
	45105	45105-KFA6-305	PAD ASSY (A+B)	PAD ASSY (A+B)	1	3240	
	45107	45107-KFA6-900	PISTON	PISTON	1	770	
	45109	45109-KFA6-900	DUST SEAL	DUST SEAL	1	110	
	47410	47410-LCA5-E00		CAP WHEEL SHAFT	2	260	

F07

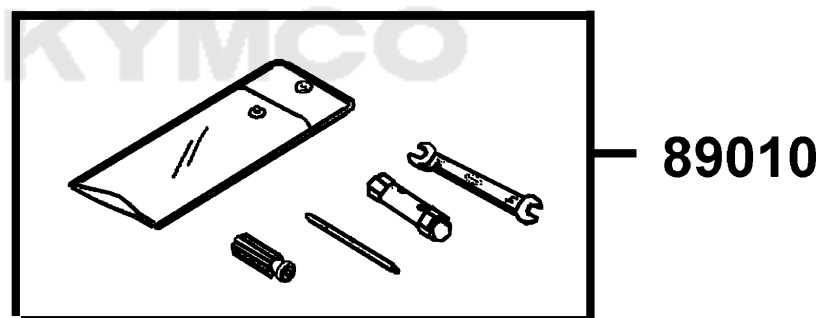
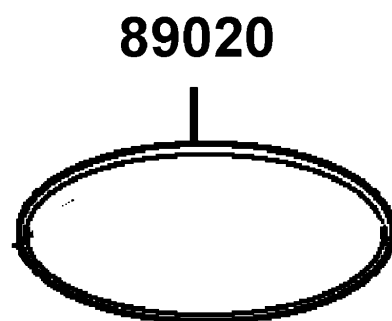
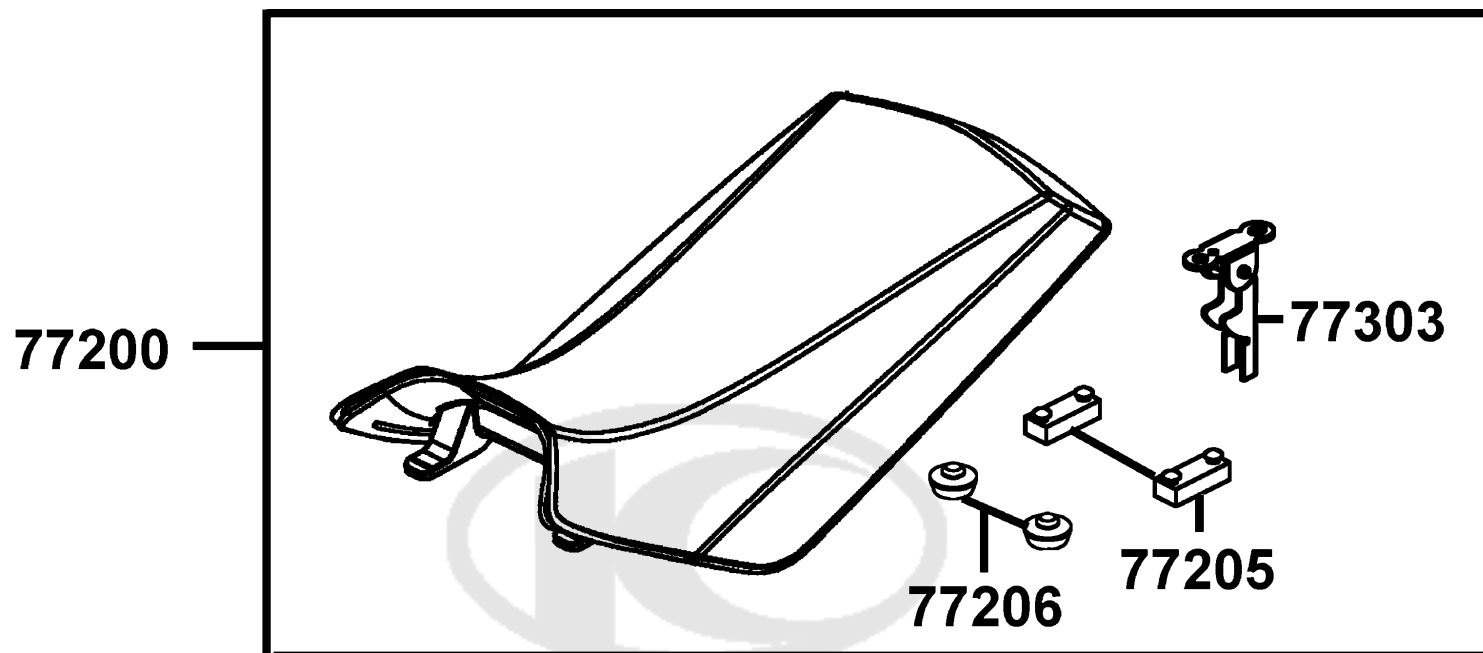
Rear Wheel



Sales mark 記号	Ref no 参照用番号	Part no パーツ番号	Description 部品名	Reg description 部品名	Regd no 必要個数	Ref Price 希望小売価格(税抜)	F07
50306		50306-LLB1-900	NUT RR SHAFT	NUT RR SHAFT	2	870	
90033		90033-LLB1-900	BOLT STUD 10*20	BOLT STUD 10*20	4	160	
90105		90105-LBA7-900	BOLT CONNECTOR	BOLT CONNECTOR	8	220	
90112		90112-LBD4-800	BOLT DISK	BOLT DISK	3	240	
90122		90122-LLB1-800-06	BOLT FLANGE 8*28	BOLT FLANGE 8*28	2	300	
90301		90301-LBA7-900	NUT WHEEL 10*14	NUT WHEEL 10*14	8	180	
90304		90304-GLW0-90A	NUT CAP 6MM	NUT CAP 6MM	4	200	
90305		90305-GHE8-004	NUT U 14MM	NUT U 14MM	1	610	
90502		90502-LLB1-900	WASHER 12.2*28*4	WASHER 12.2*28*4	3	140	
91254		91254-LLB1-900	SEAL DUST	SEAL DUST	2	390	
94011		94011-LBA7-900	NUT FLANGE CASTLE 16MM	NUT FLANGE CASTLE 16MM	2	720	
94201		94201-30300	PIN SPLIT 3*30	PIN SPLIT 3*30	2	60	
95801		95801-LLB1-900-06	BOLT FLANGE 12*25	BOLT FLANGE 12*25	4	350	
96150		96150-69070-10	BEARING BALL RADIAL 6907	BEARING BALL RADIAL 6907	2	5810	

F08

Seat

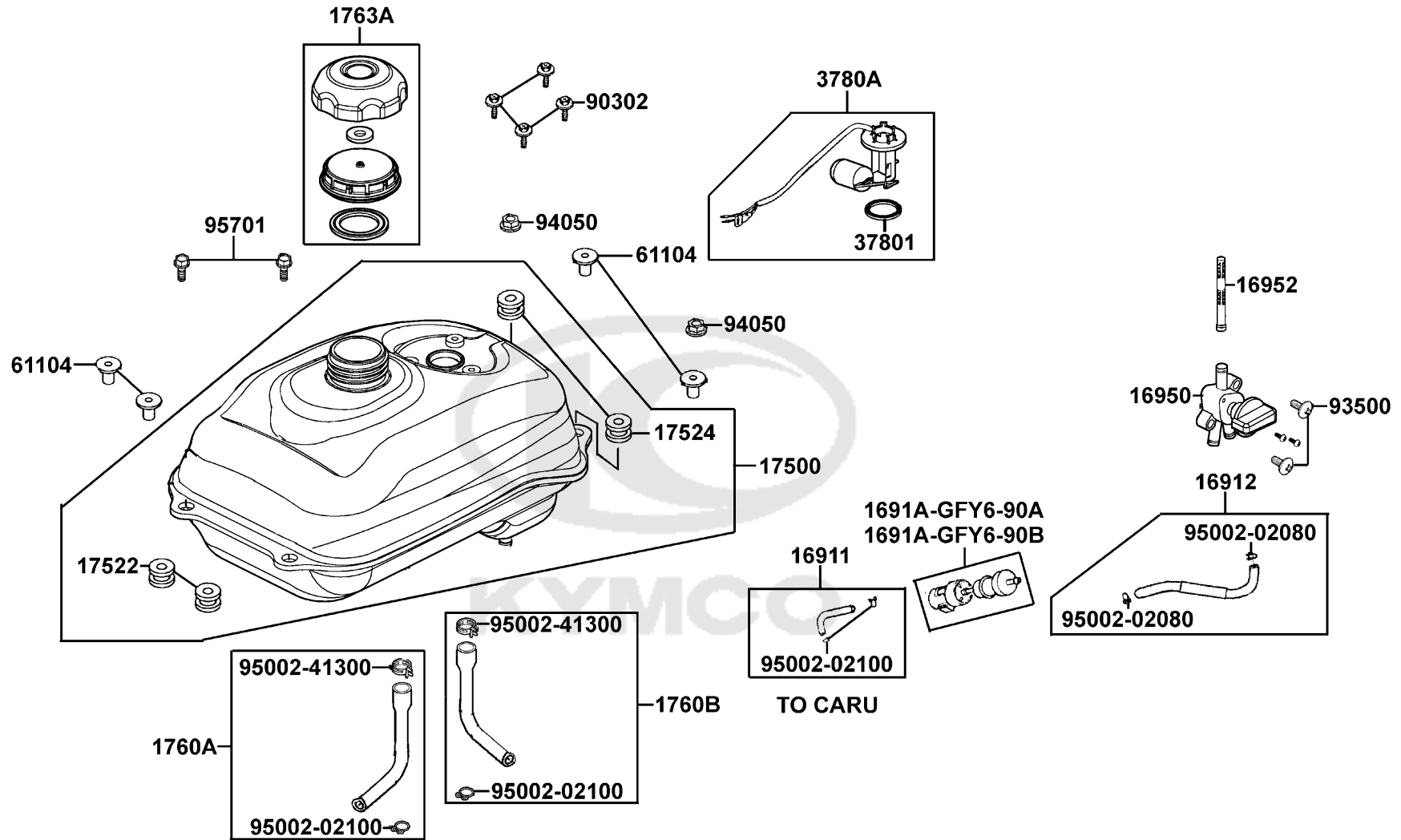


Sales mark 記号	Ref no 参照用番号	Part no パーツ番号	Description 部品名	Reg description 部品名	Regd no 必要個数	Ref Price 希望小売価格(税抜)	F08
**	77200	77200-LCA4-E00	SEAT ASSY	SEAT ASSY	1	11090	
	77205	77205-2F86-001	RUBBER B SEAT SETTING	RUBBER B SEAT SETTING	2	130	
	77206	77206-LBA7-900	RUBBER SEAT CUSH	RUBBER SEAT CUSH	2	160	
	77303	77303-LLB1-900	HOOK ASSY SEAT LOCK	HOOK ASSY SEAT LOCK	1	950	
	89010	89010-LLB1-900	TOOL SET	TOOL SET	1	1980	
	89020	89020-KKC4-900	BAND TOOL SET	BAND TOOL SET	1	130	



F09

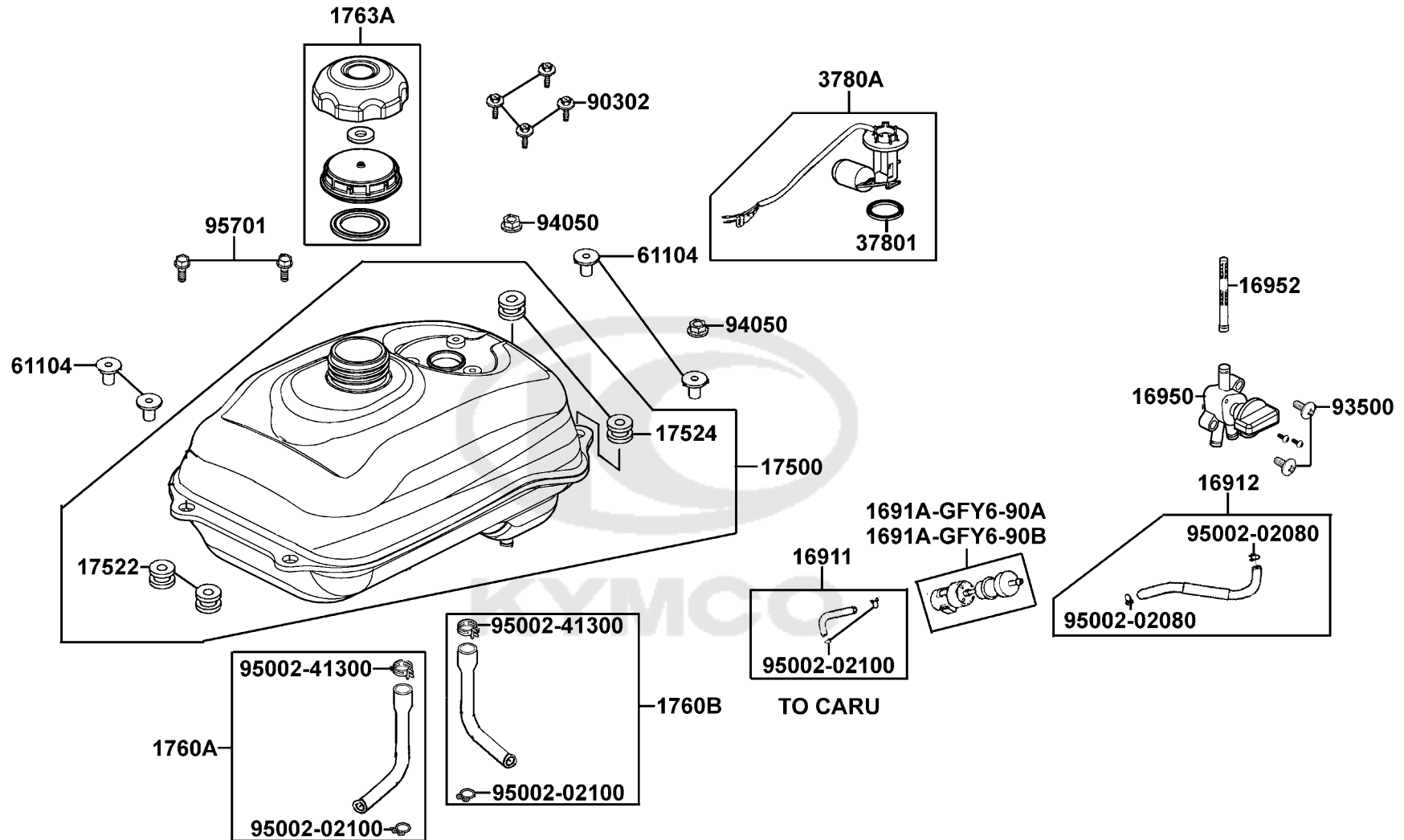
Fuel Tank



Sales mark 記号	Ref no 参照用番号	Part no パーツ番号	Description 部品名	Reg description 部品名	Regd no 必要個数	Ref Price 希望小売価格(税抜)	F09
16911		16911-LLB1-MY0	TUBE ASSY FUEL	TUBE ASSY FUEL	1	600	
16912		16912-LLB1-MY0	TUBE ASSY FUEL	TUBE ASSY FUEL	1	210	
1691A-GFY6-90A		1691A-GFY6-90A	STRAINER ASSY FUEL	STRAINER ASSY FUEL	1	1010	
1691A-GFY6-90B		1691A-GFY6-90B	STRAINER ASSY FUEL	STRAINER ASSY FUEL	1	1150	
16950		16950-LLB1-910	COCK FUEL	COCK FUEL	1	3060	
16952		16952-LLB1-900	SCREEN FUEL STRAINER	SCREEN FUEL STRAINER	1	390	
17500		17500-LCA4-MYA	TANK COMP FUEL	TANK COMP FUEL	1	30550	
17522		17522-LLB1-900	RUBBER FUEL TANK	RUBBER FUEL TANK	2	200	
17524		17524-LLB1-900	RR RUBBER FUEL TANK	RR RUBBER FUEL TANK	2	160	
1760A		1760A-LLB1-MY0	TUBE ASSY FUEL TANK	TUBE ASSY FUEL TANK	1	840	
1760B		1760B-LLB1-MY0	TUBE ASSY FUEL TANK	TUBE ASSY FUEL TANK	1	940	
1763A		1763A-LDB5-MY0	CAP ASSY FUEL FILLER	CAP ASSY FUEL FILLER	1	1900	
37801		37801-LDH1-MY0	PACKING BASE	PACKING BASE	1	830	
3780A		3780A-LCA4-900	FUEL UNIT ASSY	FUEL UNIT ASSY	1	3170	
61104		61104-3G57-001	COLLAR FR FENDER	COLLAR FR FENDER	4	200	
90302		90302-GBR2-001	BOLT WASH 5*16	BOLT WASH 5*16	4	60	
93500		93500-05016-1B	SCREW PAN 5*16	SCREW PAN 5*16	2	200	
94050		94050-06080	NUT FLANGE 6MM	NUT FLANGE 6MM	2	60	
95002-02080		95002-02080	CLIP B8 TUBE	CLIP B8 TUBE	2	60	
95002-02100		95002-02100	CLIP B15 TUBE	CLIP B15 TUBE	4	60	

F09

Fuel Tank



Sales mark 記号	Ref no 参照用番号	Part no パーツ番号	Description 部品名	Reg description 部品名	Regd no 必要個数	Ref Price 希望小売価格(税抜)
------------------	-----------------	------------------	--------------------	------------------------	-----------------	-------------------------

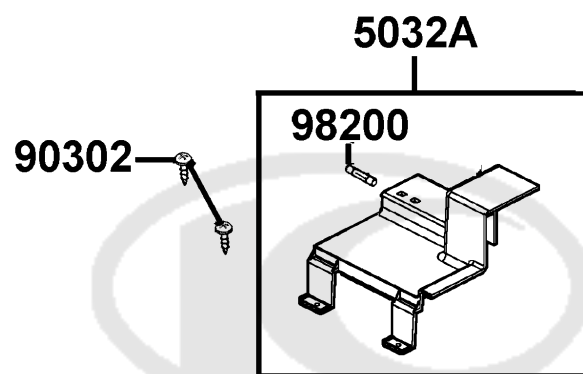
F09

95002-41300	95002-41300-00	CLIP D13.0 TUBE	CLIP D13.0 TUBE	2	80
95701	95701-06022-06	BOLT FLANGE 6*22	BOLT FLANGE 6*22	2	60



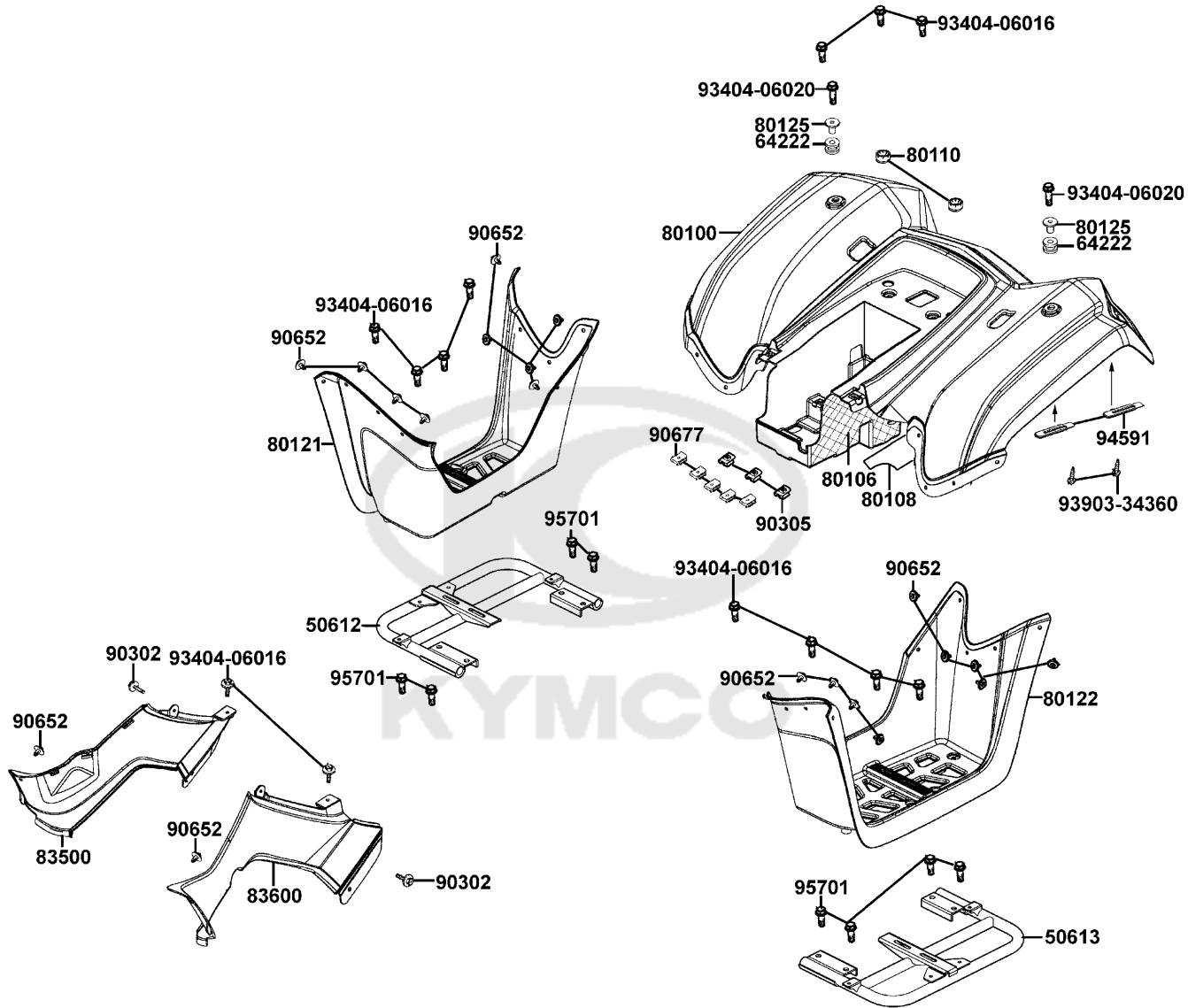
F10

Battery

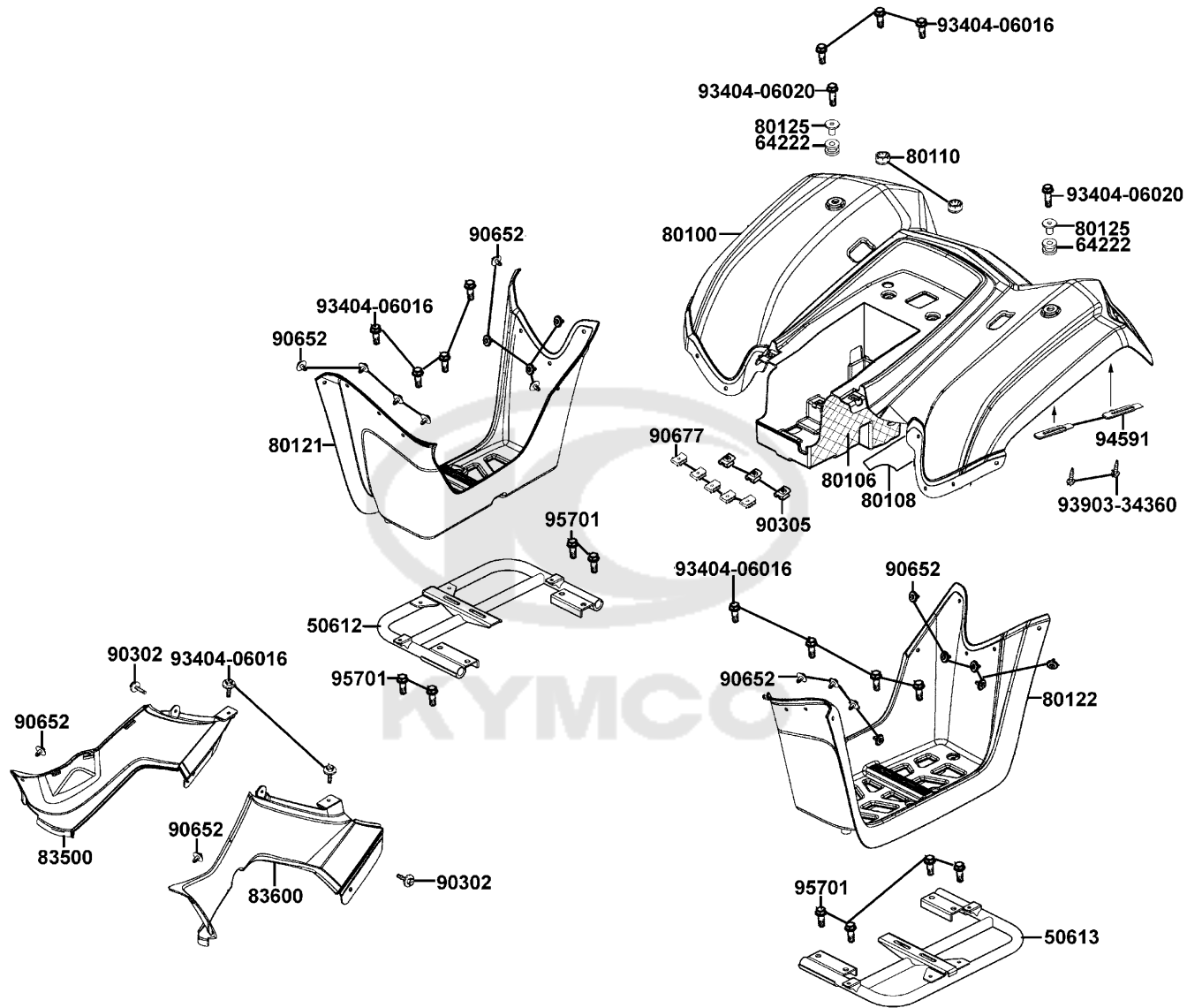


Sales mark 記号	Ref no 参照用番号	Part no パーツ番号	Description 部品名	Reg description 部品名	Regd no 必要個数	Ref Price 希望小売価格(税抜)	F10
5032A	5032A-LCA4-E00	5032A-LCA4-E00	COVER ASSY BATTERY	COVER ASSY BATTERY	1	880	
90302	90302-PWA1-900	90302-PWA1-900	BOLT-WASH 5*16	BOLT-WASH 5*16	2	60	
98200	98200-12000	98200-12000	FUSE 20A	FUSE 20A	1	110	





Sales mark 記号	Ref no 参照用番号	Part no パーツ番号	Description 部品名	Reg description 部品名	Regd no 必要個数	Ref Price 希望小売価格(税抜)	F11
	50612	50612-LCA4-E00	STAY R FOLLR PANEL	STAY R FOLLR PANEL	1	4600	
	50613	50613-LCA4-E00	STAY L FLOOR PANEL	STAY L FLOOR PANEL	1	4600	
	64222	64222-LLJ3-E00	RUBBER WIND SCREEN	RUBBER WIND SCREEN	2	160	
**	80100	80100-LCA4-E00	FENDER RR	FENDER RR	1	8880	
	80106	80106-LCA4-E00	HEAT GUARD A RR FENDER	HEAT GUARD A RR FENDER	1	1060	
	80108	80108-LCA4-E00	HEAT GUARD B RR FENDER	HEAT GUARD B RR FENDER	1	500	
	80110	80110-LBA7-900	RUBBER REAR FENDER	RUBBER REAR FENDER	2	80	
**	80121	80121-LCA4-E01	MUDGUARD.R FLOOR	MUDGUARD.R FLOOR	1	3410	
**	80122	80122-LCA4-E01	MUDGUARD.L FLOOR	MUDGUARD.L FLOOR	1	3410	
	80125	80125-LBD4-900		COLLAR FLOOR	2	160	
**	83500	83500-LCA4-E01	COVER.R SIDE	COVER.R SIDE	1	1590	
**	83600	83600-LCA4-E01	COVER.L SIDE	COVER.L SIDE	1	1590	
	90302	90302-PWA1-900	BOLT-WASH 5*16	BOLT-WASH 5*16	2	60	
	90305	90305-GHK8-001	NUT CLIP 6MM	NUT CLIP 6MM	3	60	
	90652	90652-LCA4-E00	CLIP MUDGUARD	CLIP MUDGUARD	20	110	
	90677	90677-GAR1-004	NUT CLIP 5MM	NUT CLIP 5MM	5	60	
	93404-06016	93404-06016-06	BOLT WASHER 6*16	BOLT WASHER 6*16	13	60	
	93404-06020	93404-06020-06	BOLT WASHER 6*20 (G)	BOLT WASHER 6*20 (G)	2	60	
	93903-34360	93903-34360	SCREW WASHER 4*12	SCREW WASHER 4*12	2	60	
	94591	94591-27000	CLIP 2*70	CLIP 2*70	2	110	

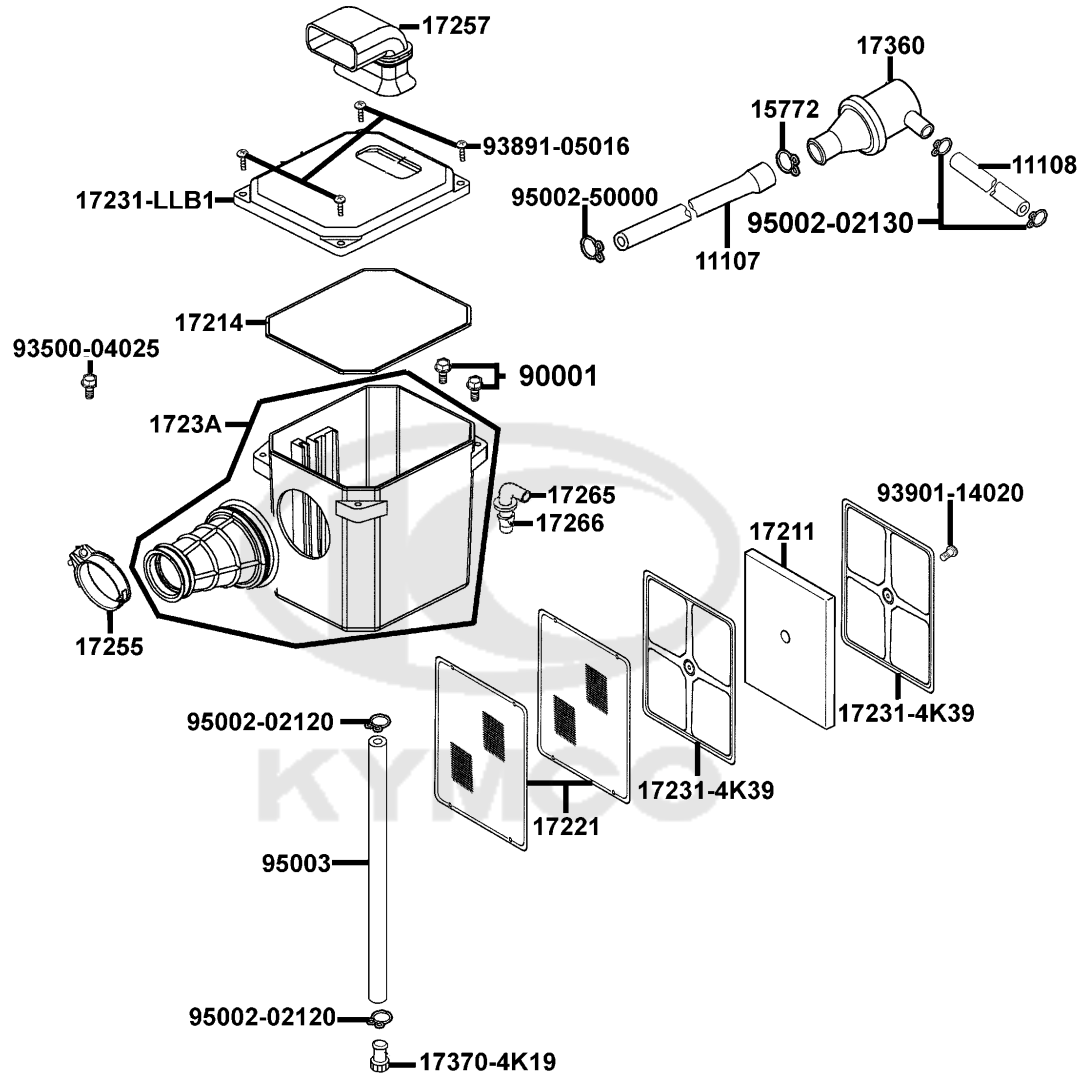


Sales mark 記号	Ref no 参照用番号	Part no パーツ番号	Description 部品名	Reg description 部品名	Regd no 必要個数	Ref Price 希望小売価格(税抜)
------------------	-----------------	------------------	--------------------	------------------------	-----------------	-------------------------

F11

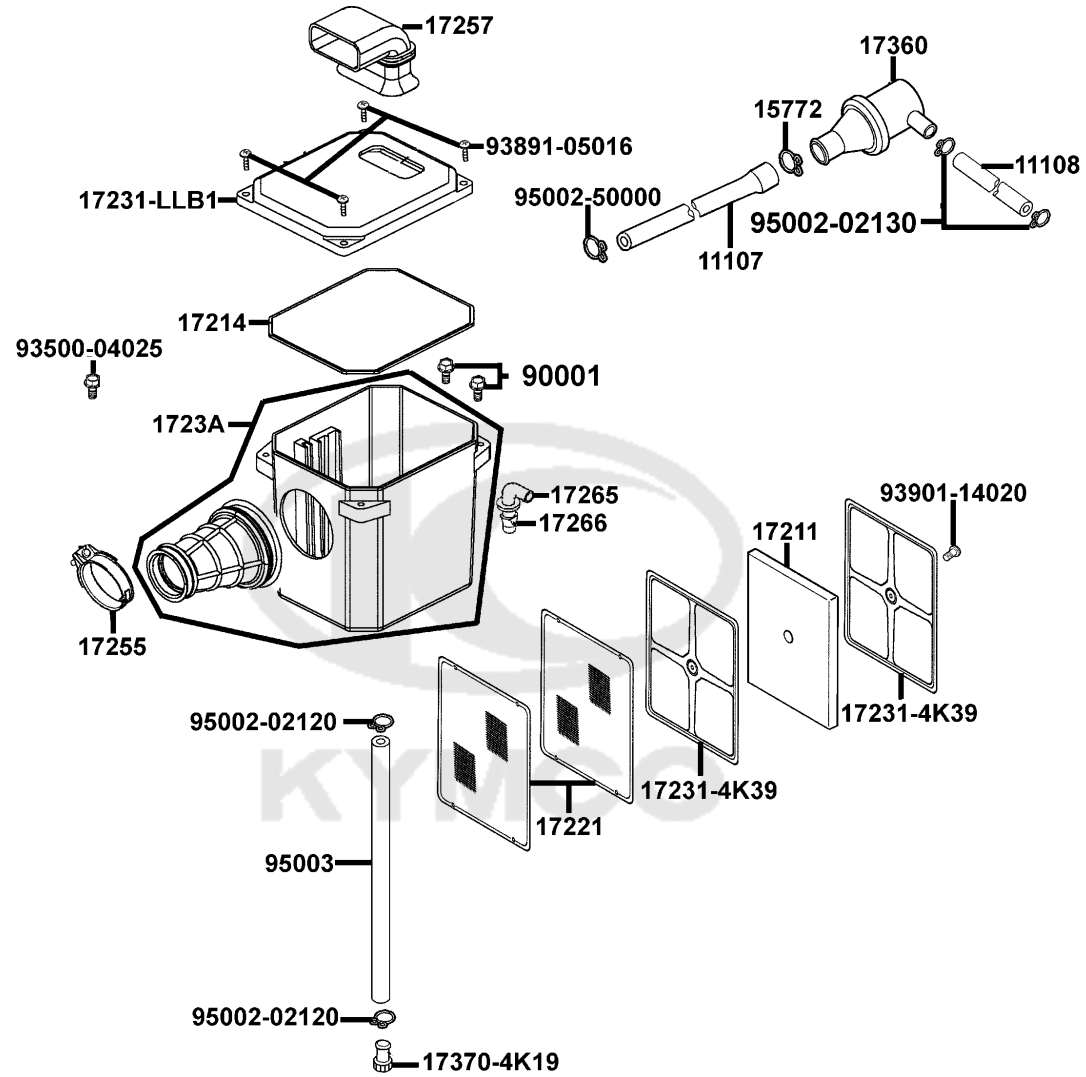
95701	95701-08016-06		BOLT FLANGE 8*16	BOLT FLANGE 8*16	8	110
-------	----------------	--	------------------	------------------	---	-----





Sales mark 記号	Ref no 参照用番号	Part no パーツ番号	Description 部品名	Reg description 部品名	Regd no 必要個数	Ref Price 希望小売価格(税抜)
11107	11107-LLB1-900	11107-LLB1-900	BREATHER TUBE	BREATHER TUBE	1	320
11108	11108-LLB1-900	11108-LLB1-900	TUBE B	TUBE B	1	200
15772	15772-2B92-011	15772-2B92-011	CLIP BREATHER TUBE	CLIP BREATHER TUBE	1	160
17211	17211-4K39-001	17211-4K39-001	ELMENT AIR/C	ELMENT AIR/C	1	590
17214	17214-LLB1-900	17214-LLB1-900	SEAL AIR/C COVER	SEAL AIR/C COVER	1	130
17221	17221-KGG7-001	17221-KGG7-001	TRAP COMP	TRAP COMP	2	870
17231-4K39	17231-4K39-001	17231-4K39-001	PLATE ELEMENT SET	PLATE ELEMENT SET	2	230
17231-LLB1	17231-LLB1-900	17231-LLB1-900	COVER AIR/C	COVER AIR/C	1	370
1723A	1723A-LLB1-900	1723A-LLB1-900	CASE COMP AIR/C	CASE COMP AIR/C	1	3490
17255	17255-KKAK-900	17255-KKAK-900	BAND A AIR/C CONNECTING TUBE	BAND A AIR/C CONNECTING TUBE	1	350
17257	17257-LLB1-900	17257-LLB1-900	DUCT AIR/C COVER	DUCT AIR/C COVER	1	380
17265	17265-KGG7-001	17265-KGG7-001		JOINT BLOW BY	1	160
17266	17266-KGG7-001	17266-KGG7-001		PACKING ACV JOINT	1	80
17360	17360-KGBG-900	17360-KGBG-900	CATH TANK ASSY	CATH TANK ASSY	1	480
17370-4K19	17370-4K19-701	17370-4K19-701	PLUG BREATHER TUBE	PLUG BREATHER TUBE	1	110
90001	90001-GBHB-681	90001-GBHB-681	BOLT FLANGE SHF 6*28	BOLT FLANGE SHF 6*28	2	60
93500-04025	93500-04025-0F	93500-04025-0F	SCREW PAN 4*25 (G)	SCREW PAN 4*25 (G)	1	200
93891-05016	93891-05016-06	93891-05016-06	SCREW WASHER 5*16	SCREW WASHER 5*16	1	60
93901-14020	93901-14020	93901-14020		SCREW TAPPING 4*6	1	200
95002-02120	95002-02120	95002-02120	CLIP B12 TUBE	CLIP B12 TUBE	2	60

F12



Sales mark 記号	Ref no 参照用番号	Part no パーツ番号	Description 部品名	Reg description 部品名	Regd no 必要個数	Ref Price 希望小売価格(税抜)
------------------	-----------------	------------------	--------------------	------------------------	-----------------	-------------------------

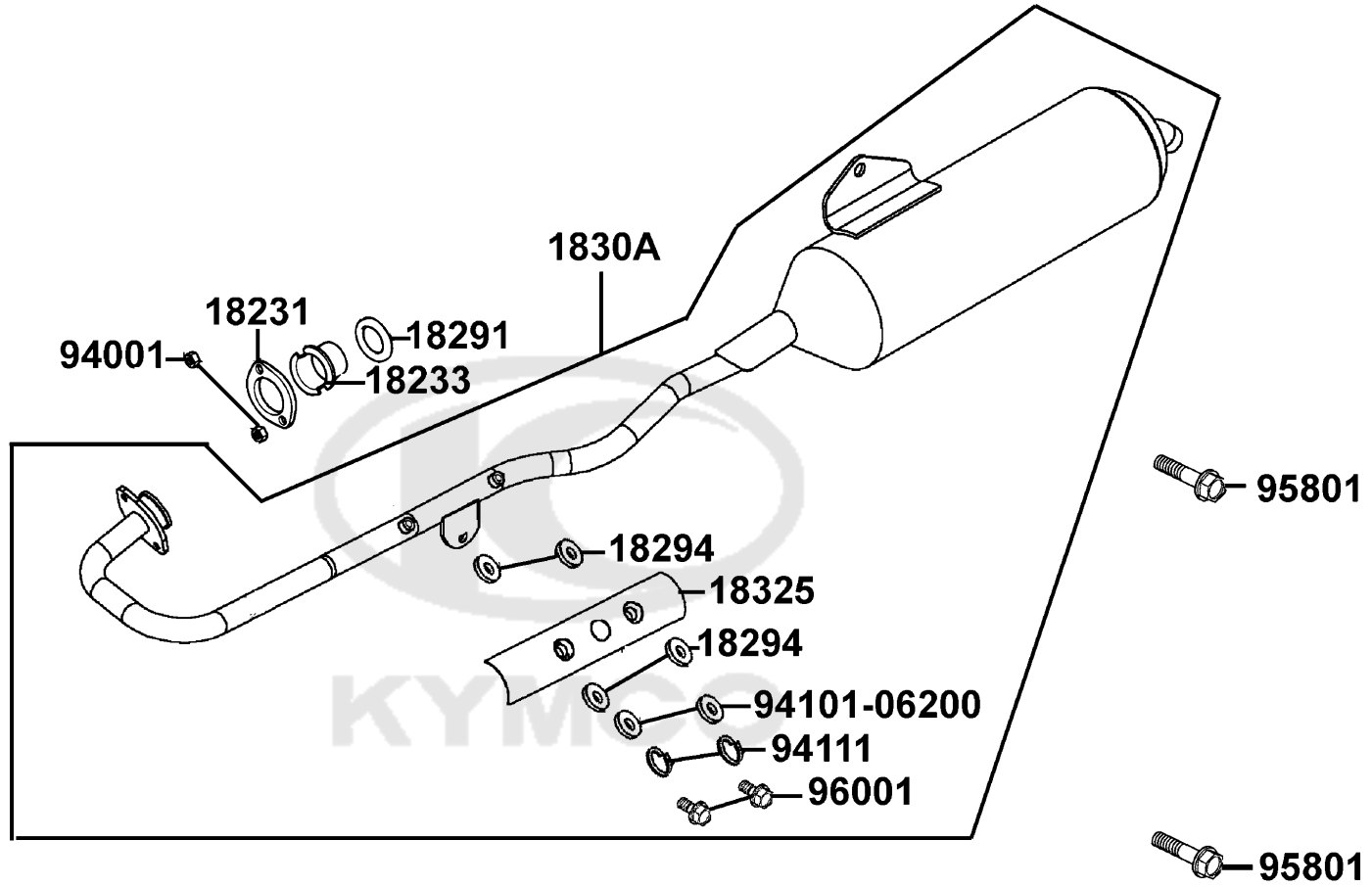
F12

95002-02130	95002-02130	95002-02130	CLIP B12.5 TUBE	CLIP B12.5 TUBE	2	60
95002-50000	95002-50000	95002-50000	CLIP C9 TUBE	CLIP C9 TUBE	1	60
95003	95003-23006-60	95003-23006-60	V TUBE 8*12*60	V TUBE 8*12*60	1	110



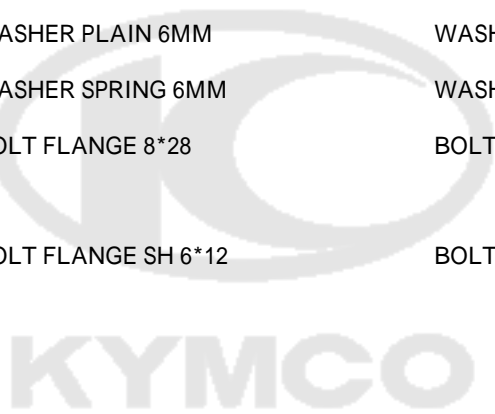
F13

Exhaust Muffler

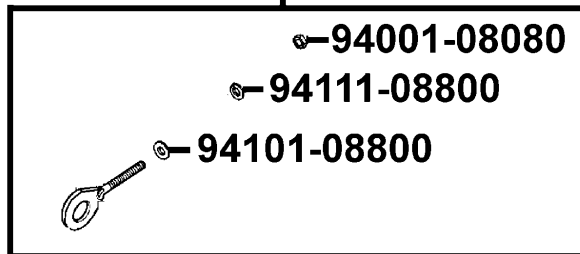


Sales mark 記号	Ref no 参照用番号	Part no パーツ番号	Description 部品名	Reg description 部品名	Regd no 必要個数	Ref Price 希望小売価格(税抜)
18231	18231-3E65-671	18231-3E65-671	JOINT EXH PIPE	JOINT EXH PIPE	1	680
18233	18233-3C83-901	18233-3C83-901		COLLAR EXHARST PIPE JOINT	2	160
18291	18291-LLB1-900	18291-LLB1-900	GASKET EXH PIPE	GASKET EXH PIPE	1	210
18294	18294-KTCT-900	18294-KTCT-900	PACKING PROTECTOR	PACKING PROTECTOR	4	130
1830A	1830A-LLB1-700	1830A-LLB1-700	MUFFLER ASSY	MUFFLER ASSY	1	31680
18325	18325-LLB1-900	18325-LLB1-900		PROTECTOR EXH PIPE	1	960
94001	94001-06080-0S	94001-06080-0S	NUT HEX 6MM	NUT HEX 6MM	2	60
94101-06200	94101-06200	94101-06200	WASHER PLAIN 6MM	WASHER PLAIN 6MM	2	60
94111	94111-06800	94111-06800	WASHER SPRING 6MM	WASHER SPRING 6MM	2	60
95801	95801-08028-06	95801-08028-06	BOLT FLANGE 8*28	BOLT FLANGE 8*28	2	200
96001	96001-06012-02	96001-06012-02	BOLT FLANGE SH 6*12	BOLT FLANGE SH 6*12	2	200

F13



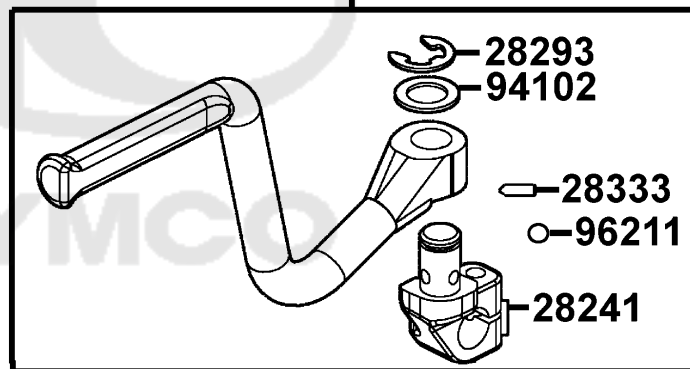
4054A



95701-06022

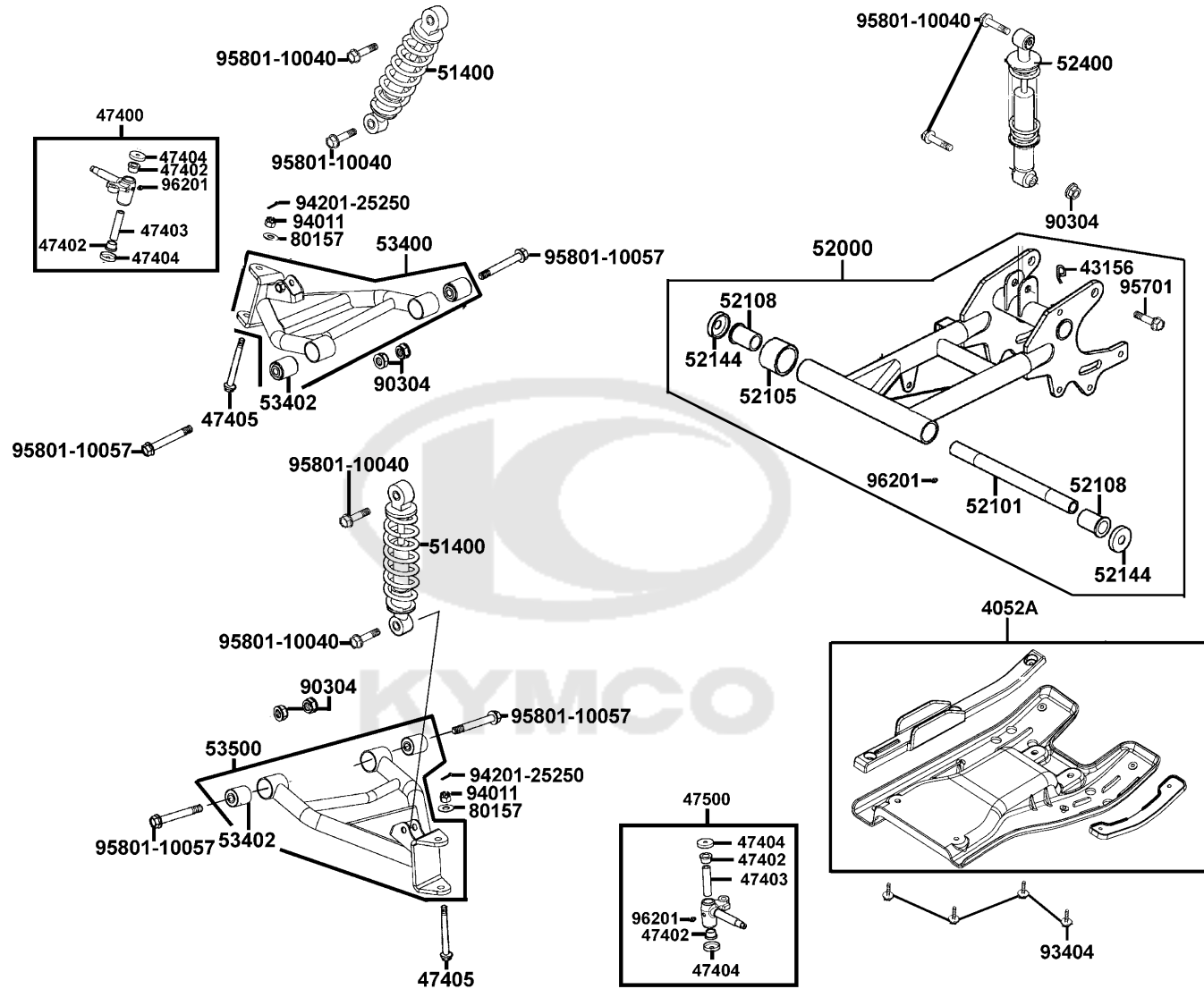


28300

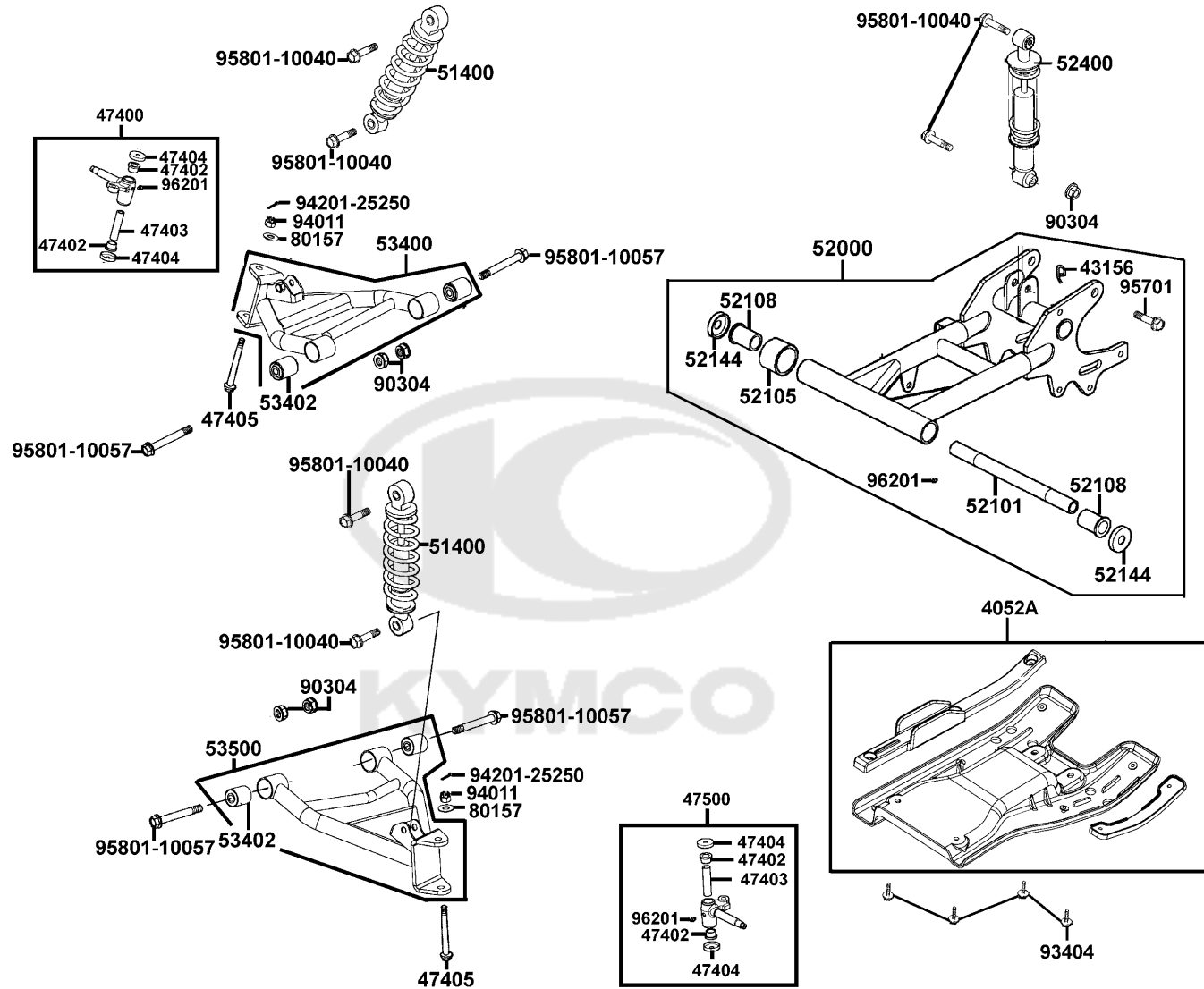


Sales mark 記号	Ref no 参照用番号	Part no パーツ番号	Description 部品名	Reg description 部品名	Regd no 必要個数	Ref Price 希望小売価格(税抜)
28241	28241-LBD4-900	28241-LBD4-900	JOINT KICK ARM	JOINT KICK ARM	1	760
28293	28293-3C33-001	28293-3C33-001	CLIP KICK STARTER ARM	CLIP KICK STARTER ARM	1	200
28300	28300-LCA4-E00	28300-LCA4-E00	ARM ASSY KICK STARTER	ARM ASSY KICK STARTER	1	3730
28333	28333-1D24-001	28333-1D24-001	SPG KICK STARTER	SPG KICK STARTER	1	200
4054A	4054A-LLB1-900	4054A-LLB1-900	DRIVE CHAIN ADJUSTER ASSY	DRIVE CHAIN ADJUSTER ASSY	1	580
94001	94001-08080-0S	94001-08080-0S	NUT HEX 8MM	NUT HEX 8MM	1	160
94101	94101-08800	94101-08800	WASHER PLAIN 8MM	WASHER PLAIN 8MM	1	160
94102	94102-13700	94102-13700	WASHER PLAIN 13MM	WASHER PLAIN 13MM	1	60
94111	94111-08800	94111-08800	WASHER SPG 8MM	WASHER SPG 8MM	1	60
95701	95701-06022-06	95701-06022-06	BOLT FLANGE 6*22	BOLT FLANGE 6*22	1	60
96211	96211-08000	96211-08000	BALL STEEL #8	BALL STEEL #8	1	60

F14

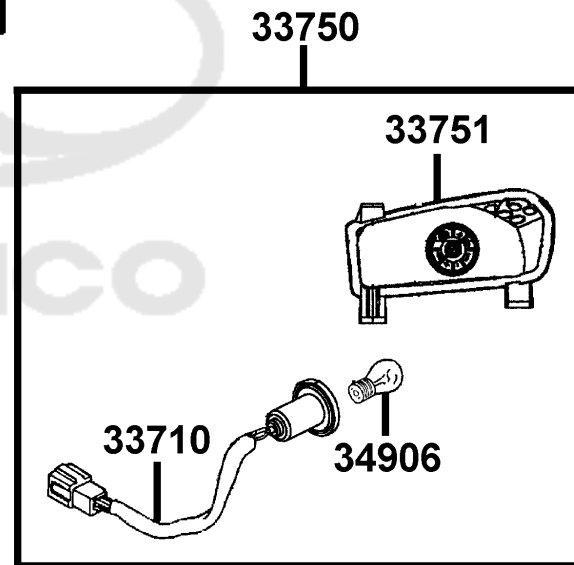
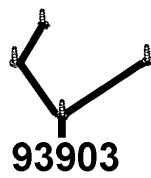
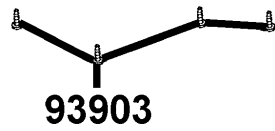
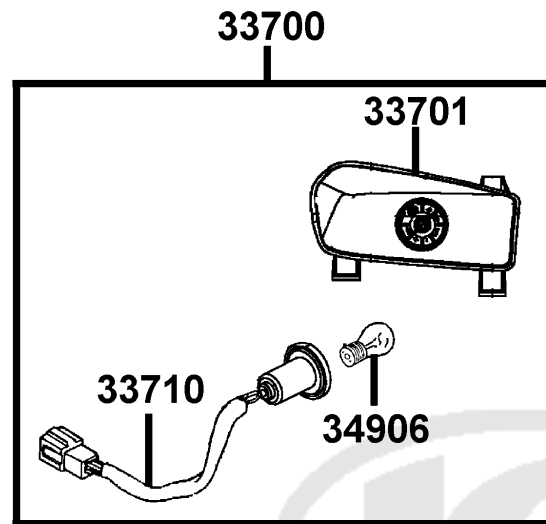


Sales mark 記号	Ref no 参照用番号	Part no パーツ番号	Description 部品名	Reg description 部品名	Regd no 必要個数	Ref Price 希望小売価格(税抜)	F15
	4052A	4052A-LCA4-E01	GUARD ASSY REAR FORK	GUARD ASSY REAR FORK	1	2700	
	43156	43156-LLB1-800	CLAMPER BRAKE HOSE	CLAMPER BRAKE HOSE	1	300	
	47400	47400-LLB1-900	SHAFT ASSY R STEERING	SHAFT ASSY R STEERING	1	8560	
	47402	47402-LLB1-900	BUSH STRG SHAFT	BUSH STRG SHAFT	4	960	
	47403	47403-LLB1-900	COLLAR STRG SHAFT	COLLAR STRG SHAFT	2	960	
	47404	47404-LLB1-900	CAP STRG SHAFT	CAP STRG SHAFT	4	390	
	47405	47405-LLB1-900	BOLT FLANGE 10*105	BOLT FLANGE 10*105	2	540	
	47500	47500-LLB1-900	SHAFT ASSY L STEERING	SHAFT ASSY L STEERING	1	8940	
**	51400	51400-LCA4-E00	CUSHION ASSY FR	CUSHION ASSY FR	2	13310	
	52000	52000-LCA4-E00	FORK ASSY RR	FORK ASSY RR	1	25110	
	52101	52101-LLB1-900	COLLAR RR FORK DIST	COLLAR RR FORK DIST	1	1910	
	52105	52105-LLB1-900	SLEEVE RUBBER	SLEEVE RUBBER	1	390	
	52108	52108-KEE5-004	BUSH RR FORK	BUSH RR FORK	2	770	
	52144	52144-LBA7-900	CAP RR FORK DUST SEAL	CAP RR FORK DUST SEAL	2	350	
**	52400	52400-LCA4-E00	CUSHION ASSY RR	CUSHION ASSY RR	1	14850	
	53400	53400-LCA4-E00	ARM ASSY R SWING	ARM ASSY R SWING	1	9190	
	53402	53402-LLB1-900	BUSH SWING ARM	BUSH SWING ARM	4	580	
	53500	53500-LCA4-E00	ARM ASSY L SWING	ARM ASSY L SWING	1	9190	
	80157	80157-KCBC-900	WASHER	WASHER	2	200	
	90304	90304-GLW0-90A	NUT CAP 6MM	NUT CAP 6MM	5	200	



Sales mark 記号	Ref no 参照用番号	Part no パーツ番号	Description 部品名	Reg description 部品名	Regd no 必要個数	Ref Price 希望小売価格(税抜)	F15
93404		93404-06016-06	BOLT WASHER 6*16	BOLT WASHER 6*16	4	60	
94011		94011-10080-0S	NUT CASTLE 10MM	NUT CASTLE 10MM	2	220	
94201-25250		94201-25250		PIN SPLIT 2.5*25	2	200	
95701		95701-06010-06	BOLT FLANGE 6*10	BOLT FLANGE 6*10	1	60	
95801-10040		95801-10040-06	BOLT FLANGE 10*40	BOLT FLANGE 10*40	1	80	
95801-10057		95801-10057-06	BOLT FLANGE 10*57	BOLT FLANGE 10*57	4	230	
96201		96201-10000	NIPPLE GREASE	NIPPLE GREASE	3	390	



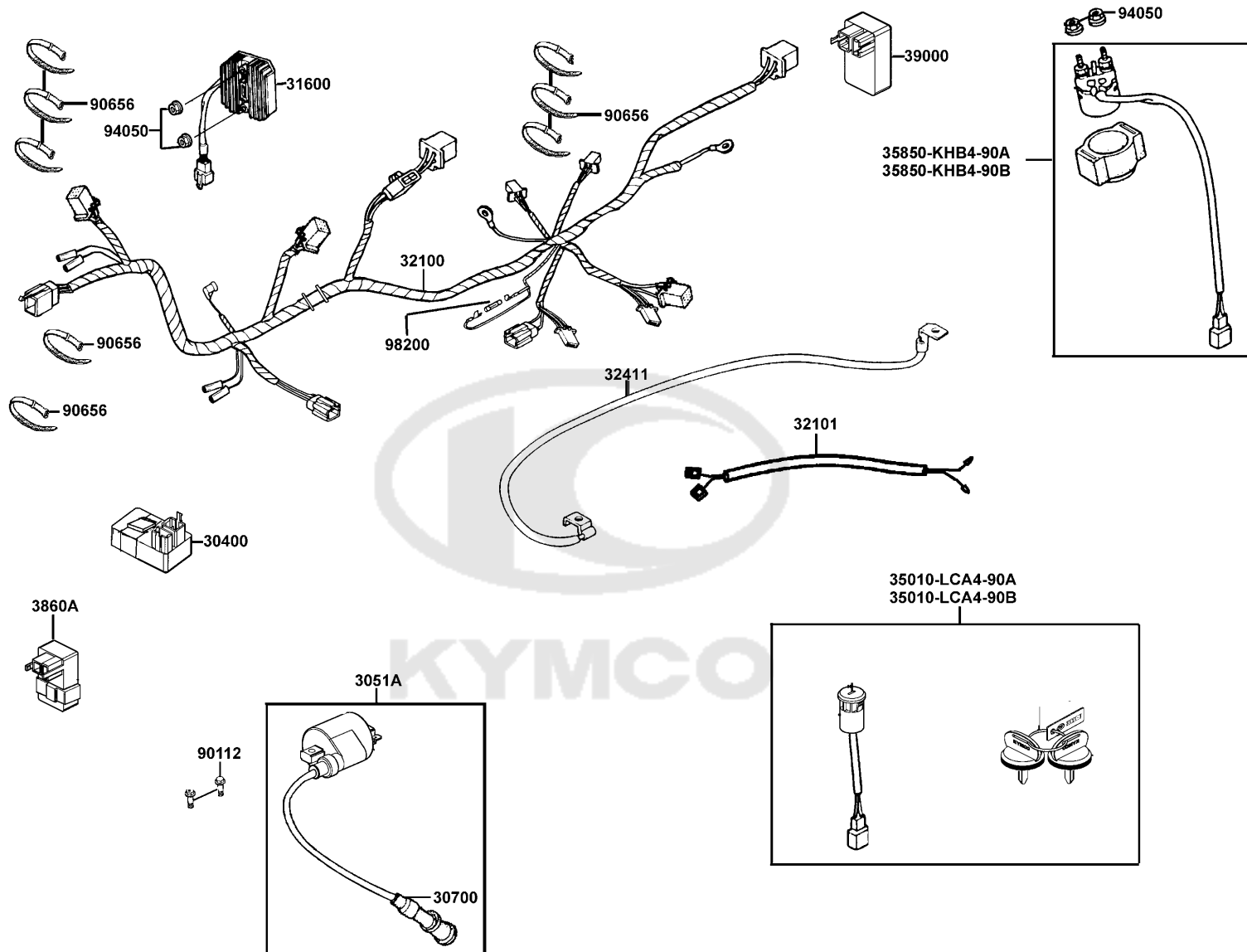


Sales mark 記号	Ref no 参照用番号	Part no パーツ番号	Description 部品名	Reg description 部品名	Regd no 必要個数	Ref Price 希望小売価格(税抜)	F16
33700		33700-LCA4-900	LIGHT ASSY R TAIL ** (0) C.2005.10.06	LIGHT ASSY R TAIL ** (0) C.2005.10.06	1	4260	
33701		33701-LCA4-900	UNIT TAIL R LIGHT	UNIT TAIL R LIGHT	1	4260	
33710		33710-LCA4-900	SOCKET COMP RR COMB	SOCKET COMP RR COMB	2	960	
33750		33750-LCA4-900	LIGHT ASSY L TAIL ** (0) C.2005.10.06	LIGHT ASSY L TAIL ** (0) C.2005.10.06	1	4260	
33751		33751-LCA4-900	UNIT TAIL L LIGHT	UNIT TAIL L LIGHT	1	4260	
34906		34906-KPCP-900	BULB TAIL & STOP	BULB TAIL & STOP	2	770	
93903		93903-35260	SCREW WASHER 4*12	SCREW WASHER 4*12	8	60	



F17

Wire Harness

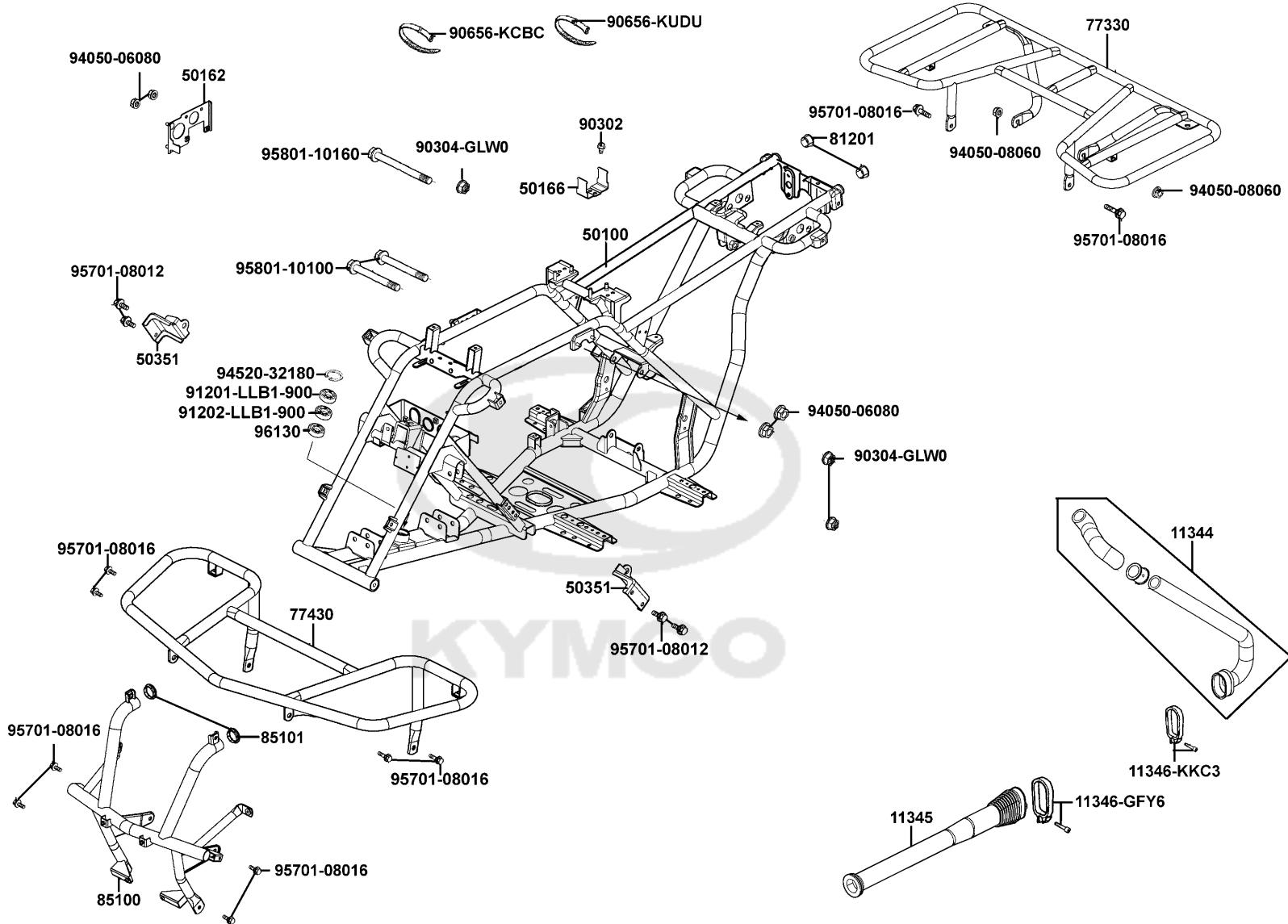


Sales mark 記号	Ref no 参照用番号	Part no パーツ番号	Description 部品名	Reg description 部品名	Regd no 必要個数	Ref Price 希望小売価格(税抜)
30400	30400-LCA4-900	UNIT ASSY CDI	UNIT ASSY CDI	UNIT ASSY CDI	1	9980
3051A	3051A-LLB1-900	COIL ASSY IGN	COIL ASSY IGN	COIL ASSY IGN	1	3800
30700	30700-KBE2-941	CAP ASSY NOISE SUPPER	CAP ASSY NOISE SUPPER	CAP ASSY NOISE SUPPER	1	960
31600	31600-LBA7-900	REG REC COMP	REG REC COMP	REG REC COMP	1	8880
32100	32100-LCA4-700	HARNESS WIRE	HARNESS WIRE	HARNESS WIRE	1	16160
32101	32101-LLB1-800	SUB CORD	SUB CORD	SUB CORD	1	320
32411	32411-LLB1-900	CABLE BAT	CABLE BAT	CABLE BAT	1	960
35010-LCA4-90A	35010-LCA4-90A	KEY SET	KEY SET	KEY SET	1	2860
35010-LCA4-90B	35010-LCA4-90B	KEY SET	KEY SET	KEY SET	1	3500
35850-KHB4-90A	35850-KHB4-90A	SET START MAG	SET START MAG	SET START MAG	1	2670
35850-KHB4-90B	35850-KHB4-90B	SET START MAG	SET START MAG	SET START MAG	1	2860
3860A	3860A-LCA5-E01	CONTROL ASSY LIGHTING	CONTROL ASSY LIGHTING	CONTROL ASSY LIGHTING	1	7000
39000	39000-LLB1-900	CONTROL UNIT GEAR CHANGE	CONTROL UNIT GEAR CHANGE	CONTROL UNIT GEAR CHANGE	1	4120
90112	90112-KRDR-900	BOLT FLANGE 5*22	BOLT FLANGE 5*22	BOLT FLANGE 5*22	2	130
90656	90656-KCBC-900	BAND OIL HANDLE	BAND OIL HANDLE	BAND OIL HANDLE	8	60
94050	94050-06080	NUT FLANGE 6MM	NUT FLANGE 6MM	NUT FLANGE 6MM	4	60
98200	98200-12000	FUSE 20A	FUSE 20A	FUSE 20A	1	110

F17

F18

Frame Body

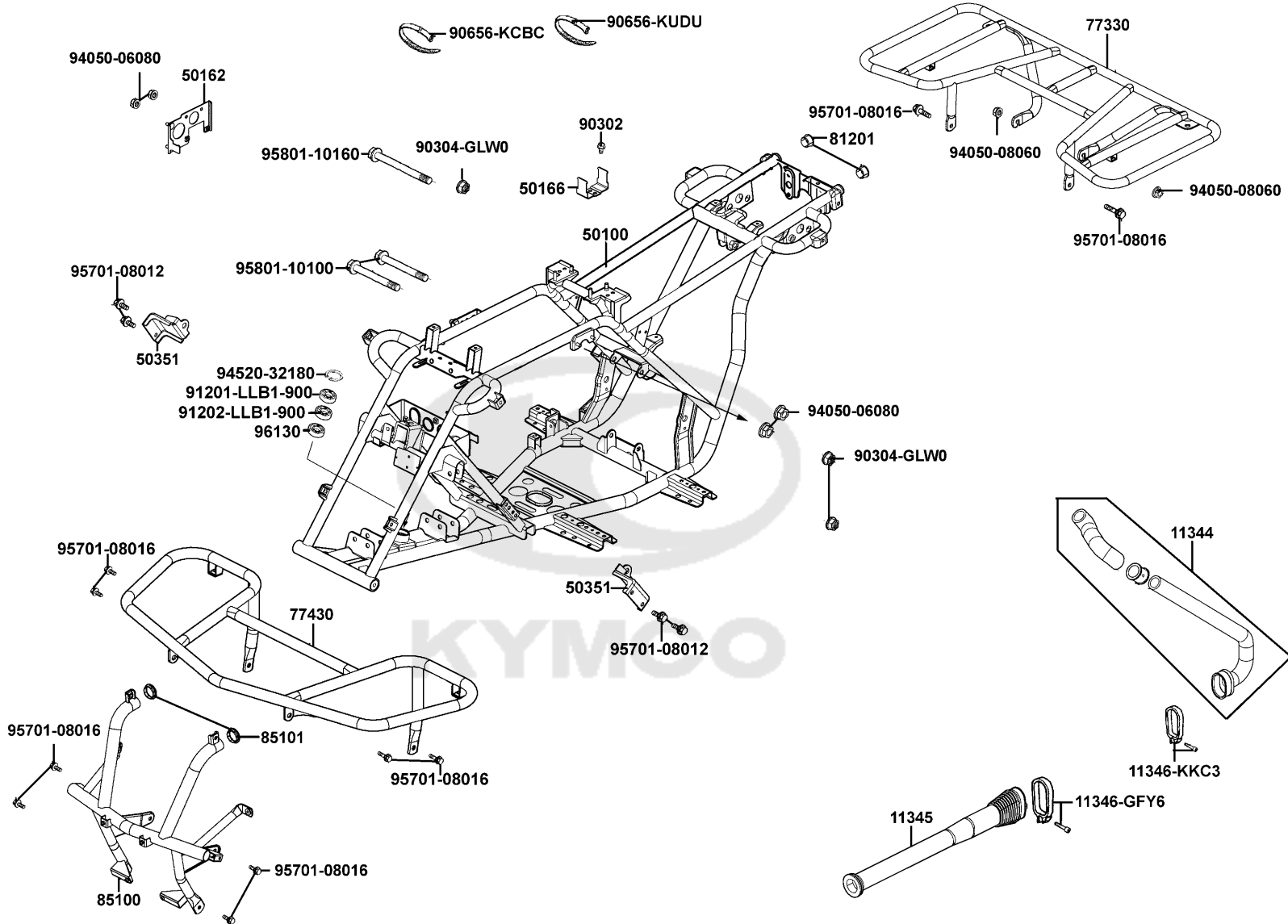


Sales mark 記号	Ref no 参照用番号	Part no パーツ番号	Description 部品名	Reg description 部品名	Regd no 必要個数	Ref Price 希望小売価格(税抜)
	11344	11344-LLB1-900	DUCT B L COVER	DUCT B L COVER	1	1840
	11345	11345-LLB1-900	DUCT L COVER	DUCT L COVER	1	2700
	11346-GFY6	11346-GFY6-901	BAND L COVER DUCT	BAND L COVER DUCT	1	490
	11346-KKC3	11346-KKC3-900	BAND L COVER DUCT	BAND L COVER DUCT	1	580
	50100	50100-LCA4-500	BODY COMP FRAME	BODY COMP FRAME	1	54450
	50162	50162-LCA4-E00	STAY COIL & REG	STAY COIL & REG	1	880
	50166	50166-LLB1-900	BRKT START MAG SW	BRKT START MAG SW	1	240
	50351	50351-LLB1-900	BRKT ENG HANGER	BRKT ENG HANGER	2	720
**	77330	77330-LCA4-E00	RR CARRIER LUGGAGE **(0)	RR CARRIER LUGGAGE **(0) C.2005.04.01	1	15290
**	77430	77430-LCA4-E00	FR CARRIER LUGGAGE **(0)	FR CARRIER LUGGAGE **(0) C.2005.04.01	1	9670
	81201	81201-KKA8-900	CAP RR GRIP END	CAP RR GRIP END	2	200
	85100	85100-LCA4-E00	PIPE COMP FR BUMPER	PIPE COMP FR BUMPER	1	10780
	85101	85101-LCA5-E00	CAP PIPE	CAP PIPE	2	80
	90302	90302-LLB1-E00	BOLT-WASHER 5*12	BOLT-WASHER 5*12	1	60
	90304-GLW0	90304-GLW0-90A	NUT CAP 6MM	NUT CAP 6MM	3	200
	90656-KCBC	90656-KCBC-900	BAND OIL HANDLE	BAND OIL HANDLE	1	60
**	90656-KUDU	90656-KUDU-900	BAND HARNESS WIRE **KUDU-900	BAND HARNESS WIRE **KUDU-900	1	60
	91201-LLB1-900	91201-LLB1-900	OIL SEAL 18*32*7	OIL SEAL 18*32*7	1	300
	91202-LLB1-900	91202-LLB1-900	OIL SEAL 22*35*7	OIL SEAL 22*35*7	1	200
	94050-06080	94050-06080	NUT FLANGE 6MM	NUT FLANGE 6MM	8	60

F18

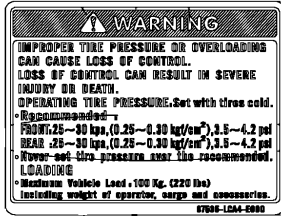
F18

Frame Body

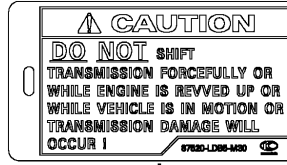


Sales mark 記号	Ref no 参照用番号	Part no パーツ番号	Description 部品名	Reg description 部品名	Regd no 必要個数	Ref Price 希望小売価格(税抜)	F18
94050-08060	94050-08060	94050-08060	NUT FLANGE 8MM	NUT FLANGE 8MM	2	110	
94520-32180	94520-32180	94520-32180	CIR CLIP IN 32	CIR CLIP IN 32	1	160	
95701-08012	95701-08012-06	95701-08012-06	BOLT FLANGE 6*22 (K)	BOLT FLANGE 6*22 (K)	1	60	
95701-08016	95701-08016-06	95701-08016-06	BOLT FLANGE 8*16	BOLT FLANGE 8*16	10	110	
95801-10100	95801-10100-06	95801-10100-06	BOLT FLANGE 10*100	BOLT FLANGE 10*100	2	390	
95801-10160	95801-10160-06	95801-10160-06	BOLT FLANGE 10*160	BOLT FLANGE 10*160	1	450	
96130	96130-60020-10	96130-60020-10	BEARING BALL RADIAL 6002	BEARING BALL RADIAL 6002	1	1150	

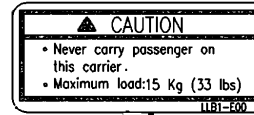




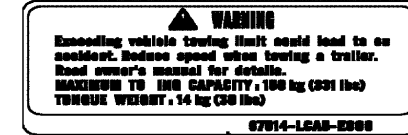
87505



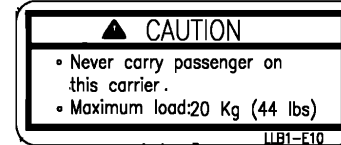
87520



87556-LLB1-E00



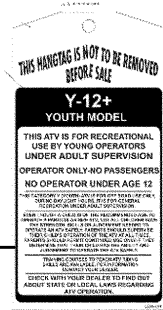
87514



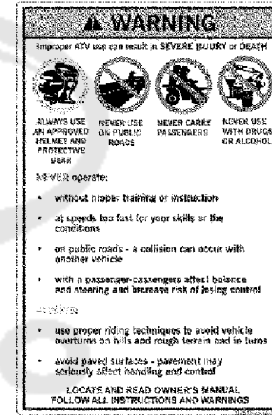
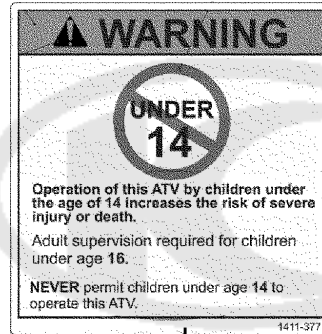
87556-LLB1-E01



87522-PTA7



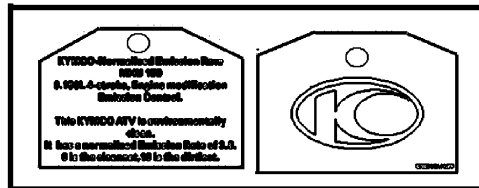
87517



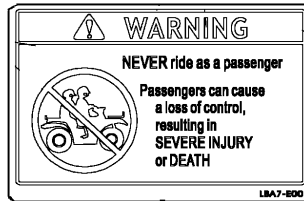
87515-LFE9



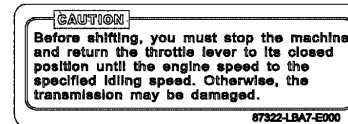
87571



87522-LCA4



87560



87322

Sales mark 記号	Ref no 参照用番号	Part no パーツ番号	Description 部品名	Reg description 部品名	Regd no 必要個数	Ref Price 希望小売価格(税抜)
**	87322	87322-LBA7-E00	CAUTION SHIFIT GEARS	CAUTION SHIFIT GEARS	1	320
**	87505	87505-PWA8-M35	WARNING LABEL TIRE	WARNING LABEL TIRE	1	480
**	87514	87514-PWA8-M35	CAUTION MAXIMUM CAPACITY	CAUTION MAXIMUM CAPACITY	1	320
**	87515-LFE9	87515-LFE9-E00	WARNING GENERAL DECAL	WARNING GENERAL DECAL	1	1140
**	87517	87517-PTA7-M35	WARNING AGE 12	WARNING AGE 12	1	510
**	87520	87520-LDB5-M30	CAUTION SHIFT HANGTAG	CAUTION SHIFT HANGTAG	1	320
**	87522-LCA4	87522-LCA4-M30	USA EPA HANG TAG	USA EPA HANG TAG	1	320
**	87522-PTA7	87522-PTA7-M35	WARNING TAG Y-12	WARNING TAG Y-12	1	350
**	87556-LLB1-E00	87556-LLB1-E00	CAUTION CARRIER MAX LOAD **E00	CAUTION CARRIER MAX LOAD **E00 C.	1	160
**	87556-LLB1-E01	87556-LLB1-E01	CAUTION DRIVE AGE	CAUTION DRIVE AGE	1	160
**	87560	87560-PWB1-M35	WARNING DOUBLE RIDER	WARNING DOUBLE RIDER	1	370
**	87571	87571-LCA5-M30	LABEL MIT	LABEL MIT	1	160

F19



87532-LBE8



86323



86333



86182



86102



86523



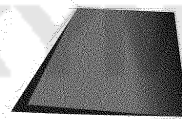
86533



86613



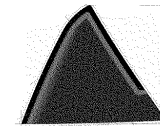
87532-LCA5



86623



86633



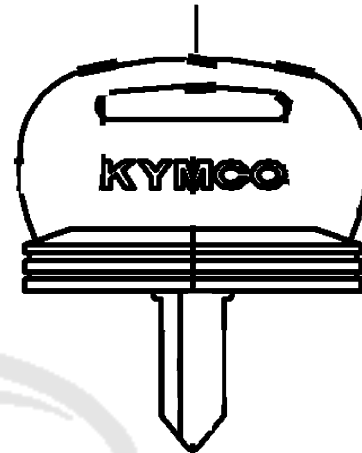
86513

Sales mark 記号	Ref no 参照用番号	Part no パーツ番号	Description 部品名	Reg description 部品名	Regd no 必要個数	Ref Price 希望小売価格(税抜)	F20
**	86102	86102-KKC4-900	EMB K-LOGO 28.5MM	EMB K-LOGO 28.5MM	1	1530	
**	86182	86182-LCA5-MVV	SW LABEL	SW LABEL	1	200	
**	86323	86323-LCA4-M30	SIDE R SKIRT	SIDE R SKIRT	1	960	
**	86333	86333-LCA4-M30	SIDE L SKIRT	SIDE L SKIRT	1	960	
**	86513	86513-LCA4-M30	STRIPE B R FENDER FR	STRIPE B R FENDER FR	1	1340	
**	86523	86523-LCA4-M30	STRIPE R FENDER FR	STRIPE R FENDER FR	1	1520	
**	86533	86533-LCA4-M30	STRIPE L FENDER FR	STRIPE L FENDER FR	1	3040	
**	86613	86613-LCA4-M30	KYMCO MARK	KYMCO MARK	1	380	
**	86623	86623-LCA4-M30	STRIPE RR R FENDER	STRIPE RR R FENDER	1	2860	
**	86633	86633-LCA4-M30	STRIPE RR L FENDER	STRIPE RR L FENDER	1	2860	
**	87532-LBE8	87532-LBE8-900		STRIPE KYMCO	2	240	
**	87532-LCA5	87532-LCA5-900		STRIPE K-LOGO 60MM	1	480	

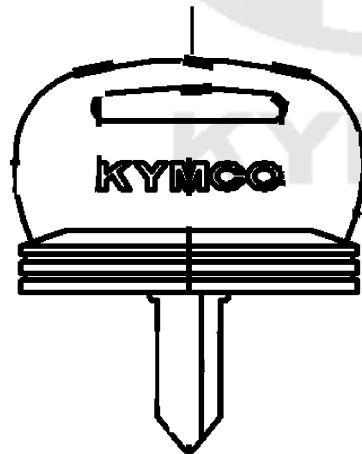
35111-LCA5-325-M1



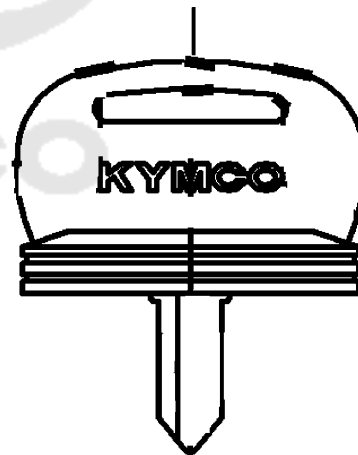
35111-LCA5-326-M1



35111-LCA5-325-M2



35111-LCA5-326-M2



Sales mark 記号	Ref no 参照用番号	Part no パーツ番号	Description 部品名	Reg description 部品名	Regd no 必要個数	Ref Price 希望小売価格(税抜)	F21
	35111-LCA5-325-M1	35111-LCA5-325-M1	KEY COMP(FOR SERVICE)	KEY COMP(FOR SERVICE)	1	760	
	35111-LCA5-325-M2	35111-LCA5-325-M2		KEY COMP(FOR SERVICE)	1	760	
	35111-LCA5-326-M1	35111-LCA5-326-M1	KEY COMP(FOR SERVICE)	KEY COMP(FOR SERVICE)	1	760	
	35111-LCA5-326-M2	35111-LCA5-326-M2		KEY COMP(FOR SERVICE)	1	760	



PART NO. INDEX
 パーツ番号 検索

PART NO. パーツ番号	VERSION バージョン	PAGE ページ	PART NO. パーツ番号	VERSION バージョン	PAGE ページ	PART NO. パーツ番号	VERSION バージョン	PAGE ページ
1000			11200-LLB1-900	4	E01			
			11208-LLB1-900	1	E06	13000		
			1122A-LLB1-900	1	E01			
1001-440H-0351	0	E09	11330-LLB1-900	7	E05	13000-LCA4-E00	3	E04
1010-43FH-9900	0	E09	11341-LCA4-E00	2	E01	13011-KGAG-900	1	E04
1030-055H-9901	0	E09	11342-LCA4-E00	2	E01	13101-KGAG-901	1	E04
1031-KN4H-6511	0	E09	11344-LLB1-900	2	F18	13111-4D14-001	3	E04
1051-KCSH-9200	0	E09	11345-LLB1-900	2	F18	13331-LLB1-900	1	E04
105J-092H-9911	0	E09	11346-GFY6-901	0	F18	13421-LLB1-900	1	E04
106B-KPS0-0003	0	E09	11346-KKC3-900	0	F18			
111C-064H-9901	0	E09	11394-LLB1-900	2	E05	14000		
1190-059H-9901	0	E09	11395-LLB1-900	2	E01			
1190-GB2H-7111	0	E09				14100-LCA4-E00	3	E03
1230-844-7000	0	E09	12000			14150-LCA4-E00	1	E03
1290-B97-2000	0	E09				14401-KEC8-90A	0	E03
1300-KG8H-9010	0	E09	12100-KKA8-900	6	E02	14431-LCA4-E00	2	E03
1300-KG8H-Q010	0	E09	12191-LLB1-900	2	E02	14432-LCA4-E00	2	E03
1305-494H-9900	0	E09	12200-KFB1-E00	3	E02	14451-LCA4-E00	0	E03
1782-013H-9900	0	E09	12208-4C13-004	0	E03	14452-KEC8-900	1	E03
			12211-LCA4-E00	2	E03	14453-KEC8-900	0	E03
11000			12251-KFB1-900	0	E02	14510-LLB1-900	4	E03
			1231A-LLB1-900	4	E02	14520-GFY6-90C	2	E03
11100-LLB1-910	0	E01	12361-GFY6-901	1	E01	14523-KED9-900	1	E03
11107-LLB1-900	3	F12	12391-KEC8-900	0	E02	1453A-LLB1-900	1	E03
11108-LLB1-900	7	F12				14610-LLB1-900	1	E03
11192-LLB1-900	2	E01				14711-4G37-001	2	E03

PART NO. INDEX
 パーツ番号 検索

PART NO. パーツ番号	VERSION バージョン	PAGE ページ	PART NO. パーツ番号	VERSION バージョン	PAGE ページ	PART NO. パーツ番号	VERSION バージョン	PAGE ページ
14721-4G37-001	0	E03	1610K-LLB1-810	0	E09	17370-4K19-701	0	F12
14751-LLB1-900	0	E03	16114-LDB5-E00	1	E09	17500-LCA4-MYA	2	F09
14761-LLB1-900	1	E03	16115-169-0040	0	E09	17522-LLB1-900	1	F09
14771-1G07-021	0	E03	16118-166-0040	0	E09	17524-LLB1-900	1	F09
14775-1G07-001	0	E03	16162-KG8-9010-M1	0	E09	1760A-LLB1-MY0	1	F09
14776-1G07-011	0	E03	16911-LLB1-MY0	1	F09	1760B-LLB1-MY0	1	F09
14781-1G07-021	2	E03	16912-LLB1-MY0	1	F09	1763A-LDB5-MY0	1	F09
			1691A-GFY6-90A	4	F09	17700-LCA4-E00	3	F04
15000			1691A-GFY6-90B	3	F09	17720-LBA7-900	1	F04
			16950-LLB1-910	2	F09	17910-LCA4-E00	2	F03
15100-LLB1-900	1	E07	16952-LLB1-900	1	F09	17950-LLB1-900	2	F03
15131-LLB1-900	3	E04				17955-LLB1-900	2	F03
15133-GFY6-901	0	E07	17000					
15141-KEC2-900	0	E07				18000		
15421-1G07-001	1	E01	1711A-LLB1-900	4	E02			
15426-GAE1-921	0	E01	17211-4K39-001	0	F12	18231-3E65-671	0	F13
15441-1K49-001	0	E04	17214-LLB1-900	1	F12	18233-3C83-901	0	F13
15447-1K49-001	0	E04	17221-KGG7-001	0	F12	18291-LLB1-900	1	F13
1565A-GFY6-900	0	E05	17231-4K39-001	0	F12	18294-KTCT-900	1	F13
15711-LLB1-900	1	E07	17231-LLB1-900	4	F12	1830A-LLB1-700	0	F13
15772-2B92-011	0	F12	1723A-LLB1-900	1	F12	18325-LLB1-900	1	F13
			17255-KKAK-900	0	F12			
16000			17257-LLB1-900	4	F12	22000		
			17265-KGG7-001	0	F12			
16075-PC3-7810-M1	0	E09	17266-KGG7-001	0	F12	22100-KKA8-305	0	E04
16076-ND5-0040	0	E09	17360-KGBG-900	0	F12	22101-KEBE-900	1	E06

PART NO. INDEX

パーツ番号 検索

PART NO. パーツ番号	VERSION バージョン	PAGE ページ	PART NO. パーツ番号	VERSION バージョン	PAGE ページ	PART NO. パーツ番号	VERSION バージョン	PAGE ページ
22102-KKC3-900	3	E06	23420-LCA4-E00	1	E08	24720-LCA4-E00	2	E08
22105-LLB1-900	2	E06	23425-LLB1-900	1	E08	24781-LCA5-E00	2	E08
22110-KKC3-900	1	E06	23431-LLB1-910	0	E08			
22112-KAAA-900	0	E06	23441-LCA4-E00	2	E08	28000		
22121-KAAA-305	0	E06	23451-LLB1-900	2	E08			
22131-KAAA-900	1	E06	23472-LLB1-900	1	E08	28101-GFY6-901	2	E07
22132-KGN7-670	3	E06	23481-LCA4-E00	1	E08	28102-GFY6-901	1	E07
22300-LLB1-900	3	E06	23801-LLB1-900	1	E08	28110-GFY6-901	2	E07
22350-KGN7-671	1	E06	23811-LLB1-900	1	E08	28114-GAE1-94A	0	F07
22361-LGE7-E00	1	E06				28120-GFY6-315	6	E07
22401-LLB1-900	1	E06	24000			28125-4F26-001	0	E07
22530-LLB1-900	1	E06				28125-GFY6-960	3	E07
22804-GBB2-001	0	E06	24221-LLB1-900	4	E08	28126-KUDU-900	1	E07
			24241-KGB4-C00	0	E08	28211-KFC8-900	0	E06
23000			24304-LLB1-900	1	E08	28223-KNBN-901	0	E01
			24305-LLB1-900	1	E08	28230-GHAH-721	1	E01
2301A-LLB1-900	3	E06	2431A-LLB1-E00	0	E08	28241-LBD4-900	2	F14
23100-LLB1-90B	1	E06	24610-LLB1-900	4	E08	28250-LCA4-E00	1	E01
23200-KEBE-900	3	E06	24701-LCA4-E00	1	E08	28253-GBN2-60A	0	E01
23211-LLB1-900	2	E08	24702-LCA4-E00	1	E08	28255-GFS6-001	0	E01
23220-LLB1-900	2	E06	24703-LLB1-900	1	E08	28281-GBN2-60A	1	E01
23225-GHC8-004	0	E06	24704-LBA7-900	4	E08	28293-3C33-001	0	F14
23226-GHC8-004	0	E06	24707-LBA7-900	6	E08	28300-LCA4-E00	2	F14
23233-KGN7-671	1	E06	24710-LCA4-E00	1	E08	28333-1D24-001	0	F14
23237-KHG8-901	0	E06	24711-LCA4-E00	1	E08			
23411-LCA4-E00	1	E08	24712-LCA4-E00	1	F04			

PART NO. INDEX
 パーツ番号 検索

PART NO. パーツ番号	VERSION バージョン	PAGE ページ	PART NO. パーツ番号	VERSION バージョン	PAGE ページ	PART NO. パーツ番号	VERSION バージョン	PAGE ページ
30000			33000			35111-LCA5-326-M1	0	F21
30400-LCA4-900	0	F17	33100-LCA5-E00	5	F01	35111-LCA5-326-M2	0	F21
3051A-LLB1-900	1	F17	33110-LCA5-E00	0	F01	3520A-LDF3-900	0	F03
30700-KBE2-941	0	F17	33120-LCA5-E00	0	F01	35340-LLB1-800	0	F03
			33130-LCA5-E00	0	F01	35350-KNBN-901	0	F03
31000			33150-LCA5-E00	5	F01	35759-LLB1-900	6	E01
31110-LCA4-E0A	0	E05	33700-LCA4-900	2	F16	35850-KHB4-90A	5	F17
31110-LCA4-E0B	1	E05	33701-LCA4-900	0	F16	35850-KHB4-90B	4	F17
31120-LCA4-E0A	0	E05	33710-LCA4-900	0	F16	37000		
31120-LCA4-E0B	3	E05	33750-LCA4-900	2	F16	37200-PWA8-900	0	F02
31210-LLB1-900	3	E07	33751-LCA4-900	0	F16	37290-LLB1-E00	4	F02
31600-LBA7-900	6	F17	34000			37295-LLB1-E00	1	F02
			34901-KFA6-900	0	F01	37801-LDH1-MY0	1	F09
32000			34903-KPCP-900	0	F01	3780A-LCA4-900	0	F09
32100-LCA4-700	0	F17	34906-KPCP-900	0	F16	38000		
32101-LLB1-800	1	F17				3860A-LCA5-E01	3	F17
32161-4D04-001	2	F03	35000			39000		
32410-LLB1-900	2	E07	35010-LCA4-90A	2	F17	39000-LLB1-900	2	F17
32411-LLB1-900	5	F17	35010-LCA4-90B	1	F17			
32412-LLB1-900	2	E05	35111-LCA5-325-M1	0	F21			
32976-1G07-001	1	E01	35111-LCA5-325-M2	0	F21			

PART NO. INDEX
 パーツ番号 検索

PART NO. パーツ番号	VERSION バージョン	PAGE ページ	PART NO. パーツ番号	VERSION バージョン	PAGE ページ	PART NO. パーツ番号	VERSION バージョン	PAGE ページ
40000			43000			45109-KFA6-900	0	F07
40510-LLB1-900	1	E08	43100-LLB1-800	6	F07	45133-0H28-001	1	F06
4052A-LCA4-E01	1	F15	43127-LLB1-800	3	F03	45134-2L50-001	0	F06
40530-LLB1-900	3	E08	4312A-KXCX-900	9	F06	45141-LLB1-900	1	F06
4054A-LLB1-900	4	F14	43156-LLB1-800	1	F15	45145-LLB1-900	1	F06
			43210-LLB1-305	2	F07	45410-LLB1-900	4	F06
41000			43350-LLB1-800	3	F07	45450-LLB1-900	6	F03
41201-LLB1-E00	1	F07	43351-KEBE-900	2	F07	45513-GLW0-91A	0	F03
41211-LLB1-900	2	F07	43530-PWA6-305	0	F03	45517-KFAF-900	0	F03
			44000			46000		
42000			44311-LLB1-900	2	F06	46100-LLB1-900	2	F06
42301-LLB1-900	4	F07	4460A-LCA4-E00	3	F06	46410-LLB1-900	4	F06
42302-LCA4-E00	2	F07	44620-LLB1-900	2	F06	46450-LLB1-900	6	F03
42312-LLB1-900	2	F07	44705-LCA5-E00	3	F06	47000		
42610-LLB1-E01	6	F07	44710-LCA4-M0A	2	F06	47400-LLB1-900	6	F15
42705-LCA5-E00	4	F07	44710-LCA4-M0B	1	F06	47402-LLB1-900	2	F15
4270A-LCA5-E00	4	F07				47403-LLB1-900	2	F15
42710-LCA4-M0A	2	F07	45000			47404-LLB1-900	3	F15
42710-LCA4-M0B	1	F07	45100-LLB1-900	2	F06	47405-LLB1-900	3	F15
42753-KNBN-90B	1	F06	45105-KFA6-305	0	F07	47410-LCA5-E00	2	F06
42753-KNBN-90B	1	F07	45107-KFA6-900	0	F07	47410-LCA5-E00	2	F07
						47500-LLB1-900	6	F15

PART NO. INDEX
 パーツ番号 検索

PART NO. パーツ番号	VERSION バージョン	PAGE ページ	PART NO. パーツ番号	VERSION バージョン	PAGE ページ	PART NO. パーツ番号	VERSION バージョン	PAGE ページ
50000			53000			53199-LLB1-800	0	F03
50100-LCA4-500	2	F18	53100-LCA4-600	0	F03	53199-PWA6-900	0	F03
50162-LCA4-E00	3	F18	53104-LCA4-E00	1	F03	53200-LCA4-900	1	F05
50166-LLB1-900	3	F18	53131-4K39-001	0	F03	53205-LCA5-EV0	1	F03
50306-LLB1-900	1	F07	53132-LLB1-900	6	F03	53250-LLB1-900	1	F05
5032A-LCA4-E00	2	F10	53160-LLB1-800	0	F03	53251-LCA5-E00	1	F05
50351-LLB1-900	6	F18	53161-LLB1-800	0	F03	53252-LBA7-900	4	F05
50612-LCA4-E00	2	F11	53162-LLB1-800	0	F03	53254-LBA7-900	3	F05
50613-LCA4-E00	2	F11	53166-KEC5-001	1	F03	53400-LCA4-E00	3	F15
			53170-LLB1-800	0	F03	53402-LLB1-900	2	F15
51000			53175-LBD4-900	0	F03	53500-LCA4-E00	3	F15
51400-LCA4-E00	4	F15	53178-PWA8-900	0	F03	53700-LCA4-E00	3	F05
			5317A-LCA4-M01	2	F03	53701-LCA4-E00	1	F05
			53185-LLB1-800	0	F03	53702-LBA7-900	1	E08
52000			53189-LLB1-800	0	F03	53702-LLB1-900	8	F05
52000-LCA4-E00	5	F15	53191-PWA6-900	0	F03	53703-LBA7-900	1	E08
52101-LLB1-900	2	F15	53192-LLB1-800	0	F03	53703-LLB1-900	8	F05
52105-LLB1-900	1	F15	53194-LLB1-800	0	F03			
52108-KEE5-004	2	F15	53195-LLB1-800	0	F03	60000		
52144-LBA7-900	1	F15	53196-LLB1-800	0	F03	60100-LCA4-E00	1	F04
52400-LCA4-E00	3	F15	53197-LLB1-800	0	F03	60120-LCA4-E00	2	F04
			53197-PWA6-900	0	F03			
			53198-LLB1-800	0	F03	61000		
			53198-PWA6-900	0	F03	61104-3G57-001	0	F09

PART NO. INDEX
 パーツ番号 検索

PART NO. パーツ番号	VERSION バージョン	PAGE ページ	PART NO. パーツ番号	VERSION バージョン	PAGE ページ	PART NO. パーツ番号	VERSION バージョン	PAGE ページ
64000			80110-LBA7-900	1	F11	86000		
64222-LLJ3-E00	1	F11	80121-LCA4-E01	2	F11	86102-KKC4-900	3	F20
64301-LCA4-E00	1	F04	80122-LCA4-E01	2	F11	86182-LCA5-MVV	1	F20
64302-LCA5-E01	1	F04	80125-LBD4-900	1	F11	86323-LCA4-M30	0	F20
64303-LLB1-900	1	F04	80157-KCBC-900	0	F05	86333-LCA4-M30	0	F20
64304-LLB1-900	1	F04	80157-KCBC-900	0	F15	86513-LCA4-M30	0	F20
64307-LCA5-900	2	F04	81000			86523-LCA4-M30	0	F20
64308-LCA5-900	2	F04	81201-KKA8-900	0	F18	86533-LCA4-M30	0	F20
6430A-LCA4-E00	1	F04	83000			86613-LCA4-M30	0	F20
77000			83500-LCA4-E01	2	F11	86623-LCA4-M30	0	F20
77200-LCA4-E00	1	F08	83600-LCA4-E01	2	F11	86633-LCA4-M30	0	F20
77205-2F86-001	1	F08	84000			87000		
77206-LBA7-900	1	F08	84703-LLB1-900	1	F03	87322-LBA7-E00	3	F19
77303-LLB1-900	3	F08	85000			87505-PWA8-M35	0	F19
77330-LCA4-E00	3	F18	85100-LCA4-E00	2	F18	87514-PWA8-M35	0	F19
77430-LCA4-E00	3	F18	85101-LCA5-E00	2	F18	87515-LFE9-E00	0	F19
80000						87517-PTA7-M35	0	F19
80100-LCA4-E00	1	F11				87520-LDB5-M30	2	F19
80106-LCA4-E00	2	F11				87522-LCA4-M30	9	F19
80108-LCA4-E00	1	F11				87522-PTA7-M35	0	F19
						87532-LBE8-900	2	F20
						87532-LCA5-900	1	F20

PART NO. INDEX
 パーツ番号 検索

PART NO. パーツ番号	VERSION バージョン	PAGE ページ	PART NO. パーツ番号	VERSION バージョン	PAGE ページ	PART NO. パーツ番号	VERSION バージョン	PAGE ページ
87556-LLB1-E00	2	F19	90112-LBD4-800	1	F07	90321-LLB1-800	0	F03
87556-LLB1-E01	2	F19	90114-1F66-007	2	F03	90401-KKJ9-001	0	E04
87560-PWB1-M35	1	F19	90115-LLB1-800	0	F03	90403-KGN7-671	0	E06
87571-LCA5-M30	1	F19	90122-LLB1-800-06	2	F07	90403-KUDU-900	0	E07
			90133-LLB1-900	1	E01	90403-LLB1-900	1	E04
89000			90145-LEA3-E00	1	F03	90412-3K29-001	0	E01
			90201-GFY6-901	1	E07	90441-KDY4-901	0	E01
89010-LLB1-900	5	F08	90201-LLB1-900	1	E04	90443-KEC2-900	0	E04
89020-KKC4-900	1	F08	90202-KGN7-671	0	E06	90451-0A01-001	1	E08
			90206-2L50-001	0	E03	90451-1E55-001	0	E01
90000			90231-KEC2-900	1	E04	90451-1G07-001	1	E08
			90301-LBA7-900	1	F06	90451-LLB1-900	1	E08
90001-GBHB-661	3	E03	90301-LBA7-900	1	F07	90455-LLB1-900	1	E08
90001-GBHB-681	3	F12	90301-LLB1-800	0	F03	90465-MDC4-001	0	E03
90001-GBHB-711	3	E01	90302-GBR2-001	1	F09	90474-3C33-001	1	E01
90001-GFY6-901	5	E01	90302-LLB1-E00	2	F18	90501-KNBN-901	0	E04
90005-KED9-900	2	E03	90302-PWA1-900	2	F03	90501-LCA4-E00	1	F06
90012-4E15-001	0	E03	90302-PWA1-900	2	F04	90502-LLB1-900	1	F07
90031-KEBE-900	0	E01	90302-PWA1-900	2	F10	9052A-LEB1-900	2	E01
90033-LLB1-900	1	F07	90302-PWA1-900	2	F11	90545-3L00-001	2	F03
90084-4H28-001	0	E02	90304-GLW0-90A	1	F07	90605-1F66-721	0	E06
90084-4H28-001	0	E05	90304-GLW0-90A	1	F15	90651-LCA5-E00	1	F01
9008A-LLB1-900	5	E05	90304-GLW0-90A	1	F18	90652-LCA4-E00	1	F11
90101-LCA5-E00	2	E08	90305-GHE8-004	1	F07	90656-KCBC-900	0	F03
90105-LBA7-900	2	F07	90305-GHK8-001	1	F11	90656-KCBC-900	0	F17
90112-KRDR-900	1	F17	90305-MAA1-004	1	F05	90656-KCBC-900	0	F18

PART NO. INDEX
 パーツ番号 検索

PART NO. パーツ番号	VERSION バージョン	PAGE ページ	PART NO. パーツ番号	VERSION バージョン	PAGE ページ	PART NO. パーツ番号	VERSION バージョン	PAGE ページ	
90656-KUDU-900	0	F18	91211-KEBE-900	0	E06	93000			
90677-GAR1-004	1	F04	91251-GHC8-004	0	F06				
90677-GAR1-004	1	F11	91254-LLB1-900	1	F07				
90701-HFB6-011	2	E04	91256-LLB1-900	1	E01		93191-LLB1-800	0	F03
90750-LLB1-900	2	E01	91301-GLR0-005	1	E03		93404-06016-06	0	F01
90754-LLB1-900	1	F06	91302-0A01-021	0	E01		93404-06016-06	0	F11
90805-GBHB-901	2	E01	91302-2L00-001	0	E02		93404-06016-06	0	F15
91000			91303-3G77-001	0	E02		93404-06020-06	1	F11
			91303-3G77-001	0	E05		93404-KKC2-900-06	1	F04
			91304-GHC8-004	0	E05		93406-LLB1-900	0	F03
91001-GFY6-90A	2	E06	91304-LLB1-900	2	E05	93500-03008-0G	0	F03	
91002-GGA7-70A	0	E06	91306-1E05-691	0	E03	93500-04016-0G	0	F03	
91009-KKC3-900	1	E01	91307-0E35-001	0	E05	93500-04025-0F	0	F12	
91101-1K79-711	1	E07	91309-4E25-004	0	E07	93500-05016-0F	0	E05	
91101-LLB1-900	2	E01	91351-6B42-000	0	E06	93500-05016-1B	0	F09	
91101-LLB1-90A	2	E01	91509-LLB1-900	4	E01	93500-05030-0G	0	F03	
91104-GFY6-90C-B	0	E07	91981-KGN7-670	0	E07	93600-04012-1G	0	F03	
91104-GFY6-90C-R	0	E07	92000			93891-05012-06	0	F02	
91107-LLB1-900	2	E08				93891-05016-06	0	F12	
91107-LLB1-90A	0	E08				93892-04008-16	0	E09	
91201-LLB1-900	2	F18	92000-06010-0G	0	E08	93892-04016-18-3	0	E09	
91202-3B02-001	1	E01	92101-06020-0G	0	E08	93892-05012-06	0	E09	
91202-KKJ9-004	0	E01	92201-05025-0G	0	E05	93893-04012-18	0	F03	
91202-LHG7-E00	1	E01	92700-06035-3E	1	E02	93901-14020	0	F12	
91202-LLB1-900	1	F18	92712-06028-0B	2	E02	93903-34360	0	F04	
91206-2F86-014	0	E01	92918-LCA4-E00	1	F06	93903-34360	0	F11	

PART NO. INDEX
 パーツ番号 検索

PART NO. パーツ番号	VERSION バージョン	PAGE ページ	PART NO. パーツ番号	VERSION バージョン	PAGE ページ	PART NO. パーツ番号	VERSION バージョン	PAGE ページ
93903-35260	0	F01	94050-06080	0	F09	94401-KEC2-900	0	E04
93903-35260	0	F02	94050-06080	0	F17	94510-20000	0	E01
93903-35260	0	F04	94050-06080	0	F18	94510-20000	0	E08
93903-35260	0	F16	94050-08060	0	F18	94510-22000	0	E08
93903-35360	0	F04	94050-08080	0	E03	94510-25000	0	E08
			94050-08080	0	E08	94511-14000	0	E01
94000			94050-12080	0	E06	94520-28000	0	E06
			94101-06200	0	F13	94520-32180	0	F18
94001-05060-0S	0	F03	94101-08800	0	F14	94520-52000	0	E01
94001-06080-0S	0	E02	94101-10800	0	F03	94540-12028	0	E08
94001-06080-0S	0	F13	94102-08000	5	E08	94591-27000	0	F04
94001-08080-0S	0	E08	94102-13700	0	F14	94591-27000	0	F11
94001-08080-0S	0	F14	94111-06800	0	F13	94591-LLB1-900	0	E01
94001-LBA7-900	1	E08	94111-08800	0	E08	94601-15000	0	E04
94001-LLB1-800	2	F05	94111-08800	0	F14	94601-33000	0	E06
94001-LLB1-900	2	F05	94111-PWA6-900	0	F03			
94002-06060-0S	0	E08	94201-20150	0	E08	95000		
94011-10080-0S	1	F15	94201-25250	0	F15			
94011-LBA7-900	1	F07	94201-25300	0	F05	95002-02080	0	F09
94011-LLB1-900	4	F06	94201-30250	0	F05	95002-02100	0	F09
94012-LLB1-900	1	F05	94201-30300	0	F06	95002-02120	1	F12
94030-10080	0	F03	94201-30300	0	F07	95002-02130	0	F12
94050-06080	0	E07	94301-10160	0	E01	95002-02150	0	E01
94050-06080	0	F03	94301-10160	0	E02	95002-41300-00	0	F09
94050-06080	0	F04	94301-10160	0	E05	95002-50000	0	F12
94050-06080	0	F06	94303-04065	0	E07	95003-23006-60	0	F12


PART NO. INDEX

パーツ番号 検索

PART NO. パーツ番号	VERSION バージョン	PAGE ページ	PART NO. パーツ番号	VERSION バージョン	PAGE ページ	PART NO. パーツ番号	VERSION バージョン	PAGE ページ
95701-06010-06	1	F15				96130-60020-10	0	F18
95701-06012-06	1	E08	96000			96150-60030-10	0	F06
95701-06014-06	0	F04				96150-69070-10	0	F07
95701-06016-06	1	F03	96001-06010-06	0	E01	96201-10000	0	F15
95701-06022-06	1	F03	96001-06012-02	0	F13	96211-08000	1	F14
95701-06022-06	1	F09	96001-06012-06	0	E01	96211-12000	0	E01
95701-06022-06	1	F14	96001-06012-06	0	E05	96220-20118	0	E04
95701-06028-06	0	E02	96001-06012-06	0	E07	96220-60100	0	E07
95701-06028-06	0	F06	96001-06014-06	0	E03	96600-06020-06	0	F03
95701-08012-06	0	E01	96001-06016-06	0	E07	96600-08010-16	0	E07
95701-08012-06	0	F18	96001-06016-06	0	E08			
95701-08016-06	0	F11	96001-06028-06	0	E07	98000		
95701-08016-06	0	F18	96001-06032-06	0	E01			
95701-10012-06	0	E01	96001-06040-06	12	E01	98069-5771R	0	E02
95701-LLB1-800	0	F03	96001-06045-06	0	E05	98200-12000	0	F10
95801-08028-06	0	E08	96001-06060-06	0	E01	98200-12000	0	F17
95801-08028-06	0	F13	96001-06110-06	1	E02			
95801-08060-06	0	F05	96001-06125-06	1	E05	99000		
95801-10040-06	0	F15	96001-GFY6-900	2	E01			
95801-10057-06	2	F15	96100-62020-00	0	E01	99101-393-0980	0	E09
95801-10100-06	0	F18	96100-62030-00	0	E01			
95801-10160-06	0	F18	96100-62040-00	0	E01	D		
95801-LLB1-900-06	3	F07	96100-62043-00	0	E01			
			96100-62050-00	2	E01	D1310-850-0100	0	E09
			96100-63020-00	0	E01			
			96100-63030-00	0	E01			

PART NO. INDEX

パーツ番号 検索

PART NO. パーツ番号	VERSION バージョン	PAGE ページ	PART NO. パーツ番号	VERSION バージョン	PAGE ページ	PART NO. パーツ番号	VERSION バージョン	PAGE ページ
								
K								
K446-155-0100	0	E09						
K502-168-0100	0	E09						
N								
N413-15A00	0	E09						
S								
S785-1170	0	E09						
W								
W9351-19260	0	E09						
W9525-25250	0	E09						
W9535-25000	0	E09						
W9574-13000	0	E09						
W9576-01000	0	E09						
W9581-59200	0	E09						