

# PARTS CATALOGUE



## SCOOTERS

SH10DA(JP)

SUPER 9 (注意)



Release Date : 2017/04/21  
Print Date : 2017/07/18

## 本パーツリストについて

- 本パーツリストは SH10DA(JP).の全てのパーツ番号が記載されています。
- 車輻のカラーチャートとバイクに相違がある場合は正規販売店もしくはKYMCO JAPANへお問い合わせください。
- 1. "\*\*\*"記号が記載している場合、3文字の色コードをパーツ番号の最後に記入してください。  
2. "#" 記号が記載している場合、パーツの設定、変更があります。正規販売店もしくはKYMCO JAPANへお問い合わせください。
- このパーツリストの変更または追加は、適切な時期に予告なく行われます。

## ABOUT THIS PARTS LIST

- This parts list is compiled all service parts for model SH10DA(JP).
- Any difference between color chart and motorcycle will be revised according to motorcycle.
- The Mark:
  1. Marking "\*\*\*" must add color code in the end before ordering parts.
  2. Marking "#" are parts with modification, Please find the details from e-Parts system.
- When modification or additions to this parts list are made a revised edition at an appropriate time.

## 目次

● 本パーツリストについて .....	1
● SH10DA(JP)のカラーチャート .....	3
● 目次-エンジン関 .....	6
● 目次-フレーム関係 .....	8
● エンジンパーツリスト .....	11
● フレームパーツリスト .....	41
● パーツ番号 検索 .....	103

## CONTENTS

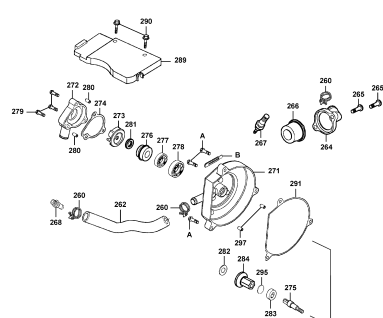
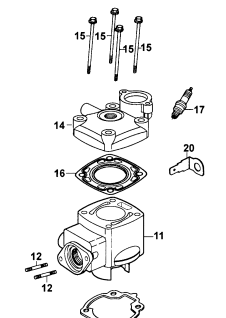
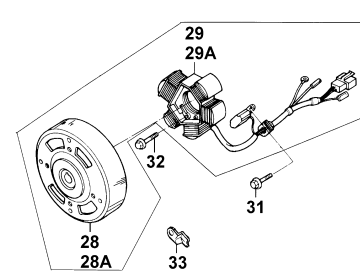
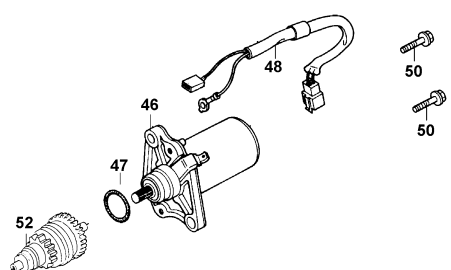
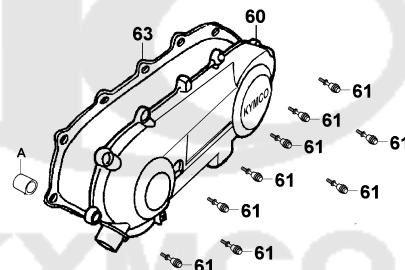
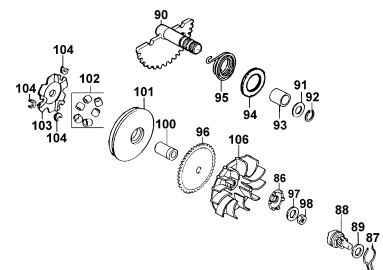
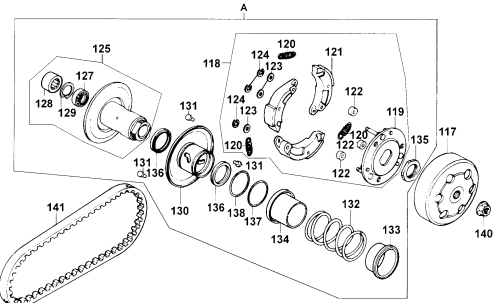
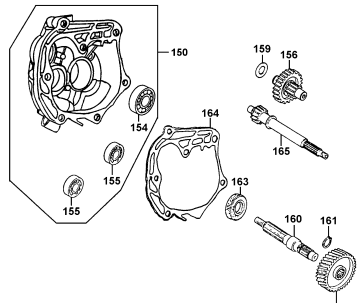
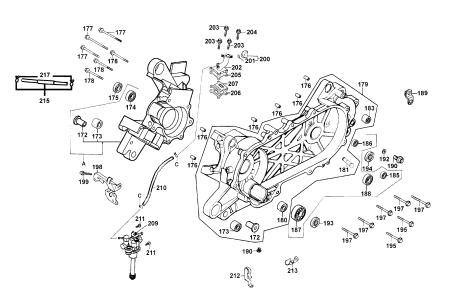
● ABOUT THIS PARTS LIST .....	1
● COLOR CHART OF SH10DA(JP) .....	3
● CONTENTS-ENGINE GROUP .....	6
● CONTENTS-FRAME GROUP .....	8
● ENGINE PARTS LIST .....	11
● FRAME PARTS LIST .....	41
● PART NO. INDEX .....	103

NO	モデル			SH10DA(JP)のカラーチャート			
	写真番号			NO. 1	NO. 2	NO. 3	NO. 4
	基本色						
	コード			Deep Blue Metallic	Bright Silver	Dark Gray Metallic	Ruby Red
	パーツ名	パーツ番号	バージョン	PB183MA	NH045MA	NH124MA	RR004CA
1	PROTECTOR MUFFLER	18317-KHD8-E00	1	F1S			
2	CLAMP TUBE	90660-KGBG-900	0	H4R			
3	DISK FR BRAKE	45121-KGB5-900	0	M2S			
4	LEVER R STRG HANDLE	53175-KXBX-E10	3	M3A			
5	LEVER L STRG HANDLE	53178-KKBK-E00	0				
6	GRIP COMP THROT	53140-KGB5-900	0	N1R			
7	GRIP L HANDLE	53166-KGB5-900	0				
8	COVER LOWER HANDLE	53206-KGB5-900	0				
9	FENDER FR INNER	61110-KGB5-900	1				
10	COVER FR INNER	64304-KGB5-900	1				
11	LID LEG SHIELD WIND	64307-KFA5-900	0				
12	COVER R INNER SIDE	64307-KGB5-900	0				
13	COVER L INNER SIDE	64308-KGB5-900	0				
14	FLOOR PANEL	64310-KGB5-900	3				
15	BOX TUNNEL INNER	64343-KGB5-900	1				
16	FENDER A RR	80105-KGB5-900	1				
17	FENDER B RR	80106-KGB5-900	1				
18	FENDER B ASSY RR	8011A-KEB7-900	0				
19	LEG SHIELD	81131-KGB5-900	1				
20	LID LEG SHIELD	81132-KGB5-900	1				
21	GRILL R SIDE	83520-KGB5-900	0				
22	GRILL L SIDE	83620-KGB5-900	0				
23	BAND HARNESS WIRE	90656-KUDU-900	0				
24	WHEEL COMP RR CAST	42601-KFC8-900	3	N5A			
25	WHEEL FR CAST	44601-KFC8-900	0				
販売開始時期							
販売終了時期							

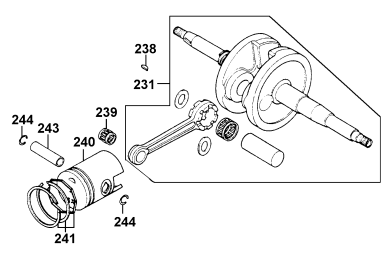
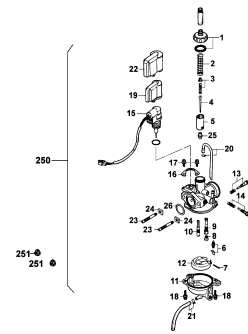

NO	モデル			SH10DA(JP)のカラーチャート			
	写真番号			NO. 1	NO. 2	NO. 3	NO. 4
	基本色						
	コード			Deep Blue Metallic	Bright Silver	Dark Gray Metallic	Ruby Red
	パーツ名	パーツ番号	バージョン	PB183MA	NH045MA	NH124MA	RR004CA
26	WHEEL SET FR	44650-KFC8-305	1	N5A			
27	COVER L SIDE **(2)	11341-KEB7-900	3	N8A			
28	GRIP RR	81300-KGB5-900	1				
29	METER COVER FR	37111-KGB5-900	0				
30	METER COVER RR	37112-KGB5-900	0				
31	COVER SET FR	64301-KGB5-900	3	N8P			
32	SKIRT R SIDE	64305-KGB5-900	3				
33	SKIRT L SIDE **(0)	64306-KGB5-900	3				
34	COVER UPPER HANDLE	53205-KGB5-900	0				
35	FENDER FR	61100-KGB5-900	3				
36	MOLDING FR	64302-KGB5-900	1				
37	COVER R BODY	83500-KGB5-900	1	BHP	N8P	NFP	R1P
38	COVER SET L BODY SIDE	83600-KGB5-900	1				
39	COVER RR CENTER	83750-KGB5-900	0				
40	CUSHION ASSY RR	52400-KGB5-900	1				
41	GRILL FR	64303-KGB5-900	1	N8S			
42	COVER TUNNEL	64341-KGB5-900	6	NEP			
43	LID TUNNEL	64342-KGB5-900	6	NFP			
44	COVER UNDER BODY	80101-KGB5-900	3				
45	CALIPER ASSY RR	43100-KGB5-900	2				
46	CALIPER ASSY FR	45200-KGB5-900	0				
47	BAR R RR STEP	50700-KGB5-900	1	NJA			
48	BAR L RR STEP	50710-KGB5-900	1				
49	FORK SET R FR	5140A-KGB5-900	1				
50	BOTTOM CASE R	51420-KGB5-900	0				
販売開始時期							
販売終了時期							



# CONTENTS - ENGINE GROUP 目次-エンジン関

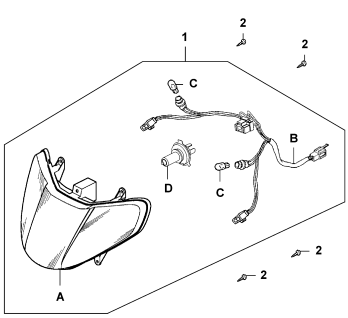
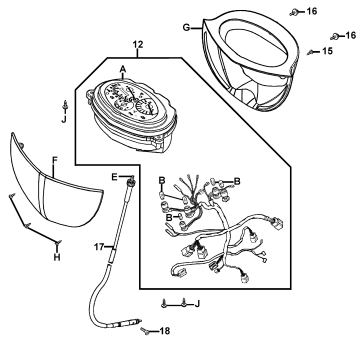
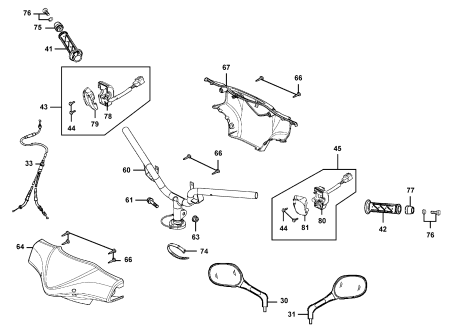
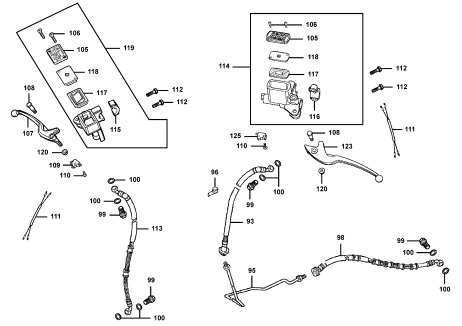
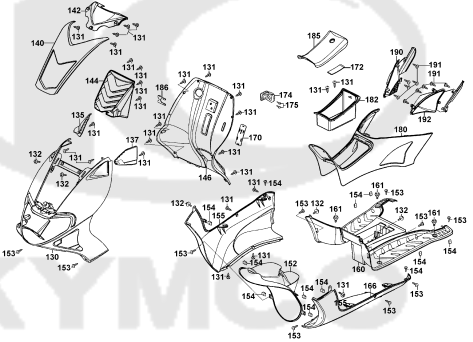
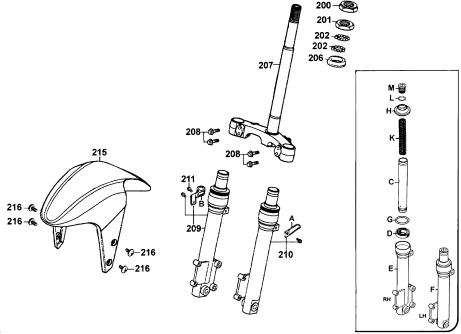
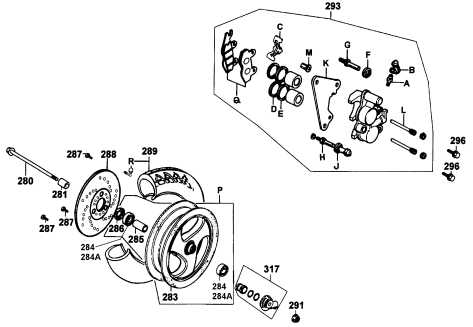
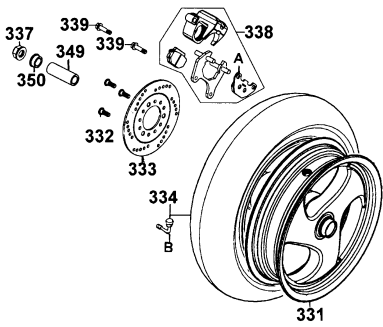
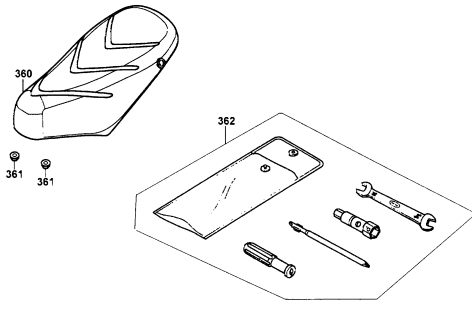
<p><b>E01</b>    Water Pump</p> 	<p><b>E02</b>    Cylinder    Cylinder Head</p> 	<p><b>E03</b>    Generator</p> 
<p><b>E04</b>    Starting Motor</p> 	<p><b>E05</b>    Left Crankcase Cover</p> 	<p><b>E06</b>    Drive Pulley</p> 
<p><b>E07</b>    Driven Pulley</p> 	<p><b>E08</b>    Transmission</p> 	<p><b>E09</b>    Crankcase    Oil Pump</p> 

## CONTENTS - ENGINE GROUP 目次-エンジン関

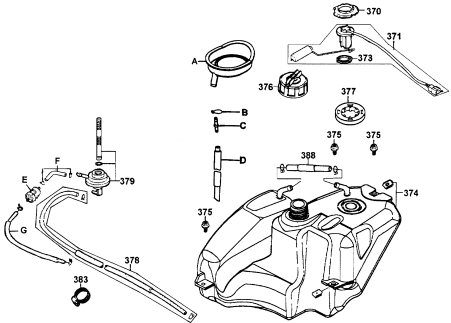
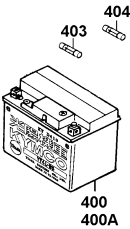
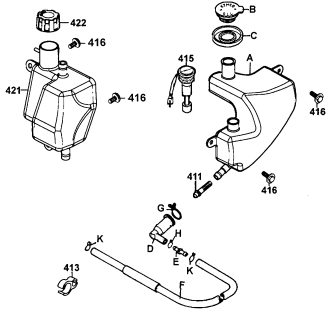
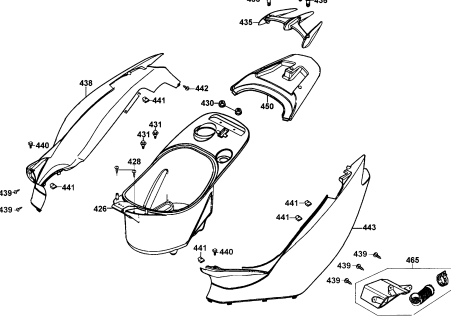
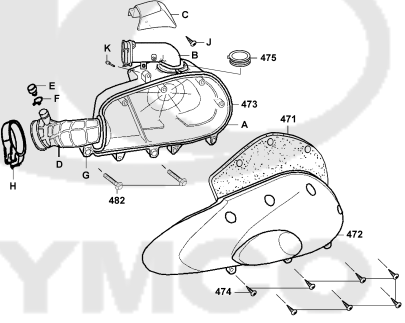
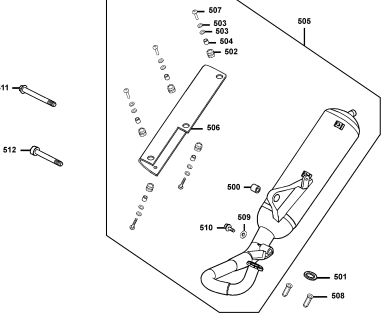
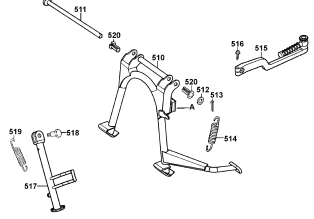
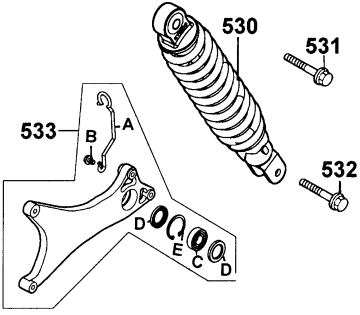
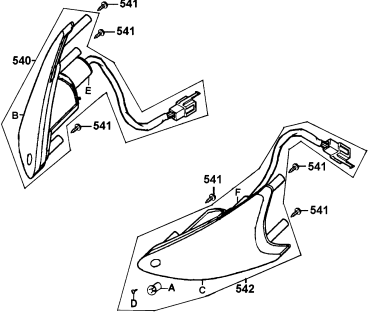
<b>E10</b> Crankshaft   Piston	<b>E11</b> Carburetor	
		
		



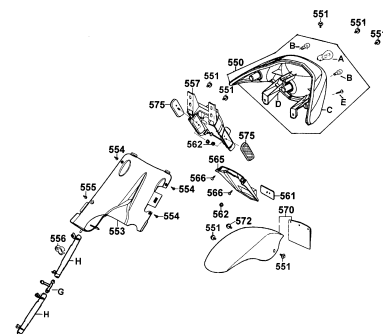
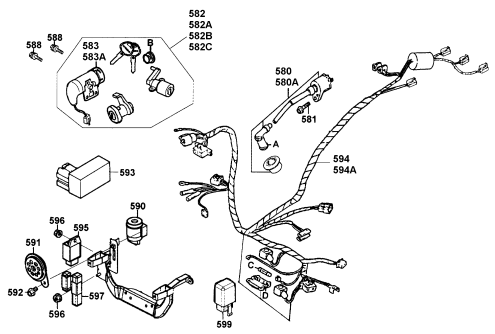
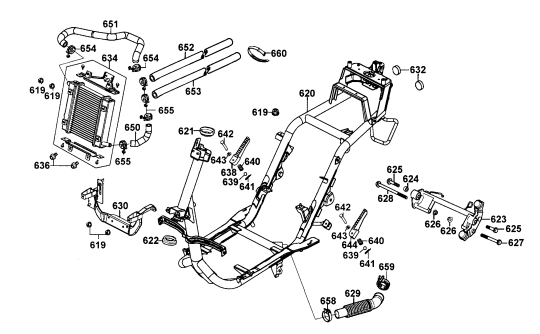
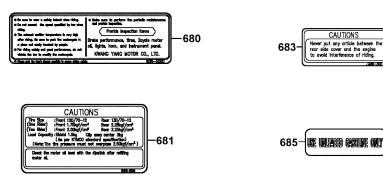
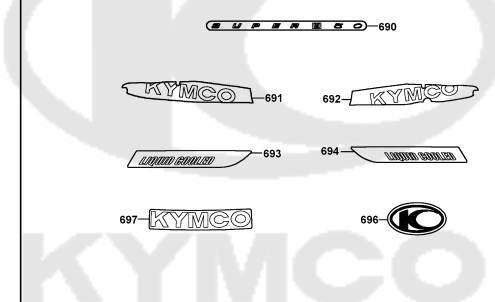
# CONTENTS - FRAME GROUP 目次-フレーム関係

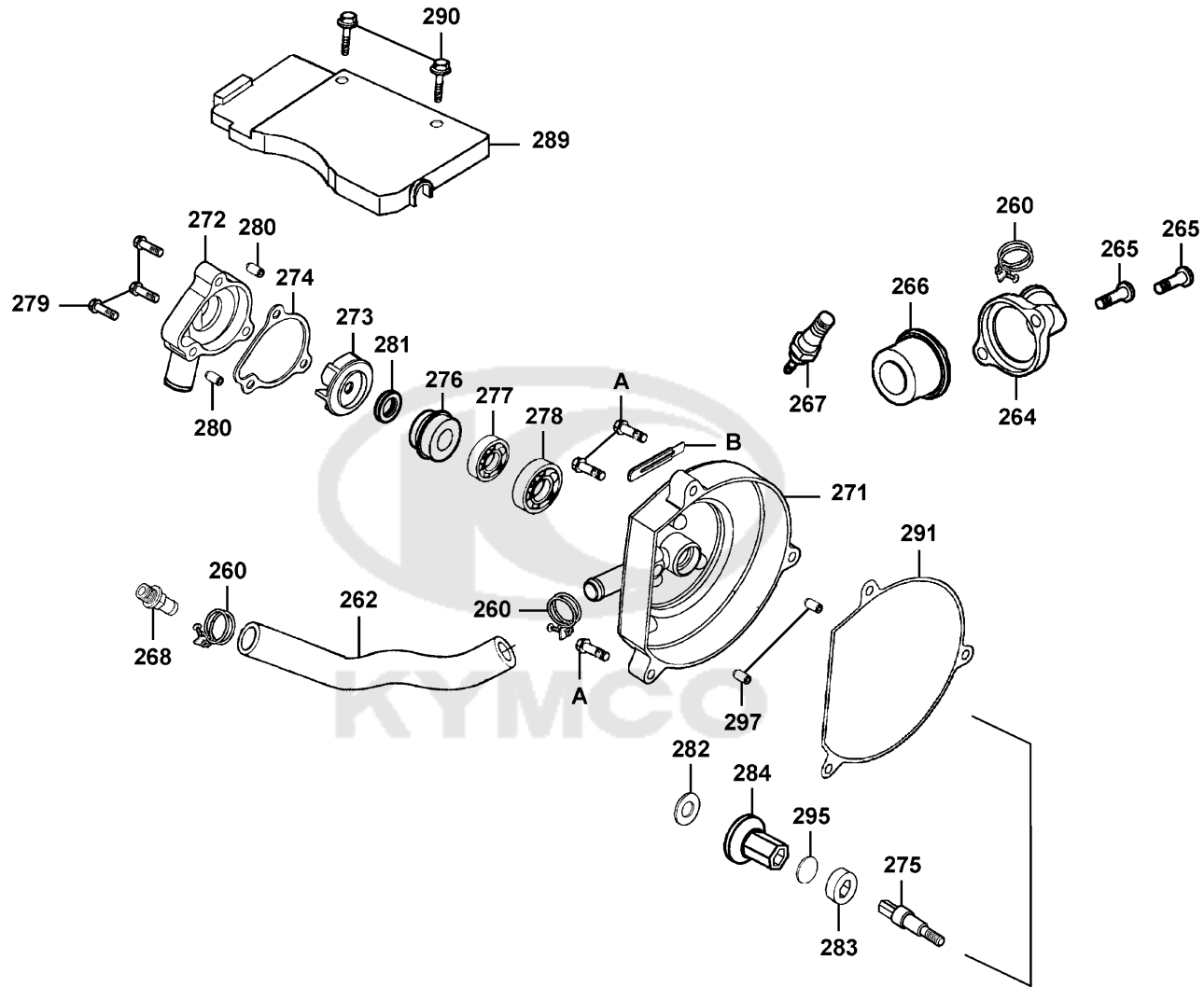
<p><b>F01</b>    Head Light</p> 	<p><b>F02</b>    Speedometer</p> 	<p><b>F03</b>    Handle Steering    Handle Cover</p> 
<p><b>F04</b>    Brake Master Cylinder</p> 	<p><b>F05</b>    Front Cover    Floor Panel</p> 	<p><b>F06</b>    Steering Stem    Front Cushion</p> 
<p><b>F07</b>    Front Wheel</p> 	<p><b>F08</b>    Rear Wheel</p> 	<p><b>F09</b>    Seat</p> 

## CONTENTS - FRAME GROUP 目次-フレーム関係

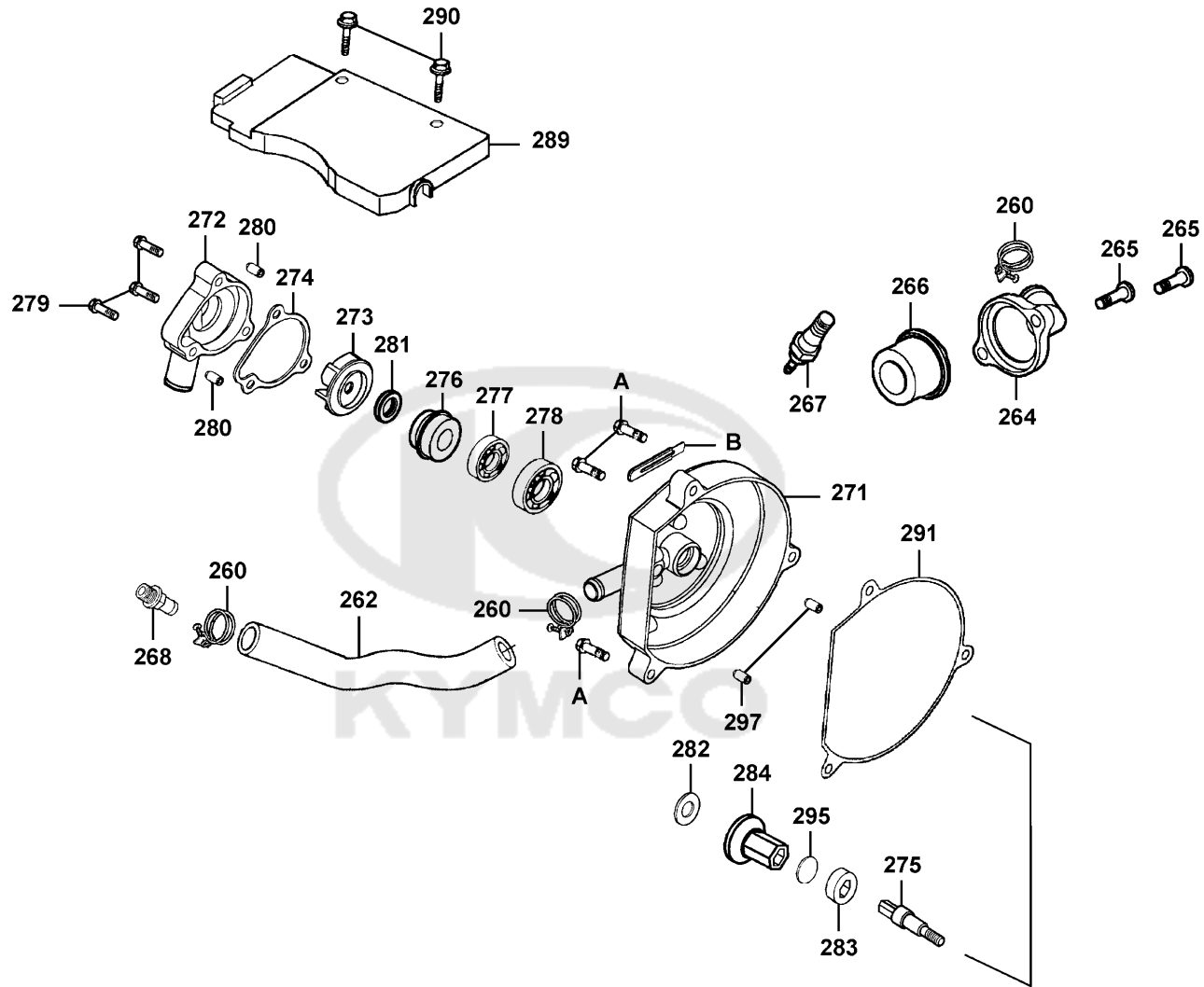
F10 Fuel Tank	F11 Battery	F12 Oil Tank Reserve Tank
		
F13 Body Cover Luggage Box	F14 Air Cleaner	F15 Exhaust Muffler
		
F16 Stand Kick Starter Arm	F17 Rear Cushion	F18 Front Winker
		

# CONTENTS - FRAME GROUP 目次-フレーム関係

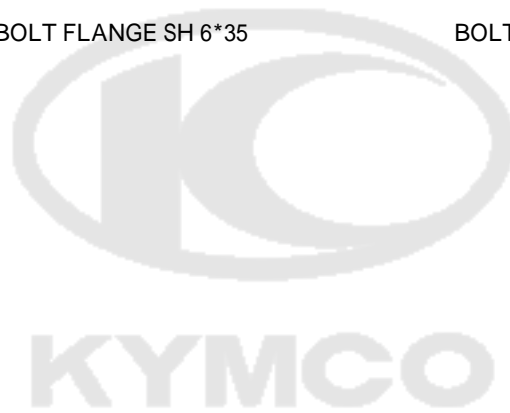
F19 Tail Light	F20 Wire Harness	F21 Frame Body
		
<b>F22 Caution Label</b>	<b>F23 Emblem Stripe</b>	
		

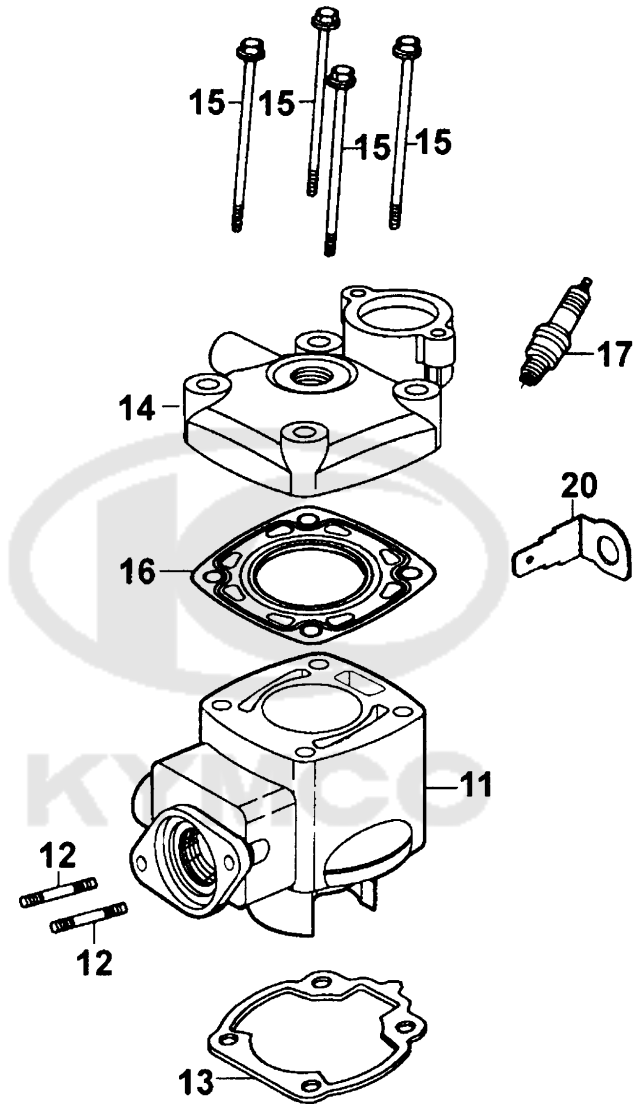


Sales mark 記号	Ref no 参照用番号	Part no パーツ番号	Description 部品名	Reg description 部品名	Regd no 必要個数	Ref Price 希望小売価格(税抜)	E01
271		11330-KFA5-900	COVER R SIDE	COVER R SIDE	1	8560	
289		11332-KFA5-900	COVER ACG TOP	COVER ACG TOP	1	490	
291		11394-KHE6-980	GASKET R COVER	GASKET R COVER	1	920	
273		19215-KFA5-900	IMPELLER WATER PUMP	IMPELLER WATER PUMP	1	610	
276		19217-KFA5-900	SEAL MECHANICAL	SEAL MECHANICAL	1	2010	
272		19221-KFA5-900	COVER WATER PUMP	COVER WATER PUMP	1	1150	
274		19229-KFA5-980	GASKET WATER PUMP	GASKET WATER PUMP	1	230	
275		19231-KFA5-900	SHAFT WATER PUMP	SHAFT WATER PUMP	1	1150	
266		19300-KAE1-004	THERMOSTAT ASSY	THERMOSTAT ASSY	1	4930	
264		19315-KFA5-E00	COVER THERMOSTAT	COVER THERMOSTAT	1	640	
268		19422-KFA5-900	JOINT WATER HOSE	JOINT WATER HOSE	1	1150	
262		19502-KFA5-900	HOSE WATER B	HOSE WATER B	1	350	
267		37750-PAC1-005	THERMO UNIT ASSY	THERMO UNIT ASSY	1	1750	
281		90423-KKJ9-001	WASHER 7.2*13*1.2	WASHER 7.2*13*1.2	1	130	
282		90432-KFA5-900	WASHER LOCK	WASHER LOCK	1	160	
297		90701-6K79-001	PIN DOWEL 8*10	PIN DOWEL 8*10	2	130	
278		91001-KFA5-900	BRG BALL RADIAL 609LLU	BRG BALL RADIAL 609LLU	1	1720	
277		91002-KFA5-900	BRG BALL RADIAL 699LLU	BRG BALL RADIAL 699LLU	1	2670	
280		91320-KAE1-001	PIN DOWEL SPC 8*7	PIN DOWEL SPC 8*7	2	110	
265		93500-KEB7-900	SCREW PAN 6*12	SCREW PAN 6*12	2	60	



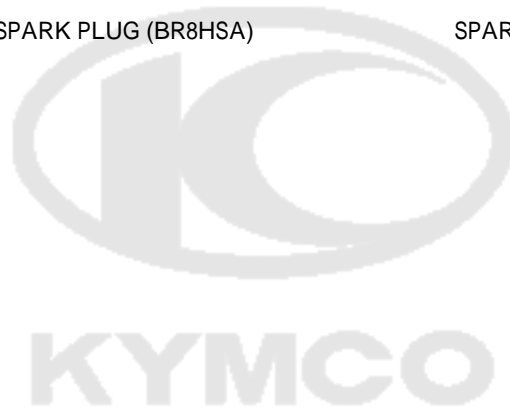
Sales mark 記号	Ref no 参照用番号	Part no パーツ番号	Description 部品名	Reg description 部品名	Regd no 必要個数	Ref Price 希望小売価格(税抜)	E01
284		94050-KFA5-900	NUT WATER PUMP SHAFT	NUT WATER PUMP SHAFT	1	820	
283		94051-KFA5-910	DAMPER NUT	DAMPER NUT	1	130	
295		94052-KFA5-900	DAMPER B NUT	DAMPER B NUT	1	60	
B		94591-21000	CLIP 2*100	CLIP 2*100	2	110	
260		95002-KGN7-910	CLIP TUBE	CLIP TUBE	2	200	
A		95701-06032-06	BOLT FLANGE 6*32	BOLT FLANGE 6*32	1	60	
290		96001-06025-06	BOLT FLANGE SH 6*25	BOLT FLANGE SH 6*25	1	60	
279		96001-06035-06	BOLT FLANGE SH 6*35	BOLT FLANGE SH 6*35	1	130	

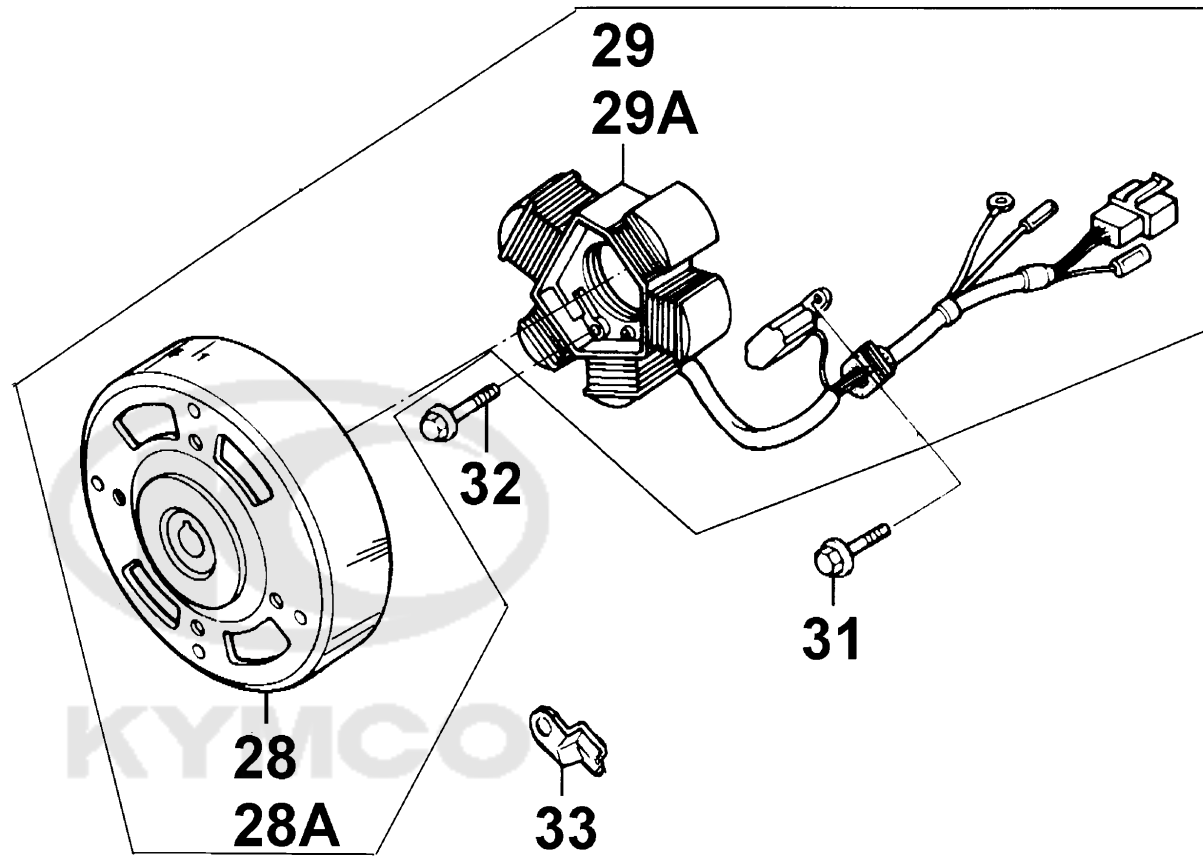






Sales mark 記号	Ref no 参照用番号	Part no パーツ番号	Description 部品名	Reg description 部品名	Regd no 必要個数	Ref Price 希望小売価格(税抜)	E02
11		12101-KGB5-900	CYLINDER	CYLINDER	1	17490	
13		12191-KEB7-980	GASKET CYLINDER @A	GASKET CYLINDER @A	1	230	
14		12201-KGB5-900	HEAD CYLINDER	HEAD CYLINDER	1	12360	
16		12251-KFA5-900	GASKET CYLINDER HEAD	GASKET CYLINDER HEAD	1	560	
20		37720-KGB5-900	EARTH TERMINAL THERMO	EARTH TERMINAL THERMO	1	110	
15		90001-GKAK-901	BOLT FLANGE 7*100 (G)	BOLT FLANGE 7*100 (G)	4	200	
12		92700-06028-1B	BOLT STUD 6*28	BOLT STUD 6*28	2	60	
17		98076-5871G-00	SPARK PLUG (BR8HSA)	SPARK PLUG (BR8HSA)	1	1060	



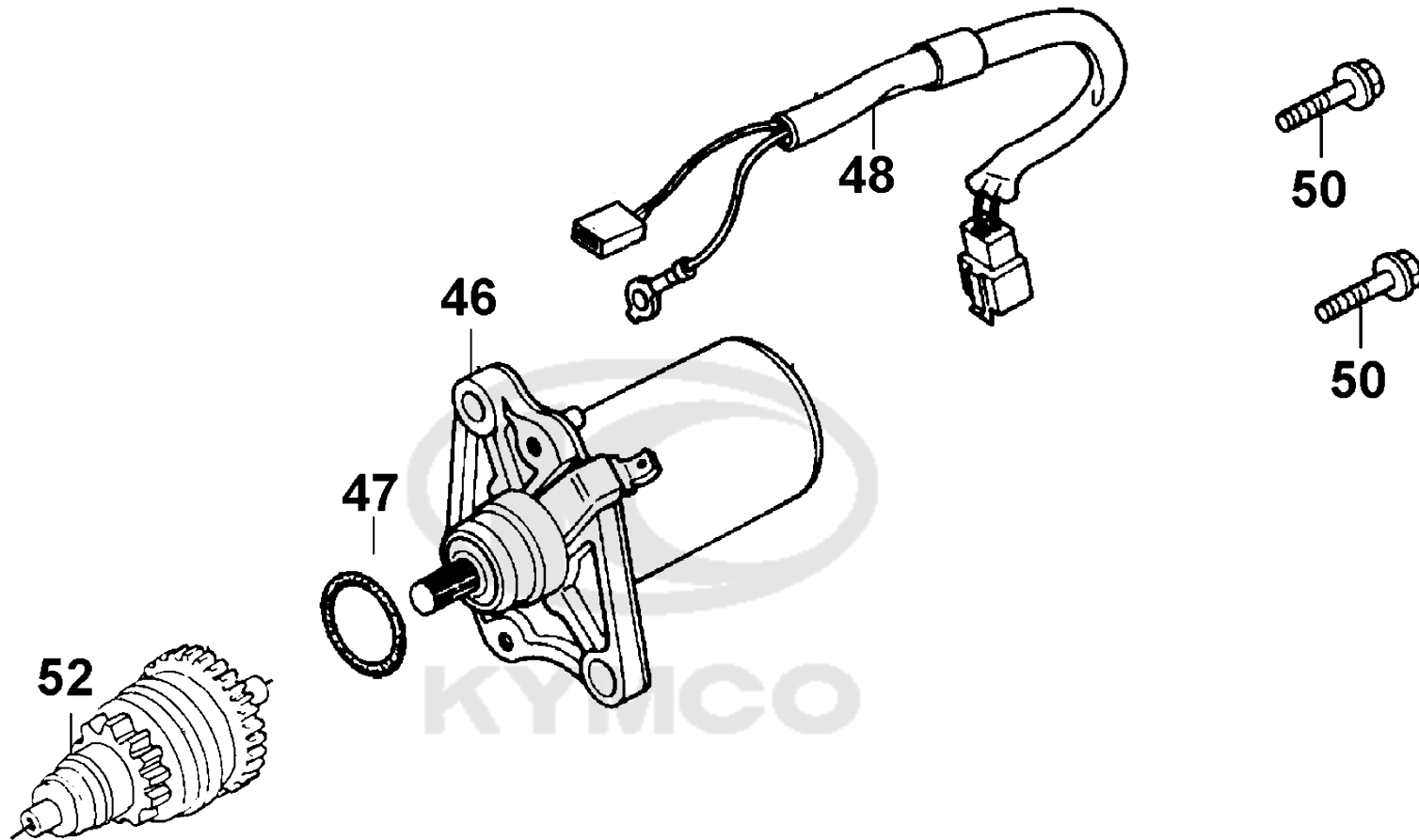


Sales mark 記号	Ref no 参照用番号	Part no パーツ番号	Description 部品名	Reg description 部品名	Regd no 必要個数	Ref Price 希望小売価格(税抜)	E03
33		11108-KEB7-900	HOLDER STATOR WIRE	HOLDER STATOR WIRE	1	200	
28		31110-KEB7-90A	FLYWHEEL COMP (D402)	FLYWHEEL COMP /D402	1	11030	
28A		31110-KEB7-90B	FLYWHEEL COMP (D406)	FLYWHEEL COMP /D406	1	11030	
29		31120-KEB7-90A	STATOR COMP (D402)	STATOR COMP /D402	1	10650	
29A		31120-KEB7-90B	STATOR COMP (D406)	STATOR COMP /D406	1	10650	
31		96001-06012-06	BOLT FLANGE SH 6*12	BOLT FLANGE SH 6*12	1	60	
32		96001-06022-06	BOLT FLANGE SH 6*22 (G)	BOLT FLANGE SH 6*22 (G)	1	60	



E04

# Starting Motor



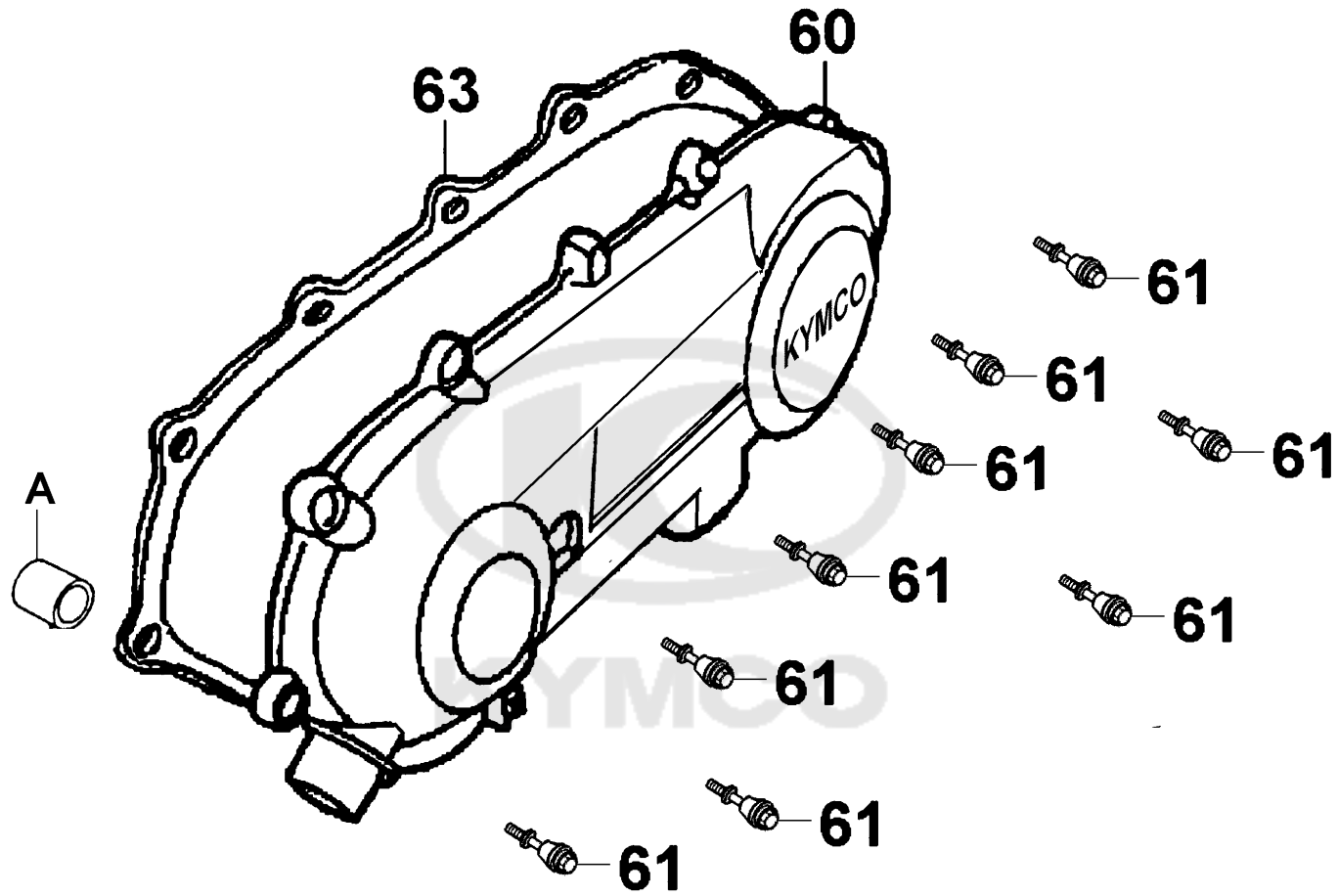
Sales mark 記号	Ref no 参照用番号	Part no パーツ番号	Description 部品名	Reg description 部品名	Regd no 必要個数	Ref Price 希望小売価格(税抜)	E04
------------------	-----------------	------------------	--------------------	------------------------	-----------------	-------------------------	-----

52		31209-GKAK-901	PINION ASSY STARTER	PINION ASSY STARTER	1	8560	
46		31210-GKAK-90C	MOTOR UNIT START	MOTOR UNIT START	1	14450	
48		32105-KEB7-900	SUB HARNESS	SUB HARNESS	1	1650	
47		91309-GKAK-901	O RING	O RING	1	70	
50		96001-06025-06	BOLT FLANGE SH 6*25	BOLT FLANGE SH 6*25	1	60	



E05

Left Crankcase Cover



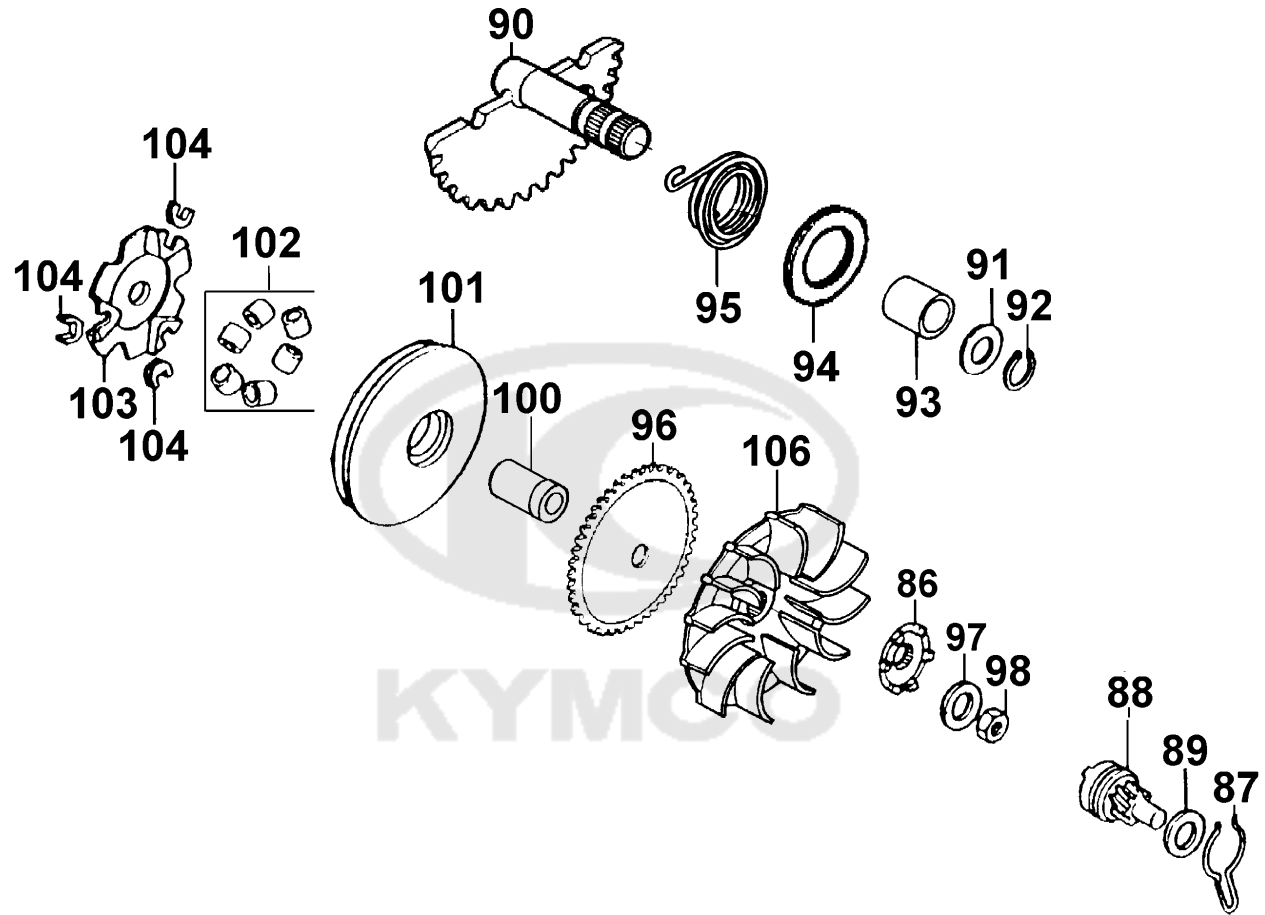
Sales mark 記号	Ref no 参照用番号	Part no パーツ番号	Description 部品名	Reg description 部品名	Regd no 必要個数	Ref Price 希望小売価格(税抜)	E05
------------------	-----------------	------------------	--------------------	------------------------	-----------------	-------------------------	-----

A		11205-GHAH-004	BUSH 8*12*8	BUSH 8*12*8	1	110	
**	60	11341-KEB7-900	COVER L SIDE	COVER L SIDE	1	13140	
	63	11395-KEB7-900	GASKET L COVER	GASKET L COVER	1	1020	
	61	9000A-KTDT-900	BOLT ASSY SPECIAL 6*29.5	BOLT ASSY SPECIAL 6*29.5	9	100	



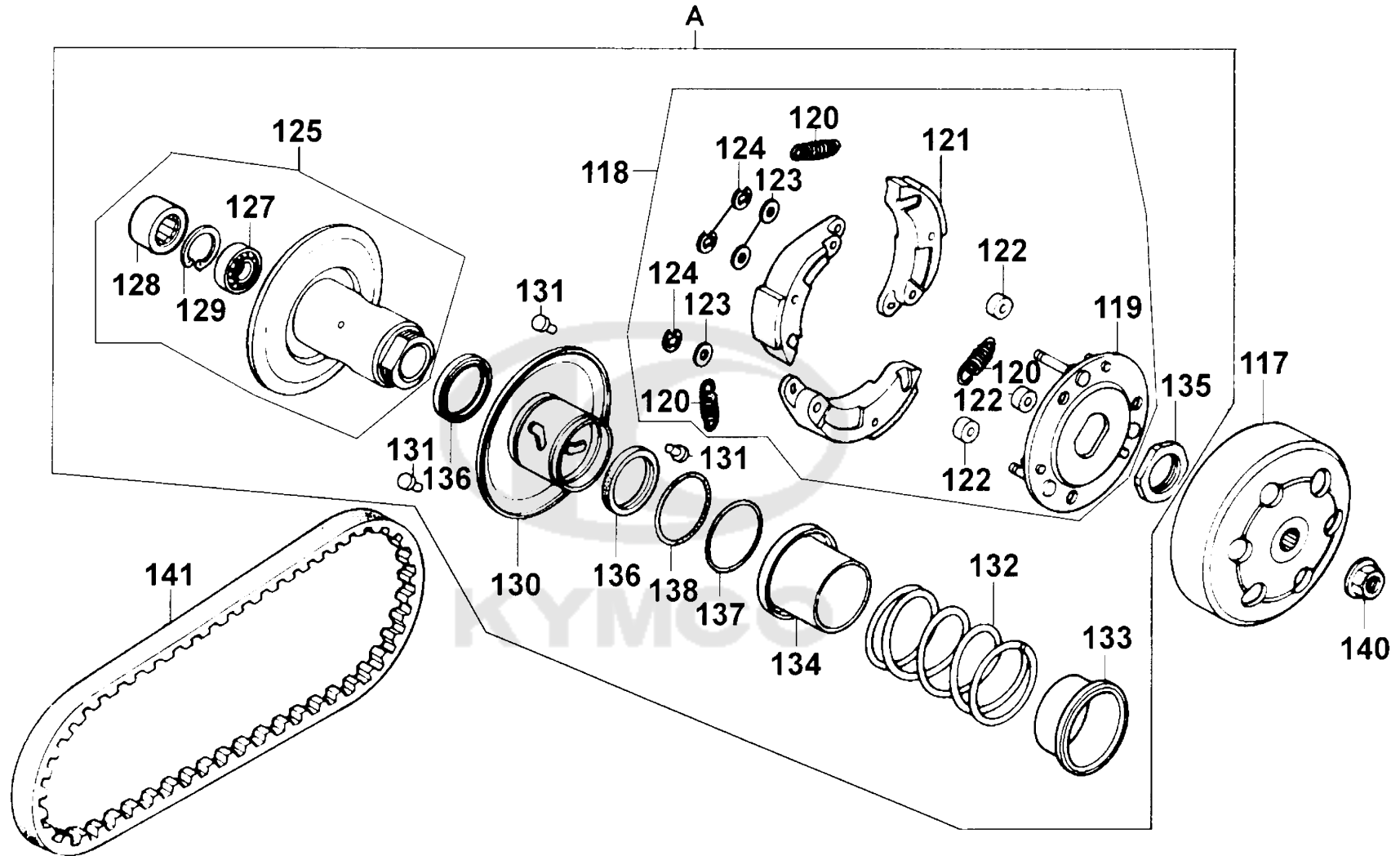
E06

# Drive Pulley

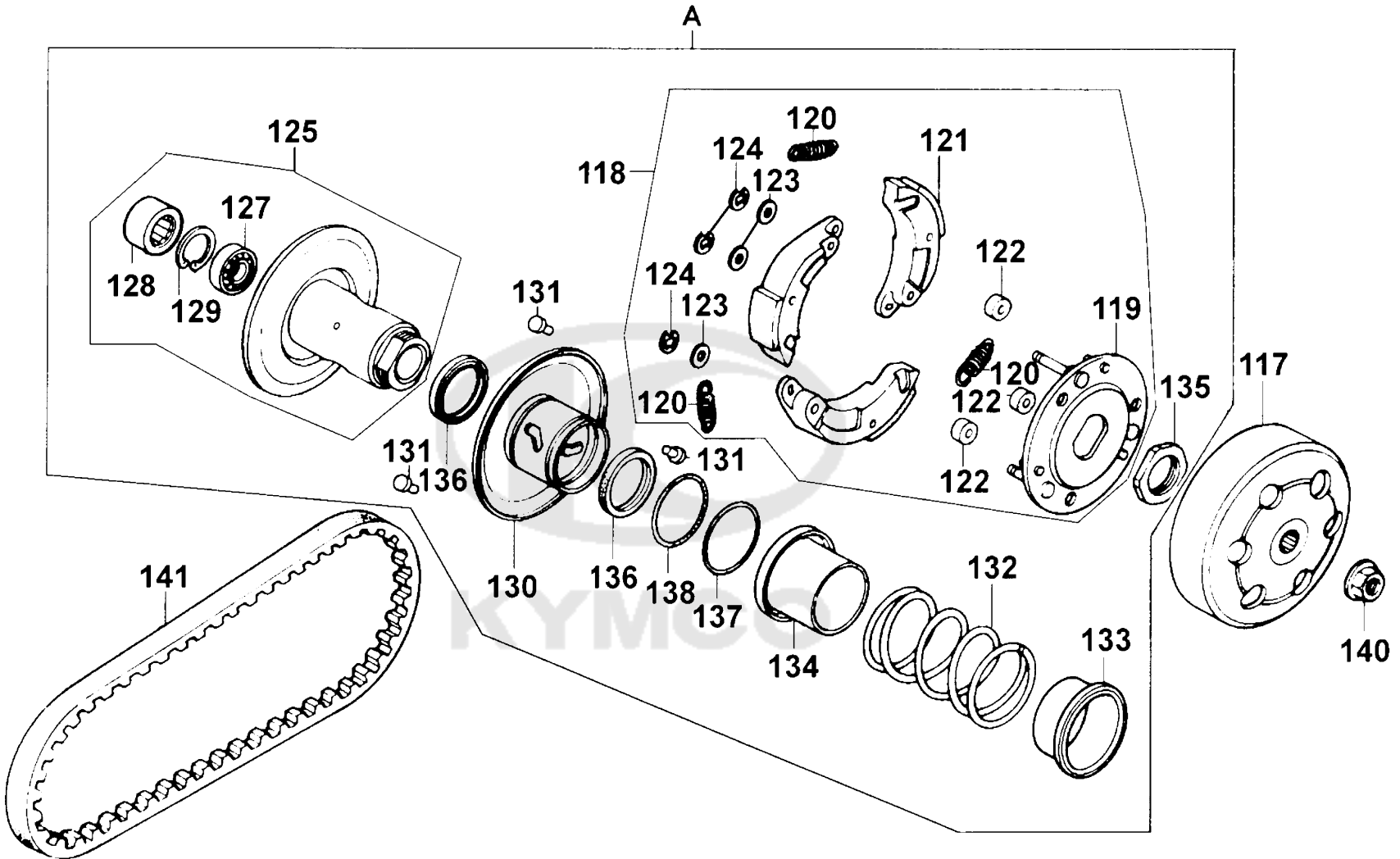




Sales mark 記号	Ref no 参照用番号	Part no パーツ番号	Description 部品名	Reg description 部品名	Regd no 必要個数	Ref Price 希望小売価格(税抜)	E06
96		22102-KEB7-900	FACE DRIVE	FACE DRIVE	1	1530	
106		22103-KEB7-900	FAN CVT COOLING	FAN CVT COOLING	1	300	
100		22105-GKAK-901	BOSS DRIVE FACE	BOSS DRIVE FACE	1	1250	
101		22110-KFA1-220	FACE COMP MOVABLE DRIVE	FACE COMP MOVABLE DRIVE	1	1340	
102		22121-GLW0-305	ROLLER SET WEIGHT (1SET:6PCS)	ROLLER SET WEIGHT(旧品番の22121-	1	320	
103		22131-GHAH-781	PLATE RAMP	PLATE RAMP	1	1060	
104		22132-GLW0-001	PIECE SLIDE	PIECE SLIDE	3	160	
86		28211-KEB7-900	RATCHET KICK STARTER	RATCHET KICK STARTER	1	1440	
87		28223-KNBN-901	SPG KICK DRIVEN GEAR	SPG KICK DRIVEN GEAR	1	160	
88		28230-GKAK-921	GEAR COMP KICK DRIVEN	GEAR COMP KICK DRIVEN	1	1820	
90		28250-KNBN-901	SPINDLE COMP KICK STARTER	SPINDLE COMP KICK STARTER	1	1820	
93		28253-GBN2-60A	BUSH KICK SPINDLE	BUSH KICK SPINDLE	1	200	
94		28255-GFS6-001	COLLAR KICK BOSS	COLLAR KICK BOSS	1	160	
95		28281-GBN2-60A	SPRING KICK RETURN	SPRING KICK RETURN	1	390	
97		90122-GCS3-001	WASHER 12MM	WASHER 12MM	1	160	
89		90412-3K29-001	WASHER THRUST 10M/M	WASHER THRUST 10M/M	1	200	
91		90451-GBN2-601	WASHER KICK SPINDLE	WASHER KICK SPINDLE	1	200	
98		94001-12280-0S	NUT HEX 12MM	NUT HEX 12MM	1	160	
92		94511-14000	CIR CLIP EX 14	CIR CLIP EX 14	1	110	

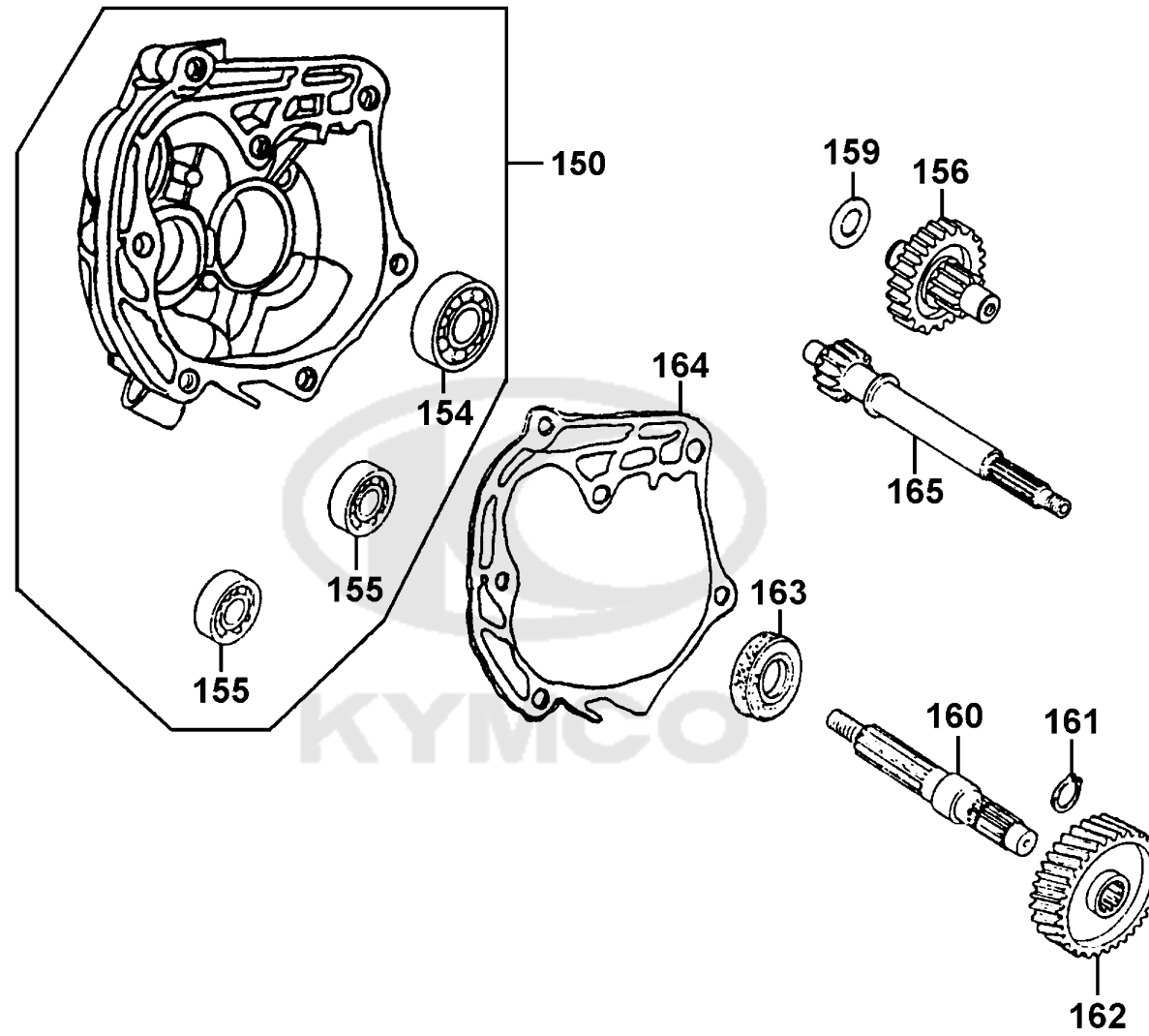


Sales mark 記号	Ref no 参照用番号	Part no パーツ番号	Description 部品名	Reg description 部品名	Regd no 必要個数	Ref Price 希望小売価格(税抜)	E07
117		22100-GAR1-751	CLUTCH OUTER	CLUTCH OUTER	1	3530	
118		22300-KXCX-900	PLATE ASSY DRIVE	PLATE ASSY DRIVE	1	6970	
119		22350-GKAK-930	PLATE COMP DRIVE	PLATE COMP DRIVE	1	1370	
120		22401-GBG2-900	SPRING CLUTCH	SPRING CLUTCH	3	140	
121		22530-GKAK-930	WEIGHT CLUTCH	WEIGHT CLUTCH	3	1440	
122		22804-1H48-001	RUBBER CLUTCH DAMPER	RUBBER CLUTCH DAMPER	3	110	
A		2301A-KEB7-220	PULLEY SUB ASSY	PULLEY SUB ASSY	1	17430	
141		23100-KEB7-900	BELT DRIVE	BELT DRIVE	1	3880	
125		23200-GAR1-220	FACE ASSY DRIVEN	FACE ASSY DRIVEN	1	8560	
130		23220-GKAK-220	FACE COMP MOVABLE DRIVEN	FACE COMP MOVABLE DRIVEN	1	5710	
131		23225-GAR1-751	PIN GUIDE	PIN GUIDE	3	130	
132		23233-GHE8-001	SPG DRIVEN FACE	SPG DRIVEN FACE	1	870	
134		23237-GAR1-220	COLLAR SEAL	COLLAR SEAL	1	540	
133		23238-GFY6-941	COLLAR SPG	COLLAR SPG	1	450	
135		90202-1G87-001	NUT SPECIAL 28MM	NUT SPECIAL 28MM	1	100	
123		90442-0D44-001	WASHER THRUST 6M	WASHER THRUST 6M	3	60	
124		90454-GBB2-001	CIRCLIP 6MM	CIRCLIP 6MM	3	60	
127		91001-GGA7-70A	BRG RADIAL BALL 6901U	BRG RADIAL BALL 6901U	1	1720	
128		91103-GAR1-004	BRG NEEDLE 17*25*18 WS	BRG NEEDLE 17*25*18 WS	1	1530	
128		91103-GAR1-00A	BRG NEEDLE 17*25*18 WS	BRG NEEDLE 17*25*18 WS	1	1530	



Sales mark 記号	Ref no 参照用番号	Part no パーツ番号	Description 部品名	Reg description 部品名	Regd no 必要個数	Ref Price 希望小売価格(税抜)	E07
136	91211-GHK8-014		OIL SEAL 34*39*3	OIL SEAL 34*39*3	2	230	
137	91301-KEA5-742		O-RING 36*1.5	O-RING 36*1.5	1	60	
138	91302-PAK9-004		O-RING 39.8*2.2	O-RING 39.8*2.2	1	130	
140	94050-10080		NUT FLANGE 10MM	NUT FLANGE 10MM	1	60	
129	94520-24000		CIR CLIP IN 24	CIR CLIP IN 24	1	80	





Sales mark 記号	Ref no 参照用番号	Part no パーツ番号	Description 部品名	Reg description 部品名	Regd no 必要個数	Ref Price 希望小売価格(税抜)	E08
150		21201-KGB5-305	CASE SET MISSION	CASE SET MISSION	1	15590	
164		21395-LBD3-900	GASKET MISSION CASE @A	GASKET MISSION CASE @A	2	520	
165		23411-KGB5-910	SHAFT DRIVE	SHAFT DRIVE	1	4190	
156		23420-KGB5-910	SHAFT COMP COUNTER	SHAFT COMP COUNTER	1	6660	
160		23431-KGB5-900	SHAFT FINAL	SHAFT FINAL	1	5050	
162		23432-KGB5-900	GEAR FINAL	GEAR FINAL	1	4760	
159		90429-KNBN-901	WASHER SIDE 12MM	WASHER SIDE 12MM	1	350	
155		91004-KBN2-90A	BRG BALL RADIAL 6201	BRG BALL RADIAL 6201	2	2100	
154		91009-GLE0-004	BRG BALL RADIAL 6004 UU	BRG BALL RADIAL 6004 UU	1	1300	
163		91255-GLE0-006	OIL SEAL 27*42*7	OIL SEAL 27*42*7	1	60	
161		94510-20000	CIR CLIP EX 20	CIR CLIP EX 20	1	60	

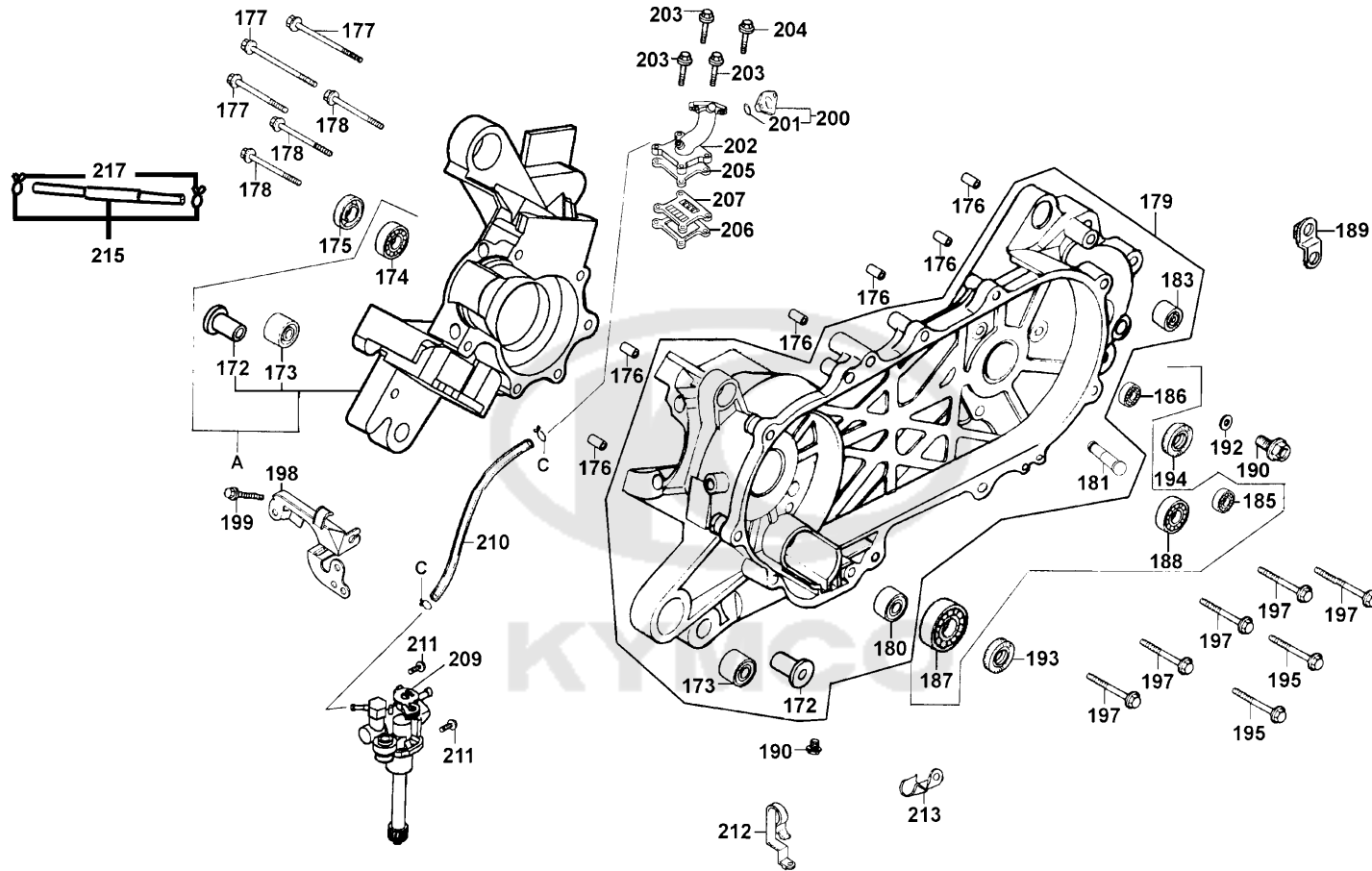




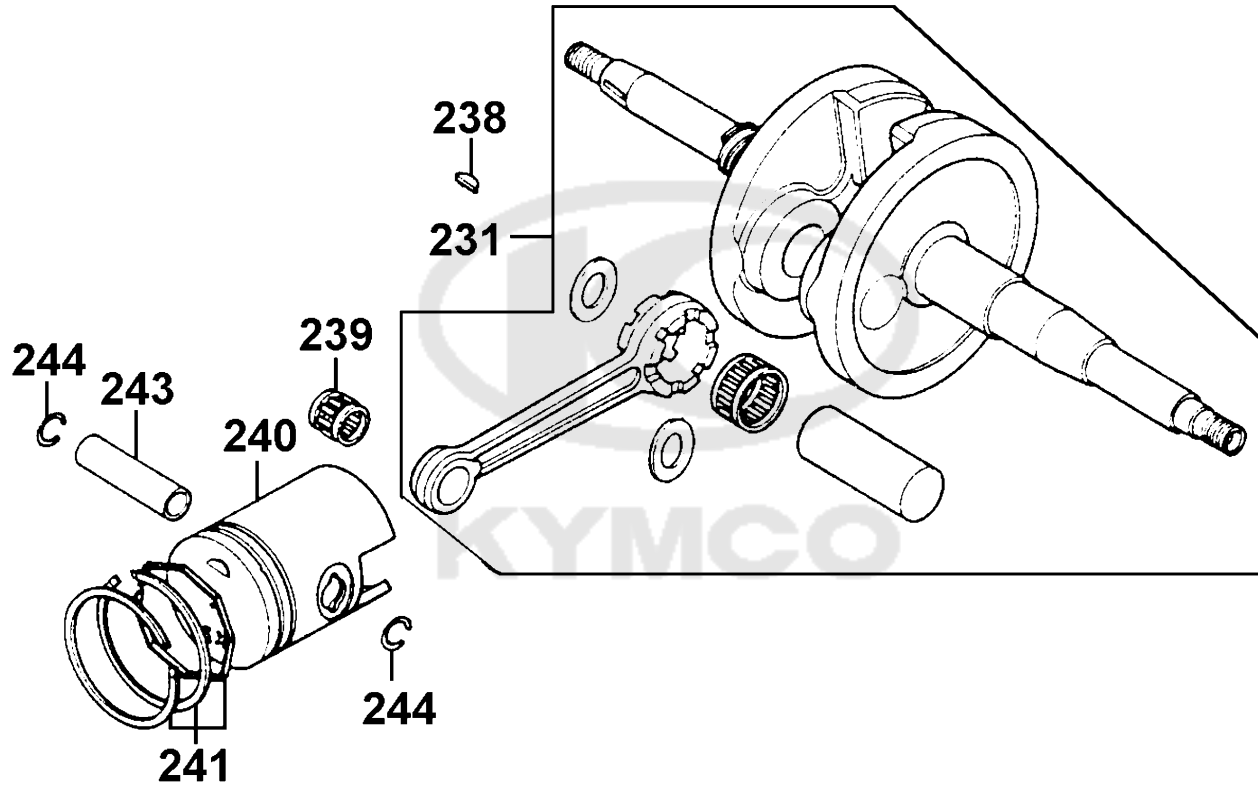
Sales mark 記号	Ref no 参照用番号	Part no パーツ番号	Description 部品名	Reg description 部品名	Regd no 必要個数	Ref Price 希望小売価格(税抜)	E09
A		11100-KGB5-305	CRANK CASE SET RIGHT	CRANK CASE SET RIGHT	1	17430	
173		11102-1G87-004	RUB BUSH ENG HANGER	RUB BUSH ENG HANGER	1	320	
179		11200-KEB7-325	CRANK CASE SET LEFT	CRANK CASE SET LEFT	1	30420	
183		11203-GGC7-301	UNDER RUBBER BUSH REAR CUSHION	UNDER RUBBER BUSH REAR CUSHION	1	250	
181		11204-KEB7-900	PIN SPG HOOK	PIN SPG HOOK	1	300	
180		11205-GHAH-004	BUSH 8*12*8	BUSH 8*12*8	1	110	
172		11205-KED5-900	BUSH M STAND	BUSH M STAND	1	390	
189		11206-KEB7-900	STAY RR FENDER	STAY RR FENDER	1	200	
213		11208-GKAK-901	CLAMPER CARB DRAIN	CLAMPER CARB DRAIN	1	110	
207		14100-KEB7-900	VALVE COMP REED	VALVE COMP REED	1	2390	
209		15100-KEB7-E00	PUMP ASSY OIL	PUMP ASSY OIL	1	11410	
198		15110-KEB7-900	PLATE OIL PUMP SET	PLATE OIL PUMP SET	1	390	
210		1552A-KEB8-900	TUBE ASSY OIL PASS	TUBE ASSY OIL PASS	1	390	
200		1621A-GKAK-901	INSULATOR CARB ASSY	INSULATOR CARB ASSY	1	390	
215		1671A-KFA5-900	TUBE ASSY PULSE	TUBE ASSY PULSE	1	370	
202		17100-KEB7-901	PIPE COMP INLET	PIPE COMP INLET	1	3910	
205		17111-KEB7-980	GASKET INLET PIPE A	GASKET INLET PIPE A	2	200	
206		17112-KEB7-980	GASKET INLET PIPE A @B	GASKET INLET PIPE A @B	2	400	
192		90474-3C33-001	WASHER 8MM	WASHER 8MM	1	60	
174		91001-GLW0-90A	BRG BALL RADIAL 6204 SPECIAL	BRG BALL RADIAL 6204 SPECIAL	1	2100	

E09

# Crankcase Oil Pump

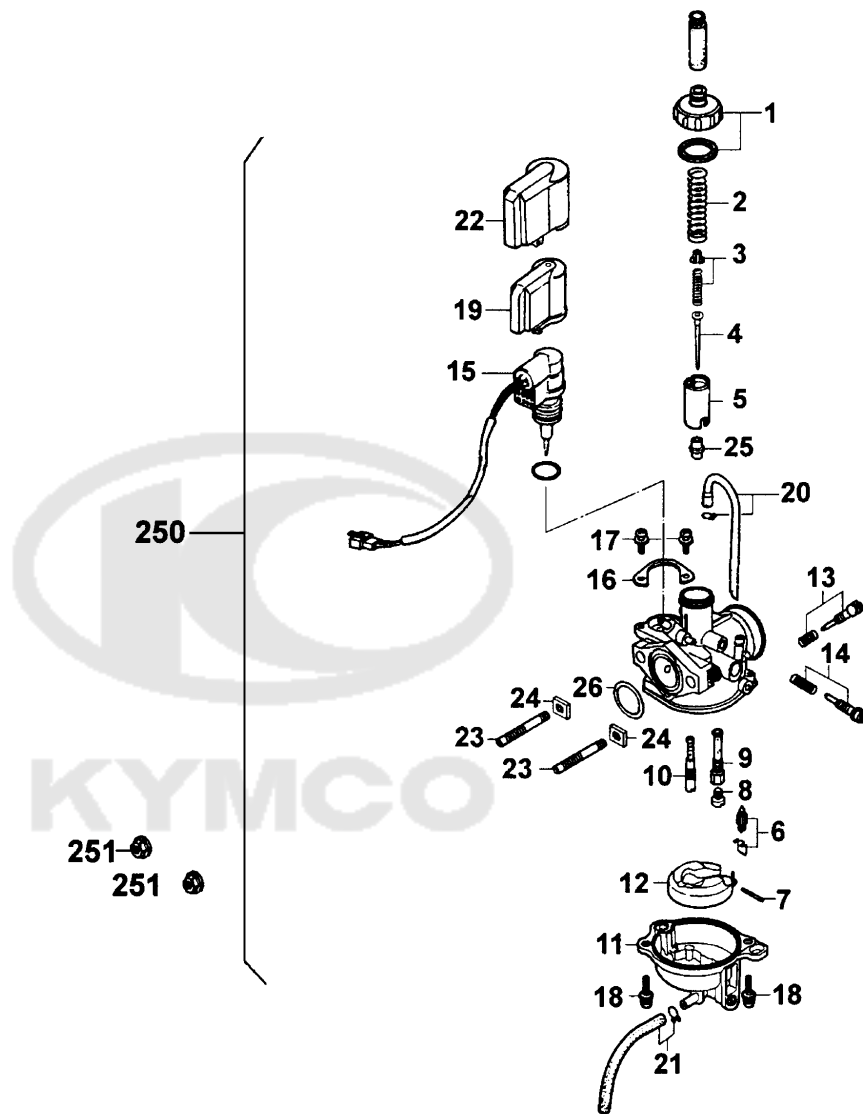


Sales mark 記号	Ref no 参照用番号	Part no パーツ番号	Description 部品名	Reg description 部品名	Regd no 必要個数	Ref Price 希望小売価格(税抜)	E09
188		91004-KBN2-90A	BRG BALL RADIAL 6201	BRG BALL RADIAL 6201	1	2100	
187		91004-KNBN-92A	BRG BALL RADIAL 6203 SPC 17*40*12	BRG BALL RADIAL 6203 SPC 17*40*12	1	2290	
185		91006-KNBN-901	BRG BALL RADIAL 25*56*12	BRG BALL RADIAL 25*56*12	1	2290	
175		91201-KNBN-92A	OIL SEAL 15.6*25.5*7	OIL SEAL 15.6*25.5*7	1	710	
193		91202-KNBN-92A	OIL SEAL 20*31*7	OIL SEAL 20*31*7	1	680	
194		91204-KNBN-90A	OIL SEAL 17*30*6	OIL SEAL 17*30*6	1	610	
201		91304-GLB0-911	O RING 20.6*1.9	O RING 20.6*1.9	1	60	
211		93500-05012-0F	SCREW PAN 5*12	SCREW PAN 5*12	1	200	
176		94301-10200	DOWEL PIN 10*20	DOWEL PIN 10*20	6	200	
217		95002-02080	CLIP B8 TUBE	CLIP B8 TUBE	2	60	
C		95002-02650	CLIP B6.5 TUBE	CLIP B6.5 TUBE	2	110	
190		95701-08012-06	BOLT FLANGE 6*22 (K)	BOLT FLANGE 6*22 (K)	1	60	
197		95701-08040-06	BOLT FLANGE 6*22 (K)	BOLT FLANGE 6*22 (K)	1	160	
195		95801-08035-06	BOLT FLANGE 8*35	BOLT FLANGE 8*35	1	60	
203		96001-06025-06	BOLT FLANGE SH 6*25	BOLT FLANGE SH 6*25	1	60	
199		96001-06032-06	BOLT FLANGE 6*32	BOLT FLANGE 6*32	1	60	
177		96001-06045-06	BOLT FLANGE 6*45 **07 C.2005.07.01	BOLT FLANGE 6*45 **07 C.2005.07.01	1	60	
178		96001-06055-06	BOLT FLANGE 6*55 **07 C.2005.07.01	BOLT FLANGE 6*55 **07 C.2005.07.01	1	60	
186		96100-62033-00	BEARING BALL RADIAL 6203	BEARING BALL RADIAL 6203	1	960	



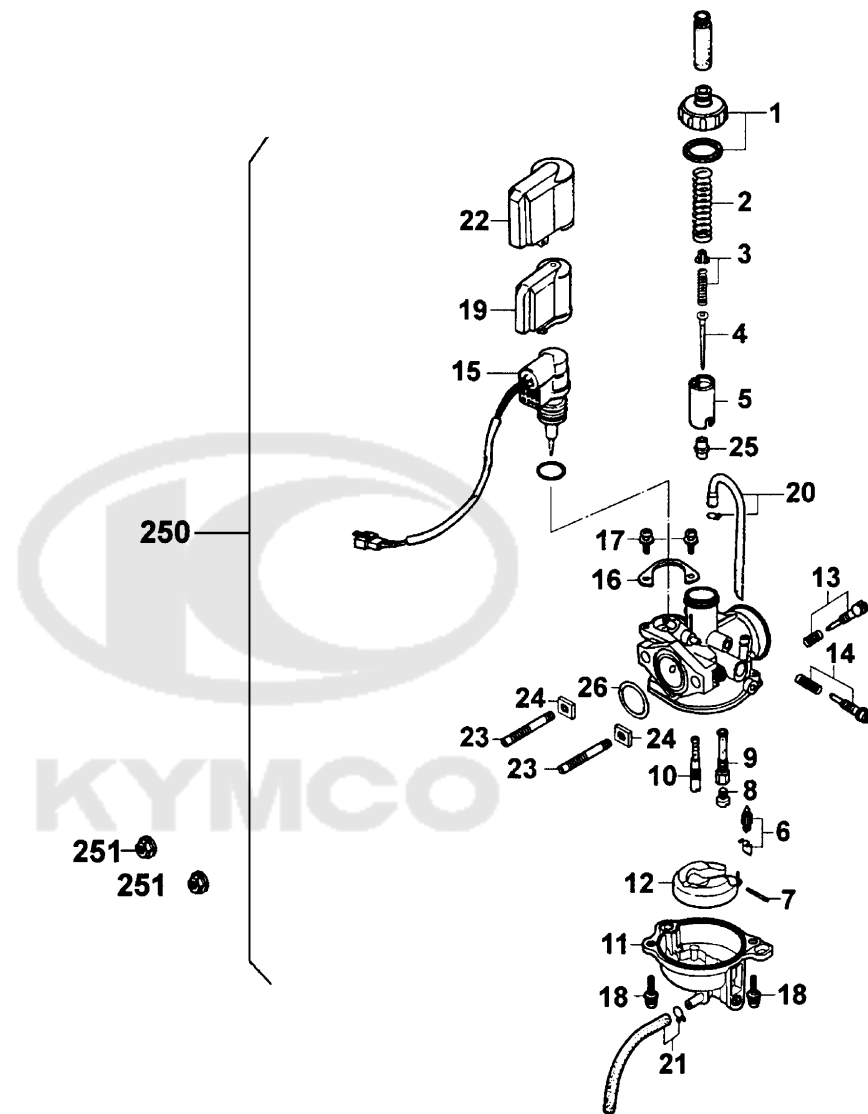
Sales mark 記号	Ref no 参照用番号	Part no パーツ番号	Description 部品名	Reg description 部品名	Regd no 必要個数	Ref Price 希望小売価格(税抜)	E10
231		13000-GKAK-921	CRANK SHAFT COMP	CRANK SHAFT COMP	1	19010	
241		13011-GLW0-90A	PISTON RING SET	PISTON RING SET	1	2670	
240		13101-KFA5-900	PISTON	PISTON	1	2480	
243		13111-1F66-001	PIN PISTON	PIN PISTON	1	490	
244		13115-1F56-001	CLIP PISTON PIN 12MM	CLIP PISTON PIN 12MM	2	160	
238		90741-0E35-001	KEY WOODRUFF	KEY WOODRUFF	1	160	
239		91102-GLW0-009	BRG CON-ROD S. E.	BRG CON-ROD S. E.	1	1340	





Sales mark 記号	Ref no 参照用番号	Part no パーツ番号	Description 部品名	Reg description 部品名	Regd no 必要個数	Ref Price 希望小売価格(税抜)
10		1001-GC8H-0351	SLOW JET	SLOW JET	1	900
25		1010-GBLH-0000	NEEDLE JET	NEEDLE JET	1	3030
5		1020-GAKH-9300	THROTTLE VALVE	THROTTLE VALVE	1	8040
1		103J-073H-9900-SB00	TOP SET	TOP SET	1	3650
12		105B-073H-9931	FLOAT COMP	FLOAT COMP	1	4070
2		1300-GBLH-0000	SPG COMPR	SPG COMPR	1	110
250		1610K-KGB5-B20	CARBURETOR ASSY **B000-JP	CARBURETOR ASSY **B000-JP C.2005.05.01	1	28840
7		16152-KG8-9010-M1	ARM PIN	ARM PIN	1	110
16		1703-GJ2H-0040	SET PLATE	SET PLATE	1	110
19		1738-GJ2H-0040	HOLDER CAP	HOLDER CAP	1	200
20		1785-KBNH-9000-SB0	TUBE SET (A.V)	TUBE SET (A.V)	1	330
26		1787-KG8H-9010	O-RING	O-RING	1	110
24		1793-144H-9900	HEX NUT	HEX NUT	2	110
23		1799-KBNH-9000	STUD BOLT	STUD BOLT	2	330
15		4000-113-0000	AUTO BYSTARTER SET	AUTO BYSTARTER SET	1	10650
17		93892-04008-16	SCREW WASHER 4*8	SCREW WASHER 4*8	1	200
18		93892-04014-18-3	SCREW WASHER 4*14	SCREW WASHER 4*14	1	60
251		94050-06080	NUT FLANGE 6MM	NUT FLANGE 6MM	2	60
9		99101-116-0920	MAIN JET #92	MAIN JET #92	1	450
11		K350-KEB-0200	FLOAT CHAMBER SET	FLOAT CHAMBER SET	1	3620

E11



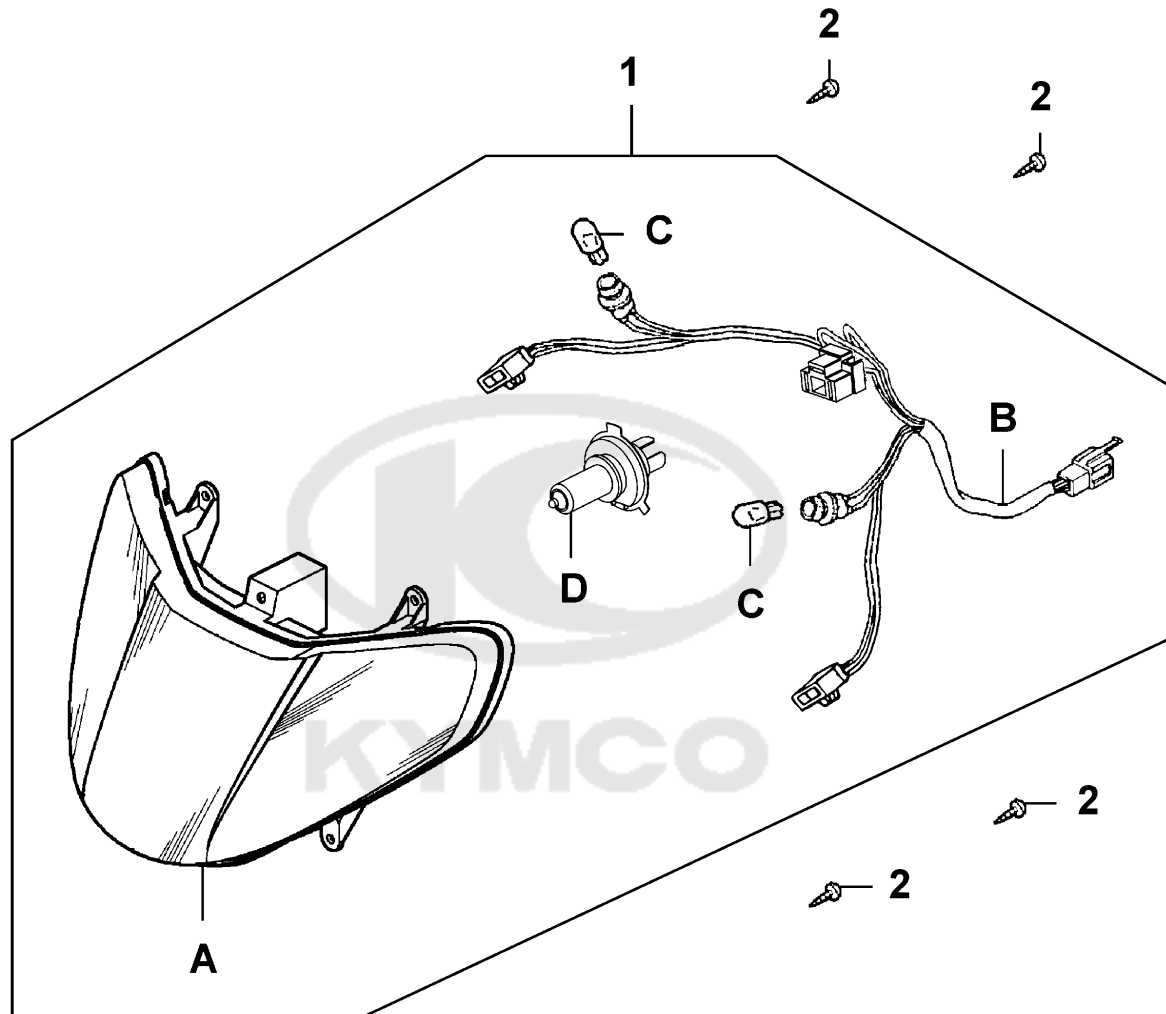


Sales mark 記号	Ref no 参照用番号	Part no パーツ番号	Description 部品名	Reg description 部品名	Regd no 必要個数	Ref Price 希望小売価格(税抜)	E11
22		K378-001	CAP ASSY	CAP ASSY	1	210	
3		K506-GW0-0100	VALVE PLATE SET	VALVE PLATE SET	1	140	
21		K785-KEB-0300	TUBE SET (DRAIN)	TUBE SET (DRAIN)	1	300	
8		N413-18N00	NEEDLE JET HOLDER	NEEDLE JET HOLDER	1	490	
4		N425-8JA00	JET NEEDLE COMP	JET NEEDLE COMP	1	830	
6		S3620-031-B000	FLOAT VALVE SET	FLOAT VALVE SET	1	960	
13		S4460-213-B001	SCREW SET	SCREW SET	1	970	
14		S536-1241	SCREW SET	SCREW SET	1	580	



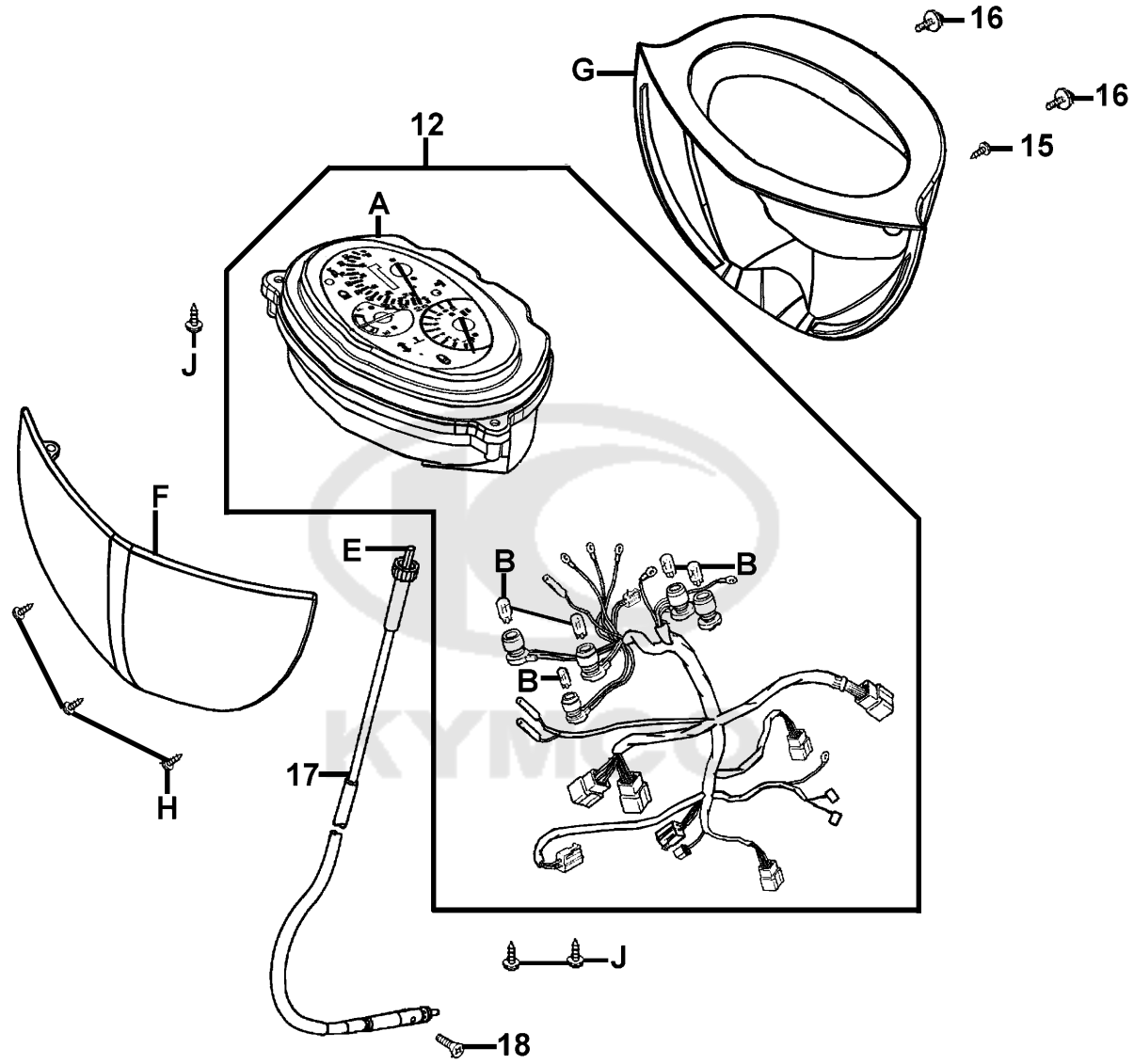
F01

# Head Light



Sales mark 記号	Ref no 参照用番号	Part no パーツ番号	Description 部品名	Reg description 部品名	Regd no 必要個数	Ref Price 希望小売価格(税抜)	F01
1		33100-KGB5-E00	LIGHT ASSY FR COMB	LIGHT ASSY FR COMB	1	15780	
A		33101-KGB5-E00	LIGHT COMP FR COMB	LIGHT COMP FR COMB	1	8090	
B		33120-KGB5-E00	SOCKET COMP FR COMB	SOCKET COMP FR COMB	1	1150	
D		34901-KFA6-900	BULB HEAD LIGHT	BULB HEAD LIGHT	1	4190	
C		34903-KPCP-900	BULB POSITION LIGHT 12V5W **KCP-	BULB POSITION LIGHT 12V5W **KCP-9000	2	320	
2		93903-35360	SCREW WASHER 4*12	SCREW WASHER 4*12	4	60	



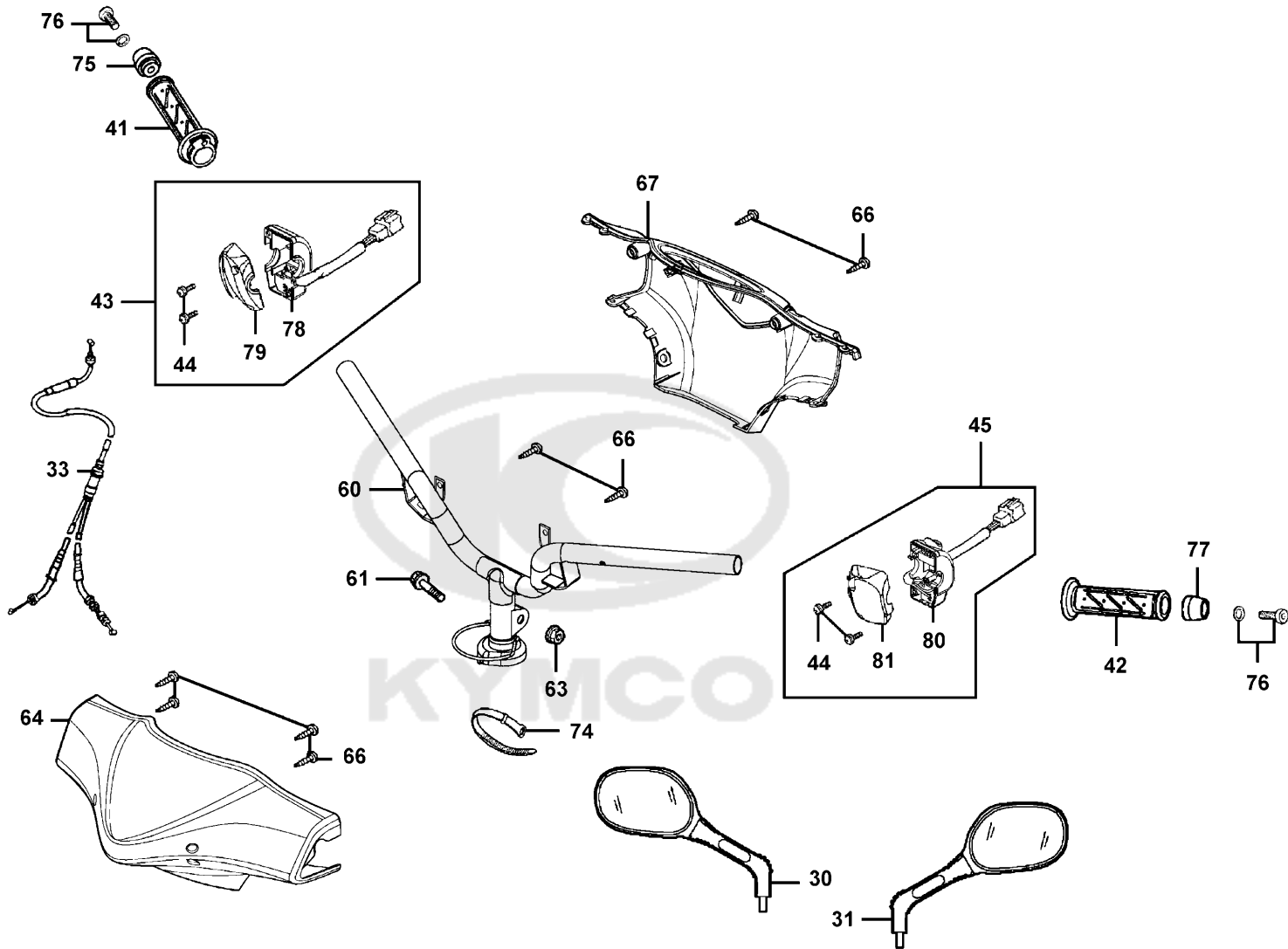


Sales mark 記号	Ref no 参照用番号	Part no パーツ番号	Description 部品名	Reg description 部品名	Regd no 必要個数	Ref Price 希望小売価格(税抜)
	11	34909-KEBE-900	BULB WEDGE BASE	BULB WEDGE BASE	5	300
**	12	37111-KGB5-900	METER COVER FR	METER COVER FR	1	1910
**	13	37112-KGB5-900	METER COVER RR	METER COVER RR	1	2290
	14	37200-KGB5-B20	METER ASSY SPEED	METER ASSY SPEED	1	22180
	15	37211-KGB5-900	LENS	LENS	1	770
	16	44830-GHC8-001	CABLE COMP SPDMT	CABLE COMP SPDMT	1	1060
	17	44831-GHC8-001	CABLE INNER	CABLE INNER	1	580
	18	93700-05018-0F	SCREW OVAL 5*18	SCREW OVAL 5*18	1	60
	19	93891-05016-06	SCREW WASHER 5*16	SCREW WASHER 5*16	2	60
	20	93903-24280-02	SCREW TAPPING 4*10	SCREW TAPPING 4*10	3	60
	21	93903-34360	SCREW WASHER 4*12	SCREW WASHER 4*12	1	60
	22	93903-34460	SCREW TAPPING 4*16	SCREW TAPPING 4*16	3	200

F02

F03

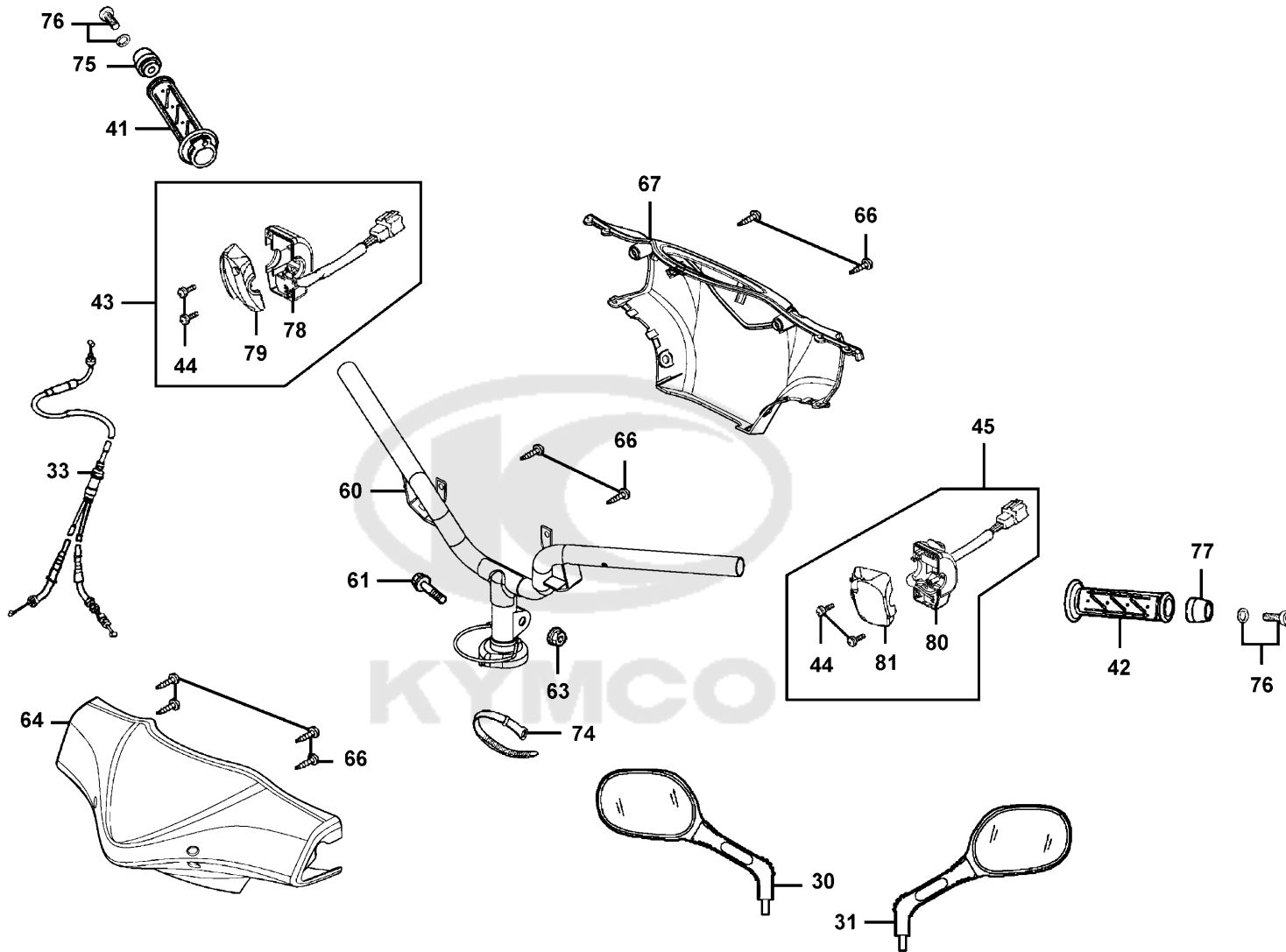
Handle Steering Handle Cover



Sales mark 記号	Ref no 参照用番号	Part no パーツ番号	Description 部品名	Reg description 部品名	Regd no 必要個数	Ref Price 希望小売価 格(税抜)	F03
	33	17910-KGB5-900	CABLE COMP THROT	CABLE COMP THROT	1	2580	
	78	35151-KGBG-910	FR CASE RH HNDL COMP SW	FR CASE RH HNDL COMP SW	1	870	
	79	35152-KGBG-900	RR CASE RH HNDL COMP SW	RR CASE RH HNDL COMP SW	1	870	
	43	3515A-KGBG-E00	SW ASSY RH HNDL COMP	SW ASSY RH HNDL COMP	1	3820	
	80	35201-KGBG-910	FR CASE LH HNDL COMP SW	FR CASE LH HNDL COMP SW	1	580	
	81	35202-KGBG-900	RR CASE LH HNDL COMP SW	RR CASE LH HNDL COMP SW	1	770	
	45	3520A-KGBG-E00	SW ASSY LH HNDL COMP	SW ASSY LH HNDL COMP	1	5660	
	60	53100-KGB5-900	HANDLE COMP STRG	HANDLE COMP STRG	1	8180	
	75	53105-KFC8-900	END R STRG HANDLE	END R STRG HANDLE	1	770	
	77	53106-KFC8-900	END L STRG HANDLE	END L STRG HANDLE	1	590	
**	41	53140-KGB5-900	GRIP COMP THROT	GRIP COMP THROT	1	870	
**	42	53166-KGB5-900	GRIP L HANDLE	GRIP L HANDLE	1	770	
**	64	53205-KGB5-900	COVER UPPER HANDLE	COVER UPPER HANDLE	1	4000	
**	67	53206-KGB5-900	COVER LOWER HANDLE	COVER LOWER HANDLE	1	1530	
	30	88110-KEB7-E00	MIRROR ASSY R BACK	MIRROR ASSY R BACK	1	1580	
	46	88114-KEB7-900	BOOT MIRROR STAY	BOOT MIRROR STAY	2	540	
	31	88120-KEB7-E00	MIRROR ASSY L BACK	MIRROR ASSY L BACK	1	1580	
	76	90106-KFC2-900	BOLT SPECIAL 8MM	BOLT SPECIAL 8MM	1	510	
	63	90304-GHE8-004	NUT CAP 6MM	NUT CAP 6MM	1	200	
	74	90656-KCBC-900	BAND OIL HANDLE	BAND OIL HANDLE	1	60	

F03

Handle Steering Handle Cover





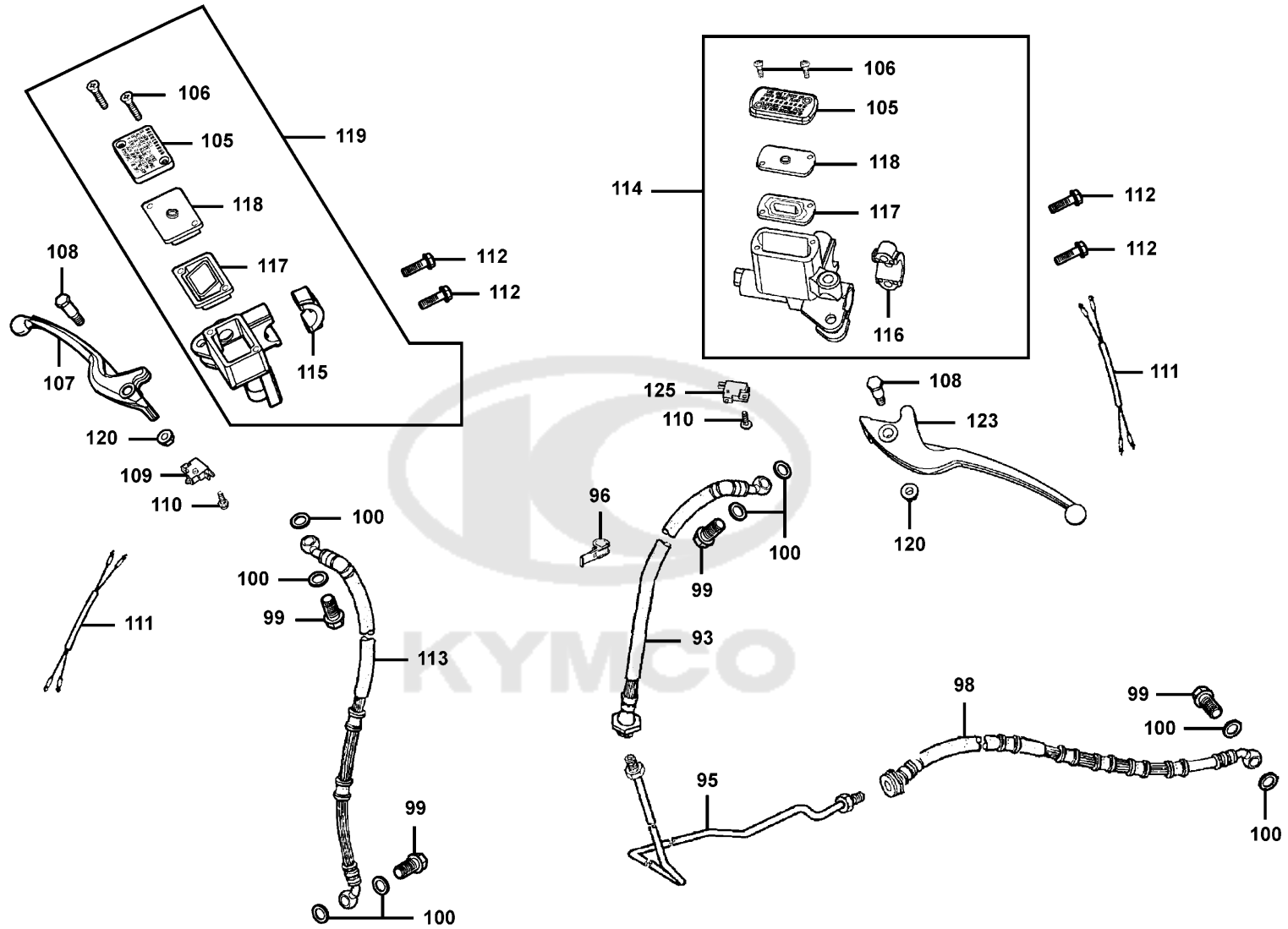
Sales mark 記号	Ref no 参照用番号	Part no パーツ番号	Description 部品名	Reg description 部品名	Regd no 必要個数	Ref Price 希望小売価格(税抜)	F03
------------------	-----------------	------------------	--------------------	------------------------	-----------------	-------------------------	-----

44	93500-KGBG-900	SCREW TAPPING M 5*25L	SCREW TAPPING M 5*25L	2	60	
66	93903-34360	SCREW WASHER 4*12	SCREW WASHER 4*12	2	60	
61	95801-10040-06	BOLT FLANGE 10*40	BOLT FLANGE 10*40	1	80	



F04

# Brake Master Cylinder

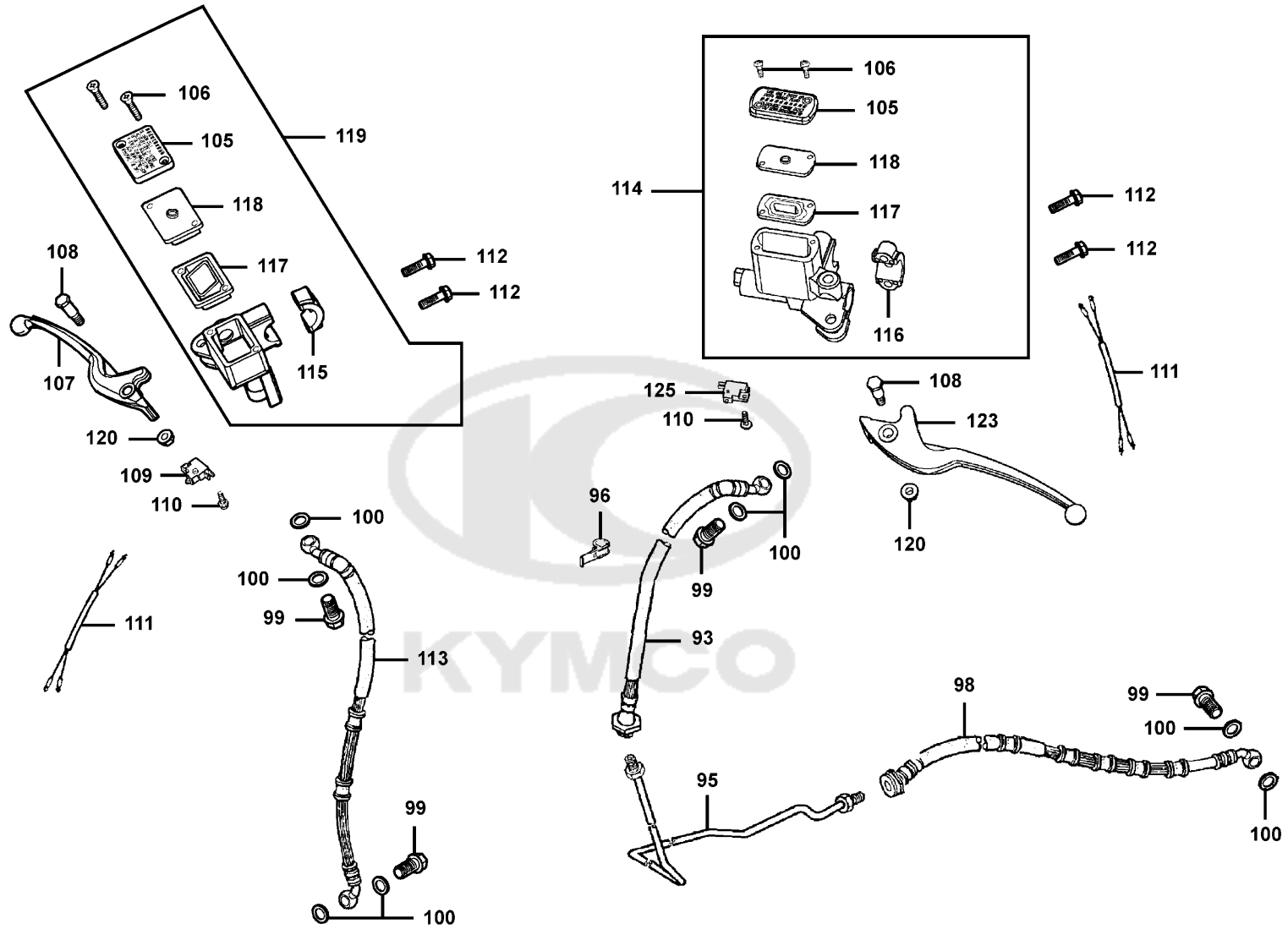


F04

Sales mark 記号	Ref no 参照用番号	Part no パーツ番号	Description 部品名	Reg description 部品名	Regd no 必要個数	Ref Price 希望小売価 格(税抜)
	111	32101-GFY6-901	SUB CORD R	SUB CORD R	1	300
	109	35340-KNBN-901	SW ASSY FR STOP	SW ASSY FR STOP	1	960
	125	35350-KNBN-901	SW ASSY RR STOP	SW ASSY RR STOP	1	960
	93	43127-KGB5-900	HOSE ASSY M/C RR BRK	HOSE ASSY M/C RR BRK	1	6850
	98	43129-KGB5-900	HOSE ASSY C/P RR BRK	HOSE ASSY C/P RR BRK	1	7210
	95	43130-KGB5-900	TUBE ASSY RR BRK	TUBE ASSY RR BRK	1	3050
	96	43156-KGB5-900	CLAMPER BRK HOSE	CLAMPER BRK HOSE	1	300
	114	43530-KGB5-306	CYLINDER SET MASTER	CYLINDER SET MASTER	1	13790
	113	45126-KGB5-900	HOSE ASSY FR BRK	HOSE ASSY FR BRK	1	9680
	105	45513-KCCC-900	CAP M/C	CAP M/C	1	580
	116	45517-KFAF-900	HOLDER M/C	HOLDER M/C	1	440
	115	45517-KFAF-910	HOLDER M/C	HOLDER M/C	2	440
	117	45520-KCCC-900	DIAPHRAGM	DIAPHRAGM	2	960
	118	45521-KCCC-900	PLATE DIAPHRAGM	PLATE DIAPHRAGM	2	390
	119	45530-KEB7-306	CYLINDER SET MASTER	CYLINDER SET MASTER	1	13120
**	107	53175-KXBX-E10	LEVER R STRG HANDLE	LEVER R STRG HANDLE	1	1060
**	123	53178-KKBK-E00	LEVER L STRG HANDLE	LEVER L STRG HANDLE	1	1630
	108	90114-1F66-007	BOLT HANDLE LEVER	BOLT HANDLE LEVER	1	60
	99	90145-LEA3-E00	OIL BOLT 10x22	OIL BOLT 10x22	1	150
	100	90545-3L00-001	WASHER OIL BOLT	WASHER OIL BOLT	4	60

F04

# Brake Master Cylinder

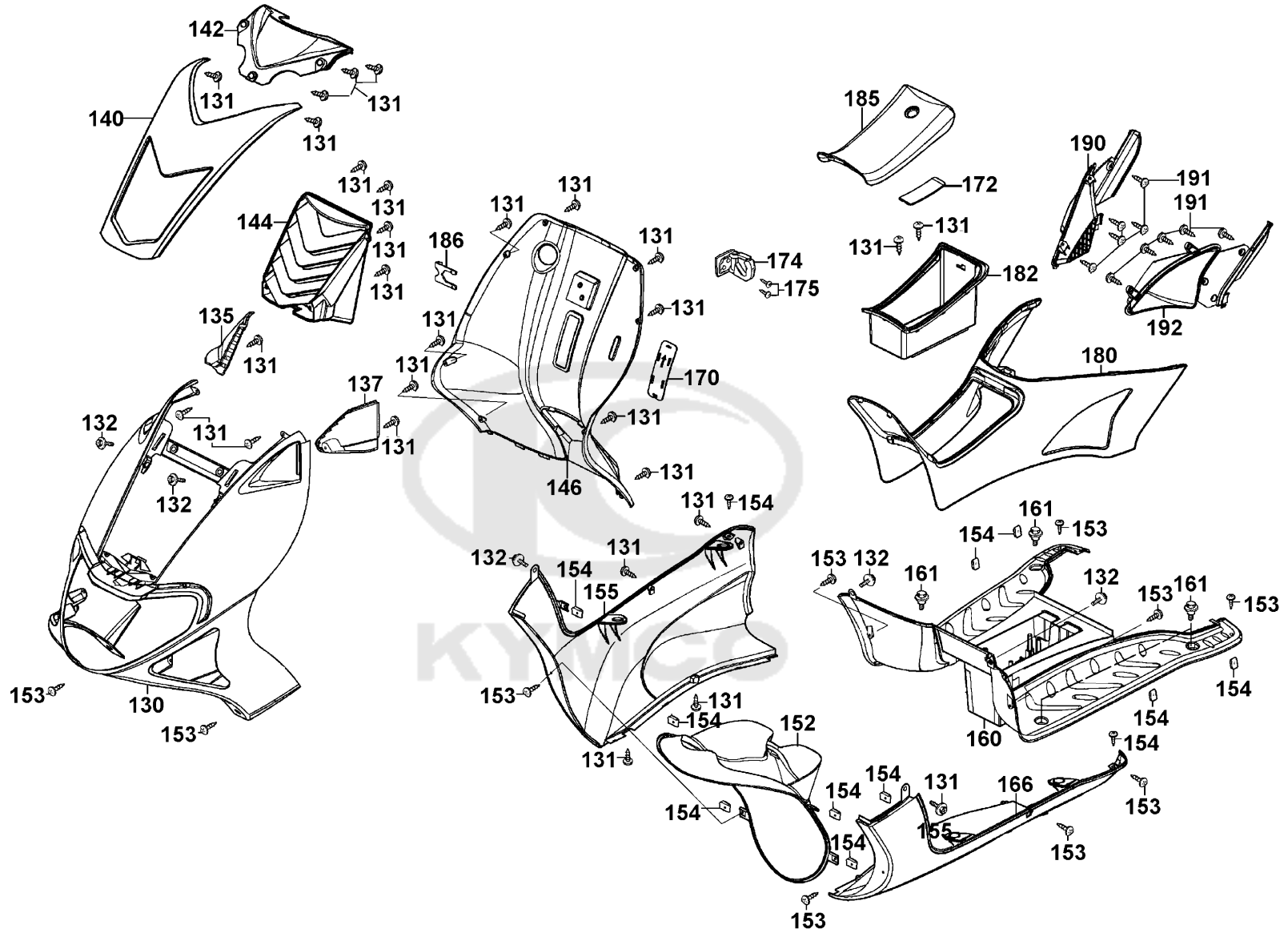


Sales mark 記号	Ref no 参照用番号	Part no パーツ番号	Description 部品名	Reg description 部品名	Regd no 必要個数	Ref Price 希望小売価格(税抜)	F04
106	93600-04012-1G	93600-04012-1G	SCREW FLAT 4*12	SCREW FLAT 4*12	2	60	
110	93893-04012-18	93893-04012-18	SCREW WASHER 4*12	SCREW WASHER 4*12	1	60	
120	94050-06060	94050-06060	NUT FLANGE 6MM	NUT FLANGE 6MM	2	60	
112	96001-06022-06	96001-06022-06	BOLT FLANGE SH 6*22 (G)	BOLT FLANGE SH 6*22 (G)	2	60	



F05

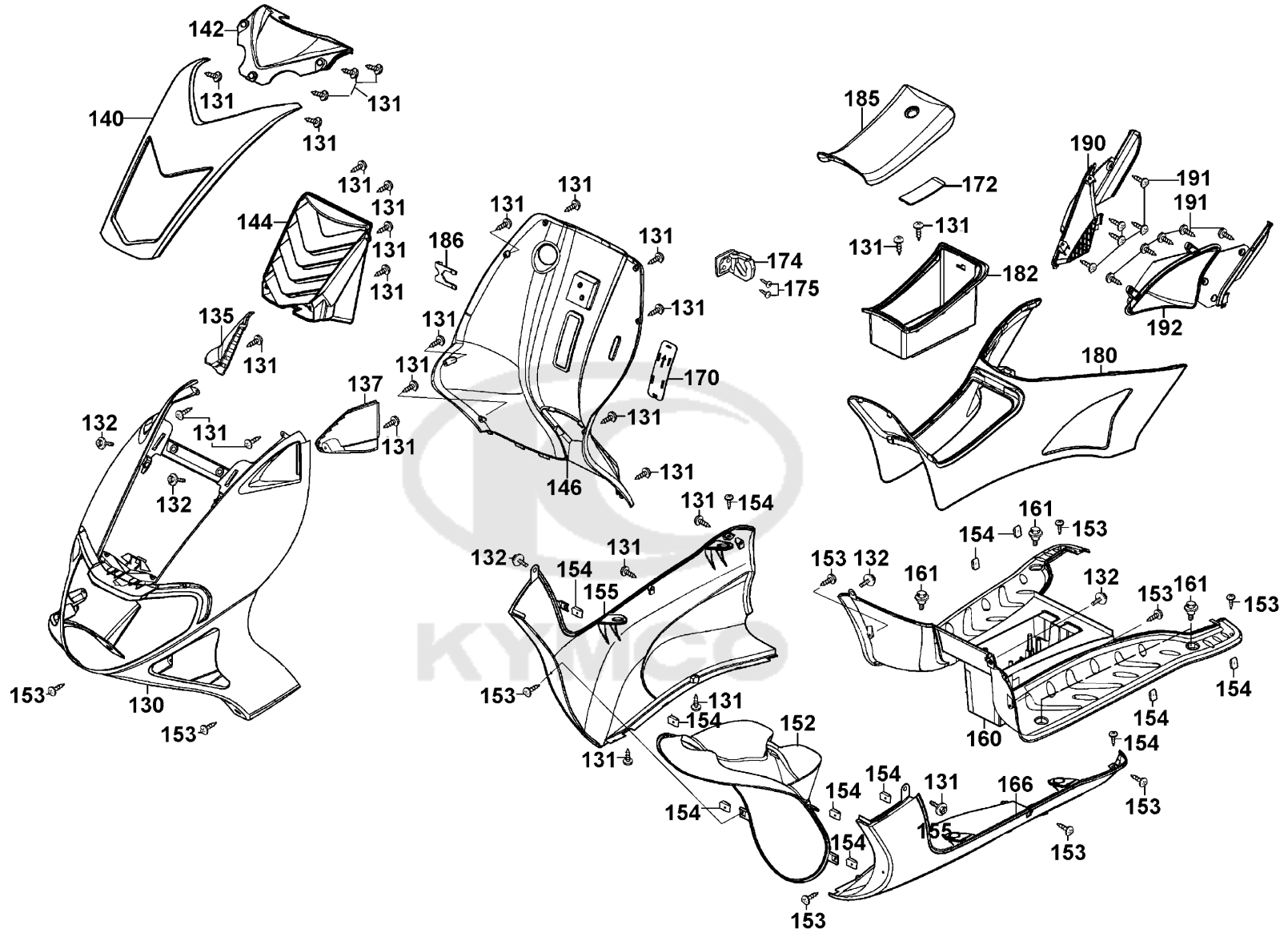
Front Cover Floor Panel



Sales mark 記号	Ref no 参照用番号	Part no パーツ番号	Description 部品名	Reg description 部品名	Regd no 必要個数	Ref Price 希望小売価格(税抜)	F05
**	152	61110-KGB5-900	FENDER FR INNER	FENDER FR INNER	1	5900	
**	140	64301-KGB5-900	COVER FR	COVER FR	1	3810	
**	130	64302-KGB5-900	MOLDING FR	MOLDING FR	1	9510	
**	144	64303-KGB5-900	GRILL FR	GRILL FR	1	2670	
**	142	64304-KGB5-900	COVER FR INNER CENTER	COVER FR INNER CENTER	1	2290	
**	155	64305-KGB5-900	SKIRT R SIDE	SKIRT R SIDE	1	10270	
**	166	64306-KGB5-900	SKIRT L SIDE	SKIRT L SIDE	1	10270	
**	172	64307-KFA5-900	LID LEG SHIELD WIND	LID LEG SHIELD WIND	1	200	
**	135	64307-KGB5-900	COVER R INNER SIDE	COVER R INNER SIDE	1	300	
**	137	64308-KGB5-900	COVER L INNER SIDE	COVER L INNER SIDE	1	300	
**	160	64310-KGB5-900	FLOOR PANEL	FLOOR PANEL	1	3240	
**	180	64341-KGB5-900	COVER TUNNEL	COVER TUNNEL	1	6280	
**	185	64342-KGB5-900	LID TUNNEL	LID TUNNEL	1	1820	
**	182	64343-KGB5-900	BOX TUNNEL INNER	BOX TUNNEL INNER	1	680	
	186	75581-6C73-001	SET SPG LOCK KEY	SET SPG LOCK KEY	1	200	
**	146	81131-KGB5-900	LEG SHIELD	LEG SHIELD	1	2860	
**	170	81132-KGB5-900	LID LEG SHIELD	LID LEG SHIELD	1	300	
**	190	83520-KGB5-900	GRILL R SIDE	GRILL R SIDE	1	680	
**	192	83620-KGB5-900	GRILL L SIDE	GRILL L SIDE	1	680	
	174	8376A-KECE-901	CLIP ASSY CENTER	CLIP ASSY CENTER	1	1060	

F05

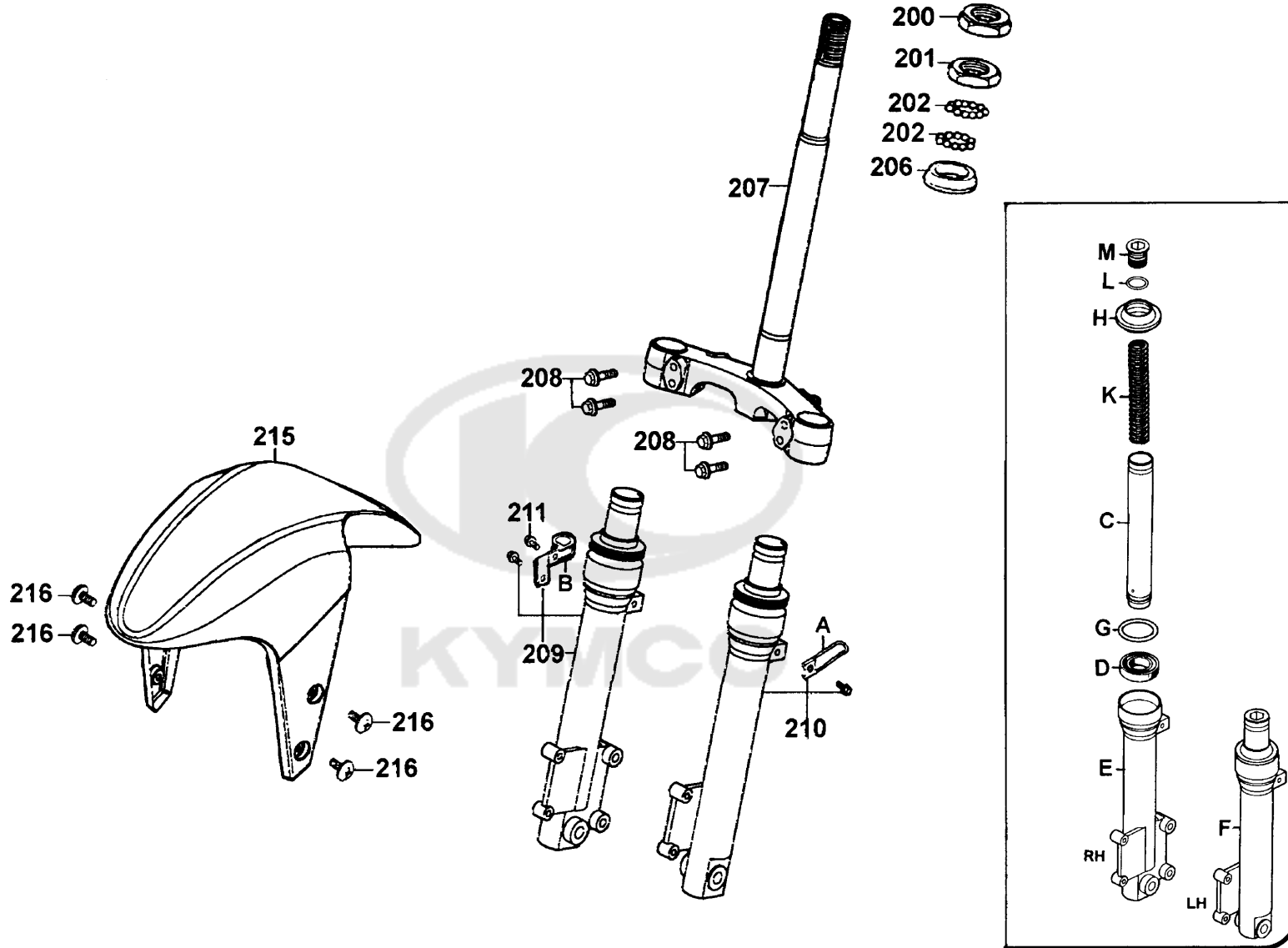
Front Cover Floor Panel





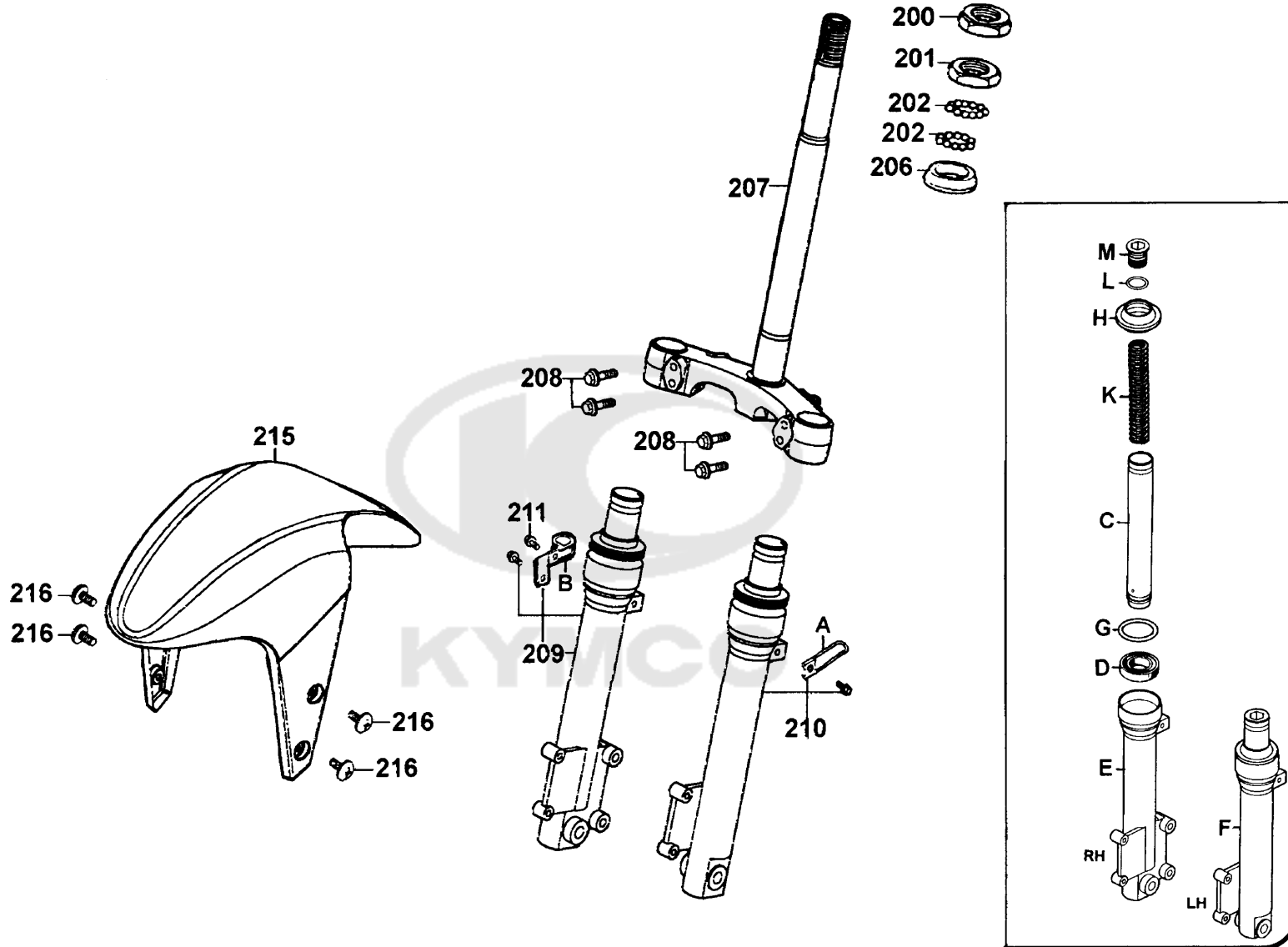
Sales mark 記号	Ref no 参照用番号	Part no パーツ番号	Description 部品名	Reg description 部品名	Regd no 必要個数	Ref Price 希望小売価格(税抜)	F05
161		90112-KFA1-900	BOLT FLANGE 6MM	BOLT FLANGE 6MM	4	160	
132		90302-GFY6-901	BOLT WASH 5*12 *(1) C.V.	BOLT WASH 5*12 *(1) C.V.	1	60	
154		90302-SDA4-004	NUT SPRING 4MM	NUT SPRING 4MM	4	60	
175		93500-04020-0G	SCREW PAN 4*20	SCREW PAN 4*20	2	60	
191		93903-34260	SCREW TAPPING 4*10	SCREW TAPPING 4*10	5	60	
131		93903-34360	SCREW WASHER 4*12	SCREW WASHER 4*12	2	60	
153		93903-GFY6-900	SCREW WASHER 4*12	SCREW WASHER 4*12	4	60	





Sales mark 記号	Ref no 参照用番号	Part no パーツ番号	Description 部品名	Reg description 部品名	Regd no 必要個数	Ref Price 希望小売価格(税抜)
H		31009-3L30-710	DUST SEAL	DUST SEAL	2	490
B		45128-KEBE-900	CLAMPER FR BRAKE HOSE	CLAMPER FR BRAKE HOSE	1	400
A		45156-KTCT-800	CLAMPER FR BRK CABLE	CLAMPER FR BRK CABLE	1	580
200		50306-1F96-001	NUT STRG STEM LOCK	NUT STRG STEM LOCK	1	300
K		51401-KGB5-900	SPRING	SPRING	2	490
**	209	5140A-KGB5-900	FORK SET R FR	FORK SET R FR	1	18250
C		51410-KGB5-900	FORK PIPE COMP	FORK PIPE COMP	2	5100
**	E	51420-KGB5-900	BOTTOM CASE R	BOTTOM CASE R	1	8750
**	210	5150A-KGB5-900	FORK SET L FR	FORK SET L FR	1	18250
**	F	51520-KGB5-900	BOTTOM CASE L	BOTTOM CASE L	1	8750
	207	53200-KGB5-900	STEM COMP STRG	STEM COMP STRG	1	11980
	201	53211-GFY6-940	RACE STRG TOP CONE	RACE STRG TOP CONE	1	580
	206	53212-GHC8-004	RACE (STRG BOTTOM) CONE	RACE (STRG BOTTOM) CONE	1	390
**	215	61100-KGB5-900	FENDER FR	FENDER FR	1	4410
	216	90110-KEB7-900	SCREW SPECIAL 6*14	SCREW SPECIAL 6*14	4	130
G		90601-3D54-001	RING OIL-SEAL STOPPER	RING OIL-SEAL STOPPER	2	60
D		91255-4F46-014	OIL SEAL	OIL SEAL	2	270
M		94605-KEBE-900	FORK BOLT	FORK BOLT	2	830
L		94608-30000	O-RING	O-RING	2	60
	211	95701-06012-06	BOLT FLANGE 6*22 (K)	BOLT FLANGE 6*22 (K)	1	60

F06



Sales mark 記号	Ref no 参照用番号	Part no パーツ番号	Description 部品名	Reg description 部品名	Regd no 必要個数	Ref Price 希望小売価格(税抜)
------------------	-----------------	------------------	--------------------	------------------------	-----------------	-------------------------

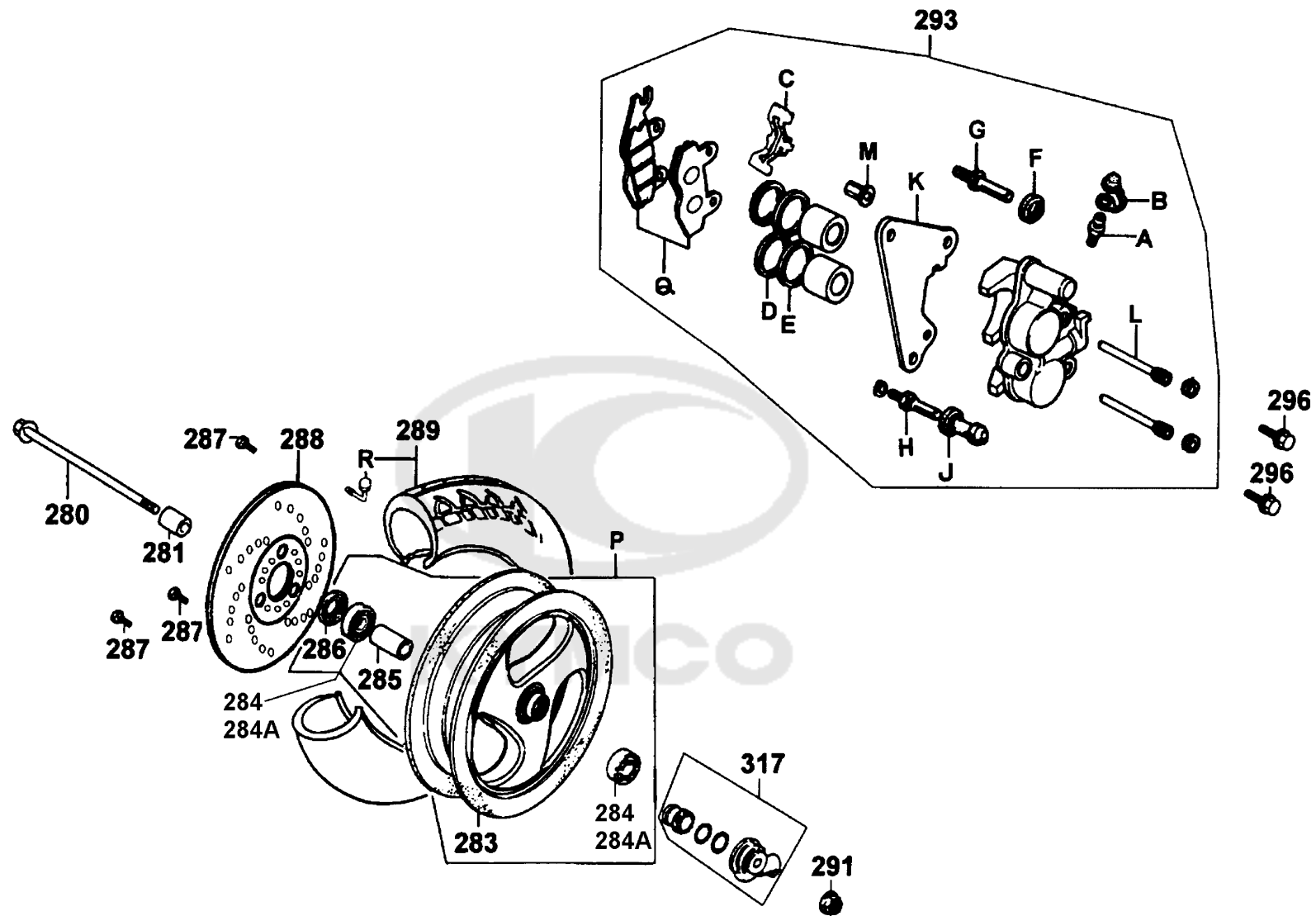
**F06**

208	95801-08040-06	BOLT FLANGE 8*40	BOLT FLANGE 8*40	1	60
202	96211-05000	BALL STEEL #5	BALL STEEL #5	26	60



F07

Front Wheel

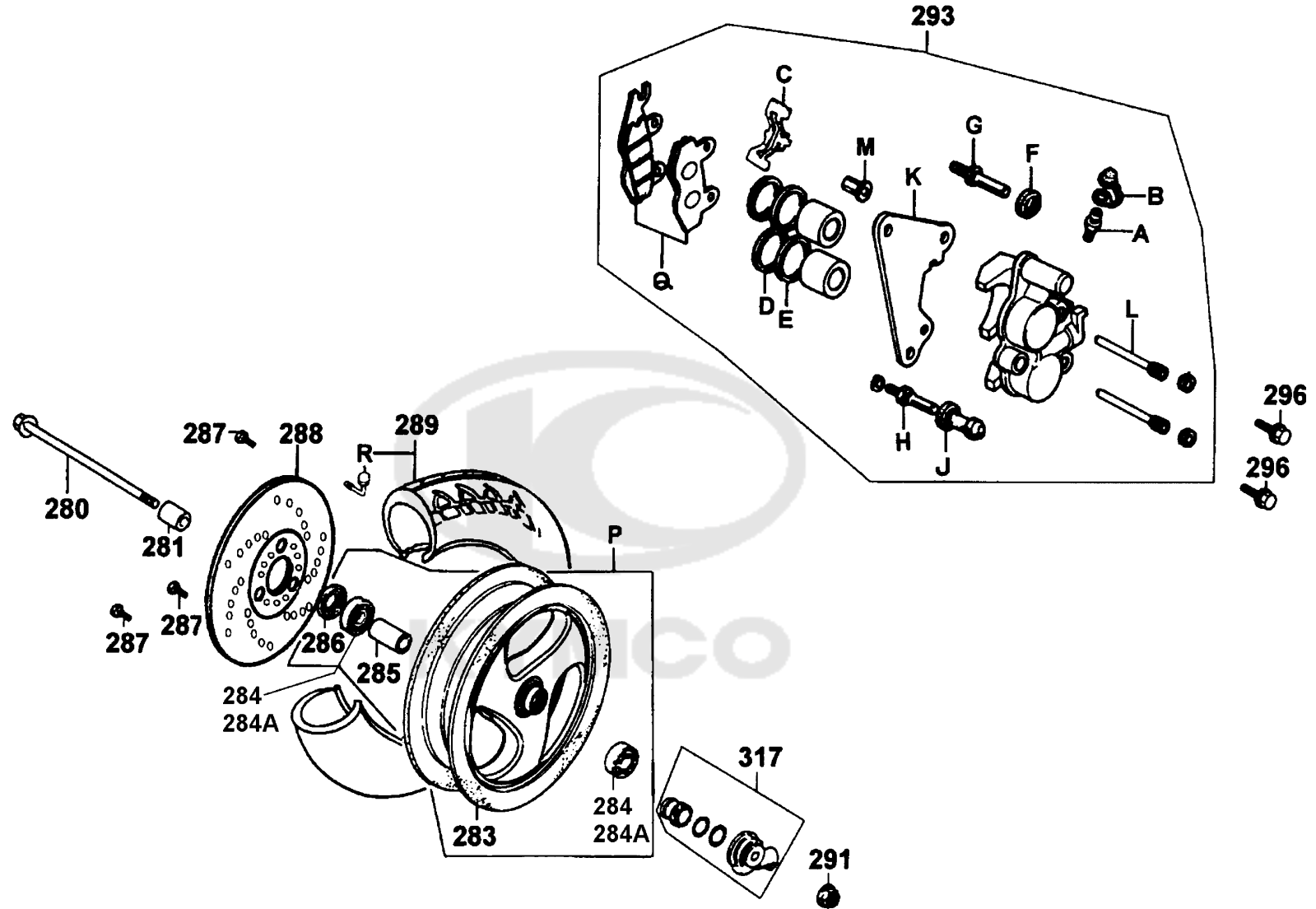


Sales mark 記号	Ref no 参照用番号	Part no パーツ番号	Description 部品名	Reg description 部品名	Regd no 必要個数	Ref Price 希望小売価格(税抜)
R		42753-KXCX-900	VALVE (PVR-70B) & CAP	VALVE (PVR-70B) & CAP	1	630
A		43352-5H68-004	SCREW BLEEDER	SCREW BLEEDER	1	300
B		43353-4A61-77A	CAP BLEEDER	CAP BLEEDER	1	130
280		44301-KGB5-900	AXLE FR WHEEL M12*255MM	AXLE FR WHEEL M12*255MM	1	960
281		44311-KEBE-900	COLLAR FR WHEEL SIDE	COLLAR FR WHEEL SIDE	1	390
**	283	44601-KFC8-900	WHEEL FR CAST	WHEEL FR CAST	1	34070
	285	44620-KEBE-900	COLLAR FR AXLE DISTANCE	COLLAR FR AXLE DISTANCE	1	1060
**	P	44650-KFC8-305	WHEEL SET FR	WHEEL SET FR	1	29280
	289	44710-KEB7-E1A	TIRE ASSY FR 120/70-12 56J /CHENG	TIRE ASSY FR 120/70-12 56J /CHENG SHIN	1	18620
	317	44800-KFA5-900	GEAR BOX ASSY	GEAR BOX ASSY	1	3240
N		45107-KKD6-E90	PISTON	PISTON	2	770
C		45108-MDL4-007	PAD SPG	PAD SPG	1	300
D		45109-GBE2-007	DUST SEAL	DUST SEAL	2	140
Q		4510A-KFW6-900	PAD SET	PAD SET	1	3620
**	288	45121-KGB5-900	DISK FR BRAKE	DISK FR BRAKE	1	9890
H		45131-1F66-017	PIN BOLT	PIN BOLT	1	890
G		45131-GBE2-007	PIN BOLT A	PIN BOLT A	1	960
J		45132-1F66-017	BUSH BOOT PIN	BUSH BOOT PIN	1	780
F		45133-MCA3-007	BOOT B	BOOT B	1	230
**	293	45200-KGB5-900	CALIPER ASSY FR	CALIPER ASSY FR	1	18060

F07

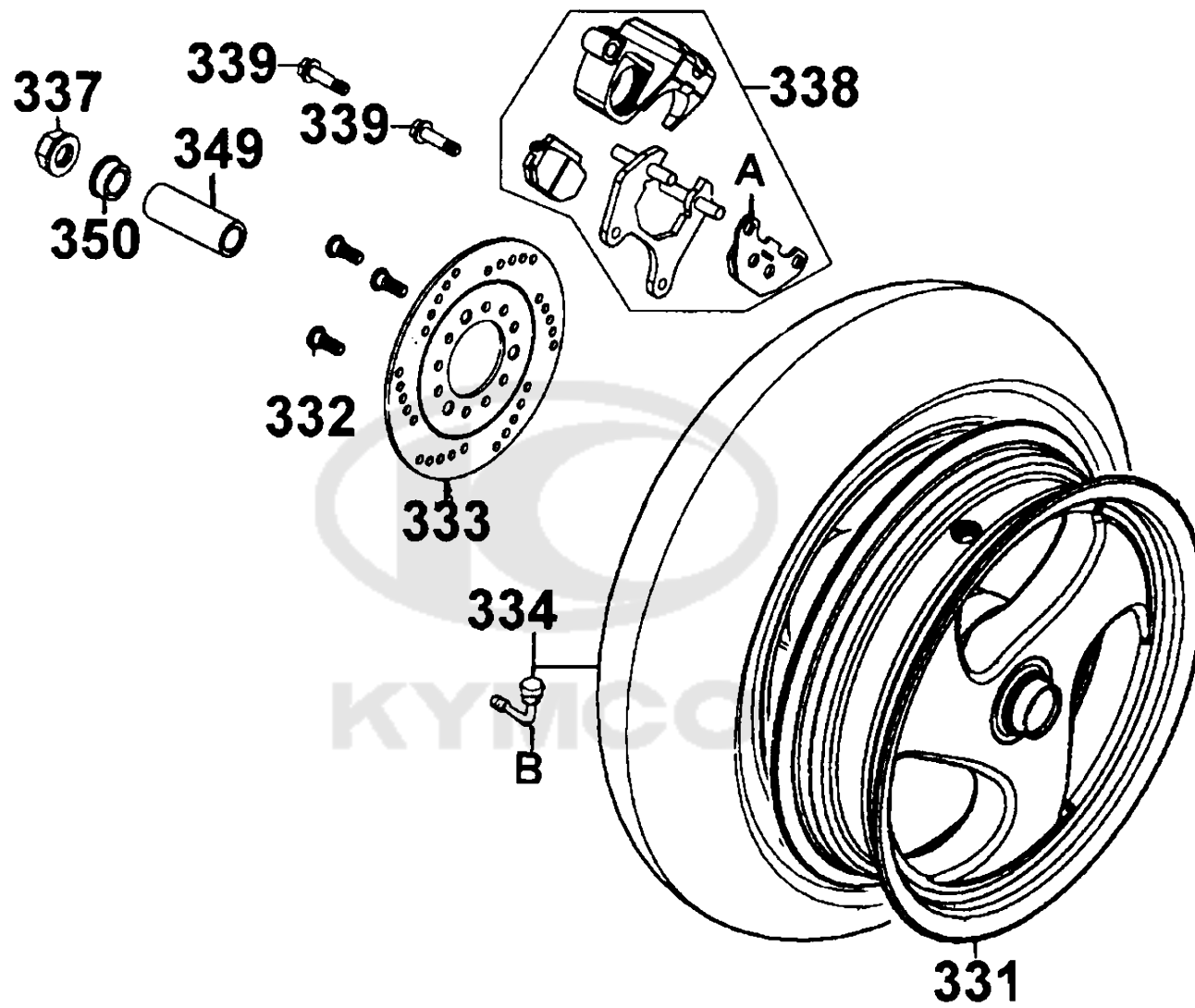
F07

Front Wheel





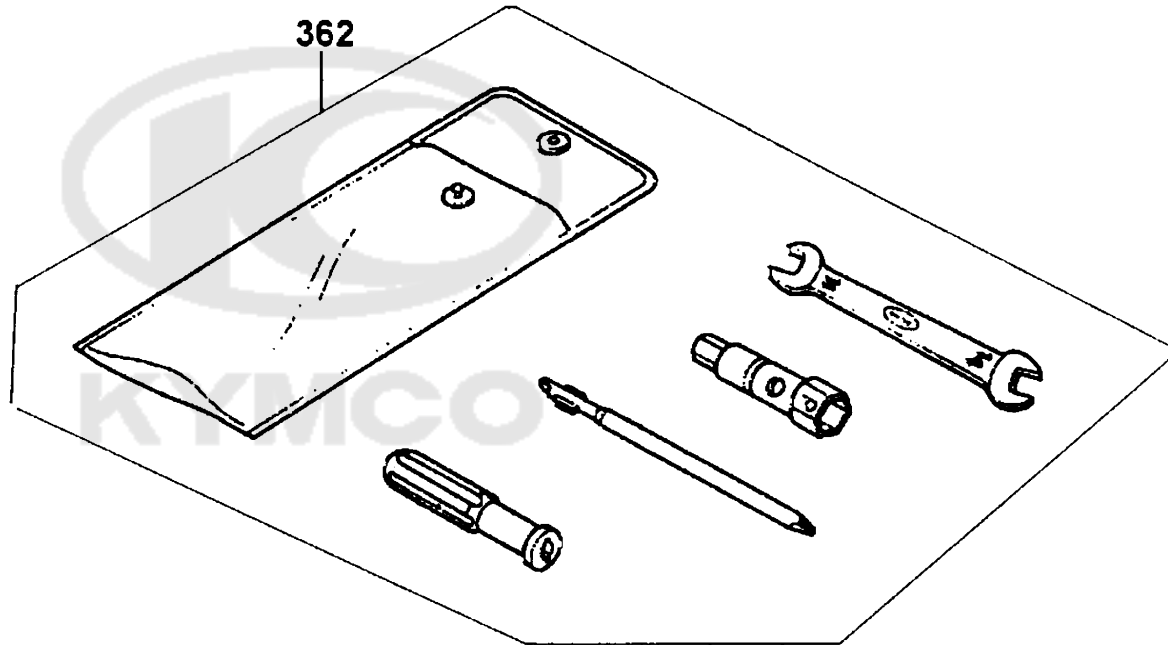
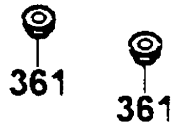
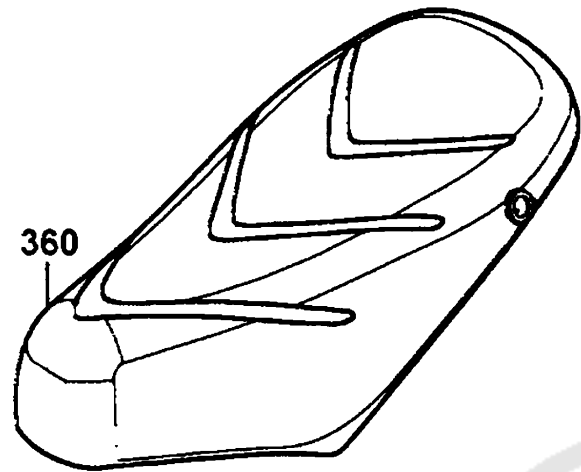
Sales mark 記号	Ref no 参照用番号	Part no パーツ番号	Description 部品名	Reg description 部品名	Regd no 必要個数	Ref Price 希望小売価格(税抜)	F07
E		45209-GBE2-007	SEAL PISTON	SEAL PISTON	2	370	
K		45210-KGB5-900	BRACKET FR	BRACKET FR	1	1720	
L		45215-KECE-900	PIN HANGER	PIN HANGER	2	300	
M		45216-KFW6-90A	TORQUE NUT	TORQUE NUT	1	400	
		45531-GAR1-951	PLUG	PLUG	1	110	
287		90105-KCR3-001	BOLT FR DISK 8*24	BOLT FR DISK 8*24	3	80	
296		90131-GLW0-911	BOLT FLANGE 8*35	BOLT FLANGE 8*35	2	80	
291		90306-GLW0-90A	NUT FLANGE 12MM	NUT FLANGE 12MM	1	320	
286		90754-GHC8-00A	SEAL DUST 20*32*5	SEAL DUST 20*32*5	1	100	
284		90912-KFLF-00A	BEARING 6201 LLU	BEARING 6201 LLU	2	610	
284A		90912-KFLF-00D	BEARING, L201 LLU	BEARING, L201 LLU	2	730	



Sales mark 記号	Ref no 参照用番号	Part no パーツ番号	Description 部品名	Reg description 部品名	Regd no 必要個数	Ref Price 希望小売価格(税抜)	F08
	349	42311-KFC8-900	COLLAR RR AXLE A	COLLAR RR AXLE A	1	1270	
	350	42312-KEBE-900	COLLAR RR AXLE SIDE	COLLAR RR AXLE SIDE	1	440	
**	331	42601-KFC8-900	WHEEL COMP RR CAST	WHEEL COMP RR CAST	1	34610	
	334	42710-KEB7-E1A	TIRE ASSY RR /130/70-12 59J /CHENG	TIRE ASSY RR /130/70-12 59J /CHENG SHIN	1	11340	
B		42753-0D04-900	RIM VALVE (PVR 70)	RIM VALVE (PVR 70)	1	540	
**	338	43100-KGB5-900	CALIPER ASSY RR	CALIPER ASSY RR	1	21670	
	333	43351-KEBE-900	DISK RR BRAKE	DISK RR BRAKE	1	8320	
A		45105-KFA6-305	PAD ASSY (A+B)	PAD ASSY (A+B)	1	3240	
	332	90105-KCR3-001	BOLT FR DISK 8*24	BOLT FR DISK 8*24	3	80	
	339	90131-GLW0-911	BOLT FLANGE 8*35	BOLT FLANGE 8*35	2	80	
	337	90305-KFW6-900	NUT U FLANGE 16MM (B)	NUT U FLANGE 16MM (B)	1	770	

F09

Seat



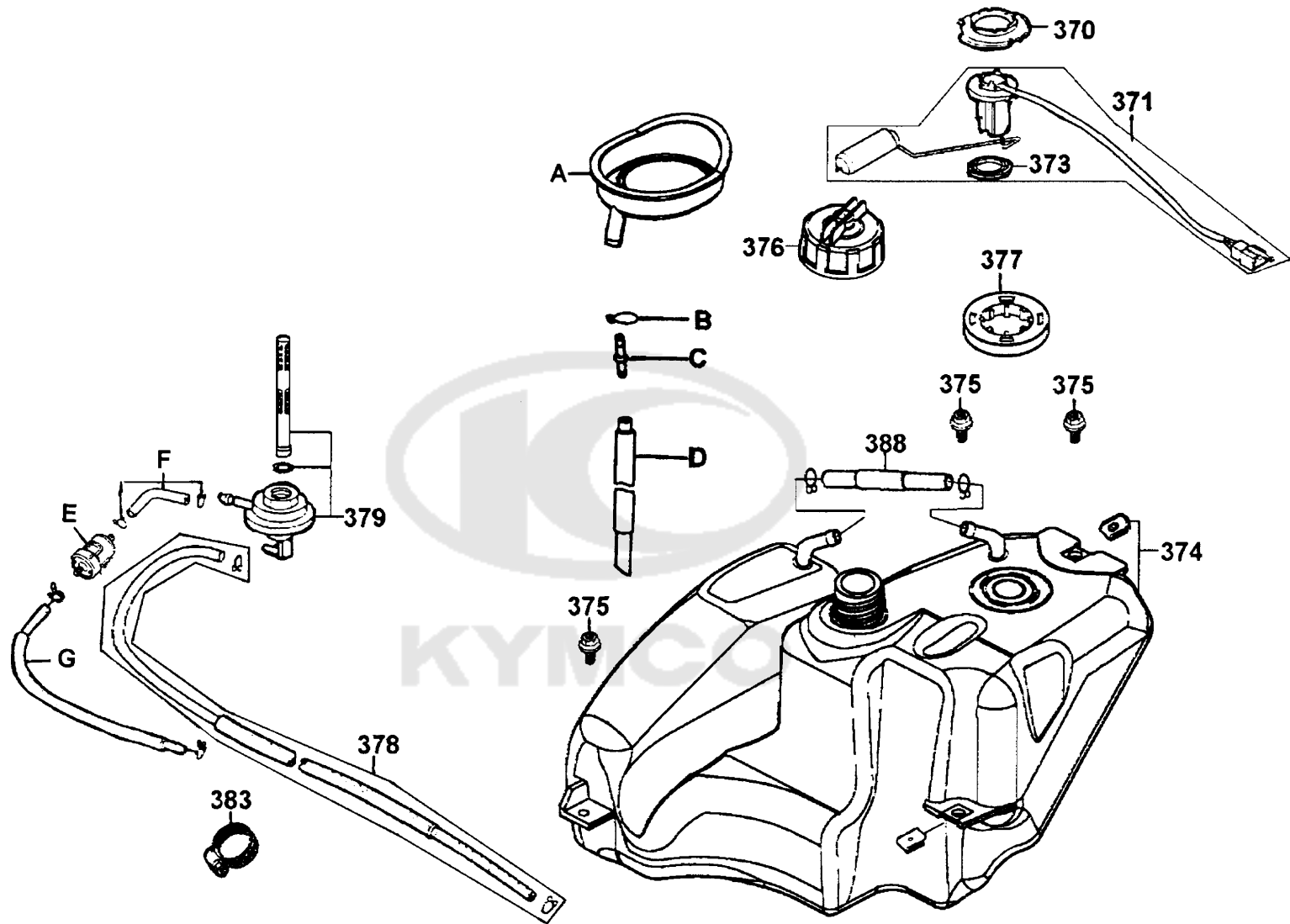
Sales mark 記号	Ref no 参照用番号	Part no パーツ番号	Description 部品名	Reg description 部品名	Regd no 必要個数	Ref Price 希望小売価格(税抜)	F09
------------------	-----------------	------------------	--------------------	------------------------	-----------------	-------------------------	-----

**	360	77200-KGB5-900	SEAT ASSY(016-OBC)	SEAT ASSY(016-OBC)	1	12330	
	362	89010-GGS7-C00	TOOL SET	TOOL SET	1	1530	
	361	94050-06080	NUT FLANGE 6MM	NUT FLANGE 6MM	2	60	



F10

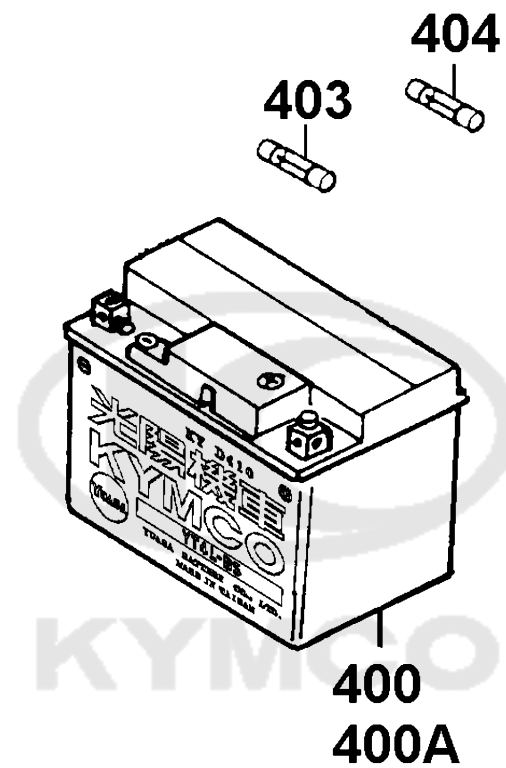
Fuel Tank



Sales mark 記号	Ref no 参照用番号	Part no パーツ番号	Description 部品名	Reg description 部品名	Regd no 必要個数	Ref Price 希望小売価格(税抜)	F10
E		1691A-KEC2-E00	STRAINER ASSY FUEL	STRAINER ASSY FUEL	1	1010	
379		16950-KHB4-900	AUTO COCK ASSY FUEL	AUTO COCK ASSY FUEL	1	2720	
374		17500-KGB5-800	TANK COMP FUEL	TANK COMP FUEL	1	17110	
377		17502-KGB5-900	RING NUT LEVER INDICATOR	RING NUT LEVER INDICATOR	1	230	
D		17530-KGB5-900	TUBE ASSY DRAIN	TUBE ASSY DRAIN	1	350	
A		17550-KGB5-900	TRAY FUEL CAP	TRAY FUEL CAP	1	440	
376		1762A-KFA6-900	CAP ASSY FUEL FILLER	CAP ASSY FUEL FILLER	1	390	
C		17685-KZCZ-900	JOINT TUBE	JOINT TUBE	2	200	
383		19505-GFY6-940	CLAMP A WATER HOSE	CLAMP A WATER HOSE	1	200	
373		37801-GGA7-701	PACKING BASE	PACKING BASE	1	130	
370		37802-GGA7-701	RET FUEL UNIT	RET FUEL UNIT	1	200	
371		3780A-KGB5-E00	FUEL UNIT ASSY	FUEL UNIT ASSY	1	3430	
B		95002-02080	CLIP B8 TUBE	CLIP B8 TUBE	2	60	
388		95005-KGB5-900	TUBE ASSY FUEL BRTHR	TUBE ASSY FUEL BRTHR	1	230	
378		9500B-KEB7-900	TUBE ASSY VACUUM	TUBE ASSY VACUUM	1	250	
F		9500C-KGB5-900	TUBE ASSY FUEL	TUBE ASSY FUEL	1	110	
G		9500E-KGB5-900	TUBE ASSY FUEL	TUBE ASSY FUEL	1	180	
375		95701-06016-06	BOLT FLANGE 6*22 (K)	BOLT FLANGE 6*22 (K)	3	110	

F11

Battery





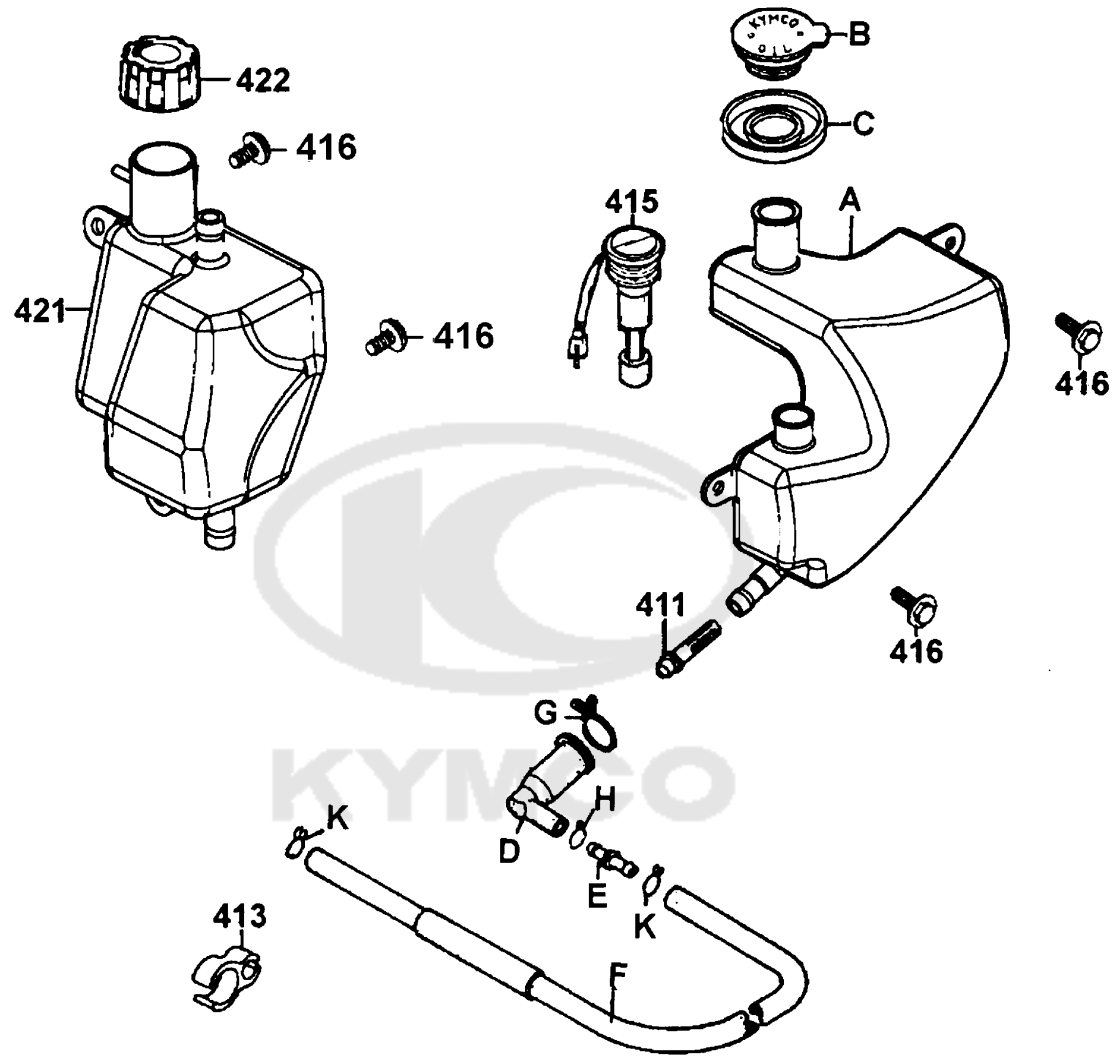
Sales mark 記号	Ref no 参照用番号	Part no パーツ番号	Description 部品名	Reg description 部品名	Regd no 必要個数	Ref Price 希望小売価格(税抜)
400		31500-KNBN-92A	BATTERY YTX5L-BS	BATTERY YTX5L-BS	1	11130
400A		31500-KNBN-92B	BATTERY YTX5L-BS	BATTERY YTX5L-BS	1	11130
403		98200-10700	FUSE A7	FUSE A7	1	60
404		98200-11500	FUSE A15	FUSE A15	1	60

F11



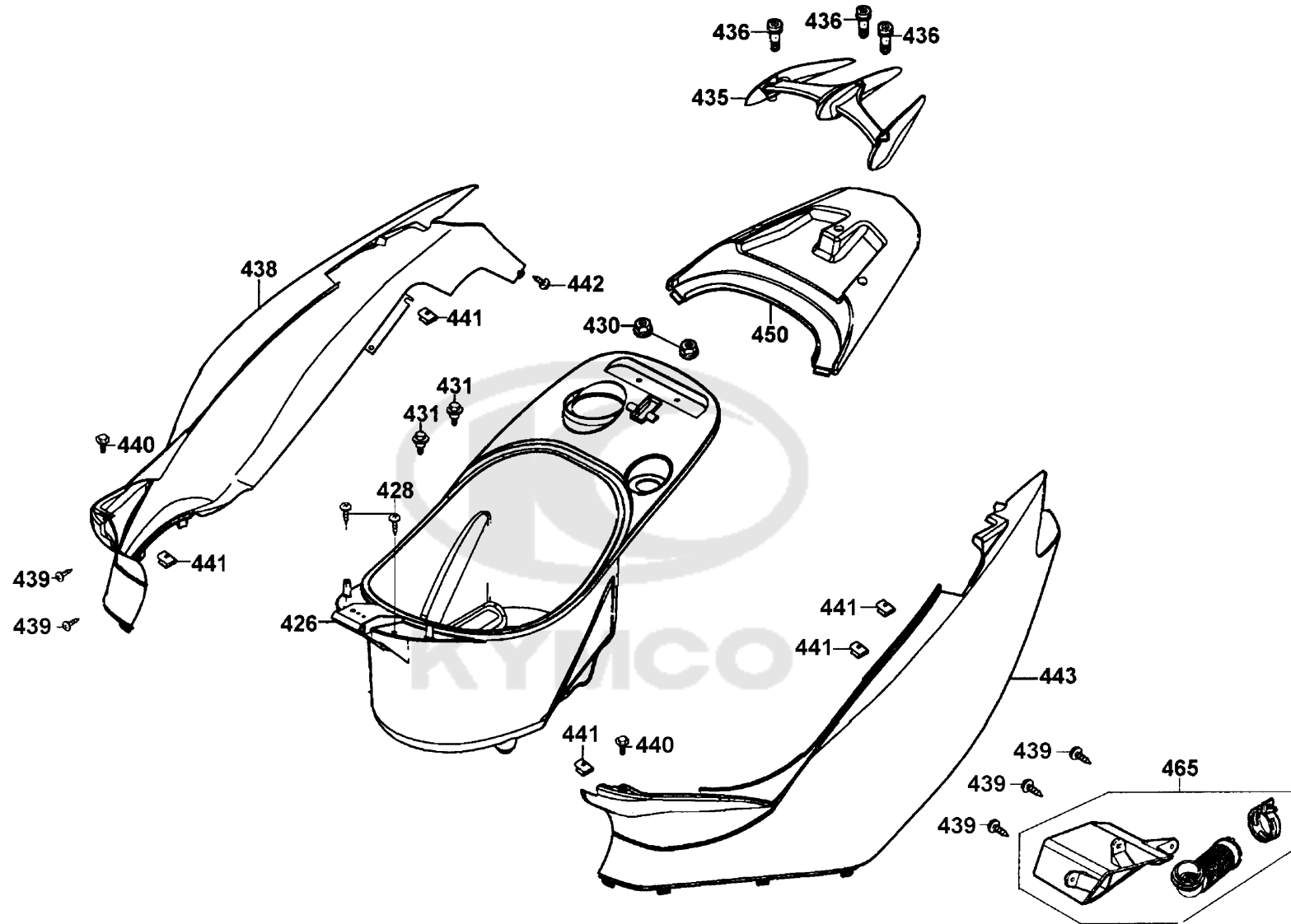
F12

Oil Tank    Reserve Tank



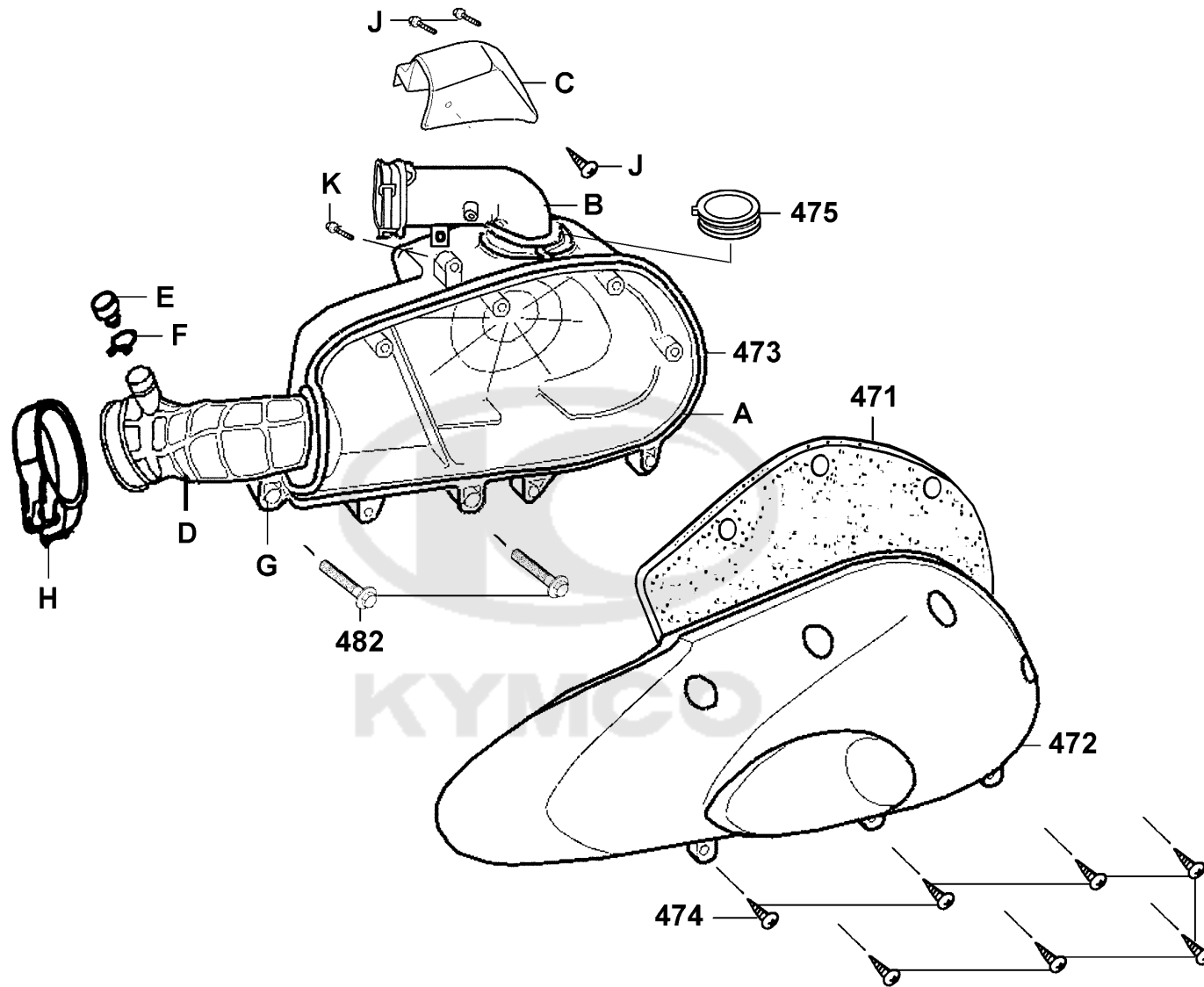
Sales mark 記号	Ref no 参照用番号	Part no パーツ番号	Description 部品名	Reg description 部品名	Regd no 必要個数	Ref Price 希望小売価格(税抜)
G		15772-5A51-001	CLIP BREATHER TUBE	CLIP BREATHER TUBE	1	160
411		17502-1G87-001	OIL STRAINER	OIL STRAINER	1	300
421		19101-KGB5-900	TANK RESERVE	TANK RESERVE	1	1820
422		1920A-KHD8-900	CAP ASSY RESERVE TANK	CAP ASSY RESERVE TANK	1	960
415		35410-KEB7-900	SW COMP OIL LEVEL	SW COMP OIL LEVEL	1	4740
A		55100-KGB5-900	TANK OIL	TANK OIL	1	2290
E		55102-1F66-001	JOINT OIL TUBE	JOINT OIL TUBE	1	160
B		55106-KEB7-900	CAP ASSY OIL	CAP ASSY OIL	1	330
C		55121-KEB7-900	RUBBER OIL GUIDE	RUBBER OIL GUIDE	1	230
F		55123-KGB5-900	TUBE 5.3 OIL	TUBE 5.3 OIL	1	520
D		55201-1G87-001	JOINT OIL STRN	JOINT OIL STRN	1	200
416		90302-GFY6-901	BOLT WASH 5*12 *(1) C.V.	BOLT WASH 5*12 *(1) C.V.	2	60
**	413	90660-KGBG-900	CLAMP TUBE	CLAMP TUBE	1	160
K		95002-02100	CLIP B15 TUBE	CLIP B15 TUBE	2	60
H		95002-50000	CLIP C9 TUBE	CLIP C9 TUBE	1	60

F12



Sales mark 記号	Ref no 参照用番号	Part no パーツ番号	Description 部品名	Reg description 部品名	Regd no 必要個数	Ref Price 希望小売価格(税抜)
	465	1721A-KGB5-900	DUCT ASSY AIR/C	DUCT ASSY AIR/C	1	1630
	426	81260-KGB5-900	BOX ASSY LUGGAGE	BOX ASSY LUGGAGE	1	5900
**	435	81300-KGB5-900	GRIP RR	GRIP RR	1	5710
**	438	83500-KGB5-900	COVER R BODY	COVER R BODY	1	10460
**	443	83600-KGB5-900	COVER SET L BODY SIDE	COVER SET L BODY SIDE	1	10460
**	450	83750-KGB5-900	COVER RR CENTER	COVER RR CENTER	1	3050
	436	90105-KGB5-900	BOLT SPECIAL 6*30	BOLT SPECIAL 6*30	3	300
	431	90111-KFW6-001	BOLT FLANGE 6MM	BOLT FLANGE 6MM	2	60
	430	90215-GLM0-910	NUT CAP 6MM	NUT CAP 6MM	2	160
	440	90302-GFY6-901	BOLT WASH 5*12 **(1) C.V.	BOLT WASH 5*12 **(1) C.V.	1	60
	441	90302-SDA4-004	NUT SPRING 4MM	NUT SPRING 4MM	1	60
	442	90683-GAR1-004	CLIP BODY COVER	CLIP BODY COVER	1	60
	439	93903-34360	SCREW WASHER 4*12	SCREW WASHER 4*12	1	60
	428	93903-GFY6-900	SCREW WASHER 4*12	SCREW WASHER 4*12	2	60

F13

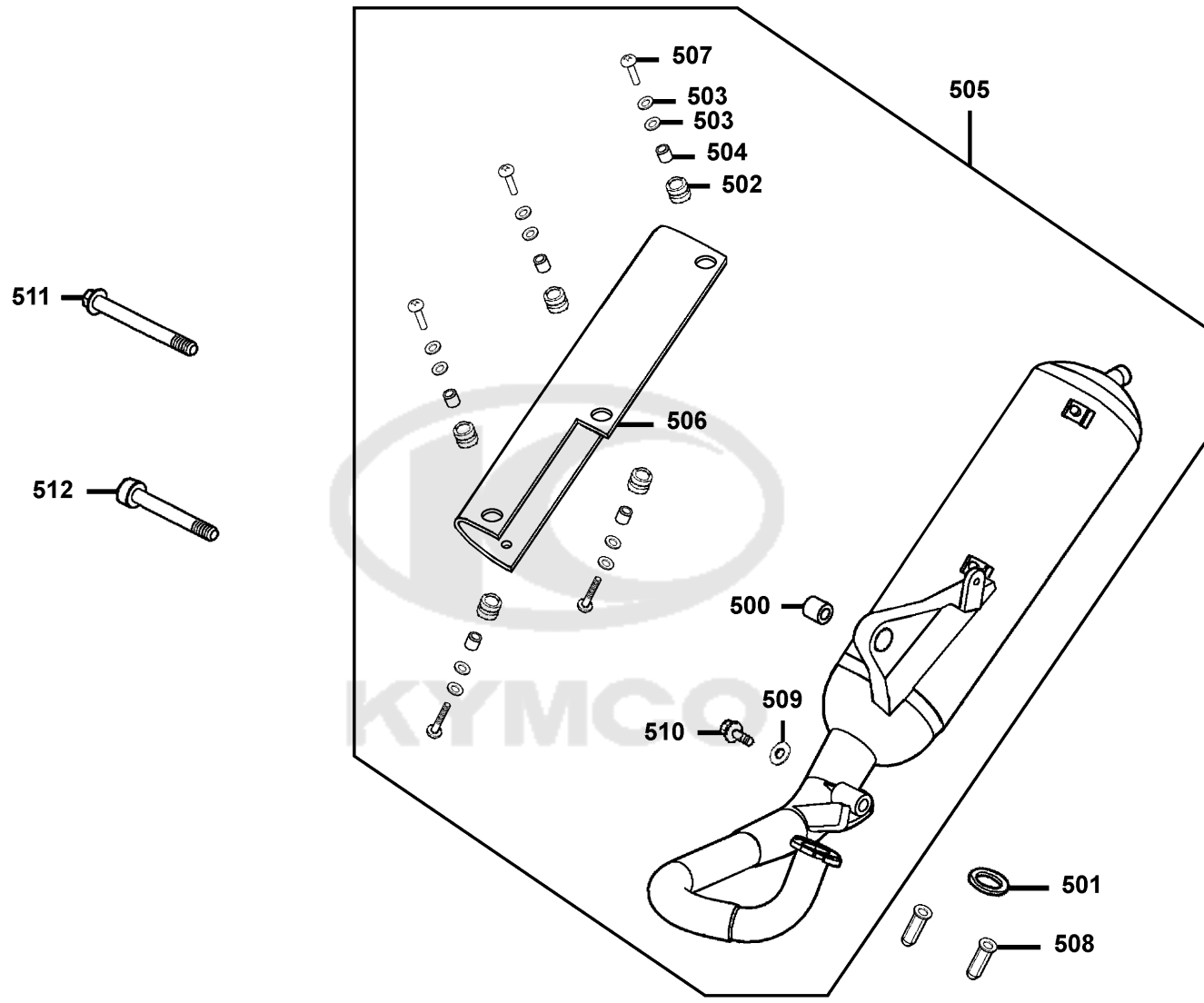


Sales mark 記号	Ref no 参照用番号	Part no パーツ番号	Description 部品名	Reg description 部品名	Regd no 必要個数	Ref Price 希望小売価格(税抜)
471		17205-KEB7-900	ELEMENT AIR/C	ELEMENT AIR/C	1	1250
473		17206-KEB7-900	CASE AIR/C	CASE AIR/C	1	1300
472		17207-KEB7-900	COVER A/C	COVER A/C	1	1060
G		17208-KEB7-900	COLLAR AIR/C SET	COLLAR AIR/C SET	2	390
A		17212-KEB7-900	SEAL AIR/C COVER	SEAL AIR/C COVER	1	300
B		17213-KEB7-900	DUCT AIR/C INLET	DUCT AIR/C INLET	1	390
475		17215-KEB7-900	CLIP ASSY AIR/C DUCT	CLIP ASSY AIR/C DUCT	1	300
C		17216-KEB7-900	COVER JOINT	COVER JOINT	1	300
D		17253-KEB7-900	TUBE AIR/C CONN	TUBE AIR/C CONN	1	710
E		17254-KACA-P00	PLUG AIR/C CONN TUBE	PLUG AIR/C CONN TUBE	1	200
H		90652-GBHB-641	BAND 42 AIR/C CONNECTING TUBE	BAND 42 AIR/C CONNECTING TUBE	1	390
474		93903-25360	SCREW TAPPING 5*16	SCREW TAPPING 5*16	7	60
K		93903-34360	SCREW WASHER 4*12	SCREW WASHER 4*12	1	60
J		93903-35080	SCREW TAPPING 5*8	SCREW TAPPING 5*8	3	110
F		95002-02110	CLIP	CLIP	1	110
482		95701-06040-06	BOLT FLANGE 6*40 (C)	BOLT FLANGE 6*40 (C)	1	200

F14

F15

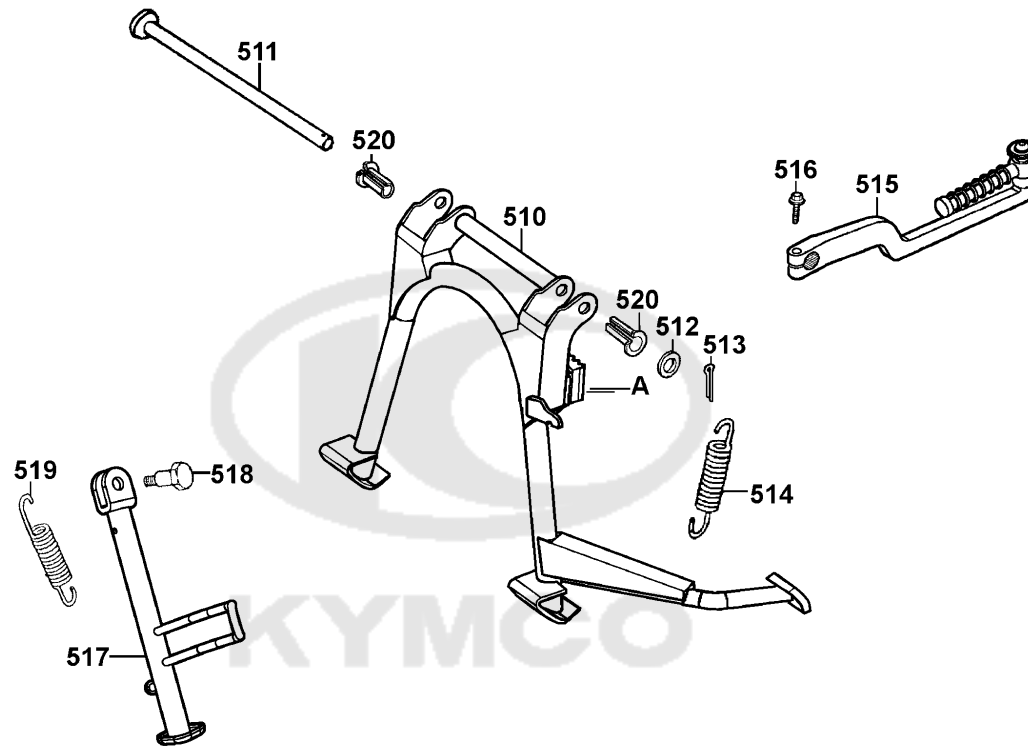
Exhaust Muffler





Sales mark 記号	Ref no 参照用番号	Part no パーツ番号	Description 部品名	Reg description 部品名	Regd no 必要個数	Ref Price 希望小売価格(税抜)
	500	11203-GFY6-901	RUBBER BUSH MUFFLER STAY	RUBBER BUSH MUFFLER STAY	1	320
	501	18291-LBA7-900	GASKET EXH PIPE	GASKET EXH PIPE	1	230
	502	18293-KECE-900	RUBBER A PROTECTOR	RUBBER A PROTECTOR	5	110
	503	18294-KEBE-900	PACKING PROTECTOR	PACKING PROTECTOR	10	110
	504	18295-KECE-900	COLLAR 6MM	COLLAR 6MM	5	110
	505	1830A-KGB5-B00	MUFFLER ASSY EXHAUST/P208 **B000-	MUFFLER ASSY EXHAUST/P208 **B000-JP(	1	27810
**	506	18317-KHD8-E00	PROTECTOR MUFFLER	PROTECTOR MUFFLER	1	4000
	507	90110-KHD8-900	SCREW SPECIAL 6*20	SCREW SPECIAL 6*20	5	60
	508	90301-KGBG-900	NUT CAP 6MM	NUT CAP 6MM	2	250
	509	94101-06700	WASHER PLAIN 6MM	WASHER PLAIN 6MM	1	60
	510	95701-06008-06	BOLT FLANGE 6*8	BOLT FLANGE 6*8	1	60
	511	95801-08075-06	BOLT FLANGE 8*75	BOLT FLANGE 8*75	1	320
	512	95801-KGB5-E10	BOLT FLANGE 8*60	BOLT FLANGE 8*60	1	350

F15

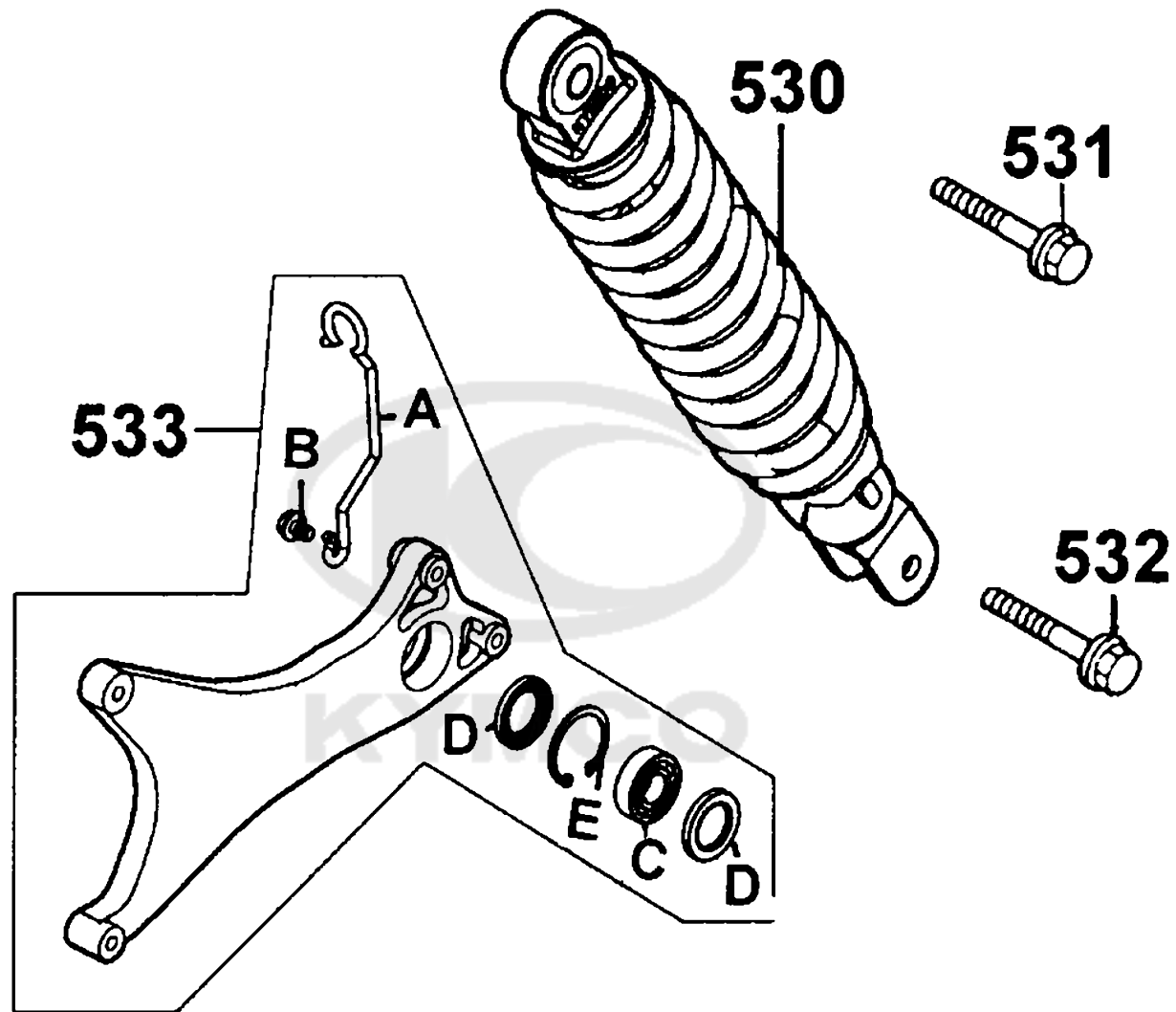


Sales mark 記号	Ref no 参照用番号	Part no パーツ番号	Description 部品名	Reg description 部品名	Regd no 必要個数	Ref Price 希望小売価格(税抜)
	515	28300-KGB5-900	ARM ASSY KICK STARTER	ARM ASSY KICK STARTER	1	2480
	511	50503-KEB7-900	SHAFT MAIN STAND	SHAFT MAIN STAND	1	890
	A	50505-KEBE-900	STOPPER RUBBER	STOPPER RUBBER	1	180
	510	5050A-KGB5-900	STAND ASSY MAIN	STAND ASSY MAIN	1	7800
	520	50527-KED5-900	BUSH OILES	BUSH OILES	2	350
	517	50530-KEB7-900	BAR SIDE STAND	BAR SIDE STAND	1	1060
	518	90108-GFY6-901	SCREW SIDE STAND PIVOT	SCREW SIDE STAND PIVOT	1	130
	512	94101-08600	WASHER PLAIN 6.5*18*105	WASHER PLAIN 6.5*18*105	1	200
	513	94251-08400	PIN LOCK 8MM	PIN LOCK 8MM	1	160
	514	95014-71402	SPRING D MAIN STAND	SPRING D MAIN STAND	1	60
	519	95014-72204	SPG B1 SIDE STAND	SPG B1 SIDE STAND	1	300
	516	95701-06022-06	BOLT FLANGE 6*22	BOLT FLANGE 6*22	1	60

**F16**

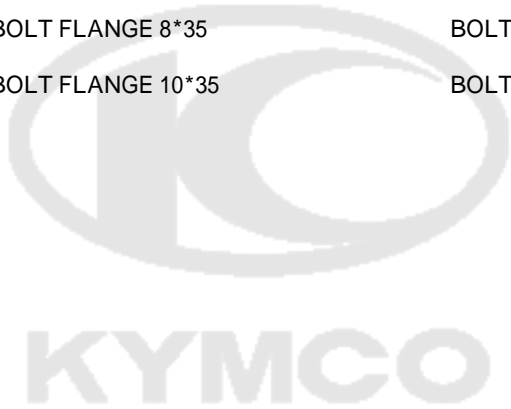
F17

Rear Cushion



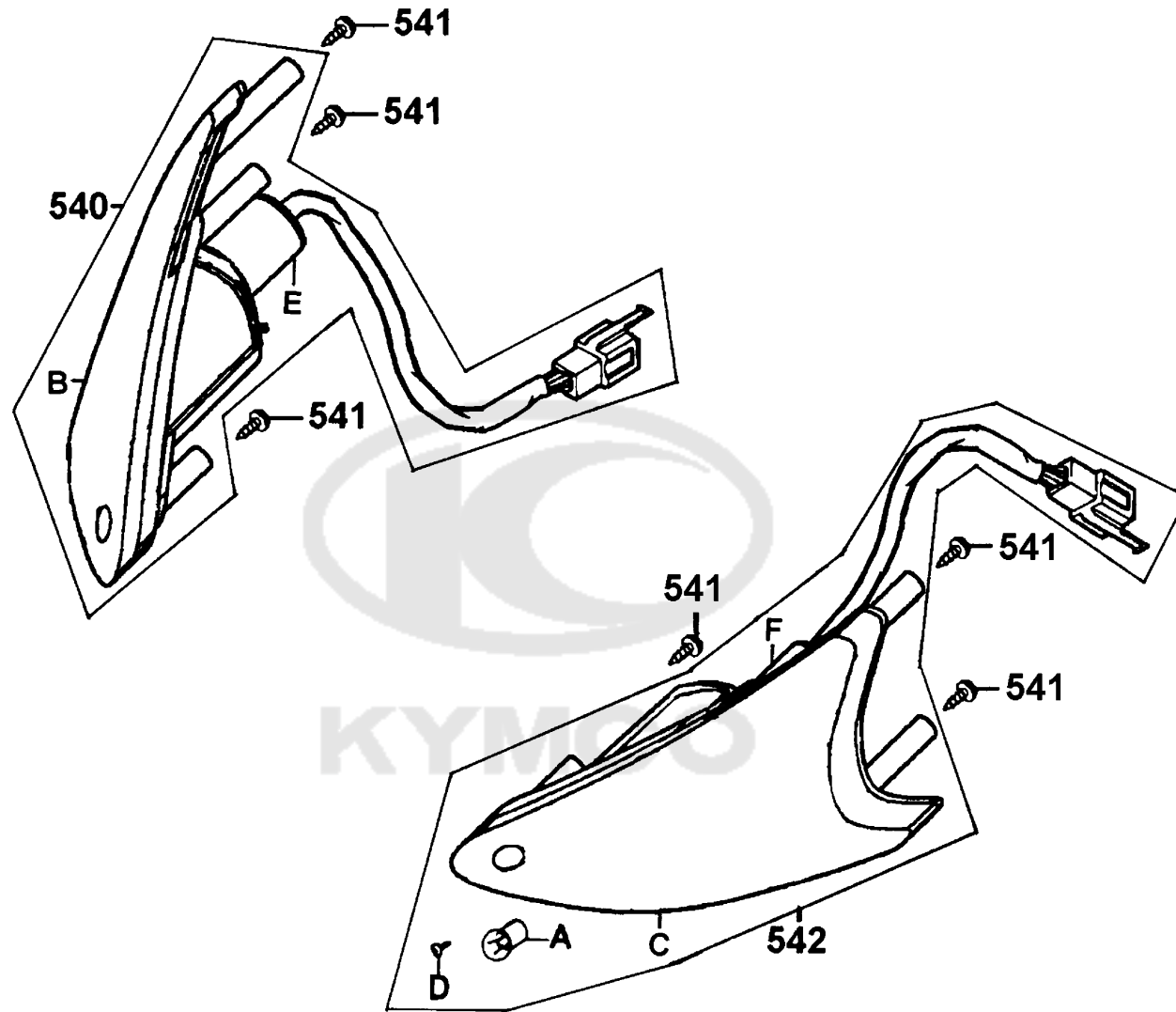
Sales mark 記号	Ref no 参照用番号	Part no パーツ番号	Description 部品名	Reg description 部品名	Regd no 必要個数	Ref Price 希望小売価格(税抜)
A		45156-KGB5-900	CLAMPER BRK HOSE	CLAMPER BRK HOSE	1	300
533		52000-KGB5-900	RR FORK ASSY	RR FORK ASSY	1	11600
**	530	52400-KGB5-900	CUSHION ASSY RR	CUSHION ASSY RR	1	7990
C		91051-KFBF-901	BRG BALL RAKIAL 6203LLU	BRG BALL RAKIAL 6203LLU	1	1440
D		91259-KFBF-900	SEAL OIL	SEAL OIL	2	160
E		94524-42000	CIR CLIP IN 42	CIR CLIP IN 42	1	390
B		95701-06010-06	BOLT FLANGE 6*10	BOLT FLANGE 6*10	1	60
531		95801-08035-06	BOLT FLANGE 8*35	BOLT FLANGE 8*35	1	60
532		95801-10035-06	BOLT FLANGE 10*35	BOLT FLANGE 10*35	1	300

F17



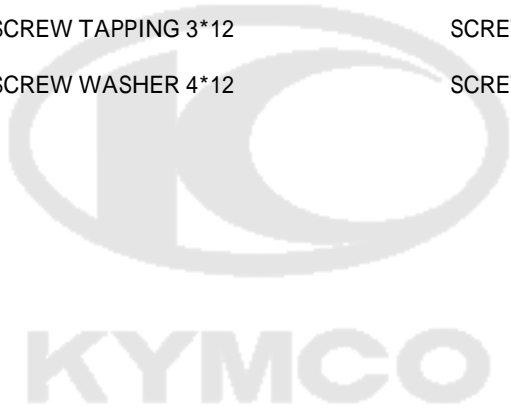
F18

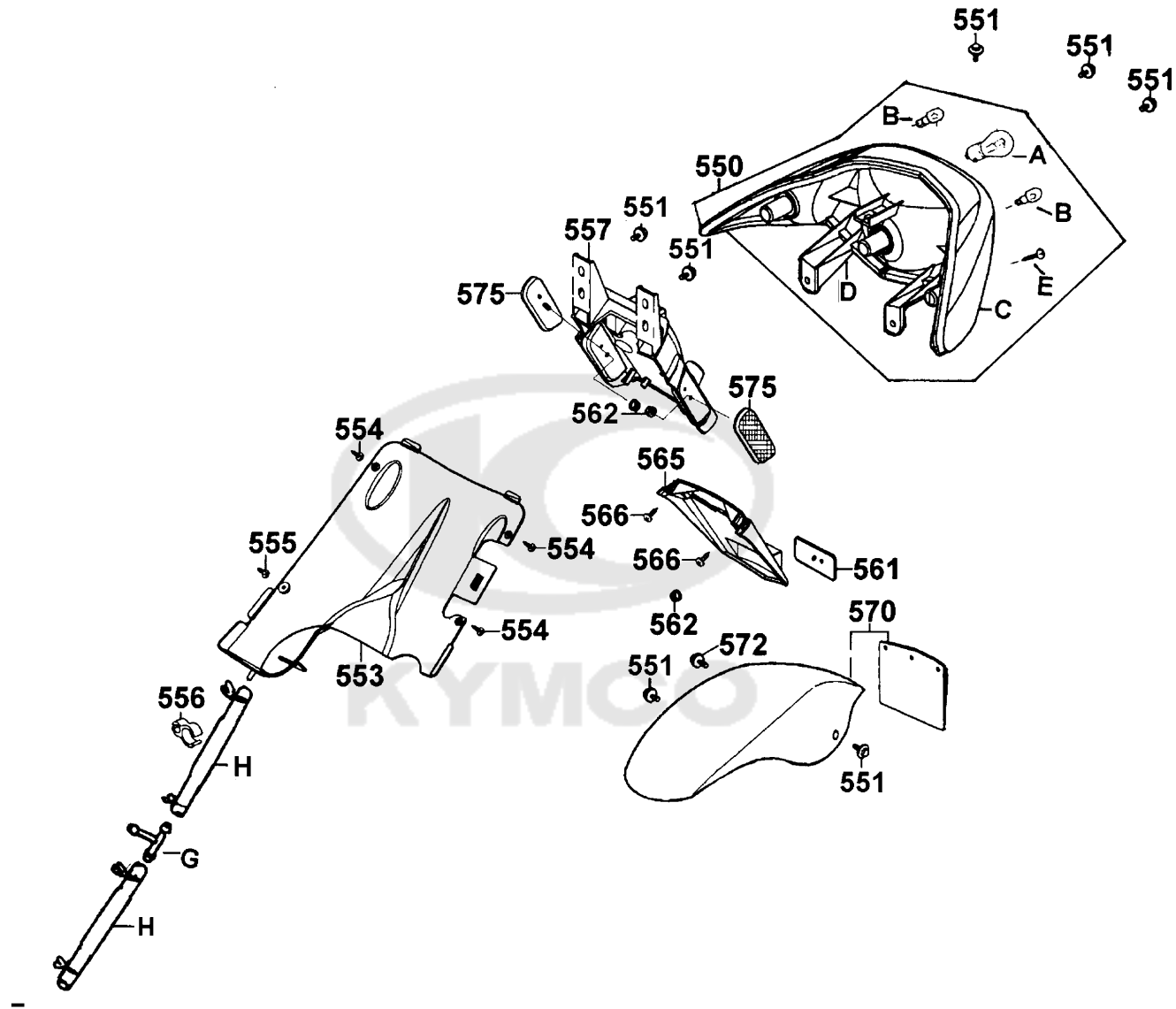
Front Winker



Sales mark 記号	Ref no 参照用番号	Part no パーツ番号	Description 部品名	Reg description 部品名	Regd no 必要個数	Ref Price 希望小売価格(税抜)
	540	33400-KGB5-E00	WINKER ASSY R FR	WINKER ASSY R FR	1	2860
B		33402-KGB5-900	LENS FR WINKER R	LENS FR WINKER R	1	540
E		33403-KGB5-900	BASE COMP R FR WINKER	BASE COMP R FR WINKER	1	1250
	542	33450-KGB5-E00	WINKER ASSY L FR	WINKER ASSY L FR	1	2860
C		33452-KGB5-900	LENS FR WINKER L	LENS FR WINKER L	1	540
F		33453-KGB5-900	BASE COMP L FR WINKER	BASE COMP L FR WINKER	1	1250
A		34905-KPCP-900	BULB WINKER	BULB WINKER	2	400
D		93901-32310	SCREW TAPPING 3*12	SCREW TAPPING 3*12	4	60
	541	93903-34360	SCREW WASHER 4*12	SCREW WASHER 4*12	3	60

F18

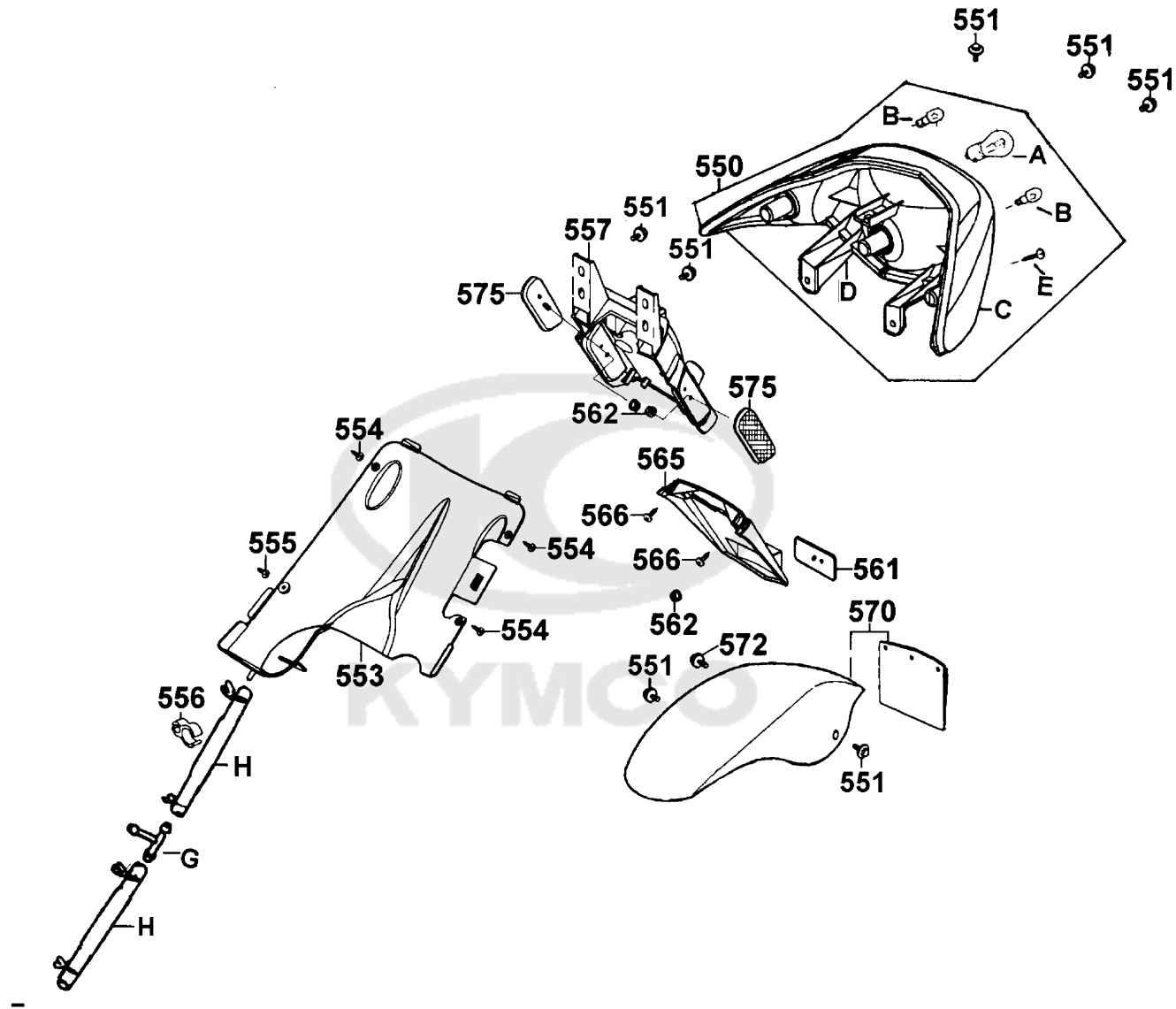






Sales mark 記号	Ref no 参照用番号	Part no パーツ番号	Description 部品名	Reg description 部品名	Regd no 必要個数	Ref Price 希望小売価格(税抜)	
H		17532-KGB5-900	TUBE ASSY DRAIN	TUBE ASSY DRAIN	1	250	
550		33700-KGB5-E00	LIGHT ASSY RR COMB	LIGHT ASSY RR COMB	1	7610	
C		33702-KGB5-900	LENS TAIL LIGHT	LENS TAIL LIGHT	1	1150	
D		33705-KGB5-E00	BASE COMP RR COMB	BASE COMP RR COMB	1	5330	
575		33731-KGB5-900	REFLEX REFLECTOR SIDE	REFLEX REFLECTOR SIDE	2	580	
561		33741-KEBE-900	REFLEX REFLECTOR	REFLEX REFLECTOR	1	680	
B		34905-KPCP-900	BULB WINKER	BULB WINKER	2	400	
A		34906-KPCP-900	BULB TAIL & STOP	BULB TAIL & STOP	1	770	
G		38773-PKB9-001	JOINT 3 WAY 3.5	JOINT 3 WAY 3.5	1	110	
**		553	80101-KGB5-900	COVER UNDER BODY	COVER UNDER BODY	1	3810
**		557	80105-KGB5-900	FENDER A RR	FENDER A RR	1	870
**		565	80106-KGB5-900	FENDER B RR	FENDER B RR	1	680
**		570	8011A-KEB7-900	FENDER B ASSY RR	FENDER B ASSY RR	1	1530
**		556	90660-KGBG-900	CLAMP TUBE	CLAMP TUBE	2	160
		555	90683-GAR1-004	CLIP BODY COVER	CLIP BODY COVER	1	60
E		91508-KGV7-67A	SCREW TAPPING 4*14	SCREW TAPPING 4*14	2	200	
551		93404-06016-06	BOLT WASHER 6*16	BOLT WASHER 6*16	3	60	
566		93903-34360	SCREW WASHER 4*12	SCREW WASHER 4*12	2	60	
554		93903-GFY6-900	SCREW WASHER 4*12	SCREW WASHER 4*12	3	60	
562		94050-05080	NUT FLANGE 5MM	NUT FLANGE 5MM	1	200	

F19

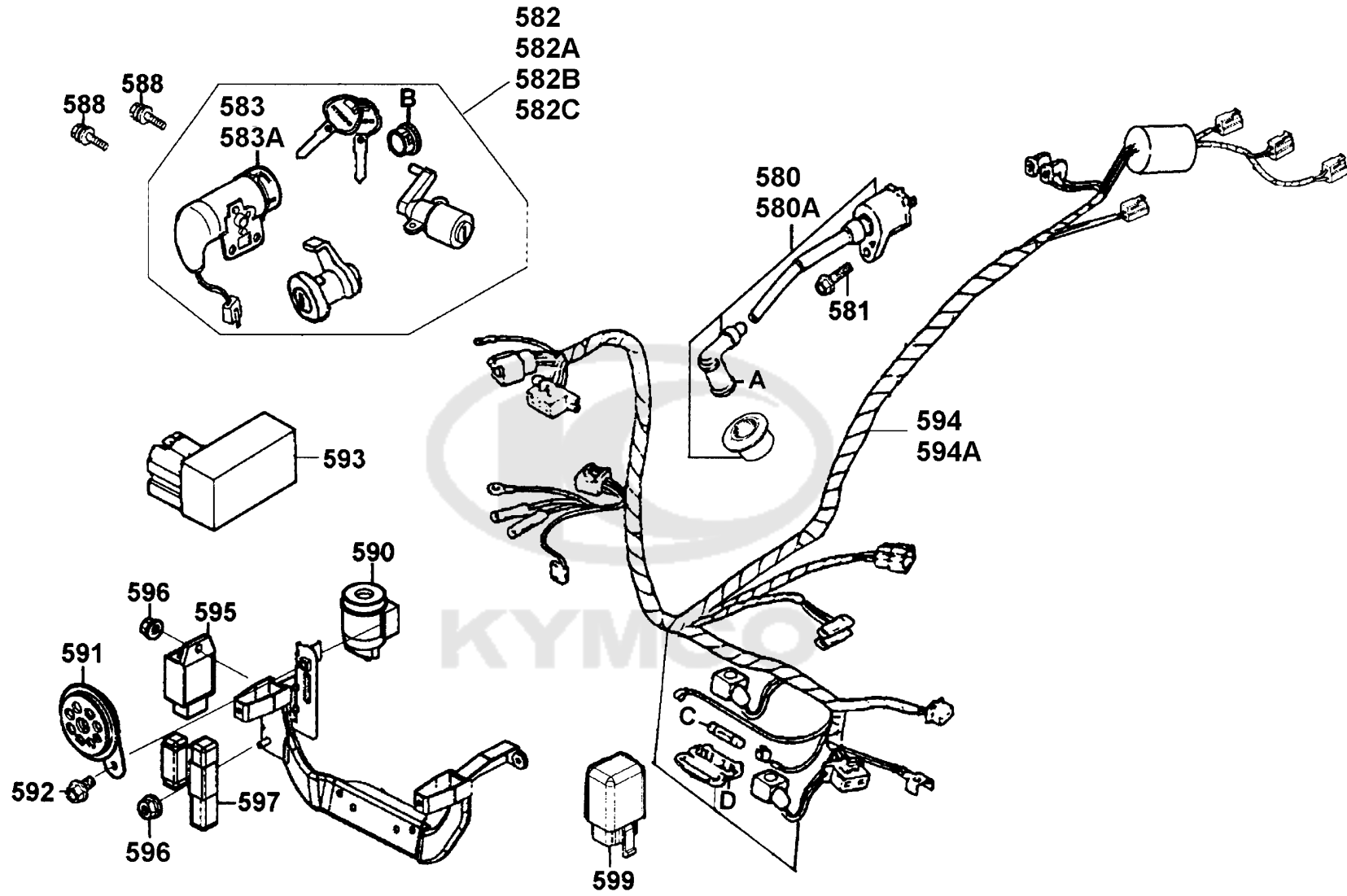


Sales mark 記号	Ref no 参照用番号	Part no パーツ番号	Description 部品名	Reg description 部品名	Regd no 必要個数	Ref Price 希望小売価格(税抜)
------------------	-----------------	------------------	--------------------	------------------------	-----------------	-------------------------

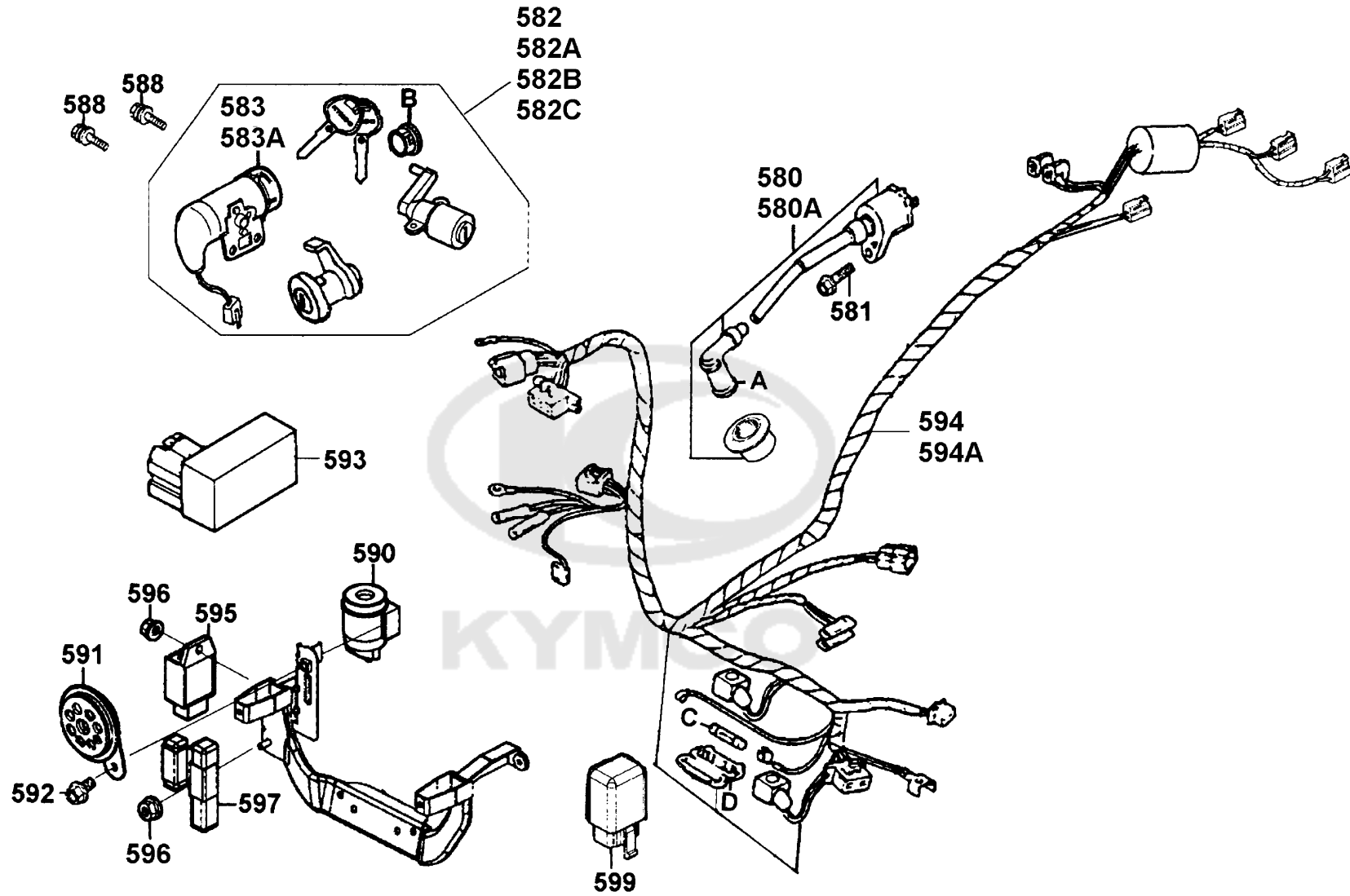
**F19**

572	95701-06020-06		BOLT FLANGE 6*20	BOLT FLANGE 6*20	1	60
-----	----------------	--	------------------	------------------	---	----





Sales mark 記号	Ref no 参照用番号	Part no パーツ番号	Description 部品名	Reg description 部品名	Regd no 必要個数	Ref Price 希望小売価格(税抜)	F20
593		30410-KEB7-900	UNIT ASSY CDI	UNIT ASSY CDI	1	10840	
580		3051A-KFA5-90A	COIL ASSY IGN	COIL ASSY IGN	1	4000	
580A		3051A-KFA5-90B	COIL ASSY IGN	COIL ASSY IGN	1	4000	
A		30700-KFA5-900	CAP ASSY NOISE SUPPR	CAP ASSY NOISE SUPPR	1	1150	
595		31600-KUDU-900	REG REC COMP	REG REC COMP	1	2960	
594		32100-KGB5-E00	HARNESS WIRE	HARNESS WIRE	1	11030	
594A		32100-KGB5-E10	HARNESS WIRE	HARNESS WIRE	1	11030	
D		32120-KEB7-900	CASE 15A FUSE	CASE 15A FUSE	1	110	
582		35010-KGB5-E0A	KEY SET	KEY SET	1	6280	
582A		35010-KGB5-E0B	KEY SET	KEY SET	1	6280	
582B		35010-KGB5-E1A	KEY SET	KEY SET	1	6280	
582C		35010-KGB5-E1B	KEY SET	KEY SET	1	6280	
583		35100-KEB7-315-M1	SW SET COMB & LOCK	SW SET COMB & LOCK	1	4000	
583A		35100-KEB7-315-M2	SW COMB LOCK	SW COMB LOCK	1	4000	
B		35102-KGBG-91B	COLLAR MAIN SW	COLLAR MAIN SW	1	210	
597		35400-KNBN-920	RESISTOR COMP	RESISTOR COMP	1	1590	
591		38110-KEB7-90A	HORN COMP	HORN COMP	1	1250	
590		38300-KEB7-900	RELAY ASSY WINKER	RELAY ASSY WINKER	1	2930	
599		38501-GBW2-902	RELAY COMP START	RELAY COMP START	1	2300	
581		90112-KRDR-900	BOLT FLANGE 5*22	BOLT FLANGE 5*22	1	130	

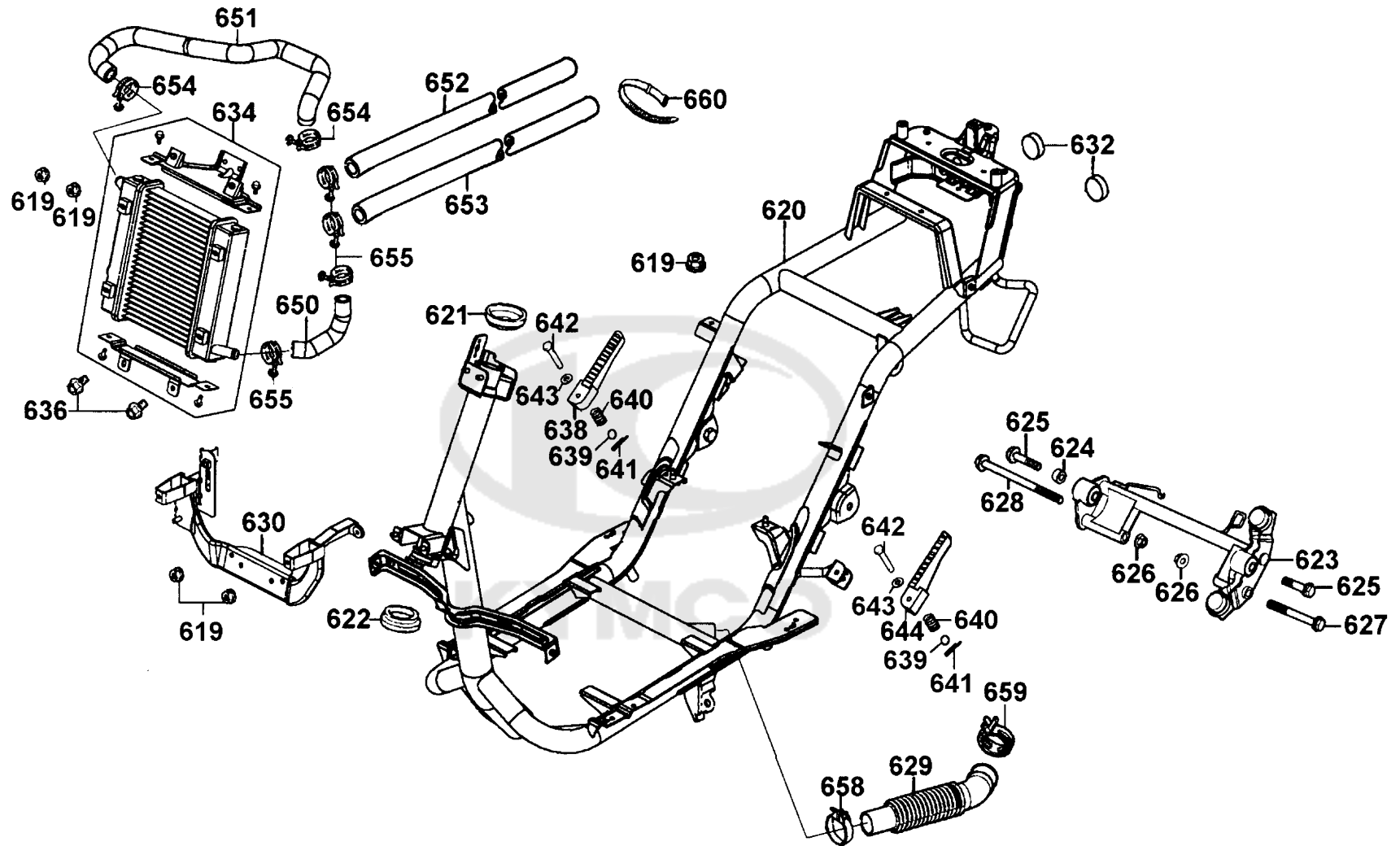


Sales mark 記号	Ref no 参照用番号	Part no パーツ番号	Description 部品名	Reg description 部品名	Regd no 必要個数	Ref Price 希望小売価格(税抜)	F20
596	94050-06080	94050-06080	NUT FLANGE 6MM	NUT FLANGE 6MM	1	60	
592	95701-06012-06	95701-06012-06	BOLT FLANGE 6*22 (K)	BOLT FLANGE 6*22 (K)	1	60	
588	95701-KEB7-E00	95701-KEB7-E00	BOLT TORQUE 6*16	BOLT TORQUE 6*16	2	300	
C	98200-10700	98200-10700	FUSE A7	FUSE A7	1	60	



F21

Frame Body

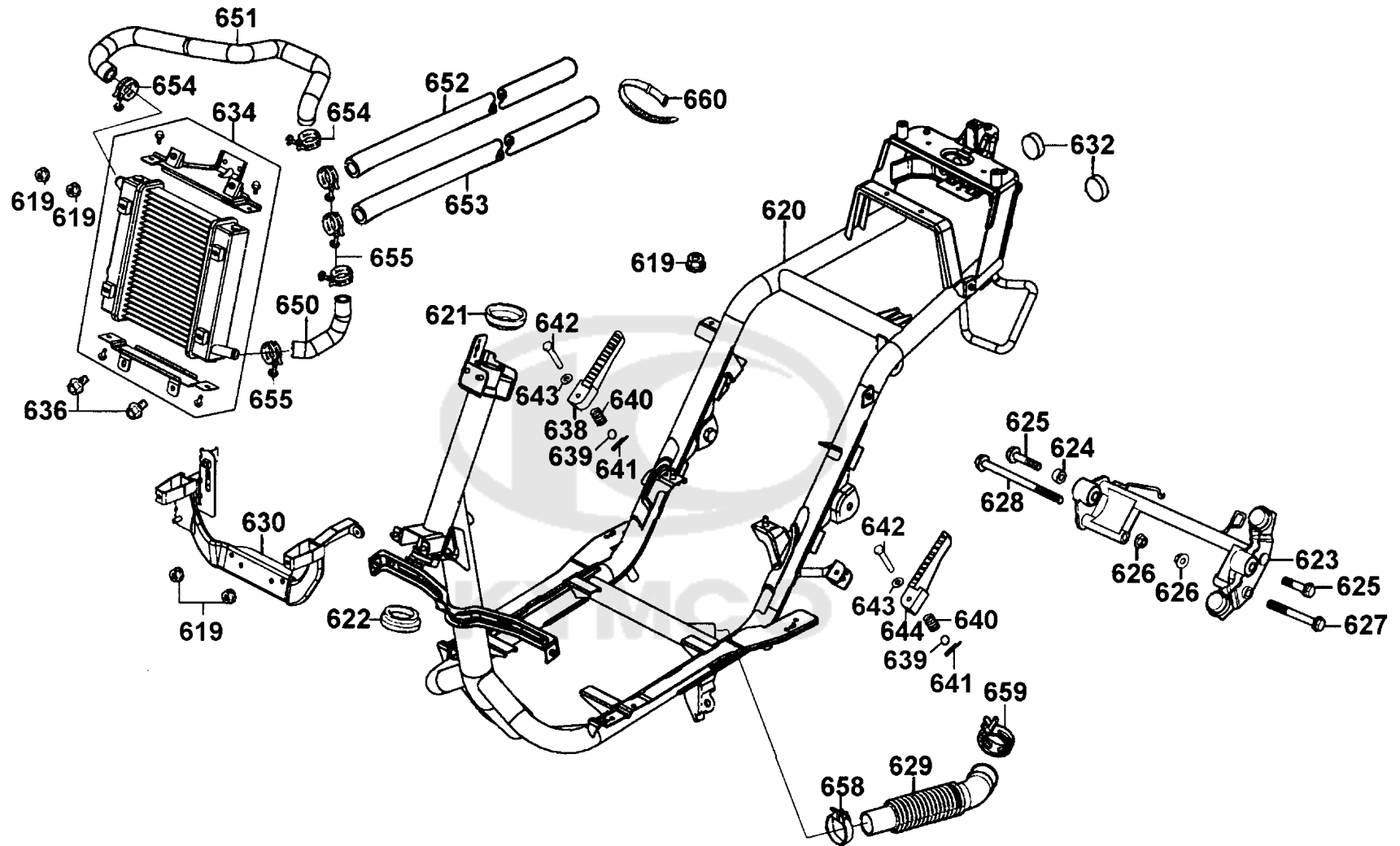




Sales mark 記号	Ref no 参照用番号	Part no パーツ番号	Description 部品名	Reg description 部品名	Regd no 必要個数	Ref Price 希望小売価格(税抜)	F21
659		17215-KNBN-200	CLIP ASSY AIR/C DUCT	CLIP ASSY AIR/C DUCT	1	390	
634		19010-KGB5-900	RADIATOR COMP	RADIATOR COMP	1	18250	
650		19102-KGB5-900	HOSE A WATER	HOSE A WATER	1	490	
651		19103-KGB5-900	HOSE B WATER	HOSE B WATER	1	1060	
652		19104-KGB5-900	HOSE C WATER	HOSE C WATER	1	2290	
653		19105-KGB5-900	HOSE D WATER	HOSE D WATER	1	2100	
629		19410-KEB7-900	DUCT COLLING	DUCT COLLING	1	700	
658		19411-KNBN-900	CLIP HOSE	CLIP HOSE	1	390	
620		50100-KGB5-M00	BODY COMP FRAME **M000-AR C.	BODY COMP FRAME **M000-AR C.	1	54750	
621		50301-GLM0-001	RACE UP STRG BALL	RACE UP STRG BALL	1	440	
622		50305-GHC8-004	RACE (UNDER STR ) BALL	RACE (UNDER STR ) BALL	1	420	
623		50350-KGB5-900	HANGER ASSY ENG	HANGER ASSY ENG	1	8560	
**	638	50700-KGB5-900	BAR R RR STEP	BAR R RR STEP	1	1150	
**	644	50710-KGB5-900	BAR L RR STEP	BAR L RR STEP	1	1150	
640		50713-KEB7-900	SPRING	SPRING	1	160	
642		50715-KEB7-900	PIN RR STEP	PIN RR STEP	1	200	
630		64315-KGB5-900	STAY FR MOLDING	STAY FR MOLDING	1	2010	
632		90102-KNBN-900	PLUG HOSE	PLUG HOSE	2	110	
624		90121-GFY6-901	COLLAR DISTANCE	COLLAR DISTANCE	2	60	
626		90304-GHE8-004	NUT CAP 6MM	NUT CAP 6MM	6	200	

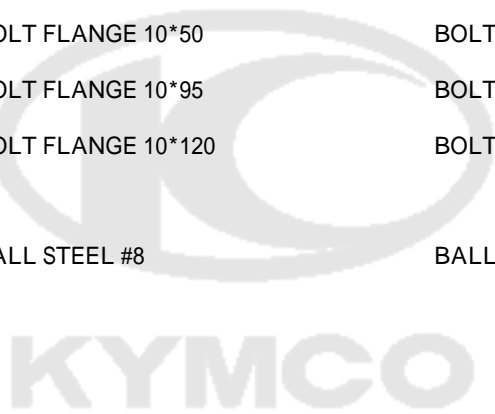
F21

Frame Body



Sales mark 記号	Ref no 参照用番号	Part no パーツ番号	Description 部品名	Reg description 部品名	Regd no 必要個数	Ref Price 希望小売価格(税抜)
**	660	90656-KUDU-900	BAND HARNESS WIRE **KUDU-900	BAND HARNESS WIRE **KUDU-900	1	60
	619	94050-06080	NUT FLANGE 6MM	NUT FLANGE 6MM	2	60
	643	94101-06800	WASHER PLAIN 6MM	WASHER PLAIN 6MM	1	60
	641	94251-08400	PIN LOCK 8MM	PIN LOCK 8MM	1	160
	654	95002-KGN7-910	CLIP TUBE	CLIP TUBE	2	200
	655	95002-KHE7-900	CLIP WATER HOSE	CLIP WATER HOSE	2	300
	636	95701-06012-06	BOLT FLANGE 6*22 (K)	BOLT FLANGE 6*22 (K)	1	60
	625	95801-10050-06	BOLT FLANGE 10*50	BOLT FLANGE 10*50	2	300
	627	95801-10095-06	BOLT FLANGE 10*95	BOLT FLANGE 10*95	1	350
	628	95801-10120-06	BOLT FLANGE 10*120	BOLT FLANGE 10*120	1	490
	639	96211-08000	BALL STEEL #8	BALL STEEL #8	1	60

F21



● Be sure to wear a safety helmet when riding.  
 ● Do not exceed the speed specified by law when riding.  
 ● The exhaust outlet temperature is very high after riding. Be sure to park the motorcycle in a place not easily touched by people.  
 ● For riding safety and good performance, do not shake the law to modify the motorcycle.

● Make sure to perform the periodic maintenance and periodic inspection.

Periodic inspection items

Brake performance, tires, 2-cycle motor oil, lights, horn, and instrument panel.

**KWANG YANG MOTOR CO., LTD.**

© Patent and the User's Manual available in some other models. KYM-2100

680

**CAUTIONS**

Never put any article between the rear side cover and the engine to avoid interference of riding.

KYM-300

683

**CAUTIONS**

Tire Size	: Front 120/70-12	Rear 130/70-12
(One Rider)	: Front 1.75kgf/cm <sup>2</sup>	Rear 2.25kgf/cm <sup>2</sup>
(Two Rider)	: Front 2.00kgf/cm <sup>2</sup>	Rear 2.25kgf/cm <sup>2</sup>

Load Capacity: Shield 1.5kg    Clip easy center 3kg  
 (As per KYMCO standard specification)

(Note: The tire pressure must not overpass 2.50kgf/cm<sup>2</sup>)

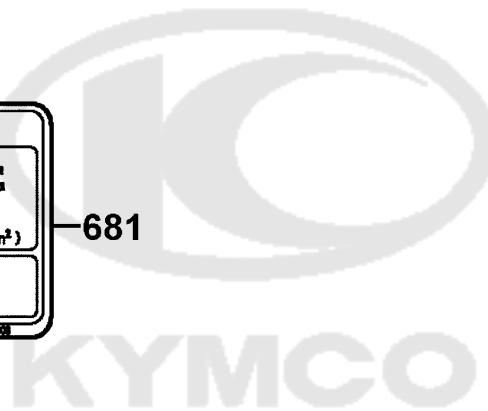
Check the motor oil level with the dipstick after refilling motor oil.

KYM-800

681

**USE UNLEADED GASOLINE ONLY**

685



Sales mark 記号	Ref no 参照用番号	Part no パーツ番号	Description 部品名	Reg description 部品名	Regd no 必要個数	Ref Price 希望小売価格(税抜)	F22
------------------	-----------------	------------------	--------------------	------------------------	-----------------	-------------------------	-----

**	685	87501-KRDR-E00	CAUTION USE GAS ONLY	CAUTION USE GAS ONLY	1	200	
**	681	87505-KHD8-E00	LABLE TIRE	LABLE TIRE	1	200	
**	683	87542-GAR1-E00	MARK MAINT CAUTION	MARK MAINT CAUTION	1	200	
**	680	87560-KNBN-E00	MARK DRIVE CAUTION	MARK DRIVE CAUTION	1	200	





Sales mark 記号	Ref no 参照用番号	Part no パーツ番号	Description 部品名	Reg description 部品名	Regd no 必要個数	Ref Price 希望小売価格(税抜)	F23
**	696	86102-KFA6-E00	EMB K-LOGO 30MM	EMB K-LOGO 30MM	1	490	
**	690	86201-KGB5-E00	STRIPE BODY COVER	STRIPE BODY COVER	2	960	
**	691	86341-KGB5-E00	STRIPE R SKIRT	STRIPE R SKIRT	1	2480	
**	693	86342-KGB5-E00	EMB R SKIRT	EMB R SKIRT	1	680	
**	692	86351-KGB5-E00	STRIPE L SKIRT	STRIPE L SKIRT	1	2480	
**	694	86352-KGB5-E00	EMB L SKIRT	EMB L SKIRT	1	680	
**	697	87113-GAE1-920	STRIPE VISOR	STRIPE VISOR	1	300	



PART NO. INDEX  
 パーツ番号 検索

PART NO. パーツ番号	VERSION バージョン	PAGE ページ	PART NO. パーツ番号	VERSION バージョン	PAGE ページ	PART NO. パーツ番号	VERSION バージョン	PAGE ページ	
<b>1000</b>			11203-GFY6-901	0	F15	13111-1F66-001	2	E10	
			11203-GGC7-301	2	E09	13115-1F56-001	0	E10	
			11204-KEB7-900	0	E09				
	1001-GC8H-0351	0	E11	11205-GHAH-004	0	E05	<b>14000</b>		
	1010-GBLH-0000	0	E11	11205-GHAH-004	0	E09			
	1020-GAKH-9300	0	E11	11205-KED5-900	0	E09	14100-KEB7-900	0	E09
	103J-073H-9900-SB00	0	E11	11206-KEB7-900	0	E09			
	105B-073H-9931	0	E11	11208-GKAK-901	0	E09	<b>15000</b>		
	1300-GBLH-0000	0	E11	11330-KFA5-900	8	E01			
	1703-GJ2H-0040	0	E11	11332-KFA5-900	0	E01	15100-KEB7-E00	1	E09
	1738-GJ2H-0040	0	E11	11341-KEB7-900	3	E05	15110-KEB7-900	0	E09
	1785-KBNH-9000-SB0	0	E11	11394-KHE6-980	0	E01	1552A-KEB8-900	0	E09
	1787-KG8H-9010	0	E11	11395-KEB7-900	0	E05	15772-5A51-001	1	F12
	1793-144H-9900	0	E11						
1799-KBNH-9000	0	E11	<b>12000</b>			<b>16000</b>			
<b>4000</b>			12101-KGB5-900	1	E02	1610K-KGB5-B20	0	E11	
			12191-KEB7-980	1	E02	16152-KG8-9010-M1	0	E11	
	4000-113-0000	0	E11	12201-KGB5-900	0	E02	1621A-GKAK-901	0	E09
				12251-KFA5-900	1	E02	1671A-KFA5-900	1	E09
<b>11000</b>						1691A-KEC2-E00	0	F10	
						16950-KHB4-900	3	F10	
	11100-KGB5-305	4	E09	<b>13000</b>					
	11102-1G87-004	3	E09	13000-GKAK-921	9	E10	<b>17000</b>		
	11108-KEB7-900	0	E03	13011-GLW0-90A	4	E10			
11200-KEB7-325	5	E09	13101-KFA5-900	1	E10	17100-KEB7-901	2	E09	



PART NO. INDEX  
 パーツ番号 検索

PART NO. パーツ番号	VERSION バージョン	PAGE ページ	PART NO. パーツ番号	VERSION バージョン	PAGE ページ	PART NO. パーツ番号	VERSION バージョン	PAGE ページ
17111-KEB7-980	1	E09				19410-KEB7-900	2	F21
17112-KEB7-980	1	E09	<b>18000</b>			19411-KNBN-900	1	F21
17205-KEB7-900	0	F14				19422-KFA5-900	0	E01
17206-KEB7-900	4	F14	18291-LBA7-900	2	F15	19502-KFA5-900	1	E01
17207-KEB7-900	0	F14	18293-KECE-900	0	F15	19505-GFY6-940	3	F10
17208-KEB7-900	0	F14	18294-KEBE-900	0	F15			
17212-KEB7-900	0	F14	18295-KECE-900	0	F15	<b>21000</b>		
17213-KEB7-900	2	F14	1830A-KGB5-B00	1	F15			
17215-KEB7-900	0	F14	18317-KHD8-E00	1	F15	21201-KGB5-305	1	E08
17215-KNBN-200	0	F21				21395-LBD3-900	4	E08
17216-KEB7-900	0	F14	<b>19000</b>					
1721A-KGB5-900	0	F13				<b>22000</b>		
17253-KEB7-900	0	F14	19010-KGB5-900	1	F21			
17254-KACA-P00	0	F14	19101-KGB5-900	0	F12	22100-GAR1-751	1	E07
17500-KGB5-800	4	F10	19102-KGB5-900	1	F21	22102-KEB7-900	0	E06
17502-1G87-001	0	F12	19103-KGB5-900	2	F21	22103-KEB7-900	0	E06
17502-KGB5-900	1	F10	19104-KGB5-900	1	F21	22105-GKAK-901	1	E06
17530-KGB5-900	1	F10	19105-KGB5-900	2	F21	22110-KFA1-220	0	E06
17532-KGB5-900	1	F19	1920A-KHD8-900	0	F12	22121-GLW0-305	0	E06
17550-KGB5-900	0	F10	19215-KFA5-900	1	E01	22131-GHAH-781	0	E06
1762A-KFA6-900	3	F10	19217-KFA5-900	1	E01	22132-GLW0-001	2	E06
17685-KZCZ-900	0	F10	19221-KFA5-900	0	E01	22300-KXCX-900	2	E07
17910-KGB5-900	0	F03	19229-KFA5-980	0	E01	22350-GKAK-930	1	E07
			19231-KFA5-900	4	E01	22401-GBG2-900	0	E07
			19300-KAE1-004	1	E01	22530-GKAK-930	1	E07
			19315-KFA5-E00	1	E01	22804-1H48-001	0	E07

PART NO. INDEX  
 パーツ番号 検索

PART NO. パーツ番号	VERSION バージョン	PAGE ページ	PART NO. パーツ番号	VERSION バージョン	PAGE ページ	PART NO. パーツ番号	VERSION バージョン	PAGE ページ
<b>23000</b>			<b>30000</b>			32105-KEB7-900	0	E04
						32120-KEB7-900	0	F20
2301A-KEB7-220	1	E07	30410-KEB7-900	0	F20	<b>33000</b>		
23100-KEB7-900	0	E07	3051A-KFA5-90A	2	F20			
23200-GAR1-220	2	E07	3051A-KFA5-90B	3	F20	33100-KGB5-E00	1	F01
23220-GKAK-220	1	E07	30700-KFA5-900	2	F20	33101-KGB5-E00	0	F01
23225-GAR1-751	0	E07				33120-KGB5-E00	0	F01
23233-GHE8-001	2	E07	<b>31000</b>			33400-KGB5-E00	1	F18
23237-GAR1-220	0	E07				33402-KGB5-900	0	F18
23238-GFY6-941	0	E07	31009-3L30-710	0	F06	33403-KGB5-900	0	F18
23411-KGB5-910	1	E08	31110-KEB7-90A	2	E03	33450-KGB5-E00	1	F18
23420-KGB5-910	4	E08	31110-KEB7-90B	1	E03	33452-KGB5-900	0	F18
23431-KGB5-900	2	E08	31120-KEB7-90A	2	E03	33453-KGB5-900	0	F18
23432-KGB5-900	0	E08	31120-KEB7-90B	2	E03	33700-KGB5-E00	0	F19
			31209-GKAK-901	3	E04	33702-KGB5-900	0	F19
<b>28000</b>			31210-GKAK-90C	1	E04	33705-KGB5-E00	0	F19
			31500-KNBN-92A	9	F11	33731-KGB5-900	0	F19
28211-KEB7-900	1	E06	31500-KNBN-92B	9	F11	33741-KEBE-900	3	F19
28223-KNBN-901	0	E06	31600-KUDU-900	2	F20			
28230-GKAK-921	0	E06				<b>34000</b>		
28250-KNBN-901	1	E06	<b>32000</b>					
28253-GBN2-60A	0	E06				34901-KFA6-900	0	F01
28255-GFS6-001	0	E06	32100-KGB5-E00	0	F20	34903-KPCP-900	0	F01
28281-GBN2-60A	1	E06	32100-KGB5-E10	1	F20	34905-KPCP-900	0	F18
28300-KGB5-900	0	F16	32101-GFY6-901	1	F04	34905-KPCP-900	0	F19

## PART NO. INDEX

## パーツ番号 検索

PART NO. パーツ番号	VERSION バージョン	PAGE ページ	PART NO. パーツ番号	VERSION バージョン	PAGE ページ	PART NO. パーツ番号	VERSION バージョン	PAGE ページ
34906-KPCP-900	0	F19	37112-KGB5-900	0	F02			
34909-KEBE-900	0	F02	37200-KGB5-B20	0	F02	<b>43000</b>		
<b>35000</b>			37211-KGB5-900	0	F02			
			37720-KGB5-900	0	E02	43100-KGB5-900	2	F08
			37750-PAC1-005	0	E01	43127-KGB5-900	1	F04
35010-KGB5-E0A	0	F20	37801-GGA7-701	1	F10	43129-KGB5-900	2	F04
35010-KGB5-E0B	0	F20	37802-GGA7-701	3	F10	43130-KGB5-900	0	F04
35010-KGB5-E1A	1	F20	3780A-KGB5-E00	1	F10	43156-KGB5-900	0	F04
35010-KGB5-E1B	1	F20				43351-KEBE-900	2	F08
35100-KEB7-315-M1	0	F20	<b>38000</b>			43352-5H68-004	3	F07
35100-KEB7-315-M2	0	F20				43353-4A61-77A	0	F07
35102-KGBG-91B	0	F20	38110-KEB7-90A	2	F20	43530-KGB5-306	2	F04
35151-KGBG-910	1	F03	38300-KEB7-900	2	F20			
35152-KGBG-900	2	F03	38501-GBW2-902	1	F20	<b>44000</b>		
3515A-KGBG-E00	4	F03	38773-PKB9-001	0	F19			
35201-KGBG-910	1	F03				44301-KGB5-900	2	F07
35202-KGBG-900	3	F03	<b>42000</b>			44311-KEBE-900	0	F07
3520A-KGBG-E00	5	F03				44601-KFC8-900	0	F07
35340-KNBN-901	0	F04	42311-KFC8-900	2	F08	44620-KEBE-900	3	F07
35350-KNBN-901	0	F04	42312-KEBE-900	0	F08	44650-KFC8-305	1	F07
35400-KNBN-920	0	F20	42601-KFC8-900	3	F08	44710-KEB7-E1A	3	F07
35410-KEB7-900	0	F12	42710-KEB7-E1A	3	F08	44800-KFA5-900	2	F07
<b>37000</b>			42753-0D04-900	1	F08	44830-GHC8-001	5	F02
			42753-KXCX-900	1	F07	44831-GHC8-001	0	F02
37111-KGB5-900	0	F02						

PART NO. INDEX  
 パーツ番号 検索

PART NO. パーツ番号	VERSION バージョン	PAGE ページ	PART NO. パーツ番号	VERSION バージョン	PAGE ページ	PART NO. パーツ番号	VERSION バージョン	PAGE ページ	
<b>45000</b>			45521-KCCC-900	0	F04	51420-KGB5-900	0	F06	
			45530-KEB7-306	0	F04	5150A-KGB5-900	1	F06	
			45531-GAR1-951	0	F07	51520-KGB5-900	0	F06	
45105-KFA6-305	0	F08	<b>50000</b>			<b>52000</b>			
45107-KKD6-E90	1	F07							
45108-MDL4-007	2	F07							
45109-GBE2-007	0	F07	50100-KGB5-M00	3	F21	52000-KGB5-900	1	F17	
4510A-KFW6-900	2	F07	50301-GLM0-001	0	F21	52400-KGB5-900	1	F17	
45121-KGB5-900	0	F07	50305-GHC8-004	0	F21	<b>53000</b>			
45126-KGB5-900	0	F04	50306-1F96-001	0	F06				
45128-KEBE-900	0	F06	50350-KGB5-900	1	F21				
45131-1F66-017	0	F07	50503-KEB7-900	1	F16	53100-KGB5-900	0	F03	
45131-GBE2-007	1	F07	50505-KEBE-900	0	F16	53105-KFC8-900	2	F03	
45132-1F66-017	0	F07	5050A-KGB5-900	0	F16	53106-KFC8-900	2	F03	
45133-MCA3-007	0	F07	50527-KED5-900	0	F16	53140-KGB5-900	0	F03	
45156-KGB5-900	0	F17	50530-KEB7-900	1	F16	53166-KGB5-900	0	F03	
45156-KTCT-800	1	F06	50700-KGB5-900	1	F21	53175-KXBX-E10	3	F04	
45200-KGB5-900	0	F07	50710-KGB5-900	1	F21	53178-KKKBK-E00	0	F04	
45209-GBE2-007	0	F07	50713-KEB7-900	0	F21	53200-KGB5-900	0	F06	
45210-KGB5-900	0	F07	50715-KEB7-900	0	F21	53205-KGB5-900	0	F03	
45215-KECE-900	0	F07	<b>51000</b>			53206-KGB5-900	0	F03	
45216-KFW6-90A	0	F07					53211-GFY6-940	1	F06
45513-KCCC-900	0	F04					53212-GHC8-004	1	F06
45517-KFAF-900	0	F04	51401-KGB5-900	0	F06				
45517-KFAF-910	0	F04	5140A-KGB5-900	1	F06				
45520-KCCC-900	0	F04	51410-KGB5-900	0	F06				

PART NO. INDEX  
 パーツ番号 検索

PART NO. パーツ番号	VERSION バージョン	PAGE ページ	PART NO. パーツ番号	VERSION バージョン	PAGE ページ	PART NO. パーツ番号	VERSION バージョン	PAGE ページ	
<b>55000</b>			64310-KGB5-900	3	F05	81300-KGB5-900	1	F13	
			64315-KGB5-900	0	F21				
			64341-KGB5-900	6	F05	<b>83000</b>			
	55100-KGB5-900	0	F12	64342-KGB5-900	6	F05			
	55102-1F66-001	0	F12	64343-KGB5-900	1	F05	83500-KGB5-900	1	F13
	55106-KEB7-900	2	F12				83520-KGB5-900	0	F05
	55121-KEB7-900	0	F12	<b>75000</b>			83600-KGB5-900	1	F13
55123-KGB5-900	0	F12				83620-KGB5-900	0	F05	
55201-1G87-001	0	F12	75581-6C73-001	0	F05	83750-KGB5-900	0	F13	
						8376A-KECE-901	2	F05	
<b>61000</b>			<b>77000</b>			<b>86000</b>			
61100-KGB5-900	3	F06	77200-KGB5-900	2	F09	86102-KFA6-E00	2	F23	
61110-KGB5-900	1	F05				86201-KGB5-E00	2	F23	
<b>64000</b>			<b>80000</b>			86341-KGB5-E00	0	F23	
			80101-KGB5-900	3	F19	86342-KGB5-E00	0	F23	
64301-KGB5-900	3	F05	80105-KGB5-900	1	F19	86351-KGB5-E00	0	F23	
64302-KGB5-900	1	F05	80106-KGB5-900	1	F19	86352-KGB5-E00	0	F23	
64303-KGB5-900	1	F05	8011A-KEB7-900	0	F19				
64304-KGB5-900	1	F05				<b>87000</b>			
64305-KGB5-900	3	F05	<b>81000</b>						
64306-KGB5-900	3	F05				87113-GAE1-920	2	F23	
64307-KFA5-900	0	F05	81131-KGB5-900	1	F05	87501-KRDR-E00	2	F22	
64307-KGB5-900	0	F05	81132-KGB5-900	1	F05	87505-KHD8-E00	0	F22	
64308-KGB5-900	0	F05	81260-KGB5-900	1	F13	87542-GAR1-E00	2	F22	

PART NO. INDEX  
 パーツ番号 検索

PART NO. パーツ番号	VERSION バージョン	PAGE ページ	PART NO. パーツ番号	VERSION バージョン	PAGE ページ	PART NO. パーツ番号	VERSION バージョン	PAGE ページ
87560-KNBN-E00	1	F22	90112-KRDR-900	1	F20	90474-3C33-001	1	E09
<b>88000</b>			90114-1F66-007	2	F04	90545-3L00-001	2	F04
			90121-GFY6-901	1	F21	90601-3D54-001	0	F06
			90122-GCS3-001	0	E06	90652-GBHB-641	0	F14
88110-KEB7-E00	3	F03	90131-GLW0-911	0	F07	90656-KCBC-900	0	F03
88114-KEB7-900	0	F03	90131-GLW0-911	0	F08	90656-KUDU-900	0	F21
88120-KEB7-E00	3	F03	90145-LEA3-E00	1	F04	90660-KGBG-900	0	F12
<b>89000</b>			90202-1G87-001	2	E07	90660-KGBG-900	0	F19
			90215-GLM0-910	1	F13	90683-GAR1-004	4	F13
			90301-KGBG-900	1	F15	90683-GAR1-004	4	F19
89010-GGS7-C00	5	F09	90302-GFY6-901	1	F05	90701-6K79-001	0	E01
<b>90000</b>			90302-GFY6-901	1	F12	90741-0E35-001	0	E10
			90302-GFY6-901	1	F13	90754-GHC8-00A	1	F07
			90302-SDA4-004	3	F05	90912-KFLF-00A	0	F07
			90302-SDA4-004	3	F13	90912-KFLF-00D	1	F07
90001-GKAK-901	2	E02	90304-GHE8-004	0	F03			
9000A-KTDT-900	1	E05	90304-GHE8-004	0	F21	<b>91000</b>		
90102-KNBN-900	0	F21	90304-GHE8-004	0	F21			
90105-KCR3-001	1	F07	90305-KFW6-900	1	F08			
90105-KCR3-001	1	F08	90306-GLW0-90A	1	F07	91001-GGA7-70A	2	E07
90105-KGB5-900	0	F13	90412-3K29-001	0	E06	91001-GLW0-90A	6	E09
90106-KFC2-900	0	F03	90423-KKJ9-001	0	E01	91001-KFA5-900	0	E01
90108-GFY6-901	0	F16	90429-KNBN-901	0	E08	91002-KFA5-900	0	E01
90110-KEB7-900	1	F06	90432-KFA5-900	0	E01	91004-KBN2-90A	0	E08
90110-KHD8-900	0	F15	90442-0D44-001	0	E07	91004-KBN2-90A	0	E09
90111-KFW6-001	0	F13	90451-GBN2-601	0	E06	91004-KNBN-92A	0	E09
90112-KFA1-900	1	F05	90454-GBB2-001	0	E07	91006-KNBN-901	5	E09

PART NO. INDEX  
 パーツ番号 検索

PART NO. パーツ番号	VERSION バージョン	PAGE ページ	PART NO. パーツ番号	VERSION バージョン	PAGE ページ	PART NO. パーツ番号	VERSION バージョン	PAGE ページ	
91009-GLE0-004	1	E08	93500-04020-0G	0	F05	93903-GFY6-900	1	F19	
91051-KFBF-901	1	F17	93500-05012-0F	0	E09	<b>94000</b>			
91102-GLW0-009	0	E10	93500-KEB7-900	1	E01				
91103-GAR1-004	0	E07	93500-KGBG-900	0	F03				
91103-GAR1-00A	0	E07	93600-04012-1G	0	F04		94001-12280-0S	0	E06
91201-KNBN-92A	0	E09	93700-05018-0F	0	F02		94050-05080	0	F19
91202-KNBN-92A	0	E09	93891-05016-06	0	F02		94050-06060	0	F04
91204-KNBN-90A	1	E09	93892-04008-16	0	E11		94050-06080	0	E11
91211-GHK8-014	1	E07	93892-04014-18-3	0	E11		94050-06080	0	F09
91255-4F46-014	0	F06	93893-04012-18	0	F04		94050-06080	0	F20
91255-GLE0-006	0	E08	93901-32310	0	F18		94050-06080	0	F21
91259-KFBF-900	0	F17	93903-24280-02	0	F02	94050-10080	0	E07	
91301-KEA5-742	0	E07	93903-25360	0	F14	94050-KFA5-900	4	E01	
91302-PKA9-004	0	E07	93903-34260	0	F05	94051-KFA5-910	0	E01	
91304-GLB0-911	1	E09	93903-34360	0	F02	94052-KFA5-900	0	E01	
91309-GKAK-901	0	E04	93903-34360	0	F03	94101-06700	0	F15	
91320-KAE1-001	0	E01	93903-34360	0	F05	94101-06800	0	F21	
91508-KGV7-67A	0	F19	93903-34360	0	F13	94101-08600	0	F16	
<b>92000</b>			93903-34360	0	F14	94251-08400	0	F16	
			93903-34360	0	F18	94251-08400	0	F21	
			93903-34360	0	F19	94301-10200	0	E09	
			93903-34460	0	F02	94510-20000	0	E08	
92700-06028-1B	0	E02	93903-35080	0	F14	94511-14000	0	E06	
<b>93000</b>			93903-35360	0	F01	94520-24000	1	E07	
			93903-GFY6-900	1	F05	94524-42000	0	F17	
			93903-GFY6-900	1	F13	94591-21000	0	E01	
93404-06016-06	0	F19							

PART NO. INDEX  
 パーツ番号 検索

PART NO. パーツ番号	VERSION バージョン	PAGE ページ	PART NO. パーツ番号	VERSION バージョン	PAGE ページ	PART NO. パーツ番号	VERSION バージョン	PAGE ページ	
94605-KEBE-900	1	F06	95701-06020-06	1	F19	96001-06032-06	0	E09	
94608-30000	0	F06	95701-06022-06	1	F16	96001-06035-06	0	E01	
<b>95000</b>			95701-06032-06	0	E01	96001-06045-06	0	E09	
			95701-06040-06	0	F14	96001-06055-06	0	E09	
			95701-08012-06	0	E09	96100-62033-00	0	E09	
	95002-02080	0	E09	95701-08040-06	0	E09	96211-05000	0	F06
	95002-02080	0	F10	95701-KEB7-E00	1	F20	96211-08000	1	F21
95002-02100	0	F12	95801-08035-06	1	E09	<b>98000</b>			
95002-02110	0	F14	95801-08035-06	1	F17				
95002-02650	0	E09	95801-08040-06	0	F06				
95002-50000	0	F12	95801-08075-06	0	F15		98076-5871G-00	0	E02
95002-KGN7-910	1	E01	95801-10035-06	0	F17		98200-10700	0	F11
95002-KGN7-910	1	F21	95801-10040-06	0	F03	98200-10700	0	F20	
95002-KHE7-900	0	F21	95801-10050-06	1	F21	98200-11500	0	F11	
95005-KGB5-900	0	F10	95801-10095-06	0	F21	<b>99000</b>			
9500B-KEB7-900	0	F10	95801-10120-06	0	F21				
9500C-KGB5-900	0	F10	95801-KGB5-E10	1	F15				
9500E-KGB5-900	0	F10	<b>96000</b>				99101-116-0920	0	E11
95014-71402	0	F16							
95014-72204	0	F16				<b>K</b>			
95701-06008-06	1	F15	96001-06012-06	0	E03				
95701-06010-06	1	F17	96001-06022-06	1	E03	K350-KEB-0200	0	E11	
95701-06012-06	1	F06	96001-06022-06	1	F04	K378-001	0	E11	
95701-06012-06	1	F20	96001-06025-06	0	E01	K506-GW0-0100	0	E11	
95701-06012-06	1	F21	96001-06025-06	0	E04	K785-KEB-0300	0	E11	
95701-06016-06	1	F10	96001-06025-06	0	E09				



PART NO. INDEX  
 パーツ番号 検索

PART NO. パーツ番号	VERSION バージョン	PAGE ページ	PART NO. パーツ番号	VERSION バージョン	PAGE ページ	PART NO. パーツ番号	VERSION バージョン	PAGE ページ
<b>N</b>								
N413-18N00	0	E11						
N425-8JA00	0	E11						
<b>S</b>								
S3620-031-B000	0	E11						
S4460-213-B001	0	E11						
S536-1241	0	E11						

