

# PARTS CATALOGUE



## SCOOTERS

SF10AG(JP)

TOP BOY 50 (注意)



Release Date : 2017/06/23  
Print Date : 2017/07/18

## 本パーツリストについて

- 本パーツリストは SF10AG(JP).の全てのパーツ番号が記載されています。
- 車輻のカラーチャートとバイクに相違がある場合は正規販売店もしくはKYMCO JAPANへお問い合わせください。
- 1. "\*\*\*"記号が記載している場合、3文字の色コードをパーツ番号の最後に記入してください。  
2. "#" 記号が記載している場合、パーツの設定、変更があります。正規販売店もしくはKYMCO JAPANへお問い合わせください。
- このパーツリストの変更または追加は、適切な時期に予告なく行われます。

## ABOUT THIS PARTS LIST

- This parts list is compiled all service parts for model SF10AG(JP).
- Any difference between color chart and motorcycle will be revised according to motorcycle.
- The Mark:
  1. Marking "\*\*\*" must add color code in the end before ordering parts.
  2. Marking "#" are parts with modification, Please find the details from e-Parts system.
- When modification or additions to this parts list are made a revised edition at an appropriate time.

## 目次

● 本パーツリストについて .....	1
● SF10AG(JP)のカラーチャート .....	3
● 目次-エンジン関 .....	9
● 目次-フレーム関係 .....	11
● エンジンパーツリスト .....	14
● フレームパーツリスト .....	42
● パーツ番号 検索 .....	100

## CONTENTS

● ABOUT THIS PARTS LIST .....	1
● COLOR CHART OF SF10AG(JP) .....	3
● CONTENTS-ENGINE GROUP .....	9
● CONTENTS-FRAME GROUP .....	11
● ENGINE PARTS LIST .....	14
● FRAME PARTS LIST .....	42
● PART NO. INDEX .....	100

NO	モデル			SF10AG(JP)のカラーチャート			
	写真番号			NO. 1	NO. 2	NO. 3	NO. 4
	基本色						
	コード			Yellow	Yellow	Vivid Red	Dark Gray Metallic
	パーツ名	パーツ番号	バージョン	YR108SAB	YR108SAA	RR134SA	NH124MA
1	LEVER R STRG HNDL	53175-KTCT-900	1	M2A			
2	LEVER L STRG HANDLE	53178-GKAK-901	0				
3	COVER SET R SKIRT	83520-KEB7-315	0	N1C			
4	COVER SET L SKIRT	83620-KEB7-315	0				
5	COVER BATTERY	50326-KEB7-900	0	N1R			
6	COVER UNDER	50613-KEB7-900	0				
7	GRIP COMP THROT	53140-KNBN-960	0				
8	GRIP L HANDLE	53166-KNBN-911	0				
9	COVER RR HANDLE	53206-KEB7-900	1				
10	COVER R SIDE **(1)	64304-KEB7-900	2				
11	COVER L SIDE **(0)	64305-KEB7-900	2				
12	FLOOR PANEL	64310-KEB7-900	3				
13	PLUG FLOOR PANEL	64316-KEB7-900	0				
14	FENDER A REAR	80101-KEB7-900	0				
15	FENDER B RR	80107-KEB7-900	1				
16	COVER CENTER	80151-KEB7-900	0				
17	COVER PLUG MAINT	80153-KEB7-900	0				
18	LEG SHIELD	81131-KEB7-900	1				
19	LID LEG SHIELD	81132-KEB7-900	1				
20	LID INNER BOX	81141-KEB7-900	1				
21	GRILL R BODY COVER	83501-KEB7-900	0				
22	GRILL L BODY COVER	83601-KEB7-900	0				
23	CARRIER ASSY	7730A-KEB7-E00	1	N1S			
24	FENDER FR	61110-KEB7-800	0	N4P			
25	SPOILER FRONT	64302-KEB7-900	1				
販売開始時期							
販売終了時期							

NO	モデル			SF10AG(JP)のカラーチャート			
	写真番号			NO. 5			
	基本色						
	コード			Bright Silver			
	パーツ名	パーツ番号	バージョン	NH045MA			
1	LEVER R STRG HNDL	53175-KTCT-900	1	M2A			
2	LEVER L STRG HANDLE	53178-GKAK-901	0				
3	COVER SET R SKIRT	83520-KEB7-315	0	N1C			
4	COVER SET L SKIRT	83620-KEB7-315	0				
5	COVER BATTERY	50326-KEB7-900	0	N1R			
6	COVER UNDER	50613-KEB7-900	0				
7	GRIP COMP THROT	53140-KNBN-960	0				
8	GRIP L HANDLE	53166-KNBN-911	0				
9	COVER RR HANDLE	53206-KEB7-900	1				
10	COVER R SIDE **(1)	64304-KEB7-900	2				
11	COVER L SIDE **(0)	64305-KEB7-900	2				
12	FLOOR PANEL	64310-KEB7-900	3				
13	PLUG FLOOR PANEL	64316-KEB7-900	0				
14	FENDER A REAR	80101-KEB7-900	0				
15	FENDER B RR	80107-KEB7-900	1				
16	COVER CENTER	80151-KEB7-900	0				
17	COVER PLUG MAINT	80153-KEB7-900	0				
18	LEG SHIELD	81131-KEB7-900	1				
19	LID LEG SHIELD	81132-KEB7-900	1				
20	LID INNER BOX	81141-KEB7-900	1				
21	GRILL R BODY COVER	83501-KEB7-900	0				
22	GRILL L BODY COVER	83601-KEB7-900	0				
23	CARRIER ASSY	7730A-KEB7-E00	1	N1S			
24	FENDER FR	61110-KEB7-800	0	N4P			
25	SPOILER FRONT	64302-KEB7-900	1				
販売開始時期							
販売終了時期							

NO	モデル			SF10AG(JP)のカラーチャート			
	写真番号			NO. 1	NO. 2	NO. 3	NO. 4
	基本色						
	コード			Yellow	Yellow	Vivid Red	Dark Gray Metallic
	パーツ名	パーツ番号	バージョン	YR108SAB	YR108SAA	RR134SA	NH124MA
26	COVER R SIDE	64304-KEB7-E00	2	N8P			
27	COVER L SIDE	64305-KEB7-E00	2				
28	COVER	64301-KEB7-800	1	DK8	Y5P	R8P	NFP
29	COVER FR HANDLE	53205-KEB7-800	2	NEP	Y5P	R8P	NFP
30	COVER SET BODY R	83500-KEB7-315	1	Y5P			
31	COVER SET BODY L	83600-KEB7-315	1				
32	COVER REAR CENTER	83750-KEB7-900	0				
33	COVER L SIDE **(2)	11341-KEB7-900	3	NEA			
34	WHEEL CAST RR	42601-KEB7-E0E	2	NJA			
35	WHEEL SET FR	44650-KEB7-315	2				
36	CALIPER ASSY FR L	45100-KXCX-E00	4				
37	BAR R RR STEP	50700-KGB5-900	1				
38	BAR L RR STEP	50710-KGB5-900	1	NQA			
39	FORK SET R FR	5140A-KEB7-810	9				
40	BOTTOM CASE R	51420-KEB7-800	1				
41	FORK SET L FR	5150A-KEB7-810	10				
42	BOTTOM CASE L	51520-KEB7-800	0	R8S			
43	CUSHION ASSY RR	52400-KEB7-E00	1				
44	SEAT COMP	77200-KEB7-E00	1	T01			
45	CAUTION INNER BOX	81218-KCAC-P00	0				
46	EMB FR COVER **KCN	87206-KNCN-800	3				
47	LABEL TIRE	87505-KEB7-E10	1				
48	CAUTION SIDE STAND	87541-GAR1-E00	1				
49	MARK MAINT CAUTION	87542-GAR1-E00	2				
50	MARK DRIVE CAUTION	87560-KNBN-E00	1				
販売開始時期							
販売終了時期							

NO	モデル			SF10AG(JP)のカラーチャート			
	写真番号			NO. 5			
	基本色						
	コード			Bright Silver			
	パーツ名	パーツ番号	バージョン	NH045MA			
26	COVER R SIDE	64304-KEB7-E00	2	N8P			
27	COVER L SIDE	64305-KEB7-E00	2				
28	COVER	64301-KEB7-800	1				
29	COVER FR HANDLE	53205-KEB7-800	2				
30	COVER SET BODY R	83500-KEB7-315	1				
31	COVER SET BODY L	83600-KEB7-315	1				
32	COVER REAR CENTER	83750-KEB7-900	0				
33	COVER L SIDE **(2)	11341-KEB7-900	3	NEA			
34	WHEEL CAST RR	42601-KEB7-E0E	2	NJA			
35	WHEEL SET FR	44650-KEB7-315	2				
36	CALIPER ASSY FR L	45100-KXCX-E00	4				
37	BAR R RR STEP	50700-KGB5-900	1				
38	BAR L RR STEP	50710-KGB5-900	1				
39	FORK SET R FR	5140A-KEB7-810	9	NQA			
40	BOTTOM CASE R	51420-KEB7-800	1				
41	FORK SET L FR	5150A-KEB7-810	10				
42	BOTTOM CASE L	51520-KEB7-800	0	R8S			
43	CUSHION ASSY RR	52400-KEB7-E00	1	T01			
44	SEAT COMP	77200-KEB7-E00	1				
45	CAUTION INNER BOX	81218-KCAC-P00	0				
46	EMB FR COVER **KCN	87206-KNCN-800	3				
47	LABEL TIRE	87505-KEB7-E10	1				
48	CAUTION SIDE STAND	87541-GAR1-E00	1				
49	MARK MAINT CAUTION	87542-GAR1-E00	2				
50	MARK DRIVE CAUTION	87560-KNBN-E00	1				
販売開始時期							
販売終了時期							

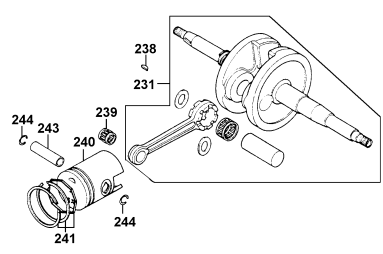
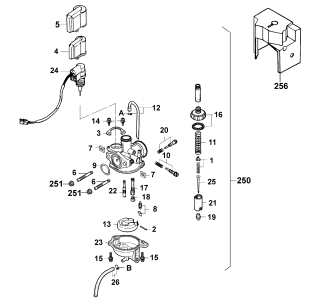





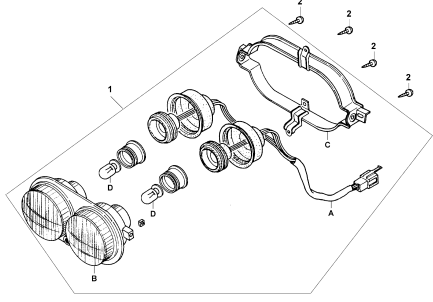
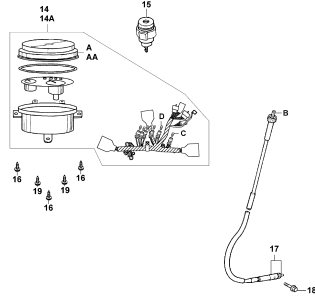
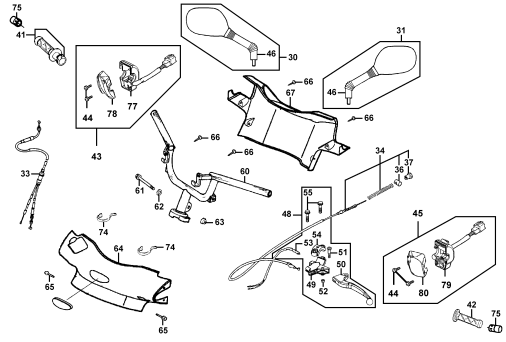
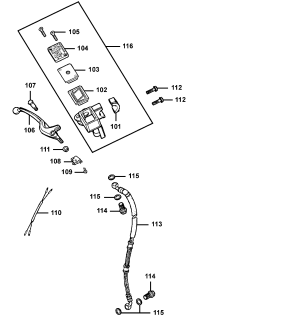
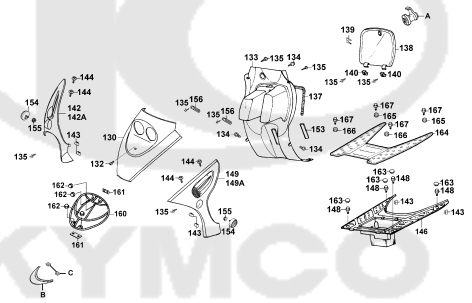
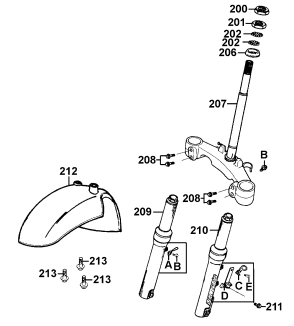
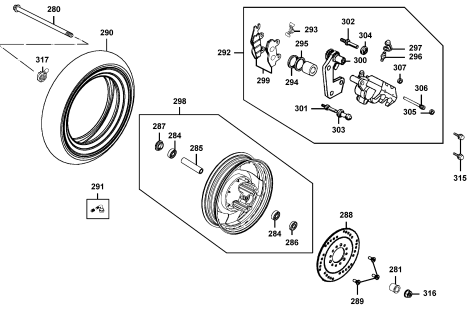
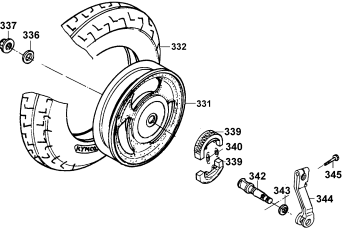
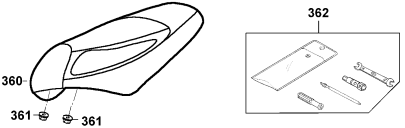




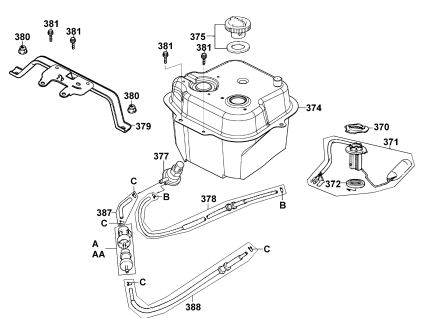
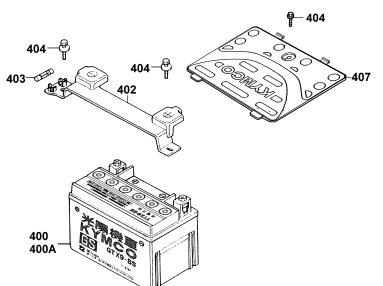
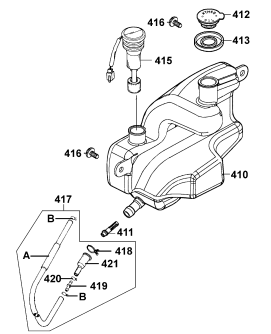
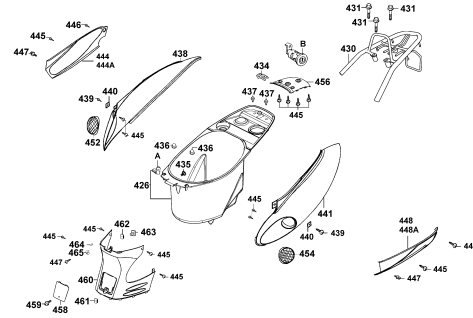
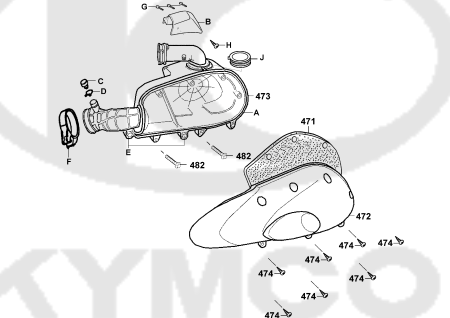
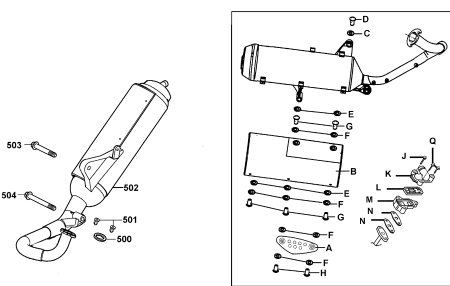
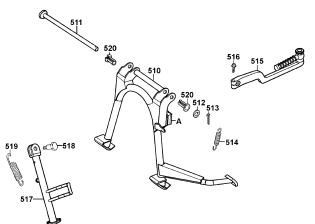
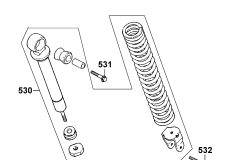
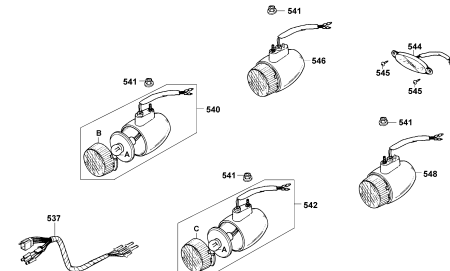
## CONTENTS - ENGINE GROUP 目次-エンジン関

<b>E10</b> Crankshaft Piston	<b>E11</b> Carburetor	
		
		

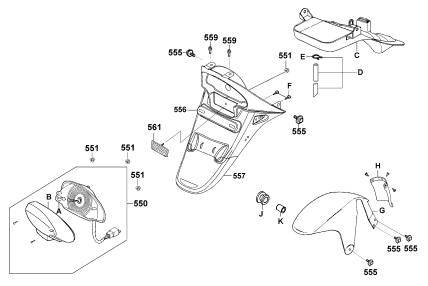
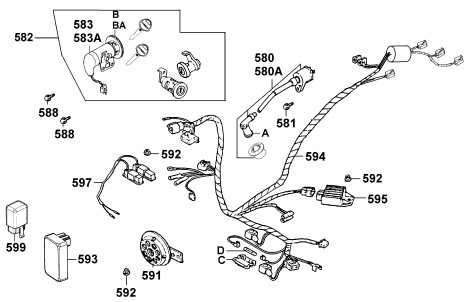
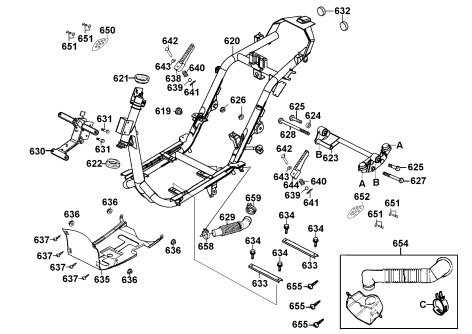
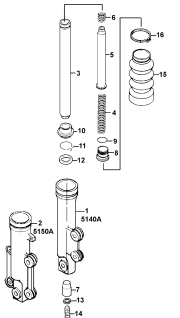
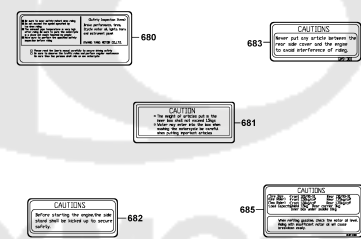
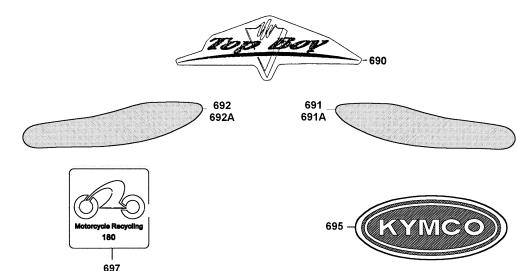
# CONTENTS - FRAME GROUP 目次-フレーム関係

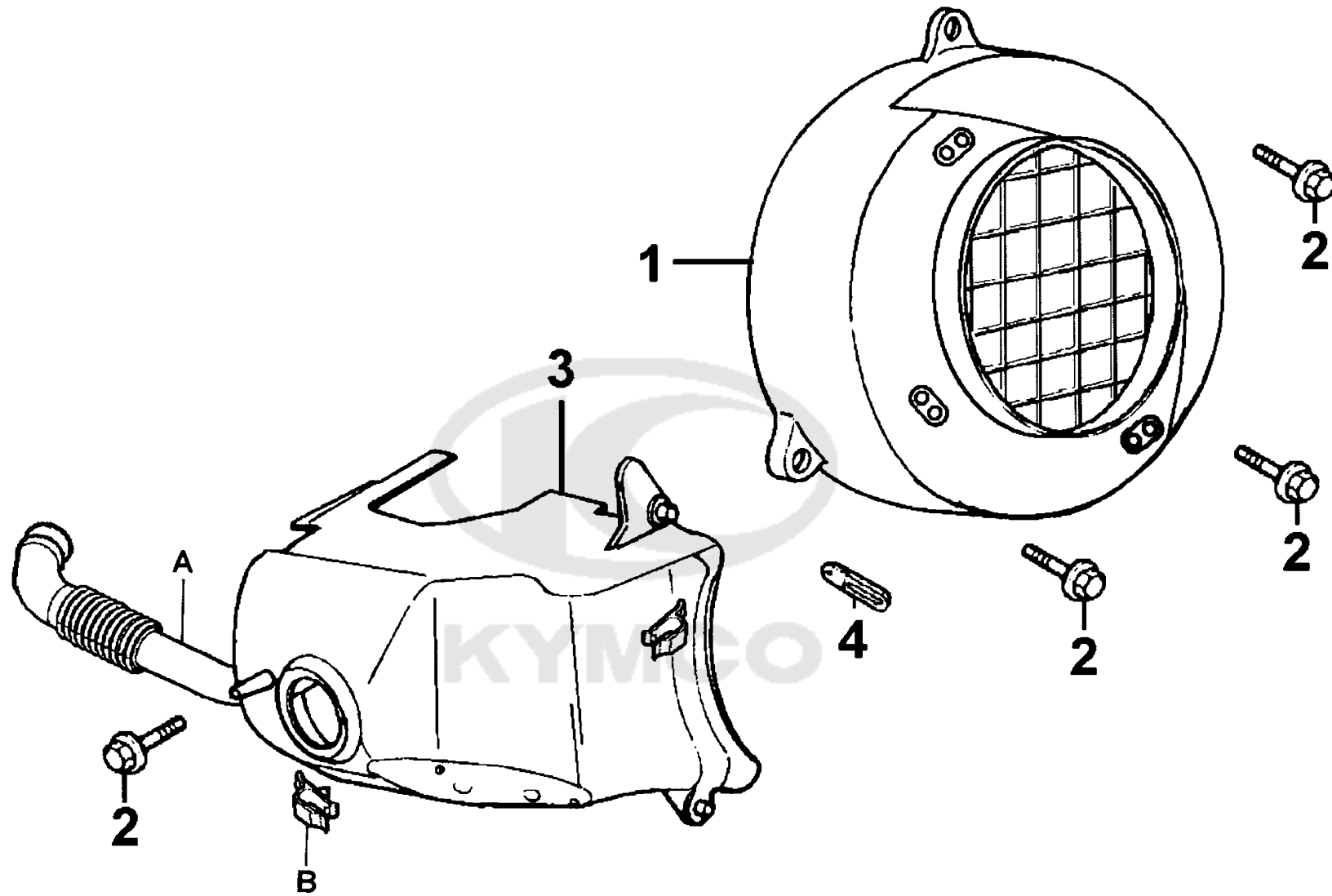
<p><b>F01</b>    Head Light</p> 	<p><b>F02</b>    Speedometer</p> 	<p><b>F03</b>    Handle Steering    Handle Cover</p> 
<p><b>F04</b>    Brake Master Cylinder</p> 	<p><b>F05</b>    Front Cover    Floor Panel</p> 	<p><b>F06</b>    Front Cushion</p> 
<p><b>F07</b>    Front Wheel</p> 	<p><b>F08</b>    Rear Wheel</p> 	<p><b>F09</b>    Seat</p> 

## CONTENTS - FRAME GROUP 目次-フレーム関係

<p><b>F10 Fuel Tank</b></p> 	<p><b>F11 Battery</b></p> 	<p><b>F12 OIL TANK</b></p> 
<p><b>F13 Body Cover Luggage Box</b></p> 	<p><b>F14 Air Cleaner</b></p> 	<p><b>F15 Exhaust Muffler</b></p> 
<p><b>F16 Stand Kick Starter Arm</b></p> 	<p><b>F17 Rear Cushion</b></p> 	<p><b>F18 Winker</b></p> 

# CONTENTS - FRAME GROUP 目次-フレーム関係

F19 Rear Light Rear Fender	F20 Wire Harness	F21 Frame Body
		
F22 Separated Parts Of Fr Fork	F23 Caution Label	F24 Emblem Stripe
		

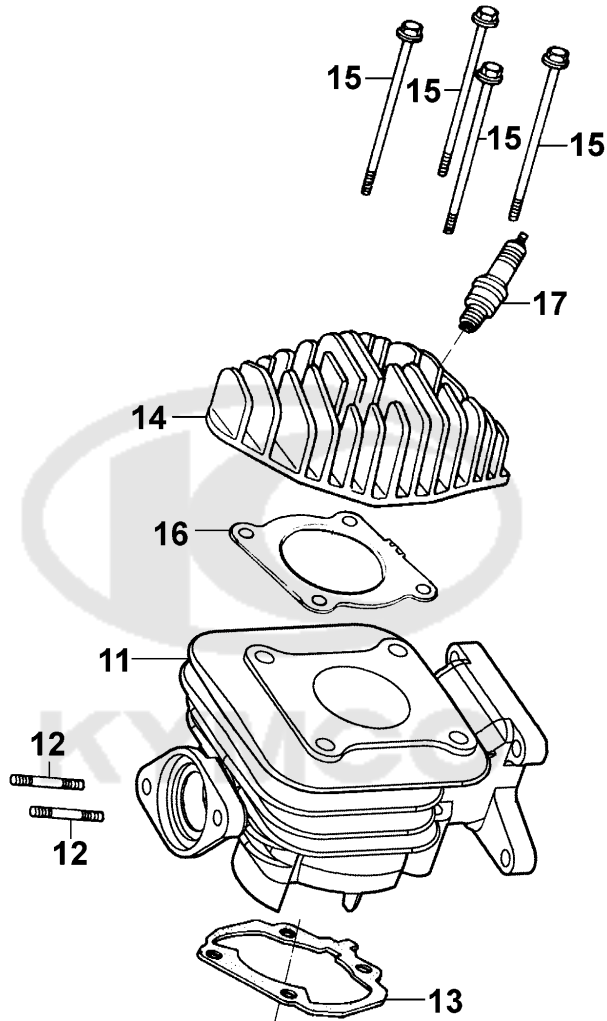


Sales mark 記号	Ref no 参照用番号	Part no パーツ番号	Description 部品名	Reg description 部品名	Regd no 必要個数	Ref Price 希望小売価格(税抜)	E01
------------------	-----------------	------------------	--------------------	------------------------	-----------------	-------------------------	-----

A		16630-KEB7-E00	DUCT HEAT TRANSFER	DUCT HEAT TRANSFER	1	2410	
1		19600-KEB7-900	COVER COMP FAN	COVER COMP FAN	1	1720	
3		1962A-KEB7-900	CLIP SET SHROUD	CLIP SET SHROUD	1	2150	
B		32161-3C93-004	CLIP HARNESS WIRE	CLIP HARNESS WIRE	2	160	
4		94591-KFBF-900	CLIP 2*70	CLIP 2*70	1	60	
2		95701-06025-06	BOLT FLANGE 6*25	BOLT FLANGE 6*25	1	60	

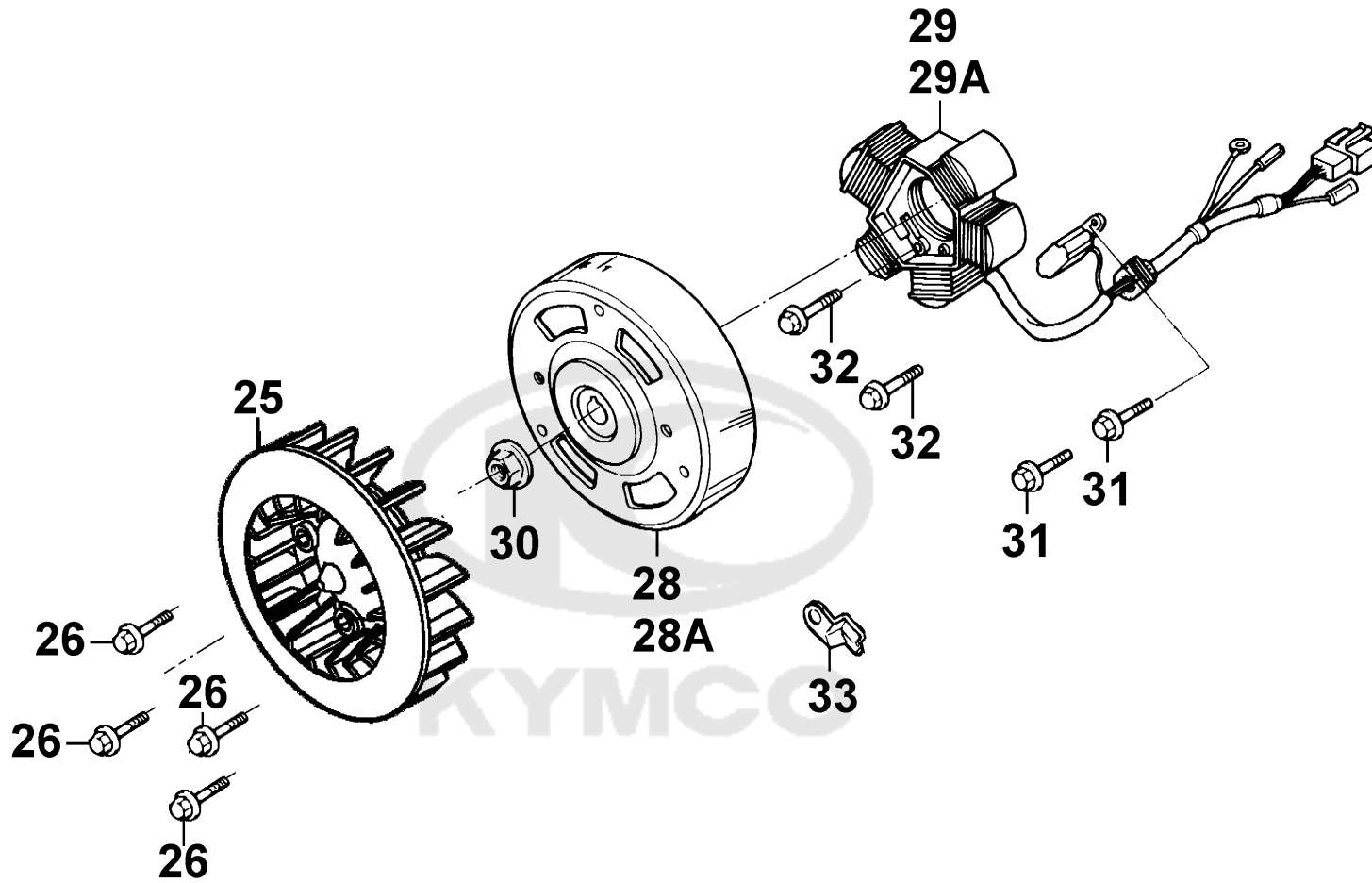






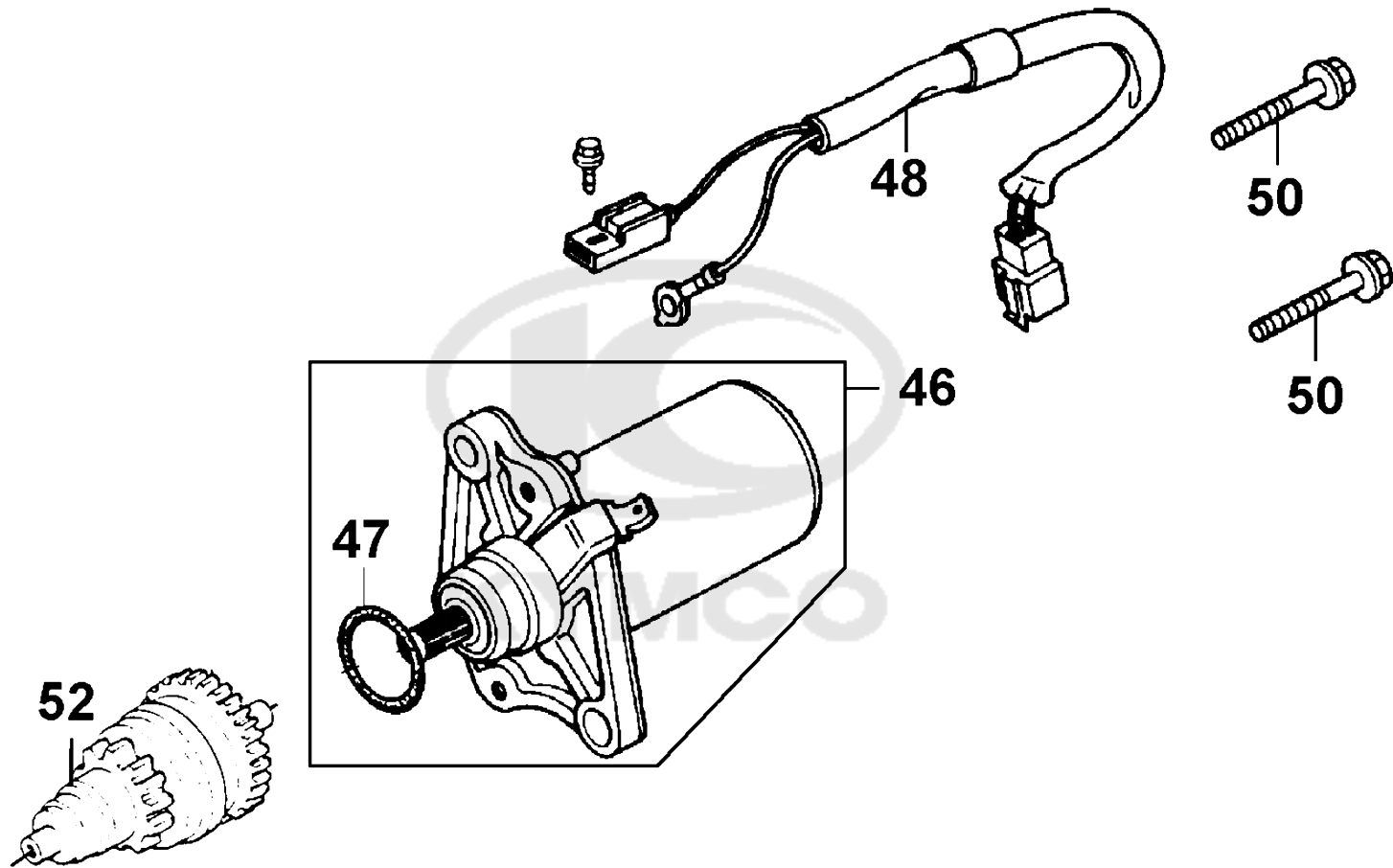
Sales mark 記号	Ref no 参照用番号	Part no パーツ番号	Description 部品名	Reg description 部品名	Regd no 必要個数	Ref Price 希望小売価格(税抜)	E02
11		12101-KEB7-901	CYLINDER	CYLINDER	1	14620	
13		12191-KEB7-980	GASKET CYLINDER @A	GASKET CYLINDER @A	1	230	
14		12201-KEB7-900	HEAD CYLINDER	HEAD CYLINDER	1	11060	
16		12251-KEB7-900	GASKET CYLINDER HEAD	GASKET CYLINDER HEAD	1	160	
15		90001-GKAK-901	BOLT FLANGE 7*100 (G)	BOLT FLANGE 7*100 (G)	4	200	
12		92700-06028-1B	BOLT STUD 6*28	BOLT STUD 6*28	2	60	
17		98076-5871G-00	SPARK PLUG (BR8HSA)	SPARK PLUG (BR8HSA)	1	1060	





Sales mark 記号	Ref no 参照用番号	Part no パーツ番号	Description 部品名	Reg description 部品名	Regd no 必要個数	Ref Price 希望小売価格(税抜)	E03
33		11108-KEB7-900	HOLDER STATOR WIRE	HOLDER STATOR WIRE	1	200	
25		19510-GBW2-901	FAN COMP COOLING	FAN COMP COOLING	1	580	
28		31110-KEB7-90A	FLYWHEEL COMP (D402)	FLYWHEEL COMP /D402	1	11030	
28A		31110-KEB7-90B	FLYWHEEL COMP (D406)	FLYWHEEL COMP /D406	1	11030	
29		31120-KEB7-90A	STATOR COMP (D402)	STATOR COMP /D402	1	10650	
29A		31120-KEB7-90B	STATOR COMP (D406)	STATOR COMP /D406	1	10650	
30		94050-10080	NUT FLANGE 10MM	NUT FLANGE 10MM	1	60	
31		96001-06012-06	BOLT FLANGE SH 6*12	BOLT FLANGE SH 6*12	1	60	
26		96001-06016-06	BOLT FLANGE SH 6X16	BOLT FLANGE SH 6X16	1	60	
32		96001-06022-06	BOLT FLANGE SH 6*22 (G)	BOLT FLANGE SH 6*22 (G)	1	60	



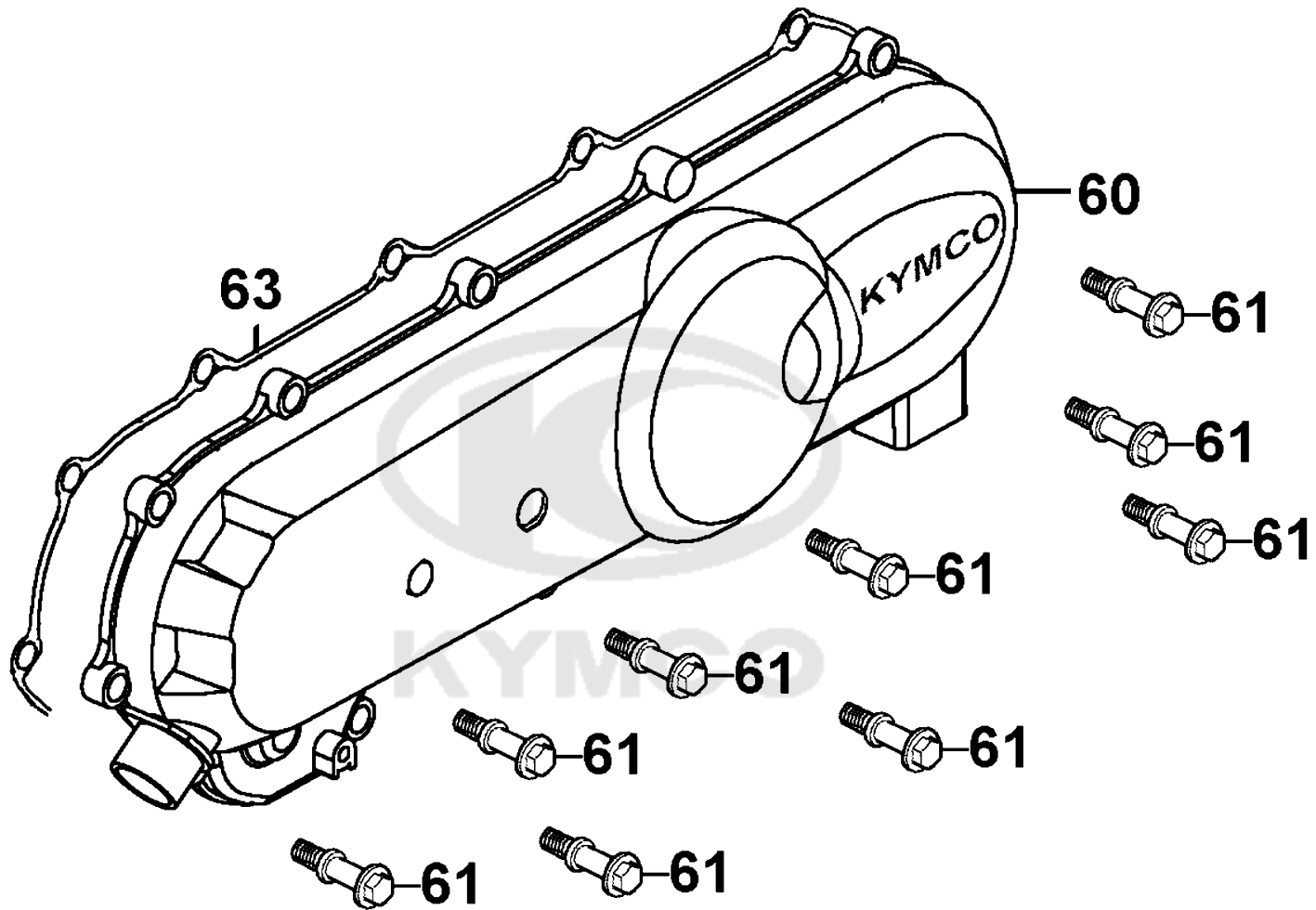


Sales mark 記号	Ref no 参照用番号	Part no パーツ番号	Description 部品名	Reg description 部品名	Regd no 必要個数	Ref Price 希望小売価格(税抜)	E04
52		31209-GKAK-901	PINION ASSY STARTER	PINION ASSY STARTER	1	8560	
46		31210-GKAK-90C	MOTOR UNIT START	MOTOR UNIT START	1	14450	
48		32105-KEB7-900	SUB HARNESS	SUB HARNESS	1	1650	
47		91309-GKAK-901	O RING	O RING	1	70	
50		96001-06025-06	BOLT FLANGE SH 6*25	BOLT FLANGE SH 6*25	1	60	



E05

COVER L SIDE

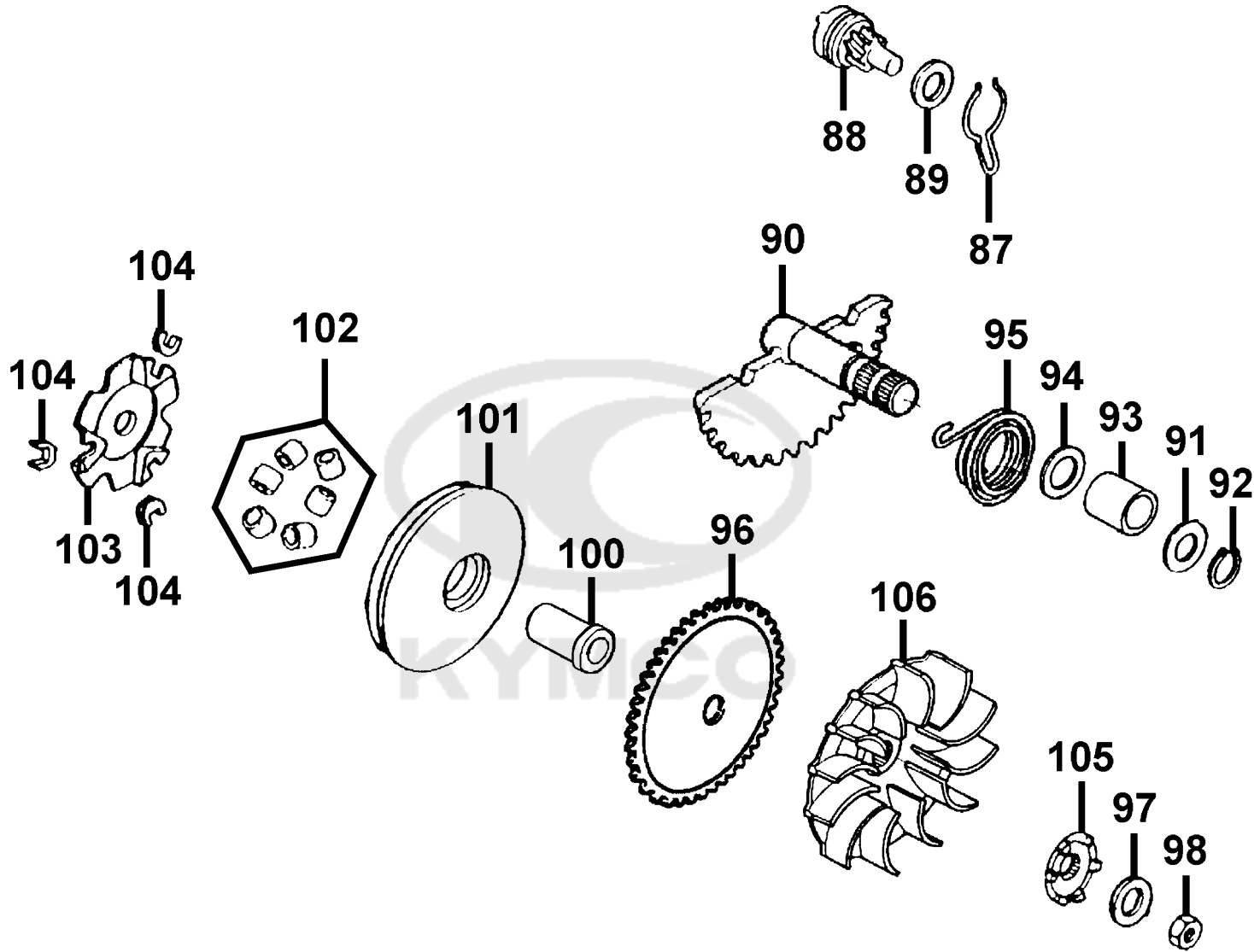


Sales mark 記号	Ref no 参照用番号	Part no パーツ番号	Description 部品名	Reg description 部品名	Regd no 必要個数	Ref Price 希望小売価格(税抜)	E05
------------------	-----------------	------------------	--------------------	------------------------	-----------------	-------------------------	-----

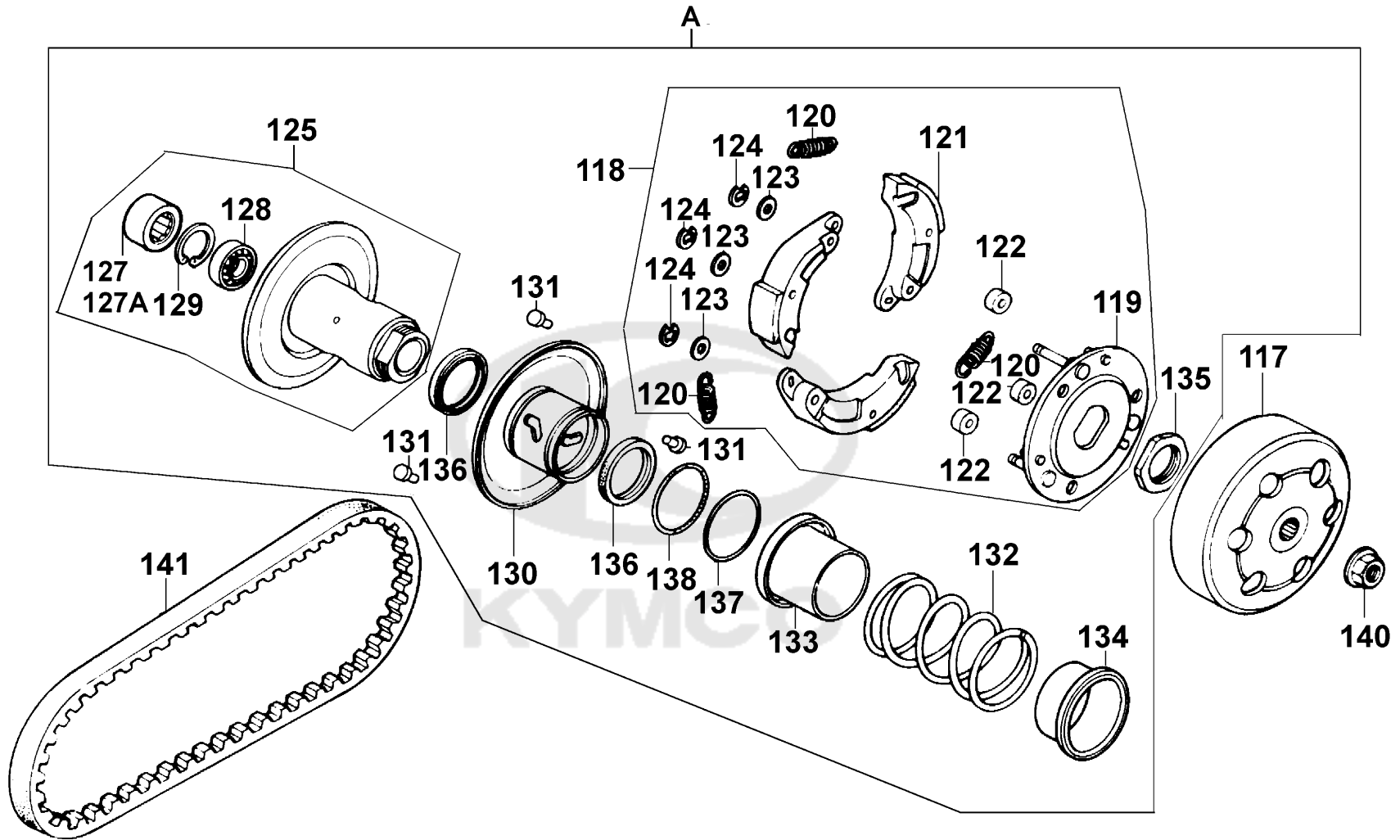
**	60	11341-KEB7-900	COVER L SIDE	COVER L SIDE	1	13140	
	63	11395-KEB7-900	GASKET L COVER	GASKET L COVER	1	1020	
	61	9000A-KTDT-900	BOLT ASSY SPECIAL 6*29.5	BOLT ASSY SPECIAL 6*29.5	9	100	



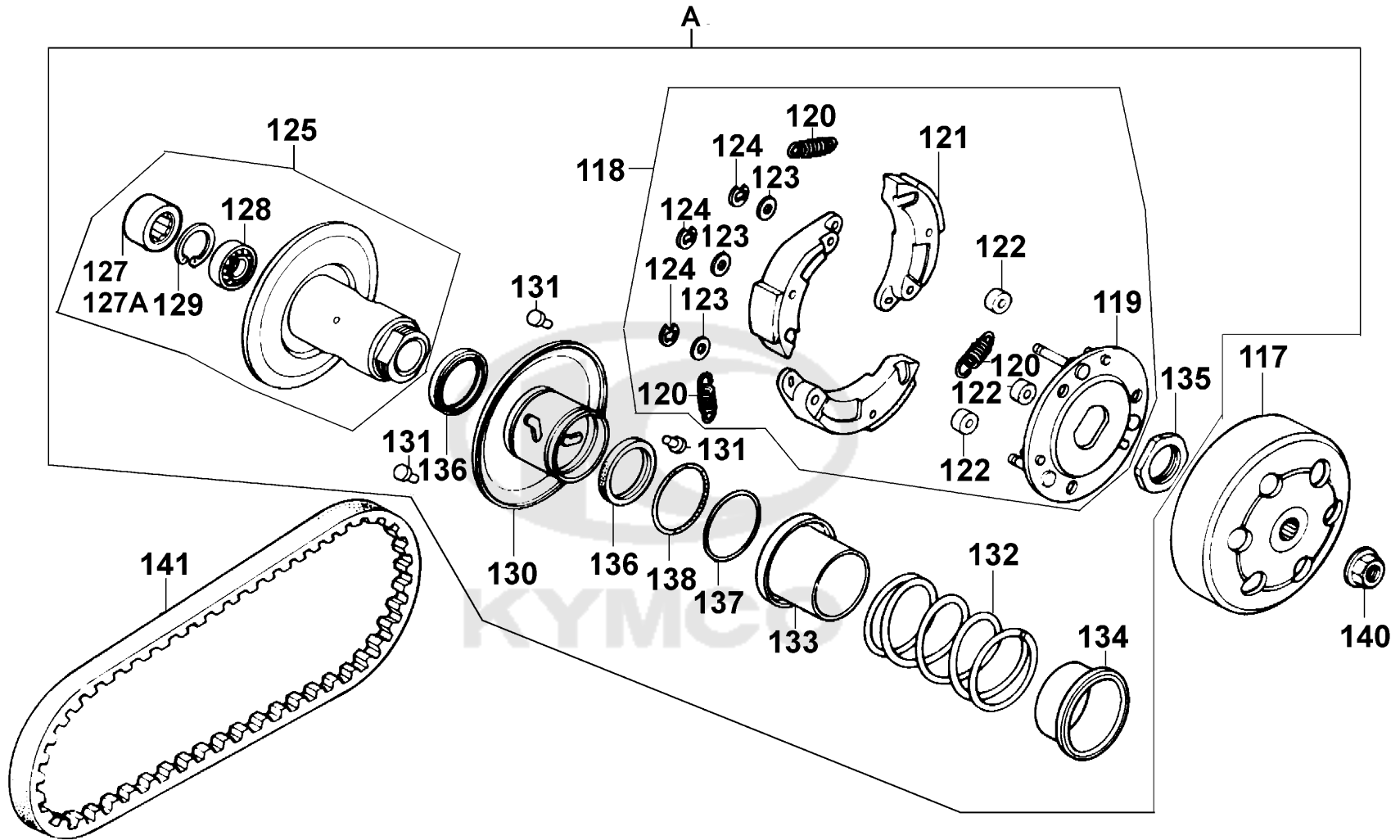




Sales mark 記号	Ref no 参照用番号	Part no パーツ番号	Description 部品名	Reg description 部品名	Regd no 必要個数	Ref Price 希望小売価格(税抜)	E06
96		22102-KEB7-900	FACE DRIVE	FACE DRIVE	1	1530	
106		22103-KEB7-900	FAN CVT COOLING	FAN CVT COOLING	1	300	
100		22105-GKAK-901	BOSS DRIVE FACE	BOSS DRIVE FACE	1	1250	
101		22110-KFA1-220	FACE COMP MOVABLE DRIVE	FACE COMP MOVABLE DRIVE	1	1340	
102		22121-GLW0-305	ROLLER SET WEIGHT (1SET:6PCS)	ROLLER SET WEIGHT(旧品番の22121-	1	320	
103		22131-GHAH-781	PLATE RAMP	PLATE RAMP	1	1060	
104		22132-GLW0-001	PIECE SLIDE	PIECE SLIDE	3	160	
105		28211-KEB7-900	RATCHET KICK STARTER	RATCHET KICK STARTER	1	1440	
87		28223-KNBN-901	SPG KICK DRIVEN GEAR	SPG KICK DRIVEN GEAR	1	160	
88		28230-GKAK-921	GEAR COMP KICK DRIVEN	GEAR COMP KICK DRIVEN	1	1820	
90		28250-KNBN-901	SPINDLE COMP KICK STARTER	SPINDLE COMP KICK STARTER	1	1820	
93		28253-GBN2-60A	BUSH KICK SPINDLE	BUSH KICK SPINDLE	1	200	
94		28255-GFS6-001	COLLAR KICK BOSS	COLLAR KICK BOSS	1	160	
95		28281-GBN2-60A	SPRING KICK RETURN	SPRING KICK RETURN	1	390	
89		90412-3K29-001	WASHER THRUST 10M/M	WASHER THRUST 10M/M	1	200	
97		90426-KNBN-901	WASHER SPECIAL 12MM	WASHER SPECIAL 12MM	1	70	
91		90451-GBN2-601	WASHER KICK SPINDLE	WASHER KICK SPINDLE	1	200	
98		94001-12280-0S	NUT HEX 12MM	NUT HEX 12MM	1	160	
92		94511-14000	CIR CLIP EX 14	CIR CLIP EX 14	1	110	

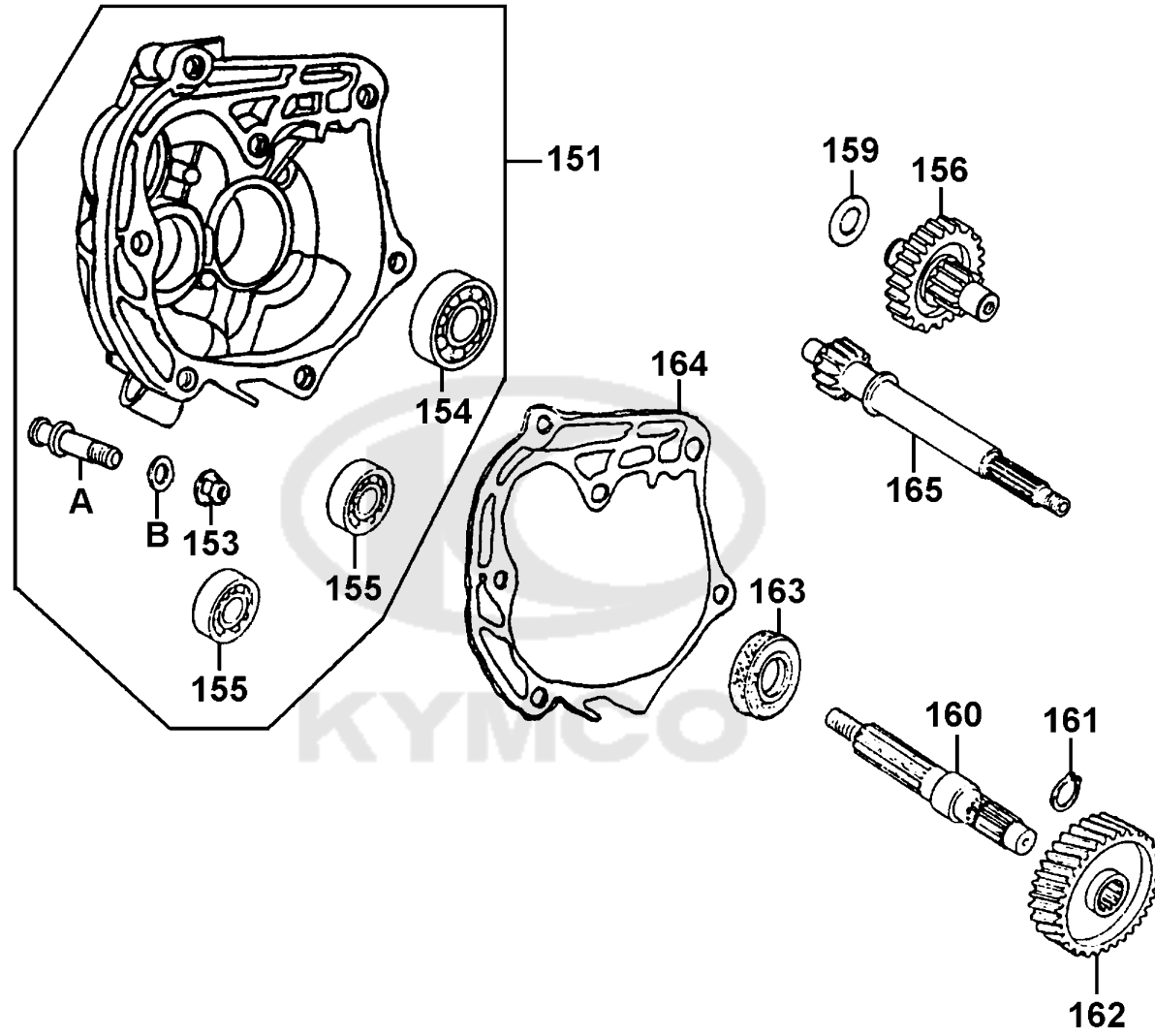


Sales mark 記号	Ref no 参照用番号	Part no パーツ番号	Description 部品名	Reg description 部品名	Regd no 必要個数	Ref Price 希望小売価格(税抜)	E07
117		22100-GAR1-751	CLUTCH OUTER	CLUTCH OUTER	1	3530	
118		22300-KXCX-900	PLATE ASSY DRIVE	PLATE ASSY DRIVE	1	6970	
119		22350-GKAK-930	PLATE COMP DRIVE	PLATE COMP DRIVE	1	1370	
120		22401-GBG2-900	SPRING CLUTCH	SPRING CLUTCH	3	140	
121		22530-GKAK-930	WEIGHT CLUTCH	WEIGHT CLUTCH	3	1440	
122		22804-1H48-001	RUBBER CLUTCH DAMPER	RUBBER CLUTCH DAMPER	3	110	
A		2301A-KEB7-220	PULLEY SUB ASSY	PULLEY SUB ASSY	1	17430	
141		23100-KEB7-900	BELT DRIVE	BELT DRIVE	1	3880	
125		23200-GAR1-220	FACE ASSY DRIVEN	FACE ASSY DRIVEN	1	8560	
130		23220-GKAK-220	FACE COMP MOVABLE DRIVEN	FACE COMP MOVABLE DRIVEN	1	5710	
131		23225-GAR1-751	PIN GUIDE	PIN GUIDE	3	130	
132		23233-GHE8-001	SPG DRIVEN FACE	SPG DRIVEN FACE	1	870	
133		23237-GAR1-220	COLLAR SEAL	COLLAR SEAL	1	540	
134		23238-GFY6-941	COLLAR SPG	COLLAR SPG	1	450	
135		90202-1G87-001	NUT SPECIAL 28MM	NUT SPECIAL 28MM	1	100	
123		90442-0D44-001	WASHER THRUST 6M	WASHER THRUST 6M	3	60	
124		90454-GBB2-001	CIRCLIP 6MM	CIRCLIP 6MM	3	60	
128		91001-GGA7-70A	BRG RADIAL BALL 6901U	BRG RADIAL BALL 6901U	1	1720	
127		91103-GAR1-004	BRG NEEDLE 17*25*18 WS	BRG NEEDLE 17*25*18 WS	1	1530	
127A		91103-GAR1-00A	BRG NEEDLE 17*25*18 WS	BRG NEEDLE 17*25*18 WS	1	1530	



Sales mark 記号	Ref no 参照用番号	Part no パーツ番号	Description 部品名	Reg description 部品名	Regd no 必要個数	Ref Price 希望小売価格(税抜)	E07
136	91211-GHK8-014	91211-GHK8-014	OIL SEAL 34*39*3	OIL SEAL 34*39*3	2	230	
137	91301-KEA5-742	91301-KEA5-742	O-RING 36*1.5	O-RING 36*1.5	1	60	
138	91302-PKA9-004	91302-PKA9-004	O-RING 39.8*2.2	O-RING 39.8*2.2	1	130	
140	94050-10080	94050-10080	NUT FLANGE 10MM	NUT FLANGE 10MM	1	60	
129	94520-24000	94520-24000	CIR CLIP IN 24	CIR CLIP IN 24	1	80	



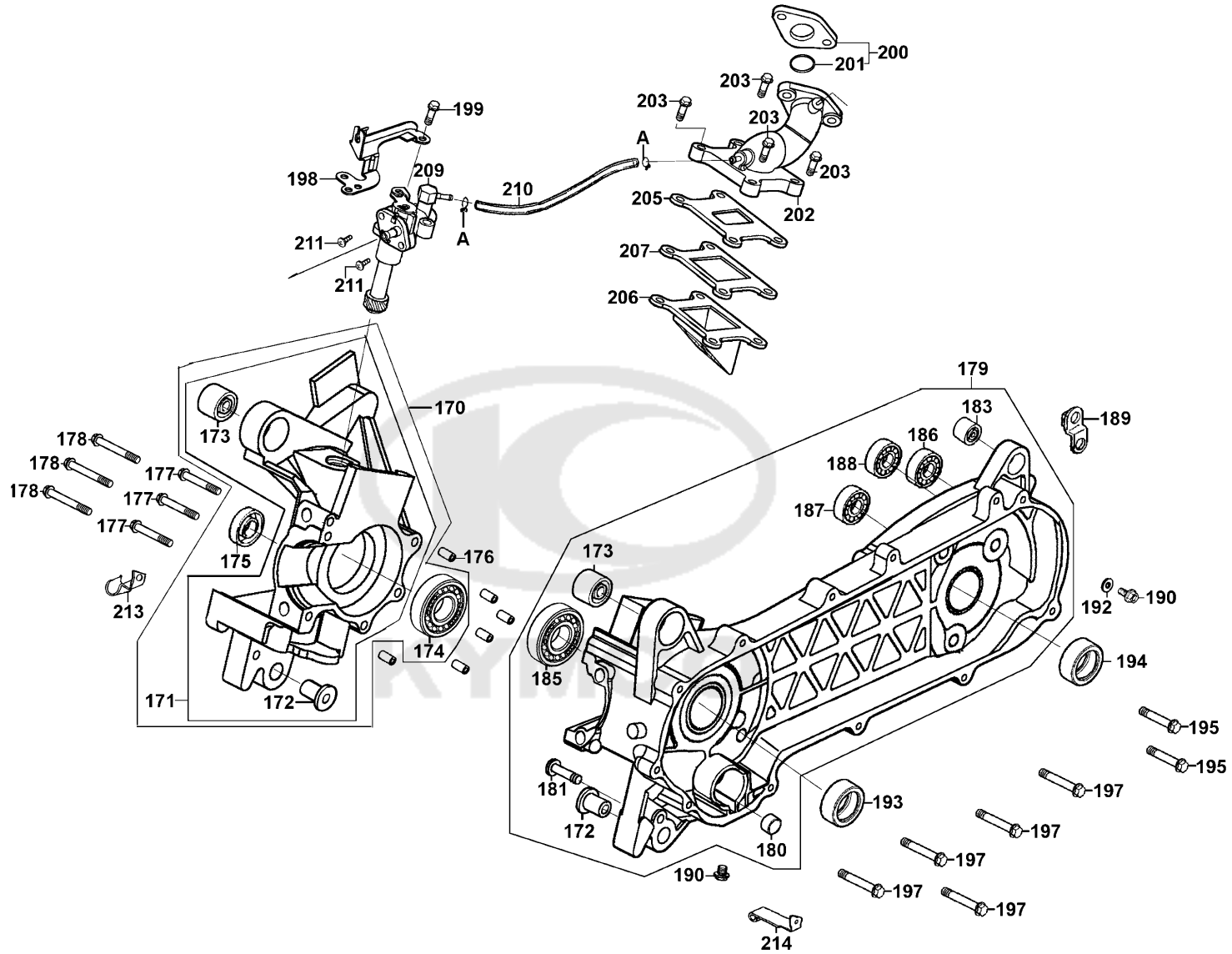


Sales mark 記号	Ref no 参照用番号	Part no パーツ番号	Description 部品名	Reg description 部品名	Regd no 必要個数	Ref Price 希望小売価格(税抜)	E08
A		11203-KHG8-301	PIN BRAKE SHOE ANCHOR	PIN BRAKE SHOE ANCHOR	1	300	
151		21200-GKAK-305	CASE ASSY MISSION	CASE ASSY MISSION	1	15510	
164		21395-LBD3-900	GASKET MISSION CASE @A	GASKET MISSION CASE @A	2	520	
165		23411-KEB7-900	SHAFT DRIVE	SHAFT DRIVE	1	5330	
156		23420-KEB7-900	SHAFT COMP COUNTER	SHAFT COMP COUNTER	1	13410	
160		23431-KNBN-901	SHAFT FINAL	SHAFT FINAL	1	4570	
162		23432-KEB7-900	GEAR FINAL	GEAR FINAL	1	5140	
153		90309-KLF0-004	NUT FLANGE 8MM	NUT FLANGE 8MM	1	60	
159		90429-KNBN-901	WASHER SIDE 12MM	WASHER SIDE 12MM	1	350	
155		91004-KBN2-90A	BRG BALL RADIAL 6201	BRG BALL RADIAL 6201	2	2100	
154		91009-GLE0-004	BRG BALL RADIAL 6004 UU	BRG BALL RADIAL 6004 UU	1	1300	
163		91255-GLE0-006	OIL SEAL 27*42*7	OIL SEAL 27*42*7	1	60	
B		91301-0C53-001	O RING 7.5*1.5	O RING 7.5*1.5	1	60	
161		94510-20000	CIR CLIP EX 20	CIR CLIP EX 20	1	60	



E09

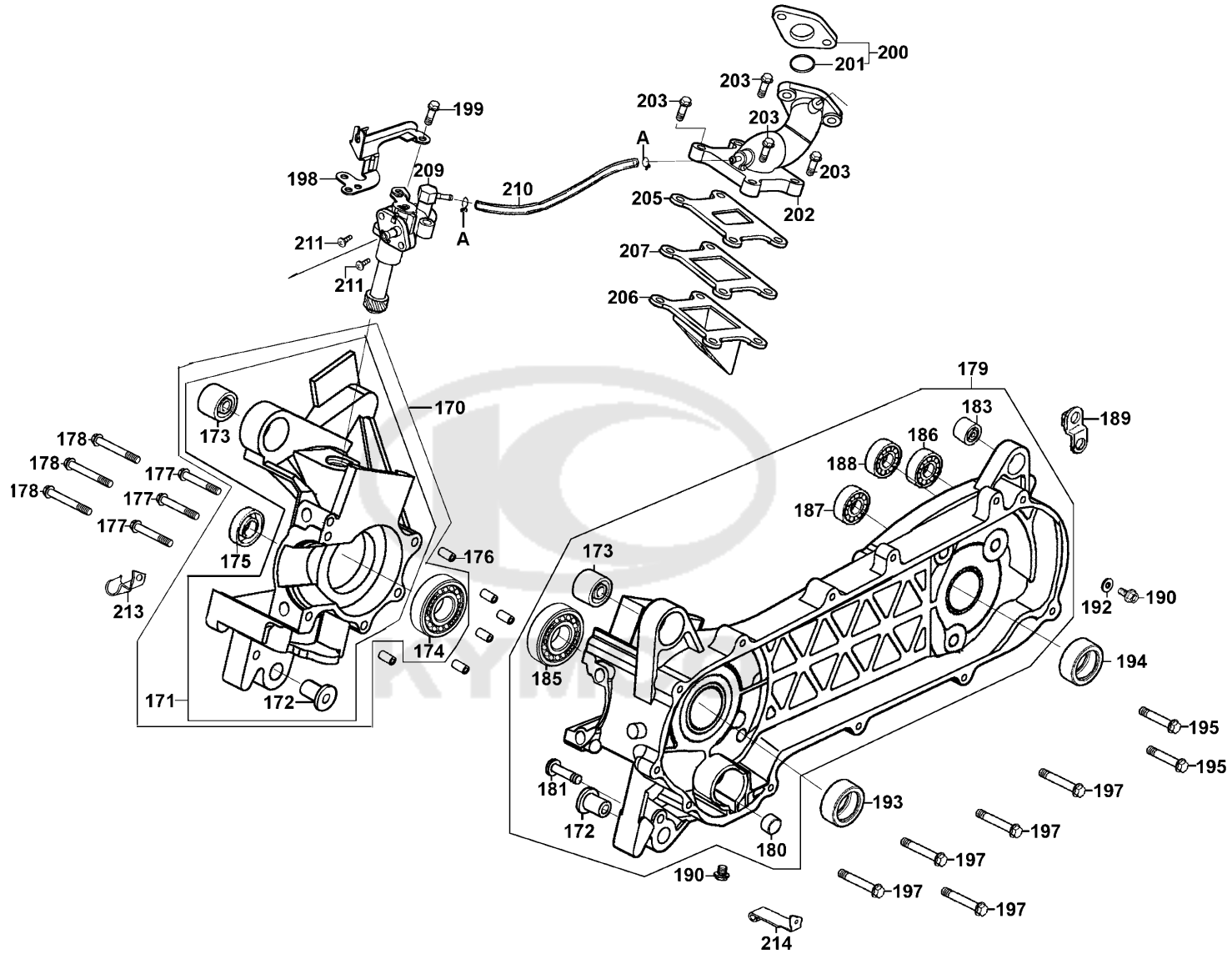
# Crankcase OIL PUMP



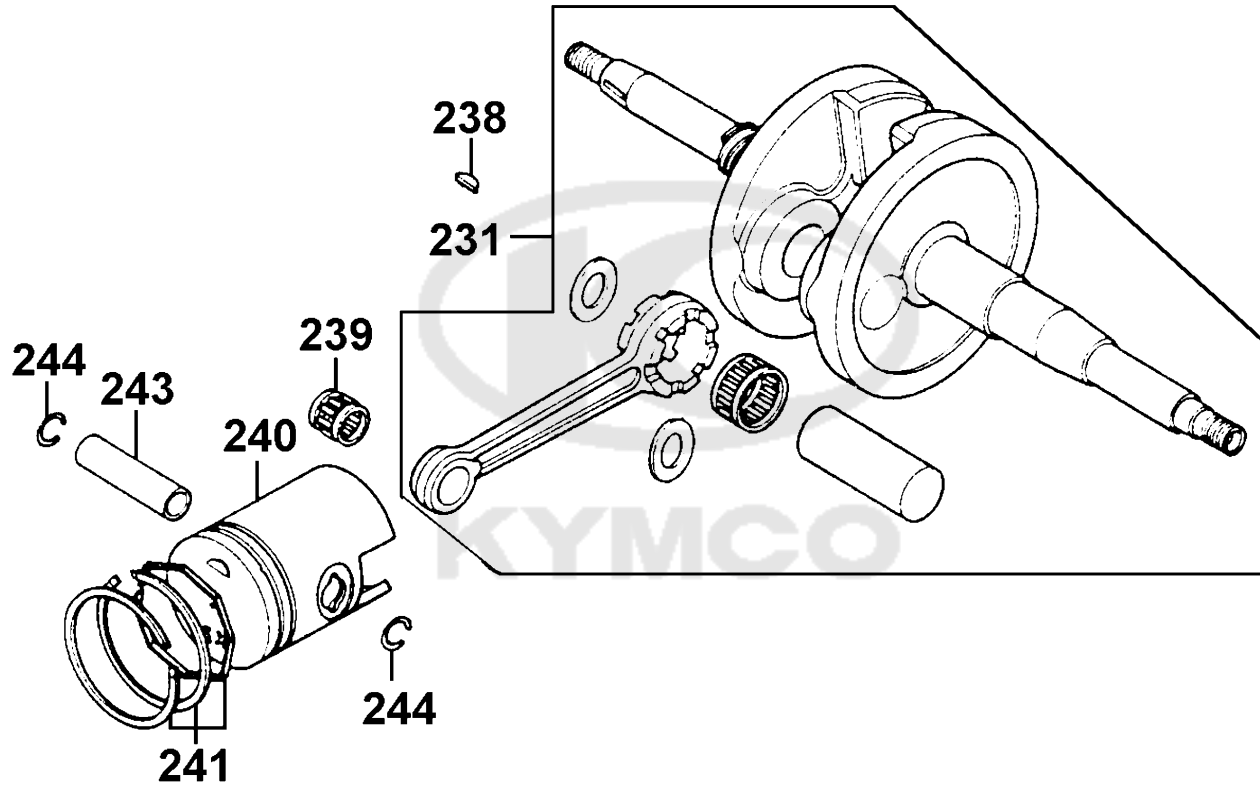
Sales mark 記号	Ref no 参照用番号	Part no パーツ番号	Description 部品名	Reg description 部品名	Regd no 必要個数	Ref Price 希望小売価格(税抜)	E09
171		11100-KEB7-900	CRANK CASE ASSY RIGHT	CRANK CASE ASSY RIGHT	1	19010	
170		11100-KGB5-305	CRANK CASE SET RIGHT	CRANK CASE SET RIGHT	1	17430	
173		11102-1G87-004	RUB BUSH ENG HANGER	RUB BUSH ENG HANGER	1	320	
179		11200-KEB7-325	CRANK CASE SET LEFT	CRANK CASE SET LEFT	1	30420	
183		11203-GGC7-301	UNDER RUBBER BUSH REAR CUSHION	UNDER RUBBER BUSH REAR CUSHION	1	250	
181		11204-KEB7-900	PIN SPG HOOK	PIN SPG HOOK	1	300	
180		11205-GHAH-004	BUSH 8*12*8	BUSH 8*12*8	1	110	
172		11205-KED5-900	BUSH M STAND	BUSH M STAND	1	390	
189		11206-KEB7-900	STAY RR FENDER	STAY RR FENDER	1	200	
213		11208-GKAK-901	CLAMPER CARB DRAIN	CLAMPER CARB DRAIN	1	110	
214		11208-KEB7-900	CLAMPER BRAKE WIRE	CLAMPER BRAKE WIRE	1	390	
207		14100-KEB7-900	VALVE COMP REED	VALVE COMP REED	1	2390	
209		15100-KEB7-E00	PUMP ASSY OIL	PUMP ASSY OIL	1	11410	
198		15110-KEB7-900	PLATE OIL PUMP SET	PLATE OIL PUMP SET	1	390	
210		1552A-KEB7-901	TUBE ASSY OIL PASS	TUBE ASSY OIL PASS	1	370	
200		1621A-GKAK-901	INSULATOR CARB ASSY	INSULATOR CARB ASSY	1	390	
202		17100-KEB7-E00	PIPE COMP INLET	PIPE COMP INLET	1	3910	
205		17111-KEB7-980	GASKET INLET PIPE A	GASKET INLET PIPE A	2	200	
206		17112-KEB7-980	GASKET INLET PIPE A @B	GASKET INLET PIPE A @B	2	400	
192		90474-3C33-001	WASHER 8MM	WASHER 8MM	1	60	

E09

# Crankcase OIL PUMP



Sales mark 記号	Ref no 参照用番号	Part no パーツ番号	Description 部品名	Reg description 部品名	Regd no 必要個数	Ref Price 希望小売価格(税抜)	E09
174		91001-GLW0-90A	BRG BALL RADIAL 6204 SPECIAL	BRG BALL RADIAL 6204 SPECIAL	1	2100	
188		91004-KBN2-90A	BRG BALL RADIAL 6201	BRG BALL RADIAL 6201	1	2100	
187		91004-KNBN-92A	BRG BALL RADIAL 6203 SPC 17*40*12	BRG BALL RADIAL 6203 SPC 17*40*12	1	2290	
185		91006-KNBN-901	BRG BALL RADIAL 25*56*12	BRG BALL RADIAL 25*56*12	1	2290	
175		91201-KNBN-92A	OIL SEAL 15.6*25.5*7	OIL SEAL 15.6*25.5*7	1	710	
193		91202-KNBN-92A	OIL SEAL 20*31*7	OIL SEAL 20*31*7	1	680	
194		91204-KNBN-90A	OIL SEAL 17*30*6	OIL SEAL 17*30*6	1	610	
201		91304-GLB0-911	O RING 20.6*1.9	O RING 20.6*1.9	1	60	
211		93500-05012-0F	SCREW PAN 5*12	SCREW PAN 5*12	1	200	
176		94301-10200	DOWEL PIN 10*20	DOWEL PIN 10*20	6	200	
A		95002-02650	CLIP B6.5 TUBE	CLIP B6.5 TUBE	2	110	
190		95701-08012-06	BOLT FLANGE 6*22 (K)	BOLT FLANGE 6*22 (K)	1	60	
197		95701-08040-06	BOLT FLANGE 6*22 (K)	BOLT FLANGE 6*22 (K)	1	160	
195		95801-08035-06	BOLT FLANGE 8*35	BOLT FLANGE 8*35	1	60	
203		96001-06025-06	BOLT FLANGE SH 6*25	BOLT FLANGE SH 6*25	1	60	
199		96001-06032-06	BOLT FLANGE 6*32	BOLT FLANGE 6*32	1	60	
177		96001-06045-06	BOLT FLANGE 6*45 **07 C.2005.07.01	BOLT FLANGE 6*45 **07 C.2005.07.01	1	60	
178		96001-06055-06	BOLT FLANGE 6*55 **07 C.2005.07.01	BOLT FLANGE 6*55 **07 C.2005.07.01	1	60	
186		96100-62033-00	BEARING BALL RADIAL 6203	BEARING BALL RADIAL 6203	1	960	

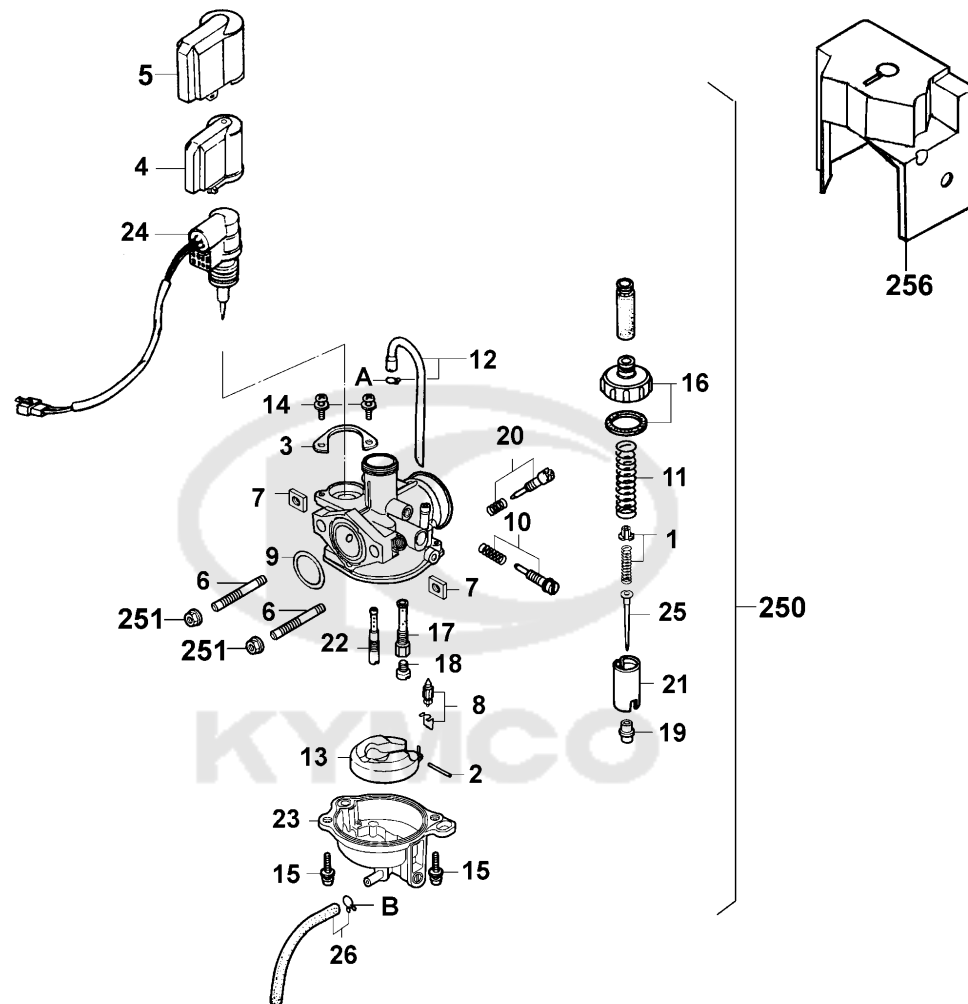


Sales mark 記号	Ref no 参照用番号	Part no パーツ番号	Description 部品名	Reg description 部品名	Regd no 必要個数	Ref Price 希望小売価格(税抜)	E10
231		13000-GKAK-921	CRANK SHAFT COMP	CRANK SHAFT COMP	1	19010	
241		13011-GLW0-90A	PISTON RING SET	PISTON RING SET	1	2670	
240		13101-GLW0-901	PISTON	PISTON	1	2100	
243		13111-1F66-001	PIN PISTON	PIN PISTON	1	490	
244		13115-1F56-001	CLIP PISTON PIN 12MM	CLIP PISTON PIN 12MM	2	160	
238		90741-0E35-001	KEY WOODRUFF	KEY WOODRUFF	1	160	
239		91102-GLW0-009	BRG CON-ROD S. E.	BRG CON-ROD S. E.	1	1340	



E11

# Carburetor

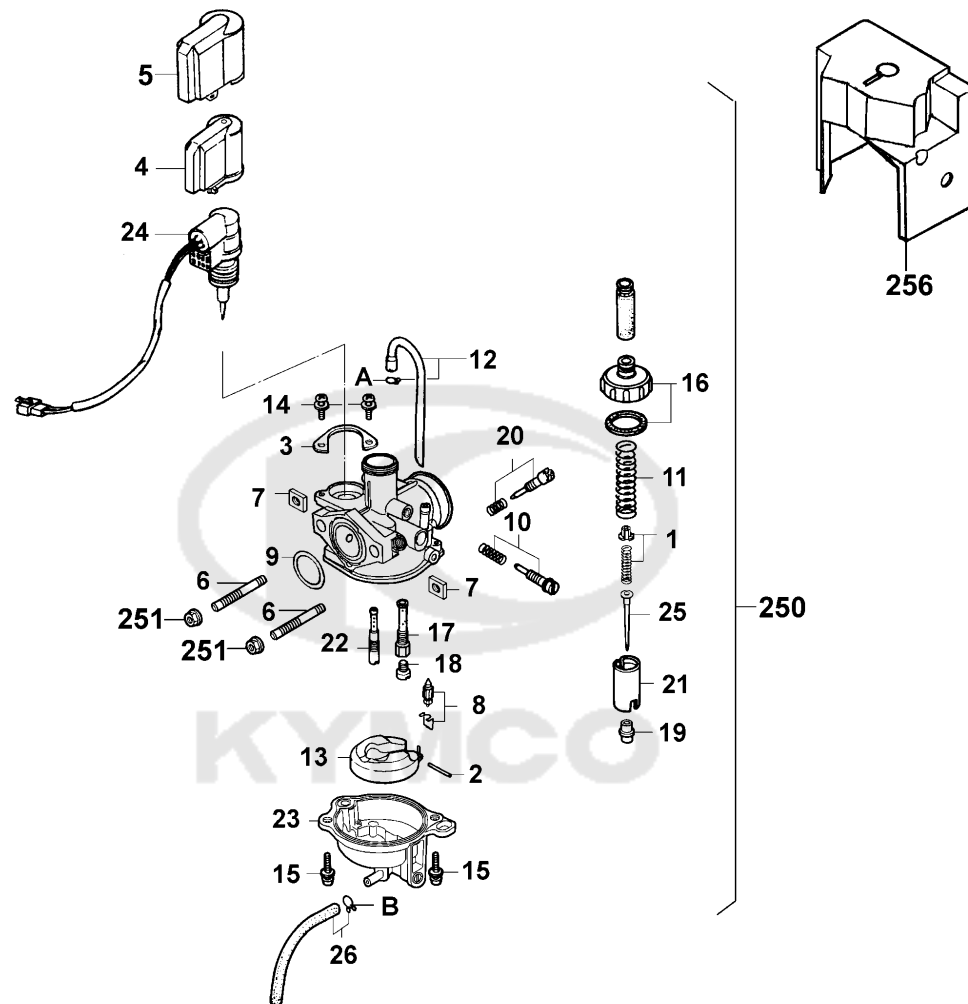


Sales mark 記号	Ref no 参照用番号	Part no パーツ番号	Description 部品名	Reg description 部品名	Regd no 必要個数	Ref Price 希望小売価格(税抜)	E11
22		1001-GC8H-0351	SLOW JET	SLOW JET	1	900	
19		1010-GAKH-9200	NEEDLE JET	NEEDLE JET	1	3940	
21		1020-GAKH-9300	THROTTLE VALVE	THROTTLE VALVE	1	8040	
16		103J-073H-9900-SB00	TOP SET	TOP SET	1	3650	
13		105B-KBNH-9000	FLOAT COMP	FLOAT COMP	1	3810	
11		1300-GW0H-9000-K	SPG COMPR	SPG COMPR	1	130	
250		1610K-KEB7-B000-JP	CARBURETOR ASSY **B20 C.P.N.	CARBURETOR ASSY **B20 C.P.N.	1	19010	
2		16152-KG8-9010-M1	ARM PIN	ARM PIN	1	110	
256		16620-KEB7-E00	CAP CARBURETOR	CAP CARBURETOR	1	580	
3		1703-GJ2H-0040	SET PLATE	SET PLATE	1	110	
4		1738-GJ2H-0040	HOLDER CAP	HOLDER CAP	1	200	
12		1785-KBNH-9000-SB0	TUBE SET (A.V)	TUBE SET (A.V)	1	330	
9		1787-KG8H-9010	O-RING	O-RING	1	110	
7		1793-144H-9900	HEX NUT	HEX NUT	2	110	
6		1799-KBNH-9000	STUD BOLT	STUD BOLT	2	330	
24		4000-077-0000	AUTO BYSTARTER SET	AUTO BYSTARTER SET	1	15700	
14		93892-04008-16	SCREW WASHER 4*8	SCREW WASHER 4*8	1	200	
15		93892-04014-18-3	SCREW WASHER 4*14	SCREW WASHER 4*14	1	60	
251		94050-06080	NUT FLANGE 6MM	NUT FLANGE 6MM	2	60	
A		95002-02070	CLIP B7 TUBE	CLIP B7 TUBE	1	60	



E11

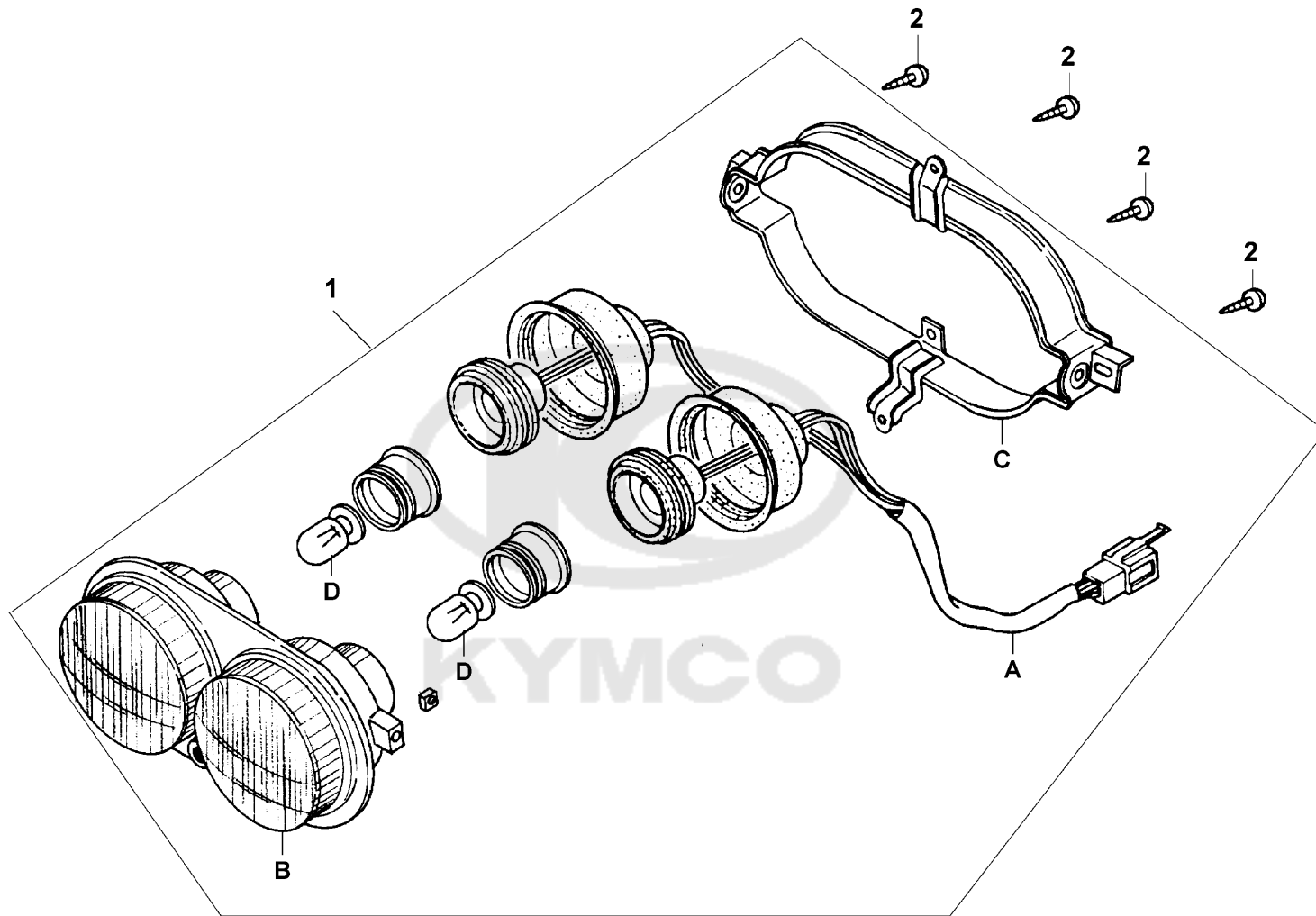
Carburetor



Sales mark 記号	Ref no 参照用番号	Part no パーツ番号	Description 部品名	Reg description 部品名	Regd no 必要個数	Ref Price 希望小売価格(税抜)	E11
B		95002-02080	CLIP B8 TUBE	CLIP B8 TUBE	1	60	
18		99101-116-0850	MAIN JET #85	MAIN JET #85	1	330	
23		K350-KEB-0500	FLOAT CHAMBER SET	FLOAT CHAMBER SET	1	1400	
5		K378-001	CAP ASSY	CAP ASSY	1	210	
1		K506-GW0-0100	VALVE PLATE SET	VALVE PLATE SET	1	140	
26		K785-KEB-0300	TUBE SET (DRAIN)	TUBE SET (DRAIN)	1	300	
17		N413-32A00	NEEDLE JET HOLDER	NEEDLE JET HOLDER	1	580	
25		N425-2RFMK	JET NEEDLE COMP	JET NEEDLE COMP	1	1150	
8		S3620-031-B000	FLOAT VALVE SET	FLOAT VALVE SET	1	960	
20		S4460-213-B001	SCREW SET	SCREW SET	1	970	
10		S536-1241	SCREW SET	SCREW SET	1	580	

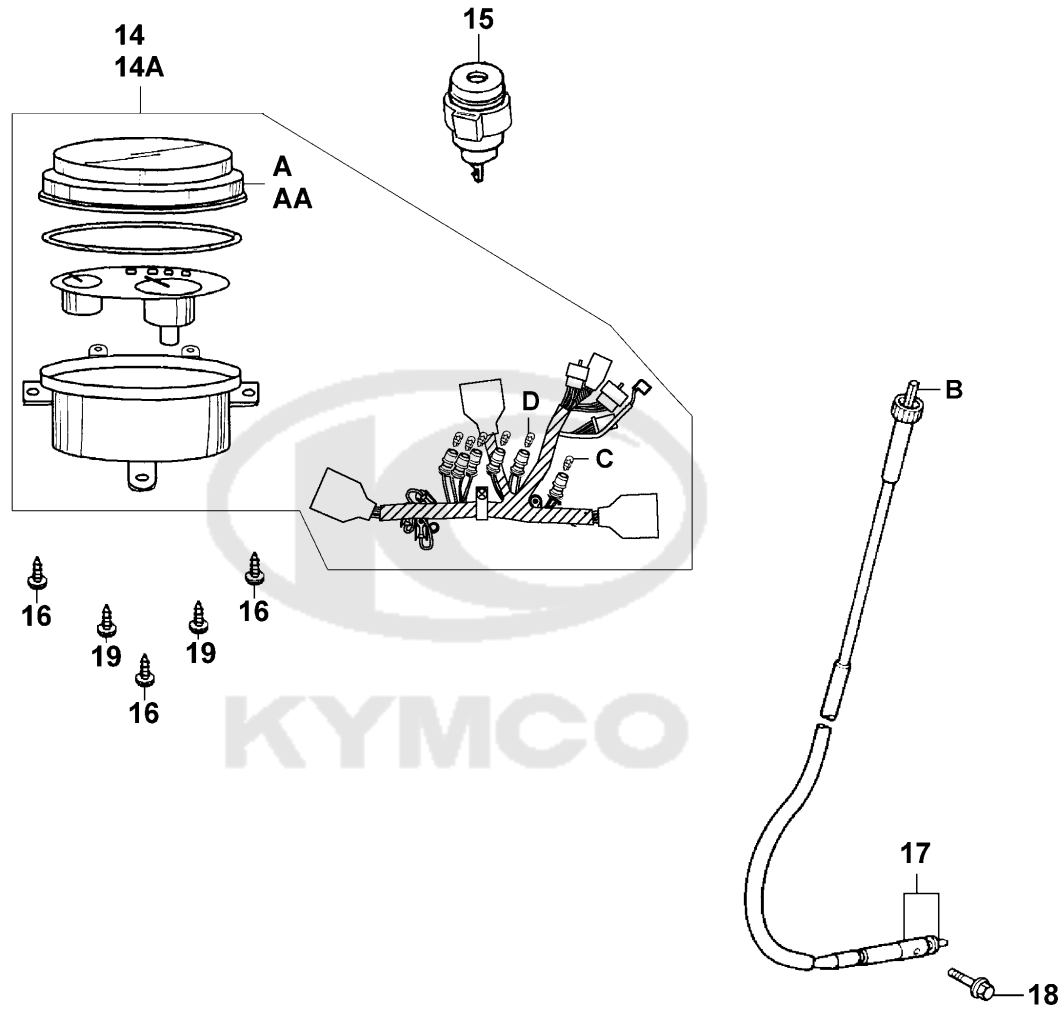
F01

Head Light



Sales mark 記号	Ref no 参照用番号	Part no パーツ番号	Description 部品名	Reg description 部品名	Regd no 必要個数	Ref Price 希望小売価格(税抜)	F01
1		33100-KEB7-E00	LIGHT ASSY HEAD	LIGHT ASSY HEAD	1	13500	
B		33120-KEB7-E00	UNIT HEAD LIGHT	UNIT HEAD LIGHT	1	3910	
C		33121-KEB7-900	STAY MOUNT	STAY MOUNT	1	1920	
A		33130-KEB7-E00	SOCKET COMP	SOCKET COMP	1	630	
D		34901-KEB7-E00	BULB HEAD LIGHT	BULB HEAD LIGHT	2	2480	
2		93903-45360	SCREW WASHER 4*12	SCREW WASHER 4*12	4	200	





Sales mark 記号	Ref no 参照用番号	Part no パーツ番号	Description 部品名	Reg description 部品名	Regd no 必要個数	Ref Price 希望小売価格(税抜)
C		34903-KALA-900	BULB POSITION (12V 5W)	BULB POSITION	1	300
D		34908-MKB9-87A	BULB WEDGE BASE T10	BULB WEDGE BASE T10	5	130
14		37200-KEB7-B000-JP-M1	METER ASSY SPEED	METER ASSY SPEED	1	17830
14A		37200-KEB7-B000-JP-M2	METER ASSY SPEED	METER ASSY SPEED	1	17830
14		37200-KEB7-E0A	METER ASSY SPEED	METER ASSY SPEED	1	17590
14A		37200-KEB7-E0B	METER ASSY SPEED	METER ASSY SPEED	1	18540
A		37211-KEB7-90A	LENS	LENS	1	870
AA		37211-KEB7-90B	LENS	LENS	1	990
15		38300-KEB7-900	RELAY ASSY WINKER	RELAY ASSY WINKER	1	2930
17		44830-KEB7-800	CABLE COMP SPDMT	CABLE COMP SPDMT	1	1060
B		44831-KEB7-800	INNER CABLE	INNER CABLE	1	580
18		93700-05018-0F	SCREW OVAL 5*18	SCREW OVAL 5*18	1	60
19		93903-34360	SCREW WASHER 4*12	SCREW WASHER 4*12	2	60
16		93903-35360	SCREW WASHER 4*12	SCREW WASHER 4*12	1	60

F02

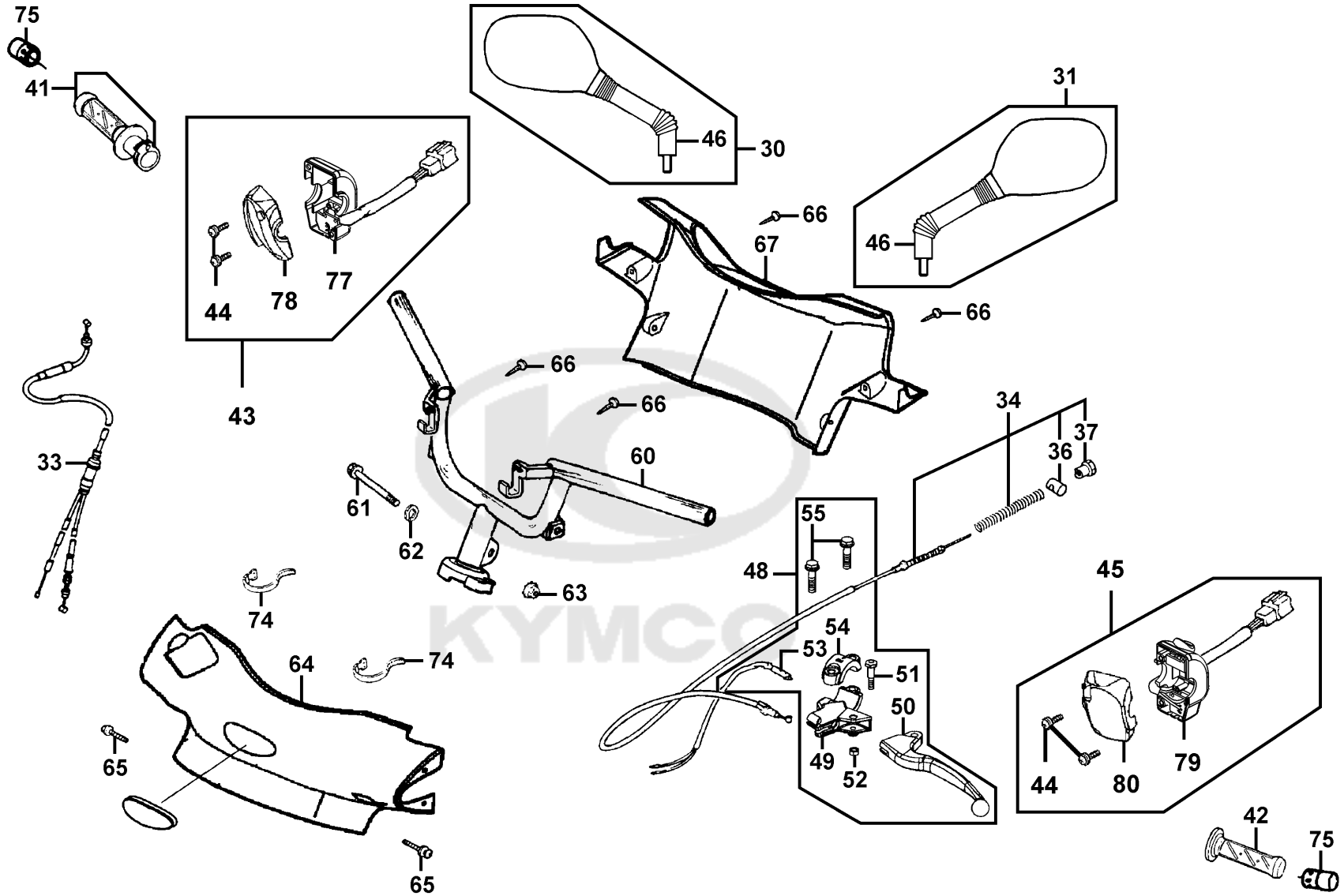


Sales mark 記号	Ref no 参照用番号	Part no パーツ番号	Description 部品名	Reg description 部品名	Regd no 必要個数	Ref Price 希望小売価格(税抜)	F03
	33	17910-KEB7-900	CABLE COMP THROT	CABLE COMP THROT	1	2860	
	77	35151-KEB8-B00	FR CASE RH HNDL COMP SW	FR CASE RH HNDL COMP SW	1	870	
	77	35151-KGBG-910	FR CASE RH HNDL COMP SW	FR CASE RH HNDL COMP SW	1	870	
	78	35152-KGBG-900	RR CASE RH HNDL COMP SW	RR CASE RH HNDL COMP SW	1	870	
	43	3515A-KEB8-B00	SW ASSY RH HNDL COMP	SW ASSY RH HNDL COMP	1	3100	
	43	3515A-KGBG-E00	SW ASSY RH HNDL COMP	SW ASSY RH HNDL COMP	1	3820	
	79	35201-KGBG-910	FR CASE LH HNDL COMP SW	FR CASE LH HNDL COMP SW	1	580	
	80	35202-KGBG-900	RR CASE LH HNDL COMP SW	RR CASE LH HNDL COMP SW	1	770	
	45	3520A-KGBG-E00	SW ASSY LH HNDL COMP	SW ASSY LH HNDL COMP	1	5660	
	53	35340-KKJ9-010	SW ASSY FR STOP	SW ASSY FR STOP	1	510	
	34	43450-KEB7-900	CABLE COMP RR BRK	CABLE COMP RR BRK	1	1630	
	54	45517-GFY6-900	HOLDER HNDL BRKT	HOLDER HNDL BRKT	1	260	
	60	53100-KEB7-900	HANDLE COMP STRG	HANDLE COMP STRG	1	8750	
	75	53105-KNBN-910	END STRG HANDLE	END STRG HANDLE	2	300	
**	41	53140-KNBN-960	GRIP COMP THROT	GRIP COMP THROT	1	770	
**	42	53166-KNBN-911	GRIP L HANDLE	GRIP L HANDLE	1	580	
	49	53172-KTCT-900	BRKT HNDL L	BRKT HNDL L	1	1080	
**	50	53178-GKAK-901	LEVER L STRG HANDLE	LEVER L STRG HANDLE	1	610	
	48	5317B-KEB7-900	BRKT ASSY HANDLE LH	BRKT ASSY HANDLE LH	1	2670	
**	64	53205-KEB7-800	COVER FR HANDLE **8000-RR004P	COVER FR HANDLE **8000-RR004P	1	3480	

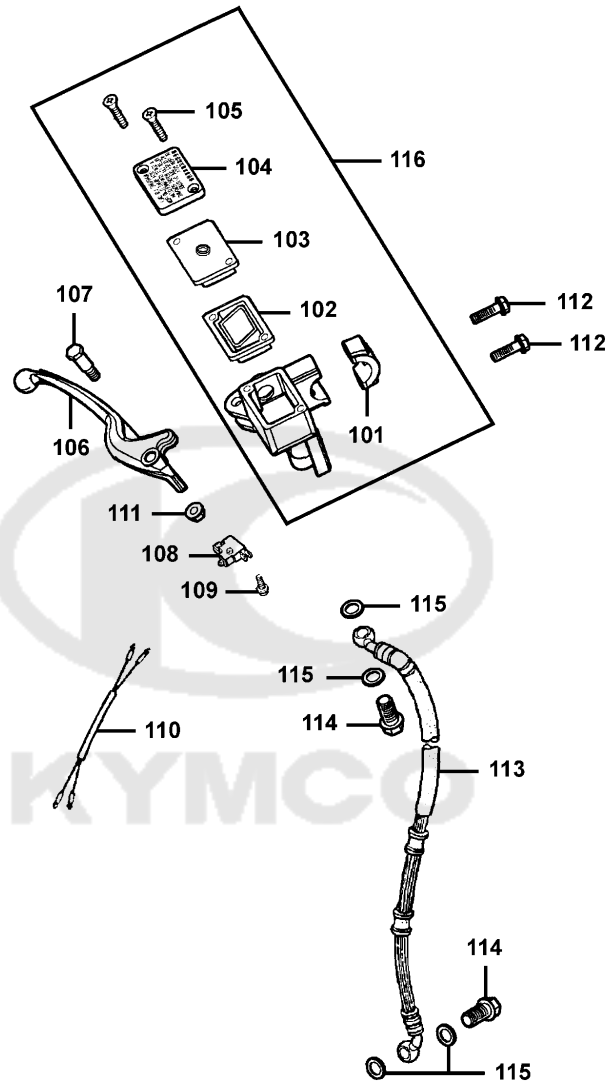


F03

Handle Steering Handle Cover



Sales mark 記号	Ref no 参照用番号	Part no パーツ番号	Description 部品名	Reg description 部品名	Regd no 必要個数	Ref Price 希望小売価格(税抜)	F03
**	67	53206-KEB7-900	COVER RR HANDLE	COVER RR HANDLE	1	1130	
	30	88110-KEB7-E00	MIRROR ASSY R BACK	MIRROR ASSY R BACK	1	1580	
	46	88114-KEB7-900	BOOT MIRROR STAY	BOOT MIRROR STAY	2	540	
	31	88120-KEB7-E00	MIRROR ASSY L BACK	MIRROR ASSY L BACK	1	1580	
	65	90110-KEB7-900	SCREW SPECIAL 6*14	SCREW SPECIAL 6*14	2	130	
	51	90115-GLE0-001	BOLT HNDL LEVER PIVOT	BOLT HNDL LEVER PIVOT	1	60	
	63	90304-GHE8-004	NUT CAP 6MM	NUT CAP 6MM	1	200	
	74	90656-KCBC-900	BAND OIL HANDLE	BAND OIL HANDLE	1	60	
	44	93500-KGBG-900	SCREW TAPPING M 5*25L	SCREW TAPPING M 5*25L	2	60	
	66	93903-34360	SCREW WASHER 4*12	SCREW WASHER 4*12	2	60	
	52	94001-05080-0S	NUT HEX 5MM	NUT HEX 5MM	1	60	
	62	94101-10800	WASHER PLAIN 10MM	WASHER PLAIN 10MM	1	200	
	36	95015-32001	JOINT B BRAKE ARM	JOINT B BRAKE ARM	1	60	
	37	95015-42000	NUT B ADJUST	NUT B ADJUST	1	60	
	61	95801-10040-06	BOLT FLANGE 10*40	BOLT FLANGE 10*40	1	80	
	55	96001-06025-06	BOLT FLANGE SH 6*25	BOLT FLANGE SH 6*25	2	60	



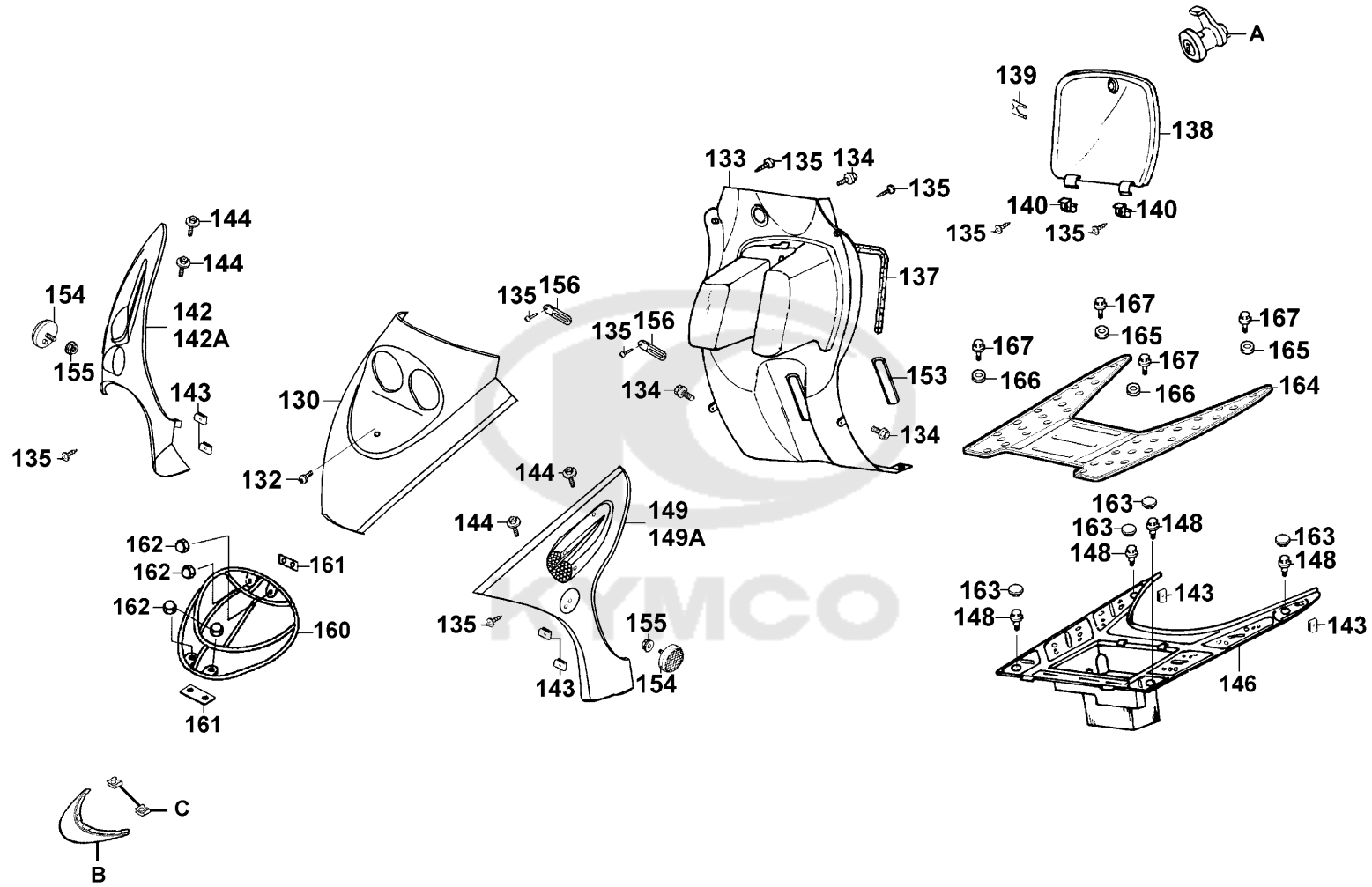
Sales mark 記号	Ref no 参照用番号	Part no パーツ番号	Description 部品名	Reg description 部品名	Regd no 必要個数	Ref Price 希望小売価格(税抜)	F04
	110	32101-GFY6-901	SUB CORD R	SUB CORD R	1	300	
	108	35340-KNBN-901	SW ASSY FR STOP	SW ASSY FR STOP	1	960	
	113	45126-KEB7-900	HOSE ASSY FR BRK	HOSE ASSY FR BRK	1	9180	
	104	45513-KCCC-900	CAP M/C	CAP M/C	1	580	
	101	45517-KFAF-910	HOLDER M/C	HOLDER M/C	1	440	
	102	45520-KCCC-900	DIAPHRAGM	DIAPHRAGM	1	960	
	103	45521-KCCC-900	PLATE DIAPHRAGM	PLATE DIAPHRAGM	1	390	
	116	45530-KEB7-306	CYLINDER SET MASTER	CYLINDER SET MASTER	1	13120	
**	106	53175-KTCT-900	LEVER R STRG HNDL	LEVER R STRG HNDL	1	680	
	107	90114-1F66-007	BOLT HANDLE LEVER	BOLT HANDLE LEVER	1	60	
	114	90145-LEA3-E00	OIL BOLT 10x22	OIL BOLT 10x22	1	150	
	115	90545-3L00-001	WASHER OIL BOLT	WASHER OIL BOLT	4	60	
	105	93600-04012-1G	SCREW FLAT 4*12	SCREW FLAT 4*12	2	60	
	109	93893-04012-18	SCREW WASHER 4*12	SCREW WASHER 4*12	1	60	
	111	94050-06060	NUT FLANGE 6MM	NUT FLANGE 6MM	1	60	
	112	96001-06022-06	BOLT FLANGE SH 6*22 (G)	BOLT FLANGE SH 6*22 (G)	2	60	



Sales mark 記号	Ref no 参照用番号	Part no パーツ番号	Description 部品名	Reg description 部品名	Regd no 必要個数	Ref Price 希望小売価格(税抜)	F05
	154	33741-GFY6-C30	REFLEX REFLECTOR	REFLEX REFLECTOR	2	730	
	160	64212-KEB7-900	VISOR HEAD LIGHT	VISOR HEAD LIGHT	1	1340	
	161	64215-KEB7-900	STAY VISOR	STAY VISOR	2	390	
**	130	64301-KEB7-800	COVER FR/A:YR108/B:NH105 **Y5A	COVER FR/A:YR108/B:NH105 **Y5A	1	9130	
**	B	64302-KEB7-900	SPOILER FRONT	SPOILER FRONT	1	3240	
	C	64303-KEB7-900	CLIP SPOILER	CLIP SPOILER	2	160	
**	142	64304-KEB7-900	COVER R SIDE/ no painted	COVER R SIDE/ no painted	1	4930	
**	142A	64304-KEB7-E00	COVER R SIDE **E000-BG314P	COVER R SIDE **E000-BG314P	1	4960	
**	149	64305-KEB7-900	COVER L SIDE **(0) C.2001.12.03	COVER L SIDE **(0) C.2001.12.03	1	4960	
**	149A	64305-KEB7-E00	COVER L SIDE /painted	COVER L SIDE /painted	1	4960	
**	146	64310-KEB7-900	FLOOR PANEL	FLOOR PANEL	1	5880	
	164	64312-KEB7-E00	COVER FLOOR	COVER FLOOR	1	11030	
	165	64313-KEB7-E00	COLLAR FR FLOOR	COLLAR FR FLOOR	2	110	
	166	64314-KEB7-E00	COLLAR RR FLOOR	COLLAR RR FLOOR	2	110	
**	163	64316-KEB7-900	PLUG FLOOR PANEL	PLUG FLOOR PANEL	4	200	
	139	75581-6C73-001	SET SPG LOCK KEY	SET SPG LOCK KEY	1	200	
	A	77232-GLW0-315-M2	LOCK SET FUEL LID	LOCK SET FUEL LID	1	1150	
**	133	81131-KEB7-900	LEG SHIELD	LEG SHIELD	1	3620	
**	153	81132-KEB7-900	LID LEG SHIELD	LID LEG SHIELD	1	300	
**	138	81141-KEB7-900	LID INNER BOX	LID INNER BOX	1	2860	

F05

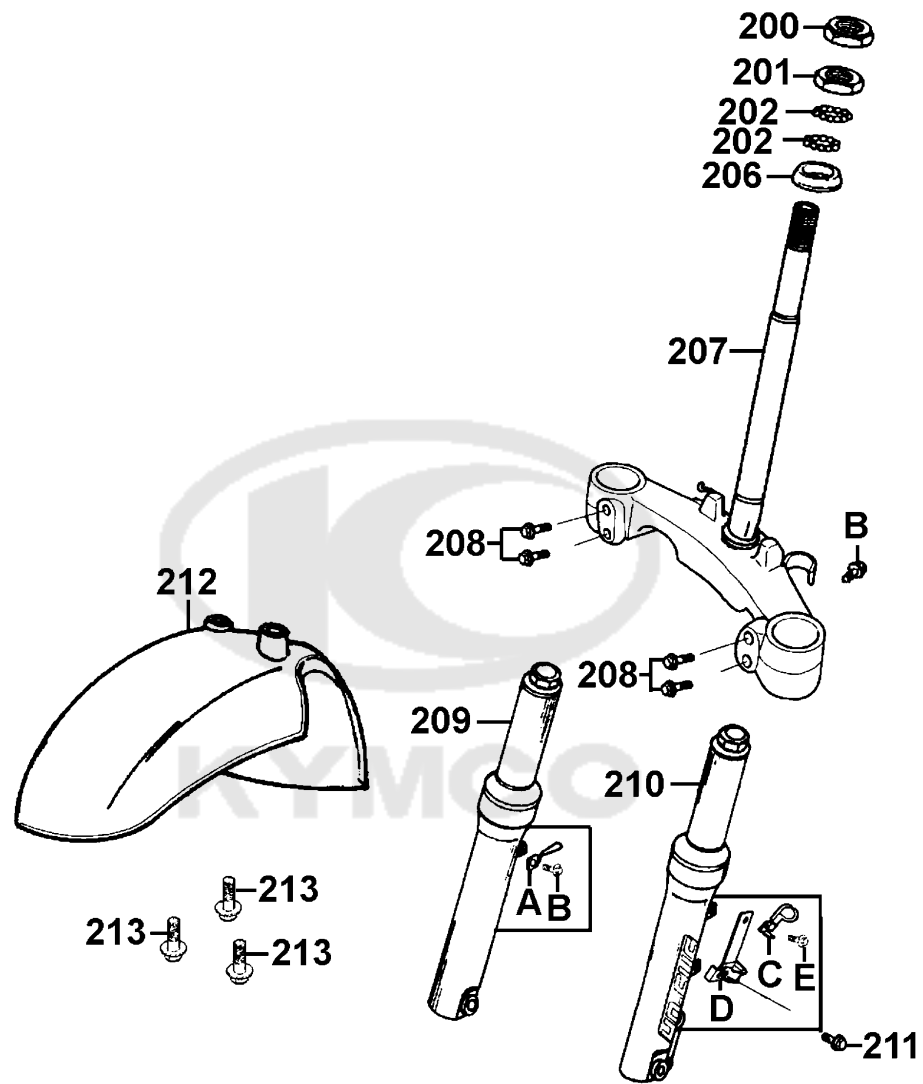
Front Cover Floor Panel



Sales mark 記号	Ref no 参照用番号	Part no パーツ番号	Description 部品名	Reg description 部品名	Regd no 必要個数	Ref Price 希望小売価格(税抜)
140		81142-KACA-900	STAY INNER BOX LID	STAY INNER BOX LID	2	300
137		81146-GBN2-001	SEAL RUBBER A	SEAL RUBBER A	1	230
132		90110-KEB7-900	SCREW SPECIAL 6*14	SCREW SPECIAL 6*14	1	130
162		90215-GLM0-910	NUT CAP 6MM	NUT CAP 6MM	4	160
144		90302-GFY6-901	BOLT WASH 5*12 **(1) C.V.	BOLT WASH 5*12 **(1) C.V.	2	60
143		90302-SDA4-004	NUT SPRING 4MM	NUT SPRING 4MM	2	60
134		93404-06012-06	BOLT WASHER 6*12 (G)	BOLT WASHER 6*12 (G)	1	200
148		93404-06025-06	BOLT WASHER 6*25	BOLT WASHER 6*25	4	200
135		93903-34360	SCREW WASHER 4*12	SCREW WASHER 4*12	2	60
155		94050-06080	NUT FLANGE 6MM	NUT FLANGE 6MM	2	60
156		94591-21000	CLIP 2*100	CLIP 2*100	2	110
167		95701-06028-06	BOLT FLANGE 6*28 (G)	BOLT FLANGE 6*28 (G)	1	200

F05



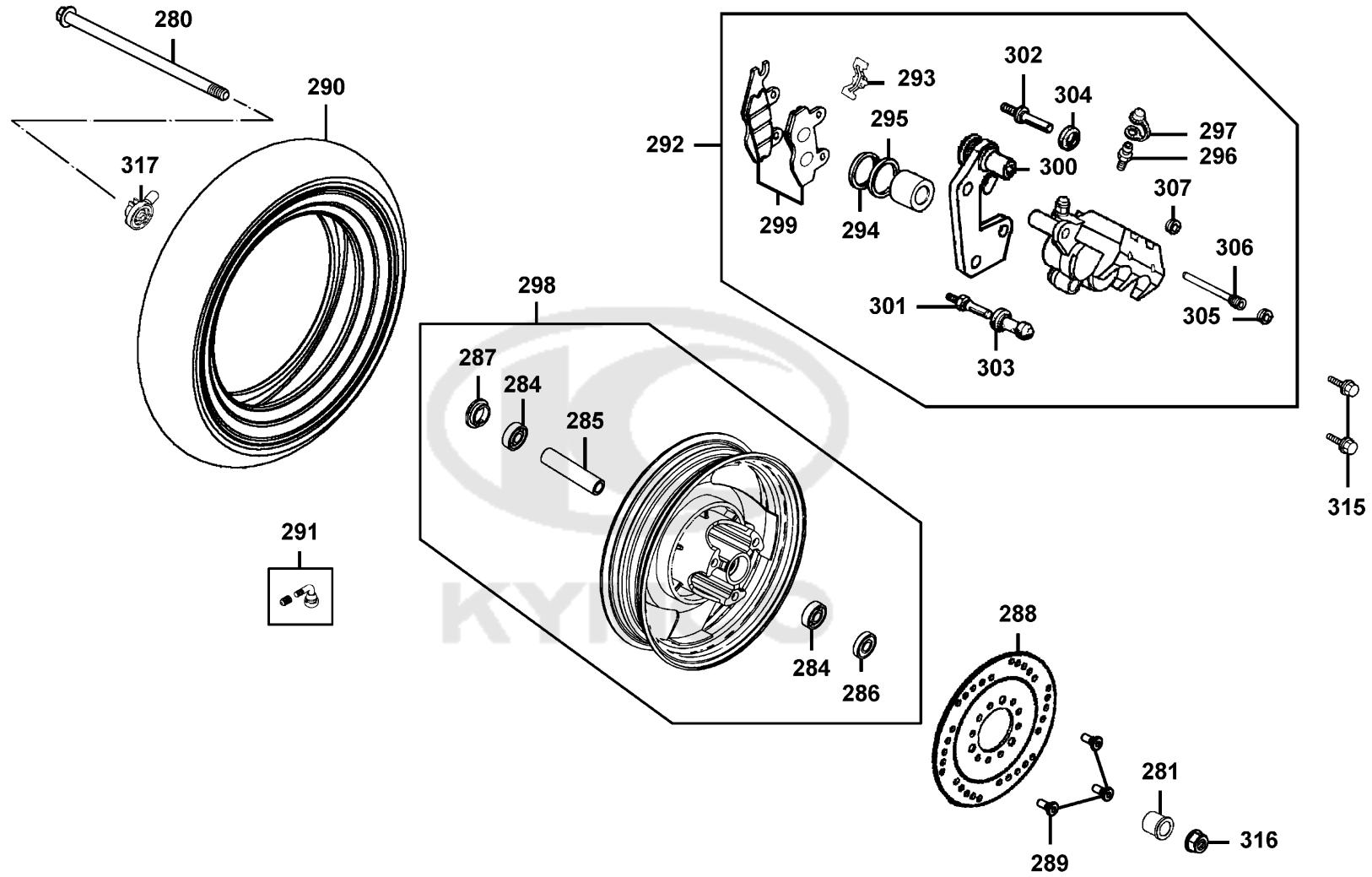


Sales mark 記号	Ref no 参照用番号	Part no パーツ番号	Description 部品名	Reg description 部品名	Regd no 必要個数	Ref Price 希望小売価格(税抜)
C		45128-KEB7-900	CLAMPER FR BRAKE HOSE	CLAMPER FR BRAKE HOSE	1	390
A		45156-KDLD-901	CLAMPER FR BRAKE HOSE	CLAMPER FR BRAKE HOSE	1	490
D		45465-KEB7-E00	GUIDE HOSE BRAKE FR	GUIDE HOSE BRAKE FR	1	230
200		50306-1F96-001	NUT STRG STEM LOCK	NUT STRG STEM LOCK	1	300
**	209	5140A-KEB7-810	FORK SET R FR	FORK SET R FR	1	18630
**	210	5150A-KEB7-810	FORK SET L FR	FORK SET L FR	1	18630
	207	53200-KEB7-E00	STEM COMP STRG	STEM COMP STRG	1	11410
	201	53211-GFY6-940	RACE STRG TOP CONE	RACE STRG TOP CONE	1	580
	206	53212-GHC8-004	RACE (STRG BOTTOM) CONE	RACE (STRG BOTTOM) CONE	1	390
**	212	61110-KEB7-800	FENDER FR	FENDER FR	1	13030
	213	90110-KEB7-900	SCREW SPECIAL 6*14	SCREW SPECIAL 6*14	3	130
B		95701-06012-06	BOLT FLANGE 6*22 (K)	BOLT FLANGE 6*22 (K)	1	60
E		95701-06016-06	BOLT FLANGE 6*22 (K)	BOLT FLANGE 6*22 (K)	1	110
208		95801-08040-06	BOLT FLANGE 8*40	BOLT FLANGE 8*40	1	60
202		96211-05000	BALL STEEL #5	BALL STEEL #5	26	60

F06

F07

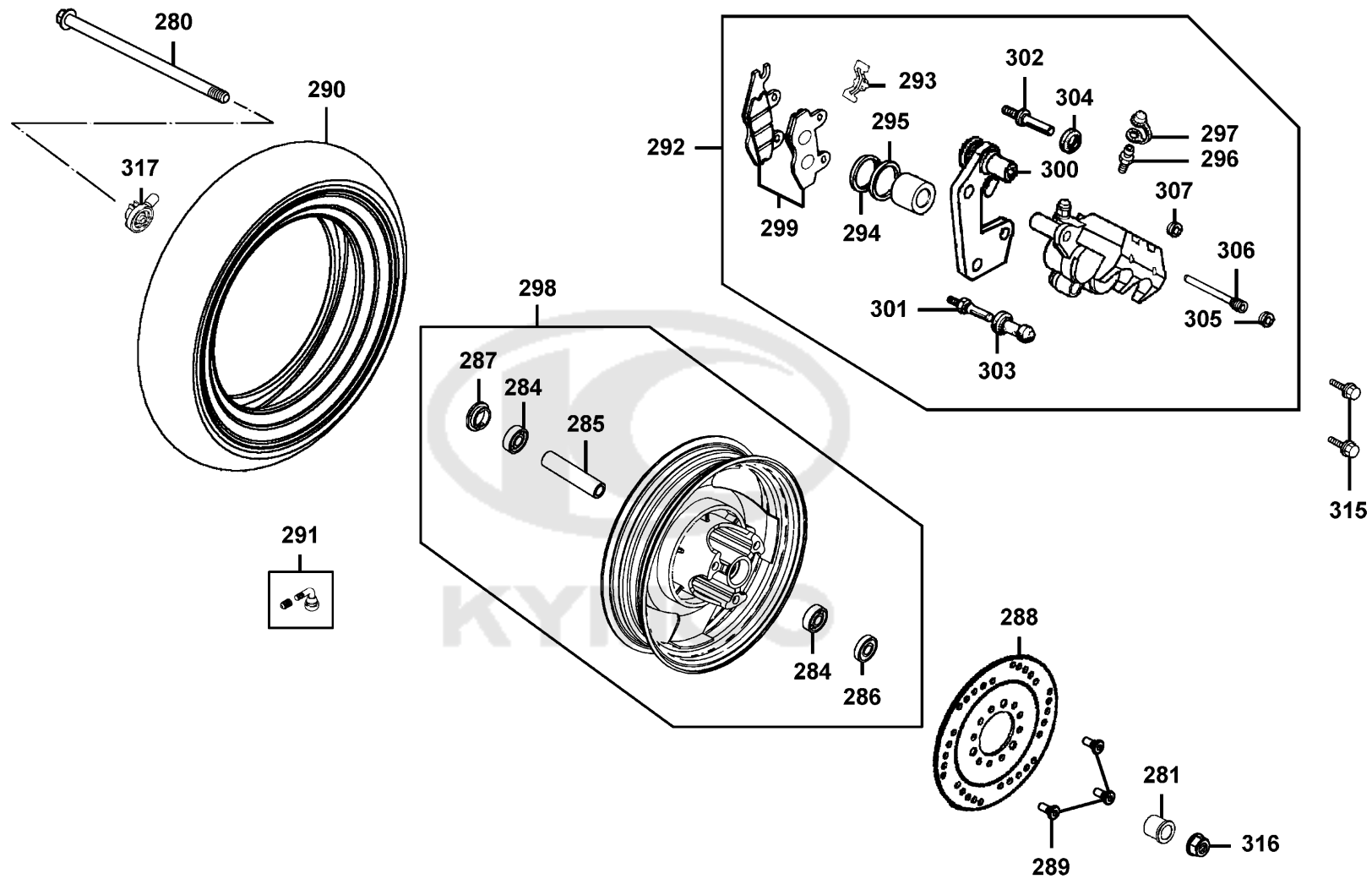
Front Wheel



Sales mark 記号	Ref no 参照用番号	Part no パーツ番号	Description 部品名	Reg description 部品名	Regd no 必要個数	Ref Price 希望小売価格(税抜)	F07
	291	42753-0F06-900	VALVE (PVR-70(B)) & CAP (E)	VALVE (PVR-70(B)) & CAP (E)	1	500	
	293	43108-KFS6-07A	SPRING PAD	SPRING PAD	1	300	
	294	43109-MCA3-007	DUST SEAL	SEAL PISTON	1	200	
	295	43209-MCA3-007	SEAL PISTON	SEAL PISTON	1	200	
	296	43352-5H68-004	SCREW BLEEDER	SCREW BLEEDER	1	300	
	297	43353-4A61-77A	CAP BLEEDER	CAP BLEEDER	1	130	
	281	44311-GLW0-911	COLLAR FR WHEEL SIDE	COLLAR FR WHEEL SIDE	1	390	
	285	44620-KEB7-E00	COLLAR FR DIST	COLLAR FR DIST	1	390	
**	298	44650-KEB7-315	WHEEL SET FR	WHEEL SET FR	1	27380	
	290	44710-KEB7-E1A	TIRE ASSY FR 120/70-12 56J /CHENG	TIRE ASSY FR 120/70-12 56J /CHENG SHIN	1	18620	
	317	44800-KXCX-E00	GEAR BOX ASSY SPDMT	GEAR BOX ASSY SPDMT	1	3430	
**	292	45100-KXCX-E00	CALIPER ASSY FR L	CALIPER ASSY FR L	1	18310	
	299	45105-KXCX-305-M2	PAD ASSY	PAD ASSY	1	2200	
	300	45110-KXCX-E00	BRACKET COMP FR CALIPER	BRACKET COMP FR CALIPER	1	2630	
	288	45121-KECE-900	DISK FR BRK	DISK FR BRK	1	10080	
	301	45131-1F66-017	PIN BOLT	PIN BOLT	1	890	
	302	45131-HEA5-67A	PIN BOLT A	PIN BOLT A	1	960	
	303	45132-1F66-017	BUSH BOOT PIN	BUSH BOOT PIN	1	780	
	304	45133-MCA3-007	BOOT B	BOOT B	1	230	
	305	45203-MCG3-007	PLUG PIN	PLUG PIN	1		

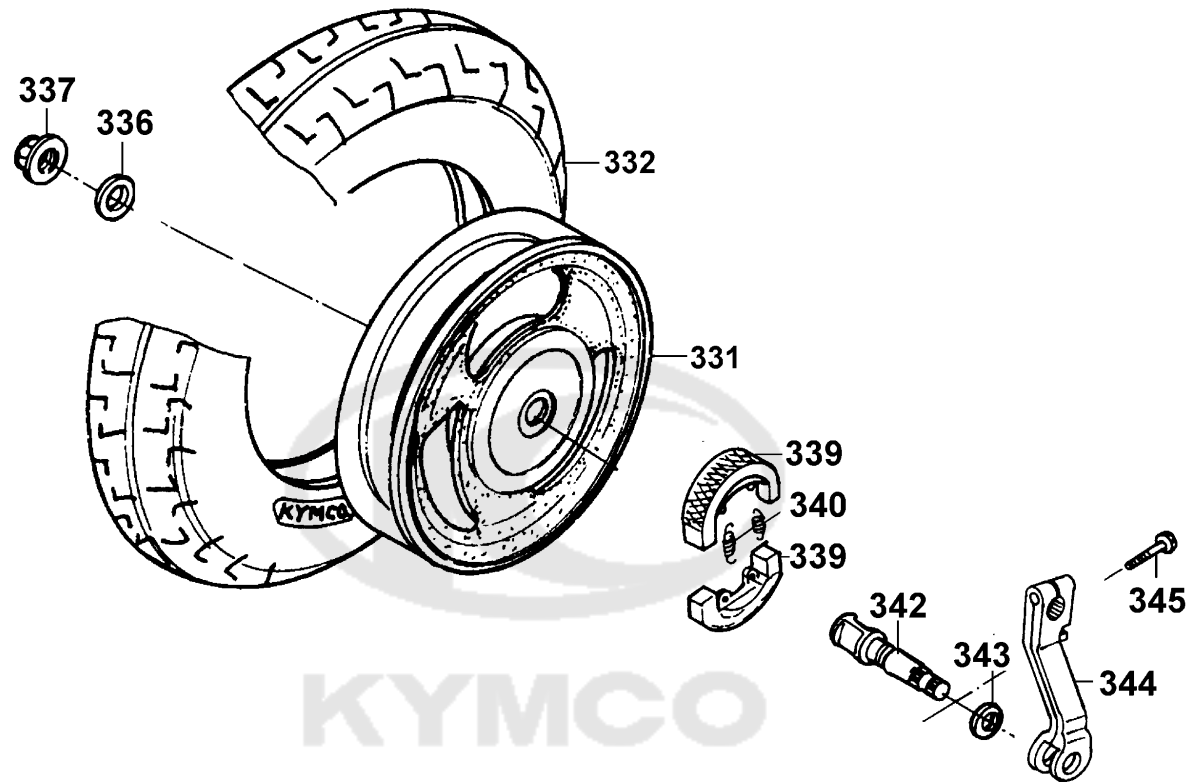
F07

Front Wheel



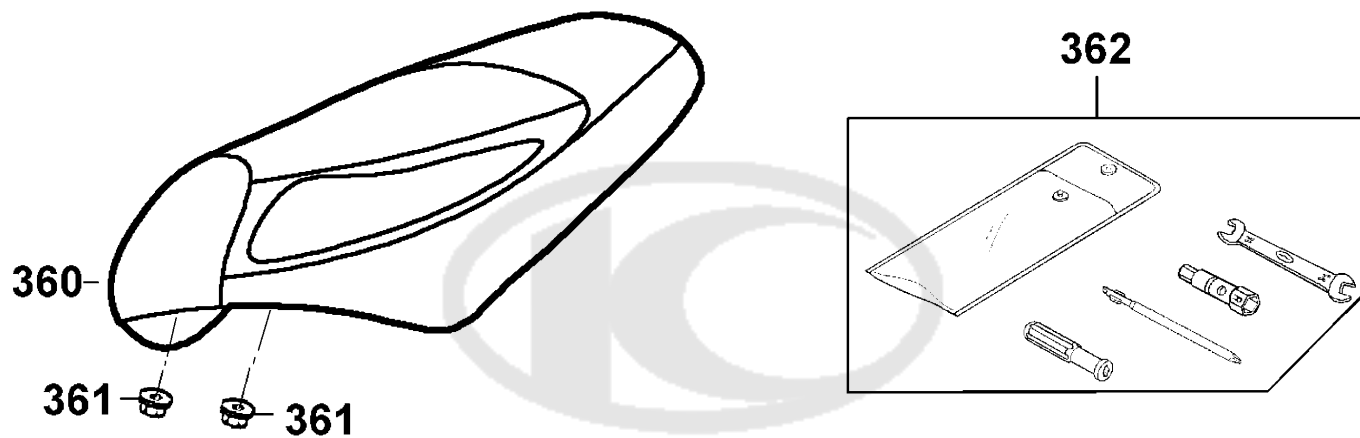
Sales mark 記号	Ref no 参照用番号	Part no パーツ番号	Description 部品名	Reg description 部品名	Regd no 必要個数	Ref Price 希望小売価格(税抜)	F07
306		45215-KCA3-73A	PIN HANGER	PIN HANGER	2	330	
307		45531-GAR1-951	PLUG	PLUG	1	110	
289		90105-KCR3-001	BOLT FR DISK 8*24	BOLT FR DISK 8*24	3	80	
280		90121-KBE2-981	BOLT RR FORK PIVOT M12*255MM	BOLT RR FORK PIVOT M12*255MM	1	770	
315		90131-GLW0-911	BOLT FLANGE 8*35	BOLT FLANGE 8*35	2	80	
316		90306-GLW0-90A	NUT FLANGE 12MM	NUT FLANGE 12MM	1	320	
286		90754-GHC8-00A	SEAL DUST 20*32*5	SEAL DUST 20*32*5	1	100	
284		90912-GHC8-00A	BEARING 6201 (U)	BEARING 6201 (U)	2	770	
284		90912-GHC8-00D	BEARING	BEARING	2	630	
287		91258-KAM1-00A	SEAL SPDMT GEAR BOX	SEAL SPDMT GEAR BOX	1	300	





Sales mark 記号	Ref no 参照用番号	Part no パーツ番号	Description 部品名	Reg description 部品名	Regd no 必要個数	Ref Price 希望小売価格(税抜)	F08
**	331	42601-KEB7-E0E	WHEEL COMP RR CAST	WHEEL COMP RR CAST	1	26620	
	332	42710-KEB7-E1A	TIRE ASSY RR /130/70-12 59J /CHENG	TIRE ASSY RR /130/70-12 59J /CHENG SHIN	1	11340	
	339	4312A-KXCX-900	SHOE ASSY RR BRK	SHOE ASSY RR BRK	1	1960	
	342	43141-GKAK-901	CAM RR BRAKE	CAM RR BRAKE	1	770	
	344	43410-KEB7-900	ARM COMP RR BRAKE	ARM COMP RR BRAKE	1	1460	
	340	45133-0H28-001	SPRING BRAKE SHOE	SPRING BRAKE SHOE	2	160	
	337	90305-KNBN-90B	NUT U 16MM	NUT U 16MM	1	110	
	336	90501-KNBN-901	WASHER 16MM	WASHER 16MM	1	80	
	343	91352-KHG8-83B	O-RING 11.3*1.3	O-RING 11.3*1.3	1	60	
	345	95701-06022-06	BOLT FLANGE 6*22	BOLT FLANGE 6*22	1	60	





KYMCO

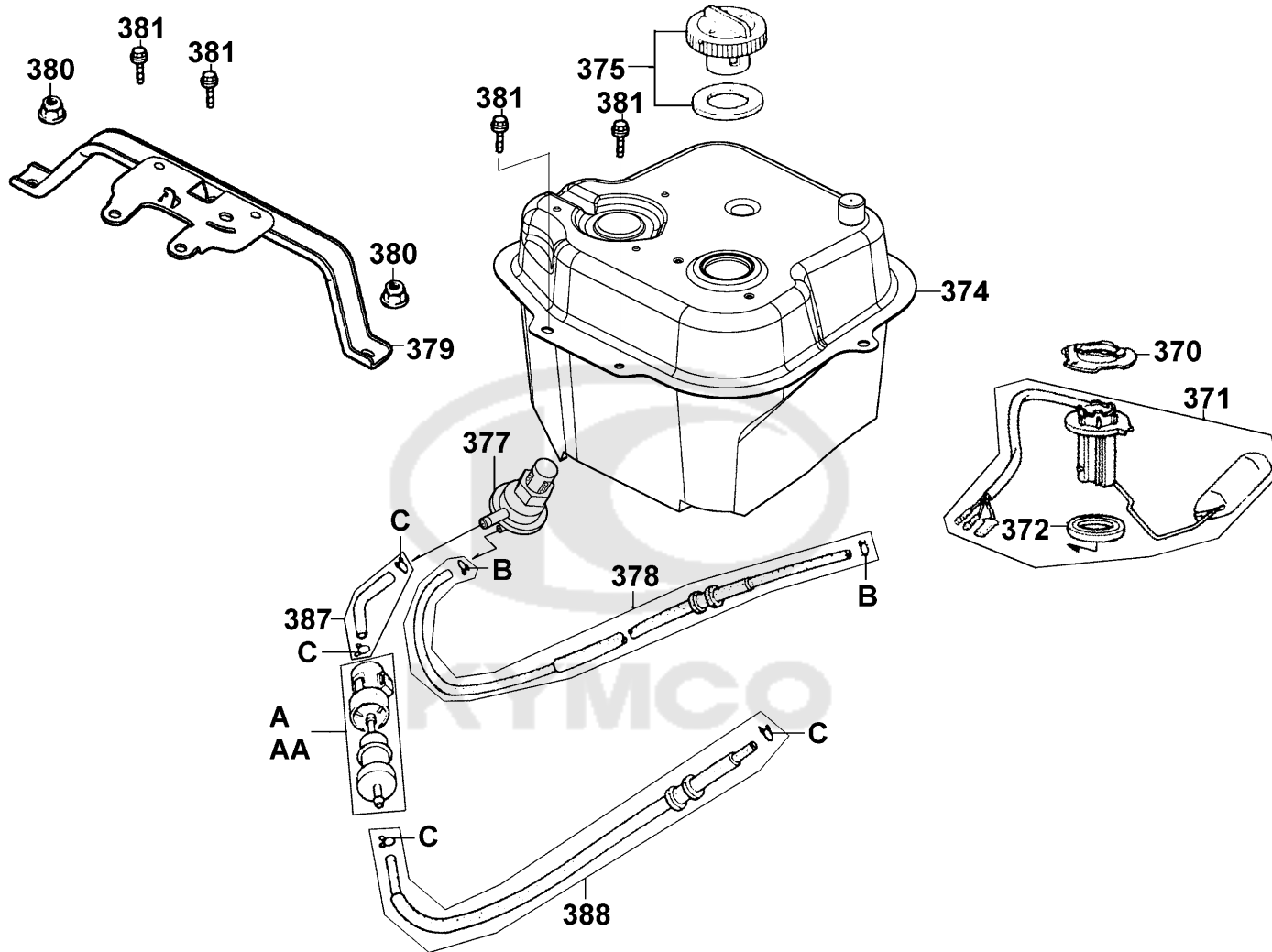
Sales mark 記号	Ref no 参照用番号	Part no パーツ番号	Description 部品名	Reg description 部品名	Regd no 必要個数	Ref Price 希望小売価格(税抜)	F09
------------------	-----------------	------------------	--------------------	------------------------	-----------------	-------------------------	-----

**	360	77200-KEB7-E00	SEAT COMP	SEAT COMP	1	10580	
	362	89010-KNBN-900	TOOL SET	TOOL SET	1	1080	
	361	94050-06080	NUT FLANGE 6MM	NUT FLANGE 6MM	2	60	

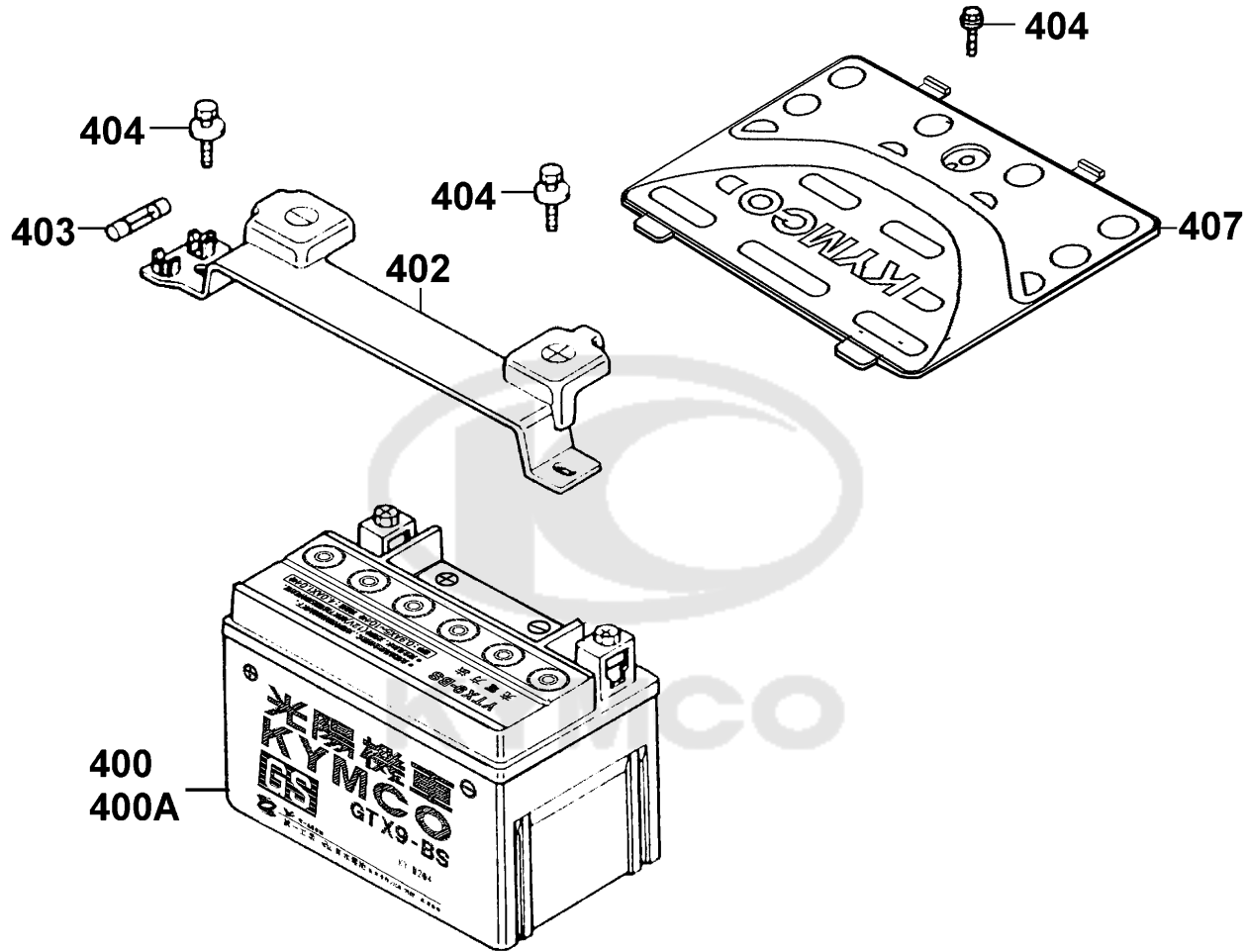


F10

Fuel Tank



Sales mark 記号	Ref no 参照用番号	Part no パーツ番号	Description 部品名	Reg description 部品名	Regd no 必要個数	Ref Price 希望小売価格(税抜)	F10
A		1691A-GFY6-90A	STRAINER ASSY FUEL	STRAINER ASSY FUEL	1	1010	
AA		1691A-GFY6-90B	STRAINER ASSY FUEL	STRAINER ASSY FUEL	1	1150	
377		16950-KKJ9-75A	AUTO COCK ASSY FUEL	AUTO COCK ASSY FUEL	1	2580	
374		17500-KEB7-E10	TANK COMP FUEL	TANK COMP FUEL	1	15210	
375		17620-GGS7-E10	CAP COMP FUEL FILLER	CAP COMP FUEL FILLER	1	1650	
372		37801-GGA7-701	PACKING BASE	PACKING BASE	1	130	
370		37802-GGA7-701	RET FUEL UNIT	RET FUEL UNIT	1	200	
371		3780A-KEB7-900	FUEL UNIT ASSY	FUEL UNIT ASSY	1	3240	
379		77230-KEB7-E00	STAY ASSY SEAT CATCH	STAY ASSY SEAT CATCH	1	2860	
380		94050-06080	NUT FLANGE 6MM	NUT FLANGE 6MM	2	60	
B		95002-02070	CLIP B7 TUBE	CLIP B7 TUBE	2	60	
C		95002-02080	CLIP B8 TUBE	CLIP B8 TUBE	4	60	
378		9500B-KEB7-E00	TUBE ASSY VACUUM	TUBE ASSY VACUUM	1	200	
387		9500C-KEB7-900	TUBE ASSY FUEL	TUBE ASSY FUEL	1	200	
388		9500E-KEB7-900	TUBE ASSY FUEL	TUBE ASSY FUEL	1	230	
381		95701-06012-06	BOLT FLANGE 6*22 (K)	BOLT FLANGE 6*22 (K)	1	60	



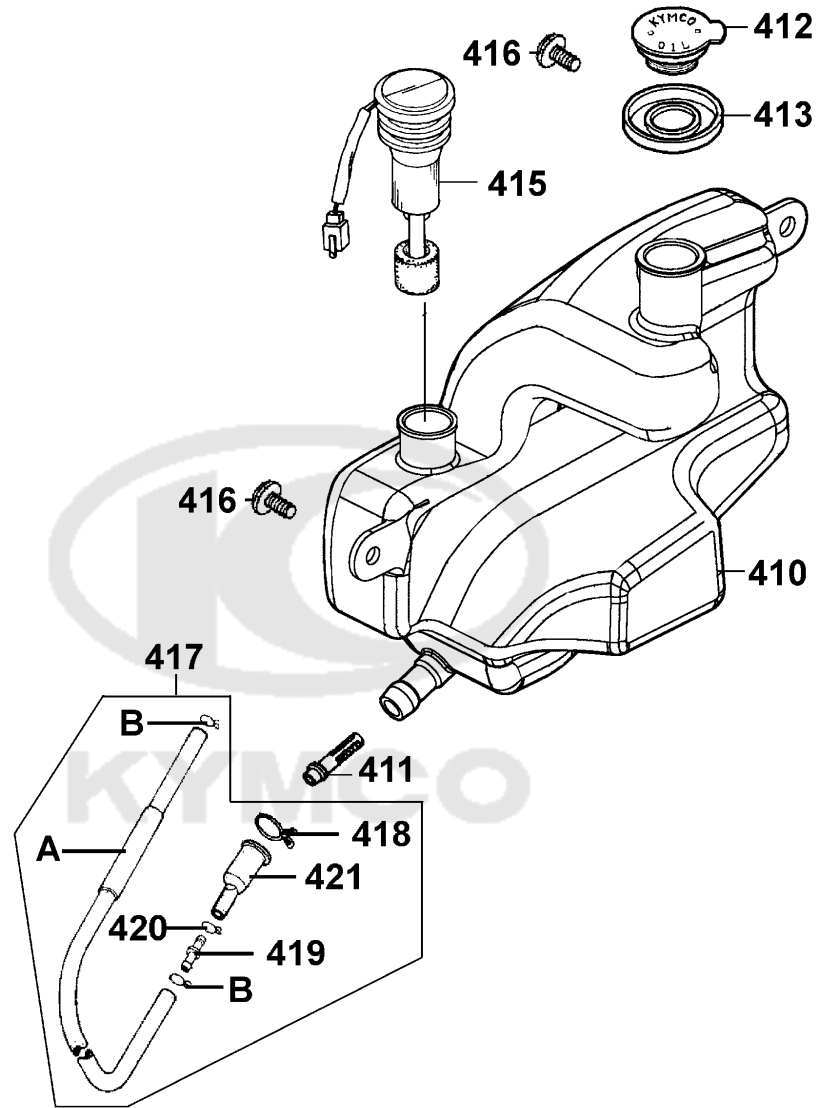
Sales mark 記号	Ref no 参照用番号	Part no パーツ番号	Description 部品名	Reg description 部品名	Regd no 必要個数	Ref Price 希望小売価格(税抜)
	400	31500-KNBN-92A	BATTERY YTX5L-BS	BATTERY YTX5L-BS	1	11130
	400A	31500-KNBN-92B	BATTERY YTX5L-BS	BATTERY YTX5L-BS	1	11130
**	407	50326-KEB7-900	COVER BATTERY	COVER BATTERY	1	350
	402	50328-KKDK-900	BAND BATTERY	BAND BATTERY	1	140
	404	90302-GFY6-901	BOLT WASH 5*12 **(1) C.V.	BOLT WASH 5*12 **(1) C.V.	2	60
	403	98200-10700	FUSE A7	FUSE A7	1	60

F11



F12

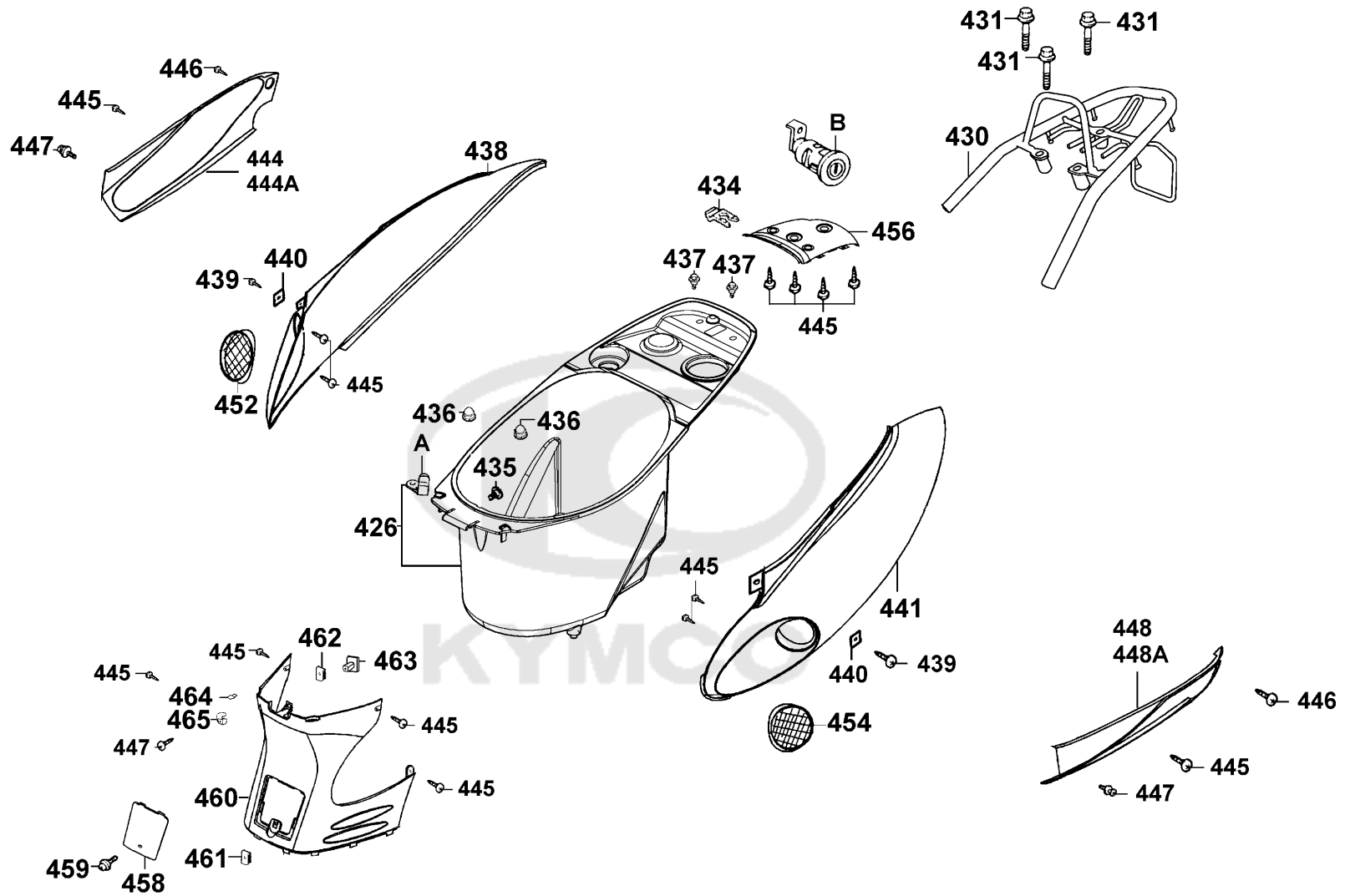
OIL TANK



Sales mark 記号	Ref no 参照用番号	Part no パーツ番号	Description 部品名	Reg description 部品名	Regd no 必要個数	Ref Price 希望小売価格(税抜)
418		15772-5A51-001	CLIP BREATHER TUBE	CLIP BREATHER TUBE	1	160
411		17502-1G87-001	OIL STRAINER	OIL STRAINER	1	300
415		35410-KEB7-900	SW COMP OIL LEVEL	SW COMP OIL LEVEL	1	4740
410		55100-KEB7-900	TANK OIL	TANK OIL	1	2490
419		55102-1F66-001	JOINT OIL TUBE	JOINT OIL TUBE	1	160
412		55106-KEB7-900	CAP ASSY OIL	CAP ASSY OIL	1	330
413		55121-KEB7-900	RUBBER OIL GUIDE	RUBBER OIL GUIDE	1	230
A		55123-KNBN-901	TUBE 5.3 OIL	TUBE 5.3 OIL	1	420
417		55200-KNBN-901	TUBE ASSY OIL	TUBE ASSY OIL	1	820
421		55201-GHC8-001	JOINT OIL STRN	JOINT OIL STRN	1	140
416		90302-GFY6-901	BOLT WASH 5*12 **(1) C.V.	BOLT WASH 5*12 **(1) C.V.	2	60
B		95002-02100	CLIP B15 TUBE	CLIP B15 TUBE	2	60
420		95002-50000	CLIP C9 TUBE	CLIP C9 TUBE	1	60

F12





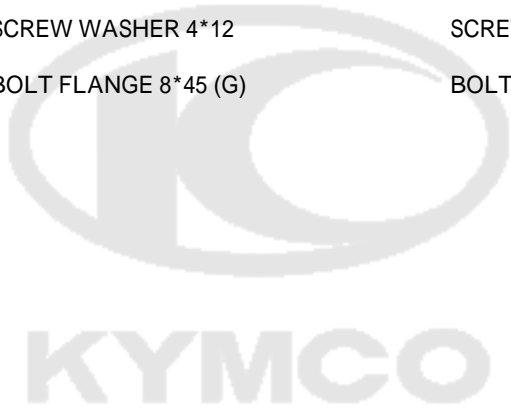
Sales mark 記号	Ref no 参照用番号	Part no パーツ番号	Description 部品名	Reg description 部品名	Regd no 必要個数	Ref Price 希望小売価格(税抜)
	434	75581-GHN8-921	SET SPG LOCK KEY	SET SPG LOCK KEY	1	200
A		77106-KEB7-900	HOOK HELMENT	HOOK HELMENT	1	300
B		77225-KEB7-315-M2	LOCK SET SEAT	LOCK SET SEAT	1	960
**	430	7730A-KEB7-E00	CARRIER ASSY	CARRIER ASSY	1	6850
**	460	80151-KEB7-900	COVER CENTER	COVER CENTER	1	5720
**	458	80153-KEB7-900	COVER PLUG MAINT	COVER PLUG MAINT	1	300
	464	81133-KGBG-900	STOPPER LUGGAGE	STOPPER LUGGAGE	1	110
	465	81134-KGBG-900	HOOK LUGGAGE	HOOK LUGGAGE	1	200
	463	81135-KGBG-900	STAY LUGGAGE HOOK	STAY LUGGAGE HOOK	1	200
	426	81260-KEB7-E00	BOX ASSY LUGGAGE	BOX ASSY LUGGAGE	1	5330
**	438	83500-KEB7-315	COVER SET BODY R **3050-IT-NH045P	COVER SET BODY R **3050-IT-NH045P	1	8580
**	452	83501-KEB7-900	GRILL R BODY COVER	GRILL R BODY COVER	1	200
**	444A	83520-KEB7-315	COVER SET R SKIRT **3150-RR139G	COVER SET R SKIRT **3150-RR139G C.2002	1	4760
**	441	83600-KEB7-315	COVER SET BODY L **3050-IT-NH045P	COVER SET BODY L **3050-IT-NH045P	1	8580
**	454	83601-KEB7-900	GRILL L BODY COVER	GRILL L BODY COVER	1	300
**	448A	83620-KEB7-315	COVER SET L SKIRT **3150-RR139G	COVER SET L SKIRT **3150-RR139G C.2002.	1	4760
**	456	83750-KEB7-900	COVER RR CENTER	COVER RR CENTER	1	1720
	447	90110-KEB7-900	SCREW SPECIAL 6*14	SCREW SPECIAL 6*14	1	130
	437	90111-KFW6-001	BOLT FLANGE 6MM	BOLT FLANGE 6MM	2	60
	436	90215-GLM0-910	NUT CAP 6MM	NUT CAP 6MM	2	160

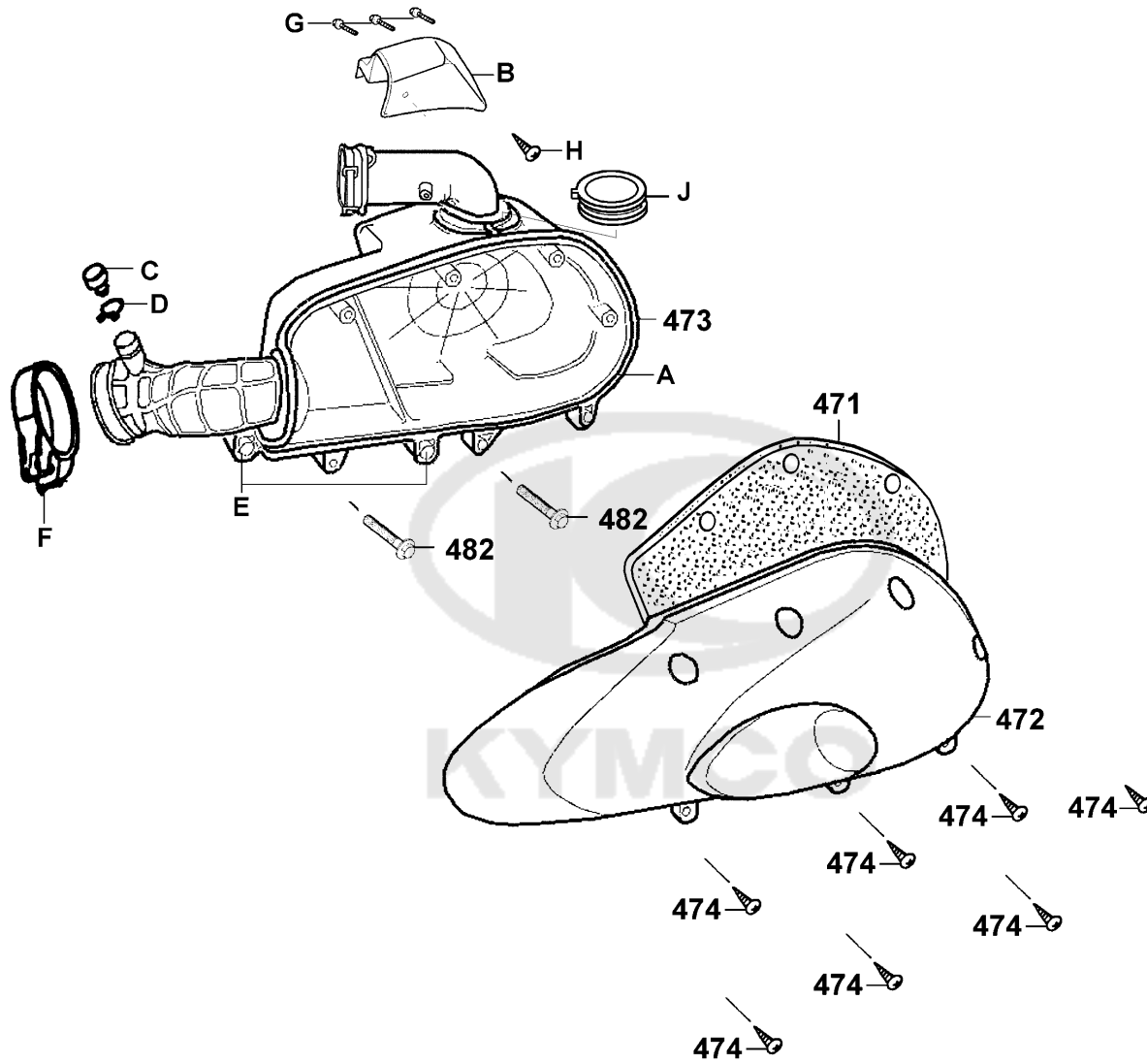
F13



Sales mark 記号	Ref no 参照用番号	Part no パーツ番号	Description 部品名	Reg description 部品名	Regd no 必要個数	Ref Price 希望小売価格(税抜)
459		90302-KED5-900	BOLT PAN 5*11	BOLT PAN 5*11	1	60
440		90302-SDA4-004	NUT SPRING 4MM	NUT SPRING 4MM	1	60
462		90305-GHK8-001	NUT CLIP 6MM	NUT CLIP 6MM	1	60
435		90381-GEZ5-001	SCREW SPECIAL 6*17	SCREW SPECIAL 6*17	1	200
461		90677-GAR1-004	NUT CLIP 5MM	NUT CLIP 5MM	1	60
439		93903-14360	SCREW TAPPING 4*12	SCREW TAPPING 4*12	1	60
445		93903-34360	SCREW WASHER 4*12	SCREW WASHER 4*12	1	60
446		93903-GFY6-900	SCREW WASHER 4*12	SCREW WASHER 4*12	1	60
431		95701-08045-06	BOLT FLANGE 8*45 (G)	BOLT FLANGE 8*45 (G)	3	230

**F13**



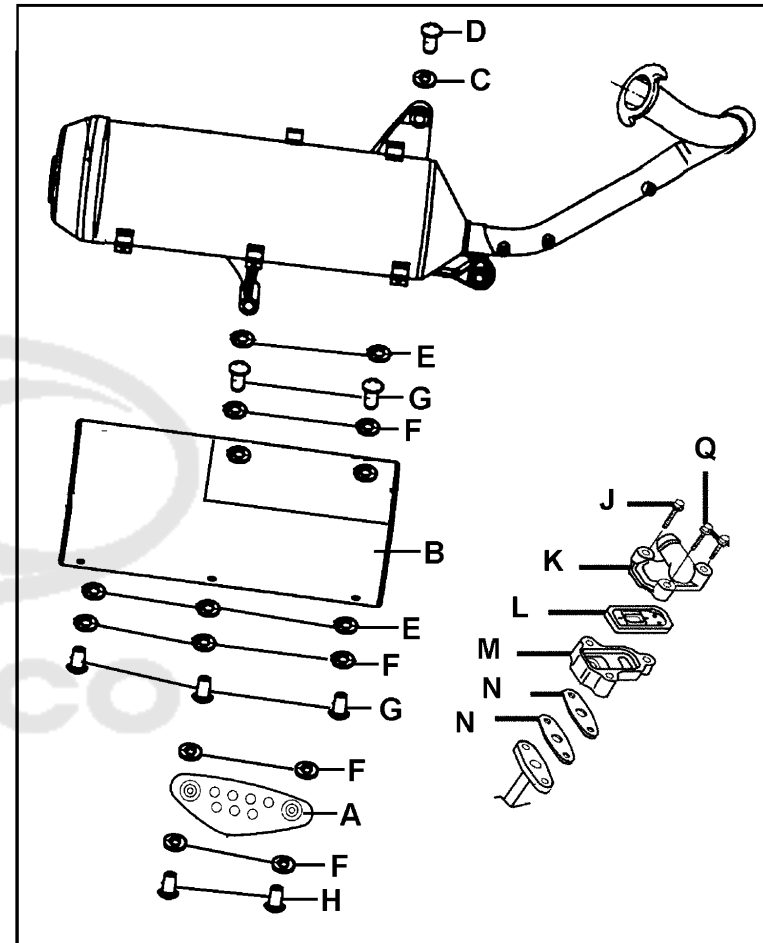
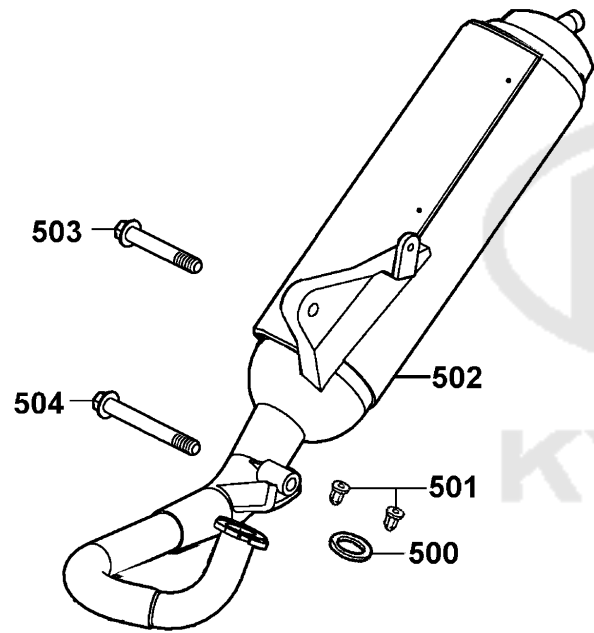


Sales mark 記号	Ref no 参照用番号	Part no パーツ番号	Description 部品名	Reg description 部品名	Regd no 必要個数	Ref Price 希望小売価格(税抜)
471	17205-KEB7-900	ELEMENT AIR/C	ELEMENT AIR/C	ELEMENT AIR/C	1	1250
473	17206-KEB7-900	CASE AIR/C	CASE AIR/C	CASE AIR/C	1	1300
472	17207-KEB7-900	COVER A/C	COVER A/C	COVER A/C	1	1060
E	17208-KEB7-900	COLLAR AIR/C SET	COLLAR AIR/C SET	COLLAR AIR/C SET	2	390
A	17212-KEB7-900	SEAL AIR/C COVER	SEAL AIR/C COVER	SEAL AIR/C COVER	1	300
J	17215-KEB7-900	CLIP ASSY AIR/C DUCT	CLIP ASSY AIR/C DUCT	CLIP ASSY AIR/C DUCT	1	300
B	17216-KEB7-900	COVER JOINT	COVER JOINT	COVER JOINT	1	300
C	17254-KACA-P00	PLUG AIR/C CONN TUBE	PLUG AIR/C CONN TUBE	PLUG AIR/C CONN TUBE	1	200
F	90652-GBHB-641	BAND 42 AIR/C CONNECTING TUBE	BAND 42 AIR/C CONNECTING TUBE	BAND 42 AIR/C CONNECTING TUBE	1	390
474	93903-25360	SCREW TAPPING 5*16	SCREW TAPPING 5*16	SCREW TAPPING 5*16	7	60
H	93903-34360	SCREW WASHER 4*12	SCREW WASHER 4*12	SCREW WASHER 4*12	1	60
G	93903-35080	SCREW TAPPING 5*8	SCREW TAPPING 5*8	SCREW TAPPING 5*8	3	110
D	95002-02110	CLIP	CLIP	CLIP	1	110
482	95801-06040-06	BOLT FLANGE 6*40 (G)	BOLT FLANGE 6*40 (G)	BOLT FLANGE 6*40 (G)	1	390

F14

F15

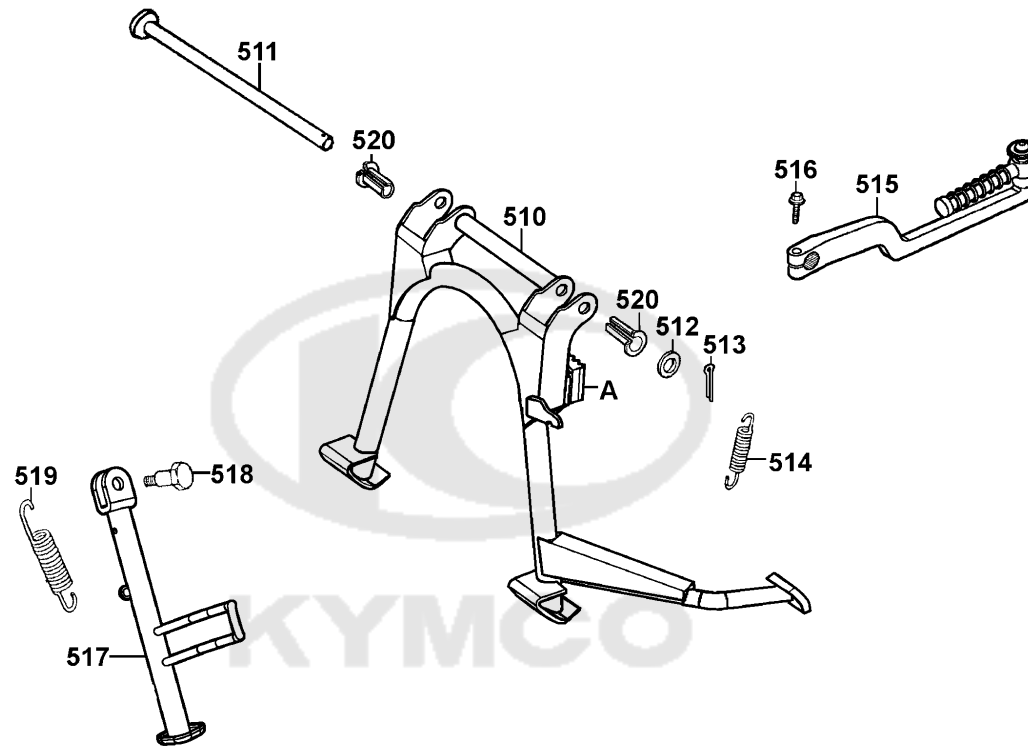
Exhaust Muffler



Sales mark 記号	Ref no 参照用番号	Part no パーツ番号	Description 部品名	Reg description 部品名	Regd no 必要個数	Ref Price 希望小売価格(税抜)
M		12311-KFB5-900	BODY REED VALVE	BODY REED VALVE	1	1250
500		18291-LBA7-900	GASKET EXH PIPE	GASKET EXH PIPE	1	230
E		18294-KEBE-900	PACKING PROTECTOR	PACKING PROTECTOR	5	110
F		18294-KTCT-900	PACKING PROTECTOR	PACKING PROTECTOR	9	130
502		1830A-KEB7-B21	MUFFLER ASSY EXH/P208	MUFFLER ASSY EXH/P208	1	39690
A		18318-KEB7-900	PROTECTOR MUFFLER	PROTECTOR MUFFLER	1	730
B		18319-KEB7-E00	PROTECTOR COMP MUFFLER INNER	PROTECTOR COMP MUFFLER INNER	1	4100
L		18601-KFB5-900	VALVE COMP REED	VALVE COMP REED	1	1910
K		18612-KFB5-900	COVER REED VALVE	COVER REED VALVE	1	870
N		18645-KGB5-EZ0	GASKET A/I PIPE	GASKET A/I PIPE	2	140
501		90301-KGBG-900	NUT CAP 6MM	NUT CAP 6MM	2	250
G		93500-KEB7-900	SCREW PAN 6*12	SCREW PAN 6*12	5	60
H		93501-KEB7-900	SCREW SPECIAL 6*10	SCREW SPECIAL 6*10	2	60
C		94101-06800	WASHER PLAIN 6MM	WASHER PLAIN 6MM	1	60
D		95701-06008-06	BOLT FLANGE 6*8	BOLT FLANGE 6*8	1	60
J		95701-06025-06	BOLT FLANGE 6*25	BOLT FLANGE 6*25	1	60
Q		95701-06040-06	BOLT FLANGE 6*40 (C)	BOLT FLANGE 6*40 (C)	2	200
503		95801-08035-06	BOLT FLANGE 8*35	BOLT FLANGE 8*35	1	60
504		95801-08050-06	BOLT FLANGE 8*50	BOLT FLANGE 8*50	1	300

F15



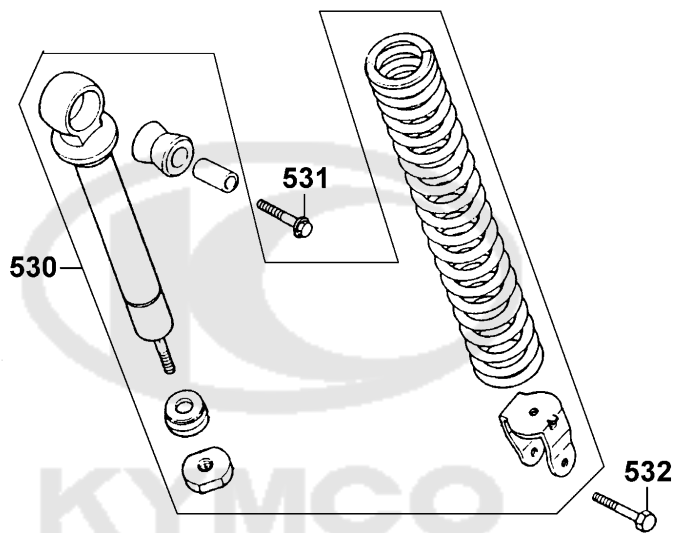


Sales mark 記号	Ref no 参照用番号	Part no パーツ番号	Description 部品名	Reg description 部品名	Regd no 必要個数	Ref Price 希望小売価格(税抜)
515		28300-KNBN-901	ARM ASSY KICK STARTER	ARM ASSY KICK STARTER	1	2030
511		50503-KEB7-900	SHAFT MAIN STAND	SHAFT MAIN STAND	1	890
A		50505-KEBE-900	STOPPER RUBBER	STOPPER RUBBER	1	180
510		5050A-KEB7-900	STAND ASSY MAIN	STAND ASSY MAIN	1	6470
520		50527-KED5-900	BUSH OILES	BUSH OILES	2	350
517		50530-KEB7-900	BAR SIDE STAND	BAR SIDE STAND	1	1060
518		90108-GFY6-901	SCREW SIDE STAND PIVOT	SCREW SIDE STAND PIVOT	1	130
512		94101-08600	WASHER PLAIN 6.5*18*105	WASHER PLAIN 6.5*18*105	1	200
513		94251-08400	PIN LOCK 8MM	PIN LOCK 8MM	1	160
514		95014-71202	SPG B MAIN STAND	SPG B MAIN STAND	1	200
519		95014-72204	SPG B1 SIDE STAND	SPG B1 SIDE STAND	1	300
516		95701-06022-06	BOLT FLANGE 6*22	BOLT FLANGE 6*22	1	60

F16

F17

Rear Cushion



Sales mark 記号	Ref no 参照用番号	Part no パーツ番号	Description 部品名	Reg description 部品名	Regd no 必要個数	Ref Price 希望小売価格(税抜)
------------------	-----------------	------------------	--------------------	------------------------	-----------------	-------------------------

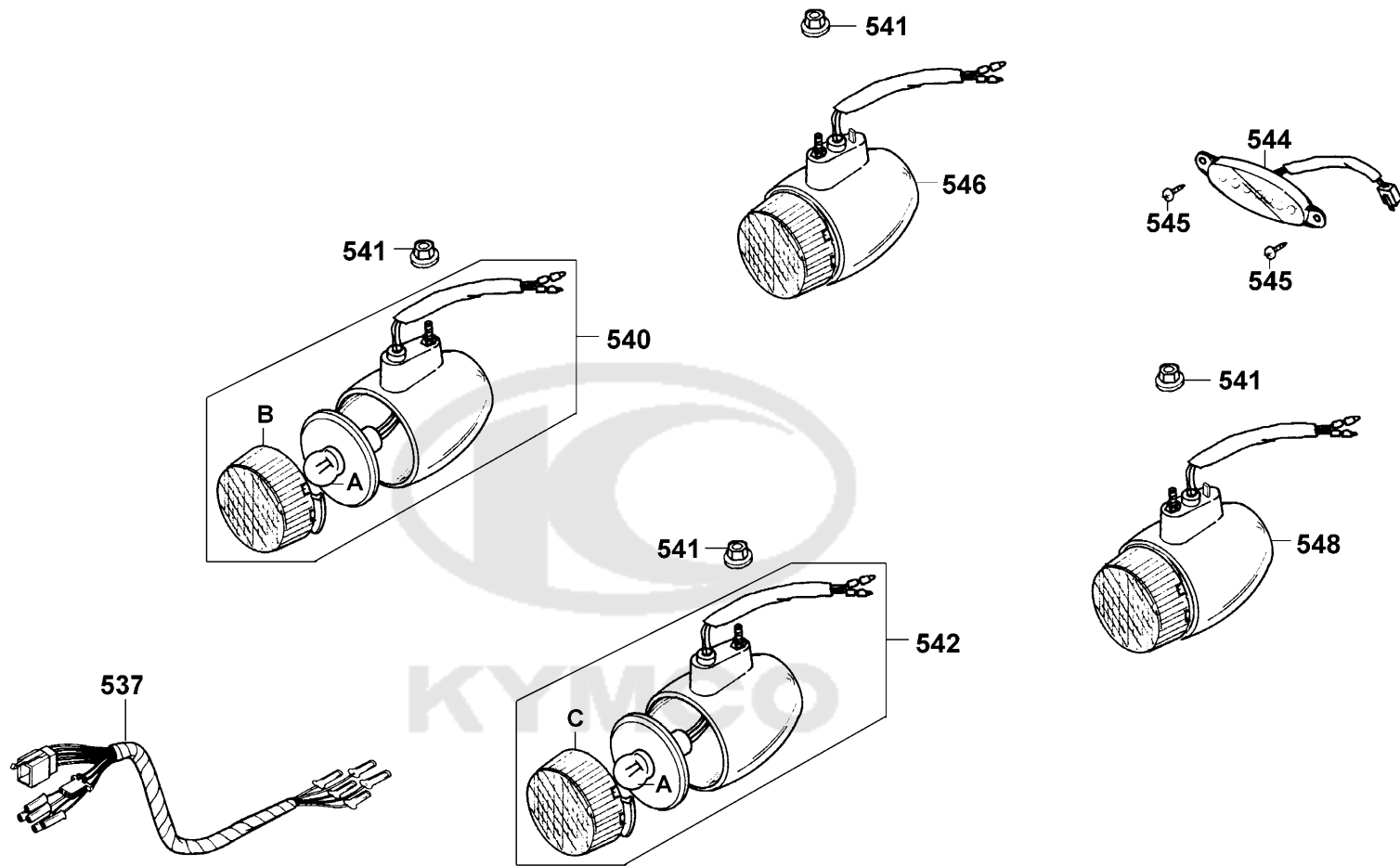
**F17**

**	530	52400-KEB7-E00	CUSHION ASSY RR	CUSHION ASSY RR	1	7610
	531	95801-08035-06	BOLT FLANGE 8*35	BOLT FLANGE 8*35	1	60
	532	95801-10035-06	BOLT FLANGE 10*35	BOLT FLANGE 10*35	1	300



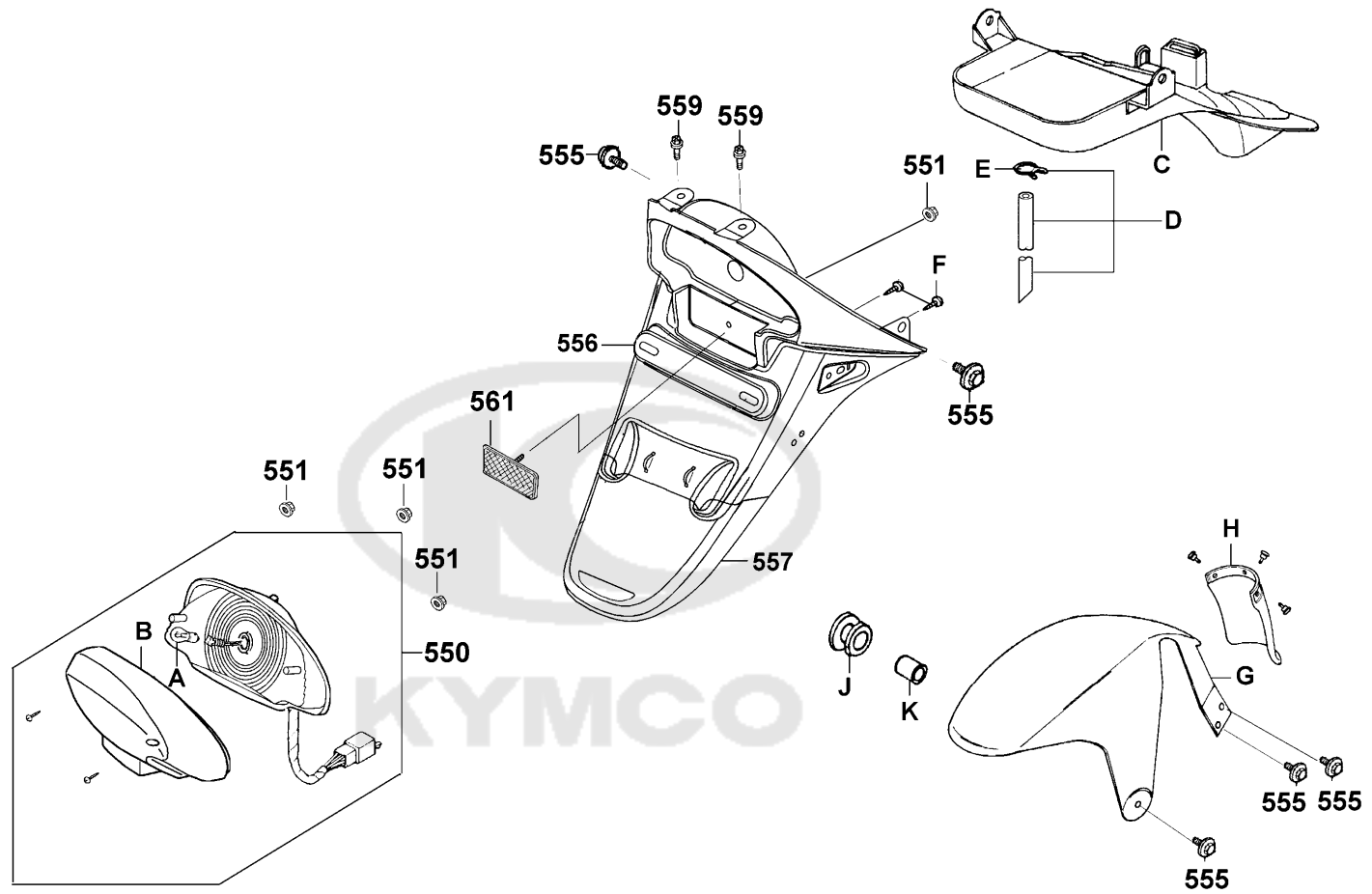
F18

Winker



Sales mark 記号	Ref no 参照用番号	Part no パーツ番号	Description 部品名	Reg description 部品名	Regd no 必要個数	Ref Price 希望小売価格(税抜)
	540	33400-KEB7-E00	WINKER ASSY R FR	WINKER ASSY R FR	1	2300
B		33402-KEB7-900	LENS R FR WINKER	LENS R FR WINKER	2	300
	542	33450-KEB7-E00	WINKER ASSY L FR	WINKER ASSY L FR	1	2300
C		33452-KEB7-900	LENS L FR WINKER	LENS L FR WINKER	2	300
	544	33500-KEB7-E00	LIGHT ASSY FR POSITION	LIGHT ASSY FR POSITION	1	1850
	546	33600-KEB7-E00	WINKER ASSY R RR	WINKER ASSY R RR	1	3050
	537	33610-KPCP-900	SUB CORD RR WINKER	SUB CORD RR WINKER	1	300
	548	33650-KEB7-E00	WINKER ASSY L RR	WINKER ASSY L RR	1	3050
A		34905-KPCP-900	BULB WINKER	BULB WINKER	4	400
	545	93903-34360	SCREW WASHER 4*12	SCREW WASHER 4*12	2	60
	541	94050-05080	NUT FLANGE 5MM	NUT FLANGE 5MM	1	200

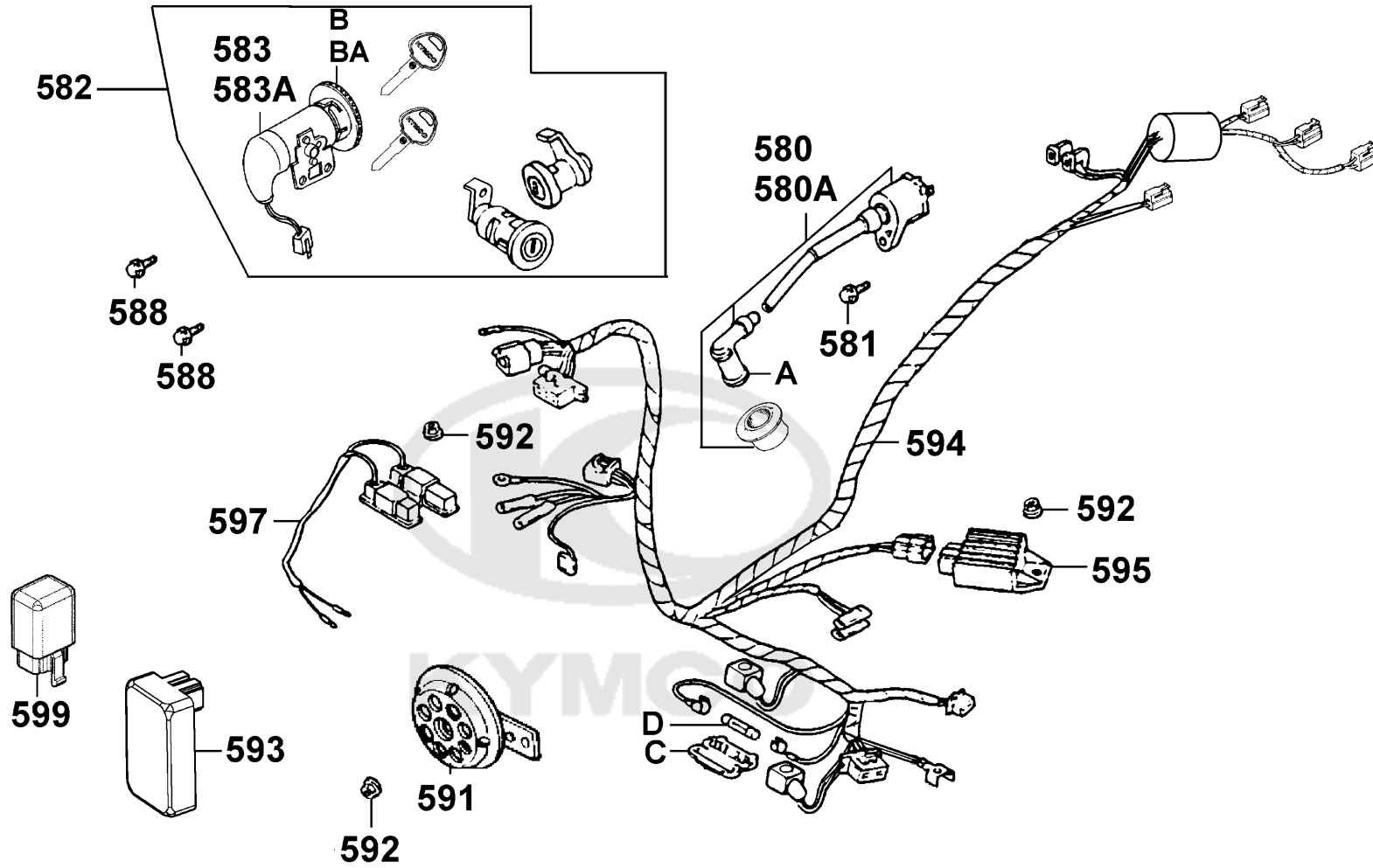
F18



Sales mark 記号	Ref no 参照用番号	Part no パーツ番号	Description 部品名	Reg description 部品名	Regd no 必要個数	Ref Price 希望小売価格(税抜)
	D	1755A-KEB7-900	TUBE ASSY FUEL DRAIN	TUBE ASSY FUEL DRAIN	1	320
	550	33701-KEB7-E00	LIGHT ASSY TAIL	LIGHT ASSY TAIL	1	5240
	B	33702-KEB7-900	LENS COMP TAIL LIGHT	LENS COMP TAIL LIGHT	1	920
	561	33741-KEBE-900	REFLEX REFLECTOR	REFLEX REFLECTOR	1	680
	A	34906-KPCP-900	BULB TAIL & STOP	BULB TAIL & STOP	1	770
	K	80100-KEB7-900	COLLAR RUBBER	COLLAR RUBBER	1	160
**	C	80101-KEB7-900	FENDER A REAR	FENDER A REAR	1	870
	556	80105-KEB7-900	FENDER REAR	FENDER REAR	1	2290
	557	80106-KEB7-900	FENDER LOW REAR	FENDER LOW REAR	1	640
**	G	80107-KEB7-900	FENDER B RR	FENDER B RR	1	920
	H	80108-KEB7-900	PLATE SPLASH GUARD	PLATE SPLASH GUARD	1	490
	J	80109-KEB7-900	RUBBER RR FENDER B	RUBBER RR FENDER B	1	390
	559	90302-GFY6-901	BOLT WASH 5*12 **(1) C.V.	BOLT WASH 5*12 **(1) C.V.	2	60
	555	93404-06012-06	BOLT WASHER 6*12 (G)	BOLT WASHER 6*12 (G)	1	200
	F	93903-34360	SCREW WASHER 4*12	SCREW WASHER 4*12	2	60
	551	94050-05080	NUT FLANGE 5MM	NUT FLANGE 5MM	3	200
	E	95002-02080	CLIP B8 TUBE	CLIP B8 TUBE	1	60

F19



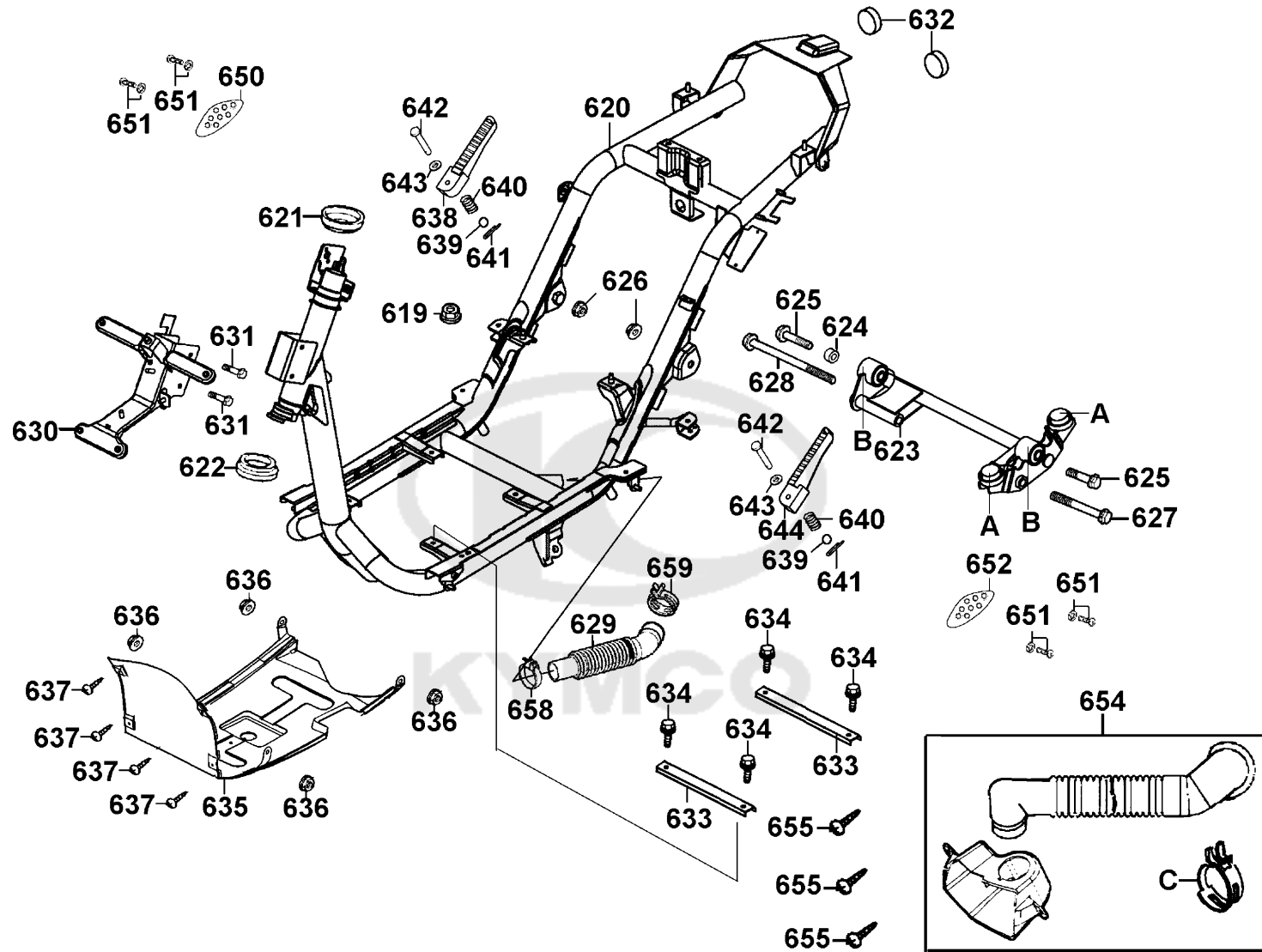


Sales mark 記号	Ref no 参照用番号	Part no パーツ番号	Description 部品名	Reg description 部品名	Regd no 必要個数	Ref Price 希望小売価 格(税抜)
593		30410-KEB7-900	UNIT ASSY CDI	UNIT ASSY CDI	1	10840
580		3051A-KEB7-90A	COIL ASSY IGN	COIL ASSY IGN	1	4380
580A		3051A-KEB7-90B	COIL ASSY IGN	COIL ASSY IGN	1	4380
A		30700-KNBN-901	CAP ASSY NOISE SUPPRESOR	CAP ASSY NOISE SUPPRESOR	1	970
595		31600-KUDU-900	REG REC COMP	REG REC COMP	1	2960
594		32100-KEB7-900	HARNESS WIRE	HARNESS WIRE	1	10270
C		32120-1E55-001	CASE FUSE 7A	CASE FUSE 7A	1	110
582		35010-KEB7-E0A	KEY SET	KEY SET	1	5140
583A		35100-KEB7-315-M1	SW SET COMB & LOCK	SW SET COMB & LOCK	1	4000
583		35100-KEB7-315-M2	SW COMB LOCK	SW COMB LOCK	1	4000
B		35102-KGBG-91A	COLLAR MAIN SW	COLLAR MAIN SW	1	210
BA		35102-KGBG-91B	COLLAR MAIN SW	COLLAR MAIN SW	1	210
597		35400-KEB8-B00	RESISTOR COMP	RESISTOR COMP	1	1110
597		35400-KNBN-920	RESISTOR COMP	RESISTOR COMP	1	1590
591		38110-KEB7-90A	HORN COMP	HORN COMP	1	1250
599		38501-GBW2-902	RELAY COMP START	RELAY COMP START	1	2300
581		90112-KRDR-900	BOLT FLANGE 5*22	BOLT FLANGE 5*22	1	130
592		94050-06080	NUT FLANGE 6MM	NUT FLANGE 6MM	1	60
588		95701-KEB7-E00	BOLT TORQUE 6*16	BOLT TORQUE 6*16	2	300
D		98200-10700	FUSE A7	FUSE A7	1	60

F20

F21

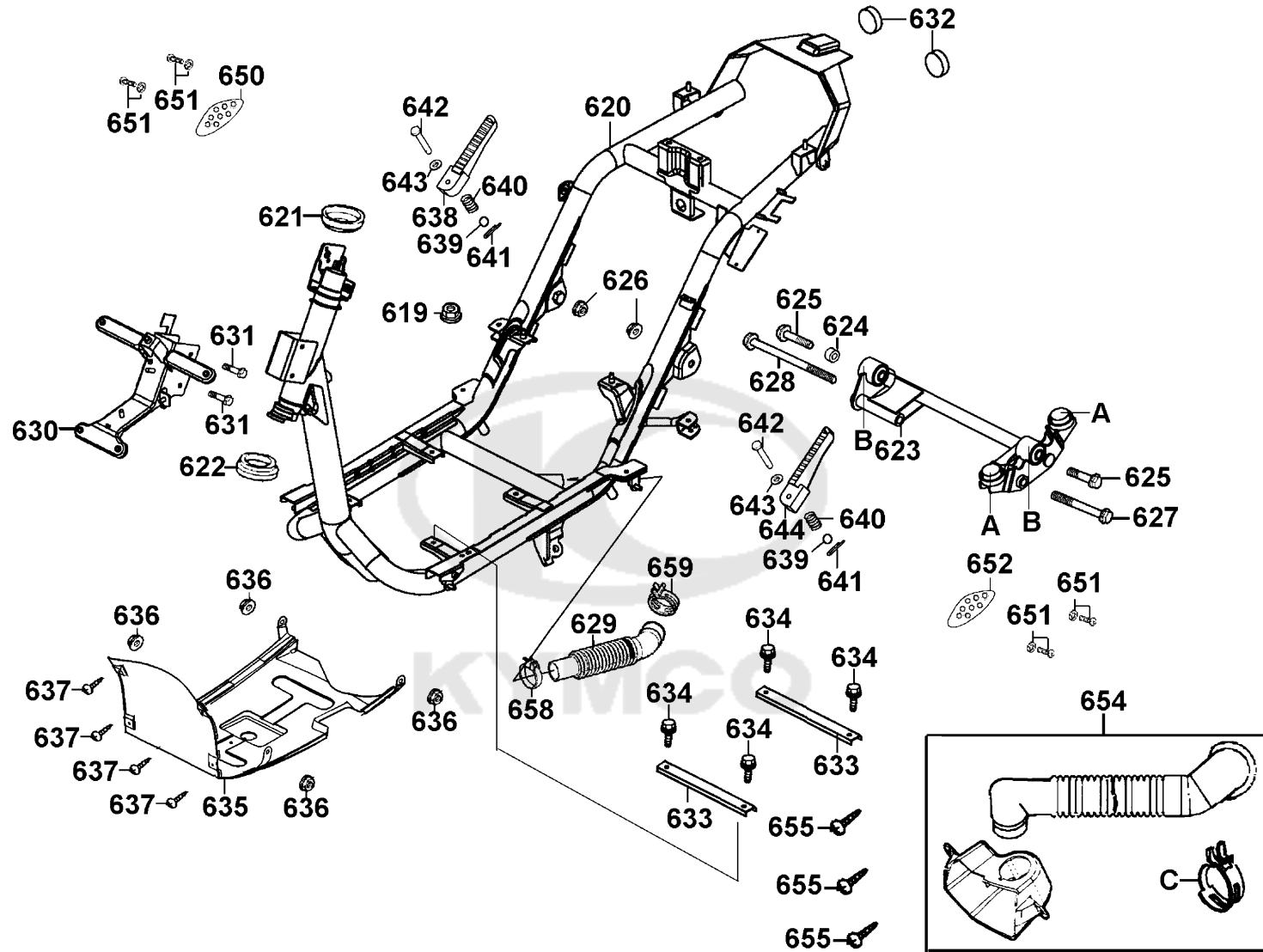
Frame Body



Sales mark 記号	Ref no 参照用番号	Part no パーツ番号	Description 部品名	Reg description 部品名	Regd no 必要個数	Ref Price 希望小売価格(税抜)	F21
C		17215-KGBG-90A	CLIP ASSY A/C DUCT	CLIP ASSY A/C DUCT	1	580	
659		17215-KNBN-200	CLIP ASSY AIR/C DUCT	CLIP ASSY AIR/C DUCT	1	390	
654		1721A-KEB7-900	DUCT ASSY AIR/C	DUCT ASSY AIR/C	1	1270	
629		19410-KEB7-900	DUCT COLLING	DUCT COLLING	1	700	
658		19411-KNBN-900	CLIP HOSE	CLIP HOSE	1	390	
620		50100-KEB7-B00	BODY COMP FRAME **B000-KR	BODY COMP FRAME **B000-KR	1	53230	
621		50301-GLM0-001	RACE UP STRG BALL	RACE UP STRG BALL	1	440	
622		50305-GHC8-004	RACE (UNDER STR ) BALL	RACE (UNDER STR ) BALL	1	420	
623		50350-KEB7-900	HANGER ASSY ENG	HANGER ASSY ENG	1	8180	
650		50355-KEB7-900	COVER R HANGER	COVER R HANGER	1	960	
652		50356-KEB7-900	COVER L HANGER	COVER L HANGER	1	960	
A		50356-KNBN-200	RUBBER C ENG HANGE STPR	RUBBER C ENG HANGE STPR	2	440	
B		50357-KEB7-900	RUBBER BUSH ENG HANGE	RUBBER BUSH ENG HANGE	2	1150	
**		50613-KEB7-900	COVER UNDER	COVER UNDER	1	5000	
633		50615-KKDK-900	RNFCT FLOOR CROSS	RNFCT FLOOR CROSS	2	390	
**		50700-KGB5-900	BAR R RR STEP	BAR R RR STEP	1	1150	
**		50710-KGB5-900	BAR L RR STEP	BAR L RR STEP	1	1150	
640		50713-KEB7-900	SPRING	SPRING	1	160	
642		50715-KEB7-900	PIN RR STEP	PIN RR STEP	1	200	
630		64315-KEB7-900	STAY FR COVER	STAY FR COVER	1	2860	

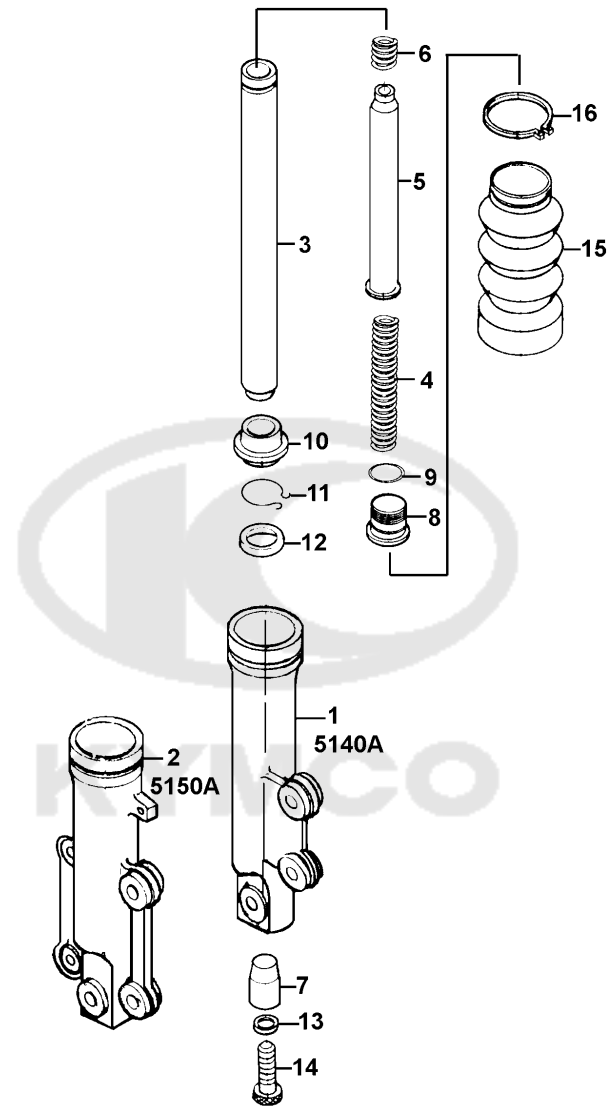
F21

Frame Body



Sales mark 記号	Ref no 参照用番号	Part no パーツ番号	Description 部品名	Reg description 部品名	Regd no 必要個数	Ref Price 希望小売価格(税抜)	F21
632		90102-KNBN-900	PLUG HOSE	PLUG HOSE	2	110	
624		90121-GFY6-901	COLLAR DISTANCE	COLLAR DISTANCE	1	60	
636		90301-6D34-671	NUT FLANGE 6MM	NUT FLANGE 6MM	4	60	
626		90304-GHE8-004	NUT CAP 6MM	NUT CAP 6MM	2	200	
651		93891-05012-06	SCREW WASHER 5*12	SCREW WASHER 5*12	2	60	
655		93903-34360	SCREW WASHER 4*12	SCREW WASHER 4*12	3	60	
637		93903-GFY6-900	SCREW WASHER 4*12	SCREW WASHER 4*12	4	60	
619		94050-06080	NUT FLANGE 6MM	NUT FLANGE 6MM	1	60	
643		94101-06800	WASHER PLAIN 6MM	WASHER PLAIN 6MM	1	60	
641		94251-08400	PIN LOCK 8MM	PIN LOCK 8MM	1	160	
634		95701-06012-06	BOLT FLANGE 6*22 (K)	BOLT FLANGE 6*22 (K)	1	60	
631		95801-06050-06	BOLT FLANGE 6*50 (G)	BOLT FLANGE 6*50 (G)	1	390	
625		95801-10050-06	BOLT FLANGE 10*50	BOLT FLANGE 10*50	2	300	
627		95801-10095-06	BOLT FLANGE 10*95	BOLT FLANGE 10*95	1	350	
628		95801-10120-06	BOLT FLANGE 10*120	BOLT FLANGE 10*120	1	490	
639		96211-08000	BALL STEEL #8	BALL STEEL #8	1	60	

Separated Parts Of Fr Fork



Sales mark 記号	Ref no 参照用番号	Part no パーツ番号	Description 部品名	Reg description 部品名	Regd no 必要個数	Ref Price 希望小売価格(税抜)	F22
	10	31009-3L30-710	DUST SEAL	DUST SEAL	2	490	
	4	51401-KEB7-900	SPRING	SPRING	2	490	
	3	51410-KEB7-900	FORK PIPE COMP	FORK PIPE COMP	2	5100	
	15	51411-KEB7-900	BOOT	BOOT	2	960	
	6	51412-KEB7-900	REBOUND SPRING	REBOUND SPRING	2	130	
	16	51412-KEBE-E00	BOOT BAND	BOOT BAND	2	130	
**	1	51420-KEB7-800	BOTTOM CASE R	BOTTOM CASE R	1	7350	
	5	51429-KEB7-900	PIPE SEAT COMP	PIPE SEAT COMP	2	770	
	7	51432-KGM7-911	OIL LOCK PIECE	OIL LOCK PIECE	2	200	
**	2	51520-KEB7-800	BOTTOM CASE L	BOTTOM CASE L	1	7350	
	14	90116-3C83-72A	BOLT	BOLT	2	60	
	13	90554-2C83-001	PACKING	PACKING	2	60	
	11	90601-3D54-001	RING OIL-SEAL STOPPER	RING OIL-SEAL STOPPER	2	60	
	12	91255-4F46-014	OIL SEAL	OIL SEAL	2	270	
	8	94605-KEBE-900	FORK BOLT	FORK BOLT	2	830	
	9	94608-30000	O-RING	O-RING	2	60	



<ul style="list-style-type: none"> <li>■ Be sure to wear safety helmet when riding</li> <li>■ Do not exceed the speed specified by law when riding</li> <li>■ The exhaust pipe temperature is very high after riding. Be sure to park the motorcycle in a place not easily touched by people</li> <li>■ Make sure to perform the specified safety inspection before riding</li> </ul> <p><input type="checkbox"/> Please read the User's manual carefully to secure driving safety</p> <p><input type="checkbox"/> Be sure to observe the traffic rules and perform regular maintenance</p> <p><input type="checkbox"/> No more than two persons shall ride on one motorcycle</p>	<p>(Safety Inspection Items)</p> <p>Brake performance, tires, Bicycle motor oil, lights, horn, and instrument panel</p> <p>KYANG YANG MOTOR CO.,LTD.</p>
---	--

680

**CAUTIONS**

Never put any article between the rear side cover and the engine to avoid interference of riding.

G49-300

683

**CAUTION**

- The weight of articles put in the inner box shall not exceed 1.5kg
- Water may enter into the box when washing the motorcycle. Be careful when putting important articles

681

**CAUTIONS**

Before starting the engine, the side stand shall be kicked up to secure safety.

682

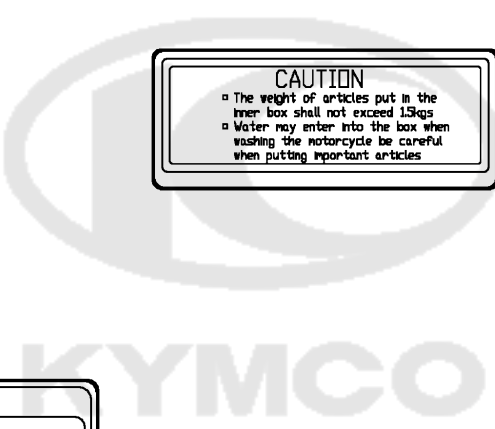
**CAUTIONS**

Tire Size	Front 120/90-10	Rear 130/90-10
(One Rider)	Front 120kg/cm <sup>2</sup>	Rear 175kg/cm <sup>2</sup>
(Two Rider)	Front 120kg/cm <sup>2</sup>	Rear 175kg/cm <sup>2</sup>
Load Capacity	Shield 15kg	Rear carrier 4kg
	Inner box under saddle 10kg	

When refilling gasoline, check the motor oil level. Riding with insufficient motor oil will cause breakdown easily.

J449-030

685



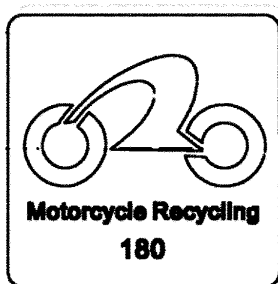
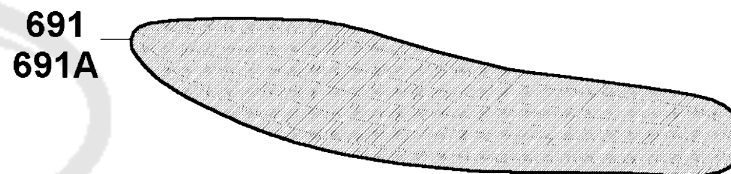
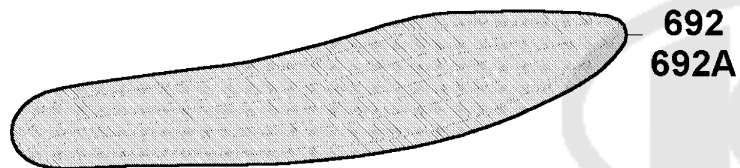
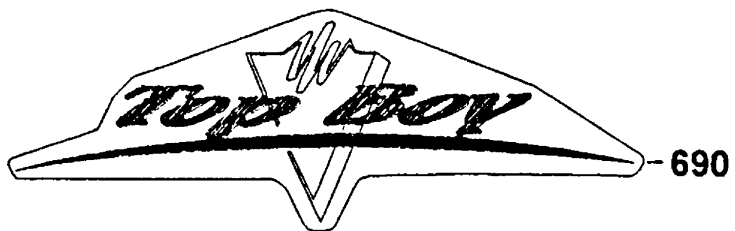
Sales mark 記号	Ref no 参照用番号	Part no パーツ番号	Description 部品名	Reg description 部品名	Regd no 必要個数	Ref Price 希望小売価格(税抜)	F23
------------------	-----------------	------------------	--------------------	------------------------	-----------------	-------------------------	-----

**	681	81218-KCAC-P00	CAUTION INNER BOX	CAUTION INNER BOX	1	160	
**	685	87505-KEB7-E10	LABEL TIRE	LABEL TIRE	1	200	
**	682	87541-GAR1-E00	CAUTION SIDE STAND	CAUTION SIDE STAND	1	200	
**	683	87542-GAR1-E00	MARK MAINT CAUTION	MARK MAINT CAUTION	1	200	
**	680	87560-KNBN-E00	MARK DRIVE CAUTION	MARK DRIVE CAUTION	1	200	



F24

Emblem Stripe



Sales mark 記号	Ref no 参照用番号	Part no パーツ番号	Description 部品名	Reg description 部品名	Regd no 必要個数	Ref Price 希望小売価格(税抜)
------------------	-----------------	------------------	--------------------	------------------------	-----------------	-------------------------

**F24**

**	690	87131-KEB7-E00	STRIPE BODY COVER	STRIPE BODY COVER	2	680
**	695	87206-KNCN-800	EMB FR COVER **KCN C.2005.06.01	EMB FR COVER **KCN C.2005.06.01	1	580
**	697	87311-LAD9-B20	STRIPE R MARK	EMB MARK ABS	1	200
**	691A	87551-KEB7-E10	STRIPE R SKIRT	STRIPE R SKIRT	1	2100
**	692A	87552-KEB7-E10	STRIPE R SKIRT	STRIPE R SKIRT	1	2200



PART NO. INDEX  
 パーツ番号 検索

PART NO. パーツ番号	VERSION バージョン	PAGE ページ	PART NO. パーツ番号	VERSION バージョン	PAGE ページ	PART NO. パーツ番号	VERSION バージョン	PAGE ページ			
<b>1000</b>	0	E11	11200-KEB7-325	5	E09	13115-1F56-001	0	E10			
			11203-GGC7-301	2	E09	<b>14000</b>	0	E09			
			11203-KHG8-301	2	E08						
			11204-KEB7-900	0	E09						
			1001-GC8H-0351	0	E11	11205-GHAH-004	0	E09	14100-KEB7-900	0	E09
			1010-GAKH-9200	0	E11	11205-KED5-900	0	E09	<b>15000</b>	0	E09
			1020-GAKH-9300	0	E11	11206-KEB7-900	0	E09			
			103J-073H-9900-SB00	0	E11	11208-GKAK-901	0	E09			
			105B-KBNH-9000	0	E11	11208-KEB7-900	0	E09	15100-KEB7-E00	1	E09
			1300-GW0H-9000-K	0	E11	11341-KEB7-900	3	E05	15110-KEB7-900	0	E09
			1703-GJ2H-0040	0	E11	11395-KEB7-900	0	E05	1552A-KEB7-901	0	E09
			1738-GJ2H-0040	0	E11	<b>12000</b>	0	E05	15772-5A51-001	1	F12
1785-KBNH-9000-SB0	0	E11	<b>16000</b>	0	E11				1	E01	
1787-KG8H-9010	0	E11									
1793-144H-9900	0	E11									
1799-KBNH-9000	0	E11	12101-KEB7-901	2	E02	1610K-KEB7-B000-JP	0	E11			
<b>4000</b>	0	E11	12191-KEB7-980	1	E02	16152-KG8-9010-M1	0	E11			
			12201-KEB7-900	1	E02	1621A-GKAK-901	0	E09			
			12251-KEB7-900	0	E02	16620-KEB7-E00	1	E11			
			4000-077-0000	0	E11	12311-KFB5-900	2	F15	16630-KEB7-E00	1	E01
<b>11000</b>	0	E11	<b>13000</b>	0	E11	1691A-GFY6-90A	4	F10			
						1691A-GFY6-90B	3	F10			
						16950-KKJ9-75A	3	F10			
						11100-KEB7-900	8	E09	13000-GKAK-921	9	E10
						11100-KGB5-305	4	E09	13011-GLW0-90A	4	E10
						11102-1G87-004	3	E09	13101-GLW0-901	2	E10
						11108-KEB7-900	0	E03	13111-1F66-001	2	E10

## PART NO. INDEX

## パーツ番号 検索

PART NO. パーツ番号	VERSION バージョン	PAGE ページ	PART NO. パーツ番号	VERSION バージョン	PAGE ページ	PART NO. パーツ番号	VERSION バージョン	PAGE ページ
<b>17000</b>			18294-KEBE-900	0	F15	22103-KEB7-900	0	E06
			18294-KTCT-900	1	F15	22105-GKAK-901	1	E06
			1830A-KEB7-B21	1	F15	22110-KFA1-220	0	E06
17100-KEB7-E00	1	E09	18318-KEB7-900	0	F15	22121-GLW0-305	0	E06
17111-KEB7-980	1	E09	18319-KEB7-E00	0	F15	22131-GHAH-781	0	E06
17112-KEB7-980	1	E09	18601-KFB5-900	0	F15	22132-GLW0-001	2	E06
17205-KEB7-900	0	F14	18612-KFB5-900	1	F15	22300-KXCX-900	2	E07
17206-KEB7-900	4	F14	18645-KGB5-EZ0	1	F15	22350-GKAK-930	1	E07
17207-KEB7-900	0	F14				22401-GBG2-900	0	E07
17208-KEB7-900	0	F14	<b>19000</b>			22530-GKAK-930	1	E07
17212-KEB7-900	0	F14				22804-1H48-001	0	E07
17215-KEB7-900	0	F14	19410-KEB7-900	2	F21			
17215-KGBG-90A	2	F21	19411-KNBN-900	1	F21	<b>23000</b>		
17215-KNBN-200	0	F21	19510-GBW2-901	8	E03			
17216-KEB7-900	0	F14	19600-KEB7-900	0	E01	2301A-KEB7-220	1	E07
1721A-KEB7-900	1	F21	1962A-KEB7-900	4	E01	23100-KEB7-900	0	E07
17254-KACA-P00	0	F14				23200-GAR1-220	2	E07
17500-KEB7-E10	0	F10	<b>21000</b>			23220-GKAK-220	1	E07
17502-1G87-001	0	F12				23225-GAR1-751	0	E07
1755A-KEB7-900	0	F19	21200-GKAK-305	6	E08	23233-GHE8-001	2	E07
17620-GGS7-E10	4	F10	21395-LBD3-900	4	E08	23237-GAR1-220	0	E07
17910-KEB7-900	1	F03				23238-GFY6-941	0	E07
<b>18000</b>			<b>22000</b>			23411-KEB7-900	1	E08
						23420-KEB7-900	3	E08
			22100-GAR1-751	1	E07	23431-KNBN-901	2	E08
18291-LBA7-900	2	F15	22102-KEB7-900	0	E06	23432-KEB7-900	3	E08

PART NO. INDEX  
 パーツ番号 検索

PART NO. パーツ番号	VERSION バージョン	PAGE ページ	PART NO. パーツ番号	VERSION バージョン	PAGE ページ	PART NO. パーツ番号	VERSION バージョン	PAGE ページ	
<b>28000</b>			31209-GKAK-901	3	E04	33610-KPCP-900	1	F18	
			31210-GKAK-90C	1	E04	33650-KEB7-E00	1	F18	
			31500-KNBN-92A	9	F11	33701-KEB7-E00	1	F19	
	28211-KEB7-900	1	E06	31500-KNBN-92B	9	F11	33702-KEB7-900	0	F19
	28223-KNBN-901	0	E06	31600-KUDU-900	2	F20	33741-GFY6-C30	1	F05
	28230-GKAK-921	0	E06			33741-KEBE-900	3	F19	
	28250-KNBN-901	1	E06	<b>32000</b>					
	28253-GBN2-60A	0	E06			<b>34000</b>			
	28255-GFS6-001	0	E06	32100-KEB7-900	2	F20			
	28281-GBN2-60A	1	E06	32101-GFY6-901	1	F04	34901-KEB7-E00	0	F01
28300-KNBN-901	3	F16	32105-KEB7-900	0	E04	34903-KALA-900	0	F02	
<b>30000</b>			32120-1E55-001	0	F20	34905-KPCP-900	0	F18	
			32161-3C93-004	0	E01	34906-KPCP-900	0	F19	
						34908-MKB9-87A	0	F02	
	30410-KEB7-900	0	F20	<b>33000</b>					
	3051A-KEB7-90A	4	F20			<b>35000</b>			
	3051A-KEB7-90B	2	F20	33100-KEB7-E00	3	F01			
	30700-KNBN-901	2	F20	33120-KEB7-E00	0	F01	35010-KEB7-E0A	1	F20
				33121-KEB7-900	0	F01	35100-KEB7-315-M1	0	F20
				33130-KEB7-E00	0	F01	35100-KEB7-315-M2	0	F20
				33400-KEB7-E00	1	F18	35102-KGBG-91A	0	F20
31009-3L30-710	0	F22	33402-KEB7-900	0	F18	35102-KGBG-91B	0	F20	
31110-KEB7-90A	2	E03	33450-KEB7-E00	1	F18	35151-KEB8-B00	1	F03	
31110-KEB7-90B	1	E03	33452-KEB7-900	0	F18	35151-KGBG-910	1	F03	
31120-KEB7-90A	2	E03	33500-KEB7-E00	2	F18	35152-KGBG-900	2	F03	
31120-KEB7-90B	2	E03	33600-KEB7-E00	1	F18	3515A-KEB8-B00	1	F03	

PART NO. INDEX  
 パーツ番号 検索

PART NO. パーツ番号	VERSION バージョン	PAGE ページ	PART NO. パーツ番号	VERSION バージョン	PAGE ページ	PART NO. パーツ番号	VERSION バージョン	PAGE ページ
3515A-KGBG-E00	4	F03	38501-GBW2-902	1	F20	44800-KXCX-E00	6	F07
35201-KGBG-910	1	F03				44830-KEB7-800	3	F02
35202-KGBG-900	3	F03	<b>42000</b>			44831-KEB7-800	0	F02
3520A-KGBG-E00	5	F03				<b>45000</b>		
35340-KKJ9-010	5	F03	42601-KEB7-E0E	2	F08			
35340-KNBN-901	0	F04	42710-KEB7-E1A	3	F08			
35400-KEB8-B00	0	F20	42753-0F06-900	1	F07	45100-KXCX-E00	4	F07
35400-KNBN-920	0	F20				45105-KXCX-305-M2	0	F07
35410-KEB7-900	0	F12	<b>43000</b>			45110-KXCX-E00	1	F07
<b>37000</b>			43108-KFS6-07A	0	F07	45121-KECE-900	1	F07
			43109-MCA3-007	0	F07	45126-KEB7-900	2	F04
37200-KEB7-B000-JP-M1		F02	4312A-KXCX-900	9	F08	45128-KEB7-900	0	F06
37200-KEB7-B000-JP-M2		F02	43141-GKAK-901	3	F08	45131-1F66-017	0	F07
37200-KEB7-E0A	3	F02	43209-MCA3-007	0	F07	45131-HEA5-67A	0	F07
37200-KEB7-E0B	3	F02	43352-5H68-004	3	F07	45132-1F66-017	0	F07
37211-KEB7-90A	1	F02	43353-4A61-77A	0	F07	45133-0H28-001	1	F08
37211-KEB7-90B	1	F02	43410-KEB7-900	0	F08	45133-MCA3-007	0	F07
37801-GGA7-701	1	F10	43450-KEB7-900	7	F03	45156-KDLD-901	2	F06
37802-GGA7-701	3	F10				45203-MCG3-007	0	F07
3780A-KEB7-900	3	F10	<b>44000</b>			45215-KCA3-73A	0	F07
<b>38000</b>			44311-GLW0-911	0	F07	45465-KEB7-E00	0	F06
			44620-KEB7-E00	0	F07	45513-KCCC-900	0	F04
38110-KEB7-90A	2	F20	44650-KEB7-315	2	F07	45517-GFY6-900	5	F03
38300-KEB7-900	2	F02	44710-KEB7-E1A	3	F07	45517-KFAF-910	0	F04
						45520-KCCC-900	0	F04
						45521-KCCC-900	0	F04



PART NO. INDEX  
 パーツ番号 検索

PART NO. パーツ番号	VERSION バージョン	PAGE ページ	PART NO. パーツ番号	VERSION バージョン	PAGE ページ	PART NO. パーツ番号	VERSION バージョン	PAGE ページ
45530-KEB7-306	0	F04	50715-KEB7-900	0	F21	53172-KTCT-900	0	F03
45531-GAR1-951	0	F07				53175-KTCT-900	1	F04
			<b>51000</b>			53178-GKAK-901	0	F03
<b>50000</b>			51401-KEB7-900	0	F22	5317B-KEB7-900	2	F03
50100-KEB7-B00	6	F21	5140A-KEB7-810	9	F06	53200-KEB7-E00	6	F06
50301-GLM0-001	0	F21	51410-KEB7-900	0	F22	53205-KEB7-800	2	F03
50305-GHC8-004	0	F21	51411-KEB7-900	0	F22	53206-KEB7-900	1	F03
50306-1F96-001	0	F06	51412-KEB7-900	0	F22	53211-GFY6-940	1	F06
50326-KEB7-900	0	F11	51412-KEBE-E00	0	F22	53212-GHC8-004	1	F06
50328-KKDK-900	1	F11	51420-KEB7-800	1	F22	<b>55000</b>		
50350-KEB7-900	5	F21	51429-KEB7-900	0	F22			
50355-KEB7-900	0	F21	51432-KGM7-911	0	F22	55100-KEB7-900	0	F12
50356-KEB7-900	0	F21	5150A-KEB7-810	10	F06	55102-1F66-001	0	F12
50356-KNBN-200	1	F21	51520-KEB7-800	0	F22	55106-KEB7-900	2	F12
50357-KEB7-900	1	F21	<b>52000</b>			55121-KEB7-900	0	F12
50503-KEB7-900	1	F16				55123-KNBN-901	0	F12
50505-KEBE-900	0	F16				55200-KNBN-901	0	F12
5050A-KEB7-900	6	F16	52400-KEB7-E00	1	F17	55201-GHC8-001	0	F12
50527-KED5-900	0	F16				<b>61000</b>		
50530-KEB7-900	1	F16	<b>53000</b>					
50613-KEB7-900	0	F21				61110-KEB7-800	0	F06
50615-KKDK-900	0	F21	53100-KEB7-900	2	F03			
50700-KGB5-900	1	F21	53105-KNBN-910	1	F03			
50710-KGB5-900	1	F21	53140-KNBN-960	0	F03			
50713-KEB7-900	0	F21	53166-KNBN-911	0	F03			

## PART NO. INDEX

## パーツ番号 検索

PART NO. パーツ番号	VERSION バージョン	PAGE ページ	PART NO. パーツ番号	VERSION バージョン	PAGE ページ	PART NO. パーツ番号	VERSION バージョン	PAGE ページ
<b>64000</b>			<b>77000</b>			81133-KGBG-900	0	F13
64212-KEB7-900	1	F05	77106-KEB7-900	0	F13	81134-KGBG-900	2	F13
64215-KEB7-900	0	F05	77200-KEB7-E00	1	F09	81135-KGBG-900	2	F13
64301-KEB7-800	1	F05	77225-KEB7-315-M2	0	F13	81141-KEB7-900	1	F05
64302-KEB7-900	1	F05	77230-KEB7-E00	0	F10	81142-KACA-900	0	F05
64303-KEB7-900	0	F05	77232-GLW0-315-M2	0	F05	81146-GBN2-001	0	F05
64304-KEB7-900	2	F05	7730A-KEB7-E00	1	F13	81218-KCAC-P00	0	F23
64304-KEB7-E00	2	F05				81260-KEB7-E00	3	F13
64305-KEB7-900	2	F05	<b>80000</b>					
64305-KEB7-E00	2	F05	80100-KEB7-900	0	F19	<b>83000</b>		
64310-KEB7-900	3	F05	80101-KEB7-900	0	F19	83500-KEB7-315	0	F13
64312-KEB7-E00	0	F05	80105-KEB7-900	2	F19	83500-KEB7-315	1	F13
64313-KEB7-E00	0	F05	80106-KEB7-900	1	F19	83501-KEB7-900	0	F13
64314-KEB7-E00	0	F05	80107-KEB7-900	1	F19	83520-KEB7-305	0	F13
64315-KEB7-900	0	F21	80108-KEB7-900	0	F19	83520-KEB7-315	0	F13
64316-KEB7-900	0	F05	80109-KEB7-900	0	F19	83600-KEB7-315	0	F13
			80151-KEB7-900	0	F13	83600-KEB7-315	1	F13
<b>75000</b>			80153-KEB7-900	0	F13	83601-KEB7-900	0	F13
75581-6C73-001	0	F05				83620-KEB7-305	0	F13
75581-GHN8-921	0	F13	<b>81000</b>			83620-KEB7-315	0	F13
			81131-KEB7-900	1	F05	83750-KEB7-900	0	F13
			81132-KEB7-900	1	F05			
						<b>87000</b>		
						87131-KEB7-E00	0	F24

PART NO. INDEX  
 パーツ番号 検索

PART NO. パーツ番号	VERSION バージョン	PAGE ページ	PART NO. パーツ番号	VERSION バージョン	PAGE ページ	PART NO. パーツ番号	VERSION バージョン	PAGE ページ
87206-KNCN-800	3	F24	90105-KCR3-001	1	F07	90302-SDA4-004	3	F13
87311-LAD9-B20	2	F24	90108-GFY6-901	0	F16	90304-GHE8-004	0	F03
87505-KEB7-E10	1	F23	90110-KEB7-900	1	F03	90304-GHE8-004	0	F21
87541-GAR1-E00	1	F23	90110-KEB7-900	1	F05	90305-GHK8-001	1	F13
87542-GAR1-E00	2	F23	90110-KEB7-900	1	F06	90305-KNBN-90B	0	F08
87551-KEB7-900	0	F24	90110-KEB7-900	1	F13	90306-GLW0-90A	1	F07
87551-KEB7-E10	0	F24	90111-KFW6-001	0	F13	90309-KLF0-004	1	E08
87552-KEB7-900	0	F24	90112-KRDR-900	1	F20	90381-GEZ5-001	1	F13
87552-KEB7-E10	0	F24	90114-1F66-007	2	F04	90412-3K29-001	0	E06
87560-KNBN-E00	1	F23	90115-GLE0-001	0	F03	90426-KNBN-901	0	E06
			90116-3C83-72A	0	F22	90429-KNBN-901	0	E08
<b>88000</b>			90121-GFY6-901	1	F21	90442-0D44-001	0	E07
			90121-KBE2-981	6	F07	90451-GBN2-601	0	E06
88110-KEB7-E00	3	F03	90131-GLW0-911	0	F07	90454-GBB2-001	0	E07
88114-KEB7-900	0	F03	90145-LEA3-E00	1	F04	90474-3C33-001	1	E09
88120-KEB7-E00	3	F03	90202-1G87-001	2	E07	90501-KNBN-901	0	F08
			90215-GLM0-910	1	F05	90545-3L00-001	2	F04
<b>89000</b>			90215-GLM0-910	1	F13	90554-2C83-001	0	F22
			90301-6D34-671	1	F21	90601-3D54-001	0	F22
89010-KNBN-900	0	F09	90301-KGBG-900	1	F15	90652-GBHB-641	0	F14
			90302-GFY6-901	1	F05	90656-KCBC-900	0	F03
<b>90000</b>			90302-GFY6-901	1	F11	90677-GAR1-004	1	F13
			90302-GFY6-901	1	F12	90741-0E35-001	0	E10
90001-GKAK-901	2	E02	90302-GFY6-901	1	F19	90754-GHC8-00A	1	F07
9000A-KTDT-900	1	E05	90302-KED5-900	2	F13	90912-GHC8-00A	0	F07
90102-KNBN-900	0	F21	90302-SDA4-004	3	F05	90912-GHC8-00D	0	F07

PART NO. INDEX  
 パーツ番号 検索

PART NO. パーツ番号	VERSION バージョン	PAGE ページ	PART NO. パーツ番号	VERSION バージョン	PAGE ページ	PART NO. パーツ番号	VERSION バージョン	PAGE ページ
<b>91000</b>			<b>92000</b>			93903-34360	0	F14
91001-GGA7-70A	2	E07	92700-06028-1B	0	E02	93903-34360	0	F18
91001-GLW0-90A	6	E09				93903-34360	0	F19
91004-KBN2-90A	0	E08	<b>93000</b>			93903-34360	0	F21
91004-KBN2-90A	0	E09				93903-35080	0	F14
91004-KNBN-92A	0	E09	93404-06012-06	0	F05	93903-35360	0	F02
91006-KNBN-901	5	E09	93404-06012-06	0	F19	93903-45360	0	F01
91009-GLE0-004	1	E08	93404-06025-06	0	F05	93903-GFY6-900	1	F13
91102-GLW0-009	0	E10	93500-05012-0F	0	E09	93903-GFY6-900	1	F21
91103-GAR1-004	0	E07	93500-KEB7-900	1	F15	<b>94000</b>		
91103-GAR1-00A	0	E07	93500-KGBG-900	0	F03	94001-05080-0S	0	F03
91201-KNBN-92A	0	E09	93501-KEB7-900	1	F15	94001-12280-0S	0	E06
91202-KNBN-92A	0	E09	93600-04012-1G	0	F04	94050-05080	0	F18
91204-KNBN-90A	1	E09	93700-05018-0F	0	F02	94050-05080	0	F19
91211-GHK8-014	1	E07	93891-05012-06	0	F21	94050-06060	0	F04
91255-4F46-014	0	F22	93892-04008-16	0	E11	94050-06080	0	E11
91255-GLE0-006	0	E08	93892-04014-18-3	0	E11	94050-06080	0	F05
91258-KAM1-00A	1	F07	93893-04012-18	0	F04	94050-06080	0	F09
91301-0C53-001	0	E08	93903-14360	0	F13	94050-06080	0	F10
91301-KEA5-742	0	E07	93903-25360	0	F14	94050-06080	0	F20
91302-PKA9-004	0	E07	93903-34360	0	F02	94050-06080	0	F21
91304-GLB0-911	1	E09	93903-34360	0	F03	94050-10080	0	E03
91309-GKAK-901	0	E04	93903-34360	0	F05	94050-10080	0	E07
91352-KHG8-83B	0	F08	93903-34360	0	F13	94101-06800	0	F15

## PART NO. INDEX

## パーツ番号 検索

PART NO. パーツ番号	VERSION バージョン	PAGE ページ	PART NO. パーツ番号	VERSION バージョン	PAGE ページ	PART NO. パーツ番号	VERSION バージョン	PAGE ページ
94101-06800	0	F21	9500C-KEB7-900	0	F10	95801-08040-06	0	F06
94101-08600	0	F16	9500E-KEB7-900	0	F10	95801-08050-06	1	F15
94101-10800	0	F03	95014-71202	0	F16	95801-10035-06	0	F17
94251-08400	0	F16	95014-72204	0	F16	95801-10040-06	0	F03
94251-08400	0	F21	95015-32001	0	F03	95801-10050-06	1	F21
94301-10200	0	E09	95015-42000	0	F03	95801-10095-06	0	F21
94510-20000	0	E08	95701-06008-06	1	F15	95801-10120-06	0	F21
94511-14000	0	E06	95701-06012-06	1	F06			
94520-24000	1	E07	95701-06012-06	1	F10	<b>96000</b>		
94591-21000	0	F05	95701-06012-06	1	F21			
94591-KFBF-900	2	E01	95701-06016-06	1	F06	96001-06012-06	0	E03
94605-KEBE-900	1	F22	95701-06022-06	1	F08	96001-06016-06	0	E03
94608-30000	0	F22	95701-06022-06	1	F16	96001-06022-06	1	E03
			95701-06025-06	2	E01	96001-06022-06	1	F04
<b>95000</b>			95701-06025-06	2	F15	96001-06025-06	0	E04
			95701-06028-06	0	F05	96001-06025-06	0	E09
95002-02070	0	E11	95701-06040-06	0	F15	96001-06025-06	0	F03
95002-02070	0	F10	95701-08012-06	0	E09	96001-06032-06	0	E09
95002-02080	0	E11	95701-08040-06	0	E09	96001-06045-06	0	E09
95002-02080	0	F10	95701-08045-06	1	F13	96001-06055-06	0	E09
95002-02080	0	F19	95701-KEB7-E00	1	F20	96100-62033-00	0	E09
95002-02100	0	F12	95801-06040-06	0	F14	96211-05000	0	F06
95002-02110	0	F14	95801-06050-06	0	F21	96211-08000	1	F21
95002-02650	0	E09	95801-08035-06	1	E09			
95002-50000	0	F12	95801-08035-06	1	F15			
9500B-KEB7-E00	0	F10	95801-08035-06	1	F17			

PART NO. INDEX  
 パーツ番号 検索

PART NO. パーツ番号	VERSION バージョン	PAGE ページ	PART NO. パーツ番号	VERSION バージョン	PAGE ページ	PART NO. パーツ番号	VERSION バージョン	PAGE ページ
<b>98000</b>			S4460-213-B001	0	E11			
			S536-1241	0	E11			
98076-5871G-00	0	E02						
98200-10700	0	F11						
98200-10700	0	F20						
<b>99000</b>								
99101-116-0850	0	E11						
<b>K</b>								
K350-KEB-0500	0	E11						
K378-001	0	E11						
K506-GW0-0100	0	E11						
K785-KEB-0300	0	E11						
<b>N</b>								
N413-32A00	0	E11						
N425-2RFMK	0	E11						
<b>S</b>								
S3620-031-B000	0	E11						