

PARTS CATALOGUE



SCOOTERS

SD10JA(JP)

SOONER 50F



Release Date : 2016/04/07
Print Date : 2017/07/18

本パーツリストについて

- 本パーツリストは SD10JA(JP).の全てのパーツ番号が記載されています。
- 車輻のカラーチャートとバイクに相違がある場合は正規販売店もしくは KYMCO JAPANへお問い合わせください。
- 1. "***"記号が記載している場合、3文字の色コードをパーツ番号の最後に記入してください。
2. "#" 記号が記載している場合、パーツの設定、変更があります。正規販売店もしくは KYMCO JAPANへお問い合わせください。
- このパーツリストの変更または追加は、適切な時期に予告なく行われます。

ABOUT THIS PARTS LIST

- This parts list is compiled all service parts for model SD10JA(JP).
- Any difference between color chart and motorcycle will be revised according to motorcycle.
- The Mark:
 1. Marking "***" must add color code in the end before ordering parts.
 2. Marking "#" are parts with modification, Please find the details from e-Parts system.
- When modification or additions to this parts list are made a revised edition at an appropriate time.

目次

● 本パーツリストについて	1
● SD10JA(JP)のカラーチャート	3
● 目次-エンジン関	6
● 目次-フレーム関係	7
● エンジンパーツリスト	10
● フレームパーツリスト	42
● パーツ番号 検索	108

CONTENTS

● ABOUT THIS PARTS LIST	1
● COLOR CHART OF SD10JA(JP)	3
● CONTENTS-ENGINE GROUP	6
● CONTENTS-FRAME GROUP	7
● ENGINE PARTS LIST	10
● FRAME PARTS LIST	42
● PART NO. INDEX	108

NO	モデル			SD10JA(JP)のカラーチャート			
	写真番号			NO. 1	NO. 2	NO. 3	NO. 4
	基本色						
	コード			Crystal Blue	Pink Metallic	Bright Silver	Black
	パーツ名	パーツ番号	バージョン	PB041MA	RR222MA	NH045MA	NH001SA
1	COVER ASSY FR TOP	6430D-LDC1-900	2	F1P			
2	CLAMP TUBE	90660-KGBG-900	0	H4R			
3	FORK ASSY R FR	5140A-LDC1-900	1	N1A			
4	BOTTOM TUBE COMP R	51420-LDC1-900	0				
5	FORK SET L FR	5150A-LDC1-900	4				
6	BOTTOM TUBE COMP L	51520-LDC1-900	0				
7	LEVER STRG HANDLE	53175-KHC3-900	0				
8	LEVER L STRG HANDLE	53178-KHC4-900	0				
9	COVER FR HANDLE	53205-LDC1-900	2				
10	FENDER A FRONT	61100-LDC1-900	2				
11	COVER FR /NH001SA	64301-LDC1-900	3				
12	COVER R BODY	83500-LDC1-900	2				
13	COVER L BODY	83600-LDC1-900	2	EAP			
14	FENDER B FR	61101-LDC1-900	3				
15	MOLDING FR ASSY	6430A-LDC1-900	3				
16	SKIRT R SIDE ASSY	6430B-LDC1-E00	0	H5R			
17	SKIRT L SIDE ASSY	6430C-LDC1-E00	0				
18	PROTECTOR COMP	18317-KHC4-B20	2	N1R			
19	YOX BATTERY **(3)	50325-KHC4-900	4				
20	COVER BATTERY **N1R	5032A-KHC4-900	2				
21	COVER UNDER **(1)	50613-LDC1-900	3				
22	GRIP COMP THROT/DEEP	53140-KFA1-900	2				
23	GRIP L HANDLE/DEEP	53166-KFA1-900	2				
24	COVER HANDLE RR	53206-LDC1-900	5				
25	GRILL FRONT COVER	64304-LDC1-900	1				
販売開始時期							
販売終了時期							

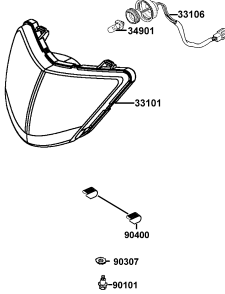
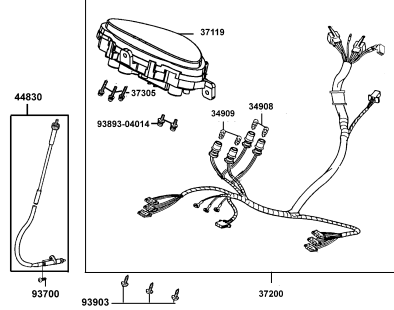
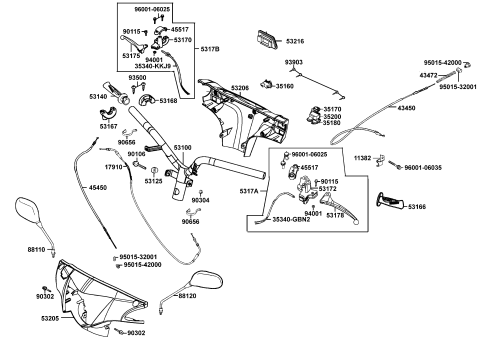
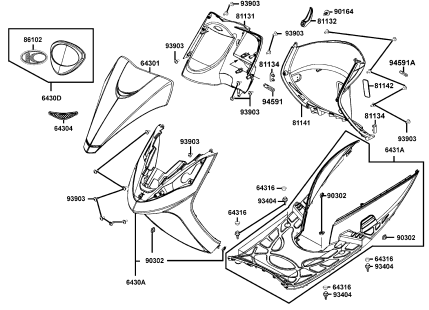
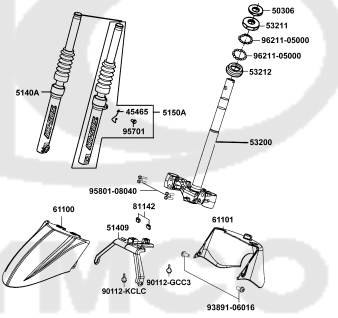
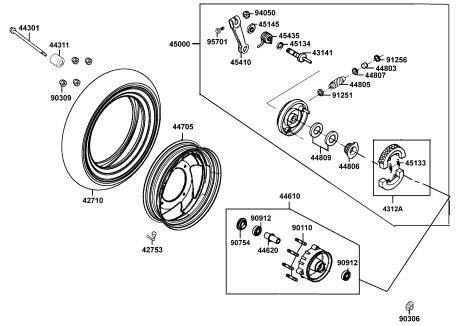
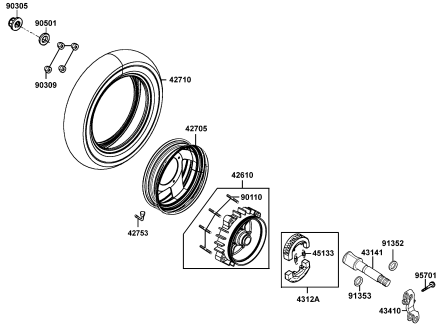
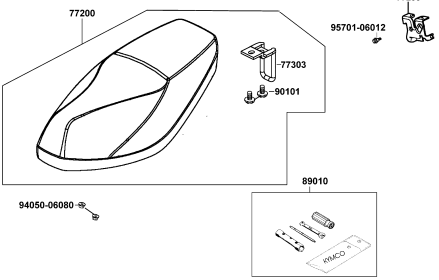
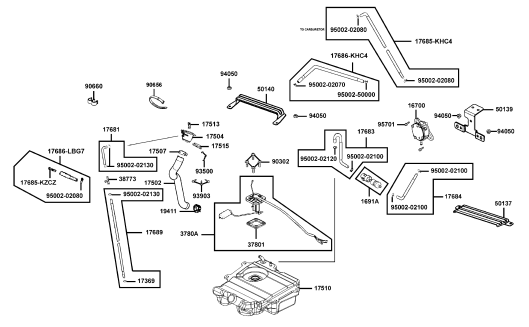
NO	モデル			SD10JA(JP)のカラーチャート						
	写真番号			NO. 1	NO. 2	NO. 3	NO. 4			
	基本色									
	コード			Crystal Blue	Pink Metallic	Bright Silver	Black			
	パーツ名	パーツ番号	バージョン	PB041MA	RR222MA	NH045MA	NH001SA			
26	PLUG FLOOR	64316-KHE2-900	1	N1R						
27	FLOOR PANEL COMP	6431A-LDC1-900	5							
28	COVER CENTER	80151-LDC1-900	1							
29	LEG SHIELD UP	81131-LDC1-900	3							
30	HOOK LUGGAGE	81132-LFG6-900	2							
31	COVER SIDE REFLECTOR	81134-LKC7-960	1							
32	LEG SHIELD LOW	81141-LGM9-930	1							
33	LID LEG SHIELD	81142-KUDU-900	1							
34	CHAMBER AIR	83606-LDC1-900	2							
35	BAND HARNESS WIRE	90656-KUDU-900	0							
36	COVER L SIDE	11340-KGBG-900	7	NEA						
37	HUB SUB COMP RR	42610-GKAK-901	4	NJA						
38	HUB SUB ASSY FR	44610-GLW0-305	2							
39	PANEL SUB COMP FR	45000-LCB4-800	2	NJS						
40	RIM COMP RR WHEEL	42705-KHC4-900	5							
41	RIM COMP FR WHEEL	44705-KHC4-900	2	R8S						
42	CUSHION ASSY REAR	52400-KHC4-900	1							
43	SEAT ASSY	77200-LDD6-E00	0	T01						
44	EMB K-LOGO 24MM	86102-LAB4-900	2							
45	STRIPE BODY COVER	86202-LDD6-B20	0							
46	STRIPE FR FENDER	86408-LDD6-B20	0							
47	STRIPE RR FENDER ** (0)	86409-KHC4-B20	2							
48	MARK FR FORK	87170-GLE0-001	4							
49	LABEL TIRE	87505-KGBG-E00	1							
50	CAUTION SIDE STAND	87541-GAR1-E00	1							
販売開始時期										
販売終了時期										

NO	モデル			SD10JA(JP)のカラーチャート			
	写真番号			NO. 1	NO. 2	NO. 3	NO. 4
	基本色						
	コード			Crystal Blue	Pink Metallic	Bright Silver	Black
	パーツ名	パーツ番号	バージョン	PB041MA	RR222MA	NH045MA	NH001SA
51	LABEL OIL CAP	87541-KGBG-E00	0	T01			
52	MARK MAINT CAUTION	87542-GAR1-E00	2				
53	MARK DRIVE CAUTION	87560-GFY6-E00	4				
販売開始時期							
販売終了時期							

CONTENTS - ENGINE GROUP 目次-エンジン関

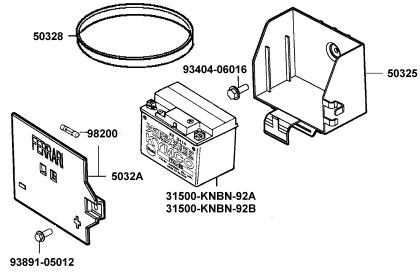
E01 Crank Case	E02 Cylinder Head Cover Cylinder	E03 Cylinder Piston Crankshaft
E04 Right Crankcase Cover	E05 Driven Pulley	E06 Starting Motor Oil Pump
E07 Fan Cover Generator	E08 Transmission	E09 Carburetor Assy

CONTENTS - FRAME GROUP 目次-フレーム関係

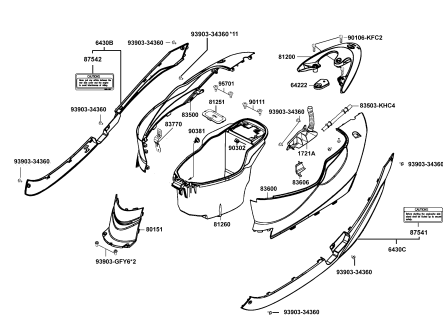
<p>F01 Head Light</p> 	<p>F02 Speedometer</p> 	<p>F03 Handle Steering Handle Cover</p> 
<p>F04 Front Cover Floor Panel</p> 	<p>F05 Front Cushion</p> 	<p>F06 Front Wheel</p> 
<p>F07 Rear Wheel</p> 	<p>F08 Seat</p> 	<p>F09 Fuel Tank</p> 

CONTENTS - FRAME GROUP 目次-フレーム関係

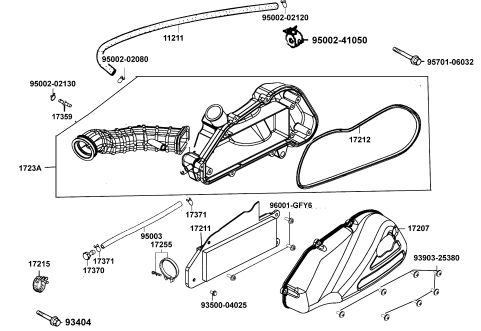
F10 Battery



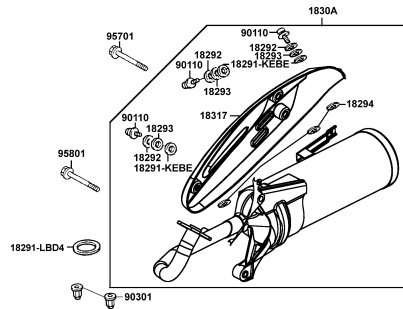
F11 Body Cover Luggage Box



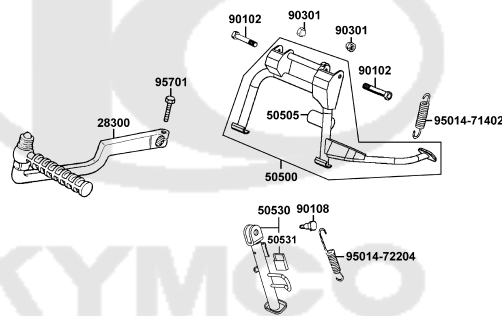
F12 Air Cleaner



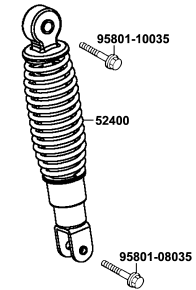
F13 Exhaust Muffler



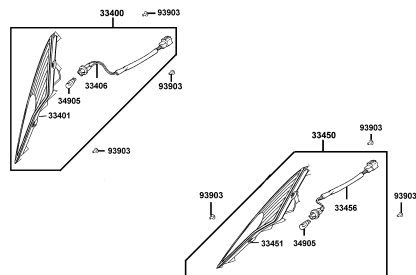
F14 Stand Kick Starter Arm



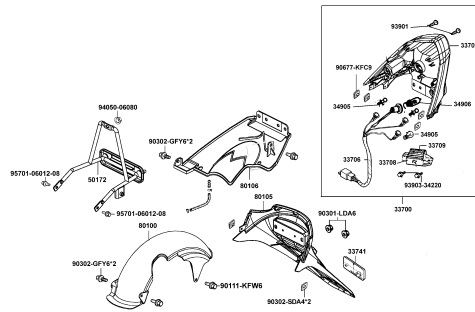
F15 Rear Cushion



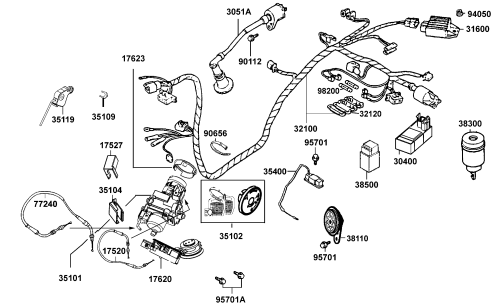
F16 Front Winker



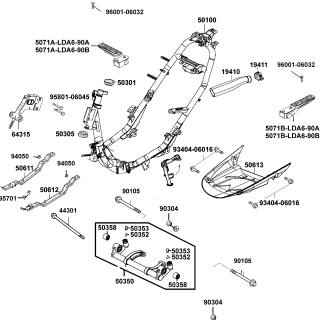
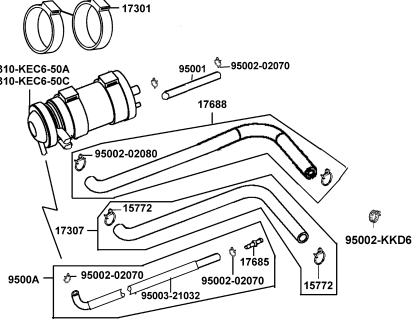
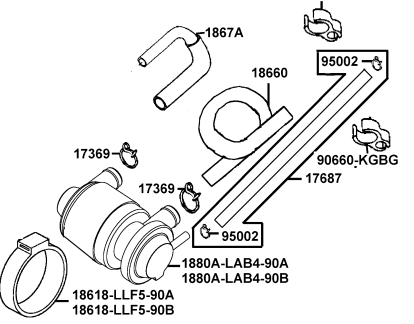
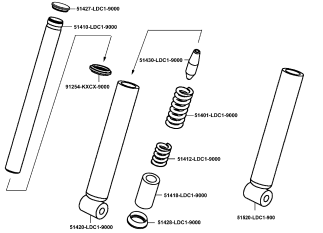
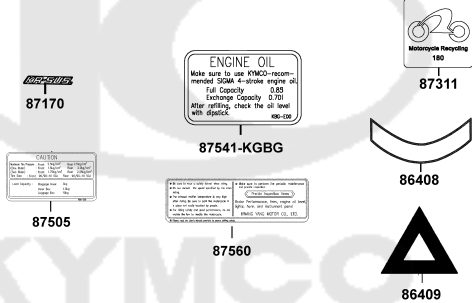

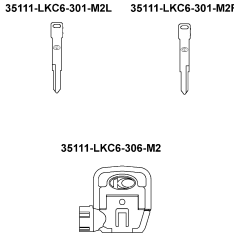
F17 Rear Light Fender Rr Tire



F18 Wire Harness

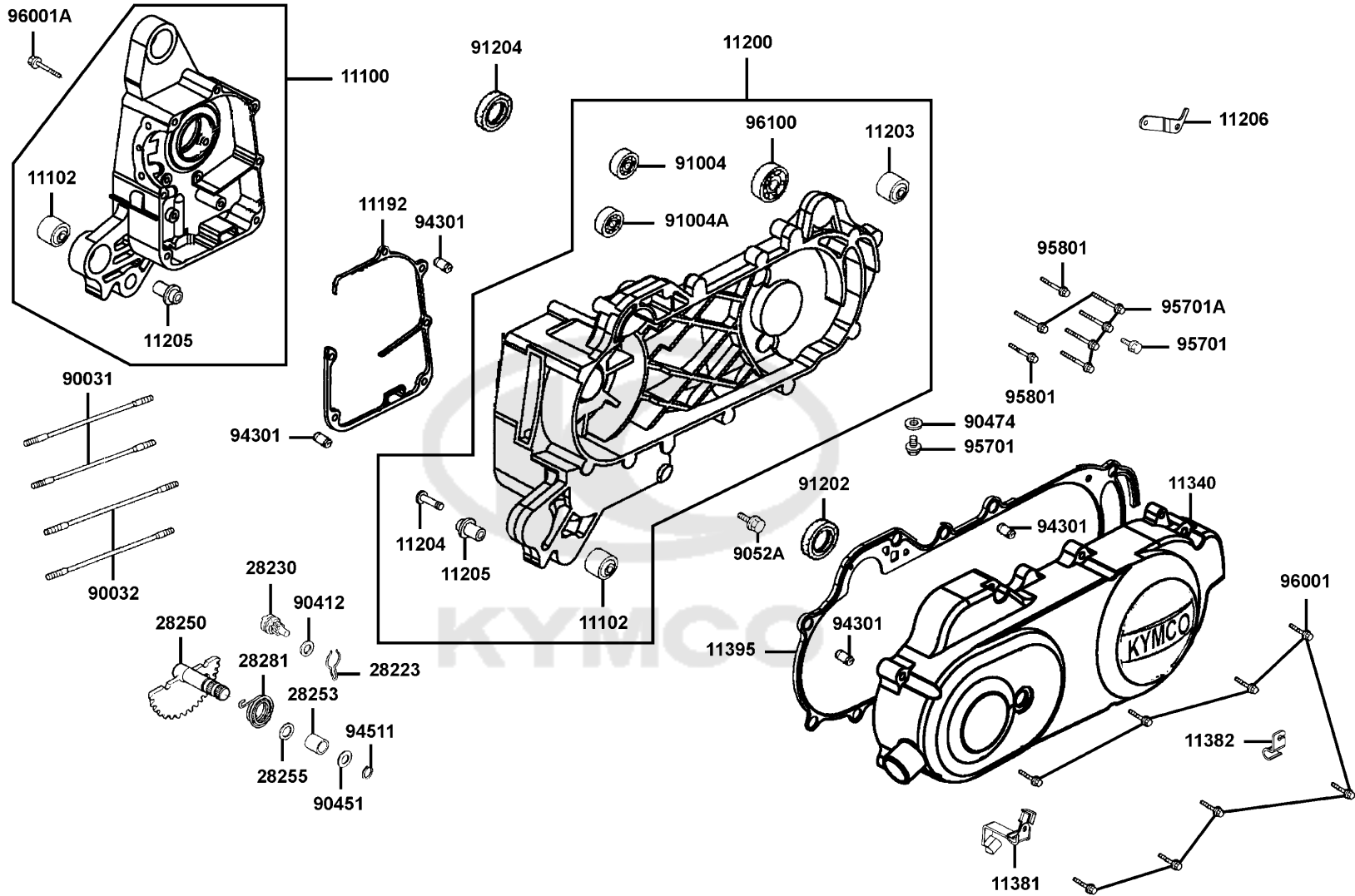


CONTENTS - FRAME GROUP 目次-フレーム関係

F19 Frame Body	F20 Canister	F21 Air Cleaner Two
		
F22 Separated Parts Of Fr Fork	F23 Caution Label	F24 Emblem Stripe
		
F25 Key		
		

E01

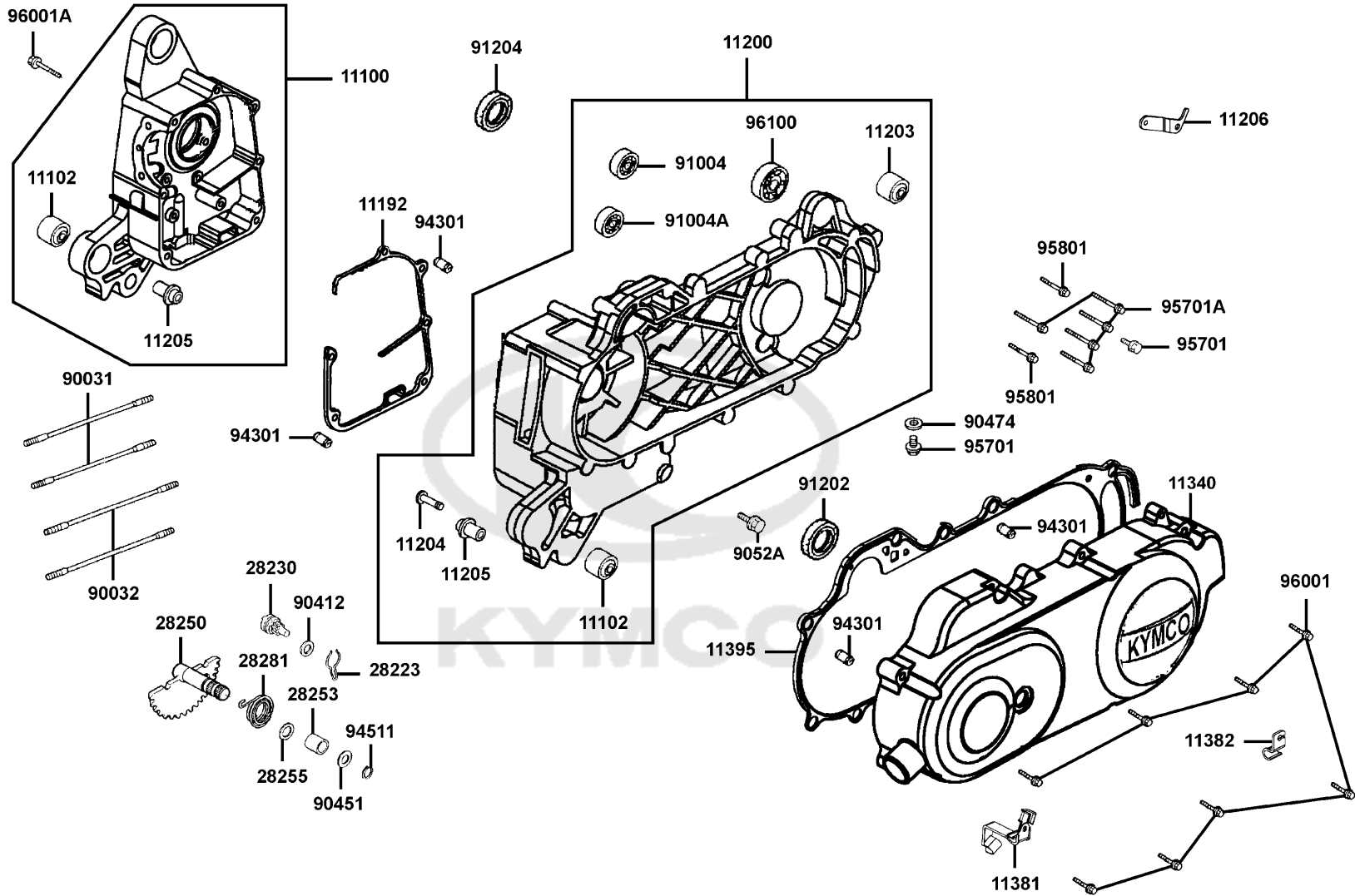
Crank Case



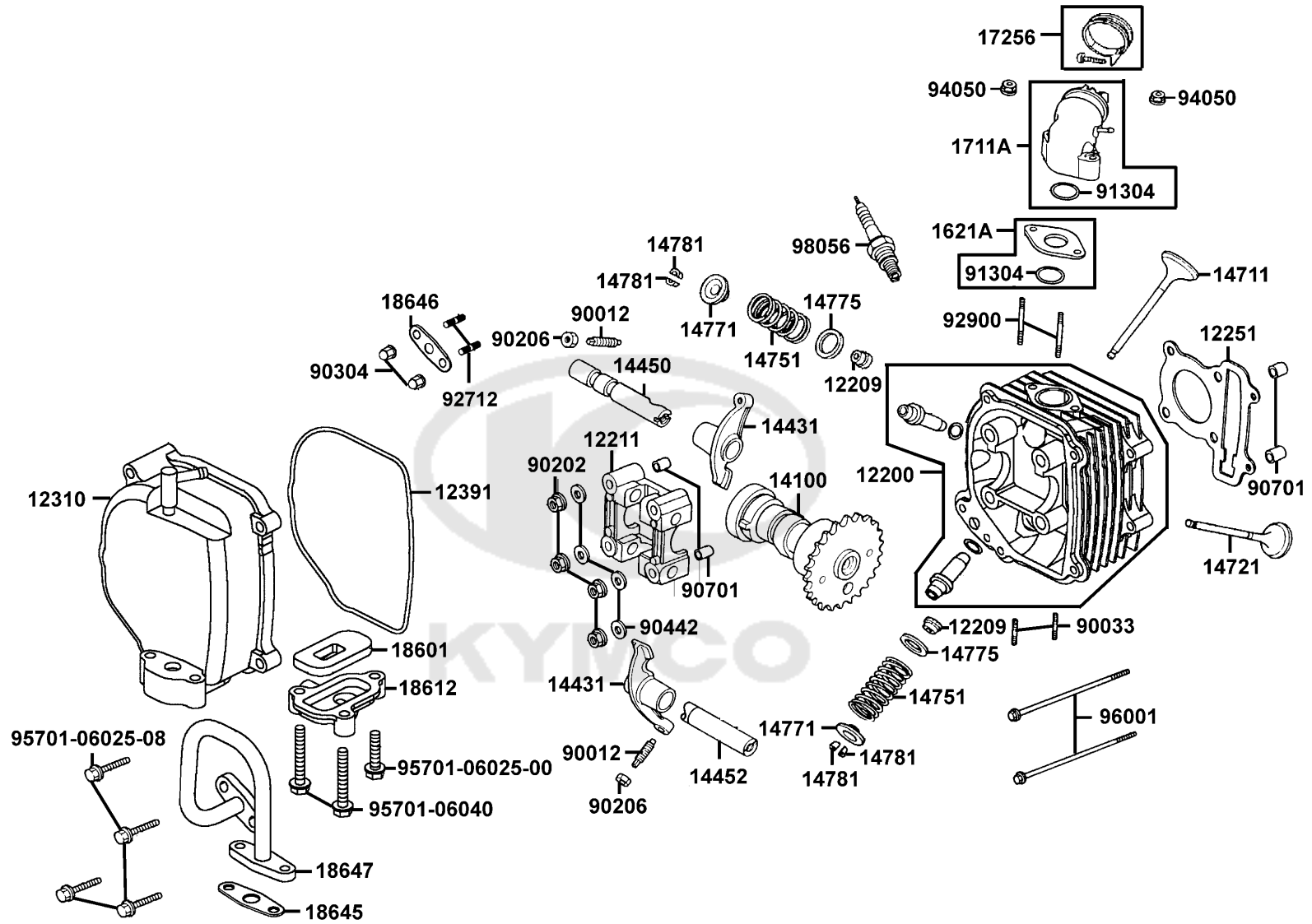
Sales mark 記号	Ref no 参照用番号	Part no パーツ番号	Description 部品名	Reg description 部品名	Regd no 必要個数	Ref Price 希望小売価格(税抜)	E01
	11100	11100-LBD6-305	CRANKCASE SET R	CRANKCASE SET R	1	20910	
	11102	11102-1G87-004	RUB BUSH ENG HANGER	RUB BUSH ENG HANGER	2	320	
	11192	11192-KGBG-980	GASKET CRANK CASE @A	GASKET CRANK CASE @A	1	540	
	11200	11200-LDA1-305	CRANK CASE SET L	CRANK CASE SET L	1	34220	
	11203	11203-GGC7-301	UNDER RUBBER BUSH REAR CUSHION	UNDER RUBBER BUSH REAR CUSHION	1	250	
	11204	11204-KNBN-901	PIN SPG HOOK	PIN SPG HOOK	1	300	
	11205	11205-LAB4-900	BUSH MAIN STAND	BUSH MAIN STAND	2	350	
	11206	11206-LBC9-900	STAY A RR FENDER	STAY A RR FENDER	1	300	
**	11340	11340-KGBG-900	COVER COMP L SIDE	COVER COMP L SIDE	1	12930	
	11381	11381-LDD6-900	CLAMPER BRAKE CABLE	CLAMPER BRAKE CABLE	1	580	
	11382	11382-LDA1-900	CLAMPER RR BRAKE	CLAMPER RR BRAKE	1	250	
	11395	11395-PVA1-900	GASKET L COVER @A	GASKET L COVER @A	1	1940	
	28223	28223-KNBN-901	SPG KICK DRIVEN GEAR	SPG KICK DRIVEN GEAR	1	160	
	28230	28230-GKAK-921	GEAR COMP KICK DRIVEN	GEAR COMP KICK DRIVEN	1	1820	
	28250	28250-KNBN-901	SPINDLE COMP KICK STARTER	SPINDLE COMP KICK STARTER	1	1820	
	28253	28253-GBN2-60A	BUSH KICK SPINDLE	BUSH KICK SPINDLE	1	200	
	28255	28255-GFS6-001	COLLAR KICK BOSS	COLLAR KICK BOSS	1	160	
	28281	28281-GBN2-60A	SPRING KICK RETURN	SPRING KICK RETURN	1	390	
	90031	90031-KGBG-910	BOLT A STUD 7*168	BOLT A STUD 7*168	2	390	
	90032	90032-KGBG-910	BOLT B STUD 7*176	BOLT B STUD 7*176	2	390	

E01

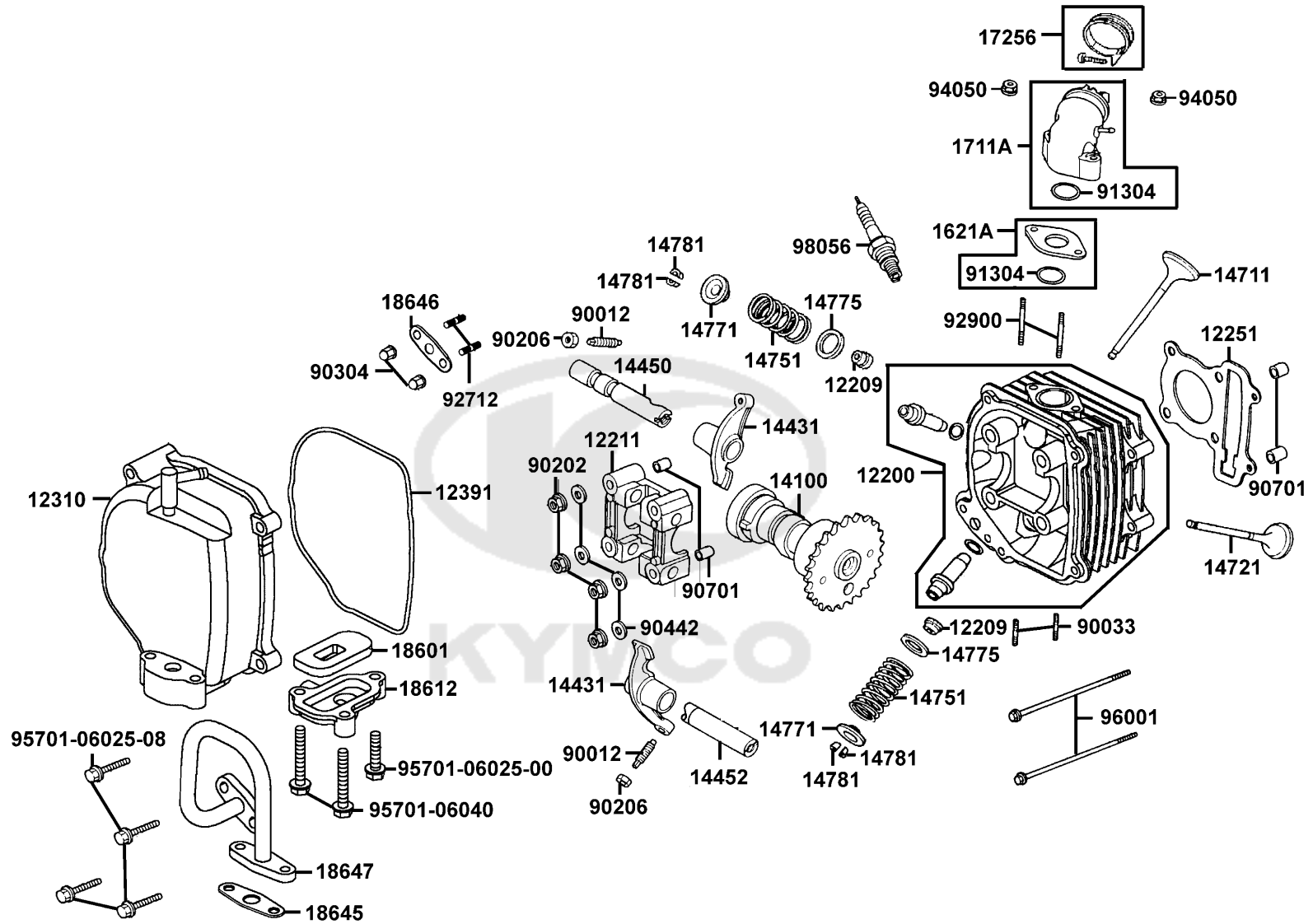
Crank Case



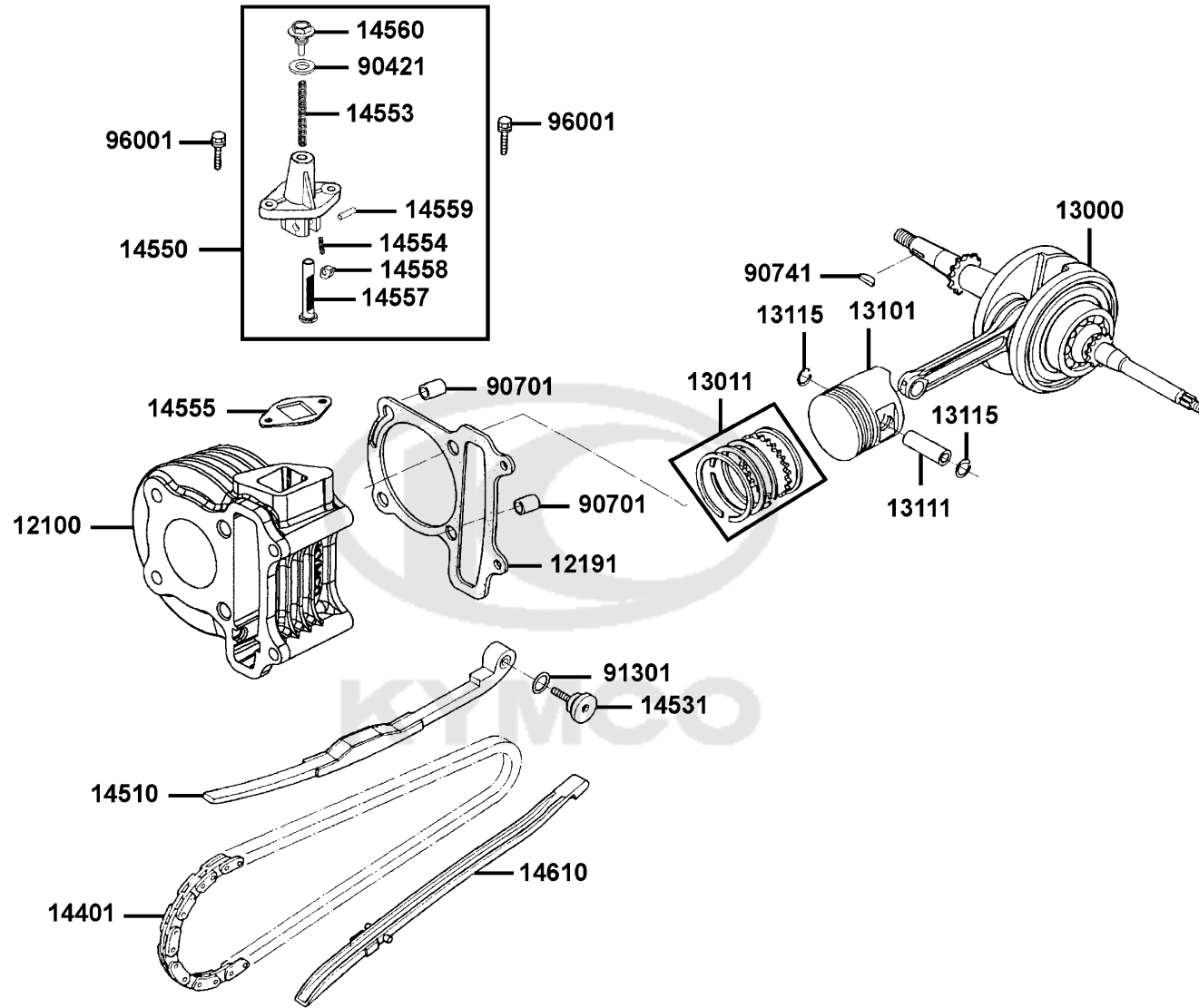
Sales mark 記号	Ref no 参照用番号	Part no パーツ番号	Description 部品名	Reg description 部品名	Regd no 必要個数	Ref Price 希望小売価格(税抜)	E01
90412		90412-3K29-001	WASHER THRUST 10M/M	WASHER THRUST 10M/M	1	200	
90451		90451-GBN2-601	WASHER KICK SPINDLE	WASHER KICK SPINDLE	1	200	
90474		90474-3C33-001	WASHER 8MM	WASHER 8MM	1	60	
9052A		9052A-GFY6-950	BOLT ASSY DRAIN PLUG	BOLT ASSY DRAIN PLUG	1	120	
91004		91004-KBN2-90A	BRG BALL RADIAL 6201	BRG BALL RADIAL 6201	1	2100	
91004A		91004-KNBN-92A	BRG BALL RADIAL 6203 SPC 17*40*12	BRG BALL RADIAL 6203 SPC 17*40*12	1	2290	
91202		91202-GFY6-90A	OIL SEAL 19.8*30*5	OIL SEAL 19.8*30*5	1	230	
91202		91202-GFY6-90C	OIL SEAL 19.8*30*5	OIL SEAL 19.8*30*5	2	230	
91204		91204-KNBN-90A	OIL SEAL 17*30*6	OIL SEAL 17*30*6	1	610	
94301		94301-08140	DOWEL PIN 8*14	DOWEL PIN 8*14	4	110	
94511		94511-14000	CIR CLIP EX 14	CIR CLIP EX 14	1	110	
95701		95701-08012-06	BOLT FLANGE 6*22 (K)	BOLT FLANGE 6*22 (K)	1	60	
95701A		95701-08040-06	BOLT FLANGE 6*22 (K)	BOLT FLANGE 6*22 (K)	1	160	
95801		95801-08035-06	BOLT FLANGE 8*35	BOLT FLANGE 8*35	1	60	
96001		96001-06035-06	BOLT FLANGE SH 6*35	BOLT FLANGE SH 6*35	1	130	
96001A		96001-06045-06	BOLT FLANGE 6*45 **07 C.2005.07.01	BOLT FLANGE 6*45 **07 C.2005.07.01	1	60	
96100		96100-62033-00	BEARING BALL RADIAL 6203	BEARING BALL RADIAL 6203	1	960	



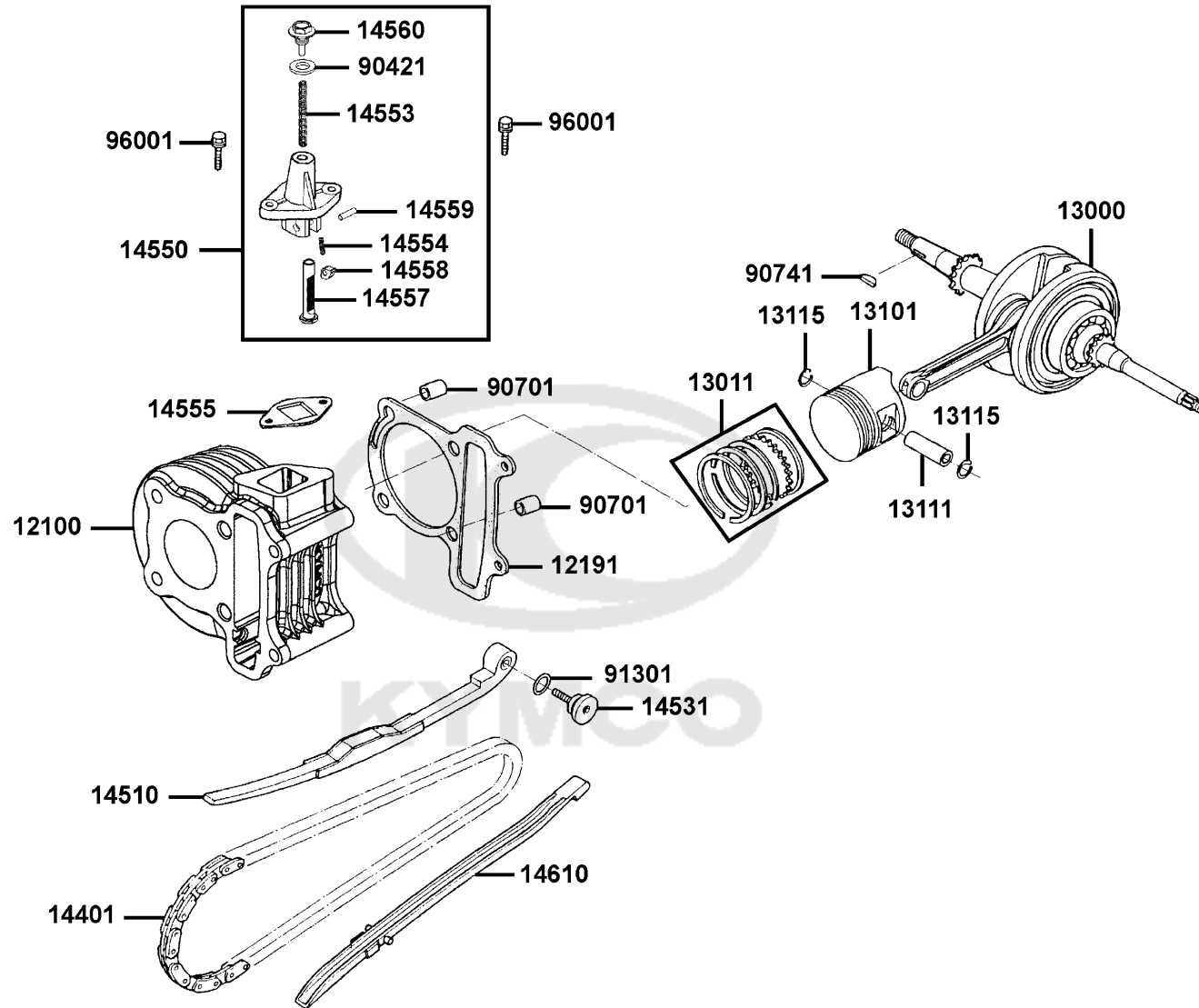
Sales mark 記号	Ref no 参照用番号	Part no パーツ番号	Description 部品名	Reg description 部品名	Regd no 必要個数	Ref Price 希望小売価格(税抜)	E02
12200		12200-LBC9-900	HEAD COMP CYLN	HEAD COMP CYLN	1	29710	
12209		12209-LBC9-900	SEAL VALVE STEM	SEAL VALVE STEM	2	390	
12211		12211-KGBG-900	HOLDER CAM SHAFT	HOLDER CAM SHAFT	1	2550	
12251		12251-KGBG-900	GASKET CYLINDER HEAD	GASKET CYLINDER HEAD	1	700	
12310		12310-KHC5-900	COVER COMP HEAD	COVER COMP HEAD	1	4380	
12391		12391-KEE1-900	GASKET HEAD COVER	GASKET HEAD COVER	1	390	
14100		14100-KGBG-220	SHAFT COMP CAM	SHAFT COMP CAM	1	9510	
14431		14431-LBC9-900	ARM VALVE ROCKER	ARM VALVE ROCKER	2	5170	
14450		14450-KGBG-900	SHAFT COMP IN ROCKER ARM	SHAFT COMP IN ROCKER ARM	1	970	
14452		14452-KGBG-900	SHAFT EXH ROCKER ARM	SHAFT EXH ROCKER ARM	1	420	
14711		14711-LBC9-900	VALVE INLET	VALVE INLET	1	1720	
14721		14721-LBC9-900	VALVE EXHAUST	VALVE EXHAUST	1	2960	
14751		14751-GEN5-91A	SPRING VALVE OUTER	SPRING VALVE OUTER	2	350	
14771		14771-LBC9-900	RETAINER VALVE SPRING	RETAINER VALVE SPRING	2	490	
14775		14775-MFA6-001	SEAT VALVE SPG OUTER	SEAT VALVE SPG OUTER	2	160	
14781		14781-KKC3-900	COTTER VALVE	COTTER VALVE	4	490	
1621A		1621A-KGBG-900	INSULATOR CARB ASSY	INSULATOR CARB ASSY	1	420	
1711A		1711A-LDD6-900	PIPE ASSY INLET	PIPE ASSY INLET	1	3240	
17256		17256-KGBG-900	BAND INSULATOR	BAND INSULATOR	1	330	
18601		18601-KBE2-900	REED VALVE COMP LDV 52*27*6.0	REED VALVE COMP LDV 52*27*6.0	1	2100	



Sales mark 記号	Ref no 参照用番号	Part no パーツ番号	Description 部品名	Reg description 部品名	Regd no 必要個数	Ref Price 希望小売価格(税抜)	E02
18612	18612-GFY6-941	18612-GFY6-941	COVER REED VALVE	COVER REED VALVE	1	440	
18645	18645-GFY6-941	18645-GFY6-941	GASKET A/I PIPE	GASKET A/I PIPE	1	60	
18646	18646-GFY6-941	18646-GFY6-941	GASKET A/I PIPE	GASKET A/I PIPE	1	60	
18647	18647-GFY6-941	18647-GFY6-941	PIPE COMP AIR	PIPE COMP AIR	1	2010	
90012	90012-3C33-001	90012-3C33-001	SCREW TAPPET ADJUSTING	SCREW TAPPET ADJUSTING	2	110	
90033	90033-0A41-021	90033-0A41-021	BOLT STUD 6*32	BOLT STUD 6*32	2	200	
90202	90202-GFF6-011	90202-GFF6-011	NUT FLANGE 7M/M	NUT FLANGE 7M/M	4	200	
90206	90206-0A01-001	90206-0A01-001	NUT TAPPET ADJG	NUT TAPPET ADJG	2	60	
90304	90304-4H38-001	90304-4H38-001	NUT HEX CAP 6MM	NUT HEX CAP 6MM	2	200	
90442	90442-GFF6-011	90442-GFF6-011	WASHER SEALING 7MM	WASHER SEALING 7MM	4	200	
90701	90701-GFF6-001	90701-GFF6-001	PIN DOWEL SPECIAL 8*14	PIN DOWEL SPECIAL 8*14	4	200	
91304	91304-KGBG-900	91304-KGBG-900	O RING 20.6*2.0	O RING 20.6*2.0	2	200	
92712	92712-06028-0B	92712-06028-0B	BOLT STUD 6*28	BOLT STUD 6*28	1	200	
92900	92900-06050-0B	92900-06050-0B	BOLT STUD II 6*50	BOLT STUD II 6*50	2	160	
94050	94050-06080	94050-06080	NUT FLANGE 6MM	NUT FLANGE 6MM	2	60	
95701-06025-08	95701-06025-06	95701-06025-06	BOLT FLANGE 6*25	BOLT FLANGE 6*25	2	60	
95701-06040	95701-06040-06	95701-06040-06	BOLT FLANGE 6*40 (C)	BOLT FLANGE 6*40 (C)	1	200	
96001	96001-06085-06	96001-06085-06	BOLT FLANGE 6*85	BOLT FLANGE 6*85	2	160	
98056	98056-57713-00	98056-57713-00	SPARK PLUG (C7HSA)	SPARK PLUG (C7HSA)	1	770	



Sales mark 記号	Ref no 参照用番号	Part no パーツ番号	Description 部品名	Reg description 部品名	Regd no 必要個数	Ref Price 希望小売価格(税抜)	E03
12100		12100-LBC9-900	CYLINDER COMP	CYLINDER COMP	1	30000	
12191		12191-KGBG-980	GASTET CYLINDER @ A	GASTET CYLINDER @ A	1	230	
13000		13000-LDC5-900	CRANK SHAFT COMP	CRANK SHAFT COMP	1	27220	
13011		13011-LBC9-900	RING SET PISTON	RING SET PISTON	1	2860	
13101		13101-LBC9-900	PISTON	PISTON	1	2670	
13111		13111-KGBG-900	PIN PISTON	PIN PISTON	1	960	
13115		13115-0A01-001	PISTON PIN CLIP	PISTON PIN CLIP	2	160	
14401		14401-KGBG-900	CHAIN CAM	CHAIN CAM	1	3620	
14510		14510-KGBG-900	TENSIONER CAM CHAIN	TENSIONER CAM CHAIN	1	2010	
14531		14531-GLR0-001	PIVOT CAM CHAIN TENSIONER	PIVOT CAM CHAIN TENSIONER	1	200	
14550		14550-KDS4-00B	ADJUSTER CAM CHAIN	ADJUSTER CAM CHAIN	1	3050	
14553		14553-KGBG-900	SPRING CAM CHAIN ADJUSTER	SPRING CAM CHAIN ADJUSTER	1	300	
14554		14554-KAM1-004	SPRING RATCHET	SPRING RATCHET	1	110	
14555		14555-LBA2-E00	GASKET CAM CHAIN ADJUSTER	GASKET CAM CHAIN ADJUSTER	1	130	
14557		14557-KGBG-900	PLUGER ADJUSTER	PLUGER ADJUSTER	1	770	
14558		14558-KGBG-900	CAM ADJUSTER	CAM ADJUSTER	1	300	
14559		14559-KGBG-900	PIN ADJUSTER	PIN ADJUSTER	1	300	
14560		14560-KGBG-900	PLUG COMP ADJUSTER	PLUG COMP ADJUSTER	1	580	
14610		14610-KGBG-900	GUIDE COMP CAM CHAIN	GUIDE COMP CAM CHAIN	1	890	
90421		90421-KAM1-004	WASHER SEALING 8*16*1.6	WASHER SEALING 8*16*1.6	1	60	



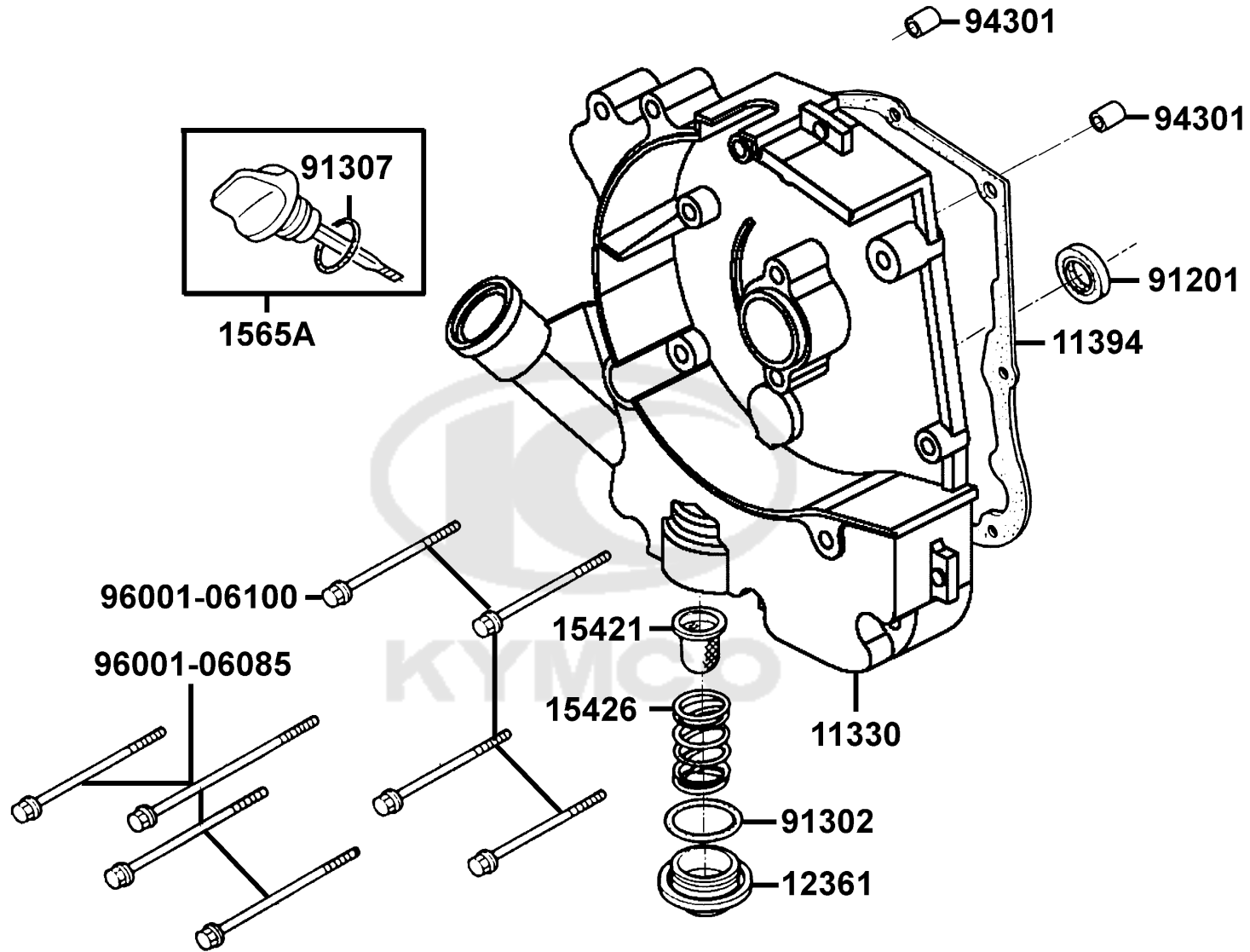
Sales mark 記号	Ref no 参照用番号	Part no パーツ番号	Description 部品名	Reg description 部品名	Regd no 必要個数	Ref Price 希望小売価格(税抜)	E03
------------------	-----------------	------------------	--------------------	------------------------	-----------------	-------------------------	-----

90701	90701-GFF6-001	PIN DOWEL SPECIAL 8*14	PIN DOWEL SPECIAL 8*14	2	200	
90741	90741-0E35-001	KEY WOODRUFF	KEY WOODRUFF	1	160	
91301	91301-GLR0-005	O-RING 15.2*1.5	O-RING 15.2*1.5	1	60	
96001	96001-06018-06	BOLT FLANGE SH 6X18	BOLT FLANGE SH 6X18	1	60	



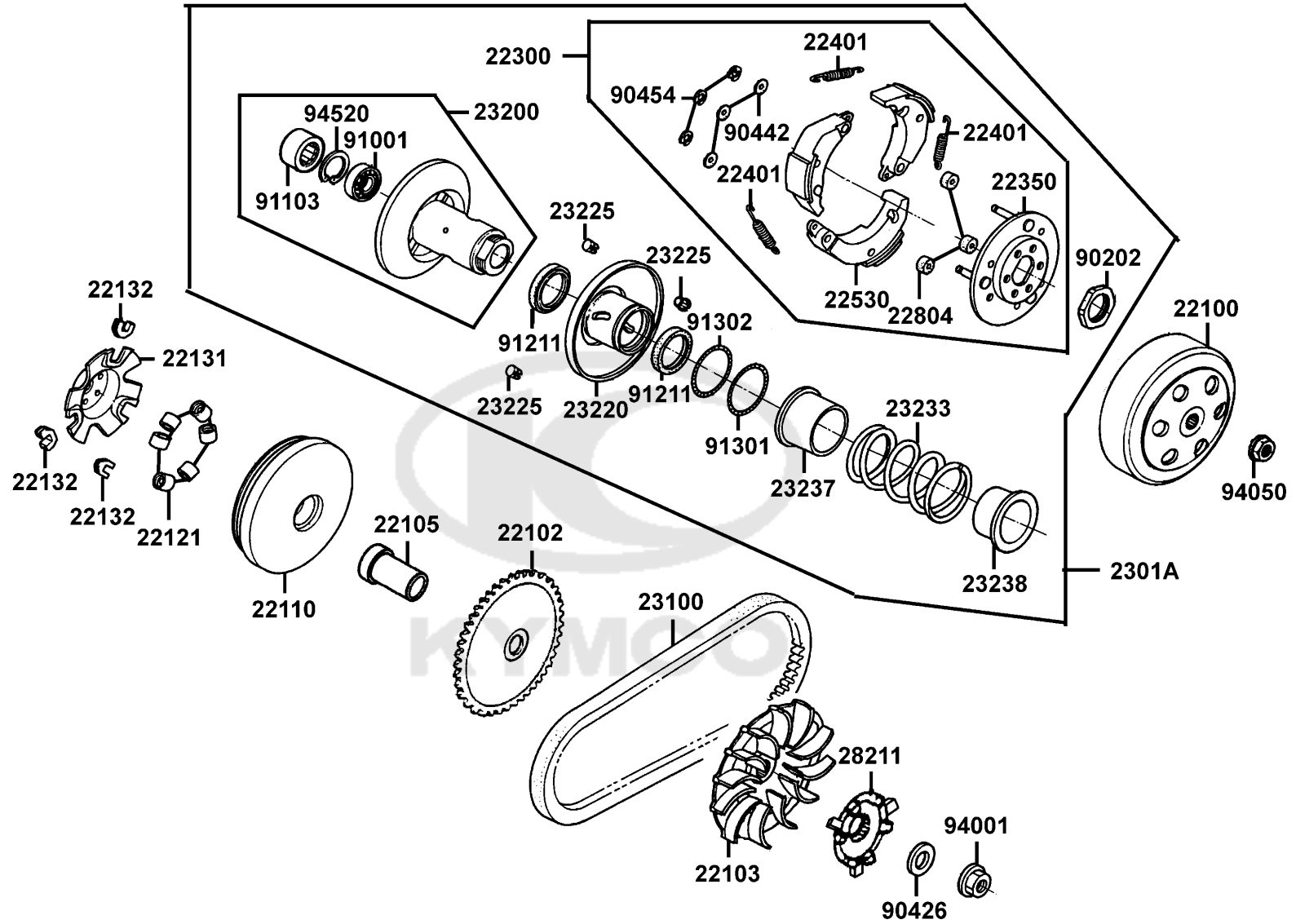
E04

Right Crankcase Cover



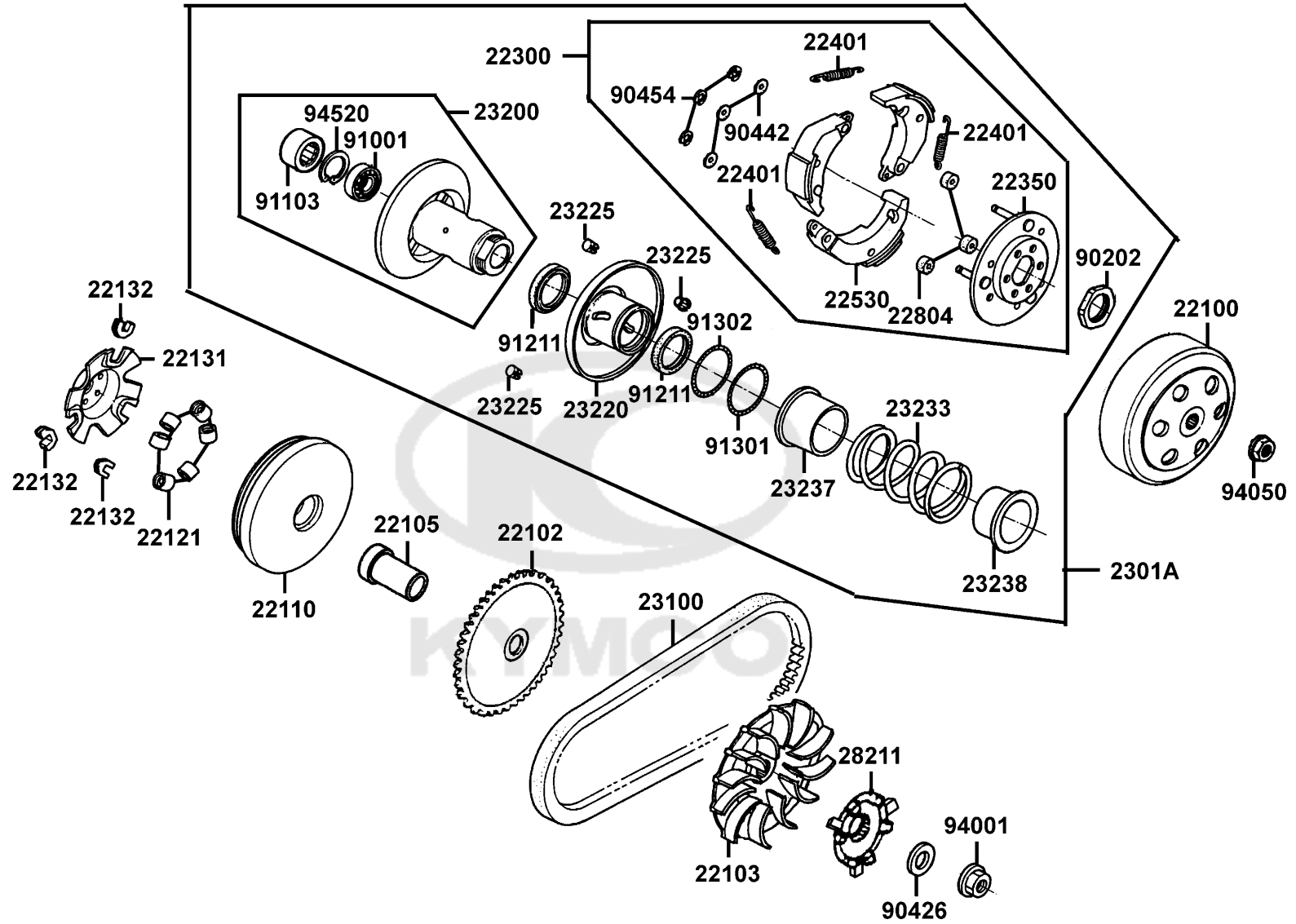
Sales mark 記号	Ref no 参照用番号	Part no パーツ番号	Description 部品名	Reg description 部品名	Regd no 必要個数	Ref Price 希望小売価格(税抜)	E04
11330		11330-LBD6-E00	COVER R CRANK CASE	COVER R CRANK CASE	1	10460	
11394		11394-KGBG-980	GASTER R COVER @ A	GASTER R COVER @ A	1	540	
12361		12361-GFY6-901	HOLE CAP TAPPET ADJUSTING	HOLE CAP TAPPET ADJUSTING	1	300	
15421		15421-1G07-001	SCREEN OIL FILTER	SCREEN OIL FILTER	1	350	
15426		15426-GAE1-921	SPG OIL FILTER SCREEN	SPG OIL FILTER SCREEN	1	160	
1565A		1565A-GFY6-900	GAUGE OIL LEVEL ASSY	GAUGE OIL LEVEL ASSY	1	390	
91201		91201-KGBG-90A	OIL SEAL 16.4*30*5	OIL SEAL 16.4*30*5	1	580	
91302		91302-0A01-021	O-RING 30.8M/M	O-RING 30.8M/M	1	60	
91307		91307-0E35-001	O RING 18*3	O RING 18*3	1	60	
94301		94301-08140	DOWEL PIN 8*14	DOWEL PIN 8*14	2	110	
96001-06085		96001-06085-06	BOLT FLANGE 6*85	BOLT FLANGE 6*85	4	160	
96001-06100		96001-06100-06	BOLT FLANGE SH 6*100	BOLT FLANGE SH 6*100	1	60	

Driven Pulley



Sales mark 記号	Ref no 参照用番号	Part no パーツ番号	Description 部品名	Reg description 部品名	Regd no 必要個数	Ref Price 希望小売価格(税抜)	E05
22100		22100-GAR1-751	CLUTCH OUTER	CLUTCH OUTER	1	3530	
22102		22102-KEB7-900	FACE DRIVE	FACE DRIVE	1	1530	
22103		22103-KEB7-900	FAN CVT COOLING	FAN CVT COOLING	1	300	
22105		22105-GKAK-901	BOSS DRIVE FACE	BOSS DRIVE FACE	1	1250	
22110		22110-KFA1-220	FACE COMP MOVABLE DRIVE	FACE COMP MOVABLE DRIVE	1	1340	
22121		22121-LBD6-305	ROLLER SET WEIGHT (1SET:6PCS)	ROLLER SET WEIGHT(旧品番の22121-LBD6	1	390	
22131		22131-GHAH-781	PLATE RAMP	PLATE RAMP	1	1060	
22132		22132-GLW0-001	PIECE SLIDE	PIECE SLIDE	3	160	
22300		22300-KXCX-900	PLATE ASSY DRIVE	PLATE ASSY DRIVE	1	6970	
22350		22350-GKAK-930	PLATE COMP DRIVE	PLATE COMP DRIVE	1	1370	
22401		22401-GBG2-900	SPRING CLUTCH	SPRING CLUTCH	3	140	
22530		22530-GKAK-930	WEIGHT CLUTCH	WEIGHT CLUTCH	3	1440	
22804		22804-1H48-001	RUBBER CLUTCH DAMPER	RUBBER CLUTCH DAMPER	3	110	
2301A		2301A-LDC5-900	PULLEY SUB ASSY	PULLEY SUB ASSY	1	19960	
23100		23100-GKAK-901	BELT DRIVE	BELT DRIVE	1	3690	
23200		23200-GAR1-220	FACE ASSY DRIVEN	FACE ASSY DRIVEN	1	8560	
23220		23220-KEE1-220	FACE COMP MOVABLE DRIVEN	FACE COMP MOVABLE DRIVEN	1	5710	
23225		23225-GAR1-751	PIN GUIDE	PIN GUIDE	3	130	
23233		23233-LDA1-900	SPG DRIVEN FACE	SPG DRIVEN FACE	1	770	
23237		23237-GAR1-220	COLLAR SEAL	COLLAR SEAL	1	540	

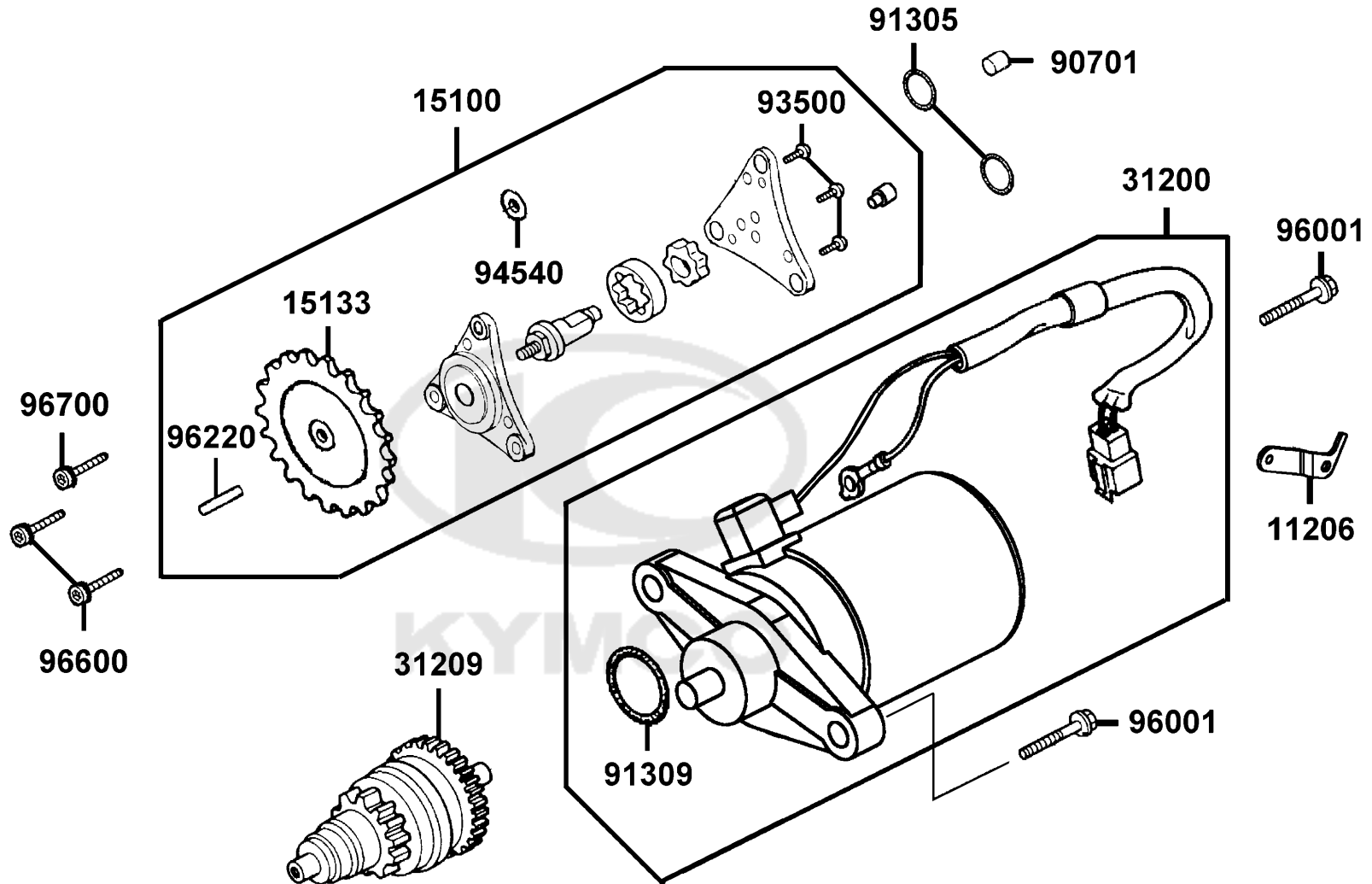
Driven Pulley



Sales mark 記号	Ref no 参照用番号	Part no パーツ番号	Description 部品名	Reg description 部品名	Regd no 必要個数	Ref Price 希望小売価格(税抜)	E05
23238		23238-GFY6-941	COLLAR SPG	COLLAR SPG	1	450	
28211		28211-KEB7-900	RATCHET KICK STARTER	RATCHET KICK STARTER	1	1440	
90202		90202-1G87-001	NUT SPECIAL 28MM	NUT SPECIAL 28MM	1	100	
90426		90426-KNBN-901	WASHER SPECIAL 12MM	WASHER SPECIAL 12MM	1	70	
90442		90442-0D44-001	WASHER THRUST 6M	WASHER THRUST 6M	3	60	
90454		90454-GBB2-001	CIRCLIP 6MM	CIRCLIP 6MM	3	60	
91001		91001-GGA7-70A	BRG RADIAL BALL 6901U	BRG RADIAL BALL 6901U	1	1720	
91103		91103-GAR1-004	BRG NEEDLE 17*25*18 WS	BRG NEEDLE 17*25*18 WS	1	1530	
91211		91211-GHK8-014	OIL SEAL 34*39*3	OIL SEAL 34*39*3	2	230	
91301		91301-KEA5-742	O-RING 36*1.5	O-RING 36*1.5	1	60	
91302		91302-PKA9-004	O-RING 39.8*2.2	O-RING 39.8*2.2	1	130	
94001		94001-12280-0S	NUT HEX 12MM	NUT HEX 12MM	1	160	
94050		94050-10080	NUT FLANGE 10MM	NUT FLANGE 10MM	1	60	
94520		94520-24000	CIR CLIP IN 24	CIR CLIP IN 24	1	80	

E06

Starting Motor Oil Pump

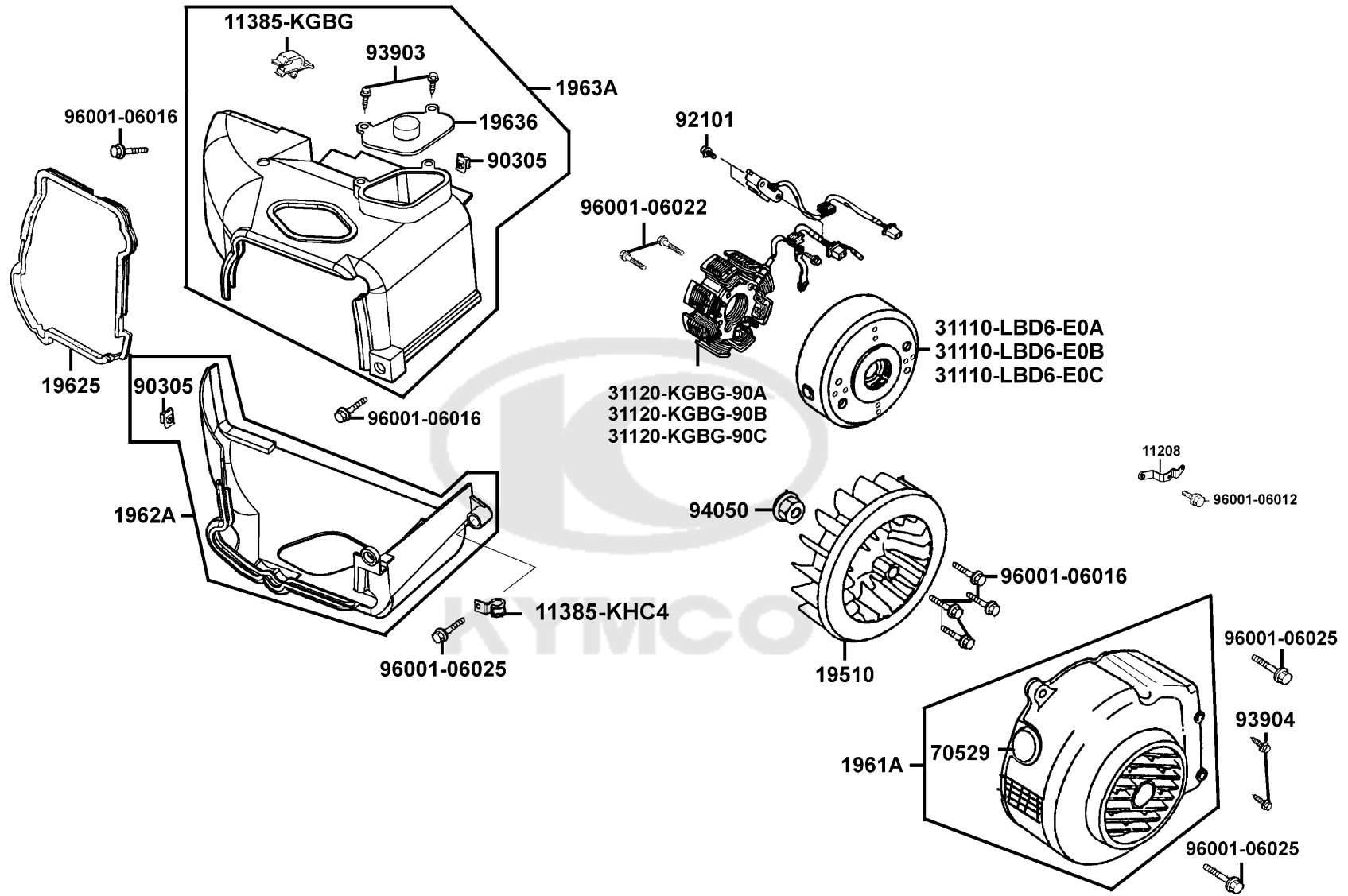


Sales mark 記号	Ref no 参照用番号	Part no パーツ番号	Description 部品名	Reg description 部品名	Regd no 必要個数	Ref Price 希望小売価格(税抜)
11206		11206-LBC9-900	STAY A RR FENDER	STAY A RR FENDER	1	300
15100		15100-LDC5-900	PUMP ASSY OIL	PUMP ASSY OIL	1	4000
15133		15133-LDC5-900	GEAR OIL PUMP DRIVEN	GEAR OIL PUMP DRIVEN	1	1340
31200		31200-LEC2-90A	MOTOR ASSY START **(1) C.2005.03.23	MOTOR ASSY START **(1) C.2005.03.23	1	15970
31200		31200-LEC2-90C	MOTOR ASSY START **(1) C.2005.03.23	MOTOR ASSY START **(1) C.2005.03.23	1	15970
31209		31209-KEE1-900	PINION ASSY STARTER	PINION ASSY STARTER	1	9130
90701		90701-HDC4-001	PIN DOWELL 8*12	PIN DOWELL 8*12	1	130
91305		91305-0H28-159	O-RING 9*1.6	O-RING 9*1.6	2	70
91309		91309-GKAK-901	O RING	O RING	1	70
93500		93500-04010-0F	SCREW PAN 4X10	SCREW PAN 4X10	1	200
94540		94540-06018	E RING 6	E RING 6	1	200
96001		96001-06025-06	BOLT FLANGE SH 6*25	BOLT FLANGE SH 6*25	1	60
96220		96220-LDC5-900	ROLLER 2*14.8	ROLLER 2*14.8	1	200
96600		96600-06020-06	SOCKET BOLT 6*20(G)	SOCKET BOLT 6*20(G)	1	200
96700		96700-06025-06	SOCKET BOLT 6*25(G)	SOCKET BOLT 6*25(G)	1	390

E06

E07

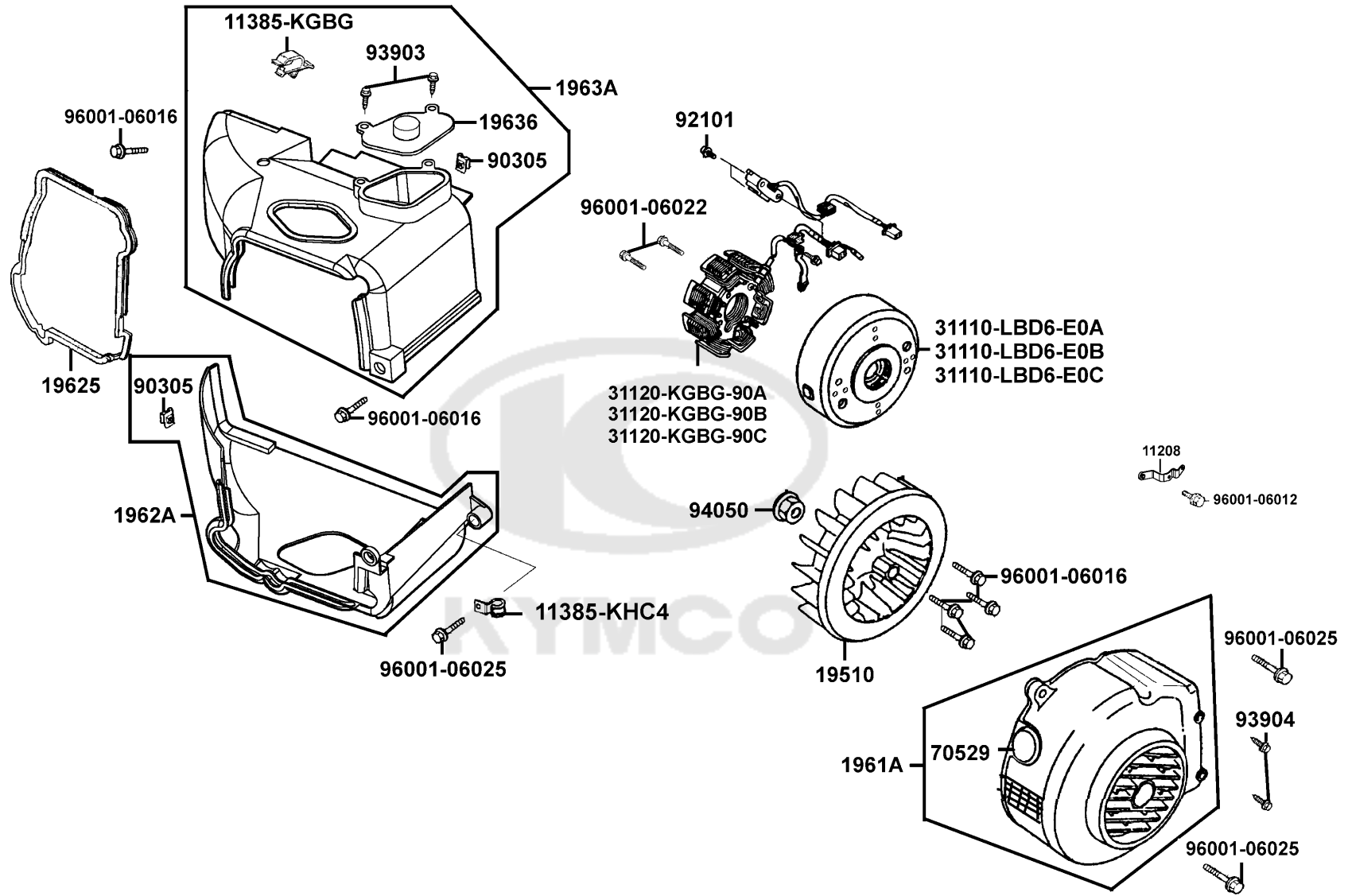
Fan Cover Generator



Sales mark 記号	Ref no 参照用番号	Part no パーツ番号	Description 部品名	Reg description 部品名	Regd no 必要個数	Ref Price 希望小売価格(税抜)	E07
11208		11208-LBC9-900	STAY RR TIRE FENDER	STAY RR TIRE FENDER	1	350	
11385-KGBG		11385-KGBG-900	CLIP VACUUM TUBE	CLIP VACUUM TUBE	1	200	
11385-KHC4		11385-KHC4-900	CLAMPER CARB DRAIN TUBE	CLAMPER CARB DRAIN TUBE	1	200	
19510		19510-LDC5-900	FAN COMP COOLING	FAN COMP COOLING	1	770	
1961A		1961A-KGBG-E01	COVER ASSY FAN	COVER ASSY FAN	1	1060	
19625		19625-KEE1-900	SEAL SHROUD	SEAL SHROUD	1	510	
1962A		1962A-KEE1-900	SHROUD ASSY A	SHROUD ASSY A	1	960	
19636		19636-KGBG-900	BOX TENSIONER LIFTER	BOX TENSIONER LIFTER	1	200	
1963A		1963A-KGBG-E00	SHROUD ASSY B	SHROUD ASSY B	1	1150	
31110-LBD6-E0A		31110-LBD6-E0A	FLYWHEEL COMP (D402)	FLYWHEEL COMP /D402	1	9510	
31110-LBD6-E0B		31110-LBD6-E0B	FLYWHEEL COMP (D406)	FLYWHEEL COMP /D406	1	9510	
31110-LBD6-E0C		31110-LBD6-E0C	FLYWHEEL COMP (D414)	FLYWHEEL COMP /D414	1	9510	
31120-KGBG-90A		31120-KGBG-90A	STATOR COMP (D402)	STATOR COMP /D402	1	10650	
31120-KGBG-90B		31120-KGBG-90B	STATOR COMP (D406)	STATOR COMP	1	10650	
31120-KGBG-90C		31120-KGBG-90C	STATOR COMP (D414)	STATOR COMP /D414	1	10650	
70529		70529-6G57-671	GROM B SIDE PNL	GROM B SIDE PNL	1	200	
90305		90305-GHK8-001	NUT CLIP 6MM	NUT CLIP 6MM	1	60	
92101		92101-05012-0G	BOLT HEX 5*12 (G)	BOLT HEX 5*12 (G)	1	60	
93903		93903-24360	SCREW TAPPING 4*12	SCREW TAPPING 4*12	2	60	
93904		93904-35360	SCREW TAPPING 5*12	SCREW TAPPING 5*12	2	200	

E07

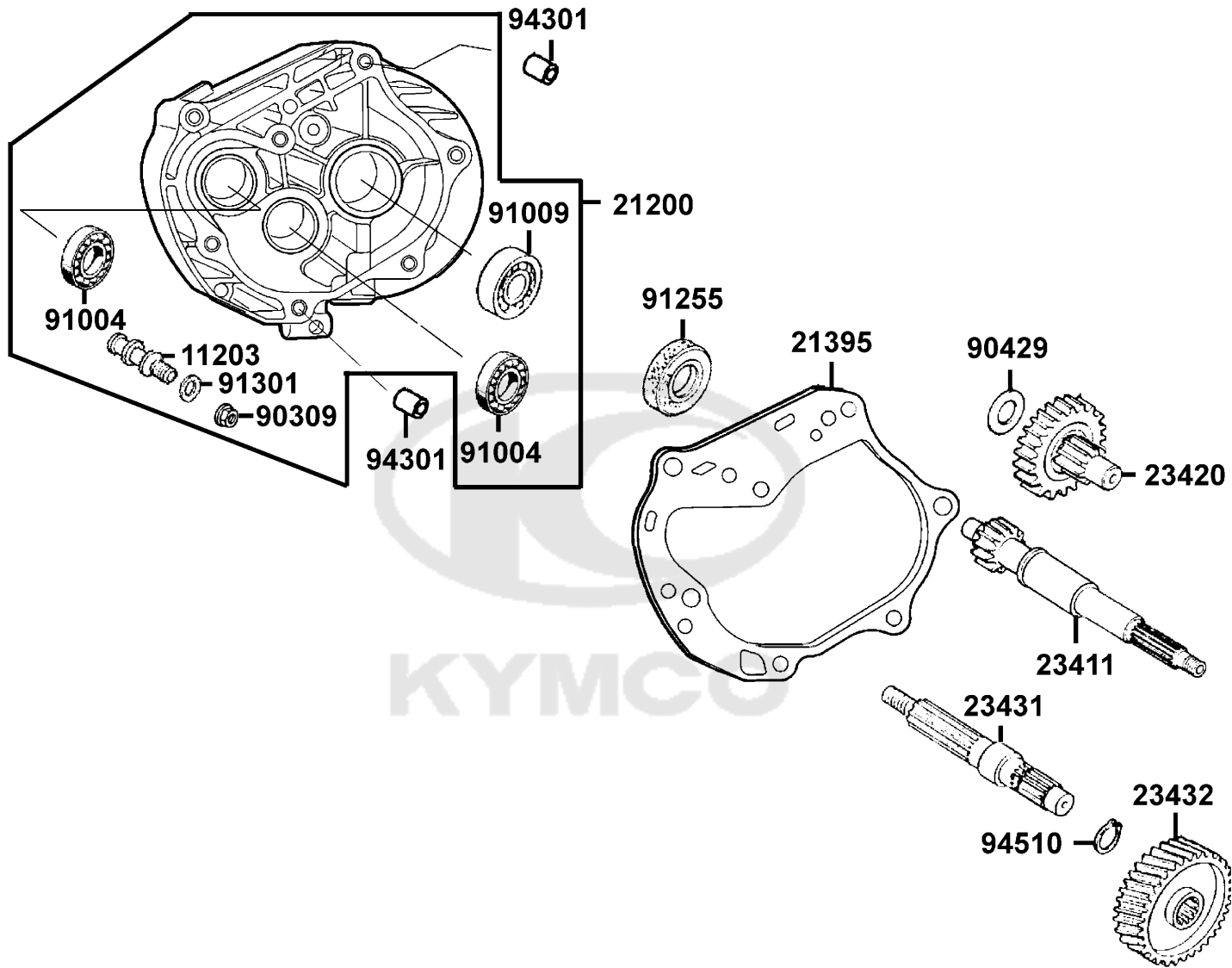
Fan Cover Generator



Sales mark 記号	Ref no 参照用番号	Part no パーツ番号	Description 部品名	Reg description 部品名	Regd no 必要個数	Ref Price 希望小売価格(税抜)	E07
------------------	-----------------	------------------	--------------------	------------------------	-----------------	-------------------------	-----

94050	94050-10080		NUT FLANGE 10MM	NUT FLANGE 10MM	1	60	
96001-06012	96001-06012-06		BOLT FLANGE SH 6*12	BOLT FLANGE SH 6*12	1	60	
96001-06016	96001-06016-06		BOLT FLANGE SH 6X16	BOLT FLANGE SH 6X16	1	60	
96001-06022	96001-06022-06		BOLT FLANGE SH 6*22 (G)	BOLT FLANGE SH 6*22 (G)	1	60	
96001-06025	96001-06025-06		BOLT FLANGE SH 6*25	BOLT FLANGE SH 6*25	1	60	

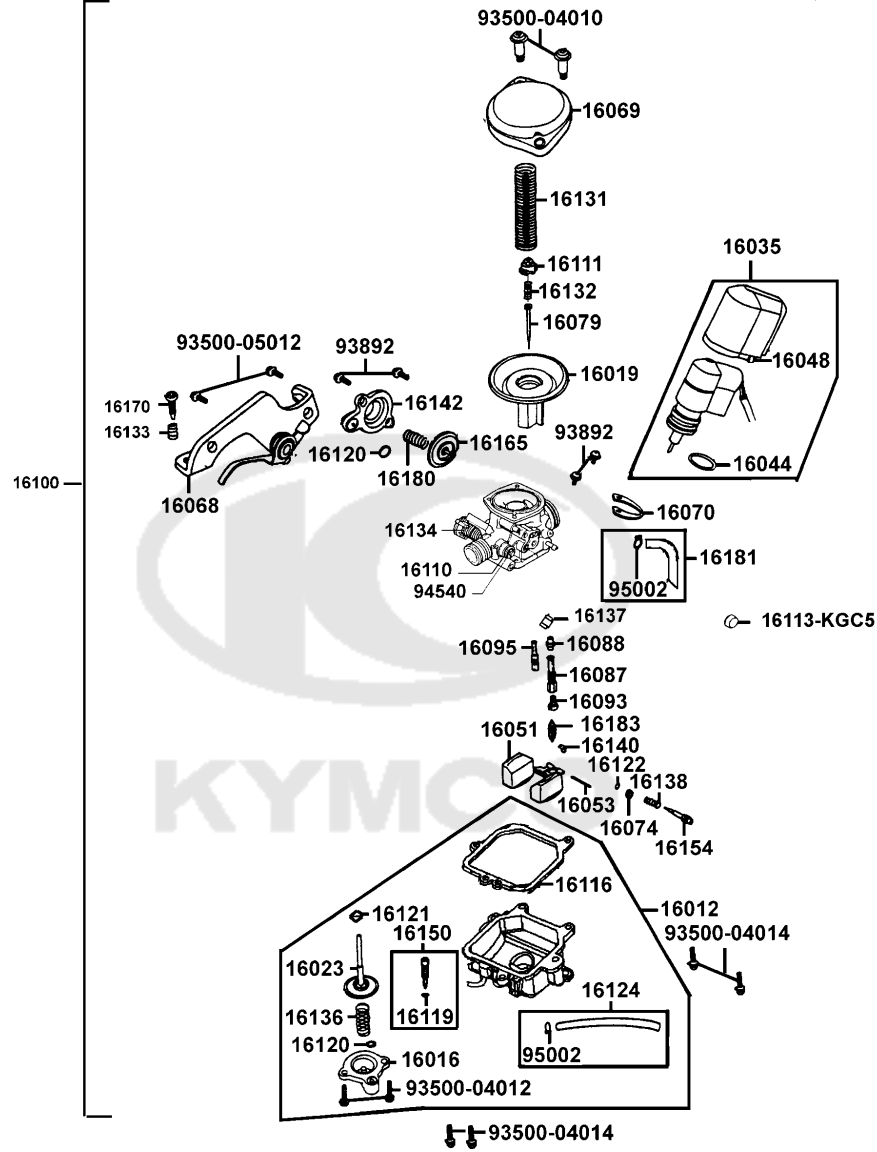
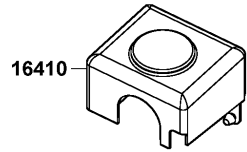




Sales mark 記号	Ref no 参照用番号	Part no パーツ番号	Description 部品名	Reg description 部品名	Regd no 必要個数	Ref Price 希望小売価格(税抜)	E08
11203		11203-KHG8-301	PIN BRAKE SHOE ANCHOR	PIN BRAKE SHOE ANCHOR	1	300	
21200		21200-GKAK-305	CASE ASSY MISSION	CASE ASSY MISSION	1	15510	
21395		21395-LBD3-900	GASKET MISSION CASE @A	GASKET MISSION CASE @A	1	520	
23411		23411-LBC9-900	SHAFT DRIVE	SHAFT DRIVE	1	4190	
23420		23420-LBD6-E00	SHAFT COMP COUNTER	SHAFT COMP COUNTER	1	9320	
23431		23431-KNBN-901	SHAFT FINAL	SHAFT FINAL	1	4570	
23432		23432-LBD6-E00	GEAR FINAL	GEAR FINAL	1	5240	
90309		90309-KLF0-004	NUT FLANGE 8MM	NUT FLANGE 8MM	1	60	
90429		90429-KNBN-901	WASHER SIDE 12MM	WASHER SIDE 12MM	1	350	
91004		91004-KBN2-90A	BRG BALL RADIAL 6201	BRG BALL RADIAL 6201	2	2100	
91009		91009-GLE0-004	BRG BALL RADIAL 6004 UU	BRG BALL RADIAL 6004 UU	1	1300	
91255		91255-GLE0-006	OIL SEAL 27*42*7	OIL SEAL 27*42*7	1	60	
91301		91301-0C53-001	O RING 7.5*1.5	O RING 7.5*1.5	1	60	
94301		94301-10200	DOWEL PIN 10*20	DOWEL PIN 10*20	2	200	
94510		94510-20000	CIR CLIP EX 20	CIR CLIP EX 20	1	60	

E09

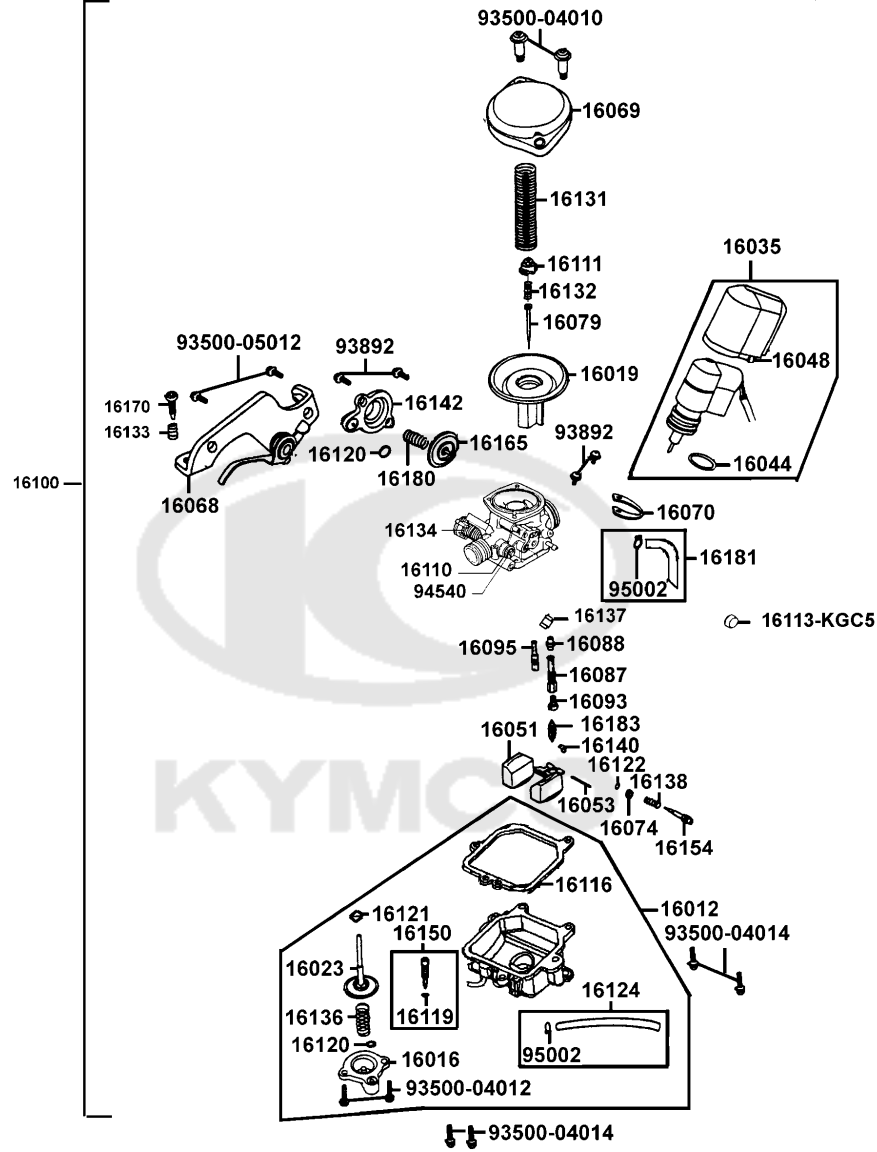
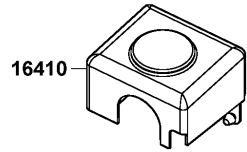
Carburetor Assy



Sales mark 記号	Ref no 参照用番号	Part no パーツ番号	Description 部品名	Reg description 部品名	Regd no 必要個数	Ref Price 希望小売価格(税抜)	E09
16012	16012-LDD6-900	16012-LDD6-900	CHAMBER COMP FLOAT **(1)	CHAMBER COMP FLOAT **(1) C.2007.02.03	1	6190	
16016	16016-KGC5-900	16016-KGC5-900	COVER ACCP	COVER ACCP	1	390	
16019	16019-LAB4-900	16019-LAB4-900	VALVE ASSY PISTON	VALVE ASSY PISTON	1	2860	
16023	16023-KGC5-900	16023-KGC5-900	DIAPHRAGM ASSY ACCP	DIAPHRAGM ASSY ACCP	1	680	
16035	16035-LDD6-B20	16035-LDD6-B20	UNIT BY-ST	UNIT BY-ST	1	9850	
16044	16044-KEC3-900	16044-KEC3-900	SEAL A BY-ST	SEAL A BY-ST	1	60	
16048	16048-KEC3-900	16048-KEC3-900	CAP BY-ST	CAP BY-ST	1	200	
16051	16051-KGC5-90A	16051-KGC5-90A	BODY FLOAT	BODY FLOAT	1	1060	
16053	16053-KEC3-900	16053-KEC3-900	PIN FLOAT	PIN FLOAT	1	160	
16068	16068-KGC5-900	16068-KGC5-900	PLATE WIRE FIXED COMP	PLATE WIRE FIXED COMP	1	1060	
16069	16069-KGC5-900	16069-KGC5-900	COVER PISTON VALVE DIAPHRAGM	COVER PISTON VALVE DIAPHRAGM **(0)	1	390	
16070	16070-KEC3-900	16070-KEC3-900	STOPPER BY-ST	STOPPER BY-ST	1	70	
16074	16074-KEC3-900	16074-KEC3-900	WASHER IDLE SCREW	WASHER IDLE SCREW	1	160	
16079	16079-KHC4-900	16079-KHC4-900	NEEDLE ASSY JET	NEEDLE ASSY JET	1	890	
16087	16087-LDC8-E10	16087-LDC8-E10	TUBE MAIN EMULSION	TUBE MAIN EMULSION	1	640	
16088	16088-KEC5-900	16088-KEC5-900	JET NEEDLE	JET NEEDLE	1	680	
16093	16093-KEC3-076	16093-KEC3-076	MAIN JET #76	MAIN JET #76	1	390	
16095	16095-KGC5-035	16095-KGC5-035	JET SLOW #35	JET SLOW #35	1	1250	
16100	16100-LDD6-B20	16100-LDD6-B20	CARBURETOR ASSY	THROLLER BODY ASSY	1	51330	
16110	16110-KGC5-900	16110-KGC5-900	WASHER THROTTLE ASSY	WASHER THROTTLE ASSY	1	160	

E09

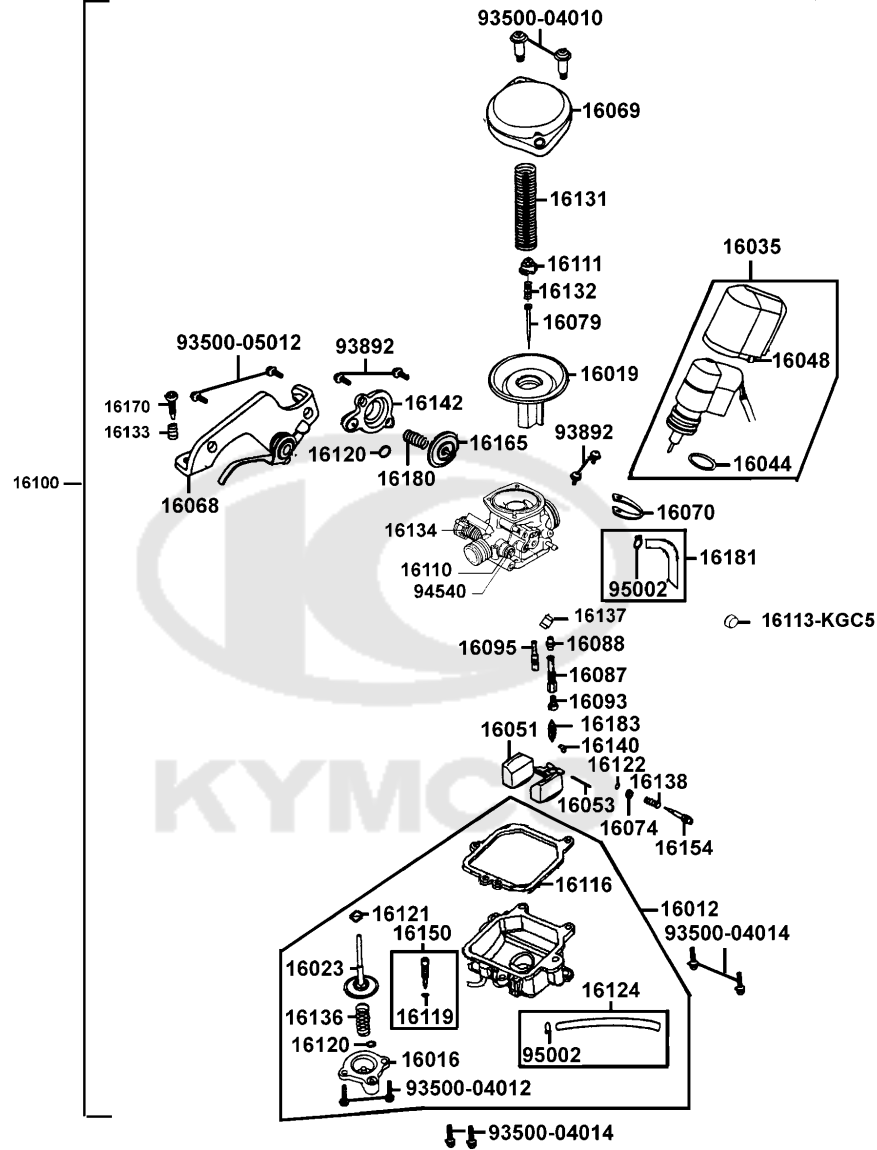
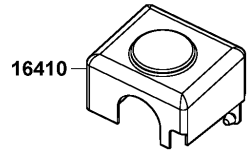
Carburetor Assy



Sales mark 記号	Ref no 参照用番号	Part no パーツ番号	Description 部品名	Reg description 部品名	Regd no 必要個数	Ref Price 希望小売価格(税抜)	E09
16111		16111-KEC3-900	STOPPER J.N SPG	STOPPER J.N SPG	1	160	
16113-KGC5		16113-KGC5-900	SHAFT COVER	SHAFT COVER	1	70	
16116		16116-KGC5-900	PACKING FLOAT CHAMBER	PACKING FLOAT CHAMBER	1	200	
16119		16119-KEC3-900	O-RING	O-RING	1	60	
16120		16120-KEC3-900	O-RING ACCP	O-RING ACCP	2	140	
16121		16121-KEC3-900	BELLOW ACCP ROD	BELLOW ACCP ROD	1	200	
16122		16122-KEC3-900	O-RING IDLE SCREW	O-RING IDLE SCREW	1	60	
16124		16124-KEC3-900	TUBE COMPL 3.5*300	TUBE COMPL 3.5*300	1	210	
16131		16131-KGC6-900	SPG PISTON VALVE RETURN	SPG PISTON VALVE RETURN	1	160	
16132		16132-KEC3-900	SPG JET NEEDLE	SPG JET NEEDLE	1	160	
16133		16133-KGC5-900	SPRING THROTTLE ADJUST SCREW	SPRING THROTTLE ADJUST SCREW	1	160	
16134		16134-LDD6-B20	SPG THROTTLE SHAFT	SPG THROTTLE SHAFT	1	160	
16136		16136-KGC5-900	SPRING ACCP DIAPHRAGM	SPRING ACCP DIAPHRAGM	1	160	
16137		16137-KGC5-900	COLLAR LEVER	COLLAR LEVER	1	160	
16138		16138-KEC3-900	SPG IDLE SCREW	SPG IDLE SCREW	1	160	
16140		16140-KEC3-900	CLIP FLOAT VALVE	CLIP FLOAT VALVE	1	160	
16142		16142-KGC5-900	COVER ACV	COVER ACV	1	580	
16150		16150-KEC3-900	SCREW COMP DRAIN	SCREW COMP DRAIN	1	490	
16154		16154-KGC5-900	SCREW IDLE ADJUST	SCREW IDLE ADJUST	1	870	
16165		16165-KGC5-900	DIAPHRAGM	DIAPHRAGM	1	580	

E09

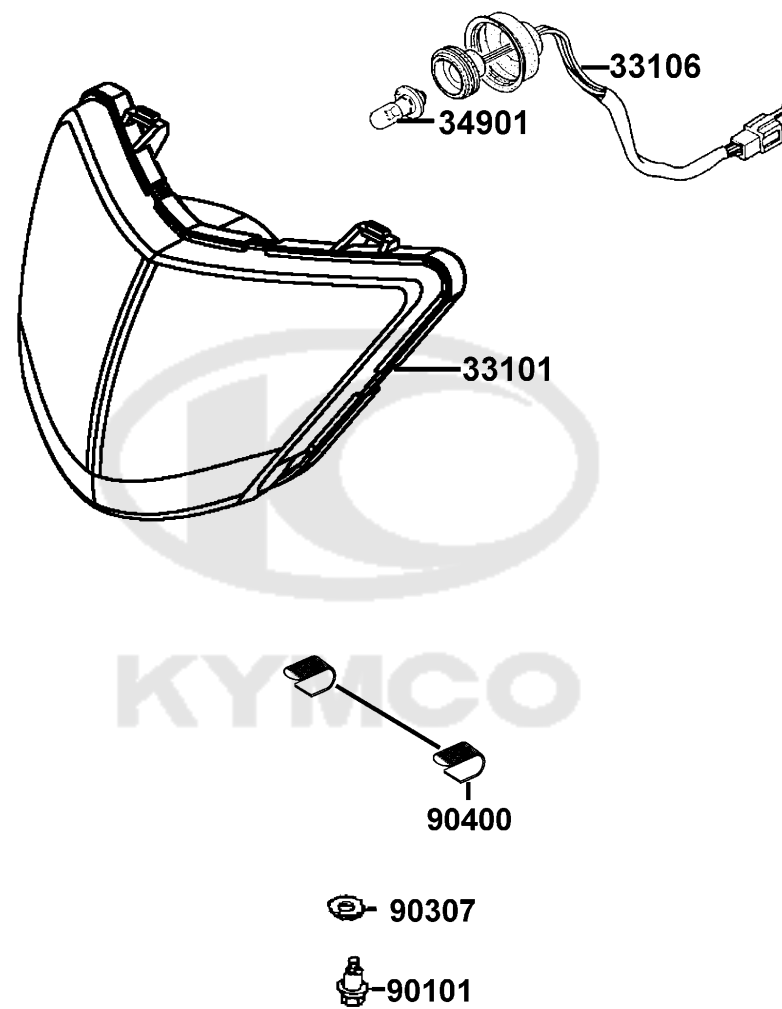
Carburetor Assy



Sales mark 記号	Ref no 参照用番号	Part no パーツ番号	Description 部品名	Reg description 部品名	Regd no 必要個数	Ref Price 希望小売価格(税抜)	E09
16170		16170-KGC5-900	SCREW THROTTLE ADJUST	SCREW THROTTLE ADJUST	1	70	
16180		16180-KGC5-900	SPG ACV	SPG ACV	1	160	
16181		16181-KEC3-900	TUBE AIR VENT	TUBE AIR VENT	1	210	
16183		16183-KEC3-900	FLOAT VALVE COMPL	FLOAT VALVE COMPL	1	1720	
16410		16410-KGBG-E00	RUBBER COVER CARB ASSY	RUBBER COVER CARB ASSY	1	770	
93500-04010		93500-04010-0F	SCREW PAN 4X10	SCREW PAN 4X10	1	200	
93500-04012		93500-04012-0F	SCREW PAN 4*12	SCREW PAN 4*12	1	160	
93500-04014		93500-04014-0F	SCREW PAN 4*14 (G)	SCREW PAN 4*14 (G)	1	200	
93500-05012		93500-05012-0F	SCREW PAN 5*12	SCREW PAN 5*12	1	200	
93892		93892-04008-16	SCREW WASHER 4*8	SCREW WASHER 4*8	1	200	
94540		94540-50029	E CLIP SHAFT	E CLIP SHAFT	1	60	
95002		95002-02070	CLIP B7 TUBE	CLIP B7 TUBE	3	60	

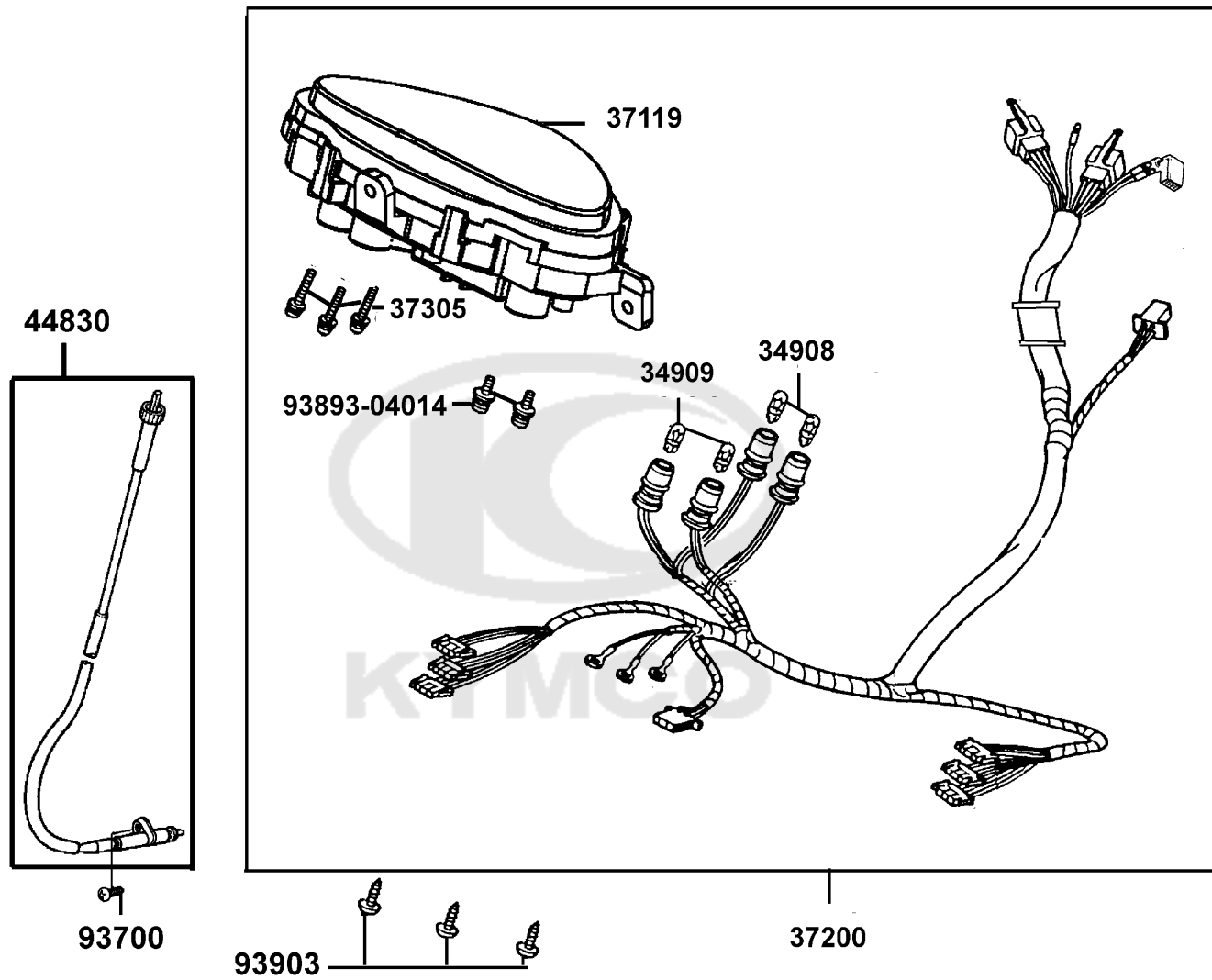
F01

Head Light

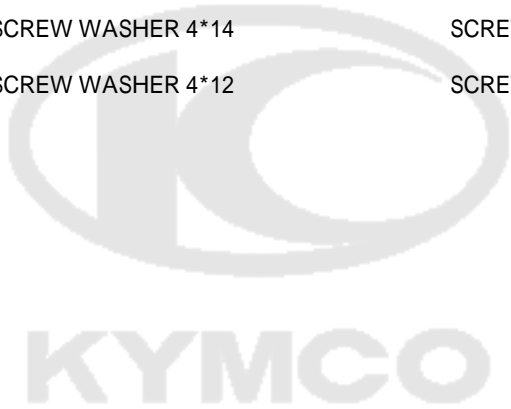


Sales mark 記号	Ref no 参照用番号	Part no パーツ番号	Description 部品名	Reg description 部品名	Regd no 必要個数	Ref Price 希望小売価格(税抜)	F01
33101		33101-LDC1-900	UNIT HEAD LIGHT	UNIT HEAD LIGHT	1	5050	
33106		33106-LDC1-900	SOCKET COMP	SOCKET COMP	2	1820	
34901		34901-KTCT-900	BULB HEAD LIGHT 12V30W/30W	BULB HEAD LIGHT	1	3430	
90101		90101-LDC1-900	BOLT ADJUST	BOLT ADJUST	1	200	
90307		90307-GFJ6-004	WASHER LOCK 6MM	WASHER LOCK 6MM	1	70	
90400		90400-KTDT-900	CLIP SPRING	CLIP SPRING	2	60	



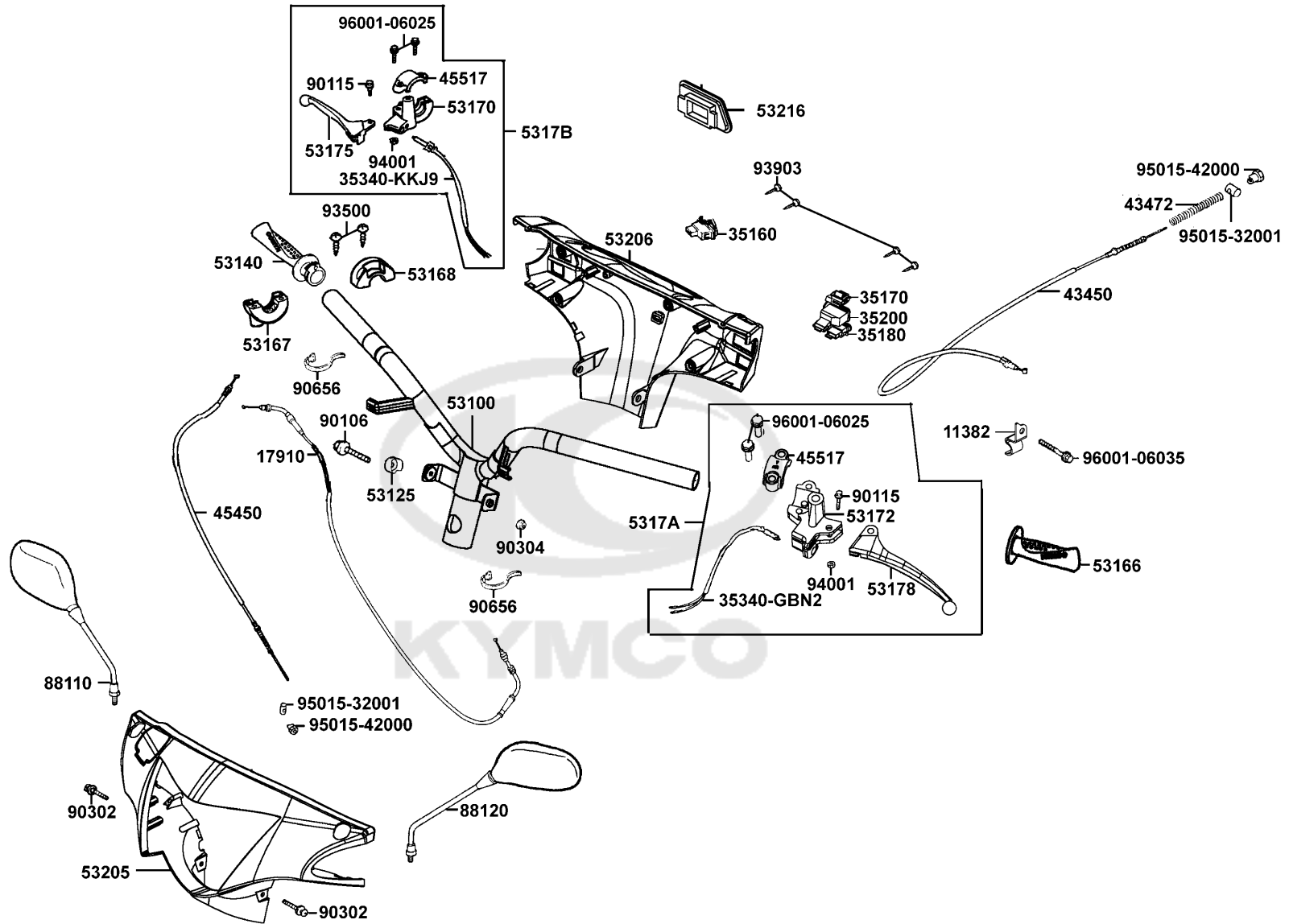


Sales mark 記号	Ref no 参照用番号	Part no パーツ番号	Description 部品名	Reg description 部品名	Regd no 必要個数	Ref Price 希望小売価格(税抜)	F02
34908	34908-MKB9-87A	34908-MKB9-87A	BULB WEDGE BASE T10	BULB WEDGE BASE T10	2	130	
34909	34909-KEBE-900	34909-KEBE-900	BULB WEDGE BASE	BULB WEDGE BASE	2	300	
37119	37119-LDC1-90B	37119-LDC1-90B	LENS	LENS	1	1530	
37200	37200-LDD6-B20	37200-LDD6-B20	METER ASSY SPEED	METER ASSY SPEED	1	16200	
37305	37305-KEE5-009	37305-KEE5-009	SCREW WASH 3*22	SCREW WASH 3*22	3	60	
44830	44830-KHC4-800	44830-KHC4-800	CABLE COMP SPDMT	CABLE COMP SPDMT	1	1110	
93700	93700-05018-0F	93700-05018-0F	SCREW OVAL 5*18	SCREW OVAL 5*18	1	60	
93893-04014	93893-04014-18	93893-04014-18	SCREW WASHER 4*14	SCREW WASHER 4*14	2	110	
93903	93903-35360	93903-35360	SCREW WASHER 4*12	SCREW WASHER 4*12	1	60	



F03

Handle Steering Handle Cover

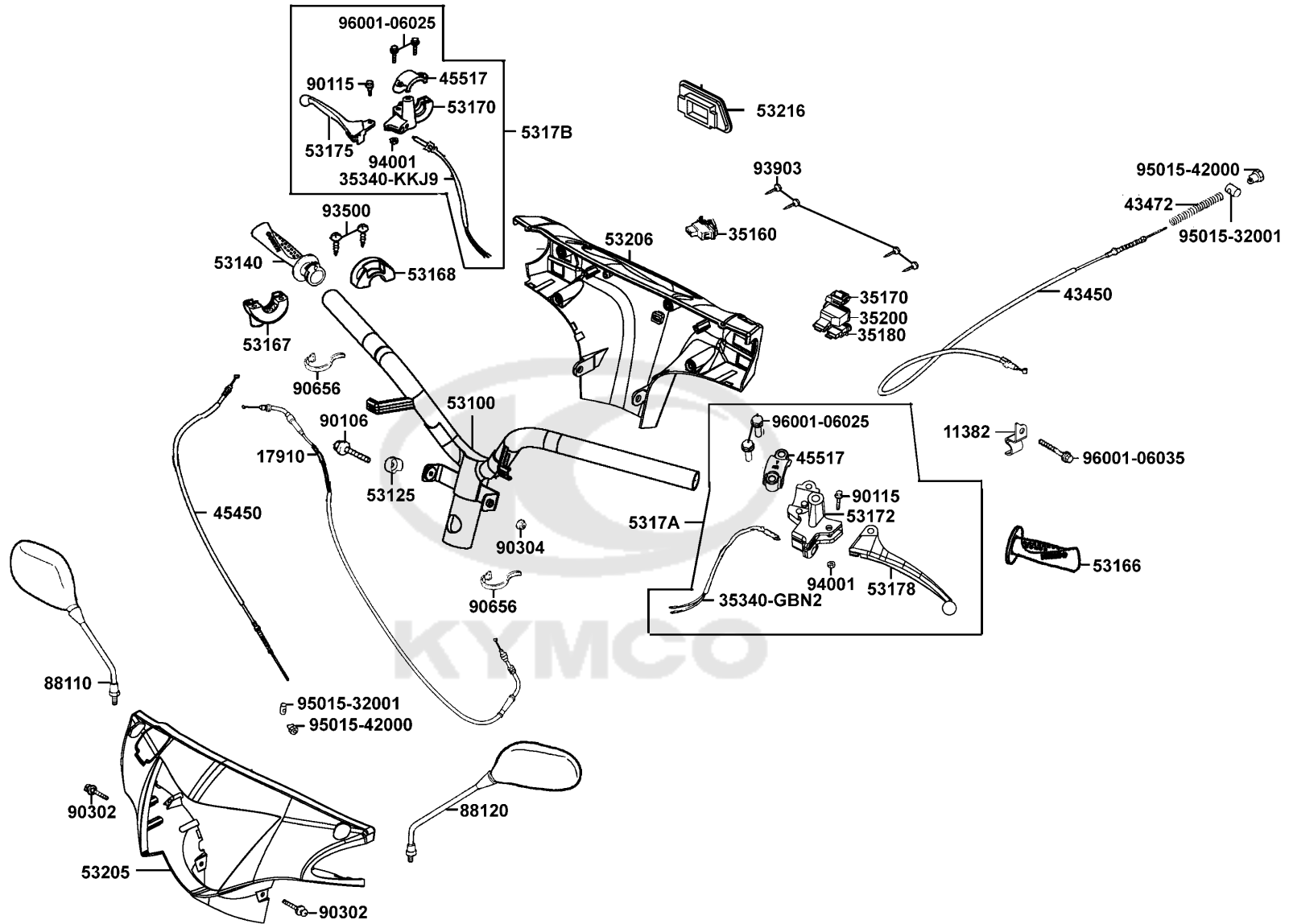


Sales mark 記号	Ref no 参照用番号	Part no パーツ番号	Description 部品名	Reg description 部品名	Regd no 必要個数	Ref Price 希望小売価格(税抜)
	11382	11382-LDA1-900	CLAMPER RR BRAKE	CLAMPER RR BRAKE	1	250
	17910	17910-LDD6-B20	CABLE COMP THROT	CABLE COMP THROT	1	3200
	35160	35160-GGS7-900	SW UNIT START	SW UNIT START	1	730
	35170	35170-GGS7-900	SW UNIT DIMMER	SW UNIT DIMMER	1	730
	35180	35180-GGS7-900	SW UNIT HORN	SW UNIT HORN	1	540
	35200	35200-GFY6-910	SW UNIT WINKER	SW UNIT WINKER	1	830
	35340-GBN2	35340-GBN2-770	SW ASSY FR STOP	SW ASSY FR STOP	1	560
	35340-KKJ9	35340-KKJ9-010	SW ASSY FR STOP	SW ASSY FR STOP	1	510
	43450	43450-LDC1-900	CABLE COMP RR BRK	CABLE COMP RR BRK	1	1910
	43472	43472-LAB4-900	SPG RR BRK ARM	SPG RR BRK ARM	1	160
	45450	45450-KFA2-900	CABLE COMP FR BRK **9000	CABLE COMP FR BRK **9000 C.2003.04.30	1	1150
	45517	45517-GFY6-900	HOLDER HNDL BRKT	HOLDER HNDL BRKT	1	260
	53100	53100-LDC1-900	PIPE STRG HANDLE **(1) C.	PIPE STRG HANDLE **(1) C.	1	5900
	53125	53125-GEN5-901	COLLAR HANDLE SET	COLLAR HANDLE SET	1	390
**	53140	53140-KFA1-900	GRIP COMP THROT	GRIP COMP THROT	1	870
**	53166	53166-KFA1-900	GRIP L HANDLE	GRIP L HANDLE	1	770
	53167	53167-LHJ6-900	HOUSING UND THROT	HOUSING UND THROT	1	320
	53168	53168-KFA1-900	HOUSING UP THROT	HOUSING UP THROT	1	300
	53170	53170-KHC3-900	BRKT HANDLE RH	BRKT HANDLE RH	1	1150
	53172	53172-KHC4-900	BRKT L STRG HANDLE **9000	BRKT L STRG HANDLE **9000 C.2005.04.25	1	1150

F03

F03

Handle Steering Handle Cover

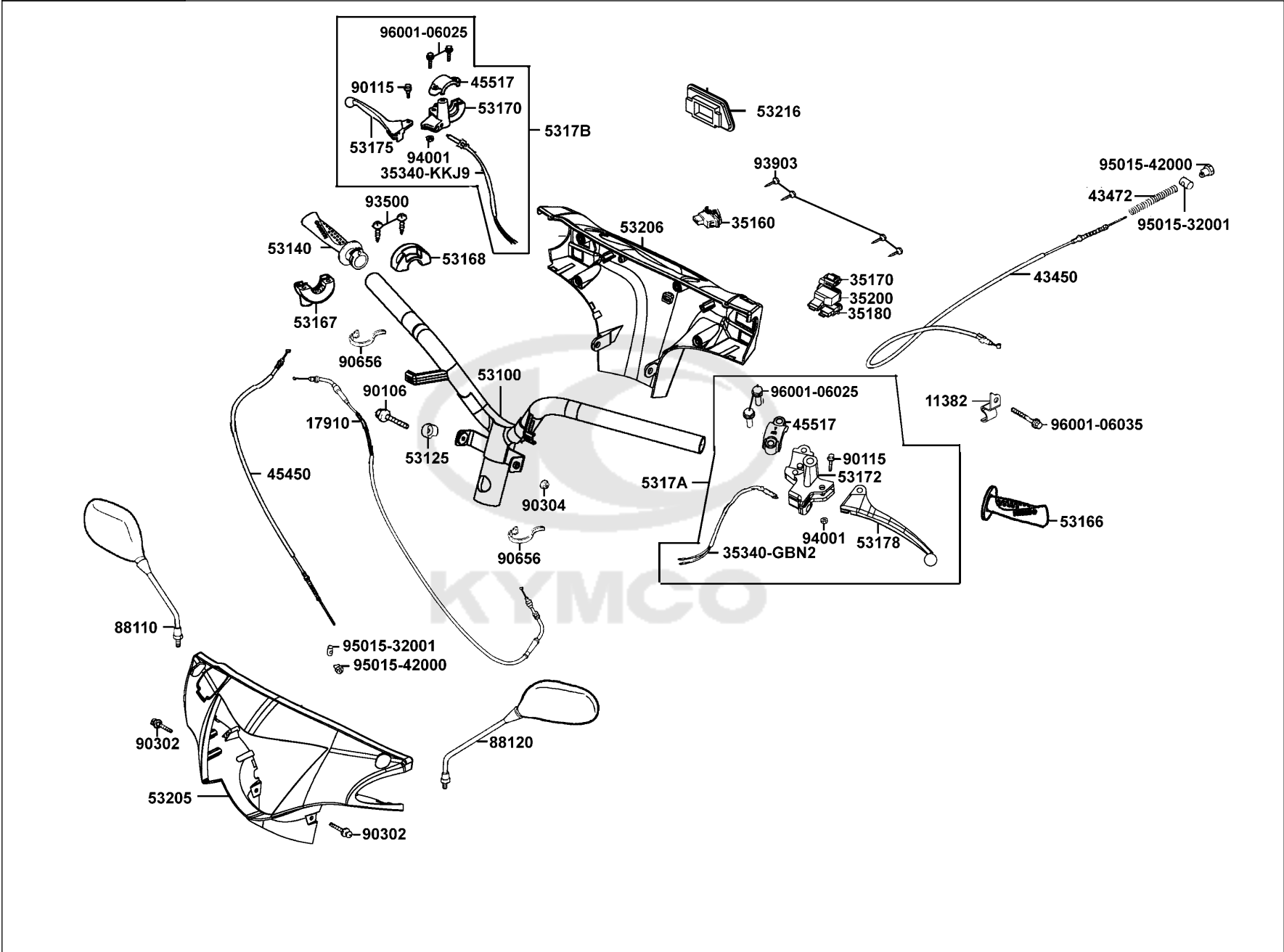


Sales mark 記号	Ref no 参照用番号	Part no パーツ番号	Description 部品名	Reg description 部品名	Regd no 必要個数	Ref Price 希望小売価格(税抜)
**	53175	53175-KHC3-900	LEVER STRG HANDLE	LEVER STRG HANDLE	1	770
**	53178	53178-KHC4-900	LEVER L STRG HANDLE **N1S	LEVER L STRG HANDLE **N1S C.2005.04.25	1	770
	5317A	5317A-KHC4-900	BRKT ASSY HANDLE L **(0) C.	BRKT ASSY HANDLE L **(0) C.	1	2670
	5317B	5317B-KHC3-900	BRKT ASSY HNDL R	BRKT ASSY HNDL R	1	2670
**	53205	53205-LDC1-900	COVER FR HANDLE	COVER FR HANDLE	1	3430
**	53206	53206-LDC1-900	COVER HANDLE RR	COVER HANDLE RR	1	1630
	53216	53216-KXCX-MG0	PLUG RR HANDLE COVER	PLUG RR HANDLE COVER	1	200
	88110	88110-LDC1-900	MIRROR ASSY R BACK **(1)	MIRROR ASSY R BACK **(1) C.2006.12.06	1	1680
	88120	88120-LDC1-900	MIRROR ASSY L BACK **(1)	MIRROR ASSY L BACK **(1) C.2006.12.06	1	1680
	90106	90106-GEN5-901	BOLT FLANGE 10*50	BOLT FLANGE 10*50	1	80
	90115	90115-GLE0-001	BOLT HNDL LEVER PIVOT	BOLT HNDL LEVER PIVOT	2	60
	90302	90302-LLB1-E00	BOLT-WASHER 5*12	BOLT-WASHER 5*12	2	60
	90304	90304-GHE8-004	NUT CAP 6MM	NUT CAP 6MM	1	200
	90656	90656-KCBC-900	BAND OIL HANDLE	BAND OIL HANDLE	1	60
	93500	93500-05022-0F	SCREW PAN 5X22 (G)	SCREW PAN 5X22 (G)	1	60
	93903	93903-34360	SCREW WASHER 4*12	SCREW WASHER 4*12	6	60
	94001	94001-05080-0S	NUT HEX 5MM	NUT HEX 5MM	2	60
	95015-32001	95015-32001	JOINT B BRAKE ARM	JOINT B BRAKE ARM	2	60
	95015-42000	95015-42000	NUT B ADJUST	NUT B ADJUST	2	60
	96001-06025	96001-06025-06	BOLT FLANGE SH 6*25	BOLT FLANGE SH 6*25	4	60

F03

F03

Handle Steering Handle Cover



Sales mark 記号	Ref no 参照用番号	Part no パーツ番号	Description 部品名	Reg description 部品名	Regd no 必要個数	Ref Price 希望小売価格(税抜)
------------------	-----------------	------------------	--------------------	------------------------	-----------------	-------------------------

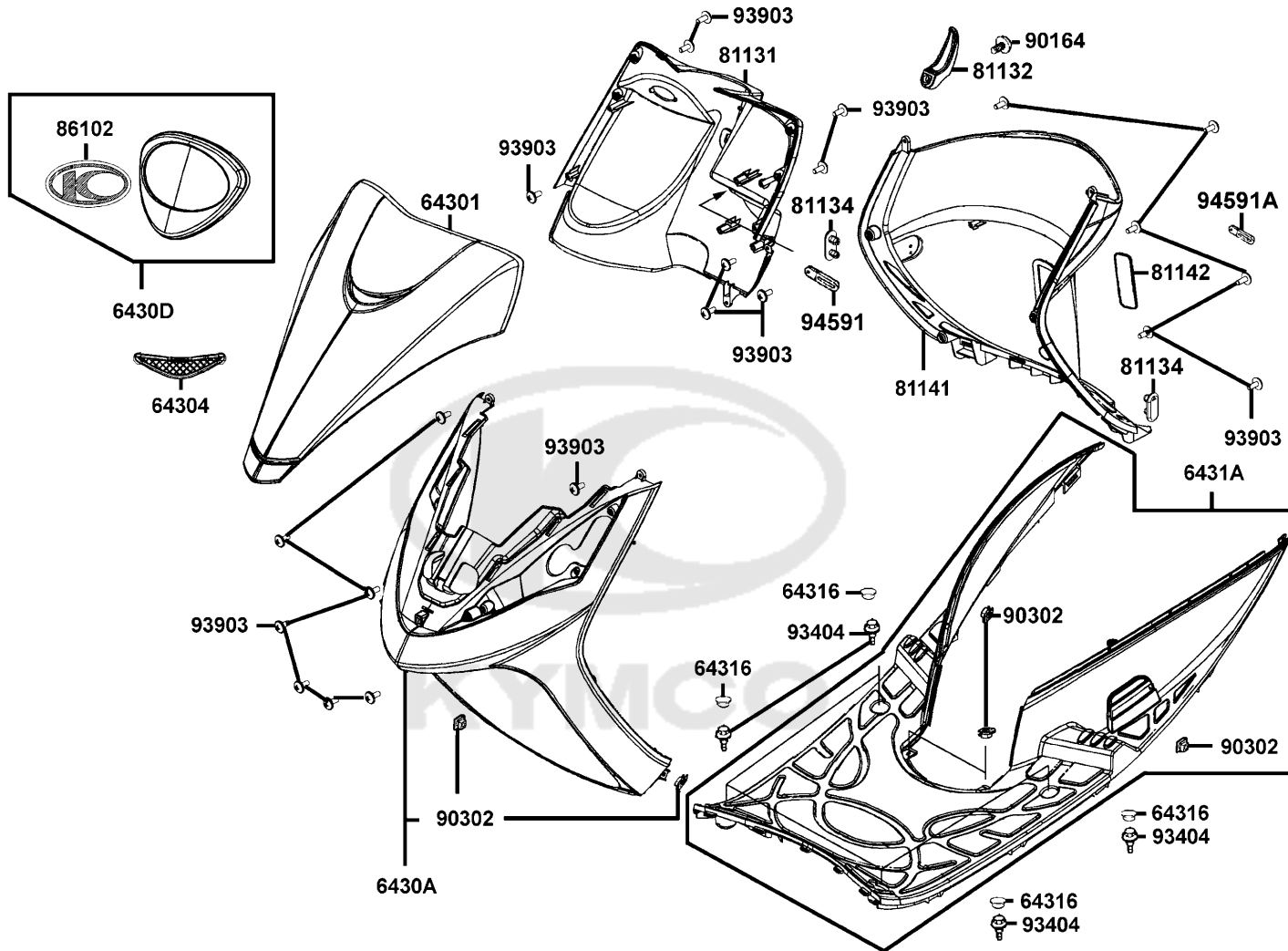
F03

96001-06035	96001-06035-06	BOLT FLANGE SH 6*35	BOLT FLANGE SH 6*35	1	130
-------------	----------------	---------------------	---------------------	---	-----

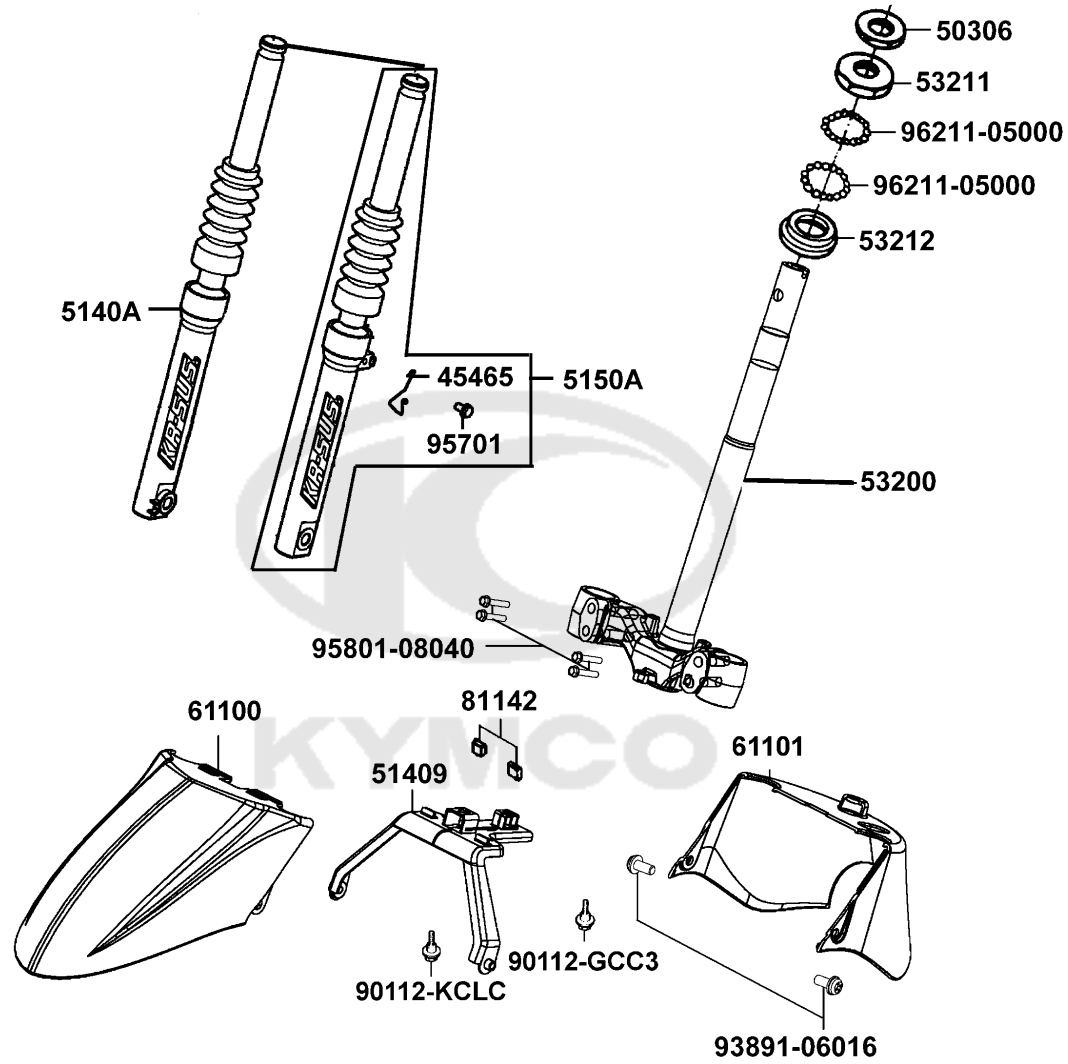


F04

Front Cover Floor Panel



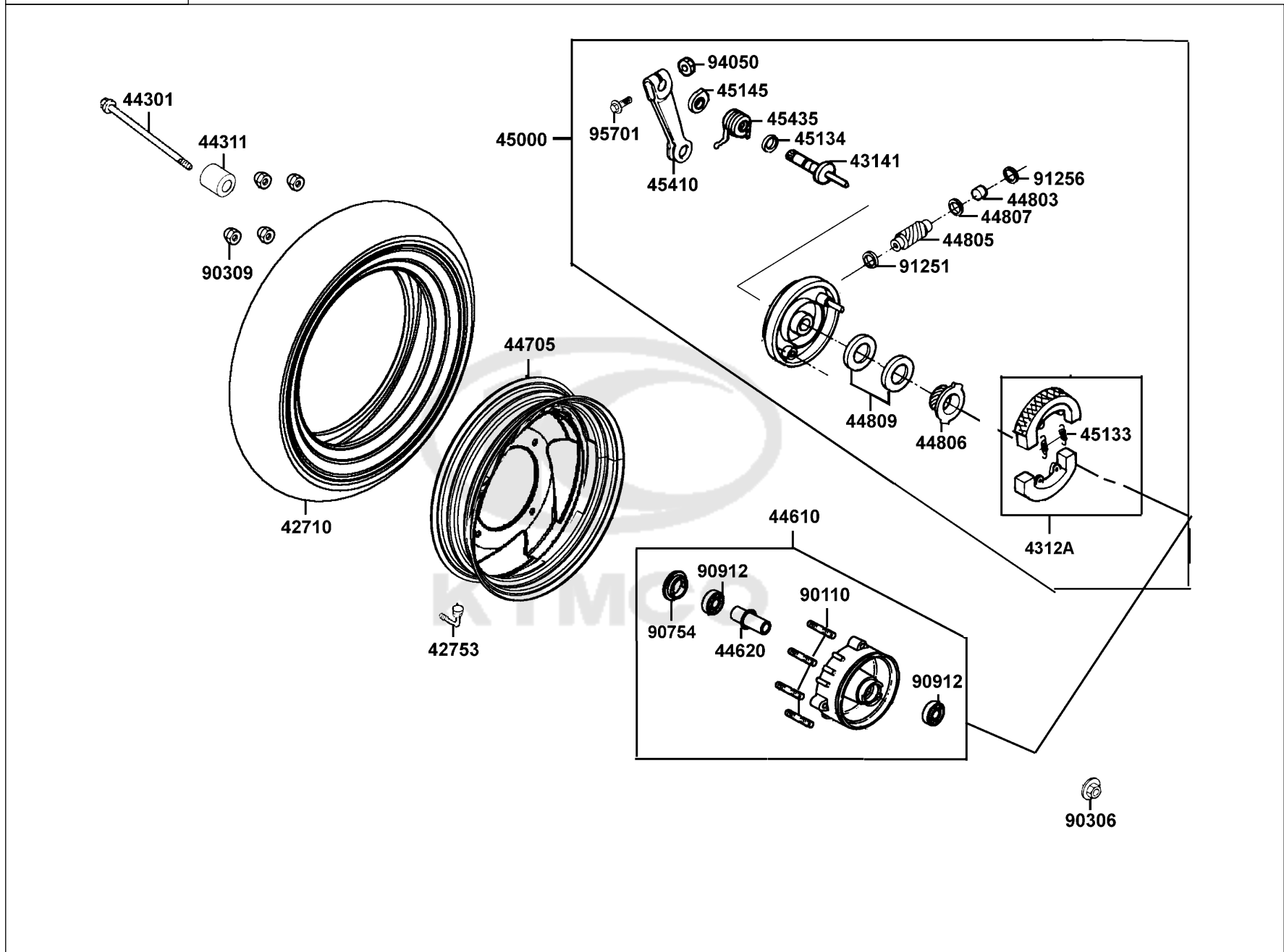
Sales mark 記号	Ref no 参照用番号	Part no パーツ番号	Description 部品名	Reg description 部品名	Regd no 必要個数	Ref Price 希望小売価格(税抜)	F04
**	64301	64301-LDC1-900	COVER FR	COVER FR	1	7420	
**	64304	64304-LDC1-900	GRILL FRONT COVER	GRILL FRONT COVER	1	680	
**	6430A	6430A-LDC1-900	MOLDING FR ASSY	MOLDING FR ASSY	1	5710	
**	6430D	6430D-LDC1-900	COVER ASSY FR TOP	COVER ASSY FR TOP	1	1680	
**	64316	64316-KHE2-900	PLUG FLOOR	PLUG FLOOR	4	200	
**	6431A	6431A-LDC1-900	FLOOR PANEL COMP	FLOOR PANEL COMP	1	6660	
**	81131	81131-LDC1-900	LEG SHIELD UP	LEG SHIELD UP	1	3240	
**	81132	81132-LFG6-900	HOOK LUGGAGE	HOOK LUGGAGE	1	490	
**	81134	81134-LKC7-960	COVER SIDE REFLECTOR	COVER SIDE REFLECTOR	1	200	
**	81141	81141-LGM9-930	LEG SHLELD LOW	LEG SHLELD LOW	1		
**	81142	81142-KUDU-900	LID LEG SHIELD(VIN)(Black)	LID LEG SHIELD(VIN)(Black)	1	200	
**	86102	86102-LAB4-900	EMB K-LOGO 24MM	EMB K-LOGO 24MM	1	390	
	90164	90164-MDR4-901	SCREW SPECIAL 6MM	SCREW SPECIAL 6MM	1	70	
	90302	90302-SDA4-004	NUT SPRING 4MM	NUT SPRING 4MM	5	60	
	93404	93404-06016-06	BOLT WASHER 6*16	BOLT WASHER 6*16	4	60	
	93903	93903-34360	SCREW WASHER 4*12	SCREW WASHER 4*12	21	60	
	94591	94591-21000	CLIP 2*100	CLIP 2*100	1	110	
	94591A	94591-27000	CLIP 2*70	CLIP 2*70	1	110	



Sales mark 記号	Ref no 参照用番号	Part no パーツ番号	Description 部品名	Reg description 部品名	Regd no 必要個数	Ref Price 希望小売価格(税抜)	F05
	45465	45465-KFB5-900	GUIDE HOSE FR **9000 C.2007.03.16	GUIDE HOSE FR **9000 C.2007.03.16	1	390	
	50306	50306-1F96-001	NUT STRG STEM LOCK	NUT STRG STEM LOCK	1	300	
	51409	51409-LDC1-900	STAY FR FENDER	STAY FR FENDER	1	1720	
**	5140A	5140A-LDC1-900	FORK ASSY R FR	FORK ASSY R FR	1	10650	
**	5150A	5150A-LDC1-900	FORK SET L FR	FORK SET L FR	1	10650	
	53200	53200-LDC1-900	PIPE STRG HANDLE **(2) C.2006.12.05	PIPE STRG HANDLE **(2) C.2006.12.05	1	9510	
	53211	53211-GFY6-940	RACE STRG TOP CONE	RACE STRG TOP CONE	1	580	
	53212	53212-GHC8-004	RACE (STRG BOTTOM) CONE	RACE (STRG BOTTOM) CONE	1	390	
**	61100	61100-LDC1-900	FENDER A FRONT	FENDER A FRONT	1	3810	
**	61101	61101-LDC1-900	FENDER B FR	FENDER B FR	1	1340	
	81142	81142-KCLC-900	RUBBER LID STOPPER	RUBBER LID STOPPER	2	110	
	90112-GCC3	90112-GCC3-001	BOLT SPECIAL 5MM	BOLT SPECIAL 5MM	1	60	
	90112-KCLC	90112-KCLC-900	BOLT SPECIAL 5MM	BOLT SPECIAL 5MM	1	200	
	93891-06016	93891-06016-06	SCREW WASHER 6X16	SCREW WASHER 6X16	2	130	
	95701	95701-06012-06	BOLT FLANGE 6*22 (K)	BOLT FLANGE 6*22 (K)	1	60	
	95801-08040	95801-08040-06	BOLT FLANGE 8*40	BOLT FLANGE 8*40	1	60	
	96211-05000	96211-05000	BALL STEEL #5	BALL STEEL #5	55	60	

F06

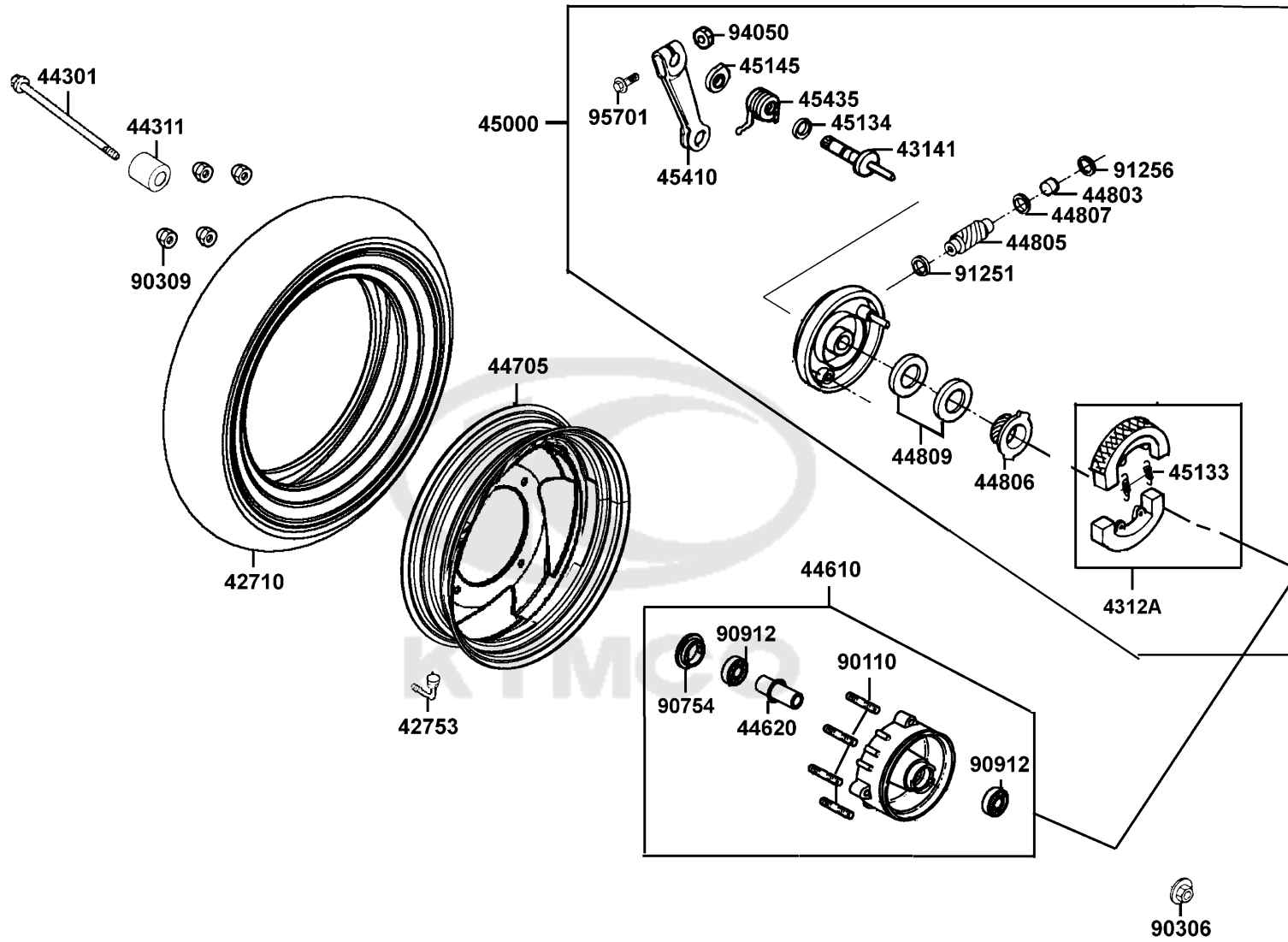
Front Wheel



Sales mark 記号	Ref no 参照用番号	Part no パーツ番号	Description 部品名	Reg description 部品名	Regd no 必要個数	Ref Price 希望小売価格(税抜)	F06
	42710	42710-LBC9-900	TIRE ASSY RR (90/90-10 4P TL) /KENDA	TIRE ASSY RR (90/90-10 4P TL) /KENDA	1	12270	
	42753	42753-KXCX-900	VALVE (PVR-70B) & CAP	VALVE (PVR-70B) & CAP	1	630	
	4312A	4312A-LGM1-91A	SHOE ASSY BRAKE (E206)	SHOE ASSY BRAKE (E206)	1	2630	
	4312A	4312A-LGM1-91B	SHOE ASSY BRAKE (D103)	SHOE ASSY BRAKE (D103)	1	2300	
	43141	43141-4L00-011	CAM REAR BRAKE	CAM REAR BRAKE	1	580	
	44301	44301-KHB4-900	AXLE FR WHEEL M12/212MM	AXLE FR WHEEL M12/212MM	1	960	
	44311	44311-LAB4-800	COLLAR FR WHEEL SIDE	COLLAR FR WHEEL SIDE	1	390	
**	44610	44610-GLW0-305	HUB SUB ASSY FR	HUB SUB ASSY FR	1	7800	
	44620	44620-GHC8-001	COLLAR FR AXLE DISTANCE	COLLAR FR AXLE DISTANCE	1	200	
**	44705	44705-KHC4-900	RIM COMP FR WHEEL	RIM COMP FR WHEEL	1	6850	
	44803	44803-GFY6-90A	BUSH PINION	BUSH PINION	1	130	
	44805	44805-GGC7-004	PINION SPDMT	PINION SPDMT	1	680	
	44806	44806-GGC7-004	GEAR SPEEDMETER	GEAR SPEEDMETER	1	420	
	44807	44807-0A01-004	WASHER GEAR BOX PINION	WASHER GEAR BOX PINION	1	110	
	44809	44809-1L70-004	WASHER SPDMT GEAR	WASHER SPDMT GEAR	2	110	
**	45000	45000-LCB4-800	PANEL SUB COMP FR BRAKE **(1)	PANEL SUB COMP FR BRAKE **(1)	1	9040	
	45133	45133-0H28-001	SPRING BRAKE SHOE	SPRING BRAKE SHOE	2	160	
	45134	45134-2L50-001	BRAKE CAM DUST SEAL	BRAKE CAM DUST SEAL	1	60	
	45145	45145-0F96-651	INDICATOR FRONT BRAKE	INDICATOR FRONT BRAKE	1	110	
	45410	45410-GBB2-001	ARM FRONT BRAKE	ARM FRONT BRAKE	1	390	

F06

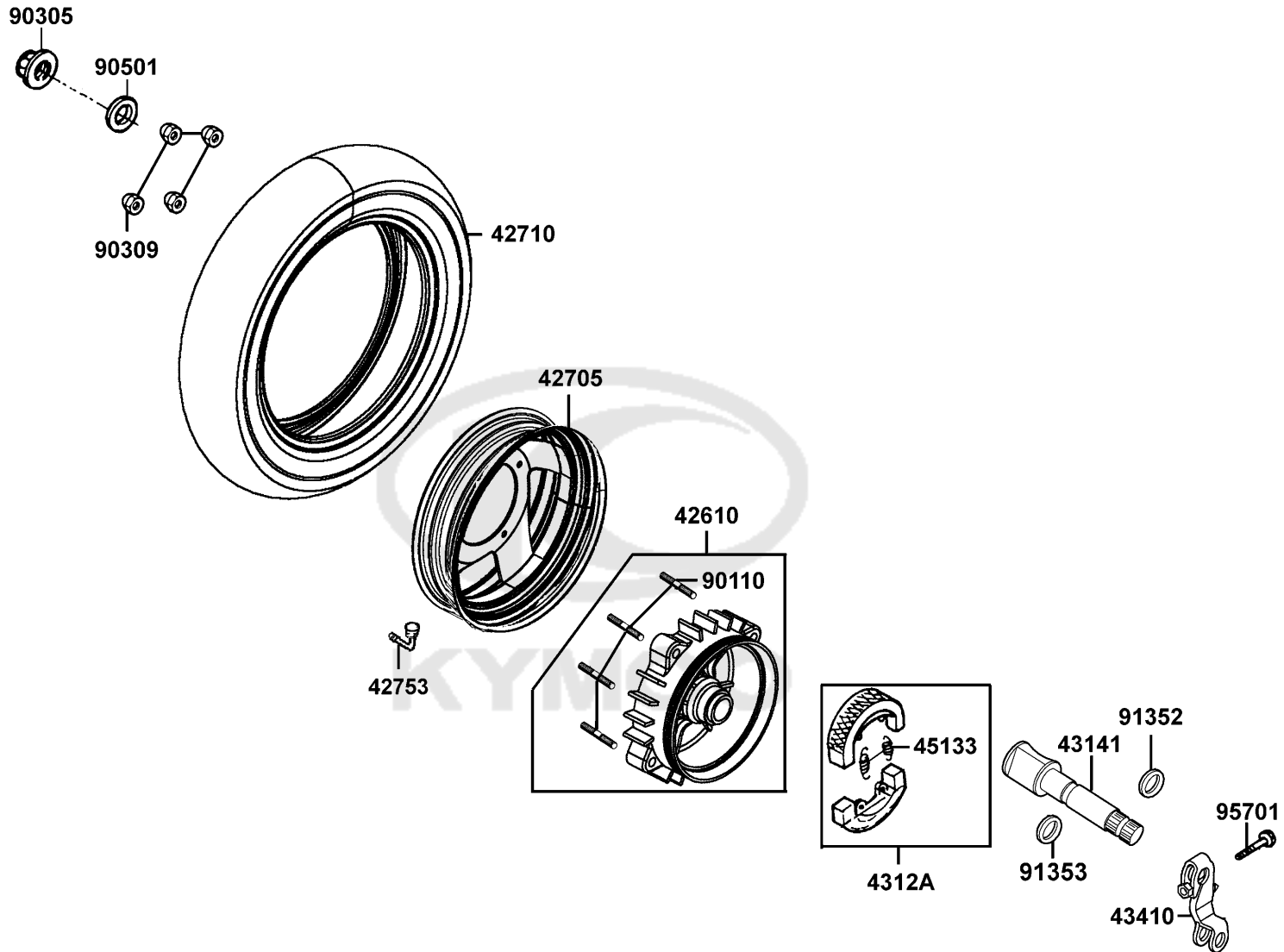
Front Wheel



Sales mark 記号	Ref no 参照用番号	Part no パーツ番号	Description 部品名	Reg description 部品名	Regd no 必要個数	Ref Price 希望小売価格(税抜)	F06
45435		45435-GBB2-721	SPG BRK ARM RETURN	SPG BRK ARM RETURN	1	160	
90110		90110-KHG8-901	BOLT STUD2 8*22	BOLT STUD2 8*22	4	130	
90306		90306-KLF0-004-SY	NUT FLANGE 12MM	NUT FLANGE 12MM	1	200	
90309		90309-GLW0-90A	NUT U FLANGE 8MM	NUT U FLANGE 8MM	4	110	
90754		90754-GHC8-00A	SEAL DUST 20*32*5	SEAL DUST 20*32*5	1	100	
90754		90754-GHC8-00B	SEAL DUST 20*32*5	SEAL DUST 20*32*5	1	100	
90912		90912-GHC8-00A	BEARING 6201 (U)	BEARING 6201 (U)	2	770	
91251		91251-GHC8-004	SEAL OIL 41*51*5	SEAL OIL 41*51*5	1	130	
91256		91256-GAC1-004	SEAL DUST	SEAL DUST	1	130	
94050		94050-06080	NUT FLANGE 6MM	NUT FLANGE 6MM	1	60	
95701		95701-06028-06	BOLT FLANGE 6*28 (G)	BOLT FLANGE 6*28 (G)	1	200	

F07

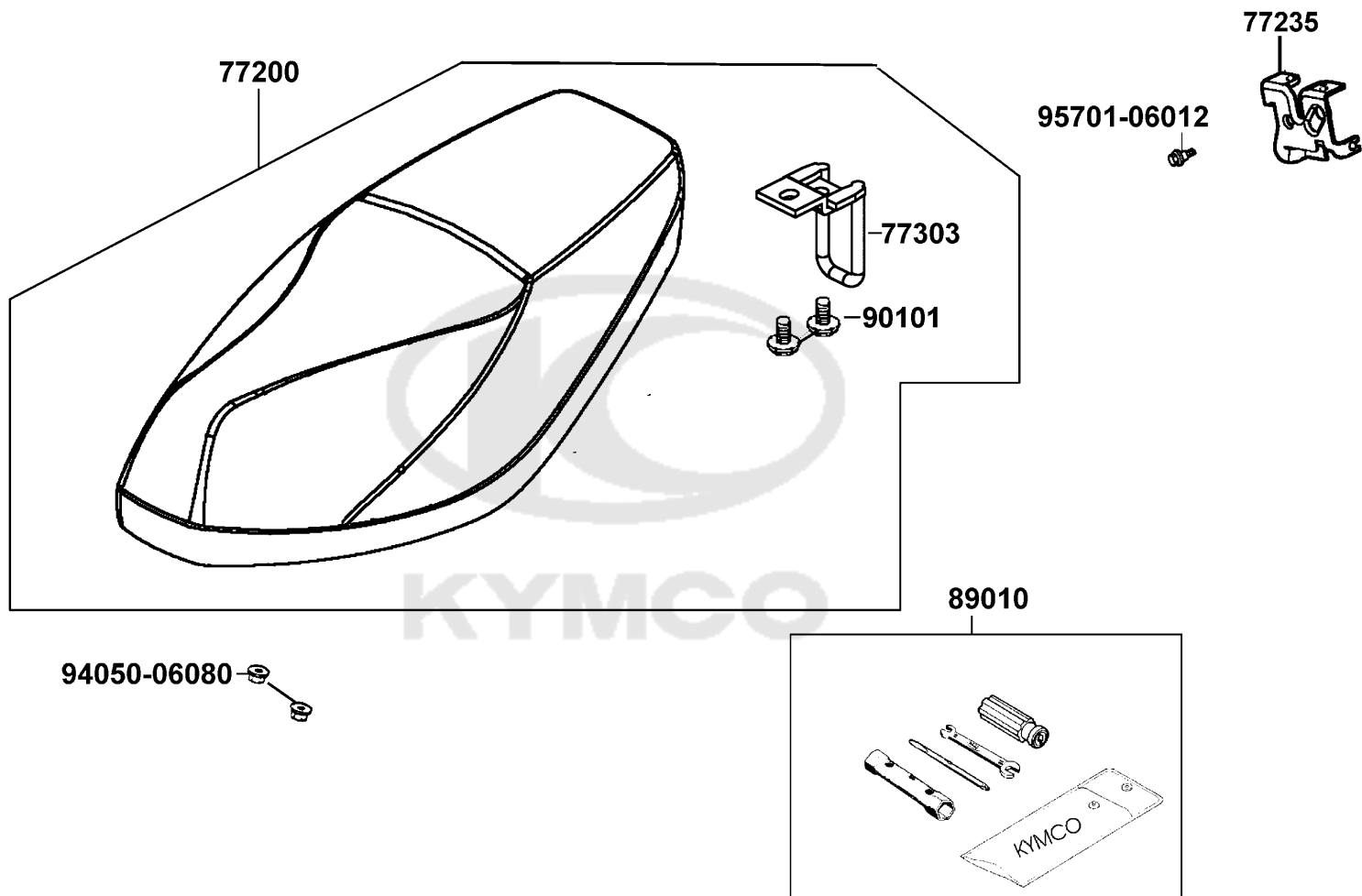
Rear Wheel



Sales mark 記号	Ref no 参照用番号	Part no パーツ番号	Description 部品名	Reg description 部品名	Regd no 必要個数	Ref Price 希望小売価格(税抜)	F07
**	42610	42610-GKAK-901	HUB SUB COMP RR	HUB SUB COMP RR	1	7610	
**	42705	42705-KHC4-900	RIM COMP WHEEL	RIM COMP WHEEL	1	7610	
	42710	42710-LBC9-900	TIRE ASSY RR (90/90-10 4P TL) /KENDA	TIRE ASSY RR (90/90-10 4P TL) /KENDA	1	12270	
	42753	42753-KXCX-900	VALVE (PVR-70B) & CAP	VALVE (PVR-70B) & CAP	1	630	
	4312A	4312A-LGM1-91A	SHOE ASSY BRAKE (E206)	SHOE ASSY BRAKE (E206)	1	2630	
	4312A	4312A-LGM1-91B	SHOE ASSY BRAKE (D103)	SHOE ASSY BRAKE (D103)	1	2300	
	43141	43141-LAB4-900	CAM RR BRK	CAM RR BRK	1	1470	
	43410	43410-LDA2-900	ARM COMP RR BRAKE	ARM COMP RR BRAKE	1	680	
	45133	45133-LDA3-900	SPRING BRAKE SHOE REAR	SPRING BRAKE SHOE REAR	2	300	
	90110	90110-KHG8-901	BOLT STUD2 8*22	BOLT STUD2 8*22	4	130	
	90305	90305-KNBN-90B	NUT U 16MM	NUT U 16MM	1	110	
	90309	90309-GLW0-90A	NUT U FLANGE 8MM	NUT U FLANGE 8MM	4	110	
	90501	90501-KNBN-901	WASHER 16MM	WASHER 16MM	1	80	
	91352	91352-KHG8-83B	O-RING 11.3*1.3	O-RING 11.3*1.3	1	60	
	91353	91353-GFY6-900	O-RING 13.1*10	O-RING 13.1*10	1	60	
	95701	95701-06032-06	BOLT FLANGE 6*32	BOLT FLANGE 6*32	1	60	

F08

Seat

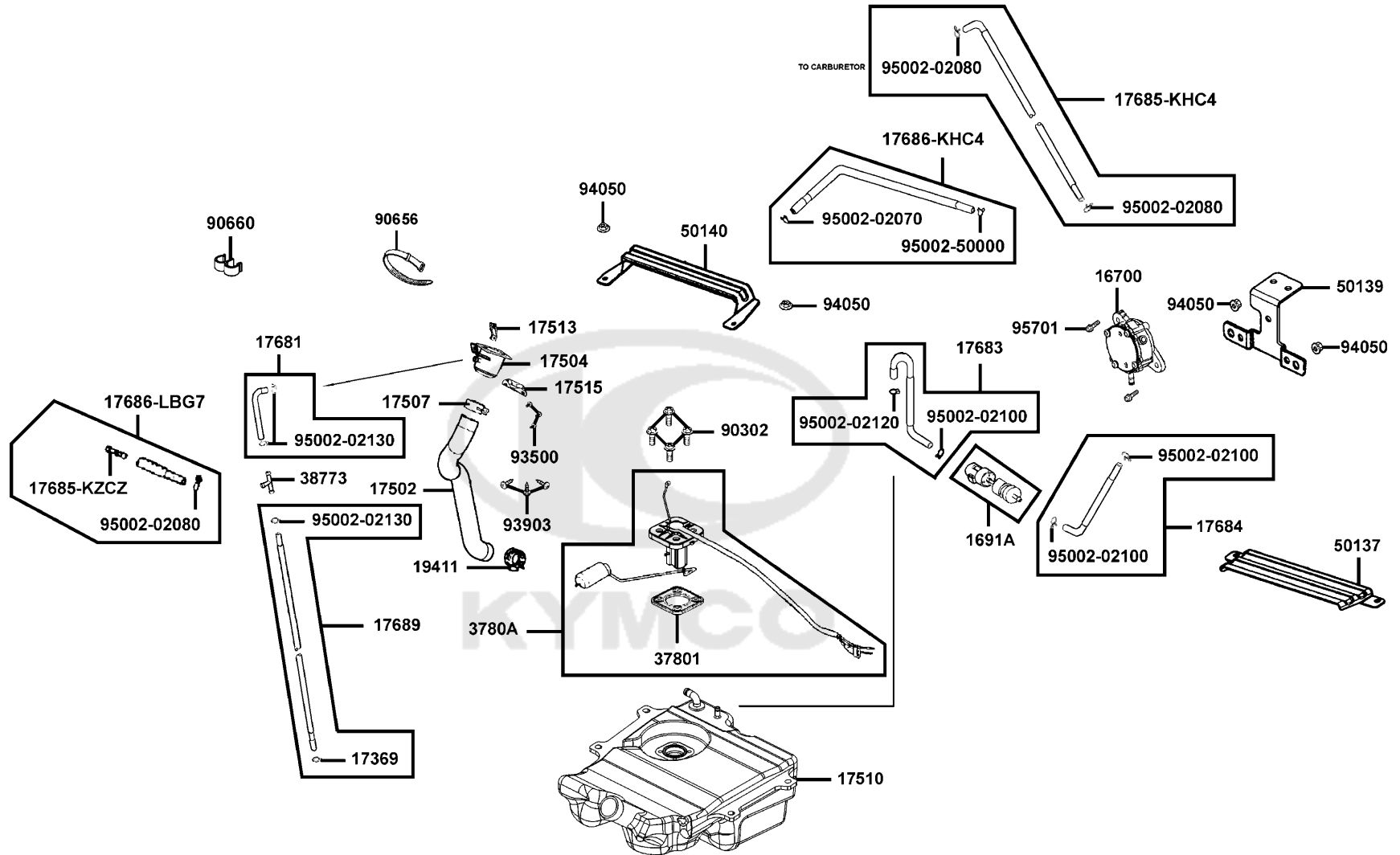


Sales mark 記号	Ref no 参照用番号	Part no パーツ番号	Description 部品名	Reg description 部品名	Regd no 必要個数	Ref Price 希望小売価格(税抜)	F08
**	77200	77200-LDD6-E00	SEAT ASSY	SEAT ASSY	1	14050	
	77235	77235-KHC4-900	SEAT CATCH COMP	SEAT CATCH COMP	1	1250	
	77303	77303-KHC4-900	HOOK SEAT LOCK **9000 C.2007.03.16	HOOK SEAT LOCK **9000 C.2007.03.16	1	260	
	89010	89010-LAD9-900	TOOL SET	TOOL SET	1	1720	
	90101	90101-KGC4-E00	SCREW SPECIAL 6*15	SCREW SPECIAL 6*15	2	60	
	94050-06080	94050-06080	NUT FLANGE 6MM	NUT FLANGE 6MM	4	60	
	95701-06012	95701-06012-06	BOLT FLANGE 6*22 (K)	BOLT FLANGE 6*22 (K)	1	60	



F09

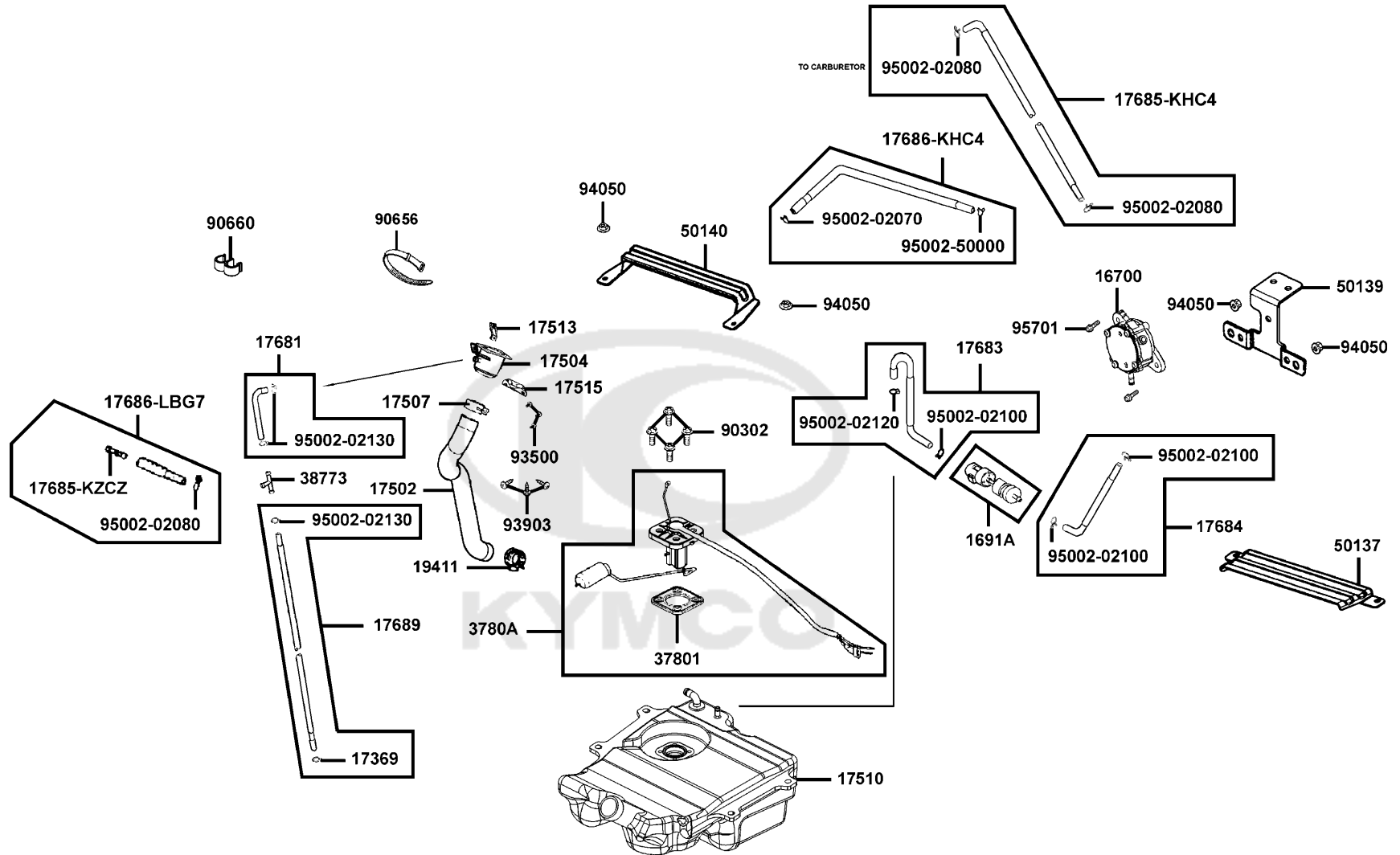
Fuel Tank



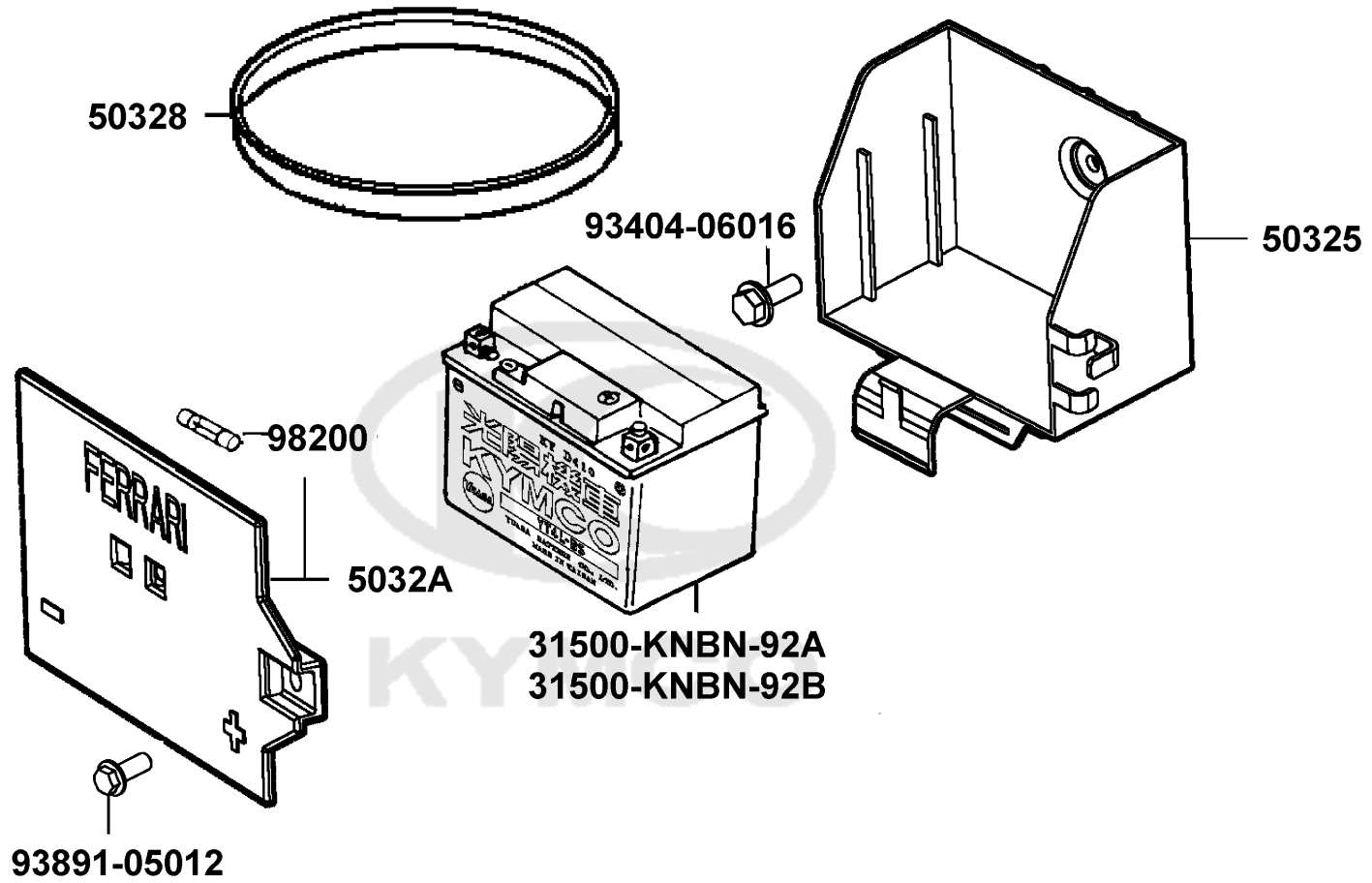
Sales mark 記号	Ref no 参照用番号	Part no パーツ番号	Description 部品名	Reg description 部品名	Regd no 必要個数	Ref Price 希望小売価格(税抜)	F09
16700		16700-KHE7-220	FUEL PUMP ASSY	FUEL PUMP ASSY	1	9990	
1691A		1691A-KEC2-E00	STRAINER ASSY FUEL	STRAINER ASSY FUEL	1	1010	
17369		17369-KHC4-900	CLIP BREATHER TUBE	CLIP BREATHER TUBE	1	160	
17502		17502-LDC1-900	HOSE FUEL	HOSE FUEL	1	1820	
17504		17504-LAB4-900	FUEL FILLER	FUEL FILLER	1	1440	
17507		17507-LAB4-900	BAND 50 FUEL HOSE	BAND 50 FUEL HOSE	1	390	
17510		17510-LDC1-900	TANK COMP FUEL	TANK COMP FUEL	1	9510	
17513		17513-LBG7-900	STAY A FUEL FILLER	STAY A FUEL FILLER	1	300	
17515		17515-LAB4-900	STAY B FUEL FILLER	STAY B FUEL FILLER	1	230	
17681		17681-KFA1-900	TUBE JOINT 3 WAY	TUBE JOINT 3 WAY	1	210	
17683		17683-LDD6-B00	TUBE TANK-STRAINER	TUBE TANK-STRAINER	1	960	
17684		17684-LDD6-B00	TUBE STRAINER-PUMP	TUBE STRAINER-PUMP	1	960	
17685-KHC4		17685-KHC4-900	TUBE PUMP-CARB **9000 C.2004.11.17	TUBE PUMP-CARB **9000 C.2004.11.17	1	960	
17685-KZCZ		17685-KZCZ-900	JOINT TUBE	JOINT TUBE	1	200	
17686-KHC4		17686-KHC4-900	TUBE PUMP-INLET PIPE **(0) C.	TUBE PUMP-INLET PIPE **(0) C.	1	520	
17686-LBG7		17686-LBG7-900	TUBE ASSY FUEL	TUBE ASSY FUEL	1	1530	
17689		17689-LDC1-900	TUBE TANK JOINT	TUBE TANK JOINT	1	1630	
19411		19411-KHC4-900	CLIP HOSE	CLIP HOSE	1	490	
37801		37801-LAB4-910	PACKING BASE	PACKING BASE	1	390	
3780A		3780A-LDC1-900	FUEL UNIT ASS.Y.	FUEL UNIT ASS.Y.	1	3240	

F09

Fuel Tank



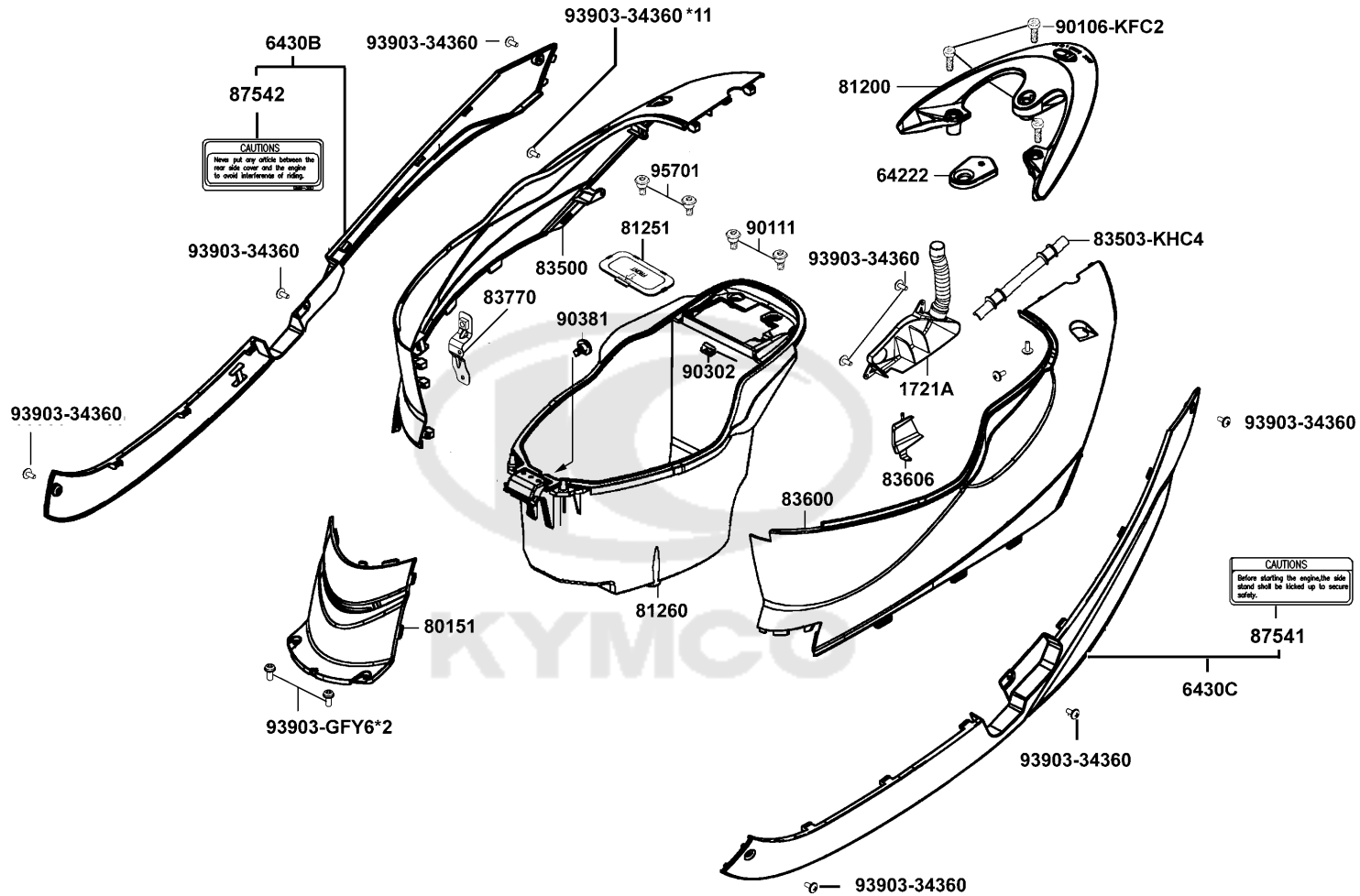
Sales mark 記号	Ref no 参照用番号	Part no パーツ番号	Description 部品名	Reg description 部品名	Regd no 必要個数	Ref Price 希望小売価格(税抜)	F09
38773		38773-KBCB-900	JOINT 3 WAY	JOINT 3 WAY	1	160	
50137		50137-LDC1-900	STAY FLOOR A	STAY FLOOR A	1	870	
50139		50139-LDD6-B20	STAY FUEL PUMP	STAY FUEL PUMP	1	640	
50140		50140-KHC4-910	PLATE FLOOR	PLATE FLOOR	1	560	
90302		90302-GBR2-001	BOLT WASH 5*16	BOLT WASH 5*16	4	60	
90656		90656-KCBC-900	BAND OIL HANDLE	BAND OIL HANDLE	1	60	
90660		90660-LDE9-E00	CLAMP TUBE	CLAMP TUBE	1	110	
93500		93500-04008-0F	SCREW PAN 4*8 (G)	SCREW PAN 4*8 (G)	1	200	
93903		93903-35360	SCREW WASHER 4*12	SCREW WASHER 4*12	1	60	
94050		94050-06080	NUT FLANGE 6MM	NUT FLANGE 6MM	5	60	
95002-02070		95002-02070	CLIP B7 TUBE	CLIP B7 TUBE	1	60	
95002-02080		95002-02080	CLIP B8 TUBE	CLIP B8 TUBE	4	60	
95002-02100		95002-02100	CLIP B15 TUBE	CLIP B15 TUBE	3	60	
95002-02120		95002-02120	CLIP B12 TUBE	CLIP B12 TUBE	1	60	
95002-02130		95002-02130	CLIP B12.5 TUBE	CLIP B12.5 TUBE	3	60	
95002-50000		95002-50000	CLIP C9 TUBE	CLIP C9 TUBE	1	60	
95701		95701-06014-06	BOLT FLANGE 6*14	BOLT FLANGE 6*14	1	130	



Sales mark 記号	Ref no 参照用番号	Part no パーツ番号	Description 部品名	Reg description 部品名	Regd no 必要個数	Ref Price 希望小売価格(税抜)
	31500-KNBN-92A	31500-KNBN-92A	BATTERY YTX5L-BS	BATTERY YTX5L-BS	1	11130
	31500-KNBN-92B	31500-KNBN-92B	BATTERY YTX5L-BS	BATTERY YTX5L-BS	1	11130
**	50325	50325-KHC4-900	YOX BATTERY **(3) C.2001.09.03	YOX BATTERY **(3) C.2001.09.03	1	580
	50328	50328-KNBN-200	BAND BATTERY	BAND BATTERY	1	200
**	5032A	5032A-KHC4-900	COVER BATTERY	COVER BATTERY	1	540
	93404-06016	93404-06016-06	BOLT WASHER 6*16	BOLT WASHER 6*16	1	60
	93891-05012	93891-05012-06	SCREW WASHER 5*12	SCREW WASHER 5*12	1	60
	98200	98200-10700	FUSE A7	FUSE A7	1	60

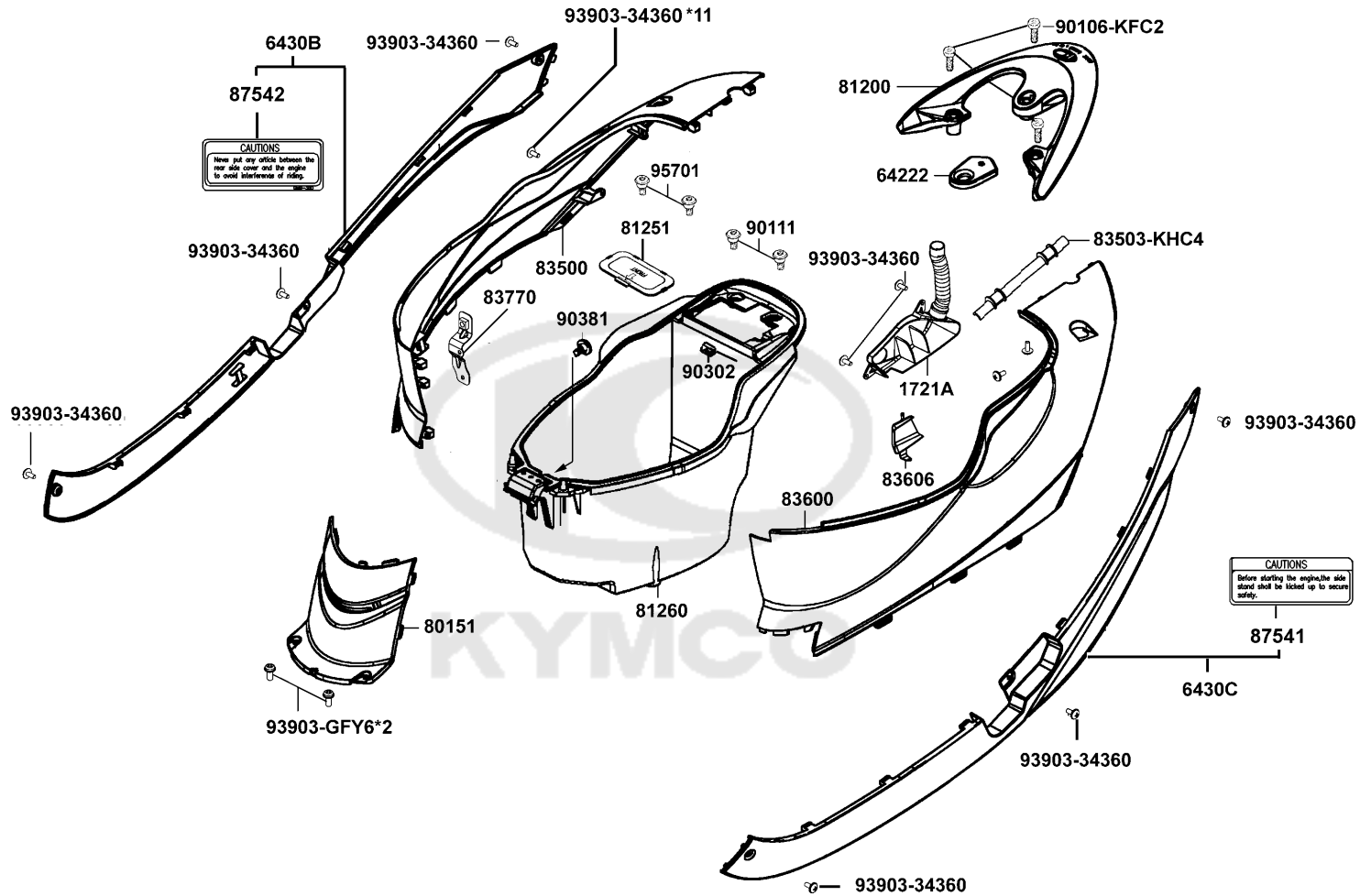
F10





Sales mark 記号	Ref no 参照用番号	Part no パーツ番号	Description 部品名	Reg description 部品名	Regd no 必要個数	Ref Price 希望小売価格(税抜)
	1721A	1721A-LDC1-900	DUCT ASSY A/C	DUCT ASSY A/C	1	1060
	64222	64222-LDC1-900	CUSHION RR GRIP	CUSHION RR GRIP	1	390
**	6430B	6430B-LDC1-E00	SKIRT R SIDE ASSY	SKIRT R SIDE ASSY	1	1110
**	6430C	6430C-LDC1-E00	SKIRT L SIDE ASSY	SKIRT L SIDE ASSY	1	1110
**	80151	80151-LDC1-900	COVER CENTER	COVER CENTER	1	680
**	81200	81200-LDC1-900	CARRIER RR *(1) C.2006.11.15	CARRIER RR *(1) C.2006.11.15	1	9320
	81251	81251-LAB4-900	LID CARB MAINT	LID CARB MAINT	1	300
	81260	81260-LDC1-900	BOX ASSY LUGGAGE *(2) C.2008.01.09	BOX ASSY LUGGAGE *(2) C.2008.01.09	1	6090
**	83500	83500-LDC1-900	COVER R BODY	COVER R BODY	1	10080
	83503-KHC4	83503-KHC4-900	COVER PROTECT SEAT WIRE FR	COVER PROTECT SEAT WIRE FR	1	200
**	83600	83600-LDC1-900	COVER L BODY	COVER L BODY	1	10080
**	83606	83606-LDC1-900	CHAMBER AIR	CHAMBER AIR	1	300
	83770	83770-LDC1-900	STAY LUGGAGE	STAY LUGGAGE	1	490
**	87541	87541-GAR1-E00	CAUTION SIDE STAND	CAUTION SIDE STAND	1	200
**	87542	87542-GAR1-E00	MARK MAINT CAUTION	MARK MAINT CAUTION	1	200
	90106-KFC2	90106-KFC2-900	BOLT SPECIAL 8MM	BOLT SPECIAL 8MM	3	510
	90111	90111-1G87-001	BOLT FLANGE 6MM	BOLT FLANGE 6MM	1	60
	90302	90302-SDA4-004	NUT SPRING 4MM	NUT SPRING 4MM	1	60
	90381	90381-GEZ5-001	SCREW SPECIAL 6*17	SCREW SPECIAL 6*17	1	200
	93903-34360	93903-34360	SCREW WASHER 4*12	SCREW WASHER 4*12	16	60

F11



Sales mark 記号	Ref no 参照用番号	Part no パーツ番号	Description 部品名	Reg description 部品名	Regd no 必要個数	Ref Price 希望小売価格(税抜)
------------------	-----------------	------------------	--------------------	------------------------	-----------------	-------------------------

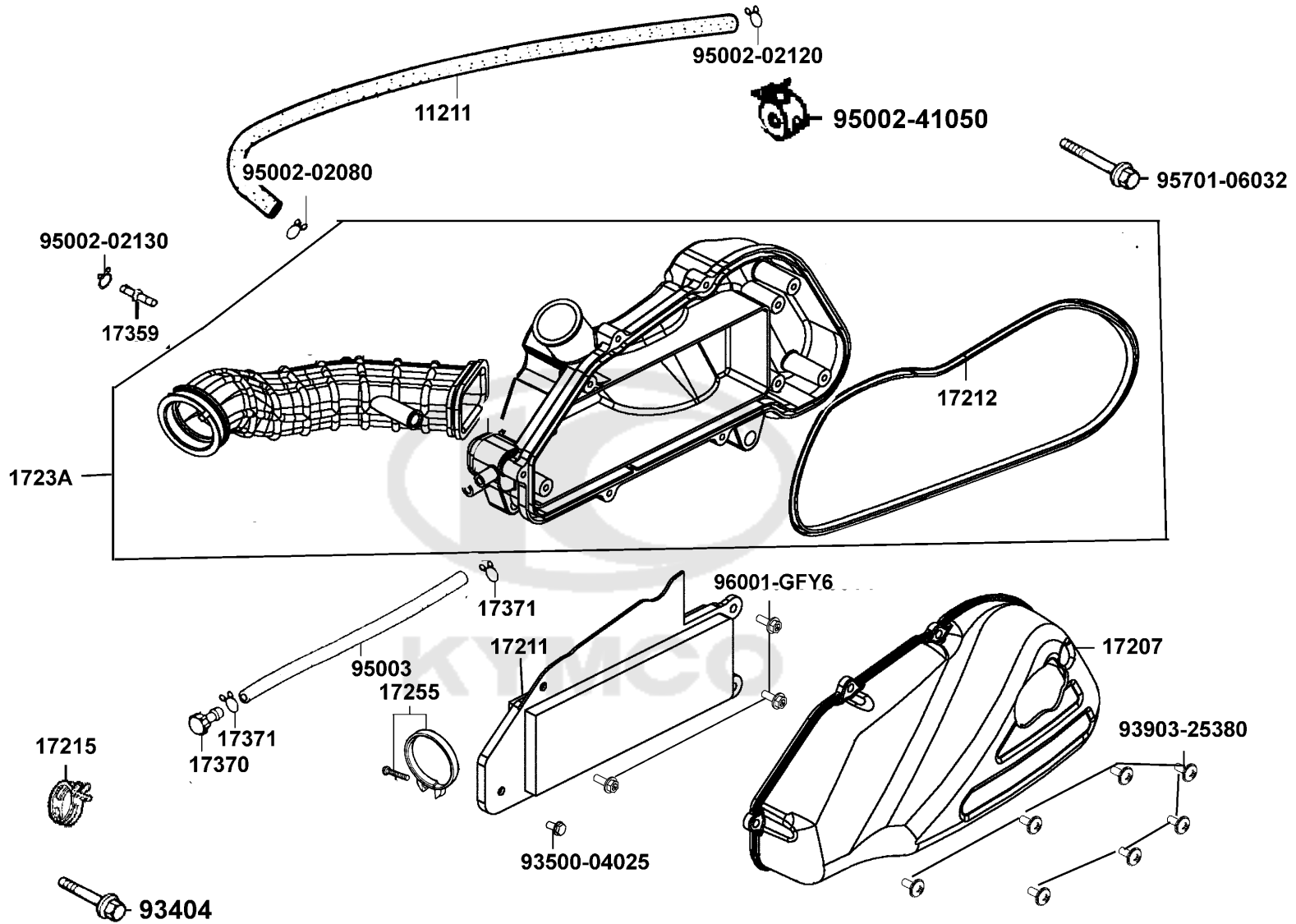
F11

93903-GFY6	93903-GFY6-900	93903-GFY6-900	SCREW WASHER 4*12	SCREW WASHER 4*12	4	60
95701	95701-06012-06	95701-06012-06	BOLT FLANGE 6*22 (K)	BOLT FLANGE 6*22 (K)	1	60



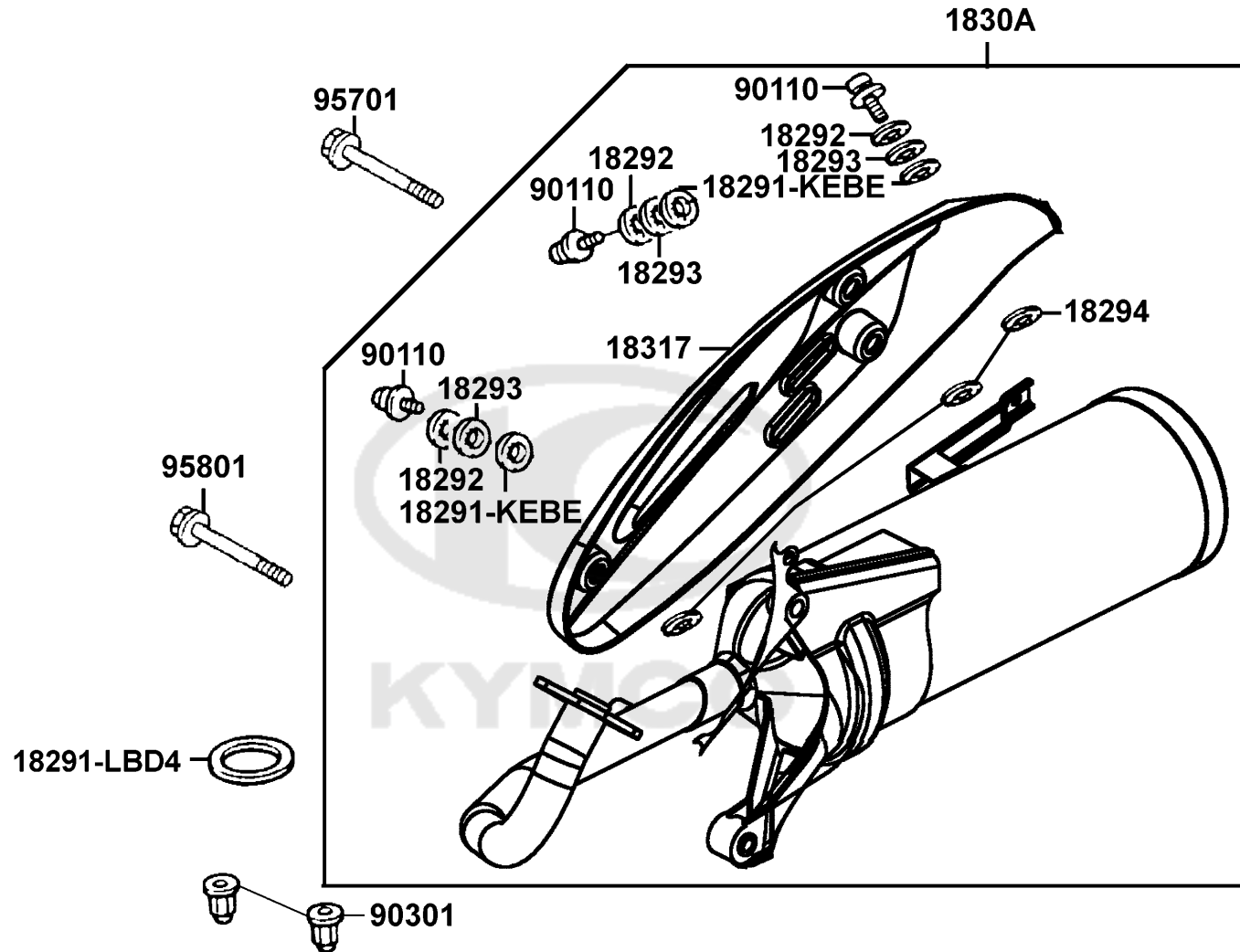
F12

Air Cleaner



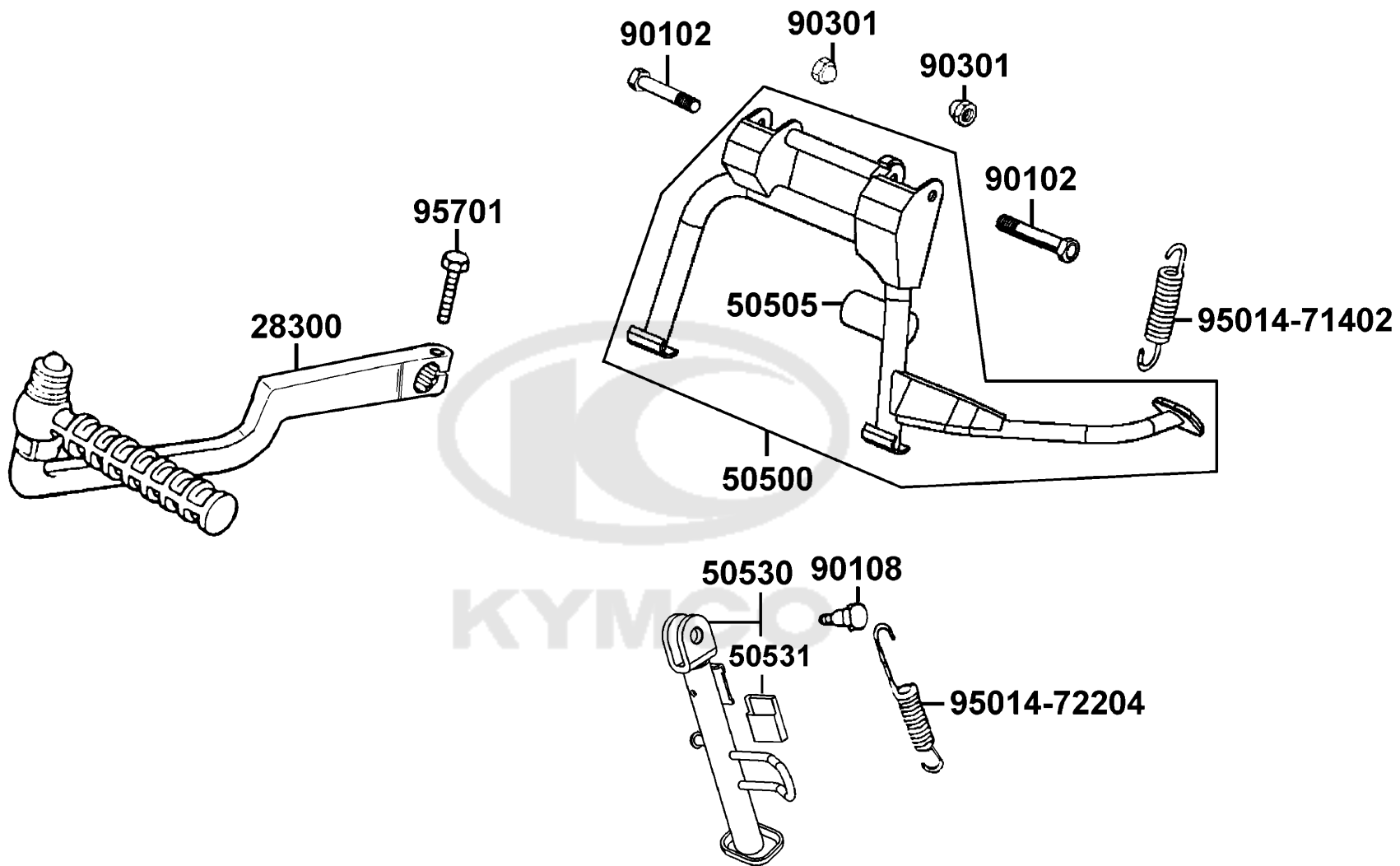
Sales mark 記号	Ref no 参照用番号	Part no パーツ番号	Description 部品名	Reg description 部品名	Regd no 必要個数	Ref Price 希望小売価格(税抜)
11211		11211-GFY6-921	TUBE BREATHER	TUBE BREATHER	1	680
17207		17207-LDC1-900	COVER AIR/C	COVER AIR/C	1	1530
17211		17211-LDC1-900	ELEMENT ASSY AIR/C	ELEMENT ASSY AIR/C	1	1650
17212		17212-KFA6-900	SEAL AIR/C CASE	SEAL AIR/C CASE	1	300
17215		17215-KGBG-90A	CLIP ASSY A/C DUCT	CLIP ASSY A/C DUCT	1	580
1723A		1723A-LDD6-900	CASE ASSY AIR/C **(3) C.	CASE ASSY AIR/C **(3) C.	1	4760
17255		17255-KGBG-900	BAND A CONNECTING TUBE	BAND A CONNECTING TUBE	1	300
17359		17359-4K19-671	JOINT BREATHER TUBE	JOINT BREATHER TUBE	1	60
17370		17370-4K19-670	PLUG BREATHER TUBE	PLUG BREATHER TUBE	1	200
17371		17371-1D74-671	CLIP BREATHER TUBE	CLIP BREATHER TUBE	1	60
93404		93404-06030-06	BOLT WASHER 6*30	BOLT WASHER 6*30	1	160
93500-04025		93500-04025-0A	SCREW PAN 4*25	SCREW PAN 4*25	1	200
93903-25380		93903-25360	SCREW TAPPING 5*16	SCREW TAPPING 5*16	7	60
95002-02080		95002-02080	CLIP B8 TUBE	CLIP B8 TUBE	1	60
95002-02120		95002-02120	CLIP B12 TUBE	CLIP B12 TUBE	1	60
95002-02130		95002-02130	CLIP B12.5 TUBE	CLIP B12.5 TUBE	1	60
95002-41050		95002-41050-00	CLIP D10.5 TUBE	CLIP D10.5 TUBE	1	300
95003		95003-23024-60	V TUBE 8*12*240	V TUBE 8*12*240	1	200
95701-06032		95701-06032-06	BOLT FLANGE 6*32	BOLT FLANGE 6*32	1	60
96001-GFY6		96001-GFY6-900	BOLT SPECIAL 5X10	BOLT SPECIAL 5X10	3	60

F12



Sales mark 記号	Ref no 参照用番号	Part no パーツ番号	Description 部品名	Reg description 部品名	Regd no 必要個数	Ref Price 希望小売価格(税抜)
	18291-KEBE	18291-KEBE-900	COLLAR	COLLAR	3	60
	18291-LBD4	18291-LBD4-900	GASKET EXH PIPE	GASKET EXH PIPE	1	200
	18292	18292-KEBE-900	PACKING PROTECTOR	PACKING PROTECTOR	3	60
	18293	18293-KEBE-900	RUBBER PKG PROTR	RUBBER PKG PROTR	3	140
	18294	18294-KEBE-900	PACKING PROTECTOR	PACKING PROTECTOR	3	110
	1830A	1830A-LDD6-B20	MUFFLER ASSY EXHAUST	MUFFLER ASSY EXHAUST	1	56800
**	18317	18317-KHC4-B20	PROTECTOR COMP MUFFLER	PROTECTOR COMP MUFFLER	1	2960
	90110	90110-KFA6-900	SCREW SPECIAL 6*18	SCREW SPECIAL 6*18	3	70
	90301	90301-KGBG-900	NUT CAP 6MM	NUT CAP 6MM	2	250
	95701	95701-08055-06	BOLT FLANGE 8*55	BOLT FLANGE 8*55	1	230
	95801	95801-KGB5-E10	BOLT FLANGE 8*60	BOLT FLANGE 8*60	1	350

F13

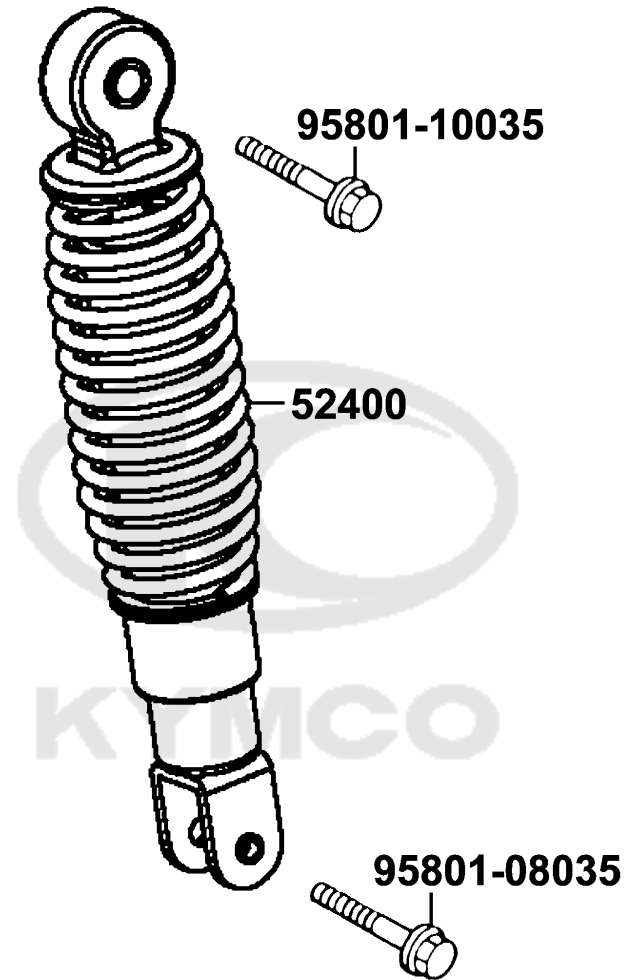


Sales mark 記号	Ref no 参照用番号	Part no パーツ番号	Description 部品名	Reg description 部品名	Regd no 必要個数	Ref Price 希望小売価格(税抜)
28300	28300-KNBN-901	28300-KNBN-901	ARM ASSY KICK STARTER	ARM ASSY KICK STARTER	1	2030
50500	50500-LDA2-900	50500-LDA2-900	STAND COMP MAIN	STAND COMP MAIN	1	5710
50505	50505-LAD9-900	50505-LAD9-900	STOPPER RUBBER	STOPPER RUBBER	1	180
50530	50530-LDC1-900	50530-LDC1-900	BAR SIDE STAND **(3) C.2006.11.21	BAR SIDE STAND **(3) C.2006.11.21	1	1460
50531	50531-KHC4-900	50531-KHC4-900	STOPPER RUBBER	STOPPER RUBBER	1	300
90102	90102-GLE0-001	90102-GLE0-001	BOLT HINGE PIVOT	BOLT HINGE PIVOT	2	200
90108	90108-LBC6-900	90108-LBC6-900	SCREW SIDE STAND PIVOT	SCREW SIDE STAND PIVOT	1	130
90301	90301-4C73-004	90301-4C73-004	NUT U 6MM	NUT U 6MM	2	60
95014-71402	95014-71402	95014-71402	SPRING D MAIN STAND	SPRING D MAIN STAND	1	60
95014-72204	95014-72204	95014-72204	SPG B1 SIDE STAND	SPG B1 SIDE STAND	1	300
95701	95701-06022-06	95701-06022-06	BOLT FLANGE 6*22	BOLT FLANGE 6*22	1	60

F14

F15

Rear Cushion

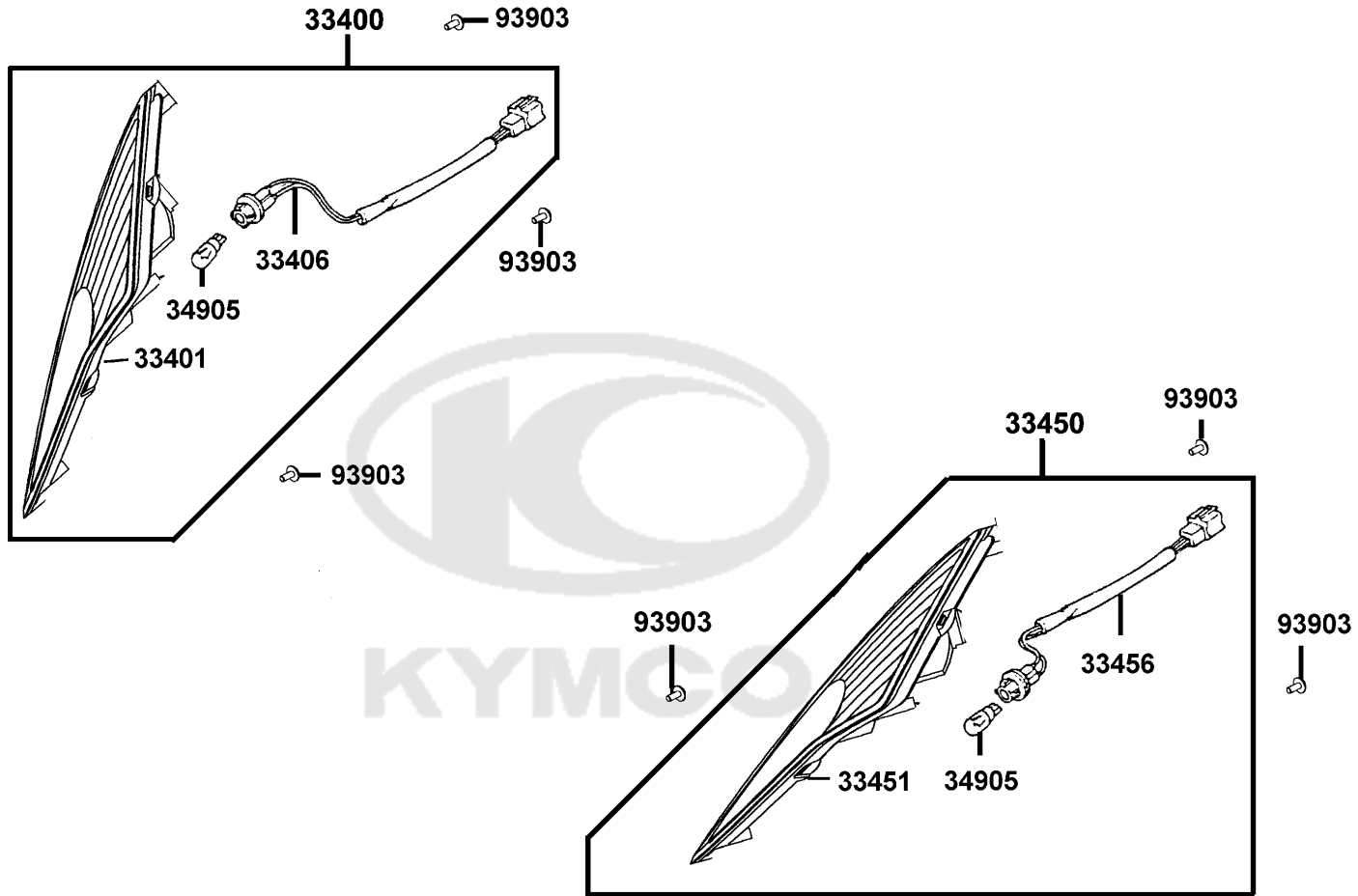



Sales mark 記号	Ref no 参照用番号	Part no パーツ番号	Description 部品名	Reg description 部品名	Regd no 必要個数	Ref Price 希望小売価格(税抜)	F15
**	52400	52400-KHC4-900	CUSHION ASSY REAR ** (0) C.2005.10.08	CUSHION ASSY REAR ** (0) C.2005.10.08	1	5710	
	95801-08035	95801-08035-06	BOLT FLANGE 8*35	BOLT FLANGE 8*35	1	60	
	95801-10035	95801-10035-06	BOLT FLANGE 10*35	BOLT FLANGE 10*35	1	300	



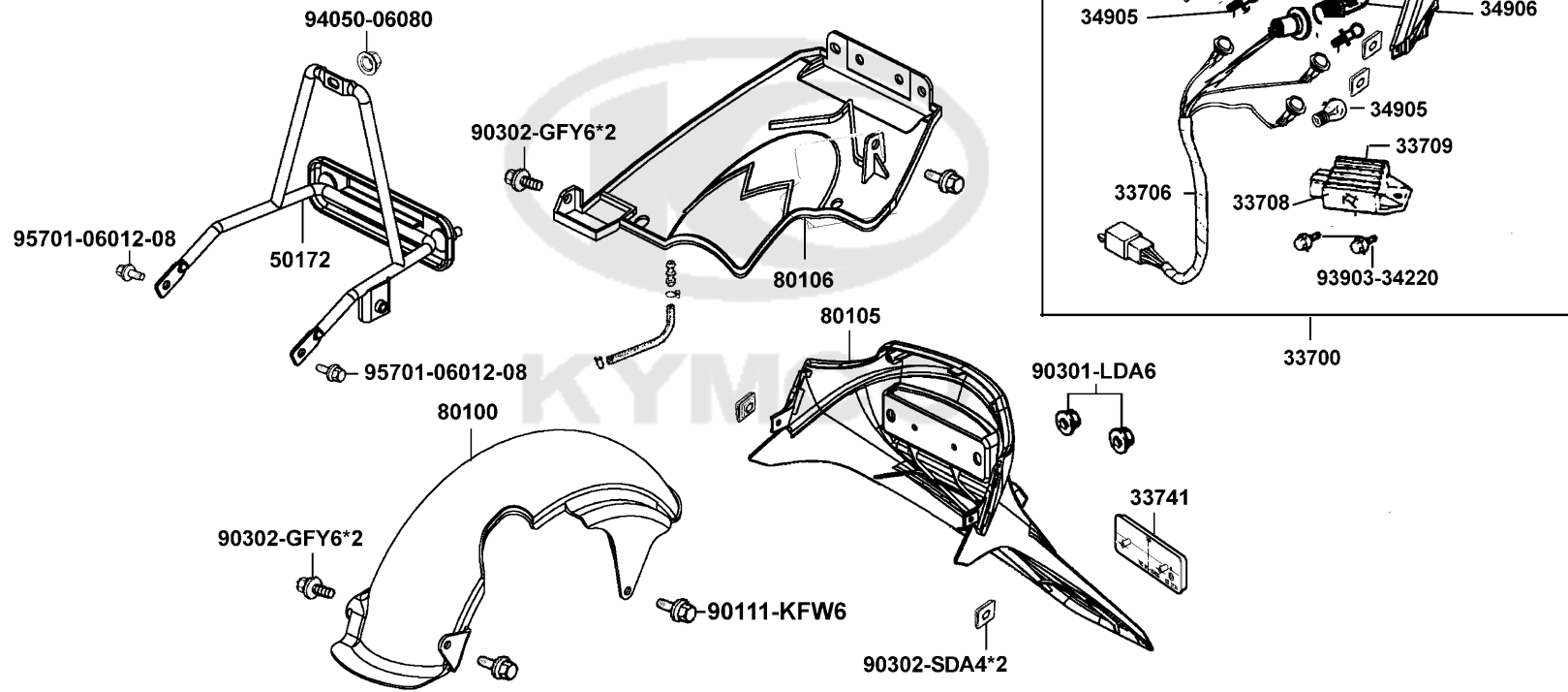
F16

Front Winker



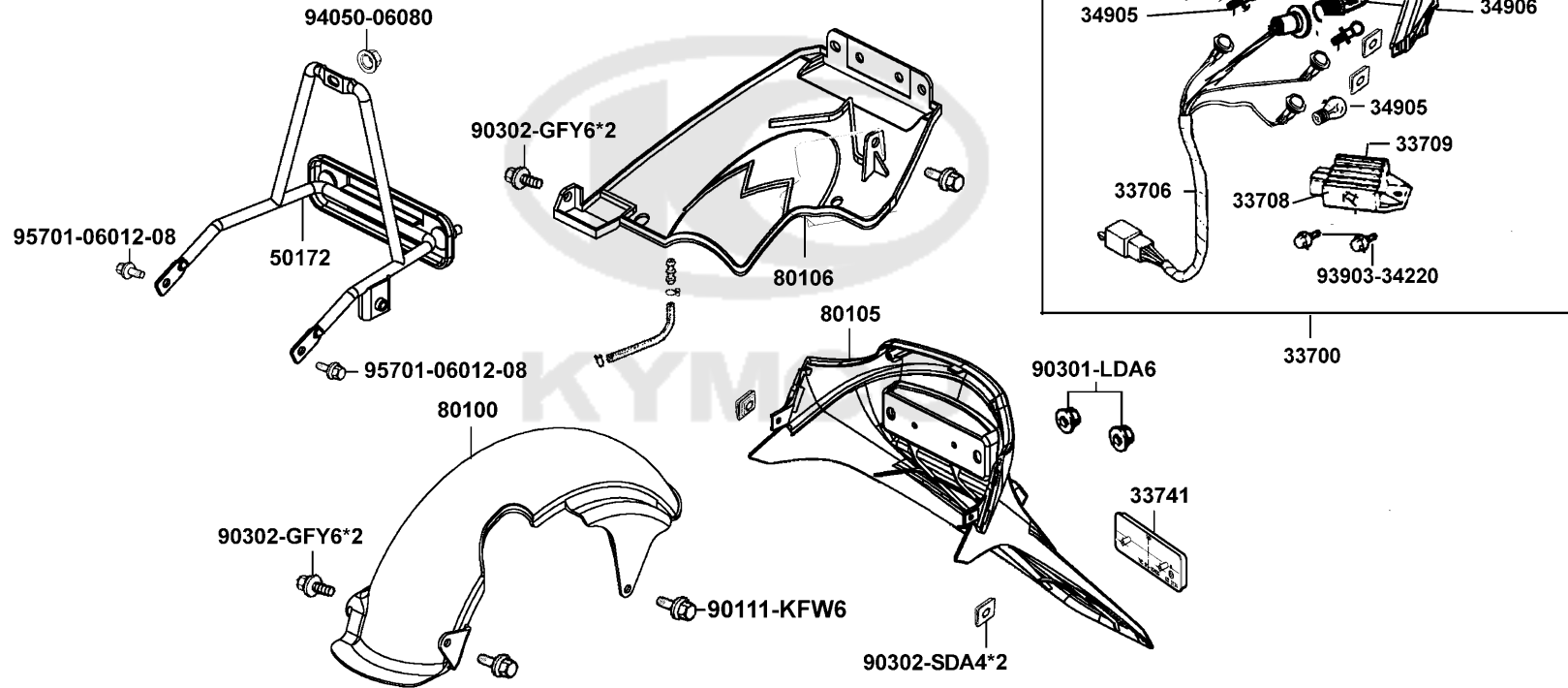
Sales mark 記号	Ref no 参照用番号	Part no パーツ番号	Description 部品名	Reg description 部品名	Regd no 必要個数	Ref Price 希望小売価格(税抜)
33400	33400-LDC1-900	33400-LDC1-900	WINKER ASSY R FR ** (0) C.2006.11.14	WINKER ASSY R FR ** (0) C.2006.11.14	1	3340
33401	33401-LDC1-305	33401-LDC1-305	COMP R FR WINKER **900 C.2006.11.01	COMP R FR WINKER **900 C.2006.11.01	1	2480
33406	33406-LDC1-900	33406-LDC1-900	SOCKET COMP R FR WINKER	SOCKET COMP R FR WINKER	1	680
33450	33450-LDC1-900	33450-LDC1-900	WINKER ASSY L FR ** (0) C.2006.11.14	WINKER ASSY L FR ** (0) C.2006.11.14	1	3340
33451	33451-LDC1-305	33451-LDC1-305	COMP R FR WINKER **900 C.2006.11.01	COMP R FR WINKER **900 C.2006.11.01	1	2480
33456	33456-LDC1-900	33456-LDC1-900	SCOKET COMP R FR WINKER	SCOKET COMP R FR WINKER	1	680
34905	34905-KPCP-900	34905-KPCP-900	BULB WINKER	BULB WINKER	1	400
93903	93903-34360	93903-34360	SCREW WASHER 4*12	SCREW WASHER 4*12	6	60
						

F16



Sales mark 記号	Ref no 参照用番号	Part no パーツ番号	Description 部品名	Reg description 部品名	Regd no 必要個数	Ref Price 希望小売価格(税抜)
33700		33700-LDC1-900	LIGHT ASSY TAIL	LIGHT ASSY TAIL	1	11790
33702		33702-LDC1-900	LENS COMP TAIL LIGHT	LENS COMP TAIL LIGHT	1	2580
33706		33706-LDC1-900	SOCKET COMP RR COMB	SOCKET COMP RR COMB	1	1630
33708		33708-KHE7-E00	LENS LICENSE	LENS LICENSE	1	200
33709		33709-KHE7-E00	BASE LICENSE	BASE LICENSE	1	160
33741		33741-ACH6-900	REFLEX. REFLECTOR	REFLEX. REFLECTOR	1	
34905		34905-KPCP-900	BULB WINKER	BULB WINKER	1	400
34906		34906-GFB6-92A	BULB TAIL LIGHT 12V18/5W **GB6-9210	BULB TAIL LIGHT 12V18/5W **GB6-9210-	1	200
50172		50172-LDC1-900	STAY TAIL LIGHT	STAY TAIL LIGHT	1	2670
80100		80100-LBC6-900	FENDER RR TIRE	FENDER RR TIRE	1	1150
80105		80105-LDC1-900	FENDER RR	FENDER RR	1	1530
80106		80106-LDC1-900	FENDER REAR INNER *(1) C.2007.01.22	FENDER REAR INNER *(1) C.2007.01.22	1	770
90111-KFW6		90111-KFW6-001	BOLT FLANGE 6MM	BOLT FLANGE 6MM	1	60
90301-LDA6		90301-6D34-671	NUT FLANGE 6MM	NUT FLANGE 6MM	1	60
90302-GFY6		90302-GFY6-901	BOLT WASH 5*12 *(1) C.V.	BOLT WASH 5*12 *(1) C.V.	4	60
90302-SDA4		90302-SDA4-004	NUT SPRING 4MM	NUT SPRING 4MM	2	60
90677-KFC9		90677-KFC9-900	NUT CLIP 4MM	NUT CLIP 4MM	4	60
93901		93901-34380	SCREW TAPPING 4*12	SCREW TAPPING 4*12	2	60
93903-34220		93903-34220	SCREW TAPPING 4*10	SCREW TAPPING 4*10	2	60
94050-06080		94050-06080	NUT FLANGE 6MM	NUT FLANGE 6MM	1	60

F17

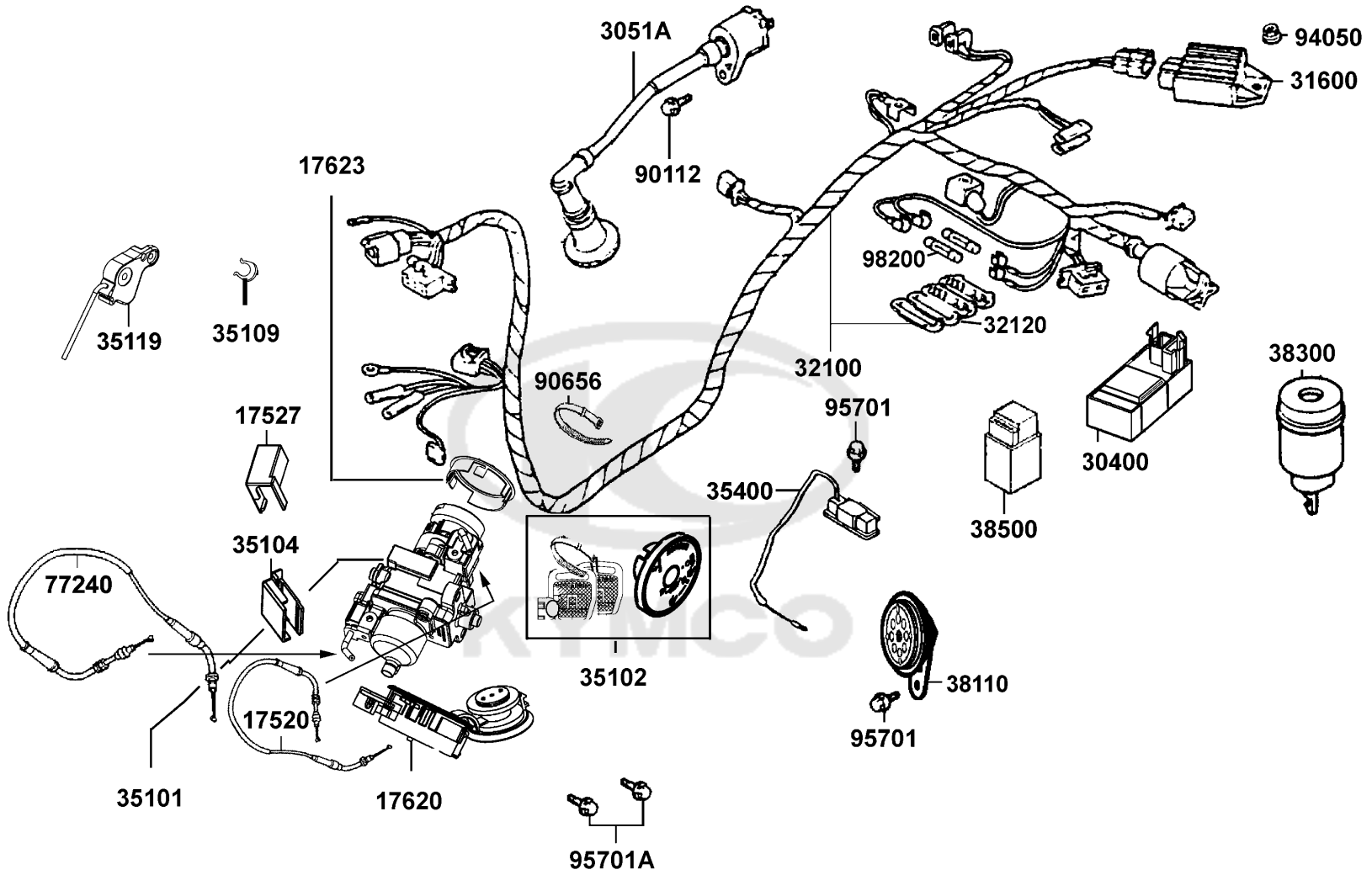


Sales mark 記号	Ref no 参照用番号	Part no パーツ番号	Description 部品名	Reg description 部品名	Regd no 必要個数	Ref Price 希望小売価格(税抜)
------------------	-----------------	------------------	--------------------	------------------------	-----------------	-------------------------

F17

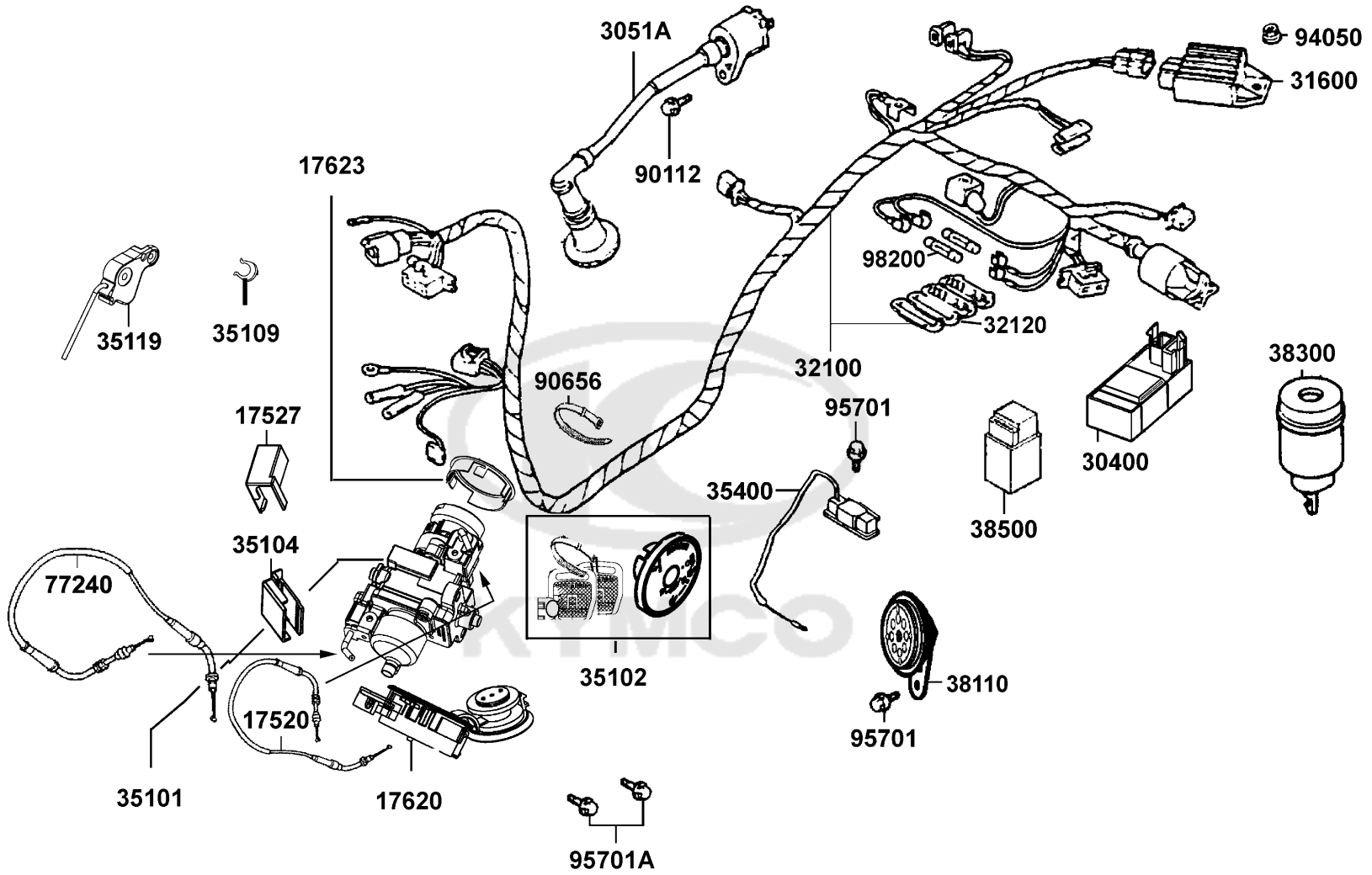
95701-06012-08	95701-06012-06	BOLT FLANGE 6*22 (K)	BOLT FLANGE 6*22 (K)	1	60
----------------	----------------	----------------------	----------------------	---	----





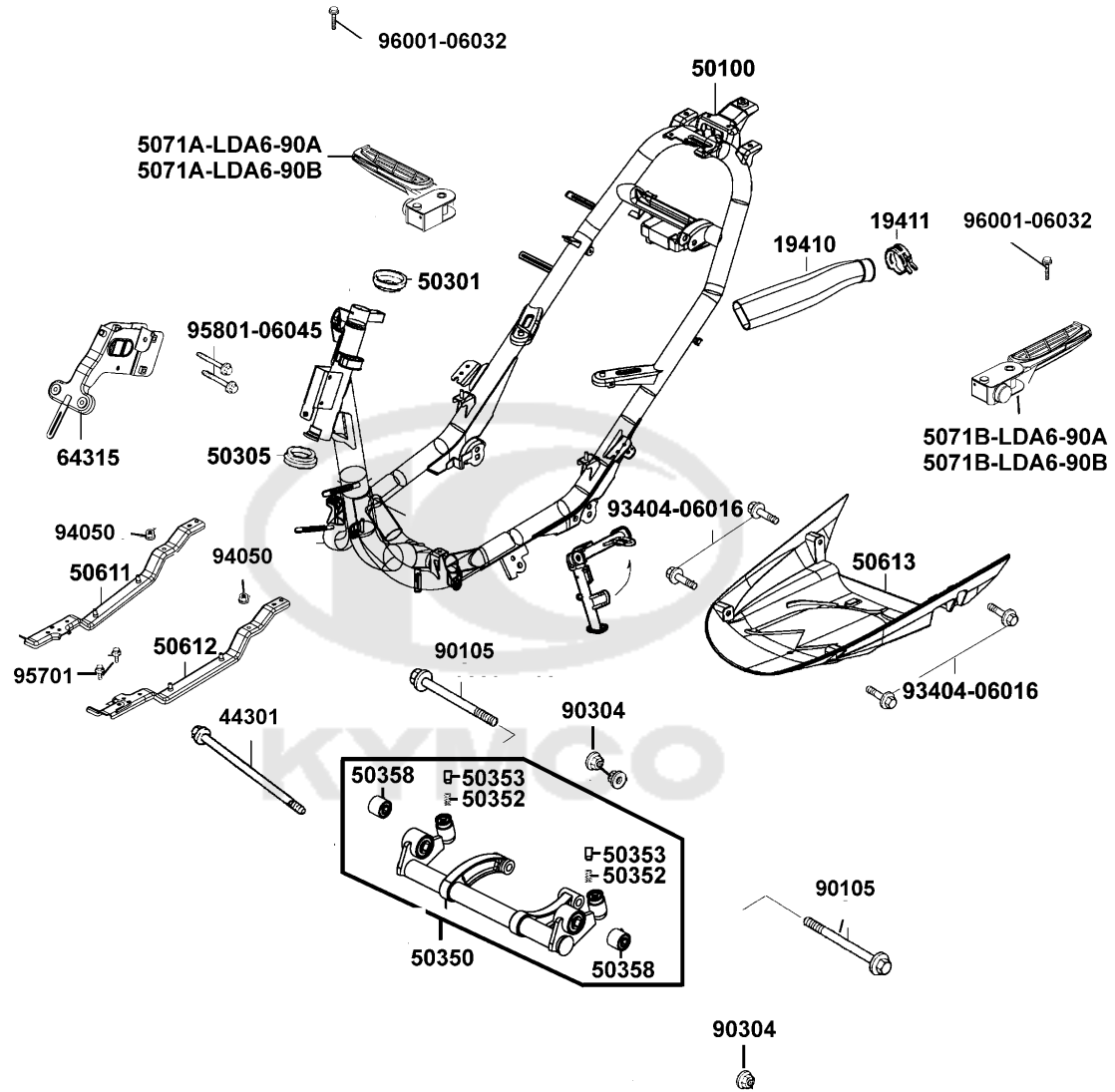
Sales mark 記号	Ref no 参照用番号	Part no パーツ番号	Description 部品名	Reg description 部品名	Regd no 必要個数	Ref Price 希望小売価格(税抜)
17520		17520-LDD6-B20	CABLE COMP FUEL CAP	CABLE COMP FUEL CAP	1	1370
17527		17527-LBA2-900	SLIDE COVER FUEL CAP	SLIDE COVER FUEL CAP	1	300
17620		17620-LBA2-90B	CAP COMP FUEL FILLER	CAP COMP FUEL FILLER	1	4500
17623		17623-LAB4-90B	COLLAR FUEL FILLER	COLLAR FUEL FILLER	1	390
30400		30400-LDD6-900	UNIT ASSY CDI	UNIT ASSY CDI	1	15210
3051A		3051A-LDD6-B20	COIL ASSY IGN	COIL ASSY IGN	1	3980
31600		31600-KUDU-900	REG REC COMP	REG REC COMP	1	2960
32100		32100-LDD6-900	HARNESS WIRE	HARNESS WIRE	1	13500
32120		32120-1E55-001	CASE FUSE 7A	CASE FUSE 7A	2	110
35101		35101-LAC7-308-M2	SW COMB LOCK FOR SERVICE	SW COMB LOCK FOR SERVICE	1	13120
35102		35102-LDC1-308-M2	SHUTTER SET MAGNETIC LOCK/TJ	SHUTTER SET MAGNETIC LOCK/TJ	1	6070
35104		35104-KHC4-90A	PLATE COVER FUEL CAP CABLE	PLATE COVER FUEL CAP CABLE	1	200
35109		35109-LAD9-90B	PROTECTING COVER CABLE	PROTECTING COVER CABLE	1	130
35119		35119-KHC4-90A	COVER SEAT CABLE	COVER SEAT CABLE	1	200
35400		35400-LDD6-B20	RESISTOR COMP.	RESISTOR COMP.	1	1050
38110		38110-KFA1-80A	HORN COMP	HORN COMP	1	1960
38110		38110-KFA1-80B	HORN COMP	HORN COMP	1	1250
38300		38300-LBC6-90A	RELAY COMP WINKER	RELAY COMP WINKER	1	2290
38300		38300-LBC6-90B	RELAY COMP WINKER	RELAY COMP WINKER	1	2290
38500		38500-KKDK-900	RELAY ASSY START	RELAY ASSY START	1	2270

F18



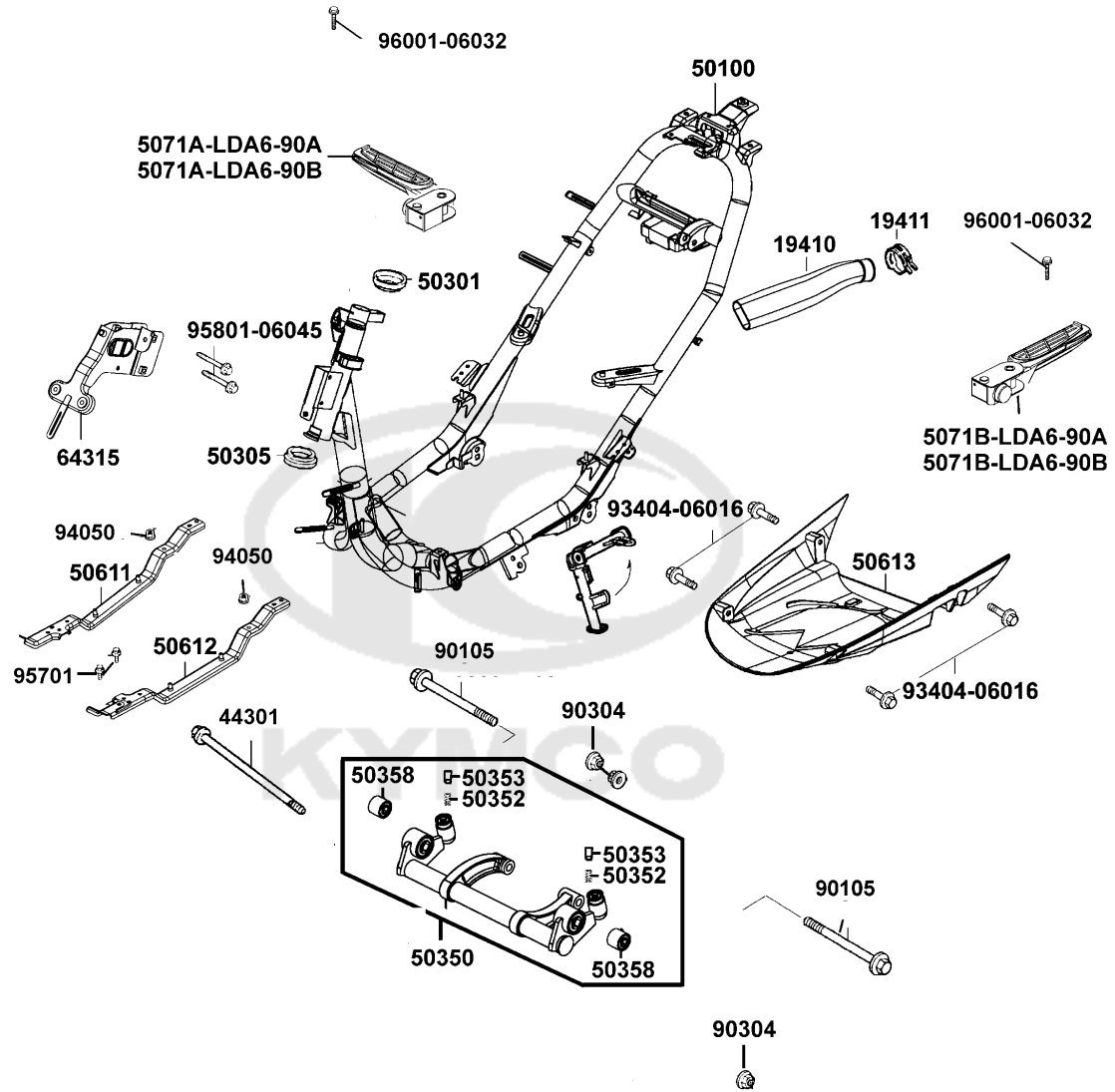
Sales mark 記号	Ref no 参照用番号	Part no パーツ番号	Description 部品名	Reg description 部品名	Regd no 必要個数	Ref Price 希望小売価格(税抜)	F18
77240		77240-LDD6-B20	CABLE ASSY SEAT LOCK	CABLE ASSY SEAT LOCK	1	2740	
90112		90112-KRDR-900	BOLT FLANGE 5*22	BOLT FLANGE 5*22	1	130	
**	90656	90656-KUDU-900	BAND HARNESS WIRE **KUDU-900	BAND HARNESS WIRE **KUDU-900	1	60	
	94050	94050-06060	NUT FLANGE 6MM	NUT FLANGE 6MM	2	60	
	95701	95701-06012-06	BOLT FLANGE 6*22 (K)	BOLT FLANGE 6*22 (K)	1	60	
	95701A	95701-08025-06	BOLT FLANGE 6*22 (K)	BOLT FLANGE 6*22 (K)	2	60	
	98200	98200-10700	FUSE A7	FUSE A7	2	60	





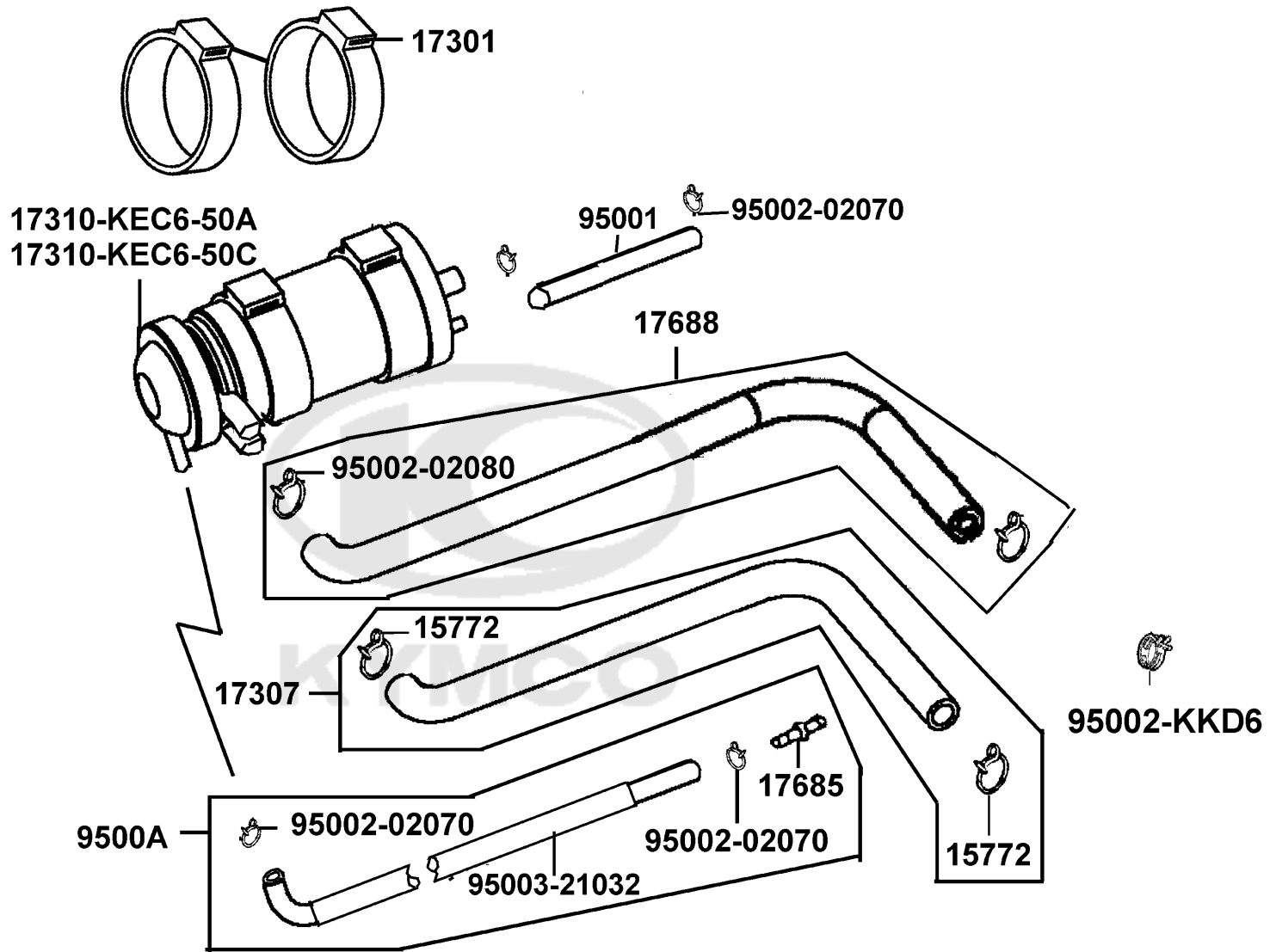
Sales mark 記号	Ref no 参照用番号	Part no パーツ番号	Description 部品名	Reg description 部品名	Regd no 必要個数	Ref Price 希望小売価格(税抜)
	19410	19410-LDD6-900	HOSE COOLING	HOSE COOLING	1	990
	19411	19411-KNBN-900	CLIP HOSE	CLIP HOSE	1	390
	44301	44301-LDC1-900	BOLT FLANGE 10*200	BOLT FLANGE 10*200	1	680
	50100	50100-LDC1-900	BODY COMP FRAME ** (3) C.2009.05.02	BODY COMP FRAME ** (3) C.2009.05.02	1	72240
	50301	50301-GLM0-001	RACE UP STRG BALL	RACE UP STRG BALL	1	440
	50305	50305-GHC8-004	RACE (UNDER STR) BALL	RACE (UNDER STR) BALL	1	420
	50350	50350-LDC1-900	HANGER ASSY ENG	HANGER ASSY ENG	1	10460
	50352	50352-KHC4-900	SPRING	SPRING	2	300
	50353	50353-KHC4-900	RUBBER SEAT SPRING	RUBBER SEAT SPRING	2	300
	50358	50358-KHC4-900	RUBBER BUSH ENG HANGER	RUBBER BUSH ENG HANGER	2	540
	50611	50611-LDC1-900	RNFCT R FLOOR ** (2) C.2007.01.19	RNFCT R FLOOR ** (2) C.2007.01.19	1	1630
	50612	50612-LDC1-900	RNFCT L FLOOR ** (2) C.2007.01.19	RNFCT L FLOOR ** (2) C.2007.01.19	1	1630
**	50613	50613-LDC1-900	COVER UNDER ** (1) C.2008.09.24	COVER UNDER ** (1) C.2008.09.24	1	1820
	5071A-LDA6-90A	5071A-LDC1-90A	BAR R STEP ASSY	BAR R STEP ASSY	1	2770
	5071A-LDA6-90B	5071A-LDC1-90B	BAR R STEP ASSY	BAR R STEP ASSY	1	2770
	5071B-LDA6-90A	5071B-LDC1-90A	BAR L STEP ASSY	BAR L STEP ASSY	1	2770
	5071B-LDA6-90B	5071B-LDC1-90B	BAR L STEP ASSY	BAR L STEP ASSY	1	2770
	64315	64315-LDC1-900	STAY FR COVER	STAY FR COVER	1	2390
	90105	90105-KHC4-900	SQUARE BOLT M10X50	SQUARE BOLT M10X50	2	390
	90304	90304-GHE8-004	NUT CAP 6MM	NUT CAP 6MM	3	200

F19



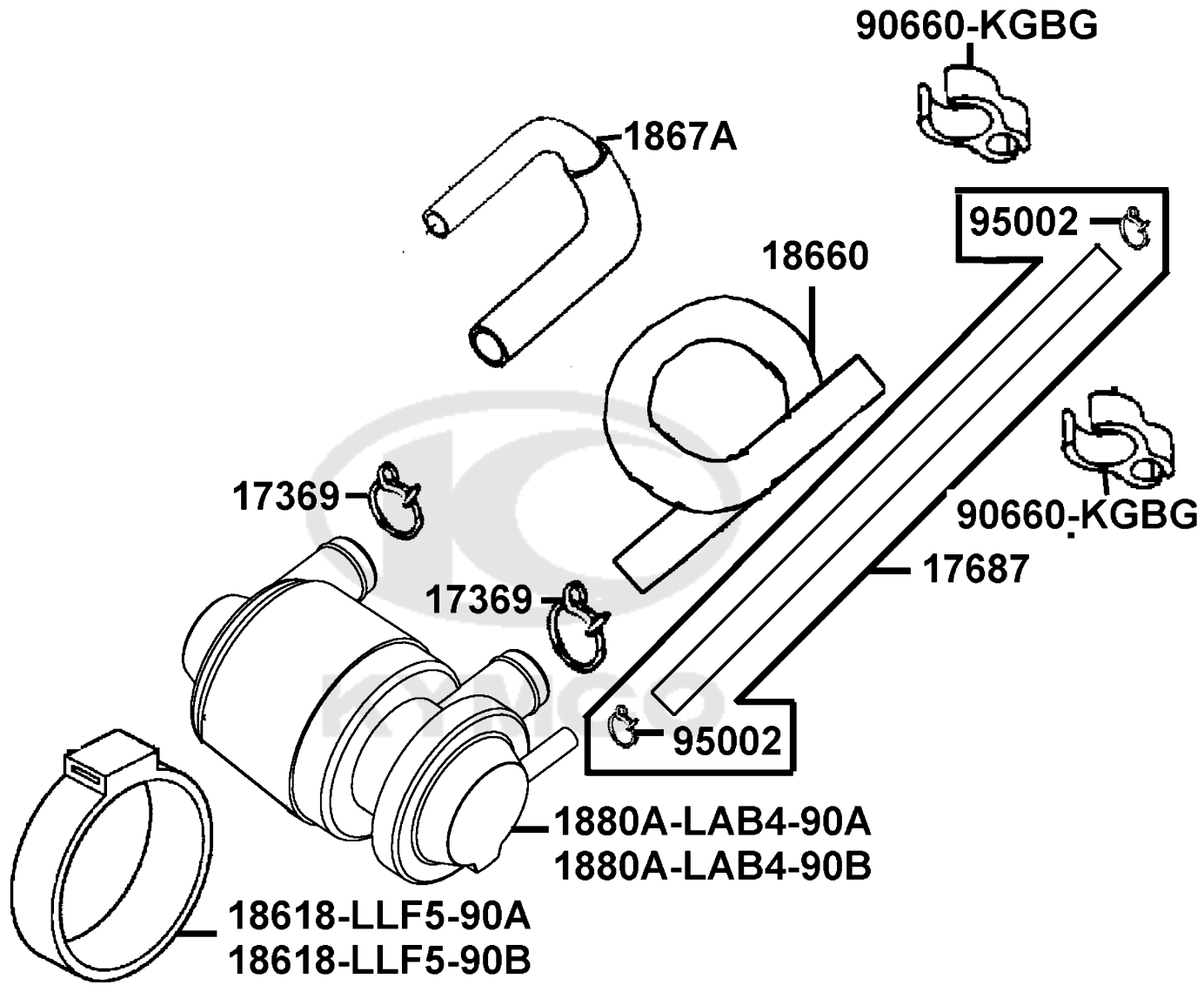
Sales mark 記号	Ref no 参照用番号	Part no パーツ番号	Description 部品名	Reg description 部品名	Regd no 必要個数	Ref Price 希望小売価格(税抜)	F19
93404-06016		93404-06016-06	BOLT WASHER 6*16	BOLT WASHER 6*16	4	60	
94050		94050-06080	NUT FLANGE 6MM	NUT FLANGE 6MM	2	60	
95701		95701-06012-06	BOLT FLANGE 6*22 (K)	BOLT FLANGE 6*22 (K)	1	60	
95801-06045		95801-06045-06	BOLT FLANGE 6*45 (G)	BOLT FLANGE 6*45 (G)	1	390	
96001-06032		96001-06032-06	BOLT FLANGE 6*32	BOLT FLANGE 6*32	2	60	





Sales mark 記号	Ref no 参照用番号	Part no パーツ番号	Description 部品名	Reg description 部品名	Regd no 必要個数	Ref Price 希望小売価格(税抜)
15772		15772-5L00-013	CLIP B14.5 TUBE	CLIP B14.5 TUBE	1	60
17301		17301-KNBN-960	RUBBER CANISTER MOUNT	RUBBER CANISTER MOUNT	2	210
17307		17307-LAB4-900	TUBE CANISTER ? AIR/C	TUBE CANISTER ? AIR/C	1	960
17310-KEC6-50A		17310-KEC6-50A	CANISTER COMP	CANISTER COMP	1	2200
17310-KEC6-50C		17310-KEC6-50C	CANISTER COMP	CANISTER COMP	1	2860
17685		17685-GLE0-301	JOINT COCK-CARB TUBE	JOINT COCK-CARB TUBE	1	110
17688		17688-KHB4-900	TUBE ASSY CANISTER-FCV	TUBE ASSY CANISTER-FCV	1	540
95001		95001-45260-40	TUBE FUEL 4.5*260	TUBE FUEL 4.5*260	1	770
95002-02070		95002-02070	CLIP B7 TUBE	CLIP B7 TUBE	4	60
95002-02080		95002-02080	CLIP B8 TUBE	CLIP B8 TUBE	2	60
95002-KKD6		95002-KKD6-E05	CLAMP D18 TUBE	CLAMP D18 TUBE	1	300
95003-21032		95003-21032-31	V TUBE 8.9*320	V TUBE 8.9*320	1	350
9500A		9500A-LDC1-900	TUBE ASSY INLET PIPE CANISTOR	TUBE ASSY INLET PIPE CANISTOR	1	490

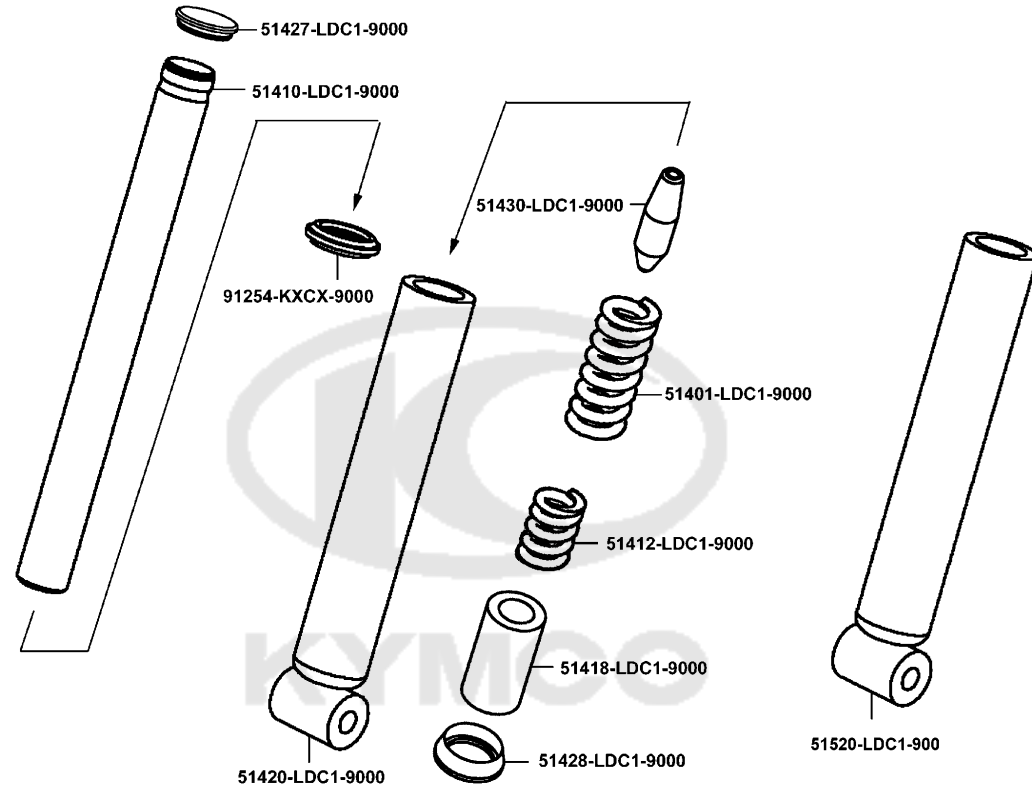
F20



Sales mark 記号	Ref no 参照用番号	Part no パーツ番号	Description 部品名	Reg description 部品名	Regd no 必要個数	Ref Price 希望小売価格(税抜)	F21
	17369	17369-KDB4-671	CLIP BREATHER TUBE	CLIP BREATHER TUBE	2	160	
	17687	17687-LDC1-900	TUBE INLET PIPE AICV	TUBE INLET PIPE AICV	1	770	
	18618-LLF5-90A	18618-LLF5-90A	RUBBER AICV MOUNT	RUBBER AICV MOUNT	1	140	
	18618-LLF5-90B	18618-LLF5-90B	RUBBER AICV MOUNT	RUBBER AICV MOUNT	1	140	
	18660	18660-LDC1-900	DUCT AICV REED VALVE	DUCT AICV REED VALVE	1	1210	
	1867A	1867A-LAB4-900	DUCT AICV-AIR	DUCT AICV-AIR	2	870	
	1880A-LAB4-90A	1880A-LAB4-90A	AI/C-AICV ASSY	AI/C-AICV ASSY	1	2860	
	1880A-LAB4-90B	1880A-LAB4-90B	AI/C-AICV ASSY	AI/C-AICV ASSY	1	3030	
**	90660-KGBG	90660-KGBG-900	CLAMP TUBE	CLAMP TUBE	1	160	
	95002	95002-02070	CLIP B7 TUBE	CLIP B7 TUBE	2	60	



Separated Parts Of Fr Fork



Sales mark 記号	Ref no 参照用番号	Part no パーツ番号	Description 部品名	Reg description 部品名	Regd no 必要個数	Ref Price 希望小売価格(税抜)	F22
	51401	51401-LDC1-900	SPRING	SPRING	2	490	
	51410	51410-LDC1-900	FORK PIPE COMP	FORK PIPE COMP	2	5710	
	51412	51412-LDC1-900	REBOUND SPRING	REBOUND SPRING	2	230	
	51418	51418-LDC1-900	COLLAR	COLLAR	2	390	
**	51420	51420-LDC1-900	BOTTOM TUBE COMP R	BOTTOM TUBE COMP R	1	7610	
	51427	51427-LDC1-900	FORK BOLT CAP	FORK BOLT CAP	2	870	
	51428	51428-LDC1-900	OIL SEAL STOPPER RING	OIL SEAL STOPPER RING	2	110	
	51430	51430-LDC1-900	STOPPER RUBBER	STOPPER RUBBER	2	320	
**	51520	51520-LDC1-900	BOTTOM TUBE COMP L	BOTTOM TUBE COMP L	1	7610	
	91254	91254-KXCX-900	DUST SEAL	DUST SEAL	2	250	



87170

CAUTION

Maximum Tire Pressure :	Front 2.5kg/cm ²	Rear 2.5kg/cm ²
(One Rider)	Front 1.9kg/cm ²	Rear 2.0kg/cm ²
(Two Rider)	Front 1.75kg/cm ²	Rear 2.25kg/cm ²
Tire Size :	Front 90/90-10 50J	Rear 90/90-10 50J

Load Capacity :	Baggage Hook	3kg
	Inner Box	1.5kg
	Luggage Box	10kg

KMG-100

87505

ENGINE OIL

Make sure to use KYMCO-recommended SIGMA 4-stroke engine oil.

Full Capacity 0.85
Exchange Capacity 0.70l

After refilling, check the oil level with dipstick.

KBG-E00

87541-KGBG

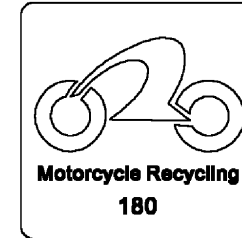
- Be sure to wear a safety helmet when riding.
- Do not exceed the speed specified by law when riding.
- The exhaust muffler temperature is very high after riding. Be sure to park the motorcycle in a place not easily touched by people.
- For riding safety and good performance, do not violate the law to modify the motorcycle.
- Please read the User's Manual carefully to secure riding safety.
- Make sure to perform the periodic maintenance and provide inspection.

Pre-ride Inspection Items

Brake Performance, tires, engine oil level, lights, horn, and instrument panel

KWANG YANG MOTOR CO., LTD.

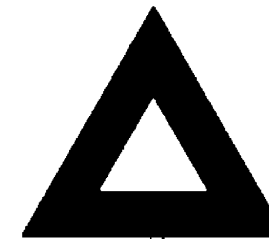
87560



87311



86408



86409

Sales mark 記号	Ref no 参照用番号	Part no パーツ番号	Description 部品名	Reg description 部品名	Regd no 必要個数	Ref Price 希望小売価格(税抜)	F23
**	86408	86408-LDD6-B20	STRIPE FR FENDER	STRIPE FR FENDER	1	200	
**	86409	86409-KHC4-B20	STRIPE RR FENDER ** (0) C.2005.04.26	STRIPE RR FENDER ** (0) C.2005.04.26	1	240	
**	87170	87170-GLE0-001	MARK FR FORK	MARK FR FORK	1	300	
**	87311	87311-LAD9-B20	STRIPE R MARK	EMB MARK ABS	1	200	
**	87505	87505-KGBG-E00	LABEL TIRE	LABEL TIRE	1	200	
**	87541-KGBG	87541-KGBG-E00	LABEL OIL CAP	LABEL OIL CAP	1	300	
**	87560	87560-GFY6-E00	MARK DRIVE CAUTION	MARK DRIVE CAUTION	1	200	



Soonersof
86202

KYMCO

Sales mark 記号	Ref no 参照用番号	Part no パーツ番号	Description 部品名	Reg description 部品名	Regd no 必要個数	Ref Price 希望小売価格(税抜)
------------------	-----------------	------------------	--------------------	------------------------	-----------------	-------------------------

F24

**	86202	86202-LDD6-B20	STRIPE BODY COVER	STRIPE BODY COVER	1	1680
----	-------	----------------	-------------------	-------------------	---	------

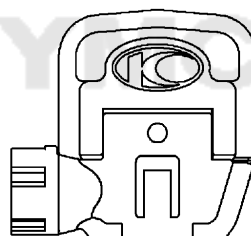


35111-LKC6-301-M2L

35111-LKC6-301-M2R



35111-LKC6-306-M2



Sales mark 記号	Ref no 参照用番号	Part no パーツ番号	Description 部品名	Reg description 部品名	Regd no 必要個数	Ref Price 希望小売価格(税抜)
------------------	-----------------	------------------	--------------------	------------------------	-----------------	-------------------------

F25

35111-LKC6-301-	35111-LKC6-301-M2L	KEY COMP (L TANGENT PLANE/TJ)	KEY COMP (L TANGENT PLANE/TJ)	1	540
35111-LKC6-301-	35111-LKC6-301-M2R	KEY COMP (R TANGENT PLANE/TJ)	KEY COMP (R TANGENT PLANE/TJ)	1	540
35111-LKC6-306-M2	35111-LKC6-306-M2	KEY COMP SHOTTER MAGNETIC (TJ)	KEY COMP SHOTTER MAGNETIC (TJ)	1	1340



PART NO. INDEX
 パーツ番号 検索

PART NO. パーツ番号	VERSION バージョン	PAGE ページ	PART NO. パーツ番号	VERSION バージョン	PAGE ページ	PART NO. パーツ番号	VERSION バージョン	PAGE ページ
11000			12000			14450-KGBG-900	0	E02
11100-LBD6-305	0	E01	12100-LBC9-900	8	E03	14452-KGBG-900	0	E02
11102-1G87-004	3	E01	12191-KGBG-980	0	E03	14510-KGBG-900	1	E03
11192-KGBG-980	0	E01	12200-LBC9-900	6	E02	14531-GLR0-001	1	E03
11200-LDA1-305	0	E01	12209-LBC9-900	1	E02	14550-KDS4-00B	3	E03
11203-GGC7-301	2	E01	12211-KGBG-900	2	E02	14553-KGBG-900	0	E03
11203-KHG8-301	2	E08	12251-KGBG-900	0	E02	14554-KAM1-004	0	E03
11204-KNBN-901	0	E01	12310-KHC5-900	3	E02	14555-LBA2-E00	1	E03
11205-LAB4-900	1	E01	12361-GFY6-901	1	E04	14557-KGBG-900	0	E03
11206-LBC9-900	1	E01	12391-KEE1-900	0	E02	14558-KGBG-900	1	E03
11206-LBC9-900	1	E06				14559-KGBG-900	0	E03
11208-LBC9-900	1	E07	13000			14560-KGBG-900	1	E03
11211-GFY6-921	2	F12				14610-KGBG-900	0	E03
11330-LBD6-E00	3	E04	13000-LDC5-900	8	E03	14711-LBC9-900	1	E02
11340-KGBG-900	7	E01	13011-LBC9-900	1	E03	14721-LBC9-900	2	E02
11381-LDD6-900	4	E01	13101-LBC9-900	4	E03	14751-GEN5-91A	0	E02
11382-LDA1-900	1	E01	13111-KGBG-900	1	E03	14771-LBC9-900	1	E02
11382-LDA1-900	1	F03	13115-0A01-001	0	E03	14775-MFA6-001	0	E02
11385-KGBG-900	0	E07				14781-KKC3-900	0	E02
11385-KHC4-900	2	E07	14000			15000		
11394-KGBG-980	2	E04				15100-LDC5-900	2	E06
11395-PVA1-900	1	E01	14100-KGBG-220	0	E02	15133-LDC5-900	2	E06
			14401-KGBG-900	0	E03	15421-1G07-001	1	E04
			14431-LBC9-900	2	E02	15426-GAE1-921	0	E04

PART NO. INDEX
 パーツ番号 検索

PART NO. パーツ番号	VERSION バージョン	PAGE ページ	PART NO. パーツ番号	VERSION バージョン	PAGE ページ	PART NO. パーツ番号	VERSION バージョン	PAGE ページ	
1565A-GFY6-900	0	E04	16113-KGC5-900	2	E09	1691A-KEC2-E00	0	F09	
15772-5L00-013	1	F20	16116-KGC5-900	1	E09	17000			
16000			16119-KEC3-900	1	E09				
			16120-KEC3-900	1	E09				
			16121-KEC3-900	1	E09		1711A-LDD6-900	1	E02
	16012-LDD6-900	2	E09	16122-KEC3-900	1		E09	17207-LDC1-900	5
	16016-KGC5-900	1	E09	16124-KEC3-900	2	E09	17211-LDC1-900	2	F12
16019-LAB4-900	1	E09	16131-KGC6-900	1	E09	17212-KFA6-900	0	F12	
16023-KGC5-900	1	E09	16132-KEC3-900	1	E09	17215-KGBG-90A	2	F12	
16035-LDD6-B20	0	E09	16133-KGC5-900	1	E09	1721A-LDC1-900	2	F11	
16044-KEC3-900	1	E09	16134-LDD6-B20	0	E09	1723A-LDD6-900	4	F12	
16048-KEC3-900	1	E09	16136-KGC5-900	1	E09	17255-KGBG-900	1	F12	
16051-KGC5-90A	4	E09	16137-KGC5-900	1	E09	17256-KGBG-900	0	E02	
16053-KEC3-900	0	E09	16138-KEC3-900	1	E09	17301-KNBN-960	0	F20	
16068-KGC5-900	6	E09	16140-KEC3-900	1	E09	17307-LAB4-900	2	F20	
16069-KGC5-900	4	E09	16142-KGC5-900	1	E09	17310-KEC6-50A	4	F20	
16070-KEC3-900	3	E09	16150-KEC3-900	1	E09	17310-KEC6-50C	2	F20	
16074-KEC3-900	4	E09	16154-KGC5-900	3	E09	17359-4K19-671	0	F12	
16079-KHC4-900	2	E09	16165-KGC5-900	2	E09	17369-KDB4-671	1	F21	
16087-LDC8-E10	0	E09	16170-KGC5-900	2	E09	17369-KHC4-900	0	F09	
16088-KEC5-900	0	E09	16180-KGC5-900	2	E09	17370-4K19-670	0	F12	
16093-KEC3-076	1	E09	16181-KEC3-900	1	E09	17371-1D74-671	0	F12	
16095-KGC5-035	0	E09	16183-KEC3-900	0	E09	17502-LDC1-900	1	F09	
16100-LDD6-B20	6	E09	1621A-KGBG-900	2	E02	17504-LAB4-900	2	F09	
16110-KGC5-900	1	E09	16410-KGBG-E00	1	E09	17507-LAB4-900	2	F09	
16111-KEC3-900	1	E09	16700-KHE7-220	0	F09	17510-LDC1-900	1	F09	

PART NO. INDEX
 パーツ番号 検索

PART NO. パーツ番号	VERSION バージョン	PAGE ページ	PART NO. パーツ番号	VERSION バージョン	PAGE ページ	PART NO. パーツ番号	VERSION バージョン	PAGE ページ
17513-LBG7-900	1	F09	1830A-LDD6-B20	0	F13			
17515-LAB4-900	1	F09	18317-KHC4-B20	2	F13	21000		
17520-LDD6-B20	0	F18	18601-KBE2-900	4	E02			
17527-LBA2-900	0	F18	18612-GFY6-941	0	E02	21200-GKAK-305	6	E08
17620-LBA2-90B	1	F18	18618-LLF5-90A	2	F21	21395-LBD3-900	4	E08
17623-LAB4-90B	1	F18	18618-LLF5-90B	1	F21			
17681-KFA1-900	0	F09	18645-GFY6-941	0	E02	22000		
17683-LDD6-B00	1	F09	18646-GFY6-941	0	E02			
17684-LDD6-B00	0	F09	18647-GFY6-941	0	E02	22100-GAR1-751	1	E05
17685-GLE0-301	2	F20	18660-LDC1-900	0	F21	22102-KEB7-900	0	E05
17685-KHC4-900	4	F09	1867A-LAB4-900	0	F21	22103-KEB7-900	0	E05
17685-KZCZ-900	0	F09	1880A-LAB4-90A	2	F21	22105-GKAK-901	1	E05
17686-KHC4-900	1	F09	1880A-LAB4-90B	2	F21	22110-KFA1-220	0	E05
17686-LBG7-900	1	F09				22121-LBD6-305	0	E05
17687-LDC1-900	1	F21	19000			22131-GHAH-781	0	E05
17688-KHB4-900	0	F20				22132-GLW0-001	2	E05
17689-LDC1-900	1	F09	19410-LDD6-900	1	F19	22300-KXCX-900	2	E05
17910-LDD6-B20	0	F03	19411-KHC4-900	0	F09	22350-GKAK-930	1	E05
18000			19411-KNBN-900	1	F19	22401-GBG2-900	0	E05
			19510-LDC5-900	2	E07	22530-GKAK-930	1	E05
			1961A-KGBG-E01	1	E07	22804-1H48-001	0	E05
18291-KEBE-900	0	F13	19625-KEE1-900	0	E07			
18291-LBD4-900	2	F13	1962A-KEE1-900	2	E07	23000		
18292-KEBE-900	0	F13	19636-KGBG-900	0	E07			
18293-KEBE-900	0	F13	1963A-KGBG-E00	3	E07	2301A-LDC5-900	2	E05
18294-KEBE-900	0	F13				23100-GKAK-901	1	E05

PART NO. INDEX
 パーツ番号 検索

PART NO. パーツ番号	VERSION バージョン	PAGE ページ	PART NO. パーツ番号	VERSION バージョン	PAGE ページ	PART NO. パーツ番号	VERSION バージョン	PAGE ページ
23200-GAR1-220	2	E05				33401-LDC1-305	1	F16
23220-KEE1-220	0	E05	31000			33406-LDC1-900	0	F16
23225-GAR1-751	0	E05				33450-LDC1-900	1	F16
23233-LDA1-900	1	E05	31110-LBD6-E0A	1	E07	33451-LDC1-305	1	F16
23237-GAR1-220	0	E05	31110-LBD6-E0B	1	E07	33456-LDC1-900	1	F16
23238-GFY6-941	0	E05	31110-LBD6-E0C	1	E07	33700-LDC1-900	3	F17
23411-LBC9-900	2	E08	31120-KGBG-90A	2	E07	33702-LDC1-900	0	F17
23420-LBD6-E00	3	E08	31120-KGBG-90B	2	E07	33706-LDC1-900	0	F17
23431-KNBN-901	2	E08	31120-KGBG-90C	0	E07	33708-KHE7-E00	0	F17
23432-LBD6-E00	2	E08	31200-LEC2-90A	2	E06	33709-KHE7-E00	0	F17
			31200-LEC2-90C	2	E06	33741-ACH6-900	1	F17
28000			31209-KEE1-900	2	E06			
			31500-KNBN-92A	9	F10	34000		
28211-KEB7-900	1	E05	31500-KNBN-92B	9	F10			
28223-KNBN-901	0	E01	31600-KUDU-900	2	F18	34901-KTCT-900	0	F01
28230-GKAK-921	0	E01				34905-KPCP-900	0	F16
28250-KNBN-901	1	E01	32000			34905-KPCP-900	0	F17
28253-GBN2-60A	0	E01				34906-GFB6-92A	0	F17
28255-GFS6-001	0	E01	32100-LDD6-900	5	F18	34908-MKB9-87A	0	F02
28281-GBN2-60A	1	E01	32120-1E55-001	0	F18	34909-KEBE-900	0	F02
28300-KNBN-901	3	F14						
30000			33000			35000		
			33101-LDC1-900	0	F01	35101-LAC7-308-M2	0	F18
30400-LDD6-900	1	F18	33106-LDC1-900	0	F01	35102-LDC1-308-M2	0	F18
3051A-LDD6-B20	1	F18	33400-LDC1-900	1	F16	35104-KHC4-90A	0	F18

PART NO. INDEX
 パーツ番号 検索

PART NO. パーツ番号	VERSION バージョン	PAGE ページ	PART NO. パーツ番号	VERSION バージョン	PAGE ページ	PART NO. パーツ番号	VERSION バージョン	PAGE ページ
35109-LAD9-90B	0	F18	38300-LBC6-90B	2	F18			
35111-LKC6-301-M2L	0	F25	38500-KKDK-900	4	F18	44000		
35111-LKC6-301-M2R	0	F25	38773-KBCB-900	0	F09			
35111-LKC6-306-M2	0	F25				44301-KHB4-900	3	F06
35119-KHC4-90A	0	F18	42000			44301-LDC1-900	1	F19
35160-GGS7-900	1	F03				44311-LAB4-800	2	F06
35170-GGS7-900	0	F03	42610-GKAK-901	4	F07	44610-GLW0-305	2	F06
35180-GGS7-900	1	F03	42705-KHC4-900	5	F07	44620-GHC8-001	1	F06
35200-GFY6-910	1	F03	42710-LBC9-900	2	F06	44705-KHC4-900	2	F06
35340-GBN2-770	3	F03	42710-LBC9-900	2	F07	44803-GFY6-90A	0	F06
35340-KKJ9-010	5	F03	42753-KXCX-900	1	F06	44805-GGC7-004	4	F06
35400-LDD6-B20	1	F18	42753-KXCX-900	1	F07	44806-GGC7-004	2	F06
37000			43000			44807-0A01-004	1	F06
						44809-1L70-004	1	F06
						44830-KHC4-800	3	F02
37119-LDC1-90B	0	F02	4312A-LGM1-91A	0	F06			
37200-LDD6-B20	1	F02	4312A-LGM1-91A	0	F07	45000		
37305-KEE5-009	0	F02	4312A-LGM1-91B	0	F06			
37801-LAB4-910	1	F09	4312A-LGM1-91B	0	F07	45000-LCB4-800	2	F06
3780A-LDC1-900	1	F09	43141-4L00-011	1	F06	45133-0H28-001	1	F06
38000			43141-LAB4-900	4	F07	45133-LDA3-900	1	F07
			43410-LDA2-900	1	F07	45134-2L50-001	0	F06
			43450-LDC1-900	3	F03	45145-0F96-651	2	F06
38110-KFA1-80A	1	F18	43472-LAB4-900	2	F03	45410-GBB2-001	1	F06
38110-KFA1-80B	1	F18				45435-GBB2-721	1	F06
38300-LBC6-90A	2	F18				45450-KFA2-900	1	F03

PART NO. INDEX

パーツ番号 検索

PART NO. パーツ番号	VERSION バージョン	PAGE ページ	PART NO. パーツ番号	VERSION バージョン	PAGE ページ	PART NO. パーツ番号	VERSION バージョン	PAGE ページ			
45465-KFB5-900	0	F05	50613-LDC1-900	3	F19	53000					
45517-GFY6-900	5	F03	5071A-LDC1-90A	1	F19						
50000			5071A-LDC1-90B	1	F19						
			5071B-LDC1-90A	1	F19						
			5071B-LDC1-90B	1	F19						
50100-LDC1-900	6	F19	51000			53100-LDC1-900	4	F03			
50137-LDC1-900	1	F09				53125-GEN5-901	0	F03			
50139-LDD6-B20	1	F09				53140-KFA1-900	2	F03			
50140-KHC4-910	0	F09				53166-KFA1-900	2	F03			
50172-LDC1-900	3	F17	51401-LDC1-900	0	F22	53167-LHJ6-900	2	F03			
50301-GLM0-001	0	F19	51409-LDC1-900	1	F05	53168-KFA1-900	1	F03			
50305-GHC8-004	0	F19	5140A-LDC1-900	1	F05	53170-KHC3-900	0	F03			
50306-1F96-001	0	F05	51410-LDC1-900	0	F22	53172-KHC4-900	0	F03			
50325-KHC4-900	4	F10	51412-LDC1-900	0	F22	53175-KHC3-900	0	F03			
50328-KNBN-200	0	F10	51418-LDC1-900	0	F22	53178-KHC4-900	0	F03			
5032A-KHC4-900	2	F10	51420-LDC1-900	0	F22	5317A-KHC4-900	1	F03			
50350-LDC1-900	2	F19	51427-LDC1-900	0	F22	5317B-KHC3-900	1	F03			
50352-KHC4-900	1	F19	51428-LDC1-900	0	F22	53200-LDC1-900	3	F05			
50353-KHC4-900	1	F19	51430-LDC1-900	0	F22	53205-LDC1-900	2	F03			
50358-KHC4-900	1	F19	5150A-LDC1-900	4	F05	53206-LDC1-900	5	F03			
50500-LDA2-900	3	F14	51520-LDC1-900	0	F22	53211-GFY6-940	1	F05			
50505-LAD9-900	3	F14	52000			53212-GHC8-004	1	F05			
50530-LDC1-900	4	F14				53216-KXCX-MG0	0	F03			
50531-KHC4-900	0	F14				52400-KHC4-900	1	F15	61000		
50611-LDC1-900	3	F19	53000			61100-LDC1-900	2	F05			
50612-LDC1-900	3	F19				61101-LDC1-900	3	F05			

PART NO. INDEX
 パーツ番号 検索

PART NO. パーツ番号	VERSION バージョン	PAGE ページ	PART NO. パーツ番号	VERSION バージョン	PAGE ページ	PART NO. パーツ番号	VERSION バージョン	PAGE ページ
64000			80000			83770-LDC1-900	1	F11
64222-LDC1-900	3	F11	80100-LBC6-900	4	F17	86000		
64301-LDC1-900	3	F04	80105-LDC1-900	2	F17	86102-LAB4-900	2	F04
64304-LDC1-900	1	F04	80106-LDC1-900	3	F17	86202-LDD6-B20	0	F24
6430A-LDC1-900	3	F04	80151-LDC1-900	1	F11	86408-LDD6-B20	0	F23
6430B-LDC1-E00	0	F11				86409-KHC4-B20	2	F23
6430C-LDC1-E00	0	F11	81000			87000		
6430D-LDC1-900	2	F04	81131-LDC1-900	3	F04	87170-GLE0-001	4	F23
64315-LDC1-900	2	F19	81132-LFG6-900	2	F04	87311-LAD9-B20	2	F23
64316-KHE2-900	1	F04	81134-LKC7-960	1	F04	87505-KGBG-E00	1	F23
6431A-LDC1-900	5	F04	81141-LGM9-930	1	F04	87541-GAR1-E00	1	F11
70000			81142-KCLC-900	0	F05	87541-KGBG-E00	0	F23
70529-6G57-671	0	E07	81142-KUDU-900	1	F04	87542-GAR1-E00	2	F11
77000			81200-LDC1-900	5	F11	87560-GFY6-E00	4	F23
77200-LDD6-E00	0	F08	81251-LAB4-900	3	F11	88000		
77235-KHC4-900	2	F08	81260-LDC1-900	3	F11	88110-LDC1-900	2	F03
77240-LDD6-B20	2	F18	83000			88120-LDC1-900	2	F03
77303-KHC4-900	0	F08	83500-LDC1-900	2	F11			
			83503-KHC4-900	2	F11			
			83600-LDC1-900	2	F11			
			83606-LDC1-900	2	F11			

PART NO. INDEX
 パーツ番号 検索

PART NO. パーツ番号	VERSION バージョン	PAGE ページ	PART NO. パーツ番号	VERSION バージョン	PAGE ページ	PART NO. パーツ番号	VERSION バージョン	PAGE ページ
89000	1	F08	90115-GLE0-001	0	F03	90412-3K29-001	0	E01
			90164-MDR4-901	1	F04	90421-KAM1-004	0	E03
			90202-1G87-001	2	E05	90426-KNBN-901	0	E05
89010-LAD9-900	1	F08	90202-GFF6-011	1	E02	90429-KNBN-901	0	E08
90000	1	E02	90206-0A01-001	4	E02	90442-0D44-001	0	E05
			90301-4C73-004	0	F14	90442-GFF6-011	1	E02
			90301-6D34-671	1	F17	90451-GBN2-601	0	E01
90012-3C33-001	1	E02	90301-KGBG-900	1	F13	90454-GBB2-001	0	E05
90031-KGBG-910	1	E01	90302-GBR2-001	1	F09	90474-3C33-001	1	E01
90032-KGBG-910	1	E01	90302-GFY6-901	1	F17	90501-KNBN-901	0	F07
90033-0A41-021	1	E02	90302-LLB1-E00	2	F03	9052A-GFY6-950	4	E01
90101-KGC4-E00	1	F08	90302-SDA4-004	3	F04	90656-KCBC-900	0	F03
90101-LDC1-900	2	F01	90302-SDA4-004	3	F11	90656-KCBC-900	0	F09
90102-GLE0-001	0	F14	90302-SDA4-004	3	F17	90656-KUDU-900	0	F18
90105-KHC4-900	1	F19	90304-4H38-001	2	E02	90660-KGBG-900	0	F21
90106-GEN5-901	1	F03	90304-GHE8-004	0	F03	90660-LDE9-E00	1	F09
90106-KFC2-900	0	F11	90304-GHE8-004	0	F19	90677-KFC9-900	0	F17
90108-LBC6-900	1	F14	90305-GHK8-001	1	E07	90701-GFF6-001	0	E02
90110-KFA6-900	0	F13	90305-KNBN-90B	0	F07	90701-GFF6-001	0	E03
90110-KHG8-901	1	F06	90306-KLF0-004-SY	1	F06	90701-HDC4-001	1	E06
90110-KHG8-901	1	F07	90307-GFJ6-004	2	F01	90741-0E35-001	0	E03
90111-1G87-001	1	F11	90309-GLW0-90A	1	F06	90754-GHC8-00A	1	F06
90111-KFW6-001	0	F17	90309-GLW0-90A	1	F07	90754-GHC8-00B	1	F06
90112-GCC3-001	1	F05	90309-KLF0-004	1	E08	90912-GHC8-00A	0	F06
90112-KCLC-900	1	F05	90381-GEZ5-001	1	F11			
90112-KRDR-900	1	F18	90400-KTDT-900	0	F01			

PART NO. INDEX

パーツ番号 検索

PART NO. パーツ番号	VERSION バージョン	PAGE ページ	PART NO. パーツ番号	VERSION バージョン	PAGE ページ	PART NO. パーツ番号	VERSION バージョン	PAGE ページ
91000			91309-GKAK-901	0	E06	93891-06016-06	0	F05
			91352-KHG8-83B	0	F07	93892-04008-16	0	E09
			91353-GFY6-900	0	F07	93893-04014-18	0	F02
91001-GGA7-70A	2	E05				93901-34380	0	F17
91004-KBN2-90A	0	E01	92000			93903-24360	0	E07
91004-KBN2-90A	0	E08				93903-25360	0	F12
91004-KNBN-92A	0	E01	92101-05012-0G	0	E07	93903-34220	0	F17
91009-GLE0-004	1	E08	92712-06028-0B	2	E02	93903-34360	0	F03
91103-GAR1-004	0	E05	92900-06050-0B	0	E02	93903-34360	0	F04
91201-KGBG-90A	0	E04				93903-34360	0	F11
91202-GFY6-90A	1	E01	93000			93903-34360	0	F16
91202-GFY6-90C	1	E01				93903-35360	0	F02
91204-KNBN-90A	1	E01	93404-06016-06	0	F04	93903-35360	0	F09
91211-GHK8-014	1	E05	93404-06016-06	0	F10	93903-GFY6-900	1	F11
91251-GHC8-004	0	F06	93404-06016-06	0	F19	93904-35360	0	E07
91254-KXCX-900	1	F22	93404-06030-06	0	F12			
91255-GLE0-006	0	E08	93500-04008-0F	0	F09	94000		
91256-GAC1-004	0	F06	93500-04010-0F	0	E06			
91301-0C53-001	0	E08	93500-04010-0F	0	E09	94001-05080-0S	0	F03
91301-GLR0-005	1	E03	93500-04012-0F	0	E09	94001-12280-0S	0	E05
91301-KEA5-742	0	E05	93500-04014-0F	0	E09	94050-06060	0	F18
91302-0A01-021	0	E04	93500-04025-0A	0	F12	94050-06080	0	E02
91302-PKA9-004	0	E05	93500-05012-0F	0	E09	94050-06080	0	F06
91304-KGBG-900	1	E02	93500-05022-0F	0	F03	94050-06080	0	F08
91305-0H28-159	0	E06	93700-05018-0F	0	F02	94050-06080	0	F09
91307-0E35-001	0	E04	93891-05012-06	0	F10	94050-06080	0	F17

PART NO. INDEX
 パーツ番号 検索

PART NO. パーツ番号	VERSION バージョン	PAGE ページ	PART NO. パーツ番号	VERSION バージョン	PAGE ページ	PART NO. パーツ番号	VERSION バージョン	PAGE ページ
94050-06080	0	F19	95002-02120	1	F12	95701-08012-06	0	E01
94050-10080	0	E05	95002-02130	0	F09	95701-08025-06	0	F18
94050-10080	0	E07	95002-02130	0	F12	95701-08040-06	0	E01
94301-08140	0	E01	95002-41050-00	0	F12	95701-08055-06	0	F13
94301-08140	0	E04	95002-50000	0	F09	95801-06045-06	0	F19
94301-10200	0	E08	95002-KKD6-E05	0	F20	95801-08035-06	1	E01
94510-20000	0	E08	95003-21032-31	0	F20	95801-08035-06	1	F15
94511-14000	0	E01	95003-23024-60	0	F12	95801-08040-06	0	F05
94520-24000	1	E05	9500A-LDC1-900	1	F20	95801-10035-06	0	F15
94540-06018	0	E06	95014-71402	0	F14	95801-KGB5-E10	1	F13
94540-50029	0	E09	95014-72204	0	F14			
94591-21000	0	F04	95015-32001	0	F03	96000		
94591-27000	0	F04	95015-42000	0	F03			
			95701-06012-06	1	F05	96001-06012-06	0	E07
95000			95701-06012-06	1	F08	96001-06016-06	0	E07
			95701-06012-06	1	F11	96001-06018-06	0	E03
95001-45260-40	0	F20	95701-06012-06	1	F17	96001-06022-06	1	E07
95002-02070	0	E09	95701-06012-06	1	F18	96001-06025-06	0	E06
95002-02070	0	F09	95701-06012-06	1	F19	96001-06025-06	0	E07
95002-02070	0	F20	95701-06014-06	0	F09	96001-06025-06	0	F03
95002-02070	0	F21	95701-06022-06	1	F14	96001-06032-06	0	F19
95002-02080	0	F09	95701-06025-06	2	E02	96001-06035-06	0	E01
95002-02080	0	F12	95701-06028-06	0	F06	96001-06035-06	0	F03
95002-02080	0	F20	95701-06032-06	0	F07	96001-06045-06	0	E01
95002-02100	0	F09	95701-06032-06	0	F12	96001-06085-06	1	E02
95002-02120	1	F09	95701-06040-06	0	E02	96001-06085-06	1	E04

PART NO. INDEX
 パーツ番号 検索

PART NO. パーツ番号	VERSION バージョン	PAGE ページ	PART NO. パーツ番号	VERSION バージョン	PAGE ページ	PART NO. パーツ番号	VERSION バージョン	PAGE ページ
96001-06100-06	0	E04						
96001-GFY6-900	2	F12						
96100-62033-00	0	E01						
96211-05000	0	F05						
96220-LDC5-900	1	E06						
96600-06020-06	0	E06						
96700-06025-06	1	E06						
98000								
98056-57713-00	1	E02						
98200-10700	0	F10						
98200-10700	0	F18						

