

PARTS CATALOGUE



SCOOTERS

SD10BA(JP)

CARO 50 (注意)



Release Date : 2015/12/03
Print Date : 2017/07/18

本パーツリストについて

- 本パーツリストは SD10BA(JP).の全てのパーツ番号が記載されています。
- 車輻のカラーチャートとバイクに相違がある場合は正規販売店もしくはKYMCO JAPANへお問い合わせください。
- 1. "***"記号が記載している場合、3文字の色コードをパーツ番号の最後に記入してください。
2. "#" 記号が記載している場合、パーツの設定、変更があります。正規販売店もしくはKYMCO JAPANへお問い合わせください。
- このパーツリストの変更または追加は、適切な時期に予告なく行われます。

ABOUT THIS PARTS LIST

- This parts list is compiled all service parts for model SD10BA(JP).
- Any difference between color chart and motorcycle will be revised according to motorcycle.
- The Mark:
 1. Marking "***" must add color code in the end before ordering parts.
 2. Marking "#" are parts with modification, Please find the details from e-Parts system.
- When modification or additions to this parts list are made a revised edition at an appropriate time.

目次

● 本パーツリストについて	1
● SD10BA(JP)のカラーチャート	3
● 目次-エンジン関	5
● 目次-フレーム関係	6
● エンジンパーツリスト	9
● フレームパーツリスト	39
● パーツ番号 検索	95

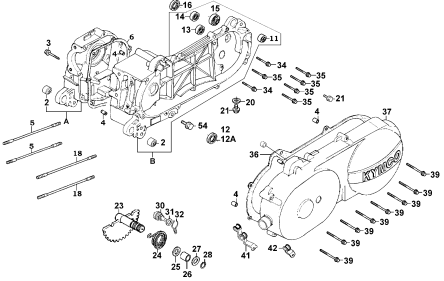
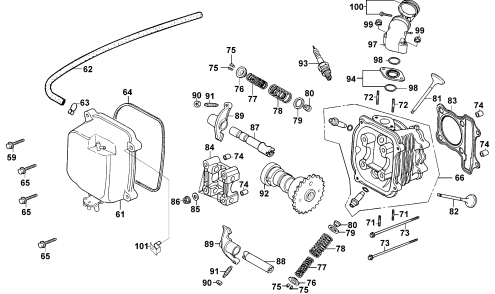
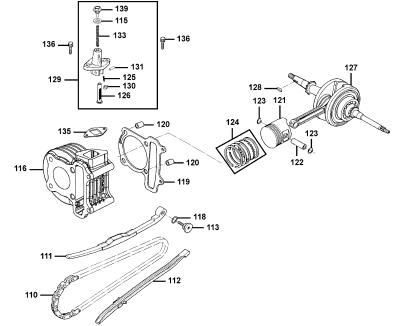
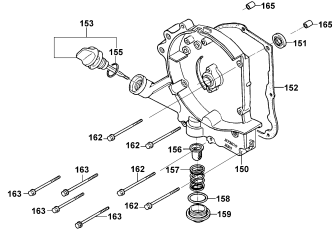
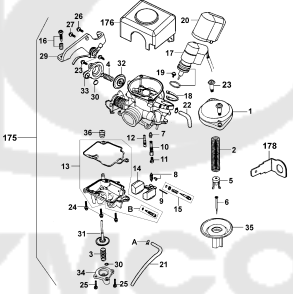
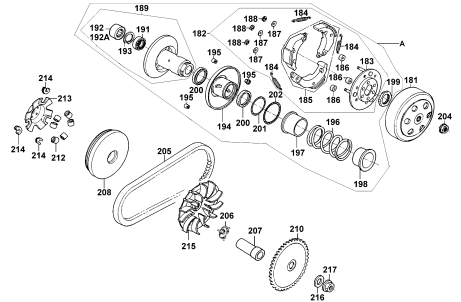
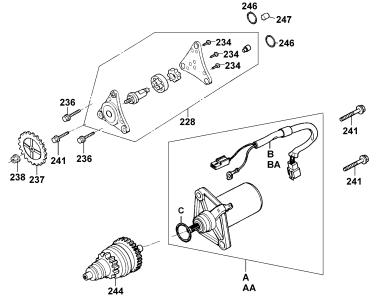
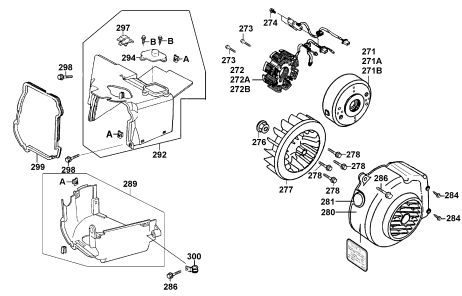
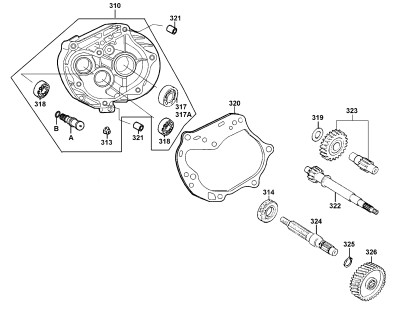
CONTENTS

● ABOUT THIS PARTS LIST	1
● COLOR CHART OF SD10BA(JP)	3
● CONTENTS-ENGINE GROUP	5
● CONTENTS-FRAME GROUP	6
● ENGINE PARTS LIST	9
● FRAME PARTS LIST	39
● PART NO. INDEX	95

NO	モデル			SD10BA(JP)のカラーチャート			
	写真番号			NO. 1	NO. 2	NO. 3	NO. 4
	基本色						
	コード			Crystal Blue	Sapphire Blue Metallic	Vivid Rose	Bright Silver
	パーツ名	パーツ番号	バージョン	PB041MA	PB242MA	RR228CA	NH045MA
1	FENDER FR B **9000-	61120-KFA2-900	1	N1R	H5R	H2R	H5R
2	FR MOLDING **9000-	64302-KHC3-900	2				
3	SIDE MOLD R	83501-KHC4-900	3				
4	SIDE MOLD L **9000-	83601-KHC4-900	3				
5	LEVER STRG HANDLE	53175-KHC3-900	0	N1A			
6	LEVER L STRG HANDLE	53178-KHC4-900	0				
7	YOX BATTERY **(3)	50325-KHC4-900	4	N1R			
8	COVER UNDER	50613-KHC4-900	4				
9	GRIP COMP THROT/DEEP	53140-KFA1-900	2				
10	GRIP COMP	53140-KHC4-900	1				
11	GRIP L HANDLE/DEEP	53166-KFA1-900	2				
12	COVER RR HANDLE	53206-KHC4-900	3				
13	COVER SWITCH **(0)	53207-KKD9-B00	3				
14	FLOOR PANEL **9000-	64310-KHC4-900	2				
15	PLUG FLOOR **9000-	64316-KHC4-900	1				
16	COVER CENTER **(0)	80151-KHC4-900	2				
17	COVER INNER UP **(1)	81131-KHC4-900	4				
18	HOOK LUGGAGE	81132-GHAH-001	2				
19	COVER INNER LOW **(4)	81141-KHC4-900	5				
20	LID LEG SHIELD	81142-KUDU-900	1				
21	COVER FR HANDLE	53205-KHC3-900	1	B5P	BSP	RVP	N8P
22	FENDER FR A **9000-	61110-KFA2-900	2				
23	COVER FR **(2)	64301-KHC3-900	4				
24	COVER BODY R	83500-KHC4-900	2				
25	COVER BODY L **9000-	83600-KHC4-900	2				
販売開始時期							
販売終了時期							

NO	モデル			SD10BA(JP)のカラーチャート			
	写真番号			NO. 1	NO. 2	NO. 3	NO. 4
	基本色						
	コード			Crystal Blue	Sapphire Blue Metallic	Vivid Rose	Bright Silver
	パーツ名	パーツ番号	バージョン	PB041MA	PB242MA	RR228CA	NH045MA
26	HUB SUB COMP RR	42610-GKAK-901	4	NJA			
27	HUB SUB ASSY FR	44610-GLW0-305	2				
28	PANEL ASS'Y FR	45000-GLW0-305	0				
29	FORK ASSY R FR **(0)	51400-KHC3-900	1	NJS			
30	FORK ASSY L FR **(0)	5150A-KHC3-900	1				
31	RIM COMP RR WHEEL	42705-KHC4-900	5	NQA			
32	RIM COMP FR WHEEL	44705-KHC4-900	2				
33	COVER L SIDE	11340-KGBG-900	7	T01			
34	SEAT COMP (KO1Y-OBC)	77200-KHC5-E00	5				
35	EMB K-LOGO 20MM	86102-KFA2-900	6				
36	STRIPE BODY COVER	86201-KHC5-B00	0				
37	CAUTION USE GAS	87501-KRDR-E00	2				
38	LABEL TIRE	87505-KGBG-E00	1				
39	CAUTION SIDE STAND	87541-GAR1-E00	1				
40	MARK MAINT CAUTION	87542-GAR1-E00	2				
41	MARK DRIVE CAUTION	87560-GFY6-E00	4	YAS			
42	CUSHION ASSY REAR	52400-KHC4-900	1				
販売開始時期							
販売終了時期							

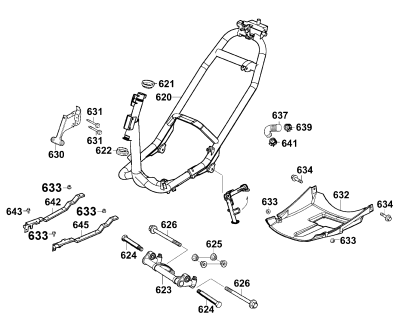
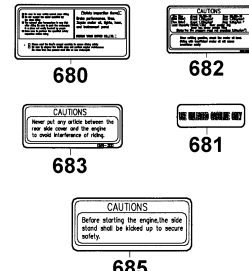
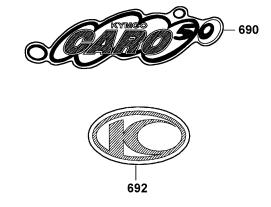

CONTENTS - ENGINE GROUP 目次-エンジン関

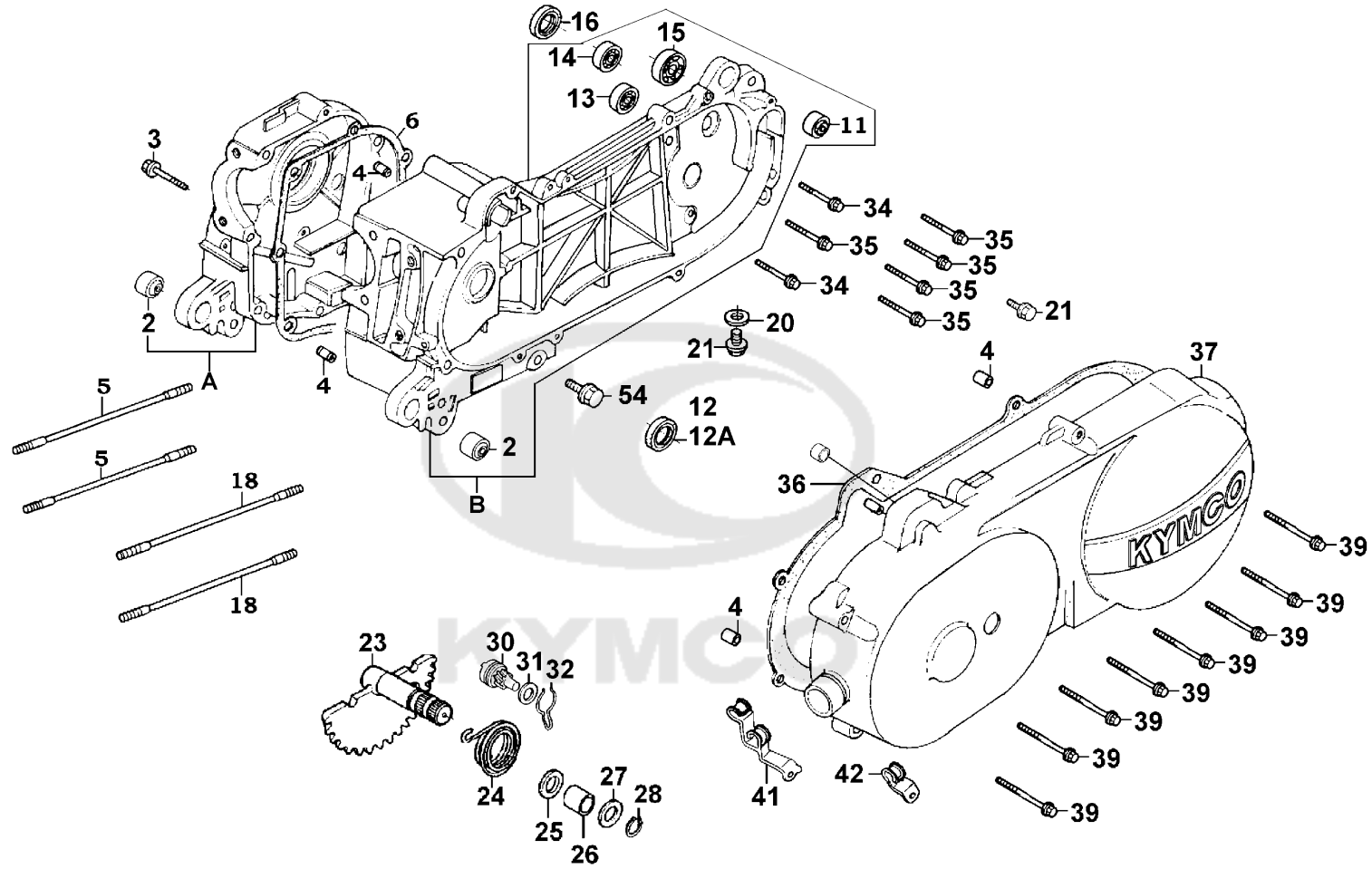
E01 Crank Case	E02 Cylinder Head Cover Cylinder	E03 Cylinder Piston Crankshaft
		
E04 Cover R Crank Case Water	E05 Carburetor	E06 Transmission Pulley
		
E07 Starting Motor	E08 Generator	E09 Transmission
		

CONTENTS - FRAME GROUP 目次-フレーム関係

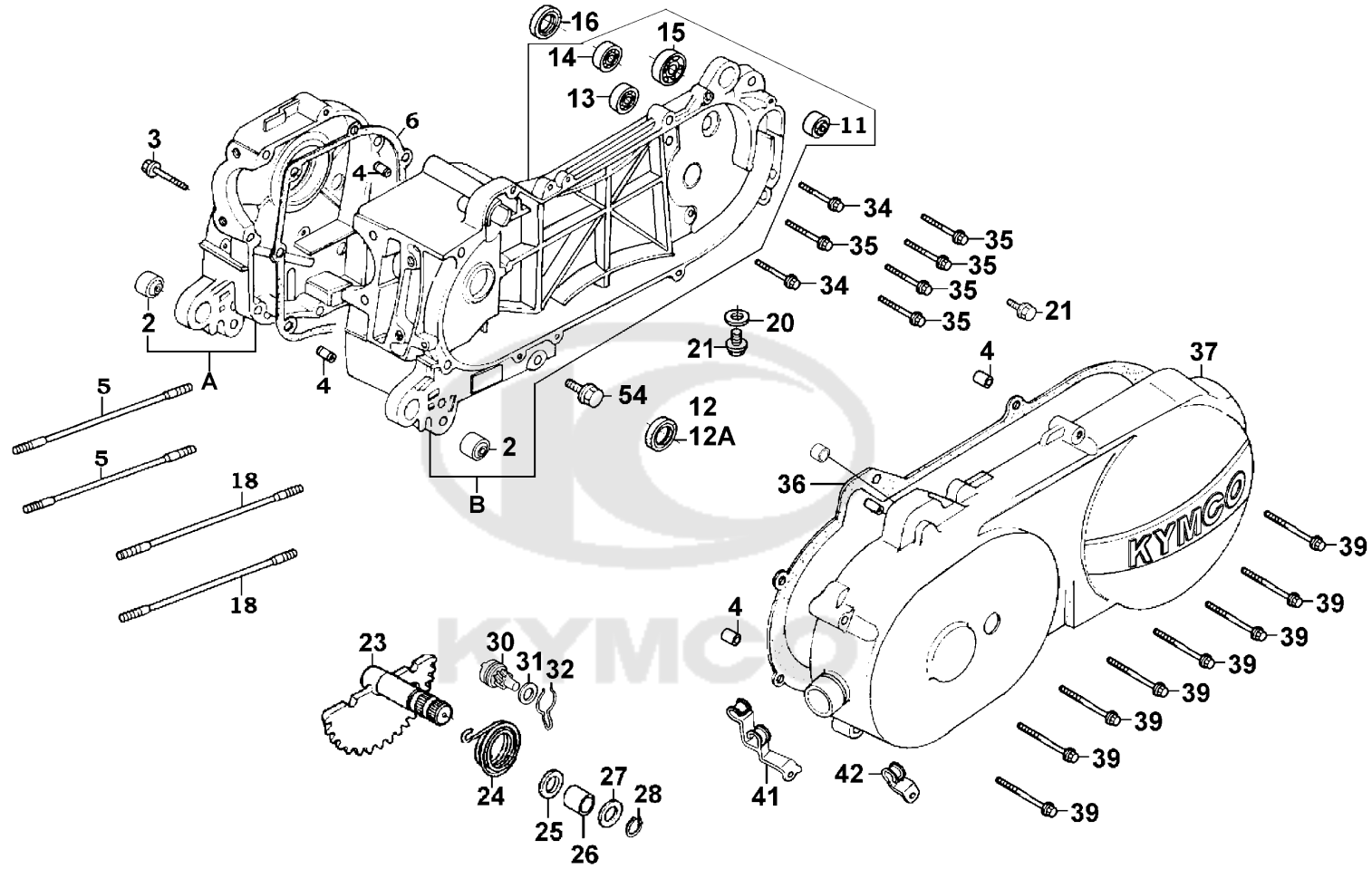
<p>F10 Battery</p>	<p>F11 Body Cover Luggage Box</p>	<p>F12 Air Cleaner</p>
<p>F13 Exhaust Muffler</p>	<p>F14 Stand Kick Starter Arm</p>	<p>F15 Rear Cushion</p>
<p>F16 Front Winker</p>	<p>F17 Rear Light Rear Fender</p>	<p>F18 Wire Harness</p>

CONTENTS - FRAME GROUP 目次-フレーム関係

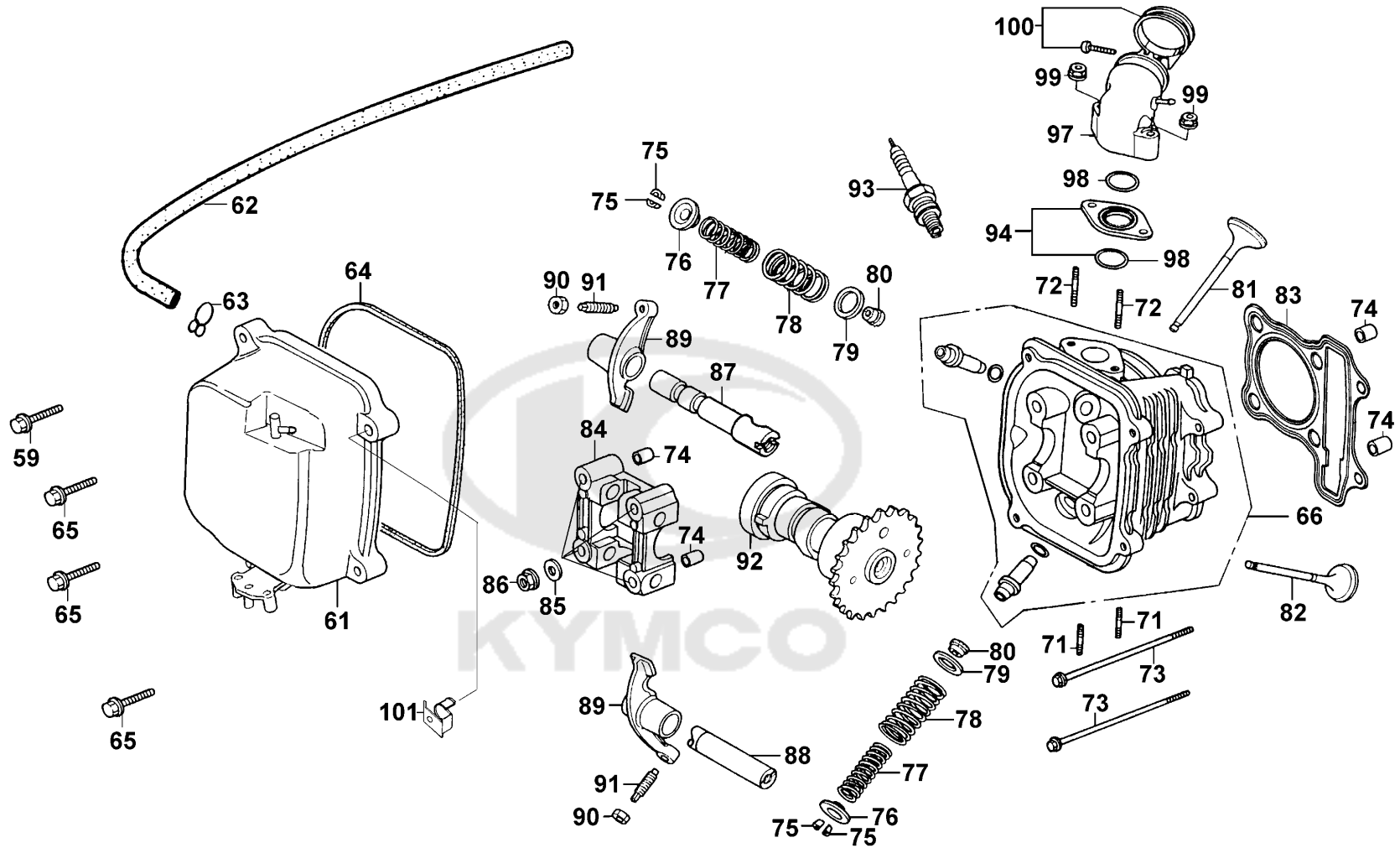
F19 Frame Body	F20 Caution Label	F21 Emblem Stripe
		
		



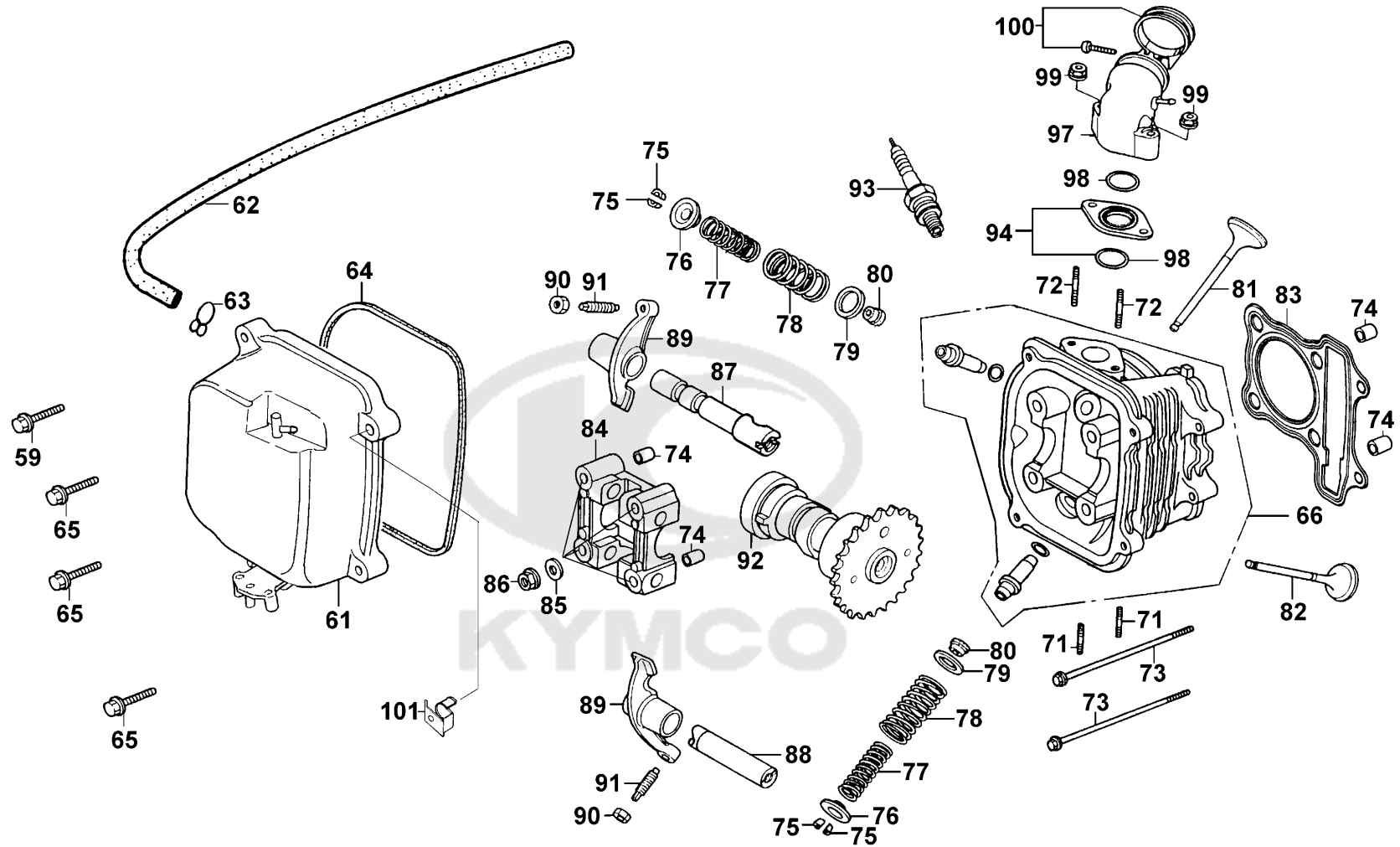
Sales mark 記号	Ref no 参照用番号	Part no パーツ番号	Description 部品名	Reg description 部品名	Regd no 必要個数	Ref Price 希望小売価格(税抜)	E01
A		11100-KGBG-305	CASE SET CRANK R	CASE SET CRANK R	1	19010	
2		11102-1G87-004	RUB BUSH ENG HANGER	RUB BUSH ENG HANGER	2	320	
6		11192-KGBG-980	GASKET CRANK CASE @A	GASKET CRANK CASE @A	2	540	
B		11200-KGBG-305	CRANK CASE SET L	CRANK CASE SET L	1	25860	
11		11203-GGC7-301	UNDER RUBBER BUSH REAR CUSHION	UNDER RUBBER BUSH REAR CUSHION	1	250	
**	37	11340-KGBG-900	COVER L SIDE	COVER L SIDE	1	12930	
	41	11381-KHC4-900	CLAMPER THROTTLE CABLE	CLAMPER THROTTLE CABLE	1	390	
	42	11382-KGBG-900	CLAMPER BRAKE CABLE	CLAMPER BRAKE CABLE	1	130	
	36	11395-PVA1-900	GASKET L COVER @A	GASKET L COVER @A	2	1940	
	32	28223-KNBN-901	SPG KICK DRIVEN GEAR	SPG KICK DRIVEN GEAR	1	160	
	30	28230-GKAK-921	GEAR COMP KICK DRIVEN	GEAR COMP KICK DRIVEN	1	1820	
	23	28250-KNBN-901	SPINDLE COMP KICK STARTER	SPINDLE COMP KICK STARTER	1	1820	
	26	28253-GBN2-60A	BUSH KICK SPINDLE	BUSH KICK SPINDLE	1	200	
	25	28255-GFS6-001	COLLAR KICK BOSS	COLLAR KICK BOSS	1	160	
	24	28281-GBN2-60A	SPRING KICK RETURN	SPRING KICK RETURN	1	390	
	5	90031-KGBG-910	BOLT A STUD 7*168	BOLT A STUD 7*168	2	390	
	18	90032-KGBG-910	BOLT B STUD 7*176	BOLT B STUD 7*176	2	390	
	31	90412-3K29-001	WASHER THRUST 10M/M	WASHER THRUST 10M/M	1	200	
	27	90451-GBN2-601	WASHER KICK SPINDLE	WASHER KICK SPINDLE	1	200	
	20	90474-3C33-001	WASHER 8MM	WASHER 8MM	1	60	



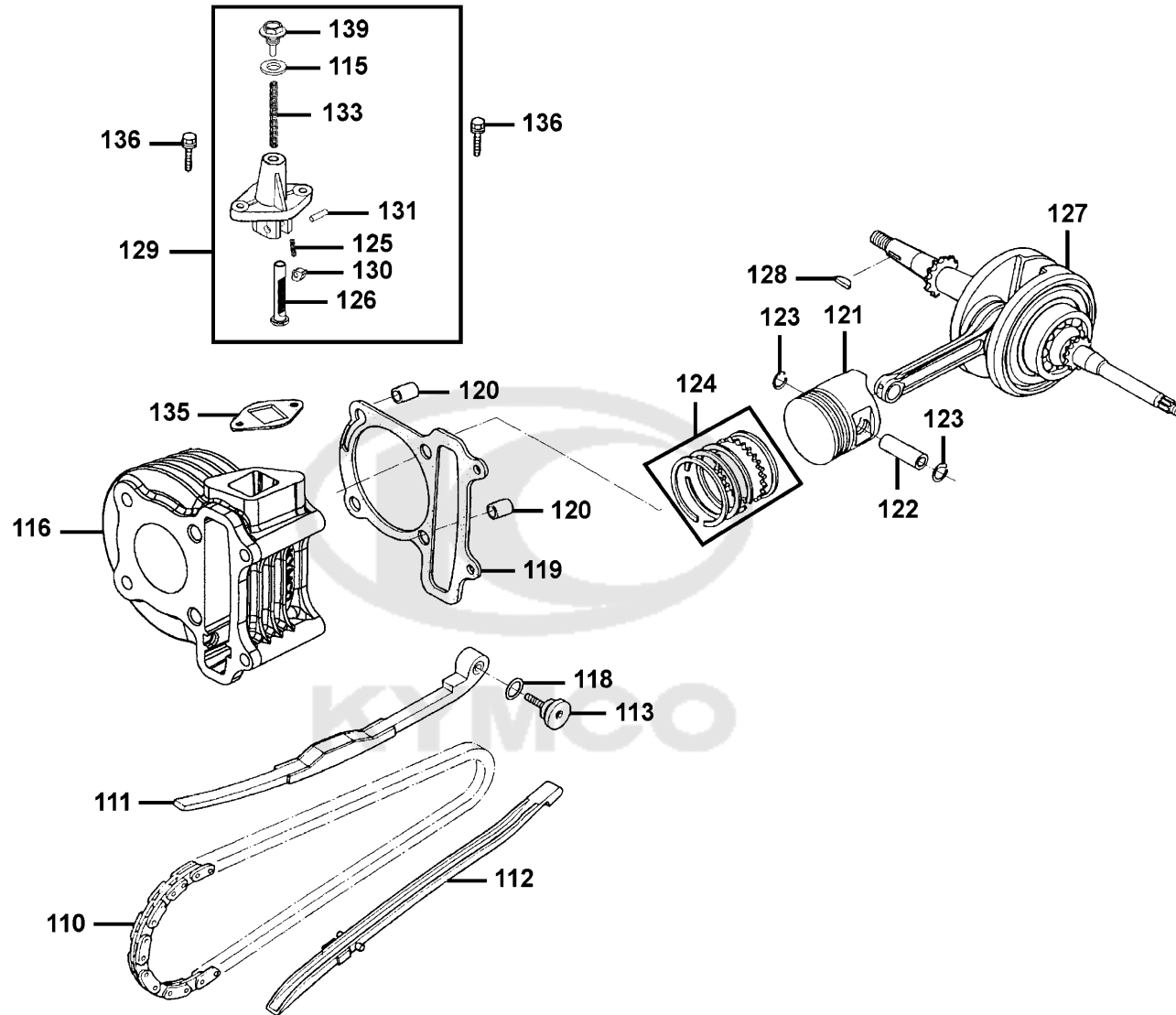
Sales mark 記号	Ref no 参照用番号	Part no パーツ番号	Description 部品名	Reg description 部品名	Regd no 必要個数	Ref Price 希望小売価格(税抜)	E01
54		9052A-GFY6-950	BOLT ASSY DRAIN PLUG	BOLT ASSY DRAIN PLUG	1	120	
14		91004-KBN2-90A	BRG BALL RADIAL 6201	BRG BALL RADIAL 6201	1	2100	
15		91004-KNBN-92A	BRG BALL RADIAL 6203 SPC 17*40*12	BRG BALL RADIAL 6203 SPC 17*40*12	1	2290	
12		91202-GFY6-90A	OIL SEAL 19.8*30*5	OIL SEAL 19.8*30*5	1	230	
12A		91202-GFY6-90C	OIL SEAL 19.8*30*5	OIL SEAL 19.8*30*5	2	230	
16		91204-KNBN-90A	OIL SEAL 17*30*6	OIL SEAL 17*30*6	1	610	
4		94301-08140	DOWEL PIN 8*14	DOWEL PIN 8*14	2	110	
28		94511-14000	CIR CLIP EX 14	CIR CLIP EX 14	1	110	
21		95701-08012-06	BOLT FLANGE 6*22 (K)	BOLT FLANGE 6*22 (K)	1	60	
34		95701-08035-06	BOLT FLANGE 6*22 (K)	BOLT FLANGE 6*22 (K)	1	200	
35		95701-08040-06	BOLT FLANGE 6*22 (K)	BOLT FLANGE 6*22 (K)	1	160	
39		96001-06035-06	BOLT FLANGE SH 6*35	BOLT FLANGE SH 6*35	1	130	
3		96001-06045-06	BOLT FLANGE 6*45 **07 C.2005.07.01	BOLT FLANGE 6*45 **07 C.2005.07.01	1	60	
13		96100-62033-00	BEARING BALL RADIAL 6203	BEARING BALL RADIAL 6203	1	960	



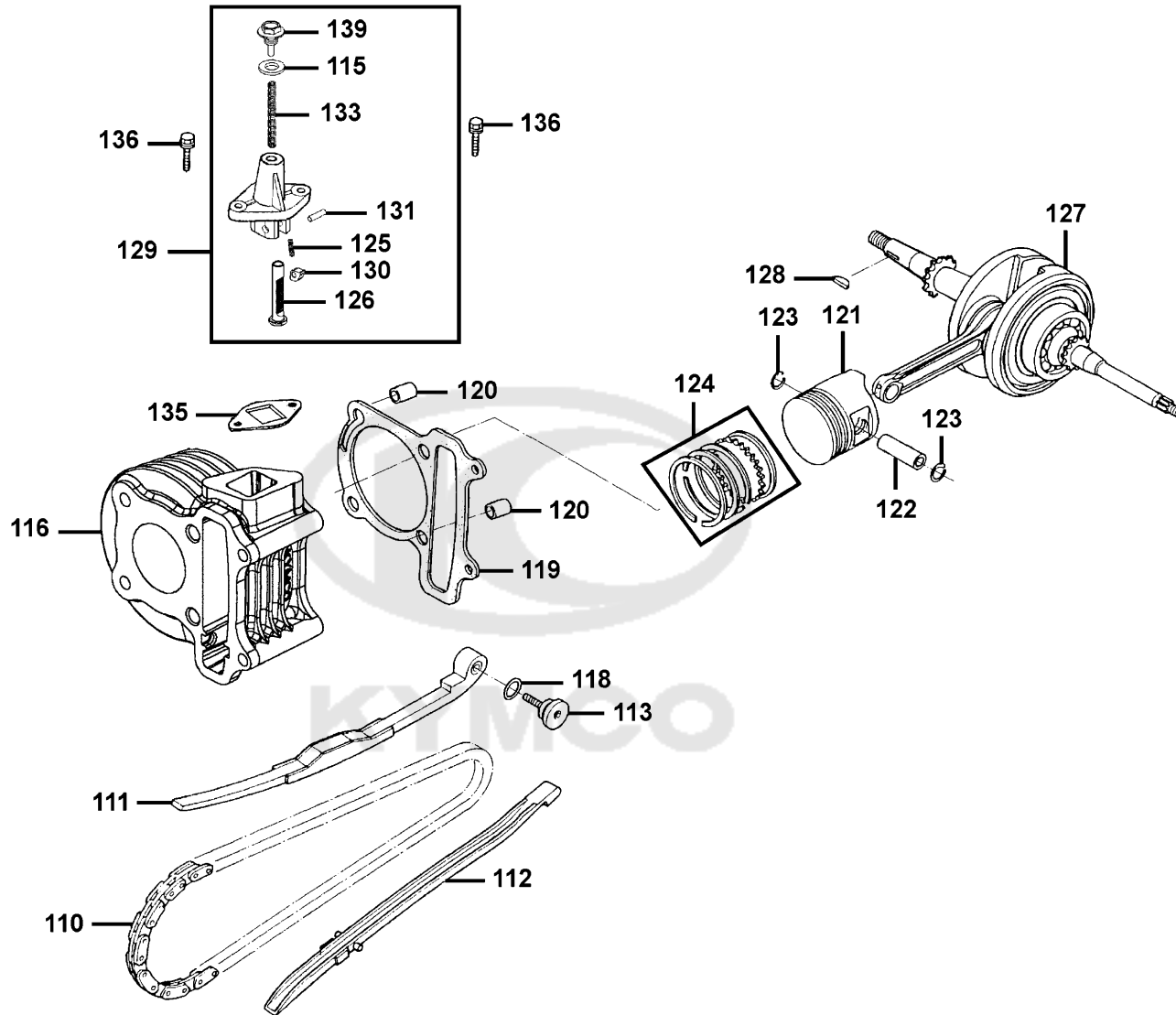
Sales mark 記号	Ref no 参照用番号	Part no パーツ番号	Description 部品名	Reg description 部品名	Regd no 必要個数	Ref Price 希望小売価格(税抜)	E02
62		11211-KGBG-900	TUBE BREATHER	TUBE BREATHER	1	680	
101		11387-KGBG-900	CLAMPER BREATHER TUBE **9000	CLAMPER BREATHER TUBE **9000	1	200	
66		12200-KGBG-900	HEAD COMP CYLN	HEAD COMP CYLN	1	27090	
80		12209-GDB4-68B	SEAL VALVE STEM	SEAL VALVE STEM	1	490	
84		12211-KGBG-900	HOLDER CAM SHAFT	HOLDER CAM SHAFT	1	2550	
83		12251-KGBG-900	GASKET CYLINDER HEAD	GASKET CYLINDER HEAD	1	700	
61		12310-KGBG-900	COVER COMP HEAD	COVER COMP HEAD	1	4380	
64		12391-KEE1-900	GASKET HEAD COVER	GASKET HEAD COVER	1	390	
92		14100-KGBG-220	SHAFT COMP CAM	SHAFT COMP CAM	1	9510	
89		14431-KGBG-900	ARM VALVE ROCKER	ARM VALVE ROCKER	2	4760	
87		14450-KGBG-900	SHAFT COMP IN ROCKER ARM	SHAFT COMP IN ROCKER ARM	1	970	
88		14452-KGBG-900	SHAFT EXH ROCKER ARM	SHAFT EXH ROCKER ARM	1	420	
82		14711-KGBG-900	VALVE INLET	VALVE INLET	1	1720	
81		14721-KGBG-900	VALVE EXHAUST	VALVE EXHAUST	1	3050	
78		14751-KGBG-900	SPRING VALVE OUTER	SPRING VALVE OUTER	2	420	
77		14761-KGBG-900	SPG VALVE INNER	SPG VALVE INNER	2	300	
76		14771-GDB4-680	RETAINER VALVE SPRING	RETAINER VALVE SPRING	2	350	
79		14775-MFA6-001	SEAT VALVE SPG OUTER	SEAT VALVE SPG OUTER	2	160	
75		14781-MFA6-001	COTTER VALVE	COTTER VALVE	4	200	
94		1621A-KGBG-900	INSULATOR CARB ASSY	INSULATOR CARB ASSY	1	420	



Sales mark 記号	Ref no 参照用番号	Part no パーツ番号	Description 部品名	Reg description 部品名	Regd no 必要個数	Ref Price 希望小売価格(税抜)	E02
97		1711A-KHC5-E00	PIPE ASSY INLET	PIPE ASSY INLET	1	2670	
100		17256-KGBG-900	BAND INSULATOR	BAND INSULATOR	1	330	
91		90012-3C33-001	SCREW TAPPET ADJUSTING	SCREW TAPPET ADJUSTING	2	110	
71		90033-0A41-021	BOLT STUD 6*32	BOLT STUD 6*32	2	200	
86		90202-GFF6-011	NUT FLANGE 7M/M	NUT FLANGE 7M/M	4	200	
90		90206-0A01-001	NUT TAPPET ADJG	NUT TAPPET ADJG	2	60	
85		90442-GFF6-011	WASHER SEALING 7MM	WASHER SEALING 7MM	4	200	
74		90701-GFF6-001	PIN DOWEL SPECIAL 8*14	PIN DOWEL SPECIAL 8*14	4	200	
98		91304-KGBG-900	O RING 20.6*2.0	O RING 20.6*2.0	1	200	
72		92900-06050-0B	BOLT STUD II 6*50	BOLT STUD II 6*50	2	160	
99		94050-06080	NUT FLANGE 6MM	NUT FLANGE 6MM	2	60	
63		95002-02080	CLIP B8 TUBE	CLIP B8 TUBE	1	60	
59		95701-06032-06	BOLT FLANGE 6*32	BOLT FLANGE 6*32	1	60	
65		96001-06025-06	BOLT FLANGE SH 6*25	BOLT FLANGE SH 6*25	1	60	
73		96001-06085-06	BOLT FLANGE 6*85	BOLT FLANGE 6*85	2	160	
93		98056-5771R-00	SPARK PLUG (CR7HSA)	SPARK PLUG (CR7HSA)	1	450	

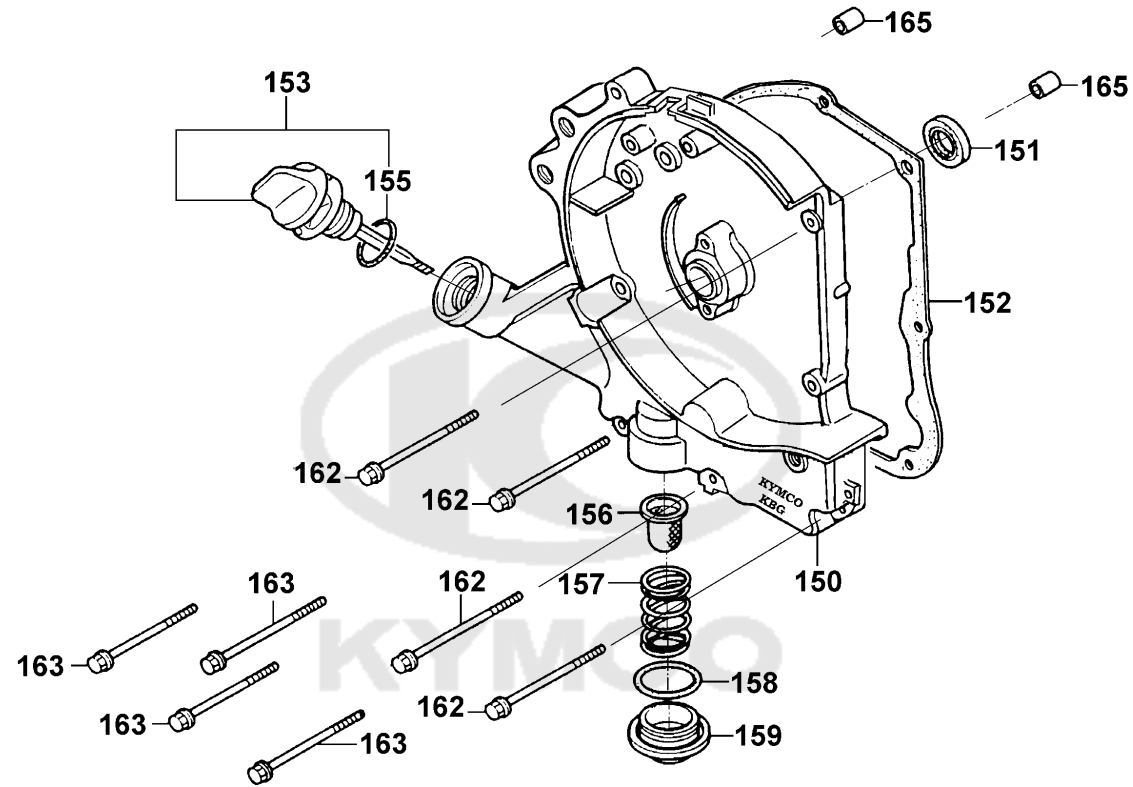


Sales mark 記号	Ref no 参照用番号	Part no パーツ番号	Description 部品名	Reg description 部品名	Regd no 必要個数	Ref Price 希望小売価格(税抜)	E03
116		12100-KGBG-900	CYLINDER COMP	CYLINDER COMP	1	17340	
119		12191-KGBG-980	GASTET CYLINDER @ A	GASTET CYLINDER @ A	2	230	
127		13000-LDC5-900	CRANK SHAFT COMP	CRANK SHAFT COMP	1	27220	
124		13011-KGBG-901	RING SET PISTON	RING SET PISTON	1	5450	
121		13101-KGBG-901	PISTON	PISTON	1	2580	
122		13111-KGBG-900	PIN PISTON	PIN PISTON	1	960	
123		13115-0A01-001	PISTON PIN CLIP	PISTON PIN CLIP	2	160	
110		14401-KGBG-900	CHAIN CAM	CHAIN CAM	1	3620	
111		14510-KGBG-900	TENSIONER CAM CHAIN	TENSIONER CAM CHAIN	1	2010	
113		14531-GLR0-001	PIVOT CAM CHAIN TENSIONER	PIVOT CAM CHAIN TENSIONER	1	200	
129		14550-KDS4-00B	ADJUSTER CAM CHAIN	ADJUSTER CAM CHAIN	1	3050	
133		14553-KGBG-900	SPRING CAM CHAIN ADJUSTER	SPRING CAM CHAIN ADJUSTER	1	300	
125		14554-KAM1-004	SPRING RATCHET	SPRING RATCHET	1	110	
135		14555-KKJ9-001	GASKET CAM CHAIN ADJUSTER	GASKET CAM CHAIN ADJUSTER	1	70	
135		14555-LBA2-E00	GASKET CAM CHAIN ADJUSTER	GASKET CAM CHAIN ADJUSTER	1	130	
126		14557-KGBG-900	PLUGER ADJUSTER	PLUGER ADJUSTER	1	770	
130		14558-KGBG-900	CAM ADJUSTER	CAM ADJUSTER	1	300	
131		14559-KGBG-900	PIN ADJUSTER	PIN ADJUSTER	1	300	
139		14560-KGBG-900	PLUG COMP ADJUSTER	PLUG COMP ADJUSTER	1	580	
112		14610-KGBG-900	GUIDE COMP CAM CHAIN	GUIDE COMP CAM CHAIN	1	890	

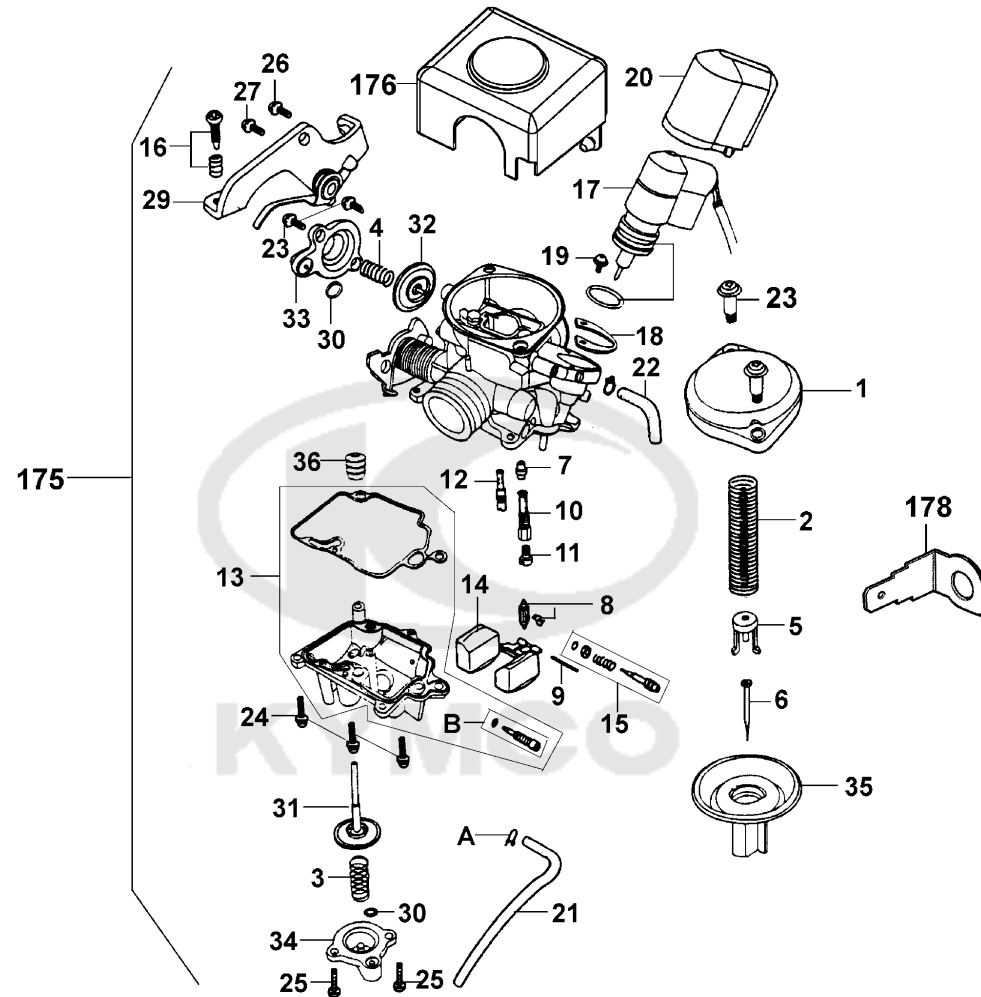


Sales mark 記号	Ref no 参照用番号	Part no パーツ番号	Description 部品名	Reg description 部品名	Regd no 必要個数	Ref Price 希望小売価格(税抜)	E03
115	90421-KAM1-004	90421-KAM1-004	WASHER SEALING 8*16*1.6	WASHER SEALING 8*16*1.6	1	60	
120	90701-GFF6-001	90701-GFF6-001	PIN DOWEL SPECIAL 8*14	PIN DOWEL SPECIAL 8*14	2	200	
128	90741-0E35-001	90741-0E35-001	KEY WOODRUFF	KEY WOODRUFF	1	160	
118	91301-GLR0-005	91301-GLR0-005	O-RING 15.2*1.5	O-RING 15.2*1.5	1	60	
136	96001-06018-06	96001-06018-06	BOLT FLANGE SH 6X18	BOLT FLANGE SH 6X18	1	60	

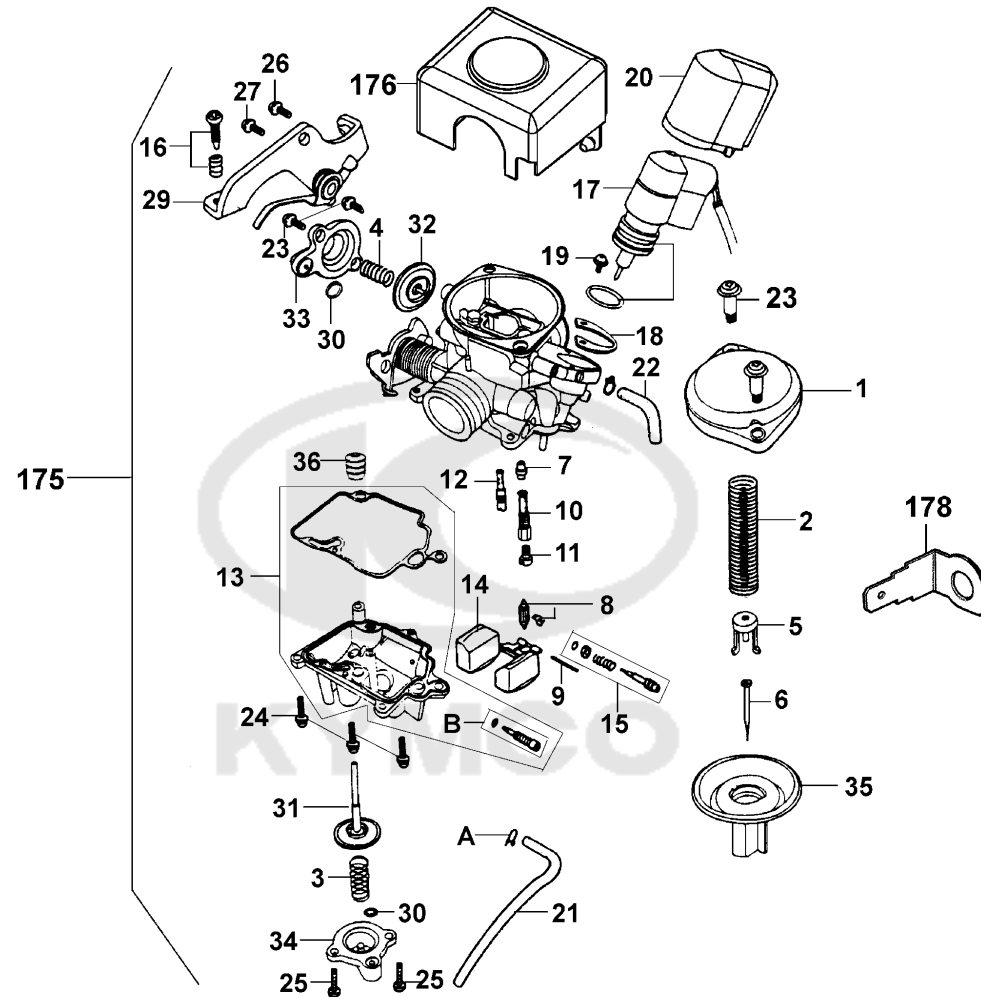




Sales mark 記号	Ref no 参照用番号	Part no パーツ番号	Description 部品名	Reg description 部品名	Regd no 必要個数	Ref Price 希望小売価格(税抜)	E04
150		11330-KGBG-900	COVER R CRANK CASE	COVER R CRANK CASE	1	9420	
152		11394-KGBG-980	GASTER R COVER @ A	GASTER R COVER @ A	2	540	
159		12361-GFY6-901	HOLE CAP TAPPET ADJUSTING	HOLE CAP TAPPET ADJUSTING	1	300	
156		15421-1G07-001	SCREEN OIL FILTER	SCREEN OIL FILTER	1	350	
157		15426-GAE1-921	SPG OIL FILTER SCREEN	SPG OIL FILTER SCREEN	1	160	
153		1565A-GFY6-900	GAUGE OIL LEVEL ASSY	GAUGE OIL LEVEL ASSY	1	390	
151		91201-KGBG-90A	OIL SEAL 16.4*30*5	OIL SEAL 16.4*30*5	1	580	
158		91302-0A01-021	O-RING 30.8M/M	O-RING 30.8M/M	1	60	
155		91307-0E35-001	O RING 18*3	O RING 18*3	1	60	
165		94301-08140	DOWEL PIN 8*14	DOWEL PIN 8*14	2	110	
163		96001-06085-06	BOLT FLANGE 6*85	BOLT FLANGE 6*85	4	160	
162		96001-06100-06	BOLT FLANGE SH 6*100	BOLT FLANGE SH 6*100	1	60	

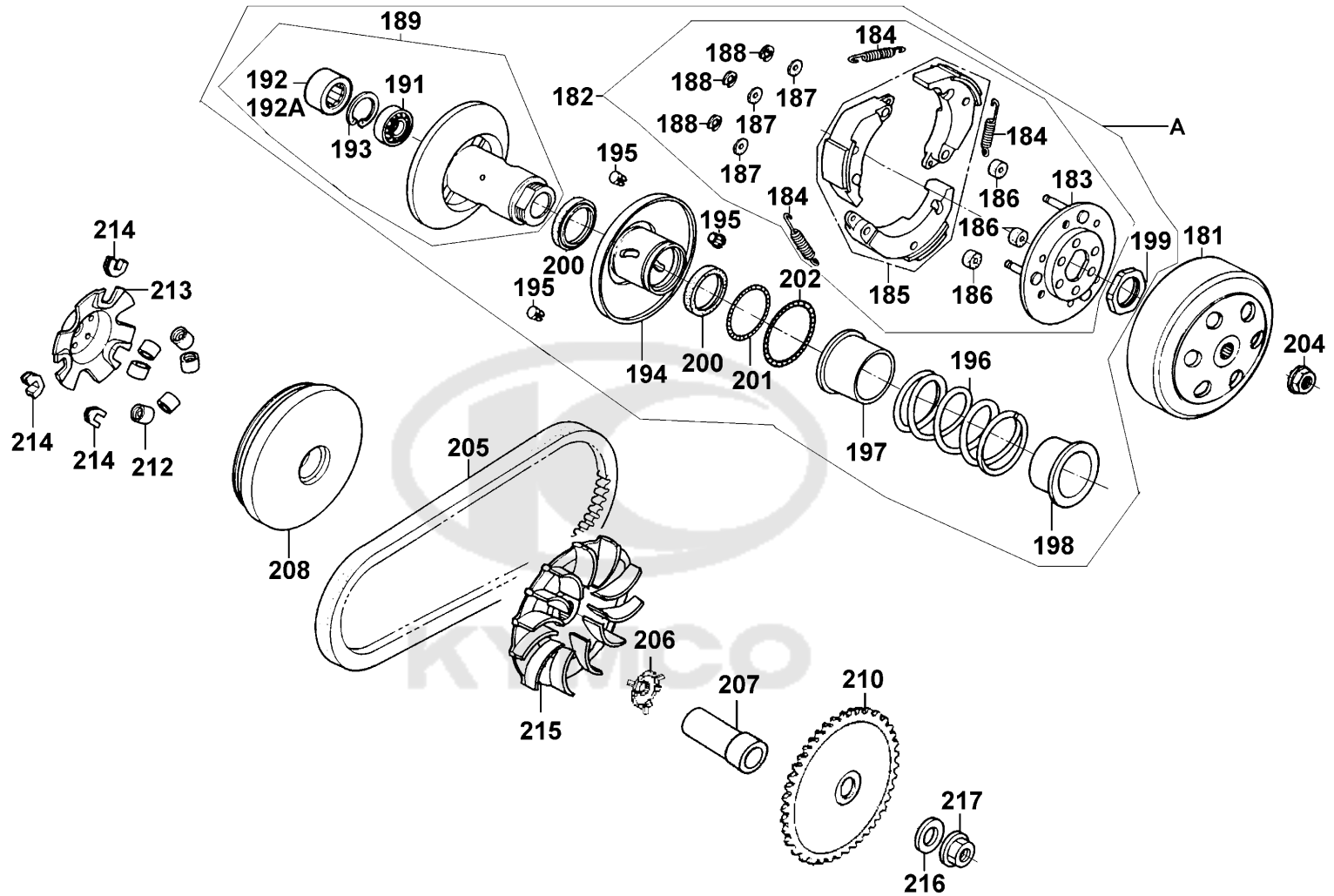


Sales mark 記号	Ref no 参照用番号	Part no パーツ番号	Description 部品名	Reg description 部品名	Regd no 必要個数	Ref Price 希望小売価格(税抜)	E05
36		1028-054-7000	RUBBER CAP	RUBBER CAP	1	350	
1		1030-880-2103	TOP SET	TOP SET	1	1210	
14		1052-862-2101	FLOAT COMP	FLOAT COMP	1	420	
18		1090-873-2001	SET PLATE	SET PLATE	1	110	
29		1190-A78-2102	STAY PLATE SET	STAY PLATE SET	1	4520	
31		1201-830-2101	DIAPHRAGM COMP	DIAPHRAGM COMP	1	3310	
5		1229-805-7000	SPG SET	SPG SET	1	110	
33		1230-850-2000	COVER (ACV)	COVER (ACV)	1	800	
34		1230-851-2001	COVER (ACCP)	COVER (ACCP)	1	700	
20		1230-856-7001	COVER	COVER	1	580	
4		1290-996-2000-3	SPG COMPR	SPG COMPR	1	200	
2		1290-A06-2000	SPG COMPR	SPG COMPR	1	110	
3		1290-A07-2000	SPG COMPR	SPG COMPR	1	110	
35		1402-938-2100	VACUUM PISTON COMP	VACUUM PISTON COMP	1	4720	
175		1610K-KHC5-E00	CARBURETOR ASSY **(2) C.2008.02.12	CARBURETOR ASSY **(2) C.2008.02.12	1	30230	
B		16162-KG8-9010-M1	DRAIN SCREW PAN	DRAIN SCREW PAN	1	300	
22		16199-GFY6-900	TUBE SET	TUBE SET	1	200	
176		16410-KGBG-E00	RUBBER COVER CARB ASSY	RUBBER COVER CARB ASSY	1	770	
178		37720-KGBG-E00	EARTH TERMINAL HEATER	EARTH TERMINAL HEATER	1	110	
17		4000-161-0000	AUTO BYSTARTER SET	AUTO BYSTARTER SET	1	11030	



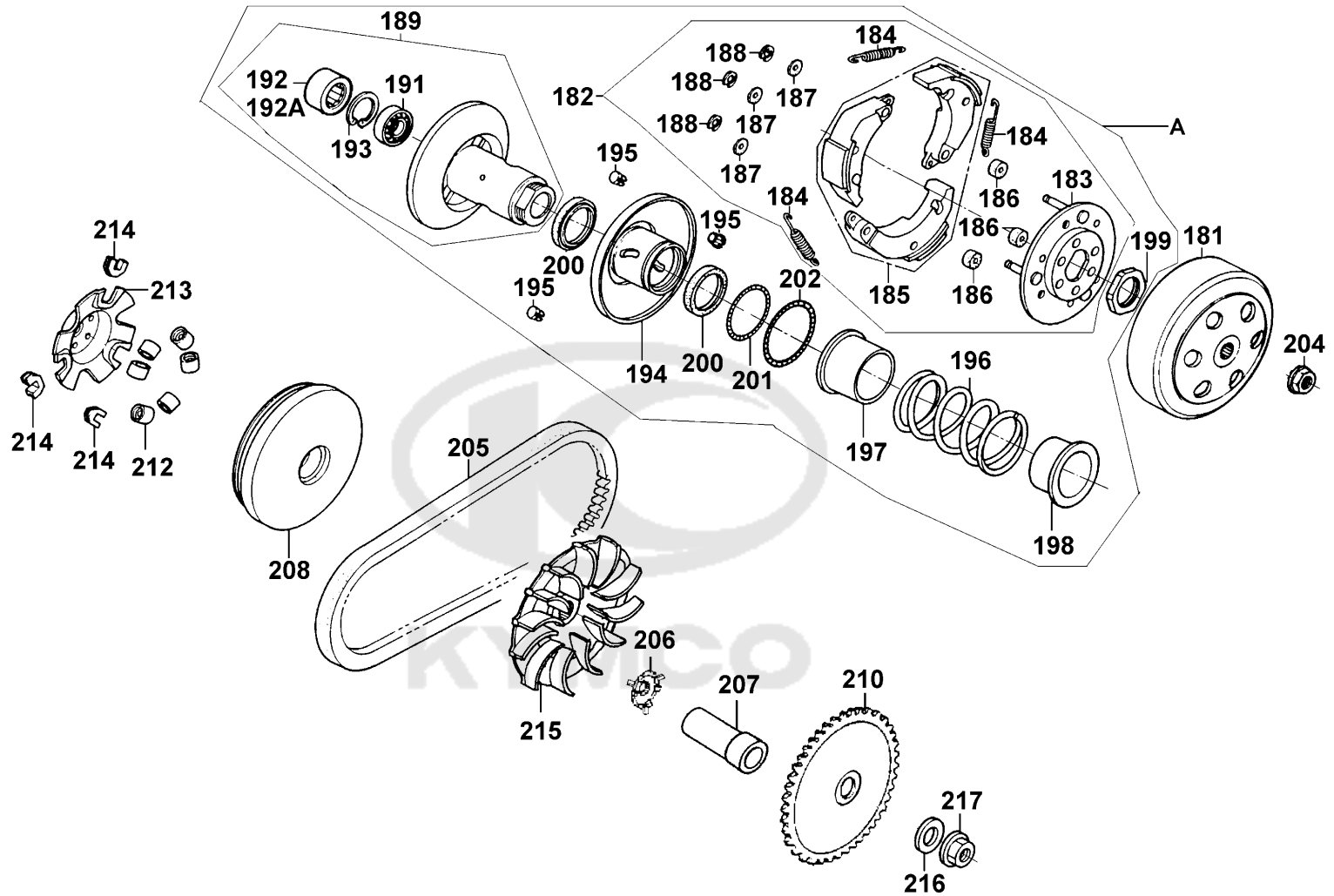
Sales mark 記号	Ref no 参照用番号	Part no パーツ番号	Description 部品名	Reg description 部品名	Regd no 必要個数	Ref Price 希望小売価格(税抜)	E05
26		4115-803-1100	SCREW PAN	SCREW PAN	1	260	
27		4115-804-1100	SCREW PAN	SCREW PAN	1	210	
23		93500-04008-1H-3	SCREW PAN	SCREW PAN	1	60	
24		93500-04012-1H-3	SCREW PAN	SCREW PAN	1	110	
19		93892-04008-16	SCREW WASHER 4*8	SCREW WASHER 4*8	1	200	
25		93892-04010-18-3	SCREW WASHER 4*10	SCREW WASHER 4*10	1	60	
A		95002-02070	CLIP B7 TUBE	CLIP B7 TUBE	1	60	
11		99101-116-0850	MAIN JET #85	MAIN JET #85	1	330	
15		K446-A31-0100	SCREW SET	SCREW SET	1	400	
10		N413-18J00	NEEDLE JET HOLDER	NEEDLE JET HOLDER	1	750	
12		N423-09A35	SLOW JET	SLOW JET	1	1440	
6		N425-9RA00	JET NEEDLE COMP	JET NEEDLE COMP	1	960	
7		N426-33A00	NEEDLE JET	NEEDLE JET	1	870	
21		S7860-112-B000	TUBE SET	TUBE SET	1	320	
32		W1470-MW0-7500	DIAPHRAGM COMP	DIAPHRAGM COMP	1	2550	
30		W9353-36000	U RING	U RING	2	110	
9		W9525-25250	ARM PIN	ARM PIN	1	110	
13		Y1901-001-2600	FLOAT CHAMBER SET	FLOAT CHAMBER SET	1	6050	
16		Y1901-002-0100	SCREW SET (S.S)	SCREW SET (S.S)	1	140	
8		Z062-0061	FLOAT VALVE SET **D19KT-010-0700	FLOAT VALVE SET **D19KT-010-0700	1	1580	

Transmission Pulley

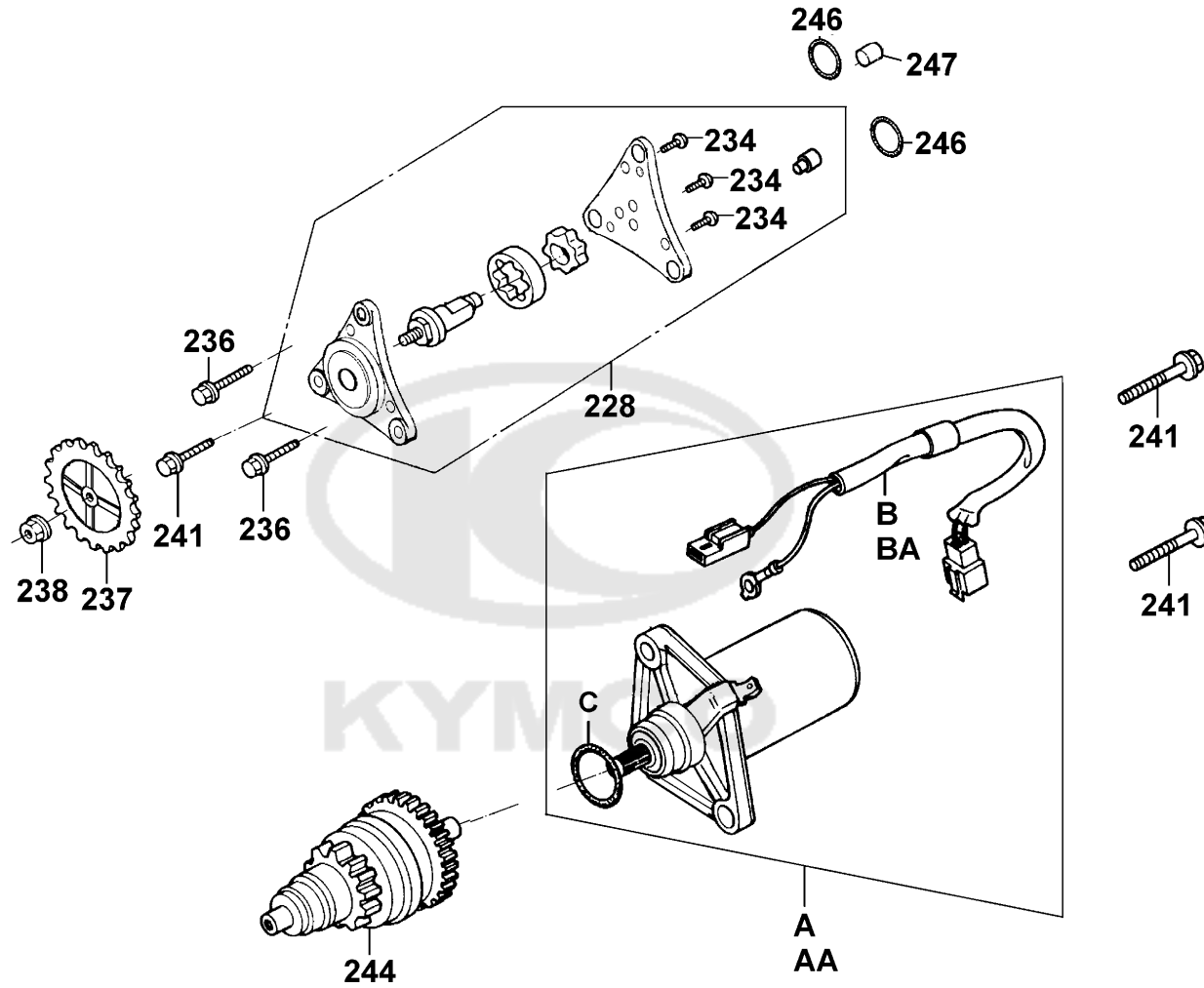


Sales mark 記号	Ref no 参照用番号	Part no パーツ番号	Description 部品名	Reg description 部品名	Regd no 必要個数	Ref Price 希望小売価格(税抜)	E06
181		22100-GAR1-751	CLUTCH OUTER	CLUTCH OUTER	1	3530	
210		22102-KEB7-900	FACE DRIVE	FACE DRIVE	1	1530	
215		22103-KEB7-900	FAN CVT COOLING	FAN CVT COOLING	1	300	
207		22105-KGBG-900	BOSS DRIVE FACE 38.6MM **KBG-9000	BOSS DRIVE FACE 38.6MM **KBG-9000	1	1440	
208		22110-KFA1-220	FACE COMP MOVABLE DRIVE	FACE COMP MOVABLE DRIVE	1	1340	
212		22121-KGBG-315	ROLLER SET WEIGHT (1SET:6PCS)	ROLLER SET WEIGHT(旧品番の22121-	1	330	
213		22131-GHAH-781	PLATE RAMP	PLATE RAMP	1	1060	
214		22132-GLW0-001	PIECE SLIDE	PIECE SLIDE	3	160	
182		22300-KGBG-900	PLATE ASSY DRIVE	PLATE ASSY DRIVE	1	6970	
183		22350-GKAK-930	PLATE COMP DRIVE	PLATE COMP DRIVE	1	1370	
184		22401-GKAK-931	SPRING CLUTCH	SPRING CLUTCH	3	140	
185		22530-KGBG-900	WEIGHT CLUTCH	WEIGHT CLUTCH	3	1530	
186		22804-1H48-001	RUBBER CLUTCH DAMPER	RUBBER CLUTCH DAMPER	3	110	
A		2301A-KGBG-220	PLATE SUB ASSY DRIVE	PLATE SUB ASSY DRIVE	1	19010	
205		23100-KHC5-900	BELT DRIVE **(3)	BELT DRIVE **(3)	1	4030	
189		23200-GAR1-220	FACE ASSY DRIVEN	FACE ASSY DRIVEN	1	8560	
194		23220-KXCX-220	FACE COMP MOVABLE DRIVEN	FACE COMP MOVABLE DRIVEN	1	5710	
195		23225-GAR1-751	PIN GUIDE	PIN GUIDE	3	130	
196		23233-GHE8-001	SPG DRIVEN FACE	SPG DRIVEN FACE	1	870	
197		23237-GAR1-220	COLLAR SEAL	COLLAR SEAL	1	540	

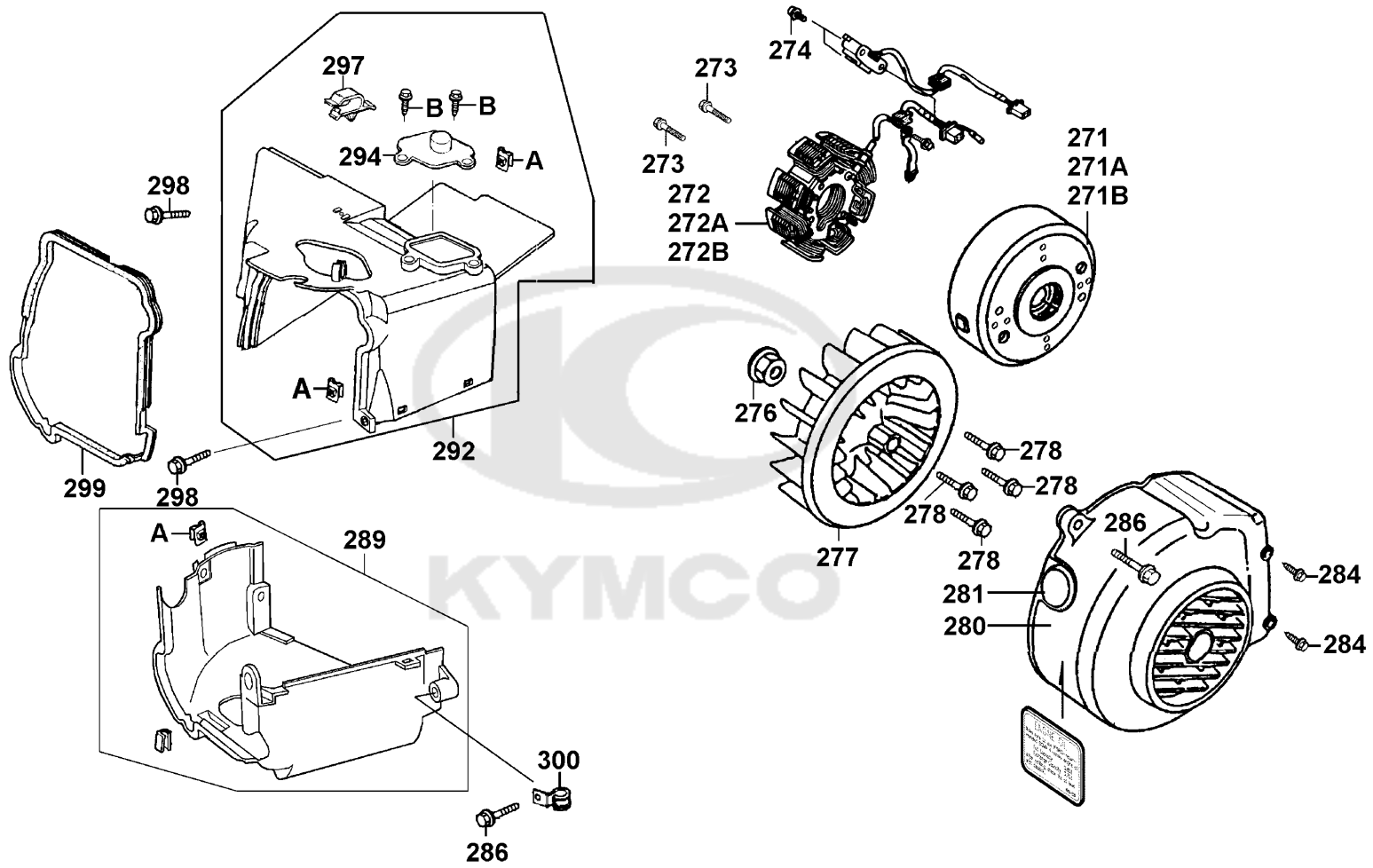
Transmission Pulley



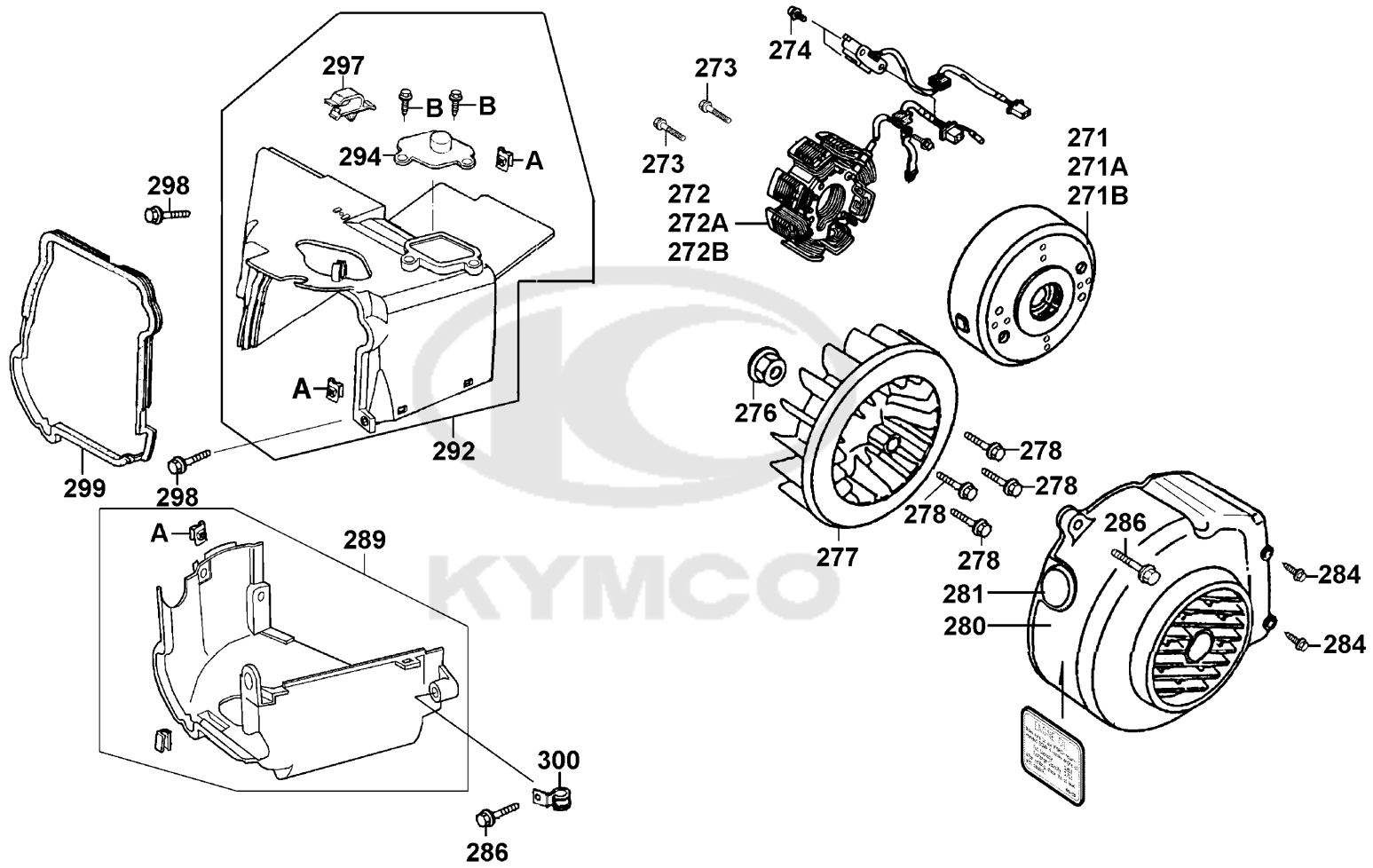
Sales mark 記号	Ref no 参照用番号	Part no パーツ番号	Description 部品名	Reg description 部品名	Regd no 必要個数	Ref Price 希望小売価格(税抜)	E06
198		23238-GFY6-941	COLLAR SPG	COLLAR SPG	1	450	
206		28211-KEB7-900	RATCHET KICK STARTER	RATCHET KICK STARTER	1	1440	
199		90202-1G87-001	NUT SPECIAL 28MM	NUT SPECIAL 28MM	1	100	
216		90426-KNBN-901	WASHER SPECIAL 12MM	WASHER SPECIAL 12MM	1	70	
187		90442-0D44-001	WASHER THRUST 6M	WASHER THRUST 6M	3	60	
188		90454-GBB2-001	CIRCLIP 6MM	CIRCLIP 6MM	3	60	
191		91001-GGA7-70A	BRG RADIAL BALL 6901U	BRG RADIAL BALL 6901U	1	1720	
192		91103-GAR1-004	BRG NEEDLE 17*25*18 WS	BRG NEEDLE 17*25*18 WS	1	1530	
192A		91103-GAR1-00A	BRG NEEDLE 17*25*18 WS	BRG NEEDLE 17*25*18 WS	1	1530	
200		91211-GHK8-014	OIL SEAL 34*39*3	OIL SEAL 34*39*3	2	230	
201		91301-KEA5-742	O-RING 36*1.5	O-RING 36*1.5	1	60	
202		91302-PKA9-004	O-RING 39.8*2.2	O-RING 39.8*2.2	1	130	
217		94001-12280-0S	NUT HEX 12MM	NUT HEX 12MM	1	160	
204		94050-10080	NUT FLANGE 10MM	NUT FLANGE 10MM	1	60	
193		94520-24000	CIR CLIP IN 24	CIR CLIP IN 24	1	80	



Sales mark 記号	Ref no 参照用番号	Part no パーツ番号	Description 部品名	Reg description 部品名	Regd no 必要個数	Ref Price 希望小売価格(税抜)	E07
228		15100-KGBG-900	PUMP ASSY OIL	PUMP ASSY OIL	1	3240	
237		15133-KGBG-900	GEAR OIL PUMP DRIVEN	GEAR OIL PUMP DRIVEN	1	960	
A		31200-KEE1-90A	MOTOR UNIT START	MOTOR UNIT START	1	15400	
AA		31200-KEE1-90C	MOTOR UNIT START	MOTOR UNIT START	1	15400	
244		31209-KEE1-900	PINION ASSY STARTER	PINION ASSY STARTER	1	9130	
B		32105-KEE1-900	SUB HARNESS	SUB HARNESS	1	1440	
B		32105-KEE1-90C	SUB HARNESS	SUB HARNESS	1	1440	
247		90701-HDC4-001	PIN DOWELL 8*12	PIN DOWELL 8*12	1	130	
246		91305-0H28-159	O-RING 9*1.6	O-RING 9*1.6	2	70	
C		91309-GKAK-901	O RING	O RING	1	70	
234		93500-04010-0F	SCREW PAN 4X10	SCREW PAN 4X10	1	200	
238		94050-06080	NUT FLANGE 6MM	NUT FLANGE 6MM	1	60	
236		96001-06020-06	BOLT FLANGE SH 6*20	BOLT FLANGE SH 6*20	1	200	
241		96001-06025-06	BOLT FLANGE SH 6*25	BOLT FLANGE SH 6*25	1	60	

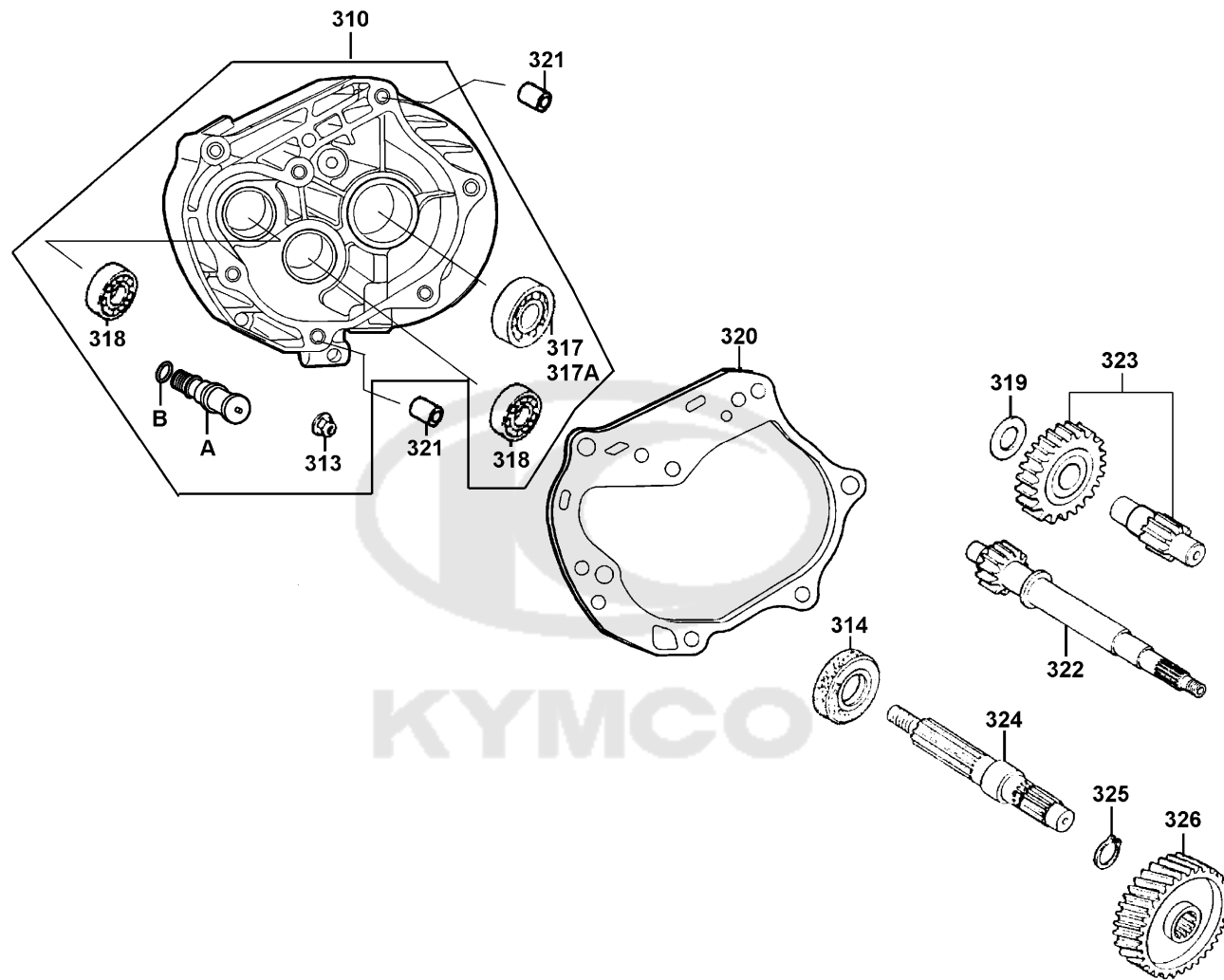


Sales mark 記号	Ref no 参照用番号	Part no パーツ番号	Description 部品名	Reg description 部品名	Regd no 必要個数	Ref Price 希望小売価格(税抜)	E08
300		11385-GFY6-901	CLAMPER CARB DRAIN TUBE	CLAMPER CARB DRAIN TUBE	1	200	
297		11385-KGBG-900	CLIP VACUUM TUBE	CLIP VACUUM TUBE	1	200	
277		19510-KGBG-900	FAN COMP COOLING	FAN COMP COOLING	1	580	
280		1961A-KGBG-E01	COVER ASSY FAN	COVER ASSY FAN	1	1060	
299		19625-KGBG-900	SEAL SHROUD	SEAL SHROUD	1	1200	
289		1962A-KGBG-900	SHROUD ASSY A	SHROUD ASSY A	1	960	
294		19636-KGBG-900	BOX TENSIONER LIFTER	BOX TENSIONER LIFTER	1	200	
292		1963A-KGBG-E00	SHROUD ASSY B	SHROUD ASSY B	1	1150	
271		31110-KGBG-90A	FLYWHEEL COMP (D402)	FLYWHEEL COMP /D402	1	10560	
271A		31110-KGBG-90B	FLYWHEEL COMP (D406)	FLYWHEEL COMP /D406	1	10560	
271B		31110-KGBG-90C	FLYWHEEL COMP (D414)	FLYWHEEL COMP /D414	1	10560	
272		31120-KGBG-90A	STATOR COMP (D402)	STATOR COMP /D402	1	10650	
272A		31120-KGBG-90B	STATOR COMP (D406)	STATOR COMP	1	10650	
272B		31120-KGBG-90C	STATOR COMP (D414)	STATOR COMP /D414	1	10650	
281		70529-6G57-671	GROM B SIDE PNL	GROM B SIDE PNL	1	200	
A		90305-GHK8-001	NUT CLIP 6MM	NUT CLIP 6MM	2	60	
274		92101-05012-0G	BOLT HEX 5*12 (G)	BOLT HEX 5*12 (G)	1	60	
B		93903-24360	SCREW TAPPING 4*12	SCREW TAPPING 4*12	2	60	
284		93904-35380	SCREW TAPPING 5*16	SCREW TAPPING 5*16	2	200	
276		94050-10080	NUT FLANGE 10MM	NUT FLANGE 10MM	1	60	



Sales mark 記号	Ref no 参照用番号	Part no パーツ番号	Description 部品名	Reg description 部品名	Regd no 必要個数	Ref Price 希望小売価格(税抜)	E08
298	96001-06016-06	96001-06016-06	BOLT FLANGE SH 6X16	BOLT FLANGE SH 6X16	1	60	
278	96001-06018-06	96001-06018-06	BOLT FLANGE SH 6X18	BOLT FLANGE SH 6X18	1	60	
273	96001-06022-06	96001-06022-06	BOLT FLANGE SH 6*22 (G)	BOLT FLANGE SH 6*22 (G)	1	60	
286	96001-06025-06	96001-06025-06	BOLT FLANGE SH 6*25	BOLT FLANGE SH 6*25	1	60	

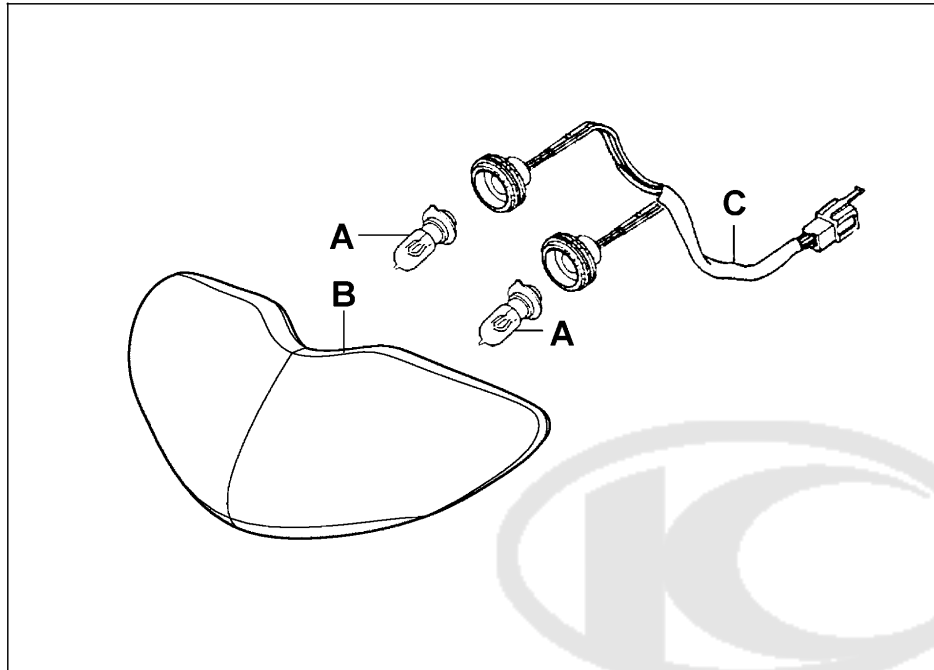




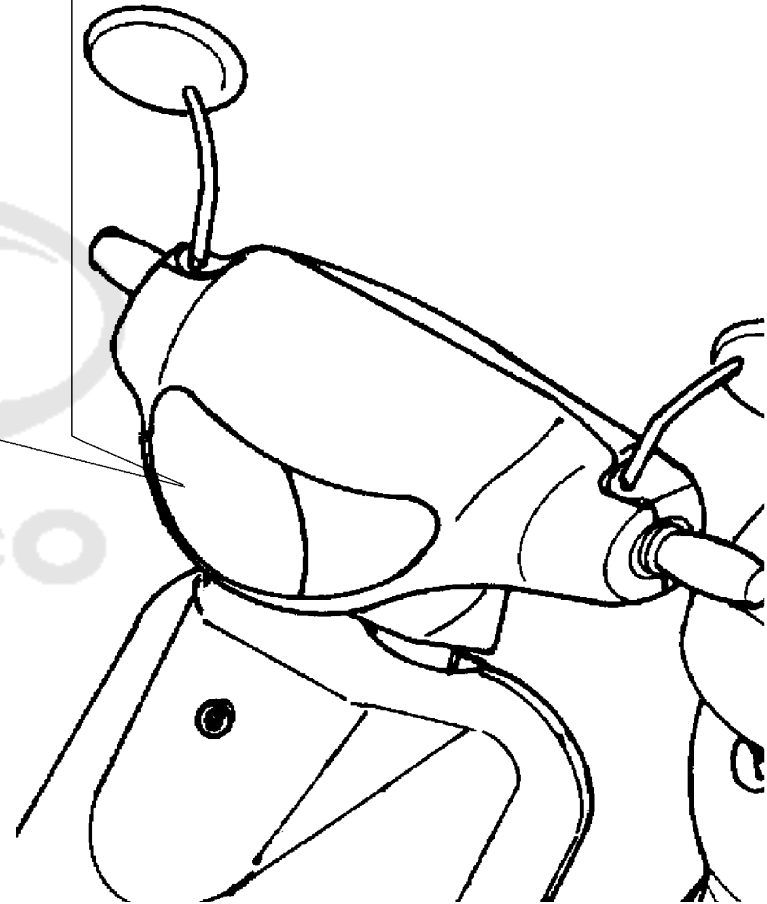
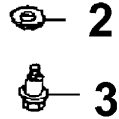
Sales mark 記号	Ref no 参照用番号	Part no パーツ番号	Description 部品名	Reg description 部品名	Regd no 必要個数	Ref Price 希望小売価格(税抜)	E09
A		11203-KHG8-301	PIN BRAKE SHOE ANCHOR	PIN BRAKE SHOE ANCHOR	1	300	
310		21200-GKAK-305	CASE ASSY MISSION	CASE ASSY MISSION	1	15510	
320		21395-LBD3-900	GASKET MISSION CASE @A	GASKET MISSION CASE @A	2	520	
322		23411-KHC5-900	SHAFT DRIVE *(1) C.2006.03.21	SHAFT DRIVE *(1) C.2006.03.21	1	5240	
323		23420-GKAK-901	SHAFT COMP COUNTER	SHAFT COMP COUNTER	1	6280	
324		23431-KNBN-901	SHAFT FINAL	SHAFT FINAL	1	4570	
326		23432-KNBN-901	GEAR FINAL	GEAR FINAL	1	4570	
319		90429-KNBN-901	WASHER SIDE 12MM	WASHER SIDE 12MM	1	350	
318		91004-KBN2-90A	BRG BALL RADIAL 6201	BRG BALL RADIAL 6201	2	2100	
317		91009-GLE0-004	BRG BALL RADIAL 6004 UU	BRG BALL RADIAL 6004 UU	1	1300	
317A		91103-GAR1-00A	BRG NEEDLE 17*25*18 WS	BRG NEEDLE 17*25*18 WS	1	1530	
314		91255-GLE0-006	OIL SEAL 27*42*7	OIL SEAL 27*42*7	1	60	
B		91301-0C53-001	O RING 7.5*1.5	O RING 7.5*1.5	1	60	
313		94050-08080	NUT FLANGE 8MM	NUT FLANGE 8MM	1	60	
321		94301-10200	DOWEL PIN 10*20	DOWEL PIN 10*20	2	200	
325		94510-20000	CIR CLIP EX 20	CIR CLIP EX 20	1	60	

F01

Head Light



1



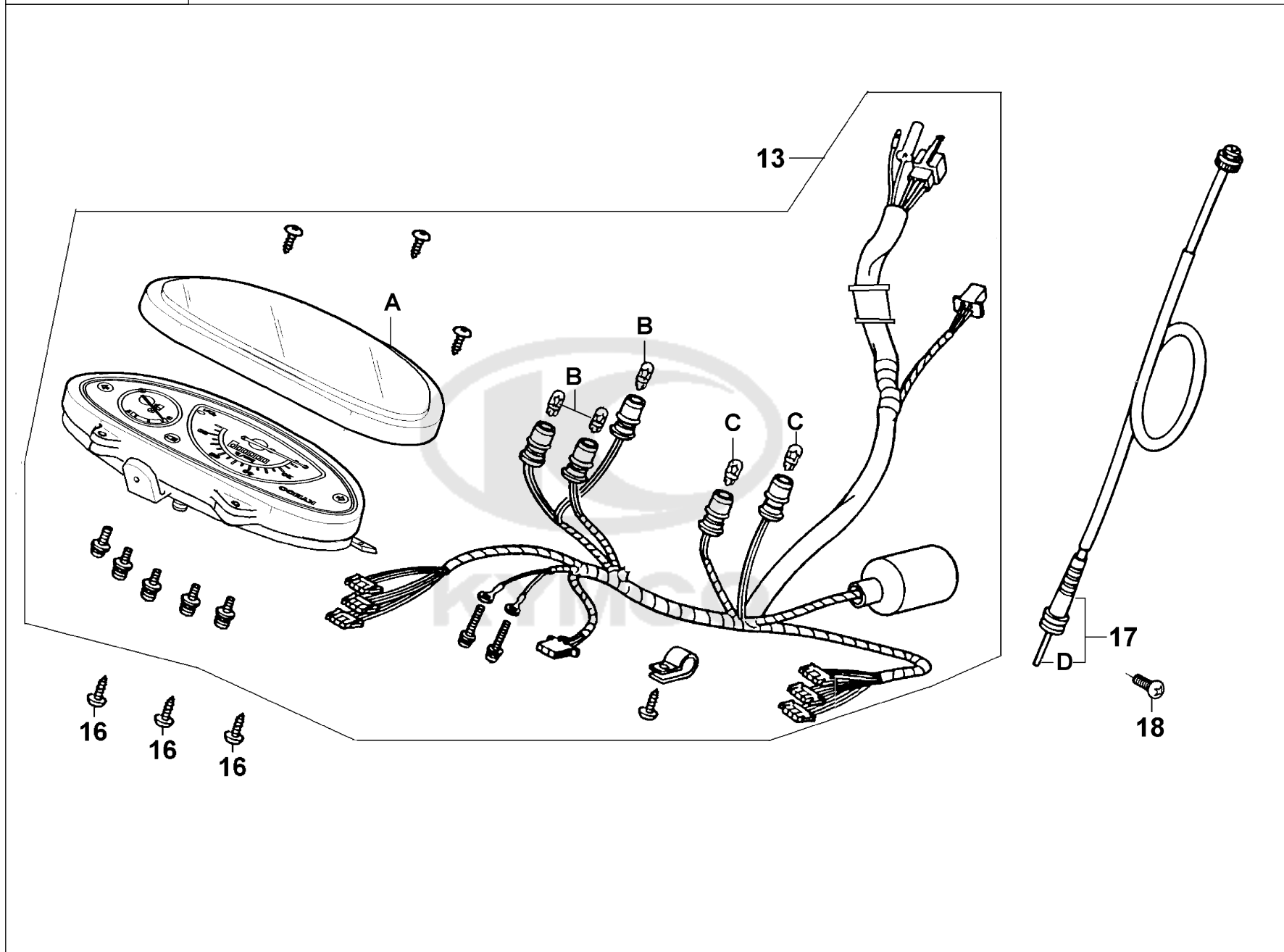
Sales mark 記号	Ref no 参照用番号	Part no パーツ番号	Description 部品名	Reg description 部品名	Regd no 必要個数	Ref Price 希望小売価格(税抜)	F01
------------------	-----------------	------------------	--------------------	------------------------	-----------------	-------------------------	-----

1		33100-KHC4-900	LIGHT ASSY HEAD **9000 C.2003.12.10	LIGHT ASSY HEAD **9000 C.2003.12.10	1	8660	
A		33120-KHC4-910	UNIT HEAD LIGHT **9000 C.2003.03.31	UNIT HEAD LIGHT **9000 C.2003.03.31	2	4670	
C		33130-KHC4-900	SOCKET COMP **9000 C.	SOCKET COMP **9000 C.	1	890	
B		34901-KYBY-900	BULB HEAD LIGHT	BULB HEAD LIGHT	1	1340	
3		90101-GAR1-001	BOLT ADJUST	BOLT ADJUST	1	200	
2		90307-GFJ6-004	WASHER LOCK 6MM	WASHER LOCK 6MM	1	70	



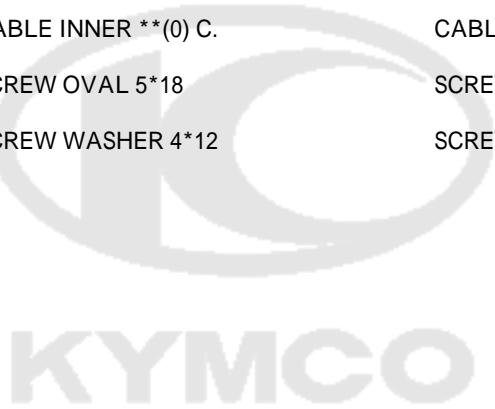
F02

Speedometer



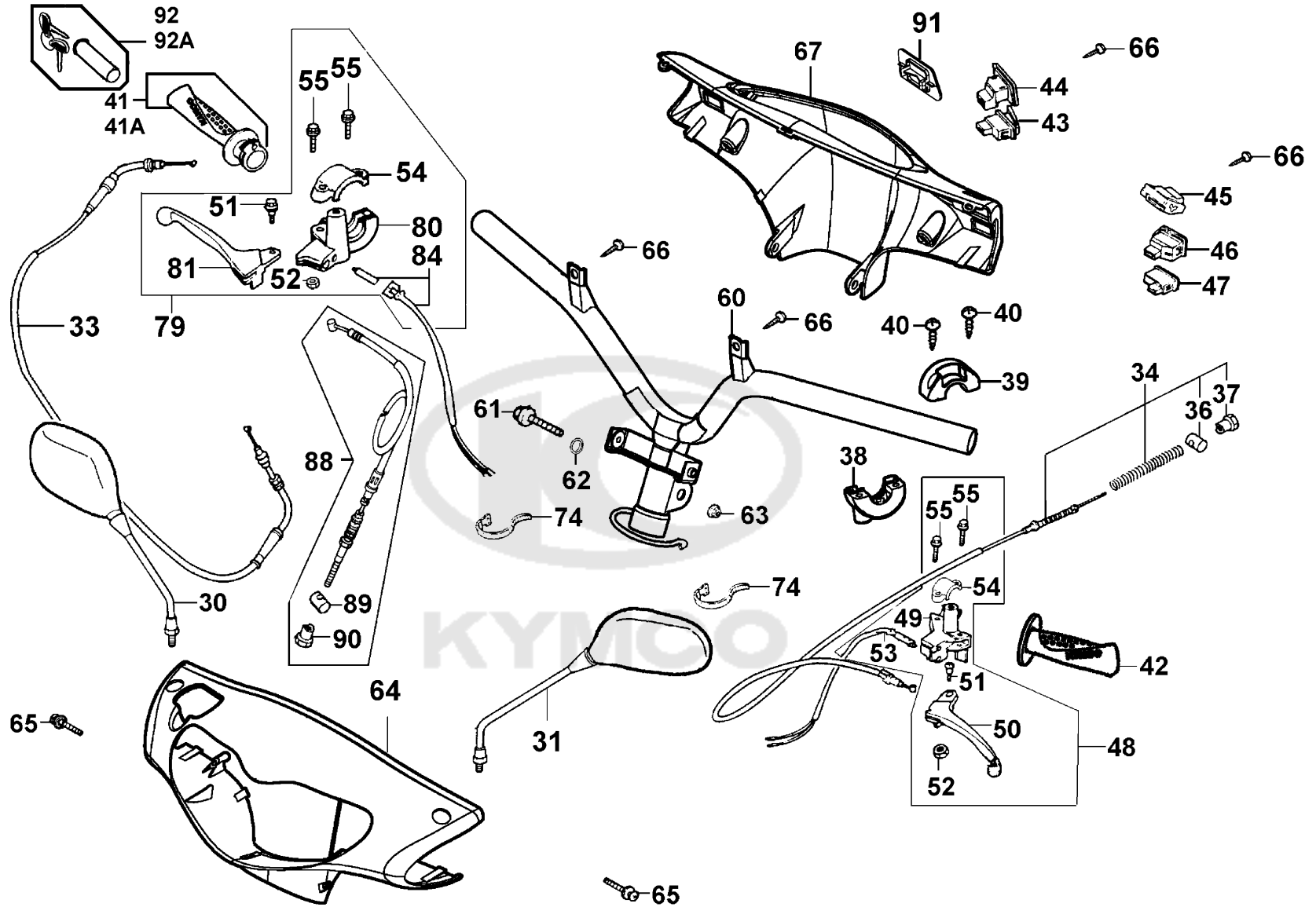
Sales mark 記号	Ref no 参照用番号	Part no パーツ番号	Description 部品名	Reg description 部品名	Regd no 必要個数	Ref Price 希望小売価格(税抜)
B		34908-MKB9-87A	BULB WEDGE BASE T10	BULB WEDGE BASE T10	3	130
C		34909-KEBE-900	BULB WEDGE BASE	BULB WEDGE BASE	2	300
13		37200-KHC5-B0A	METER ASSY SPEED *(1) C.2002.03.25	METER ASSY SPEED *(1) C.2002.03.25	1	18060
13		37200-KHC5-B0B	METER ASSY SPEED *(1) C.2002.03.25	METER ASSY SPEED *(1) C.2002.03.25	1	18060
A		37211-KHC4-90A	LENS **9000-M1 C.2002.12.02	LENS **9000-M1 C.2002.12.02	1	1530
A		37211-KHC4-90B	LENS **9000-M2 C.2002.12.02	LENS **9000-M2 C.2002.12.02	1	1530
17		44830-KHC4-800	CABLE COMP SPDMT	CABLE COMP SPDMT	1	1110
D		44831-KHC4-800	CABLE INNER *(0) C.	CABLE INNER *(0) C.	1	580
18		93700-05018-0F	SCREW OVAL 5*18	SCREW OVAL 5*18	1	60
16		93903-35360	SCREW WASHER 4*12	SCREW WASHER 4*12	1	60

F02



F03

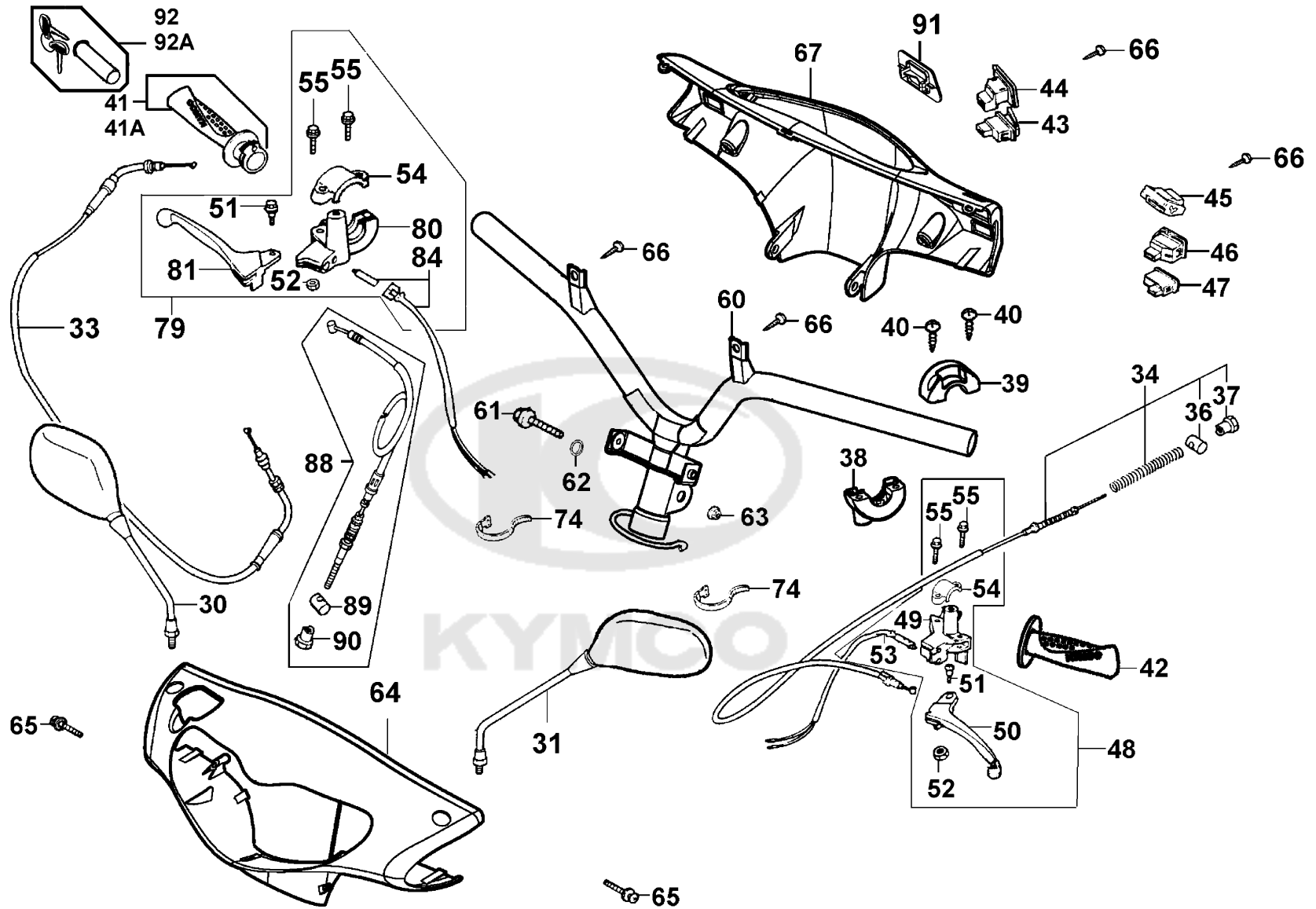
Handle Steering Handle Cover



Sales mark 記号	Ref no 参照用番号	Part no パーツ番号	Description 部品名	Reg description 部品名	Regd no 必要個数	Ref Price 希望小売価 格(税抜)	F03
	33	17910-KHC4-900	CABLE COMP THROT	CABLE COMP THROT	1	1910	
	92	35106-KHC4-305-M1	LOCK SET THROT GRIP	LOCK SET THROT GRIP	1	2670	
	92A	35106-KHC4-305-M2	LOCK SET THROT GRIP	LOCK SET THROT GRIP	1	2100	
	44	35150-GFY6-900	SW UNIT LIGHTING	SW UNIT LIGHTING	1	680	
	43	35160-GGS7-900	SW UNIT START	SW UNIT START	1	730	
	45	35170-GGS7-900	SW UNIT DIMMER	SW UNIT DIMMER	1	730	
	47	35180-GGS7-900	SW UNIT HORN	SW UNIT HORN	1	540	
	46	35200-GFY6-910	SW UNIT WINKER	SW UNIT WINKER	1	830	
	53	35340-GBN2-770	SW ASSY FR STOP	SW ASSY FR STOP	1	560	
	84	35340-KKJ9-010	SW ASSY FR STOP	SW ASSY FR STOP	1	510	
	34	43450-KHC5-900	CABLE COMP RR BRAKE **9000	CABLE COMP RR BRAKE **9000	1	1630	
	88	45450-KFA2-900	CABLE COMP FR BRK **9000	CABLE COMP FR BRK **9000 C.2003.04.30	1	1150	
	54	45517-GFY6-900	HOLDER HNDL BRKT	HOLDER HNDL BRKT	1	260	
	60	53100-KHC4-900	HANDLE COMP STRG **(2) C.2004.06.09	HANDLE COMP STRG **(2) C.2004.06.09	1	5520	
**	41A	53140-KFA1-900	GRIP COMP THROT	GRIP COMP THROT	1	870	
**	41	53140-KHC4-900	GRIP COMP THROT/BLACK	GRIP COMP THROT/BLACK	1	960	
**	42	53166-KFA1-900	GRIP L HANDLE	GRIP L HANDLE	1	770	
	38	53167-LHJ6-900	HOUSING UND THROT	HOUSING UND THROT	1	320	
	39	53168-KFA1-900	HOUSING UP THROT	HOUSING UP THROT	1	300	
	80	53170-KHC3-900	BRKT HANDLE RH	BRKT HANDLE RH	1	1150	

F03

Handle Steering Handle Cover

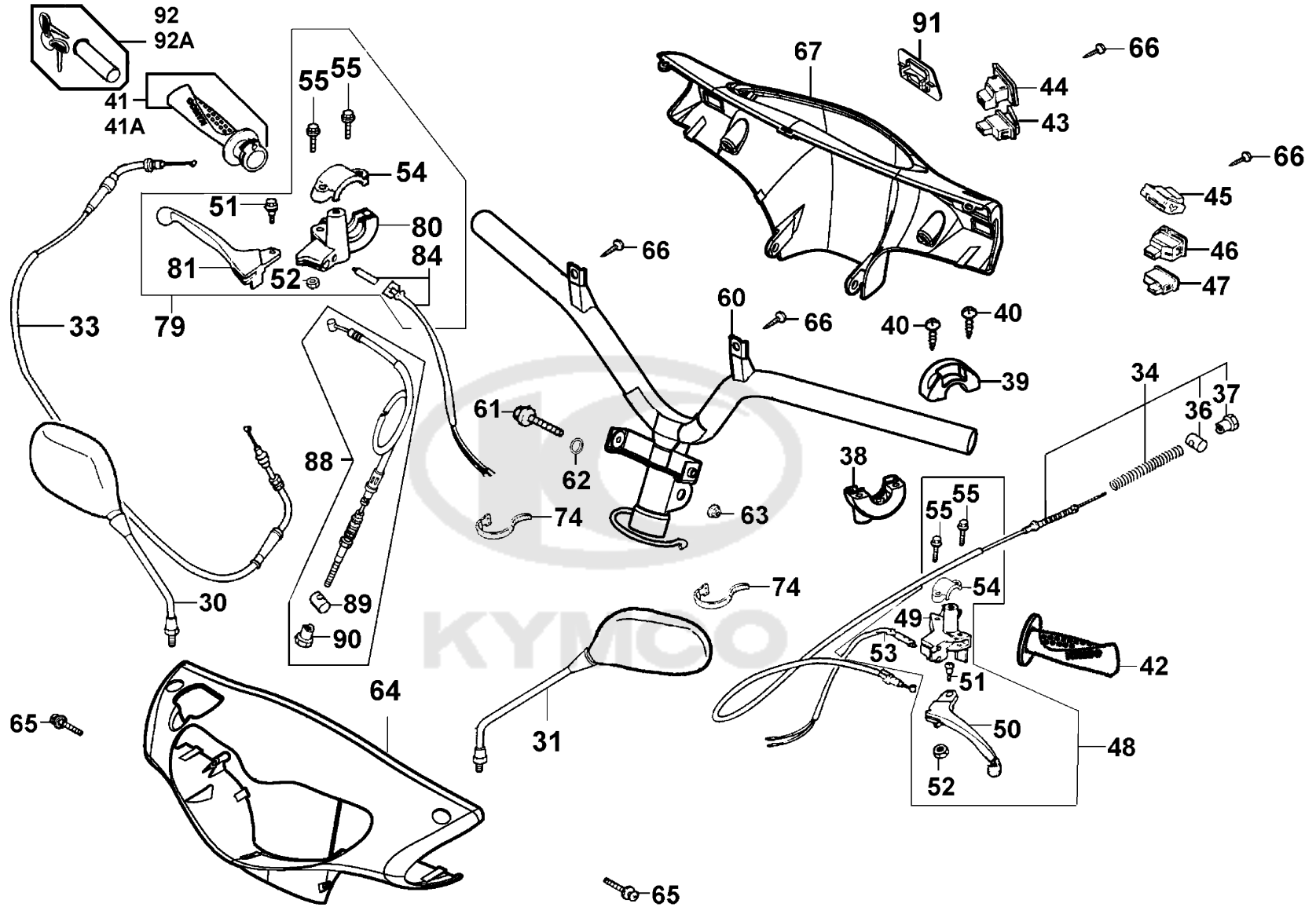


Sales mark 記号	Ref no 参照用番号	Part no パーツ番号	Description 部品名	Reg description 部品名	Regd no 必要個数	Ref Price 希望小売価格(税抜)
	49	53172-KHC4-900	BRKT L STRG HANDLE **9000	BRKT L STRG HANDLE **9000 C.2005.04.25	1	1150
**	81	53175-KHC3-900	LEVER STRG HANDLE	LEVER STRG HANDLE	1	770
**	50	53178-KHC4-900	LEVER L STRG HANDLE **N1S	LEVER L STRG HANDLE **N1S C.2005.04.25	1	770
	48	5317A-KHC4-900	BRKT ASSY HANDLE L **(0) C.	BRKT ASSY HANDLE L **(0) C.	1	2670
	79	5317B-KHC3-900	BRKT ASSY HNDL R	BRKT ASSY HNDL R	1	2670
**	64	53205-KHC3-900	COVER FR HANDLE /PURPLE	COVER FR HANDLE /PURPLE METALLIC	1	4190
**	67	53206-KHC4-900	COVER RR HANDLE **9000-NH001R	COVER RR HANDLE **9000-NH001R	1	1720
**	91	53207-KKD9-B00	COVER SWITCH **(0) C.2005.04.25	COVER SWITCH **(0) C.2005.04.25 (Black)	1	160
	30	88110-KHC3-900	MIRROR ASSY R BACK **9000	MIRROR ASSY R BACK **9000 C.2003.03.01	1	1720
	31	88120-KHC3-900	MIRROR ASSY L BACK **9000	MIRROR ASSY L BACK **9000 C.2003.03.01	1	1720
	51	90115-GLE0-001	BOLT HNDL LEVER PIVOT	BOLT HNDL LEVER PIVOT	1	60
	63	90304-GHE8-004	NUT CAP 6MM	NUT CAP 6MM	1	200
	74	90656-KCBC-900	BAND OIL HANDLE	BAND OIL HANDLE	1	60
	40	93500-05022-0G	SCREW PAN 5*22	SCREW PAN 5*22	2	60
	65	93891-05012-06	SCREW WASHER 5*12	SCREW WASHER 5*12	2	60
	66	93903-34360	SCREW WASHER 4*12	SCREW WASHER 4*12	2	60
	52	94001-05080-0S	NUT HEX 5MM	NUT HEX 5MM	1	60
	62	94101-10800	WASHER PLAIN 10MM	WASHER PLAIN 10MM	1	200
	89	95015-31001	JOINT A BRAKE ARM	JOINT A BRAKE ARM	1	200
	36	95015-32001	JOINT B BRAKE ARM	JOINT B BRAKE ARM	1	60

F03

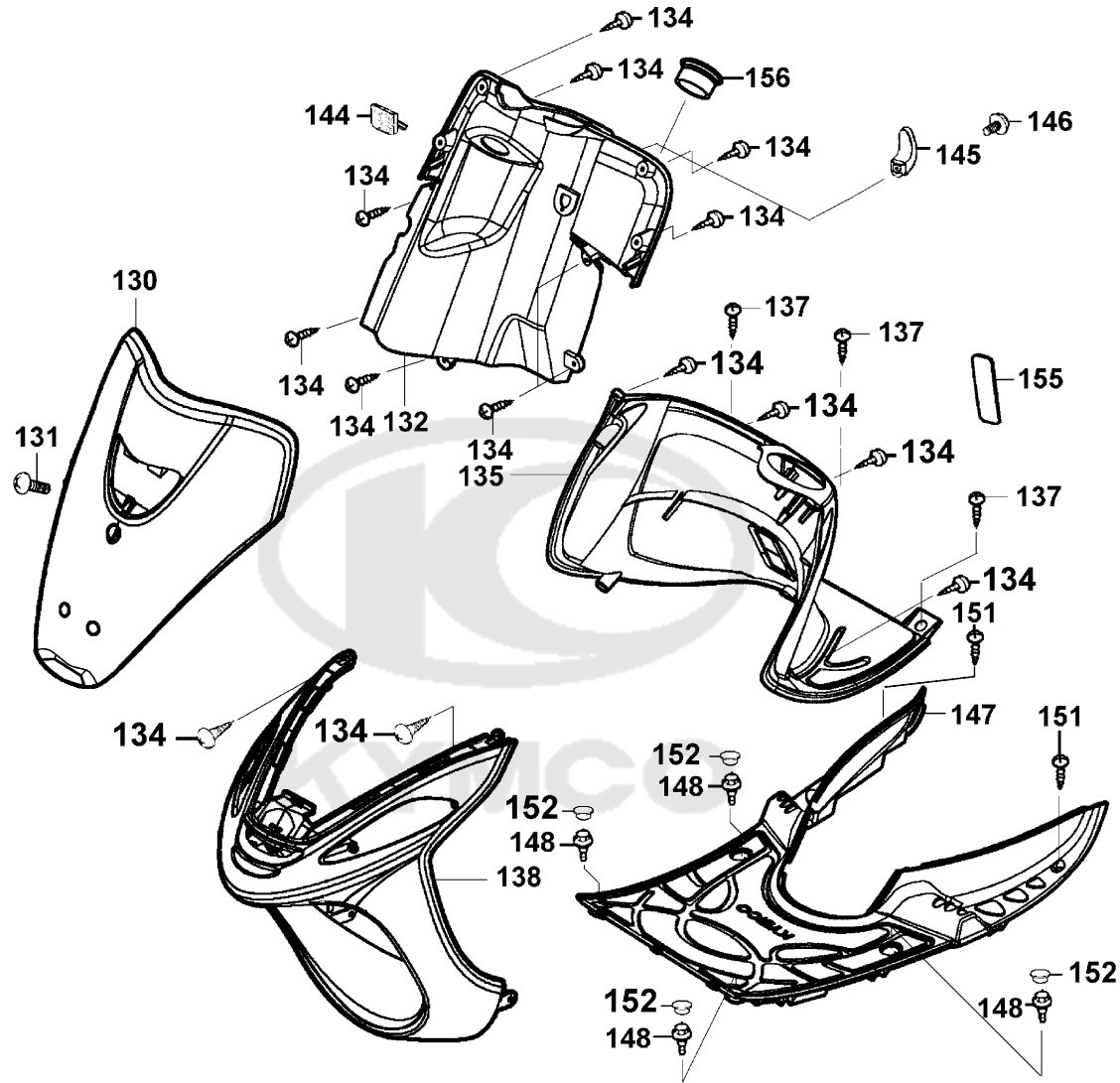
F03

Handle Steering Handle Cover

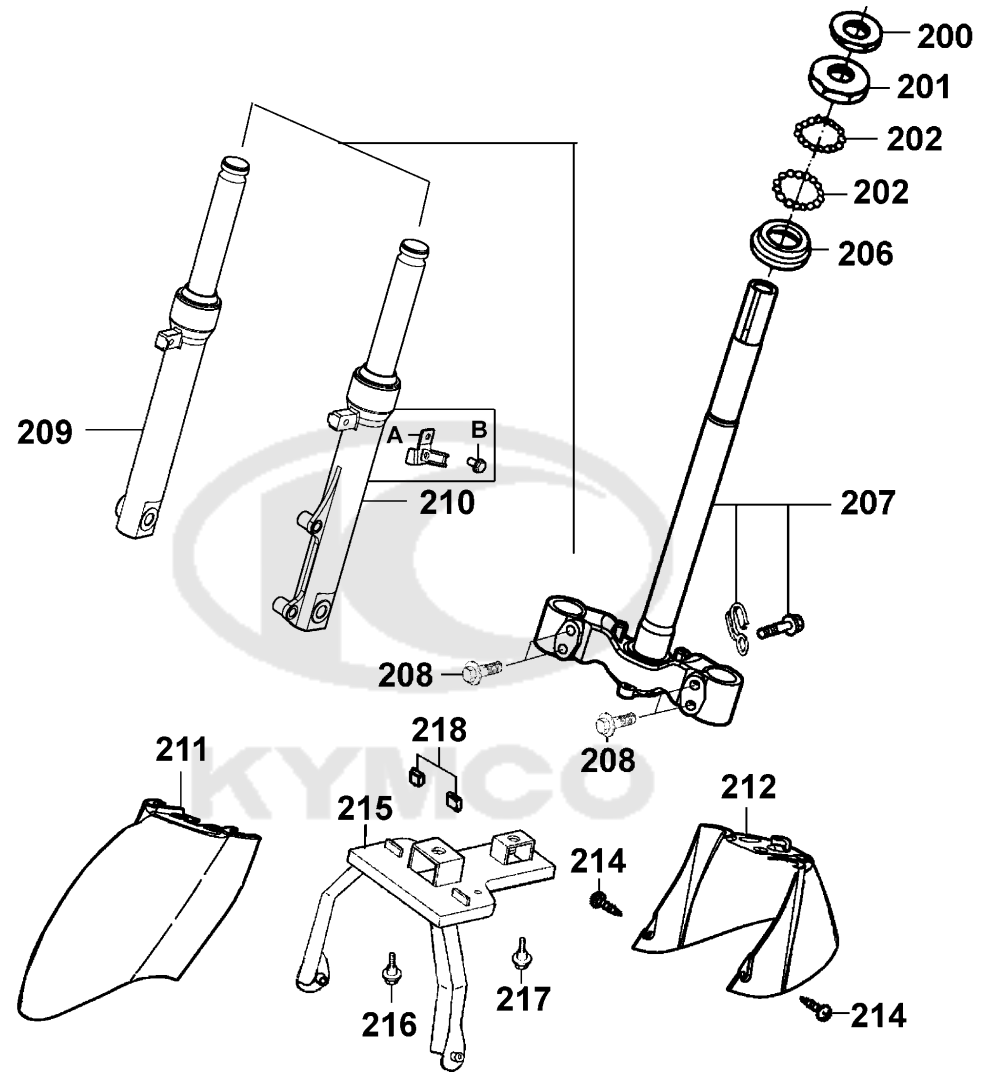


Sales mark 記号	Ref no 参照用番号	Part no パーツ番号	Description 部品名	Reg description 部品名	Regd no 必要個数	Ref Price 希望小売価格(税抜)	F03
90	95015-41000	95015-41000	NUT A ADJUST	NUT A ADJUST	1	200	
37	95015-42000	95015-42000	NUT B ADJUST	NUT B ADJUST	1	60	
61	95801-10040-06	95801-10040-06	BOLT FLANGE 10*40	BOLT FLANGE 10*40	1	80	
55	96001-06025-06	96001-06025-06	BOLT FLANGE SH 6*25	BOLT FLANGE SH 6*25	2	60	





Sales mark 記号	Ref no 参照用番号	Part no パーツ番号	Description 部品名	Reg description 部品名	Regd no 必要個数	Ref Price 希望小売価格(税抜)	F04
	156	17623-KHC4-90A	COLLAR FUEL CAP	COLLAR FUEL CAP	1	300	
**	130	64301-KHC3-900	COVER FR	COVER FR	1	9320	
**	138	64302-KHC3-900	FR MOLDING **9000-NH001R	FR MOLDING **9000-NH001R	1	4760	
**	147	64310-KHC4-900	FLOOR PANEL **9000-NH001R	FLOOR PANEL **9000-NH001R	1	5330	
**	152	64316-KHC4-900	PLUG FLOOR **9000-NH001R	PLUG FLOOR **9000-NH001R	2	200	
**	132	81131-KHC4-900	COVER INNER UP **(1) C.2002.05.28	COVER INNER UP **(1) C.2002.05.28	1	3050	
**	145	81132-GHAH-001	HOOK LUGGAGE	HOOK LUGGAGE	1	300	
	144	81133-KNBN-901	COVER INNER BOX	COVER INNER BOX	1	60	
**	135	81141-KHC4-900	COVER INNER LOW **(4) C.2002.05.28	COVER INNER LOW **(4) C.2002.05.28	1	4760	
**	155	81142-KUDU-900	LID LEG SHIELD(VIN)(Black)	LID LEG SHIELD(VIN)(Black)	1	200	
	131	90110-GLW0-001	SCREW SPECIAL 6*14	SCREW SPECIAL 6*14	1	200	
	146	90164-MDR4-901	SCREW SPECIAL 6MM	SCREW SPECIAL 6MM	1	70	
	148	93404-06016-06	BOLT WASHER 6*16	BOLT WASHER 6*16	4	60	
	134	93903-34360	SCREW WASHER 4*12	SCREW WASHER 4*12	9	60	
	137	93903-35360	SCREW WASHER 4*12	SCREW WASHER 4*12	3	60	
	151	93903-GFY6-900	SCREW WASHER 4*12	SCREW WASHER 4*12	2	60	

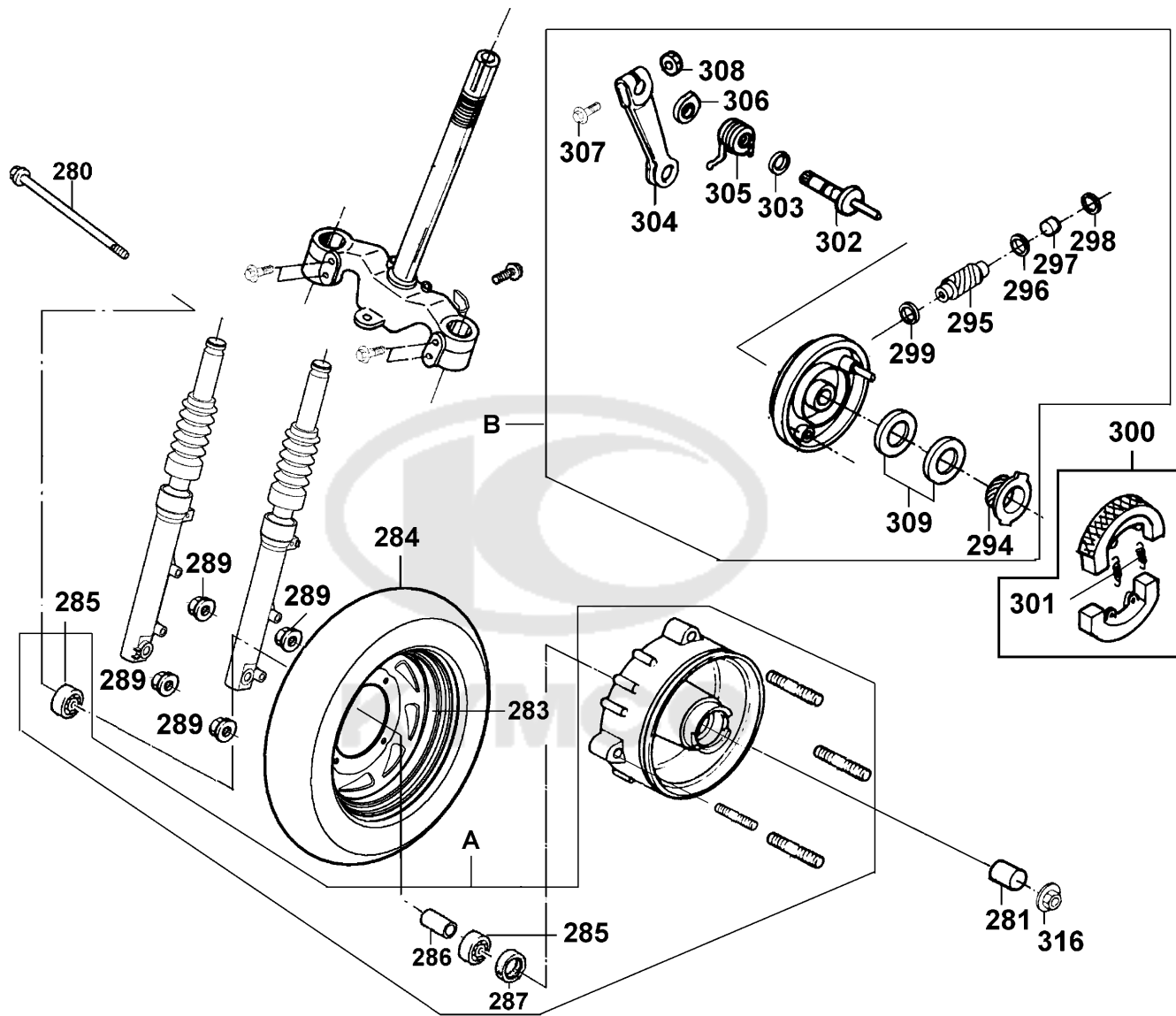


Sales mark 記号	Ref no 参照用番号	Part no パーツ番号	Description 部品名	Reg description 部品名	Regd no 必要個数	Ref Price 希望小売価格(税抜)
A		45465-KFB5-900	GUIDE HOSE FR **9000 C.2007.03.16	GUIDE HOSE FR **9000 C.2007.03.16	1	390
	200	50306-1F96-001	NUT STRG STEM LOCK	NUT STRG STEM LOCK	1	300
**	209	51400-KHC3-900	FORK ASSY R FR **(0) C.2005.03.17	FORK ASSY R FR **(0) C.2005.03.17	1	10840
	215	51409-KFA2-900	STAY FR FENDER **9000	STAY FR FENDER **9000	1	1720
**	210	5150A-KHC3-900	FORK ASSY L FR **(0) C.2005.03.17	FORK ASSY L FR **(0) C.2005.03.17	1	11320
	207	53200-KFA2-900	STEM COMP STRG **9000 C.2006.12.05	STEM COMP STRG **9000 C.2006.12.05	1	8750
	201	53211-GFY6-940	RACE STRG TOP CONE	RACE STRG TOP CONE	1	580
	206	53212-GHC8-004	RACE (STRG BOTTOM) CONE	RACE (STRG BOTTOM) CONE	1	390
**	211	61110-KFA2-900	FENDER A FR **9000-PB242P	FENDER A FR **9000-PB242P	1	3810
**	212	61120-KFA2-900	FENDER B FRONT **9000-NH001R	FENDER B FRONT **9000-NH001R	1	1440
	218	81142-KCLC-900	RUBBER LID STOPPER	RUBBER LID STOPPER	2	110
	217	90112-GCC3-001	BOLT SPECIAL 5MM	BOLT SPECIAL 5MM	1	60
	216	90112-KCLC-900	BOLT SPECIAL 5MM	BOLT SPECIAL 5MM	1	200
	214	93891-06016-06	SCREW WASHER 6X16	SCREW WASHER 6X16	2	130
B		95701-06012-06	BOLT FLANGE 6*22 (K)	BOLT FLANGE 6*22 (K)	1	60
	208	95801-08040-06	BOLT FLANGE 8*40	BOLT FLANGE 8*40	1	60
	202	96211-05000	BALL STEEL #5	BALL STEEL #5	26	60

F05

F06

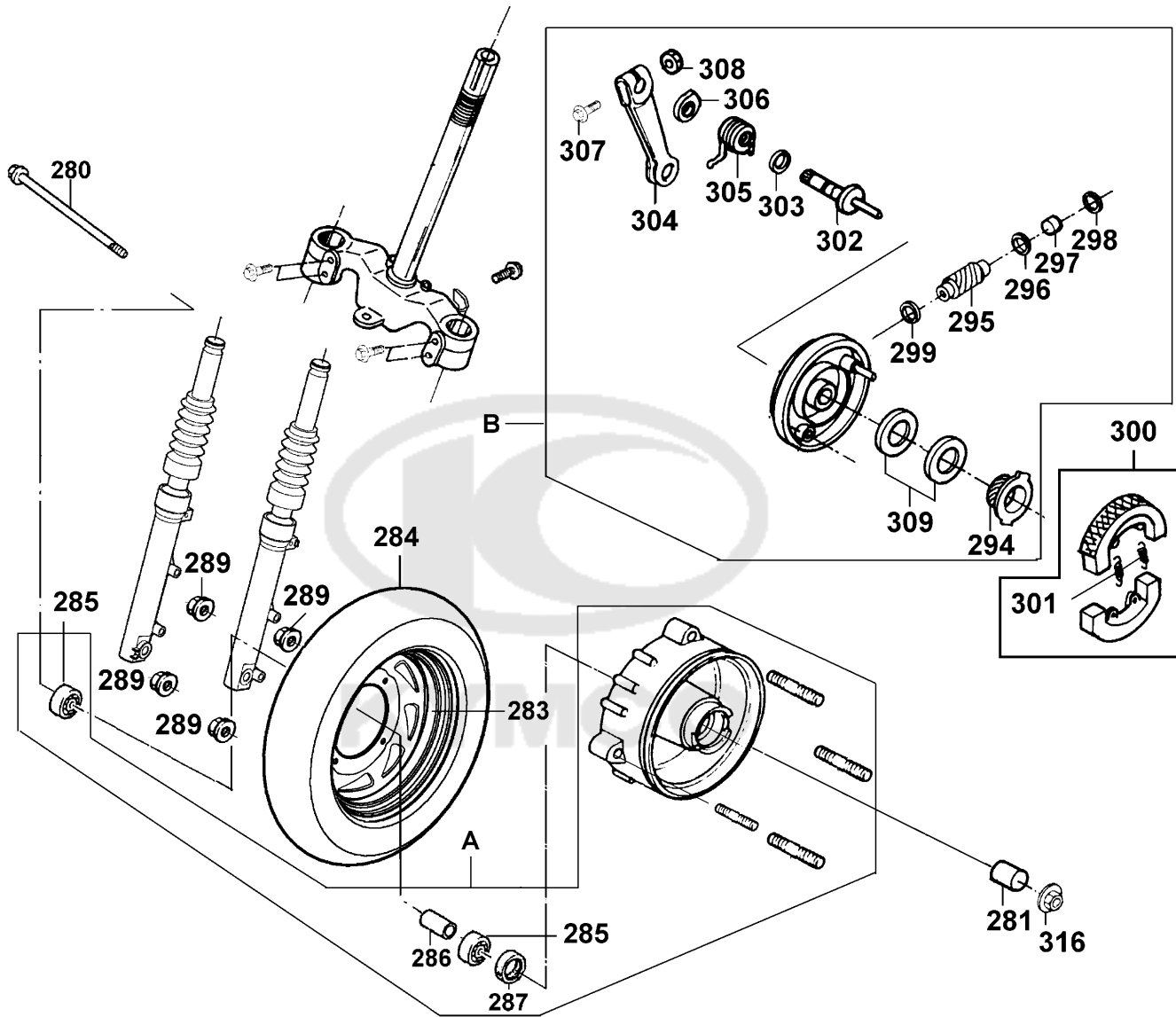
Front Wheel



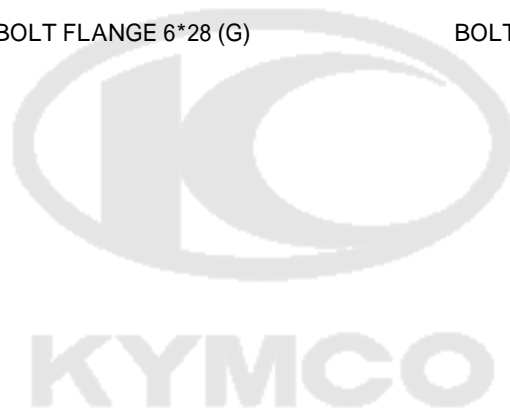
Sales mark 記号	Ref no 参照用番号	Part no パーツ番号	Description 部品名	Reg description 部品名	Regd no 必要個数	Ref Price 希望小売価格(税抜)	F06
	300	4312A-KXCX-910	SHOE ASSY BRAKE	SHOE ASSY BRAKE	1	2080	
	302	43141-4L00-011	CAM REAR BRAKE	CAM REAR BRAKE	1	580	
	280	44301-KBE2-981	AXLE FR WHEEL M12*200MM	AXLE FR WHEEL M12*200MM	1	770	
	281	44311-GLW0-901	COLLAR FR WHEEL SIDE	COLLAR FR WHEEL SIDE	1	390	
**	A	44610-GLW0-305	HUB SUB ASSY FR	HUB SUB ASSY FR	1	7800	
	286	44620-GHC8-001	COLLAR FR AXLE DISTANCE	COLLAR FR AXLE DISTANCE	1	200	
**	283	44705-KHC4-900	RIM COMP FR WHEEL	RIM COMP FR WHEEL	1	6850	
	284	44710-KGBG-90A	TIRE ASSY FR 90/90-10 50J /CHENG SHIN	TIRE ASSY FR 90/90-10 50J /CHENG SHIN	1	7450	
	297	44803-GFY6-90A	BUSH PINION	BUSH PINION	1	130	
	295	44805-GGC7-004	PINION SPDMT	PINION SPDMT	1	680	
	294	44806-GGC7-004	GEAR SPEEDMETER	GEAR SPEEDMETER	1	420	
	296	44807-0A01-004	WASHER GEAR BOX PINION	WASHER GEAR BOX PINION	1	110	
	309	44809-1L70-004	WASHER SPDMT GEAR	WASHER SPDMT GEAR	2	110	
**	B	45000-GLW0-305	PANEL ASSY FR BRK	PANEL ASSY FR BRK	1	7520	
	301	45133-0H28-001	SPRING BRAKE SHOE	SPRING BRAKE SHOE	2	160	
	303	45134-2L50-001	BRAKE CAM DUST SEAL	BRAKE CAM DUST SEAL	1	60	
	306	45145-0F96-651	INDICATOR FRONT BRAKE	INDICATOR FRONT BRAKE	1	110	
	304	45410-GBB2-001	ARM FRONT BRAKE	ARM FRONT BRAKE	1	390	
	305	45450-KFA2-900	CABLE COMP FR BRK **9000	CABLE COMP FR BRK **9000 C.2003.04.30	1	1150	
	316	90306-KLF0-004-SY	NUT FLANGE 12MM	NUT FLANGE 12MM	1	200	

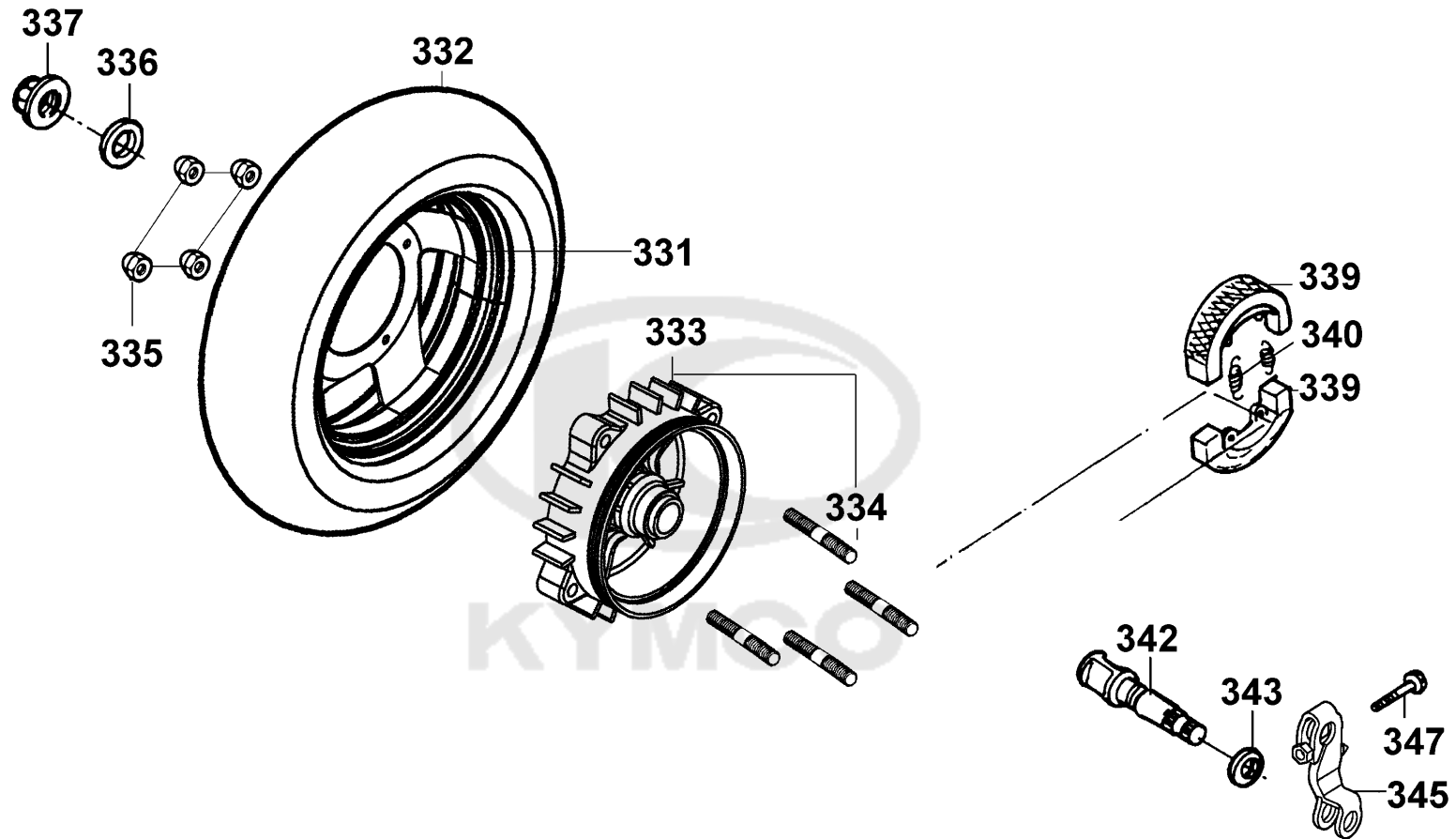
F06

Front Wheel



Sales mark 記号	Ref no 参照用番号	Part no パーツ番号	Description 部品名	Reg description 部品名	Regd no 必要個数	Ref Price 希望小売価格(税抜)	F06
289		90309-GLW0-90A	NUT U FLANGE 8MM	NUT U FLANGE 8MM	4	110	
287		90754-GHC8-00A	SEAL DUST 20*32*5	SEAL DUST 20*32*5	1	100	
285		90912-GHC8-00A	BEARING 6201 (U)	BEARING 6201 (U)	2	770	
285		90912-GHC8-00D	BEARING	BEARING	2	630	
299		91251-GHC8-004	SEAL OIL 41*51*5	SEAL OIL 41*51*5	1	130	
298		91256-GAC1-004	SEAL DUST	SEAL DUST	1	130	
308		94050-06080	NUT FLANGE 6MM	NUT FLANGE 6MM	1	60	
307		95701-06028-06	BOLT FLANGE 6*28 (G)	BOLT FLANGE 6*28 (G)	1	200	

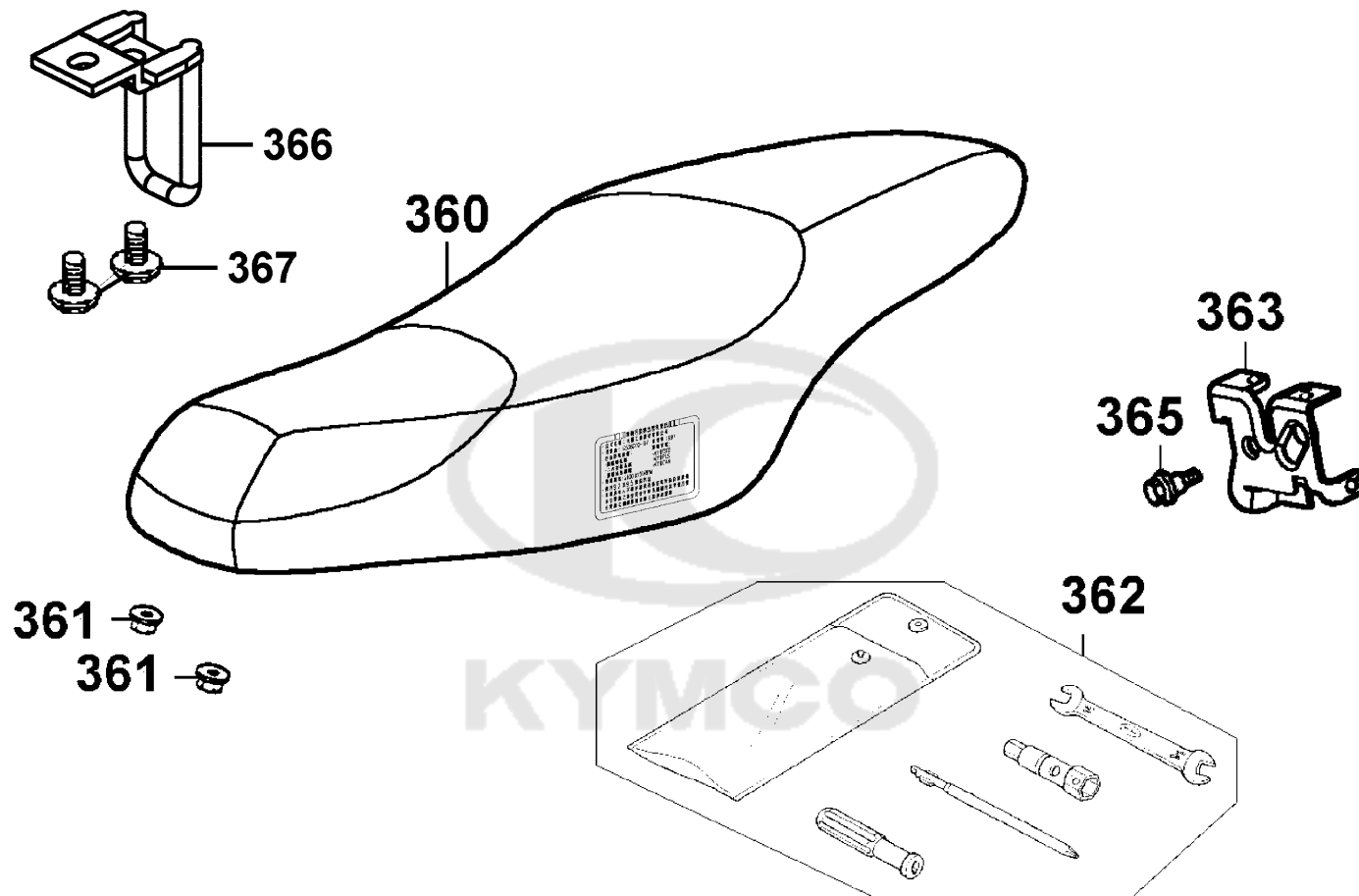




Sales mark 記号	Ref no 参照用番号	Part no パーツ番号	Description 部品名	Reg description 部品名	Regd no 必要個数	Ref Price 希望小売価格(税抜)	F07
**	333	42610-GKAK-901	HUB SUB COMP RR	HUB SUB COMP RR	1	7610	
**	331	42705-KHC4-900	RIM COMP WHEEL	RIM COMP WHEEL	1	7610	
	339	4312A-KXCX-900	SHOE ASSY RR BRK	SHOE ASSY RR BRK	1	1960	
	342	43141-GKAK-901	CAM RR BRAKE	CAM RR BRAKE	1	770	
	345	43410-KFA1-900	ARM COMP RR BRAKE	ARM COMP RR BRAKE	1	610	
	332	44710-KFA1-90B	TIRE ASSY FR/90/90-10 4P TL /KENDA	TIRE ASSY FR/90/90-10 4P TL /KENDA	1	5520	
	340	45133-0H28-001	SPRING BRAKE SHOE	SPRING BRAKE SHOE	2	160	
	334	90110-KHG8-901	BOLT STUD2 8*22	BOLT STUD2 8*22	4	130	
	337	90305-KNBN-90B	NUT U 16MM	NUT U 16MM	1	110	
	335	90309-GLW0-90A	NUT U FLANGE 8MM	NUT U FLANGE 8MM	4	110	
	336	90501-KNBN-901	WASHER 16MM	WASHER 16MM	1	80	
	343	91352-KHG8-83B	O-RING 11.3*1.3	O-RING 11.3*1.3	1	60	
	347	95701-06032-06	BOLT FLANGE 6*32	BOLT FLANGE 6*32	1	60	

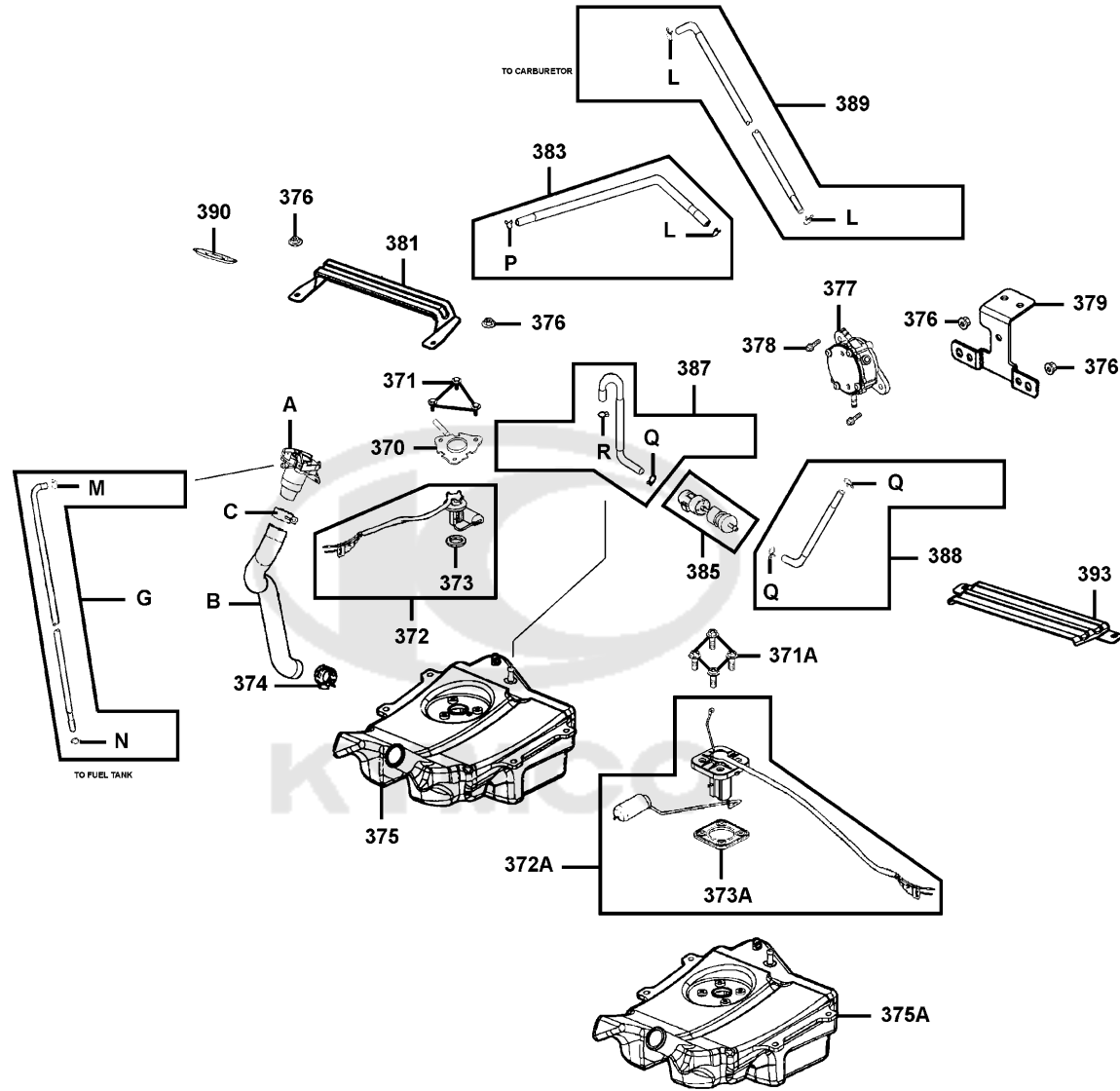
F08

Seat



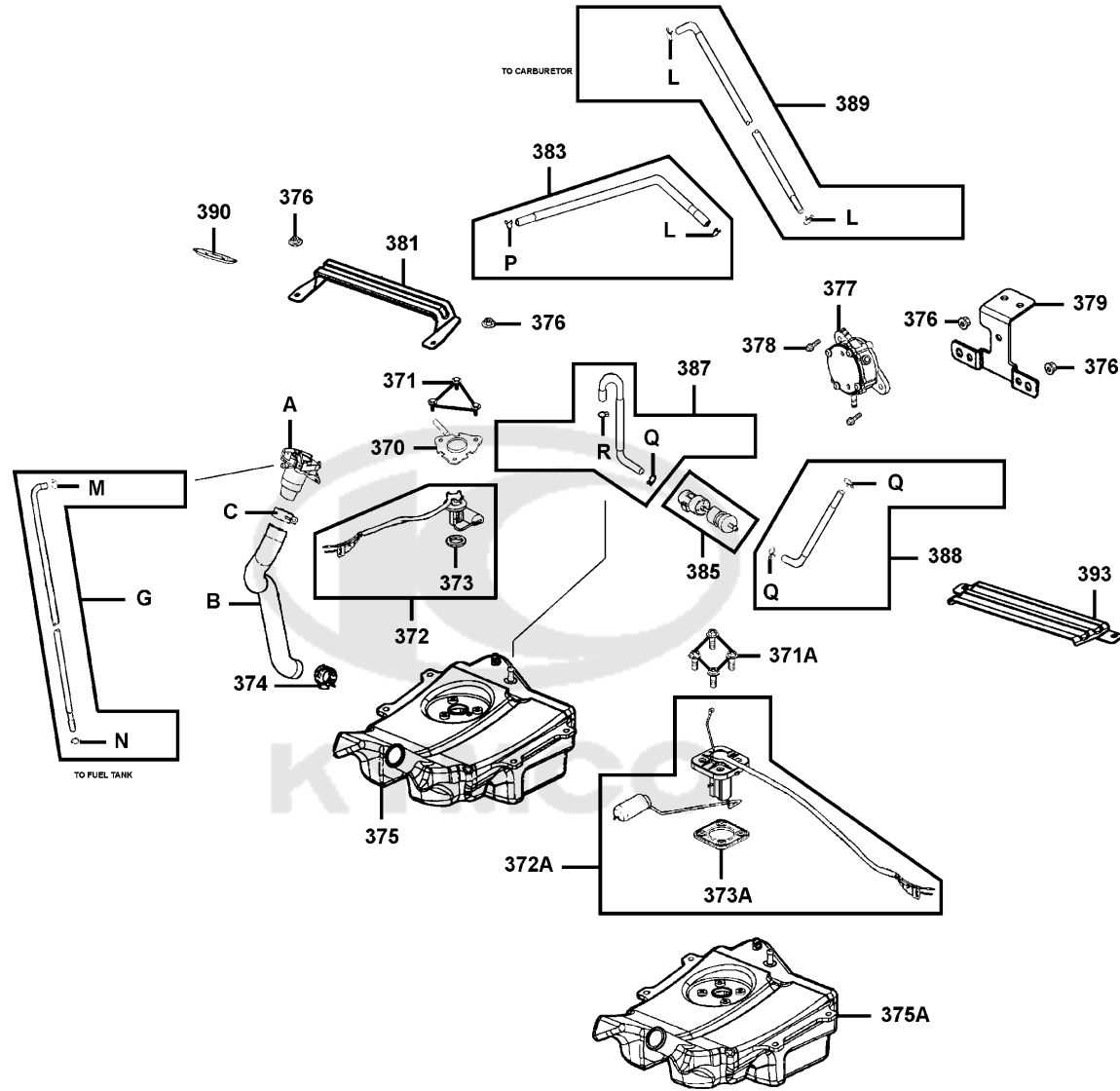
Sales mark 記号	Ref no 参照用番号	Part no パーツ番号	Description 部品名	Reg description 部品名	Regd no 必要個数	Ref Price 希望小売価格(税抜)	F08
**	360	77200-KHC5-E00	SEAT COMP (KO1Y-OBC) **(3)	SEAT COMP (KO1Y-OBC) **(3) C.2009.04.14	1	9320	
	363	77235-KHC4-900	SEAT CATCH COMP	SEAT CATCH COMP	1	1250	
	366	77303-KHC4-900	HOOK SEAT LOCK **9000 C.2007.03.16	HOOK SEAT LOCK **9000 C.2007.03.16	1	260	
	362	89010-KGBG-900	TOOL SET	TOOL SET	1	1720	
	367	90101-KGC4-E00	SCREW SPECIAL 6*15	SCREW SPECIAL 6*15	2	60	
	361	94050-06080	NUT FLANGE 6MM	NUT FLANGE 6MM	2	60	
	365	95701-06012-06	BOLT FLANGE 6*22 (K)	BOLT FLANGE 6*22 (K)	1	60	





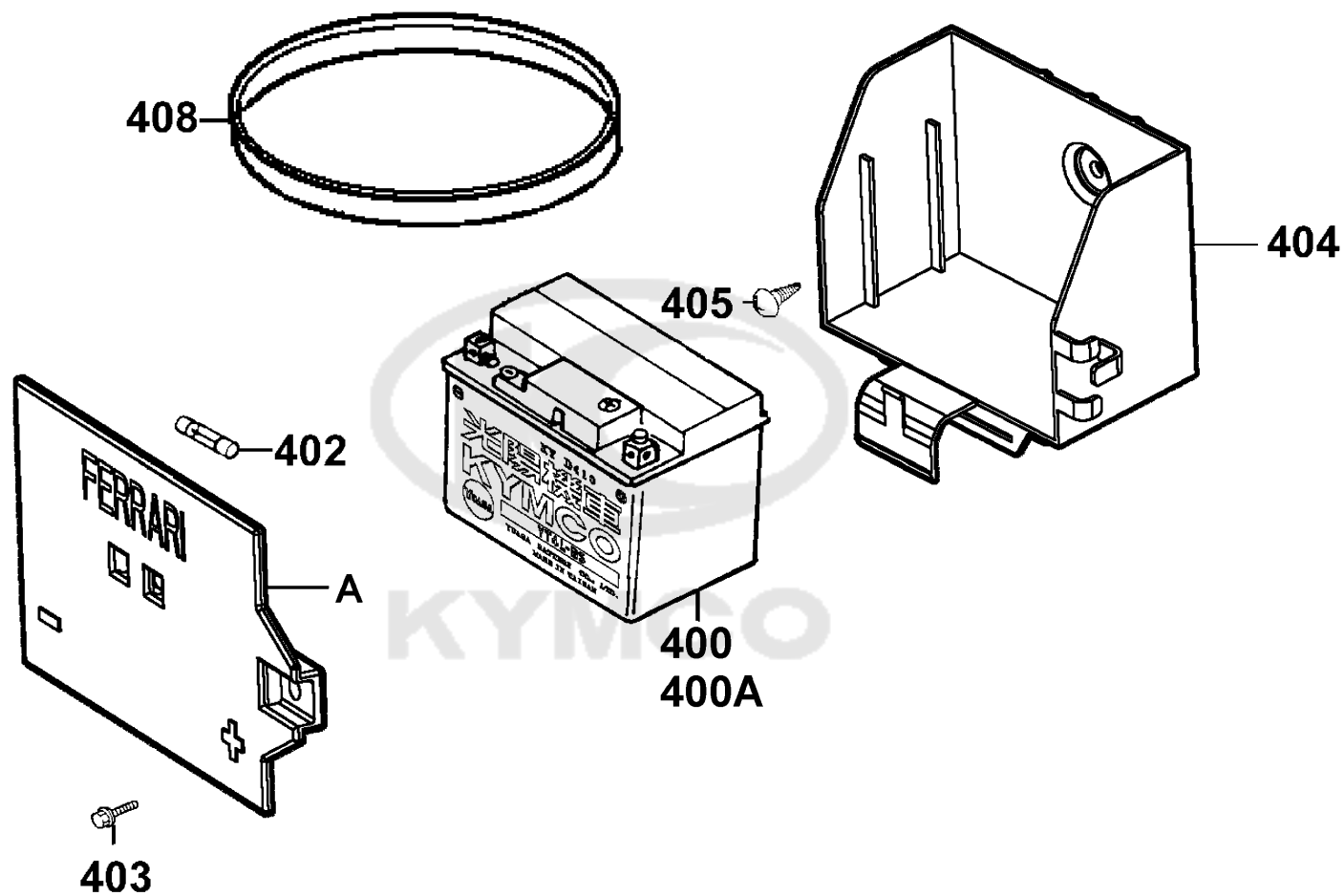
Sales mark 記号	Ref no 参照用番号	Part no パーツ番号	Description 部品名	Reg description 部品名	Regd no 必要個数	Ref Price 希望小売価格(税抜)
	377	16700-GKAK-220	FUEL PUMP ASSY	FUEL PUMP ASSY	1	7610
	385	1691A-KEC2-E00	STRAINER ASSY FUEL	STRAINER ASSY FUEL	1	1010
	N	17369-KHC4-900	CLIP BREATHER TUBE	CLIP BREATHER TUBE	1	160
	B	17502-KHC4-900	HOSE FUEL ASS'Y **9000 C.	HOSE FUEL ASS'Y **9000 C.	1	2010
	A	17504-KHC4-900	PIPE COMP FUEL FILLER **9000 C.	PIPE COMP FUEL FILLER **9000 C.	1	3240
	375	17510-KHC4-900	FUEL TANK COMP **910 N.C.	FUEL TANK COMP **910 N.C.	1	10980
	375A	17510-KHC4-910	TANK COMP FUEL **2005.03.01	TANK COMP FUEL **2005.03.01	1	10980
	390	17550-KHC4-900	TRAY FUEL CAP	TRAY FUEL CAP	1	350
	387	17683-KHC4-900	TUBE TANK-STRAINER **9000	TUBE TANK-STRAINER **9000	1	390
	388	17684-KHC4-900	TUBE STRAINER-PUMP **9000	TUBE STRAINER-PUMP **9000 C.2004.12.04	1	350
	389	17685-KHC4-900	TUBE PUMP-CARB **9000 C.2004.11.17	TUBE PUMP-CARB **9000 C.2004.11.17	1	960
	383	17686-KHC5-900	TUBE PUMP-JOINT 3 WAY **9000	TUBE PUMP-JOINT 3 WAY **9000	1	580
	G	17689-KHC5-E00	TUBE TANK-CAP JOINT **E000	TUBE TANK-CAP JOINT **E000	1	1250
	C	19411-KBCB-900	CLIP HOSE	CLIP HOSE	1	490
	374	19411-KHC4-900	CLIP HOSE	CLIP HOSE	1	490
	373	37801-GGA7-701	PACKING BASE	PACKING BASE	1	130
	373A	37801-LAB4-910	PACKING BASE	PACKING BASE	1	390
	370	37802-KEC8-900	RET FUEL UNIT	RET FUEL UNIT	1	390
	372	3780A-KHC4-900	FUEL UNIT ASSY **(2) C.2003.11.19	FUEL UNIT ASSY **(2) C.2003.11.19	1	3430
	372A	3780A-KHC4-910	FUEL UNIT ASSY **2005.03.01	FUEL UNIT ASSY **2005.03.01	1	3430

F09



Sales mark 記号	Ref no 参照用番号	Part no パーツ番号	Description 部品名	Reg description 部品名	Regd no 必要個数	Ref Price 希望小売価格(税抜)
393	50137-KHC4-900	50137-KHC4-900	PLATE FLOOR A **9000	PLATE FLOOR A **9000	1	680
379	50139-KHC4-900	50139-KHC4-900	STAY FUEL PUMP **(0) C.2007.03.16	STAY FUEL PUMP **(0) C.2007.03.16	1	490
381	50140-KHC4-900	50140-KHC4-900	PLATE FLOOR **9000	PLATE FLOOR **9000	1	510
371A	90302-GBR2-001	90302-GBR2-001	BOLT WASH 5*16	BOLT WASH 5*16	4	60
371	90302-GFY6-901	90302-GFY6-901	BOLT WASH 5*12 **(1) C.V.	BOLT WASH 5*12 **(1) C.V.	3	60
376	94050-06080	94050-06080	NUT FLANGE 6MM	NUT FLANGE 6MM	2	60
P	95002-02070	95002-02070	CLIP B7 TUBE	CLIP B7 TUBE	1	60
L	95002-02080	95002-02080	CLIP B8 TUBE	CLIP B8 TUBE	3	60
Q	95002-02100	95002-02100	CLIP B15 TUBE	CLIP B15 TUBE	3	60
R	95002-02120	95002-02120	CLIP B12 TUBE	CLIP B12 TUBE	1	60
M	95002-02130	95002-02130	CLIP B12.5 TUBE	CLIP B12.5 TUBE	1	60
378	95701-06014-06	95701-06014-06	BOLT FLANGE 6*14	BOLT FLANGE 6*14	1	130

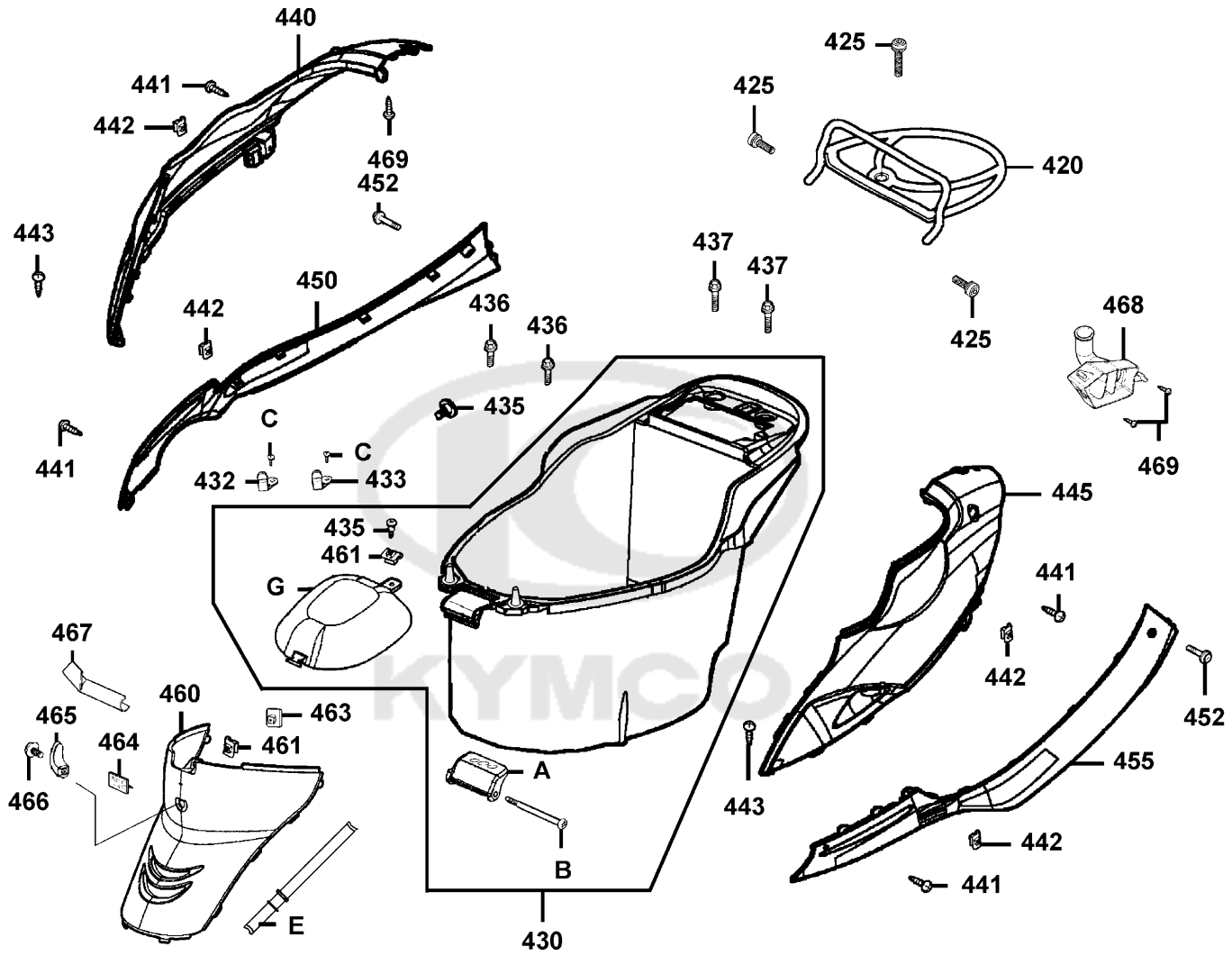
F09



Sales mark 記号	Ref no 参照用番号	Part no パーツ番号	Description 部品名	Reg description 部品名	Regd no 必要個数	Ref Price 希望小売価格(税抜)
	400	31500-KNBN-92A	BATTERY YTX5L-BS	BATTERY YTX5L-BS	1	11130
	400A	31500-KNBN-92B	BATTERY YTX5L-BS	BATTERY YTX5L-BS	1	11130
**	404	50325-KHC4-900	YOX BATTERY **(3) C.2001.09.03	YOX BATTERY **(3) C.2001.09.03	1	580
A		50326-KHC4-900	COVER BATTERY **9000 C.2006.11.01	COVER BATTERY **9000 C.2006.11.01	1	490
	408	50328-KNBN-200	BAND BATTERY	BAND BATTERY	1	200
	405	93404-06016-06	BOLT WASHER 6*16	BOLT WASHER 6*16	1	60
	403	93891-05012-06	SCREW WASHER 5*12	SCREW WASHER 5*12	1	60
	402	98200-10700	FUSE A7	FUSE A7	1	60

F10





Sales mark 記号	Ref no 参照用番号	Part no パーツ番号	Description 部品名	Reg description 部品名	Regd no 必要個数	Ref Price 希望小売価格(税抜)
	468	1721A-KHC4-900	DUCT ASSY A/C **(0)	DUCT ASSY A/C **(0)	1	1080
	432	77105-GFS6-001	HOOK R HELMET	HOOK R HELMET	1	200
	433	77106-GFS6-001	HOOK L HELMET	HOOK L HELMET	1	160
	A	77201-GFS6-001	HINGE SEAT	HINGE SEAT	1	580
	420	77330-KHC3-900	CARRIER LUGGAGE **9000	CARRIER LUGGAGE **9000	1	4380
**	460	80151-KHC4-900	COVER CENTER **(0)	COVER CENTER **(0)	1	3480
	464	81133-KGBG-900	STOPPER LUGGAGE	STOPPER LUGGAGE	1	110
	465	81134-KGBG-900	HOOK LUGGAGE	HOOK LUGGAGE	1	200
	463	81135-KGBG-900	STAY LUGGAGE HOOK	STAY LUGGAGE HOOK	1	200
	G	81251-KHC4-900	COVER MAINT **9000	COVER MAINT **9000	1	1150
	430	81260-KHC4-900	BOX ASSY LUGGAGE **(4) C.2004.03.01	BOX ASSY LUGGAGE **(4) C.2004.03.01	1	6280
**	440	83500-KHC4-900	COVER BODY R **9000-PB041P	COVER BODY R **9000-PB041P C.2002.01.01	1	11130
**	450	83501-KHC4-900	SIDE MOLD R **(1) C.2001.09.06	SIDE MOLD R **(1) C.2001.09.06	1	1820
	467	83502-KFA1-900	PROTECTOR SEAT CABLE **9000	PROTECTOR SEAT CABLE **9000	1	490
	E	83503-KHC4-900	COVER PROTECT SEAT WIRE FR	COVER PROTECT SEAT WIRE FR	1	200
**	445	83600-KHC4-900	COVER BODY L **9000-PB041P	COVER BODY L **9000-PB041P C.2002.03.01	1	11130
**	455	83601-KHC4-900	SIDE MOLD L **(1) C.2001.09.06	SIDE MOLD L **(1) C.2001.09.06	1	1820
	B	90105-GFS6-001	PIN HINGE	PIN HINGE	1	300
	425	90105-KFC2-900	BOLT WASH 8*32	BOLT WASH 8*32	3	390
	437	90111-1G87-001	BOLT FLANGE 6MM	BOLT FLANGE 6MM	2	60

F11

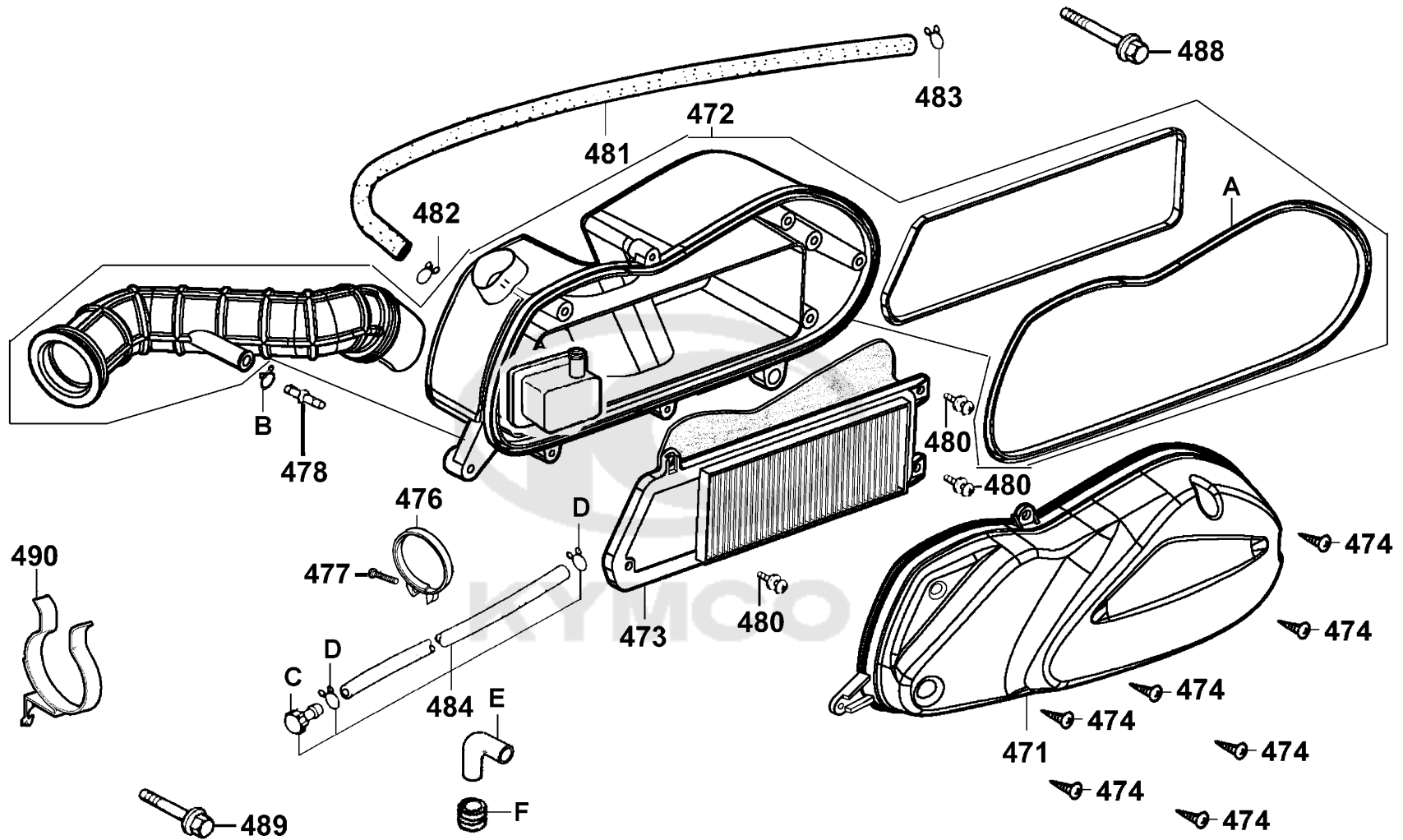
Sales mark 記号	Ref no 参照用番号	Part no パーツ番号	Description 部品名	Reg description 部品名	Regd no 必要個数	Ref Price 希望小売価格(税抜)
466		90164-KGBG-900	SCREW SPECIAL 6MM	SCREW SPECIAL 6MM	1	60
442		90302-SDA4-004	NUT SPRING 4MM	NUT SPRING 4MM	1	60
461		90305-GHK8-001	NUT CLIP 6MM	NUT CLIP 6MM	1	60
435		90381-GEZ5-001	SCREW SPECIAL 6*17	SCREW SPECIAL 6*17	1	200
C		93891-06010-07	SCREW WASHER 6*10	SCREW WASHER 6*10	2	160
452		93891-06016-06	SCREW WASHER 6X16	SCREW WASHER 6X16	2	130
469		93903-34360	SCREW WASHER 4*12	SCREW WASHER 4*12	3	60
443		93903-34460	SCREW TAPPING 4*16	SCREW TAPPING 4*16	1	200
441		93903-GFY6-900	SCREW WASHER 4*12	SCREW WASHER 4*12	1	60
436		95701-06012-06	BOLT FLANGE 6*22 (K)	BOLT FLANGE 6*22 (K)	1	60

F11



F12

Air Cleaner

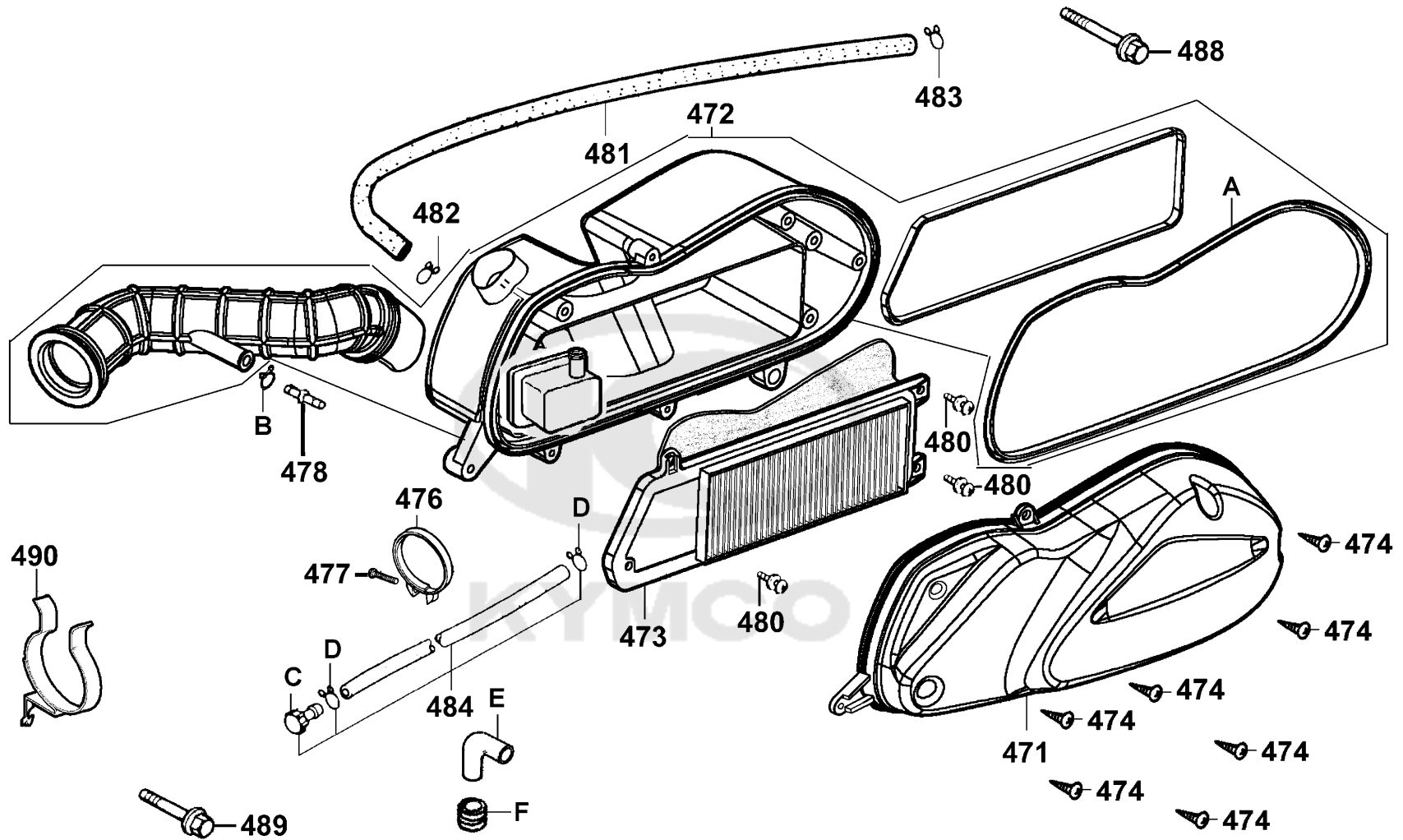


Sales mark 記号	Ref no 参照用番号	Part no パーツ番号	Description 部品名	Reg description 部品名	Regd no 必要個数	Ref Price 希望小売価格(税抜)
	481	11211-KHC5-900	TUBE BREATHER **9000 C.	TUBE BREATHER **9000 C.	1	1780
	471	17207-KHC4-900	COVER AIR/C **9000 C.	COVER AIR/C **9000 C.	1	770
A		17212-KHC4-900	SEAL AIR/C CASE **9000 C.	SEAL AIR/C CASE **9000 C.	1	300
	490	17215-KGBG-90A	CLIP ASSY A/C DUCT	CLIP ASSY A/C DUCT	1	580
E		17216-KHC4-900	L JOINT BREATHER TUBE	L JOINT BREATHER TUBE	1	60
	472	1723A-KHC5-900	CASE ASSY AIR/C **9000	CASE ASSY AIR/C **9000	1	3810
	473	1723C-KHC4-900	ELEMENT ASSY AIR/C **9000 C.	ELEMENT ASSY AIR/C **9000 C.	1	1540
	476	17255-KGBG-900	BAND A CONNECTING TUBE	BAND A CONNECTING TUBE	1	300
	478	17359-4K19-671	JOINT BREATHER TUBE	JOINT BREATHER TUBE	1	60
	484	1736A-GFY6-900	TUBE DRAIN ASSY	TUBE DRAIN ASSY	1	520
C		17370-4K19-701	PLUG BREATHER TUBE	PLUG BREATHER TUBE	1	110
D		17371-1D74-671	CLIP BREATHER TUBE	CLIP BREATHER TUBE	2	60
	489	93404-06025-06	BOLT WASHER 6*25	BOLT WASHER 6*25	1	200
	477	93500-04025-0A	SCREW PAN 4*25	SCREW PAN 4*25	1	200
	480	93891-05010-06	SCREW WASHER 5*10 (G)	SCREW WASHER 5*10 (G)	1	200
	474	93903-25460	SCREW TAPPING 5*20 **93903-25480	SCREW TAPPING 5*20 **93903-25480 C.2005	6	60
	482	95002-02080	CLIP B8 TUBE	CLIP B8 TUBE	1	60
	483	95002-02120	CLIP B12 TUBE	CLIP B12 TUBE	1	60
B		95002-02130	CLIP B12.5 TUBE	CLIP B12.5 TUBE	1	60
F		95003-23004-60	V TUBE 8*12*40	V TUBE 8*12*40	1	110

F12

F12

Air Cleaner



Sales mark 記号	Ref no 参照用番号	Part no パーツ番号	Description 部品名	Reg description 部品名	Regd no 必要個数	Ref Price 希望小売価格(税抜)
------------------	-----------------	------------------	--------------------	------------------------	-----------------	-------------------------

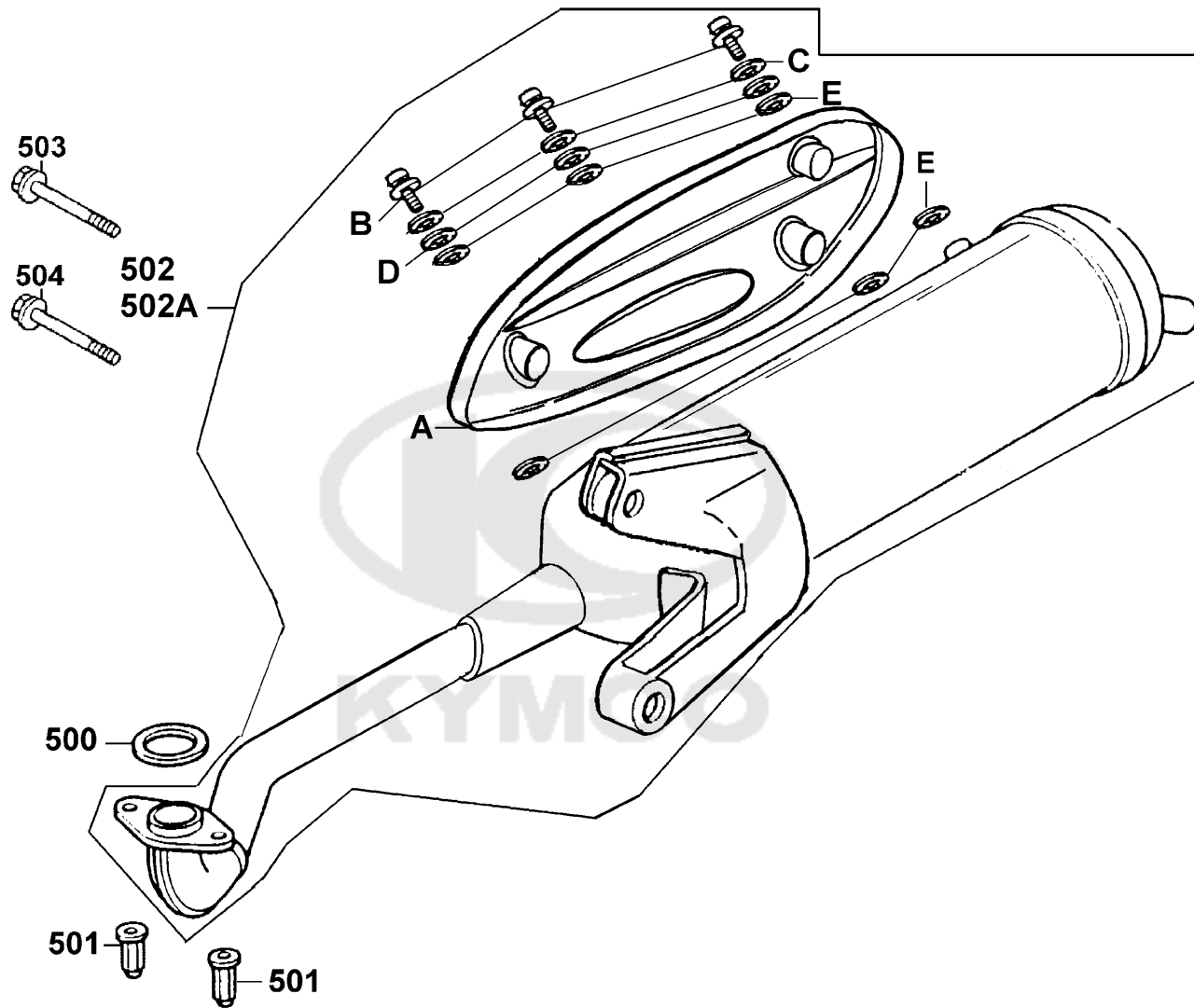
F12

488	95701-06032-06		BOLT FLANGE 6*32	BOLT FLANGE 6*32	1	60
-----	----------------	--	------------------	------------------	---	----



F13

Exhaust Muffler

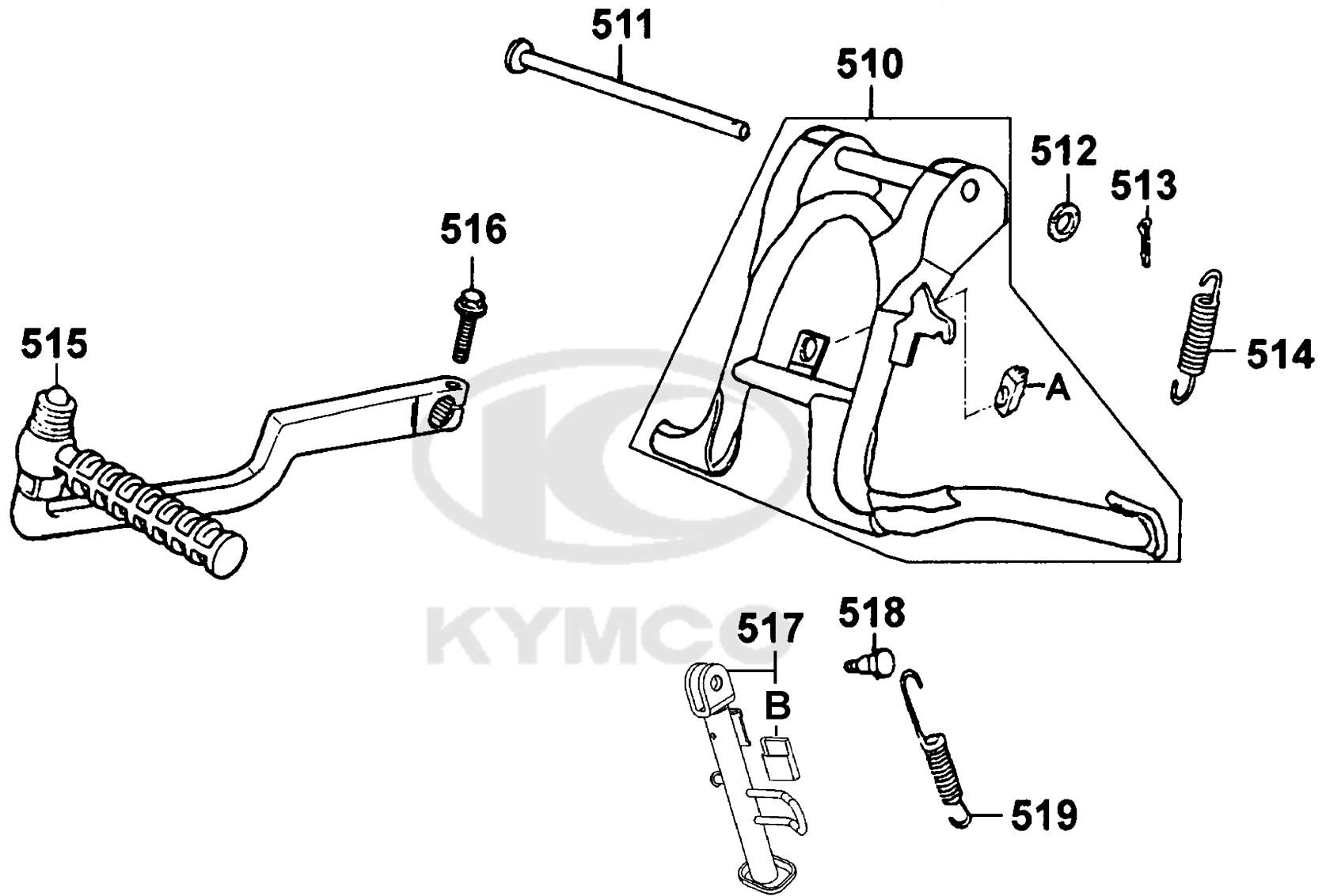


Sales mark 記号	Ref no 参照用番号	Part no パーツ番号	Description 部品名	Reg description 部品名	Regd no 必要個数	Ref Price 希望小売価格(税抜)
	500	18291-LBD4-900	GASKET EXH PIPE	GASKET EXH PIPE	1	200
E		18294-KTCT-900	PACKING PROTECTOR	PACKING PROTECTOR	6	130
	502	1830A-KHC5-C0A	MUFFLER ASSY EXH **C000-M1	MUFFLER ASSY EXH **C000-M1	1	22970
	502A	1830A-KHC5-C0B	MUFFLER ASSY EXH **C000-M2	MUFFLER ASSY EXH **C000-M2	1	22970
A		18318-KGBG-E00	PROTECTOR COMP MUFFLER	PROTECTOR COMP MUFFLER	1	2530
	503	90021-GFY6-900	BOLT WASHER COMP	BOLT WASHER COMP	1	90
	501	90301-KGBG-900	NUT CAP 6MM	NUT CAP 6MM	2	250
D		94101-06200	WASHER PLAIN 6MM	WASHER PLAIN 6MM	3	60
C		94111-06800	WASHER SPRING 6MM	WASHER SPRING 6MM	3	60
	504	95801-08042-06	BOLT FLANGE 8*42	BOLT FLANGE 8*42	1	70
B		96001-06012-02	BOLT FLANGE SH 6*12	BOLT FLANGE SH 6*12	3	200

F13

F14

Stand Kick Starter Arm

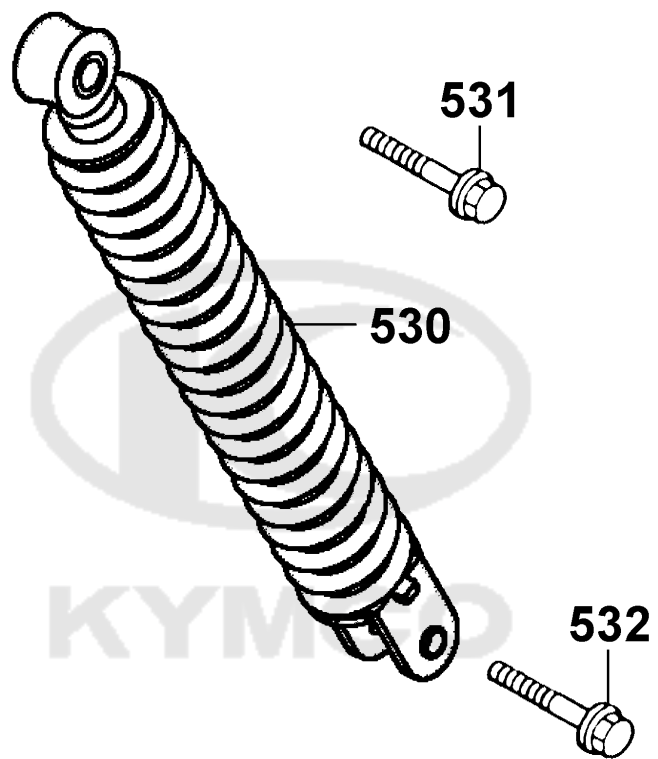


Sales mark 記号	Ref no 参照用番号	Part no パーツ番号	Description 部品名	Reg description 部品名	Regd no 必要個数	Ref Price 希望小売価格(税抜)
	515	28300-KNBN-901	ARM ASSY KICK STARTER	ARM ASSY KICK STARTER	1	2030
	511	50503-KGBG-900	SHAFT MAIN STAND	SHAFT MAIN STAND	1	490
A		50505-GAR1-711	STOPPER RUBBER STAND	STOPPER RUBBER STAND	1	110
	510	5050A-KHC5-900	STAND ASSY MAIN **9000	STAND ASSY MAIN **9000	1	5330
	517	50530-KHC4-900	STAND COMP SIDE **(2) C.2009.05.08	STAND COMP SIDE **(2) C.2009.05.08	1	1530
B		50531-KHC4-900	STOPPER RUBBER	STOPPER RUBBER	1	300
	518	90108-GFY6-901	SCREW SIDE STAND PIVOT	SCREW SIDE STAND PIVOT	1	130
	512	94101-08600	WASHER PLAIN 6.5*18*105	WASHER PLAIN 6.5*18*105	1	200
	513	94251-08400	PIN LOCK 8MM	PIN LOCK 8MM	1	160
	514	95014-71402	SPRING D MAIN STAND	SPRING D MAIN STAND	1	60
	519	95014-72204	SPG B1 SIDE STAND	SPG B1 SIDE STAND	1	300
	516	95701-06022-06	BOLT FLANGE 6*22	BOLT FLANGE 6*22	1	60

F14

F15

Rear Cushion



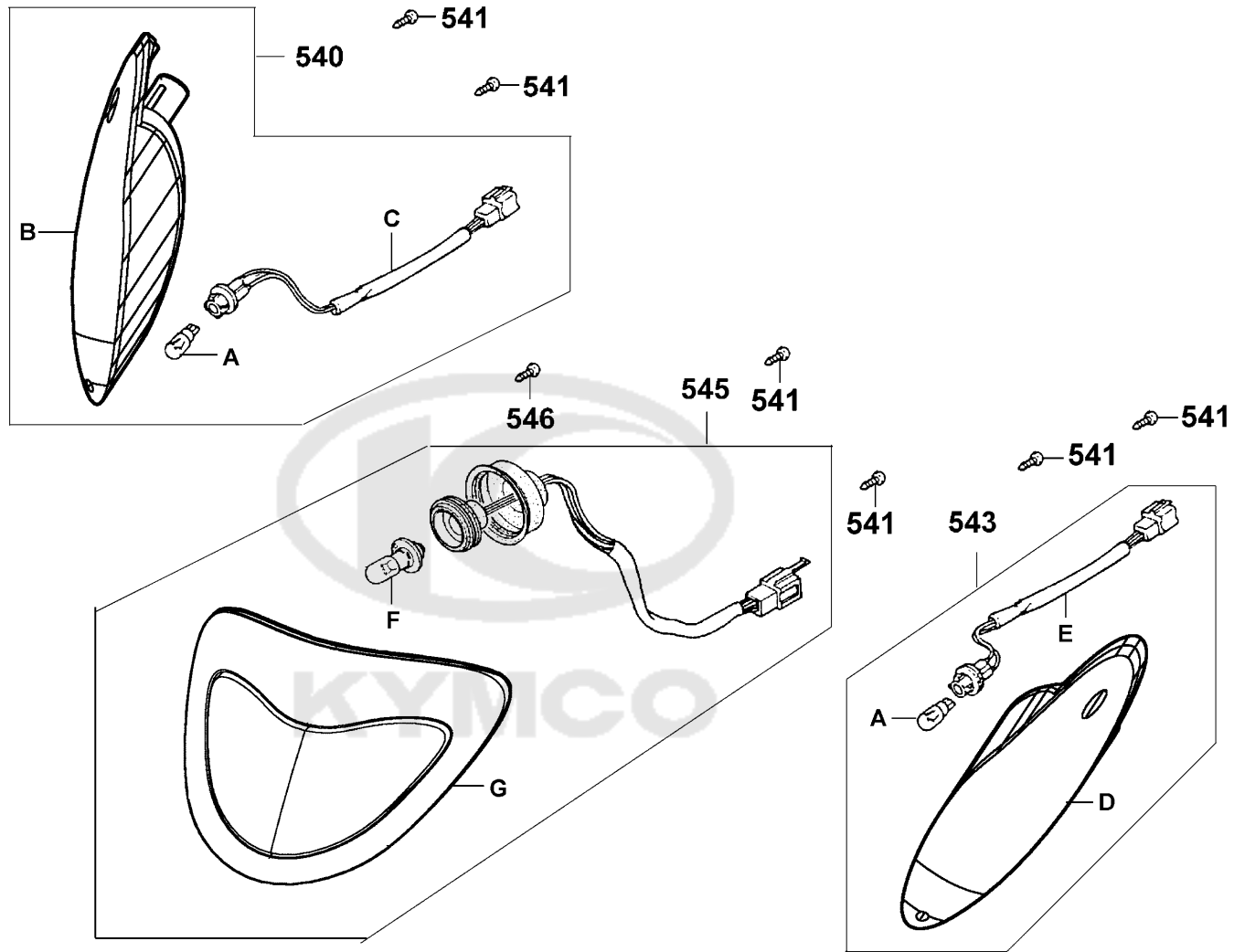
Sales mark 記号	Ref no 参照用番号	Part no パーツ番号	Description 部品名	Reg description 部品名	Regd no 必要個数	Ref Price 希望小売価格(税抜)	F15
------------------	-----------------	------------------	--------------------	------------------------	-----------------	-------------------------	-----

**	530	52400-KHC4-900	CUSHION ASSY REAR ** (0) C.2005.10.08	CUSHION ASSY REAR ** (0) C.2005.10.08	1	5710	
	532	95801-08035-06	BOLT FLANGE 8*35	BOLT FLANGE 8*35	1	60	
	531	95801-10035-06	BOLT FLANGE 10*35	BOLT FLANGE 10*35	1	300	



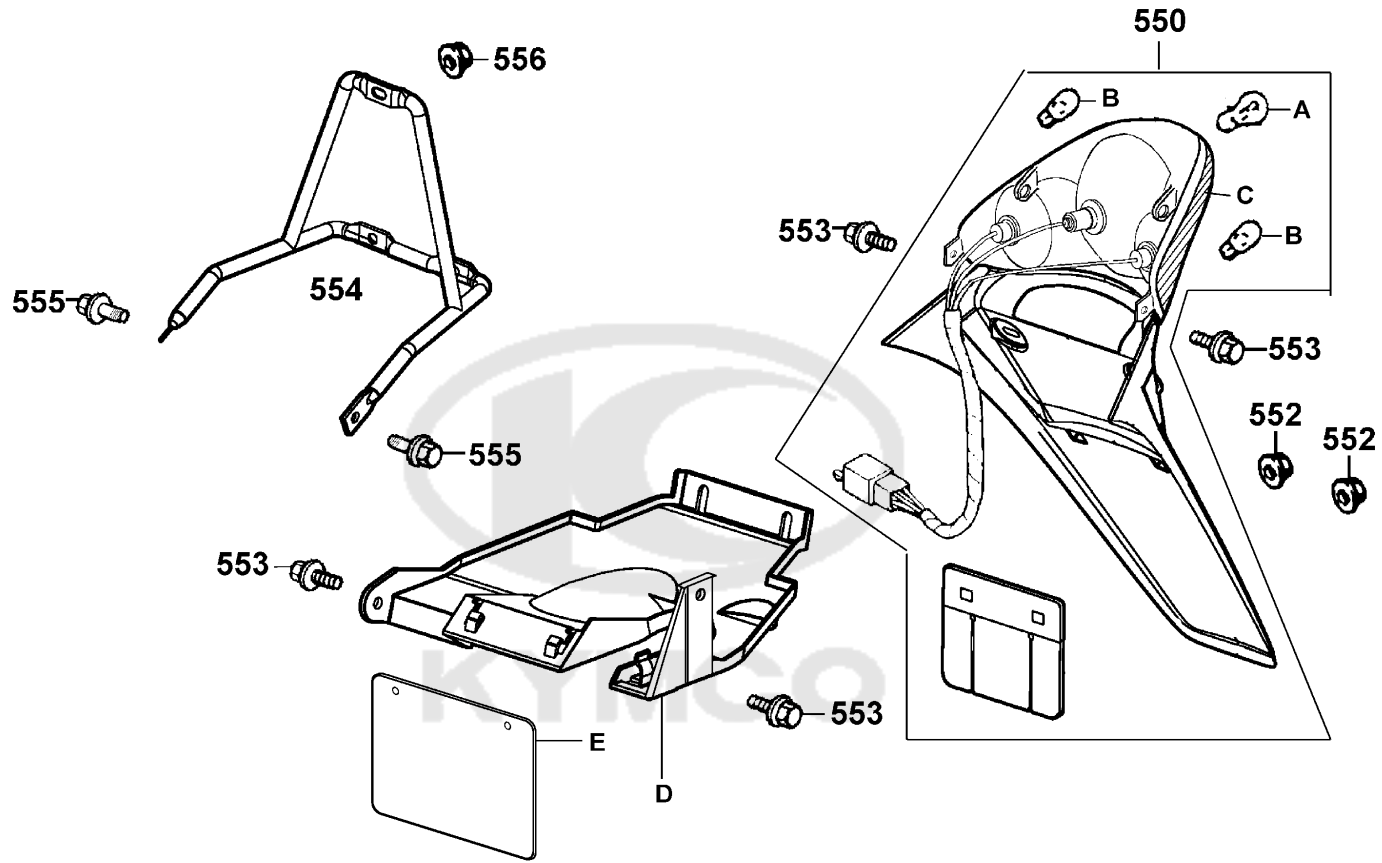
F16

Front Winker



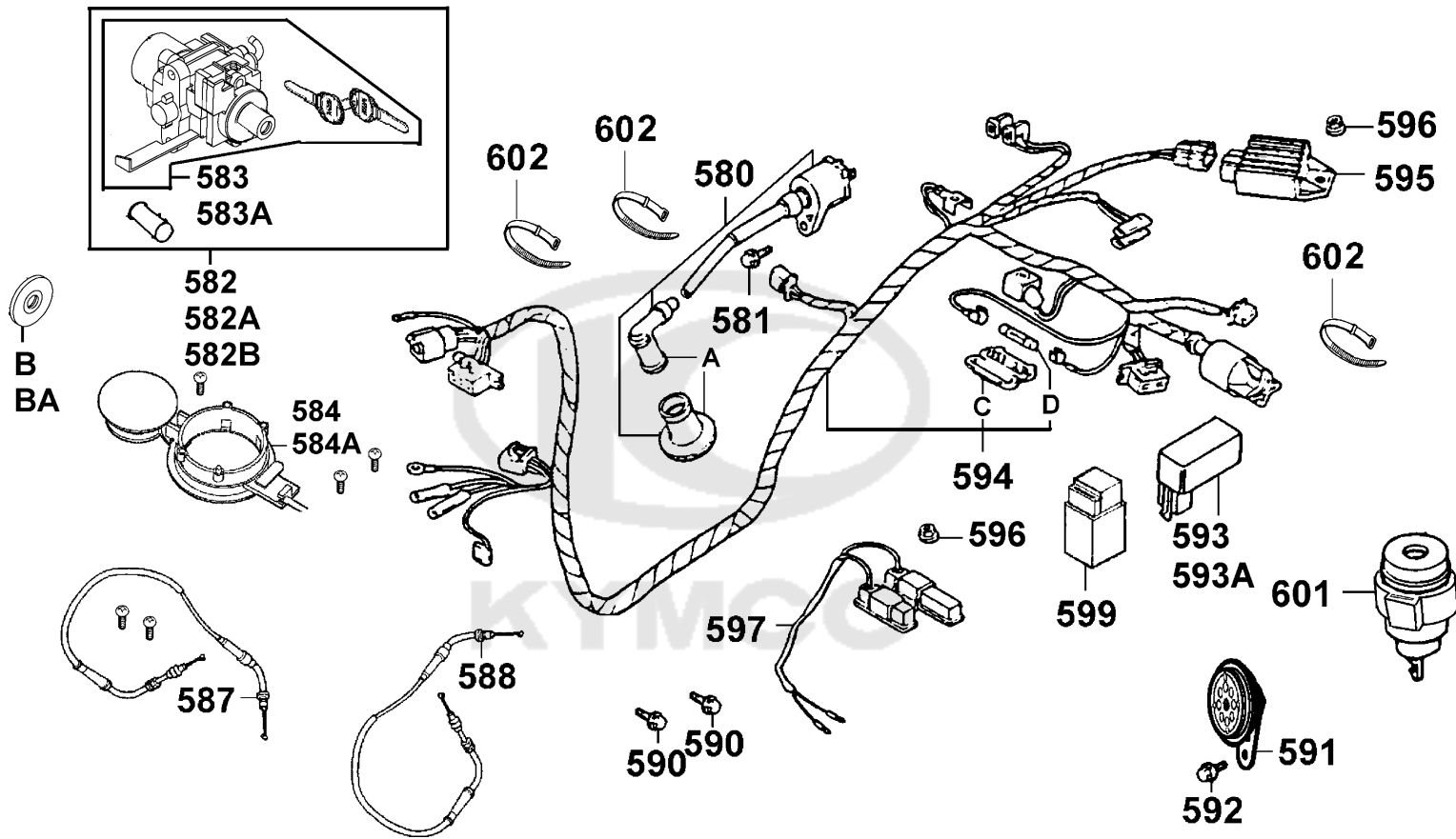
Sales mark 記号	Ref no 参照用番号	Part no パーツ番号	Description 部品名	Reg description 部品名	Regd no 必要個数	Ref Price 希望小売価 格(税抜)
540		33400-KHC3-900	WINKER ASSY FR R **9000	WINKER ASSY FR R **9000	1	1910
B		33402-KHC3-900	LENS R FR WINKER **9000	LENS R FR WINKER **9000	1	390
C		33406-KHC4-900	SOCKET COMP R FR WINKER **9000	SOCKET COMP R FR WINKER **9000	1	420
543		33450-KHC3-900	WINKER ASSY FR L **9000	WINKER ASSY FR L **9000	1	1910
D		33452-KHC3-900	LENS L FR WINKER **9000	LENS L FR WINKER **9000	1	390
E		33456-KHC4-900	SOCKET COMP L FR WINKER **9000	SOCKET COMP L FR WINKER **9000	1	420
545		33500-KHC4-910	LIGHT ASSY FR POSITION **9000	LIGHT ASSY FR POSITION **9000 N.C.2003.	1	2700
G		33501-KHC4-900	LENS POSITION LIGHT **9000 C.	LENS POSITION LIGHT **9000 C.	1	350
A		34905-KHC4-900	BULB WINKER	BULB WINKER	2	400
F		34908-GGA7-70A	BULB WEDGE BASE 12V*3.4W	BULB WEDGE BASE 12V*3.4W	1	130
541		93903-34360	SCREW WASHER 4*12	SCREW WASHER 4*12	2	60

F16



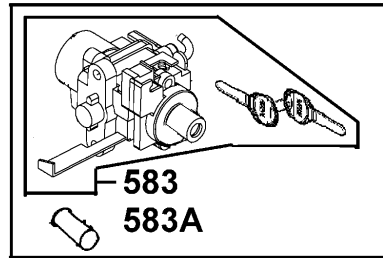
Sales mark 記号	Ref no 参照用番号	Part no パーツ番号	Description 部品名	Reg description 部品名	Regd no 必要個数	Ref Price 希望小売価格(税抜)
	550	33700-KHC4-910	LIGHT ASSY RR COMB **N.C.2003.03.31	LIGHT ASSY RR COMB **N.C.2003.03.31	1	7590
C		33701-KHC4-900	LENS COMP TAIL LIGHT **9000	LENS COMP TAIL LIGHT **9000	1	1590
B		34905-KHC4-900	BULB WINKER	BULB WINKER	2	400
A		34906-2H68-601	BULB TAIL LIGHT	BULB TAIL LIGHT	1	300
	554	50172-KHC4-900	STAY TAIL LIGHT **9000 C.2004.03.30	STAY TAIL LIGHT **9000 C.2004.03.30	1	1820
E		80104-KGBG-900	PLATE SPLASH GUARD	PLATE SPLASH GUARD	1	390
D		80106-KHC4-900	FENDER RR INNER **9000 (0) C.	FENDER RR INNER **9000 (0) C.	1	680
	552	90301-6D34-671	NUT FLANGE 6MM	NUT FLANGE 6MM	2	60
	553	90302-GFY6-901	BOLT WASH 5*12 **(1) C.V.	BOLT WASH 5*12 **(1) C.V.	2	60
	556	94050-06080	NUT FLANGE 6MM	NUT FLANGE 6MM	1	60
	555	95701-06012-06	BOLT FLANGE 6*22 (K)	BOLT FLANGE 6*22 (K)	1	60

F17



Sales mark 記号	Ref no 参照用番号	Part no パーツ番号	Description 部品名	Reg description 部品名	Regd no 必要個数	Ref Price 希望小売価格(税抜)
588		17520-KHC4-900	CABLE COMP FUEL CAP **9000 (3) C.	CABLE COMP FUEL CAP **9000 (3) C.	1	1150
584		17620-KHC5-E00	CAP COMP FUEL FILLER	CAP COMP FUEL FILLER	1	3910
584A		17620-KHC5-E0B	CAP COMP FUEL FILLER	CAP COMP FUEL FILLER	1	3910
593		30400-KHC4-900	CDI ASSY & SPEED CONTROL	CDI ASSY & SPEED CONTROL	1	10650
593A		30400-KHC4-90A	UNIT COMP C.D.I.	UNIT COMP C.D.I.	1	13120
580		3051A-KHC4-900	COIL ASSY IGN	COIL ASSY IGN	1	4000
A		30700-GFY6-901	CAP ASSY NOISE SUPPRESSOR	CAP ASSY NOISE SUPPRESSOR	1	1280
595		31600-KUDU-900	REG REC COMP	REG REC COMP	1	2960
594		32100-KHC5-900	HARNESS WIRE **(6) C.2005.08.30	HARNESS WIRE **(6) C.2005.08.30	1	9700
C		32120-1E55-001	CASE FUSE 7A	CASE FUSE 7A	1	110
582		35010-KHC4-305	KEY SET **3050	KEY SET **3050	1	11790
582A		35010-KHC4-305-M2	KEY SET **3050-M2	KEY SET **3050-M2	1	13120
582B		35010-KHC4-335	KEY COMB & THROT GRIP LOCK	KEY COMB & THROT GRIP LOCK	1	13120
583		35101-KHC4-305	SW SET COMB & LOCK	SW SET COMB & LOCK	1	9890
583A		35101-KHC4-305-M2	SW SET COMB & LOCK	SW SET COMB & LOCK	1	9890
B		35102-KHC4-900	COLLAR MAIN SW	COLLAR MAIN SW	1	300
BA		35102-KHC4-90B	COLLAR MAIN SW	COLLAR MAIN SW	1	300
597		35400-KEE1-900	RESISTOR COMP	RESISTOR COMP	1	1780
591		38110-KFA1-80A	HORN COMP	HORN COMP	1	1960
601		38300-KECE-900	RELAY ASSY WINKER	RELAY ASSY WINKER	1	2530

F18



B
BA

582
582A
582B

584
584A

587

602

602

580

581

A

594

596

599

593
593A

601

597

588

590
590

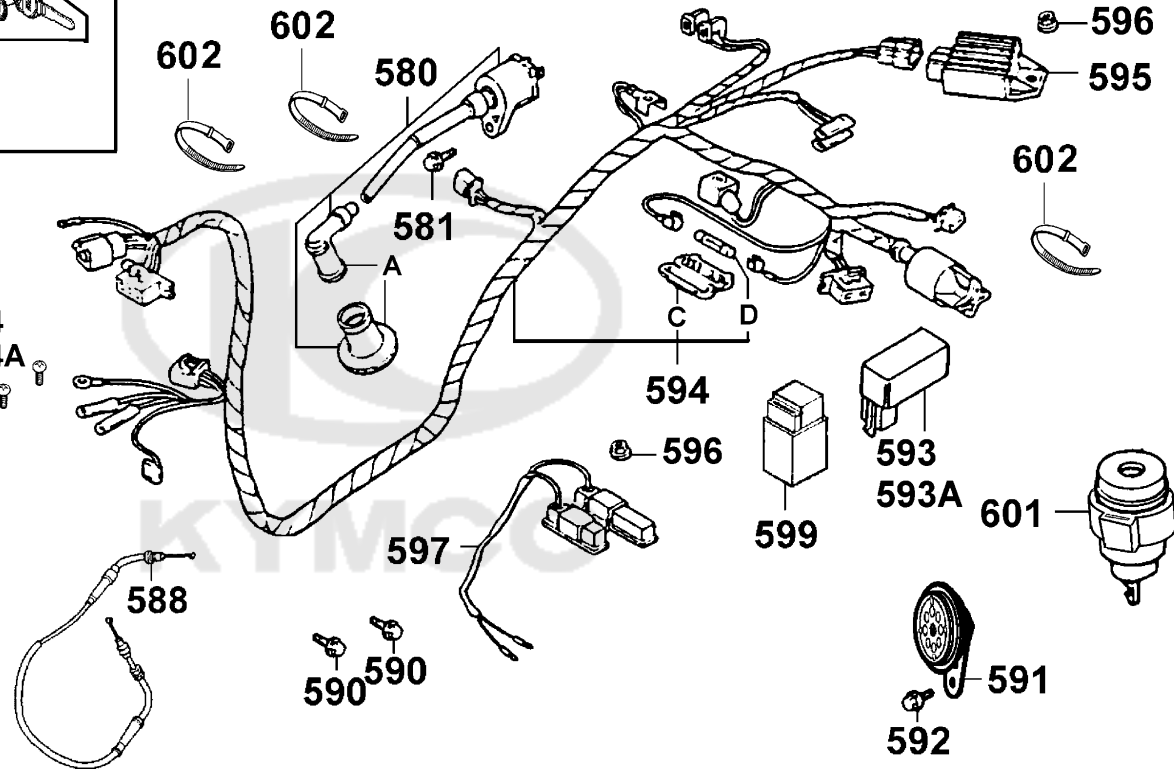
592

596

595

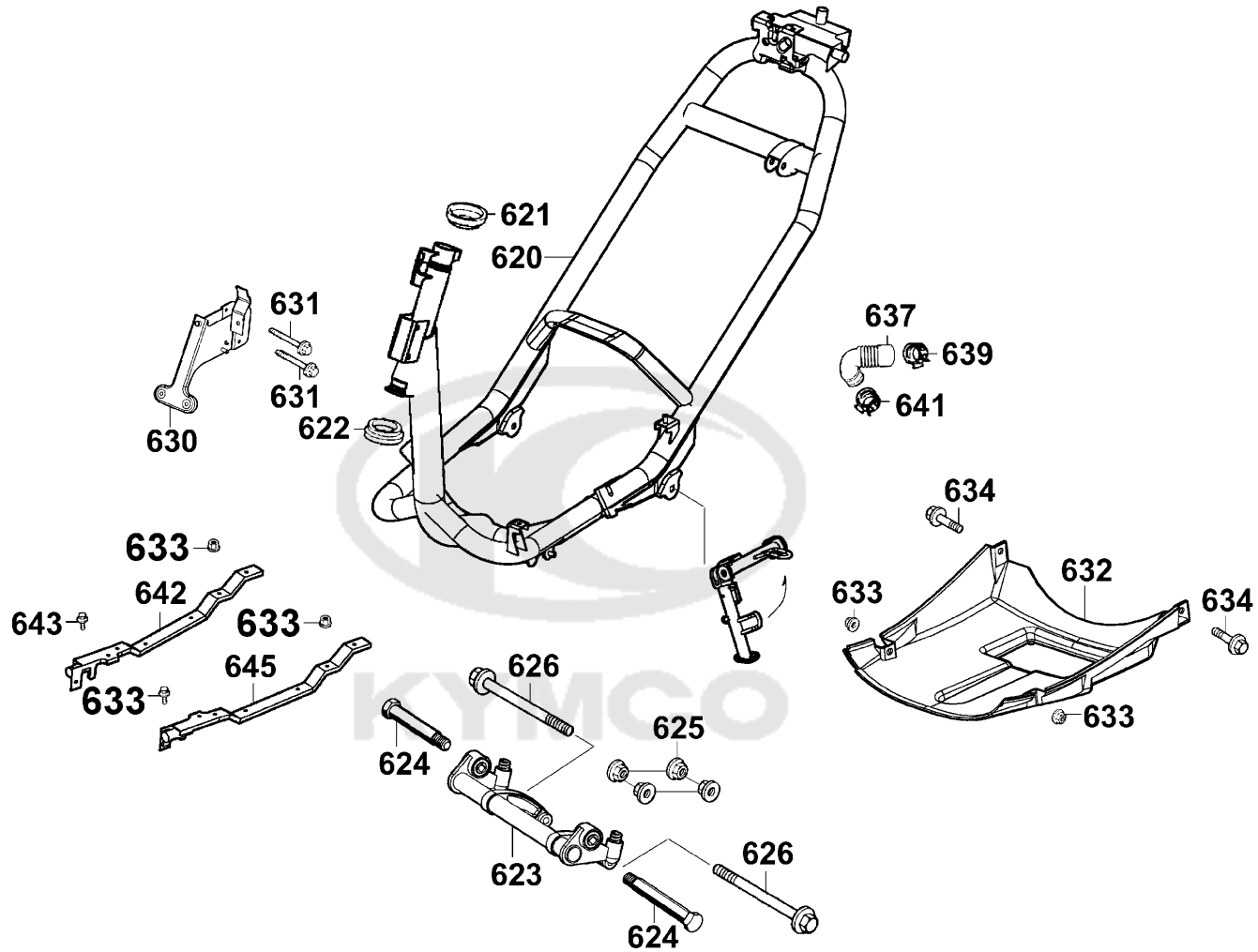
602

591



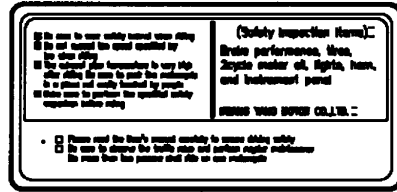
Sales mark 記号	Ref no 参照用番号	Part no パーツ番号	Description 部品名	Reg description 部品名	Regd no 必要個数	Ref Price 希望小売価格(税抜)	F18
599		38500-KKDK-900	RELAY ASSY START	RELAY ASSY START	1	2270	
587		77240-KHC4-900	CABLE COMP SEAT LOCK **9000 C.	CABLE COMP SEAT LOCK **9000 C.	1	1820	
581		90112-KRDR-900	BOLT FLANGE 5*22	BOLT FLANGE 5*22	1	130	
602		90656-KCBC-900	BAND OIL HANDLE	BAND OIL HANDLE	1	60	
596		94050-06080	NUT FLANGE 6MM	NUT FLANGE 6MM	1	60	
592		95701-06012-06	BOLT FLANGE 6*22 (K)	BOLT FLANGE 6*22 (K)	1	60	
590		95701-08020-06	BOLT FLANGE 8*20MM **07	BOLT FLANGE 8*20MM **07 C.2005.07.01	1	160	
D		98200-10700	FUSE A7	FUSE A7	1	60	



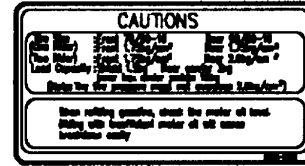


Sales mark 記号	Ref no 参照用番号	Part no パーツ番号	Description 部品名	Reg description 部品名	Regd no 必要個数	Ref Price 希望小売価格(税抜)
	641	17215-KNBN-200	CLIP ASSY AIR/C DUCT	CLIP ASSY AIR/C DUCT	1	390
	637	19410-KHC5-900	DUCT COOLING **9000	DUCT COOLING **9000	1	630
	639	19411-KNBN-900	CLIP HOSE	CLIP HOSE	1	390
	620	50100-KHC5-B20	BODY COMP FRAME *(0) C.2007.01.18	BODY COMP FRAME *(0) C.2007.01.18	1	57800
	621	50301-GLM0-001	RACE UP STRG BALL	RACE UP STRG BALL	1	440
	622	50305-GHC8-004	RACE (UNDER STR) BALL	RACE (UNDER STR) BALL	1	420
	623	50350-KHC4-900	HANGER ASSY ENG **(4) C.2006.05.09	HANGER ASSY ENG **(4) C.2006.05.09	1	10460
	642	50611-KHC4-900	RNFCT R FLOOR **9000	RNFCT R FLOOR **9000	1	1630
	645	50612-KHC4-900	RNFCT L FLOOR **9000	RNFCT L FLOOR **9000	1	1630
**	632	50613-KHC4-900	COVER UNDER	COVER UNDER	1	1910
	630	64315-KHC3-900	STAY FR COVER **(1) C.2004.01.30	STAY FR COVER **(1) C.2004.01.30	1	2390
	624	90105-KHC4-900	SQUARE BOLT M10X50	SQUARE BOLT M10X50	2	390
	625	90304-GHE8-004	NUT CAP 6MM	NUT CAP 6MM	4	200
	634	93404-06016-06	BOLT WASHER 6*16	BOLT WASHER 6*16	2	60
	633	94050-06080	NUT FLANGE 6MM	NUT FLANGE 6MM	2	60
	643	95701-06012-06	BOLT FLANGE 6*22 (K)	BOLT FLANGE 6*22 (K)	1	60
	631	95801-06045-06	BOLT FLANGE 6*45 (G)	BOLT FLANGE 6*45 (G)	1	390
	626	95801-10070-06	BOLT FLANGE 10*70	BOLT FLANGE 10*70	1	320

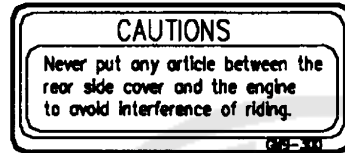
F19



680



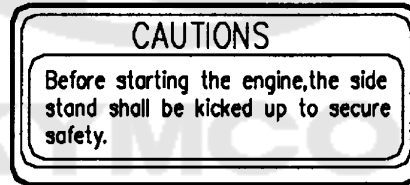
682



683



681

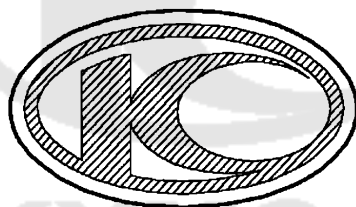


685

Sales mark 記号	Ref no 参照用番号	Part no パーツ番号	Description 部品名	Reg description 部品名	Regd no 必要個数	Ref Price 希望小売価格(税抜)	F20
------------------	-----------------	------------------	--------------------	------------------------	-----------------	-------------------------	-----

**	681	87501-KRDR-E00	CAUTION USE GAS ONLY	CAUTION USE GAS ONLY	1	200	
**	682	87505-KGBG-E00	LABEL TIRE	LABEL TIRE	1	200	
**	685	87541-GAR1-E00	CAUTION SIDE STAND	CAUTION SIDE STAND	1	200	
**	683	87542-GAR1-E00	MARK MAINT CAUTION	MARK MAINT CAUTION	1	200	
**	680	87560-GFY6-E00	MARK DRIVE CAUTION	MARK DRIVE CAUTION	1	200	





692

Sales mark 記号	Ref no 参照用番号	Part no パーツ番号	Description 部品名	Reg description 部品名	Regd no 必要個数	Ref Price 希望小売価格(税抜)
------------------	-----------------	------------------	--------------------	------------------------	-----------------	-------------------------

F21

**	692	86102-KFA2-900	EMB K-LOGO 20MM	EMB K-LOGO 20MM	1	1150
**	690	86201-KHC5-B00	STRIPE BODY COVER **B000-JP-TYPEA.	STRIPE BODY COVER **B000-JP-TYPEA.	3	770



PART NO. INDEX
 パーツ番号 検索

PART NO. パーツ番号	VERSION バージョン	PAGE ページ	PART NO. パーツ番号	VERSION バージョン	PAGE ページ	PART NO. パーツ番号	VERSION バージョン	PAGE ページ
1000			11000			12209-GDB4-68B	0	E02
1028-054-7000	0	E05	11100-KGBG-305	7	E01	12211-KGBG-900	2	E02
1030-880-2103	0	E05	11102-1G87-004	3	E01	12251-KGBG-900	0	E02
1052-862-2101	0	E05	11192-KGBG-980	0	E01	12310-KGBG-900	2	E02
1090-873-2001	0	E05	11200-KGBG-305	2	E01	12361-GFY6-901	1	E04
1190-A78-2102	0	E05	11203-GGC7-301	2	E01	12391-KEE1-900	0	E02
1201-830-2101	0	E05	11203-KHG8-301	2	E09	13000		
1229-805-7000	0	E05	11211-KGBG-900	1	E02	13000-LDC5-900	8	E03
1230-850-2000	0	E05	11211-KHC5-900	1	F12	13011-KGBG-901	0	E03
1230-851-2001	0	E05	11330-KGBG-900	5	E04	13101-KGBG-901	1	E03
1230-856-7001	0	E05	11340-KGBG-900	7	E01	13111-KGBG-900	1	E03
1290-996-2000-3	0	E05	11381-KHC4-900	0	E01	13115-0A01-001	0	E03
1290-A06-2000	0	E05	11382-KGBG-900	0	E01	14000		
1290-A07-2000	0	E05	11385-GFY6-901	0	E08			
1402-938-2100	0	E05	11385-KGBG-900	0	E08	14100-KGBG-220	0	E02
4000			11387-KGBG-900	1	E02	14401-KGBG-900	0	E03
4000-161-0000	0	E05	11394-KGBG-980	2	E04	14431-KGBG-900	2	E02
4115-803-1100	0	E05	11395-PVA1-900	1	E01	14450-KGBG-900	0	E02
4115-804-1100	0	E05	12000			14452-KGBG-900	0	E02
			12100-KGBG-900	5	E03	14510-KGBG-900	1	E03
			12191-KGBG-980	0	E03	14531-GLR0-001	1	E03
			12200-KGBG-900	4	E02	14550-KDS4-00B	3	E03
						14553-KGBG-900	0	E03

PART NO. INDEX
 パーツ番号 検索

PART NO. パーツ番号	VERSION バージョン	PAGE ページ	PART NO. パーツ番号	VERSION バージョン	PAGE ページ	PART NO. パーツ番号	VERSION バージョン	PAGE ページ
14554-KAM1-004	0	E03				1736A-GFY6-900	1	F12
14555-KKJ9-001	0	E03	16000			17370-4K19-701	0	F12
14555-LBA2-E00	1	E03				17371-1D74-671	0	F12
14557-KGBG-900	0	E03	1610K-KHC5-E00	3	E05	17502-KHC4-900	2	F09
14558-KGBG-900	1	E03	16162-KG8-9010-M1	0	E05	17504-KHC4-900	1	F09
14559-KGBG-900	0	E03	16199-GFY6-900	0	E05	17510-KHC4-900	5	F09
14560-KGBG-900	1	E03	1621A-KGBG-900	2	E02	17510-KHC4-910	0	F09
14610-KGBG-900	0	E03	16410-KGBG-E00	1	E05	17520-KHC4-900	4	F18
14711-KGBG-900	0	E02	16700-GKAK-220	2	F09	17550-KHC4-900	0	F09
14721-KGBG-900	0	E02	1691A-KEC2-E00	0	F09	17620-KHC5-E00	1	F18
14751-KGBG-900	0	E02				17620-KHC5-E0B	1	F18
14761-KGBG-900	0	E02	17000			17623-KHC4-90A	6	F04
14771-GDB4-680	0	E02				17683-KHC4-900	0	F09
14775-MFA6-001	0	E02	1711A-KHC5-E00	1	E02	17684-KHC4-900	1	F09
14781-MFA6-001	0	E02	17207-KHC4-900	2	F12	17685-KHC4-900	4	F09
15000			17212-KHC4-900	0	F12	17686-KHC5-900	1	F09
			17215-KGBG-90A	2	F12	17689-KHC5-E00	0	F09
			17215-KNBN-200	0	F19	17910-KHC4-900	3	F03
15100-KGBG-900	4	E07	17216-KHC4-900	0	F12			
15133-KGBG-900	1	E07	1721A-KHC4-900	1	F11	18000		
15421-1G07-001	1	E04	1723A-KHC5-900	1	F12			
15426-GAE1-921	0	E04	1723C-KHC4-900	0	F12	18291-LBD4-900	2	F13
1565A-GFY6-900	0	E04	17255-KGBG-900	1	F12	18294-KTCT-900	1	F13
			17256-KGBG-900	0	E02	1830A-KHC5-C0A	0	F13
			17359-4K19-671	0	F12	1830A-KHC5-C0B	0	F13
			17369-KHC4-900	0	F09	18318-KGBG-E00	0	F13

PART NO. INDEX
 パーツ番号 検索

PART NO. パーツ番号	VERSION バージョン	PAGE ページ	PART NO. パーツ番号	VERSION バージョン	PAGE ページ	PART NO. パーツ番号	VERSION バージョン	PAGE ページ
19000			22121-KGBG-315	0	E06			
			22131-GHAH-781	0	E06	28000		
			22132-GLW0-001	2	E06			
19410-KHC5-900	0	F19	22300-KGBG-900	2	E06	28211-KEB7-900	1	E06
19411-KBCB-900	0	F09	22350-GKAK-930	1	E06	28223-KNBN-901	0	E01
19411-KHC4-900	0	F09	22401-GKAK-931	0	E06	28230-GKAK-921	0	E01
19411-KNBN-900	1	F19	22530-KGBG-900	1	E06	28250-KNBN-901	1	E01
19510-KGBG-900	1	E08	22804-1H48-001	0	E06	28253-GBN2-60A	0	E01
1961A-KGBG-E01	1	E08	23000			28255-GFS6-001	0	E01
19625-KGBG-900	0	E08				28281-GBN2-60A	1	E01
1962A-KGBG-900	1	E08	2301A-KGBG-220	1	E06	28300-KNBN-901	3	F14
19636-KGBG-900	0	E08	23100-KHC5-900	5	E06	30000		
1963A-KGBG-E00	3	E08	23200-GAR1-220	2	E06			
21000			23220-KXCX-220	0	E06	30400-KHC4-900	1	F18
			23225-GAR1-751	0	E06	30400-KHC4-90A	5	F18
21200-GKAK-305	6	E09	23233-GHE8-001	2	E06	3051A-KHC4-900	1	F18
21395-LBD3-900	4	E09	23237-GAR1-220	0	E06	30700-GFY6-901	3	F18
			23238-GFY6-941	0	E06			
22000			23411-KHC5-900	2	E09	31000		
			23420-GKAK-901	3	E09			
22100-GAR1-751	1	E06	23431-KNBN-901	2	E09	31110-KGBG-90A	2	E08
22102-KEB7-900	0	E06	23432-KNBN-901	3	E09	31110-KGBG-90B	1	E08
22103-KEB7-900	0	E06				31110-KGBG-90C	0	E08
22105-KGBG-900	0	E06				31120-KGBG-90A	2	E08
22110-KFA1-220	0	E06				31120-KGBG-90B	2	E08

PART NO. INDEX
 パーツ番号 検索

PART NO. パーツ番号	VERSION バージョン	PAGE ページ	PART NO. パーツ番号	VERSION バージョン	PAGE ページ	PART NO. パーツ番号	VERSION バージョン	PAGE ページ
31120-KGBG-90C	0	E08	33500-KHC4-910	0	F16	35150-GFY6-900	4	F03
31200-KEE1-90A	1	E07	33501-KHC4-900	0	F16	35160-GGS7-900	1	F03
31200-KEE1-90C	1	E07	33700-KHC4-910	0	F17	35170-GGS7-900	0	F03
31209-KEE1-900	2	E07	33701-KHC4-900	0	F17	35180-GGS7-900	1	F03
31500-KNBN-92A	9	F10				35200-GFY6-910	1	F03
31500-KNBN-92B	9	F10	34000			35340-GBN2-770	3	F03
31600-KUDU-900	2	F18				35340-KKJ9-010	5	F03
			34901-KYBY-900	0	F01	35400-KEE1-900	0	F18
32000			34905-KHC4-900	0	F16			
			34905-KHC4-900	0	F17	37000		
32100-KHC5-900	7	F18	34906-2H68-601	0	F17			
32105-KEE1-900	0	E07	34908-GGA7-70A	1	F16	37200-KHC5-B0A	2	F02
32105-KEE1-90C	0	E07	34908-MKB9-87A	0	F02	37200-KHC5-B0B	2	F02
32120-1E55-001	0	F18	34909-KEBE-900	0	F02	37211-KHC4-90A	0	F02
						37211-KHC4-90B	0	F02
33000			35000			37720-KGBG-E00	0	E05
						37801-GGA7-701	1	F09
33100-KHC4-900	3	F01	35010-KHC4-305	9	F18	37801-LAB4-910	1	F09
33120-KHC4-910	0	F01	35010-KHC4-305-M2	3	F18	37802-KEC8-900	0	F09
33130-KHC4-900	2	F01	35010-KHC4-335	0	F18	3780A-KHC4-900	3	F09
33400-KHC3-900	3	F16	35101-KHC4-305	5	F18	3780A-KHC4-910	1	F09
33402-KHC3-900	1	F16	35101-KHC4-305-M2	0	F18			
33406-KHC4-900	0	F16	35102-KHC4-900	2	F18	38000		
33450-KHC3-900	3	F16	35102-KHC4-90B	1	F18			
33452-KHC3-900	1	F16	35106-KHC4-305-M1	1	F03	38110-KFA1-80A	1	F18
33456-KHC4-900	0	F16	35106-KHC4-305-M2	1	F03	38300-KECE-900	3	F18

PART NO. INDEX

パーツ番号 検索

PART NO. パーツ番号	VERSION バージョン	PAGE ページ	PART NO. パーツ番号	VERSION バージョン	PAGE ページ	PART NO. パーツ番号	VERSION バージョン	PAGE ページ
38500-KKDK-900	4	F18	44805-GGC7-004	4	F06	50172-KHC4-900	1	F17
42000			44806-GGC7-004	2	F06	50301-GLM0-001	0	F19
			44807-0A01-004	1	F06	50305-GHC8-004	0	F19
			44809-1L70-004	1	F06	50306-1F96-001	0	F05
42610-GKAK-901	4	F07	44830-KHC4-800	3	F02	50325-KHC4-900	4	F10
42705-KHC4-900	5	F07	44831-KHC4-800	3	F02	50326-KHC4-900	2	F10
43000			45000			50328-KNBN-200	0	F10
						50350-KHC4-900	5	F19
						50503-KGBG-900	1	F14
4312A-KXCX-900	9	F07	45000-GLW0-305	0	F06	50505-GAR1-711	0	F14
4312A-KXCX-910	5	F06	45133-0H28-001	1	F06	5050A-KHC5-900	1	F14
43141-4L00-011	1	F06	45133-0H28-001	1	F07	50530-KHC4-900	3	F14
43141-GKAK-901	3	F07	45134-2L50-001	0	F06	50531-KHC4-900	0	F14
43410-KFA1-900	0	F07	45145-0F96-651	2	F06	50611-KHC4-900	2	F19
43450-KHC5-900	0	F03	45410-GBB2-001	1	F06	50612-KHC4-900	2	F19
44000			45450-KFA2-900	1	F03	50613-KHC4-900	4	F19
			45450-KFA2-900	1	F06	51000		
			45465-KFB5-900	0	F05			
			45517-GFY6-900	5	F03			
44301-KBE2-981	5	F06				51400-KHC3-900	1	F05
44311-GLW0-901	0	F06	50000			51409-KFA2-900	0	F05
44610-GLW0-305	2	F06				5150A-KHC3-900	1	F05
44620-GHC8-001	1	F06						
44705-KHC4-900	2	F06	50100-KHC5-B20	3	F19	52000		
44710-KFA1-90B	4	F07	50137-KHC4-900	0	F09			
44710-KGBG-90A	1	F06	50139-KHC4-900	1	F09			
44803-GFY6-90A	0	F06	50140-KHC4-900	0	F09	52400-KHC4-900	1	F15

PART NO. INDEX
 パーツ番号 検索

PART NO. パーツ番号	VERSION バージョン	PAGE ページ	PART NO. パーツ番号	VERSION バージョン	PAGE ページ	PART NO. パーツ番号	VERSION バージョン	PAGE ページ
53000			64000			80000		
53100-KHC4-900	3	F03	64301-KHC3-900	4	F04	80104-KGBG-900	0	F17
53140-KFA1-900	2	F03	64302-KHC3-900	2	F04	80106-KHC4-900	3	F17
53140-KHC4-900	1	F03	64310-KHC4-900	2	F04	80151-KHC4-900	2	F11
53166-KFA1-900	2	F03	64315-KHC3-900	2	F19			
53167-LHJ6-900	2	F03	64316-KHC4-900	1	F04	81000		
53168-KFA1-900	1	F03						
53170-KHC3-900	0	F03	70000			81131-KHC4-900	4	F04
53172-KHC4-900	0	F03				81132-GHAH-001	2	F04
53175-KHC3-900	0	F03	70529-6G57-671	0	E08	81133-KGBG-900	0	F11
53178-KHC4-900	0	F03				81133-KNBN-901	0	F04
5317A-KHC4-900	1	F03	77000			81134-KGBG-900	2	F11
5317B-KHC3-900	1	F03				81135-KGBG-900	2	F11
53200-KFA2-900	5	F05	77105-GFS6-001	1	F11	81141-KHC4-900	5	F04
53205-KHC3-900	1	F03	77106-GFS6-001	1	F11	81142-KCLC-900	0	F05
53206-KHC4-900	3	F03	77200-KHC5-E00	5	F08	81142-KUDU-900	1	F04
53207-KKD9-B00	3	F03	77201-GFS6-001	0	F11	81251-KHC4-900	0	F11
53211-GFY6-940	1	F05	77235-KHC4-900	2	F08	81260-KHC4-900	5	F11
53212-GHC8-004	1	F05	77240-KHC4-900	1	F18			
			77303-KHC4-900	0	F08	83000		
			77330-KHC3-900	0	F11			
61000						83500-KHC4-900	2	F11
61110-KFA2-900	2	F05				83501-KHC4-900	3	F11
61120-KFA2-900	1	F05				83502-KFA1-900	2	F11

PART NO. INDEX
 パーツ番号 検索

PART NO. パーツ番号	VERSION バージョン	PAGE ページ	PART NO. パーツ番号	VERSION バージョン	PAGE ページ	PART NO. パーツ番号	VERSION バージョン	PAGE ページ
83503-KHC4-900	2	F11				90301-6D34-671	1	F17
83600-KHC4-900	2	F11	90000			90301-KGBG-900	1	F13
83601-KHC4-900	3	F11				90302-GBR2-001	1	F09
86000			90012-3C33-001	1	E02	90302-GFY6-901	1	F09
			90021-GFY6-900	2	F13	90302-GFY6-901	1	F17
			90031-KGBG-910	1	E01	90302-SDA4-004	3	F11
86102-KFA2-900	6	F21	90032-KGBG-910	1	E01	90304-GHE8-004	0	F03
86201-KHC5-B00	0	F21	90033-0A41-021	1	E02	90304-GHE8-004	0	F19
87000			90101-GAR1-001	0	F01	90305-GHK8-001	1	E08
			90101-KGC4-E00	1	F08	90305-GHK8-001	1	F11
			90105-GFS6-001	0	F11	90305-KNBN-90B	0	F07
87501-KRDR-E00	2	F20	90105-KFC2-900	0	F11	90306-KLF0-004-SY	1	F06
87505-KGBG-E00	1	F20	90105-KHC4-900	1	F19	90307-GFJ6-004	2	F01
87541-GAR1-E00	1	F20	90108-GFY6-901	0	F14	90309-GLW0-90A	1	F06
87542-GAR1-E00	2	F20	90110-GLW0-001	0	F04	90309-GLW0-90A	1	F07
87560-GFY6-E00	4	F20	90110-KHG8-901	1	F07	90381-GEZ5-001	1	F11
88000			90111-1G87-001	1	F11	90412-3K29-001	0	E01
			90112-GCC3-001	1	F05	90421-KAM1-004	0	E03
			90112-KCLC-900	1	F05	90426-KNBN-901	0	E06
88110-KHC3-900	1	F03	90112-KRDR-900	1	F18	90429-KNBN-901	0	E09
88120-KHC3-900	1	F03	90115-GLE0-001	0	F03	90442-0D44-001	0	E06
89000			90164-KGBG-900	1	F11	90442-GFF6-011	1	E02
			90164-MDR4-901	1	F04	90451-GBN2-601	0	E01
			90202-1G87-001	2	E06	90454-GBB2-001	0	E06
89010-KGBG-900	2	F08	90202-GFF6-011	1	E02	90474-3C33-001	1	E01
			90206-0A01-001	4	E02	90501-KNBN-901	0	F07

PART NO. INDEX
 パーツ番号 検索

PART NO. パーツ番号	VERSION バージョン	PAGE ページ	PART NO. パーツ番号	VERSION バージョン	PAGE ページ	PART NO. パーツ番号	VERSION バージョン	PAGE ページ
9052A-GFY6-950	4	E01	91251-GHC8-004	0	F06	93500-04010-0F	0	E07
90656-KCBC-900	0	F03	91255-GLE0-006	0	E09	93500-04012-1H-3	0	E05
90656-KCBC-900	0	F18	91256-GAC1-004	0	F06	93500-04025-0A	0	F12
90701-GFF6-001	0	E02	91301-0C53-001	0	E09	93500-05022-0G	0	F03
90701-GFF6-001	0	E03	91301-GLR0-005	1	E03	93700-05018-0F	0	F02
90701-HDC4-001	1	E07	91301-KEA5-742	0	E06	93891-05010-06	1	F12
90741-0E35-001	0	E03	91302-0A01-021	0	E04	93891-05012-06	0	F03
90754-GHC8-00A	1	F06	91302-PKA9-004	0	E06	93891-05012-06	0	F10
90912-GHC8-00A	0	F06	91304-KGBG-900	1	E02	93891-06010-07	0	F11
90912-GHC8-00D	0	F06	91305-0H28-159	0	E07	93891-06016-06	0	F05
			91307-0E35-001	0	E04	93891-06016-06	0	F11
91000			91309-GKAK-901	0	E07	93892-04008-16	0	E05
			91352-KHG8-83B	0	F07	93892-04010-18-3	0	E05
91001-GGA7-70A	2	E06				93903-24360	0	E08
91004-KBN2-90A	0	E01	92000			93903-25460	0	F12
91004-KBN2-90A	0	E09				93903-34360	0	F03
91004-KNBN-92A	0	E01	92101-05012-0G	0	E08	93903-34360	0	F04
91009-GLE0-004	1	E09	92900-06050-0B	0	E02	93903-34360	0	F11
91103-GAR1-004	0	E06				93903-34360	0	F16
91103-GAR1-00A	0	E06	93000			93903-34460	0	F11
91103-GAR1-00A	0	E09				93903-35360	0	F02
91201-KGBG-90A	0	E04	93404-06016-06	0	F04	93903-35360	0	F04
91202-GFY6-90A	1	E01	93404-06016-06	0	F10	93903-GFY6-900	1	F04
91202-GFY6-90C	1	E01	93404-06016-06	0	F19	93903-GFY6-900	1	F11
91204-KNBN-90A	1	E01	93404-06025-06	0	F12	93904-35380	0	E08
91211-GHK8-014	1	E06	93500-04008-1H-3	0	E05			

PART NO. INDEX
 パーツ番号 検索

PART NO. パーツ番号	VERSION バージョン	PAGE ページ	PART NO. パーツ番号	VERSION バージョン	PAGE ページ	PART NO. パーツ番号	VERSION バージョン	PAGE ページ
94000			94520-24000	1	E06	95701-06012-06	1	F19
			95000			95701-06014-06	0	F09
	94001-05080-0S	0				95701-06022-06	1	F14
	94001-12280-0S	0				95701-06028-06	0	F06
	94050-06080	0	95002-02070	0	E05	95701-06032-06	0	E02
	94050-06080	0	95002-02070	0	F09	95701-06032-06	0	F07
	94050-06080	0	95002-02080	0	E02	95701-06032-06	0	F12
	94050-06080	0	95002-02080	0	F09	95701-08012-06	0	E01
	94050-06080	0	95002-02080	0	F12	95701-08020-06	1	F18
	94050-06080	0	95002-02100	0	F09	95701-08035-06	1	E01
	94050-06080	0	95002-02120	1	F09	95701-08040-06	0	E01
	94050-06080	0	95002-02120	1	F12	95801-06045-06	0	F19
	94050-06080	0	95002-02130	0	F09	95801-08035-06	1	F15
	94050-08080	0	95002-02130	0	F12	95801-08040-06	0	F05
	94050-10080	0	95003-23004-60	0	F12	95801-08042-06	0	F13
	94050-10080	0	95014-71402	0	F14	95801-10035-06	0	F15
	94101-06200	0	95014-72204	0	F14	95801-10040-06	0	F03
	94101-08600	0	95015-31001	0	F03	95801-10070-06	1	F19
	94101-10800	0	95015-32001	0	F03			
	94111-06800	0	95015-41000	0	F03	96000		
94251-08400	0	95015-42000	0	F03				
94301-08140	0	95701-06012-06	1	F05	96001-06012-02	0	F13	
94301-08140	0	95701-06012-06	1	F08	96001-06016-06	0	E08	
94301-10200	0	95701-06012-06	1	F11	96001-06018-06	0	E03	
94510-20000	0	95701-06012-06	1	F17	96001-06018-06	0	E08	
94511-14000	0	95701-06012-06	1	F18	96001-06020-06	0	E07	

PART NO. INDEX

パーツ番号 検索

PART NO. パーツ番号	VERSION バージョン	PAGE ページ	PART NO. パーツ番号	VERSION バージョン	PAGE ページ	PART NO. パーツ番号	VERSION バージョン	PAGE ページ
96001-06022-06	1	E08						
96001-06025-06	0	E02	N					
96001-06025-06	0	E07						
96001-06025-06	0	E08	N413-18J00	0	E05			
96001-06025-06	0	F03	N423-09A35	0	E05			
96001-06035-06	0	E01	N425-9RA00	0	E05			
96001-06045-06	0	E01	N426-33A00	0	E05			
96001-06085-06	1	E02						
96001-06085-06	1	E04	S					
96001-06100-06	0	E04						
96100-62033-00	0	E01	S7860-112-B000	0	E05			
96211-05000	0	F05						
98000			W					
			W1470-MW0-7500	0	E05			
98056-5771R-00	0	E02	W9353-36000	0	E05			
98200-10700	0	F10	W9525-25250	0	E05			
98200-10700	0	F18						
99000			Y					
			Y1901-001-2600	0	E05			
99101-116-0850	0	E05	Y1901-002-0100	0	E05			
K			Z					
K446-A31-0100	0	E05	Z062-0061	0	E05			