

PARTS CATALOGUE



SCOOTERS

SB10BC(JP)

SOONER 50 (注意)



Release Date : 2016/03/04
Print Date : 2017/07/18

本パーツリストについて

- 本パーツリストは SB10BC(JP).の全てのパーツ番号が記載されています。
- 車輻のカラーチャートとバイクに相違がある場合は正規販売店もしくは KYMCO JAPANへお問い合わせください。
- 1. "***"記号が記載している場合、3文字の色コードをパーツ番号の最後に記入してください。
2. "#" 記号が記載している場合、パーツの設定、変更があります。正規販売店もしくは KYMCO JAPANへお問い合わせください。
- このパーツリストの変更または追加は、適切な時期に予告なく行われます。

ABOUT THIS PARTS LIST

- This parts list is compiled all service parts for model SB10BC(JP).
- Any difference between color chart and motorcycle will be revised according to motorcycle.
- The Mark:
 1. Marking "***" must add color code in the end before ordering parts.
 2. Marking "#" are parts with modification, Please find the details from e-Parts system.
- When modification or additions to this parts list are made a revised edition at an appropriate time.

目次

● 本パーツリストについて	1
● SB10BC(JP)のカラーチャート	3
● 目次-エンジン関	9
● 目次-フレーム関係	11
● エンジンパーツリスト	14
● フレームパーツリスト	42
● パーツ番号 検索	104

CONTENTS

● ABOUT THIS PARTS LIST	1
● COLOR CHART OF SB10BC(JP)	3
● CONTENTS-ENGINE GROUP	9
● CONTENTS-FRAME GROUP	11
● ENGINE PARTS LIST	14
● FRAME PARTS LIST	42
● PART NO. INDEX	104

NO	モデル			SB10BC(JP)のカラーチャート			
	写真番号			NO. 1	NO. 2	NO. 3	NO. 4
	基本色						
	コード			Black Blue		Black Blue	Black Blue
	パーツ名	パーツ番号	バージョン	PB184PBB	PB184PBA	PB184PBA	PB184PAB
1	COVER FR HANDLE	53205-KFA2-900	0	BJP			
2	FENDER FR A **9000-	61110-KFA2-900	2				
3	COVER FR **9000-	64301-KFA2-900	0				
4	PLUG MAINT **9000-	80152-KFA1-900	0				
5	COVER R BODY	83500-KFA1-900	4				
6	COVER L BODY	83600-KFA2-900	2				
7	HANDLE R LEVER **GN2	53175-GBN2-931	0	M2A			
8	LEVER L STRG HANDLE	53178-GBN2-931	0				
9	GRIP COMP THROT/DEEP	53140-KFA1-900	2	N1R			
10	GRIP L HANDLE/DEEP	53166-KFA1-900	2				
11	COVER UNDER **901 C.	50621-KNBN-901	7				
12	FENDER A REAR **N1R	80101-KFA1-900	2				
13	HOOK LUGGAGE	81132-GHAH-001	2				
14	HOOK LUGGAGE	81132-LFG6-900	2				
15	COVER ASSY BATTERY	8125A-KNBN-200	1				
16	LEG SHIELD INNER	81132-KFA1-920	2				
17	COVER RR HANDLE	53206-KFA1-900	3	N1R			
18	COVER SWITCH **(0)	53207-KKD9-B00	3				
19	PANEL FLOOR **(0)	64310-KFA1-900	1				
20	PLUG FLOOR **9000-	64316-KFA1-900	0				
21	COVER FR INNER UP	81131-KFA1-910	0				
22	LEG SHIELD UP **910-	81131-KFA1-920	3				
23	COVER FR INNER LOW	81141-KFA1-910	2				
24	LID FR INNER LOW **(0)	81142-KFA1-900	1				
25	CARRIER LUGGAGE	77330-KFA1-B21	2	N1S			
販売開始時期							
販売終了時期							

NO	モデル			SB10BC(JP)のカラーチャート			
	写真番号			NO. 5	NO. 6	NO. 7	NO. 8
	基本色						
	コード			Black Blue	Peorly White	Paddy yellow	Green Metallic
	パーツ名	パーツ番号	バージョン	PB184PAA	NH193PB	YR034SB	GG315MA
1	COVER FR HANDLE	53205-KFA2-900	0	BJP	NVP	Y1P	GSP
2	FENDER FR A **9000-	61110-KFA2-900	2				
3	COVER FR **9000-	64301-KFA2-900	0				
4	PLUG MAINT **9000-	80152-KFA1-900	0				
5	COVER R BODY	83500-KFA1-900	4				
6	COVER L BODY	83600-KFA2-900	2				
7	HANDLE R LEVER **GN2	53175-GBN2-931	0	M2A			
8	LEVER L STRG HANDLE	53178-GBN2-931	0				
9	GRIP COMP THROT/DEEP	53140-KFA1-900	2	N1R	E3R		N1R
10	GRIP L HANDLE/DEEP	53166-KFA1-900	2				
11	COVER UNDER **901 C.	50621-KNBN-901	7				
12	FENDER A REAR **N1R	80101-KFA1-900	2				
13	HOOK LUGGAGE	81132-GHAH-001	2	N1R			
14	HOOK LUGGAGE	81132-LFG6-900	2				
15	COVER ASSY BATTERY	8125A-KNBN-200	1				
16	LEG SHIELD INNER	81132-KFA1-920	2	YVR	N1R		
17	COVER RR HANDLE	53206-KFA1-900	3				
18	COVER SWITCH **(0)	53207-KKD9-B00	3				
19	PANEL FLOOR **(0)	64310-KFA1-900	1				
20	PLUG FLOOR **9000-	64316-KFA1-900	0	N1R	YVR		N1R
21	COVER FR INNER UP	81131-KFA1-910	0				
22	LEG SHIELD UP **910-	81131-KFA1-920	3				
23	COVER FR INNER LOW	81141-KFA1-910	2				
24	LID FR INNER LOW **(0)	81142-KFA1-900	1				
25	CARRIER LUGGAGE	77330-KFA1-B21	2	N1S			
販売開始時期							
販売終了時期							

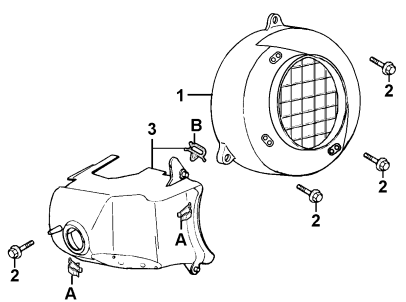
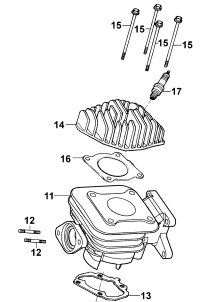
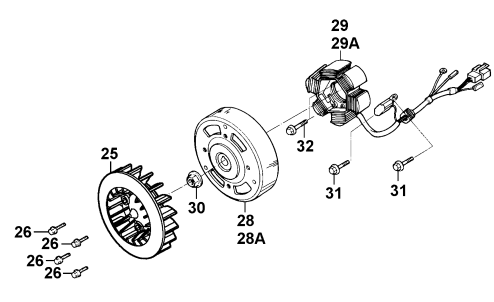
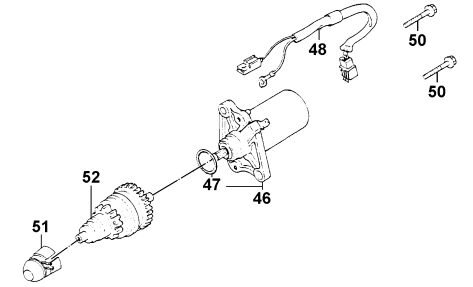
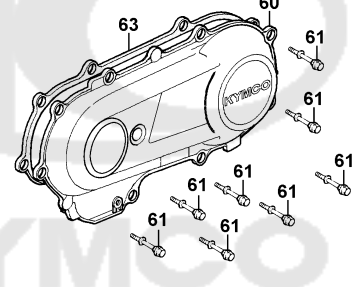
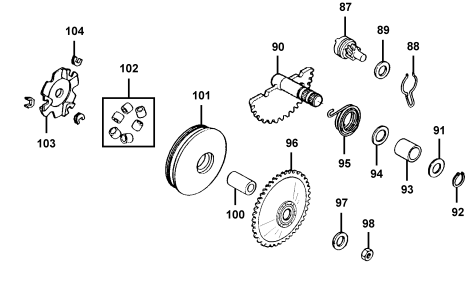
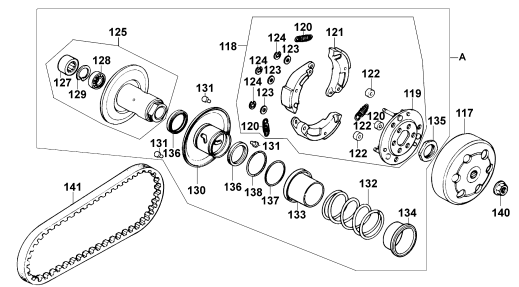
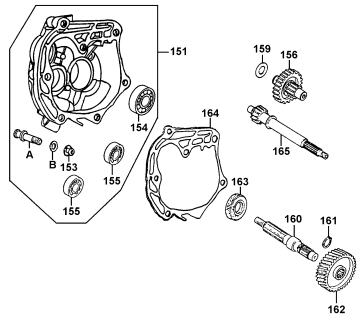
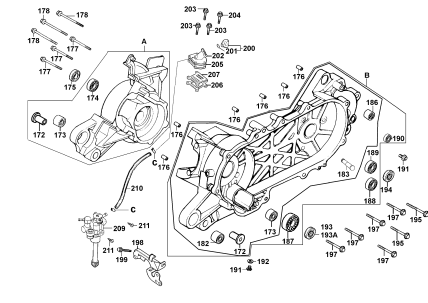
NO	モデル			SB10BC(JP)のカラーチャート			
	写真番号			NO. 9	NO. 10	NO. 11	
	基本色						
	コード			Green Metallic	Bright Silver	Bright Silver	
	パーツ名	パーツ番号	バージョン	GG315MB	NH045MA	NH045MB	
1	COVER FR HANDLE	53205-KFA2-900	0	GSP	N8P		
2	FENDER FR A **9000-	61110-KFA2-900	2				
3	COVER FR **9000-	64301-KFA2-900	0				
4	PLUG MAINT **9000-	80152-KFA1-900	0				
5	COVER R BODY	83500-KFA1-900	4				
6	COVER L BODY	83600-KFA2-900	2				
7	HANDLE R LEVER **GN2	53175-GBN2-931	0	M2A			
8	LEVER L STRG HANDLE	53178-GBN2-931	0				
9	GRIP COMP THROT/DEEP	53140-KFA1-900	2				
10	GRIP L HANDLE/DEEP	53166-KFA1-900	2				
11	COVER UNDER **901 C.	50621-KNBN-901	7				
12	FENDER A REAR **N1R	80101-KFA1-900	2				
13	HOOK LUGGAGE	81132-GHAH-001	2				
14	HOOK LUGGAGE	81132-LFG6-900	2				
15	COVER ASSY BATTERY	8125A-KNBN-200	1				
16	LEG SHIELD INNER	81132-KFA1-920	2				
17	COVER RR HANDLE	53206-KFA1-900	3	N1R			
18	COVER SWITCH **(0)	53207-KKD9-B00	3				
19	PANEL FLOOR **(0)	64310-KFA1-900	1				
20	PLUG FLOOR **9000-	64316-KFA1-900	0				
21	COVER FR INNER UP	81131-KFA1-910	0				
22	LEG SHIELD UP **910-	81131-KFA1-920	3				
23	COVER FR INNER LOW	81141-KFA1-910	2				
24	LID FR INNER LOW **(0)	81142-KFA1-900	1				
25	CARRIER LUGGAGE	77330-KFA1-B21	2	N1S			
販売開始時期							
販売終了時期							

NO	モデル			SB10BC(JP)のカラーチャート			
	写真番号			NO. 1	NO. 2	NO. 3	NO. 4
	基本色						
	コード			Black Blue		Black Blue	Black Blue
	パーツ名	パーツ番号	バージョン	PB184PBB	PB184PBA	PB184PBA	PB184PAB
26	CARRIER LUGGAGE	77330-KFA2-900	0	N1S			
27	COVER L SIDE **KCB-	11341-KBCB-900	0	NEA			
28	HUB SUB COMP RR	42610-GKAK-901	4	N1A			NJA
29	HUB SUB ASSY FR	44610-GLW0-305	2				
30	PANEL ASS'Y FR	45000-GLW0-305	0	NJA			
31	FORK SET R FR **(6)	51400-KFA2-900	6				
32	FORK SET L FR **9000-	5150A-KFA2-900	6	N1S			
33	RIM COMP RR WHEEL	42705-KHC4-900	5				
34	RIM COMP FR WHEEL	44705-KHC4-900	2	N1R			NJR
35	MOLDING FRONT **(0)	64302-KFA2-900	1				
36	MOLD R SIDE **9000-	83501-KFA1-900	2				
37	MOLD L SIDE **9000-	83601-KFA1-900	2				
38	FENDER FR B **9000-	61120-KFA2-900	1	N1R			
39	CUSHION ASSY REAR	52400-KFA1-900	1				
40	EMB K-LOGO 20MM	86102-KFA2-900	6	R8S			
41	CAUTION USE GAS	87501-KRDR-E00	2				
42	LABEL TIRE **E00	87505-KHC5-E00	1	T01			
43	CAUTION SIDE STAND	87541-GAR1-E00	1				
44	MARK MAINT CAUTION	87542-GAR1-E00	2				
45	MARK DRIVE CAUTION	87560-KNBN-E00	1				
46	SEAT ASSY/KO1Y-3Y2	77200-KFA1-C00	2	T01			
47	STRIPE BODY COVER	86201-KFA2-B00	2				
48	STRIPE MARK TYPEK	87311-LBB8-B20	0	T01			T01
49	EMB BODY	86202-KFA1-B20	2				
50	STRIPE MARK SS	87140-KFA2-B20	0				
販売開始時期							
販売終了時期							

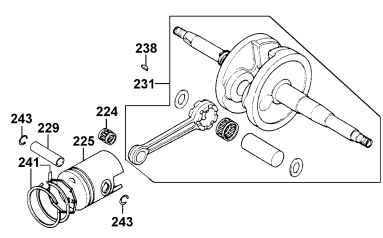
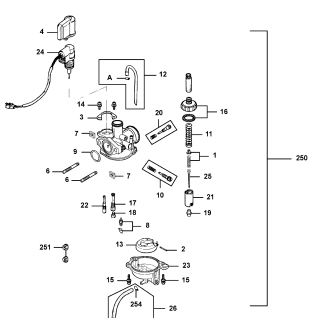

NO	モデル			SB10BC(JP)のカラーチャート			
	写真番号			NO. 5	NO. 6	NO. 7	NO. 8
	基本色						
	コード			Black Blue	Peorly White	Paddy yellow	Green Metallic
	パーツ名	パーツ番号	バージョン	PB184PAA	NH193PB	YR034SB	GG315MA
26	CARRIER LUGGAGE	77330-KFA2-900	0	N1S			
27	COVER L SIDE **KCB-	11341-KBCB-900	0	NEA			
28	HUB SUB COMP RR	42610-GKAK-901	4	NJA			
29	HUB SUB ASSY FR	44610-GLW0-305	2				
30	PANEL ASS'Y FR	45000-GLW0-305	0				
31	FORK SET R FR **(6)	51400-KFA2-900	6				
32	FORK SET L FR **9000-	5150A-KFA2-900	6				
33	RIM COMP RR WHEEL	42705-KHC4-900	5	NJS			
34	RIM COMP FR WHEEL	44705-KHC4-900	2	NXR			
35	MOLDING FRONT **(0)	64302-KFA2-900	1				
36	MOLD R SIDE **9000-	83501-KFA1-900	2				
37	MOLD L SIDE **9000-	83601-KFA1-900	2	HGR			
38	FENDER FR B **9000-	61120-KFA2-900	1	Y1R		NXR	
39	CUSHION ASSY REAR	52400-KFA1-900	1	NXR		N1R	
40	EMB K-LOGO 20MM	86102-KFA2-900	6	R8S			
41	CAUTION USE GAS	87501-KRDR-E00	2	T01			
42	LABEL TIRE **E00	87505-KHC5-E00	1				
43	CAUTION SIDE STAND	87541-GAR1-E00	1				
44	MARK MAINT CAUTION	87542-GAR1-E00	2				
45	MARK DRIVE CAUTION	87560-KNBN-E00	1				
46	SEAT ASSY/KO1Y-3Y2	77200-KFA1-C00	2	T01		T03	
47	STRIPE BODY COVER	86201-KFA2-B00	2	T01		T01	
48	STRIPE MARK TYPEK	87311-LBB8-B20	0	T01			
49	EMB BODY	86202-KFA1-B20	2				
50	STRIPE MARK SS	87140-KFA2-B20	0				
販売開始時期							
販売終了時期							

NO	モデル			SB10BC(JP)のカラーチャート			
	写真番号			NO. 9	NO. 10	NO. 11	
	基本色						
	コード			Green Metallic	Bright Silver	Bright Silver	
	パーツ名	パーツ番号	バージョン	GG315MB	NH045MA	NH045MB	
26	CARRIER LUGGAGE	77330-KFA2-900	0	N1S			
27	COVER L SIDE **KCB-	11341-KBCB-900	0	NEA			
28	HUB SUB COMP RR	42610-GKAK-901	4	NJA			
29	HUB SUB ASSY FR	44610-GLW0-305	2				
30	PANEL ASS'Y FR	45000-GLW0-305	0				
31	FORK SET R FR **(6)	51400-KFA2-900	6				
32	FORK SET L FR **9000-	5150A-KFA2-900	6				
33	RIM COMP RR WHEEL	42705-KHC4-900	5	NJS			
34	RIM COMP FR WHEEL	44705-KHC4-900	2	NXR			N1R
35	MOLDING FRONT **(0)	64302-KFA2-900	1				
36	MOLD R SIDE **9000-	83501-KFA1-900	2				
37	MOLD L SIDE **9000-	83601-KFA1-900	2				
38	FENDER FR B **9000-	61120-KFA2-900	1				
39	CUSHION ASSY REAR	52400-KFA1-900	1	R8S			
40	EMB K-LOGO 20MM	86102-KFA2-900	6	T01			
41	CAUTION USE GAS	87501-KRDR-E00	2				
42	LABEL TIRE **E00	87505-KHC5-E00	1				
43	CAUTION SIDE STAND	87541-GAR1-E00	1				
44	MARK MAINT CAUTION	87542-GAR1-E00	2				
45	MARK DRIVE CAUTION	87560-KNBN-E00	1				
46	SEAT ASSY/KO1Y-3Y2	77200-KFA1-C00	2				
47	STRIPE BODY COVER	86201-KFA2-B00	2	T01			
48	STRIPE MARK TYPEK	87311-LBB8-B20	0	T01			
49	EMB BODY	86202-KFA1-B20	2				
50	STRIPE MARK SS	87140-KFA2-B20	0				
販売開始時期							
販売終了時期							

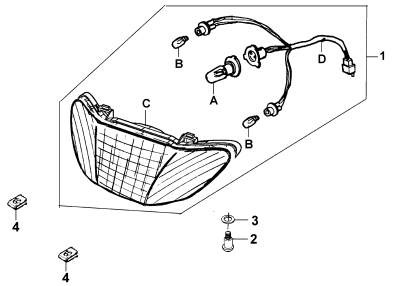
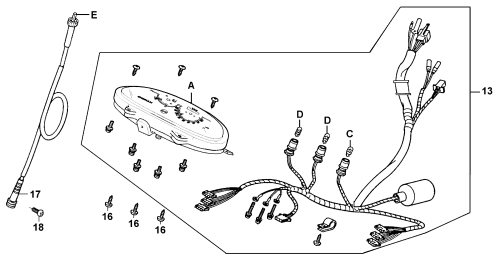
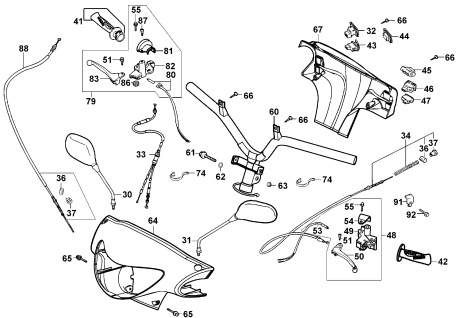
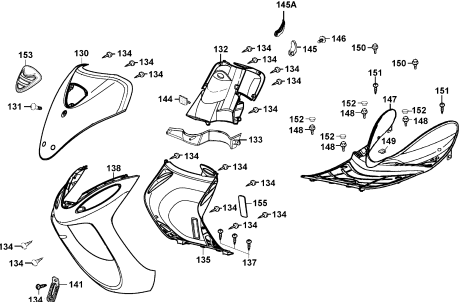
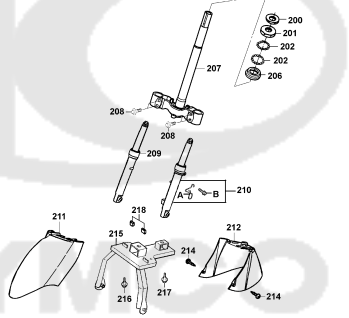
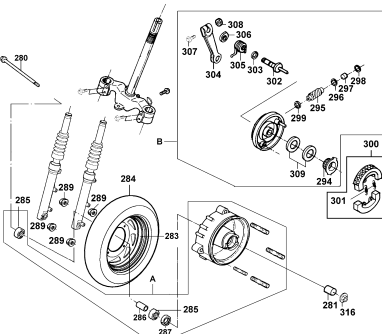
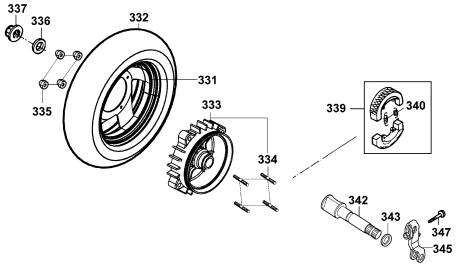
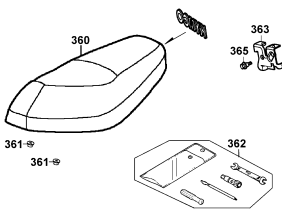
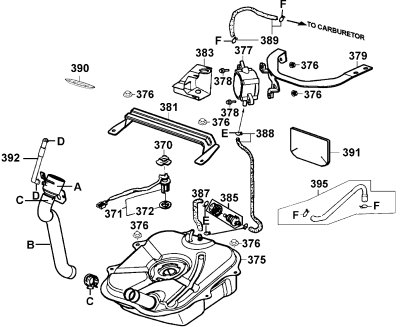
CONTENTS - ENGINE GROUP 目次-エンジン関

E01 Fan Cover Shroud	E02 Cylinder Head Cylinder	E03 Generator
		
E04 Starting Motor	E05 COVER L SIDE	E06 DRIVE FACE
		
E07 Driven Pulley	E08 Transmission	E09 Crankcase OIL PUMP
		

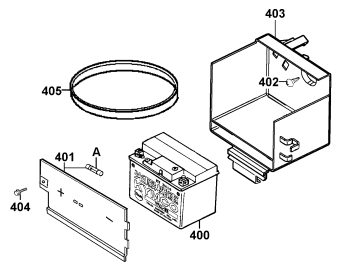
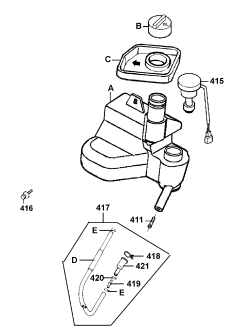
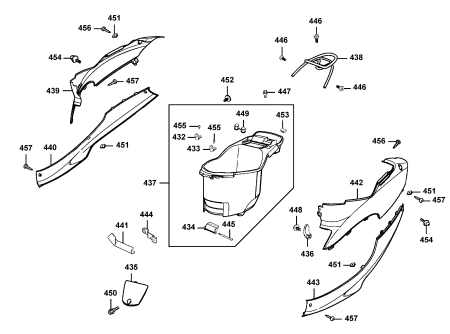
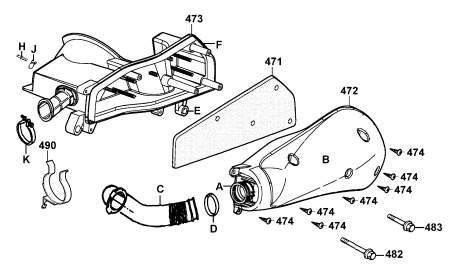
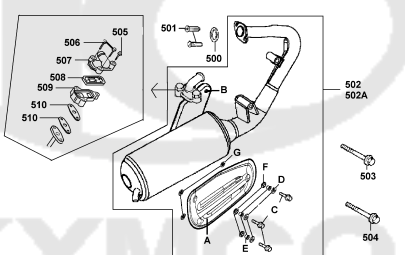
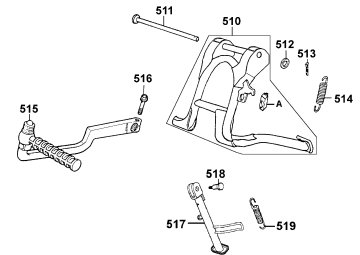
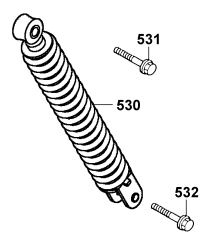
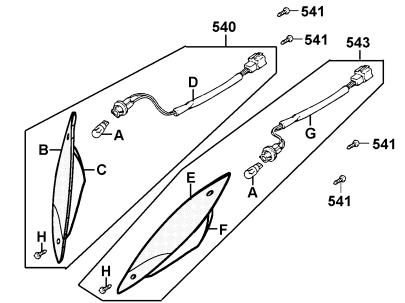
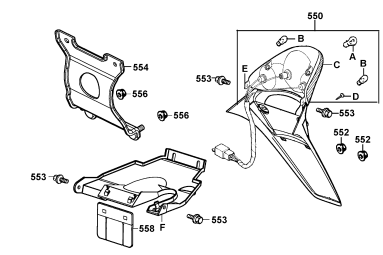
CONTENTS - ENGINE GROUP 目次-エンジン関

<p>E10 Crankshaft Piston</p> 	<p>E11 Carburetor</p> 	
		

CONTENTS - FRAME GROUP 目次-フレーム関係

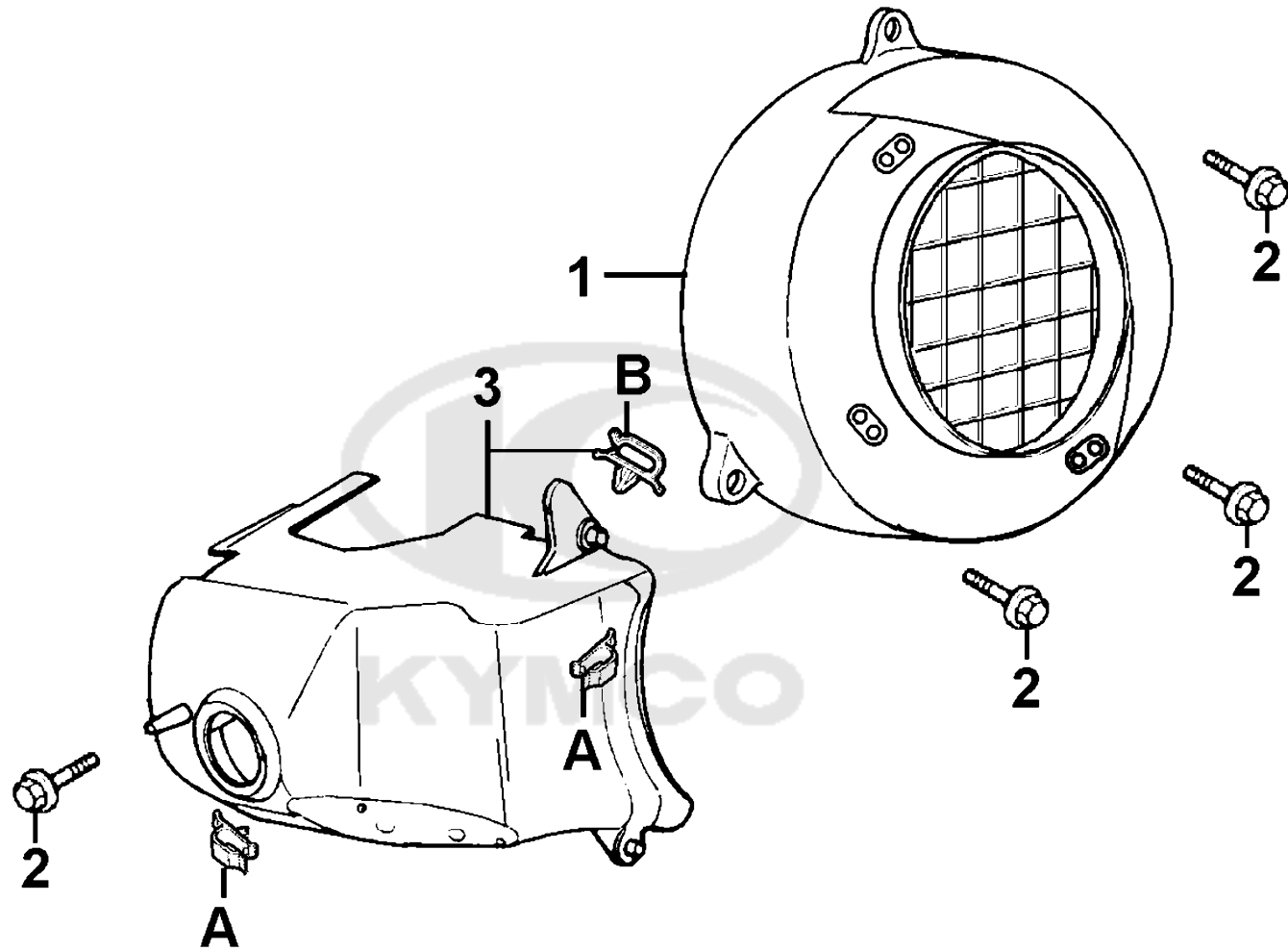
<p>F01 Head Light</p> 	<p>F02 Speedometer</p> 	<p>F03 Handle Steering Handle Cover</p> 
<p>F04 Front Cover Floor Panel</p> 	<p>F05 Front Cushion</p> 	<p>F06 Front Wheel</p> 
<p>F07 Rear Wheel</p> 	<p>F08 Seat</p> 	<p>F09 Fuel Tank</p> 

CONTENTS - FRAME GROUP 目次-フレーム関係

<p>F10 Battery</p> 	<p>F11 OIL TANK</p> 	<p>F12 Body Cover Luggage Box</p> 
<p>F13 Air Cleaner</p> 	<p>F14 Exhaust Muffler</p> 	<p>F15 Stand Kick Starter Arm</p> 
<p>F16 Rear Cushion</p> 	<p>F17 FR Winker</p> 	<p>F18 Rear Light Rear Fender</p> 

CONTENTS - FRAME GROUP 目次-フレーム関係

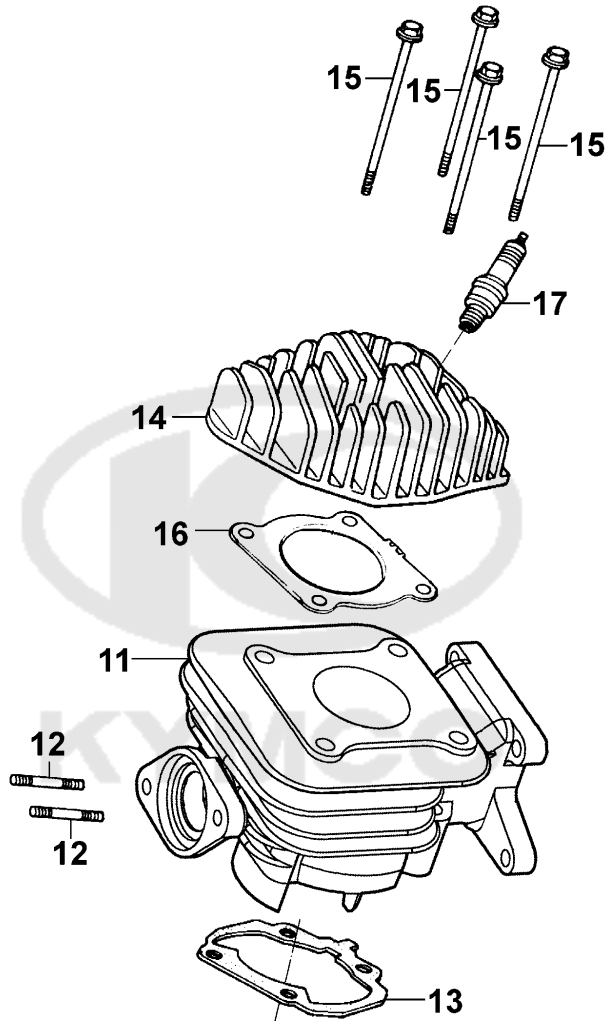
F19 Wire Harness	F20 Frame Body	F21 AIR CLEANER TWO
F22 Caution Label	F23 Emblem Stripe	F24 Key



Sales mark 記号	Ref no 参照用番号	Part no パーツ番号	Description 部品名	Reg description 部品名	Regd no 必要個数	Ref Price 希望小売価格(税抜)	E01
------------------	-----------------	------------------	--------------------	------------------------	-----------------	-------------------------	-----

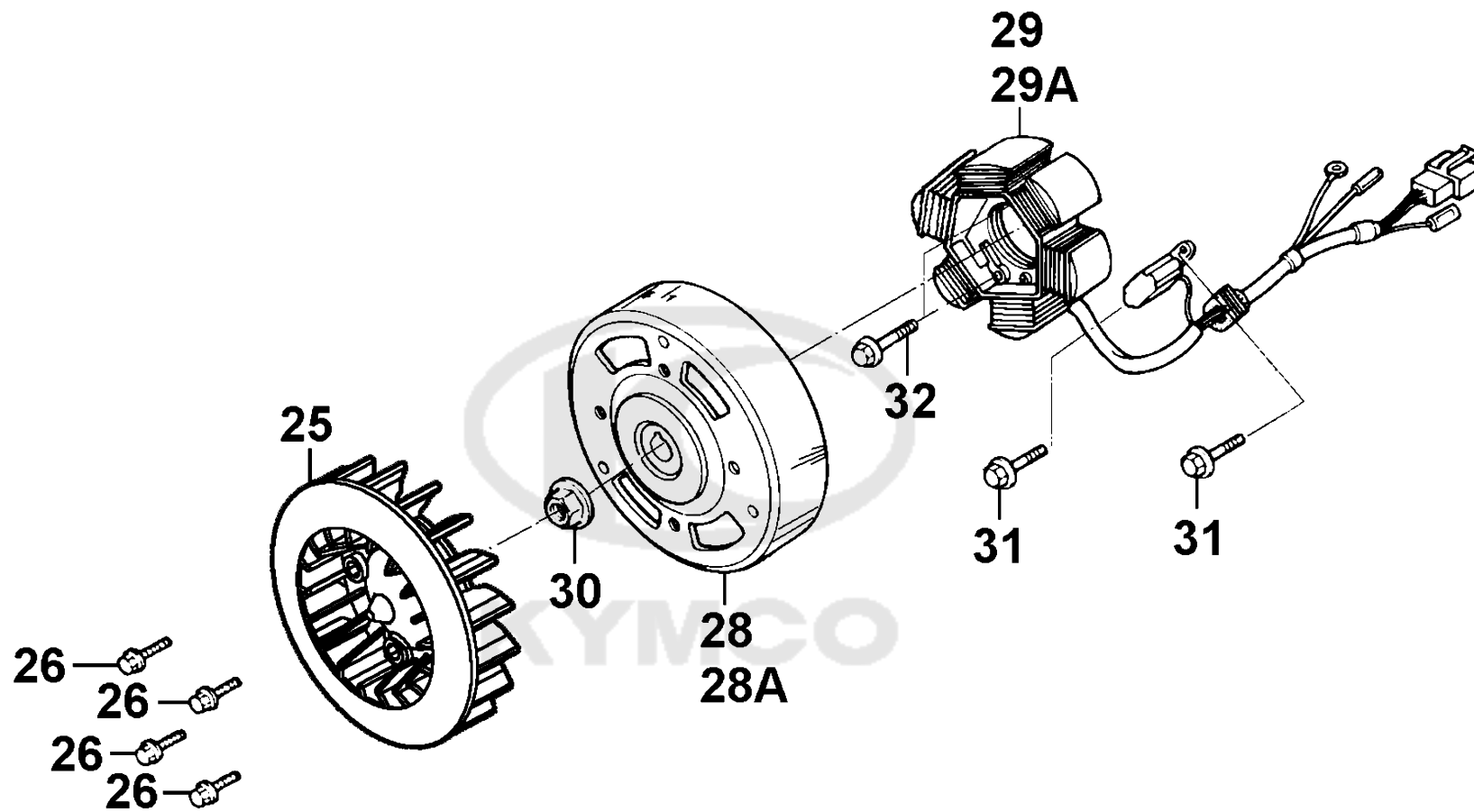
B		11386-GFY6-900	CLIP VACUUM TUBE	CLIP VACUUM TUBE	1	60	
1		19600-KTDT-900	COVER COMP FAN	COVER COMP FAN	1	1910	
3		1962A-KFA1-910	CLIP SET SHROUD ASSY	CLIP SET SHROUD ASSY	1	2200	
A		32161-3C93-004	CLIP HARNESS WIRE	CLIP HARNESS WIRE	1	160	
2		95701-06025-06	BOLT FLANGE 6*25	BOLT FLANGE 6*25	1	60	



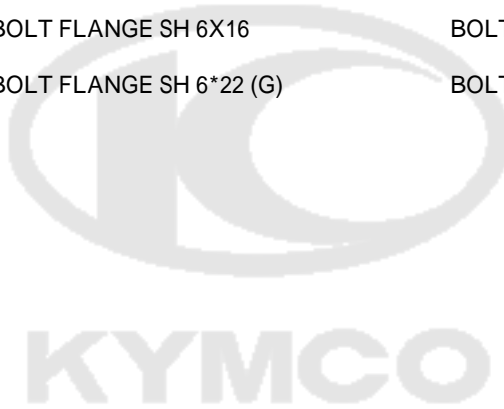


Sales mark 記号	Ref no 参照用番号	Part no パーツ番号	Description 部品名	Reg description 部品名	Regd no 必要個数	Ref Price 希望小売価格(税抜)	E02
11		12101-KFA1-910	CYLINDER **9100 C.2006.11.01	CYLINDER **9100 C.2006.11.01	1	18440	
13		12191-LBD3-900	GASKET CYLINDER A	GASKET CYLINDER A	1	180	
14		12201-GKAK-921	HEAD CYLINDER	HEAD CYLINDER	1	3810	
16		12251-GKAK-902	GASKET CYLINDER HEAD	GASKET CYLINDER HEAD	1	250	
15		90001-GKAK-901	BOLT FLANGE 7*100 (G)	BOLT FLANGE 7*100 (G)	4	200	
12		92700-06028-1B	BOLT STUD 6*28	BOLT STUD 6*28	2	60	
17		98076-5871G-00	SPARK PLUG (BR8HSA)	SPARK PLUG (BR8HSA)	1	1060	



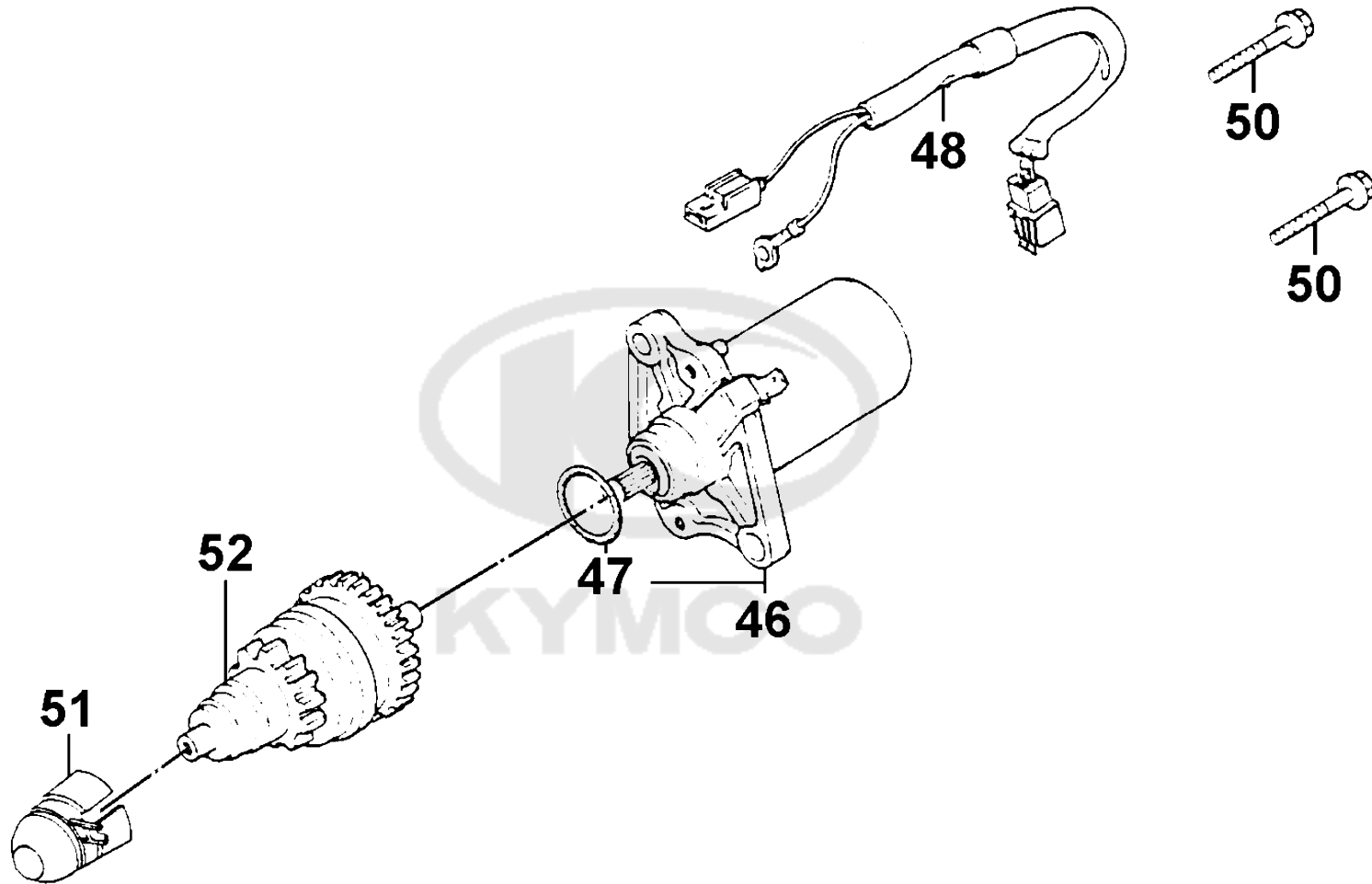


Sales mark 記号	Ref no 参照用番号	Part no パーツ番号	Description 部品名	Reg description 部品名	Regd no 必要個数	Ref Price 希望小売価格(税抜)	E03
25		19510-GBW2-901	FAN COMP COOLING	FAN COMP COOLING	1	580	
28		31110-GKAK-901	FLYWHEEL COMP (D406)	FLYWHEEL COMP /D406	1	9510	
28A		31110-GKAK-90A	FLYWHEEL COMP (D402)	FLYWHEEL COMP /D402	1	9510	
29		31120-KNBN-901	STATOR COMP (D406)	STATOR COMP /D406	1	9510	
29A		31120-KNBN-90A	STATOR COMP (D402)	STATOR COMP /D402	1	9510	
30		94050-10080	NUT FLANGE 10MM	NUT FLANGE 10MM	1	60	
31		96001-06012-06	BOLT FLANGE SH 6*12	BOLT FLANGE SH 6*12	1	60	
26		96001-06016-06	BOLT FLANGE SH 6X16	BOLT FLANGE SH 6X16	1	60	
32		96001-06022-06	BOLT FLANGE SH 6*22 (G)	BOLT FLANGE SH 6*22 (G)	1	60	



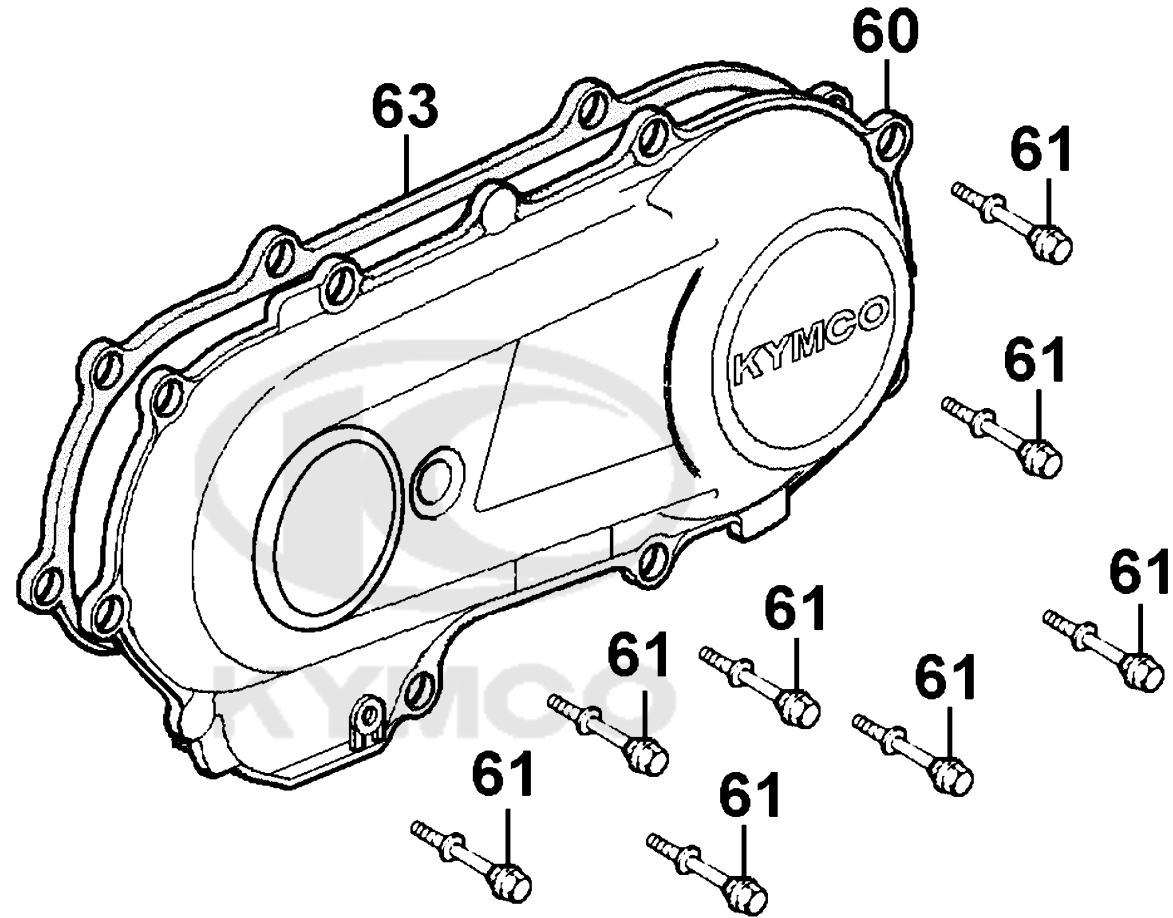
E04

Starting Motor



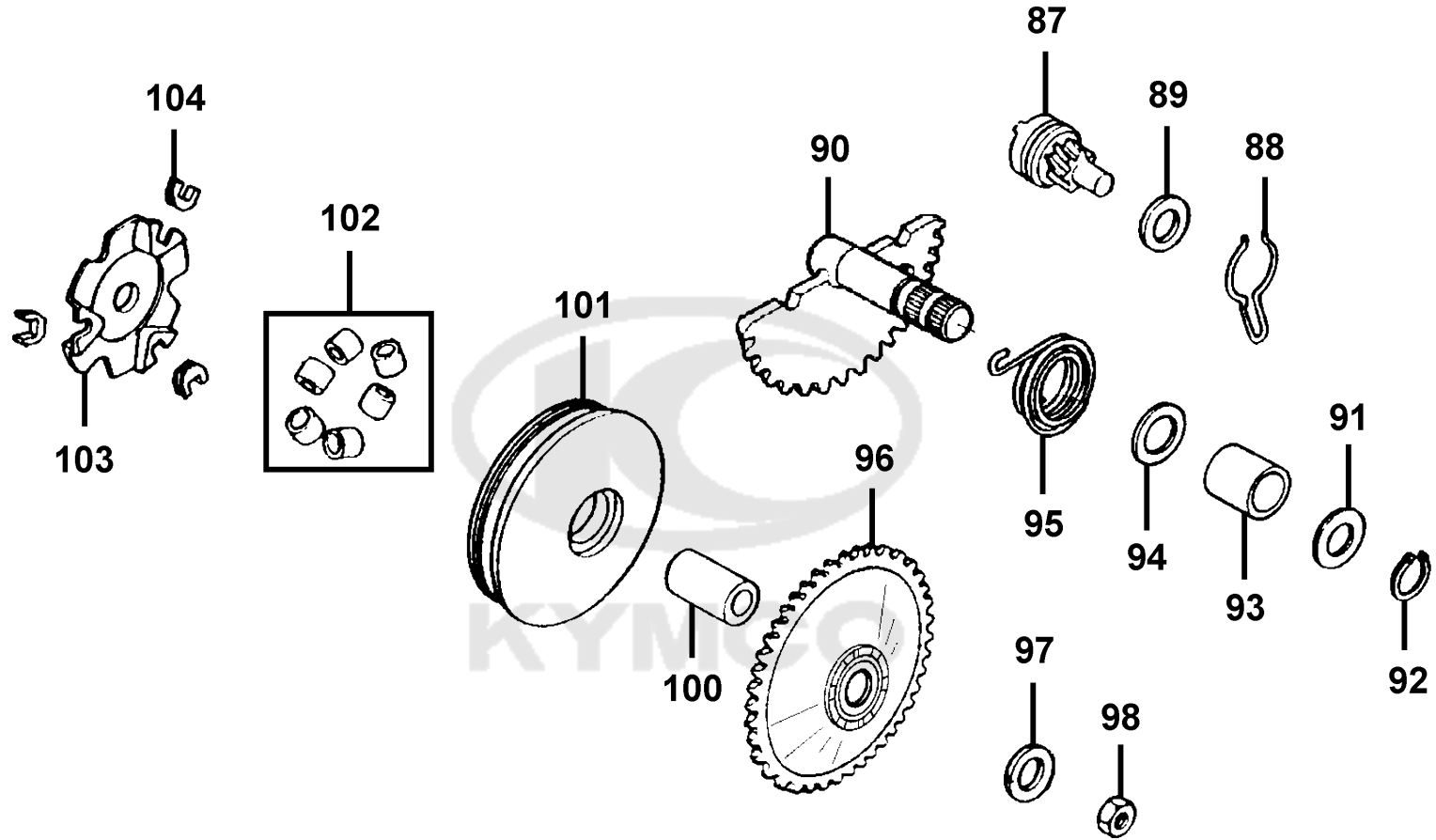
Sales mark 記号	Ref no 参照用番号	Part no パーツ番号	Description 部品名	Reg description 部品名	Regd no 必要個数	Ref Price 希望小売価格(税抜)	E04
51	31203-GKAK-901	HOLDER COMP STARTER PINION	HOLDER COMP STARTER PINION	HOLDER COMP STARTER PINION	1	1060	
52	31209-GKAK-901	PINION ASSY STARTER	PINION ASSY STARTER	PINION ASSY STARTER	1	8560	
46	31210-GKAK-90C	MOTOR UNIT START	MOTOR UNIT START	MOTOR UNIT START	1	14450	
48	32105-GKAK-901	SUB HARNESS	SUB HARNESS	SUB HARNESS	1	1650	
47	91309-GKAK-901	O RING	O RING	O RING	1	70	
50	96001-06025-06	BOLT FLANGE SH 6*25	BOLT FLANGE SH 6*25	BOLT FLANGE SH 6*25	1	60	



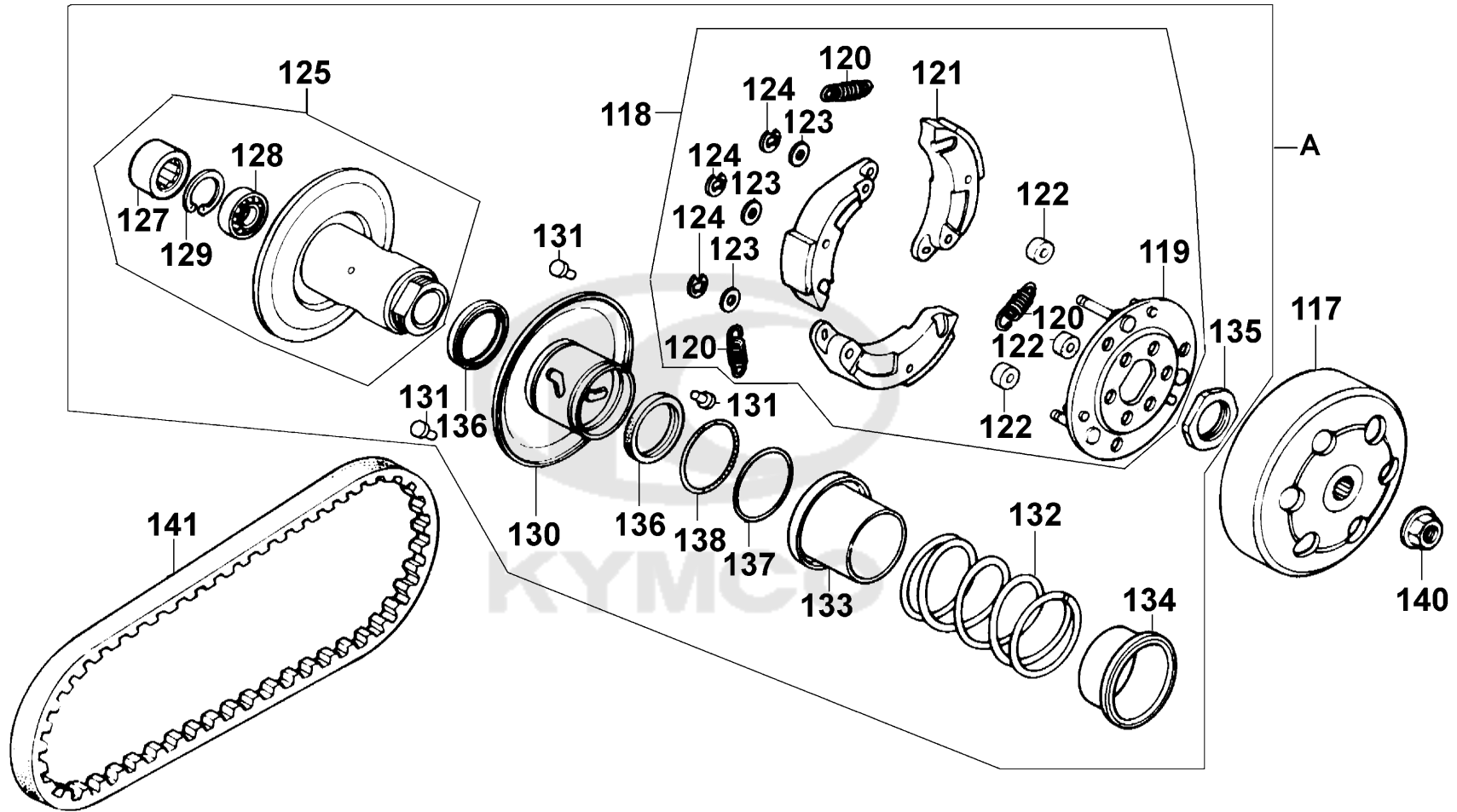


Sales mark 記号	Ref no 参照用番号	Part no パーツ番号	Description 部品名	Reg description 部品名	Regd no 必要個数	Ref Price 希望小売価格(税抜)	E05
**	60	11341-KBCB-900	COVER L SIDE	COVER L SIDE	1	12220	
	63	11395-GKAK-901	GASKET L COVER	GASKET L COVER	1	1280	
	61	9000A-KTDT-900	BOLT ASSY SPECIAL 6*29.5	BOLT ASSY SPECIAL 6*29.5	9	100	





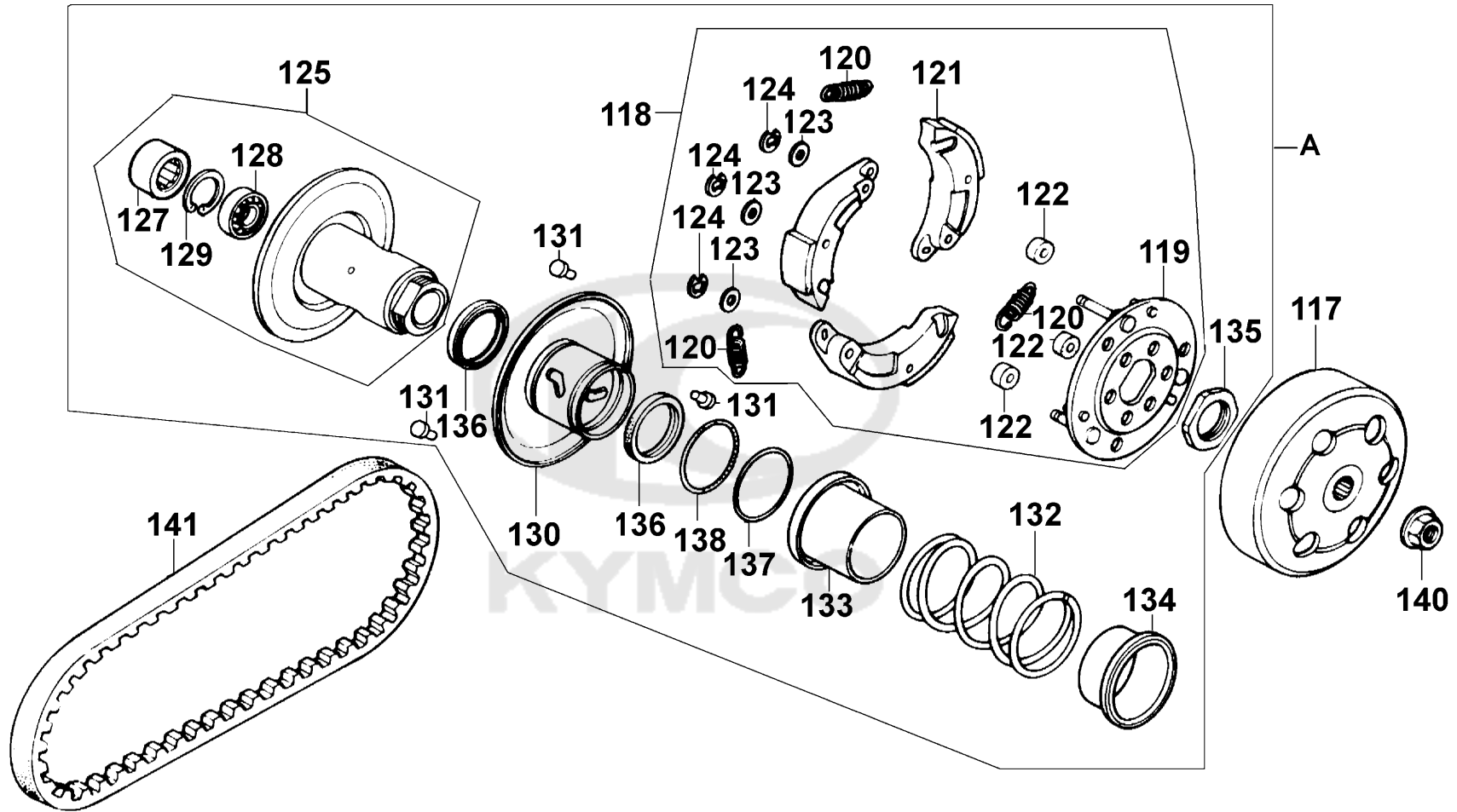
Sales mark 記号	Ref no 参照用番号	Part no パーツ番号	Description 部品名	Reg description 部品名	Regd no 必要個数	Ref Price 希望小売価格(税抜)	E06
96		22102-GHAH-721	FACE COMP DRIVE	FACE COMP DRIVE	1	3150	
100		22105-GHAH-780	DRIVE FACE BOSS	DRIVE FACE BOSS	1	1150	
101		22110-KFA1-220	FACE COMP MOVABLE DRIVE	FACE COMP MOVABLE DRIVE	1	1340	
102		22121-KGBG-315	ROLLER SET WEIGHT (1SET:6PCS)	ROLLER SET WEIGHT(旧品番の22121-	1	330	
103		22131-GHAH-781	PLATE RAMP	PLATE RAMP	1	1060	
104		22132-GLW0-001	PIECE SLIDE	PIECE SLIDE	3	160	
88		28223-KNBN-901	SPG KICK DRIVEN GEAR	SPG KICK DRIVEN GEAR	1	160	
87		28230-GKAK-921	GEAR COMP KICK DRIVEN	GEAR COMP KICK DRIVEN	1	1820	
90		28250-KNBN-901	SPINDLE COMP KICK STARTER	SPINDLE COMP KICK STARTER	1	1820	
93		28253-GBN2-60A	BUSH KICK SPINDLE	BUSH KICK SPINDLE	1	200	
94		28255-GFS6-001	COLLAR KICK BOSS	COLLAR KICK BOSS	1	160	
95		28281-GBN2-60A	SPRING KICK RETURN	SPRING KICK RETURN	1	390	
97		90122-GCS3-001	WASHER 12MM	WASHER 12MM	1	160	
89		90412-3K29-001	WASHER THRUST 10M/M	WASHER THRUST 10M/M	1	200	
91		90451-GBN2-601	WASHER KICK SPINDLE	WASHER KICK SPINDLE	1	200	
98		94001-12280-0S	NUT HEX 12MM	NUT HEX 12MM	1	160	
92		94511-14000	CIR CLIP EX 14	CIR CLIP EX 14	1	110	




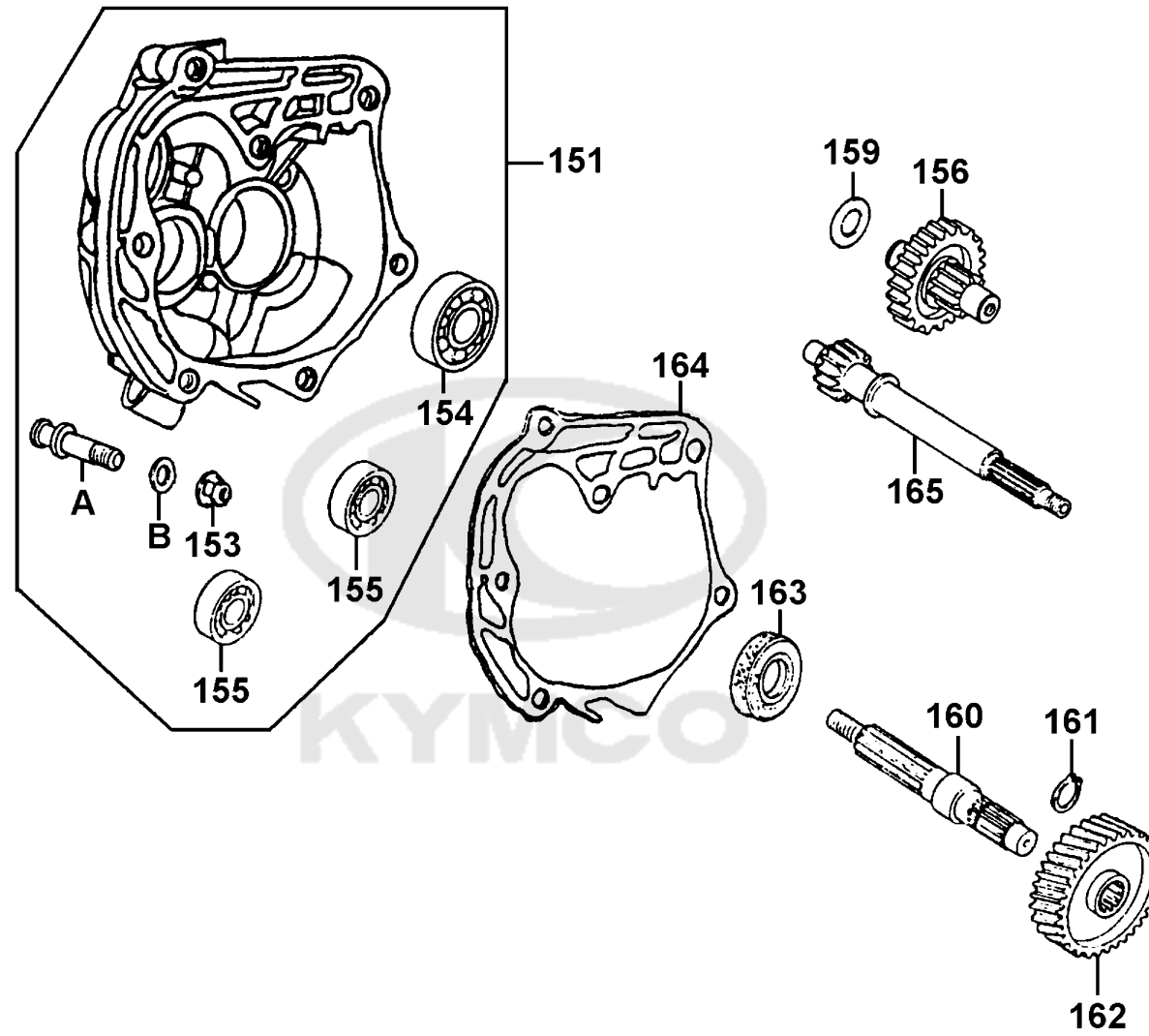
Sales mark 記号	Ref no 参照用番号	Part no パーツ番号	Description 部品名	Reg description 部品名	Regd no 必要個数	Ref Price 希望小売価格(税抜)	E07
117		22100-GAR1-751	CLUTCH OUTER	CLUTCH OUTER	1	3530	
118		22300-KXCX-900	PLATE ASSY DRIVE	PLATE ASSY DRIVE	1	6970	
119		22350-GKAK-930	PLATE COMP DRIVE	PLATE COMP DRIVE	1	1370	
120		22401-GKAK-931	SPRING CLUTCH	SPRING CLUTCH	3	140	
121		22530-GKAK-220	WEIGHT SET CLUTCH	WEIGHT SET CLUTCH	1	1150	
122		22804-1H48-001	RUBBER CLUTCH DAMPER	RUBBER CLUTCH DAMPER	3	110	
A		2301A-GKAK-220	PULLEY SET DRIVEN	PULLEY SET DRIVEN	1	18310	
141		23100-GKAK-901	BELT DRIVE	BELT DRIVE	1	3690	
125		23200-GAR1-220	FACE ASSY DRIVEN	FACE ASSY DRIVEN	1	8560	
130		23220-GKAK-220	FACE COMP MOVABLE DRIVEN	FACE COMP MOVABLE DRIVEN	1	5710	
131		23225-GAR1-751	PIN GUIDE	PIN GUIDE	3	130	
132		23233-GHE8-001	SPG DRIVEN FACE	SPG DRIVEN FACE	1	870	
133		23237-GAR1-220	COLLAR SEAL	COLLAR SEAL	1	540	
134		23238-GFY6-941	COLLAR SPG	COLLAR SPG	1	450	
135		90202-1G87-001	NUT SPECIAL 28MM	NUT SPECIAL 28MM	1	100	
123		90442-0D44-001	WASHER THRUST 6M	WASHER THRUST 6M	3	60	
124		90454-GBB2-001	CIRCLIP 6MM	CIRCLIP 6MM	3	60	
128		91001-GGA7-70A	BRG RADIAL BALL 6901U	BRG RADIAL BALL 6901U	1	1720	
127		91103-GAR1-004	BRG NEEDLE 17*25*18 WS	BRG NEEDLE 17*25*18 WS	1	1530	
136		91211-GHK8-014	OIL SEAL 34*39*3	OIL SEAL 34*39*3	2	230	

E07

Driven Pulley



Sales mark 記号	Ref no 参照用番号	Part no パーツ番号	Description 部品名	Reg description 部品名	Regd no 必要個数	Ref Price 希望小売価格(税抜)	E07
137	91301-KEA5-742	91301-KEA5-742	O-RING 36*1.5	O-RING 36*1.5	1	60	
138	91302-PKA9-004	91302-PKA9-004	O-RING 39.8*2.2	O-RING 39.8*2.2	1	130	
140	94050-10080	94050-10080	NUT FLANGE 10MM	NUT FLANGE 10MM	1	60	
129	94520-24000	94520-24000	CIR CLIP IN 24	CIR CLIP IN 24	1	80	
							

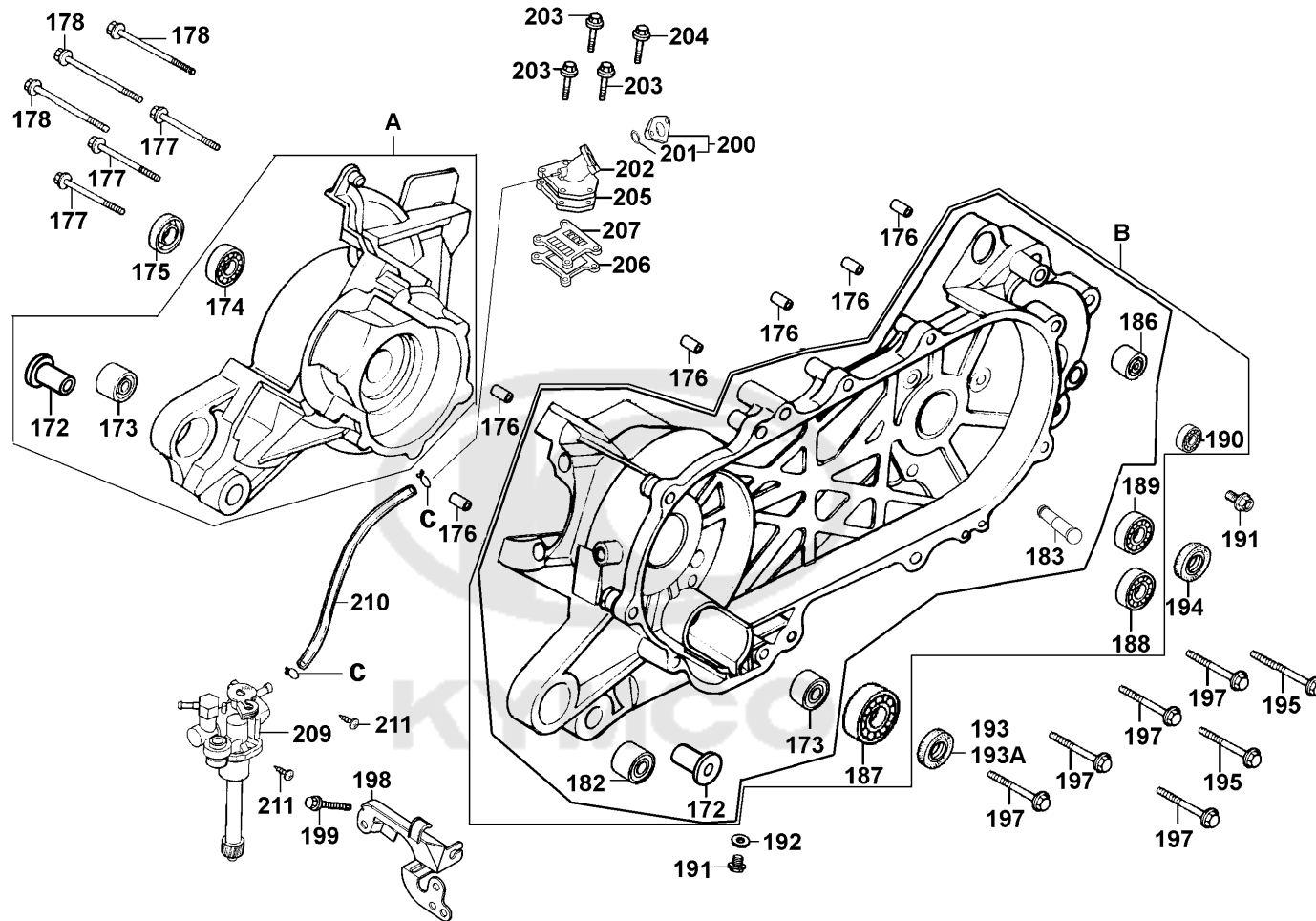


Sales mark 記号	Ref no 参照用番号	Part no パーツ番号	Description 部品名	Reg description 部品名	Regd no 必要個数	Ref Price 希望小売価格(税抜)
A		11203-KHG8-301	PIN BRAKE SHOE ANCHOR	PIN BRAKE SHOE ANCHOR	1	300
151		21200-KFA1-305	CASE SET MISSION	CASE SET MISSION	1	15210
164		21395-LBD3-900	GASKET MISSION CASE @A	GASKET MISSION CASE @A	2	520
165		23411-GKAK-921	SHAFT DRIVE	SHAFT DRIVE	1	4950
156		23420-GKAK-901	SHAFT COMP COUNTER	SHAFT COMP COUNTER	1	6280
160		23431-KNBN-901	SHAFT FINAL	SHAFT FINAL	1	4570
162		23432-KNBN-901	GEAR FINAL	GEAR FINAL	1	4570
153		90309-KLF0-004	NUT FLANGE 8MM	NUT FLANGE 8MM	1	60
159		90429-KNBN-901	WASHER SIDE 12MM	WASHER SIDE 12MM	1	350
155		91004-KBN2-90A	BRG BALL RADIAL 6201	BRG BALL RADIAL 6201	2	2100
154		91009-GLE0-004	BRG BALL RADIAL 6004 UU	BRG BALL RADIAL 6004 UU	1	1300
163		91255-GLE0-006	OIL SEAL 27*42*7	OIL SEAL 27*42*7	1	60
B		91301-0C53-001	O RING 7.5*1.5	O RING 7.5*1.5	1	60
161		94510-20000	CIR CLIP EX 20	CIR CLIP EX 20	1	60

E08

E09

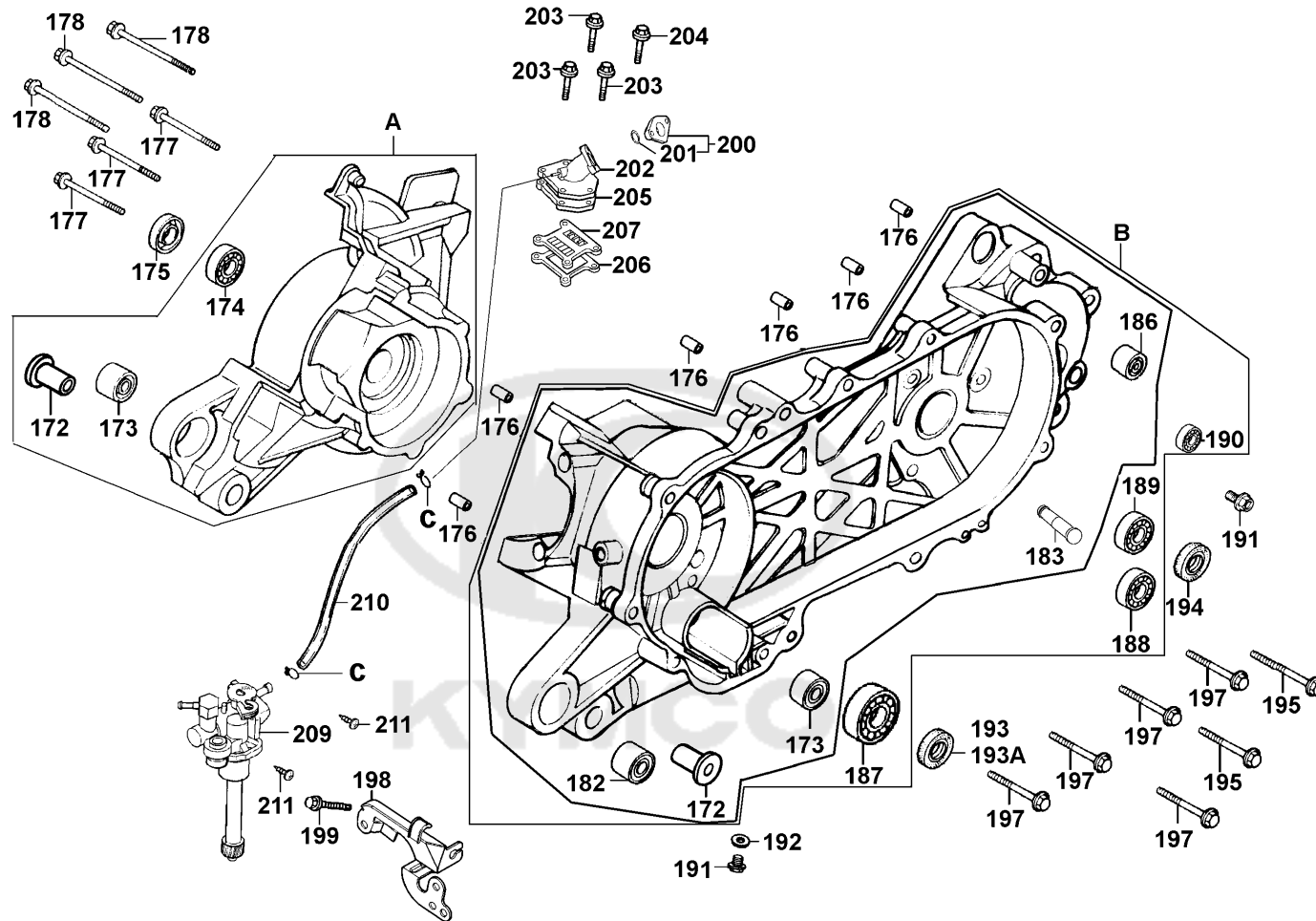
Crankcase OIL PUMP



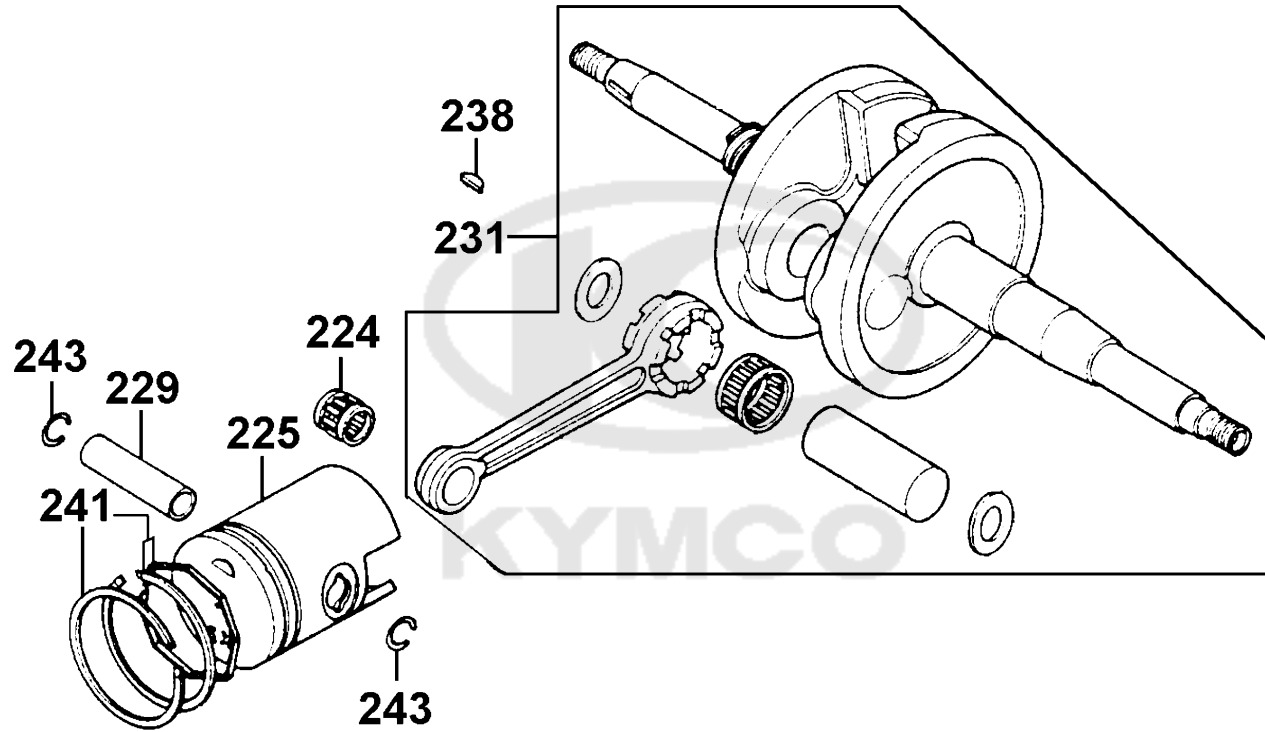
Sales mark 記号	Ref no 参照用番号	Part no パーツ番号	Description 部品名	Reg description 部品名	Regd no 必要個数	Ref Price 希望小売価格(税抜)	E09
A		11100-GKAK-325	CRANK CASE ASSY R	CRANK CASE ASSY R	1	17430	
173		11102-1G87-004	RUB BUSH ENG HANGER	RUB BUSH ENG HANGER	2	320	
B		11200-GKAK-326	CRANK CASE ASSY L	CRANK CASE ASSY L	1	24340	
186		11203-GGC7-301	UNDER RUBBER BUSH REAR CUSHION	UNDER RUBBER BUSH REAR CUSHION	1	250	
183		11204-KNBN-901	PIN SPG HOOK	PIN SPG HOOK	1	300	
182		11205-GHAH-004	BUSH 8*12*8	BUSH 8*12*8	1	110	
172		11205-KNBN-901	BUSH M STAND	BUSH M STAND	2	300	
207		14100-KFA1-910	VALVE COMP REED	VALVE COMP REED	1	4830	
209		15100-KFA1-900	OIL PUMP ASSY	OIL PUMP ASSY	1	11220	
198		15110-KFA1-9100	PLATE COMP OIL PUMP **910 C.P.N.	PLATE COMP OIL PUMP **910 C.P.N.	1	580	
210		1552A-KNBN-950	TUBE ASSY OIL PASS	TUBE ASSY OIL PASS	1	400	
200		1621A-GKAK-901	INSULATOR CARB ASSY	INSULATOR CARB ASSY	1	390	
202		17100-KFA1-B00	PIPE COMP INLET	PIPE COMP INLET	1	2960	
205		17111-KFA1-980	GASKET INLET PIPEA	GASKET INLET PIPEA	1	920	
206		17112-KFA1-980	GASKET INLET PIPEB	GASKET INLET PIPEB	1	920	
192		90474-3C33-001	WASHER 8MM	WASHER 8MM	1	60	
174		91001-GLW0-90A	BRG BALL RADIAL 6204 SPECIAL	BRG BALL RADIAL 6204 SPECIAL	1	2100	
190		91004-KBN2-90A	BRG BALL RADIAL 6201	BRG BALL RADIAL 6201	1	2100	
189		91004-KNBN-92A	BRG BALL RADIAL 6203 SPC 17*40*12	BRG BALL RADIAL 6203 SPC 17*40*12	1	2290	
187		91006-KNBN-901	BRG BALL RADIAL 25*56*12	BRG BALL RADIAL 25*56*12	1	2290	

E09

Crankcase OIL PUMP

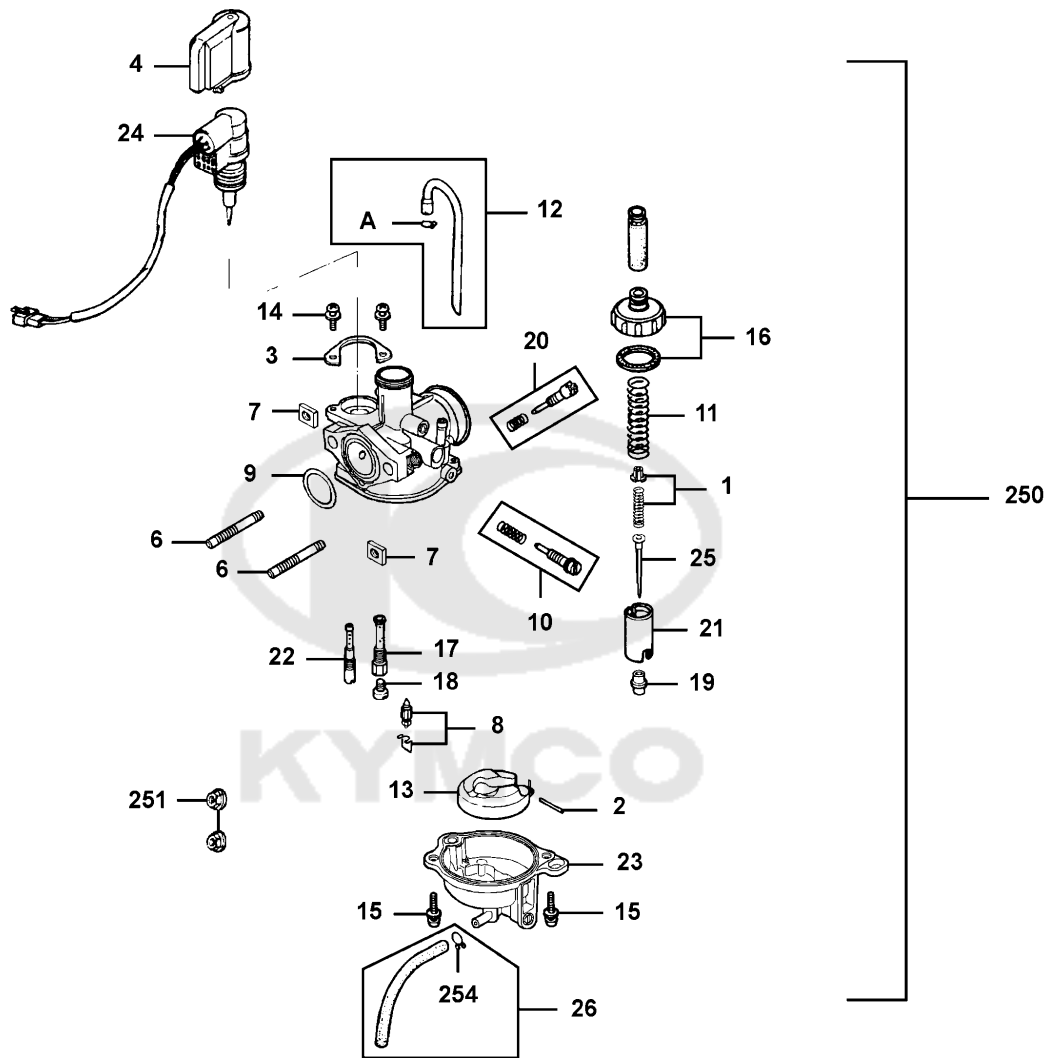


Sales mark 記号	Ref no 参照用番号	Part no パーツ番号	Description 部品名	Reg description 部品名	Regd no 必要個数	Ref Price 希望小売価格(税抜)	E09
175		91201-KNBN-92A	OIL SEAL 15.6*25.5*7	OIL SEAL 15.6*25.5*7	1	710	
193		91202-KNBN-92A	OIL SEAL 20*31*7	OIL SEAL 20*31*7	1	680	
193A		91202-KNBN-92B	OIL SEAL 20*31*7	OIL SEAL 20*31*7	1	130	
194		91204-KNBN-90A	OIL SEAL 17*30*6	OIL SEAL 17*30*6	1	610	
201		91304-GLB0-911	O RING 20.6*1.9	O RING 20.6*1.9	1	60	
211		93500-05012-0F	SCREW PAN 5*12	SCREW PAN 5*12	1	200	
176		94301-10200	DOWEL PIN 10*20	DOWEL PIN 10*20	6	200	
C		95002-02650	CLIP B6.5 TUBE	CLIP B6.5 TUBE	2	110	
191		95701-08012-06	BOLT FLANGE 6*22 (K)	BOLT FLANGE 6*22 (K)	1	60	
195		95701-08035-06	BOLT FLANGE 6*22 (K)	BOLT FLANGE 6*22 (K)	1	200	
197		95701-08040-06	BOLT FLANGE 6*22 (K)	BOLT FLANGE 6*22 (K)	1	160	
203		96001-06022-06	BOLT FLANGE SH 6*22 (G)	BOLT FLANGE SH 6*22 (G)	1	60	
204		96001-06025-06	BOLT FLANGE SH 6*25	BOLT FLANGE SH 6*25	1	60	
199		96001-06032-06	BOLT FLANGE 6*32	BOLT FLANGE 6*32	1	60	
177		96001-06045-06	BOLT FLANGE 6*45 **07 C.2005.07.01	BOLT FLANGE 6*45 **07 C.2005.07.01	1	60	
178		96001-06055-06	BOLT FLANGE 6*55 **07 C.2005.07.01	BOLT FLANGE 6*55 **07 C.2005.07.01	1	60	
188		96100-62033-00	BEARING BALL RADIAL 6203	BEARING BALL RADIAL 6203	1	960	



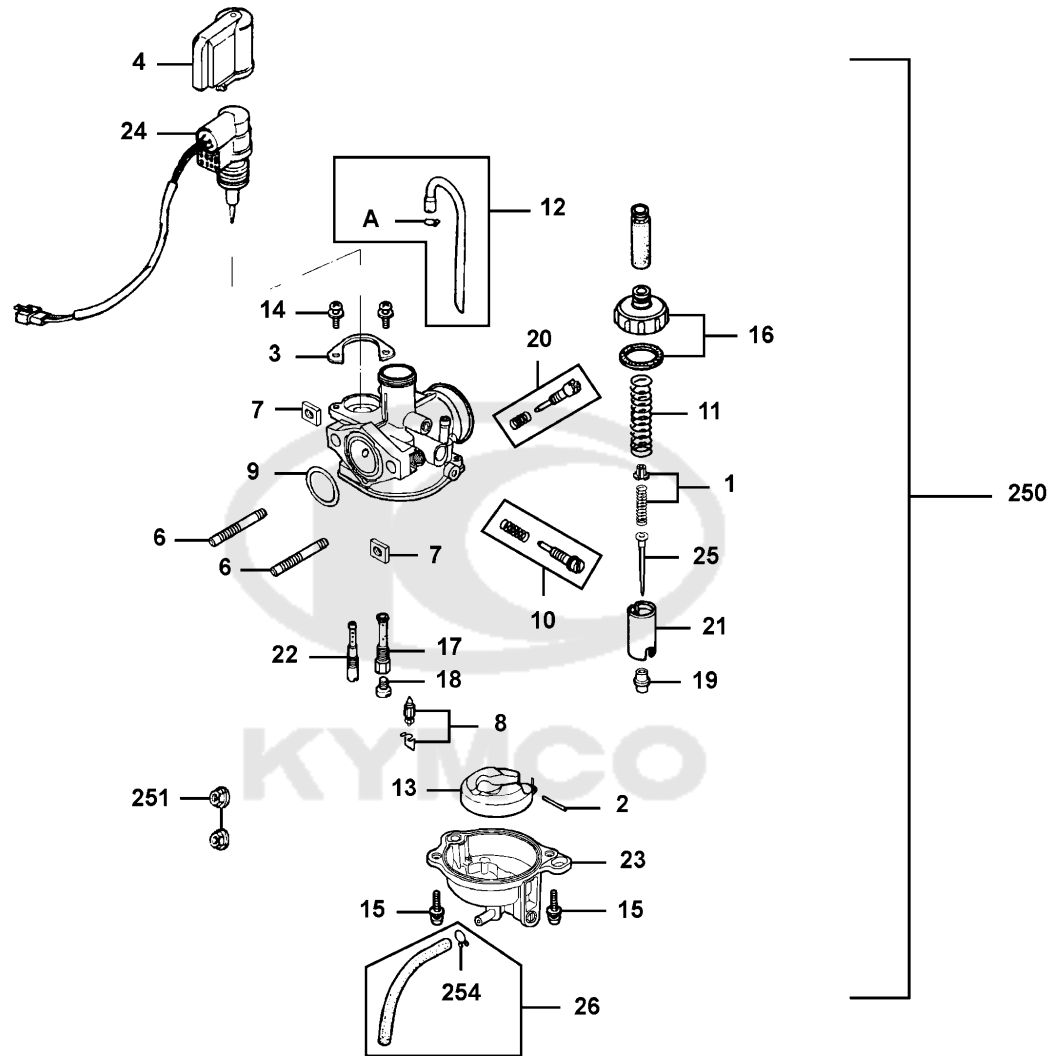
Sales mark 記号	Ref no 参照用番号	Part no パーツ番号	Description 部品名	Reg description 部品名	Regd no 必要個数	Ref Price 希望小売価格(税抜)	E10
231		13000-GKAK-921	CRANK SHAFT COMP	CRANK SHAFT COMP	1	19010	
241		13011-GKAK-91A	RING SET PISTON	RING SET PISTON	1	3720	
225		13101-GKAK-902	PISTON	PISTON	1	2290	
229		13111-1F66-001	PIN PISTON	PIN PISTON	1	490	
243		13115-1F56-001	CLIP PISTON PIN 12MM	CLIP PISTON PIN 12MM	2	160	
238		90741-0E35-001	KEY WOODRUFF	KEY WOODRUFF	1	160	
224		91102-GLW0-009	BRG CON-ROD S. E.	BRG CON-ROD S. E.	1	1340	





Sales mark 記号	Ref no 参照用番号	Part no パーツ番号	Description 部品名	Reg description 部品名	Regd no 必要個数	Ref Price 希望小売価格(税抜)
22		1001-GW3H-0351	SLOW JET	SLOW JET	1	1010
19		1010-GAKH-9200	NEEDLE JET	NEEDLE JET	1	3940
21		1020-GAKH-9300	THROTTLE VALVE	THROTTLE VALVE	1	8040
16		103J-073H-9900-SB00	TOP SET	TOP SET	1	3650
13		105B-KBNH-9000	FLOAT COMP	FLOAT COMP	1	3810
3		1090-873-2001	SET PLATE	SET PLATE	1	110
4		1230-858-7000	HOLDER CAP	HOLDER CAP	1	400
11		1300-GW0H-9000-K	SPG COMPR	SPG COMPR	1	130
250		1610K-KFA1-B20	CARBURETOR ASSY **B000-JP	CARBURETOR ASSY **B000-JP C.2003.05.01	1	25880
2		16152-KG8-9010-M1	ARM PIN	ARM PIN	1	110
12		1785-KBNH-9000-SB0	TUBE SET (A.V)	TUBE SET (A.V)	1	330
9		1787-KG8H-9010	O-RING	O-RING	1	110
7		1793-144H-9900	HEX NUT	HEX NUT	2	110
6		1799-KBNH-9000	STUD BOLT	STUD BOLT	2	330
24		4000-231-0000	AUTO BYSTARTER SET	AUTO BYSTARTER SET	1	15700
14		93892-04008-16	SCREW WASHER 4*8	SCREW WASHER 4*8	1	200
15		93892-04014-18-3	SCREW WASHER 4*14	SCREW WASHER 4*14	1	60
251		94050-06080	NUT FLANGE 6MM	NUT FLANGE 6MM	2	60
A		95002-02070	CLIP B7 TUBE	CLIP B7 TUBE	1	60
254		95002-02080	CLIP B8 TUBE	CLIP B8 TUBE	1	60

E11

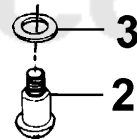
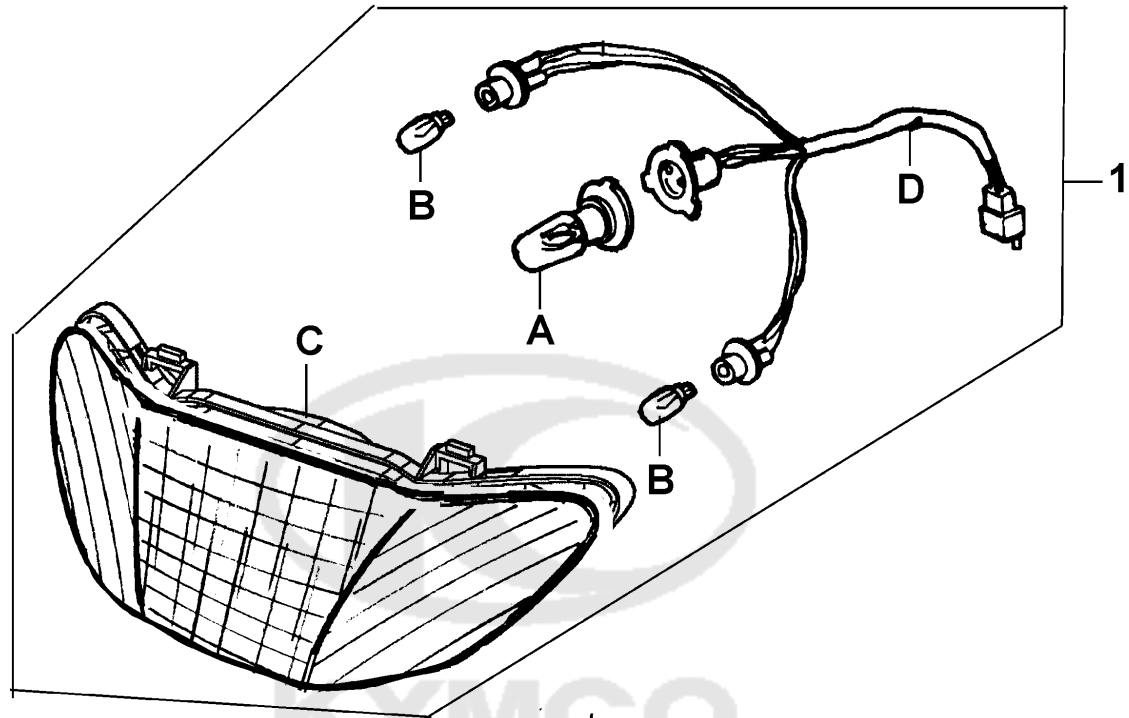


Sales mark 記号	Ref no 参照用番号	Part no パーツ番号	Description 部品名	Reg description 部品名	Regd no 必要個数	Ref Price 希望小売価格(税抜)	E11
18		99101-116-0850	MAIN JET #85	MAIN JET #85	1	330	
23		K350-KBN-0200	FLOAT CHAMBER SET **D19KT-004-	FLOAT CHAMBER SET **D19KT-004-1200	1	2440	
1		K506-GW0-0100	VALVE PLATE SET	VALVE PLATE SET	1	140	
26		K785-KEB-0300	TUBE SET (DRAIN)	TUBE SET (DRAIN)	1	300	
17		N413-32A00	NEEDLE JET HOLDER	NEEDLE JET HOLDER	1	580	
25		N425-2RFMJ	JET NEEDLE COMP	JET NEEDLE COMP	1	1150	
8		S3620-031-B000	FLOAT VALVE SET	FLOAT VALVE SET	1	960	
20		S4460-213-B001	SCREW SET	SCREW SET	1	970	
10		S536-1241	SCREW SET	SCREW SET	1	580	

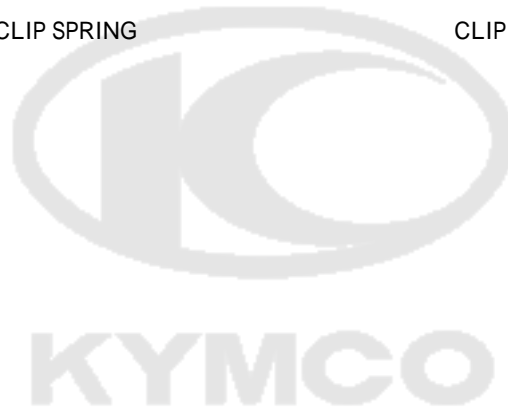


F01

Head Light

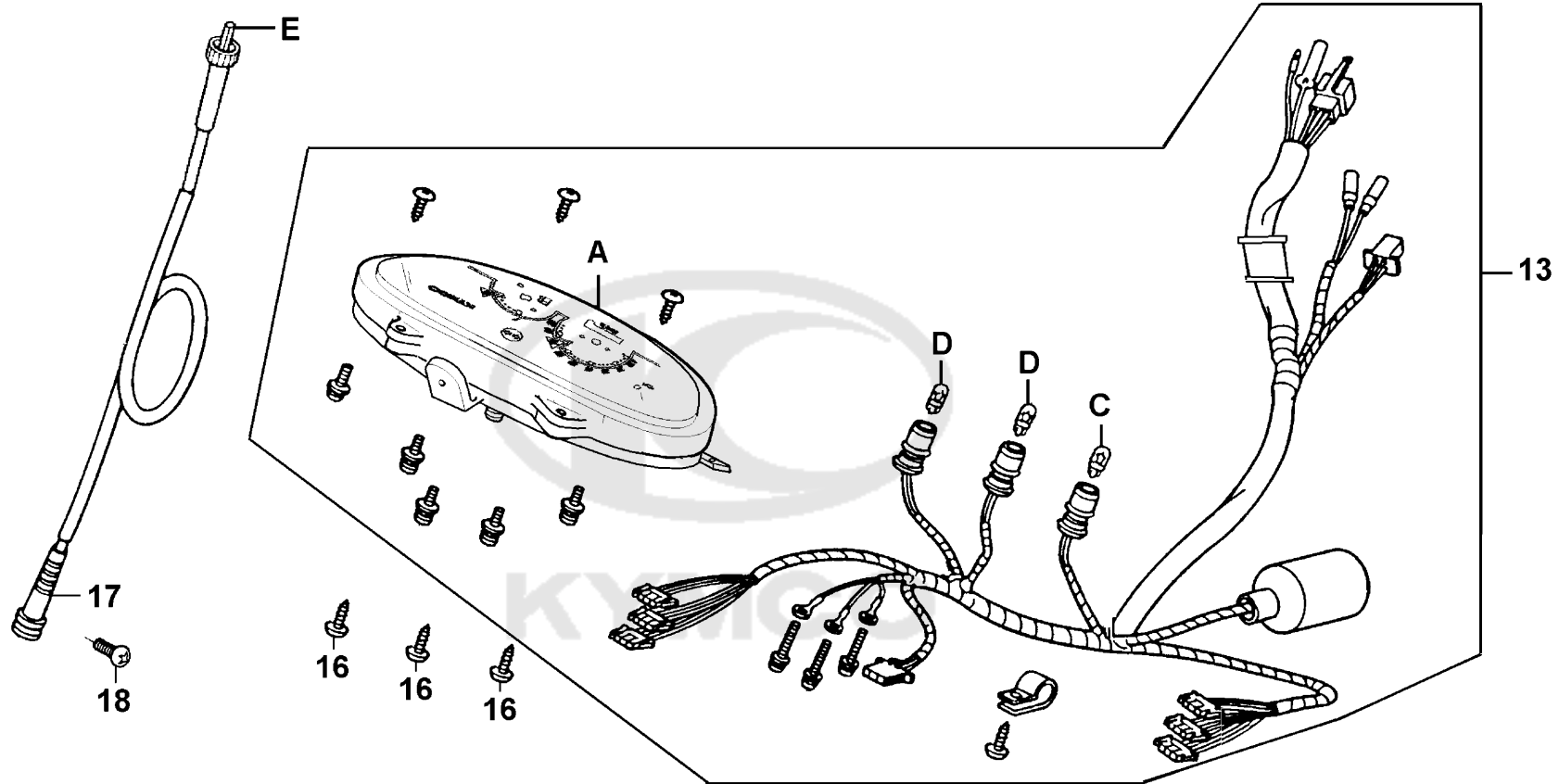


Sales mark 記号	Ref no 参照用番号	Part no パーツ番号	Description 部品名	Reg description 部品名	Regd no 必要個数	Ref Price 希望小売価格(税抜)	F01
1		33100-KFA1-900	LIGHT ASSY HEAD	LIGHT ASSY HEAD	1	7110	
C		33120-KFA1-900	UNIT HEAD LIGHT	UNIT HEAD LIGHT	1	4570	
D		33130-KFA1-900	SOCKET COMP **9000 C.2005.09.19	SOCKET COMP **9000 C.2005.09.19	1	1280	
A		34901-GGS7-003	BULB LIGHT HEAD 12V35/30W **GS7-	BULB LIGHT HEAD 12V35/30W **GS7-0030	1	1060	
B		34908-GGA7-70A	BULB WEDGE BASE 12V*3.4W	BULB WEDGE BASE 12V*3.4W	2	130	
2		90101-GAR1-001	BOLT ADJUST	BOLT ADJUST	1	200	
3		90307-GFJ6-004	WASHER LOCK 6MM	WASHER LOCK 6MM	1	70	
4		90400-KTDT-900	CLIP SPRING	CLIP SPRING	2	60	



F02

Speedometer

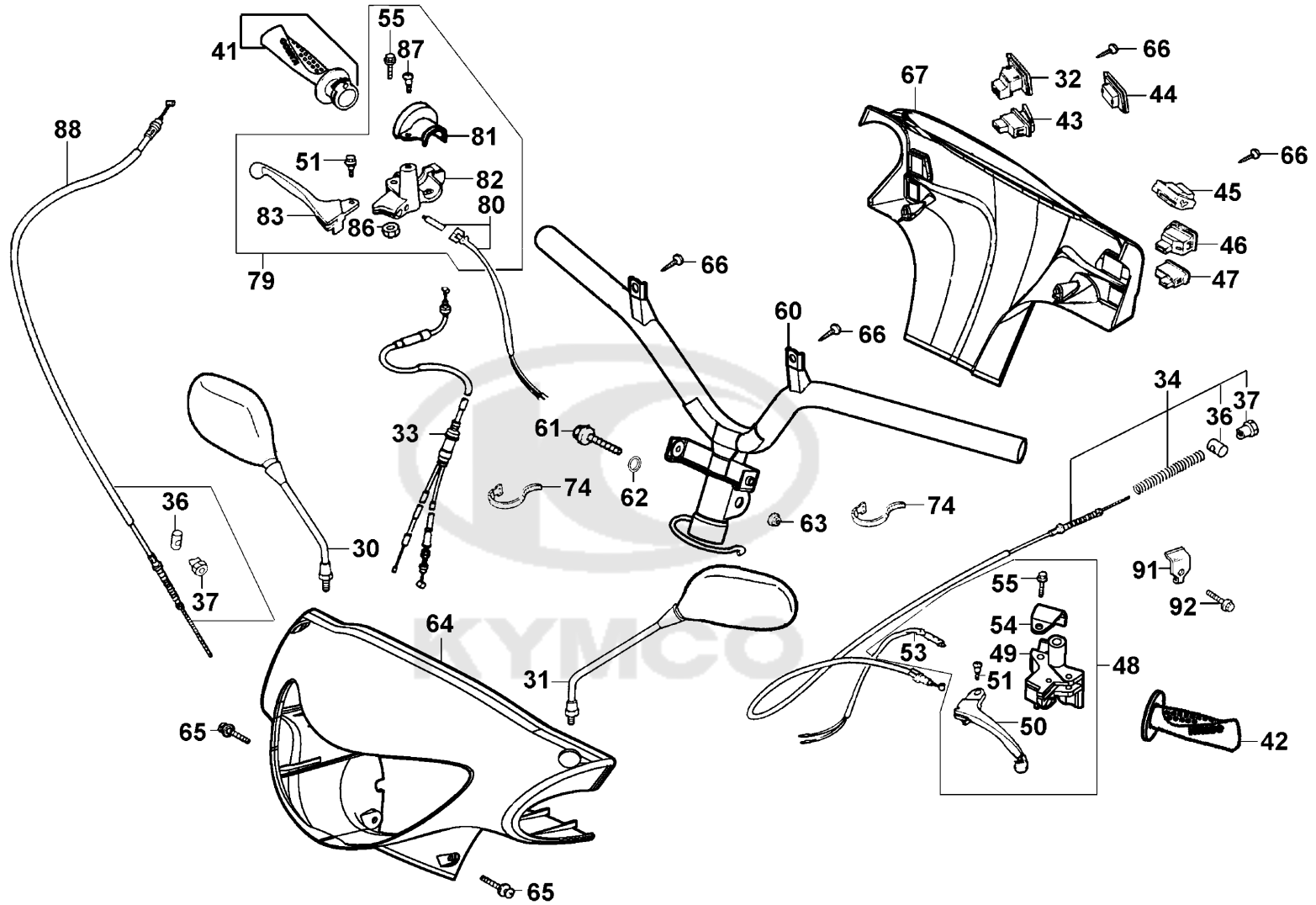


Sales mark 記号	Ref no 参照用番号	Part no パーツ番号	Description 部品名	Reg description 部品名	Regd no 必要個数	Ref Price 希望小売価格(税抜)
C		34908-GGA7-70A	BULB WEDGE BASE 12V*3.4W	BULB WEDGE BASE 12V*3.4W	1	130
D		34908-MKB9-87A	BULB WEDGE BASE T10	BULB WEDGE BASE T10	2	130
13		37200-KFA1-90A	METER ASSY SPEED **91A N.C.	METER ASSY SPEED **91A N.C.	1	14450
13		37200-KFA1-90B	METER ASSY SPEED **91B N.C.	METER ASSY SPEED **91B N.C.	1	14830
13		37200-KFA2-B2D	METER ASSY SPEED **B2A C.2005.06.13	METER ASSY SPEED **B2A C.2005.06.13	3	14450
13		37200-KFA2-B2E	METER ASSY SPEED **B2B C.2005.06.13	METER ASSY SPEED **B2B C.2005.06.13	3	14830
A		37211-KFA1-90A	LENS **9000-M1 C.2003.03.29	LENS **9000-M1 C.2003.03.29	1	870
A		37211-KFA1-90B	LENS **9000-M2 C.2003.03.29	LENS **9000-M2 C.2003.03.29	1	990
17		44830-KHC4-800	CABLE COMP SPDMT	CABLE COMP SPDMT	1	1110
E		44831-KHC4-800	CABLE INNER **(0) C.	CABLE INNER **(0) C.	1	580
18		93700-05018-0F	SCREW OVAL 5*18	SCREW OVAL 5*18	1	60
16		93903-35360	SCREW WASHER 4*12	SCREW WASHER 4*12	1	60

F02

F03

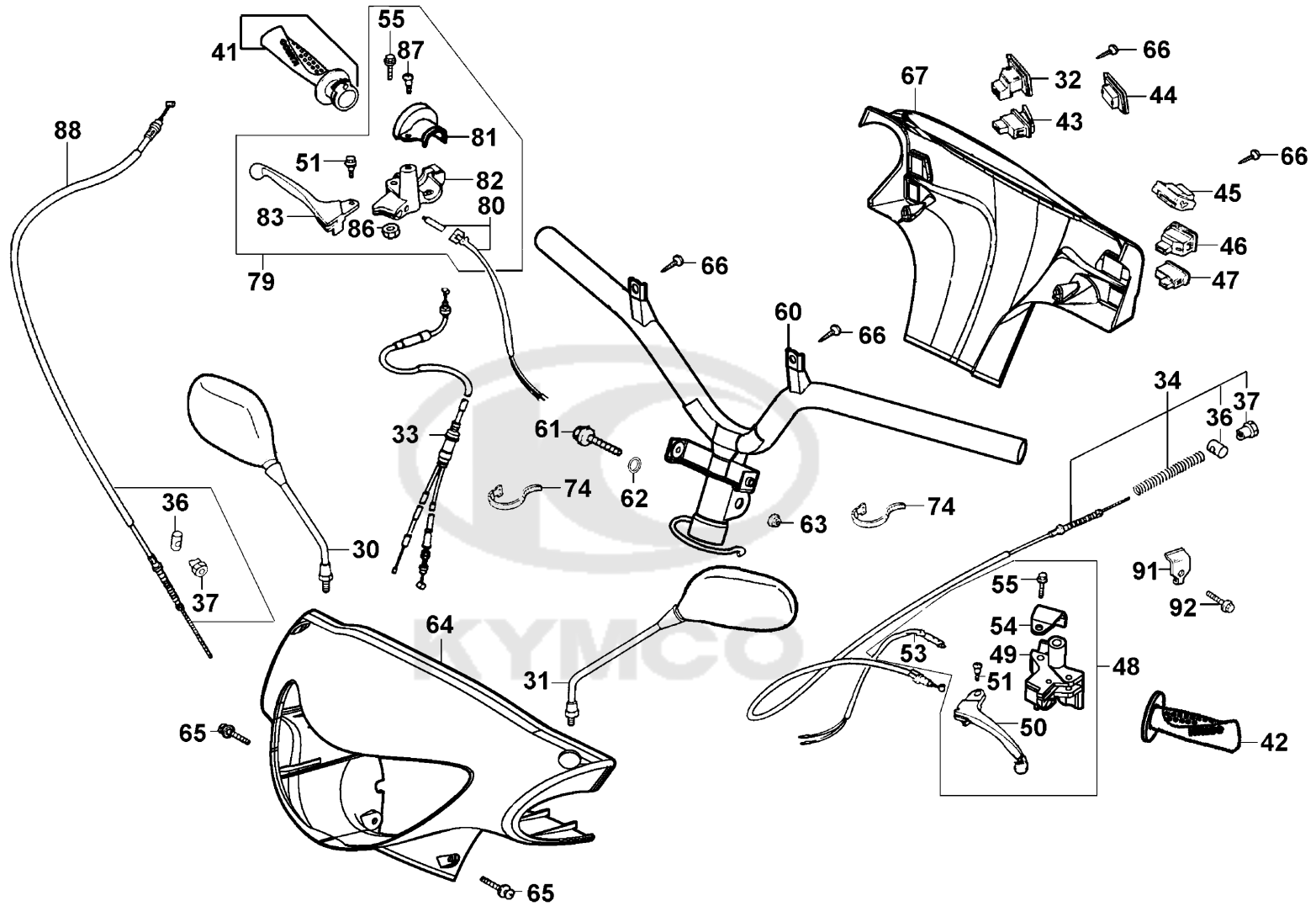
Handle Steering Handle Cover



Sales mark 記号	Ref no 参照用番号	Part no パーツ番号	Description 部品名	Reg description 部品名	Regd no 必要個数	Ref Price 希望小売価 格(税抜)	F03
	33	17910-KFA1-910	CABLE COMP THROT	CABLE COMP THROT	1	2860	
	32	35150-GFY6-900	SW UNIT LIGHTING	SW UNIT LIGHTING	1	680	
	43	35160-GGS7-900	SW UNIT START	SW UNIT START	1	730	
	45	35170-GGS7-900	SW UNIT DIMMER	SW UNIT DIMMER	1	730	
	47	35180-GGS7-900	SW UNIT HORN	SW UNIT HORN	1	540	
	46	35200-GFY6-910	SW UNIT WINKER	SW UNIT WINKER	1	830	
	53	35340-GBN2-770	SW ASSY FR STOP	SW ASSY FR STOP	1	560	
	80	35340-KKJ9-010	SW ASSY FR STOP	SW ASSY FR STOP	1	510	
	34	43450-KFA1-900	CABLE COMP RR BRAKE	CABLE COMP RR BRAKE	1	1530	
	91	43452-GKAK-900	CLAMP BRK CABLE	CLAMP BRK CABLE	1	110	
	88	45450-KFA2-900	CABLE COMP FR BRK **9000	CABLE COMP FR BRK **9000 C.2003.04.30	1	1150	
	60	53100-KFA1-900	HANDLE COMP STRG **(2) C.2003.12.25	HANDLE COMP STRG **(2) C.2003.12.25	1	5520	
**	41	53140-KFA1-900	GRIP COMP THROT	GRIP COMP THROT	1	870	
**	42	53166-KFA1-900	GRIP L HANDLE	GRIP L HANDLE	1	770	
	81	53167-GGS7-004	HOUSING UP THROT **GS7-0040	HOUSING UP THROT **GS7-0040	1	350	
	82	53168-GGS7-004	HOUSING UND THROT **003	HOUSING UND THROT **003 C.2007.03.22	1	890	
	79	5316A-GGS7-901	HOUSING ASSY UND THROT **(14)	HOUSING ASSY UND THROT **(14)	1	2480	
	49	53172-GGS7-004	BRACKET HANDLE **GS7-004	BRACKET HANDLE **GS7-004 C.2005.11.22	1	770	
	54	53173-KFA1-900	BAND HANDLE BRKT	BAND HANDLE BRKT	1	140	
**	83	53175-GBN2-931	HANDLE R LEVER **GN2-931-M2A	HANDLE R LEVER **GN2-931-M2A	1	390	

F03

Handle Steering Handle Cover

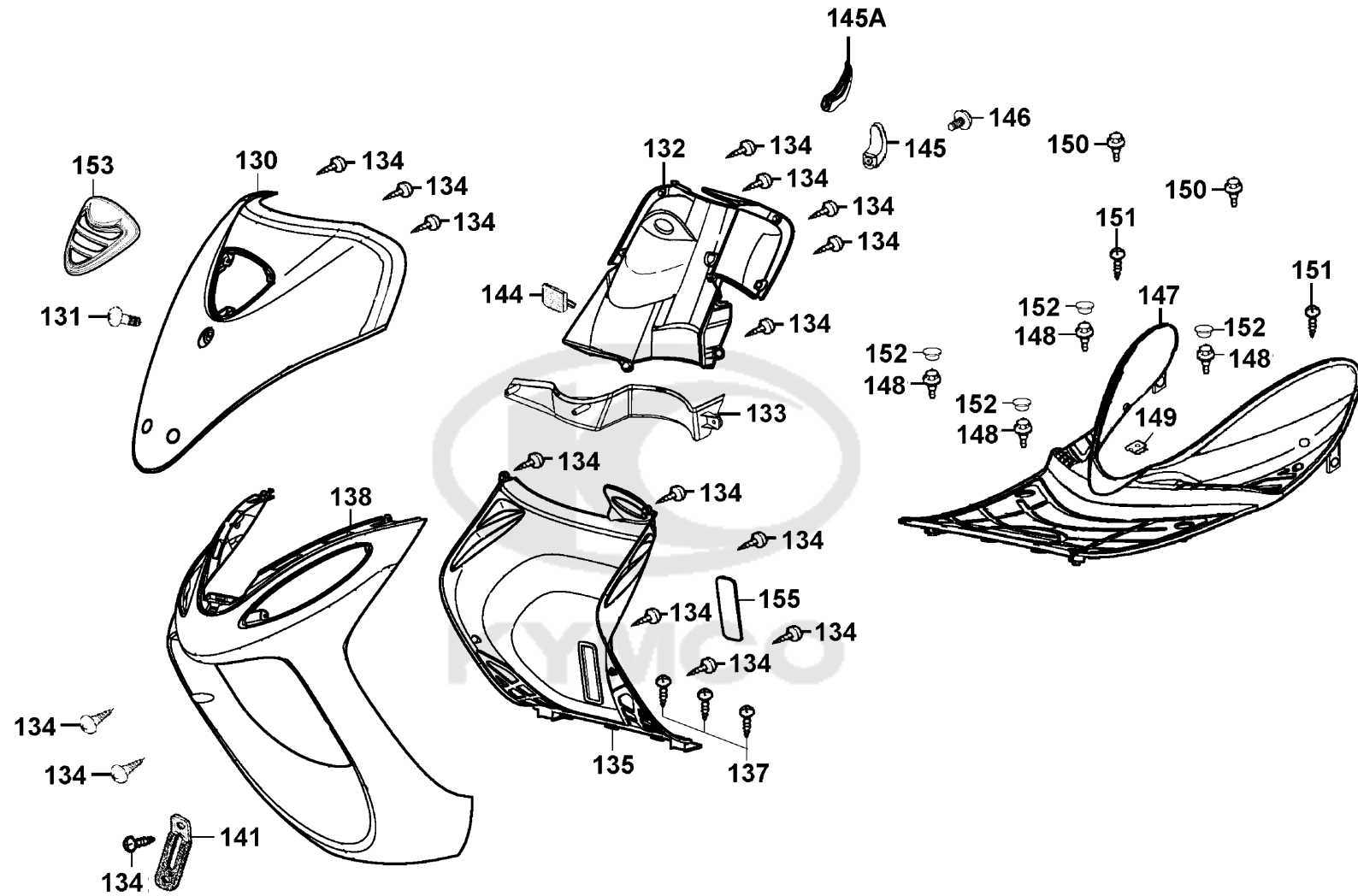


Sales mark 記号	Ref no 参照用番号	Part no パーツ番号	Description 部品名	Reg description 部品名	Regd no 必要個数	Ref Price 希望小売価格(税抜)
**	50	53178-GBN2-931	LEVER L STRG HANDLE **GN2-931-	LEVER L STRG HANDLE **GN2-931-M2A	1	490
	48	5317A-KFA1-900	BRKT ASSY HANDLE **(3) C.2007.03.22	BRKT ASSY HANDLE **(3) C.2007.03.22	1	2100
**	64	53205-KFA2-900	COVER FR HANDLE **9000-GG315P	COVER FR HANDLE **9000-GG315P	1	3740
**	67	53206-KFA1-900	COVER RR HANDLE **9000-NH001R	COVER RR HANDLE **9000-NH001R	1	1720
**	44	53207-KKD9-B00	COVER SWITCH **(0) C.2005.04.25	COVER SWITCH **(0) C.2005.04.25 (Black)	1	160
	30	88110-KFA1-900	MIRROR ASSY R BACK **9000	MIRROR ASSY R BACK **9000 C.2003.03.01	1	1440
	31	88120-KFA1-900	MIRROR ASSY L BACK **9000	MIRROR ASSY L BACK **9000 C.2003.03.01	1	1440
	51	90115-GLE0-001	BOLT HNDL LEVER PIVOT	BOLT HNDL LEVER PIVOT	1	60
	63	90304-GHE8-004	NUT CAP 6MM	NUT CAP 6MM	1	200
	74	90656-KCBC-900	BAND OIL HANDLE	BAND OIL HANDLE	1	60
	65	93891-05012-06	SCREW WASHER 5*12	SCREW WASHER 5*12	2	60
	66	93903-34360	SCREW WASHER 4*12	SCREW WASHER 4*12	2	60
	86	94001-05060-0S	NUT HEX 5MM	NUT HEX 5MM	1	
	62	94101-10800	WASHER PLAIN 10MM	WASHER PLAIN 10MM	1	200
	87	94111-06800	WASHER SPRING 6MM	WASHER SPRING 6MM	1	60
	36	95015-32001	JOINT B BRAKE ARM	JOINT B BRAKE ARM	1	60
	37	95015-42000	NUT B ADJUST	NUT B ADJUST	1	60
	61	95801-10040-06	BOLT FLANGE 10*40	BOLT FLANGE 10*40	1	80
	92	96001-06012-06	BOLT FLANGE SH 6*12	BOLT FLANGE SH 6*12	1	60
	55	96001-06020-06	BOLT FLANGE SH 6*20	BOLT FLANGE SH 6*20	1	200

F03

F04

Front Cover Floor Panel

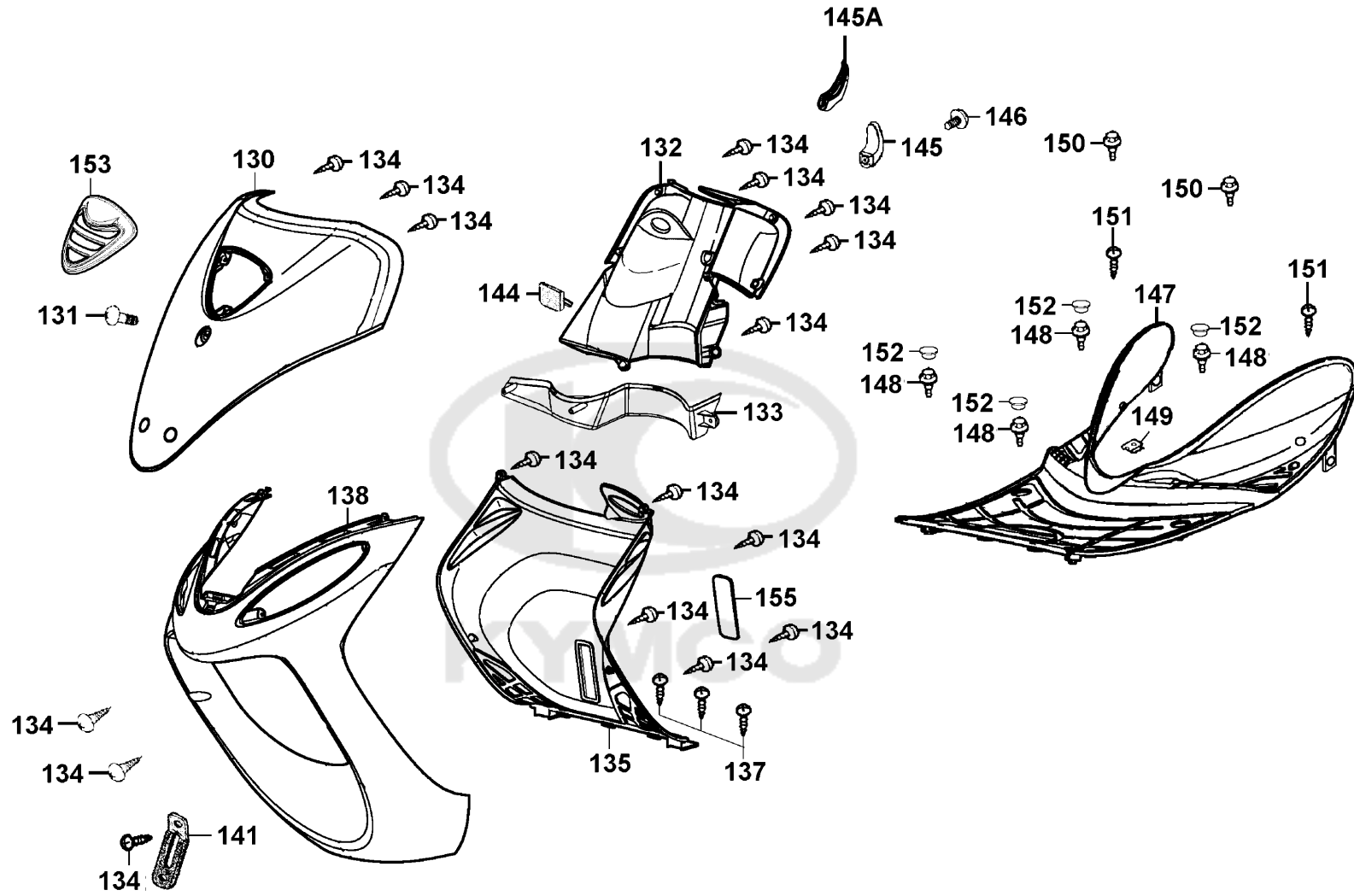


Sales mark 記号	Ref no 参照用番号	Part no パーツ番号	Description 部品名	Reg description 部品名	Regd no 必要個数	Ref Price 希望小売価格(税抜)
**	130	64301-KFA2-900	COVER FR **9000-NH045P C.2002.04.01	COVER FR **9000-NH045P C.2002.04.01	1	8180
**	138	64302-KFA2-900	MOLDING FRONT	MOLDING FRONT	1	4950
	153	64303-KFA2-900	LID FR COVER **9000	LID FR COVER **9000	1	2890
**	147	64310-KFA1-900	PANEL FLOOR **(0) C.2004.08.18	PANEL FLOOR **(0) C.2004.08.18	1	4380
**	152	64316-KFA1-900	PLUG FLOOR **9000-NH001R	PLUG FLOOR **9000-NH001R C.2002.04.01	4	200
**	132	81131-KFA1-910	COVER FR INNER UP	COVER FR INNER UP	1	2860
**	132	81131-KFA1-920	LEG SHIELD UP **910-N1R N.C.	LEG SHIELD UP **910-N1R N.C.	1	2860
**	145	81132-GHAH-001	HOOK LUGGAGE	HOOK LUGGAGE	1	300
**	133	81132-KFA1-920	LEG SHIELD INNER	LEG SHIELD INNER	1	770
**	145A	81132-LFG6-900	HOOK LUGGAGE	HOOK LUGGAGE	1	490
	144	81133-KNBN-901	COVER INNER BOX	COVER INNER BOX	1	60
**	135	81141-KFA1-910	COVER FR INNER LOW **9100-NH001R	COVER FR INNER LOW **9100-NH001R	1	2770
**	155	81142-KFA1-900	LID FR INNER LOW **(0) C.2003.11.28	LID FR INNER LOW **(0) C.2003.11.28	1	200
	131	90110-GLW0-001	SCREW SPECIAL 6*14	SCREW SPECIAL 6*14	1	200
	146	90164-MDR4-901	SCREW SPECIAL 6MM	SCREW SPECIAL 6MM	1	70
	150	90302-GFY6-901	BOLT WASH 5*12 **(1) C.V.	BOLT WASH 5*12 **(1) C.V.	2	60
	149	90677-GAR1-004	NUT CLIP 5MM	NUT CLIP 5MM	1	60
	148	93404-06016-06	BOLT WASHER 6*16	BOLT WASHER 6*16	2	60
	134	93903-34360	SCREW WASHER 4*12	SCREW WASHER 4*12	5	60
	137	93903-35360	SCREW WASHER 4*12	SCREW WASHER 4*12	3	60

F04

F04

Front Cover Floor Panel



Sales mark 記号	Ref no 参照用番号	Part no パーツ番号	Description 部品名	Reg description 部品名	Regd no 必要個数	Ref Price 希望小売価格(税抜)
------------------	-----------------	------------------	--------------------	------------------------	-----------------	-------------------------

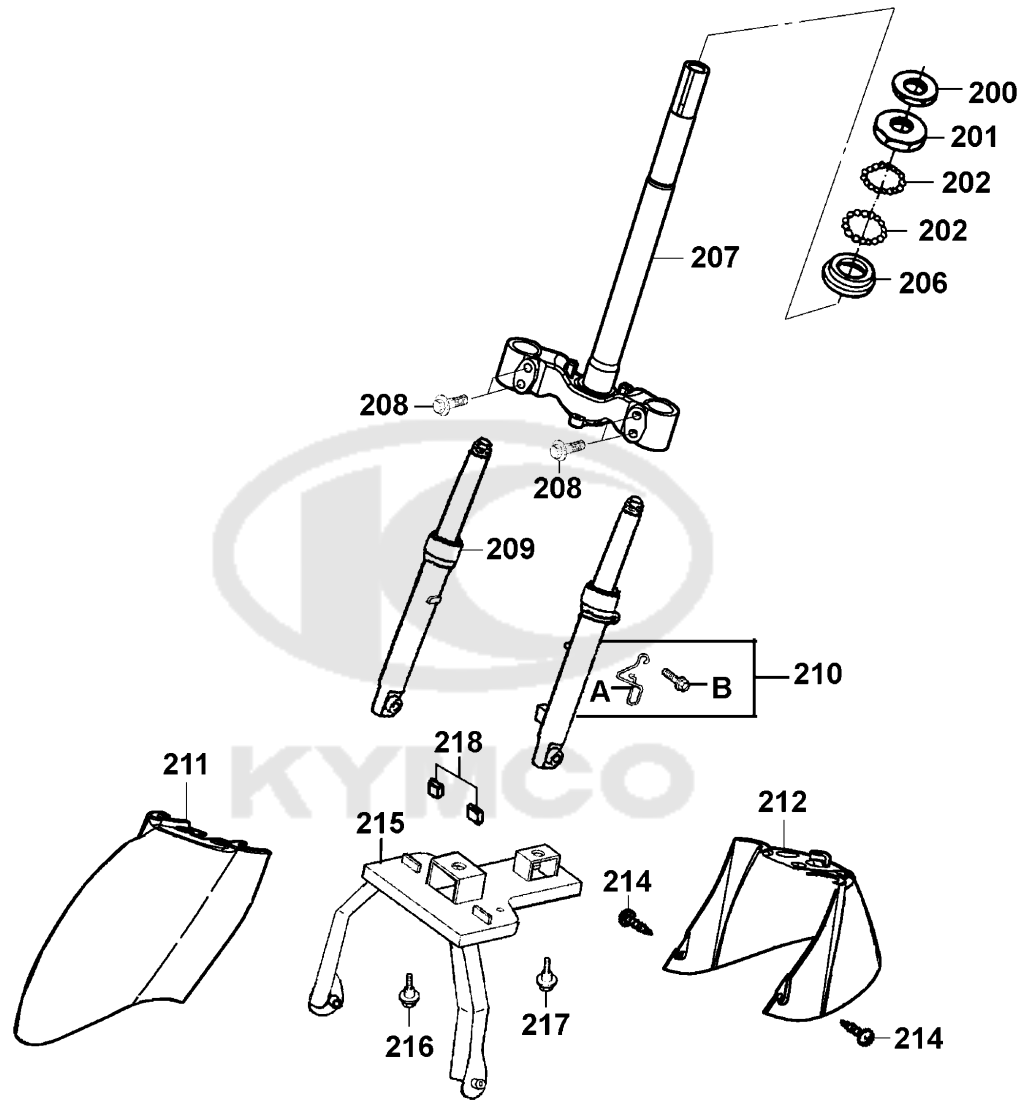
F04

151	93903-GFY6-900	SCREW WASHER 4*12	SCREW WASHER 4*12	2	60
141	94591-27000	CLIP 2*70	CLIP 2*70	1	110



F05

Front Cushion

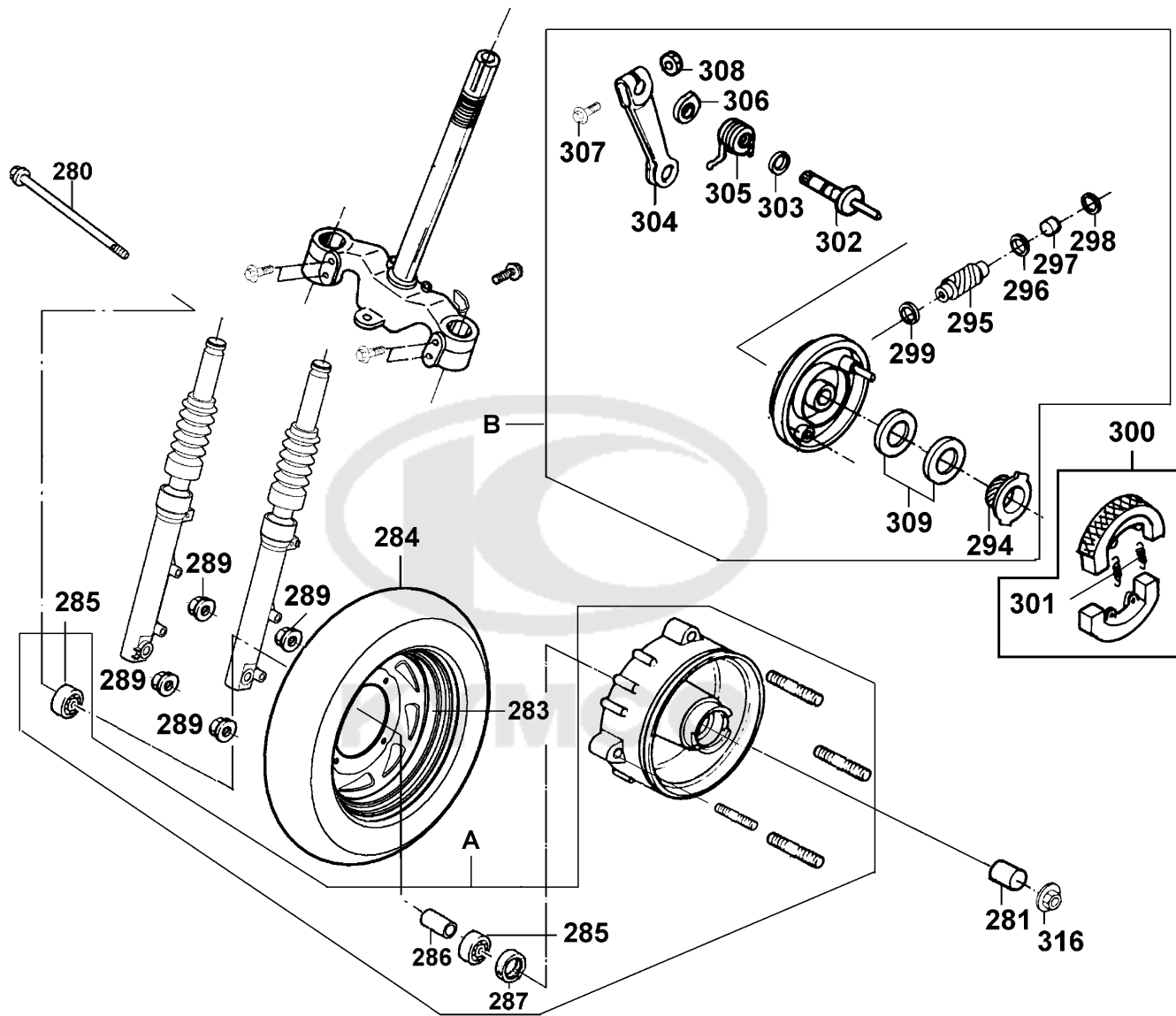


Sales mark 記号	Ref no 参照用番号	Part no パーツ番号	Description 部品名	Reg description 部品名	Regd no 必要個数	Ref Price 希望小売価格(税抜)
A		45465-KFB5-900	GUIDE HOSE FR **9000 C.2007.03.16	GUIDE HOSE FR **9000 C.2007.03.16	1	390
	200	50306-1F96-001	NUT STRG STEM LOCK	NUT STRG STEM LOCK	1	300
**	209	51400-KFA2-900	FORK SET R FR **(6) C.2007.03.22	FORK SET R FR **(6) C.2007.03.22	1	10840
	215	51409-KFA2-900	STAY FR FENDER **9000	STAY FR FENDER **9000	1	1720
**	210	5150A-KFA2-900	FORK SET L FR **9000-NH131A	FORK SET L FR **9000-NH131A C.2002.04.01	1	13310
	207	53200-KFA2-900	STEM COMP STRG **9000 C.2006.12.05	STEM COMP STRG **9000 C.2006.12.05	1	8750
	201	53211-GFY6-940	RACE STRG TOP CONE	RACE STRG TOP CONE	1	580
	206	53212-GHC8-004	RACE (STRG BOTTOM) CONE	RACE (STRG BOTTOM) CONE	1	390
**	211	61110-KFA2-900	FENDER A FR **9000-PB242P	FENDER A FR **9000-PB242P	1	3810
**	212	61120-KFA2-900	FENDER B FRONT **9000-NH001R	FENDER B FRONT **9000-NH001R	1	1440
	218	81142-KCLC-900	RUBBER LID STOPPER	RUBBER LID STOPPER	2	110
	217	90112-GCC3-001	BOLT SPECIAL 5MM	BOLT SPECIAL 5MM	1	60
	216	90112-KCLC-900	BOLT SPECIAL 5MM	BOLT SPECIAL 5MM	1	200
	214	93891-06016-06	SCREW WASHER 6X16	SCREW WASHER 6X16	2	130
B		95701-06012-06	BOLT FLANGE 6*22 (K)	BOLT FLANGE 6*22 (K)	1	60
	208	95801-08040-06	BOLT FLANGE 8*40	BOLT FLANGE 8*40	1	60
	202	96211-05000	BALL STEEL #5	BALL STEEL #5	26	60

F05

F06

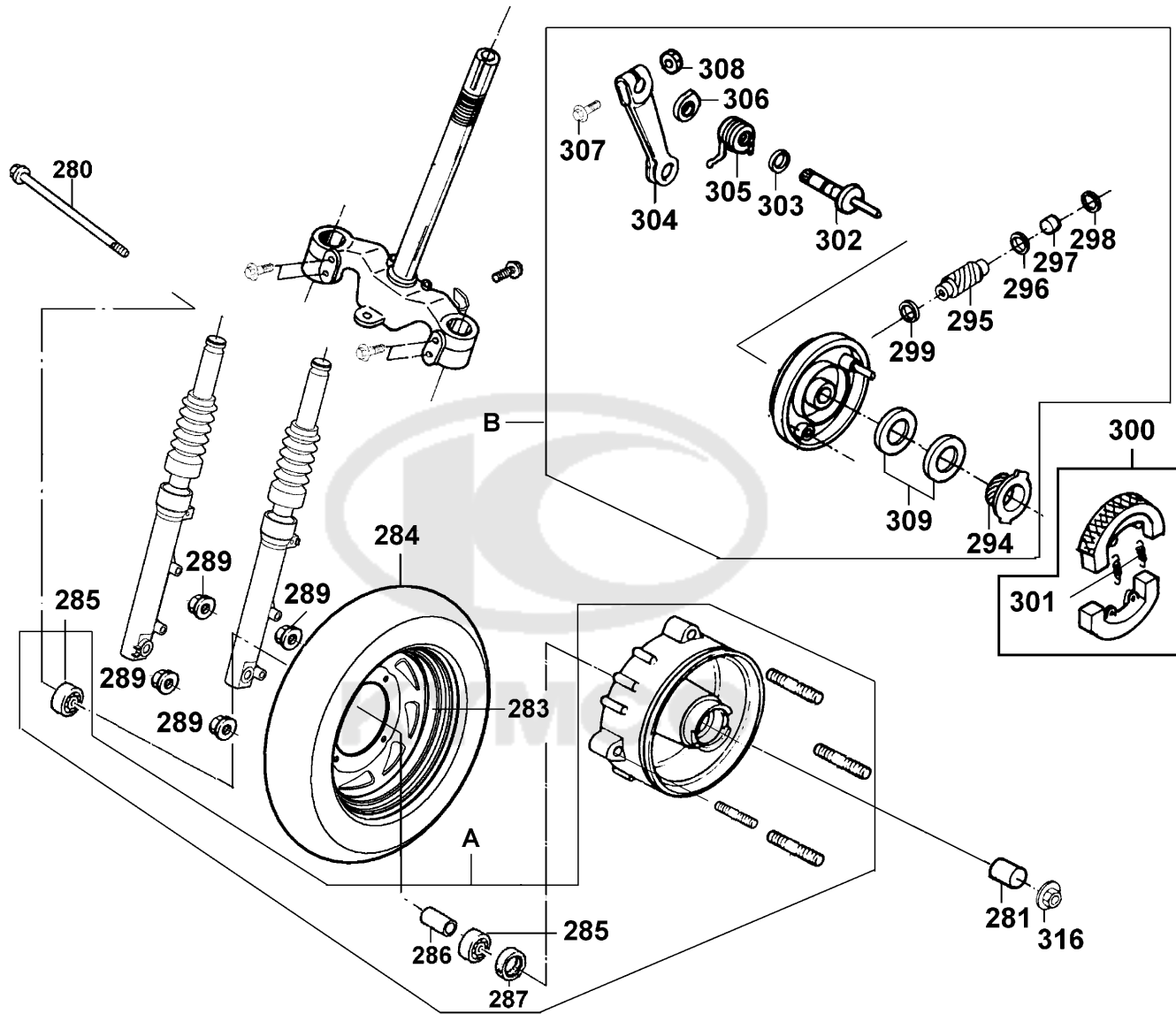
Front Wheel



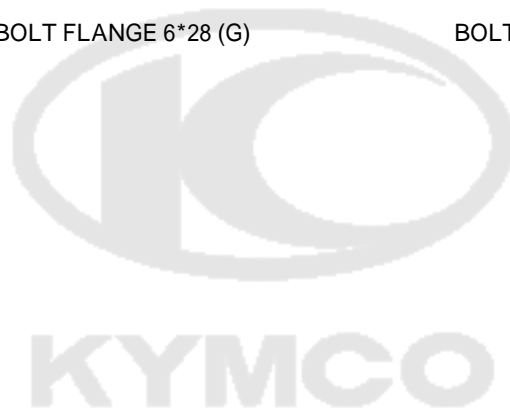
Sales mark 記号	Ref no 参照用番号	Part no パーツ番号	Description 部品名	Reg description 部品名	Regd no 必要個数	Ref Price 希望小売価格(税抜)	F06
	284	42710-KCCC-90A	TIRE ASSY/90/90-10 /CHENG SHIN	TIRE ASSY/90/90-10 /CHENG SHIN	1	7450	
	300	4312A-KXCX-910	SHOE ASSY BRAKE	SHOE ASSY BRAKE	1	2080	
	302	43141-4L00-011	CAM REAR BRAKE	CAM REAR BRAKE	1	580	
	280	44301-KBE2-981	AXLE FR WHEEL M12*200MM	AXLE FR WHEEL M12*200MM	1	770	
	281	44311-GLW0-901	COLLAR FR WHEEL SIDE	COLLAR FR WHEEL SIDE	1	390	
**	A	44610-GLW0-305	HUB SUB ASSY FR	HUB SUB ASSY FR	1	7800	
	286	44620-GHC8-001	COLLAR FR AXLE DISTANCE	COLLAR FR AXLE DISTANCE	1	200	
**	283	44705-KHC4-900	RIM COMP FR WHEEL	RIM COMP FR WHEEL	1	6850	
	297	44803-GFY6-90A	BUSH PINION	BUSH PINION	1	130	
	295	44805-GGC7-004	PINION SPDMT	PINION SPDMT	1	680	
	294	44806-GGC7-004	GEAR SPEEDMETER	GEAR SPEEDMETER	1	420	
	296	44807-0A01-004	WASHER GEAR BOX PINION	WASHER GEAR BOX PINION	1	110	
	309	44809-1L70-004	WASHER SPDMT GEAR	WASHER SPDMT GEAR	2	110	
**	B	45000-GLW0-305	PANEL ASSY FR BRK	PANEL ASSY FR BRK	1	7520	
	301	45133-LDA3-900	SPRING BRAKE SHOE REAR	SPRING BRAKE SHOE REAR	2	300	
	303	45134-2L50-001	BRAKE CAM DUST SEAL	BRAKE CAM DUST SEAL	1	60	
	306	45145-0F96-651	INDICATOR FRONT BRAKE	INDICATOR FRONT BRAKE	1	110	
	304	45410-GBB2-001	ARM FRONT BRAKE	ARM FRONT BRAKE	1	390	
	305	45435-GBB2-721	SPG BRK ARM RETURN	SPG BRK ARM RETURN	1	160	
	316	90306-GLW0-90A	NUT FLANGE 12MM	NUT FLANGE 12MM	1	320	

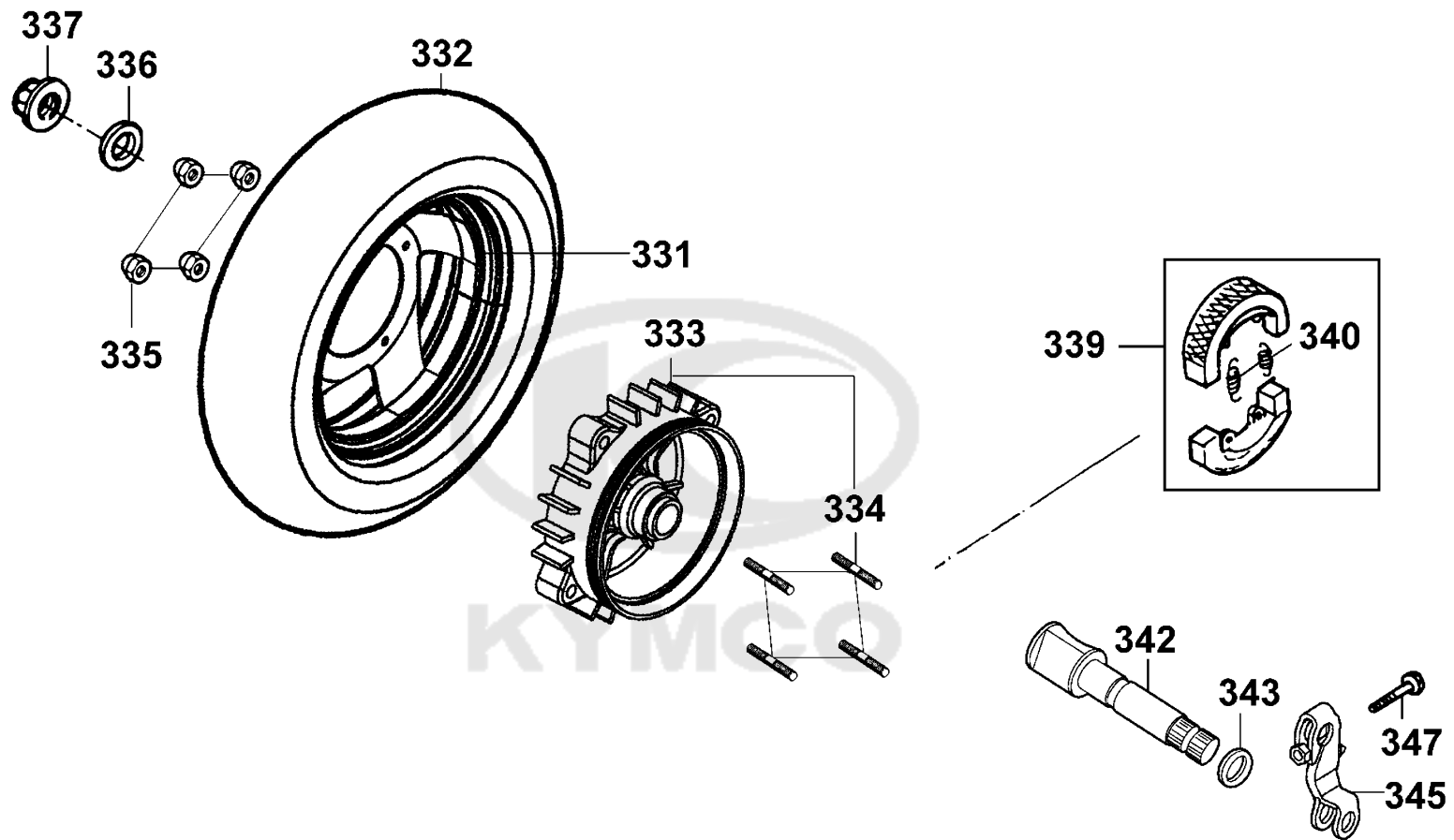
F06

Front Wheel

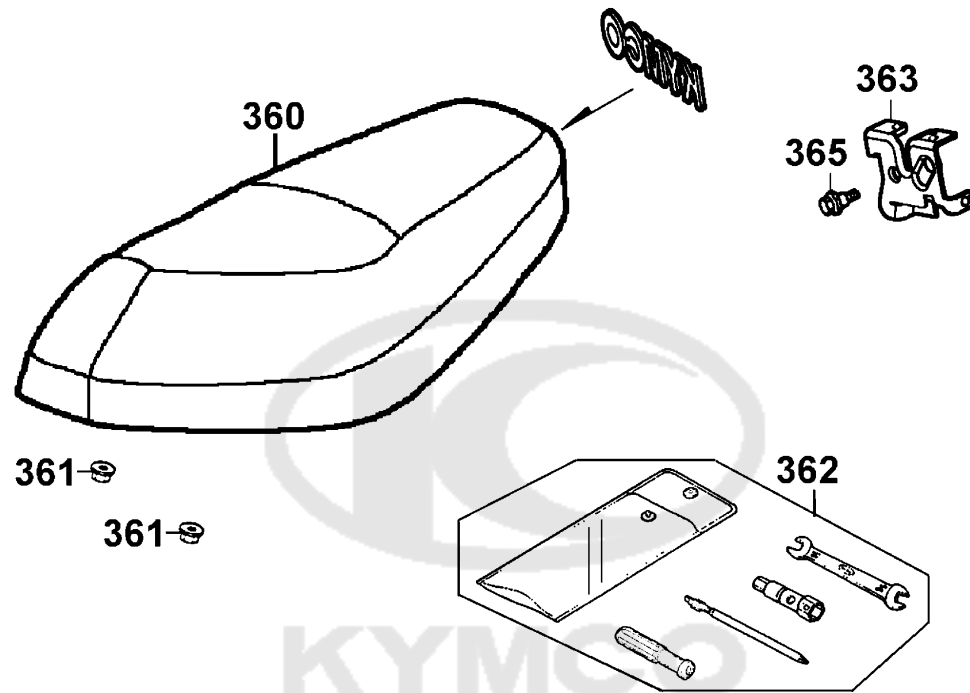


Sales mark 記号	Ref no 参照用番号	Part no パーツ番号	Description 部品名	Reg description 部品名	Regd no 必要個数	Ref Price 希望小売価格(税抜)	F06
289	90309-GLW0-90A		NUT U FLANGE 8MM	NUT U FLANGE 8MM	4	110	
287	90754-GHC8-00A		SEAL DUST 20*32*5	SEAL DUST 20*32*5	1	100	
285	90912-GHC8-00A		BEARING 6201 (U)	BEARING 6201 (U)	2	770	
285	90912-GHC8-00D		BEARING	BEARING	2	630	
299	91251-GHC8-004		SEAL OIL 41*51*5	SEAL OIL 41*51*5	1	130	
298	91256-GAC1-004		SEAL DUST	SEAL DUST	1	130	
308	94050-06080		NUT FLANGE 6MM	NUT FLANGE 6MM	1	60	
307	95701-06028-06		BOLT FLANGE 6*28 (G)	BOLT FLANGE 6*28 (G)	1	200	





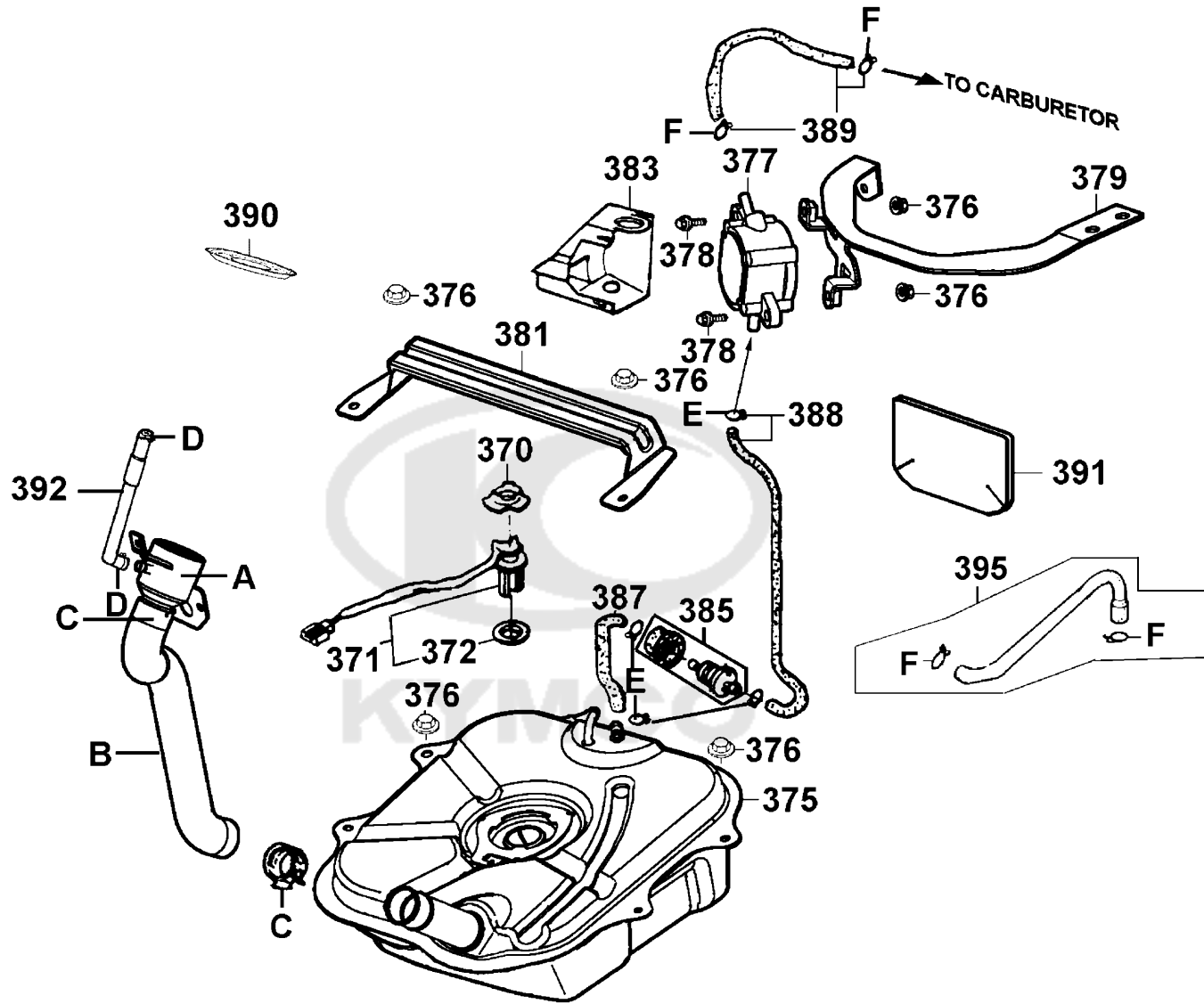
Sales mark 記号	Ref no 参照用番号	Part no パーツ番号	Description 部品名	Reg description 部品名	Regd no 必要個数	Ref Price 希望小売価格(税抜)	F07
**	333	42610-GKAK-901	HUB SUB COMP RR	HUB SUB COMP RR	1	7610	
**	331	42705-KHC4-900	RIM COMP WHEEL	RIM COMP WHEEL	1	7610	
	332	42710-KFA2-90A	TIRE ASSY RR/100/80-10 53J /CHENG	TIRE ASSY RR/100/80-10 53J /CHENG SHIN	1	7800	
	339	4312A-LBC6-900	SHOE ASSY RR BRAKE **(0)	SHOE ASSY RR BRAKE **(0) C.2005.10.01	1	2510	
	342	43141-GKAK-901	CAM RR BRAKE	CAM RR BRAKE	1	770	
	345	43410-KFA1-900	ARM COMP RR BRAKE	ARM COMP RR BRAKE	1	610	
	340	45133-0H28-001	SPRING BRAKE SHOE	SPRING BRAKE SHOE	2	160	
	334	90110-KHG8-901	BOLT STUD2 8*22	BOLT STUD2 8*22	4	130	
	337	90305-KNBN-90B	NUT U 16MM	NUT U 16MM	1	110	
	335	90309-GLW0-90A	NUT U FLANGE 8MM	NUT U FLANGE 8MM	4	110	
	336	90501-KNBN-901	WASHER 16MM	WASHER 16MM	1	80	
	343	91352-KHG8-83B	O-RING 11.3*1.3	O-RING 11.3*1.3	1	60	
	347	95701-06032-06	BOLT FLANGE 6*32	BOLT FLANGE 6*32	1	60	



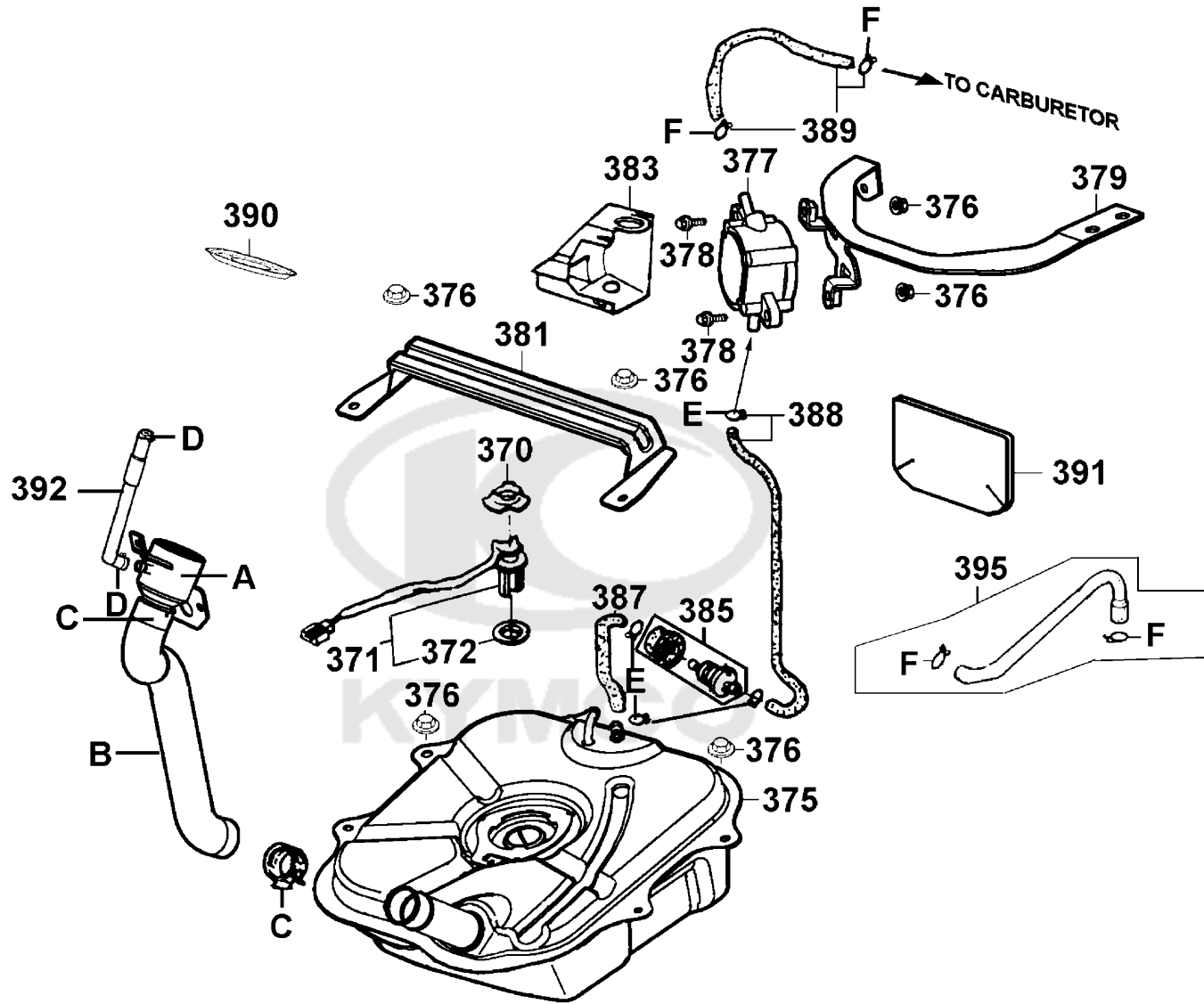
Sales mark 記号	Ref no 参照用番号	Part no パーツ番号	Description 部品名	Reg description 部品名	Regd no 必要個数	Ref Price 希望小売価格(税抜)	F08
------------------	-----------------	------------------	--------------------	------------------------	-----------------	-------------------------	-----

**	360	77200-KFA1-C00	SEAT ASSY/KO1Y-3Y2 **(0) C.	SEAT ASSY/KO1Y-3Y2 **(0) C.	1	11380	
	363	77235-KFA1-B20	SEAT CATCH COMP	SEAT CATCH COMP	1	1820	
	362	89010-KNBN-900	TOOL SET	TOOL SET	1	1080	
	361	94050-06080	NUT FLANGE 6MM	NUT FLANGE 6MM	2	60	
	365	95701-06012-06	BOLT FLANGE 6*22 (K)	BOLT FLANGE 6*22 (K)	1	60	



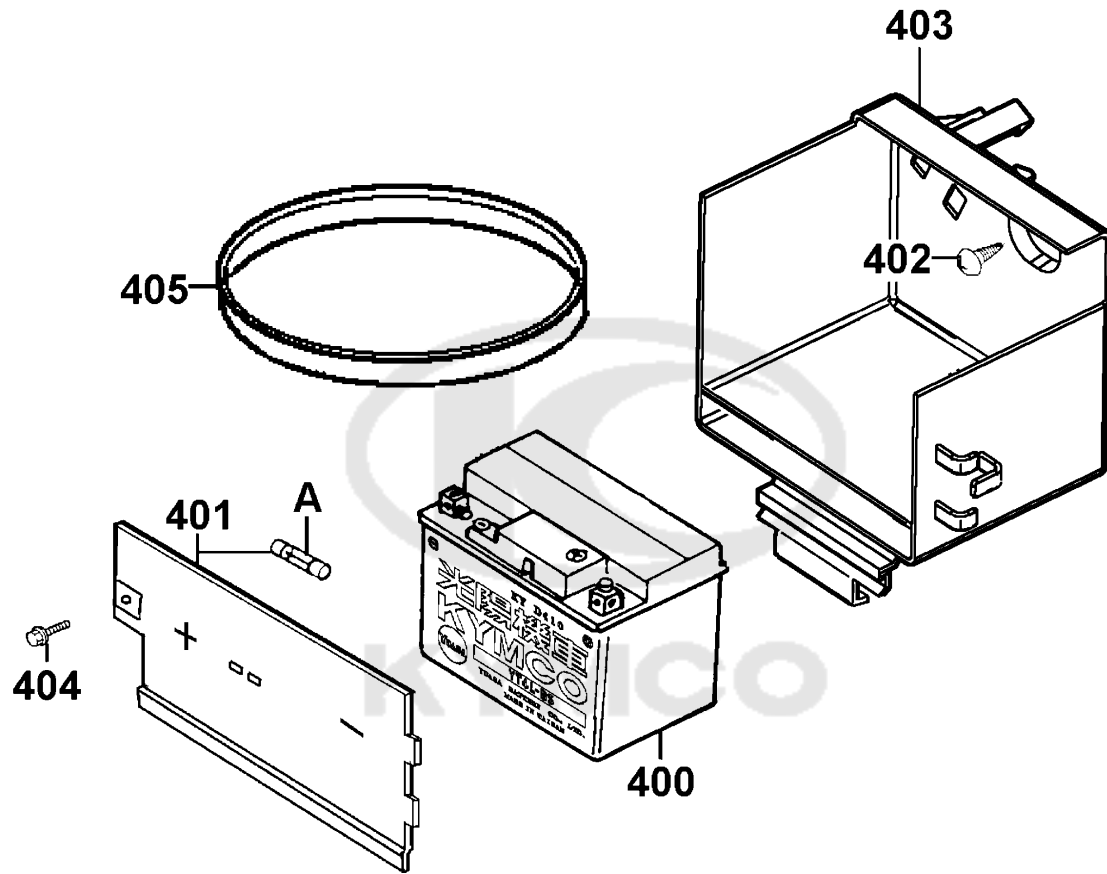


Sales mark 記号	Ref no 参照用番号	Part no パーツ番号	Description 部品名	Reg description 部品名	Regd no 必要個数	Ref Price 希望小売価格(税抜)	F09
	377	16700-GKAK-220	FUEL PUMP ASSY	FUEL PUMP ASSY	1	7610	
	383	16702-KNBN-901	COVER FUEL PUMP	COVER FUEL PUMP	1	260	
	395	1671A-KNBN-901	TUBE ASSY PULSE	TUBE ASSY PULSE	1	300	
	385	1691A-KEC2-E00	STRAINER ASSY FUEL	STRAINER ASSY FUEL	1	1010	
	375	17500-KFA1-900	TANK COMP FUEL **9000 C.2004.05.08	TANK COMP FUEL **9000 C.2004.05.08	1	16920	
	391	17501-KNBN-901	HEAT GUARD FUEL TANK **KNBN-900	HEAT GUARD FUEL TANK **KNBN-900	1	210	
B		17502-KFA1-900	HOSE FUEL **(0) C.2006.09.11	HOSE FUEL **(0) C.2006.09.11	1	2100	
A		17504-KFA1-910	PIPE COMP FUEL FILLER	PIPE COMP FUEL FILLER	1	3240	
	390	17550-KHC4-900	TRAY FUEL CAP	TRAY FUEL CAP	1	350	
	389	17683-KFA2-B00	TUBE ASSY FUEL **B000-JP	TUBE ASSY FUEL **B000-JP	1	540	
	392	17689-KFA1-C00	TUBE ASS'Y FILLER **C000-MC	TUBE ASS'Y FILLER **C000-MC	1	1010	
	387	1768A-KBCB-900	TUBE ASSY FUEL TANK **KCB-900	TUBE ASSY FUEL TANK **KCB-900	1	230	
	388	1768B-KFA1-900	TUBE ASSY FUEL	TUBE ASSY FUEL	1	320	
C		19411-KBCB-900	CLIP HOSE	CLIP HOSE	1	490	
	372	37801-GGA7-701	PACKING BASE	PACKING BASE	1	130	
	370	37802-GGA7-701	RET FUEL UNIT	RET FUEL UNIT	1	200	
	371	3780A-KFA1-900	FUEL UNIT ASSY	FUEL UNIT ASSY	1	3240	
	379	50139-KFA1-900	STAY COMP FUEL PUMP **(0)	STAY COMP FUEL PUMP **(0) C.2007.03.22	1	1440	
	381	50140-KFA1-900	PLATE FLOOR	PLATE FLOOR	1	580	
	376	94050-06080	NUT FLANGE 6MM	NUT FLANGE 6MM	2	60	



Sales mark 記号	Ref no 参照用番号	Part no パーツ番号	Description 部品名	Reg description 部品名	Regd no 必要個数	Ref Price 希望小売価格(税抜)	F09
F	95002-02080	95002-02080	CLIP B8 TUBE	CLIP B8 TUBE	4	60	
E	95002-02100	95002-02100	CLIP B15 TUBE	CLIP B15 TUBE	4	60	
D	95002-02130	95002-02130	CLIP B12.5 TUBE	CLIP B12.5 TUBE	2	60	
378	95701-06014-06	95701-06014-06	BOLT FLANGE 6*14	BOLT FLANGE 6*14	1	130	

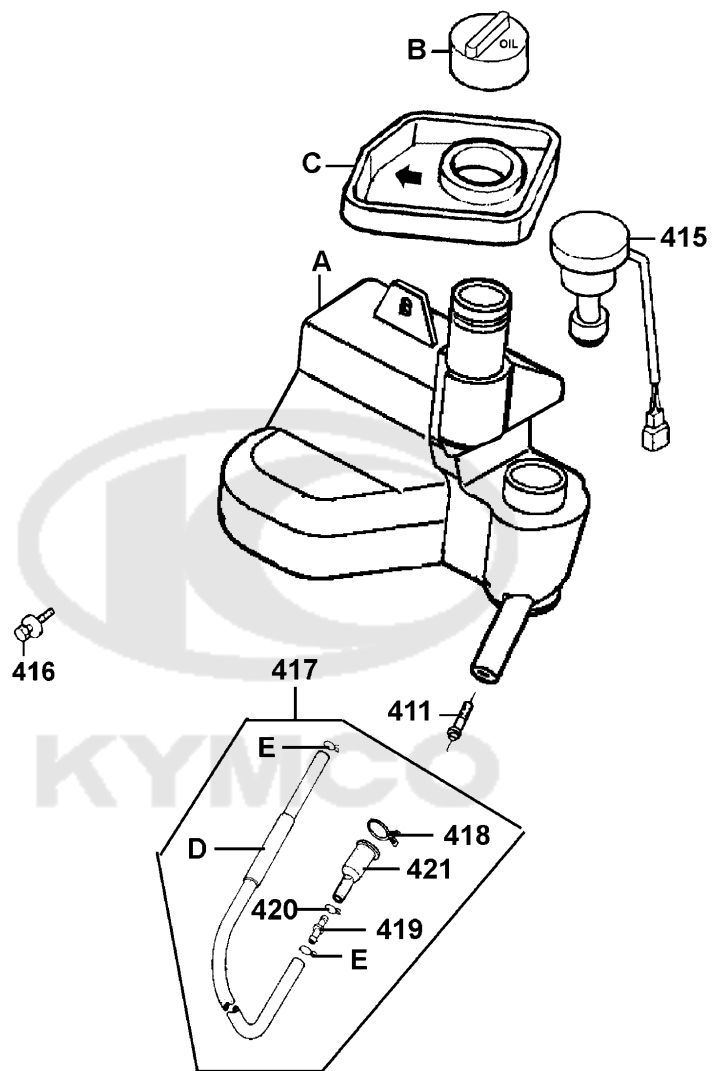




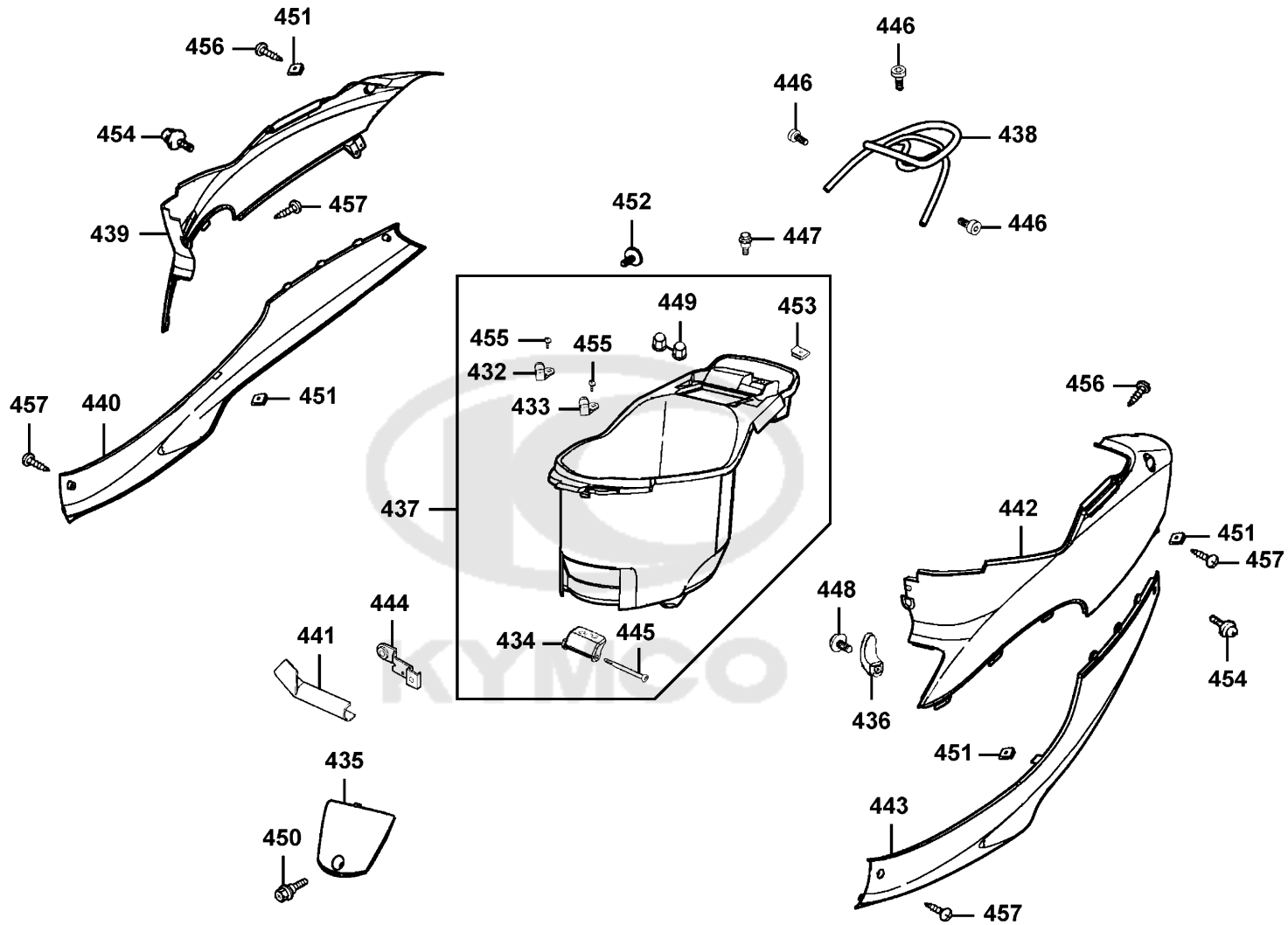
Sales mark 記号	Ref no 参照用番号	Part no パーツ番号	Description 部品名	Reg description 部品名	Regd no 必要個数	Ref Price 希望小売価格(税抜)
	400	31500-KCAC-90A	BATTERY YTX4L-BS	BATTERY YTX4L-BS	1	9280
	403	50325-GKAK-200	CASE BATTERY	CASE BATTERY	1	710
	405	50328-GKAK-200	BAND BATTERY **GAK-200 C.2006.01.11	BAND BATTERY **GAK-200 C.2006.01.11	1	200
**	401	8125A-KNBN-200	COVER ASSY BATTERY **KBN-200-N1R	COVER ASSY BATTERY **KBN-200-N1R	1	390
	402	90111-1G87-001	BOLT FLANGE 6MM	BOLT FLANGE 6MM	1	60
	404	93891-05012-06	SCREW WASHER 5*12	SCREW WASHER 5*12	2	60
A		98200-10700	FUSE A7	FUSE A7	1	60

F10



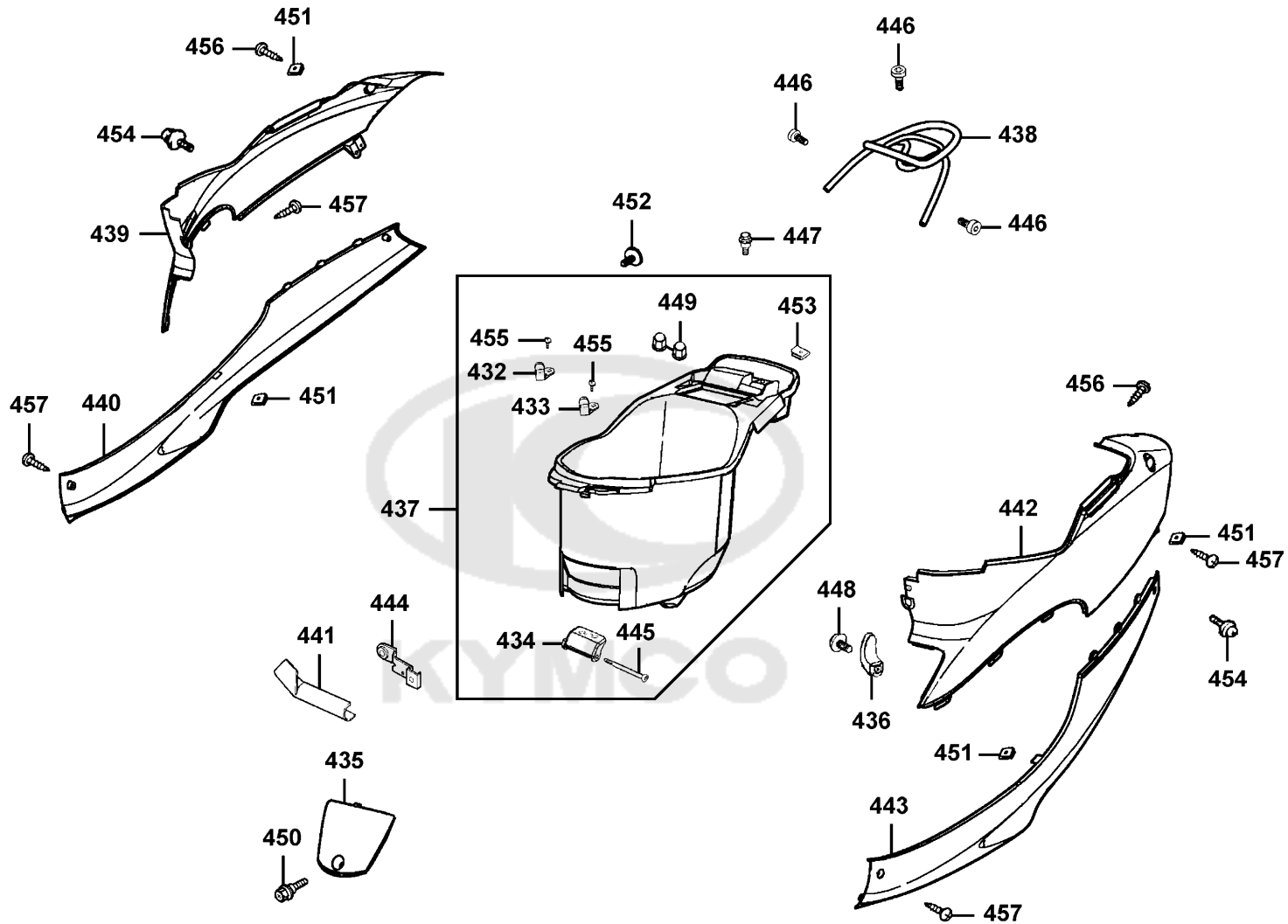


Sales mark 記号	Ref no 参照用番号	Part no パーツ番号	Description 部品名	Reg description 部品名	Regd no 必要個数	Ref Price 希望小売価格(税抜)	F11
418		15772-5A51-001	CLIP BREATHER TUBE	CLIP BREATHER TUBE	1	160	
411		17502-1G87-001	OIL STRAINER	OIL STRAINER	1	300	
415		35410-KNBN-91A	SW ASSY OIL LEVEL	SW ASSY OIL LEVEL	1	4000	
A		55100-KNBN-901	TANK OIL	TANK OIL	1	1660	
419		55102-1F66-001	JOINT OIL TUBE	JOINT OIL TUBE	1	160	
B		55105-KNBN-901	CAP ASSY OIL	CAP ASSY OIL	1	200	
C		55121-KNBN-901	RUBBER OIL GUIDE **KBN-9010	RUBBER OIL GUIDE **KBN-9010	1	230	
D		55123-KNBN-901	TUBE 5.3 OIL	TUBE 5.3 OIL	1	420	
417		55200-KNBN-901	TUBE ASSY OIL	TUBE ASSY OIL	1	820	
421		55201-GHC8-001	JOINT OIL STRN	JOINT OIL STRN	1	140	
416		93404-06016-06	BOLT WASHER 6*16	BOLT WASHER 6*16	1	60	
E		95002-02100	CLIP B15 TUBE	CLIP B15 TUBE	2	60	
420		95002-50000	CLIP C9 TUBE	CLIP C9 TUBE	1	60	



Sales mark 記号	Ref no 参照用番号	Part no パーツ番号	Description 部品名	Reg description 部品名	Regd no 必要個数	Ref Price 希望小売価格(税抜)
	432	77105-GFS6-001	HOOK R HELMET	HOOK R HELMET	1	200
	433	77106-GFS6-001	HOOK L HELMET	HOOK L HELMET	1	160
	434	77201-GFS6-001	HINGE SEAT	HINGE SEAT	1	580
**	438	77330-KFA1-B21	CARRIER LUGGAGE	CARRIER LUGGAGE	1	6950
**	438	77330-KFA2-900	CARRIER LUGGAGE **9000-NH001S	CARRIER LUGGAGE **9000-NH001S	1	6280
**	435	80152-KFA1-900	PLUG MAINT **9000-NH045P	PLUG MAINT **9000-NH045P C.2002.04.01	1	1160
**	436	81132-GHAH-001	HOOK LUGGAGE	HOOK LUGGAGE	1	300
	437	81260-KFA1-B20	BOX ASSY LUGGAGE **2005.09.19	BOX ASSY LUGGAGE **2005.09.19	1	9130
**	439	83500-KFA1-900	COVER R BODY **(0) C.2007.03.22	COVER R BODY **(0) C.2007.03.22	1	8940
**	440	83501-KFA1-900	MOLD R SIDE **9000-NH201R	MOLD R SIDE **9000-NH201R C.2002.04.01	1	2770
	441	83502-KFA1-900	PROTECTOR SEAT CABLE **9000	PROTECTOR SEAT CABLE **9000	1	490
**	442	83600-KFA2-900	COVER L BODY	COVER L BODY	1	8940
**	443	83601-KFA1-900	MOLD L SIDE **9000-NH201R	MOLD L SIDE **9000-NH201R C.2002.04.01	1	2770
	444	83770-KFA1-900	STAY CENTER CLIP **9000 C.2003.06.13	STAY CENTER CLIP **9000 C.2003.06.13	1	230
	445	90105-GGS7-001	PIN HINGE	PIN HINGE	1	200
	446	90105-KFC2-900	BOLT WASH 8*32	BOLT WASH 8*32	3	390
	447	90112-KFA1-900	BOLT FLANGE 6MM	BOLT FLANGE 6MM	1	160
	448	90164-KGBG-900	SCREW SPECIAL 6MM	SCREW SPECIAL 6MM	1	60
	449	90301-6D34-671	NUT FLANGE 6MM	NUT FLANGE 6MM	2	60
	450	90302-KFC2-900	BOLT WASHER 5*25	BOLT WASHER 5*25	1	80

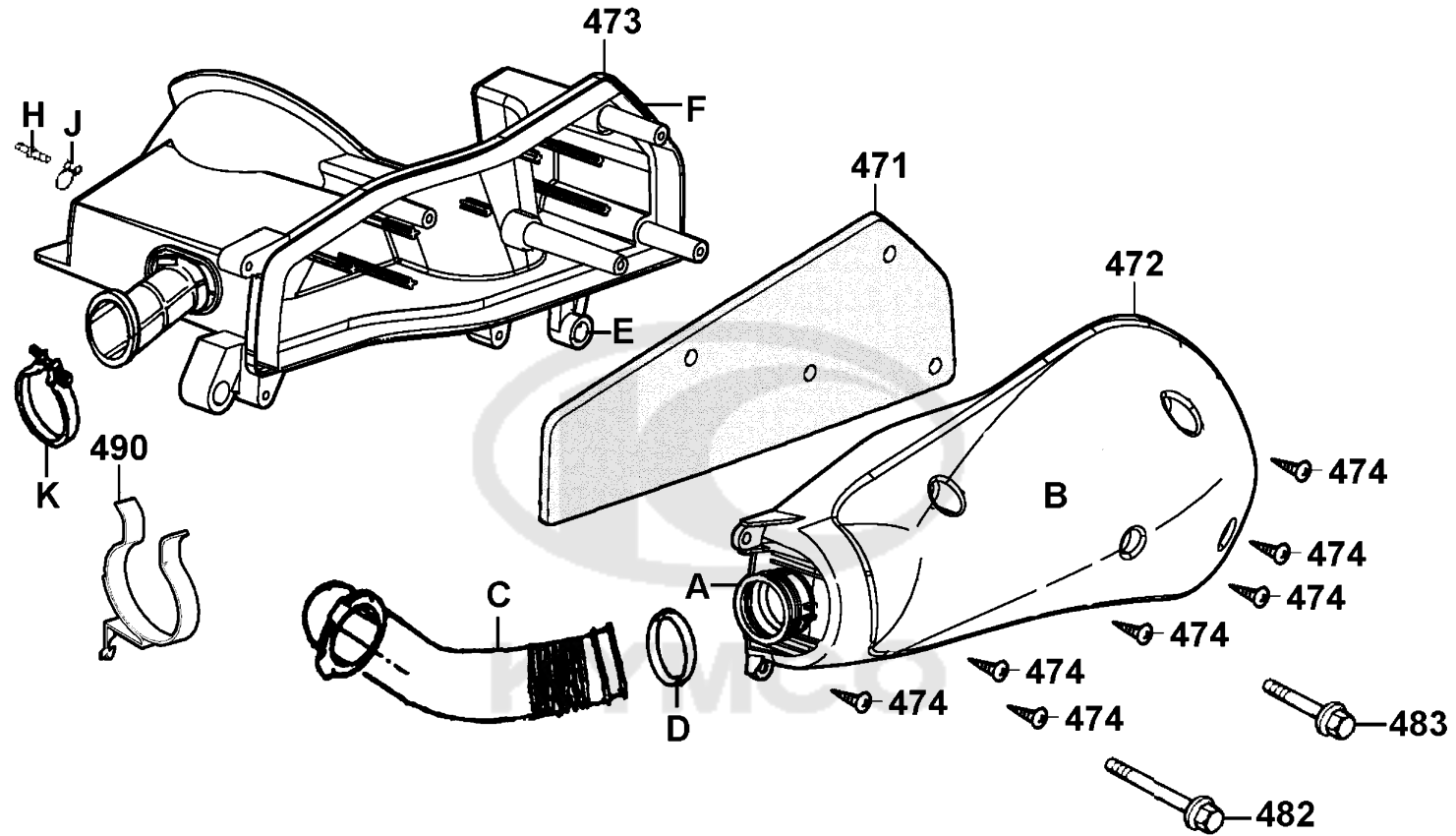
F12



Sales mark 記号	Ref no 参照用番号	Part no パーツ番号	Description 部品名	Reg description 部品名	Regd no 必要個数	Ref Price 希望小売価格(税抜)
451	90302-SDA4-004		NUT SPRING 4MM	NUT SPRING 4MM	1	60
452	90381-GEZ5-001		SCREW SPECIAL 6*17	SCREW SPECIAL 6*17	1	200
453	90677-GAR1-004		NUT CLIP 5MM	NUT CLIP 5MM	1	60
454	93891-05016-06		SCREW WASHER 5*16	SCREW WASHER 5*16	1	60
455	93891-06010-07		SCREW WASHER 6*10	SCREW WASHER 6*10	2	160
456	93903-34360		SCREW WASHER 4*12	SCREW WASHER 4*12	1	60
457	93903-GFY6-900		SCREW WASHER 4*12	SCREW WASHER 4*12	1	60

F12



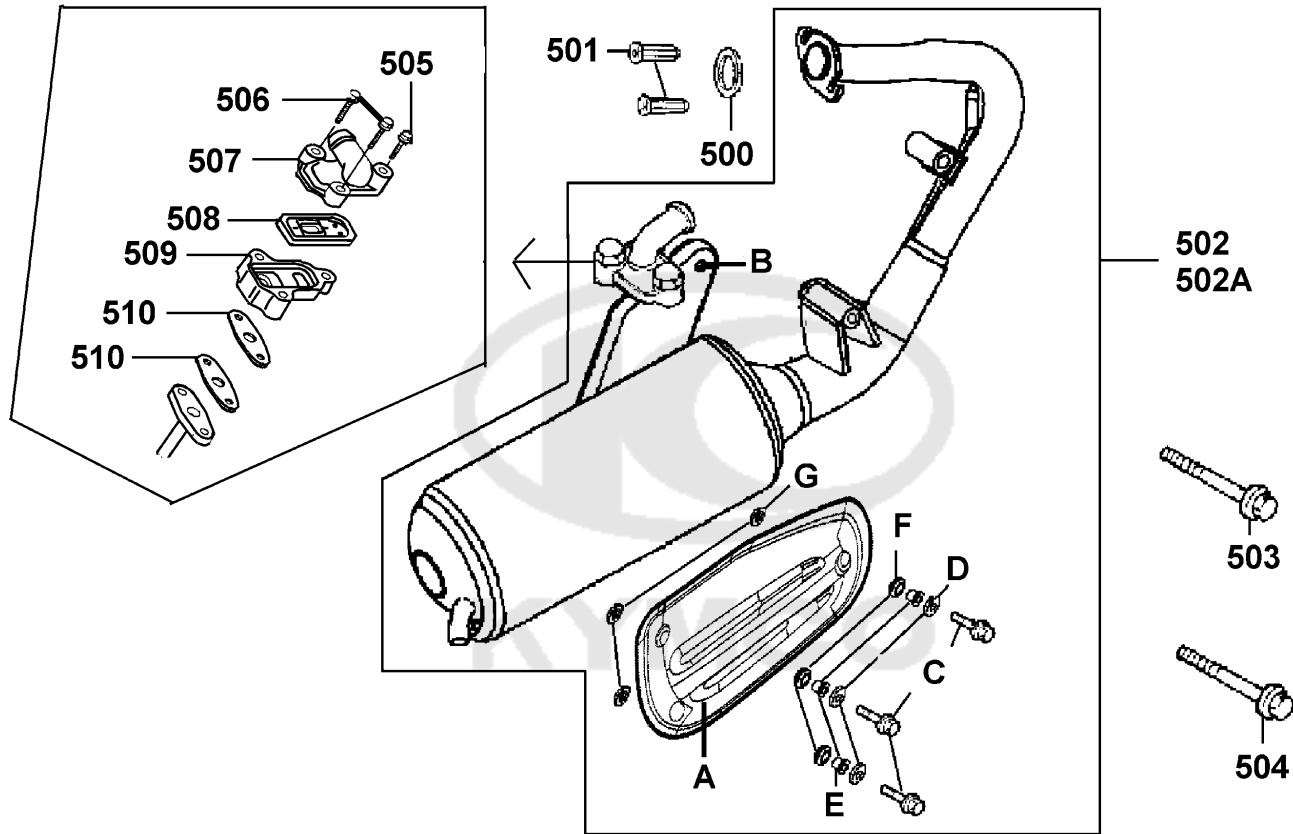


Sales mark 記号	Ref no 参照用番号	Part no パーツ番号	Description 部品名	Reg description 部品名	Regd no 必要個数	Ref Price 希望小売価格(税抜)
	471	17205-KNBN-901	ELEMENT AIR/C **KBN-9010	ELEMENT AIR/C **KBN-9010 C.2005.09.19	1	1090
B		17207-KFA1-900	COVER AIR/C **9000 C.2003.03.10	COVER AIR/C **9000 C.2003.03.10	1	960
E		17208-GAR1-011	COLLAR AIR/C SET	COLLAR AIR/C SET	1	110
	473	1720A-KFA1-910	CASE ASSY AIR/C **900 N.C.	CASE ASSY AIR/C **900 N.C.	1	2290
	472	17210-KFA1-900	COVER COMP AIR/C **(0) C.2007.03.22	COVER COMP AIR/C **(0) C.2007.03.22	1	1730
F		17212-KNBN-901	SEAL AIR/C CASE	SEAL AIR/C CASE	1	300
A		17213-KFA1-900	DUCT AIR/C INNER **(0) C.2007.03.22	DUCT AIR/C INNER **(0) C.2007.03.22	1	610
C		17214-KFA1-900	DUCT AIR/C CONN **9000 C.2005.09.19	DUCT AIR/C CONN **9000 C.2005.09.19	1	770
H		17254-KACA-P00	PLUG AIR/C CONN TUBE	PLUG AIR/C CONN TUBE	1	200
D		18362-KDA4-901	BAND SILENCR SEAL	BAND SILENCR SEAL	1	390
	490	90610-KRDR-900	BAND ASSY AIR/C TUBE	BAND ASSY AIR/C TUBE	1	490
K		90652-KTCT-900	BAND AIR/C CONN	BAND AIR/C CONN	1	390
	483	93404-06030-06	BOLT WASHER 6*30	BOLT WASHER 6*30	1	160
	474	93903-25460	SCREW TAPPING 5*20 **93903-25480	SCREW TAPPING 5*20 **93903-25480 C.2005	7	60
J		95002-02130	CLIP B12.5 TUBE	CLIP B12.5 TUBE	1	60
	482	95801-06040-06	BOLT FLANGE 6*40 (G)	BOLT FLANGE 6*40 (G)	1	390

F13

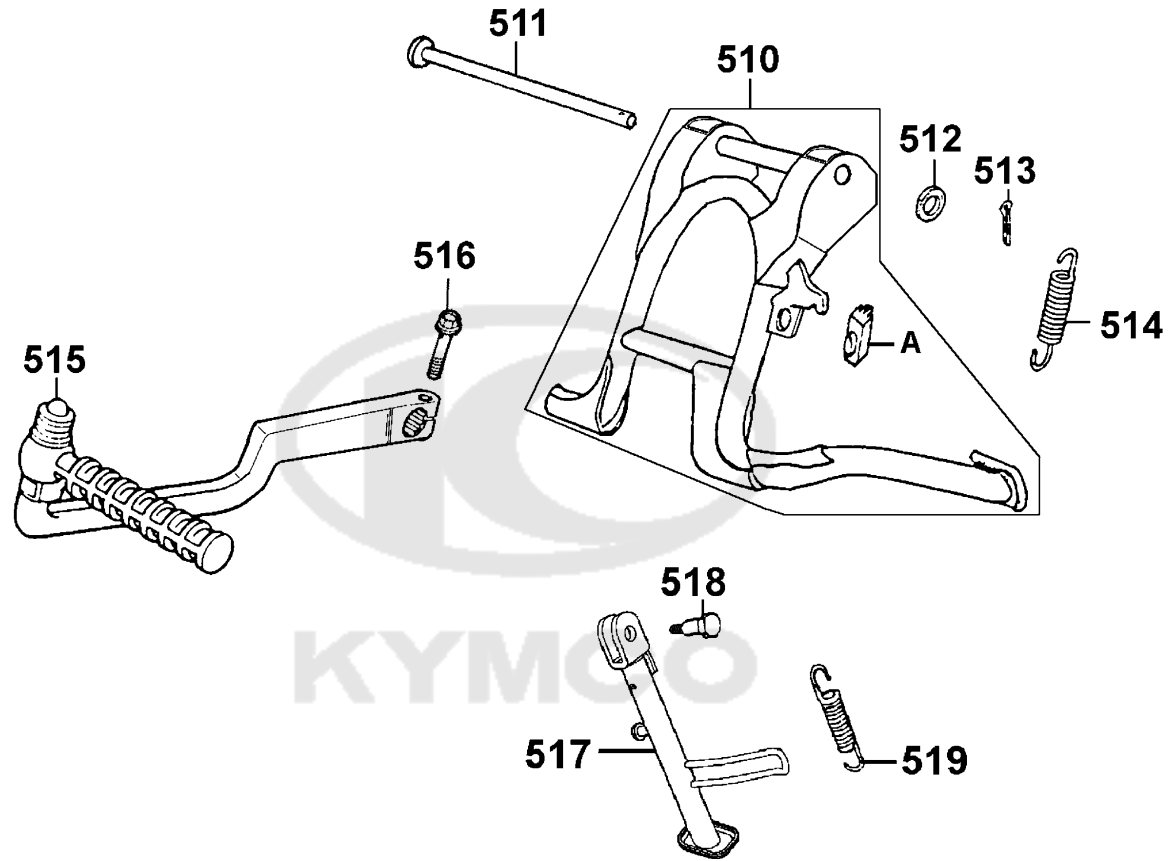
F14

Exhaust Muffler



Sales mark 記号	Ref no 参照用番号	Part no パーツ番号	Description 部品名	Reg description 部品名	Regd no 必要個数	Ref Price 希望小売価格(税抜)
B		11203-GFY6-901	RUBBER BUSH MUFFLER STAY	RUBBER BUSH MUFFLER STAY	1	320
509		12311-KFB5-900	BODY REED VALVE	BODY REED VALVE	1	1250
F		18291-KEBE-900	COLLAR	COLLAR	3	60
500		18291-LBA7-900	GASKET EXH PIPE	GASKET EXH PIPE	1	230
D		18292-KEBE-900	PACKING PROTECTOR	PACKING PROTECTOR	3	60
E		18293-KEBE-900	RUBBER PKG PROTR	RUBBER PKG PROTR	3	140
G		18294-KEBE-900	PACKING PROTECTOR	PACKING PROTECTOR	3	110
502		1830A-KFA1-900	MUFFLER ASSY EXHAUST/P112 **(7)	MUFFLER ASSY EXHAUST/P112 **(7)	1	26140
502A		1830A-KFA1-B00	MUFFLER ASSY EXHAUST/P112 **B000-	MUFFLER ASSY EXHAUST/P112 **B000-JP(1	26140
A		18318-KFA3-900	PROTECTOR MUFFLER	PROTECTOR MUFFLER	1	2870
508		18601-KFB5-900	VALVE COMP REED	VALVE COMP REED	1	1910
507		18612-KFB5-900	COVER REED VALVE	COVER REED VALVE	1	870
510		18645-GFY6-941	GASKET A/I PIPE	GASKET A/I PIPE	2	60
C		90110-KFA6-900	SCREW SPECIAL 6*18	SCREW SPECIAL 6*18	3	70
501		90301-KGBG-900	NUT CAP 6MM	NUT CAP 6MM	2	250
505		95701-06025-06	BOLT FLANGE 6*25	BOLT FLANGE 6*25	1	60
506		95701-06040-06	BOLT FLANGE 6*40 (C)	BOLT FLANGE 6*40 (C)	2	200
503		95801-08035-06	BOLT FLANGE 8*35	BOLT FLANGE 8*35	1	60
504		95801-08050-06	BOLT FLANGE 8*50	BOLT FLANGE 8*50	1	300

F14

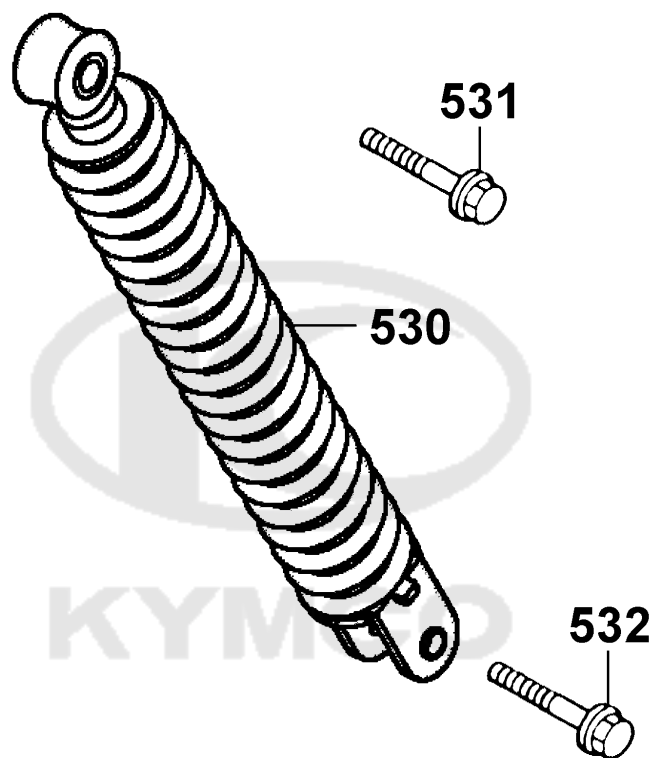


Sales mark 記号	Ref no 参照用番号	Part no パーツ番号	Description 部品名	Reg description 部品名	Regd no 必要個数	Ref Price 希望小売価格(税抜)
515	28300-KNBN-901	ARM ASSY KICK STARTER	ARM ASSY KICK STARTER	ARM ASSY KICK STARTER	1	2030
511	50503-KNBN-901	SHAFT MAIN STAND	SHAFT MAIN STAND	SHAFT MAIN STAND	1	390
A	50505-GAR1-711	STOPPER RUBBER STAND	STOPPER RUBBER STAND	STOPPER RUBBER STAND	1	110
510	5050A-KFA1-900	STAND ASSY MAIN ** (2) C.2007.03.22	STAND ASSY MAIN ** (2) C.2007.03.22	STAND ASSY MAIN ** (2) C.2007.03.22	1	6090
517	50530-KFA1-900	BAR SIDE STAND **9000 C.2003.09.06	BAR SIDE STAND **9000 C.2003.09.06	BAR SIDE STAND **9000 C.2003.09.06	1	1060
518	90108-GFY6-901	SCREW SIDE STAND PIVOT	SCREW SIDE STAND PIVOT	SCREW SIDE STAND PIVOT	1	130
512	94101-08600	WASHER PLAIN 6.5*18*105	WASHER PLAIN 6.5*18*105	WASHER PLAIN 6.5*18*105	1	200
513	94251-08400	PIN LOCK 8MM	PIN LOCK 8MM	PIN LOCK 8MM	1	160
514	95014-71402	SPRING D MAIN STAND	SPRING D MAIN STAND	SPRING D MAIN STAND	1	60
519	95014-72204	SPG B1 SIDE STAND	SPG B1 SIDE STAND	SPG B1 SIDE STAND	1	300
516	95701-06022-06	BOLT FLANGE 6*22	BOLT FLANGE 6*22	BOLT FLANGE 6*22	1	60

F15

F16

Rear Cushion

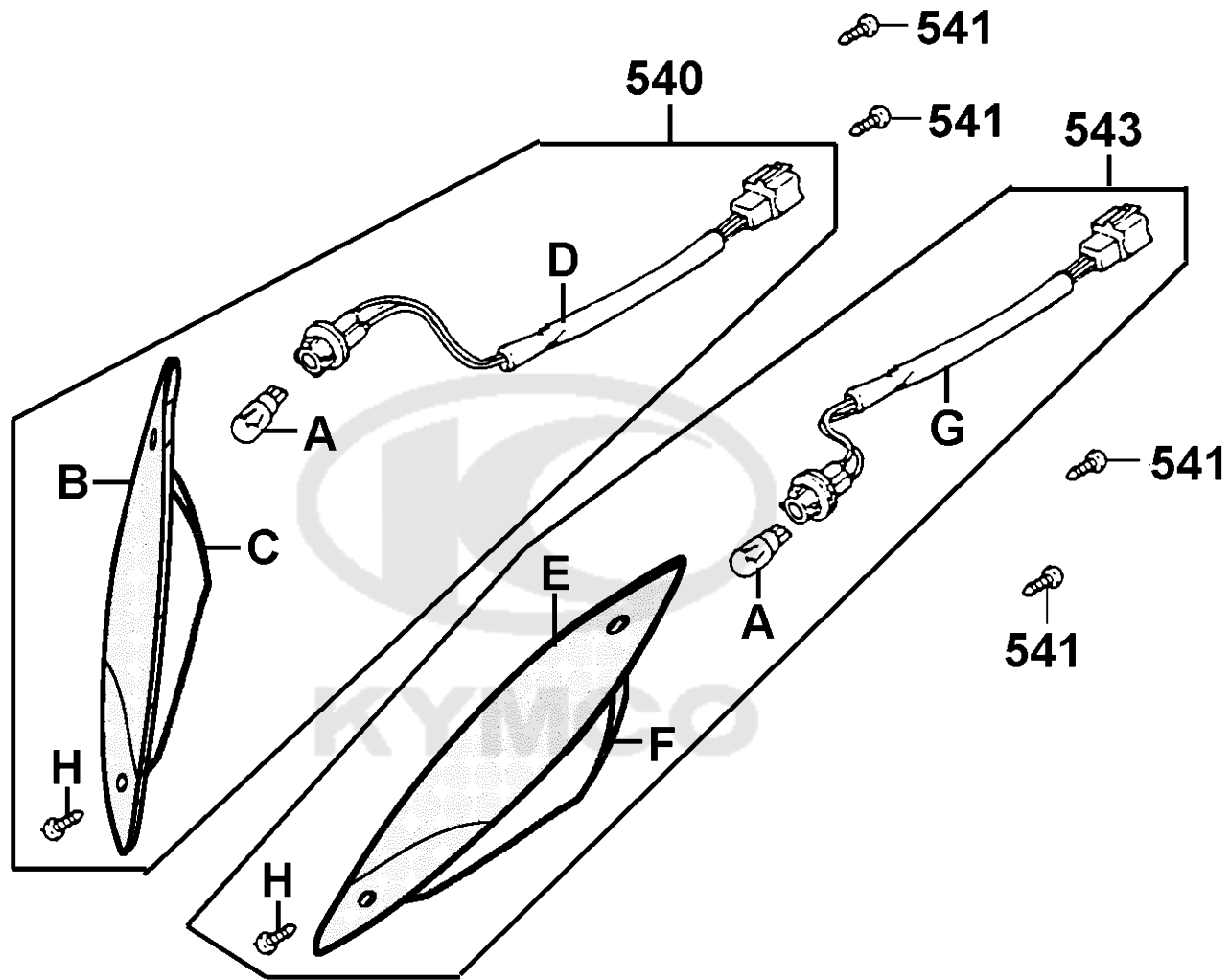


Sales mark 記号	Ref no 参照用番号	Part no パーツ番号	Description 部品名	Reg description 部品名	Regd no 必要個数	Ref Price 希望小売価格(税抜)
------------------	-----------------	------------------	--------------------	------------------------	-----------------	-------------------------

F16

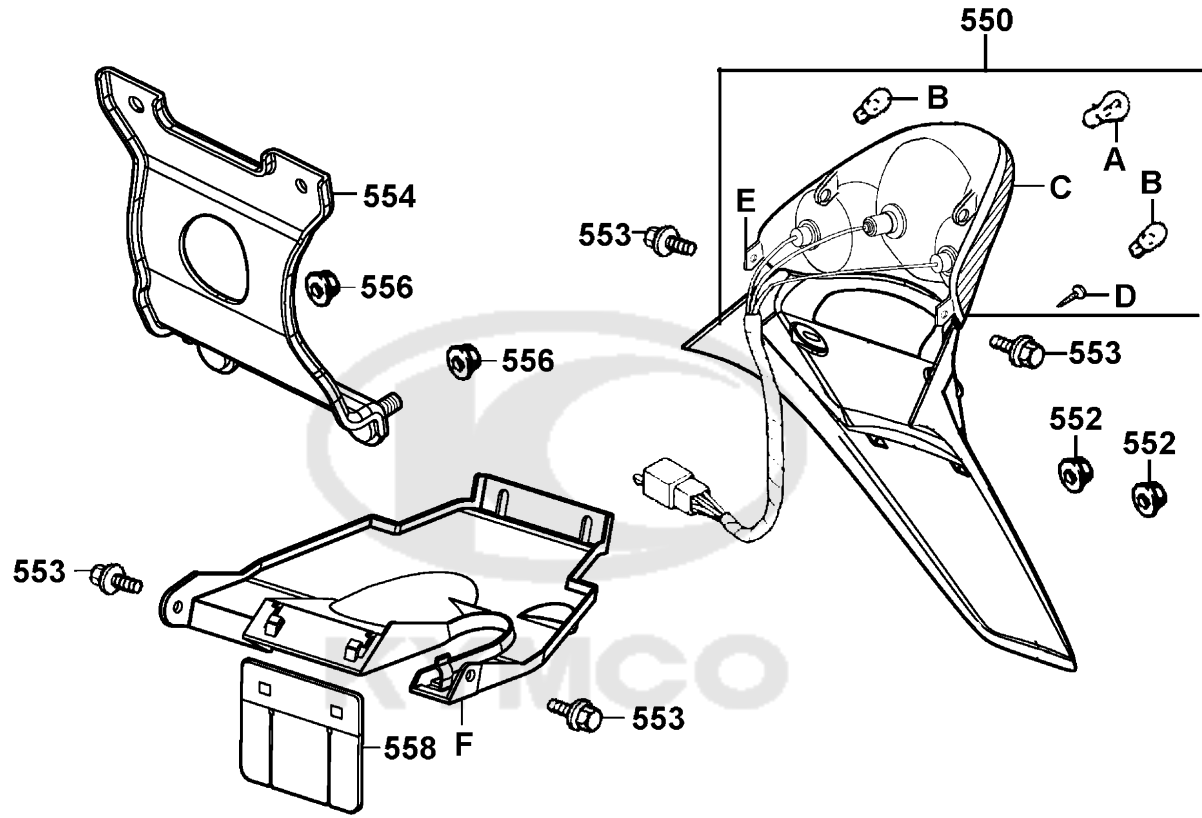
**	530	52400-KFA1-900	CUSHION ASSY REAR	CUSHION ASSY REAR	1	5710
	532	95801-08035-06	BOLT FLANGE 8*35	BOLT FLANGE 8*35	1	60
	531	95801-10035-06	BOLT FLANGE 10*35	BOLT FLANGE 10*35	1	300





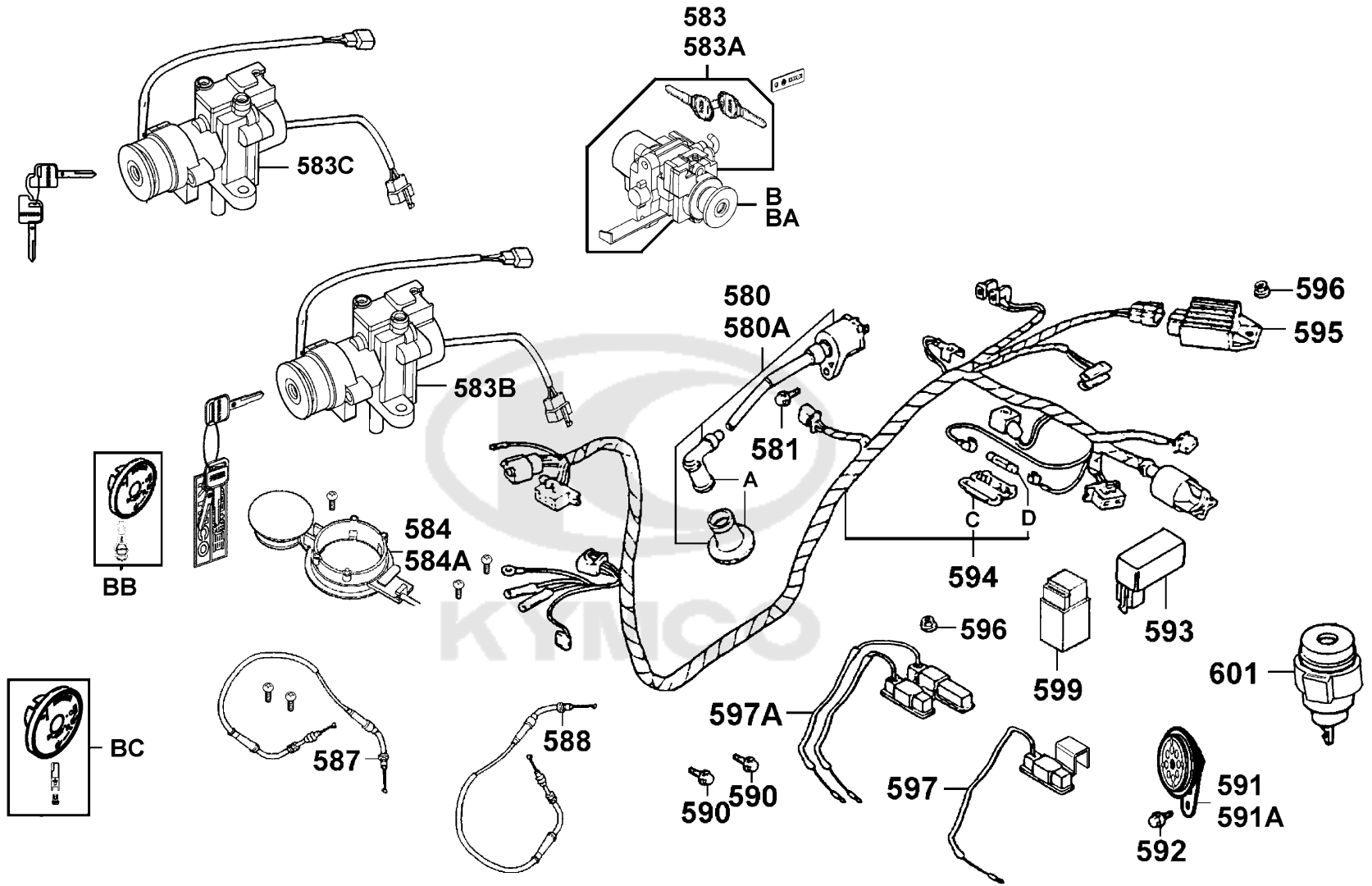
Sales mark 記号	Ref no 参照用番号	Part no パーツ番号	Description 部品名	Reg description 部品名	Regd no 必要個数	Ref Price 希望小売価格(税抜)
540		33400-KFA2-900	LIGHT ASS'Y R FR **9000	LIGHT ASS'Y R FR **9000	1	1850
B		33402-KFA2-900	LENS R FR WINKER **9000	LENS R FR WINKER **9000	1	420
C		33403-KFA2-900	BASE R FR WINKER **9000	BASE R FR WINKER **9000	1	580
G		33406-KFA2-900-LH	SOCKET COMP L FR WINKER **9000-LH	SOCKET COMP L FR WINKER **9000-LH	1	630
D		33406-KFA2-900-RH	SOCKET COMP R FR WINKER **9000-RH	SOCKET COMP R FR WINKER **9000-RH	1	630
543		33450-KFA2-900	LIGHT ASS'Y L FR **9000	LIGHT ASS'Y L FR **9000	1	1850
E		33452-KFA2-900	LENS L FR WINKER **9000 C.	LENS L FR WINKER **9000 C.	1	420
F		33453-KFA2-900	BASE L FR WINKER **9000	BASE L FR WINKER **9000	1	580
A		34905-KMCM-900	BULB WINKER	BULB WINKER	2	320
H		93901-32320	SCREW TAPPING 3*12	SCREW TAPPING 3*12	4	60
541		93903-34360	SCREW WASHER 4*12	SCREW WASHER 4*12	2	60

F17



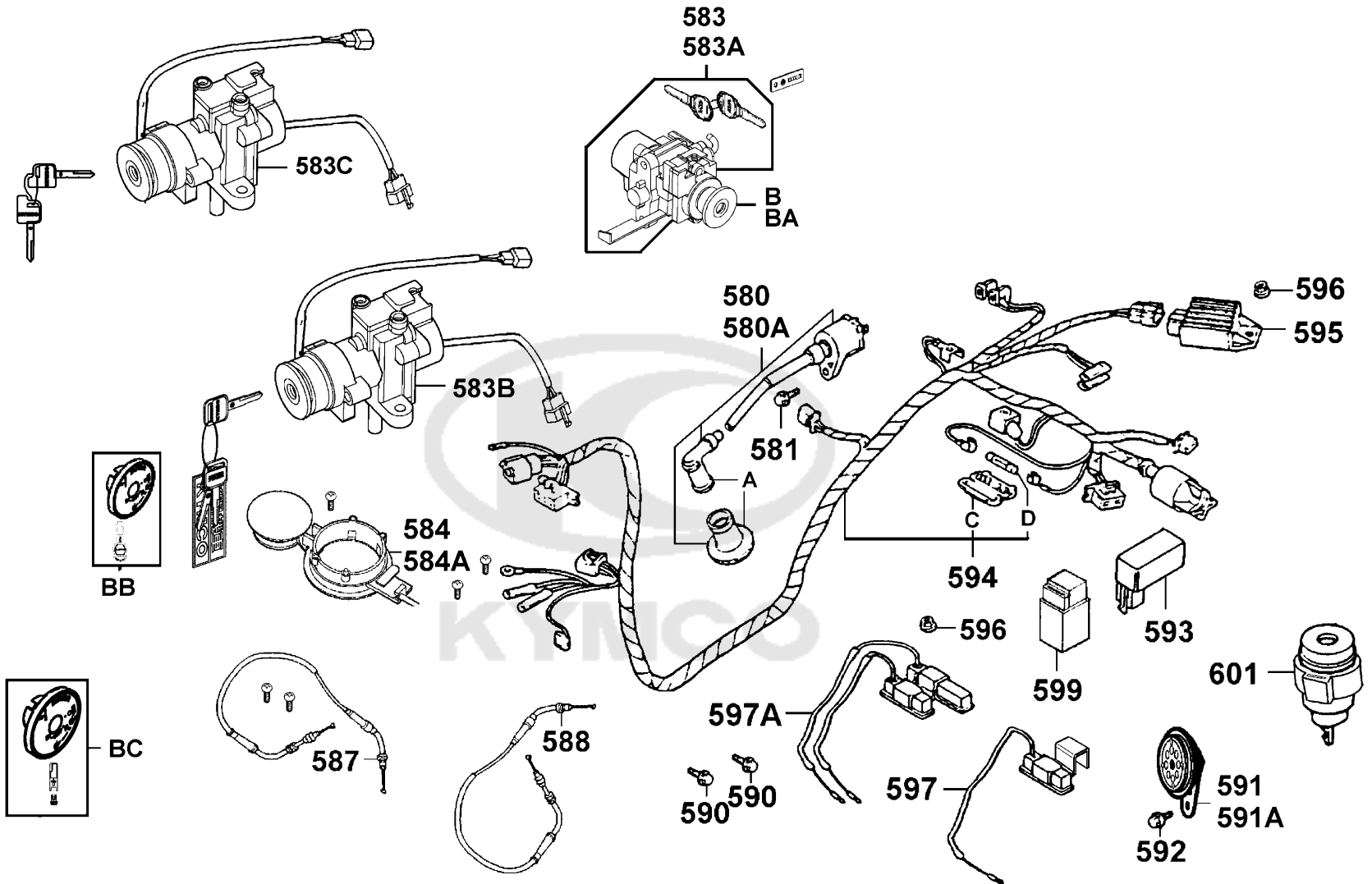
Sales mark 記号	Ref no 参照用番号	Part no パーツ番号	Description 部品名	Reg description 部品名	Regd no 必要個数	Ref Price 希望小売価格(税抜)
	550	33700-KFA1-900	LIGHT ASSY RR COMP **(6) C.2007.03.22	LIGHT ASSY RR COMP **(6) C.2007.03.22	1	5710
C		33701-KFA1-900	LENS COMP TAIL LIGHT	LENS COMP TAIL LIGHT	1	1470
B		34905-GKM9-003	BULB WINKER	BULB WINKER	2	210
A		34906-2H68-601	BULB TAIL LIGHT	BULB TAIL LIGHT	1	300
	554	50162-KFA1-900	STAY TAIL LIGHT	STAY TAIL LIGHT	1	960
**	F	80101-KFA1-900	FENDER A REAR **900 C.	FENDER A REAR **900 C.	1	870
	558	80104-KNBN-901	PLATE SPLASH GUARD **KBN-9010	PLATE SPLASH GUARD **KBN-9010	1	230
	552	90301-6D34-671	NUT FLANGE 6MM	NUT FLANGE 6MM	2	60
	553	90302-GFY6-901	BOLT WASH 5*12 **(1) C.V.	BOLT WASH 5*12 **(1) C.V.	2	60
E		90302-SDA4-004	NUT SPRING 4MM	NUT SPRING 4MM	2	60
	D	93903-32320	SCREW TAPPING 3*12	SCREW TAPPING 3*12	2	60
	556	94050-06080	NUT FLANGE 6MM	NUT FLANGE 6MM	2	60

F18

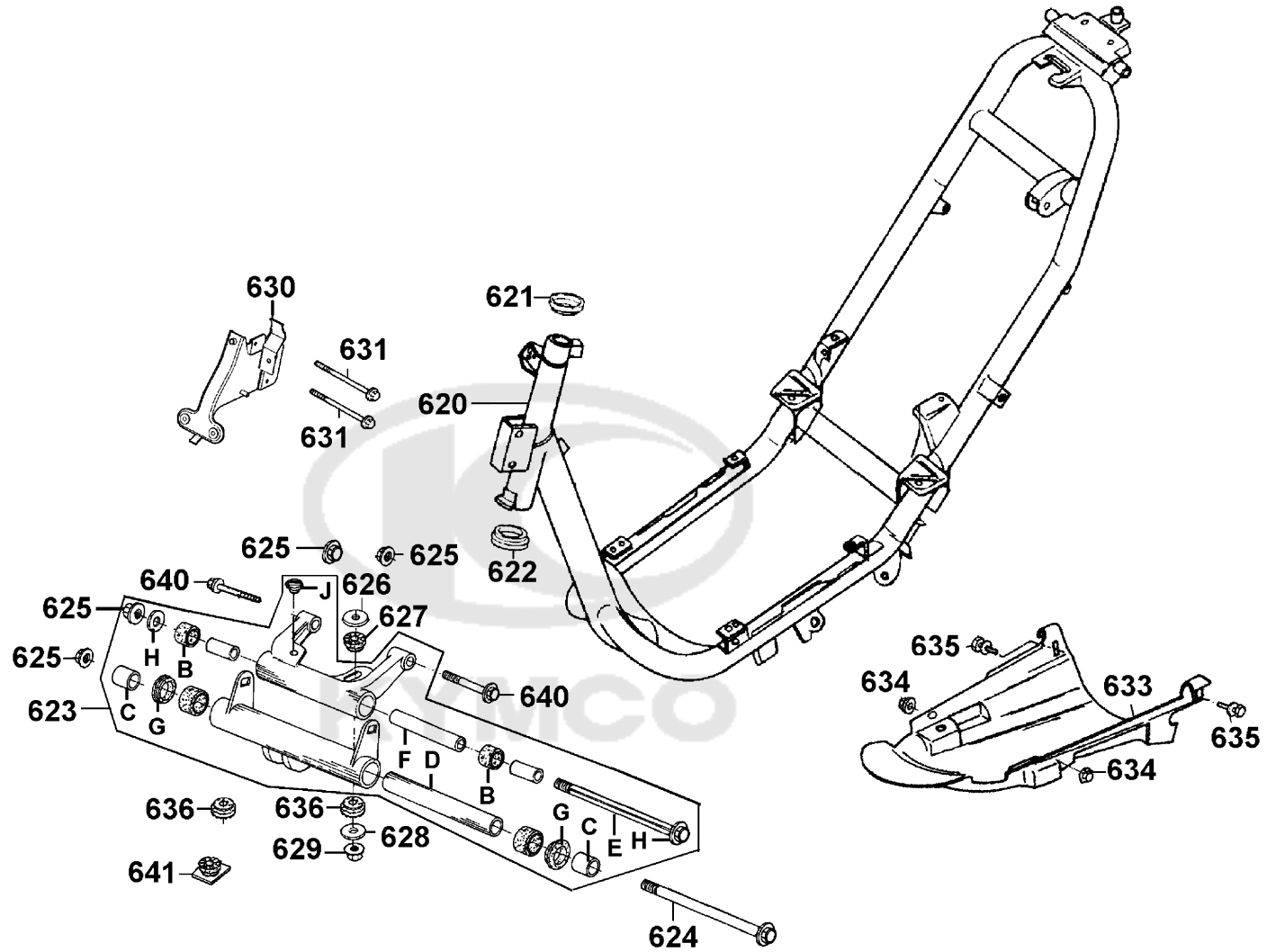


Sales mark 記号	Ref no 参照用番号	Part no パーツ番号	Description 部品名	Reg description 部品名	Regd no 必要個数	Ref Price 希望小売価格(税抜)
588		17520-KFA1-910	CABLE COMP FUEL CAP **9100	CABLE COMP FUEL CAP **9100	1	1250
584		17620-KHC5-E00	CAP COMP FUEL FILLER	CAP COMP FUEL FILLER	1	3910
584A		17620-KHC5-E0B	CAP COMP FUEL FILLER	CAP COMP FUEL FILLER	1	3910
593		30400-GKAK-901	UNIT ASSY CDI	UNIT ASSY CDI	1	3430
580		3051A-KRDR-90A	COIL ASSY ING	COIL ASSY ING	1	3620
580A		3051A-KRDR-90B	COIL ASSY ING	COIL ASSY ING	1	3620
A		30700-KNBN-901	CAP ASSY NOISE SUPPRESOR	CAP ASSY NOISE SUPPRESOR	1	970
595		31600-KUDU-900	REG REC COMP	REG REC COMP	1	2960
594		32100-KFA1-900	HARNESS WIRE **(6) C.2003.05.01	HARNESS WIRE **(6) C.2003.05.01	1	7800
594		32100-KFA2-B20	HARNESS WIRE **(2) C.2003.05.01	HARNESS WIRE **(2) C.2003.05.01	1	8370
C		32120-1E55-001	CASE FUSE 7A	CASE FUSE 7A	1	110
583		35101-KHC4-305	SW SET COMB & LOCK	SW SET COMB & LOCK	1	9890
583A		35101-KHC4-305-M2	SW SET COMB & LOCK	SW SET COMB & LOCK	1	9890
583C		35101-KHC4-334	SW SET COMB LOCK/FOR SERVICE	SW SET COMB LOCK/FOR SERVICE	1	12360
583B		35101-KHC4-335	YW COMB & LOCK SET/FOR SERVICE	YW COMB & LOCK SET/FOR SERVICE	1	12360
BC		35102-KHC4-305-M1	SHUTTER SET MAGNETIC LOCK	SHUTTER SET MAGNETIC LOCK	1	6660
B		35102-KHC4-900	COLLAR MAIN SW	COLLAR MAIN SW	1	300
BA		35102-KHC4-90B	COLLAR MAIN SW	COLLAR MAIN SW	1	300
BB		35102-LAD9-335	SHUTTER MAGNETIC LOCK SET/SD	SHUTTER MAGNETIC LOCK SET/SD	1	5140
597		35400-KEB8-B00	RESISTOR COMP	RESISTOR COMP	1	1110

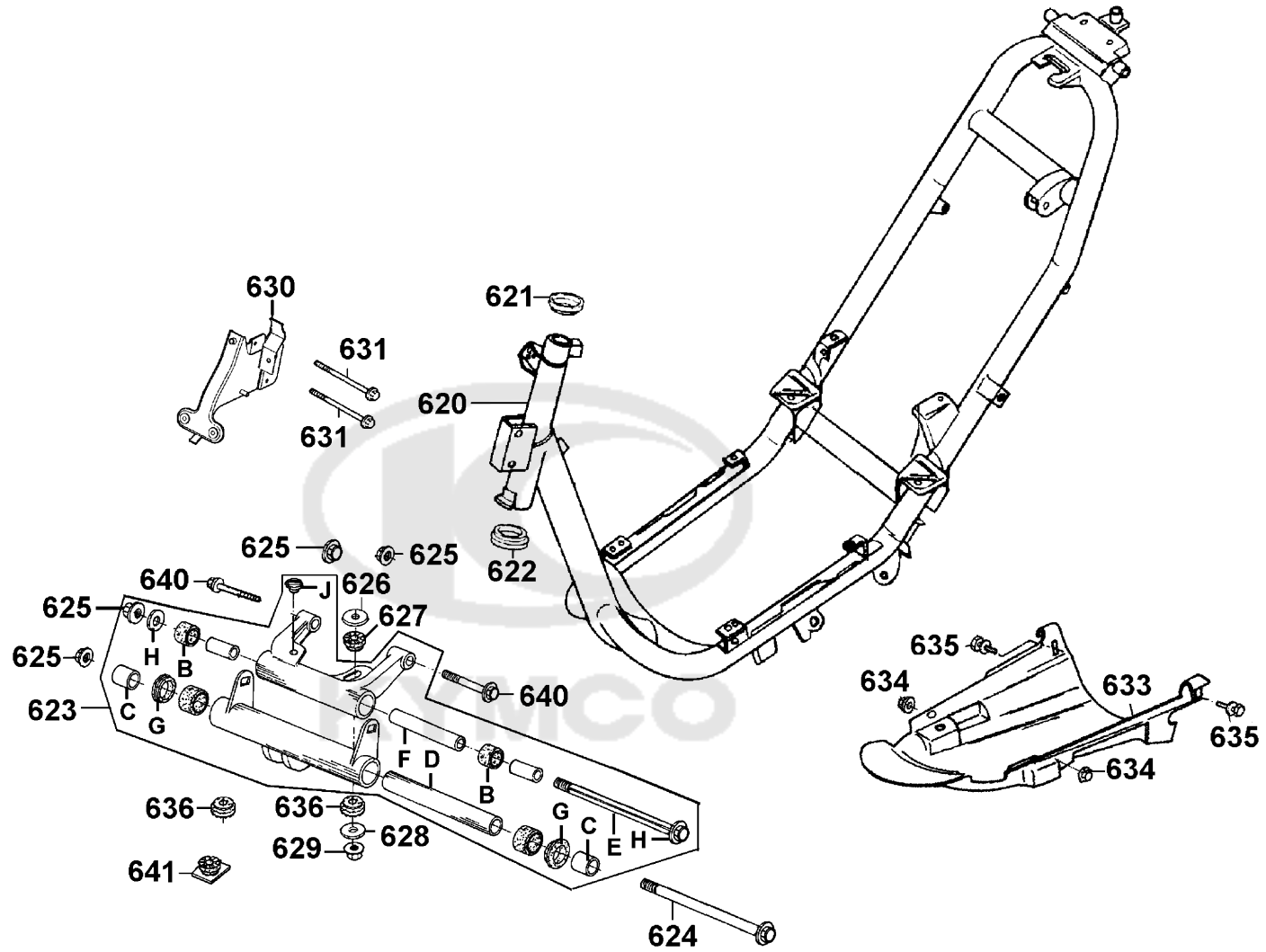
F19



Sales mark 記号	Ref no 参照用番号	Part no パーツ番号	Description 部品名	Reg description 部品名	Regd no 必要個数	Ref Price 希望小売価格(税抜)	F19
597A		35400-KNBN-920	RESISTOR COMP	RESISTOR COMP	1	1590	
591		38110-KFA1-80A	HORN COMP	HORN COMP	1	1960	
591A		38110-KFA1-80B	HORN COMP	HORN COMP	1	1250	
601		38300-KECE-900	RELAY ASSY WINKER	RELAY ASSY WINKER	1	2530	
599		38501-GBW2-902	RELAY COMP START	RELAY COMP START	1	2300	
587		77240-KFA1-900	CABLE COMP SEAT LOCK **9000	CABLE COMP SEAT LOCK **9000	1	1440	
581		90112-KRDR-900	BOLT FLANGE 5*22	BOLT FLANGE 5*22	1	130	
596		94050-06080	NUT FLANGE 6MM	NUT FLANGE 6MM	1	60	
592		95701-06012-06	BOLT FLANGE 6*22 (K)	BOLT FLANGE 6*22 (K)	1	60	
590		95701-08025-06	BOLT FLANGE 6*22 (K)	BOLT FLANGE 6*22 (K)	1	60	
D		98200-10700	FUSE A7	FUSE A7	1	60	



Sales mark 記号	Ref no 参照用番号	Part no パーツ番号	Description 部品名	Reg description 部品名	Regd no 必要個数	Ref Price 希望小売価 格(税抜)	F20
	620	50100-KFA1-B00	BODY COMP **(6) C.2006.06.13	BODY COMP **(6) C.2006.06.13	1	48670	
	621	50301-GLM0-001	RACE UP STRG BALL	RACE UP STRG BALL	1	440	
	622	50305-GHC8-004	RACE (UNDER STR) BALL	RACE (UNDER STR) BALL	1	420	
	628	50348-KGN7-671	WASHER ENG HANGER STPR	WASHER ENG HANGER STPR	1	110	
	623	50350-KNBN-200	HANGER ASSY ENG	HANGER ASSY ENG	1	11220	
	627	50352-KNBN-200	RUB A/ENG HANGER STRP	RUB A/ENG HANGER STRP	1	420	
	C	50353-KNBN-200	BUSH A ENG HANGER **(2) C.2007.04.04	BUSH A ENG HANGER **(2) C.2007.04.04	2	440	
	D	50355-KNBN-200	COLLAR A ENG HANGER **(0) C	COLLAR A ENG HANGER **(0) C 2007.03.28	1	420	
	J	50356-KNBN-200	RUBBER C ENG HANGE STPR	RUBBER C ENG HANGE STPR	1	440	
	F	50357-KNBN-200	COLLAR B ENG HANGER **KBN-2000	COLLAR B ENG HANGER **KBN-2000	1	420	
	B	50358-KNBN-200	RUBBER BUSH ENG HANGER **KBN-	RUBBER BUSH ENG HANGER **KBN-2000	2	350	
	G	50359-KNBN-200	BEARING ENG HANGER	BEARING ENG HANGER	2	250	
	626	50361-KNBN-200	CAP STPR RUBBER	CAP STPR RUBBER	1	200	
	H	50362-KNBN-200	SQUARE WASHER **KBN-2000	SQUARE WASHER **KBN-2000 C.2005.09.19	2	110	
	641	50363-KNBN-200	RUBBER B ENG HANGER **(0)	RUBBER B ENG HANGER **(0) C.2007.03.22	1	350	
**	633	50621-KNBN-901	COVER UNDER **901 C.	COVER UNDER **901 C.	1	1150	
	630	64315-KFA2-B20	STAY FR COVER **C.2004.12.01	STAY FR COVER **C.2004.12.01	1	2200	
	624	90101-KNBN-200	BOLT FLANGE 10*275	BOLT FLANGE 10*275	1	770	
	636	90102-KNBN-900	PLUG HOSE	PLUG HOSE	2	110	
	E	90105-KNBN-200	SQUARE BOLT 10*230 **KBN	SQUARE BOLT 10*230 **KBN C.2005.09.19	1	1060	

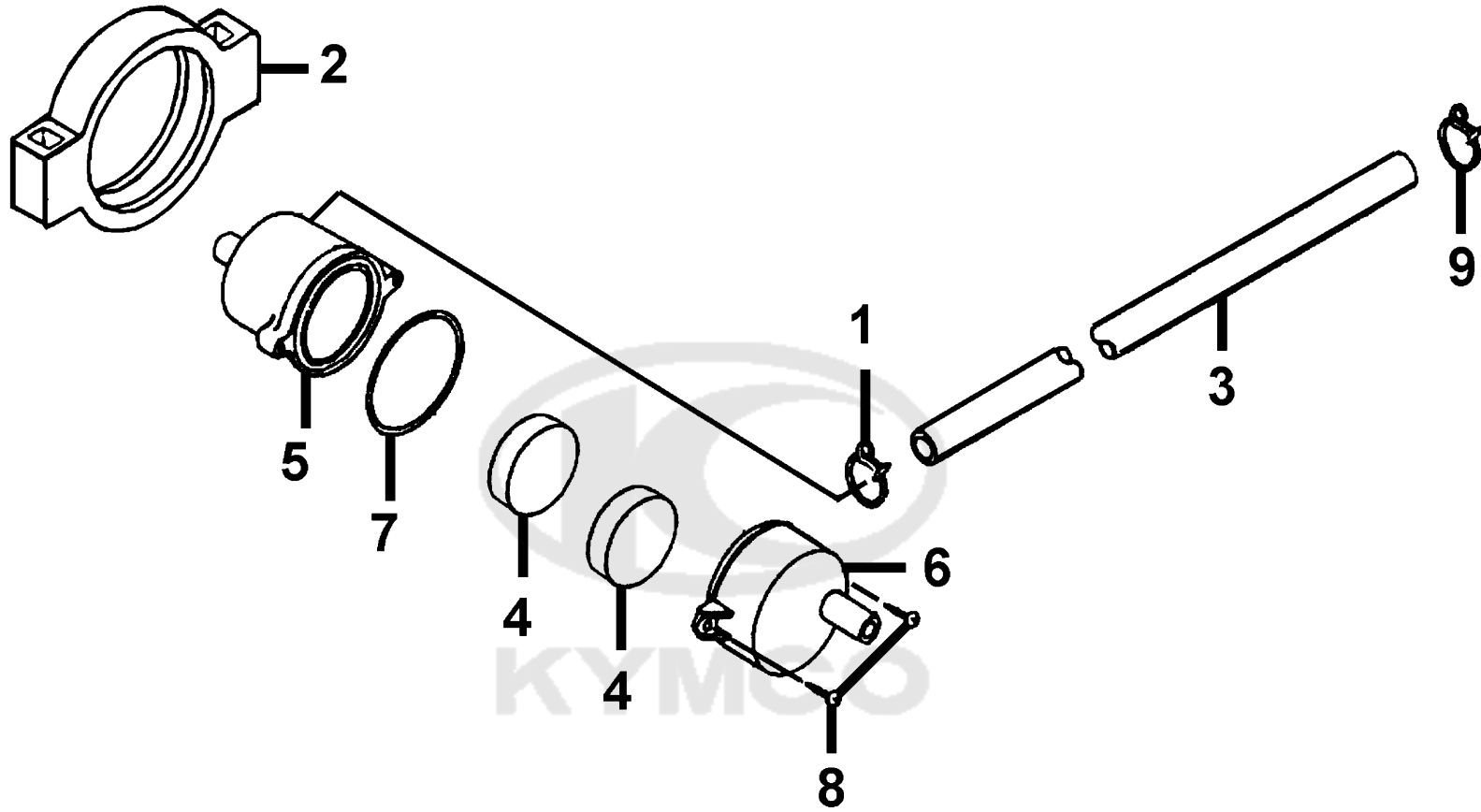


Sales mark 記号	Ref no 参照用番号	Part no パーツ番号	Description 部品名	Reg description 部品名	Regd no 必要個数	Ref Price 希望小売価格(税抜)	F20
625	90304-GHE8-004		NUT CAP 6MM	NUT CAP 6MM	1	200	
629	90309-GLW0-90A		NUT U FLANGE 8MM	NUT U FLANGE 8MM	1	110	
635	93404-06016-06		BOLT WASHER 6*16	BOLT WASHER 6*16	2	60	
634	94050-06060		NUT FLANGE 6MM	NUT FLANGE 6MM	2	60	
631	95801-06045-06		BOLT FLANGE 6*45 (G)	BOLT FLANGE 6*45 (G)	1	390	
640	95801-10070-06		BOLT FLANGE 10*70	BOLT FLANGE 10*70	1	320	



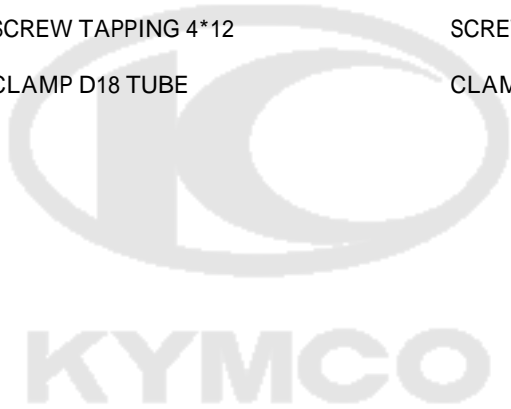
F21

AIR CLEANER TWO



Sales mark 記号	Ref no 参照用番号	Part no パーツ番号	Description 部品名	Reg description 部品名	Regd no 必要個数	Ref Price 希望小売価格(税抜)
1		15772-5L00-013	CLIP B14.5 TUBE	CLIP B14.5 TUBE	1	60
2		18618-KBE2-900	RUBBER AI CLEANER MOUNT	RUBBER AI CLEANER MOUNT	1	330
3		18656-KFA1-900	DUCT AIR/C-REED VALVE **9000	DUCT AIR/C-REED VALVE **9000	1	610
4		18805-KHB4-910	ELEMENT AI CLEANER	ELEMENT AI CLEANER	2	960
5		18806-KFA1-900	CASE AIR/C **9000 C.2006.01.13	CASE AIR/C **9000 C.2006.01.13	1	230
6		18807-KFA1-900	COVER AIR/C **9000 C.2006.01.13	COVER AIR/C **9000 C.2006.01.13	1	200
7		18812-KBE2-900	SEAL AI CLEANER COVER	SEAL AI CLEANER COVER	1	230
8		93903-24320	SCREW TAPPING 4*12	SCREW TAPPING 4*12	2	60
9		95002-KKD6-E05	CLAMP D18 TUBE	CLAMP D18 TUBE	1	300

F21



● Be sure to wear a safety helmet when riding.
 ● Do not exceed the speed specified by law when riding.
 ● The exhaust muffler temperature is very high after riding. Be sure to park the motorcycle in a place not easily touched by people.
 ● For riding safety and good performance, do not violate the law to modify the motorcycle.

● Make sure to perform the periodic maintenance and provide inspection.

≡ Pre-ride Inspection Items ≡
 Brake performance, tires, 2-cycle motor oil, lights, horn, and instrument panel.

KWANG YANG MOTOR CO., LTD.
KR1-E000

680

CAUTIONS

Tire Size	:Front 90/90-10 50J	Rear 100/80-10 53J
(One Rider)	:Front 1.50kgf/cm ²	Rear 2.00kgf/cm ²
(Two Rider)	:Front 1.75kgf/cm ²	Rear 2.25kgf/cm ²
Load Capacity:	Shield 1.5kg	Clip assy center 3kg
(As per KYMCO standard specification)		
(Note: The tire pressure must not overpass 2.50kgf/cm ²)		

● Check the motor oil level with the dipstick after refilling motor oil.

KHCS-E000

682

USE UNLEADED GASOLINE ONLY

683

CAUTIONS

Never put any article between the rear side cover and the engine to avoid interference of riding.

GM9-300

684

CAUTIONS

Before starting the engine, the side stand shall be kicked up to secure safety.

685

Sales mark 記号	Ref no 参照用番号	Part no パーツ番号	Description 部品名	Reg description 部品名	Regd no 必要個数	Ref Price 希望小売価格(税抜)	F22
------------------	-----------------	------------------	--------------------	------------------------	-----------------	-------------------------	-----

**	683	87501-KRDR-E00	CAUTION USE GAS ONLY	CAUTION USE GAS ONLY	1	200	
**	682	87505-KHC5-E00	LABEL TIRE **E00 C.2006.10.24	LABEL TIRE **E00 C.2006.10.24	1	200	
**	685	87541-GAR1-E00	CAUTION SIDE STAND	CAUTION SIDE STAND	1	200	
**	684	87542-GAR1-E00	MARK MAINT CAUTION	MARK MAINT CAUTION	1	200	
**	680	87560-KNBN-E00	MARK DRIVE CAUTION	MARK DRIVE CAUTION	1	200	

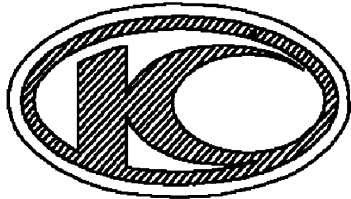




691



690



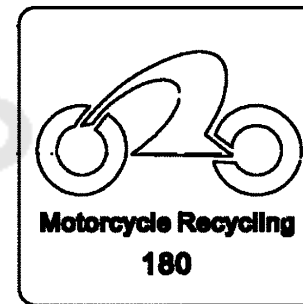
692



694



693



695



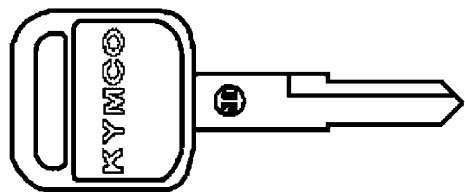
Sales mark 記号	Ref no 参照用番号	Part no パーツ番号	Description 部品名	Reg description 部品名	Regd no 必要個数	Ref Price 希望小売価格(税抜)	F23
------------------	-----------------	------------------	--------------------	------------------------	-----------------	-------------------------	-----

**	692	86102-KFA2-900	EMB K-LOGO 20MM	EMB K-LOGO 20MM	1	1150	
**	691	86201-KFA2-B00	STRIPE BODY COVER **B000-JP N.C.	STRIPE BODY COVER **B000-JP N.C.	2	870	
**	693	87311-LBB8-B20	STRIPE MARK TYPEK **T01 C.P.N.	STRIPE MARK TYPEK **T01 C.P.N.	1	300	

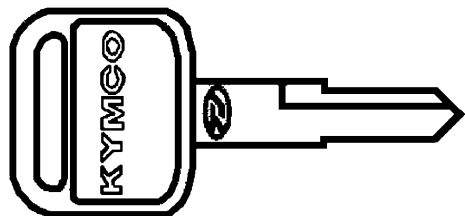


F24

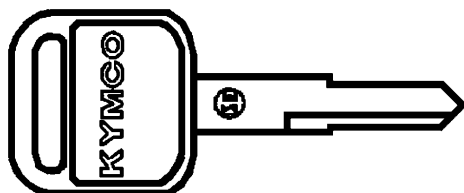
Key



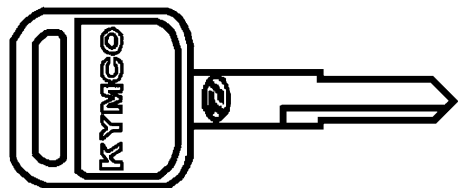
101



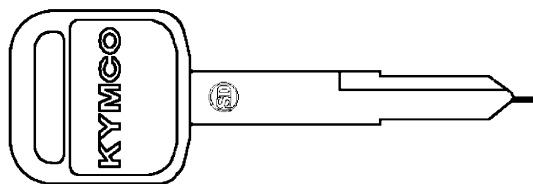
102



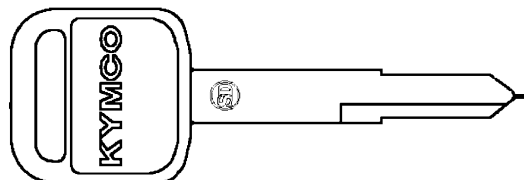
103



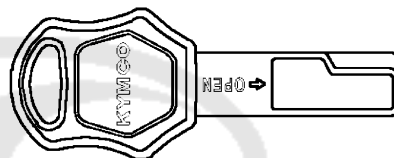
104



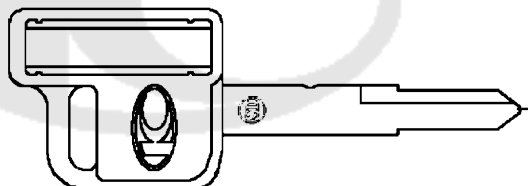
105



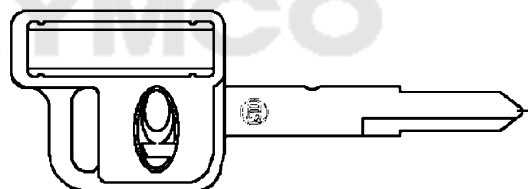
106



107



108



110



109

Sales mark 記号	Ref no 参照用番号	Part no パーツ番号	Description 部品名	Reg description 部品名	Regd no 必要個数	Ref Price 希望小売価格(税抜)
108		35111-KHC4-305-M1	KEY MAIN SWITCH/RAW	KEY MAIN SWITCH/RAW	1	960
109		35111-KHC4-308-M1	KEY COMP/SHUTTER MAGNETIC LOCK	KEY COMP/SHUTTER MAGNETIC LOCK	1	3620
110		35111-KHC4-315-M1	KEY MAIN SWITCH /RAW	KEY MAIN SWITCH /RAW	1	960
101		35111-KHC5-305-M1	KEY COMP	KEY COMP	1	680
102		35111-KHC5-305-M2	KEY COMP	KEY COMP	1	680
103		35111-KHC5-306-M1	KEY COMP	KEY COMP	1	680
104		35111-KHC5-306-M2	KEY COMP	KEY COMP	1	680
107		35111-KKC4-335-M1	KEY COMP/SHUTTER MAGNETIC	KEY COMP/SHUTTER MAGNETIC	1	3240
105		35111-LBA2-305-T01	KEY COMP(R TANGENT PLANE/SD)	KEY COMP(R TANGENT PLANE/SD)	1	870
106		35111-LBA2-305-T02	KEY COMP (L TANGENT PLANE/SD)	KEY COMP (L TANGENT PLANE/SD)	1	870

F24



PART NO. INDEX
 パーツ番号 検索

PART NO. パーツ番号	VERSION バージョン	PAGE ページ	PART NO. パーツ番号	VERSION バージョン	PAGE ページ	PART NO. パーツ番号	VERSION バージョン	PAGE ページ
1000			11203-GGC7-301	2	E09			
			11203-KHG8-301	2	E08	14000		
			11204-KNBN-901	0	E09			
1001-GW3H-0351	0	E11	11205-GHAH-004	0	E09	14100-KFA1-910	2	E09
1010-GAKH-9200	0	E11	11205-KNBN-901	0	E09			
1020-GAKH-9300	0	E11	11341-KBCB-900	0	E05	15000		
103J-073H-9900-SB00	0	E11	11386-GFY6-900	0	E01			
105B-KBNH-9000	0	E11	11395-GKAK-901	0	E05	15100-KFA1-900	3	E09
1090-873-2001	0	E11	12000			15110-KFA1-9100	0	E09
1230-858-7000	0	E11				1552A-KNBN-950	3	E09
1300-GW0H-9000-K	0	E11	12101-KFA1-910	0	E02	15772-5A51-001	1	F11
1785-KBNH-9000-SB0	0	E11	12191-LBD3-900	1	E02	15772-5L00-013	1	F21
1787-KG8H-9010	0	E11	12201-GKAK-921	0	E02	16000		
1793-144H-9900	0	E11	12251-GKAK-902	0	E02			
1799-KBNH-9000	0	E11	12311-KFB5-900	2	F14	1610K-KFA1-B20	2	E11
4000			13000			16152-KG8-9010-M1	0	E11
4000-231-0000	0	E11	13000-GKAK-921	9	E10	1621A-GKAK-901	0	E09
11000			13011-GKAK-91A	0	E10	16700-GKAK-220	2	F09
11100-GKAK-325	4	E09	13101-GKAK-902	1	E10	16702-KNBN-901	1	F09
11102-1G87-004	3	E09	13111-1F66-001	2	E10	1671A-KNBN-901	1	F09
11200-GKAK-326	1	E09	13115-1F56-001	0	E10	1691A-KEC2-E00	0	F09
11203-GFY6-901	0	F14				17000		
						17100-KFA1-B00	1	E09

PART NO. INDEX
 パーツ番号 検索

PART NO. パーツ番号	VERSION バージョン	PAGE ページ	PART NO. パーツ番号	VERSION バージョン	PAGE ページ	PART NO. パーツ番号	VERSION バージョン	PAGE ページ
17111-KFA1-980	0	E09				19600-KTDT-900	0	E01
17112-KFA1-980	0	E09	18000			1962A-KFA1-910	1	E01
17205-KNBN-901	0	F13				21000		
17207-KFA1-900	2	F13	18291-KEBE-900	0	F14			
17208-GAR1-011	0	F13	18291-LBA7-900	2	F14			
1720A-KFA1-910	2	F13	18292-KEBE-900	0	F14	21200-KFA1-305	3	E08
17210-KFA1-900	2	F13	18293-KEBE-900	0	F14	21395-LBD3-900	4	E08
17212-KNBN-901	0	F13	18294-KEBE-900	0	F14			
17213-KFA1-900	1	F13	1830A-KFA1-900	9	F14	22000		
17214-KFA1-900	1	F13	1830A-KFA1-B00	0	F14			
17254-KACA-P00	0	F13	18318-KFA3-900	1	F14	22100-GAR1-751	1	E07
17500-KFA1-900	6	F09	18362-KDA4-901	0	F13	22102-GHAH-721	2	E06
17501-KNBN-901	1	F09	18601-KFB5-900	0	F14	22105-GHAH-780	1	E06
17502-1G87-001	0	F11	18612-KFB5-900	1	F14	22110-KFA1-220	0	E06
17502-KFA1-900	1	F09	18618-KBE2-900	0	F21	22121-KGBG-315	0	E06
17504-KFA1-910	1	F09	18645-GFY6-941	0	F14	22131-GHAH-781	0	E06
17520-KFA1-910	1	F19	18656-KFA1-900	0	F21	22132-GLW0-001	2	E06
17550-KHC4-900	0	F09	18805-KHB4-910	0	F21	22300-KXCX-900	2	E07
17620-KHC5-E00	1	F19	18806-KFA1-900	1	F21	22350-GKAK-930	1	E07
17620-KHC5-E0B	1	F19	18807-KFA1-900	1	F21	22401-GKAK-931	0	E07
17683-KFA2-B00	0	F09	18812-KBE2-900	0	F21	22530-GKAK-220	0	E07
17689-KFA1-C00	0	F09				22804-1H48-001	0	E07
1768A-KBCB-900	0	F09	19000					
1768B-KFA1-900	0	F09				23000		
17910-KFA1-910	0	F03	19411-KBCB-900	0	F09			
			19510-GBW2-901	8	E03	2301A-GKAK-220	2	E07

PART NO. INDEX

パーツ番号 検索

PART NO. パーツ番号	VERSION バージョン	PAGE ページ	PART NO. パーツ番号	VERSION バージョン	PAGE ページ	PART NO. パーツ番号	VERSION バージョン	PAGE ページ
23100-GKAK-901	1	E07	3051A-KRDR-90B	1	F19	33120-KFA1-900	1	F01
23200-GAR1-220	2	E07	30700-KNBN-901	2	F19	33130-KFA1-900	0	F01
23220-GKAK-220	1	E07				33400-KFA2-900	1	F17
23225-GAR1-751	0	E07	31000			33402-KFA2-900	0	F17
23233-GHE8-001	2	E07				33403-KFA2-900	0	F17
23237-GAR1-220	0	E07	31110-GKAK-901	0	E03	33406-KFA2-900-LH	0	F17
23238-GFY6-941	0	E07	31110-GKAK-90A	0	E03	33406-KFA2-900-RH	0	F17
23411-GKAK-921	0	E08	31120-KNBN-901	0	E03	33450-KFA2-900	1	F17
23420-GKAK-901	3	E08	31120-KNBN-90A	0	E03	33452-KFA2-900	0	F17
23431-KNBN-901	2	E08	31203-GKAK-901	0	E04	33453-KFA2-900	0	F17
23432-KNBN-901	3	E08	31209-GKAK-901	3	E04	33700-KFA1-900	7	F18
			31210-GKAK-90C	1	E04	33701-KFA1-900	0	F18
28000			31500-KCAC-90A	9	F10			
			31600-KUDU-900	2	F19	34000		
28223-KNBN-901	0	E06						
28230-GKAK-921	0	E06	32000			34901-GGS7-003	1	F01
28250-KNBN-901	1	E06				34905-GKM9-003	0	F18
28253-GBN2-60A	0	E06	32100-KFA1-900	7	F19	34905-KMCM-900	0	F17
28255-GFS6-001	0	E06	32100-KFA2-B20	3	F19	34906-2H68-601	0	F18
28281-GBN2-60A	1	E06	32105-GKAK-901	0	E04	34908-GGA7-70A	1	F01
28300-KNBN-901	3	F15	32120-1E55-001	0	F19	34908-GGA7-70A	1	F02
			32161-3C93-004	0	E01	34908-MKB9-87A	0	F02
30000			33000			35000		
30400-GKAK-901	0	F19						
3051A-KRDR-90A	4	F19	33100-KFA1-900	1	F01	35101-KHC4-305	5	F19

PART NO. INDEX
 パーツ番号 検索

PART NO. パーツ番号	VERSION バージョン	PAGE ページ	PART NO. パーツ番号	VERSION バージョン	PAGE ページ	PART NO. パーツ番号	VERSION バージョン	PAGE ページ
35101-KHC4-305-M2	0	F19	35410-KNBN-91A	0	F11	42710-KFA2-90A	1	F07
35101-KHC4-334	0	F19						
35101-KHC4-335	0	F19	37000			43000		
35102-KHC4-305-M1	0	F19						
35102-KHC4-900	2	F19	37200-KFA1-90A	5	F02	4312A-KXCX-910	5	F06
35102-KHC4-90B	1	F19	37200-KFA1-90B	4	F02	4312A-LBC6-900	2	F07
35102-LAD9-335	0	F19	37200-KFA2-B2D	1	F02	43141-4L00-011	1	F06
35111-KHC4-305-M1	0	F24	37200-KFA2-B2E	1	F02	43141-GKAK-901	3	F07
35111-KHC4-308-M1	0	F24	37211-KFA1-90A	1	F02	43410-KFA1-900	0	F07
35111-KHC4-315-M1	0	F24	37211-KFA1-90B	1	F02	43450-KFA1-900	5	F03
35111-KHC5-305-M1	0	F24	37801-GGA7-701	1	F09	43452-GKAK-900	0	F03
35111-KHC5-305-M2	0	F24	37802-GGA7-701	3	F09			
35111-KHC5-306-M1	0	F24	3780A-KFA1-900	0	F09	44000		
35111-KHC5-306-M2	0	F24						
35111-KKC4-335-M1	0	F24	38000			44301-KBE2-981	5	F06
35111-LBA2-305-T01	0	F24				44311-GLW0-901	0	F06
35111-LBA2-305-T02	0	F24	38110-KFA1-80A	1	F19	44610-GLW0-305	2	F06
35150-GFY6-900	4	F03	38110-KFA1-80B	1	F19	44620-GHC8-001	1	F06
35160-GGS7-900	1	F03	38300-KECE-900	3	F19	44705-KHC4-900	2	F06
35170-GGS7-900	0	F03	38501-GBW2-902	1	F19	44803-GFY6-90A	0	F06
35180-GGS7-900	1	F03				44805-GGC7-004	4	F06
35200-GFY6-910	1	F03	42000			44806-GGC7-004	2	F06
35340-GBN2-770	3	F03				44807-0A01-004	1	F06
35340-KKJ9-010	5	F03	42610-GKAK-901	4	F07	44809-1L70-004	1	F06
35400-KEB8-B00	0	F19	42705-KHC4-900	5	F07	44830-KHC4-800	3	F02
35400-KNBN-920	0	F19	42710-KCCC-90A	2	F06	44831-KHC4-800	3	F02

PART NO. INDEX
 パーツ番号 検索

PART NO. パーツ番号	VERSION バージョン	PAGE ページ	PART NO. パーツ番号	VERSION バージョン	PAGE ページ	PART NO. パーツ番号	VERSION バージョン	PAGE ページ
45000			50352-KNBN-200	0	F20	53000		
			50353-KNBN-200	3	F20			
			50355-KNBN-200	1	F20			
45000-GLW0-305	0	F06	50356-KNBN-200	1	F20	53100-KFA1-900	3	F03
45133-0H28-001	1	F07	50357-KNBN-200	0	F20	53140-KFA1-900	2	F03
45133-LDA3-900	1	F06	50358-KNBN-200	0	F20	53166-KFA1-900	2	F03
45134-2L50-001	0	F06	50359-KNBN-200	0	F20	53167-GGS7-004	0	F03
45145-0F96-651	2	F06	50361-KNBN-200	1	F20	53168-GGS7-004	0	F03
45410-GBB2-001	1	F06	50362-KNBN-200	0	F20	5316A-GGS7-901	6	F03
45435-GBB2-721	1	F06	50363-KNBN-200	1	F20	53172-GGS7-004	1	F03
45450-KFA2-900	1	F03	50503-KNBN-901	1	F15	53173-KFA1-900	2	F03
45465-KFB5-900	0	F05	50505-GAR1-711	0	F15	53175-GBN2-931	0	F03
			5050A-KFA1-900	3	F15	53178-GBN2-931	0	F03
50000			50530-KFA1-900	1	F15	5317A-KFA1-900	4	F03
			50621-KNBN-901	7	F20	53200-KFA2-900	5	F05
50100-KFA1-B00	7	F20	51000			53205-KFA2-900	0	F03
50139-KFA1-900	1	F09				53206-KFA1-900	3	F03
50140-KFA1-900	0	F09				53207-KKD9-B00	3	F03
50162-KFA1-900	1	F18	51400-KFA2-900	6	F05	53211-GFY6-940	1	F05
50301-GLM0-001	0	F20	51409-KFA2-900	0	F05	53212-GHC8-004	1	F05
50305-GHC8-004	0	F20	5150A-KFA2-900	6	F05			
50306-1F96-001	0	F05				55000		
50325-GKAK-200	2	F10	52000					
50328-GKAK-200	0	F10				55100-KNBN-901	3	F11
50348-KGN7-671	0	F20	52400-KFA1-900	1	F16	55102-1F66-001	0	F11
50350-KNBN-200	10	F20				55105-KNBN-901	0	F11

PART NO. INDEX
 パーツ番号 検索

PART NO. パーツ番号	VERSION バージョン	PAGE ページ	PART NO. パーツ番号	VERSION バージョン	PAGE ページ	PART NO. パーツ番号	VERSION バージョン	PAGE ページ
55121-KNBN-901	0	F11	77240-KFA1-900	2	F19			
55123-KNBN-901	0	F11	77330-KFA1-B21	2	F12	83000		
55200-KNBN-901	0	F11	77330-KFA2-900	0	F12			
55201-GHC8-001	0	F11				83500-KFA1-900	4	F12
			80000			83501-KFA1-900	2	F12
61000						83502-KFA1-900	2	F12
			80101-KFA1-900	2	F18	83600-KFA2-900	2	F12
61110-KFA2-900	2	F05	80104-KNBN-901	0	F18	83601-KFA1-900	2	F12
61120-KFA2-900	1	F05	80152-KFA1-900	0	F12	83770-KFA1-900	3	F12
			81000			86000		
64301-KFA2-900	0	F04	81131-KFA1-910	0	F04	86102-KFA2-900	6	F23
64302-KFA2-900	1	F04	81131-KFA1-920	3	F04	86201-KFA2-B00	2	F23
64303-KFA2-900	0	F04	81132-GHAH-001	2	F04	86202-KFA1-B20	2	F23
64310-KFA1-900	1	F04	81132-GHAH-001	2	F12			
64315-KFA2-B20	0	F20	81132-KFA1-920	1	F04	87000		
64316-KFA1-900	0	F04	81132-KFA1-920	2	F04			
			81132-LFG6-900	2	F04	87140-KFA2-B20	0	F23
77000			81133-KNBN-901	0	F04	87311-LAD9-B20	2	F23
			81141-KFA1-910	2	F04	87311-LBB8-B20	0	F23
77105-GFS6-001	1	F12	81142-KCLC-900	0	F05	87501-KRDR-E00	2	F22
77106-GFS6-001	1	F12	81142-KFA1-900	1	F04	87505-KHC5-E00	1	F22
77200-KFA1-C00	2	F08	8125A-KNBN-200	1	F10	87541-GAR1-E00	1	F22
77201-GFS6-001	0	F12	81260-KFA1-B20	0	F12	87542-GAR1-E00	2	F22
77235-KFA1-B20	2	F08				87560-KNBN-E00	1	F22

PART NO. INDEX
 パーツ番号 検索

PART NO. パーツ番号	VERSION バージョン	PAGE ページ	PART NO. パーツ番号	VERSION バージョン	PAGE ページ	PART NO. パーツ番号	VERSION バージョン	PAGE ページ
88000			90112-KCLC-900	1	F05	90400-KTDT-900	0	F01
			90112-KFA1-900	1	F12	90412-3K29-001	0	E06
			90112-KRDR-900	1	F19	90429-KNBN-901	0	E08
88110-KFA1-900	3	F03	90115-GLE0-001	0	F03	90442-0D44-001	0	E07
88120-KFA1-900	3	F03	90122-GCS3-001	0	E06	90451-GBN2-601	0	E06
89000			90164-KGBG-900	1	F12	90454-GBB2-001	0	E07
			90164-MDR4-901	1	F04	90474-3C33-001	1	E09
			90202-1G87-001	2	E07	90501-KNBN-901	0	F07
89010-KNBN-900	0	F08	90301-6D34-671	1	F12	90610-KRDR-900	2	F13
90000			90301-6D34-671	1	F18	90652-KTCT-900	1	F13
			90301-KGBG-900	1	F14	90656-KCBC-900	0	F03
			90302-GFY6-901	1	F04	90677-GAR1-004	1	F04
90001-GKAK-901	2	E02	90302-GFY6-901	1	F18	90677-GAR1-004	1	F12
9000A-KTDT-900	1	E05	90302-KFC2-900	1	F12	90741-0E35-001	0	E10
90101-GAR1-001	0	F01	90302-SDA4-004	3	F12	90754-GHC8-00A	1	F06
90101-KNBN-200	3	F20	90302-SDA4-004	3	F18	90912-GHC8-00A	0	F06
90102-KNBN-900	0	F20	90304-GHE8-004	0	F03	90912-GHC8-00D	0	F06
90105-GGS7-001	0	F12	90304-GHE8-004	0	F20	91000		
90105-KFC2-900	0	F12	90305-KNBN-90B	0	F07			
90105-KNBN-200	0	F20	90306-GLW0-90A	1	F06			
90108-GFY6-901	0	F15	90307-GFJ6-004	2	F01	91001-GGA7-70A	2	E07
90110-GLW0-001	0	F04	90309-GLW0-90A	1	F06	91001-GLW0-90A	6	E09
90110-KFA6-900	0	F14	90309-GLW0-90A	1	F07	91004-KBN2-90A	0	E08
90110-KHG8-901	1	F07	90309-GLW0-90A	1	F20	91004-KBN2-90A	0	E09
90111-1G87-001	1	F10	90309-KLF0-004	1	E08	91004-KNBN-92A	0	E09
90112-GCC3-001	1	F05	90381-GEZ5-001	1	F12	91006-KNBN-901	5	E09

PART NO. INDEX

パーツ番号 検索

PART NO. パーツ番号	VERSION バージョン	PAGE ページ	PART NO. パーツ番号	VERSION バージョン	PAGE ページ	PART NO. パーツ番号	VERSION バージョン	PAGE ページ	
91009-GLE0-004	1	E08	93404-06016-06	0	F20	94000			
91102-GLW0-009	0	E10	93404-06030-06	0	F13				
91103-GAR1-004	0	E07	93500-05012-0F	0	E09				
91201-KNBN-92A	0	E09	93700-05018-0F	0	F02		94001-05060-0S	0	F03
91202-KNBN-92A	0	E09	93891-05012-06	0	F03		94001-12280-0S	0	E06
91202-KNBN-92B	0	E09	93891-05012-06	0	F10		94050-06060	0	F20
91204-KNBN-90A	1	E09	93891-05016-06	0	F12		94050-06080	0	E11
91211-GHK8-014	1	E07	93891-06010-07	0	F12		94050-06080	0	F06
91251-GHC8-004	0	F06	93891-06016-06	0	F05		94050-06080	0	F08
91255-GLE0-006	0	E08	93892-04008-16	0	E11		94050-06080	0	F09
91256-GAC1-004	0	F06	93892-04014-18-3	0	E11		94050-06080	0	F18
91301-0C53-001	0	E08	93901-32320	0	F17		94050-06080	0	F19
91301-KEA5-742	0	E07	93903-24320	0	F21		94050-10080	0	E03
91302-PKA9-004	0	E07	93903-25460	0	F13		94050-10080	0	E07
91304-GLB0-911	1	E09	93903-32320	0	F18		94101-08600	0	F15
91309-GKAK-901	0	E04	93903-34360	0	F03		94101-10800	0	F03
91352-KHG8-83B	0	F07	93903-34360	0	F04	94111-06800	0	F03	
92000			93903-34360	0	F12	94251-08400	0	F15	
			93903-34360	0	F17	94301-10200	0	E09	
			93903-35360	0	F02	94510-20000	0	E08	
92700-06028-1B	0	E02	93903-35360	0	F04	94511-14000	0	E06	
93000			93903-GFY6-900	1	F04	94520-24000	1	E07	
			93903-GFY6-900	1	F12	94591-27000	0	F04	
93404-06016-06	0	F04							
93404-06016-06	0	F11							

PART NO. INDEX
 パーツ番号 検索

PART NO. パーツ番号	VERSION バージョン	PAGE ページ	PART NO. パーツ番号	VERSION バージョン	PAGE ページ	PART NO. パーツ番号	VERSION バージョン	PAGE ページ	
95000			95701-06040-06	0	F14	96001-06045-06	0	E09	
			95701-08012-06	0	E09	96001-06055-06	0	E09	
			95701-08025-06	0	F19	96100-62033-00	0	E09	
	95002-02070	0	E11	95701-08035-06	1	E09	96211-05000	0	F05
	95002-02080	0	E11	95701-08040-06	0	E09			
	95002-02080	0	F09	95801-06040-06	0	F13	98000		
	95002-02100	0	F09	95801-06045-06	0	F20			
	95002-02100	0	F11	95801-08035-06	1	F14	98076-5871G-00	0	E02
	95002-02130	0	F09	95801-08035-06	1	F16	98200-10700	0	F10
	95002-02130	0	F13	95801-08040-06	0	F05	98200-10700	0	F19
	95002-02650	0	E09	95801-08050-06	1	F14			
	95002-50000	0	F11	95801-10035-06	0	F16	99000		
	95002-KKD6-E05	0	F21	95801-10040-06	0	F03			
	95014-71402	0	F15	95801-10070-06	1	F20	99101-116-0850	0	E11
95014-72204	0	F15							
95015-32001	0	F03	96000			K			
95015-42000	0	F03							
95701-06012-06	1	F05	96001-06012-06	0	E03	K350-KBN-0200	0	E11	
95701-06012-06	1	F08	96001-06012-06	0	F03	K506-GW0-0100	0	E11	
95701-06012-06	1	F19	96001-06016-06	0	E03	K785-KEB-0300	0	E11	
95701-06014-06	0	F09	96001-06020-06	0	F03				
95701-06022-06	1	F15	96001-06022-06	1	E03	N			
95701-06025-06	2	E01	96001-06022-06	1	E09				
95701-06025-06	2	F14	96001-06025-06	0	E04	N413-32A00	0	E11	
95701-06028-06	0	F06	96001-06025-06	0	E09	N425-2RFMJ	0	E11	
95701-06032-06	0	F07	96001-06032-06	0	E09				

PART NO. INDEX
 パーツ番号 検索

PART NO. パーツ番号	VERSION バージョン	PAGE ページ	PART NO. パーツ番号	VERSION バージョン	PAGE ページ	PART NO. パーツ番号	VERSION バージョン	PAGE ページ
S								
S3620-031-B000	0	E11						
S4460-213-B001	0	E11						
S536-1241	0	E11						

