

PARTS CATALOGUE



SCOOTERS

SB10BB(JP)

SOONER 50RS (注意)



Release Date : 2016/03/04
Print Date : 2017/07/18

本パーツリストについて

- 本パーツリストは SB10BB(JP).の全てのパーツ番号が記載されています。
- 車輻のカラーチャートとバイクに相違がある場合は正規販売店もしくは KYMCO JAPANへお問い合わせください。
- 1. "***"記号が記載している場合、3文字の色コードをパーツ番号の最後に記入してください。
2. "#" 記号が記載している場合、パーツの設定、変更があります。正規販売店もしくは KYMCO JAPANへお問い合わせください。
- このパーツリストの変更または追加は、適切な時期に予告なく行われます。

ABOUT THIS PARTS LIST

- This parts list is compiled all service parts for model SB10BB(JP).
- Any difference between color chart and motorcycle will be revised according to motorcycle.
- The Mark:
 1. Marking "***" must add color code in the end before ordering parts.
 2. Marking "#" are parts with modification, Please find the details from e-Parts system.
- When modification or additions to this parts list are made a revised edition at an appropriate time.

目次

● 本パーツリストについて	1
● SB10BB(JP)のカラーチャート	3
● 目次-エンジン関	11
● 目次-フレーム関係	13
● エンジンパーツリスト	16
● フレームパーツリスト	44
● パーツ番号 検索	106

CONTENTS

● ABOUT THIS PARTS LIST	1
● COLOR CHART OF SB10BB(JP)	3
● CONTENTS-ENGINE GROUP	11
● CONTENTS-FRAME GROUP	13
● ENGINE PARTS LIST	16
● FRAME PARTS LIST	44
● PART NO. INDEX	106

NO	モデル			SB10BB(JP)のカラーチャート							
	写真番号			NO. 1	NO. 2	NO. 3	NO. 4				
	基本色										
	コード			Black Blue	Black Blue	Sapphire Blue Metallic	Sapphire Blue Metallic				
	パーツ名	パーツ番号	バージョン	PB184PB	PB184PA	PB242MA	PB242MB				
1	MOLDING FRONT	64302-KFA3-900	1	BJP							
2	MOLD R SIDE	83501-KFA3-900	0								
3	MOLD L SIDE	83601-KFA3-900	0								
4	COVER FR HANDLE	53205-KFA1-900	2	BJP							
5	COVER FRONT	64301-KFA1-900	4								
6	PLUG MAINT **9000-	80152-KFA1-900	0					BSP			
7	GRIP REAR	81300-KFA1-900	3								
8	COVER R BODY	83500-KFA1-900	4								
9	COVER L BODY	83600-KFA1-900	4								
10	LEVER R STRG HANDLE	53175-KFA1-900	1	M2A							
11	LEVER L STRG HANDLE	53178-GBN2-931	0								
12	COVER UNDER **901 C.	50621-KNBN-901	7	N1R							
13	GRIP COMP THROT/DEEP	53140-KFA1-900	2								
14	GRIP L HANDLE/DEEP	53166-KFA1-900	2								
15	COVER RR HANDLE	53206-KFA1-900	3								
16	COVER SWITCH **(0)	53207-KKD9-B00	3								
17	PANEL FLOOR **(0)	64310-KFA1-900	1								
18	PLUG FLOOR **9000-	64316-KFA1-900	0								
19	FENDER A REAR **N1R	80101-KFA1-900	2								
20	COVER FR INNER UP	81131-KFA1-910	0								
21	LEG SHIELD UP **910-	81131-KFA1-920	3								
22	HOOK LUGGAGE	81132-GHAH-001	2								
23	LEG SHIELD INNER	81132-KFA1-920	2								
24	HOOK LUGGAGE	81132-LFG6-900	2								
25	COVER FR INNER LOW	81141-KFA1-910	2								
販売開始時期											
販売終了時期											

NO	モデル			SB10BB(JP)のカラーチャート							
	写真番号			NO. 5	NO. 6	NO. 7	NO. 8				
	基本色										
	コード			Green Metallic	Green Metallic	Bright Silver	Bright Silver				
	パーツ名	パーツ番号	バージョン	GG315MA	GG315MB	NH045MA	NH045MB				
1	MOLDING FRONT	64302-KFA3-900	1	BJP							
2	MOLD R SIDE	83501-KFA3-900	0								
3	MOLD L SIDE	83601-KFA3-900	0								
4	COVER FR HANDLE	53205-KFA1-900	2	GSP							
5	COVER FRONT	64301-KFA1-900	4								
6	PLUG MAINT **9000-	80152-KFA1-900	0					N8P			
7	GRIP REAR	81300-KFA1-900	3								
8	COVER R BODY	83500-KFA1-900	4								
9	COVER L BODY	83600-KFA1-900	4	GSP		N8P	R9P				
10	LEVER R STRG HANDLE	53175-KFA1-900	1	M2A							
11	LEVER L STRG HANDLE	53178-GBN2-931	0								
12	COVER UNDER **901 C.	50621-KNBN-901	7	N1R							
13	GRIP COMP THROT/DEEP	53140-KFA1-900	2								
14	GRIP L HANDLE/DEEP	53166-KFA1-900	2								
15	COVER RR HANDLE	53206-KFA1-900	3								
16	COVER SWITCH **(0)	53207-KKD9-B00	3								
17	PANEL FLOOR **(0)	64310-KFA1-900	1								
18	PLUG FLOOR **9000-	64316-KFA1-900	0								
19	FENDER A REAR **N1R	80101-KFA1-900	2								
20	COVER FR INNER UP	81131-KFA1-910	0								
21	LEG SHIELD UP **910-	81131-KFA1-920	3								
22	HOOK LUGGAGE	81132-GHAH-001	2								
23	LEG SHIELD INNER	81132-KFA1-920	2								
24	HOOK LUGGAGE	81132-LFG6-900	2								
25	COVER FR INNER LOW	81141-KFA1-910	2								
販売開始時期											
販売終了時期											

NO	モデル			SB10BB(JP)のカラーチャート			
	写真番号			NO. 9	NO. 10	NO. 11	NO. 12
	基本色						
	コード			Bright Red	Bright Red	Red	Red
	パーツ名	パーツ番号	バージョン	RR136PA	RR136PB	RR123PA	RR123PB
1	MOLDING FRONT	64302-KFA3-900	1	BJP		N1P	
2	MOLD R SIDE	83501-KFA3-900	0				
3	MOLD L SIDE	83601-KFA3-900	0				
4	COVER FR HANDLE	53205-KFA1-900	2	R9P		R6P	
5	COVER FRONT	64301-KFA1-900	4				
6	PLUG MAINT **9000-	80152-KFA1-900	0				
7	GRIP REAR	81300-KFA1-900	3				
8	COVER R BODY	83500-KFA1-900	4				
9	COVER L BODY	83600-KFA1-900	4				
10	LEVER R STRG HANDLE	53175-KFA1-900	1	M2A			
11	LEVER L STRG HANDLE	53178-GBN2-931	0				
12	COVER UNDER **901 C.	50621-KNBN-901	7	N1R			
13	GRIP COMP THROT/DEEP	53140-KFA1-900	2				
14	GRIP L HANDLE/DEEP	53166-KFA1-900	2				
15	COVER RR HANDLE	53206-KFA1-900	3				
16	COVER SWITCH **(0)	53207-KKD9-B00	3				
17	PANEL FLOOR **(0)	64310-KFA1-900	1				
18	PLUG FLOOR **9000-	64316-KFA1-900	0				
19	FENDER A REAR **N1R	80101-KFA1-900	2				
20	COVER FR INNER UP	81131-KFA1-910	0				
21	LEG SHIELD UP **910-	81131-KFA1-920	3				
22	HOOK LUGGAGE	81132-GHAH-001	2				
23	LEG SHIELD INNER	81132-KFA1-920	2				
24	HOOK LUGGAGE	81132-LFG6-900	2				
25	COVER FR INNER LOW	81141-KFA1-910	2				
販売開始時期							
販売終了時期							

NO	モデル			SB10BB(JP)のカラーチャート			
	写真番号			NO. 13	NO. 14		
	基本色						
	コード			Pearly White	Peorly White		
	パーツ名	パーツ番号	バージョン	NH193PA	NH193PB		
1	MOLDING FRONT	64302-KFA3-900	1	NVP			
2	MOLD R SIDE	83501-KFA3-900	0				
3	MOLD L SIDE	83601-KFA3-900	0				
4	COVER FR HANDLE	53205-KFA1-900	2				
5	COVER FRONT	64301-KFA1-900	4				
6	PLUG MAINT **9000-	80152-KFA1-900	0				
7	GRIP REAR	81300-KFA1-900	3				
8	COVER R BODY	83500-KFA1-900	4				
9	COVER L BODY	83600-KFA1-900	4				
10	LEVER R STRG HANDLE	53175-KFA1-900	1				M2A
11	LEVER L STRG HANDLE	53178-GBN2-931	0				
12	COVER UNDER **901 C.	50621-KNBN-901	7	N1R			
13	GRIP COMP THROT/DEEP	53140-KFA1-900	2				
14	GRIP L HANDLE/DEEP	53166-KFA1-900	2				
15	COVER RR HANDLE	53206-KFA1-900	3				
16	COVER SWITCH **(0)	53207-KKD9-B00	3				
17	PANEL FLOOR **(0)	64310-KFA1-900	1				
18	PLUG FLOOR **9000-	64316-KFA1-900	0				
19	FENDER A REAR **N1R	80101-KFA1-900	2				
20	COVER FR INNER UP	81131-KFA1-910	0				
21	LEG SHIELD UP **910-	81131-KFA1-920	3				
22	HOOK LUGGAGE	81132-GHAH-001	2				
23	LEG SHIELD INNER	81132-KFA1-920	2				
24	HOOK LUGGAGE	81132-LFG6-900	2				
25	COVER FR INNER LOW	81141-KFA1-910	2				
販売開始時期							
販売終了時期							

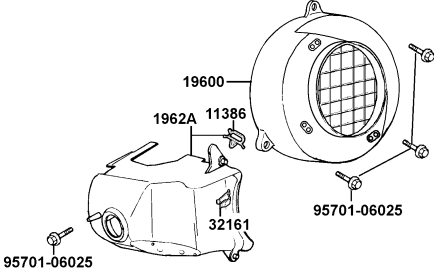
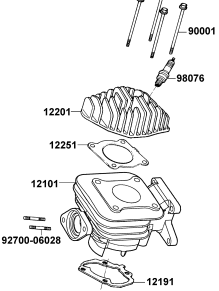
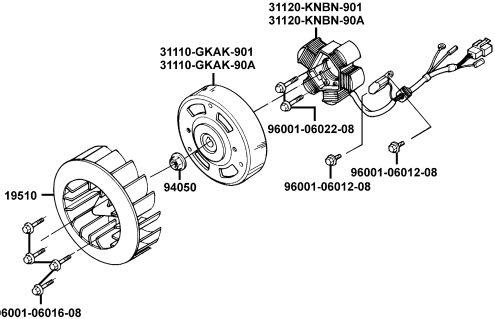
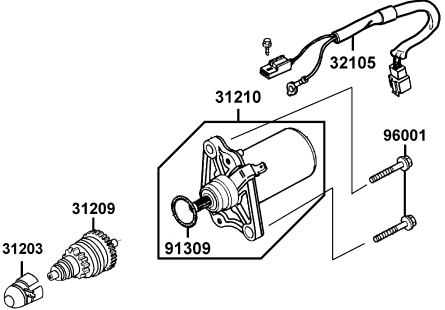
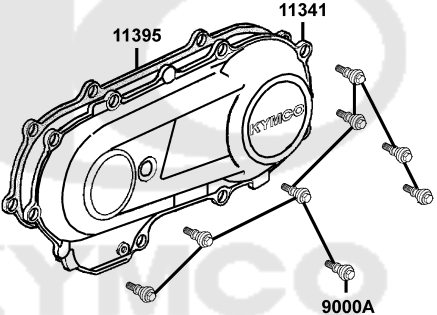
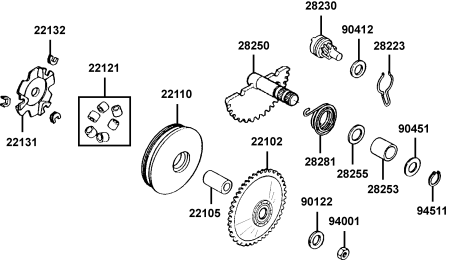
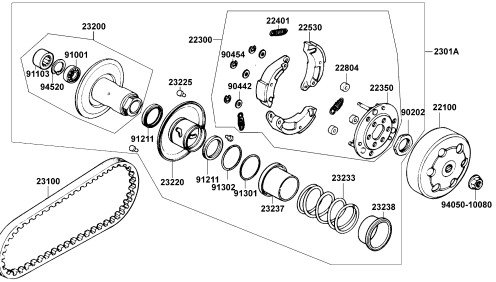
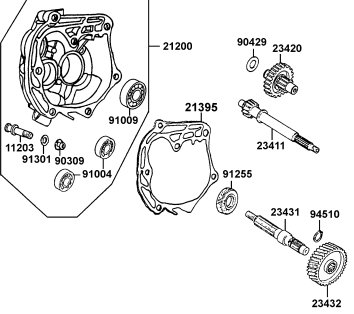
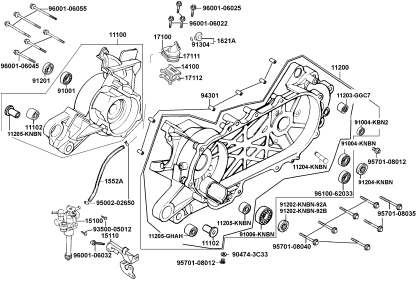
NO	モデル			SB10BB(JP)のカラーチャート			
	写真番号			NO. 1	NO. 2	NO. 3	NO. 4
	基本色						
	コード			Black Blue	Black Blue	Sapphire Blue Metallic	Sapphire Blue Metallic
	パーツ名	パーツ番号	バージョン	PB184PB	PB184PA	PB242MA	PB242MB
26	LID FR INNER LOW ** (0)	81142-KFA1-900	1	N1R			
27	COVER ASSY BATTERY	8125A-KNBN-200	1	N4P			
28	COVER FRONT TOP	64303-KFA3-900	0	N8S			
29	DISK FR BRAKE **E00-	45351-KHC5-E00	0	NEA			
30	COVER L SIDE **KCB-	11341-KBCB-900	0	NEA			
31	HUB SUB COMP RR	42610-GKAK-901	4	N1A	NJA		
32	HUB SUB COMP FR /D103	44610-KHC4-305	0				
33	GEAR BOX ASSY SPDMT	44800-KNBN-901	6	NJA			
34	FORK ASSY R FR	51400-KFA1-900	6	NJA			
35	FORK ASSY L FR	51500-KFA1-900	6	NJA			
36	RIM COMP RR WHEEL	42705-KHC4-900	5	N1S	NJS		
37	RIM COMP FR WHEEL	44705-KHC4-900	2				
38	CALIPER ASSY FR L	45100-KFA1-900	0	R8A			
39	CUSHION ASSY REAR	52400-KFA1-900	1	R8S			
40	SEAT ASSY/KO1Y-3Y2	77200-KFA1-C00	2	T01			
41	STRIPE MARK Z	87140-KFA1-B20	0	T01			
42	EMB MARK KYMCO	87206-GFY6-900	1	T01			
43	CAUTION USE GAS	87501-KRDR-E00	2	T01			
44	LABEL TIRE **E00	87505-KHC5-E00	1	T01			
45	CAUTION SIDE STAND	87541-GAR1-E00	1	T01			
46	MARK MAINT CAUTION	87542-GAR1-E00	2	T01			
47	MARK DRIVE CAUTION	87560-KNBN-E00	1	T01			
48	STRIPE BODY COVER	86201-KFA1-B20	0	T01			
49	EMB BODY	86202-KFA1-B20	2	T01	T01		
	販売開始時期						
	販売終了時期						

NO	モデル			SB10BB(JP)のカラーチャート			
	写真番号			NO. 5	NO. 6	NO. 7	NO. 8
	基本色						
	コード			Green Metallic	Green Metallic	Bright Silver	Bright Silver
	パーツ名	パーツ番号	バージョン	GG315MA	GG315MB	NH045MA	NH045MB
26	LID FR INNER LOW ** (0)	81142-KFA1-900	1	N1R			
27	COVER ASSY BATTERY	8125A-KNBN-200	1				
28	COVER FRONT TOP	64303-KFA3-900	0	N4P			
29	DISK FR BRAKE **E00-	45351-KHC5-E00	0	N8S			
30	COVER L SIDE **KCB-	11341-KBCB-900	0	NEA			
31	HUB SUB COMP RR	42610-GKAK-901	4	NJA			
32	HUB SUB COMP FR /D103	44610-KHC4-305	0				
33	GEAR BOX ASSY SPDMT	44800-KNBN-901	6	NJS			
34	FORK ASSY R FR	51400-KFA1-900	6				
35	FORK ASSY L FR	51500-KFA1-900	6	R8A			
36	RIM COMP RR WHEEL	42705-KHC4-900	5				
37	RIM COMP FR WHEEL	44705-KHC4-900	2	R8S			
38	CALIPER ASSY FR L	45100-KFA1-900	0				
39	CUSHION ASSY REAR	52400-KFA1-900	1	T01			
40	SEAT ASSY/KO1Y-3Y2	77200-KFA1-C00	2				
41	STRIPE MARK Z	87140-KFA1-B20	0	T01			
42	EMB MARK KYMCO	87206-GFY6-900	1				
43	CAUTION USE GAS	87501-KRDR-E00	2	T01			
44	LABEL TIRE **E00	87505-KHC5-E00	1				
45	CAUTION SIDE STAND	87541-GAR1-E00	1	T01			
46	MARK MAINT CAUTION	87542-GAR1-E00	2				
47	MARK DRIVE CAUTION	87560-KNBN-E00	1	T01			
48	STRIPE BODY COVER	86201-KFA1-B20	0				
49	EMB BODY	86202-KFA1-B20	2		T01		T01
	販売開始時期						
	販売終了時期						

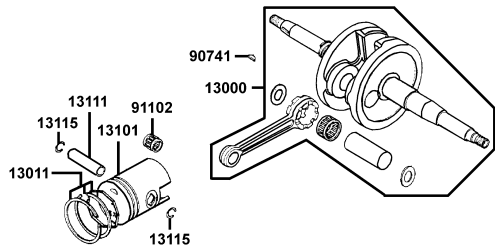
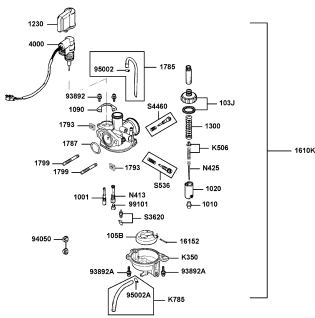

NO	モデル			SB10BB(JP)のカラーチャート			
	写真番号			NO. 9	NO. 10	NO. 11	NO. 12
	基本色						
	コード			Bright Red	Bright Red	Red	Red
	パーツ名	パーツ番号	バージョン	RR136PA	RR136PB	RR123PA	RR123PB
26	LID FR INNER LOW ** (0)	81142-KFA1-900	1	N1R			
27	COVER ASSY BATTERY	8125A-KNBN-200	1	N4P			
28	COVER FRONT TOP	64303-KFA3-900	0	N8S			
29	DISK FR BRAKE **E00-	45351-KHC5-E00	0	NEA			
30	COVER L SIDE **KCB-	11341-KBCB-900	0	NJA			
31	HUB SUB COMP RR	42610-GKAK-901	4	NJA		N1A	
32	HUB SUB COMP FR /D103	44610-KHC4-305	0	NJA			
33	GEAR BOX ASSY SPDMT	44800-KNBN-901	6	NJA			
34	FORK ASSY R FR	51400-KFA1-900	6	NJA			
35	FORK ASSY L FR	51500-KFA1-900	6	NJA			
36	RIM COMP RR WHEEL	42705-KHC4-900	5	NJS		N1S	
37	RIM COMP FR WHEEL	44705-KHC4-900	2	NJS			
38	CALIPER ASSY FR L	45100-KFA1-900	0	R8A			
39	CUSHION ASSY REAR	52400-KFA1-900	1	R8S			
40	SEAT ASSY/KO1Y-3Y2	77200-KFA1-C00	2	R8S			
41	STRIPE MARK Z	87140-KFA1-B20	0	R8S			
42	EMB MARK KYMCO	87206-GFY6-900	1	R8S			
43	CAUTION USE GAS	87501-KRDR-E00	2	T01			
44	LABEL TIRE **E00	87505-KHC5-E00	1	T01			
45	CAUTION SIDE STAND	87541-GAR1-E00	1	T01			
46	MARK MAINT CAUTION	87542-GAR1-E00	2	T01			
47	MARK DRIVE CAUTION	87560-KNBN-E00	1	T01			
48	STRIPE BODY COVER	86201-KFA1-B20	0	T01		T01	
49	EMB BODY	86202-KFA1-B20	2		T01	T01	
	販売開始時期						
	販売終了時期						

NO	モデル			SB10BB(JP)のカラーチャート			
	写真番号			NO. 13	NO. 14		
	基本色						
	コード			Pearly White	Peorly White		
	パーツ名	パーツ番号	バージョン	NH193PA	NH193PB		
26	LID FR INNER LOW ** (0)	81142-KFA1-900	1				
27	COVER ASSY BATTERY	8125A-KNBN-200	1		N1R		
28	COVER FRONT TOP	64303-KFA3-900	0		N4P		
29	DISK FR BRAKE **E00-	45351-KHC5-E00	0		N8S		
30	COVER L SIDE **KCB-	11341-KBCB-900	0		NEA		
31	HUB SUB COMP RR	42610-GKAK-901	4				
32	HUB SUB COMP FR /D103	44610-KHC4-305	0				
33	GEAR BOX ASSY SPDMT	44800-KNBN-901	6		NJA		
34	FORK ASSY R FR	51400-KFA1-900	6				
35	FORK ASSY L FR	51500-KFA1-900	6				
36	RIM COMP RR WHEEL	42705-KHC4-900	5		NJS		
37	RIM COMP FR WHEEL	44705-KHC4-900	2				
38	CALIPER ASSY FR L	45100-KFA1-900	0		R8A		
39	CUSHION ASSY REAR	52400-KFA1-900	1		R8S		
40	SEAT ASSY/KO1Y-3Y2	77200-KFA1-C00	2				
41	STRIPE MARK Z	87140-KFA1-B20	0				
42	EMB MARK KYMCO	87206-GFY6-900	1				
43	CAUTION USE GAS	87501-KRDR-E00	2				
44	LABEL TIRE **E00	87505-KHC5-E00	1				
45	CAUTION SIDE STAND	87541-GAR1-E00	1				
46	MARK MAINT CAUTION	87542-GAR1-E00	2				
47	MARK DRIVE CAUTION	87560-KNBN-E00	1				
48	STRIPE BODY COVER	86201-KFA1-B20	0		T01		
49	EMB BODY	86202-KFA1-B20	2			T01	
	販売開始時期						
	販売終了時期						

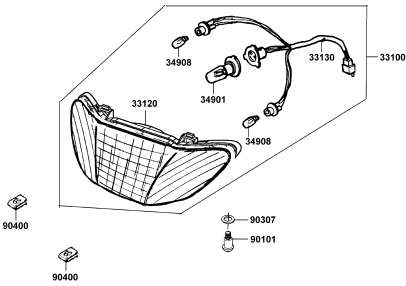
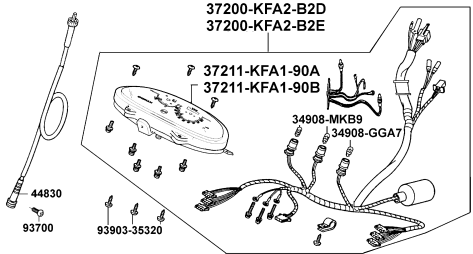
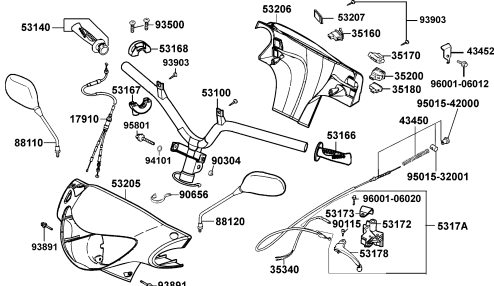
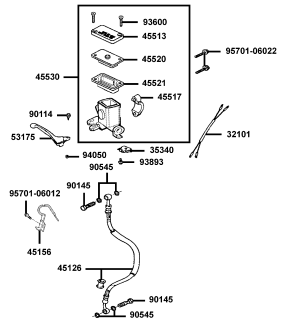
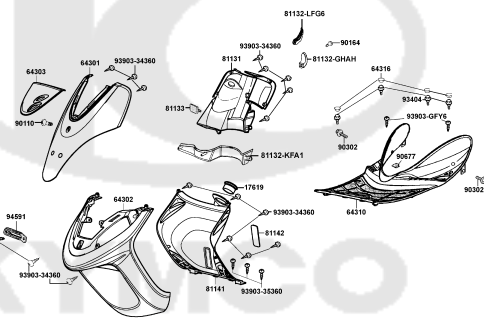
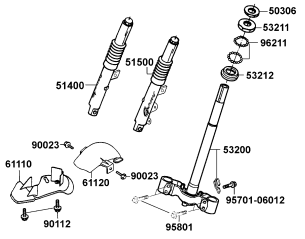
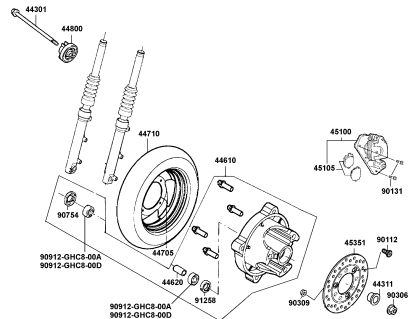
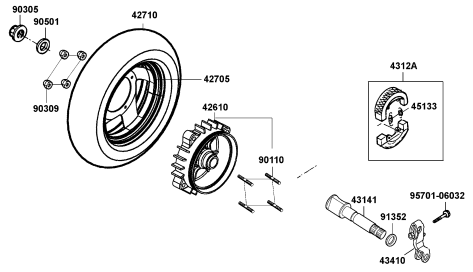
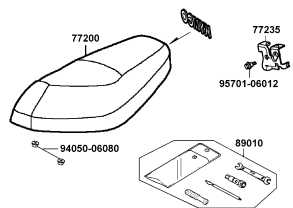
CONTENTS - ENGINE GROUP 目次-エンジン関

E01 Fan Cover Shroud	E02 Cylinder Head Cylinder	E03 Generator
		
E04 Starting Motor	E05 COVER L SIDE	E06 DRIVE FACE
		
E07 Driven Pulley	E08 Transmission	E09 Crankcase OIL PUMP
		

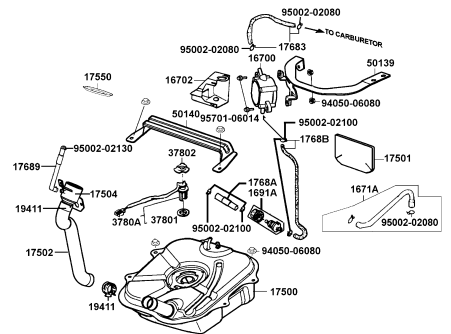
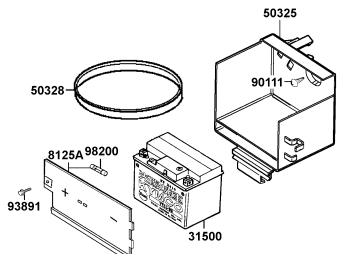
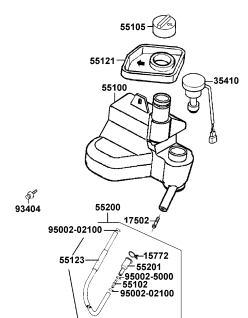
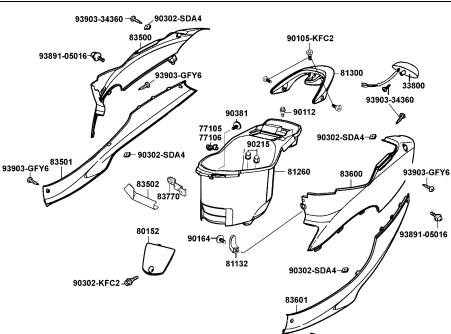
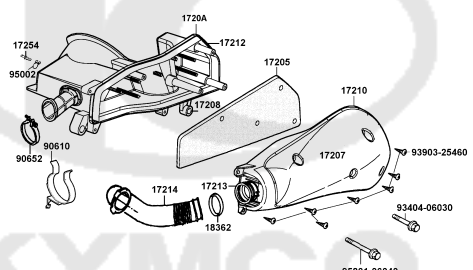
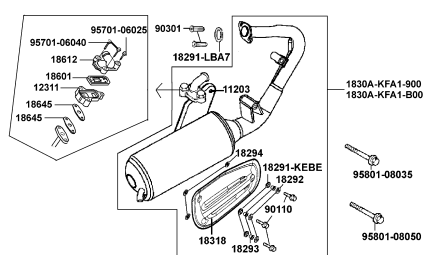
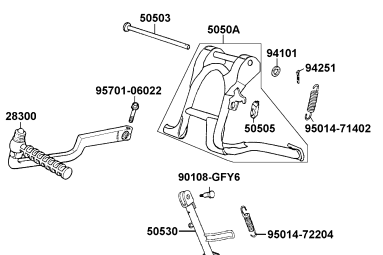
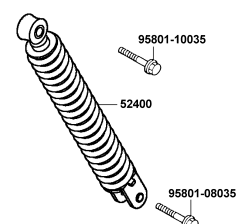
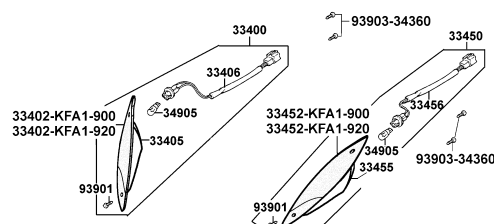
CONTENTS - ENGINE GROUP 目次-エンジン関

<p>E10 Crankshaft Piston</p> 	<p>E11 Carburetor</p> 	
		

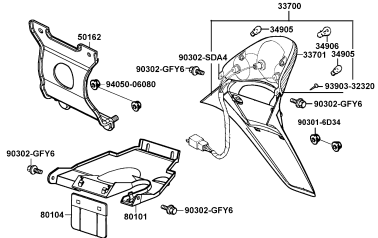
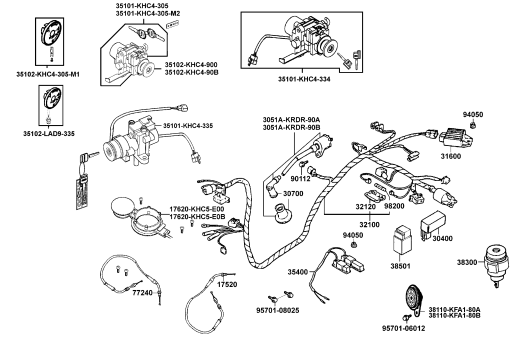
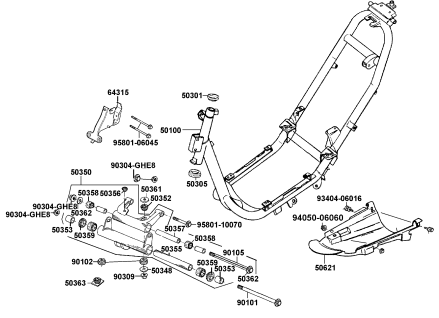
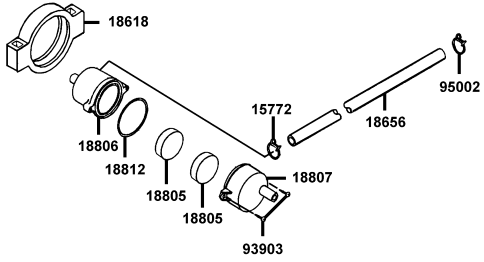
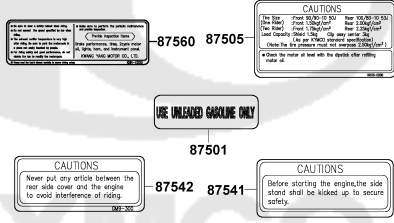
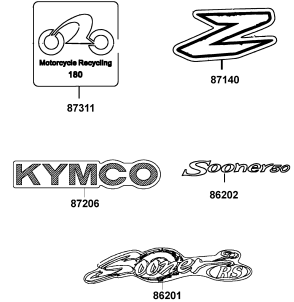
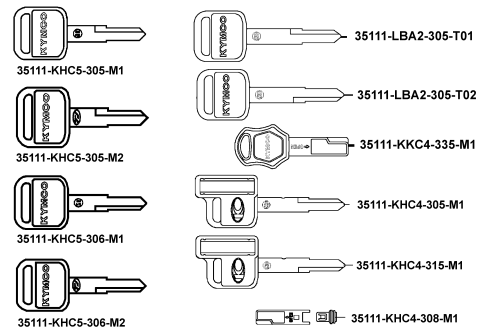
CONTENTS - FRAME GROUP 目次-フレーム関係

<p>F01 Head Light</p> 	<p>F02 Speedometer</p> 	<p>F03 Handle Steering Handle Cover</p> 
<p>F04 Brake Master Cylinder</p> 	<p>F05 Front Cover Floor Panel</p> 	<p>F06 Front Cushion</p> 
<p>F07 Front Wheel</p> 	<p>F08 Rear Wheel</p> 	<p>F09 Seat</p> 

CONTENTS - FRAME GROUP 目次-フレーム関係

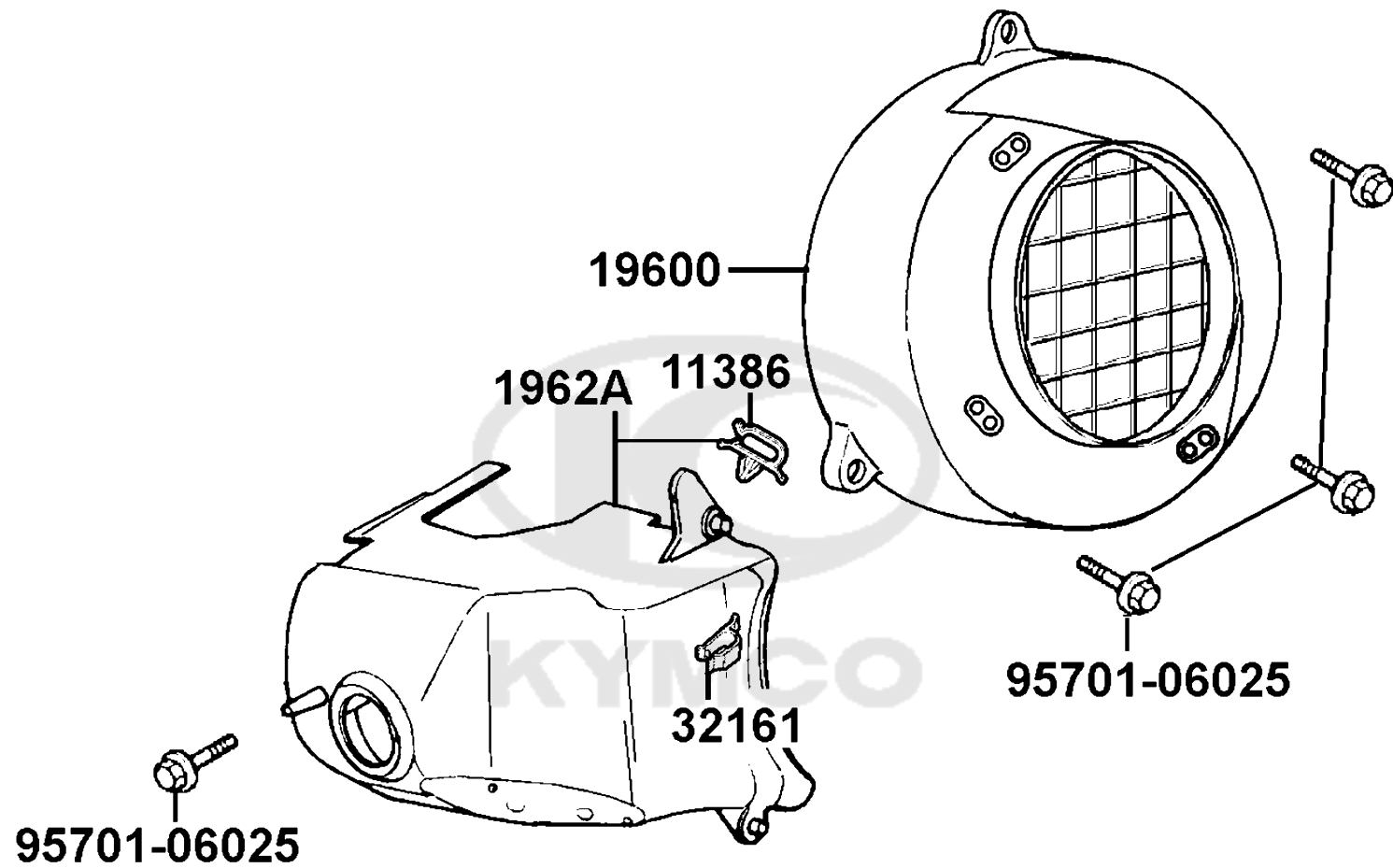
F10 Fuel Tank	F11 Battery	F12 OIL TANK
		
F13 Body Cover Luggage Box	F14 Air Cleaner	F15 Exhaust Muffler
		
F16 Stand Kick Starter Arm	F17 Rear Cushion	F18 Front Winker
		

CONTENTS - FRAME GROUP 目次-フレーム関係

F19 Rear Light Rear Fender	F20 Wire Harness	F21 Frame Body
		
F22 Air Cleaner Two	F23 Caution Label	F24 Emblem Stripe
		
F25 Key		
		

E01

Fan Cover Shroud



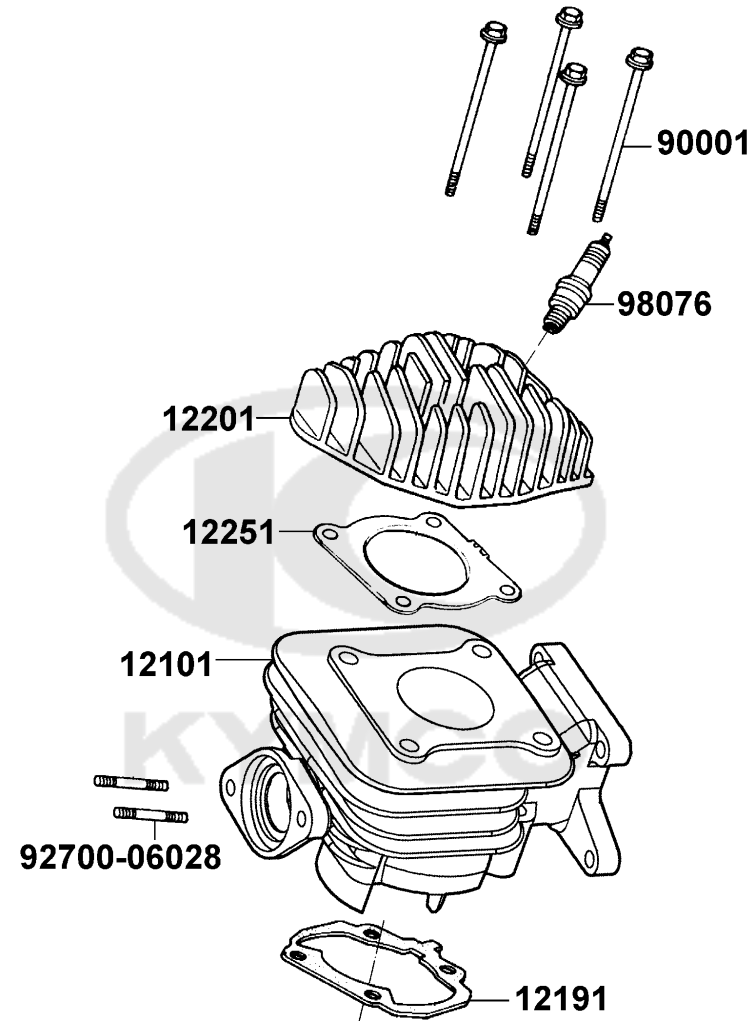
Sales mark 記号	Ref no 参照用番号	Part no パーツ番号	Description 部品名	Reg description 部品名	Regd no 必要個数	Ref Price 希望小売価格(税抜)	E01
------------------	-----------------	------------------	--------------------	------------------------	-----------------	-------------------------	-----

11386		11386-GFY6-900	CLIP VACUUM TUBE	CLIP VACUUM TUBE	1	60	
19600		19600-KTDT-900	COVER COMP FAN	COVER COMP FAN	1	1910	
1962A		1962A-KFA1-910	CLIP SET SHROUD ASSY	CLIP SET SHROUD ASSY	1	2200	
32161		32161-3C93-004	CLIP HARNESS WIRE	CLIP HARNESS WIRE	1	160	
95701-06025		95701-06025-06	BOLT FLANGE 6*25	BOLT FLANGE 6*25	1	60	



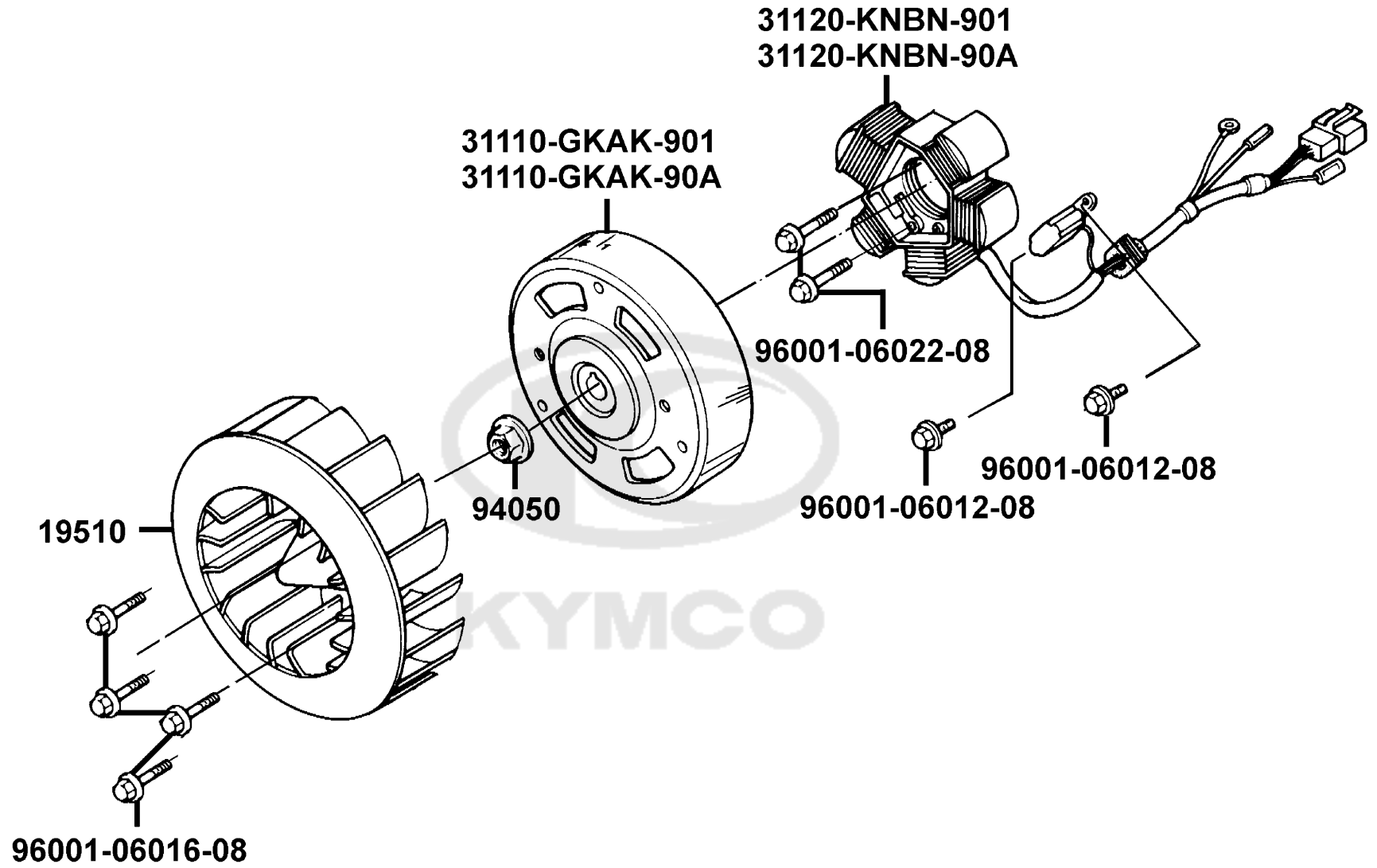
E02

Cylinder Head Cylinder

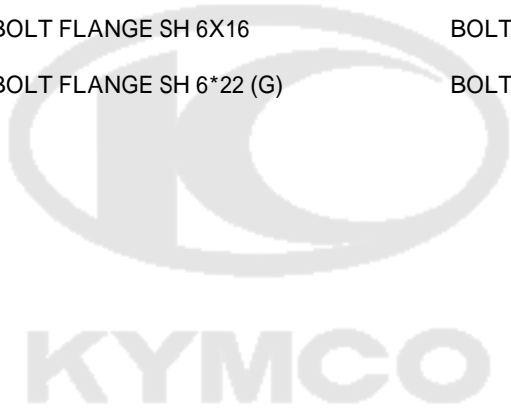


Sales mark 記号	Ref no 参照用番号	Part no パーツ番号	Description 部品名	Reg description 部品名	Regd no 必要個数	Ref Price 希望小売価格(税抜)	E02
12101		12101-KFA1-910	CYLINDER **9100 C.2006.11.01	CYLINDER **9100 C.2006.11.01	1	18440	
12191		12191-LBD3-900	GASKET CYLINDER A	GASKET CYLINDER A	1	180	
12201		12201-GKAK-921	HEAD CYLINDER	HEAD CYLINDER	1	3810	
12251		12251-GKAK-902	GASKET CYLINDER HEAD	GASKET CYLINDER HEAD	1	250	
90001		90001-GKAK-901	BOLT FLANGE 7*100 (G)	BOLT FLANGE 7*100 (G)	4	200	
92700-06028		92700-06028-1B	BOLT STUD 6*28	BOLT STUD 6*28	2	60	
98076		98076-5871G-00	SPARK PLUG (BR8HSA)	SPARK PLUG (BR8HSA)	1	1060	



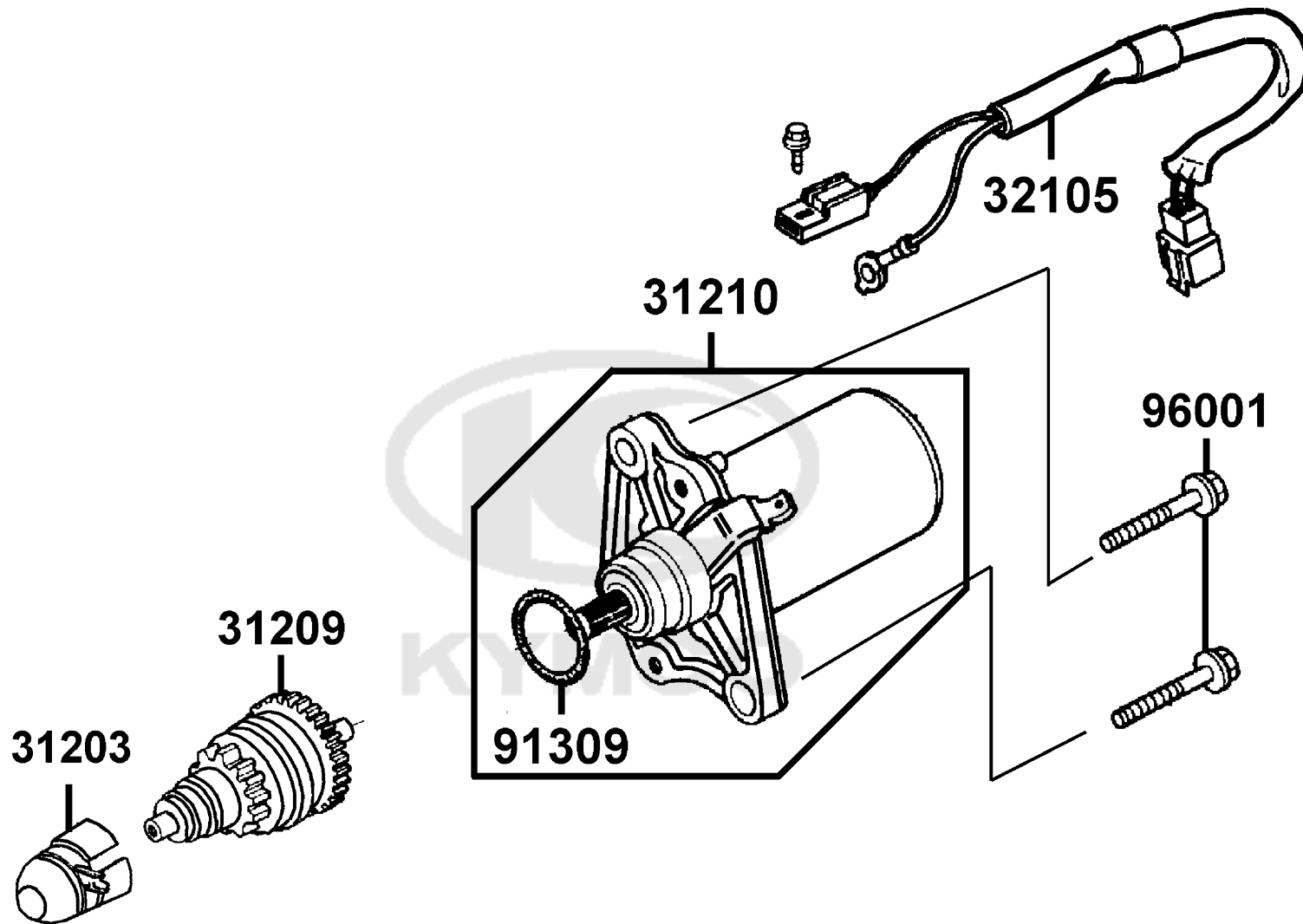


Sales mark 記号	Ref no 参照用番号	Part no パーツ番号	Description 部品名	Reg description 部品名	Regd no 必要個数	Ref Price 希望小売価格(税抜)	E03
19510		19510-GBW2-901	FAN COMP COOLING	FAN COMP COOLING	1	580	
31110-GKAK-901		31110-GKAK-901	FLYWHEEL COMP (D406)	FLYWHEEL COMP /D406	1	9510	
31110-GKAK-90A		31110-GKAK-90A	FLYWHEEL COMP (D402)	FLYWHEEL COMP /D402	1	9510	
31120-KNBN-901		31120-KNBN-901	STATOR COMP (D406)	STATOR COMP /D406	1	9510	
31120-KNBN-90A		31120-KNBN-90A	STATOR COMP (D402)	STATOR COMP /D402	1	9510	
94050		94050-10080	NUT FLANGE 10MM	NUT FLANGE 10MM	1	60	
96001-06012-08		96001-06012-06	BOLT FLANGE SH 6*12	BOLT FLANGE SH 6*12	1	60	
96001-06016-08		96001-06016-06	BOLT FLANGE SH 6X16	BOLT FLANGE SH 6X16	1	60	
96001-06022-08		96001-06022-06	BOLT FLANGE SH 6*22 (G)	BOLT FLANGE SH 6*22 (G)	1	60	



E04

Starting Motor

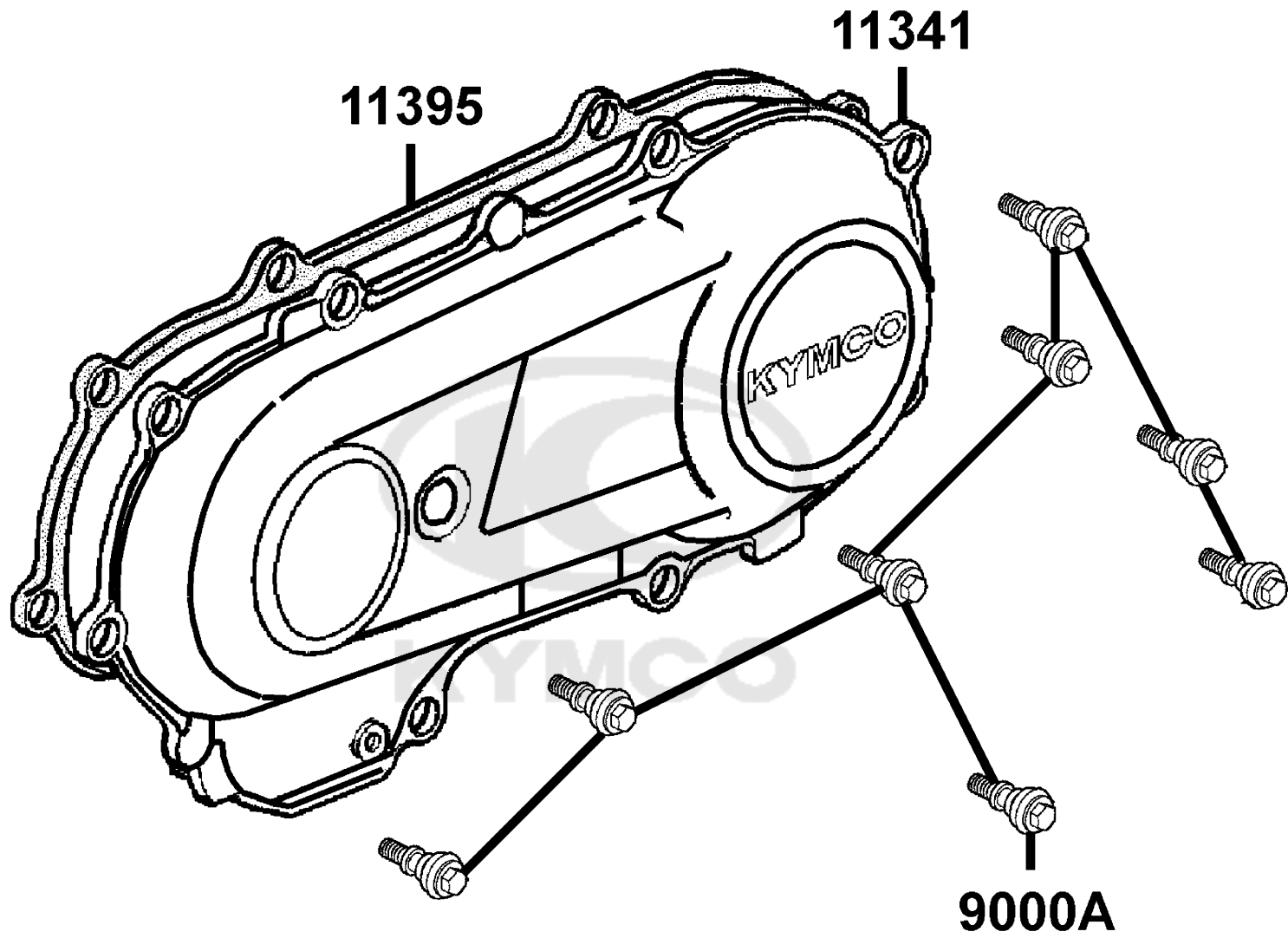


Sales mark 記号	Ref no 参照用番号	Part no パーツ番号	Description 部品名	Reg description 部品名	Regd no 必要個数	Ref Price 希望小売価格(税抜)	E04
31203		31203-GKAK-901	HOLDER COMP STARTER PINION	HOLDER COMP STARTER PINION	1	1060	
31209		31209-GKAK-901	PINION ASSY STARTER	PINION ASSY STARTER	1	8560	
31210		31210-GKAK-90C	MOTOR UNIT START	MOTOR UNIT START	1	14450	
32105		32105-GKAK-901	SUB HARNESS	SUB HARNESS	1	1650	
91309		91309-GKAK-901	O RING	O RING	1	70	
96001		96001-06025-06	BOLT FLANGE SH 6*25	BOLT FLANGE SH 6*25	1	60	



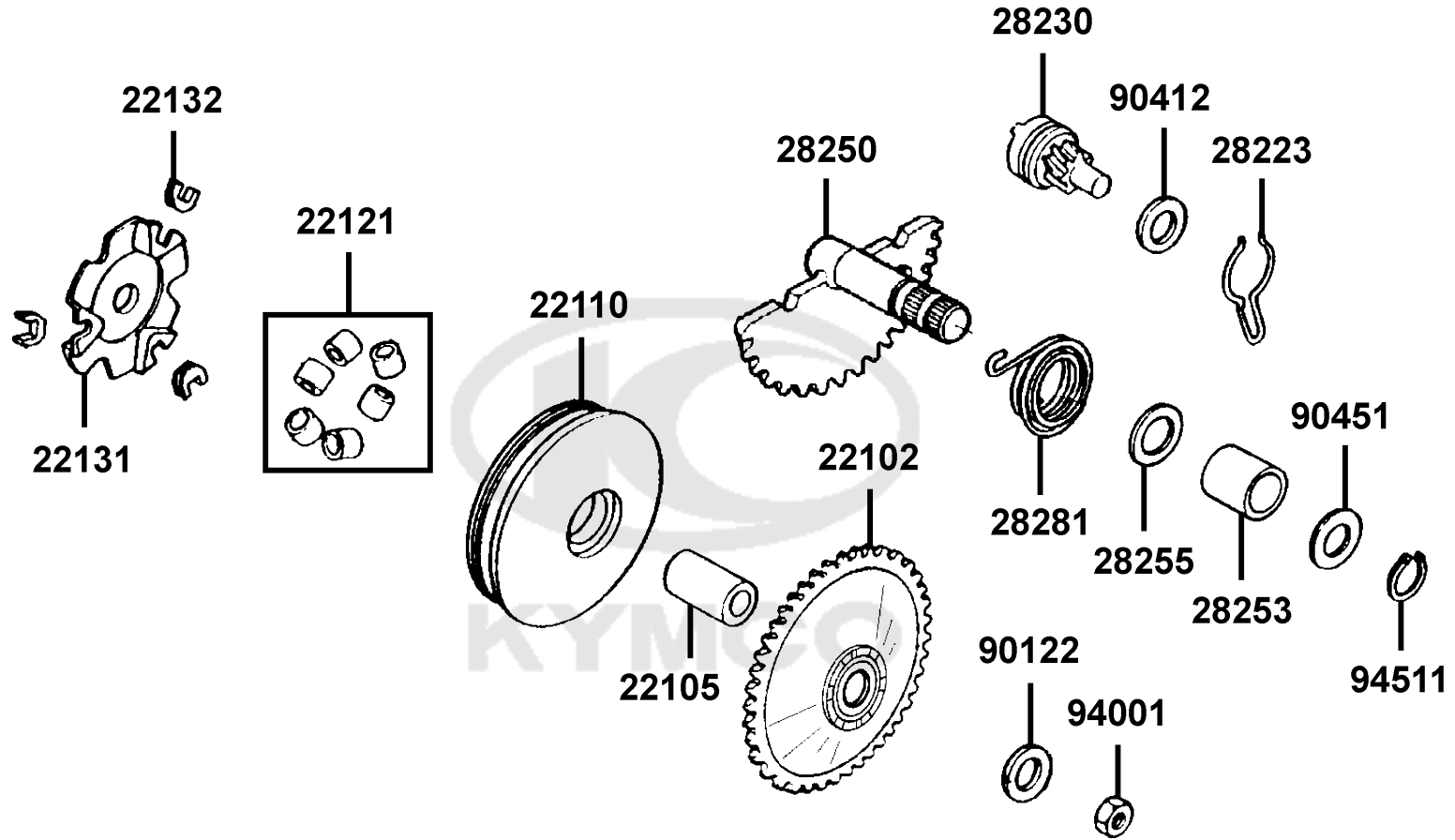
E05

COVER L SIDE



Sales mark 記号	Ref no 参照用番号	Part no パーツ番号	Description 部品名	Reg description 部品名	Regd no 必要個数	Ref Price 希望小売価格(税抜)	E05
**	11341	11341-KBCB-900	COVER L SIDE	COVER L SIDE	1	12220	
	11395	11395-GKAK-901	GASKET L COVER	GASKET L COVER	1	1280	
	9000A	9000A-KTDT-900	BOLT ASSY SPECIAL 6*29.5	BOLT ASSY SPECIAL 6*29.5	8	100	

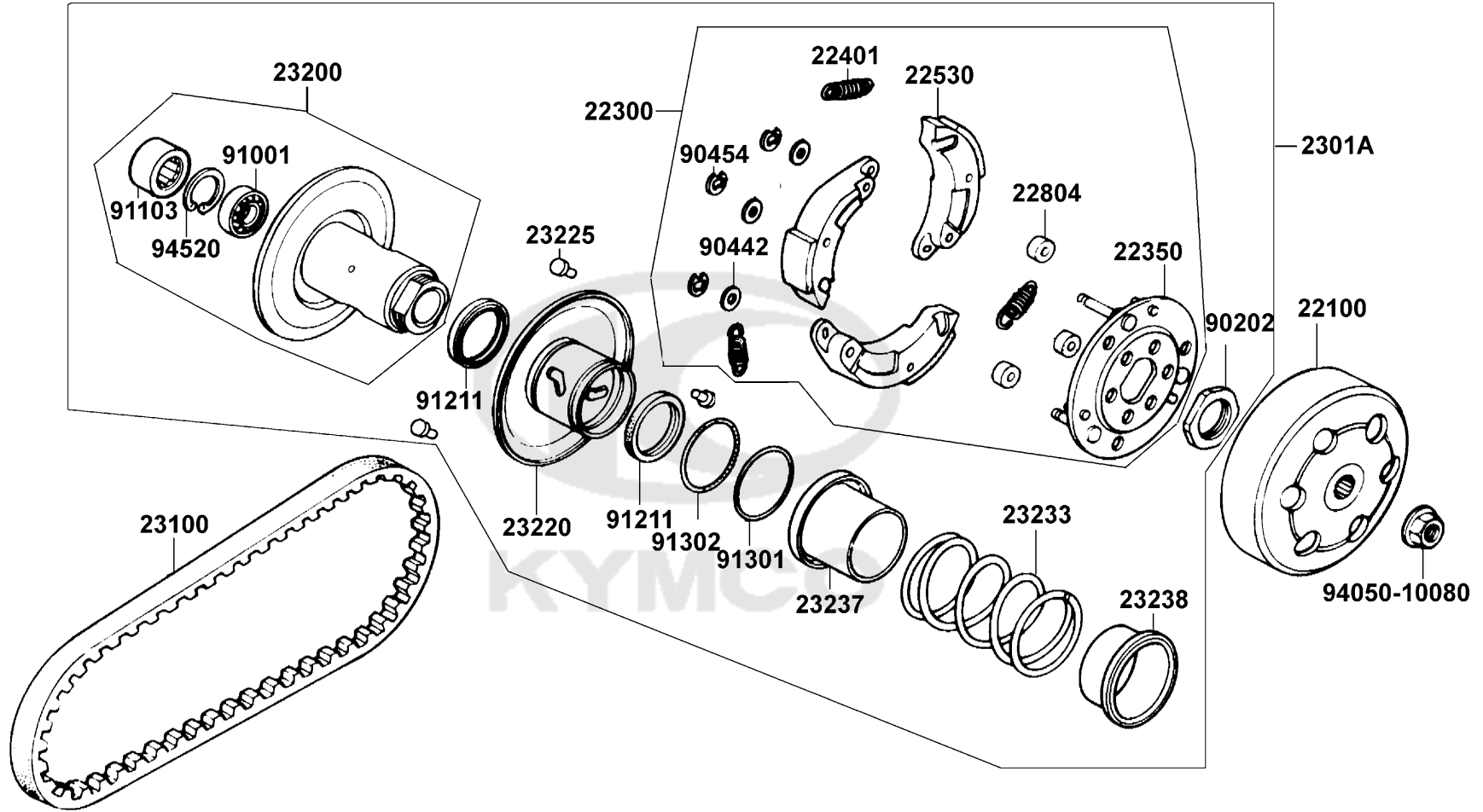




Sales mark 記号	Ref no 参照用番号	Part no パーツ番号	Description 部品名	Reg description 部品名	Regd no 必要個数	Ref Price 希望小売価格(税抜)	E06
22102		22102-GHAH-721	FACE COMP DRIVE	FACE COMP DRIVE	1	3150	
22105		22105-GHAH-780	DRIVE FACE BOSS	DRIVE FACE BOSS	1	1150	
22110		22110-KFA1-220	FACE COMP MOVABLE DRIVE	FACE COMP MOVABLE DRIVE	1	1340	
22121		22121-KGBG-315	ROLLER SET WEIGHT (1SET:6PCS)	ROLLER SET WEIGHT(旧品番の22121-	1	330	
22131		22131-GHAH-781	PLATE RAMP	PLATE RAMP	1	1060	
22132		22132-GLW0-001	PIECE SLIDE	PIECE SLIDE	3	160	
28223		28223-KNBN-901	SPG KICK DRIVEN GEAR	SPG KICK DRIVEN GEAR	1	160	
28230		28230-GKAK-921	GEAR COMP KICK DRIVEN	GEAR COMP KICK DRIVEN	1	1820	
28250		28250-KNBN-901	SPINDLE COMP KICK STARTER	SPINDLE COMP KICK STARTER	1	1820	
28253		28253-GBN2-60A	BUSH KICK SPINDLE	BUSH KICK SPINDLE	1	200	
28255		28255-GFS6-001	COLLAR KICK BOSS	COLLAR KICK BOSS	1	160	
28281		28281-GBN2-60A	SPRING KICK RETURN	SPRING KICK RETURN	1	390	
90122		90122-GCS3-001	WASHER 12MM	WASHER 12MM	1	160	
90412		90412-3K29-001	WASHER THRUST 10M/M	WASHER THRUST 10M/M	1	200	
90451		90451-GBN2-601	WASHER KICK SPINDLE	WASHER KICK SPINDLE	1	200	
94001		94001-12280-0S	NUT HEX 12MM	NUT HEX 12MM	1	160	
94511		94511-14000	CIR CLIP EX 14	CIR CLIP EX 14	1	110	

E07

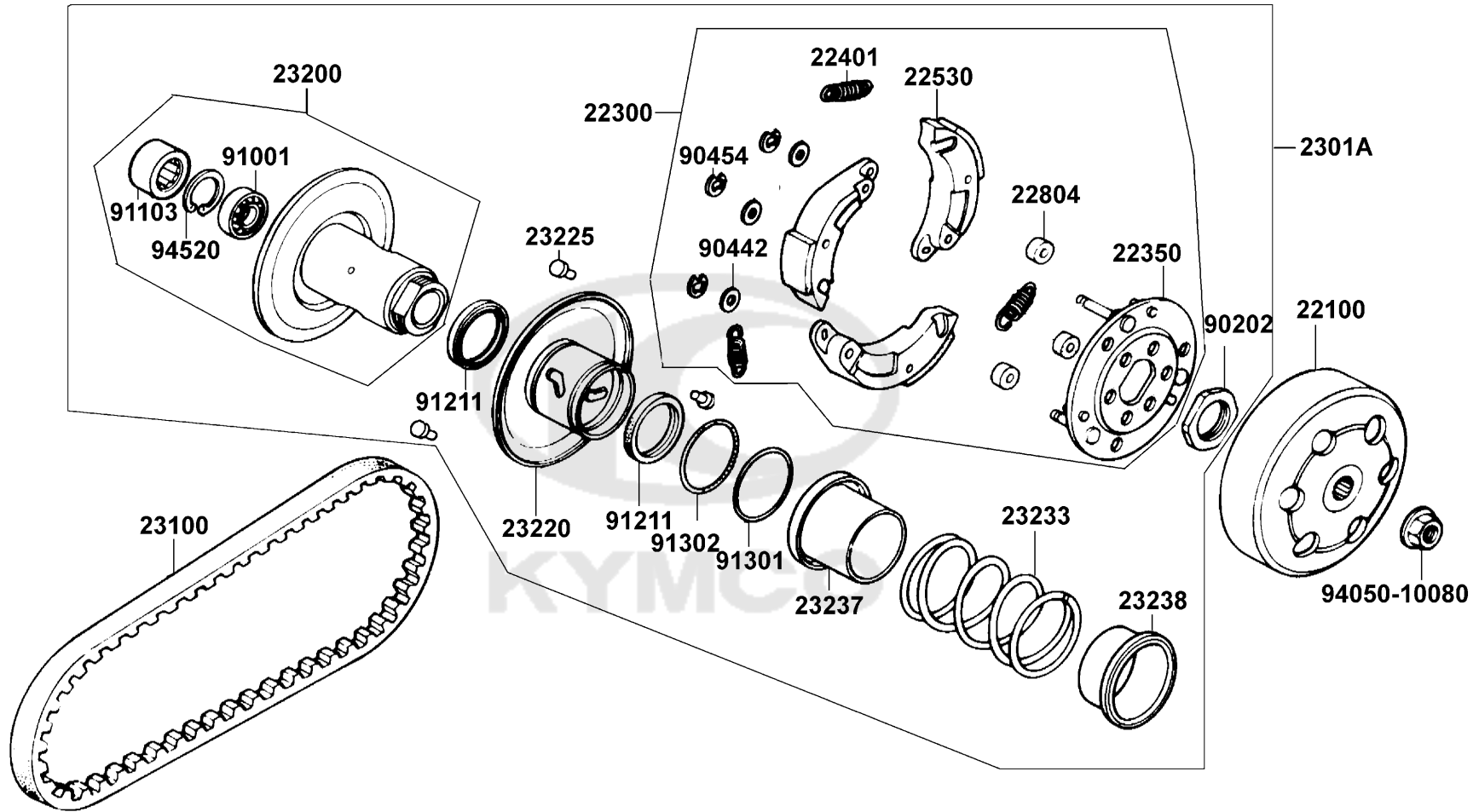
Driven Pulley



Sales mark 記号	Ref no 参照用番号	Part no パーツ番号	Description 部品名	Reg description 部品名	Regd no 必要個数	Ref Price 希望小売価格(税抜)	E07
22100		22100-GAR1-751	CLUTCH OUTER	CLUTCH OUTER	1	3530	
22300		22300-KXCX-900	PLATE ASSY DRIVE	PLATE ASSY DRIVE	1	6970	
22350		22350-GKAK-930	PLATE COMP DRIVE	PLATE COMP DRIVE	1	1370	
22401		22401-GKAK-931	SPRING CLUTCH	SPRING CLUTCH	3	140	
22530		22530-GKAK-220	WEIGHT SET CLUTCH	WEIGHT SET CLUTCH	1	1150	
22804		22804-1H48-001	RUBBER CLUTCH DAMPER	RUBBER CLUTCH DAMPER	3	110	
2301A		2301A-GKAK-220	PULLEY SET DRIVEN	PULLEY SET DRIVEN	1	18310	
23100		23100-GKAK-901	BELT DRIVE	BELT DRIVE	1	3690	
23200		23200-GAR1-220	FACE ASSY DRIVEN	FACE ASSY DRIVEN	1	8560	
23220		23220-GKAK-220	FACE COMP MOVABLE DRIVEN	FACE COMP MOVABLE DRIVEN	1	5710	
23225		23225-GAR1-751	PIN GUIDE	PIN GUIDE	3	130	
23233		23233-GHE8-001	SPG DRIVEN FACE	SPG DRIVEN FACE	1	870	
23237		23237-GAR1-220	COLLAR SEAL	COLLAR SEAL	1	540	
23238		23238-GFY6-941	COLLAR SPG	COLLAR SPG	1	450	
90202		90202-1G87-001	NUT SPECIAL 28MM	NUT SPECIAL 28MM	1	100	
90442		90442-0D44-001	WASHER THRUST 6M	WASHER THRUST 6M	3	60	
90454		90454-GBB2-001	CIRCLIP 6MM	CIRCLIP 6MM	3	60	
91001		91001-GGA7-70A	BRG RADIAL BALL 6901U	BRG RADIAL BALL 6901U	1	1720	
91103		91103-GAR1-004	BRG NEEDLE 17*25*18 WS	BRG NEEDLE 17*25*18 WS	1	1530	
91211		91211-GHK8-014	OIL SEAL 34*39*3	OIL SEAL 34*39*3	2	230	

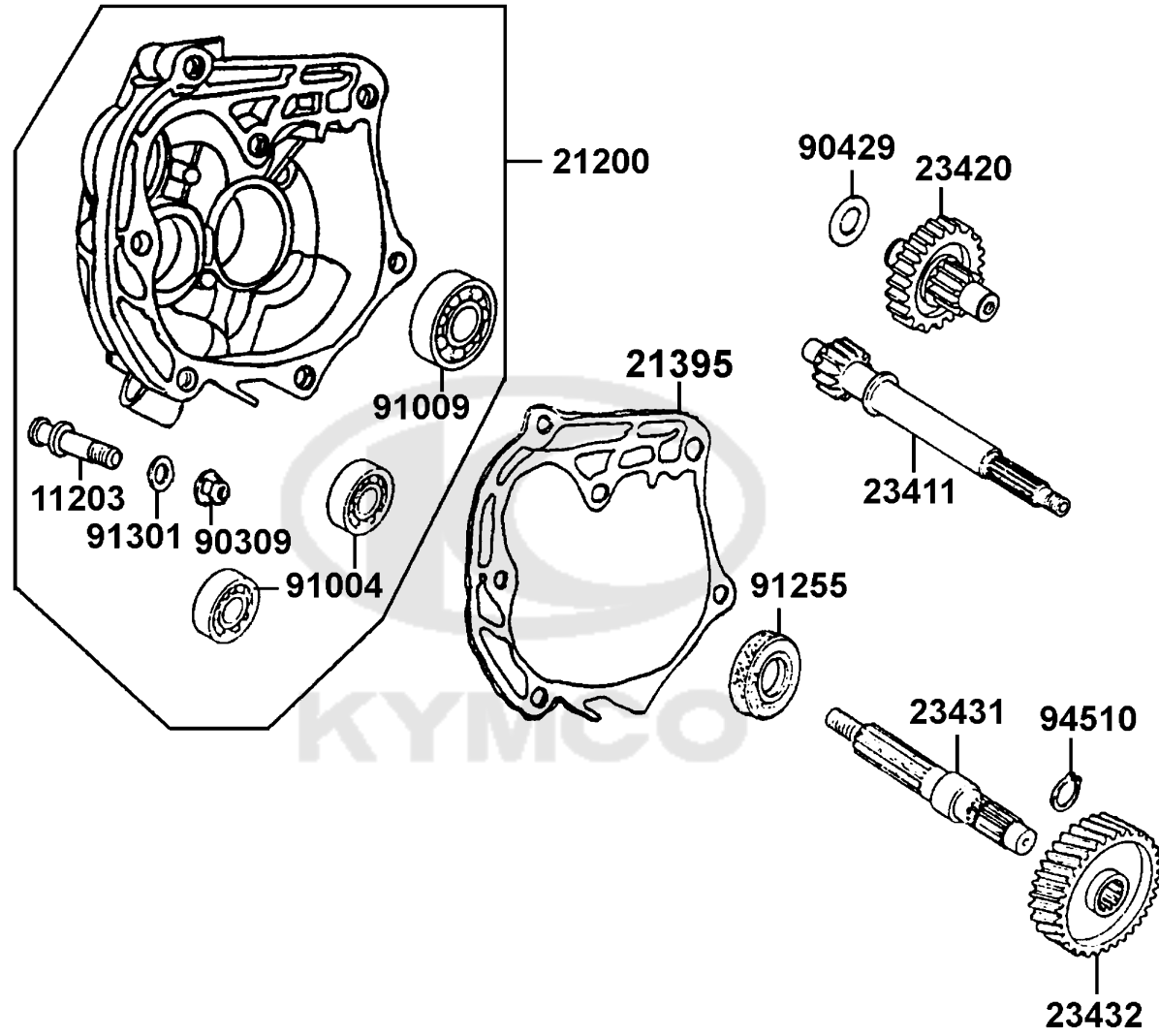
E07

Driven Pulley



Sales mark 記号	Ref no 参照用番号	Part no パーツ番号	Description 部品名	Reg description 部品名	Regd no 必要個数	Ref Price 希望小売価格(税抜)	E07
91301	91301-KEA5-742	91301-KEA5-742	O-RING 36*1.5	O-RING 36*1.5	1	60	
91302	91302-PKA9-004	91302-PKA9-004	O-RING 39.8*2.2	O-RING 39.8*2.2	1	130	
94050-10080	94050-10080	94050-10080	NUT FLANGE 10MM	NUT FLANGE 10MM	1	60	
94520	94520-24000	94520-24000	CIR CLIP IN 24	CIR CLIP IN 24	1	80	

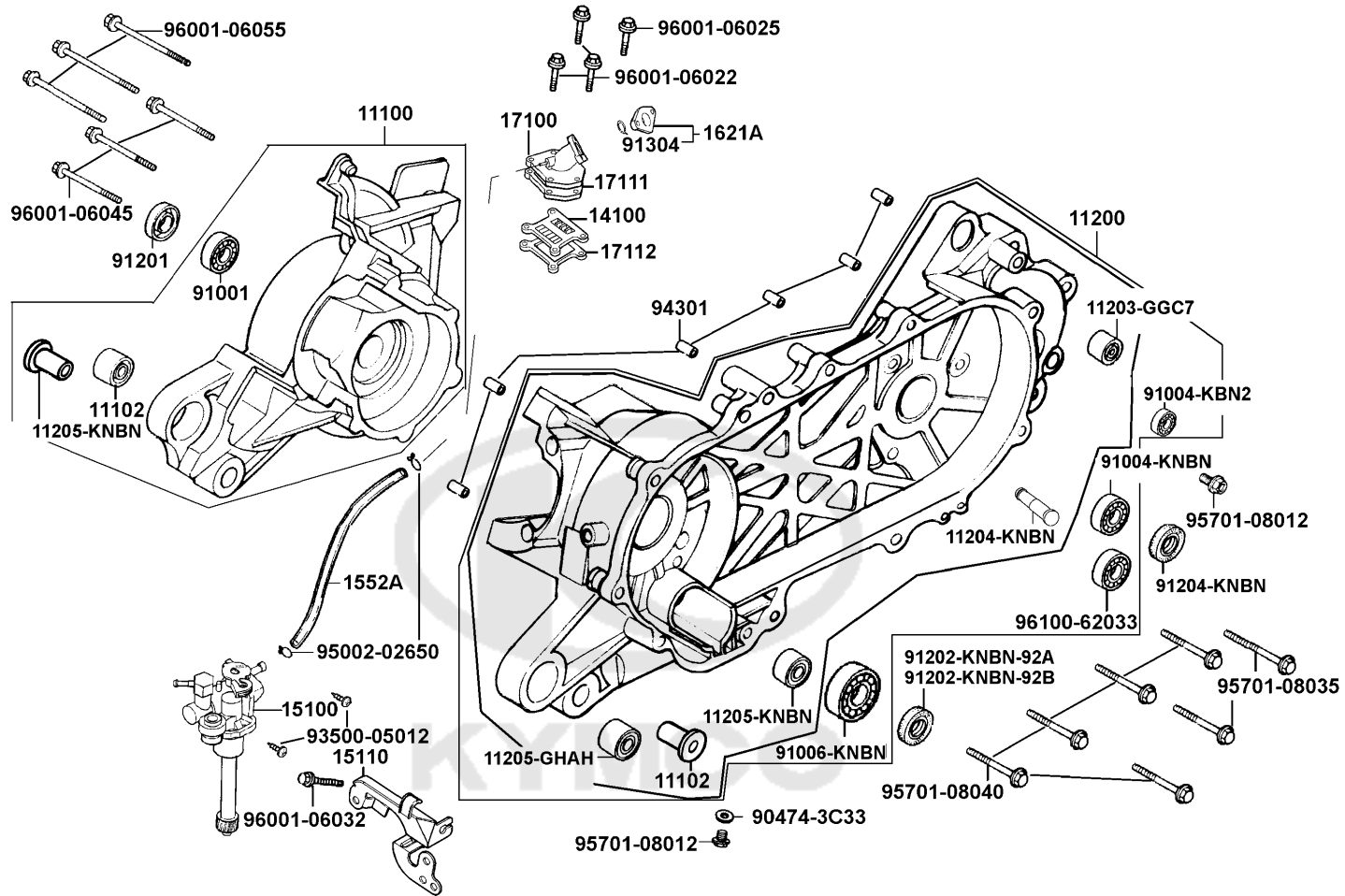




Sales mark 記号	Ref no 参照用番号	Part no パーツ番号	Description 部品名	Reg description 部品名	Regd no 必要個数	Ref Price 希望小売価格(税抜)	E08
11203		11203-KHG8-301	PIN BRAKE SHOE ANCHOR	PIN BRAKE SHOE ANCHOR	1	300	
21200		21200-KFA1-305	CASE SET MISSION	CASE SET MISSION	1	15210	
21395		21395-LBD3-900	GASKET MISSION CASE @A	GASKET MISSION CASE @A	2	520	
23411		23411-GKAK-921	SHAFT DRIVE	SHAFT DRIVE	1	4950	
23420		23420-GKAK-901	SHAFT COMP COUNTER	SHAFT COMP COUNTER	1	6280	
23431		23431-KNBN-901	SHAFT FINAL	SHAFT FINAL	1	4570	
23432		23432-KNBN-901	GEAR FINAL	GEAR FINAL	1	4570	
90309		90309-KLF0-004	NUT FLANGE 8MM	NUT FLANGE 8MM	1	60	
90429		90429-KNBN-901	WASHER SIDE 12MM	WASHER SIDE 12MM	1	350	
91004		91004-KBN2-90A	BRG BALL RADIAL 6201	BRG BALL RADIAL 6201	2	2100	
91009		91009-GLE0-004	BRG BALL RADIAL 6004 UU	BRG BALL RADIAL 6004 UU	1	1300	
91255		91255-GLE0-006	OIL SEAL 27*42*7	OIL SEAL 27*42*7	1	60	
91301		91301-OC53-001	O RING 7.5*1.5	O RING 7.5*1.5	1	60	
94510		94510-20000	CIR CLIP EX 20	CIR CLIP EX 20	1	60	

E09

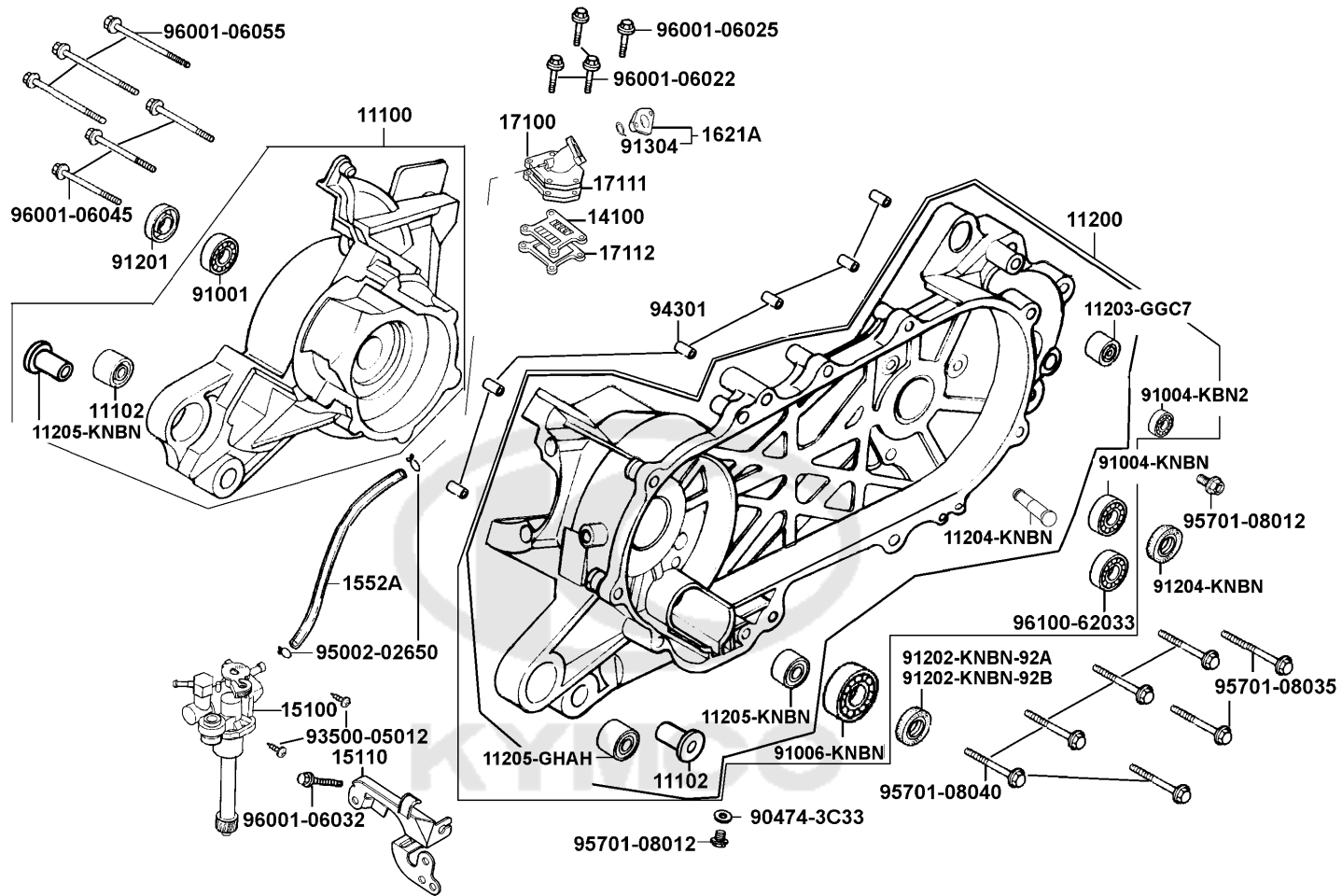
Crankcase OIL PUMP



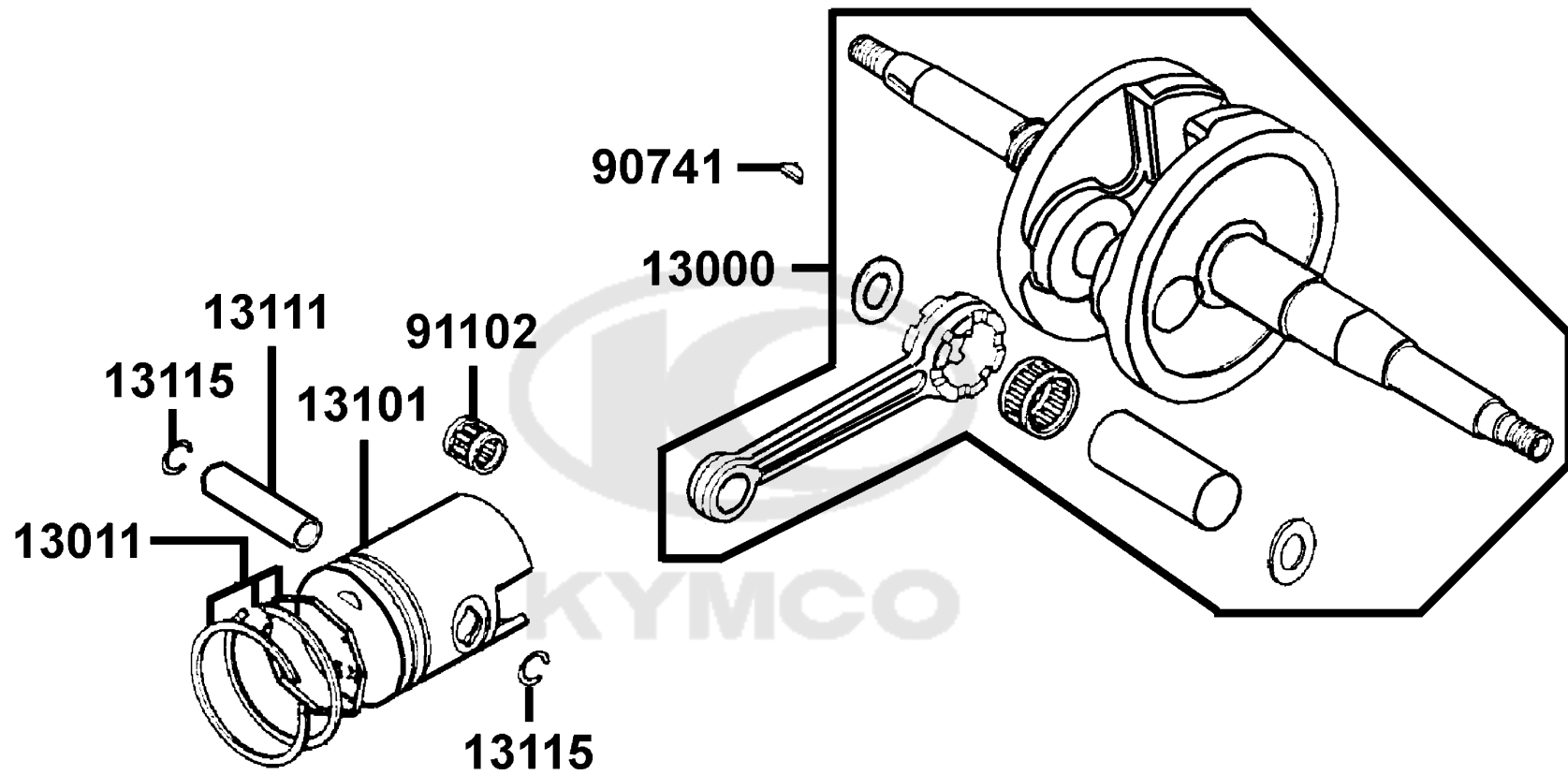
Sales mark 記号	Ref no 参照用番号	Part no パーツ番号	Description 部品名	Reg description 部品名	Regd no 必要個数	Ref Price 希望小売価格(税抜)	E09
11100		11100-GKAK-325	CRANK CASE ASSY R	CRANK CASE ASSY R	1	17430	
11102		11102-1G87-004	RUB BUSH ENG HANGER	RUB BUSH ENG HANGER	2	320	
11200		11200-GKAK-326	CRANK CASE ASSY L	CRANK CASE ASSY L	1	24340	
11203-GGC7		11203-GGC7-301	UNDER RUBBER BUSH REAR CUSHION	UNDER RUBBER BUSH REAR CUSHION	1	250	
11204-KNBN		11204-KNBN-901	PIN SPG HOOK	PIN SPG HOOK	1	300	
11205-GHAH		11205-GHAH-004	BUSH 8*12*8	BUSH 8*12*8	1	110	
11205-KNBN		11205-KNBN-901	BUSH M STAND	BUSH M STAND	2	300	
14100		14100-KFA1-910	VALVE COMP REED	VALVE COMP REED	1	4830	
15100		15100-KFA1-900	OIL PUMP ASSY	OIL PUMP ASSY	1	11220	
15110		15110-KFA1-9100	PLATE COMP OIL PUMP **910 C.P.N.	PLATE COMP OIL PUMP **910 C.P.N.	1	580	
1552A		1552A-KNBN-950	TUBE ASSY OIL PASS	TUBE ASSY OIL PASS	1	400	
1621A		1621A-GKAK-901	INSULATOR CARB ASSY	INSULATOR CARB ASSY	1	390	
17100		17100-KFA1-B00	PIPE COMP INLET	PIPE COMP INLET	1	2960	
17111		17111-KFA1-980	GASKET INLET PIPEA	GASKET INLET PIPEA	1	920	
17112		17112-KFA1-980	GASKET INLET PIPEB	GASKET INLET PIPEB	1	920	
90474-3C33		90474-3C33-001	WASHER 8MM	WASHER 8MM	1	60	
91001		91001-GLW0-90A	BRG BALL RADIAL 6204 SPECIAL	BRG BALL RADIAL 6204 SPECIAL	1	2100	
91004-KBN2		91004-KBN2-90A	BRG BALL RADIAL 6201	BRG BALL RADIAL 6201	1	2100	
91004-KNBN		91004-KNBN-92A	BRG BALL RADIAL 6203 SPC 17*40*12	BRG BALL RADIAL 6203 SPC 17*40*12	1	2290	
91006-KNBN		91006-KNBN-901	BRG BALL RADIAL 25*56*12	BRG BALL RADIAL 25*56*12	1	2290	

E09

Crankcase OIL PUMP

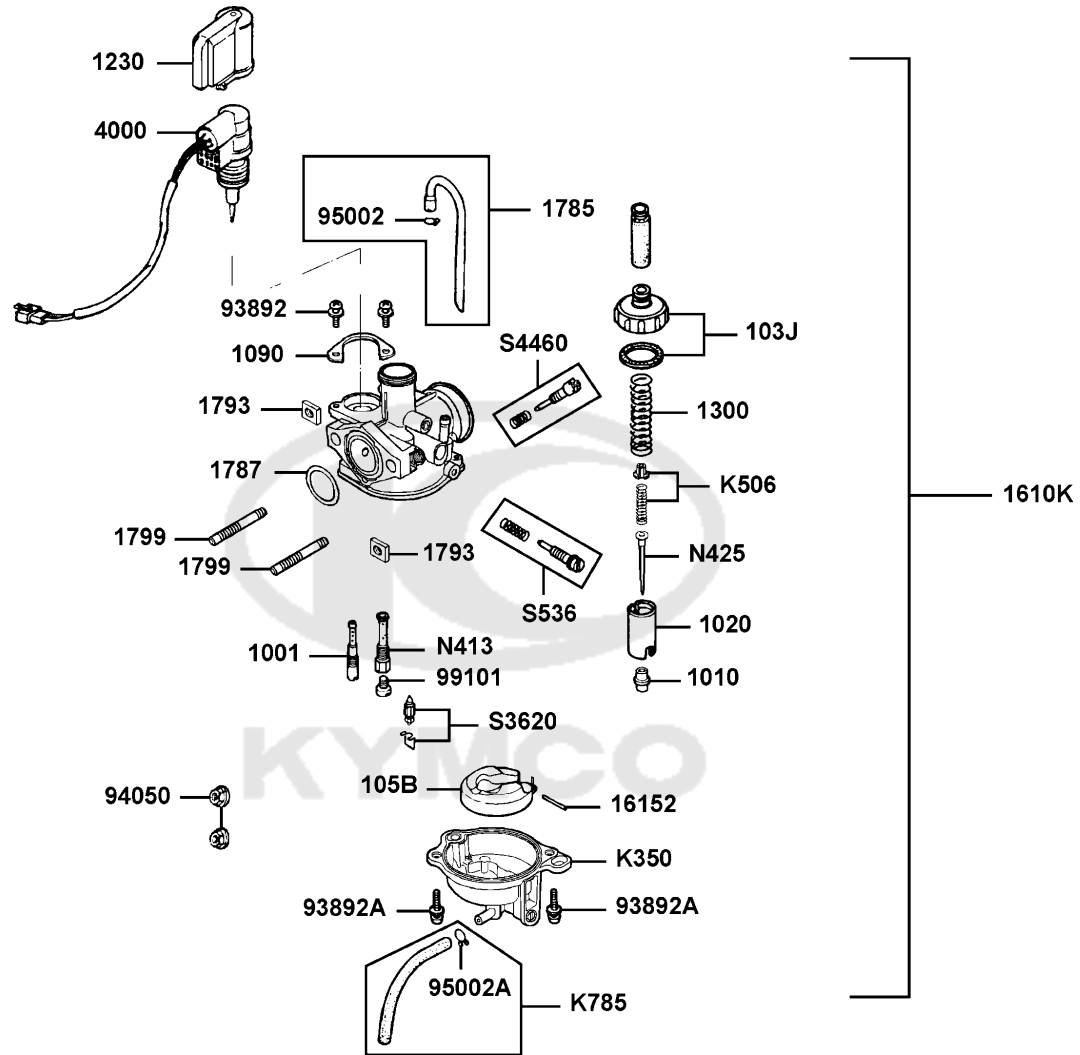


Sales mark 記号	Ref no 参照用番号	Part no パーツ番号	Description 部品名	Reg description 部品名	Regd no 必要個数	Ref Price 希望小売価格(税抜)	E09
91201	91201-KNBN-92A	91201-KNBN-92A	OIL SEAL 15.6*25.5*7	OIL SEAL 15.6*25.5*7	1	710	
91202-KNBN-92A	91202-KNBN-92A	91202-KNBN-92A	OIL SEAL 20*31*7	OIL SEAL 20*31*7	1	680	
91202-KNBN-92B	91202-KNBN-92B	91202-KNBN-92B	OIL SEAL 20*31*7	OIL SEAL 20*31*7	1	130	
91204-KNBN	91204-KNBN-90A	91204-KNBN-90A	OIL SEAL 17*30*6	OIL SEAL 17*30*6	1	610	
91304	91304-GLB0-911	91304-GLB0-911	O RING 20.6*1.9	O RING 20.6*1.9	1	60	
93500-05012	93500-05012-0F	93500-05012-0F	SCREW PAN 5*12	SCREW PAN 5*12	1	200	
94301	94301-10200	94301-10200	DOWEL PIN 10*20	DOWEL PIN 10*20	6	200	
95002-02650	95002-02650	95002-02650	CLIP B6.5 TUBE	CLIP B6.5 TUBE	2	110	
95701-08012	95701-08012-06	95701-08012-06	BOLT FLANGE 6*22 (K)	BOLT FLANGE 6*22 (K)	1	60	
95701-08035	95701-08035-06	95701-08035-06	BOLT FLANGE 6*22 (K)	BOLT FLANGE 6*22 (K)	1	200	
95701-08040	95701-08040-06	95701-08040-06	BOLT FLANGE 6*22 (K)	BOLT FLANGE 6*22 (K)	1	160	
96001-06022	96001-06022-06	96001-06022-06	BOLT FLANGE SH 6*22 (G)	BOLT FLANGE SH 6*22 (G)	1	60	
96001-06025	96001-06025-06	96001-06025-06	BOLT FLANGE SH 6*25	BOLT FLANGE SH 6*25	1	60	
96001-06032	96001-06032-06	96001-06032-06	BOLT FLANGE 6*32	BOLT FLANGE 6*32	1	60	
96001-06045	96001-06045-06	96001-06045-06	BOLT FLANGE 6*45 **07 C.2005.07.01	BOLT FLANGE 6*45 **07 C.2005.07.01	1	60	
96001-06055	96001-06055-06	96001-06055-06	BOLT FLANGE 6*55 **07 C.2005.07.01	BOLT FLANGE 6*55 **07 C.2005.07.01	1	60	
96100-62033	96100-62033-00	96100-62033-00	BEARING BALL RADIAL 6203	BEARING BALL RADIAL 6203	1	960	



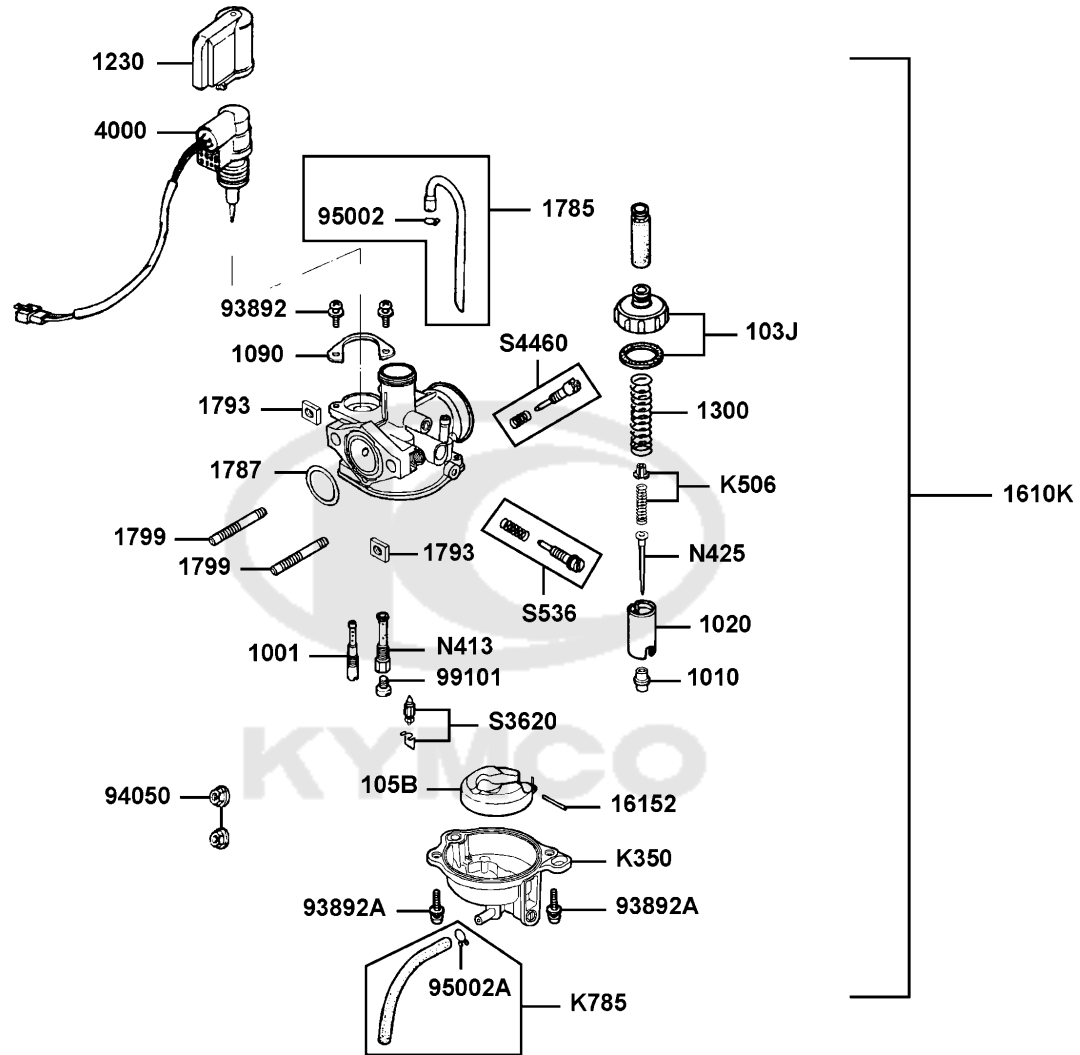
Sales mark 記号	Ref no 参照用番号	Part no パーツ番号	Description 部品名	Reg description 部品名	Regd no 必要個数	Ref Price 希望小売価格(税抜)	E10
13000		13000-GKAK-921	CRANK SHAFT COMP	CRANK SHAFT COMP	1	19010	
13011		13011-GKAK-91A	RING SET PISTON	RING SET PISTON	1	3720	
13101		13101-GKAK-902	PISTON	PISTON	1	2290	
13111		13111-1F66-001	PIN PISTON	PIN PISTON	1	490	
13115		13115-1F56-001	CLIP PISTON PIN 12MM	CLIP PISTON PIN 12MM	2	160	
90741		90741-0E35-001	KEY WOODRUFF	KEY WOODRUFF	1	160	
91102		91102-GLW0-009	BRG CON-ROD S. E.	BRG CON-ROD S. E.	1	1340	



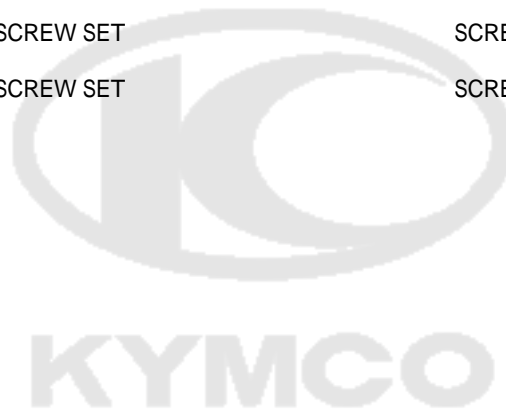


Sales mark 記号	Ref no 参照用番号	Part no パーツ番号	Description 部品名	Reg description 部品名	Regd no 必要個数	Ref Price 希望小売価格(税抜)
1001		1001-GW3H-0351	SLOW JET	SLOW JET	1	1010
1010		1010-GAKH-9200	NEEDLE JET	NEEDLE JET	1	3940
1020		1020-GAKH-9300	THROTTLE VALVE	THROTTLE VALVE	1	8040
103J		103J-073H-9900-SB00	TOP SET	TOP SET	1	3650
105B		105B-KBNH-9000	FLOAT COMP	FLOAT COMP	1	3810
1090		1090-873-2001	SET PLATE	SET PLATE	1	110
1230		1230-858-7000	HOLDER CAP	HOLDER CAP	1	400
1300		1300-GW0H-9000-K	SPG COMPR	SPG COMPR	1	130
1610K		1610K-KFA1-B20	CARBURETOR ASSY **B000-JP	CARBURETOR ASSY **B000-JP C.2003.05.01	1	25880
16152		16152-KG8-9010-M1	ARM PIN	ARM PIN	1	110
1785		1785-KBNH-9000-SB0	TUBE SET (A.V)	TUBE SET (A.V)	1	330
1787		1787-KG8H-9010	O-RING	O-RING	1	110
1793		1793-144H-9900	HEX NUT	HEX NUT	2	110
1799		1799-KBNH-9000	STUD BOLT	STUD BOLT	2	330
4000		4000-231-0000	AUTO BYSTARTER SET	AUTO BYSTARTER SET	1	15700
93892		93892-04008-16	SCREW WASHER 4*8	SCREW WASHER 4*8	1	200
93892A		93892-04014-18-3	SCREW WASHER 4*14	SCREW WASHER 4*14	1	60
94050		94050-06080	NUT FLANGE 6MM	NUT FLANGE 6MM	2	60
95002		95002-02070	CLIP B7 TUBE	CLIP B7 TUBE	1	60
95002A		95002-02080	CLIP B8 TUBE	CLIP B8 TUBE	1	60

E11

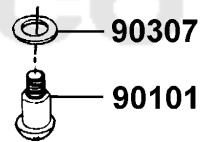
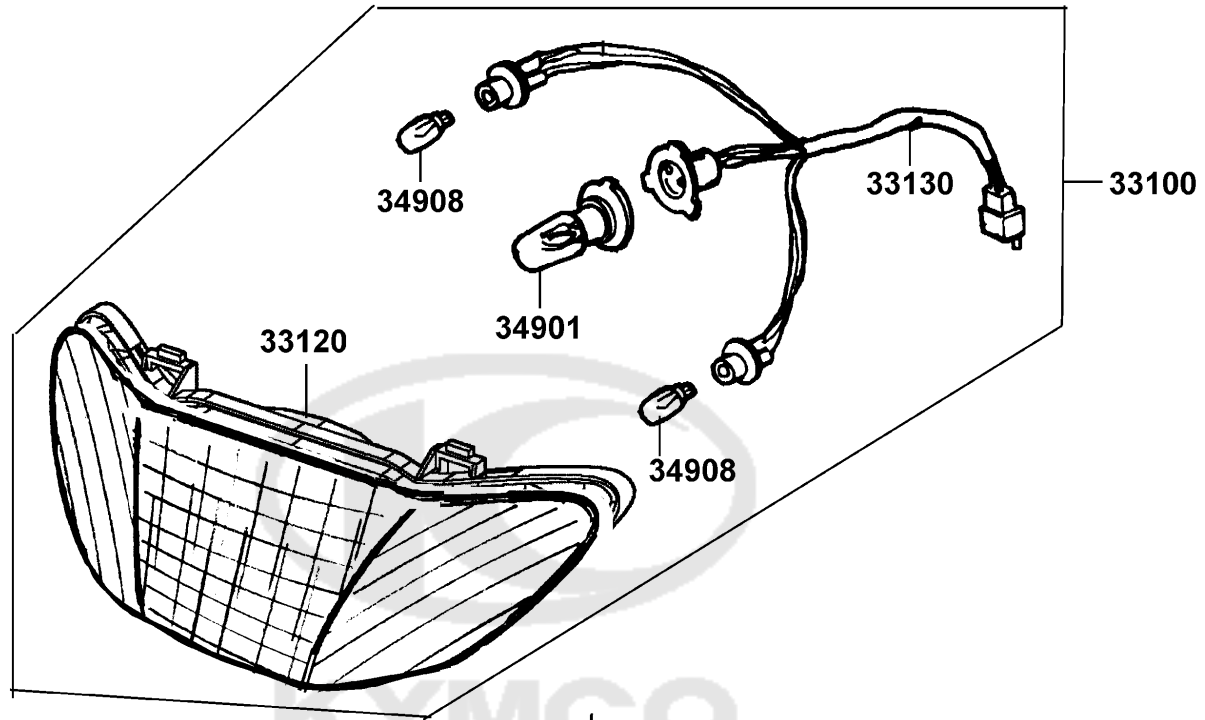


Sales mark 記号	Ref no 参照用番号	Part no パーツ番号	Description 部品名	Reg description 部品名	Regd no 必要個数	Ref Price 希望小売価格(税抜)	E11
99101		99101-116-0850	MAIN JET #85	MAIN JET #85	1	330	
K350		K350-KBN-0200	FLOAT CHAMBER SET **D19KT-004-	FLOAT CHAMBER SET **D19KT-004-1200	1	2440	
K506		K506-GW0-0100	VALVE PLATE SET	VALVE PLATE SET	1	140	
K785		K785-KEB-0300	TUBE SET (DRAIN)	TUBE SET (DRAIN)	1	300	
N413		N413-32A00	NEEDLE JET HOLDER	NEEDLE JET HOLDER	1	580	
N425		N425-2RFMJ	JET NEEDLE COMP	JET NEEDLE COMP	1	1150	
S3620		S3620-031-B000	FLOAT VALVE SET	FLOAT VALVE SET	1	960	
S4460		S4460-213-B001	SCREW SET	SCREW SET	1	970	
S536		S536-1241	SCREW SET	SCREW SET	1	580	

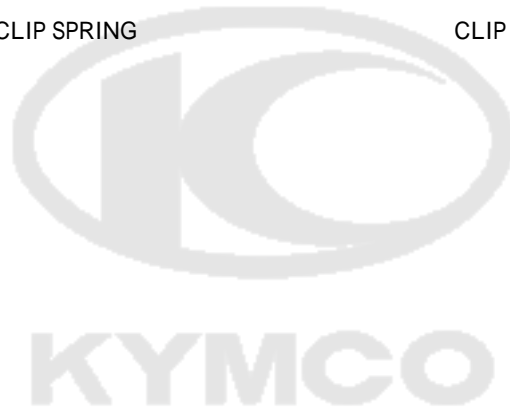


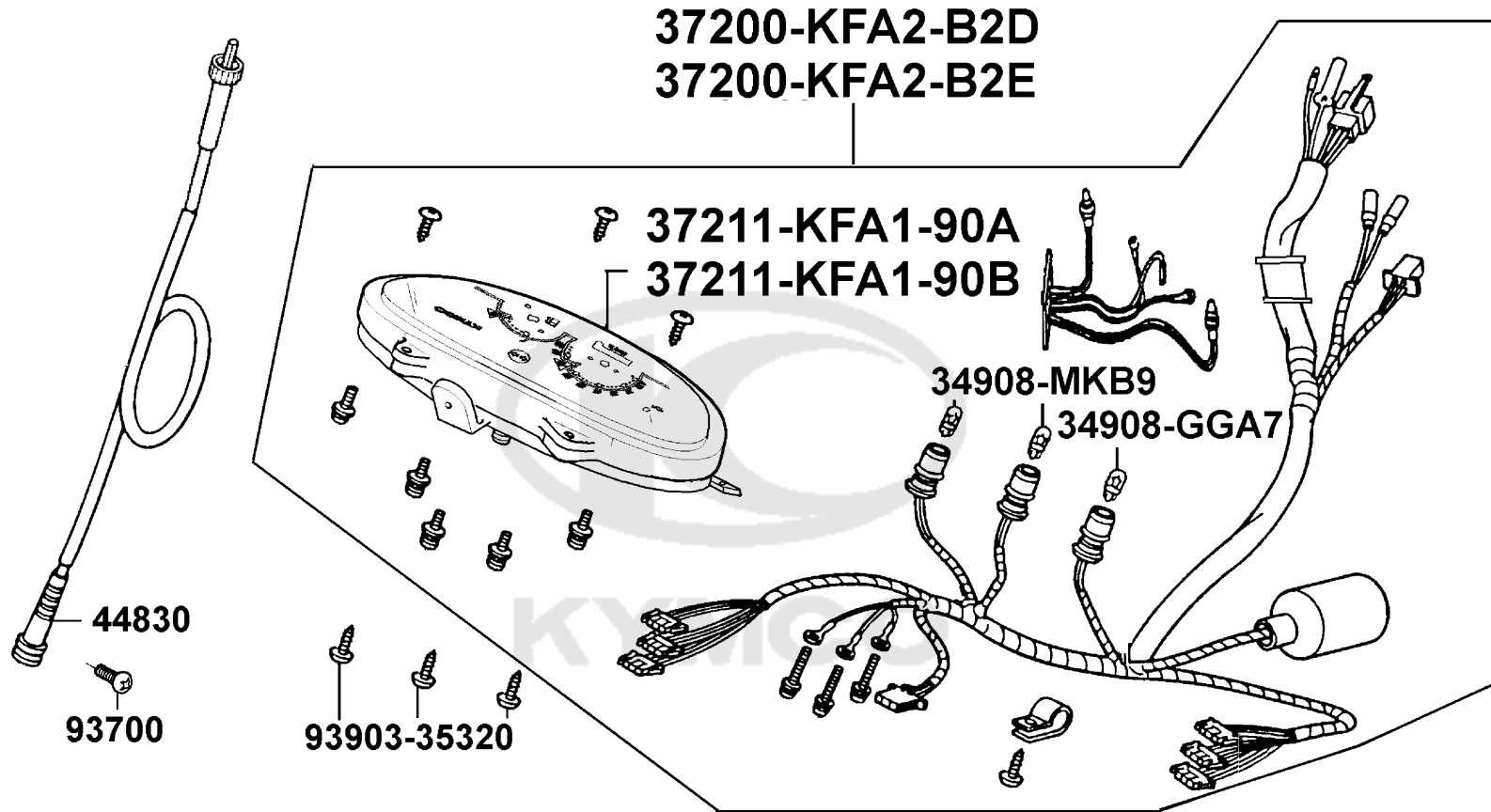
F01

Head Light



Sales mark 記号	Ref no 参照用番号	Part no パーツ番号	Description 部品名	Reg description 部品名	Regd no 必要個数	Ref Price 希望小売価格(税抜)	F01
33100	33100-KFA1-900	33100-KFA1-900	LIGHT ASSY HEAD	LIGHT ASSY HEAD	1	7110	
33120	33120-KFA1-900	33120-KFA1-900	UNIT HEAD LIGHT	UNIT HEAD LIGHT	1	4570	
33130	33130-KFA1-900	33130-KFA1-900	SOCKET COMP **9000 C.2005.09.19	SOCKET COMP **9000 C.2005.09.19	1	1280	
34901	34901-GGS7-003	34901-GGS7-003	BULB LIGHT HEAD 12V35/30W **GS7-	BULB LIGHT HEAD 12V35/30W **GS7-0030	1	1060	
34908	34908-GGA7-70A	34908-GGA7-70A	BULB WEDGE BASE 12V*3.4W	BULB WEDGE BASE 12V*3.4W	2	130	
90101	90101-GAR1-001	90101-GAR1-001	BOLT ADJUST	BOLT ADJUST	1	200	
90307	90307-GFJ6-004	90307-GFJ6-004	WASHER LOCK 6MM	WASHER LOCK 6MM	1	70	
90400	90400-KTDT-900	90400-KTDT-900	CLIP SPRING	CLIP SPRING	2	60	





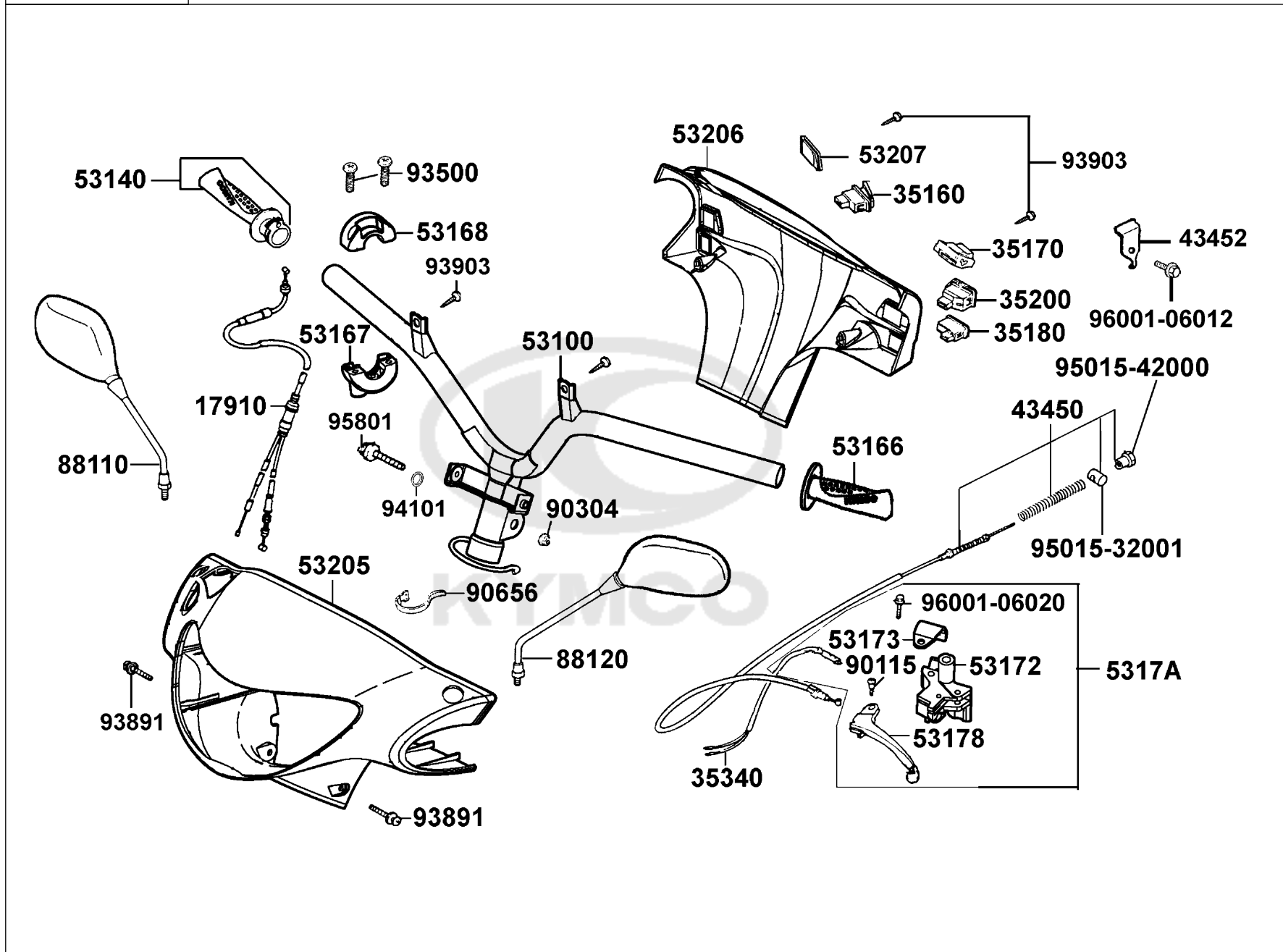
Sales mark 記号	Ref no 参照用番号	Part no パーツ番号	Description 部品名	Reg description 部品名	Regd no 必要個数	Ref Price 希望小売価格(税抜)
	34908-GGA7	34908-GGA7-70A	BULB WEDGE BASE 12V*3.4W	BULB WEDGE BASE 12V*3.4W	1	130
	34908-MKB9	34908-MKB9-87A	BULB WEDGE BASE T10	BULB WEDGE BASE T10	2	130
	37200-KFA2-B2D	37200-KFA2-B2D	METER ASSY SPEED **B2A C.2005.06.13	METER ASSY SPEED **B2A C.2005.06.13	1	14450
	37200-KFA2-B2E	37200-KFA2-B2E	METER ASSY SPEED **B2B C.2005.06.13	METER ASSY SPEED **B2B C.2005.06.13	1	14830
	37211-KFA1-90A	37211-KFA1-90A	LENS **9000-M1 C.2003.03.29	LENS **9000-M1 C.2003.03.29	1	870
	37211-KFA1-90B	37211-KFA1-90B	LENS **9000-M2 C.2003.03.29	LENS **9000-M2 C.2003.03.29	1	990
	44830	44830-KNBN-951	CABLE COMP SPDMT **(5) C.2007.07.31	CABLE COMP SPDMT **(5) C.2007.07.31	1	1080
	93700	93700-05018-0F	SCREW OVAL 5*18	SCREW OVAL 5*18	1	60
	93903-35320	93903-35360	SCREW WASHER 4*12	SCREW WASHER 4*12	1	60

F02



F03

Handle Steering Handle Cover

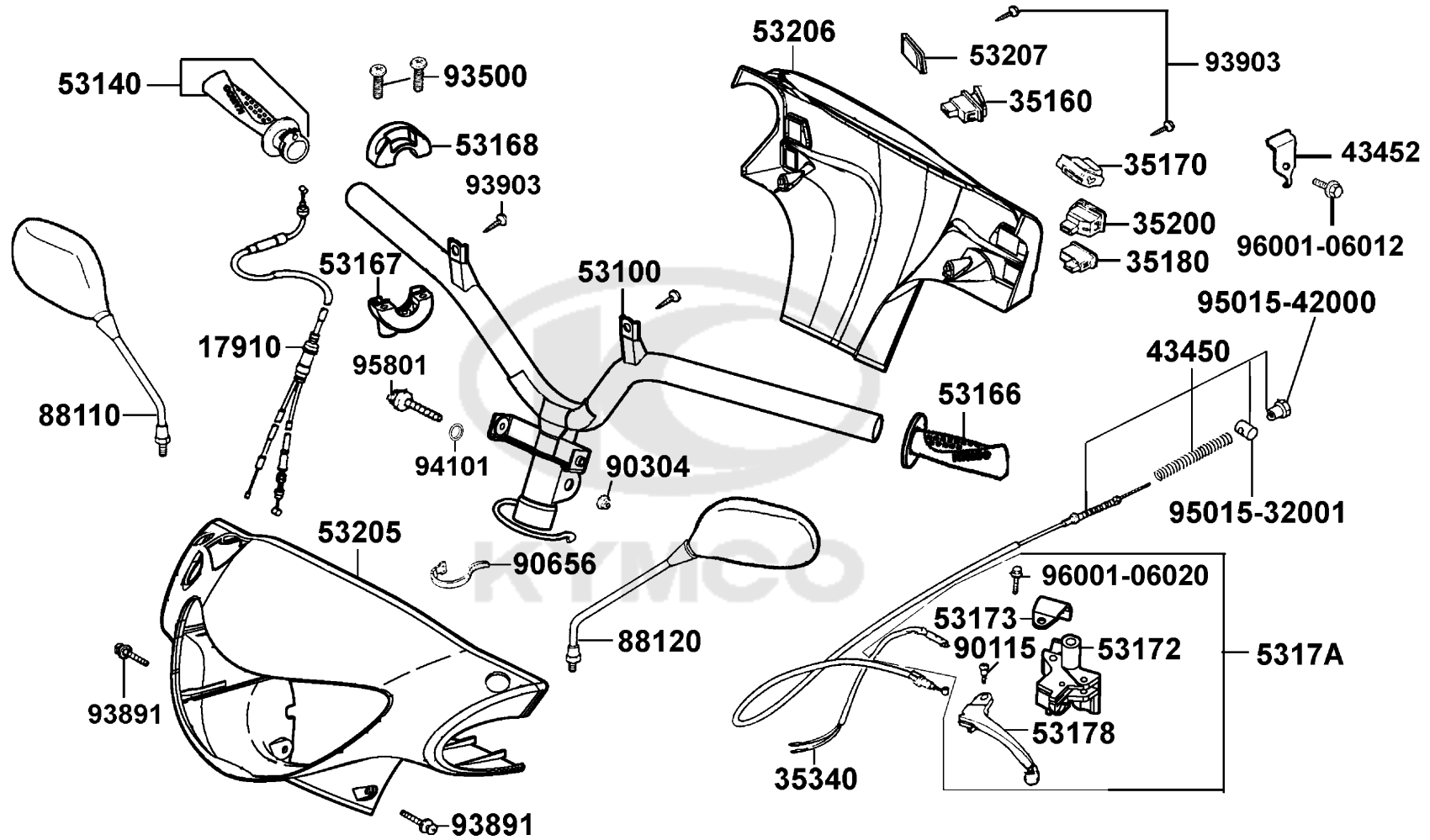


Sales mark 記号	Ref no 参照用番号	Part no パーツ番号	Description 部品名	Reg description 部品名	Regd no 必要個数	Ref Price 希望小売価格(税抜)
	17910	17910-KFA1-910	CABLE COMP THROT	CABLE COMP THROT	1	2860
	35160	35160-GGS7-900	SW UNIT START	SW UNIT START	1	730
	35170	35170-GGS7-900	SW UNIT DIMMER	SW UNIT DIMMER	1	730
	35180	35180-GGS7-900	SW UNIT HORN	SW UNIT HORN	1	540
	35200	35200-GFY6-910	SW UNIT WINKER	SW UNIT WINKER	1	830
	35340	35340-GBN2-770	SW ASSY FR STOP	SW ASSY FR STOP	1	560
	43450	43450-KFA1-900	CABLE COMP RR BRAKE	CABLE COMP RR BRAKE	1	1530
	43452	43452-GKAK-900	CLAMP BRK CABLE	CLAMP BRK CABLE	1	110
	53100	53100-KFA1-900	HANDLE COMP STRG **(2) C.2003.12.25	HANDLE COMP STRG **(2) C.2003.12.25	1	5520
**	53140	53140-KFA1-900	GRIP COMP THROT	GRIP COMP THROT	1	870
**	53166	53166-KFA1-900	GRIP L HANDLE	GRIP L HANDLE	1	770
	53167	53167-LHJ6-900	HOUSING UND THROT	HOUSING UND THROT	1	320
	53168	53168-KFA1-900	HOUSING UP THROT	HOUSING UP THROT	1	300
	53172	53172-GGS7-004	BRACKET HANDLE **GS7-004	BRACKET HANDLE **GS7-004 C.2005.11.22	1	770
	53173	53173-KFA1-900	BAND HANDLE BRKT	BAND HANDLE BRKT	1	140
**	53178	53178-GBN2-931	LEVER L STRG HANDLE **GN2-931-	LEVER L STRG HANDLE **GN2-931-M2A	1	490
	5317A	5317A-KFA1-900	BRKT ASSY HANDLE **(3) C.2007.03.22	BRKT ASSY HANDLE **(3) C.2007.03.22	1	2100
**	53205	53205-KFA1-900	COVER FR HANDLE **9000-RR136P	COVER FR HANDLE **9000-RR136P	1	3740
**	53206	53206-KFA1-900	COVER RR HANDLE **9000-NH001R	COVER RR HANDLE **9000-NH001R	1	1720
**	53207	53207-KKD9-B00	COVER SWITCH **(0) C.2005.04.25	COVER SWITCH **(0) C.2005.04.25 (Black)	1	160

F03

F03

Handle Steering Handle Cover

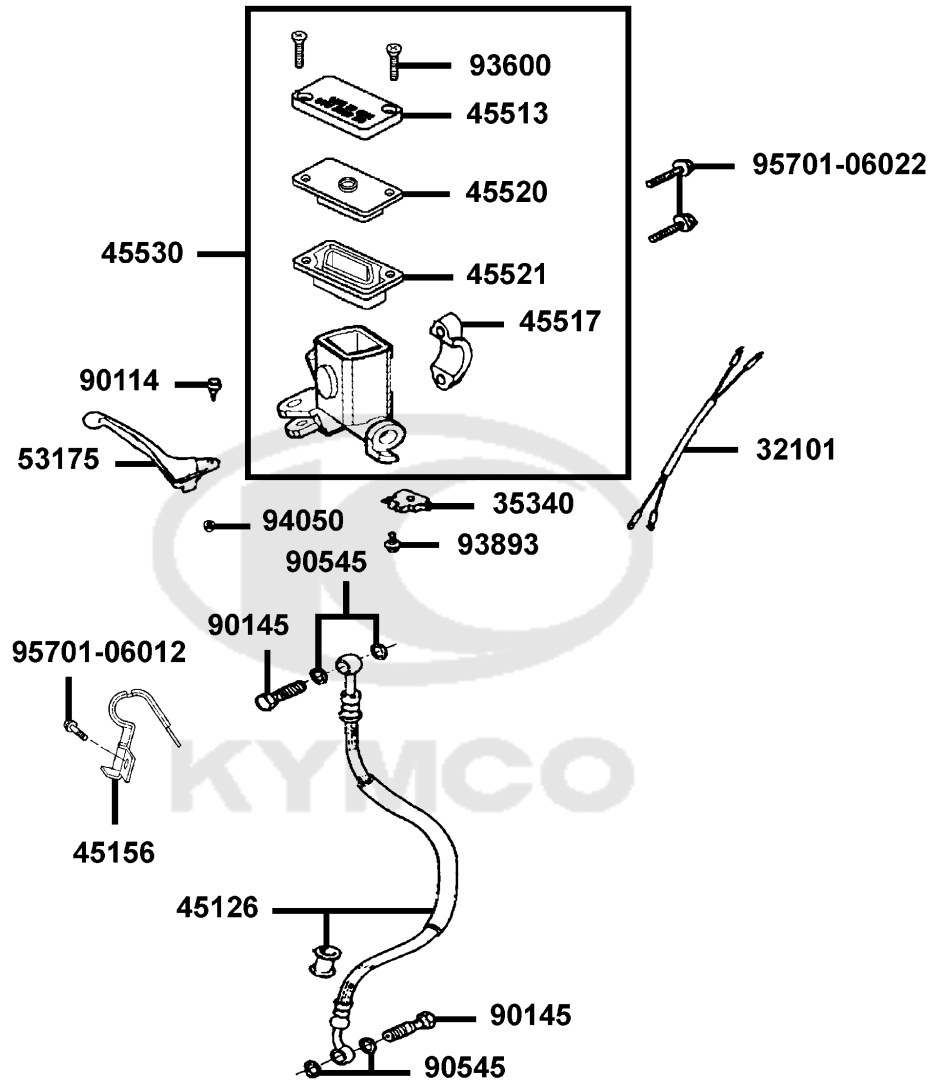


Sales mark 記号	Ref no 参照用番号	Part no パーツ番号	Description 部品名	Reg description 部品名	Regd no 必要個数	Ref Price 希望小売価格(税抜)
88110	88110-KFA1-900	88110-KFA1-900	MIRROR ASSY R BACK **9000	MIRROR ASSY R BACK **9000 C.2003.03.01	1	1440
88120	88120-KFA1-900	88120-KFA1-900	MIRROR ASSY L BACK **9000	MIRROR ASSY L BACK **9000 C.2003.03.01	1	1440
90115	90115-GLE0-001	90115-GLE0-001	BOLT HNDL LEVER PIVOT	BOLT HNDL LEVER PIVOT	1	60
90304	90304-GHE8-004	90304-GHE8-004	NUT CAP 6MM	NUT CAP 6MM	1	200
90656	90656-KCBC-900	90656-KCBC-900	BAND OIL HANDLE	BAND OIL HANDLE	1	60
93500	93500-05022-0F	93500-05022-0F	SCREW PAN 5X22 (G)	SCREW PAN 5X22 (G)	1	60
93891	93891-05012-06	93891-05012-06	SCREW WASHER 5*12	SCREW WASHER 5*12	2	60
93903	93903-34360	93903-34360	SCREW WASHER 4*12	SCREW WASHER 4*12	4	60
94101	94101-10800	94101-10800	WASHER PLAIN 10MM	WASHER PLAIN 10MM	1	200
95015-32001	95015-32001	95015-32001	JOINT B BRAKE ARM	JOINT B BRAKE ARM	1	60
95015-42000	95015-42000	95015-42000	NUT B ADJUST	NUT B ADJUST	1	60
95801	95801-10040-06	95801-10040-06	BOLT FLANGE 10*40	BOLT FLANGE 10*40	1	80
96001-06012	96001-06012-06	96001-06012-06	BOLT FLANGE SH 6*12	BOLT FLANGE SH 6*12	1	60
96001-06020	96001-06020-06	96001-06020-06	BOLT FLANGE SH 6*20	BOLT FLANGE SH 6*20	1	200

F03

F04

Brake Master Cylinder

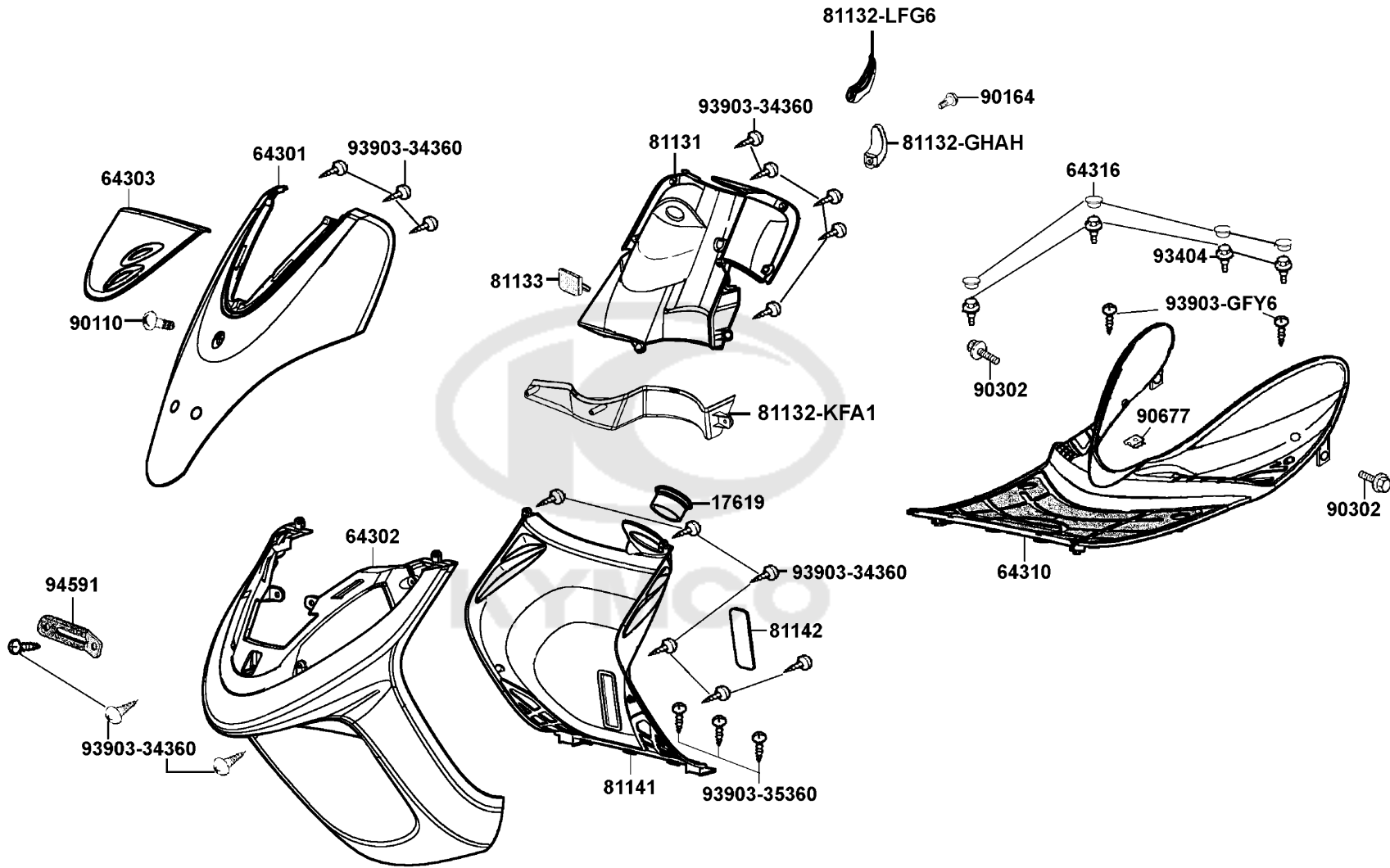


Sales mark 記号	Ref no 参照用番号	Part no パーツ番号	Description 部品名	Reg description 部品名	Regd no 必要個数	Ref Price 希望小売価格(税抜)
	32101	32101-GFY6-901	SUB CORD R	SUB CORD R	1	300
	35340	35340-KNBN-901	SW ASSY FR STOP	SW ASSY FR STOP	1	960
	45126	45126-KFA1-900	HOSE ASSY FR BRK /855MM	HOSE ASSY FR BRK /855MM	1	8780
	45156	45156-KNBN-902	CLAMPER FR BRK HOSE	CLAMPER FR BRK HOSE	1	300
	45513	45513-GLW0-91A	CAP MASTER CYLINDER	CAP MASTER CYLINDER	1	560
	45517	45517-KFAF-910	HOLDER M/C	HOLDER M/C	1	440
	45520	45520-GLW0-91A	DIAPHRAGM	DIAPHRAGM	1	960
	45521	45521-GLW0-91A	PLATE DIAPHRAGM	PLATE DIAPHRAGM	1	390
	45530	45530-KFA1-305	CYLINDER SET MASTER FR	CYLINDER SET MASTER FR	1	11030
**	53175	53175-KFA1-900	LEVER R STRG HANDLE	LEVER R STRG HANDLE	1	920
	90114	90114-1F66-007	BOLT HANDLE LEVER	BOLT HANDLE LEVER	1	60
	90145	90145-LEA3-E00	OIL BOLT 10x22	OIL BOLT 10x22	1	150
	90545	90545-3L00-001	WASHER OIL BOLT	WASHER OIL BOLT	4	60
	93600	93600-04012-1G	SCREW FLAT 4*12	SCREW FLAT 4*12	2	60
	93893	93893-04012-18	SCREW WASHER 4*12	SCREW WASHER 4*12	1	60
	94050	94050-06060	NUT FLANGE 6MM	NUT FLANGE 6MM	1	60
	95701-06012	95701-06012-06	BOLT FLANGE 6*22 (K)	BOLT FLANGE 6*22 (K)	1	60
	95701-06022	95701-06022-06	BOLT FLANGE 6*22	BOLT FLANGE 6*22	2	60

F04

F05

Front Cover Floor Panel

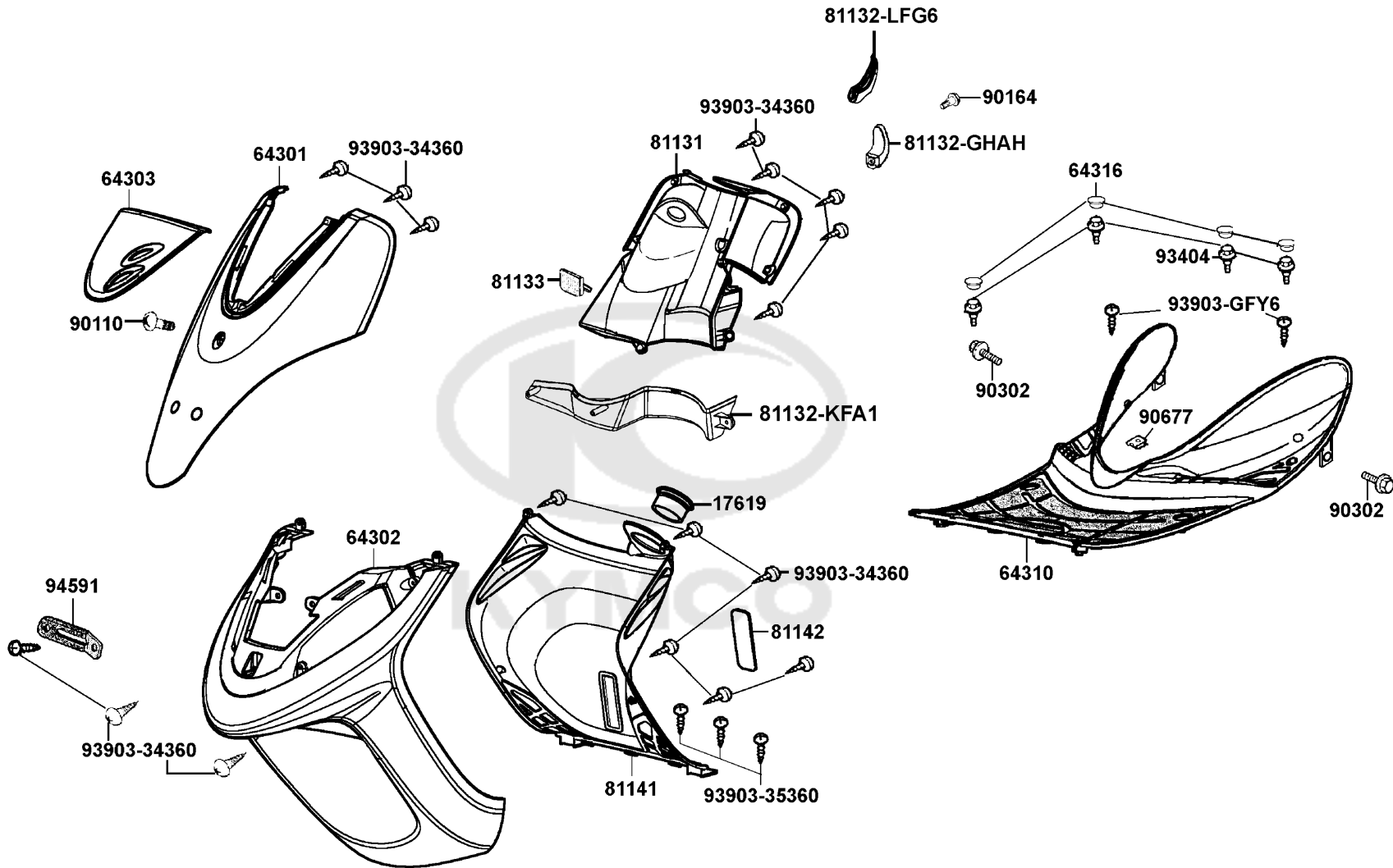


Sales mark 記号	Ref no 参照用番号	Part no パーツ番号	Description 部品名	Reg description 部品名	Regd no 必要個数	Ref Price 希望小売価格(税抜)
	17619	17619-KFA1-900	SEAL CAP FUEL	SEAL CAP FUEL	1	390
**	64302	64302-KFA3-900	MOLDING FRONT **(0) C.2007.03.28	MOLDING FRONT **(0) C.2007.03.28	1	6090
**	64303	64303-KFA3-900	COVER FRONT TOP	COVER FRONT TOP	1	3810
**	64310	64310-KFA1-900	PANEL FLOOR **(0) C.2004.08.18	PANEL FLOOR **(0) C.2004.08.18	1	4380
**	64316	64316-KFA1-900	PLUG FLOOR **9000-NH001R	PLUG FLOOR **9000-NH001R C.2002.04.01	4	200
**	81131	81131-KFA1-910	COVER FR INNER UP	COVER FR INNER UP	1	2860
**	81131	81131-KFA1-920	LEG SHIELD UP **910-N1R N.C.	LEG SHIELD UP **910-N1R N.C.	1	2860
**	81132-GHAH	81132-GHAH-001	HOOK LUGGAGE	HOOK LUGGAGE	1	300
**	81132-KFA1	81132-KFA1-920	LEG SHIELD INNER	LEG SHIELD INNER	1	770
**	81132-LFG6	81132-LFG6-900	HOOK LUGGAGE	HOOK LUGGAGE	1	490
	81133	81133-KNBN-901	COVER INNER BOX	COVER INNER BOX	1	60
**	81141	81141-KFA1-910	COVER FR INNER LOW **9100-NH001R	COVER FR INNER LOW **9100-NH001R	1	2770
**	81142	81142-KFA1-900	LID FR INNER LOW **(0) C.2003.11.28	LID FR INNER LOW **(0) C.2003.11.28	1	200
	90110	90110-GLW0-001	SCREW SPECIAL 6*14	SCREW SPECIAL 6*14	1	200
	90164	90164-MDR4-901	SCREW SPECIAL 6MM	SCREW SPECIAL 6MM	1	70
	90302	90302-GFY6-901	BOLT WASH 5*12 **(1) C.V.	BOLT WASH 5*12 **(1) C.V.	2	60
	90677	90677-GAR1-004	NUT CLIP 5MM	NUT CLIP 5MM	1	60
	93404	93404-06016-06	BOLT WASHER 6*16	BOLT WASHER 6*16	2	60
	93903-34360	93903-34360	SCREW WASHER 4*12	SCREW WASHER 4*12	17	60
	93903-35360	93903-35360	SCREW WASHER 4*12	SCREW WASHER 4*12	3	60

F05

F05

Front Cover Floor Panel

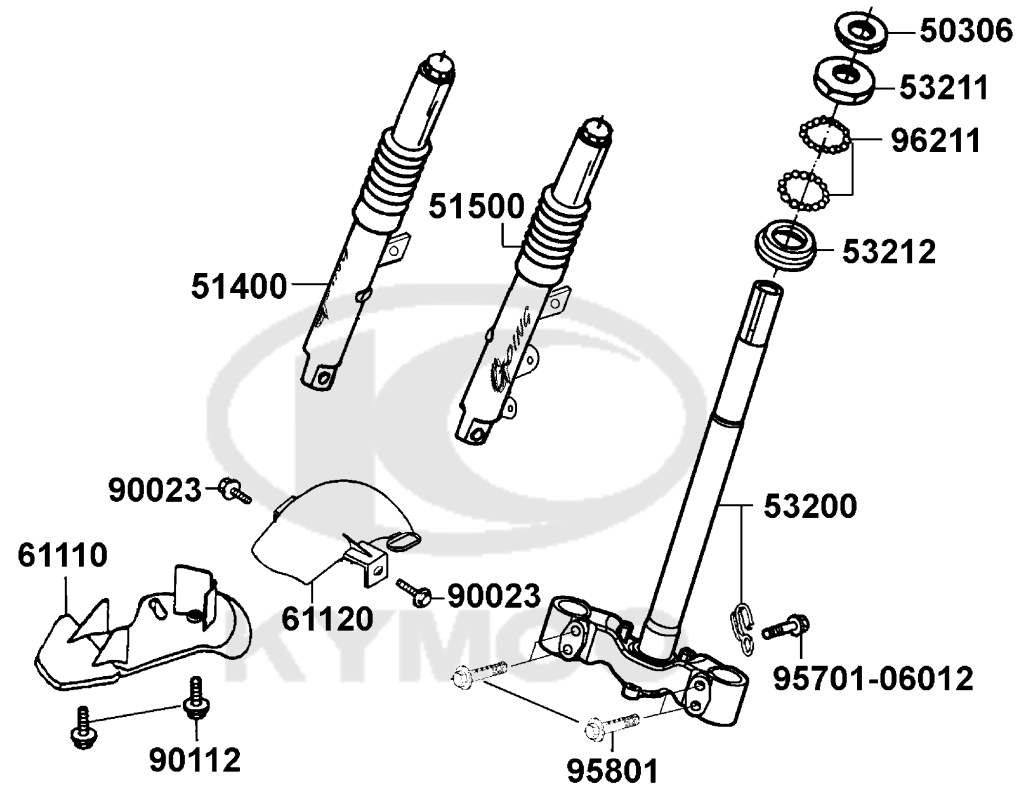


Sales mark 記号	Ref no 参照用番号	Part no パーツ番号	Description 部品名	Reg description 部品名	Regd no 必要個数	Ref Price 希望小売価格(税抜)
------------------	-----------------	------------------	--------------------	------------------------	-----------------	-------------------------

F05

93903-GFY6	93903-GFY6-900	SCREW WASHER 4*12	SCREW WASHER 4*12	2	60
94591	94591-27000	CLIP 2*70	CLIP 2*70	1	110

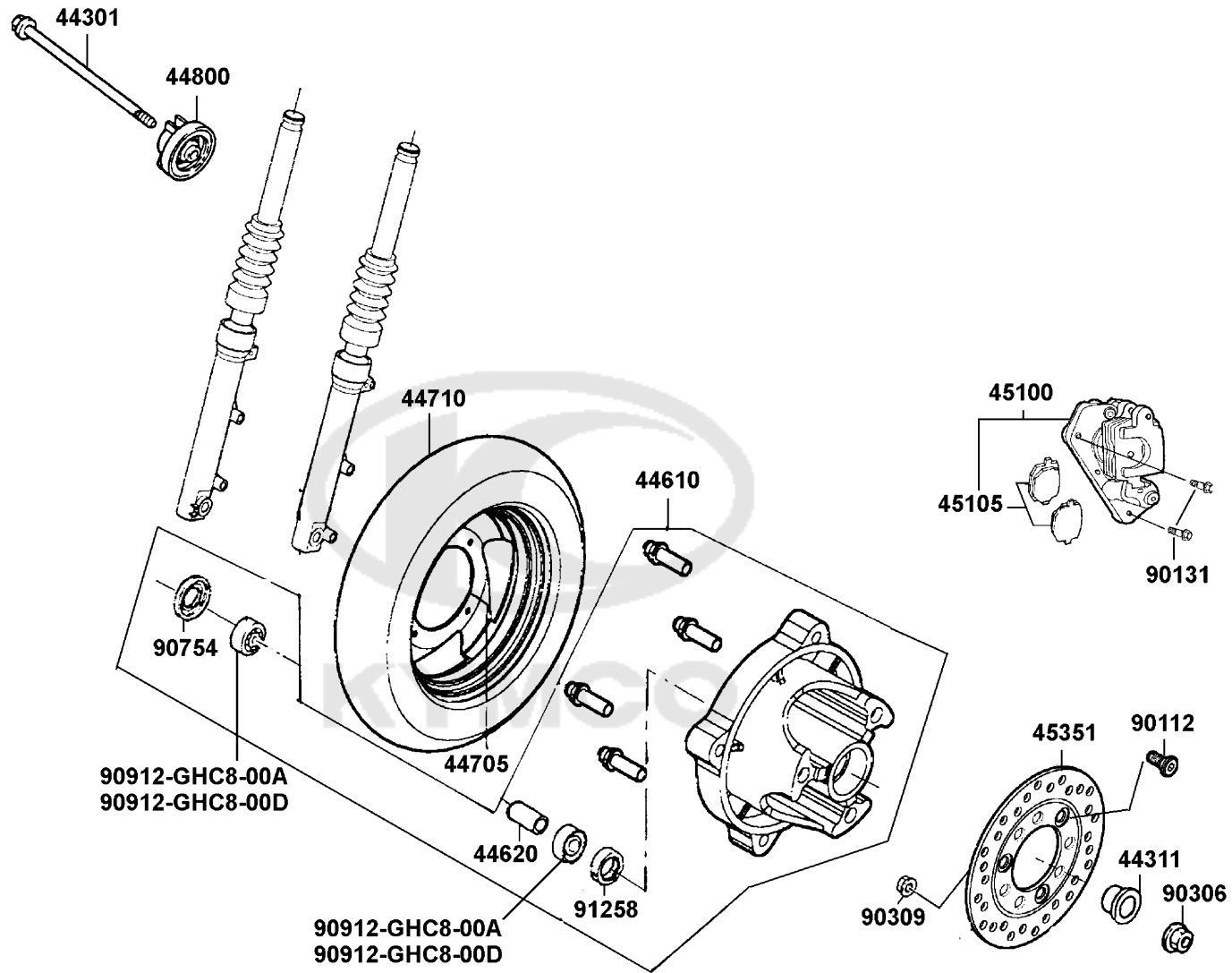




Sales mark 記号	Ref no 参照用番号	Part no パーツ番号	Description 部品名	Reg description 部品名	Regd no 必要個数	Ref Price 希望小売価格(税抜)	F06
	50306	50306-1F96-001	NUT STRG STEM LOCK	NUT STRG STEM LOCK	1	300	
**	51400	51400-KFA1-900	FORK ASSY R FR	FORK ASSY R FR	1	11600	
**	51500	51500-KFA1-900	FORK ASSY L FR	FORK ASSY L FR	1	11600	
	53200	53200-KFA2-900	STEM COMP STRG **9000 C.2006.12.05	STEM COMP STRG **9000 C.2006.12.05	1	8750	
	53211	53211-GFY6-940	RACE STRG TOP CONE	RACE STRG TOP CONE	1	580	
	53212	53212-GHC8-004	RACE (STRG BOTTOM) CONE	RACE (STRG BOTTOM) CONE	1	390	
	61110	61110-KNBN-902	FENDER FR INNER **KBN-9020	FENDER FR INNER **KBN-9020	1	390	
	61120	61120-KFA1-900	FENDER FR DOWN	FENDER FR DOWN	1	300	
	90023	90023-GBN2-001	BOLT SEAT LOCK 6*13.5 (B)	BOLT SEAT LOCK 6*13.5 (B)	2	110	
	90112	90112-GCC3-001	BOLT SPECIAL 5MM	BOLT SPECIAL 5MM	2	60	
	95701-06012	95701-06012-06	BOLT FLANGE 6*22 (K)	BOLT FLANGE 6*22 (K)	1	60	
	95801	95801-08040-06	BOLT FLANGE 8*40	BOLT FLANGE 8*40	1	60	
	96211	96211-05000	BALL STEEL #5	BALL STEEL #5	55	60	

F07

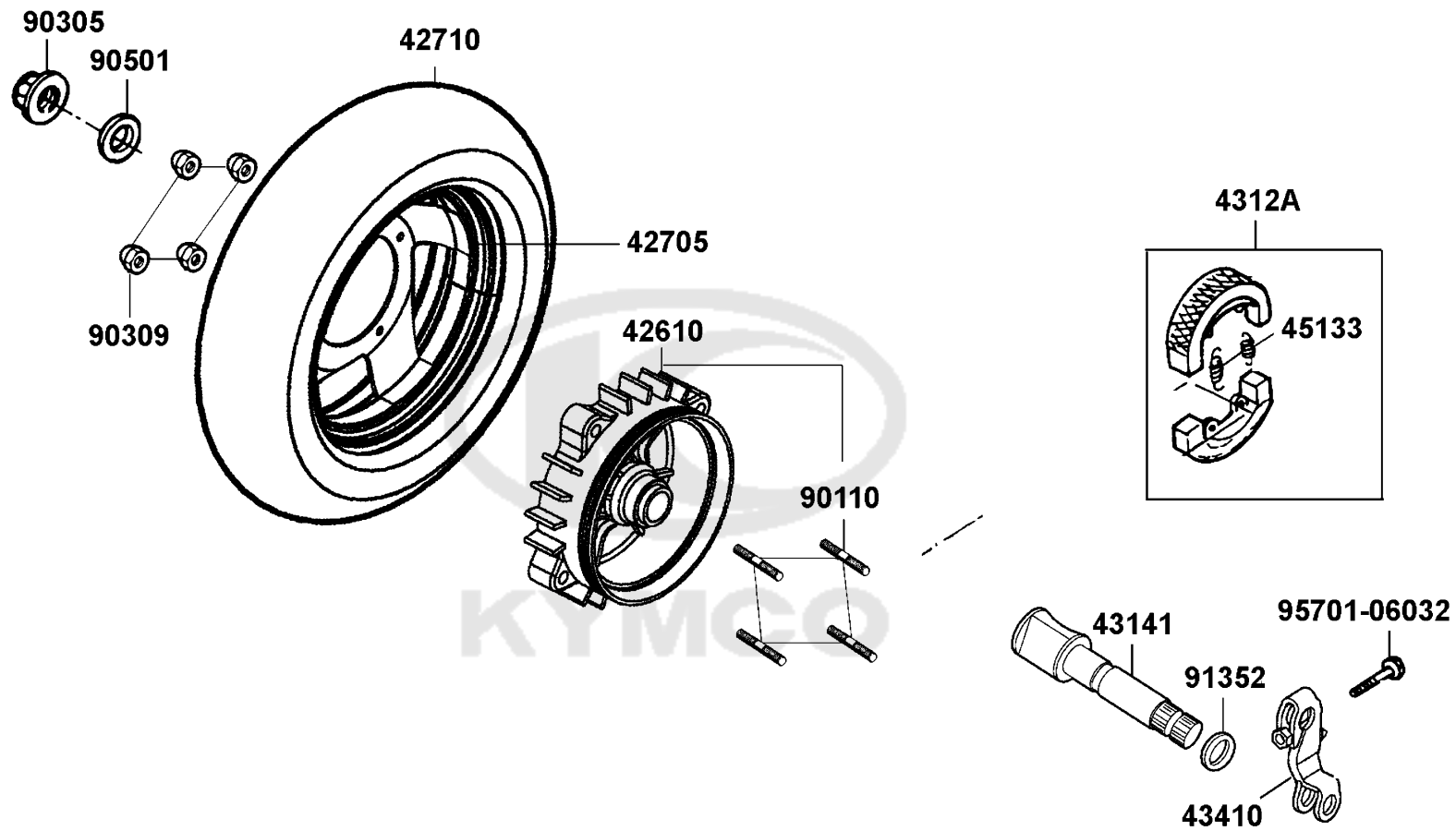
Front Wheel



Sales mark 記号	Ref no 参照用番号	Part no パーツ番号	Description 部品名	Reg description 部品名	Regd no 必要個数	Ref Price 希望小売価格(税抜)	F07
	44301	44301-KBE2-981	AXLE FR WHEEL M12*200MM	AXLE FR WHEEL M12*200MM	1	770	
	44311	44311-GLW0-901	COLLAR FR WHEEL SIDE	COLLAR FR WHEEL SIDE	1	390	
**	44610	44610-KHC4-305	HUB SUB SET FR	HUB SUB SET FR	1	8560	
	44620	44620-KSBS-900	COLLAR FR DIST	COLLAR FR DIST	1	330	
**	44705	44705-KHC4-900	RIM COMP FR WHEEL	RIM COMP FR WHEEL	1	6850	
	44710	44710-KFA1-90B	TIRE ASSY FR/90/90-10 4P TL /KENDA	TIRE ASSY FR/90/90-10 4P TL /KENDA	1	5520	
**	44800	44800-KNBN-901	GEAR BOX ASSY SPDMT	GEAR BOX ASSY SPDMT	1	3150	
**	45100	45100-KFA1-900	CALIPER ASSY FR L **9000-RR134A	CALIPER ASSY FR L **9000-RR134A C.2002.	1	17900	
	45105	45105-KXCX-305-M2	PAD ASSY	PAD ASSY	1	2200	
**	45351	45351-KHC5-E00	DISK FR BRAKE **E000-IT-NH045S	DISK FR BRAKE **E000-IT-NH045S	1	7070	
	90112	90112-GLZ0-001	BOLT DISK 8*20	BOLT DISK 8*20	3	200	
	90131	90131-GLW0-911	BOLT FLANGE 8*35	BOLT FLANGE 8*35	2	80	
	90306	90306-GLW0-90A	NUT FLANGE 12MM	NUT FLANGE 12MM	1	320	
	90309	90309-GLW0-90A	NUT U FLANGE 8MM	NUT U FLANGE 8MM	4	110	
	90754	90754-GHC8-00A	SEAL DUST 20*32*5	SEAL DUST 20*32*5	1	100	
	90912-GHC8-00A	90912-GHC8-00A	BEARING 6201 (U)	BEARING 6201 (U)	2	770	
	90912-GHC8-00D	90912-GHC8-00D	BEARING	BEARING	2	630	
	91258	91258-KAM1-00A	SEAL SPDMT GEAR BOX	SEAL SPDMT GEAR BOX	1	300	

F08

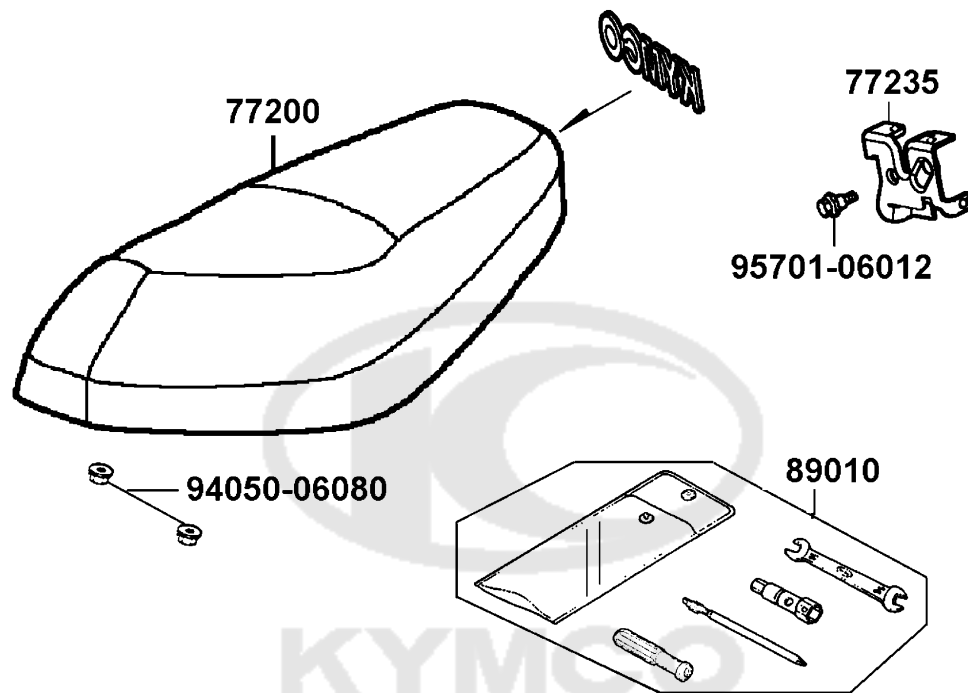
Rear Wheel



Sales mark 記号	Ref no 参照用番号	Part no パーツ番号	Description 部品名	Reg description 部品名	Regd no 必要個数	Ref Price 希望小売価格(税抜)	F08
**	42610	42610-GKAK-901	HUB SUB COMP RR	HUB SUB COMP RR	1	7610	
**	42705	42705-KHC4-900	RIM COMP WHEEL	RIM COMP WHEEL	1	7610	
	42710	42710-KFA1-90B	TIRE ASSY RR 100/80-10 4PTL /KENDA	TIRE ASSY RR 100/80-10 4PTL /KENDA	1	5940	
	4312A	4312A-KXCX-910	SHOE ASSY BRAKE	SHOE ASSY BRAKE	1	2080	
	43141	43141-GKAK-901	CAM RR BRAKE	CAM RR BRAKE	1	770	
	43410	43410-KFA1-900	ARM COMP RR BRAKE	ARM COMP RR BRAKE	1	610	
	45133	45133-0H28-001	SPRING BRAKE SHOE	SPRING BRAKE SHOE	2	160	
	90110	90110-KHG8-901	BOLT STUD2 8*22	BOLT STUD2 8*22	4	130	
	90305	90305-KNBN-90B	NUT U 16MM	NUT U 16MM	1	110	
	90309	90309-GLW0-90A	NUT U FLANGE 8MM	NUT U FLANGE 8MM	4	110	
	90501	90501-KNBN-901	WASHER 16MM	WASHER 16MM	1	80	
	91352	91352-KHG8-83B	O-RING 11.3*1.3	O-RING 11.3*1.3	1	60	
	95701-06032	95701-06032-06	BOLT FLANGE 6*32	BOLT FLANGE 6*32	1	60	

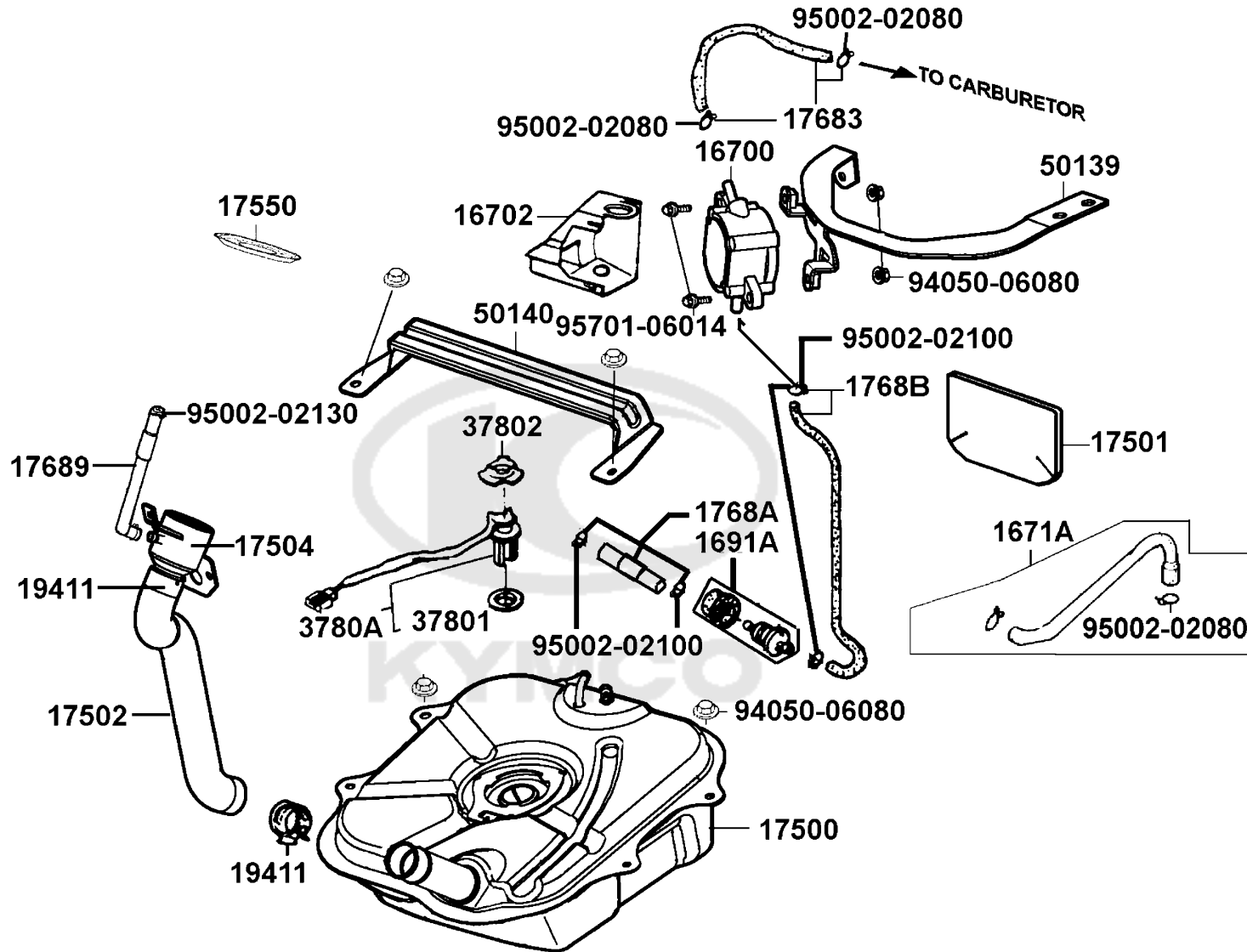
F09

Seat



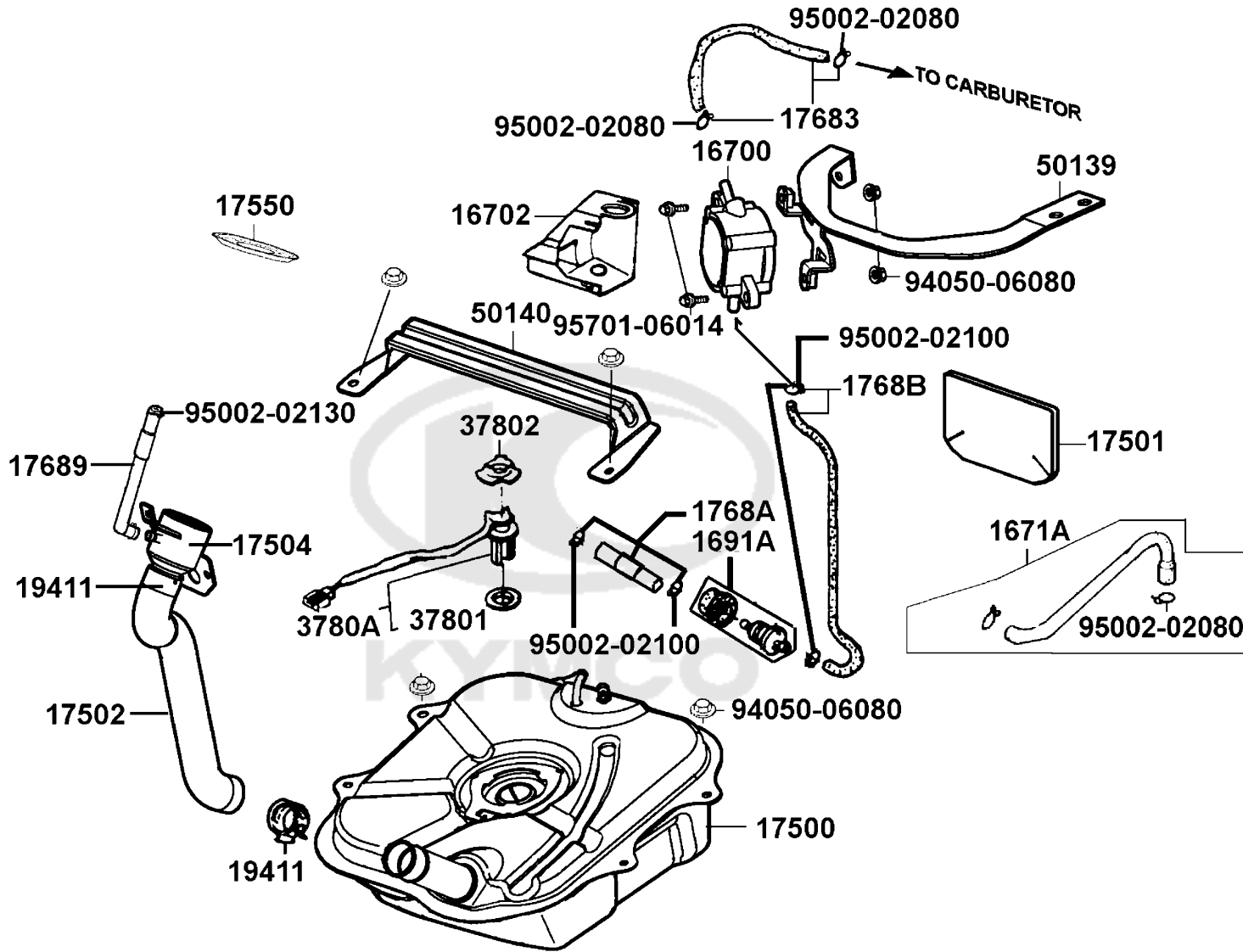
Sales mark 記号	Ref no 参照用番号	Part no パーツ番号	Description 部品名	Reg description 部品名	Regd no 必要個数	Ref Price 希望小売価格(税抜)	F09
**	77200	77200-KFA1-C00	SEAT ASSY/KO1Y-3Y2 **(0) C.	SEAT ASSY/KO1Y-3Y2 **(0) C.	1	11380	
	77235	77235-KFA1-B20	SEAT CATCH COMP	SEAT CATCH COMP	1	1820	
	89010	89010-KNBN-900	TOOL SET	TOOL SET	1	1080	
	94050-06080	94050-06080	NUT FLANGE 6MM	NUT FLANGE 6MM	2	60	
	95701-06012	95701-06012-06	BOLT FLANGE 6*22 (K)	BOLT FLANGE 6*22 (K)	1	60	





Sales mark 記号	Ref no 参照用番号	Part no パーツ番号	Description 部品名	Reg description 部品名	Regd no 必要個数	Ref Price 希望小売価格(税抜)
16700	16700-GKAK-220	16700-GKAK-220	FUEL PUMP ASSY	FUEL PUMP ASSY	1	7610
16702	16702-KNBN-901	16702-KNBN-901	COVER FUEL PUMP	COVER FUEL PUMP	1	260
1671A	1671A-KNBN-901	1671A-KNBN-901	TUBE ASSY PULSE	TUBE ASSY PULSE	1	300
1691A	1691A-KEC2-E00	1691A-KEC2-E00	STRAINER ASSY FUEL	STRAINER ASSY FUEL	1	1010
17500	17500-KFA1-900	17500-KFA1-900	TANK COMP FUEL **9000 C.2004.05.08	TANK COMP FUEL **9000 C.2004.05.08	1	16920
17501	17501-KNBN-901	17501-KNBN-901	HEAT GUARD FUEL TANK **KNBN-900	HEAT GUARD FUEL TANK **KNBN-900	1	210
17502	17502-KFA1-900	17502-KFA1-900	HOSE FUEL **(0) C.2006.09.11	HOSE FUEL **(0) C.2006.09.11	1	2100
17504	17504-KFA1-910	17504-KFA1-910	PIPE COMP FUEL FILLER	PIPE COMP FUEL FILLER	1	3240
17550	17550-KHC4-900	17550-KHC4-900	TRAY FUEL CAP	TRAY FUEL CAP	1	350
17683	17683-KFA2-B00	17683-KFA2-B00	TUBE ASSY FUEL **B000-JP	TUBE ASSY FUEL **B000-JP	1	540
17689	17689-KFA1-C00	17689-KFA1-C00	TUBE ASS'Y FILLER **C000-MC	TUBE ASS'Y FILLER **C000-MC	1	1010
1768A	1768A-KBCB-900	1768A-KBCB-900	TUBE ASSY FUEL TANK **KCB-900	TUBE ASSY FUEL TANK **KCB-900	1	230
1768B	1768B-KFA1-900	1768B-KFA1-900	TUBE ASSY FUEL	TUBE ASSY FUEL	1	320
19411	19411-KBCB-900	19411-KBCB-900	CLIP HOSE	CLIP HOSE	2	490
37801	37801-GGA7-701	37801-GGA7-701	PACKING BASE	PACKING BASE	1	130
37802	37802-GGA7-701	37802-GGA7-701	RET FUEL UNIT	RET FUEL UNIT	1	200
3780A	3780A-KFA1-900	3780A-KFA1-900	FUEL UNIT ASSY	FUEL UNIT ASSY	1	3240
50139	50139-KFA1-900	50139-KFA1-900	STAY COMP FUEL PUMP **(0)	STAY COMP FUEL PUMP **(0) C.2007.03.22	1	1440
50140	50140-KFA1-900	50140-KFA1-900	PLATE FLOOR	PLATE FLOOR	1	580
94050-06080	94050-06080	94050-06080	NUT FLANGE 6MM	NUT FLANGE 6MM	6	60

F10

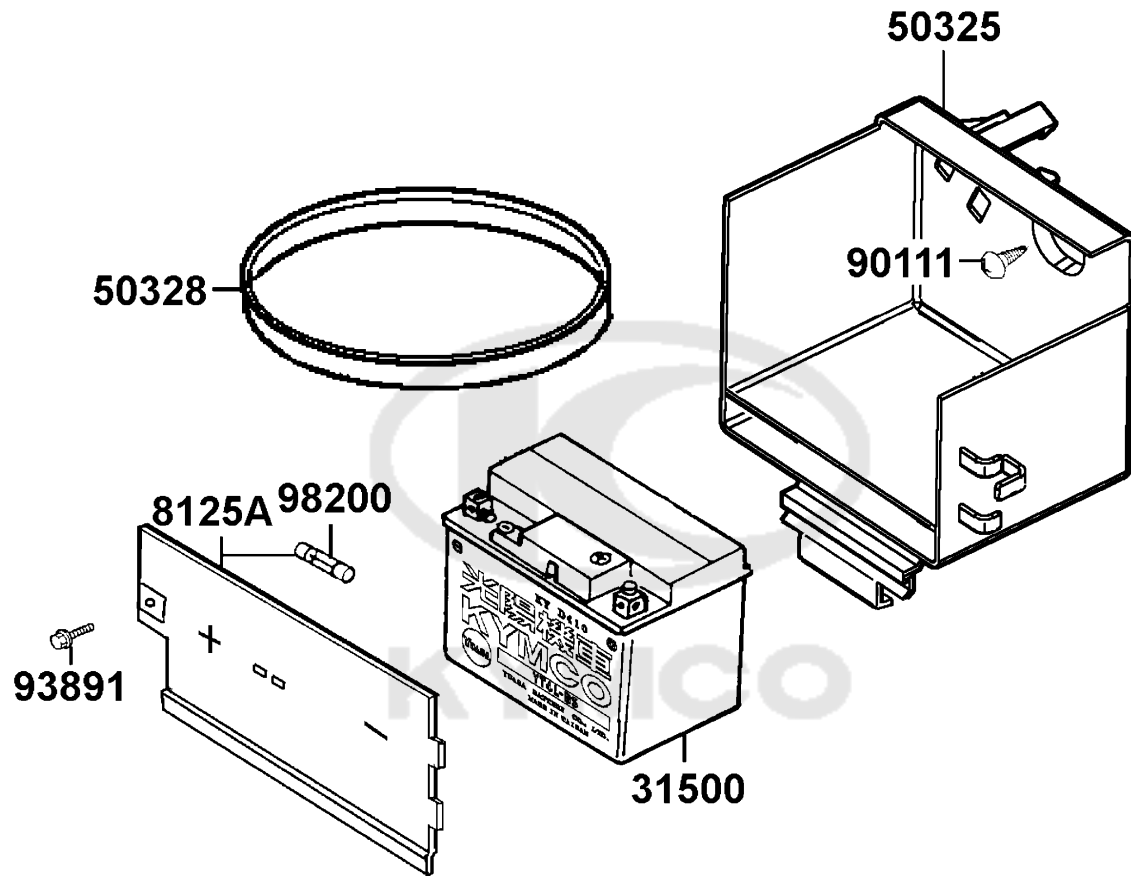


Sales mark 記号	Ref no 参照用番号	Part no パーツ番号	Description 部品名	Reg description 部品名	Regd no 必要個数	Ref Price 希望小売価格(税抜)	F10
95002-02080	95002-02080	95002-02080	CLIP B8 TUBE	CLIP B8 TUBE	4	60	
95002-02100	95002-02100	95002-02100	CLIP B15 TUBE	CLIP B15 TUBE	4	60	
95002-02130	95002-02130	95002-02130	CLIP B12.5 TUBE	CLIP B12.5 TUBE	2	60	
95701-06014	95701-06014	95701-06014-06	BOLT FLANGE 6*14	BOLT FLANGE 6*14	1	130	



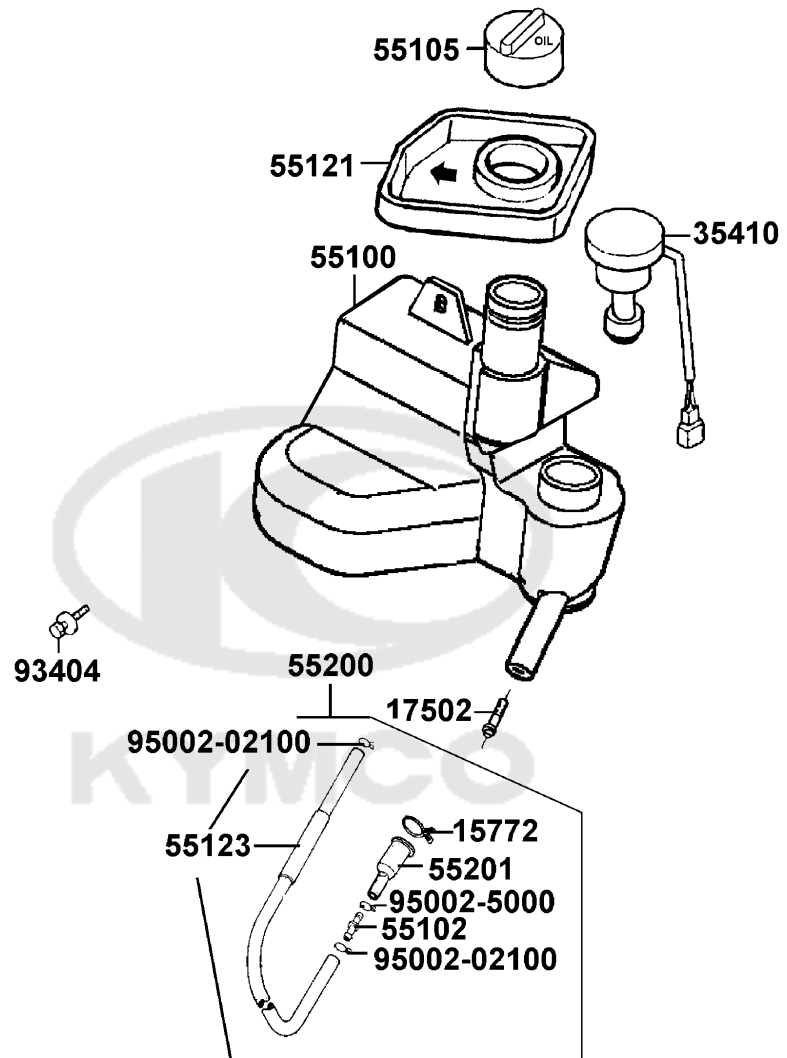
F11

Battery



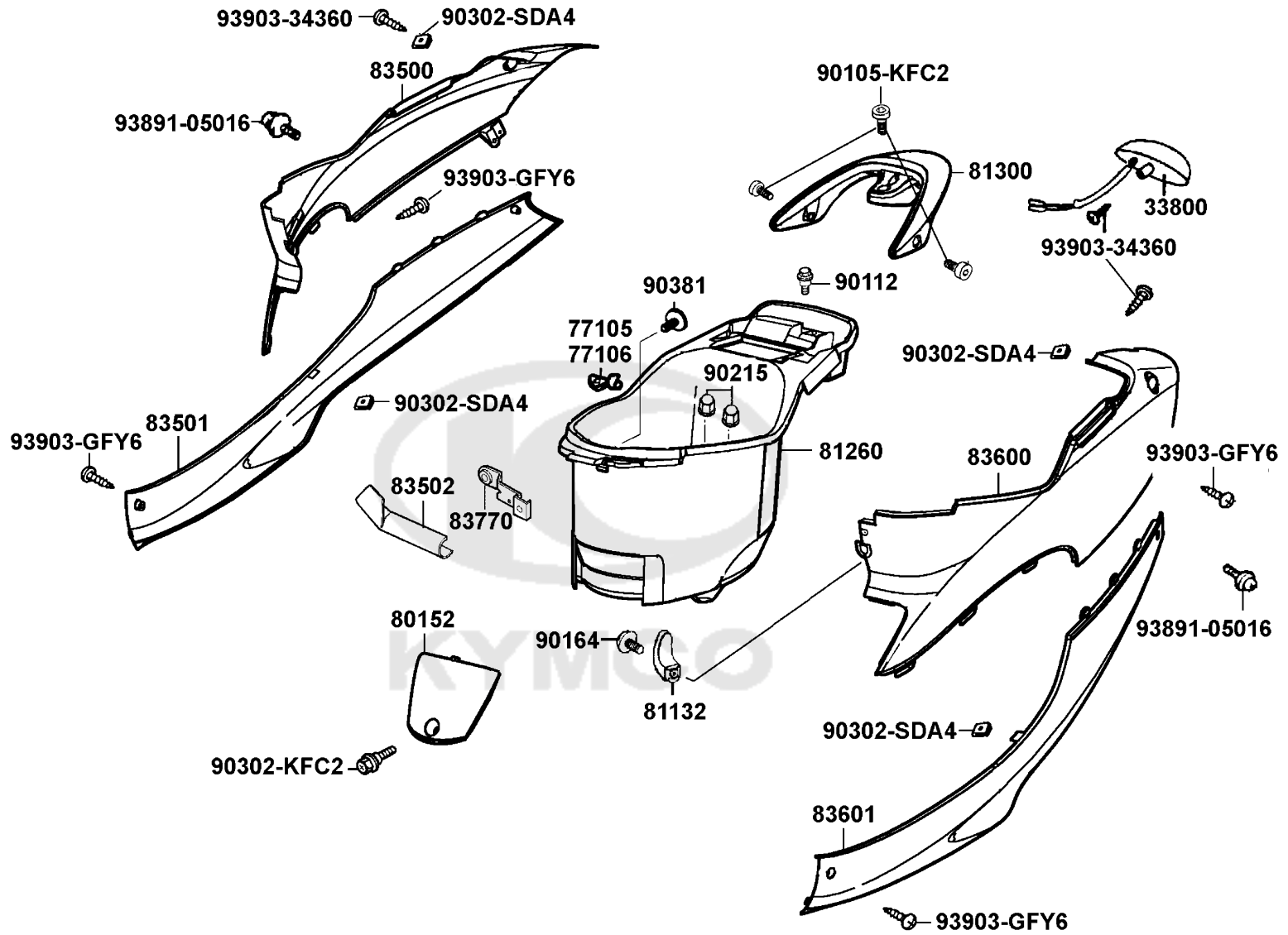
Sales mark 記号	Ref no 参照用番号	Part no パーツ番号	Description 部品名	Reg description 部品名	Regd no 必要個数	Ref Price 希望小売価格(税抜)	F11
	31500	31500-KCAC-90A	BATTERY YTX4L-BS	BATTERY YTX4L-BS	1	9280	
	50325	50325-GKAK-200	CASE BATTERY	CASE BATTERY	1	710	
	50328	50328-GKAK-200	BAND BATTERY **GAK-200 C.2006.01.11	BAND BATTERY **GAK-200 C.2006.01.11	1	200	
**	8125A	8125A-KNBN-200	COVER ASSY BATTERY **KBN-200-N1R	COVER ASSY BATTERY **KBN-200-N1R	1	390	
	90111	90111-1G87-001	BOLT FLANGE 6MM	BOLT FLANGE 6MM	1	60	
	93891	93891-05012-06	SCREW WASHER 5*12	SCREW WASHER 5*12	1	60	
	98200	98200-10700	FUSE A7	FUSE A7	1	60	





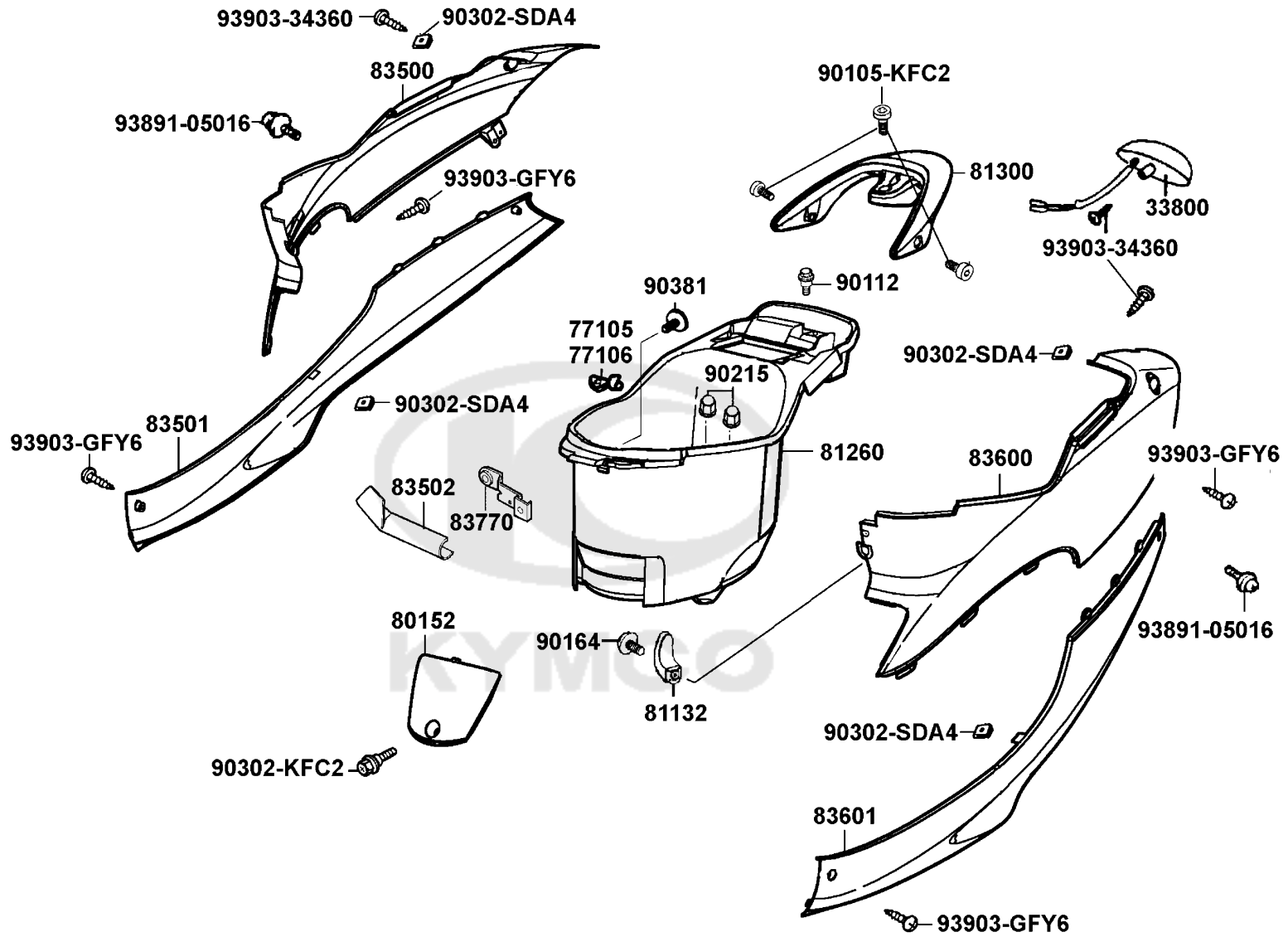
Sales mark 記号	Ref no 参照用番号	Part no パーツ番号	Description 部品名	Reg description 部品名	Regd no 必要個数	Ref Price 希望小売価格(税抜)
15772		15772-5A51-001	CLIP BREATHER TUBE	CLIP BREATHER TUBE	1	160
17502		17502-1G87-001	OIL STRAINER	OIL STRAINER	1	300
35410		35410-KNBN-91A	SW ASSY OIL LEVEL	SW ASSY OIL LEVEL	1	4000
55100		55100-KNBN-901	TANK OIL	TANK OIL	1	1660
55102		55102-1F66-001	JOINT OIL TUBE	JOINT OIL TUBE	1	160
55105		55105-KNBN-901	CAP ASSY OIL	CAP ASSY OIL	1	200
55121		55121-KNBN-901	RUBBER OIL GUIDE **KBN-9010	RUBBER OIL GUIDE **KBN-9010	1	230
55123		55123-KNBN-901	TUBE 5.3 OIL	TUBE 5.3 OIL	1	420
55200		55200-KNBN-901	TUBE ASSY OIL	TUBE ASSY OIL	1	820
55201		55201-GHC8-001	JOINT OIL STRN	JOINT OIL STRN	1	140
93404		93404-06016-06	BOLT WASHER 6*16	BOLT WASHER 6*16	1	60
95002-02100		95002-02100	CLIP B15 TUBE	CLIP B15 TUBE	2	60
95002-5000		95002-50000	CLIP C9 TUBE	CLIP C9 TUBE	1	60

F12



Sales mark 記号	Ref no 参照用番号	Part no パーツ番号	Description 部品名	Reg description 部品名	Regd no 必要個数	Ref Price 希望小売価格(税抜)
	33800	33800-KFA1-900	LIGHT ASSY 2ND STOP	LIGHT ASSY 2ND STOP	1	2860
	77105	77105-GFS6-001	HOOK R HELMET	HOOK R HELMET	1	200
	77106	77106-GFS6-001	HOOK L HELMET	HOOK L HELMET	1	160
**	80152	80152-KFA1-900	PLUG MAINT **9000-RR136P	PLUG MAINT **9000-RR136P C.2002.04.01	1	1160
**	81132	81132-GHAH-001	HOOK LUGGAGE	HOOK LUGGAGE	1	300
	81260	81260-KFA1-B20	BOX ASSY LUGGAGE **2005.09.19	BOX ASSY LUGGAGE **2005.09.19	1	9130
**	81300	81300-KFA1-900	GRIP REAR **9000-RR136P C.2002.04.01	GRIP REAR **9000-RR136P C.2002.04.01	1	5810
**	83501	83501-KFA3-900	MOLD R SIDE **9000-PB184P	MOLD R SIDE **9000-PB184P C.2002.04.01	1	4760
	83502	83502-KFA1-900	PROTECTOR SEAT CABLE **9000	PROTECTOR SEAT CABLE **9000	1	490
**	83601	83601-KFA3-900	MOLD L SIDE **9000-PB184P	MOLD L SIDE **9000-PB184P C.2002.04.01	1	4760
	83770	83770-KFA1-900	STAY CENTER CLIP **9000 C.2003.06.13	STAY CENTER CLIP **9000 C.2003.06.13	1	230
	90105-KFC2	90105-KFC2-900	BOLT WASH 8*32	BOLT WASH 8*32	3	390
	90112	90112-KFA1-900	BOLT FLANGE 6MM	BOLT FLANGE 6MM	1	160
	90164	90164-KGBG-900	SCREW SPECIAL 6MM	SCREW SPECIAL 6MM	1	60
	90215	90215-GLM0-910	NUT CAP 6MM	NUT CAP 6MM	2	160
	90302-KFC2	90302-KFC2-900	BOLT WASHER 5*25	BOLT WASHER 5*25	1	80
	90302-SDA4	90302-SDA4-004	NUT SPRING 4MM	NUT SPRING 4MM	4	60
	90381	90381-GEZ5-001	SCREW SPECIAL 6*17	SCREW SPECIAL 6*17	1	200
	93891-05016	93891-05016-06	SCREW WASHER 5*16	SCREW WASHER 5*16	2	60
	93903-34360	93903-34360	SCREW WASHER 4*12	SCREW WASHER 4*12	3	60

F13



Sales mark 記号	Ref no 参照用番号	Part no パーツ番号	Description 部品名	Reg description 部品名	Regd no 必要個数	Ref Price 希望小売価格(税抜)
------------------	-----------------	------------------	--------------------	------------------------	-----------------	-------------------------

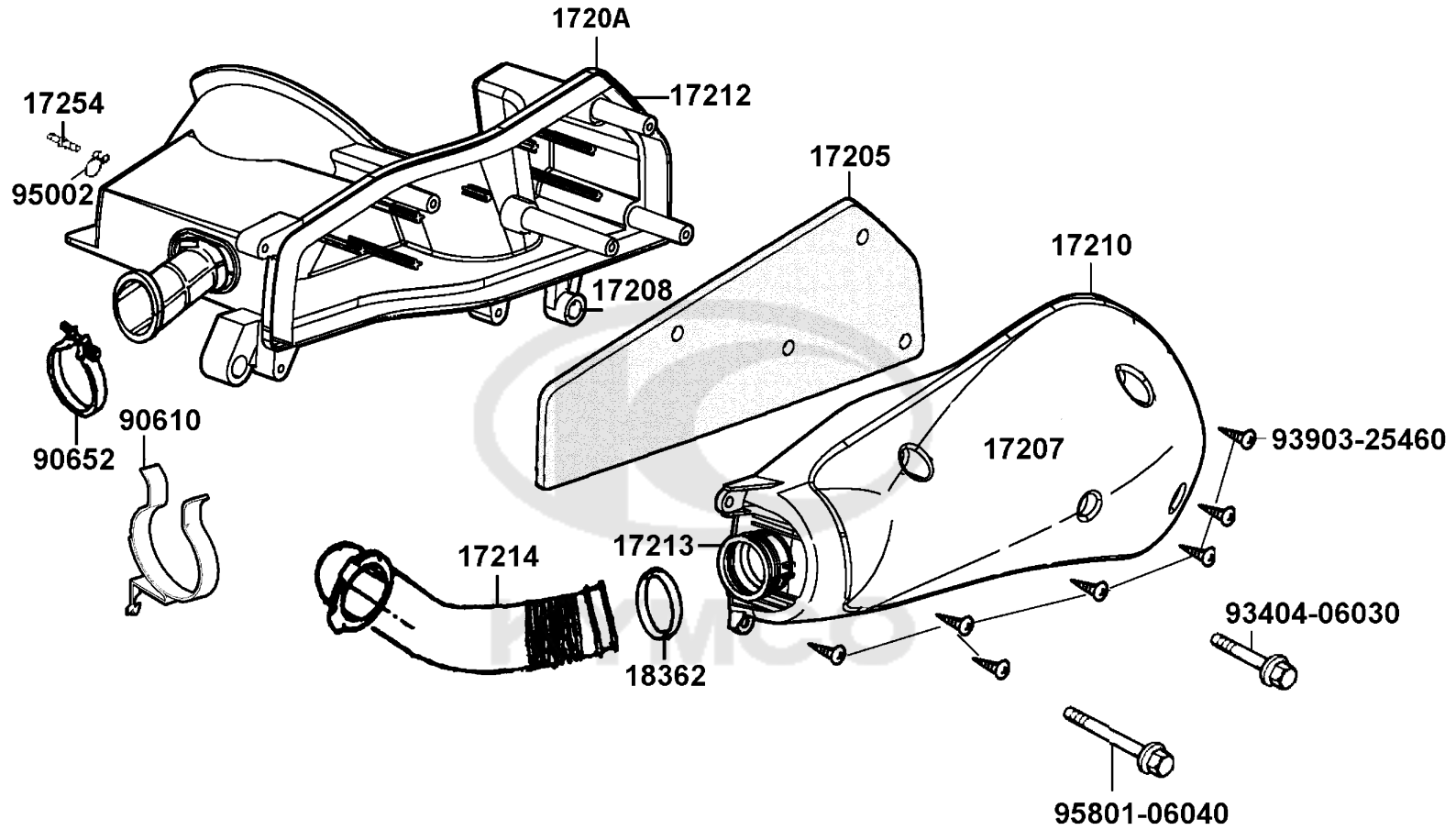
F13

93903-GFY6	93903-GFY6-900	SCREW WASHER 4*12	SCREW WASHER 4*12	4	60
------------	----------------	-------------------	-------------------	---	----



F14

Air Cleaner

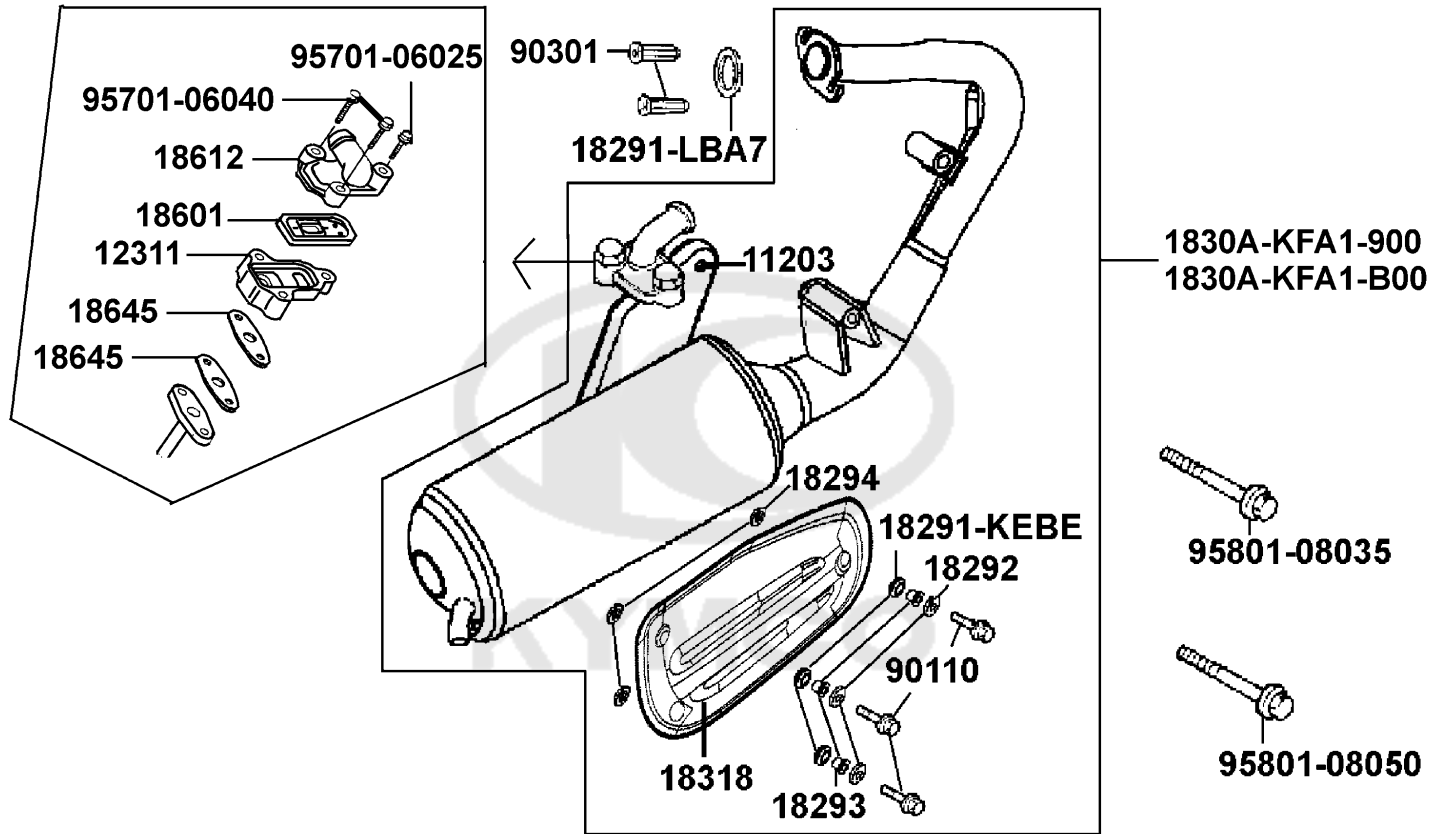


Sales mark 記号	Ref no 参照用番号	Part no パーツ番号	Description 部品名	Reg description 部品名	Regd no 必要個数	Ref Price 希望小売価格(税抜)
17205	17205-KNBN-901	17205-KNBN-901	ELEMENT AIR/C **KBN-9010	ELEMENT AIR/C **KBN-9010 C.2005.09.19	1	1090
17207	17207-KFA1-900	17207-KFA1-900	COVER AIR/C **9000 C.2003.03.10	COVER AIR/C **9000 C.2003.03.10	1	960
17208	17208-GAR1-011	17208-GAR1-011	COLLAR AIR/C SET	COLLAR AIR/C SET	1	110
1720A	1720A-KFA1-910	1720A-KFA1-910	CASE ASSY AIR/C **900 N.C.	CASE ASSY AIR/C **900 N.C.	1	2290
17210	17210-KFA1-900	17210-KFA1-900	COVER COMP AIR/C **(0) C.2007.03.22	COVER COMP AIR/C **(0) C.2007.03.22	1	1730
17212	17212-KNBN-901	17212-KNBN-901	SEAL AIR/C CASE	SEAL AIR/C CASE	1	300
17213	17213-KFA1-900	17213-KFA1-900	DUCT AIR/C INNER **(0) C.2007.03.22	DUCT AIR/C INNER **(0) C.2007.03.22	1	610
17214	17214-KFA1-900	17214-KFA1-900	DUCT AIR/C CONN **9000 C.2005.09.19	DUCT AIR/C CONN **9000 C.2005.09.19	1	770
17254	17254-KACA-P00	17254-KACA-P00	PLUG AIR/C CONN TUBE	PLUG AIR/C CONN TUBE	1	200
18362	18362-KDA4-901	18362-KDA4-901	BAND SILENCR SEAL	BAND SILENCR SEAL	1	390
90610	90610-KRDR-900	90610-KRDR-900	BAND ASSY AIR/C TUBE	BAND ASSY AIR/C TUBE	1	490
90652	90652-KTCT-900	90652-KTCT-900	BAND AIR/C CONN	BAND AIR/C CONN	1	390
93404-06030	93404-06030-06	93404-06030-06	BOLT WASHER 6*30	BOLT WASHER 6*30	1	160
93903-25460	93903-25460	93903-25460	SCREW TAPPING 5*20 **93903-25480	SCREW TAPPING 5*20 **93903-25480 C.2005	7	60
95002	95002-02130	95002-02130	CLIP B12.5 TUBE	CLIP B12.5 TUBE	1	60
95801-06040	95801-06040-06	95801-06040-06	BOLT FLANGE 6*40 (G)	BOLT FLANGE 6*40 (G)	1	390

F14

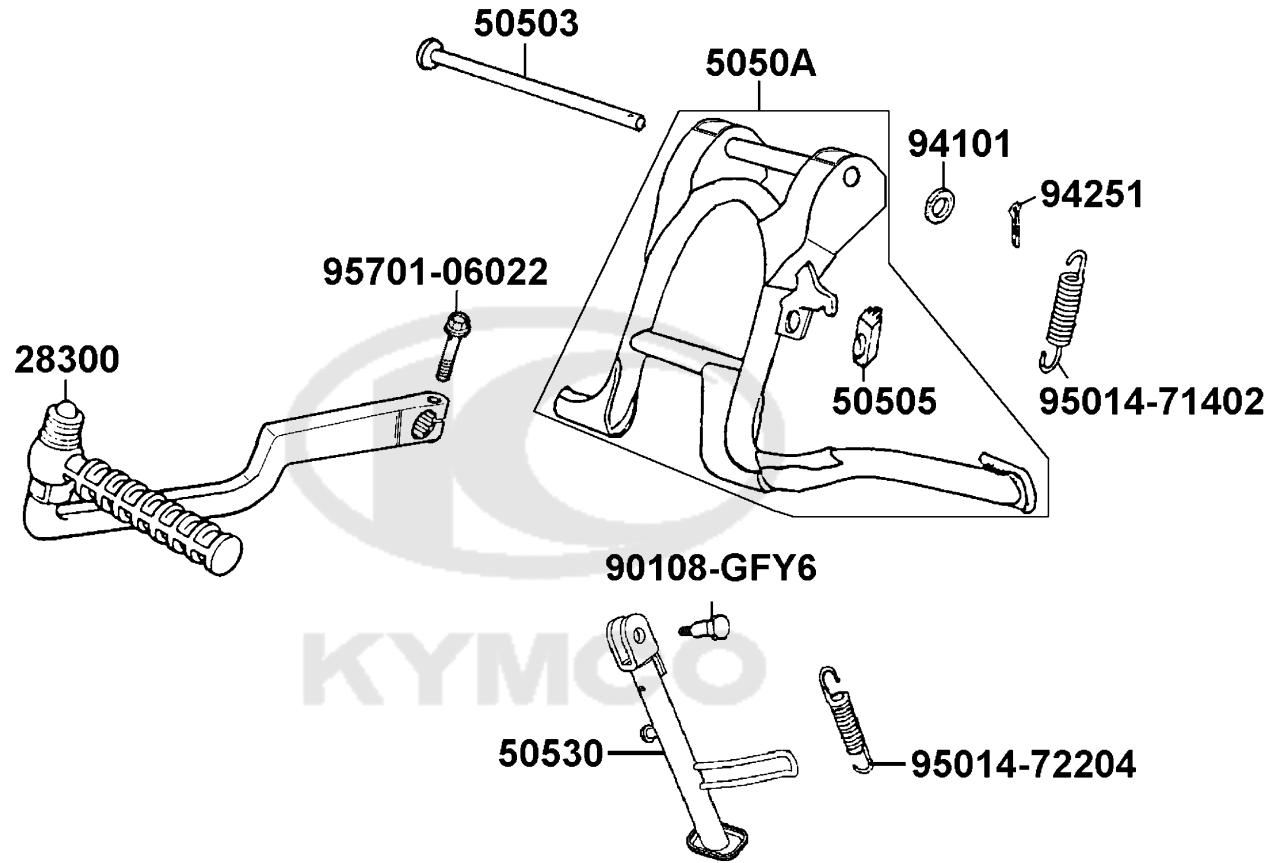
F15

Exhaust Muffler



Sales mark 記号	Ref no 参照用番号	Part no パーツ番号	Description 部品名	Reg description 部品名	Regd no 必要個数	Ref Price 希望小売価格(税抜)
11203		11203-GFY6-901	RUBBER BUSH MUFFLER STAY	RUBBER BUSH MUFFLER STAY	1	320
12311		12311-KFB5-900	BODY REED VALVE	BODY REED VALVE	1	1250
18291-KEBE		18291-KEBE-900	COLLAR	COLLAR	3	60
18291-LBA7		18291-LBA7-900	GASKET EXH PIPE	GASKET EXH PIPE	1	230
18292		18292-KEBE-900	PACKING PROTECTOR	PACKING PROTECTOR	3	60
18293		18293-KEBE-900	RUBBER PKG PROTR	RUBBER PKG PROTR	3	140
18294		18294-KEBE-900	PACKING PROTECTOR	PACKING PROTECTOR	3	110
1830A-KFA1-900		1830A-KFA1-900	MUFFLER ASSY EXHAUST/P112 **(7)	MUFFLER ASSY EXHAUST/P112 **(7)	1	26140
1830A-KFA1-B00		1830A-KFA1-B00	MUFFLER ASSY EXHAUST/P112 **B000-	MUFFLER ASSY EXHAUST/P112 **B000-JP(1	26140
18318		18318-KFA3-900	PROTECTOR MUFFLER	PROTECTOR MUFFLER	1	2870
18601		18601-KFB5-900	VALVE COMP REED	VALVE COMP REED	1	1910
18612		18612-KFB5-900	COVER REED VALVE	COVER REED VALVE	1	870
18645		18645-GFY6-941	GASKET A/I PIPE	GASKET A/I PIPE	2	60
90110		90110-KFA6-900	SCREW SPECIAL 6*18	SCREW SPECIAL 6*18	3	70
90301		90301-KGBG-900	NUT CAP 6MM	NUT CAP 6MM	2	250
95701-06025		95701-06025-06	BOLT FLANGE 6*25	BOLT FLANGE 6*25	1	60
95701-06040		95701-06040-06	BOLT FLANGE 6*40 (C)	BOLT FLANGE 6*40 (C)	2	200
95801-08035		95801-08035-06	BOLT FLANGE 8*35	BOLT FLANGE 8*35	1	60
95801-08050		95801-08050-06	BOLT FLANGE 8*50	BOLT FLANGE 8*50	1	300

F15

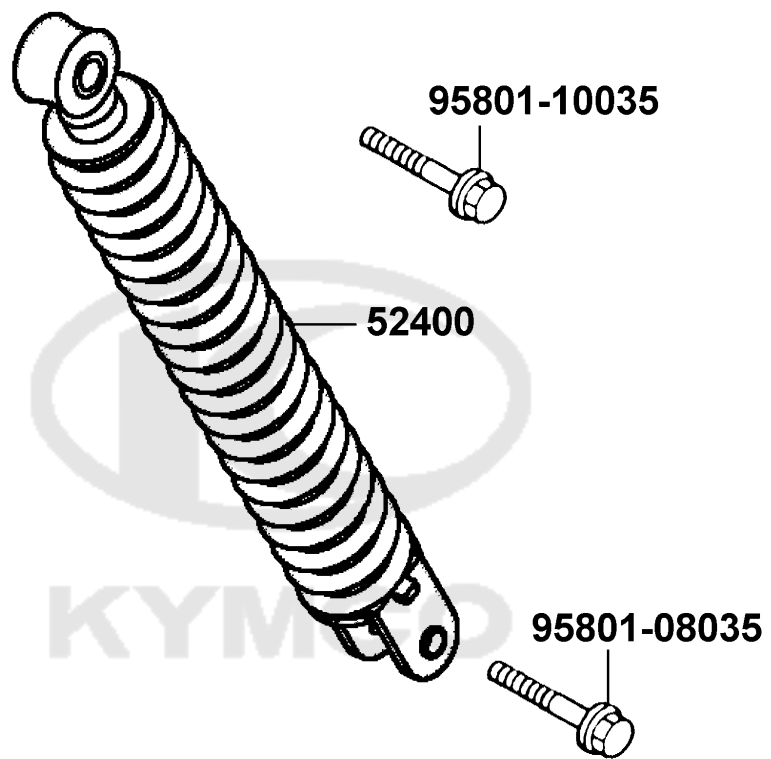


Sales mark 記号	Ref no 参照用番号	Part no パーツ番号	Description 部品名	Reg description 部品名	Regd no 必要個数	Ref Price 希望小売価格(税抜)
28300	28300-KNBN-901	28300-KNBN-901	ARM ASSY KICK STARTER	ARM ASSY KICK STARTER	1	2030
50503	50503-KNBN-901	50503-KNBN-901	SHAFT MAIN STAND	SHAFT MAIN STAND	1	390
50505	50505-GAR1-711	50505-GAR1-711	STOPPER RUBBER STAND	STOPPER RUBBER STAND	1	110
5050A	5050A-KFA1-900	5050A-KFA1-900	STAND ASSY MAIN **(2) C.2007.03.22	STAND ASSY MAIN **(2) C.2007.03.22	1	6090
50530	50530-KFA1-900	50530-KFA1-900	BAR SIDE STAND **9000 C.2003.09.06	BAR SIDE STAND **9000 C.2003.09.06	1	1060
90108-GFY6	90108-GFY6-901	90108-GFY6-901	SCREW SIDE STAND PIVOT	SCREW SIDE STAND PIVOT	1	130
94101	94101-08600	94101-08600	WASHER PLAIN 6.5*18*105	WASHER PLAIN 6.5*18*105	1	200
94251	94251-08400	94251-08400	PIN LOCK 8MM	PIN LOCK 8MM	1	160
95014-71402	95014-71402	95014-71402	SPRING D MAIN STAND	SPRING D MAIN STAND	1	60
95014-72204	95014-72204	95014-72204	SPG B1 SIDE STAND	SPG B1 SIDE STAND	1	300
95701-06022	95701-06022-06	95701-06022-06	BOLT FLANGE 6*22	BOLT FLANGE 6*22	1	60

F16

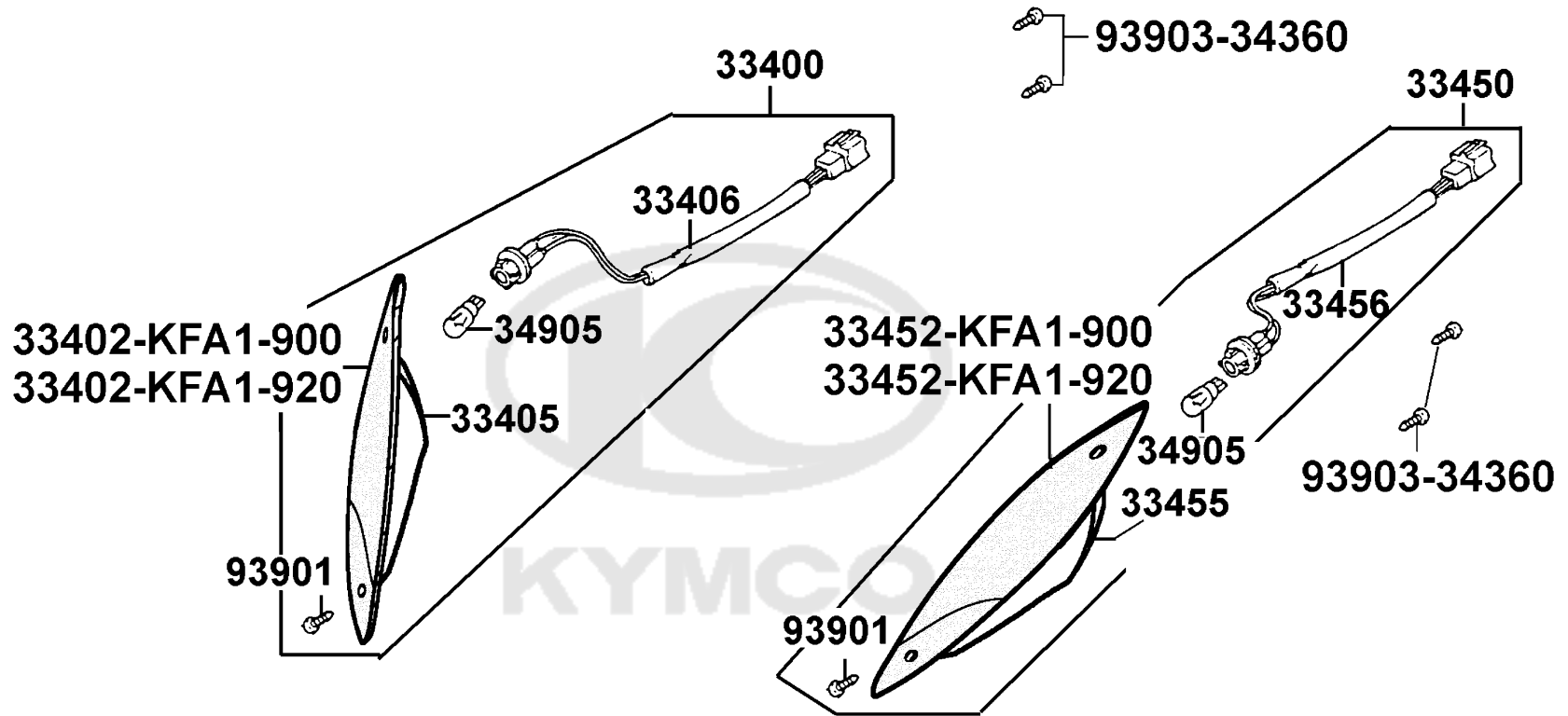
F17

Rear Cushion



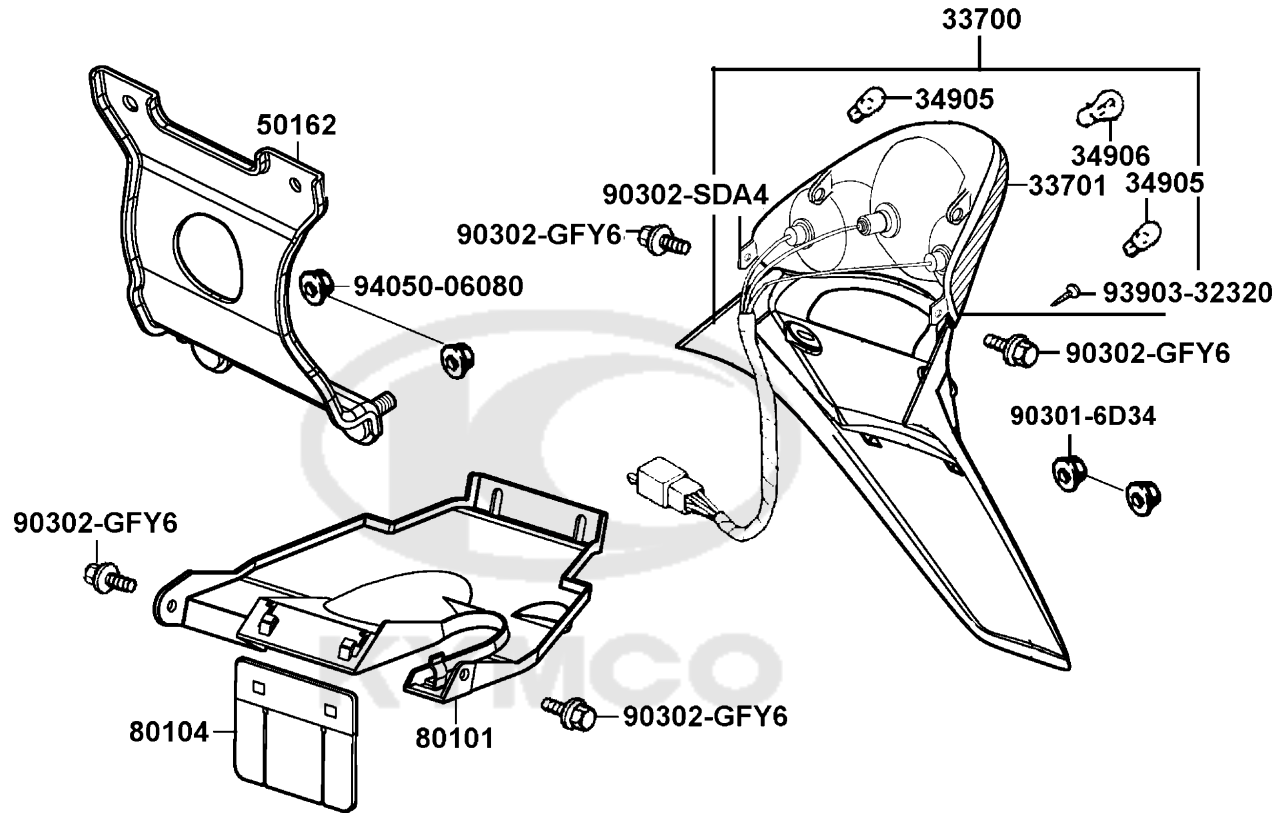
Sales mark 記号	Ref no 参照用番号	Part no パーツ番号	Description 部品名	Reg description 部品名	Regd no 必要個数	Ref Price 希望小売価格(税抜)	F17
**	52400	52400-KFA1-900	CUSHION ASSY REAR	CUSHION ASSY REAR	1	5710	
	95801-08035	95801-08035-06	BOLT FLANGE 8*35	BOLT FLANGE 8*35	1	60	
	95801-10035	95801-10035-06	BOLT FLANGE 10*35	BOLT FLANGE 10*35	1	300	





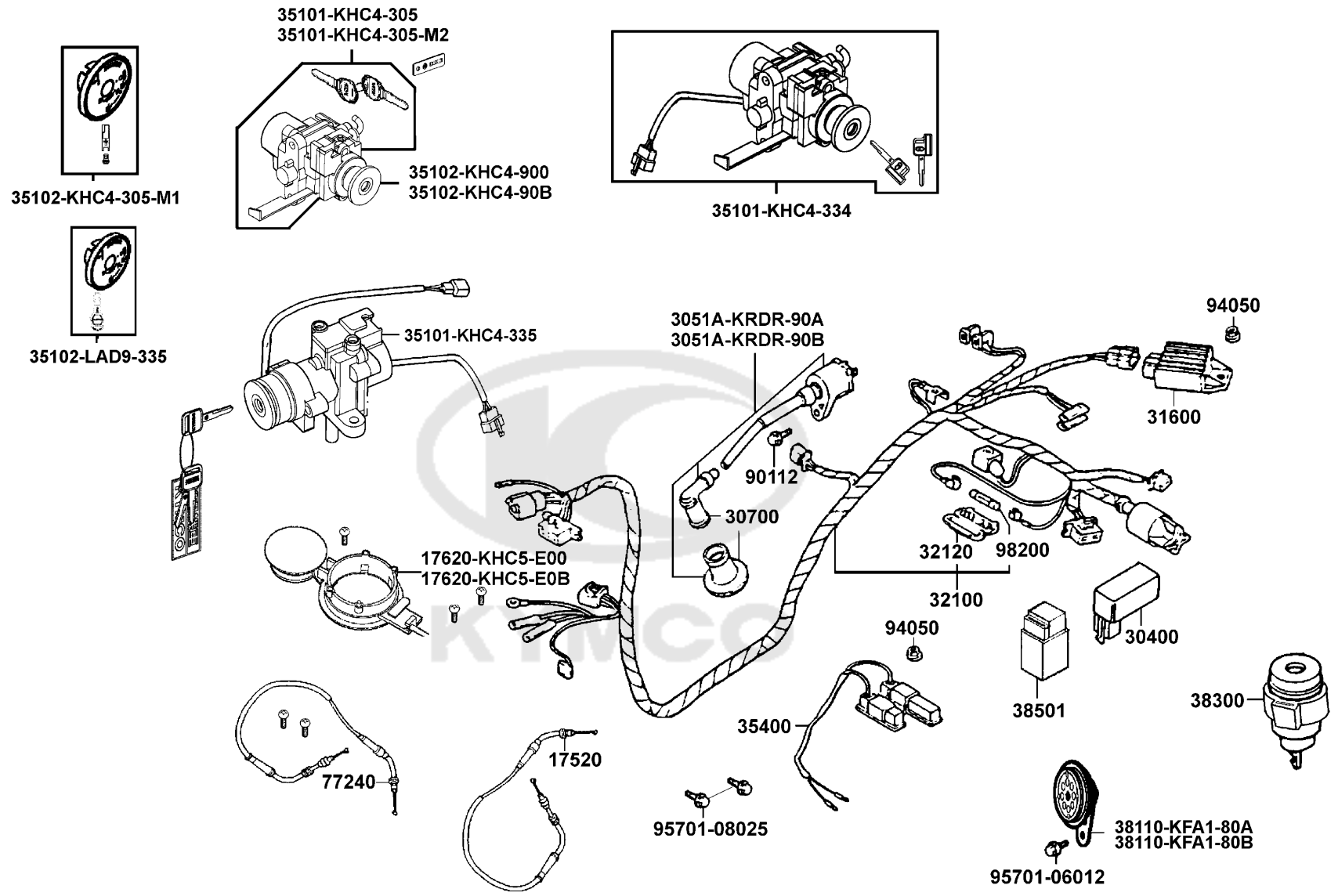
Sales mark 記号	Ref no 参照用番号	Part no パーツ番号	Description 部品名	Reg description 部品名	Regd no 必要個数	Ref Price 希望小売価 格(税抜)
	33400	33400-KFA1-920	WINKER ASSY R FR	WINKER ASSY R FR	1	1850
	33402-KFA1-900	33402-KFA1-900	LENS A R FR WINKER	LENS A R FR WINKER	1	420
	33402-KFA1-920	33402-KFA1-920	LENS R FR WINKER	LENS R FR WINKER	1	390
	33405	33405-KFA1-900	BASE R FR WINKER	BASE R FR WINKER	1	630
	33406	33406-KFA1-900	SOCKET COMP R FR WINKER	SOCKET COMP R FR WINKER	1	630
	33450	33450-KFA1-920	WINKER ASSY L FR	WINKER ASSY L FR	1	1850
	33452-KFA1-900	33452-KFA1-900	LENS A L FR WINKER **9000	LENS A L FR WINKER **9000	1	420
	33452-KFA1-920	33452-KFA1-920	LENS L FR WINKER	LENS L FR WINKER	1	390
	33455	33455-KFA1-900	BASE L FR WINKER	BASE L FR WINKER	1	630
	33456	33456-KFA1-900	SOCKET COMP L FR WINKER	SOCKET COMP L FR WINKER	1	630
	34905	34905-KMCM-900	BULB WINKER	BULB WINKER	2	320
	93901	93901-32510	SCREW TAPPING 3*12	SCREW TAPPING 3*12	4	60
	93903-34360	93903-34360	SCREW WASHER 4*12	SCREW WASHER 4*12	4	60

F18



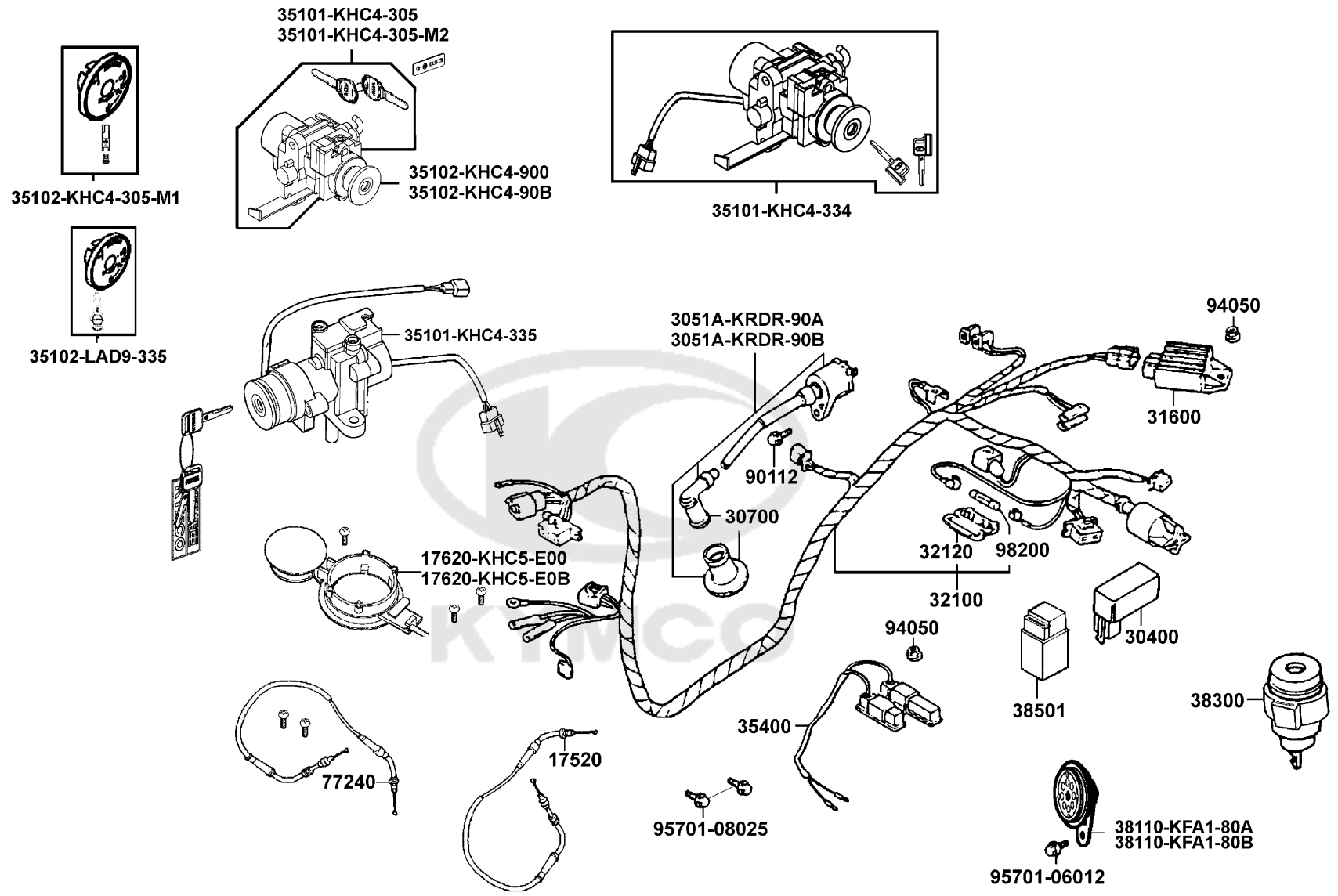
Sales mark 記号	Ref no 参照用番号	Part no パーツ番号	Description 部品名	Reg description 部品名	Regd no 必要個数	Ref Price 希望小売価格(税抜)
	33700	33700-KFA1-900	LIGHT ASSY RR COMP ** (6) C.2007.03.22	LIGHT ASSY RR COMP ** (6) C.2007.03.22	1	5710
	33701	33701-KFA1-900	LENS COMP TAIL LIGHT	LENS COMP TAIL LIGHT	1	1470
	34905	34905-GKM9-003	BULB WINKER	BULB WINKER	2	210
	34906	34906-2H68-601	BULB TAIL LIGHT	BULB TAIL LIGHT	1	300
	50162	50162-KFA1-900	STAY TAIL LIGHT	STAY TAIL LIGHT	1	960
**	80101	80101-KFA1-900	FENDER A REAR **900 C.	FENDER A REAR **900 C.	1	870
	80104	80104-KNBN-901	PLATE SPLASH GUARD **KBN-9010	PLATE SPLASH GUARD **KBN-9010	1	230
	90301-6D34	90301-6D34-671	NUT FLANGE 6MM	NUT FLANGE 6MM	2	60
	90302-GFY6	90302-GFY6-901	BOLT WASH 5*12 ** (1) C.V.	BOLT WASH 5*12 ** (1) C.V.	4	60
	90302-SDA4	90302-SDA4-004	NUT SPRING 4MM	NUT SPRING 4MM	2	60
	93903-32320	93903-32320	SCREW TAPPING 3*12	SCREW TAPPING 3*12	2	60
	94050-06080	94050-06080	NUT FLANGE 6MM	NUT FLANGE 6MM	2	60

F19

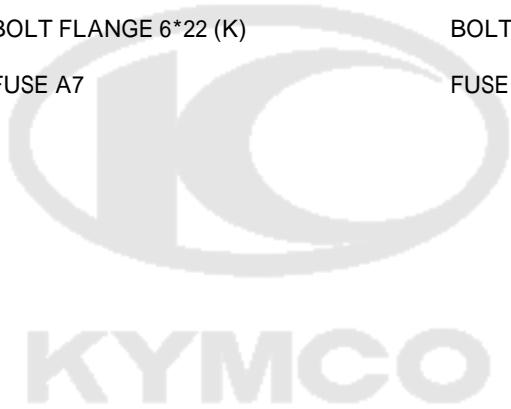


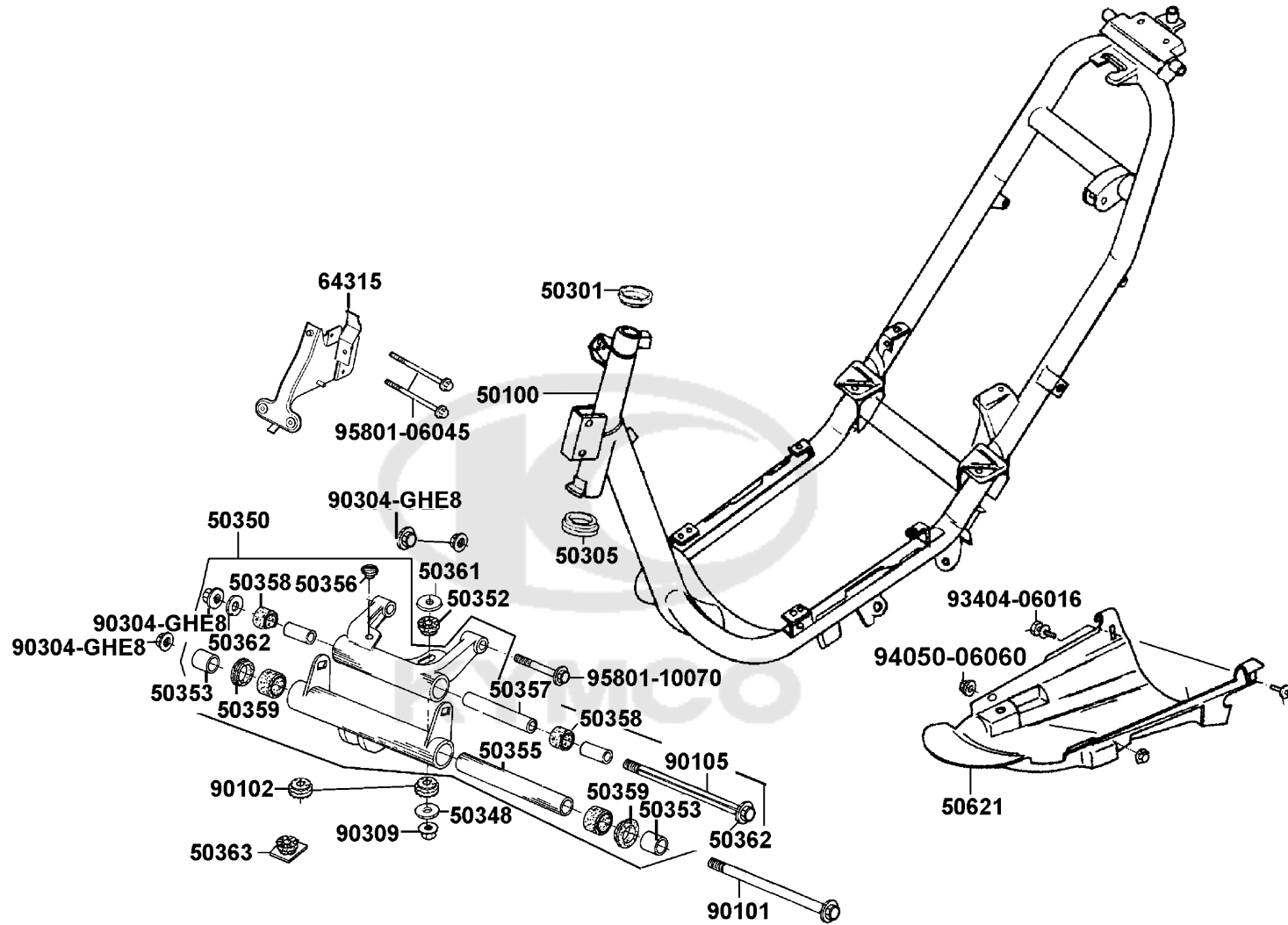
Sales mark 記号	Ref no 参照用番号	Part no パーツ番号	Description 部品名	Reg description 部品名	Regd no 必要個数	Ref Price 希望小売価格(税抜)
17520	17520-KFA1-910	17520-KFA1-910	CABLE COMP FUEL CAP **9100	CABLE COMP FUEL CAP **9100	1	1250
17620-KHC5-E00	17620-KHC5-E00	17620-KHC5-E00	CAP COMP FUEL FILLER	CAP COMP FUEL FILLER	1	3910
17620-KHC5-E0B	17620-KHC5-E0B	17620-KHC5-E0B	CAP COMP FUEL FILLER	CAP COMP FUEL FILLER	1	3910
30400	30400-GKAK-901	30400-GKAK-901	UNIT ASSY CDI	UNIT ASSY CDI	1	3430
3051A-KRDR-90A	3051A-KRDR-90A	3051A-KRDR-90A	COIL ASSY ING	COIL ASSY ING	1	3620
3051A-KRDR-90B	3051A-KRDR-90B	3051A-KRDR-90B	COIL ASSY ING	COIL ASSY ING	1	3620
30700	30700-KNBN-901	30700-KNBN-901	CAP ASSY NOISE SUPPRESOR	CAP ASSY NOISE SUPPRESOR	1	970
31600	31600-KUDU-900	31600-KUDU-900	REG REC COMP	REG REC COMP	1	2960
32100	32100-KFA2-B20	32100-KFA2-B20	HARNESS WIRE **(2) C.2003.05.01	HARNESS WIRE **(2) C.2003.05.01	1	8370
32120	32120-1E55-001	32120-1E55-001	CASE FUSE 7A	CASE FUSE 7A	1	110
35101-KHC4-305	35101-KHC4-305	35101-KHC4-305	SW SET COMB & LOCK	SW SET COMB & LOCK	1	9890
35101-KHC4-305-M2	35101-KHC4-305-M2	35101-KHC4-305-M2	SW SET COMB & LOCK	SW SET COMB & LOCK	1	9890
35101-KHC4-334	35101-KHC4-334	35101-KHC4-334	SW SET COMB LOCK/FOR SERVICE	SW SET COMB LOCK/FOR SERVICE	1	12360
35101-KHC4-335	35101-KHC4-335	35101-KHC4-335	YW COMB & LOCK SET/FOR SERVICE	YW COMB & LOCK SET/FOR SERVICE	1	12360
35102-KHC4-305-M1	35102-KHC4-305-M1	35102-KHC4-305-M1	SHUTTER SET MAGNETIC LOCK	SHUTTER SET MAGNETIC LOCK	1	6660
35102-KHC4-900	35102-KHC4-900	35102-KHC4-900	COLLAR MAIN SW	COLLAR MAIN SW	1	300
35102-KHC4-90B	35102-KHC4-90B	35102-KHC4-90B	COLLAR MAIN SW	COLLAR MAIN SW	1	300
35102-LAD9-335	35102-LAD9-335	35102-LAD9-335	SHUTTER MAGNETIC LOCK SET/SD	SHUTTER MAGNETIC LOCK SET/SD	1	5140
35400	35400-KEB8-B00	35400-KEB8-B00	RESISTOR COMP	RESISTOR COMP	1	1110
38110-KFA1-80A	38110-KFA1-80A	38110-KFA1-80A	HORN COMP	HORN COMP	1	1960

F20

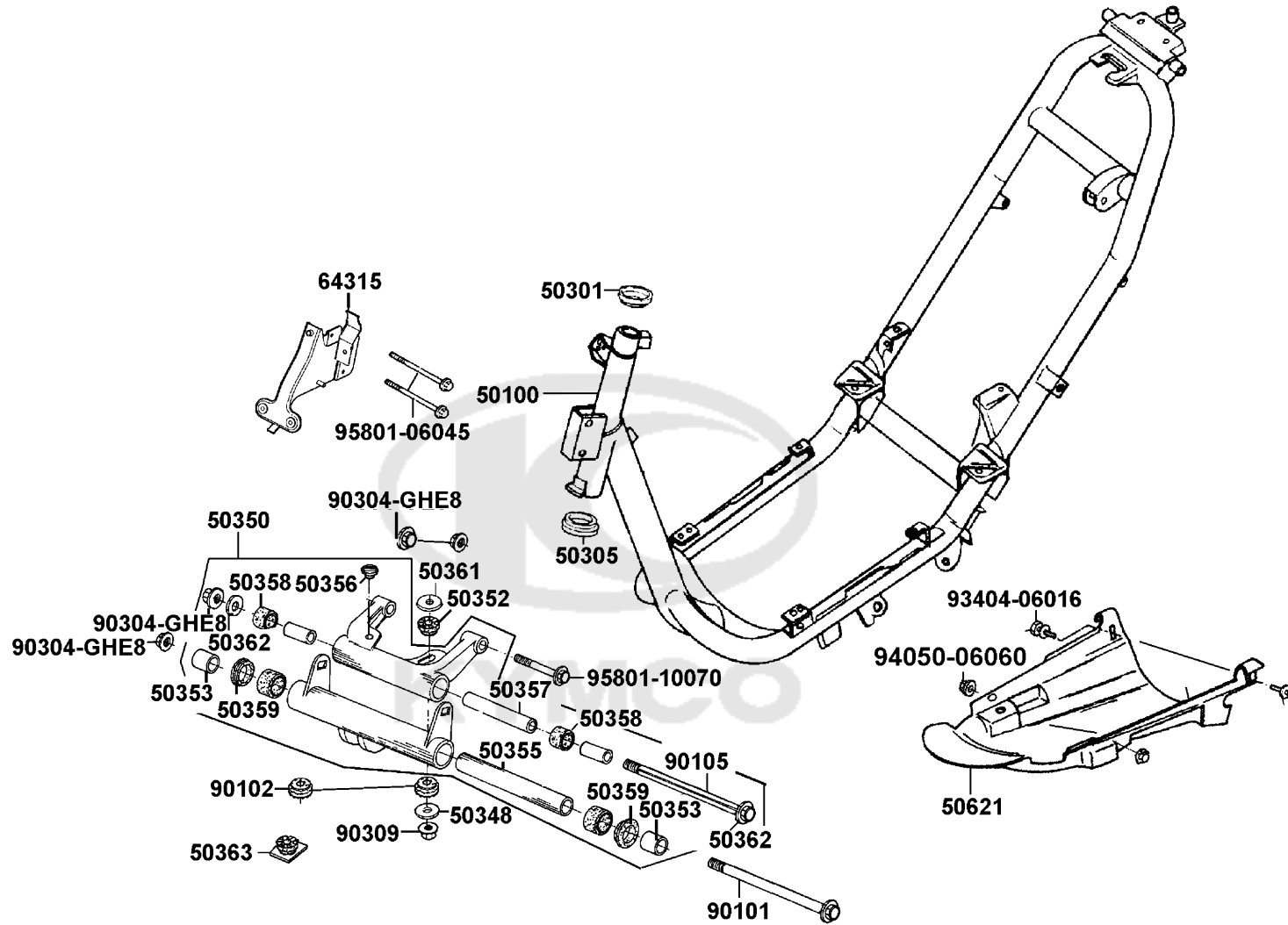


Sales mark 記号	Ref no 参照用番号	Part no パーツ番号	Description 部品名	Reg description 部品名	Regd no 必要個数	Ref Price 希望小売価格(税抜)	F20
	38110-KFA1-80B	38110-KFA1-80B	HORN COMP	HORN COMP	1	1250	
	38300	38300-KECE-900	RELAY ASSY WINKER	RELAY ASSY WINKER	1	2530	
	38501	38501-GBW2-902	RELAY COMP START	RELAY COMP START	1	2300	
	77240	77240-KFA1-900	CABLE COMP SEAT LOCK **9000	CABLE COMP SEAT LOCK **9000	1	1440	
	90112	90112-KRDR-900	BOLT FLANGE 5*22	BOLT FLANGE 5*22	1	130	
	94050	94050-06080	NUT FLANGE 6MM	NUT FLANGE 6MM	2	60	
	95701-06012	95701-06012-06	BOLT FLANGE 6*22 (K)	BOLT FLANGE 6*22 (K)	1	60	
	95701-08025	95701-08025-06	BOLT FLANGE 6*22 (K)	BOLT FLANGE 6*22 (K)	1	60	
	98200	98200-10700	FUSE A7	FUSE A7	1	60	



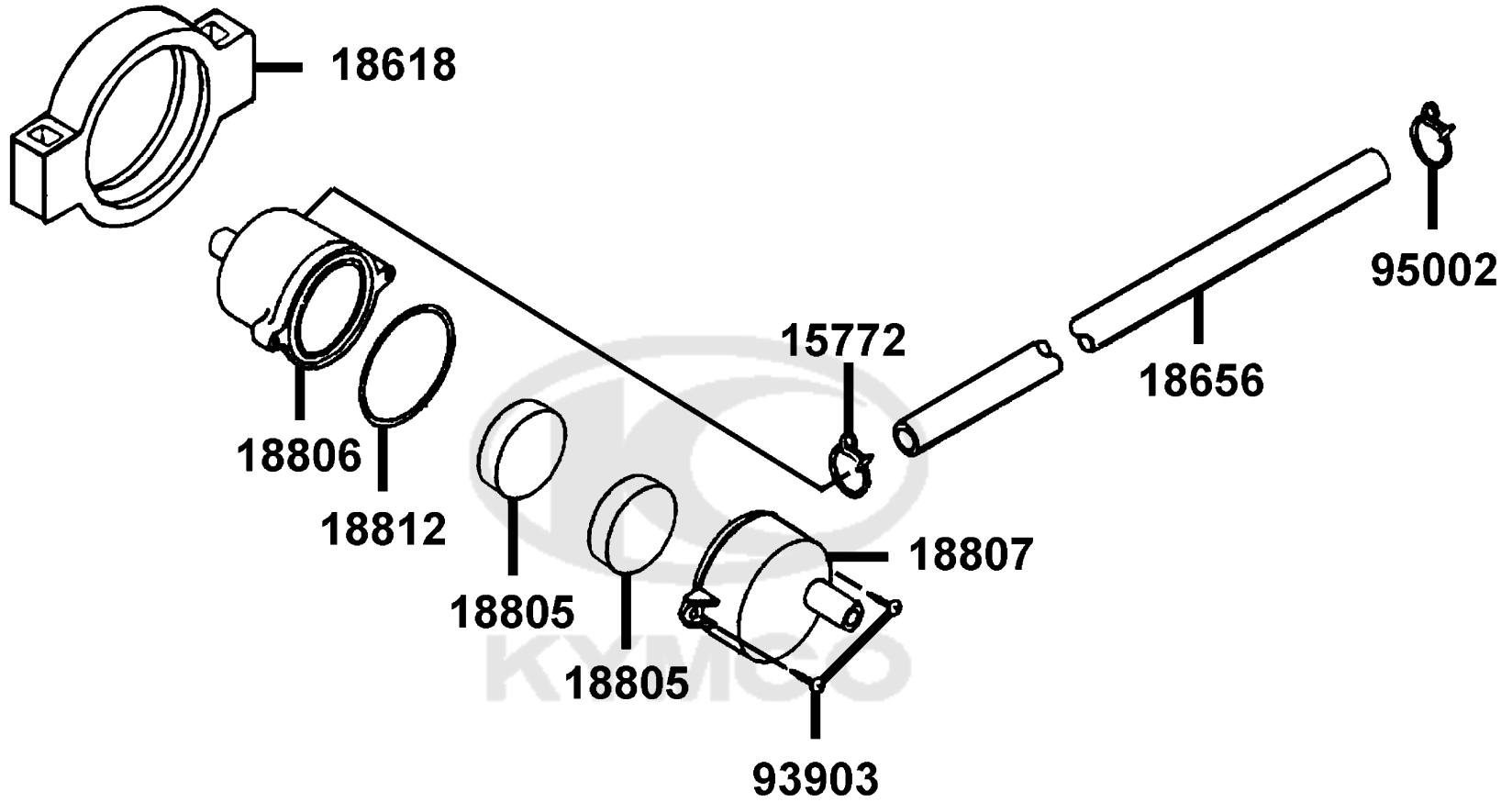


Sales mark 記号	Ref no 参照用番号	Part no パーツ番号	Description 部品名	Reg description 部品名	Regd no 必要個数	Ref Price 希望小売価 格(税抜)	F21
	50100	50100-KFA1-B00	BODY COMP **(6) C.2006.06.13	BODY COMP **(6) C.2006.06.13	1	48670	
	50301	50301-GLM0-001	RACE UP STRG BALL	RACE UP STRG BALL	1	440	
	50305	50305-GHC8-004	RACE (UNDER STR) BALL	RACE (UNDER STR) BALL	1	420	
	50348	50348-KGN7-671	WASHER ENG HANGER STPR	WASHER ENG HANGER STPR	1	110	
	50350	50350-KNBN-200	HANGER ASSY ENG	HANGER ASSY ENG	1	11220	
	50352	50352-KNBN-200	RUB A/ENG HANGER STRP	RUB A/ENG HANGER STRP	1	420	
	50353	50353-KNBN-200	BUSH A ENG HANGER **(2) C.2007.04.04	BUSH A ENG HANGER **(2) C.2007.04.04	2	440	
	50355	50355-KNBN-200	COLLAR A ENG HANGER **(0) C	COLLAR A ENG HANGER **(0) C 2007.03.28	1	420	
	50356	50356-KNBN-200	RUBBER C ENG HANGE STPR	RUBBER C ENG HANGE STPR	1	440	
	50357	50357-KNBN-200	COLLAR B ENG HANGER **KBN-2000	COLLAR B ENG HANGER **KBN-2000	1	420	
	50358	50358-KNBN-200	RUBBER BUSH ENG HANGER **KBN-	RUBBER BUSH ENG HANGER **KBN-2000	2	350	
	50359	50359-KNBN-200	BEARING ENG HANGER	BEARING ENG HANGER	2	250	
	50361	50361-KNBN-200	CAP STPR RUBBER	CAP STPR RUBBER	1	200	
	50362	50362-KNBN-200	SQUARE WASHER **KBN-2000	SQUARE WASHER **KBN-2000 C.2005.09.19	2	110	
	50363	50363-KNBN-200	RUBBER B ENG HANGER **(0)	RUBBER B ENG HANGER **(0) C.2007.03.22	1	350	
**	50621	50621-KNBN-901	COVER UNDER **901 C.	COVER UNDER **901 C.	1	1150	
	64315	64315-KFA1-900	STAY FR COVER **9000 C.2003.01.29	STAY FR COVER **9000 C.2003.01.29	1	2480	
	90101	90101-KNBN-200	BOLT FLANGE 10*275	BOLT FLANGE 10*275	1	770	
	90102	90102-KNBN-900	PLUG HOSE	PLUG HOSE	2	110	
	90105	90105-KNBN-200	SQUARE BOLT 10*230 **KBN	SQUARE BOLT 10*230 **KBN C.2005.09.19	1	1060	

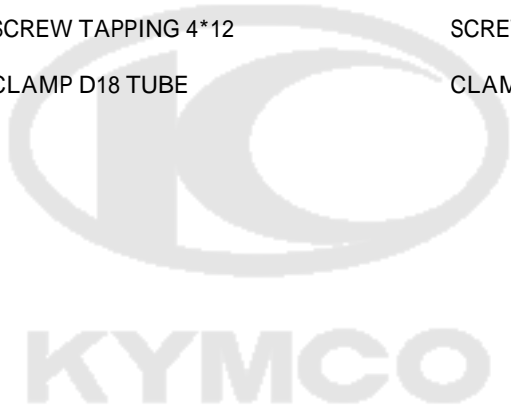


Sales mark 記号	Ref no 参照用番号	Part no パーツ番号	Description 部品名	Reg description 部品名	Regd no 必要個数	Ref Price 希望小売価格(税抜)	F21
90304-GHE8		90304-GHE8-004	NUT CAP 6MM	NUT CAP 6MM	4	200	
90309		90309-GLW0-90A	NUT U FLANGE 8MM	NUT U FLANGE 8MM	1	110	
93404-06016		93404-06016-06	BOLT WASHER 6*16	BOLT WASHER 6*16	2	60	
94050-06060		94050-06060	NUT FLANGE 6MM	NUT FLANGE 6MM	2	60	
95801-06045		95801-06045-06	BOLT FLANGE 6*45 (G)	BOLT FLANGE 6*45 (G)	1	390	
95801-10070		95801-10070-06	BOLT FLANGE 10*70	BOLT FLANGE 10*70	1	320	





Sales mark 記号	Ref no 参照用番号	Part no パーツ番号	Description 部品名	Reg description 部品名	Regd no 必要個数	Ref Price 希望小売価格(税抜)	F22
15772		15772-5L00-013	CLIP B14.5 TUBE	CLIP B14.5 TUBE	1	60	
18618		18618-KBE2-900	RUBBER AI CLEANER MOUNT	RUBBER AI CLEANER MOUNT	1	330	
18656		18656-KFA1-900	DUCT AIR/C-REED VALVE **9000	DUCT AIR/C-REED VALVE **9000	1	610	
18805		18805-KHB4-910	ELEMENT AI CLEANER	ELEMENT AI CLEANER	2	960	
18806		18806-KFA1-900	CASE AIR/C **9000 C.2006.01.13	CASE AIR/C **9000 C.2006.01.13	1	230	
18807		18807-KFA1-900	COVER AIR/C **9000 C.2006.01.13	COVER AIR/C **9000 C.2006.01.13	1	200	
18812		18812-KBE2-900	SEAL AI CLEANER COVER	SEAL AI CLEANER COVER	1	230	
93903		93903-24320	SCREW TAPPING 4*12	SCREW TAPPING 4*12	2	60	
95002		95002-KKD6-E05	CLAMP D18 TUBE	CLAMP D18 TUBE	1	300	



<ul style="list-style-type: none"> ● Be sure to wear a safety helmet when riding. ● Do not exceed the speed specified by law when riding. ● The exhaust muffler temperature is very high after riding. Be sure to park the motorcycle in a place not easily touched by people. ● For riding safety and good performance, do not violate the law to modify the motorcycle. 	<ul style="list-style-type: none"> ● Make sure to perform the periodic maintenance and provide inspection.
<p>◀ Pre-ride Inspection Items ▶</p> <p>Brake performance, tires, 2-cycle motor oil, lights, horn, and instrument panel.</p> <p>KWANG YANG MOTOR CO., LTD.</p>	
<small>© Please read the User's Manual carefully to ensure riding safety. KEN-E000</small>	

87560 87505

CAUTIONS		
Tire Size	:Front 90/90-10 50J	Rear 100/80-10 53J
(One Rider)	:Front 1.50kgf/cm ²	Rear 2.00kgf/cm ²
(Two Rider)	:Front 1.75kgf/cm ²	Rear 2.25kgf/cm ²
Load Capacity:	Shield 1.5kg	Clip assy center 3kg
(As per KYMCO standard specification)		
(Note: The tire pressure must not overpass 2.50kgf/cm ²)		
<ul style="list-style-type: none"> ● Check the motor oil level with the dipstick after refilling motor oil. 		
<small>KHCS-E000</small>		

USE UNLEADED GASOLINE ONLY

87501

CAUTIONS	
Never put any article between the rear side cover and the engine to avoid interference of riding.	
<small>GM9-300</small>	

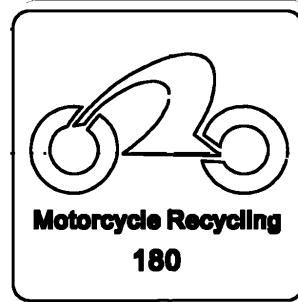
87542 87541

CAUTIONS	
Before starting the engine, the side stand shall be kicked up to secure safety.	

Sales mark 記号	Ref no 参照用番号	Part no パーツ番号	Description 部品名	Reg description 部品名	Regd no 必要個数	Ref Price 希望小売価格(税抜)	F23
------------------	-----------------	------------------	--------------------	------------------------	-----------------	-------------------------	-----

**	87501	87501-KRDR-E00	CAUTION USE GAS ONLY	CAUTION USE GAS ONLY	1	200	
**	87505	87505-KHC5-E00	LABEL TIRE **E00 C.2006.10.24	LABEL TIRE **E00 C.2006.10.24	1	200	
**	87541	87541-GAR1-E00	CAUTION SIDE STAND	CAUTION SIDE STAND	1	200	
**	87542	87542-GAR1-E00	MARK MAINT CAUTION	MARK MAINT CAUTION	1	200	
**	87560	87560-KNBN-E00	MARK DRIVE CAUTION	MARK DRIVE CAUTION	1	200	





87311



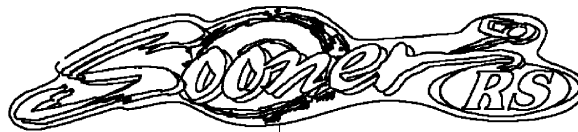
87140



87206



86202



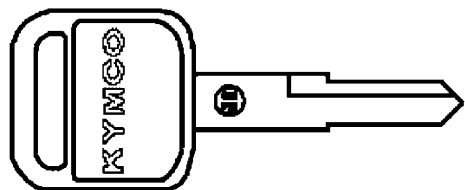
86201

Sales mark 記号	Ref no 参照用番号	Part no パーツ番号	Description 部品名	Reg description 部品名	Regd no 必要個数	Ref Price 希望小売価格(税抜)	F24
**	86201	86201-KFA1-B20	STRIPE BODY COVER	STRIPE BODY COVER	2	870	
**	87140	87140-KFA1-B20	STRIPE MARK Z	STRIPE MARK Z	2	300	
**	87206	87206-GFY6-900	EMB MARK KYMCO	EMB MARK KYMCO	1	580	
**	87311	87311-LAD9-B20	STRIPE R MARK	EMB MARK ABS	1	200	

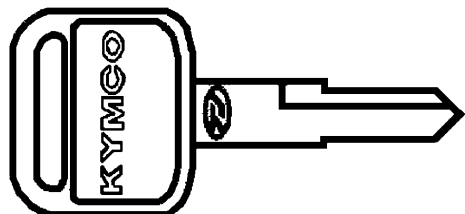


F25

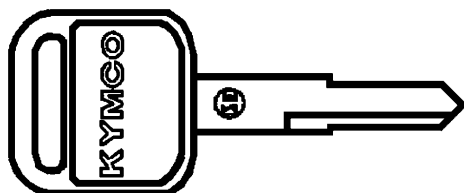
Key



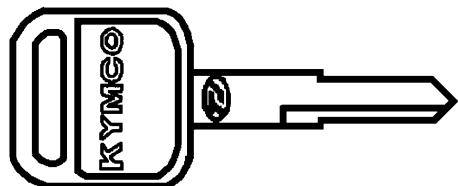
35111-KHC5-305-M1



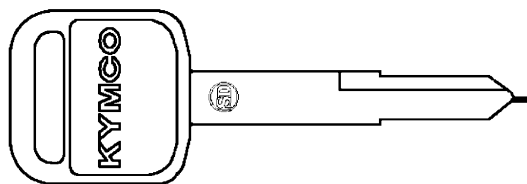
35111-KHC5-305-M2



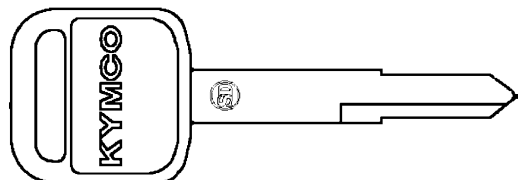
35111-KHC5-306-M1



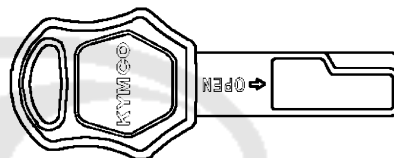
35111-KHC5-306-M2



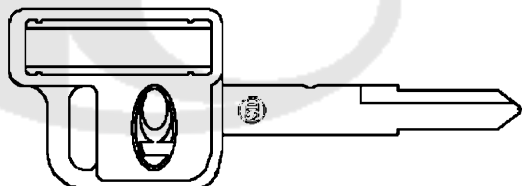
35111-LBA2-305-T01



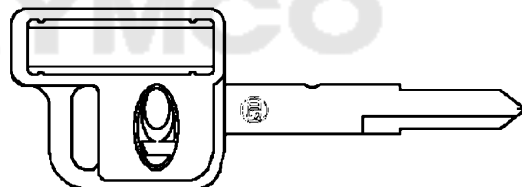
35111-LBA2-305-T02



35111-KKC4-335-M1



35111-KHC4-305-M1



35111-KHC4-315-M1



35111-KHC4-308-M1

Sales mark 記号	Ref no 参照用番号	Part no パーツ番号	Description 部品名	Reg description 部品名	Regd no 必要個数	Ref Price 希望小売価格(税抜)	F25
35111-KHC4-305-M1	35111-KHC4-305-M1	35111-KHC4-305-M1	KEY MAIN SWITCH/RAW	KEY MAIN SWITCH/RAW	1	960	
35111-KHC4-308-M1	35111-KHC4-308-M1	35111-KHC4-308-M1	KEY COMP/SHUTTER MAGNETIC LOCK	KEY COMP/SHUTTER MAGNETIC LOCK	1	3620	
35111-KHC4-315-M1	35111-KHC4-315-M1	35111-KHC4-315-M1	KEY MAIN SWITCH /RAW	KEY MAIN SWITCH /RAW	1	960	
35111-KHC5-305-M1	35111-KHC5-305-M1	35111-KHC5-305-M1	KEY COMP	KEY COMP	1	680	
35111-KHC5-305-M2	35111-KHC5-305-M2	35111-KHC5-305-M2	KEY COMP	KEY COMP	1	680	
35111-KHC5-306-M1	35111-KHC5-306-M1	35111-KHC5-306-M1	KEY COMP	KEY COMP	1	680	
35111-KHC5-306-M2	35111-KHC5-306-M2	35111-KHC5-306-M2	KEY COMP	KEY COMP	1	680	
35111-KKC4-335-M1	35111-KKC4-335-M1	35111-KKC4-335-M1	KEY COMP/SHUTTER MAGNETIC	KEY COMP/SHUTTER MAGNETIC	1	3240	
35111-LBA2-305-	35111-LBA2-305-T01	35111-LBA2-305-T01	KEY COMP(R TANGENT PLANE/SD)	KEY COMP(R TANGENT PLANE/SD)	1	870	
35111-LBA2-305-	35111-LBA2-305-T02	35111-LBA2-305-T02	KEY COMP (L TANGENT PLANE/SD)	KEY COMP (L TANGENT PLANE/SD)	1	870	



PART NO. INDEX
 パーツ番号 検索

PART NO. パーツ番号	VERSION バージョン	PAGE ページ	PART NO. パーツ番号	VERSION バージョン	PAGE ページ	PART NO. パーツ番号	VERSION バージョン	PAGE ページ
1000			11203-GGC7-301	2	E09			
			11203-KHG8-301	2	E08	14000		
			11204-KNBN-901	0	E09			
1001-GW3H-0351	0	E11	11205-GHAH-004	0	E09	14100-KFA1-910	2	E09
1010-GAKH-9200	0	E11	11205-KNBN-901	0	E09			
1020-GAKH-9300	0	E11	11341-KBCB-900	0	E05	15000		
103J-073H-9900-SB00	0	E11	11386-GFY6-900	0	E01			
105B-KBNH-9000	0	E11	11395-GKAK-901	0	E05	15100-KFA1-900	3	E09
1090-873-2001	0	E11	12000			15110-KFA1-9100	0	E09
1230-858-7000	0	E11				1552A-KNBN-950	3	E09
1300-GW0H-9000-K	0	E11	12101-KFA1-910	0	E02	15772-5A51-001	1	F12
1785-KBNH-9000-SB0	0	E11	12191-LBD3-900	1	E02	15772-5L00-013	1	F22
1787-KG8H-9010	0	E11	12201-GKAK-921	0	E02	16000		
1793-144H-9900	0	E11	12251-GKAK-902	0	E02			
1799-KBNH-9000	0	E11	12311-KFB5-900	2	F15	1610K-KFA1-B20	2	E11
4000			13000			16152-KG8-9010-M1	0	E11
4000-231-0000	0	E11	13000-GKAK-921	9	E10	1621A-GKAK-901	0	E09
11000			13011-GKAK-91A	0	E10	16700-GKAK-220	2	F10
11100-GKAK-325	4	E09	13101-GKAK-902	1	E10	16702-KNBN-901	1	F10
11102-1G87-004	3	E09	13111-1F66-001	2	E10	1671A-KNBN-901	1	F10
11200-GKAK-326	1	E09	13115-1F56-001	0	E10	1691A-KEC2-E00	0	F10
11203-GFY6-901	0	F15				17000		
						17100-KFA1-B00	1	E09

PART NO. INDEX
 パーツ番号 検索

PART NO. パーツ番号	VERSION バージョン	PAGE ページ	PART NO. パーツ番号	VERSION バージョン	PAGE ページ	PART NO. パーツ番号	VERSION バージョン	PAGE ページ
17111-KFA1-980	0	E09				19600-KTDT-900	0	E01
17112-KFA1-980	0	E09	18000			1962A-KFA1-910	1	E01
17205-KNBN-901	0	F14				21000		
17207-KFA1-900	2	F14	18291-KEBE-900	0	F15			
17208-GAR1-011	0	F14	18291-LBA7-900	2	F15			
1720A-KFA1-910	2	F14	18292-KEBE-900	0	F15	21200-KFA1-305	3	E08
17210-KFA1-900	2	F14	18293-KEBE-900	0	F15	21395-LBD3-900	4	E08
17212-KNBN-901	0	F14	18294-KEBE-900	0	F15			
17213-KFA1-900	1	F14	1830A-KFA1-900	9	F15	22000		
17214-KFA1-900	1	F14	1830A-KFA1-B00	0	F15			
17254-KACA-P00	0	F14	18318-KFA3-900	1	F15	22100-GAR1-751	1	E07
17500-KFA1-900	6	F10	18362-KDA4-901	0	F14	22102-GHAH-721	2	E06
17501-KNBN-901	1	F10	18601-KFB5-900	0	F15	22105-GHAH-780	1	E06
17502-1G87-001	0	F12	18612-KFB5-900	1	F15	22110-KFA1-220	0	E06
17502-KFA1-900	1	F10	18618-KBE2-900	0	F22	22121-KGBG-315	0	E06
17504-KFA1-910	1	F10	18645-GFY6-941	0	F15	22131-GHAH-781	0	E06
17520-KFA1-910	1	F20	18656-KFA1-900	0	F22	22132-GLW0-001	2	E06
17550-KHC4-900	0	F10	18805-KHB4-910	0	F22	22300-KXCX-900	2	E07
17619-KFA1-900	1	F05	18806-KFA1-900	1	F22	22350-GKAK-930	1	E07
17620-KHC5-E00	1	F20	18807-KFA1-900	1	F22	22401-GKAK-931	0	E07
17620-KHC5-E0B	1	F20	18812-KBE2-900	0	F22	22530-GKAK-220	0	E07
17683-KFA2-B00	0	F10				22804-1H48-001	0	E07
17689-KFA1-C00	0	F10	19000					
1768A-KBCB-900	0	F10				23000		
1768B-KFA1-900	0	F10	19411-KBCB-900	0	F10			
17910-KFA1-910	0	F03	19510-GBW2-901	8	E03	2301A-GKAK-220	2	E07

PART NO. INDEX
 パーツ番号 検索

PART NO. パーツ番号	VERSION バージョン	PAGE ページ	PART NO. パーツ番号	VERSION バージョン	PAGE ページ	PART NO. パーツ番号	VERSION バージョン	PAGE ページ
23100-GKAK-901	1	E07	3051A-KRDR-90B	1	F20	33120-KFA1-900	1	F01
23200-GAR1-220	2	E07	30700-KNBN-901	2	F20	33130-KFA1-900	0	F01
23220-GKAK-220	1	E07				33400-KFA1-920	0	F18
23225-GAR1-751	0	E07	31000			33402-KFA1-900	0	F18
23233-GHE8-001	2	E07				33402-KFA1-920	0	F18
23237-GAR1-220	0	E07	31110-GKAK-901	0	E03	33405-KFA1-900	0	F18
23238-GFY6-941	0	E07	31110-GKAK-90A	0	E03	33406-KFA1-900	0	F18
23411-GKAK-921	0	E08	31120-KNBN-901	0	E03	33450-KFA1-920	0	F18
23420-GKAK-901	3	E08	31120-KNBN-90A	0	E03	33452-KFA1-900	0	F18
23431-KNBN-901	2	E08	31203-GKAK-901	0	E04	33452-KFA1-920	0	F18
23432-KNBN-901	3	E08	31209-GKAK-901	3	E04	33455-KFA1-900	0	F18
			31210-GKAK-90C	1	E04	33456-KFA1-900	0	F18
28000			31500-KCAC-90A	9	F11	33700-KFA1-900	7	F19
			31600-KUDU-900	2	F20	33701-KFA1-900	0	F19
28223-KNBN-901	0	E06				33800-KFA1-900	1	F13
28230-GKAK-921	0	E06	32000					
28250-KNBN-901	1	E06				34000		
28253-GBN2-60A	0	E06	32100-KFA2-B20	3	F20			
28255-GFS6-001	0	E06	32101-GFY6-901	1	F04	34901-GGS7-003	1	F01
28281-GBN2-60A	1	E06	32105-GKAK-901	0	E04	34905-GKM9-003	0	F19
28300-KNBN-901	3	F16	32120-1E55-001	0	F20	34905-KMCM-900	0	F18
			32161-3C93-004	0	E01	34906-2H68-601	0	F19
30000						34908-GGA7-70A	1	F01
			33000			34908-GGA7-70A	1	F02
30400-GKAK-901	0	F20				34908-MKB9-87A	0	F02
3051A-KRDR-90A	4	F20	33100-KFA1-900	1	F01			

PART NO. INDEX

パーツ番号 検索

PART NO. パーツ番号	VERSION バージョン	PAGE ページ	PART NO. パーツ番号	VERSION バージョン	PAGE ページ	PART NO. パーツ番号	VERSION バージョン	PAGE ページ
35000			35340-KNBN-901	0	F04			
			35400-KEB8-B00	0	F20	43000		
			35410-KNBN-91A	0	F12			
35101-KHC4-305	5	F20				4312A-KXCX-910	5	F08
35101-KHC4-305-M2	0	F20	37000			43141-GKAK-901	3	F08
35101-KHC4-334	0	F20				43410-KFA1-900	0	F08
35101-KHC4-335	0	F20	37200-KFA2-B2D	1	F02	43450-KFA1-900	5	F03
35102-KHC4-305-M1	0	F20	37200-KFA2-B2E	1	F02	43452-GKAK-900	0	F03
35102-KHC4-900	2	F20	37211-KFA1-90A	1	F02			
35102-KHC4-90B	1	F20	37211-KFA1-90B	1	F02	44000		
35102-LAD9-335	0	F20	37801-GGA7-701	1	F10			
35111-KHC4-305-M1	0	F25	37802-GGA7-701	3	F10	44301-KBE2-981	5	F07
35111-KHC4-308-M1	0	F25	3780A-KFA1-900	0	F10	44311-GLW0-901	0	F07
35111-KHC4-315-M1	0	F25				44610-KHC4-305	0	F07
35111-KHC5-305-M1	0	F25	38000			44620-KSBS-900	0	F07
35111-KHC5-305-M2	0	F25				44705-KHC4-900	2	F07
35111-KHC5-306-M1	0	F25	38110-KFA1-80A	1	F20	44710-KFA1-90B	4	F07
35111-KHC5-306-M2	0	F25	38110-KFA1-80B	1	F20	44800-KNBN-901	6	F07
35111-KKC4-335-M1	0	F25	38300-KECE-900	3	F20	44830-KNBN-951	8	F02
35111-LBA2-305-T01	0	F25	38501-GBW2-902	1	F20			
35111-LBA2-305-T02	0	F25				45000		
35160-GGS7-900	1	F03	42000					
35170-GGS7-900	0	F03				45100-KFA1-900	0	F07
35180-GGS7-900	1	F03	42610-GKAK-901	4	F08	45105-KXCX-305-M2	0	F07
35200-GFY6-910	1	F03	42705-KHC4-900	5	F08	45126-KFA1-900	2	F04
35340-GBN2-770	3	F03	42710-KFA1-90B	3	F08	45133-0H28-001	1	F08

PART NO. INDEX
 パーツ番号 検索

PART NO. パーツ番号	VERSION バージョン	PAGE ページ	PART NO. パーツ番号	VERSION バージョン	PAGE ページ	PART NO. パーツ番号	VERSION バージョン	PAGE ページ
45156-KNBN-902	0	F04	50358-KNBN-200	0	F21	53168-KFA1-900	1	F03
45351-KHC5-E00	0	F07	50359-KNBN-200	0	F21	53172-GGS7-004	1	F03
45513-GLW0-91A	0	F04	50361-KNBN-200	1	F21	53173-KFA1-900	2	F03
45517-KFAF-910	0	F04	50362-KNBN-200	0	F21	53175-KFA1-900	1	F04
45520-GLW0-91A	0	F04	50363-KNBN-200	1	F21	53178-GBN2-931	0	F03
45521-GLW0-91A	0	F04	50503-KNBN-901	1	F16	5317A-KFA1-900	4	F03
45530-KFA1-305	0	F04	50505-GAR1-711	0	F16	53200-KFA2-900	5	F06
			5050A-KFA1-900	3	F16	53205-KFA1-900	2	F03
50000			50530-KFA1-900	1	F16	53206-KFA1-900	3	F03
			50621-KNBN-901	7	F21	53207-KKD9-B00	3	F03
50100-KFA1-B00	7	F21				53211-GFY6-940	1	F06
50139-KFA1-900	1	F10	51000			53212-GHC8-004	1	F06
50140-KFA1-900	0	F10						
50162-KFA1-900	1	F19	51400-KFA1-900	6	F06	55000		
50301-GLM0-001	0	F21	51500-KFA1-900	6	F06			
50305-GHC8-004	0	F21				55100-KNBN-901	3	F12
50306-1F96-001	0	F06	52000			55102-1F66-001	0	F12
50325-GKAK-200	2	F11				55105-KNBN-901	0	F12
50328-GKAK-200	0	F11	52400-KFA1-900	1	F17	55121-KNBN-901	0	F12
50348-KGN7-671	0	F21				55123-KNBN-901	0	F12
50350-KNBN-200	10	F21	53000			55200-KNBN-901	0	F12
50352-KNBN-200	0	F21				55201-GHC8-001	0	F12
50353-KNBN-200	3	F21	53100-KFA1-900	3	F03			
50355-KNBN-200	1	F21	53140-KFA1-900	2	F03	61000		
50356-KNBN-200	1	F21	53166-KFA1-900	2	F03			
50357-KNBN-200	0	F21	53167-LHJ6-900	2	F03	61110-KNBN-902	1	F06

PART NO. INDEX
 パーツ番号 検索

PART NO. パーツ番号	VERSION バージョン	PAGE ページ	PART NO. パーツ番号	VERSION バージョン	PAGE ページ	PART NO. パーツ番号	VERSION バージョン	PAGE ページ
61120-KFA1-900	1	F06						
64000			81000			86000		
64301-KFA1-900	4	F05	81131-KFA1-910	0	F05	86201-KFA1-B20	0	F24
64302-KFA3-900	1	F05	81131-KFA1-920	3	F05	86202-KFA1-B20	2	F24
64303-KFA3-900	0	F05	81132-GHAH-001	2	F05			
64310-KFA1-900	1	F05	81132-GHAH-001	2	F13	87000		
64315-KFA1-900	6	F21	81132-KFA1-920	1	F05	87140-KFA1-B20	0	F24
64316-KFA1-900	0	F05	81132-KFA1-920	2	F05	87206-GFY6-900	1	F24
			81132-LFG6-900	2	F05	87311-LAD9-B20	2	F24
77000			81133-KNBN-901	0	F05	87501-KRDR-E00	2	F23
77105-GFS6-001	1	F13	81141-KFA1-910	2	F05	87505-KHC5-E00	1	F23
77106-GFS6-001	1	F13	81142-KFA1-900	1	F05	87541-GAR1-E00	1	F23
77200-KFA1-C00	2	F09	8125A-KNBN-200	1	F11	87542-GAR1-E00	2	F23
77235-KFA1-B20	2	F09	81260-KFA1-B20	0	F13	87560-KNBN-E00	1	F23
77240-KFA1-900	2	F20	81300-KFA1-900	3	F13			
80000			83000			88000		
80101-KFA1-900	2	F19	83500-KFA1-900	4	F13	88110-KFA1-900	3	F03
80104-KNBN-901	0	F19	83501-KFA3-900	0	F13	88120-KFA1-900	3	F03
80152-KFA1-900	0	F13	83502-KFA1-900	2	F13			
			83600-KFA1-900	4	F13	89000		
			83601-KFA3-900	0	F13			
			83770-KFA1-900	3	F13	89010-KNBN-900	0	F09

PART NO. INDEX
 パーツ番号 検索

PART NO. パーツ番号	VERSION バージョン	PAGE ページ	PART NO. パーツ番号	VERSION バージョン	PAGE ページ	PART NO. パーツ番号	VERSION バージョン	PAGE ページ	
90000			90164-MDR4-901	1	F05	90474-3C33-001	1	E09	
			90202-1G87-001	2	E07	90501-KNBN-901	0	F08	
			90215-GLM0-910	1	F13	90545-3L00-001	2	F04	
	90001-GKAK-901	2	E02	90301-6D34-671	1	F19	90610-KRDR-900	2	F14
	9000A-KTDT-900	1	E05	90301-KGBG-900	1	F15	90652-KTCT-900	1	F14
	90023-GBN2-001	3	F06	90302-GFY6-901	1	F05	90656-KCBC-900	0	F03
	90101-GAR1-001	0	F01	90302-GFY6-901	1	F19	90677-GAR1-004	1	F05
	90101-KNBN-200	3	F21	90302-KFC2-900	1	F13	90741-0E35-001	0	E10
	90102-KNBN-900	0	F21	90302-SDA4-004	3	F13	90754-GHC8-00A	1	F07
	90105-KFC2-900	0	F13	90302-SDA4-004	3	F19	90912-GHC8-00A	0	F07
	90105-KNBN-200	0	F21	90304-GHE8-004	0	F03	90912-GHC8-00D	0	F07
	90108-GFY6-901	0	F16	90304-GHE8-004	0	F21			
	90110-GLW0-001	0	F05	90305-KNBN-90B	0	F08	91000		
	90110-KFA6-900	0	F15	90306-GLW0-90A	1	F07			
	90110-KHG8-901	1	F08	90307-GFJ6-004	2	F01	91001-GGA7-70A	2	E07
	90111-1G87-001	1	F11	90309-GLW0-90A	1	F07	91001-GLW0-90A	6	E09
	90112-GCC3-001	1	F06	90309-GLW0-90A	1	F08	91004-KBN2-90A	0	E08
	90112-GLZ0-001	1	F07	90309-GLW0-90A	1	F21	91004-KBN2-90A	0	E09
	90112-KFA1-900	1	F13	90309-KLF0-004	1	E08	91004-KNBN-92A	0	E09
	90112-KRDR-900	1	F20	90381-GEZ5-001	1	F13	91006-KNBN-901	5	E09
	90114-1F66-007	2	F04	90400-KTDT-900	0	F01	91009-GLE0-004	1	E08
	90115-GLE0-001	0	F03	90412-3K29-001	0	E06	91102-GLW0-009	0	E10
	90122-GCS3-001	0	E06	90429-KNBN-901	0	E08	91103-GAR1-004	0	E07
	90131-GLW0-911	0	F07	90442-0D44-001	0	E07	91201-KNBN-92A	0	E09
	90145-LEA3-E00	1	F04	90451-GBN2-601	0	E06	91202-KNBN-92A	0	E09
	90164-KGBG-900	1	F13	90454-GBB2-001	0	E07	91202-KNBN-92B	0	E09

PART NO. INDEX
 パーツ番号 検索

PART NO. パーツ番号	VERSION バージョン	PAGE ページ	PART NO. パーツ番号	VERSION バージョン	PAGE ページ	PART NO. パーツ番号	VERSION バージョン	PAGE ページ
91204-KNBN-90A	1	E09	93891-05012-06	0	F11	94050-06080	0	F19
91211-GHK8-014	1	E07	93891-05016-06	0	F13	94050-06080	0	F20
91255-GLE0-006	0	E08	93892-04008-16	0	E11	94050-10080	0	E03
91258-KAM1-00A	1	F07	93892-04014-18-3	0	E11	94050-10080	0	E07
91301-0C53-001	0	E08	93893-04012-18	0	F04	94101-08600	0	F16
91301-KEA5-742	0	E07	93901-32510	0	F18	94101-10800	0	F03
91302-PKA9-004	0	E07	93903-24320	0	F22	94251-08400	0	F16
91304-GLB0-911	1	E09	93903-25460	0	F14	94301-10200	0	E09
91309-GKAK-901	0	E04	93903-32320	0	F19	94510-20000	0	E08
91352-KHG8-83B	0	F08	93903-34360	0	F03	94511-14000	0	E06
			93903-34360	0	F05	94520-24000	1	E07
92000			93903-34360	0	F13	94591-27000	0	F05
			93903-34360	0	F18			
92700-06028-1B	0	E02	93903-35360	0	F02	95000		
			93903-35360	0	F05			
93000			93903-GFY6-900	1	F05	95002-02070	0	E11
			93903-GFY6-900	1	F13	95002-02080	0	E11
93404-06016-06	0	F05				95002-02080	0	F10
93404-06016-06	0	F12	94000			95002-02100	0	F10
93404-06016-06	0	F21				95002-02100	0	F12
93404-06030-06	0	F14	94001-12280-0S	0	E06	95002-02130	0	F10
93500-05012-0F	0	E09	94050-06060	0	F04	95002-02130	0	F14
93500-05022-0F	0	F03	94050-06060	0	F21	95002-02650	0	E09
93600-04012-1G	0	F04	94050-06080	0	E11	95002-50000	0	F12
93700-05018-0F	0	F02	94050-06080	0	F09	95002-KKD6-E05	0	F22
93891-05012-06	0	F03	94050-06080	0	F10	95014-71402	0	F16

PART NO. INDEX

パーツ番号 検索

PART NO. パーツ番号	VERSION バージョン	PAGE ページ	PART NO. パーツ番号	VERSION バージョン	PAGE ページ	PART NO. パーツ番号	VERSION バージョン	PAGE ページ
95014-72204	0	F16	95801-10070-06	1	F21			
95015-32001	0	F03				99000		
95015-42000	0	F03	96000					
95701-06012-06	1	F04				99101-116-0850	0	E11
95701-06012-06	1	F06	96001-06012-06	0	E03			
95701-06012-06	1	F09	96001-06012-06	0	F03	K		
95701-06012-06	1	F20	96001-06016-06	0	E03			
95701-06014-06	0	F10	96001-06020-06	0	F03	K350-KBN-0200	0	E11
95701-06022-06	1	F04	96001-06022-06	1	E03	K506-GW0-0100	0	E11
95701-06022-06	1	F16	96001-06022-06	1	E09	K785-KEB-0300	0	E11
95701-06025-06	2	E01	96001-06025-06	0	E04			
95701-06025-06	2	F15	96001-06025-06	0	E09	N		
95701-06032-06	0	F08	96001-06032-06	0	E09			
95701-06040-06	0	F15	96001-06045-06	0	E09	N413-32A00	0	E11
95701-08012-06	0	E09	96001-06055-06	0	E09	N425-2RFMJ	0	E11
95701-08025-06	0	F20	96100-62033-00	0	E09			
95701-08035-06	1	E09	96211-05000	0	F06	S		
95701-08040-06	0	E09						
95801-06040-06	0	F14	98000			S3620-031-B000	0	E11
95801-06045-06	0	F21				S4460-213-B001	0	E11
95801-08035-06	1	F15	98076-5871G-00	0	E02	S536-1241	0	E11
95801-08035-06	1	F17	98200-10700	0	F11			
95801-08040-06	0	F06	98200-10700	0	F20			
95801-08050-06	1	F15						
95801-10035-06	0	F17						
95801-10040-06	0	F03						