

# PARTS CATALOGUE



## SCOOTERS

SH50DA(JP)

GRAND DINK 250(注意)



Release Date : 2017/03/06  
Print Date : 2017/07/14

## 本パーツリストについて

- 本パーツリストは SH50DA(JP).の全てのパーツ番号が記載されています。
- 車輻のカラーチャートとバイクに相違がある場合は正規販売店もしくはKYMCO JAPANへお問い合わせください。
- 1. "\*\*\*"記号が記載している場合、3文字の色コードをパーツ番号の最後に記入してください。  
2. "#" 記号が記載している場合、パーツの設定、変更があります。正規販売店もしくはKYMCO JAPANへお問い合わせください。
- このパーツリストの変更または追加は、適切な時期に予告なく行われます。

## ABOUT THIS PARTS LIST

- This parts list is compiled all service parts for model SH50DA(JP).
- Any difference between color chart and motorcycle will be revised according to motorcycle.
- The Mark:
  1. Marking "\*\*\*" must add color code in the end before ordering parts.
  2. Marking "#" are parts with modification, Please find the details from e-Parts system.
- When modification or additions to this parts list are made a revised edition at an appropriate time.

## 目次

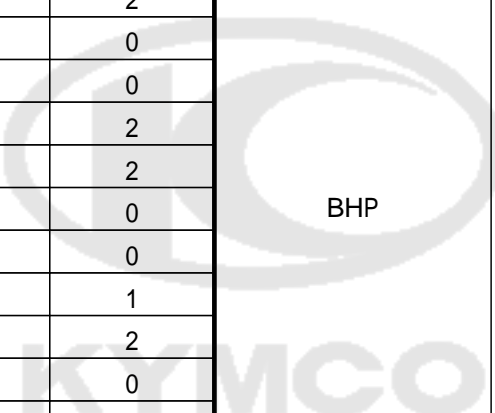
● 本パーツリストについて .....	1
● SH50DA(JP)のカラーチャート .....	3
● 目次-エンジン関 .....	9
● 目次-フレーム関係 .....	10
● エンジンパーツリスト .....	13
● フレームパーツリスト .....	47
● パーツ番号 検索 .....	121

## CONTENTS

● ABOUT THIS PARTS LIST .....	1
● COLOR CHART OF SH50DA(JP) .....	3
● CONTENTS-ENGINE GROUP .....	9
● CONTENTS-FRAME GROUP .....	10
● ENGINE PARTS LIST .....	13
● FRAME PARTS LIST .....	47
● PART NO. INDEX .....	121

NO	モデル			SH50DA(JP)のカラーチャート					
	写真番号			NO. 1	NO. 2	NO. 3	NO. 4		
	基本色								
	コード			Deep Blue Metallic	Bright Silver	Dark Gray Metallic	Ruby Red		
	パーツ名	パーツ番号	バージョン	PB183MA	NH045MA	NH124MA	RR004CA		
1	CUSHION ASSY REAR	52400-KKC4-900	3	F1S					
2	METER COVER FR	37203-KKC4-900	0	HJP					
3	METER COVER RR	37204-KKC4-900	0						
4	COVER HANDLE UP	53205-KKC4-900	2	M3A					
5	LEVER R STRG HANDLE	53175-KFA5-E10	0						
6	LEVER L STRG HNDL	53178-KFC8-E10	0	M9A					
7	COVER WATER PUMP	19221-KHE7-900	3						
8	COVER BATTERY	50326-KKC4-900	0	N1R					
9	GRIP COMP THROT	53140-KKC4-900	0						
10	GRIP L HANDLE	53166-KGB5-900	0						
11	COVER METER	53204-KKC4-900	2						
12	COVER R HANDLE LOW	53206-KKC4-900	1						
13	COVER L HANDLE LOW	53207-KKC4-900	0						
14	GRID R METER COVER	53214-KKC4-900	0						
15	GRID L METER COVER	53224-KKC4-900	0						
16	FLOOR PANEL	64310-KKC4-900	0						
17	COVER R PILLION STEP	64311-KKC4-900	3						
18	GRID R PILLION STEP	64312-KKC4-900	3						
19	MAT FLOOR	64320-KKC4-900	0						
20	COVER L PILLION STEP	64321-KKC4-900	3						
21	GRID L PILLION STEP	64322-KKC4-900	1						
22	FENDER RR TIRE	80100-KKC4-900	4						
23	COVER CENTER	80151-KKC4-900	0						
24	LEG SHIELD	81131-KKC4-900	0						
25	LID LEG SHIELD	81132-KEB7-900	1						
販売開始時期									
販売終了時期									

NO	モデル			SH50DA(JP)のカラーチャート				
	写真番号			NO. 5				
	基本色							
	コード			Yellow Green				
	パーツ名	パーツ番号	バージョン	YG025MA				
1	CUSHION ASSY REAR	52400-KKC4-900	3	F1S				
2	METER COVER FR	37203-KKC4-900	0	HJP				
3	METER COVER RR	37204-KKC4-900	0					
4	COVER HANDLE UP	53205-KKC4-900	2					
5	LEVER R STRG HANDLE	53175-KFA5-E10	0	M3A				
6	LEVER L STRG HNDL	53178-KFC8-E10	0					
7	COVER WATER PUMP	19221-KHE7-900	3	M9A				
8	COVER BATTERY	50326-KKC4-900	0	N1R				
9	GRIP COMP THROT	53140-KKC4-900	0					
10	GRIP L HANDLE	53166-KGB5-900	0					
11	COVER METER	53204-KKC4-900	2					
12	COVER R HANDLE LOW	53206-KKC4-900	1					
13	COVER L HANDLE LOW	53207-KKC4-900	0					
14	GRID R METER COVER	53214-KKC4-900	0					
15	GRID L METER COVER	53224-KKC4-900	0					
16	FLOOR PANEL	64310-KKC4-900	0					
17	COVER R PILLION STEP	64311-KKC4-900	3					
18	GRID R PILLION STEP	64312-KKC4-900	3					
19	MAT FLOOR	64320-KKC4-900	0					
20	COVER L PILLION STEP	64321-KKC4-900	3					
21	GRID L PILLION STEP	64322-KKC4-900	1					
22	FENDER RR TIRE	80100-KKC4-900	4					
23	COVER CENTER	80151-KKC4-900	0					
24	LEG SHIELD	81131-KKC4-900	0					
25	LID LEG SHIELD	81132-KEB7-900	1					
販売開始時期								
販売終了時期								

NO	モデル			SH50DA(JP)のカラーチャート			
	写真番号			NO. 1	NO. 2	NO. 3	NO. 4
	基本色						
	コード			Deep Blue Metallic	Bright Silver	Dark Gray Metallic	Ruby Red
	パーツ名	パーツ番号	バージョン	PB183MA	NH045MA	NH124MA	RR004CA
26	LID RESERVE	81136-KKC4-900	0	N1R			
27	GRID R LEG SHIELD	81137-KKC4-900	0				
28	GRID L LEG SHIELD	81147-KKC4-900	0				
29	SIDE R GRIP	81400-KKC4-900	0				
30	SIDE L GRIP	81500-KKC4-900	0				
31	DISK RR BRAKE	43351-KHE7-E00	3	N1S			
32	COVER COMP L COVER	1134A-KHE7-900	3	N8P			
33	FENDER FR	61110-KHD8-900	2	 BHP N8P NFP R1P			
34	COVER SCREEN	64301-KKC4-900	0				
35	MOLDING FR	64302-KKC4-900	0				
36	SKIRT R SIDE	64305-KKC4-900	2				
37	SKIRT L SIDE	64306-KKC4-900	2				
38	COWL UNDER	64400-KKC4-900	0				
39	COVER R BODY	83500-KKC4-900	0				
40	COVER L BODY	83600-KKC4-900	1				
41	COVER RR CENTER	83750-KKC4-900	2				
42	MIRROR ASSY R BACK	88110-KKC4-305	0				
43	MIRROR ASSY L BACK	88120-KKC4-305	0	N8P NFP R1P			
44	GRILL HANDLE UP	53208-KKC4-900	0				
45	WHEEL RR CAST	42601-KHE7-E00	2	NJA			
46	WHEEL RR CAST	42601-KHE7-E0B	1				
47	WHEEL RR CAST	42601-KHE7-E0C	2				
48	CALIPER ASSY RR	43100-KKC4-900	1				
49	WHEEL SET FR	44650-KHD8-30A	3				
50	WHEEL SET FR	44650-KHD8-30C	4				
販売開始時期							
販売終了時期							

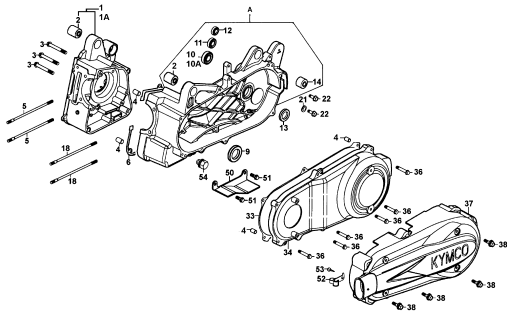
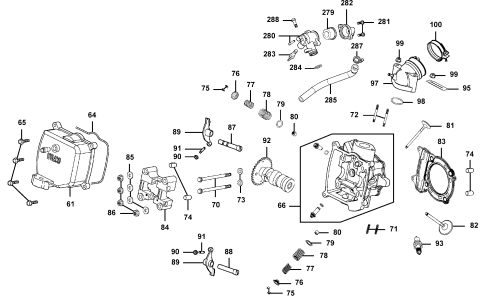
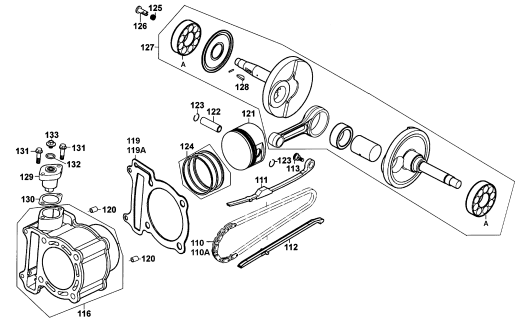
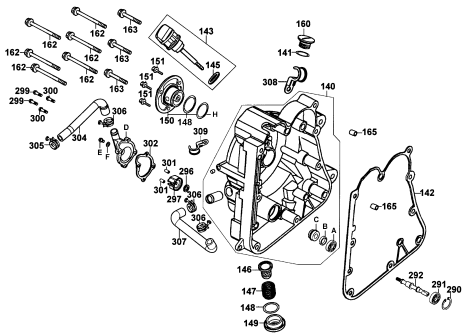
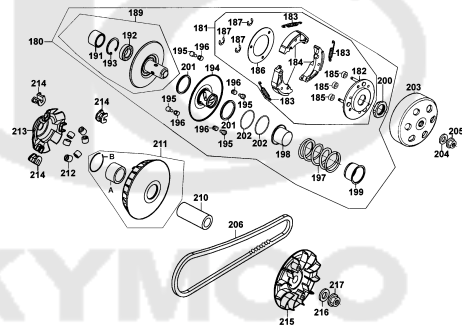
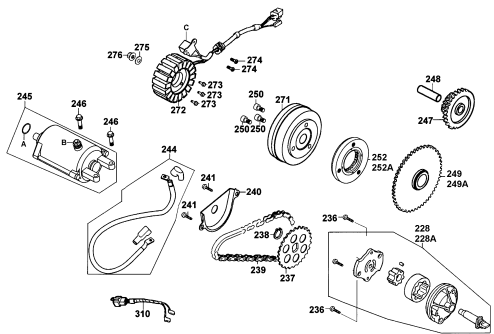
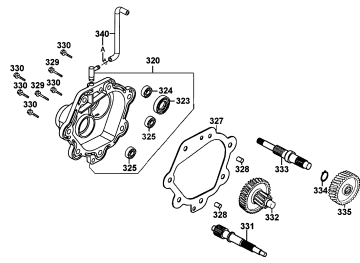
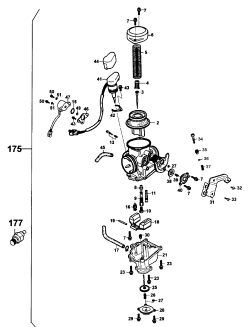
NO	モデル			SH50DA(JP)のカラーチャート			
	写真番号			NO. 5			
	基本色						
	コード			Yellow Green			
	パーツ名	パーツ番号	バージョン	YG025MA			
26	LID RESERVE	81136-KKC4-900	0	N1R			
27	GRID R LEG SHIELD	81137-KKC4-900	0				
28	GRID L LEG SHIELD	81147-KKC4-900	0				
29	SIDE R GRIP	81400-KKC4-900	0				
30	SIDE L GRIP	81500-KKC4-900	0				
31	DISK RR BRAKE	43351-KHE7-E00	3	N1S			
32	COVER COMP L COVER	1134A-KHE7-900	3	N8P			
33	FENDER FR	61110-KHD8-900	2	W3P			
34	COVER SCREEN	64301-KKC4-900	0				
35	MOLDING FR	64302-KKC4-900	0				
36	SKIRT R SIDE	64305-KKC4-900	2				
37	SKIRT L SIDE	64306-KKC4-900	2				
38	COWL UNDER	64400-KKC4-900	0				
39	COVER R BODY	83500-KKC4-900	0				
40	COVER L BODY	83600-KKC4-900	1				
41	COVER RR CENTER	83750-KKC4-900	2				
42	MIRROR ASSY R BACK	88110-KKC4-305	0				
43	MIRROR ASSY L BACK	88120-KKC4-305	0	NJA			
44	GRILL HANDLE UP	53208-KKC4-900	0				
45	WHEEL RR CAST	42601-KHE7-E00	2				
46	WHEEL RR CAST	42601-KHE7-E0B	1				
47	WHEEL RR CAST	42601-KHE7-E0C	2				
48	CALIPER ASSY RR	43100-KKC4-900	1				
49	WHEEL SET FR	44650-KHD8-30A	3				
50	WHEEL SET FR	44650-KHD8-30C	4				
販売開始時期							
販売終了時期							

NO	モデル			SH50DA(JP)のカラーチャート			
	写真番号			NO. 1	NO. 2	NO. 3	NO. 4
	基本色						
	コード			Deep Blue Metallic	Bright Silver	Dark Gray Metallic	Ruby Red
	パーツ名	パーツ番号	バージョン	PB183MA	NH045MA	NH124MA	RR004CA
51	CALIPER ASSY FR	45200-KKC4-900	2	NJA			
52	FORK ASSY R FR	51400-KKC4-900	2				
53	BOTTOM CASE R	51420-KKC4-900	0				
54	FORK SET L FR	5150A-KKC4-900	3				
55	BOTTOM CASE L	51520-KKC4-900	0				
56	FORK ASSY REAR	52000-KKC4-900	2				
57	CARRIER RR	8120A-KKC4-900	6				
58	SEAT ASSY	77200-KKC4-E01	1	T01			
59	SEAT ASSY BACK	77210-KKC4-900	0				
60	SEAT ASSY PAD	77220-KKC4-910	1				
61	EMB HANDLE COVER RR	86030-KKC4-900	2				
62	EMB K-LOGO 28.5MM	86102-KKC4-900	3				
63	EMB BODY COVER	86202-KKC4-900	1				
64	EMB B BODY COVER	86212-KKC4-900	0				
65	EMB B BODY COVER	87140-KHE7-E00	1				
66	CAUTION USE GAS	87501-KRDR-E00	2				
67	LABEL TIRE	87505-KHE7-E00	1				
68	CAUTION FILTER	87512-KEBE-E00	0				
69	CAUTION SIDE STAND	87541-GAR1-E00	1				
70	CAUTION MOBILE	87541-KKC2-E00	1				
71	MARK MAINT CAUTION	87542-GAR1-E00	2				
72	MARK DRIVE CAUTION	87560-GFY6-E00	4				
73	LABEL CLEANNESS	87508-KKC4-E00	1	T02			
	販売開始時期						
	販売終了時期						

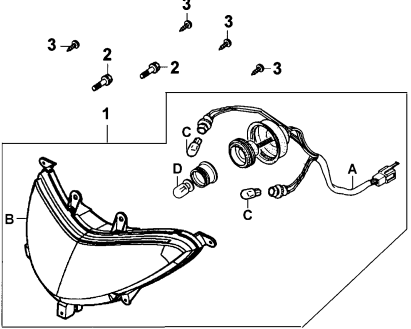
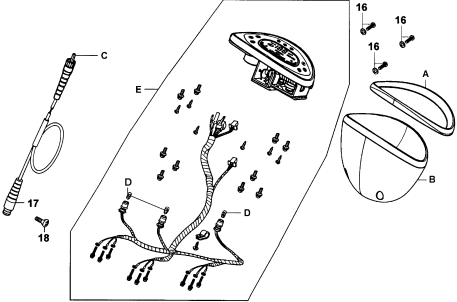
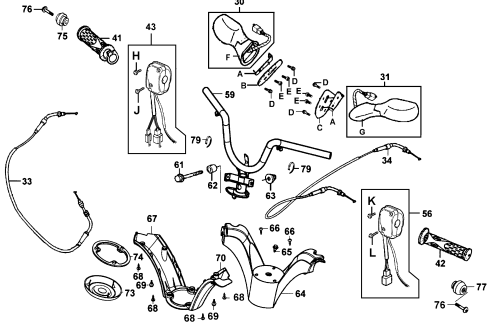
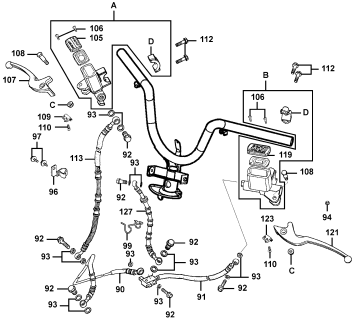
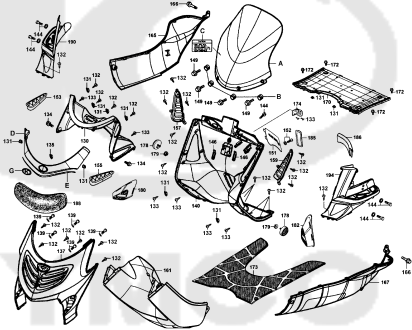
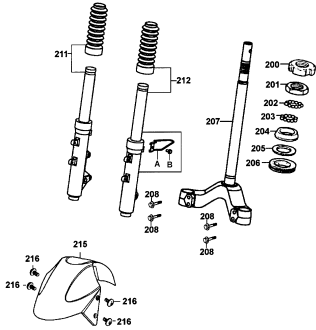
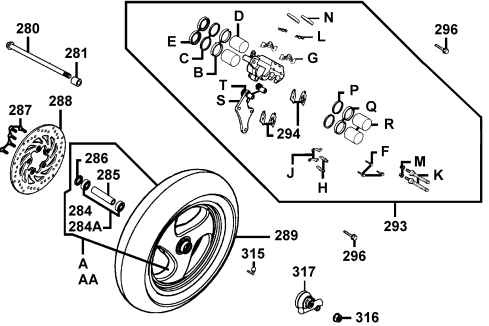
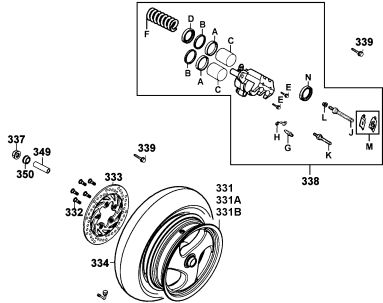
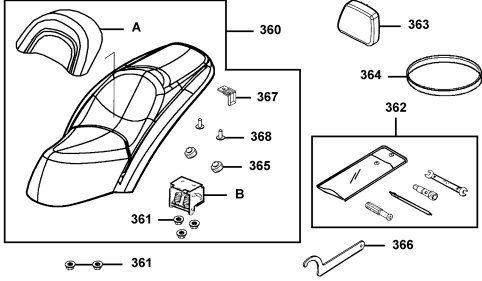


NO	モデル			SH50DA(JP)のカラーチャート			
	写真番号			NO. 5			
	基本色						
	コード			Yellow Green			
	パーツ名	パーツ番号	バージョン	YG025MA			
51	CALIPER ASSY FR	45200-KKC4-900	2	NJA			
52	FORK ASSY R FR	51400-KKC4-900	2				
53	BOTTOM CASE R	51420-KKC4-900	0				
54	FORK SET L FR	5150A-KKC4-900	3				
55	BOTTOM CASE L	51520-KKC4-900	0				
56	FORK ASSY REAR	52000-KKC4-900	2				
57	CARRIER RR	8120A-KKC4-900	6				
58	SEAT ASSY	77200-KKC4-E01	1	T01			
59	SEAT ASSY BACK	77210-KKC4-900	0				
60	SEAT ASSY PAD	77220-KKC4-910	1				
61	EMB HANDLE COVER RR	86030-KKC4-900	2				
62	EMB K-LOGO 28.5MM	86102-KKC4-900	3				
63	EMB BODY COVER	86202-KKC4-900	1				
64	EMB B BODY COVER	86212-KKC4-900	0				
65	EMB B BODY COVER	87140-KHE7-E00	1				
66	CAUTION USE GAS	87501-KRDR-E00	2				
67	LABEL TIRE	87505-KHE7-E00	1				
68	CAUTION FILTER	87512-KEBE-E00	0				
69	CAUTION SIDE STAND	87541-GAR1-E00	1				
70	CAUTION MOBILE	87541-KKC2-E00	1				
71	MARK MAINT CAUTION	87542-GAR1-E00	2				
72	MARK DRIVE CAUTION	87560-GFY6-E00	4				
73	LABEL CLEANNESS	87508-KKC4-E00	1				
	販売開始時期						
	販売終了時期						

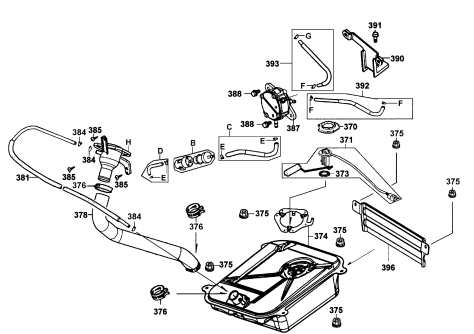
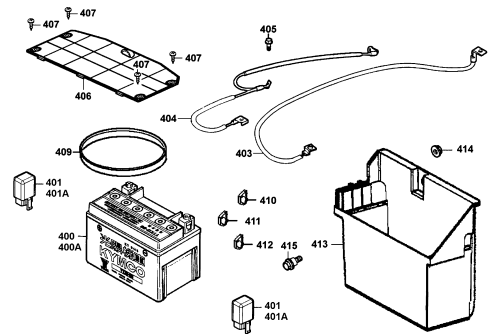
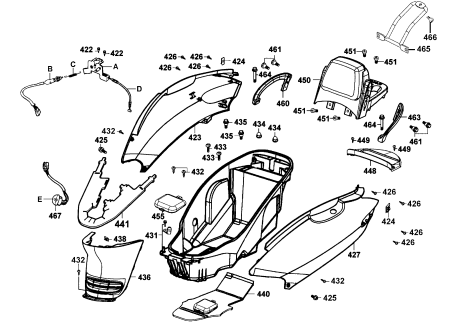
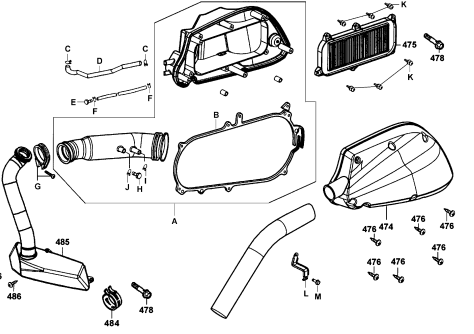
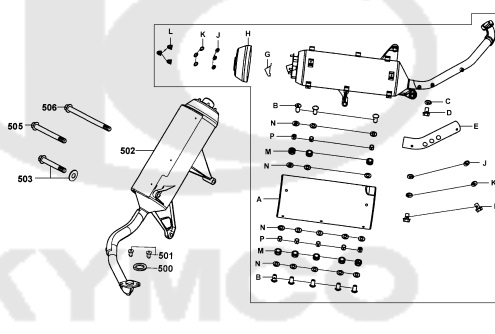
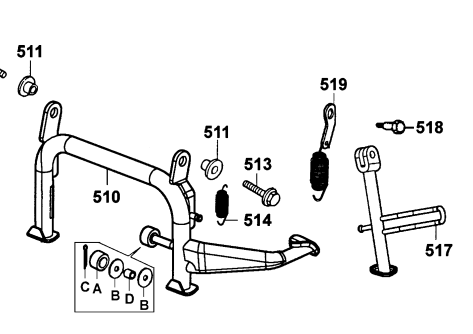
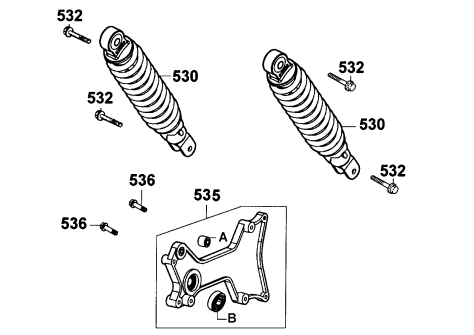
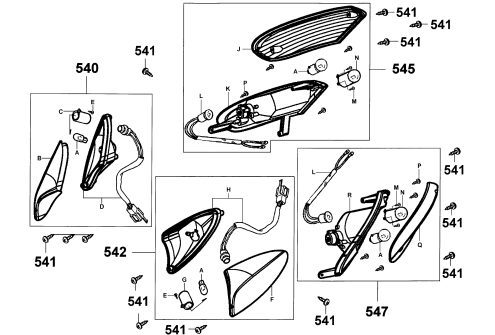
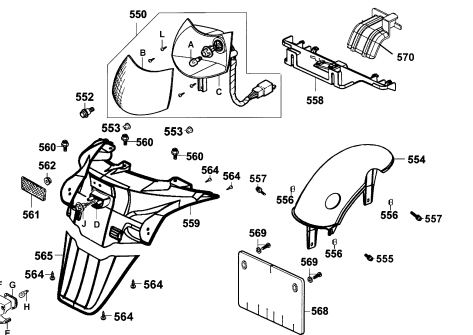
# CONTENTS - ENGINE GROUP 目次-エンジン関

<p><b>E01</b>    Crank Case</p> 	<p><b>E02</b>    Cylinder Head Cover    Cylinder</p> 	<p><b>E03</b>    Cylinder    Piston    Crankshaft</p> 
<p><b>E04</b>    Right Crankcase Cover    Water</p> 	<p><b>E05</b>    Transmission Pulley</p> 	<p><b>E06</b>    Starting Motor    Generator</p> 
<p><b>E07</b>    Transmission</p> 	<p><b>E08</b>    Carburetor</p> 	

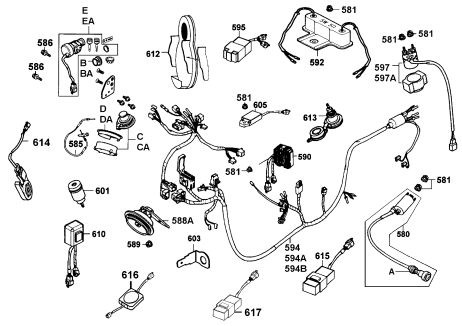
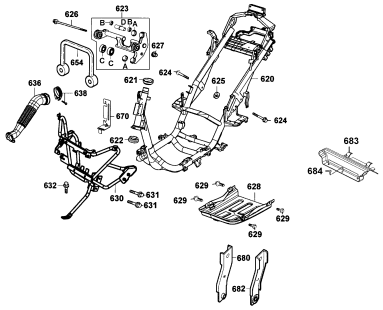
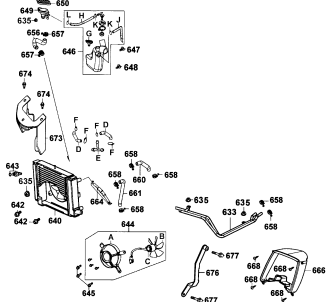
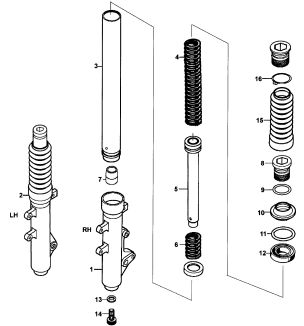
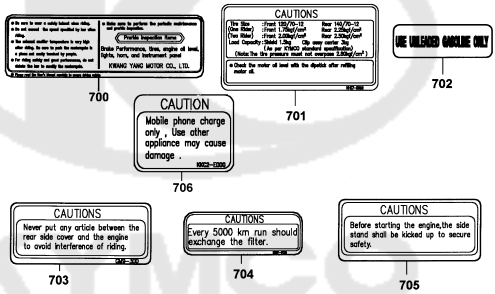
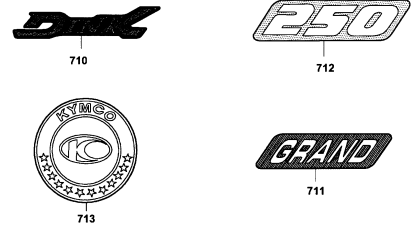
## CONTENTS - FRAME GROUP 目次-フレーム関係

<p><b>F01</b>    Head Light</p> 	<p><b>F02</b>    Speedometer</p> 	<p><b>F03</b>    Handle Steering    Handle Cover</p> 
<p><b>F04</b>    Brake Master Cylinder</p> 	<p><b>F05</b>    Front Cover    Floor Panel</p> 	<p><b>F06</b>    Front Cushion</p> 
<p><b>F07</b>    Front Wheel</p> 	<p><b>F08</b>    Rear Wheel</p> 	<p><b>F09</b>    Seat</p> 

# CONTENTS - FRAME GROUP 目次-フレーム関係

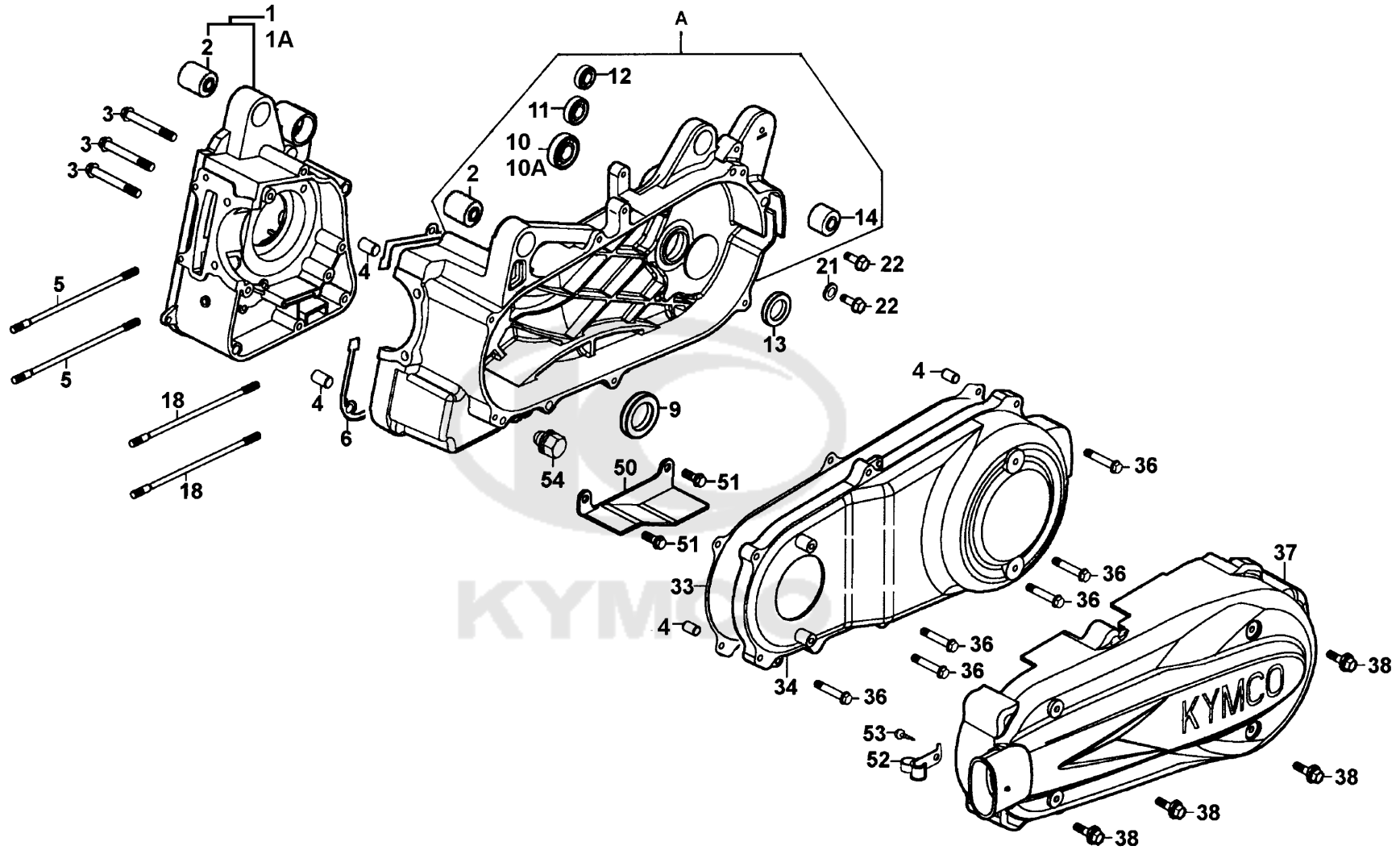
<p><b>F10 Fuel Tank</b></p> 	<p><b>F11 Battery</b></p> 	<p><b>F12 Body Cover Luggage Box</b></p> 
<p><b>F13 Air Cleaner</b></p> 	<p><b>F14 Exhaust Muffler</b></p> 	<p><b>F15 Stand Kick Starter Arm</b></p> 
<p><b>F16 Rear Cushion</b></p> 	<p><b>F17 Front Winker RR WINKER</b></p> 	<p><b>F18 Rear Light Rear Fender</b></p> 

# CONTENTS - FRAME GROUP 目次-フレーム関係

<p><b>F19 Wire Harness</b></p> 	<p><b>F20 Frame Body</b></p> 	<p><b>F21 Radiator</b></p> 
<p><b>F22 Separated Parts Of Fr Fork</b></p> 	<p><b>F23 Caution Label</b></p> 	<p><b>F24 Emblem Stripe</b></p> 

E01

Crank Case

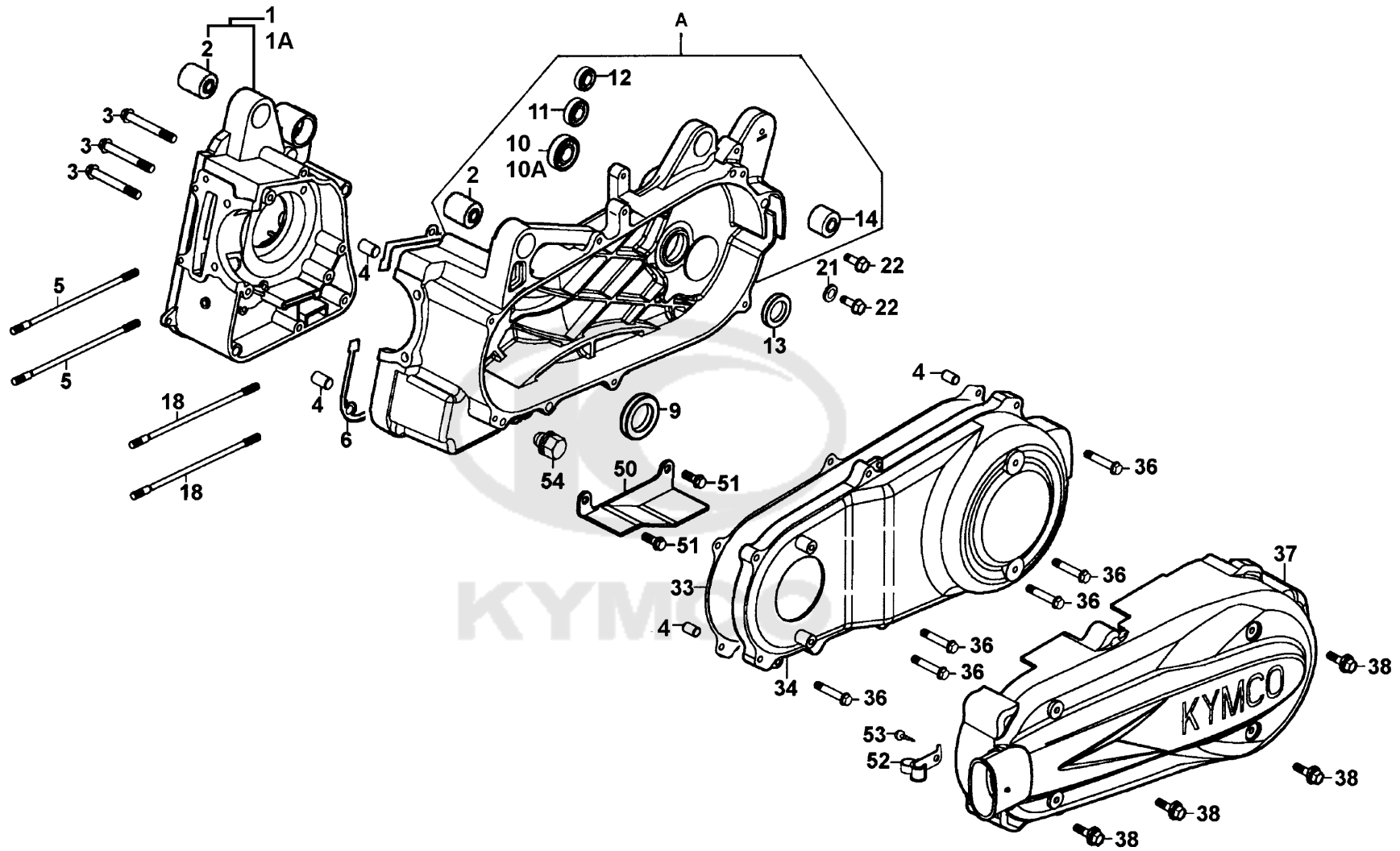


Sales mark 記号	Ref no 参照用番号	Part no パーツ番号	Description 部品名	Reg description 部品名	Regd no 必要個数	Ref Price 希望小売価格(税抜)	E01
1		11100-KHE7-305	CASE SET R CRANK	CASE SET R CRANK	1	20600	
1A		11100-LDB2-305	CRANK CASE SET R	CRANK CASE SET R	1	23760	
14		11102-1G87-004	RUB BUSH ENG HANGER	RUB BUSH ENG HANGER	1	320	
2		11103-KHE7-900	RUB BUSH ENG HANGER	RUB BUSH ENG HANGER	1	390	
6		11192-KHE7-980	GASKET CRANK CASE @A	GASKET CRANK CASE @A	2	960	
A		11200-KKC4-305	CRANK CASE SET L	CRANK CASE SET L	1	29280	
34		11341-KHE7-900	COVER LEFT	COVER LEFT	1	11980	
**		1134A-KHE7-900	COVER COMP L COVER	COVER COMP L COVER	1	8090	
52		11383-KUDU-900	CLAMPER BRTH DRAIN TUBE	CLAMPER BRTH DRAIN TUBE	1	300	
33		11395-KHE7-980	GASKET.L COVER @A	GASKET.L COVER @A	2	3770	
50		50504-KKC4-900	STAY COMP MAIN STAND STOPPER	STAY COMP MAIN STAND STOPPER	1	870	
5		90031-KEBE-900	BOLT A STUD 8MM	BOLT A STUD 8MM	2	510	
18		90032-KEBE-900	BOLT B STUD 8MM	BOLT B STUD 8MM	2	180	
21		90474-3C33-001	WASHER 8MM	WASHER 8MM	1	60	
54		9052A-GFY6-950	BOLT ASSY DRAIN PLUG	BOLT ASSY DRAIN PLUG	1	120	
10		91003-KHE7-900	BRG BALL RADIAL TMB2/22CCS15	BRG BALL RADIAL TMB2/22CCS15	1	3430	
10A		91003-KHE7-90A	BRG BALL RADIAL TMB2/22CCS15	BRG BALL RADIAL TMB2/22CCS15	1	3430	
13		91202-KHE7-900	OIL SEAL 22*34*6	OIL SEAL 22*34*6	1	230	
9		91202-KKC4-900	OIL SEAL 27*42*7	OIL SEAL 27*42*7	1	870	
9		91202-KKC4-90B	OIL SEAL 27X42X7	OIL SEAL 27X42X7	1	870	



E01

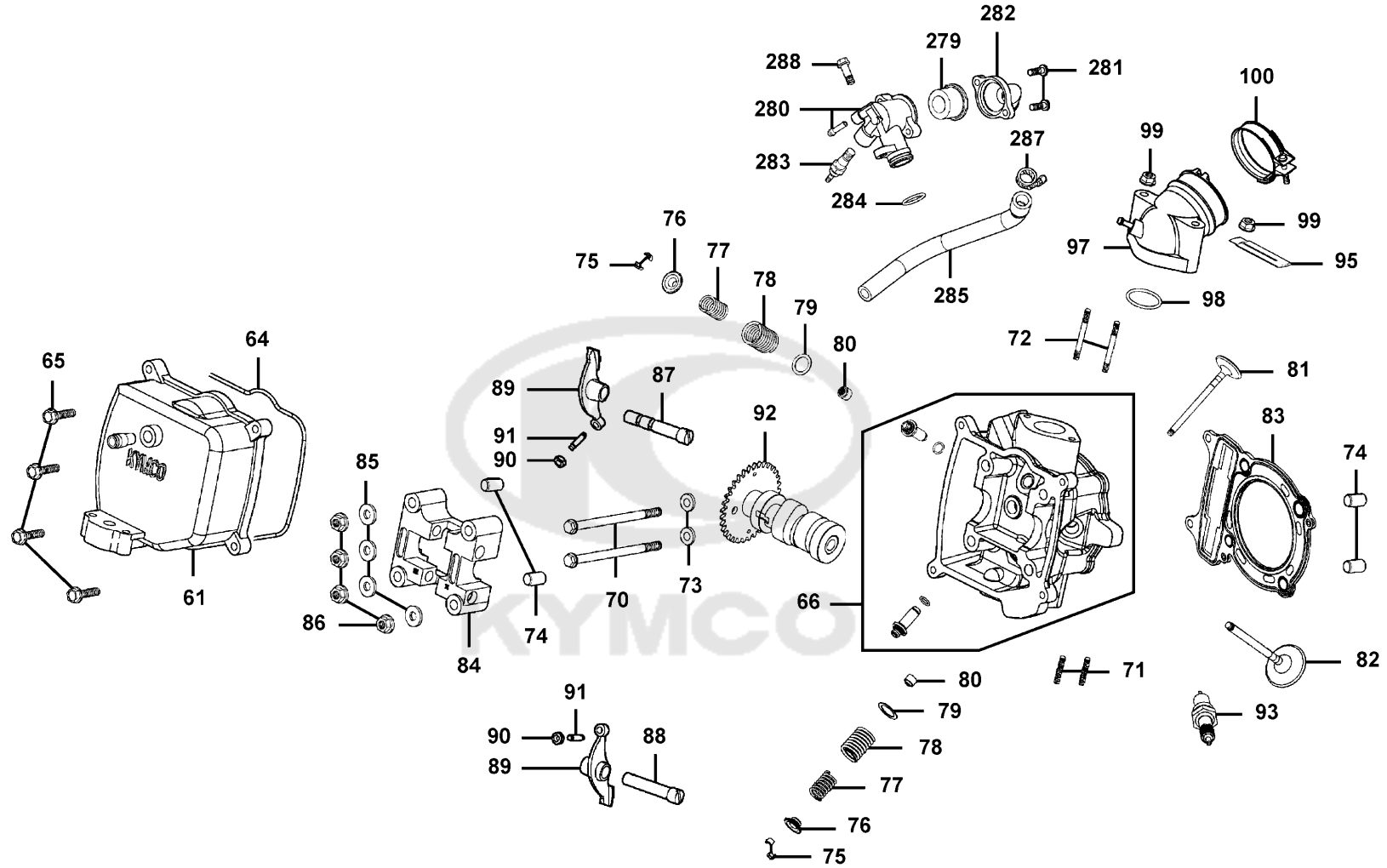
Crank Case



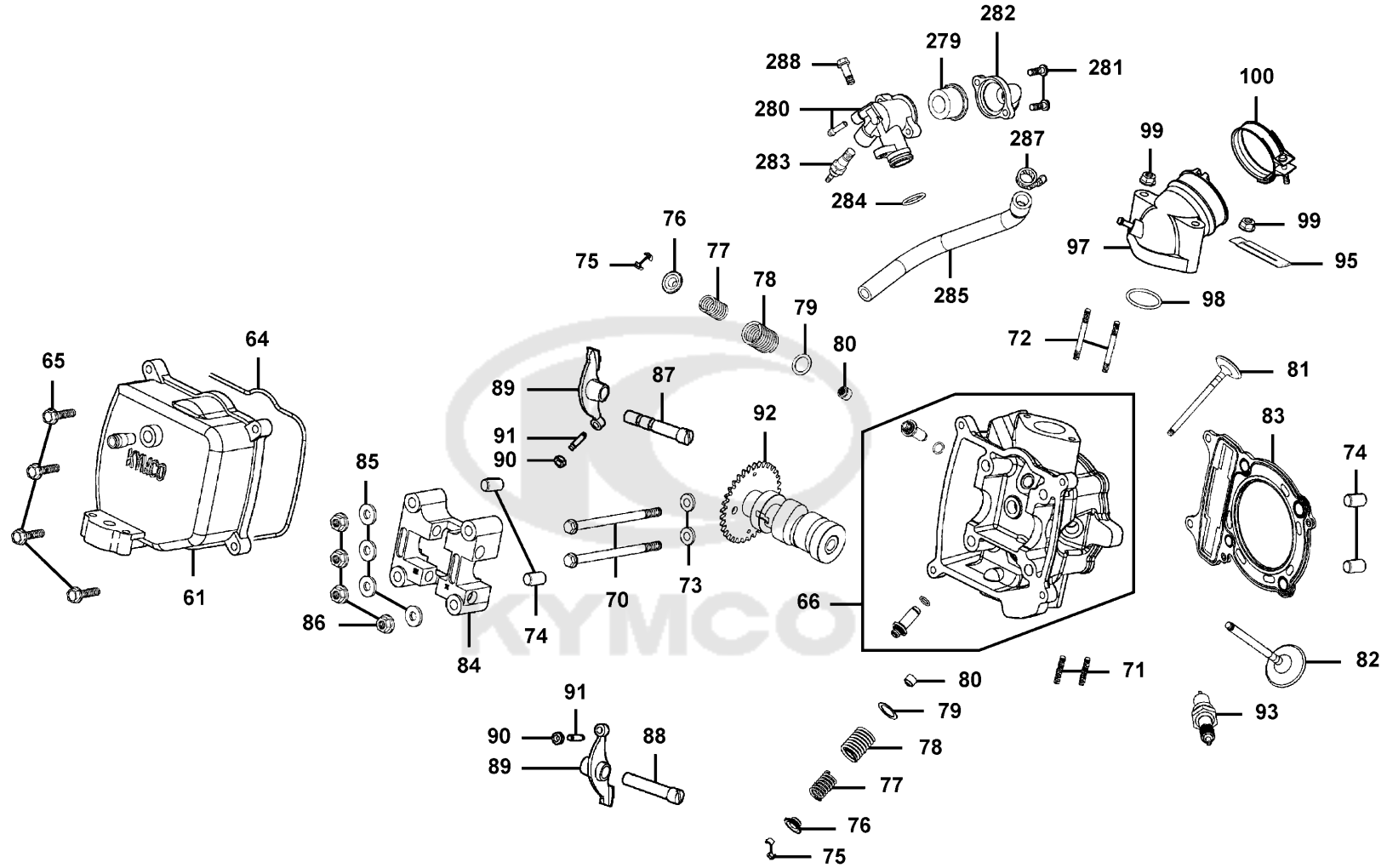


Sales mark 記号	Ref no 参照用番号	Part no パーツ番号	Description 部品名	Reg description 部品名	Regd no 必要個数	Ref Price 希望小売価格(税抜)	E01
13		91202-LHG7-E00	OIL SEAL 22X34X6	OIL SEAL 22X34X6	1	800	
53		93903-45360	SCREW WASHER 4*12	SCREW WASHER 4*12	1	200	
4		94301-10160	DOWEL PIN 10*16	DOWEL PIN 10*16	2	60	
38		95701-06016-02	BOLT FLANGE 6*16	BOLT FLANGE 6*16	4	130	
22		95701-08012-06	BOLT FLANGE 6*22 (K)	BOLT FLANGE 6*22 (K)	1	60	
51		96001-06016-06	BOLT FLANGE SH 6X16	BOLT FLANGE SH 6X16	1	60	
36		96001-06032-06	BOLT FLANGE 6*32	BOLT FLANGE 6*32	1	60	
3		96001-06050-06	BOLT FLANGE SH 6*50	BOLT FLANGE SH 6*50	1	60	
11		96100-62050-00	BEARING BALL RADIAL 6205	BEARING BALL RADIAL 6205	1	1440	
12		96100-63040-00	BEARING BALL RADIAL 6204	BEARING BALL RADIAL 6204	1	1440	



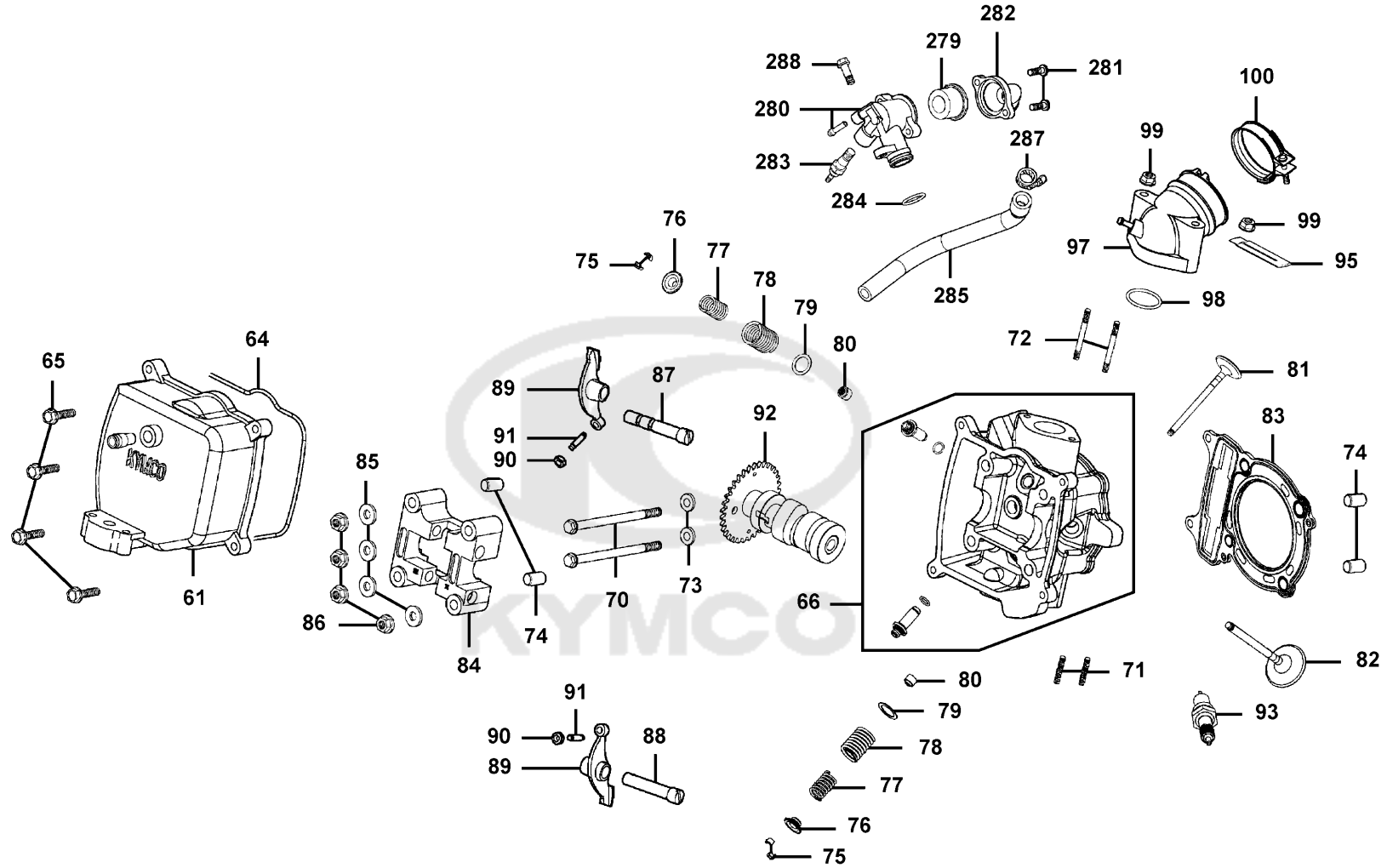


Sales mark 記号	Ref no 参照用番号	Part no パーツ番号	Description 部品名	Reg description 部品名	Regd no 必要個数	Ref Price 希望小売価格(税抜)	E02
66		12200-KHE7-E00	HEAD COMP CYLN	HEAD COMP CYLN	1	33460	
80		12209-GDB4-68B	SEAL VALVE STEM	SEAL VALVE STEM	1	490	
84		1221A-KHE7-900	HOLDER COMP CAM SHAFT	HOLDER COMP CAM SHAFT	1	3240	
83		12251-KHE7-901	GASKET CYLINDER HEAD	GASKET CYLINDER HEAD	1	3340	
61		12310-KHE7-E00	COVER COMP CYLN HEAD	COVER COMP CYLN HEAD	1	4380	
64		12391-KHE7-900	GASKET HEAD COVER	GASKET HEAD COVER	1	970	
92		14100-KHE7-220	SHAFT COMP CAM	SHAFT COMP CAM	1	9510	
89		14431-KHE7-900	ARM VALVE ROCKER	ARM VALVE ROCKER	2	4880	
87		14450-KEBE-900	SHAFT COMP IN ROCKER ARM	SHAFT COMP IN ROCKER ARM	1	820	
88		14461-KHE7-900	SHAFT EX ROCKER	SHAFT EX ROCKER	1	580	
81		14711-KHE7-900	VALVE INLET	VALVE INLET	1	1720	
82		14721-KHE7-900	VALVE EXHAUST	VALVE EXHAUST	1	3050	
78		14751-KHE7-900	SPG VALVE OUTER	SPG VALVE OUTER	2	420	
77		14761-KHE7-900	SPG VALVE INNER	SPG VALVE INNER	2	300	
76		14771-GDB4-680	RETAINER VALVE SPRING	RETAINER VALVE SPRING	2	350	
79		14775-MFA6-001	SEAT VALVE SPG OUTER	SEAT VALVE SPG OUTER	2	160	
75		14781-MFA6-001	COTTER VALVE	COTTER VALVE	4	200	
97		17110-KHE7-E00	PIPE COMP INLET	PIPE COMP INLET	1	2290	
279		19300-KAE1-004	THERMOSTAT ASSY	THERMOSTAT ASSY	1	4930	
280		19310-KHE7-900	CASE COMP THERMOSTAT	CASE COMP THERMOSTAT	1	1340	



Sales mark 記号	Ref no 参照用番号	Part no パーツ番号	Description 部品名	Reg description 部品名	Regd no 必要個数	Ref Price 希望小売価格(税抜)
282		19315-KHE7-900	COVER THERMOSTAT	COVER THERMOSTAT	1	580
285		19503-KHE7-900	HOSE C WATER	HOSE C WATER	1	920
283		37750-PAC1-005	THERMO UNIT ASSY	THERMO UNIT ASSY	1	1750
91		90012-3C33-001	SCREW TAPPET ADJUSTING	SCREW TAPPET ADJUSTING	2	110
71		90033-GFY6-900	BOLT STUD 8*32	BOLT STUD 8*32	2	60
90		90206-0A01-001	NUT TAPPET ADJG	NUT TAPPET ADJG	2	60
85		90465-MDC4-001	WASHER 8MM	WASHER 8MM	4	60
73		90478-7L00-001	WASHER A 6MM	WASHER A 6MM	2	60
100		90652-GFY6-901	BAND 49 AIR/C CONNECTING TUBE	BAND 49 AIR/C CONNECTING TUBE	1	120
284		91301-KHE7-900	O-RING 17.8*1.9	O-RING 17.8*1.9	1	110
98		91302-2L00-001	O-RING 33.5*3	O-RING 33.5*3	1	60
72		92900-06050-0B	BOLT STUD II 6*50	BOLT STUD II 6*50	2	160
281		93500-05016-0F	SCREW PAN 5*16	SCREW PAN 5*16	1	200
99		94050-06080	NUT FLANGE 6MM	NUT FLANGE 6MM	2	60
86		94050-08080	NUT FLANGE 8MM	NUT FLANGE 8MM	4	60
74		94301-10160	DOWEL PIN 10*16	DOWEL PIN 10*16	4	60
95		94591-KFBF-900	CLIP 2*70	CLIP 2*70	1	60
287		95002-KHE7-900	CLIP WATER HOSE	CLIP WATER HOSE	1	300
65		95701-06025-06	BOLT FLANGE 6*25	BOLT FLANGE 6*25	1	60
288		96001-06018-06	BOLT FLANGE SH 6X18	BOLT FLANGE SH 6X18	1	60

E02



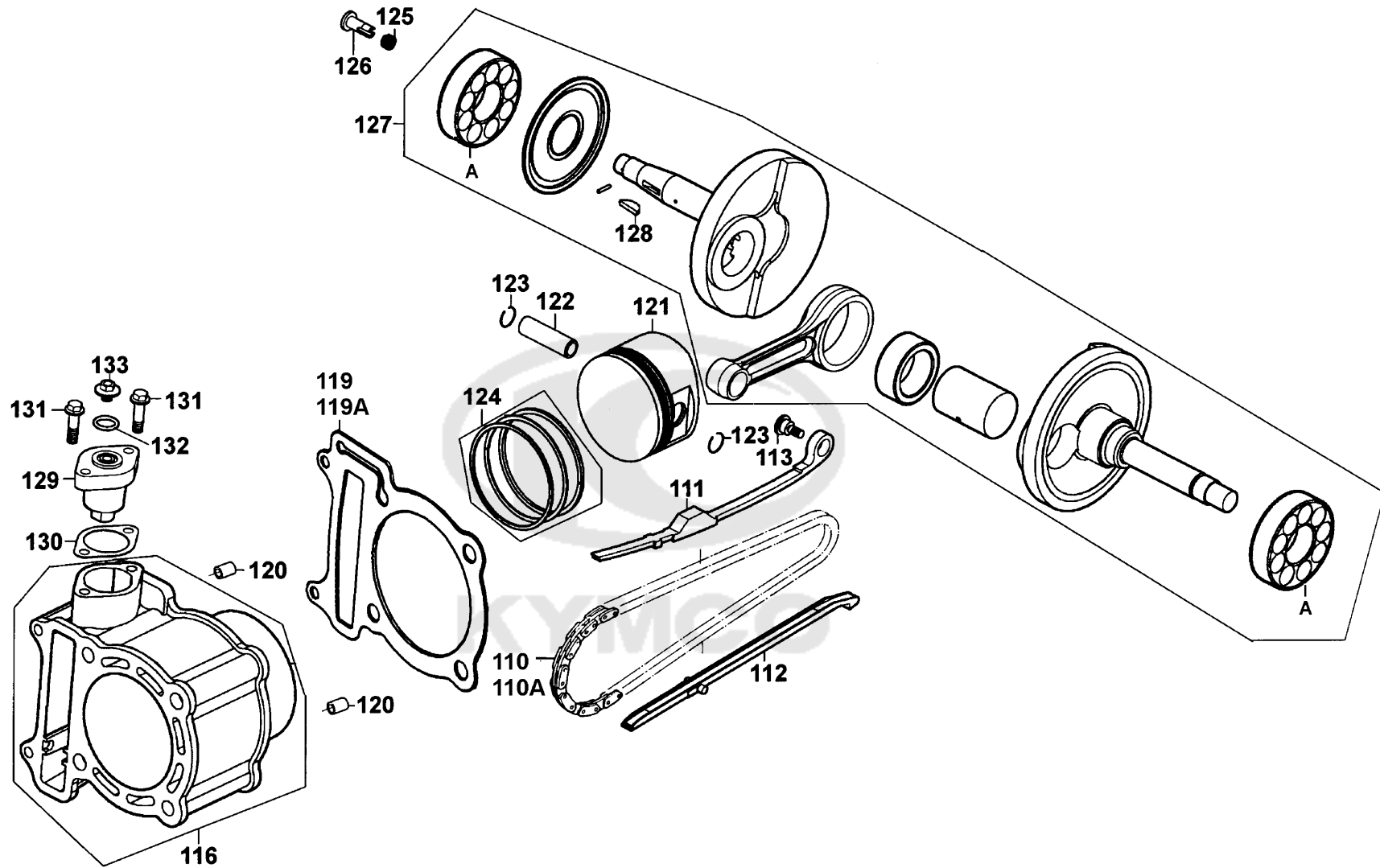
Sales mark 記号	Ref no 参照用番号	Part no パーツ番号	Description 部品名	Reg description 部品名	Regd no 必要個数	Ref Price 希望小売価格(税抜)	E02
------------------	-----------------	------------------	--------------------	------------------------	-----------------	-------------------------	-----

70	96001-06100-06	BOLT FLANGE SH 6*100	BOLT FLANGE SH 6*100	1	60	
93	98069-5791R-00	SPARK PLUG DPR(7EA-9)	SPARK PLUG DPR(7EA-9)	1	1210	



E03

Cylinder Piston Crankshaft

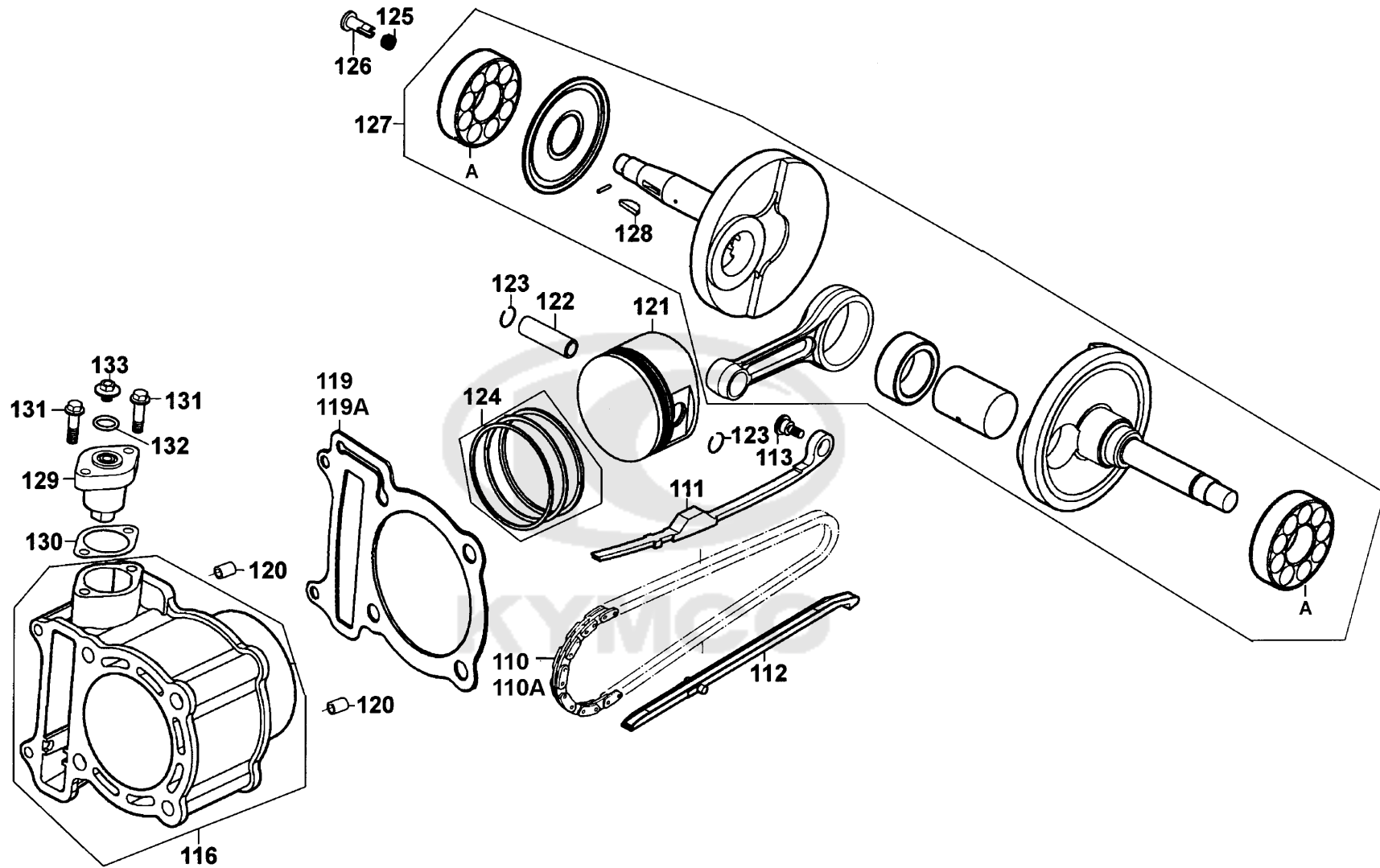




Sales mark 記号	Ref no 参照用番号	Part no パーツ番号	Description 部品名	Reg description 部品名	Regd no 必要個数	Ref Price 希望小売価格(税抜)	E03
116		12100-KHE7-900	CYLINDER COMP	CYLINDER COMP	1	26930	
119A		12191-KHE7-910	GASKET CYLINDER	GASKET CYLINDER	2	1020	
127		13000-KHE7-900	CRANK SHAFT COMP	CRANK SHAFT COMP	1	29660	
127		13000-KHE7-910	CRANK SHAFT COMP	CRANK SHAFT COMP	1	29660	
124		13011-KHE7-900	RING SET PISTON	RING SET PISTON	1	3810	
121		13101-KHE7-900	PISTON	PISTON	1	3530	
122		13111-KHE7-900	PIN PISTON	PIN PISTON	1	800	
110		14401-KHE7-90A	CHAIN CAM	CHAIN CAM	1	3810	
110A		14401-KHE7-90B	CHAIN CAM	CHAIN CAM	1	3810	
111		14510-KHE7-900	TENSIONER CAM CHAIN	TENSIONER CAM CHAIN	1	1840	
129		14520-GFY6-90C	LIFTER ASSY.. TENSIONER	LIFTER ASSY.. TENSIONER	1	2060	
130		14523-KED9-900	GASKET TENSIONER LIFTER @A	GASKET TENSIONER LIFTER @A	1	200	
113		14531-KHE7-900	PIVOT CAM CHAIN TENSIONER	PIVOT CAM CHAIN TENSIONER	1	400	
112		14610-KHE7-900	GUIDE COMP CAM CHAIN	GUIDE COMP CAM CHAIN	1	890	
126		15441-1K49-001	OIL THROUGH	OIL THROUGH	1	390	
125		15447-1K49-001	SPG OIL THROUGH	SPG OIL THROUGH	1	160	
131		90001-GBHB-661	BOLT FLANGE SH 6*22	BOLT FLANGE SH 6*22	2	60	
133		90005-KED9-900	BOLT SPECIAL 6*6	BOLT SPECIAL 6*6	1	200	
A		91001-KHE7-900	BRG BALL RADIAL TMB307JR2CS19	BRG BALL RADIAL TMB307JR2CS19	2	8180	
132		91306-1E05-691	O-RING 1.5*9.5	O-RING 1.5*9.5	1	60	

E03

Cylinder Piston Crankshaft

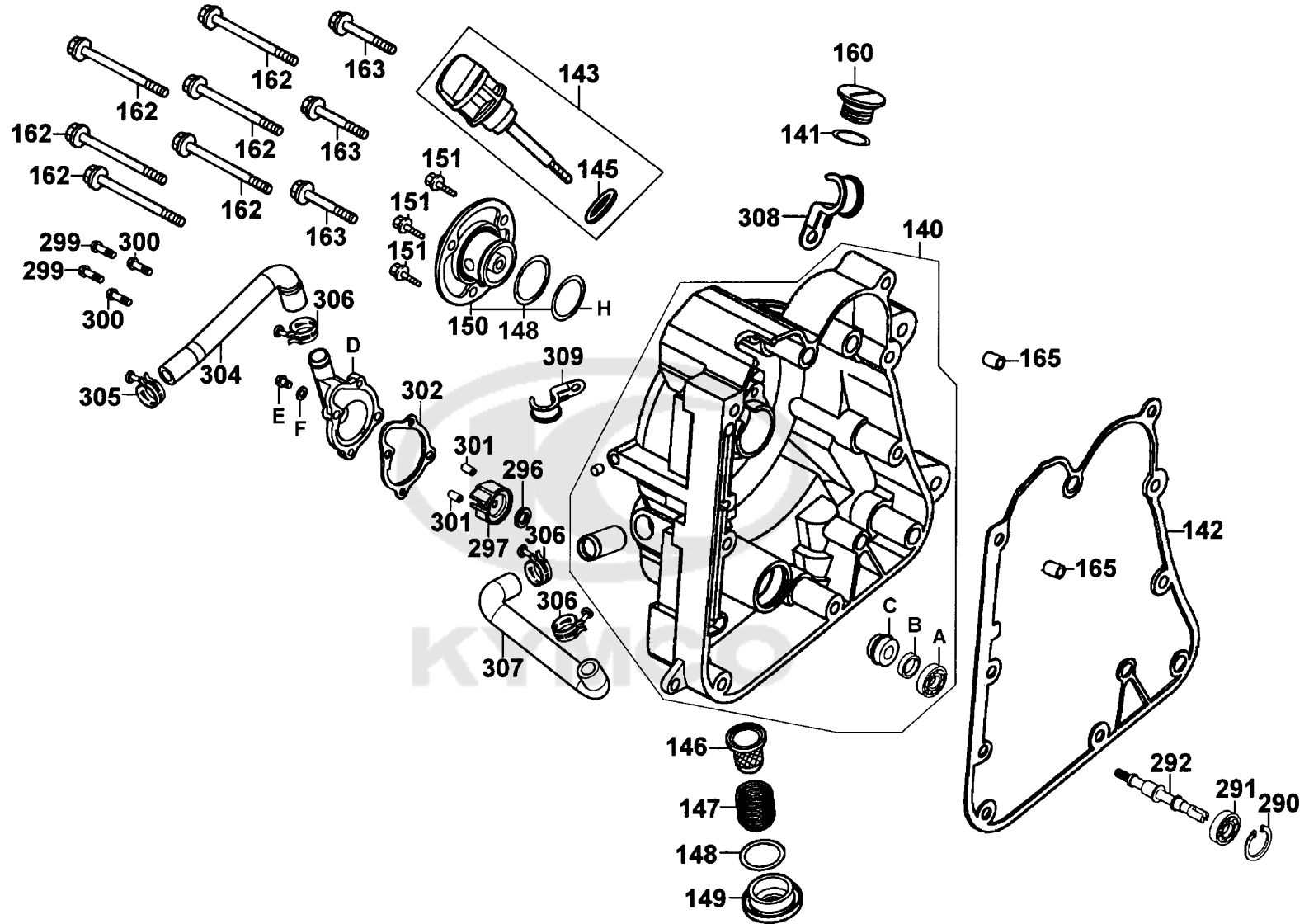


Sales mark 記号	Ref no 参照用番号	Part no パーツ番号	Description 部品名	Reg description 部品名	Regd no 必要個数	Ref Price 希望小売価格(税抜)	E03
120	94301-10160	94301-10160	DOWEL PIN 10*16	DOWEL PIN 10*16	2	60	
128	94401-25140	94401-25140	WOODRUFF KEY 25*14	WOODRUFF KEY 25*14	1	160	
123	94601-17000	94601-17000	CLIP PISTON PIN 17MM	CLIP PISTON PIN 17MM	2	110	



E04

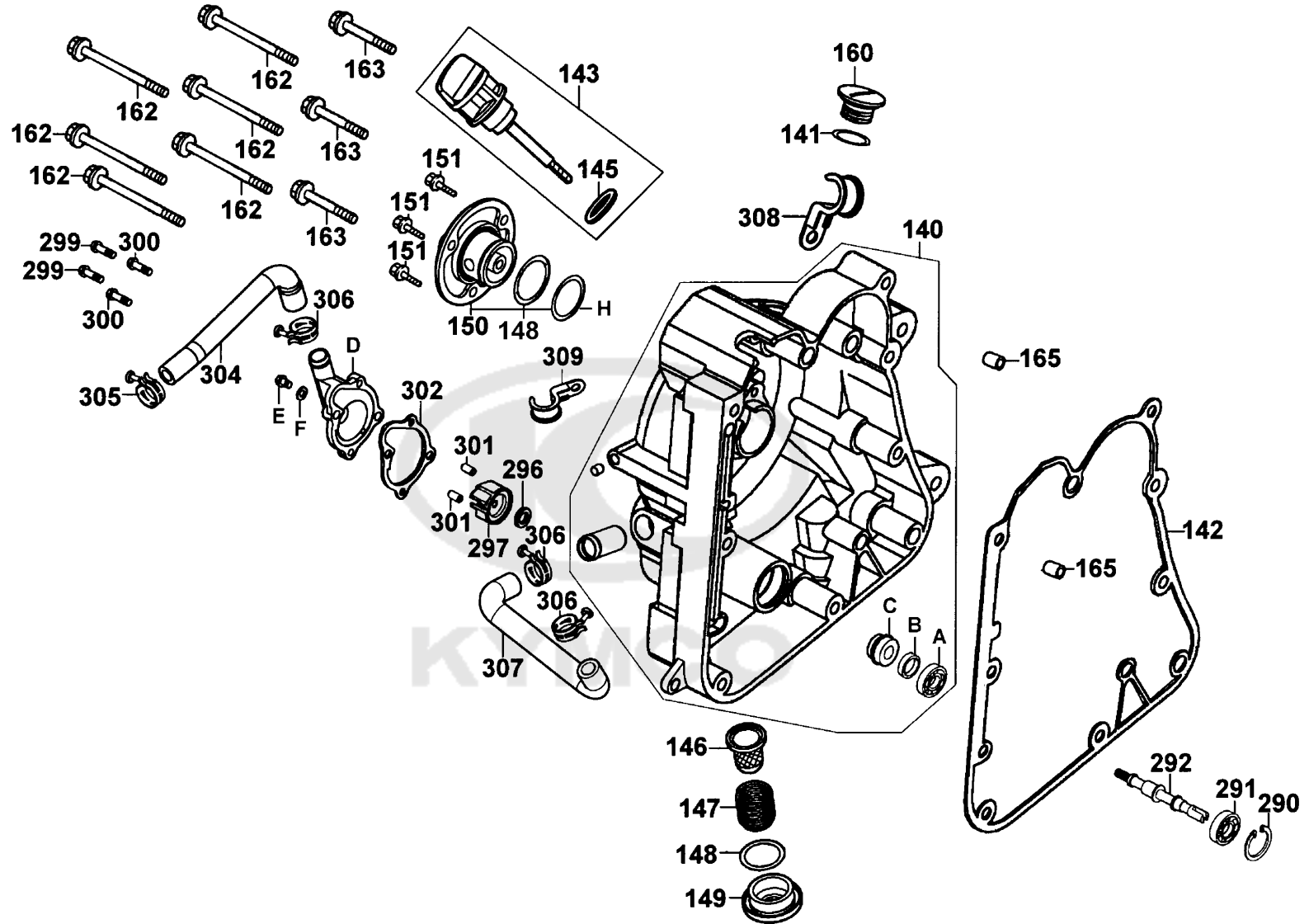
Right Crankcase Cover Water Pump



Sales mark 記号	Ref no 参照用番号	Part no パーツ番号	Description 部品名	Reg description 部品名	Regd no 必要個数	Ref Price 希望小売価格(税抜)	E04
	140	11330-KHE7-900	COVER COMP RIGHT	COVER COMP RIGHT	1	17110	
	308	11383-KHE7-900	CLAMPER RR BRK HOSE	CLAMPER RR BRK HOSE	1	300	
	309	11384-KHE7-900	CLAMPER A RR BRK HOSE	CLAMPER A RR BRK HOSE	1	200	
	142	11394-KHE7-980	GASKET.R COVER @A	GASKET.R COVER @A	2	1150	
	149	12361-GFY6-901	HOLE CAP TAPPET ADJUSTING	HOLE CAP TAPPET ADJUSTING	1	300	
	146	15421-1G07-001	SCREEN OIL FILTER	SCREEN OIL FILTER	1	350	
	147	15426-GAE1-921	SPG OIL FILTER SCREEN	SPG OIL FILTER SCREEN	1	160	
	143	1565A-KEBE-900	GAUGE OIL LEVEL ASSY	GAUGE OIL LEVEL ASSY	1	390	
	297	19215-KHE7-900	IMPELLER WATER PUMP	IMPELLER WATER PUMP	1	1060	
	C	19217-6G57-024	SEAL MECHANICAL	SEAL MECHANICAL	1	1720	
**	D	19221-KHE7-900	COVER WATER PUMP	COVER WATER PUMP	1	1630	
	302	19229-LBA7-900	GASKET WATER PUMP	GASKET WATER OUMP	1	140	
	292	19231-KKJ9-011	SHAFT WATER PUMP	SHAFT WATER PUMP	1	1530	
	304	19501-KHE7-900	HOSE A WATER	HOSE A WATER	1	870	
	307	19502-KHE7-900	HOSE B WATER	HOSE B WATER	1	770	
	160	90084-4H28-001	CAP ACG	CAP ACG	1	230	
	150	9008A-KHE7-900	CAP ASSY R COVER	CAP ASSY R COVER	1	3240	
	296	90423-KKJ9-001	WASHER 7.2*13*1.2	WASHER 7.2*13*1.2	1	130	
	F	90478-7L00-001	WASHER A 6MM	WASHER A 6MM	1	60	
	A	91001-KKJ9-006	BRG BALL RADIAL 6901	BRG BALL RADIAL 6901	1	2290	

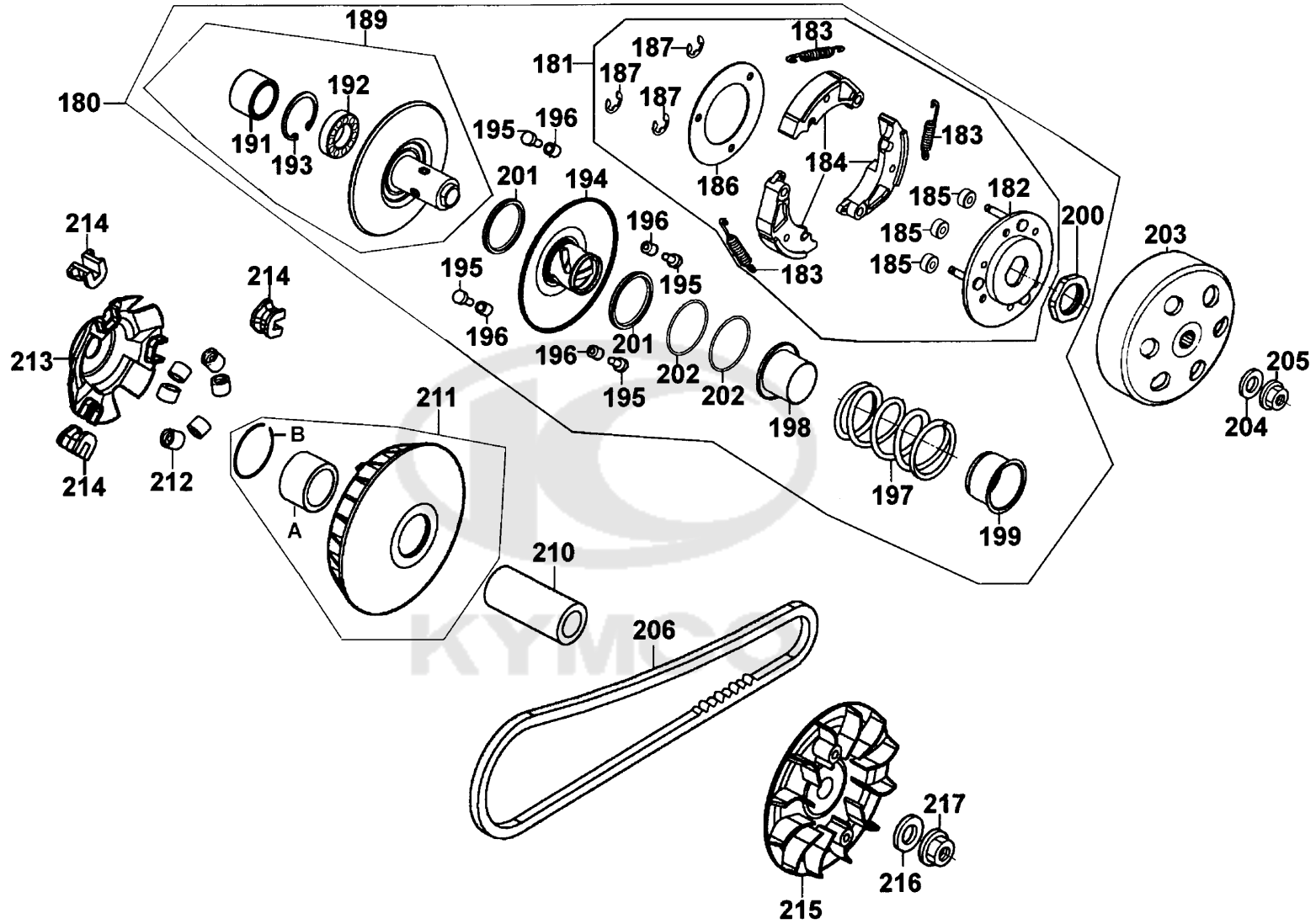
E04

Right Crankcase Cover Water Pump



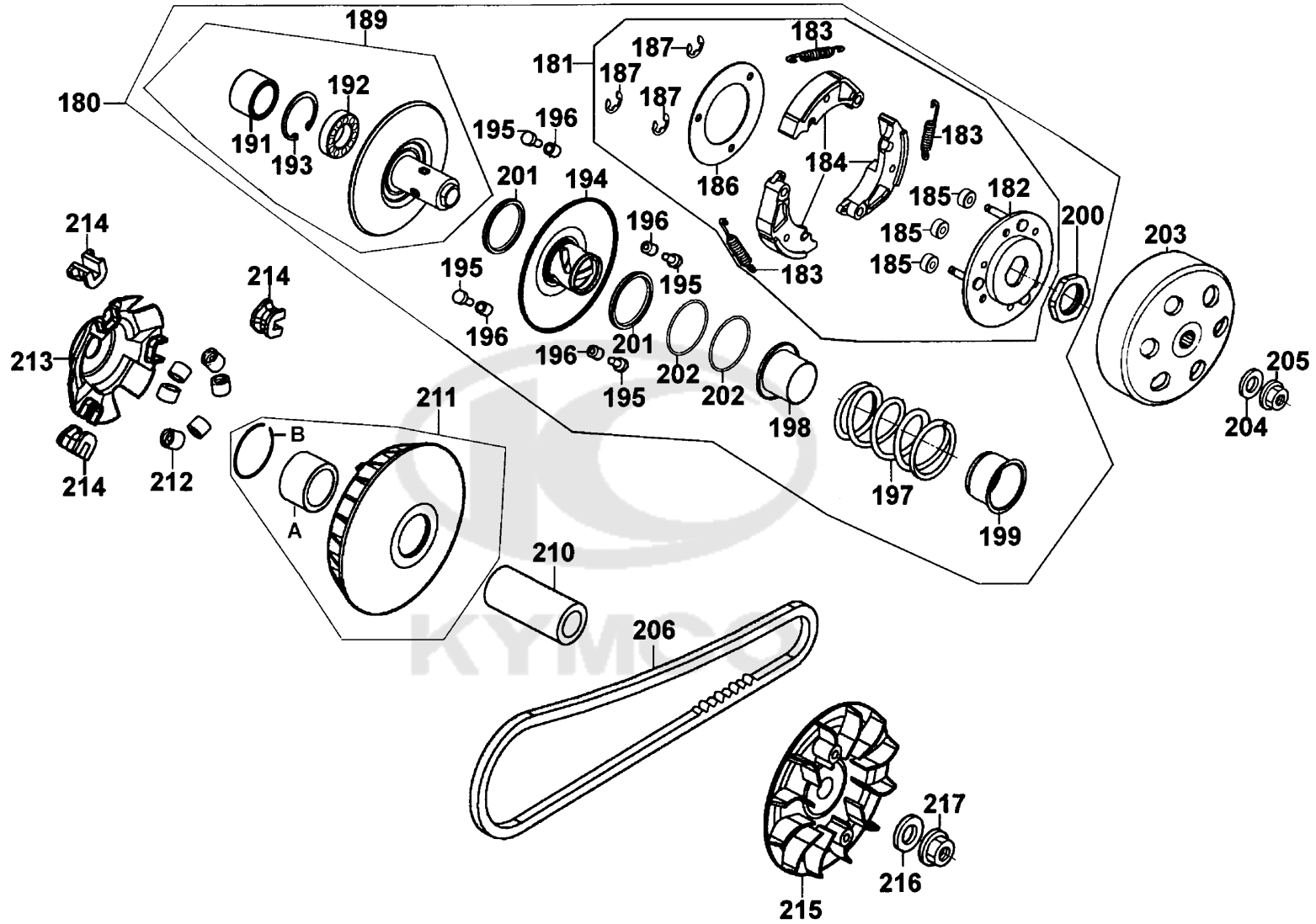
Sales mark 記号	Ref no 参照用番号	Part no パーツ番号	Description 部品名	Reg description 部品名	Regd no 必要個数	Ref Price 希望小売価格(税抜)
B		91201-KKJ9-004	OIL SEAL 12*20*4	OIL SEAL 12*20*4	1	130
148		91302-0A01-021	O-RING 30.8M/M	O-RING 30.8M/M	1	60
H		91302-KHE7-900	O-RING 27.4*2.1MM	O-RING 27.4*2.1MM	1	110
141		91303-3G77-001	O-RING 13.8*2.5	O-RING 13.8*2.5	1	60
145		91307-0E35-001	O RING 18*3	O RING 18*3	1	60
301		94301-08140	DOWEL PIN 8*14	DOWEL PIN 8*14	2	110
165		94301-10160	DOWEL PIN 10*16	DOWEL PIN 10*16	2	60
290		94520-26000	CIR CLIP INTERAL 26MM	CIR CLIP INTERAL 26MM	1	140
305		95002-KGN7-910	CLIP TUBE	CLIP TUBE	1	200
306		95002-KHE7-900	CLIP WATER HOSE	CLIP WATER HOSE	3	300
E		96001-06010-00	BOLT FLANGE SH 6X10	BOLT FLANGE SH 6X10	1	200
151		96001-06018-02	BOLT FLANGE SH 6*18	BOLT FLANGE SH 6*18	3	130
299		96001-06022-06	BOLT FLANGE SH 6*22 (G)	BOLT FLANGE SH 6*22 (G)	1	60
300		96001-06028-06	BOLT FLANGE SH 6*28	BOLT FLANGE SH 6*28	1	60
163		96001-06045-06	BOLT FLANGE 6*45 **07 C.2005.07.01	BOLT FLANGE 6*45 **07 C.2005.07.01	1	60
162		96001-06125-06	BOLT FLANGE SH 6*125	BOLT FLANGE SH 6*125	1	390
291		96100-60000-00	BEARING BALL RADIAL 6000	BEARING BALL RADIAL 6000	1	1150

**E04**

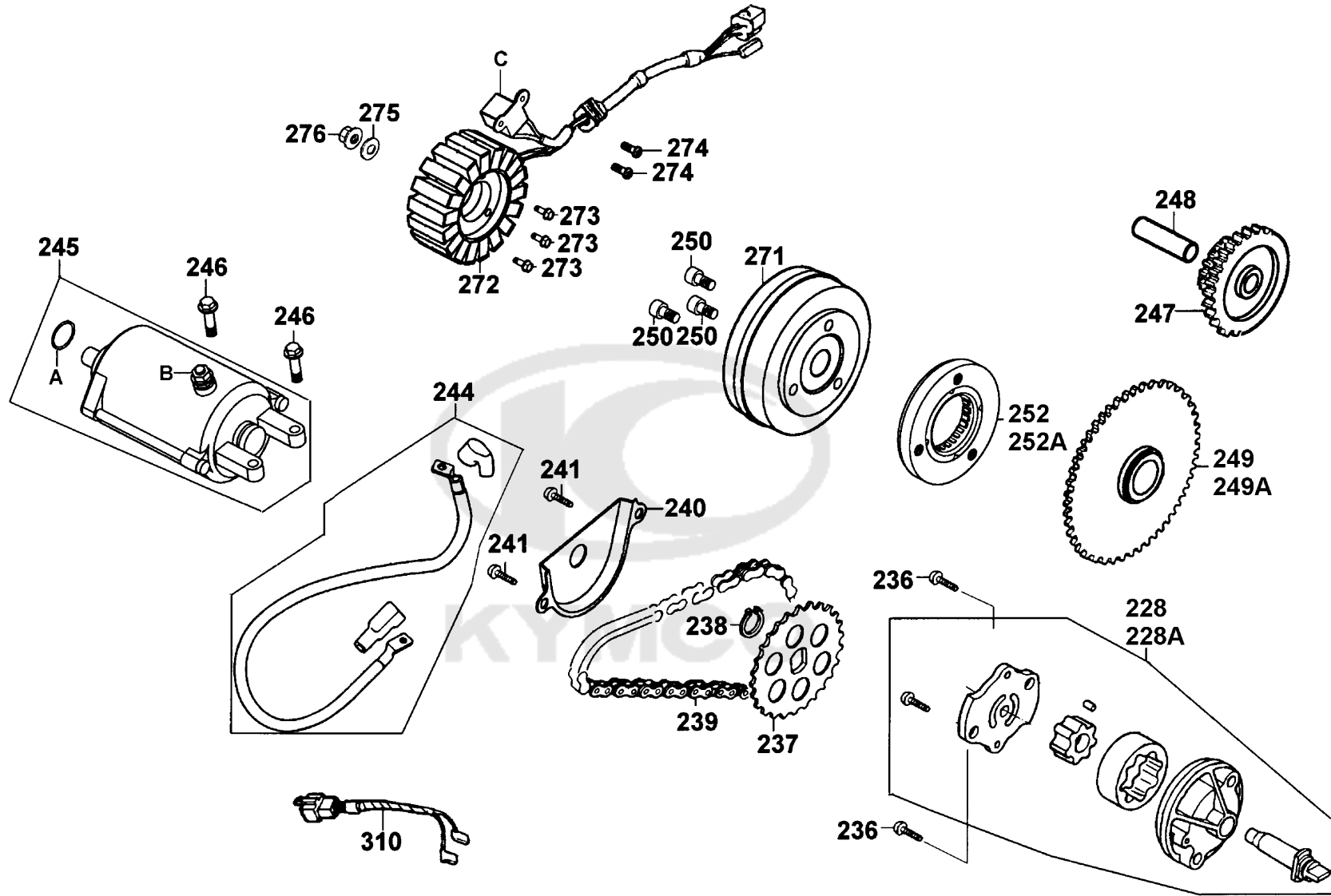




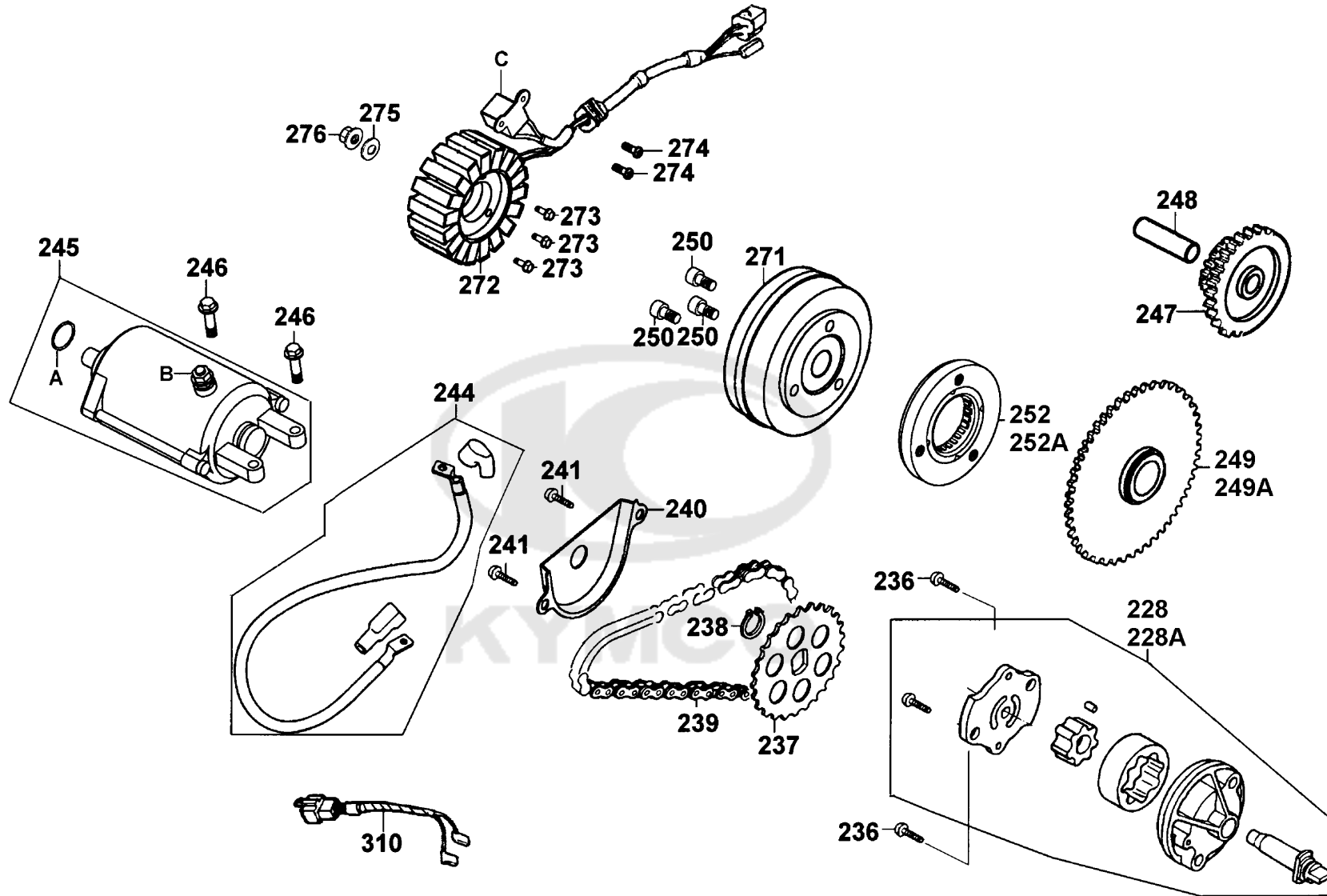
Sales mark 記号	Ref no 参照用番号	Part no パーツ番号	Description 部品名	Reg description 部品名	Regd no 必要個数	Ref Price 希望小売価格(税抜)	E05
203		22101-LBA7-900	OUTER CLUTCH	OUTER CLUTCH	2	6280	
215		22102-KHE7-900	FACE DRIVE	FACE DRIVE	1	2290	
210		22105-KHE7-900	BOSS DRIVE FACE	BOSS DRIVE FACE	1	2510	
210		22105-LBA7-900	BOSS DRIVE FACE	BOSS DRIVE FACE	1	1720	
211		22110-KHE7-900	FACE COMP MOVABLE DRIVE	FACE COMP MOVABLE DRIVE	1	3050	
A		22112-KHE7-900	BUSH 27*33*37	BUSH 27*33*37	1	420	
212		22121-KHE7-305	ROLLER SET WEIGHT (1SET:6PCS)	ROLLER SET WEIGHT(旧品番の22121-KHE7	1	420	
213		22131-KHE7-900	PLATE RAMP	PLATE RAMP	1	1340	
213		22131-LBA7-900	PLATE RAMP	PLATE RAMP	1	1340	
214		22132-KHE7-900	PIECE SLIDE	PIECE SLIDE	3	370	
181		22300-KHE7-900	PLATE ASSY DRIVE	PLATE ASSY DRIVE	1	11460	
181		22300-KHE7-910	PLATE ASSY DRIVE	PLATE ASSY DRIVE	1	21730	
182		22350-KHE7-900	PLATE COMP DRIVE	PLATE COMP DRIVE	1	1720	
186		22361-LEA7-E00	PLATE CLUTCH SIDE	PLATE CLUTCH SIDE	1	680	
183		22401-KHE7-900	SPRING CLUTCH	SPRING CLUTCH	3	160	
184		22530-KHE7-900	WEIGHT CLUTCH	WEIGHT CLUTCH	3	2480	
184		22530-KHE7-910	WEIGHT CLUTCH	WEIGHT CLUTCH	3	4580	
185		22804-GBB2-001	RUBBER CLUTCH DAMPER	RUBBER CLUTCH DAMPER	3	200	
180		2301A-LLJ3-E00	PULLEY SUB ASSY	PULLEY SUB ASSY	1	29630	
180		2301A-LLJ3-E01	PULLEY SUB ASSY	PULLEY SUB ASSY	1	18720	



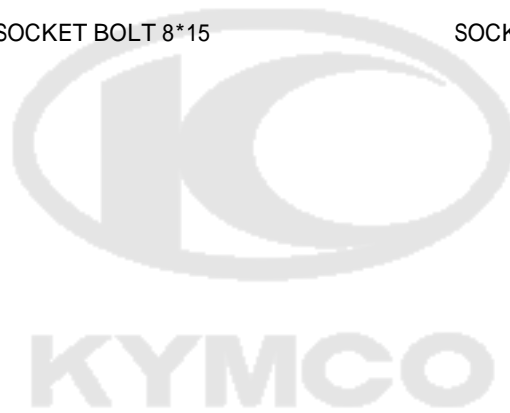
Sales mark 記号	Ref no 参照用番号	Part no パーツ番号	Description 部品名	Reg description 部品名	Regd no 必要個数	Ref Price 希望小売価格(税抜)	E05
206		23100-KHE7-90B	BELT DRIVE(Maker:MITSUBOSHI)	BELT DRIVE(Maker:MITSUBOSHI)	1	10230	
189		23200-KHE7-900	FACE ASSY DRIVEN	FACE ASSY DRIVEN	1	12840	
194		23220-KHE7-900	FACE COMP MOVABLE DRIVEN	FACE COMP MOVABLE DRIVEN	1	6090	
195		23225-KHE7-900	PIN ROLLER GUIDE	PIN ROLLER GUIDE	4	110	
196		23226-GHC8-004	ROLLER GUIDE	ROLLER GUIDE	4	60	
197		23233-KHE7-900	SPG DRIVEN FACE	SPG DRIVEN FACE	1	1530	
198		23237-KHE7-900	COLLAR SEAL	COLLAR SEAL	1	730	
199		23238-KHE7-900	COLLAR SPG	COLLAR SPG	1	700	
205		90201-KHE7-900	NUT C FLANGE M12	NUT C FLANGE M12	1	390	
217		90201-KHR8-75A	NUT FLANGE 14MM	NUT FLANGE 14MM	1	200	
200		90202-1G87-001	NUT SPECIAL 28MM	NUT SPECIAL 28MM	1	100	
216		90401-KKJ9-001	WASHER THRUST 14*28*2	WASHER THRUST 14*28*2	1	160	
204		90441-GFY6-941	WASHER 12.2*29*2.5	WASHER 12.2*29*2.5	1	70	
187		90605-1F66-721	CIR CLIP 7MM	CIR CLIP 7MM	3	60	
192		91002-GGA7-70A	BRG BALL RADIAL 6902U	BRG BALL RADIAL 6902U	1	510	
191		91004-KHE7-900	BRG NDL 22*29*18	BRG NDL 22*29*18	1	2860	
201		91211-KHE7-900	SEAL DRIVEN FACE	SEAL DRIVEN FACE	2	770	
202		91351-KHE7-900	O-RING PINION CAP	O-RING PINION CAP	2	230	
193		94520-28000	CIR CLIP IN 28	CIR CLIP IN 28	1	60	
B		94601-33000	CLIP PISTON PIN 33MM	CLIP PISTON PIN 33MM	1	60	

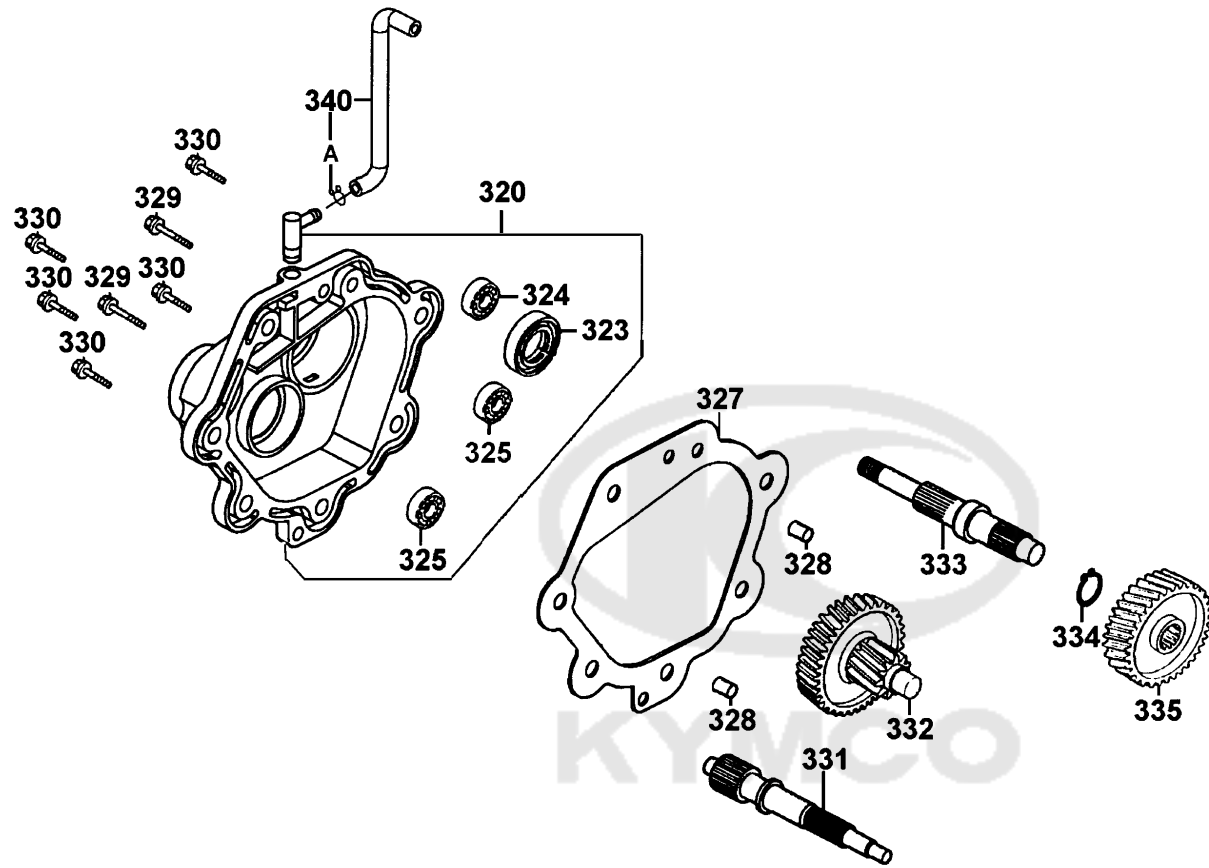


Sales mark 記号	Ref no 参照用番号	Part no パーツ番号	Description 部品名	Reg description 部品名	Regd no 必要個数	Ref Price 希望小売価格(税抜)	E06
228		15100-KEBE-900	PUMP ASSY OIL	PUMP ASSY OIL	1	2630	
228A		15100-KKC3-900	PUMP ASSY OIL	PUMP ASSY OIL	1	3240	
237		15133-KAM1-001	SPROCKET OIL PUMP DRIVE	SPROCKET OIL PUMP DRIVE	1	960	
239		15141-KKJ9-004	CHAIN OIL PUMP	CHAIN OIL PUMP	1	1210	
240		15711-KHE7-900	SEPARATER OIL	SEPARATER OIL	1	300	
247		28101-KHE7-900	GEAR STARTER REDUCTION	GEAR STARTER REDUCTION	1	3910	
248		28102-KHE7-900	SHAFT STARTER REDUCTION GEAR	SHAFT STARTER REDUCTION GEAR	1	200	
249		28110-KHE7-900	GEAR COMP STARTING CLUTCH	GEAR COMP STARTING CLUTCH	1	6090	
249A		28110-LDB2-E00	GEAR COMP STARTING CLUTCH	GEAR COMP STARTING CLUTCH	1	6090	
252		28120-KHE7-E00	ONE WAY CLUTCH STARTER ASSY	ONE WAY CLUTCH STARTER ASSY	1	26930	
252A		28120-LDB2-E00	ONE WAY CLUTCH	ONE WAY CLUTCH	1	14270	
C		30300-KEBE-900	GEN ASSY PULSE / D406	GEN ASSY PULSE / D406	1	3240	
271		31110-KHE7-90A	FLYWHEEL COMP (D406)	FLYWHEEL COMP /D406	1	10460	
272		31120-KKC4-90A	STATOR COMP (D406)	STATOR COMP /D406	1	12930	
245		31210-KHE7-90A	MOTOR UNIT STARTER	MOTOR UNIT STARTER	1	24560	
310		32101-KHE7-E00	SUB CORD	SUB CORD	1	390	
244		32410-KKC4-900	CABLE STARTER MOTOR	CABLE STARTER MOTOR	1	1630	
246		90001-GBHB-661	BOLT FLANGE SH 6*22	BOLT FLANGE SH 6*22	2	60	
B		90071-MLB0-001	NUT WASH 6MM	NUT WASH 6MM	1	60	
276		90201-KHR8-75A	NUT FLANGE 14MM	NUT FLANGE 14MM	1	200	



Sales mark 記号	Ref no 参照用番号	Part no パーツ番号	Description 部品名	Reg description 部品名	Regd no 必要個数	Ref Price 希望小売価格(税抜)	E06
275		90401-KKJ9-001	WASHER THRUST 14*28*2	WASHER THRUST 14*28*2	1	160	
A		91309-4E25-004	O-RING 24.4*3.1	O-RING 24.4*3.1	1	60	
273		92101-05032-0G	BOLT HEX 5*32	BOLT HEX 5*32	1	200	
274		93500-05016-0F	SCREW PAN 5*16	SCREW PAN 5*16	1	200	
238		94510-10000	CIR CLIP EX 10MM	CIR CLIP EX 10MM	1	70	
241		96001-06012-06	BOLT FLANGE SH 6*12	BOLT FLANGE SH 6*12	1	60	
236		96001-06028-06	BOLT FLANGE SH 6*28	BOLT FLANGE SH 6*28	1	60	
250		96600-08015-16	SOCKET BOLT 8*15	SOCKET BOLT 8*15	1	390	



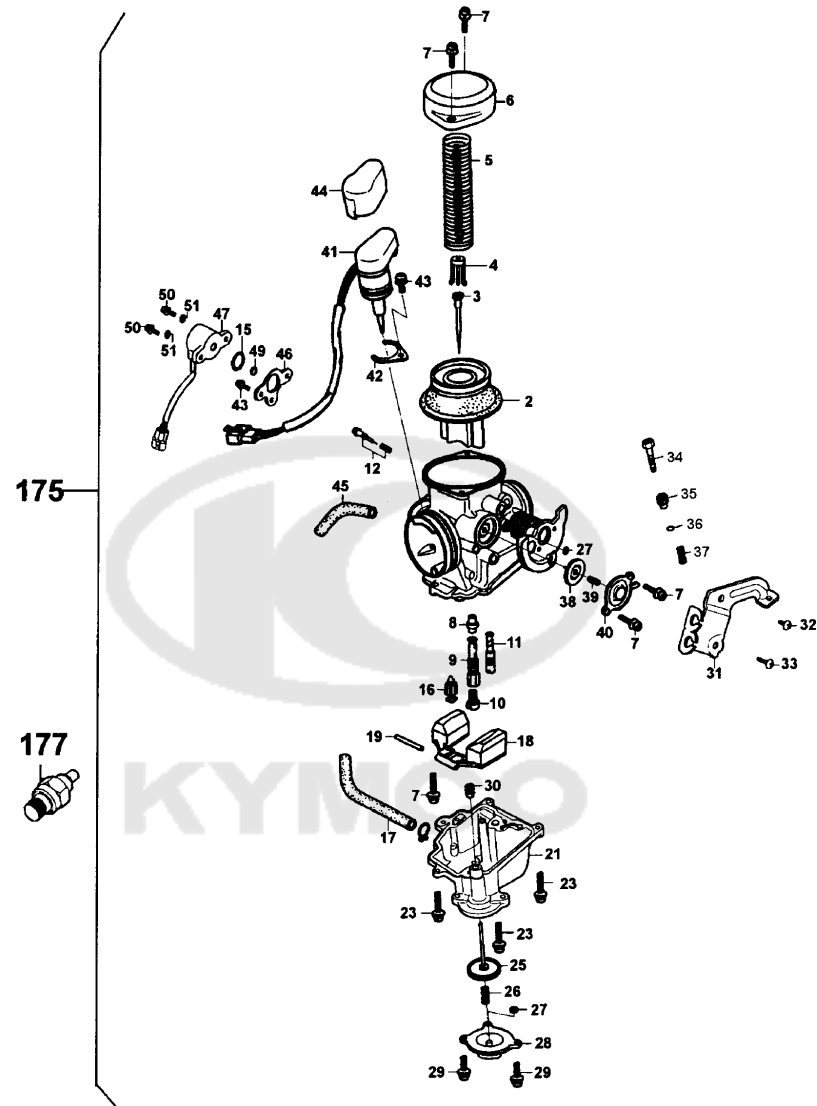




Sales mark 記号	Ref no 参照用番号	Part no パーツ番号	Description 部品名	Reg description 部品名	Regd no 必要個数	Ref Price 希望小売価格(税抜)	E07
340		1122A-KKC4-900	TUBE ASSY MISSION BREATHER	TUBE ASSY MISSION BREATHER	1	330	
320		21200-KHE7-305	CASE COMP MISSION	CASE COMP MISSION	1	13600	
327		21395-KHE7-980	GASKET MISSION COVER @A	GASKET MISSION COVER @A	2	960	
331		23411-KHE7-900	SHAFT DRIVE	SHAFT DRIVE	1	7140	
332		23420-KHE7-910	SHAFT COMP COUNTER	SHAFT COMP COUNTER	1	8560	
333		23431-KHE7-900	SHAFT FINAL	SHAFT FINAL	1	7420	
335		23432-KHE7-910	GEAR FINAL	GEAR FINAL	1	10420	
324		91009-KHE7-900	BRG BALL RADIAL 6205LLU	BRG BALL RADIAL 6205LLU	1	2100	
323		91255-KHE7-900	OIL SEAL 34X52X7	OIL SEAL 34X52X7	1	300	
323		91255-KHE7-90A	OIL SEAL 34*52*7	OIL SEAL 34*52*7	1	1180	
328		94301-10160	DOWEL PIN 10*16	DOWEL PIN 10*16	2	60	
334		94510-25000	CIR CLIP EXTERNAL 25	CIR CLIP EXTERNAL 25	1	200	
A		95002-02080	CLIP B8 TUBE	CLIP B8 TUBE	1	60	
329		95701-08035-06	BOLT FLANGE 6*22 (K)	BOLT FLANGE 6*22 (K)	1	200	
330		95801-08030-06	BOLT FLANGE 8*30(G)	BOLT FLANGE 8*30(G)	1	140	
325		96100-63020-00	BRG BALL RADIAL 6302	BRG BALL RADIAL 6302	1	1150	

E08

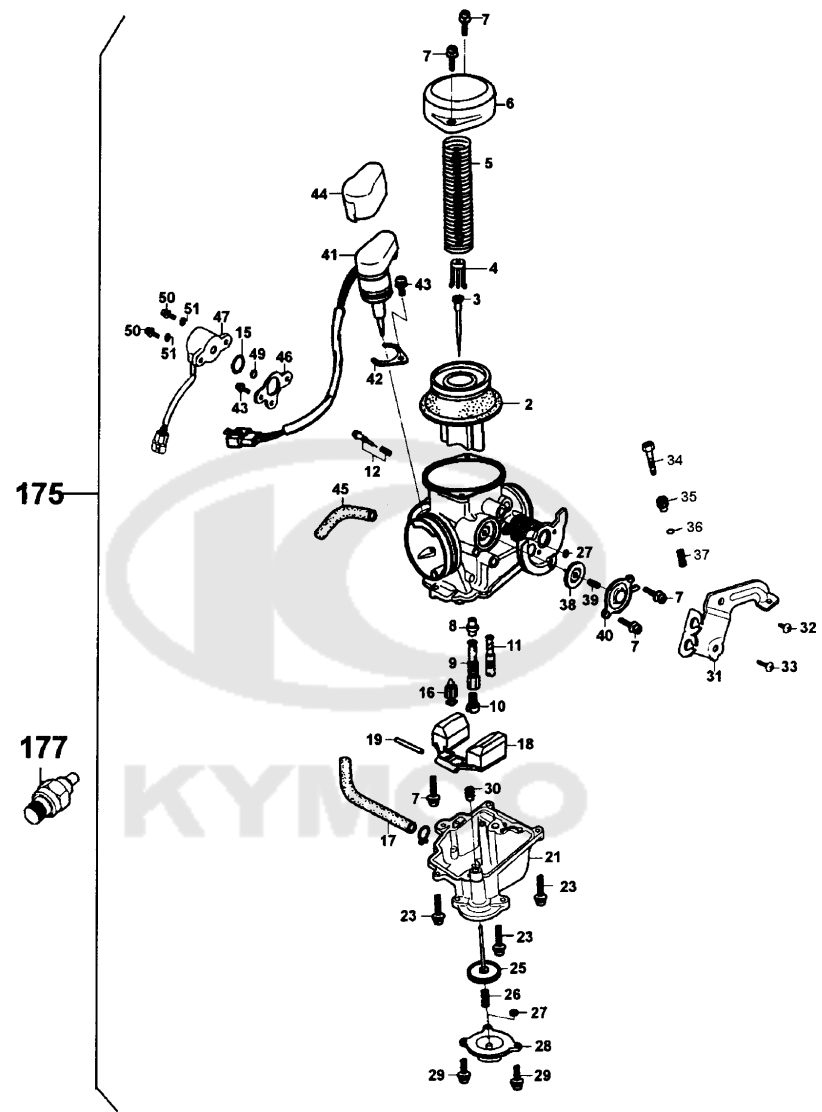
Carburetor



Sales mark 記号	Ref no 参照用番号	Part no パーツ番号	Description 部品名	Reg description 部品名	Regd no 必要個数	Ref Price 希望小売価格(税抜)	E08
50		0137-261-36G5	SCREW PAN	SCREW PAN	2	200	
51		0301-261-36G5	PLAIN WASHER	PLAIN WASHER	2	200	
30		1028-054-7000	RUBBER CAP	RUBBER CAP	1	350	
6		1030-892-2101	TOP COMP	TOP COMP	1	1200	
34		1034-869-2001	SCREW SET	SCREW SET	1	390	
18		1052-862-2101	FLOAT COMP	FLOAT COMP	1	420	
42		1090-872-2000	SET PLATE	SET PLATE	1	390	
46		1190-B30-2002	STAY PLATE	STAY PLATE	1	390	
31		1190-B63-2100	STAY PLATE SET	STAY PLATE SET	1	3050	
25		1201-830-2300	DIAPHRAGM COMP	DIAPHRAGM COMP(生産中止の為共通部品)	1	2580	
4		1229-805-7000	SPG SET	SPG SET	1	110	
40		1230-850-2000	COVER (ACV)	COVER (ACV)	1	800	
28		1230-851-2001	COVER (ACCP)	COVER (ACCP)	1	700	
44		1230-856-7001	COVER	COVER	1	580	
39		1290-996-2000-3	SPG COMPR	SPG COMPR	1	200	
5		1290-A07-2000	SPG COMPR	SPG COMPR	1	110	
2		1402-939-2100	VACUUM PISTON COMP	VACUUM PISTON COMP	1	6190	
37		16053-KT7-0030	SPG	SPG	1	60	
175		1610K-KKC4-E00	CARBURETOR ASSY	CARBURETOR ASSY	1	45240	
47		1614-834-2100	THROTTLE SENSOR	THROTTLE SENSOR	1	17220	

E08

Carburetor

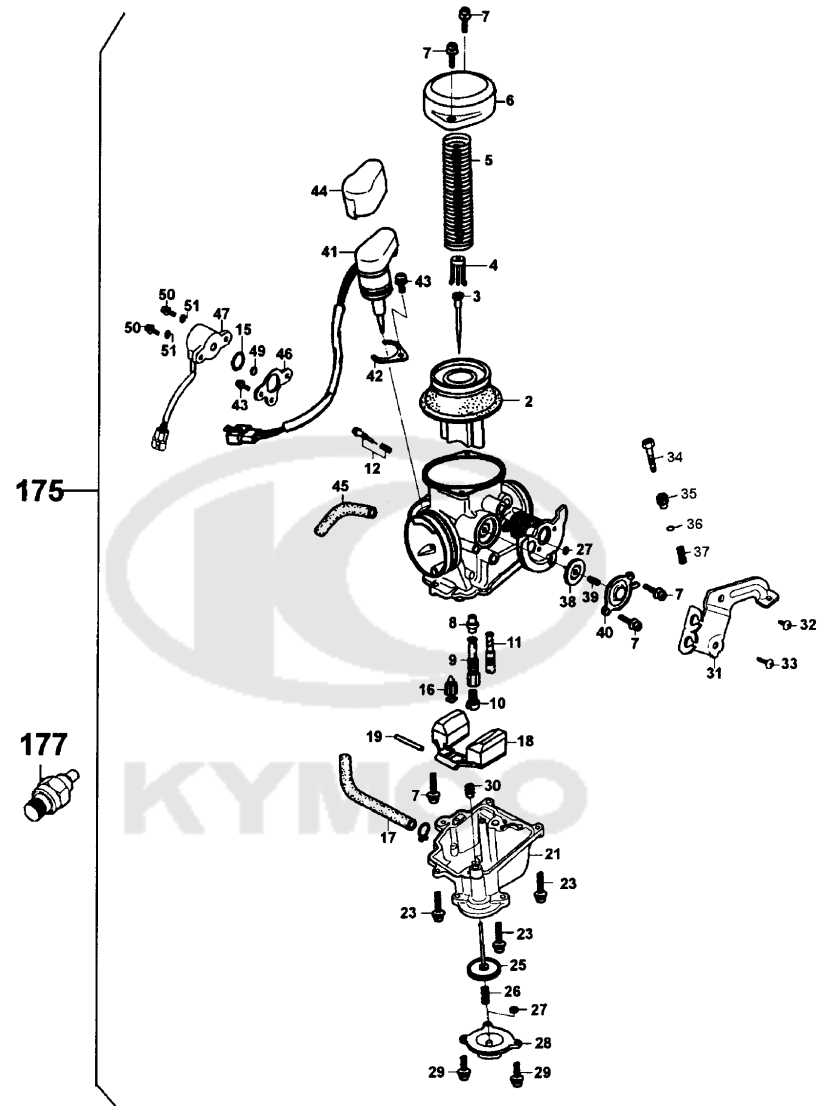


Sales mark 記号	Ref no 参照用番号	Part no パーツ番号	Description 部品名	Reg description 部品名	Regd no 必要個数	Ref Price 希望小売価格(税抜)
49		16145-MZ2-7800	JOINT COLLAR	JOINT COLLAR	1	370
45		16199-GFY6-900	TUBE SET	TUBE SET	1	200
15		16978-ZB9-0050	O-RING	O-RING	1	70
177		37710-KGBG-E00	HEATER CARBURETOR	HEATER CARBURETOR	1	2010
41		4000-276-0000	AUTO BYSTARTER SET	AUTO BYSTARTER SET	1	11030
32		4115-803-1100	SCREW PAN	SCREW PAN	1	260
33		4115-804-1100	SCREW PAN	SCREW PAN	1	210
7		93500-04008-1H-3	SCREW PAN	SCREW PAN	1	60
29		93500-04010-1H-3	SCREW	SCREW	1	110
23		93500-04012-1H-3	SCREW PAN	SCREW PAN	1	110
43		93892-04008-16	SCREW WASHER 4*8	SCREW WASHER 4*8	1	200
10		99101-116-1020	MAIN JET	MAIN JET	1	490
21		K350-018-1210	FLOAT CHAMBER SET	FLOAT CHAMBER SET	1	8330
12		K446-002-0100	SCREW SET	SCREW SET	1	390
9		N413-17E00	NEEDLE JET HOLDER	NEEDLE JET HOLDER	1	900
11		N424-51B38	SLOW JET	SLOW JET	1	870
3		N425-7AG01	JET NEEDLE COMP	JET NEEDLE COMP	1	890
8		N426-33B00	NEEDLE JET	NEEDLE JET	1	960
17		S7860-112-B000	TUBE SET	TUBE SET	1	320
35		W1448-006-9900	ADJUST HOLDER	ADJUST HOLDER	1	130

E08

E08

Carburetor



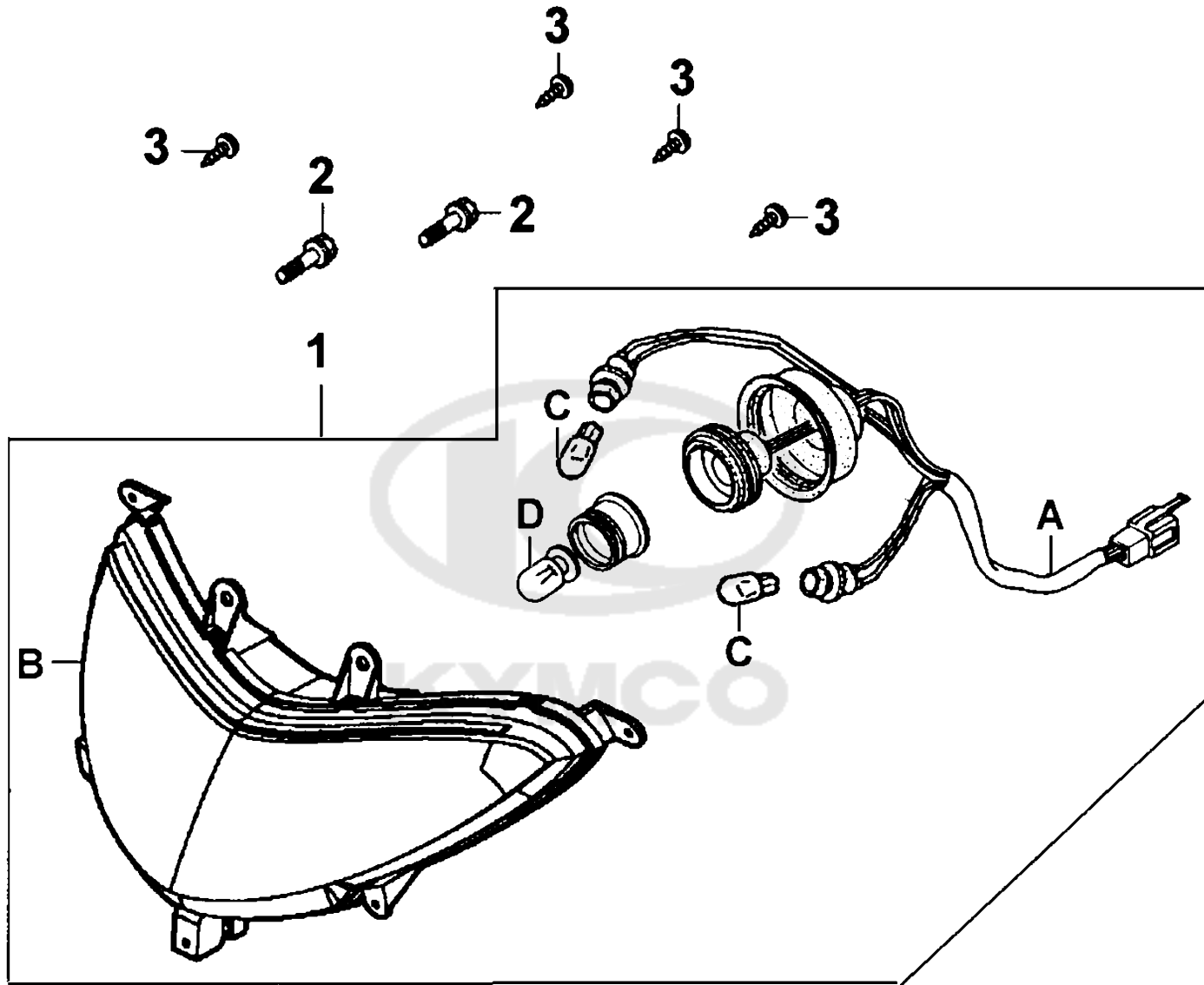
Sales mark 記号	Ref no 参照用番号	Part no パーツ番号	Description 部品名	Reg description 部品名	Regd no 必要個数	Ref Price 希望小売価格(税抜)	E08
------------------	-----------------	------------------	--------------------	------------------------	-----------------	-------------------------	-----

38		W1470-MW0-7500	DIAPHRAGM COMP	DIAPHRAGM COMP	1	2550	
36		W9201-04090	WASHER	WASHER	1	60	
27		W9353-36000	U RING	U RING	2	110	
19		W9525-25250	ARM PIN	ARM PIN	1	110	
16		Z062-0061	FLOAT VALVE SET **D19KT-010-0700	FLOAT VALVE SET **D19KT-010-0700	1	1580	



F01

Head Light



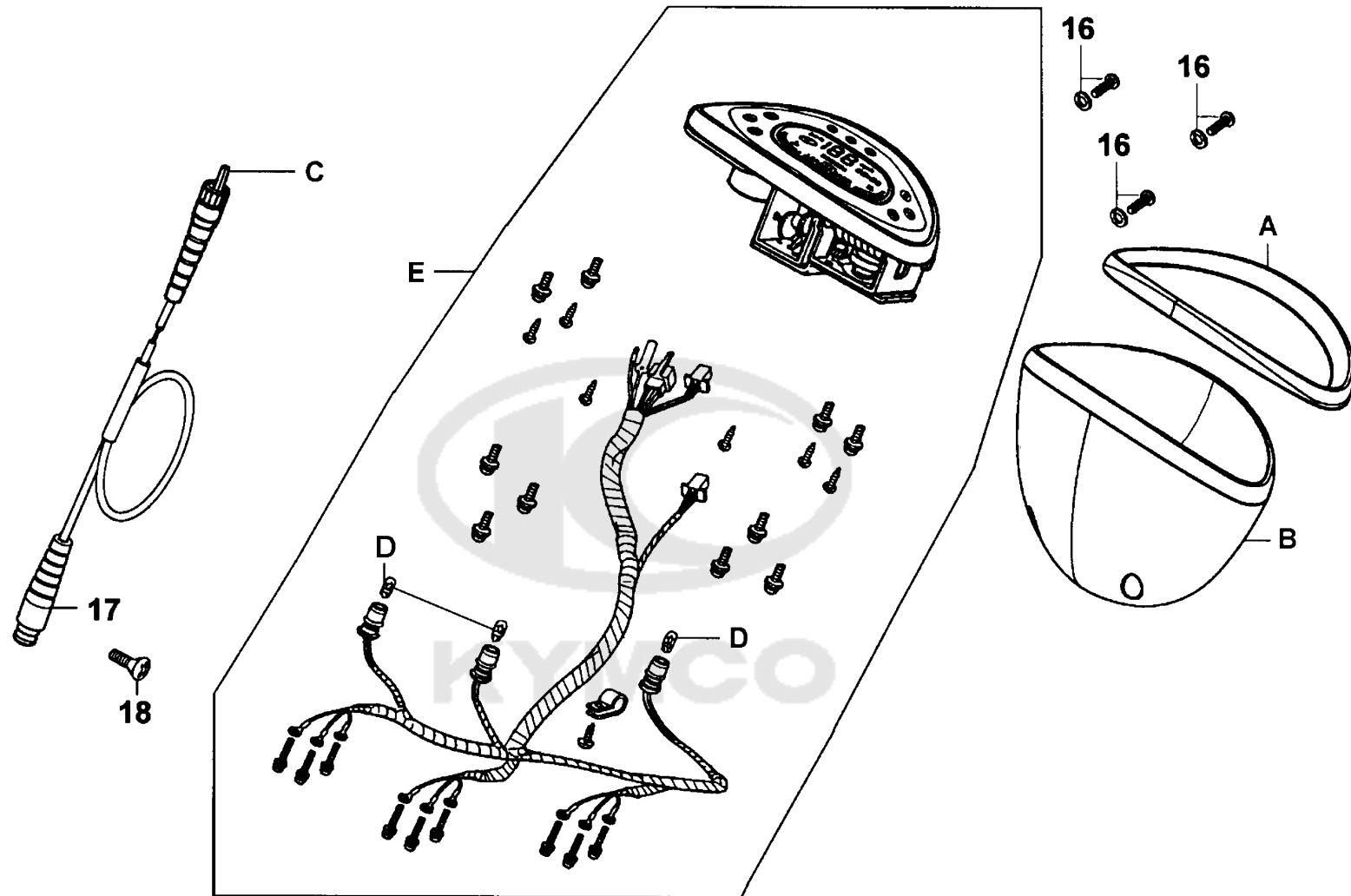


Sales mark 記号	Ref no 参照用番号	Part no パーツ番号	Description 部品名	Reg description 部品名	Regd no 必要個数	Ref Price 希望小売価格(税抜)	F01
1		33100-KKC4-E00	LIGHT ASSY HEAD	LIGHT ASSY HEAD	1	18550	
B		33120-KKC4-E00	UNIT HEAD LIGHT	UNIT HEAD LIGHT	1	13880	
A		33130-KKC4-E00	SOCKET COMP HEAD	SOCKET COMP HEAD	1	1340	
D		34901-KED9-900	BULB HEAD LIGHT	BULB HEAD LIGHT	1	2960	
C		34903-KPCP-900	BULB POSITION LIGHT 12V5W **KCP-	BULB POSITION LIGHT 12V5W **KCP-9000	2	320	
3		93903-35360	SCREW WASHER 4*12	SCREW WASHER 4*12	4	60	
2		95701-06012-06	BOLT FLANGE 6*22 (K)	BOLT FLANGE 6*22 (K)	1	60	

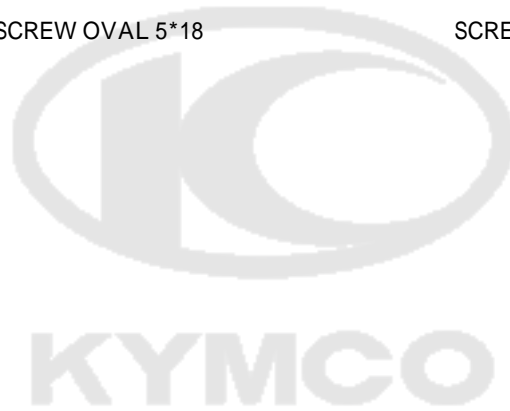


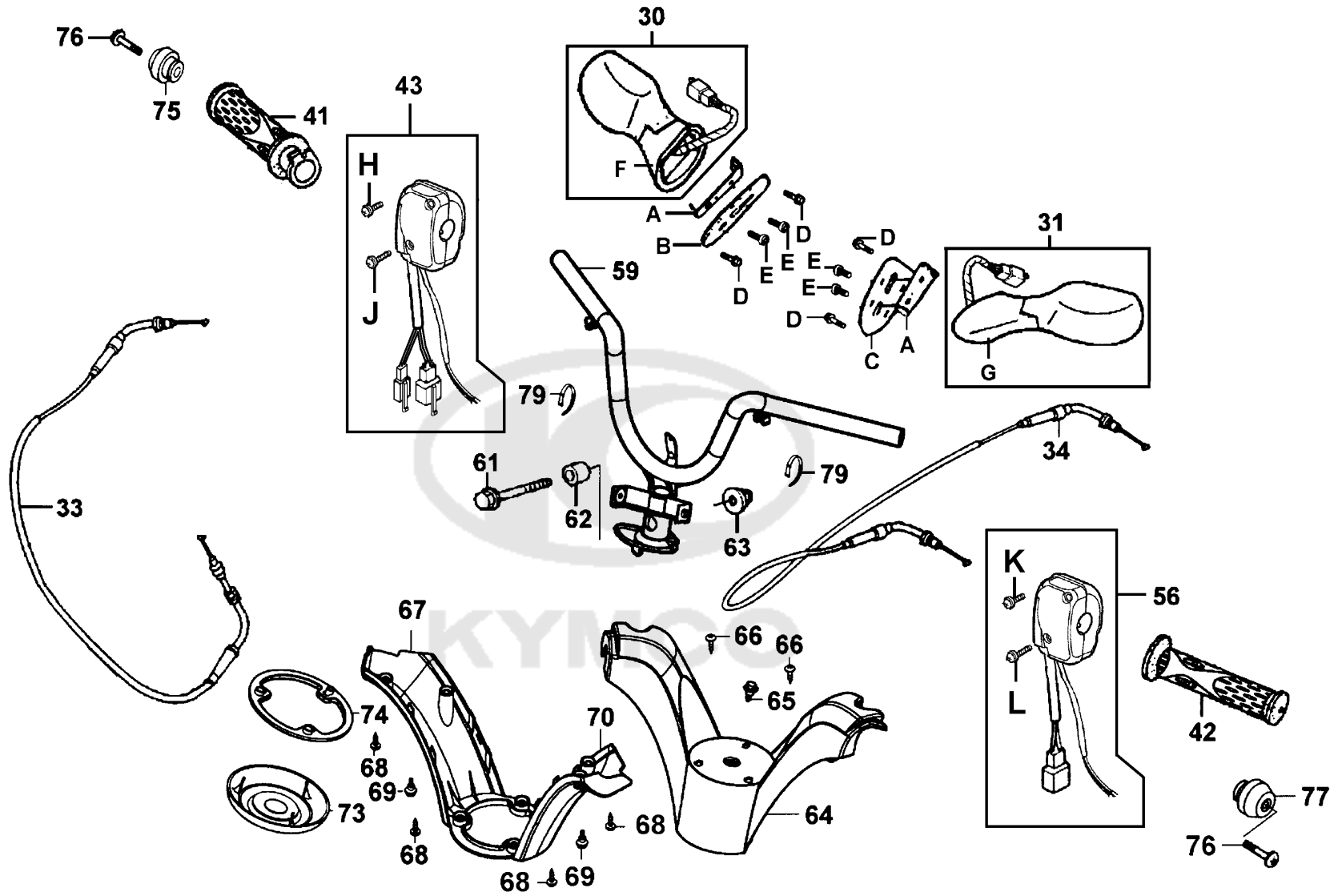
F02

Speedometer



Sales mark 記号	Ref no 参照用番号	Part no パーツ番号	Description 部品名	Reg description 部品名	Regd no 必要個数	Ref Price 希望小売価格(税抜)	F02
D		34909-KEBE-900	BULB WEDGE BASE	BULB WEDGE BASE	3	300	
E		37200-KKC4-B000-JP	METER ASSY SPEED **B00 C.P.N.	METER ASSY SPEED **B00 C.P.N.	1	43350	
**	A	37203-KKC4-900	METER COVER FR	METER COVER FR	1	1720	
**	B	37204-KKC4-900	METER COVER RR	METER COVER RR	1	2670	
17		44830-KKC4-900	CABLE COMP SPDMT	CABLE COMP SPDMT	1	1010	
C		44831-KKC4-900	CABLE INNER	CABLE INNER	1	580	
16		90302-GFY6-940	BOLT-WASH 5*16	BOLT-WASH 5*16	3	60	
18		93700-05018-0F	SCREW OVAL 5*18	SCREW OVAL 5*18	1	60	



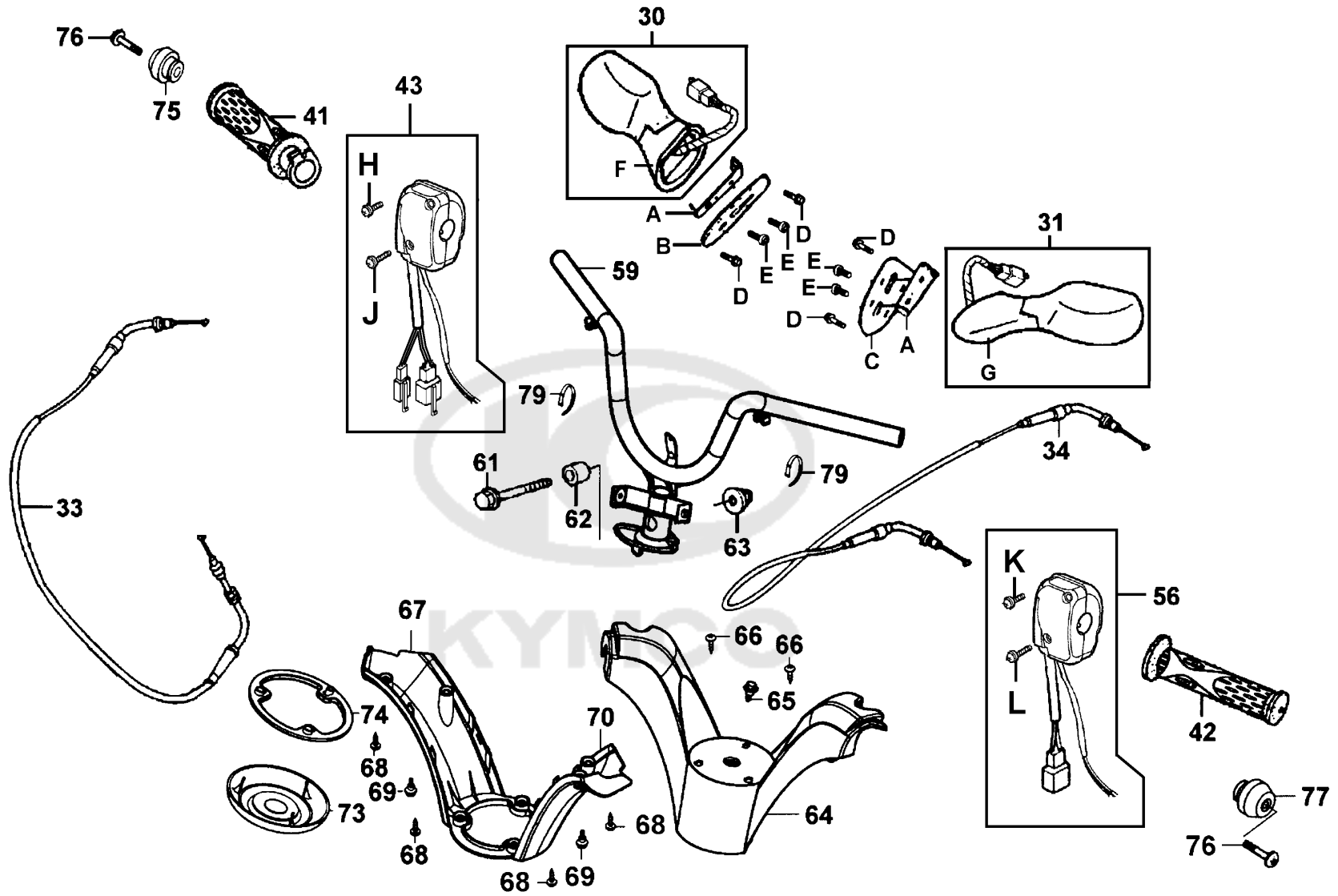


Sales mark 記号	Ref no 参照用番号	Part no パーツ番号	Description 部品名	Reg description 部品名	Regd no 必要個数	Ref Price 希望小売価 格(税抜)
	33	17910-KKC4-900	CABLE COMP THROT	CABLE COMP THROT	1	2100
	34	17911-KKC4-900	CABLE B COMP THROT	CABLE B COMP THROT	1	2200
	43	3515A-KKC4-900	SW ASSY RH HNDL COMP	SW ASSY RH HNDL COMP	1	5050
	43	3515A-KKC4-B00	SW ASSY RH HANDLE COMP **B000-SG	SW ASSY RH HANDLE COMP **B000-SG	1	4480
	56	3520A-KKC2-B00	SW ASSY L HANDLE COMP **B000-JP	SW ASSY L HANDLE COMP **B000-JP	1	5050
	59	53100-KKC4-900	HANDLE COMP STRG	HANDLE COMP STRG	1	8940
	75	53105-KFC8-900	END R STRG HANDLE	END R STRG HANDLE	1	770
	77	53106-KFC8-900	END L STRG HANDLE	END L STRG HANDLE	1	590
	62	53125-GEN5-901	COLLAR HANDLE SET	COLLAR HANDLE SET	1	390
**	41	53140-KKC4-900	GRIP COMP THROT	GRIP COMP THROT	1	990
**	42	53166-KGB5-900	GRIP L HANDLE	GRIP L HANDLE	1	770
**	64	53205-KKC4-900	COVER HANDLE UP **(0) C.2004.06.16	COVER HANDLE UP **(0) C.2004.06.16	1	4000
**	67	53206-KKC4-900	COVER R HANDLE LOW	COVER R HANDLE LOW	1	870
**	70	53207-KKC4-900	COVER L HANDLE LOW	COVER L HANDLE LOW	1	770
	74	53209-KKC4-900	PACKING HANDLE UP	PACKING HANDLE UP	1	870
**	30	88110-KKC4-305	MIRROR ASSY R BACK	MIRROR ASSY R BACK	1	26470
	A	88114-KKC4-900	STAY MIRROR	STAY MIRROR	2	960
	B	88115-KKC4-900	PAD R MIRROR	PAD R MIRROR	1	160
	F	88116-KKC4-900	BASE R MIRROR	BASE R MIRROR	1	2290
**	31	88120-KKC4-305	MIRROR ASSY L BACK	MIRROR ASSY L BACK	1	26470

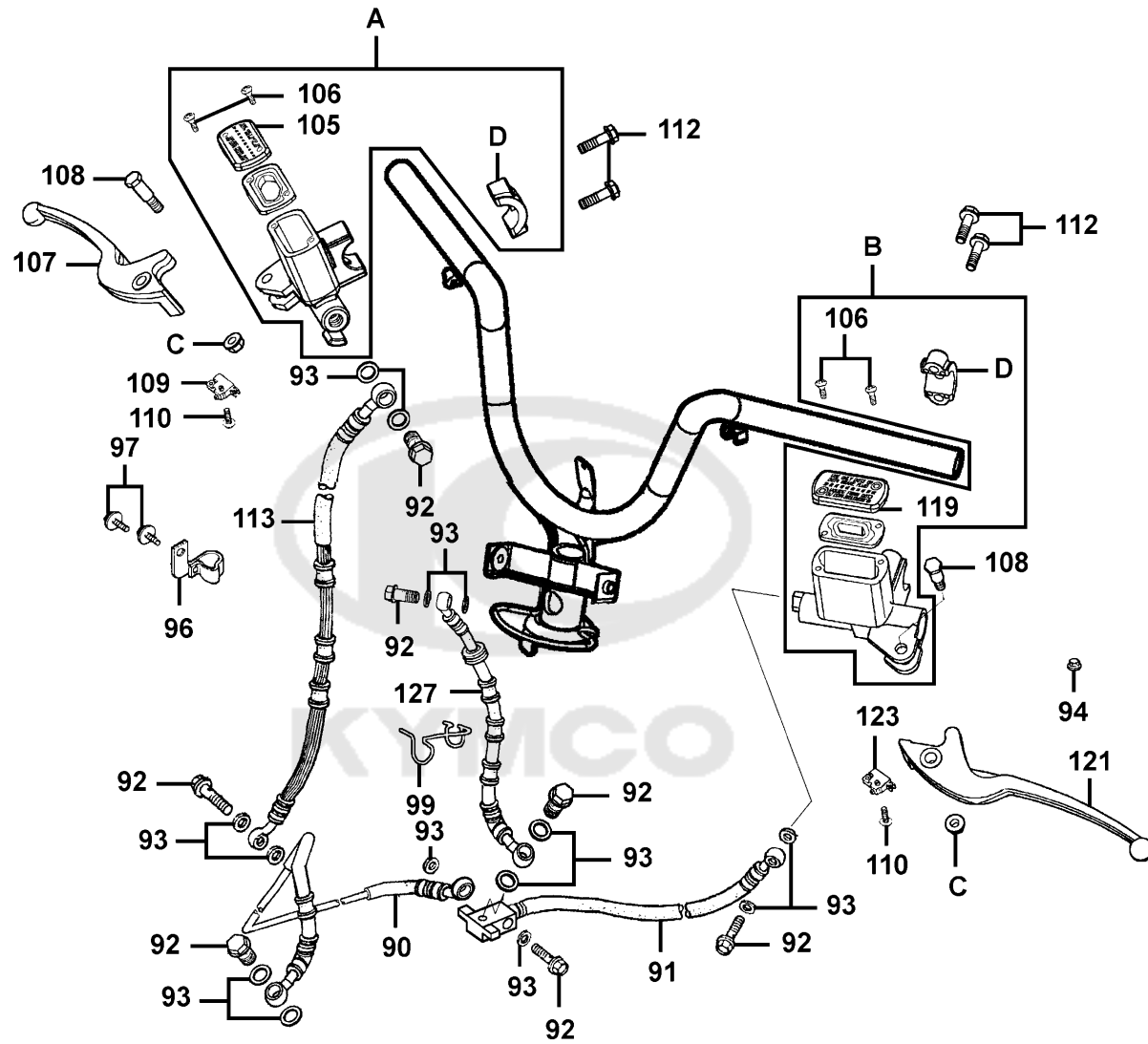
F03

F03

Handle Steering Handle Cover



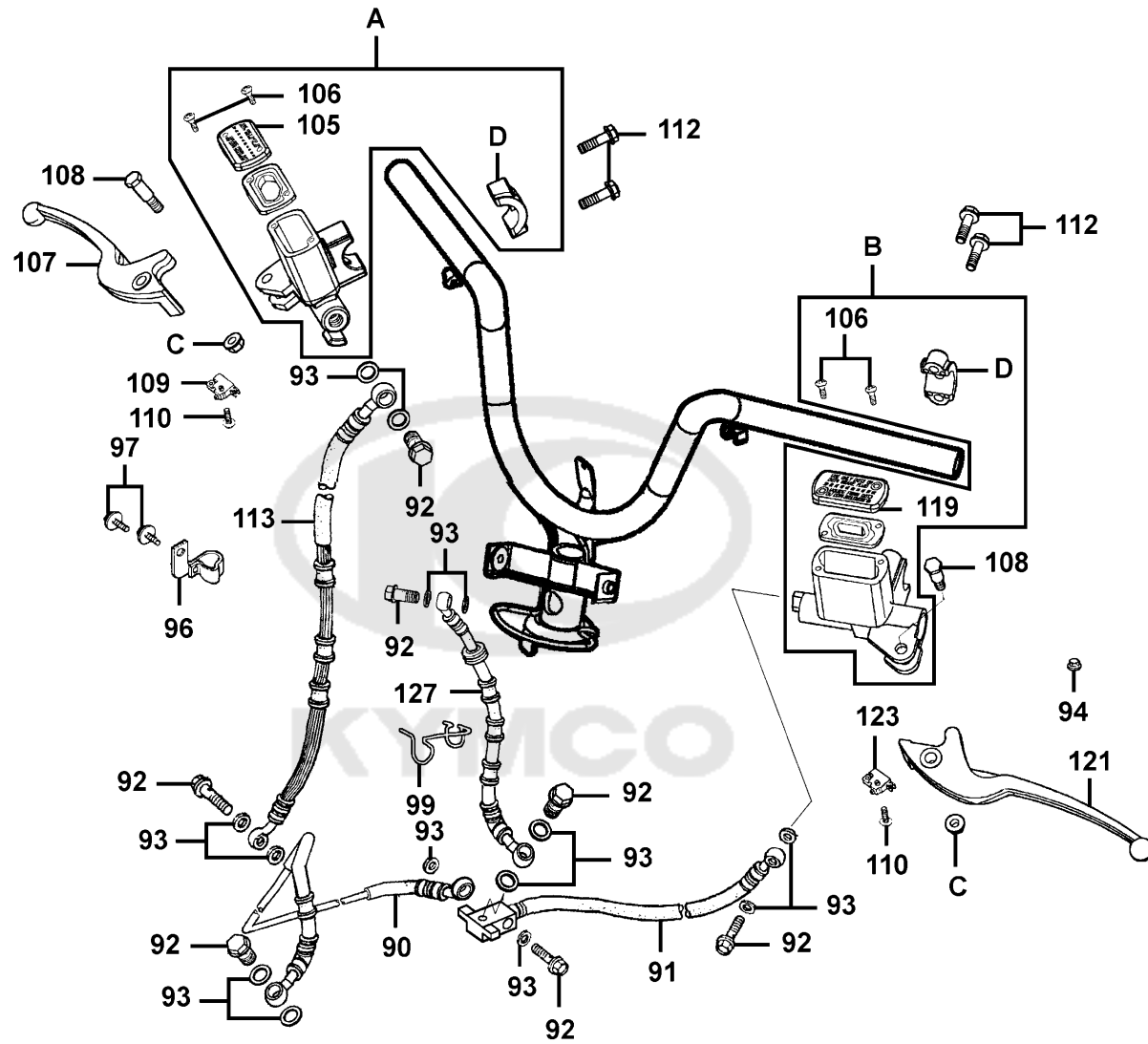
Sales mark 記号	Ref no 参照用番号	Part no パーツ番号	Description 部品名	Reg description 部品名	Regd no 必要個数	Ref Price 希望小売価格(税抜)	F03
C		88125-KKC4-900	PAD L MIRROR	PAD L MIRROR	1	160	
G		88126-KKC4-900	BASE L MIRROR	BASE L MIRROR	1	2480	
D		88130-KKC4-900	BOLT SPECIAL	BOLT SPECIAL	4	160	
E		88135-KKC4-900	SCREW PAN 5*20	SCREW PAN 5*20	4	300	
61		90106-GEN5-901	BOLT FLANGE 10*50	BOLT FLANGE 10*50	1	80	
76		90106-KFC2-900	BOLT SPECIAL 8MM	BOLT SPECIAL 8MM	1	510	
69		90302-GFY6-901	BOLT WASH 5*12 *(1) C.V.	BOLT WASH 5*12 *(1) C.V.	1	60	
65		90302-KEC8-900	BOLT PAN 5*9	BOLT PAN 5*9	1	200	
63		90304-GHE8-004	NUT CAP 6MM	NUT CAP 6MM	1	200	
79		90656-KCBC-900	BAND OIL HANDLE	BAND OIL HANDLE	1	60	
H		93500-05016-1B	SCREW PAN 5*16	SCREW PAN 5*16	1	200	
J		93500-05025-1B	SCREW PAN 5*25	SCREW PAN 5*25	1	60	
K		93500-05032-1B	SCREW PAN 5*32	SCREW PAN 5*32	1	60	
L		93500-05045-1B	SCREW PAN 5*45	SCREW PAN 5*45	1	60	
68		93903-34360	SCREW WASHER 4*12	SCREW WASHER 4*12	2	60	
66		93903-35360	SCREW WASHER 4*12	SCREW WASHER 4*12	2	60	





Sales mark 記号	Ref no 参照用番号	Part no パーツ番号	Description 部品名	Reg description 部品名	Regd no 必要個数	Ref Price 希望小売価 格(税抜)
	109	35340-KNBN-901	SW ASSY FR STOP	SW ASSY FR STOP	1	960
	123	35350-KNBN-901	SW ASSY RR STOP	SW ASSY RR STOP	1	960
	127	43126-KKC4-900	HOSE ASSY C/P RR BRK	HOSE ASSY C/P RR BRK	1	16650
	91	43127-KKC4-900	HOSE ASSY M/C RR BRAKE	HOSE ASSY M/C RR BRAKE	1	6570
	99	43156-KKC4-900	CLAMPER HOSE RR	CLAMPER HOSE RR	1	300
B		43530-KKC4-305	CYLINDER SET RR MASTER	CYLINDER SET RR MASTER	1	13220
	113	45126-KKC4-900	HOSE ASSY FR BRAKE	HOSE ASSY FR BRAKE	1	10650
	90	45127-KKC4-900	HOSE ASSY C/P FR BRK	HOSE ASSY C/P FR BRK	1	7990
	96	45128-KKC4-900	CLAMPER FR BRAKE HOSE	CLAMPER FR BRAKE HOSE	1	300
	105	45513-KHD4-B00	CAP MASTER CYLINDER	CAP MASTER CYLINDER	1	580
	105	45513-KKC4-900	CAP M/C	CAP M/C	1	1150
D		45517-KFAF-910	HOLDER M/C	HOLDER M/C	2	440
A		45530-KFC8-E00	CYLINDER SET FR MASTER	CYLINDER SET FR MASTER	1	12080
**	107	53175-KFA5-E10	LEVER R STRG HANDLE	LEVER R STRG HANDLE	1	1700
**	121	53178-KFC8-E10	LEVER L STRG HANDLE	LEVER L STRG HANDLE	1	1440
	108	90114-1F66-007	BOLT HANDLE LEVER	BOLT HANDLE LEVER	1	60
	92	90145-LEA3-E00	OIL BOLT 10x22	OIL BOLT 10x22	1	150
	93	90545-3L00-001	WASHER OIL BOLT	WASHER OIL BOLT	4	60
	106	93600-04012-1G	SCREW FLAT 4*12	SCREW FLAT 4*12	2	60
	110	93893-04012-18	SCREW WASHER 4*12	SCREW WASHER 4*12	1	60

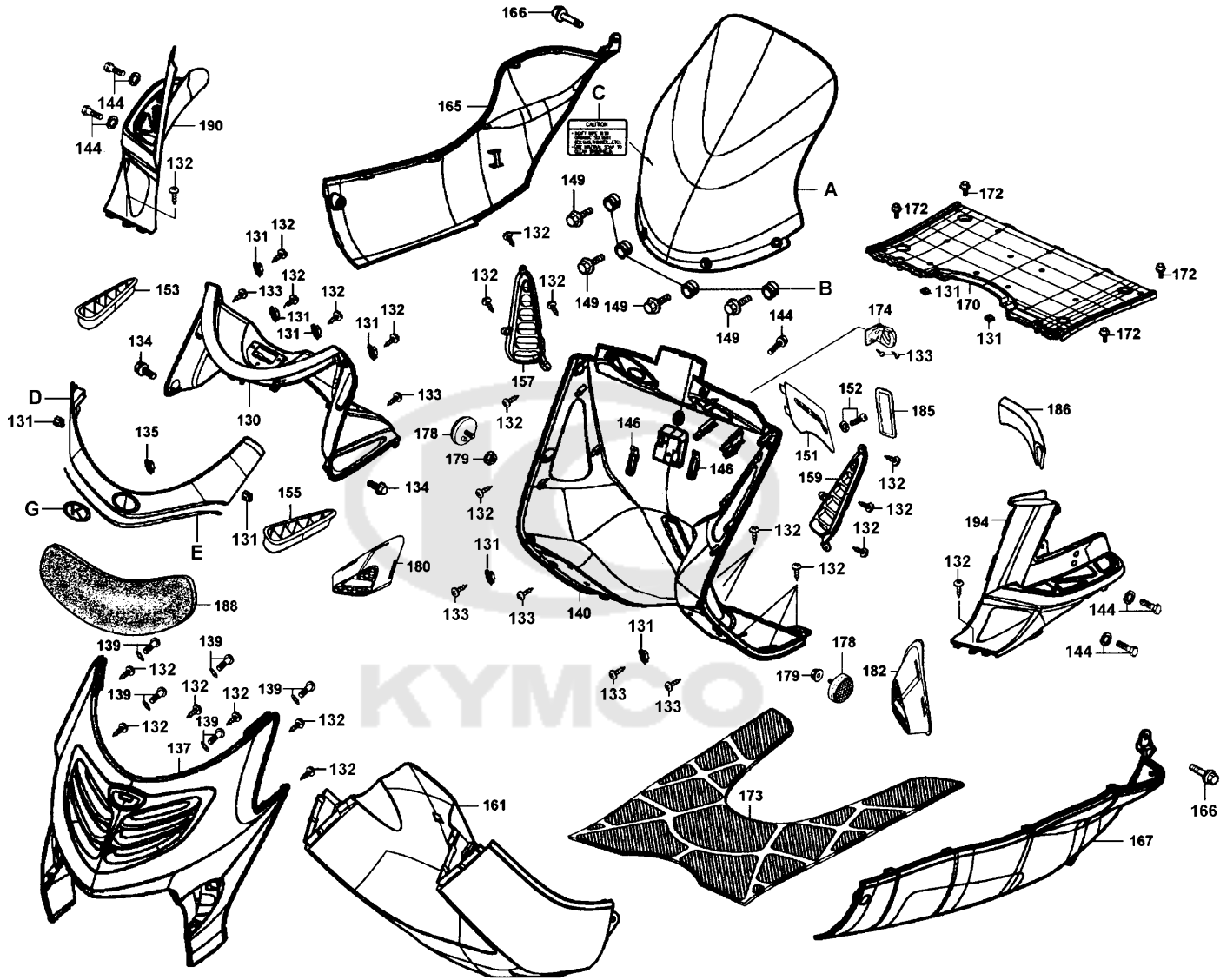
F04



Sales mark 記号	Ref no 参照用番号	Part no パーツ番号	Description 部品名	Reg description 部品名	Regd no 必要個数	Ref Price 希望小売価格(税抜)
C		94050-06060	NUT FLANGE 6MM	NUT FLANGE 6MM	2	60
94		94050-06080	NUT FLANGE 6MM	NUT FLANGE 6MM	1	60
97		95701-06012-06	BOLT FLANGE 6*22 (K)	BOLT FLANGE 6*22 (K)	1	60
112		95701-06022-06	BOLT FLANGE 6*22	BOLT FLANGE 6*22	2	60

**F04**





Sales mark 記号	Ref no 参照用番号	Part no パーツ番号	Description 部品名	Reg description 部品名	Regd no 必要個数	Ref Price 希望小売価格(税抜)	F05
	178	33741-GFY6-C30	REFLEX REFLECTOR	REFLEX REFLECTOR	2	730	
**	130	53204-KKC4-900	COVER METER	COVER METER	1	2390	
**	153	53214-KKC4-900	GRID R METER COVER	GRID R METER COVER	1	390	
**	155	53224-KKC4-900	GRID L METER COVER	GRID L METER COVER	1	390	
A		64220-KKC4-900	WIND SCREEN	WIND SCREEN	1	23760	
E		64221-KKC4-900	SEAL WIND SCREEN	SEAL WIND SCREEN	1	300	
B		64222-KKC4-900	RUBBER WIND SCREEN	RUBBER WIND SCREEN	4	160	
**	D	64301-KKC4-900	COVER SCREEN	COVER SCREEN	1	3050	
**	137	64302-KKC4-900	MOLDING FR	MOLDING FR	1	15210	
**	165	64305-KKC4-900	SKIRT R SIDE	SKIRT R SIDE	1	9420	
**	167	64306-KKC4-900	SKIRT L SIDE	SKIRT L SIDE	1	9420	
	188	64309-KKC4-900	GRILL FR COVER	GRILL FR COVER	1	1530	
**	170	64310-KKC4-900	FLOOR PANEL	FLOOR PANEL	1	2290	
**	190	64311-KKC4-900	COVER R PILLION STEP	COVER R PILLION STEP	1	1910	
**	180	64312-KKC4-900	GRID R PILLION STEP	GRID R PILLION STEP	1	390	
	186	64317-KKC4-900	SEAL METER COVER FR	SEAL METER COVER FR	1	350	
**	173	64320-KKC4-900	MAT FLOOR	MAT FLOOR	1	2200	
**	194	64321-KKC4-900	COVER L PILLION STEP	COVER L PILLION STEP	1	1910	
**	182	64322-KKC4-900	GRID L PILLION STEP	GRID L PILLION STEP	1	390	
**	161	64400-KKC4-900	COWL UNDER	COWL UNDER	1	13690	



Sales mark 記号	Ref no 参照用番号	Part no パーツ番号	Description 部品名	Reg description 部品名	Regd no 必要個数	Ref Price 希望小売価格(税抜)
**	140	81131-KKC4-900	LEG SHIELD	LEG SHIELD	1	3430
**	185	81132-KEB7-900	LID LEG SHIELD	LID LEG SHIELD	1	300
**	151	81136-KKC4-900	LID RESERVE	LID RESERVE	1	300
**	157	81137-KKC4-900	GRID R LEG SHIELD	GRID R LEG SHIELD	1	300
**	159	81147-KKC4-900	GRID L LEG SHIELD	GRID L LEG SHIELD	1	300
	174	8376A-KEBE-900	CLIP ASSY CENTER	CLIP ASSY CENTER	1	1060
**	G	86102-KKC4-900	EMB K-LOGO 28.5MM	EMB K-LOGO 28.5MM	1	1530
**	C	87508-KKC4-E00	LABEL CLEANNESS CAUTION	LABEL CLEANNESS CAUTION	1	200
	149	90302-GBR2-001	BOLT WASH 5*16	BOLT WASH 5*16	4	60
	134	90302-GFY6-901	BOLT WASH 5*12 *(1) C.V.	BOLT WASH 5*12 *(1) C.V.	2	60
	166	90302-GFY6-940	BOLT-WASH 5*16	BOLT-WASH 5*16	1	60
	131	90302-SDA4-004	NUT SPRING 4MM	NUT SPRING 4MM	4	60
	135	90677-GAR1-004	NUT CLIP 5MM	NUT CLIP 5MM	1	60
	144	93404-06016-06	BOLT WASHER 6*16	BOLT WASHER 6*16	1	60
	172	93404-06020-06	BOLT WASHER 6*20 (G)	BOLT WASHER 6*20 (G)	4	60
	152	93891-05012-06	SCREW WASHER 5*12	SCREW WASHER 5*12	1	60
	132	93903-34360	SCREW WASHER 4*12	SCREW WASHER 4*12	4	60
	133	93903-GFY6-900	SCREW WASHER 4*12	SCREW WASHER 4*12	2	60
	139	93903-KEB7-900-06	SCREW WASHER 4*12	SCREW WASHER 4*12	5	200
	179	94050-06080	NUT FLANGE 6MM	NUT FLANGE 6MM	2	60

F05





Sales mark 記号	Ref no 参照用番号	Part no パーツ番号	Description 部品名	Reg description 部品名	Regd no 必要個数	Ref Price 希望小売価格(税抜)
------------------	-----------------	------------------	--------------------	------------------------	-----------------	-------------------------

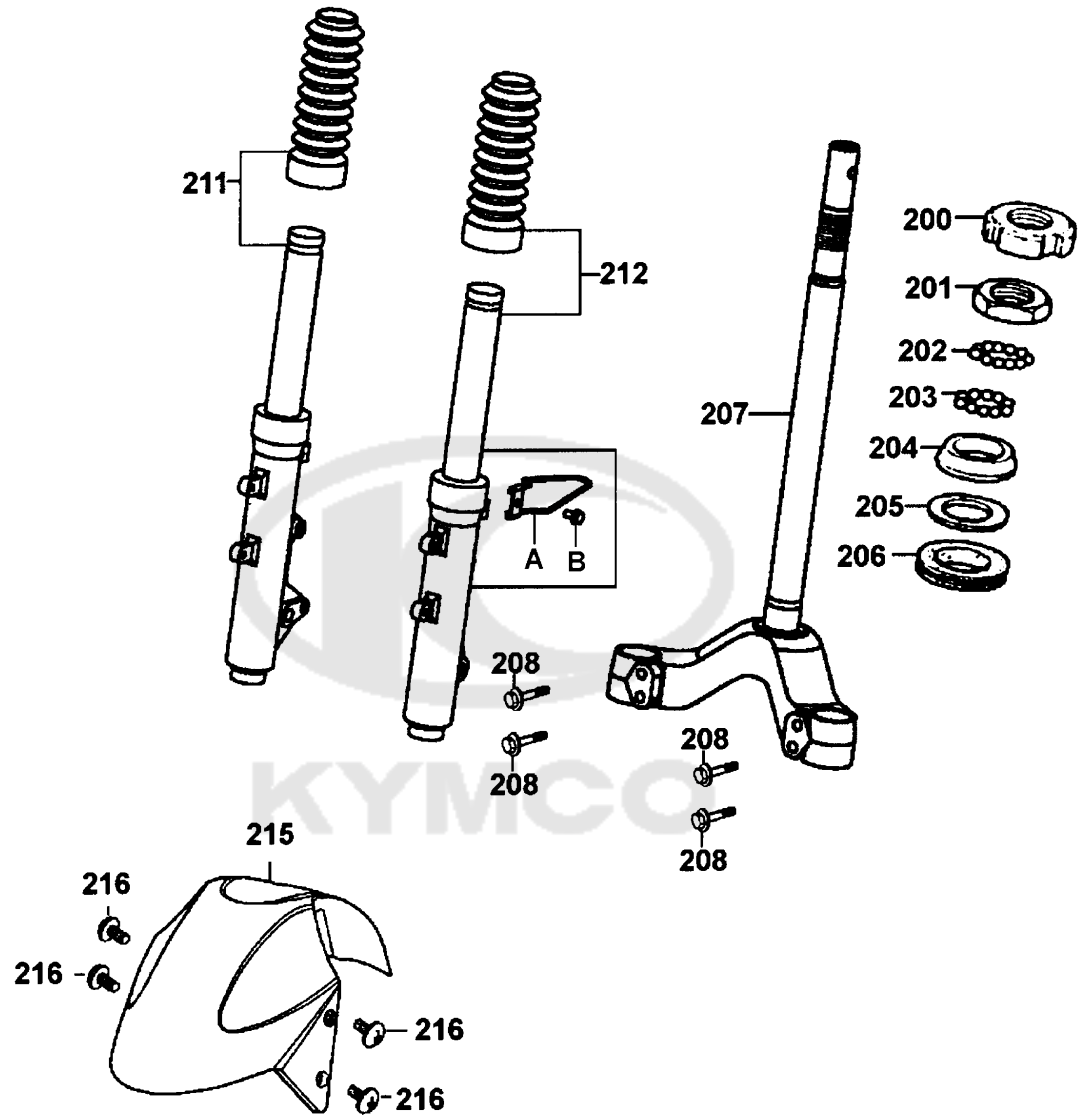
F05

146	94591-27000		CLIP 2*70	CLIP 2*70	2	110
-----	-------------	--	-----------	-----------	---	-----



F06

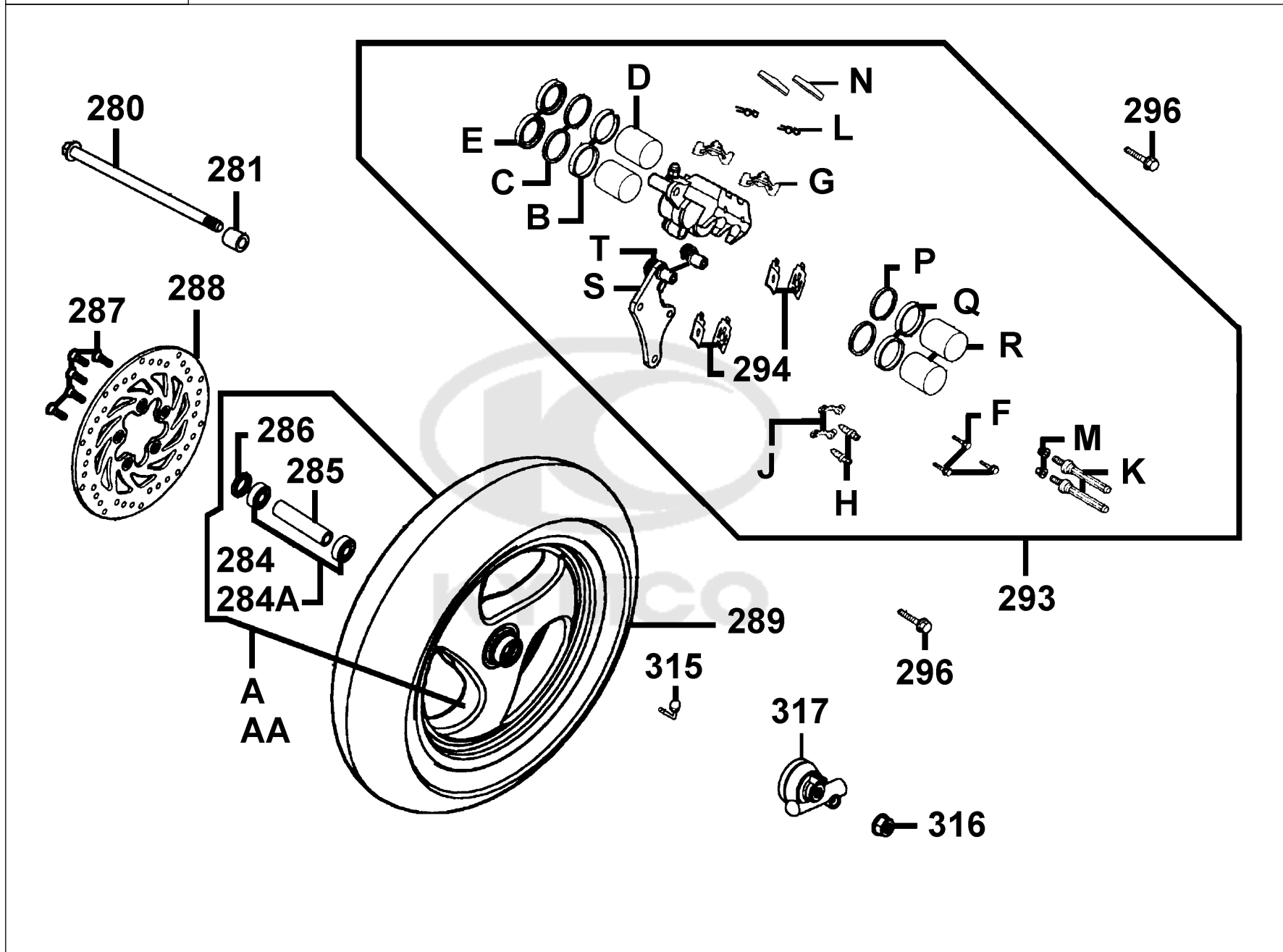
Front Cushion



Sales mark 記号	Ref no 参照用番号	Part no パーツ番号	Description 部品名	Reg description 部品名	Regd no 必要個数	Ref Price 希望小売価格(税抜)	F06
A		45156-KECE-900	CLAMPER FR BRK CABLE	CLAMPER FR BRK CABLE	1	560	
	200	50306-1F96-001	NUT STRG STEM LOCK	NUT STRG STEM LOCK	1	300	
**	211	51400-KKC4-900	FORK ASSY R FR	FORK ASSY R FR	1	16160	
**	212	5150A-KKC4-900	FORK SET L FR	FORK SET L FR	1	16840	
	207	53200-KKC2-900	STEM COMP STRG	STEM COMP STRG	1	11600	
	201	53211-GFY6-940	RACE STRG TOP CONE	RACE STRG TOP CONE	1	580	
	204	53212-2L50-011	RACE STRG BOT CONE	RACE STRG BOT CONE	1	870	
	206	53214-LHJ6-900	DUST SEAL STRG	DUST SEAL STRG	1	240	
	205	53215-2L50-001	WASH STRG HDL DUST-SEAL	WASH STRG HDL DUST-SEAL	1	130	
**	215	61110-KHD8-900	FENDER FR *(1) C.2003.09.30	FENDER FR *(1) C.2003.09.30	1	4290	
	216	90110-KEB7-900	SCREW SPECIAL 6*14	SCREW SPECIAL 6*14	4	130	
B		95701-06012-06	BOLT FLANGE 6*22 (K)	BOLT FLANGE 6*22 (K)	1	60	
	208	95801-08040-06	BOLT FLANGE 8*40	BOLT FLANGE 8*40	1	60	
	202	96211-05000	BALL STEEL #5	BALL STEEL #5	26	60	
	203	96211-08000	BALL STEEL #8	BALL STEEL #8	19	60	

F07

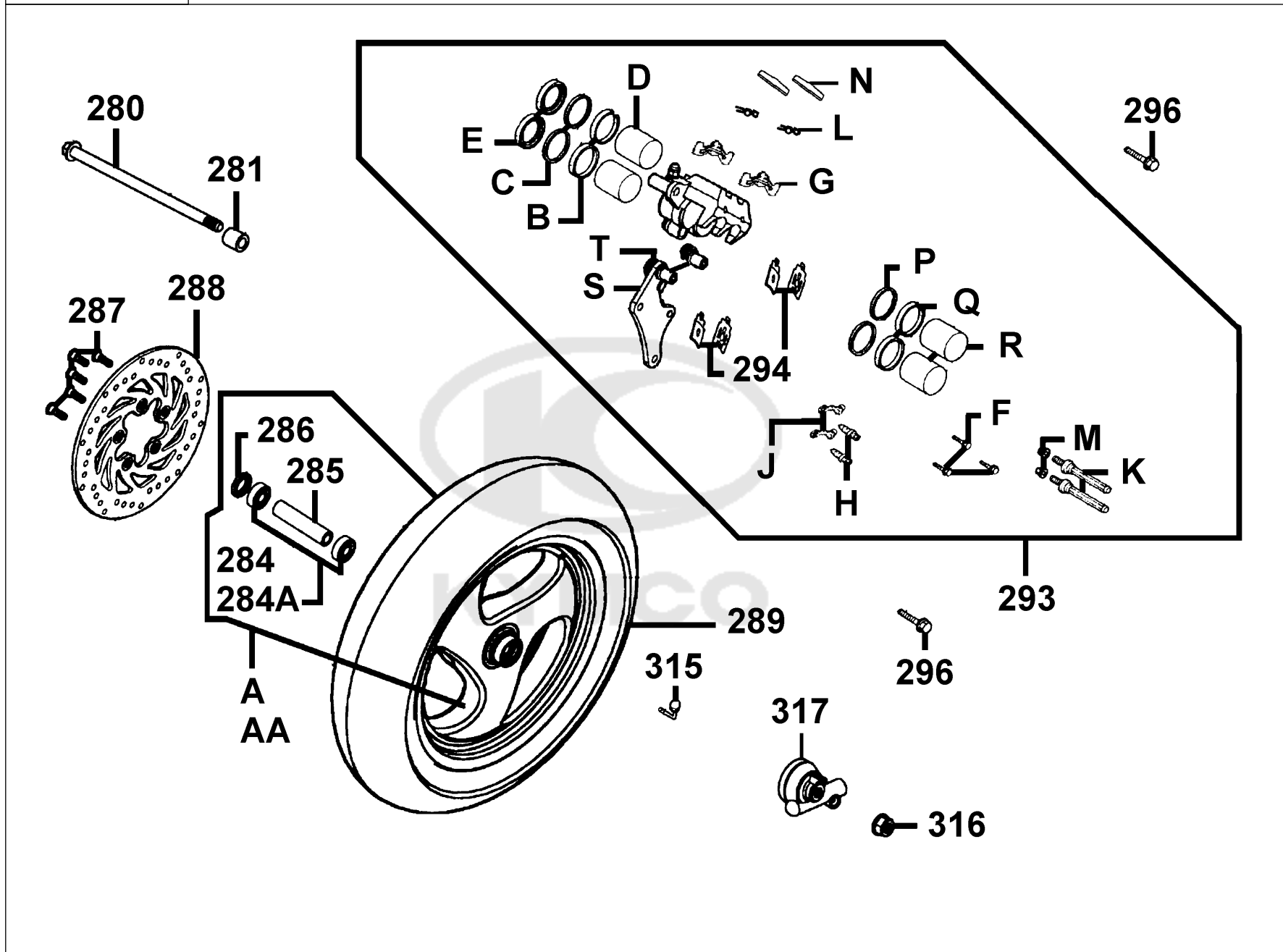
Front Wheel



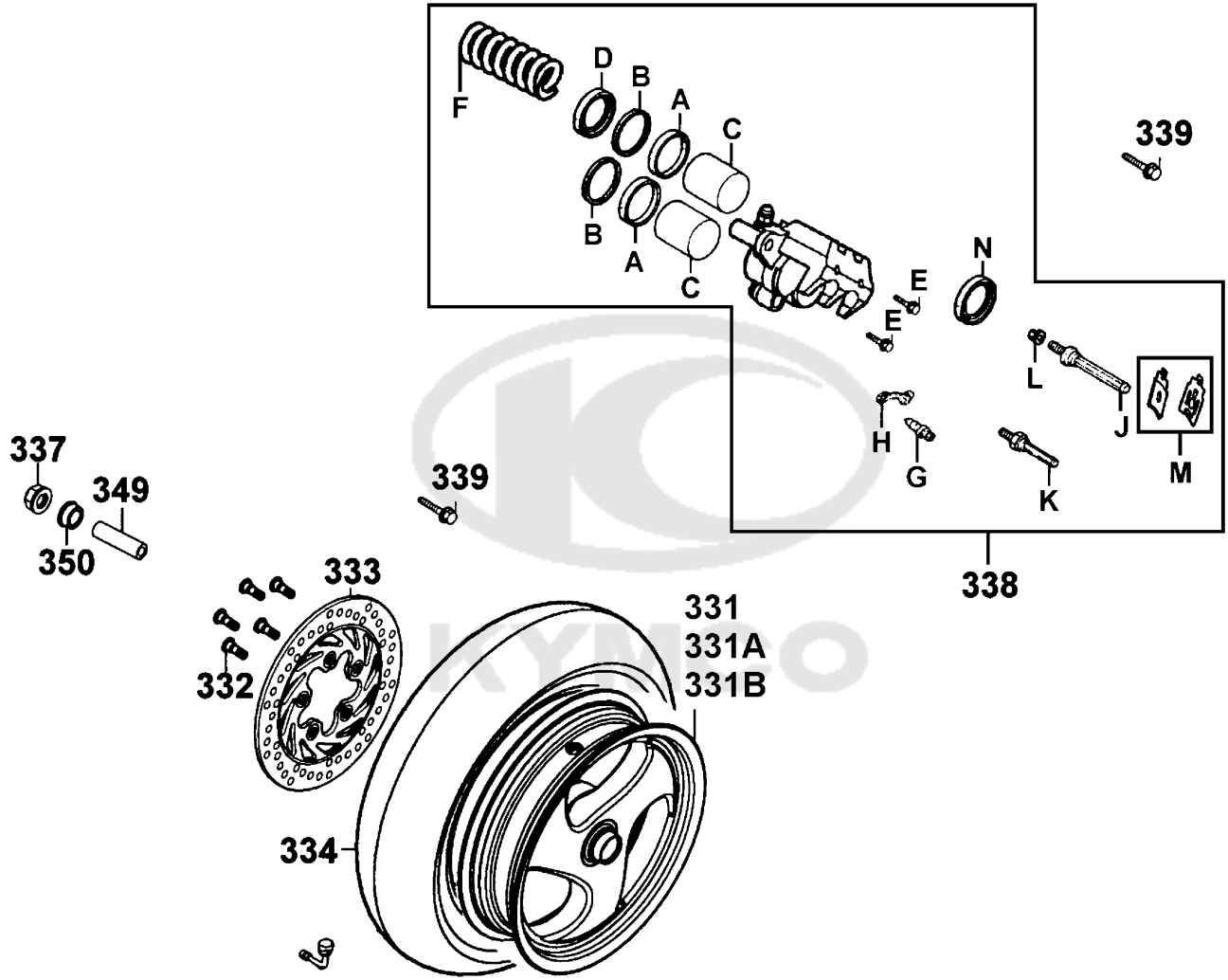
Sales mark 記号	Ref no 参照用番号	Part no パーツ番号	Description 部品名	Reg description 部品名	Regd no 必要個数	Ref Price 希望小売価格(税抜)	F07
	315	42753-KNBN-90B	VALAE RIM (TR412)	VALAE RIM (TR412)	1	630	
	Q	43109-MCA3-007	DUST SEAL	SEAL PISTON	2	200	
	P	43209-MCA3-007	SEAL PISTON	SEAL PISTON	2	200	
	H	43352-5H68-004	SCREW BLEEDER	SCREW BLEEDER	2	300	
	J	43353-4A61-77A	CAP BLEEDER	CAP BLEEDER	2	130	
	280	44301-KXCX-900	AXLE FR WHEEL M12*240MM	AXLE FR WHEEL M12*240MM	1	780	
	281	44311-KEBE-900	COLLAR FR WHEEL SIDE	COLLAR FR WHEEL SIDE	1	390	
	285	44620-KHD8-900	COLLAR FR AXLE DISTANCE	COLLAR FR AXLE DISTANCE	1	490	
**	A	44650-KHD8-30A	WHEEL SET FR	WHEEL SET FR	1	28900	
**	AA	44650-KHD8-30C	WHEEL SET FR	WHEEL SET FR	1	28900	
	289	44710-KHE7-E00	TIRE ASSY FR 120/70-12 58P /CHENG	TIRE ASSY FR 120/70-12 58P /CHENG SHIN	1	11180	
	317	44800-KFA5-900	GEAR BOX ASSY	GEAR BOX ASSY	1	3240	
	E	45103-MGR7-007	SEAL JOINT	SEAL JOINT	2	390	
	294	45105-KKC4-305	PAD SET	PAD SET	4	2910	
	R	45107-KKC4-900	PISTON	PISTON	2	580	
	C	45109-KKC4-900	DUST SEAL	DUST SEAL	2	230	
	N	45115-KKC4-900	COVER DUST	COVER DUST	2	580	
**	293	45200-KKC4-900	CALIPER ASSY FR	CALIPER ASSY FR	1	26400	
	K	45203-KKC4-900	PIN HANGER	PIN HANGER	2	390	
	D	45207-KKC4-900	PISTON	PISTON	2	580	

F07

Front Wheel



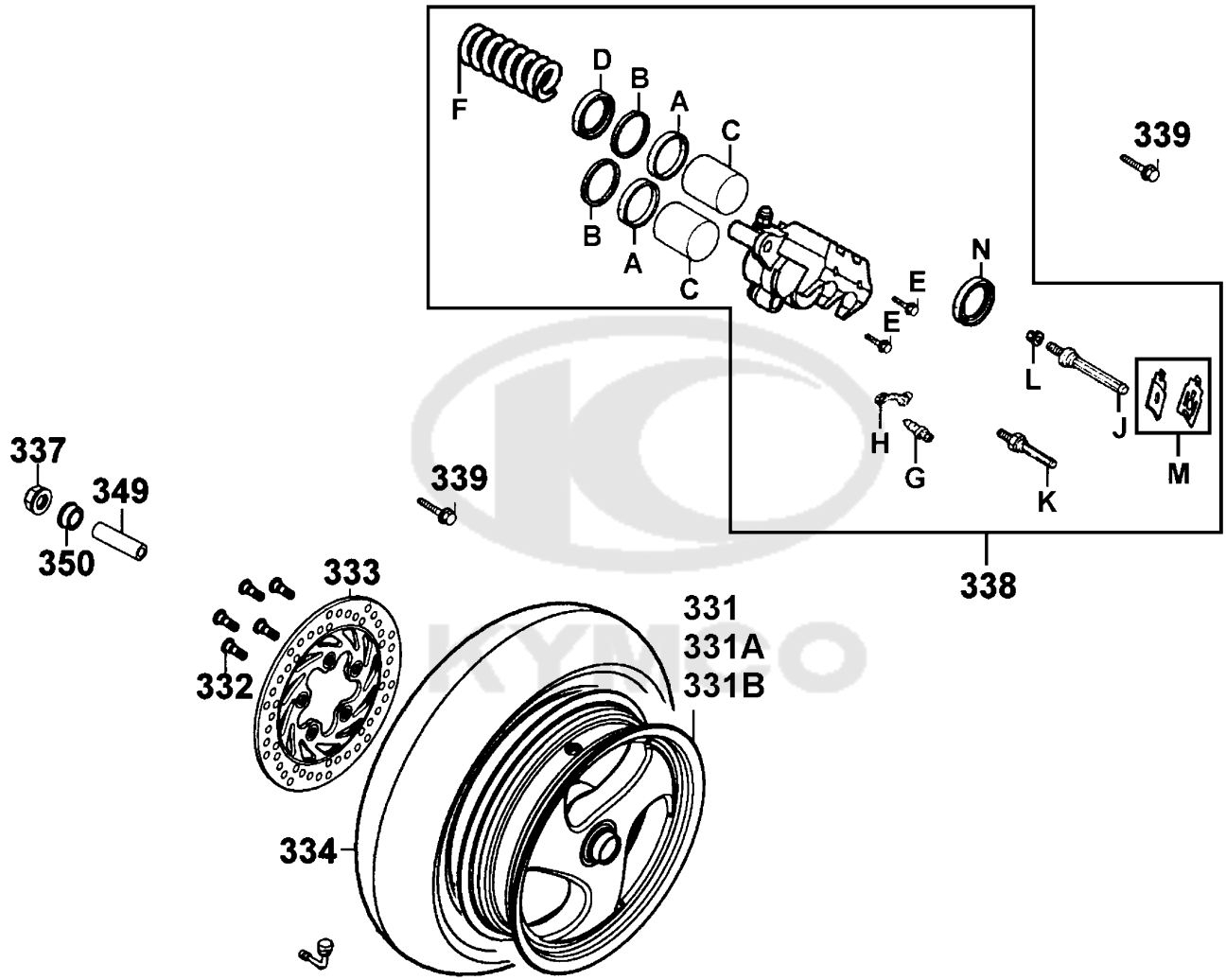
Sales mark 記号	Ref no 参照用番号	Part no パーツ番号	Description 部品名	Reg description 部品名	Regd no 必要個数	Ref Price 希望小売価格(税抜)	F07
G		45208-KKC4-900	SPRING PAD	SPRING PAD	2	350	
B		45209-KFA6-900	SEAL PISTON	SEAL PISTON	2	610	
S		45210-KKC4-900	BRACKET FR	BRACKET FR	1	1250	
288		45351-KHE7-E00	DISK RR BRAKE	DISK RR BRAKE	1	8940	
M		45531-GAR1-951	PLUG	PLUG	2	110	
287		90105-KCR3-001	BOLT FR DISK 8*24	BOLT FR DISK 8*24	5	80	
296		90122-KEBE-900	BOLT FLANGE 8*32	BOLT FLANGE 8*32	2	390	
316		90306-GLW0-90A	NUT FLANGE 12MM	NUT FLANGE 12MM	1	320	
286		90754-GHC8-00A	SEAL DUST 20*32*5	SEAL DUST 20*32*5	1	100	
284		90912-KFLF-00A	BEARING 6201 LLU	BEARING 6201 LLU	2	610	
284A		90912-KFLF-00D	BEARING, L201 LLU	BEARING, L201 LLU	2	730	
L		94251-08400	PIN LOCK 8MM	PIN LOCK 8MM	2	160	
T		95701-08020-06	BOLT FLANGE 8*20MM **07	BOLT FLANGE 8*20MM **07 C.2005.07.01	1	160	
F		96600-KKC4-900	SOCKET BOLT	SOCKET BOLT	3	330	





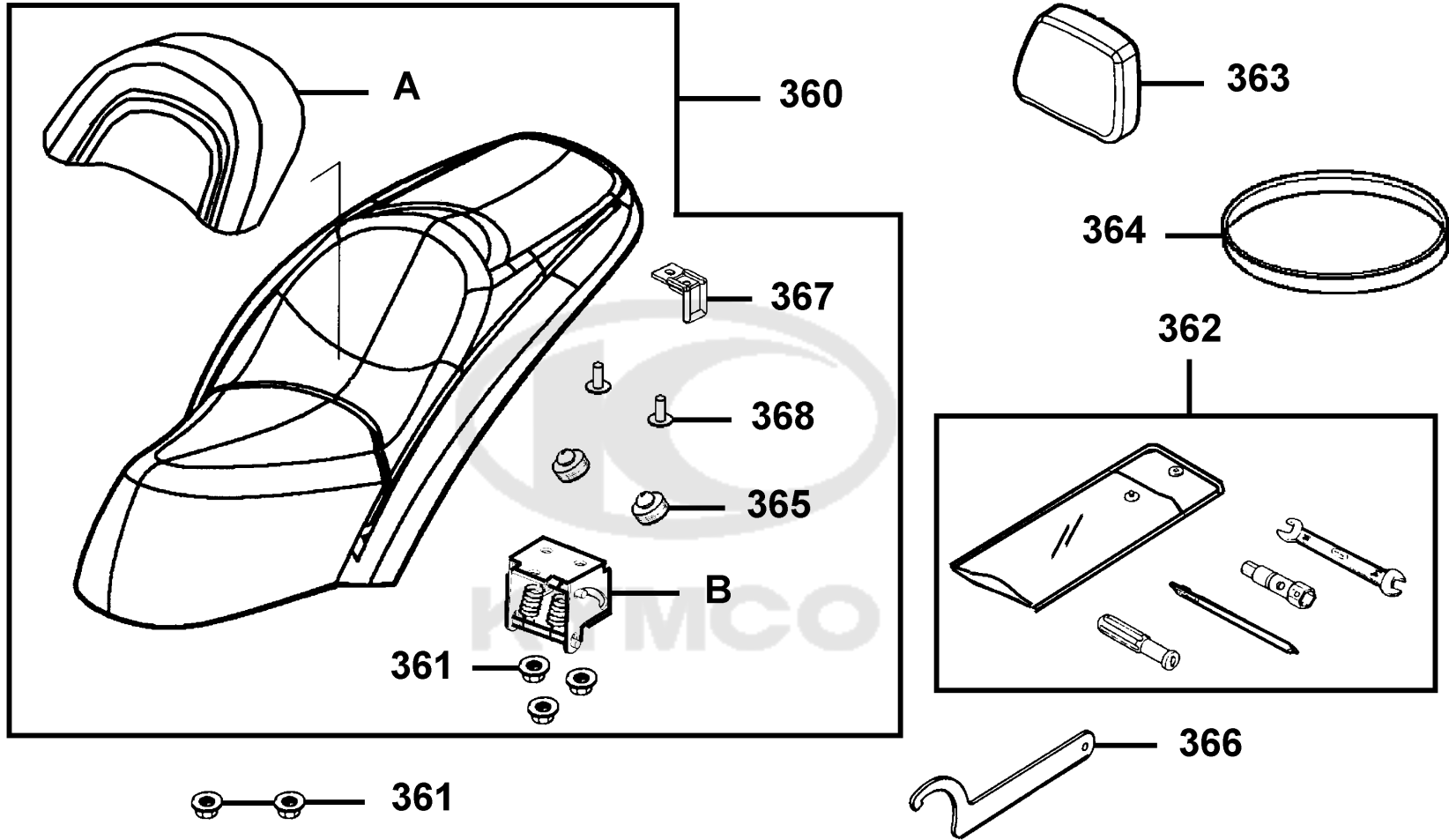
Sales mark 記号	Ref no 参照用番号	Part no パーツ番号	Description 部品名	Reg description 部品名	Regd no 必要個数	Ref Price 希望小売価格(税抜)
	349	42311-KHE7-E00	COLLAR RR AXLE A	COLLAR RR AXLE A	1	770
	350	42312-KHE7-E00	COLLAR RR AXLE SIDE	COLLAR RR AXLE SIDE	1	680
**	331	42601-KHE7-E00	WHEEL RR CAST	WHEEL RR CAST	1	29660
**	331A	42601-KHE7-E0B	WHEEL RR CAST	WHEEL RR CAST	1	29660
**	331B	42601-KHE7-E0C	WHEEL RR CAST	WHEEL RR CAST	1	29660
	334	42710-KKC4-900	TIRE ASSY RR 140/70-12 65P /CHENG	TIRE ASSY RR 140/70-12 65P /CHENG SHIN	1	15470
**	338	43100-KKC4-900	CALIPER ASSY RR	CALIPER ASSY RR	1	19800
M		43105-KKC4-305	PAD SET	PAD SET	1	2910
C		43107-KKC4-900	PISTON	PISTON	2	610
F		43108-KKC4-900	SPRING PAD	SPRING PAD	1	350
B		43109-KKC4-900	DUST SEAL	DUST SEAL	2	300
N		43115-KKC4-900	COVER DUST	COVER DUST	1	200
A		43209-KKC4-900	SEAL PISTON	SEAL PISTON	2	610
**	333	43351-KHE7-E00	DISK RR BRAKE	DISK RR BRAKE	1	8940
G		43352-5H68-004	SCREW BLEEDER	SCREW BLEEDER	1	300
H		43353-4A61-77A	CAP BLEEDER	CAP BLEEDER	1	130
D		45111-KKC4-900	SEAL	SEAL	1	490
J		45203-KKC4-900	PIN HANGER	PIN HANGER	1	390
L		45531-GAR1-951	PLUG	PLUG	1	110
	332	90105-KCR3-001	BOLT FR DISK 8*24	BOLT FR DISK 8*24	5	80

F08



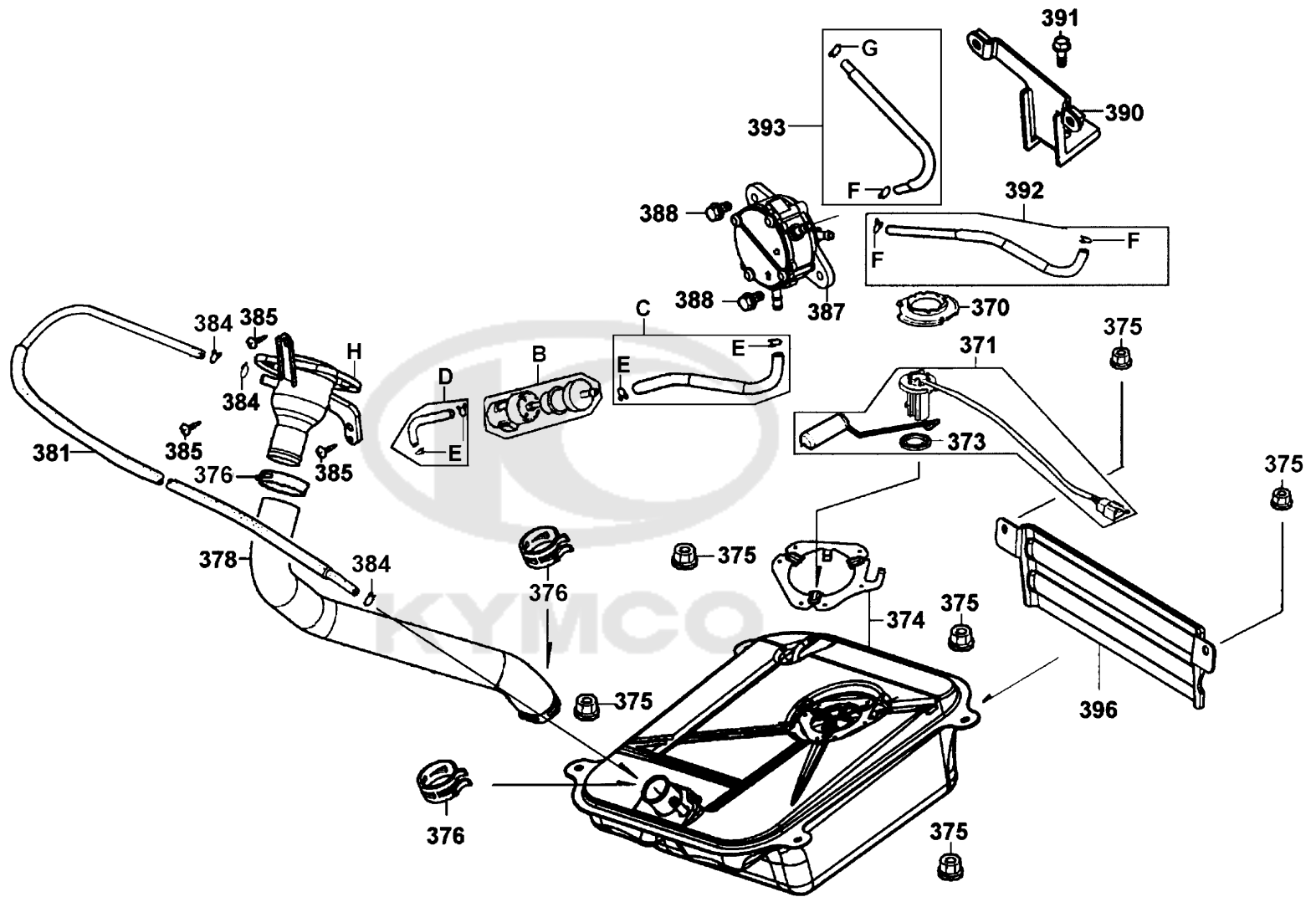
Sales mark 記号	Ref no 参照用番号	Part no パーツ番号	Description 部品名	Reg description 部品名	Regd no 必要個数	Ref Price 希望小売価格(税抜)	F08
339	90131-GLW0-911	90131-GLW0-911	BOLT FLANGE 8*35	BOLT FLANGE 8*35	2	80	
337	90305-KFW6-900	90305-KFW6-900	NUT U FLANGE 16MM (B)	NUT U FLANGE 16MM (B)	1	770	
K	94251-08400	94251-08400	PIN LOCK 8MM	PIN LOCK 8MM	1	160	
E	96600-KKC4-900	96600-KKC4-900	SOCKET BOLT	SOCKET BOLT	2	330	



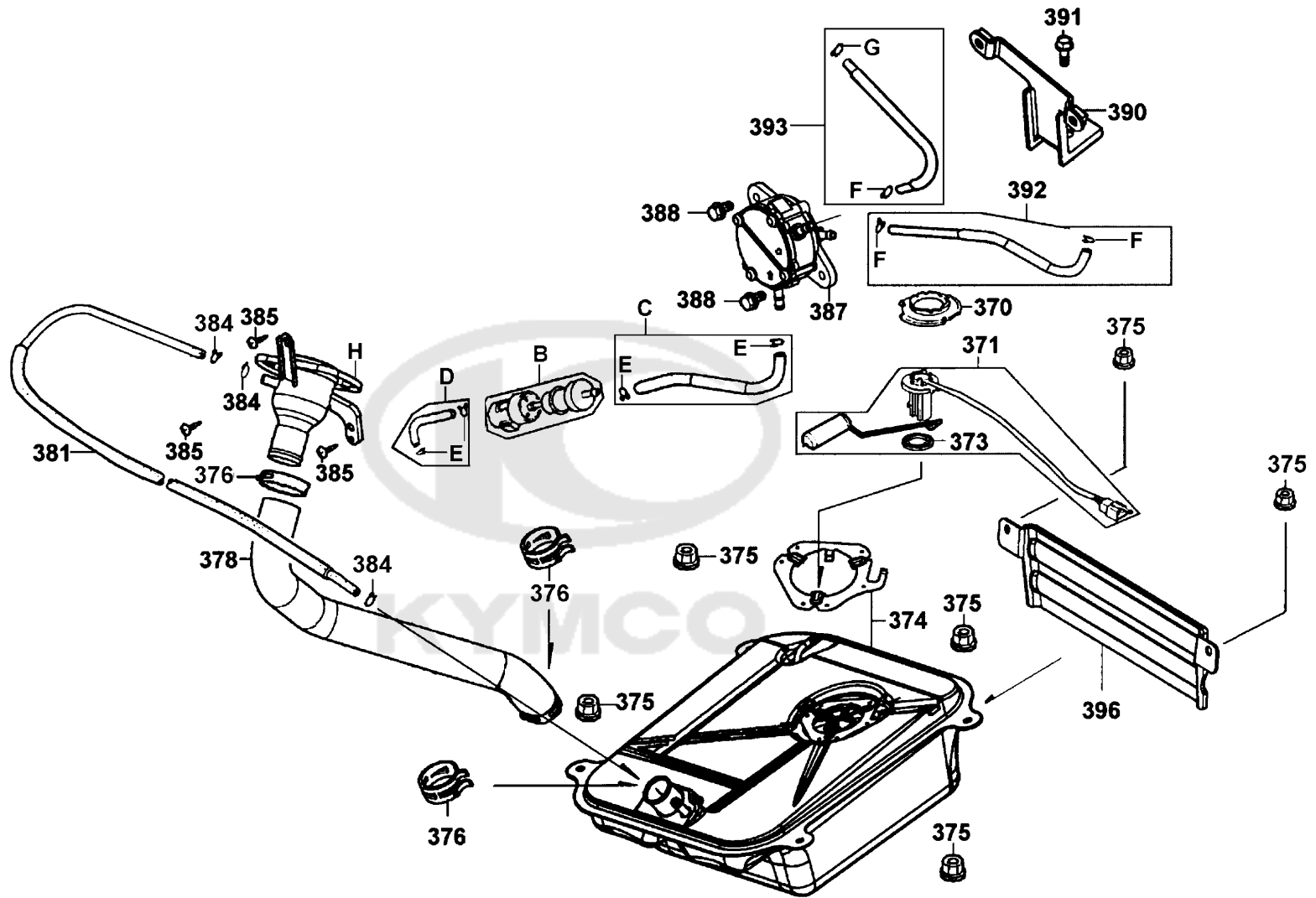


Sales mark 記号	Ref no 参照用番号	Part no パーツ番号	Description 部品名	Reg description 部品名	Regd no 必要個数	Ref Price 希望小売価格(税抜)
**	360	77200-KKC4-E01	SEAT ASSY	SEAT ASSY	1	24200
	365	77206-KEB7-900	RUBBER SEAT CUSH	RUBBER SEAT CUSH	2	110
**	363	77210-KKC4-900	SEAT ASSY BACK	SEAT ASSY BACK	1	2300
**	A	77220-KKC4-910	SEAT ASSY PAD	SEAT ASSY PAD	1	7040
	B	77300-KKC4-900	HINGE ASSY SEAT	HINGE ASSY SEAT	1	2630
	367	77303-LLF5-900	HOOK SEAT LOCK	HOOK SEAT LOCK	1	
	362	89010-KGN7-C00	TOOL SET	TOOL SET	1	1720
	362	89010-KKC4-900	TOOL SET	TOOL SET	1	1530
	366	89013-KFC8-E00	ADJUSTER REAR CUSHION	ADJUSTER REAR CUSHION	1	490
	364	89020-KKC4-900	BAND TOOL SET	BAND TOOL SET	1	130
	368	90101-KGC4-E00	SCREW SPECIAL 6*15	SCREW SPECIAL 6*15	2	60
	361	94050-06080	NUT FLANGE 6MM	NUT FLANGE 6MM	2	60

F09



Sales mark 記号	Ref no 参照用番号	Part no パーツ番号	Description 部品名	Reg description 部品名	Regd no 必要個数	Ref Price 希望小売価格(税抜)	F10
	387	16700-KHE7-220	FUEL PUMP ASSY	FUEL PUMP ASSY	1	9990	
D		16911-KKC4-900	TUBE ASSY TANK TO STRAINER	TUBE ASSY TANK TO STRAINER	1	390	
C		16912-KKC4-900	TUBE ASSY STRAINER TO FUEL PUMP	TUBE ASSY STRAINER TO FUEL PUMP	1	490	
B		1691A-KEC2-E00	STRAINER ASSY FUEL	STRAINER ASSY FUEL	1	1010	
	374	17500-KKC4-900	TANK COMP FUEL	TANK COMP FUEL	1	17430	
	378	17502-KKC4-900	TUBE FUEL	TUBE FUEL	1	2290	
H		17510-KKC4-900	PIPE ASSY FUEL FILLER	PIPE ASSY FUEL FILLER	1	3430	
	393	17682-KKC4-900	TUBE ASSY FUEL VACUUM	TUBE ASSY FUEL VACUUM	1	490	
	392	17683-KKC4-900	TUBE ASSY FUEL	TUBE ASSY FUEL	1	420	
	381	17689-KEBE-900	TUBE ASSY TANK TO 3 WJT	TUBE ASSY TANK TO 3 WJT	1	700	
	376	19411-KBCB-900	CLIP HOSE	CLIP HOSE	1	490	
	373	37801-GGA7-701	PACKING BASE	PACKING BASE	1	130	
	370	37802-GGA7-701	RET FUEL UNIT	RET FUEL UNIT	1	200	
	371	3780A-KKC4-900	FUEL UNIT ASSY	FUEL UNIT ASSY	1	3430	
	390	50139-KKC4-900	BRK FUEL PUMP	BRK FUEL PUMP	1	440	
	396	50197-KKC4-900	STAY FLOOR	STAY FLOOR	1	1250	
	385	93903-35260	SCREW WASHER 4*12	SCREW WASHER 4*12	1	60	
	375	94050-06080	NUT FLANGE 6MM	NUT FLANGE 6MM	4	60	
G		95002-02070	CLIP B7 TUBE	CLIP B7 TUBE	1	60	
F		95002-02080	CLIP B8 TUBE	CLIP B8 TUBE	3	60	



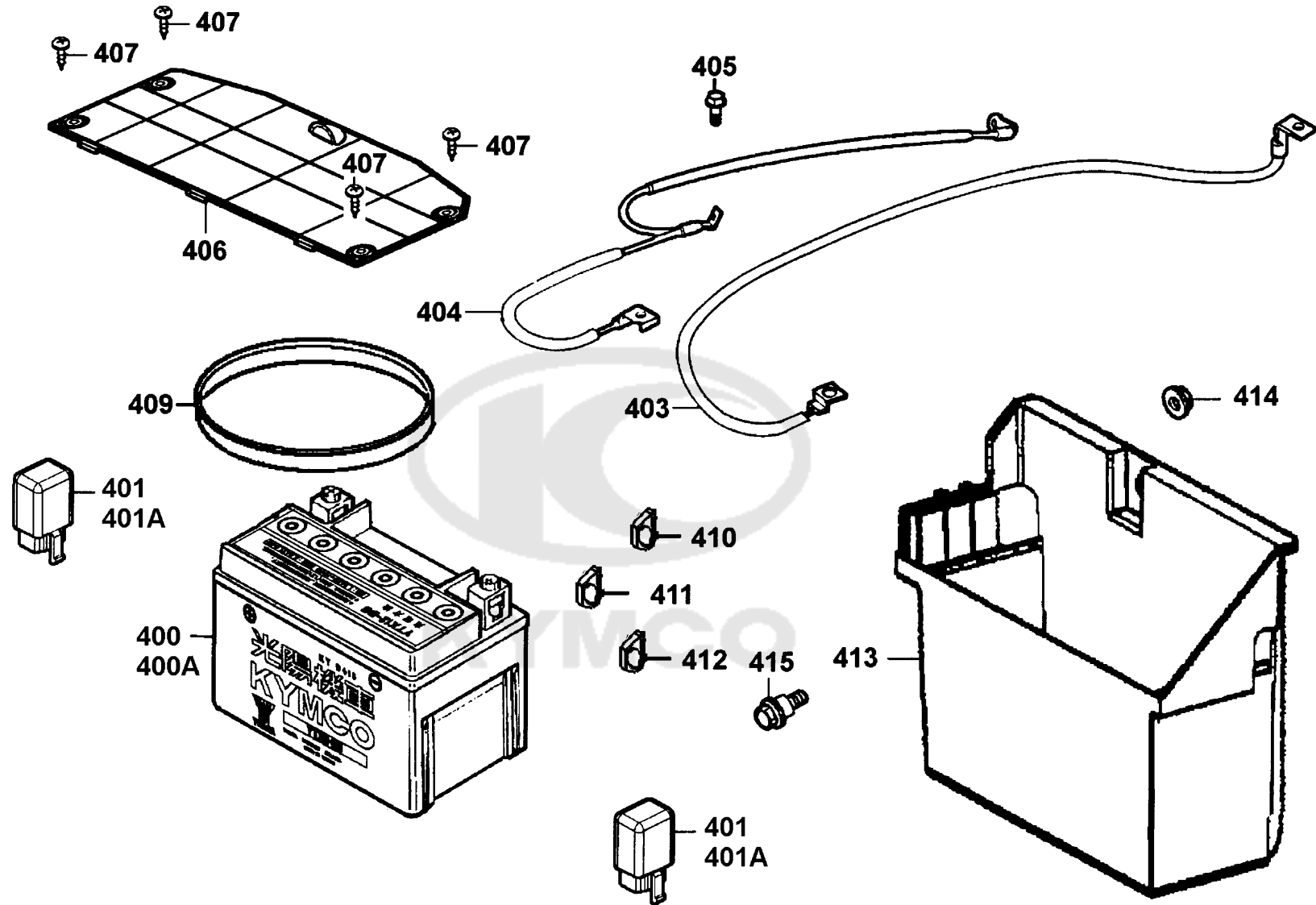


Sales mark 記号	Ref no 参照用番号	Part no パーツ番号	Description 部品名	Reg description 部品名	Regd no 必要個数	Ref Price 希望小売価格(税抜)	F10
E	95002-02100	95002-02100	CLIP B15 TUBE	CLIP B15 TUBE	4	60	
384	95002-02130	95002-02130	CLIP B12.5 TUBE	CLIP B12.5 TUBE	1	60	
391	95701-06012-06	95701-06012-06	BOLT FLANGE 6*22 (K)	BOLT FLANGE 6*22 (K)	1	60	
388	96001-06014-06	96001-06014-06	BOLT FLANGE SH 6*14 (G)	BOLT FLANGE SH 6*14 (G)	1	60	



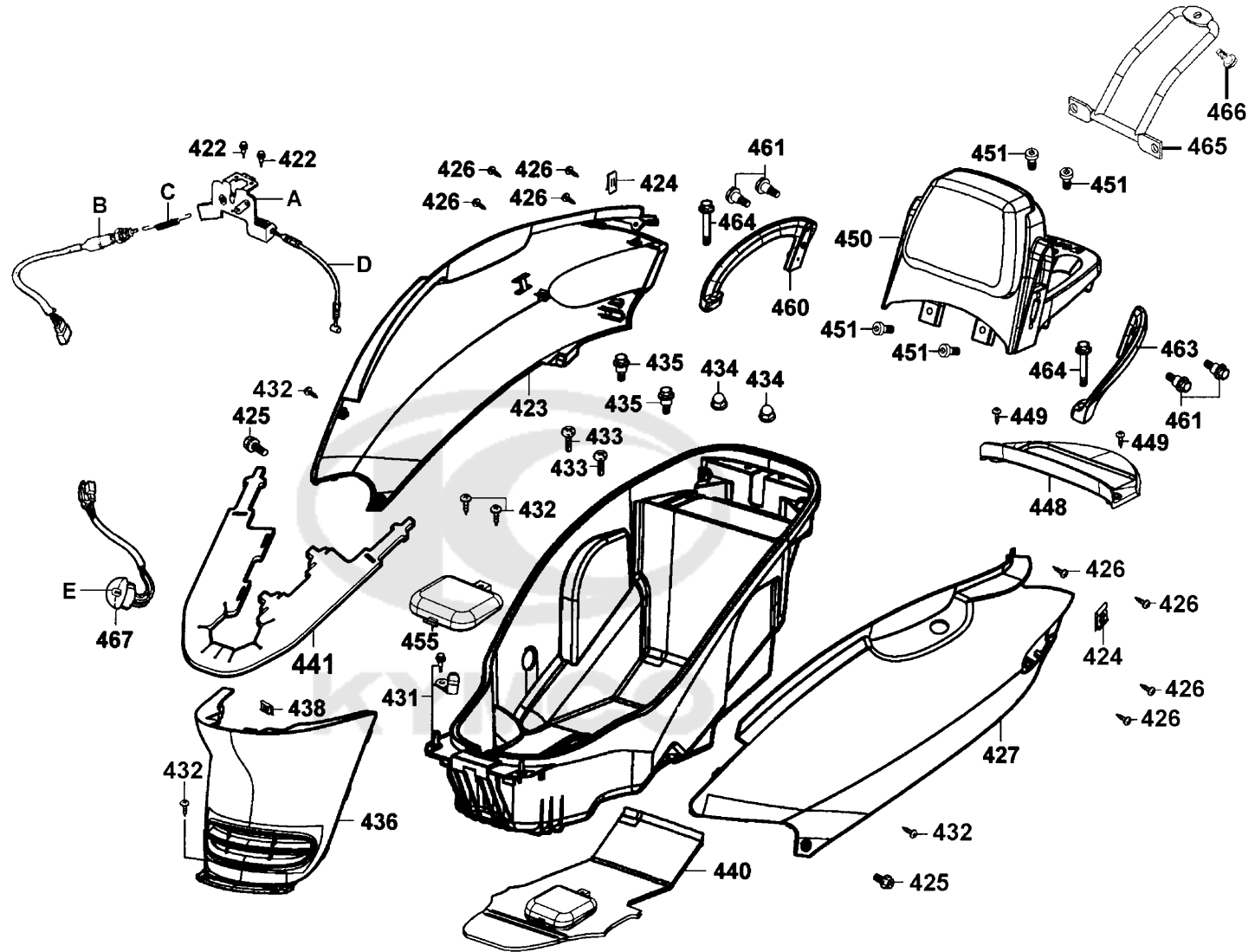
F11

Battery



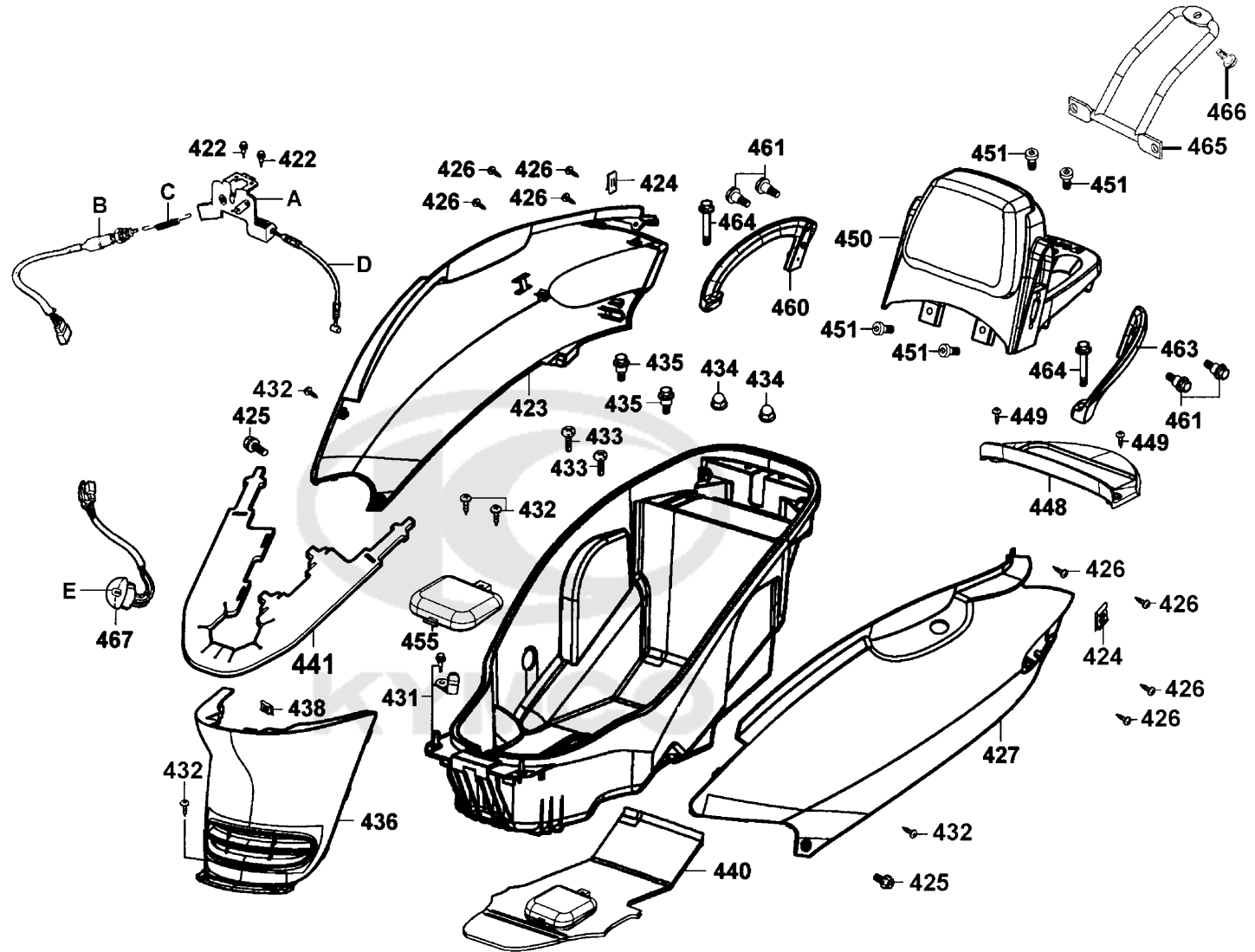
Sales mark 記号	Ref no 参照用番号	Part no パーツ番号	Description 部品名	Reg description 部品名	Regd no 必要個数	Ref Price 希望小売価格(税抜)
	400	31500-KHE7-B2A	BATTERY YTX12-BS	BATTERY YTX12-BS	1	
	400A	31500-KHE7-B2B	BATTERY GTX12-BS	BATTERY GTX12-BS	1	
	403	32411-KKC4-900	CABLE BATTERY	CABLE BATTERY	1	1250
	404	32412-KKC4-900	CABLE EARTH	CABLE EARTH	1	2100
	401A	38500-LGL3-90A	RELAY ASSY LIGHT/D402(12V 20A)	RELAY ASSY LIGHT/D402(12V 20A)(also for	2	1730
**	406	50326-KKC4-900	COVER BATTERY	COVER BATTERY	1	580
	409	50328-KNBN-200	BAND BATTERY	BAND BATTERY	1	200
	413	5032A-KKC4-900	CASE ASSY BATTERY	CASE ASSY BATTERY	1	960
	415	90112-KNBN-901	BOLT FLANGE 6MM	BOLT FLANGE 6MM	1	160
	407	93903-GFY6-900	SCREW WASHER 4*12	SCREW WASHER 4*12	4	60
	414	94050-06080	NUT FLANGE 6MM	NUT FLANGE 6MM	1	60
	405	95701-06012-06	BOLT FLANGE 6*22 (K)	BOLT FLANGE 6*22 (K)	1	60
	410	98200-31000	BLADE FUSE 40A	BLADE FUSE 40A	1	110
	411	98200-31500	BLADE FUSE 40A	BLADE FUSE 40A	1	110
	412	98200-33000	BLADE FUSE 40A	BLADE FUSE 40A	1	200

F11



Sales mark 記号	Ref no 参照用番号	Part no パーツ番号	Description 部品名	Reg description 部品名	Regd no 必要個数	Ref Price 希望小売価格(税抜)
	467	33900-KFBF-900	LIGHT ASSY LUGGAGE BOX	LIGHT ASSY LUGGAGE BOX	1	1080
E		34909-KFBF-900	BULB WEDGE BASE	BULB WEDGE BASE	1	250
B		35360-KFBF-900	SW UNIT LUGGAGE BOX LIGHT	SW UNIT LUGGAGE BOX LIGHT	1	540
C		46514-KFBF-900	SPRING STOP SWITCH	SPRING STOP SWITCH	1	200
A		77235-KKC4-900	CATCH COMP SEAT	CATCH COMP SEAT	1	1820
D		77240-KKC4-900	CABLE COMP SEAT LOCK	CABLE COMP SEAT LOCK	1	1630
**	436	80151-KKC4-900	COVER CENTER	COVER CENTER	1	2200
	441	81151-KKC4-900	PLATE HEAT GUARD	PLATE HEAT GUARD	1	580
	465	81201-KKC4-900	POWER BAR RR CARRIER	POWER BAR RR CARRIER	1	1340
**	450	8120A-KKC4-900	CARRIER RR	CARRIER RR	1	15210
	455	81251-KKC4-900	COVER CABB MAINT	COVER CABB MAINT	1	490
	440	81255-KKC4-900	BAG LUGGAGE	BAG LUGGAGE	1	3340
	431	81260-KKC4-900	BOX ASSY LUGGAGE	BOX ASSY LUGGAGE	1	7040
**	460	81400-KKC4-900	SIDE R GRIP	SIDE R GRIP	1	3620
**	463	81500-KKC4-900	SIDE L GRIP	SIDE L GRIP	1	4570
**	423	83500-KKC4-900	COVER R BODY	COVER R BODY	1	16540
**	427	83600-KKC4-900	COVER L BODY	COVER L BODY	1	16540
**	448	83750-KKC4-900	COVER RR CENTER	COVER RR CENTER	1	1720
	466	90105-KEN5-001	BOLT DISK 6*17	BOLT DISK 6*17	1	300
	461	90105-KNBN-901	BOLT SPECIAL 8MM	BOLT SPECIAL 8MM	4	320

F12

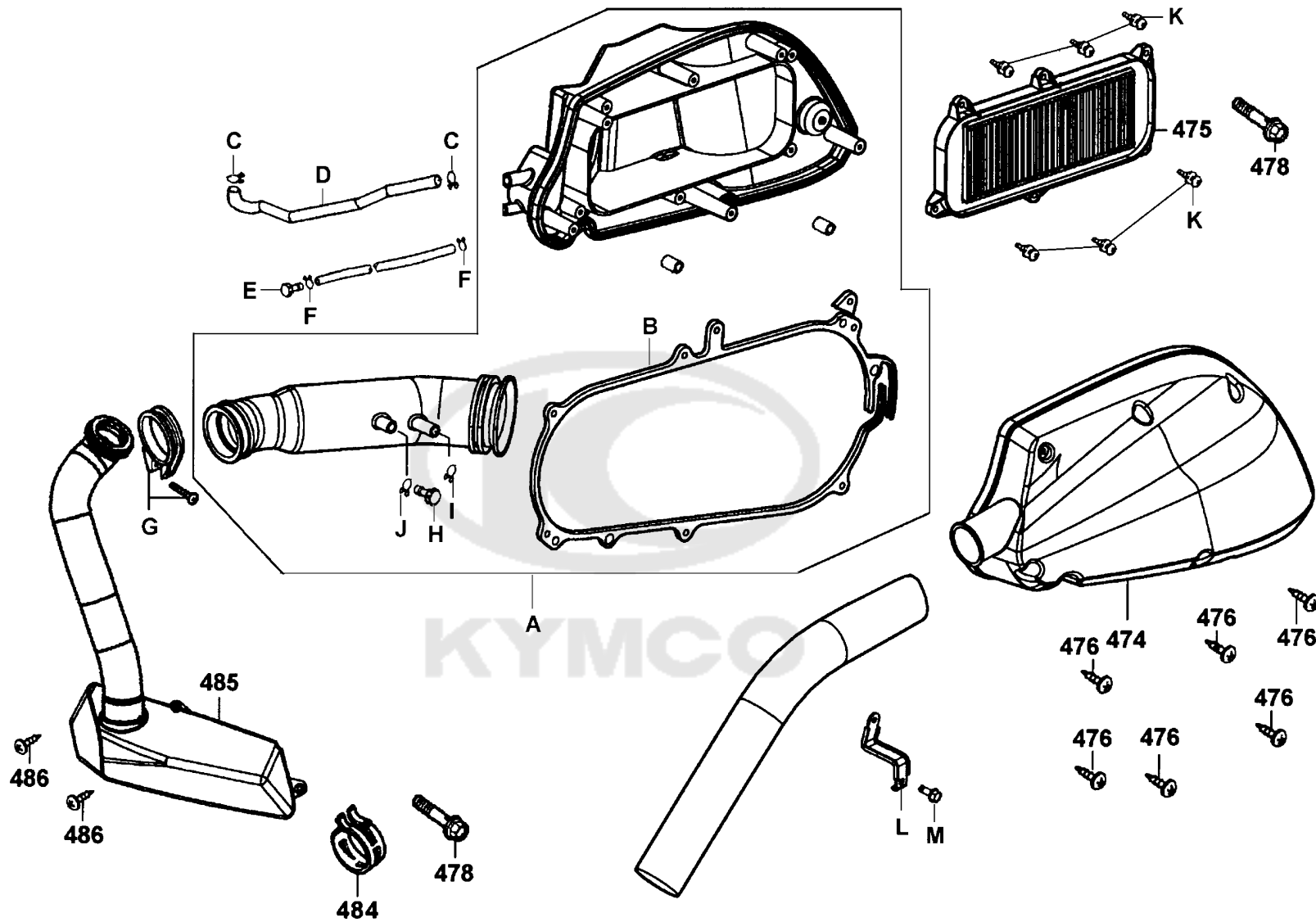


Sales mark 記号	Ref no 参照用番号	Part no パーツ番号	Description 部品名	Reg description 部品名	Regd no 必要個数	Ref Price 希望小売価格(税抜)
464		90106-KFC2-900	BOLT SPECIAL 8MM	BOLT SPECIAL 8MM	2	510
451		90106-KKC4-900	BOLT WASH 8MM	BOLT WASH 8MM	2	390
435		90111-1G87-001	BOLT FLANGE 6MM	BOLT FLANGE 6MM	2	60
434		90215-GLM0-910	NUT CAP 6MM	NUT CAP 6MM	2	160
425		90302-GFY6-940	BOLT-WASH 5*16	BOLT-WASH 5*16	1	60
424		90302-SDA4-004	NUT SPRING 4MM	NUT SPRING 4MM	1	60
438		90305-GHK8-001	NUT CLIP 6MM	NUT CLIP 6MM	1	60
433		90381-GEZ5-001	SCREW SPECIAL 6*17	SCREW SPECIAL 6*17	2	200
432		93903-34360	SCREW WASHER 4*12	SCREW WASHER 4*12	2	60
426		93903-35360	SCREW WASHER 4*12	SCREW WASHER 4*12	4	60
449		93903-GFY6-900	SCREW WASHER 4*12	SCREW WASHER 4*12	2	60
422		95701-06012-06	BOLT FLANGE 6*22 (K)	BOLT FLANGE 6*22 (K)	1	60

F12

F13

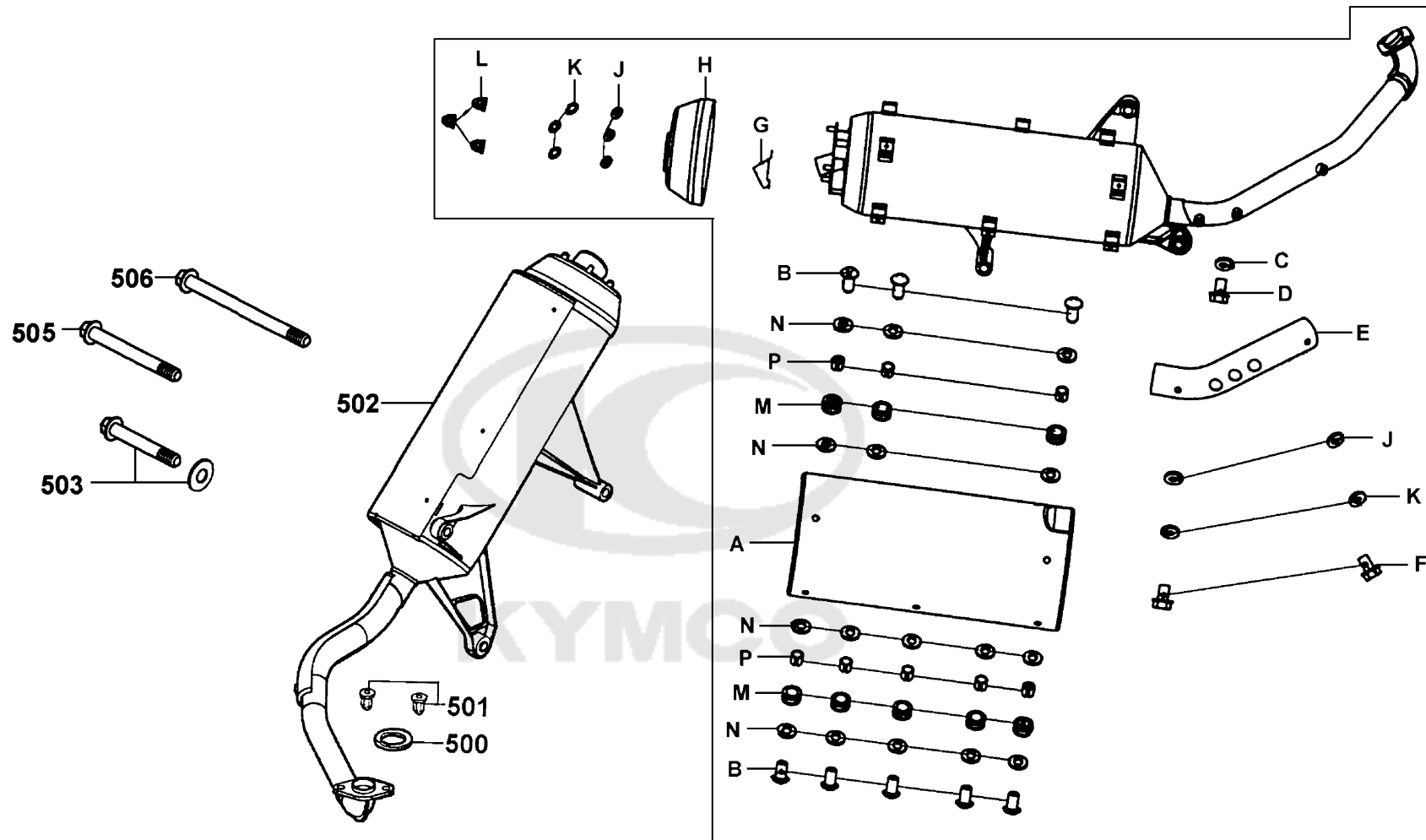
Air Cleaner





Sales mark 記号	Ref no 参照用番号	Part no パーツ番号	Description 部品名	Reg description 部品名	Regd no 必要個数	Ref Price 希望小売価格(税抜)
L		11207-KKC4-900	STAY RR FENDER	STAY RR FENDER	1	300
D		11211-KKC4-900	TUBE BREATHER	TUBE BREATHER	1	680
B		17214-KKC3-900	SEAL AIR/C COVER	SEAL AIR/C COVER	1	320
484		17215-KGBG-90A	CLIP ASSY A/C DUCT	CLIP ASSY A/C DUCT	1	580
475		1721A-KKC3-900	ELEMENT ASSY AIR/C	ELEMENT ASSY AIR/C	1	1850
474		17231-KKC3-900	COVER COMP AIR/C	COVER COMP AIR/C	1	2290
A		1723A-KKC4-E00	CASE ASSY AIR/C	CASE ASSY AIR/C	1	5520
H		17254-KACA-P00	PLUG AIR/C CONN TUBE	PLUG AIR/C CONN TUBE	1	200
E		17370-4K19-701	PLUG BREATHER TUBE	PLUG BREATHER TUBE	1	110
F		17371-1D74-671	CLIP BREATHER TUBE	CLIP BREATHER TUBE	2	60
485		8360A-KKC4-900	CHAMBER ASSY AIR/C	CHAMBER ASSY AIR/C	1	2670
478		90001-GBHB-681	BOLT FLANGE SHF 6*28	BOLT FLANGE SHF 6*28	1	60
G		90652-KHE7-900	BAND CONNECTING TUBE	BAND CONNECTING TUBE	1	260
I		91407-SGA7-004	CLAMP 17 FUSE HOSE	CLAMP 17 FUSE HOSE	1	300
K		93891-05016-06	SCREW WASHER 5*16	SCREW WASHER 5*16	1	60
476		93903-25460	SCREW TAPPING 5*20 **93903-25480	SCREW TAPPING 5*20 **93903-25480 C.2005	6	60
486		93903-34360	SCREW WASHER 4*12	SCREW WASHER 4*12	2	60
M		93903-35260	SCREW WASHER 4*12	SCREW WASHER 4*12	1	60
J		95002-02130	CLIP B12.5 TUBE	CLIP B12.5 TUBE	1	60
C		95002-02150	CLIP B14.5 TUBE	CLIP B14.5 TUBE	2	60

F13

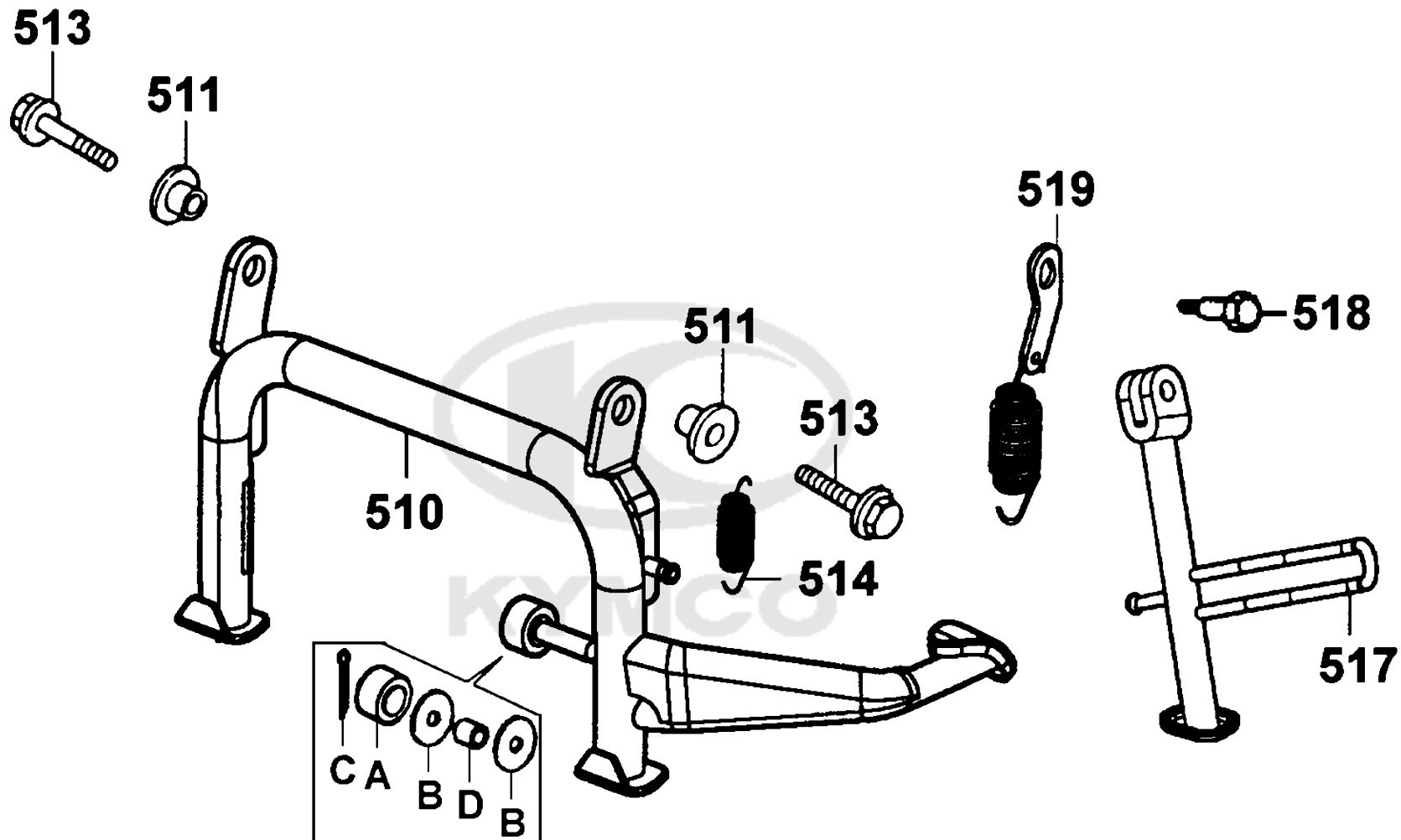


Sales mark 記号	Ref no 参照用番号	Part no パーツ番号	Description 部品名	Reg description 部品名	Regd no 必要個数	Ref Price 希望小売価格(税抜)
500		18291-LBA7-900	GASKET EXH PIPE	GASKET EXH PIPE	1	230
M		18293-KECE-900	RUBBER A PROTECTOR	RUBBER A PROTECTOR	8	110
N		18294-KEBE-900	PACKING PROTECTOR	PACKING PROTECTOR	16	110
P		18295-KECE-900	COLLAR 6MM	COLLAR 6MM	8	110
G		18305-KHD8-900	PROTECTOR TAIL PIPE	PROTECTOR TAIL PIPE	1	780
H		18306-KHE7-900	TAIL CAP MUFFLER	TAIL CAP MUFFLER	1	1150
502		1830A-KHE7-E00	MUFFLER ASSY EXH	MUFFLER ASSY EXH	1	41180
A		18318-KHE7-E00	PROTECTOR MUFFLER	PROTECTOR MUFFLER	1	7520
E		18325-KHE7-900	PROTECTOR EXH PIPE	PROTECTOR EXH PIPE	1	1820
503		90021-GFY6-900	BOLT WASHER COMP	BOLT WASHER COMP	1	90
B		90110-KHD8-900	SCREW SPECIAL 6*20	SCREW SPECIAL 6*20	8	60
L		90215-KKC4-900	NUT CAP 6MM	NUT CAP 6MM	3	160
501		90301-GFY6-901	NUT (HEX) CAP 8MM	NUT (HEX) CAP 8MM	2	140
J		94101-06200	WASHER PLAIN 6MM	WASHER PLAIN 6MM	5	60
C		94101-06700	WASHER PLAIN 6MM	WASHER PLAIN 6MM	1	60
K		94111-06800	WASHER SPRING 6MM	WASHER SPRING 6MM	5	60
505		95801-08042-06	BOLT FLANGE 8*42	BOLT FLANGE 8*42	1	70
506		95801-10070-06	BOLT FLANGE 10*70	BOLT FLANGE 10*70	1	320
D		96001-06008-07	BOLT FLANGE SH 6*8	BOLT FLANGE SH 6*8	1	60
F		96001-06010-02	BOLT FLANGE SH 6*10	BOLT FLANGE SH 6*10	2	60

F14

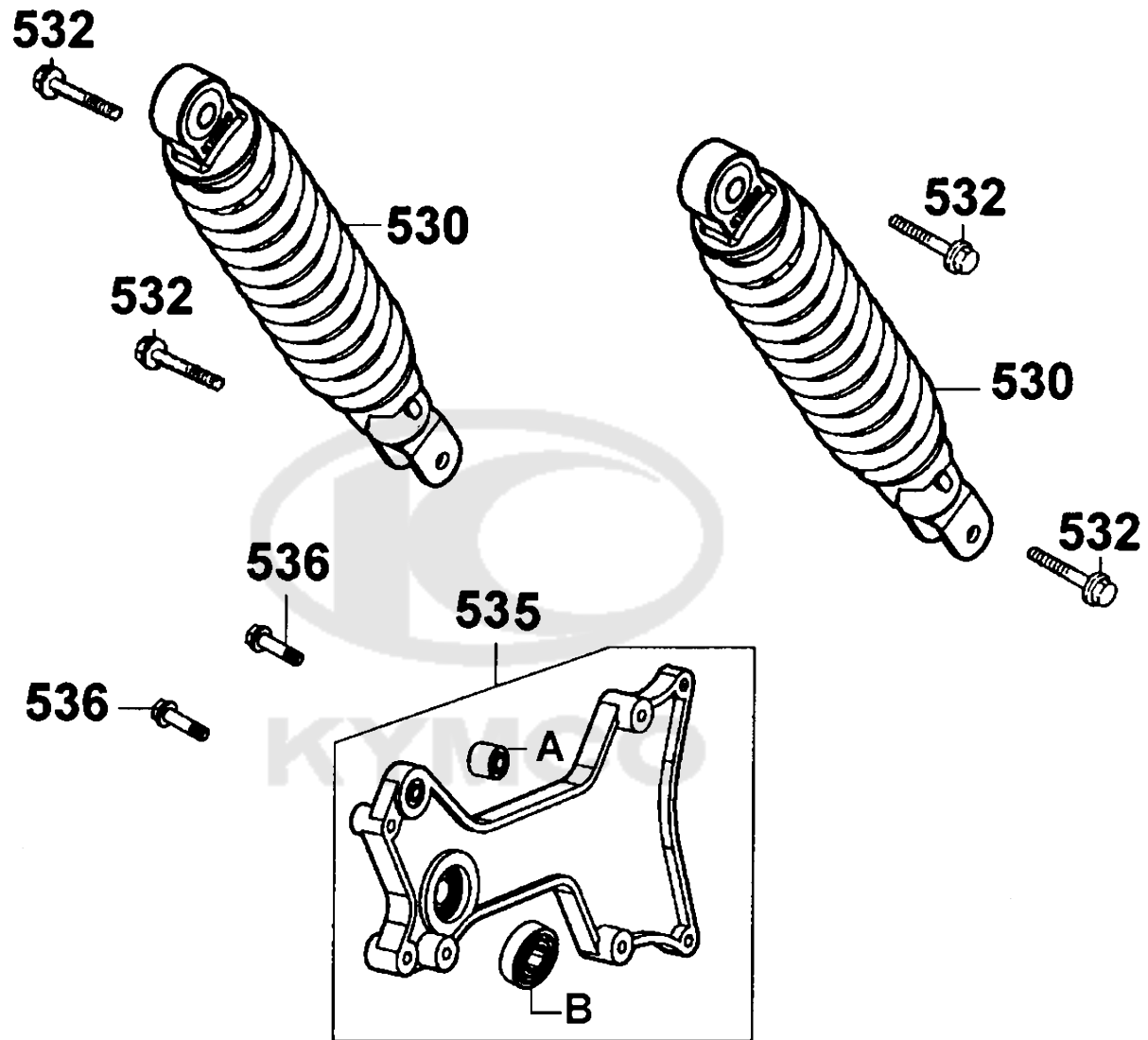
F15

Stand Kick Starter Arm



Sales mark 記号	Ref no 参照用番号	Part no パーツ番号	Description 部品名	Reg description 部品名	Regd no 必要個数	Ref Price 希望小売価格(税抜)
	511	50502-GFY6-901	COLLAR MAIN STAND	COLLAR MAIN STAND	2	140
A		50505-KHE7-E00	STOPPER RUBBER	STOPPER RUBBER	1	130
D		50506-KHE7-E00	COLLAR STOPPER RUBBER	COLLAR STOPPER RUBBER	1	160
	510	5050A-KKC4-900	STAND ASSY MAIN	STAND ASSY MAIN	1	6660
	517	50530-KKC2-900	BAR SIDE STAND	BAR SIDE STAND	1	1530
	519	50532-KGBG-E00	SPRING COMP SIDE STAND	SPRING COMP SIDE STAND	1	1150
	514	50550-KEB7-E00	SPG ASSY MAIN STAND	SPG ASSY MAIN STAND	1	870
	518	90108-KFC8-E10	SCREW SIDE STAND PIVOT	SCREW SIDE STAND PIVOT	1	350
B		94101-08600	WASHER PLAIN 6.5*18*105	WASHER PLAIN 6.5*18*105	2	200
C		94251-08400	PIN LOCK 8MM	PIN LOCK 8MM	1	160
	513	95801-10025-06	BOLT FLANGE 10*25	BOLT FLANGE 10*25	1	60

F15



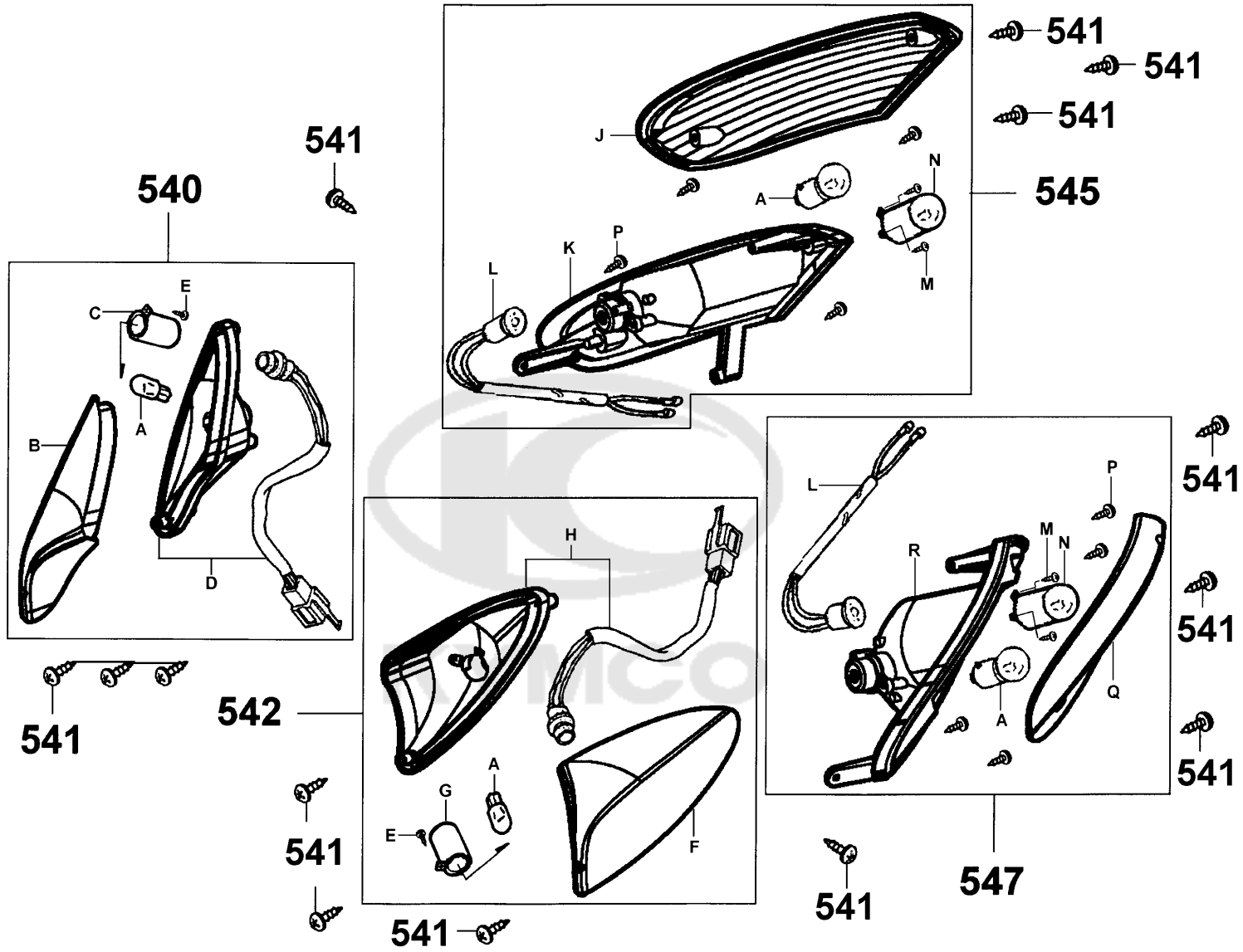
Sales mark 記号	Ref no 参照用番号	Part no パーツ番号	Description 部品名	Reg description 部品名	Regd no 必要個数	Ref Price 希望小売価格(税抜)	F16
A		11102-1G87-004	RUB BUSH ENG HANGER	RUB BUSH ENG HANGER	1	320	
**	535	52000-KKC4-900	FORK ASSY REAR	FORK ASSY REAR	1	12930	
**	530	52400-KKC4-900	CUSHION ASSY REAR	CUSHION ASSY REAR	1	11410	
	536	90131-KFAF-900	BOLT FLANGE 8*42	BOLT FLANGE 8*42	2	300	
	532	95801-10035-06	BOLT FLANGE 10*35	BOLT FLANGE 10*35	1	300	
B		96150-62040-10	BEARING BALL RADIAL 6204	BEARING BALL RADIAL 6204	1	1720	



F17

Front Winker

RR WINKER





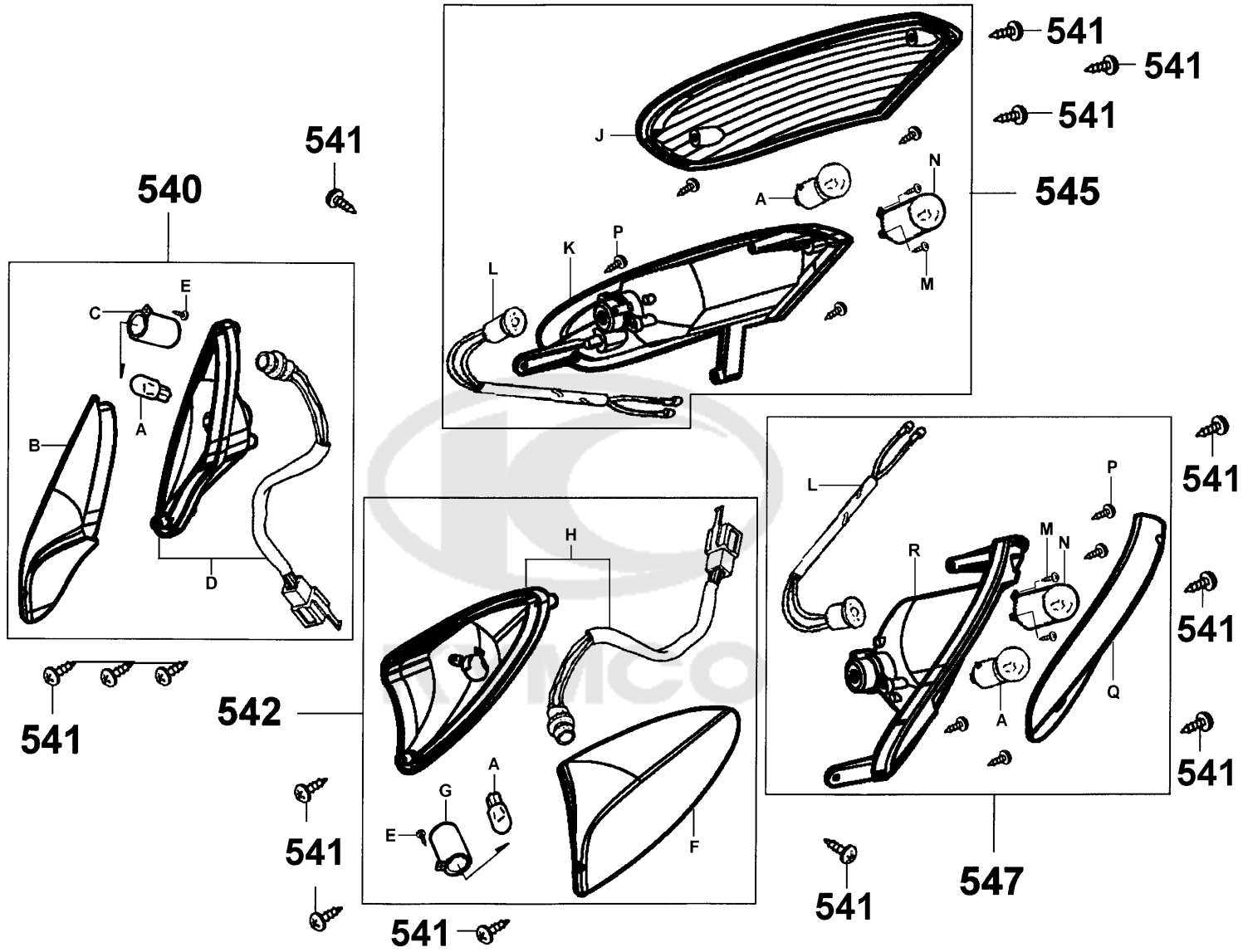
Sales mark 記号	Ref no 参照用番号	Part no パーツ番号	Description 部品名	Reg description 部品名	Regd no 必要個数	Ref Price 希望小売価格(税抜)
540		33400-KKC4-E00	WINKER ASSY R FR	WINKER ASSY R FR	1	2160
B		33402-KKC4-E00	LENS FR WINKER R	LENS FR WINKER R	1	490
D		33403-KKC4-E00	BASE COMP R FR WINKER	BASE COMP R FR WINKER	1	1820
C		33407-KKC4-E00	INNER LENS WINKER R	INNER LENS WINKER R	1	300
542		33450-KKC4-E00	WINKER ASSY L FR	WINKER ASSY L FR	1	2390
F		33452-KKC4-E00	LENS L FR WINKER	LENS L FR WINKER	1	490
H		33453-KKC4-E00	BASE COMP L FR WINKER	BASE COMP L FR WINKER	1	1820
G		33457-KKC4-E00	INNER LENS WINKER L	INNER LENS WINKER L	1	300
545		33600-KKC4-E00	WINKER ASSY R RR	WINKER ASSY R RR	1	3530
J		33602-KKC4-E00	LENS R RR WINKER	LENS R RR WINKER	1	490
K		33603-KKC4-E00	BASE R RR WINKER	BASE R RR WINKER	1	990
L		33606-KKC4-E00	SOCKET COMP R/L RR WINKER	SOCKET COMP R/L RR WINKER	2	700
N		33607-KKD7-E00	INNER LENS WINKER	INNER LENS WINKER	1	320
547		33650-KKC4-E00	WINKER ASSY L RR	WINKER ASSY L RR	1	3530
Q		33652-KKC4-E00	LENS L RR WINKER	LENS L RR WINKER	1	490
R		33653-KKC4-E00	BASE L RR WINKER	BASE L RR WINKER	1	990
A		34905-KPCP-900	BULB WINKER	BULB WINKER	4	400
P		93901-32220	SCREW TAPPING 3*10	SCREW TAPPING 3*10	8	60
E		93901-32310	SCREW TAPPING 3*12	SCREW TAPPING 3*12	2	60
M		93901-34220	SCREW TAPPING 4*10	SCREW TAPPING 4*10	4	60

F17

F17

Front Winker

RR WINKER

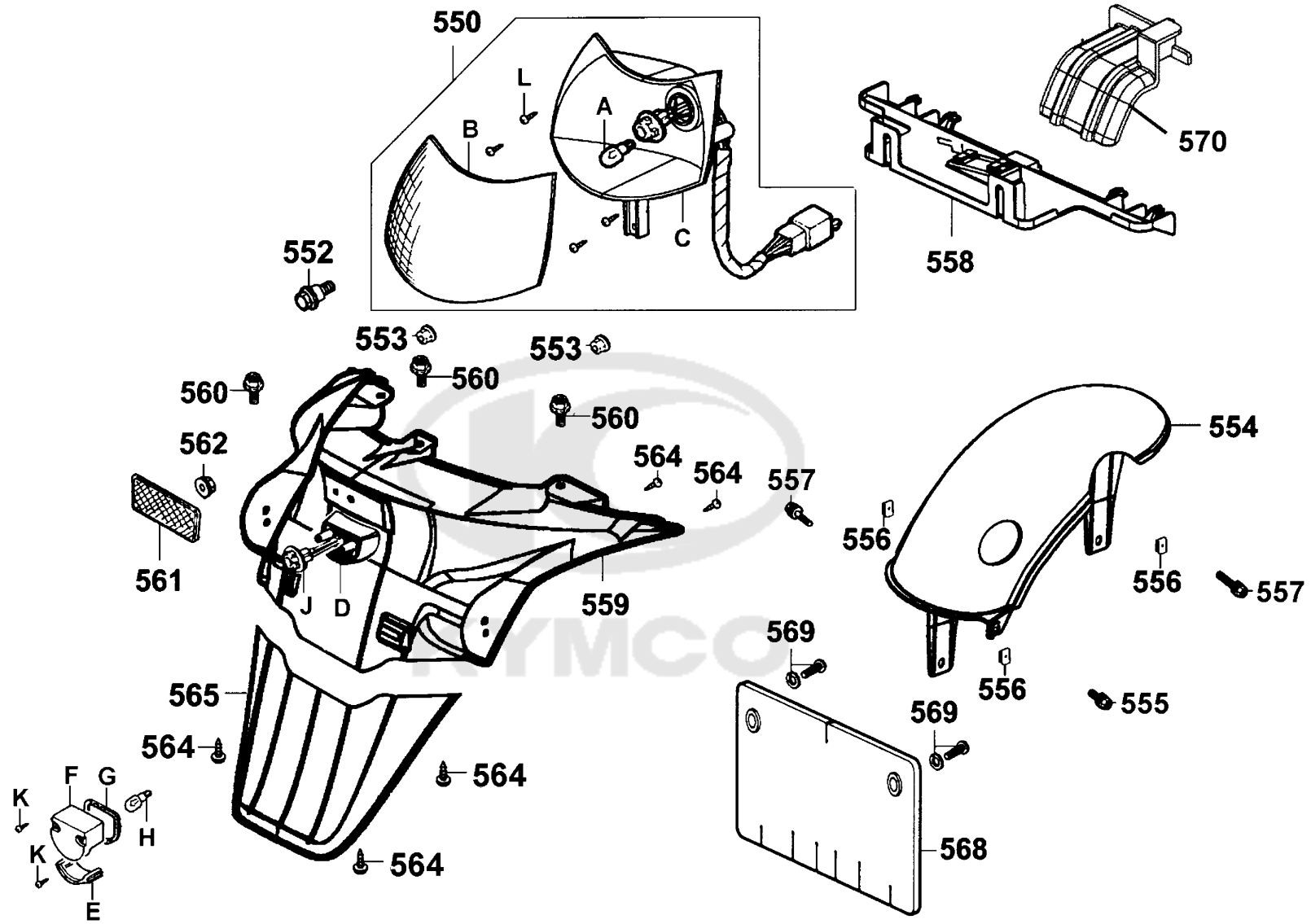


Sales mark 記号	Ref no 参照用番号	Part no パーツ番号	Description 部品名	Reg description 部品名	Regd no 必要個数	Ref Price 希望小売価格(税抜)
------------------	-----------------	------------------	--------------------	------------------------	-----------------	-------------------------

**F17**

541	93903-34360		SCREW WASHER 4*12	SCREW WASHER 4*12	3	60
-----	-------------	--	-------------------	-------------------	---	----



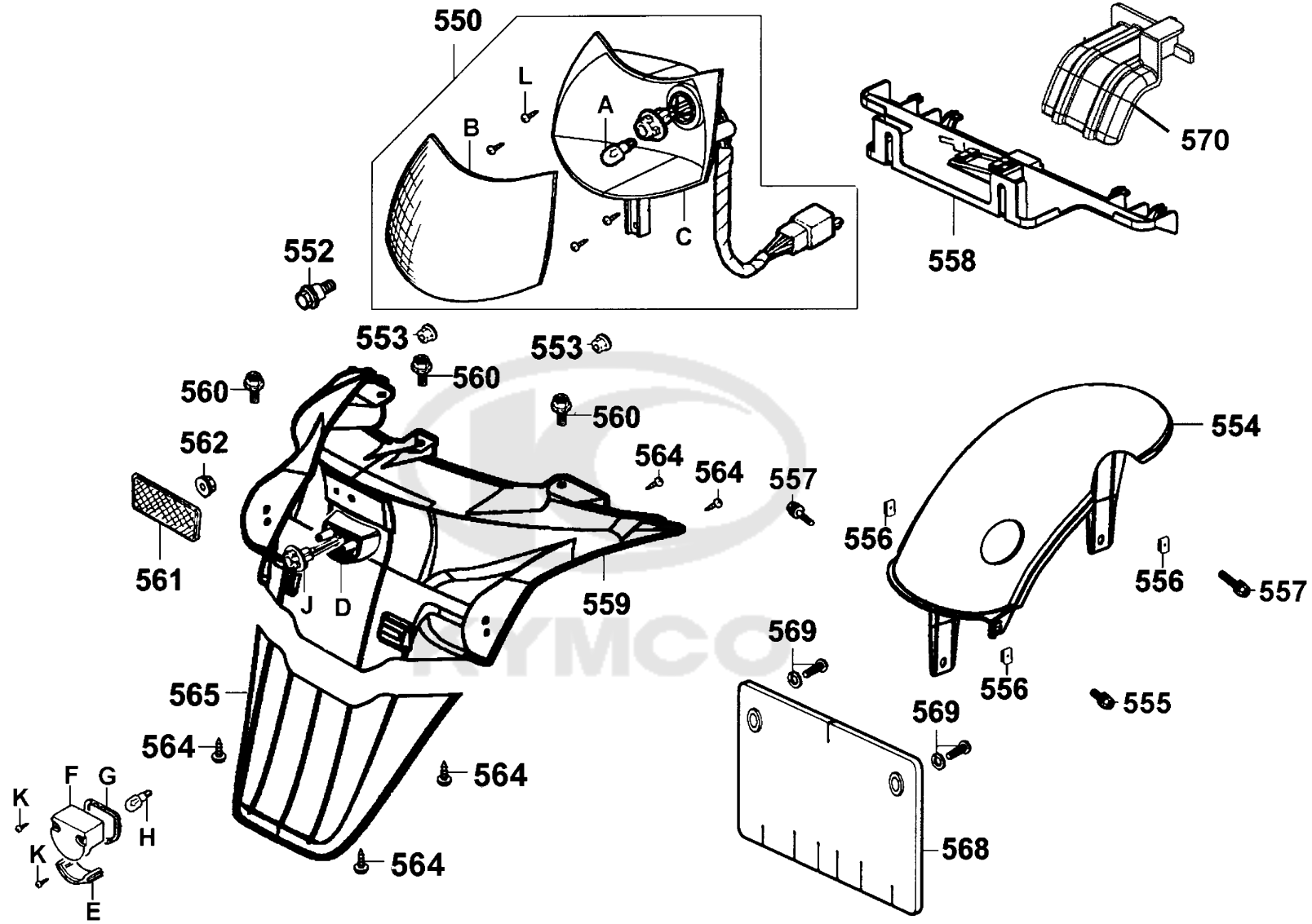


Sales mark 記号	Ref no 参照用番号	Part no パーツ番号	Description 部品名	Reg description 部品名	Regd no 必要個数	Ref Price 希望小売価格(税抜)
	550	33700-KKC4-E00	LIGHT ASSY RR COMB	LIGHT ASSY RR COMB	1	10460
B		33702-KKC4-E00	LENS TAIL LIGHT	LENS TAIL LIGHT	1	3810
C		33705-KKC4-E00	BASE COMP TAIL LIGHT	BASE COMP TAIL LIGHT	1	4720
F		33706-KHB4-E01	COVER LICENSE	COVER LICENSE	1	130
G		33709-KBAB-003	PACKING LICENSE	PACKING LICENSE	1	130
D		33722-KHB4-E00	BASE LICENSE	BASE LICENSE	1	110
E		33725-KHB4-E00	LENS LICENSE	LENS LICENSE	1	110
J		33726-KHB4-E00	SOCKET COMP	SOCKET COMP	1	490
561		33741-KEBE-900	REFLEX REFLECTOR	REFLEX REFLECTOR	1	680
H		34903-KPCP-900	BULB POSITION LIGHT 12V5W **KCP-	BULB POSITION LIGHT 12V5W **KCP-9000	1	320
A		34906-KPCP-900	BULB TAIL & STOP	BULB TAIL & STOP	1	770
570		43416-KKC4-900	GUARD RR CALIPER	GUARD RR CALIPER	1	300
**	554	80100-KKC4-900	FENDER RR TIRE	FENDER RR TIRE	1	960
	558	80101-KKC4-900	FENDER RR UP	FENDER RR UP	1	580
	568	80102-KKC4-900	PLATE C SPLASH GUARD	PLATE C SPLASH GUARD	1	300
	559	80105-KKC4-900	FENDER RR	FENDER RR	1	1250
	565	80106-KKC4-900	FENDER B RR	FENDER B RR	1	770
	560	90112-KNBN-901	BOLT FLANGE 6MM	BOLT FLANGE 6MM	3	160
	553	90301-6D34-671	NUT FLANGE 6MM	NUT FLANGE 6MM	2	60
	557	90302-GFY6-940	BOLT-WASH 5*16	BOLT-WASH 5*16	1	60

F18

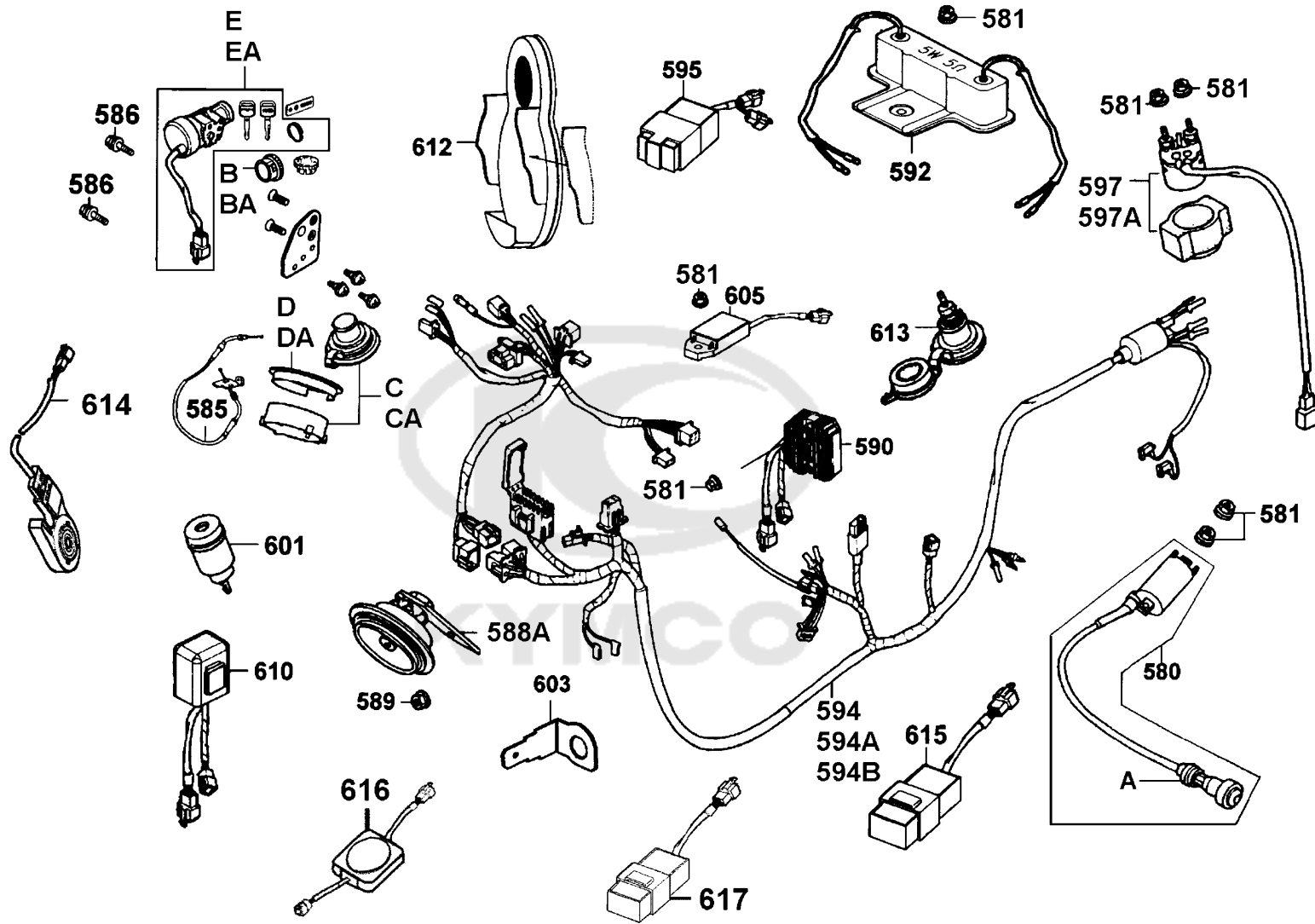
F18

Rear Light Rear Fender



Sales mark 記号	Ref no 参照用番号	Part no パーツ番号	Description 部品名	Reg description 部品名	Regd no 必要個数	Ref Price 希望小売価格(税抜)	F18
555		90302-KFC2-900	BOLT WASHER 5*25	BOLT WASHER 5*25	2	80	
556		90677-GAR1-004	NUT CLIP 5MM	NUT CLIP 5MM	3	60	
K		91508-KGV7-67A	SCREW TAPPING 4*14	SCREW TAPPING 4*14	2	200	
552		93404-06016-06	BOLT WASHER 6*16	BOLT WASHER 6*16	1	60	
L		93901-34320	SCREW TAPPING 4*12	SCREW TAPPING 4*12	4	60	
564		93903-34360	SCREW WASHER 4*12	SCREW WASHER 4*12	2	60	
569		93903-KEB7-900-06	SCREW WASHER 4*12	SCREW WASHER 4*12	2	200	
562		94050-05080	NUT FLANGE 5MM	NUT FLANGE 5MM	1	200	

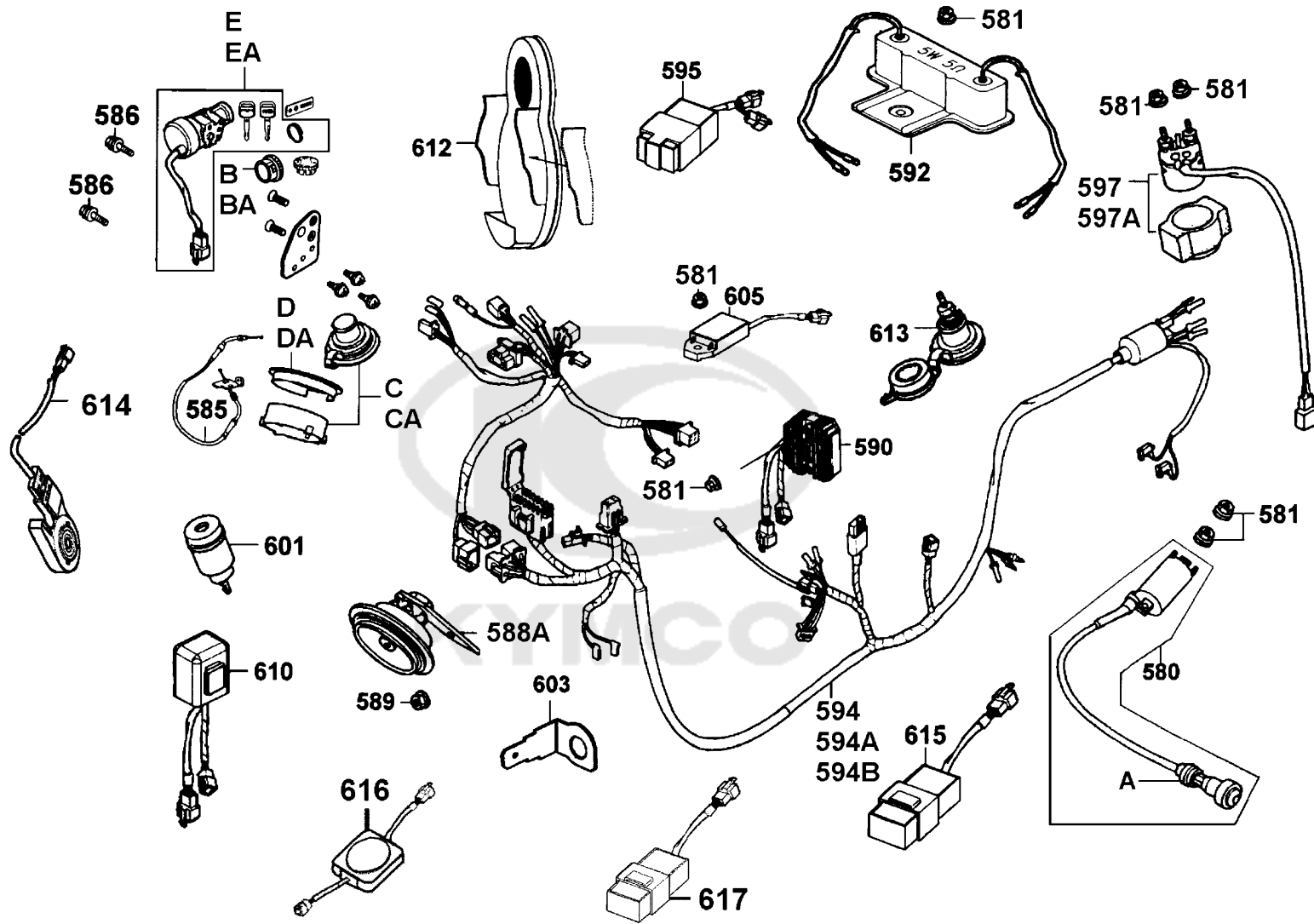






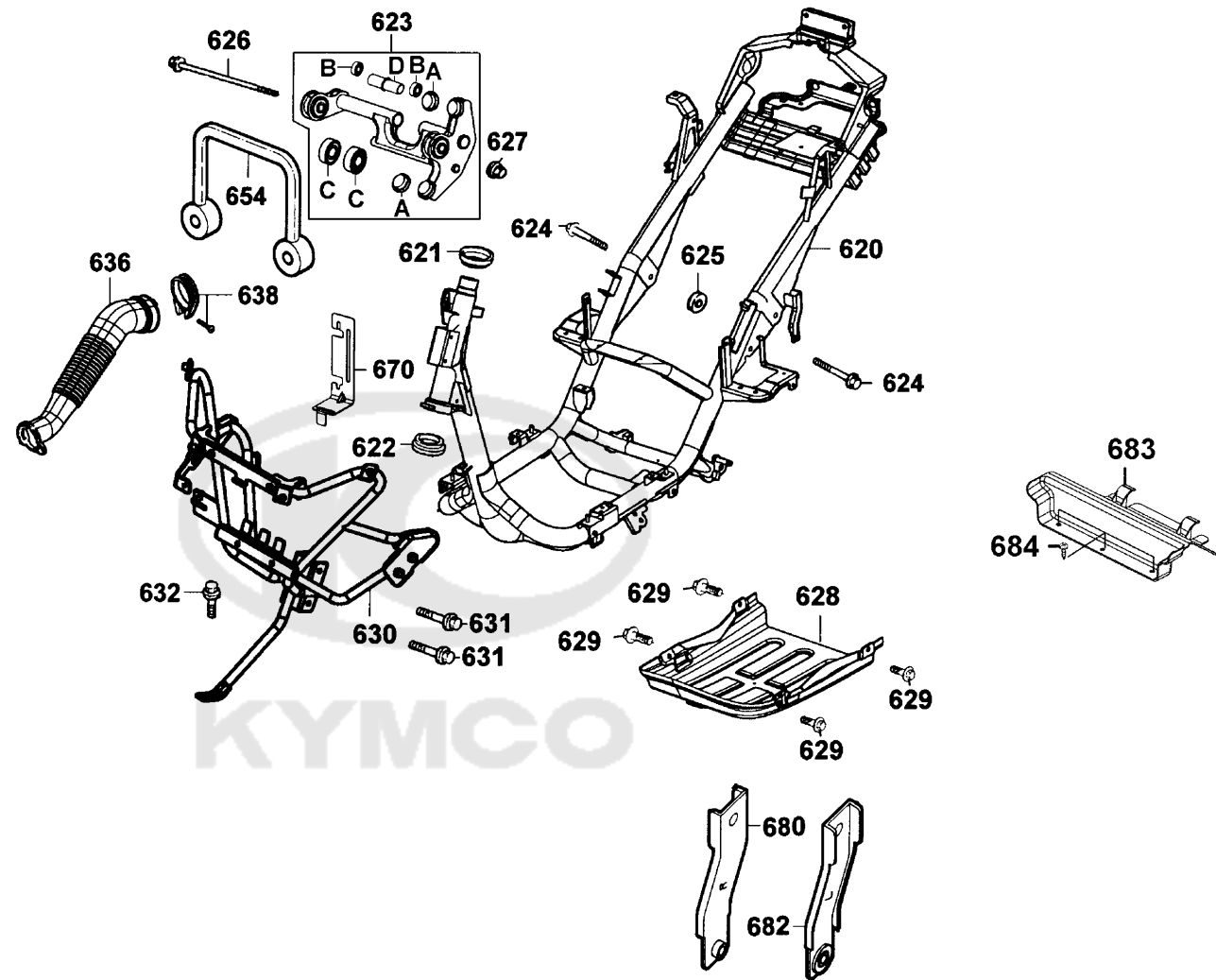
Sales mark 記号	Ref no 参照用番号	Part no パーツ番号	Description 部品名	Reg description 部品名	Regd no 必要個数	Ref Price 希望小売価格(税抜)
585		17520-KKC4-900	CABLE COMP FUEL CAP	CABLE COMP FUEL CAP	1	1250
C		17620-KHC5-E00	CAP COMP FUEL FILLER	CAP COMP FUEL FILLER	1	3910
CA		17620-KHC5-E0B	CAP COMP FUEL FILLER	CAP COMP FUEL FILLER	1	3910
D		17623-KHC4-90A	COLLAR FUEL CAP	COLLAR FUEL CAP	1	300
DA		17623-KHC4-90B	COLLAR FUEL CAP	COLLAR FUEL CAP	1	300
595		30400-KHE7-900	UNIT CDI	UNIT CDI	1	18850
580		3051A-KKC4-900	COIL ASSY IGNITION	COIL ASSY IGNITION	1	8370
A		30700-KFC8-E0H	CAP ASSY NOISE SUPPR	CAP ASSY NOISE SUPPR	1	1340
590		31600-KAM1-009	REG REC COMP	REG REC COMP	1	7990
613		31601-KKC4-900	SOCKET COMP DC12V	SOCKET COMP DC12V	1	1910
612		31602-KKC4-900	SOCKET COMP CELL-PHONE	SOCKET COMP CELL-PHONE	1	2860
594		32100-KKC4-B00	HARNESS WIRE **B000-JP	HARNESS WIRE **B000-JP	1	15590
594A		32100-KKC4-B20	HARNESS WIRE **B000-JP	HARNESS WIRE **B000-JP N.C.2002.02.01	1	15590
594B		32100-KKC4-B21	HARNESS WIRE **B20 C.P.N.	HARNESS WIRE **B20 C.P.N.	1	15590
E		35101-KHC4-305	SW SET COMB & LOCK	SW SET COMB & LOCK	1	9890
EA		35101-KHC4-305-M2	SW SET COMB & LOCK	SW SET COMB & LOCK	1	9890
B		35102-KHC4-900	COLLAR MAIN SW	COLLAR MAIN SW	1	300
BA		35102-KHC4-90B	COLLAR MAIN SW	COLLAR MAIN SW	1	300
614		35370-KEC8-E00	SW UNIT SIDE STAND	SW UNIT SIDE STAND	1	3810
592		35400-KHE7-900	RESISTOR COMP	RESISTOR COMP	1	1150

F19

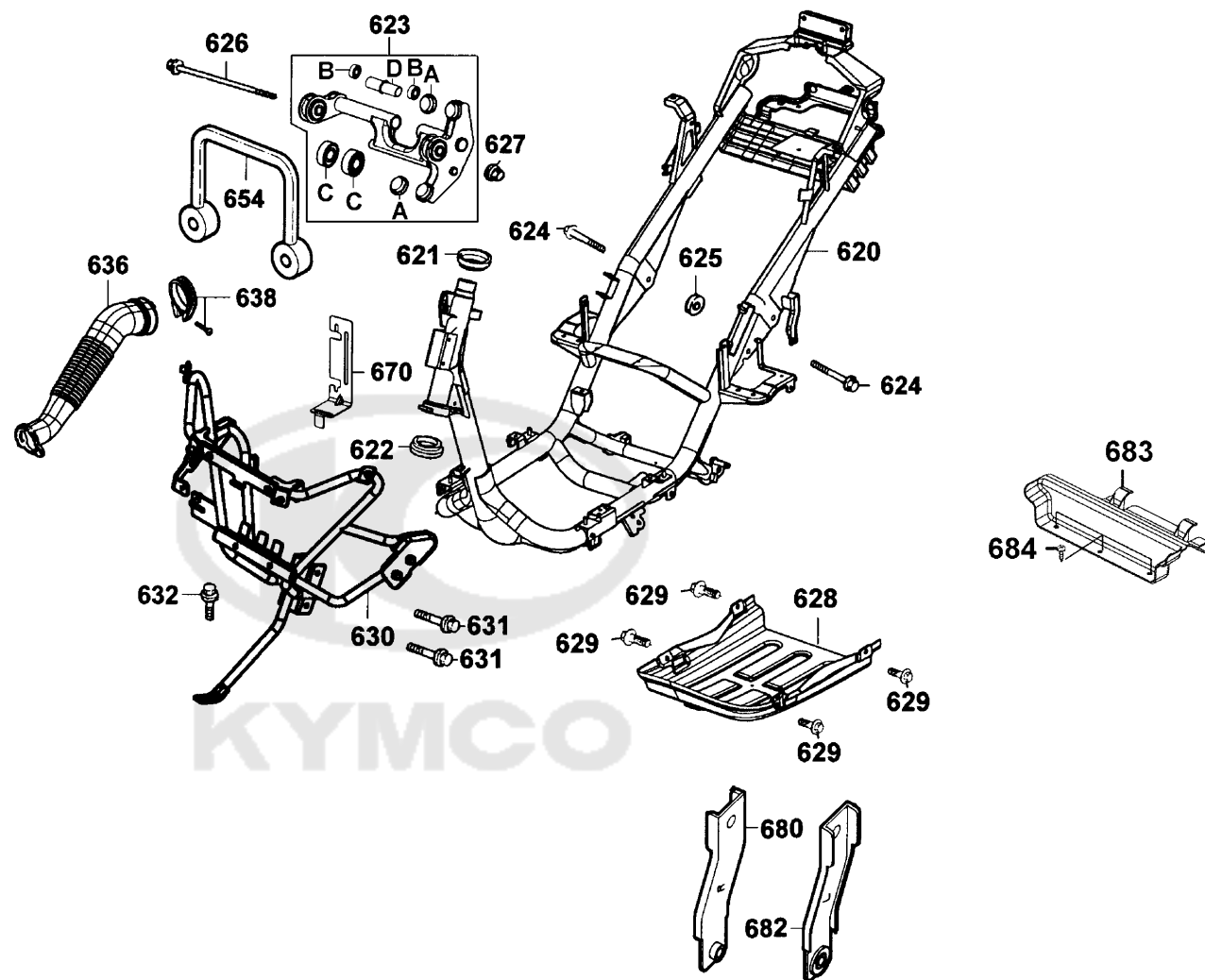


Sales mark 記号	Ref no 参照用番号	Part no パーツ番号	Description 部品名	Reg description 部品名	Regd no 必要個数	Ref Price 希望小売価格(税抜)
597A		35850-LDA6-90A		SET START MAG(旧品番の「35850-KHD8-	1	2670
597		35850-LDA6-90B		SET START MAG(旧品番の「35850-KHD8-	1	2860
603		37720-KGBG-E00	EARTH TERMINAL HEATER	EARTH TERMINAL HEATER	1	110
605		37760-KGBG-E10	UNIT HEATER CONTROL	UNIT HEATER CONTROL	1	5620
617		3800A-KKC4-900	UNIT ASSY ENG STOP	UNIT ASSY ENG STOP	1	3430
588A		38110-KKC3-90B	HORN COMP	HORN COMP	2	2480
601		38300-KECE-900	RELAY ASSY WINKER	RELAY ASSY WINKER	1	2530
616		3880A-KKC4-B00	ASSY CELLULAR PHONE INDICATOR	ASSY CELLULAR PHONE INDICATOR	1	
610		39100-KKE5-E01	EMI FILTER MOTOR	EMI FILTER MOTOR	1	2510
615		3930A-KKC4-900	BACK MIRROR CTRL ASSY	BACK MIRROR CTRL ASSY	1	6710
581		94050-06080	NUT FLANGE 6MM	NUT FLANGE 6MM	2	60
589		94050-08080	NUT FLANGE 8MM	NUT FLANGE 8MM	1	60
586		95701-KHC5-E00	BOLT TORQUE 8*25	BOLT TORQUE 8*25	2	320

**F19**

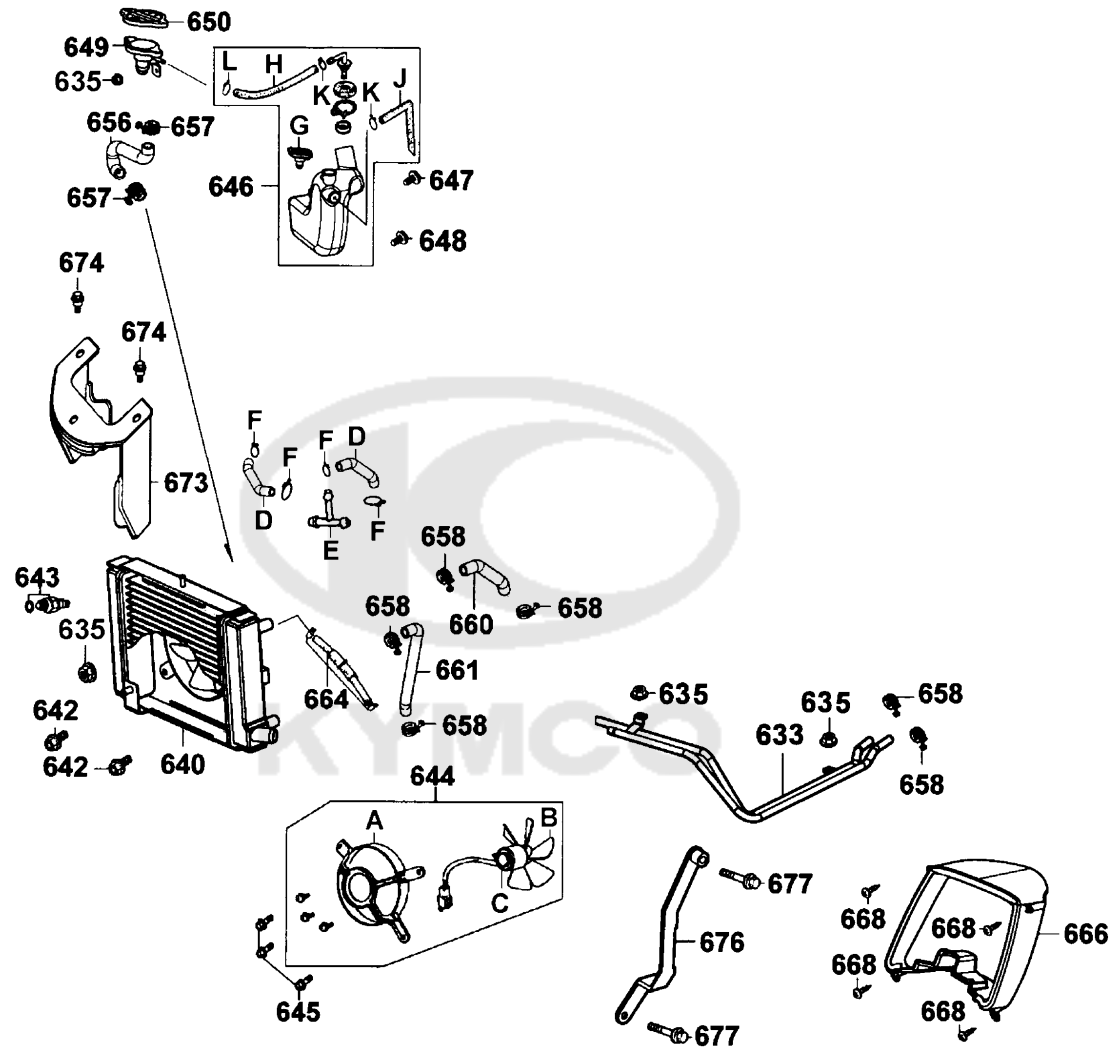


Sales mark 記号	Ref no 参照用番号	Part no パーツ番号	Description 部品名	Reg description 部品名	Regd no 必要個数	Ref Price 希望小売価格(税抜)	F20
636		11345-KKC4-900	DUCT L COVER	DUCT L COVER	1	770	
638		11346-GFY6-901	BAND L COVER DUCT	BAND L COVER DUCT	1	490	
620		50100-KKC4-E00	BODY COMP FRAME	BODY COMP FRAME	1	77180	
654		50151-KKC4-900	HOOK CARRIER	HOOK CARRIER	1	580	
680		50185-KKC4-900	STAY R BODY COVER	STAY R BODY COVER	1	390	
682		50186-KKC4-900	STAY L BODY COVER	STAY L BODY COVER	1	390	
670		50191-KKC4-900	STAY ALARM SYSTEM	STAY ALARM SYSTEM	1	580	
621		50301-KGN7-671	RACE UP STRG BALL	RACE UP STRG BALL	1	540	
622		50302-2H68-011	RACE STRG BOT BALL	RACE STRG BOT BALL	1	610	
623		50350-KKC4-E00	ENG HANGER COMP	ENG HANGER COMP	1	14640	
A		50352-GFY6-901	RUBBER STOPPER	RUBBER STOPPER	2	200	
C		50353-KGN7-901	RUBBER STOPPER	RUBBER STOPPER	2	700	
B		50356-KHE7-E00	BUSH SWING LOCK	BUSH SWING LOCK	2	1060	
D		50364-KKC4-E00	COLLAR ENG HANGER	COLLAR ENG HANGER	1	300	
628		50613-KKC4-900	COVER UNDER	COVER UNDER	1	1440	
683		5061A-KKC3-900	DEFLECTION UNDER	DEFLECTION UNDER	1	1250	
630		64315-KKC4-900	STAY FR COVER	STAY FR COVER	1	14260	
626		90105-KGN7-671	BOLT FLANGE 10*235.5	BOLT FLANGE 10*235.5	1	770	
624		90106-KHE7-E00	BOLT FLANGE 12*59	BOLT FLANGE 12*59	2	390	
625		90121-KHE7-E00	COLLAR DISTANCE	COLLAR DISTANCE	1	200	



Sales mark 記号	Ref no 参照用番号	Part no パーツ番号	Description 部品名	Reg description 部品名	Regd no 必要個数	Ref Price 希望小売価格(税抜)	F20
627	90304-GHE8-004	90304-GHE8-004	NUT CAP 6MM	NUT CAP 6MM	1	200	
684	93903-34360	93903-34360	SCREW WASHER 4*12	SCREW WASHER 4*12	3	60	
629	95701-06012-06	95701-06012-06	BOLT FLANGE 6*22 (K)	BOLT FLANGE 6*22 (K)	1	60	
632	95701-08012-06	95701-08012-06	BOLT FLANGE 6*22 (K)	BOLT FLANGE 6*22 (K)	1	60	
631	95701-08050-06	95701-08050-06	BOLT FLANGE 8*50	BOLT FLANGE 8*50	2	230	

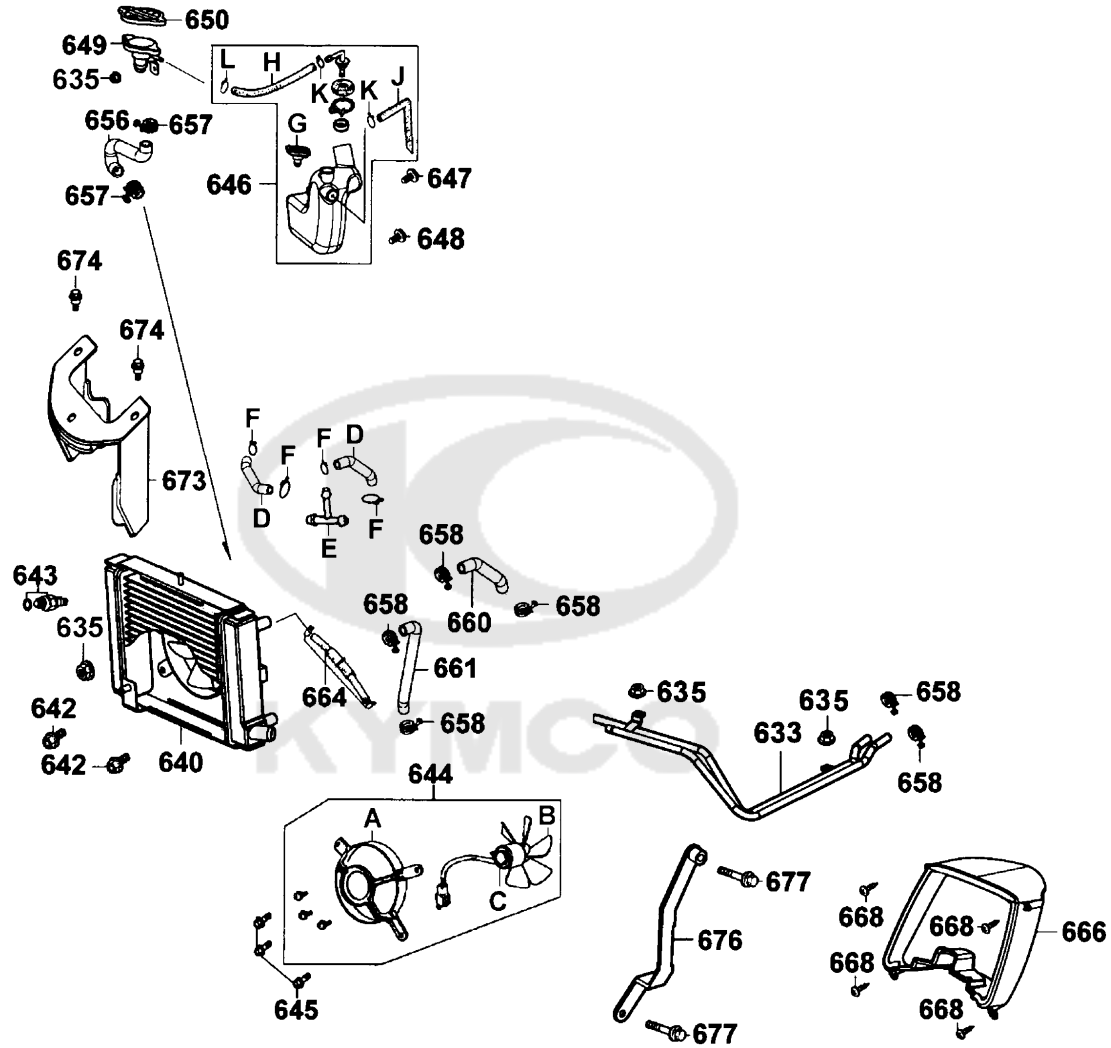




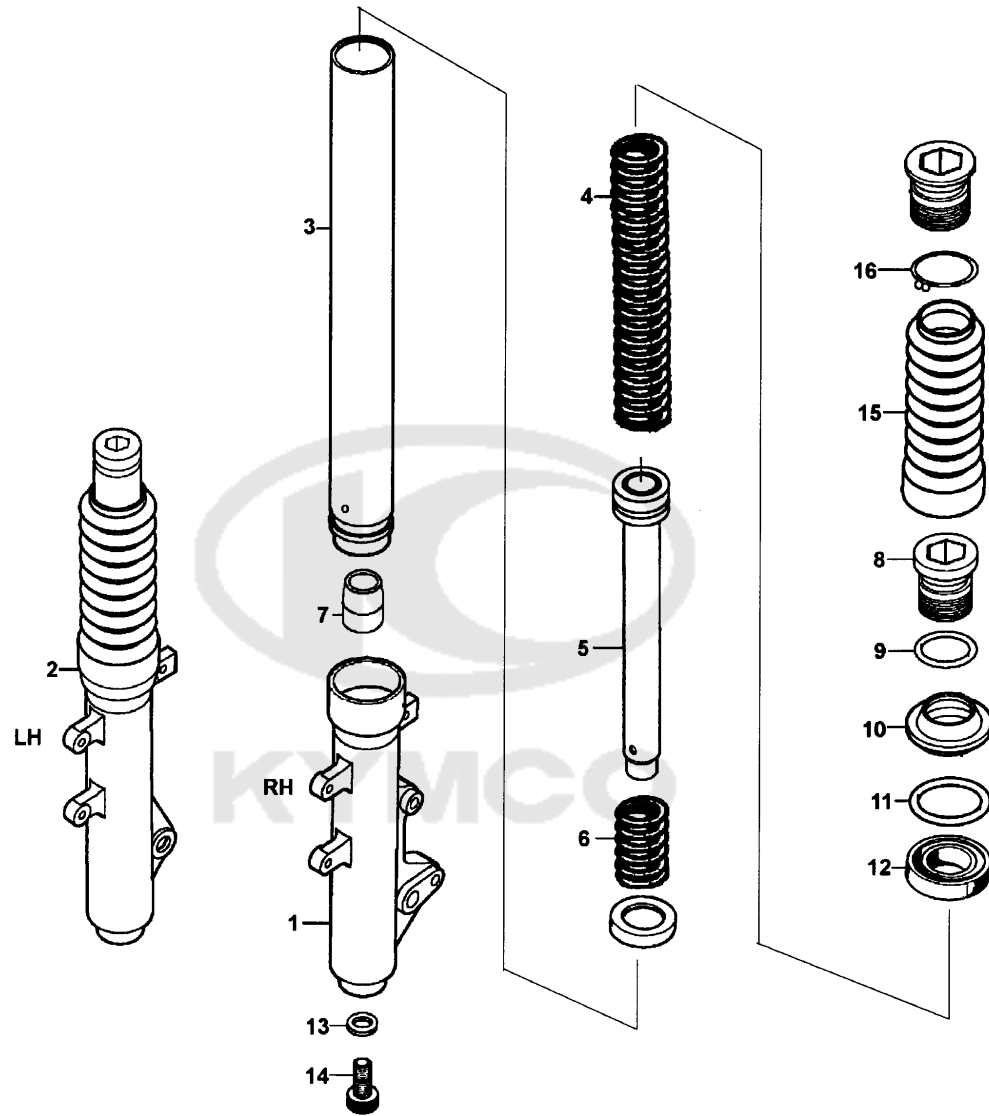


Sales mark 記号	Ref no 参照用番号	Part no パーツ番号	Description 部品名	Reg description 部品名	Regd no 必要個数	Ref Price 希望小売価格(税抜)
676		17228-KKC4-900	STAY A/C	STAY A/C	1	580
644		19005-KKC4-900	SHROUD ASSY	SHROUD ASSY	1	17490
640		19010-KKC4-900	RADIATOR COMP	RADIATOR COMP	1	18310
649		19012-KHD8-900	UNIT RADIATOR	UNIT RADIATOR	1	1720
A		19015-KKC4-900	SHROUD COMP	SHROUD COMP	1	1820
B		19020-KED9-900	FAN COOLING	FAN COOLING	1	870
C		19030-KHD8-900	MOTOR ASSY FAN	MOTOR ASSY FAN	1	16730
646		19101-KKC4-900	TANK RESERVE	TANK RESERVE	1	2100
666		19102-KKC4-900	DUCT COOLING AIR	DUCT COOLING AIR	1	960
J		19104-KKC4-900	HOSE ASSY DRAIN	HOSE ASSY DRAIN	1	680
H		19105-KKC4-900	HOSE ASSY RESERVE-COOLER	HOSE ASSY RESERVE-COOLER	1	580
650		19111-GBE2-004	CAP COMP	CAP COMP	1	1340
633		19120-KKC4-900	PIPE COMP WATER	PIPE COMP WATER	1	4950
G		19210-KKC4-900	CAP RESERVE TANK	CAP RESERVE TANK	1	200
660		19504-KKC4-900	HOSE WATER D RADIATOR-PIPE	HOSE WATER D RADIATOR-PIPE	1	770
661		19505-KKC4-900	HOSE WATER F PIPE-RADIATOR	HOSE WATER F PIPE-RADIATOR	1	770
656		19506-KKC4-900	HOSE WATER G RADIATOR-UNIT	HOSE WATER G RADIATOR-UNIT	1	580
643		37760-KHD8-900	SW ASSY THERMO	SW ASSY THERMO	1	5500
E		38773-PKB9-001	JOINT 3 WAY 3.5	JOINT 3 WAY 3.5	1	110
673		64318-KKC4-900	STAY METER	STAY METER	1	580

F21



Sales mark 記号	Ref no 参照用番号	Part no パーツ番号	Description 部品名	Reg description 部品名	Regd no 必要個数	Ref Price 希望小売価格(税抜)	F21
647		90302-GBR2-001	BOLT WASH 5*16	BOLT WASH 5*16	1	60	
648		90302-GFY6-901	BOLT WASH 5*12 *(1) C.V.	BOLT WASH 5*12 *(1) C.V.	1	60	
664		90913-KKC4-900	TUBE ASSY WATER PUMP TO RAD	TUBE ASSY WATER PUMP TO RAD	1	680	
674		93404-06016-06	BOLT WASHER 6*16	BOLT WASHER 6*16	2	60	
668		93903-34360	SCREW WASHER 4*12	SCREW WASHER 4*12	4	60	
635		94050-06080	NUT FLANGE 6MM	NUT FLANGE 6MM	2	60	
D		95001-35225-40	TUBE FUEL 3.5*225	TUBE FUEL 3.5*225	2	200	
F		95002-02070	CLIP B7 TUBE	CLIP B7 TUBE	4	60	
L		95002-02100	CLIP B15 TUBE	CLIP B15 TUBE	1	60	
K		95002-70000	CLIP C11 TUBE	CLIP C11 TUBE	2	110	
658		95002-KGN7-910	CLIP TUBE	CLIP TUBE	6	200	
657		95002-KHE7-900	CLIP WATER HOSE	CLIP WATER HOSE	2	300	
677		95701-06012-06	BOLT FLANGE 6*22 (K)	BOLT FLANGE 6*22 (K)	1	60	
645		95701-06016-06	BOLT FLANGE 6*22 (K)	BOLT FLANGE 6*22 (K)	4	110	



Sales mark 記号	Ref no 参照用番号	Part no パーツ番号	Description 部品名	Reg description 部品名	Regd no 必要個数	Ref Price 希望小売価格(税抜)	F22
	4	51401-KHD8-900	SPRING	SPRING	2	990	
	3	51410-KHD8-900	FORK PIPE COMP	FORK PIPE COMP	2	5710	
	15	51411-KHD8-900	BOOT	BOOT	2	960	
	6	51412-KHD8-900	REBOUND SPRING	REBOUND SPRING	2	140	
	16	51413-KHD8-900	BOOT BAND	BOOT BAND	2	160	
**	1	51420-KKC4-900	BOTTOM CASE R	BOTTOM CASE R	1	8180	
	7	51422-KEC8-900	OIL LOCK PIECE	OIL LOCK PIECE	2	350	
	12	51423-KKAK-900	OIL SEAL	OIL SEAL	2	510	
	10	51427-KKAK-900	DUST SEAL	DUST SEAL	2	300	
	11	51428-KKAK-900	RING OIL SEAL STOPPER	RING OIL SEAL STOPPER	2	110	
	5	51429-KHD8-900	PIPE SEAT COMP	PIPE SEAT COMP	2	1490	
**	2	51520-KKC4-900	BOTTOM CASE L	BOTTOM CASE L	1	8180	
	14	90116-KHD8-900	PACKING	PACKING	2	300	
	13	90544-KEC8-900	PACKING	PACKING	2	60	
	8	94605-KHD8-900	FORK BOLT	FORK BOLT	2	680	
	9	94608-30000	O-RING	O-RING	2	60	

● Be sure to wear a safety helmet when riding.  
 ● Do not exceed the speed specified by law when riding.  
 ● The exhaust muffler temperature is very high after riding. Be sure to push the motorcycle in a place not easily touched by people.  
 ● For riding safety and good performance, do not violate the law to modify the motorcycle.

● Make sure to perform the periodic maintenance and periodic inspection.

**Periodic Inspection Items**

Brake Performance, tires, engine oil level, lights, horn, and instrument panel

KWANG YANG MOTOR CO., LTD.

© Please read the User's Manual carefully to ensure correct riding.

700

**CAUTIONS**

Tire Size	: Front 120/70-12	Rear 140/70-12
(One Rider)	: Front 1.75kgf/cm <sup>2</sup>	Rear 2.25kgf/cm <sup>2</sup>
(Two Rider)	: Front 2.00kgf/cm <sup>2</sup>	Rear 2.50kgf/cm <sup>2</sup>

Load Capacity: Shield 1.5kg    Clip away center 3kg  
 (As per KYMCO standard specification)  
 (Note: The tire pressure must not overpass 2.00kgf/cm<sup>2</sup>)

● Check the motor oil level with the dipstick after refilling motor oil.

K12-300

701

**USE UNLEADED GASOLINE ONLY**

702

**CAUTION**

Mobile phone charge only , Use other appliance may cause damage .

KKC2-E000

706

**CAUTIONS**

Never put any article between the rear side cover and the engine to avoid interference of riding.

G19-300

703

**CAUTIONS**

Every 5000 km run should exchange the filter.

K12-300

704

**CAUTIONS**

Before starting the engine, the side stand shall be kicked up to secure safety.

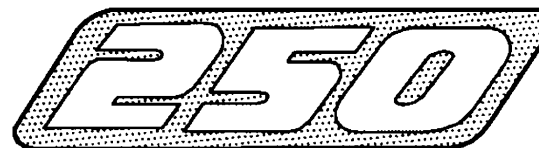
705

Sales mark 記号	Ref no 参照用番号	Part no パーツ番号	Description 部品名	Reg description 部品名	Regd no 必要個数	Ref Price 希望小売価格(税抜)	F23
**	702	87501-KRDR-E00	CAUTION USE GAS ONLY	CAUTION USE GAS ONLY	1	200	
**	701	87505-KHE7-E00	LABEL TIRE	LABEL TIRE	1	200	
**	704	87512-KEBE-E00	CAUTION FILTER	CAUTION FILTER	1	200	
**	705	87541-GAR1-E00	CAUTION SIDE STAND	CAUTION SIDE STAND	1	200	
**	706	87541-KKC2-E00	CAUTION MOBILE PHONE	CAUTION MOBILE PHONE	1	200	
**	703	87542-GAR1-E00	MARK MAINT CAUTION	MARK MAINT CAUTION	1	200	
**	700	87560-GFY6-E00	MARK DRIVE CAUTION	MARK DRIVE CAUTION	1	200	





710



712



713



711



Sales mark 記号	Ref no 参照用番号	Part no パーツ番号	Description 部品名	Reg description 部品名	Regd no 必要個数	Ref Price 希望小売価格(税抜)
------------------	-----------------	------------------	--------------------	------------------------	-----------------	-------------------------

**F24**

**	713	86030-KKC4-900	EMB HANDLE COVER RR	EMB HANDLE COVER RR	1	770
**	710	86202-KKC4-900	EMB BODY COVER	EMB BODY COVER	2	1250
**	711	86212-KKC4-900	EMB B BODY COVER	EMB B BODY COVER	2	300
**	712	87140-KHE7-E00	EMB B BODY COVER	EMB B BODY COVER	2	390



## PART NO. INDEX

## パーツ番号 検索

PART NO. パーツ番号	VERSION バージョン	PAGE ページ	PART NO. パーツ番号	VERSION バージョン	PAGE ページ	PART NO. パーツ番号	VERSION バージョン	PAGE ページ
<b>0000</b>			<b>4000</b>			11384-KHE7-900	1	E04
0137-261-36G5	0	E08	4000-276-0000	0	E08	11394-KHE7-980	4	E04
0301-261-36G5	0	E08	4115-803-1100	0	E08	11395-KHE7-980	1	E01
<b>1000</b>			4115-804-1100	0	E08	<b>12000</b>		
1028-054-7000	0	E08	<b>11000</b>			12100-KHE7-900	6	E03
1030-892-2101	0	E08	11100-KHE7-305	5	E01	12191-KHE7-910	2	E03
1034-869-2001	0	E08	11100-LDB2-305	0	E01	12200-KHE7-E00	2	E02
1052-862-2101	0	E08	11102-1G87-004	3	E01	12209-GDB4-68B	0	E02
1090-872-2000	0	E08	11102-1G87-004	3	F16	1221A-KHE7-900	1	E02
1190-B30-2002	0	E08	11103-KHE7-900	0	E01	12251-KHE7-901	2	E02
1190-B63-2100	0	E08	11192-KHE7-980	1	E01	12310-KHE7-E00	2	E02
1201-830-2300	1	E08	11200-KKC4-305	2	E01	12361-GFY6-901	1	E04
1229-805-7000	0	E08	11207-KKC4-900	3	F13	12391-KHE7-900	0	E02
1230-850-2000	0	E08	11211-KKC4-900	0	F13	<b>13000</b>		
1230-851-2001	0	E08	1122A-KKC4-900	0	E07	13000-KHE7-900	12	E03
1230-856-7001	0	E08	11330-KHE7-900	6	E04	13000-KHE7-910	2	E03
1290-996-2000-3	0	E08	11341-KHE7-900	2	E01	13011-KHE7-900	0	E03
1290-A07-2000	0	E08	11345-KKC4-900	0	F20	13101-KHE7-900	6	E03
1402-939-2100	0	E08	11346-GFY6-901	0	F20	13111-KHE7-900	2	E03
1614-834-2100	0	E08	1134A-KHE7-900	3	E01			
			11383-KHE7-900	0	E04			
			11383-KUDU-900	0	E01			

PART NO. INDEX  
 パーツ番号 検索

PART NO. パーツ番号	VERSION バージョン	PAGE ページ	PART NO. パーツ番号	VERSION バージョン	PAGE ページ	PART NO. パーツ番号	VERSION バージョン	PAGE ページ	
<b>14000</b>			15133-KAM1-001	1	E06	1721A-KKC3-900	1	F13	
			15141-KKJ9-004	0	E06	17228-KKC4-900	0	F21	
			15421-1G07-001	1	E04	17231-KKC3-900	5	F13	
	14100-KHE7-220	0	E02	15426-GAE1-921	0	E04	1723A-KKC4-E00	3	F13
	14401-KHE7-90A	0	E03	15441-1K49-001	0	E03	17254-KACA-P00	0	F13
	14401-KHE7-90B	0	E03	15447-1K49-001	0	E03	17370-4K19-701	0	F13
	14431-KHE7-900	0	E02	1565A-KEBE-900	0	E04	17371-1D74-671	0	F13
	14450-KEBE-900	1	E02	15711-KHE7-900	0	E06	17500-KKC4-900	4	F10
	14461-KHE7-900	0	E02				17502-KKC4-900	0	F10
	14510-KHE7-900	0	E03	<b>16000</b>			17510-KKC4-900	0	F10
	14520-GFY6-90C	2	E03				17520-KKC4-900	1	F19
	14523-KED9-900	1	E03	16053-KT7-0030	0	E08	17620-KHC5-E00	1	F19
	14531-KHE7-900	1	E03	1610K-KKC4-E00	4	E08	17620-KHC5-E0B	1	F19
	14610-KHE7-900	0	E03	16145-MZ2-7800	0	E08	17623-KHC4-90A	6	F19
	14711-KHE7-900	0	E02	16199-GFY6-900	0	E08	17623-KHC4-90B	1	F19
	14721-KHE7-900	1	E02	16700-KHE7-220	0	F10	17682-KKC4-900	0	F10
	14751-KHE7-900	0	E02	16911-KKC4-900	0	F10	17683-KKC4-900	0	F10
	14761-KHE7-900	0	E02	16912-KKC4-900	0	F10	17689-KEBE-900	1	F10
	14771-GDB4-680	0	E02	1691A-KEC2-E00	0	F10	17910-KKC4-900	2	F03
	14775-MFA6-001	0	E02	16978-ZB9-0050	0	E08	17911-KKC4-900	2	F03
14781-MFA6-001	0	E02							
<b>15000</b>			<b>17000</b>			<b>18000</b>			
			17110-KHE7-E00	0	E02	18291-LBA7-900	2	F14	
15100-KEBE-900	0	E06	17214-KKC3-900	0	F13	18293-KECE-900	0	F14	
15100-KKC3-900	3	E06	17215-KGBG-90A	2	F13	18294-KEBE-900	0	F14	

PART NO. INDEX  
 パーツ番号 検索

PART NO. パーツ番号	VERSION バージョン	PAGE ページ	PART NO. パーツ番号	VERSION バージョン	PAGE ページ	PART NO. パーツ番号	VERSION バージョン	PAGE ページ
18295-KECE-900	0	F14	19231-KKJ9-011	0	E04	22131-KHE7-900	1	E05
18305-KHD8-900	0	F14	19300-KAE1-004	1	E02	22131-LBA7-900	1	E05
18306-KHE7-900	0	F14	19310-KHE7-900	2	E02	22132-KHE7-900	2	E05
1830A-KHE7-E00	7	F14	19315-KHE7-900	0	E02	22300-KHE7-900	4	E05
18318-KHE7-E00	1	F14	19411-KBCB-900	0	F10	22300-KHE7-910	2	E05
18325-KHE7-900	1	F14	19501-KHE7-900	0	E04	22350-KHE7-900	1	E05
			19502-KHE7-900	1	E04	22361-LEA7-E00	1	E05
<b>19000</b>			19503-KHE7-900	1	E02	22401-KHE7-900	2	E05
			19504-KKC4-900	0	F21	22530-KHE7-900	2	E05
19005-KKC4-900	2	F21	19505-KKC4-900	0	F21	22530-KHE7-910	2	E05
19010-KKC4-900	2	F21	19506-KKC4-900	1	F21	22804-GBB2-001	0	E05
19012-KHD8-900	4	F21						
19015-KKC4-900	2	F21	<b>21000</b>			<b>23000</b>		
19020-KED9-900	1	F21						
19030-KHD8-900	2	F21	21200-KHE7-305	0	E07	2301A-LLJ3-E00	7	E05
19101-KKC4-900	0	F21	21395-KHE7-980	2	E07	2301A-LLJ3-E01	1	E05
19102-KKC4-900	0	F21				23100-KHE7-90B	3	E05
19104-KKC4-900	0	F21	<b>22000</b>			23200-KHE7-900	7	E05
19105-KKC4-900	0	F21				23220-KHE7-900	4	E05
19111-GBE2-004	1	F21	22101-LBA7-900	1	E05	23225-KHE7-900	0	E05
19120-KKC4-900	4	F21	22102-KHE7-900	3	E05	23226-GHC8-004	0	E05
19210-KKC4-900	0	F21	22105-KHE7-900	1	E05	23233-KHE7-900	1	E05
19215-KHE7-900	0	E04	22105-LBA7-900	2	E05	23237-KHE7-900	0	E05
19217-6G57-024	0	E04	22110-KHE7-900	6	E05	23238-KHE7-900	0	E05
19221-KHE7-900	3	E04	22112-KHE7-900	1	E05	23411-KHE7-900	5	E07
19229-LBA7-900	1	E04	22121-KHE7-305	0	E05	23420-KHE7-910	1	E07

## PART NO. INDEX

## パーツ番号 検索

PART NO. パーツ番号	VERSION バージョン	PAGE ページ	PART NO. パーツ番号	VERSION バージョン	PAGE ページ	PART NO. パーツ番号	VERSION バージョン	PAGE ページ
23431-KHE7-900	2	E07	31600-KAM1-009	1	F19	33457-KKC4-E00	0	F17
23432-KHE7-910	1	E07	31601-KKC4-900	4	F19	33600-KKC4-E00	2	F17
			31602-KKC4-900	0	F19	33602-KKC4-E00	0	F17
<b>28000</b>			<b>32000</b>			33603-KKC4-E00	0	F17
28101-KHE7-900	0	E06				33606-KKC4-E00	0	F17
28102-KHE7-900	0	E06	32100-KKC4-B00	0	F19	33607-KKD7-E00	0	F17
28110-KHE7-900	4	E06	32100-KKC4-B20	2	F19	33650-KKC4-E00	2	F17
28110-LDB2-E00	4	E06	32100-KKC4-B21	1	F19	33652-KKC4-E00	0	F17
28120-KHE7-E00	0	E06	32101-KHE7-E00	0	E06	33653-KKC4-E00	0	F17
28120-LDB2-E00	0	E06	32410-KKC4-900	1	E06	33700-KKC4-E00	1	F18
			32411-KKC4-900	1	F11	33702-KKC4-E00	0	F18
<b>30000</b>			32412-KKC4-900	3	F11	33705-KKC4-E00	0	F18
			<b>33000</b>			33706-KHB4-E01	0	F18
30300-KEBE-900	2	E06				33709-KBAB-003	0	F18
30400-KHE7-900	2	F19				33722-KHB4-E00	0	F18
3051A-KKC4-900	0	F19	33100-KKC4-E00	5	F01	33725-KHB4-E00	0	F18
30700-KFC8-E0H	1	F19	33120-KKC4-E00	1	F01	33726-KHB4-E00	0	F18
			33130-KKC4-E00	0	F01	33741-GFY6-C30	1	F05
<b>31000</b>			33400-KKC4-E00	0	F17	33741-KEBE-900	3	F18
			33402-KKC4-E00	0	F17	33900-KFBF-900	0	F12
31110-KHE7-90A	0	E06	33403-KKC4-E00	0	F17	<b>34000</b>		
31120-KKC4-90A	2	E06	33407-KKC4-E00	0	F17			
31210-KHE7-90A	1	E06	33450-KKC4-E00	0	F17	34901-KED9-900	0	F01
31500-KHE7-B2A	1	F11	33452-KKC4-E00	0	F17	34903-KPCP-900	0	F01
31500-KHE7-B2B	1	F11	33453-KKC4-E00	0	F17	34903-KPCP-900	0	F18

PART NO. INDEX  
 パーツ番号 検索

PART NO. パーツ番号	VERSION バージョン	PAGE ページ	PART NO. パーツ番号	VERSION バージョン	PAGE ページ	PART NO. パーツ番号	VERSION バージョン	PAGE ページ
34905-KPCP-900	0	F17	37204-KKC4-900	0	F02			
34906-KPCP-900	0	F18	37710-KGBG-E00	0	E08	<b>42000</b>		
34909-KEBE-900	0	F02	37720-KGBG-E00	0	F19			
34909-KFBF-900	0	F12	37750-PAC1-005	0	E02	42311-KHE7-E00	0	F08
<b>35000</b>			37760-KGBG-E10	1	F19	42312-KHE7-E00	0	F08
			37760-KHD8-900	1	F21	42601-KHE7-E00	2	F08
			37801-GGA7-701	1	F10	42601-KHE7-E0B	1	F08
35101-KHC4-305	5	F19	37802-GGA7-701	3	F10	42601-KHE7-E0C	2	F08
35101-KHC4-305-M2	0	F19	3780A-KKC4-900	1	F10	42710-KKC4-900	2	F08
35102-KHC4-900	2	F19	<b>38000</b>			42753-KNBN-90B	1	F07
35102-KHC4-90B	1	F19				<b>43000</b>		
3515A-KKC4-900	1	F03	3800A-KKC4-900	1	F19			
3515A-KKC4-B00	0	F03	38110-KKC3-90B	2	F19	43100-KKC4-900	1	F08
3520A-KKC2-B00	0	F03	38300-KECE-900	3	F19	43105-KKC4-305	0	F08
35340-KNBN-901	0	F04	38500-LGL3-90A	5	F11	43107-KKC4-900	0	F08
35350-KNBN-901	0	F04	38773-PKB9-001	0	F21	43108-KKC4-900	0	F08
35360-KFBF-900	1	F12	3880A-KKC4-B00	0	F19	43109-KKC4-900	0	F08
35370-KEC8-E00	3	F19	<b>39000</b>			43109-MCA3-007	0	F07
35400-KHE7-900	1	F19				43115-KKC4-900	0	F08
35850-LDA6-90A	2	F19	39100-KKE5-E01	4	F19	43126-KKC4-900	4	F04
35850-LDA6-90B	3	F19	3930A-KKC4-900	2	F19	43127-KKC4-900	0	F04
<b>37000</b>						43156-KKC4-900	2	F04
						43209-KKC4-900	0	F08
37200-KKC4-B000-JP	0	F02				43209-MCA3-007	0	F07
37203-KKC4-900	0	F02				43351-KHE7-E00	3	F08

PART NO. INDEX  
 パーツ番号 検索

PART NO. パーツ番号	VERSION バージョン	PAGE ページ	PART NO. パーツ番号	VERSION バージョン	PAGE ページ	PART NO. パーツ番号	VERSION バージョン	PAGE ページ	
43352-5H68-004	3	F07	45115-KKC4-900	0	F07	<b>50000</b>			
43352-5H68-004	3	F08	45126-KKC4-900	0	F04				
43353-4A61-77A	0	F07	45127-KKC4-900	0	F04				
43353-4A61-77A	0	F08	45128-KKC4-900	0	F04		50100-KKC4-E00	6	F20
43416-KKC4-900	3	F18	45156-KECE-900	2	F06		50139-KKC4-900	0	F10
43530-KKC4-305	1	F04	45200-KKC4-900	2	F07		50151-KKC4-900	0	F20
<b>44000</b>			45203-KKC4-900	0	F07		50185-KKC4-900	0	F20
			45203-KKC4-900	0	F08		50186-KKC4-900	0	F20
			45207-KKC4-900	0	F07		50191-KKC4-900	0	F20
			45208-KKC4-900	0	F07		50197-KKC4-900	1	F10
44301-KXCX-900	4	F07	45209-KFA6-900	0	F07	50301-KGN7-671	2	F20	
44311-KEBE-900	0	F07	45210-KKC4-900	0	F07	50302-2H68-011	2	F20	
44620-KHD8-900	1	F07	45351-KHE7-E00	1	F07	50306-1F96-001	0	F06	
44650-KHD8-30A	3	F07	45513-KHD4-B00	2	F04	50326-KKC4-900	0	F11	
44650-KHD8-30C	4	F07	45513-KKC4-900	0	F04	50328-KNBN-200	0	F11	
44710-KHE7-E00	0	F07	45517-KFAF-910	0	F04	5032A-KKC4-900	0	F11	
44800-KFA5-900	2	F07	45530-KFC8-E00	2	F04	50350-KKC4-E00	0	F20	
44830-KKC4-900	3	F02	45531-GAR1-951	0	F07	50352-GFY6-901	0	F20	
44831-KKC4-900	0	F02	45531-GAR1-951	0	F08	50353-KGN7-901	0	F20	
<b>45000</b>			<b>46000</b>			50356-KHE7-E00	0	F20	
						50364-KKC4-E00	0	F20	
						50502-GFY6-901	3	F15	
45103-MGR7-007	0	F07	46514-KFBF-900	0	F12	50504-KKC4-900	2	E01	
45105-KKC4-305	0	F07				50505-KHE7-E00	0	F15	
45107-KKC4-900	0	F07				50506-KHE7-E00	0	F15	
45109-KKC4-900	0	F07				5050A-KKC4-900	1	F15	
45111-KKC4-900	0	F08							

PART NO. INDEX  
 パーツ番号 検索

PART NO. パーツ番号	VERSION バージョン	PAGE ページ	PART NO. パーツ番号	VERSION バージョン	PAGE ページ	PART NO. パーツ番号	VERSION バージョン	PAGE ページ
50530-KKC2-900	1	F15	52400-KKC4-900	3	F16			
50532-KGBG-E00	1	F15				<b>61000</b>		
50550-KEB7-E00	1	F15	<b>53000</b>					
50613-KKC4-900	1	F20				61110-KHD8-900	2	F06
5061A-KKC3-900	1	F20	53100-KKC4-900	0	F03			
			53105-KFC8-900	2	F03	<b>64000</b>		
<b>51000</b>			53106-KFC8-900	2	F03			
			53125-GEN5-901	0	F03	64220-KKC4-900	1	F05
51400-KKC4-900	2	F06	53140-KKC4-900	0	F03	64221-KKC4-900	0	F05
51401-KHD8-900	0	F22	53166-KGB5-900	0	F03	64222-KKC4-900	3	F05
51410-KHD8-900	0	F22	53175-KFA5-E10	0	F04	64301-KKC4-900	0	F05
51411-KHD8-900	0	F22	53178-KFC8-E10	0	F04	64302-KKC4-900	0	F05
51412-KHD8-900	0	F22	53200-KKC2-900	2	F06	64305-KKC4-900	2	F05
51413-KHD8-900	0	F22	53204-KKC4-900	2	F05	64306-KKC4-900	2	F05
51420-KKC4-900	0	F22	53205-KKC4-900	2	F03	64309-KKC4-900	0	F05
51422-KEC8-900	0	F22	53206-KKC4-900	1	F03	64310-KKC4-900	0	F05
51423-KKAK-900	0	F22	53207-KKC4-900	0	F03	64311-KKC4-900	3	F05
51427-KKAK-900	0	F22	53208-KKC4-900	0	F03	64312-KKC4-900	3	F05
51428-KKAK-900	0	F22	53209-KKC4-900	0	F03	64315-KKC4-900	4	F20
51429-KHD8-900	0	F22	53211-GFY6-940	1	F06	64317-KKC4-900	1	F05
5150A-KKC4-900	3	F06	53212-2L50-011	1	F06	64318-KKC4-900	0	F21
51520-KKC4-900	0	F22	53214-KKC4-900	0	F05	64320-KKC4-900	0	F05
			53214-LHJ6-900	1	F06	64321-KKC4-900	3	F05
<b>52000</b>			53215-2L50-001	0	F06	64322-KKC4-900	1	F05
			53224-KKC4-900	0	F05	64400-KKC4-900	0	F05
52000-KKC4-900	2	F16						



## PART NO. INDEX

## パーツ番号 検索

PART NO. パーツ番号	VERSION バージョン	PAGE ページ	PART NO. パーツ番号	VERSION バージョン	PAGE ページ	PART NO. パーツ番号	VERSION バージョン	PAGE ページ
<b>77000</b>			81137-KKC4-900	0	F05	<b>87000</b>		
			81147-KKC4-900	0	F05			
			81151-KKC4-900	0	F12			
77200-KKC4-E01	1	F09	81201-KKC4-900	1	F12	87140-KHE7-E00	1	F24
77206-KEB7-900	0	F09	8120A-KKC4-900	6	F12	87501-KRDR-E00	2	F23
77210-KKC4-900	0	F09	81251-KKC4-900	0	F12	87505-KHE7-E00	1	F23
77220-KKC4-910	1	F09	81255-KKC4-900	0	F12	87508-KKC4-E00	1	F05
77235-KKC4-900	0	F12	81260-KKC4-900	1	F12	87512-KEBE-E00	0	F23
77240-KKC4-900	1	F12	81400-KKC4-900	0	F12	87541-GAR1-E00	1	F23
77300-KKC4-900	3	F09	81500-KKC4-900	0	F12	87541-KKC2-E00	1	F23
77303-LLF5-900	2	F09				87542-GAR1-E00	2	F23
			<b>83000</b>			87560-GFY6-E00	4	F23
<b>80000</b>			83500-KKC4-900	0	F12	<b>88000</b>		
80100-KKC4-900	4	F18	83600-KKC4-900	1	F12			
80101-KKC4-900	1	F18	8360A-KKC4-900	0	F13	88110-KKC4-305	0	F03
80102-KKC4-900	2	F18	83750-KKC4-900	2	F12	88114-KKC4-900	3	F03
80105-KKC4-900	3	F18	8376A-KEBE-900	4	F05	88115-KKC4-900	0	F03
80106-KKC4-900	0	F18				88116-KKC4-900	3	F03
80151-KKC4-900	0	F12	<b>86000</b>			88120-KKC4-305	0	F03
			86030-KKC4-900	2	F24	88125-KKC4-900	0	F03
<b>81000</b>			86102-KKC4-900	3	F05	88126-KKC4-900	3	F03
			86202-KKC4-900	1	F24	88130-KKC4-900	0	F03
81131-KKC4-900	0	F05	86212-KKC4-900	0	F24	88135-KKC4-900	1	F03
81132-KEB7-900	1	F05						
81136-KKC4-900	0	F05						

PART NO. INDEX  
 パーツ番号 検索

PART NO. パーツ番号	VERSION バージョン	PAGE ページ	PART NO. パーツ番号	VERSION バージョン	PAGE ページ	PART NO. パーツ番号	VERSION バージョン	PAGE ページ			
<b>89000</b>			90105-KGN7-671	1	F20	90215-KKC4-900	2	F14			
			90105-KNBN-901	0	F12	90301-6D34-671	1	F18			
			90106-GEN5-901	1	F03	90301-GFY6-901	2	F14			
			89010-KGN7-C00	4	F09	90106-KFC2-900	0	F03	90302-GBR2-001	1	F05
			89010-KKC4-900	2	F09	90106-KFC2-900	0	F12	90302-GBR2-001	1	F21
			89013-KFC8-E00	1	F09	90106-KHE7-E00	1	F20	90302-GFY6-901	1	F03
			89020-KKC4-900	1	F09	90106-KKC4-900	0	F12	90302-GFY6-901	1	F05
						90108-KFC8-E10	1	F15	90302-GFY6-901	1	F21
						90110-KEB7-900	1	F06	90302-GFY6-940	1	F02
						90110-KHD8-900	0	F14	90302-GFY6-940	1	F05
<b>90000</b>			90111-1G87-001	1	F12	90302-GFY6-940	1	F12			
			90001-GBHB-661	3	E03	90112-KNBN-901	1	F11	90302-GFY6-940	1	F18
			90001-GBHB-661	3	E06	90112-KNBN-901	1	F18	90302-KEC8-900	1	F03
			90001-GBHB-681	3	F13	90114-1F66-007	2	F04	90302-KFC2-900	1	F18
			90005-KED9-900	2	E03	90116-KHD8-900	0	F22	90302-SDA4-004	3	F05
			90012-3C33-001	1	E02	90121-KHE7-E00	0	F20	90302-SDA4-004	3	F12
			90021-GFY6-900	2	F14	90122-KEBE-900	2	F07	90304-GHE8-004	0	F03
			90031-KEBE-900	0	E01	90131-GLW0-911	0	F08	90304-GHE8-004	0	F20
			90032-KEBE-900	0	E01	90131-KFAF-900	3	F16	90305-GHK8-001	1	F12
			90033-GFY6-900	1	E02	90145-LEA3-E00	1	F04	90305-KFW6-900	1	F08
			90071-MLB0-001	0	E06	90201-KHE7-900	1	E05	90306-GLW0-90A	1	F07
			90084-4H28-001	0	E04	90201-KHR8-75A	1	E05	90381-GEZ5-001	1	F12
			9008A-KHE7-900	0	E04	90201-KHR8-75A	1	E06	90401-KKJ9-001	0	E05
			90101-KGC4-E00	1	F09	90202-1G87-001	2	E05	90401-KKJ9-001	0	E06
			90105-KCR3-001	1	F07	90206-0A01-001	4	E02	90423-KKJ9-001	0	E04
			90105-KCR3-001	1	F08	90215-GLM0-910	1	F12	90441-GFY6-941	0	E05
			90105-KEN5-001	0	F12						

PART NO. INDEX  
 パーツ番号 検索

PART NO. パーツ番号	VERSION バージョン	PAGE ページ	PART NO. パーツ番号	VERSION バージョン	PAGE ページ	PART NO. パーツ番号	VERSION バージョン	PAGE ページ	
90465-MDC4-001	0	E02	91009-KHE7-900	0	E07	<b>93000</b>			
90474-3C33-001	1	E01	91201-KKJ9-004	0	E04				
90478-7L00-001	0	E02	91202-KHE7-900	0	E01				
90478-7L00-001	0	E04	91202-KKC4-900	0	E01		93404-06016-06	0	F05
9052A-GFY6-950	4	E01	91202-KKC4-90B	1	E01		93404-06016-06	0	F18
90544-KEC8-900	0	F22	91202-LHG7-E00	1	E01		93404-06016-06	0	F21
90545-3L00-001	2	F04	91211-KHE7-900	0	E05		93404-06020-06	1	F05
90605-1F66-721	0	E05	91255-KHE7-900	1	E07		93500-04008-1H-3	0	E08
90652-GFY6-901	1	E02	91255-KHE7-90A	2	E07		93500-04010-1H-3	0	E08
90652-KHE7-900	0	F13	91301-KHE7-900	0	E02		93500-04012-1H-3	0	E08
90656-KCBC-900	0	F03	91302-0A01-021	0	E04		93500-05016-0F	0	E02
90677-GAR1-004	1	F05	91302-2L00-001	0	E02		93500-05016-0F	0	E06
90677-GAR1-004	1	F18	91302-KHE7-900	0	E04		93500-05016-1B	0	F03
90754-GHC8-00A	1	F07	91303-3G77-001	0	E04		93500-05025-1B	0	F03
90912-KFLF-00A	0	F07	91306-1E05-691	0	E03		93500-05032-1B	0	F03
90912-KFLF-00D	1	F07	91307-0E35-001	0	E04		93500-05045-1B	0	F03
90913-KKC4-900	0	F21	91309-4E25-004	0	E06	93600-04012-1G	0	F04	
<b>91000</b>			91351-KHE7-900	0	E05	93700-05018-0F	0	F02	
			91407-SGA7-004	0	F13	93891-05012-06	0	F05	
			91508-KGV7-67A	0	F18	93891-05016-06	0	F13	
91001-KHE7-900	0	E03	<b>92000</b>			93892-04008-16	0	E08	
91001-KKJ9-006	0	E04				93893-04012-18	0	F04	
91002-GGA7-70A	0	E05				93901-32220	0	F17	
91003-KHE7-900	0	E01		92101-05032-0G	0	E06	93901-32310	0	F17
91003-KHE7-90A	0	E01		92900-06050-0B	0	E02	93901-34220	0	F17
91004-KHE7-900	1	E05				93901-34320	0	F18	

PART NO. INDEX  
 パーツ番号 検索

PART NO. パーツ番号	VERSION バージョン	PAGE ページ	PART NO. パーツ番号	VERSION バージョン	PAGE ページ	PART NO. パーツ番号	VERSION バージョン	PAGE ページ
93903-25460	0	F13	94050-06080	0	F04	94520-28000	0	E05
93903-34360	0	F03	94050-06080	0	F05	94591-27000	0	F05
93903-34360	0	F05	94050-06080	0	F09	94591-KFBF-900	2	E02
93903-34360	0	F12	94050-06080	0	F10	94601-17000	0	E03
93903-34360	0	F13	94050-06080	0	F11	94601-33000	0	E05
93903-34360	0	F17	94050-06080	0	F19	94605-KHD8-900	0	F22
93903-34360	0	F18	94050-06080	0	F21	94608-30000	0	F22
93903-34360	0	F20	94050-08080	0	E02			
93903-34360	0	F21	94050-08080	0	F19	<b>95000</b>		
93903-35260	0	F10	94101-06200	0	F14			
93903-35260	0	F13	94101-06700	0	F14	95001-35225-40	0	F21
93903-35360	0	F01	94101-08600	0	F15	95002-02070	0	F10
93903-35360	0	F03	94111-06800	0	F14	95002-02070	0	F21
93903-35360	0	F12	94251-08400	0	F07	95002-02080	0	E07
93903-45360	0	E01	94251-08400	0	F08	95002-02080	0	F10
93903-GFY6-900	1	F05	94251-08400	0	F15	95002-02100	0	F10
93903-GFY6-900	1	F11	94301-08140	0	E04	95002-02100	0	F21
93903-GFY6-900	1	F12	94301-10160	0	E01	95002-02130	0	F10
93903-KEB7-900-06	1	F05	94301-10160	0	E02	95002-02130	0	F13
93903-KEB7-900-06	1	F18	94301-10160	0	E03	95002-02150	0	F13
			94301-10160	0	E04	95002-70000	0	F21
<b>94000</b>			94301-10160	0	E07	95002-KGN7-910	1	E04
			94401-25140	4	E03	95002-KGN7-910	1	F21
94050-05080	0	F18	94510-10000	0	E06	95002-KHE7-900	0	E02
94050-06060	0	F04	94510-25000	0	E07	95002-KHE7-900	0	E04
94050-06080	0	E02	94520-26000	0	E04	95002-KHE7-900	0	F21

## PART NO. INDEX

## パーツ番号 検索

PART NO. パーツ番号	VERSION バージョン	PAGE ページ	PART NO. パーツ番号	VERSION バージョン	PAGE ページ	PART NO. パーツ番号	VERSION バージョン	PAGE ページ
95701-06012-06	1	F01				96600-08015-16	0	E06
95701-06012-06	1	F04	<b>96000</b>			96600-KKC4-900	0	F07
95701-06012-06	1	F06				96600-KKC4-900	0	F08
95701-06012-06	1	F10	96001-06008-07	0	F14			
95701-06012-06	1	F11	96001-06010-00	0	E04	<b>98000</b>		
95701-06012-06	1	F12	96001-06010-02	0	F14			
95701-06012-06	1	F20	96001-06012-06	0	E06	98069-5791R-00	0	E02
95701-06012-06	1	F21	96001-06014-06	0	F10	98200-31000	1	F11
95701-06016-02	0	E01	96001-06016-06	0	E01	98200-31500	0	F11
95701-06016-06	1	F21	96001-06018-02	0	E04	98200-33000	0	F11
95701-06022-06	1	F04	96001-06018-06	0	E02			
95701-06025-06	2	E02	96001-06022-06	1	E04	<b>99000</b>		
95701-08012-06	0	E01	96001-06028-06	0	E04			
95701-08012-06	0	F20	96001-06028-06	0	E06	99101-116-1020	0	E08
95701-08020-06	1	F07	96001-06032-06	0	E01			
95701-08035-06	1	E07	96001-06045-06	0	E04	<b>K</b>		
95701-08050-06	0	F20	96001-06050-06	0	E01			
95701-KHC5-E00	3	F19	96001-06100-06	0	E02	K350-018-1210	0	E08
95801-08030-06	0	E07	96001-06125-06	1	E04	K446-002-0100	0	E08
95801-08040-06	0	F06	96100-60000-00	0	E04			
95801-08042-06	0	F14	96100-62050-00	2	E01	<b>N</b>		
95801-10025-06	0	F15	96100-63020-00	0	E07			
95801-10035-06	0	F16	96100-63040-00	1	E01	N413-17E00	0	E08
95801-10070-06	1	F14	96150-62040-10	0	F16	N424-51B38	0	E08
			96211-05000	0	F06	N425-7AG01	0	E08
			96211-08000	1	F06	N426-33B00	0	E08

PART NO. INDEX  
 パーツ番号 検索

PART NO. パーツ番号	VERSION バージョン	PAGE ページ	PART NO. パーツ番号	VERSION バージョン	PAGE ページ	PART NO. パーツ番号	VERSION バージョン	PAGE ページ
<b>S</b>								
S7860-112-B000	0	E08						
<b>W</b>								
W1448-006-9900	0	E08						
W1470-MW0-7500	0	E08						
W9201-04090	0	E08						
W9353-36000	0	E08						
W9525-25250	0	E08						
<b>Z</b>								
Z062-0061	0	E08						

