

# PARTS CATALOGUE



## SCOOTERS

KA40AA(JP)

LIKE200 (注意)



Release Date : 2017/05/20  
Print Date : 2017/07/18

## 本パーツリストについて

- 本パーツリストは KA40AA(JP).の全てのパーツ番号が記載されています。
- 車輻のカラーチャートとバイクに相違がある場合は正規販売店もしくはKYMCO JAPANへお問い合わせください。
- 1. "\*\*\*"記号が記載している場合、3文字の色コードをパーツ番号の最後に記入してください。  
2. "#" 記号が記載している場合、パーツの設定、変更があります。正規販売店もしくはKYMCO JAPANへお問い合わせください。
- このパーツリストの変更または追加は、適切な時期に予告なく行われます。

## ABOUT THIS PARTS LIST

- This parts list is compiled all service parts for model KA40AA(JP).
- Any difference between color chart and motorcycle will be revised according to motorcycle.
- The Mark:
  1. Marking "\*\*\*" must add color code in the end before ordering parts.
  2. Marking "#" are parts with modification, Please find the details from e-Parts system.
- When modification or additions to this parts list are made a revised edition at an appropriate time.

## 目次

● 本パーツリストについて .....	1
● KA40AA(JP)のカラーチャート .....	3
● 目次-エンジン関 .....	7
● 目次-フレーム関係 .....	8
● エンジンパーツリスト .....	11
● フレームパーツリスト .....	39
● パーツ番号 検索 .....	95

## CONTENTS

● ABOUT THIS PARTS LIST .....	1
● COLOR CHART OF KA40AA(JP) .....	3
● CONTENTS-ENGINE GROUP .....	7
● CONTENTS-FRAME GROUP .....	8
● ENGINE PARTS LIST .....	11
● FRAME PARTS LIST .....	39
● PART NO. INDEX .....	95

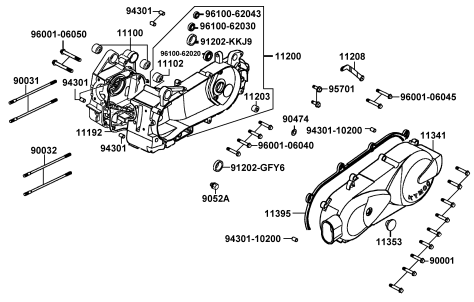
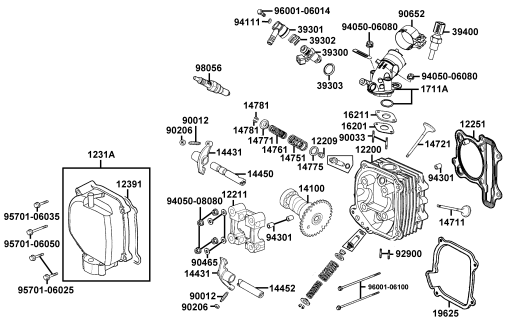
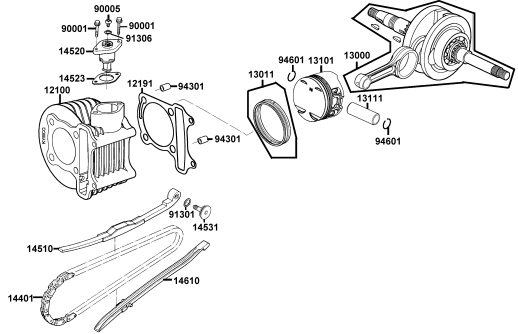
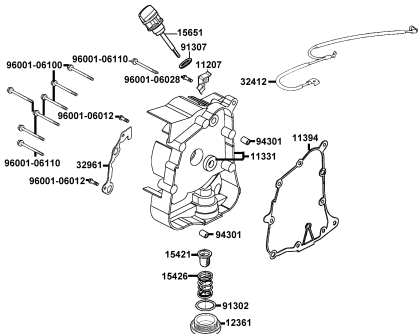
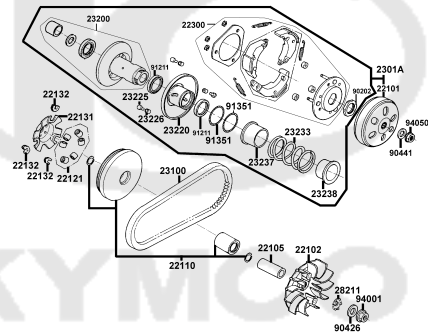
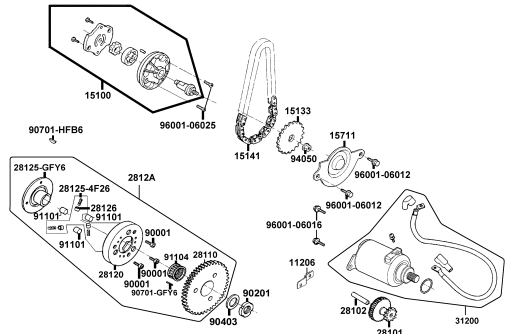
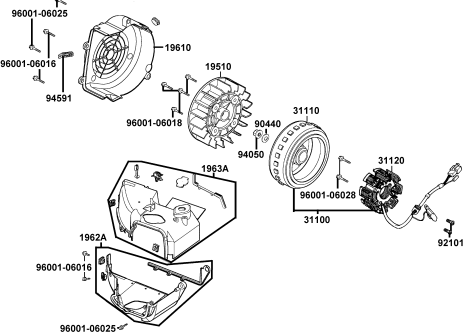
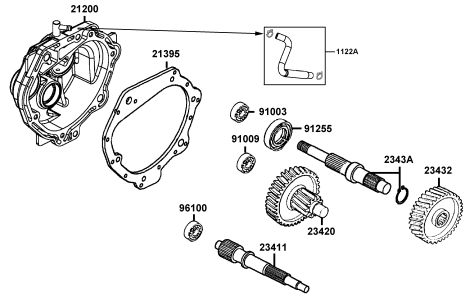
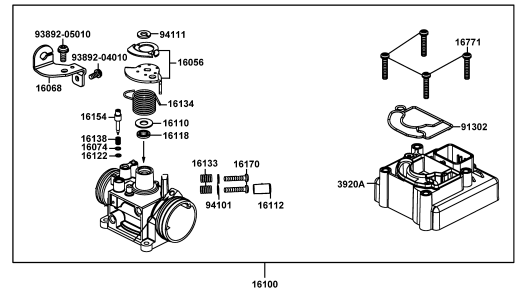
NO	モデル			KA40AA(JP)のカラーチャート			
	写真番号			NO. 1	NO. 2	NO. 3	NO. 4
	基本色						
	コード			Deep Blue		Deep Gray Metallic	Pearly White
	パーツ名	パーツ番号	バージョン	CB622SA	NH129MA	NH129MA	NH193PA
1	COVER HANDLE FR	53205-LGR5-E10	1	17P	NHP	NVP	
2	COVER HANDLE RR	53206-LGR5-E10	1				
3	FENDER FRONT A	61100-LGR5-E10	1				
4	FENDER FRONT B	61101-LGR5-E10	1				
5	COVER FR	64301-LGR5-E10	1				
6	MOLD FRONT	64302-LGR5-E10	2				
7	FR COVER LOW	64303-LGR5-E10	1				
8	SKIRT R SIDE	64305-LGR5-E10	2				
9	SKIRT L SIDE	64306-LGR5-E10	2				
10	COVER CENTER UP	80151-LGR5-E10	1				
11	COVER CENTER LOW	80152-LGR5-E10	1				
12	LEG SHIELD UP	81131-LGR5-E10	5				
13	LEG SHIELD	81141-LGR5-E10	1				
14	COVER R BODY	83500-LGR5-E10	1				
15	MOLD R SIDE	83501-LGR5-E10	1				
16	COVER L BODY	83600-LGR5-E10	1				
17	MOLD L SIDE	83601-LGR5-E10	1				
18	REAR CENTER COVER	83750-LGR5-E10	1				D1S
19	RR BOX ASSY	8150A-LGR5-E10	0	HUA			
20	COVER COMP L SIDE	11341-KEC4-900	5	HUS			
21	WHEEL COMP RR CAST	42601-LGR5-E10	0	M3A			
22	WHEEL COMP FR CAST	44601-LGR5-E10	0	N1R			
23	CUSHION ASSY REAR	52400-LGR5-E10	0				
24	LEVER L. STRG. HANDLE	53178-KNBN-C00	0				
25	GRIP COMP. THROT	53140-KNBN-C00	1				
販売開始時期							
販売終了時期							

NO	モデル			KA40AA(JP)のカラーチャート							
	写真番号			NO. 1	NO. 2	NO. 3	NO. 4				
	基本色										
	コード			Deep Blue		Deep Gray Metallic	Pearly White				
	パーツ名	パーツ番号	バージョン	CB622SA	NH129MA	NH129MA	NH193PA				
26	GRIP L. HANDLE	53166-KNBN-C00	1	N1R							
27	FENDER FR. INNER	61110-LGR5-E10	3								
28	LID FR. COVER LOW	64304-LGR5-E10	2								
29	LID R SIDE SKIRT	64307-LGR5-E10	1								
30	LID L SIDE SKIRT	64308-LGR5-E10	1								
31	PANEL FLOOR	64310-LGR5-E10	2								
32	PLUG FLOOR	64316-LCB9-C10	5								
33	UNDER COWL	64400-LGR5-E10	1								
34	FENDER REAR. TIRE	80100-LGR5-E10	1								
35	FENDER REAR UP	80101-LGR5-E10	2								
36	LID MAINT. TAIL LIGHT	80102-LGR5-E10	1								
37	FENDER REAR	80105-LGR5-E10	2								
38	LID LEG SHIELD	81132-LCB9-C10	1								
39	HOOK LUGGAGE	81132-LDC8-E10	1								
40	PLATE INNER BOX	81134-LGR5-E10	1								
41	LID R MAINT. FR.	81135-LGR5-E10	1								
42	LID L MAINT. FR.	81136-LGR5-E10	1								
43	LEG SHIELD LOW	81151-LGR5-E10	1								
44	BOX LUGGAGE	81250-LGS6-E10	3								
45	LID R BODY COVER	83510-LGR5-E10	1								
46	LID L BODY COVER	83610-LGR5-E10	1								
47	CATCH ASSY	81530-LGR5-E10	0					N8P			
48	PROTECTOR A MUFFLER	18317-LGR5-E10	0					NES			
49	FORK ASSY R FR	51400-LGR5-E10	0					NJA			
50	BOTTOM CASE R	51420-LGR5-E10	0								
販売開始時期											
販売終了時期											

NO	モデル			KA40AA(JP)のカラーチャート			
	写真番号			NO. 1	NO. 2	NO. 3	NO. 4
	基本色						
	コード			Deep Blue		Deep Gray Metallic	Pearly White
	パーツ名	パーツ番号	バージョン	CB622SA	NH129MA	NH129MA	NH193PA
51	FORK ASSY L FR	51500-LGR5-E10	0	NJA			
52	BOTTOM CASE L	51520-LGR5-E10	0				
53	REAR CARRIER ASSY	8120A-LGR5-E10	0				
54	RIB FRONT COVER LOW	64314-LGR5-E10	1	NJP			
55	UP RIB R CENTER	80111-LGR5-E10	1				
56	UP RIB L CENTER COVER	80121-LGR5-E10	1				
57	LOW RIB R CENTER	80131-LGR5-E10	1				
58	LOW RIB L CENTER	80141-LGR5-E10	1				
59	COVER R CARRIER	81220-LGR5-E10	1				
60	COVER L CARRIER	81230-LGR5-E10	1	T01			
61	SEAT ASSY	77200-LGR5-E10	0				
62	STRIPE MARK K-LOGO	86101-LGR3-E00	1				
63	STRIPE FR COVER	86101-LGR5-E10	1				
64	EMB K-LOGO	86102-LGR5-E00	2				
65	EMB BODY COVER	86202-LGS6-E10	3				
66	EMB R FRINGE	86420-LGR5-E00	1				
67	STRIPE REAR BOX	86421-LGR5-E00	1				
68	EMB L FRINGE	86422-LGR5-E00	1				
69	STRIPE REAR BOX	86423-LGR5-E00	1				
70	STRIPE R MARK	87311-LAD9-C00	0				
71	LABEL TIRE	87505-LDC8-E10	3				
72	CAUTION SIDE STAND	87541-GAR1-C01	1				
73	LABEL OIL CAP	87541-KUDU-E00	1				
74	MARK MAINT CAUTION	87542-GAR1-C01	2				
75	STRIPE GRAB RR	87556-LEJ2-E00	2				
販売開始時期							
販売終了時期							



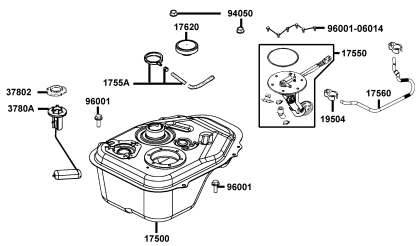
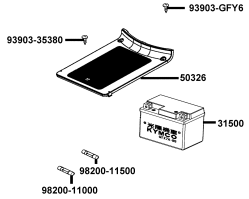
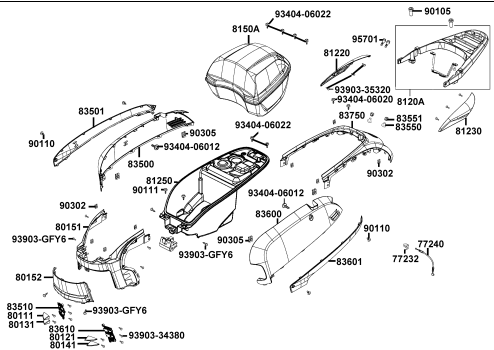
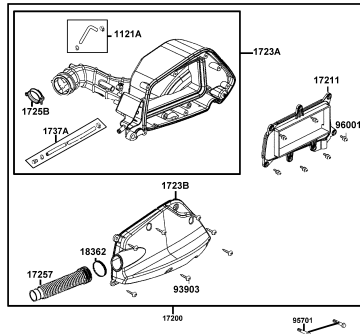
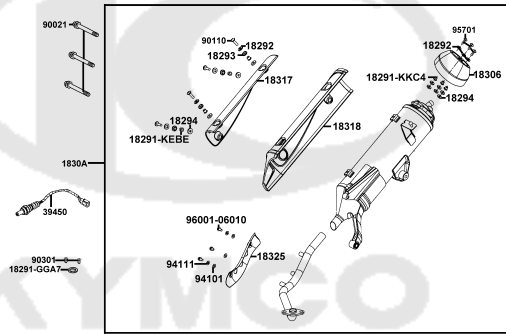
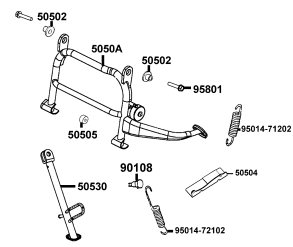
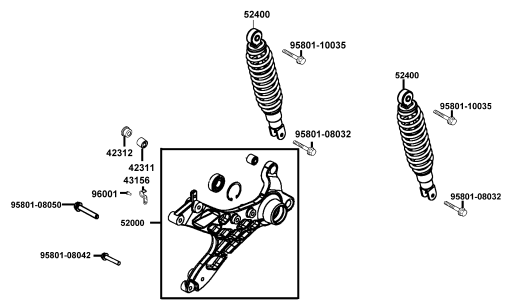
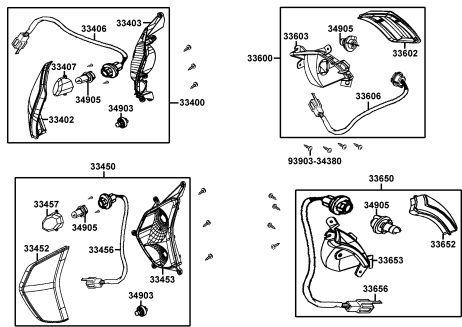
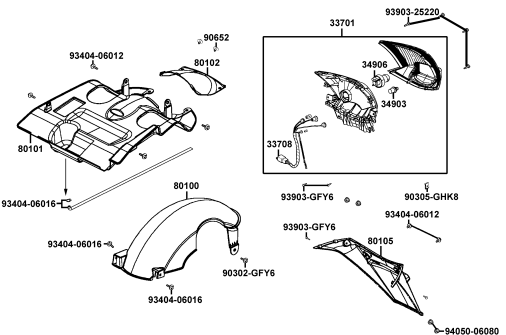
# CONTENTS - ENGINE GROUP 目次-エンジン関

<p><b>E01 Crank Case</b></p> 	<p><b>E02 Cylinder Head</b></p> 	<p><b>E03 Piston Crankshaft</b></p> 
<p><b>E04 Right Crankcase Cover</b></p> 	<p><b>E05 Driven Pulley</b></p> 	<p><b>E06 Starting Motor Oil Pump</b></p> 
<p><b>E07 Fan Cover Generator</b></p> 	<p><b>E08 Transmission</b></p> 	<p><b>E09 Carburetor</b></p> 





# CONTENTS - FRAME GROUP 目次-フレーム関係

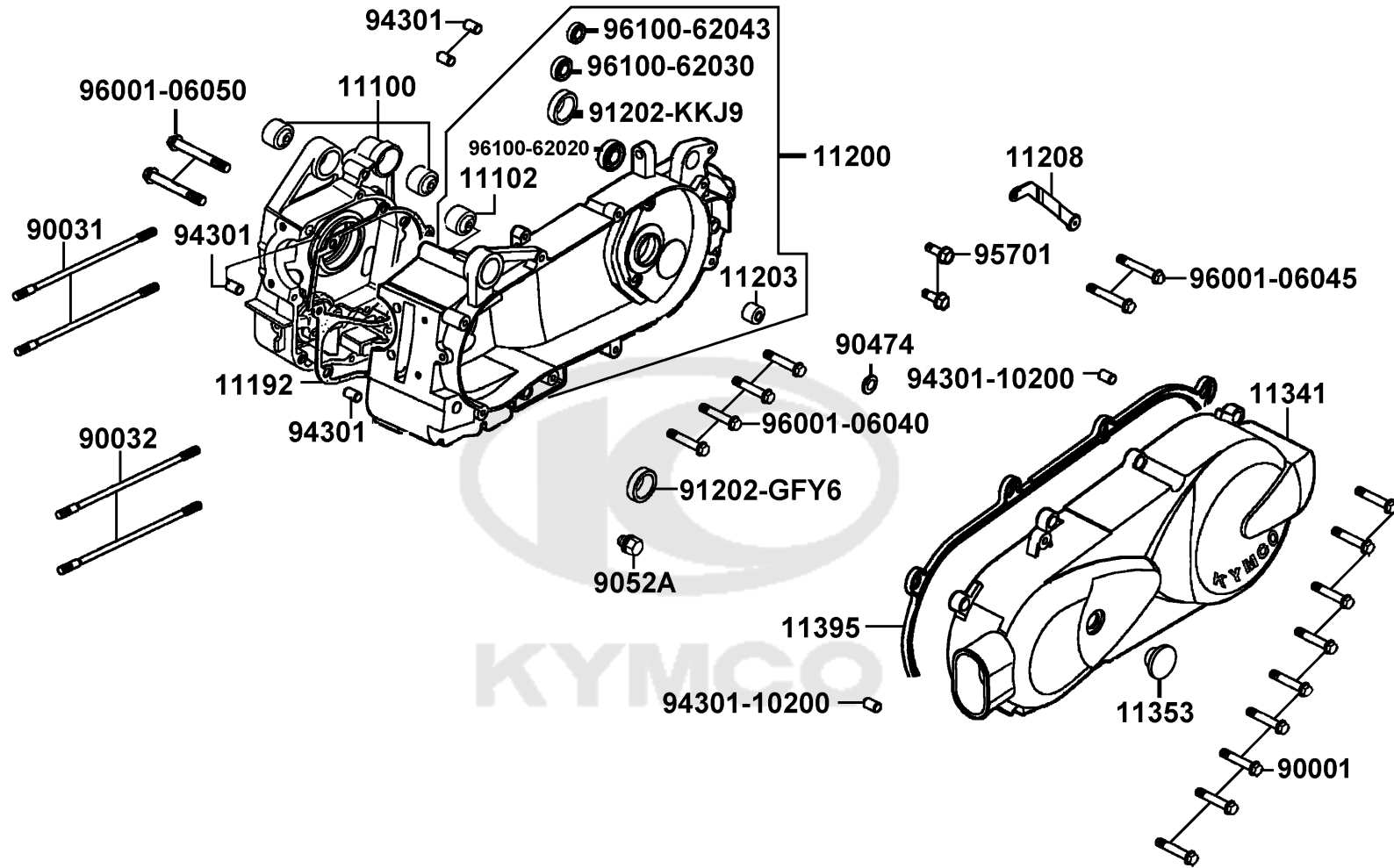
F10 Fuel Tank	F11 Battery	F12 Body Cover Luggage Box
		
F13 Air Cleaner	F14 Exhaust Muffler	F15 Stand Kick Starter Arm
		
F16 Rear Cushion	F17 Front Winker	F18 Tail Light
		

# CONTENTS - FRAME GROUP 目次-フレーム関係

F19 Wire Harness	F20 Frame Body	F21 Emblem Stripe
<p><b>F22 RR BOX COMP</b></p>		

E01

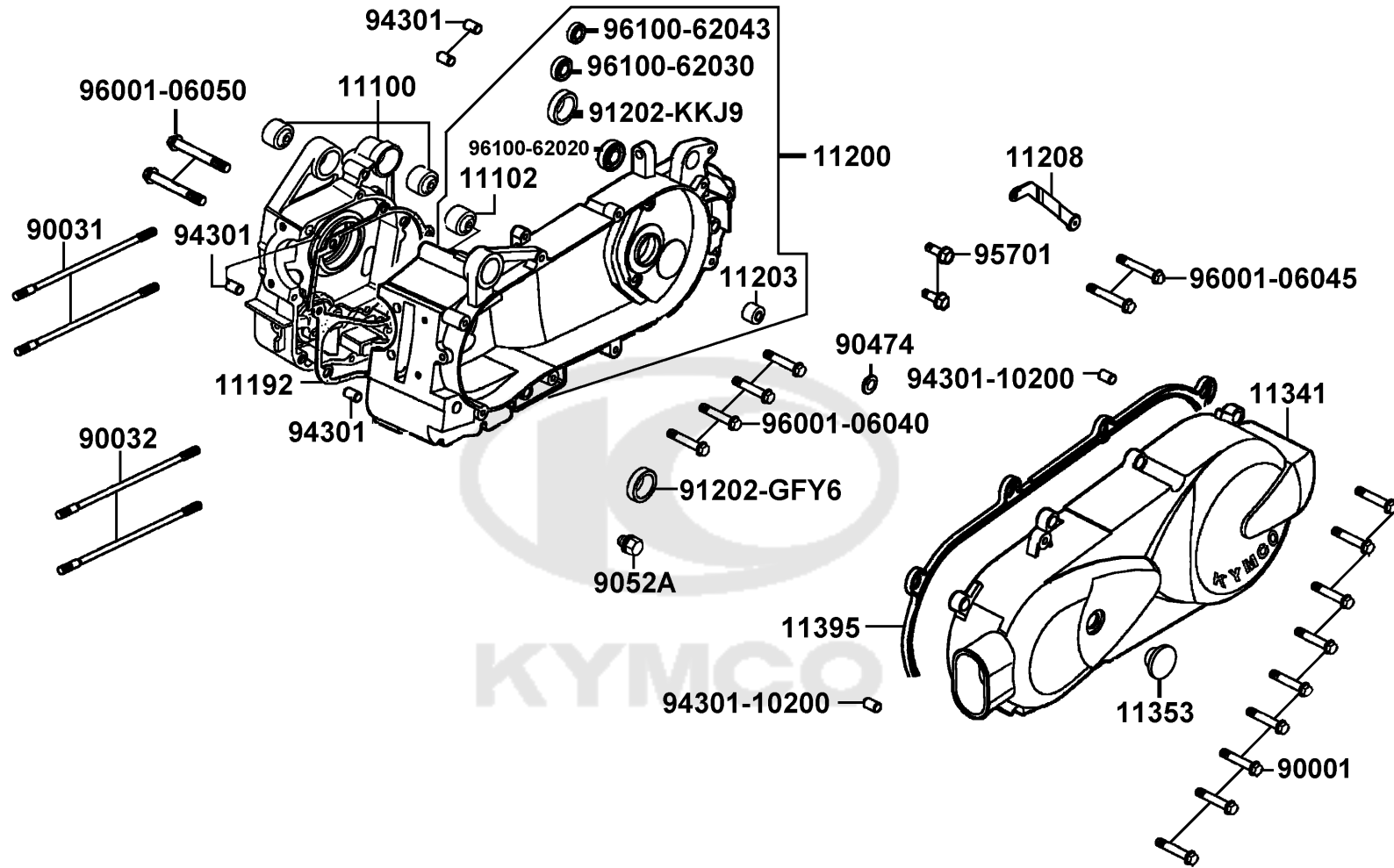
Crank Case



Sales mark 記号	Ref no 参照用番号	Part no パーツ番号	Description 部品名	Reg description 部品名	Regd no 必要個数	Ref Price 希望小売価 格(税抜)	E01
	11100	11100-LCD4-C00	CRANK CASE COMP RIGHT	CRANK CASE COMP RIGHT	1	14490	
	11102	11102-1G87-C00	RUB BUSH ENG HANGER	RUB BUSH ENG HANGER	1	400	
	11192	11192-LGS6-E90	GASKET CRANK CASE A	GASKET CRANK CASE A	1	600	
	11200	11200-KKD9-C00	CRANK CASE COMP L	CRANK CASE COMP L	1	20980	
	11203	11203-GGC7-W10	UNDER RUBBER BUSH REAR CUSHION	UNDER RUBBER BUSH REAR CUSHION	1	280	
	11208	11208-LGR5-E11	STAY B , RR FENDER	STAY B , RR FENDER	1	600	
**	11341	11341-KEC4-900	COVER LEFT	COVER LEFT	1	14690	
	11353	11353-LEA6-C00	RUBBER PLUG ? COVER KICK	RUBBER PLUG ? COVER KICK	1	200	
	11395	11395-KKD7-E90	GASKET L COVER @A	GASKET L COVER @A	1	2370	
	90001	90001-GBHB-C11	BOLT FLANGE SHF 6*40	BOLT FLANGE SHF 6*40	1	450	
	90031	90031-KUDU-C00	BOLT A STUD 8*200.5	BOLT A STUD 8*200.5	1	450	
	90032	90032-KUDU-C00	BOLT B STUD 8*208.5	BOLT B STUD 8*208.5	1	450	
	90474	90474-3C33-C00	WASHER 8MM (T*2)	WASHER 8MM (T*2)	1	60	
	9052A	9052A-GFY6-C00	BOLT ASSY DRAIN PLUG	BOLT ASSY DRAIN PLUG	1	260	
	91202-GFY6	91202-GFY6-C00	OIL SEAL 19.8*30*5	OIL SEAL 19.8*30*5	1	210	
	91202-KKJ9	91202-KKJ9-C00	OIL SEAL 20*32*6	OIL SEAL 20*32*6	1	250	
	94301	94301-10160	DOWEL PIN 10*16	DOWEL PIN 10*16	4	60	
	94301-10200	94301-10200	DOWEL PIN 10*20	DOWEL PIN 10*20	2	200	
	95701	95701-08012-08	BOLT FLANGE 8*12	BOLT FLANGE 8*12	2	130	
	96001-06040	96001-06040-08	BOLT FLANGE 6*40	BOLT FLANGE 6*40	4	60	

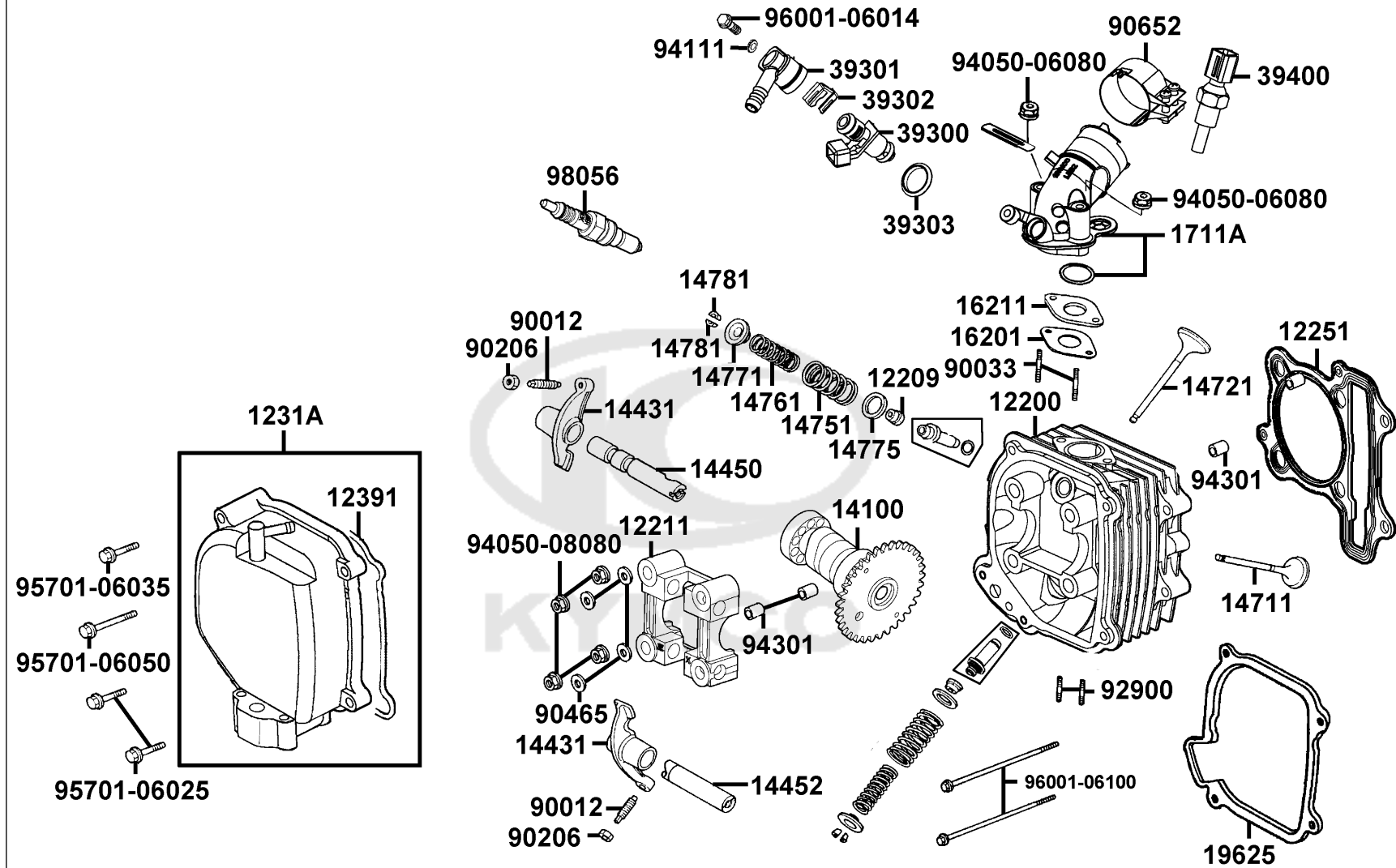
E01

Crank Case



Sales mark 記号	Ref no 参照用番号	Part no パーツ番号	Description 部品名	Reg description 部品名	Regd no 必要個数	Ref Price 希望小売価格(税抜)	E01
96001-06045	96001-06045-08	96001-06045-08	BOLT FLANGE SH 6*45	BOLT FLANGE SH 6*45	3	130	
96001-06050	96001-06050-08	96001-06050-08	BOLT FLANGE 6*50	BOLT FLANGE 6*50	2	130	
96100-62020	96100-62020-00	96100-62020-00	BEARING BALL RADIAL 6202	BEARING BALL RADIAL 6202	1	770	
96100-62030	96100-62030-00	96100-62030-00	BRG BALL RADIAL 6203	BRG BALL RADIAL 6203	1	260	
96100-62043	96100-62043-00	96100-62043-00	BEARING BALL RADIAL 6204	BEARING BALL RADIAL 6204	1	430	

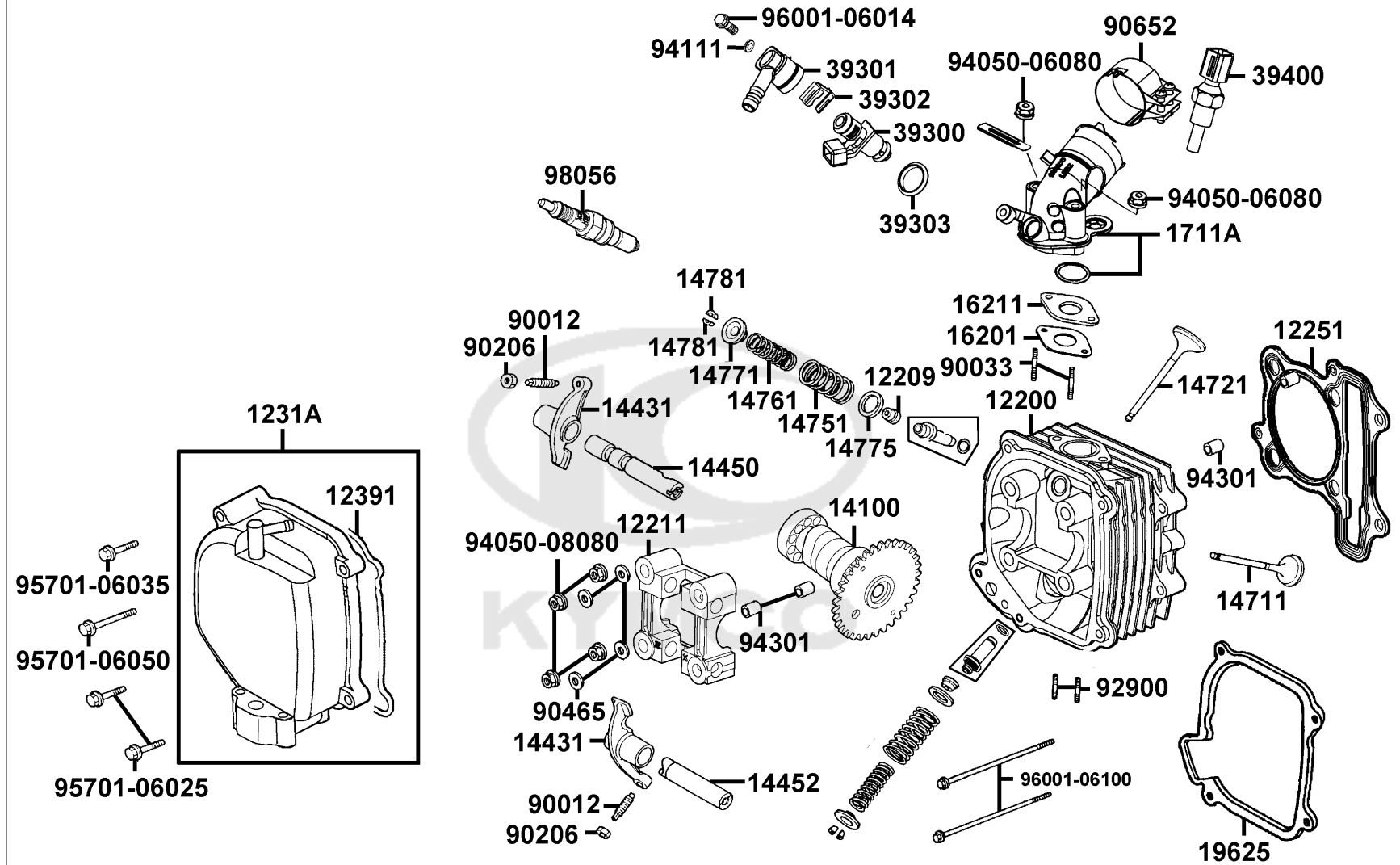




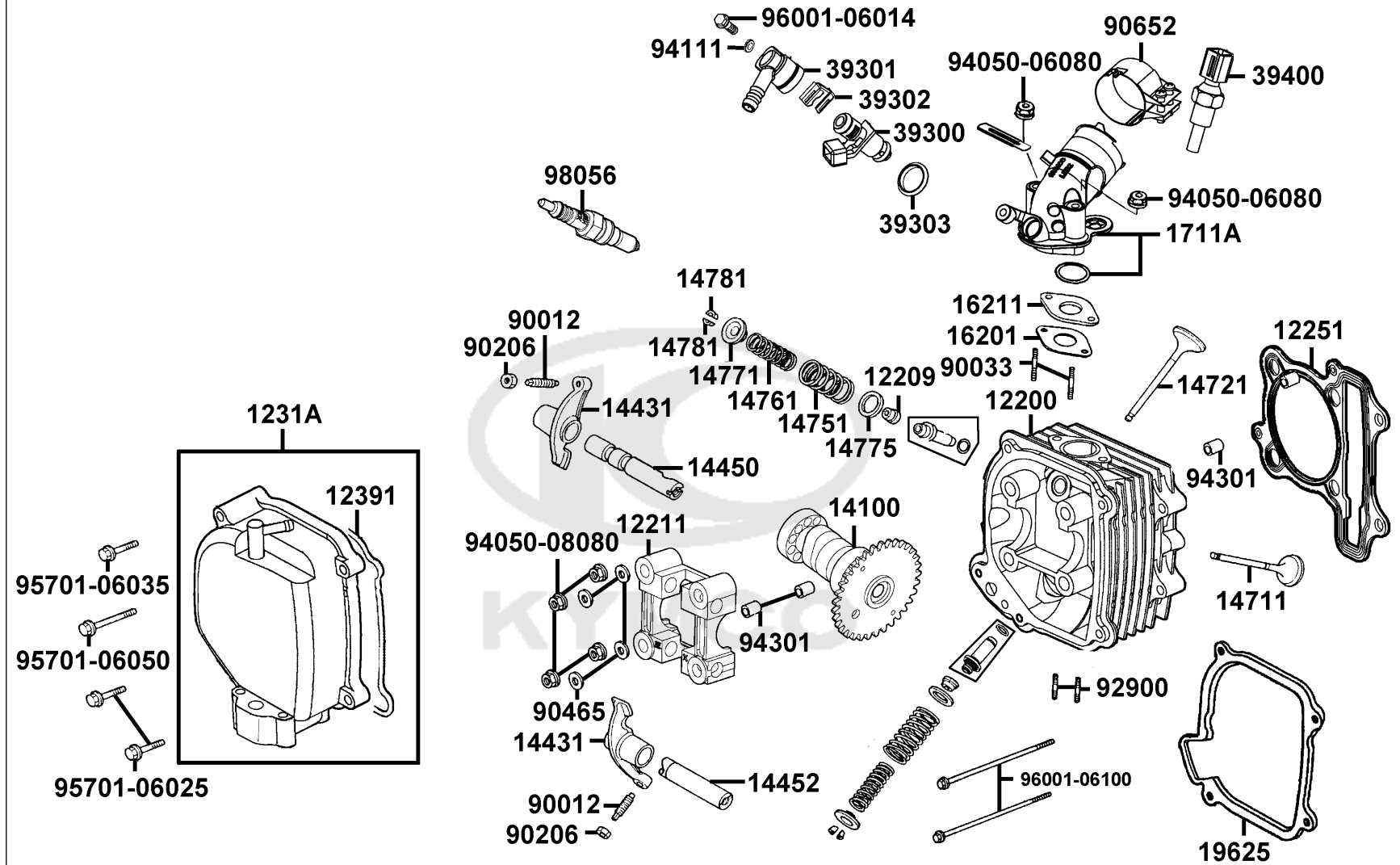


Sales mark 記号	Ref no 参照用番号	Part no パーツ番号	Description 部品名	Reg description 部品名	Regd no 必要個数	Ref Price 希望小売価格(税抜)
12200		12200-LGS6-E10	HEAD COMP CYLINDER	HEAD COMP CYLINDER	1	
12209		12209-GDB4-C00	SEAL VALVE STEM	SEAL VALVE STEM	1	370
12211		12211-KUDU-W10	HOLDER CAM SHAFT	HOLDER CAM SHAFT	1	2230
12251		12251-LGS6-E10	GASKET CYLINDER HEAD	GASKET CYLINDER HEAD	1	3030
1231A		1231A-KUDU-C11	HEAD ASSY CYLINDER	HEAD ASSY CYLINDER	1	5970
12391		12391-GFY6-C00	GASKET CYLINDER HEAD COVER	GASKET CYLINDER HEAD COVER	1	530
14100		14100-LGS6-E10	SHAFT COMP CAM	SHAFT COMP CAM	1	4340
14431		14431-KUDU-W10	ARM VALVE ROCKER	ARM VALVE ROCKER	2	4790
14450		14450-GFY6-W10	SHAFT COMP IN ROCKER ARM	SHAFT COMP IN ROCKER ARM	1	440
14452		14452-GFY6-W10	SHAFT EXH ROCKER ARM	SHAFT EXH ROCKER ARM	1	610
14711		14711-KFB7-C00	VALVE INLET	VALVE INLET	1	1270
14721		14721-KFB7-C00	VALVE EXHAUST	VALVE EXHAUST	1	2220
14751		14751-KKJ9-C00	SPRING VALVE OUTER	SPRING VALVE OUTER	1	350
14761		14761-KKJ9-C00	SPG VALVE INNER	SPG VALVE INNER	1	130
14771		14771-GDB4-C00	RETAINER VALVE SPRING	RETAINER VALVE SPRING	1	320
14775		14775-MFA6-C00	SEAT VALVE SPG OUTER	SEAT VALVE SPG OUTER	1	180
14781		14781-MFA6-C00	COTTER VALVE	COTTER VALVE	1	110
16201		16201-GFY6-E90	GASKET CARBURETOR INSULATOR	GASKET CARBURETOR INSULATOR	1	60
16211		16211-GFY6-W10	INSULATOR	INSULATOR	1	390
1711A		1711A-LGL3-C00	PIPE ASSY INLET	PIPE ASSY INLET	1	6330

E02



Sales mark 記号	Ref no 参照用番号	Part no パーツ番号	Description 部品名	Reg description 部品名	Regd no 必要個数	Ref Price 希望小売価格(税抜)	E02
19625		19625-KUDU-C00	SEAL SHROUD	SEAL SHROUD	1	710	
39300		39300-LEA6-800	FUEL INJECTOR	FUEL INJECTOR	1	14640	
39301		39301-LHB2-C10	HOLDER ASSY FUEL INJECTOR	HOLDER ASSY FUEL INJECTOR	1	520	
39302		39302-KKE3-C00	CLIP SPRING FUEL INJECTOR	CLIP SPRING FUEL INJECTOR	1	210	
39303		39303-LEB2-C00	SEAL,HIGH TENSION FUEL INJECT	SEAL,HIGH TENSION FUEL INJECT	1	110	
39400		39400-LHJ3-900	SENSOR. HEAD TEMPERATURE	SENSOR. HEAD TEMPERATURE	1	5020	
90012		90012-3C33-C00	SCREW TAPPET ADJUSTING	SCREW TAPPET ADJUSTING	1	90	
90033		90033-GFY6-C00	BOLT STUD 8*32	BOLT STUD 8*32	1	90	
90206		90206-0A01-C00	NUT TAPPET ADJG	NUT TAPPET ADJG	1	60	
90465		90465-MDC4-C00	WASHER 8MM	WASHER 8MM	1	130	
90652		90652-LGJ9-900	BAND 48. INLET-PIPE	BAND 48. INLET-PIPE	1	310	
92900		92900-06060-0B	BOLT STUD ??*60	BOLT STUD ??*60	2	60	
94050-06080		94050-06080	NUT FLANGE 6MM	NUT FLANGE 6MM	2	60	
94050-08080		94050-08080	NUT FLANGE 8MM	NUT FLANGE 8MM	4	60	
94111		94111-06800	WASHER SPRING 6MM	WASHER SPRING 6MM	1	60	
94301		94301-10160	DOWEL PIN 10*16	DOWEL PIN 10*16	4	60	
95701-06025		95701-06025-08	BOLT FLANGE 6*25	BOLT FLANGE 6*25	2	60	
95701-06035		95701-06035-08	BOLT FLANGE 6*35	BOLT FLANGE 6*35	1	60	
95701-06050		95701-06050-08	BOLT FLANGE 6*50 (C)	BOLT FLANGE 6*50 (C)	1	130	
96001-06014		96001-06014-08	BOLT FLANGE 6*14	BOLT FLANGE 6*14	1	60	



Sales mark 記号	Ref no 参照用番号	Part no パーツ番号	Description 部品名	Reg description 部品名	Regd no 必要個数	Ref Price 希望小売価格(税抜)
------------------	-----------------	------------------	--------------------	------------------------	-----------------	-------------------------

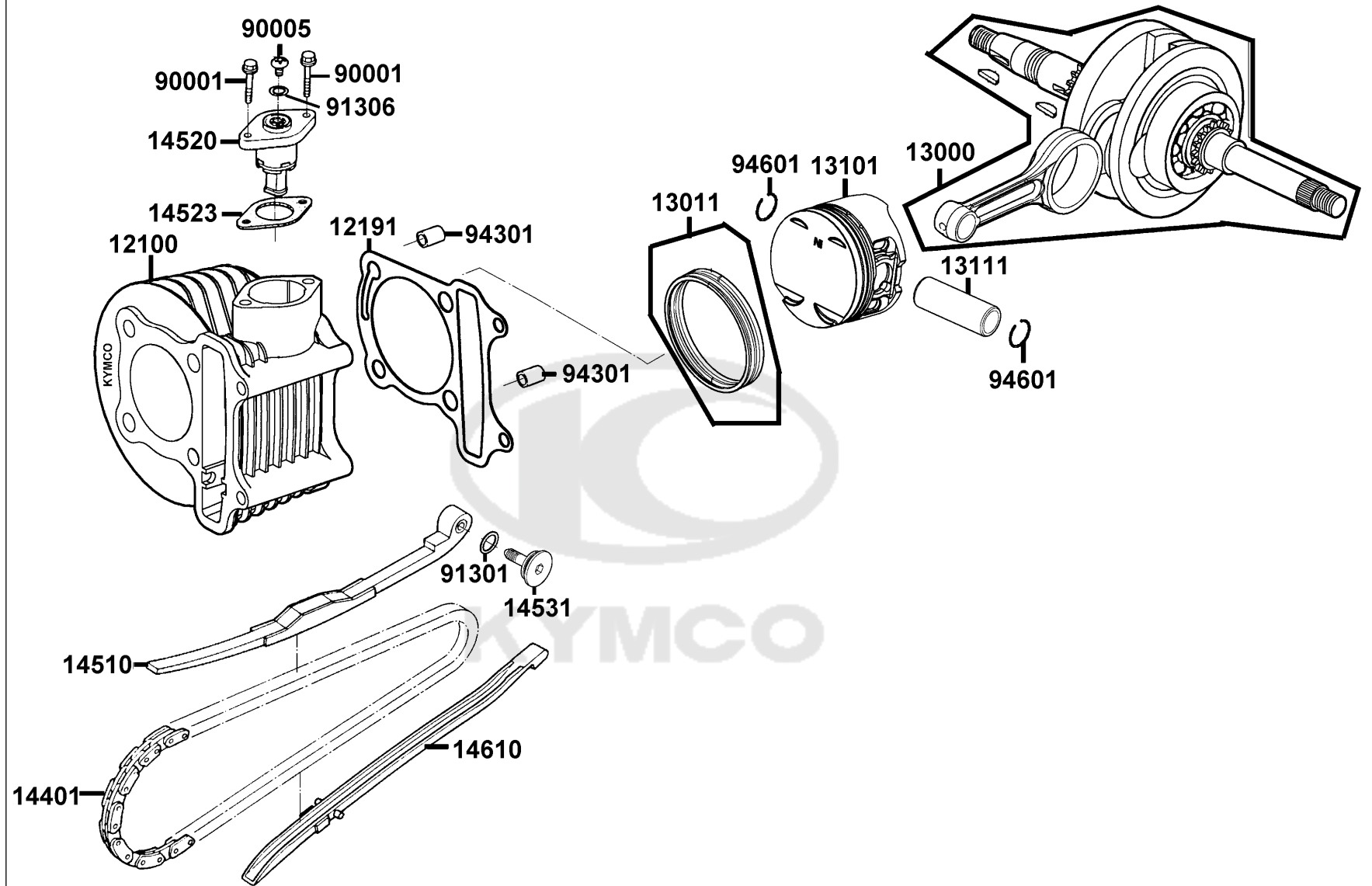
**E02**

96001-06100	96001-06100-08	BOLT FLANGE SH 6*100	BOLT FLANGE SH 6*100	2	200
98056	98056-5771R-00	SPARK PLUG (CR7HSA)	SPARK PLUG (CR7HSA)	1	450



E03

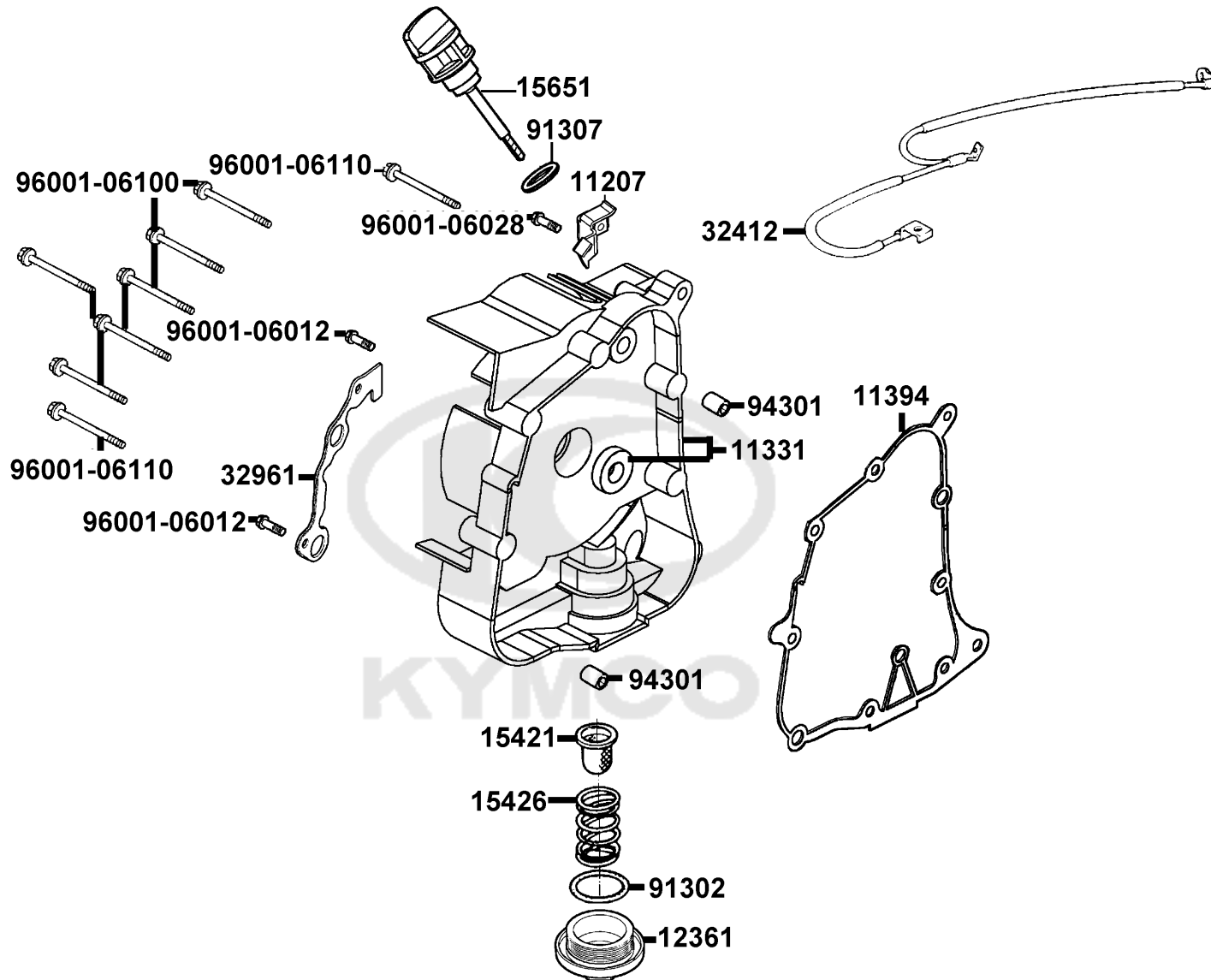
Piston Crankshaft



Sales mark 記号	Ref no 参照用番号	Part no パーツ番号	Description 部品名	Reg description 部品名	Regd no 必要個数	Ref Price 希望小売価格(税抜)	E03
12100		12100-LCD4-C00	CYLINDER COMP	CYLINDER COMP	1	10860	
12191		12191-LGS6-E90	GASKET CYLINDER	GASKET CYLINDER	1	230	
13000		13000-KFB7-405	CRANK SHIFT SET	CRANK SHIFT SET	1	41250	
13011		13011-LCD4-C00	RING ASSY PISTON	RING ASSY PISTON	1		
13101		13101-LCD4-E00	PISTON	PISTON	1	3340	
13111		13111-KKJ9-C10	PIN PISTON	PIN PISTON	1	1110	
14401		14401-KUDU-C00	CHAIN CAM	CHAIN CAM	1	3670	
14510		14510-KUDU-C00	TENSIONER CAM CHAIN	TENSIONER CAM CHAIN	1	1910	
14520		14520-GFY6-C00	LIFTER ASSY TENSIONER	LIFTER ASSY TENSIONER	1	1350	
14523		14523-GFY6-E90	GASKET TENSIONER LIFTER @A	GASKET TENSIONER LIFTER @A	1	60	
14531		14531-GLR0-W10	PIVOT CAM CHAIN TENSIONER	PIVOT CAM CHAIN TENSIONER	1	210	
14610		14610-KUDU-C00	GUIDE COMP CAM CHAIN	GUIDE COMP CAM CHAIN	1	960	
90001		90001-GBHB-C00	BOLT FLANGE SHF 6*22 (B)	BOLT FLANGE SHF 6*22 (B)	1	350	
90005		90005-KAW1-901	SCREW PAN 6*6	SCREW PAN 6*6	1	60	
91301		91301-GLR0-W10	O-RING 15.2*1.5	O-RING 15.2*1.5	1	70	
91306		91306-1E05-C00	O-RING 1.5*9.5	O-RING 1.5*9.5	1	140	
94301		94301-10160	DOWEL PIN 10*16	DOWEL PIN 10*16	2	60	
94601		94601-15000	CLIP PISTON PIN 15MM	CLIP PISTON PIN 15MM	2	60	

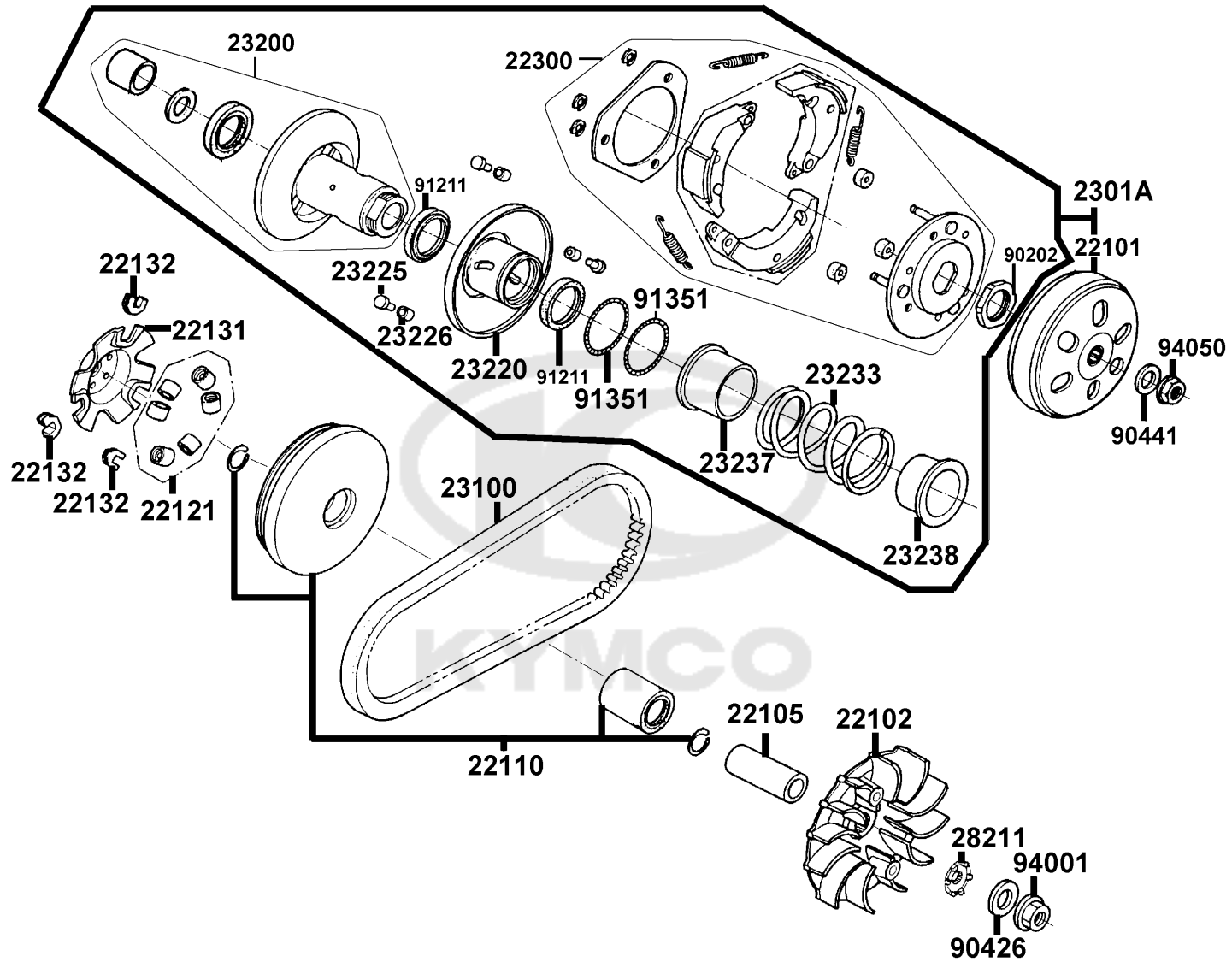
E04

# Right Crankcase Cover

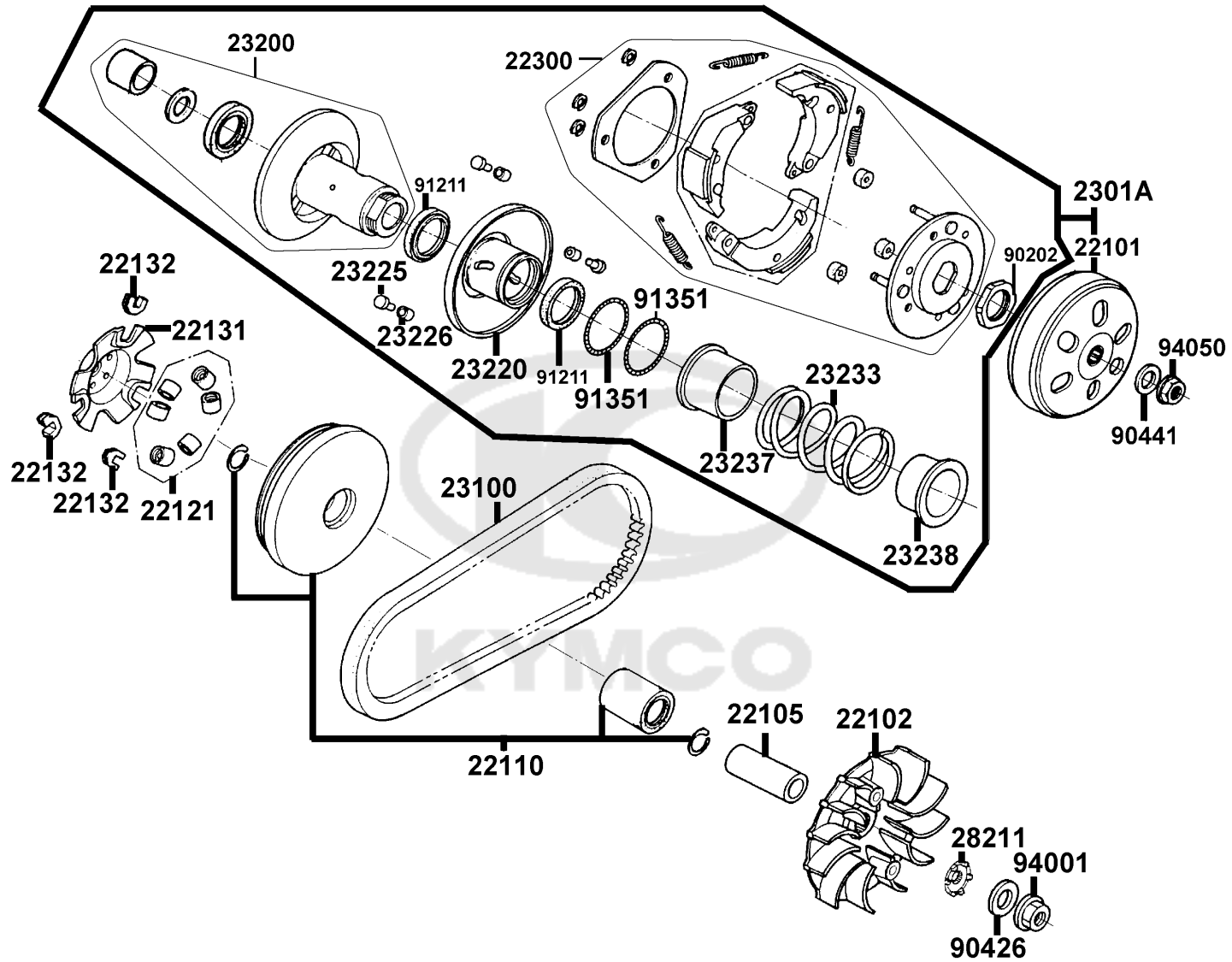




Sales mark 記号	Ref no 参照用番号	Part no パーツ番号	Description 部品名	Reg description 部品名	Regd no 必要個数	Ref Price 希望小売価格(税抜)	E04
11207		11207-KKE3-C01	"STAY B, RR FENDER"	"STAY B, RR FENDER"	1	400	
11331		11331-LCD3-E00	COVER R CRANK CASE	COVER R CRANK CASE	1	15560	
11394		11394-KUDU-E90	GASKET R COVER	GASKET R COVER	1	700	
12361		12361-GFY6-C00	HOLE CAP TAPPET ADJUSTING	HOLE CAP TAPPET ADJUSTING	1	330	
15421		15421-1G07-C00	SCREEN OIL FILTER	SCREEN OIL FILTER	1	240	
15426		15426-GAE1-C00	SPG OIL FILTER SCREEN	SPG OIL FILTER SCREEN	1	300	
15651		15651-KUDU-W10	GUAGE OIL LEVEL	GUAGE OIL LEVEL	1	180	
32412		32412-LDF7-E10	CABLE EARTH	CABLE EARTH	1	3670	
32961		32961-KUDU-C00	CLAMPER ACG CORD	CLAMPER ACG CORD	1	160	
91302		91302-0A01-C00	O-RING 30.8MM	O-RING 30.8MM	1	70	
91307		91307-0E35-W10	O-RING 18*3	O-RING 18*3	1	60	
94301		94301-10160	DOWEL PIN 10*16	DOWEL PIN 10*16	2	60	
96001-06012		96001-06012-08	BOLT FLANGE 6*12	BOLT FLANGE 6*12	2	60	
96001-06028		96001-06028-08	BOLT FLANGE SH 6*28	BOLT FLANGE SH 6*28	1	200	
96001-06100		96001-06100-08	BOLT FLANGE SH 6*100	BOLT FLANGE SH 6*100	6	200	
96001-06110		96001-06110-08	BOLT FLANGE SH 6*110	BOLT FLANGE SH 6*110	2	160	



Sales mark 記号	Ref no 参照用番号	Part no パーツ番号	Description 部品名	Reg description 部品名	Regd no 必要個数	Ref Price 希望小売価格(税抜)	E05
22101		22101-LCD3-C00	OUTER CLUTCH	OUTER CLUTCH	1	3810	
22102		22102-KUDU-E80	FACE DRIVE	FACE DRIVE	1	1910	
22105		22105-LGS6-E10	BOSS DRIVE FACE	BOSS DRIVE FACE	1	1020	
22110		22110-KUDU-E80	FACE MOVABLE DRIVE	FACE MOVABLE DRIVE	1	3250	
22121		22121-KKD7-315	ROLLER SET WEIGHT (1SET:6PCS)	ROLLER SET WEIGHT(旧品番の22121-KKD7	1	420	
22131		22131-GFY6-C00	PLATE RAMP	PLATE RAMP	1	800	
22132		22132-KBN2-C00	PIECE SLIDE	PIECE SLIDE	1	70	
22300		22300-LCD4-C00	PLATE ASSY DRIVE	PLATE ASSY DRIVE	1	9040	
2301A		2301A-LCD4-C00	PULLEY SUB ASSY	PULLEY SUB ASSY	1		
23100		23100-LCD4-C00	BELT DRIVE	BELT DRIVE	1	9280	
23200		23200-GFY6-C00	FACE ASSY DRIVEN	FACE ASSY DRIVEN	1	10150	
23220		23220-KFBF-C00	FACE COMP MOVABLE DRIVEN	FACE COMP MOVABLE DRIVEN	1	5660	
23225		23225-GHC8-C00	PIN ROLLER GUIDE	PIN ROLLER GUIDE	1	60	
23226		23226-GHC8-C00	ROLLER GUIDE	ROLLER GUIDE	1	60	
23233		23233-LEJ3-E10	"BOSS,DRIVE FACE"	"BOSS,DRIVE FACE"	1	750	
23237		23237-GFY6-C00	COLLAR SEAL	COLLAR SEAL	1	900	
23238		23238-GFY6-C00	COLLAR SPG	COLLAR SPG	1	1180	
28211		28211-KUDU-W10	RATCHET KICK STARTER	RATCHET KICK STARTER	1	1350	
28211		28211-LGK2-C00	WASHER 15.2x24x5	WASHER 15.2x24x5	1		
90202		90202-1G87-C00	NUT SPECIAL 28MM	NUT SPECIAL 28MM	1	140	

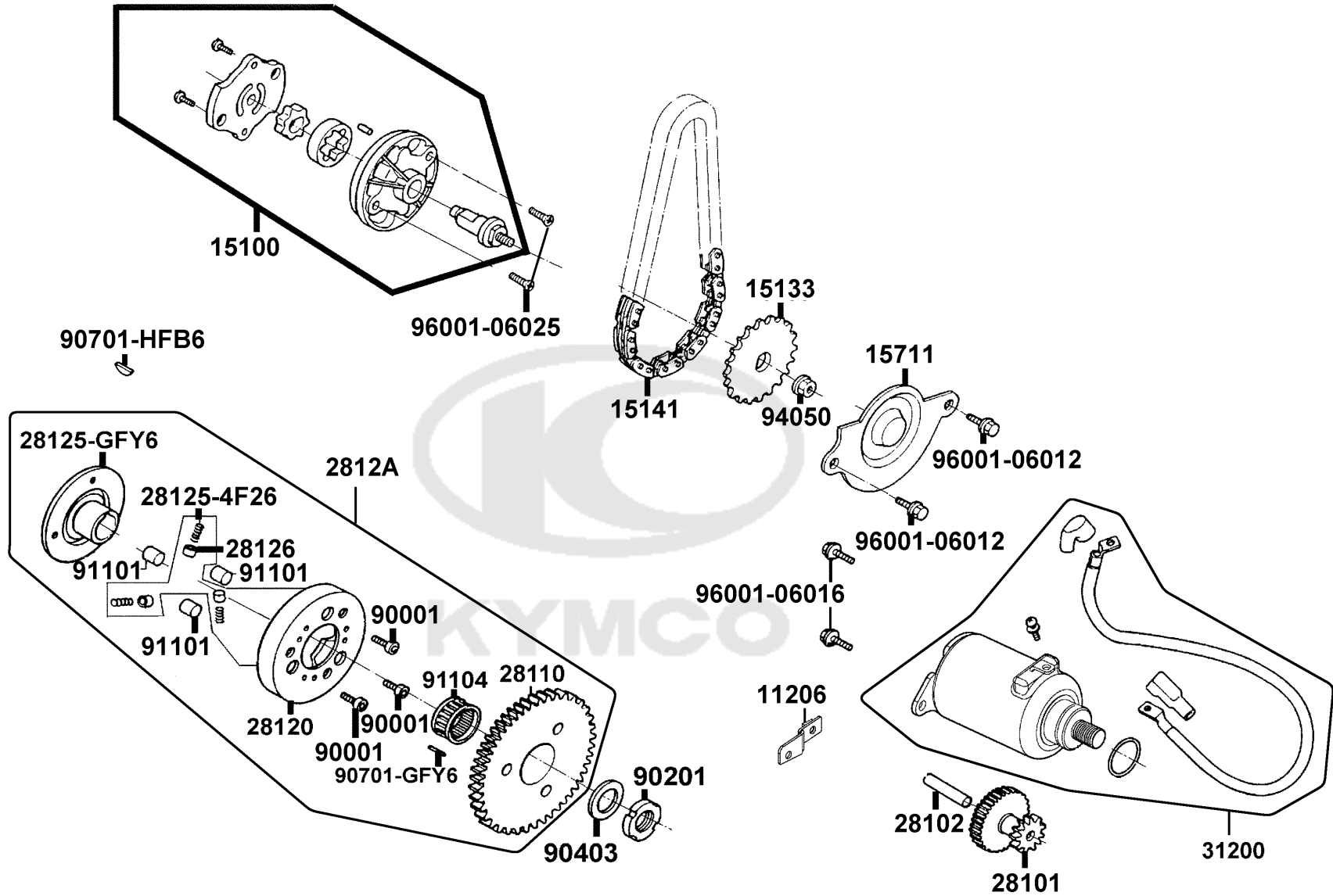


Sales mark 記号	Ref no 参照用番号	Part no パーツ番号	Description 部品名	Reg description 部品名	Regd no 必要個数	Ref Price 希望小売価格(税抜)	E05
90426		90426-KNBN-C00	WASHER SPECIAL 12MM	WASHER SPECIAL 12MM	1	60	
90441		90441-GFY6-C00	WASHER 12.2*29*2.5	WASHER 12.2*29*2.5	1	130	
91211		91211-KEBE-C00	SEAL DRIVEN FACE 34*41*4	SEAL DRIVEN FACE 34*41*4	1	590	
91351		91351-6B42-C00	O-RING PINION CAP	O-RING PINION CAP	1	130	
94001		94001-12280-0S	NUT HEX 12MM	NUT HEX 12MM	1	160	
94050		94050-12080	NUT C FLANGE 12MM	NUT C FLANGE 12MM	1	60	



E06

Starting Motor Oil Pump

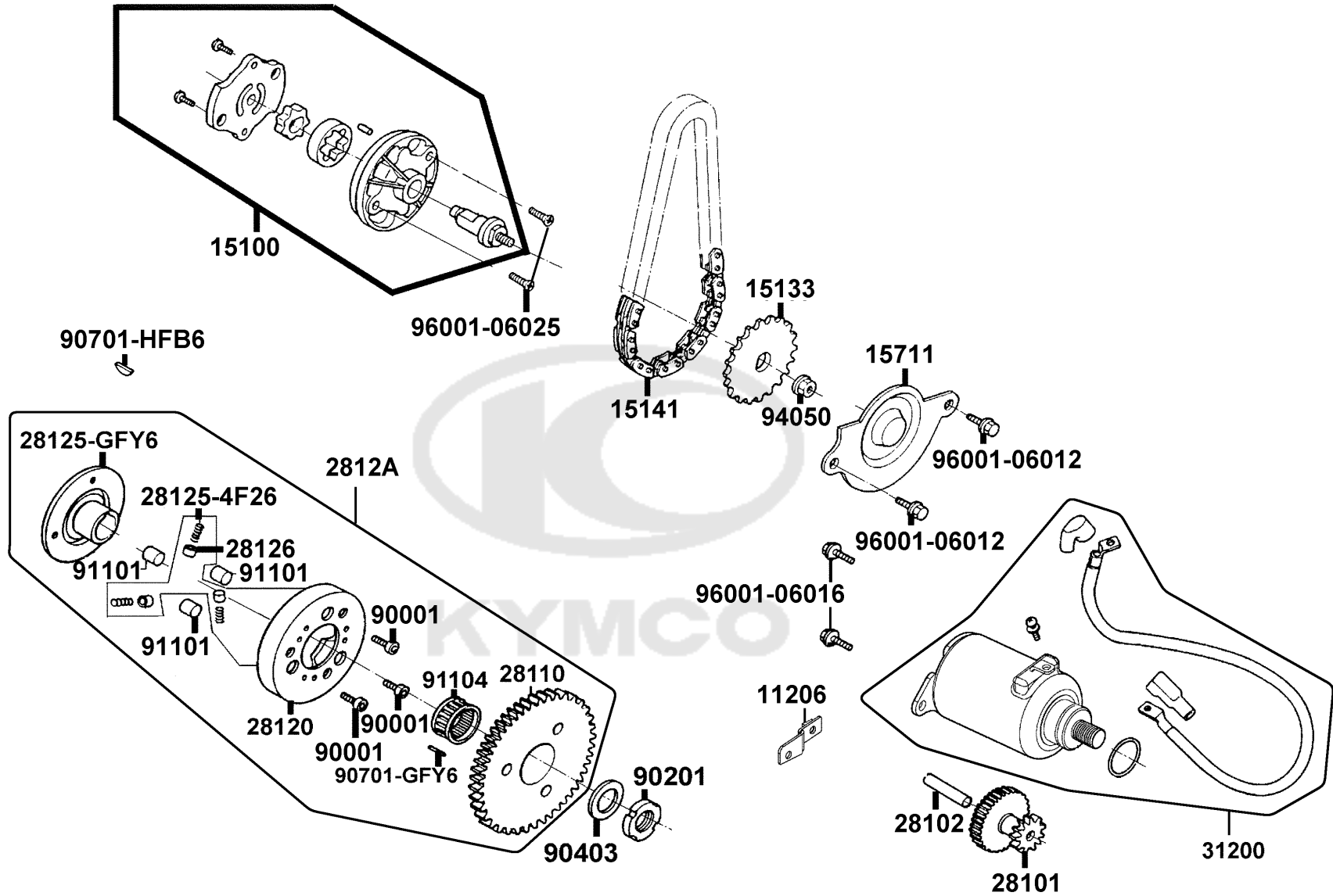


Sales mark 記号	Ref no 参照用番号	Part no パーツ番号	Description 部品名	Reg description 部品名	Regd no 必要個数	Ref Price 希望小売価格(税抜)
11206		11206-LGR5-E10	STAY A RR FENDER	STAY A RR FENDER	1	160
15100		15100-KFB7-C00	PUMP ASSY OIL	PUMP ASSY OIL	1	1350
15133		15133-GFY6-W10	SPROCKET OIL PUMP DRIVE	SPROCKET OIL PUMP DRIVE	1	800
15141		15141-GFY6-C00	CHAIN OIL PUMP	CHAIN OIL PUMP	1	1990
15711		15711-KUDU-C00	SEPARATER OIL	SEPARATER OIL	1	280
28101		28101-GFY6-C00	GEAR STARTER REDUCTION	GEAR STARTER REDUCTION	1	1820
28102		28102-GFY6-C00	SHAFT STARTER REDUCTION GEAR	SHAFT STARTER REDUCTION GEAR	1	330
28110		28110-GFY6-C10	GEAR COMP STARTING CLUTCH	GEAR COMP STARTING CLUTCH	1	2230
28120		28120-GFY6-C10	OUTER COMP STARTING CLUTCH	OUTER COMP STARTING CLUTCH	1	4950
28125-4F26		28125-4F26-C00	SPRING ROLLER STARTER CLUTCH	SPRING ROLLER STARTER CLUTCH	1	60
28125-GFY6		28125-GFY6-C10	FLANGE STARTING CLUTCH	FLANGE STARTING CLUTCH	1	1590
28126		28126-GFY6-C10	CAP STARTING ROLLER SPRING	CAP STARTING ROLLER SPRING	3	130
2812A		2812A-GFY6-C10	OUTER ASSY START CLUTCH	OUTER ASSY START CLUTCH	1	5600
31200		31200-LDF7-E10	MOTOR ASSY START	MOTOR ASSY START	1	13480
90001		90001-GFY6-C00	SOCKET BOLT 6*10	SOCKET BOLT 6*10	1	70
90201		90201-GFY6-901	NUT LOCK 22MM	NUT LOCK 22MM	1	110
90403		90403-KUDU-C00	WASHER THRUST 22.2*39*2.5	WASHER THRUST 22.2*39*2.5	1	120
90701-GFY6		90701-GFY6-901		PIN DOWEL 5*6	1	
90701-HFB6		90701-HFB6-C00	KEY WOODRUFF 25*14*4	KEY WOODRUFF 25*14*4	1	560
91101		91101-1K79-C00	ROLLER 10*10	ROLLER 10*10	1	450

E06

E06

Starting Motor Oil Pump



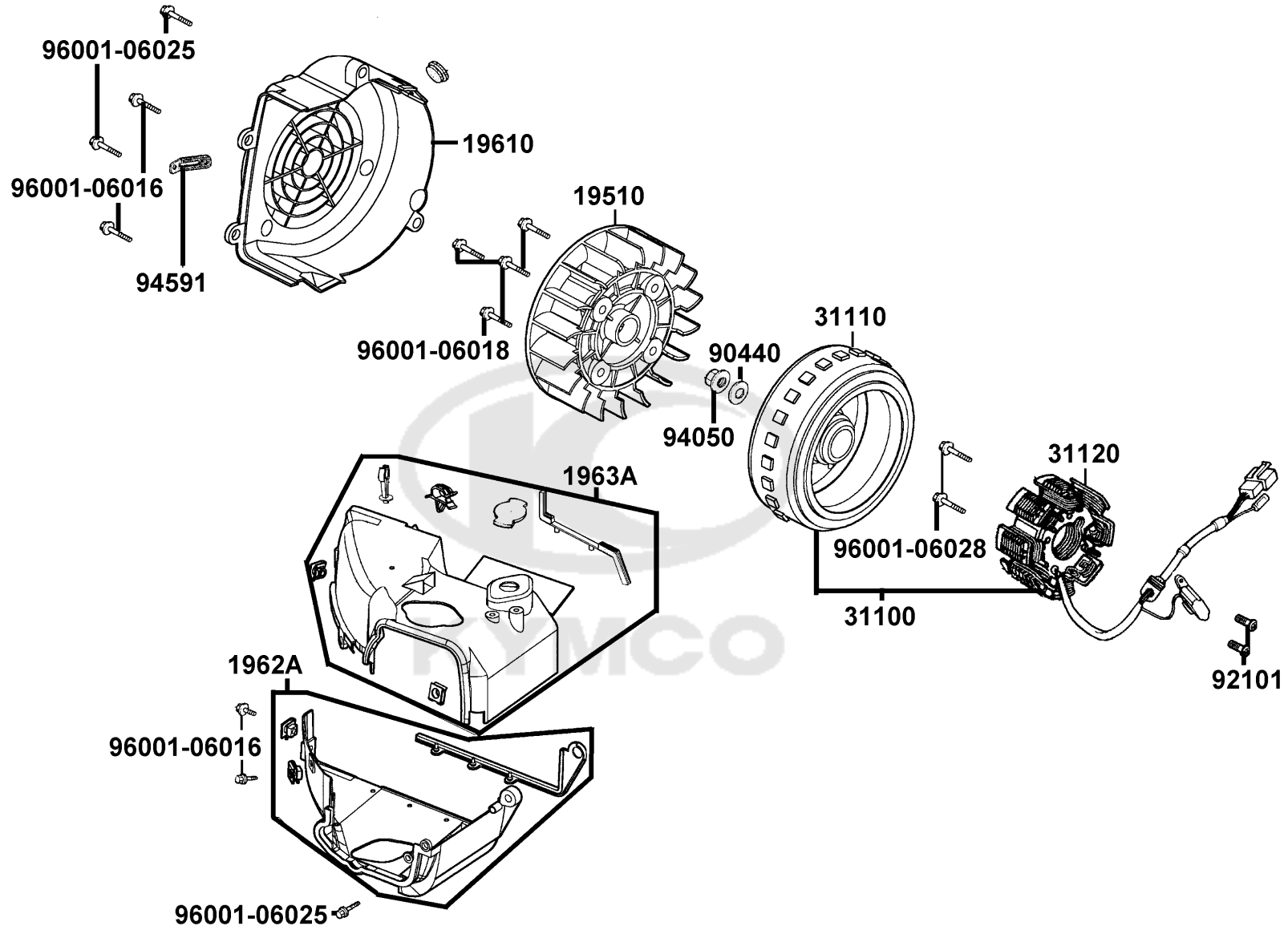


Sales mark 記号	Ref no 参照用番号	Part no パーツ番号	Description 部品名	Reg description 部品名	Regd no 必要個数	Ref Price 希望小売価格(税抜)	E06
91104		91104-GFY6-C00	BRG NEEDLE 28*32*17	BRG NEEDLE 28*32*17	1	4050	
94050		94050-06080	NUT FLANGE 6MM	NUT FLANGE 6MM	1	60	
96001-06012		96001-06012-08	BOLT FLANGE 6*12	BOLT FLANGE 6*12	2	60	
96001-06016		96001-06016-08	BOLT FLANGE SH 6*16	BOLT FLANGE SH 6*16	2	200	
96001-06025		96001-06025-08	BOLT FLANGE SH 6*25	BOLT FLANGE SH 6*25	2	90	

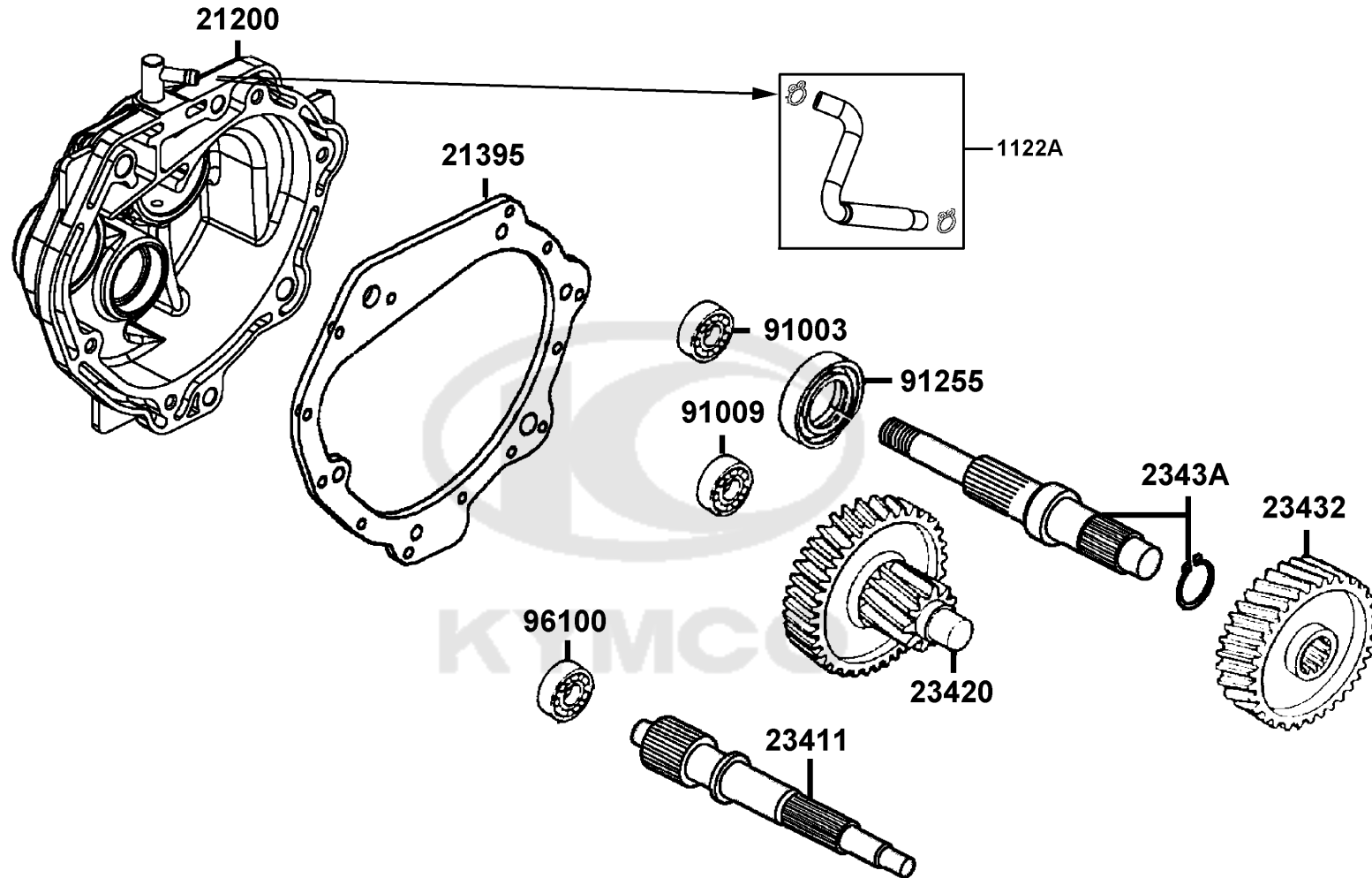


E07

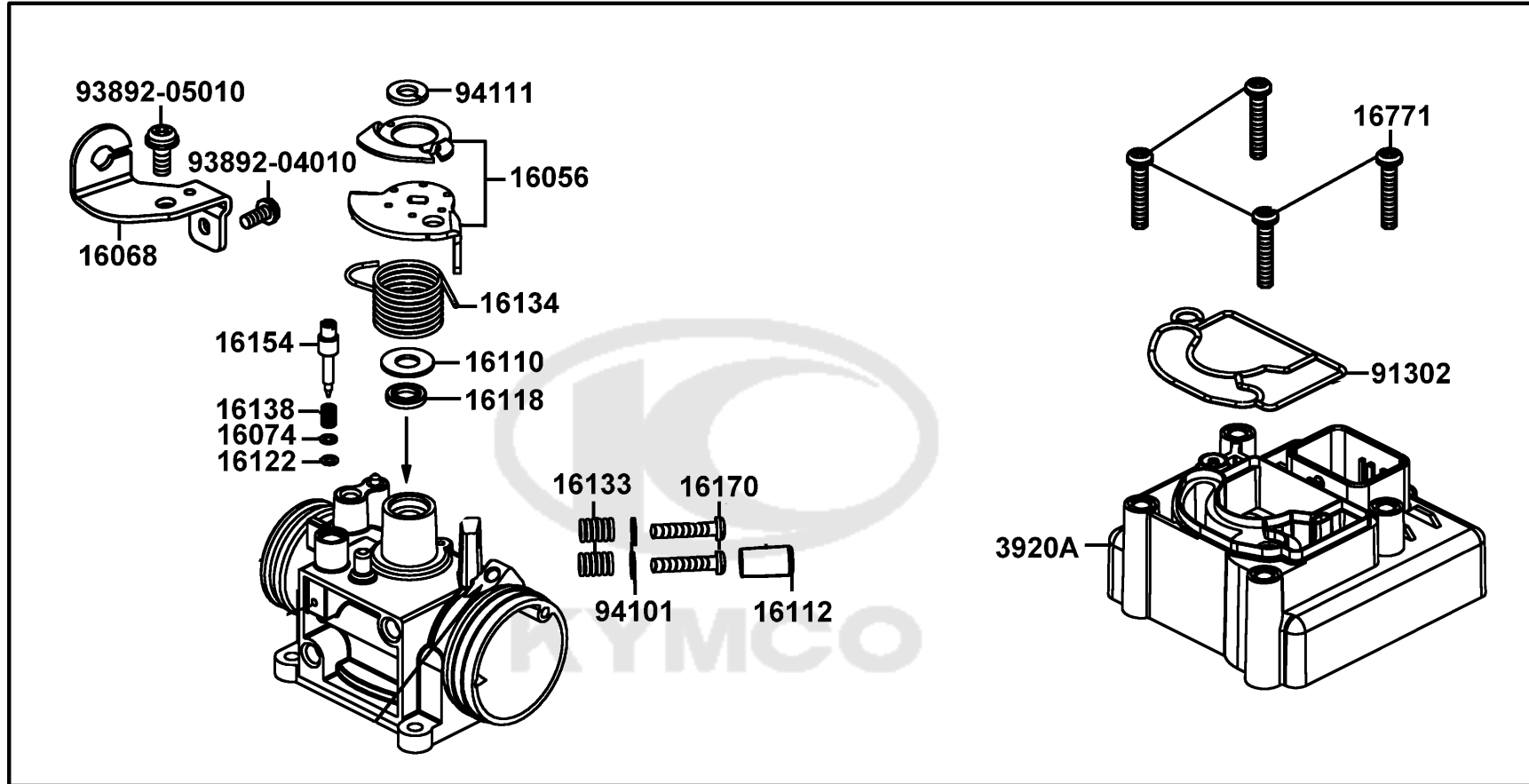
Fan Cover Generator



Sales mark 記号	Ref no 参照用番号	Part no パーツ番号	Description 部品名	Reg description 部品名	Regd no 必要個数	Ref Price 希望小売価格(税抜)	E07
19510		19510-KFB7-C00	FAN COMP COOLING	FAN COMP COOLING	1	1650	
19610		19610-KUDU-C10	COVER COMP FAN	COVER COMP FAN	1		
1962A		1962A-LEJ8-E00	SHROUD ASSY A	SHROUD ASSY A	1	4240	
1963A		1963A-LGS6-E10	SHROUD ASSY B	SHROUD ASSY B	1	1690	
31100		31100-LGS6-E10	A.C. GEN. ASS'Y	A.C. GEN. ASS'Y	1	16060	
31110		31110-KKE3-C00	FLYWHEEL COMP	FLYWHEEL COMP	1		
31120		31120-LGS6-E10	STATOR COMP.	STATOR COMP.	1	9270	
90440		90440-1F66-C00	WASHER PLAIN 12MM	WASHER PLAIN 12MM	1	140	
92101		92101-05012-0H	BOLT HEX 5*12	BOLT HEX 5*12	2	60	
94050		94050-12080	NUT C FLANGE 12MM	NUT C FLANGE 12MM	1	60	
94591		94591-LDC8-E10	CLIP BIND	CLIP BIND	1	140	
96001-06016		96001-06016-08	BOLT FLANGE SH 6*16	BOLT FLANGE SH 6*16	4	200	
96001-06018		96001-06018-08	BOLT FLANGE SH 6*18	BOLT FLANGE SH 6*18	4		
96001-06025		96001-06025-08	BOLT FLANGE SH 6*25	BOLT FLANGE SH 6*25	3	90	
96001-06028		96001-06028-08	BOLT FLANGE SH 6*28	BOLT FLANGE SH 6*28	2	200	



Sales mark 記号	Ref no 参照用番号	Part no パーツ番号	Description 部品名	Reg description 部品名	Regd no 必要個数	Ref Price 希望小売価格(税抜)	E08
1122A		1122A-LGR5-E10	TUBE ASSY MISSION BREATHER	TUBE ASSY MISSION BREATHER	1	320	
21200		21200-LGR5-E10	CASE COMP MISSION	CASE COMP MISSION	1	10130	
21395		21395-KEC4-E90	GASKET MISSION CASE	GASKET MISSION CASE	1	590	
23411		23411-KEC4-C00	SHAFT DRIVE	SHAFT DRIVE	1	5850	
23420		23420-KEC4-C00	SHAFT COMP COUNTER	SHAFT COMP COUNTER	1	9580	
23432		23432-KEC4-C00	GEAR FINAL	GEAR FINAL	1	4150	
2343A		2343A-KKD5-C00	SHAFT FINAL	SHAFT FINAL	1	6020	
91003		91003-KDS4-C00	BRG BALL RADIAL 6301TMB	BRG BALL RADIAL 6301TMB	1	3200	
91009		91009-GLE0-C00	BRG BALL RADIAL 6004 UU	BRG BALL RADIAL 6004 UU	1	2040	
91255		91255-LDC8-E10	OIL SEAL 27*42*7(C?)	OIL SEAL 27*42*7(C?)	1	160	
96100		96100-60020-00	BRG BALL RADIAL 6002	BRG BALL RADIAL 6002	1	250	

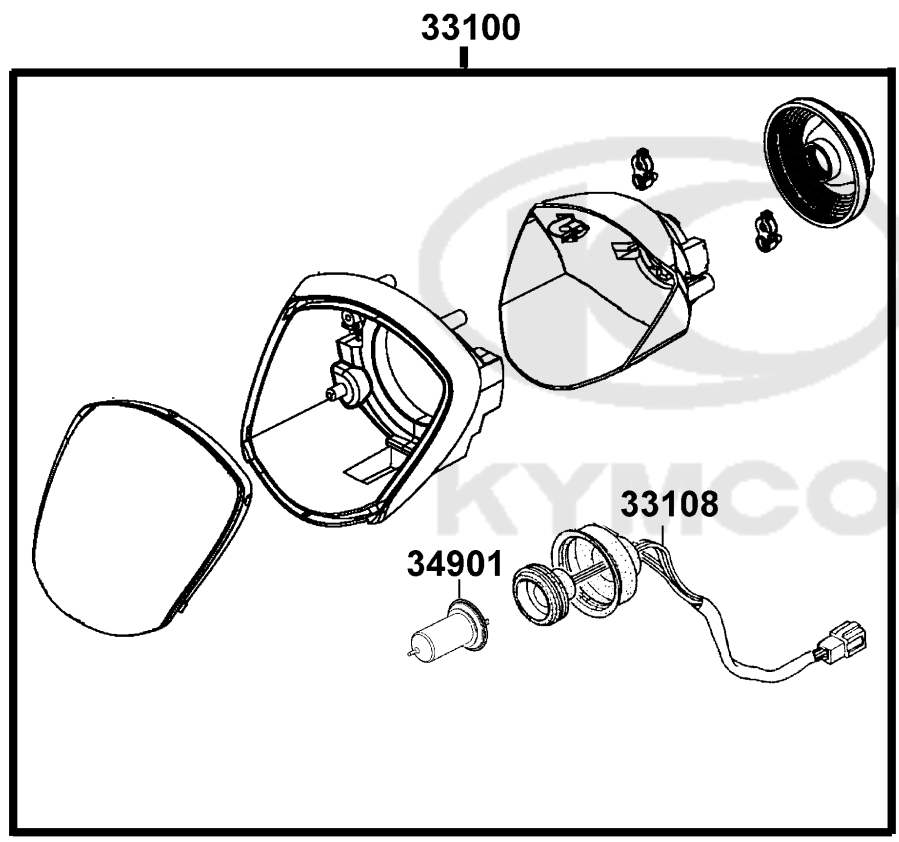
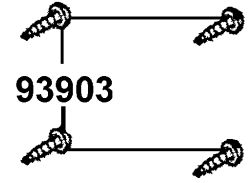


16100

Sales mark 記号	Ref no 参照用番号	Part no パーツ番号	Description 部品名	Reg description 部品名	Regd no 必要個数	Ref Price 希望小売価格(税抜)	E09
16056		16056-LEB2-900	LEVER ASSY THROTTLE	LEVER ASSY THROTTLE	1	580	
16068		16068-LEB2-900	PLATE WIRE FIXED	PLATE WIRE FIXED	1	350	
16074		16074-KEC3-C00	WASHER IDLE ADJUST SCREW	WASHER IDLE ADJUST SCREW	1	60	
16100		16100-LGS6-E10	THROTTLE BODY ASSY	THROTTLE BODY ASSY	1	89340	
16110		16110-KKE3-900	WASHER THROTTLE COMP	WASHER THROTTLE COMP	1	160	
16112		16112-KKE3-900	COVER IDLE SCREW	COVER IDLE SCREW	1	160	
16118		16118-KEC3-900	SEAL THROTTLE SHAFT	SEAL THROTTLE SHAFT	1	180	
16122		16122-KEC3-C00	O-RING IDLE SCREW	O-RING IDLE SCREW	1	60	
16133		16133-KEC3-900	SPG THROTTLE ADJ SCREW	SPG THROTTLE ADJ SCREW	2	160	
16134		16134-KKE3-900	SPG THROTTLE SHAFT	SPG THROTTLE SHAFT	1	200	
16138		16138-KGC5-C00	SPRING IDLE ADJUST SCREW	SPRING IDLE ADJUST SCREW	1	50	
16154		16154-KKE3-900	SCREW IDLE ADJUST	SCREW IDLE ADJUST	1	490	
16170		16170-KEC3-900	SCREW THROTTLE ADJUST	SCREW THROTTLE ADJUST	2	70	
16771		16771-GKAK-220	SCREW-WASHER M4*30	SCREW-WASHER M4*30	1	70	
3920A		3920A-LGS6-E10	MODULE ASSY ECU	MODULE ASSY ECU	1	31890	
91302		91302-LEB2-C00	SEAL THROTTLE-ECU	SEAL THROTTLE-ECU	1	420	
93892-04010		93892-04010-08	SCREW WASHER 4*10	SCREW WASHER 4*10	1		
93892-05010		93892-05010-08	SCREW WASHER 5*10	SCREW WASHER 5*10	1		
94101		94101-KKE3-900	WASHER PLAN 4.5*8*0.8	WASHER PLAN 4.5*8*0.8	2	60	
94111		94111-06800	WASHER SPRING 6MM	WASHER SPRING 6MM	1	60	

F01

Head Light



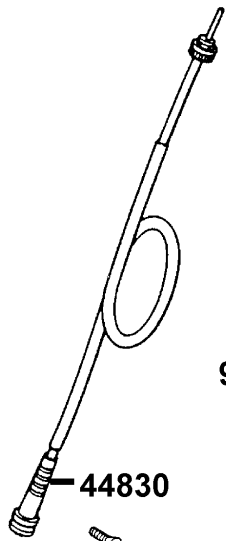


Sales mark 記号	Ref no 参照用番号	Part no パーツ番号	Description 部品名	Reg description 部品名	Regd no 必要個数	Ref Price 希望小売価格(税抜)	F01
------------------	-----------------	------------------	--------------------	------------------------	-----------------	-------------------------	-----

33100	33100-LGR5-E10	33100-LGR5-E10	LIGHT ASSY HEAD	LIGHT ASSY HEAD	1	16060	
33108	33108-LGR5-E10	33108-LGR5-E10	SOCKET COMP FR COMB	SOCKET COMP FR COMB	1	2720	
34901	34901-LDC8-E10	34901-LDC8-E10	BULB HEAD LIGHT	BULB HEAD LIGHT	1	2360	
93903	93903-25220	93903-25220	SCREW TAPPING 5*12	SCREW TAPPING 5*12	4	60	



38300



44830

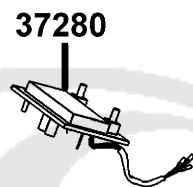


93700

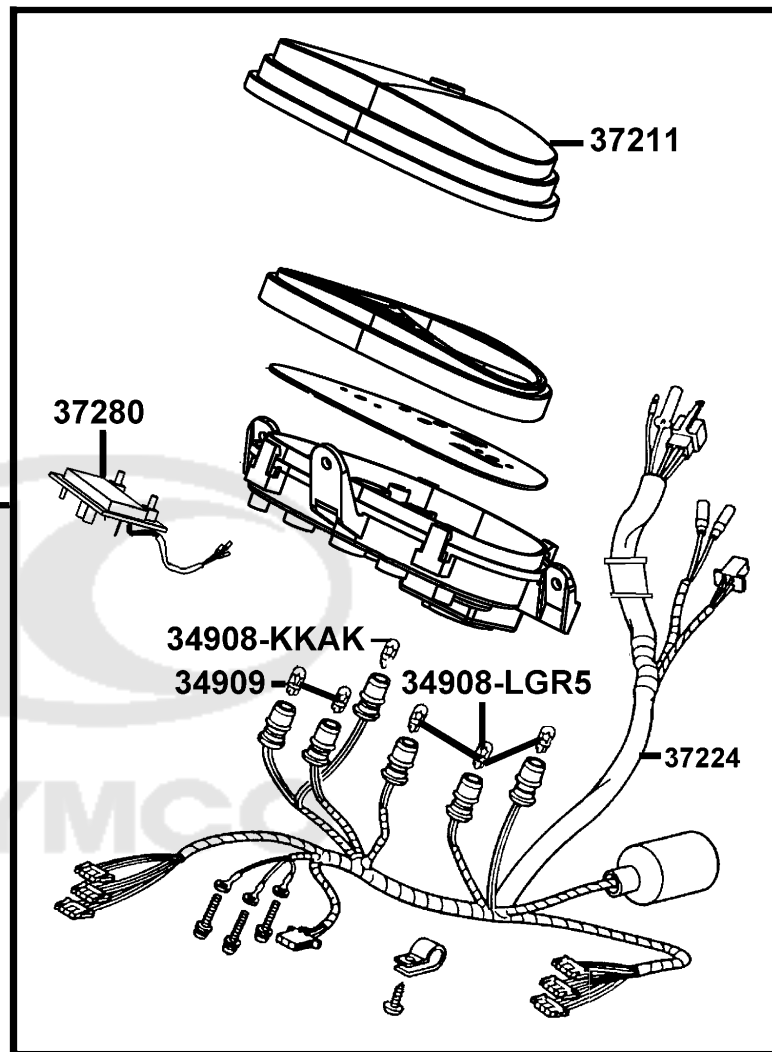
93903



37200

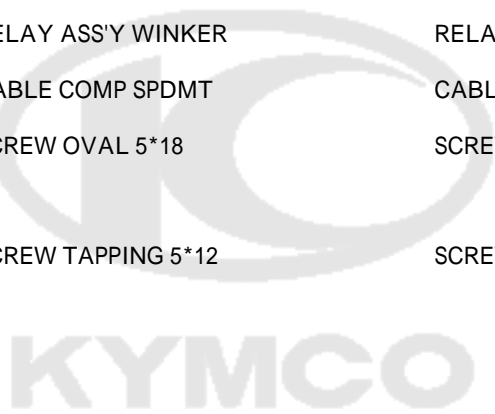


37280



Sales mark 記号	Ref no 参照用番号	Part no パーツ番号	Description 部品名	Reg description 部品名	Regd no 必要個数	Ref Price 希望小売価格(税抜)
	34908-KKAK	34908-KKAK-C00	BULB WEDGE BASE T6.5(12V,1.7W)	BULB WEDGE BASE T6.5(12V,1.7W)	1	160
	34908-LGR5	34908-LGR5-E00	BULB WEDGE BASE 12V 2W	BULB WEDGE BASE 12V 2W	3	300
	34909	34909-KEBE-C00	BULB WEDGE BASE T6.5	BULB WEDGE BASE T6.5	1	130
	37200	37200-LGS6-B20	SPEED METER ASSY	SPEED METER ASSY	1	18600
	37211	37211-LGR5-E10	"LENS COMP.,METER"	"LENS COMP.,METER"	1	1340
	37224	37224-LGS6-B70	SOCKET COMP.,METER	SOCKET COMP.,METER	1	
	37280	37280-LGR5-E10	LCD ASSY CLOCK	LCD ASSY CLOCK	1	5380
	38300	38300-KECE-W10	RELAY ASS'Y WINKER	RELAY ASS'Y WINKER	1	2370
	44830	44830-LDC8-E10	CABLE COMP SPDMT	CABLE COMP SPDMT	1	870
	93700	93700-05018-0H	SCREW OVAL 5*18	SCREW OVAL 5*18	1	60
	93903	93903-25220	SCREW TAPPING 5*12	SCREW TAPPING 5*12	4	60

F02

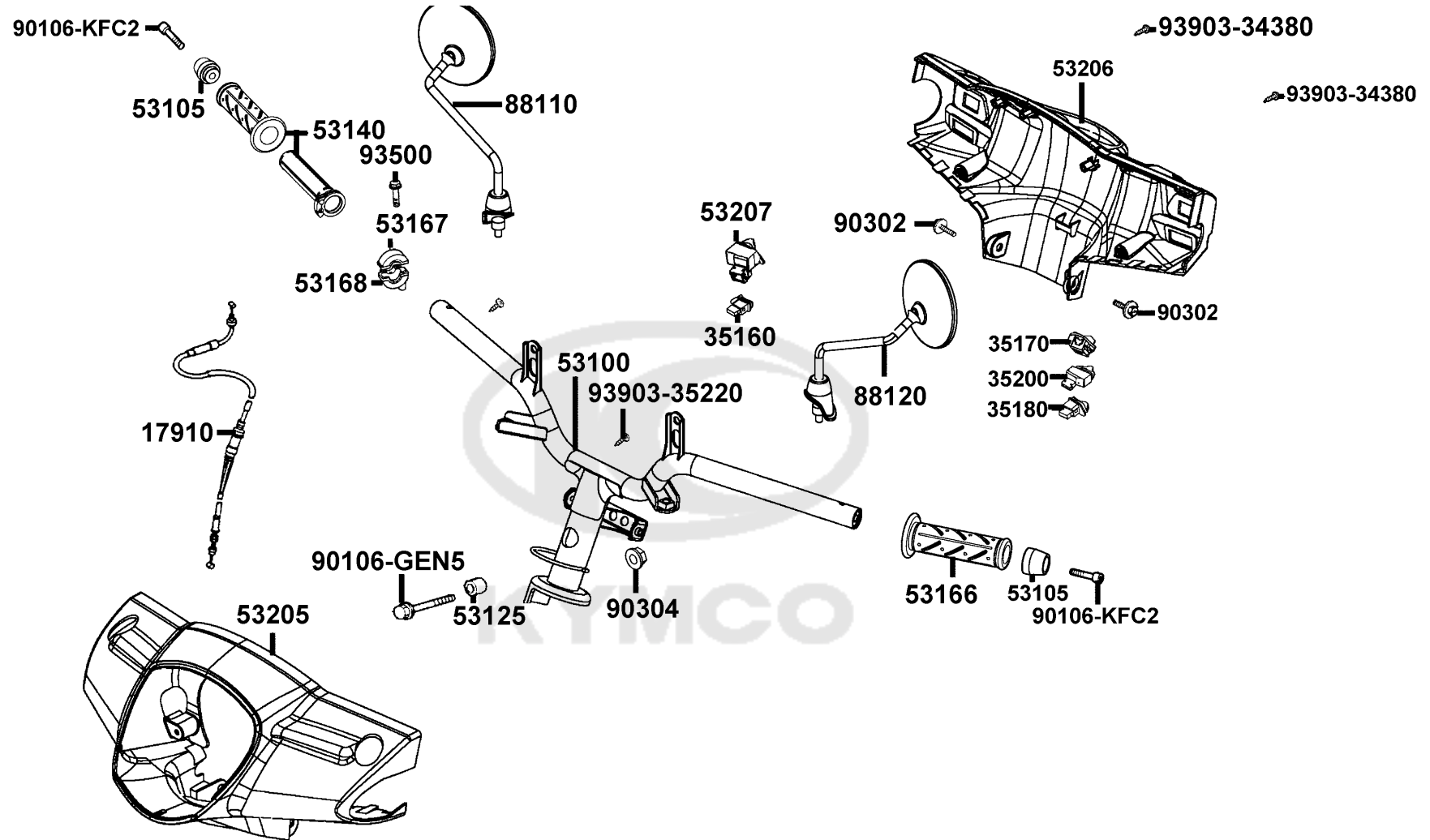




Sales mark 記号	Ref no 参照用番号	Part no パーツ番号	Description 部品名	Reg description 部品名	Regd no 必要個数	Ref Price 希望小売価格(税抜)	F03
	17910	17910-LGS6-E10	CABLE COMP THROT	CABLE COMP THROT	1	1580	
	35160	35160-GFY6-C00	SW UNIT START	SW UNIT START	1	540	
	35170	35170-KNBN-C00	SW UNIT DIMMER	SW UNIT DIMMER	1	1110	
	35180	35180-GFY6-C00	SW UNIT HORN	SW UNIT HORN	1	540	
	35200	35200-GFY6-C00	SW ASSY LH HNDL COMP	SW ASSY LH HNDL COMP	1	770	
	53100	53100-LGR5-E10	HANDLE COMP STRG	HANDLE COMP STRG	1	7690	
	53125	53125-GEN5-C00	COLLAR HANDLE SET	COLLAR HANDLE SET	1	470	
**	53140	53140-KNBN-C00	GRIP COMP THROT	GRIP COMP THROT	1	470	
**	53166	53166-KNBN-C00	GRIP L HANDLE	GRIP L HANDLE	1	440	
	53167	53167-GBN2-C00	HOUSING UND THROT	HOUSING UND THROT	1	140	
	53168	53168-GBN2-C00	HOUSING UP THROT	HOUSING UP THROT	1	110	
**	53205	53205-LGR5-E10	COVER HANDLE FR	COVER HANDLE FR	1	6380	
**	53206	53206-LGR5-E10	COVER HANDLE RR	COVER HANDLE RR	1	6310	
	88110	88110-LGR5-E10	MIRROR ASSY R BACK	MIRROR ASSY R BACK	1	5850	
	88120	88120-LGR5-E10	MIRROR ASSY L BACK	MIRROR ASSY L BACK	1	5850	
	90106-GEN5	90106-GEN5-901	BOLT FLANGE 10*50	BOLT FLANGE 10*50	1	80	
	90106-KFC2	90106-KFC2-900	BOLT SPECIAL 8MM	BOLT SPECIAL 8MM	2	510	
	90302	90302-LLB1-C00	BOLT-WASH 5*12	BOLT-WASH 5*12	1	60	
	90304	90304-GHE8-C00	NUT U 10MM (C)	NUT U 10MM (C)	1	200	
	93500	93500-05022-0G	SCREW PAN 5*22	SCREW PAN 5*22	1	60	

F03

Handle Steering Handle Cover



Sales mark 記号	Ref no 参照用番号	Part no パーツ番号	Description 部品名	Reg description 部品名	Regd no 必要個数	Ref Price 希望小売価格(税抜)
------------------	-----------------	------------------	--------------------	------------------------	-----------------	-------------------------

**F03**

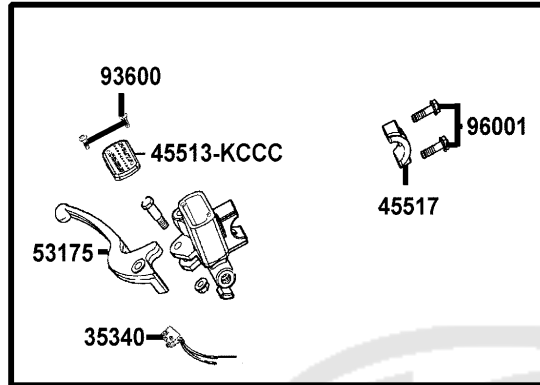
93903-34380	93903-34380	93903-34380	SCREW TAPPING 4*12 (K)	SCREW TAPPING 4*12 (K)	2	60
93903-35220	93903-35220	93903-35220	SCREW TAPPING 5*12	SCREW TAPPING 5*12	2	60



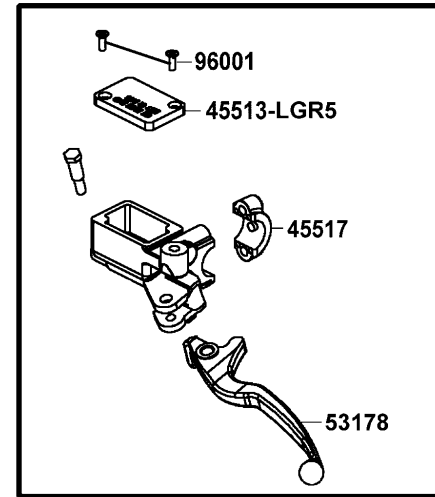
F04

# Brake Master Cylinder

90131

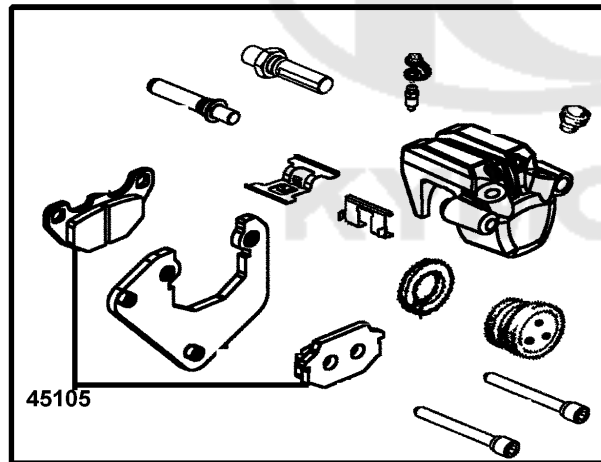
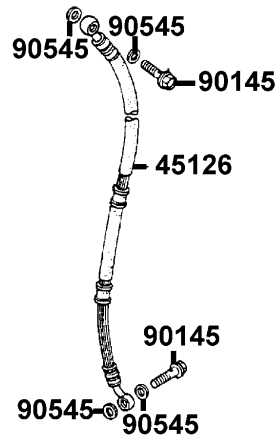


45500

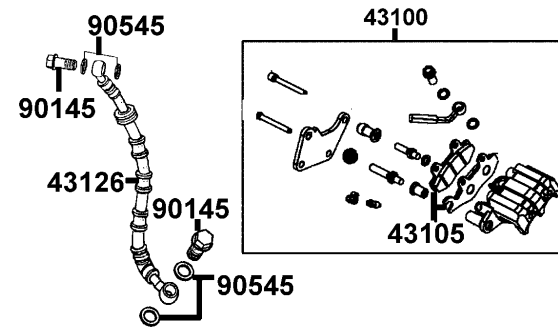


43500

90131



45200

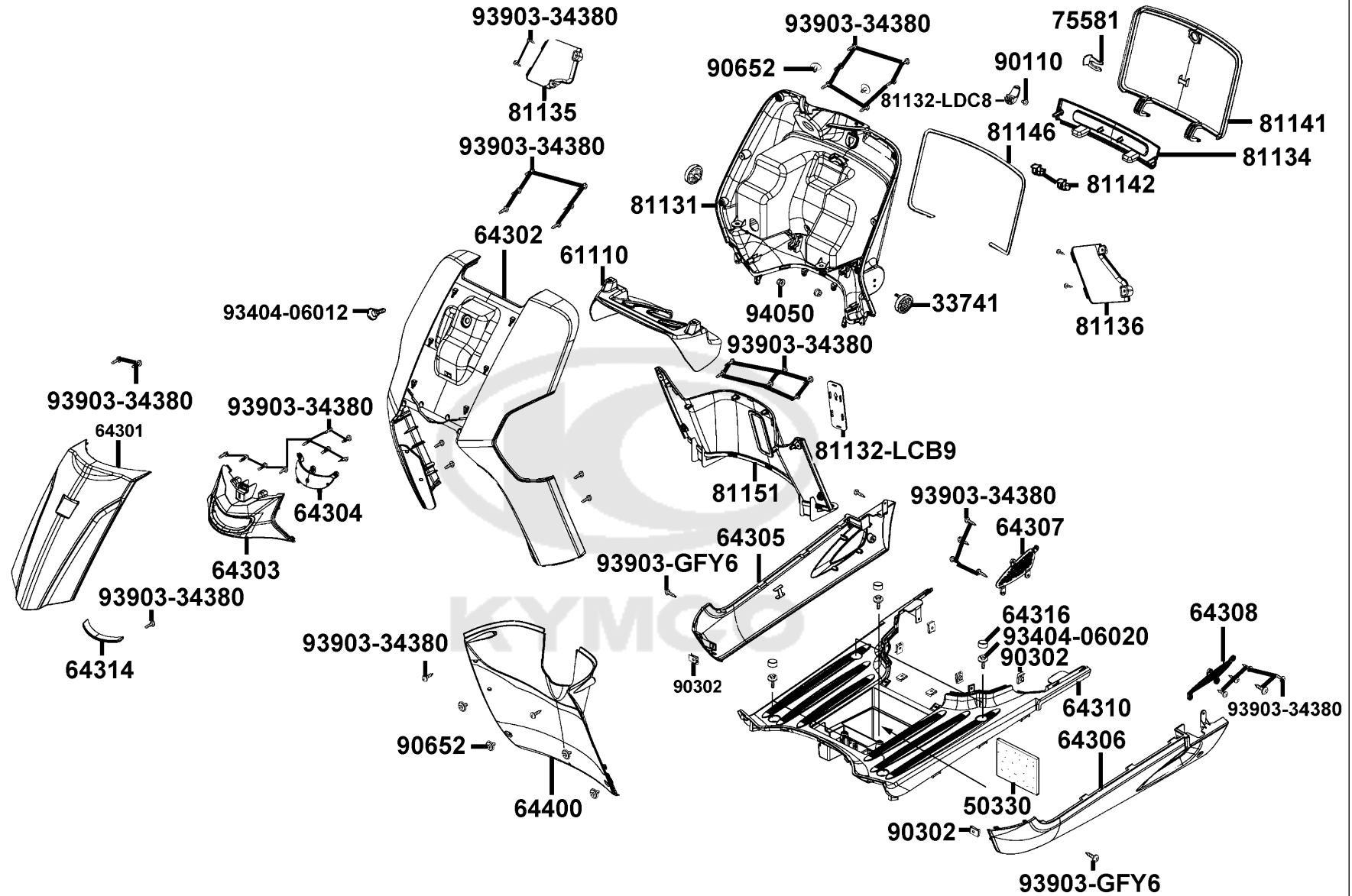




Sales mark 記号	Ref no 参照用番号	Part no パーツ番号	Description 部品名	Reg description 部品名	Regd no 必要個数	Ref Price 希望小売価格(税抜)	F04
	35340	35340-KNBN-901	SW ASSY FR STOP	SW ASSY FR STOP	1	960	
	43105	43105-LFC4-305	PAD COMP A AND B	PAD COMP A AND B	1	2720	
	43126	43126-LGR5-E1A	HOSE ASSY RR BRK	HOSE ASSY RR BRK	1	9130	
	43500	43500-LGR5-E10	M/C ASSY RR	M/C ASSY RR	1	9490	
	45105	45105-LDC8-305	PAD COMP A+B	PAD COMP A+B	1	3810	
	45200	45200-LGR5-E10	CALIPER ASSY L FR	CALIPER ASSY L FR	1	14000	
	45500	45500-LGR5-E10	SUB HARNESS SET FR M/C	SUB HARNESS SET FR M/C	1	11310	
	45513-KCCC	45513-KCCC-910	CAP MASTER CYLINDER	CAP MASTER CYLINDER	1	580	
	45513-LGR5	45513-LGR5-E10	CAP M/C	CAP M/C	1	900	
	45517	45517-KFAF-910	HOLDER M/C	HOLDER M/C	2	440	
	53175	53175-KXBX-E00	LEVER R STRG HNDL	LEVER R STRG HNDL	1	1650	
**	53178	53178-KNBN-C00	LEVER L. STRG. HANDLE	LEVER L. STRG. HANDLE	1	1910	
	90131	90131-GLW0-C00	BOLT FLANGE 8*35	BOLT FLANGE 8*35	1	140	
	90145	90145-9A61-C00	OIL BOLT 10*22	OIL BOLT 10*22	1	280	
	90545	90545-3L00-C00	WASHER OIL BOLT	WASHER OIL BOLT	1	70	
	93600	93600-04012-1G	SCREW FLAT 4*12	SCREW FLAT 4*12	2	60	
	96001	96001-06025-02	BOLT FLANGE SH 6*25	BOLT FLANGE SH 6*25	1	200	

F05

Front Cover Front Fender



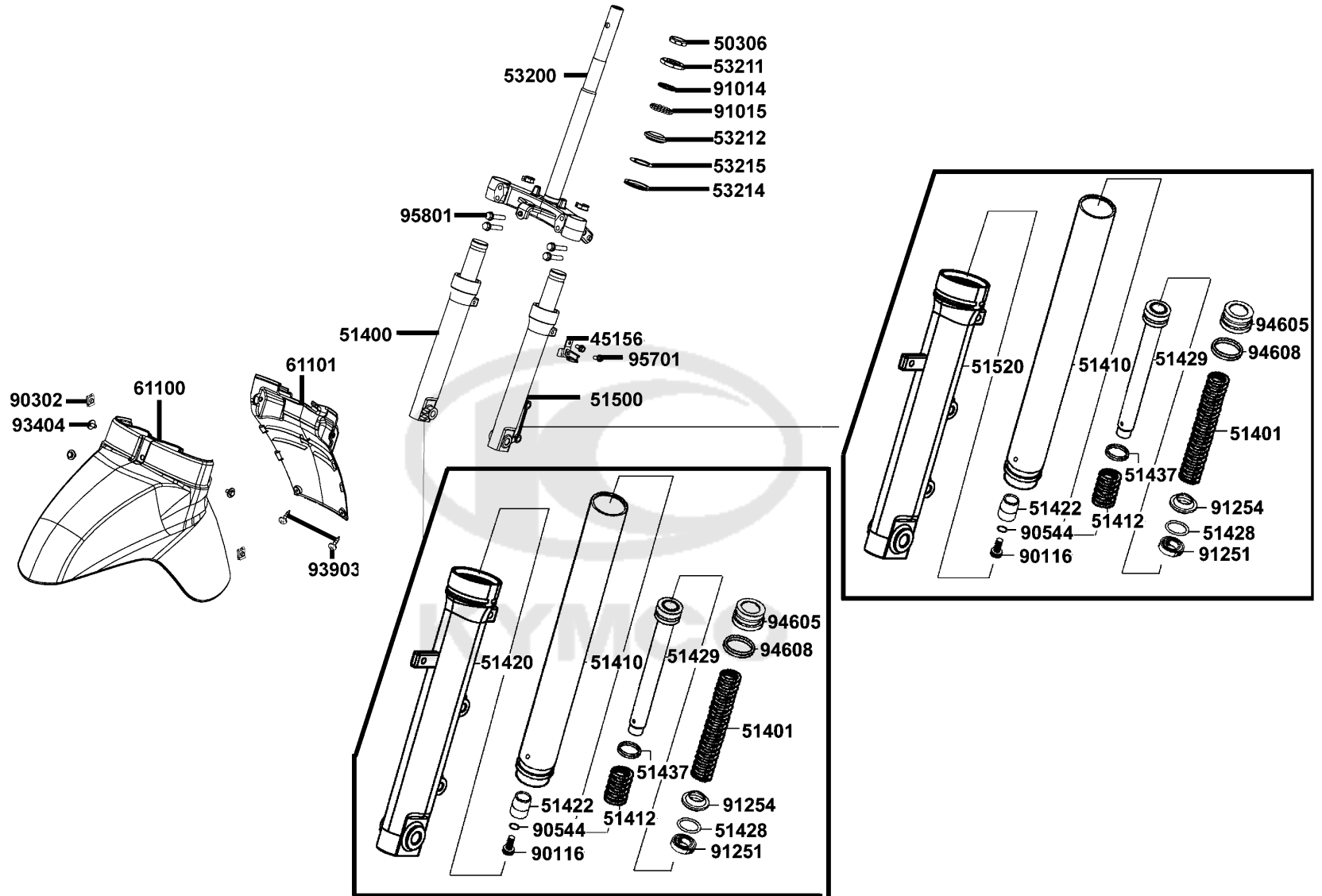
Sales mark 記号	Ref no 参照用番号	Part no パーツ番号	Description 部品名	Reg description 部品名	Regd no 必要個数	Ref Price 希望小売価格(税抜)	F05
	33741	33741-GFY6-C00	REFLEX REFLECTOR	REFLEX REFLECTOR	1	630	
	50330	50330-KEBE-C00	SEAL BATTERY FRONT	SEAL BATTERY FRONT	1	250	
**	61110	61110-LGR5-E10	FENDER FR. INNER	FENDER FR. INNER	1	1160	
**	64301	64301-LGR5-E10	COVER FR	COVER FR	1	4460	
**	64302	64302-LGR5-E10	MOLD FRONT	MOLD FRONT	1	10550	
**	64303	64303-LGR5-E10	FR COVER LOW	FR COVER LOW	1	1940	
**	64304	64304-LGR5-E10	LID FR COVER LOW	LID FR COVER LOW	1	110	
**	64305	64305-LGR5-E10	SKIRT R SIDE	SKIRT R SIDE	1	4410	
**	64306	64306-LGR5-E10	SKIRT L SIDE	SKIRT L SIDE	1	4410	
**	64307	64307-LGR5-E10	LID R SIDE SKIRT	LID R SIDE SKIRT	1	420	
**	64308	64308-LGR5-E10	LID L SIDE SKIRT	LID L SIDE SKIRT	1	420	
**	64310	64310-LGR5-E10	PANEL FLOOR	PANEL FLOOR	1	4580	
**	64314	64314-LGR5-E10	RIB FRONT COVER LOW	RIB FRONT COVER LOW	1	1280	
**	64316	64316-LCB9-C10	PLUG FLOOR	PLUG FLOOR	4	180	
**	64400	64400-LGR5-E10	UNDER COWL	UNDER COWL	1	1180	
	75581	75581-6C73-C00	SET SPG LOCK KET(43°C)	SET SPG LOCK KET(43°C)	1	390	
**	81131	81131-LGR5-E10	LEG SHIELD UP	LEG SHIELD UP	1	14280	
**	81132-LCB9	81132-LCB9-C10	LID LEG SHIELD	LID LEG SHIELD	1	440	
**	81132-LDC8	81132-LDC8-E10	HOOK LUGGAGE	HOOK LUGGAGE	1	130	
**	81134	81134-LGR5-E10	PLATE INNER BOX	PLATE INNER BOX	1		



Sales mark 記号	Ref no 参照用番号	Part no パーツ番号	Description 部品名	Reg description 部品名	Regd no 必要個数	Ref Price 希望小売価格(税抜)	F05
**	81135	81135-LGR5-E10	LID R MAINT. FR. WINKER	LID R MAINT. FR. WINKER	1		
**	81136	81136-LGR5-E10	LID L MAINT FR WINKER	LID L MAINT FR WINKER	1		
**	81141	81141-LGR5-E10	LEG SHIELD	LEG SHIELD	1	4810	
	81142	81142-KFA6-C00	STAY LID INNER BOX	STAY LID INNER BOX	1	110	
	81146	81146-LGR5-E10	SEAL LID INNER BOX	SEAL LID INNER BOX	1	210	
**	81151	81151-LGR5-E10	LEG SHIELD LOW	LEG SHIELD LOW	1		
	90110	90110-GLW0-C00	SCREW SPECIAL 6*14	SCREW SPECIAL 6*14	1	140	
	90302	90302-SDA4-C00	NUT SPRING 4MM	NUT SPRING 4MM	1	60	
	90652	90652-LCA4-C10	CLIP MUDGUARD	CLIP MUDGUARD	1	90	
	93404-06012	93404-06012-07	BOLT WASH 6*12	BOLT WASH 6*12	1	60	
	93404-06020	93404-06020-07	BOLT WASHER 6*20 (K)	BOLT WASHER 6*20 (K)	4	140	
	93903-34380	93903-34380	SCREW TAPPING 4*12 (K)	SCREW TAPPING 4*12 (K)	48	60	
	93903-GFY6	93903-GFY6-C00	SCREW TAPPING 4*14	SCREW TAPPING 4*14	1	60	
	94050	94050-06080	NUT FLANGE 6MM	NUT FLANGE 6MM	2	60	

F06

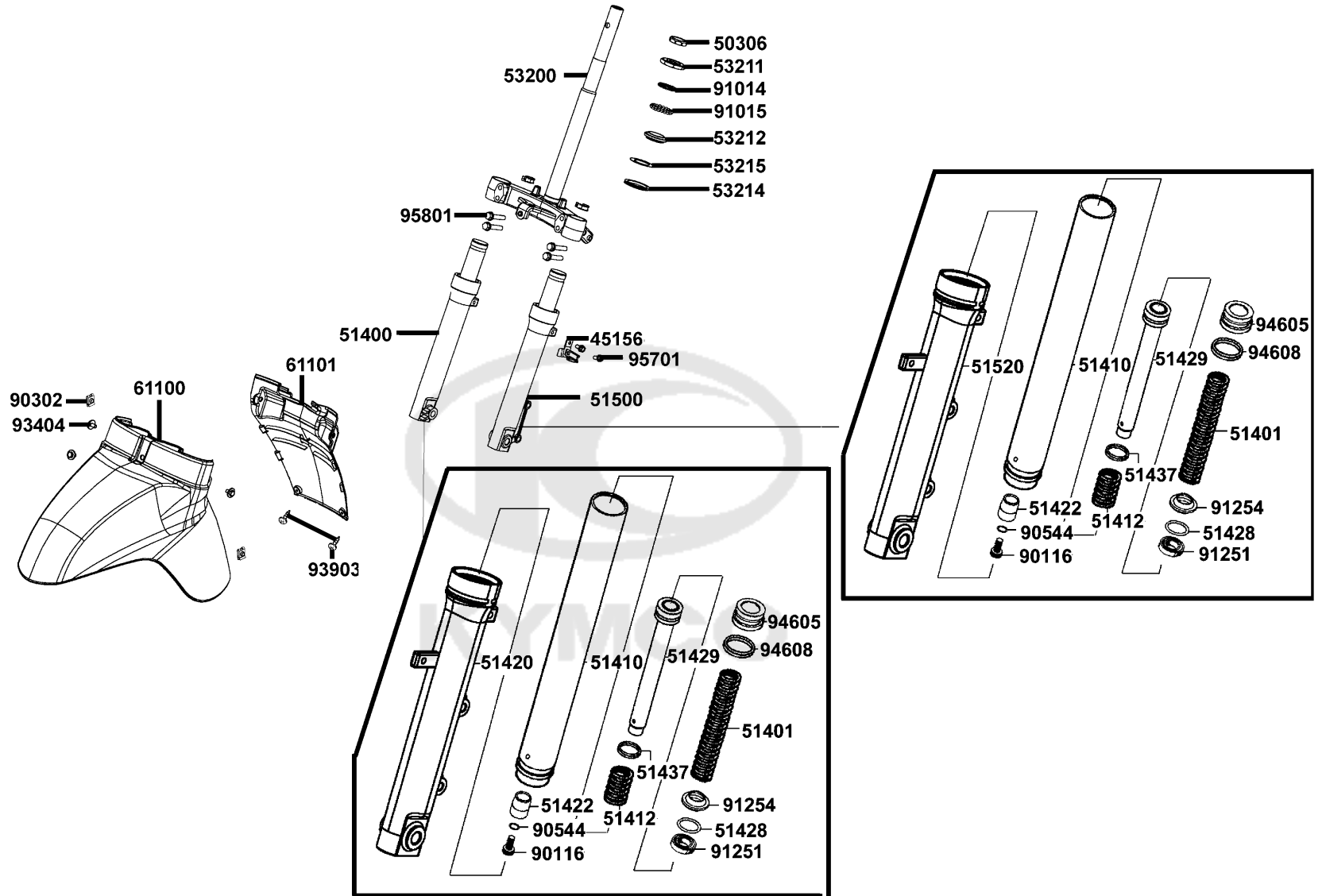
Stem Steering Front Cushion



Sales mark 記号	Ref no 参照用番号	Part no パーツ番号	Description 部品名	Reg description 部品名	Regd no 必要個数	Ref Price 希望小売価格(税抜)	F06
	45156	45156-KNBN-C00	CLAMPER FR BRAKE HOSE	CLAMPER FR BRAKE HOSE	1	400	
	50306	50306-1F96-C00	NUT STRG STEM LOCK	NUT STRG STEM LOCK	1	200	
**	51400	51400-LGR5-E10	FORK ASSY R FR	FORK ASSY R FR	1	15070	
	51401	51401-LGB5-E10	SPRING	SPRING	1	470	
	51410	51410-LDC8-E10	FORK PIPE COMP	FORK PIPE COMP	1	4980	
	51412	51412-LDC8-E10	REBOUND SPRING	REBOUND SPRING	1	110	
**	51420	51420-LGR5-E10	BOTTOM CASE R	BOTTOM CASE R	1		
	51422	51422-LDC8-E10	OIL LOCK PIECE	OIL LOCK PIECE	1	370	
	51428	51428-LDC8-E10	OIL SEAL STOPPER RING	OIL SEAL STOPPER RING	1	60	
	51429	51429-LGR5-E10	PIPE SEAT	PIPE SEAT	1	660	
	51437	51437-LDC8-E10	PIPE SEAT	PIPE SEAT	1	60	
**	51500	51500-LGR5-E10	FORK ASSY L FR	FORK ASSY L FR	1	15070	
**	51520	51520-LGR5-E10	BOTTOM CASE L	BOTTOM CASE L	1		
	53200	53200-LGR5-E10	STEM COMP STRG.	STEM COMP STRG.	1	14620	
	53211	53211-GFY6-C00	RACE STRG TOP CONE	RACE STRG TOP CONE	1	470	
	53212	53212-2L50-C00	RACE (STRG BOTTOM) CONE	RACE (STRG BOTTOM) CONE	1	680	
	53214	53214-2L50-C00	DUST SEAL STRG HEAD	DUST SEAL STRG HEAD	1	110	
	53215	53215-2L50-C00	WASHER STRG HDL DUST-SEAL	WASHER STRG HDL DUST-SEAL	1	60	
**	61100	61100-LGR5-E10	FENDER FRONT A	FENDER FRONT A	1	9700	
**	61101	61101-LGR5-E10	FENDER FRONT B	FENDER FRONT B	1	3170	

F06

Stem Steering Front Cushion

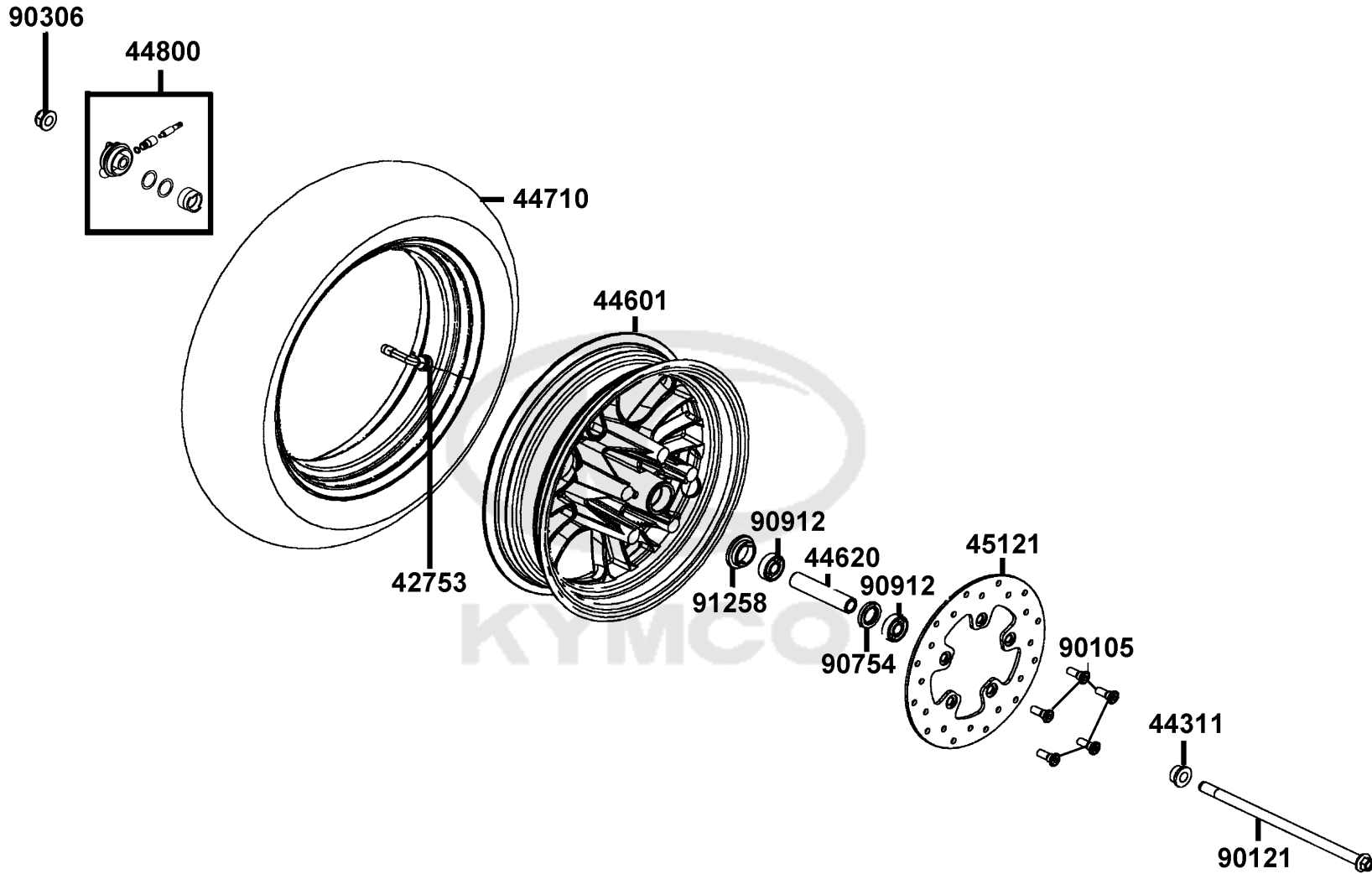




Sales mark 記号	Ref no 参照用番号	Part no パーツ番号	Description 部品名	Reg description 部品名	Regd no 必要個数	Ref Price 希望小売価格(税抜)	F06
90116		90116-LDC8-E10	BOLT	BOLT	1	70	
90302		90302-SDA4-C00	NUT SPRING 4MM	NUT SPRING 4MM	1	60	
90544		90544-LDC8-E10	PACKING (CU)B	PACKING (CU)B	1	60	
91014		91014-LLJ3-C00	CAGE STRG TOPP	CAGE STRG TOPP	1	90	
91015		91015-LLJ3-C00	CAGE STRG BOT	CAGE STRG BOT	1	180	
91251		91251-LDC8-E10	OIL SEAL	OIL SEAL	1	630	
91254		91254-LDC8-E10	DUST SEAL	DUST SEAL	1	250	
93404		93404-06016-07	BOLT WASHER 6*16 (K)	BOLT WASHER 6*16 (K)	3	140	
93903		93903-GFY6-C00	SCREW TAPPING 4*14	SCREW TAPPING 4*14	1	60	
94605		94605-LDC8-E10	FORK BOLT	FORK BOLT	1	490	
94608		94608-LDC8-E10	O-RING B	O-RING B	1	60	
95701		95701-06012-08	BOLT FLANGE 6*12	BOLT FLANGE 6*12	3	60	
95801		95801-08040-08	BOLT FLANGE 8*40	BOLT FLANGE 8*40	4	90	

F07

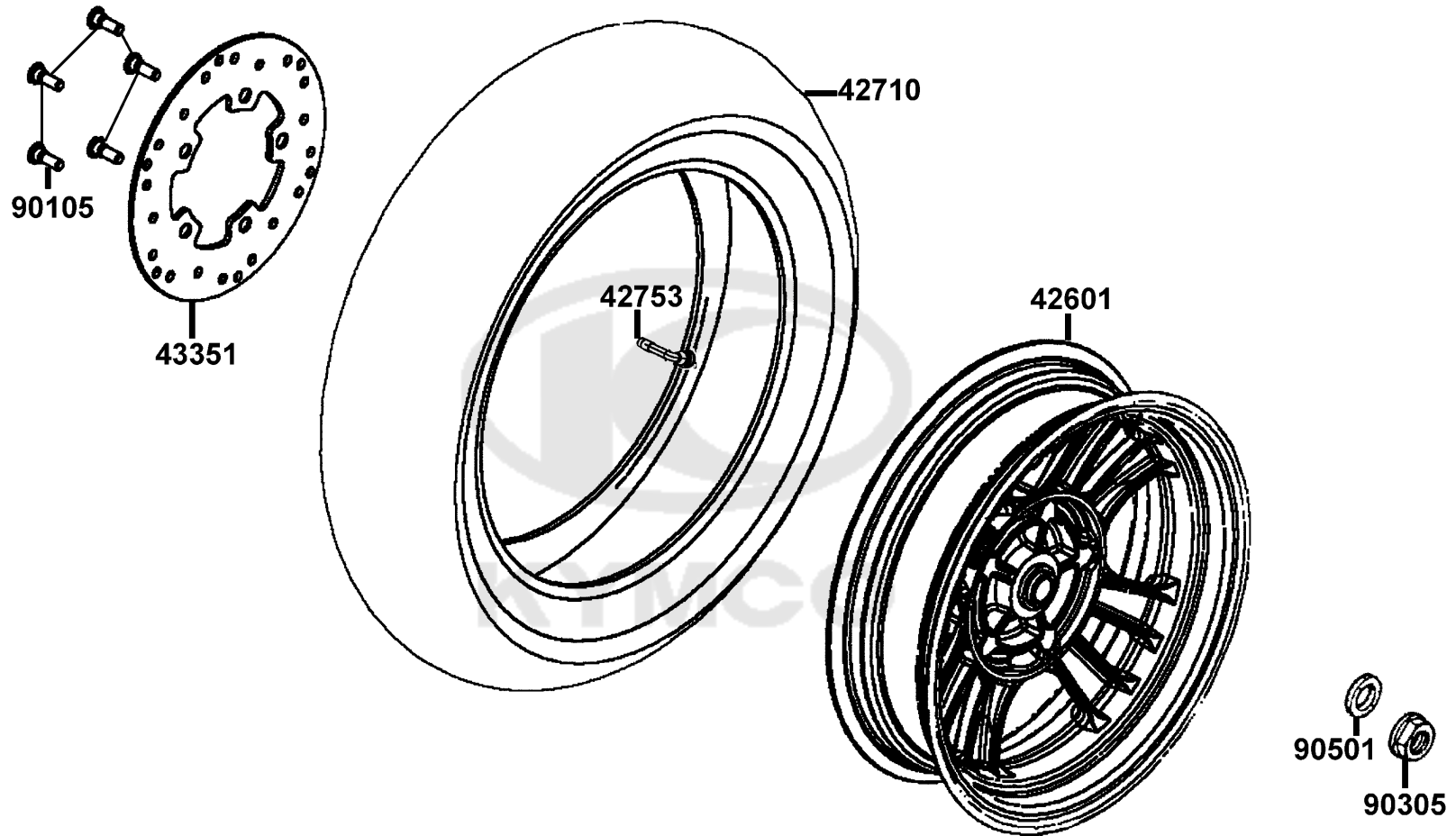
Front Wheel



Sales mark 記号	Ref no 参照用番号	Part no パーツ番号	Description 部品名	Reg description 部品名	Regd no 必要個数	Ref Price 希望小売価格(税抜)	F07
	42753	42753-0A01-C00	VALVE (TR 412) & CAP (C)	VALVE (TR 412) & CAP (C)	1	520	
	44311	44311-GLW0-W10	CLLAR FR WHEEL SIDE	CLLAR FR WHEEL SIDE	1	580	
**	44601	44601-LGR5-E10	WHEEL COMP FR CAST	WHEEL COMP FR CAST	1	21330	
	44620	44620-KEB7-C00	COLLAR FR DIST	COLLAR FR DIST	1	350	
	44710	44710-LDC8-E10	TIRE ASSY FR	TIRE ASSY FR	1	13760	
	44800	44800-LDC8-E10	GEAR BOX ASSY SPDMT	GEAR BOX ASSY SPDMT	1	2960	
	45121	45121-LGR5-E80	DISK FR BRK	DISK FR BRK	1	5190	
	90105	90105-KCR3-001	BOLT FR DISK 8*24	BOLT FR DISK 8*24	5	80	
	90121	90121-KBE2-C00	BOLT RR FORK PIVOT	BOLT RR FORK PIVOT	1	1490	
	90306	90306-KLF0-C00	NUT FLANGE 12MM	NUT FLANGE 12MM	1	210	
	90754	90754-GHC8-C00	DUST SEAL 20*32*5	DUST SEAL 20*32*5	1	200	
	90912	90912-GHC8-C00	BEARING 6201 (U) (NTN)	BEARING 6201 (U) (NTN)	1	1010	
	91258	91258-KAM1-C00	SEAL SPDMT GEAR BOX	SEAL SPDMT GEAR BOX	1	450	

F08

Rear Wheel

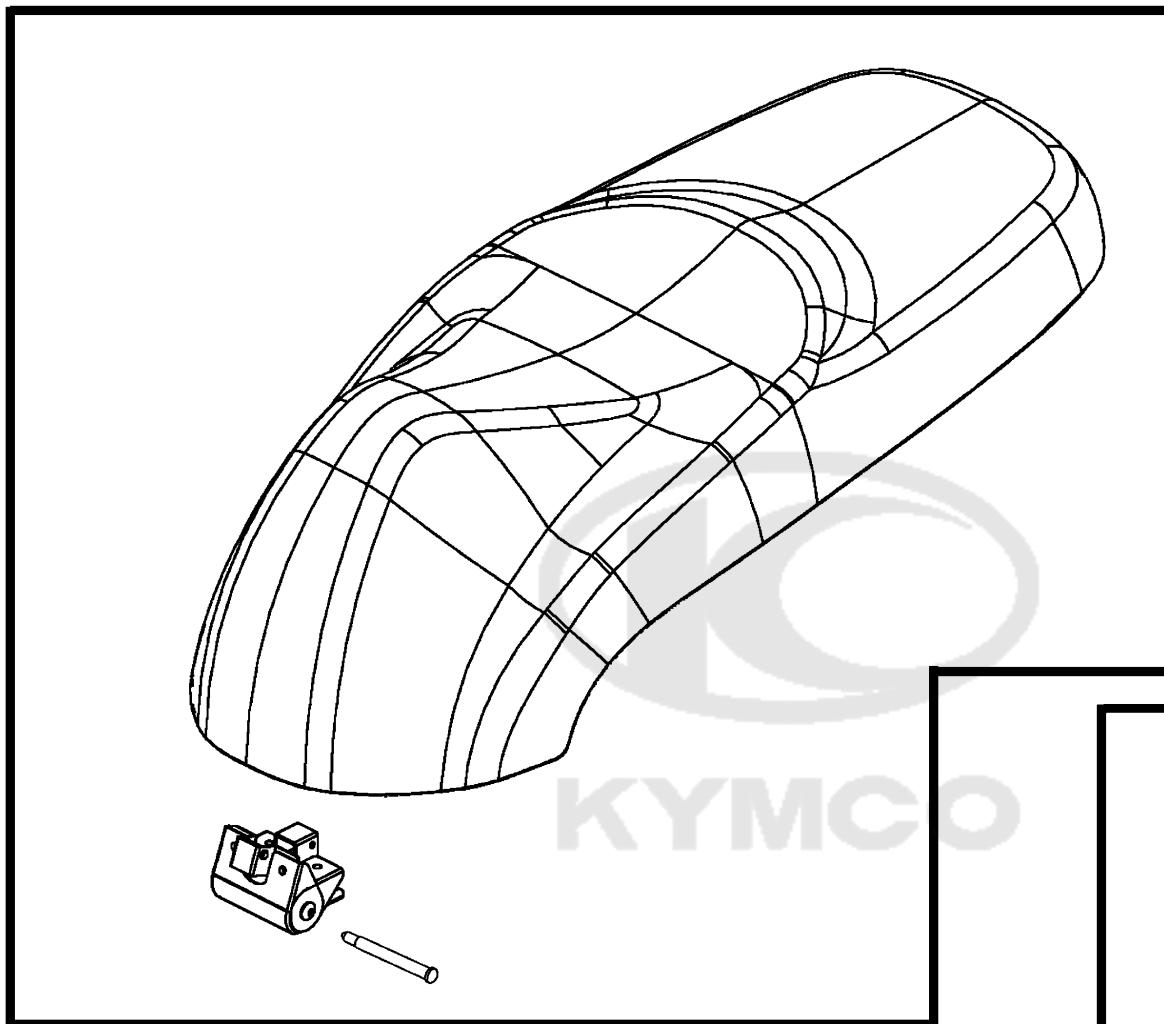


Sales mark 記号	Ref no 参照用番号	Part no パーツ番号	Description 部品名	Reg description 部品名	Regd no 必要個数	Ref Price 希望小売価格(税抜)	F08
**	42601	42601-LGR5-E10	WHEEL COMP RR CAST	WHEEL COMP RR CAST	1	19890	
	42710	42710-LDC8-E10	TIRE ASSY RR	TIRE ASSY RR	1	12220	
	42753	42753-0A01-C00	VALVE (TR 412) & CAP (C)	VALVE (TR 412) & CAP (C)	1	520	
	43351	43351-LFB5-E80	DISK BRAKE ? xR	DISK BRAKE ,RR	1	4980	
	90105	90105-KCR3-001	BOLT FR DISK 8*24	BOLT FR DISK 8*24	5	80	
	90305	90305-KNBN-C00	NUT U 16MM(C)	NUT U 16MM(C)	1	330	
	90501	90501-KNBN-C00	WASHER 16MM	WASHER 16MM	1	70	

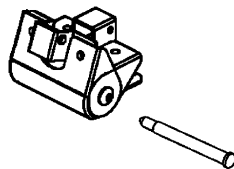


F09

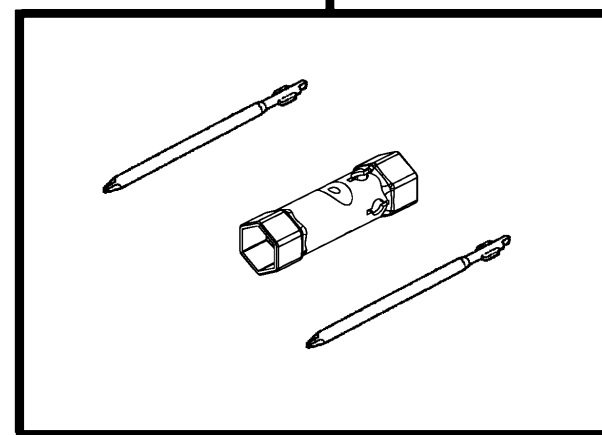
Seat



77200



94050



89010

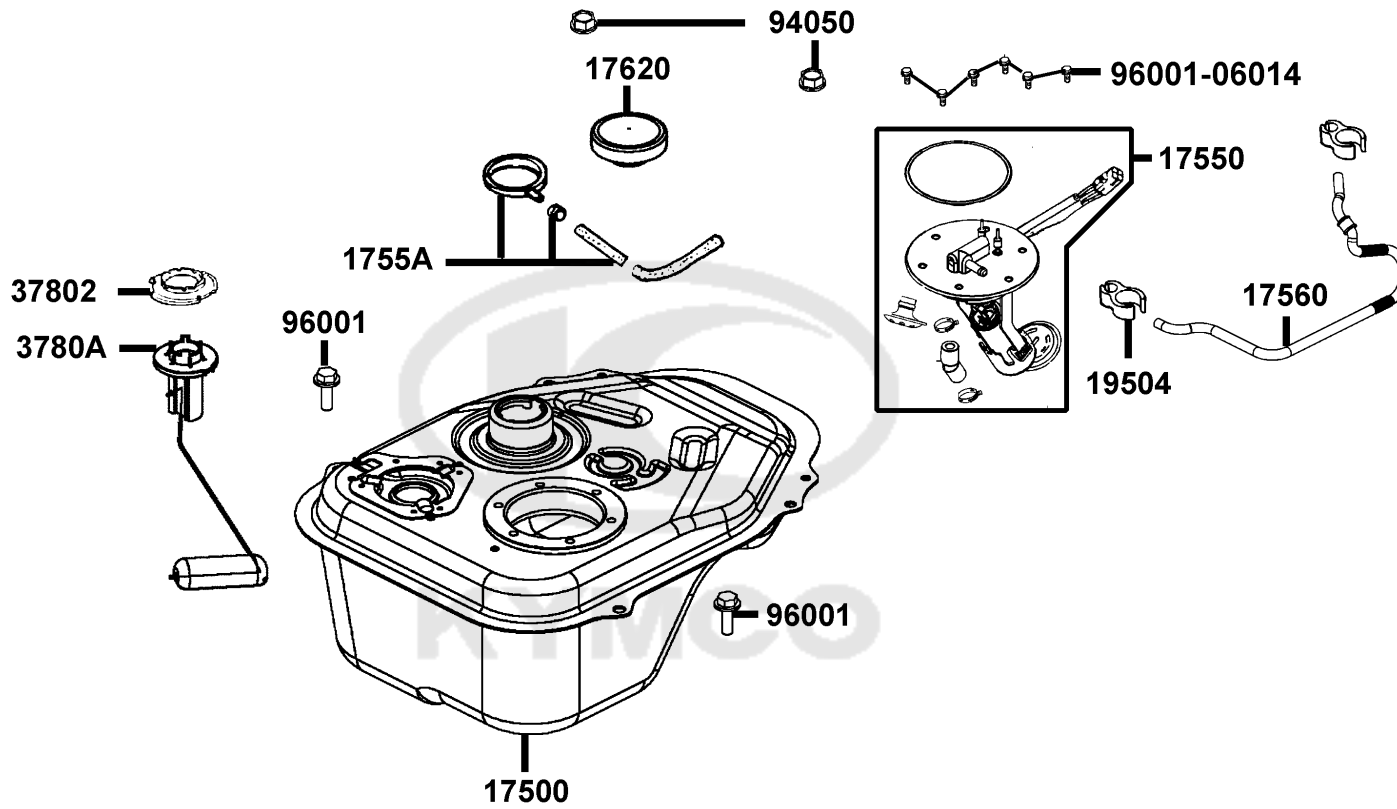
Sales mark 記号	Ref no 参照用番号	Part no パーツ番号	Description 部品名	Reg description 部品名	Regd no 必要個数	Ref Price 希望小売価格(税抜)	F09
------------------	-----------------	------------------	--------------------	------------------------	-----------------	-------------------------	-----

**	77200	77200-LGR5-E10	SEAT ASSY	SEAT ASSY	1	21680	
	89010	89010-KGBG-C00	TOOL SET	TOOL SET	1	1250	
	94050	94050-06080	NUT FLANGE 6MM	NUT FLANGE 6MM	2	60	



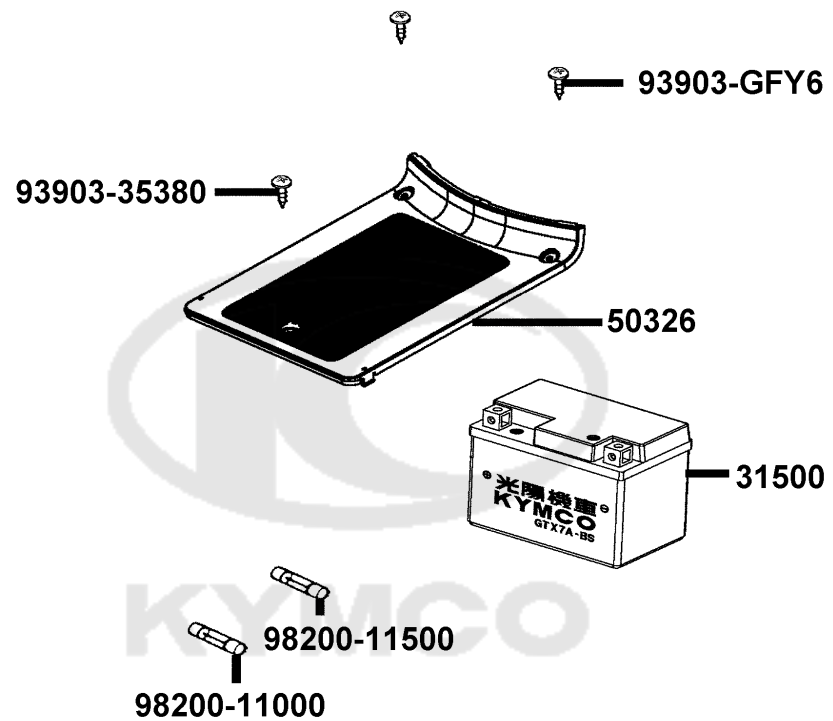
F10

Fuel Tank





Sales mark 記号	Ref no 参照用番号	Part no パーツ番号	Description 部品名	Reg description 部品名	Regd no 必要個数	Ref Price 希望小売価格(税抜)	F10
17500		17500-LGS6-E10	TANK COMP FUEL	TANK COMP FUEL	1	13640	
17550		17550-AAA1-BA0	PUMP ASSY.. FUEL	PUMP ASSY.. FUEL	1		
1755A		1755A-LGS6-E10	TRAY ASSY FUEL CAP	TRAY ASSY FUEL CAP	1	1530	
17560		17560-LGS6-E10	TUBE PUMP INJECTOR	TUBE PUMP INJECTOR	1	6100	
17620		17620-LBA8-C10	CAP FUEL FILLER	CAP FUEL FILLER	1	1090	
19504		19504-LBA2-C00	CLAMP D16.8	CLAMP D16.8	1	160	
37802		37802-GGA7-C00	RET FUEL UNIT	RET FUEL UNIT	1	160	
3780A		3780A-LGS6-E10	FUEL UNIT ASSY	FUEL UNIT ASSY	1	1970	
94050		94050-06080	NUT FLANGE 6MM	NUT FLANGE 6MM	2	60	
96001		96001-06012-08	BOLT FLANGE 6*12	BOLT FLANGE 6*12	2	60	
96001-06014		96001-06014-08	BOLT FLANGE 6*14	BOLT FLANGE 6*14	6	60	

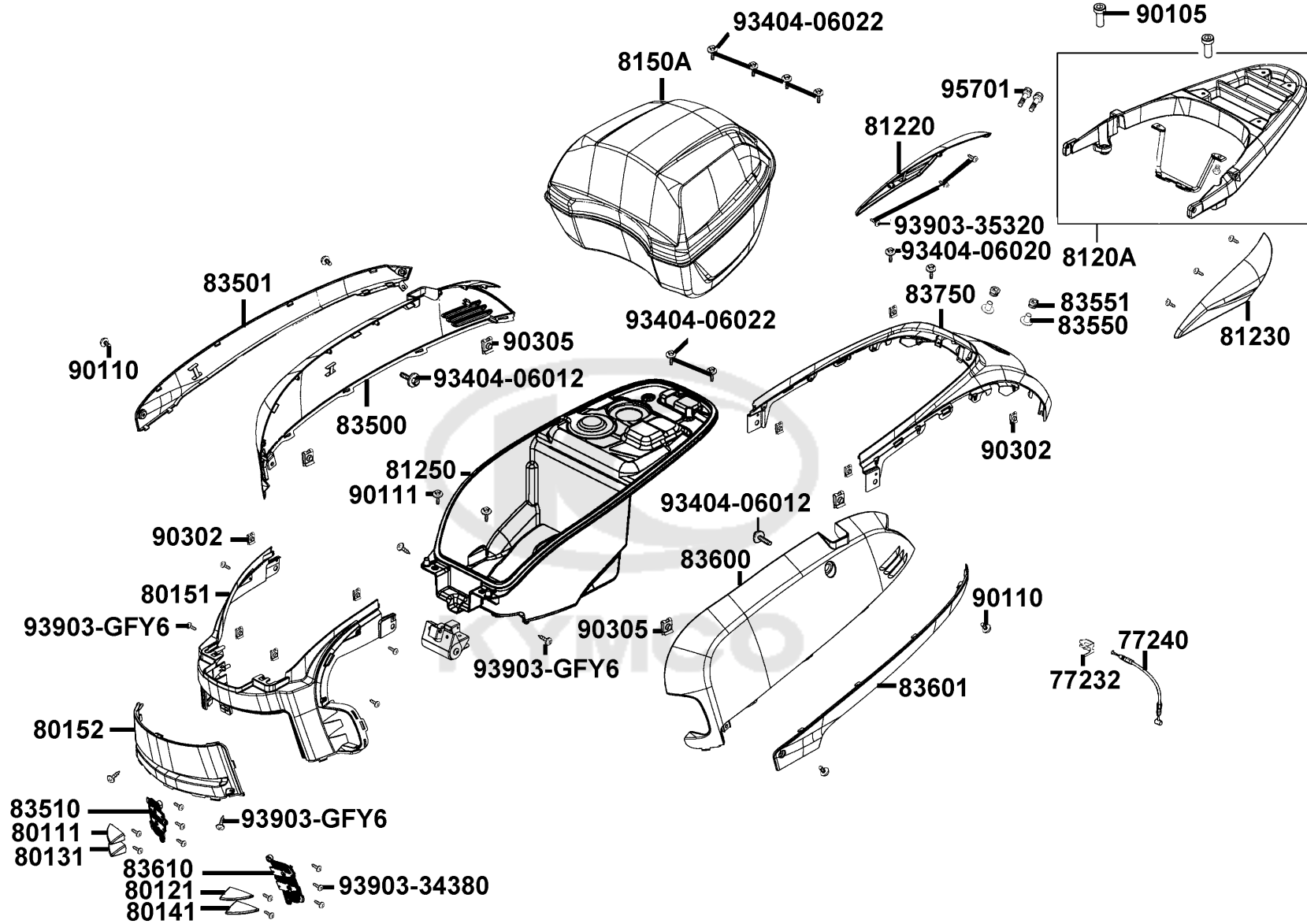


Sales mark 記号	Ref no 参照用番号	Part no パーツ番号	Description 部品名	Reg description 部品名	Regd no 必要個数	Ref Price 希望小売価格(税抜)	F11
31500		31500-KFAF-C00	BATTERY YTX9-BS	BATTERY YTX9-BS	1	21480	
50326		50326-LGS6-E10	COVER BATTERY	COVER BATTERY	1	710	
93903-35380		93903-35380	SCREW TAPPING 5*16 (K)	SCREW TAPPING 5*16 (K)	1	60	
93903-GFY6		93903-GFY6-C00	SCREW TAPPING 4*14	SCREW TAPPING 4*14	1	60	
98200-11000		98200-11000	FUSE A10	FUSE A10	1	60	
98200-11500		98200-11500	FUSE A15	FUSE A15	1	60	



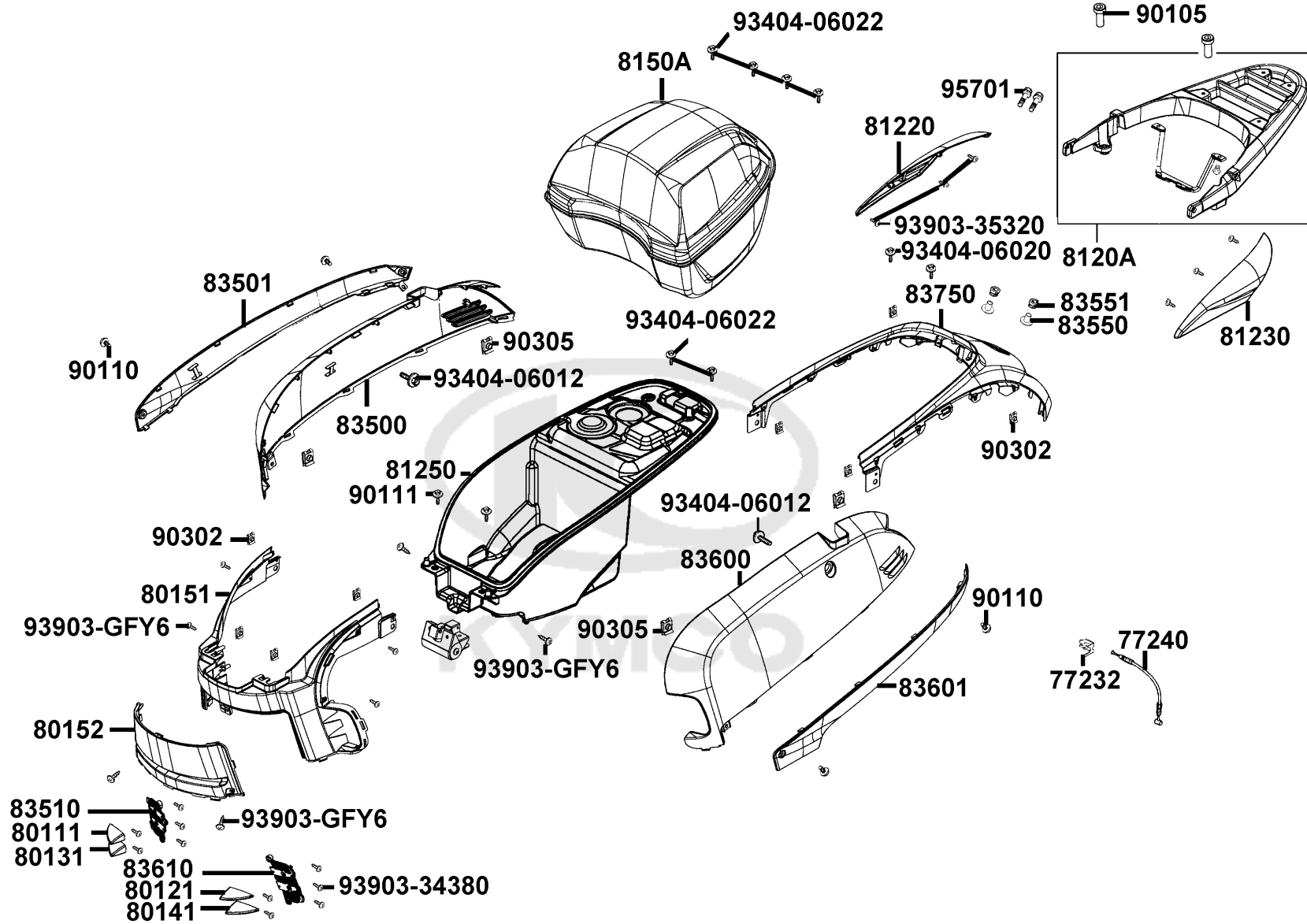
F12

Body Cover Luggage Box



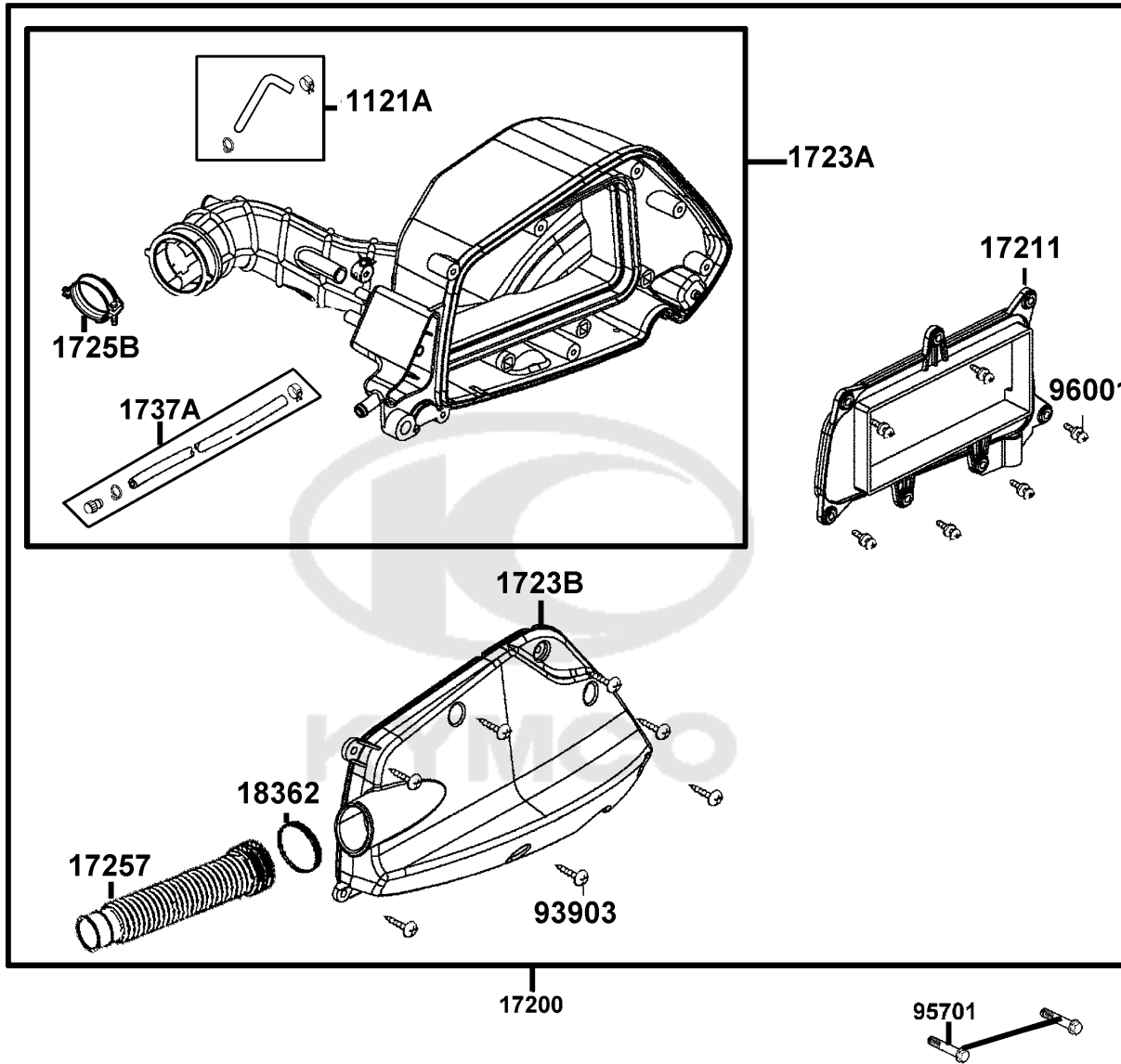
Sales mark 記号	Ref no 参照用番号	Part no パーツ番号	Description 部品名	Reg description 部品名	Regd no 必要個数	Ref Price 希望小売価格(税抜)
	77232	77232-KCAC-C00	SET SPG SEAT LOCK	SET SPG SEAT LOCK	1	200
	77240	77240-LGB5-E10	CABLE COMP SEAT LOCK	CABLE COMP SEAT LOCK	1	440
**	80111	80111-LGR5-E10	UP RIB R CENTER COVER	UP RIB R CENTER COVER	1	1280
**	80121	80121-LGR5-E10	UP RIB L CENTER COVER	UP RIB L CENTER COVER	1	1280
**	80131	80131-LGR5-E10	LOW RIB R CENTER COVER	LOW RIB R CENTER COVER	1	1440
**	80141	80141-LGR5-E10	LOW RIB L CENTER COVER	LOW RIB L CENTER COVER	1	1440
**	80151	80151-LGR5-E10	COVER CENTER UP	COVER CENTER UP	1	6550
**	80152	80152-LGR5-E10	COVER CENTER LOW	COVER CENTER LOW	1	5600
**	8120A	8120A-LGR5-E10	REAR CARRIER ASSY	REAR CARRIER ASSY	1	19440
**	81220	81220-LGR5-E10	COVER R CARRIER	COVER R CARRIER	1	1340
**	81230	81230-LGR5-E10	COVER L CARRIER	COVER L CARRIER	1	1340
**	81250	81250-LGS6-E10	BOX LUGGAGE	BOX LUGGAGE	1	
**	8150A	8150A-LGR5-E10	RR BOX	RR BOX	1	
**	83500	83500-LGR5-E10	COVER R BODY	COVER R BODY	1	7350
**	83501	83501-LGR5-E10	MOLD R SIDE	MOLD R SIDE	1	3930
**	83510	83510-LGR5-E10	LID R BODY COVER	LID R BODY COVER	1	610
	83550	83550-KEC8-C00	COLLAR SET METER	COLLAR SET METER	1	60
	83551	83551-KEC8-C10	GROMMET COVER	GROMMET COVER	1	60
**	83600	83600-LGR5-E10	COVER L BODY	COVER L BODY	1	7350
**	83601	83601-LGR5-E10	MOLD L SIDE	MOLD L SIDE	1	3930

F12



Sales mark 記号	Ref no 参照用番号	Part no パーツ番号	Description 部品名	Reg description 部品名	Regd no 必要個数	Ref Price 希望小売価格(税抜)
**	83610	83610-LGR5-E10	LID L BODY COVER	LID L BODY COVER	1	610
**	83750	83750-LGR5-E10	REAR CENTER COVER	REAR CENTER COVER	1	7210
	90105	90105-KNBN-901	BOLT SPECIAL 8MM	BOLT SPECIAL 8MM	2	320
	90110	90110-GLW0-C00	SCREW SPECIAL 6*14	SCREW SPECIAL 6*14	1	140
	90111	90111-1G87-C00	BOLT, PLANGE 6*14	BOLT, PLANGE 6*14	1	70
	90302	90302-SDA4-C00	NUT SPRING 4MM	NUT SPRING 4MM	1	60
	90305	90305-GHK8-C00	NUT CLIP 6MM	NUT CLIP 6MM	1	70
	93404-06012	93404-06012-07	BOLT WASH 6*12	BOLT WASH 6*12	2	60
	93404-06020	93404-06020-07	BOLT WASHER 6*20 (K)	BOLT WASHER 6*20 (K)	2	140
	93404-06022	93404-06022-07	BOLT WASHER 6*22 (K)	BOLT WASHER 6*22 (K)	4	60
	93903-34380	93903-34380	SCREW TAPPING 4*12 (K)	SCREW TAPPING 4*12 (K)	10	60
	93903-35320	93903-35320	SCREW TAPPING 5*16	SCREW TAPPING 5*16	6	60
	93903-GFY6	93903-GFY6-C00	SCREW TAPPING 4*14	SCREW TAPPING 4*14	1	60
	95701	95701-06028-07	BOLT WASHER 6*28	BOLT WASHER 6*28	2	60

F12



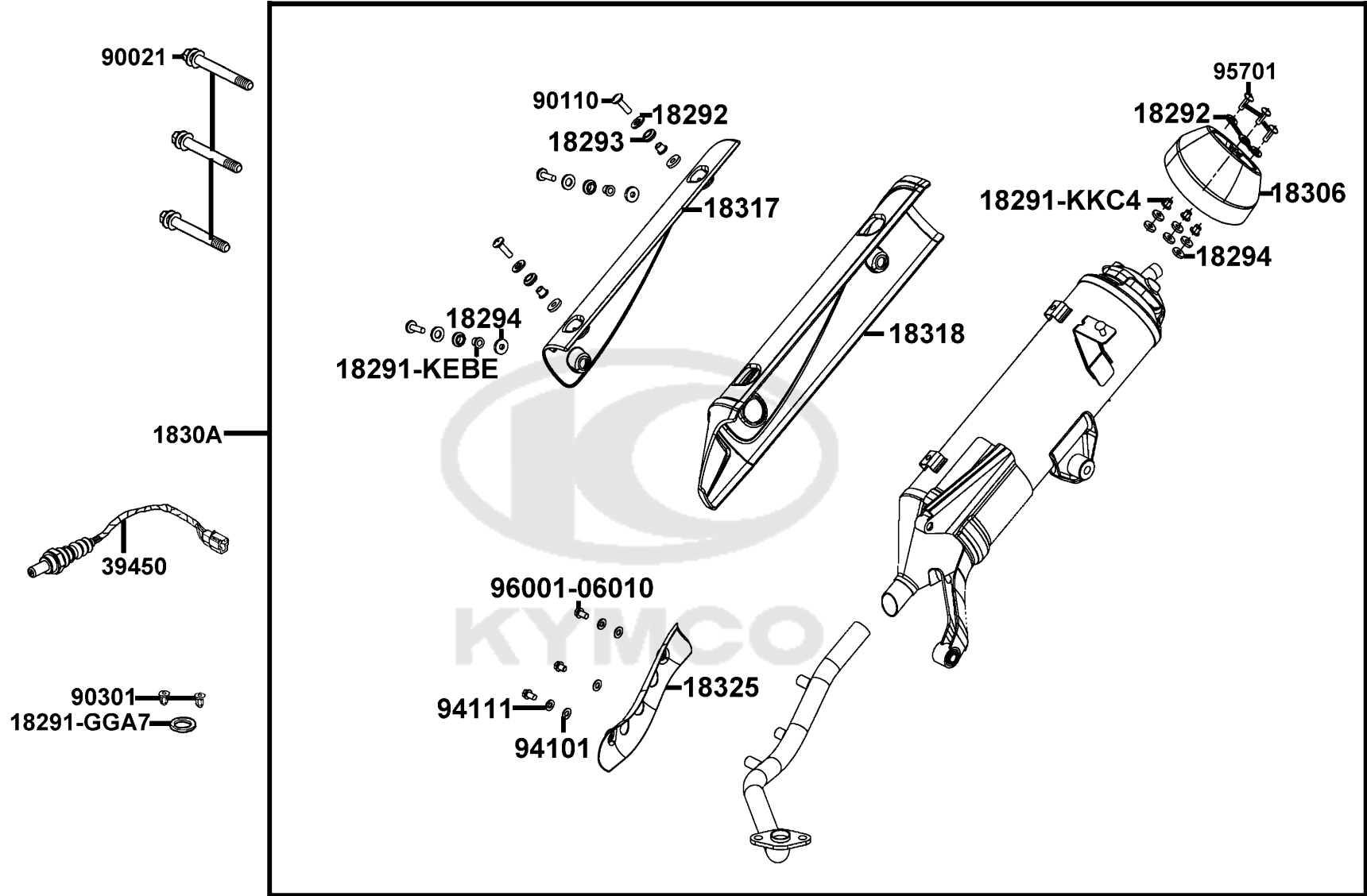


Sales mark 記号	Ref no 参照用番号	Part no パーツ番号	Description 部品名	Reg description 部品名	Regd no 必要個数	Ref Price 希望小売価格(税抜)
1121A		1121A-KUDU-C00	TUBE BREATHER	TUBE BREATHER	1	450
17200		17200-LGS6-E10	AIR/C ASSY	AIR/C ASSY	1	11190
17211		17211-LGR5-E10	ELEMENT COMP AIR/C	ELEMENT COMP AIR/C	1	1730
1723A		1723A-LGS6-E10	CASE COMP.,AIR/C	CASE COMP.,AIR/C	1	4170
1723B		1723B-LGR5-E10	COVER COMP AIR/C	COVER COMP AIR/C	1	2270
17257		17257-LGR5-E10	TUBE AIR/C CONN	TUBE AIR/C CONN	1	1820
1725B		1725B-KGBG-900	BAND ASSY AIR/C CONN TUBE	BAND ASSY AIR/C CONN TUBE	1	580
1737A		1737A-KUDU-C00	V TUBE ASSY	V TUBE ASSY	1	390
18362		18362-LGR5-E10	SPRING CLIP	SPRING CLIP	1	680
93903		93903-25480	SCREW TAPPING 5*20 (K)	SCREW TAPPING 5*20 (K)	7	200
95701		95701-06032-08	BOLT FLANGE 6*32	BOLT FLANGE 6*32	2	60
96001		96001-GFY6-C00	BOLT SPECIAL 5*10	BOLT SPECIAL 5*10	1	60

F13

F14

Exhaust Muffler

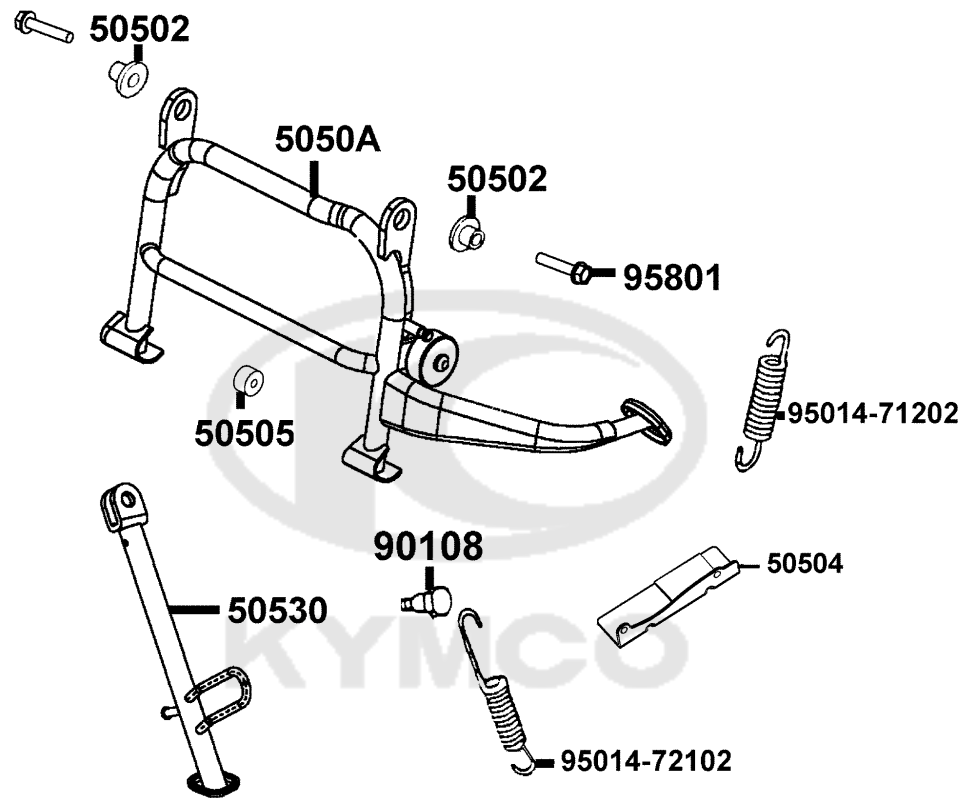


Sales mark 記号	Ref no 参照用番号	Part no パーツ番号	Description 部品名	Reg description 部品名	Regd no 必要個数	Ref Price 希望小売価格(税抜)
	18291-GGA7	18291-GGA7-C01	GASKET EXH PIPE	GASKET EXH PIPE	1	210
	18291-KEBE	18291-KEBE-C00	COLLAR	COLLAR	1	70
	18291-KKC4	18291-KKC4-C00	COLLAR	COLLAR	1	90
	18292	18292-KEBE-C00	PACKING PROTECTOR	PACKING PROTECTOR	1	90
	18293	18293-KEBE-C00	RUBBER PKG PROTR	RUBBER PKG PROTR	1	110
	18294	18294-PUA3-B50	PACKING PROTECTOR	PACKING PROTECTOR	1	70
	18306	18306-LGR5-E10	TAIL CAP MUFFLER	TAIL CAP MUFFLER	1	3840
	1830A	1830A-LGS6-E10	MUFFLER ASSY EXHAUST	MUFFLER ASSY EXHAUST	1	66040
**	18317	18317-LGR5-E10	PROTECTOR A MUFFLER	PROTECTOR A MUFFLER	1	
	18318	18318-LGR5-E10	PROTECTOR MUFFLER	PROTECTOR MUFFLER	1	7690
	18325	18325-LGR5-E10	PROTECTOR EXHAUST PIPE	PROTECTOR EXHAUST PIPE	1	2270
	39450	39450-LEA6-800	O2 SENSOR	O2 SENSOR **(1) C.2006.12.21	1	19800
	90021	90021-GFY6-C10	BOLT WASHER COMP	BOLT WASHER COMP	1	230
	90110	90110-LCD4-E00	SCREW SPECIAL 6*16	SCREW SPECIAL 6*16	3	60
	90301	90301-GFY6-C00	NUT (HEX) CAP 8MM	NUT (HEX) CAP 8MM	1	510
	94101	94101-06200	WASHER PLAIN 6MM	WASHER PLAIN 6MM	3	60
	94111	94111-06800	WASHER SPRING 6MM	WASHER SPRING 6MM	2	60
	95701	95701-LGR5-E10	SCREW SPECIAL 6*25	SCREW SPECIAL 6*25	3	270
	96001-06010	96001-06010-02	BOLT FLANGE SH 6*10	BOLT FLANGE SH 6*10	2	60

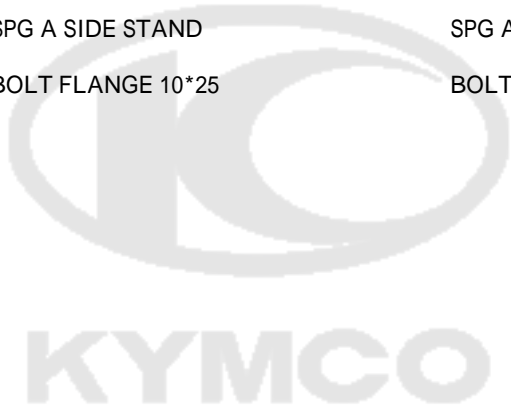
F14

F15

Stand Kick Starter Arm

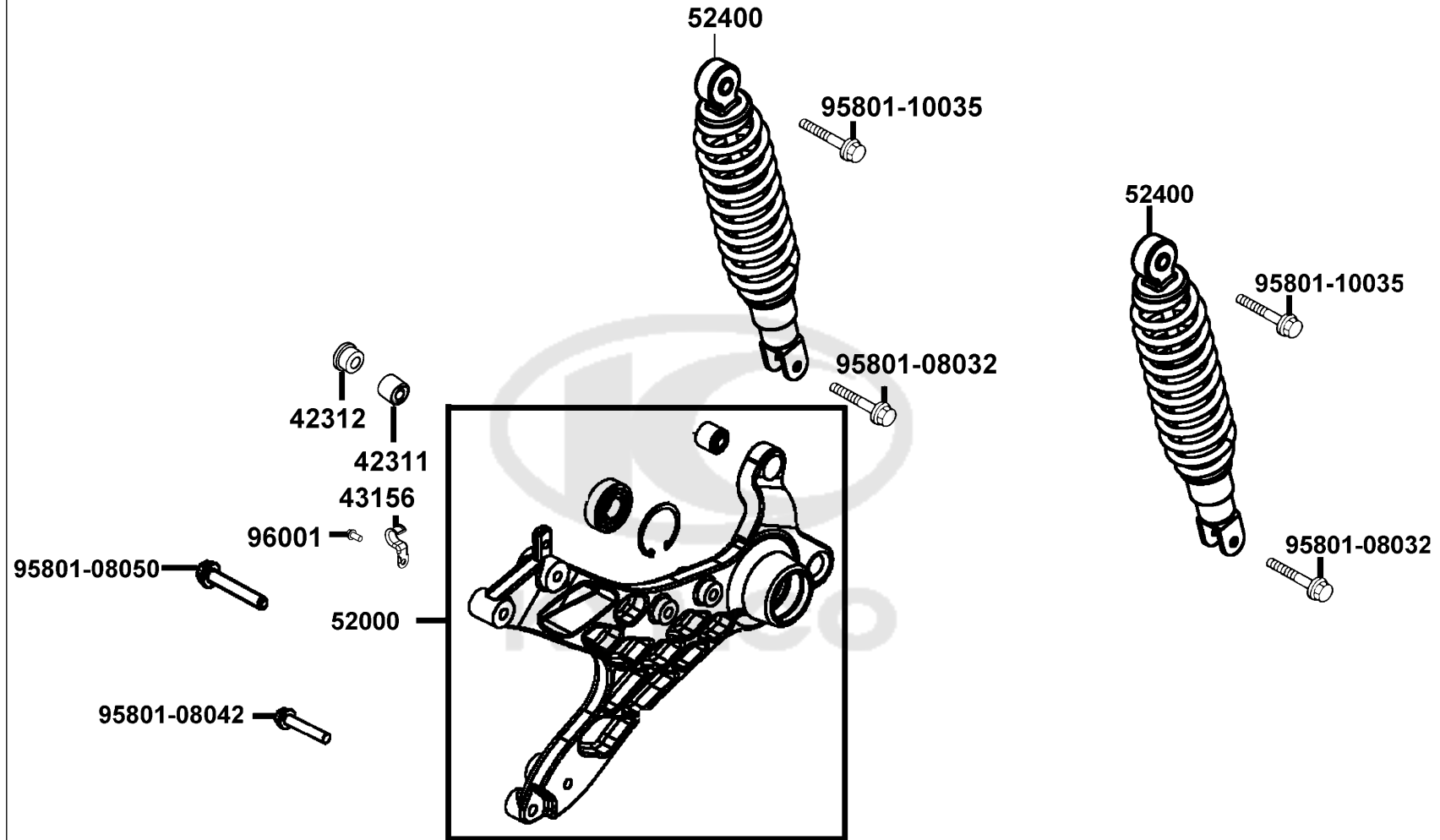


Sales mark 記号	Ref no 参照用番号	Part no パーツ番号	Description 部品名	Reg description 部品名	Regd no 必要個数	Ref Price 希望小売価格(税抜)	F15
50502		50502-LDF7-C00	COLLAR,MAIN STAND	COLLAR,MAIN STAND	1	110	
50504		50504-LGR5-C00	MAIN STAND COMP	MAIN STAND COMP	1		
50505		50505-LAD9-C00	STOPPER RUBBER	STOPPER RUBBER	1	180	
5050A		5050A-LGR5-E10	STAND COMP MAIN	STAND COMP MAIN	1	4900	
50530		50530-LGR4-M30	STAND COMP SIDE	STAND COMP SIDE	1	1700	
90108		90108-GFY6-901	SCREW SIDE STAND PIVOT	SCREW SIDE STAND PIVOT	1	130	
95014-71202		95014-71202	SPG B MAIN STAND	SPG B MAIN STAND	1	200	
95014-72102		95014-72102	SPG A SIDE STAND	SPG A SIDE STAND	1	60	
95801		95801-10025-08	BOLT FLANGE 10*25	BOLT FLANGE 10*25	1	140	



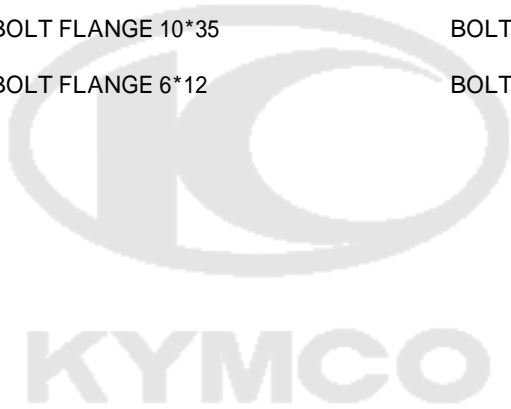
F16

Rear Cushion



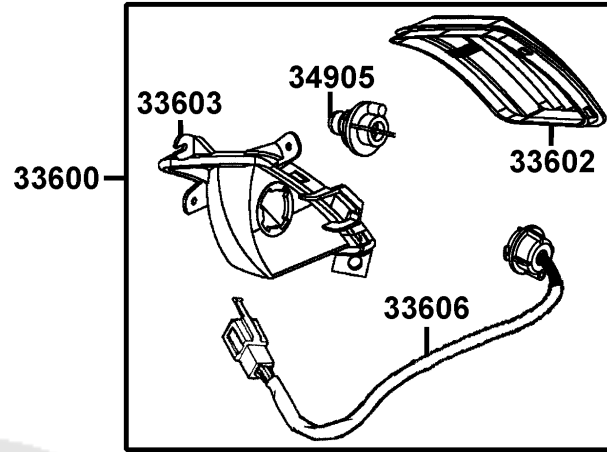
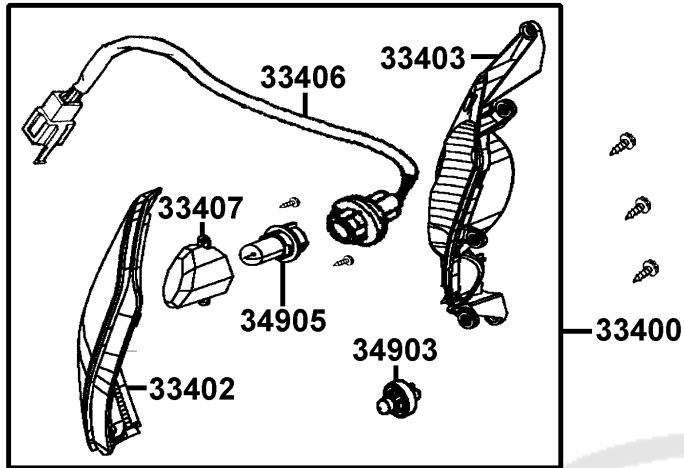
Sales mark 記号	Ref no 参照用番号	Part no パーツ番号	Description 部品名	Reg description 部品名	Regd no 必要個数	Ref Price 希望小売価格(税抜)
	42311	42311-KKD5-C10	COLLAR RR AXLE A	COLLAR RR AXLE A	1	350
	42312	42312-LEJ2-E10	COLLAR RR AXLE SIDE	COLLAR RR AXLE SIDE	1	370
	43156	43156-LFC3-E10	CLAMPER HOSE RR	CLAMPER HOSE RR	1	200
**	52400	52400-LGR5-E10	CUSHION ASSY REAR	CUSHION ASSY REAR	1	8320
	95801-08032	95801-08032-08	BOLT FLANGE 8*32(C)	BOLT FLANGE 8*32(C)	2	110
	95801-08042	95801-08042-07	BOLT FLANGE8*42 (K)	BOLT FLANGE8*42 (K)	1	130
	95801-08050	95801-08050-07	BOLT FLANGE 8*50 (K)	BOLT FLANGE 8*50 (K)	1	180
	95801-10035	95801-10035-08	BOLT FLANGE 10*35	BOLT FLANGE 10*35	2	160
	96001	96001-06012-08	BOLT FLANGE 6*12	BOLT FLANGE 6*12	1	60

F16

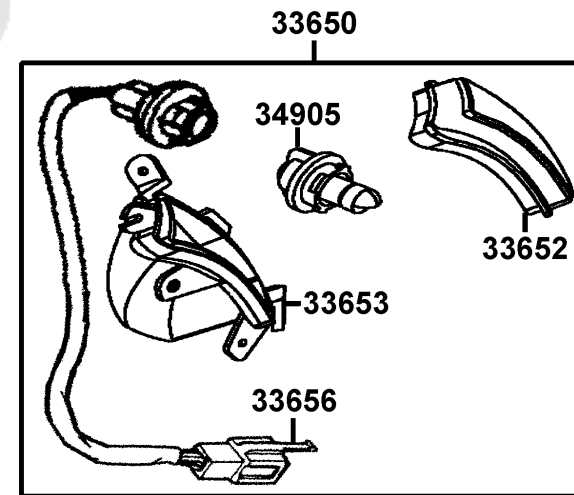
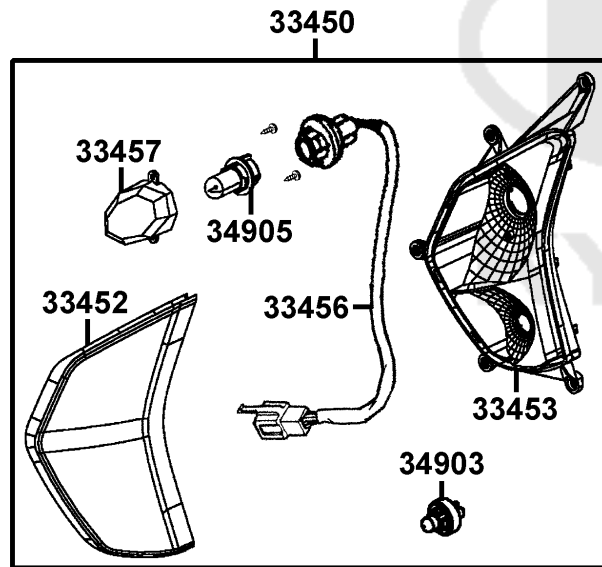


F17

Front Winker



93903-34380



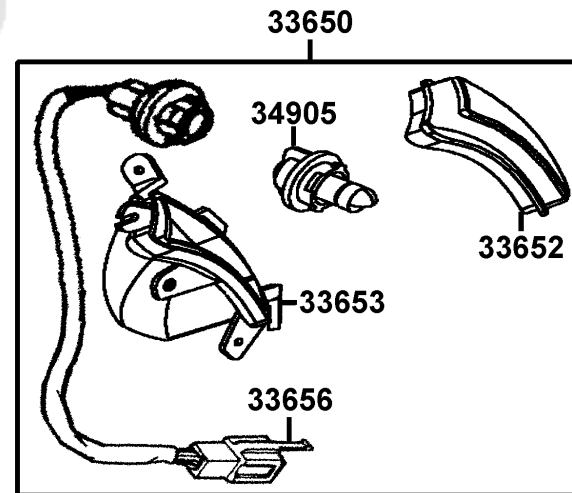
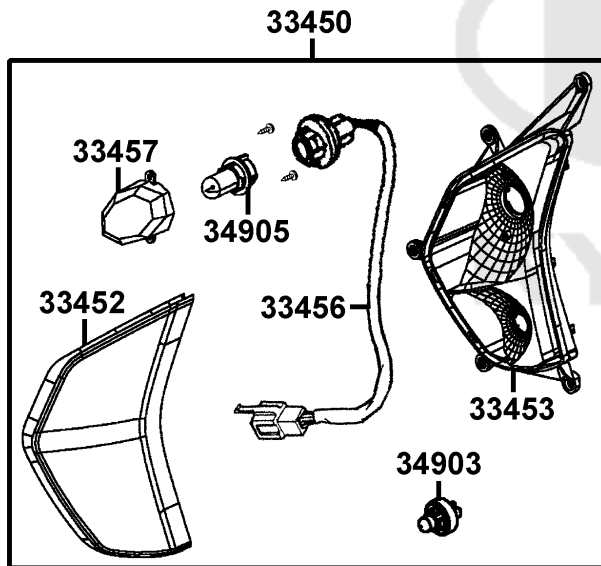
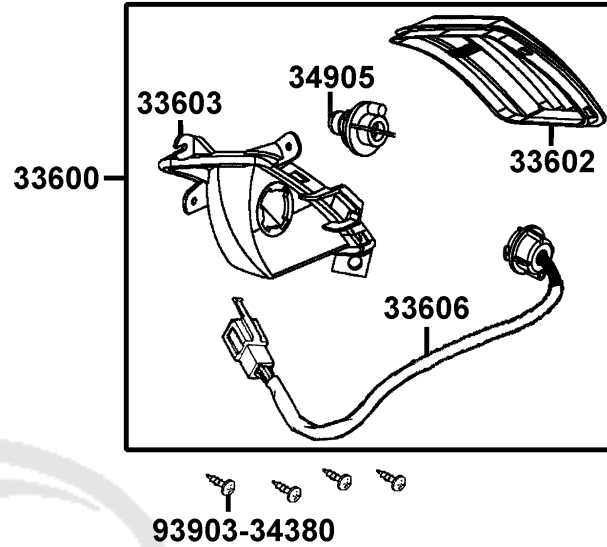
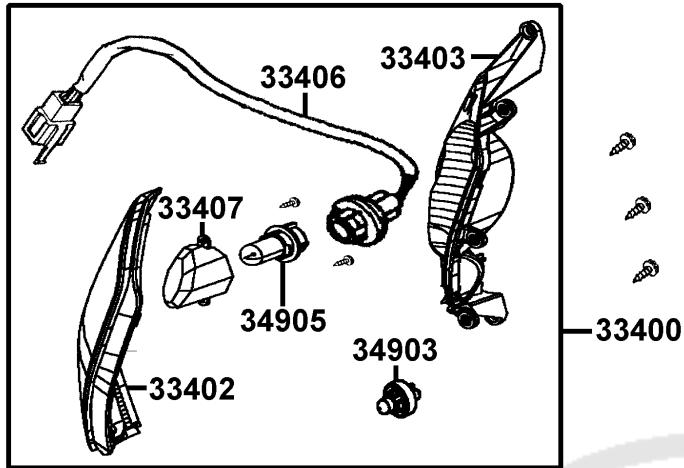


Sales mark 記号	Ref no 参照用番号	Part no パーツ番号	Description 部品名	Reg description 部品名	Regd no 必要個数	Ref Price 希望小売価格(税抜)
33400	33400-LGR5-E10	33400-LGR5-E10	WINKER ASSY R FR	WINKER ASSY R FR	1	3120
33402	33402-LGR5-E10	33402-LGR5-E10	LENS R FR WINKER	LENS R FR WINKER	1	580
33403	33403-LGR5-E10	33403-LGR5-E10	BASE R FR WINKER	BASE R FR WINKER	1	1020
33406	33406-LGR5-E10	33406-LGR5-E10	SOCKET COMP R FR WINKER	SOCKET COMP R FR WINKER	1	420
33407	33407-LGR5-E10	33407-LGR5-E10	INNER LENS L WINKER	INNER LENS L WINKER	1	180
33450	33450-LGR5-E10	33450-LGR5-E10	WINKER ASSY L FR	WINKER ASSY L FR	1	3170
33452	33452-LGR5-E10	33452-LGR5-E10	LENS L FR WINKER	LENS L FR WINKER	1	580
33453	33453-LGR5-E10	33453-LGR5-E10	BASE L FR WINKER	BASE L FR WINKER	1	1020
33456	33456-LGR5-E10	33456-LGR5-E10	SOCKET COMP L FR WINKER	SOCKET COMP L FR WINKER	1	420
33457	33457-LGR5-E10	33457-LGR5-E10	INNER LENS L WINKER	INNER LENS L WINKER	1	180
33600	33600-LGR5-E10	33600-LGR5-E10	WINKER SET R RR	WINKER SET R RR	1	3500
33602	33602-LGR5-E10	33602-LGR5-E10	LENS R RR WINKER	LENS R RR WINKER	1	520
33603	33603-LGR5-E10	33603-LGR5-E10	BASE R RR WINKER	BASE R RR WINKER	1	3580
33606	33606-LGR5-E10	33606-LGR5-E10	SOCKET COMP R RR WINKER	SOCKET COMP R RR WINKER	1	710
33650	33650-LGR5-E10	33650-LGR5-E10	WINKER SET L RR	WINKER SET L RR	1	3580
33652	33652-LGR5-E10	33652-LGR5-E10	LENS L RR WINKER	LENS L RR WINKER	1	520
33653	33653-LGR5-E10	33653-LGR5-E10	BASE L RR WINKER	BASE L RR WINKER	1	940
33656	33656-LGR5-E10	33656-LGR5-E10	SOCKET COMP L RR WINKER	SOCKET COMP L RR WINKER	1	710
34903	34903-LDC8-E10	34903-LDC8-E10	BULB POSITION	BULB POSITION	2	300
34905	34905-LBA8-E80	34905-LBA8-E80	BULB WINKER	BULB WINKER	2	540

F17

F17

Front Winker



Sales mark 記号	Ref no 参照用番号	Part no パーツ番号	Description 部品名	Reg description 部品名	Regd no 必要個数	Ref Price 希望小売価格(税抜)
------------------	-----------------	------------------	--------------------	------------------------	-----------------	-------------------------

**F17**

93903

93903-34380

SCREW TAPPING 4\*12 (K)

SCREW TAPPING 4\*12 (K)

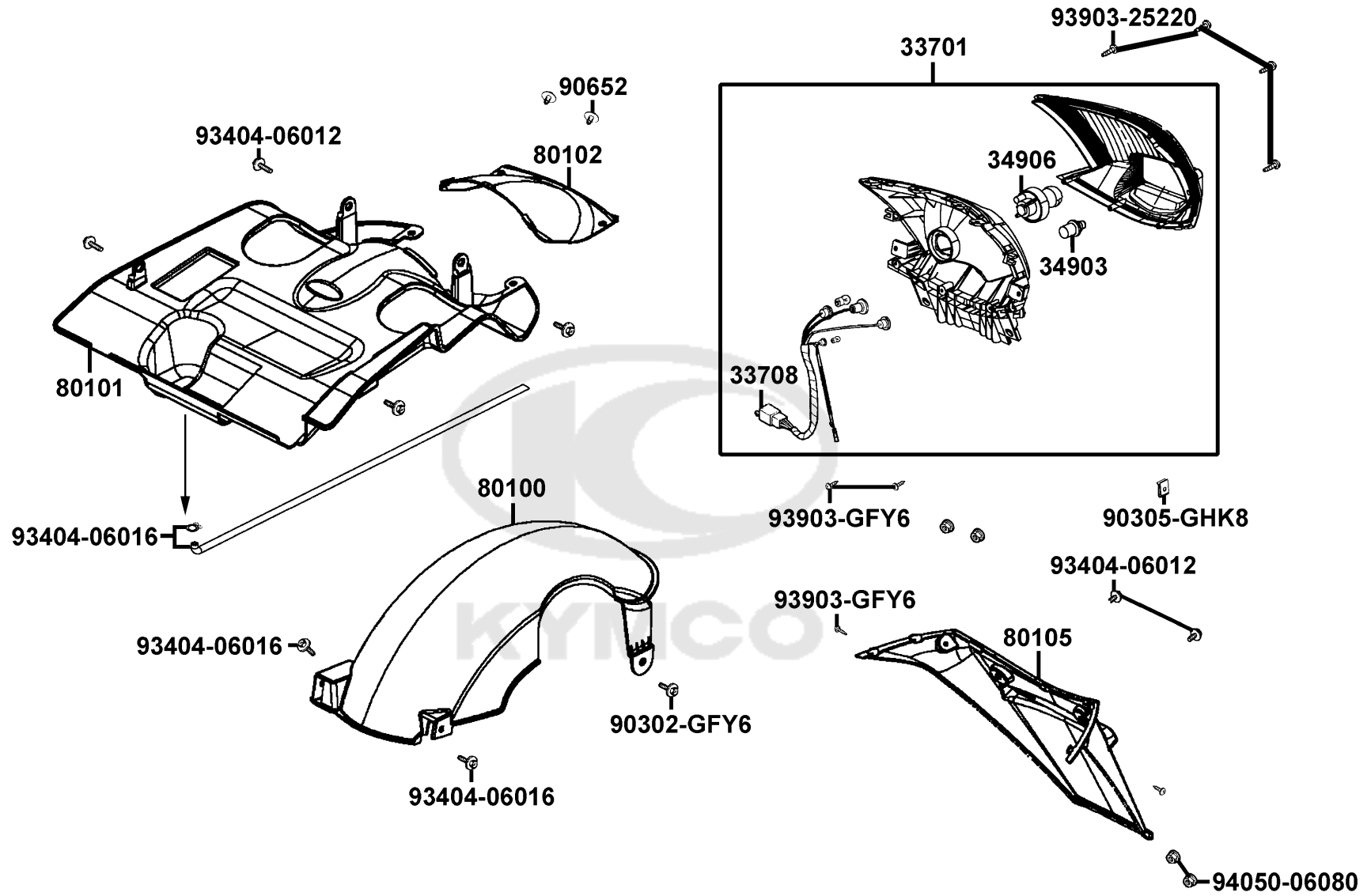
14

60



F18

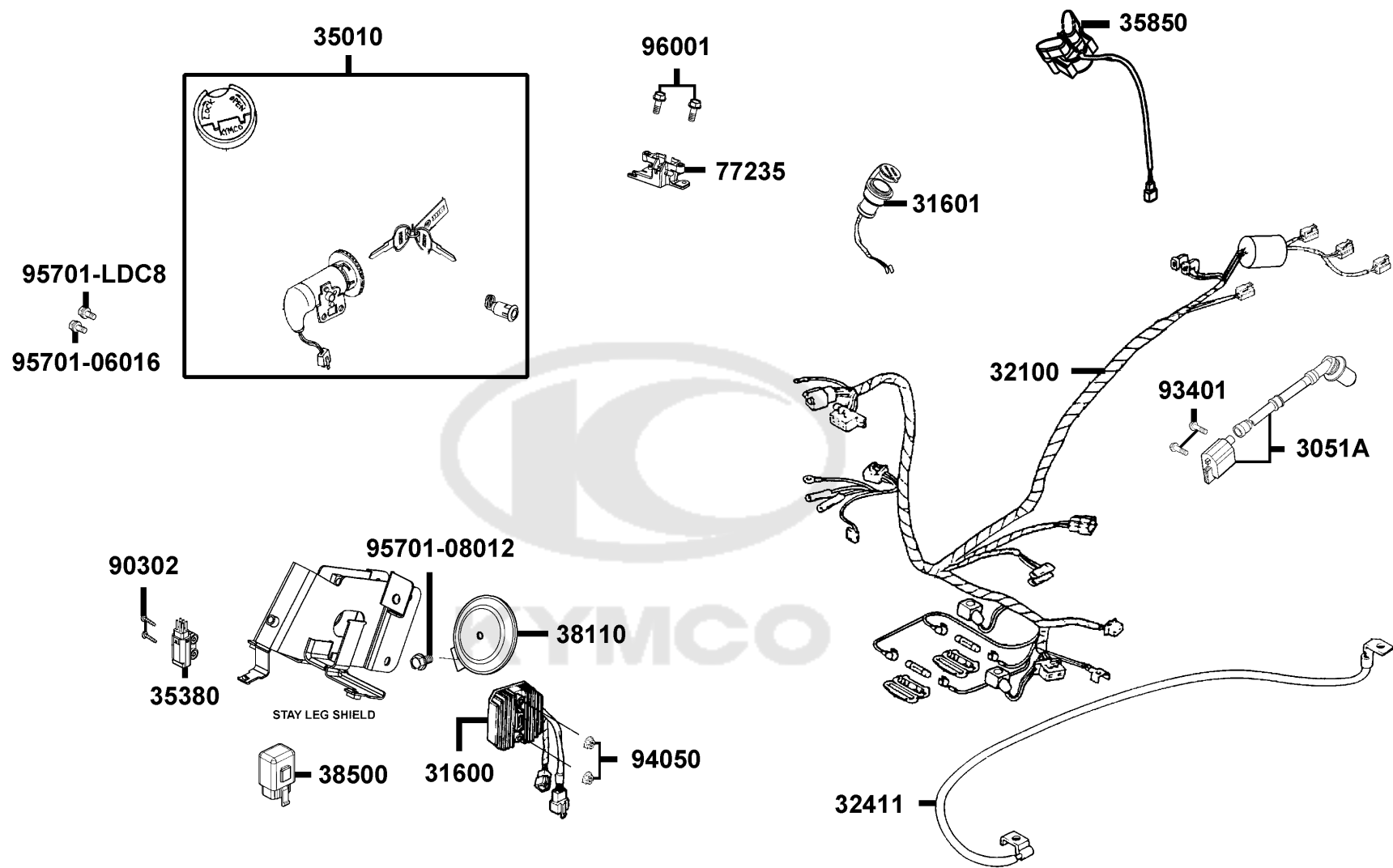
Tail Light



Sales mark 記号	Ref no 参照用番号	Part no パーツ番号	Description 部品名	Reg description 部品名	Regd no 必要個数	Ref Price 希望小売価格(税抜)	F18
	33701	33701-LGR5-E10	UNIT TAIL LIGHT	UNIT TAIL LIGHT	1	9840	
	33708	33708-LGR5-E10	SOCKET COMP RR COMB	SOCKET COMP RR COMB	1	2150	
	34903	34903-LDC8-E10	BULB POSITION	BULB POSITION	1	300	
	34906	34906-KPCP-900	BULB TAIL & STOP	BULB TAIL & STOP	1	770	
**	80100	80100-LGR5-E10	FENDER REAR. TIRE	FENDER REAR. TIRE	1	1420	
**	80101	80101-LGR5-E10	FENDER REAR UP	FENDER REAR UP	1	2670	
**	80102	80102-LGR5-E10	LID MAIN TAIL LIGHT	LID MAIN TAIL LIGHT	1	440	
**	80105	80105-LGR5-E10	FENDER REAR	FENDER REAR	1	1300	
	90302	90302-GFY6-C00	BOLT-WASH 5*12	BOLT-WASH 5*12	1	60	
	90305	90305-GHK8-C00	NUT CLIP 6MM	NUT CLIP 6MM	1	70	
	90652	90652-LCA4-C10	CLIP MUDGUARD	CLIP MUDGUARD	1	90	
	93404-06012	93404-06012-07	BOLT WASH 6*12	BOLT WASH 6*12	6	60	
	93404-06016	93404-06016-07	BOLT WASHER 6*16 (K)	BOLT WASHER 6*16 (K)	2	140	
	93903-25220	93903-25220	SCREW TAPPING 5*12	SCREW TAPPING 5*12	4	60	
	93903-GFY6	93903-GFY6-C00	SCREW TAPPING 4*14	SCREW TAPPING 4*14	1	60	
	94050	94050-06080	NUT FLANGE 6MM	NUT FLANGE 6MM	4	60	

F19

Wire Harness

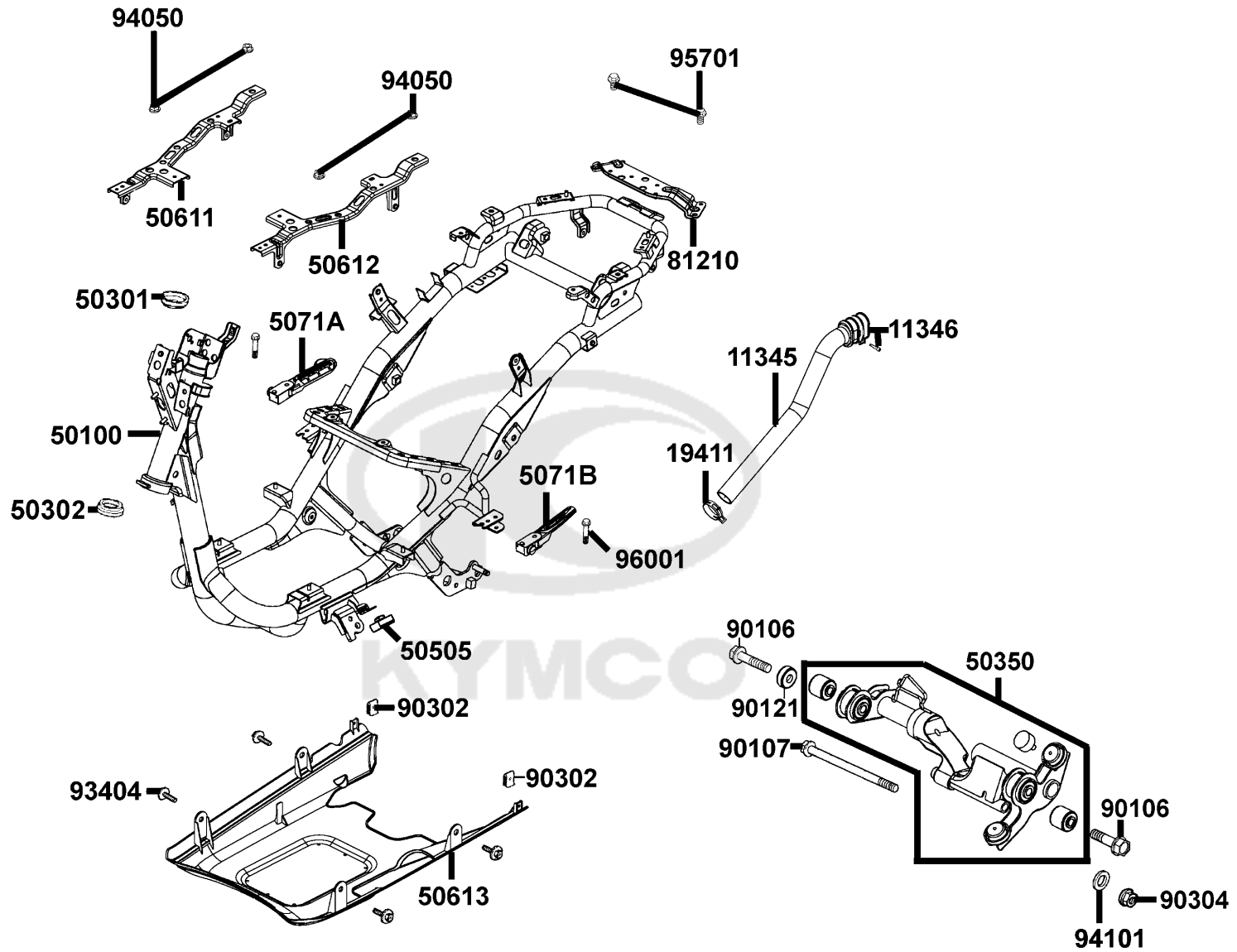


Sales mark 記号	Ref no 参照用番号	Part no パーツ番号	Description 部品名	Reg description 部品名	Regd no 必要個数	Ref Price 希望小売価格(税抜)
3051A	3051A-KKE3-900	3051A-KKE3-900	COIL ASSY IGN	COIL ASSY IGN	1	9130
31600	31600-LEA5-C01	31600-LEA5-C01	REG. REC. COMP.	REG. REC. COMP.	1	
31601	31601-LFC2-E10	31601-LFC2-E10	SOCKET COMP DC 12V	SOCKET COMP DC 12V	1	1920
32100	32100-LGS6-E11	32100-LGS6-E11	HARNESS WIRE	HARNESS WIRE	1	
32411	32411-LDF7-E10	32411-LDF7-E10	CABLE BAT	CABLE BAT	1	2320
35010	35010-LGS6-E10	35010-LGS6-E10	KEY SET	KEY SET	1	8700
35380	35380-LEA2-900	35380-LEA2-900	SENSOR ANGLE DETECT	SENSOR ANGLE DETECT	1	11410
35850	35850-KHD8-C00	35850-KHD8-C00	RELAY ASSY START	RELAY ASSY START	1	2650
38110	38110-KHB4-E0A	38110-KHB4-E0A	HORN COMP	HORN COMP	1	2480
38500	38500-LGL3-900	38500-LGL3-900	RELAY ASSY. START	RELAY ASSY. START	1	
77235	77235-LGB5-E10	77235-LGB5-E10	SEAT CATCH COMP	SEAT CATCH COMP	1	1890
90302	90302-GFY6-C10	90302-GFY6-C10	BOLT-WASH 5*16	BOLT-WASH 5*16	1	60
93401	93401-04025-08	93401-04025-08	BOLT WASHER 4*25	BOLT WASHER 4*25	1	60
94050	94050-06080	94050-06080	NUT FLANGE 6MM	NUT FLANGE 6MM	2	60
95701-06016	95701-06016-08	95701-06016-08	BOLT FLANGE 6*16	BOLT FLANGE 6*16	1	60
95701-08012	95701-08012-08	95701-08012-08	BOLT FLANGE 8*12	BOLT FLANGE 8*12	1	130
95701-LDC8	95701-LDC8-E10	95701-LDC8-E10	BOLT TORQUE 6x16	BOLT TORQUE 6x16	1	160
96001	96001-06012-08	96001-06012-08	BOLT FLANGE 6*12	BOLT FLANGE 6*12	2	60

F19

F20

Frame Body

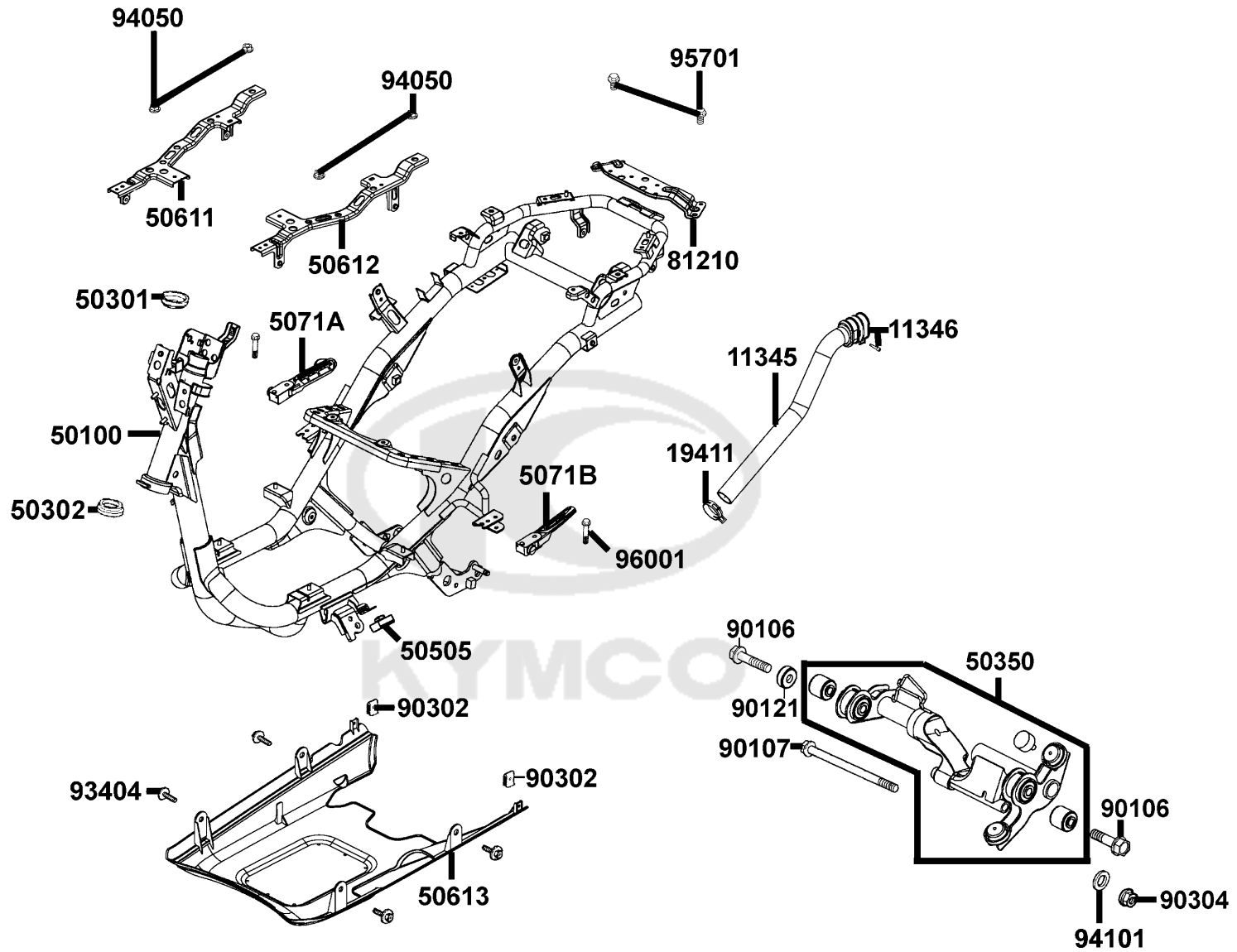





Sales mark 記号	Ref no 参照用番号	Part no パーツ番号	Description 部品名	Reg description 部品名	Regd no 必要個数	Ref Price 希望小売価格(税抜)	F20
11345		11345-LDF7-E10	DUCT L COVER	DUCT L COVER	1	2940	
11346		11346-KEBE-C00	BAND L COVER DUCT	BAND L COVER DUCT	1	450	
19411		19411-KNBN-C10	CLIP HOSE	CLIP HOSE	1	510	
50100		50100-LGS6-E10	BODY COMP FRAME	BODY COMP FRAME	1	63300	
50301		50301-KGN7-C00	RACE UPPER STRG BALL	RACE UPPER STRG BALL	1	660	
50302		50302-2H68-C00	RACE (STRG BOT) BALL	RACE (STRG BOT) BALL	1	610	
50350		50350-LFC3-B40	ENG HANGER COMP	ENG HANGER COMP	1	10790	
50505		50505-PUA3-B50	STOPPER,RUBBER	STOPPER,RUBBER	1	140	
50611		50611-LGR5-E10	RNFCT R FLOOR	RNFCT R FLOOR	1	2670	
50612		50612-LGR5-E10	RNFCT L FLOOR	RNFCT L FLOOR	1	2670	
50613		50613-LGR5-E10	COVER UNDER	COVER UNDER	1	2940	
5071A		5071A-LDA6-C00	BAR R P STEP ASSY	BAR R P STEP ASSY	1	2860	
5071B		5071B-LDA6-C00	BAR L P STEP ASSY	BAR L P STEP ASSY	1	2860	
81210		81210-LGR5-E10	STAY CARRIER	STAY CARRIER	1	1780	
90106		90106-LGB6-E10	"BOLT,FLANGE,10x55"	"BOLT,FLANGE,10x55"	2	160	
90107		90107-KUDU-900	BOLT FLANGE 10*188	BOLT FLANGE 10*188	1	240	
90121		90121-GFY6-C00	COLLAR DISTANCE	COLLAR DISTANCE	1	350	
90302		90302-SDA4-C00	NUT SPRING 4MM	NUT SPRING 4MM	1	60	
90304		90304-GHE8-C00	NUT U 10MM (C)	NUT U 10MM (C)	1	200	
93404		93404-06012-07	BOLT WASH 6*12	BOLT WASH 6*12	4	60	

F20

Frame Body



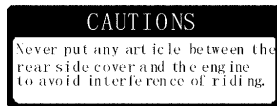
Sales mark 記号	Ref no 参照用番号	Part no パーツ番号	Description 部品名	Reg description 部品名	Regd no 必要個数	Ref Price 希望小売価格(税抜)	F20
94050	94050-06080	94050-06080	NUT FLANGE 6MM	NUT FLANGE 6MM	4	60	
94101	94101-10800	94101-10800	WASHER PLAIN 10MM	WASHER PLAIN 10MM	1	200	
95701	95701-06012-08	95701-06012-08	BOLT FLANGE 6*12	BOLT FLANGE 6*12	2	60	
96001	96001-06035-08	96001-06035-08	BOLT FLANGE SH 6*35 (G)	BOLT FLANGE SH 6*35 (G)	2	40	
							

F21

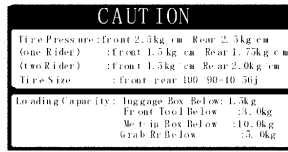
Emblem Stripe



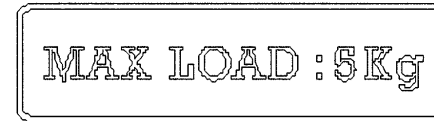
87560



87542



87505



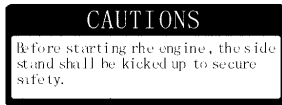
87556



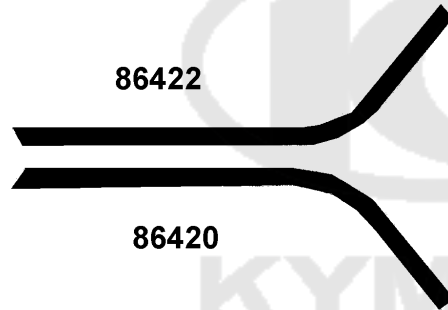
86101-LGR5



86202

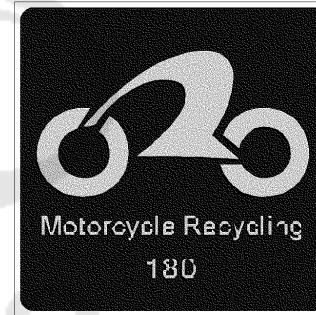


87541



86422

86420



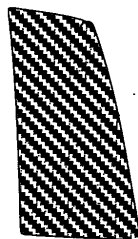
87311



86102



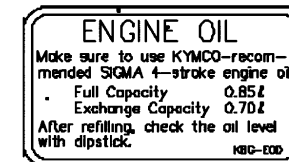
86101-LGR3



86423

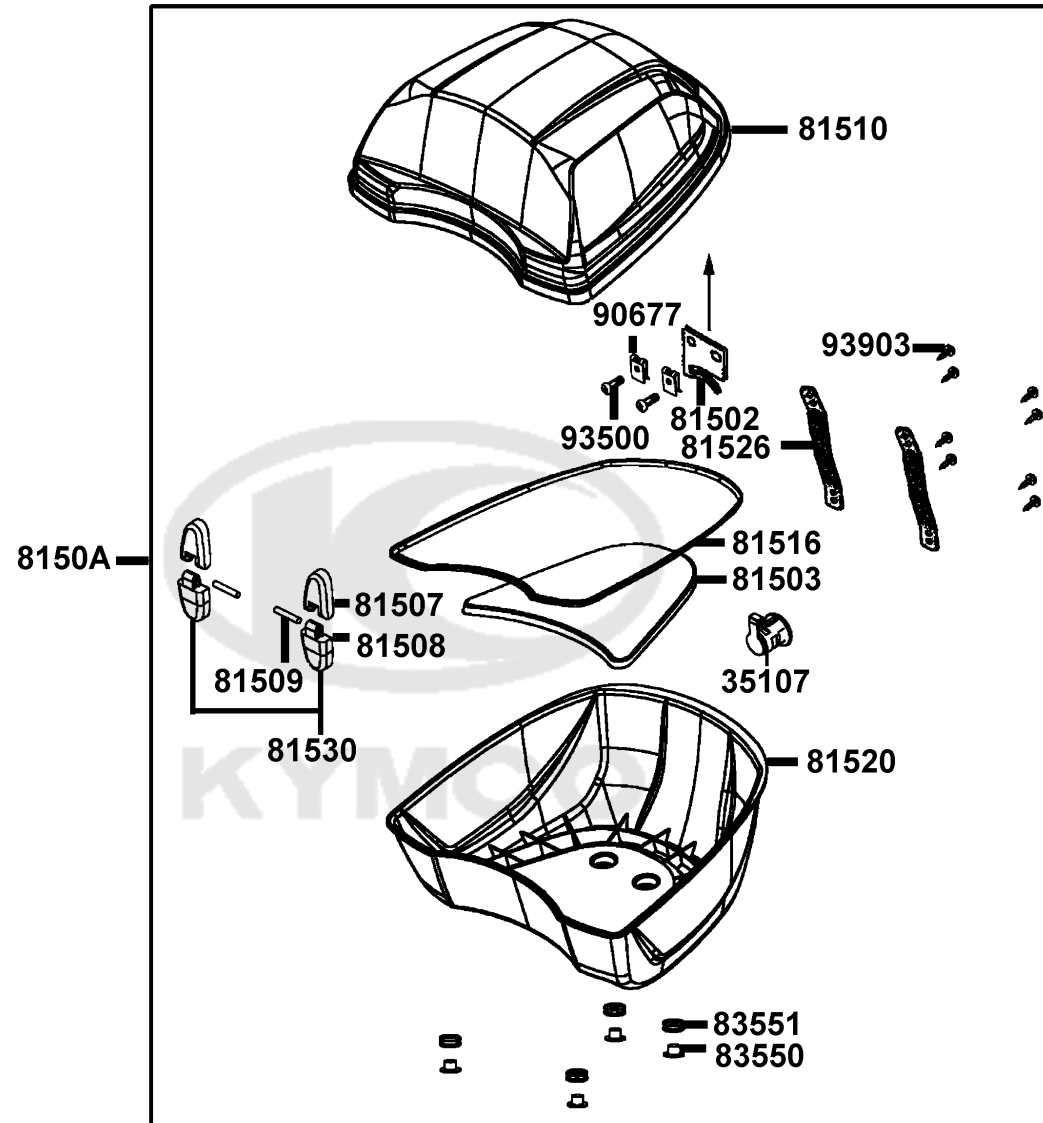


86421



87541-KUDU

Sales mark 記号	Ref no 参照用番号	Part no パーツ番号	Description 部品名	Reg description 部品名	Regd no 必要個数	Ref Price 希望小売価格(税抜)	F21
**	86101-LGR3	86101-LGR3-E00	STRIPE MARK K-LOGO (2014)	STRIPE MARK K-LOGO (2014)	1	60	
**	86101-LGR5	86101-LGR5-E10	STRIPE FR COVER	STRIPE FR COVER	1	440	
**	86102	86102-LGR5-E00	EMB K-LOGO	EMB K-LOGO	1	630	
**	86202	86202-LGS6-E10	EMB BODY COVER	EMB BODY COVER	2	660	
**	86420	86420-LGR5-E00	EMB R FRINGE	EMB R FRINGE	1	680	
**	86421	86421-LGR5-E00	STRIPE R REAR BOX	STRIPE R REAR BOX	1	420	
**	86422	86422-LGR5-E00	EMB L FRINGE	EMB L FRINGE	1	680	
**	86423	86423-LGR5-E00	STRIPE L REAR BOX	STRIPE L REAR BOX	1	420	
**	87311	87311-LAD9-C00	STRIPE R MARK	STRIPE R MARK	1	90	
**	87505	87505-LDC8-E10	LABEL TIRE	LABEL TIRE	1	230	
**	87541	87541-GAR1-C01	MARK MAINT CAUTION L	MARK MAINT CAUTION L	1	130	
**	87542	87542-GAR1-C01	MARK MAINT CAUTION	MARK MAINT CAUTION	1	130	
**	87556	87556-LEJ2-E00	STRIPE GRAB RR	STRIPE GRAB RR	1	60	
**	87560	87560-GFY6-E11	MARK DRIVE CAUTION	MARK DRIVE CAUTION	1	100	



Sales mark 記号	Ref no 参照用番号	Part no パーツ番号	Description 部品名	Reg description 部品名	Regd no 必要個数	Ref Price 希望小売価格(税抜)	F22
	35107	35107-LFC2-E13	PACKING RR BOX LOCK	PACKING RR BOX LOCK	1	2720	
	81502	81502-LGA5-C10	BOTTOM UP THE HOOK	BOTTOM UP THE HOOK	1	180	
	81503	81503-LGR5-E10	RUBBER RR WASHER	RUBBER RR WASHER	1	750	
	81509	81509-LDD9-C50	PIN LOCK	PIN LOCK	2	90	
	81510	81510-LGR5-E10	RR BOX UP	RR BOX UP	1	7040	
	81520	81520-LGR5-E10	REAR BOX LOW	REAR BOX LOW	1	10800	
	81526	81526-LGR5-E11	LINK STRIP	LINK STRIP	1	130	
**	81530	81530-LGR5-E10	REAR BOX LOW	REAR BOX LOW	1	510	
	83550	83550-KEC8-C00	COLLAR SET METER	COLLAR SET METER	1	60	
	83551	83551-KEC8-C10	GROMMET COVER	GROMMET COVER	1	60	
	90677	90677-GAR1-C00	NUT CLIP 5MM	NUT CLIP 5MM	1	60	
	93500	93500-05016-0H	SCREW PAN 5*16	SCREW PAN 5*16	2	60	
	93903	93903-25480-07	SCREW TAPPING 5*20(K)	SCREW TAPPING 5*20(K)	8	90	

PART NO. INDEX  
 パーツ番号 検索

PART NO. パーツ番号	VERSION バージョン	PAGE ページ	PART NO. パーツ番号	VERSION バージョン	PAGE ページ	PART NO. パーツ番号	VERSION バージョン	PAGE ページ	
<b>11000</b>			12200-LGS6-E10	0	E02	14610-KUDU-C00	1	E03	
			12209-GDB4-C00	2	E02	14711-KFB7-C00	1	E02	
			12211-KUDU-W10	4	E02	14721-KFB7-C00	0	E02	
	11100-LCD4-C00	3	E01	12251-LGS6-E10	2	E02	14751-KKJ9-C00	2	E02
	11102-1G87-C00	3	E01	1231A-KUDU-C11	1	E02	14761-KKJ9-C00	2	E02
	11192-LGS6-E90	0	E01	12361-GFY6-C00	5	E04	14771-GDB4-C00	2	E02
	11200-KKD9-C00	4	E01	12391-GFY6-C00	5	E02	14775-MFA6-C00	5	E02
	11203-GGC7-W10	2	E01				14781-MFA6-C00	4	E02
	11206-LGR5-E10	1	E06	<b>13000</b>					
	11207-KKE3-C01	6	E04				<b>15000</b>		
	11208-LGR5-E11	0	E01	13000-KFB7-405	1	E03			
	1121A-KUDU-C00	0	F13	13011-LCD4-C00	1	E03	15100-KFB7-C00	1	E06
	1122A-LGR5-E10	1	E08	13101-LCD4-E00	4	E03	15133-GFY6-W10	1	E06
	11331-LCD3-E00	5	E04	13111-KKJ9-C10	0	E03	15141-GFY6-C00	1	E06
	11341-KEC4-900	1	E01				15421-1G07-C00	1	E04
	11341-KEC4-900	5	E01	<b>14000</b>			15426-GAE1-C00	1	E04
	11345-LDF7-E10	1	F20				15651-KUDU-W10	5	E04
	11346-KEBE-C00	1	F20	14100-LGS6-E10	1	E02	15711-KUDU-C00	1	E06
11353-LEA6-C00	0	E01	14401-KUDU-C00	1	E03				
11394-KUDU-E90	1	E04	14431-KUDU-W10	4	E02	<b>16000</b>			
11395-KKD7-E90	0	E01	14450-GFY6-W10	1	E02				
<b>12000</b>			14452-GFY6-W10	1	E02	16056-LEB2-900	0	E09	
			14510-KUDU-C00	1	E03	16068-LEB2-900	0	E09	
			14520-GFY6-C00	1	E03	16074-KEC3-C00	3	E09	
	12100-LCD4-C00	0	E03	14523-GFY6-E90	1	E03	16100-LGS6-E10	2	E09
	12191-LGS6-E90	0	E03	14531-GLR0-W10	1	E03	16110-KKE3-900	0	E09



PART NO. INDEX  
 パーツ番号 検索

PART NO. パーツ番号	VERSION バージョン	PAGE ページ	PART NO. パーツ番号	VERSION バージョン	PAGE ページ	PART NO. パーツ番号	VERSION バージョン	PAGE ページ
16112-KKE3-900	0	E09	17620-LBA8-C10	0	F10	1962A-LEJ8-E00	1	E07
16118-KEC3-900	0	E09	17910-LGS6-E10	0	F03	1963A-LGS6-E10	1	E07
16122-KEC3-C00	0	E09						
16133-KEC3-900	0	E09	<b>18000</b>			<b>21000</b>		
16134-KKE3-900	0	E09						
16138-KGC5-C00	0	E09	18291-GGA7-C01	1	F14	21200-LGR5-E10	1	E08
16154-KKE3-900	0	E09	18291-KEBE-C00	0	F14	21395-KEC4-E90	0	E08
16170-KEC3-900	0	E09	18291-KKC4-C00	0	F14			
16201-GFY6-E90	0	E02	18292-KEBE-C00	0	F14	<b>22000</b>		
16211-GFY6-W10	1	E02	18293-KEBE-C00	0	F14			
16771-GKAK-220	0	E09	18294-PUA3-B50	0	F14	22101-LCD3-C00	3	E05
			18306-LGR5-E10	1	F14	22102-KUDU-E80	1	E05
<b>17000</b>			1830A-LGS6-E10	0	F14	22105-LGS6-E10	0	E05
			18317-LGR5-E10	0	F14	22110-KUDU-E80	0	E05
1711A-LGL3-C00	4	E02	18317-LGR5-E10	2	F14	22121-KKD7-315	0	E05
17200-LGS6-E10	0	F13	18318-LGR5-E10	2	F14	22131-GFY6-C00	3	E05
17211-LGR5-E10	2	F13	18325-LGR5-E10	1	F14	22132-KBN2-C00	3	E05
1723A-LGS6-E10	0	F13	18362-LGR5-E10	1	F13	22300-LCD4-C00	0	E05
1723B-LGR5-E10	1	F13						
17257-LGR5-E10	1	F13	<b>19000</b>			<b>23000</b>		
1725B-KGBG-900	0	F13						
1737A-KUDU-C00	0	F13	19411-KNBN-C10	2	F20	2301A-LCD4-C00	1	E05
17500-LGS6-E10	0	F10	19504-LBA2-C00	1	F10	23100-LCD4-C00	0	E05
17550-AAA1-BA0	0	F10	19510-KFB7-C00	0	E07	23200-GFY6-C00	3	E05
1755A-LGS6-E10	1	F10	19610-KUDU-C10	2	E07	23220-KFBF-C00	1	E05
17560-LGS6-E10	1	F10	19625-KUDU-C00	1	E02	23225-GHC8-C00	1	E05

## PART NO. INDEX

## パーツ番号 検索

PART NO. パーツ番号	VERSION バージョン	PAGE ページ	PART NO. パーツ番号	VERSION バージョン	PAGE ページ	PART NO. パーツ番号	VERSION バージョン	PAGE ページ
23226-GHC8-C00	1	E05				33407-LGR5-E10	0	F17
23233-LEJ3-E10	0	E05	<b>31000</b>			33450-LGR5-E10	1	F17
23237-GFY6-C00	1	E05				33452-LGR5-E10	0	F17
23238-GFY6-C00	1	E05	31100-LGS6-E10	0	E07	33453-LGR5-E10	0	F17
23411-KEC4-C00	1	E08	31110-KKE3-C00	3	E07	33456-LGR5-E10	1	F17
23420-KEC4-C00	1	E08	31120-LGS6-E10	0	E07	33457-LGR5-E10	0	F17
23432-KEC4-C00	1	E08	31200-LDF7-E10	4	E06	33600-LGR5-E10	1	F17
2343A-KKD5-C00	0	E08	31500-KFAF-C00	1	F11	33602-LGR5-E10	0	F17
			31600-LEA5-C01	2	F19	33603-LGR5-E10	0	F17
<b>28000</b>			31601-LFC2-E10	1	F19	33606-LGR5-E10	1	F17
						33650-LGR5-E10	1	F17
28101-GFY6-C00	1	E06	<b>32000</b>			33652-LGR5-E10	0	F17
28102-GFY6-C00	1	E06				33653-LGR5-E10	0	F17
28110-GFY6-C10	1	E06	32100-LGS6-E11	0	F19	33656-LGR5-E10	1	F17
28120-GFY6-C10	1	E06	32411-LDF7-E10	2	F19	33701-LGR5-E10	1	F18
28125-4F26-C00	1	E06	32412-LDF7-E10	1	E04	33708-LGR5-E10	1	F18
28125-GFY6-C10	3	E06	32961-KUDU-C00	5	E04	33741-GFY6-C00	0	F05
28126-GFY6-C10	1	E06						
2812A-GFY6-C10	2	E06	<b>33000</b>			<b>34000</b>		
28211-KUDU-W10	4	E05						
28211-LGK2-C00	5	E05	33100-LGR5-E10	1	F01	34901-LDC8-E10	1	F01
			33108-LGR5-E10	0	F01	34903-LDC8-E10	1	F17
<b>30000</b>			33400-LGR5-E10	1	F17	34903-LDC8-E10	1	F18
			33402-LGR5-E10	0	F17	34905-LBA8-E80	1	F17
3051A-KKE3-900	6	F19	33403-LGR5-E10	0	F17	34906-KPCP-900	0	F18
			33406-LGR5-E10	1	F17	34908-KKAK-C00	1	F02

PART NO. INDEX  
 パーツ番号 検索

PART NO. パーツ番号	VERSION バージョン	PAGE ページ	PART NO. パーツ番号	VERSION バージョン	PAGE ページ	PART NO. パーツ番号	VERSION バージョン	PAGE ページ
34908-LGR5-E00	1	F02						
34909-KEBE-C00	0	F02	<b>38000</b>			<b>43000</b>		
<b>35000</b>			38110-KHB4-E0A	0	F19	43100-LGR5-E10	0	F04
			38300-KECE-W10	2	F02	43105-LFC4-305	1	F04
35010-LGS6-E10	0	F19	38500-LGL3-900	1	F19	43126-LGR5-E1A	0	F04
35107-LFC2-E13	0	F22				43156-LFC3-E10	2	F16
35160-GFY6-C00	5	F03	<b>39000</b>			43351-LFB5-E80	2	F08
35170-KNBN-C00	5	F03				43500-LGR5-E10	0	F04
35180-GFY6-C00	2	F03	3920A-LGS6-E10	0	E09			
35200-GFY6-C00	5	F03	39300-LEA6-800	0	E02	<b>44000</b>		
35340-KNBN-901	1	F04	39301-LHB2-C10	0	E02			
35380-LEA2-900	1	F19	39302-KKE3-C00	1	E02	44311-GLW0-W10	1	F07
35850-KHD8-C00	1	F19	39303-LEB2-C00	1	E02	44601-LGR5-E10	0	F07
<b>37000</b>			39400-LHJ3-900	1	E02	44620-KEB7-C00	0	F07
			39450-LEA6-800	2	F14	44710-LDC8-E10	2	F07
			<b>42000</b>			44800-LDC8-E10	1	F07
37200-LGS6-B20	0	F02				44830-LDC8-E10	3	F02
37211-LGR5-E10	1	F02				<b>45000</b>		
37224-LGS6-B70	0	F02	42311-KKD5-C10	1	F16			
37280-LGR5-E10	1	F02	42312-LEJ2-E10	1	F16			
37802-GGA7-C00	1	F10	42601-LGR5-E10	0	F08	45105-LDC8-305	1	F04
3780A-LGS6-E10	0	F10	42710-LDC8-E10	3	F08	45121-LGR5-E80	1	F07
			42753-0A01-C00	1	F07	45126-LGR5-E1A	1	F04
			42753-0A01-C00	1	F08	45156-KNBN-C00	1	F06
						45200-LGR5-E10	1	F04

PART NO. INDEX  
 パーツ番号 検索

PART NO. パーツ番号	VERSION バージョン	PAGE ページ	PART NO. パーツ番号	VERSION バージョン	PAGE ページ	PART NO. パーツ番号	VERSION バージョン	PAGE ページ
45500-LGR5-E10	1	F04				53140-KNBN-C00	1	F03
45513-KCCC-910	1	F04	<b>51000</b>			53166-KNBN-C00	1	F03
45513-LGR5-E10	0	F04				53167-GBN2-C00	1	F03
45517-KFAF-910	1	F04	51400-LGR5-E10	0	F06	53168-GBN2-C00	1	F03
			51401-LGB5-E10	0	F06	53175-KXBX-E00	1	F04
<b>50000</b>			51410-LDC8-E10	0	F06	53178-KNBN-C00	0	F04
			51412-LDC8-E10	0	F06	53200-LGR5-E10	1	F06
50100-LGS6-E10	1	F20	51420-LGR5-E10	0	F06	53205-LGR5-E10	1	F03
50301-KGN7-C00	2	F20	51422-LDC8-E10	0	F06	53206-LGR5-E10	1	F03
50302-2H68-C00	2	F20	51428-LDC8-E10	0	F06	53207-KKD9-C00	0	F03
50306-1F96-C00	1	F06	51429-LGR5-E10	0	F06	53211-GFY6-C00	1	F06
50326-LGS6-E10	0	F11	51437-LDC8-E10	0	F06	53212-2L50-C00	1	F06
50330-KEBE-C00	1	F05	51500-LGR5-E10	0	F06	53214-2L50-C00	5	F06
50350-LFC3-B40	1	F20	51520-LGR5-E10	0	F06	53215-2L50-C00	1	F06
50502-LDF7-C00	1	F15						
50504-LGR5-C00	0	F15	<b>52000</b>			<b>61000</b>		
50505-LAD9-C00	1	F15						
50505-PUA3-B50	2	F20	52000-LGR5-E10	1	F16	61100-LGR5-E10	1	F06
5050A-LGR5-E10	3	F15	52400-LGR5-E10	0	F16	61101-LGR5-E10	1	F06
50530-LGR4-M30	0	F15				61110-LGR5-E10	3	F05
50611-LGR5-E10	1	F20	<b>53000</b>					
50612-LGR5-E10	1	F20				<b>64000</b>		
50613-LGR5-E10	1	F20	53100-LGR5-E10	1	F03			
5071A-LDA6-C00	2	F20	53105-LGR5-E10	1	F03	64301-LGR5-E10	1	F05
5071B-LDA6-C00	2	F20	53125-GEN5-C00	1	F03	64302-LGR5-E10	2	F05
			53140-KNBN-C00	0	F03	64303-LGR5-E10	1	F05

PART NO. INDEX  
 パーツ番号 検索

PART NO. パーツ番号	VERSION バージョン	PAGE ページ	PART NO. パーツ番号	VERSION バージョン	PAGE ページ	PART NO. パーツ番号	VERSION バージョン	PAGE ページ
64304-LGR5-E10	2	F05	80102-LGR5-E10	1	F18	81502-LGA5-C10	0	F22
64305-LGR5-E10	2	F05	80105-LGR5-E10	2	F18	81503-LGR5-E10	0	F22
64306-LGR5-E10	2	F05	80111-LGR5-E10	1	F12	81507-LFD6-C50	1	F22
64307-LGR5-E10	1	F05	80121-LGR5-E10	1	F12	81508-LFD6-C50	1	F22
64308-LGR5-E10	1	F05	80131-LGR5-E10	1	F12	81509-LDD9-C50	0	F22
64310-LGR5-E10	2	F05	80141-LGR5-E10	1	F12	8150A-LGR5-E10	0	F12
64314-LGR5-E10	1	F05	80151-LGR5-E10	1	F12	8150A-LGR5-E10	0	F22
64316-LCB9-C10	4	F05	80152-LGR5-E10	1	F12	81510-LGR5-E10	0	F22
64316-LCB9-C10	5	F05				81516-LGR5-E10	0	F22
64400-LGR5-E10	1	F05	<b>81000</b>			81520-LGR5-E10	0	F22
<b>75000</b>			81131-LGR5-E10	5	F05	81526-LGR5-E11	0	F22
			81132-LCB9-C10	1	F05	81530-LGR5-E10	0	F22
75581-6C73-C00	1	F05	81132-LDC8-E10	1	F05	<b>83000</b>		
<b>77000</b>			81134-LGR5-E10	1	F05			
			81135-LGR5-E10	1	F05	83500-LGR5-E10	1	F12
77200-LGR5-E10	0	F09	81136-LGR5-E10	1	F05	83501-LGR5-E10	1	F12
77232-KCAC-C00	2	F12	81141-LGR5-E10	1	F05	83510-LGR5-E10	0	F12
77235-LGB5-E10	6	F19	81142-KFA6-C00	1	F05	83510-LGR5-E10	1	F12
77240-LGB5-E10	1	F12	81146-LGR5-E10	1	F05	83550-KEC8-C00	4	F12
<b>80000</b>			81151-LGR5-E10	1	F05	83550-KEC8-C00	4	F22
			8120A-LGR5-E10	0	F12	83551-KEC8-C10	4	F12
			81210-LGR5-E10	1	F20	83551-KEC8-C10	4	F22
			81220-LGR5-E10	1	F12	83600-LGR5-E10	1	F12
80100-LGR5-E10	1	F18	81230-LGR5-E10	1	F12	83601-LGR5-E10	1	F12
80101-LGR5-E10	2	F18	81250-LGS6-E10	3	F12	83610-LGR5-E10	0	F12

PART NO. INDEX  
 パーツ番号 検索

PART NO. パーツ番号	VERSION バージョン	PAGE ページ	PART NO. パーツ番号	VERSION バージョン	PAGE ページ	PART NO. パーツ番号	VERSION バージョン	PAGE ページ
83610-LGR5-E10	1	F12	87541-KUDU-E00	1	F21	90105-KCR3-001	3	F08
83750-LGR5-E10	1	F12	87542-GAR1-C01	2	F21	90105-KNBN-901	1	F12
<b>86000</b>			87556-LEJ2-E00	2	F21	90106-GEN5-901	1	F03
			87560-GFY6-E11	3	F21	90106-KFC2-900	2	F03
			<b>88000</b>			90106-LGB6-E10	1	F20
						90107-KUDU-900	5	F20
86101-LGR3-E00	0	F21			90108-GFY6-901	1	F15	
86101-LGR3-E00	1	F21			90110-GLW0-C00	0	F05	
86101-LGR5-E10	1	F21	88110-LGR5-E10	2	F03	90110-GLW0-C00	0	F12
86102-LGR5-E00	0	F21	88120-LGR5-E10	2	F03	90110-LCD4-E00	1	F14
86102-LGR5-E00	2	F21	<b>89000</b>			90111-1G87-C00	6	F12
86202-LGS6-E10	3	F21				90116-LDC8-E10	0	F06
86420-LGR5-E00	1	F21				90121-GFY6-C00	1	F20
86421-LGR5-E00	1	F21		89010-KGBG-C00	1	F09	90121-KBE2-C00	4
86422-LGR5-E00	0	F21	<b>90000</b>			90131-GLW0-C00	1	F04
86422-LGR5-E00	1	F21				90145-9A61-C00	1	F04
86423-LGR5-E00	0	F21				90201-GFY6-901	1	E06
86423-LGR5-E00	1	F21		90001-GBHB-C00	1	E03	90202-1G87-C00	1
<b>87000</b>			90001-GBHB-C11	1	E01	90206-0A01-C00	2	E02
			90001-GFY6-C00	4	E06	90301-GFY6-C00	2	F14
			90005-KAW1-901	1	E03	90302-GFY6-C00	2	F18
			90012-3C33-C00	1	E02	90302-GFY6-C10	1	F19
87311-LAD9-C00	0	F21	90021-GFY6-C10	0	F14	90302-LLB1-C00	2	F03
87505-LDC8-E10	2	F21	90031-KUDU-C00	5	E01	90302-SDA4-C00	2	F05
87505-LDC8-E10	3	F21	90032-KUDU-C00	5	E01	90302-SDA4-C00	2	F06
87541-GAR1-C01	0	F21	90033-GFY6-C00	2	E02	90302-SDA4-C00	2	F12
87541-GAR1-C01	1	F21	90105-KCR3-001	3	F07			
87541-KUDU-E00	0	F21						

PART NO. INDEX  
 パーツ番号 検索

PART NO. パーツ番号	VERSION バージョン	PAGE ページ	PART NO. パーツ番号	VERSION バージョン	PAGE ページ	PART NO. パーツ番号	VERSION バージョン	PAGE ページ
90302-SDA4-C00	2	F20				92900-06060-0B	2	E02
90304-GHE8-C00	1	F03	<b>91000</b>					
90304-GHE8-C00	1	F20				<b>93000</b>		
90305-GHK8-C00	2	F12	91003-KDS4-C00	1	E08			
90305-GHK8-C00	2	F18	91009-GLE0-C00	1	E08	93401-04025-08	0	F19
90305-KNBN-C00	1	F08	91014-LLJ3-C00	1	F06	93404-06012-07	5	F05
90306-KLF0-C00	1	F07	91015-LLJ3-C00	1	F06	93404-06012-07	5	F12
90403-KUDU-C00	1	E06	91101-1K79-C00	1	E06	93404-06012-07	5	F18
90426-KNBN-C00	1	E05	91104-GFY6-C00	1	E06	93404-06012-07	5	F20
90440-1F66-C00	1	E07	91202-GFY6-C00	1	E01	93404-06016-07	1	F06
90441-GFY6-C00	1	E05	91202-KKJ9-C00	5	E01	93404-06016-07	1	F18
90465-MDC4-C00	1	E02	91211-KEBE-C00	1	E05	93404-06020-07	4	F05
90474-3C33-C00	1	E01	91251-LDC8-E10	0	F06	93404-06020-07	4	F12
90501-KNBN-C00	1	F08	91254-LDC8-E10	0	F06	93404-06022-07	0	F12
9052A-GFY6-C00	5	E01	91255-LDC8-E10	5	E08	93500-05016-0H	0	F22
90544-LDC8-E10	0	F06	91258-KAM1-C00	1	F07	93500-05022-0G	2	F03
90545-3L00-C00	2	F04	91301-GLR0-W10	1	E03	93600-04012-1G	1	F04
90652-LCA4-C10	6	F05	91302-0A01-C00	10	E04	93700-05018-0H	1	F02
90652-LCA4-C10	6	F18	91302-LEB2-C00	0	E09	93892-04010-08	0	E09
90652-LGJ9-900	2	E02	91306-1E05-C00	1	E03	93892-05010-08	0	E09
90677-GAR1-C00	1	F22	91307-0E35-W10	1	E04	93903-25220	2	F01
90701-GFY6-901	6	E06	91351-6B42-C00	1	E05	93903-25220	2	F02
90701-HFB6-C00	0	E06				93903-25220	2	F18
90754-GHC8-C00	1	F07	<b>92000</b>			93903-25480	1	F13
90912-GHC8-C00	1	F07				93903-25480-07	0	F22
			92101-05012-0H	2	E07	93903-34380	6	F03

PART NO. INDEX  
 パーツ番号 検索

PART NO. パーツ番号	VERSION バージョン	PAGE ページ	PART NO. パーツ番号	VERSION バージョン	PAGE ページ	PART NO. パーツ番号	VERSION バージョン	PAGE ページ
93903-34380	6	F05	94101-06200	1	F14	95701-06035-08	1	E02
93903-34380	6	F12	94101-10800	1	F20	95701-06050-08	1	E02
93903-34380	6	F17	94101-KKE3-900	0	E09	95701-08012-08	2	E01
93903-35220	4	F03	94111-06800	1	E02	95701-08012-08	2	F19
93903-35320	4	F12	94111-06800	1	E09	95701-LDC8-E10	0	F19
93903-35380	2	F11	94111-06800	1	F14	95701-LGR5-E10	1	F14
93903-GFY6-C00	2	F05	94301-10160	4	E01	95801-08032-08	1	F16
93903-GFY6-C00	2	F06	94301-10160	4	E02	95801-08040-08	4	F06
93903-GFY6-C00	2	F11	94301-10160	4	E03	95801-08042-07	0	F16
93903-GFY6-C00	2	F12	94301-10160	4	E04	95801-08050-07	0	F16
93903-GFY6-C00	2	F18	94301-10200	4	E01	95801-10025-08	0	F15
			94591-LDC8-E10	1	E07	95801-10035-08	1	F16
<b>94000</b>			94601-15000	10	E03			
			94605-LDC8-E10	0	F06	<b>96000</b>		
			94608-LDC8-E10	0	F06			
94001-12280-0S	0	E05						
94050-06080	2	E02				96001-06010-02	1	F14
94050-06080	2	E06	<b>95000</b>			96001-06012-08	3	E04
94050-06080	2	F05				96001-06012-08	3	E06
94050-06080	2	F09	95014-71202	1	F15	96001-06012-08	3	F10
94050-06080	2	F10	95014-72102	3	F15	96001-06012-08	3	F16
94050-06080	2	F18	95701-06012-08	3	F06	96001-06012-08	3	F19
94050-06080	2	F19	95701-06012-08	3	F20	96001-06014-08	1	E02
94050-06080	2	F20	95701-06016-08	1	F19	96001-06014-08	1	F10
94050-08080	4	E02	95701-06025-08	2	E02	96001-06016-08	6	E06
94050-12080	1	E05	95701-06028-07	1	F12	96001-06016-08	6	E07
94050-12080	1	E07	95701-06032-08	1	F13	96001-06018-08	1	E07



## PART NO. INDEX

## パーツ番号 検索

PART NO. パーツ番号	VERSION バージョン	PAGE ページ	PART NO. パーツ番号	VERSION バージョン	PAGE ページ	PART NO. パーツ番号	VERSION バージョン	PAGE ページ
96001-06025-02	4	F04						
96001-06025-08	4	E06						
96001-06025-08	4	E07						
96001-06028-08	1	E04						
96001-06028-08	1	E07						
96001-06035-08	7	F20						
96001-06040-08	0	E01						
96001-06045-08	1	E01						
96001-06050-08	1	E01						
96001-06100-08	2	E02						
96001-06100-08	2	E04						
96001-06110-08	1	E04						
96001-GFY6-C00	3	F13						
96100-60020-00	1	E08						
96100-62020-00	1	E01						
96100-62030-00	1	E01						
96100-62043-00	1	E01						
<b>98000</b>								
98056-5771R-00	1	E02						
98200-11000	1	F11						
98200-11500	2	F11						