

# PARTS CATALOGUE



## SCOOTERS

SR30BC(JP)

RACING 150i ABS+MOTOCAM



Release Date : 2017/06/26  
Print Date : 2017/07/18

## 本パーツリストについて

- 本パーツリストは SR30BC(JP).の全てのパーツ番号が記載されています。
- 車輻のカラーチャートとバイクに相違がある場合は正規販売店もしくはKYMCO JAPANへお問い合わせください。
- 1. "\*\*\*"記号が記載している場合、3文字の色コードをパーツ番号の最後に記入してください。  
2. "#" 記号が記載している場合、パーツの設定、変更があります。正規販売店もしくはKYMCO JAPANへお問い合わせください。
- このパーツリストの変更または追加は、適切な時期に予告なく行われます。

## ABOUT THIS PARTS LIST

- This parts list is compiled all service parts for model SR30BC(JP).
- Any difference between color chart and motorcycle will be revised according to motorcycle.
- The Mark:
  1. Marking "\*\*\*" must add color code in the end before ordering parts.
  2. Marking "#" are parts with modification, Please find the details from e-Parts system.
- When modification or additions to this parts list are made a revised edition at an appropriate time.

## 目次

● 本パーツリストについて .....	1
● SR30BC(JP)のカラーチャート .....	3
● 目次-エンジン関 .....	11
● 目次-フレーム関係 .....	12
● エンジンパーツリスト .....	15
● フレームパーツリスト .....	45
● パーツ番号 検索 .....	115

## CONTENTS

● ABOUT THIS PARTS LIST .....	1
● COLOR CHART OF SR30BC(JP) .....	3
● CONTENTS-ENGINE GROUP .....	11
● CONTENTS-FRAME GROUP .....	12
● ENGINE PARTS LIST .....	15
● FRAME PARTS LIST .....	45
● PART NO. INDEX .....	115

NO	モデル			SR30BC(JP)のカラーチャート			
	写真番号			NO. 1	NO. 2	NO. 3	NO. 4
	基本色						
	コード			Mat Blue	Light Blue		Dark Red
	パーツ名	パーツ番号	バージョン	PB128FA	PB128FA	RR157MA	RR157MA
1	END R STRG HANDLE	53102-KEC8-900	0	F1S			
2	END R STRG HANDLE	53105-LBB5-E00	2				
3	CLAMP TUBE	90660-KGBG-900	0	H4R			
4	WHEEL COMP RR CAST	42601-LFB6-700	1				
5	WHEEL SET FR	44650-LFB6-305	0	HUA			
6	FORK SET FR R	5140A-LFB6-E00	3				
7	BOTTOM CASE R	51420-LFB5-900	0				
8	FORK SET FR L	5150A-LFB6-700	2				
9	BOTTOM CASE L	51520-LFB6-700	0				
10	LEVER R STRG HANDLE	53175-KFA5-E10	0	M5A			
11	LEVER L STRG HNDL	53178-KFC8-E10	0				
12	MUFFLER ASSY EXH	1830A-LFB6-E00	0	N1R			
13	PROTECTOR MUFFLER	18318-LFB5-E00	0				
14	COVER BATTERY	5032A-LEB1-900	2				
15	COVER UNDER	50613-LFB5-900	4				
16	GRIP COMP THROT	53140-LFB6-800	5				
17	GRIP COMP L HANDLE	53150-LEA6-900	4				
18	COVER USB	53203-LFB6-700	0				
19	COVER RR HANDLE	53206-LFB6-700	4				
20	COVER L WINKER	53208-LFB5-900	1				
21	FR. HANDLE COVER B	53209-LFB6-700	1				
22	GRILLE R FENDER TIRE	61101-LFB5-900	0				
23	GRILLE L FENDER TIRE	61102-LFB5-900	0				
24	FENDER B FR	6110B-LFB5-900	7				
25	GRILLE R FR MOLDING	64303-LFB5-900	0				
販売開始時期							
販売終了時期							

NO	モデル			SR30BC(JP)のカラーチャート			
	写真番号			NO. 5	NO. 6	NO. 7	
	基本色						
	コード				Mat Black	Pearly White	
	パーツ名	パーツ番号	バージョン	NH294FA	NH294FA	NH193PA	
1	END R STRG HANDLE	53102-KEC8-900	0	F1S			
2	END R STRG HANDLE	53105-LBB5-E00	2				
3	CLAMP TUBE	90660-KGBG-900	0				
4	WHEEL COMP RR CAST	42601-LFB6-700	1	H4R			
5	WHEEL SET FR	44650-LFB6-305	0				
6	FORK SET FR R	5140A-LFB6-E00	3				
7	BOTTOM CASE R	51420-LFB5-900	0				
8	FORK SET FR L	5150A-LFB6-700	2				
9	BOTTOM CASE L	51520-LFB6-700	0	HUA			
10	LEVER R STRG HANDLE	53175-KFA5-E10	0				
11	LEVER L STRG HNDL	53178-KFC8-E10	0				
12	MUFFLER ASSY EXH	1830A-LFB6-E00	0	M5A			
13	PROTECTOR MUFFLER	18318-LFB5-E00	0				
14	COVER BATTERY	5032A-LEB1-900	2				
15	COVER UNDER	50613-LFB5-900	4				
16	GRIP COMP THROT	53140-LFB6-800	5				
17	GRIP COMP L HANDLE	53150-LEA6-900	4	N1R			
18	COVER USB	53203-LFB6-700	0				
19	COVER RR HANDLE	53206-LFB6-700	4				
20	COVER L WINKER	53208-LFB5-900	1				
21	FR. HANDLE COVER B	53209-LFB6-700	1				
22	GRILLE R FENDER TIRE	61101-LFB5-900	0				
23	GRILLE L FENDER TIRE	61102-LFB5-900	0				
24	FENDER B FR	6110B-LFB5-900	7				
25	GRILLE R FR MOLDING	64303-LFB5-900	0				
販売開始時期							
販売終了時期							

NO	モデル			SR30BC(JP)のカラーチャート							
	写真番号			NO. 1	NO. 2	NO. 3	NO. 4				
	基本色										
	コード			Mat Blue	Light Blue		Dark Red				
	パーツ名	パーツ番号	バージョン	PB128FA	PB128FA	RR157MA	RR157MA				
26	GRILLE L FR MOLDING	64304-LFB5-900	0	N1R							
27	GRILLER COVER FR	64307-LFB5-900	1								
28	FLOOR PANEL	64310-LFB5-900	2								
29	PLUG FLOOR	64316-KHD6-900	1								
30	PLUG FLOOR	64316-KHE2-900	1								
31	COWL UNDER	64400-LFB5-900	5								
32	FENDER RR TIRE	80100-LFB5-910	4								
33	FENDER RR	80105-LFB5-900	6								
34	FENDER RR INNER	80107-LFB5-900	4								
35	COVER CENTER	80151-LFB5-900	3								
36	LEG SHIELD UP	81131-LFB5-910	1								
37	LID LEG SHIELD	81132-KFAF-900	1								
38	CAP LEG SHIELD UP	81132-LFB5-900	0								
39	HOOK LEG SHIELD	81134-LGH6-B20	1								
40	LEG SHIELD LOW	81141-LFB5-900	3								
41	LEG SHIELD UP B	81142-LFB6-800	2								
42	COVER R SIDE	83520-LFB5-900	5								
43	COVER L SIDE	83620-LFB5-900	5								
44	BAND HARNESS WIRE	90656-KUDU-900	0								
45	FORK ASSY , REAR	52000-LFB6-600	3					N8A			
46	COLLAR FUEL FILLER	17623-KKE5-E1A	0					N8P			
47	COLLAR FUEL CILLER	17623-KKE5-E1B	0					NES			
48	PROTECTOR EXH PIPE	18325-LFB6-E00	1					NMS			
49	CUSHION ASSY RR R	52400-LFB5-900	7					NMS			
50	CUSHION ASSY RR L	52500-LFB5-900	7					NMS			
販売開始時期											
販売終了時期											

NO	モデル			SR30BC(JP)のカラーチャート			
	写真番号			NO. 5	NO. 6	NO. 7	
	基本色						
	コード				Mat Black	Pearly White	
	パーツ名	パーツ番号	バージョン	NH294FA	NH294FA	NH193PA	
26	GRILLE L FR MOLDING	64304-LFB5-900	0	N1R			
27	GRILLER COVER FR	64307-LFB5-900	1				
28	FLOOR PANEL	64310-LFB5-900	2				
29	PLUG FLOOR	64316-KHD6-900	1				
30	PLUG FLOOR	64316-KHE2-900	1				
31	COWL UNDER	64400-LFB5-900	5				
32	FENDER RR TIRE	80100-LFB5-910	4				
33	FENDER RR	80105-LFB5-900	6				
34	FENDER RR INNER	80107-LFB5-900	4				
35	COVER CENTER	80151-LFB5-900	3				
36	LEG SHIELD UP	81131-LFB5-910	1				
37	LID LEG SHIELD	81132-KFAF-900	1				
38	CAP LEG SHIELD UP	81132-LFB5-900	0				
39	HOOK LEG SHIELD	81134-LGH6-B20	1				
40	LEG SHIELD LOW	81141-LFB5-900	3				
41	LEG SHIELD UP B	81142-LFB6-800	2				
42	COVER R SIDE	83520-LFB5-900	5				
43	COVER L SIDE	83620-LFB5-900	5				
44	BAND HARNESS WIRE	90656-KUDU-900	0				
45	FORK ASSY , REAR	52000-LFB6-600	3		N8A		
46	COLLAR FUEL FILLER	17623-KKE5-E1A	0	N8P			
47	COLLAR FUEL CILLER	17623-KKE5-E1B	0	NES			
48	PROTECTOR EXH PIPE	18325-LFB6-E00	1	NMS			
49	CUSHION ASSY RR R	52400-LFB5-900	7				
50	CUSHION ASSY RR L	52500-LFB5-900	7				
販売開始時期							
販売終了時期							

NO	モデル			SR30BC(JP)のカラーチャート			
	写真番号			NO. 1	NO. 2	NO. 3	NO. 4
	基本色						
	コード			Mat Blue	Light Blue		Dark Red
	パーツ名	パーツ番号	バージョン	PB128FA	PB128FA	RR157MA	RR157MA
51	COVER FR HANDLE	53205-LFB6-700	1	CFP		EKP	
52	FR. HANDLE COVER A	53208-LFB6-700	1				
53	FENDER FR INNER	61100-LFB5-900	4				
54	MOLDING FR	64302-LFB5-900	5				
55	SKIRT R SIDE	64305-LFB6-800	3				
56	SKIRT L SIDE	64306-LFB6-800	3				
57	CARRIER R REAR	81200-LFB6-700	2				
58	CARRIER L REAR	81300-LFB6-700	2				
59	COVER R BODY	83500-LFB5-900	3				
60	COVER L BODY	83600-LFB5-900	3				
61	C/P ASSY , RR RH	43100-LKG2-700	4	R8A			
62	CALIPER ASSY, FRONT	45200-LFB6-700	3				
63	DISK COMP. , FR.BRAKE	4512A-LKB3-S00	4				
64	FAN COMP COOLING	19510-LEB1-900	5	RAR			
65	MARK MOTOCAM	86700-LKG2-900	4	T01			
66	EMB MRAK	87140-LFB6-600	0				
67	LABEL TIRE	87505-LFB6-E00	1				
68	CAUTION SIDE STAND	87541-GAR1-E00	1				
69	LABEL OIL CAP	87541-KUDU-E00	0				
70	MARK MAINT CAUTION	87542-GAR1-E00	2				
71	MARK DRIVE CAUTION	87560-GFY6-E00	4	T01			
72	SEAT ASSY (678-	77200-LFB6-E00	2				
73	COVER ASSY. FR.	6430A-LFB6-700	1	T01			
74	EMB FR COVER	86102-LGH6-700	0	T02		T01	
75	EMB R BODY COVER	86222-LFB6-600	0				
販売開始時期							
販売終了時期							

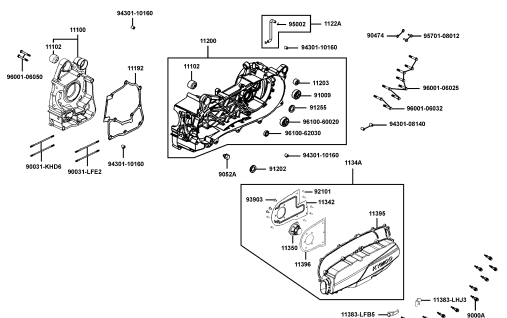
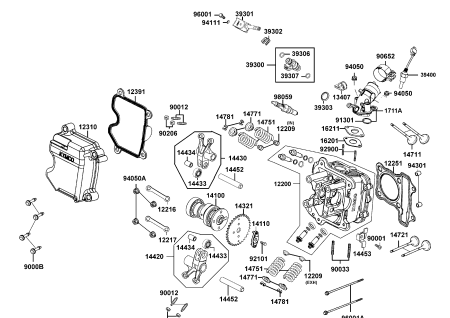
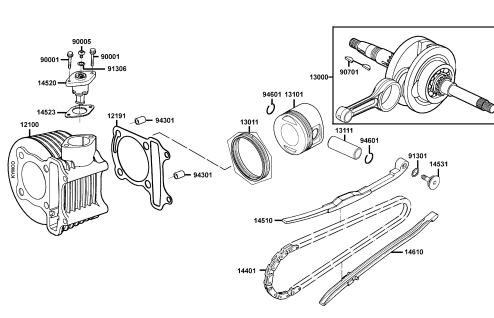
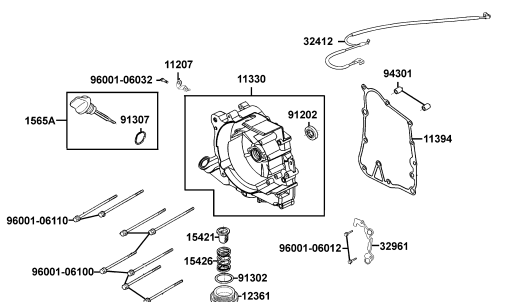
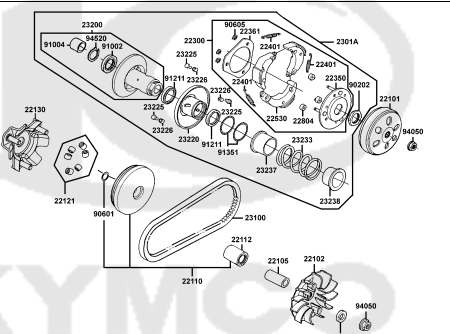
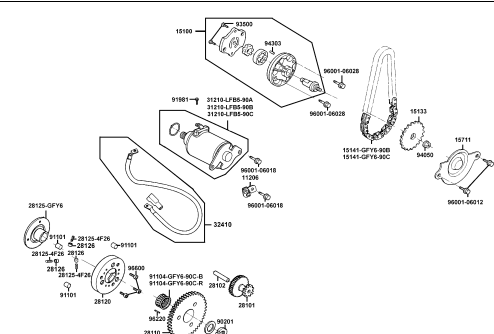
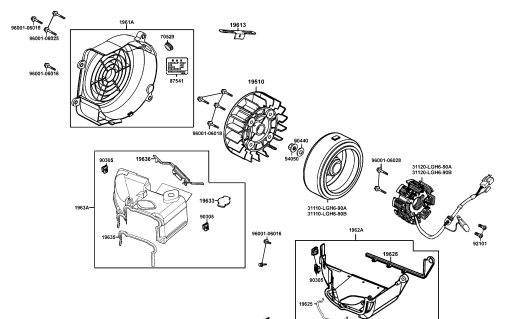
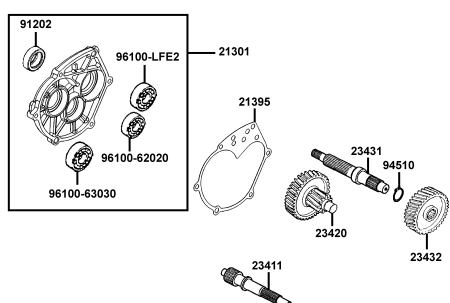
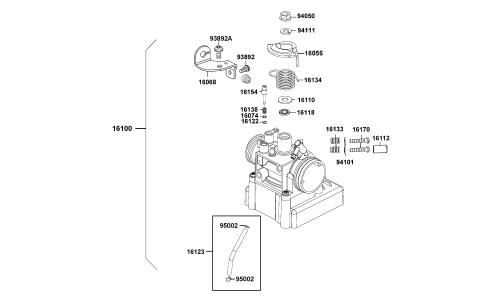


NO	モデル			SR30BC(JP)のカラーチャート			
	写真番号			NO. 5	NO. 6	NO. 7	
	基本色						
	コード				Mat Black	Pearly White	
	パーツ名	パーツ番号	バージョン	NH294FA	NH294FA	NH193PA	
51	COVER FR HANDLE	53205-LFB6-700	1	JBP	NVP		
52	FR. HANDLE COVER A	53208-LFB6-700	1				
53	FENDER FR INNER	61100-LFB5-900	4				
54	MOLDING FR	64302-LFB5-900	5				
55	SKIRT R SIDE	64305-LFB6-800	3				
56	SKIRT L SIDE	64306-LFB6-800	3				
57	CARRIER R REAR	81200-LFB6-700	2				
58	CARRIER L REAR	81300-LFB6-700	2				
59	COVER R BODY	83500-LFB5-900	3				
60	COVER L BODY	83600-LFB5-900	3				
61	C/P ASSY , RR RH	43100-LKG2-700	4	R8A			
62	CALIPER ASSY, FRONT	45200-LFB6-700	3				
63	DISK COMP. , FR.BRAKE	4512A-LKB3-S00	4				
64	FAN COMP COOLING	19510-LEB1-900	5				
65	MARK MOTOCAM	86700-LKG2-900	4	T01			
66	EMB MRAK	87140-LFB6-600	0				
67	LABEL TIRE	87505-LFB6-E00	1				
68	CAUTION SIDE STAND	87541-GAR1-E00	1				
69	LABEL OIL CAP	87541-KUDU-E00	0				
70	MARK MAINT CAUTION	87542-GAR1-E00	2				
71	MARK DRIVE CAUTION	87560-GFY6-E00	4	T01	T02		
72	SEAT ASSY (678-	77200-LFB6-E00	2				
73	COVER ASSY. FR.	6430A-LFB6-700	1				
74	EMB FR COVER	86102-LGH6-700	0				
75	EMB R BODY COVER	86222-LFB6-600	0				
販売開始時期							
販売終了時期							



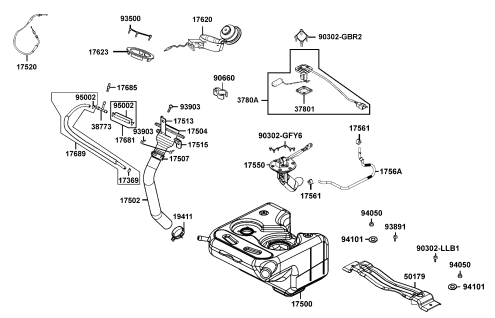
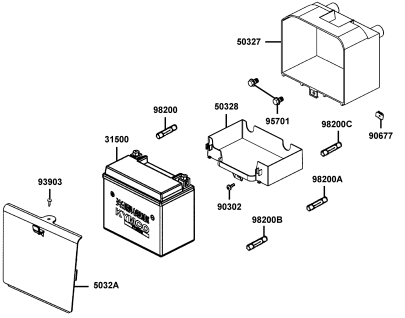
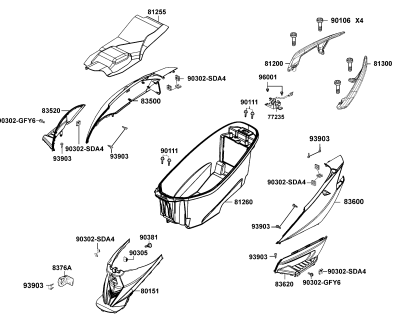
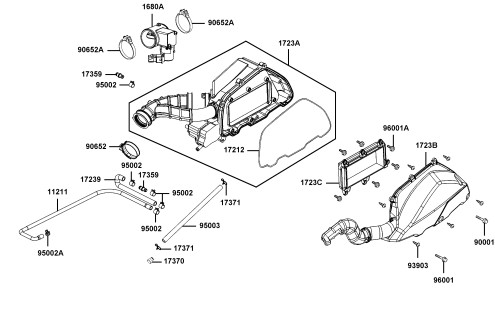
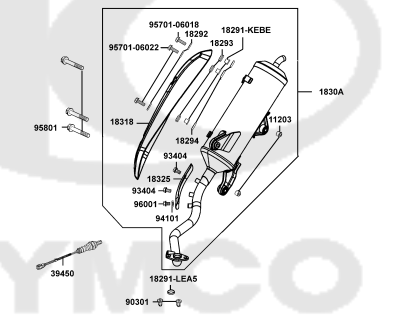
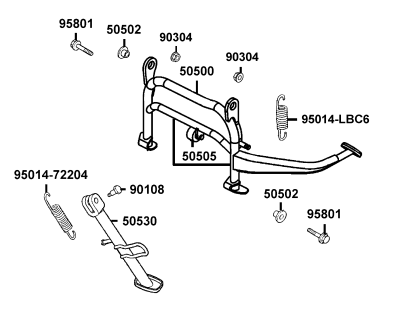
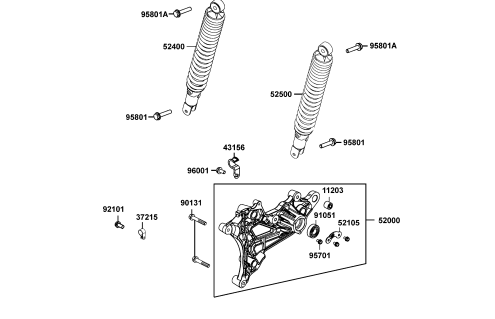
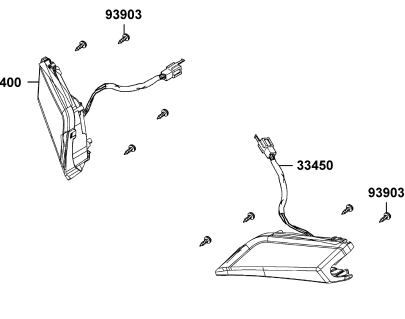
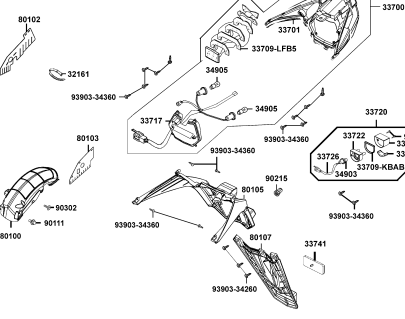


# CONTENTS - ENGINE GROUP 目次-エンジン関

<p><b>E01 Crank Case</b></p> 	<p><b>E02 Cylinder Head Cover Cylinder</b></p> 	<p><b>E03 Cylinder Piston Crankshaft</b></p> 
<p><b>E04 Right Crankcase Cover</b></p> 	<p><b>E05 Pulley</b></p> 	<p><b>E06 Starting Motor Oil Pump</b></p> 
<p><b>E07 Generator Water Pump</b></p> 	<p><b>E08 Transmission</b></p> 	<p><b>E09 Throttle Body Assy</b></p> 



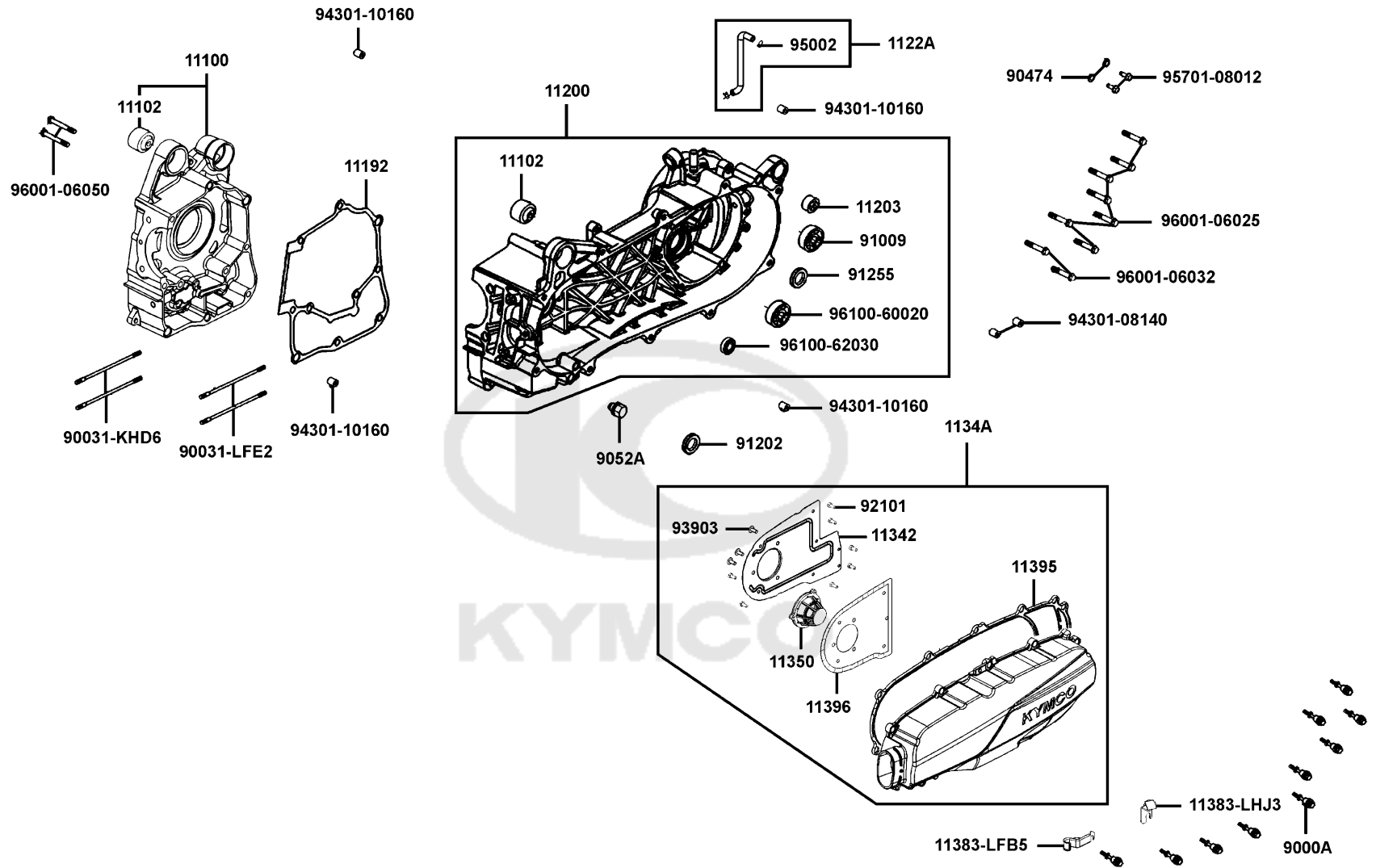
# CONTENTS - FRAME GROUP 目次-フレーム関係

<p><b>F10 Fuel Tank</b></p> 	<p><b>F11 Battery</b></p> 	<p><b>F12 Body Cover Luggage Box</b></p> 
<p><b>F13 Air Cleaner</b></p> 	<p><b>F14 Exhaust Muffler</b></p> 	<p><b>F15 Stand</b></p> 
<p><b>F16 Rear Cushion</b></p> 	<p><b>F17 Front Winker</b></p> 	<p><b>F18 Tail Light Rear Fender</b></p> 



E01

# Crank Case

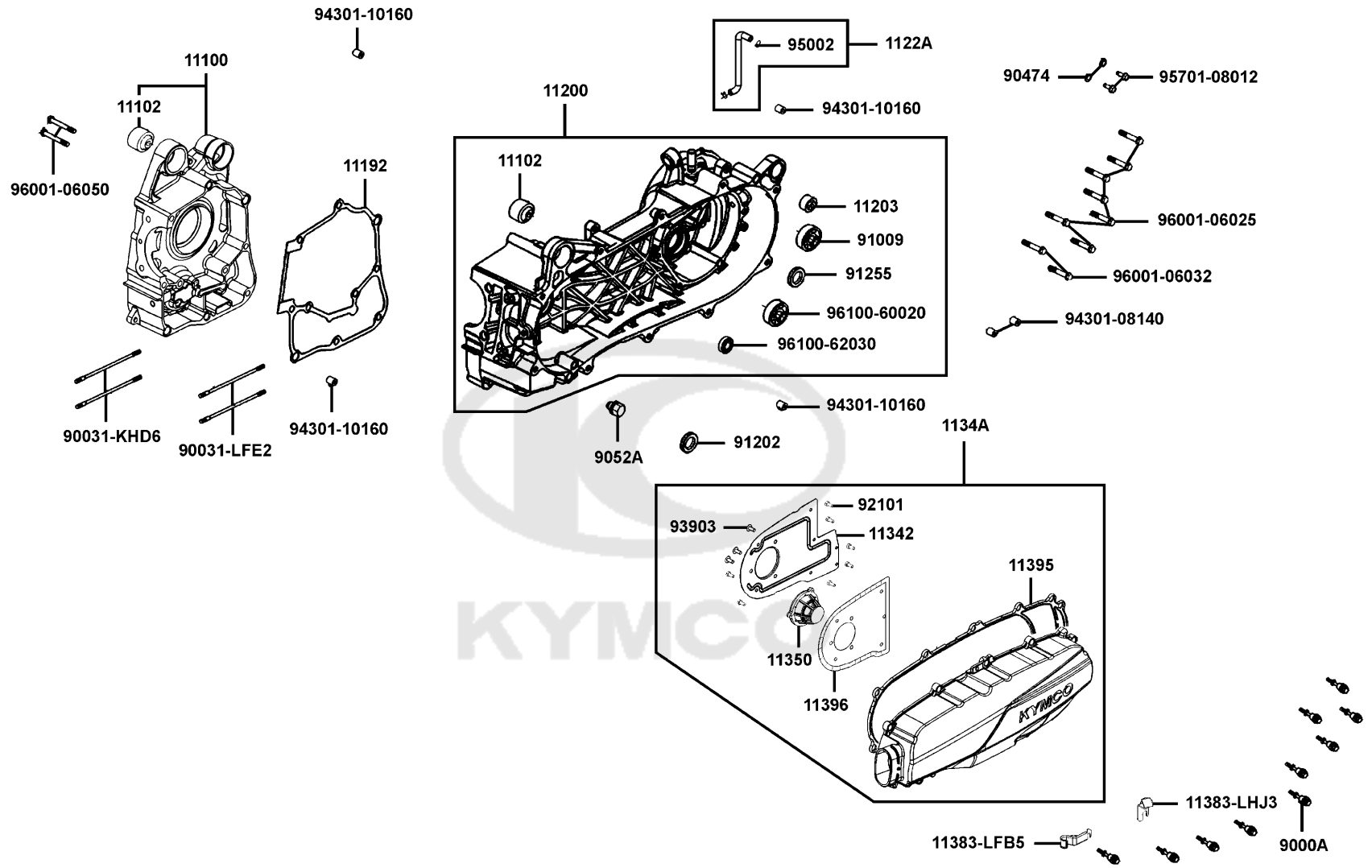




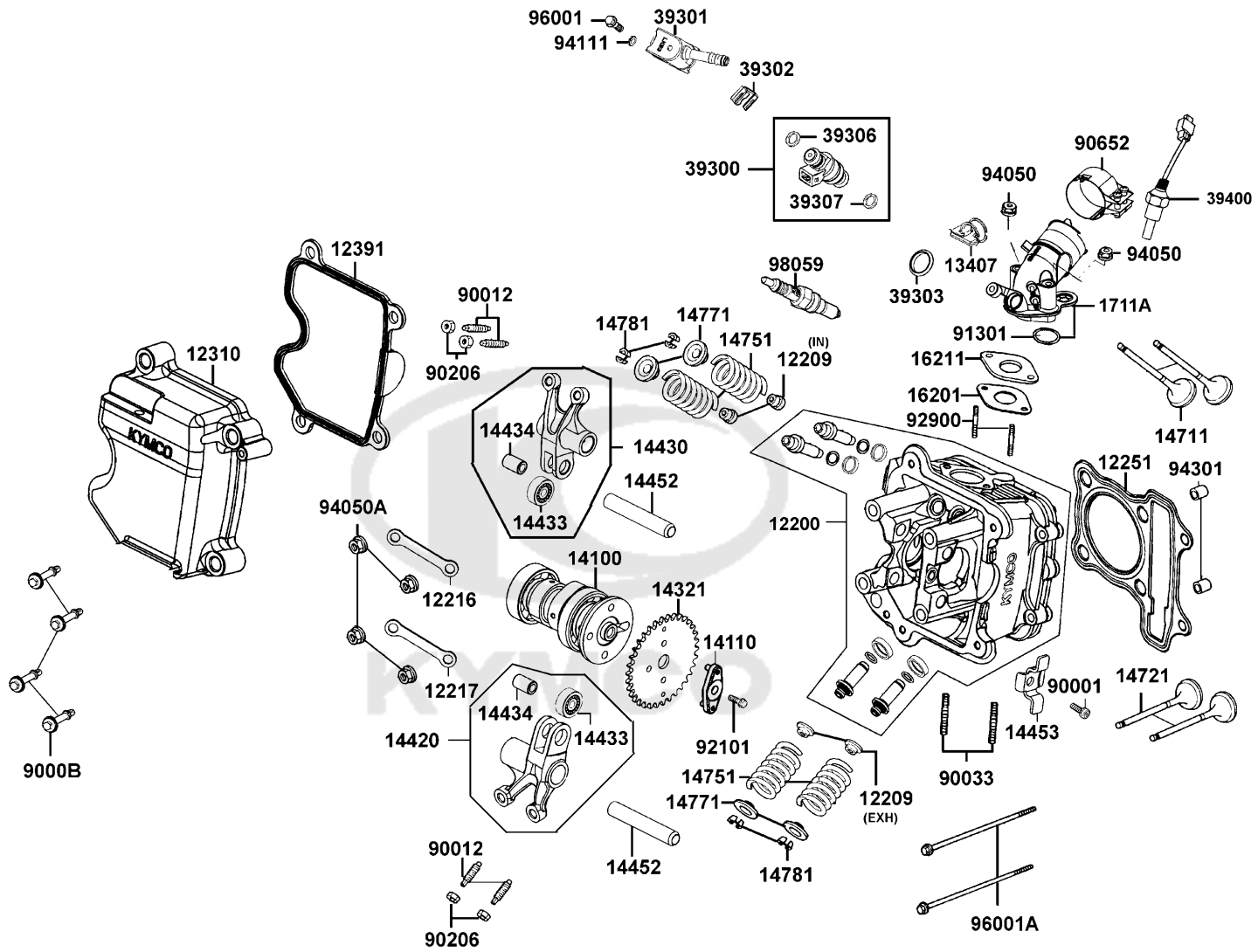
Sales mark 記号	Ref no 参照用番号	Part no パーツ番号	Description 部品名	Reg description 部品名	Regd no 必要個数	Ref Price 希望小売価格(税抜)	E01
	11100	11100-LEB1-306	CRANK CASE SET R	CRANK CASE SET R	1	17430	
	11102	11102-1G87-004	RUB BUSH ENG HANGER	RUB BUSH ENG HANGER	2	320	
	11192	11192-LEB1-900	GASKET CRANK CASE @A	GASKET CRANK CASE @A	1	1020	
	11200	11200-LFB5-306	CRANKCASE SET L	CRANKCASE SET L	1	30610	
	11203	11203-GGC7-301	UNDER RUBBER BUSH REAR CUSHION	UNDER RUBBER BUSH REAR CUSHION	1	250	
	1122A	1122A-LHJ3-900	TUBE ASSY MISSION BREATHER	TUBE ASSY MISSION BREATHER	1	400	
	11342	11342-LHJ3-900	PLATE. L COVER	PLATE. L COVER	1	710	
**	1134A	1134A-LHJ3-900	COVER ASSY. LEFT SIDE	COVER ASSY. LEFT SIDE	1	20910	
	11350	11350-LHJ3-900	ELEMENT ASSY L COVER	ELEMENT ASSY L COVER	1	1910	
	11383-LFB5	11383-LFB5-900	CLAMPER DRAIN TUBE	CLAMPER DRAIN TUBE	1	210	
	11383-LHJ3	11383-LHJ3-900	CLAMPER. DRAIN TUBE	CLAMPER. DRAIN TUBE	1	200	
	11395	11395-LFB5-900	GASKET L COVER	GASKET L COVER	1	1350	
	11396	11396-LHJ3-900	GASKET L COVER PLATE	GASKET L COVER PLATE	1	610	
	9000A	9000A-KTDT-900	BOLT ASSY SPECIAL 6*29.5	BOLT ASSY SPECIAL 6*29.5	10	100	
	90031-KHD6	90031-KHD6-900	BOLT A STUD 8*218	BOLT A STUD 8*218	2	580	
	90031-LFE2	90031-LFE2-900	BOLT B STUD 8*225	BOLT B STUD 8*225	2	770	
	90474	90474-3C33-001	WASHER 8MM	WASHER 8MM	2	60	
	9052A	9052A-LEB1-900	BOLT ASSY DRAIN PLUG	BOLT ASSY DRAIN PLUG	1	870	
	91009	91009-GLE0-004	BRG BALL RADIAL 6004 UU	BRG BALL RADIAL 6004 UU	1	1300	
	91202	91202-LEB1-900	OIL SEAL 25*35*5	OIL SEAL 25*35*5	1	770	

E01

# Crank Case



Sales mark 記号	Ref no 参照用番号	Part no パーツ番号	Description 部品名	Reg description 部品名	Regd no 必要個数	Ref Price 希望小売価格(税抜)	E01
91255	91255-GLE0-006	91255-GLE0-006	OIL SEAL 27*42*7	OIL SEAL 27*42*7	1	60	
92101	92101-05012-0G	92101-05012-0G	BOLT HEX 5*12 (G)	BOLT HEX 5*12 (G)	1	60	
93903	93903-25260	93903-25260	SCREW TAPPING 5*12	SCREW TAPPING 5*12	3	60	
94301-08140	94301-08140	94301-08140	DOWEL PIN 8*14	DOWEL PIN 8*14	2	110	
94301-10160	94301-10160	94301-10160	DOWEL PIN 10*16	DOWEL PIN 10*16	4	60	
95002	95002-50000	95002-50000	CLIP C9 TUBE	CLIP C9 TUBE	2	60	
95701-08012	95701-08012-06	95701-08012-06	BOLT FLANGE 6*22 (K)	BOLT FLANGE 6*22 (K)	1	60	
96001-06025	96001-06025-06	96001-06025-06	BOLT FLANGE SH 6*25	BOLT FLANGE SH 6*25	8	60	
96001-06032	96001-06032-06	96001-06032-06	BOLT FLANGE 6*32	BOLT FLANGE 6*32	1	60	
96001-06050	96001-06050-06	96001-06050-06	BOLT FLANGE SH 6*50	BOLT FLANGE SH 6*50	1	60	
96100-60020	96100-60020-00	96100-60020-00	BRG BALL RADIAL 6002	BRG BALL RADIAL 6002	1	250	
96100-62030	96100-62030-00	96100-62030-00	BRG BALL RADIAL 6203	BRG BALL RADIAL 6203	1	260	

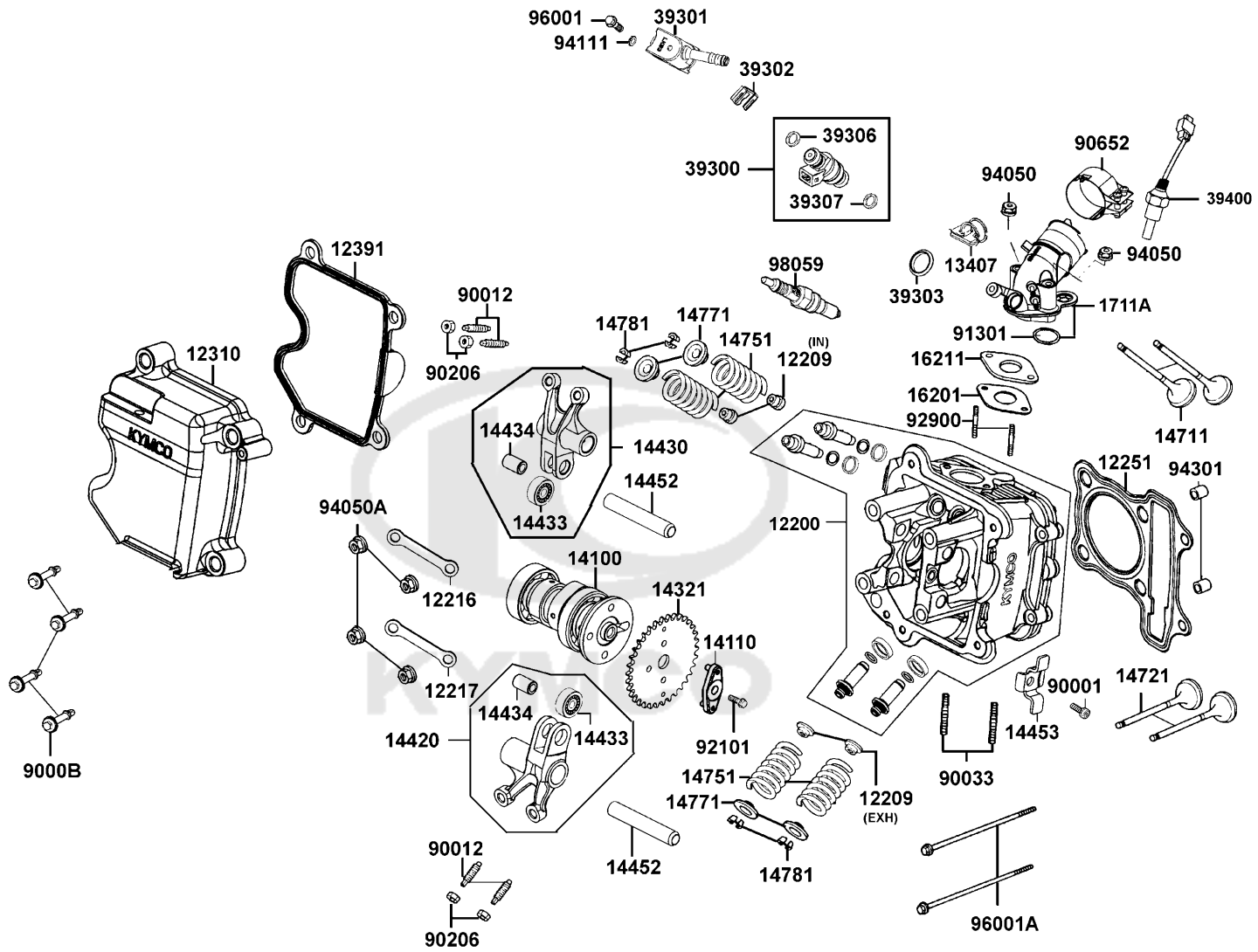


Sales mark 記号	Ref no 参照用番号	Part no パーツ番号	Description 部品名	Reg description 部品名	Regd no 必要個数	Ref Price 希望小売価格(税抜)
12200		12200-LKE7-900	HEAD COMP CYLN	HEAD COMP CYLN	1	57980
12209		12209-KHD6-900	SEAL VALVE STEM	SEAL VALVE STEM	6	390
12216		12216-LEB1-900	FORK A CAM HOLDER	FORK A CAM HOLDER	1	610
12217		12217-LEB1-900	FORK B CAM HOLDER	FORK B CAM HOLDER	1	610
12251		12251-LKE7-900	GASKET CYLINDER HEAD	GASKET CYLINDER HEAD	1	1180
12310		12310-LKE7-900	COVER COMP CYLN.HEAD	COVER COMP CYLN.HEAD	1	5050
12391		12391-LFE2-900	GASKET HEAD COVER	GASKET HEAD COVER	1	3650
13407		13407-LKC6-900	PLATE A ECU MODULE	PLATE A ECU MODULE	1	300
14100		14100-LFE2-900	SHAFT COMP CAM	SHAFT COMP CAM	1	13120
14110		14110-LEB1-900	FIXTURE CAMSHAFT	FIXTURE CAMSHAFT	1	1340
14321		14321-LEB1-900	SPROCKET CAM	SPROCKET CAM	1	2860
14420		14420-LFE2-900	ARM COMP EXH VALVE ROCKER	ARM COMP EXH VALVE ROCKER	1	5430
14430		14430-LFE2-900	ARM COMP IN VALVE ROCKER	ARM COMP IN VALVE ROCKER	1	5430
14433		14433-LEB1-900	ROLLER ASSY ROCKER ARM	ROLLER ASSY ROCKER ARM	2	1540
14434		14434-LEB1-900	PIN ROCKER ARM	PIN ROCKER ARM	2	770
14452		14452-LFA7-E00	SHAFT ROCKER ARM	SHAFT ROCKER ARM	2	680
14453		14453-LKE7-900	SET PLATE ROCKER ARM SHAFT	SET PLATE ROCKER ARM SHAFT	1	320
14711		14711-LFE2-900	VALVE INLET	VALVE INLET	2	1720
14721		14721-LGL9-900	VALVE EXHAUST	VALVE EXHAUST	2	3240
14751		14751-KHD6-900	SPG VALVE OUTER	SPG VALVE OUTER	4	420

E02



Sales mark 記号	Ref no 参照用番号	Part no パーツ番号	Description 部品名	Reg description 部品名	Regd no 必要個数	Ref Price 希望小売価格 (税抜)	E02
14771	14771-KHD6-900	14771-KHD6-900	RETAINER VALVE SRINPG	RETAINER VALVE SRINPG	4	490	
14781	14781-MFA6-001	14781-MFA6-001	COTTER VALVE	COTTER VALVE	8	200	
16201	16201-LFE2-900	16201-LFE2-900	GASKET CARB INSULATOR A	GASKET CARB INSULATOR A	1	130	
16211	16211-LFE2-900	16211-LFE2-900	INSULATOR CARB	INSULATOR CARB	1	390	
1711A	1711A-LFB6-810	1711A-LFB6-810	PIPE ASS'Y.INLET	PIPE ASS'Y.INLET	1	4380	
39300	39300-LEB2-800	39300-LEB2-800	FUEL INJECTOR	FUEL INJECTOR	1	14640	
39301	39301-LGL9-910	39301-LGL9-910	HOLDER ASSY.. FUEL INJECTOR	HOLDER ASSY.. FUEL INJECTOR	1	490	
39302	39302-KKE3-900	39302-KKE3-900	CLIP SPRING FUEL INJECTOR	CLIP SPRING FUEL INJECTOR	1	390	
39303	39303-LEB2-900	39303-LEB2-900	SEAL HIGH TENSION FUEL INJECT	SEAL HIGH TENSION FUEL INJECT	1	110	
39306	39306-LEB2-305	39306-LEB2-305	O-RING A INJECTOR /BLACK	O-RING A INJECTOR /BLACK	1	680	
39307	39307-LEB2-305	39307-LEB2-305	O-RING B INJECTOR /GREEN	O-RING B INJECTOR /GREEN	1	680	
39400	39400-LHJ3-900	39400-LHJ3-900	SENSOR. HEAD TEMPERATURE	SENSOR. HEAD TEMPERATURE	1	5020	
90001	90001-GFY6-901	90001-GFY6-901	SOCKET BOLT 6*10 (B)	SOCKET BOLT 6*10 (B)	1	110	
9000B	9000B-KHD6-900	9000B-KHD6-900	BOLT ASSY SPECIAL 6*41.5	BOLT ASSY SPECIAL 6*41.5	4	440	
90012	90012-3C33-001	90012-3C33-001	SCREW TAPPET ADJUSTING	SCREW TAPPET ADJUSTING	4	110	
90033	90033-GFY6-900	90033-GFY6-900	BOLT STUD 8*32	BOLT STUD 8*32	2	60	
90206	90206-0A01-001	90206-0A01-001	NUT TAPPET ADJG	NUT TAPPET ADJG	4	60	
90652	90652-LGJ9-900	90652-LGJ9-900	BAND 48. INLET-PIPE	BAND 48. INLET-PIPE	1	310	
91301	91301-LEB1-900	91301-LEB1-900	O-RING 30*2	O-RING 30*2	1	200	
92101	92101-06014-0G	92101-06014-0G	BOLT HEX 6*14	BOLT HEX 6*14	1	200	

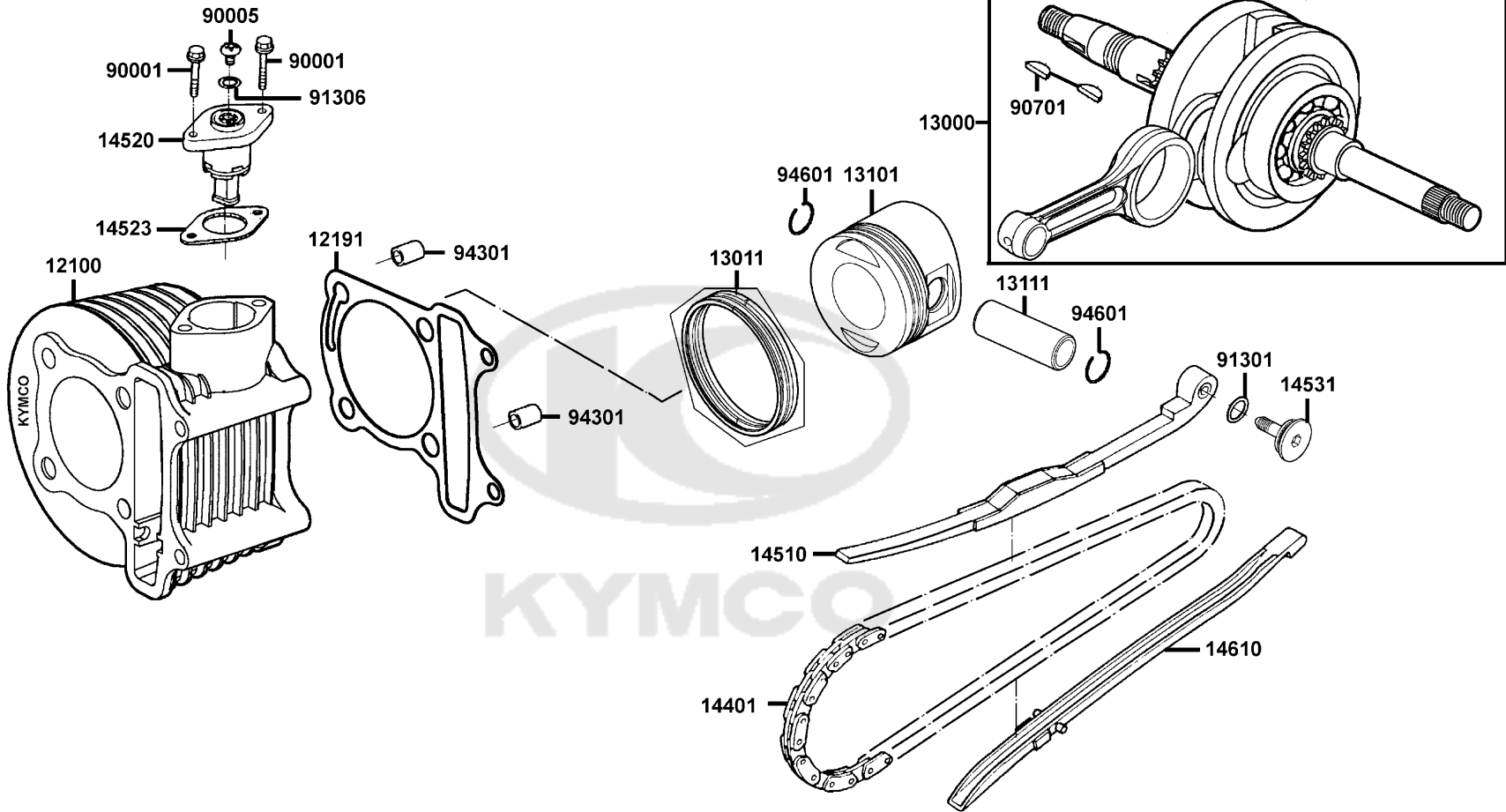




Sales mark 記号	Ref no 参照用番号	Part no パーツ番号	Description 部品名	Reg description 部品名	Regd no 必要個数	Ref Price 希望小売価 格(税抜)
92900		92900-06060-0B	BOLT STUD ??*60	BOLT STUD ??*60	2	60
94050		94050-06080	NUT FLANGE 6MM	NUT FLANGE 6MM	2	60
94050A		94050-08080	NUT FLANGE 8MM	NUT FLANGE 8MM	4	60
94111		94111-06800	WASHER SPRING 6MM	WASHER SPRING 6MM	1	60
94301		94301-10160	DOWEL PIN 10*16	DOWEL PIN 10*16	2	60
96001		96001-06014-06	BOLT FLANGE SH 6*14 (G)	BOLT FLANGE SH 6*14 (G)	1	60
96001A		96001-06100-06	BOLT FLANGE SH 6*100	BOLT FLANGE SH 6*100	1	60
98059		98059-58916-00	PLUG SPARK(CR8E)	PLUG SPARK(CR8E)	1	3050

E02

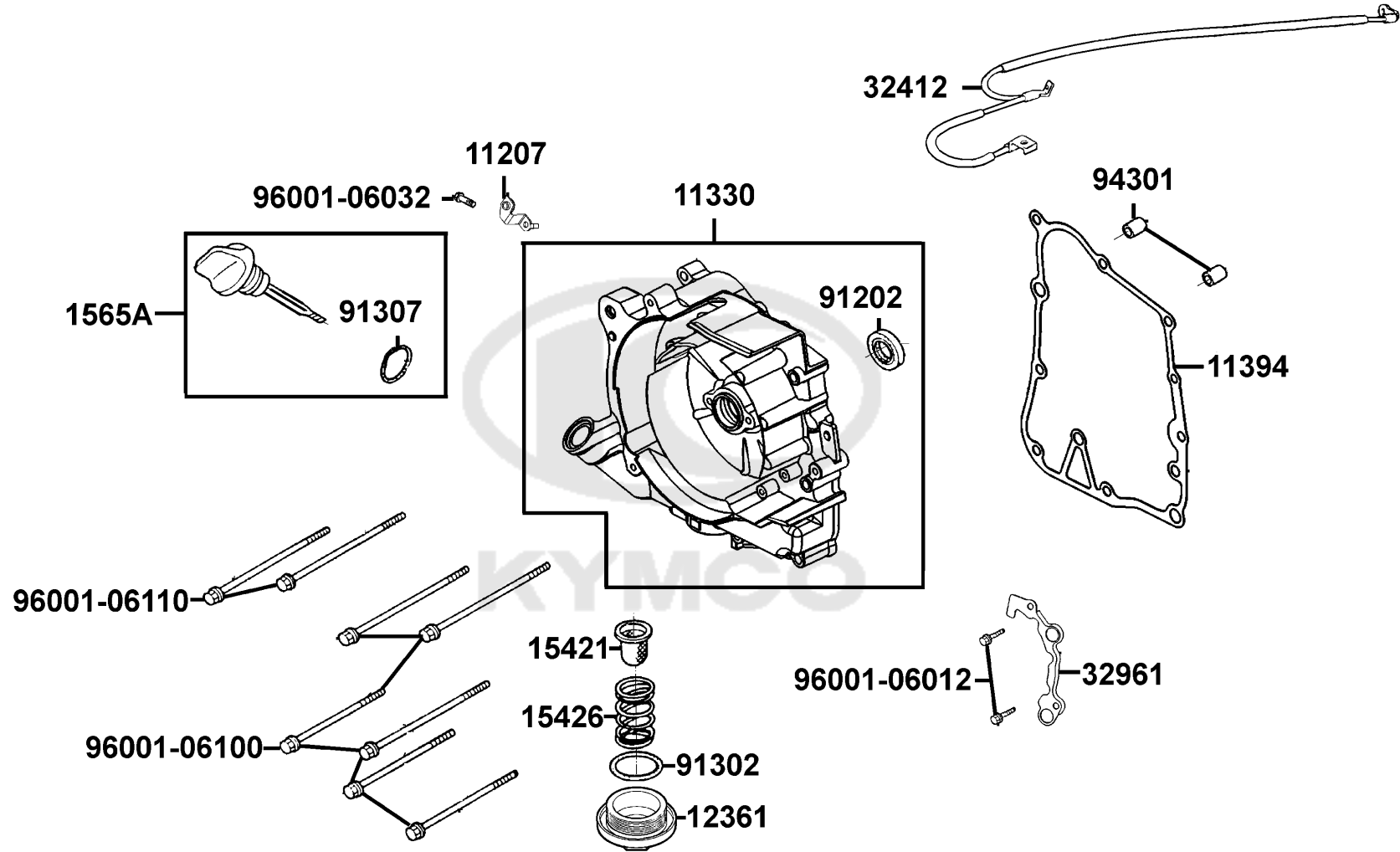




Sales mark 記号	Ref no 参照用番号	Part no パーツ番号	Description 部品名	Reg description 部品名	Regd no 必要個数	Ref Price 希望小売価格(税抜)	E03
12100		12100-LFE2-90B	CYLINDER COMP	CYLINDER COMP	1	33270	
12191		12191-LFE2-900	GASKET CYLINDER A	GASKET CYLINDER A	1	1110	
13000		13000-LKB3-900	CRANK SHAFT COMP	CRANK SHAFT COMP	1	49800	
13011		13011-LFE2-90B	RING ASSY PISTON	RING ASSY PISTON	1	3810	
13101		13101-AAG1-900	PISTON	PISTON	1	4090	
13111		13111-KKJ9-001	PIN PISTON	PIN PISTON	1	580	
14401		14401-LFE2-900	CHAIN CAM	CHAIN CAM	1	3340	
14510		14510-LEB1-900	TENSIONER CAM CHAIN	TENSIONER CAM CHAIN	1	1910	
14520		14520-LFA7-E00	LIFTER ASSY TENSIONER	LIFTER ASSY TENSIONER	1	2740	
14523		14523-KED9-900	GASKET TENSIONER LIFTER @A	GASKET TENSIONER LIFTER @A	1	200	
14531		14531-GLR0-001	PIVOT CAM CHAIN TENSIONER	PIVOT CAM CHAIN TENSIONER	1	200	
14610		14610-LEB1-900	GUIDE COMP CAM CHAIN	GUIDE COMP CAM CHAIN	1	870	
90001		90001-GBHB-661	BOLT FLANGE SH 6*22	BOLT FLANGE SH 6*22	2	60	
90005		90005-KAW1-901	SCREW PAN 6*6	SCREW PAN 6*6	1	60	
90701		90701-HFB6-011	KEY WOODRUFF 25*14*4	KEY WOODRUFF 25*14*4	1	60	
91301		91301-GLR0-005	O-RING 15.2*1.5	O-RING 15.2*1.5	1	60	
91306		91306-1E05-691	O-RING 1.5*9.5	O-RING 1.5*9.5	1	60	
94301		94301-10160	DOWEL PIN 10*16	DOWEL PIN 10*16	2	60	
94601		94601-15000	CLIP PISTON PIN 15MM	CLIP PISTON PIN 15MM	2	60	

E04

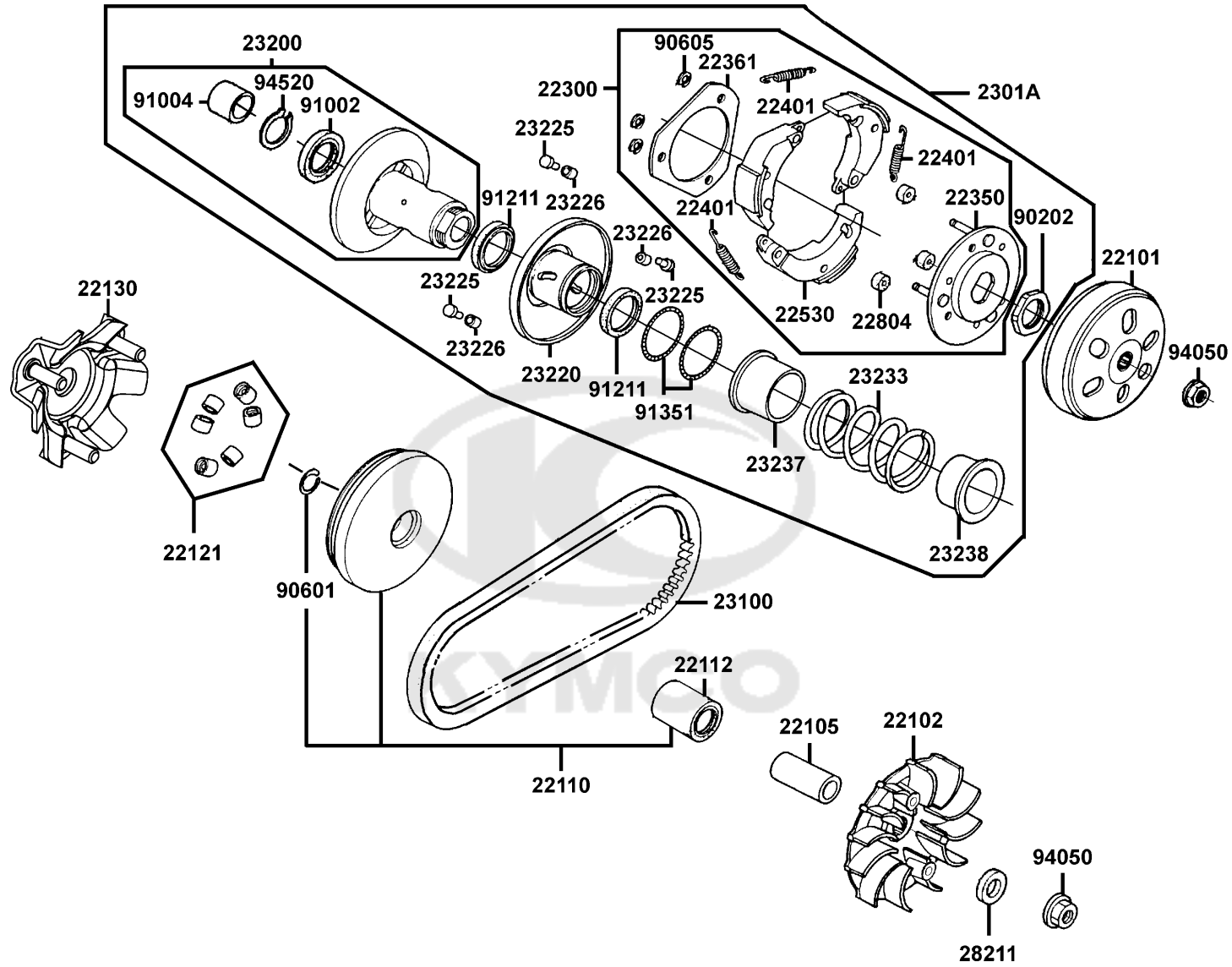
Right Crankcase Cover



Sales mark 記号	Ref no 参照用番号	Part no パーツ番号	Description 部品名	Reg description 部品名	Regd no 必要個数	Ref Price 希望小売価格(税抜)	E04
11207		11207-LFB5-900	STAY B RR FENDER	STAY B RR FENDER	1	180	
11330		11330-LEB1-900	COVER R CRANK CASE	COVER R CRANK CASE	1	18060	
11394		11394-LEB1-900	GASKET R COVER	GASKET R COVER	1	1150	
12361		12361-GFY6-901	HOLE CAP TAPPET ADJUSTING	HOLE CAP TAPPET ADJUSTING	1	300	
15421		15421-1G07-001	SCREEN OIL FILTER	SCREEN OIL FILTER	1	350	
15426		15426-GAE1-921	SPG OIL FILTER SCREEN	SPG OIL FILTER SCREEN	1	160	
1565A		1565A-KUDU-900	GAUGE OIL LEVEL ASSY	GAUGE OIL LEVEL ASSY	1	390	
32412		32412-LGH6-910	CABLE. EARTH	CABLE. EARTH	1	3620	
32961		32961-LEB1-900	CLAMPER ACG CORD	CLAMPER ACG CORD	1	390	
91202		91202-GFY6-90C	OIL SEAL 19.8*30*5	OIL SEAL 19.8*30*5	2	230	
91302		91302-0A01-021	O-RING 30.8M/M	O-RING 30.8M/M	1	60	
91307		91307-0E35-001	O RING 18*3	O RING 18*3	1	60	
94301		94301-10160	DOWEL PIN 10*16	DOWEL PIN 10*16	2	60	
96001-06012		96001-06012-06	BOLT FLANGE SH 6*12	BOLT FLANGE SH 6*12	1	60	
96001-06032		96001-06032-06	BOLT FLANGE 6*32	BOLT FLANGE 6*32	1	60	
96001-06100		96001-06100-06	BOLT FLANGE SH 6*100	BOLT FLANGE SH 6*100	1	60	
96001-06110		96001-06110-06	BOLT FLANGE SH 6*110	BOLT FLANGE SH 6*110	1	60	

E05

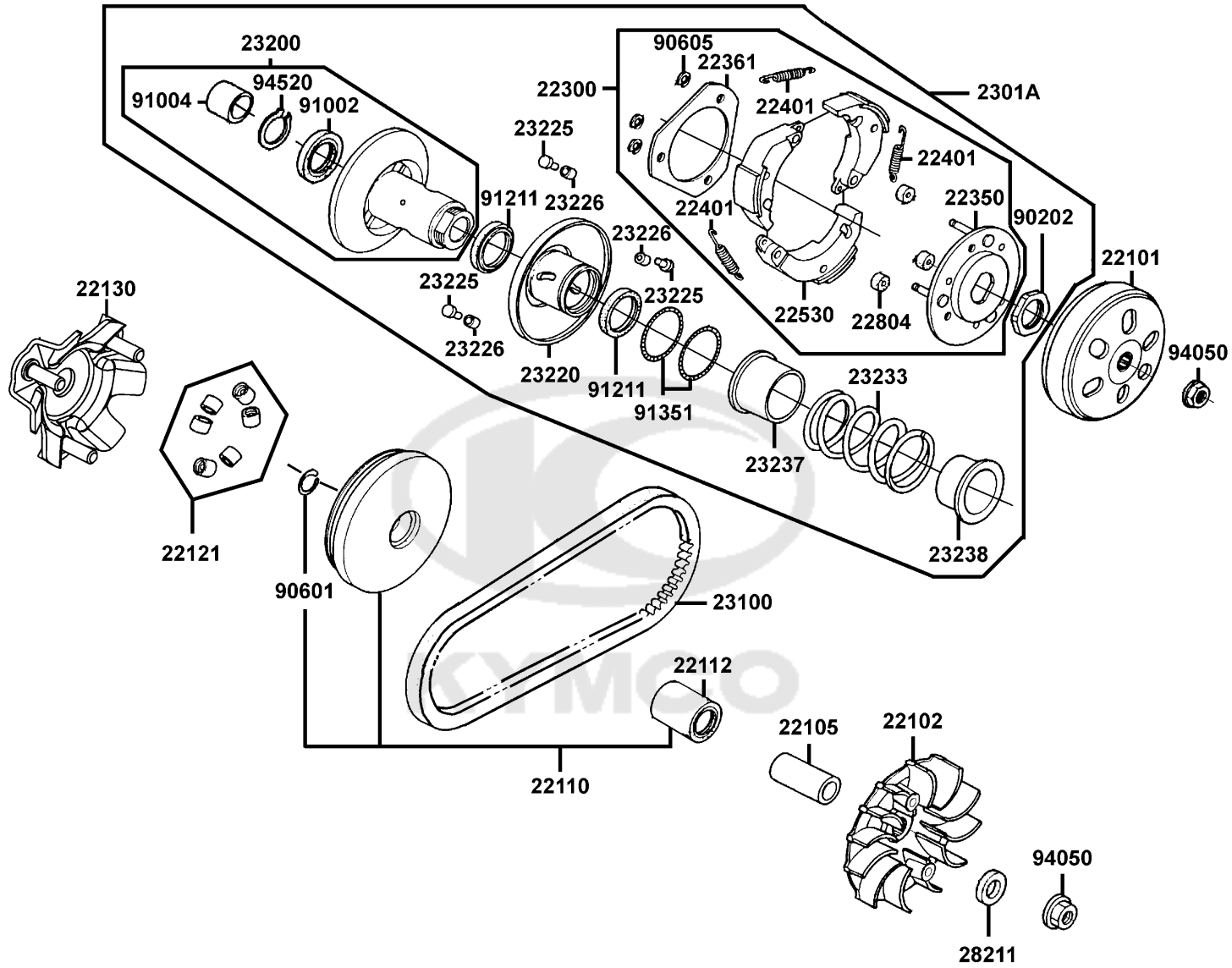
Pulley



Sales mark 記号	Ref no 参照用番号	Part no パーツ番号	Description 部品名	Reg description 部品名	Regd no 必要個数	Ref Price 希望小売価格(税抜)	E05
22101		22101-GFY6-941	OUTER CLUTCH	OUTER CLUTCH	1	4760	
22102		22102-LEB1-900	FACE DRIVE	FACE DRIVE	1	2670	
22105		22105-LEB2-900	BOSS.DRIVE FACE	BOSS.DRIVE FACE	1	1440	
22110		22110-LEB1-800	FACE COMP MOVABLE DRIVE	FACE COMP MOVABLE DRIVE	1	6090	
22112		22112-GFY6-90A	BUSH 24*28*30	BUSH 24*28*30	1	250	
22121		22121-GFY6-305	ROLLER SET WEIGHT (1SET:6PCS)	ROLLER SET WEIGHT(旧品番の22121-GFY6	1	390	
22130		22130-LEB1-800	PLATE RAMP	PLATE RAMP	1	1850	
22300		22300-LHJ3-900	PLATE ASSY DRIVE	PLATE ASSY DRIVE	1	12140	
22350		22350-LHJ3-900	PLATE COMP DRIVE	PLATE COMP DRIVE	1	1910	
22361		22361-LHJ3-900	PLATE CLUTCH SIDE	PLATE CLUTCH SIDE	1	590	
22401		22401-LHJ3-900	SPRING CLUTCH	SPRING CLUTCH(車台番号「	3	180	
22530		22530-LHJ3-900	WEIGHT CLUTCH	WEIGHT CLUTCH(車台番号「	3	2890	
22804		22804-GBB2-001	RUBBER CLUTCH DAMPER	RUBBER CLUTCH DAMPER	3	200	
2301A		2301A-LHJ3-900	PULLEY ASSY DRIVEN	PULLEY ASSY DRIVEN	1	28520	
23100		23100-LFB6-900	BELT DRIVE(Maker:MITSUBOSHI)	BELT DRIVE(Maker:MITSUBOSHI)	1	8900	
23100		23100-LFB6-90A	BELT DRIVE	BELT DRIVE	1	7300	
23200		23200-LFE2-900	FACE ASSY DRIVEN(2007.04.04-)	FACE ASSY DRIVEN(2007.04.04-)	1	9510	
23220		23220-GFY6-921	FACE COMP MOVABLE DRIVEN	FACE COMP MOVABLE DRIVEN	1	5810	
23225		23225-GHC8-004	PIN ROLLER GUIDE	PIN ROLLER GUIDE	3	60	
23226		23226-GHC8-004	ROLLER GUIDE	ROLLER GUIDE	3	60	

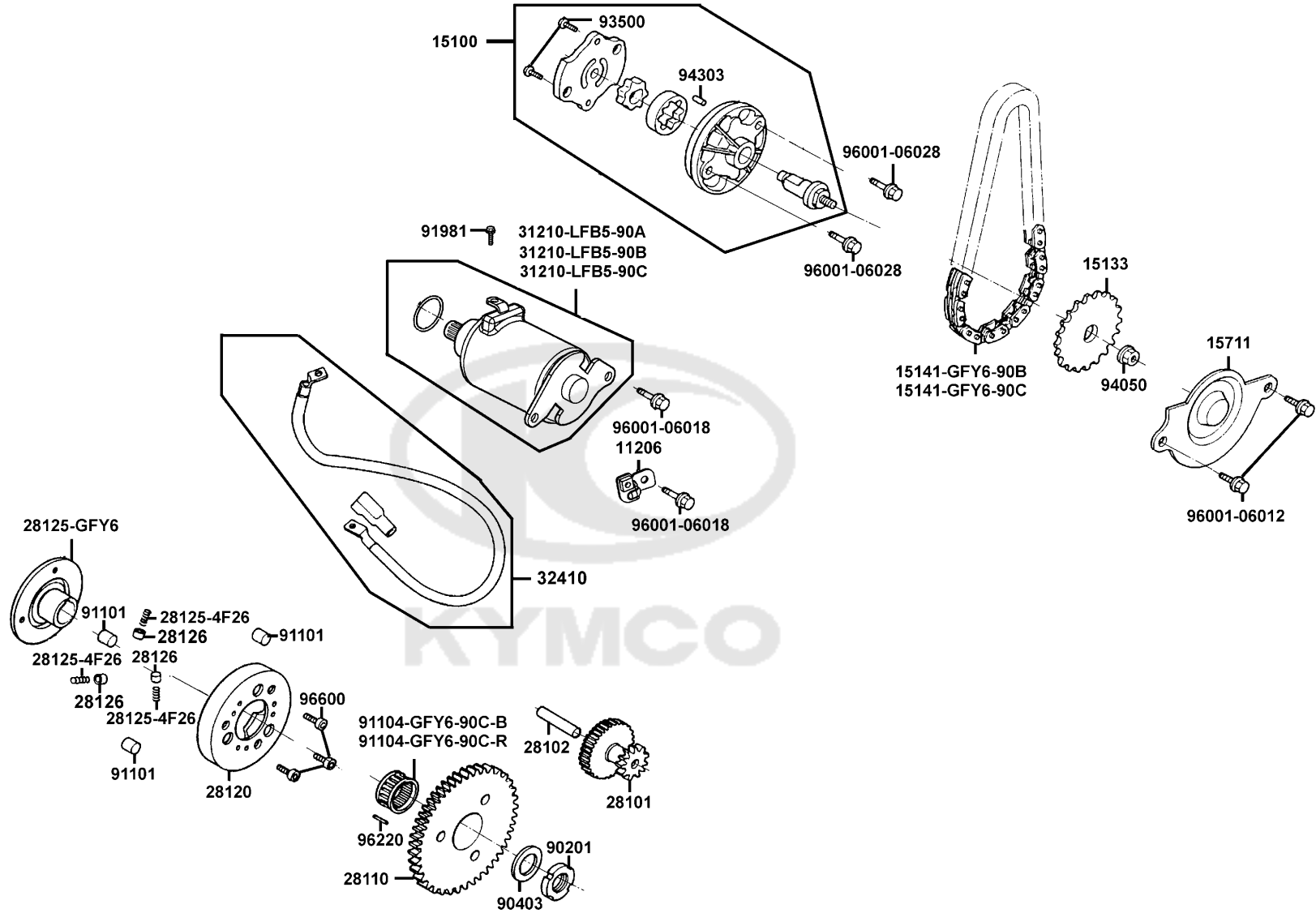
E05

Pulley

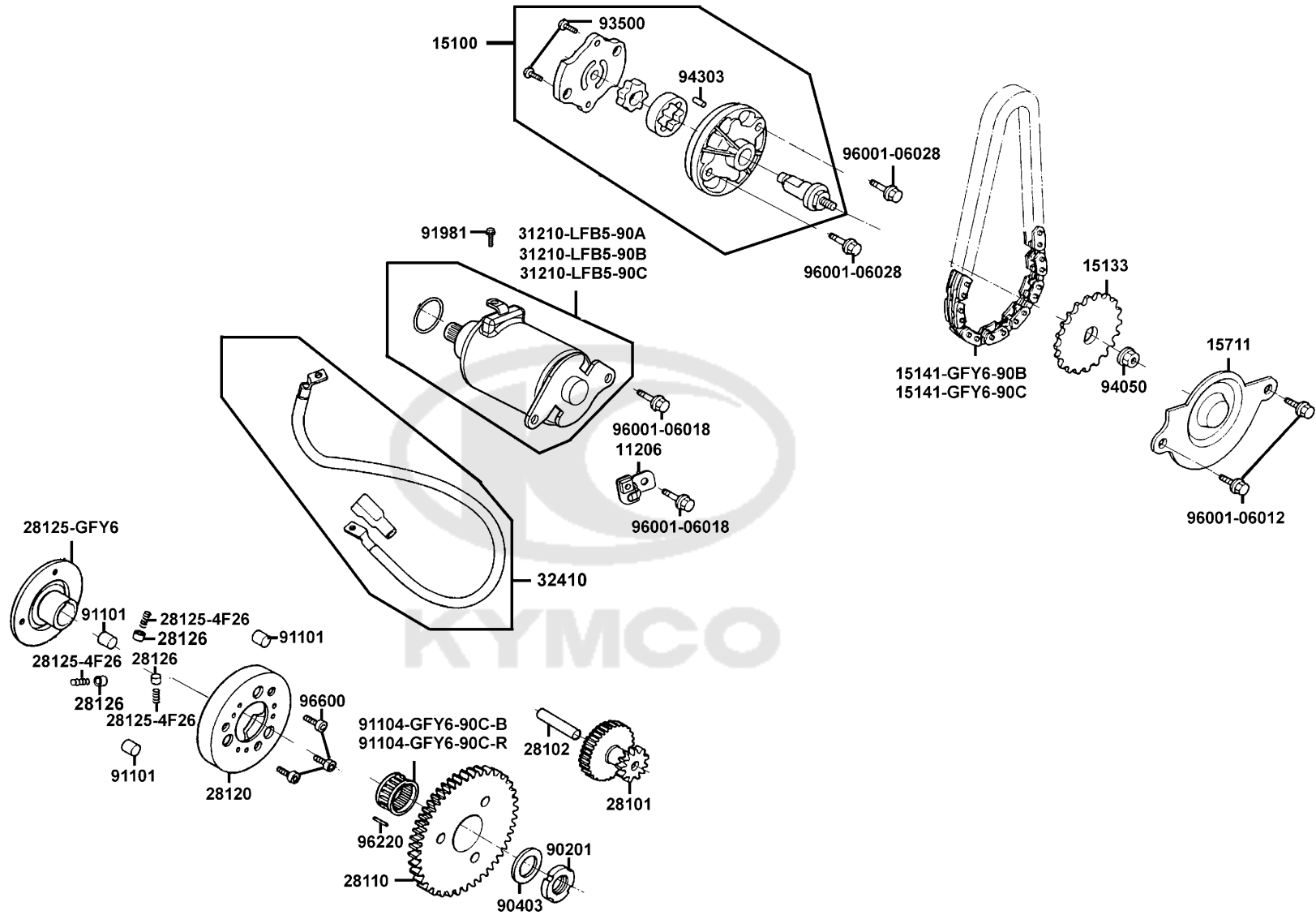




Sales mark 記号	Ref no 参照用番号	Part no パーツ番号	Description 部品名	Reg description 部品名	Regd no 必要個数	Ref Price 希望小売価格(税抜)	E05
23233		23233-LKC6-900	SPG DRIVEN FACE	SPG DRIVEN FACE	1	1060	
23237		23237-GFY6-941	COLLAR SEAL	COLLAR SEAL	1	580	
23238		23238-LEB1-910	COLLAR.SPRING	COLLAR.SPRING	1	580	
28211		28211-LFA7-E00	WASHER 16.6*24*5	WASHER 16.6*24*5	1	390	
90202		90202-1G87-001	NUT SPECIAL 28MM	NUT SPECIAL 28MM	1	100	
90601		90601-GFY6-901	CLIP 28MM	CLIP 28MM	1	60	
90605		90605-1F66-721	CIR CLIP 7MM	CIR CLIP 7MM	3	60	
91002		91002-GGA7-70A	BRG BALL RADIAL 6902U	BRG BALL RADIAL 6902U	1	510	
91004		91004-KHE7-900	BRG NDL 22*29*18	BRG NDL 22*29*18	1	2860	
91211		91211-KEBE-900	SEAL DRIVEN FACE 34*41*4	SEAL DRIVEN FACE 34*41*4	2	770	
91351		91351-6B42-000	O-RING PINION CAP	O-RING PINION CAP	1	200	
94050		94050-12080	NUT C FLANGE 12MM	NUT C FLANGE 12MM	2	60	
94520		94520-28000	CIR CLIP IN 28	CIR CLIP IN 28	1	60	



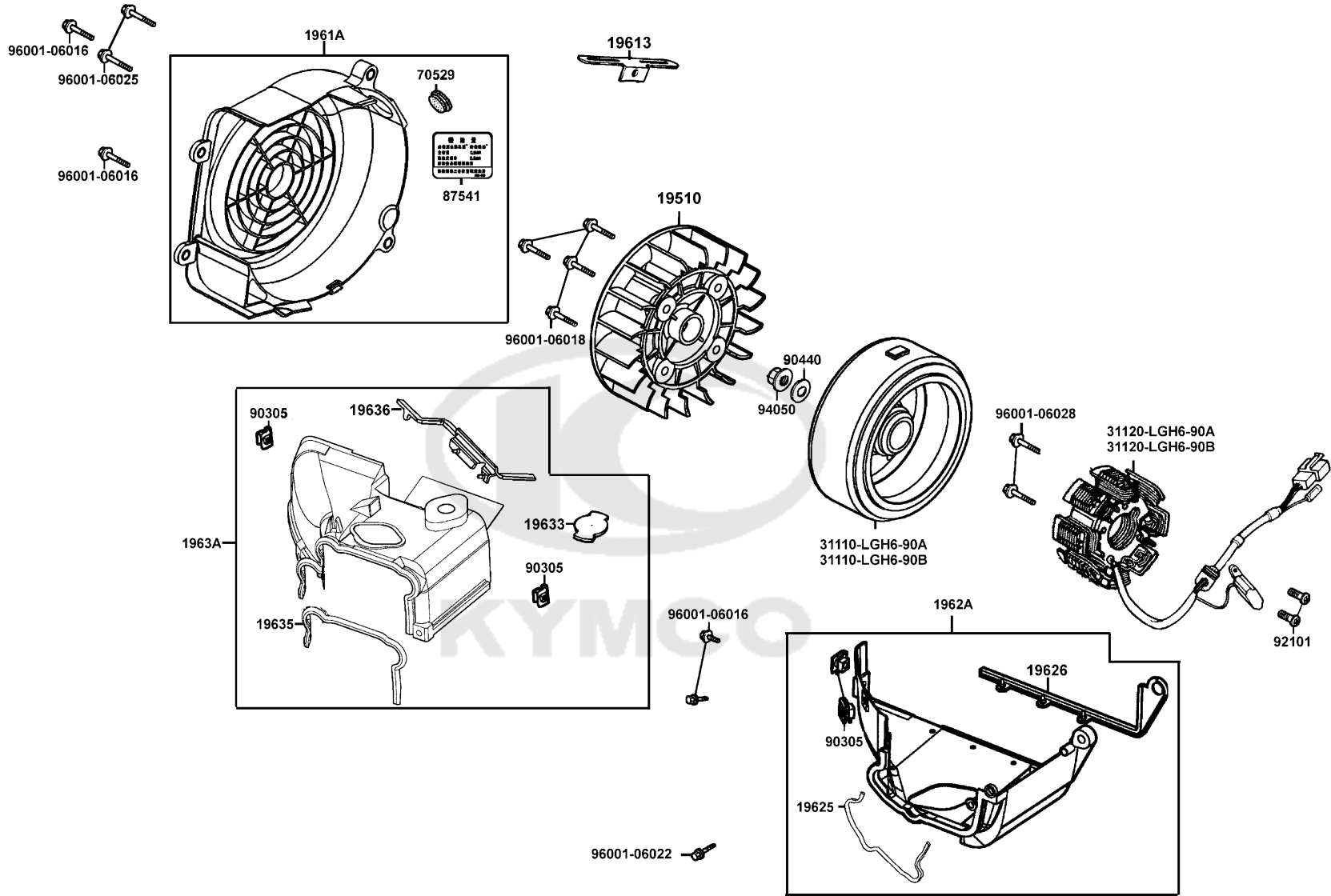
Sales mark 記号	Ref no 参照用番号	Part no パーツ番号	Description 部品名	Reg description 部品名	Regd no 必要個数	Ref Price 希望小売価格(税抜)	E06
11206		11206-LFB5-900	STAY A RR FENDER	STAY A RR FENDER	1	200	
15100		15100-KFB7-900	PUMP ASSY OIL	PUMP ASSY OIL	1	3240	
15133		15133-GFY6-901	SPRKT OIL PUMP DRIVEN	SPRKT OIL PUMP DRIVEN	1	580	
15141-GFY6-90B		15141-GFY6-90B	CHAIN OIL PUMP	CHAIN OIL PUMP	1	2230	
15141-GFY6-90C		15141-GFY6-90C	CHAIN OIL PUMP	CHAIN OIL PUMP	1	2230	
15711		15711-GFY6-901	SEPARATER OIL	SEPARATER OIL	1	300	
28101		28101-GFY6-200	GEAR STARTER REDUCTION	GEAR STARTER REDUCTION	1	2860	
28102		28102-GFY6-901	SHAFT STARTER REDUCTION GEAR	SHAFT STARTER REDUCTION GEAR	1	300	
28110		28110-LEB1-900	GEAR COMP STARTING CLUTCH	GEAR COMP STARTING CLUTCH	1	4600	
28120		28120-GFY6-315	OUTER COMP STARTING CLUTCH	OUTER COMP STARTING CLUTCH	1	7800	
28125-4F26		28125-4F26-001	SPRING ROLLER STARTER CLUTCH	SPRING ROLLER STARTER CLUTCH	3	160	
28125-GFY6		28125-GFY6-960	FLANGE STARTING CLUTCH	FLANGE STARTING CLUTCH	1	2010	
28126		28126-KUDU-900	CAP STARTING ROLLER SPRING	CAP STARTING ROLLER SPRING	3	160	
31210-LFB5-90A		31210-LFB5-90A	MOTOR UNIT START	MOTOR UNIT START	1	13880	
31210-LFB5-90B		31210-LFB5-90B	MOTOR UNIT START	MOTOR UNIT START	2	13880	
31210-LFB5-90C		31210-LFB5-90C	MOTOR UNIT START	MOTOR UNIT START	1	13880	
32410		32410-LEB1-900	CABLE START MOTOR	CABLE START MOTOR	1	1150	
90201		90201-GFY6-901	NUT LOCK 22MM	NUT LOCK 22MM	1	110	
90403		90403-GFY6-901	WASHER THRUST 22. 2*31*2.5	WASHER THRUST 22. 2*31*2.5	1	200	
91101		91101-1K79-711	ROLLER 10*10	ROLLER 10*10	3	60	



Sales mark 記号	Ref no 参照用番号	Part no パーツ番号	Description 部品名	Reg description 部品名	Regd no 必要個数	Ref Price 希望小売価格(税抜)	E06
	91104-GFY6-90C-B	91104-GFY6-90C-B	BRG NEEDLE/28*32*17/0.002-0.004	BRG NEEDLE/28*32*17/0.002-0.004	1	360	
	91104-GFY6-90C-R	91104-GFY6-90C-R	BRG NEEDLE 28*32*17	BRG NEEDLE 28*32*17	1	360	
	91981	91981-KGN7-670	SCREW WASH 5*8	SCREW WASH 5*8	1	60	
	93500	93500-03010-0F	SCREW PAN 3X10 (G)	SCREW PAN 3X10 (G)	1	60	
	94050	94050-06080	NUT FLANGE 6MM	NUT FLANGE 6MM	1	60	
	94303	94303-04065	DOWEL PIN 4*6.5	DOWEL PIN 4*6.5	1	60	
	96001-06012	96001-06012-06	BOLT FLANGE SH 6*12	BOLT FLANGE SH 6*12	1	60	
	96001-06018	96001-06018-06	BOLT FLANGE SH 6X18	BOLT FLANGE SH 6X18	1	60	
	96001-06028	96001-06028-06	BOLT FLANGE SH 6*28	BOLT FLANGE SH 6*28	1	60	
	96220	96220-60100	ROLLER 6*10	ROLLER 6*10	1	60	
	96600	96600-08010-16	SOCKET BOLT 8*10	SOCKET BOLT 8*10	1	60	

E07

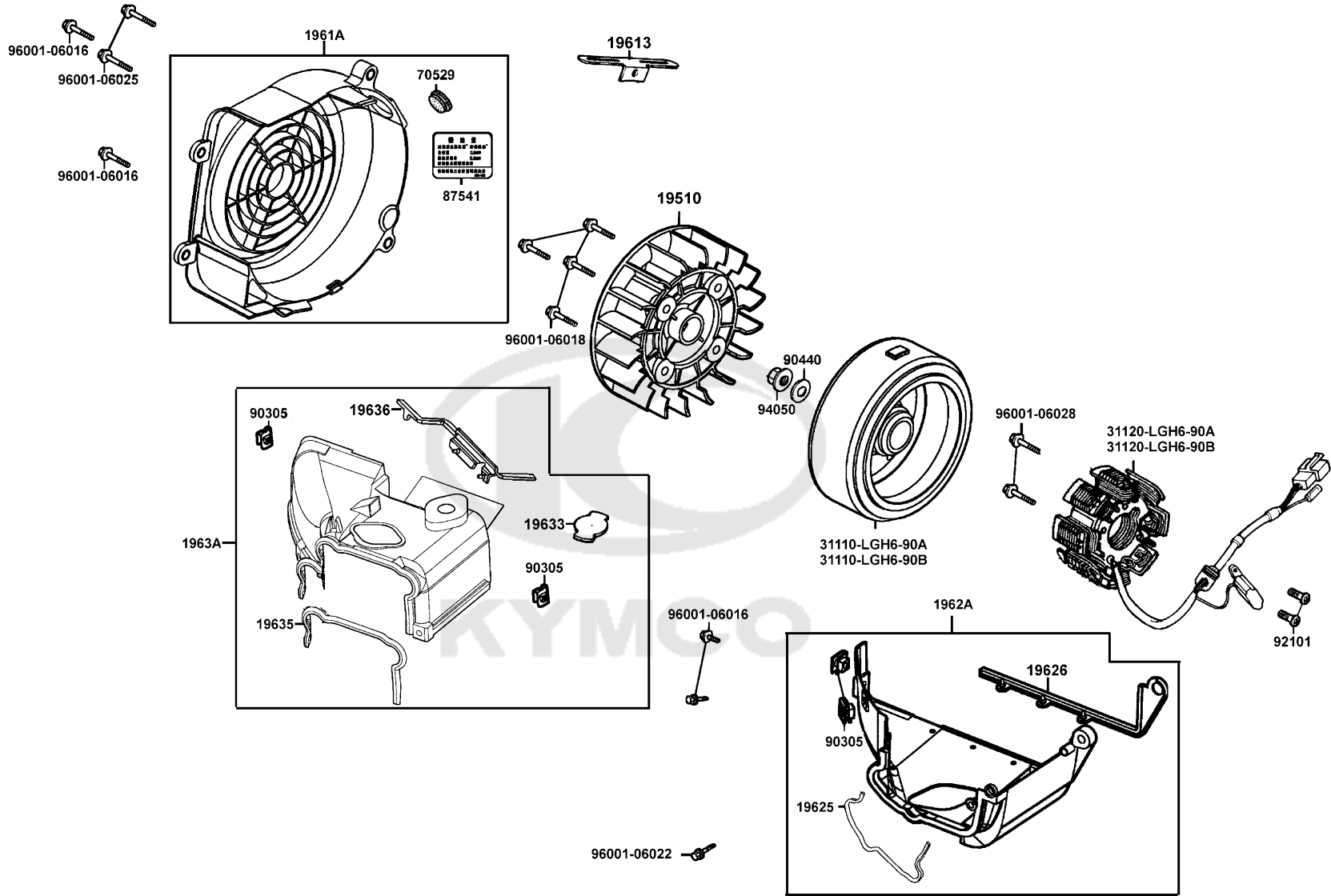
Generator Water Pump



Sales mark 記号	Ref no 参照用番号	Part no パーツ番号	Description 部品名	Reg description 部品名	Regd no 必要個数	Ref Price 希望小売価格(税抜)	E07
**	19510	19510-LEB1-900	FAN COMP COOLING	FAN COMP COOLING	1	1060	
	19613	19613-GFY6-901	CLAMPER STARTER MOTOR	CLAMPER STARTER MOTOR	1	300	
	1961A	1961A-LEB1-900	COVER ASSY FAN	COVER ASSY FAN	1	1330	
	19625	19625-LFE2-900	SEAL SHROUD A	SEAL SHROUD A	1	960	
	19626	19626-LKE7-900	SEAL SHROUD A	SEAL SHROUD A	1	2100	
	1962A	1962A-LKE7-900	SHROUD ASSY A	SHROUD ASSY A	1	4190	
	19633	19633-GFY6-901	GROMET SHROUD B	GROMET SHROUD B	1	200	
	19635	19635-LFE2-900	SEAL SHROUD B	SEAL SHROUD B	1	1060	
	19636	19636-LEB1-900	SEAL SHROUD B	SEAL SHROUD B	1	1060	
	1963A	1963A-LFB6-900	SHROUD ASSY B	SHROUD ASSY B	1	3120	
	31110-LGH6-90A	31110-LGH6-90A	FLYWHEEL COMP (D402)	FLYWHEEL COMP /D402	1	10460	
	31110-LGH6-90B	31110-LGH6-90B	FLYWHEEL COMP (D406)	FLYWHEEL COMP /D406	1	10460	
	31120-LGH6-90A	31120-LGH6-90A	STATOR COMP (D402)	STATOR COMP /D402	1	18250	
	31120-LGH6-90B	31120-LGH6-90B	STATOR COMP (D406)	STATOR COMP /D406	1	14260	
	70529	70529-6G57-671	GROM B SIDE PNL	GROM B SIDE PNL	1	200	
	90305	90305-GHK8-001	NUT CLIP 6MM	NUT CLIP 6MM	4	60	
	90440	90440-1F66-001	WASHER PLAIN 12MM	WASHER PLAIN 12MM	1	60	
	92101	92101-05012-0G	BOLT HEX 5*12 (G)	BOLT HEX 5*12 (G)	1	60	
	94050	94050-12080	NUT C FLANGE 12MM	NUT C FLANGE 12MM	1	60	
	96001-06016	96001-06016-06	BOLT FLANGE SH 6X16	BOLT FLANGE SH 6X16	1	60	

E07

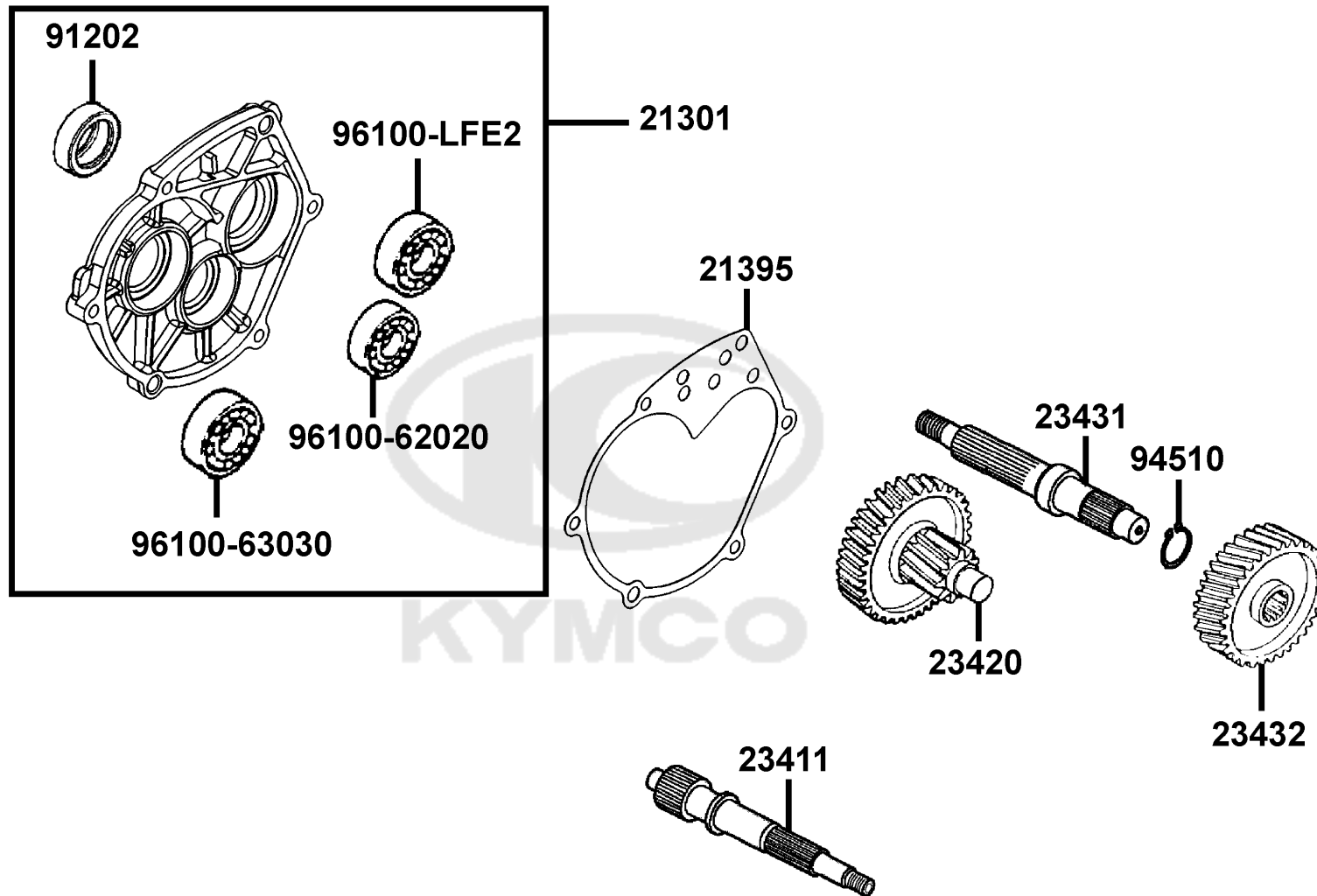
# Generator Water Pump





Sales mark 記号	Ref no 参照用番号	Part no パーツ番号	Description 部品名	Reg description 部品名	Regd no 必要個数	Ref Price 希望小売価格(税抜)	E07
96001-06018	96001-06018-06	96001-06018-06	BOLT FLANGE SH 6X18	BOLT FLANGE SH 6X18	1	60	
96001-06022	96001-06022-06	96001-06022-06	BOLT FLANGE SH 6*22 (G)	BOLT FLANGE SH 6*22 (G)	1	60	
96001-06025	96001-06025-06	96001-06025-06	BOLT FLANGE SH 6*25	BOLT FLANGE SH 6*25	1	60	
96001-06028	96001-06028-06	96001-06028-06	BOLT FLANGE SH 6*28	BOLT FLANGE SH 6*28	1	60	

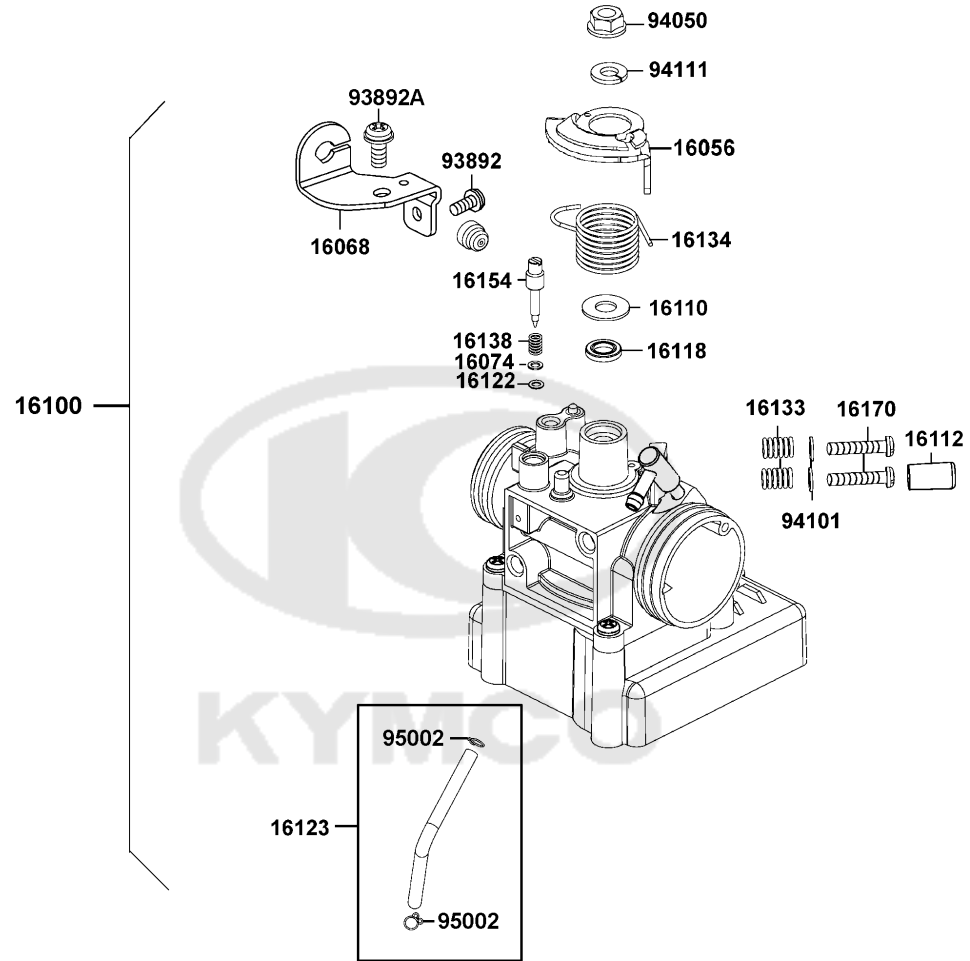




Sales mark 記号	Ref no 参照用番号	Part no パーツ番号	Description 部品名	Reg description 部品名	Regd no 必要個数	Ref Price 希望小売価格(税抜)	E08
21301		21301-LFB5-305	COVER MISSION(2007.04.04)	COVER MISSION(2007.04.04)	1	19580	
21395		21395-LFB5-900	GASKET MISSION CASE	GASKET MISSION CASE	1	870	
23411		23411-LFB5-900	SHAFT DRIVE(2007.04.03)	SHAFT DRIVE(2007.04.03)	1	8090	
23420		23420-LGH5-900	SHAFT COMP COUNTER (15T/45T)	SHAFT COMP COUNTER	1	16850	
23431		23431-LFB5-910	SHAFT FINAL	SHAFT FINAL	1	8750	
23432		23432-LGH5-910	GEAR FINAL	GEAR FINAL	1	8750	
91202		91202-LFE2-90A	OIL SEAL 22*32*5	OIL SEAL 22*32*5	1	800	
94510		94510-25000	CIR CLIP EXTERNAL 25	CIR CLIP EXTERNAL 25	1	200	
96100-62020		96100-62020-00	BEARING BALL RADIAL 6202	BEARING BALL RADIAL 6202	1	770	
96100-63030		96100-63030-00	BEARING BALL RADIAL 6303	BEARING BALL RADIAL 6303	1	1340	
96100-LFE2		96100-LFE2-900	BRG BALL RADIAL TMB2/22CC4	BRG BALL RADIAL TMB2/22CC4	1	3620	

E09

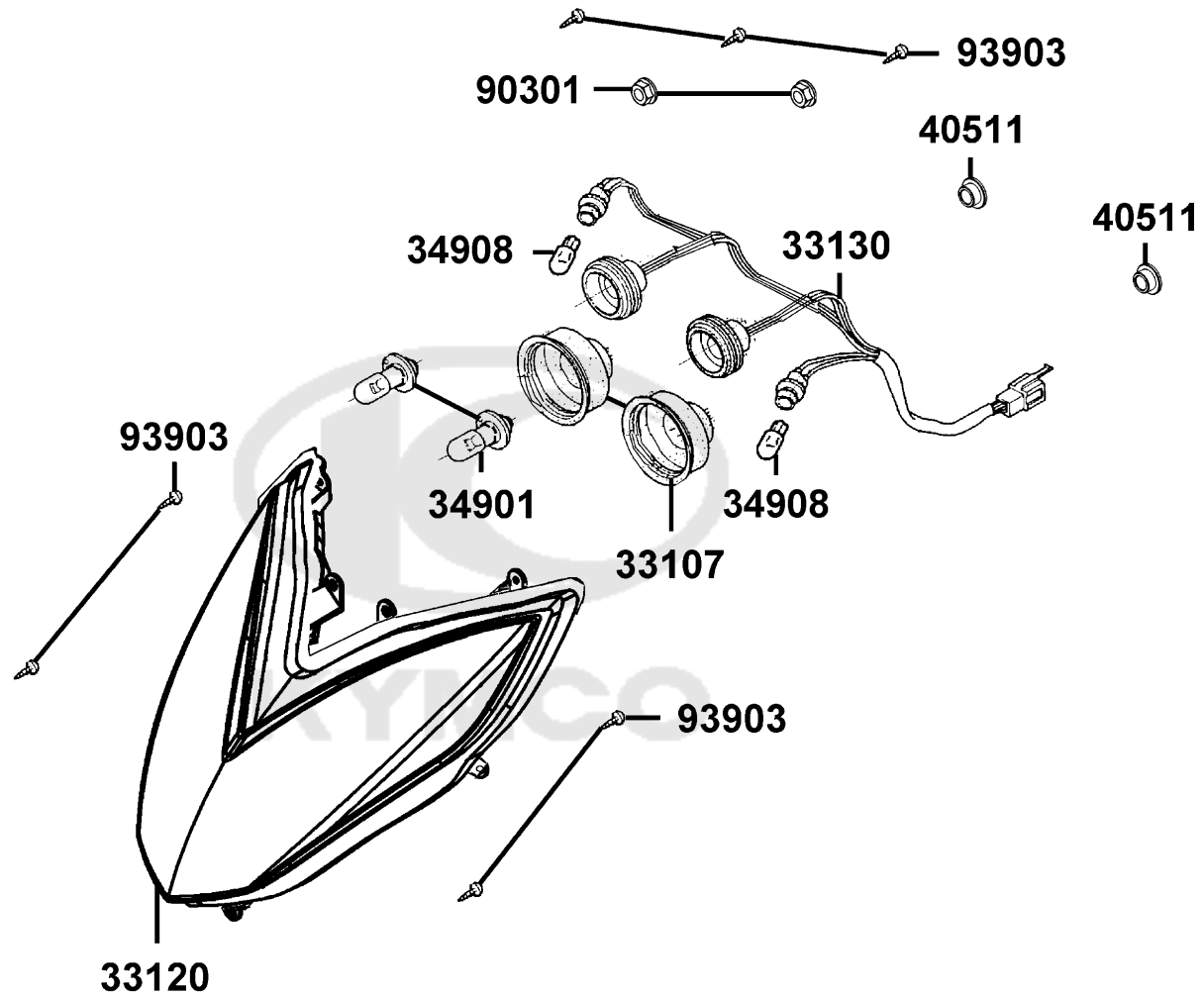
# Throttle Body Assy



Sales mark 記号	Ref no 参照用番号	Part no パーツ番号	Description 部品名	Reg description 部品名	Regd no 必要個数	Ref Price 希望小売価格(税抜)	E09
16056	16056-LEB2-900	16056-LEB2-900	LEVER ASSY THROTTLE	LEVER ASSY THROTTLE	1	580	
16068	16068-LEB2-900	16068-LEB2-900	PLATE WIRE FIXED	PLATE WIRE FIXED	1	350	
16074	16074-KEC3-900	16074-KEC3-900	WASHER IDLE SCREW	WASHER IDLE SCREW	1	160	
16100	16100-LFB6-710	16100-LFB6-710	THROTTLE BODY ASSY	THROTTLE BODY ASSY	1	57330	
16110	16110-KKE3-900	16110-KKE3-900	WASHER THROTTLE COMP	WASHER THROTTLE COMP	1	160	
16112	16112-KKE3-900	16112-KKE3-900	COVER IDLE SCREW	COVER IDLE SCREW	1	160	
16118	16118-KEC3-900	16118-KEC3-900	SEAL THROTTLE SHAFT	SEAL THROTTLE SHAFT	1	180	
16122	16122-KEC3-900	16122-KEC3-900	O-RING IDLE SCREW	O-RING IDLE SCREW	1	60	
16123	16123-LGH6-900	16123-LGH6-900	TUBE COMPL..3.5X1200	TUBE COMPL..3.5X1200	1	870	
16133	16133-KEC3-900	16133-KEC3-900	SPG THROTTLE ADJ SCREW	SPG THROTTLE ADJ SCREW	2	160	
16134	16134-KKE3-900	16134-KKE3-900	SPG THROTTLE SHAFT	SPG THROTTLE SHAFT	1	200	
16138	16138-KEC3-900	16138-KEC3-900	SPG IDLE SCREW	SPG IDLE SCREW	1	160	
16154	16154-KKE3-900	16154-KKE3-900	SCREW IDLE ADJUST	SCREW IDLE ADJUST	1	490	
16170	16170-KEC3-900	16170-KEC3-900	SCREW THROTTLE ADJUST	SCREW THROTTLE ADJUST	2	70	
93892	93892-04010-06	93892-04010-06	SCREW WASHER 4*10	SCREW WASHER 4*10	1	60	
93892A	93892-05010-06	93892-05010-06	SCREW WASHER 5*10	SCREW WASHER 5*10	1	60	
94050	94050-06080	94050-06080	NUT FLANGE 6MM	NUT FLANGE 6MM	1	60	
94101	94101-KKE3-900	94101-KKE3-900	WASHER PLAN 4.5*8*0.8	WASHER PLAN 4.5*8*0.8	2	60	
94111	94111-06800	94111-06800	WASHER SPRING 6MM	WASHER SPRING 6MM	1	60	
95002	95002-02070	95002-02070	CLIP B7 TUBE	CLIP B7 TUBE	2	60	

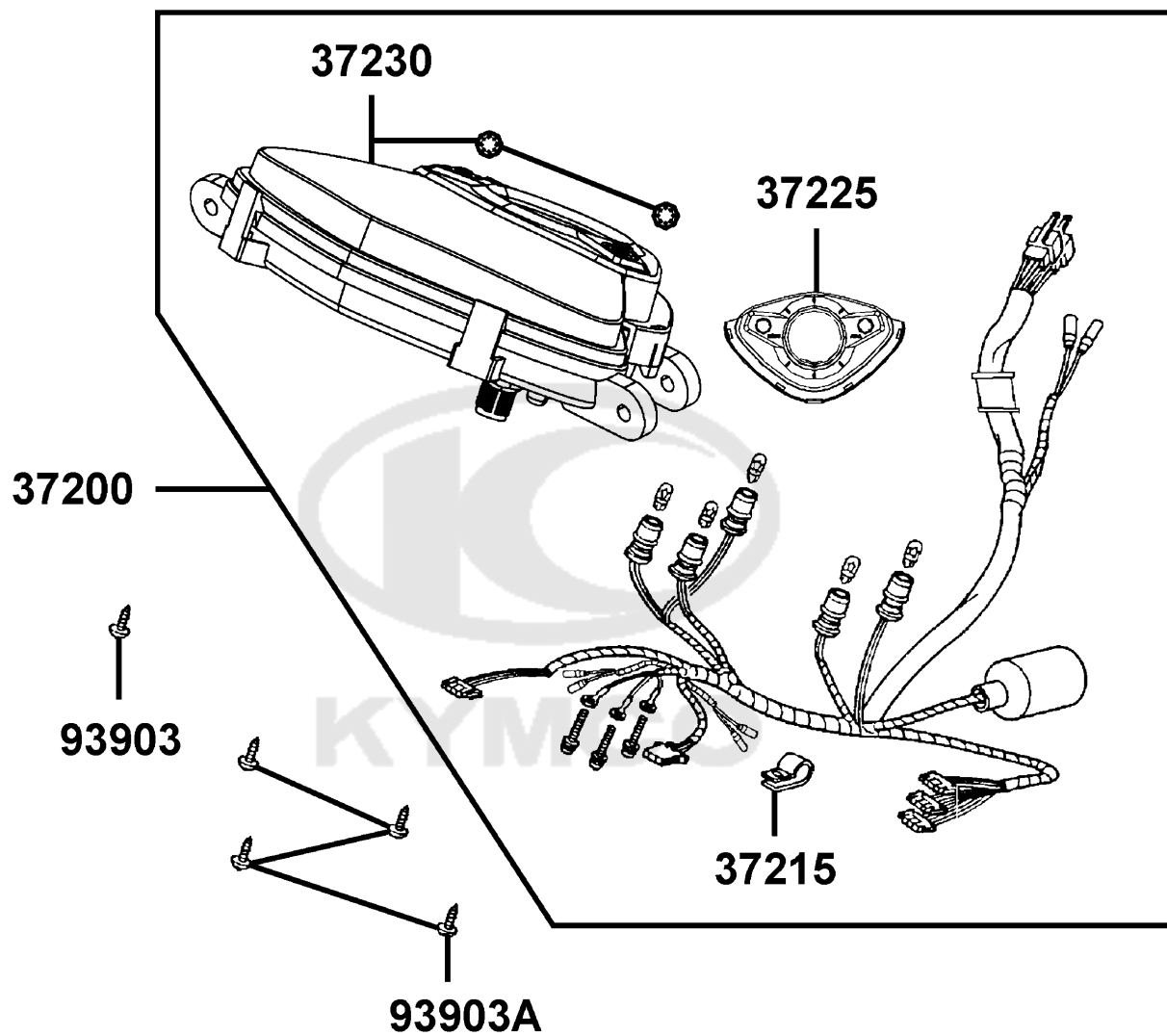
F01

Head Light



Sales mark 記号	Ref no 参照用番号	Part no パーツ番号	Description 部品名	Reg description 部品名	Regd no 必要個数	Ref Price 希望小売価格(税抜)	F01
33107	33107-KKC4-E00	COVER RUBBER	COVER RUBBER	COVER RUBBER	2	510	
33120	33120-LFB5-900	COMB HEAD LIGHT	COMB HEAD LIGHT	COMB HEAD LIGHT	1	23380	
33130	33130-LFB5-900	SOCKET COMP	SOCKET COMP	SOCKET COMP	1	2860	
34901	34901-KFA6-900	BULB HEAD LIGHT	BULB HEAD LIGHT	BULB HEAD LIGHT	1	4190	
34908	34908-KKE2-900	BULB WEDGE BASE	BULB WEDGE BASE	BULB WEDGE BASE	1	160	
40511	40511-LFB5-900	COLLAR	COLLAR	COLLAR	2	200	
90301	90301-6D34-671	NUT FLANGE 6MM	NUT FLANGE 6MM	NUT FLANGE 6MM	2	60	
93903	93903-35360	SCREW WASHER 4*12	SCREW WASHER 4*12	SCREW WASHER 4*12	7	60	

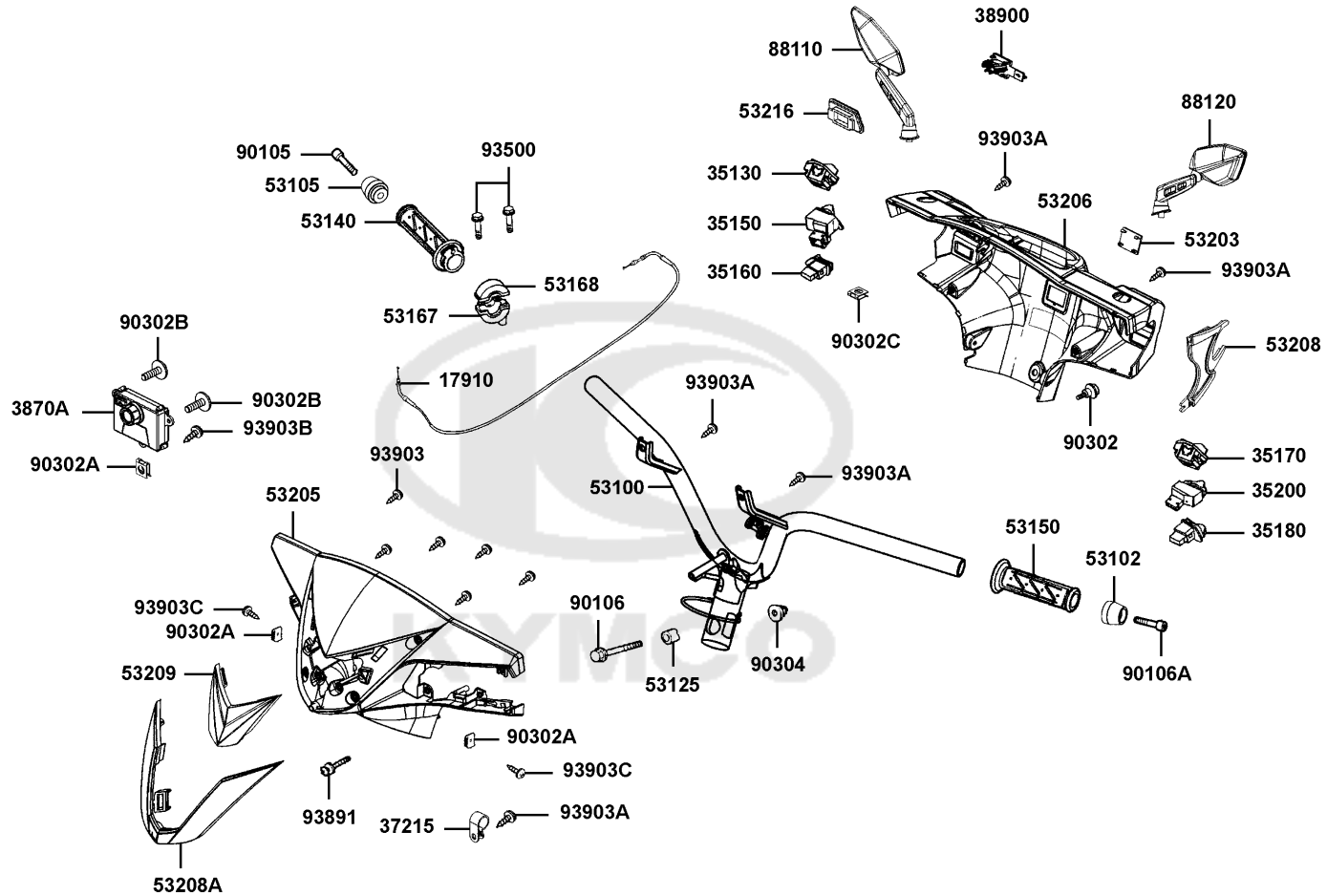






Sales mark 記号	Ref no 参照用番号	Part no パーツ番号	Description 部品名	Reg description 部品名	Regd no 必要個数	Ref Price 希望小売価格(税抜)	F02
37200		37200-LFB6-B20	METER ASSY SPEED	METER ASSY SPEED	1	38020	
37215		37215-KAR1-761	CLAMP	CLAMP	1	40	
37225		37225-LFB5-90B	METER SPEED DECORATION COVER	METER SPEED DECORATION COVER	1	3050	
37230		37230-LFB5-90B	LENS ASSY	LENS ASSY	1	2860	
93903		93903-34460	SCREW TAPPING 4*16	SCREW TAPPING 4*16	1	200	
93903A		93903-35360	SCREW WASHER 4*12	SCREW WASHER 4*12	4	60	

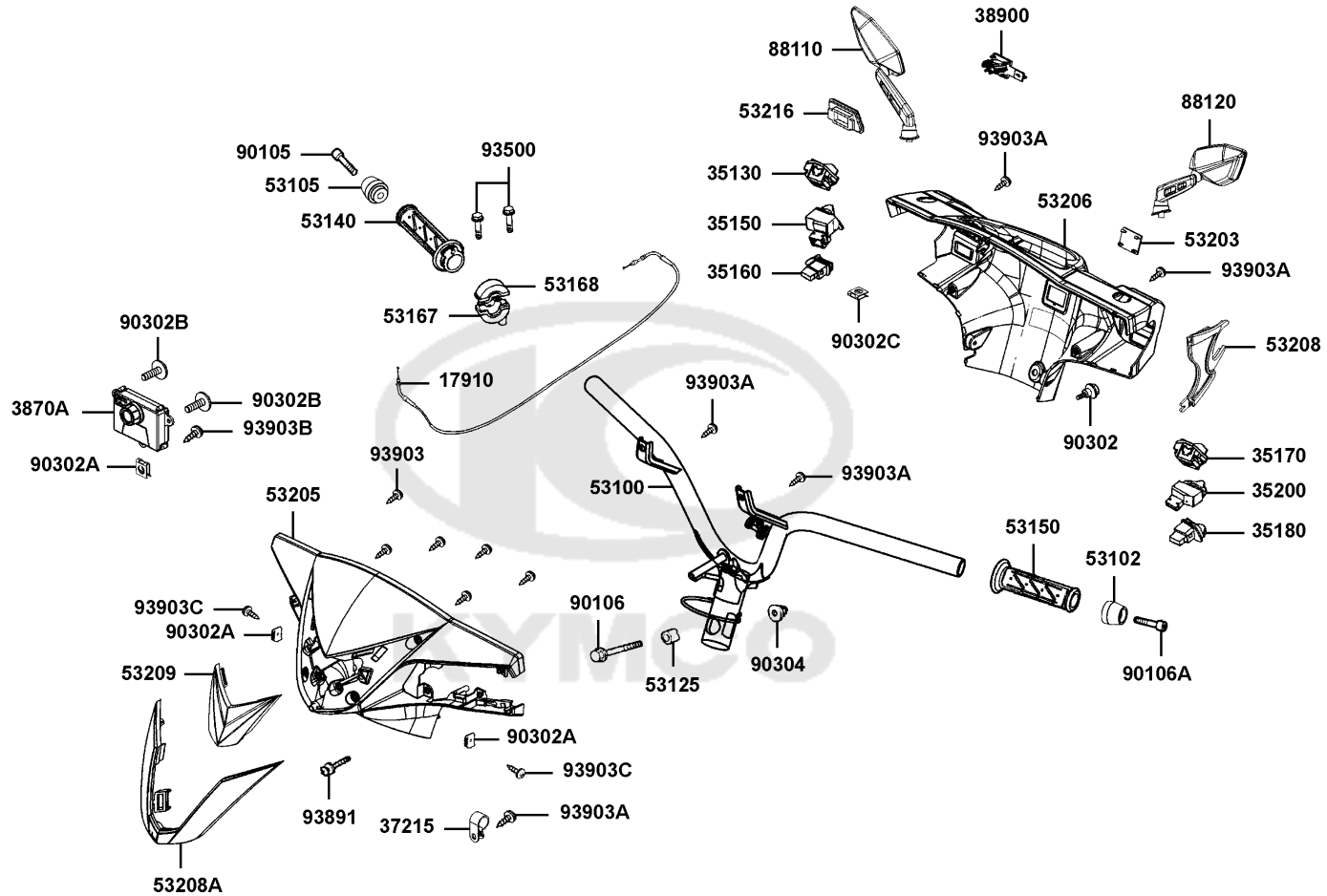




Sales mark 記号	Ref no 参照用番号	Part no パーツ番号	Description 部品名	Reg description 部品名	Regd no 必要個数	Ref Price 希望小売価格(税抜)	F03
	17910	17910-LFB6-700	CABLE COMP THROT	CABLE COMP THROT	1	2020	
	35130	35130-KXCX-M00	SW UNIT KILL	SW UNIT KILL	1	770	
	35150	35150-GFY6-900	SW UNIT LIGHTING	SW UNIT LIGHTING	1	680	
	35160	35160-GFY6-900	SW UNIT STARTER	SW UNIT STARTER	1	580	
	35170	35170-KNBN-910	SW UNIT DIMMER & PASSING	SW UNIT DIMMER & PASSING	1	1110	
	35180	35180-GFY6-900	SW UNIT HORN	SW UNIT HORN	1	560	
	35200	35200-GFY6-910	SW UNIT WINKER	SW UNIT WINKER	1	830	
	37215	37215-LGM9-900	CLAMP	CLAMP	1	390	
	3870A	3870A-LFB6-700	DIGITAL VIDEO RECORDER	DIGITAL VIDEO RECORDER	1	50790	
	38900	38900-LFB6-700	RETRACTABLE CORD COMP	RETRACTABLE CORD COMP	1	8670	
	53100	53100-LGH6-900	HANDLE COMP STRG	HANDLE COMP STRG	1	7040	
**	53102	53102-KEC8-900	END R STRG HANDLE	END L STRG HANDLE	1	1340	
**	53105	53105-LBB5-E00	END R STRG HANDLE	END R STRG HANDLE	1	1340	
	53125	53125-GEN5-901	COLLAR HANDLE SET	COLLAR HANDLE SET	1	390	
**	53140	53140-LFB6-800	GRIP COMP THROT	GRIP COMP THROT	1	1120	
**	53150	53150-LEA6-900	GRIP COMP L HANDLE	GRIP COMP L HANDLE	1	1340	
	53167	53167-LHJ6-900	HOUSING UND THROT	HOUSING UND THROT	1	320	
	53168	53168-KFA1-900	HOUSING UP THROT	HOUSING UP THROT	1	300	
**	53203	53203-LFB6-700	COVER USB	COVER USB	1	200	
**	53205	53205-LFB6-700	COVER FR HANDLE	COVER FR HANDLE	1	6540	



Sales mark 記号	Ref no 参照用番号	Part no パーツ番号	Description 部品名	Reg description 部品名	Regd no 必要個数	Ref Price 希望小売価格(税抜)	F03
**	53206	53206-LFB6-700	COVER RR HANDLE	COVER RR HANDLE	1	1370	
**	53208	53208-LFB5-900	COVER L WINKER	COVER L WINKER	1	300	
**	53208A	53208-LFB6-700	FR HANDLE COVER A	FR HANDLE COVER A	1	3270	
**	53209	53209-LFB6-700	FR. HANDLE COVER B	FR. HANDLE COVER B	1	290	
	53216	53216-KXCX-MG0	PLUG RR HANDLE COVER	PLUG RR HANDLE COVER	1	200	
	88110	88110-LHJ3-900	MIRROR ASS'Y R BACK	MIRROR ASS'Y R BACK	1	8370	
	88120	88120-LHJ3-900	MIRROR ASS'Y L BACK	MIRROR ASS'Y L BACK	1	8370	
	90105	90105-KHB4-900	BOLT WASH M8*60	BOLT WASH M8*60	1	1110	
	90106	90106-GEN5-901	BOLT FLANGE 10*50	BOLT FLANGE 10*50	1	80	
	90106A	90106-KFC2-900	BOLT SPECIAL 8MM	BOLT SPECIAL 8MM	1	510	
	90302	90302-KEC8-900	BOLT PAN 5*9	BOLT PAN 5*9	1	200	
	90302A	90302-LKB9-900	NUT SPRING 5MM	NUT SPRING 5MM	3	200	
	90302B	90302-LLB1-E00	BOLT-WASHER 5*12	BOLT-WASHER 5*12	2	60	
	90302C	90302-SDA4-004	NUT SPRING 4MM	NUT SPRING 4MM	1	60	
	90304	90304-GHE8-004	NUT CAP 6MM	NUT CAP 6MM	1	200	
	93500	93500-05022-0F	SCREW PAN 5X22 (G)	SCREW PAN 5X22 (G)	1	60	
	93891	93891-05025-06	SCREW WASH 5*25	SCREW WASH 5*25	1	60	
	93903	93903-25260	SCREW TAPPING 5*12	SCREW TAPPING 5*12	6	60	
	93903A	93903-34360	SCREW WASHER 4*12	SCREW WASHER 4*12	4	60	
	93903B	93903-45360	SCREW WASHER 4*12	SCREW WASHER 4*12	1	200	



Sales mark 記号	Ref no 参照用番号	Part no パーツ番号	Description 部品名	Reg description 部品名	Regd no 必要個数	Ref Price 希望小売価格(税抜)
------------------	-----------------	------------------	--------------------	------------------------	-----------------	-------------------------

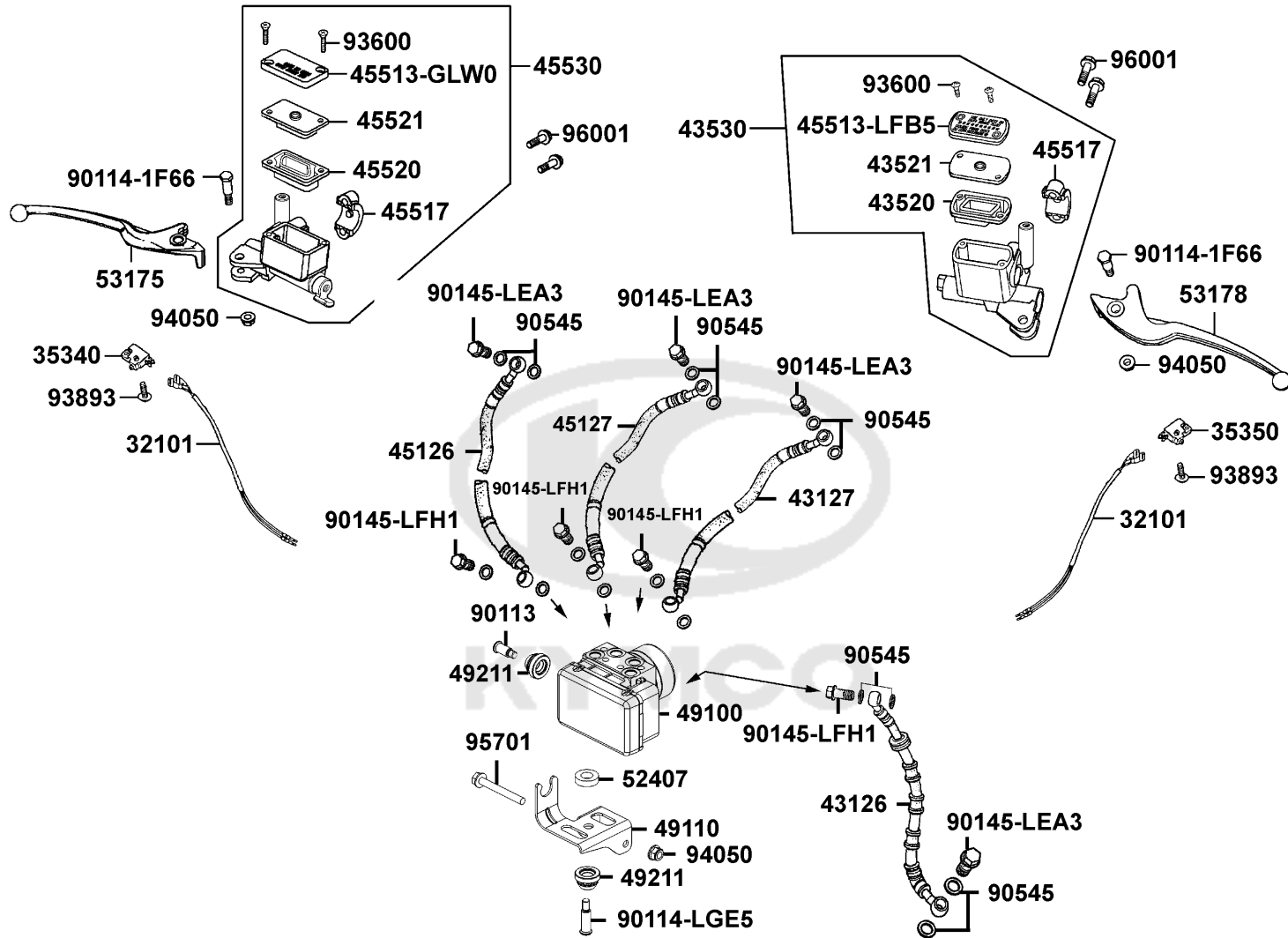
F03

93903C	93903-LKG2-900	SCREW TORX 5X16	SCREW TORX 5X16		2	200
--------	----------------	-----------------	-----------------	--	---	-----



F04

# Brake Master Cylinder



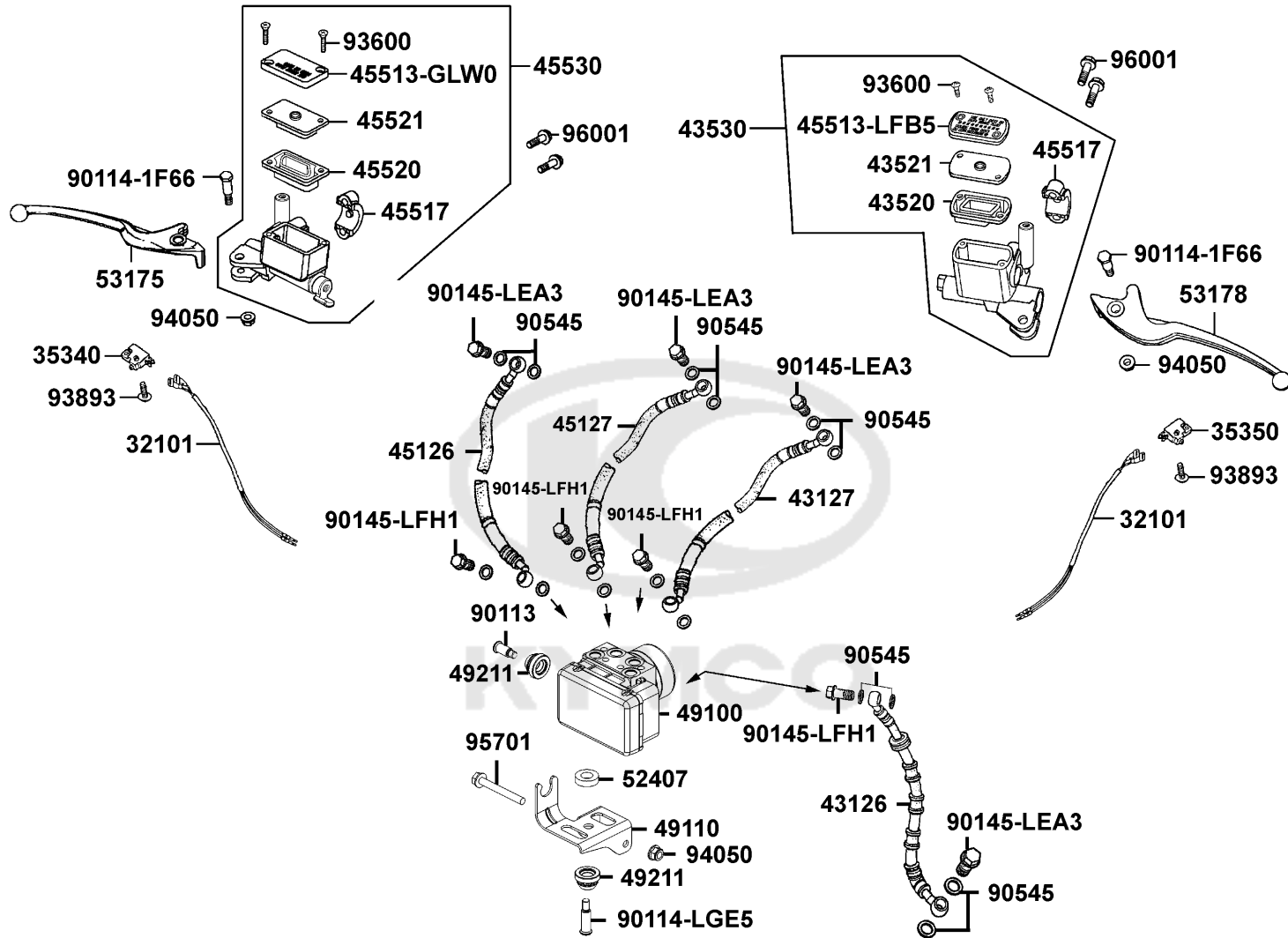


Sales mark 記号	Ref no 参照用番号	Part no パーツ番号	Description 部品名	Reg description 部品名	Regd no 必要個数	Ref Price 希望小売価格(税抜)
	32101	32101-GFY6-901	SUB CORD R	SUB CORD R	1	300
	35340	35340-KNBN-901	SW ASSY FR STOP	SW ASSY FR STOP	1	960
	35350	35350-KNBN-901	SW ASSY RR STOP	SW ASSY RR STOP	1	960
	43126	43126-LFB6-700	HOSE ASSY FR BRK(RH)	HOSE ASSY FR BRK(RH)	1	15060
	43127	43127-LFB6-700	BRAKE HOSE LEFT M/C	BRAKE HOSE LEFT M/C	1	7320
	43520	43520-LFB5-900	DIAPHRAGM	DIAPHRAGM	1	390
	43521	43521-LHJ8-900	PLATE DIAPHRAGM	PLATE DIAPHRAGM	1	360
	43530	43530-LFB5-305	CYLINDER SET MASTER	CYLINDER SET MASTER	1	16160
	45126	45126-LFB6-700	HOSE ASSY FR BRK(RH)	HOSE ASSY FR BRK(RH)	1	8560
	45127	45127-LFB6-700	HOSE ASSY M/C BRK RH(ABS)	HOSE ASSY M/C BRK RH(ABS)	1	7510
	45513-GLW0	45513-GLW0-91A	CAP MASTER CYLINDER	CAP MASTER CYLINDER	1	560
	45513-LFB5	45513-LFB5-900	CAP MASTER CYLINDER	CAP MASTER CYLINDER	1	680
	45517	45517-KFAF-900	HOLDER M/C	HOLDER M/C	1	440
	45520	45520-GLW0-91A	DIAPHRAGM	DIAPHRAGM	2	960
	45521	45521-LHJ8-900	PLATE DIAPHRAGM	PLATE DIAPHRAGM	1	370
	45530	45530-LFB5-305	CYLINDER SET MASTER	CYLINDER SET MASTER	1	13310
	49100	49100-LFB6-700	MODULATOR ASSY ABS	MODULATOR ASSY ABS	1	100870
	49110	49110-LGE5-E01	STAY ABS	STAY ABS	1	440
	49211	49211-LFH1-E00	RUBBER BUSH	RUBBER BUSH	1	530
	52407	52407-LLB1-900	RUBBER RR CUSH	RUBBER RR CUSH	1	110

F04

F04

# Brake Master Cylinder

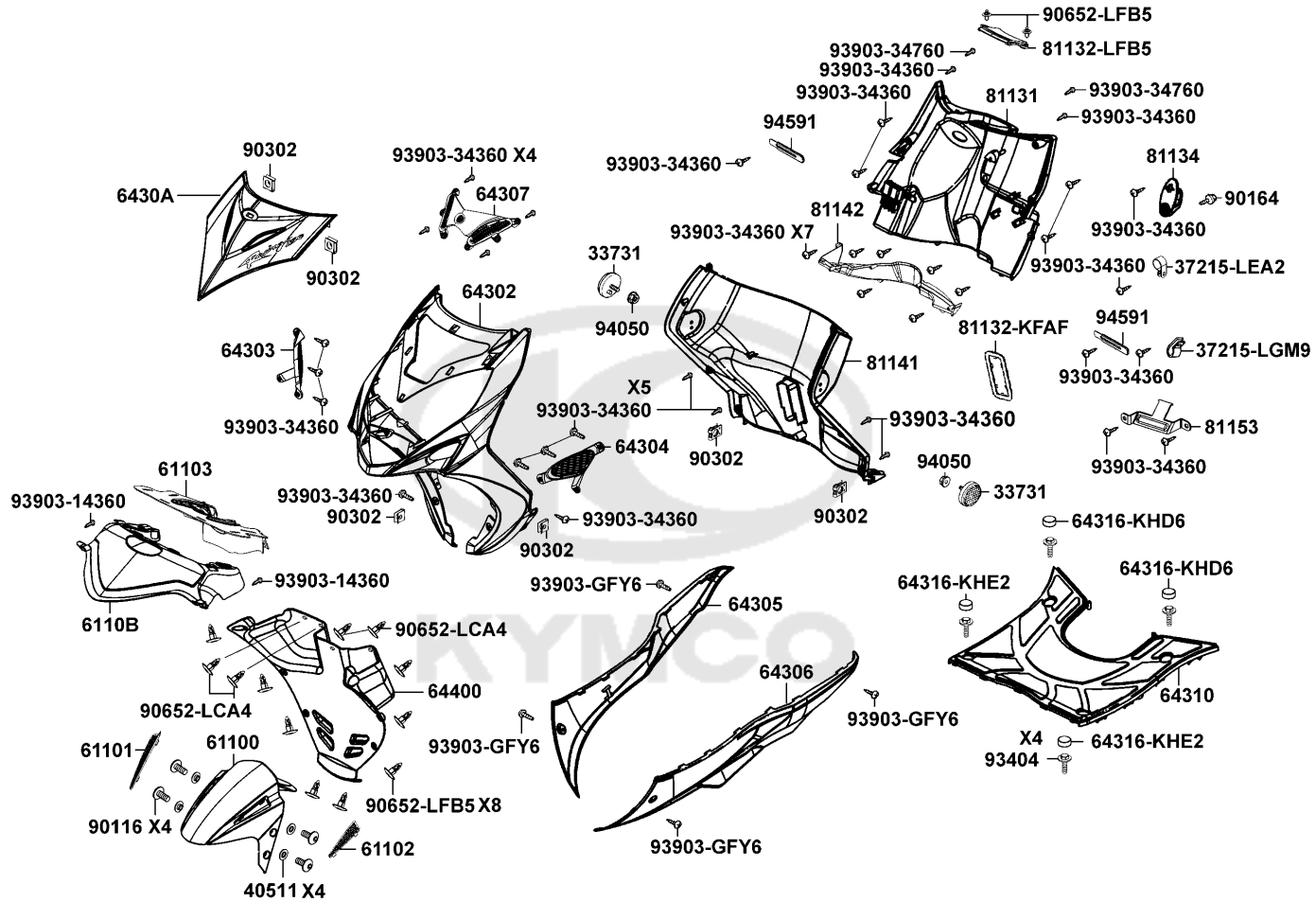


Sales mark 記号	Ref no 参照用番号	Part no パーツ番号	Description 部品名	Reg description 部品名	Regd no 必要個数	Ref Price 希望小売価格(税抜)	F04
**	53175	53175-KFA5-E10	LEVER R STRG HANDLE	LEVER R STRG HANDLE	1	1720	
**	53178	53178-KFC8-E10	LEVER L STRG HANDLE	LEVER L STRG HANDLE	1	1440	
	90113	90113-LGE5-E01	BOLT FLANGE 6X20 ABS	BOLT FLANGE 6X20 ABS	1	399	
	90114-1F66	90114-1F66-007	BOLT HANDLE LEVER	BOLT HANDLE LEVER	2	60	
	90114-LGE5	90114-LGE5-E01	BOLT FLANGE 6X30.5 ABS	BOLT FLANGE 6X30.5 ABS	1	420	
	90145-LEA3	90145-LEA3-E00	OIL BOLT 10x22	OIL BOLT 10x22	4	150	
	90145-LFH1	90145-LFH1-E00	OIL BOLT 10x22	OIL BOLT 10x22	4	570	
	90545	90545-3L00-001	WASHER OIL BOLT	WASHER OIL BOLT	8	60	
	93600	93600-04012-1G	SCREW FLAT 4*12	SCREW FLAT 4*12	4	60	
	93893	93893-04012-18	SCREW WASHER 4*12	SCREW WASHER 4*12	2	60	
	94050	94050-06060	NUT FLANGE 6MM	NUT FLANGE 6MM	2	60	
	95701	95701-06050-06	BOLT FLANGE 6*22 (K)	BOLT FLANGE 6*22 (K)	1	60	
	96001	96001-06022-06	BOLT FLANGE SH 6*22 (G)	BOLT FLANGE SH 6*22 (G)	4	60	



Sales mark 記号	Ref no 参照用番号	Part no パーツ番号	Description 部品名	Reg description 部品名	Regd no 必要個数	Ref Price 希望小売価格(税抜)
	33731	33731-KHC5-M00	REFLEX REFLECTOR (AMBER)	REFLEX REFLECTOR (AMBER)	2	730
	37215-LEA2	37215-LEA2-900	CLAMP	CLAMP	1	390
	37215-LGM9	37215-LGM9-900	CLAMP	CLAMP	0	390
	40511	40511-LEC8-E00	COLLAR	COLLAR	4	200
**	61100	61100-LFB5-900	FENDER FR INNER	FENDER FR INNER	1	5330
**	61101	61101-LFB5-900	GRILLE R FENDER TIRE FR	GRILLE R FENDER TIRE FR	1	490
**	61102	61102-LFB5-900	GRILLE L FENDER TIRE FR	GRILLE L FENDER TIRE FR	1	490
	61103	61103-LFB5-900	RUBBER FENDER FR	RUBBER FENDER FR	1	1340
**	6110B	6110B-LFB5-900	FENDER B FR	FENDER B FR	1	1250
**	64302	64302-LFB5-900	MOLDING FR	MOLDING FR	1	12360
**	64303	64303-LFB5-900	GRILLE R FR MOLDING	GRILLE R FR MOLDING	1	300
**	64304	64304-LFB5-900	GRILLE L FR MOLDING	GRILLE L FR MOLDING	1	300
**	64305	64305-LFB6-800	SKIRT . R SIDE	SKIRT R SIDE(穴あき)	1	6090
**	64306	64306-LFB6-800	SKIRT L SIDE	SKIRT L SIDE(穴あき)	1	6090
**	64307	64307-LFB5-900	GRILLER COVER FR	GRILLER COVER FR	1	490
**	6430A	6430A-LFB6-700	COVER ASSY. FR	COVER ASSY. FR	1	11030
**	64310	64310-LFB5-900	FLOOR PANEL	FLOOR PANEL	1	5330
**	64316-KHD6	64316-KHD6-900	PLUG FLOOR	PLUG FLOOR	2	200
**	64316-KHE2	64316-KHE2-900	PLUG FLOOR	PLUG FLOOR	2	200
**	64400	64400-LFB5-900	COWL UNDER	COWL UNDER	1	2860

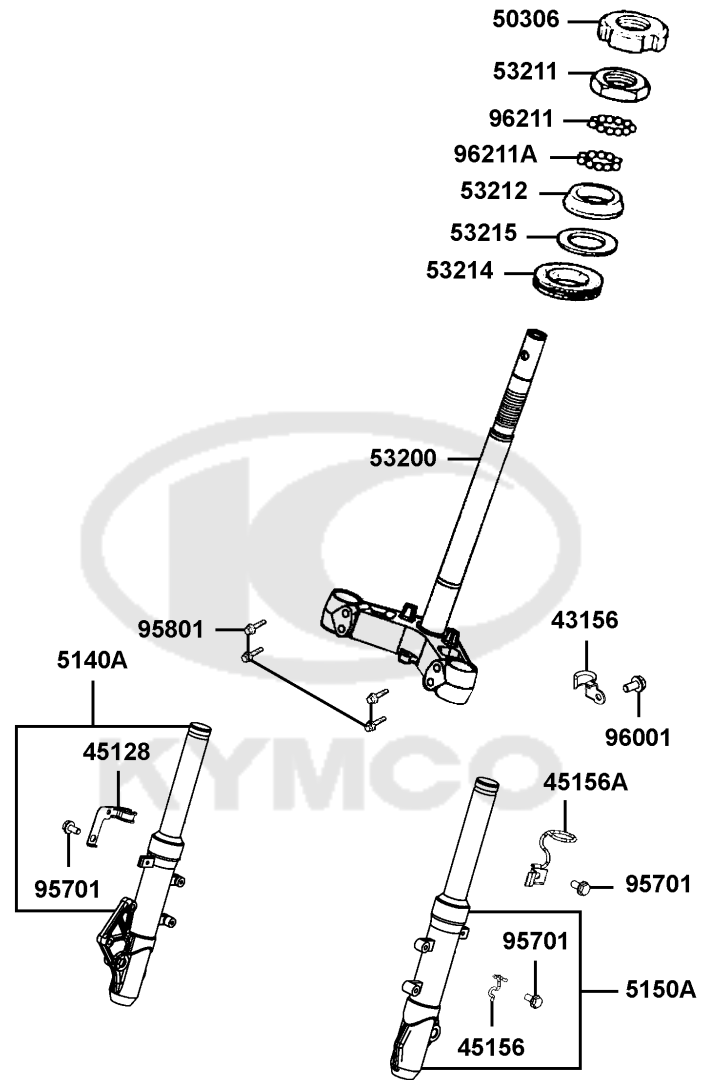
F05



Sales mark 記号	Ref no 参照用番号	Part no パーツ番号	Description 部品名	Reg description 部品名	Regd no 必要個数	Ref Price 希望小売価格(税抜)	F05
**	81131	81131-LFB5-910	LEG SHIELD UP	LEG SHIELD UP	1	3530	
**	81132-KFAF	81132-KFAF-900	LID LEG SHIELD	LID LEG SHIELD	1	300	
**	81132-LFB5	81132-LFB5-900	CAP LEG SHIELD UP	CAP LEG SHIELD UP	1	300	
**	81134	81134-LGH6-B20	HOOK.LEG SHIELD	HOOK.LEG SHIELD	1	200	
**	81141	81141-LFB5-900	LEG SHIELD LOW	LEG SHIELD LOW	1	5140	
**	81142	81142-LFB6-800	LEG SHIELD UP B	LEG SHIELD UP B	1	1250	
	81153	81153-LFB6-900	STAY RELAY	STAY RELAY	1	350	
	90116	90116-KED9-900	SCREW PAN 6*24	SCREW PAN 6*24	4	230	
	90164	90164-MDR4-901	SCREW SPECIAL 6MM	SCREW SPECIAL 6MM	1	70	
	90302	90302-SDA4-004	NUT SPRING 4MM	NUT SPRING 4MM	6	60	
	90652-LCA4	90652-LCA4-E00	CLIP MUDGUARD	CLIP MUDGUARD	4	110	
	90652-LFB5	90652-LFB5-900	CLIP MUDGUARD	CLIP MUDGUARD	10	60	
	93404	93404-06030-06	BOLT WASHER 6*30	BOLT WASHER 6*30	4	160	
	93903-14360	93903-14360	SCREW TAPPING 4*12	SCREW TAPPING 4*12	2	60	
	93903-34360	93903-34360	SCREW WASHER 4*12	SCREW WASHER 4*12	31	60	
	93903-34760	93903-34760	SCREW TAPPING 4*30	SCREW TAPPING 4*30	2	200	
	93903-GFY6	93903-GFY6-900	SCREW WASHER 4*12	SCREW WASHER 4*12	4	60	
	94050	94050-06080	NUT FLANGE 6MM	NUT FLANGE 6MM	2	60	
	94591	94591-27000	CLIP 2*70	CLIP 2*70	2	110	

F06

Front Cushion

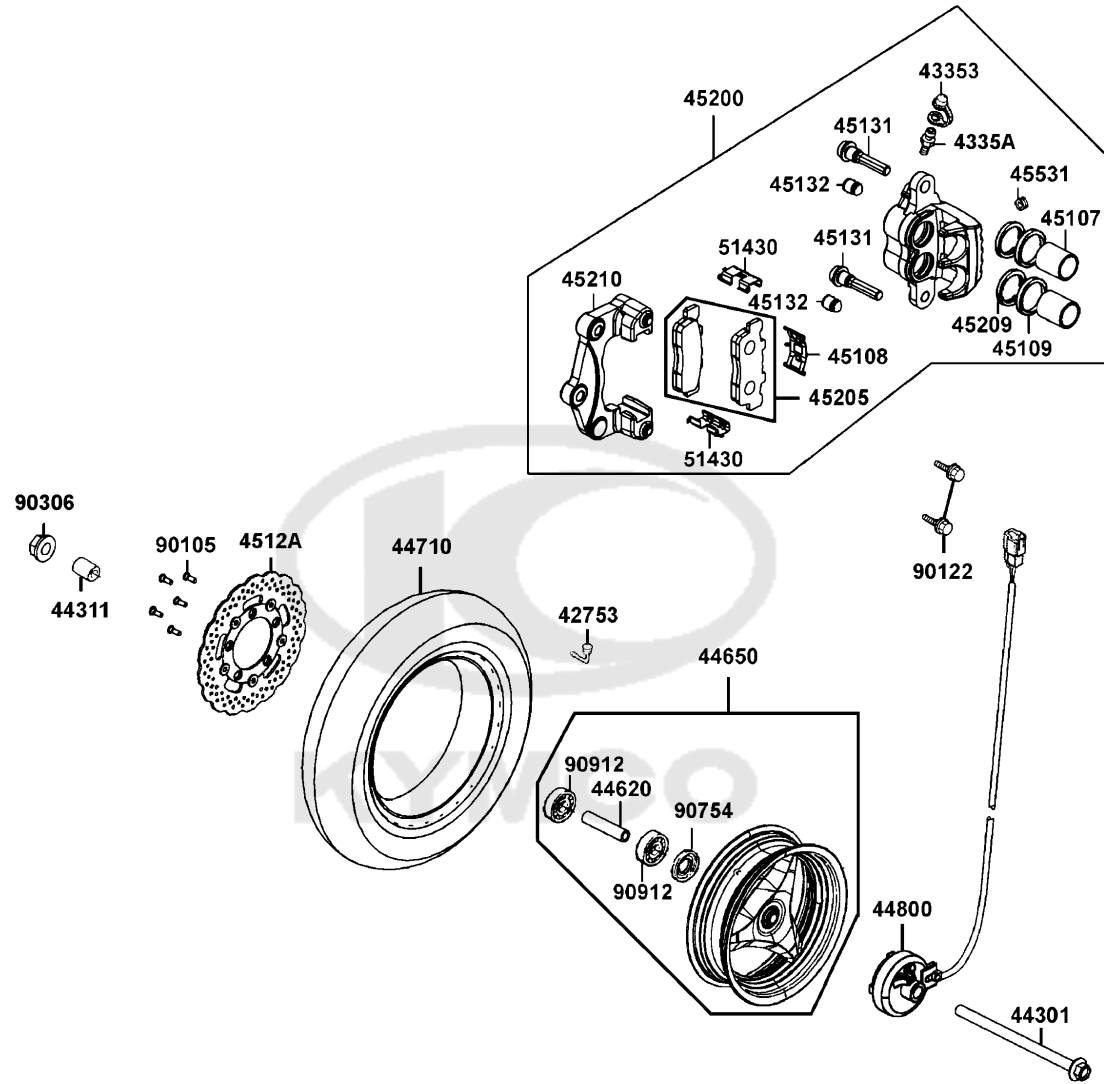




Sales mark 記号	Ref no 参照用番号	Part no パーツ番号	Description 部品名	Reg description 部品名	Regd no 必要個数	Ref Price 希望小売価格(税抜)	F06
	43156	43156-LFB5-900	CLAMPER METER CABLE	CLAMPER METER CABLE	1	300	
	45128	45128-LFB5-900	CLAMPER .FR BRAKE HOSE	CLAMPER .FR BRAKE HOSE	2	490	
	45156A	45156-AAG1-900	CLIP SENSOR WIRE	CLIP SNESOR WIRE	1	630	
	45156	45156-LHJ3-900	CLIP SPEED SENSOR CABLE	CLIP SPEED SENSOR CABLE	1	320	
	50306	50306-1F96-001	NUT STRG STEM LOCK	NUT STRG STEM LOCK	1	300	
**	5140A	5140A-LFB6-E00	FORK SET .FR R	FORK SET .FR R	1	18060	
**	5150A	5150A-LFB6-700	FORK SET FR L	FORK SET FR L	1	25000	
	53200	53200-LFB6-700	STEM COMP STRG	STEM COMP STRG	1	20950	
	53211	53211-GFY6-940	RACE STRG TOP CONE	RACE STRG TOP CONE	1	580	
	53212	53212-2L50-011	RACE STRG BOT CONE	RACE STRG BOT CONE	1	870	
	53214	53214-LHJ6-900	DUST SEAL STRG	DUST SEAL STRG	1	240	
	53215	53215-2L50-001	WASH STRG HDL DUST-SEAL	WASH STRG HDL DUST-SEAL	1	130	
	95701	95701-06012-06	BOLT FLANGE 6*22 (K)	BOLT FLANGE 6*22 (K)	3	60	
	95801	95801-08040-06	BOLT FLANGE 8*40	BOLT FLANGE 8*40	1	60	
	96001	96001-06012-06	BOLT FLANGE SH 6*12	BOLT FLANGE SH 6*12	1	60	
	96211	96211-05000	BALL STEEL #5	BALL STEEL #5	26	60	
	96211A	96211-08000	BALL STEEL #8	BALL STEEL #8	19	60	

F07

Front Wheel

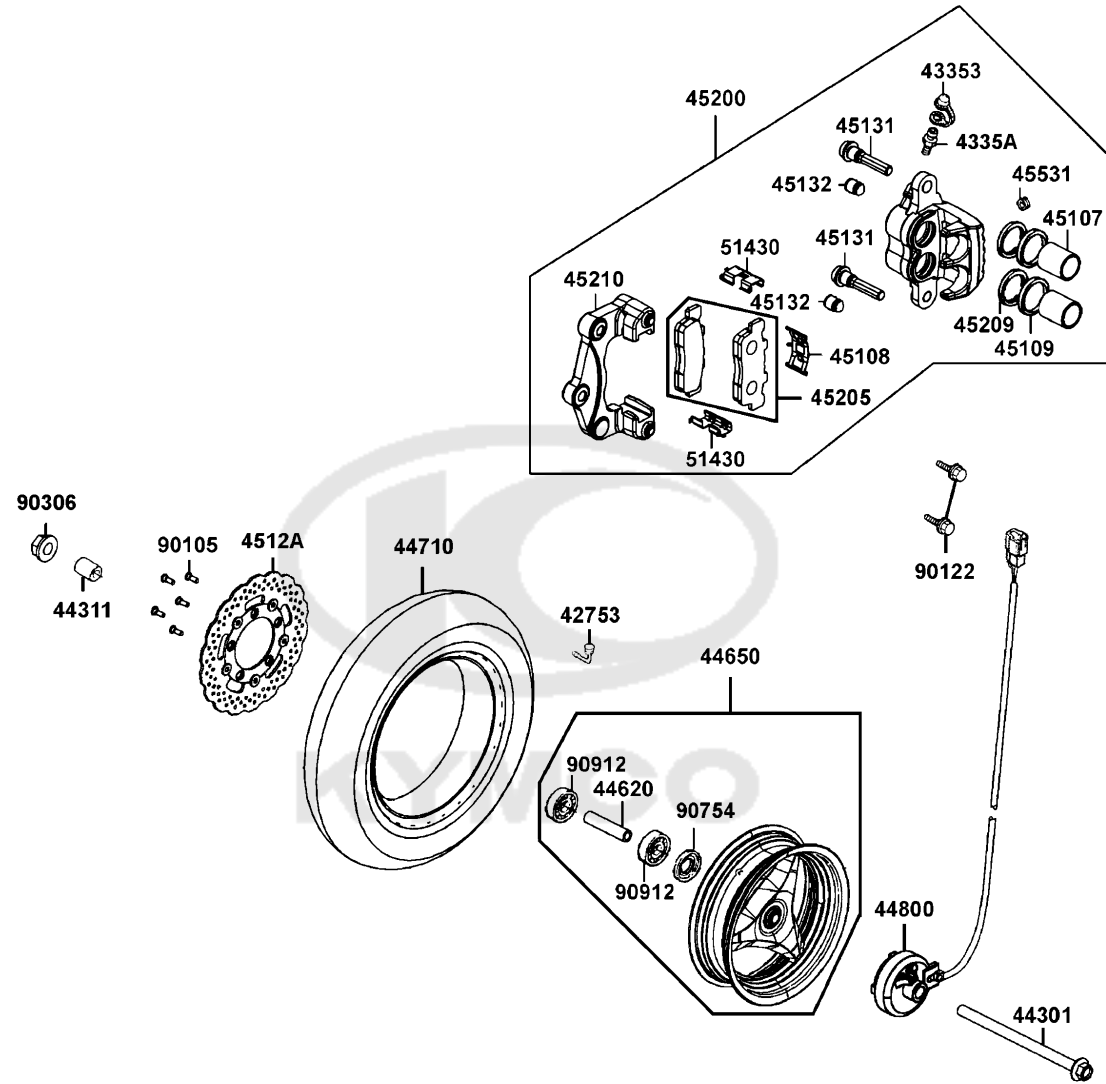


Sales mark 記号	Ref no 参照用番号	Part no パーツ番号	Description 部品名	Reg description 部品名	Regd no 必要個数	Ref Price 希望小売価格(税抜)
	42753	42753-0D04-900	RIM VALVE (PVR 70)	RIM VALVE (PVR 70)	1	540
	43353	43353-4A61-77A	CAP BLEEDER	CAP BLEEDER	1	130
	4335A	4335A-LBA2-E01	BLEEDER ASSY	BLEEDER ASSY	1	700
	44301	44301-LFE2-900	AXLE FR WHEEL M12*240MM	AXLE FR WHEEL M12*240MM	1	1250
	44311	44311-KEBE-900	COLLAR FR WHEEL SIDE	COLLAR FR WHEEL SIDE	1	390
	44620	44620-KHD8-900	COLLAR FR AXLE DISTANCE	COLLAR FR AXLE DISTANCE	1	490
**	44650	44650-LFB6-305	WHEEL SET FR	WHEEL SET FR	1	31370
	44710	44710-KFA5-90B	TIRE ASSY FR/110/70-12 56J /CHENG	TIRE ASSY FR/110/70-12 56J /CHENG SHIN	1	10760
	44800	44800-LFB6-700	FRONT SPEED SENSOR E ?ABS	FRONT SPEED SENSOR E ?ABS	1	15970
	45107	45107-LFB5-900	PISTON	PISTON	2	870
	45108	45108-LDH1-E00	SPRING PAD	SPRING PAD	1	350
	45109	45109-GBE2-007	DUST SEAL	DUST SEAL	2	140
**	4512A	4512A-LKB3-S00	DISK COMP FR BRAKE	DISK COMP FR BRAKE	1	20350
	45131	45131-LDH1-E00	PIN BOLT	PIN BOLT	2	960
	45132	45132-LDH1-E00	BUSH BOOT PIN	BUSH BOOT PIN	2	580
**	45200	45200-LFB6-700	CALIPER ASSY FRONT	CALIPER ASSY FRONT	1	31080
	45205	45205-LFB6-305	PAD SET	PAD SET	1	3900
	45209	45209-GBE2-007	SEAL PISTON	SEAL PISTON	2	370
	45210	45210-LFB5-305	BRACKET FR CALIPER	BRACKET FR CALIPER	1	2960
	45531	45531-GAR1-951	PLUG	PLUG	1	110

F07

F07

Front Wheel

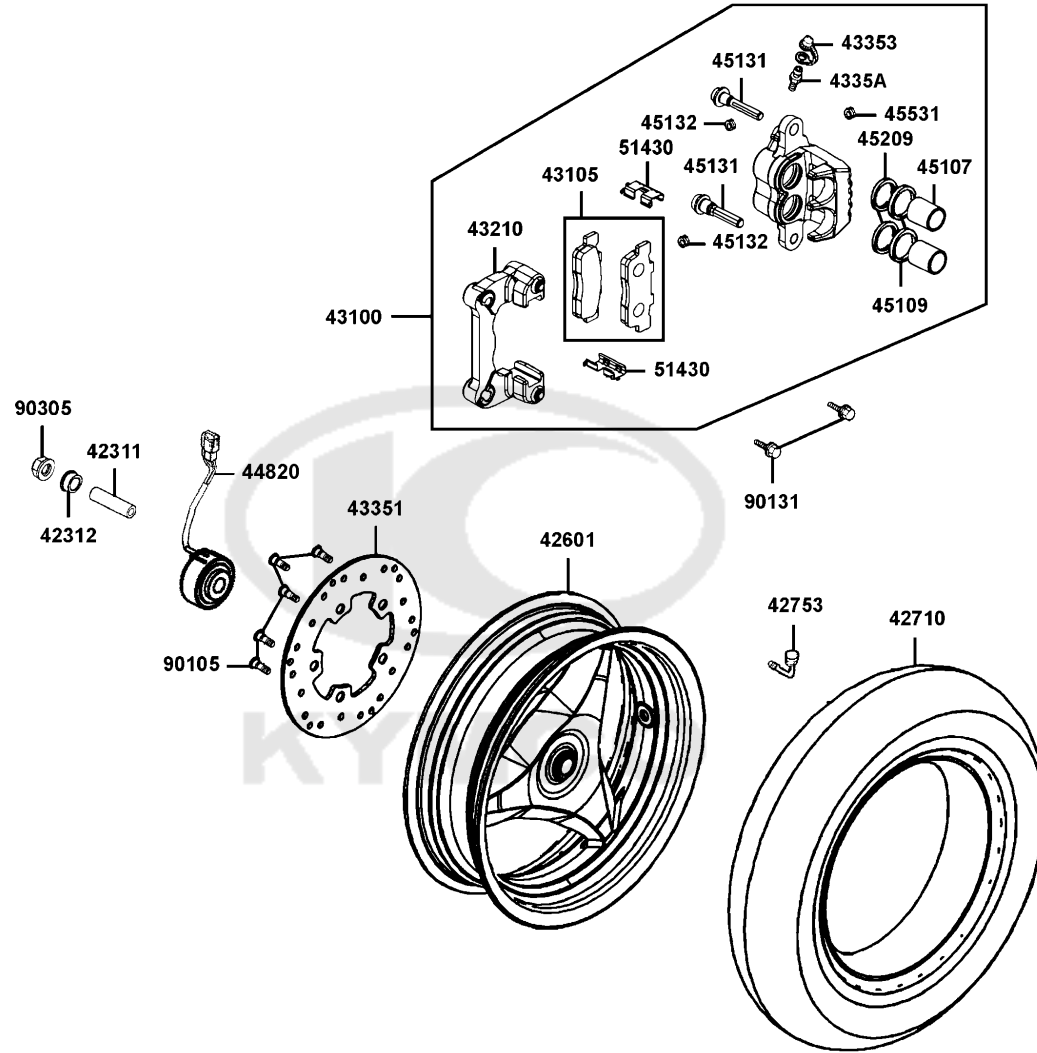


Sales mark 記号	Ref no 参照用番号	Part no パーツ番号	Description 部品名	Reg description 部品名	Regd no 必要個数	Ref Price 希望小売価格(税抜)	F07
51430		51430-LDH1-E00	SLIDE PAD	SLIDE PAD	2	680	
90105		90105-KCR3-001	BOLT FR DISK 8*24	BOLT FR DISK 8*24	5	80	
90122		90122-KEBE-900	BOLT FLANGE 8*32	BOLT FLANGE 8*32	2	390	
90306		90306-LFE2-900	NUT FLANGE 12MM	NUT FLANGE 12MM	1	320	
90754		90754-GHC8-00A	SEAL DUST 20*32*5	SEAL DUST 20*32*5	1	100	
90754		90754-GHC8-00B	SEAL DUST 20*32*5	SEAL DUST 20*32*5	1	100	
90912		90912-KFLF-00A	BEARING 6201 LLU	BEARING 6201 LLU	2	610	



F08

Rear Wheel

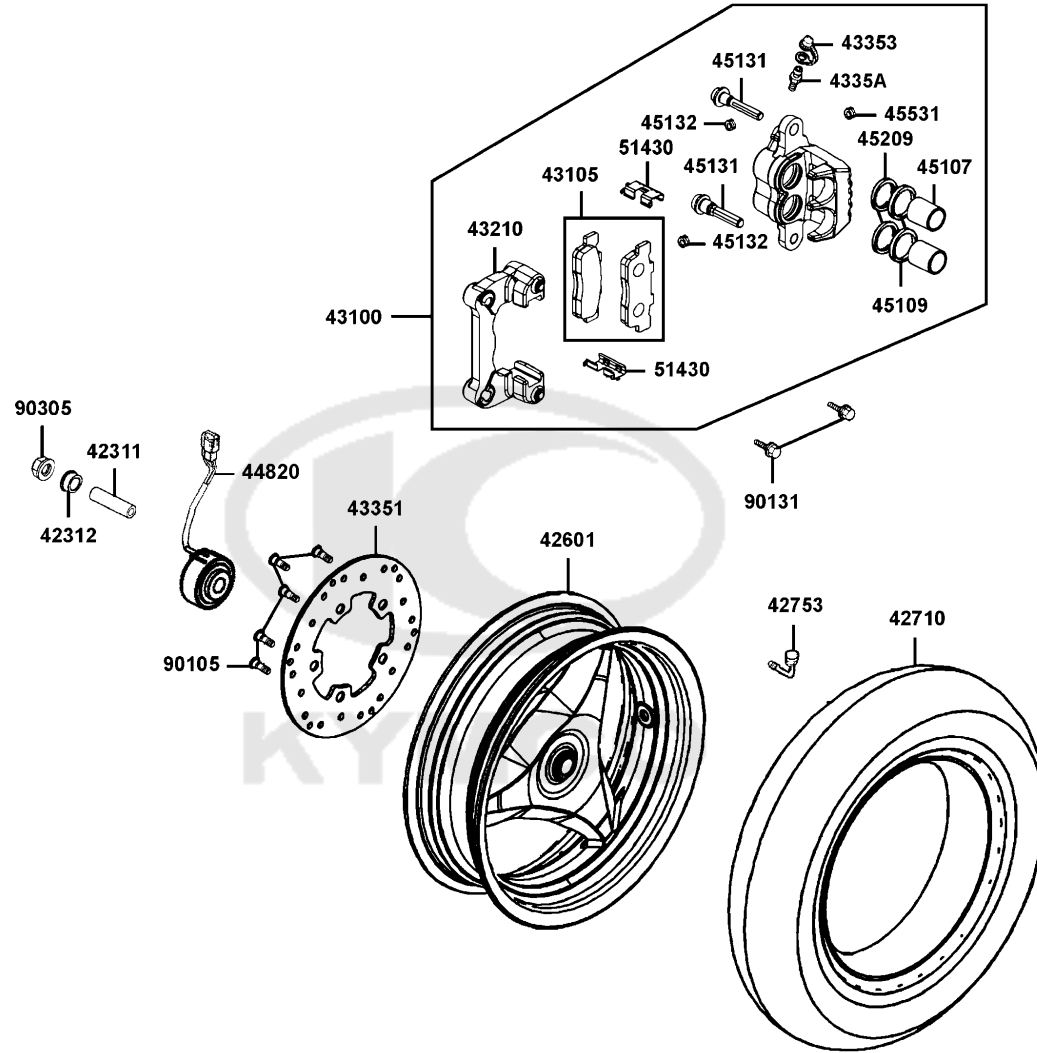


Sales mark 記号	Ref no 参照用番号	Part no パーツ番号	Description 部品名	Reg description 部品名	Regd no 必要個数	Ref Price 希望小売価格(税抜)
	42311	42311-LKG2-700	COLLAR RR AXLE SIDE A	COLLAR RR AXLE SIDE A	1	650
	42312	42312-KHB4-900	COLLAR RR AXLE SIDE	COLLAR RR AXLE SIDE	1	400
**	42601	42601-LFB6-700	WHEEL COMP RR CAST	WHEEL COMP RR CAST	1	28800
	42710	42710-KKC2-E30	TIRE ASSY RR/130/70-12/59J /CHENG	TIRE ASSY RR/130/70-12/59J /CHENG SHIN	1	6170
	42753	42753-KNBN-90B	VALAE RIM (TR412)	VALAE RIM (TR412)	1	630
**	43100	43100-LKG2-700	C/P ASSY RR RH	C/P ASSY RR RH	1	31370
	43105	43105-LKG2-305	PAD SET	PAD SET	1	4390
	43210	43210-LKG2-305	BRKT RR CALIPER	BRKT RR CALIPER	1	3420
	43351	43351-LFB5-900	DISK FR BRAKE	DISK FR BRAKE	1	8940
	43353	43353-4A61-77A	CAP BLEEDER	CAP BLEEDER	1	130
	4335A	4335A-LBA2-E01	BLEEDER ASSY	BLEEDER ASSY	1	700
	44820	44820-LFB6-700	REAR SPEED SENSOR/ ABS	REAR SPEED SENSOR/ ABS	1	15680
	45107	45107-LFB5-900	PISTON	PISTON	2	870
	45109	45109-GBE2-007	DUST SEAL	DUST SEAL	2	140
	45131	45131-LFB5-910	PIN BOLT	PIN BOLT	2	920
	45132	45132-LKG7-E00	BUSH BOOT PIN	BUSH BOOT PIN	2	60
	45209	45209-GBE2-007	SEAL PISTON	SEAL PISTON	2	370
	45531	45531-GAR1-951	PLUG	PLUG	1	110
	51430	51430-LGE5-E00	SLIDE PAD	SLIDE PAD	1	390
	90105	90105-KCR3-001	BOLT FR DISK 8*24	BOLT FR DISK 8*24	5	80

F08

F08

Rear Wheel





Sales mark 記号	Ref no 参照用番号	Part no パーツ番号	Description 部品名	Reg description 部品名	Regd no 必要個数	Ref Price 希望小売価格(税抜)
------------------	-----------------	------------------	--------------------	------------------------	-----------------	-------------------------

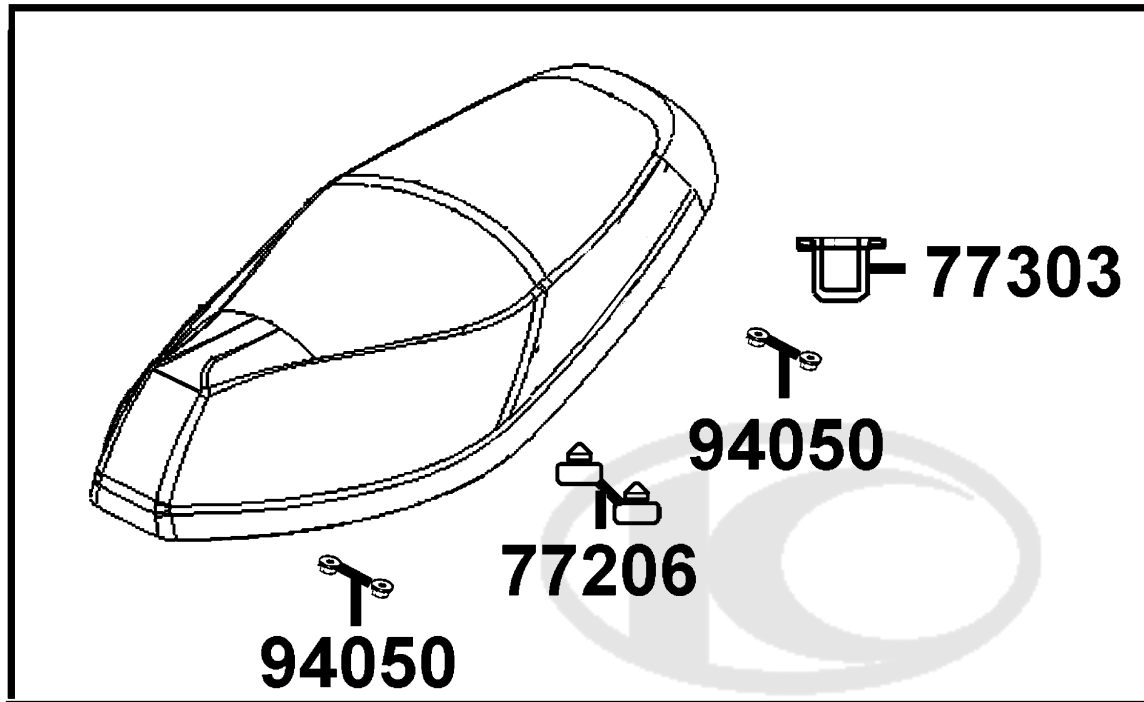
**F08**

90131	90131-LEA5-E00	BOLT FLANGE 8x42(G)	BOLT FLANGE 8x42(G)	2	260
90305	90305-KFW6-900	NUT U FLANGE 16MM (B)	NUT U FLANGE 16MM (B)	1	770

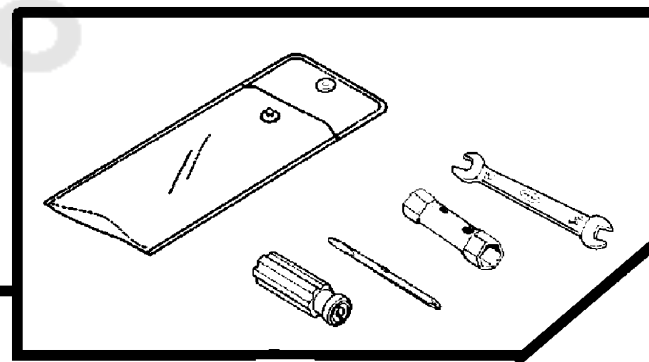


F09

Seat



89010



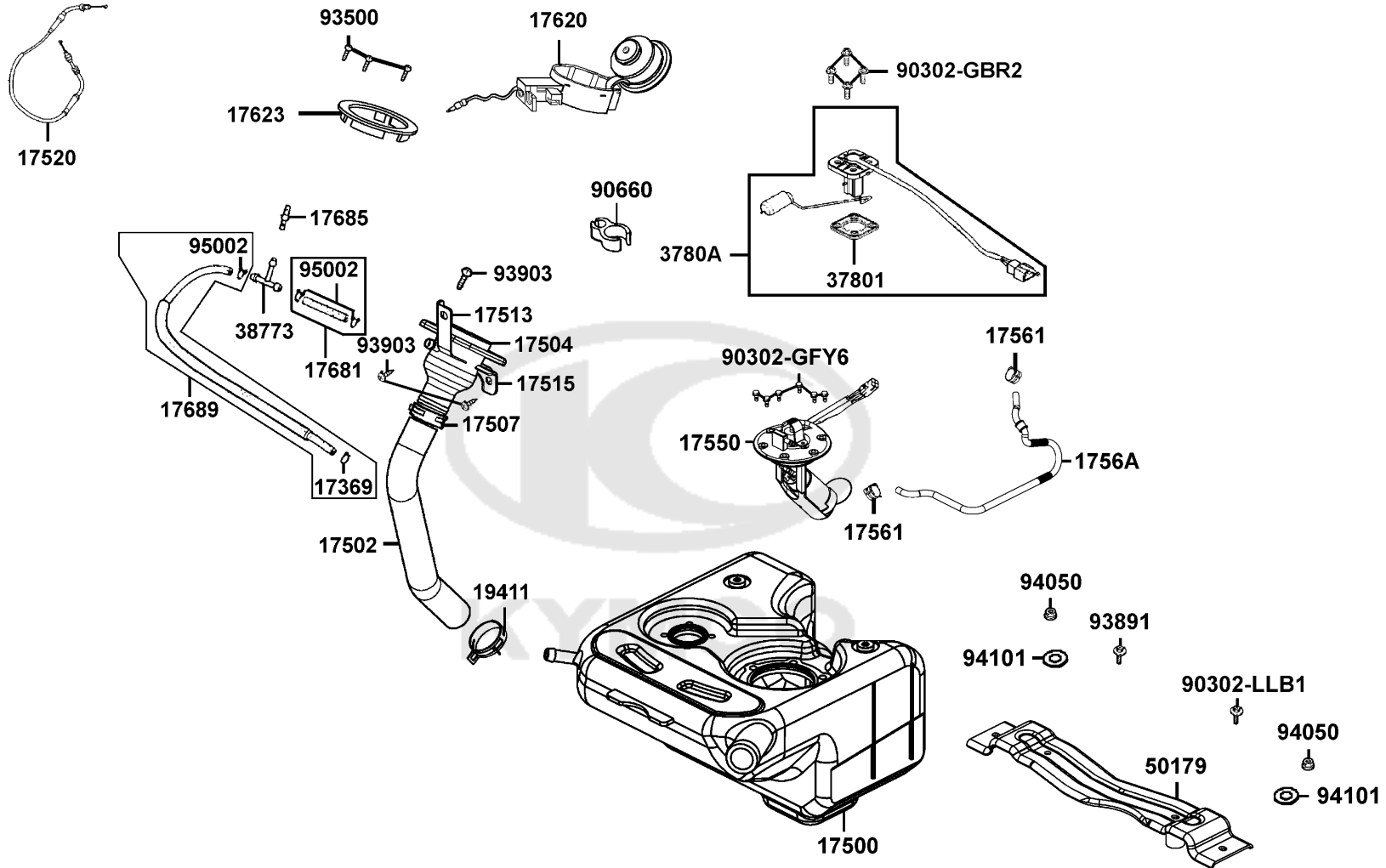
Sales mark 記号	Ref no 参照用番号	Part no パーツ番号	Description 部品名	Reg description 部品名	Regd no 必要個数	Ref Price 希望小売価格(税抜)	F09
------------------	-----------------	------------------	--------------------	------------------------	-----------------	-------------------------	-----

**	77200	77200-LFB6-E00	SEAT ASSY (678-OBC/TL2036C-2)	SEAT ASSY (678-OBC/TL2036C-2)	1	22990	
	77206	77206-KEB7-900	RUBBER SEAT CUSH	RUBBER SEAT CUSH	1	110	
	77300	77300-LBE3-900	HINGE COMP SEAT	HINGE COMP SEAT	1	14640	
	77303	77303-KKC4-800	HOOK SEAT LOCK	HOOK SEAT LOCK	1	440	
	89010	89010-LEB1-900	TOOL SET	TOOL SET	1	2250	
	94050	94050-06080	NUT FLANGE 6MM	NUT FLANGE 6MM	6	60	



F10

Fuel Tank

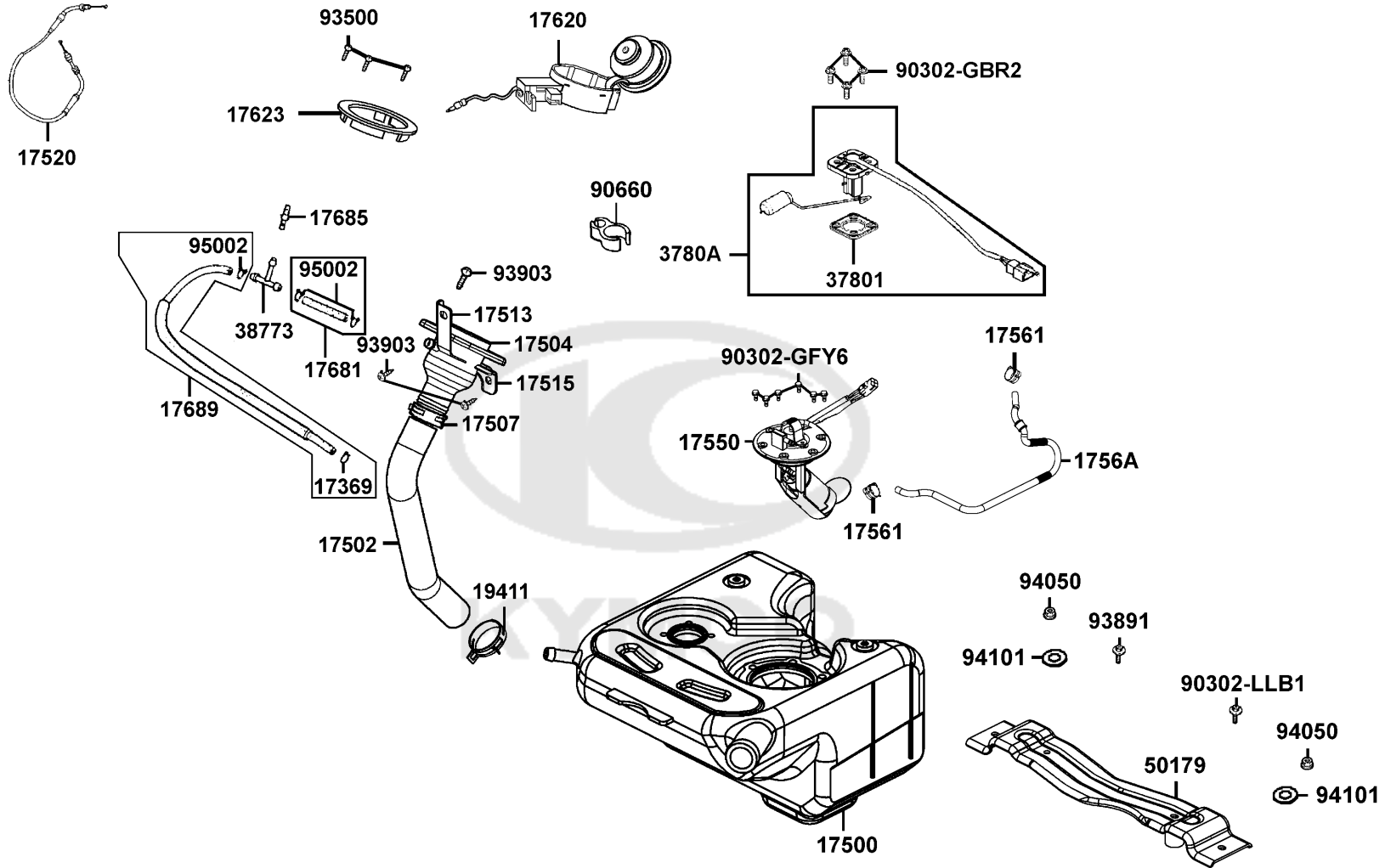


Sales mark 記号	Ref no 参照用番号	Part no パーツ番号	Description 部品名	Reg description 部品名	Regd no 必要個数	Ref Price 希望小売価格(税抜)
	17369	17369-KHC4-900	CLIP BREATHER TUBE	CLIP BREATHER TUBE	1	160
	17500	17500-LGH6-900	TANK COMP..FUEL	TANK COMP..FUEL	1	17670
	17502	17502-LEB1-900	TUBE FUEL	TUBE FUEL	1	2670
	17504	17504-LAB4-900	FUEL FILLER	FUEL FILLER	1	1440
	17507	17507-LAB4-900	BAND 50 FUEL HOSE	BAND 50 FUEL HOSE	1	390
	17513	17513-LAD9-900	FUEL PIPE STAY A	FUEL PIPE STAY A	1	350
	17515	17515-LAD9-900	FUEL PIPE STAY B	FUEL PIPE STAY B	1	350
	17520	17520-LFB6-700	CABLE COMP FUEL CAP	CABLE COMP FUEL CAP	1	1330
	17550	17550-LGH6-910	PUMP ASSY FUEL/D106	PUMP ASSY FUEL/D106	1	35620
	17561	17561-LKB9-900	CLIP 12.5	CLIP 12.5	2	300
	1756A	1756A-LGH6-900	TUBE ASSY..FUEL PUMP-INJECTOR	TUBE ASSY..FUEL PUMP-INJECTOR	1	5290
	17620	17620-LBA2-90A	CAP COMP FUEL FILLER	CAP COMP FUEL FILLER	1	4500
	17620	17620-LBA2-90B	CAP COMP FUEL FILLER	CAP COMP FUEL FILLER	1	4500
**	17623	17623-KKE5-E1A	COLLAR FUEL FILLER	COLLAR FUEL FILLER	1	1010
**	17623	17623-KKE5-E1B	COLLAR FUEL CILLER	COLLAR FUEL CILLER	1	1010
	17681	17681-KFA1-900	TUBE JOINT 3 WAY	TUBE JOINT 3 WAY	1	210
	17685	17685-LFB5-900	JOINT TUBE	JOINT TUBE	1	3200
	17689	17689-LFB5-900	TUBE ASSY FILLER	TUBE ASSY FILLER	1	2470
	19411	19411-KBCB-900	CLIP HOSE	CLIP HOSE	1	490
	37801	37801-LHJ3-900	PACKING. BASE	PACKING. BASE	1	490

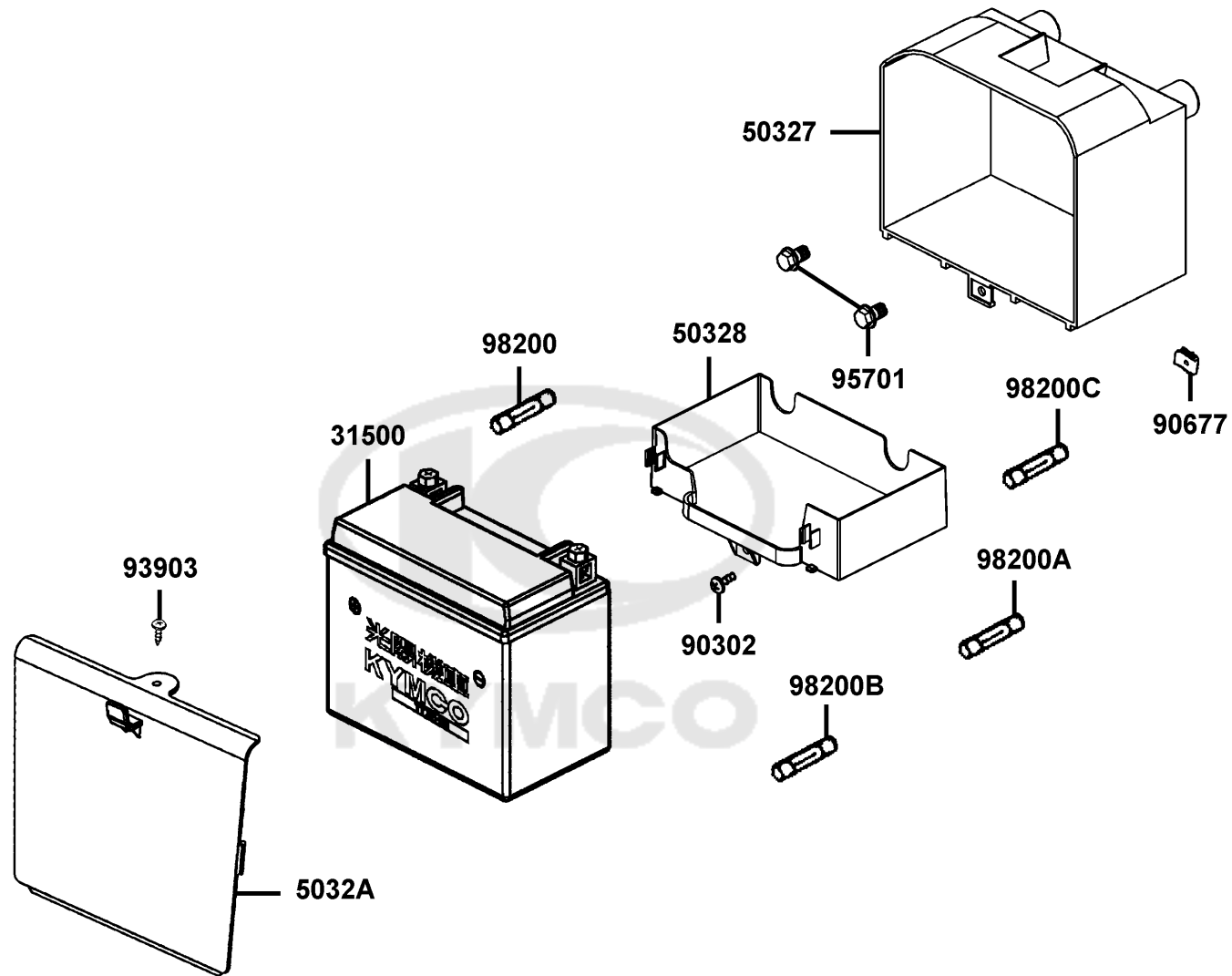
F10

F10

Fuel Tank

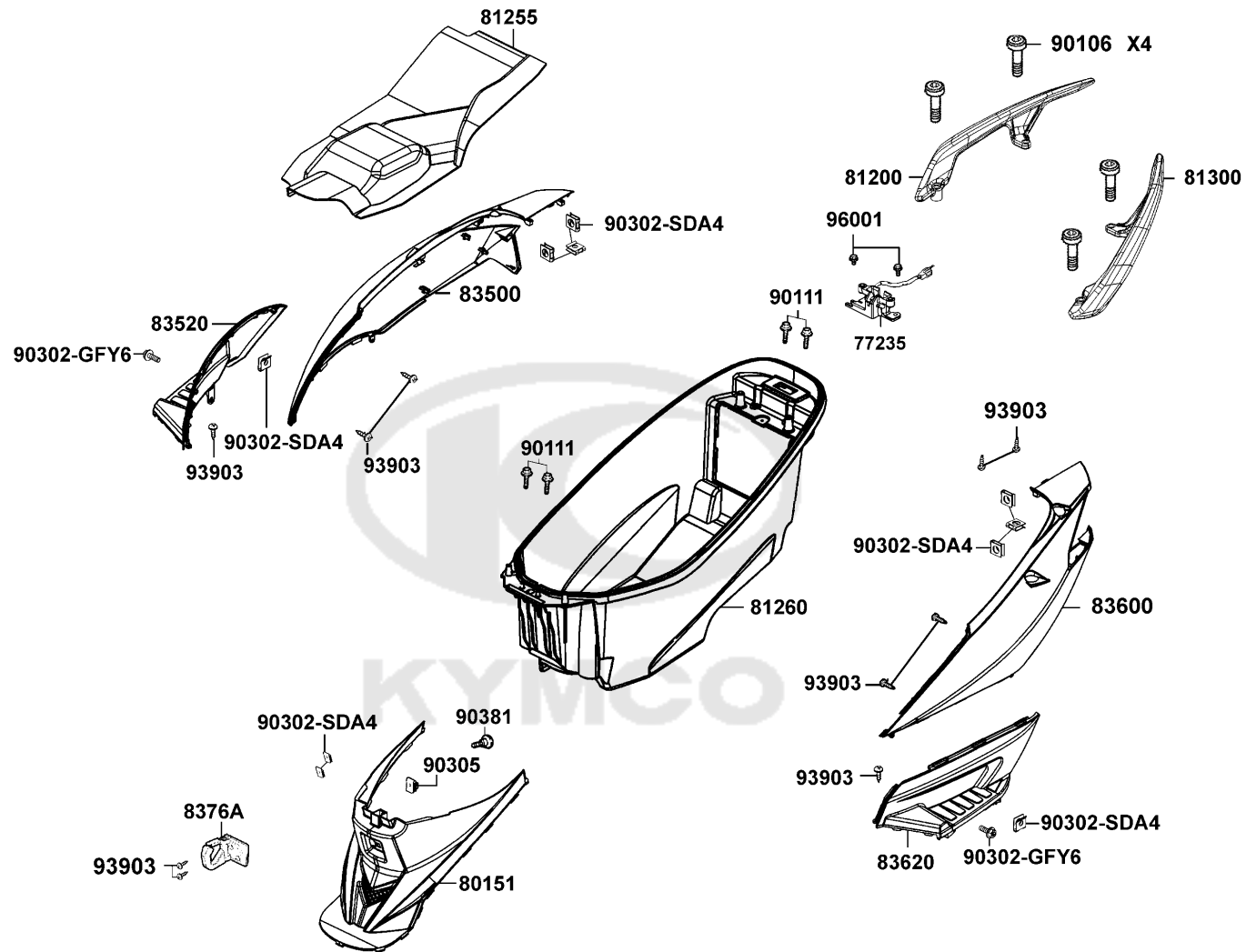


Sales mark 記号	Ref no 参照用番号	Part no パーツ番号	Description 部品名	Reg description 部品名	Regd no 必要個数	Ref Price 希望小売価格(税抜)	F10
	3780A	3780A-LFB5-910	FUEL UNIT ASSY	FUEL UNIT ASSY	1	4000	
	38773	38773-KBCB-900	JOINT 3 WAY	JOINT 3 WAY	1	160	
	50179	50179-LEB2-900	BRKT FLOOR PANEL	BRKT FLOOR PANEL	1	1490	
	90302-GBR2	90302-GBR2-001	BOLT WASH 5*16	BOLT WASH 5*16	4	60	
	90302-GFY6	90302-GFY6-940	BOLT-WASH 5*16	BOLT-WASH 5*16	6	60	
	90302-LLB1	90302-LLB1-E00	BOLT-WASHER 5*12	BOLT-WASHER 5*12	1	60	
**	90660	90660-KGBG-900	CLAMP TUBE	CLAMP TUBE	1	160	
	93500	93500-04020-0G	SCREW PAN 4*20	SCREW PAN 4*20	3	60	
	93891	93891-05040-06	SCREW WASHER 5*40	SCREW WASHER 5*40	1	200	
	93903	93903-35360	SCREW WASHER 4*12	SCREW WASHER 4*12	3	60	
	94050	94050-06080	NUT FLANGE 6MM	NUT FLANGE 6MM	2	60	
	94101	94101-08800	WASHER PLAIN 8MM	WASHER PLAIN 8MM	2	160	
	95002	95002-02130	CLIP B12.5 TUBE	CLIP B12.5 TUBE	3	60	



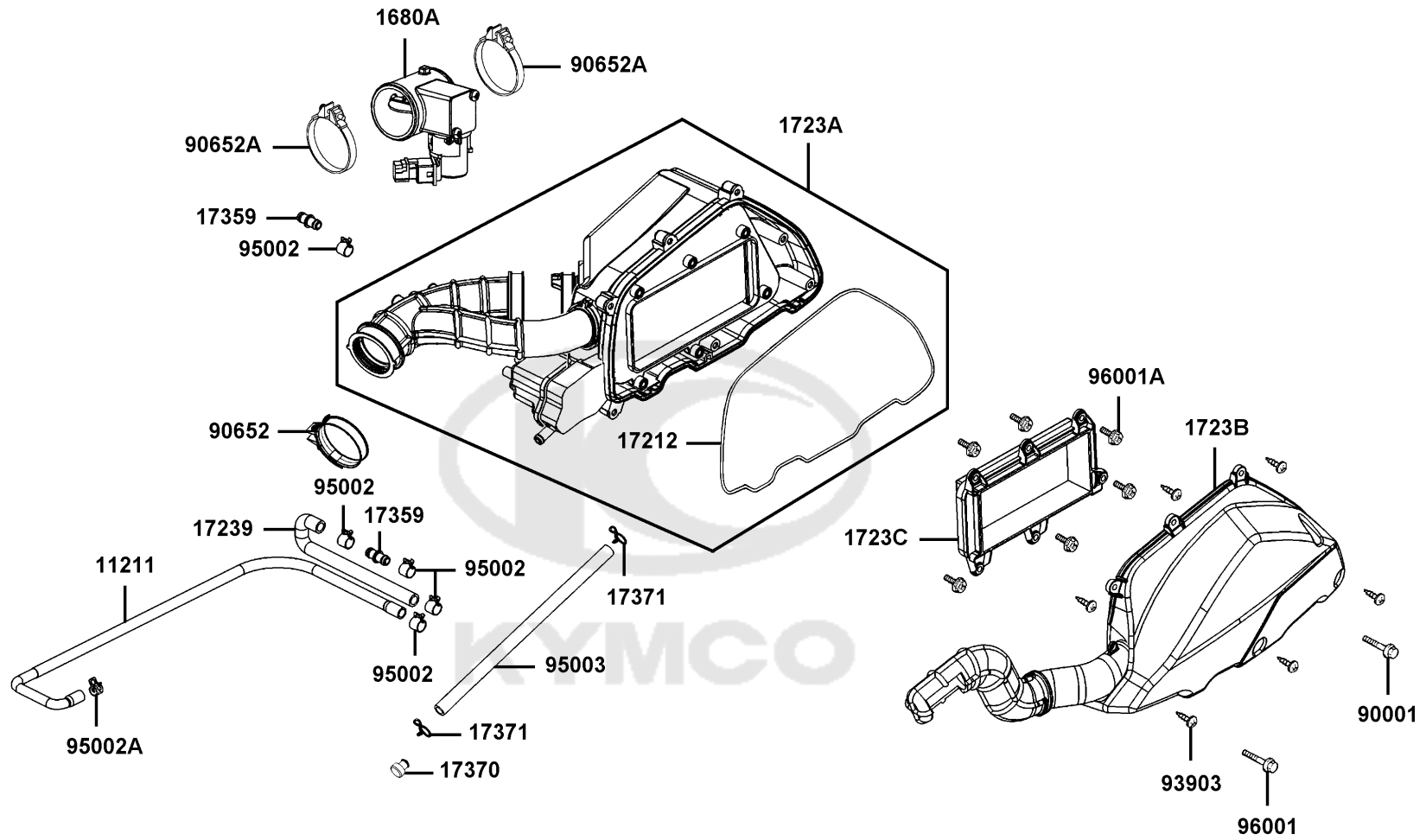


Sales mark 記号	Ref no 参照用番号	Part no パーツ番号	Description 部品名	Reg description 部品名	Regd no 必要個数	Ref Price 希望小売価格(税抜)	F11
	31500	31500-KFAF-90A	BATTERY YTX9-BS	BATTERY YTX9-BS	1	16800	
	31500	31500-KFAF-90B	BATTERY GTX9-BS	BATTERY GTX9-BS	1	17630	
	50327	50327-LEB1-900	BATTERY CASE	BATTERY CASE	1	860	
	50328	50328-LBB8-900	BATTERY DRAWER	BATTERY DRAWER	1	680	
**	5032A	5032A-LEB1-900	COVER BATTERY	COVER BATTERY	1	870	
	90302	90302-GFY6-940	BOLT-WASH 5*16	BOLT-WASH 5*16	1	60	
	90677	90677-GAR1-004	NUT CLIP 5MM	NUT CLIP 5MM	1	60	
	93903	93903-34360	SCREW WASHER 4*12	SCREW WASHER 4*12	1	60	
	95701	95701-06022-06	BOLT FLANGE 6*22	BOLT FLANGE 6*22	2	60	
	98200	98200-11000	FUSE A10	FUSE A10	1	60	
	98200A	98200-11500	FUSE A15	FUSE A15	1	60	
	98200B	98200-31000	BLADE FUSE 40A	BLADE FUSE 40A	1	110	
	98200C	98200-32500	BLADE FUSE 25A	BLADE FUSE 40A	1	300	



Sales mark 記号	Ref no 参照用番号	Part no パーツ番号	Description 部品名	Reg description 部品名	Regd no 必要個数	Ref Price 希望小売価格(税抜)
	77235	77235-LKG2-900	CATCH COMP SEAT	CATCH COMP SEAT	1	4190
	77235	77235-LKG2-90A	CATCH COMP SEAT	CATCH COMP SEAT	1	4190
**	80151	80151-LFB5-900	COVER CENTER	COVER CENTER	1	4380
**	81200	81200-LFB6-700	CARRIER R REAR	CARRIER R REAR	1	6800
	81255	81255-LGL9-900	BAG LUGGAGE	BAG LUGGAGE	1	3720
	81260	81260-LEB2-910	BOX ASSY LUGGAGE	BOX ASSY LUGGAGE	1	5170
**	81300	81300-LFB6-700	CARRIER L REAR	CARRIER L REAR	1	6800
**	83500	83500-LFB5-900	COVER R BODY	COVER R BODY	1	10460
**	83520	83520-LFB5-900	COVER R SIDE	COVER R SIDE	1	1250
**	83600	83600-LFB5-900	COVER L BODY	COVER L BODY	1	10460
**	83620	83620-LFB5-900	COVER L SIDE	COVER L SIDE	1	1250
	8376A	8376A-KECE-901	CLIP ASSY CENTER	CLIP ASSY CENTER	1	1060
	90106	90106-KFC2-900	BOLT SPECIAL 8MM	BOLT SPECIAL 8MM	4	510
	90111	90111-LEB1-900	BOLT FLANGE 6MM	BOLT FLANGE 6MM	4	200
	90302-GFY6	90302-GFY6-901	BOLT WASH 5*12 **(1) C.V.	BOLT WASH 5*12 **(1) C.V.	2	60
	90302-SDA4	90302-SDA4-004	NUT SPRING 4MM	NUT SPRING 4MM	10	60
	90305	90305-GHK8-001	NUT CLIP 6MM	NUT CLIP 6MM	1	60
	90381	90381-GEZ5-001	SCREW SPECIAL 6*17	SCREW SPECIAL 6*17	1	200
	93903	93903-34360	SCREW WASHER 4*12	SCREW WASHER 4*12	10	60
	96001	96001-06012-06	BOLT FLANGE SH 6*12	BOLT FLANGE SH 6*12	1	60

F12

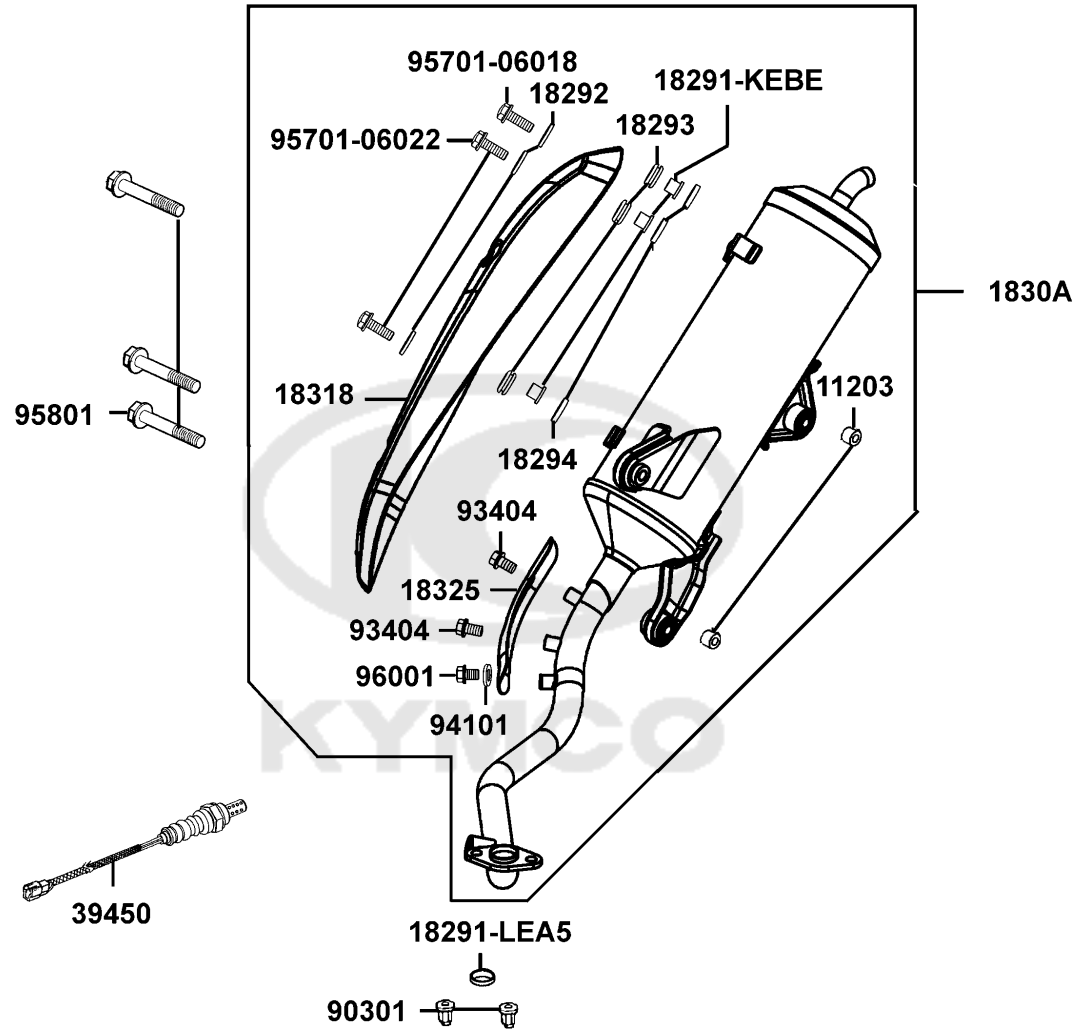


Sales mark 記号	Ref no 参照用番号	Part no パーツ番号	Description 部品名	Reg description 部品名	Regd no 必要個数	Ref Price 希望小売価格(税抜)
11211	11211-LFB5-900	TUBE BRTHR	TUBE BRTHR	TUBE BRTHR	1	730
1680A	1680A-LHJ3-900	CONTROL VALVE ASSY.. VACS	CONTROL VALVE ASSY.. VACS	CONTROL VALVE ASSY.. VACS	1	24080
17212	17212-LAB4-900	SEAL AIR/C CASE	SEAL AIR/C CASE	SEAL AIR/C CASE	1	300
17239	17239-LHJ3-900	TUBE. AIR/C BLOW-BY	TUBE. AIR/C BLOW-BY	TUBE. AIR/C BLOW-BY	1	680
1723A	1723A-LHJ3-900	CASE ASSY AIR/C	CASE ASSY AIR/C	CASE ASSY AIR/C	1	11410
1723B	1723B-LHJ3-900	COVER COMP AIR/C	COVER COMP AIR/C	COVER COMP AIR/C	1	3340
1723C	1723C-LHJ3-900	ELEMENT ASSY AIR/C	ELEMENT ASSY AIR/C	ELEMENT ASSY AIR/C	1	2010
17359	17359-4K19-671	JOINT BREATHER TUBE	JOINT BREATHER TUBE	JOINT BREATHER TUBE	2	60
17370	17370-4K19-701	PLUG BREATHER TUBE	PLUG BREATHER TUBE	PLUG BREATHER TUBE	1	110
17371	17371-1D74-671	CLIP BREATHER TUBE	CLIP BREATHER TUBE	CLIP BREATHER TUBE	2	60
90001	90001-GBHB-681	BOLT FLANGE SHF 6*28	BOLT FLANGE SHF 6*28	BOLT FLANGE SHF 6*28	1	60
90652	90652-GFY6-901	BAND 49 AIR/C CONNECTING TUBE	BAND 49 AIR/C CONNECTING TUBE	BAND 49 AIR/C CONNECTING TUBE	1	120
90652A	90652-LKG2-910	CILP SIDE COVER	CILP SIDE COVER	CILP SIDE COVER	2	580
93903	93903-25460	SCREW TAPPING 5*20 **93903-25480	SCREW TAPPING 5*20 **93903-25480	SCREW TAPPING 5*20 **93903-25480 C.2005	7	60
95002	95002-41150-00	CLIP D11.5 TUBE	CLIP D11.5 TUBE	CLIP D11.5 TUBE	5	230
95002A	95002-50000	CLIP C9 TUBE	CLIP C9 TUBE	CLIP C9 TUBE	1	60
95003	95003-23027-60	V TUBE 8*12*270	V TUBE 8*12*270	V TUBE 8*12*270	1	250
96001	96001-06035-06	BOLT FLANGE SH 6*35	BOLT FLANGE SH 6*35	BOLT FLANGE SH 6*35	1	130
96001A	96001-GFY6-900	BOLT SPECIAL 5X10	BOLT SPECIAL 5X10	BOLT SPECIAL 5X10	6	60

F13

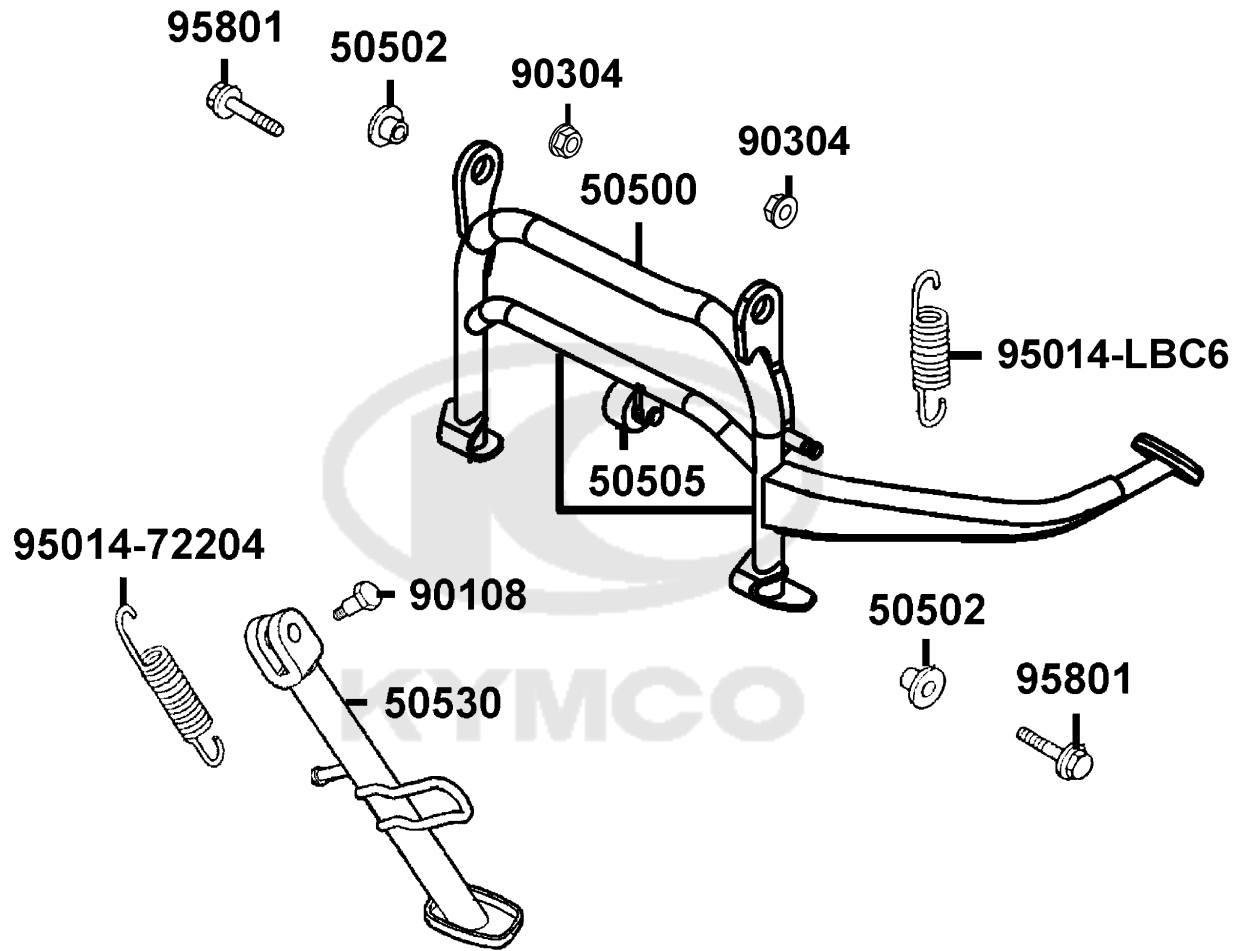
F14

Exhaust Muffler



Sales mark 記号	Ref no 参照用番号	Part no パーツ番号	Description 部品名	Reg description 部品名	Regd no 必要個数	Ref Price 希望小売価格(税抜)
	11203	11203-GFY6-901	RUBBER BUSH MUFFLER STAY	RUBBER BUSH MUFFLER STAY	2	320
	18291-KEBE	18291-KEBE-900	COLLAR	COLLAR	3	60
	18291-LEA5	18291-LEA5-E00	GASKET EXH PIPE	GASKET EXH PIPE	1	210
	18292	18292-KEBE-900	PACKING PROTECTOR	PACKING PROTECTOR	3	60
	18293	18293-KEBE-900	RUBBER PKG PROTR	RUBBER PKG PROTR	3	140
	18294	18294-KEBE-900	PACKING PROTECTOR	PACKING PROTECTOR	9	110
**	1830A	1830A-LFB6-E00	MUFFLER ASSY /BLACK	MUFFLER ASSY /BLACK	1	40950
**	18318	18318-LFB5-E00	PROTECTOR MUFFLER	PROTECTOR MUFFLER	1	3430
**	18325	18325-LFB6-E00	PROTECTOR EXH PIPE	PROTECTOR EXH PIPE	1	1340
	39450	39450-LEA6-800	O2 SENSOR	O2 SENSOR **(1) C.2006.12.21	1	19800
	90301	90301-GFY6-901	NUT (HEX) CAP 8MM	NUT (HEX) CAP 8MM	2	140
	93404	93404-06012-07	BOLT WASH 6*12	BOLT WASH 6*12	2	60
	94101	94101-06700	WASHER PLAIN 6MM	WASHER PLAIN 6MM	1	60
	95701-06018	95701-06018-06	BOLT FLANGE 6*18 (G)	BOLT FLANGE 6*18 (G)	1	390
	95701-06022	95701-06022-06	BOLT FLANGE 6*22	BOLT FLANGE 6*22	2	60
	95801	95801-08042-06	BOLT FLANGE 8*42	BOLT FLANGE 8*42	3	70
	96001	96001-06008-07	BOLT FLANGE SH 6*8	BOLT FLANGE SH 6*8	1	60

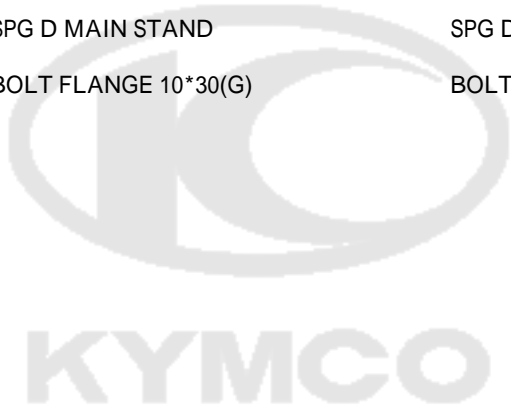
F14





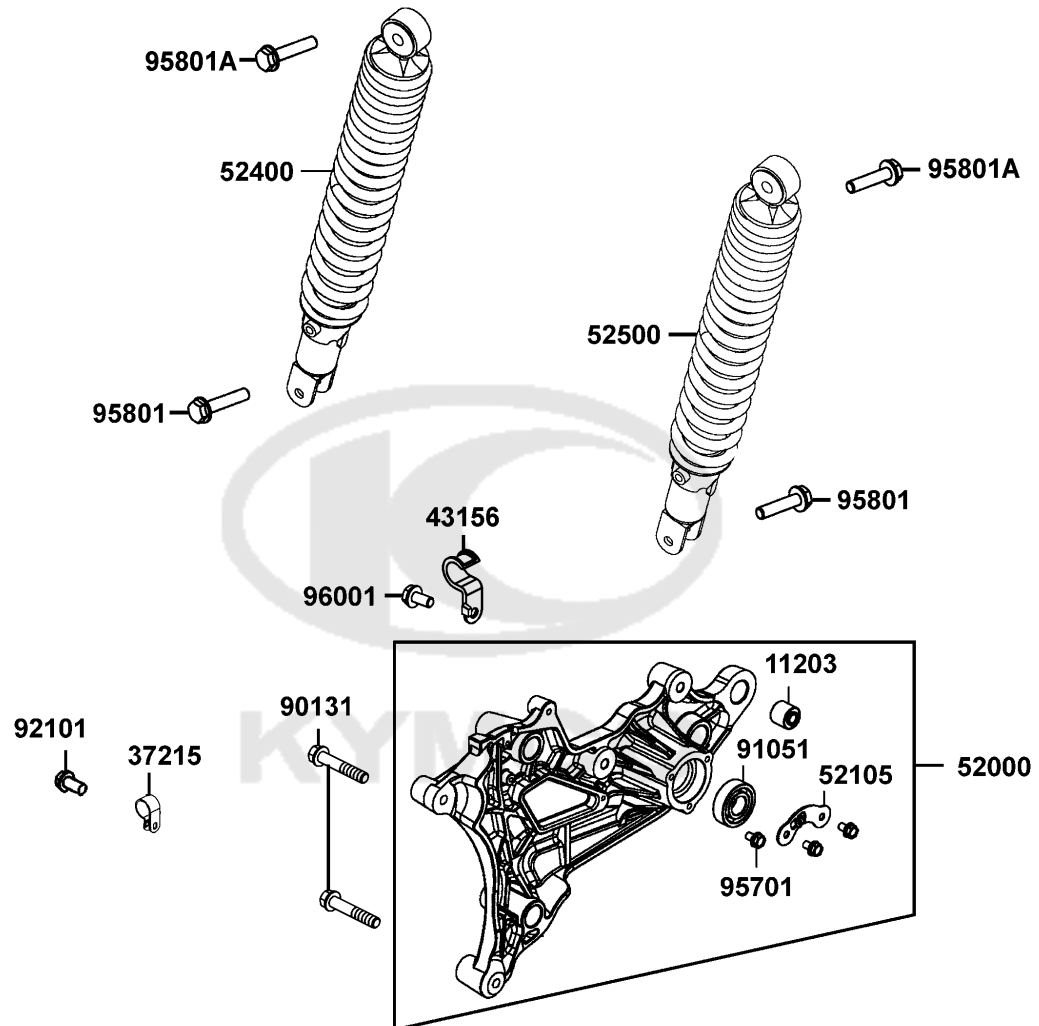
Sales mark 記号	Ref no 参照用番号	Part no パーツ番号	Description 部品名	Reg description 部品名	Regd no 必要個数	Ref Price 希望小売価格(税抜)
	50500	50500-LFB6-700	STAND COMP MAIN	STAND COMP MAIN	1	7890
	50502	50502-GFY6-901	COLLAR MAIN STAND	COLLAR MAIN STAND	2	140
	50505	50505-LAD9-900	STOPPER RUBBER	STOPPER RUBBER	1	180
	50530	50530-LFB5-900	SIDE STAND COMP	SIDE STAND COMP	1	2100
	90108	90108-LKE6-900	PIVOT SCREW SIDE STAND	PIVOT SCREW SIDE STAND	1	80
	90304	90304-LEA1-900	NUT CAP 6MM	NUT CAP 6MM	2	200
	95014-72204	95014-72204	SPG B1 SIDE STAND	SPG B1 SIDE STAND	1	300
	95014-LBC6	95014-LBC6-900	SPG D MAIN STAND	SPG D MAIN STAND	1	200
	95801	95801-10030-06	BOLT FLANGE 10*30(G)	BOLT FLANGE 10*30(G)	2	330

**F15**



F16

Rear Cushion

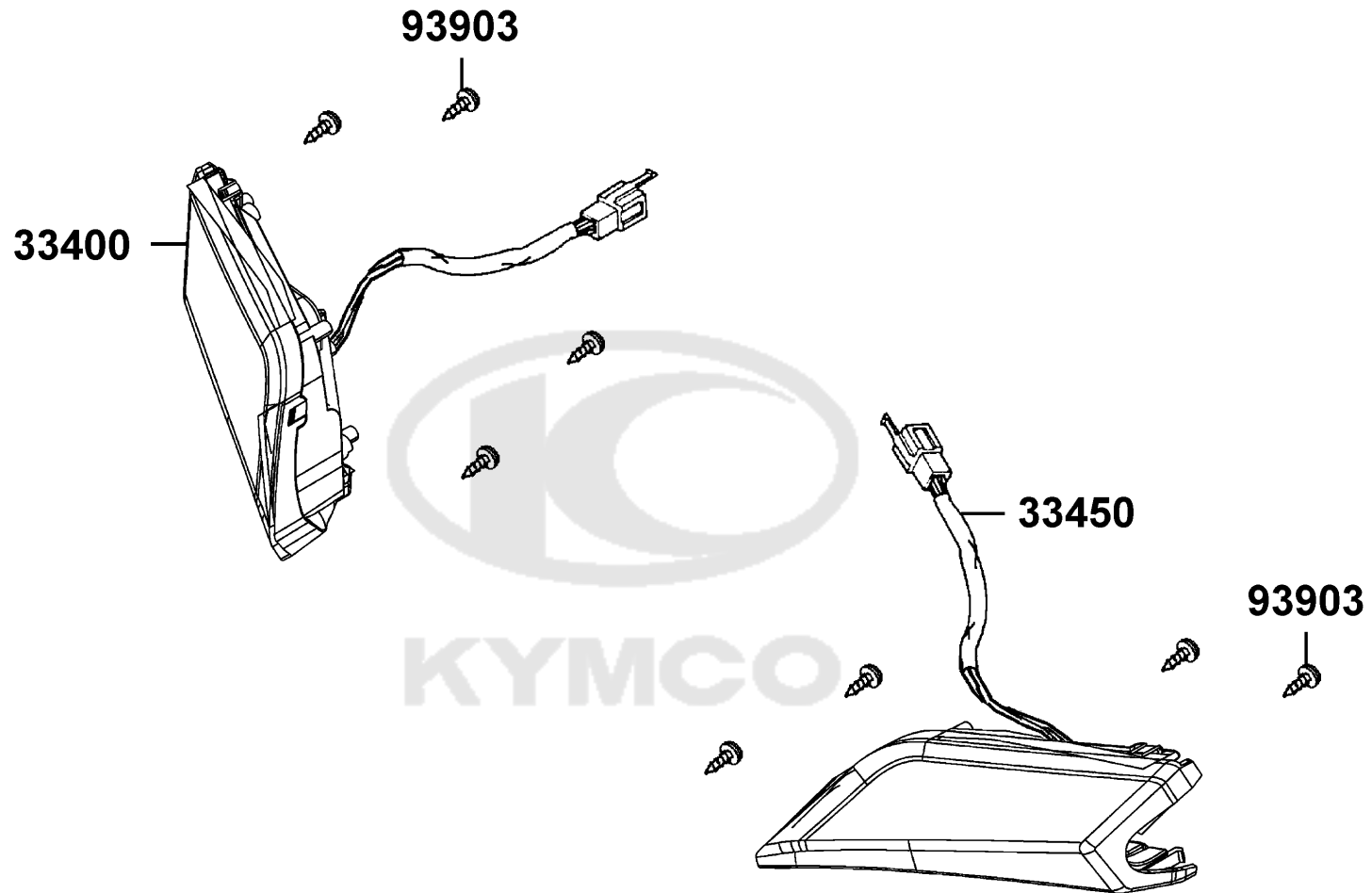


Sales mark 記号	Ref no 参照用番号	Part no パーツ番号	Description 部品名	Reg description 部品名	Regd no 必要個数	Ref Price 希望小売価格(税抜)
	11203	11203-GGC7-301	UNDER RUBBER BUSH REAR CUSHION	UNDER RUBBER BUSH REAR CUSHION	1	250
	37215	37215-LHJ3-900	CLAMPER	CLAMPER	1	60
	43156	43156-KKC4-900	CLAMPER HOSE RR	CLAMPER HOSE RR	1	300
**	52000	52000-LFB6-600	FORK ASSY REAR	FORK ASSY REAR	1	18440
	52105	52105-LKB3-700	STAY ABS SENSOR	STAY ABS SENSOR	1	300
**	52400	52400-LFB5-900	CUSHION ASSY RR R	CUSHION ASSY RR R	1	11980
**	52500	52500-LFB5-900	CUSHION ASSY RR L	CUSHION ASSY RR L	1	13980
	90131	90131-LFB5-900	BOLT FLANGE 8*35	BOLT FLANGE 8*35	2	390
	91051	91051-KFBF-901	BRG BALL RAKIAL 6203LLU	BRG BALL RAKIAL 6203LLU	1	1440
	92101	92101-05008-0G	BOLT HEX 5*8	BOLT HEX 5*8	3	200
	95701	95701-06010-06	BOLT FLANGE 6*10	BOLT FLANGE 6*10	3	60
	95801	95801-08035-06	BOLT FLANGE 8*35	BOLT FLANGE 8*35	2	60
	95801A	95801-10040-06	BOLT FLANGE 10*40	BOLT FLANGE 10*40	1	80
	96001	96001-06012-06	BOLT FLANGE SH 6*12	BOLT FLANGE SH 6*12	1	60

F16

F17

Front Winker



Sales mark 記号	Ref no 参照用番号	Part no パーツ番号	Description 部品名	Reg description 部品名	Regd no 必要個数	Ref Price 希望小売価格(税抜)
------------------	-----------------	------------------	--------------------	------------------------	-----------------	-------------------------

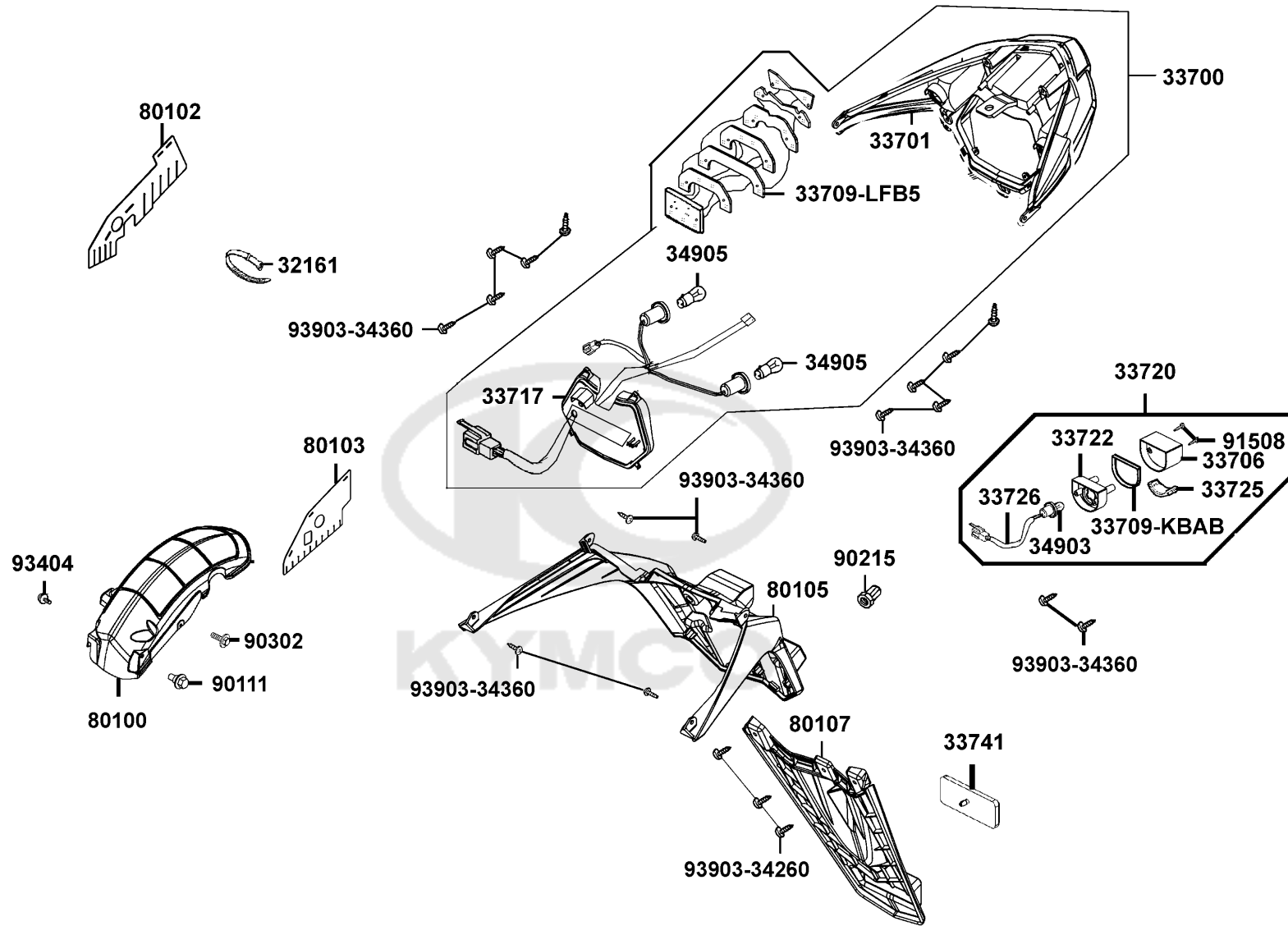
**F17**

33400	33400-LFB6-700	33400-LFB6-700	WINKER ASSY RH FR	WINKER ASSY RH FR	1	27150
33450	33450-LFB6-700	33450-LFB6-700	WINKER ASSY LH FR	WINKER ASSY LH FR	1	27150
93903	93903-34360	93903-34360	SCREW WASHER 4*12	SCREW WASHER 4*12	8	60



F18

Tail Light Rear Fender

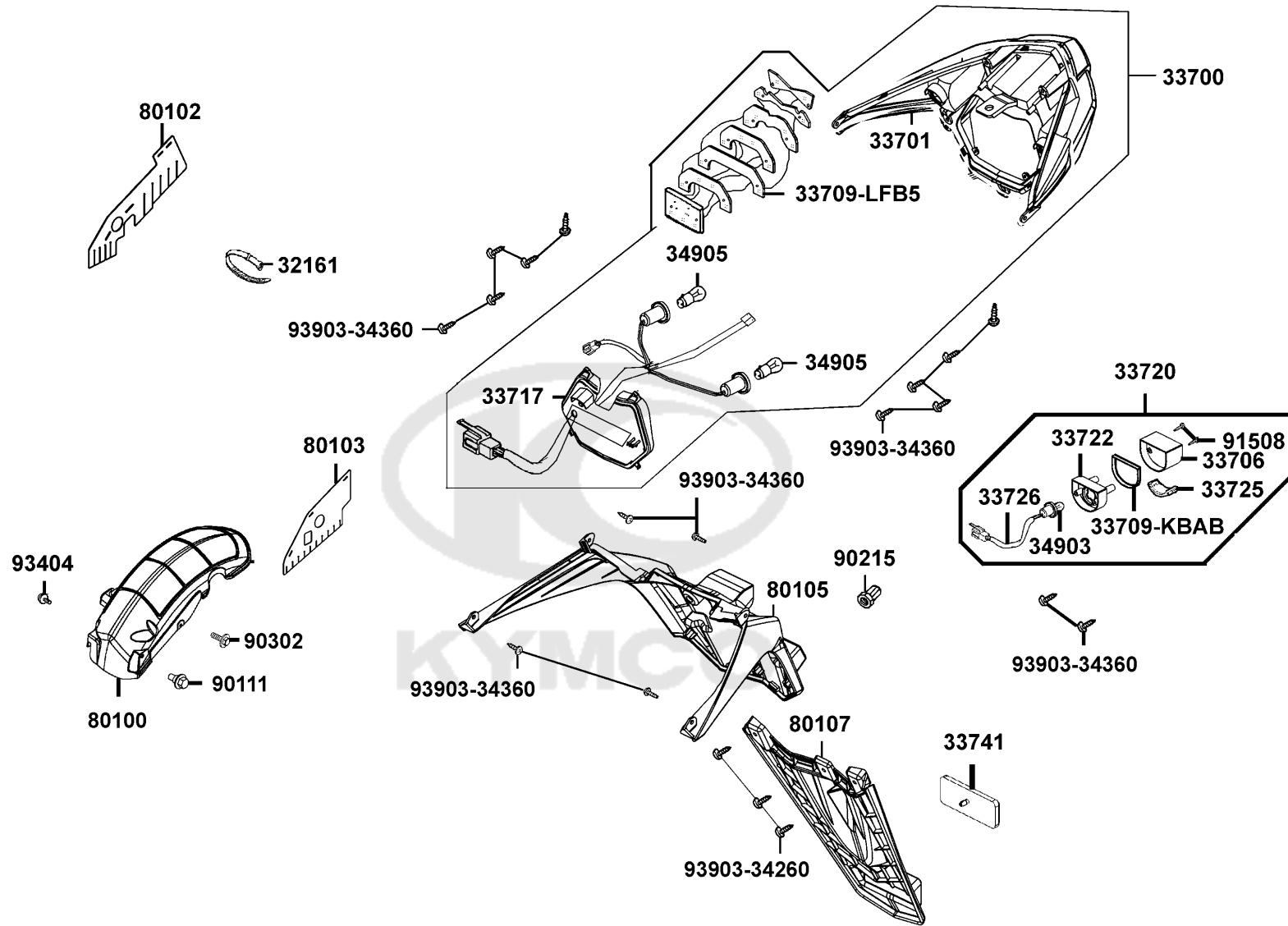


Sales mark 記号	Ref no 参照用番号	Part no パーツ番号	Description 部品名	Reg description 部品名	Regd no 必要個数	Ref Price 希望小売価格(税抜)
	32161	32161-LBA7-900	BAND WIRE	BAND WIRE	1	200
	33700	33700-LFB5-900	LIGHT SET RR COMB	LIGHT SET RR COMB	1	25980
	33701	33701-LFB5-900	LIGHT SET RR COMB	LIGHT SET RR COMB	1	12740
	33706	33706-KHB4-E01	COVER LICENSE	COVER LICENSE	1	130
	33709-KBAB	33709-KBAB-003	PACKING LICENSE	PACKING LICENSE	1	130
	33709-LFB5	33709-LFB5-900	PCB TAIL LIGHT	PCB TAIL LIGHT	1	18060
	33717	33717-LFB5-900	SOCKET COMP RR COMB	SOCKET COMP RR COMB	1	3620
	33720	33720-KHB4-E00	LIGHT ASSY LICENSE	LIGHT ASSY LICENSE	1	1150
	33722	33722-KHB4-E00	BASE LICENSE	BASE LICENSE	1	110
	33725	33725-KHB4-E00	LENS LICENSE	LENS LICENSE	1	110
	33726	33726-KHB4-E00	SOCKET COMP	SOCKET COMP	1	490
	33741	33741-KEC8-900	REFLEX REFLECTOR	REFLEX REFLECTOR	1	490
	34903	34903-KPCP-900	BULB POSITION LIGHT 12V5W **KCP-	BULB POSITION LIGHT 12V5W **KCP-9000	1	320
	34905	34905-LCA5-E00	BULB WINKER (12V 10W)	BULB WINKER	2	1200
**	80100	80100-LFB5-910	FENDER RR TIRE	FENDER RR TIRE	1	1720
	80102	80102-LFB5-900	PLATE SPLASH BOARD	PLATE SPLASH BOARD	1	490
	80103	80103-LFB5-900	PLATE A SPLASH BOARD	PLATE A SPLASH BOARD	1	390
**	80105	80105-LFB5-900	FENDER RR	FENDER RR	1	1720
**	80107	80107-LFB5-900	FENDER RR INNER	FENDER RR INNER	1	1250
	90111	90111-LEB1-900	BOLT FLANGE 6MM	BOLT FLANGE 6MM	1	200

F18

F18

Tail Light Rear Fender



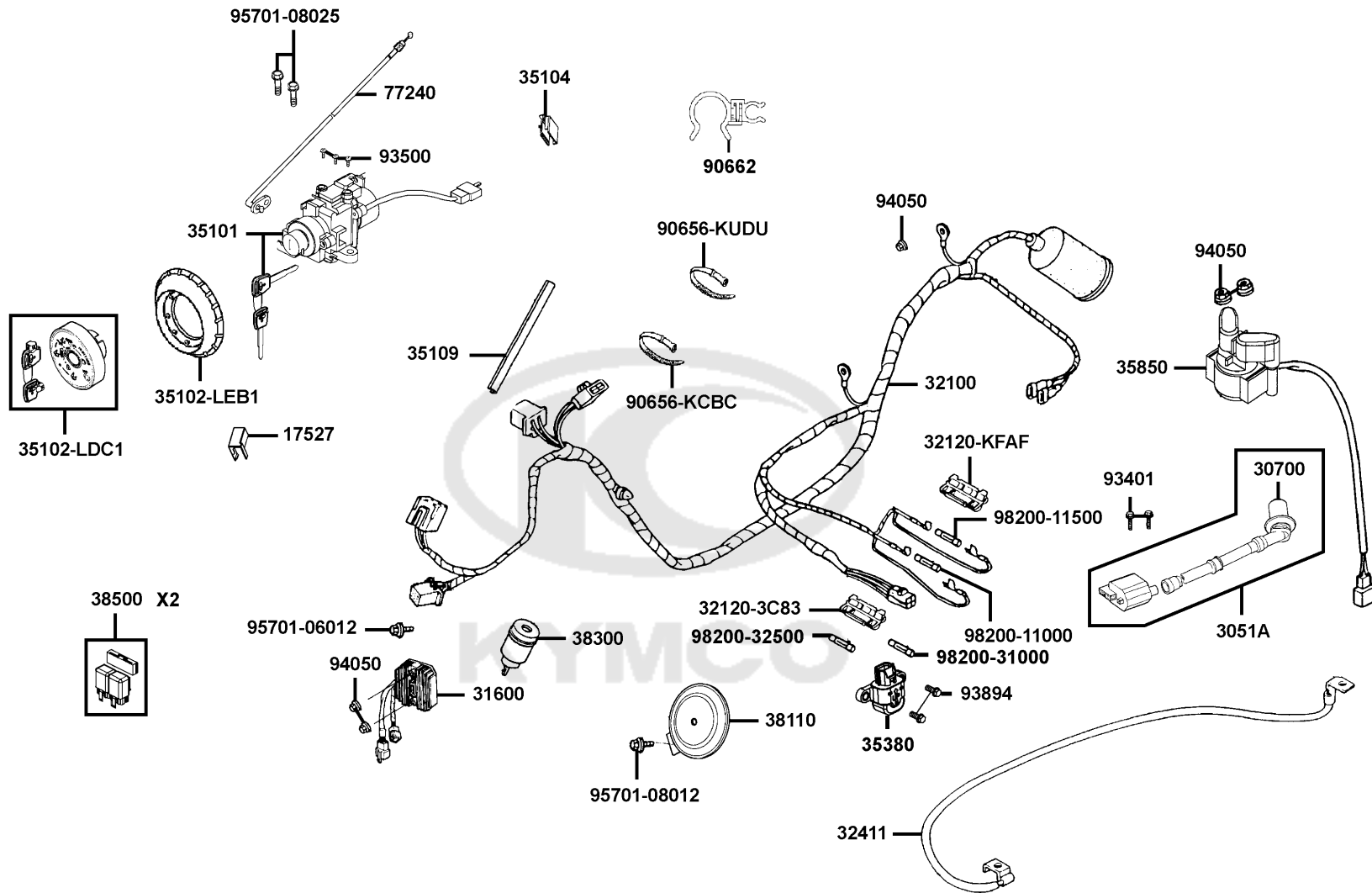


Sales mark 記号	Ref no 参照用番号	Part no パーツ番号	Description 部品名	Reg description 部品名	Regd no 必要個数	Ref Price 希望小売価格(税抜)	F18
90215		90215-GLM0-910	NUT CAP 6MM	NUT CAP 6MM	1	160	
90302		90302-LLB1-E00	BOLT-WASHER 5*12	BOLT-WASHER 5*12	1	60	
91508		91508-KGV7-67A	SCREW TAPPING 4*14	SCREW TAPPING 4*14	2	200	
93404		93404-06012-06	BOLT WASHER 6*12 (G)	BOLT WASHER 6*12 (G)	2	200	
93903-34260		93903-34260	SCREW TAPPING 4*10	SCREW TAPPING 4*10	3	60	
93903-34360		93903-34360	SCREW WASHER 4*12	SCREW WASHER 4*12	16	60	



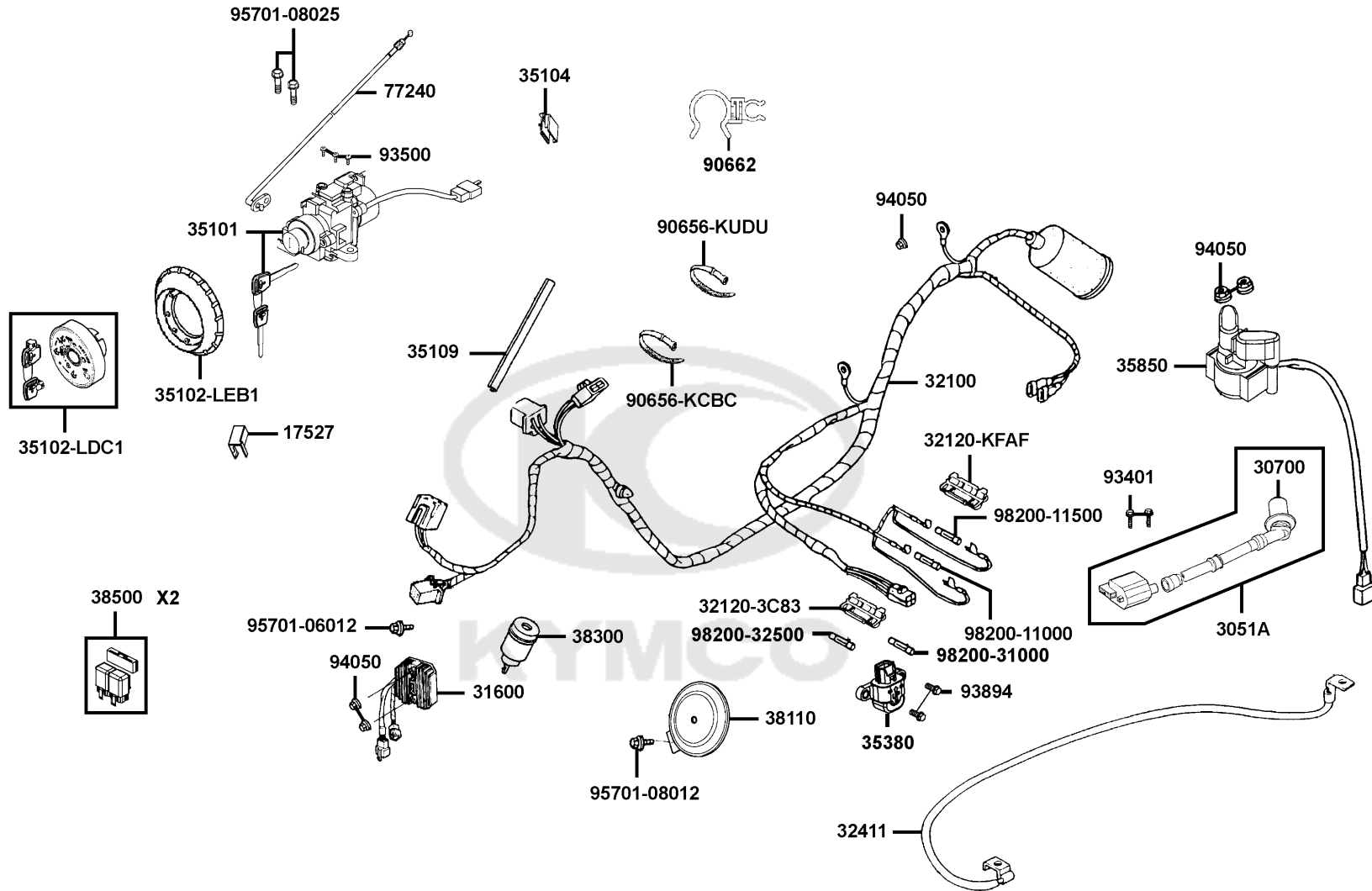
F19

Wire Harness



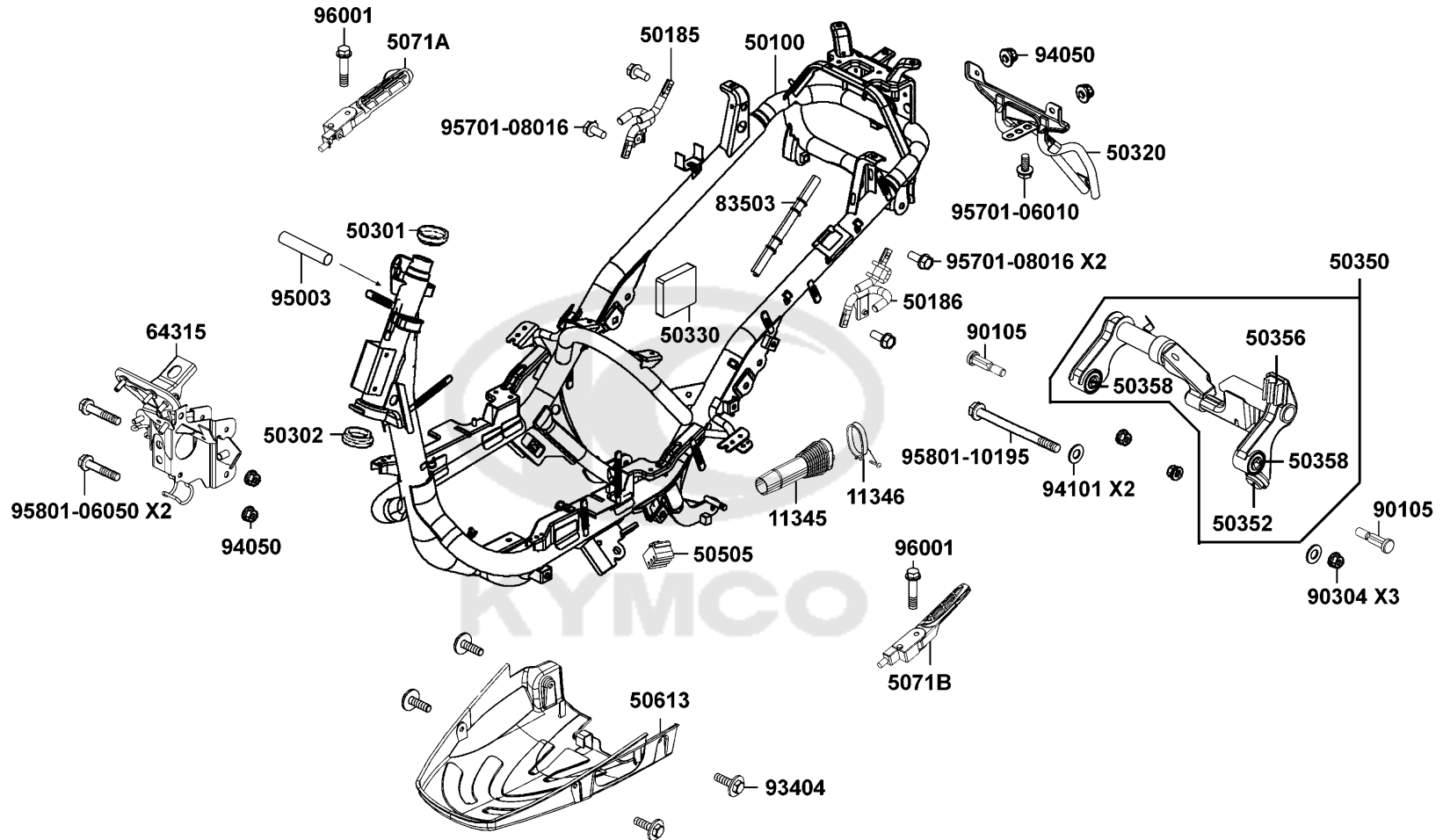
Sales mark 記号	Ref no 参照用番号	Part no パーツ番号	Description 部品名	Reg description 部品名	Regd no 必要個数	Ref Price 希望小売価 格(税抜)
17527		17527-LBA2-900	SLIDE COVER FUEL CAP	SLIDE COVER FUEL CAP	1	300
3051A		3051A-LGL9-900	COIL ASS'Y IGNITION	COIL ASS'Y IGNITION	1	12930
30700		30700-LGL9-900	CAP ASSY NOISE SUPPR	CAP ASSY NOISE SUPPR	1	1820
31600		31600-KED9-910	REG REC COMP	REG REC COMP	1	12170
32100		32100-LFB6-700	HARNESS WIRE	HARNESS WIRE	1	26140
32120-3C83		32120-3C83-831	CASE FUSE 10A	CASE FUSE 10A	1	110
32120-KFAF		32120-KFAF-900	CASE FUSE 15A	CASE FUSE 15A	1	110
32411		32411-LEB1-900	CABLE BAT	CABLE BAT	1	1440
35101		35101-LFB5-305-M1	KEY SET	KEY SET	1	13310
35101		35101-LFB5-305-M2	KEY SET	KEY SET	1	13310
35102-LDC1		35102-LDC1-305-M1	SHUTTER SET MAGNETIC LOCK	SHUTTER SET MAGNETIC LOCK	1	5520
35102-LDC1		35102-LDC1-305-M2	SHUTTER SET MAGNETIC LOCK	SHUTTER SET MAGNETIC LOCK	1	5520
35102-LEB1		35102-LEB1-90A	COLLAR MAIN SW	COLLAR MAIN SW	1	580
35102-LEB1		35102-LEB1-90B	COLLAR MAIN SW	COLLAR MAIN SW	1	580
35104		35104-LEB1-90A	PLATE COVER FUEL CAP CABLE	PLATE COVER FUEL CAP CABLE	1	200
35104		35104-LEB1-90B	PLATE COVER FUEL CAP CABLE	PLATE COVER FUEL CAP CABLE	1	200
35109		35109-LBC6-90A	PROTECTING COVER CABLE	PROTECTING COVER CABLE	1	300
35109		35109-LBC6-90B	PROTECTING COVER CABLE	PROTECTING COVER CABLE	1	390
35380		35380-ABE1-E0B	SENSOR ANGLE DETECT	SENSOR ANGLE DETECT	1	3570
35850		35850-LDA6-90A	SET START MAG(旧品番の「35850-KHD8-	SET START MAG(旧品番の「35850-KHD8-	1	2670

F19



Sales mark 記号	Ref no 参照用番号	Part no パーツ番号	Description 部品名	Reg description 部品名	Regd no 必要個数	Ref Price 希望小売価格(税抜)
	35850	35850-LDA6-90B		SET START MAG(旧品番の「35850-KHD8-	1	2860
	38110	38110-KHB4-E0A	HORN COMP	HORN COMP	1	2480
	38300	38300-LFB6-700	RELAY ASSY WINKER	RELAY ASSY WINKER	1	3420
	38500	38501-LGL3-90A	RELAY COMP LIGHT	RELAY COMP LIGHT/ECU/Fuel Pump	4	1900
		38506-LFB6-900	CUSHION.RELAY	CUSHION.RELAY	2	130
	77240	77240-LFB6-700	CABLE SEAT LOCK	CABLE SEAT LOCK	1	2480
	90656-KCBC	90656-KCBC-900	BAND OIL HANDLE	BAND OIL HANDLE	1	60
**	90656-KUDU	90656-KUDU-900	BAND HARNESS WIRE **KUDU-900	BAND HARNESS WIRE **KUDU-900	7	60
	90662	90662-ZZA6-E02	HARNESS CLAMP D18-D8	HARNESS CLAMP D18-D8	1	190
	93401	93401-04025-06	BOLT WASHER 4*25 (G)	BOLT WASHER 4*25 (G)	1	60
	93500	93500-KHC4-90A	SCREW PAN 5*10	SCREW PAN 5*10	1	200
	93894	93894-04022-06	SCREW WASHER 4*22(G)	SCREW WASHER 4*22(G)	1	200
	94050	94050-06080	NUT FLANGE 6MM	NUT FLANGE 6MM	5	60
	95701-06012	95701-06012-06	BOLT FLANGE 6*22 (K)	BOLT FLANGE 6*22 (K)	1	60
	95701-08012	95701-08012-06	BOLT FLANGE 6*22 (K)	BOLT FLANGE 6*22 (K)	1	60
	95701-08025	95701-08025-06	BOLT FLANGE 6*22 (K)	BOLT FLANGE 6*22 (K)	1	60
	98200-11000	98200-11000	FUSE A10	FUSE A10	1	60
	98200-11500	98200-11500	FUSE A15	FUSE A15	1	60
	98200-31000	98200-31000	BLADE FUSE 40A	BLADE FUSE 40A	1	110
	98200-32500	98200-32500	BLADE FUSE 25A	BLADE FUSE 40A	1	300

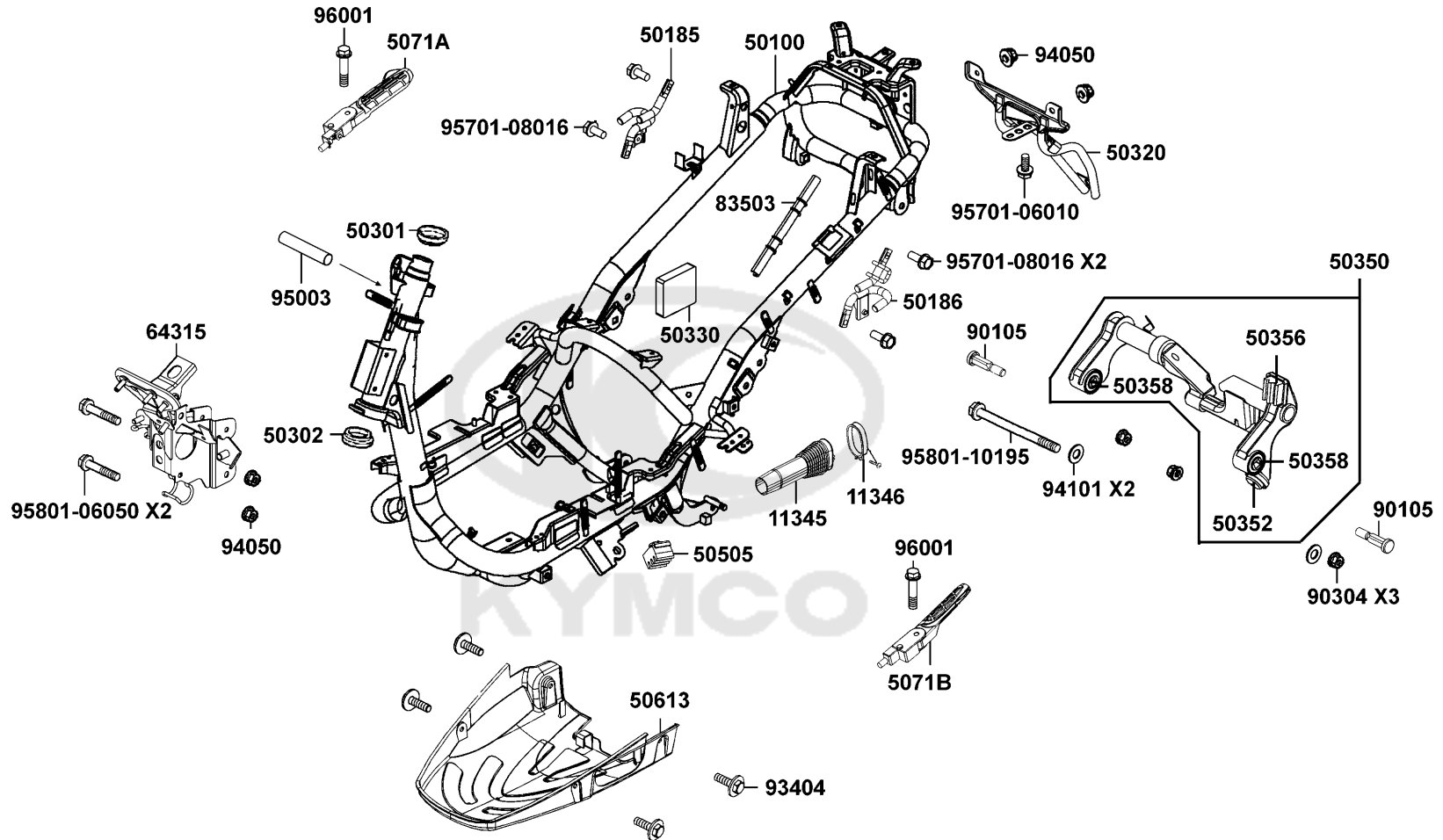
F19



Sales mark 記号	Ref no 参照用番号	Part no パーツ番号	Description 部品名	Reg description 部品名	Regd no 必要個数	Ref Price 希望小売価格(税抜)	F20
11345		11345-LEB2-900	DUCT L COVER	DUCT L COVER	1	1250	
11346		11346-GFY6-901	BAND L COVER DUCT	BAND L COVER DUCT	1	490	
50100		50100-LFB6-700	BODY COMP FRAME	BODY COMP FRAME	1	71000	
50185		50185-LFB6-700	BAR R FRAME PIVOT	BAR R FRAME PIVOT	1	1830	
50186		50186-LFB6-700	BAR L FRAME PIVOT	BAR L FRAME PIVOT	1	1830	
50301		50301-KGN7-671	RACE UP STRG BALL	RACE UP STRG BALL	1	540	
50302		50302-2H68-011	RACE STRG BOT BALL	RACE STRG BOT BALL	1	610	
50320		50320-LFB5-900	STAY RR FENDER	STAY RR FENDER	1	2220	
50330		50330-ALK5-900	PONGE BATTERY	PONGE BATTERY	1	200	
50350		50350-LFB6-700	HANGER ASS'Y ENGINE	HANGER ASS'Y ENGINE	1	9660	
50352		50352-GFY6-901	RUBBER STOPPER	RUBBER STOPPER	2	200	
50356		50356-KNBN-200	RUBBER C ENG HANGE STPR	RUBBER C ENG HANGE STPR	1	440	
50358		50358-KHC4-900	RUBBER BUSH ENG HANGER	RUBBER BUSH ENG HANGER	1	540	
50505		50505-KEBE-900	STOPPER RUBBER	STOPPER RUBBER	1	180	
**		50613-LFB5-900	COVER UNDER	COVER UNDER	1	2200	
5071A		5071A-LDC1-91A	BAR STEP R ASSY	BAR STEP R ASSY	1	2770	
5071A		5071A-LDC1-91B	BAR STEP R ASSY	BAR STEP R ASSY	1	2770	
5071B		5071B-LDC1-91A	BAR STEP L ASSY	BAR STEP L ASSY	1	2770	
5071B		5071B-LDC1-91B	BAR STEP L ASSY	BAR STEP L ASSY	1	2770	
64315		64315-LFB6-700	STAY FR COVER	STAY FR COVER	1	4760	

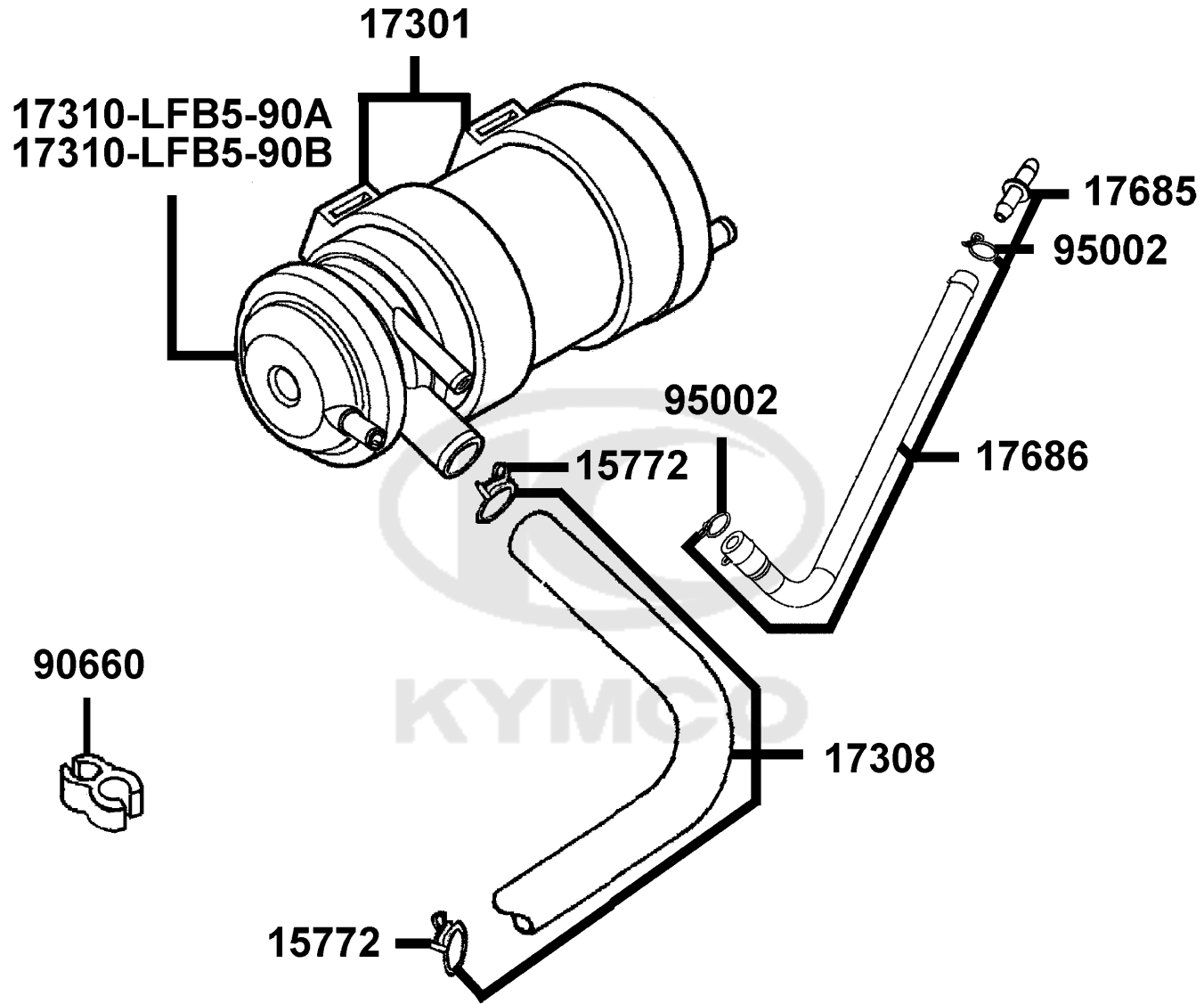
F20

Frame Body



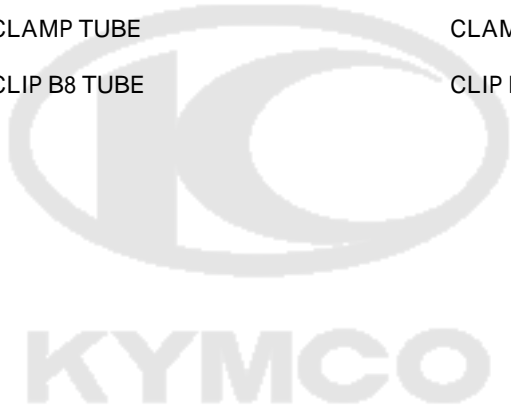


Sales mark 記号	Ref no 参照用番号	Part no パーツ番号	Description 部品名	Reg description 部品名	Regd no 必要個数	Ref Price 希望小売価格(税抜)	F20
83503		83503-KHD6-900	COVER PROTECTOR SEAT WIRE	COVER PROTECTOR SEAT WIRE	1	200	
90105		90105-KHC4-900	SQUARE BOLT M10X50	SQUARE BOLT M10X50	1	390	
90304		90304-LEA1-900	NUT CAP 6MM	NUT CAP 6MM	3	200	
93404		93404-06016-06	BOLT WASHER 6*16	BOLT WASHER 6*16	4	60	
94050		94050-06080	NUT FLANGE 6MM	NUT FLANGE 6MM	4	60	
94101		94101-LKC6-900	WASHER 10.5*38*3(G)	WASHER 10.5*38*3(G)	2	200	
95003		95003-LEB1-900	"TUBE. CLAMP"	"TUBE. CLAMP"	1	110	
95701-06010		95701-06010-06	BOLT FLANGE 6*10	BOLT FLANGE 6*10	1	60	
95701-08016		95701-08016-06	BOLT FLANGE 8*16	BOLT FLANGE 8*16	4	110	
95801-06050		95801-06050-06	BOLT FLANGE 6*50 (G)	BOLT FLANGE 6*50 (G)	1	390	
95801-10195		95801-10195-06	BOLT FLANGE 10*195	BOLT FLANGE 10*195	1	700	
96001		96001-06032-06	BOLT FLANGE 6*32	BOLT FLANGE 6*32	2	60	

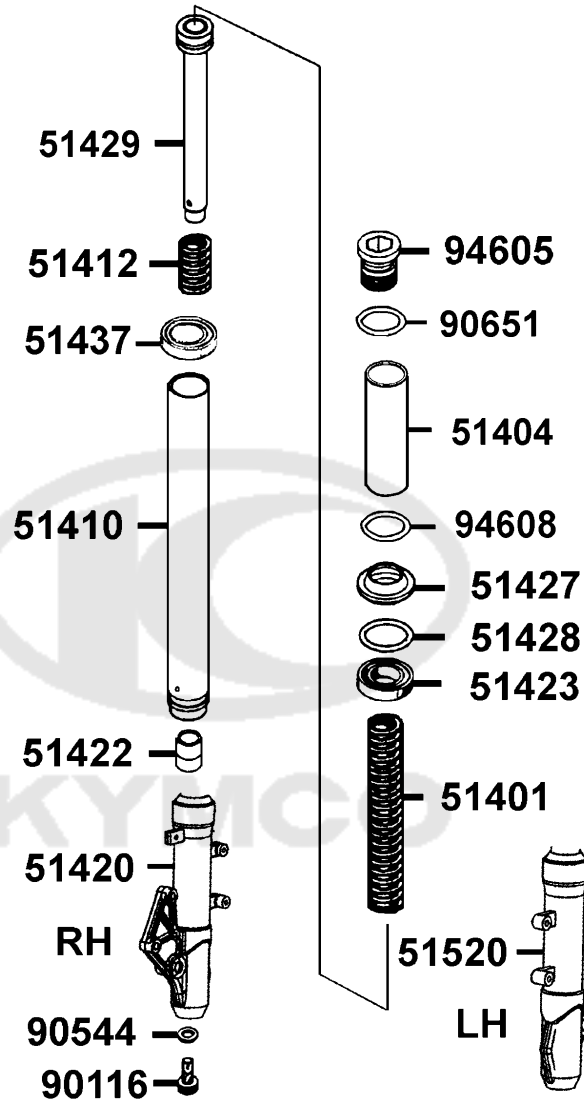


Sales mark 記号	Ref no 参照用番号	Part no パーツ番号	Description 部品名	Reg description 部品名	Regd no 必要個数	Ref Price 希望小売価格(税抜)
15772	15772-5L00-013	15772-5L00-013	CLIP B14.5 TUBE	CLIP B14.5 TUBE	2	60
17301	17301-KNBN-960	17301-KNBN-960	RUBBER CANISTER MOUNT	RUBBER CANISTER MOUNT	2	210
17308	17308-LFB5-900	17308-LFB5-900	TUBE ASSY CANISTER-A/C	TUBE ASSY CANISTER-A/C	1	1490
17310-LFB5-90A	17310-LFB5-90A	17310-LFB5-90A	CANISTER COMP.	CANISTER COMP.	1	3430
17310-LFB5-90B	17310-LFB5-90B	17310-LFB5-90B	CANISTER COMP	CANISTER COMP	1	3430
17685	17685-GFY6-940	17685-GFY6-940	JOINT COCK CARB TUBE	JOINT COCK CARB TUBE	1	190
17686	17686-LFB5-900	17686-LFB5-900	TUBE TANK CANISTER	TUBE TANK CANISTER	1	860
90660	90660-KNBN-921	90660-KNBN-921	CLAMP TUBE	CLAMP TUBE	1	110
95002	95002-02080	95002-02080	CLIP B8 TUBE	CLIP B8 TUBE	2	60

F21



Separated Parts Of Fr Fork



Sales mark 記号	Ref no 参照用番号	Part no パーツ番号	Description 部品名	Reg description 部品名	Regd no 必要個数	Ref Price 希望小売価格(税抜)	F22
	51401	51401-LFB5-900	SPRING FR CUSHION	SPRING FR CUSHION	1	1080	
	51404	51404-LFB6-E00	SPRING COLLAR	SPRING COLLAR	2	960	
	51410	51410-LFB5-900	FORK PIPE COMP	FORK PIPE COMP	1	10460	
	51412	51412-KHD8-900	REBOUND SPRING	REBOUND SPRING	1	140	
**	51420	51420-LFB5-900	BOTTOM CASE R	BOTTOM CASE R	1	10550	
	51422	51422-LFB5-900	OIL LOCK PIECE	OIL LOCK PIECE	1	390	
	51423	51423-KKAK-900	OIL SEAL	OIL SEAL	1	510	
	51427	51427-KKAK-900	DUST SEAL	DUST SEAL	1	300	
	51428	51428-KKAK-900	RING OIL SEAL STOPPER	RING OIL SEAL STOPPER	1	110	
	51429	51429-LFB6-E00	PIPE SEAT COMP	PIPE SEAT COMP	2	5020	
	51437	51437-LFB6-E00	PISTON RING	PISTON RING	2	960	
**	51520	51520-LFB6-700	BOTTOM CASE L	BOTTOM CASE L	1	12320	
	90116	90116-KHD8-900	PACKING	PACKING	1	300	
	90544	90544-KEC8-900	PACKING	PACKING	1	60	
	90651	90651-LFB6-E00	STOPPER RING	STOPPER RING	2	110	
	94605	94605-LFB5-900	FORK BOLT CAP	FORK BOLT CAP	1	870	
	94608	94608-LFB6-E00	O-RING	O-RING	2	110	

● Be sure to wear a safety helmet when riding.  
 ● Do not exceed the speed specified by law when riding.  
 ● The exhaust muffler temperature is very high after riding. Be sure to park the motorcycle in a place not easily touched by people.  
 ● For riding safety and good performance, do not violate the law to modify the motorcycle.

● Make sure to perform the periodic maintenance and periodic inspection.

Pre-ride Inspection Items

Brake Performance, tires, engine oil level, lights, horn, and instrument panel

KWANG YANG MOTOR CO., LTD.

● Please read the User's Manual carefully to secure riding safety.

87560

**CAUTIONS**

Never put any article between the rear side cover and the engine to avoid interference of riding.

GM9-300

87542

**CAUTIONS**

TIRE SIZE :FRONT 110/70-12	REAR 130/70-12
(ONE RIDER) :FRONT 1.75kg/cm <sup>2</sup>	REAR 1.75kg/cm <sup>2</sup>
(TWO RIDER) :FRONT 1.75kg/cm <sup>2</sup>	REAR 2.00kg/cm <sup>2</sup>
LOAD CAPACITY :SHIELD 1.5kg CLIP ASSY CENTER 3kg (AS PER KYMCO STANDARD SPECIFICATION) (NOTE: THE TIRE PRESSURE MUST NOT OVER PASS 2.50kg/cm <sup>2</sup> )	

CHECK THE MOTOR OIL LEVEL WITH THE DIPSTICK AFTER REFILLING MOTOR OIL.

87505-LF86-E00

87505

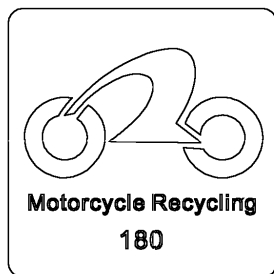
**CAUTIONS**

Before starting the engine, the side stand shall be kicked up to secure safety.

87541

Sales mark 記号	Ref no 参照用番号	Part no パーツ番号	Description 部品名	Reg description 部品名	Regd no 必要個数	Ref Price 希望小売価格(税抜)	F23
**	87505	87505-LFB6-E00	LABEL TIRE	LABEL TIRE	1	200	
**	87541	87541-GAR1-E00	CAUTION SIDE STAND	CAUTION SIDE STAND	1	200	
**	87542	87542-GAR1-E00	MARK MAINT CAUTION	MARK MAINT CAUTION	1	200	
**	87560	87560-GFY6-E00	MARK DRIVE CAUTION	MARK DRIVE CAUTION	1	200	





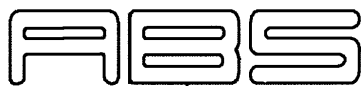
87311-LAD9



86102-ALG1



86700



87311-LFH1



87140



86102-LGH6



86222



86232



Sales mark 記号	Ref no 参照用番号	Part no パーツ番号	Description 部品名	Reg description 部品名	Regd no 必要個数	Ref Price 希望小売価格(税抜)
**	86102-ALG1	86102-ALG1-E00	EMB K-LOGO	EMB K-LOGO	1	960
**	86102-LGH6	86102-LGH6-700	EMB FR COVER	EMB FR COVER	1	1580
**	86222	86222-LFB6-600	EMB R BODY COVER	EMB R BODY COVER	1	2040
**	86232	86232-LFB6-600	EMB L BODY COVER	EMB L BODY COVER	1	2290
**	86700	86700-LKG2-900	MARK MOTOCAM	MARK MOTOCAM	1	200
**	87140	87140-LFB6-600	EMB MRAK	EMB MRAK	1	880
**	87311-LAD9	87311-LAD9-B20	STRIPE R MARK	EMB MARK ABS	1	200
**	87311-LFH1	87311-LFH1-E00	EMB MARK ABS	EMB MARK ABS	1	570

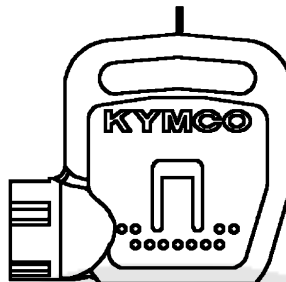
F24



35111-LDC1-305-M1



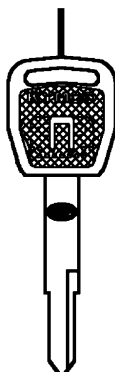
35111-LDC1-307-M1



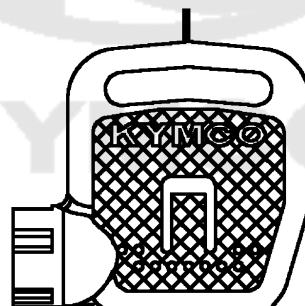
35111-LDC1-306-M2



35111-LDC1-305-M2



35111-LDC1-307-M2



35111-LDC1-306-M1



Sales mark 記号	Ref no 参照用番号	Part no パーツ番号	Description 部品名	Reg description 部品名	Regd no 必要個数	Ref Price 希望小売価格(税抜)	F25
	35111-LDC1-305-M1	35111-LDC1-305-M1	KEY COMP (R TANGENT PLANE/SD)	KEY COMP (R TANGENT PLANE/SD)	1	770	
	35111-LDC1-305-M2	35111-LDC1-305-M2	KEY COMP (R TANGENT PLANE/TJ)	KEY COMP (R TANGENT PLANE/TJ)	1	770	
	35111-LDC1-306-M1	35111-LDC1-306-M1	KEY COMP (L TANGENT PLANE/SD)	KEY COMP (L TANGENT PLANE/SD)	1	770	
	35111-LDC1-306-M2	35111-LDC1-306-M2	KEY COMP (L TANGENT PLANE/TJ)	KEY COMP (L TANGENT PLANE/TJ)	1	770	
	35111-LDC1-307-M1	35111-LDC1-307-M1	KEY COMP SHUTTER MAGNETIC (SD)	KEY COMP SHUTTER MAGNETIC (SD)	1	3240	
	35111-LDC1-307-M2	35111-LDC1-307-M2	KEY COMP SHUTTER MAGNETIC (TJ)	KEY COMP SHUTTER MAGNETIC (TJ)	1	3240	



PART NO. INDEX  
 パーツ番号 検索

PART NO. パーツ番号	VERSION バージョン	PAGE ページ	PART NO. パーツ番号	VERSION バージョン	PAGE ページ	PART NO. パーツ番号	VERSION バージョン	PAGE ページ
<b>11000</b>			<b>12000</b>			14321-LEB1-900	4	E02
11100-LEB1-306	1	E01	12100-LFE2-90B	8	E03	14401-LFE2-900	2	E03
11102-1G87-004	3	E01	12191-LFE2-900	1	E03	14420-LFE2-900	2	E02
11192-LEB1-900	6	E01	12200-LKE7-900	2	E02	14430-LFE2-900	2	E02
11200-LFB5-306	0	E01	12209-KHD6-900	0	E02	14433-LEB1-900	1	E02
11203-GFY6-901	0	F14	12216-LEB1-900	2	E02	14434-LEB1-900	1	E02
11203-GGC7-301	2	E01	12217-LEB1-900	1	E02	14452-LFA7-E00	3	E02
11203-GGC7-301	2	F16	12251-LKE7-900	1	E02	14453-LKE7-900	2	E02
11206-LFB5-900	3	E06	12310-LKE7-900	0	E02	14510-LEB1-900	2	E03
11207-LFB5-900	2	E04	12361-GFY6-901	1	E04	14520-LFA7-E00	1	E03
11211-LFB5-900	2	F13	12391-LFE2-900	3	E02	14523-KED9-900	1	E03
1122A-LHJ3-900	2	E01				14531-GLR0-001	1	E03
11330-LEB1-900	9	E04	<b>13000</b>			14610-LEB1-900	1	E03
11342-LHJ3-900	0	E01				14711-LFE2-900	1	E02
11345-LEB2-900	1	F20	13000-LKB3-900	1	E03	14721-LGL9-900	2	E02
11346-GFY6-901	0	F20	13011-LFE2-90B	2	E03	14751-KHD6-900	2	E02
1134A-LHJ3-900	5	E01	13101-AAG1-900	8	E03	14771-KHD6-900	0	E02
11350-LHJ3-900	3	E01	13111-KKJ9-001	3	E03	14781-MFA6-001	0	E02
11383-LFB5-900	2	E01	13407-LKC6-900	7	E02	<b>15000</b>		
11383-LHJ3-900	4	E01				15100-KFB7-900	0	E06
11394-LEB1-900	5	E04	<b>14000</b>			15133-GFY6-901	0	E06
11395-LFB5-900	4	E01				15141-GFY6-90B	0	E06
11396-LHJ3-900	1	E01	14100-LFE2-900	6	E02	15141-GFY6-90C	1	E06
			14110-LEB1-900	3	E02	15421-1G07-001	1	E04

PART NO. INDEX  
 パーツ番号 検索

PART NO. パーツ番号	VERSION バージョン	PAGE ページ	PART NO. パーツ番号	VERSION バージョン	PAGE ページ	PART NO. パーツ番号	VERSION バージョン	PAGE ページ
15426-GAE1-921	0	E04				17561-LKB9-900	1	F10
1565A-KUDU-900	0	E04	<b>17000</b>			1756A-LGH6-900	2	F10
15711-GFY6-901	0	E06				17620-LBA2-90A	1	F10
15772-5L00-013	1	F21	1711A-LFB6-810	3	E02	17620-LBA2-90B	1	F10
			17212-LAB4-900	1	F13	17623-KKE5-E1A	0	F10
<b>16000</b>			17239-LHJ3-900	0	F13	17623-KKE5-E1B	0	F10
			1723A-LHJ3-900	6	F13	17681-KFA1-900	0	F10
16056-LEB2-900	3	E09	1723B-LHJ3-900	4	F13	17685-GFY6-940	0	F21
16068-LEB2-900	4	E09	1723C-LHJ3-900	3	F13	17685-LFB5-900	0	F10
16074-KEC3-900	4	E09	17301-KNBN-960	0	F21	17686-LFB5-900	3	F21
16100-LFB6-710	1	E09	17308-LFB5-900	3	F21	17689-LFB5-900	1	F10
16110-KKE3-900	2	E09	17310-LFB5-90A	4	F21	17910-LFB6-700	4	F03
16112-KKE3-900	1	E09	17310-LFB5-90B	4	F21			
16118-KEC3-900	0	E09	17359-4K19-671	0	F13	<b>18000</b>		
16122-KEC3-900	1	E09	17369-KHC4-900	0	F10			
16123-LGH6-900	2	E09	17370-4K19-701	0	F13	18291-KEBE-900	0	F14
16133-KEC3-900	1	E09	17371-1D74-671	0	F13	18291-LEA5-E00	1	F14
16134-KKE3-900	5	E09	17500-LGH6-900	5	F10	18292-KEBE-900	0	F14
16138-KEC3-900	1	E09	17502-LEB1-900	2	F10	18293-KEBE-900	0	F14
16154-KKE3-900	4	E09	17504-LAB4-900	2	F10	18294-KEBE-900	0	F14
16170-KEC3-900	0	E09	17507-LAB4-900	2	F10	1830A-LFB6-E00	0	F14
16201-LFE2-900	2	E02	17513-LAD9-900	1	F10	18318-LFB5-E00	0	F14
16211-LFE2-900	3	E02	17515-LAD9-900	1	F10	18325-LFB6-E00	1	F14
1680A-LHJ3-900	8	F13	17520-LFB6-700	3	F10			
			17527-LBA2-900	0	F19			
			17550-LGH6-910	5	F10			

PART NO. INDEX  
 パーツ番号 検索

PART NO. パーツ番号	VERSION バージョン	PAGE ページ	PART NO. パーツ番号	VERSION バージョン	PAGE ページ	PART NO. パーツ番号	VERSION バージョン	PAGE ページ
<b>19000</b>			22112-GFY6-90A	0	E05	<b>28000</b>		
			22121-GFY6-305	0	E05			
			22130-LEB1-800	6	E05			
19411-KBCB-900	0	F10	22300-LHJ3-900	5	E05	28101-GFY6-200	2	E06
19510-LEB1-900	5	E07	22350-LHJ3-900	1	E05	28102-GFY6-901	1	E06
19613-GFY6-901	0	E07	22361-LHJ3-900	1	E05	28110-LEB1-900	3	E06
1961A-LEB1-900	8	E07	22401-LHJ3-900	1	E05	28120-GFY6-315	6	E06
19625-LFE2-900	1	E07	22530-LHJ3-900	4	E05	28125-4F26-001	0	E06
19626-LKE7-900	0	E07	22804-GBB2-001	0	E05	28125-GFY6-960	3	E06
1962A-LKE7-900	3	E07				28126-KUDU-900	1	E06
19633-GFY6-901	0	E07	<b>23000</b>			28211-LFA7-E00	5	E05
19635-LFE2-900	2	E07						
19636-LEB1-900	1	E07	2301A-LHJ3-900	6	E05	<b>30000</b>		
1963A-LFB6-900	4	E07	23100-LFB6-900	0	E05			
			23100-LFB6-90A	0	E05	3051A-LGL9-900	8	F19
<b>21000</b>			23200-LFE2-900	2	E05	30700-LGL9-900	4	F19
			23220-GFY6-921	1	E05			
21301-LFB5-305	1	E08	23225-GHC8-004	0	E05	<b>31000</b>		
21395-LFB5-900	5	E08	23226-GHC8-004	0	E05			
			23233-LKC6-900	1	E05	31110-LGH6-90A	1	E07
<b>22000</b>			23237-GFY6-941	0	E05	31110-LGH6-90B	3	E07
			23238-LEB1-910	0	E05	31120-LGH6-90A	5	E07
22101-GFY6-941	3	E05	23411-LFB5-900	3	E08	31120-LGH6-90B	4	E07
22102-LEB1-900	2	E05	23420-LGH5-900	2	E08	31210-LFB5-90A	2	E06
22105-LEB2-900	1	E05	23431-LFB5-910	2	E08	31210-LFB5-90B	1	E06
22110-LEB1-800	8	E05	23432-LGH5-910	0	E08	31210-LFB5-90C	2	E06

PART NO. INDEX  
 パーツ番号 検索

PART NO. パーツ番号	VERSION バージョン	PAGE ページ	PART NO. パーツ番号	VERSION バージョン	PAGE ページ	PART NO. パーツ番号	VERSION バージョン	PAGE ページ
31500-KFAF-90A	9	F11	33709-KBAB-003	0	F18	35104-LEB1-90B	0	F19
31500-KFAF-90B	9	F11	33709-LFB5-900	0	F18	35109-LBC6-90A	1	F19
31600-KED9-910	3	F19	33717-LFB5-900	0	F18	35109-LBC6-90B	1	F19
<b>32000</b>			33720-KHB4-E00	4	F18	35111-LDC1-305-M1	0	F25
			33722-KHB4-E00	0	F18	35111-LDC1-305-M2	0	F25
			33725-KHB4-E00	0	F18	35111-LDC1-306-M1	0	F25
			33726-KHB4-E00	0	F18	35111-LDC1-306-M2	0	F25
			33731-KHC5-M00	2	F05	35111-LDC1-307-M1	0	F25
32100-LFB6-700	9	F19	33741-KEC8-900	0	F18	35111-LDC1-307-M2	0	F25
32101-GFY6-901	1	F04	<b>34000</b>			35130-KXCX-M00	0	F03
32120-3C83-831	0	F19				35150-GFY6-900	4	F03
32120-KFAF-900	0	F19				35160-GFY6-900	3	F03
32161-LBA7-900	0	F18				35170-KNBN-910	1	F03
32410-LEB1-900	3	E06				35180-GFY6-900	2	F03
32411-LEB1-900	4	F19	34901-KFA6-900	0	F01	35200-GFY6-910	1	F03
32412-LGH6-910	1	E04	34903-KPCP-900	0	F18	35340-KNBN-901	0	F04
32961-LEB1-900	2	E04	34905-LCA5-E00	0	F18	35350-KNBN-901	0	F04
<b>33000</b>			34908-KKE2-900	0	F01	35380-ABE1-E0B	2	F19
			<b>35000</b>			35850-LDA6-90A	2	F19
						35850-LDA6-90B	3	F19
						<b>37000</b>		
33107-KKC4-E00	0	F01	35101-LFB5-305-M1	0	F19	37200-LFB6-B20	3	F02
33120-LFB5-900	0	F01	35101-LFB5-305-M2	0	F19	37215-KAR1-761	0	F02
33130-LFB5-900	0	F01	35102-LDC1-305-M1	0	F19	37215-LEA2-900	0	F05
33400-LFB6-700	1	F17	35102-LDC1-305-M2	0	F19			
33450-LFB6-700	1	F17	35102-LEB1-90A	0	F19			
33700-LFB5-900	5	F18	35102-LEB1-90B	0	F19			
33701-LFB5-900	0	F18	35104-LEB1-90A	0	F19			
33706-KHB4-E01	0	F18						

PART NO. INDEX  
 パーツ番号 検索

PART NO. パーツ番号	VERSION バージョン	PAGE ページ	PART NO. パーツ番号	VERSION バージョン	PAGE ページ	PART NO. パーツ番号	VERSION バージョン	PAGE ページ
37215-LGM9-900	0	F03	39400-LHJ3-900	3	E02	43351-LFB5-900	2	F08
37215-LGM9-900	0	F05	39450-LEA6-800	3	F14	43353-4A61-77A	0	F07
37215-LHJ3-900	1	F16				43353-4A61-77A	0	F08
37225-LFB5-90B	0	F02	<b>40000</b>			4335A-LBA2-E01	2	F07
37230-LFB5-90B	0	F02				4335A-LBA2-E01	2	F08
37801-LHJ3-900	0	F10	40511-LEC8-E00	1	F05	43520-LFB5-900	0	F04
3780A-LFB5-910	1	F10	40511-LFB5-900	0	F01	43521-LHJ8-900	0	F04
<b>38000</b>			<b>42000</b>			43530-LFB5-305	0	F04
38110-KHB4-E0A	2	F19	42311-LKG2-700	1	F08	<b>44000</b>		
38300-LFB6-700	0	F19	42312-KHB4-900	0	F08	44301-LFE2-900	1	F07
38501-LGL3-90A	4	F19	42601-LFB6-700	1	F08	44311-KEBE-900	0	F07
38506-LFB6-900	0	F19	42710-KKC2-E30	1	F08	44620-KHD8-900	1	F07
3870A-LFB6-700	7	F03	42753-0D04-900	1	F07	44650-LFB6-305	0	F07
38773-KBCB-900	0	F10	42753-KNBN-90B	1	F08	44710-KFA5-90B	1	F07
38900-LFB6-700	7	F03	<b>43000</b>			44800-LFB6-700	4	F07
<b>39000</b>			43100-LKG2-700	4	F08	44820-LFB6-700	2	F08
39300-LEB2-800	1	E02	43105-LKG2-305	0	F08	<b>45000</b>		
39301-LGL9-910	5	E02	43126-LFB6-700	2	F04	45107-LFB5-900	0	F07
39302-KKE3-900	2	E02	43127-LFB6-700	4	F04	45107-LFB5-900	0	F08
39303-LEB2-900	2	E02	43156-KKC4-900	2	F16	45108-LDH1-E00	0	F07
39306-LEB2-305	0	E02	43156-LFB5-900	1	F06	45109-GBE2-007	0	F07
39307-LEB2-305	0	E02	43210-LKG2-305	0	F08	45109-GBE2-007	0	F08



PART NO. INDEX  
 パーツ番号 検索

PART NO. パーツ番号	VERSION バージョン	PAGE ページ	PART NO. パーツ番号	VERSION バージョン	PAGE ページ	PART NO. パーツ番号	VERSION バージョン	PAGE ページ
45126-LFB6-700	4	F04				50502-GFY6-901	3	F15
45127-LFB6-700	4	F04	<b>49000</b>			50505-KEBE-900	0	F20
45128-LFB5-900	1	F06				50505-LAD9-900	3	F15
4512A-LKB3-S00	4	F07	49100-LFB6-700	1	F04	50530-LFB5-900	4	F15
45131-LDH1-E00	0	F07	49110-LGE5-E01	0	F04	50613-LFB5-900	4	F20
45131-LFB5-910	0	F08	49211-LFH1-E00	1	F04	5071A-LDC1-91A	1	F20
45132-LDH1-E00	0	F07				5071A-LDC1-91B	1	F20
45132-LKG7-E00	0	F08	<b>50000</b>			5071B-LDC1-91A	1	F20
45156-AAG1-900	3	F06				5071B-LDC1-91B	1	F20
45156-LHJ3-900	4	F06	50100-LFB6-700	3	F20			
45200-LFB6-700	3	F07	50179-LEB2-900	3	F10	<b>51000</b>		
45205-LFB6-305	0	F07	50185-LFB6-700	3	F20			
45209-GBE2-007	0	F07	50186-LFB6-700	3	F20	51401-LFB5-900	0	F22
45209-GBE2-007	0	F08	50301-KGN7-671	2	F20	51404-LFB6-E00	0	F22
45210-LFB5-305	0	F07	50302-2H68-011	2	F20	5140A-LFB6-E00	3	F06
45513-GLW0-91A	0	F04	50306-1F96-001	0	F06	51410-LFB5-900	0	F22
45513-LFB5-900	0	F04	50320-LFB5-900	1	F20	51412-KHD8-900	0	F22
45517-KFAF-900	0	F04	50327-LEB1-900	5	F11	51420-LFB5-900	0	F22
45520-GLW0-91A	0	F04	50328-LBB8-900	4	F11	51422-LFB5-900	0	F22
45521-LHJ8-900	0	F04	5032A-LEB1-900	2	F11	51423-KKAK-900	0	F22
45530-LFB5-305	0	F04	50330-ALK5-900	2	F20	51427-KKAK-900	0	F22
45531-GAR1-951	0	F07	50350-LFB6-700	1	F20	51428-KKAK-900	0	F22
45531-GAR1-951	0	F08	50352-GFY6-901	0	F20	51429-LFB6-E00	0	F22
			50356-KNBN-200	1	F20	51430-LDH1-E00	0	F07
			50358-KHC4-900	1	F20	51430-LGE5-E00	0	F08
			50500-LFB6-700	0	F15	51437-LFB6-E00	0	F22

## PART NO. INDEX

## パーツ番号 検索

PART NO. パーツ番号	VERSION バージョン	PAGE ページ	PART NO. パーツ番号	VERSION バージョン	PAGE ページ	PART NO. パーツ番号	VERSION バージョン	PAGE ページ		
5150A-LFB6-700	2	F06	53206-LFB6-700	4	F03	6430A-LFB6-700	1	F05		
51520-LFB6-700	0	F22	53208-LFB5-900	1	F03	64310-LFB5-900	2	F05		
<b>52000</b>			53208-LFB6-700	1	F03	64315-LFB6-700	2	F20		
			53209-LFB6-700	1	F03	64316-KHD6-900	1	F05		
			53211-GFY6-940	1	F06	64316-KHE2-900	1	F05		
			53212-2L50-011	1	F06	64400-LFB5-900	5	F05		
52000-LFB6-600	3	F16	53214-LHJ6-900	1	F06	<b>70000</b>				
52105-LKB3-700	0	F16	53215-2L50-001	0	F06					
52400-LFB5-900	7	F16	53216-KXCX-MG0	0	F03					
52407-LLB1-900	1	F04								
52500-LFB5-900	7	F16	<b>61000</b>			70529-6G57-671	0	E07		
<b>53000</b>							<b>77000</b>			
			61100-LFB5-900	4	F05					
	53100-LGH6-900	1	F03	61101-LFB5-900	0	F05		77200-LFB6-E00	2	F09
	53102-KEC8-900	0	F03	61102-LFB5-900	0	F05		77206-KEB7-900	0	F09
53105-LBB5-E00	2	F03	61103-LFB5-900	5	F05	77235-LKG2-900	0	F12		
53125-GEN5-901	0	F03	6110B-LFB5-900	7	F05	77235-LKG2-90A	1	F12		
53140-LFB6-800	5	F03	<b>64000</b>			77240-LFB6-700	1	F19		
53150-LEA6-900	4	F03				77300-LBE3-900	1	F09		
53167-LHJ6-900	2	F03				77303-KKC4-800	1	F09		
53168-KFA1-900	1	F03		64302-LFB5-900	5	F05	<b>80000</b>			
53175-KFA5-E10	0	F04	64303-LFB5-900	0	F05					
53178-KFC8-E10	0	F04	64304-LFB5-900	0	F05					
53200-LFB6-700	1	F06	64305-LFB6-800	3	F05	80100-LFB5-910		4	F18	
53203-LFB6-700	0	F03	64306-LFB6-800	3	F05	80102-LFB5-900	2	F18		
53205-LFB6-700	1	F03	64307-LFB5-900	1	F05	80103-LFB5-900	0	F18		

PART NO. INDEX  
 パーツ番号 検索

PART NO. パーツ番号	VERSION バージョン	PAGE ページ	PART NO. パーツ番号	VERSION バージョン	PAGE ページ	PART NO. パーツ番号	VERSION バージョン	PAGE ページ
80105-LFB5-900	6	F18						
80107-LFB5-900	4	F18	<b>86000</b>			<b>89000</b>		
80151-LFB5-900	3	F12						
<b>81000</b>			86102-ALG1-E00	0	F24	89010-LEB1-900	4	F09
			86102-ALG1-E00	4	F24			
			86102-LGH6-700	0	F24	<b>90000</b>		
81131-LFB5-910	1	F05	86222-LFB6-600	0	F24			
81132-KFAF-900	1	F05	86232-LFB6-600	0	F24	90001-GBHB-661	3	E03
81132-LFB5-900	0	F05	86700-LKG2-900	4	F24	90001-GBHB-681	3	F13
81134-LGH6-B20	1	F05				90001-GFY6-901	5	E02
81141-LFB5-900	3	F05	<b>87000</b>			90005-KAW1-901	1	E03
81142-LFB6-800	2	F05				9000A-KTDT-900	1	E01
81153-LFB6-900	1	F05	87140-LFB6-600	0	F24	9000B-KHD6-900	2	E02
81200-LFB6-700	2	F12	87311-LAD9-B20	2	F24	90012-3C33-001	1	E02
81255-LGL9-900	2	F12	87311-LFH1-E00	2	F24	90031-KHD6-900	2	E01
81260-LEB2-910	1	F12	87505-LFB6-E00	1	F23	90031-LFE2-900	2	E01
81300-LFB6-700	2	F12	87541-GAR1-E00	1	F23	90033-GFY6-900	1	E02
<b>83000</b>			87541-KUDU-E00	0	E07	90105-KCR3-001	1	F07
			87542-GAR1-E00	2	F23	90105-KCR3-001	1	F08
			87560-GFY6-E00	4	F23	90105-KHB4-900	0	F03
83500-LFB5-900	3	F12				90105-KHC4-900	1	F20
83503-KHD6-900	2	F20	<b>88000</b>			90106-GEN5-901	1	F03
83520-LFB5-900	5	F12				90106-KFC2-900	0	F03
83600-LFB5-900	3	F12	88110-LHJ3-900	5	F03	90106-KFC2-900	0	F12
83620-LFB5-900	5	F12	88120-LHJ3-900	5	F03	90108-LKE6-900	1	F15
8376A-KECE-901	2	F12				90111-LEB1-900	1	F12

PART NO. INDEX  
 パーツ番号 検索

PART NO. パーツ番号	VERSION バージョン	PAGE ページ	PART NO. パーツ番号	VERSION バージョン	PAGE ページ	PART NO. パーツ番号	VERSION バージョン	PAGE ページ
90111-LEB1-900	1	F18	90302-LLB1-E00	2	F18	90656-KCBC-900	0	F19
90113-LGE5-E01	0	F04	90302-SDA4-004	3	F03	90656-KUDU-900	0	F19
90114-1F66-007	2	F04	90302-SDA4-004	3	F05	90660-KGBG-900	0	F10
90114-LGE5-E01	0	F04	90302-SDA4-004	3	F12	90660-KNBN-921	0	F21
90116-KED9-900	2	F05	90304-GHE8-004	0	F03	90662-ZZA6-E02	0	F19
90116-KHD8-900	0	F22	90304-LEA1-900	1	F15	90677-GAR1-004	1	F11
90122-KEBE-900	2	F07	90304-LEA1-900	1	F20	90701-HFB6-011	2	E03
90131-LEA5-E00	2	F08	90305-GHK8-001	1	E07	90754-GHC8-00A	1	F07
90131-LFB5-900	1	F16	90305-GHK8-001	1	F12	90754-GHC8-00B	1	F07
90145-LEA3-E00	1	F04	90305-KFW6-900	1	F08	90912-KFLF-00A	0	F07
90145-LFH1-E00	1	F04	90306-LFE2-900	1	F07			
90164-MDR4-901	1	F05	90381-GEZ5-001	1	F12	<b>91000</b>		
90201-GFY6-901	1	E06	90403-GFY6-901	0	E06			
90202-1G87-001	2	E05	90440-1F66-001	0	E07	91002-GGA7-70A	0	E05
90206-0A01-001	4	E02	90474-3C33-001	1	E01	91004-KHE7-900	1	E05
90215-GLM0-910	1	F18	9052A-LEB1-900	2	E01	91009-GLE0-004	1	E01
90301-6D34-671	1	F01	90544-KEC8-900	0	F22	91051-KFBF-901	1	F16
90301-GFY6-901	2	F14	90545-3L00-001	2	F04	91101-1K79-711	1	E06
90302-GBR2-001	1	F10	90601-GFY6-901	0	E05	91104-GFY6-90C-B	0	E06
90302-GFY6-901	1	F12	90605-1F66-721	0	E05	91104-GFY6-90C-R	0	E06
90302-GFY6-940	1	F10	90651-LFB6-E00	0	F22	91202-GFY6-90C	1	E04
90302-GFY6-940	1	F11	90652-GFY6-901	1	F13	91202-LEB1-900	2	E01
90302-KEC8-900	1	F03	90652-LCA4-E00	1	F05	91202-LFE2-90A	3	E08
90302-LKB9-900	4	F03	90652-LFB5-900	3	F05	91211-KEBE-900	0	E05
90302-LLB1-E00	2	F03	90652-LGJ9-900	2	E02	91255-GLE0-006	0	E01
90302-LLB1-E00	2	F10	90652-LKG2-910	0	F13	91301-GLR0-005	1	E03

## PART NO. INDEX

## パーツ番号 検索

PART NO. パーツ番号	VERSION バージョン	PAGE ページ	PART NO. パーツ番号	VERSION バージョン	PAGE ページ	PART NO. パーツ番号	VERSION バージョン	PAGE ページ
91301-LEB1-900	1	E02	93500-KHC4-90A	0	F19	93903-LKG2-900	1	F03
91302-0A01-021	0	E04	93600-04012-1G	0	F04			
91306-1E05-691	0	E03	93891-05025-06	0	F03	<b>94000</b>		
91307-0E35-001	0	E04	93891-05040-06	0	F10			
91351-6B42-000	0	E05	93892-04010-06	0	E09	94050-06060	0	F04
91508-KGV7-67A	0	F18	93892-05010-06	0	E09	94050-06080	0	E02
91981-KGN7-670	0	E06	93893-04012-18	0	F04	94050-06080	0	E06
			93894-04022-06	1	F19	94050-06080	0	E09
<b>92000</b>			93903-14360	0	F05	94050-06080	0	F05
			93903-25260	0	E01	94050-06080	0	F09
92101-05008-0G	0	F16	93903-25260	0	F03	94050-06080	0	F10
92101-05012-0G	0	E01	93903-25460	0	F13	94050-06080	0	F19
92101-05012-0G	0	E07	93903-34260	0	F18	94050-06080	0	F20
92101-06014-0G	0	E02	93903-34360	0	F03	94050-08080	0	E02
92900-06060-0B	0	E02	93903-34360	0	F05	94050-12080	0	E05
			93903-34360	0	F11	94050-12080	0	E07
<b>93000</b>			93903-34360	0	F12	94101-06700	0	F14
			93903-34360	0	F17	94101-08800	0	F10
93401-04025-06	0	F19	93903-34360	0	F18	94101-KKE3-900	1	E09
93404-06012-06	0	F18	93903-34460	0	F02	94101-LKC6-900	1	F20
93404-06012-07	0	F14	93903-34760	0	F05	94111-06800	0	E02
93404-06016-06	0	F20	93903-35360	0	F01	94111-06800	0	E09
93404-06030-06	0	F05	93903-35360	0	F02	94301-08140	0	E01
93500-03010-0F	0	E06	93903-35360	0	F10	94301-10160	0	E01
93500-04020-0G	0	F10	93903-45360	0	F03	94301-10160	0	E02
93500-05022-0F	0	F03	93903-GFY6-900	1	F05	94301-10160	0	E03

PART NO. INDEX  
 パーツ番号 検索

PART NO. パーツ番号	VERSION バージョン	PAGE ページ	PART NO. パーツ番号	VERSION バージョン	PAGE ページ	PART NO. パーツ番号	VERSION バージョン	PAGE ページ
94301-10160	0	E04	95701-06022-06	1	F11	96001-06018-06	0	E07
94303-04065	0	E06	95701-06022-06	1	F14	96001-06022-06	1	E07
94510-25000	0	E08	95701-06050-06	0	F04	96001-06022-06	1	F04
94520-28000	0	E05	95701-08012-06	0	E01	96001-06025-06	0	E01
94591-27000	0	F05	95701-08012-06	0	F19	96001-06025-06	0	E07
94601-15000	0	E03	95701-08016-06	0	F20	96001-06028-06	0	E06
94605-LFB5-900	1	F22	95701-08025-06	0	F19	96001-06028-06	0	E07
94608-LFB6-E00	0	F22	95801-06050-06	0	F20	96001-06032-06	0	E01
			95801-08035-06	1	F16	96001-06032-06	0	E04
<b>95000</b>			95801-08040-06	0	F06	96001-06032-06	0	F20
			95801-08042-06	0	F14	96001-06035-06	0	F13
95002-02070	0	E09	95801-10030-06	0	F15	96001-06050-06	0	E01
95002-02080	0	F21	95801-10040-06	0	F16	96001-06100-06	0	E02
95002-02130	0	F10	95801-10195-06	0	F20	96001-06100-06	0	E04
95002-41150-00	0	F13				96001-06110-06	1	E04
95002-50000	0	E01	<b>96000</b>			96001-GFY6-900	2	F13
95002-50000	0	F13				96100-60020-00	0	E01
95003-23027-60	0	F13	96001-06008-07	0	F14	96100-62020-00	0	E08
95003-LEB1-900	0	F20	96001-06012-06	0	E04	96100-62030-00	0	E01
95014-72204	0	F15	96001-06012-06	0	E06	96100-63030-00	0	E08
95014-LBC6-900	0	F15	96001-06012-06	0	F06	96100-LFE2-900	1	E08
95701-06010-06	1	F16	96001-06012-06	0	F12	96211-05000	0	F06
95701-06010-06	1	F20	96001-06012-06	0	F16	96211-08000	1	F06
95701-06012-06	1	F06	96001-06014-06	0	E02	96220-60100	0	E06
95701-06012-06	1	F19	96001-06016-06	0	E07	96600-08010-16	0	E06
95701-06018-06	0	F14	96001-06018-06	0	E06			

PART NO. INDEX  
 パーツ番号 検索

PART NO. パーツ番号	VERSION バージョン	PAGE ページ	PART NO. パーツ番号	VERSION バージョン	PAGE ページ	PART NO. パーツ番号	VERSION バージョン	PAGE ページ
<b>98000</b>								
98059-58916-00	2	E02						
98200-11000	0	F11						
98200-11000	0	F19						
98200-11500	0	F11						
98200-11500	0	F19						
98200-31000	1	F11						
98200-31000	1	F19						
98200-32500	0	F11						
98200-32500	0	F19						

