

PARTS CATALOGUE



SCOOTERS

SN30AA(JP)

MOVIE XL 150 (注意)



Release Date : 2014/10/27
Print Date : 2017/07/18

本パーツリストについて

- 本パーツリストは SN30AA(JP).の全てのパーツ番号が記載されています。
- 車輻のカラーチャートとバイクに相違がある場合は正規販売店もしくはKYMCO JAPANへお問い合わせください。
- 1. "***"記号が記載している場合、3文字の色コードをパーツ番号の最後に記入してください。
2. "#" 記号が記載している場合、パーツの設定、変更があります。正規販売店もしくはKYMCO JAPANへお問い合わせください。
- このパーツリストの変更または追加は、適切な時期に予告なく行われます。

ABOUT THIS PARTS LIST

- This parts list is compiled all service parts for model SN30AA(JP).
- Any difference between color chart and motorcycle will be revised according to motorcycle.
- The Mark:
 1. Marking "***" must add color code in the end before ordering parts.
 2. Marking "#" are parts with modification, Please find the details from e-Parts system.
- When modification or additions to this parts list are made a revised edition at an appropriate time.

目次

● 本パーツリストについて	1
● SN30AA(JP)のカラーチャート	3
● 目次-エンジン関	7
● 目次-フレーム関係	8
● エンジンパーツリスト	11
● フレームパーツリスト	41
● パーツ番号 検索	103

CONTENTS

● ABOUT THIS PARTS LIST	1
● COLOR CHART OF SN30AA(JP)	3
● CONTENTS-ENGINE GROUP	7
● CONTENTS-FRAME GROUP	8
● ENGINE PARTS LIST	11
● FRAME PARTS LIST	41
● PART NO. INDEX	103

NO	モデル			SN30AA(JP)のカラーチャート							
	写真番号			NO. 1	NO. 2	NO. 3	NO. 4				
	基本色										
	コード			Deep Blue Metallic	Black Blue	Bright Blue Metallic	Bright Silver				
	パーツ名	パーツ番号	バージョン	PB183MA	PB184PA	PB206MA	NH045MA				
1	BRKT FLOOR PANEL	50179-KHD6-900	0	M2S							
2	LEVER R STRG HANDLE	53175-KXBX-E10	3	M3A							
3	LEVER L STRG HNDL	53178-KXCX-E90	0								
4	COVER BATTERY	50326-KHD6-900	1								
5	COVER UNDER	50613-KHD6-900	1								
6	GRIP COMP THROT	53140-KGB5-900	0								
7	GRIP L HANDLE	53166-KGB5-900	0								
8	COVER HANDLE RR	53206-KUDU-901	5								
9	MOLD FR	64302-KKD7-900	2								
10	SKIRT R SIDE	64305-KHD6-900	1								
11	SKIRT L SIDE	64306-KHD6-900	1								
12	FLOOR PANEL	64310-KHD6-900	4								
13	COVER FLOOR	64311-KHD6-900	1								
14	PLUG FLOOR	64316-KHD6-900	1								
15	PLUG FLOOR A	64317-KHD6-900	0					N1R			
16	COWL UNDER	64400-KHD6-900	2								
17	FENDER RR UP	80101-KKD7-900	0								
18	FENDER RR	80105-KKD7-900	0								
19	COVER PLUG MAINT	80152-KHD6-900	1								
20	LEG SHIELD UP **8000-	81131-KHD6-800	1								
21	CAP LEG SHIELD UP	81132-KHD6-900	0								
22	LEG SHIELD LOW	81141-KHD6-900	2								
23	LID LEG SHIELD	81142-KUDU-900	1								
24	MOLD R SIDE	83501-KKD7-900	1								
25	COVER R SIDE	83520-KHD6-900	1								
販売開始時期											
販売終了時期											

NO	モデル			SN30AA(JP)のカラーチャート			
	写真番号			NO. 5			
	基本色						
	コード			Ruby Red			
	パーツ名	パーツ番号	バージョン	RR004CA			
1	BRKT FLOOR PANEL	50179-KHD6-900	0	M2S			
2	LEVER R STRG HANDLE	53175-KXBX-E10	3	M3A			
3	LEVER L STRG HNDL	53178-KXCX-E90	0				
4	COVER BATTERY	50326-KHD6-900	1				
5	COVER UNDER	50613-KHD6-900	1				
6	GRIP COMP THROT	53140-KGB5-900	0				
7	GRIP L HANDLE	53166-KGB5-900	0	N1R			
8	COVER HANDLE RR	53206-KUDU-901	5				
9	MOLD FR	64302-KKD7-900	2				
10	SKIRT R SIDE	64305-KHD6-900	1				
11	SKIRT L SIDE	64306-KHD6-900	1				
12	FLOOR PANEL	64310-KHD6-900	4				
13	COVER FLOOR	64311-KHD6-900	1				
14	PLUG FLOOR	64316-KHD6-900	1				
15	PLUG FLOOR A	64317-KHD6-900	0				
16	COWL UNDER	64400-KHD6-900	2				
17	FENDER RR UP	80101-KKD7-900	0				
18	FENDER RR	80105-KKD7-900	0				
19	COVER PLUG MAINT	80152-KHD6-900	1				
20	LEG SHIELD UP **8000-	81131-KHD6-800	1				
21	CAP LEG SHIELD UP	81132-KHD6-900	0				
22	LEG SHIELD LOW	81141-KHD6-900	2				
23	LID LEG SHIELD	81142-KUDU-900	1				
24	MOLD R SIDE	83501-KKD7-900	1				
25	COVER R SIDE	83520-KHD6-900	1				
販売開始時期							
販売終了時期							

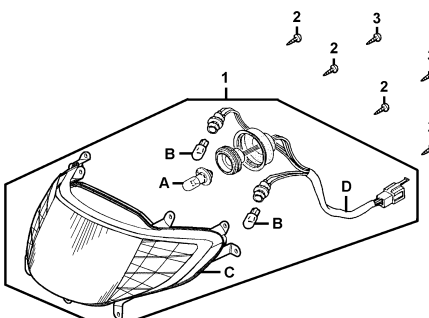
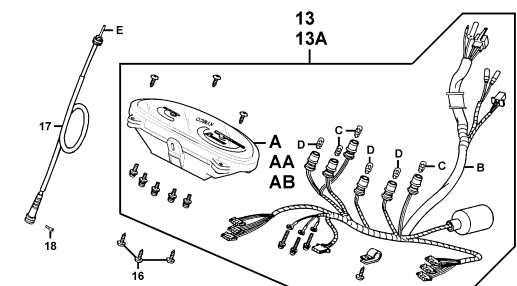
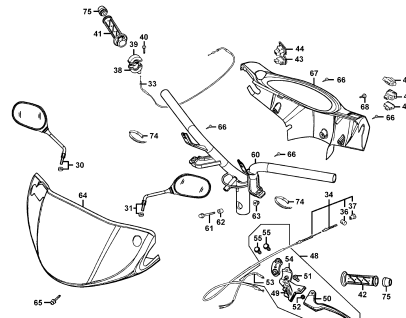
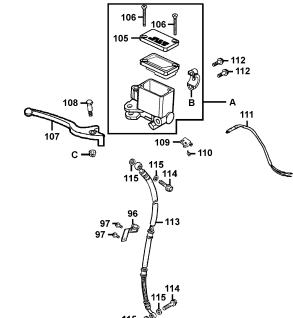
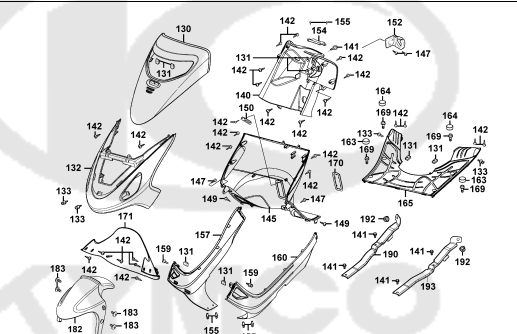
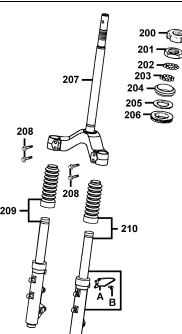
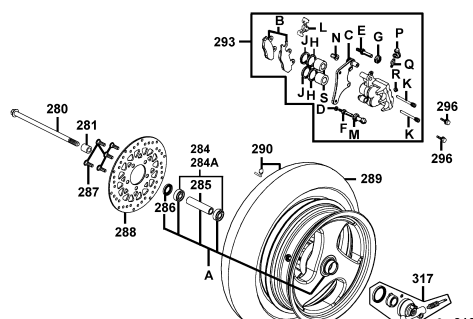
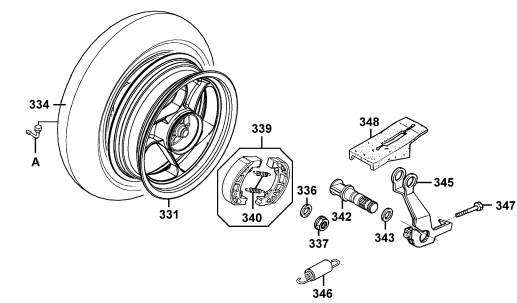
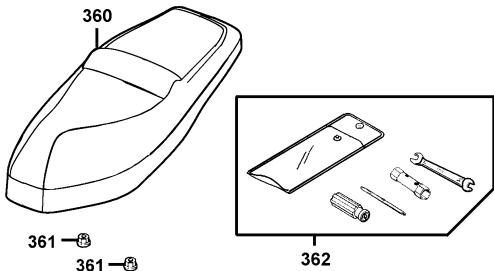
NO	モデル			SN30AA(JP)のカラーチャート			
	写真番号			NO. 1	NO. 2	NO. 3	NO. 4
	基本色						
	コード			Deep Blue Metallic	Black Blue	Bright Blue Metallic	Bright Silver
	パーツ名	パーツ番号	バージョン	PB183MA	PB184PA	PB206MA	NH045MA
26	MOLD L SIDE	83601-KKD7-900	1	N1R			
27	COVER L SIDE	83620-KHD6-900	1				
28	MOLD RR CENTER	83751-KHD6-900	0				
29	COVER L	11341-KEC4-900	3	N8A			
30	COVER FR HANDLE	53205-KKD7-900	1	BHP			BMP
31	FENDER FR	61110-KKD7-900	0				
32	COVER FRONT **(0)	64301-KKD7-900	1				
33	COVER R BODY SIDE	83500-KKD7-900	0				
34	COVER SET L BODY SIDE	83600-KHD6-900	0	N8P			
35	PROTECTOR MUFFLER	18318-KFB7-EZ0	0				
36	CARRIER REAR	81200-KKD7-900	0	N8S			
37	CUSHION ASSY RR	52400-KKD7-900	1	NJA			
38	WHEEL CAST RR	42601-KKD7-900	2				
39	WHEEL SET FR	44650-KKD7-305	1				
40	CALIPER ASSY FR	45200-KHD8-900	0				
41	FORK ASSY R FR	51400-KHD8-900	1	T01			
42	FORK SET L FR	5150A-KHD8-900	1				
43	SEAT ASSY	77200-KKD7-900	1				
44	EMB K-LOGO 30MM	86102-KFA6-E00	2				
45	EMB BODY COVER	86202-KKD7-E00	0				
46	EMB B BODY COVER	86212-KHD8-E00	1				
47	LABEL TIRE	87505-KKD7-E00	0				
48	CAUTION SIDE STAND	87541-GAR1-E00	1				
49	MARK MAINT CAUTION	87542-GAR1-E00	2				
50	MARK DRIVE CAUTION	87560-GFY6-E00	4				
販売開始時期							
販売終了時期							

NO	モデル			SN30AA(JP)のカラーチャート			
	写真番号			NO. 5			
	基本色						
	コード			Ruby Red			
	パーツ名	パーツ番号	バージョン	RR004CA			
26	MOLD L SIDE	83601-KKD7-900	1	N1R			
27	COVER L SIDE	83620-KHD6-900	1				
28	MOLD RR CENTER	83751-KHD6-900	0				
29	COVER L	11341-KEC4-900	3	N8A			
30	COVER FR HANDLE	53205-KKD7-900	1	R1P			
31	FENDER FR	61110-KKD7-900	0				
32	COVER FRONT ** (0)	64301-KKD7-900	1				
33	COVER R BODY SIDE	83500-KKD7-900	0				
34	COVER SET L BODY SIDE	83600-KHD6-900	0				
35	PROTECTOR MUFFLER	18318-KFB7-EZ0	0	N8P			
36	CARRIER REAR	81200-KKD7-900	0				
37	CUSHION ASSY RR	52400-KKD7-900	1	N8S			
38	WHEEL CAST RR	42601-KKD7-900	2	NJA			
39	WHEEL SET FR	44650-KKD7-305	1				
40	CALIPER ASSY FR	45200-KHD8-900	0				
41	FORK ASSY R FR	51400-KHD8-900	1				
42	FORK SET L FR	5150A-KHD8-900	1				
43	SEAT ASSY	77200-KKD7-900	1	T01			
44	EMB K-LOGO 30MM	86102-KFA6-E00	2				
45	EMB BODY COVER	86202-KKD7-E00	0				
46	EMB B BODY COVER	86212-KHD8-E00	1				
47	LABEL TIRE	87505-KKD7-E00	0				
48	CAUTION SIDE STAND	87541-GAR1-E00	1				
49	MARK MAINT CAUTION	87542-GAR1-E00	2				
50	MARK DRIVE CAUTION	87560-GFY6-E00	4				
販売開始時期							
販売終了時期							

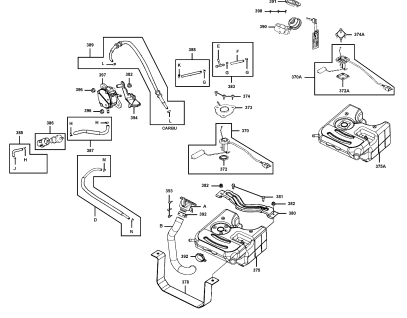
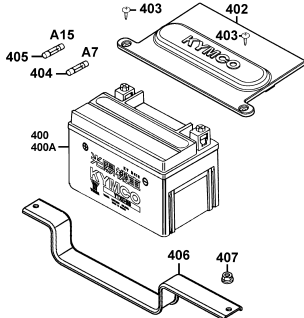
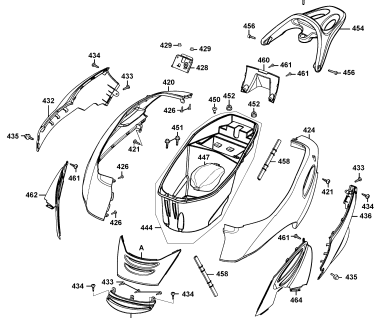
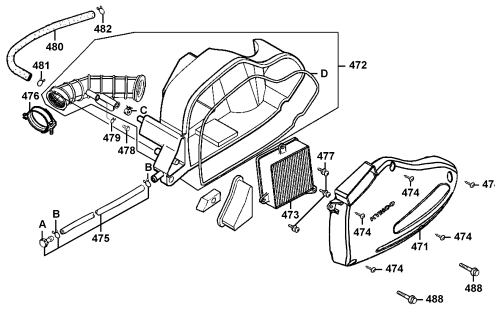
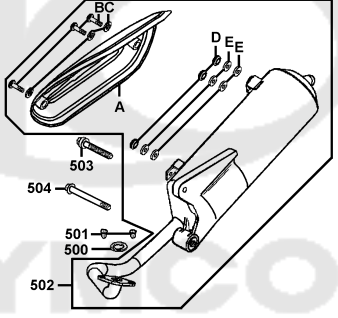
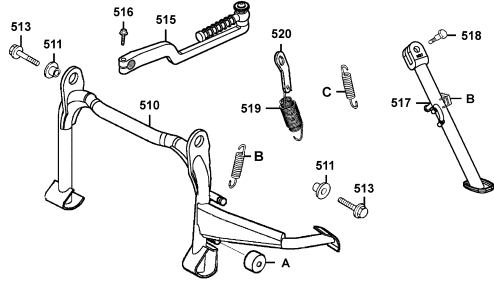
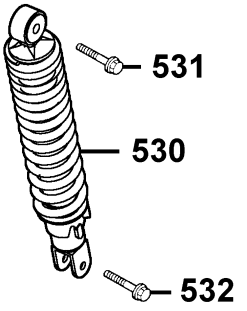
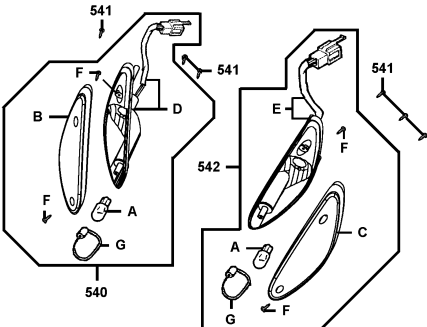
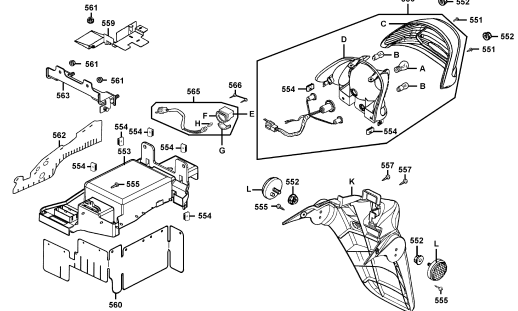
CONTENTS - ENGINE GROUP 目次-エンジン関

E01 Crank Case	E02 Cylinder Head Cover Cylinder	E03 Cylinder Piston Crankshaft
E04 Right Crankcase Cover	E05 Carburetor	E06 Transmission
E07 Pulley	E08 Starting Motor Oil Pump	E09 Water Pump

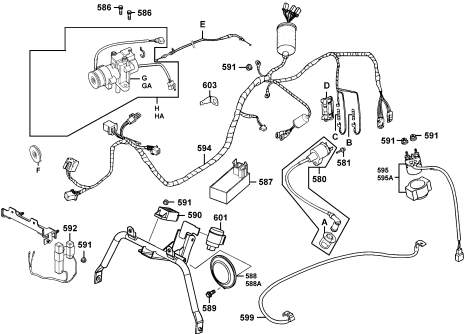
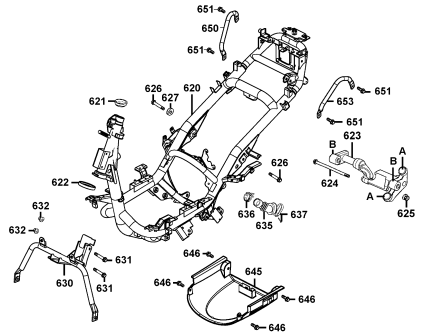
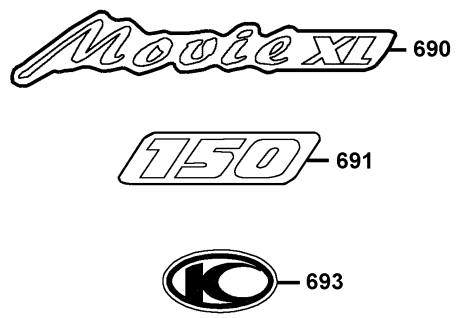
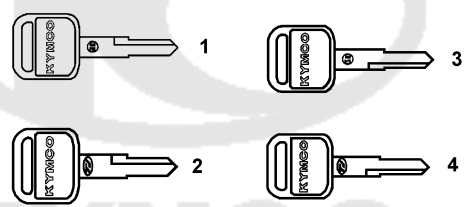
CONTENTS - FRAME GROUP 目次-フレーム関係

<p>F01 Head Light</p> 	<p>F02 Speedometer</p> 	<p>F03 Handle Steering Handle Cover</p> 
<p>F04 Brake Master Cylinder</p> 	<p>F05 Front Cover Floor Panet</p> 	<p>F06 Front Fork Front Cushion</p> 
<p>F07 Front Wheel</p> 	<p>F08 Rear Wheel</p> 	<p>F09 Seat</p> 

CONTENTS - FRAME GROUP 目次-フレーム関係

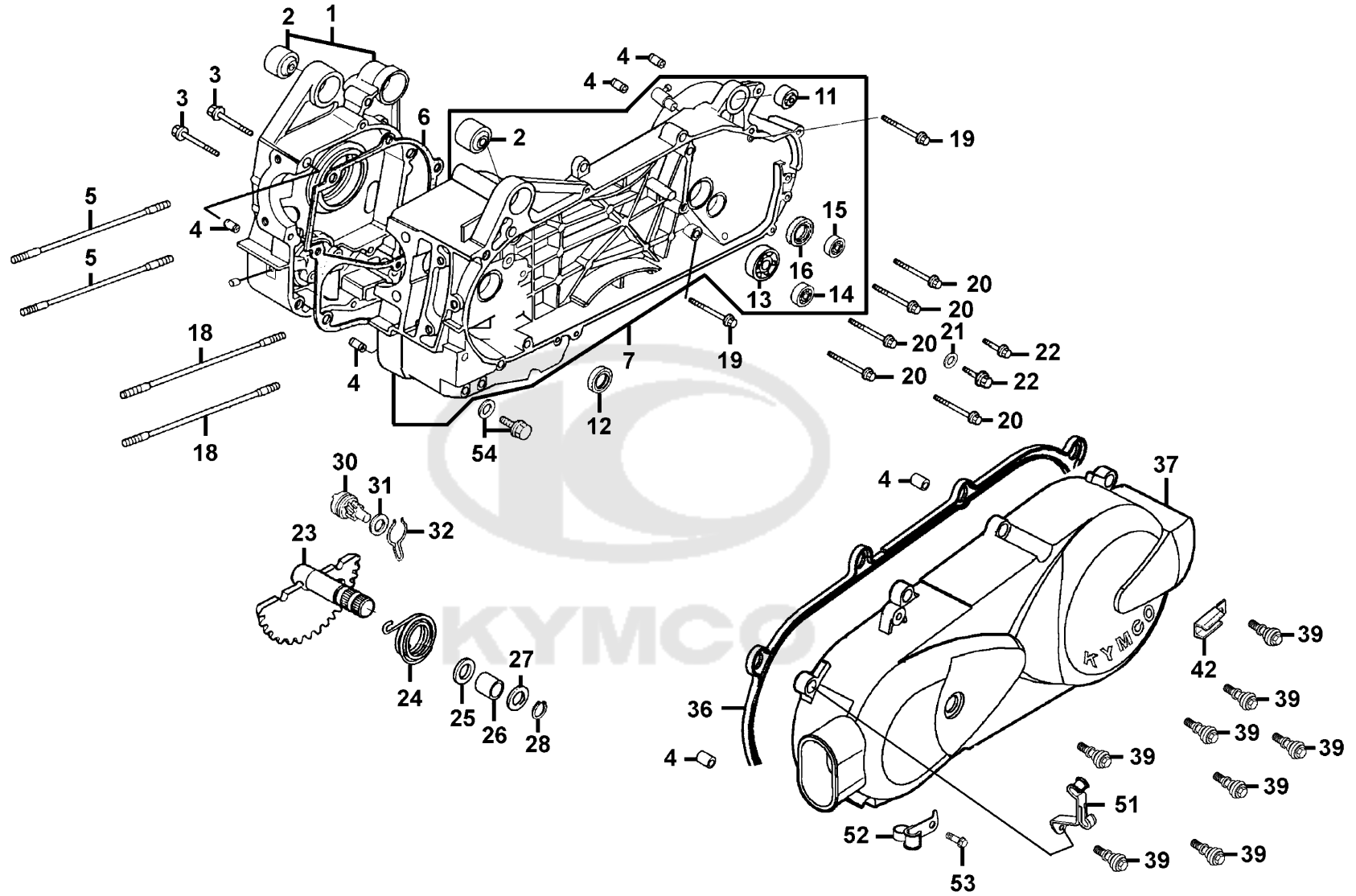
<p>F10 Fuel Tank</p> 	<p>F11 Battery</p> 	<p>F12 Body Cover Luggage Box</p> 
<p>F13 Air Cleaner</p> 	<p>F14 Exhaust Muffler</p> 	<p>F15 Stand Kick Starter Arm</p> 
<p>F16 Rear Cushion</p> 	<p>F17 Front Winker</p> 	<p>F18 Tail Light Rear Fender</p> 

CONTENTS - FRAME GROUP 目次-フレーム関係

F19 Wire Harness	F20 Frame Body	F21 Radiator
		<div style="display: flex; justify-content: space-around;"> <div style="border: 1px solid black; padding: 5px; width: 45%;"> <p style="font-size: 8px;">Be sure to wear a safety helmet when riding. It is not allowed to drink alcohol before riding.</p> <p style="font-size: 8px;">In the absence of other instructions to any 1st order, please be sure to read the instruction to a place not really looked to people, for riding safety with your attention. It is not allowed to use it as a weapon.</p> <p style="font-size: 8px;">If there are any parts, please contact to your dealer.</p> <p style="font-size: 8px;">Be sure to perform the periodic maintenance and safety inspection.</p> <p style="text-align: center; font-size: 8px;">▶ Inspect Inspection Items</p> <p style="font-size: 8px;">Brake Performance, tire, engine oil level, lights, horn, and instrument panel</p> <p style="text-align: right; font-size: 8px;">KYMCO MOTOR CO., LTD.</p> </div> <div style="border: 1px solid black; padding: 5px; width: 45%;"> <p style="text-align: center; font-weight: bold; font-size: 8px;">CAUTIONS</p> <p style="font-size: 8px;">Before starting the engine, the side stand shall be kicked up to secure safety.</p> </div> </div> <div style="display: flex; justify-content: space-around; margin-top: 10px;"> <div style="text-align: center;">681</div> <div style="text-align: center;">685</div> </div> <div style="display: flex; justify-content: space-around; margin-top: 10px;"> <div style="border: 1px solid black; padding: 5px; width: 45%;"> <p style="text-align: center; font-weight: bold; font-size: 8px;">CAUTIONS</p> <p style="font-size: 8px;">The Size : Front 120/70-12 Rear 130/70-12 (One Rider) : Front 1.75kg/cm² Rear 2.00kg/cm² (Two Rider) : Front 1.75kg/cm² Rear 2.25kg/cm² Load Capacity (Shield 1.5kg) : Slip away center 3kg (Note: The tire pressure must not overpass 2.50kg/cm²) (As per KYMCO standard specification)</p> <p style="font-size: 8px;">▶ Check the motor oil level with the dipstick after refilling motor oil.</p> </div> <div style="border: 1px solid black; padding: 5px; width: 45%;"> <p style="text-align: center; font-weight: bold; font-size: 8px;">CAUTIONS</p> <p style="font-size: 8px;">Never put any article between the rear side cover and the engine to avoid interference of riding.</p> </div> </div> <div style="display: flex; justify-content: space-around; margin-top: 10px;"> <div style="text-align: center;">682</div> <div style="text-align: center;">686</div> </div>
<p style="font-size: 12px;">F22 Emblem Stripe</p> 	<p style="font-size: 12px;">F23 Key</p> 	

E01

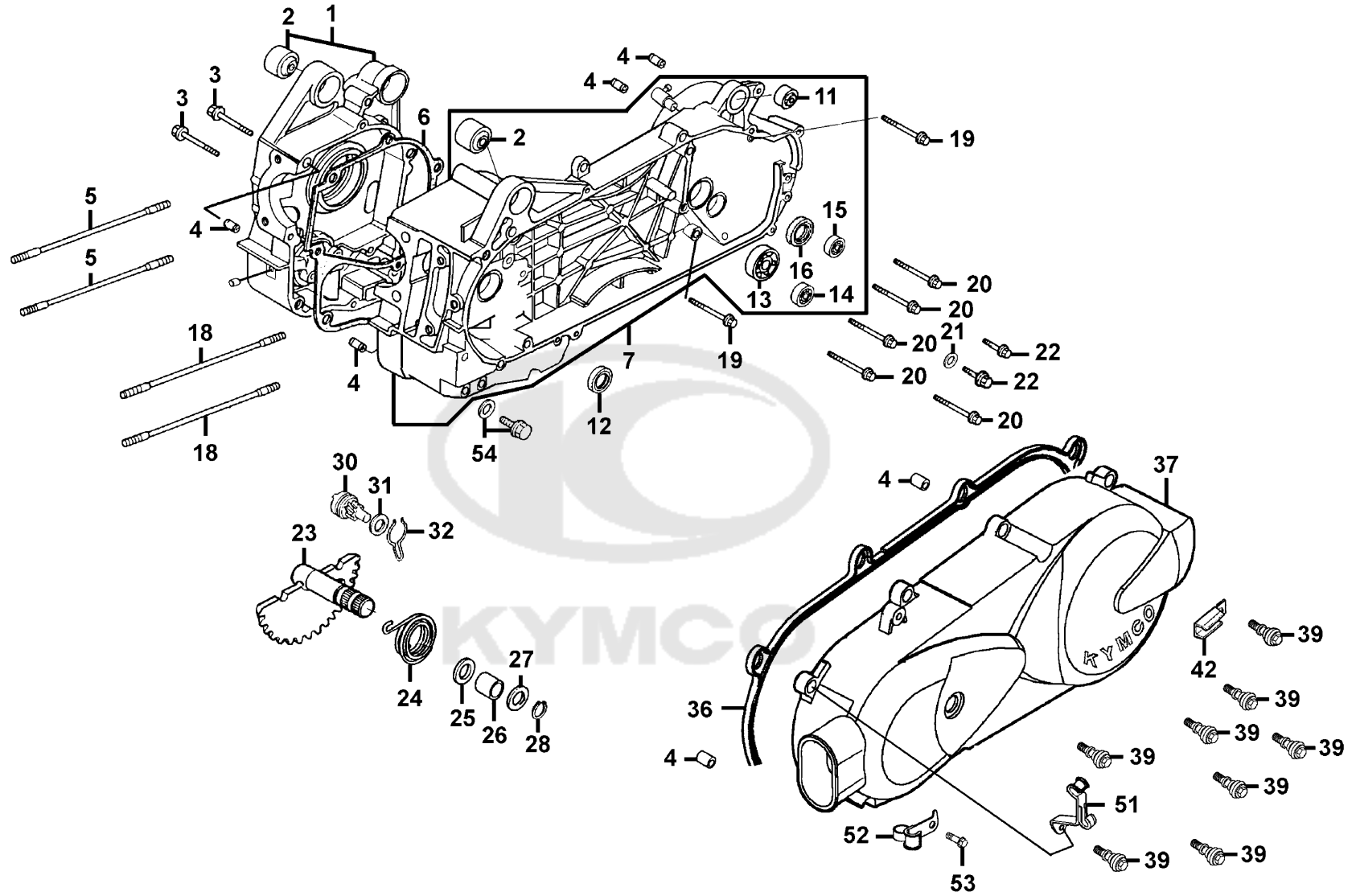
Crank Case



Sales mark 記号	Ref no 参照用番号	Part no パーツ番号	Description 部品名	Reg description 部品名	Regd no 必要個数	Ref Price 希望小売価格(税抜)	E01
1		11100-KFB7-305	CRANKCASE SET R	CRANKCASE SET R	1	17110	
2		11102-1G87-004	RUB BUSH ENG HANGER	RUB BUSH ENG HANGER	2	320	
6		11192-KUDU-980	GASKET CRANK CASE A	GASKET CRANK CASE A	2	820	
7		11200-KKD9-315	CRANKCASE SET L	CRANKCASE SET L	1	34220	
11		11203-GGC7-301	UNDER RUBBER BUSH REAR CUSHION	UNDER RUBBER BUSH REAR CUSHION	1	250	
51		11381-KUDU-900	CLAMPER THROTTLE CABLE	CLAMPER THROTTLE CABLE	1	390	
42		11382-KUDU-900	CLAMPER BRAKE CABLE	CLAMPER BRAKE CABLE	1	130	
52		11383-KUDU-900	CLAMPER BRTH DRAIN TUBE	CLAMPER BRTH DRAIN TUBE	1	300	
36		11395-KKD7-980	GASKET L COVER A	GASKET L COVER A	1	4200	
32		28223-KNBN-901	SPG KICK DRIVEN GEAR	SPG KICK DRIVEN GEAR	1	160	
30		28230-GKAK-921	GEAR COMP KICK DRIVEN	GEAR COMP KICK DRIVEN	1	1820	
23		28250-KNBN-901	SPINDLE COMP KICK STARTER	SPINDLE COMP KICK STARTER	1	1820	
26		28253-GBN2-60A	BUSH KICK SPINDLE	BUSH KICK SPINDLE	1	200	
25		28255-GFS6-001	COLLAR KICK BOSS	COLLAR KICK BOSS	1	160	
24		28281-GBN2-60A	SPRING KICK RETURN	SPRING KICK RETURN	1	390	
39		90001-GBHB-711	BOLT FLANGE SHF 6*40	BOLT FLANGE SHF 6*40	8	60	
5		90031-KUDU-900	BOLT A STUD 8*200.5	BOLT A STUD 8*200.5	2	490	
18		90032-KUDU-900	BOLT B STUD 8*208.5	BOLT B STUD 8*208.5	2	510	
31		90412-3K29-001	WASHER THRUST 10M/M	WASHER THRUST 10M/M	1	200	
27		90451-GBN2-601	WASHER KICK SPINDLE	WASHER KICK SPINDLE	1	200	

E01

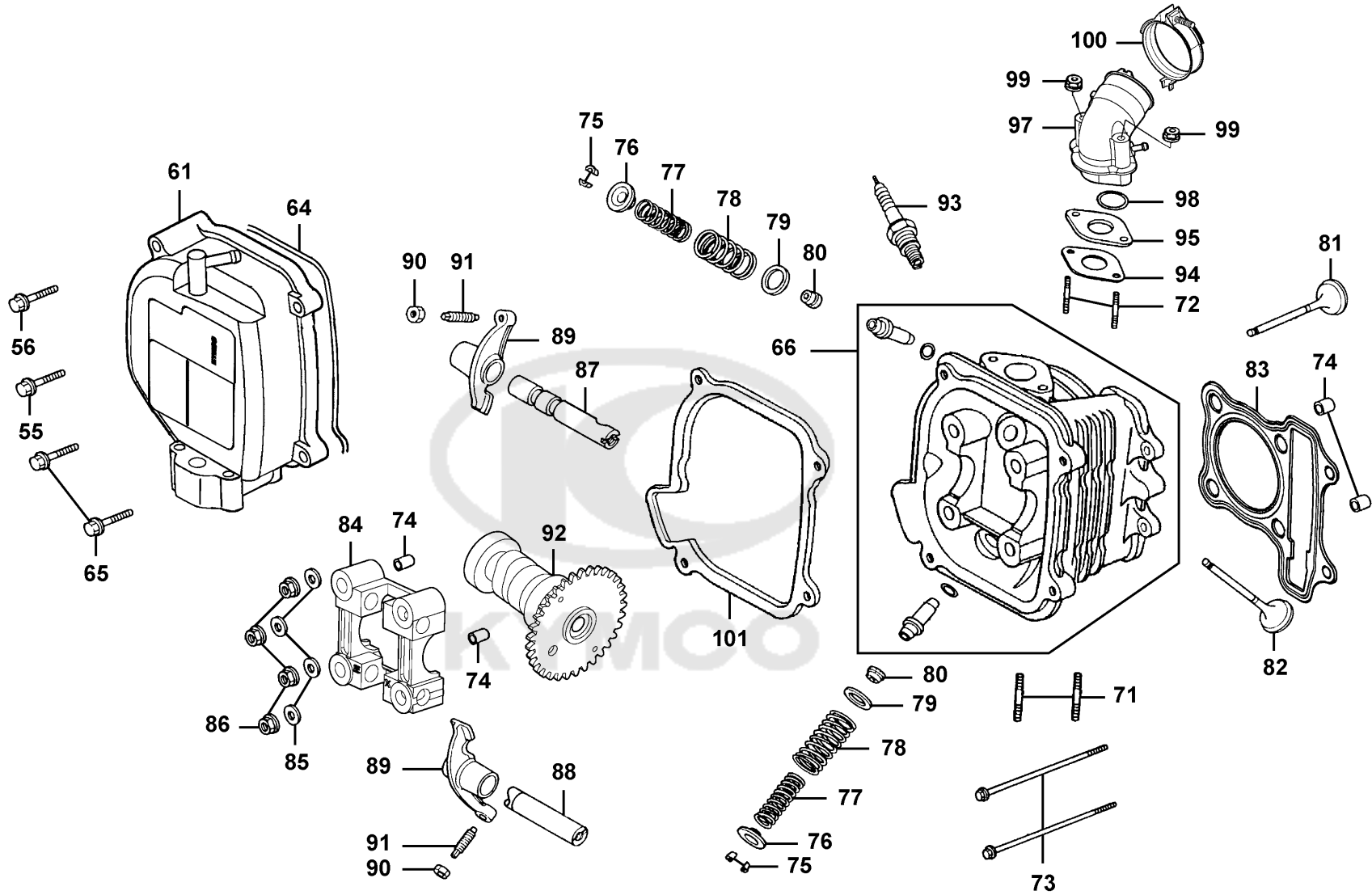
Crank Case



Sales mark 記号	Ref no 参照用番号	Part no パーツ番号	Description 部品名	Reg description 部品名	Regd no 必要個数	Ref Price 希望小売価格(税抜)	E01
21		90474-3C33-001	WASHER 8MM	WASHER 8MM	1	60	
54		9052A-GFY6-950	BOLT ASSY DRAIN PLUG	BOLT ASSY DRAIN PLUG	1	120	
12		91202-GFY6-90C	OIL SEAL 19.8*30*5	OIL SEAL 19.8*30*5	2	230	
16		91202-KKJ9-004	OIL SEAL 20*32*6	OIL SEAL 20*32*6	1	80	
4		94301-10160	DOWEL PIN 10*16	DOWEL PIN 10*16	6	60	
28		94511-14000	CIR CLIP EX 14	CIR CLIP EX 14	1	110	
22		95701-08012-06	BOLT FLANGE 6*22 (K)	BOLT FLANGE 6*22 (K)	1	60	
53		96001-06012-06	BOLT FLANGE SH 6*12	BOLT FLANGE SH 6*12	1	60	
20		96001-06045-06	BOLT FLANGE 6*45 **07 C.2005.07.01	BOLT FLANGE 6*45 **07 C.2005.07.01	1	60	
3		96001-06050-06	BOLT FLANGE SH 6*50	BOLT FLANGE SH 6*50	1	60	
19		96001-06055-06	BOLT FLANGE 6*55 **07 C.2005.07.01	BOLT FLANGE 6*55 **07 C.2005.07.01	1	60	
14		96100-62020-00	BEARING BALL RADIAL 6202	BEARING BALL RADIAL 6202	1	770	
15		96100-62030-00	BRG BALL RADIAL 6203	BRG BALL RADIAL 6203	1	260	
13		96100-62043-00	BEARING BALL RADIAL 6204	BEARING BALL RADIAL 6204	1	430	

E02

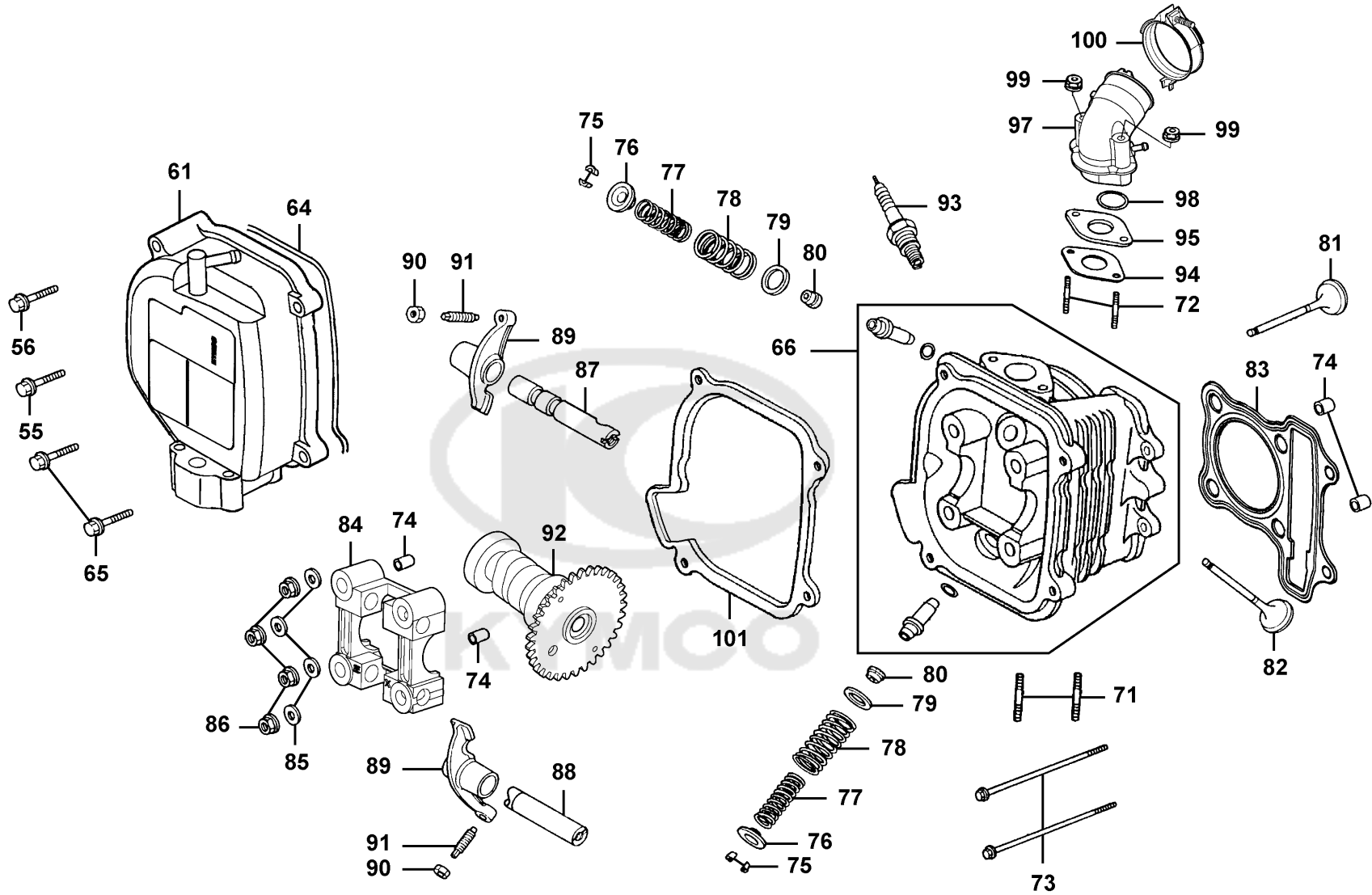
Cylinder Head Cover Cylinder Head



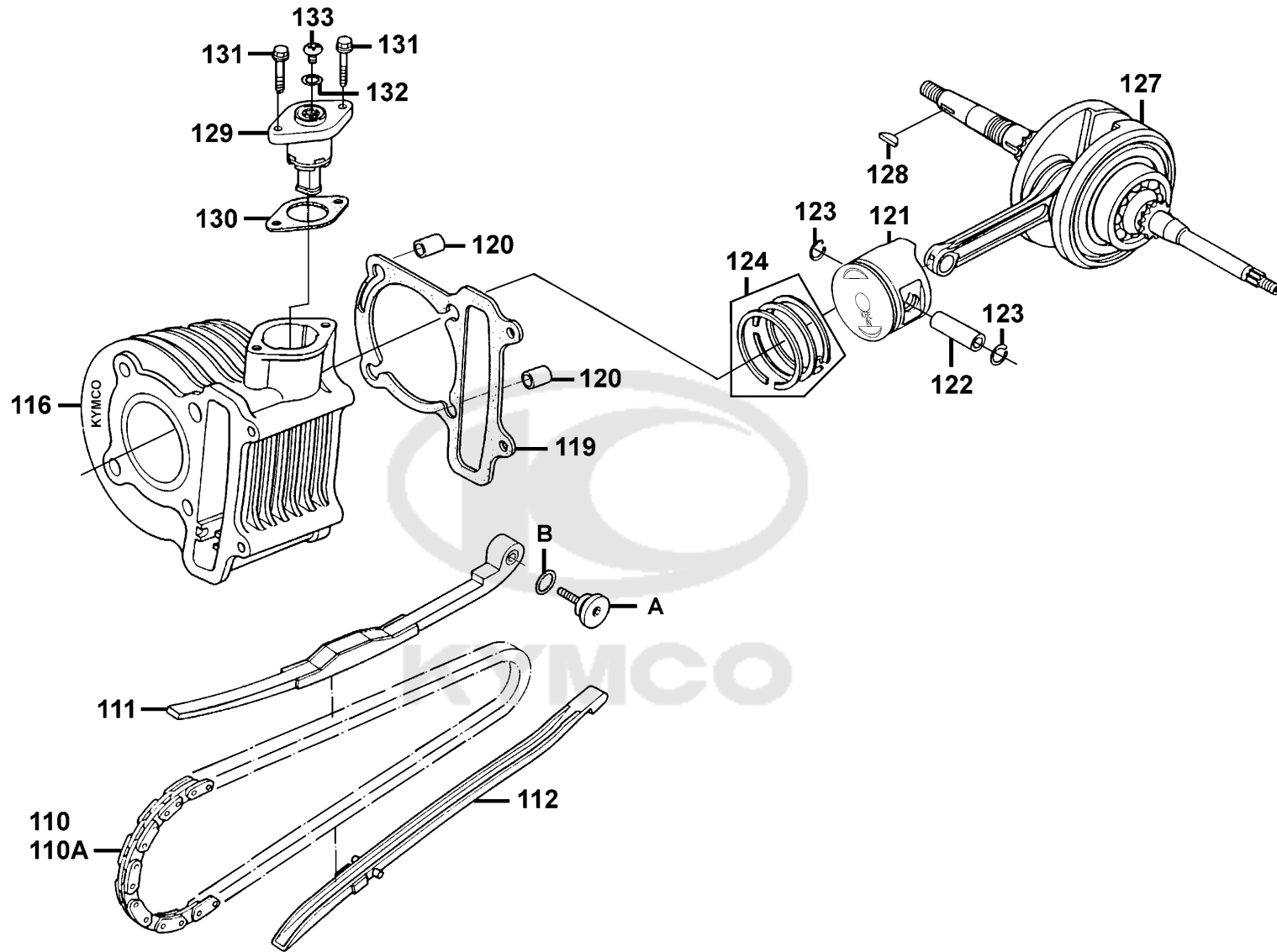
Sales mark 記号	Ref no 参照用番号	Part no パーツ番号	Description 部品名	Reg description 部品名	Regd no 必要個数	Ref Price 希望小売価格(税抜)	E02
66		12200-KFB7-C00	HEAD COMP CYLN	HEAD COMP CYLN	1	32700	
80		12209-GDB4-68B	SEAL VALVE STEM	SEAL VALVE STEM	1	490	
84		12211-KUDU-900	HOLDER CAM SHAFT	HOLDER CAM SHAFT	1	2490	
83		12251-KFBF-900	GASKET CYLINDER HEAD	GASKET CYLINDER HEAD	1	1150	
61		12310-KUDU-C00	COVER COMP HEAD	COVER COMP HEAD	1	4380	
64		12391-GFY6-941	GASKET HEAD COVER	GASKET HEAD COVER	1	780	
92		14100-KFA9-220	SHAFT COMP CAM **2200 C.2005.03.25	SHAFT COMP CAM **2200 C.2005.03.25	1	9510	
89		14431-KUDU-900	ARM VALVE ROCKER	ARM VALVE ROCKER	2	6090	
87		14450-GFY6-901	SHAFT COMP IN ROCKER ARM	SHAFT COMP IN ROCKER ARM	1	770	
88		14452-GFY6-901	SHAFT EXH ROCKER ARM	SHAFT EXH ROCKER ARM	1	300	
82		14711-KFB7-900	VALVE INLET	VALVE INLET	1	1720	
81		14721-KFB7-900	VALVE EXHAUST	VALVE EXHAUST	1	3530	
78		14751-KKJ9-003	SPG VALVE OUTER	SPG VALVE OUTER	2	420	
77		14761-KKJ9-003	SPG VALVE INNER	SPG VALVE INNER	2	300	
76		14771-GDB4-680	RETAINER VALVE SPRING	RETAINER VALVE SPRING	2	350	
79		14775-MFA6-001	SEAT VALVE SPG OUTER	SEAT VALVE SPG OUTER	2	160	
75		14781-MFA6-001	COTTER VALVE	COTTER VALVE	4	200	
94		16201-GFY6-910	GASKET CARB INSULATOR	GASKET CARB INSULATOR	2	130	
95		16211-GFY6-901	INSULATOR CARB	INSULATOR CARB	1	350	
97		17110-KUDU-900	PIPE COMP INLET	PIPE COMP INLET	1	3840	

E02

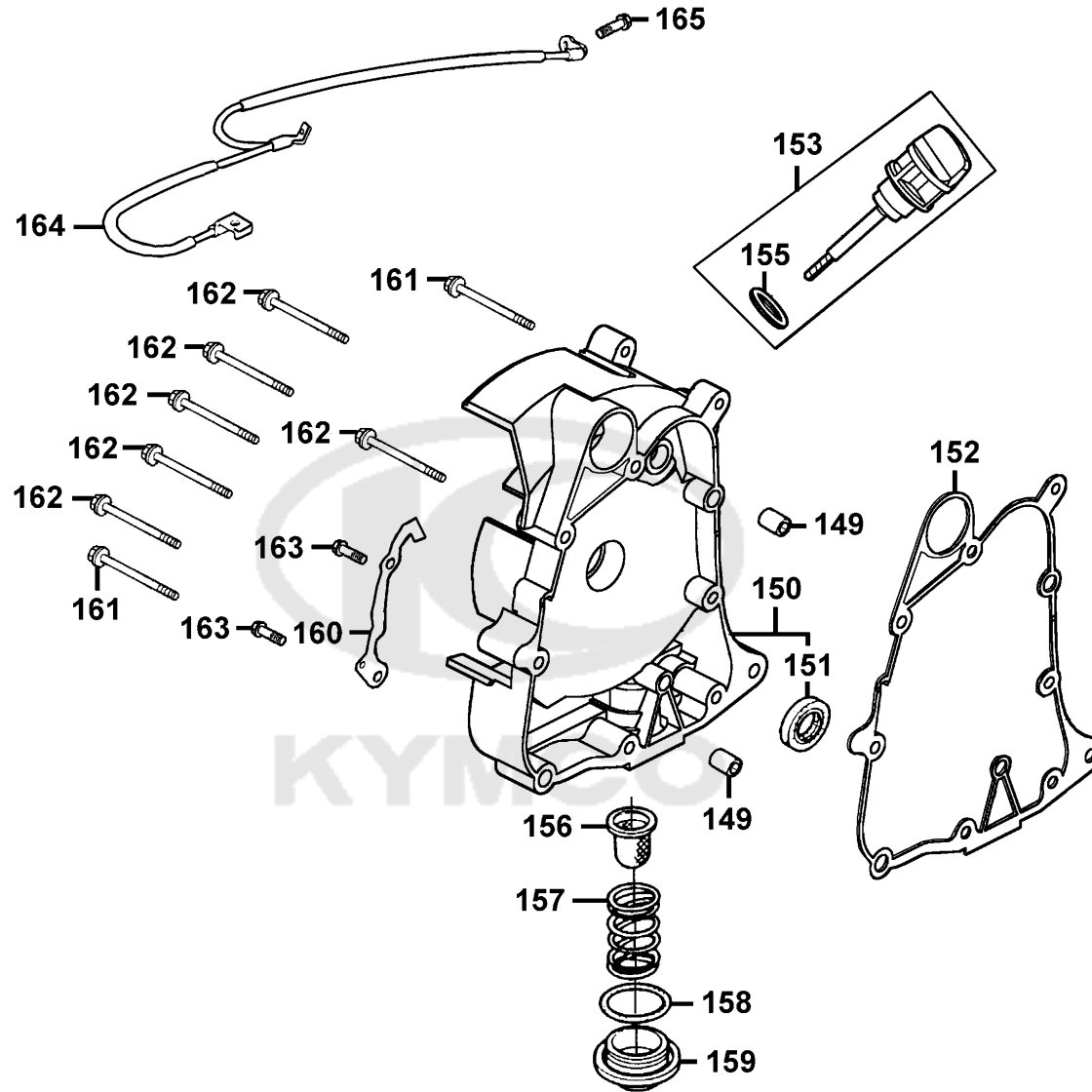
Cylinder Head Cover Cylinder Head



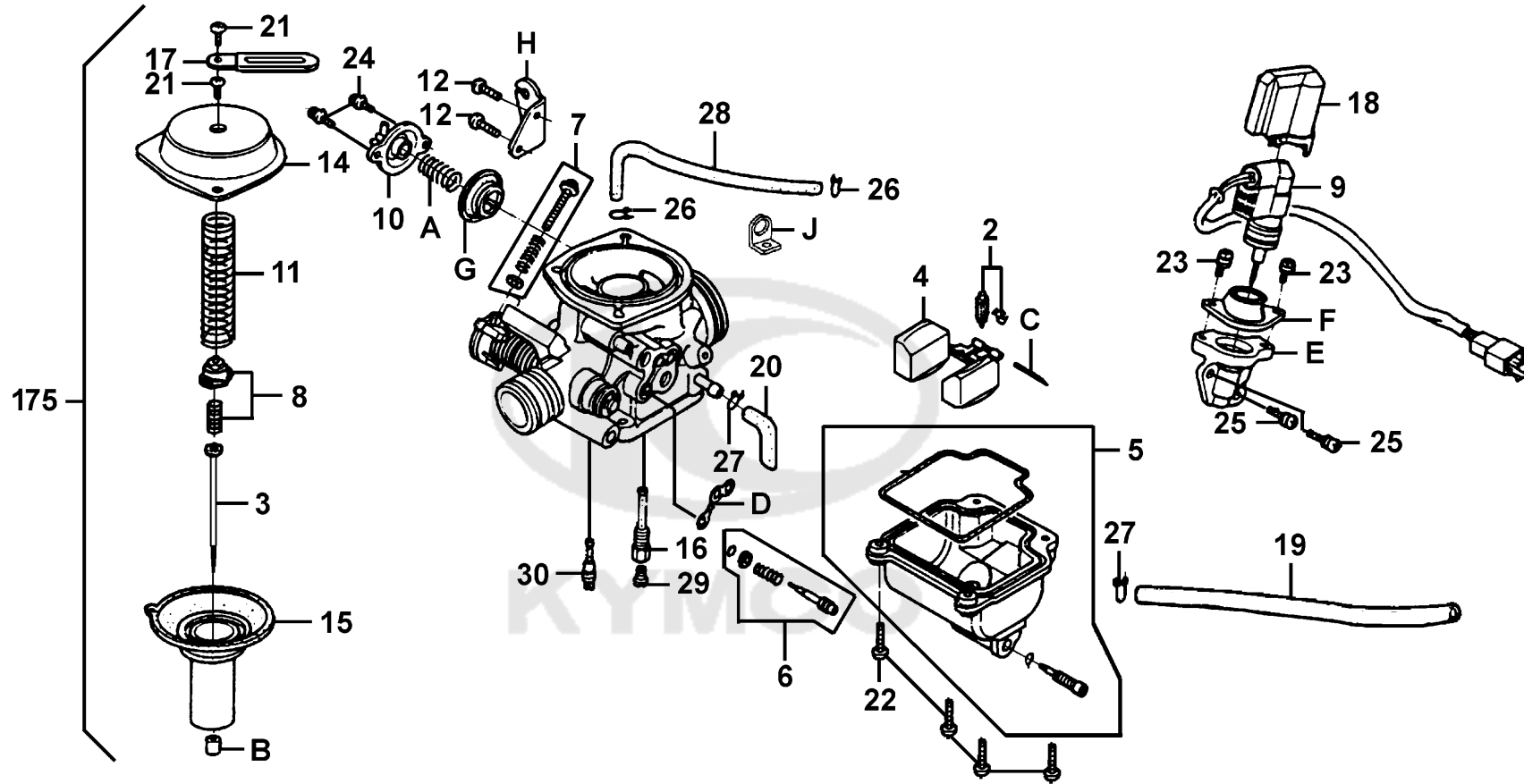
Sales mark 記号	Ref no 参照用番号	Part no パーツ番号	Description 部品名	Reg description 部品名	Regd no 必要個数	Ref Price 希望小売価格(税抜)	E02
100		17256-GFY6-901	BAND INSULATOR	BAND INSULATOR	1	390	
101		19625-KUDU-910	SEAL SHROUD	SEAL SHROUD	1	770	
91		90012-3C33-001	SCREW TAPPET ADJUSTING	SCREW TAPPET ADJUSTING	2	110	
71		90033-GFY6-900	BOLT STUD 8*32	BOLT STUD 8*32	2	60	
90		90206-0A01-001	NUT TAPPET ADJG	NUT TAPPET ADJG	2	60	
85		90465-MDC4-001	WASHER 8MM	WASHER 8MM	4	60	
98		91301-0H28-001	O RING 27*2	O RING 27*2	1	70	
72		92900-06060-0B	BOLT STUD ??*60	BOLT STUD ??*60	2	60	
99		94050-06080	NUT FLANGE 6MM	NUT FLANGE 6MM	2	60	
86		94050-08080	NUT FLANGE 8MM	NUT FLANGE 8MM	4	60	
74		94301-10160	DOWEL PIN 10*16	DOWEL PIN 10*16	4	60	
65		95701-06025-06	BOLT FLANGE 6*25	BOLT FLANGE 6*25	1	60	
55		95701-06035-06	BOLT FLANGE 6*35	BOLT FLANGE 6*35	1	60	
56		95701-06050-06	BOLT FLANGE 6*22 (K)	BOLT FLANGE 6*22 (K)	1	60	
73		96001-06100-06	BOLT FLANGE SH 6*100	BOLT FLANGE SH 6*100	1	60	
93		98056-5771R-00	SPARK PLUG (CR7HSA)	SPARK PLUG (CR7HSA)	1	450	



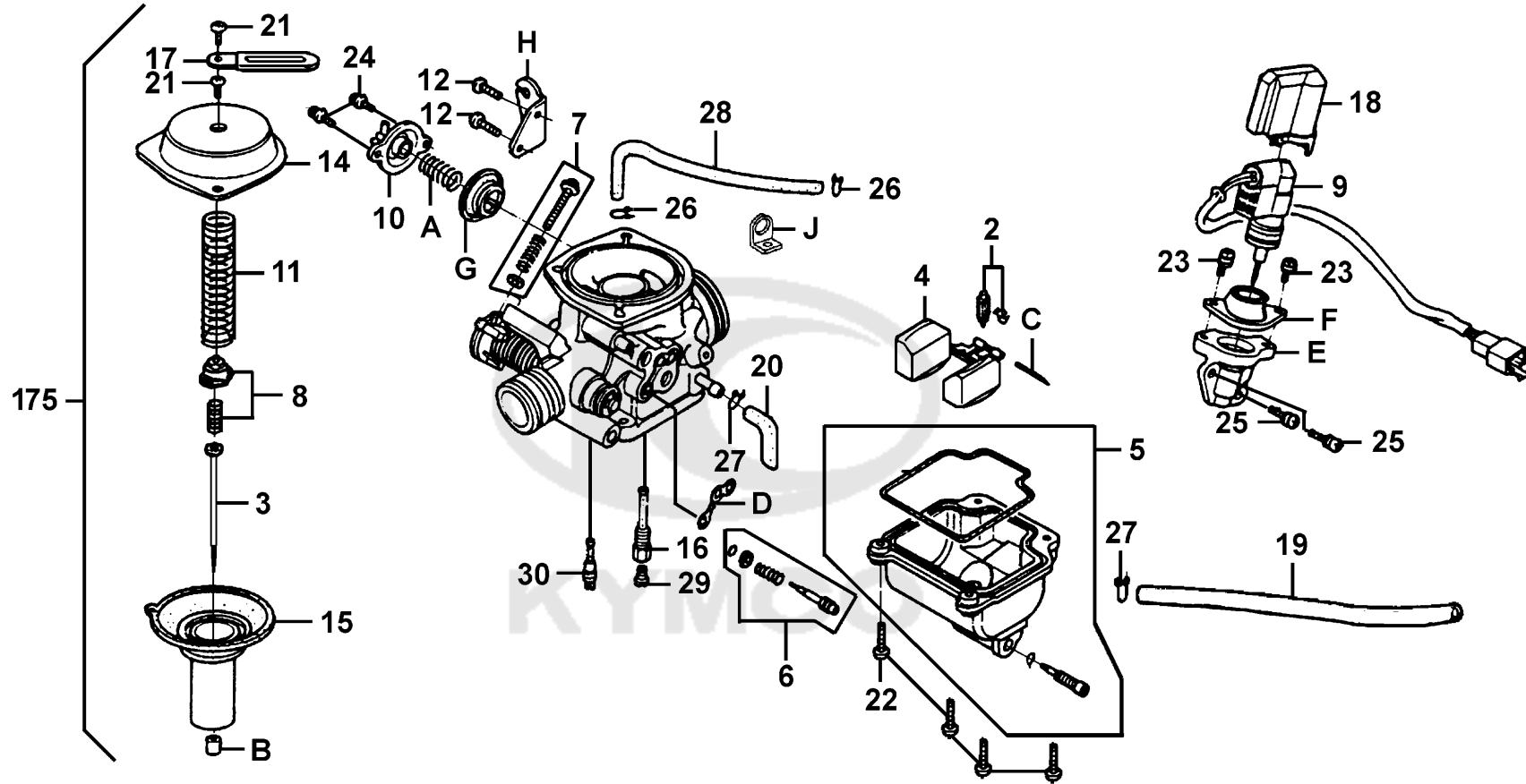
Sales mark 記号	Ref no 参照用番号	Part no パーツ番号	Description 部品名	Reg description 部品名	Regd no 必要個数	Ref Price 希望小売価格(税抜)	E03
116		12100-KFBF-E00	CYLINDER COMP	CYLINDER COMP	1	24720	
119		12191-KFBF-900	GASKET CYLINDER @ A	GASKET CYLINDER @ A	1	160	
119		12191-KFBF-980	GASKET CYLINDER	GASKET CYLINDER	1	320	
127		13000-KFB7-900	CRANK SHAFT COMP	CRANK SHAFT COMP	1	40870	
124		13011-KFBF-E0A	RING ASSY PISTON	RING ASSY PISTON	1	4500	
121		13101-KFB7-900	PISTON	PISTON	1	2800	
122		13111-KKJ9-001	PIN PISTON	PIN PISTON	1	580	
110A		14401-KUDU-90C	CHAIN CAM	CHAIN CAM	2	3810	
111		14510-KUDU-C0B	TENSIONER CAM CHAIN	TENSIONER CAM CHAIN	2	2670	
129		14520-GFY6-90C	LIFTER ASSY.. TENSIONER	LIFTER ASSY.. TENSIONER	1	2060	
130		14523-KED9-900	GASKET TENSIONER LIFTER @A	GASKET TENSIONER LIFTER @A	1	200	
A		14531-GLR0-001	PIVOT CAM CHAIN TENSIONER	PIVOT CAM CHAIN TENSIONER	1	200	
112		14610-KUDU-C0B	GUIDE COMP CAM CHAIN	GUIDE COMP CAM CHAIN	2	1250	
131		90001-GBHB-661	BOLT FLANGE SH 6*22	BOLT FLANGE SH 6*22	2	60	
133		90005-KAW1-901	SCREW PAN 6*6	SCREW PAN 6*6	1	60	
128		90701-HFB6-011	KEY WOODRUFF 25*14*4	KEY WOODRUFF 25*14*4	1	60	
B		91301-GLR0-005	O-RING 15.2*1.5	O-RING 15.2*1.5	1	60	
132		91306-1E05-691	O-RING 1.5*9.5	O-RING 1.5*9.5	1	60	
120		94301-10160	DOWEL PIN 10*16	DOWEL PIN 10*16	2	60	
123		94601-15000	CLIP PISTON PIN 15MM	CLIP PISTON PIN 15MM	2	60	



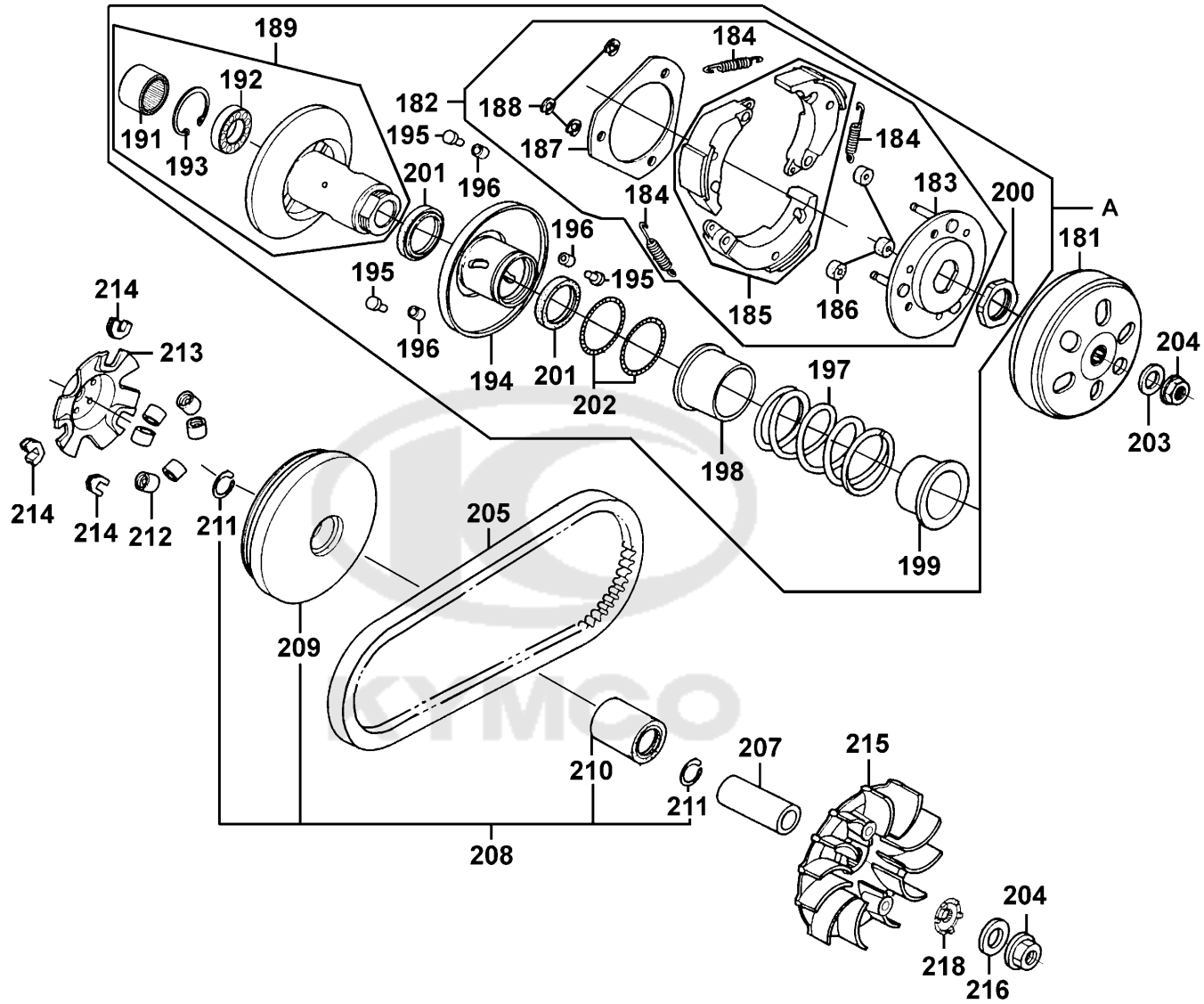
Sales mark 記号	Ref no 参照用番号	Part no パーツ番号	Description 部品名	Reg description 部品名	Regd no 必要個数	Ref Price 希望小売価格(税抜)	E04
150		11331-KUDU-C00	COVER R CRANK CASE	COVER R CRANK CASE	1	13980	
152		11394-KUDU-980	GASKET R COVER	GASKET R COVER	2	890	
159		12361-GFY6-901	HOLE CAP TAPPET ADJUSTING	HOLE CAP TAPPET ADJUSTING	1	300	
156		15421-1G07-001	SCREEN OIL FILTER	SCREEN OIL FILTER	1	350	
157		15426-GAE1-921	SPG OIL FILTER SCREEN	SPG OIL FILTER SCREEN	1	160	
153		1565A-KUDU-900	GAUGE OIL LEVEL ASSY	GAUGE OIL LEVEL ASSY	1	390	
164		32412-KHD6-900	CABLE EARTH	CABLE EARTH	1	3150	
160		32961-KUDU-900	CLAMPER ACG CORD	CLAMPER ACG CORD	1	200	
151		91202-GFY6-90C	OIL SEAL 19.8*30*5	OIL SEAL 19.8*30*5	2	230	
158		91302-0A01-021	O-RING 30.8M/M	O-RING 30.8M/M	1	60	
155		91307-0E35-001	O RING 18*3	O RING 18*3	1	60	
149		94301-10160	DOWEL PIN 10*16	DOWEL PIN 10*16	2	60	
163		96001-06012-06	BOLT FLANGE SH 6*12	BOLT FLANGE SH 6*12	1	60	
165		96001-06028-06	BOLT FLANGE SH 6*28	BOLT FLANGE SH 6*28	1	60	
162		96001-06100-06	BOLT FLANGE SH 6*100	BOLT FLANGE SH 6*100	1	60	
161		96001-06110-06	BOLT FLANGE SH 6*110	BOLT FLANGE SH 6*110	1	60	



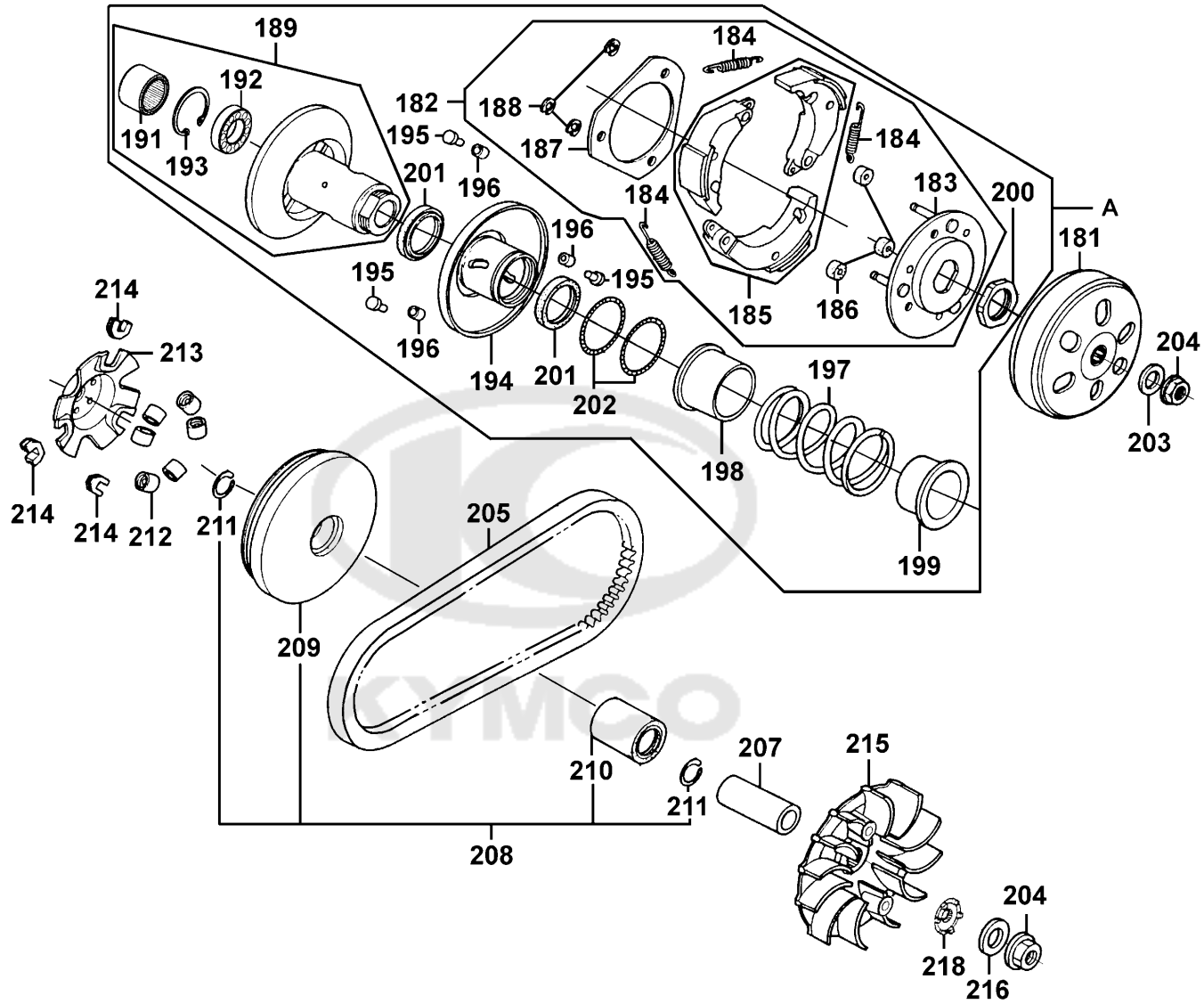
Sales mark 記号	Ref no 参照用番号	Part no パーツ番号	Description 部品名	Reg description 部品名	Regd no 必要個数	Ref Price 希望小売価格(税抜)	E05
30		1001-MA4H-0351	SLOW JET	SLOW JET	1	590	
G		120A-106H-9901	DIAPHRAGM COMP	DIAPHRAGM COMP	1	2340	
J		1531-428H-6710	BINDER	BINDER	1	110	
11		16050-GY6-9400	SPG COMP R	SPG COMP R	1	160	
12		16080-KJ9-0031-3	SCREW PAN	SCREW PAN	2	40	
14		16107-KJ9-0030	TOP SET	TOP SET	1	400	
175		1610K-KKD9-E00	CARBURETOR ASSY	CARBURETOR ASSY	1	47520	
15		16111-GY6-9000	VACUUM PISTON COMP	VACUUM PISTON COMP	1	6810	
17		16179-KAB-6700	BINDER	BINDER	1	130	
F		1703-GJ2H-0040	SET PLATE	SET PLATE	1	110	
18		1738-GJ2H-0040	HOLDER CAP	HOLDER CAP	1	200	
9		4000-050-0000	AUTO BYSTARTER SET	AUTO BYSTARTER SET	1	9730	
21		93500-04008-1H-3	SCREW PAN	SCREW PAN	1	60	
22		93500-04014-1H-3	SCREW PAN	SCREW PAN	1	60	
23		93892-04008-16	SCREW WASHER 4*8	SCREW WASHER 4*8	1	200	
24		93892-04010-18-3	SCREW WASHER 4*10	SCREW WASHER 4*10	1	60	
25		93892-05012-06	SCREW WASHER 5*12	SCREW WASHER 5*12	1	200	
26		95002-02070	CLIP B7 TUBE	CLIP B7 TUBE	2	60	
27		95002-02080	CLIP B8 TUBE	CLIP B8 TUBE	2	60	
29		99101-393-1020	MAIN JET	MAIN JET	1	390	



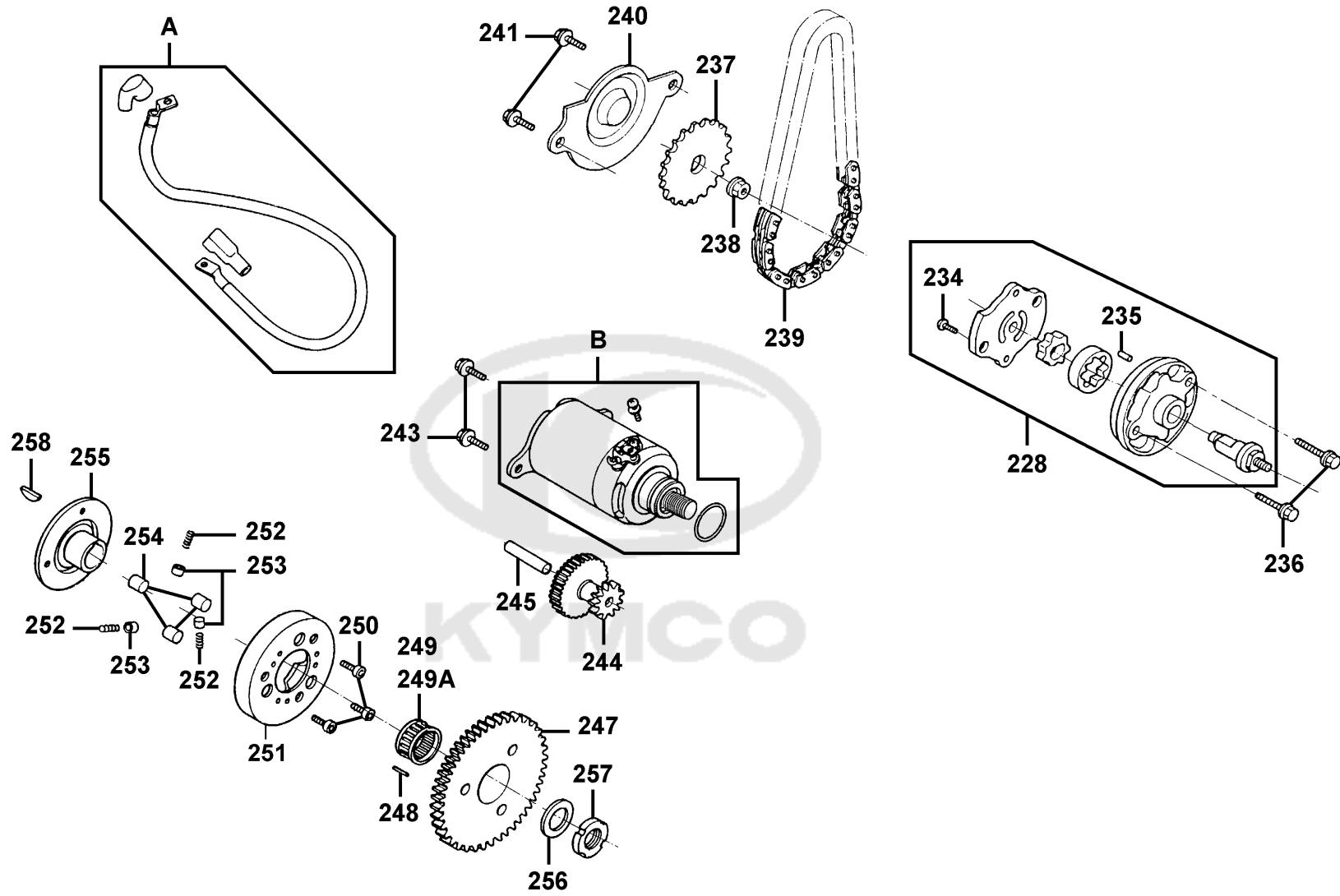
Sales mark 記号	Ref no 参照用番号	Part no パーツ番号	Description 部品名	Reg description 部品名	Regd no 必要個数	Ref Price 希望小売価格(税抜)	E05
4		D1310-853-0110	FLOAT COMP	FLOAT COMP	1	330	
5		K350-GY6-0200	FLOAT CHAMBER SET	FLOAT CHAMBER SET	1	2290	
28		K785-KDU-0200	TUBE SET	TUBE SET	1	200	
16		N413-34B00	NEEDLE JET HOLDER	NEEDLE JET HOLDER	1	890	
3		N425-2KFRJ	JET NEEDLE COMP	JET NEEDLE COMP	1	870	
2		S362-0081	FLOAT VALVE SET **D19KT-002-0700	FLOAT VALVE SET **D19KT-002-0700	1		
6		S446-1210	SCREW SET	SCREW SET	1	260	
8		S506-0052	VALVE PLATE SET	VALVE PLATE SET	1	110	
7		S5360-143-A000	SCVREW SET(S.S)	SCVREW SET(S.S)	1	200	
20		S7860-110-B000	TUBE SET(A.V)	TUBE SET(A.V)	1	200	
19		S7860-112-B000	TUBE SET	TUBE SET	1	320	
E		W1202-001-9900	BY-ST BODY COMP	BY-ST BODY COMP	1	6660	
C		W1314-014-9901	ARM PIN	ARM PIN	1	110	
10		W1476-138-9902	DIAPHRAGM COVER	DIAPHRAGM COVER	1	490	
H		W1561-231-9900	WIRE STAY	WIRE STAY	1	180	
A		W1711-B19-9900	SPG COMP R	SPG COMP R	1	110	
D		W1787-142-9900	O-RING	O-RING	1	140	
B		W9554-26638	NEEDLE JET	NEEDLE JET	1	450	



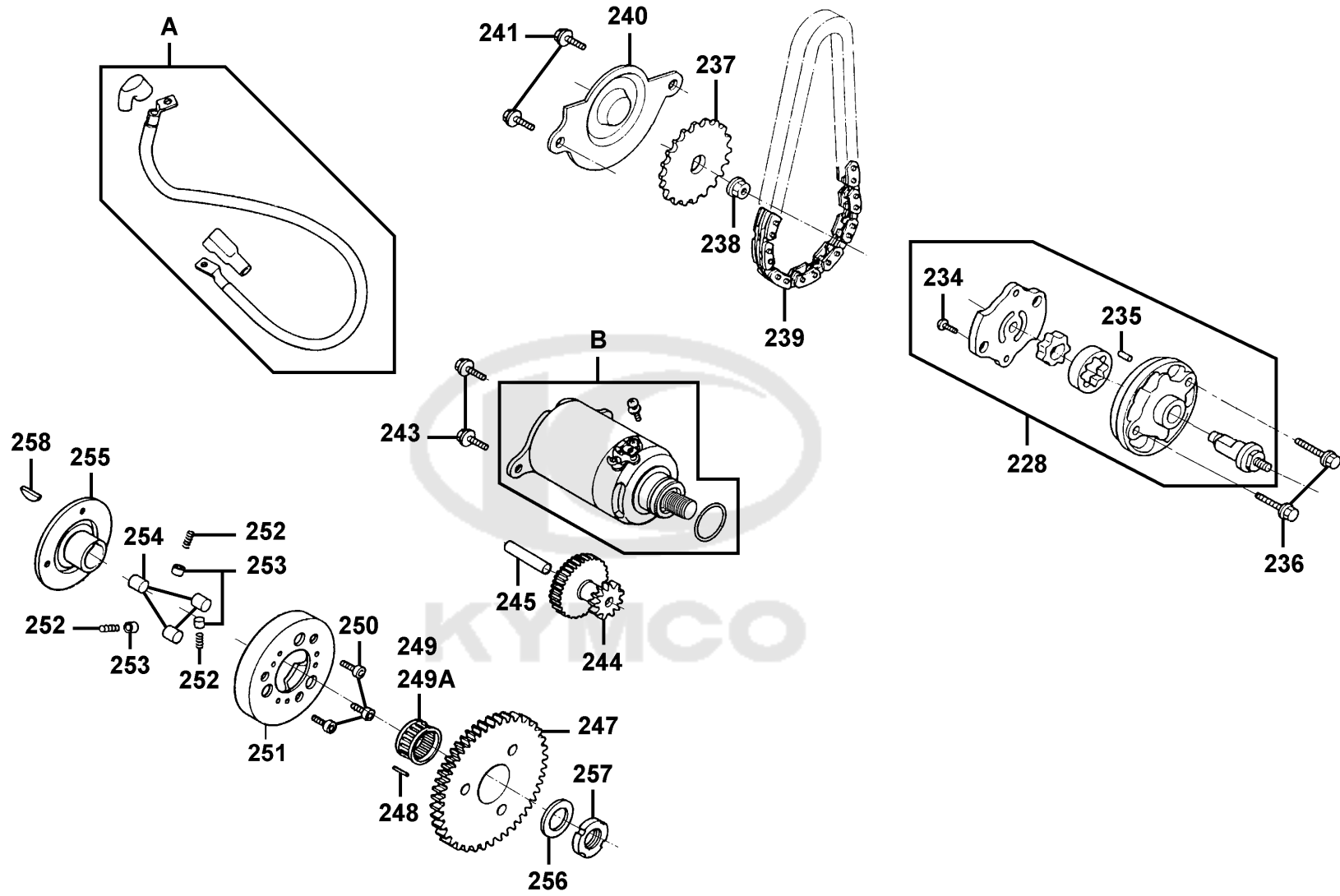
Sales mark 記号	Ref no 参照用番号	Part no パーツ番号	Description 部品名	Reg description 部品名	Regd no 必要個数	Ref Price 希望小売価 格(税抜)	E06
181		22101-GFY6-941	OUTER CLUTCH	OUTER CLUTCH	1	4760	
215		22102-KUDU-220	FACE DRIVE	FACE DRIVE	1	2290	
207		22105-GFY6-220	BOSS DRIVE FACE	BOSS DRIVE FACE	1	960	
208		22110-KUDU-220	FACE COMP MOVABLE DRIVE	FACE COMP MOVABLE DRIVE	1	2770	
209		22111-KUDU-220	FACE MOVEABLE DRIVE	FACE MOVEABLE DRIVE	1	2670	
210		22112-GFY6-90A	BUSH 24*28*30	BUSH 24*28*30	1	250	
212		22121-KKD9-305	ROLLER SET WEIGHT (1SET:6PCS)	ROLLER SET WEIGHT(旧品番の22121-KKD9	1	330	
213		22131-GFY6-901	PLATE RAMP	PLATE RAMP	1	1340	
214		22132-LKB9-900	PIECE SLIDE	PIECE SLIDE	3	230	
182		22300-LHJ3-900	PLATE ASSY DRIVE	PLATE ASSY DRIVE	1	12140	
183		22350-GFY6-90A	PLATE COMP DRIVE	PLATE COMP DRIVE	1	1250	
183		22350-LHJ3-900	PLATE COMP DRIVE	PLATE COMP DRIVE	1	1910	
187		22361-KGN7-671	PLATE CLUTCH SIDE	PLATE CLUTCH SIDE	1	390	
187		22361-LHJ3-900	PLATE CLUTCH SIDE	PLATE CLUTCH SIDE	1	590	
184		22401-GFY6-90A	SPRING CLUTCH	SPRING CLUTCH	3	140	
184		22401-LHJ3-900	SPRING CLUTCH	SPRING CLUTCH(車台番号「	3	180	
185		22530-LHJ3-900	WEIGHT CLUTCH	WEIGHT CLUTCH(車台番号「	3	2890	
186		22804-GBB2-001	RUBBER CLUTCH DAMPER	RUBBER CLUTCH DAMPER	3	200	
A		2301A-KEC6-900	PULLEY SUB ASSY	PULLEY SUB ASSY	1	17590	
205		23100-KEC4-900	BELT DRIVE	BELT DRIVE	1	5660	



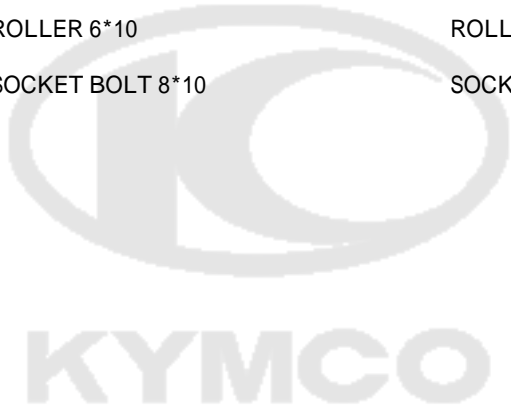
Sales mark 記号	Ref no 参照用番号	Part no パーツ番号	Description 部品名	Reg description 部品名	Regd no 必要個数	Ref Price 希望小売価格(税抜)	E06
189		23200-GFY6-901	FACE ASSY DRIVEN	FACE ASSY DRIVEN	1	9890	
194		23220-KFBF-900	FACE COMP MOVABLE DRIVEN	FACE COMP MOVABLE DRIVEN	1	5710	
195		23225-GHC8-004	PIN ROLLER GUIDE	PIN ROLLER GUIDE	3	60	
196		23226-GHC8-004	ROLLER GUIDE	ROLLER GUIDE	3	60	
197		23233-GCW3-011	SPG DRIVEN FACE	SPG DRIVEN FACE	1	1060	
198		23237-GFY6-941	COLLAR SEAL	COLLAR SEAL	1	580	
199		23238-GFY6-941	COLLAR SPG	COLLAR SPG	1	450	
218		28211-KUDU-900	RATCHET KICK STARTER	RATCHET KICK STARTER	1	970	
200		90202-1G87-001	NUT SPECIAL 28MM	NUT SPECIAL 28MM	1	100	
216		90426-KNBN-901	WASHER SPECIAL 12MM	WASHER SPECIAL 12MM	1	70	
203		90441-GFY6-941	WASHER 12.2*29*2.5	WASHER 12.2*29*2.5	1	70	
211		90601-GFY6-901	CLIP 28MM	CLIP 28MM	2	60	
188		90605-1F66-721	CIR CLIP 7MM	CIR CLIP 7MM	3	60	
191		91001-GFY6-90A	BRG NDL 20*29*18	BRG NDL 20*29*18	1	480	
192		91002-GGA7-70A	BRG BALL RADIAL 6902U	BRG BALL RADIAL 6902U	1	510	
201		91211-KEBE-900	SEAL DRIVEN FACE 34*41*4	SEAL DRIVEN FACE 34*41*4	2	770	
202		91351-6B42-000	O-RING PINION CAP	O-RING PINION CAP	2	200	
204		94050-12080	NUT C FLANGE 12MM	NUT C FLANGE 12MM	2	60	
193		94520-28000	CIR CLIP IN 28	CIR CLIP IN 28	1	60	



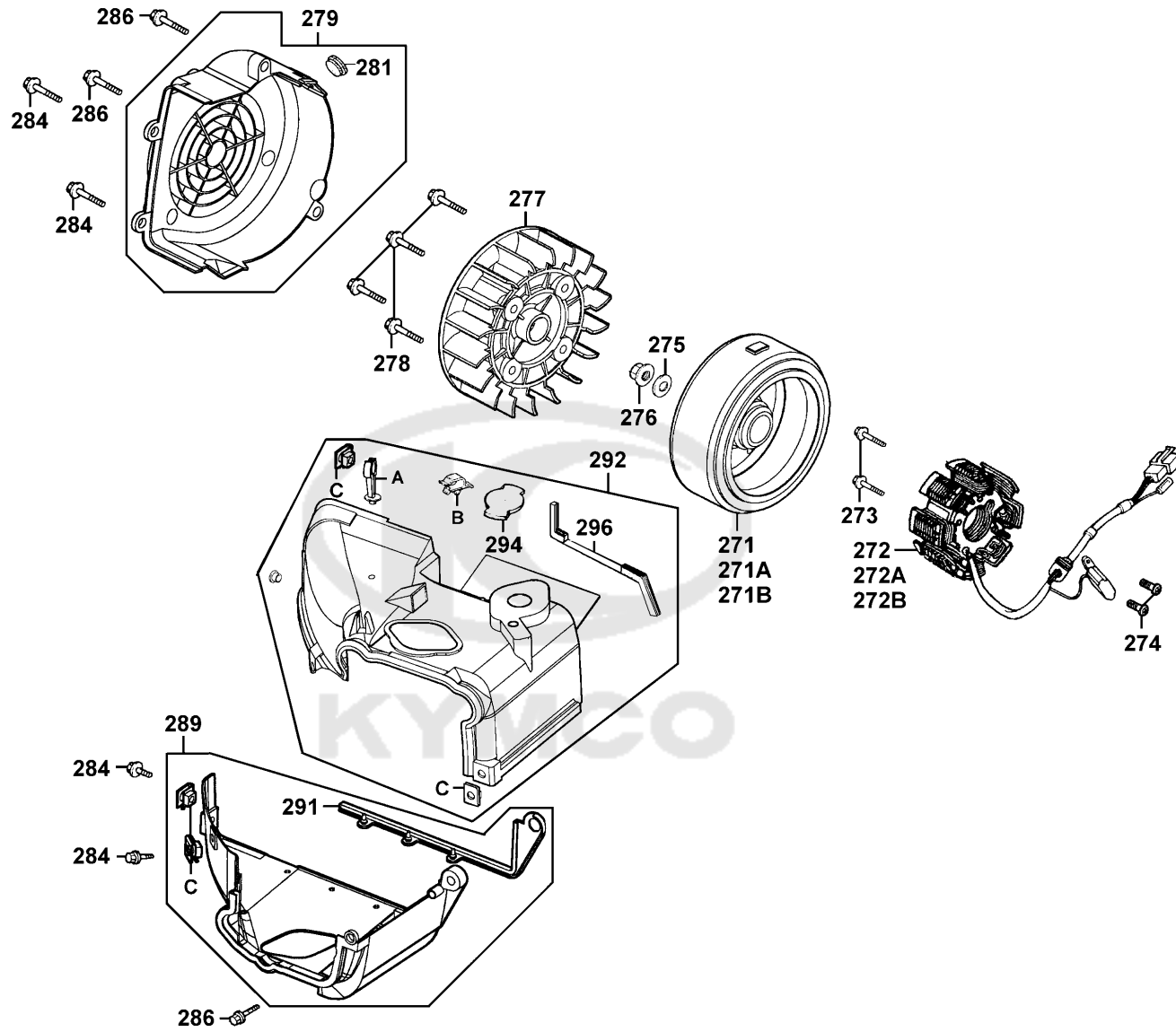
Sales mark 記号	Ref no 参照用番号	Part no パーツ番号	Description 部品名	Reg description 部品名	Regd no 必要個数	Ref Price 希望小売価格(税抜)	E07
	228	15100-KFB7-900	PUMP ASSY OIL	PUMP ASSY OIL	1	3240	
	237	15133-GFY6-901	SPRKT OIL PUMP DRIVEN	SPRKT OIL PUMP DRIVEN	1	580	
	239	15141-GFY6-90B	CHAIN OIL PUMP	CHAIN OIL PUMP	1	2230	
	239	15141-GFY6-90C	CHAIN OIL PUMP	CHAIN OIL PUMP	1	2230	
	240	15711-KUDU-900	SEPARATER OIL	SEPARATER OIL	1	390	
	244	28101-GFY6-901	GEAR STARTER REDUCTION	GEAR STARTER REDUCTION	1	2860	
	245	28102-GFY6-901	SHAFT STARTER REDUCTION GEAR	SHAFT STARTER REDUCTION GEAR	1	300	
	247	28110-GFY6-901	GEAR COMP STARTING CLUTCH	GEAR COMP STARTING CLUTCH	1	4600	
	251	28120-GFY6-315	OUTER COMP STARTING CLUTCH	OUTER COMP STARTING CLUTCH	1	7800	
	252	28125-4F26-001	SPRING ROLLER STARTER CLUTCH	SPRING ROLLER STARTER CLUTCH	3	160	
	255	28125-GFY6-960	FLANGE STARTING CLUTCH	FLANGE STARTING CLUTCH	1	2010	
	253	28126-KUDU-900	CAP STARTING ROLLER SPRING	CAP STARTING ROLLER SPRING	3	160	
B		31210-GFY6-200	MOTOR UNIT START	MOTOR UNIT START	1	16840	
B		31210-GFY6-20C	MOTOR UNIT START	MOTOR UNIT START	1	16840	
A		32410-KUDU-900	CABLE START MOTOR	CABLE START MOTOR	1	960	
	257	90201-GFY6-901	NUT LOCK 22MM	NUT LOCK 22MM	1	110	
	256	90403-KUDU-900	WASHER THRUST 22.2*39*2.5	WASHER THRUST 22.2*39*2.5	1	120	
	258	90701-HFB6-011	KEY WOODRUFF 25*14*4	KEY WOODRUFF 25*14*4	1	60	
	254	91101-1K79-711	ROLLER 10*10	ROLLER 10*10	3	60	
	249	91104-GFY6-90C-B	BRG NEEDLE/28*32*17/0.002-0.004	BRG NEEDLE/28*32*17/0.002-0.004	1	360	



Sales mark 記号	Ref no 参照用番号	Part no パーツ番号	Description 部品名	Reg description 部品名	Regd no 必要個数	Ref Price 希望小売価格(税抜)	E07
249A		91104-GFY6-90C-R	BRG NEEDLE 28*32*17	BRG NEEDLE 28*32*17	1	360	
234		93500-03010-0F	SCREW PAN 3X10 (G)	SCREW PAN 3X10 (G)	1	60	
238		94050-06080	NUT FLANGE 6MM	NUT FLANGE 6MM	1	60	
235		94303-04065	DOWEL PIN 4*6.5	DOWEL PIN 4*6.5	1	60	
241		96001-06012-06	BOLT FLANGE SH 6*12	BOLT FLANGE SH 6*12	1	60	
243		96001-06016-06	BOLT FLANGE SH 6X16	BOLT FLANGE SH 6X16	1	60	
236		96001-06028-06	BOLT FLANGE SH 6*28	BOLT FLANGE SH 6*28	1	60	
248		96220-60100	ROLLER 6*10	ROLLER 6*10	1	60	
250		96600-08010-16	SOCKET BOLT 8*10	SOCKET BOLT 8*10	1	60	

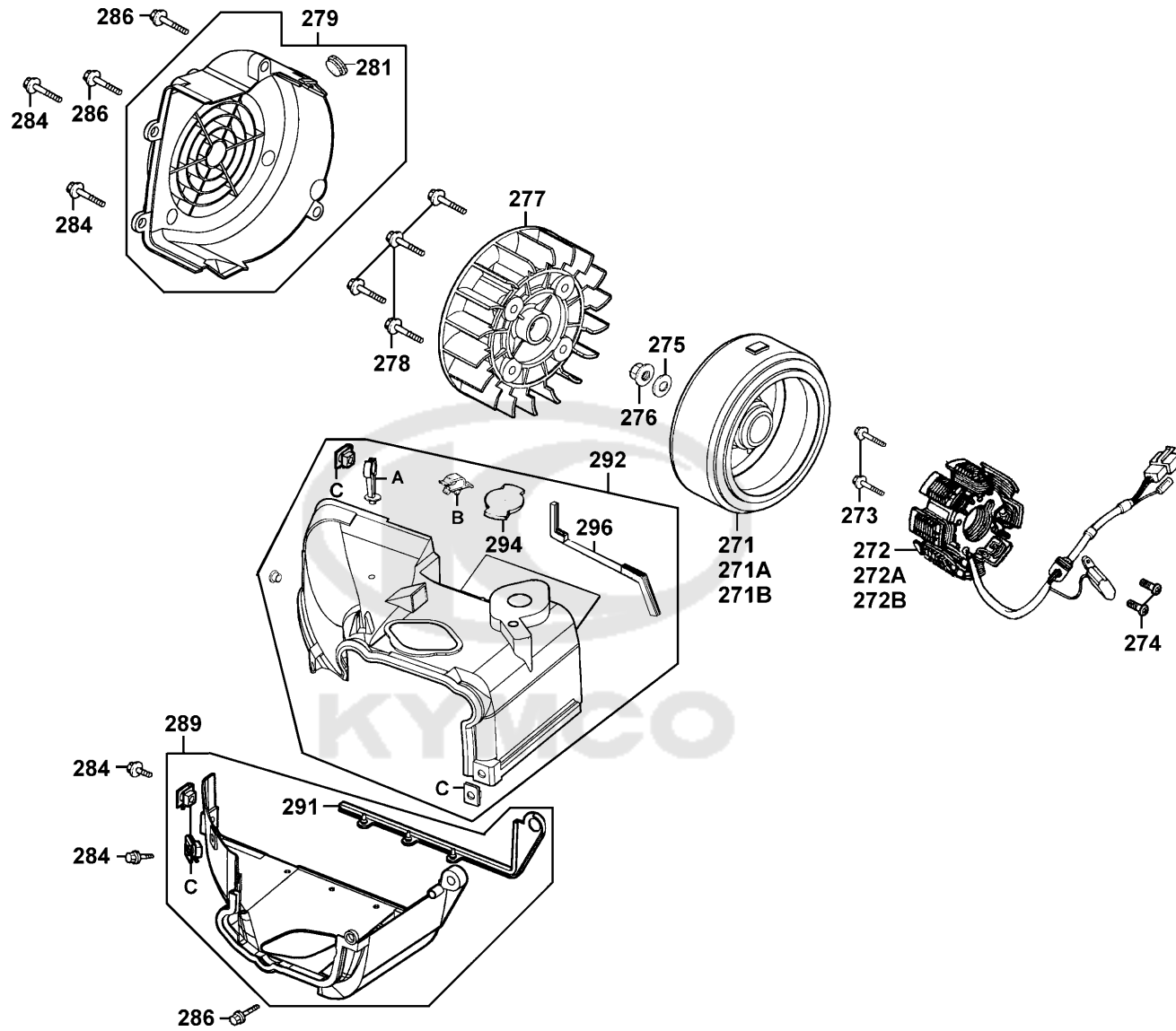


Starting Motor Oil Pump



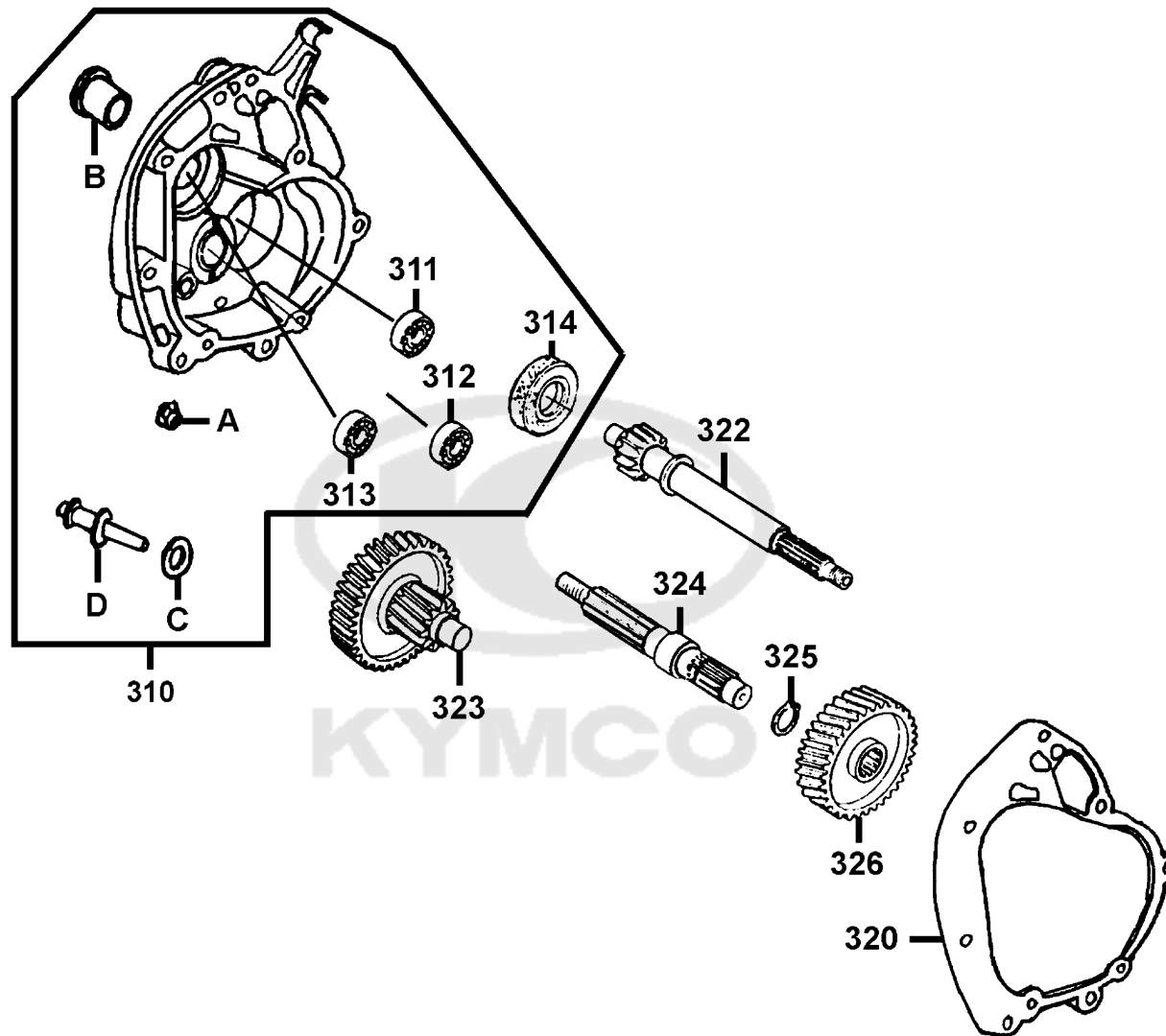
Sales mark 記号	Ref no 参照用番号	Part no パーツ番号	Description 部品名	Reg description 部品名	Regd no 必要個数	Ref Price 希望小売価格(税抜)	E08
B		11386-GFY6-900	CLIP VACUUM TUBE	CLIP VACUUM TUBE	1	60	
277		19510-GFY6-901	FAN COMP COOLING	FAN COMP COOLING	1	770	
279		1961A-KUDU-E10	COVER ASSY FAN	COVER ASSY FAN	1	2860	
291		19626-KUDU-900	SEAL SHROUD A	SEAL SHROUD A	1	870	
289		1962A-KUDU-900	SHROUD ASSY A	SHROUD ASSY A	1	2790	
A		19632-GFY6-901	CLIP HIGHTENSION CORD	CLIP HIGHTENSION CORD	1	200	
294		19633-GFY6-901	GROMET SHROUD B	GROMET SHROUD B	1	200	
296		19636-KUDU-C00	SEAL SHROUD B	SEAL SHROUD B	1	960	
292		1963A-KUDU-C00	SHROUD ASSY B	SHROUD ASSY B	1	2860	
271		31110-KUDU-90A	FLYWHEEL COMP (D402)	FLYWHEEL COMP	1	10080	
271A		31110-KUDU-90B	FLYWHEEL COMP (D406)	FLYWHEEL COMP /D406	1	10080	
271B		31110-KUDU-90C	FLYWHEEL COMP (D414)	FLYWHEEL COMP /D414	1	10080	
272		31120-KUDU-90A	STATOR COMP (D402)	STATOR COMP /D402	1	11600	
272A		31120-KUDU-90B	STATOR COMP (D406)	STATOR COMP /D406	1	11600	
272B		31120-KUDU-90C	STATOR COMP (D414)	STATOR COMP /D414	1	11600	
281		70529-6G57-671	GROM B SIDE PNL	GROM B SIDE PNL	1	200	
C		90305-GHK8-001	NUT CLIP 6MM	NUT CLIP 6MM	4	60	
275		90440-1F66-001	WASHER PLAIN 12MM	WASHER PLAIN 12MM	1	60	
274		92101-05012-0G	BOLT HEX 5*12 (G)	BOLT HEX 5*12 (G)	1	60	
276		94050-12080	NUT C FLANGE 12MM	NUT C FLANGE 12MM	1	60	

Starting Motor Oil Pump

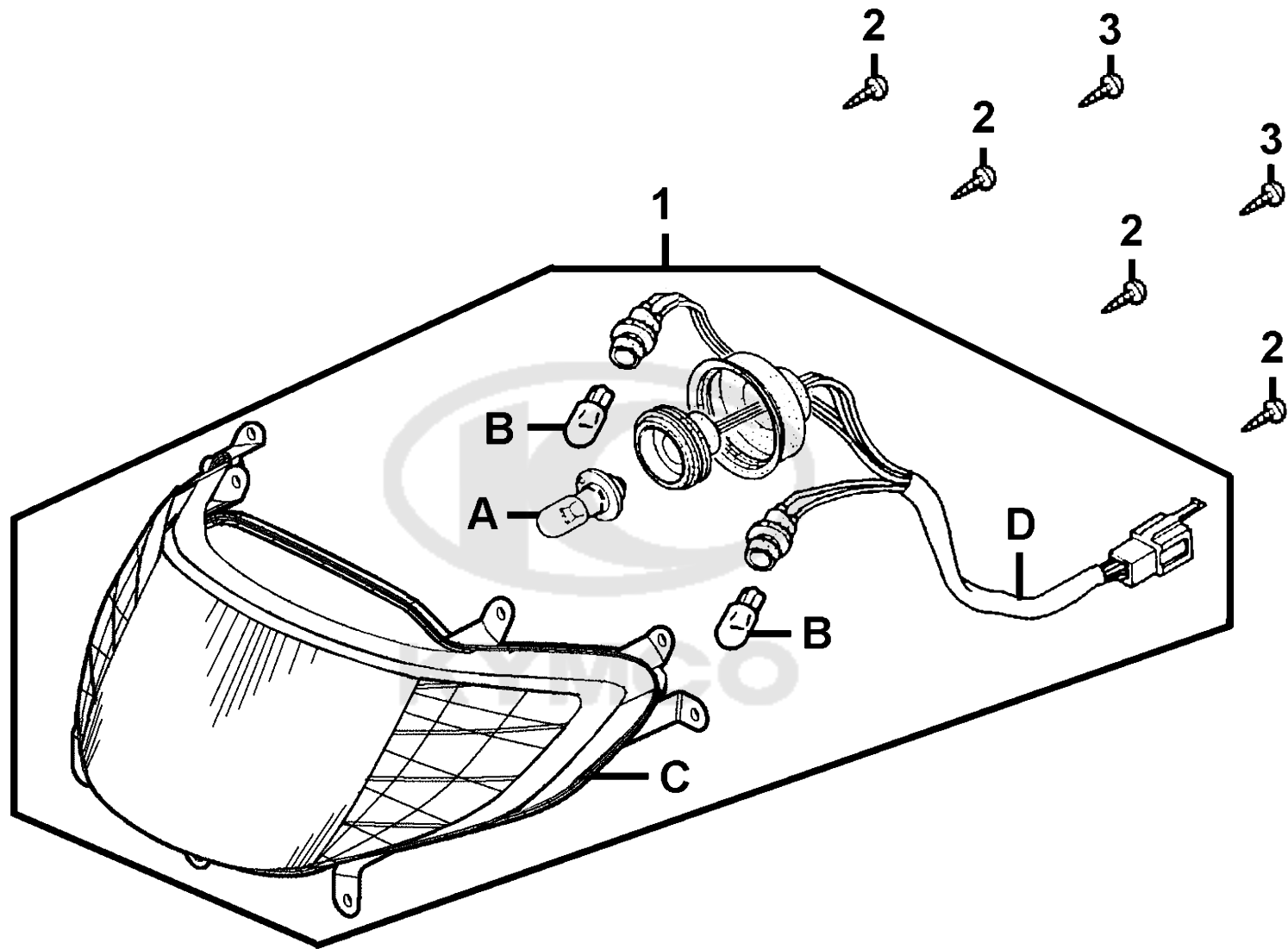


Sales mark 記号	Ref no 参照用番号	Part no パーツ番号	Description 部品名	Reg description 部品名	Regd no 必要個数	Ref Price 希望小売価格(税抜)	E08
284	96001-06016-06	96001-06016-06	BOLT FLANGE SH 6X16	BOLT FLANGE SH 6X16	1	60	
278	96001-06018-06	96001-06018-06	BOLT FLANGE SH 6X18	BOLT FLANGE SH 6X18	1	60	
273	96001-06020-06	96001-06020-06	BOLT FLANGE SH 6*20	BOLT FLANGE SH 6*20	1	200	
286	96001-06025-06	96001-06025-06	BOLT FLANGE SH 6*25	BOLT FLANGE SH 6*25	1	60	



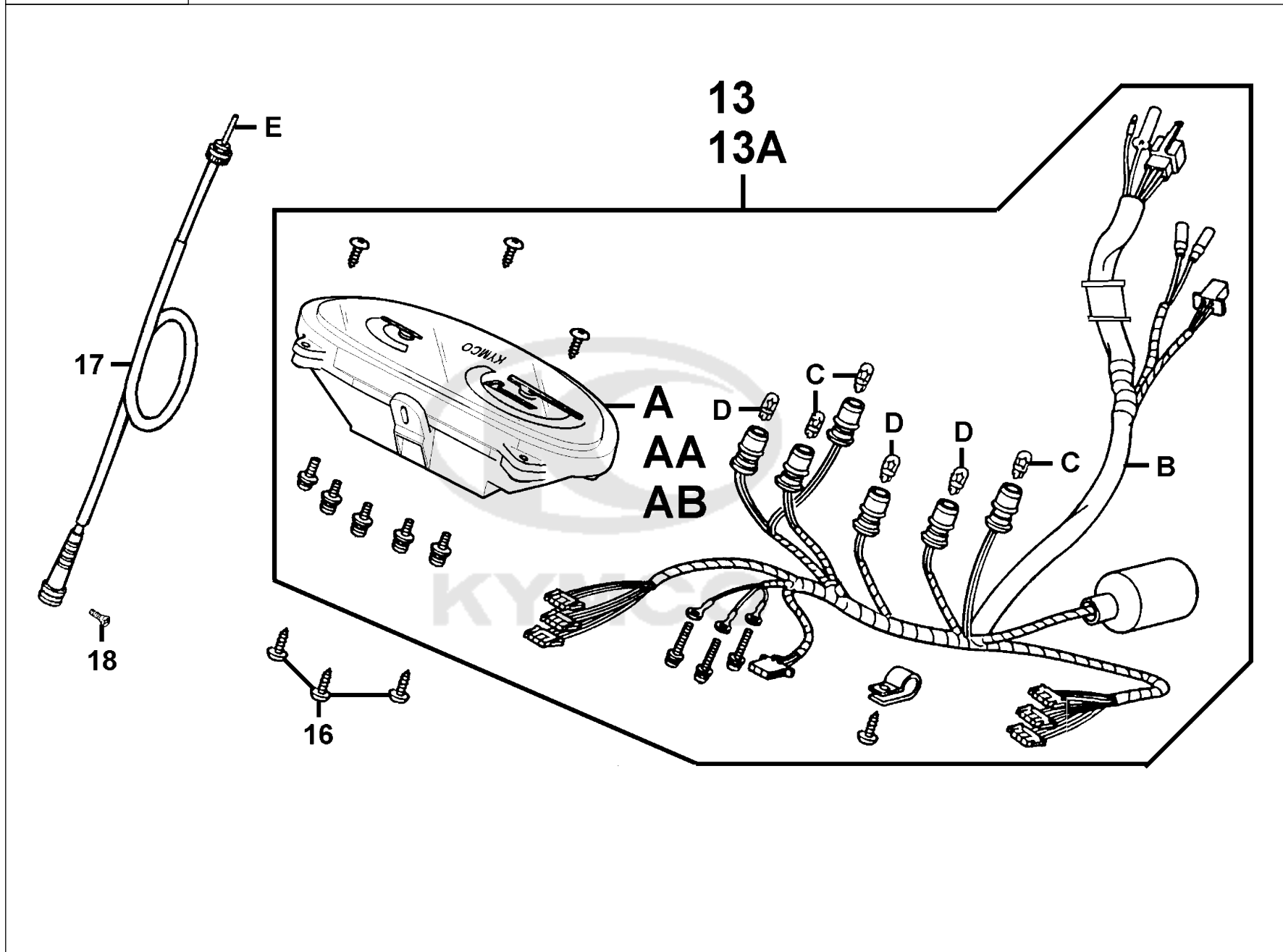


Sales mark 記号	Ref no 参照用番号	Part no パーツ番号	Description 部品名	Reg description 部品名	Regd no 必要個数	Ref Price 希望小売価 格(税抜)	E09
D		11203-KUDU-900	PIN BRAKE SHOE ANCHOR	PIN BRAKE SHOE ANCHOR	1	680	
310		21200-KEC4-305	CASE SET MISSION	CASE SET MISSION	1	15210	
B		21201-KUDU-900	BUSH MISSION	BUSH MISSION	1	870	
320		21395-KEC4-980	GASKET MISSION CASE	GASKET MISSION CASE	1	920	
322		23411-KKD9-900	SHAFT DRIVE	SHAFT DRIVE	1	4000	
323		23420-KKD9-900	SHAFT COMP COUNTER	SHAFT COMP COUNTER	1	8280	
324		23431-KUDU-900	SHAFT FINAL	SHAFT FINAL	1	4570	
326		23432-KEC4-900	GEAR FINAL	GEAR FINAL	1	6350	
A		90309-KLF0-004	NUT FLANGE 8MM	NUT FLANGE 8MM	1	60	
313		91003-KDS4-004	BRG BALL RADIAL 6301TMB	BRG BALL RADIAL 6301TMB	1	620	
311		91009-GLE0-004	BRG BALL RADIAL 6004 UU	BRG BALL RADIAL 6004 UU	1	1300	
314		91255-GLE0-006	OIL SEAL 27*42*7	OIL SEAL 27*42*7	1	60	
C		91301-0C53-001	O RING 7.5*1.5	O RING 7.5*1.5	1	60	
325		94510-20000	CIR CLIP EX 20	CIR CLIP EX 20	1	60	
312		96100-60020-00	BRG BALL RADIAL 6002	BRG BALL RADIAL 6002	1	250	



Sales mark 記号	Ref no 参照用番号	Part no パーツ番号	Description 部品名	Reg description 部品名	Regd no 必要個数	Ref Price 希望小売価格(税抜)	F01
1		33100-KUDU-E00	LIGHT ASSY HEAD	LIGHT ASSY HEAD	1	13120	
C		33120-KUDU-E00	UNIT HEAD LIGHT	UNIT HEAD LIGHT	1	8370	
D		33130-KUDU-E00	SOCKET COMP	SOCKET COMP	1	1920	
A		34901-KBAB-900	BULB HEAD LIGHT	BULB HEAD LIGHT	2	4580	
B		34903-KPCP-900	BULB POSITION LIGHT 12V5W **KCP-	BULB POSITION LIGHT 12V5W **KCP-9000	2	320	
3		93903-14360	SCREW TAPPING 4*12	SCREW TAPPING 4*12	2	60	
2		93903-45360	SCREW WASHER 4*12	SCREW WASHER 4*12	4	200	

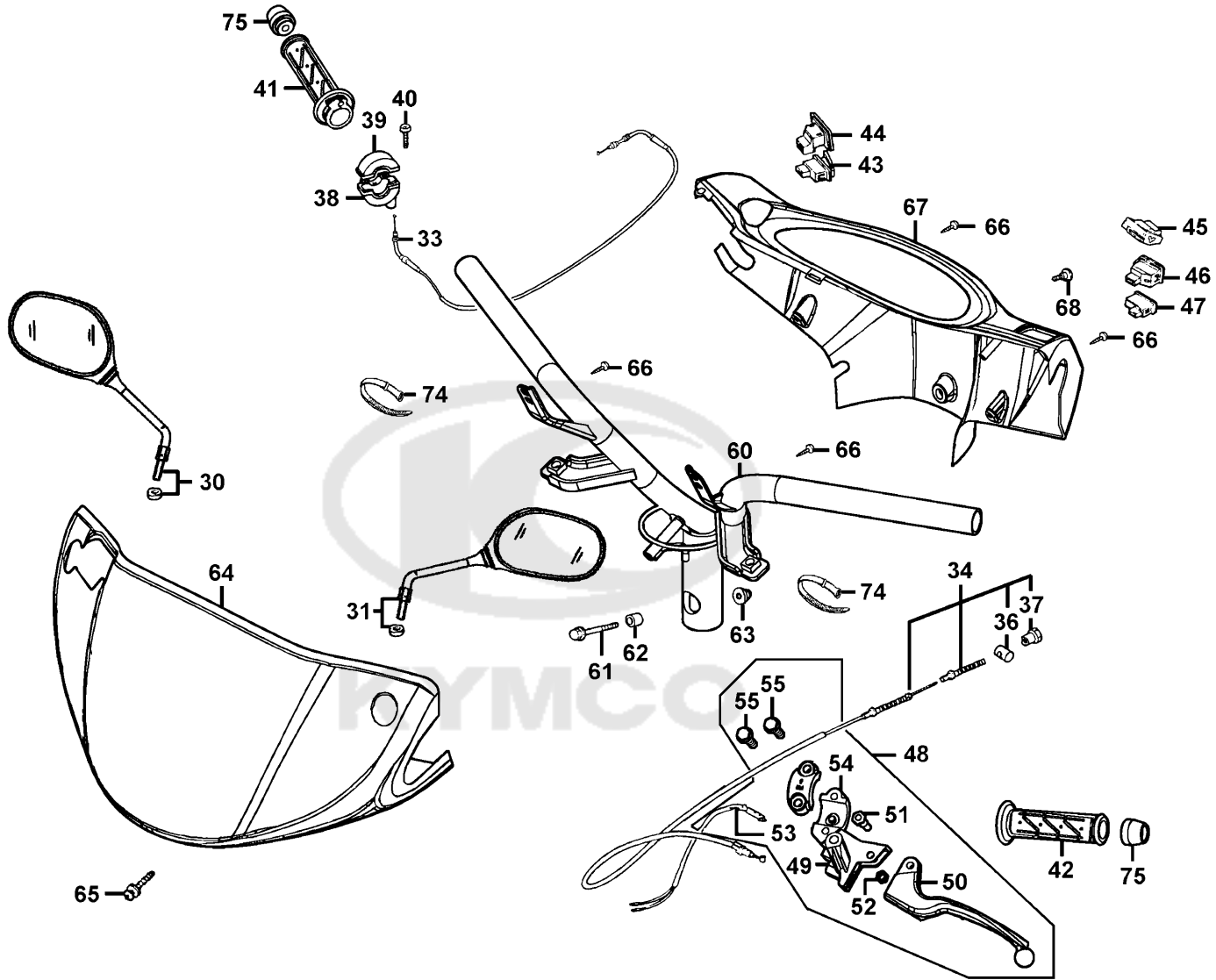




Sales mark 記号	Ref no 参照用番号	Part no パーツ番号	Description 部品名	Reg description 部品名	Regd no 必要個数	Ref Price 希望小売価格(税抜)
D		34908-GGA7-70A	BULB WEDGE BASE 12V*3.4W	BULB WEDGE BASE 12V*3.4W	3	130
C		34908-MKB9-87A	BULB WEDGE BASE T10	BULB WEDGE BASE T10	3	130
A		37119-KUDU-900	LENS	LENS	1	960
AA		37119-KUDU-90A	LENS	LENS	1	960
AB		37119-KUDU-90B	LENS	LENS	1	960
13		37200-KKD9-B2A	METER ASSY SPEED	METER ASSY SPEED	1	17680
13A		37200-KKD9-B2B	METER ASSY SPEED	METER ASSY SPEED	1	18630
B		37224-KKD7-E00	SOCKET COMP METER	SOCKET COMP METER	1	5140
17		44830-KXCX-901	CABLE COMP SPDMT	CABLE COMP SPDMT	1	1010
E		44831-KXCX-900	CABLE INNER	CABLE INNER	1	580
18		93700-05018-0F	SCREW OVAL 5*18	SCREW OVAL 5*18	1	60
16		93903-35360	SCREW WASHER 4*12	SCREW WASHER 4*12	1	60

F02

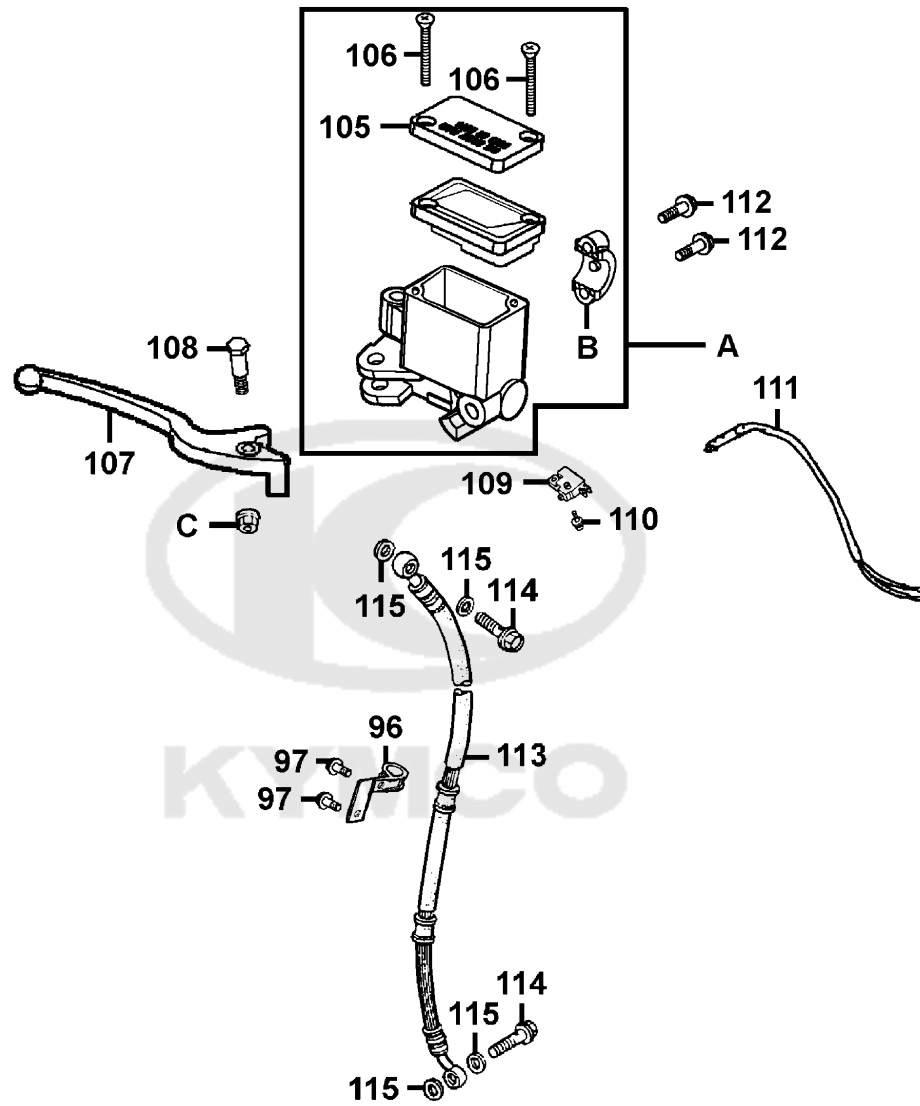
Sales mark 記号	Ref no 参照用番号	Part no パーツ番号	Description 部品名	Reg description 部品名	Regd no 必要個数	Ref Price 希望小売価格(税抜)	F03
	33	17910-LAD9-900	CABLE COMP THROT	CABLE COMP THROT	1	1910	
	44	35150-GFY6-900	SW UNIT LIGHTING	SW UNIT LIGHTING	1	680	
	43	35160-GFY6-900	SW UNIT STARTER	SW UNIT STARTER	1	580	
	45	35170-KNBN-910	SW UNIT DIMMER & PASSING	SW UNIT DIMMER & PASSING	1	1110	
	47	35180-GFY6-900	SW UNIT HORN	SW UNIT HORN	1	560	
	46	35200-GFY6-910	SW UNIT WINKER	SW UNIT WINKER	1	830	
	53	35340-KFLF-900	SW ASSY FR STOP	SW ASSY FR STOP	1	540	
	34	43450-KKD7-900	CABLE COMP RR BRK	CABLE COMP RR BRK	1	2030	
	54	45517-GFY6-900	HOLDER HNDL BRKT	HOLDER HNDL BRKT	1	260	
	60	53100-KKD7-900	HANDLE COMP STRG	HANDLE COMP STRG	1	7420	
	75	53105-KNBN-910	END STRG HANDLE	END STRG HANDLE	2	300	
	62	53125-GEN5-901	COLLAR HANDLE SET	COLLAR HANDLE SET	1	390	
**	41	53140-KGB5-900	GRIP COMP THROT	GRIP COMP THROT	1	870	
**	42	53166-KGB5-900	GRIP L HANDLE	GRIP L HANDLE	1	770	
	38	53167-GAR1-951	HOUSING UND THROT	HOUSING UND THROT	1	440	
	38	53167-LHJ6-900	HOUSING UND THROT	HOUSING UND THROT	1	320	
	39	53168-GAR1-951	HOUSING UP THROT	HOUSING UP THROT	1	300	
	39	53168-KFA1-900	HOUSING UP THROT	HOUSING UP THROT	1	300	
	49	53172-KUDU-901	BRKT HNDL L	BRKT HNDL L	1	1060	
**	50	53178-KXCX-E90	LEVER L STRG HNDL	LEVER L STRG HNDL	1	1850	



Sales mark 記号	Ref no 参照用番号	Part no パーツ番号	Description 部品名	Reg description 部品名	Regd no 必要個数	Ref Price 希望小売価格(税抜)	F03
	48	5317B-KUDU-E00	BRKT ASSY L/H HANDLE	BRKT ASSY L/H HANDLE	1	2960	
**	64	53205-KKD7-900	COVER FR HANDLE	COVER FR HANDLE	1	4670	
**	67	53206-KUDU-901	COVER HANDLE RR	COVER HANDLE RR	1	2580	
	30	88110-KUDU-E00	MIRROR ASSY R BACK	MIRROR ASSY R BACK	1	2010	
	31	88120-KUDU-E00	MIRROR ASSY L BACK	MIRROR ASSY L BACK	1	1870	
	61	90106-GEN5-901	BOLT FLANGE 10*50	BOLT FLANGE 10*50	1	80	
	51	90115-GLE0-001	BOLT HNDL LEVER PIVOT	BOLT HNDL LEVER PIVOT	1	60	
	68	90302-KNBN-900	BOLT PAN 5*10	BOLT PAN 5*10	1	60	
	63	90304-GHE8-004	NUT CAP 6MM	NUT CAP 6MM	1	200	
	74	90656-KCBC-900	BAND OIL HANDLE	BAND OIL HANDLE	1	60	
	40	93500-05022-0F	SCREW PAN 5X22 (G)	SCREW PAN 5X22 (G)	1	60	
	65	93891-05040-06	SCREW WASHER 5*40	SCREW WASHER 5*40	1	200	
	66	93903-34360	SCREW WASHER 4*12	SCREW WASHER 4*12	4	60	
	52	94001-05080-0S	NUT HEX 5MM	NUT HEX 5MM	1	60	
	36	95015-32001	JOINT B BRAKE ARM	JOINT B BRAKE ARM	1	60	
	37	95015-42000	NUT B ADJUST	NUT B ADJUST	1	60	
	55	95701-06025-06	BOLT FLANGE 6*25	BOLT FLANGE 6*25	1	60	

F04

Brake Master Cylinder

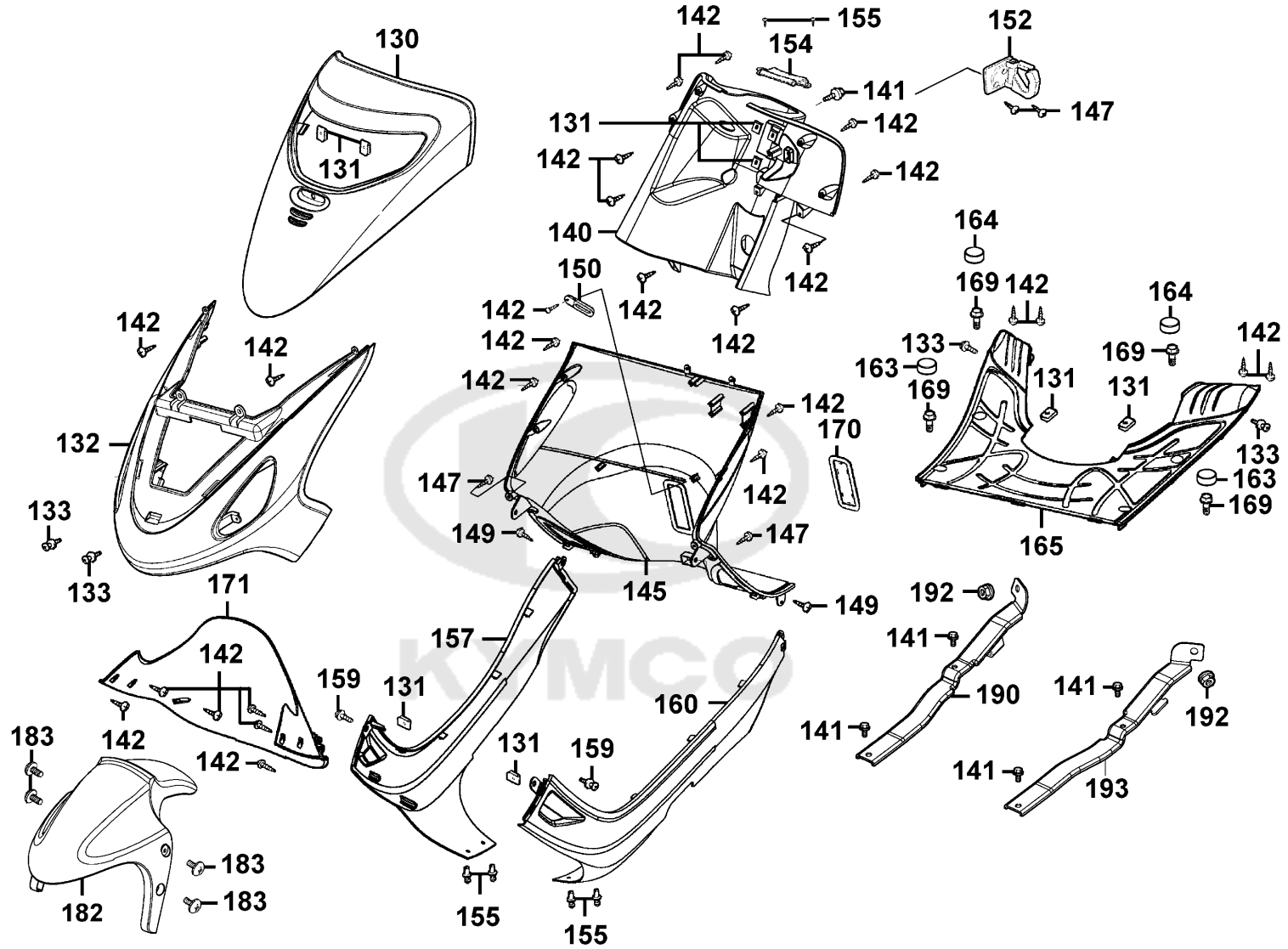


Sales mark 記号	Ref no 参照用番号	Part no パーツ番号	Description 部品名	Reg description 部品名	Regd no 必要個数	Ref Price 希望小売価格(税抜)
	111	32106-KNBN-901	SUB HARNESS	SUB HARNESS	1	210
	109	35340-KNBN-901	SW ASSY FR STOP	SW ASSY FR STOP	1	960
	113	45126-KKD7-900	HOSE ASSY FR BRK	HOSE ASSY FR BRK	1	9040
	96	45128-KEBE-900	CLAMPER FR BRAKE HOSE	CLAMPER FR BRAKE HOSE	1	400
	105	45513-KFAF-901	CAP MASTER CYLINDER	CAP MASTER CYLINDER	1	580
	B	45517-KFAF-910	HOLDER M/C	HOLDER M/C	1	440
	A	45530-KFAF-305	CYLINDER SET MASTER	CYLINDER SET MASTER	1	11220
**	107	53175-KXBX-E10	LEVER R STRG HANDLE	LEVER R STRG HANDLE	1	1060
	108	90114-1F66-007	BOLT HANDLE LEVER	BOLT HANDLE LEVER	1	60
	114	90145-LEA3-E00	OIL BOLT 10x22	OIL BOLT 10x22	1	150
	115	90545-3L00-001	WASHER OIL BOLT	WASHER OIL BOLT	4	60
	106	93600-04012-1G	SCREW FLAT 4*12	SCREW FLAT 4*12	2	60
	110	93893-04012-18	SCREW WASHER 4*12	SCREW WASHER 4*12	1	60
	C	94050-06080	NUT FLANGE 6MM	NUT FLANGE 6MM	1	60
	97	95701-06012-06	BOLT FLANGE 6*22 (K)	BOLT FLANGE 6*22 (K)	1	60
	112	95701-06022-06	BOLT FLANGE 6*22	BOLT FLANGE 6*22	2	60

F04

F05

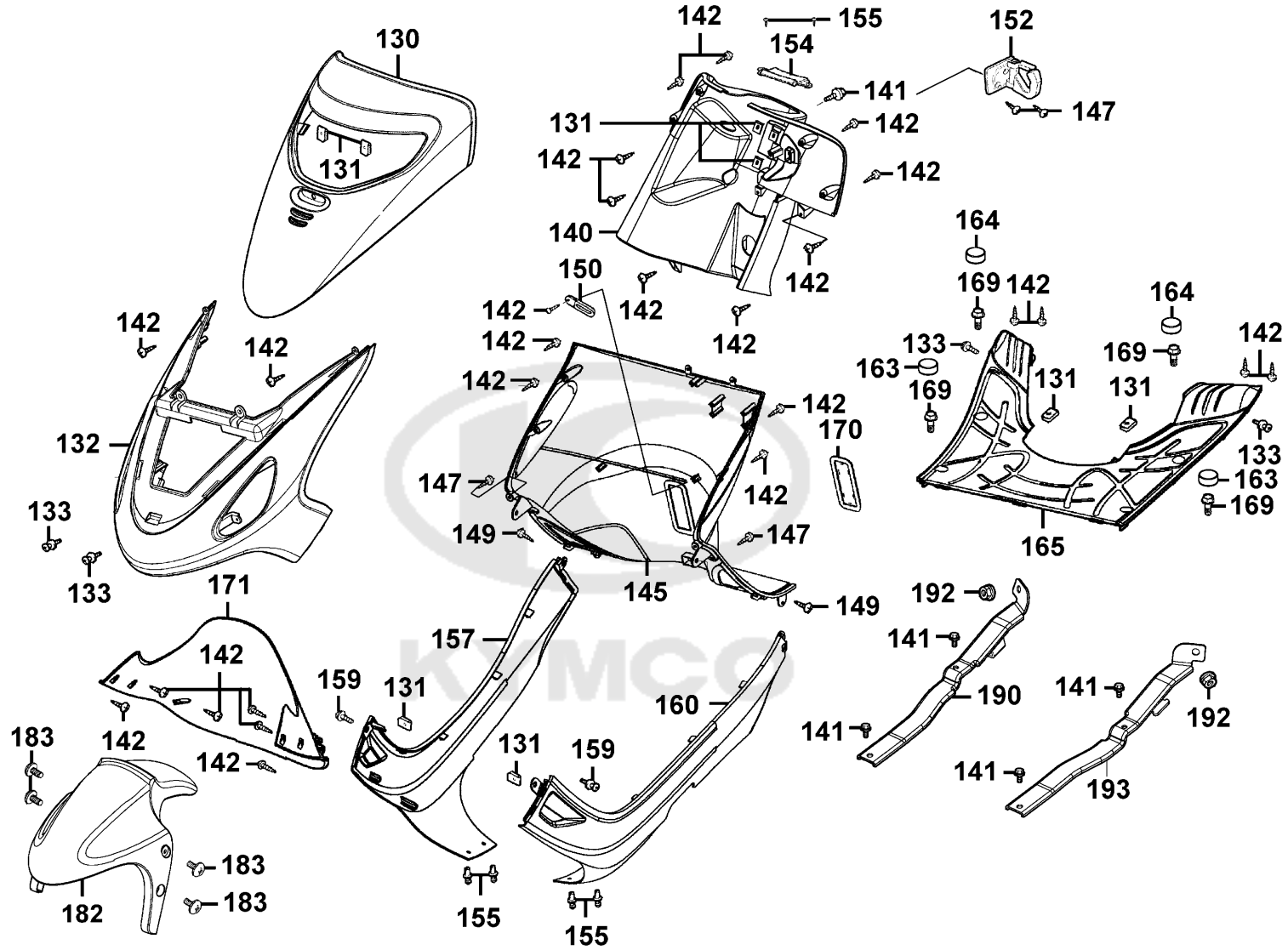
Front Cover Floor Panet



Sales mark 記号	Ref no 参照用番号	Part no パーツ番号	Description 部品名	Reg description 部品名	Regd no 必要個数	Ref Price 希望小売価格(税抜)	F05
	190	50611-KHD6-900	STAY R RNFCT	STAY R RNFCT	1	870	
	193	50612-KHD6-900	STAY L RNFCT	STAY L RNFCT	1	870	
**	182	61110-KKD7-900	FENDER FR	FENDER FR	1	3340	
**	130	64301-KKD7-900	COVER FRONT	COVER FRONT	1	9510	
**	132	64302-KKD7-900	MOLD FR	MOLD FR	1	5330	
**	157	64305-KHD6-900	SKIRT R SIDE	SKIRT R SIDE	1	1820	
**	160	64306-KHD6-900	SKIRT L SIDE	SKIRT L SIDE	1	1820	
**	165	64310-KHD6-900	FLOOR PANEL	FLOOR PANEL	1	4760	
**	164	64316-KHD6-900	PLUG FLOOR	PLUG FLOOR	2	200	
**	163	64317-KHD6-900	PLUG FLOOR A	PLUG FLOOR A	2	200	
**	171	64400-KHD6-900	COWL UNDER	COWL UNDER	1	4380	
**	140	81131-KHD6-800	LEG SHIELD UP	LEG SHIELD UP	1	3240	
**	154	81132-KHD6-900	CAP LEG SHIELD UP	CAP LEG SHIELD UP	1	300	
**	145	81141-KHD6-900	LEG SHIELD LOW	LEG SHIELD LOW	1	4760	
**	170	81142-KUDU-900	LID LEG SHIELD(VIN)(Black)	LID LEG SHIELD(VIN)(Black)	1	200	
	152	8376A-KECE-901	CLIP ASSY CENTER	CLIP ASSY CENTER	1	1060	
	183	90110-KEB7-900	SCREW SPECIAL 6*14	SCREW SPECIAL 6*14	4	130	
	169	90111-KKD7-900	BOLT FLANGE 6MM	BOLT FLANGE 6MM	4	230	
	133	90302-GFY6-901	BOLT WASH 5*12 **(1) C.V.	BOLT WASH 5*12 **(1) C.V.	4	60	
	131	90302-SDA4-004	NUT SPRING 4MM	NUT SPRING 4MM	8	60	

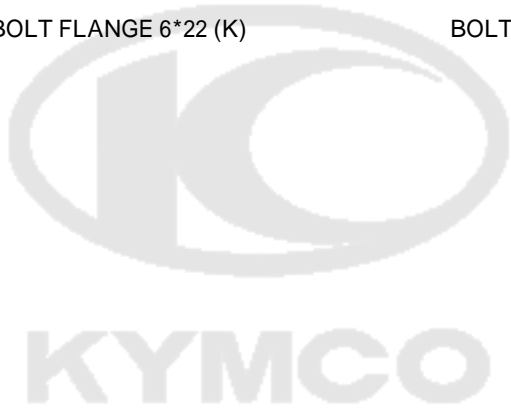
F05

Front Cover Floor Panet



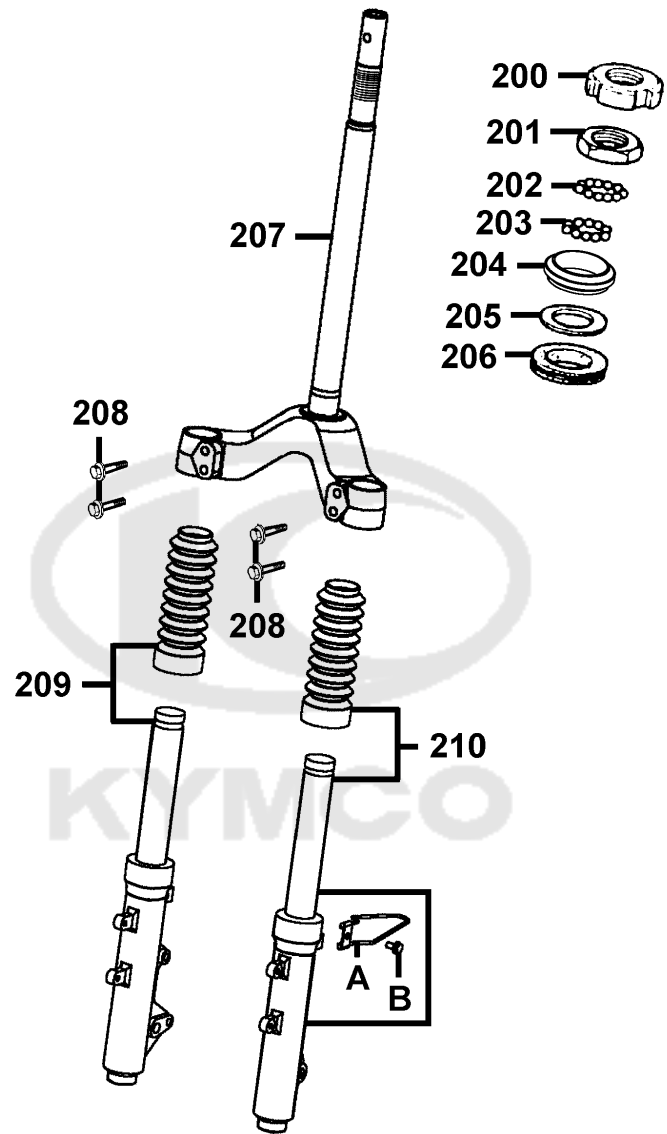
Sales mark 記号	Ref no 参照用番号	Part no パーツ番号	Description 部品名	Reg description 部品名	Regd no 必要個数	Ref Price 希望小売価格(税抜)
155	90683-GAR1-004		CLIP BODY COVER	CLIP BODY COVER	6	60
159	93404-06016-06		BOLT WASHER 6*16	BOLT WASHER 6*16	1	60
142	93903-34360		SCREW WASHER 4*12	SCREW WASHER 4*12	26	60
149	93903-45360		SCREW WASHER 4*12	SCREW WASHER 4*12	2	200
147	93903-GFY6-900		SCREW WASHER 4*12	SCREW WASHER 4*12	4	60
192	94050-06080		NUT FLANGE 6MM	NUT FLANGE 6MM	2	60
150	94591-27000		CLIP 2*70	CLIP 2*70	1	110
141	95701-06012-06		BOLT FLANGE 6*22 (K)	BOLT FLANGE 6*22 (K)	1	60

F05

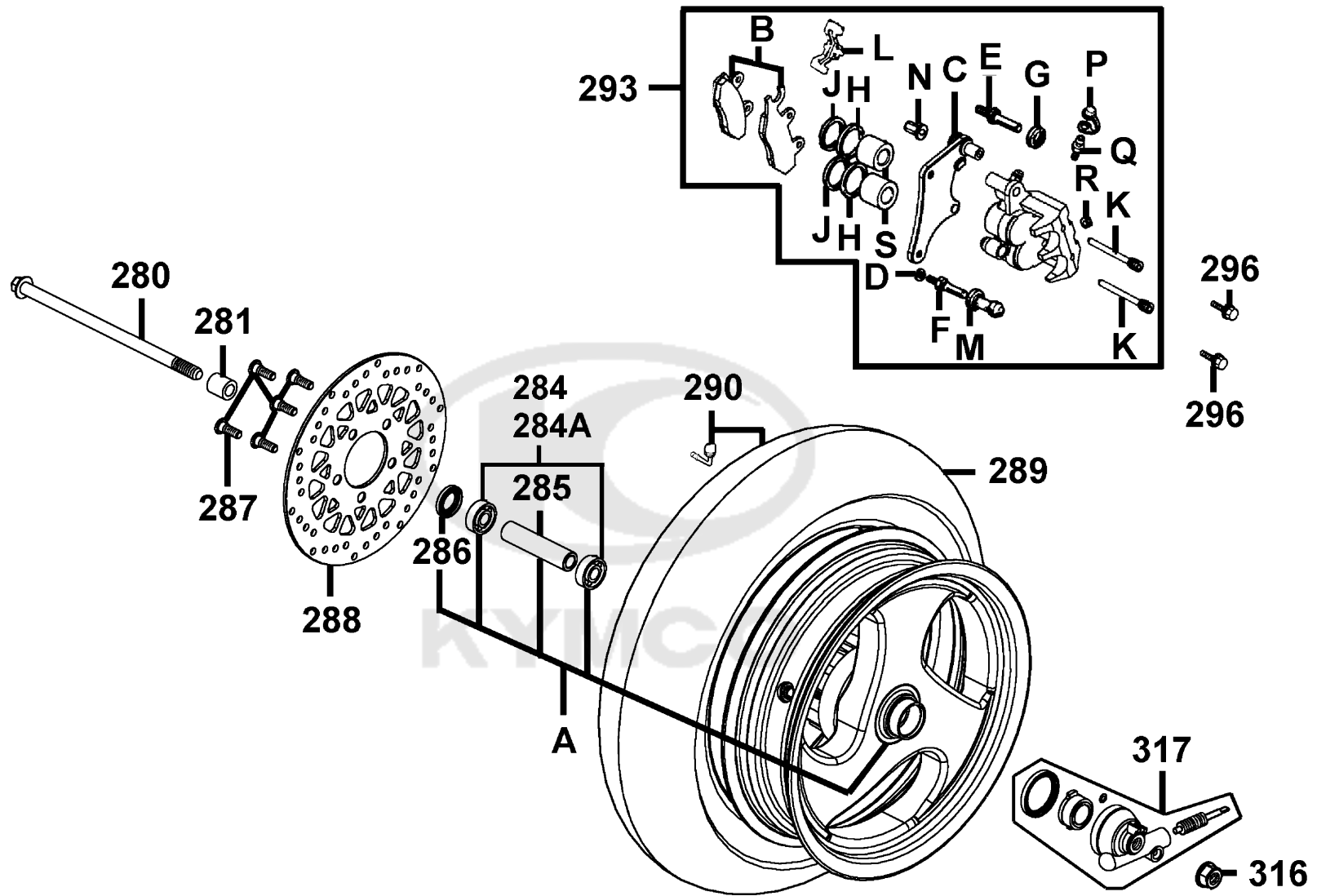


F06

Front Fork Front Cushion

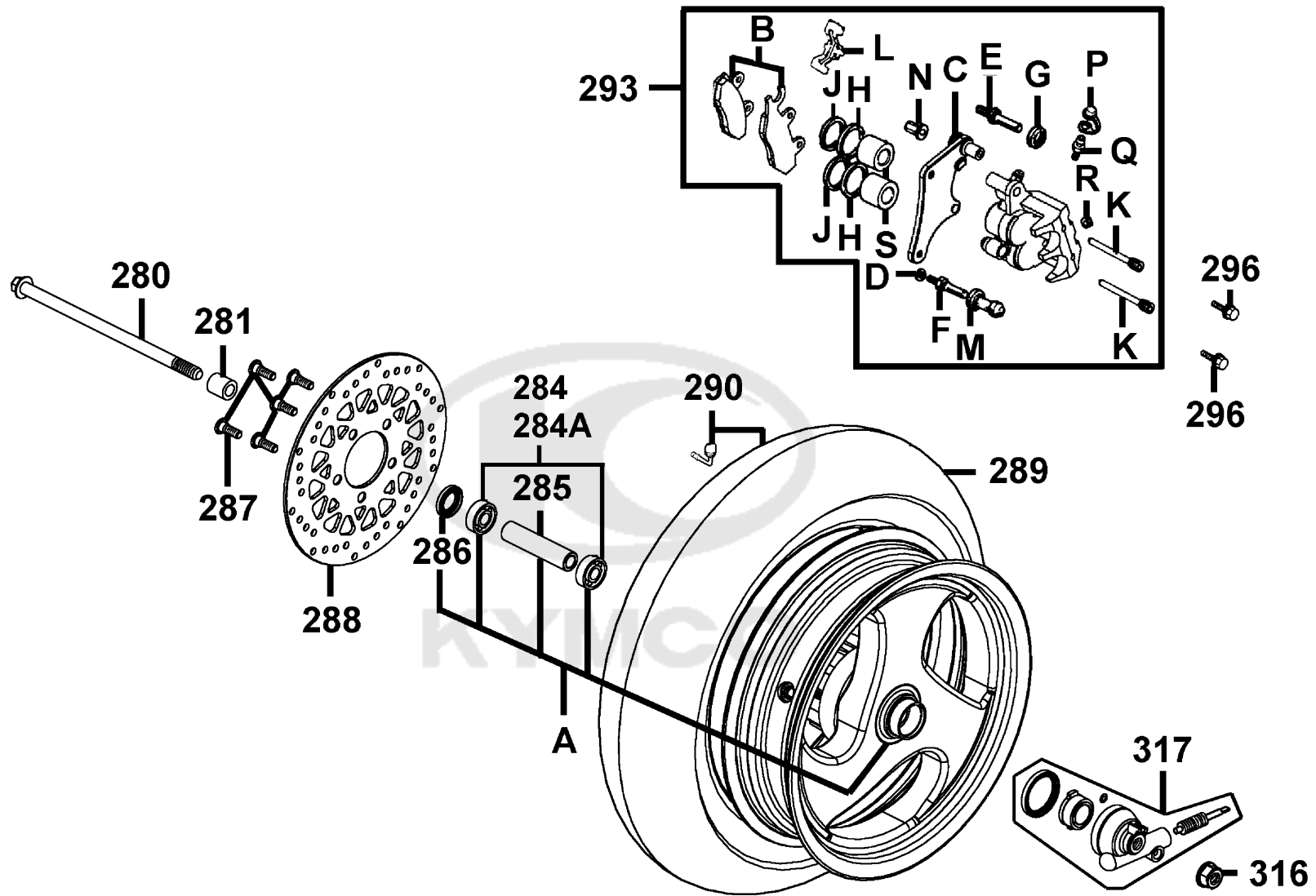


Sales mark 記号	Ref no 参照用番号	Part no パーツ番号	Description 部品名	Reg description 部品名	Regd no 必要個数	Ref Price 希望小売価格(税抜)	F06
A		45156-KECE-900	CLAMPER FR BRK CABLE	CLAMPER FR BRK CABLE	1	560	
	200	50306-1F96-001	NUT STRG STEM LOCK	NUT STRG STEM LOCK	1	300	
**	209	51400-KHD8-900	FORK ASSY R FR	FORK ASSY R FR	1	18060	
**	210	5150A-KHD8-900	FORK SET L FR	FORK SET L FR	1	17790	
	207	53200-KKD7-900	STEM COMP STRG	STEM COMP STRG	1	12170	
	201	53211-GFY6-940	RACE STRG TOP CONE	RACE STRG TOP CONE	1	580	
	204	53212-2L50-011	RACE STRG BOT CONE	RACE STRG BOT CONE	1	870	
	206	53214-LHJ6-900	DUST SEAL STRG	DUST SEAL STRG	1	240	
	205	53215-2L50-001	WASH STRG HDL DUST-SEAL	WASH STRG HDL DUST-SEAL	1	130	
B		95701-06012-06	BOLT FLANGE 6*22 (K)	BOLT FLANGE 6*22 (K)	1	60	
	208	95801-08040-06	BOLT FLANGE 8*40	BOLT FLANGE 8*40	1	60	
	202	96211-05000	BALL STEEL #5	BALL STEEL #5	26	60	
	203	96211-08000	BALL STEEL #8	BALL STEEL #8	19	60	



Sales mark 記号	Ref no 参照用番号	Part no パーツ番号	Description 部品名	Reg description 部品名	Regd no 必要個数	Ref Price 希望小売価格(税抜)
	290	42753-KXCX-900	VALVE (PVR-70B) & CAP	VALVE (PVR-70B) & CAP	1	630
	Q	43352-5H68-004	SCREW BLEEDER	SCREW BLEEDER	1	300
	P	43353-4A61-77A	CAP BLEEDER	CAP BLEEDER	1	130
	280	44301-KXCX-900	AXLE FR WHEEL M12*240MM	AXLE FR WHEEL M12*240MM	1	780
	281	44311-KEBE-900	COLLAR FR WHEEL SIDE	COLLAR FR WHEEL SIDE	1	390
	285	44620-KHD8-900	COLLAR FR AXLE DISTANCE	COLLAR FR AXLE DISTANCE	1	490
**	A	44650-KKD7-305	WHEEL SET FR	WHEEL SET FR	1	36120
	289	44710-KEB7-E1A	TIRE ASSY FR 120/70-12 56J /CHENG	TIRE ASSY FR 120/70-12 56J /CHENG SHIN	1	18620
	317	44800-KFA5-900	GEAR BOX ASSY	GEAR BOX ASSY	1	3240
	S	45107-KKD6-E90	PISTON	PISTON	2	770
	L	45108-MDL4-007	PAD SPG	PAD SPG	1	300
	J	45109-GBE2-007	DUST SEAL	DUST SEAL	2	140
	B	4510A-KFW6-900	PAD SET	PAD SET	1	3620
	F	45131-1F66-017	PIN BOLT	PIN BOLT	1	890
	E	45131-GBE2-007	PIN BOLT A	PIN BOLT A	1	960
	M	45132-1F66-017	BUSH BOOT PIN	BUSH BOOT PIN	1	780
	G	45133-MCA3-007	BOOT B	BOOT B	1	230
**	293	45200-KHD8-900	CALIPER ASSY FR	CALIPER ASSY FR	1	19770
	H	45209-GBE2-007	SEAL PISTON	SEAL PISTON	2	370
	C	45210-KHD8-900	BRACKET FR	BRACKET FR	1	1370

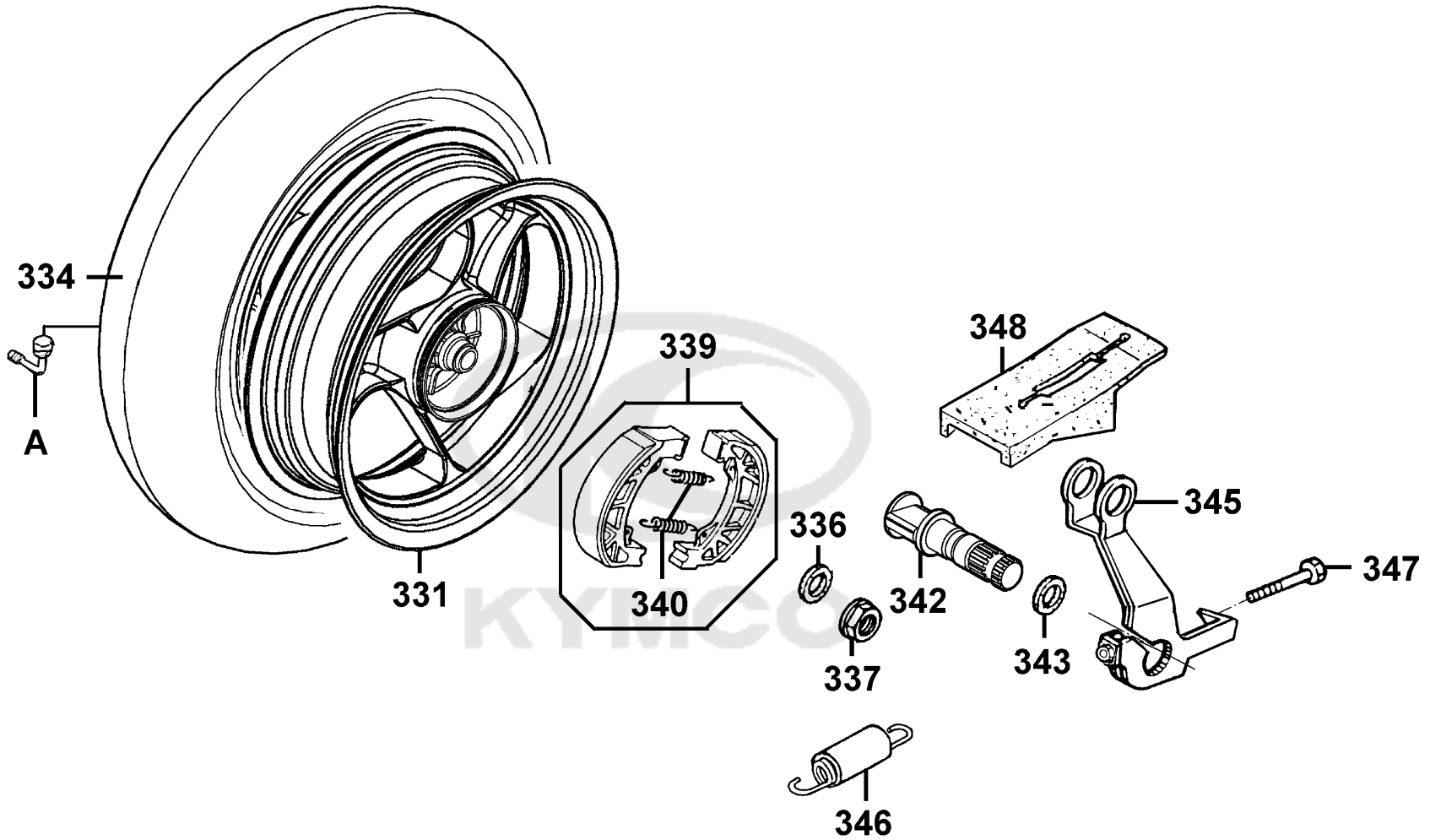
F07



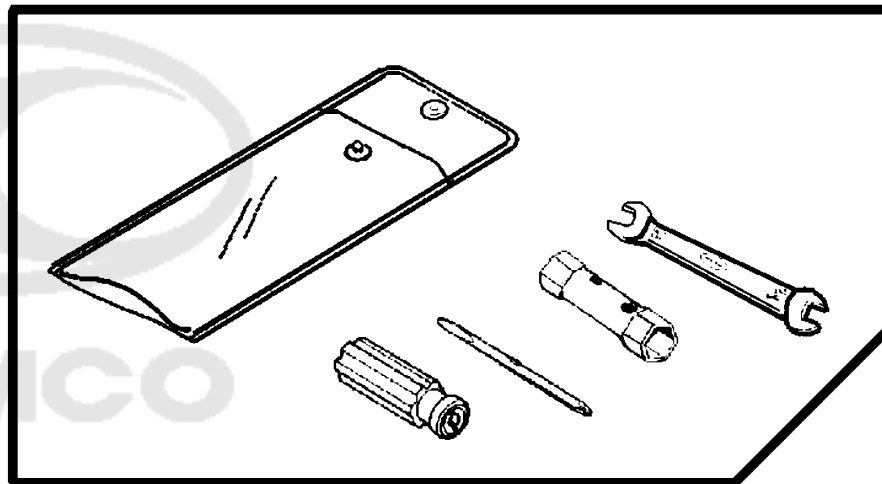
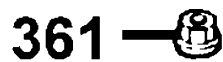
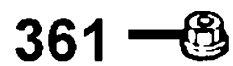
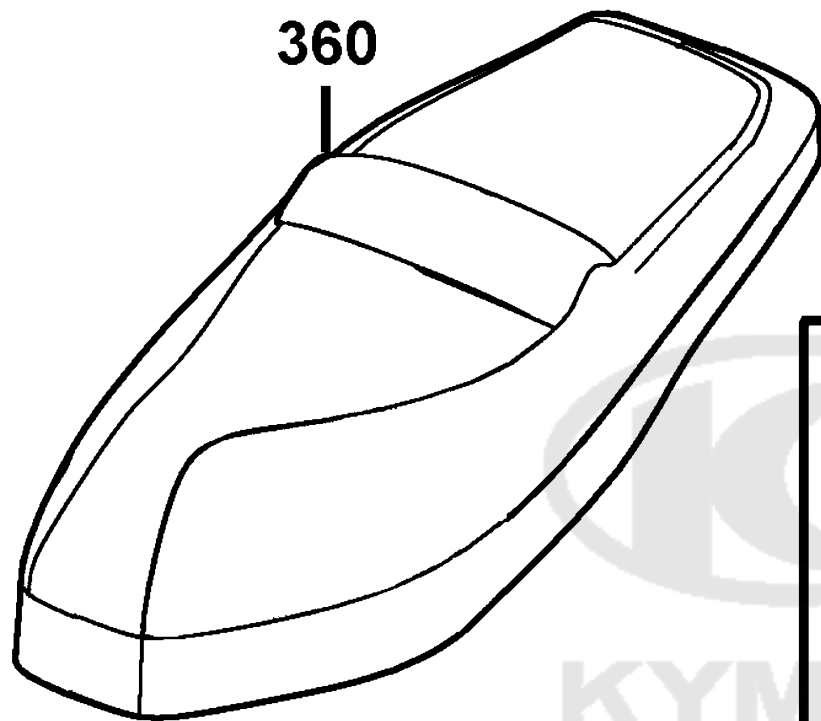
Sales mark 記号	Ref no 参照用番号	Part no パーツ番号	Description 部品名	Reg description 部品名	Regd no 必要個数	Ref Price 希望小売価格(税抜)	F07
K		45215-KECE-900	PIN HANGER	PIN HANGER	2	300	
D		45216-1F66-007	WASHER WAVE	WASHER WAVE	1	110	
N		45216-KFW6-90A	TORQUE NUT	TORQUE NUT	1	400	
288		45351-KHE7-E00	DISK RR BRAKE	DISK RR BRAKE	1	8940	
R		45531-GAR1-951	PLUG	PLUG	1	110	
287		90105-KCR3-001	BOLT FR DISK 8*24	BOLT FR DISK 8*24	5	80	
296		90122-KEBE-900	BOLT FLANGE 8*32	BOLT FLANGE 8*32	2	390	
316		90306-GLW0-90A	NUT FLANGE 12MM	NUT FLANGE 12MM	1	320	
286		90754-GHC8-00A	SEAL DUST 20*32*5	SEAL DUST 20*32*5	1	100	
284		90912-KFLF-00A	BEARING 6201 LLU	BEARING 6201 LLU	2	610	
284A		90912-KFLF-00D	BEARING, L201 LLU	BEARING, L201 LLU	2	730	

F08

Rear Wheel



Sales mark 記号	Ref no 参照用番号	Part no パーツ番号	Description 部品名	Reg description 部品名	Regd no 必要個数	Ref Price 希望小売価格(税抜)	F08
**	331	42601-KKD7-900	WHEEL CAST RR	WHEEL CAST RR	1	32320	
	334	42710-KEB7-E1A	TIRE ASSY RR /130/70-12 59J /CHENG	TIRE ASSY RR /130/70-12 59J /CHENG SHIN	1	11340	
A		42753-0D04-900	RIM VALVE (PVR 70)	RIM VALVE (PVR 70)	1	540	
	339	4312A-KKD7-900	SHOE COMP RR BRAKE	SHOE COMP RR BRAKE	2	2390	
	342	43141-KKD7-E00	CAM RR BRAKE	CAM RR BRAKE	1	960	
	340	43151-KGM7-961	SPRING BRAKE SHOE REAR	SPRING BRAKE SHOE REAR	2	160	
	345	43410-KEC4-900	ARM COMP RR BRAKE	ARM COMP RR BRAKE	1	1060	
	348	43416-KUDU-900	GUARD RR BRK ARM	GUARD RR BRK ARM	1	230	
	346	46513-KUDU-900	SPG ASSY BRK ARM	SPG ASSY BRK ARM	1	300	
	337	90305-KNBN-90B	NUT U 16MM	NUT U 16MM	1	110	
	336	90501-KNBN-901	WASHER 16MM	WASHER 16MM	1	80	
	343	91352-KHG8-83B	O-RING 11.3*1.3	O-RING 11.3*1.3	1	60	
	347	95701-06032-06	BOLT FLANGE 6*32	BOLT FLANGE 6*32	1	60	



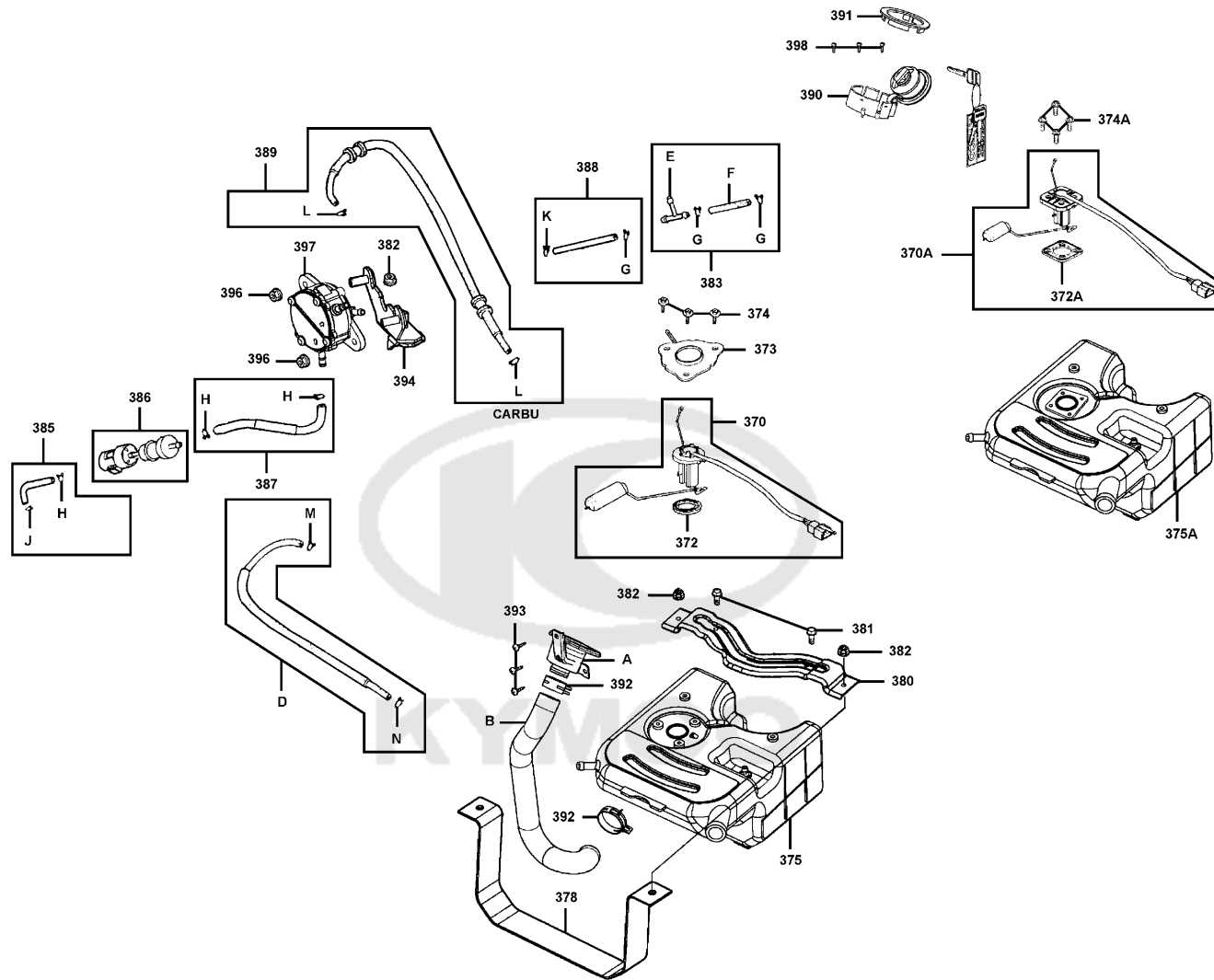
362

Sales mark 記号	Ref no 参照用番号	Part no パーツ番号	Description 部品名	Reg description 部品名	Regd no 必要個数	Ref Price 希望小売価格(税抜)
------------------	-----------------	------------------	--------------------	------------------------	-----------------	-------------------------

F09

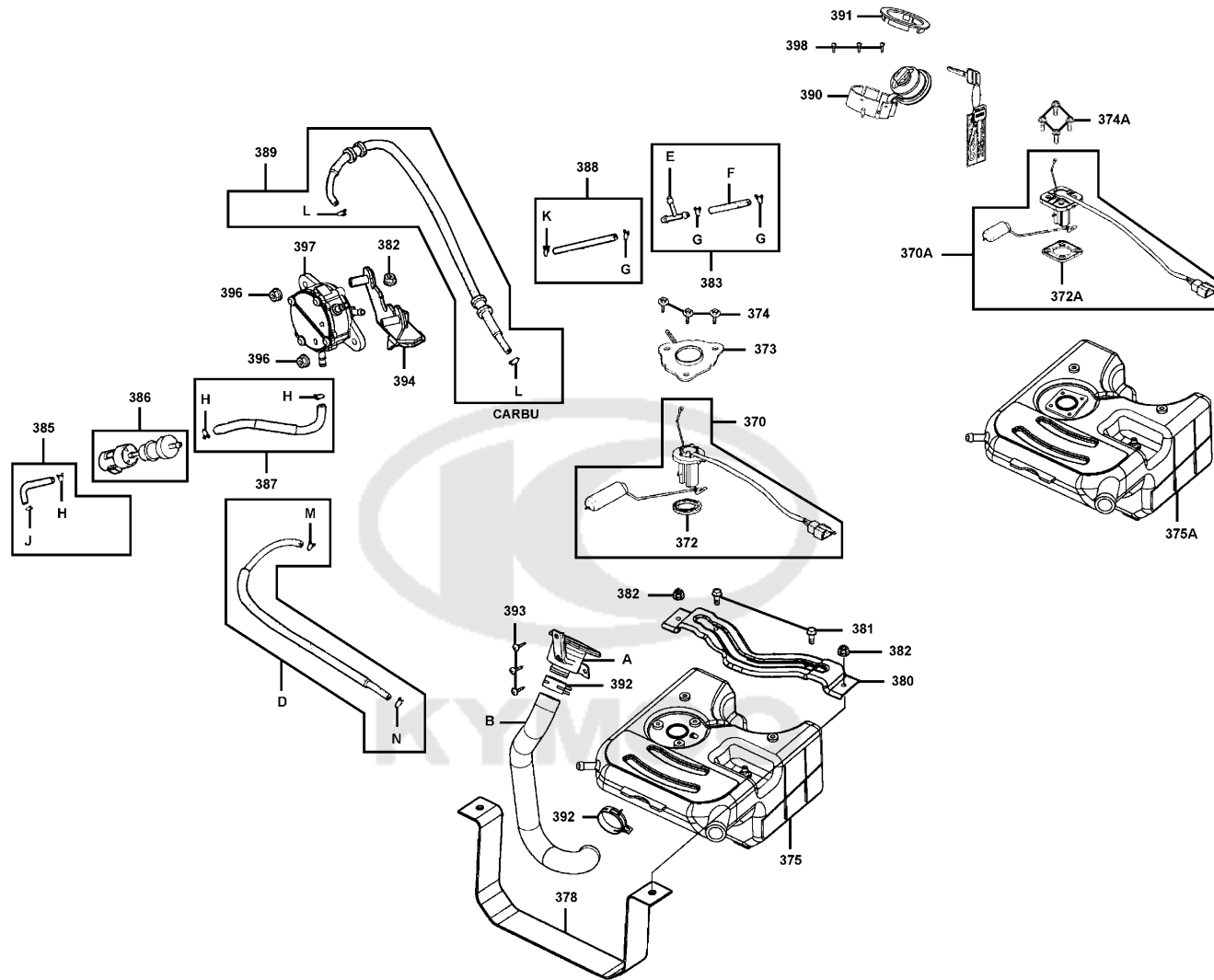
**	360	77200-KKD7-900	SEAT ASSY	SEAT ASSY	1	11980
	362	89010-KGBG-900	TOOL SET	TOOL SET	1	1720
	361	94050-06080	NUT FLANGE 6MM	NUT FLANGE 6MM	2	60





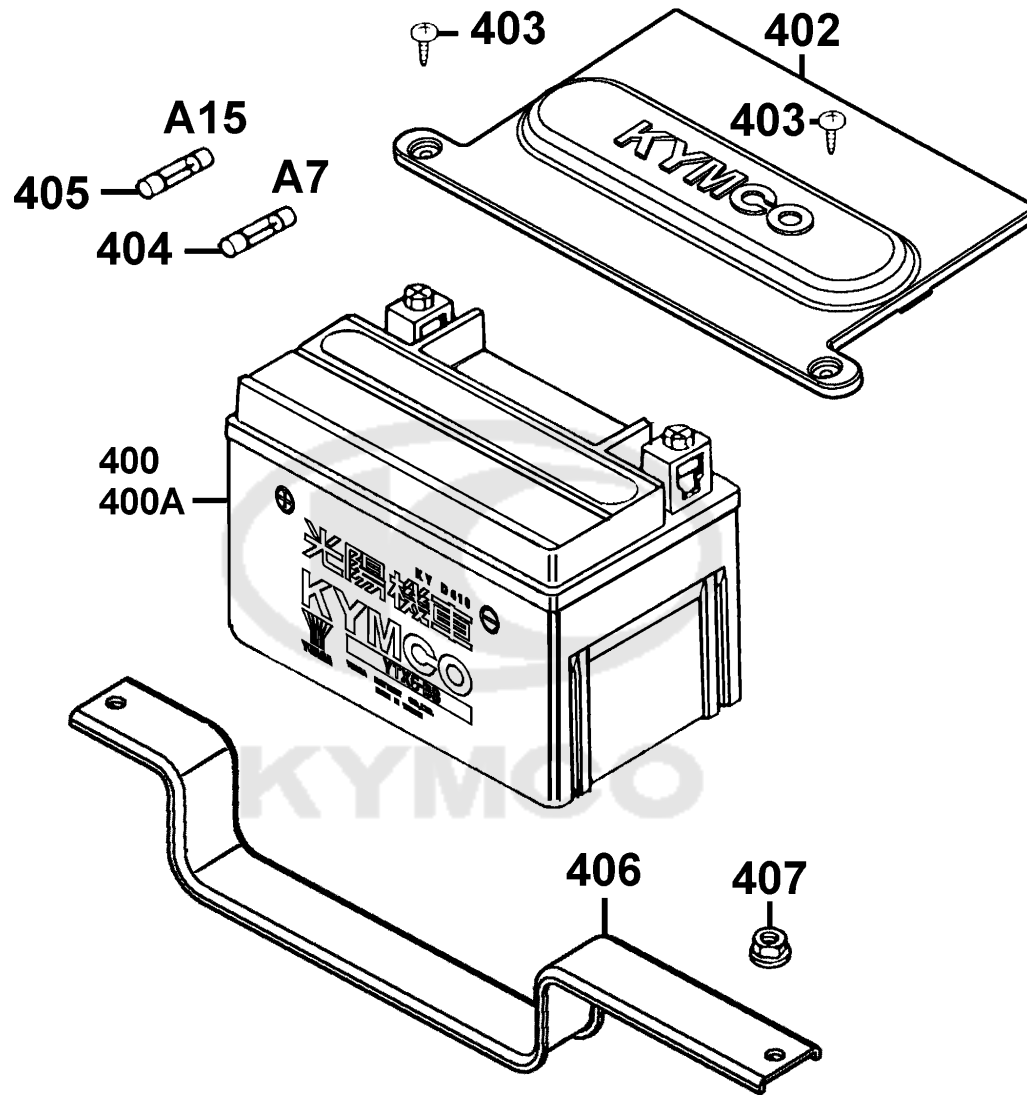
Sales mark 記号	Ref no 参照用番号	Part no パーツ番号	Description 部品名	Reg description 部品名	Regd no 必要個数	Ref Price 希望小売価格(税抜)
	397	16700-KHE7-220	FUEL PUMP ASSY	FUEL PUMP ASSY	1	9990
	386	1691A-KEC2-E00	STRAINER ASSY FUEL	STRAINER ASSY FUEL	1	1010
	N	17369-KHC4-900	CLIP BREATHER TUBE	CLIP BREATHER TUBE	1	160
	375	17500-KHD6-900	TANK COMP FUEL	TANK COMP FUEL	1	17110
	375A	17500-KHD6-910	TANK COMP FUEL	TANK COMP FUEL	1	17110
	B	17502-KHD6-900	TUBE FUEL	TUBE FUEL	1	2100
	A	17510-KKD7-900	PIPE ASSY FUEL FILLER	PIPE ASSY FUEL FILLER	1	7520
	390	17620-KHD6-325-M1	CAP SET FUEL FILLER	CAP SET FUEL FILLER	1	13220
	390	17620-KHD6-325-M2	CAP SET FUEL FILLER	CAP SET FUEL FILLER	1	13220
	391	17623-KHD6-900	COLLAR FUEL CAP	COLLAR FUEL CAP	1	330
	D	17689-KKD7-900	TUBE ASSY FILLER	TUBE ASSY FILLER	1	960
	385	1768A-KHD6-900	TUBE ASSY FUEL	TUBE ASSY FUEL	1	580
	388	1768B-KHD6-900	TUBE ASSY VACUUM	TUBE ASSY VACUUM	1	300
	387	1768C-KHD6-900	TUBE ASSY FUEL	TUBE ASSY FUEL	1	390
	389	1768D-KHD6-900	TUBE ASSY PUMP-CARBU	TUBE ASSY PUMP-CARBU	1	320
	392	19411-KBCB-900	CLIP HOSE	CLIP HOSE	1	490
	372	37801-GGA7-701	PACKING BASE	PACKING BASE	1	130
	372A	37801-LAB4-910	PACKING BASE	PACKING BASE	1	390
	373	37802-KEC8-900	RET FUEL UNIT	RET FUEL UNIT	1	390
	370	3780A-KHD6-900	FUEL UNIT ASSY	FUEL UNIT ASSY	1	3620

F10



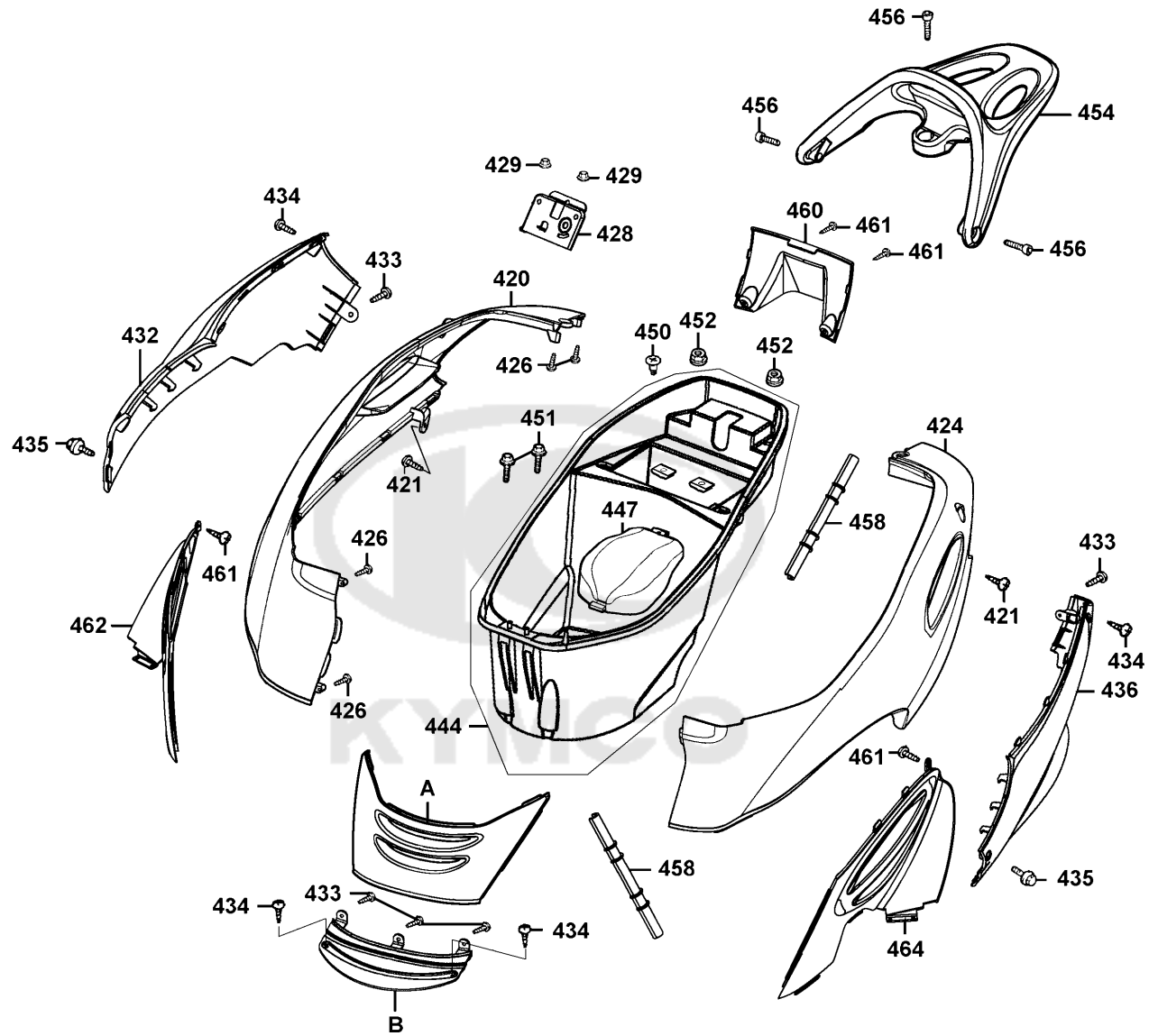
Sales mark 記号	Ref no 参照用番号	Part no パーツ番号	Description 部品名	Reg description 部品名	Regd no 必要個数	Ref Price 希望小売価格(税抜)
	370A	3780A-KHD6-91A	FUEL UNIT ASSY	FUEL UNIT ASSY	1	4000
	E	38773-PKB9-001	JOINT 3 WAY 3.5	JOINT 3 WAY 3.5	1	110
	383	3877A-PKB9-001	JOINT ASSY 3WAY	JOINT ASSY 3WAY	1	260
	394	50138-KHD6-900	BRKT FUEL PUMP	BRKT FUEL PUMP	1	770
	378	50178-KHD6-900	PLATE TANK SUPPORT	PLATE TANK SUPPORT	1	960
**	380	50179-KHD6-900	BRKT FLOOR PANEL	BRKT FLOOR PANEL	1	1910
	374A	90302-GBR2-001	BOLT WASH 5*16	BOLT WASH 5*16	4	60
	374	90302-GFY6-901	BOLT WASH 5*12 **(1) C.V.	BOLT WASH 5*12 **(1) C.V.	3	60
	381	90302-LLB1-E00	BOLT-WASHER 5*12	BOLT-WASHER 5*12	2	60
	398	93500-04020-0G	SCREW PAN 4*20	SCREW PAN 4*20	3	60
	393	93903-35360	SCREW WASHER 4*12	SCREW WASHER 4*12	3	60
	396	94050-05080	NUT FLANGE 5MM	NUT FLANGE 5MM	2	200
	382	94050-06080	NUT FLANGE 6MM	NUT FLANGE 6MM	3	60
	G	95002-02070	CLIP B7 TUBE	CLIP B7 TUBE	3	60
	L	95002-02080	CLIP B8 TUBE	CLIP B8 TUBE	2	60
	H	95002-02100	CLIP B15 TUBE	CLIP B15 TUBE	3	60
	J	95002-02120	CLIP B12 TUBE	CLIP B12 TUBE	1	60
	M	95002-02130	CLIP B12.5 TUBE	CLIP B12.5 TUBE	3	60
	K	95002-50000	CLIP C9 TUBE	CLIP C9 TUBE	1	60
	F	95005-35065-10	TUBE 3.5*6.5	TUBE 3.5*6.5	1	110

F10



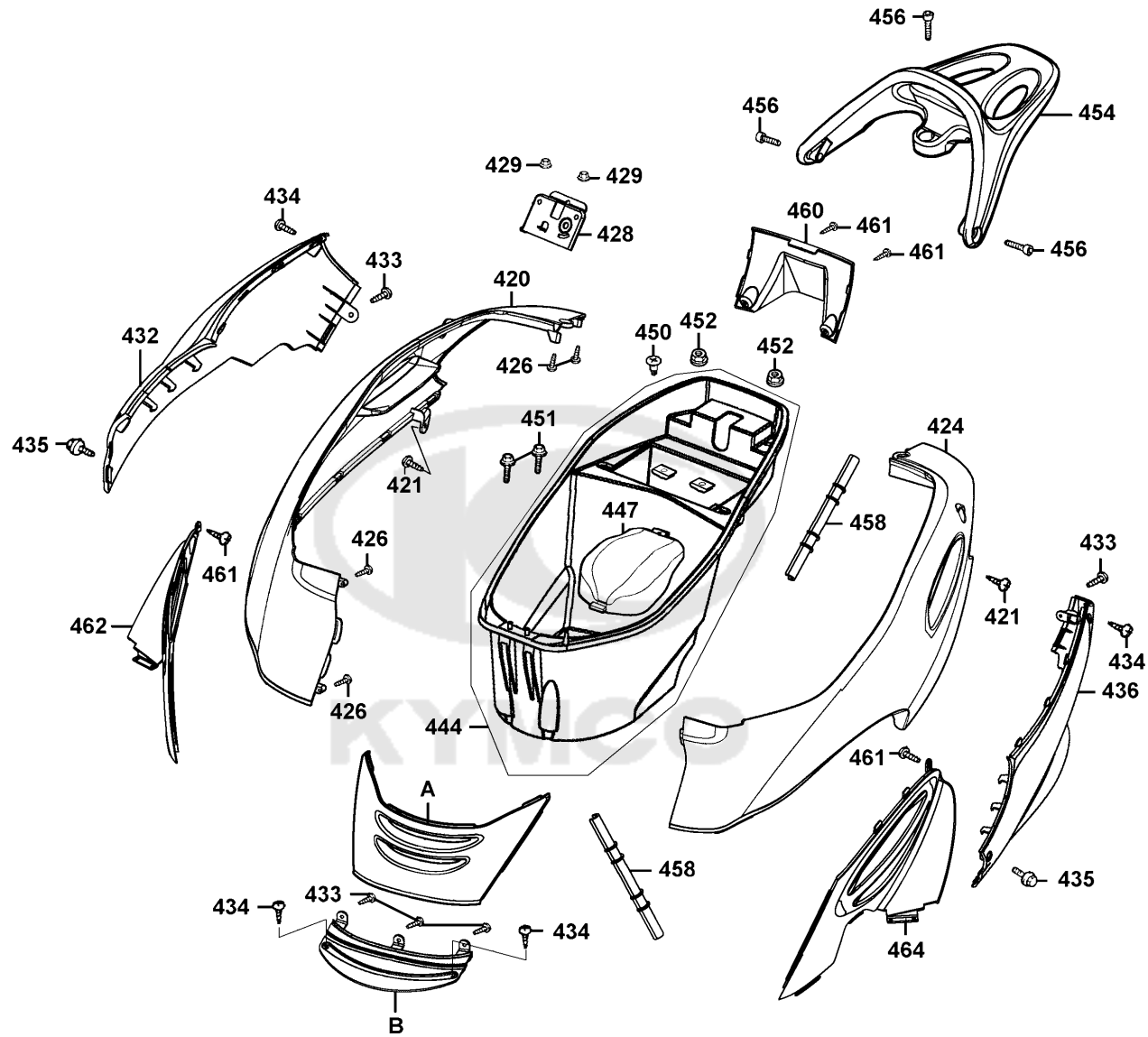
Sales mark 記号	Ref no 参照用番号	Part no パーツ番号	Description 部品名	Reg description 部品名	Regd no 必要個数	Ref Price 希望小売価格(税抜)	F11
400		31500-KFAF-90A	BATTERY YTX9-BS	BATTERY YTX9-BS	1	16800	
400A		31500-KFAF-90B	BATTERY GTX9-BS	BATTERY GTX9-BS	1	17630	
406		50152-KHD6-900	STAY BATTERY CASE	STAY BATTERY CASE	1	580	
**	402	50326-KHD6-900	COVER BATTERY	COVER BATTERY	1	580	
	403	93903-GFY6-900	SCREW WASHER 4*12	SCREW WASHER 4*12	2	60	
	407	94050-06080	NUT FLANGE 6MM	NUT FLANGE 6MM	1	60	
	404	98200-10700	FUSE A7	FUSE A7	1	60	
	405	98200-11500	FUSE A15	FUSE A15	1	60	





Sales mark 記号	Ref no 参照用番号	Part no パーツ番号	Description 部品名	Reg description 部品名	Regd no 必要個数	Ref Price 希望小売価格(税抜)
**	B	64311-KHD6-900	COVER FLOOR	COVER FLOOR	1	490
	428	77235-KHD6-900	SEAT CATCH COMP	SEAT CATCH COMP	1	1060
**	A	80152-KHD6-900	COVER PLUG MAINT	COVER PLUG MAINT	1	490
**	454	81200-KKD7-900	CARRIER REAR	CARRIER REAR	1	12360
	447	81257-KUDU-900	COVER ASSY CARB MAINT	COVER ASSY CARB MAINT	1	1150
	444	8126A-KHD6-900	BOX ASSY LUGGAGE	BOX ASSY LUGGAGE	1	8750
**	420	83500-KKD7-900	COVER R BODY SIDE	COVER R BODY SIDE	1	8940
**	432	83501-KKD7-900	MOLD R SIDE	MOLD R SIDE	1	4390
	458	83503-KHD6-900	COVER PROTECTOR SEAT WIRE	COVER PROTECTOR SEAT WIRE	2	200
**	462	83520-KHD6-900	COVER R SIDE	COVER R SIDE	1	2860
**	424	83600-KHD6-900	COVER L BODY SIDE	COVER L BODY SIDE	1	8940
**	436	83601-KKD7-900	MOLD L SIDE	MOLD L SIDE	1	4390
**	464	83620-KHD6-900	COVER L SIDE	COVER L SIDE	1	2860
**	460	83751-KHD6-900	MOLD RR CENTER	MOLD RR CENTER	1	390
	456	90106-KFAF-900	BOLT SPECIAL	BOLT SPECIAL	3	130
	451	90111-1G87-001	BOLT FLANGE 6MM	BOLT FLANGE 6MM	2	60
	452	90301-6D34-671	NUT FLANGE 6MM	NUT FLANGE 6MM	2	60
	450	90381-GEZ5-001	SCREW SPECIAL 6*17	SCREW SPECIAL 6*17	1	200
	435	93891-05016-06	SCREW WASHER 5*16	SCREW WASHER 5*16	2	60
	426	93903-34260	SCREW TAPPING 4*10	SCREW TAPPING 4*10	4	60

F12



Sales mark 記号	Ref no 参照用番号	Part no パーツ番号	Description 部品名	Reg description 部品名	Regd no 必要個数	Ref Price 希望小売価格(税抜)
------------------	-----------------	------------------	--------------------	------------------------	-----------------	-------------------------

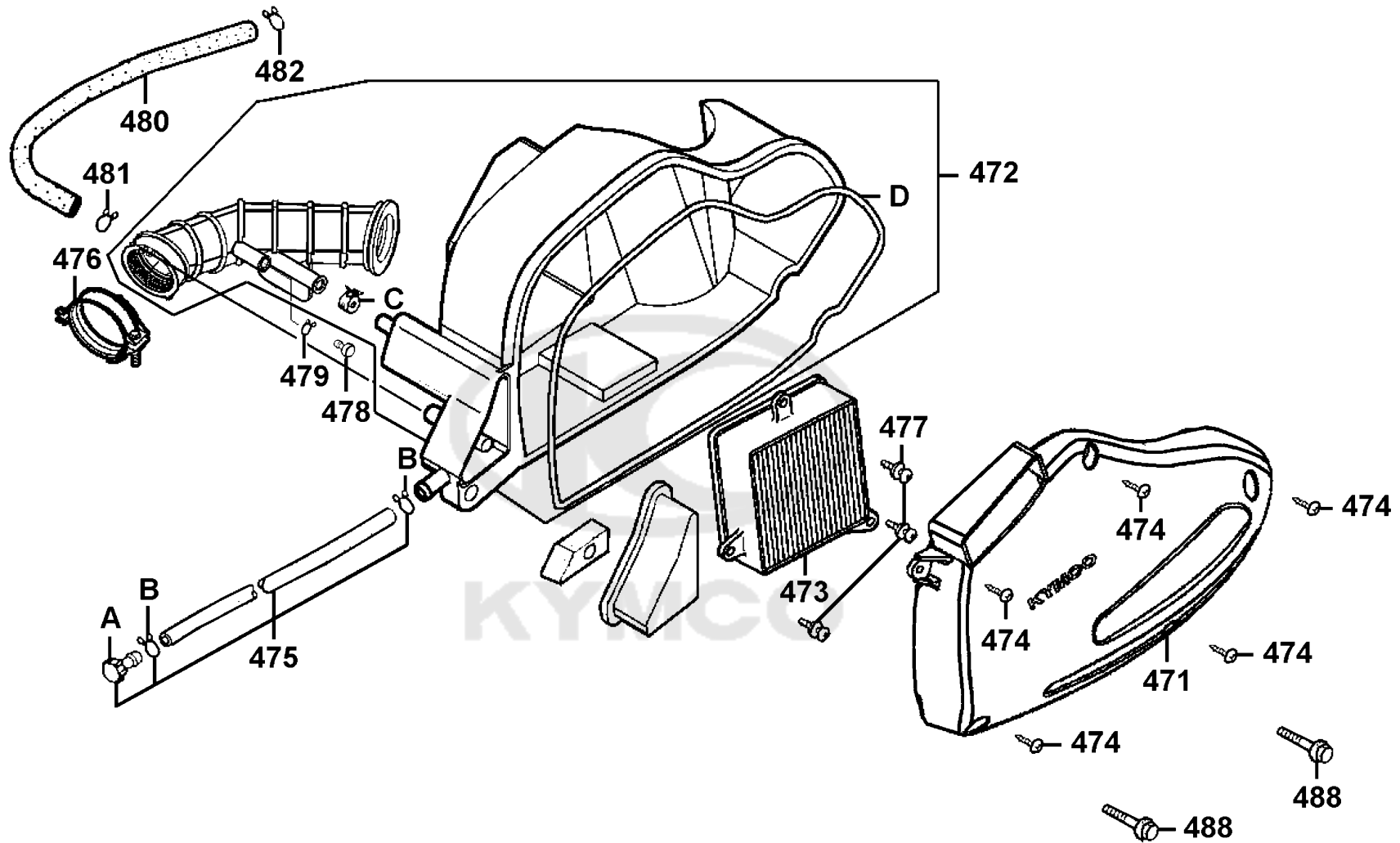
F12

433	93903-34360	93903-34360	SCREW WASHER 4*12	SCREW WASHER 4*12	6	60
461	93903-34460	93903-34460	SCREW TAPPING 4*16	SCREW TAPPING 4*16	4	200
421	93903-45260	93903-45260	SCREW WASHER 4*12	SCREW WASHER 4*12	1	200
434	93903-GFY6-900	93903-GFY6-900	SCREW WASHER 4*12	SCREW WASHER 4*12	4	60
429	94050-06080	94050-06080	NUT FLANGE 6MM	NUT FLANGE 6MM	2	60



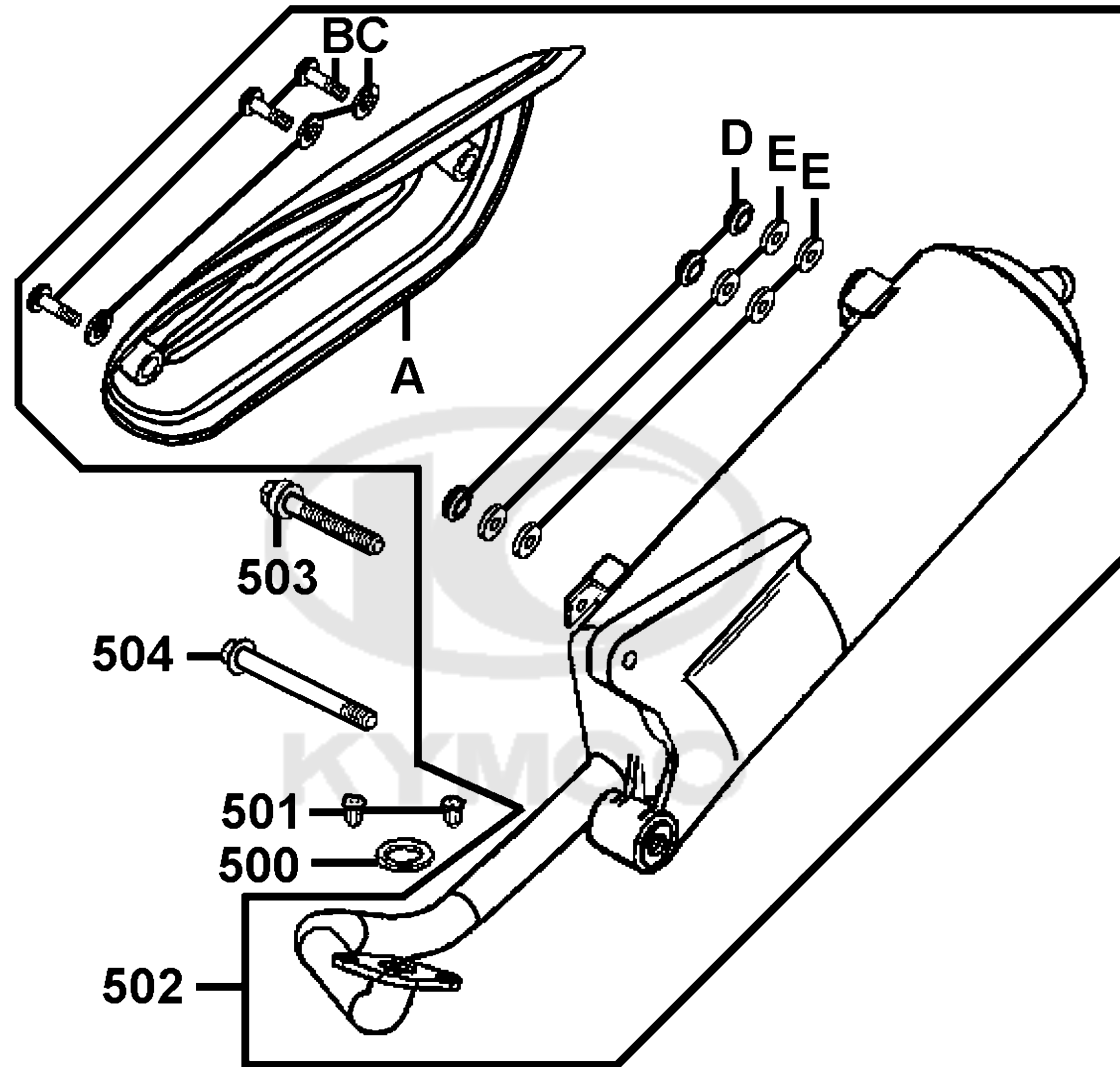
F13

Air Cleaner



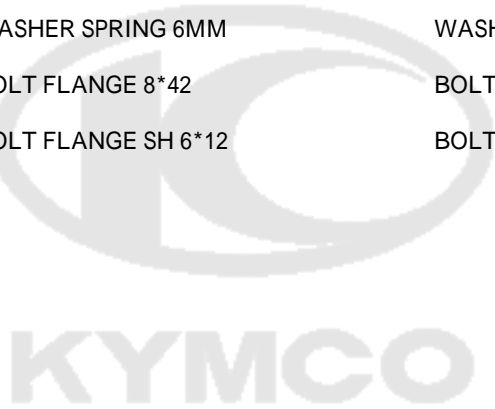
Sales mark 記号	Ref no 参照用番号	Part no パーツ番号	Description 部品名	Reg description 部品名	Regd no 必要個数	Ref Price 希望小売価格(税抜)
	480	11221-KKD7-900	TUBE BREATHER MISSION	TUBE BREATHER MISSION	1	200
	473	17211-KEC6-900	ELEMENT COMP AIR/C	ELEMENT COMP AIR/C	1	1350
D		17214-KKD7-900	SEAL AIR/C COVER	SEAL AIR/C COVER	1	300
	471	17231-KKD7-900	COVER AIR/C	COVER AIR/C	1	1250
	472	1723A-KKD7-900	CASE ASSY AIR/C	CASE ASSY AIR/C	1	4190
	478	17254-KACA-P00	PLUG AIR/C CONN TUBE	PLUG AIR/C CONN TUBE	1	200
	475	1736A-GFY6-900	TUBE DRAIN ASSY	TUBE DRAIN ASSY	1	520
A		17370-4K19-701	PLUG BREATHER TUBE	PLUG BREATHER TUBE	1	110
B		17371-1D74-671	CLIP BREATHER TUBE	CLIP BREATHER TUBE	2	60
	488	90001-GBHB-681	BOLT FLANGE SHF 6*28	BOLT FLANGE SHF 6*28	1	60
	476	90652-GFY6-901	BAND 49 AIR/C CONNECTING TUBE	BAND 49 AIR/C CONNECTING TUBE	1	120
	477	93891-05016-06	SCREW WASHER 5*16	SCREW WASHER 5*16	1	60
	474	93903-25460	SCREW TAPPING 5*20 **93903-25480	SCREW TAPPING 5*20 **93903-25480 C.2005	5	60
	481	95002-02080	CLIP B8 TUBE	CLIP B8 TUBE	1	60
	482	95002-02120	CLIP B12 TUBE	CLIP B12 TUBE	1	60
	479	95002-02130	CLIP B12.5 TUBE	CLIP B12.5 TUBE	1	60
C		95002-41050-00	CLIP D10.5 TUBE	CLIP D10.5 TUBE	1	300

F13



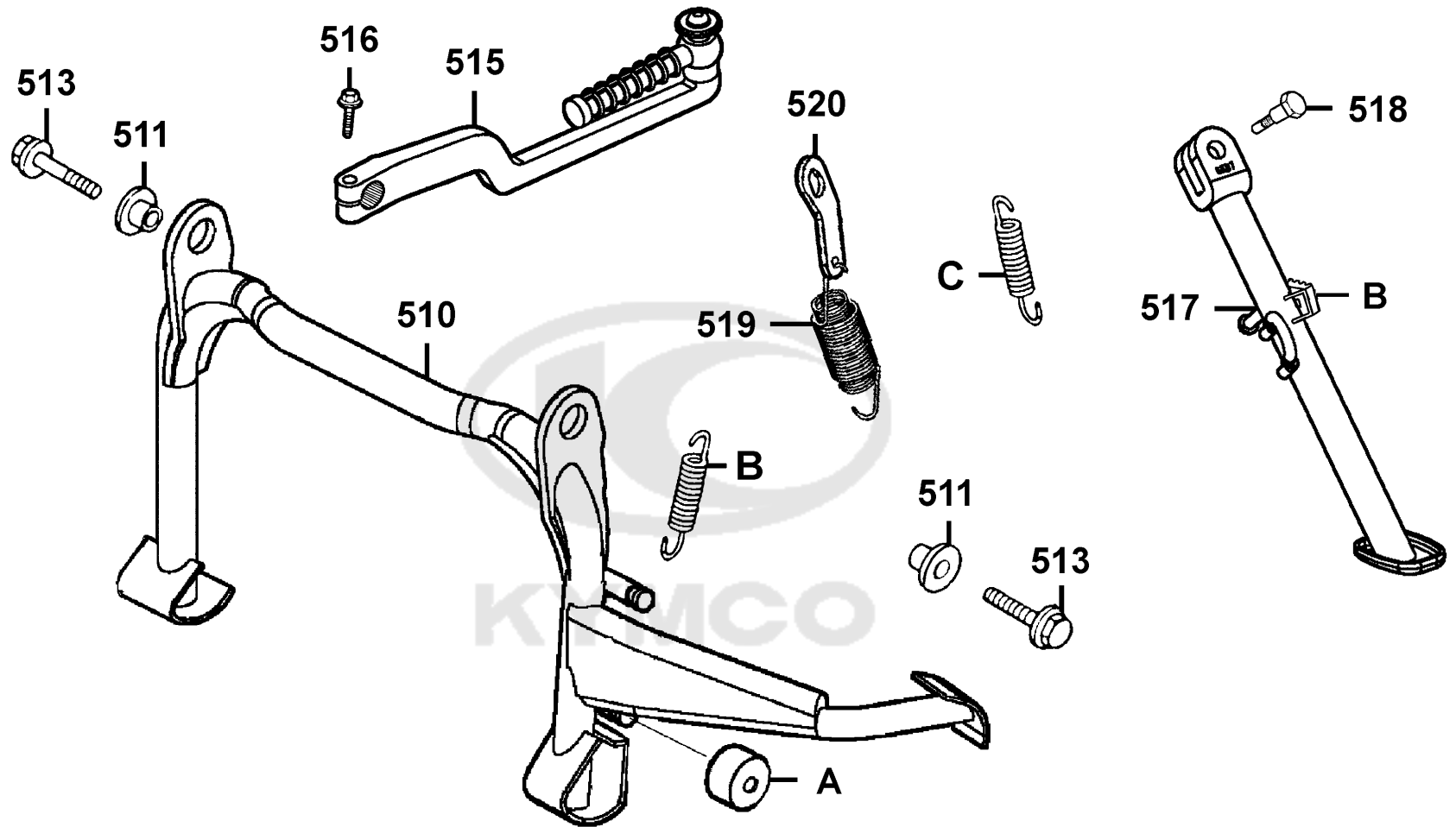
Sales mark 記号	Ref no 参照用番号	Part no パーツ番号	Description 部品名	Reg description 部品名	Regd no 必要個数	Ref Price 希望小売価格(税抜)
	500	18291-KEBE-900	COLLAR	COLLAR	1	60
	E	18294-KEBE-900	PACKING PROTECTOR	PACKING PROTECTOR	6	110
	502	1830A-KFB7-E01	MUFFLER ASSY EXHAUST/P112	MUFFLER ASSY EXHAUST/P112	1	49430
**	A	18318-KFB7-EZ0	PROTECTOR MUFFLER	PROTECTOR MUFFLER	1	4760
	503	90021-GFY6-900	BOLT WASHER COMP	BOLT WASHER COMP	1	90
	501	90301-GFY6-901	NUT (HEX) CAP 8MM	NUT (HEX) CAP 8MM	2	140
	D	94101-06200	WASHER PLAIN 6MM	WASHER PLAIN 6MM	3	60
	C	94111-06800	WASHER SPRING 6MM	WASHER SPRING 6MM	3	60
	504	95801-08042-06	BOLT FLANGE 8*42	BOLT FLANGE 8*42	1	70
	B	96001-06012-06	BOLT FLANGE SH 6*12	BOLT FLANGE SH 6*12	1	60

F14



F15

Stand Kick Starter Arm

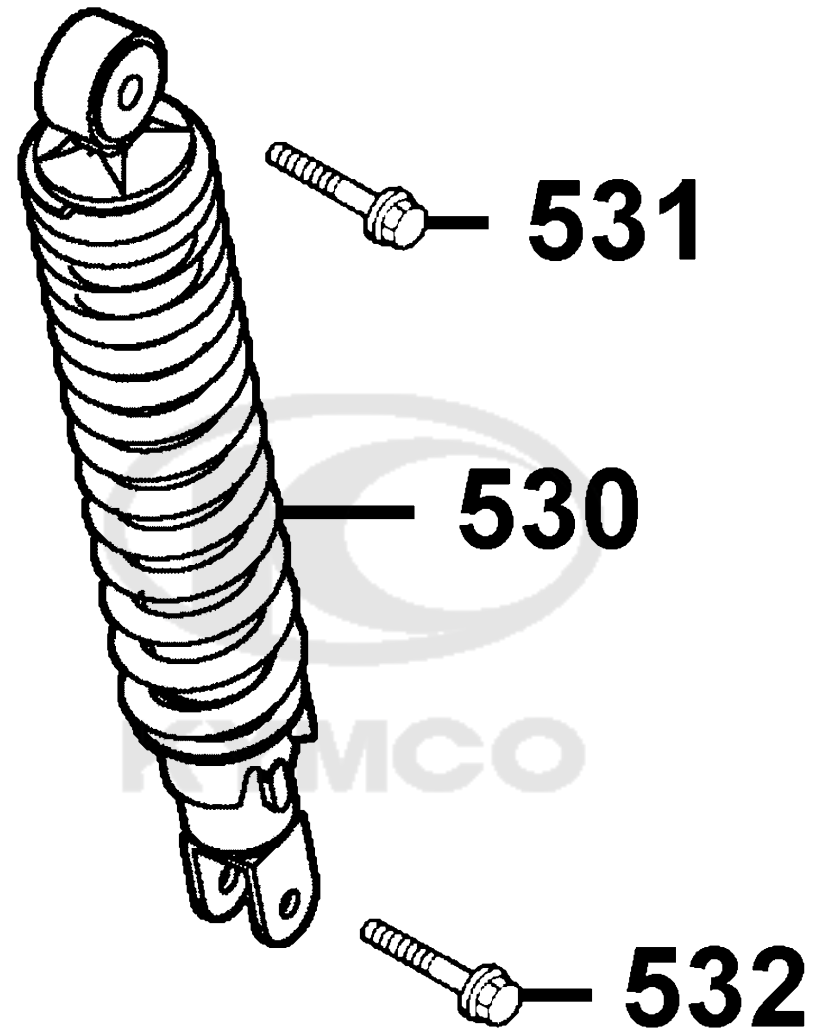


Sales mark 記号	Ref no 参照用番号	Part no パーツ番号	Description 部品名	Reg description 部品名	Regd no 必要個数	Ref Price 希望小売価格(税抜)
515	28300-KNBN-901	ARM ASSY KICK STARTER	ARM ASSY KICK STARTER	ARM ASSY KICK STARTER	1	2030
511	50502-GFY6-901	COLLAR MAIN STAND	COLLAR MAIN STAND	COLLAR MAIN STAND	2	140
A	50505-KKD7-900	RUBBER STOPPER MAIN	RUBBER STOPPER MAIN	RUBBER STOPPER MAIN	2	200
510	5050A-KKD7-900	STAND ASSY MAIN	STAND ASSY MAIN	STAND ASSY MAIN	1	4950
517	50530-KKD7-800	SIDE STAND COMP **8000 C.2005.06.30	SIDE STAND COMP **8000 C.2005.06.30	SIDE STAND COMP **8000 C.2005.06.30	1	1440
520	50531-KEB7-E00	PLATE SPRING STOPPER	PLATE SPRING STOPPER	PLATE SPRING STOPPER	1	680
519	50535-KEB7-E00	SPRING COMP SIDE STAND	SPRING COMP SIDE STAND	SPRING COMP SIDE STAND	1	770
518	90108-LKE6-900	PIVOT SCREW SIDE STAND	PIVOT SCREW SIDE STAND	PIVOT SCREW SIDE STAND	1	80
B	95014-71402	SPRING D MAIN STAND	SPRING D MAIN STAND	SPRING D MAIN STAND	1	60
C	95014-72102	SPG A SIDE STAND	SPG A SIDE STAND	SPG A SIDE STAND	1	60
516	95701-06022-06	BOLT FLANGE 6*22	BOLT FLANGE 6*22	BOLT FLANGE 6*22	1	60
513	95801-10025-06	BOLT FLANGE 10*25	BOLT FLANGE 10*25	BOLT FLANGE 10*25	1	60

F15

F16

Rear Cushion



Sales mark 記号	Ref no 参照用番号	Part no パーツ番号	Description 部品名	Reg description 部品名	Regd no 必要個数	Ref Price 希望小売価格(税抜)
------------------	-----------------	------------------	--------------------	------------------------	-----------------	-------------------------

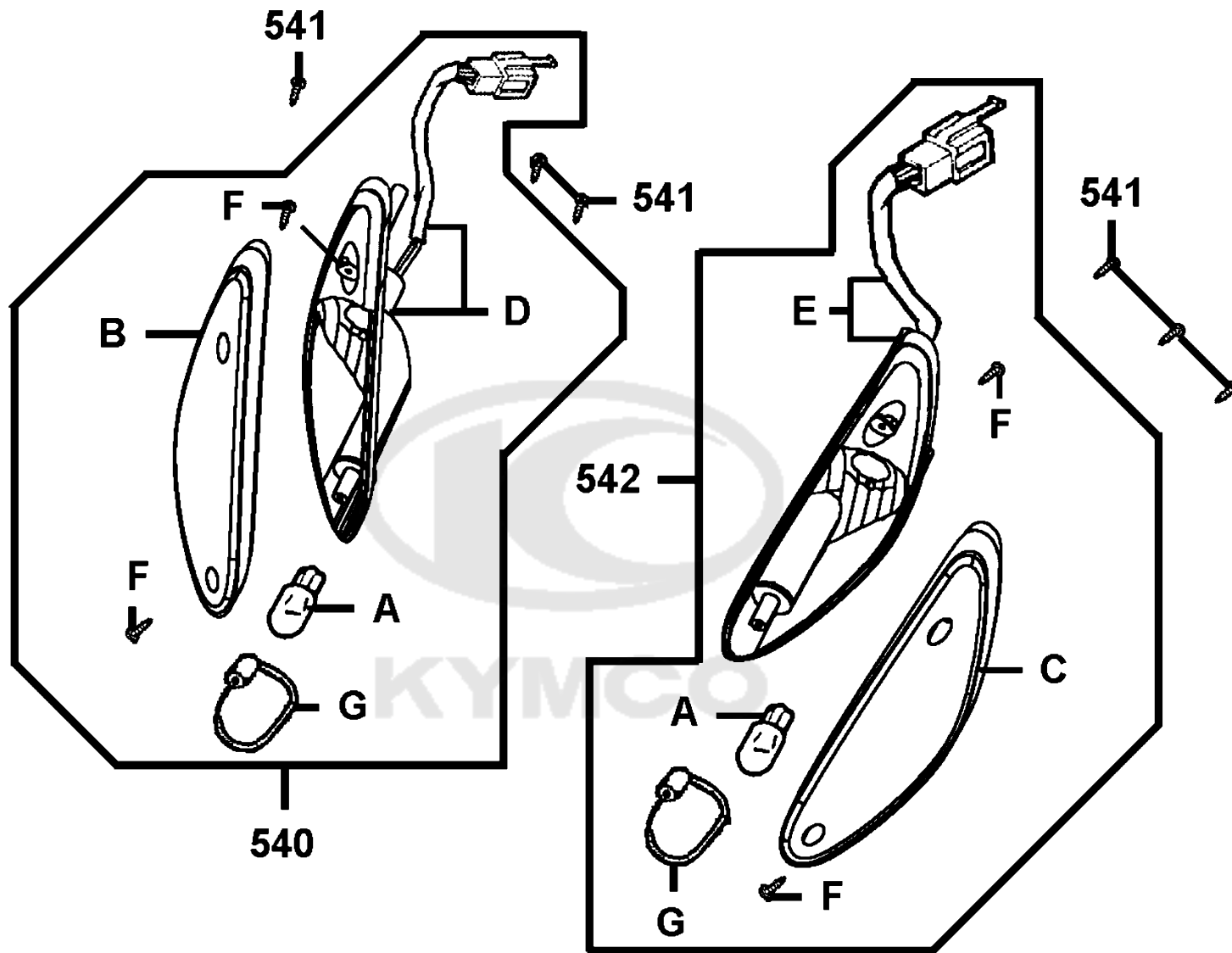
F16

**	530	52400-KKD7-900	CUSHION ASSY RR	CUSHION ASSY RR	1	9890
	532	95801-08035-06	BOLT FLANGE 8*35	BOLT FLANGE 8*35	1	60
	531	95801-10040-06	BOLT FLANGE 10*40	BOLT FLANGE 10*40	1	80



F17

Front Winker



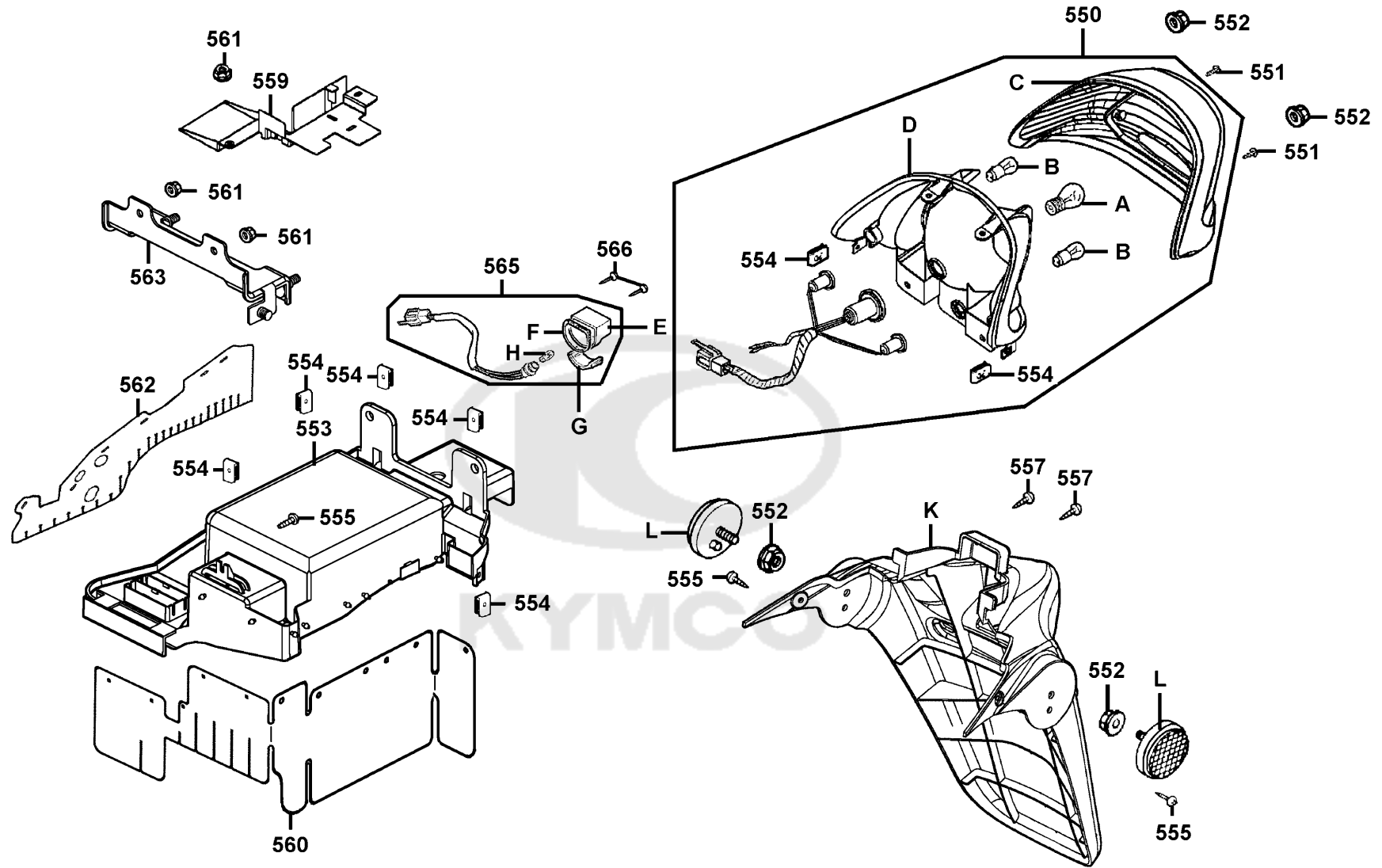
Sales mark 記号	Ref no 参照用番号	Part no パーツ番号	Description 部品名	Reg description 部品名	Regd no 必要個数	Ref Price 希望小売価格(税抜)
	540	33400-KKD7-E00	WINKER ASSY R FR	WINKER ASSY R FR	1	2100
D		33401-KKD7-E00	BASE COMP R FR WINKER	BASE COMP R FR WINKER	1	1210
B		33402-KKD7-E00	LENS R FR WINKER	LENS R FR WINKER	1	490
G		33405-KKD7-E00	INNER LENS R FR WINKER	INNER LENS R FR WINKER	2	130
	542	33450-KKD7-E00	WINKER ASSY L FR	WINKER ASSY L FR	1	2100
E		33451-KKD7-E00	BASE COMP L FR WINKER	BASE COMP L FR WINKER	1	1210
C		33452-KKD7-E00	LENS L FR WINKER	LENS L FR WINKER	1	490
A		34905-KPCP-900	BULB WINKER	BULB WINKER	2	400
F		93901-32510	SCREW TAPPING 3*12	SCREW TAPPING 3*12	6	60
541		93903-34360	SCREW WASHER 4*12	SCREW WASHER 4*12	6	60

F17



F18

Tail Light Rear Fender



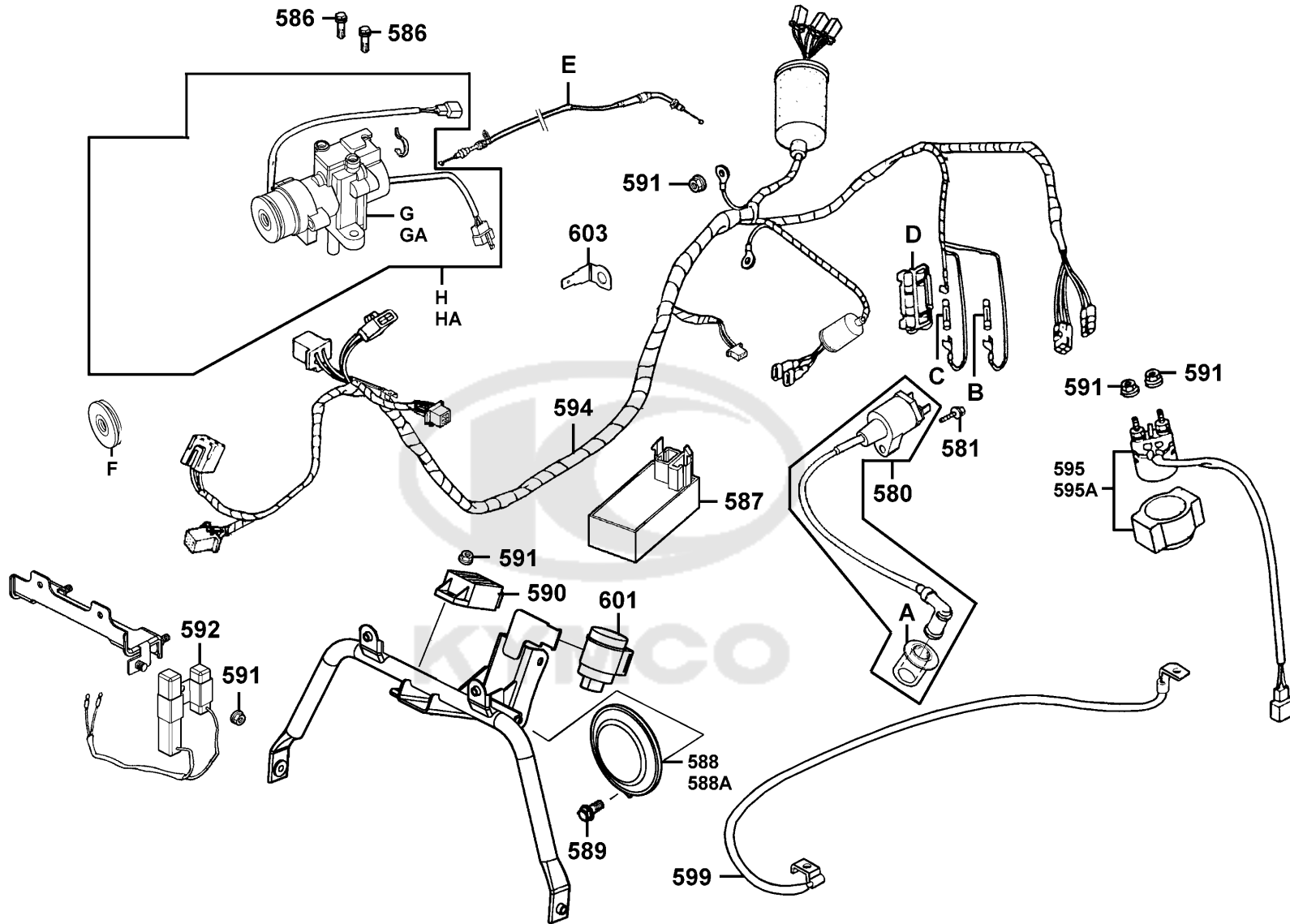
Sales mark 記号	Ref no 参照用番号	Part no パーツ番号	Description 部品名	Reg description 部品名	Regd no 必要個数	Ref Price 希望小売価格(税抜)
	550	33700-KKD7-E00	LIGHT ASSY RR COMB	LIGHT ASSY RR COMB	1	10080
C		33701-KKD7-E00	LENS COMP TAIL LIGHT	LENS COMP TAIL LIGHT	1	2100
D		33704-KKD7-900	BASE COMP TAIL LIGHT	BASE COMP TAIL LIGHT	1	4570
E		33706-GCN3-67A	COVER LICENSE	COVER LICENSE	1	130
F		33709-KBAB-003	PACKING LICENSE	PACKING LICENSE	1	130
	565	33720-KKD7-E00	LIGHT ASSY LICENSE	LIGHT ASSY LICENSE	1	1250
G		33725-KHB4-E00	LENS LICENSE	LENS LICENSE	1	110
L		33741-GFY6-C30	REFLEX REFLECTOR	REFLEX REFLECTOR	2	730
H		34903-KPCP-900	BULB POSITION LIGHT 12V5W **KCP-	BULB POSITION LIGHT 12V5W **KCP-9000	1	320
B		34905-KPCP-900	BULB WINKER	BULB WINKER	2	400
A		34906-KPCP-900	BULB TAIL & STOP	BULB TAIL & STOP	1	770
	563	50320-KKD7-900	STAY RR FENDER	STAY RR FENDER	1	960
**	553	80101-KKD7-900	FENDER RR UP	FENDER RR UP	1	1150
	559	80102-KKD7-900	PLATE SPLASH GUARD	PLATE SPLASH GUARD	1	680
	562	80102-KUDU-900	PLATE SPLASH BOARD	PLATE SPLASH BOARD	1	580
	560	80104-KKD7-900	PLATE SPLASH GUARD	PLATE SPLASH GUARD	1	680
**	K	80105-KKD7-900	FENDER RR	FENDER RR	1	960
	552	90301-6D34-671	NUT FLANGE 6MM	NUT FLANGE 6MM	4	60
	554	90302-SDA4-004	NUT SPRING 4MM	NUT SPRING 4MM	7	60
	551	93404-06012-06	BOLT WASHER 6*12 (G)	BOLT WASHER 6*12 (G)	1	200

F18

Sales mark 記号	Ref no 参照用番号	Part no パーツ番号	Description 部品名	Reg description 部品名	Regd no 必要個数	Ref Price 希望小売価格(税抜)
566	93903-34360	93903-34360	SCREW WASHER 4*12	SCREW WASHER 4*12	2	60
557	93903-34460	93903-34460	SCREW TAPPING 4*16	SCREW TAPPING 4*16	2	200
555	93903-GFY6-900	93903-GFY6-900	SCREW WASHER 4*12	SCREW WASHER 4*12	3	60
561	94050-06080	94050-06080	NUT FLANGE 6MM	NUT FLANGE 6MM	3	60

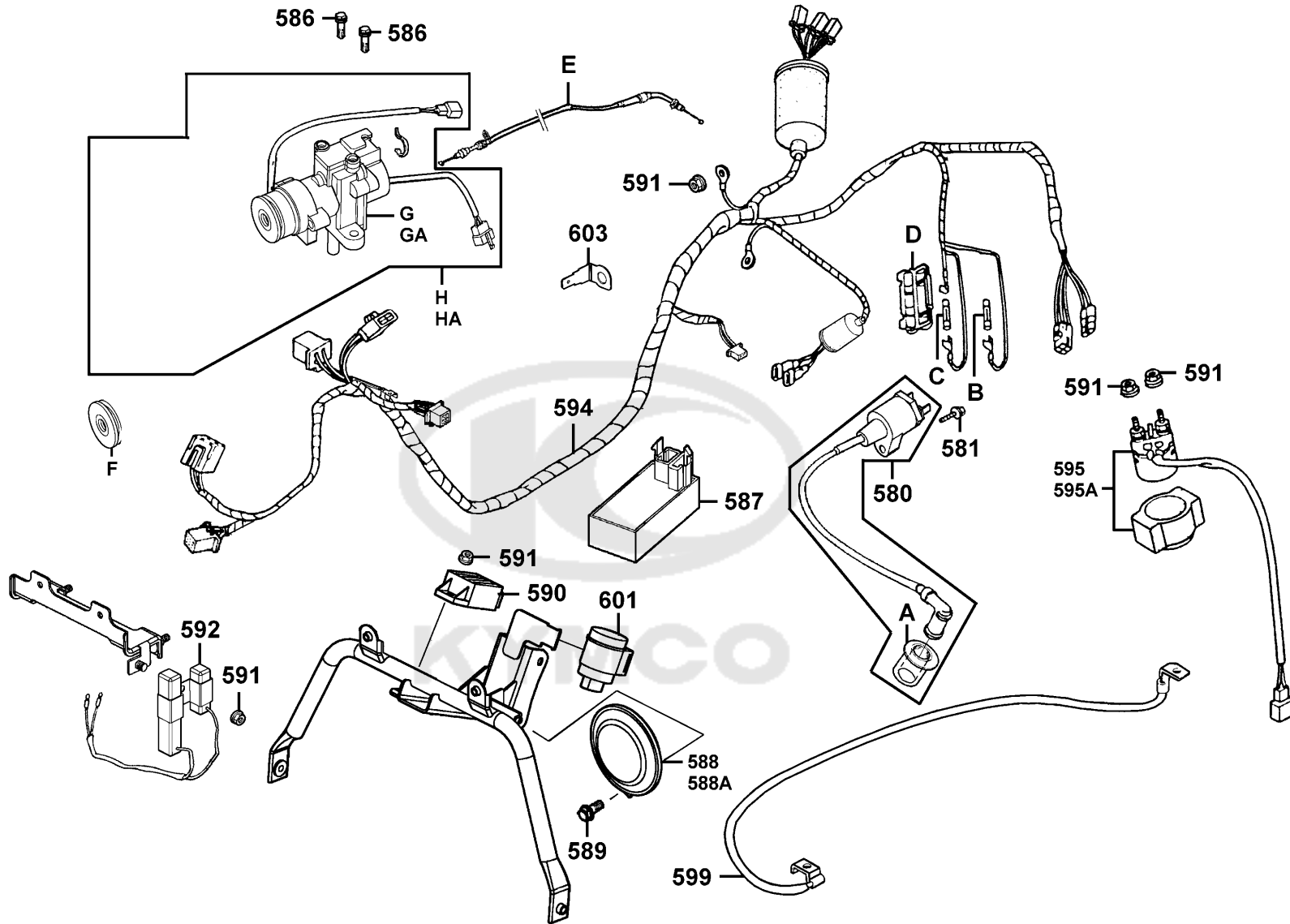
F18





Sales mark 記号	Ref no 参照用番号	Part no パーツ番号	Description 部品名	Reg description 部品名	Regd no 必要個数	Ref Price 希望小売価格(税抜)
587		30410-KKD7-E00	UNIT COMP CDI & CATS CONTROL	UNIT COMP CDI & CATS CONTROL	1	11410
580		3051A-GFY6-901	COIL ASSY IGN	COIL ASSY IGN	1	5140
A		30700-GFY6-901	CAP ASSY NOISE SUPPRESOR	CAP ASSY NOISE SUPPRESOR	1	1280
590		31600-KUDU-900	REG REC COMP	REG REC COMP	1	2960
594		32100-KKD9-B20	HARNESS WIRE	HARNESS WIRE	1	8560
D		32120-1E55-001	CASE FUSE 7A	CASE FUSE 7A	1	110
599		32411-KHD6-900	CABLE BATTERY	CABLE BATTERY	1	1150
H		35010-KKD7-305-M1	KEY SET	KEY SET	1	14260
HA		35010-KKD7-305-M2	KEY SET	KEY SET	1	14260
G		35100-KFA1-305-M1	SW COMB & LOCK	SW COMB & LOCK	1	9390
GA		35100-KFA1-305-M2	SW COMB & LOCK	SW COMB & LOCK	1	9390
F		35102-KFA1-900	COLLAR MAIN SW	COLLAR MAIN SW	1	230
F		35102-KFA1-90B	COLLAR MAIN SW	COLLAR MAIN SW	1	230
592		35400-KKD9-B20	RESISTOR COMP	RESISTOR COMP	1	1590
595		35850-KHD6-90A	SW ASSY START MAG	SW ASSY START MAG	1	2670
595A		35850-KHD6-90B	SW ASSY START MAG	SW ASSY START MAG	1	2860
603		37720-KGBG-E00	EARTH TERMINAL HEATER	EARTH TERMINAL HEATER	1	110
588		38110-KHB4-E0A	HORN COMP	HORN COMP	1	2480
588A		38110-KHB4-E0C	HORN COMP	HORN COMP	1	2480
601		38300-KECE-900	RELAY ASSY WINKER	RELAY ASSY WINKER	1	2530

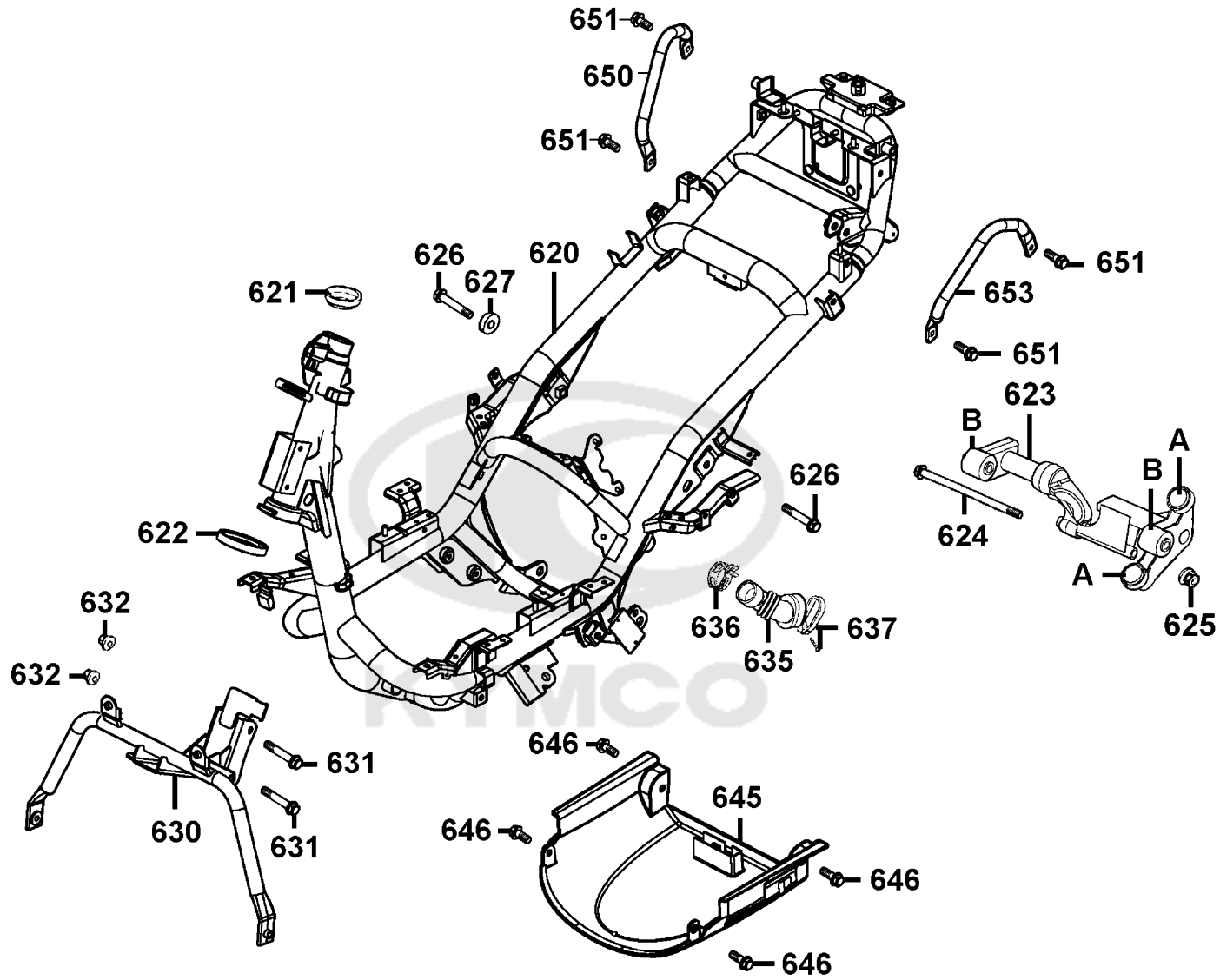
F19



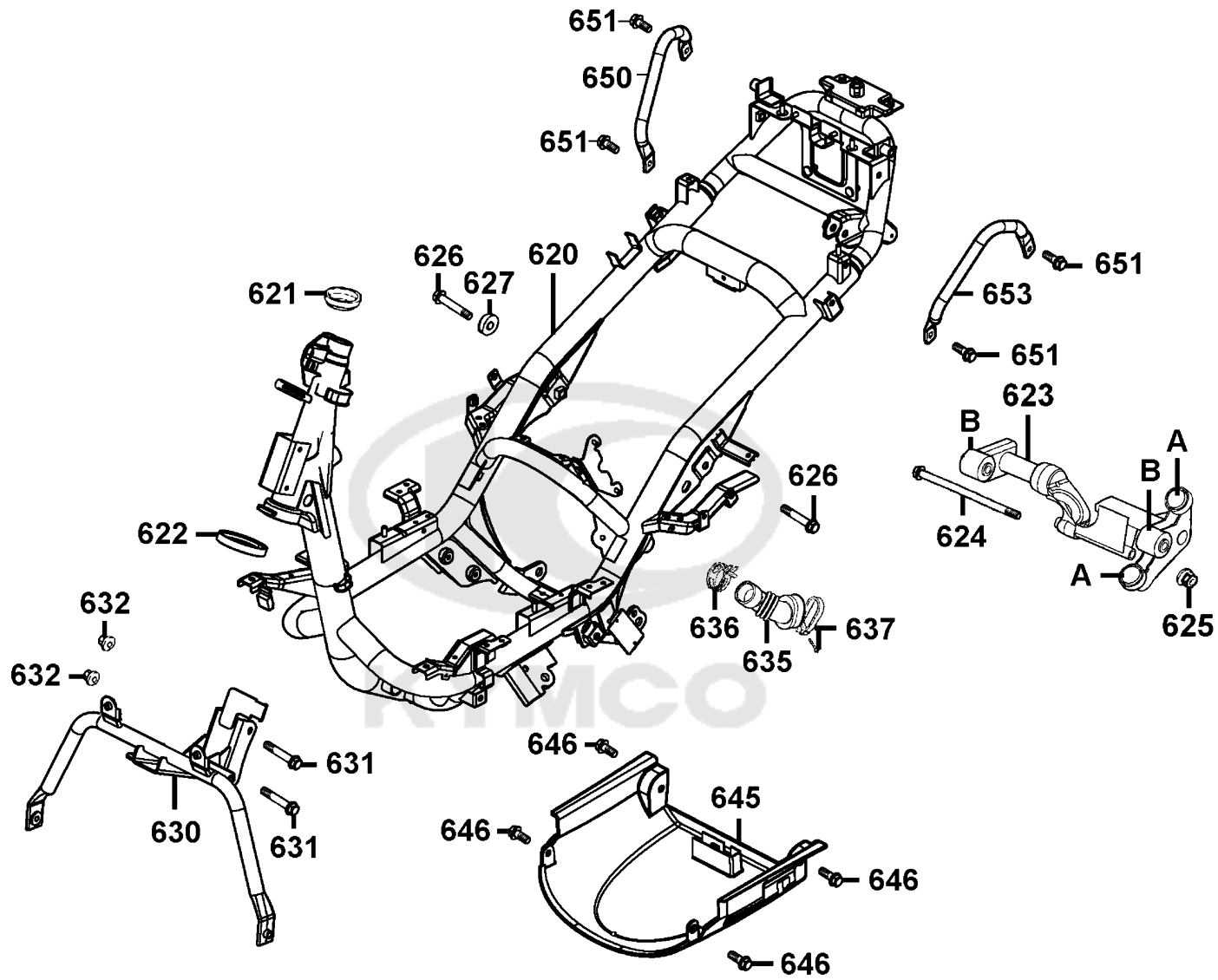
Sales mark 記号	Ref no 参照用番号	Part no パーツ番号	Description 部品名	Reg description 部品名	Regd no 必要個数	Ref Price 希望小売価格(税抜)
E		77240-KKD7-900	CABLE COMP SEAT LOCK	CABLE COMP SEAT LOCK	1	1630
581		92201-05020-0G	BOLT HEX 5*20	BOLT HEX 5*20	1	200
591		94050-06080	NUT FLANGE 6MM	NUT FLANGE 6MM	5	60
589		95701-08012-06	BOLT FLANGE 6*22 (K)	BOLT FLANGE 6*22 (K)	1	60
586		95701-KHC5-E00	BOLT TORQUE 8*25	BOLT TORQUE 8*25	2	320
B		98200-10700	FUSE A7	FUSE A7	1	60
C		98200-11500	FUSE A15	FUSE A15	1	60

F19





Sales mark 記号	Ref no 参照用番号	Part no パーツ番号	Description 部品名	Reg description 部品名	Regd no 必要個数	Ref Price 希望小売価格(税抜)	F20
	635	11345-KHD6-900	DUCT L COVER	DUCT L COVER	1	580	
	637	11346-KEBE-900	BAND L COVER DUCT	BAND L COVER DUCT	1	490	
	636	19411-KNBN-900	CLIP HOSE	CLIP HOSE	1	390	
	620	50100-KKD7-900	BODY COMP FRAME	BODY COMP FRAME	1	87440	
	650	50198-KHD6-900	PIPE R SIDE GRIP	PIPE R SIDE GRIP	1	960	
	653	50199-KHD6-900	PIPE L SIDE GRIP	PIPE L SIDE GRIP	1	960	
	621	50301-KGN7-671	RACE UP STRG BALL	RACE UP STRG BALL	1	540	
	622	50302-2H68-011	RACE STRG BOT BALL	RACE STRG BOT BALL	1	610	
	630	50310-KKD7-900	STAY LEG SHIELD	STAY LEG SHIELD	1	3810	
	623	50350-KHE2-900	ENG HANGER ASSY	ENG HANGER ASSY	1	10460	
	A	50352-GFY6-901	RUBBER STOPPER	RUBBER STOPPER	2	200	
	B	50353-GBG2-711	BUSH SWING LOCK	BUSH SWING LOCK	2	680	
**	645	50613-KHD6-900	COVER UNDER	COVER UNDER	1	2100	
	624	90107-KUDU-900	BOLT FLANGE 10*188	BOLT FLANGE 10*188	1	240	
	627	90121-GFY6-901	COLLAR DISTANCE	COLLAR DISTANCE	1	60	
	625	90304-GHE8-004	NUT CAP 6MM	NUT CAP 6MM	1	200	
	632	94050-06080	NUT FLANGE 6MM	NUT FLANGE 6MM	2	60	
	646	95701-06012-06	BOLT FLANGE 6*22 (K)	BOLT FLANGE 6*22 (K)	1	60	
	631	95701-06050-06	BOLT FLANGE 6*22 (K)	BOLT FLANGE 6*22 (K)	1	60	
	651	95701-08012-06	BOLT FLANGE 6*22 (K)	BOLT FLANGE 6*22 (K)	1	60	



Sales mark 記号	Ref no 参照用番号	Part no パーツ番号	Description 部品名	Reg description 部品名	Regd no 必要個数	Ref Price 希望小売価格(税抜)
------------------	-----------------	------------------	--------------------	------------------------	-----------------	-------------------------

F20

626	95801-10055-06		BOLT FLANGE 10*55	BOLT FLANGE 10*55	1	90
-----	----------------	--	-------------------	-------------------	---	----



<ul style="list-style-type: none"> ● Be sure to wear a safety helmet when riding. ● Do not exceed the speed specified by law when riding. ● The exhaust muffler temperature is very high after riding. Be sure to park the motorcycle in a place not easily touched by people. ● For riding safety and good performance, do not violate the law to modify the motorcycle. 	<ul style="list-style-type: none"> ● Make sure to perform the periodic maintenance and provide inspection. <div style="text-align: center; border: 1px solid black; padding: 2px; width: fit-content; margin: 0 auto;"> <p>Provide Inspection Items</p> </div> <p>Brake Performance, tires, engine oil level, lights, horn, and instrument panel</p> <p style="text-align: center;">KWANG YANG MOTOR CO., LTD.</p>
---	---

● Please read the User's Manual carefully to ensure riding safety.

681

CAUTIONS

Before starting the engine, the side stand shall be kicked up to secure safety.

685

CAUTIONS

Tire Size	:Front 120/70-12	Rear 130/70-12
(One Rider)	:Front 1.75kgf/cm ²	Rear 2.00kgf/cm ²
(Two Rider)	:Front 1.75kgf/cm ²	Rear 2.25kgf/cm ²
Load Capacity	:Shield 1.5kg Clip assy center 3kg	
(As per KYMCO standard specification)		
(Note: The tire pressure must not overpass 2.50kgf/cm ²)		

- Check the motor oil level with the dipstick after refilling motor oil.

K07-E000

682

CAUTIONS

Never put any article between the rear side cover and the engine to avoid interference of riding.

.GM9-300

686

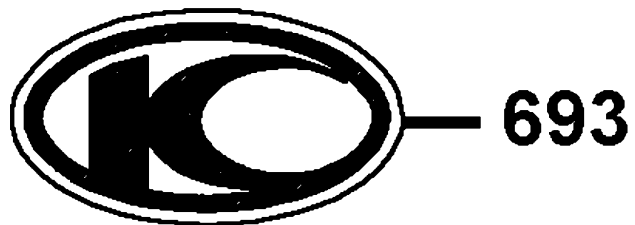
Sales mark 記号	Ref no 参照用番号	Part no パーツ番号	Description 部品名	Reg description 部品名	Regd no 必要個数	Ref Price 希望小売価格(税抜)
**	682	87505-KKD7-E00	LABEL TIRE	LABEL TIRE	1	200
**	685	87541-GAR1-E00	CAUTION SIDE STAND	CAUTION SIDE STAND	1	200
**	686	87542-GAR1-E00	MARK MAINT CAUTION	MARK MAINT CAUTION	1	200
**	681	87560-GFY6-E00	MARK DRIVE CAUTION	MARK DRIVE CAUTION	1	200

F21





KYMCO

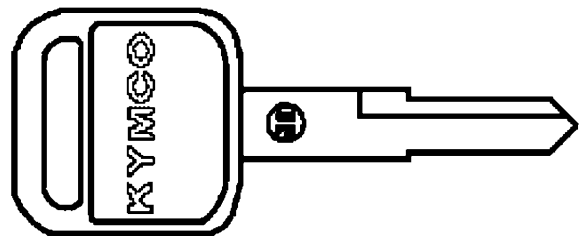


Sales mark 記号	Ref no 参照用番号	Part no パーツ番号	Description 部品名	Reg description 部品名	Regd no 必要個数	Ref Price 希望小売価格(税抜)
------------------	-----------------	------------------	--------------------	------------------------	-----------------	-------------------------

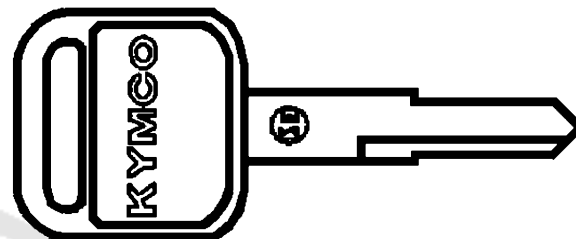
F22

**	693	86102-KFA6-E00	EMB K-LOGO 30MM	EMB K-LOGO 30MM	1	490
**	690	86202-KKD7-E00	EMB BODY COVER	EMB BODY COVER	2	1150
**	691	86212-KHD8-E00	EMB B BODY COVER **E00 C.2006.08.08	EMB B BODY COVER **E00 C.2006.08.08	2	390

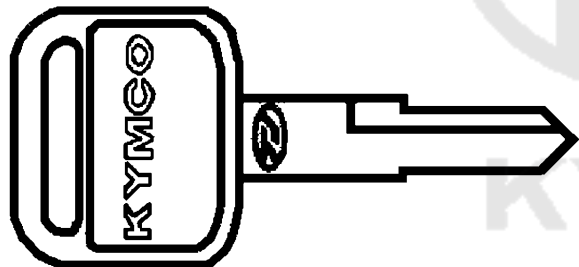




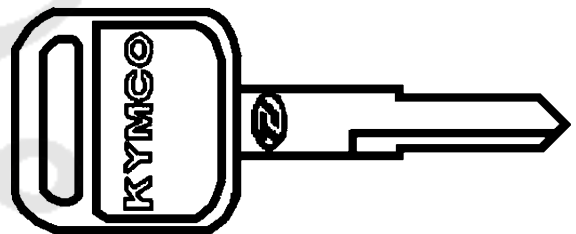
1



3



2



4

Sales mark 記号	Ref no 参照用番号	Part no パーツ番号	Description 部品名	Reg description 部品名	Regd no 必要個数	Ref Price 希望小売価格(税抜)	F23
------------------	-----------------	------------------	--------------------	------------------------	-----------------	-------------------------	-----

1		35111-KHC5-305-M1	KEY COMP	KEY COMP	1	680	
2		35111-KHC5-305-M2	KEY COMP	KEY COMP	1	680	
3		35111-KHC5-306-M1	KEY COMP	KEY COMP	1	680	
4		35111-KHC5-306-M2	KEY COMP	KEY COMP	1	680	



PART NO. INDEX

パーツ番号 検索

PART NO. パーツ番号	VERSION バージョン	PAGE ページ	PART NO. パーツ番号	VERSION バージョン	PAGE ページ	PART NO. パーツ番号	VERSION バージョン	PAGE ページ	
1000			11381-KUDU-900	3	E01	14000			
			11382-KUDU-900	0	E01				
			11383-KUDU-900	0	E01				
1001-MA4H-0351	0	E05	11386-GFY6-900	0	E08		14100-KFA9-220	1	E02
120A-106H-9901	0	E05	11394-KUDU-980	1	E04		14401-KUDU-90C	0	E03
1531-428H-6710	0	E05	11395-KKD7-980	0	E01		14431-KUDU-900	3	E02
1703-GJ2H-0040	0	E05					14450-GFY6-901	0	E02
1738-GJ2H-0040	0	E05	12000				14452-GFY6-901	0	E02
4000			12100-KFBF-E00	4	E03		14510-KUDU-C0B	0	E03
			12191-KFBF-900	0	E03		14520-GFY6-90C	2	E03
4000-050-0000	0	E05	12191-KFBF-980	1	E03	14523-KED9-900	1	E03	
11000			12200-KFB7-C00	7	E02	14531-GLR0-001	1	E03	
			12209-GDB4-68B	0	E02	14610-KUDU-C0B	0	E03	
11100-KFB7-305	3	E01	12211-KUDU-900	4	E02	14711-KFB7-900	1	E02	
11102-1G87-004	3	E01	12251-KFBF-900	1	E02	14721-KFB7-900	0	E02	
11192-KUDU-980	1	E01	12310-KUDU-C00	2	E02	14751-KKJ9-003	1	E02	
11200-KKD9-315	2	E01	12361-GFY6-901	1	E04	14761-KKJ9-003	1	E02	
11203-GGC7-301	2	E01	12391-GFY6-941	0	E02	14771-GDB4-680	0	E02	
11203-KUDU-900	2	E09				14775-MFA6-001	0	E02	
11221-KKD7-900	0	F13	13000			14781-MFA6-001	0	E02	
11331-KUDU-C00	5	E04	13000-KFB7-900	9	E03	15000			
11341-KEC4-900	3	E01	13011-KFBF-E0A	2	E03	15100-KFB7-900	0	E07	
11345-KHD6-900	0	F20	13101-KFB7-900	1	E03	15133-GFY6-901	0	E07	
11346-KEBE-900	0	F20	13111-KKJ9-001	3	E03	15141-GFY6-90B	0	E07	

PART NO. INDEX

パーツ番号 検索

PART NO. パーツ番号	VERSION バージョン	PAGE ページ	PART NO. パーツ番号	VERSION バージョン	PAGE ページ	PART NO. パーツ番号	VERSION バージョン	PAGE ページ
15141-GFY6-90C	1	E07	17254-KACA-P00	0	F13			
15421-1G07-001	1	E04	17256-GFY6-901	4	E02	19000		
15426-GAE1-921	0	E04	17369-KHC4-900	0	F10			
1565A-KUDU-900	0	E04	1736A-GFY6-900	1	F13	19411-KBCB-900	0	F10
15711-KUDU-900	0	E07	17370-4K19-701	0	F13	19411-KNBN-900	1	F20
16000			17371-1D74-671	0	F13	19510-GFY6-901	5	E08
			17500-KHD6-900	4	F10	1961A-KUDU-E10	3	E08
			17500-KHD6-910	3	F10	19625-KUDU-910	0	E02
16050-GY6-9400	0	E05	17502-KHD6-900	2	F10	19626-KUDU-900	0	E08
16080-KJ9-0031-3	0	E05	17510-KKD7-900	1	F10	1962A-KUDU-900	2	E08
16107-KJ9-0030	0	E05	17620-KHD6-325-M1	0	F10	19632-GFY6-901	1	E08
1610K-KKD9-E00	0	E05	17620-KHD6-325-M2	0	F10	19633-GFY6-901	0	E08
16111-GY6-9000	0	E05	17623-KHD6-900	2	F10	19636-KUDU-C00	0	E08
16179-KAB-6700	0	E05	17689-KKD7-900	0	F10	1963A-KUDU-C00	0	E08
16201-GFY6-910	1	E02	1768A-KHD6-900	1	F10			
16211-GFY6-901	0	E02	1768B-KHD6-900	1	F10	21000		
16700-KHE7-220	0	F10	1768C-KHD6-900	0	F10			
1691A-KEC2-E00	0	F10	1768D-KHD6-900	1	F10	21200-KEC4-305	2	E09
17000			17910-LAD9-900	2	F03	21201-KUDU-900	0	E09
			18000			21395-KEC4-980	3	E09
						22000		
17110-KUDU-900	5	E02						
17211-KEC6-900	5	F13	18291-KEBE-900	0	F14			
17214-KKD7-900	0	F13	18294-KEBE-900	0	F14	22101-GFY6-941	3	E06
17231-KKD7-900	0	F13	1830A-KFB7-E01	0	F14	22102-KUDU-220	1	E06
1723A-KKD7-900	2	F13	18318-KFB7-EZ0	0	F14	22105-GFY6-220	1	E06

PART NO. INDEX
 パーツ番号 検索

PART NO. パーツ番号	VERSION バージョン	PAGE ページ	PART NO. パーツ番号	VERSION バージョン	PAGE ページ	PART NO. パーツ番号	VERSION バージョン	PAGE ページ
22110-KUDU-220	0	E06	23238-GFY6-941	0	E06			
22111-KUDU-220	1	E06	23411-KKD9-900	1	E09	30000		
22112-GFY6-90A	0	E06	23420-KKD9-900	3	E09			
22121-KKD9-305	0	E06	23431-KUDU-900	2	E09	30410-KKD7-E00	0	F19
22131-GFY6-901	3	E06	23432-KEC4-900	1	E09	3051A-GFY6-901	2	F19
22132-LKB9-900	1	E06				30700-GFY6-901	3	F19
22300-LHJ3-900	5	E06	28000					
22350-GFY6-90A	1	E06				31000		
22350-LHJ3-900	1	E06	28101-GFY6-901	2	E07			
22361-KGN7-671	1	E06	28102-GFY6-901	1	E07	31110-KUDU-90A	4	E08
22361-LHJ3-900	1	E06	28110-GFY6-901	2	E07	31110-KUDU-90B	3	E08
22401-GFY6-90A	1	E06	28120-GFY6-315	6	E07	31110-KUDU-90C	2	E08
22401-LHJ3-900	1	E06	28125-4F26-001	0	E07	31120-KUDU-90A	3	E08
22530-LHJ3-900	4	E06	28125-GFY6-960	3	E07	31120-KUDU-90B	2	E08
22804-GBB2-001	0	E06	28126-KUDU-900	1	E07	31120-KUDU-90C	0	E08
			28211-KUDU-900	4	E06	31210-GFY6-200	7	E07
23000			28223-KNBN-901	0	E01	31210-GFY6-20C	4	E07
			28230-GKAK-921	0	E01	31500-KFAF-90A	9	F11
2301A-KEC6-900	5	E06	28250-KNBN-901	1	E01	31500-KFAF-90B	9	F11
23100-KEC4-900	2	E06	28253-GBN2-60A	0	E01	31600-KUDU-900	2	F19
23200-GFY6-901	3	E06	28255-GFS6-001	0	E01			
23220-KFBF-900	0	E06	28281-GBN2-60A	1	E01	32000		
23225-GHC8-004	0	E06	28300-KNBN-901	3	F15			
23226-GHC8-004	0	E06				32100-KKD9-B20	0	F19
23233-GCW3-011	0	E06				32106-KNBN-901	0	F04
23237-GFY6-941	0	E06				32120-1E55-001	0	F19

PART NO. INDEX

パーツ番号 検索

PART NO. パーツ番号	VERSION バージョン	PAGE ページ	PART NO. パーツ番号	VERSION バージョン	PAGE ページ	PART NO. パーツ番号	VERSION バージョン	PAGE ページ
32410-KUDU-900	2	E07				35170-KNBN-910	1	F03
32411-KHD6-900	1	F19	34000			35180-GFY6-900	2	F03
32412-KHD6-900	3	E04				35200-GFY6-910	1	F03
32961-KUDU-900	2	E04	34901-KBAB-900	0	F01	35340-KFLF-900	2	F03
			34903-KPCP-900	0	F01	35340-KNBN-901	0	F04
33000			34903-KPCP-900	0	F18	35400-KKD9-B20	0	F19
			34905-KPCP-900	0	F17	35850-KHD6-90A	0	F19
33100-KUDU-E00	0	F01	34905-KPCP-900	0	F18	35850-KHD6-90B	1	F19
33120-KUDU-E00	0	F01	34906-KPCP-900	0	F18			
33130-KUDU-E00	0	F01	34908-GGA7-70A	1	F02	37000		
33400-KKD7-E00	2	F17	34908-MKB9-87A	0	F02			
33401-KKD7-E00	0	F17				37119-KUDU-900	0	F02
33402-KKD7-E00	0	F17	35000			37119-KUDU-90A	0	F02
33405-KKD7-E00	0	F17				37119-KUDU-90B	0	F02
33450-KKD7-E00	2	F17	35010-KKD7-305-M1	0	F19	37200-KKD9-B2A	0	F02
33451-KKD7-E00	0	F17	35010-KKD7-305-M2	0	F19	37200-KKD9-B2B	0	F02
33452-KKD7-E00	0	F17	35100-KFA1-305-M1	0	F19	37224-KKD7-E00	0	F02
33700-KKD7-E00	0	F18	35100-KFA1-305-M2	0	F19	37720-KGBG-E00	0	F19
33701-KKD7-E00	0	F18	35102-KFA1-900	0	F19	37801-GGA7-701	1	F10
33704-KKD7-900	0	F18	35102-KFA1-90B	0	F19	37801-LAB4-910	1	F10
33706-GCN3-67A	0	F18	35111-KHC5-305-M1	0	F23	37802-KEC8-900	0	F10
33709-KBAB-003	0	F18	35111-KHC5-305-M2	0	F23	3780A-KHD6-900	0	F10
33720-KKD7-E00	1	F18	35111-KHC5-306-M1	0	F23	3780A-KHD6-91A	6	F10
33725-KHB4-E00	0	F18	35111-KHC5-306-M2	0	F23			
33741-GFY6-C30	1	F18	35150-GFY6-900	4	F03			
			35160-GFY6-900	3	F03			

PART NO. INDEX
 パーツ番号 検索

PART NO. パーツ番号	VERSION バージョン	PAGE ページ	PART NO. パーツ番号	VERSION バージョン	PAGE ページ	PART NO. パーツ番号	VERSION バージョン	PAGE ページ
38000			44000			45209-GBE2-007	0	F07
38110-KHB4-E0A	2	F19	44301-KXCX-900	4	F07	45210-KHD8-900	0	F07
38110-KHB4-E0C	1	F19	44311-KEBE-900	0	F07	45215-KECE-900	0	F07
38300-KECE-900	3	F19	44620-KHD8-900	1	F07	45216-1F66-007	0	F07
38773-PKB9-001	0	F10	44650-KKD7-305	1	F07	45216-KFW6-90A	0	F07
3877A-PKB9-001	1	F10	44710-KEB7-E1A	3	F07	45351-KHE7-E00	1	F07
			44800-KFA5-900	2	F07	45513-KFAF-901	0	F04
42000			44830-KXCX-901	5	F02	45517-GFY6-900	5	F03
42601-KKD7-900	2	F08	44831-KXCX-900	0	F02	45517-KFAF-910	0	F04
42710-KEB7-E1A	3	F08	45000			45530-KFAF-305	1	F04
42753-0D04-900	1	F08				45531-GAR1-951	0	F07
42753-KXCX-900	1	F07	45107-KKD6-E90	1	F07	46000		
			45108-MDL4-007	2	F07	46513-KUDU-900	2	F08
43000			45109-GBE2-007	0	F07	50000		
4312A-KKD7-900	1	F08	4510A-KFW6-900	2	F07	50100-KKD7-900	5	F20
43141-KKD7-E00	1	F08	45126-KKD7-900	1	F04	50138-KHD6-900	0	F10
43151-KGM7-961	1	F08	45128-KEBE-900	0	F04	50152-KHD6-900	0	F11
43352-5H68-004	3	F07	45131-1F66-017	0	F07	50178-KHD6-900	0	F10
43353-4A61-77A	0	F07	45131-GBE2-007	1	F07	50179-KHD6-900	0	F10
43410-KEC4-900	1	F08	45132-1F66-017	0	F07	50198-KHD6-900	1	F20
43416-KUDU-900	0	F08	45133-MCA3-007	0	F07	50199-KHD6-900	1	F20
43450-KKD7-900	2	F03	45156-KECE-900	2	F06	50301-KGN7-671	2	F20
			45200-KHD8-900	0	F07			

PART NO. INDEX

パーツ番号 検索

PART NO. パーツ番号	VERSION バージョン	PAGE ページ	PART NO. パーツ番号	VERSION バージョン	PAGE ページ	PART NO. パーツ番号	VERSION バージョン	PAGE ページ
50302-2H68-011	2	F20						
50306-1F96-001	0	F06	53000			61000		
50310-KKD7-900	1	F20						
50320-KKD7-900	1	F18	53100-KKD7-900	2	F03	61110-KKD7-900	0	F05
50326-KHD6-900	1	F11	53105-KNBN-910	1	F03			
50350-KHE2-900	0	F20	53125-GEN5-901	0	F03	64000		
50352-GFY6-901	0	F20	53140-KGB5-900	0	F03			
50353-GBG2-711	1	F20	53166-KGB5-900	0	F03	64301-KKD7-900	1	F05
50502-GFY6-901	3	F15	53167-GAR1-951	0	F03	64302-KKD7-900	2	F05
50505-KKD7-900	2	F15	53167-LHJ6-900	2	F03	64305-KHD6-900	1	F05
5050A-KKD7-900	3	F15	53168-GAR1-951	0	F03	64306-KHD6-900	1	F05
50530-KKD7-800	0	F15	53168-KFA1-900	1	F03	64310-KHD6-900	4	F05
50531-KEB7-E00	1	F15	53172-KUDU-901	0	F03	64311-KHD6-900	1	F12
50535-KEB7-E00	3	F15	53175-KXBX-E10	3	F04	64316-KHD6-900	1	F05
50611-KHD6-900	0	F05	53178-KXCX-E90	0	F03	64317-KHD6-900	0	F05
50612-KHD6-900	0	F05	5317B-KUDU-E00	1	F03	64400-KHD6-900	2	F05
50613-KHD6-900	1	F20	53200-KKD7-900	2	F06			
51000			53205-KKD7-900	1	F03	70000		
			53206-KUDU-901	5	F03			
			53211-GFY6-940	1	F06	70529-6G57-671	0	E08
51400-KHD8-900	1	F06	53212-2L50-011	1	F06			
5150A-KHD8-900	1	F06	53214-LHJ6-900	1	F06	77000		
52000			53215-2L50-001	0	F06			
						77200-KKD7-900	1	F09
						77235-KHD6-900	0	F12
52400-KKD7-900	1	F16				77240-KKD7-900	1	F19

PART NO. INDEX
 パーツ番号 検索

PART NO. パーツ番号	VERSION バージョン	PAGE ページ	PART NO. パーツ番号	VERSION バージョン	PAGE ページ	PART NO. パーツ番号	VERSION バージョン	PAGE ページ
80000			83600-KHD6-900	0	F12			
			83601-KKD7-900	1	F12	89000		
			83620-KHD6-900	1	F12			
80101-KKD7-900	0	F18	83751-KHD6-900	0	F12	89010-KGBG-900	2	F09
80102-KKD7-900	0	F18	8376A-KECE-901	2	F05			
80102-KUDU-900	4	F18				90000		
80104-KKD7-900	0	F18	86000					
80105-KKD7-900	0	F18				90001-GBHB-661	3	E03
80152-KHD6-900	1	F12	86102-KFA6-E00	2	F22	90001-GBHB-681	3	F13
			86202-KKD7-E00	0	F22	90001-GBHB-711	3	E01
81000			86212-KHD8-E00	1	F22	90005-KAW1-901	1	E03
						90012-3C33-001	1	E02
81131-KHD6-800	1	F05	87000			90021-GFY6-900	2	F14
81132-KHD6-900	0	F05				90031-KUDU-900	0	E01
81141-KHD6-900	2	F05	87505-KKD7-E00	0	F21	90032-KUDU-900	0	E01
81142-KUDU-900	1	F05	87541-GAR1-E00	1	F21	90033-GFY6-900	1	E02
81200-KKD7-900	0	F12	87542-GAR1-E00	2	F21	90105-KCR3-001	1	F07
81257-KUDU-900	2	F12	87560-GFY6-E00	4	F21	90106-GEN5-901	1	F03
8126A-KHD6-900	2	F12				90106-KFAF-900	2	F12
			88000			90107-KUDU-900	3	F20
83000						90108-LKE6-900	1	F15
			88110-KUDU-E00	4	F03	90110-KEB7-900	1	F05
83500-KKD7-900	0	F12	88120-KUDU-E00	4	F03	90111-1G87-001	1	F12
83501-KKD7-900	1	F12				90111-KKD7-900	1	F05
83503-KHD6-900	2	F12				90114-1F66-007	2	F04
83520-KHD6-900	1	F12				90115-GLE0-001	0	F03

PART NO. INDEX
 パーツ番号 検索

PART NO. パーツ番号	VERSION バージョン	PAGE ページ	PART NO. パーツ番号	VERSION バージョン	PAGE ページ	PART NO. パーツ番号	VERSION バージョン	PAGE ページ
90121-GFY6-901	1	F20	90440-1F66-001	0	E08	91104-GFY6-90C-B	0	E07
90122-KEBE-900	2	F07	90441-GFY6-941	0	E06	91104-GFY6-90C-R	0	E07
90145-LEA3-E00	1	F04	90451-GBN2-601	0	E01	91202-GFY6-90C	1	E01
90201-GFY6-901	1	E07	90465-MDC4-001	0	E02	91202-GFY6-90C	1	E04
90202-1G87-001	2	E06	90474-3C33-001	1	E01	91202-KKJ9-004	0	E01
90206-0A01-001	4	E02	90501-KNBN-901	0	F08	91211-KEBE-900	0	E06
90301-6D34-671	1	F12	9052A-GFY6-950	4	E01	91255-GLE0-006	0	E09
90301-6D34-671	1	F18	90545-3L00-001	2	F04	91301-0C53-001	0	E09
90301-GFY6-901	2	F14	90601-GFY6-901	0	E06	91301-0H28-001	0	E02
90302-GBR2-001	1	F10	90605-1F66-721	0	E06	91301-GLR0-005	1	E03
90302-GFY6-901	1	F05	90652-GFY6-901	1	F13	91302-0A01-021	0	E04
90302-GFY6-901	1	F10	90656-KCBC-900	0	F03	91306-1E05-691	0	E03
90302-KNBN-900	1	F03	90683-GAR1-004	4	F05	91307-0E35-001	0	E04
90302-LLB1-E00	2	F10	90701-HFB6-011	2	E03	91351-6B42-000	0	E06
90302-SDA4-004	3	F05	90701-HFB6-011	2	E07	91352-KHG8-83B	0	F08
90302-SDA4-004	3	F18	90754-GHC8-00A	1	F07			
90304-GHE8-004	0	F03	90912-KFLF-00A	0	F07	92000		
90304-GHE8-004	0	F20	90912-KFLF-00D	1	F07			
90305-GHK8-001	1	E08				92101-05012-0G	0	E08
90305-KNBN-90B	0	F08	91000			92201-05020-0G	1	F19
90306-GLW0-90A	1	F07				92900-06060-0B	0	E02
90309-KLF0-004	1	E09	91001-GFY6-90A	2	E06			
90381-GEZ5-001	1	F12	91002-GGA7-70A	0	E06	93000		
90403-KUDU-900	0	E07	91003-KDS4-004	2	E09			
90412-3K29-001	0	E01	91009-GLE0-004	1	E09	93404-06012-06	0	F18
90426-KNBN-901	0	E06	91101-1K79-711	1	E07	93404-06016-06	0	F05

PART NO. INDEX

パーツ番号 検索

PART NO. パーツ番号	VERSION バージョン	PAGE ページ	PART NO. パーツ番号	VERSION バージョン	PAGE ページ	PART NO. パーツ番号	VERSION バージョン	PAGE ページ
93500-03010-0F	0	E07	93903-35360	0	F10	94050-12080	0	E08
93500-04008-1H-3	0	E05	93903-45260	0	F12	94101-06200	0	F14
93500-04014-1H-3	0	E05	93903-45360	0	F01	94111-06800	0	F14
93500-04020-0G	0	F10	93903-45360	0	F05	94301-10160	0	E01
93500-05022-0F	0	F03	93903-GFY6-900	1	F05	94301-10160	0	E02
93600-04012-1G	0	F04	93903-GFY6-900	1	F11	94301-10160	0	E03
93700-05018-0F	0	F02	93903-GFY6-900	1	F12	94301-10160	0	E04
93891-05016-06	0	F12	93903-GFY6-900	1	F18	94303-04065	0	E07
93891-05016-06	0	F13				94510-20000	0	E09
93891-05040-06	0	F03	94000			94511-14000	0	E01
93892-04008-16	0	E05				94520-28000	0	E06
93892-04010-18-3	0	E05	94001-05080-0S	0	F03	94591-27000	0	F05
93892-05012-06	0	E05	94050-05080	0	F10	94601-15000	0	E03
93893-04012-18	0	F04	94050-06080	0	E02			
93901-32510	0	F17	94050-06080	0	E07	95000		
93903-14360	0	F01	94050-06080	0	F04			
93903-25460	0	F13	94050-06080	0	F05	95002-02070	0	E05
93903-34260	0	F12	94050-06080	0	F09	95002-02070	0	F10
93903-34360	0	F03	94050-06080	0	F10	95002-02080	0	E05
93903-34360	0	F05	94050-06080	0	F11	95002-02080	0	F10
93903-34360	0	F12	94050-06080	0	F12	95002-02080	0	F13
93903-34360	0	F17	94050-06080	0	F18	95002-02100	0	F10
93903-34360	0	F18	94050-06080	0	F19	95002-02120	1	F10
93903-34460	0	F12	94050-06080	0	F20	95002-02120	1	F13
93903-34460	0	F18	94050-08080	0	E02	95002-02130	0	F10
93903-35360	0	F02	94050-12080	0	E06	95002-02130	0	F13

PART NO. INDEX
 パーツ番号 検索

PART NO. パーツ番号	VERSION バージョン	PAGE ページ	PART NO. パーツ番号	VERSION バージョン	PAGE ページ	PART NO. パーツ番号	VERSION バージョン	PAGE ページ
95002-41050-00	0	F13	95801-10025-06	0	F15	96100-62043-00	0	E01
95002-50000	0	F10	95801-10040-06	0	F16	96211-05000	0	F06
95005-35065-10	0	F10	95801-10055-06	0	F20	96211-08000	1	F06
95014-71402	0	F15				96220-60100	0	E07
95014-72102	0	F15	96000			96600-08010-16	0	E07
95015-32001	0	F03				98000		
95015-42000	0	F03	96001-06012-06	0	E01			
95701-06012-06	1	F04	96001-06012-06	0	E04			
95701-06012-06	1	F05	96001-06012-06	0	E07	98056-5771R-00	0	E02
95701-06012-06	1	F06	96001-06012-06	0	F14	98200-10700	0	F11
95701-06012-06	1	F20	96001-06016-06	0	E07	98200-10700	0	F19
95701-06022-06	1	F04	96001-06016-06	0	E08	98200-11500	0	F11
95701-06022-06	1	F15	96001-06018-06	0	E08	98200-11500	0	F19
95701-06025-06	2	E02	96001-06020-06	0	E08			
95701-06025-06	2	F03	96001-06025-06	0	E08	99000		
95701-06032-06	0	F08	96001-06028-06	0	E04			
95701-06035-06	1	E02	96001-06028-06	0	E07	99101-393-1020	0	E05
95701-06050-06	0	E02	96001-06045-06	0	E01			
95701-06050-06	0	F20	96001-06050-06	0	E01	D		
95701-08012-06	0	E01	96001-06055-06	0	E01			
95701-08012-06	0	F19	96001-06100-06	0	E02	D1310-853-0110	0	E05
95701-08012-06	0	F20	96001-06100-06	0	E04			
95701-KHC5-E00	3	F19	96001-06110-06	1	E04	K		
95801-08035-06	1	F16	96100-60020-00	0	E09			
95801-08040-06	0	F06	96100-62020-00	0	E01	K350-GY6-0200	0	E05
95801-08042-06	0	F14	96100-62030-00	0	E01	K785-KDU-0200	0	E05

PART NO. INDEX
 パーツ番号 検索

PART NO. パーツ番号	VERSION バージョン	PAGE ページ	PART NO. パーツ番号	VERSION バージョン	PAGE ページ	PART NO. パーツ番号	VERSION バージョン	PAGE ページ
N								
N413-34B00	0	E05						
N425-2KFRJ	0	E05						
S								
S362-0081	0	E05						
S446-1210	0	E05						
S506-0052	0	E05						
S5360-143-A000	0	E05						
S7860-110-B000	0	E05						
S7860-112-B000	0	E05						
W								
W1202-001-9900	0	E05						
W1314-014-9901	0	E05						
W1476-138-9902	0	E05						
W1561-231-9900	0	E05						
W1711-B19-9900	0	E05						
W1787-142-9900	0	E05						
W9554-26638	0	E05						