

# PARTS CATALOGUE



## SCOOTERS

SH30DA(JP)

GRAND DINK 150 (注意)



Release Date : 2017/04/05  
Print Date : 2017/07/18

## 本パーツリストについて

- 本パーツリストは SH30DA(JP).の全てのパーツ番号が記載されています。
- 車輻のカラーチャートとバイクに相違がある場合は正規販売店もしくはKYMCO JAPANへお問い合わせください。
- 1. "\*\*\*"記号が記載している場合、3文字の色コードをパーツ番号の最後に記入してください。  
2. "#" 記号が記載している場合、パーツの設定、変更があります。正規販売店もしくはKYMCO JAPANへお問い合わせください。
- このパーツリストの変更または追加は、適切な時期に予告なく行われます。

## ABOUT THIS PARTS LIST

- This parts list is compiled all service parts for model SH30DA(JP).
- Any difference between color chart and motorcycle will be revised according to motorcycle.
- The Mark:
  1. Marking "\*\*\*" must add color code in the end before ordering parts.
  2. Marking "#" are parts with modification, Please find the details from e-Parts system.
- When modification or additions to this parts list are made a revised edition at an appropriate time.

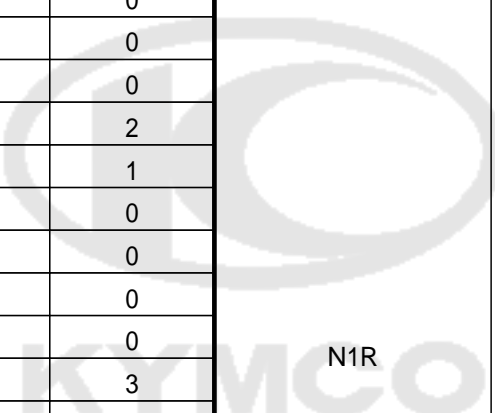
## 目次

● 本パーツリストについて .....	1
● SH30DA(JP)のカラーチャート .....	3
● 目次-エンジン関 .....	11
● 目次-フレーム関係 .....	12
● エンジンパーツリスト .....	15
● フレームパーツリスト .....	49
● パーツ番号 検索 .....	125

## CONTENTS

● ABOUT THIS PARTS LIST .....	1
● COLOR CHART OF SH30DA(JP) .....	3
● CONTENTS-ENGINE GROUP .....	11
● CONTENTS-FRAME GROUP .....	12
● ENGINE PARTS LIST .....	15
● FRAME PARTS LIST .....	49
● PART NO. INDEX .....	125

NO	モデル			SH30DA(JP)のカラーチャート					
	写真番号			NO. 1	NO. 2	NO. 3	NO. 4		
	基本色								
	コード			Deep Blue Metallic	Bright Silver	Dark Gray Metallic	Ruby Red		
	パーツ名	パーツ番号	バージョン	PB183MA	NH045MA	NH124MA	RR004CA		
1	CUSHION ASSY R RR	52400-KKC2-E00	2	F1S					
2	CUSHION ASSY L RR	52500-KKC2-E00	3						
3	COVER COMP RIGHT	11330-KKC3-900	6	HJA					
4	LEVER R STRG HANDLE	53175-KFA5-E10	0	M3A					
5	LEVER L STRG HNDL	53178-KFC8-E10	0						
6	COVER WATER PUMP	19221-KKC3-900	2	M9A					
7	BRACKET RR	43210-KEBE-900	2	N1A					
8	COVER BATTERY	50326-KKC4-900	0	N1R					
9	GRIP COMP THROT	53140-KKC3-900	0						
10	GRIP L HANDLE	53166-KGB5-900	0						
11	COVER METER	53204-KKC4-900	2						
12	COVER R HANDLE LOW	53206-KKC4-900	1						
13	COVER L HANDLE LOW	53207-KKC4-900	0						
14	GRID R METER COVER	53214-KKC4-900	0						
15	GRID L METER COVER	53224-KKC4-900	0						
16	FLOOR PANEL	64310-KKC4-900	0						
17	COVER R PILLION STEP	64311-KKC4-900	3						
18	GRID R PILLION STEP	64312-KKC4-900	3						
19	MAT FLOOR	64320-KKC4-900	0						
20	COVER L PILLION STEP	64321-KKC4-900	3						
21	GRID L PILLION STEP	64322-KKC4-900	1						
22	FENDER RR TIRE	80100-KKC4-900	4						
23	COVER CENTER	80151-KKC4-900	0						
24	LEG SHIELD	81131-KKC4-900	0						
25	LID LEG SHIELD	81132-KEB7-900	1						
販売開始時期									
販売終了時期									

NO	モデル			SH30DA(JP)のカラーチャート				
	写真番号			NO. 5				
	基本色							
	コード			Yellow Green				
	パーツ名	パーツ番号	バージョン	YG025MA				
1	CUSHION ASSY R RR	52400-KKC2-E00	2	F1S				
2	CUSHION ASSY L RR	52500-KKC2-E00	3					
3	COVER COMP RIGHT	11330-KKC3-900	6	HJA				
4	LEVER R STRG HANDLE	53175-KFA5-E10	0	M3A				
5	LEVER L STRG HNDL	53178-KFC8-E10	0					
6	COVER WATER PUMP	19221-KKC3-900	2	M9A				
7	BRACKET RR	43210-KEBE-900	2	N1A				
8	COVER BATTERY	50326-KKC4-900	0	 N1R				
9	GRIP COMP THROT	53140-KKC3-900	0					
10	GRIP L HANDLE	53166-KGB5-900	0					
11	COVER METER	53204-KKC4-900	2					
12	COVER R HANDLE LOW	53206-KKC4-900	1					
13	COVER L HANDLE LOW	53207-KKC4-900	0					
14	GRID R METER COVER	53214-KKC4-900	0					
15	GRID L METER COVER	53224-KKC4-900	0					
16	FLOOR PANEL	64310-KKC4-900	0					
17	COVER R PILLION STEP	64311-KKC4-900	3					
18	GRID R PILLION STEP	64312-KKC4-900	3					
19	MAT FLOOR	64320-KKC4-900	0					
20	COVER L PILLION STEP	64321-KKC4-900	3					
21	GRID L PILLION STEP	64322-KKC4-900	1					
22	FENDER RR TIRE	80100-KKC4-900	4					
23	COVER CENTER	80151-KKC4-900	0					
24	LEG SHIELD	81131-KKC4-900	0					
25	LID LEG SHIELD	81132-KEB7-900	1					
販売開始時期								
販売終了時期								

NO	モデル			SH30DA(JP)のカラーチャート			
	写真番号			NO. 1	NO. 2	NO. 3	NO. 4
	基本色						
	コード			Deep Blue Metallic	Bright Silver	Dark Gray Metallic	Ruby Red
	パーツ名	パーツ番号	バージョン	PB183MA	NH045MA	NH124MA	RR004CA
26	LID RESERVE	81136-KKC4-900	0	N1R			
27	GRID R LEG SHIELD	81137-KKC4-900	0				
28	GRID L LEG SHIELD	81147-KKC4-900	0				
29	SIDE R GRIP	81400-KKC4-900	0				
30	SIDE L GRIP	81500-KKC4-900	0				
31	DISK RR BRAKE	43351-KHE7-E00	3	N1S			
32	COVER L	11341-KKC3-900	7	N8A			
33	METER COVER FR	37203-KKC3-900	0	N8P			
34	METER COVER RR	37204-KKC3-900	0				
35	COVER HANDLE UP	53205-KKC4-900	2				
36	GRILL HANDLE UP	53208-KKC4-900	0				
37	FENDER FR	61110-KHD8-900	2				
38	COVER SCREEN	64301-KKC4-900	0	BHP      N8P      NFP      R1P			
39	MOLDING FR	64302-KKC4-900	0				
40	SKIRT R SIDE	64305-KKC4-900	2				
41	SKIRT L SIDE	64306-KKC4-900	2				
42	COWL UNDER	64400-KKC4-900	0				
43	COVER R BODY	83500-KKC4-900	0				
44	COVER L BODY	83600-KKC4-900	1				
45	COVER RR CENTER	83750-KKC4-900	2				
46	MIRROR ASSY R BACK	88110-KKC3-900	4				
47	MIRROR ASSY L BACK	88120-KKC3-900	4				
48	WHEEL COMP RR CAST	42601-KHD8-90A	3	NJA			
49	WHEEL RR CAST	42601-KHD8-90B	2				
50	WHEEL RR CAST	42601-KHD8-90C	2				
販売開始時期							
販売終了時期							

NO	モデル			SH30DA(JP)のカラーチャート			
	写真番号			NO. 5			
	基本色						
	コード			Yellow Green			
	パーツ名	パーツ番号	バージョン	YG025MA			
26	LID RESERVE	81136-KKC4-900	0	N1R			
27	GRID R LEG SHIELD	81137-KKC4-900	0				
28	GRID L LEG SHIELD	81147-KKC4-900	0				
29	SIDE R GRIP	81400-KKC4-900	0				
30	SIDE L GRIP	81500-KKC4-900	0				
31	DISK RR BRAKE	43351-KHE7-E00	3	N1S			
32	COVER L	11341-KKC3-900	7	N8A			
33	METER COVER FR	37203-KKC3-900	0	N8P			
34	METER COVER RR	37204-KKC3-900	0				
35	COVER HANDLE UP	53205-KKC4-900	2				
36	GRILL HANDLE UP	53208-KKC4-900	0				
37	FENDER FR	61110-KHD8-900	2				
38	COVER SCREEN	64301-KKC4-900	0	W3P			
39	MOLDING FR	64302-KKC4-900	0				
40	SKIRT R SIDE	64305-KKC4-900	2				
41	SKIRT L SIDE	64306-KKC4-900	2				
42	COWL UNDER	64400-KKC4-900	0				
43	COVER R BODY	83500-KKC4-900	0				
44	COVER L BODY	83600-KKC4-900	1				
45	COVER RR CENTER	83750-KKC4-900	2				
46	MIRROR ASSY R BACK	88110-KKC3-900	4				
47	MIRROR ASSY L BACK	88120-KKC3-900	4				
48	WHEEL COMP RR CAST	42601-KHD8-90A	3	NJA			
49	WHEEL RR CAST	42601-KHD8-90B	2				
50	WHEEL RR CAST	42601-KHD8-90C	2				
販売開始時期							
販売終了時期							

NO	モデル			SH30DA(JP)のカラーチャート			
	写真番号			NO. 1	NO. 2	NO. 3	NO. 4
	基本色						
	コード			Deep Blue Metallic	Bright Silver	Dark Gray Metallic	Ruby Red
	パーツ名	パーツ番号	バージョン	PB183MA	NH045MA	NH124MA	RR004CA
51	CALIPER ASSY RR ** (0)	43100-KEBE-910	1	NJA			
52	WHEEL SET FR	44650-KHD8-30A	3				
53	WHEEL SET FR	44650-KHD8-30C	4				
54	CALIPER ASSY FR	45200-KKC2-E00	1				
55	FORK ASSY R FR	51400-KKC4-900	2				
56	BOTTOM CASE R	51420-KKC4-900	0				
57	FORK SET L FR	5150A-KKC4-900	3				
58	BOTTOM CASE L	51520-KKC4-900	0				
59	FORK ASSY REAR	52000-KKC3-900	3				
60	CARRIER RR	8120A-KKC4-900	6				
61	CAP ASSY 30MM	9008A-KBE2-900	0	NKA			
62	SEAT ASSY	77200-KKC4-E01	1	T01			
63	SEAT ASSY BACK	77210-KKC4-900	0				
64	SEAT ASSY PAD	77220-KKC4-910	1				
65	EMB HANDLE COVER RR	86030-KKC4-E00	1				
66	EMB K-LOGO 30MM	86102-KFA6-E00	2				
67	EMB BODY COVER	86202-KKC4-900	1				
68	EMB B BODY COVER	86212-KHD8-E00	1				
69	EMB B BODY COVER	86212-KKC4-900	0				
70	LABEL TIRE	87505-KHE7-E00	1				
71	LABEL CLEANNESS	87508-KKC4-E00	1				
72	CAUTION FILTER	87512-KEBE-E00	0				
73	CAUTION SIDE STAND	87541-GAR1-E00	1				
74	CAUTION MOBILE	87541-KKC2-E00	1				
75	MARK MAINT CAUTION	87542-GAR1-E00	2				
販売開始時期							
販売終了時期							

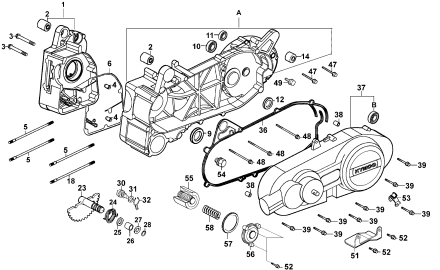
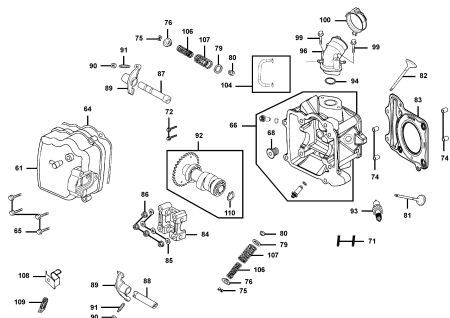
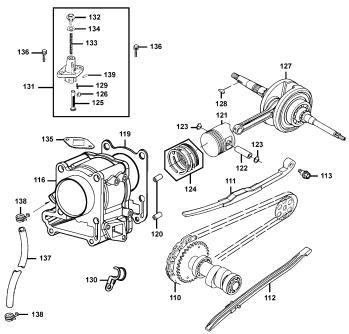
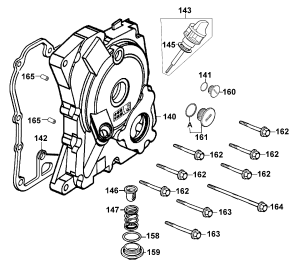
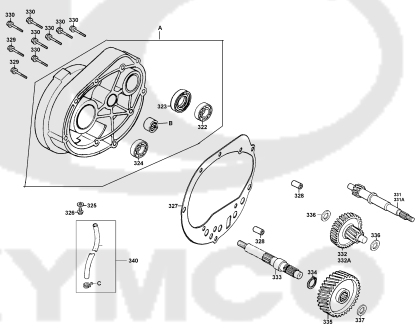
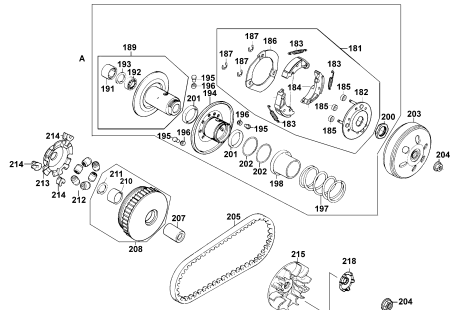
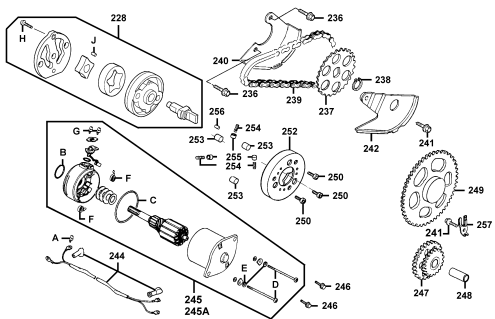
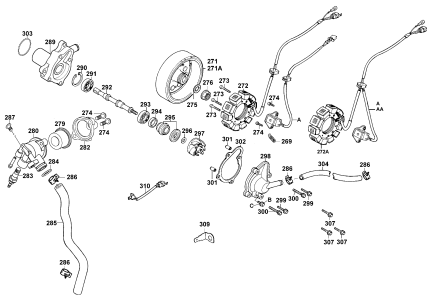
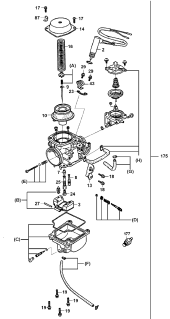


NO	モデル			SH30DA(JP)のカラーチャート			
	写真番号			NO. 5			
	基本色						
	コード			Yellow Green			
	パーツ名	パーツ番号	バージョン	YG025MA			
51	CALIPER ASSY RR ** (0)	43100-KEBE-910	1	NJA			
52	WHEEL SET FR	44650-KHD8-30A	3				
53	WHEEL SET FR	44650-KHD8-30C	4				
54	CALIPER ASSY FR	45200-KKC2-E00	1				
55	FORK ASSY R FR	51400-KKC4-900	2				
56	BOTTOM CASE R	51420-KKC4-900	0				
57	FORK SET L FR	5150A-KKC4-900	3				
58	BOTTOM CASE L	51520-KKC4-900	0				
59	FORK ASSY REAR	52000-KKC3-900	3				
60	CARRIER RR	8120A-KKC4-900	6				
61	CAP ASSY 30MM	9008A-KBE2-900	0	NKA	T01		
62	SEAT ASSY	77200-KKC4-E01	1				
63	SEAT ASSY BACK	77210-KKC4-900	0				
64	SEAT ASSY PAD	77220-KKC4-910	1				
65	EMB HANDLE COVER RR	86030-KKC4-E00	1				
66	EMB K-LOGO 30MM	86102-KFA6-E00	2				
67	EMB BODY COVER	86202-KKC4-900	1				
68	EMB B BODY COVER	86212-KHD8-E00	1				
69	EMB B BODY COVER	86212-KKC4-900	0				
70	LABEL TIRE	87505-KHE7-E00	1				
71	LABEL CLEANNESS	87508-KKC4-E00	1				
72	CAUTION FILTER	87512-KEBE-E00	0				
73	CAUTION SIDE STAND	87541-GAR1-E00	1				
74	CAUTION MOBILE	87541-KKC2-E00	1				
75	MARK MAINT CAUTION	87542-GAR1-E00	2				
販売開始時期							
販売終了時期							

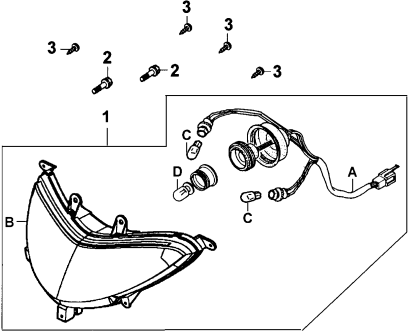
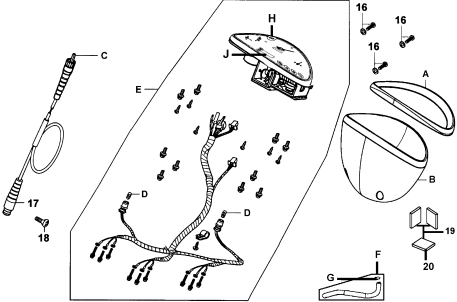
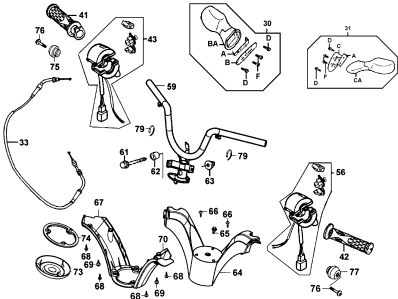
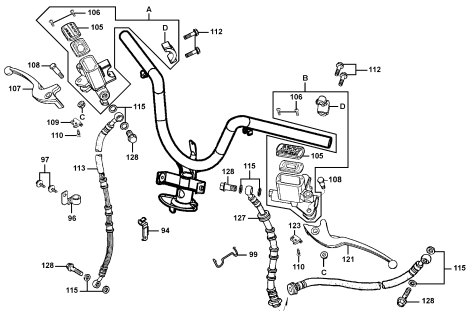
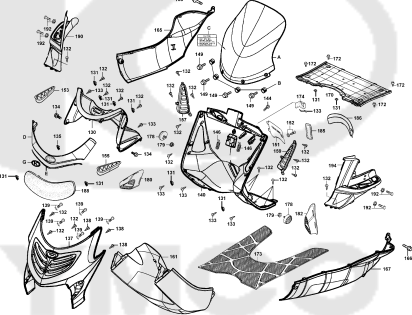
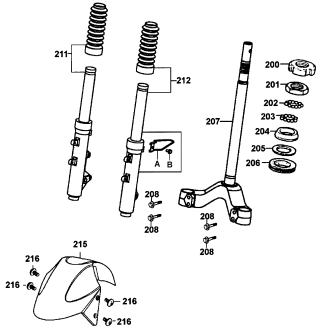
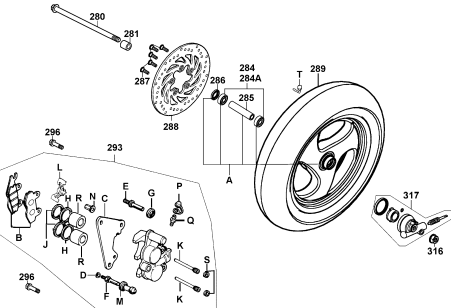
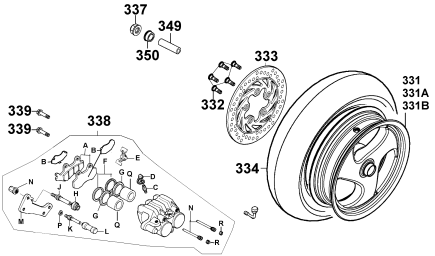
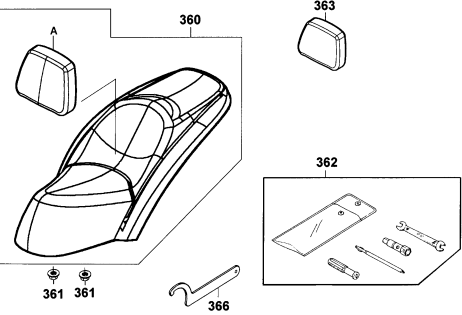
NO	モデル			SH30DA(JP)のカラーチャート			
	写真番号			NO. 1	NO. 2	NO. 3	NO. 4
	基本色						
	コード			Deep Blue Metallic	Bright Silver	Dark Gray Metallic	Ruby Red
	パーツ名	パーツ番号	バージョン	PB183MA	NH045MA	NH124MA	RR004CA
76	MARK DRIVE CAUTION	87560-GFY6-E00	4	T01			
販売開始時期							
販売終了時期							

NO	モデル			SH30DA(JP)のカラーチャート			
	写真番号			NO. 5			
	基本色						
	コード			Yellow Green			
	パーツ名	パーツ番号	バージョン	YG025MA			
76	MARK DRIVE CAUTION	87560-GFY6-E00	4	T01			
販売開始時期							
販売終了時期							

# CONTENTS - ENGINE GROUP 目次-エンジン関

<b>E01</b> Crank Case	<b>E02</b> Cylinder Head Cover    Cylinder	<b>E03</b> Cylinder    Piston    Crankshaft
		
<b>E04</b> Right Crankcase Cover    Water	<b>E05</b> Transmission	<b>E06</b> Transmission Pulley
		
<b>E07</b> Starting Motor    Oil Pump	<b>E08</b> Generator    Water Pump	<b>E09</b> Carburetor
		

# CONTENTS - FRAME GROUP 目次-フレーム関係

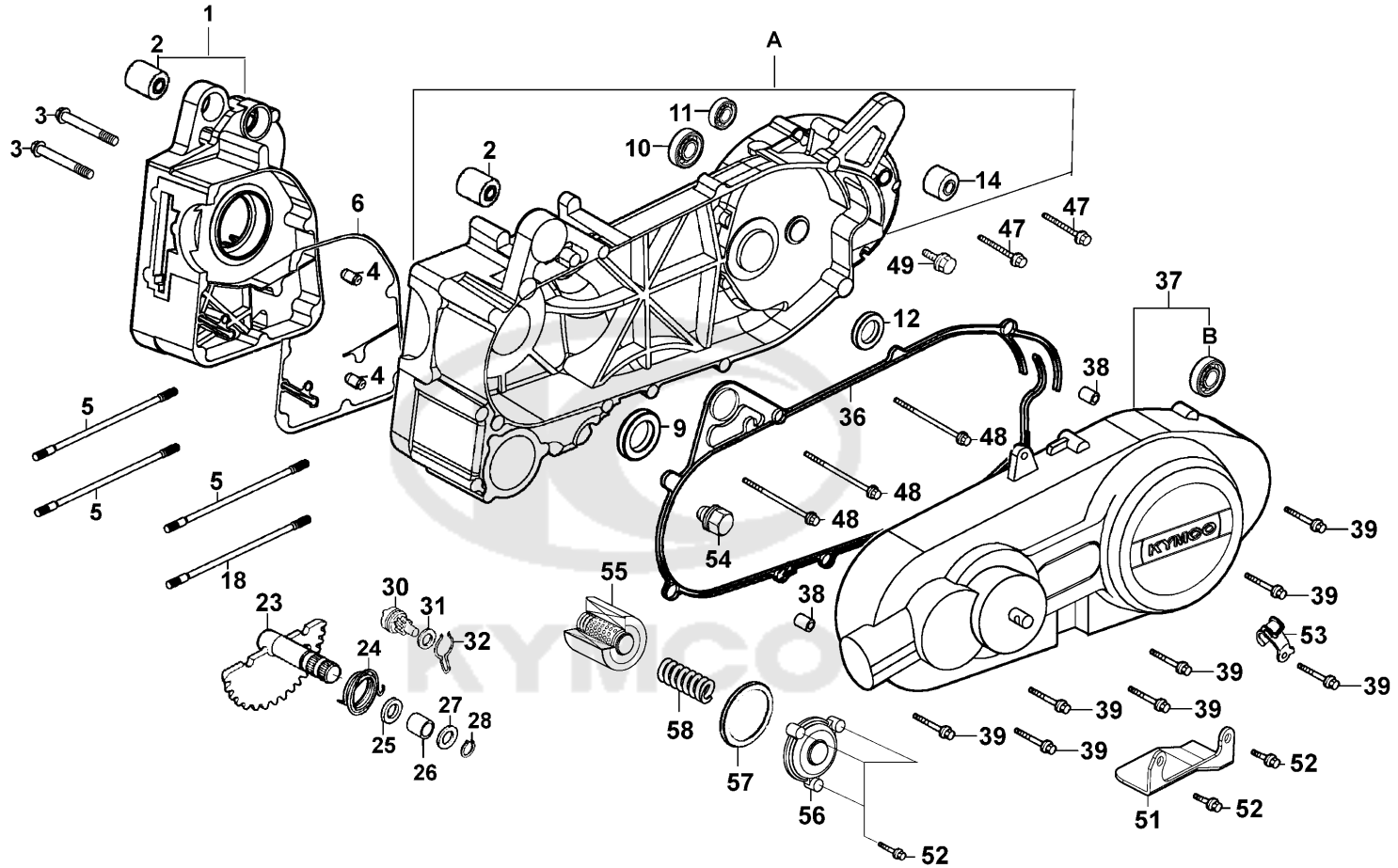
<p><b>F01</b>    Head Light</p> 	<p><b>F02</b>    Speedometer</p> 	<p><b>F03</b>    Handle Steering    Handle Cover</p> 
<p><b>F04</b>    Brake Master Cylinder</p> 	<p><b>F05</b>    Front Cover    Floor Panel</p> 	<p><b>F06</b>    Front Cushion</p> 
<p><b>F07</b>    Front Wheel</p> 	<p><b>F08</b>    Rear Wheel</p> 	<p><b>F09</b>    Seat</p> 

# CONTENTS - FRAME GROUP 目次-フレーム関係

F10 Fuel Tank	F11 Battery	F12 Body Cover Luggage Box
F13 Air Cleaner	F14 Exhaust Muffler	F15 Stand Kick Starter Arm
F16 Rear Cushion	F17 Front Winker RR WINKER	F18 Rear Light Rear Fender

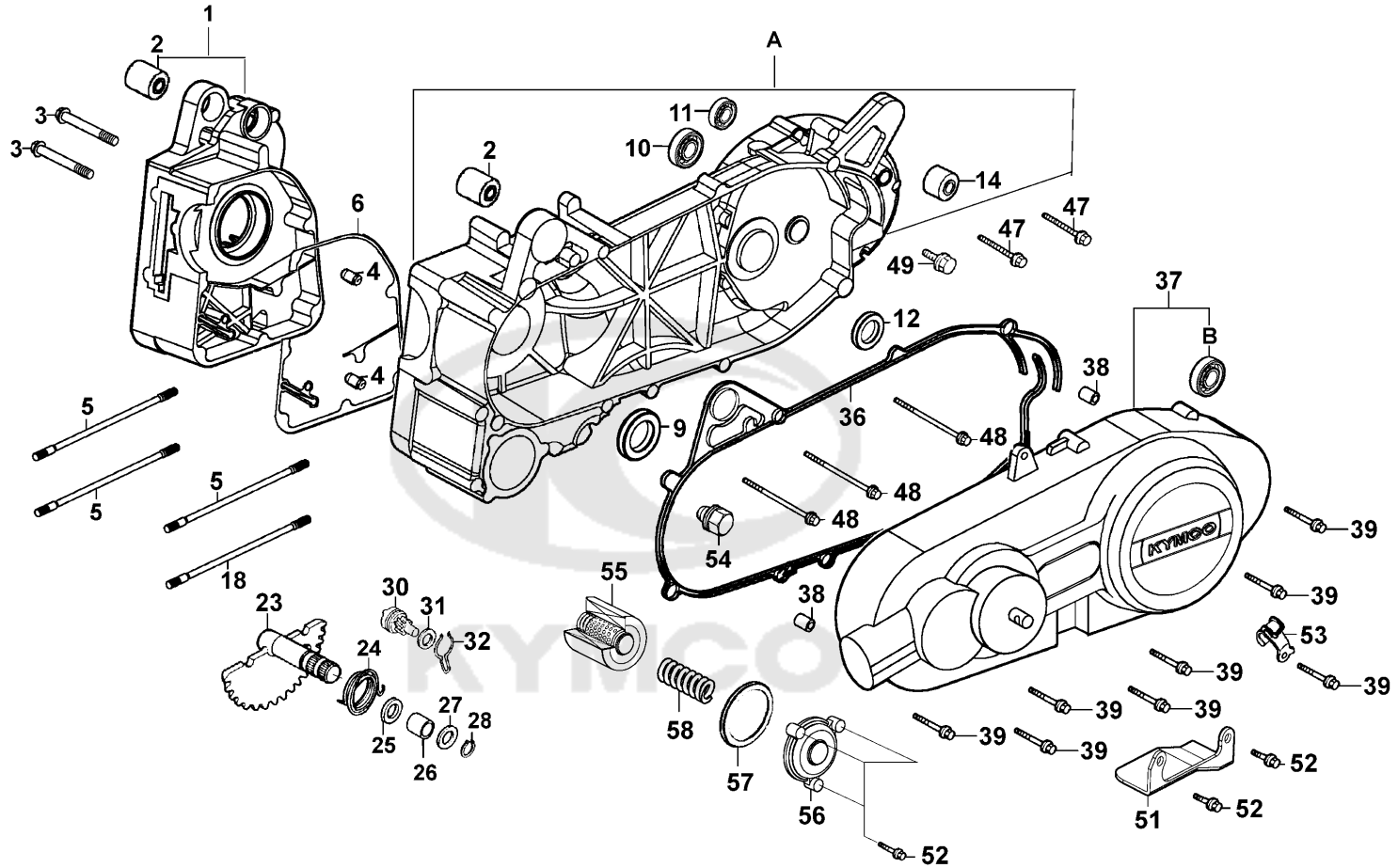
CONTENTS - FRAME GROUP 目次-フレーム関係

<p><b>F19</b> Wire Harness</p>	<p><b>F20</b> Frame Body</p>	<p><b>F21</b> Radiator</p>
<p><b>F22</b> Separated Parts Of Fr Fork</p>	<p><b>F23</b> Caution Label</p>	<p><b>F24</b> Emblem Stripe</p>

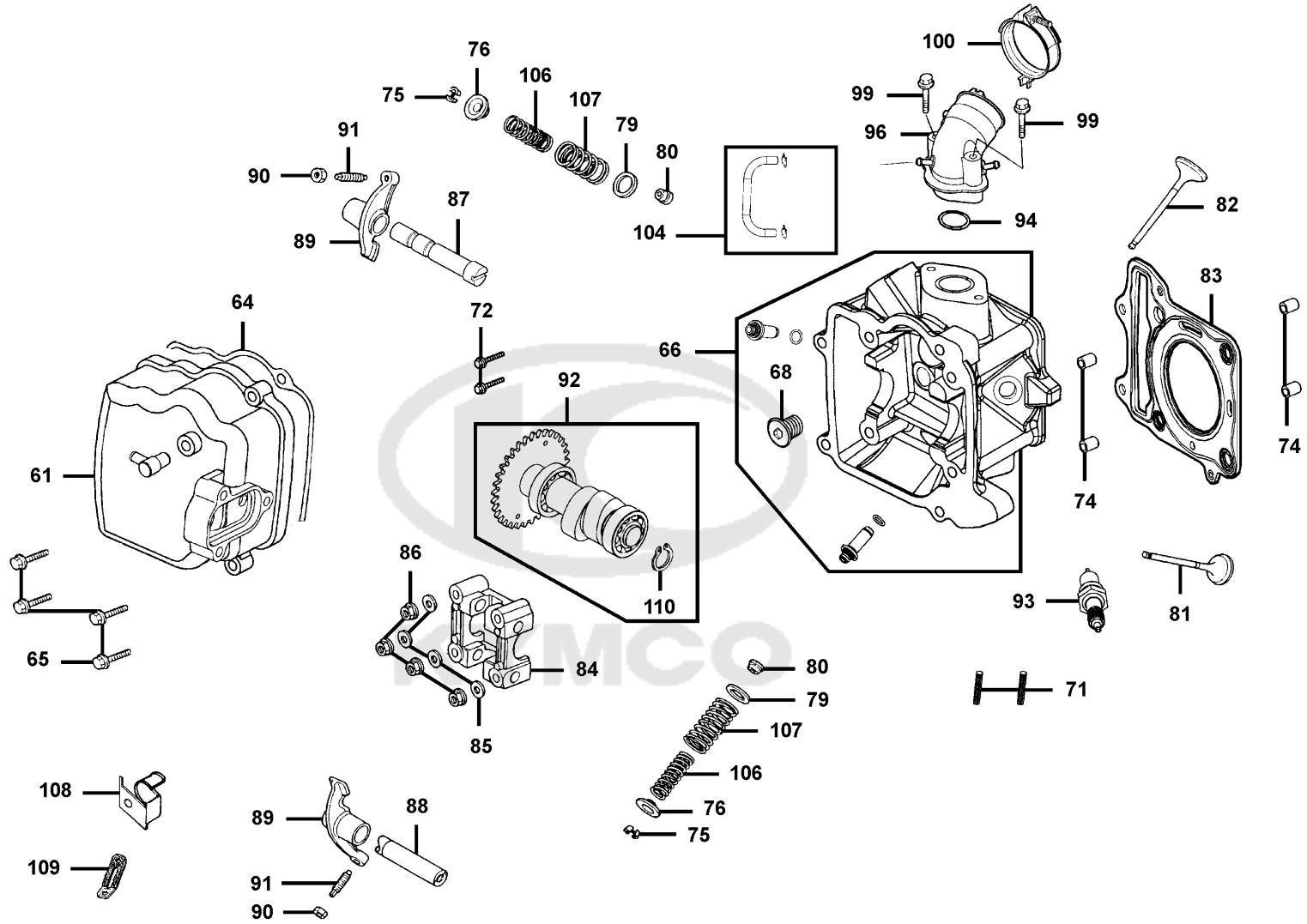




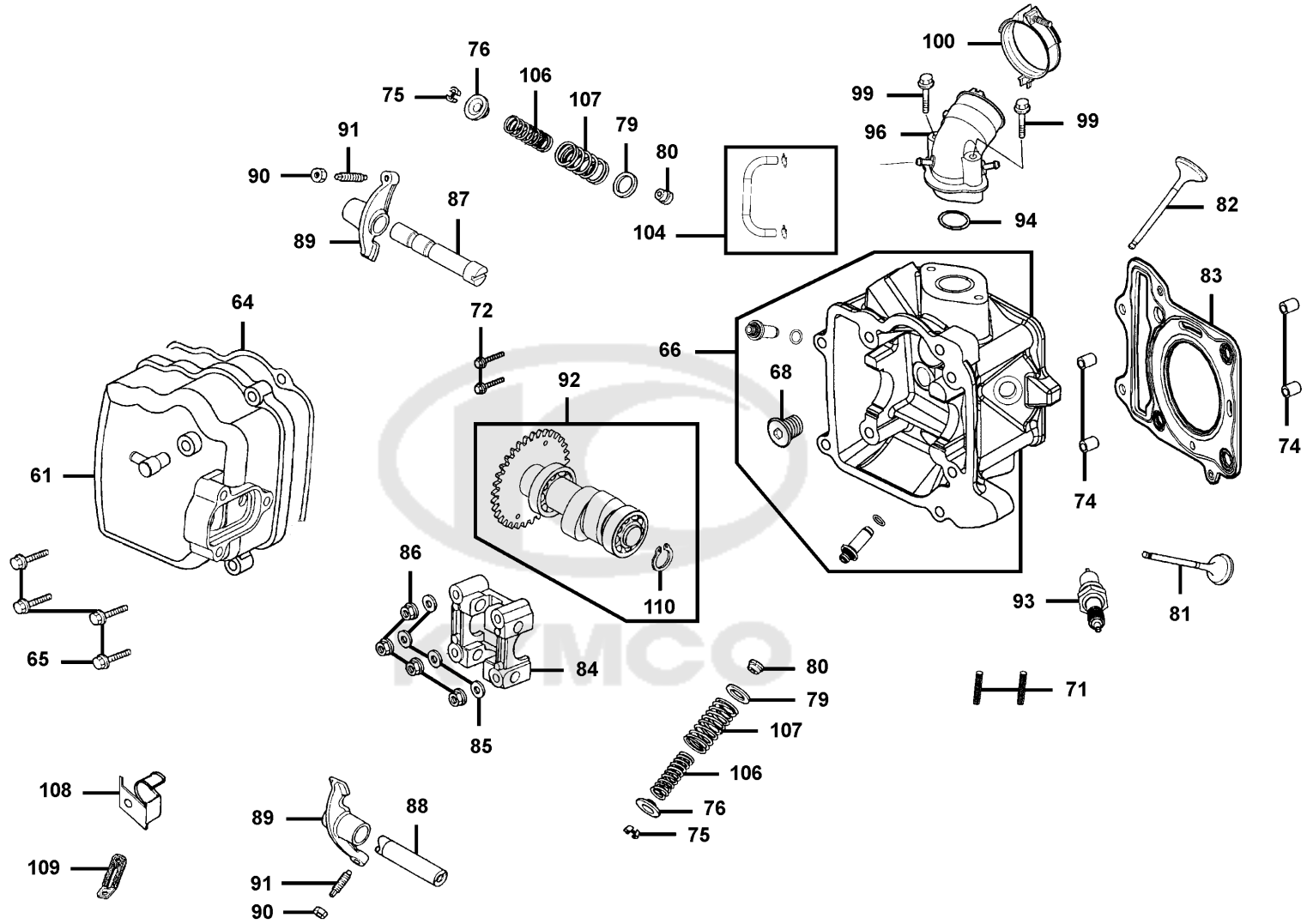
Sales mark 記号	Ref no 参照用番号	Part no パーツ番号	Description 部品名	Reg description 部品名	Regd no 必要個数	Ref Price 希望小売価格(税抜)	E01
	1	11100-KKC2-305	CASE SET R RIGHT CRANK	CASE SET R RIGHT CRANK	1	19010	
	2	11102-1G87-004	RUB BUSH ENG HANGER	RUB BUSH ENG HANGER	2	320	
	6	11192-LEA5-E00	GASKET CRANK CASE @	GASKET CRANK CASE @	1	1180	
	A	11200-KKC3-315	CASE SET L CRANK	CASE SET L CRANK	1	29280	
	14	11203-GGC7-301	UNDER RUBBER BUSH REAR CUSHION	UNDER RUBBER BUSH REAR CUSHION	1	250	
**	37	11341-KKC3-900	COVER L	COVER L	1	14260	
	53	11383-KUDU-900	CLAMPER BRTH DRAIN TUBE	CLAMPER BRTH DRAIN TUBE	1	300	
	36	11395-LEA5-E00	GASKET L COVER @	GASKET L COVER @	1	3270	
	55	1541A-KKC3-900	ELEMENT ASSY OIL FILTER	ELEMENT ASSY OIL FILTER	1	960	
	56	15421-KKC3-900	CAP OIL FILTER	CAP OIL FILTER	1	630	
	57	15422-KKC3-900	O RING 53.65*2.62	O RING 53.65*2.62	1	140	
	58	15423-KKC3-900	SPRING CAP OIL	SPRING CAP OIL	1	160	
	32	28223-KNBN-901	SPG KICK DRIVEN GEAR	SPG KICK DRIVEN GEAR	1	160	
	30	28230-KNBN-901	GEAR COMP KICK DRIVEN	GEAR COMP KICK DRIVEN	1	1820	
	23	28250-KFC8-900	SPINDLE COMP KICK STARTER	SPINDLE COMP KICK STARTER	1	2100	
	26	28253-GBN2-60A	BUSH KICK SPINDLE	BUSH KICK SPINDLE	1	200	
	25	28255-GFS6-001	COLLAR KICK BOSS	COLLAR KICK BOSS	1	160	
	24	28281-KKC2-900	SPG KICK RETURN	SPG KICK RETURN	1	390	
	51	50504-KKC3-900	STOPPER MAIN STAND	STOPPER MAIN STAND	1	490	
	5	90031-KEBE-900	BOLT A STUD 8MM	BOLT A STUD 8MM	3	510	



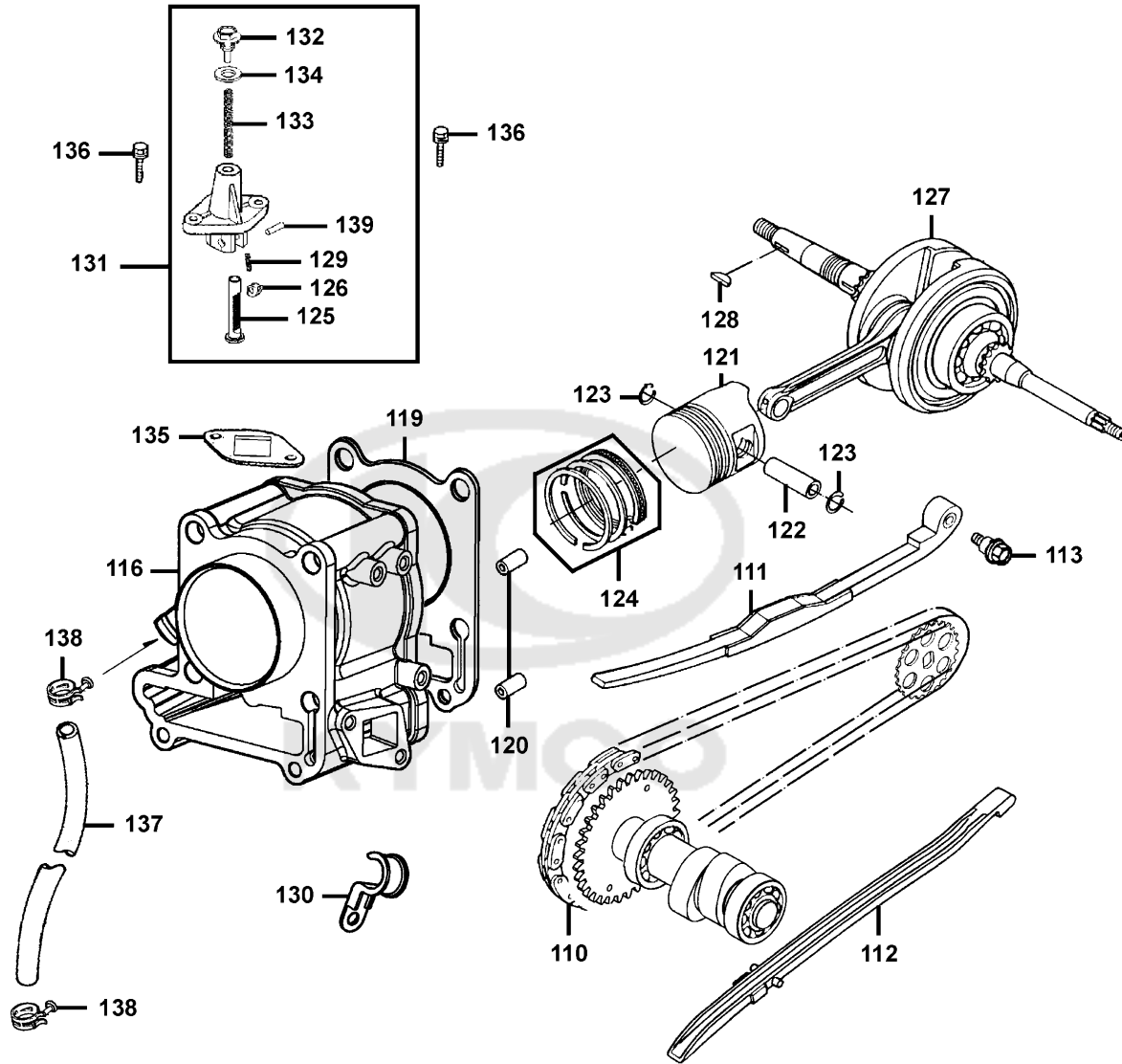
Sales mark 記号	Ref no 参照用番号	Part no パーツ番号	Description 部品名	Reg description 部品名	Regd no 必要個数	Ref Price 希望小売価格(税抜)	E01
18		90032-KEBE-900	BOLT B STUD 8MM	BOLT B STUD 8MM	1	180	
31		90412-3K29-001	WASHER THRUST 10M/M	WASHER THRUST 10M/M	1	200	
27		90451-GBN2-601	WASHER KICK SPINDLE	WASHER KICK SPINDLE	1	200	
54		9052A-GFY6-950	BOLT ASSY DRAIN PLUG	BOLT ASSY DRAIN PLUG	1	120	
B		91009-KKC3-900	BRG BALL RADIAL 6300LLUC3/2A	BRG BALL RADIAL 6300LLUC3/2A	1	1440	
10		91104-KGN7-671	BRG BALL RADIAL 6204	BRG BALL RADIAL 6204	1	2770	
12		91202-KKJ9-004	OIL SEAL 20*32*6	OIL SEAL 20*32*6	1	80	
9		91261-4E15-004	OIL SEAL 25*40*8	OIL SEAL 25*40*8	1	230	
4		94301-08140	DOWEL PIN 8*14	DOWEL PIN 8*14	4	110	
28		94511-14000	CIR CLIP EX 14	CIR CLIP EX 14	1	110	
49		95701-08012-06	BOLT FLANGE 6*22 (K)	BOLT FLANGE 6*22 (K)	1	60	
52		96001-06016-06	BOLT FLANGE SH 6X16	BOLT FLANGE SH 6X16	1	60	
39		96001-06040-06	BOLT FLANGE SH 6*40	BOLT FLANGE SH 6*40	1	200	
3		96001-06050-06	BOLT FLANGE SH 6*50	BOLT FLANGE SH 6*50	1	60	
47		96001-06060-06	BOLT FLANE 6*60	BOLT FLANE 6*60	1	200	
48		96001-06120-06	BOLT FLANGE SH 6*120	BOLT FLANGE SH 6*120	1	180	
11		96100-62030-00	BRG BALL RADIAL 6203	BRG BALL RADIAL 6203	1	260	



Sales mark 記号	Ref no 参照用番号	Part no パーツ番号	Description 部品名	Reg description 部品名	Regd no 必要個数	Ref Price 希望小売価格(税抜)	E02
108		11385-KEBE-900	CLAMPER CARB DRAIN TUBE	CLAMPER CARB DRAIN TUBE	1	200	
66		12200-KKC2-E00	HEAD COMP CYLN **(2) C.2005.09.23	HEAD COMP CYLN **(2) C.2005.09.23	1	28520	
68		12205-KHE8-301	BOLT SEALING 12MM	BOLT SEALING 12MM	1	260	
80		12209-GDB4-68B	SEAL VALVE STEM	SEAL VALVE STEM	1	490	
84		1221A-KEBE-900	HOLDER CAM SHAFT COMP	HOLDER CAM SHAFT COMP	1	2990	
83		12251-KEBE-901	GASKET HEAD CYLINDER **KBE-9010	GASKET HEAD CYLINDER **KBE-9010	1	1910	
61		12310-KEBE-E00	COVER COMP CYLN HEAD	COVER COMP CYLN HEAD	1	4380	
64		12391-KEBE-900	GASKET HEAD COVER	GASKET HEAD COVER	1	370	
92		14100-KKC2-220	SHAFT COMP CAM	SHAFT COMP CAM	1	9510	
89		14431-KKC1-900	ARM VALVE ROCKER	ARM VALVE ROCKER	2	5520	
87		14450-KEBE-900	SHAFT COMP IN ROCKER ARM	SHAFT COMP IN ROCKER ARM	1	820	
88		14461-KEBE-900	SHAFT EX ROCKER ARM	SHAFT EX ROCKER ARM	1	320	
82		14711-KEBE-900	VALVE INLET	VALVE INLET	1	1720	
81		14721-KAAA-900	VALVE EXHAUST	VALVE EXHAUST	1	3530	
107		14751-KKJ9-003	SPG VALVE OUTER	SPG VALVE OUTER	2	420	
106		14761-KKJ9-003	SPG VALVE INNER	SPG VALVE INNER	2	300	
76		14771-GDB4-680	RETAINER VALVE SPRING	RETAINER VALVE SPRING	2	350	
79		14775-MFA6-001	SEAT VALVE SPG OUTER	SEAT VALVE SPG OUTER	2	160	
75		14781-MFA6-001	COTTER VALVE	COTTER VALVE	4	200	
100		16217-KEBE-900	BAND INSULATOR	BAND INSULATOR	1	420	



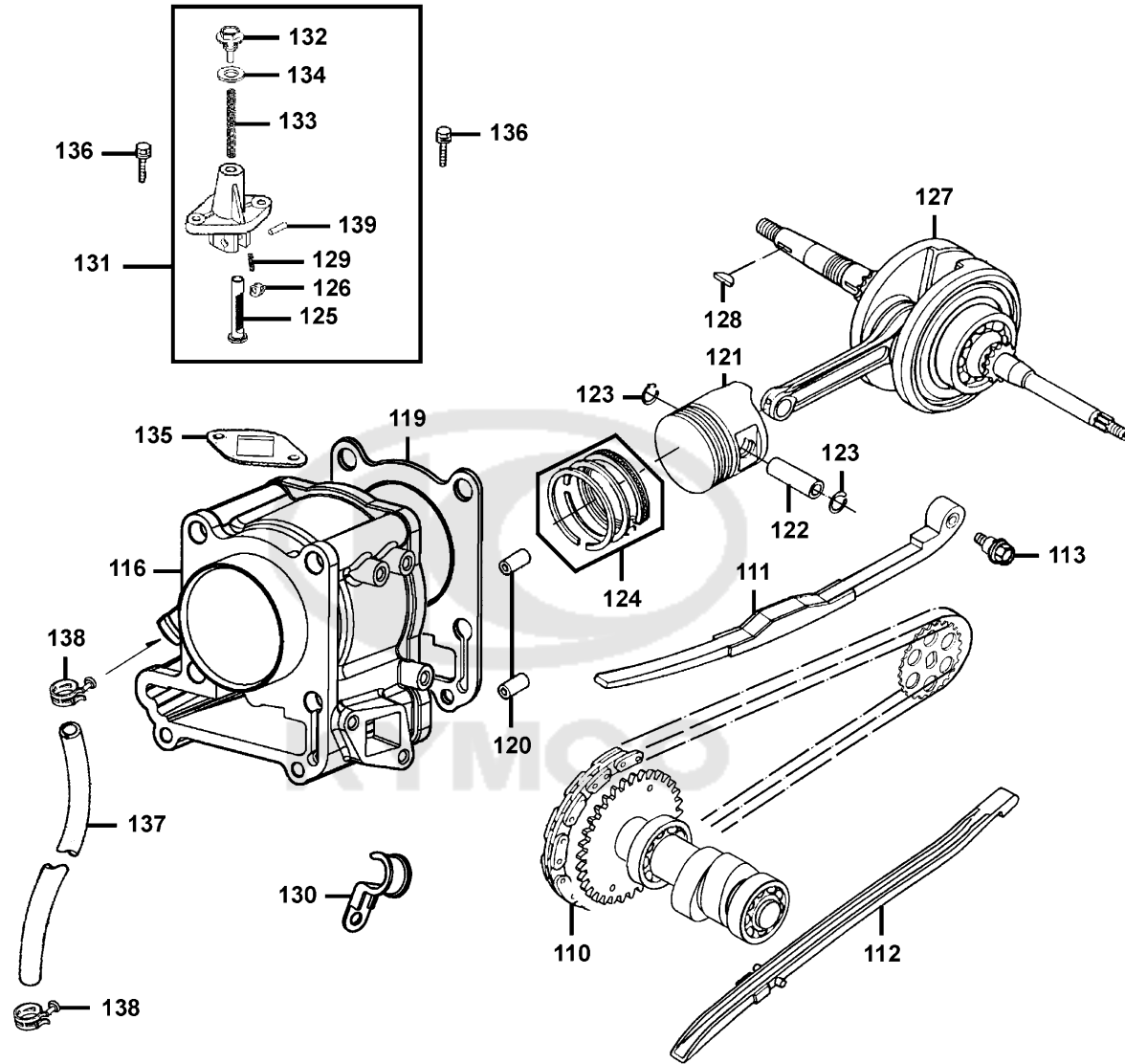
Sales mark 記号	Ref no 参照用番号	Part no パーツ番号	Description 部品名	Reg description 部品名	Regd no 必要個数	Ref Price 希望小売価格(税抜)	E02
104		16218-KEBE-E00	TUBE ASSY INLET PIPE CARB	TUBE ASSY INLET PIPE CARB	1	450	
96		17110-KKC1-E00	PIPE COMP INLET	PIPE COMP INLET	1	3010	
91		90012-3C33-001	SCREW TAPPET ADJUSTING	SCREW TAPPET ADJUSTING	2	110	
71		90033-GFY6-900	BOLT STUD 8*32	BOLT STUD 8*32	2	60	
90		90206-0A01-001	NUT TAPPET ADJG	NUT TAPPET ADJG	2	60	
85		90465-MDC4-001	WASHER 8MM	WASHER 8MM	4	60	
94		91301-0H28-001	O RING 27*2	O RING 27*2	1	70	
86		94050-08080	NUT FLANGE 8MM	NUT FLANGE 8MM	4	60	
74		94301-10160	DOWEL PIN 10*16	DOWEL PIN 10*16	2	60	
110		94510-15000	CIR CLIP EX 15	CIR CLIP EX 15	1	70	
109		94591-KFBF-900	CLIP 2*70	CLIP 2*70	1	60	
65		95701-06025-06	BOLT FLANGE 6*25	BOLT FLANGE 6*25	1	60	
72		96001-06025-06	BOLT FLANGE SH 6*25	BOLT FLANGE SH 6*25	1	60	
99		96001-06045-06	BOLT FLANGE 6*45 **07 C.2005.07.01	BOLT FLANGE 6*45 **07 C.2005.07.01	1	60	
93		98069-5791R-00	SPARK PLUG DPR(7EA-9)	SPARK PLUG DPR(7EA-9)	1	1210	





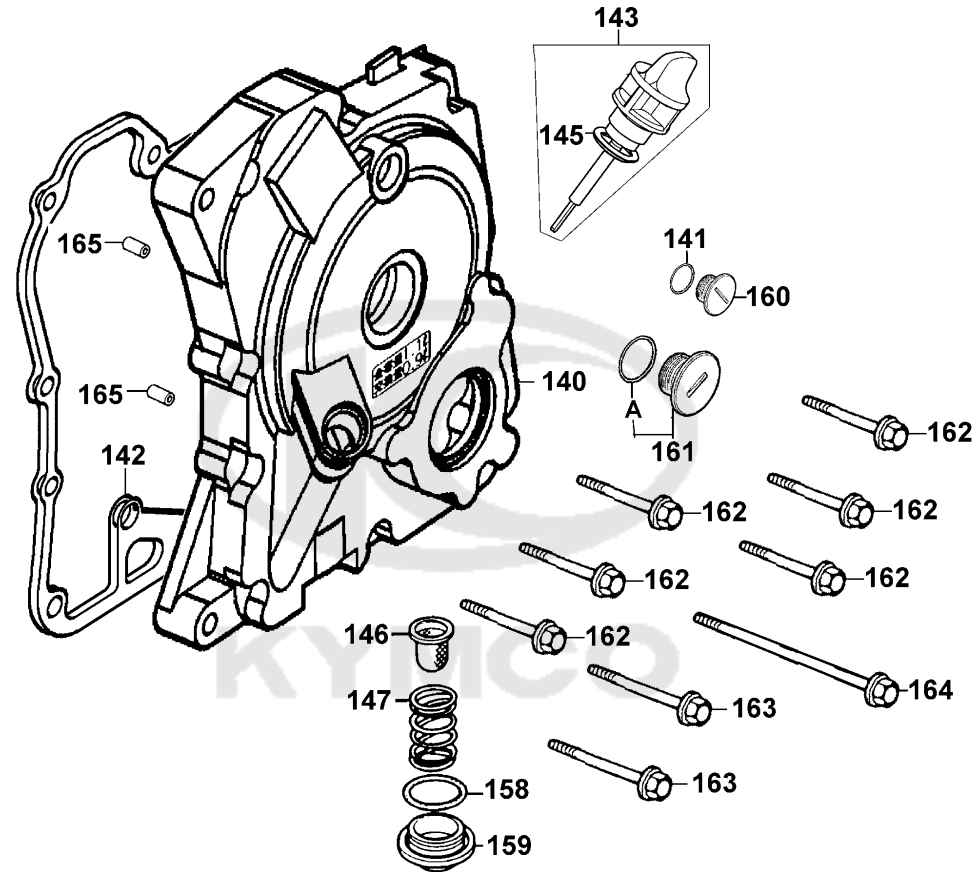
Sales mark 記号	Ref no 参照用番号	Part no パーツ番号	Description 部品名	Reg description 部品名	Regd no 必要個数	Ref Price 希望小売価格(税抜)
130		11384-KHE7-900	CLAMPER A RR BRK HOSE	CLAMPER A RR BRK HOSE	1	200
116		12100-KKC2-900	CYLINDER COMP	CYLINDER COMP *(5) C.2006.09.20	1	19800
119		12191-LEA5-E00	GASKET CYLINDER	GASKET CYLINDER	1	510
127		13000-KKC2-900	CRANK SHAFT COMP	CRANK SHAFT COMP	1	27950
124		13011-KFBF-E0A	RING ASSY PISTON	RING ASSY PISTON	1	4500
121		13101-KEBE-900	PISTON **KBE-9000 C.2005.05.01	PISTON **KBE-9000 C.2005.05.01	1	2510
122		13111-KKJ9-001	PIN PISTON	PIN PISTON	1	580
110		14401-KUDU-90C	CHAIN CAM	CHAIN CAM	2	3810
111		14510-KEBE-900	TENSIONER CAM CHAIN	TENSIONER CAM CHAIN	1	2290
113		14531-KKJ9-001	PIVOT CAM CHAIN TENSIONER	PIVOT CAM CHAIN TENSIONER	1	140
131		14550-KDS4-00B	ADJUSTER CAM CHAIN	ADJUSTER CAM CHAIN	1	3050
133		14553-KGBG-900	SPRING CAM CHAIN ADJUSTER	SPRING CAM CHAIN ADJUSTER	1	300
129		14554-KAM1-004	SPRING RATCHET	SPRING RATCHET	1	110
135		14555-KKJ9-001	GASKET CAM CHAIN ADJUSTER	GASKET CAM CHAIN ADJUSTER	1	70
135		14555-LBA2-E00	GASKET CAM CHAIN ADJUSTER	GASKET CAM CHAIN ADJUSTER	1	130
125		14557-KGBG-900	PLUGER ADJUSTER	PLUGER ADJUSTER	1	770
126		14558-KGBG-900	CAM ADJUSTER	CAM ADJUSTER	1	300
139		14559-KGBG-900	PIN ADJUSTER	PIN ADJUSTER	1	300
132		14560-KGBG-900	PLUG COMP ADJUSTER	PLUG COMP ADJUSTER	1	580
112		14610-KKJ9-001	GUIDE COMP CAM CHAIN	GUIDE COMP CAM CHAIN	1	1010

E03



Sales mark 記号	Ref no 参照用番号	Part no パーツ番号	Description 部品名	Reg description 部品名	Regd no 必要個数	Ref Price 希望小売価格(税抜)	E03
137	19502-KEBE-900	HOSE WATER B	HOSE WATER B	HOSE WATER B	1	510	
134	90421-KAM1-004	WASHER SEALING 8*16*1.6	WASHER SEALING 8*16*1.6	WASHER SEALING 8*16*1.6	1	60	
128	90701-HFB6-011	KEY WOODRUFF 25*14*4	KEY WOODRUFF 25*14*4	KEY WOODRUFF 25*14*4	1	60	
120	94301-10160	DOWEL PIN 10*16	DOWEL PIN 10*16	DOWEL PIN 10*16	2	60	
123	94601-15000	CLIP PISTON PIN 15MM	CLIP PISTON PIN 15MM	CLIP PISTON PIN 15MM	2	60	
138	95002-KGN7-910	CLIP TUBE	CLIP TUBE	CLIP TUBE	2	200	
136	96001-06018-06	BOLT FLANGE SH 6X18	BOLT FLANGE SH 6X18	BOLT FLANGE SH 6X18	1	60	

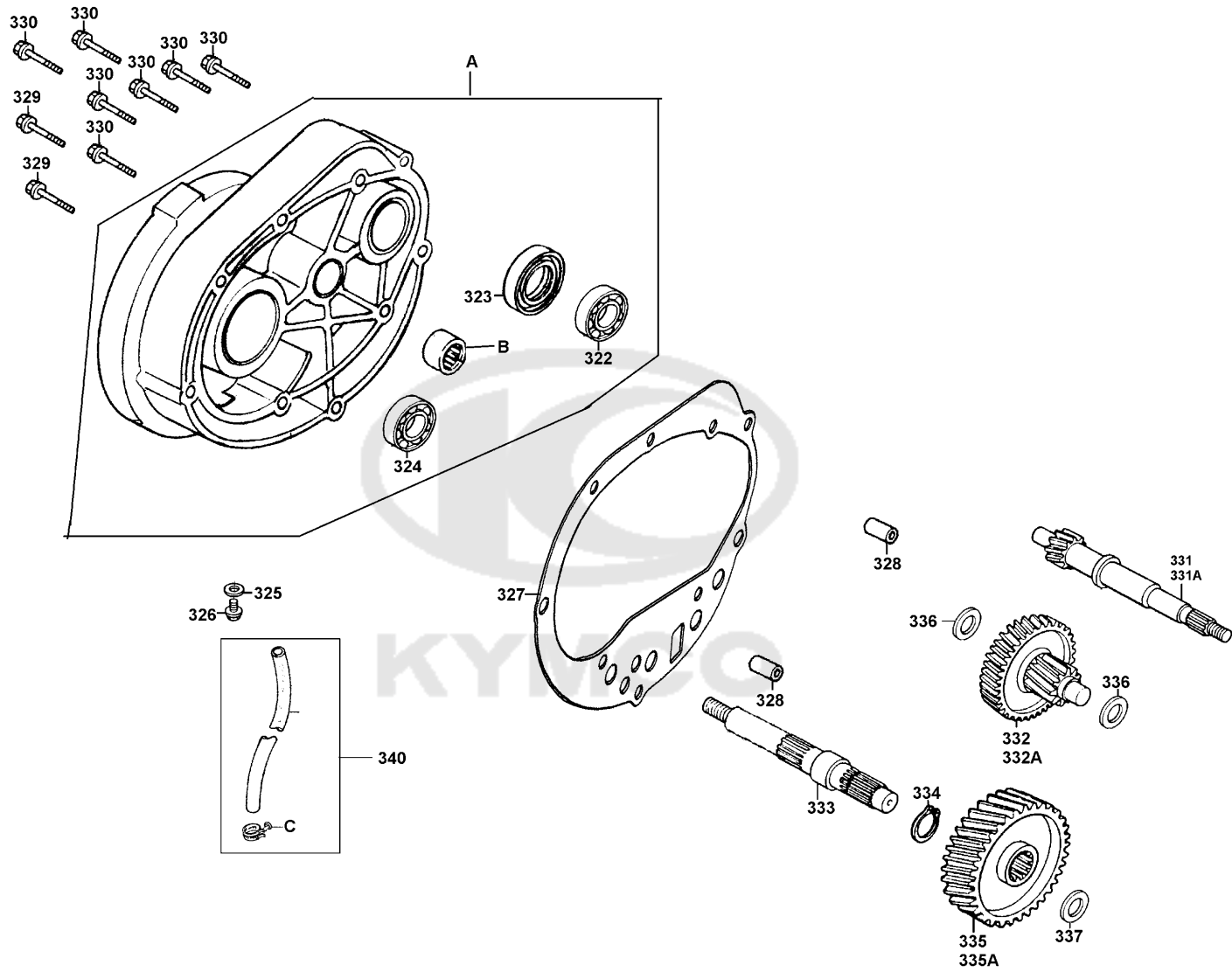




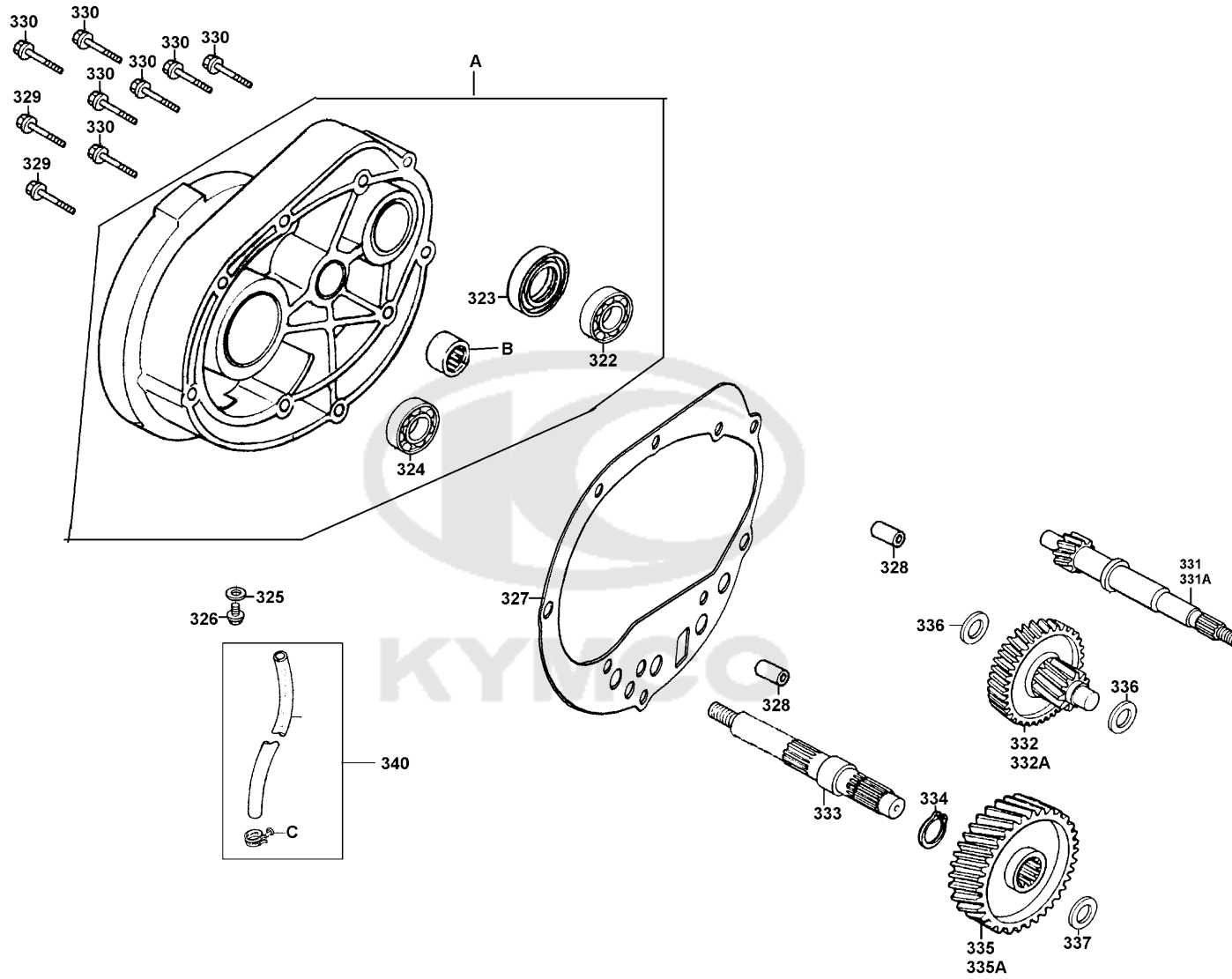
Sales mark 記号	Ref no 参照用番号	Part no パーツ番号	Description 部品名	Reg description 部品名	Regd no 必要個数	Ref Price 希望小売価格(税抜)	E04
**	140	11330-KKC3-900	COVER COMP RIGHT	COVER COMP RIGHT	1	15590	
	142	11394-LEA5-E00	GASKET R COVER	GASKET R COVER @	1	1530	
	159	12361-GFY6-901	HOLE CAP TAPPET ADJUSTING	HOLE CAP TAPPET ADJUSTING	1	300	
	146	15421-1G07-001	SCREEN OIL FILTER	SCREEN OIL FILTER	1	350	
	147	15426-GAE1-921	SPG OIL FILTER SCREEN	SPG OIL FILTER SCREEN	1	160	
	143	1565A-KEBE-900	GAUGE OIL LEVEL ASSY	GAUGE OIL LEVEL ASSY	1	390	
	160	90084-4H28-001	CAP ACG	CAP ACG	1	230	
**	161	9008A-KBE2-900	CAP ASSY 30MM	CAP ASSY 30MM	1	490	
	158	91302-0A01-021	O-RING 30.8M/M	O-RING 30.8M/M	1	60	
A		91302-5G67-004	O-RING 27.4*2.4	O-RING 27.4*2.4	1	200	
	141	91303-3G77-001	O-RING 13.8*2.5	O-RING 13.8*2.5	1	60	
	145	91307-0E35-001	O RING 18*3	O RING 18*3	1	60	
	165	94301-08140	DOWEL PIN 8*14	DOWEL PIN 8*14	2	110	
	162	96001-06040-06	BOLT FLANGE SH 6*40	BOLT FLANGE SH 6*40	1	200	
	163	96001-06045-06	BOLT FLANGE 6*45 **07 C.2005.07.01	BOLT FLANGE 6*45 **07 C.2005.07.01	1	60	
	164	96001-06120-06	BOLT FLANGE SH 6*120	BOLT FLANGE SH 6*120	1	180	

E05

# Transmission



Sales mark 記号	Ref no 参照用番号	Part no パーツ番号	Description 部品名	Reg description 部品名	Regd no 必要個数	Ref Price 希望小売価格(税抜)	E05
340		1122A-KKC2-900	TUBE ASSY	TUBE ASSY	1	250	
A		21201-KFC8-305	CASE SET MISSION	CASE SET MISSION	1	11410	
327		21395-LEA5-E00	GASKET MISSION CASE @	GASKET MISSION CASE @	1	1010	
331		23411-KKC2-900	SHAFT DRIVE	SHAFT DRIVE	1	4570	
331A		23411-KKC3-900	SHAFT DRIVE	SHAFT DRIVE	1	4570	
332		23420-KFC8-900	SHAFT COMP COUNTER	SHAFT COMP COUNTER	1	7900	
332A		23420-KKC2-900	SHAFT COMP COUNTER	SHAFT COMP COUNTER	1	8560	
333		23431-KFC8-900	SHAFT FINAL	SHAFT FINAL	1	6280	
335		23432-KFC8-900	GEAR FINAL	GEAR FINAL	1	6830	
335A		23432-KKC2-900	GEAR FINAL	GEAR FINAL	1	7990	
336		90411-KAM1-001	WASHER THRUST 14*32*1	WASHER THRUST 14*32*1	2	130	
337		90446-3G57-001	WASHER THRUST 17.2MM	WASHER THRUST 17.2MM	1	110	
325		90474-3C33-001	WASHER 8MM	WASHER 8MM	1	60	
322		91003-KDS4-004	BRG BALL RADIAL 6301TMB	BRG BALL RADIAL 6301TMB	1	620	
324		91009-GLE0-004	BRG BALL RADIAL 6004 UU	BRG BALL RADIAL 6004 UU	1	1300	
B		91105-KGN7-672	BRG NEEDLE	BRG NEEDLE	1	1440	
323		91255-GLE0-006	OIL SEAL 27*42*7	OIL SEAL 27*42*7	1	60	
328		94301-08140	DOWEL PIN 8*14	DOWEL PIN 8*14	2	110	
334		94510-20000	CIR CLIP EX 20	CIR CLIP EX 20	1	60	
C		95002-02080	CLIP B8 TUBE	CLIP B8 TUBE	1	60	



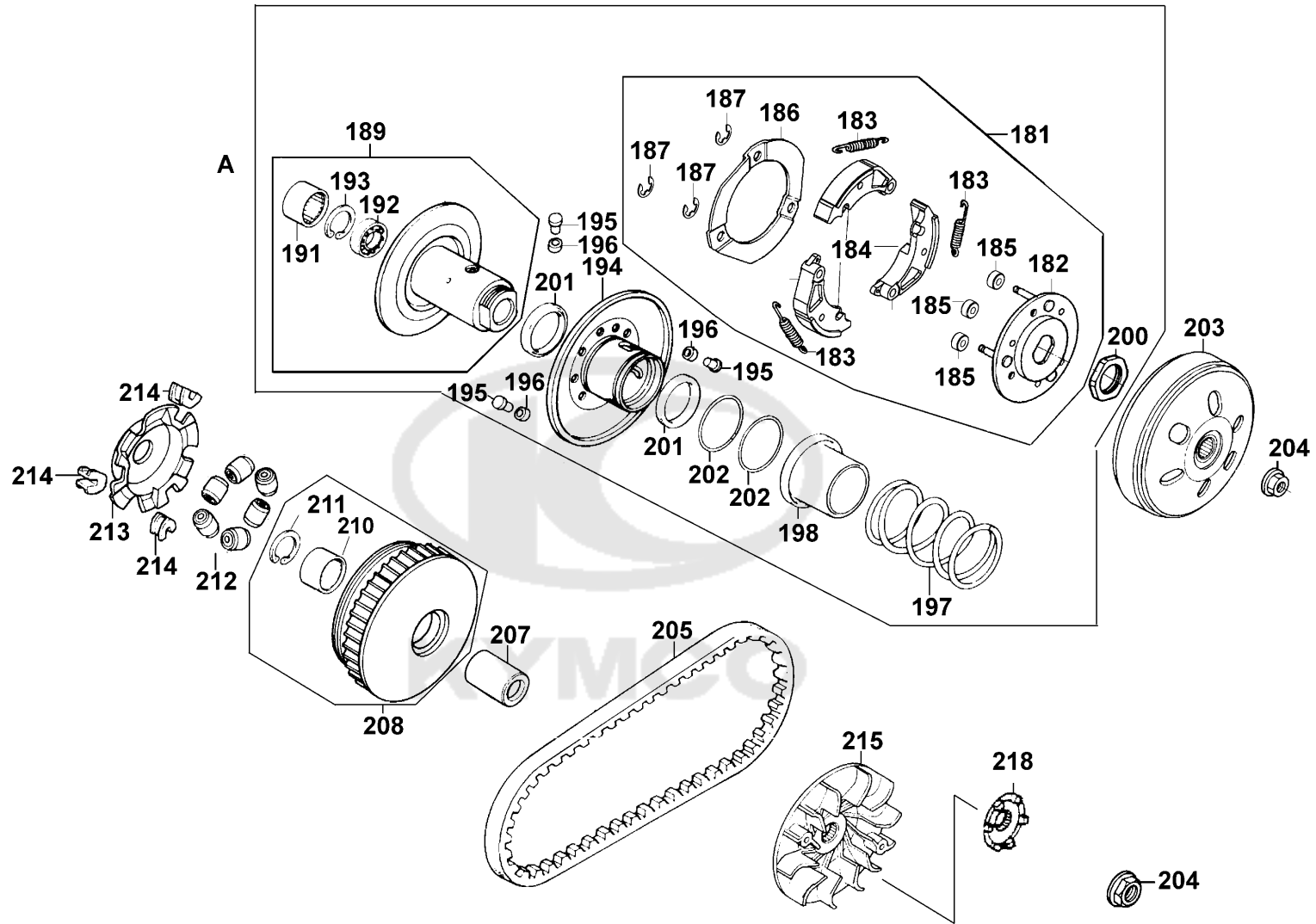


Sales mark 記号	Ref no 参照用番号	Part no パーツ番号	Description 部品名	Reg description 部品名	Regd no 必要個数	Ref Price 希望小売価格(税抜)	E05
------------------	-----------------	------------------	--------------------	------------------------	-----------------	-------------------------	-----

326	95701-08012-06		BOLT FLANGE 6*22 (K)	BOLT FLANGE 6*22 (K)	1	60	
330	96001-06035-06		BOLT FLANGE SH 6*35	BOLT FLANGE SH 6*35	1	130	
329	96001-06040-06		BOLT FLANGE SH 6*40	BOLT FLANGE SH 6*40	1	200	

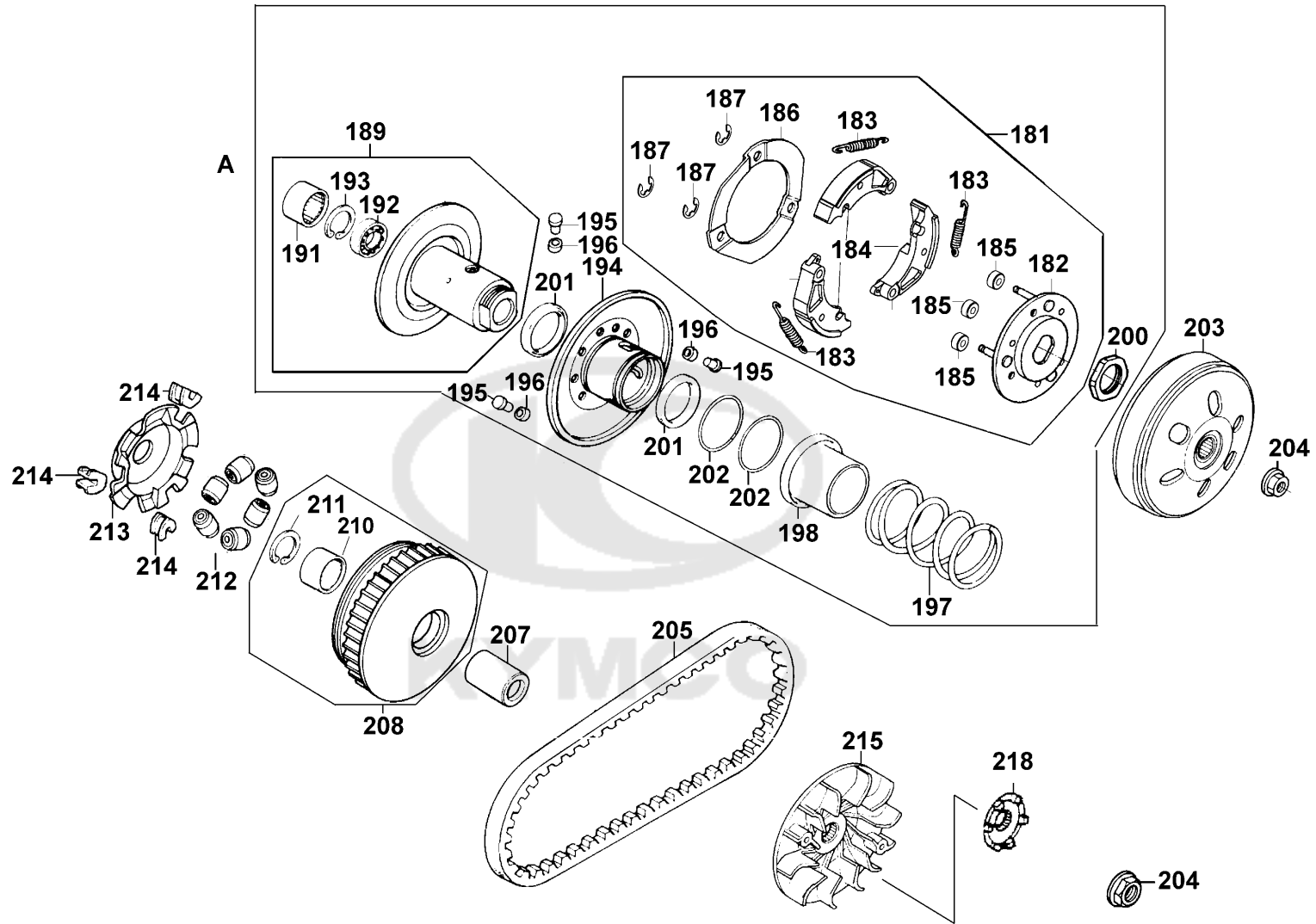


Transmission Pulley



Sales mark 記号	Ref no 参照用番号	Part no パーツ番号	Description 部品名	Reg description 部品名	Regd no 必要個数	Ref Price 希望小売価格(税抜)	E06
203		22101-KEBE-900	OUTER CLUTCH	OUTER CLUTCH	1	5330	
215		22102-KKC3-900	FACE DRIVE	FACE DRIVE	1	2670	
207		22105-KHD4-E00	BOSS DRIVE FACE	BOSS DRIVE FACE	1	1340	
208		22110-KKC3-900	FACE COMP MOVABLE DRIVE	FACE COMP MOVABLE DRIVE	1	4000	
210		22112-KAAA-900	COLLAR DRIVE FACE	COLLAR DRIVE FACE	1	250	
212		22121-KKC2-315	ROLLER SET WEIGHT (1SET:6PCS)	ROLLER SET WEIGHT(旧品番の22121-KKC2	1	330	
213		22131-KAAA-900	PLATE RAMP	PLATE RAMP	1	990	
214		22132-KGN7-670	PIECE SLIDE	PIECE SLIDE	3	200	
181		22300-KKC2-900	PLATE ASSY DRIVE **9000 C.2005.09.12	PLATE ASSY DRIVE **9000 C.2005.09.12	1	10370	
182		22350-KGN7-671	PLATE COMP DRIVE	PLATE COMP DRIVE	1	5330	
186		22361-KGN7-671	PLATE CLUTCH SIDE	PLATE CLUTCH SIDE	1	390	
183		22401-KED5-900	SPRING CLUTCH	SPRING CLUTCH	3	140	
184		22530-LKG2-900	WEIGHT. CLUTCH	WEIGHT. CLUTCH	3	2960	
185		22804-GBB2-001	RUBBER CLUTCH DAMPER	RUBBER CLUTCH DAMPER	3	200	
A		2301A-KKC2-900	PULLEY SUB ASSY **9000 C.2005.09.12	PULLEY SUB ASSY **9000 C.2005.09.12	1	23850	
205		23100-KGN7-67A	BELT DRIVE	BELT DRIVE	1	5310	
189		23200-KEBE-900	FACE ASSY DRIVEN	FACE ASSY DRIVEN	1	9890	
194		23220-KKC2-900	FACE COMP MOVABLE DRIVEN **9000	FACE COMP MOVABLE DRIVEN **9000	1	7040	
195		23225-GHC8-004	PIN ROLLER GUIDE	PIN ROLLER GUIDE	3	60	
196		23226-GHC8-004	ROLLER GUIDE	ROLLER GUIDE	3	60	

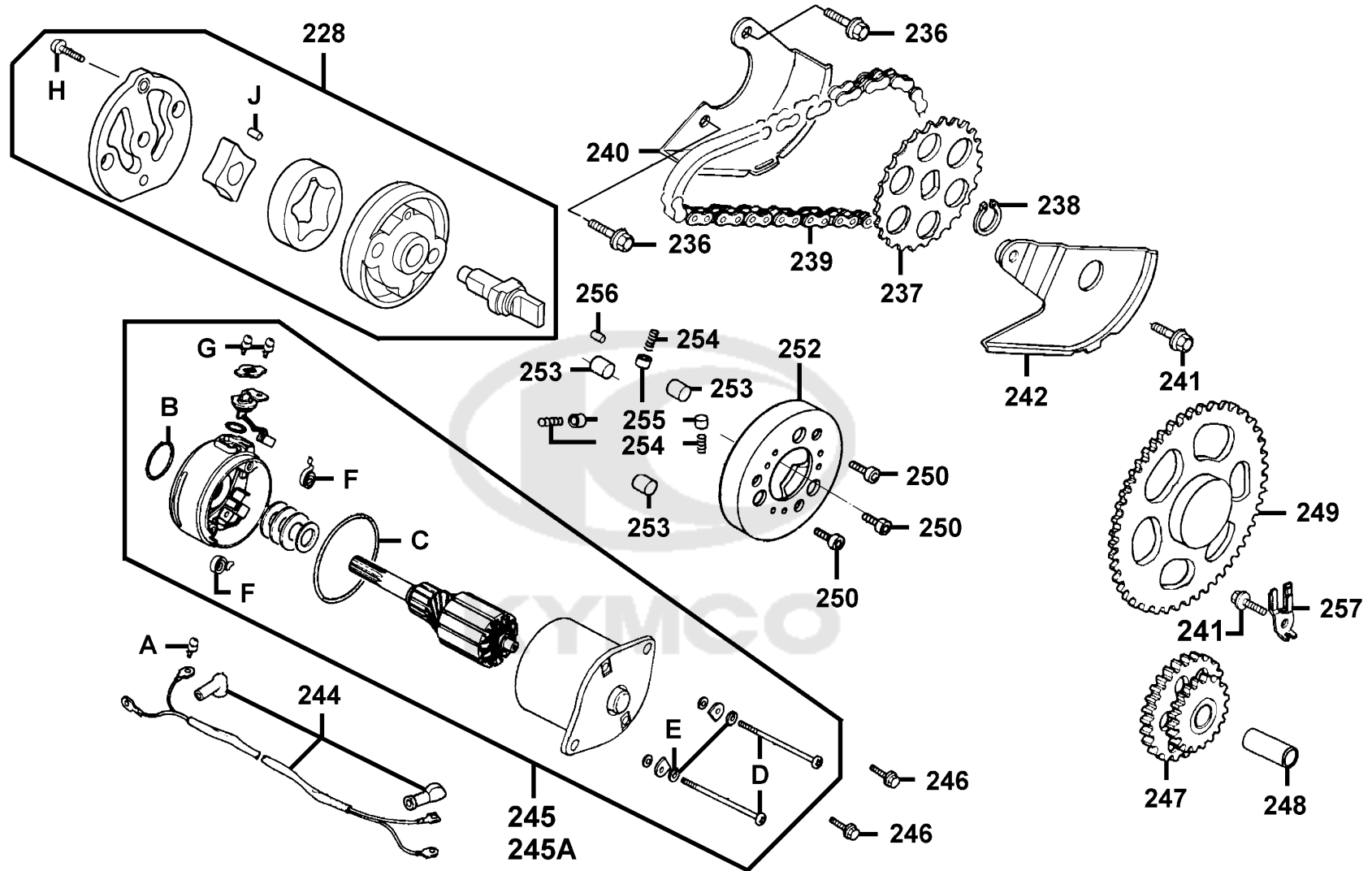
Transmission Pulley



Sales mark 記号	Ref no 参照用番号	Part no パーツ番号	Description 部品名	Reg description 部品名	Regd no 必要個数	Ref Price 希望小売価格(税抜)	E06
197		23233-KGN7-671	SPG DRIVEN FACE	SPG DRIVEN FACE	1	1560	
198		23237-KHG8-901	COLLAR SEAL	COLLAR SEAL	1	610	
218		28211-KFC8-900	RATCHET KICK STARTER	RATCHET KICK STARTER	1	1150	
200		90202-KGN7-671	NUT SPECIAL 28MM	NUT SPECIAL 28MM	1	250	
187		90605-1F66-721	CIR CLIP 7MM	CIR CLIP 7MM	3	60	
191		91001-GFY6-90A	BRG NDL 20*29*18	BRG NDL 20*29*18	1	480	
192		91002-GGA7-70A	BRG BALL RADIAL 6902U	BRG BALL RADIAL 6902U	1	510	
201		91211-KEBE-900	SEAL DRIVEN FACE 34*41*4	SEAL DRIVEN FACE 34*41*4	2	770	
202		91384-KEBE-900	O-RING	O-RING	2	160	
204		94050-12080	NUT C FLANGE 12MM	NUT C FLANGE 12MM	2	60	
193		94520-28000	CIR CLIP IN 28	CIR CLIP IN 28	1	60	
211		94601-33000	CLIP PISTON PIN 33MM	CLIP PISTON PIN 33MM	1	60	

E07

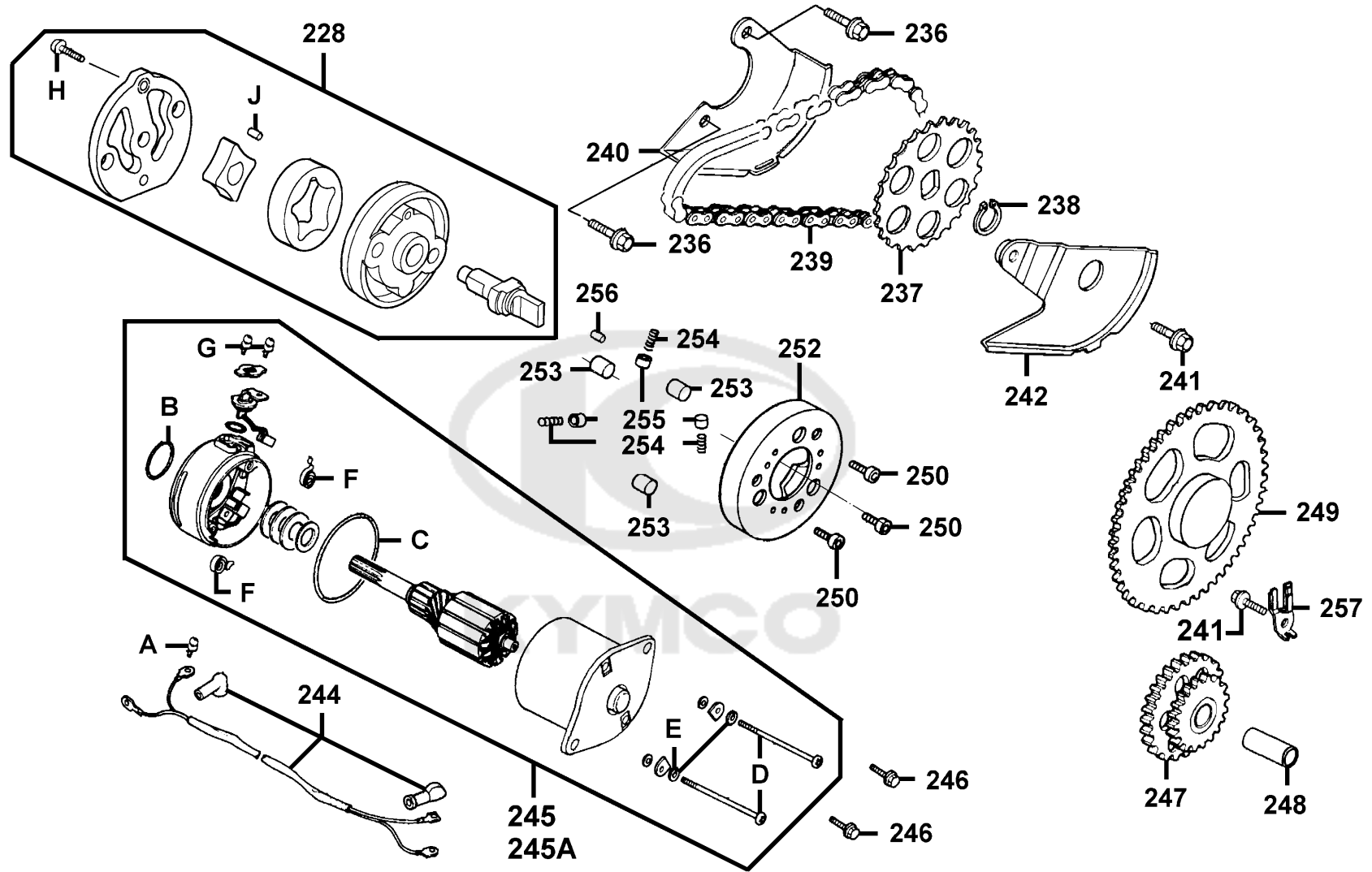
Starting Motor Oil Pump



Sales mark 記号	Ref no 参照用番号	Part no パーツ番号	Description 部品名	Reg description 部品名	Regd no 必要個数	Ref Price 希望小売価格(税抜)	E07
	228	15100-KKC3-900	PUMP ASSY OIL	PUMP ASSY OIL	1	3240	
	237	15133-KAM1-001	SPROCKET OIL PUMP DRIVE	SPROCKET OIL PUMP DRIVE	1	960	
	239	15141-KKJ9-004	CHAIN OIL PUMP	CHAIN OIL PUMP	1	1210	
	240	15711-KKC3-900	OIL SEPARATER A	OIL SEPARATER A	1	200	
	242	15712-KEBE-900	OIL SEPARATER COMP B	OIL SEPARATER COMP B	1	230	
	247	28101-KKJ9-011	GEAR STARTER REDUCTION	GEAR STARTER REDUCTION	1	2860	
	248	28102-KKJ9-001	SHAFT STARTER REDUCTION GEAR	SHAFT STARTER REDUCTION GEAR	1	160	
	249	28110-KGN7-672	GEAR COMP STARTING CLUTCH	GEAR COMP STARTING CLUTCH	1	5520	
	252	28120-KEBE-305	OUTER COMP STARTING CLUTCH	OUTER COMP STARTING CLUTCH	1	8180	
	254	28125-4F26-001	SPRING ROLLER STARTER CLUTCH	SPRING ROLLER STARTER CLUTCH	3	160	
	255	28126-KUDU-900	CAP STARTING ROLLER SPRING	CAP STARTING ROLLER SPRING	3	160	
	257	28131-KGN7-671	GUIDE STARTING DRIVEN GEAR	GUIDE STARTING DRIVEN GEAR	1	110	
F		31204-KGN7-670	SPG CARBON BRUSH	SPG CARBON BRUSH	2	160	
D		31205-KGN7-670	BOLT SET	BOLT SET	2	160	
C		31206-KGN7-670	O-RING	O-RING	1	160	
	245	31210-KKC3-900	MOTOR UNIT START	MOTOR UNIT START	1	14830	
	245A	31210-KKC3-90C	MOTOR UNIT START	MOTOR UNIT START	1	14830	
	244	32410-KKC3-900	CABLE START MOTOR	CABLE START MOTOR	1	1630	
	253	91101-1K79-711	ROLLER 10*10	ROLLER 10*10	3	60	
B		91309-4E25-004	O-RING 24.4*3.1	O-RING 24.4*3.1	1	60	

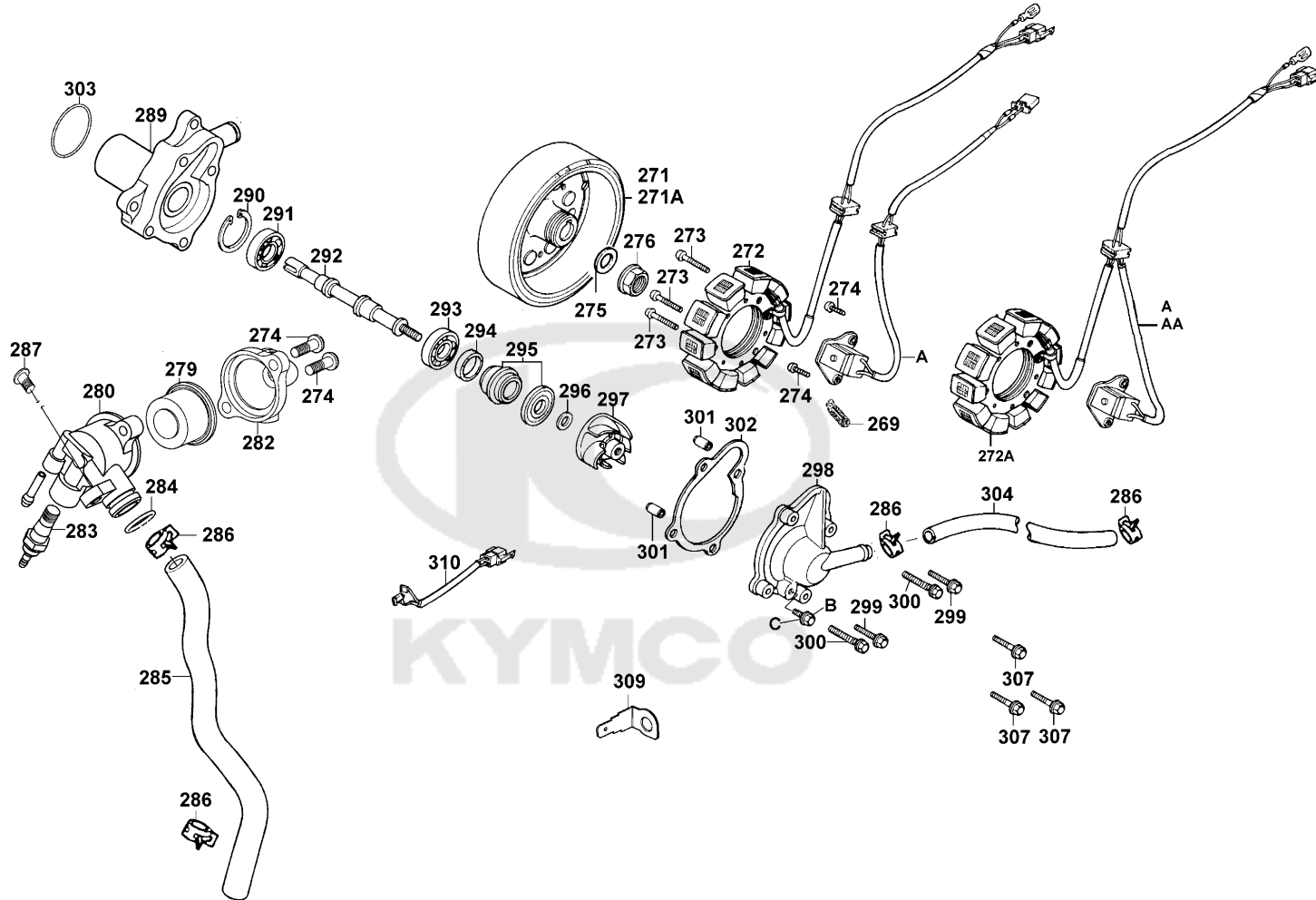
E07

Starting Motor Oil Pump





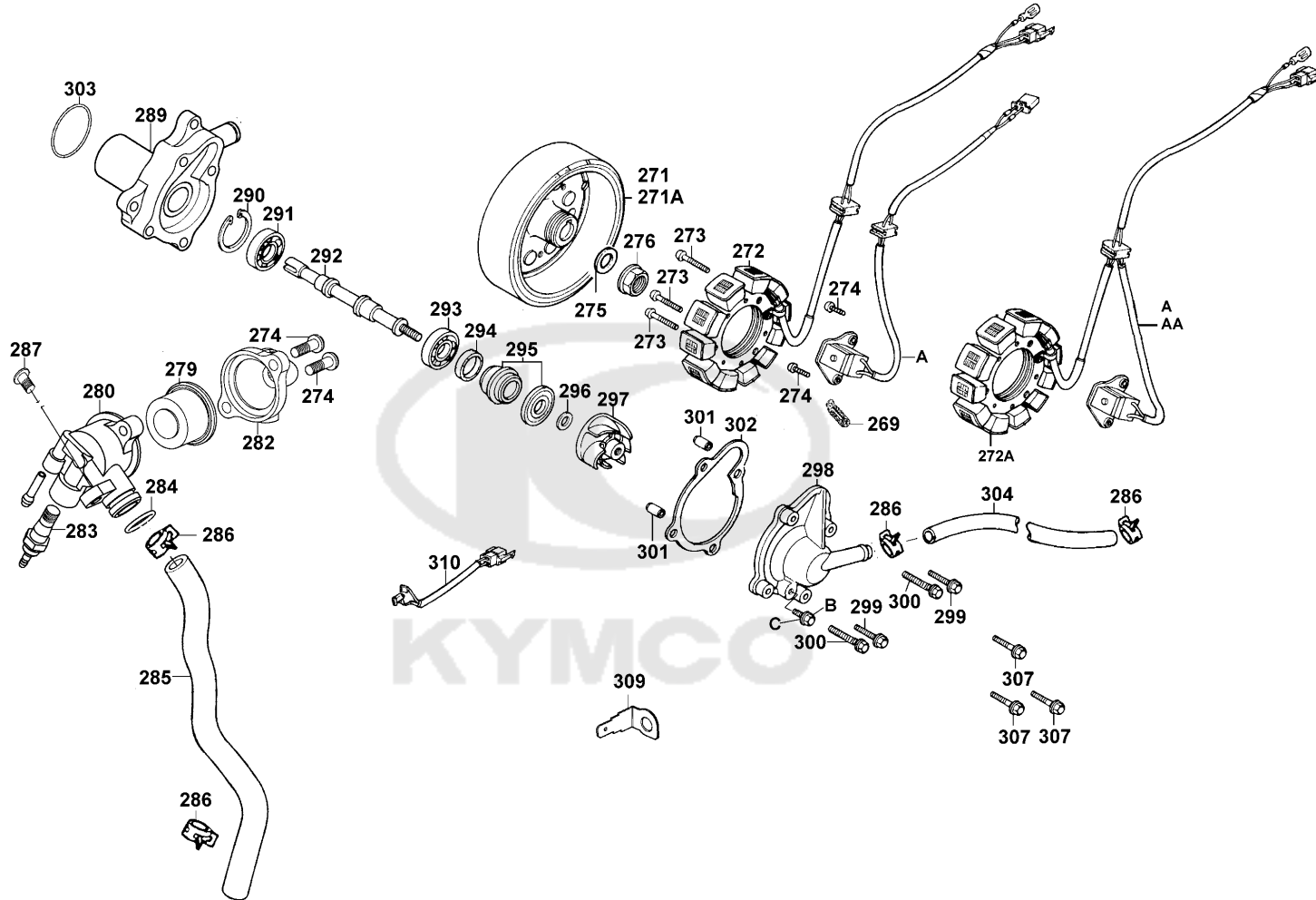
Sales mark 記号	Ref no 参照用番号	Part no パーツ番号	Description 部品名	Reg description 部品名	Regd no 必要個数	Ref Price 希望小売価格(税抜)	E07
A		91981-KGN7-670	SCREW WASH 5*8	SCREW WASH 5*8	1	60	
236		92000-06028-0G	BOLT HEX 6X28	BOLT HEX 6X28	1	200	
H		93500-03010-0F	SCREW PAN 3X10 (G)	SCREW PAN 3X10 (G)	1	60	
G		93892-04006-08	SCREW WASHER 4*6	SCREW WASHER 4*6	2	60	
E		94111-05800	WASHER SPRING 5MM	WASHER SPRING 5MM	2	60	
J		94303-04065	DOWEL PIN 4*6.5	DOWEL PIN 4*6.5	1	60	
238		94510-10000	CIR CLIP EX 10MM	CIR CLIP EX 10MM	1	70	
241		96001-06014-06	BOLT FLANGE SH 6*14 (G)	BOLT FLANGE SH 6*14 (G)	1	60	
246		96001-06016-06	BOLT FLANGE SH 6X16	BOLT FLANGE SH 6X16	1	60	
256		96220-60100	ROLLER 6*10	ROLLER 6*10	1	60	
250		96600-08015-16	SOCKET BOLT 8*15	SOCKET BOLT 8*15	1	390	



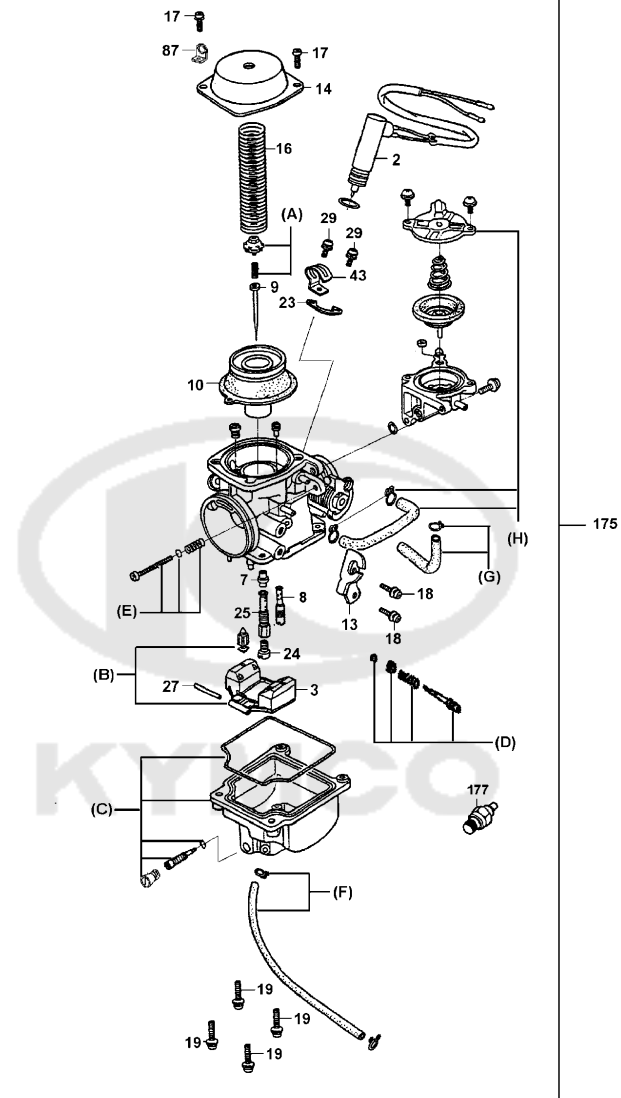
Sales mark 記号	Ref no 参照用番号	Part no パーツ番号	Description 部品名	Reg description 部品名	Regd no 必要個数	Ref Price 希望小売価 格(税抜)	E08
	289	19211-KKC3-900	BODY WATER PUMP	BODY WATER PUMP	1	3240	
	297	19215-KKJ9-011	IMPELLER WATER PUMP	IMPELLER WATER PUMP	1	680	
	295	19217-6G57-024	SEAL MECHANICAL	SEAL MECHANICAL	1	1720	
**	298	19221-KKC3-900	COVER WATER PUMP	COVER WATER PUMP	1	1630	
	302	19229-KKC3-980	GASKET WATER PUMP	GASKET WATER PUMP	1	300	
	292	19231-KEBE-900	SHAFT WATER PUMP	SHAFT WATER PUMP	1	2390	
	279	19300-KAE1-004	THERMOSTAT ASSY	THERMOSTAT ASSY	1	4930	
	280	19310-KEBE-900	CASE COMP THERMOSTAT	CASE COMP THERMOSTAT	1	1340	
	282	19315-KEBE-900	COVER THERMOSTAT	COVER THERMOSTAT	1	450	
	304	19501-KKC3-910	HOSE WATER A	HOSE WATER A	1	580	
	285	19503-KEBE-900	HOSE C WATER	HOSE C WATER	1	710	
A		30300-KEBE-900	GEN ASSY PULSE / D406	GEN ASSY PULSE / D406	1	3240	
AA		30301-KEBE-90B	GEN ASSY PULSE / D402	GEN ASSY PULSE / D402	1	3430	
	271	31110-KEBE-900	FLYWHEEL COMP (D406)	FLYWHEEL COMP /D406	1	10650	
	271A	31110-KEBE-90B	FLYWHEEL COMP (D402)	FLYWHEEL COMP /D402	1	10650	
	272	31120-KEBE-900	STATOR COMP (D406)	STATOR COMP /D406	1	11220	
	272A	31120-KEBE-90B	STATOR COMP (D402)	STATOR COMP /D402	1	11220	
	310	32101-KHD8-900	SUB CORD	SUB CORD	1	390	
	309	37720-KGB5-900	EARTH TERMINAL THERMO	EARTH TERMINAL THERMO	1	110	
	283	37750-PAC1-005	THERMO UNIT ASSY	THERMO UNIT ASSY	1	1750	

E08

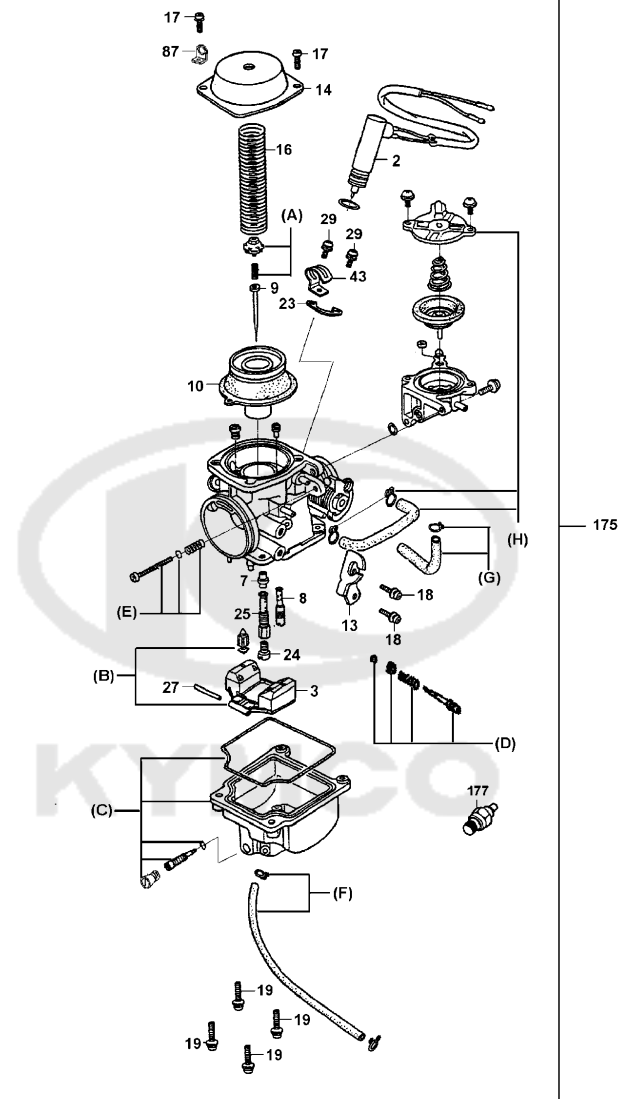
Generator Water Pump



Sales mark 記号	Ref no 参照用番号	Part no パーツ番号	Description 部品名	Reg description 部品名	Regd no 必要個数	Ref Price 希望小売価格(税抜)	E08
276		90201-KHR8-75A	NUT FLANGE 14MM	NUT FLANGE 14MM	1	200	
275		90401-KKJ9-001	WASHER THRUST 14*28*2	WASHER THRUST 14*28*2	1	160	
296		90423-KKJ9-001	WASHER 7.2*13*1.2	WASHER 7.2*13*1.2	1	130	
C		90478-7L00-001	WASHER A 6MM	WASHER A 6MM	1	60	
293		91001-KKJ9-006	BRG BALL RADIAL 6901	BRG BALL RADIAL 6901	1	2290	
294		91201-KKJ9-004	OIL SEAL 12*20*4	OIL SEAL 12*20*4	1	130	
284		91301-KGV7-671	O-RING 14.8*1.9	O-RING 14.8*1.9	1	60	
303		91302-5G67-004	O-RING 27.4*2.4	O-RING 27.4*2.4	1	200	
273		92000-05032-0G	BOLT HEX 5*32 (G)	BOLT HEX 5*32 (G)	1	200	
274		93500-05016-0F	SCREW PAN 5*16	SCREW PAN 5*16	1	200	
301		94301-08140	DOWEL PIN 8*14	DOWEL PIN 8*14	2	110	
290		94520-26000	CIR CLIP INTERAL 26MM	CIR CLIP INTERAL 26MM	1	140	
269		94591-KFBF-900	CLIP 2*70	CLIP 2*70	1	60	
286		95002-KGN7-910	CLIP TUBE	CLIP TUBE	4	200	
B		96001-06010-06	BOLT FLANGE 6*10	BOLT FLANGE 6*10	1	200	
287		96001-06018-06	BOLT FLANGE SH 6X18	BOLT FLANGE SH 6X18	1	60	
307		96001-06020-06	BOLT FLANGE SH 6*20	BOLT FLANGE SH 6*20	1	200	
299		96001-06022-06	BOLT FLANGE SH 6*22 (G)	BOLT FLANGE SH 6*22 (G)	1	60	
300		96001-06028-02	BOLT FLANGE SH 6*28	BOLT FLANGE SH 6*28	2	200	
291		96100-60000-00	BEARING BALL RADIAL 6000	BEARING BALL RADIAL 6000	1	1150	

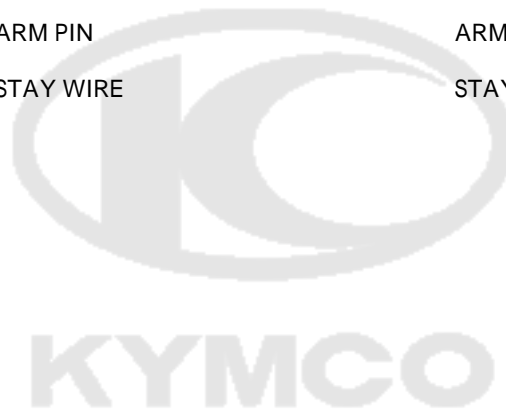


Sales mark 記号	Ref no 参照用番号	Part no パーツ番号	Description 部品名	Reg description 部品名	Regd no 必要個数	Ref Price 希望小売価格(税抜)	E09
8		1001-MA1H-0351	SLOW JET	SLOW JET	1	680	
25		1010-43BH-9900	NEEDLE JET	NEEDLE JET	1	520	
43		1531-803-2000	BINDER	BINDER	1	140	
87		1531-818-2000	BINDER	BINDER	1	140	
16		16051-KN7-7410-M1	SPG COMPR	SPG COMPR	1	350	
18		16080-KJ9-0031-3	SCREW PAN	SCREW PAN	2	40	
14		16107-KJ9-0030	TOP SET	TOP SET	1	400	
175		1610K-KKC2-E000	CARBURETOR ASSY **E00 C.P.N.	CARBURETOR ASSY **E00 C.P.N.	1	44860	
10		16111-KN7-7410-M1	VACUUM PISTON COMP	VACUUM PISTON COMP	1	9010	
23		1703-GJ2H-0040	SET PLATE	SET PLATE	1	110	
177		37710-KGBG-E00	HEATER CARBURETOR	HEATER CARBURETOR	1	2010	
2		4000-170-0000	AUTO BYSTARTER SET	AUTO BYSTARTER SET	1	13880	
17		93500-04008-1H-3	SCREW PAN	SCREW PAN	1	60	
19		93500-04014-1H-3	SCREW PAN	SCREW PAN	1	60	
29		93892-04008-16	SCREW WASHER 4*8	SCREW WASHER 4*8	1	200	
24		99101-393-1020	MAIN JET	MAIN JET	1	390	
3		D1310-853-0110	FLOAT COMP	FLOAT COMP	1	330	
C		K350-GY6-0200	FLOAT CHAMBER SET	FLOAT CHAMBER SET	1	2290	
H		K6510-KBE-0100	A.C.V ASSY	A.C.V ASSY	1	12190	
G		K785-KHD-0200	TUBE SET	TUBE SET	1	300	



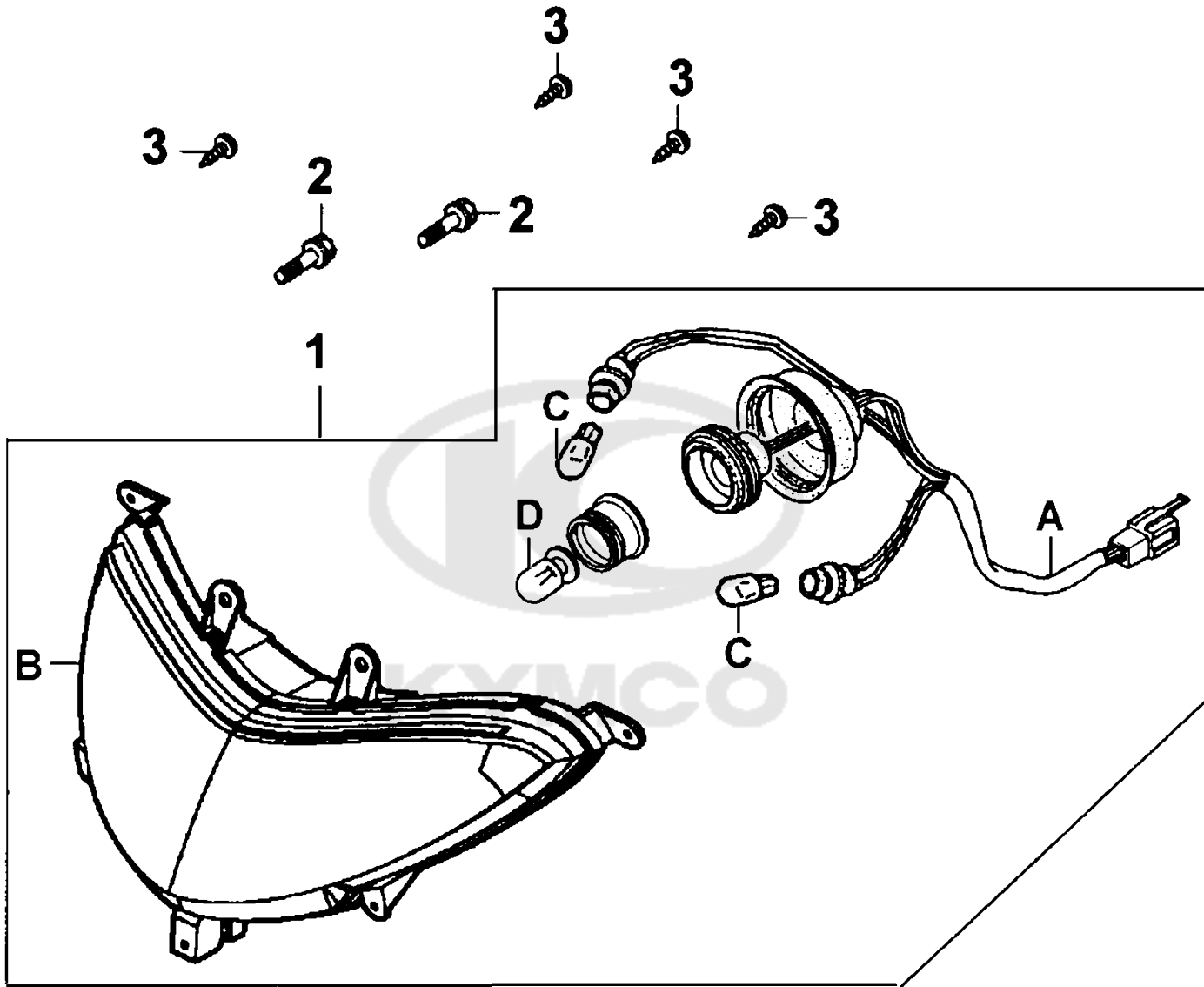


Sales mark 記号	Ref no 参照用番号	Part no パーツ番号	Description 部品名	Reg description 部品名	Regd no 必要個数	Ref Price 希望小売価格(税抜)	E09
7		N413-30A00	NEEDLE JET HOLDER	NEEDLE JET HOLDER	1	1280	
9		N425-2KHND	JET NEEDLE COMP	JET NEEDLE COMP	1	1280	
B		S362-0081	FLOAT VALVE SET **D19KT-002-0700	FLOAT VALVE SET **D19KT-002-0700	1		
D		S446-1210	SCREW SET	SCREW SET	1	260	
A		S506-0052	VALVE PLATE SET	VALVE PLATE SET	1	110	
E		S536-1050	SCREW SET	SCREW SET	1	210	
F		S7860-112-B000	TUBE SET	TUBE SET	1	320	
27		W1314-014-9901	ARM PIN	ARM PIN	1	110	
13		W1561-107-9920	STAY WIRE	STAY WIRE	1	1280	



F01

# Head Light

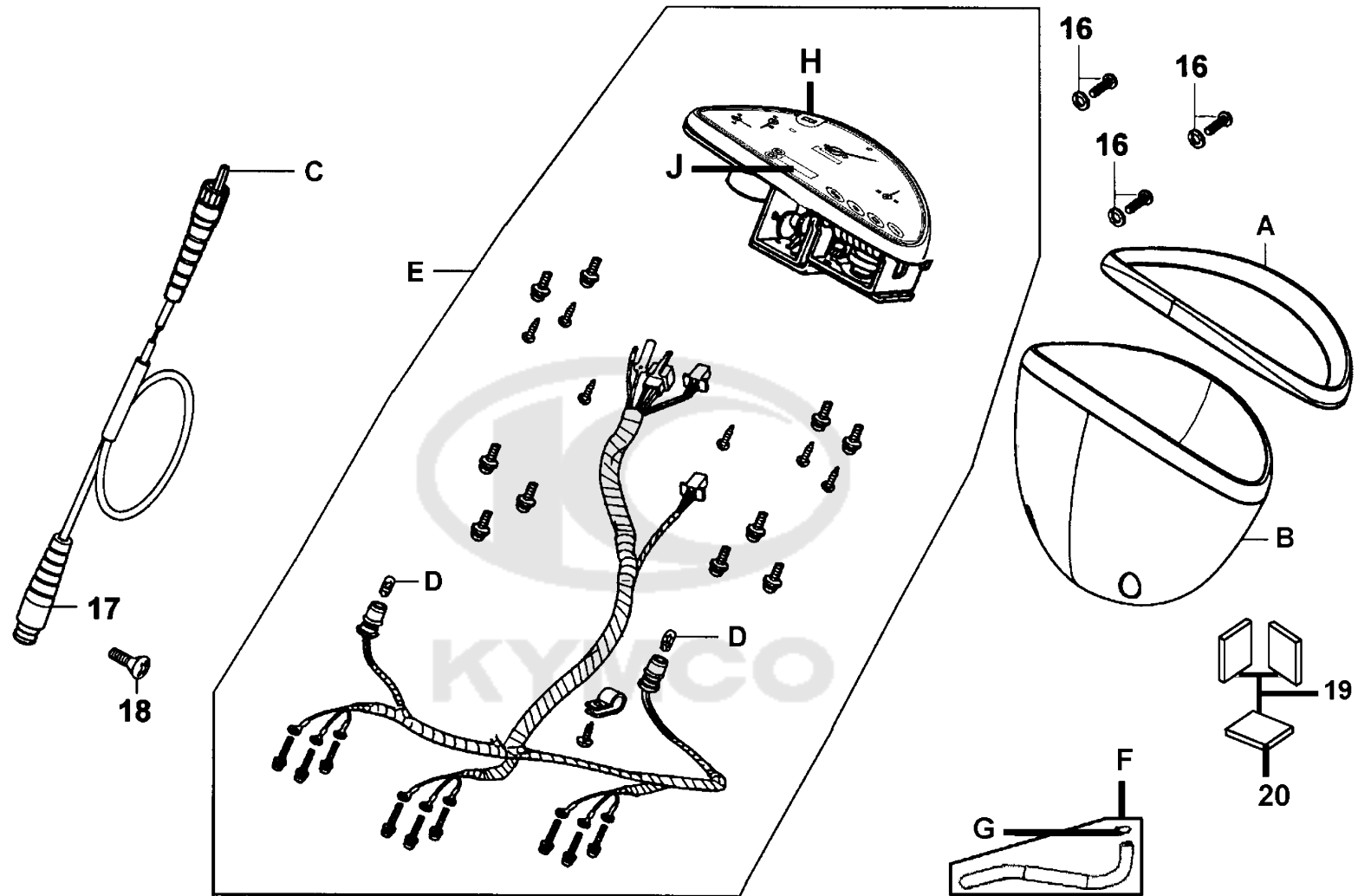


Sales mark 記号	Ref no 参照用番号	Part no パーツ番号	Description 部品名	Reg description 部品名	Regd no 必要個数	Ref Price 希望小売価格(税抜)	F01
1		33100-KKC4-E00	LIGHT ASSY HEAD	LIGHT ASSY HEAD	1	18550	
B		33120-KKC4-E00	UNIT HEAD LIGHT	UNIT HEAD LIGHT	1	13880	
A		33130-KKC4-E00	SOCKET COMP HEAD	SOCKET COMP HEAD	1	1340	
D		34901-KED9-900	BULB HEAD LIGHT	BULB HEAD LIGHT	1	2960	
C		34903-KPCP-900	BULB POSITION LIGHT 12V5W **KCP-	BULB POSITION LIGHT 12V5W **KCP-9000	2	320	
3		93903-35360	SCREW WASHER 4*12	SCREW WASHER 4*12	4	60	
2		95701-06012-06	BOLT FLANGE 6*22 (K)	BOLT FLANGE 6*22 (K)	1	60	



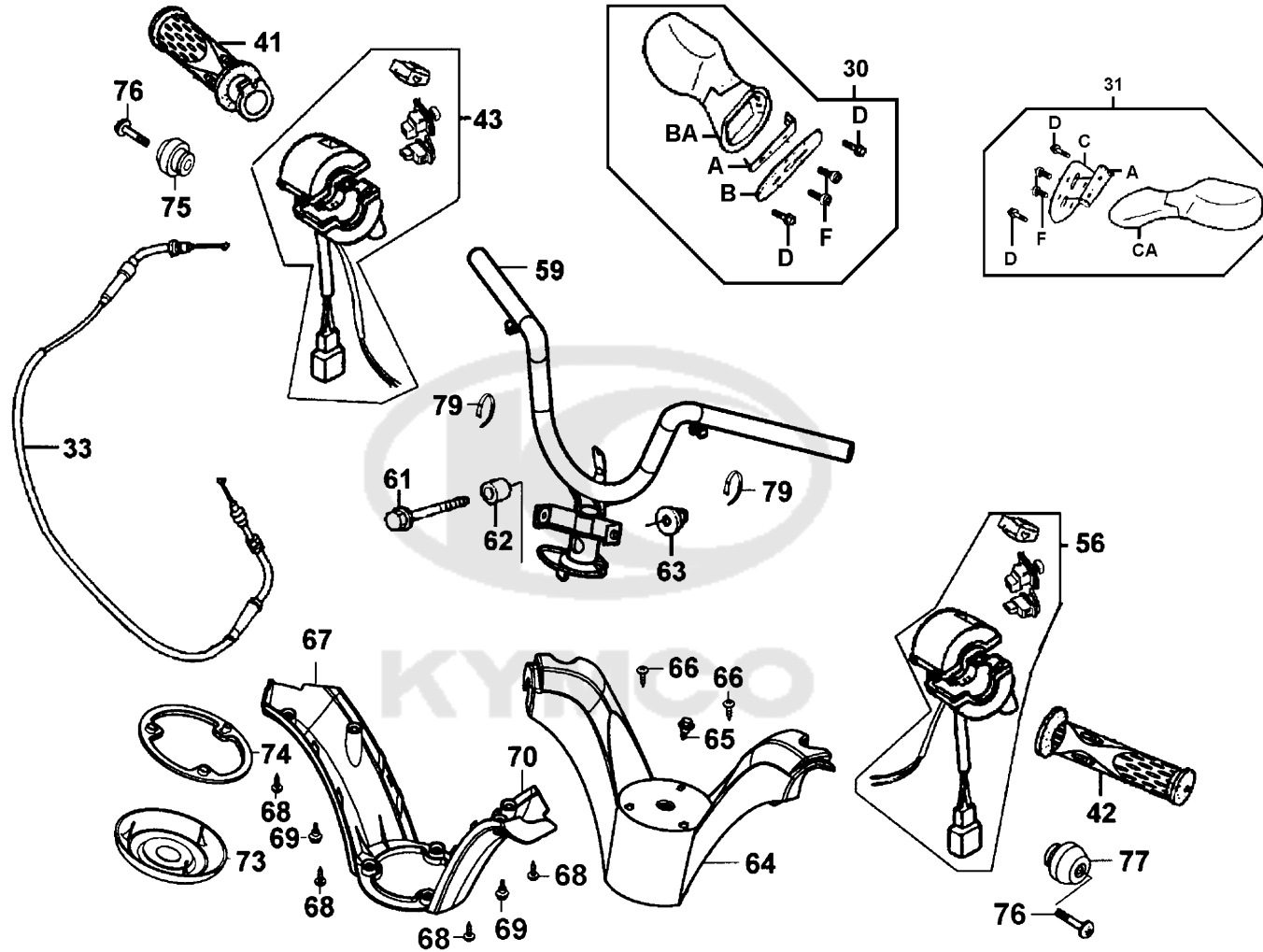
F02

Speedometer



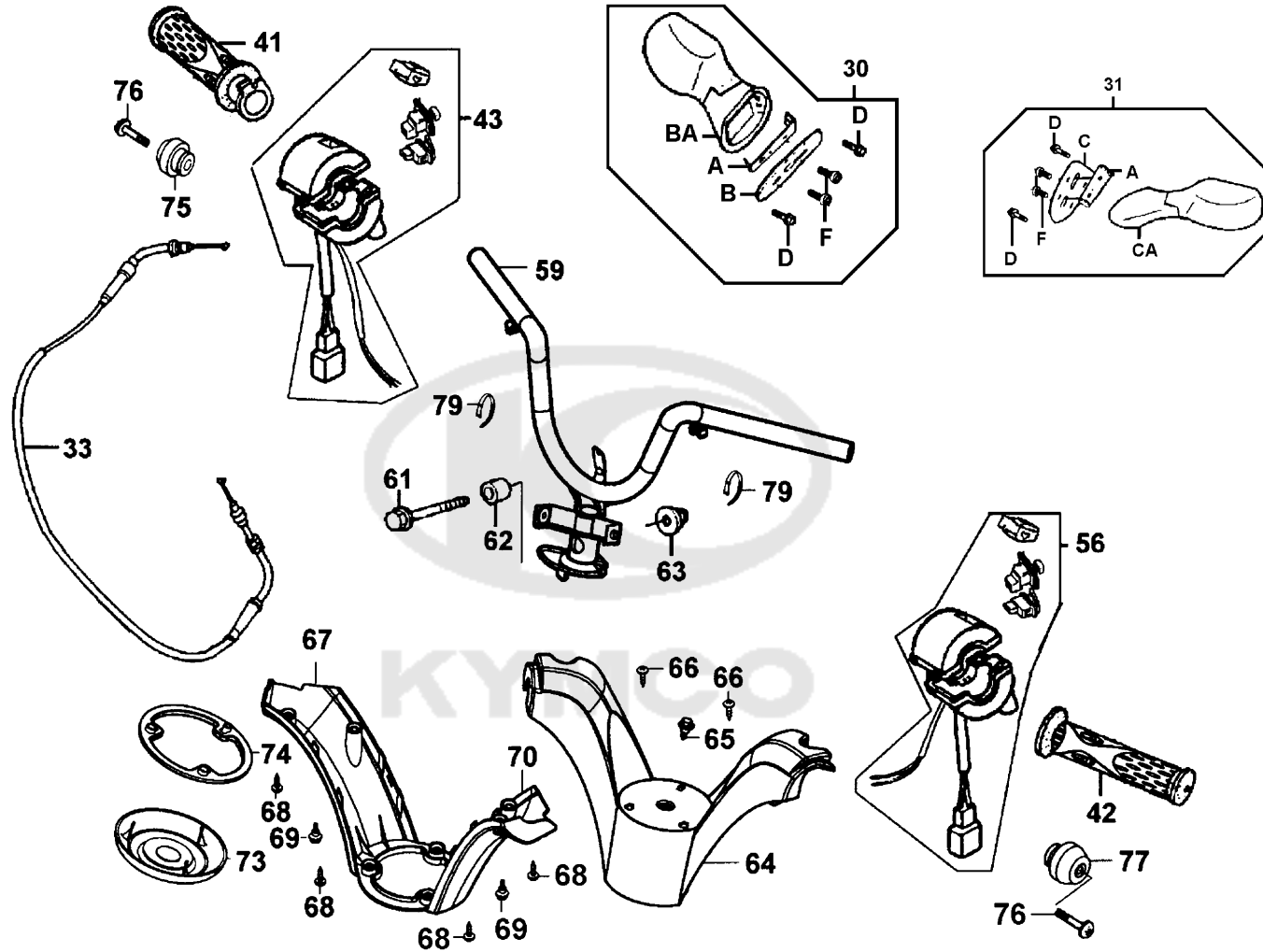
Sales mark 記号	Ref no 参照用番号	Part no パーツ番号	Description 部品名	Reg description 部品名	Regd no 必要個数	Ref Price 希望小売価格(税抜)
	D	34908-MKB9-87A	BULB WEDGE BASE T10	BULB WEDGE BASE T10	2	130
	E	37200-KKC2-B20	METER ASSY SPEED **B000-JP	METER ASSY SPEED **B000-JP C.2002.12.10	1	33760
**	A	37203-KKC3-900	METER COVER FR	METER COVER FR	1	1840
**	B	37204-KKC3-900	METER COVER RR	METER COVER RR	1	3810
	H	37211-KKC3-900	LENS ASSY	LENS ASSY	1	2100
	J	37280-KKC3-900	LCD ASSY (CLOCK)	LCD ASSY (CLOCK)	1	4190
17		44830-KKC4-900	CABLE COMP SPDMT	CABLE COMP SPDMT	1	1010
	C	44831-KKC4-900	CABLE INNER	CABLE INNER	1	580
19		64327-KKC4-900	SPONGE TAPE METER COVER	SPONGE TAPE METER COVER	2	110
20		64328-KKC2-900	HEAT GUARD METER COVER	HEAT GUARD METER COVER	1	390
16		90302-GFY6-940	BOLT-WASH 5*16	BOLT-WASH 5*16	3	60
	F	90915-KKC4-900	TUBE DRAIN	TUBE DRAIN	1	350
18		93700-05018-0F	SCREW OVAL 5*18	SCREW OVAL 5*18	1	60
	G	95002-50000	CLIP C9 TUBE	CLIP C9 TUBE	1	60

F02



Sales mark 記号	Ref no 参照用番号	Part no パーツ番号	Description 部品名	Reg description 部品名	Regd no 必要個数	Ref Price 希望小売価格(税抜)
	33	17910-KKC3-900	CABLE COMP THROT	CABLE COMP THROT	1	2100
	43	3515A-KKC2-B20	SW ASSY RH HANDLE **B000-SG N.C.	SW ASSY RH HANDLE **B000-SG N.C.	1	4150
	56	3520A-KKC2-B00	SW ASSY L HANDLE COMP **B000-JP	SW ASSY L HANDLE COMP **B000-JP	1	5050
	59	53100-KKC4-900	HANDLE COMP STRG	HANDLE COMP STRG	1	8940
	75	53105-KFC8-900	END R STRG HANDLE	END R STRG HANDLE	1	770
	77	53106-KFC8-900	END L STRG HANDLE	END L STRG HANDLE	1	590
	62	53125-GEN5-901	COLLAR HANDLE SET	COLLAR HANDLE SET	1	390
**	41	53140-KKC3-900	GRIP COMP THROT	GRIP COMP THROT	1	960
**	42	53166-KGB5-900	GRIP L HANDLE	GRIP L HANDLE	1	770
**	64	53205-KKC4-900	COVER HANDLE UP **(0) C.2004.06.16	COVER HANDLE UP **(0) C.2004.06.16	1	4000
**	67	53206-KKC4-900	COVER R HANDLE LOW	COVER R HANDLE LOW	1	870
**	70	53207-KKC4-900	COVER L HANDLE LOW	COVER L HANDLE LOW	1	770
**	73	53208-KKC4-900	GRILL HANDLE UP	GRILL HANDLE UP	1	1340
	74	53209-KKC4-900	PACKING HANDLE UP	PACKING HANDLE UP	1	870
**	30	88110-KKC3-900	MIRROR ASSY R BACK	MIRROR ASSY R BACK	1	9700
	A	88114-KKC4-900	STAY MIRROR	STAY MIRROR	2	960
	B	88115-KKC4-900	PAD R MIRROR	PAD R MIRROR	1	160
	BA	88116-KKC4-900	BASE R MIRROR	BASE R MIRROR	1	2290
**	31	88120-KKC3-900	MIRROR ASSY L BACK	MIRROR ASSY L BACK	1	9700
	C	88125-KKC4-900	PAD L MIRROR	PAD L MIRROR	1	160

F03

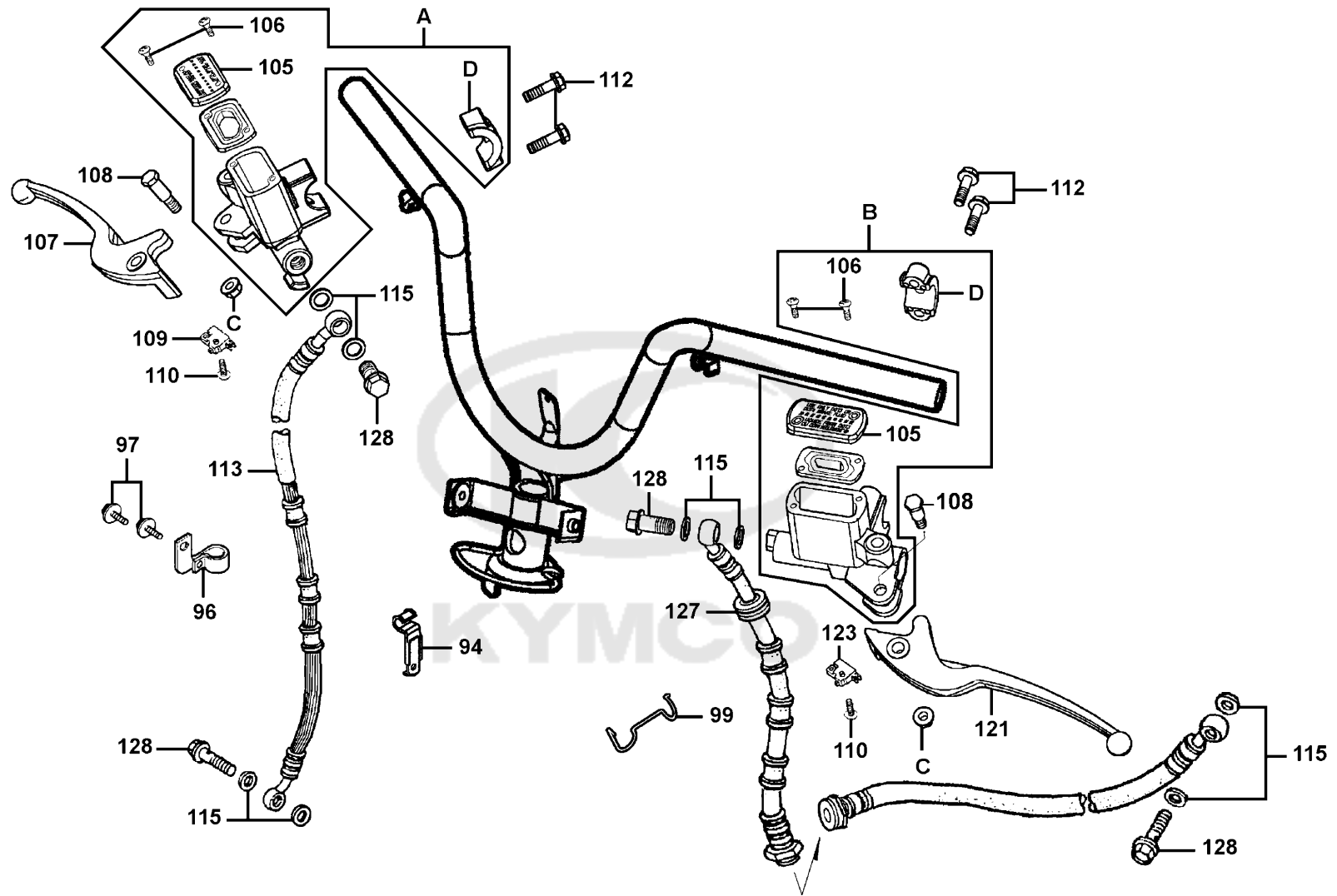




Sales mark 記号	Ref no 参照用番号	Part no パーツ番号	Description 部品名	Reg description 部品名	Regd no 必要個数	Ref Price 希望小売価格(税抜)	F03
CA		88126-KKC4-900	BASE L MIRROR	BASE L MIRROR	1	2480	
D		88130-KKC4-900	BOLT SPECIAL	BOLT SPECIAL	4	160	
F		88135-KKC4-900	SCREW PAN 5*20	SCREW PAN 5*20	4	300	
61		90106-GEN5-901	BOLT FLANGE 10*50	BOLT FLANGE 10*50	1	80	
76		90106-KFC2-900	BOLT SPECIAL 8MM	BOLT SPECIAL 8MM	2	510	
69		90302-GFY6-901	BOLT WASH 5*12 *(1) C.V.	BOLT WASH 5*12 *(1) C.V.	2	60	
65		90302-KEC8-900	BOLT PAN 5*9	BOLT PAN 5*9	1	200	
63		90304-GHE8-004	NUT CAP 6MM	NUT CAP 6MM	1	200	
79		90656-KCBC-900	BAND OIL HANDLE	BAND OIL HANDLE	1	60	
68		93903-34360	SCREW WASHER 4*12	SCREW WASHER 4*12	4	60	
66		93903-35360	SCREW WASHER 4*12	SCREW WASHER 4*12	2	60	

F04

# Brake Master Cylinder



Sales mark 記号	Ref no 参照用番号	Part no パーツ番号	Description 部品名	Reg description 部品名	Regd no 必要個数	Ref Price 希望小売価格(税抜)
	109	35340-KNBN-901	SW ASSY FR STOP	SW ASSY FR STOP	1	960
	123	35350-KNBN-901	SW ASSY RR STOP	SW ASSY RR STOP	1	960
	127	43126-KKC2-E00	HOSE ASSY RR BRAAKE	HOSE ASSY RR BRAAKE	1	17730
	94	43156-KKC3-900	CLAMPER B HOSE RR	CLAMPER B HOSE RR	1	300
	99	43156-KKC4-900	CLAMPER HOSE RR	CLAMPER HOSE RR	1	300
	B	43530-KFC8-305	CYLN SET RR MASTER	CYLN SET RR MASTER	1	12740
	113	45126-KKC2-B20	HOSE ASSY FR BRAKE /978MM	HOSE ASSY FR BRAKE /978MM	1	12360
	96	45128-KEBE-900	CLAMPER FR BRAKE HOSE	CLAMPER FR BRAKE HOSE	1	400
	105	45513-KHD4-B00	CAP MASTER CYLINDER	CAP MASTER CYLINDER	1	580
	D	45517-KFAF-910	HOLDER M/C	HOLDER M/C	2	440
	A	45530-KFC8-E00	CYLINDER SET FR MASTER	CYLINDER SET FR MASTER	1	12080
**	107	53175-KFA5-E10	LEVER R STRG HANDLE	LEVER R STRG HANDLE	1	1700
**	121	53178-KFC8-E10	LEVER L STRG HANDLE	LEVER L STRG HANDLE	1	1440
	108	90114-1F66-007	BOLT HANDLE LEVER	BOLT HANDLE LEVER	2	60
	128	90145-LEA3-E00	OIL BOLT 10x22	OIL BOLT 10x22	1	150
	115	90545-3L00-001	WASHER OIL BOLT	WASHER OIL BOLT	8	60
	106	93600-04012-1G	SCREW FLAT 4*12	SCREW FLAT 4*12	4	60
	110	93893-04012-18	SCREW WASHER 4*12	SCREW WASHER 4*12	2	60
	C	94050-06060	NUT FLANGE 6MM	NUT FLANGE 6MM	2	60
	97	95701-06012-06	BOLT FLANGE 6*22 (K)	BOLT FLANGE 6*22 (K)	1	60

F04

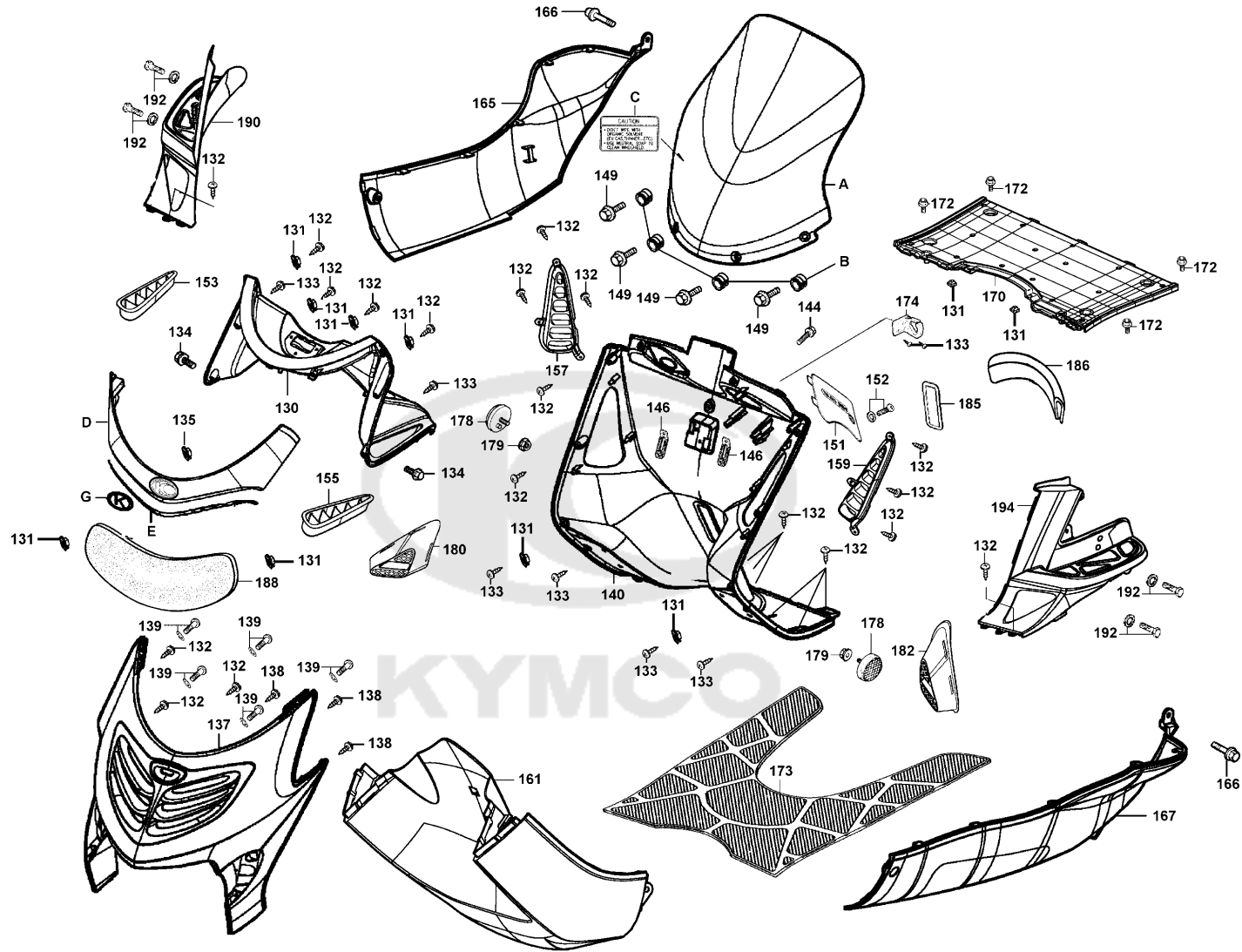


Sales mark 記号	Ref no 参照用番号	Part no パーツ番号	Description 部品名	Reg description 部品名	Regd no 必要個数	Ref Price 希望小売価格(税抜)
------------------	-----------------	------------------	--------------------	------------------------	-----------------	-------------------------

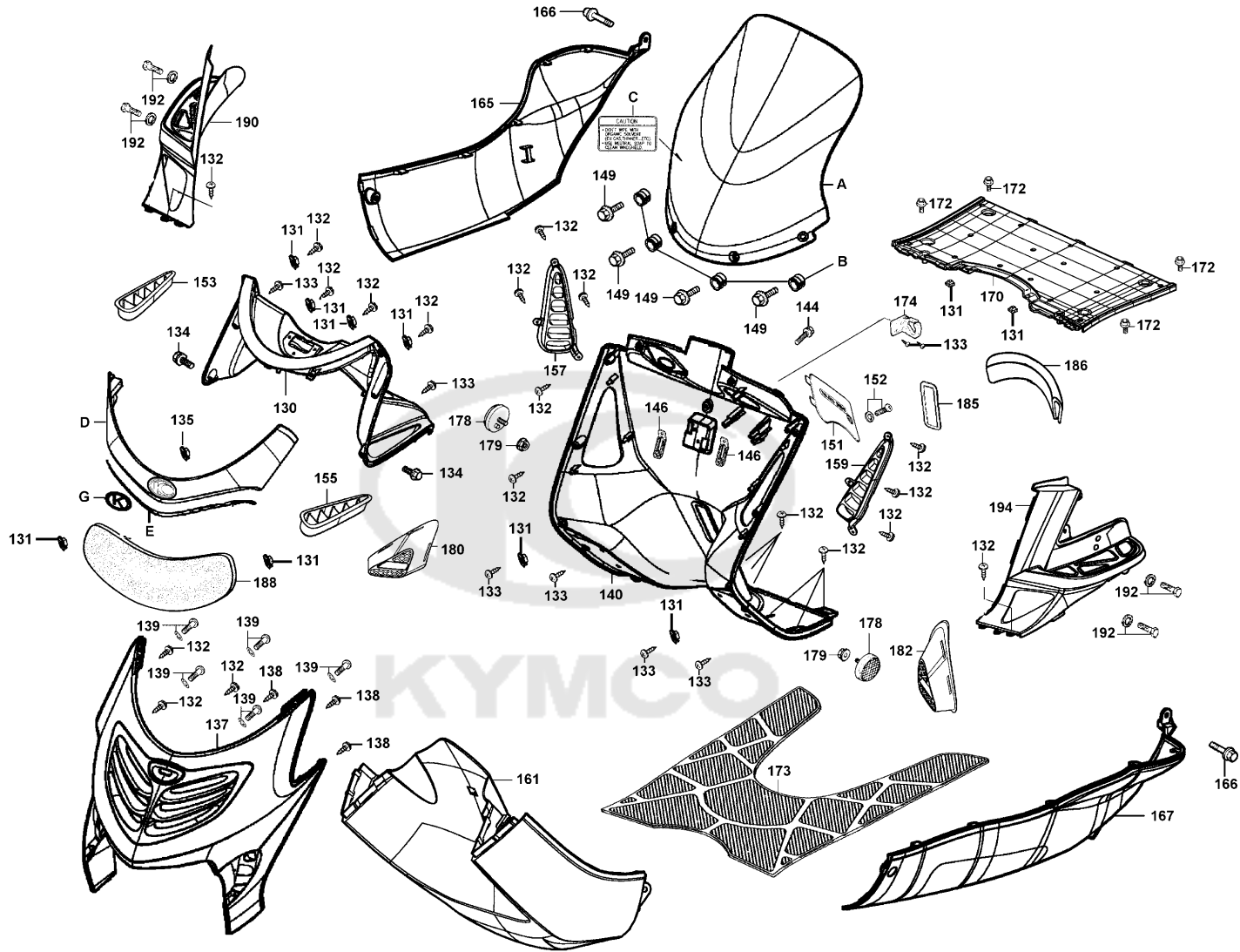
**F04**

112	95701-06022-06		BOLT FLANGE 6*22	BOLT FLANGE 6*22	4	60
-----	----------------	--	------------------	------------------	---	----





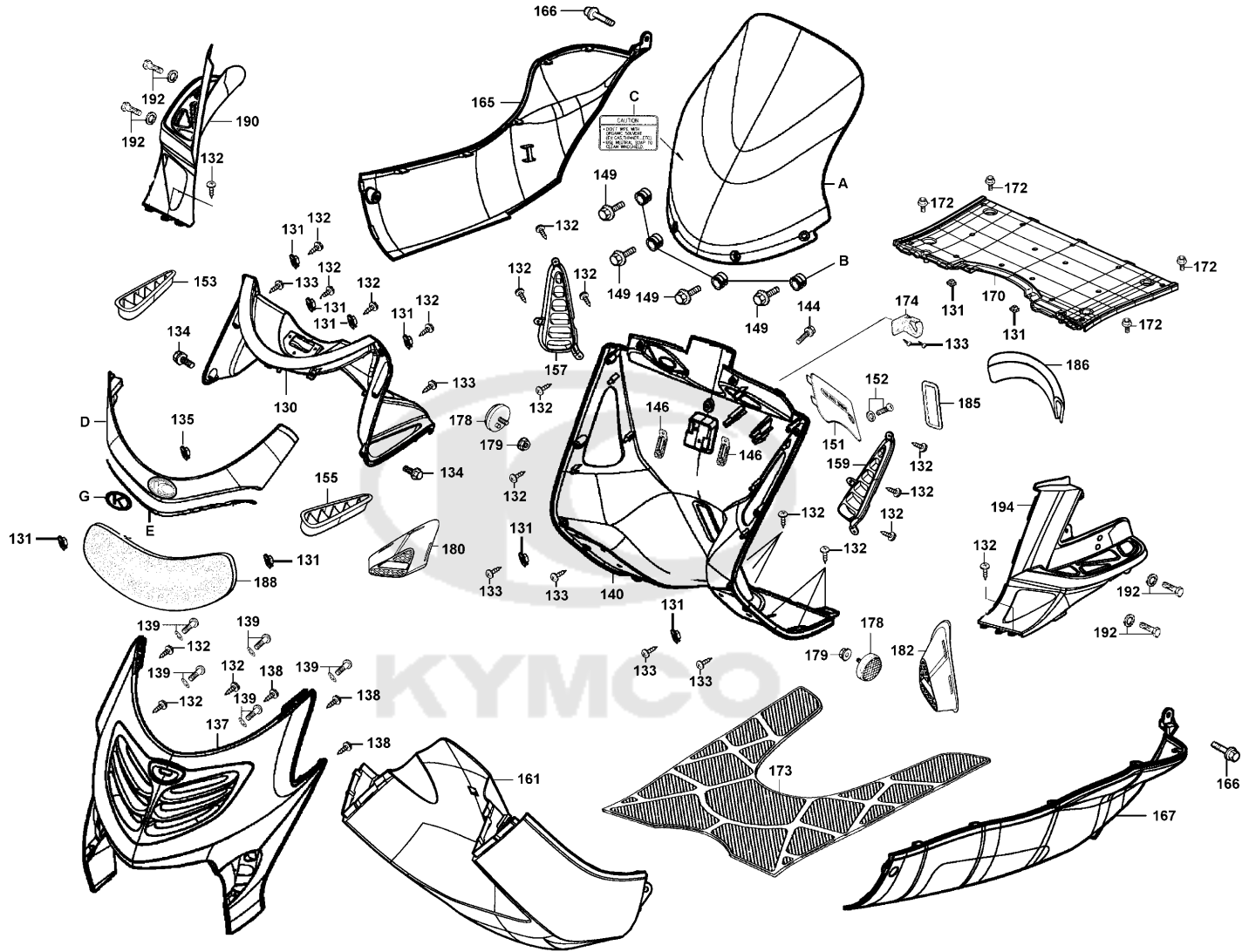
Sales mark 記号	Ref no 参照用番号	Part no パーツ番号	Description 部品名	Reg description 部品名	Regd no 必要個数	Ref Price 希望小売価格(税抜)	F05
	178	33741-GFY6-C30	REFLEX REFLECTOR	REFLEX REFLECTOR	2	730	
**	130	53204-KKC4-900	COVER METER	COVER METER	1	2390	
**	153	53214-KKC4-900	GRID R METER COVER	GRID R METER COVER	1	390	
**	155	53224-KKC4-900	GRID L METER COVER	GRID L METER COVER	1	390	
A		64220-KKC4-900	WIND SCREEN	WIND SCREEN	1	23760	
E		64221-KKC4-900	SEAL WIND SCREEN	SEAL WIND SCREEN	1	300	
B		64222-KKC4-900	RUBBER WIND SCREEN	RUBBER WIND SCREEN	4	160	
**	D	64301-KKC4-900	COVER SCREEN	COVER SCREEN	1	3050	
**	137	64302-KKC4-900	MOLDING FR	MOLDING FR	1	15210	
**	165	64305-KKC4-900	SKIRT R SIDE	SKIRT R SIDE	1	9420	
**	167	64306-KKC4-900	SKIRT L SIDE	SKIRT L SIDE	1	9420	
	188	64309-KKC4-900	GRILL FR COVER	GRILL FR COVER	1	1530	
**	170	64310-KKC4-900	FLOOR PANEL	FLOOR PANEL	1	2290	
**	190	64311-KKC4-900	COVER R PILLION STEP	COVER R PILLION STEP	1	1910	
**	180	64312-KKC4-900	GRID R PILLION STEP	GRID R PILLION STEP	1	390	
	186	64317-KKC4-900	SEAL METER COVER FR	SEAL METER COVER FR	1	350	
**	173	64320-KKC4-900	MAT FLOOR	MAT FLOOR	1	2200	
**	194	64321-KKC4-900	COVER L PILLION STEP	COVER L PILLION STEP	1	1910	
**	182	64322-KKC4-900	GRID L PILLION STEP	GRID L PILLION STEP	1	390	
**	161	64400-KKC4-900	COWL UNDER	COWL UNDER	1	13690	





Sales mark 記号	Ref no 参照用番号	Part no パーツ番号	Description 部品名	Reg description 部品名	Regd no 必要個数	Ref Price 希望小売価格(税抜)
**	140	81131-KKC4-900	LEG SHIELD	LEG SHIELD	1	3430
**	185	81132-KEB7-900	LID LEG SHIELD	LID LEG SHIELD	1	300
**	151	81136-KKC4-900	LID RESERVE	LID RESERVE	1	300
**	157	81137-KKC4-900	GRID R LEG SHIELD	GRID R LEG SHIELD	1	300
**	159	81147-KKC4-900	GRID L LEG SHIELD	GRID L LEG SHIELD	1	300
	174	8376A-KEBE-900	CLIP ASSY CENTER	CLIP ASSY CENTER	1	1060
**	G	86102-KFA6-E00	EMB K-LOGO 30MM	EMB K-LOGO 30MM	1	490
**	C	87508-KKC4-E00	LABEL CLEANNESS CAUTION	LABEL CLEANNESS CAUTION	1	200
	149	90302-GBR2-001	BOLT WASH 5*16	BOLT WASH 5*16	4	60
	134	90302-GFY6-901	BOLT WASH 5*12 *(1) C.V.	BOLT WASH 5*12 *(1) C.V.	2	60
	166	90302-GFY6-940	BOLT-WASH 5*16	BOLT-WASH 5*16	2	60
	131	90302-SDA4-004	NUT SPRING 4MM	NUT SPRING 4MM	10	60
	135	90677-GAR1-004	NUT CLIP 5MM	NUT CLIP 5MM	1	60
	192	93404-06016-06	BOLT WASHER 6*16	BOLT WASHER 6*16	4	60
	172	93404-06020-06	BOLT WASHER 6*20 (G)	BOLT WASHER 6*20 (G)	4	60
	144	93404-KKC2-900	BOLT WASH 6*16	BOLT WASH 6*16	1	60
	152	93891-05012-06	SCREW WASHER 5*12	SCREW WASHER 5*12	1	60
	132	93903-34360	SCREW WASHER 4*12	SCREW WASHER 4*12	22	60
	133	93903-GFY6-900	SCREW WASHER 4*12	SCREW WASHER 4*12	8	60
	139	93903-KEB7-900-06	SCREW WASHER 4*12	SCREW WASHER 4*12	5	200

F05



Sales mark 記号	Ref no 参照用番号	Part no パーツ番号	Description 部品名	Reg description 部品名	Regd no 必要個数	Ref Price 希望小売価格(税抜)
------------------	-----------------	------------------	--------------------	------------------------	-----------------	-------------------------

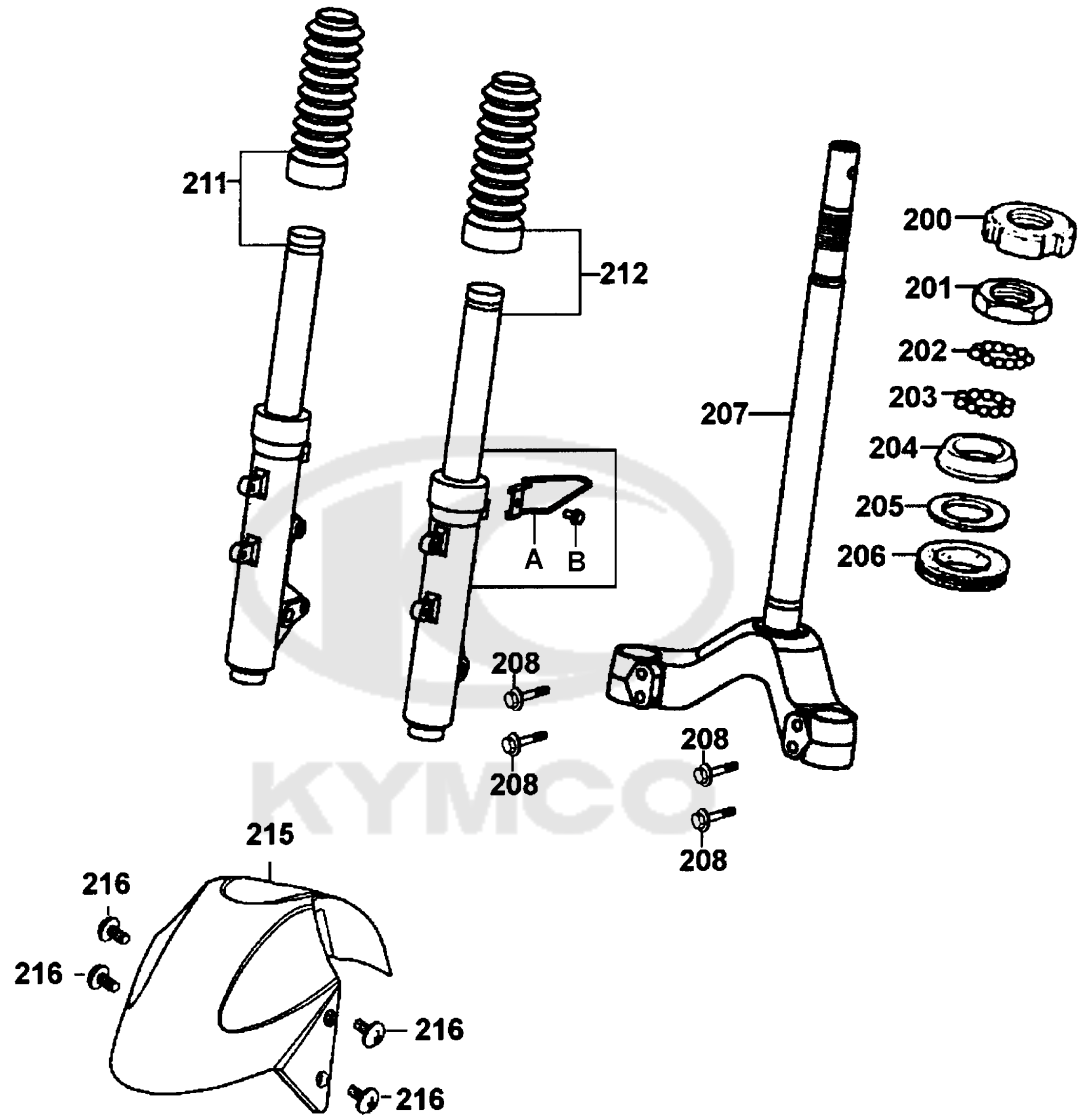
**F05**

179	94050-06080		NUT FLANGE 6MM	NUT FLANGE 6MM	2	60
146	94591-27000		CLIP 2*70	CLIP 2*70	2	110



F06

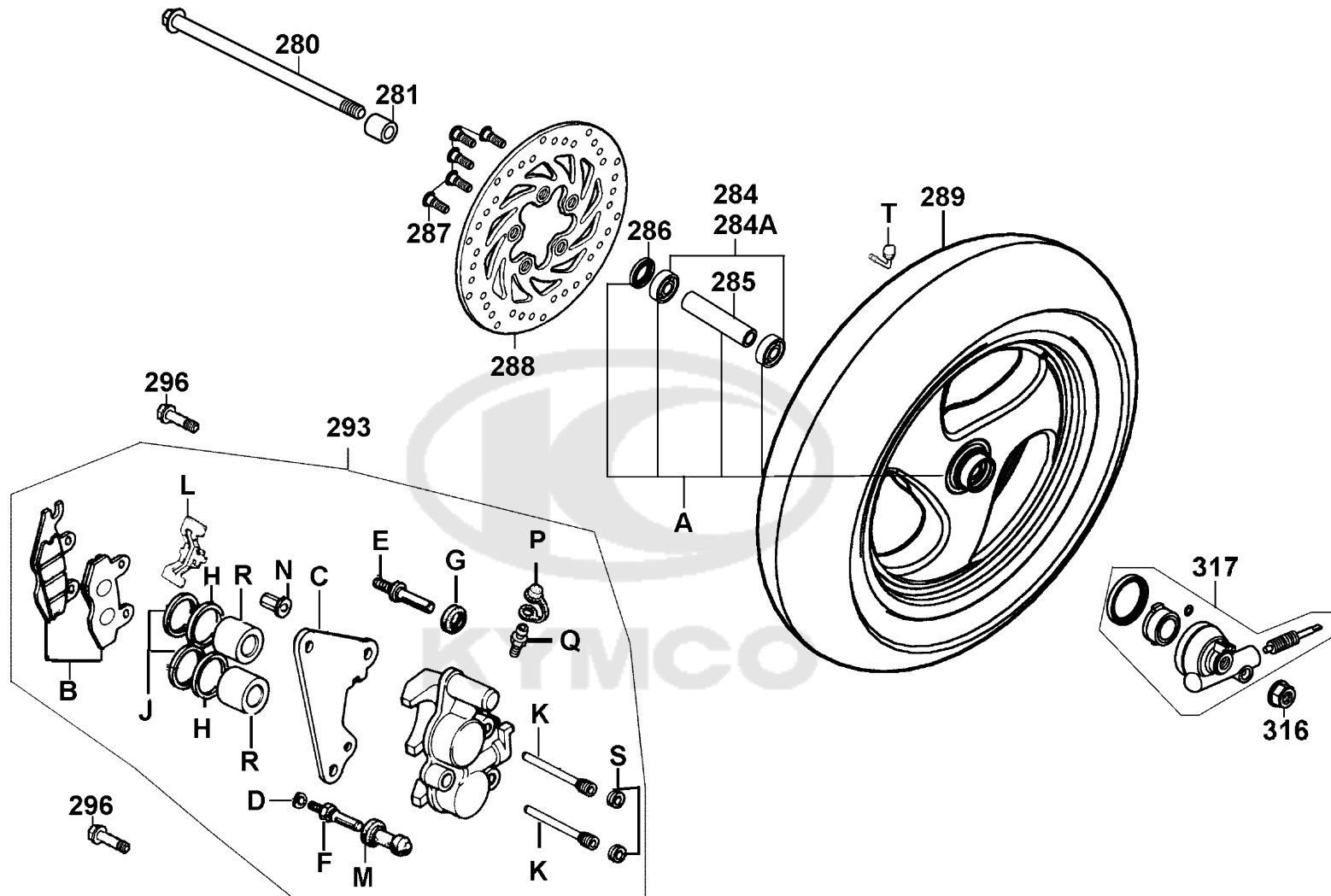
Front Cushion



Sales mark 記号	Ref no 参照用番号	Part no パーツ番号	Description 部品名	Reg description 部品名	Regd no 必要個数	Ref Price 希望小売価格(税抜)	F06
A		45156-KECE-900	CLAMPER FR BRK CABLE	CLAMPER FR BRK CABLE	1	560	
	200	50306-1F96-001	NUT STRG STEM LOCK	NUT STRG STEM LOCK	1	300	
**	211	51400-KKC4-900	FORK ASSY R FR	FORK ASSY R FR	1	16160	
**	212	5150A-KKC4-900	FORK SET L FR	FORK SET L FR	1	16840	
	207	53200-KKC2-900	STEM COMP STRG	STEM COMP STRG	1	11600	
	201	53211-GFY6-940	RACE STRG TOP CONE	RACE STRG TOP CONE	1	580	
	204	53212-2L50-011	RACE STRG BOT CONE	RACE STRG BOT CONE	1	870	
	206	53214-LHJ6-900	DUST SEAL STRG	DUST SEAL STRG	1	240	
	205	53215-2L50-001	WASH STRG HDL DUST-SEAL	WASH STRG HDL DUST-SEAL	1	130	
**	215	61110-KHD8-900	FENDER FR *(1) C.2003.09.30	FENDER FR *(1) C.2003.09.30	1	4290	
	216	90110-KEB7-900	SCREW SPECIAL 6*14	SCREW SPECIAL 6*14	4	130	
B		95701-06012-06	BOLT FLANGE 6*22 (K)	BOLT FLANGE 6*22 (K)	1	60	
	208	95801-08040-06	BOLT FLANGE 8*40	BOLT FLANGE 8*40	1	60	
	202	96211-05000	BALL STEEL #5	BALL STEEL #5	26	60	
	203	96211-08000	BALL STEEL #8	BALL STEEL #8	19	60	

F07

Front Wheel

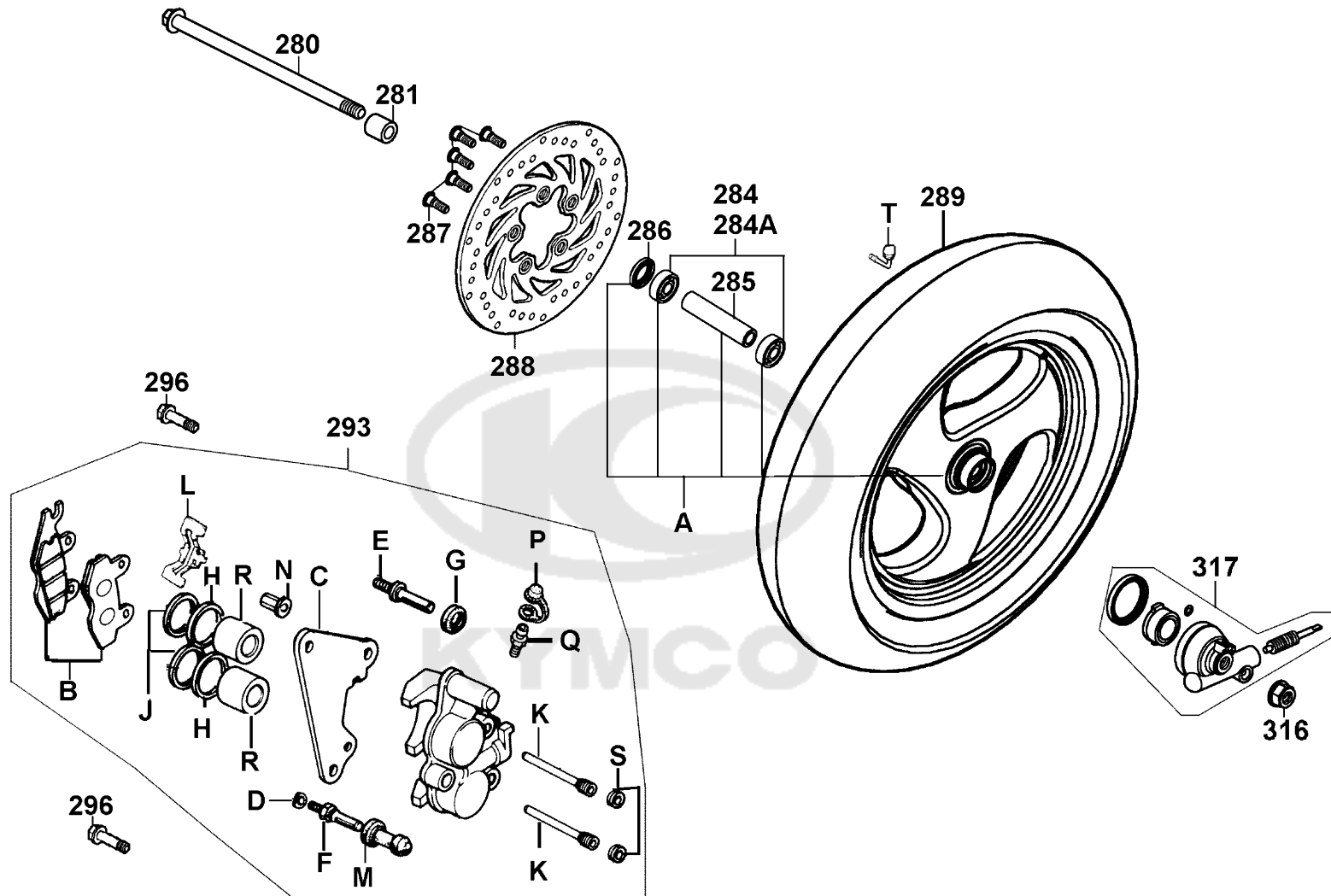


Sales mark 記号	Ref no 参照用番号	Part no パーツ番号	Description 部品名	Reg description 部品名	Regd no 必要個数	Ref Price 希望小売価格(税抜)
T		42753-KXCX-900	VALVE (PVR-70B) & CAP	VALVE (PVR-70B) & CAP	1	630
Q		43352-5H68-004	SCREW BLEEDER	SCREW BLEEDER	1	300
P		43353-4A61-77A	CAP BLEEDER	CAP BLEEDER	1	130
280		44301-KXCX-900	AXLE FR WHEEL M12*240MM	AXLE FR WHEEL M12*240MM	1	780
281		44311-KEBE-900	COLLAR FR WHEEL SIDE	COLLAR FR WHEEL SIDE	1	390
285		44620-KHD8-900	COLLAR FR AXLE DISTANCE	COLLAR FR AXLE DISTANCE	1	490
**	A	44650-KHD8-30A	WHEEL SET FR	WHEEL SET FR	1	28900
**	A	44650-KHD8-30C	WHEEL SET FR	WHEEL SET FR	1	28900
289		44710-KHE7-E00	TIRE ASSY FR 120/70-12 58P /CHENG	TIRE ASSY FR 120/70-12 58P /CHENG SHIN	1	11180
317		44800-KFA5-900	GEAR BOX ASSY	GEAR BOX ASSY	1	3240
R		45107-MEN5-007	PISTON	PISTON	2	2200
L		45108-MDL4-007	PAD SPG	PAD SPG	1	300
J		45109-GBE2-007	DUST SEAL	DUST SEAL	2	140
F		45131-1F66-017	PIN BOLT	PIN BOLT	1	890
E		45131-GBE2-007	PIN BOLT A	PIN BOLT A	1	960
M		45132-1F66-017	BUSH BOOT PIN	BUSH BOOT PIN	1	780
G		45133-MCA3-007	BOOT B	BOOT B	1	230
B		45150-LLB5-305	PAD COMP	PAD COMP	1	4380
**	293	45200-KKC2-E00	CALIPER ASSY FR	CALIPER ASSY FR	1	19960
H		45209-GBE2-007	SEAL PISTON	SEAL PISTON	2	370

F07

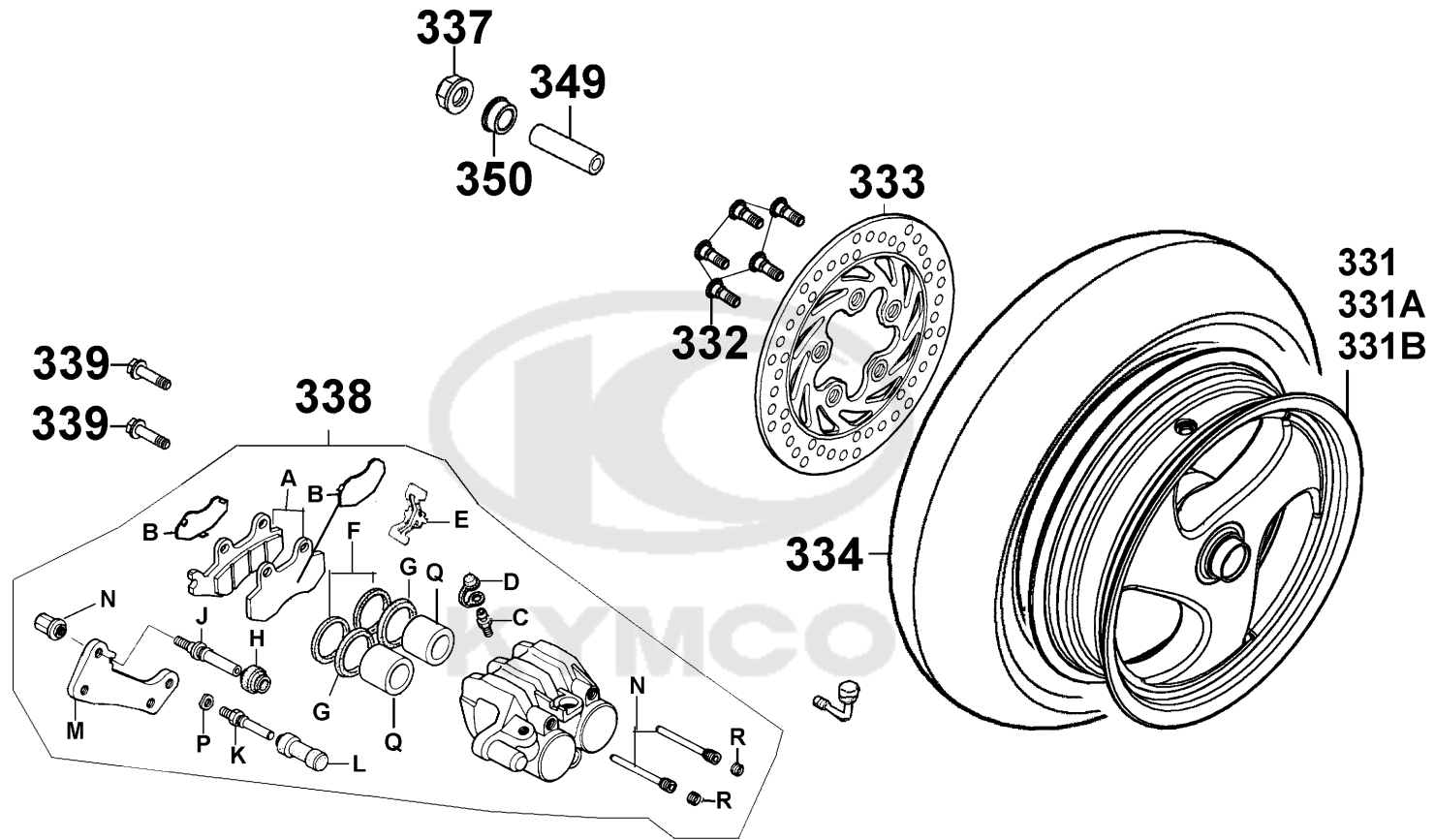
F07

Front Wheel

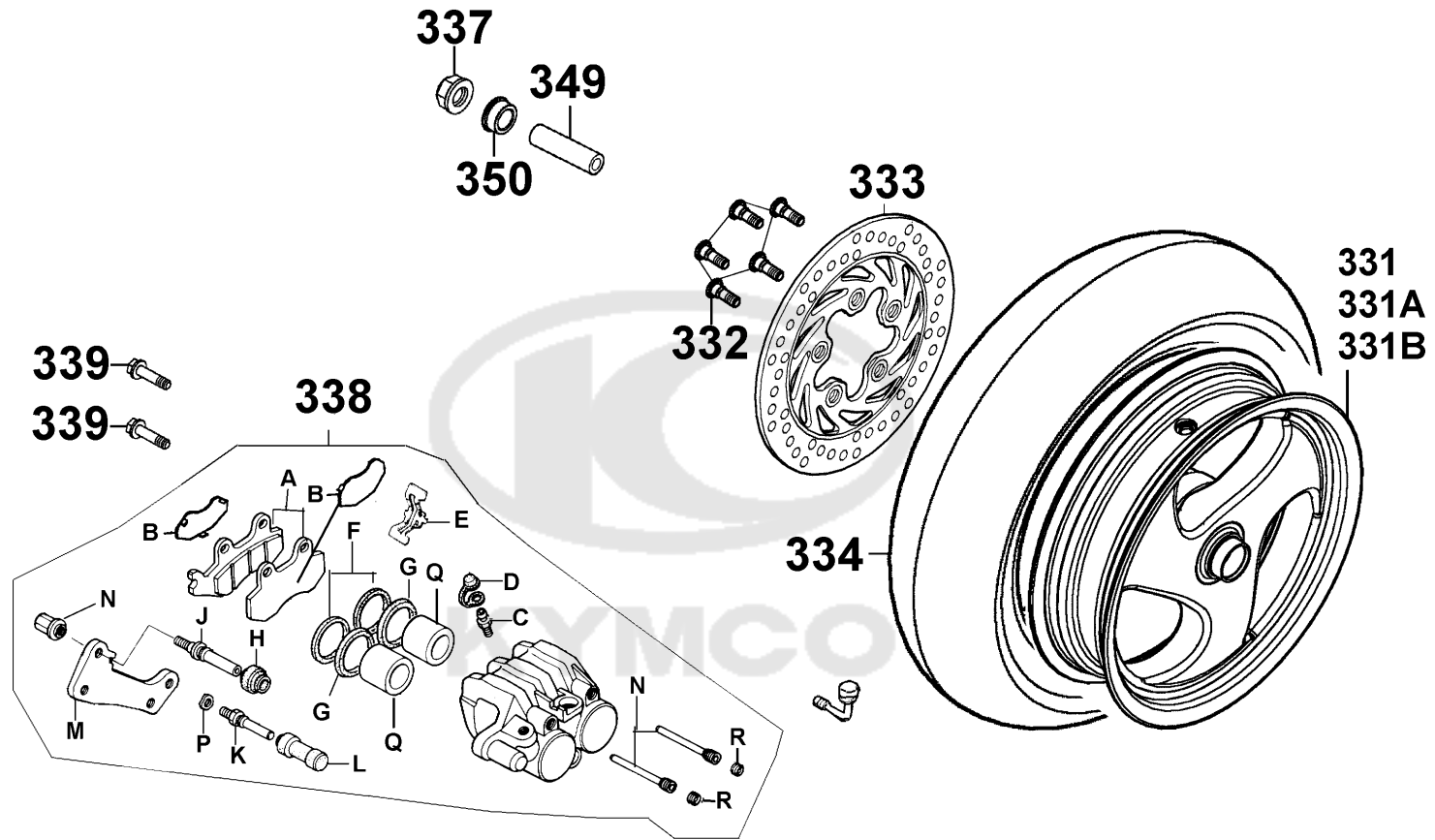





Sales mark 記号	Ref no 参照用番号	Part no パーツ番号	Description 部品名	Reg description 部品名	Regd no 必要個数	Ref Price 希望小売価格(税抜)	F07
C		45210-KHD8-900	BRACKET FR	BRACKET FR	1	1370	
K		45215-KECE-900	PIN HANGER	PIN HANGER	2	300	
D		45216-1F66-007	WASHER WAVE	WASHER WAVE	1	110	
N		45216-KFW6-90A	TORQUE NUT	TORQUE NUT	1	400	
288		45351-KHE7-E00	DISK RR BRAKE	DISK RR BRAKE	1	8940	
S		45531-GAR1-951	PLUG	PLUG	2	110	
287		90105-KCR3-001	BOLT FR DISK 8*24	BOLT FR DISK 8*24	5	80	
296		90122-KEBE-900	BOLT FLANGE 8*32	BOLT FLANGE 8*32	2	390	
316		90306-GLW0-90A	NUT FLANGE 12MM	NUT FLANGE 12MM	1	320	
286		90754-GHC8-00A	SEAL DUST 20*32*5	SEAL DUST 20*32*5	1	100	
284		90912-KFLF-00A	BEARING 6201 LLU	BEARING 6201 LLU	2	610	
284A		90912-KFLF-00D	BEARING, L201 LLU	BEARING, L201 LLU	2	730	



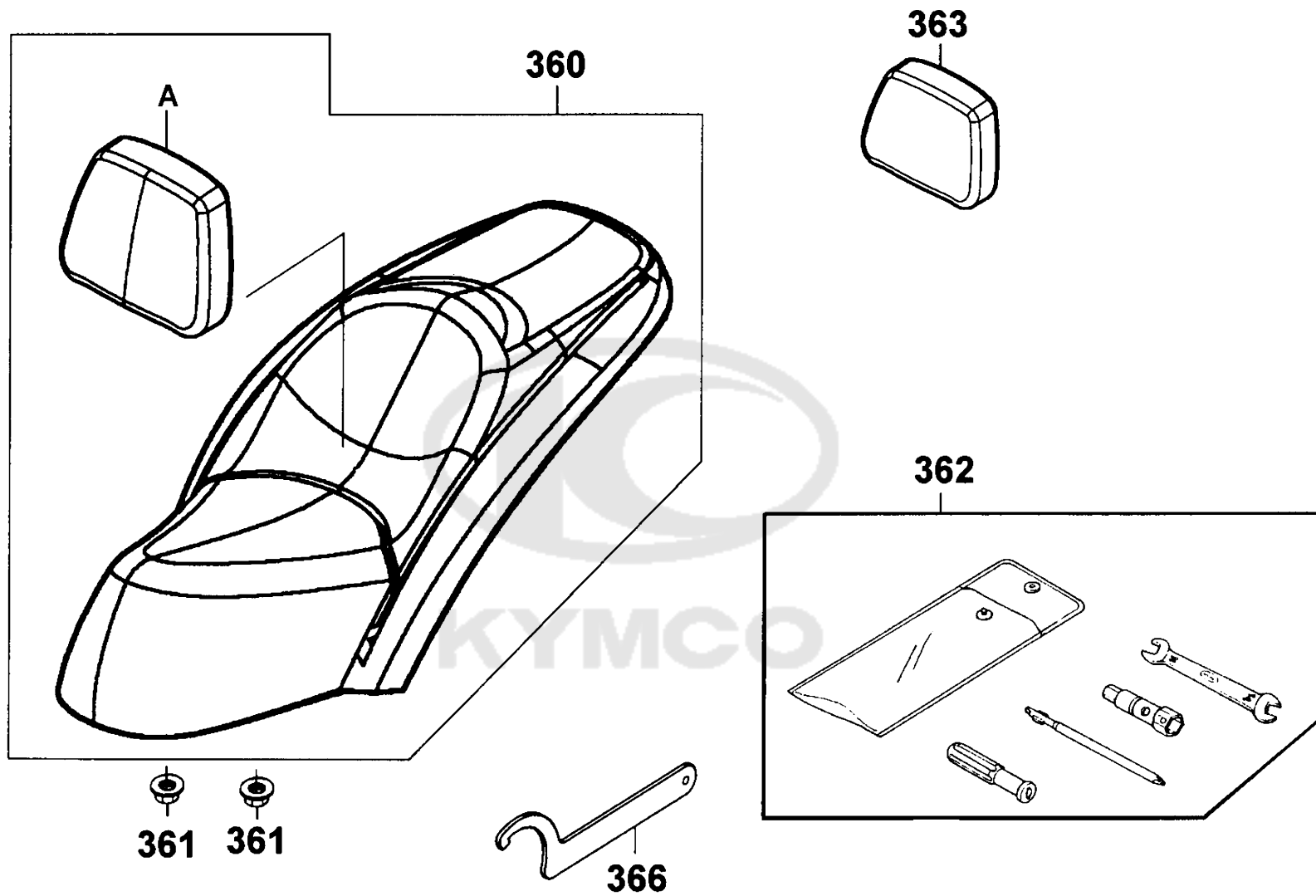
Sales mark 記号	Ref no 参照用番号	Part no パーツ番号	Description 部品名	Reg description 部品名	Regd no 必要個数	Ref Price 希望小売価格(税抜)	F08
	349	42311-KFC8-900	COLLAR RR AXLE A	COLLAR RR AXLE A	1	1270	
	350	42312-KEBE-900	COLLAR RR AXLE SIDE	COLLAR RR AXLE SIDE	1	440	
**	331	42601-KHD8-90A	WHEEL COMP RR CAST	WHEEL COMP RR CAST	1	29660	
**	331A	42601-KHD8-90B	WHEEL RR CAST	WHEEL RR CAST	1	29660	
**	331B	42601-KHD8-90C	WHEEL RR CAST	WHEEL RR CAST	1	29660	
	334	42710-KKC3-900	TIRE ASSY RR/140/70-12 65P /CHENG	TIRE ASSY RR/140/70-12 65P /CHENG SHIN	1	15470	
**	338	43100-KEBE-910	CALIPER ASSY RR	CALIPER ASSY RR	1	18940	
	A	43150-KEBE-306	PAD COMP	PAD COMP	1	4190	
**	M	43210-KEBE-900	BRACKET RR	BRACKET RR	1	1750	
	B	43215-KEBE-900	PAD HANGER	PAD HANGER	2	230	
**	333	43351-KHE7-E00	DISK RR BRAKE	DISK RR BRAKE	1	8940	
	C	43352-5H68-004	SCREW BLEEDER	SCREW BLEEDER	1	300	
	D	43353-4A61-77A	CAP BLEEDER	CAP BLEEDER	1	130	
	Q	45107-MEN5-007	PISTON	PISTON	2	2200	
	E	45108-MDL4-007	PAD SPG	PAD SPG	1	300	
	F	45109-GBE2-007	DUST SEAL	DUST SEAL	2	140	
	K	45131-1F66-017	PIN BOLT	PIN BOLT	1	890	
	J	45131-GBE2-007	PIN BOLT A	PIN BOLT A	1	960	
	L	45132-1F66-017	BUSH BOOT PIN	BUSH BOOT PIN	1	780	
	H	45133-MCA3-007	BOOT B	BOOT B	1	230	



Sales mark 記号	Ref no 参照用番号	Part no パーツ番号	Description 部品名	Reg description 部品名	Regd no 必要個数	Ref Price 希望小売価格(税抜)	F08
G		45209-GBE2-007	SEAL PISTON	SEAL PISTON	2	370	
N		45215-KECE-900	PIN HANGER	PIN HANGER	2	300	
P		45216-KFW6-90A	TORQUE NUT	TORQUE NUT	1	400	
R		45531-GAR1-951	PLUG	PLUG	2	110	
332		90105-KCR3-001	BOLT FR DISK 8*24	BOLT FR DISK 8*24	5	80	
339		90131-GLW0-911	BOLT FLANGE 8*35	BOLT FLANGE 8*35	2	80	
337		90305-KFW6-900	NUT U FLANGE 16MM (B)	NUT U FLANGE 16MM (B)	1	770	
							

F09

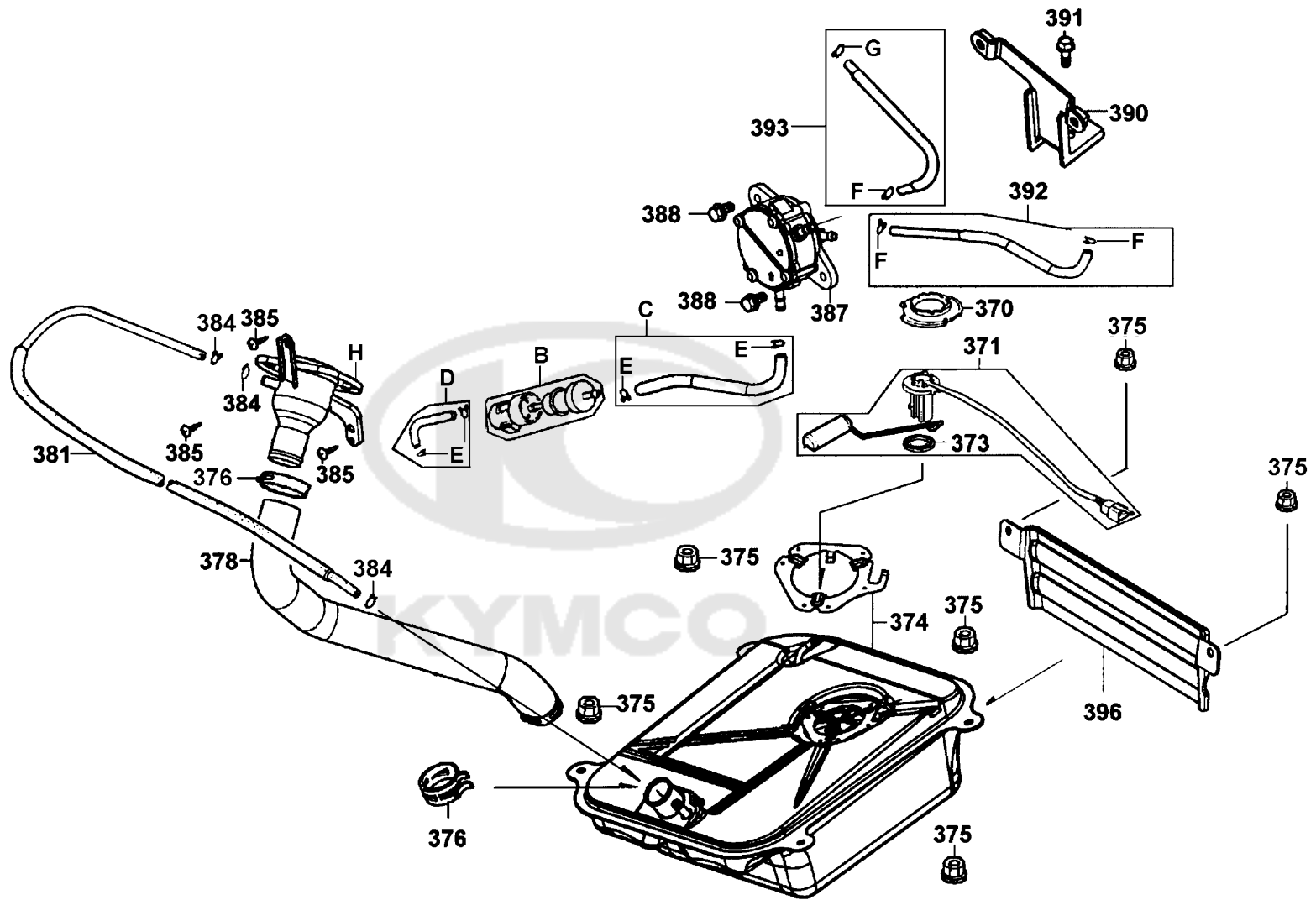
Seat



Sales mark 記号	Ref no 参照用番号	Part no パーツ番号	Description 部品名	Reg description 部品名	Regd no 必要個数	Ref Price 希望小売価格(税抜)	F09
------------------	-----------------	------------------	--------------------	------------------------	-----------------	-------------------------	-----

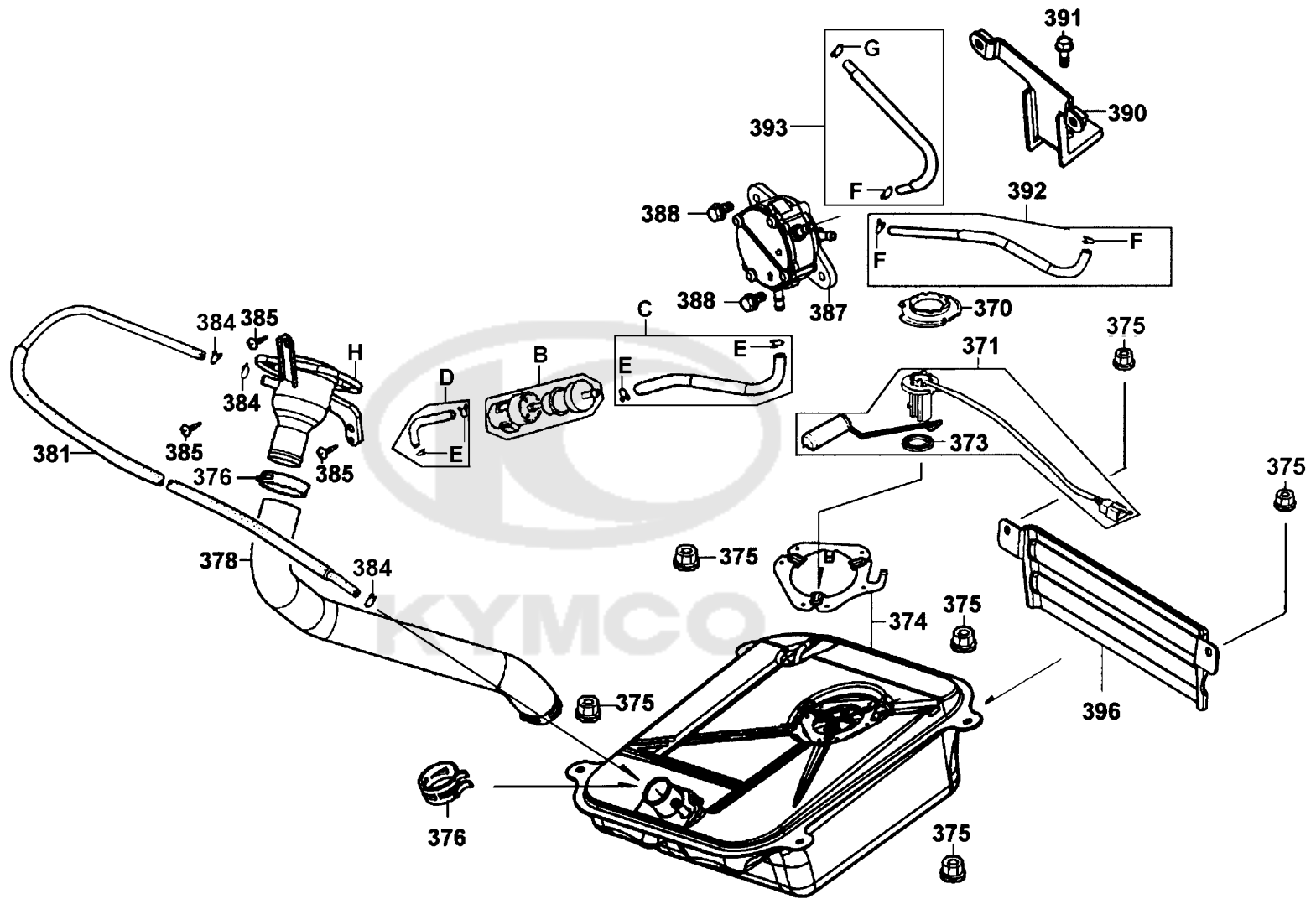
**	360	77200-KKC4-E01	SEAT ASSY	SEAT ASSY	1	24200	
**	363	77210-KKC4-900	SEAT ASSY BACK	SEAT ASSY BACK	1	2300	
**	A	77220-KKC4-910	SEAT ASSY PAD	SEAT ASSY PAD	1	7040	
	362	89010-KKC4-900	TOOL SET	TOOL SET	1	1530	
	366	89013-KFC8-E00	ADJUSTER REAR CUSHION	ADJUSTER REAR CUSHION	1	490	
	361	94050-06080	NUT FLANGE 6MM	NUT FLANGE 6MM	2	60	







Sales mark 記号	Ref no 参照用番号	Part no パーツ番号	Description 部品名	Reg description 部品名	Regd no 必要個数	Ref Price 希望小売価格(税抜)	F10
387		16700-KHE7-220	FUEL PUMP ASSY	FUEL PUMP ASSY	1	9990	
D		16911-KKC4-900	TUBE ASSY TANK TO STRAINER	TUBE ASSY TANK TO STRAINER	1	390	
C		16912-KKC4-900	TUBE ASSY STRAINER TO FUEL PUMP	TUBE ASSY STRAINER TO FUEL PUMP	1	490	
B		1691A-KEC2-E00	STRAINER ASSY FUEL	STRAINER ASSY FUEL	1	1010	
374		17500-KKC4-900	TANK COMP FUEL	TANK COMP FUEL	1	17430	
378		17502-KKC4-900	TUBE FUEL	TUBE FUEL	1	2290	
H		17510-KKC4-900	PIPE ASSY FUEL FILLER	PIPE ASSY FUEL FILLER	1	3430	
393		17682-KKC4-900	TUBE ASSY FUEL VACUUM	TUBE ASSY FUEL VACUUM	1	490	
392		17683-KKC4-900	TUBE ASSY FUEL	TUBE ASSY FUEL	1	420	
381		17689-KEBE-900	TUBE ASSY TANK TO 3 WJT	TUBE ASSY TANK TO 3 WJT	1	700	
376		19411-KBCB-900	CLIP HOSE	CLIP HOSE	2	490	
373		37801-GGA7-701	PACKING BASE	PACKING BASE	1	130	
370		37802-GGA7-701	RET FUEL UNIT	RET FUEL UNIT	1	200	
371		3780A-KKC3-900	FUEL UNIT ASSY	FUEL UNIT ASSY	1	3050	
390		50139-KKC4-800	BRKT FUEL PUMP	BRKT FUEL PUMP	1	390	
396		50197-KKC4-900	STAY FLOOR	STAY FLOOR	1	1250	
385		93903-35260	SCREW WASHER 4*12	SCREW WASHER 4*12	1	60	
375		94050-06080	NUT FLANGE 6MM	NUT FLANGE 6MM	6	60	
G		95002-02070	CLIP B7 TUBE	CLIP B7 TUBE	1	60	
F		95002-02080	CLIP B8 TUBE	CLIP B8 TUBE	3	60	

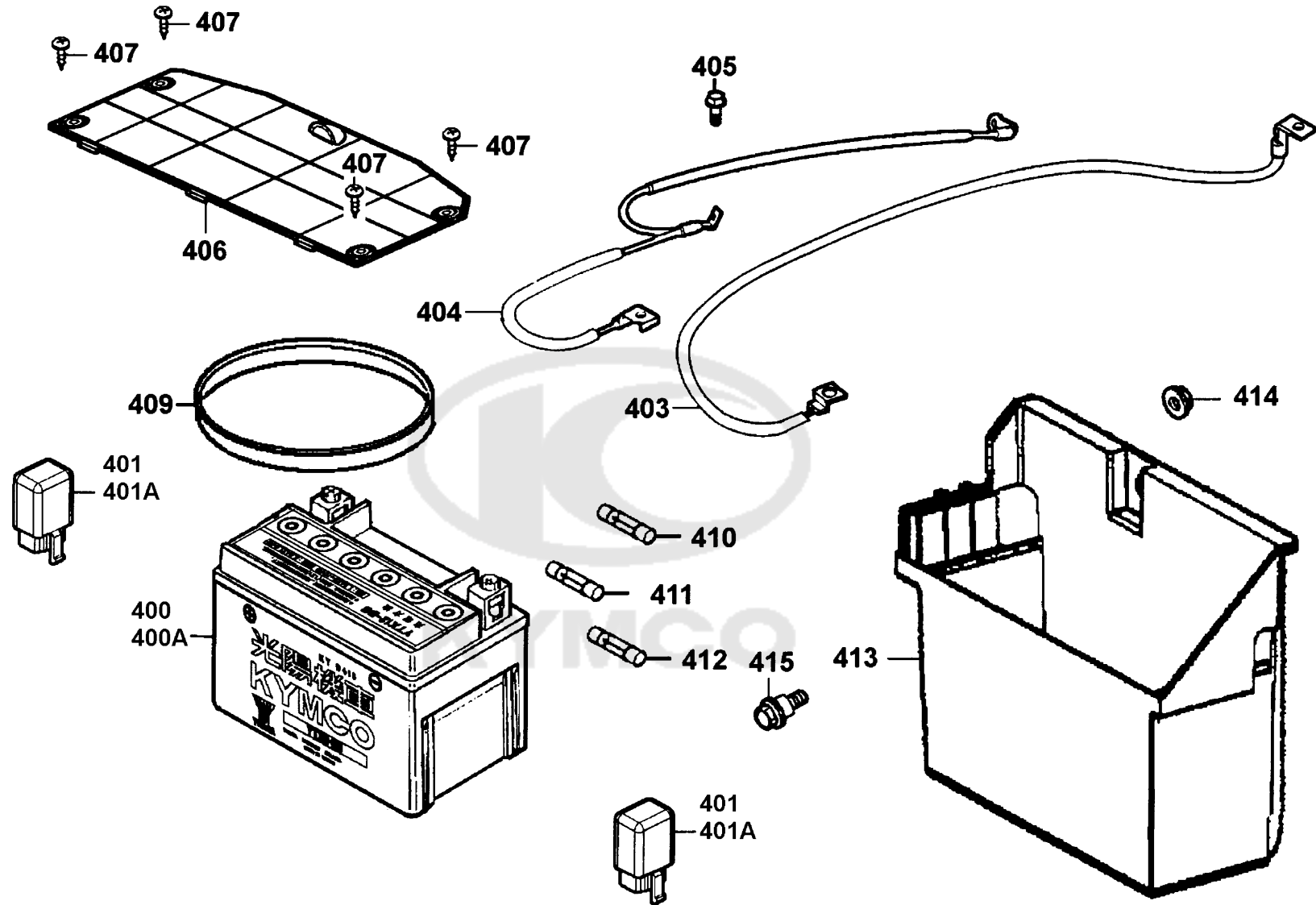


Sales mark 記号	Ref no 参照用番号	Part no パーツ番号	Description 部品名	Reg description 部品名	Regd no 必要個数	Ref Price 希望小売価格(税抜)	F10
E	95002-02100	95002-02100	CLIP B15 TUBE	CLIP B15 TUBE	4	60	
384	95002-02130	95002-02130	CLIP B12.5 TUBE	CLIP B12.5 TUBE	3	60	
391	95701-06012-06	95701-06012-06	BOLT FLANGE 6*22 (K)	BOLT FLANGE 6*22 (K)	1	60	
388	96001-06014-06	96001-06014-06	BOLT FLANGE SH 6*14 (G)	BOLT FLANGE SH 6*14 (G)	1	60	

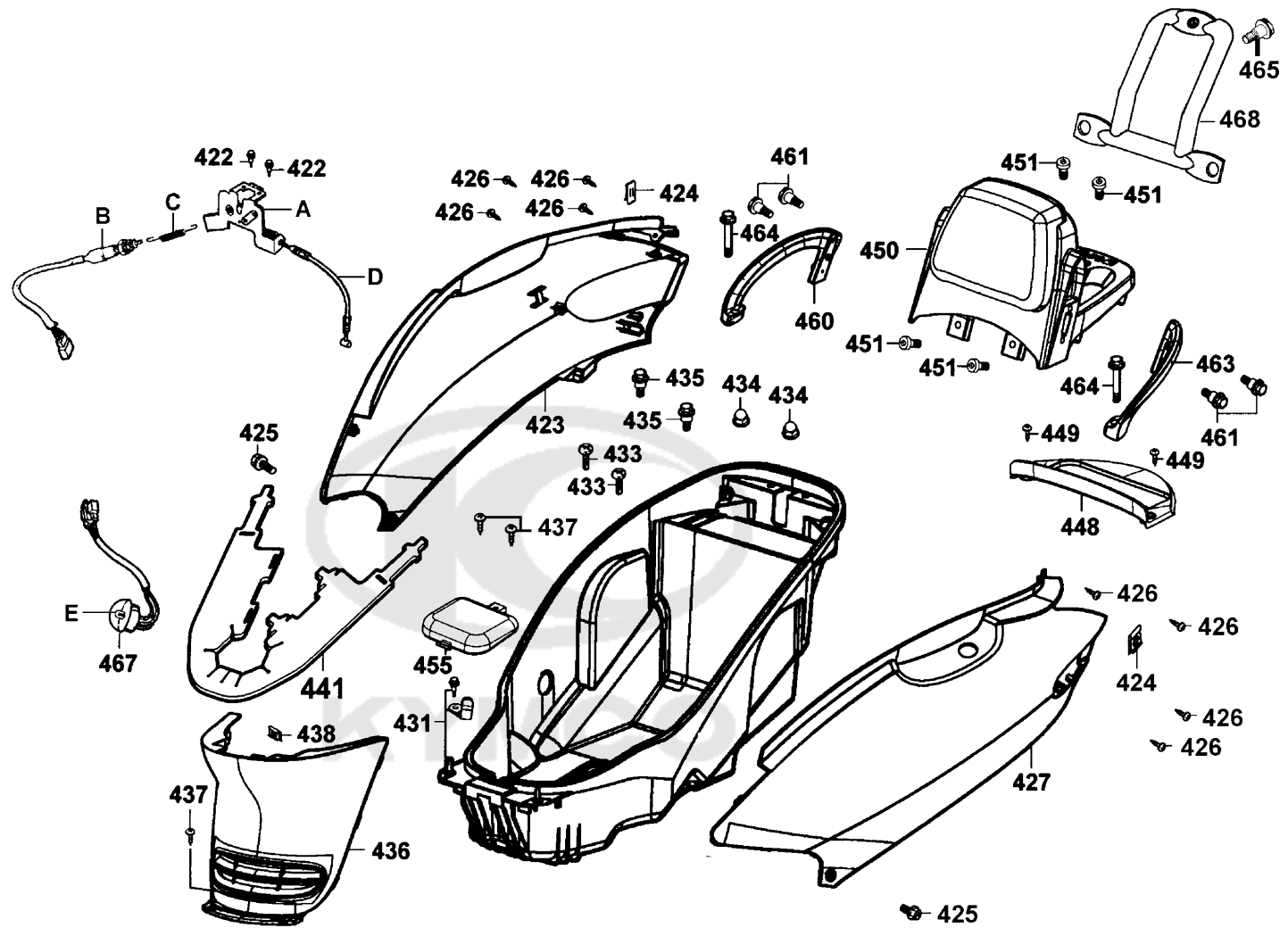


F11

Battery

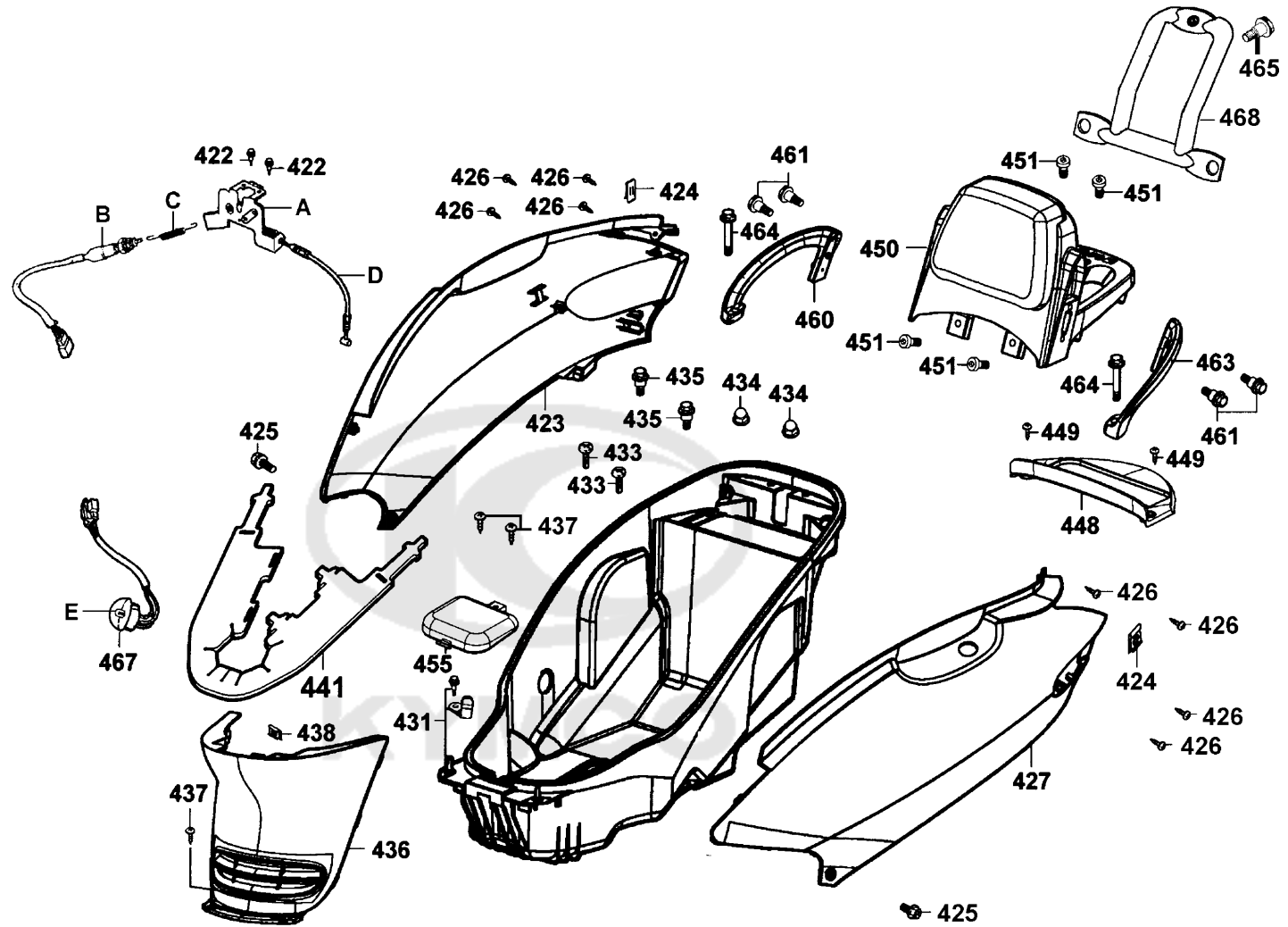


Sales mark 記号	Ref no 参照用番号	Part no パーツ番号	Description 部品名	Reg description 部品名	Regd no 必要個数	Ref Price 希望小売価格(税抜)	F11
	400	31500-KFAF-90A	BATTERY YTX9-BS	BATTERY YTX9-BS	1	16800	
	400A	31500-KFAF-90B	BATTERY GTX9-BS	BATTERY GTX9-BS	1	17630	
	403	32411-KKC4-900	CABLE BATTERY	CABLE BATTERY	1	1250	
	404	32412-KKC3-900	CABLE EARTH	CABLE EARTH	1	2480	
	401A	38500-LGL3-90A	RELAY ASSY LIGHT/D402(12V 20A)	RELAY ASSY LIGHT/D402(12V 20A)(also for	2	1730	
**	406	50326-KKC4-900	COVER BATTERY	COVER BATTERY	1	580	
	409	50328-KNBN-200	BAND BATTERY	BAND BATTERY	1	200	
	413	5032A-KKC4-900	CASE ASSY BATTERY	CASE ASSY BATTERY	1	960	
	415	90112-KNBN-901	BOLT FLANGE 6MM	BOLT FLANGE 6MM	1	160	
	407	93903-GFY6-900	SCREW WASHER 4*12	SCREW WASHER 4*12	4	60	
	414	94050-06080	NUT FLANGE 6MM	NUT FLANGE 6MM	1	60	
	405	95701-06012-06	BOLT FLANGE 6*22 (K)	BOLT FLANGE 6*22 (K)	1	60	
	410	98200-31000	BLADE FUSE 40A	BLADE FUSE 40A	1	110	
	411	98200-31500	BLADE FUSE 40A	BLADE FUSE 40A	1	110	
	412	98200-33000	BLADE FUSE 40A	BLADE FUSE 40A	1	200	



Sales mark 記号	Ref no 参照用番号	Part no パーツ番号	Description 部品名	Reg description 部品名	Regd no 必要個数	Ref Price 希望小売価格(税抜)
	467	33900-KFBF-900	LIGHT ASSY LUGGAGE BOX	LIGHT ASSY LUGGAGE BOX	1	1080
E		34909-KFBF-900	BULB WEDGE BASE	BULB WEDGE BASE	1	250
B		35360-KFBF-900	SW UNIT LUGGAGE BOX LIGHT	SW UNIT LUGGAGE BOX LIGHT	1	540
C		46514-KFBF-900	SPRING STOP SWITCH	SPRING STOP SWITCH	1	200
A		77235-KKC4-900	CATCH COMP SEAT	CATCH COMP SEAT	1	1820
D		77240-KKC4-900	CABLE COMP SEAT LOCK	CABLE COMP SEAT LOCK	1	1630
**	436	80151-KKC4-900	COVER CENTER	COVER CENTER	1	2200
	441	81151-KKC4-900	PLATE HEAT GUARD	PLATE HEAT GUARD	1	580
	468	81201-KKC4-900	POWER BAR RR CARRIER	POWER BAR RR CARRIER	1	1340
**	450	8120A-KKC4-900	CARRIER RR	CARRIER RR	1	15210
	455	81251-KKC4-900	COVER CABB MAINT	COVER CABB MAINT	1	490
	431	81260-KKC4-900	BOX ASSY LUGGAGE	BOX ASSY LUGGAGE	1	7040
**	460	81400-KKC4-900	SIDE R GRIP	SIDE R GRIP	1	3620
**	463	81500-KKC4-900	SIDE L GRIP	SIDE L GRIP	1	4570
**	423	83500-KKC4-900	COVER R BODY	COVER R BODY	1	16540
**	427	83600-KKC4-900	COVER L BODY	COVER L BODY	1	16540
**	448	83750-KKC4-900	COVER RR CENTER	COVER RR CENTER	1	1720
	451	90105-KEC8-900	BOLT WASHER 8MM	BOLT WASHER 8MM	4	350
	465	90105-KEN5-001	BOLT DISK 6*17	BOLT DISK 6*17	1	300
	461	90105-KNBN-901	BOLT SPECIAL 8MM	BOLT SPECIAL 8MM	4	320

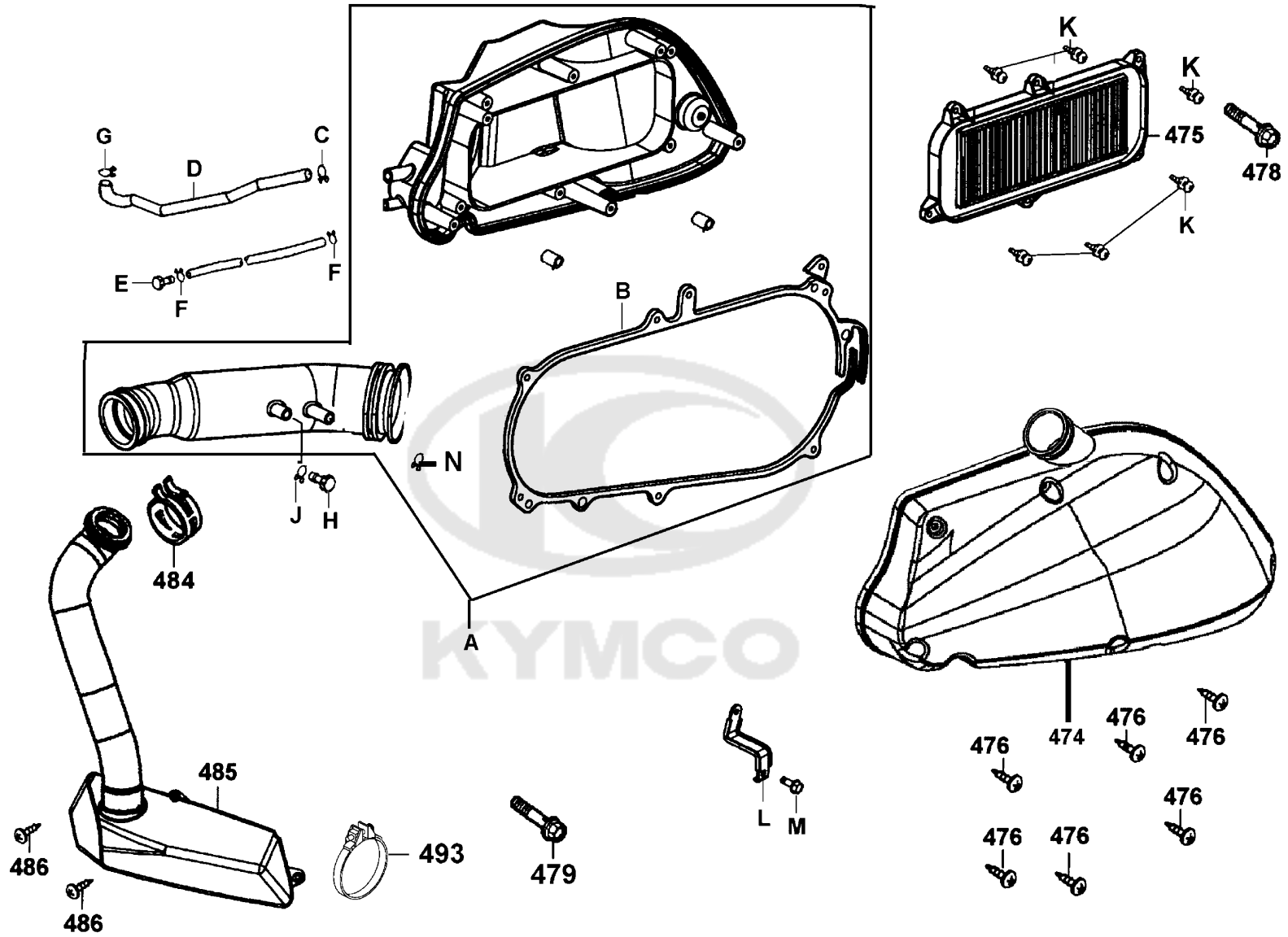
F12





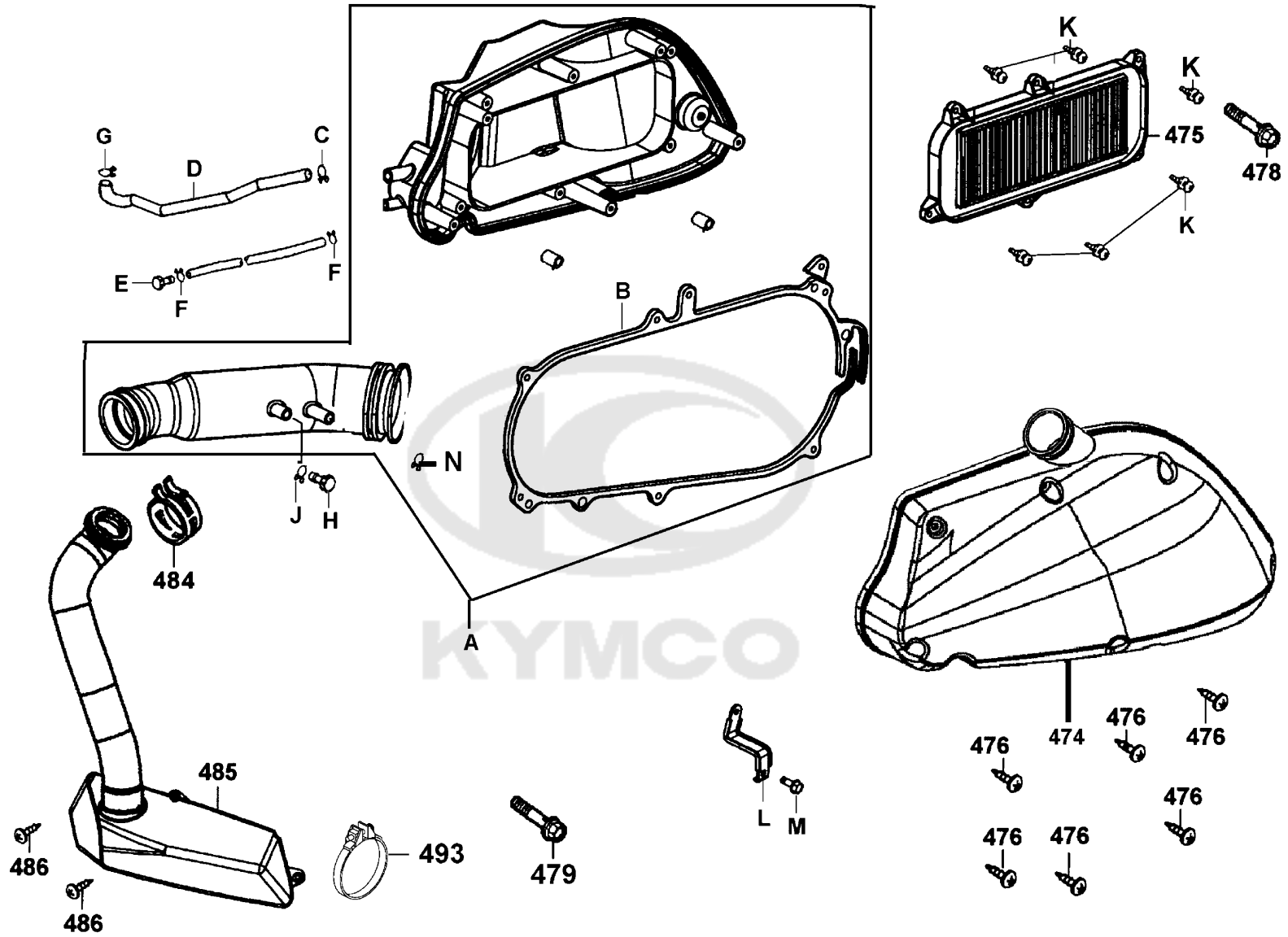
Sales mark 記号	Ref no 参照用番号	Part no パーツ番号	Description 部品名	Reg description 部品名	Regd no 必要個数	Ref Price 希望小売価格(税抜)
464		90106-KFC2-900	BOLT SPECIAL 8MM	BOLT SPECIAL 8MM	2	510
435		90111-1G87-001	BOLT FLANGE 6MM	BOLT FLANGE 6MM	2	60
434		90215-GLM0-910	NUT CAP 6MM	NUT CAP 6MM	2	160
425		90302-GFY6-940	BOLT-WASH 5*16	BOLT-WASH 5*16	2	60
424		90302-SDA4-004	NUT SPRING 4MM	NUT SPRING 4MM	2	60
438		90305-GHK8-001	NUT CLIP 6MM	NUT CLIP 6MM	1	60
433		90381-GEZ5-001	SCREW SPECIAL 6*17	SCREW SPECIAL 6*17	2	200
437		93903-34360	SCREW WASHER 4*12	SCREW WASHER 4*12	4	60
426		93903-35360	SCREW WASHER 4*12	SCREW WASHER 4*12	8	60
449		93903-GFY6-900	SCREW WASHER 4*12	SCREW WASHER 4*12	2	60
422		95701-06012-06	BOLT FLANGE 6*22 (K)	BOLT FLANGE 6*22 (K)	1	60

F12



Sales mark 記号	Ref no 参照用番号	Part no パーツ番号	Description 部品名	Reg description 部品名	Regd no 必要個数	Ref Price 希望小売価格(税抜)
L		11207-KKC4-900	STAY RR FENDER	STAY RR FENDER	1	300
D		11211-KKC2-900	TUBE MISSION BREATHER	TUBE MISSION BREATHER	1	750
G		15772-5L00-013	CLIP B14.5 TUBE	CLIP B14.5 TUBE	1	60
B		17214-KKC3-900	SEAL AIR/C COVER	SEAL AIR/C COVER	1	320
484		17215-KGBG-90A	CLIP ASSY A/C DUCT	CLIP ASSY A/C DUCT	1	580
475		1721A-KKC3-900	ELEMENT ASSY AIR/C	ELEMENT ASSY AIR/C	1	1850
474		17231-KKC3-900	COVER COMP AIR/C	COVER COMP AIR/C	1	2290
A		1723A-KKC3-E00	CASE ASSY AIR/C	CASE ASSY AIR/C	1	5520
H		17254-KACA-P00	PLUG AIR/C CONN TUBE	PLUG AIR/C CONN TUBE	1	200
493		17255-KGV7-671	BAND AIR/C CONN	BAND AIR/C CONN	1	390
C		17368-KDB4-670	CLIP B 14.5 TUBE	CLIP B 14.5 TUBE	1	160
E		17370-4K19-701	PLUG BREATHER TUBE	PLUG BREATHER TUBE	1	110
F		17371-1D74-671	CLIP BREATHER TUBE	CLIP BREATHER TUBE	2	60
485		8360A-KKC4-900	CHAMBER ASSY AIR/C	CHAMBER ASSY AIR/C	1	2670
478		90001-GBHB-681	BOLT FLANGE SHF 6*28	BOLT FLANGE SHF 6*28	1	60
479		90114-KXCX-900	BOLT FLANGE SH 5*20	BOLT FLANGE SH 5*20	1	60
N		91407-SGA7-004	CLAMP 17 FUSE HOSE	CLAMP 17 FUSE HOSE	1	300
K		93891-05016-06	SCREW WASHER 5*16	SCREW WASHER 5*16	1	60
476		93903-25460	SCREW TAPPING 5*20 **93903-25480	SCREW TAPPING 5*20 **93903-25480 C.2005	6	60
486		93903-34360	SCREW WASHER 4*12	SCREW WASHER 4*12	2	60

F13



Sales mark 記号	Ref no 参照用番号	Part no パーツ番号	Description 部品名	Reg description 部品名	Regd no 必要個数	Ref Price 希望小売価格(税抜)
------------------	-----------------	------------------	--------------------	------------------------	-----------------	-------------------------

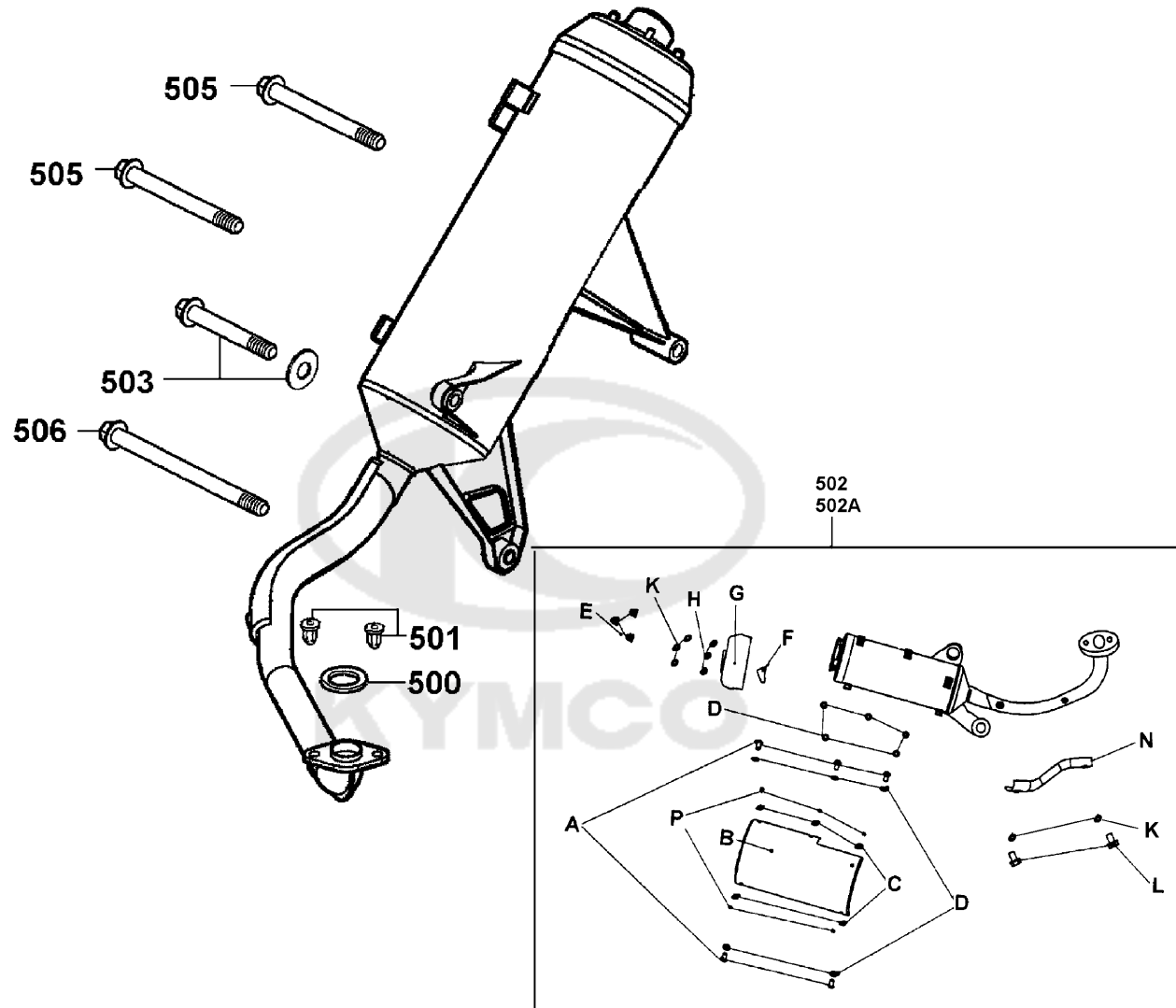
**F13**

M	93903-35260	93903-35260	SCREW WASHER 4*12	SCREW WASHER 4*12	1	60
J	95002-02130	95002-02130	CLIP B12.5 TUBE	CLIP B12.5 TUBE	1	60



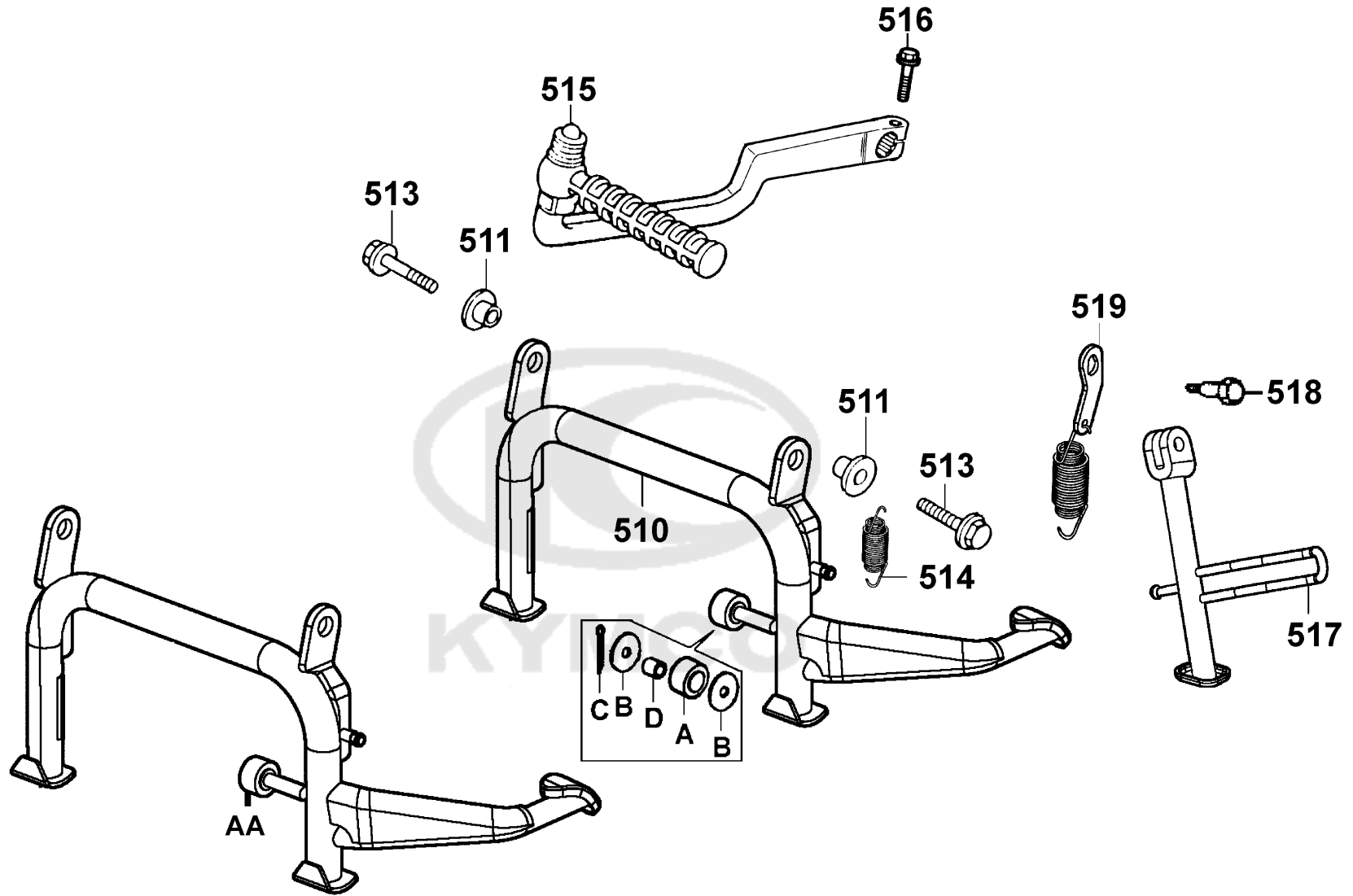
F14

Exhaust Muffler



Sales mark 記号	Ref no 参照用番号	Part no パーツ番号	Description 部品名	Reg description 部品名	Regd no 必要個数	Ref Price 希望小売価格(税抜)
500		18291-LEA5-E00	GASKET EXH PIPE	GASKET EXH PIPE	1	210
C		18293-KECE-900	RUBBER A PROTECTOR	RUBBER A PROTECTOR	5	110
D		18294-KEBE-900	PACKING PROTECTOR	PACKING PROTECTOR	10	110
P		18295-KECE-900	COLLAR 6MM	COLLAR 6MM	5	110
F		18305-KHD8-900	PROTECTOR TAIL PIPE	PROTECTOR TAIL PIPE	1	780
G		18306-KHD8-900	TAIL CAP MUFFLER	TAIL CAP MUFFLER	1	2390
502		1830A-KKC1-E0A	MUFFLER ASSY	MUFFLER ASSY	1	32160
502A		1830A-KKC1-E0B	MUFFLER ASSY	MUFFLER ASSY	1	32160
B		18318-KKC1-E00	PROTECTOR MUFFLER	PROTECTOR MUFFLER	1	4000
N		18325-KKC1-900	PROTECTOR EXH PIPE	PROTECTOR EXH PIPE	1	1540
503		90021-GFY6-900	BOLT WASHER COMP	BOLT WASHER COMP	1	90
A		90110-KHD8-900	SCREW SPECIAL 6*20	SCREW SPECIAL 6*20	5	60
E		90215-GLM0-910	NUT CAP 6MM	NUT CAP 6MM	3	160
501		90301-GFY6-901	NUT (HEX) CAP 8MM	NUT (HEX) CAP 8MM	2	140
H		94101-06200	WASHER PLAIN 6MM	WASHER PLAIN 6MM	3	60
K		94111-06800	WASHER SPRING 6MM	WASHER SPRING 6MM	5	60
505		95801-08042-06	BOLT FLANGE 8*42	BOLT FLANGE 8*42	2	70
506		95801-08065-06	BOLT FLANGE 8*65	BOLT FLANGE 8*65	1	320
L		96001-06010-06	BOLT FLANGE 6*10	BOLT FLANGE 6*10	1	200

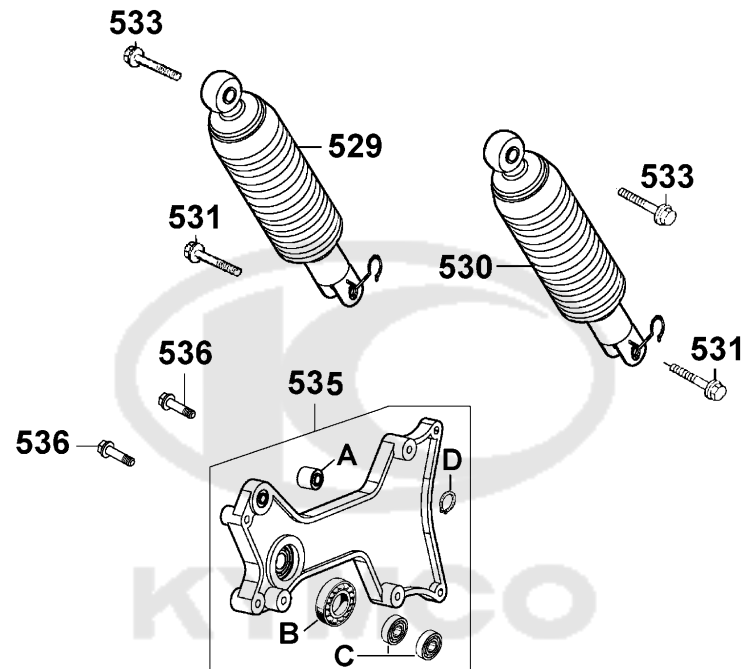
F14





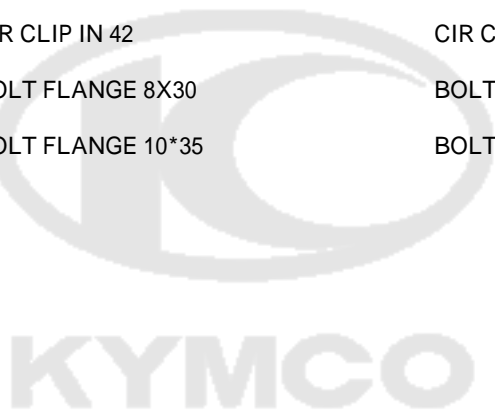
Sales mark 記号	Ref no 参照用番号	Part no パーツ番号	Description 部品名	Reg description 部品名	Regd no 必要個数	Ref Price 希望小売価格(税抜)
515		28300-KKC2-E00	ARM ASSY KICK STARTER	ARM ASSY KICK STARTER	1	3430
511		50502-GFY6-901	COLLAR MAIN STAND	COLLAR MAIN STAND	2	140
A		50505-KHE7-E00	STOPPER RUBBER	STOPPER RUBBER	1	130
AA		50505-KKD7-900	RUBBER STOPPER MAIN	RUBBER STOPPER MAIN	1	200
D		50506-KHE7-E00	COLLAR STOPPER RUBBER	COLLAR STOPPER RUBBER	1	160
510		5050A-KKC3-900	STAND ASSY MAIN	STAND ASSY MAIN	1	6280
517		50530-KKC2-900	BAR SIDE STAND	BAR SIDE STAND	1	1530
519		50532-KGBG-E00	SPRING COMP SIDE STAND	SPRING COMP SIDE STAND	1	1150
514		50550-KKC2-E00	SPG ASSY MAIN STAND	SPG ASSY MAIN STAND	1	770
518		90108-KFC8-E10	SCREW SIDE STAND PIVOT	SCREW SIDE STAND PIVOT	1	350
B		94101-08700	WASHER PLAIN 8MM	WASHER PLAIN 8MM	2	200
C		94251-08400	PIN LOCK 8MM	PIN LOCK 8MM	1	160
516		95701-06022-06	BOLT FLANGE 6*22	BOLT FLANGE 6*22	1	60
513		95801-10025-06	BOLT FLANGE 10*25	BOLT FLANGE 10*25	1	60

F15



Sales mark 記号	Ref no 参照用番号	Part no パーツ番号	Description 部品名	Reg description 部品名	Regd no 必要個数	Ref Price 希望小売価格(税抜)
A		11203-GGC7-301	UNDER RUBBER BUSH REAR CUSHION	UNDER RUBBER BUSH REAR CUSHION	1	250
**	535	52000-KKC3-900	FORK ASSY REAR	FORK ASSY REAR	1	12170
**	529	52400-KKC2-E00	CUSHION ASSY R RR	CUSHION ASSY R RR	1	9700
**	530	52500-KKC2-E00	CUSHION ASSY L RR	CUSHION ASSY L RR	1	11130
	536	90131-KFAF-900	BOLT FLANGE 8*42	BOLT FLANGE 8*42	2	300
B		91051-KFBF-901	BRG BALL RAKIAL 6203LLU	BRG BALL RAKIAL 6203LLU	1	1440
C		91259-KFBF-900	SEAL OIL	SEAL OIL	2	160
D		94524-42000	CIR CLIP IN 42	CIR CLIP IN 42	1	390
	531	95701-08030-06	BOLT FLANGE 8X30	BOLT FLANGE 8X30	1	160
	533	95801-10035-06	BOLT FLANGE 10*35	BOLT FLANGE 10*35	1	300

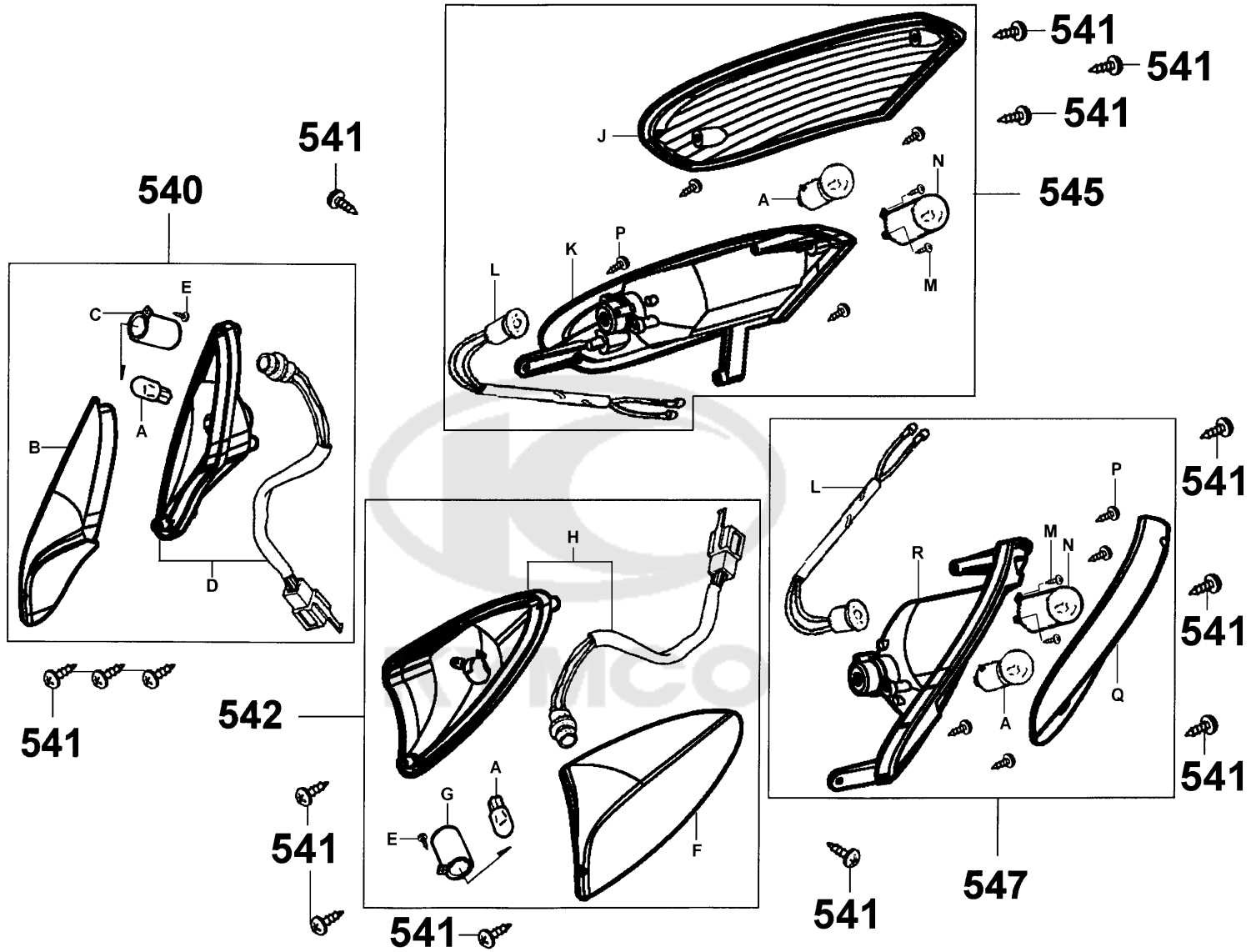
F16



F17

Front Winker

RR WINKER



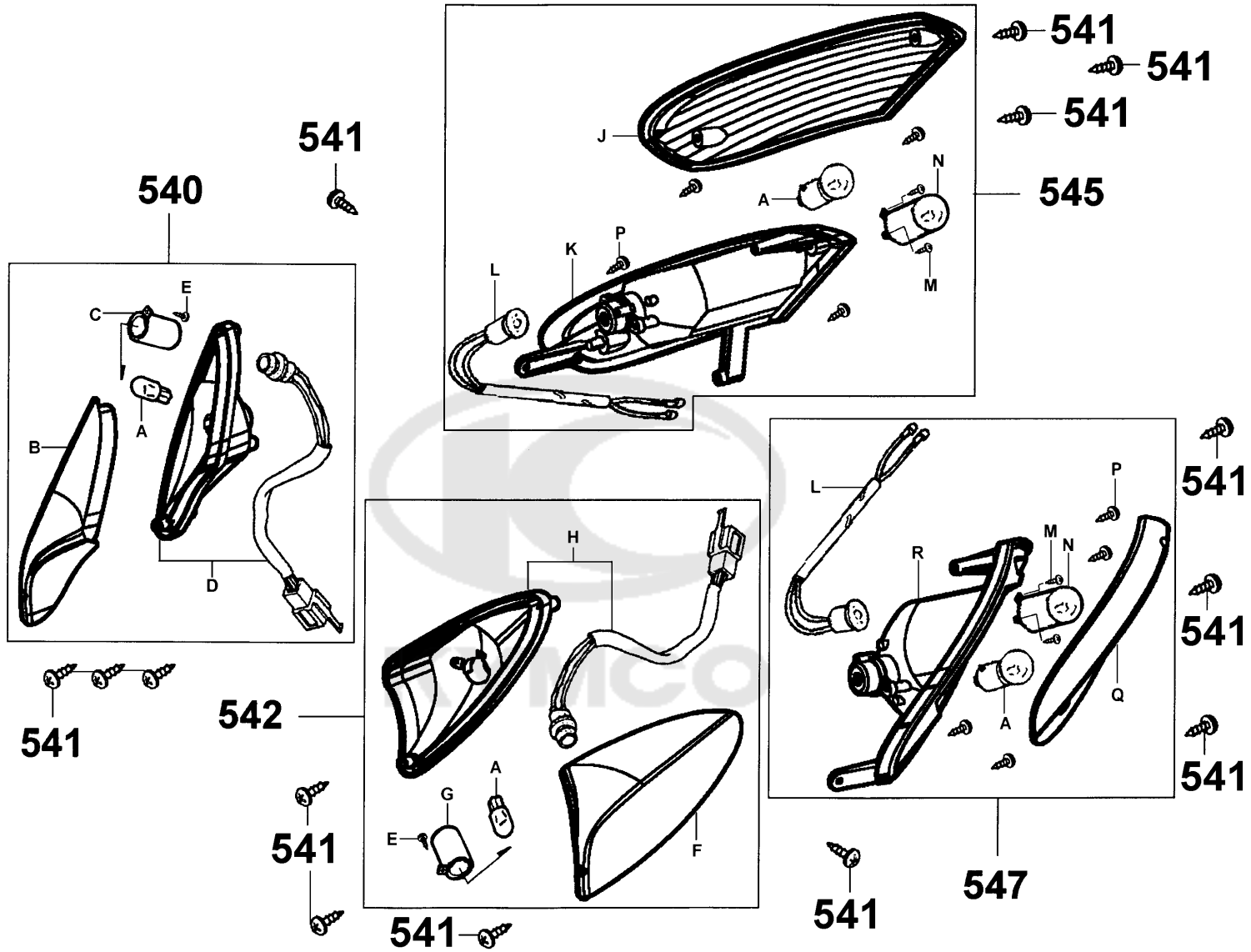
Sales mark 記号	Ref no 参照用番号	Part no パーツ番号	Description 部品名	Reg description 部品名	Regd no 必要個数	Ref Price 希望小売価格(税抜)
540		33400-KKC4-E00	WINKER ASSY R FR	WINKER ASSY R FR	1	2160
B		33402-KKC4-E00	LENS FR WINKER R	LENS FR WINKER R	1	490
D		33403-KKC4-E00	BASE COMP R FR WINKER	BASE COMP R FR WINKER	1	1820
C		33407-KKC4-E00	INNER LENS WINKER R	INNER LENS WINKER R	1	300
542		33450-KKC4-E00	WINKER ASSY L FR	WINKER ASSY L FR	1	2390
F		33452-KKC4-E00	LENS L FR WINKER	LENS L FR WINKER	1	490
H		33453-KKC4-E00	BASE COMP L FR WINKER	BASE COMP L FR WINKER	1	1820
G		33457-KKC4-E00	INNER LENS WINKER L	INNER LENS WINKER L	1	300
545		33600-KKC4-E00	WINKER ASSY R RR	WINKER ASSY R RR	1	3530
J		33602-KKC4-E00	LENS R RR WINKER	LENS R RR WINKER	1	490
K		33603-KKC4-E00	BASE R RR WINKER	BASE R RR WINKER	1	990
L		33606-KKC4-E00	SOCKET COMP R/L RR WINKER	SOCKET COMP R/L RR WINKER	2	700
N		33607-KKD7-E00	INNER LENS WINKER	INNER LENS WINKER	2	320
547		33650-KKC4-E00	WINKER ASSY L RR	WINKER ASSY L RR	1	3530
Q		33652-KKC4-E00	LENS L RR WINKER	LENS L RR WINKER	1	490
R		33653-KKC4-E00	BASE L RR WINKER	BASE L RR WINKER	1	990
A		34905-KPCP-900	BULB WINKER	BULB WINKER	4	400
P		93901-32220	SCREW TAPPING 3*10	SCREW TAPPING 3*10	8	60
E		93901-32310	SCREW TAPPING 3*12	SCREW TAPPING 3*12	2	60
M		93901-34220	SCREW TAPPING 4*10	SCREW TAPPING 4*10	4	60

F17

F17

Front Winker

RR WINKER



Sales mark 記号	Ref no 参照用番号	Part no パーツ番号	Description 部品名	Reg description 部品名	Regd no 必要個数	Ref Price 希望小売価格(税抜)
------------------	-----------------	------------------	--------------------	------------------------	-----------------	-------------------------

**F17**

541	93903-34360		SCREW WASHER 4*12	SCREW WASHER 4*12	14	60
-----	-------------	--	-------------------	-------------------	----	----

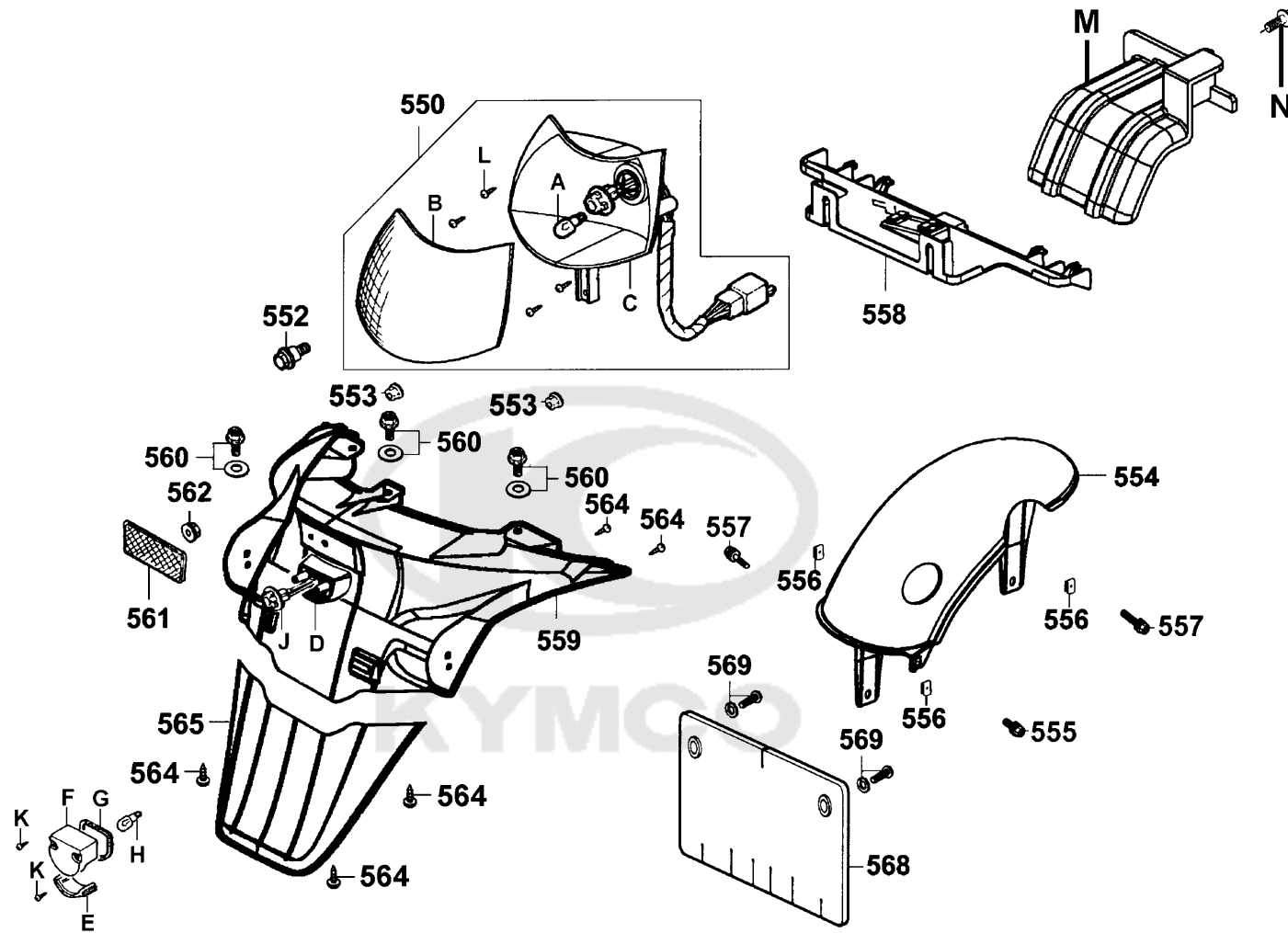




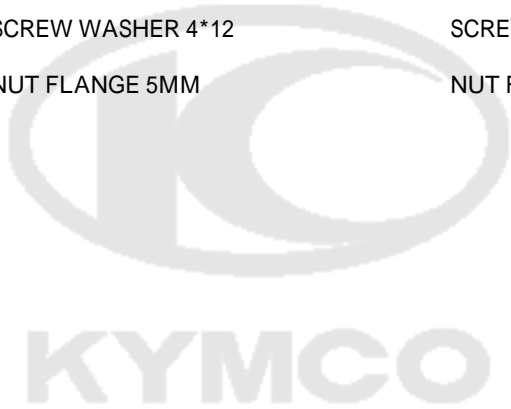


Sales mark 記号	Ref no 参照用番号	Part no パーツ番号	Description 部品名	Reg description 部品名	Regd no 必要個数	Ref Price 希望小売価格(税抜)
	550	33700-KKC4-E00	LIGHT ASSY RR COMB	LIGHT ASSY RR COMB	1	10460
B		33702-KKC4-E00	LENS TAIL LIGHT	LENS TAIL LIGHT	1	3810
C		33705-KKC4-E00	BASE COMP TAIL LIGHT	BASE COMP TAIL LIGHT	1	4720
F		33706-KHB4-E01	COVER LICENSE	COVER LICENSE	1	130
G		33709-KBAB-003	PACKING LICENSE	PACKING LICENSE	1	130
D		33722-KHB4-E00	BASE LICENSE	BASE LICENSE	1	110
E		33725-KHB4-E00	LENS LICENSE	LENS LICENSE	1	110
J		33726-KHB4-E00	SOCKET COMP	SOCKET COMP	1	490
561		33741-KEBE-900	REFLEX REFLECTOR	REFLEX REFLECTOR	1	680
H		34903-KPCP-900	BULB POSITION LIGHT 12V5W **KCP-	BULB POSITION LIGHT 12V5W **KCP-9000	1	320
A		34906-KPCP-900	BULB TAIL & STOP	BULB TAIL & STOP	1	770
M		43416-KKC4-900	GUARD RR CALIPER	GUARD RR CALIPER	1	300
**	554	80100-KKC4-900	FENDER RR TIRE	FENDER RR TIRE	1	960
	558	80101-KKC4-900	FENDER RR UP	FENDER RR UP	1	580
	568	80102-KKC4-900	PLATE C SPLASH GUARD	PLATE C SPLASH GUARD	1	300
	559	80105-KKC4-900	FENDER RR	FENDER RR	1	1250
	565	80106-KKC4-900	FENDER B RR	FENDER B RR	1	770
	560	90112-KNBN-901	BOLT FLANGE 6MM	BOLT FLANGE 6MM	3	160
	553	90301-6D34-671	NUT FLANGE 6MM	NUT FLANGE 6MM	2	60
	557	90302-GFY6-940	BOLT-WASH 5*16	BOLT-WASH 5*16	2	60

F18

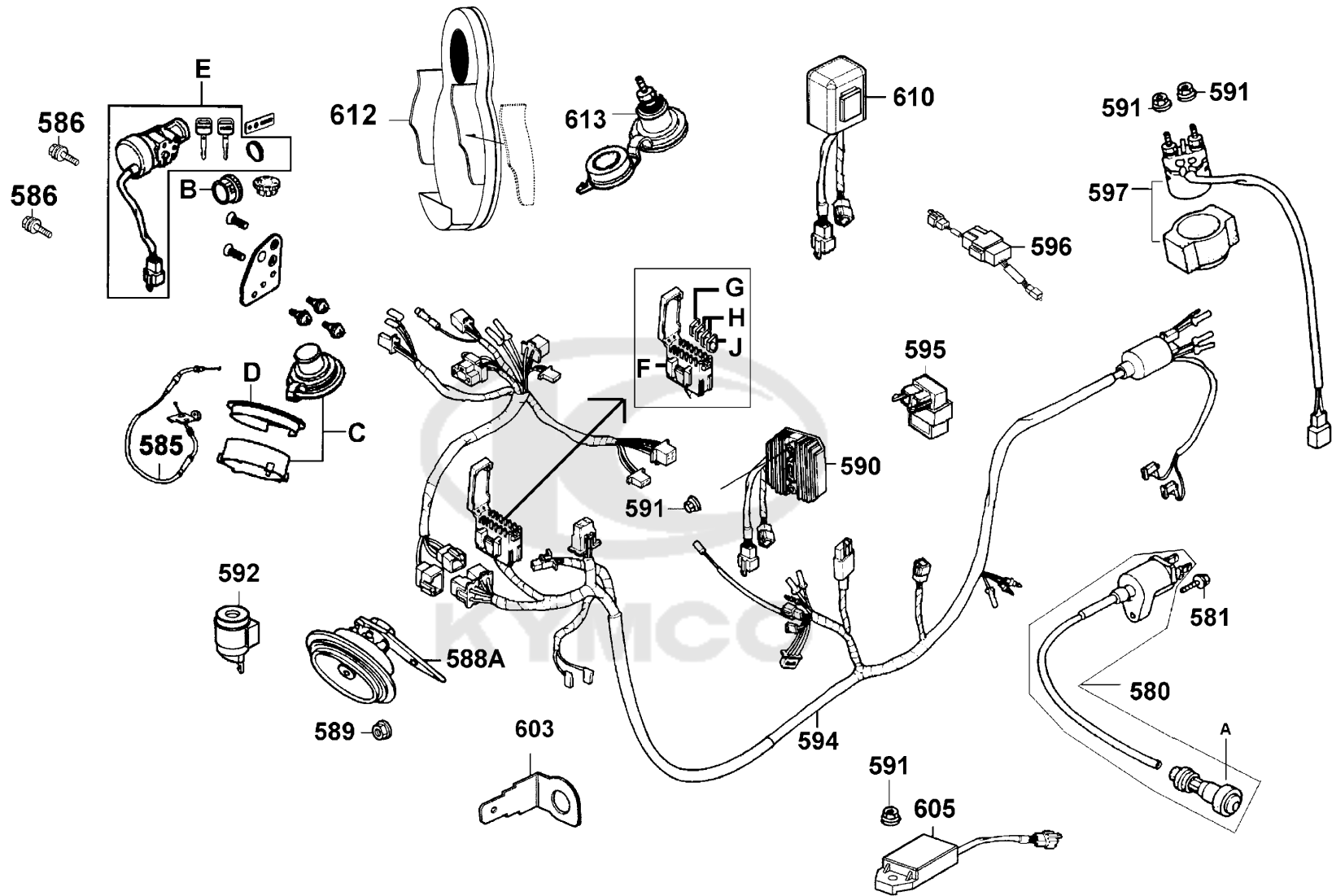


Sales mark 記号	Ref no 参照用番号	Part no パーツ番号	Description 部品名	Reg description 部品名	Regd no 必要個数	Ref Price 希望小売価格(税抜)	F18
555		90302-KFC2-900	BOLT WASHER 5*25	BOLT WASHER 5*25	1	80	
556		90677-GAR1-004	NUT CLIP 5MM	NUT CLIP 5MM	3	60	
K		91508-KGV7-67A	SCREW TAPPING 4*14	SCREW TAPPING 4*14	2	200	
552		93404-06016-06	BOLT WASHER 6*16	BOLT WASHER 6*16	1	60	
N		93891-05030-06	SCREW WASHER 5*30	SCREW WASHER 5*30	1	60	
L		93901-34320	SCREW TAPPING 4*12	SCREW TAPPING 4*12	4	60	
564		93903-34360	SCREW WASHER 4*12	SCREW WASHER 4*12	5	60	
569		93903-KEB7-900-06	SCREW WASHER 4*12	SCREW WASHER 4*12	2	200	
562		94050-05080	NUT FLANGE 5MM	NUT FLANGE 5MM	1	200	



F19

Wire Harness

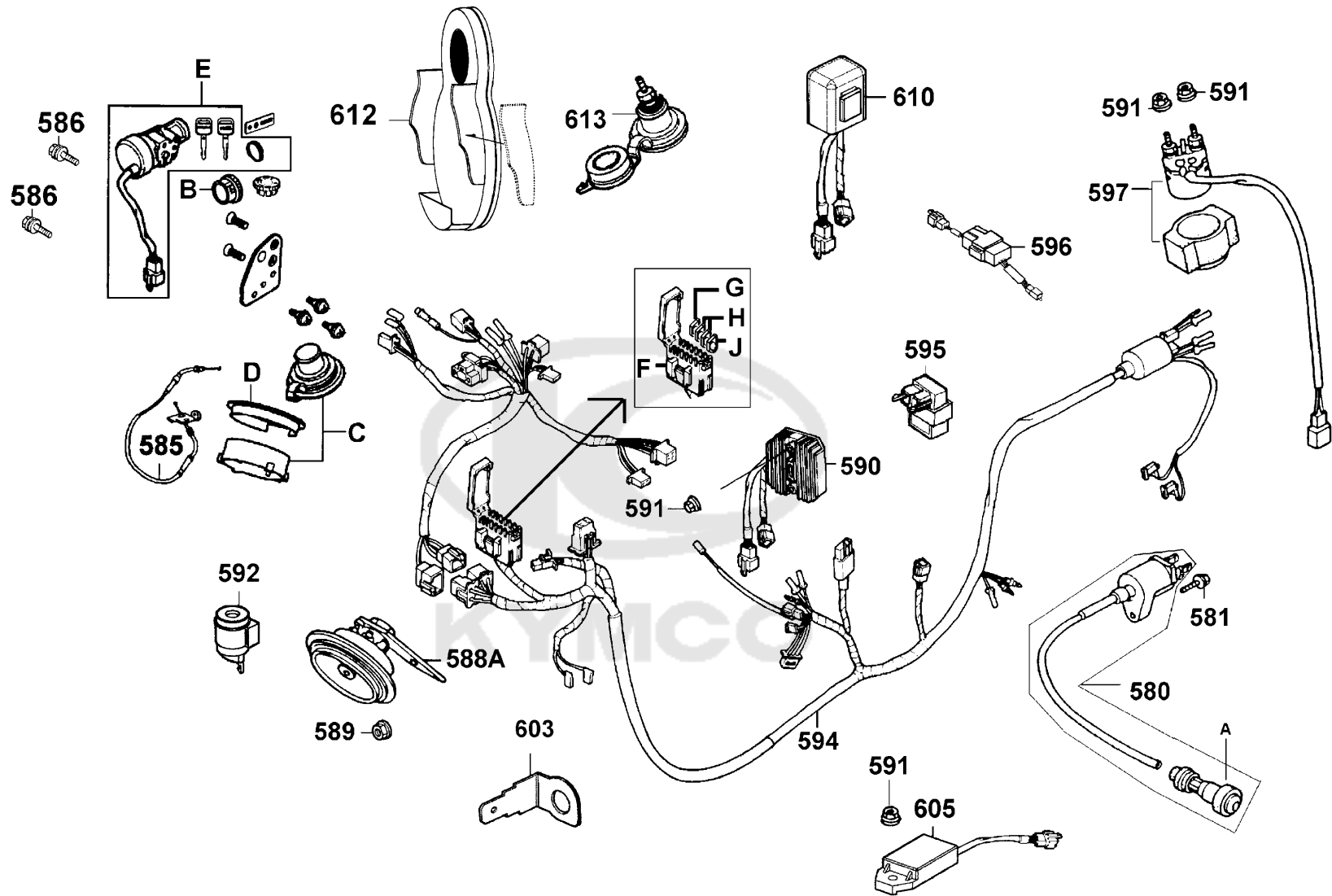


Sales mark 記号	Ref no 参照用番号	Part no パーツ番号	Description 部品名	Reg description 部品名	Regd no 必要個数	Ref Price 希望小売価格(税抜)
	585	17520-KKC4-900	CABLE COMP FUEL CAP	CABLE COMP FUEL CAP	1	1250
C		17620-KHC5-E00	CAP COMP FUEL FILLER	CAP COMP FUEL FILLER	1	3910
D		17623-KHC4-90A	COLLAR FUEL CAP	COLLAR FUEL CAP	1	300
	595	30400-KGN7-671	UNIT ASSY CDI	UNIT ASSY CDI	1	6660
	580	30510-KEBE-900	COIL COMP IGN	COIL COMP IGN	1	4190
A		30700-KGN7-671	CAP ASSY NOISE SUPPRESSOR	CAP ASSY NOISE SUPPRESSOR	1	870
	590	31600-KAM1-009	REG REC COMP	REG REC COMP	1	7990
	613	31601-KKC4-900	SOCKET COMP DC12V	SOCKET COMP DC12V	1	1910
	612	31602-KKC4-900	SOCKET COMP CELL-PHONE	SOCKET COMP CELL-PHONE	1	2860
	596	3195A-KBCB-900	HAZARD CNTR ASSY	HAZARD CNTR ASSY	1	6090
	594	32100-KKC2-B21	HARNESS WIRE	HARNESS WIRE	1	13310
E		35101-KKC2-325	SW SET COMB & LOCK	SW SET COMB & LOCK	1	10650
B		35102-KHC4-900	COLLAR MAIN SW	COLLAR MAIN SW	1	300
	597	35850-LDA6-90A	SET START MAG(旧品番の「35850-KHD8-	SET START MAG(旧品番の「35850-KHD8-	1	2670
	597	35850-LDA6-90B	SET START MAG(旧品番の「35850-KHD8-	SET START MAG(旧品番の「35850-KHD8-	1	2860
	603	37720-KGBG-E00	EARTH TERMINAL HEATER	EARTH TERMINAL HEATER	1	110
	605	37760-KGBG-E10	UNIT HEATER CONTROL	UNIT HEATER CONTROL	1	5620
	588A	38110-KKC3-90B	HORN COMP	HORN COMP	2	2480
F		38200-KHE7-900	BOX COMP FUSE	BOX COMP FUSE	1	300
	592	38300-KECE-900	RELAY ASSY WINKER	RELAY ASSY WINKER	1	2530

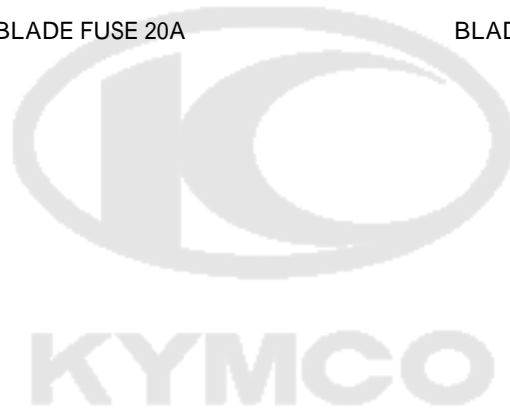
F19

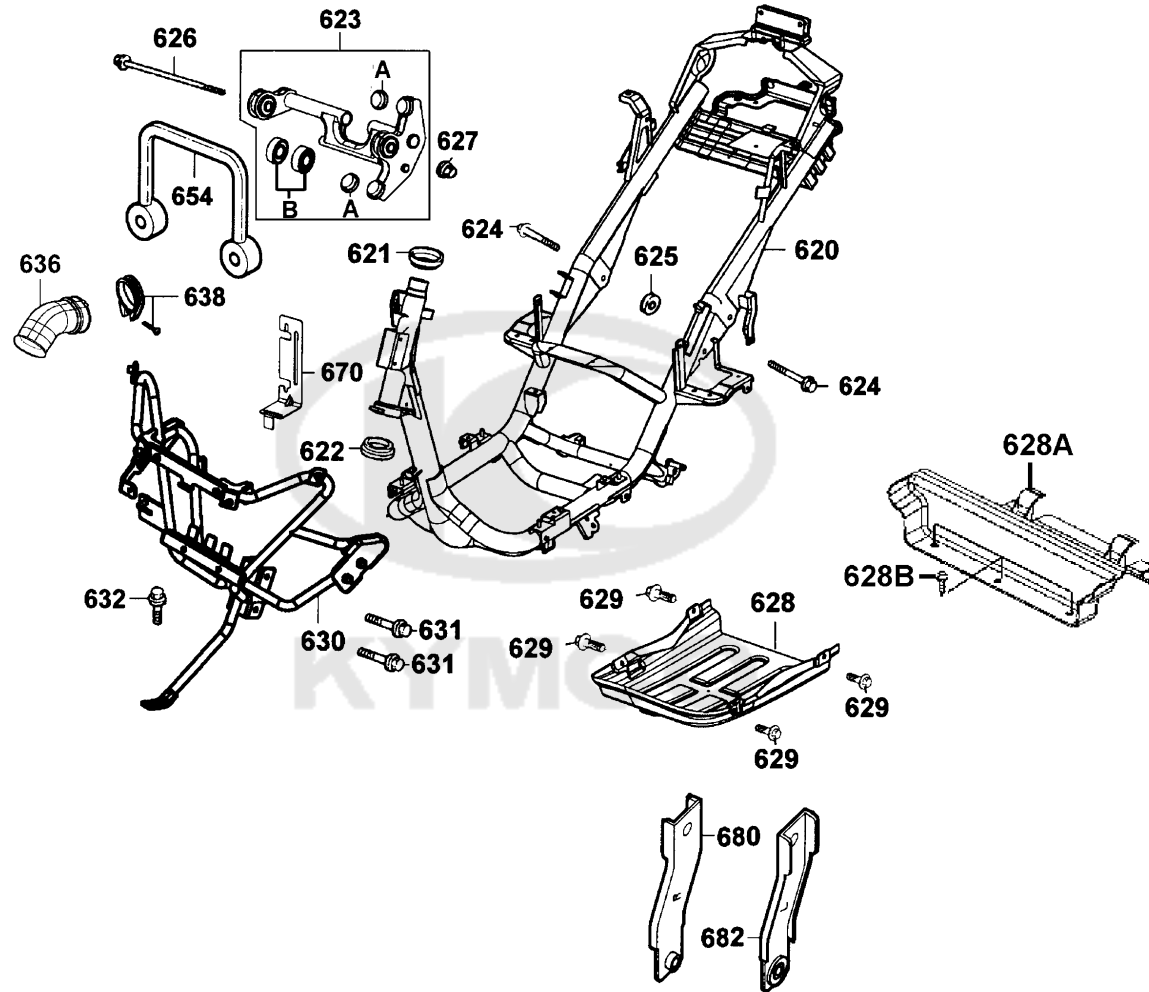
F19

Wire Harness



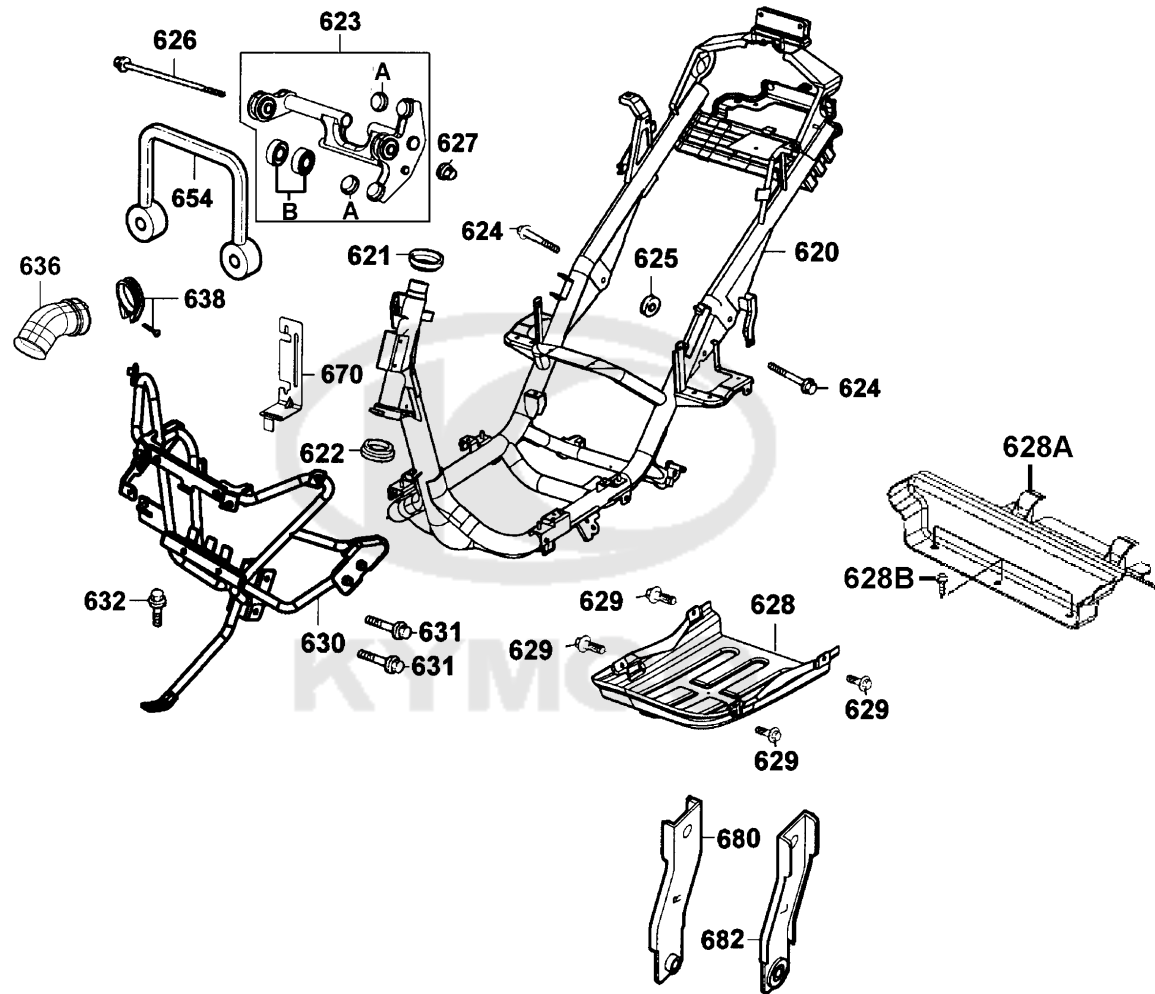
Sales mark 記号	Ref no 参照用番号	Part no パーツ番号	Description 部品名	Reg description 部品名	Regd no 必要個数	Ref Price 希望小売価格(税抜)	F19
610		39100-KKE5-E01	EMI FILTER MOTOR	EMI FILTER MOTOR	1	2510	
581		90112-KRDR-900	BOLT FLANGE 5*22	BOLT FLANGE 5*22	1	130	
591		94050-06080	NUT FLANGE 6MM	NUT FLANGE 6MM	4	60	
589		94050-08080	NUT FLANGE 8MM	NUT FLANGE 8MM	1	60	
586		95701-KHC5-E00	BOLT TORQUE 8*25	BOLT TORQUE 8*25	2	320	
G		98200-31000	BLADE FUSE 40A	BLADE FUSE 40A	1	110	
H		98200-31500	BLADE FUSE 40A	BLADE FUSE 40A	2	110	
J		98200-32000	BLADE FUSE 20A	BLADE FUSE 20A	1	110	





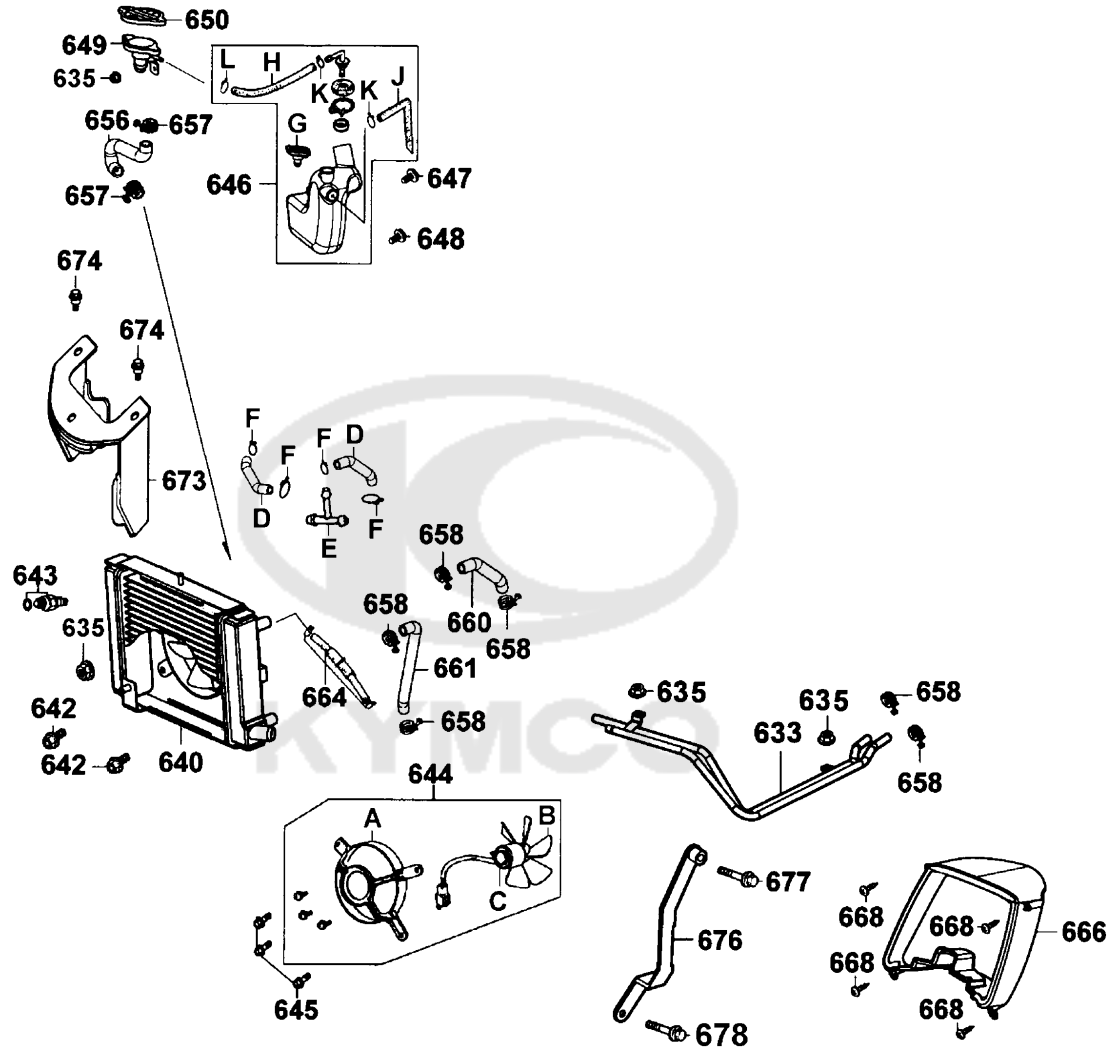


Sales mark 記号	Ref no 参照用番号	Part no パーツ番号	Description 部品名	Reg description 部品名	Regd no 必要個数	Ref Price 希望小売価格(税抜)	F20
636		11345-KKC2-E00	DUCT L COVER	DUCT L COVER	1	420	
638		11346-KKC3-900	BAND L COVER DUCT	BAND L COVER DUCT	1	580	
620		50100-KKC2-E00	BODY COMP FRAME	BODY COMP FRAME	1	77180	
654		50151-KKC4-900	HOOK CARRIER	HOOK CARRIER	1	580	
680		50185-KKC4-900	STAY R BODY COVER	STAY R BODY COVER	1	390	
682		50186-KKC4-900	STAY L BODY COVER	STAY L BODY COVER	1	390	
670		50191-KKC4-900	STAY ALARM SYSTEM	STAY ALARM SYSTEM	1	580	
621		50301-KGN7-671	RACE UP STRG BALL	RACE UP STRG BALL	1	540	
622		50302-2H68-011	RACE STRG BOT BALL	RACE STRG BOT BALL	1	610	
623		50350-LEA5-B20	ENG HANGER COMP	ENG HANGER COMP	1	12270	
A		50352-GFY6-901	RUBBER STOPPER	RUBBER STOPPER	2	200	
B		50356-KHE7-E00	BUSH SWING LOCK	BUSH SWING LOCK	2	1060	
628		50613-KKC4-900	COVER UNDER	COVER UNDER	1	1440	
628A		5061A-KKC3-900	DEFLECTION UNDER	DEFLECTION UNDER	1	1250	
630		64315-KKC4-900	STAY FR COVER	STAY FR COVER	1	14260	
624		90106-KHE7-E00	BOLT FLANGE 12*59	BOLT FLANGE 12*59	2	390	
626		90117-KED9-900	BOLT FLANGE 10*265	BOLT FLANGE 10*265	1	870	
625		90121-KHE7-E00	COLLAR DISTANCE	COLLAR DISTANCE	1	200	
627		90304-GHE8-004	NUT CAP 6MM	NUT CAP 6MM	1	200	
628B		93903-34360	SCREW WASHER 4*12	SCREW WASHER 4*12	3	60	

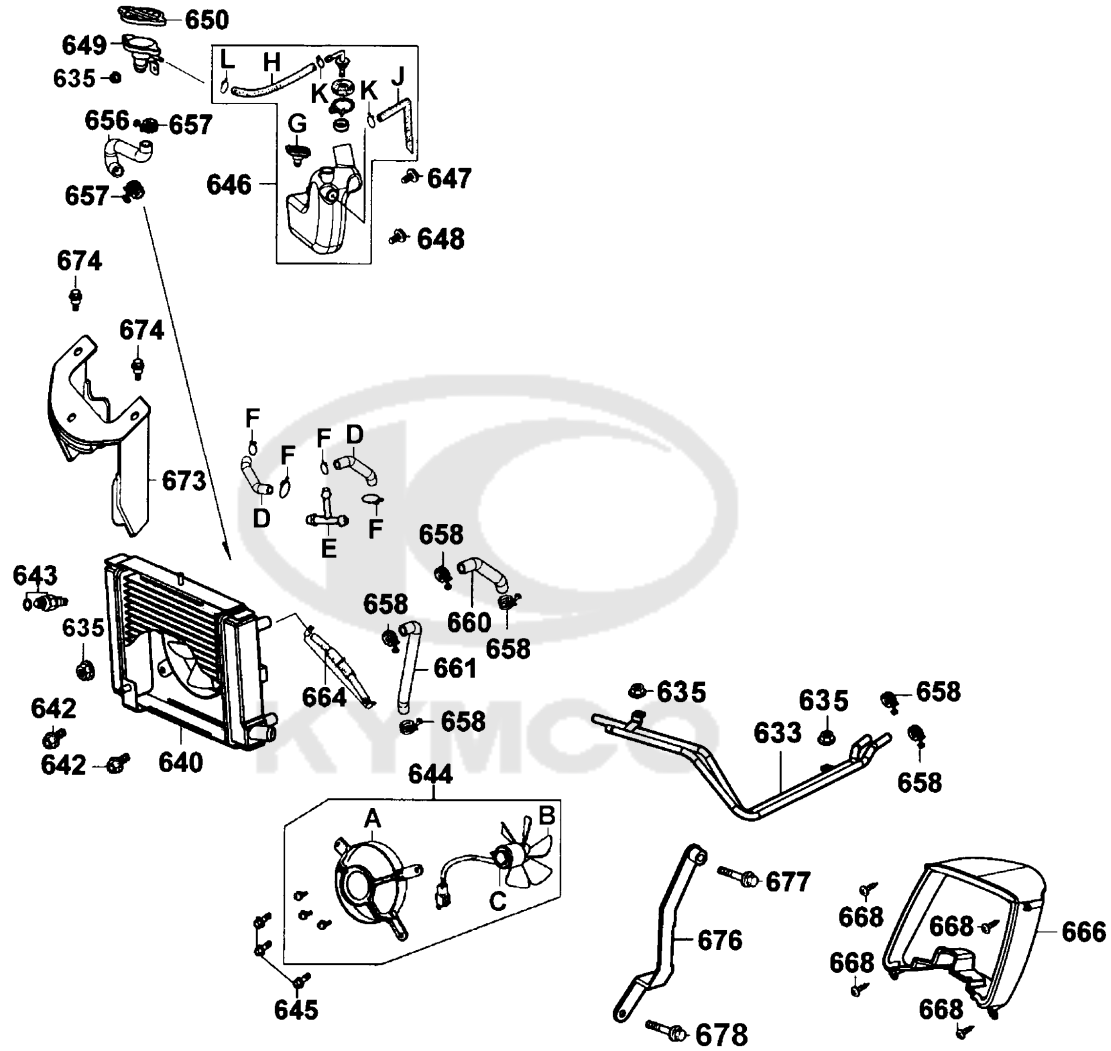


Sales mark 記号	Ref no 参照用番号	Part no パーツ番号	Description 部品名	Reg description 部品名	Regd no 必要個数	Ref Price 希望小売価格(税抜)	F20
629	95701-06012-06	95701-06012-06	BOLT FLANGE 6*22 (K)	BOLT FLANGE 6*22 (K)	1	60	
632	95701-08012-06	95701-08012-06	BOLT FLANGE 6*22 (K)	BOLT FLANGE 6*22 (K)	1	60	
631	95701-08050-06	95701-08050-06	BOLT FLANGE 8*50	BOLT FLANGE 8*50	2	230	

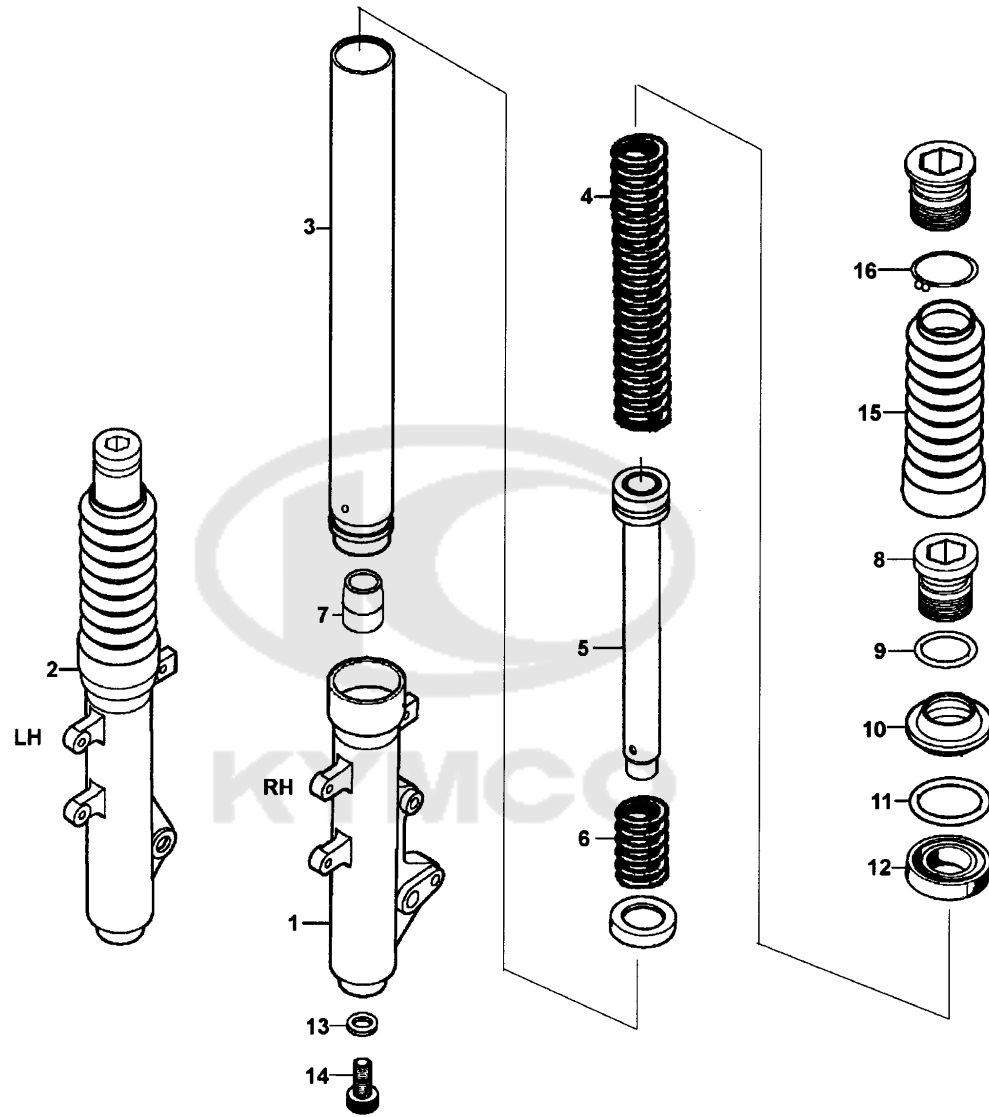




Sales mark 記号	Ref no 参照用番号	Part no パーツ番号	Description 部品名	Reg description 部品名	Regd no 必要個数	Ref Price 希望小売価格(税抜)	F21
676		17228-KKC3-900	STAY A/C	STAY A/C	1	580	
644		19005-KKC4-900	SHROUD ASSY	SHROUD ASSY	1	17490	
640		19010-KKC4-900	RADIATOR COMP	RADIATOR COMP	1	18310	
649		19012-KHD8-900	UNIT RADIATOR	UNIT RADIATOR	1	1720	
A		19015-KKC4-900	SHROUD COMP	SHROUD COMP	1	1820	
B		19020-KED9-900	FAN COOLING	FAN COOLING	1	870	
C		19030-KHD8-900	MOTOR ASSY FAN	MOTOR ASSY FAN	1	16730	
646		19101-KKC4-900	TANK RESERVE	TANK RESERVE	1	2100	
666		19102-KKC4-900	DUCT COOLING AIR	DUCT COOLING AIR	1	960	
J		19104-KKC4-900	HOSE ASSY DRAIN	HOSE ASSY DRAIN	1	680	
H		19105-KKC4-900	HOSE ASSY RESERVE-COOLER	HOSE ASSY RESERVE-COOLER	1	580	
650		19111-GBE2-004	CAP COMP	CAP COMP	1	1340	
633		19120-KKC4-900	PIPE COMP WATER	PIPE COMP WATER	1	4950	
G		19210-KKC4-900	CAP RESERVE TANK	CAP RESERVE TANK	1	200	
660		19504-KKC4-900	HOSE WATER D RADIATOR-PIPE	HOSE WATER D RADIATOR-PIPE	1	770	
661		19505-KKC4-900	HOSE WATER F PIPE-RADIATOR	HOSE WATER F PIPE-RADIATOR	1	770	
656		19506-KKC4-900	HOSE WATER G RADIATOR-UNIT	HOSE WATER G RADIATOR-UNIT	1	580	
643		37760-KHD8-900	SW ASSY THERMO	SW ASSY THERMO	1	5500	
E		38773-PKB9-001	JOINT 3 WAY 3.5	JOINT 3 WAY 3.5	1	110	
673		64318-KKC4-900	STAY METER	STAY METER	1	580	

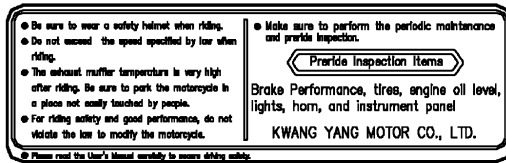


Sales mark 記号	Ref no 参照用番号	Part no パーツ番号	Description 部品名	Reg description 部品名	Regd no 必要個数	Ref Price 希望小売価格(税抜)	F21
678		90001-GBHB-661	BOLT FLANGE SH 6*22	BOLT FLANGE SH 6*22	1	60	
647		90302-GBR2-001	BOLT WASH 5*16	BOLT WASH 5*16	1	60	
648		90302-GFY6-901	BOLT WASH 5*12 *(1) C.V.	BOLT WASH 5*12 *(1) C.V.	1	60	
664		90913-KKC4-900	TUBE ASSY WATER PUMP TO RAD	TUBE ASSY WATER PUMP TO RAD	1	680	
674		93404-06016-06	BOLT WASHER 6*16	BOLT WASHER 6*16	2	60	
668		93903-34360	SCREW WASHER 4*12	SCREW WASHER 4*12	4	60	
635		94050-06080	NUT FLANGE 6MM	NUT FLANGE 6MM	4	60	
D		95001-35225-40	TUBE FUEL 3.5*225	TUBE FUEL 3.5*225	2	200	
F		95002-02070	CLIP B7 TUBE	CLIP B7 TUBE	4	60	
L		95002-02100	CLIP B15 TUBE	CLIP B15 TUBE	1	60	
K		95002-70000	CLIP C11 TUBE	CLIP C11 TUBE	2	110	
658		95002-KGN7-910	CLIP TUBE	CLIP TUBE	6	200	
657		95002-KHE7-900	CLIP WATER HOSE	CLIP WATER HOSE	2	300	
677		95701-06012-06	BOLT FLANGE 6*22 (K)	BOLT FLANGE 6*22 (K)	1	60	
645		95701-06016-06	BOLT FLANGE 6*22 (K)	BOLT FLANGE 6*22 (K)	4	110	

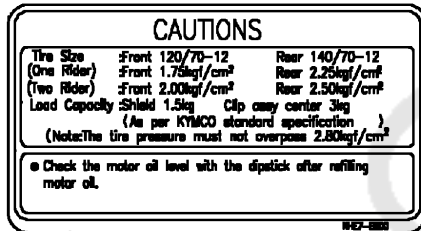




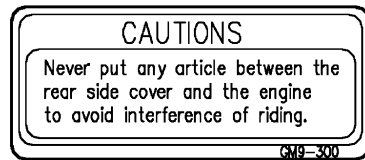
Sales mark 記号	Ref no 参照用番号	Part no パーツ番号	Description 部品名	Reg description 部品名	Regd no 必要個数	Ref Price 希望小売価格(税抜)	F22
	4	51401-KHD8-900	SPRING	SPRING	2	990	
	3	51410-KHD8-900	FORK PIPE COMP	FORK PIPE COMP	2	5710	
	15	51411-KHD8-900	BOOT	BOOT	2	960	
	6	51412-KHD8-900	REBOUND SPRING	REBOUND SPRING	2	140	
	16	51413-KHD8-900	BOOT BAND	BOOT BAND	2	160	
**	1	51420-KKC4-900	BOTTOM CASE R	BOTTOM CASE R	1	8180	
	7	51422-KKC4-900	OIL LOCK PIECE	OIL LOCK PIECE	2	350	
	12	51423-KKAK-900	OIL SEAL	OIL SEAL	2	510	
	10	51427-KKAK-900	DUST SEAL	DUST SEAL	2	300	
	11	51428-KKAK-900	RING OIL SEAL STOPPER	RING OIL SEAL STOPPER	2	110	
	5	51429-KHD8-900	PIPE SEAT COMP	PIPE SEAT COMP	2	1490	
**	2	51520-KKC4-900	BOTTOM CASE L	BOTTOM CASE L	1	8180	
	14	90116-KHD8-900	PACKING	PACKING	2	300	
	13	90544-KEC8-900	PACKING	PACKING	2	60	
	8	94605-KHD8-900	FORK BOLT	FORK BOLT	2	680	
	9	94608-30000	O-RING	O-RING	2	60	



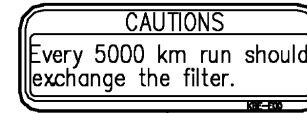
700



701



703



704



705



702

Sales mark 記号	Ref no 参照用番号	Part no パーツ番号	Description 部品名	Reg description 部品名	Regd no 必要個数	Ref Price 希望小売価格(税抜)	F23
**	701	87505-KHE7-E00	LABEL TIRE	LABEL TIRE	1	200	
**	704	87512-KEBE-E00	CAUTION FILTER	CAUTION FILTER	1	200	
**	705	87541-GAR1-E00	CAUTION SIDE STAND	CAUTION SIDE STAND	1	200	
**	702	87541-KKC2-E00	CAUTION MOBILE PHONE	CAUTION MOBILE PHONE	1	200	
**	703	87542-GAR1-E00	MARK MAINT CAUTION	MARK MAINT CAUTION	1	200	
**	700	87560-GFY6-E00	MARK DRIVE CAUTION	MARK DRIVE CAUTION	1	200	





710



713



711



712



Sales mark 記号	Ref no 参照用番号	Part no パーツ番号	Description 部品名	Reg description 部品名	Regd no 必要個数	Ref Price 希望小売価格(税抜)
**	713	86030-KKC4-E00	EMB HANDLE COVER RR **(0)	EMB HANDLE COVER RR **(0)	1	680
**	710	86202-KKC4-900	EMB BODY COVER	EMB BODY COVER	2	1250
**	712	86212-KHD8-E00	EMB B BODY COVER **E00 C.2006.08.08	EMB B BODY COVER **E00 C.2006.08.08	2	390
**	711	86212-KKC4-900	EMB B BODY COVER	EMB B BODY COVER	2	300

**F24**



PART NO. INDEX  
 パーツ番号 検索

PART NO. パーツ番号	VERSION バージョン	PAGE ページ	PART NO. パーツ番号	VERSION バージョン	PAGE ページ	PART NO. パーツ番号	VERSION バージョン	PAGE ページ
			11345-KKC2-E00	0	F20	13111-KKJ9-001	3	E03
			11346-KKC3-900	0	F20			
			11383-KUDU-900	0	E01	<b>14000</b>		
			11384-KHE7-900	1	E03			
			11385-KEBE-900	0	E02	14100-KKC2-220	1	E02
			11394-LEA5-E00	5	E04	14401-KUDU-90C	0	E03
			11395-LEA5-E00	1	E01	14431-KKC1-900	0	E02
						14450-KEBE-900	1	E02
			<b>12000</b>			14461-KEBE-900	0	E02
						14510-KEBE-900	0	E03
			12100-KKC2-900	6	E03	14531-KKJ9-001	0	E03
			12191-LEA5-E00	1	E03	14550-KDS4-00B	3	E03
			12200-KKC2-E00	4	E02	14553-KGBG-900	0	E03
			12205-KHE8-301	5	E02	14554-KAM1-004	0	E03
			12209-GDB4-68B	0	E02	14555-KKJ9-001	0	E03
			1221A-KEBE-900	1	E02	14555-LBA2-E00	1	E03
			12251-KEBE-901	0	E02	14557-KGBG-900	0	E03
			12310-KEBE-E00	4	E02	14558-KGBG-900	1	E03
			12361-GFY6-901	1	E04	14559-KGBG-900	0	E03
			12391-KEBE-900	0	E02	14560-KGBG-900	1	E03
						14610-KKJ9-001	0	E03
			<b>13000</b>			14711-KEBE-900	1	E02
			13000-KKC2-900	6	E03	14721-KAAA-900	3	E02
			13011-KFBF-E0A	2	E03	14751-KKJ9-003	1	E02
			13101-KEBE-900	3	E03	14761-KKJ9-003	1	E02
						14771-GDB4-680	0	E02
<b>1000</b>								
1001-MA1H-0351	0	E09						
1010-43BH-9900	0	E09						
1531-803-2000	0	E09						
1531-818-2000	0	E09						
1703-GJ2H-0040	0	E09						
<b>4000</b>								
4000-170-0000	0	E09						
<b>11000</b>								
11100-KKC2-305	0	E01						
11102-1G87-004	3	E01						
11192-LEA5-E00	3	E01						
11200-KKC3-315	0	E01						
11203-GGC7-301	2	E01						
11203-GGC7-301	2	F16						
11207-KKC4-900	3	F13						
11211-KKC2-900	1	F13						
1122A-KKC2-900	0	E05						
11330-KKC3-900	6	E04						
11341-KKC3-900	7	E01						

PART NO. INDEX  
 パーツ番号 検索

PART NO. パーツ番号	VERSION バージョン	PAGE ページ	PART NO. パーツ番号	VERSION バージョン	PAGE ページ	PART NO. パーツ番号	VERSION バージョン	PAGE ページ	
14775-MFA6-001	0	E02	16217-KEBE-900	1	E02	17623-KHC4-90A	6	F19	
14781-MFA6-001	0	E02	16218-KEBE-E00	0	E02	17682-KKC4-900	0	F10	
<b>15000</b>			16700-KHE7-220	0	F10	17683-KKC4-900	0	F10	
			16911-KKC4-900	0	F10	17689-KEBE-900	1	F10	
			16912-KKC4-900	0	F10	17910-KKC3-900	4	F03	
			1691A-KEC2-E00	0	F10	<b>18000</b>			
	15100-KKC3-900	3	E07						
15133-KAM1-001	1	E07							
15141-KKJ9-004	0	E07	<b>17000</b>						
1541A-KKC3-900	1	E01			18291-LEA5-E00		1	F14	
15421-1G07-001	1	E04	17110-KKC1-E00	3	E02	18293-KECE-900	0	F14	
15421-KKC3-900	1	E01	17214-KKC3-900	0	F13	18294-KEBE-900	0	F14	
15422-KKC3-900	3	E01	17215-KGBG-90A	2	F13	18295-KECE-900	0	F14	
15423-KKC3-900	1	E01	1721A-KKC3-900	1	F13	18305-KHD8-900	0	F14	
15426-GAE1-921	0	E04	17228-KKC3-900	2	F21	18306-KHD8-900	1	F14	
1565A-KEBE-900	0	E04	17231-KKC3-900	5	F13	1830A-KKC1-E0A	3	F14	
15711-KKC3-900	1	E07	1723A-KKC3-E00	5	F13	1830A-KKC1-E0B	1	F14	
15712-KEBE-900	0	E07	17254-KACA-P00	0	F13	18318-KKC1-E00	0	F14	
15772-5L00-013	1	F13	17255-KGV7-671	0	F13	18325-KKC1-900	0	F14	
<b>16000</b>			17368-KDB4-670	2	F13				
			17370-4K19-701	0	F13	<b>19000</b>			
			17371-1D74-671	0	F13				
	16051-KN7-7410-M1	0	E09	17500-KKC4-900	4	F10	19005-KKC4-900	2	F21
	16080-KJ9-0031-3	0	E09	17502-KKC4-900	0	F10	19010-KKC4-900	2	F21
16107-KJ9-0030	0	E09	17510-KKC4-900	0	F10	19012-KHD8-900	4	F21	
1610K-KKC2-E000	1	E09	17520-KKC4-900	1	F19	19015-KKC4-900	2	F21	
16111-KN7-7410-M1	0	E09	17620-KHC5-E00	1	F19	19020-KED9-900	1	F21	

PART NO. INDEX  
 パーツ番号 検索

PART NO. パーツ番号	VERSION バージョン	PAGE ページ	PART NO. パーツ番号	VERSION バージョン	PAGE ページ	PART NO. パーツ番号	VERSION バージョン	PAGE ページ
19030-KHD8-900	2	F21				23100-KGN7-67A	1	E06
19101-KKC4-900	0	F21	<b>21000</b>			23200-KEBE-900	3	E06
19102-KKC4-900	0	F21				23220-KKC2-900	0	E06
19104-KKC4-900	0	F21	21201-KFC8-305	0	E05	23225-GHC8-004	0	E06
19105-KKC4-900	0	F21	21395-LEA5-E00	2	E05	23226-GHC8-004	0	E06
19111-GBE2-004	1	F21				23233-KGN7-671	1	E06
19120-KKC4-900	4	F21	<b>22000</b>			23237-KHG8-901	0	E06
19210-KKC4-900	0	F21				23411-KKC2-900	0	E05
19211-KKC3-900	0	E08	22101-KEBE-900	1	E06	23411-KKC3-900	3	E05
19215-KKJ9-011	0	E08	22102-KKC3-900	3	E06	23420-KFC8-900	5	E05
19217-6G57-024	0	E08	22105-KHD4-E00	1	E06	23420-KKC2-900	2	E05
19221-KKC3-900	2	E08	22110-KKC3-900	1	E06	23431-KFC8-900	2	E05
19229-KKC3-980	0	E08	22112-KAAA-900	0	E06	23432-KFC8-900	4	E05
19231-KEBE-900	2	E08	22121-KKC2-315	0	E06	23432-KKC2-900	1	E05
19300-KAE1-004	1	E08	22131-KAAA-900	1	E06			
19310-KEBE-900	2	E08	22132-KGN7-670	3	E06	<b>28000</b>		
19315-KEBE-900	2	E08	22300-KKC2-900	2	E06			
19411-KBCB-900	0	F10	22350-KGN7-671	1	E06	28101-KKJ9-011	0	E07
19501-KKC3-910	1	E08	22361-KGN7-671	1	E06	28102-KKJ9-001	0	E07
19502-KEBE-900	0	E03	22401-KED5-900	0	E06	28110-KGN7-672	0	E07
19503-KEBE-900	0	E08	22530-LKG2-900	2	E06	28120-KEBE-305	0	E07
19504-KKC4-900	0	F21	22804-GBB2-001	0	E06	28125-4F26-001	0	E07
19505-KKC4-900	0	F21				28126-KUDU-900	1	E07
19506-KKC4-900	1	F21	<b>23000</b>			28131-KGN7-671	0	E07
			2301A-KKC2-900	2	E06	28211-KFC8-900	0	E06
						28223-KNBN-901	0	E01



PART NO. INDEX  
 パーツ番号 検索

PART NO. パーツ番号	VERSION バージョン	PAGE ページ	PART NO. パーツ番号	VERSION バージョン	PAGE ページ	PART NO. パーツ番号	VERSION バージョン	PAGE ページ
28230-KNBN-901	0	E01	31500-KFAF-90A	9	F11	33453-KKC4-E00	0	F17
28250-KFC8-900	1	E01	31500-KFAF-90B	9	F11	33457-KKC4-E00	0	F17
28253-GBN2-60A	0	E01	31600-KAM1-009	1	F19	33600-KKC4-E00	2	F17
28255-GFS6-001	0	E01	31601-KKC4-900	4	F19	33602-KKC4-E00	0	F17
28281-KKC2-900	1	E01	31602-KKC4-900	0	F19	33603-KKC4-E00	0	F17
28300-KKC2-E00	0	F15	3195A-KBCB-900	0	F19	33606-KKC4-E00	0	F17
<b>30000</b>			<b>32000</b>			33607-KKD7-E00	0	F17
30300-KEBE-900	2	E08	32100-KKC2-B21	0	F19	33650-KKC4-E00	2	F17
30301-KEBE-90B	0	E08	32101-KHD8-900	1	E08	33652-KKC4-E00	0	F17
30400-KGN7-671	0	F19	32410-KKC3-900	1	E07	33653-KKC4-E00	0	F17
30510-KEBE-900	6	F19	32411-KKC4-900	1	F11	33700-KKC4-E00	1	F18
30700-KGN7-671	2	F19	32412-KKC3-900	2	F11	33702-KKC4-E00	0	F18
<b>31000</b>			<b>33000</b>			33705-KKC4-E00	0	F18
31110-KEBE-900	2	E08	33100-KKC4-E00	5	F01	33706-KHB4-E01	0	F18
31110-KEBE-90B	1	E08	33120-KKC4-E00	1	F01	33709-KBAB-003	0	F18
31120-KEBE-900	5	E08	33130-KKC4-E00	0	F01	33722-KHB4-E00	0	F18
31120-KEBE-90B	4	E08	33400-KKC4-E00	0	F17	33725-KHB4-E00	0	F18
31204-KGN7-670	0	E07	33402-KKC4-E00	0	F17	33726-KHB4-E00	0	F18
31205-KGN7-670	0	E07	33403-KKC4-E00	0	F17	33741-GFY6-C30	1	F05
31206-KGN7-670	0	E07	33407-KKC4-E00	0	F17	33741-KEBE-900	3	F18
31210-KKC3-900	4	E07	33450-KKC4-E00	0	F17	33900-KFBF-900	0	F12
31210-KKC3-90C	2	E07	33452-KKC4-E00	0	F17	<b>34000</b>		
						34901-KED9-900	0	F01
						34903-KPCP-900	0	F01

PART NO. INDEX  
 パーツ番号 検索

PART NO. パーツ番号	VERSION バージョン	PAGE ページ	PART NO. パーツ番号	VERSION バージョン	PAGE ページ	PART NO. パーツ番号	VERSION バージョン	PAGE ページ
34903-KPCP-900	0	F18	37720-KGB5-900	0	E08	42601-KHD8-90B	2	F08
34905-KPCP-900	0	F17	37720-KGBG-E00	0	F19	42601-KHD8-90C	2	F08
34906-KPCP-900	0	F18	37750-PAC1-005	0	E08	42710-KKC3-900	1	F08
34908-MKB9-87A	0	F02	37760-KGBG-E10	1	F19	42753-KXCX-900	1	F07
34909-KFBF-900	0	F12	37760-KHD8-900	1	F21			
			37801-GGA7-701	1	F10	<b>43000</b>		
<b>35000</b>			37802-GGA7-701	3	F10			
			3780A-KKC3-900	3	F10	43100-KEBE-910	1	F08
35101-KKC2-325	0	F19				43126-KKC2-E00	1	F04
35102-KHC4-900	2	F19	<b>38000</b>			43150-KEBE-306	0	F08
3515A-KKC2-B20	3	F03				43156-KKC3-900	1	F04
3520A-KKC2-B00	0	F03	38110-KKC3-90B	2	F19	43156-KKC4-900	2	F04
35340-KNBN-901	0	F04	38200-KHE7-900	0	F19	43210-KEBE-900	2	F08
35350-KNBN-901	0	F04	38300-KECE-900	3	F19	43215-KEBE-900	0	F08
35360-KFBF-900	1	F12	38500-LGL3-90A	5	F11	43351-KHE7-E00	3	F08
35850-LDA6-90A	2	F19	38773-PKB9-001	0	F21	43352-5H68-004	3	F07
35850-LDA6-90B	3	F19				43352-5H68-004	3	F08
			<b>39000</b>			43353-4A61-77A	0	F07
<b>37000</b>						43353-4A61-77A	0	F08
			39100-KKE5-E01	4	F19	43416-KKC4-900	3	F18
37200-KKC2-B20	2	F02				43530-KFC8-305	1	F04
37203-KKC3-900	0	F02	<b>42000</b>					
37204-KKC3-900	0	F02				<b>44000</b>		
37211-KKC3-900	1	F02	42311-KFC8-900	2	F08			
37280-KKC3-900	0	F02	42312-KEBE-900	0	F08	44301-KXCX-900	4	F07
37710-KGBG-E00	0	E09	42601-KHD8-90A	3	F08	44311-KEBE-900	0	F07

PART NO. INDEX  
 パーツ番号 検索

PART NO. パーツ番号	VERSION バージョン	PAGE ページ	PART NO. パーツ番号	VERSION バージョン	PAGE ページ	PART NO. パーツ番号	VERSION バージョン	PAGE ページ
44620-KHD8-900	1	F07	45150-LLB5-305	0	F07	50151-KKC4-900	0	F20
44650-KHD8-30A	3	F07	45156-KECE-900	2	F06	50185-KKC4-900	0	F20
44650-KHD8-30C	4	F07	45200-KKC2-E00	1	F07	50186-KKC4-900	0	F20
44710-KHE7-E00	0	F07	45209-GBE2-007	0	F07	50191-KKC4-900	0	F20
44800-KFA5-900	2	F07	45209-GBE2-007	0	F08	50197-KKC4-900	1	F10
44830-KKC4-900	3	F02	45210-KHD8-900	0	F07	50301-KGN7-671	2	F20
44831-KKC4-900	0	F02	45215-KECE-900	0	F07	50302-2H68-011	2	F20
			45215-KECE-900	0	F08	50306-1F96-001	0	F06
<b>45000</b>			45216-1F66-007	0	F07	50326-KKC4-900	0	F11
			45216-KFW6-90A	0	F07	50328-KNBN-200	0	F11
45107-MEN5-007	0	F07	45216-KFW6-90A	0	F08	5032A-KKC4-900	0	F11
45107-MEN5-007	0	F08	45351-KHE7-E00	1	F07	50350-LEA5-B20	1	F20
45108-MDL4-007	2	F07	45513-KHD4-B00	2	F04	50352-GFY6-901	0	F20
45108-MDL4-007	2	F08	45517-KFAF-910	0	F04	50356-KHE7-E00	0	F20
45109-GBE2-007	0	F07	45530-KFC8-E00	2	F04	50502-GFY6-901	3	F15
45109-GBE2-007	0	F08	45531-GAR1-951	0	F07	50504-KKC3-900	2	E01
45126-KKC2-B20	2	F04	45531-GAR1-951	0	F08	50505-KHE7-E00	0	F15
45128-KEBE-900	0	F04				50505-KKD7-900	2	F15
45131-1F66-017	0	F07	<b>46000</b>			50506-KHE7-E00	0	F15
45131-1F66-017	0	F08				5050A-KKC3-900	9	F15
45131-GBE2-007	1	F07	46514-KFBF-900	0	F12	50530-KKC2-900	1	F15
45131-GBE2-007	1	F08				50532-KGBG-E00	1	F15
45132-1F66-017	0	F07	<b>50000</b>			50550-KKC2-E00	0	F15
45132-1F66-017	0	F08				50613-KKC4-900	1	F20
45133-MCA3-007	0	F07	50100-KKC2-E00	4	F20	5061A-KKC3-900	1	F20
45133-MCA3-007	0	F08	50139-KKC4-800	1	F10			

PART NO. INDEX  
 パーツ番号 検索

PART NO. パーツ番号	VERSION バージョン	PAGE ページ	PART NO. パーツ番号	VERSION バージョン	PAGE ページ	PART NO. パーツ番号	VERSION バージョン	PAGE ページ
<b>51000</b>			<b>53000</b>			<b>61000</b>		
51400-KKC4-900	2	F06	53100-KKC4-900	0	F03	61110-KHD8-900	2	F06
51401-KHD8-900	0	F22	53105-KFC8-900	2	F03			
51410-KHD8-900	0	F22	53106-KFC8-900	2	F03	<b>64000</b>		
51411-KHD8-900	0	F22	53125-GEN5-901	0	F03			
51412-KHD8-900	0	F22	53140-KKC3-900	0	F03	64220-KKC4-900	1	F05
51413-KHD8-900	0	F22	53166-KGB5-900	0	F03	64221-KKC4-900	0	F05
51420-KKC4-900	0	F22	53175-KFA5-E10	0	F04	64222-KKC4-900	3	F05
51422-KKC4-900	0	F22	53178-KFC8-E10	0	F04	64301-KKC4-900	0	F05
51423-KKAK-900	0	F22	53200-KKC2-900	2	F06	64302-KKC4-900	0	F05
51427-KKAK-900	0	F22	53204-KKC4-900	2	F05	64305-KKC4-900	2	F05
51428-KKAK-900	0	F22	53205-KKC4-900	2	F03	64306-KKC4-900	2	F05
51429-KHD8-900	0	F22	53206-KKC4-900	1	F03	64309-KKC4-900	0	F05
5150A-KKC4-900	3	F06	53207-KKC4-900	0	F03	64310-KKC4-900	0	F05
51520-KKC4-900	0	F22	53208-KKC4-900	0	F03	64311-KKC4-900	3	F05
			53209-KKC4-900	0	F03	64312-KKC4-900	3	F05
<b>52000</b>			53211-GFY6-940	1	F06	64315-KKC4-900	4	F20
			53212-2L50-011	1	F06	64317-KKC4-900	1	F05
52000-KKC3-900	3	F16	53214-KKC4-900	0	F05	64318-KKC4-900	0	F21
52400-KKC2-E00	2	F16	53214-LHJ6-900	1	F06	64320-KKC4-900	0	F05
52500-KKC2-E00	3	F16	53215-2L50-001	0	F06	64321-KKC4-900	3	F05
			53224-KKC4-900	0	F05	64322-KKC4-900	1	F05
						64327-KKC4-900	1	F02
						64328-KKC2-900	1	F02

## PART NO. INDEX

## パーツ番号 検索

PART NO. パーツ番号	VERSION バージョン	PAGE ページ	PART NO. パーツ番号	VERSION バージョン	PAGE ページ	PART NO. パーツ番号	VERSION バージョン	PAGE ページ
64400-KKC4-900	0	F05	81151-KKC4-900	0	F12	<b>87000</b>		
<b>77000</b>			81201-KKC4-900	1	F12			
			8120A-KKC4-900	6	F12			
77200-KKC4-E01	1	F09	81251-KKC4-900	0	F12		87505-KHE7-E00	1
77210-KKC4-900	0	F09	81260-KKC4-900	1	F12	87508-KKC4-E00	1	F05
77220-KKC4-910	1	F09	81400-KKC4-900	0	F12	87512-KEBE-E00	0	F23
77235-KKC4-900	0	F12	81500-KKC4-900	0	F12	87541-GAR1-E00	1	F23
77240-KKC4-900	1	F12	<b>83000</b>			87541-KKC2-E00	1	F23
<b>80000</b>							87542-GAR1-E00	2
			83500-KKC4-900	0	F12	87560-GFY6-E00	4	F23
80100-KKC4-900	4	F18	83600-KKC4-900	1	F12	<b>88000</b>		
80101-KKC4-900	1	F18	8360A-KKC4-900	0	F13			
80102-KKC4-900	2	F18	83750-KKC4-900	2	F12	88110-KKC3-900	4	F03
80105-KKC4-900	3	F18	8376A-KEBE-900	4	F05	88114-KKC4-900	3	F03
80106-KKC4-900	0	F18	<b>86000</b>			88115-KKC4-900	0	F03
80151-KKC4-900	0	F12					88116-KKC4-900	3
<b>81000</b>			86030-KKC4-E00	1	F24	88120-KKC3-900	4	F03
			86102-KFA6-E00	2	F05	88125-KKC4-900	0	F03
			86202-KKC4-900	1	F24	88126-KKC4-900	3	F03
			86212-KHD8-E00	1	F24	88130-KKC4-900	0	F03
81131-KKC4-900	0	F05	86212-KKC4-900	0	F24	88135-KKC4-900	1	F03
81132-KEB7-900	1	F05				<b>89000</b>		
81136-KKC4-900	0	F05						
81137-KKC4-900	0	F05						
81147-KKC4-900	0	F05					89010-KKC4-900	2

PART NO. INDEX  
 パーツ番号 検索

PART NO. パーツ番号	VERSION バージョン	PAGE ページ	PART NO. パーツ番号	VERSION バージョン	PAGE ページ	PART NO. パーツ番号	VERSION バージョン	PAGE ページ
89013-KFC8-E00	1	F09	90112-KNBN-901	1	F11	90302-GFY6-940	1	F12
<b>90000</b>			90112-KNBN-901	1	F18	90302-GFY6-940	1	F18
			90112-KRDR-900	1	F19	90302-KEC8-900	1	F03
			90114-1F66-007	2	F04	90302-KFC2-900	1	F18
			90114-KXCX-900	1	F13	90302-SDA4-004	3	F05
90001-GBHB-661	3	F21	90116-KHD8-900	0	F22	90302-SDA4-004	3	F12
90001-GBHB-681	3	F13	90117-KED9-900	1	F20	90304-GHE8-004	0	F03
90012-3C33-001	1	E02	90121-KHE7-E00	0	F20	90304-GHE8-004	0	F20
90021-GFY6-900	2	F14	90122-KEBE-900	2	F07	90305-GHK8-001	1	F12
90031-KEBE-900	0	E01	90131-GLW0-911	0	F08	90305-KFW6-900	1	F08
90032-KEBE-900	0	E01	90131-KFAF-900	3	F16	90306-GLW0-90A	1	F07
90033-GFY6-900	1	E02	90145-LEA3-E00	1	F04	90381-GEZ5-001	1	F12
90084-4H28-001	0	E04	90201-KHR8-75A	1	E08	90401-KKJ9-001	0	E08
9008A-KBE2-900	0	E04	90202-KGN7-671	0	E06	90411-KAM1-001	0	E05
90105-KCR3-001	1	F07	90206-0A01-001	4	E02	90412-3K29-001	0	E01
90105-KCR3-001	1	F08	90215-GLM0-910	1	F12	90421-KAM1-004	0	E03
90105-KEC8-900	0	F12	90215-GLM0-910	1	F14	90423-KKJ9-001	0	E08
90105-KEN5-001	0	F12	90301-6D34-671	1	F18	90446-3G57-001	0	E05
90105-KNBN-901	0	F12	90301-GFY6-901	2	F14	90451-GBN2-601	0	E01
90106-GEN5-901	1	F03	90302-GBR2-001	1	F05	90465-MDC4-001	0	E02
90106-KFC2-900	0	F03	90302-GBR2-001	1	F21	90474-3C33-001	1	E05
90106-KFC2-900	0	F12	90302-GFY6-901	1	F03	90478-7L00-001	0	E08
90106-KHE7-E00	1	F20	90302-GFY6-901	1	F05	9052A-GFY6-950	4	E01
90108-KFC8-E10	1	F15	90302-GFY6-901	1	F21	90544-KEC8-900	0	F22
90110-KEB7-900	1	F06	90302-GFY6-940	1	F02	90545-3L00-001	2	F04
90110-KHD8-900	0	F14	90302-GFY6-940	1	F05	90605-1F66-721	0	E06
90111-1G87-001	1	F12						

PART NO. INDEX  
 パーツ番号 検索

PART NO. パーツ番号	VERSION バージョン	PAGE ページ	PART NO. パーツ番号	VERSION バージョン	PAGE ページ	PART NO. パーツ番号	VERSION バージョン	PAGE ページ
90656-KCBC-900	0	F03	91259-KFBF-900	0	F16	93404-KKC2-900	1	F05
90677-GAR1-004	1	F05	91261-4E15-004	0	E01	93500-03010-0F	0	E07
90677-GAR1-004	1	F18	91301-0H28-001	0	E02	93500-04008-1H-3	0	E09
90701-HFB6-011	2	E03	91301-KGV7-671	0	E08	93500-04014-1H-3	0	E09
90754-GHC8-00A	1	F07	91302-0A01-021	0	E04	93500-05016-0F	0	E08
90912-KFLF-00A	0	F07	91302-5G67-004	0	E04	93600-04012-1G	0	F04
90912-KFLF-00D	1	F07	91302-5G67-004	0	E08	93700-05018-0F	0	F02
90913-KKC4-900	0	F21	91303-3G77-001	0	E04	93891-05012-06	0	F05
90915-KKC4-900	1	F02	91307-0E35-001	0	E04	93891-05016-06	0	F13
			91309-4E25-004	0	E07	93891-05030-06	0	F18
<b>91000</b>			91384-KEBE-900	0	E06	93892-04006-08	0	E07
			91407-SGA7-004	0	F13	93892-04008-16	0	E09
91001-GFY6-90A	2	E06	91508-KGV7-67A	0	F18	93893-04012-18	0	F04
91001-KKJ9-006	0	E08	91981-KGN7-670	0	E07	93901-32220	0	F17
91002-GGA7-70A	0	E06				93901-32310	0	F17
91003-KDS4-004	2	E05	<b>92000</b>			93901-34220	0	F17
91009-GLE0-004	1	E05				93901-34320	0	F18
91009-KKC3-900	1	E01	92000-05032-0G	0	E08	93903-25460	0	F13
91051-KFBF-901	1	F16	92000-06028-0G	0	E07	93903-34360	0	F03
91101-1K79-711	1	E07				93903-34360	0	F05
91104-KGN7-671	0	E01	<b>93000</b>			93903-34360	0	F12
91105-KGN7-672	0	E05				93903-34360	0	F13
91201-KKJ9-004	0	E08	93404-06016-06	0	F05	93903-34360	0	F17
91202-KKJ9-004	0	E01	93404-06016-06	0	F18	93903-34360	0	F18
91211-KEBE-900	0	E06	93404-06016-06	0	F21	93903-34360	0	F20
91255-GLE0-006	0	E05	93404-06020-06	1	F05	93903-34360	0	F21

## PART NO. INDEX

## パーツ番号 検索

PART NO. パーツ番号	VERSION バージョン	PAGE ページ	PART NO. パーツ番号	VERSION バージョン	PAGE ページ	PART NO. パーツ番号	VERSION バージョン	PAGE ページ	
93903-35260	0	F10	94111-05800	0	E07	<b>95000</b>			
93903-35260	0	F13	94111-06800	0	F14				
93903-35360	0	F01	94251-08400	0	F15				
93903-35360	0	F03	94301-08140	0	E01		95001-35225-40	0	F21
93903-35360	0	F12	94301-08140	0	E04		95002-02070	0	F10
93903-GFY6-900	1	F05	94301-08140	0	E05		95002-02070	0	F21
93903-GFY6-900	1	F11	94301-08140	0	E08		95002-02080	0	E05
93903-GFY6-900	1	F12	94301-10160	0	E02		95002-02080	0	F10
93903-KEB7-900-06	1	F05	94301-10160	0	E03		95002-02100	0	F10
93903-KEB7-900-06	1	F18	94303-04065	0	E07		95002-02100	0	F21
<b>94000</b>			94510-10000	0	E07	95002-02130	0	F10	
			94510-15000	0	E02	95002-02130	0	F13	
			94510-20000	0	E05	95002-50000	0	F02	
			94511-14000	0	E01	95002-70000	0	F21	
94050-05080	0	F18	94520-26000	0	E08	95002-KGN7-910	1	E03	
94050-06060	0	F04	94520-28000	0	E06	95002-KGN7-910	1	E08	
94050-06080	0	F05	94524-42000	0	F16	95002-KGN7-910	1	F21	
94050-06080	0	F09	94591-27000	0	F05	95002-KHE7-900	0	F21	
94050-06080	0	F10	94591-KFBB-900	2	E02	95701-06012-06	1	F01	
94050-06080	0	F11	94591-KFBB-900	2	E08	95701-06012-06	1	F04	
94050-06080	0	F19	94601-15000	0	E03	95701-06012-06	1	F06	
94050-06080	0	F21	94601-33000	0	E06	95701-06012-06	1	F10	
94050-08080	0	E02	94605-KHD8-900	0	F22	95701-06012-06	1	F11	
94050-08080	0	F19	94608-30000	0	F22	95701-06012-06	1	F12	
94050-12080	0	E06				95701-06012-06	1	F20	
94101-06200	0	F14				95701-06012-06	1	F21	
94101-08700	0	F15				95701-06012-06	1	F21	



## PART NO. INDEX

## パーツ番号 検索

PART NO. パーツ番号	VERSION バージョン	PAGE ページ	PART NO. パーツ番号	VERSION バージョン	PAGE ページ	PART NO. パーツ番号	VERSION バージョン	PAGE ページ
95701-06016-06	1	F21	96001-06020-06	0	E08	98200-31500	0	F11
95701-06022-06	1	F04	96001-06022-06	1	E08	98200-31500	0	F19
95701-06022-06	1	F15	96001-06025-06	0	E02	98200-32000	0	F19
95701-06025-06	2	E02	96001-06028-02	0	E08	98200-33000	0	F11
95701-08012-06	0	E01	96001-06035-06	0	E05			
95701-08012-06	0	E05	96001-06040-06	12	E01	<b>99000</b>		
95701-08012-06	0	F20	96001-06040-06	12	E04			
95701-08030-06	0	F16	96001-06040-06	12	E05	99101-393-1020	0	E09
95701-08050-06	0	F20	96001-06045-06	0	E02			
95701-KHC5-E00	3	F19	96001-06045-06	0	E04	<b>D</b>		
95801-08040-06	0	F06	96001-06050-06	0	E01			
95801-08042-06	0	F14	96001-06060-06	0	E01	D1310-853-0110	0	E09
95801-08065-06	0	F14	96001-06120-06	1	E01			
95801-10025-06	0	F15	96001-06120-06	1	E04	<b>K</b>		
95801-10035-06	0	F16	96100-60000-00	0	E08			
			96100-62030-00	0	E01	K350-GY6-0200	0	E09
<b>96000</b>			96211-05000	0	F06	K6510-KBE-0100	0	E09
			96211-08000	1	F06	K785-KHD-0200	0	E09
96001-06010-06	0	E08	96220-60100	0	E07			
96001-06010-06	0	F14	96600-08015-16	0	E07	<b>N</b>		
96001-06014-06	0	E07						
96001-06014-06	0	F10	<b>98000</b>			N413-30A00	0	E09
96001-06016-06	0	E01				N425-2KHND	0	E09
96001-06016-06	0	E07	98069-5791R-00	0	E02			
96001-06018-06	0	E03	98200-31000	1	F11			
96001-06018-06	0	E08	98200-31000	1	F19			

PART NO. INDEX  
 パーツ番号 検索

PART NO. パーツ番号	VERSION バージョン	PAGE ページ	PART NO. パーツ番号	VERSION バージョン	PAGE ページ	PART NO. パーツ番号	VERSION バージョン	PAGE ページ
<b>S</b>								
S362-0081	0	E09						
S446-1210	0	E09						
S506-0052	0	E09						
S536-1050	0	E09						
S7860-112-B000	0	E09						
<b>W</b>								
W1314-014-9901	0	E09						
W1561-107-9920	0	E09						

