

PARTS CATALOGUE



SCOOTERS

SH25EB(JP)

DINK 125 (注意)



Release Date : 2017/01/09
Print Date : 2017/07/18

本パーツリストについて

- 本パーツリストは SH25EB(JP).の全てのパーツ番号が記載されています。
- 車輻のカラーチャートとバイクに相違がある場合は正規販売店もしくはKYMCO JAPANへお問い合わせください。
- 1. "***"記号が記載している場合、3文字の色コードをパーツ番号の最後に記入してください。
2. "#" 記号が記載している場合、パーツの設定、変更があります。正規販売店もしくはKYMCO JAPANへお問い合わせください。
- このパーツリストの変更または追加は、適切な時期に予告なく行われます。

ABOUT THIS PARTS LIST

- This parts list is compiled all service parts for model SH25EB(JP).
- Any difference between color chart and motorcycle will be revised according to motorcycle.
- The Mark:
 1. Marking "***" must add color code in the end before ordering parts.
 2. Marking "#" are parts with modification, Please find the details from e-Parts system.
- When modification or additions to this parts list are made a revised edition at an appropriate time.

目次

● 本パーツリストについて	1
● SH25EB(JP)のカラーチャート	3
● 目次-エンジン関	11
● 目次-フレーム関係	12
● エンジンパーツリスト	15
● フレームパーツリスト	51
● パーツ番号 検索	127

CONTENTS

● ABOUT THIS PARTS LIST	1
● COLOR CHART OF SH25EB(JP)	3
● CONTENTS-ENGINE GROUP	11
● CONTENTS-FRAME GROUP	12
● ENGINE PARTS LIST	15
● FRAME PARTS LIST	51
● PART NO. INDEX	127

NO	モデル			SH25EB(JP)のカラーチャート						
	写真番号			NO. 1	NO. 2	NO. 3	NO. 4			
	基本色									
	コード			Black Blue	Light Blue Metallic	Black Diamond	Silver Crystal			
	パーツ名	パーツ番号	バージョン	PB184PA	PB281MA	NH191PA	NH263MA			
1	COVER COMP RIGHT	11330-KKC3-900	6	HJA						
2	COVER L	11341-KKC3-900	7							
3	HOLE CAP TAPPET	12361-LEA5-E00	1							
4	WHEEL COMP RR CAST	42601-KHD8-90A	3							
5	WHEEL RR CAST	42601-KHD8-90B	2							
6	WHEEL RR CAST	42601-KHD8-90C	2							
7	WHEEL SET FR	44650-LEA5-305	1							
8	CAP A.C.G	90084-LEA5-001	1							
9	CAP ASSY 30MM	9008A-LEA5-001	1							
10	TAIL CAP COMP	18307-LBA2-900	4					HJP		
11	PROTECTOR MUFFLER	18318-LEA5-E00	2							
12	MUFFLER ASSY	1830A-LEA5-B21	1							
13	ARM ASSY KICK	28300-LEA5-E00	1							
14	VISOR METER	64210-LEA5-E00	5							
15	COVER WATER PUMP	19221-KKC3-900	2							
16	BRACKET RR	43210-KEBE-900	2							
17	COVER BATTERY	50326-LEA5-E00	2							
18	COVER UNDER	50613-LEA5-E00	4							
19	GRIP COMP THROT	53140-KKC3-900	0	N1R						
20	GRIP L HANDLE	53166-KGB5-900	0							
21	COVER METER	53204-LEA5-E00	2							
22	COVER HNDL UP	53205-LEA5-E00	3							
23	COVER R HANDLE LOW	53206-LEA5-E00	3							
24	FENDER FR INNER	61101-LFA1-E90	0							
25	COVER ASSY VISOR	6421B-LEA6-900	2							
販売開始時期										
販売終了時期										

NO	モデル			SH25EB(JP)のカラーチャート			
	写真番号			NO. 5	NO. 6	NO. 7	NO. 8
	基本色						
	コード			Mat Metallic	Pearly White	Deep Silver Metallic	Red
	パーツ名	パーツ番号	バージョン	NH045FA	NH193PA	NH232MA	RR123PA
1	COVER COMP RIGHT	11330-KKC3-900	6	HJA			
2	COVER L	11341-KKC3-900	7				
3	HOLE CAP TAPPET	12361-LEA5-E00	1				
4	WHEEL COMP RR CAST	42601-KHD8-90A	3				
5	WHEEL RR CAST	42601-KHD8-90B	2				
6	WHEEL RR CAST	42601-KHD8-90C	2				
7	WHEEL SET FR	44650-LEA5-305	1				
8	CAP A.C.G	90084-LEA5-001	1				
9	CAP ASSY 30MM	9008A-LEA5-001	1				
10	TAIL CAP COMP	18307-LBA2-900	4				
11	PROTECTOR MUFFLER	18318-LEA5-E00	2				
12	MUFFLER ASSY	1830A-LEA5-B21	1	HJP			
13	ARM ASSY KICK	28300-LEA5-E00	1	HJS			
14	VISOR METER	64210-LEA5-E00	5	LRR			
15	COVER WATER PUMP	19221-KKC3-900	2	M9A			
16	BRACKET RR	43210-KEBE-900	2	N1A			
17	COVER BATTERY	50326-LEA5-E00	2	N1R			
18	COVER UNDER	50613-LEA5-E00	4				
19	GRIP COMP THROT	53140-KKC3-900	0				
20	GRIP L HANDLE	53166-KGB5-900	0				
21	COVER METER	53204-LEA5-E00	2				
22	COVER HNDL UP	53205-LEA5-E00	3				
23	COVER R HANDLE LOW	53206-LEA5-E00	3				
24	FENDER FR INNER	61101-LFA1-E90	0				
25	COVER ASSY VISOR	6421B-LEA6-900	2				
販売開始時期							
販売終了時期							

NO	モデル			SH25EB(JP)のカラーチャート							
	写真番号			NO. 1	NO. 2	NO. 3	NO. 4				
	基本色										
	コード			Black Blue	Light Blue Metallic	Black Diamond	Silver Crystal				
	パーツ名	パーツ番号	バージョン	PB184PA	PB281MA	NH191PA	NH263MA				
26	FR GRILL	64303-LEA5-E00	4	N1R							
27	LID COVER FR	64304-LEA5-E00	2								
28	FLOOR PANEL	64310-LEA5-E00	3								
29	PLUG FLOOR	64316-KHE2-900	1								
30	FENDER RR	80105-LEA5-E00	3								
31	FENDER RR INNER	80106-LEA5-E00	6								
32	COVER CENTER	80151-LEA5-E00	2								
33	LEG SHIELD	81131-LEA5-E00	3								
34	LID LEG SHIELD	81132-KEB7-900	1								
35	LID RESERVE TANK	81136-LEA5-E00	3								
36	COVER BATTERY	81253-LEA5-E00	3								
37	COVER R SIDE	83520-LEA5-E00	2								
38	COVER L SIDE	83620-LEA5-E00	2								
39	BAND HARNESS WIRE	90656-KUDU-900	0								
40	DISK RR BRAKE	43351-KHE7-E00	3					N1S			
41	DISK FR BRK	45351-LEA5-E00	2								
42	FENDER FR	61100-LEA5-E00	4					BJP CAP HTP HUP			
43	COVER FR	64301-LEA5-E00	2								
44	SKIRT R SIDE	64305-LEA5-E00	3								
45	SKIRT L SIDE	64306-LEA5-E00	3								
46	COWL UNDER	64400-LEA5-E00	2								
47	COVER R BODY	83500-LEA5-E00	2								
48	COVER L BODY	83600-LEA5-E00	2								
49	MOLDING RR CENTER	83751-LEA5-E00	3								
50	COVER RR CENTER	8375A-LEA5-E00	2								
販売開始時期											
販売終了時期											

NO	モデル			SH25EB(JP)のカラーチャート							
	写真番号			NO. 5	NO. 6	NO. 7	NO. 8				
	基本色										
	コード			Mat Metallic	Pearly White	Deep Silver Metallic	Red				
	パーツ名	パーツ番号	バージョン	NH045FA	NH193PA	NH232MA	RR123PA				
26	FR GRILL	64303-LEA5-E00	4	N1R							
27	LID COVER FR	64304-LEA5-E00	2								
28	FLOOR PANEL	64310-LEA5-E00	3								
29	PLUG FLOOR	64316-KHE2-900	1								
30	FENDER RR	80105-LEA5-E00	3								
31	FENDER RR INNER	80106-LEA5-E00	6								
32	COVER CENTER	80151-LEA5-E00	2								
33	LEG SHIELD	81131-LEA5-E00	3								
34	LID LEG SHIELD	81132-KEB7-900	1								
35	LID RESERVE TANK	81136-LEA5-E00	3								
36	COVER BATTERY	81253-LEA5-E00	3								
37	COVER R SIDE	83520-LEA5-E00	2								
38	COVER L SIDE	83620-LEA5-E00	2								
39	BAND HARNESS WIRE	90656-KUDU-900	0								
40	DISK RR BRAKE	43351-KHE7-E00	3					N1S			
41	DISK FR BRK	45351-LEA5-E00	2								
42	FENDER FR	61100-LEA5-E00	4					N8F NVP NZP R6P			
43	COVER FR	64301-LEA5-E00	2								
44	SKIRT R SIDE	64305-LEA5-E00	3								
45	SKIRT L SIDE	64306-LEA5-E00	3								
46	COWL UNDER	64400-LEA5-E00	2								
47	COVER R BODY	83500-LEA5-E00	2								
48	COVER L BODY	83600-LEA5-E00	2								
49	MOLDING RR CENTER	83751-LEA5-E00	3								
50	COVER RR CENTER	8375A-LEA5-E00	2								
販売開始時期											
販売終了時期											

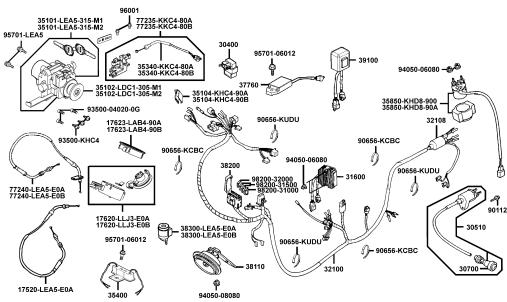
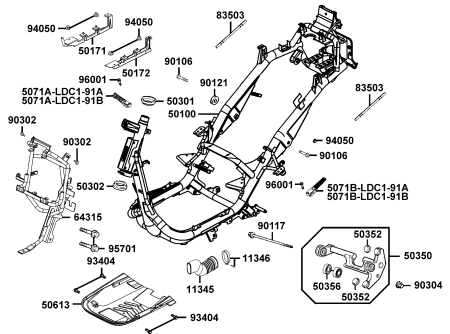
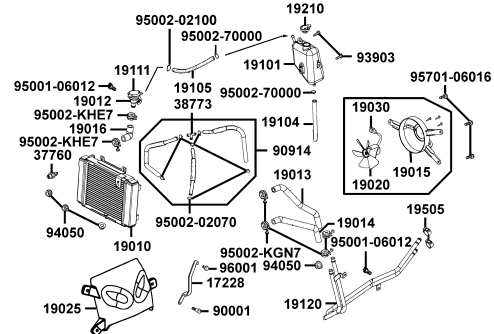
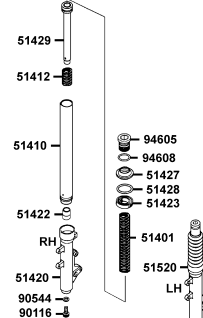
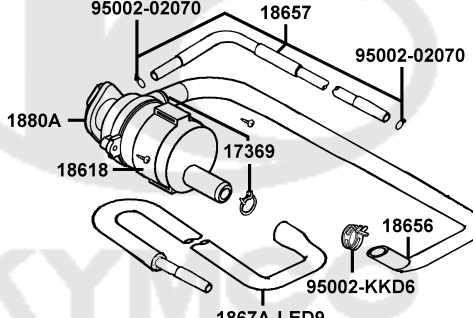
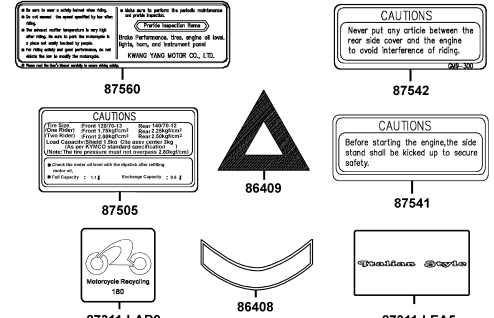
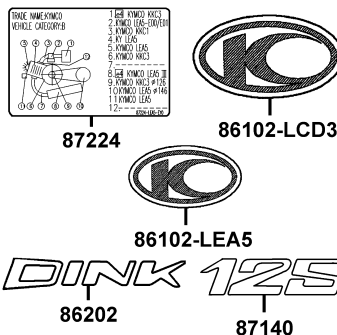
NO	モデル			SH25EB(JP)のカラーチャート							
	写真番号			NO. 1	NO. 2	NO. 3	NO. 4				
	基本色										
	コード			Black Blue	Light Blue Metallic	Black Diamond	Silver Crystal				
	パーツ名	パーツ番号	バージョン	PB184PA	PB281MA	NH191PA	NH263MA				
51	CALIPER ASSY RR	43100-LEA5-900	1	NEA							
52	CALIPER ASSY FR	45200-LEA5-E00	2								
53	MIRROR ASSY R BACK	88110-LEA5-E01	1	NEP							
54	MIRROR ASSY L BACK	88120-LEA5-E01	1								
55	CUSHION ASSY R RR	52400-LEA5-E00	3	NES							
56	END HANDLE	53102-LEA5-E00	3								
57	END R STRG HANDLE	53105-LEA5-E00	3								
58	CAP COMP FUEL FILLER	17620-LLJ3-E0A	3	NYA							
59	CAP COMP FUEL FILLER	17620-LLJ3-E0B	3								
60	FORK ASSY R FR	51400-LEA5-E00	2								
61	BOTTOM CASE R	51420-KHD8-900	0								
62	FORK SET L FR	51500-LEA5-E00	2								
63	BOTTOM CASE L	51520-KHD8-900	0								
64	FORK ASSY REAR	52000-LEA5-E00	6								
65	CARRIER ASSY RR	8120A-LEA5-E00	2								
66	BAR-RR CARRIER	81205-LEA5-E00	2					NYS			
67	SEAT ASSY	77200-LEA5-E00	2								
68	SEAT ASSY BACK	77210-LEA5-E00	2	T01							
69	EMB K-LOGO 38MM	86102-LCD3-E00	3								
70	EMB K-LOGO 30MM	86102-LEA5-E00	1								
71	EMB BODY COVER	86202-LEA5-E00	1								
72	STRIPE RR FENDER ** (0)	86409-KHC4-B20	2								
73	EMB MARK 125	87140-LEA5-E00	1								
74	CAUTION ANTI	87224-LEA5-EY0	1								
75	STRIPE FLAG MARK	87311-LEA5-B20	1								
販売開始時期											
販売終了時期											

NO	モデル			SH25EB(JP)のカラーチャート							
	写真番号			NO. 5	NO. 6	NO. 7	NO. 8				
	基本色										
	コード			Mat Metallic	Pearly White	Deep Silver Metallic	Red				
	パーツ名	パーツ番号	バージョン	NH045FA	NH193PA	NH232MA	RR123PA				
51	CALIPER ASSY RR	43100-LEA5-900	1	NEA							
52	CALIPER ASSY FR	45200-LEA5-E00	2								
53	MIRROR ASSY R BACK	88110-LEA5-E01	1	NEP							
54	MIRROR ASSY L BACK	88120-LEA5-E01	1								
55	CUSHION ASSY R RR	52400-LEA5-E00	3	NES							
56	END HANDLE	53102-LEA5-E00	3								
57	END R STRG HANDLE	53105-LEA5-E00	3								
58	CAP COMP FUEL FILLER	17620-LLJ3-E0A	3	NYA							
59	CAP COMP FUEL FILLER	17620-LLJ3-E0B	3								
60	FORK ASSY R FR	51400-LEA5-E00	2								
61	BOTTOM CASE R	51420-KHD8-900	0								
62	FORK SET L FR	51500-LEA5-E00	2								
63	BOTTOM CASE L	51520-KHD8-900	0								
64	FORK ASSY REAR	52000-LEA5-E00	6								
65	CARRIER ASSY RR	8120A-LEA5-E00	2								
66	BAR-RR CARRIER	81205-LEA5-E00	2					NYS			
67	SEAT ASSY	77200-LEA5-E00	2								
68	SEAT ASSY BACK	77210-LEA5-E00	2	T01							
69	EMB K-LOGO 38MM	86102-LCD3-E00	3								
70	EMB K-LOGO 30MM	86102-LEA5-E00	1								
71	EMB BODY COVER	86202-LEA5-E00	1								
72	STRIPE RR FENDER ** (0)	86409-KHC4-B20	2								
73	EMB MARK 125	87140-LEA5-E00	1								
74	CAUTION ANTI	87224-LEA5-EY0	1								
75	STRIPE FLAG MARK	87311-LEA5-B20	1								
販売開始時期											
販売終了時期											

CONTENTS - FRAME GROUP 目次-フレーム関係

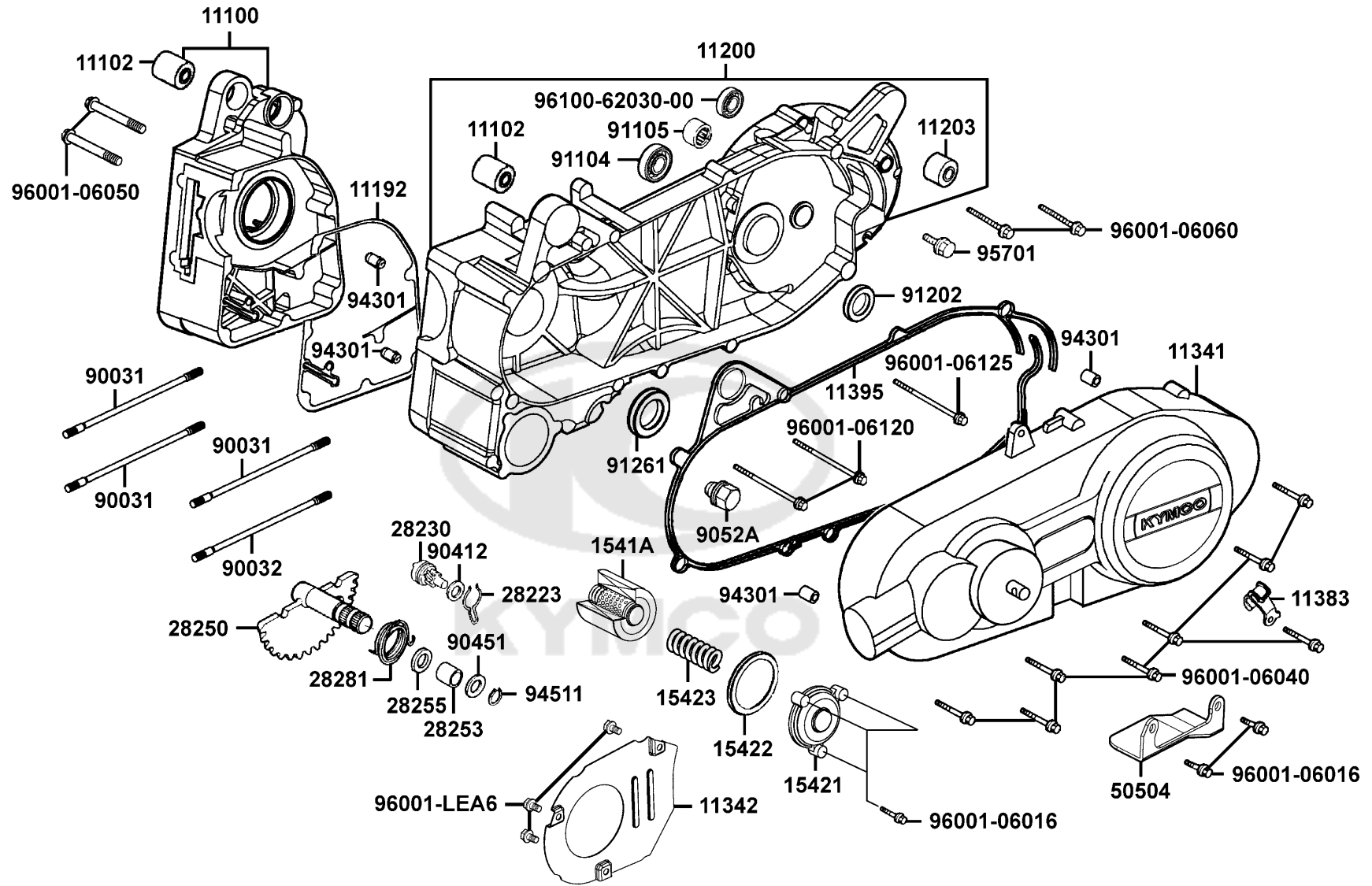
F10 Fuel Tank	F11 Battery	F12 Body Cover Luggage Box
<p>F13 Air Cleaner</p>	<p>F14 Exhaust Muffler</p>	<p>F15 Stand Kick Starter Arm</p>
<p>F16 Rear Cushion</p>	<p>F17 Front Winker</p>	<p>F18 Tail Light</p>

CONTENTS - FRAME GROUP 目次-フレーム関係

<p>F19 Wire Harness</p> 	<p>F20 Frame Body</p> 	<p>F21 Radiator</p> 
<p>F22 Separated Parts Of Fr Fork</p> 	<p>F23 Air Cleaner Two</p> 	<p>F24 Caution Label</p> 
<p>F25 Emblem Stripe</p> 		

E01

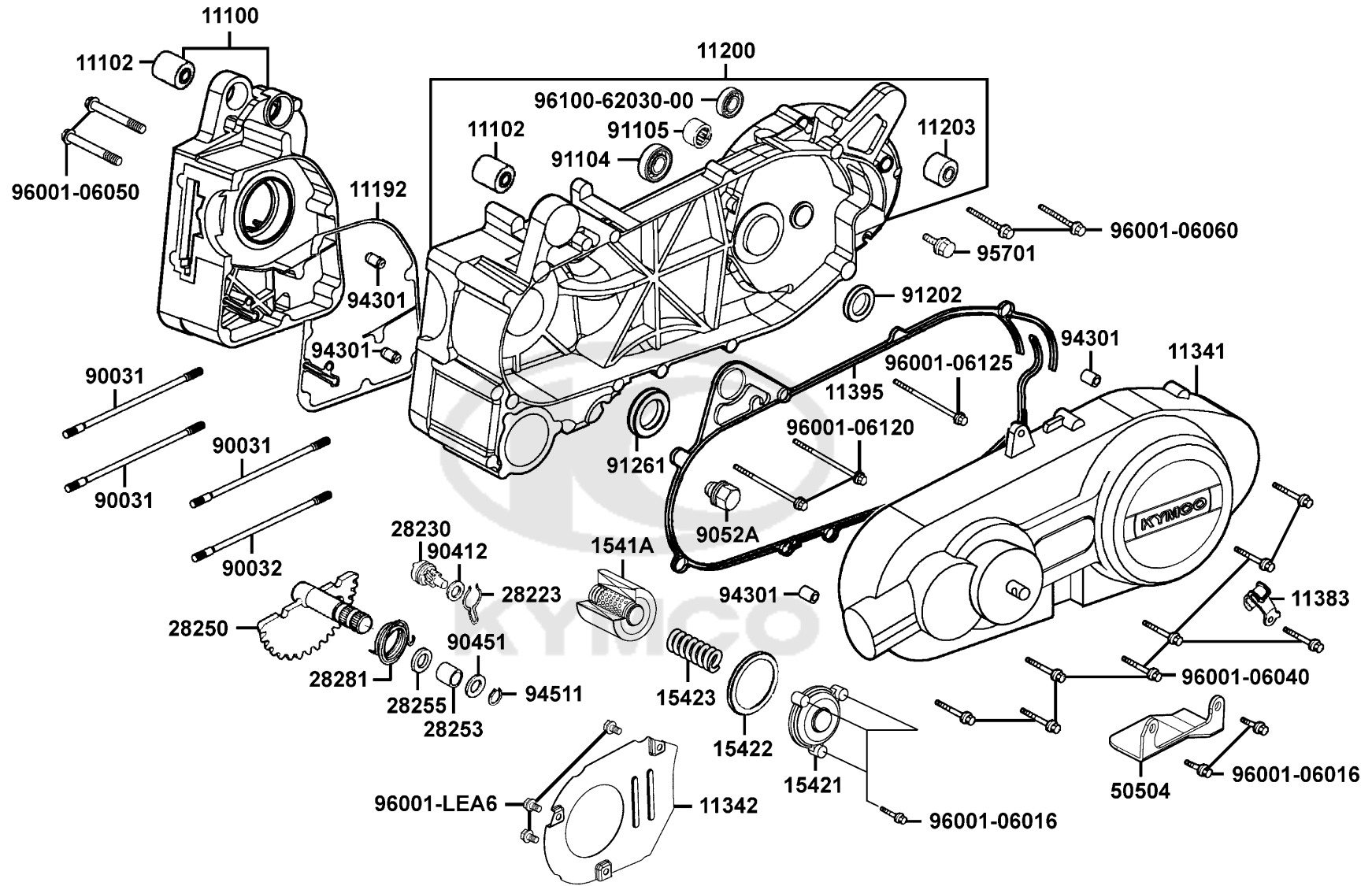
Crank Case



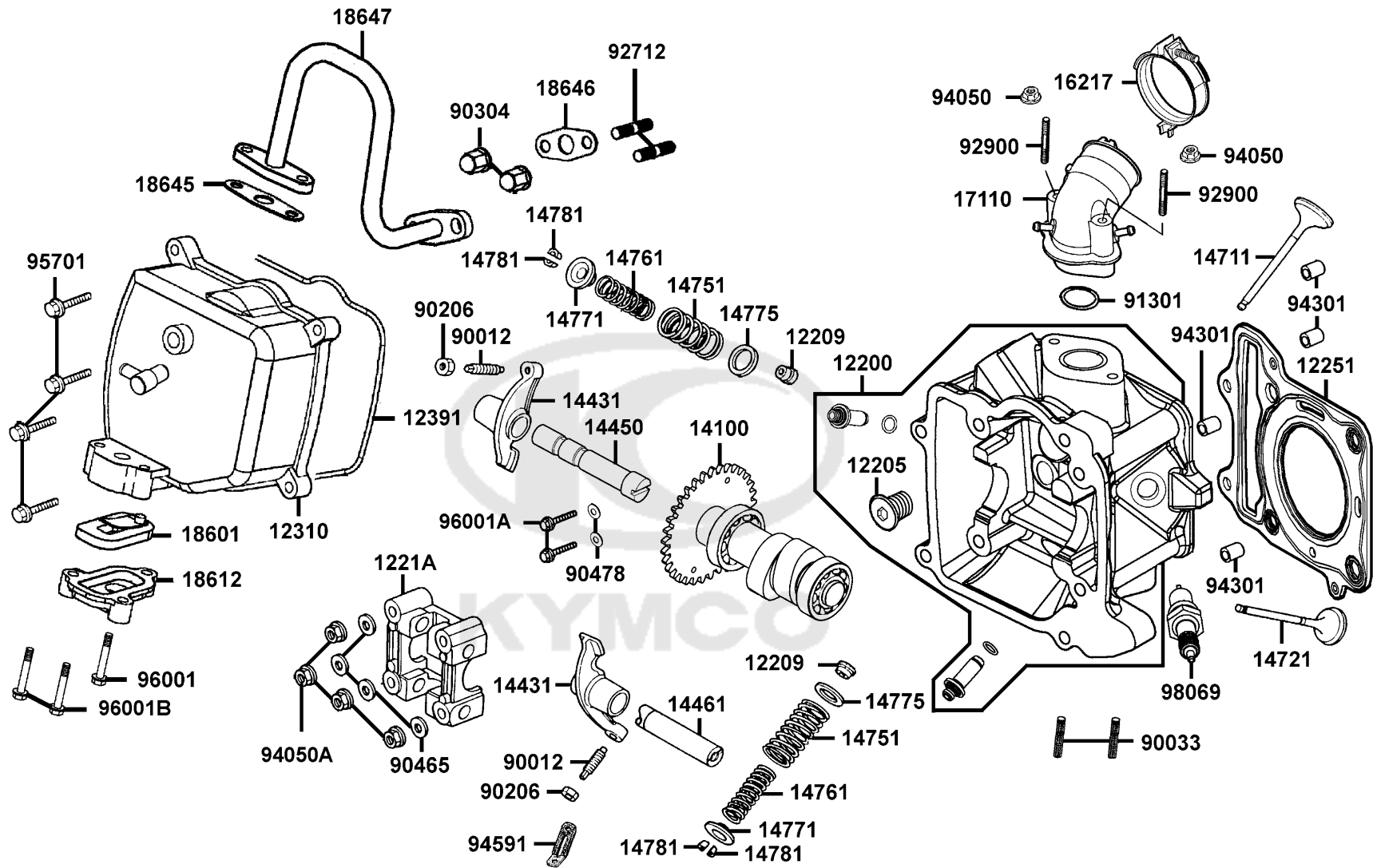
Sales mark 記号	Ref no 参照用番号	Part no パーツ番号	Description 部品名	Reg description 部品名	Regd no 必要個数	Ref Price 希望小売価格(税抜)	E01
	11100	11100-KKC1-305	CRANK CASE ASSY R	CRANK CASE ASSY R	1	19010	
	11102	11102-1G87-004	RUB BUSH ENG HANGER	RUB BUSH ENG HANGER	2	320	
	11192	11192-LEA5-E00	GASKET CRANK CASE @	GASKET CRANK CASE @	1	1180	
	11200	11200-KKC3-315	CASE SET L CRANK	CASE SET L CRANK	1	29280	
	11203	11203-GGC7-301	UNDER RUBBER BUSH REAR CUSHION	UNDER RUBBER BUSH REAR CUSHION	1	250	
**	11341	11341-KKC3-900	COVER L	COVER L	1	14260	
	11342	11342-LEA6-900	PLATE COVER L	PLATE COVER L	1	580	
	11383	11383-KUDU-900	CLAMPER BRTH DRAIN TUBE	CLAMPER BRTH DRAIN TUBE	1	300	
	11395	11395-LEA5-E00	GASKET L COVER @	GASKET L COVER @	1	3270	
	1541A	1541A-KKC3-900	ELEMENT ASSY OIL FILTER	ELEMENT ASSY OIL FILTER	1	960	
	15421	15421-KKC3-900	CAP OIL FILTER	CAP OIL FILTER	1	630	
	15422	15422-KKC3-900	O RING 53.65*2.62	O RING 53.65*2.62	1	140	
	15423	15423-KKC3-900	SPRING CAP OIL	SPRING CAP OIL	1	160	
	28223	28223-KNBN-901	SPG KICK DRIVEN GEAR	SPG KICK DRIVEN GEAR	1	160	
	28230	28230-KNBN-901	GEAR COMP KICK DRIVEN	GEAR COMP KICK DRIVEN	1	1820	
	28250	28250-KFC8-900	SPINDLE COMP KICK STARTER	SPINDLE COMP KICK STARTER	1	2100	
	28253	28253-GBN2-60A	BUSH KICK SPINDLE	BUSH KICK SPINDLE	1	200	
	28255	28255-GFS6-001	COLLAR KICK BOSS	COLLAR KICK BOSS	1	160	
	28281	28281-LEA5-E00	SPG KICK RETURN	SPG KICK RETURN	1	390	
	50504	50504-LEA5-E01	STOPPER MAIN STAND	STOPPER MAIN STAND	1	1060	

E01

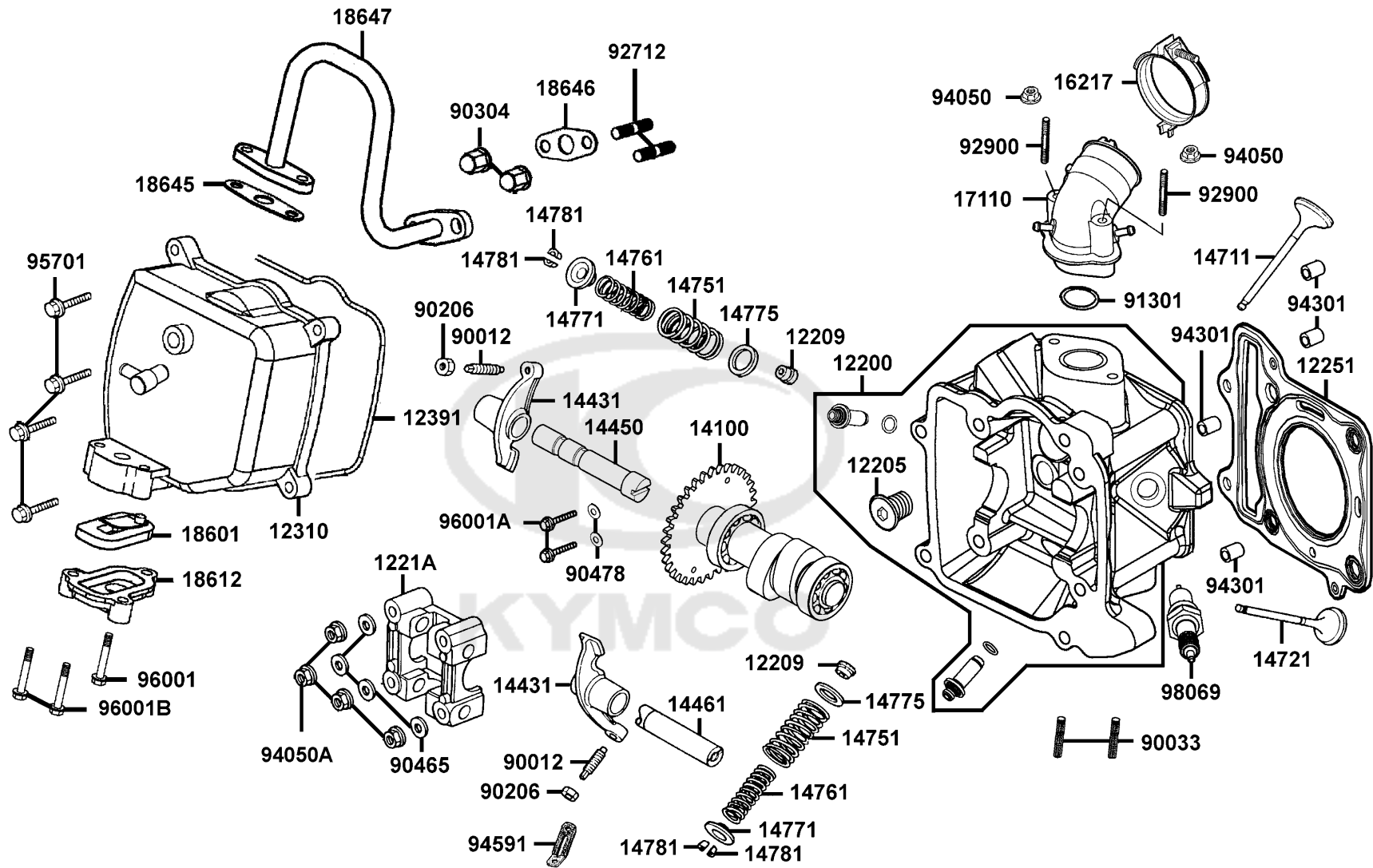
Crank Case



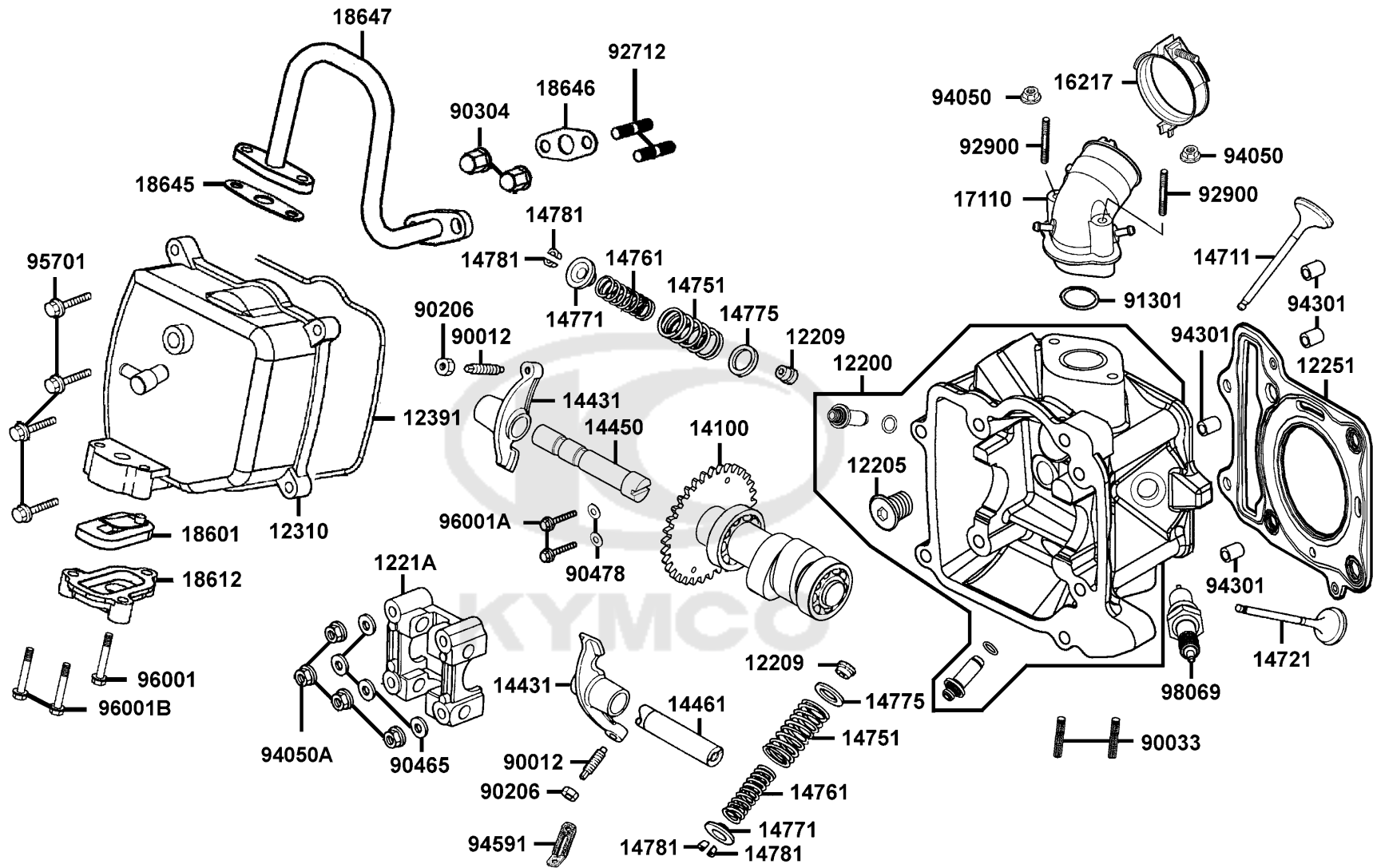
Sales mark 記号	Ref no 参照用番号	Part no パーツ番号	Description 部品名	Reg description 部品名	Regd no 必要個数	Ref Price 希望小売価格(税抜)	E01
90031		90031-KEBE-900	BOLT A STUD 8MM	BOLT A STUD 8MM	3	510	
90032		90032-KEBE-900	BOLT B STUD 8MM	BOLT B STUD 8MM	1	180	
90412		90412-3K29-001	WASHER THRUST 10M/M	WASHER THRUST 10M/M	1	200	
90451		90451-GBN2-601	WASHER KICK SPINDLE	WASHER KICK SPINDLE	1	200	
9052A		9052A-GFY6-950	BOLT ASSY DRAIN PLUG	BOLT ASSY DRAIN PLUG	1	120	
91104		91104-KGN7-671	BRG BALL RADIAL 6204	BRG BALL RADIAL 6204	1	2770	
91105		91105-KGN7-672	BRG NEEDLE	BRG NEEDLE	1	1440	
91202		91202-KKJ9-004	OIL SEAL 20*32*6	OIL SEAL 20*32*6	1	80	
91261		91261-4E15-004	OIL SEAL 25*40*8	OIL SEAL 25*40*8	1	230	
94301		94301-08140	DOWEL PIN 8*14	DOWEL PIN 8*14	4	110	
94511		94511-14000	CIR CLIP EX 14	CIR CLIP EX 14	1	110	
95701		95701-08012-06	BOLT FLANGE 6*22 (K)	BOLT FLANGE 6*22 (K)	1	60	
96001-06016		96001-06016-06	BOLT FLANGE SH 6X16	BOLT FLANGE SH 6X16	1	60	
96001-06040		96001-06040-06	BOLT FLANGE SH 6*40	BOLT FLANGE SH 6*40	1	200	
96001-06050		96001-06050-06	BOLT FLANGE SH 6*50	BOLT FLANGE SH 6*50	1	60	
96001-06060		96001-06060-06	BOLT FLANE 6*60	BOLT FLANE 6*60	1	200	
96001-06120		96001-06120-06	BOLT FLANGE SH 6*120	BOLT FLANGE SH 6*120	1	180	
96001-06125		96001-06125-06	BOLT FLANGE SH 6*125	BOLT FLANGE SH 6*125	1	390	
96001-LEA6		96001-LEA6-900	BOLT , SPECIAL 6X8	BOLT , SPECIAL 6X8	3	160	
96100		96100-62030-00	BRG BALL RADIAL 6203	BRG BALL RADIAL 6203	1	260	



Sales mark 記号	Ref no 参照用番号	Part no パーツ番号	Description 部品名	Reg description 部品名	Regd no 必要個数	Ref Price 希望小売価格(税抜)	E02
12200		12200-LEA5-E00	HEAD COMP CYLN	HEAD COMP CYLN	1	30000	
12205		12205-KHE8-301	BOLT SEALING 12MM	BOLT SEALING 12MM	1	260	
12209		12209-GDB4-68B	SEAL VALVE STEM	SEAL VALVE STEM	3	490	
1221A		1221A-KEBE-900	HOLDER CAM SHAFT COMP	HOLDER CAM SHAFT COMP	1	2990	
12251		12251-LEA5-E00	GASKET CYLINDER HEAD	GASKET CYLINDER HEAD	1	2890	
12310		12310-KEBE-900	COVER COMP CYLN HEAD	COVER COMP CYLN HEAD	1	4190	
12391		12391-KEBE-900	GASKET HEAD COVER	GASKET HEAD COVER	1	370	
14100		14100-LEA6-910	SHAFT COMP CAM	SHAFT COMP CAM	1	9510	
14431		14431-KKC1-900	ARM VALVE ROCKER	ARM VALVE ROCKER	2	5520	
14450		14450-KEBE-900	SHAFT COMP IN ROCKER ARM	SHAFT COMP IN ROCKER ARM	1	820	
14461		14461-KEBE-900	SHAFT EX ROCKER ARM	SHAFT EX ROCKER ARM	1	320	
14711		14711-KKC2-800	VALVE INLET	VALVE INLET	1	1720	
14721		14721-KAAA-900	VALVE EXHAUST	VALVE EXHAUST	1	3530	
14751		14751-KKJ9-003	SPG VALVE OUTER	SPG VALVE OUTER	2	420	
14761		14761-KKJ9-003	SPG VALVE INNER	SPG VALVE INNER	2	300	
14771		14771-GDB4-680	RETAINER VALVE SPRING	RETAINER VALVE SPRING	2	350	
14775		14775-MFA6-001	SEAT VALVE SPG OUTER	SEAT VALVE SPG OUTER	2	160	
14781		14781-MFA6-001	COTTER VALVE	COTTER VALVE	4	200	
16217		16217-KKC2-800	BAND INSULATOR	BAND INSULATOR	1	420	
17110		17110-KKC1-E00	PIPE COMP INLET	PIPE COMP INLET	1	3010	



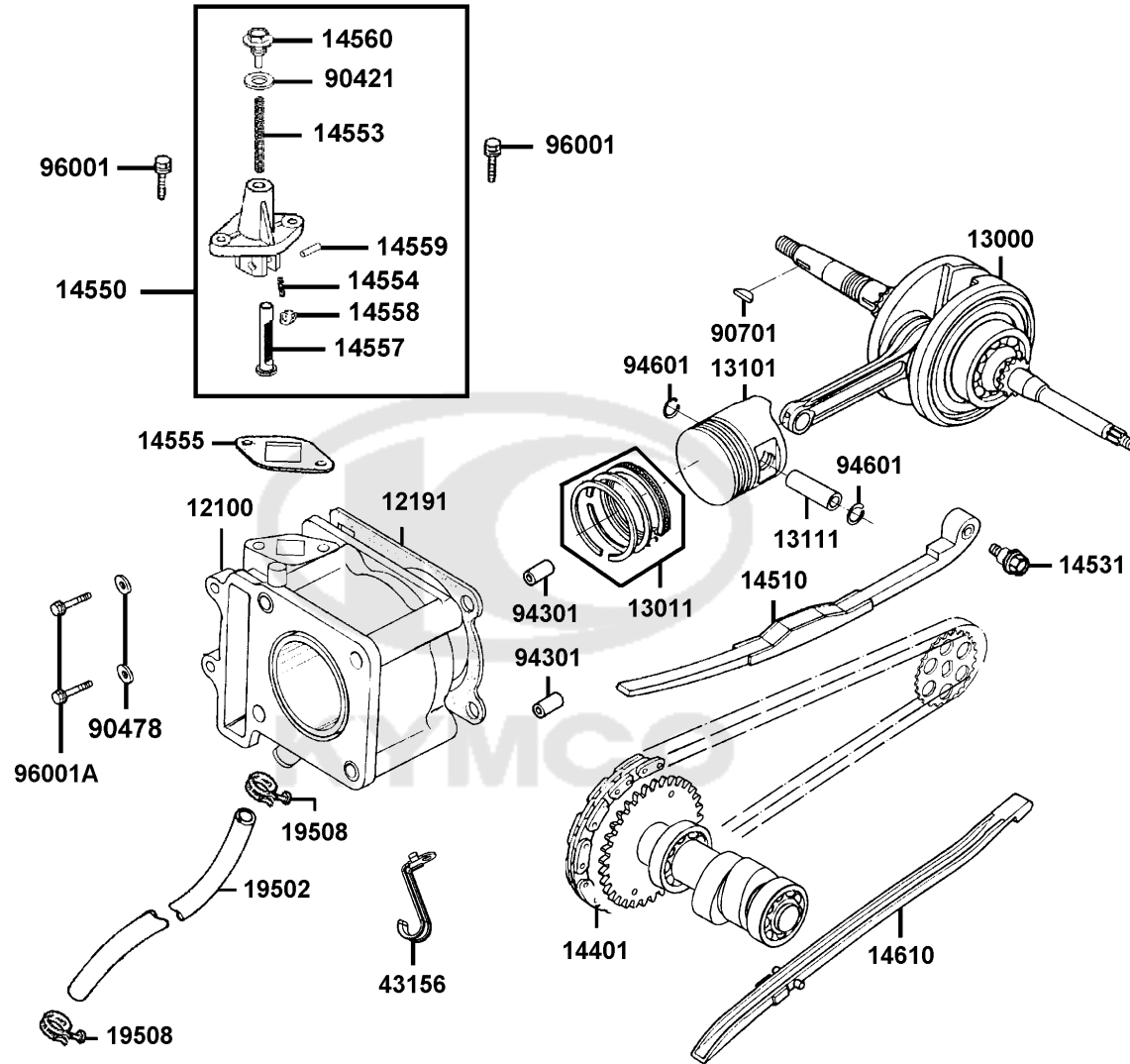
Sales mark 記号	Ref no 参照用番号	Part no パーツ番号	Description 部品名	Reg description 部品名	Regd no 必要個数	Ref Price 希望小売価格(税抜)	E02
18601	18601-MAJ1-791	18601-MAJ1-791	REED VALVE COMP	REED VALVE COMP	1	2220	
18612	18612-KEBE-900	18612-KEBE-900	COVER REED VALVE	COVER REED VALVE	1	520	
18645	18645-GFY6-941	18645-GFY6-941	GASKET A/I PIPE	GASKET A/I PIPE	1	60	
18646	18646-GFY6-941	18646-GFY6-941	GASKET A/I PIPE	GASKET A/I PIPE	1	60	
18647	18647-KEBE-900	18647-KEBE-900	PIPE COMP AIR	PIPE COMP AIR	1	2010	
90012	90012-3C33-001	90012-3C33-001	SCREW TAPPET ADJUSTING	SCREW TAPPET ADJUSTING	2	110	
90033	90033-GFY6-900	90033-GFY6-900	BOLT STUD 8*32	BOLT STUD 8*32	2	60	
90206	90206-0A01-001	90206-0A01-001	NUT TAPPET ADJG	NUT TAPPET ADJG	2	60	
90304	90304-4H38-001	90304-4H38-001	NUT HEX CAP 6MM	NUT HEX CAP 6MM	2	200	
90465	90465-MDC4-001	90465-MDC4-001	WASHER 8MM	WASHER 8MM	4	60	
90478	90478-7L00-001	90478-7L00-001	WASHER A 6MM	WASHER A 6MM	2	60	
91301	91301-0H28-001	91301-0H28-001	O RING 27*2	O RING 27*2	1	70	
92712	92712-06028-0B	92712-06028-0B	BOLT STUD 6*28	BOLT STUD 6*28	1	200	
92900	92900-06045-0B	92900-06045-0B	BOLT STUD SH 6*45	BOLT STUD SH 6*45	2	160	
94050	94050-06080	94050-06080	NUT FLANGE 6MM	NUT FLANGE 6MM	2	60	
94050A	94050-08080	94050-08080	NUT FLANGE 8MM	NUT FLANGE 8MM	4	60	
94301	94301-10160	94301-10160	DOWEL PIN 10*16	DOWEL PIN 10*16	4	60	
94591	94591-KFBF-900	94591-KFBF-900	CLIP 2*70	CLIP 2*70	1	60	
95701	95701-06025-06	95701-06025-06	BOLT FLANGE 6*25	BOLT FLANGE 6*25	1	60	
96001	96001-06016-06	96001-06016-06	BOLT FLANGE SH 6X16	BOLT FLANGE SH 6X16	1	60	



Sales mark 記号	Ref no 参照用番号	Part no パーツ番号	Description 部品名	Reg description 部品名	Regd no 必要個数	Ref Price 希望小売価格(税抜)	E02
96001A	96001-06025-06	96001-06025-06	BOLT FLANGE SH 6*25	BOLT FLANGE SH 6*25	1	60	
96001B	96001-06032-06	96001-06032-06	BOLT FLANGE 6*32	BOLT FLANGE 6*32	1	60	
98069	98069-5791R-00	98069-5791R-00	SPARK PLUG DPR(7EA-9)	SPARK PLUG DPR(7EA-9)	1	1210	

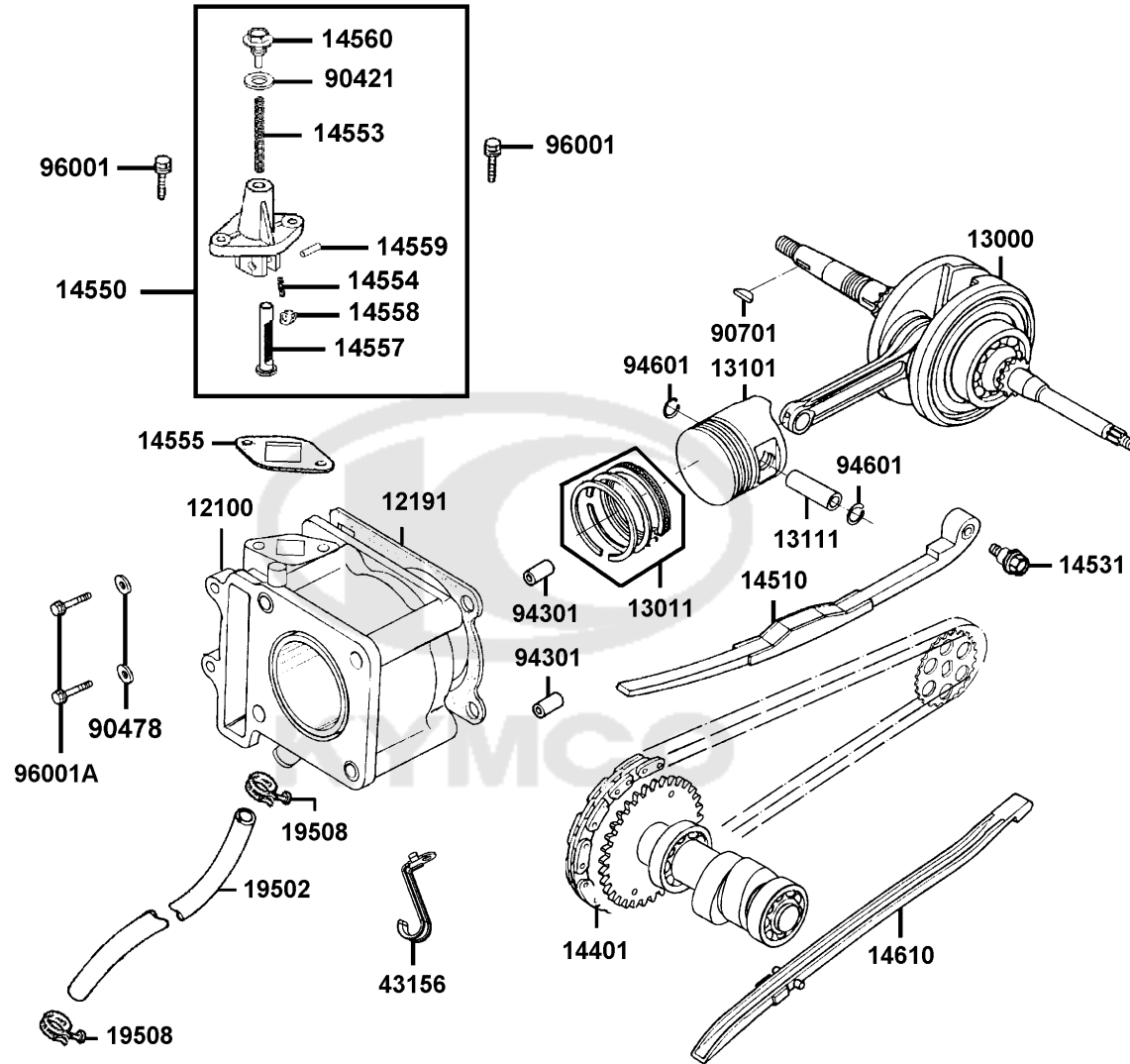


Cylinder Piston Crankshaft

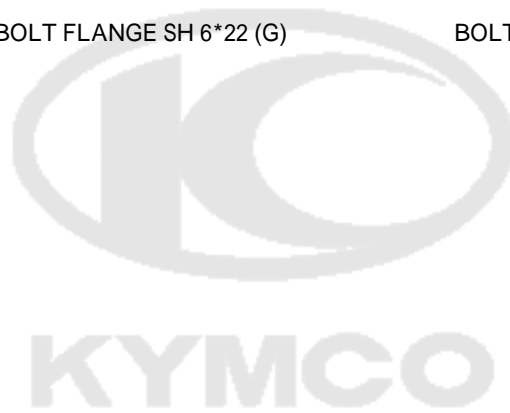


Sales mark 記号	Ref no 参照用番号	Part no パーツ番号	Description 部品名	Reg description 部品名	Regd no 必要個数	Ref Price 希望小売価格(税抜)	E03
12100		12100-LEA5-E00	CYLINDER COMP	CYLINDER COMP	1	21390	
12191		12191-LEA5-E00	GASKET CYLINDER	GASKET CYLINDER	1	510	
13000		13000-KKC2-900	CRANK SHAFT COMP	CRANK SHAFT COMP	1	27950	
13011		13011-GFY6-90B	RING ASSY PISTON	RING ASSY PISTON	1	3050	
13101		13101-KED1-900	PISTON	PISTON	1	2800	
13111		13111-3D84-001	PIN PISTON	PIN PISTON	1	490	
14401		14401-KUDU-90C	CHAIN CAM	CHAIN CAM	2	3810	
14510		14510-KEBE-900	TENSIONER CAM CHAIN	TENSIONER CAM CHAIN	1	2290	
14531		14531-KKJ9-001	PIVOT CAM CHAIN TENSIONER	PIVOT CAM CHAIN TENSIONER	1	140	
14550		14550-KDS4-00B	ADJUSTER CAM CHAIN	ADJUSTER CAM CHAIN	1	3050	
14553		14553-KGBG-900	SPRING CAM CHAIN ADJUSTER	SPRING CAM CHAIN ADJUSTER	1	300	
14554		14554-KAM1-004	SPRING RATCHET	SPRING RATCHET	1	110	
14555		14555-LBA2-E00	GASKET CAM CHAIN ADJUSTER	GASKET CAM CHAIN ADJUSTER	1	130	
14557		14557-KGBG-900	PLUGER ADJUSTER	PLUGER ADJUSTER	1	770	
14558		14558-KGBG-900	CAM ADJUSTER	CAM ADJUSTER	1	300	
14559		14559-KGBG-900	PIN ADJUSTER	PIN ADJUSTER	1	300	
14560		14560-KGBG-900	PLUG COMP ADJUSTER	PLUG COMP ADJUSTER	1	580	
14610		14610-KKJ9-001	GUIDE COMP CAM CHAIN	GUIDE COMP CAM CHAIN	1	1010	
19502		19502-KEBE-900	HOSE WATER B	HOSE WATER B	1	510	
19508		19508-LBA2-E00	CLAMP WATER HOSE	CLAMP WATER HOSE	2	300	

Cylinder Piston Crankshaft

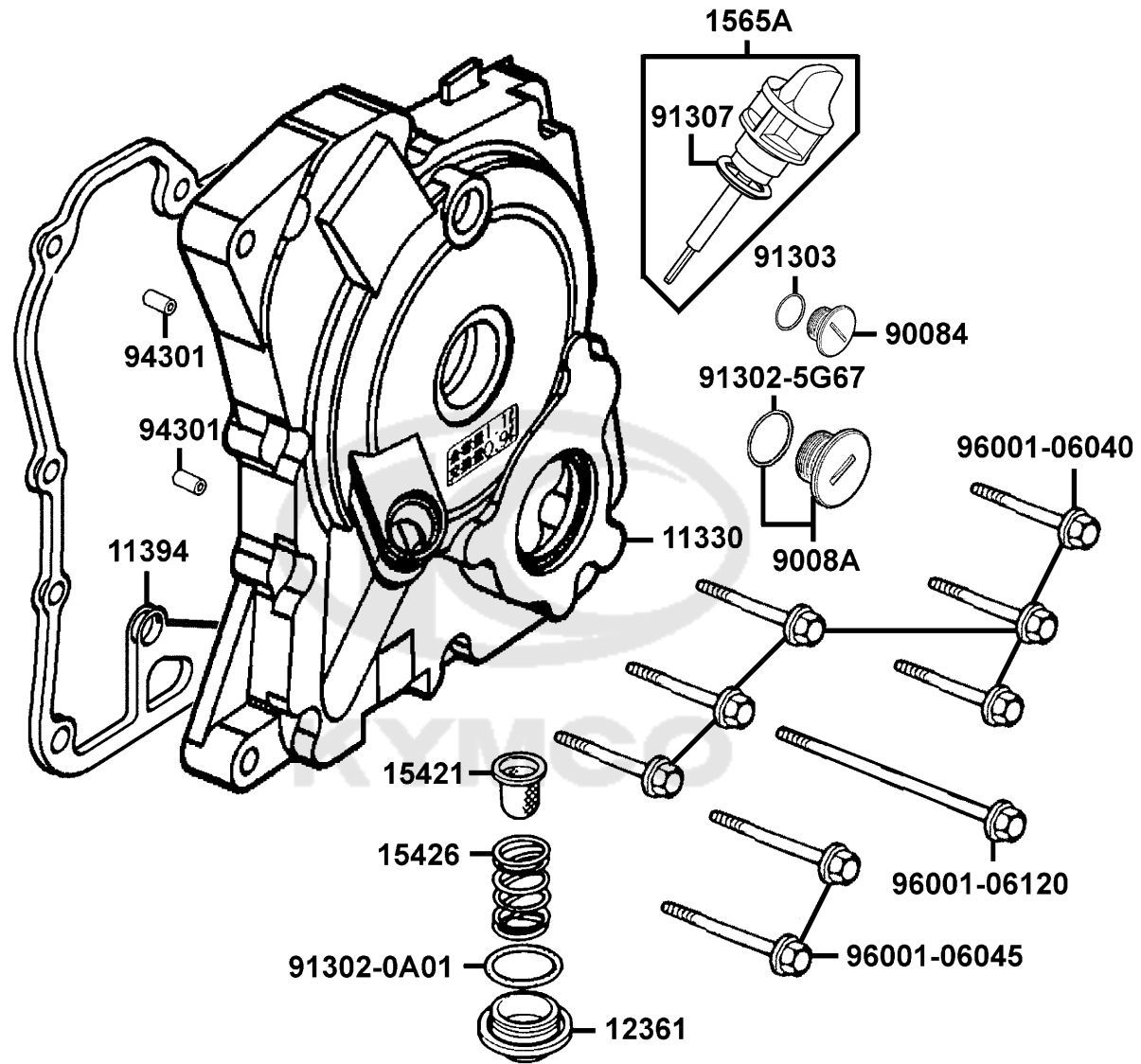


Sales mark 記号	Ref no 参照用番号	Part no パーツ番号	Description 部品名	Reg description 部品名	Regd no 必要個数	Ref Price 希望小売価格(税抜)	E03
43156		43156-LEA5-E00	CLAMPER RR BRK HOSE	CLAMPER RR BRK HOSE	1	390	
90421		90421-KAM1-004	WASHER SEALING 8*16*1.6	WASHER SEALING 8*16*1.6	1	60	
90478		90478-7L00-001	WASHER A 6MM	WASHER A 6MM	2	60	
90701		90701-HFB6-011	KEY WOODRUFF 25*14*4	KEY WOODRUFF 25*14*4	1	60	
94301		94301-10160	DOWEL PIN 10*16	DOWEL PIN 10*16	2	60	
94601		94601-15000	CLIP PISTON PIN 15MM	CLIP PISTON PIN 15MM	2	60	
96001		96001-06018-06	BOLT FLANGE SH 6X18	BOLT FLANGE SH 6X18	1	60	
96001A		96001-06022-06	BOLT FLANGE SH 6*22 (G)	BOLT FLANGE SH 6*22 (G)	1	60	

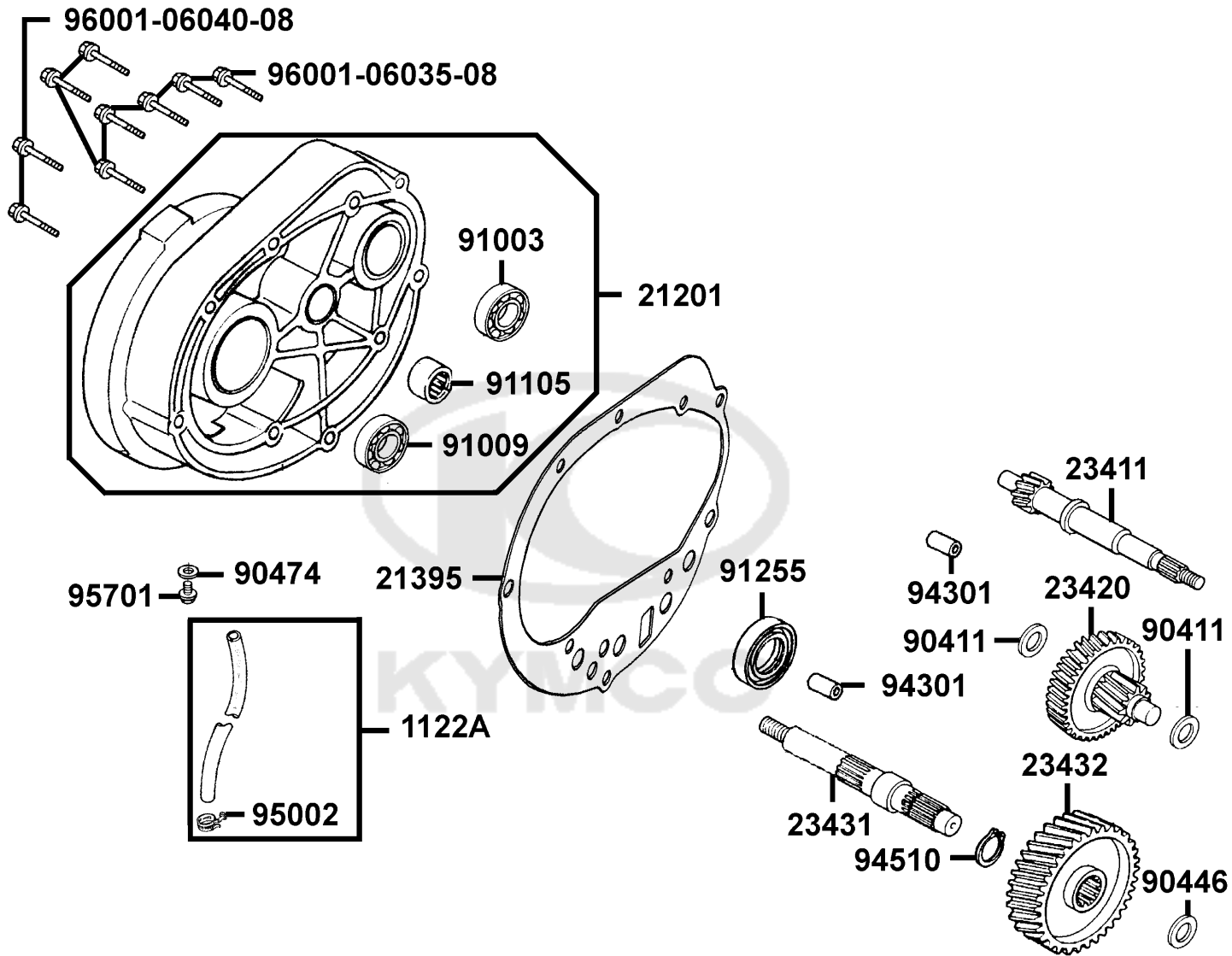


E04

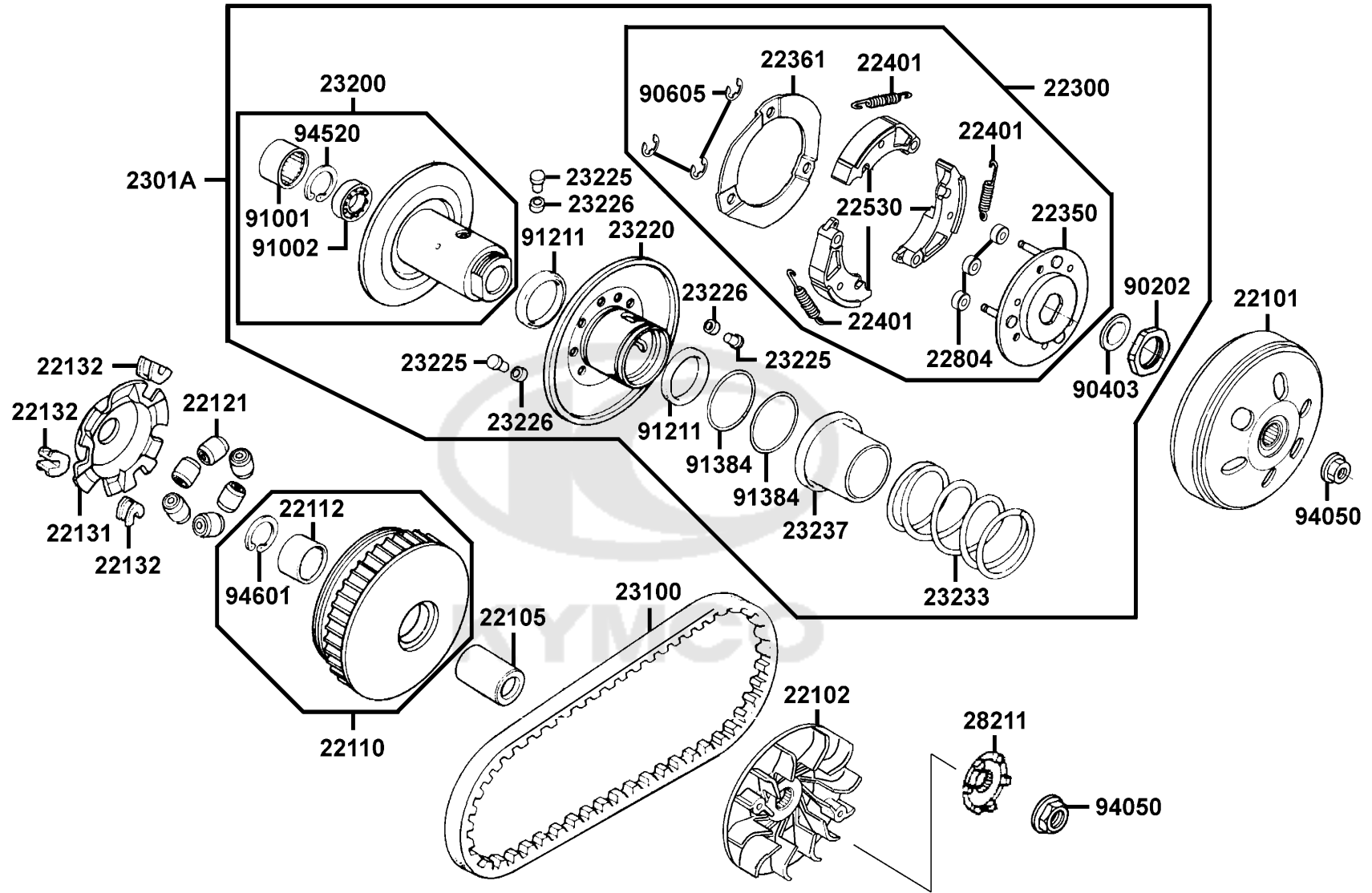
Right Crankcase cover



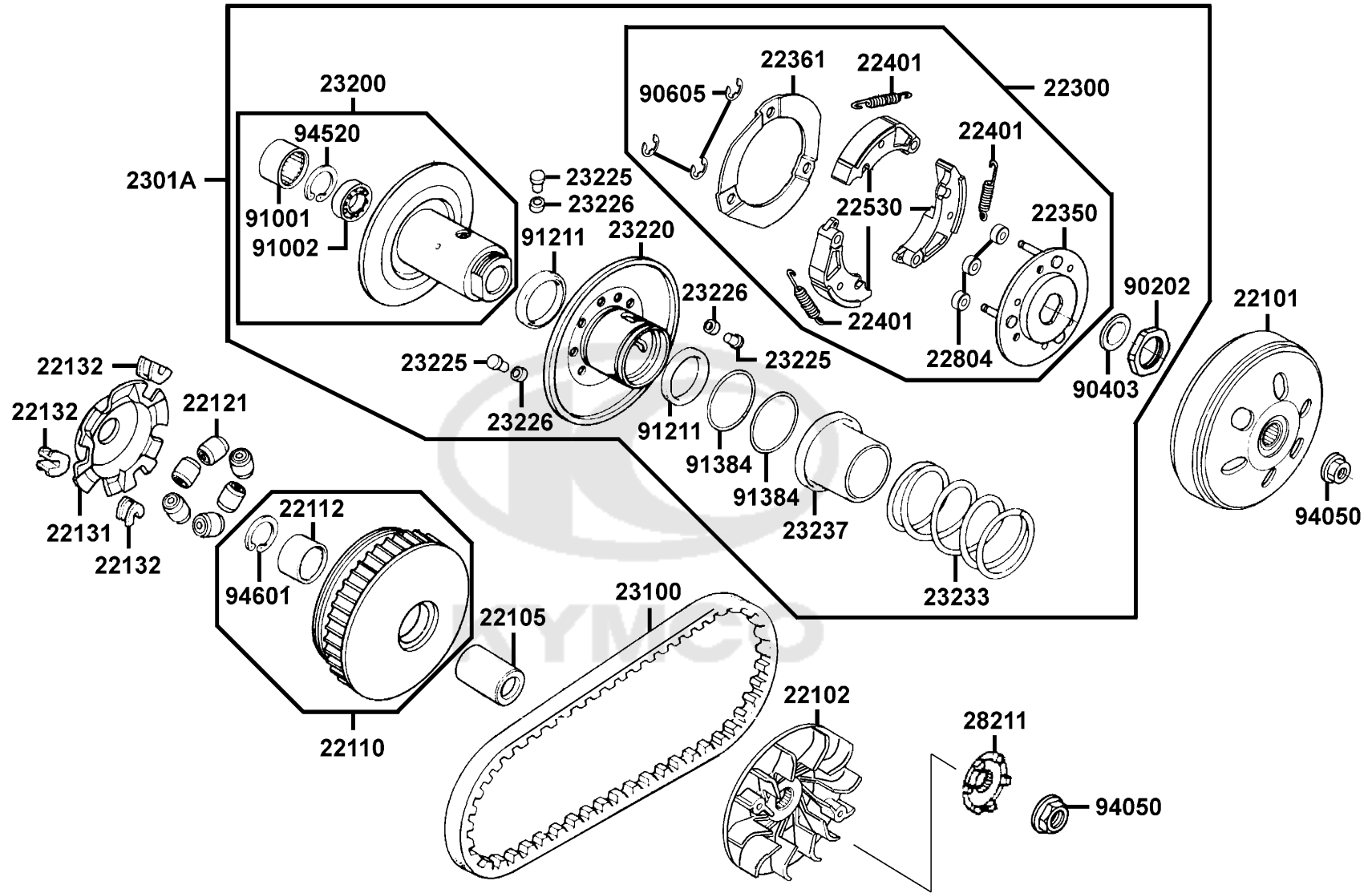
Sales mark 記号	Ref no 参照用番号	Part no パーツ番号	Description 部品名	Reg description 部品名	Regd no 必要個数	Ref Price 希望小売価格(税抜)	E04
**	11330	11330-KKC3-900	COVER COMP RIGHT	COVER COMP RIGHT	1	15590	
	11394	11394-LEA5-E00	GASKET R COVER	GASKET R COVER @	1	1530	
**	12361	12361-LEA5-E00	HOLE CAP TAPPET ADJUST	HOLE CAP TAPPET ADJUST	1	490	
	15421	15421-1G07-001	SCREEN OIL FILTER	SCREEN OIL FILTER	1	350	
	15426	15426-GAE1-921	SPG OIL FILTER SCREEN	SPG OIL FILTER SCREEN	1	160	
	1565A	1565A-KEBE-900	GAUGE OIL LEVEL ASSY	GAUGE OIL LEVEL ASSY	1	390	
**	90084	90084-LEA5-001	CAP A.C.G	CAP A.C.G	1	390	
**	9008A	9008A-LEA5-001	CAP ASSY 30MM	CAP ASSY 30MM	1	680	
	91302-0A01	91302-0A01-021	O-RING 30.8M/M	O-RING 30.8M/M	1	60	
	91302-5G67	91302-5G67-004	O-RING 27.4*2.4	O-RING 27.4*2.4	1	200	
	91303	91303-3G77-001	O-RING 13.8*2.5	O-RING 13.8*2.5	1	60	
	91307	91307-0E35-001	O RING 18*3	O RING 18*3	1	60	
	94301	94301-08140	DOWEL PIN 8*14	DOWEL PIN 8*14	2	110	
	96001-06040	96001-06040-06	BOLT FLANGE SH 6*40	BOLT FLANGE SH 6*40	1	200	
	96001-06045	96001-06045-06	BOLT FLANGE 6*45 **07 C.2005.07.01	BOLT FLANGE 6*45 **07 C.2005.07.01	1	60	
	96001-06120	96001-06120-06	BOLT FLANGE SH 6*120	BOLT FLANGE SH 6*120	1	180	



Sales mark 記号	Ref no 参照用番号	Part no パーツ番号	Description 部品名	Reg description 部品名	Regd no 必要個数	Ref Price 希望小売価格(税抜)	E05
1122A		1122A-KKC2-900	TUBE ASSY	TUBE ASSY	1	250	
21201		21201-KFC8-305	CASE SET MISSION	CASE SET MISSION	1	11410	
21395		21395-LEA5-E00	GASKET MISSION CASE @	GASKET MISSION CASE @	1	1010	
23411		23411-KKC2-900	SHAFT DRIVE	SHAFT DRIVE	1	4570	
23420		23420-LEA5-E00	SHAFT COMP COUNTER	SHAFT COMP COUNTER	1	12360	
23431		23431-KFC8-900	SHAFT FINAL	SHAFT FINAL	1	6280	
23432		23432-LEA5-E00	GEAR FINAL	GEAR FINAL	1	8800	
90411		90411-KAM1-001	WASHER THRUST 14*32*1	WASHER THRUST 14*32*1	2	130	
90446		90446-3G57-001	WASHER THRUST 17.2MM	WASHER THRUST 17.2MM	1	110	
90474		90474-3C33-001	WASHER 8MM	WASHER 8MM	1	60	
91003		91003-KDS4-004	BRG BALL RADIAL 6301TMB	BRG BALL RADIAL 6301TMB	1	620	
91009		91009-GLE0-004	BRG BALL RADIAL 6004 UU	BRG BALL RADIAL 6004 UU	1	1300	
91105		91105-KGN7-672	BRG NEEDLE	BRG NEEDLE	1	1440	
91255		91255-GLE0-006	OIL SEAL 27*42*7	OIL SEAL 27*42*7	1	60	
94301		94301-08140	DOWEL PIN 8*14	DOWEL PIN 8*14	2	110	
94510		94510-20000	CIR CLIP EX 20	CIR CLIP EX 20	1	60	
95002		95002-02080	CLIP B8 TUBE	CLIP B8 TUBE	1	60	
95701		95701-08012-06	BOLT FLANGE 6*22 (K)	BOLT FLANGE 6*22 (K)	1	60	
96001-06035		96001-06035-06	BOLT FLANGE SH 6*35	BOLT FLANGE SH 6*35	1	130	
96001-06040		96001-06040-06	BOLT FLANGE SH 6*40	BOLT FLANGE SH 6*40	1	200	



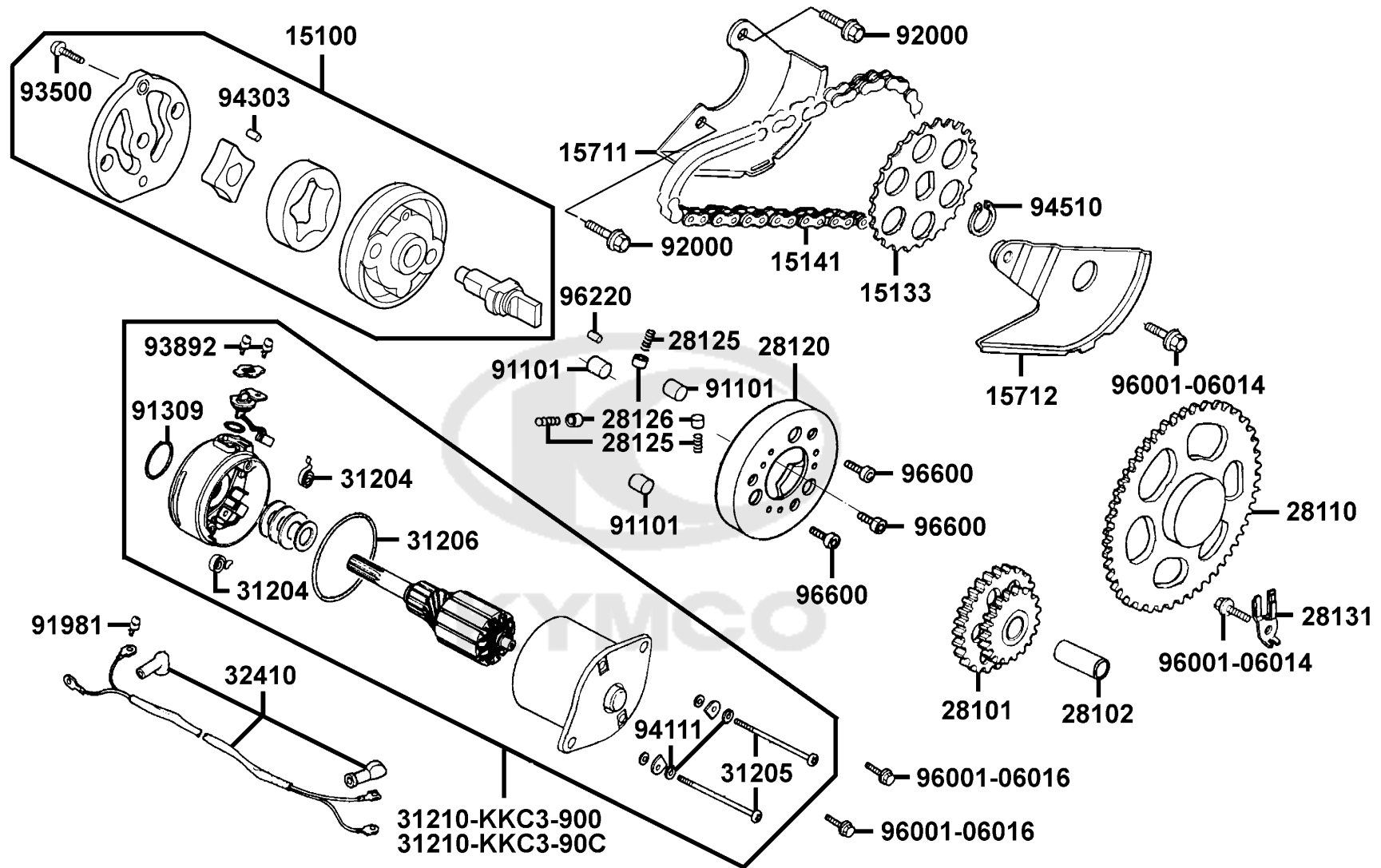
Sales mark 記号	Ref no 参照用番号	Part no パーツ番号	Description 部品名	Reg description 部品名	Regd no 必要個数	Ref Price 希望小売価格(税抜)	E06
22101		22101-KEBE-900	OUTER CLUTCH	OUTER CLUTCH	1	5330	
22102		22102-KKC3-900	FACE DRIVE	FACE DRIVE	1	2670	
22105		22105-KHD4-E00	BOSS DRIVE FACE	BOSS DRIVE FACE	1	1340	
22110		22110-KKC3-900	FACE COMP MOVABLE DRIVE	FACE COMP MOVABLE DRIVE	1	4000	
22112		22112-KAAA-900	COLLAR DRIVE FACE	COLLAR DRIVE FACE	1	250	
22121		22121-LEA5-305	ROLLER SET WEIGHT (1SET:6PCS)	ROLLER SET WEIGHT(旧品番の22121-LEA5	1	420	
22131		22131-KAAA-900	PLATE RAMP	PLATE RAMP	1	990	
22132		22132-KGN7-670	PIECE SLIDE	PIECE SLIDE	3	200	
22300		22300-LBF6-E00	PLATE ASSY DRIVE	PLATE ASSY DRIVE	1	8470	
22350		22350-KGN7-671	PLATE COMP DRIVE	PLATE COMP DRIVE	1	5330	
22361		22361-KGN7-671	PLATE CLUTCH SIDE	PLATE CLUTCH SIDE	1	390	
22401		22401-LLB1-900	SPRING CLUTCH	SPRING CLUTCH	3	160	
22530		22530-LKG2-900	WEIGHT. CLUTCH	WEIGHT. CLUTCH	3	2960	
22804		22804-GBB2-001	RUBBER CLUTCH DAMPER	RUBBER CLUTCH DAMPER	3	200	
2301A		2301A-LEA5-E00	PULLEY SUB ASSY	PULLEY SUB ASSY	1	23290	
23100		23100-KKC2-900	BELT DRIVE	BELT DRIVE	1	5140	
23200		23200-KEBE-900	FACE ASSY DRIVEN	FACE ASSY DRIVEN	1	9890	
23220		23220-LLB1-900	FACE COMP MOVABLE DRIVEN	FACE COMP MOVABLE DRIVEN	1	5900	
23225		23225-GHC8-004	PIN ROLLER GUIDE	PIN ROLLER GUIDE	3	60	
23226		23226-GHC8-004	ROLLER GUIDE	ROLLER GUIDE	3	60	



Sales mark 記号	Ref no 参照用番号	Part no パーツ番号	Description 部品名	Reg description 部品名	Regd no 必要個数	Ref Price 希望小売価格(税抜)	E06
23233		23233-LEA5-E00	SPG DRIVEN FACE	SPG DRIVEN FACE	1	1150	
23237		23237-KHG8-901	COLLAR SEAL	COLLAR SEAL	1	610	
28211		28211-KFC8-900	RATCHET KICK STARTER	RATCHET KICK STARTER	1	1150	
90202		90202-KGN7-671	NUT SPECIAL 28MM	NUT SPECIAL 28MM	1	250	
90403		90403-KGN7-671	WASHER THRUST	WASHER THRUST	1	260	
90605		90605-1F66-721	CIR CLIP 7MM	CIR CLIP 7MM	3	60	
91001		91001-GFY6-90A	BRG NDL 20*29*18	BRG NDL 20*29*18	1	480	
91002		91002-GGA7-70A	BRG BALL RADIAL 6902U	BRG BALL RADIAL 6902U	1	510	
91211		91211-KEBE-900	SEAL DRIVEN FACE 34*41*4	SEAL DRIVEN FACE 34*41*4	2	770	
91384		91384-KEBE-900	O-RING	O-RING	2	160	
94050		94050-12080	NUT C FLANGE 12MM	NUT C FLANGE 12MM	2	60	
94520		94520-28000	CIR CLIP IN 28	CIR CLIP IN 28	1	60	
94601		94601-33000	CLIP PISTON PIN 33MM	CLIP PISTON PIN 33MM	1	60	

E07

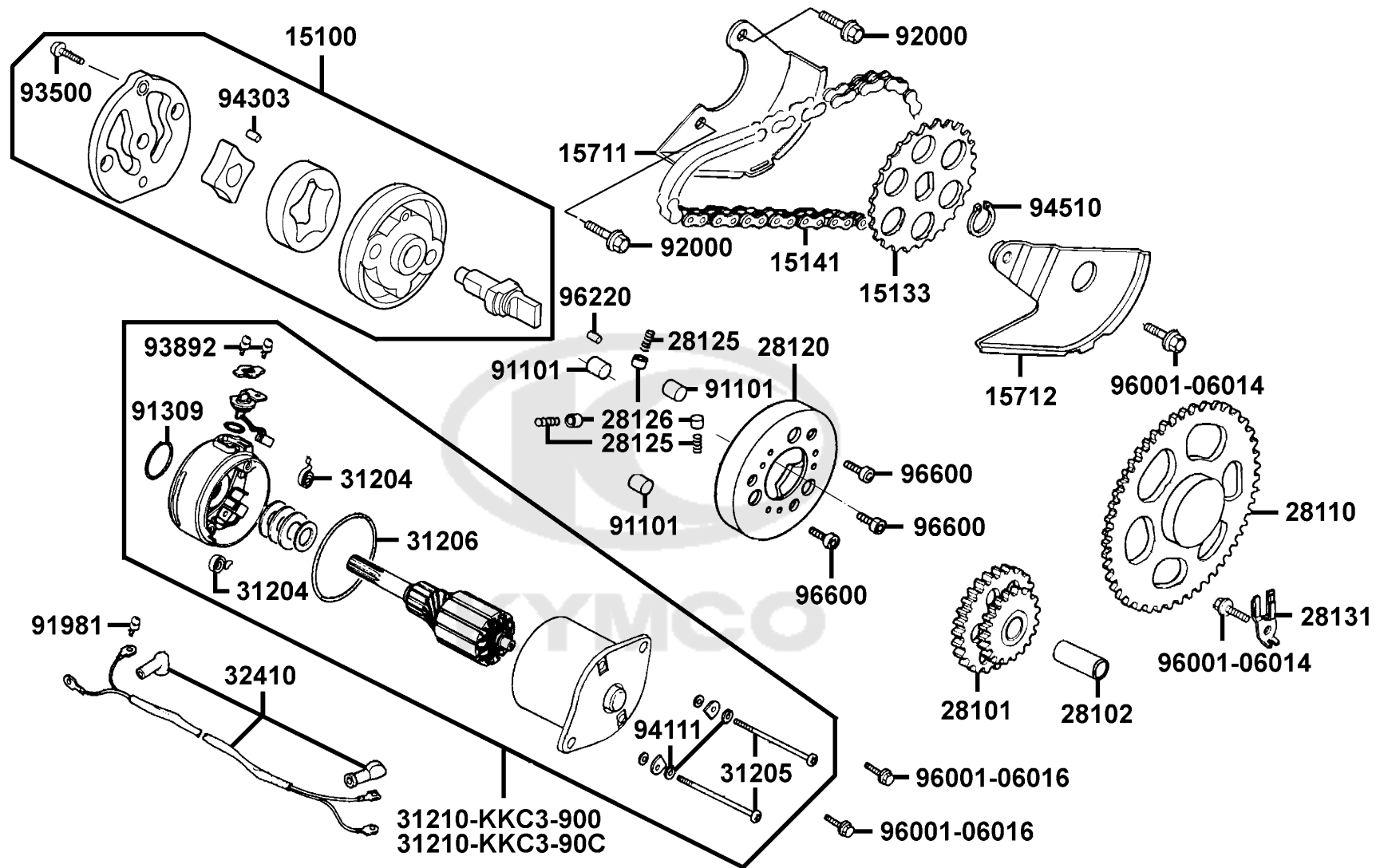
Starting Motor Oil Pump



Sales mark 記号	Ref no 参照用番号	Part no パーツ番号	Description 部品名	Reg description 部品名	Regd no 必要個数	Ref Price 希望小売価格(税抜)	E07
15100		15100-KKC3-900	PUMP ASSY OIL	PUMP ASSY OIL	1	3240	
15133		15133-KAM1-001	SPROCKET OIL PUMP DRIVE	SPROCKET OIL PUMP DRIVE	1	960	
15141		15141-KKJ9-004	CHAIN OIL PUMP	CHAIN OIL PUMP	1	1210	
15711		15711-KKC3-900	OIL SEPARATER A	OIL SEPARATER A	1	200	
15712		15712-KEBE-900	OIL SEPARATER COMP B	OIL SEPARATER COMP B	1	230	
28101		28101-KKJ9-011	GEAR STARTER REDUCTION	GEAR STARTER REDUCTION	1	2860	
28102		28102-KKJ9-001	SHAFT STARTER REDUCTION GEAR	SHAFT STARTER REDUCTION GEAR	1	160	
28110		28110-KGN7-672	GEAR COMP STARTING CLUTCH	GEAR COMP STARTING CLUTCH	1	5520	
28120		28120-KEBE-305	OUTER COMP STARTING CLUTCH	OUTER COMP STARTING CLUTCH	1	8180	
28125		28125-4F26-001	SPRING ROLLER STARTER CLUTCH	SPRING ROLLER STARTER CLUTCH	3	160	
28126		28126-KUDU-900	CAP STARTING ROLLER SPRING	CAP STARTING ROLLER SPRING	3	160	
28131		28131-KGN7-671	GUIDE STARTING DRIVEN GEAR	GUIDE STARTING DRIVEN GEAR	1	110	
31204		31204-KGN7-670	SPG CARBON BRUSH	SPG CARBON BRUSH	2	160	
31205		31205-KGN7-670	BOLT SET	BOLT SET	2	160	
31206		31206-KGN7-670	O-RING	O-RING	1	160	
31210-KKC3-900		31210-KKC3-900	MOTOR UNIT START	MOTOR UNIT START	1	14830	
31210-KKC3-90C		31210-KKC3-90C	MOTOR UNIT START	MOTOR UNIT START	1	14830	
32410		32410-LEA5-E00	CABLE START MOTOR	CABLE START MOTOR	1	1530	
91101		91101-1K79-711	ROLLER 10*10	ROLLER 10*10	3	60	
91309		91309-4E25-004	O-RING 24.4*3.1	O-RING 24.4*3.1	1	60	

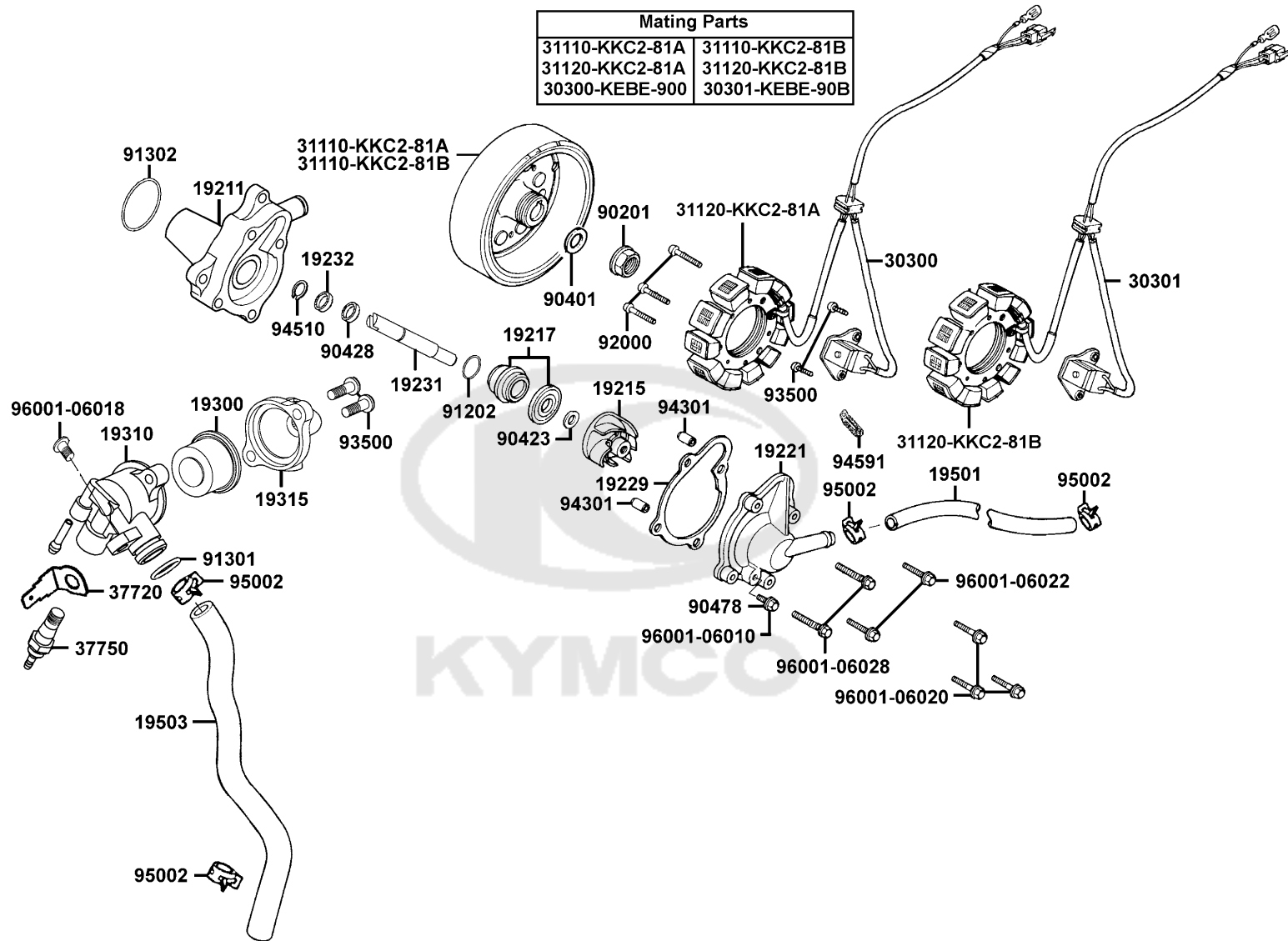
E07

Starting Motor Oil Pump



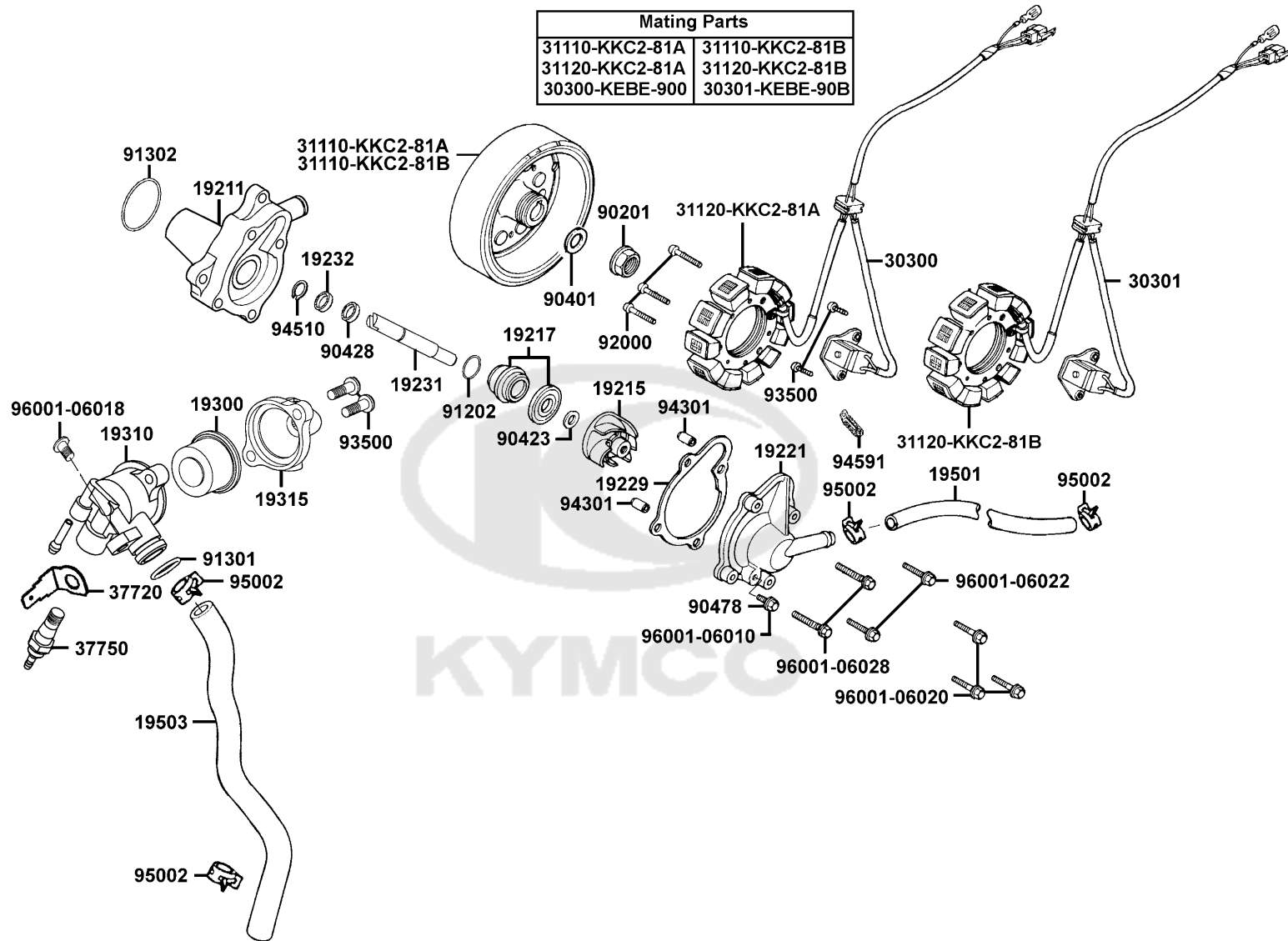
Sales mark 記号	Ref no 参照用番号	Part no パーツ番号	Description 部品名	Reg description 部品名	Regd no 必要個数	Ref Price 希望小売価格(税抜)	E07
91981		91981-KGN7-670	SCREW WASH 5*8	SCREW WASH 5*8	1	60	
92000		92000-06028-0G	BOLT HEX 6X28	BOLT HEX 6X28	1	200	
93500		93500-03010-0F	SCREW PAN 3X10 (G)	SCREW PAN 3X10 (G)	1	60	
93892		93892-04006-08	SCREW WASHER 4*6	SCREW WASHER 4*6	2	60	
94111		94111-05800	WASHER SPRING 5MM	WASHER SPRING 5MM	2	60	
94303		94303-04065	DOWEL PIN 4*6.5	DOWEL PIN 4*6.5	1	60	
94510		94510-10000	CIR CLIP EX 10MM	CIR CLIP EX 10MM	1	70	
96001-06014		96001-06014-06	BOLT FLANGE SH 6*14 (G)	BOLT FLANGE SH 6*14 (G)	1	60	
96001-06016		96001-06016-06	BOLT FLANGE SH 6X16	BOLT FLANGE SH 6X16	1	60	
96220		96220-60100	ROLLER 6*10	ROLLER 6*10	1	60	
96600		96600-08015-16	SOCKET BOLT 8*15	SOCKET BOLT 8*15	1	390	

Mating Parts	
31110-KKC2-81A	31110-KKC2-81B
31120-KKC2-81A	31120-KKC2-81B
30300-KEBE-900	30301-KEBE-90B

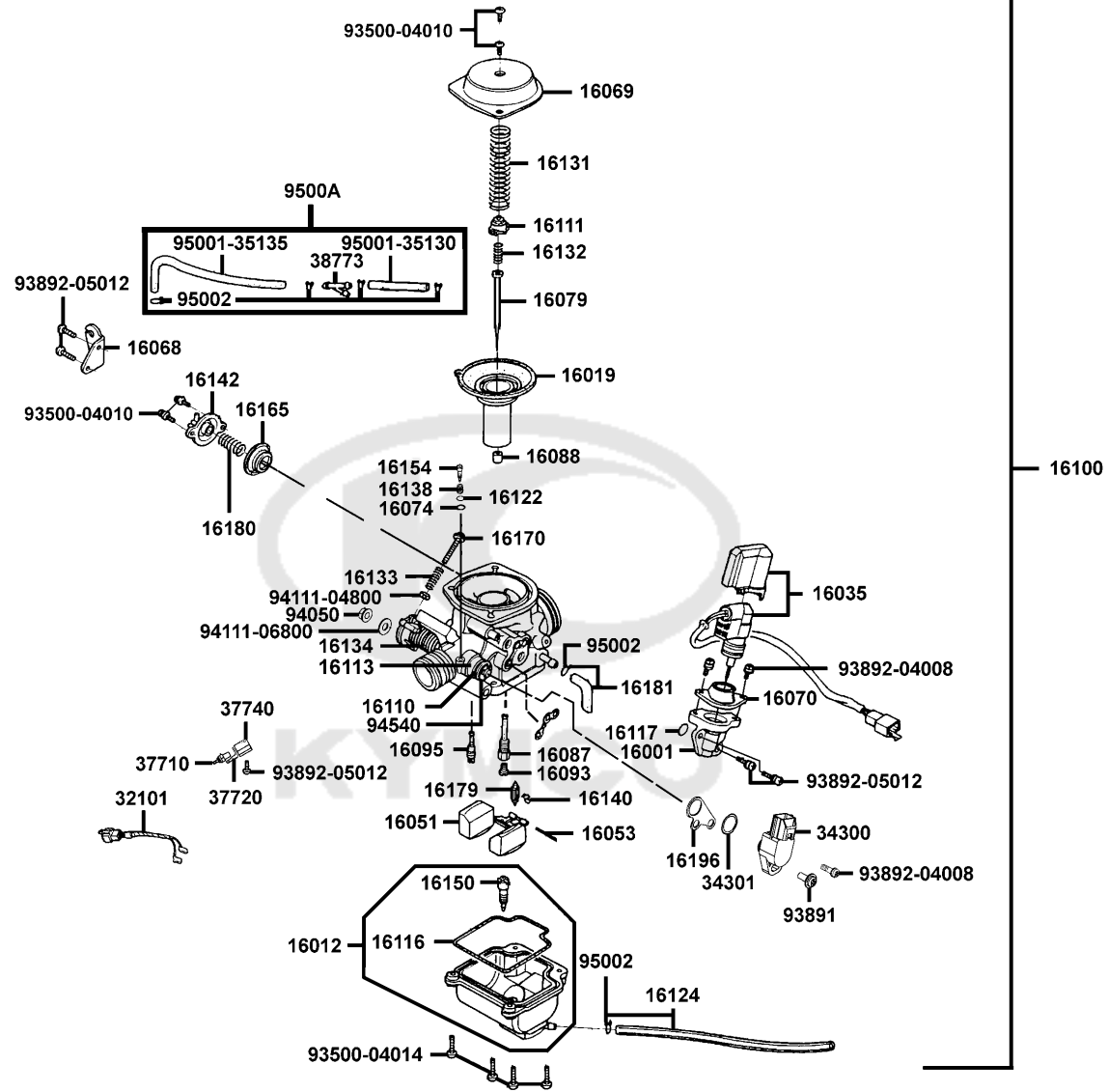


Sales mark 記号	Ref no 参照用番号	Part no パーツ番号	Description 部品名	Reg description 部品名	Regd no 必要個数	Ref Price 希望小売価格(税抜)	E08
	19211	19211-LEA5-E00	BODY WATER PUMP	BODY WATER PUMP	1	3240	
	19215	19215-KKJ9-011	IMPELLER WATER PUMP	IMPELLER WATER PUMP	1	680	
	19217	19217-6G57-024	SEAL MECHANICAL	SEAL MECHANICAL	1	1720	
**	19221	19221-KKC3-900	COVER WATER PUMP	COVER WATER PUMP	1	1630	
	19229	19229-KKC3-980	GASKET WATER PUMP	GASKET WATER PUMP	1	300	
	19231	19231-LEA5-E00	SHAFT WATER PUMP	SHAFT WATER PUMP	1	2580	
	19232	19232-LBA2-E00	WASHER 21*13.8*1.5	WASHER 21*13.8*1.5	1	200	
	19300	19300-KAE1-004	THERMOSTAT ASSY	THERMOSTAT ASSY	1	4930	
	19310	19310-KEBE-900	CASE COMP THERMOSTAT	CASE COMP THERMOSTAT	1	1340	
	19315	19315-KEBE-900	COVER THERMOSTAT	COVER THERMOSTAT	1	450	
	19501	19501-LEA5-E00	HOSE WATER A	HOSE WATER A	1	820	
	19503	19503-LEA5-E00	HOSE C WATER	HOSE C WATER	1	1090	
	30300	30300-KEBE-900	GEN ASSY PULSE / D406	GEN ASSY PULSE / D406	1	3240	
	30301	30301-KEBE-90B	GEN ASSY PULSE / D402	GEN ASSY PULSE / D402	1	3430	
	31110-KKC2-81A	31110-KKC2-81A	FLYWHEEL COMP (D406)	FLYWHEEL COMP / D406	1	10460	
	31110-KKC2-81B	31110-KKC2-81B	FLYWHEEL COMP (D402)	FLYWHEEL COMP / D402	1	10460	
	31120-KKC2-81A	31120-KKC2-81A	STATOR COMP (D406)	STATOR COMP / D406	1	11030	
	31120-KKC2-81B	31120-KKC2-81B	STATOR COMP (D402)	STATOR COMP / D402	1	11030	
	37720	37720-KGB5-900	EARTH TERMINAL THERMO	EARTH TERMINAL THERMO	1	110	
	37750	37750-PAC1-005	THERMO UNIT ASSY	THERMO UNIT ASSY	1	1750	

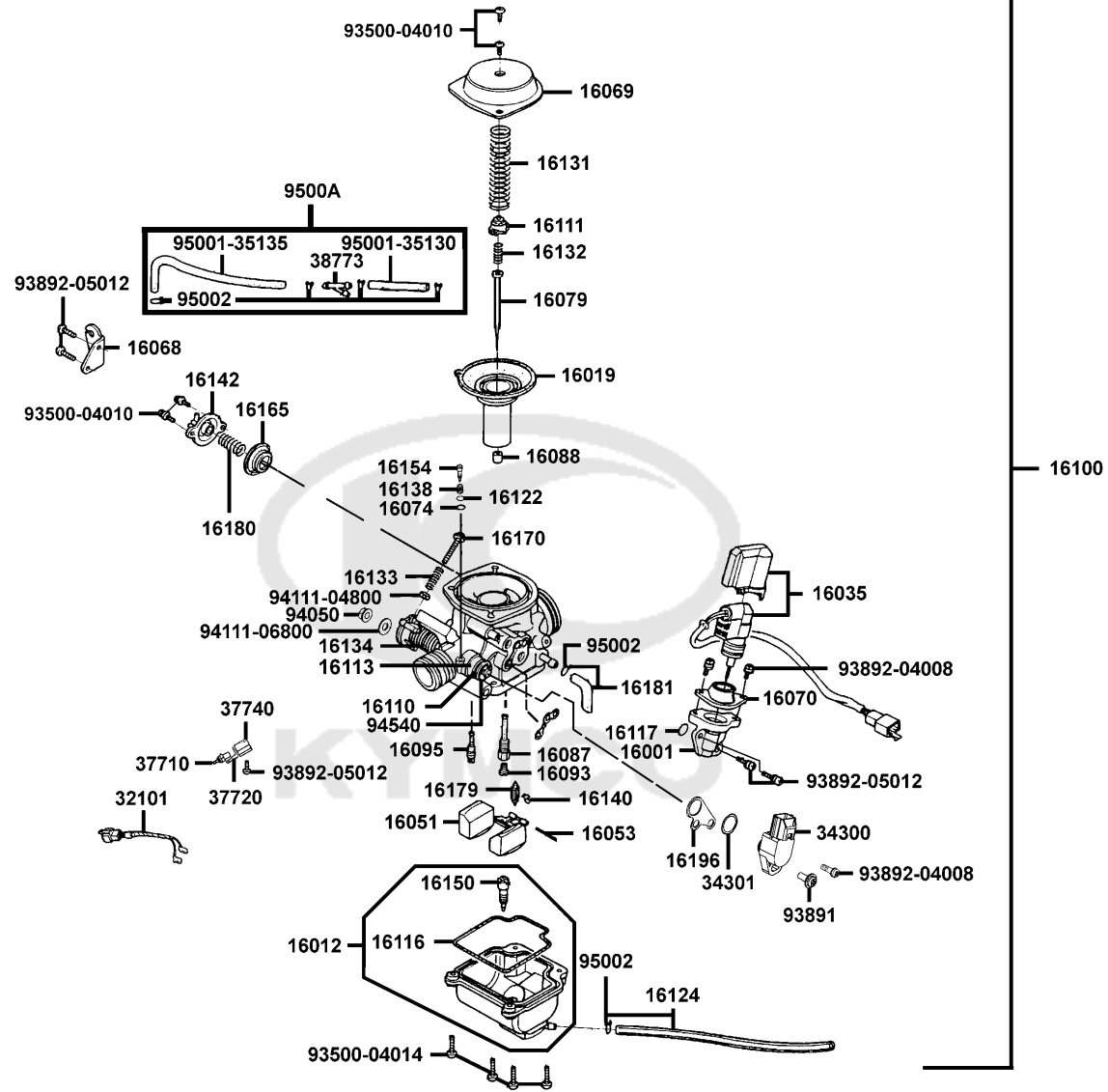
Mating Parts	
31110-KKC2-81A	31110-KKC2-81B
31120-KKC2-81A	31120-KKC2-81B
30300-KEBE-900	30301-KEBE-90B



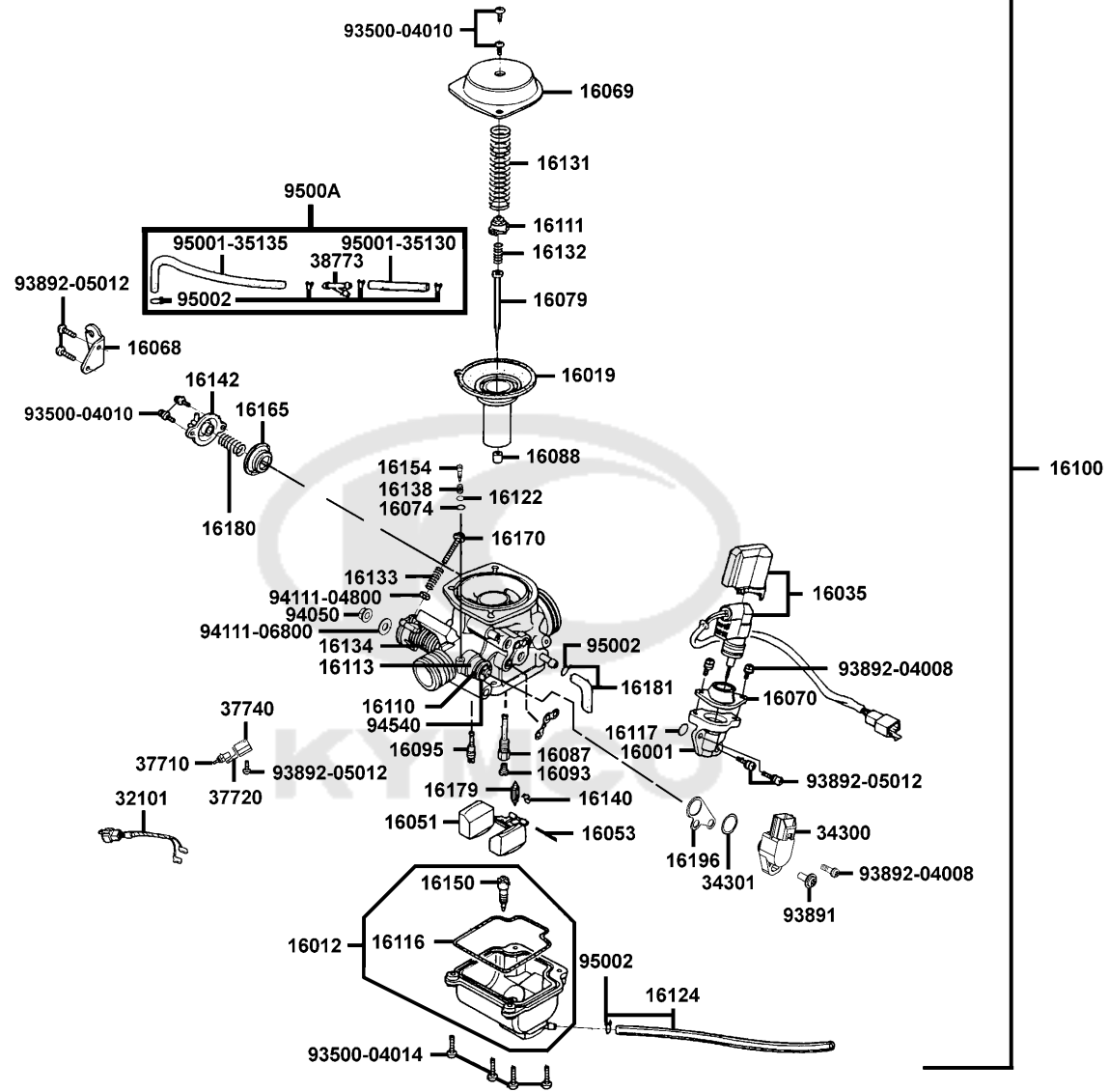
Sales mark 記号	Ref no 参照用番号	Part no パーツ番号	Description 部品名	Reg description 部品名	Regd no 必要個数	Ref Price 希望小売価格(税抜)	E08
90201		90201-KHR8-75A	NUT FLANGE 14MM	NUT FLANGE 14MM	1	200	
90401		90401-KKJ9-001	WASHER THRUST 14*28*2	WASHER THRUST 14*28*2	1	160	
90423		90423-KKJ9-001	WASHER 7.2*13*1.2	WASHER 7.2*13*1.2	1	130	
90428		90428-9H58-001	WASHER THRUST 14MM B	WASHER THRUST 14MM B	1	200	
90478		90478-7L00-001	WASHER A 6MM	WASHER A 6MM	1	60	
91202		91202-KGB4-C00	OIL SEAL 13.7*24*5	OIL SEAL 13.7*24*5	1	230	
91301		91301-KGV7-671	O-RING 14.8*1.9	O-RING 14.8*1.9	1	60	
91302		91302-5G67-004	O-RING 27.4*2.4	O-RING 27.4*2.4	1	200	
92000		92000-05032-0G	BOLT HEX 5*32 (G)	BOLT HEX 5*32 (G)	1	200	
93500		93500-05016-0F	SCREW PAN 5*16	SCREW PAN 5*16	1	200	
94301		94301-08140	DOWEL PIN 8*14	DOWEL PIN 8*14	2	110	
94510		94510-14000	CIR CLIP EXTERNAL 14	CIR CLIP EXTERNAL 14	1	70	
94591		94591-KFBF-900	CLIP 2*70	CLIP 2*70	1	60	
95002		95002-KGN7-910	CLIP TUBE	CLIP TUBE	4	200	
96001-06010		96001-06010-06	BOLT FLANGE 6*10	BOLT FLANGE 6*10	1	200	
96001-06018		96001-06018-06	BOLT FLANGE SH 6X18	BOLT FLANGE SH 6X18	1	60	
96001-06020		96001-06020-06	BOLT FLANGE SH 6*20	BOLT FLANGE SH 6*20	1	200	
96001-06022		96001-06022-06	BOLT FLANGE SH 6*22 (G)	BOLT FLANGE SH 6*22 (G)	2	60	
96001-06028		96001-06028-06	BOLT FLANGE SH 6*28	BOLT FLANGE SH 6*28	2	60	



Sales mark 記号	Ref no 参照用番号	Part no パーツ番号	Description 部品名	Reg description 部品名	Regd no 必要個数	Ref Price 希望小売価格(税抜)	E09
16001		16001-KEC3-900	BODY ASSY BY-ST	BODY ASSY BY-ST	1	6660	
16012		16012-KEC3-800	CHAMBER COMP FLOAT	CHAMBER COMP FLOAT	1	6660	
16019		16019-KUDU-900	VALVE ASSY PISTON	VALVE ASSY PISTON	1	2670	
16035		16035-KKC2-800	UNIT BY-ST	UNIT BY-ST	1	9040	
16051		16051-KEC3-90A	BODY FLOAT	BODY FLOAT	1	1150	
16053		16053-KEC3-900	PIN FLOAT	PIN FLOAT	1	160	
16068		16068-KEC3-900	PLATE WIRE FIXED	PLATE WIRE FIXED	1	110	
16069		16069-KEC3-900	COVER PISTON VALVE DIAPHRAGM	COVER PISTON VALVE DIAPHRAGM	1	300	
16070		16070-KEC3-900	STOPPER BY-ST	STOPPER BY-ST	1	70	
16074		16074-KEC3-900	WASHER IDLE SCREW	WASHER IDLE SCREW	1	160	
16079		16079-KEC3-900	NEEDLE ASSY JET	NEEDLE ASSY JET	1	1890	
16087		16087-KEC3-900	TUBE MAIN EMULSION	TUBE MAIN EMULSION	1	610	
16088		16088-KEC3-900	JET NEEDLE	JET NEEDLE	1	510	
16093		16093-KEC3-096	JET MAIN	JET MAIN	1	870	
16095		16095-KEC3-035	JET SLOW #35	JET SLOW #35	1	1820	
16100		16100-LEA5-B20	CARBURETOR ASSY	CARBURETOR ASSY	1	35360	
16110		16110-KGC5-900	WASHER THROTTLE ASSY	WASHER THROTTLE ASSY	1	160	
16111		16111-KEC3-900	STOPPER J.N SPG	STOPPER J.N SPG	1	160	
16113		16113-KEC3-900	CAP INLET HOLE	CAP INLET HOLE	1	200	
16116		16116-KEC3-900	PACKING FLOAT CHAMBER	PACKING FLOAT CHAMBER	1	230	



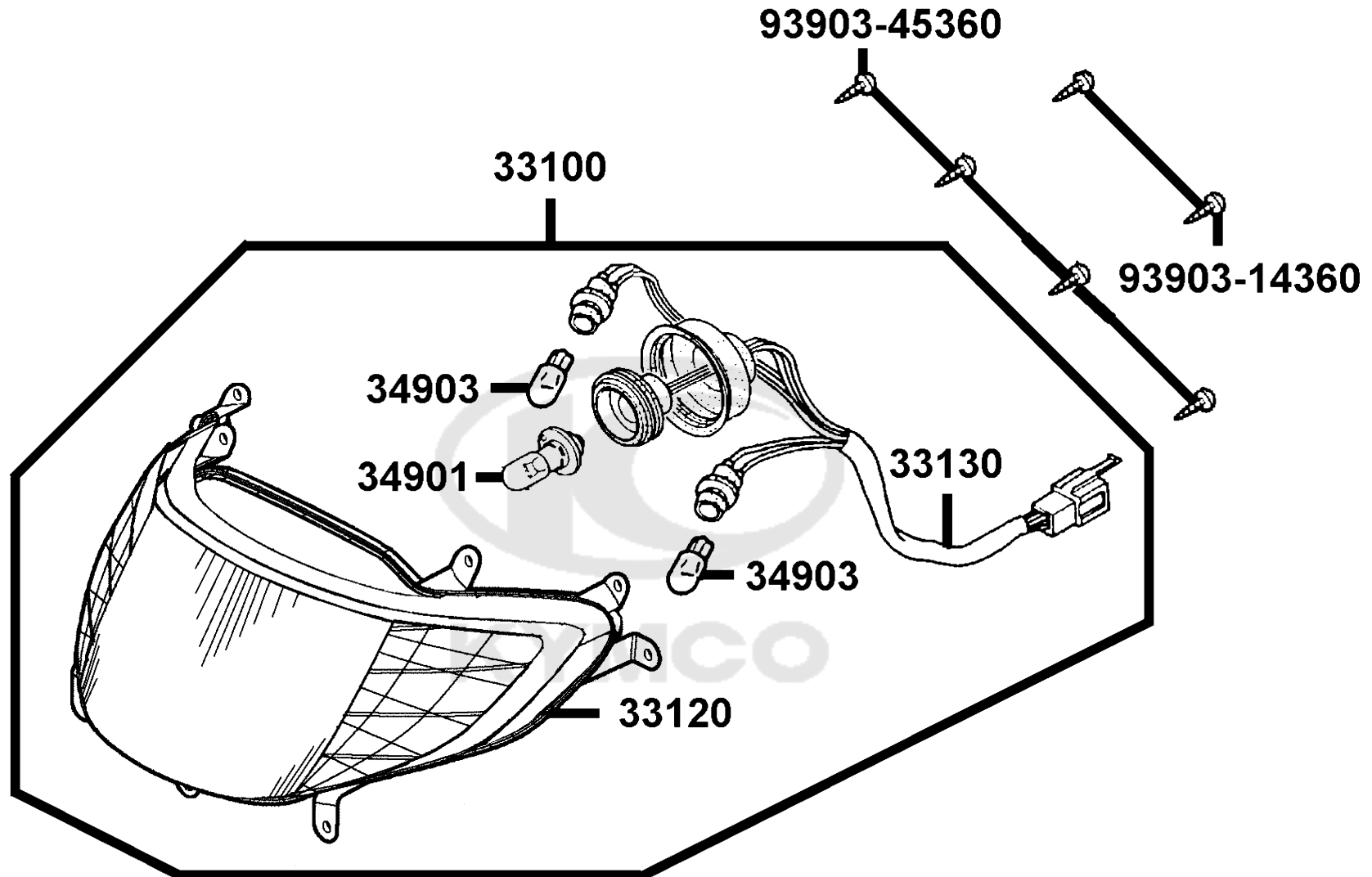
Sales mark 記号	Ref no 参照用番号	Part no パーツ番号	Description 部品名	Reg description 部品名	Regd no 必要個数	Ref Price 希望小売価格(税抜)	E09
16117	16117-KEC3-900	PACKING BY-ST	PACKING BY-ST	PACKING BY-ST	1	130	
16122	16122-KEC3-900	O-RING IDLE SCREW	O-RING IDLE SCREW	O-RING IDLE SCREW	1	60	
16124	16124-KEC3-900	TUBE COMPL 3.5*300	TUBE COMPL 3.5*300	TUBE COMPL 3.5*300	1	210	
16131	16131-KEC3-900	SPG PISTON VALVE RETURN	SPG PISTON VALVE RETURN	SPG PISTON VALVE RETURN	1	230	
16132	16132-KEC3-900	SPG JET NEEDLE	SPG JET NEEDLE	SPG JET NEEDLE	1	160	
16133	16133-KEC3-900	SPG THROTTLE ADJ SCREW	SPG THROTTLE ADJ SCREW	SPG THROTTLE ADJ SCREW	1	160	
16134	16134-KEC3-900	SPG THROTTLE SHAFT	SPG THROTTLE SHAFT	SPG THROTTLE SHAFT	1	230	
16138	16138-KEC3-900	SPG IDLE SCREW	SPG IDLE SCREW	SPG IDLE SCREW	1	160	
16140	16140-KEC3-900	CLIP FLOAT VALVE	CLIP FLOAT VALVE	CLIP FLOAT VALVE	1	160	
16142	16142-KEC3-900	COVER ACV	COVER ACV	COVER ACV	1	400	
16150	16150-KEC3-900	SCREW COMP DRAIN	SCREW COMP DRAIN	SCREW COMP DRAIN	1	490	
16154	16154-KEC3-900	SCREW IDLE ADJ	SCREW IDLE ADJ	SCREW IDLE ADJ	1	390	
16165	16165-KEC3-900	DIAPHRAGM COMP	DIAPHRAGM COMP	DIAPHRAGM COMP	1	580	
16170	16170-KEC3-900	SCREW THROTTLE ADJUST	SCREW THROTTLE ADJUST	SCREW THROTTLE ADJUST	1	70	
16179	16179-KEC3-900	VALVE ASSY FLOAT	VALVE ASSY FLOAT	VALVE ASSY FLOAT(廃盤部品の為、代用品)	1	1770	
16180	16180-KEC3-900	SPRING ACV	SPRING ACV	SPRING ACV	1	160	
16181	16181-KEC3-900	TUBE AIR VENT	TUBE AIR VENT	TUBE AIR VENT	1	210	
16196	16196-KKC8-500	PLATE	PLATE	PLATE	1	300	
32101	32101-LDB2-E00	SUB CORD	SUB CORD	SUB CORD	1	1110	
34300	34300-KKE3-900	THROTTLE POSITION SENSOR	THROTTLE POSITION SENSOR	THROTTLE POSITION SENSOR	1	4760	



Sales mark 記号	Ref no 参照用番号	Part no パーツ番号	Description 部品名	Reg description 部品名	Regd no 必要個数	Ref Price 希望小売価格(税抜)
						E09
34301		34301-KKE3-900	O-RING T.P.S.	O-RING T.P.S.	1	60
37710		37710-LDB2-E00	HEATER	HEATER	1	2100
37720		37720-KGBG-E00	EARTH TERMINAL HEATER	EARTH TERMINAL HEATER	1	110
37740		37740-LEA5-E00	SEAT HEATER	SEAT HEATER	1	1060
38773		38773-KEC3-900	JOINT ASSY TANK CAP	JOINT ASSY TANK CAP	1	330
93500-04010		93500-04010-0F	SCREW PAN 4X10	SCREW PAN 4X10	1	200
93500-04014		93500-04014-0G	SCREW PAN 4*14	SCREW PAN 4*14	4	60
93891		93891-05016-06	SCREW WASHER 5*16	SCREW WASHER 5*16	1	60
93892-04008		93892-04008-16	SCREW WASHER 4*8	SCREW WASHER 4*8	1	200
93892-05012		93892-05012-06	SCREW WASHER 5*12	SCREW WASHER 5*12	1	200
94050		94050-06080	NUT FLANGE 6MM	NUT FLANGE 6MM	1	60
94111-04800		94111-04800	WASHER SPRING 4MM	WASHER SPRING 4MM	1	60
94111-06800		94111-06800	WASHER SPRING 6MM	WASHER SPRING 6MM	1	60
94540		94540-50029	E CLIP SHAFT	E CLIP SHAFT	1	60
95001-35130		95001-35130-40	TUBE FUEL 3.5*130	TUBE FUEL 3.5*130	1	60
95001-35135		95001-35135-40	TUBE FUEL 3.5*135	TUBE FUEL 3.5*135	1	130
95002		95002-02070	CLIP B7 TUBE	CLIP B7 TUBE	6	60
9500A		9500A-LAD9-900	TUBE JOINT 3 WAY ACV	TUBE JOINT 3 WAY ACV	1	490

F01

Head Light

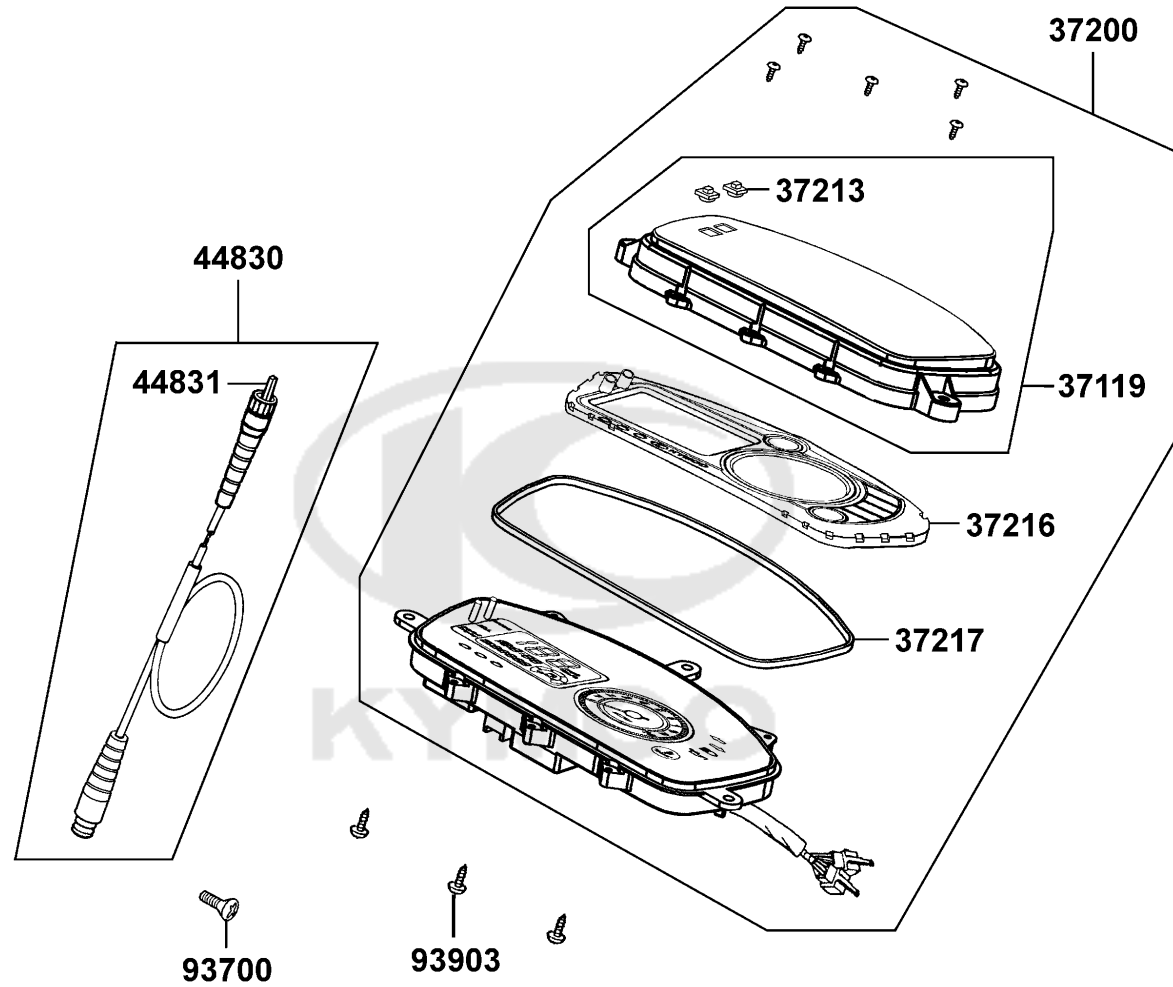


Sales mark 記号	Ref no 参照用番号	Part no パーツ番号	Description 部品名	Reg description 部品名	Regd no 必要個数	Ref Price 希望小売価格(税抜)	F01
33100	33100-LEA5-E00	33100-LEA5-E00	LIGHT ASSY HEAD	LIGHT ASSY HEAD	1	16740	
33120	33120-LEA5-E00	33120-LEA5-E00	UNIT HEAD LIGHT	UNIT HEAD LIGHT	1	16160	
33130	33130-LEA5-E00	33130-LEA5-E00	SOCKET COMP HEAD	SOCKET COMP HEAD	1	2480	
34901	34901-KED9-900	34901-KED9-900	BULB HEAD LIGHT	BULB HEAD LIGHT	1	2960	
34903	34903-KPCP-900	34903-KPCP-900	BULB POSITION LIGHT 12V5W **KCP-	BULB POSITION LIGHT 12V5W **KCP-9000	2	320	
93903-24360	93903-24360	93903-24360	SCREW TAPPING 4*12	SCREW TAPPING 4*12	2	60	
93903-34460	93903-34460	93903-34460	SCREW TAPPING 4*16	SCREW TAPPING 4*16	6	200	

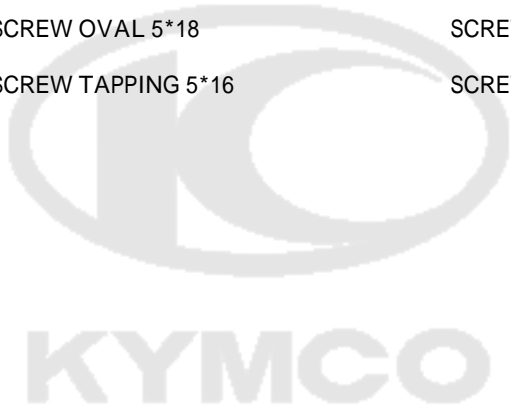


F02

Speedometer

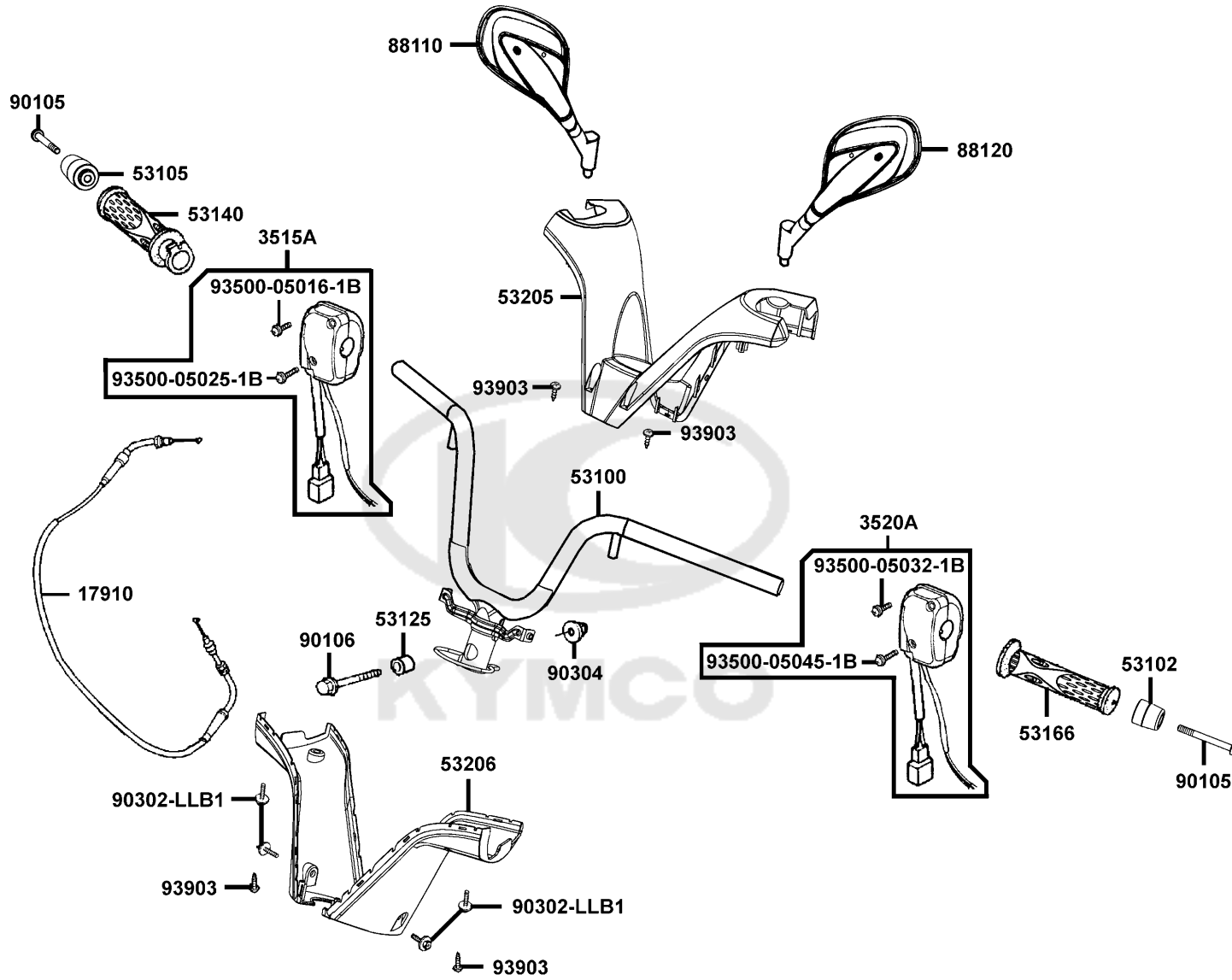


Sales mark 記号	Ref no 参照用番号	Part no パーツ番号	Description 部品名	Reg description 部品名	Regd no 必要個数	Ref Price 希望小売価格(税抜)	F02
37119		37119-LEA5-E0A	LENS ASSY	LENS ASSY	1	1720	
37200		37200-LEA5-B2A	METER ASSY SPEED/D403	METER ASSY SPEED/D403	1	26770	
37213		37213-LDA6-90A	BUTTON RUBBER	BUTTON RUBBER	2	300	
37216		37216-LEA5-E0A	COSMETIC PLATE	COSMETIC PLATE	1	1530	
37217		37217-LEA5-E0A	PACKING A	PACKING A	1	390	
44830		44830-KGBG-900	CABLE COMP SPDMT	CABLE COMP SPDMT	1	1150	
44831		44831-KGBG-900	CABLE INNER	CABLE INNER	1	580	
93700		93700-05018-0F	SCREW OVAL 5*18	SCREW OVAL 5*18	1	60	
93903		93903-25360	SCREW TAPPING 5*16	SCREW TAPPING 5*16	3	60	



F03

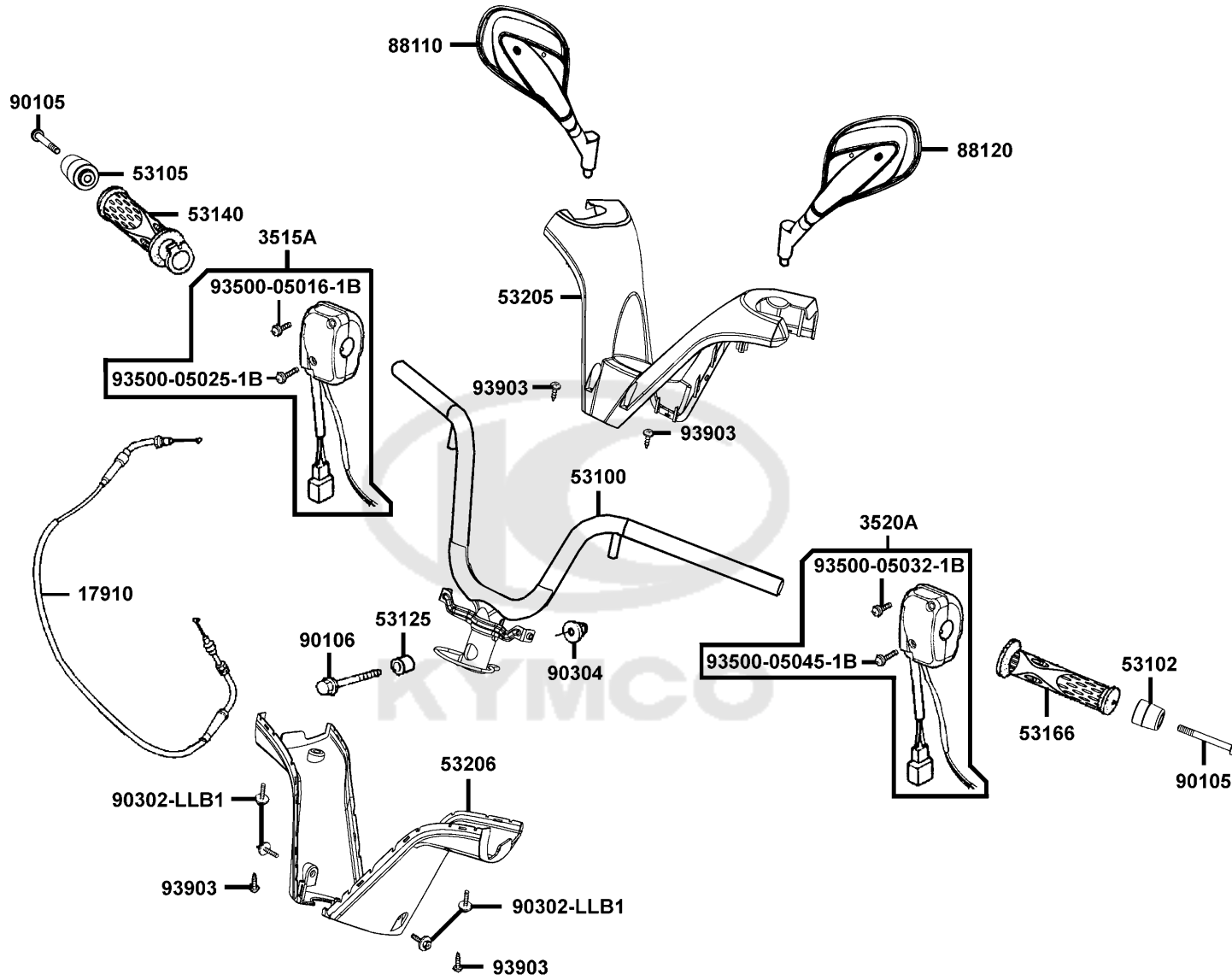
Handle Steering Handle Cover



Sales mark 記号	Ref no 参照用番号	Part no パーツ番号	Description 部品名	Reg description 部品名	Regd no 必要個数	Ref Price 希望小売価格(税抜)	F03
	17910	17910-LEA5-E00	CABLE COMP THROT	CABLE COMP THROT	1	2100	
	3515A	3515A-LEA5-B80	SW ASSY RH HANDLE COMP (A.H.C.)	SW ASSY RH HANDLE COMP (A.H.C.)	1	16160	
	3520A	3520A-KEBE-900	SW ASSY L HNDL COMP	SW ASSY L HNDL COMP	1	5810	
	53100	53100-LEA5-E00	HANDLE COMP STRG	HANDLE COMP STRG	1	10270	
**	53102	53102-LEA5-E00	END L HANDLE	END L HANDLE	1	1530	
**	53105	53105-LEA5-E00	END R HANDLE	END R HANDLE	1	1530	
	53125	53125-GEN5-901	COLLAR HANDLE SET	COLLAR HANDLE SET	1	390	
**	53140	53140-KKC3-900	GRIP COMP THROT	GRIP COMP THROT	1	960	
**	53166	53166-KGB5-900	GRIP L HANDLE	GRIP L HANDLE	1	770	
**	53205	53205-LEA5-E00	COVER HNDL UP	COVER HNDL UP	1	1440	
**	53206	53206-LEA5-E00	COVER R HANDLE LOW	COVER R HANDLE LOW	1	1390	
**	88110	88110-LEA5-E01	MIRROR ASSY R BACK	MIRROR ASSY R BACK	1	4620	
**	88120	88120-LEA5-E01	MIRROR ASSY L BACK	MIRROR ASSY L BACK	1	4620	
	90106	90106-GEN5-901	BOLT FLANGE 10*50	BOLT FLANGE 10*50	1	80	
	90105	90106-KFC2-900	BOLT SPECIAL 8MM	BOLT SPECIAL 8MM	1	510	
	90302	90302-LLB1-E00	BOLT-WASHER 5*12	BOLT-WASHER 5*12	4	60	
	90304	90304-GHE8-004-SY	NUT U 10MM	NUT U 10MM	1	200	
	93500-05016	93500-05016-1B	SCREW PAN 5*16	SCREW PAN 5*16	1	200	
	93500-05025	93500-05025-1B	SCREW PAN 5*25	SCREW PAN 5*25	1	60	
	93500-05032	93500-05032-1B	SCREW PAN 5*32	SCREW PAN 5*32	1	60	

F03

Handle Steering Handle Cover



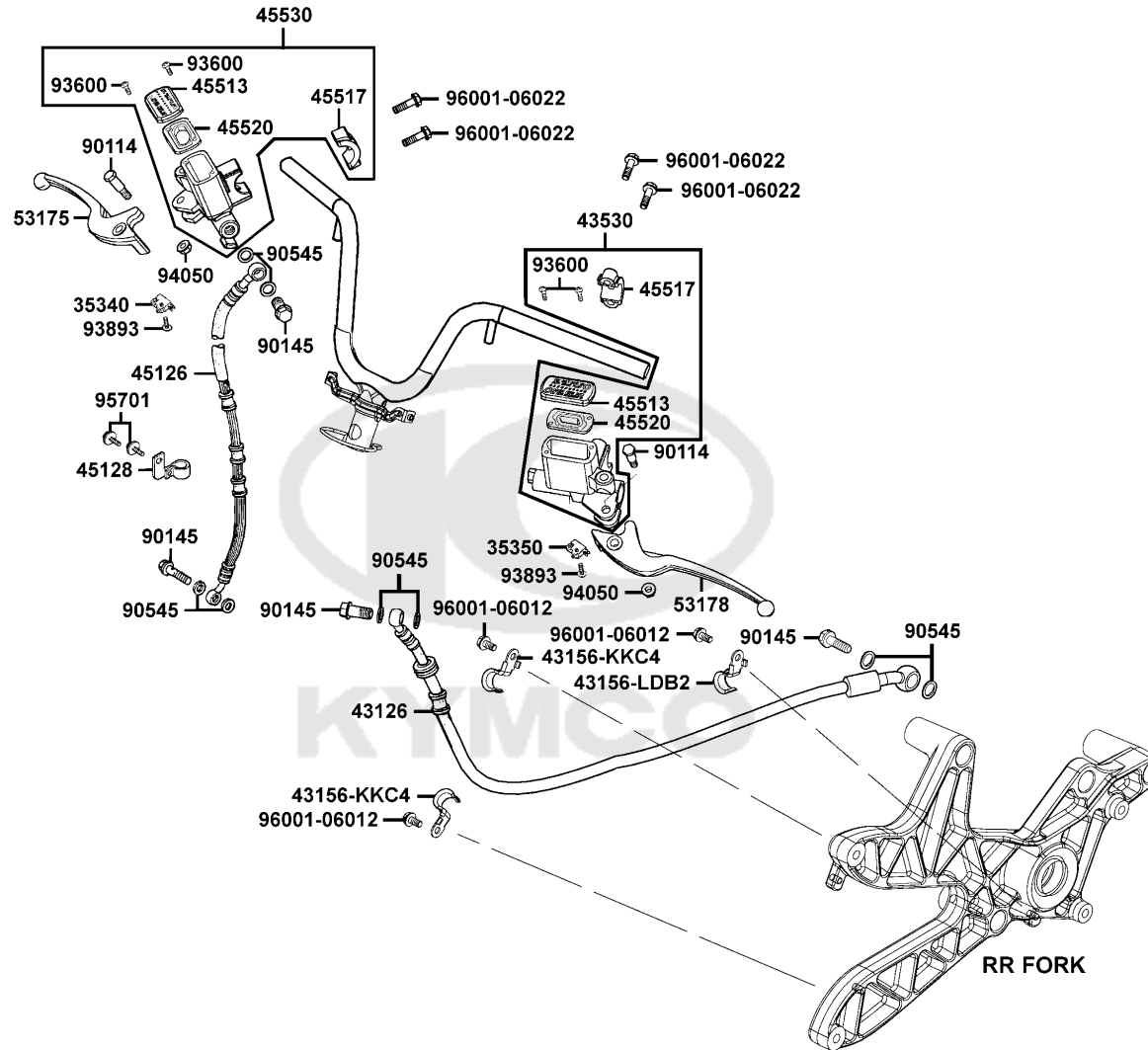
Sales mark 記号	Ref no 参照用番号	Part no パーツ番号	Description 部品名	Reg description 部品名	Regd no 必要個数	Ref Price 希望小売価格(税抜)
------------------	-----------------	------------------	--------------------	------------------------	-----------------	-------------------------

F03

93500-05045	93500-05045-1B	SCREW PAN 5*45	SCREW PAN 5*45	1	60
93903	93903-34360	SCREW WASHER 4*12	SCREW WASHER 4*12	4	60



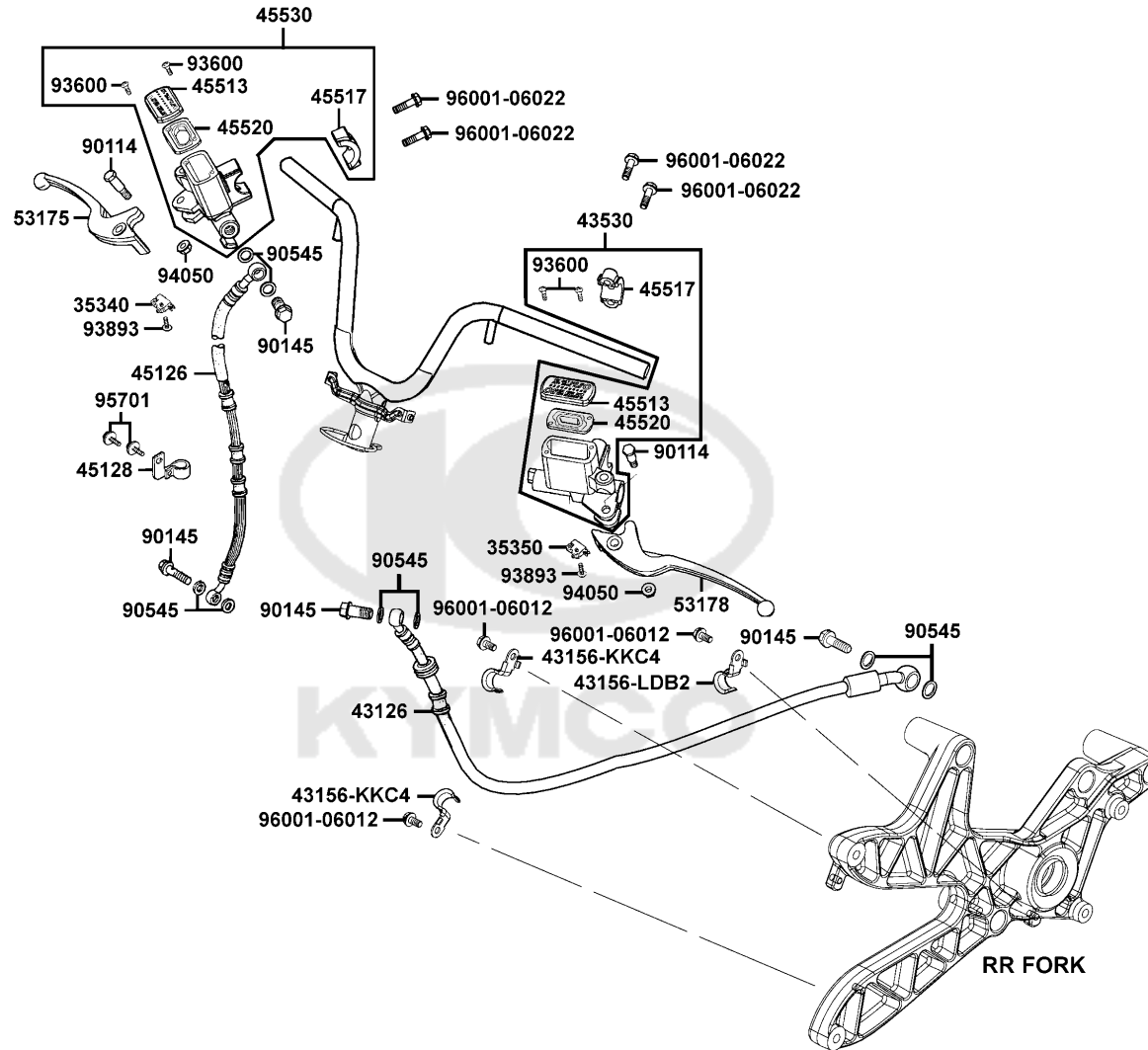
Brake Master Cylinder



Sales mark 記号	Ref no 参照用番号	Part no パーツ番号	Description 部品名	Reg description 部品名	Regd no 必要個数	Ref Price 希望小売価格(税抜)
35340		35340-KNBN-901	SW ASSY FR STOP	SW ASSY FR STOP	1	960
35350		35350-KNBN-901	SW ASSY RR STOP	SW ASSY RR STOP	1	960
43126		43126-LEA5-E00	HOSE ASSY RR BRAAKE	HOSE ASSY RR BRAAKE	1	17730
43156-KKC4		43156-KKC4-900	CLAMPER HOSE RR	CLAMPER HOSE RR	2	300
43156-LDB2		43156-LDB2-900	CLAMPER HOSE RR	CLAMPER HOSE RR	1	200
43530		43530-KHD4-305	CYLN SET RR MASTER	CYLN SET RR MASTER	1	13660
45126		45126-LEA5-E00	HOSE ASSY FR BRK	HOSE ASSY FR BRK	1	9610
45128		45128-KEBE-900	CLAMPER FR BRAKE HOSE	CLAMPER FR BRAKE HOSE	1	400
45513		45513-KHD4-B00	CAP MASTER CYLINDER	CAP MASTER CYLINDER	2	580
45517		45517-KFAF-910	HOLDER M/C	HOLDER M/C	2	440
45520		45520-GLW0-91A	DIAPHRAGM	DIAPHRAGM	2	960
45530		45530-KHD4-305	CYLN SET FR MASTER	CYLN SET FR MASTER	1	11980
53175		53175-LEA5-E00	LEVER R STRG HNDL	LEVER R STRG HNDL	1	1530
53178		53178-LEA5-E00	LEVER L STRG HNDL	LEVER L STRG HNDL	1	1530
90114		90114-1F66-007	BOLT HANDLE LEVER	BOLT HANDLE LEVER	2	60
90145		90145-LEA3-E00	OIL BOLT 10x22	OIL BOLT 10x22	1	150
90545		90545-3L00-001	WASHER OIL BOLT	WASHER OIL BOLT	8	60
93600		93600-04012-1G	SCREW FLAT 4*12	SCREW FLAT 4*12	4	60
93893		93893-04012-18	SCREW WASHER 4*12	SCREW WASHER 4*12	2	60
94050		94050-06060	NUT FLANGE 6MM	NUT FLANGE 6MM	2	60

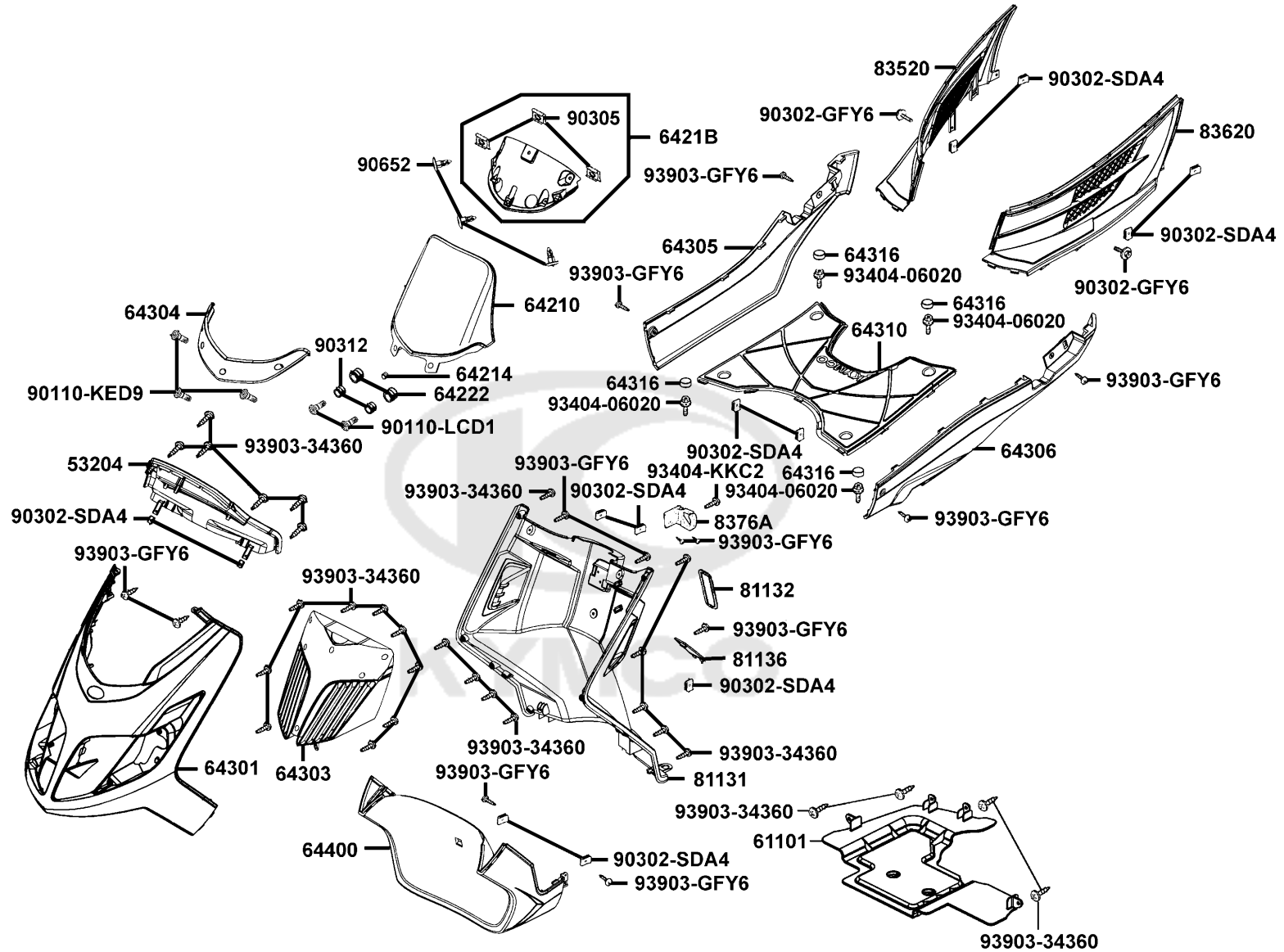
F04

Brake Master Cylinder

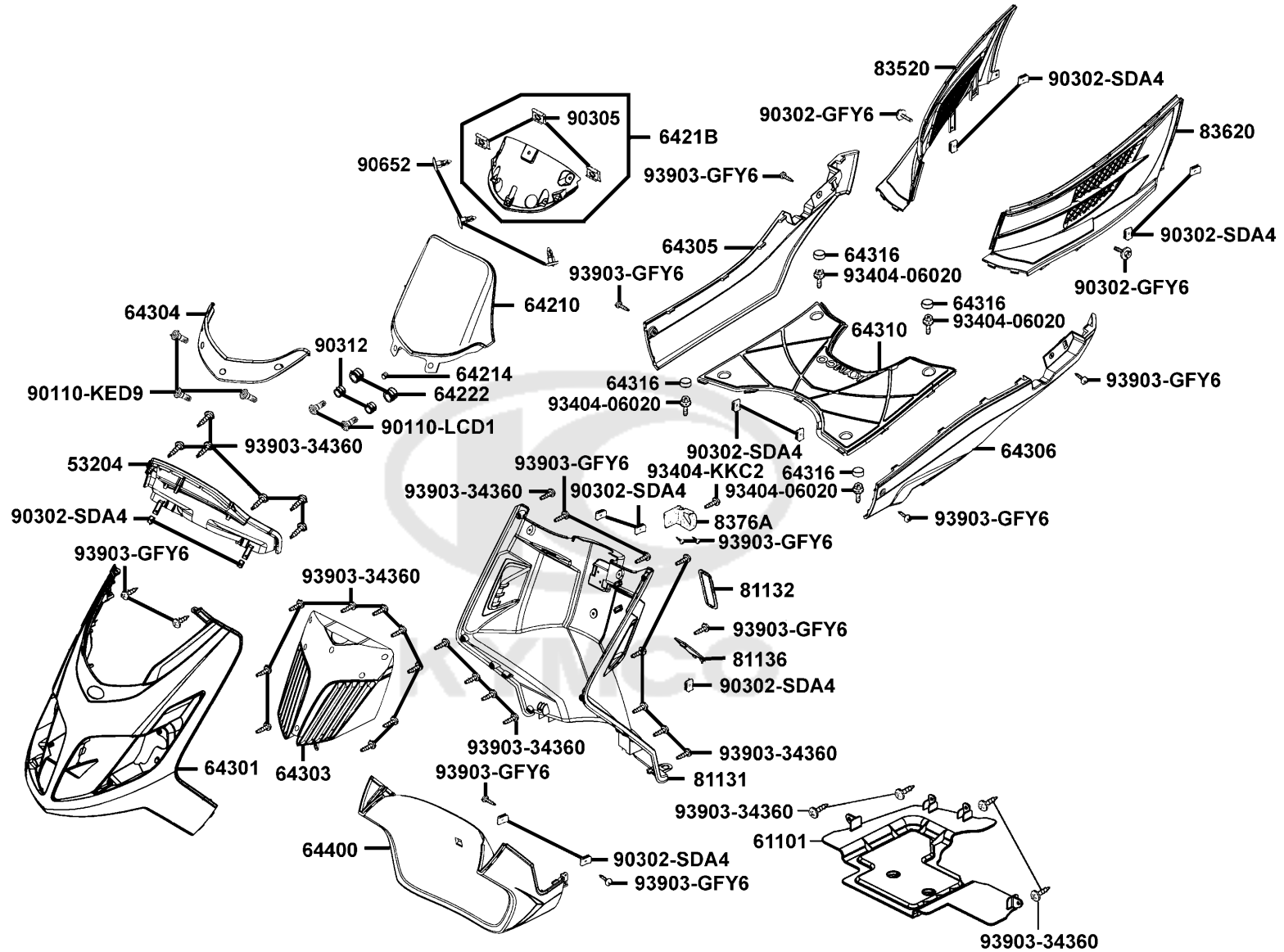


Sales mark 記号	Ref no 参照用番号	Part no パーツ番号	Description 部品名	Reg description 部品名	Regd no 必要個数	Ref Price 希望小売価格(税抜)	F04
95701		95701-06012-06	BOLT FLANGE 6*22 (K)	BOLT FLANGE 6*22 (K)	2	60	
96001-06012		96001-06012-06	BOLT FLANGE SH 6*12	BOLT FLANGE SH 6*12	3	60	
96001-06022		96001-06022-06	BOLT FLANGE SH 6*22 (G)	BOLT FLANGE SH 6*22 (G)	4	60	

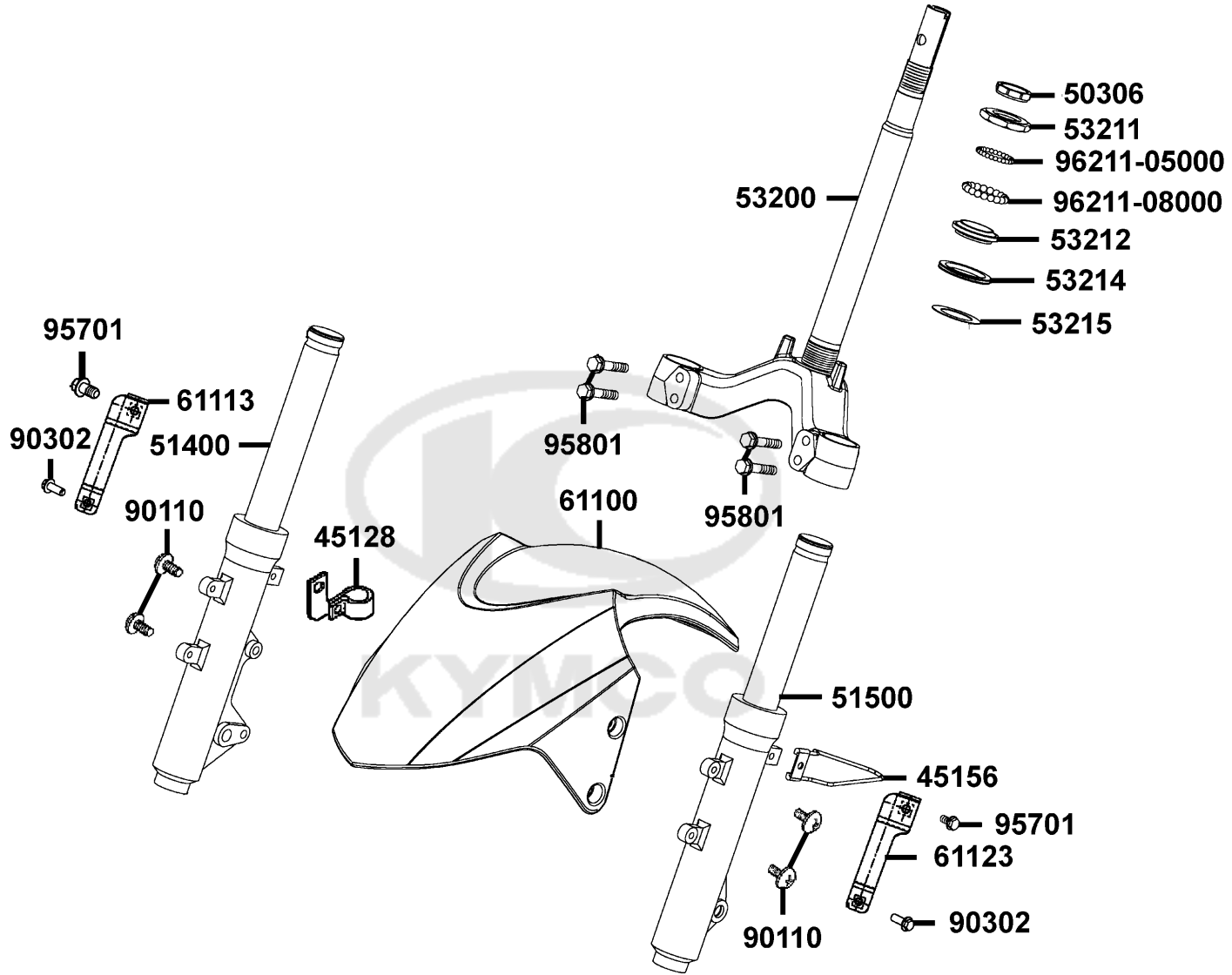




Sales mark 記号	Ref no 参照用番号	Part no パーツ番号	Description 部品名	Reg description 部品名	Regd no 必要個数	Ref Price 希望小売価格(税抜)	F05
**	53204	53204-LEA5-E00	COVER METER	COVER METER	1	2860	
**	61101	61101-LFA1-E90	FENDER FR INNER	FENDER FR INNER	1	870	
**	64210	64210-LEA5-E00	VISOR METER	VISOR METER	1	3620	
	64214	64214-LEA5-E00	PLUG VISOR	PLUG VISOR	1	490	
**	6421B	6421B-LEA6-900	COVER ASSY VISOR INNER	COVER ASSY VISOR INNER	1	1440	
	64222	64222-KKC4-900	RUBBER WIND SCREEN	RUBBER WIND SCREEN	4	160	
**	64301	64301-LEA5-E00	COVER FR	COVER FR	1	11790	
**	64303	64303-LEA5-E00	FR GRILL	FR GRILL	1	1340	
**	64304	64304-LEA5-E00	LID COVER FR	LID COVER FR	1	490	
**	64305	64305-LEA5-E00	SKIRT R SIDE	SKIRT R SIDE	1	9420	
**	64306	64306-LEA5-E00	SKIRT L SIDE	SKIRT L SIDE	1	9420	
**	64310	64310-LEA5-E00	FLOOR PANEL	FLOOR PANEL	1	3430	
**	64316	64316-KHE2-900	PLUG FLOOR	PLUG FLOOR	4	200	
**	64400	64400-LEA5-E00	COWL UNDER	COWL UNDER	1	17980	
**	81131	81131-LEA5-E00	LEG SHIELD	LEG SHIELD	1	4760	
**	81132	81132-KEB7-900	LID LEG SHIELD	LID LEG SHIELD	1	300	
**	81136	81136-LEA5-E00	LID RESERVE TANK	LID RESERVE TANK	1	300	
**	83520	83520-LEA5-E00	COVER R SIDE	COVER R SIDE	1	4760	
**	83620	83620-LEA5-E00	COVER L SIDE	COVER L SIDE	1	4760	
	8376A	8376A-KEBE-900	CLIP ASSY CENTER	CLIP ASSY CENTER	1	1060	



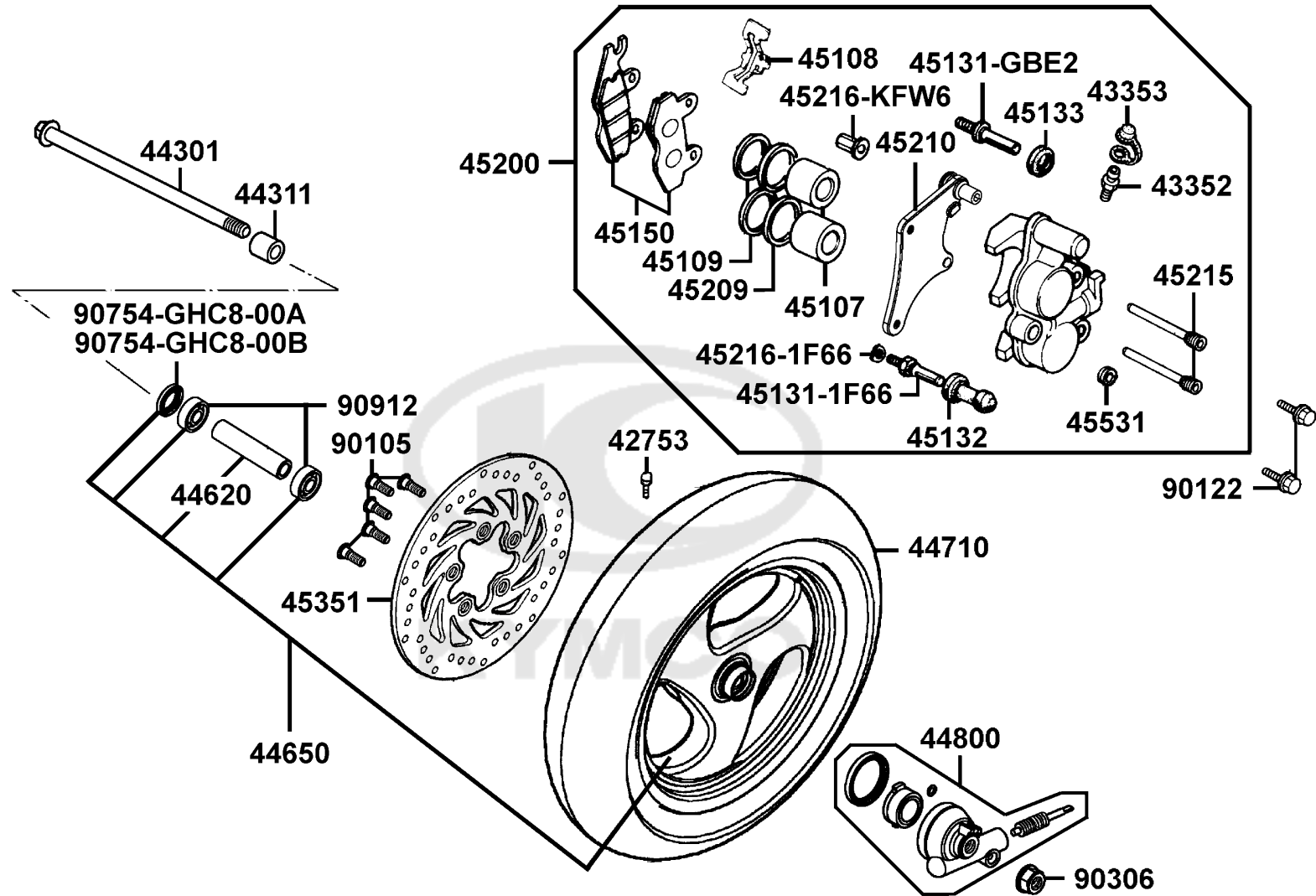
Sales mark 記号	Ref no 参照用番号	Part no パーツ番号	Description 部品名	Reg description 部品名	Regd no 必要個数	Ref Price 希望小売価格(税抜)	F05
90110-KED9		90110-KED9-900	SCREW PAN 6*18	SCREW PAN 6*18	3	230	
90110-LCD1		90110-LCD1-E00	SCREW SPECIAL 6*25	SCREW SPECIAL 6*25	2	130	
90302-GFY6		90302-GFY6-901	BOLT WASH 5*12 **(1) C.V.	BOLT WASH 5*12 **(1) C.V.	2	60	
90302-SDA4		90302-SDA4-004	NUT SPRING 4MM	NUT SPRING 4MM	13	60	
90305		90305-GHK8-001	NUT CLIP 6MM	NUT CLIP 6MM	3	60	
90312		90312-LCD3-E01	COLLAR VISOR	COLLAR VISOR	2	200	
90652		90652-LCA4-E00	CLIP MUDGUARD	CLIP MUDGUARD	3	110	
93404-06020		93404-06020-06	BOLT WASHER 6*20 (G)	BOLT WASHER 6*20 (G)	4	60	
93404-KKC2		93404-KKC2-900	BOLT WASH 6*16	BOLT WASH 6*16	1	60	
93903-34360		93903-34360	SCREW WASHER 4*12	SCREW WASHER 4*12	25	60	
93903-GFY6		93903-GFY6-900	SCREW WASHER 4*12	SCREW WASHER 4*12	13	60	



Sales mark 記号	Ref no 参照用番号	Part no パーツ番号	Description 部品名	Reg description 部品名	Regd no 必要個数	Ref Price 希望小売価格(税抜)	F06
	45128	45128-KEBE-900	CLAMPER FR BRAKE HOSE	CLAMPER FR BRAKE HOSE	1	400	
	45156	45156-KECE-900	CLAMPER FR BRK CABLE	CLAMPER FR BRK CABLE	1	560	
	50306	50306-1F96-001	NUT STRG STEM LOCK	NUT STRG STEM LOCK	1	300	
**	51400	51400-LEA5-E00	FORK ASSY R FR	FORK ASSY R FR	1	16730	
**	51500	51500-LEA5-E00	FORK SET L FR	FORK SET L FR	1	16730	
	53200	53200-KKC2-900	STEM COMP STRG	STEM COMP STRG	1	11600	
	53211	53211-GFY6-940	RACE STRG TOP CONE	RACE STRG TOP CONE	1	580	
	53212	53212-2L50-011	RACE STRG BOT CONE	RACE STRG BOT CONE	1	870	
	53214	53214-LHJ6-900	DUST SEAL STRG	DUST SEAL STRG	1	240	
	53215	53215-2L50-001	WASH STRG HDL DUST-SEAL	WASH STRG HDL DUST-SEAL	1	130	
**	61100	61100-LEA5-E00	FENDER FR	FENDER FR	1	5710	
	61113	61113-LEA5-E00	STAY R FR FENDER	STAY R FR FENDER	1	490	
	61123	61123-LEA5-E00	STAY L FR FENDER	STAY L FR FENDER	1	490	
	90110	90110-KEB7-900	SCREW SPECIAL 6*14	SCREW SPECIAL 6*14	4	130	
	90302	90302-GFY6-901	BOLT WASH 5*12 **(1) C.V.	BOLT WASH 5*12 **(1) C.V.	2	60	
	95701	95701-06020-06	BOLT FLANGE 6*20	BOLT FLANGE 6*20	2	60	
	95801	95801-08040-06	BOLT FLANGE 8*40	BOLT FLANGE 8*40	4	60	
	96211-05000	96211-05000	BALL STEEL #5	BALL STEEL #5	26	60	
	96211-08000	96211-08000	BALL STEEL #8	BALL STEEL #8	19	60	

F07

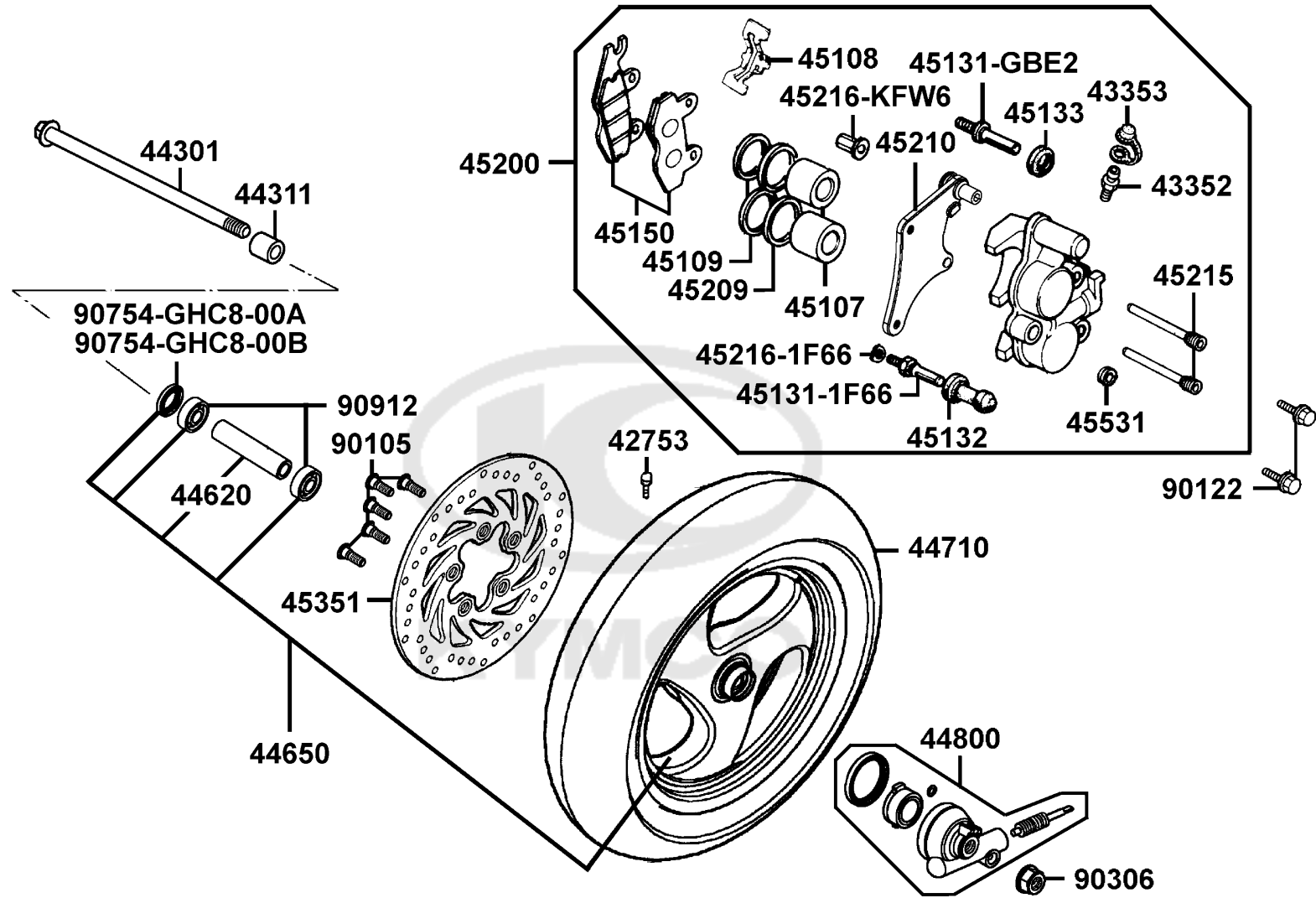
Front Wheel



Sales mark 記号	Ref no 参照用番号	Part no パーツ番号	Description 部品名	Reg description 部品名	Regd no 必要個数	Ref Price 希望小売価格(税抜)	F07
	42753	42753-KNBN-90B	VALAE RIM (TR412)	VALAE RIM (TR412)	1	630	
	43352	43352-5H68-004	SCREW BLEEDER	SCREW BLEEDER	1	300	
	43353	43353-4A61-77A	CAP BLEEDER	CAP BLEEDER	1	130	
	44301	44301-KXCX-900	AXLE FR WHEEL M12*240MM	AXLE FR WHEEL M12*240MM	1	780	
	44311	44311-KEBE-900	COLLAR FR WHEEL SIDE	COLLAR FR WHEEL SIDE	1	390	
	44620	44620-KHD8-900	COLLAR FR AXLE DISTANCE	COLLAR FR AXLE DISTANCE	1	490	
**	44650	44650-LEA5-305	WHEEL SET FR	WHEEL SET FR	1	29960	
	44710	44710-LEA5-E00	TIRE ASSY FR 120/70-13 59P /MAXXIS	TIRE ASSY FR 120/70-13 59P /MAXXIS	1	19300	
	44800	44800-LEA5-E00	GEAR BOX ASSY	GEAR BOX ASSY	1	3530	
	45107	45107-MEN5-007	PISTON	PISTON	2	2200	
	45108	45108-MDL4-007	PAD SPG	PAD SPG	1	300	
	45109	45109-GBE2-007	DUST SEAL	DUST SEAL	2	140	
	45131-1F66	45131-1F66-017	PIN BOLT	PIN BOLT	1	890	
	45131-GBE2	45131-GBE2-007	PIN BOLT A	PIN BOLT A	1	960	
	45132	45132-1F66-017	BUSH BOOT PIN	BUSH BOOT PIN	1	780	
	45133	45133-MCA3-007	BOOT B	BOOT B	1	230	
	45150	45150-LLB5-305	PAD COMP	PAD COMP	1	4380	
**	45200	45200-LEA5-E00	CALIPER ASSY FR	CALIPER ASSY FR	1	16950	
	45209	45209-GBE2-007	SEAL PISTON	SEAL PISTON	2	370	
	45210	45210-LEA5-E00	BRACKET FR	BRACKET FR	1	1720	

F07

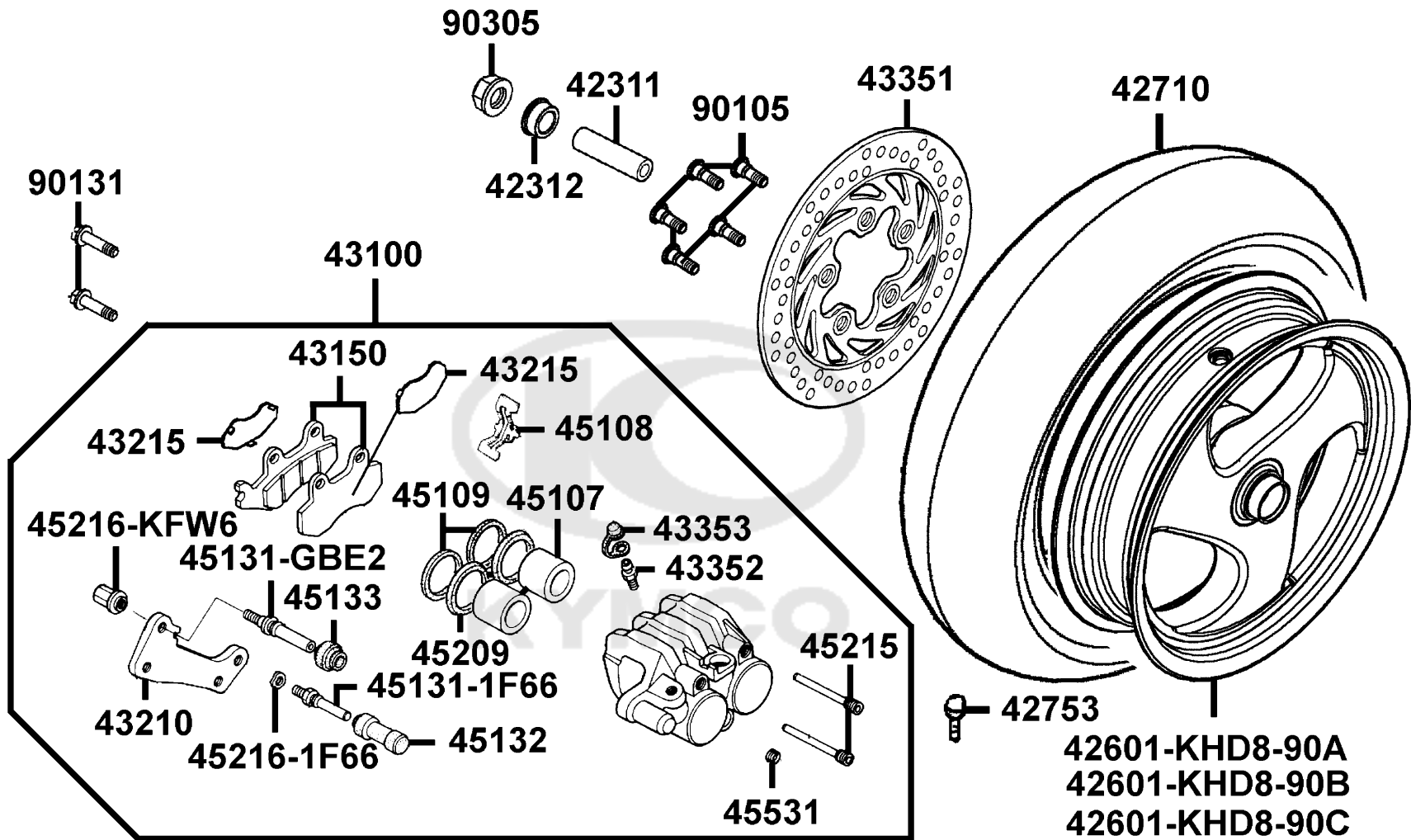
Front Wheel



Sales mark 記号	Ref no 参照用番号	Part no パーツ番号	Description 部品名	Reg description 部品名	Regd no 必要個数	Ref Price 希望小売価格(税抜)	F07
	45215	45215-KECE-900	PIN HANGER	PIN HANGER	2	300	
	45216-1F66	45216-1F66-007	WASHER WAVE	WASHER WAVE	1	110	
	45216-KFW6	45216-KFW6-90A	TORQUE NUT	TORQUE NUT	1	400	
**	45351	45351-LEA5-E00	DISK FR BRAKE	DISK FR BRAKE	1	10600	
	45531	45531-GAR1-951	PLUG	PLUG	1	110	
	90105	90105-KCR3-001	BOLT FR DISK 8*24	BOLT FR DISK 8*24	5	80	
	90122	90122-KEBE-900	BOLT FLANGE 8*32	BOLT FLANGE 8*32	2	390	
	90306	90306-KLF0-004-SY	NUT FLANGE 12MM	NUT FLANGE 12MM	1	200	
	90754-GHC8-00A	90754-GHC8-00A	SEAL DUST 20*32*5	SEAL DUST 20*32*5	1	100	
	90754-GHC8-00B	90754-GHC8-00B	SEAL DUST 20*32*5	SEAL DUST 20*32*5	1	100	
	90912	90912-KFLF-00A	BEARING 6201 LLU	BEARING 6201 LLU	2	610	

F08

Rear Wheel

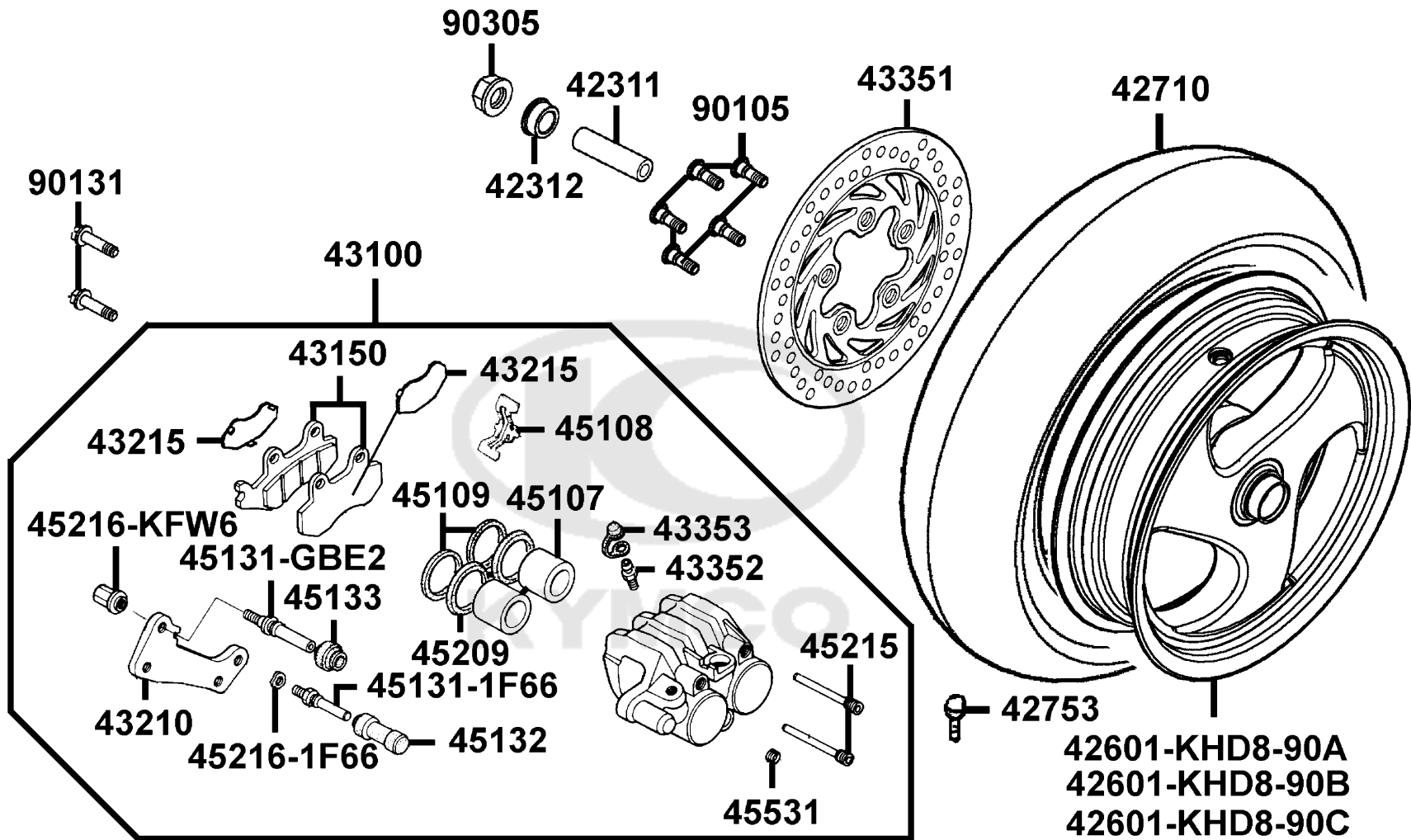


Sales mark 記号	Ref no 参照用番号	Part no パーツ番号	Description 部品名	Reg description 部品名	Regd no 必要個数	Ref Price 希望小売価格(税抜)
	42311	42311-LEA5-E00	COLLAR RR AXLE A	COLLAR RR AXLE A	1	960
	42312	42312-KEBE-900	COLLAR RR AXLE SIDE	COLLAR RR AXLE SIDE	1	440
**	42601-KHD8-90A	42601-KHD8-90A	WHEEL RR CAST	WHEEL RR CAST	1	29660
**	42601-KHD8-90B	42601-KHD8-90B	WHEEL RR CAST	WHEEL RR CAST	1	29660
**	42601-KHD8-90C	42601-KHD8-90C	WHEEL RR CAST	WHEEL RR CAST	1	29660
	42710	42710-KKC2-E00	TIRE ASSY RR/140/70-12 65P /CHENG	TIRE ASSY RR/140/70-12 65P /CHENG SHIN	1	15470
	42753	42753-KNBN-90B	VALAE RIM (TR412)	VALAE RIM (TR412)	1	630
**	43100	43100-LEA5-900	CALIPER ASSY RR	CALIPER ASSY RR	1	19800
	43150	43150-LEA5-306	PAD COMP	PAD COMP	1	4760
**	43210	43210-KEBE-900	BRACKET RR	BRACKET RR	1	1750
	43215	43215-KEBE-900	PAD HANGER	PAD HANGER	2	230
**	43351	43351-KHE7-E00	DISK RR BRAKE	DISK RR BRAKE	1	8940
	43352	43352-5H68-004	SCREW BLEEDER	SCREW BLEEDER	1	300
	43353	43353-4A61-77A	CAP BLEEDER	CAP BLEEDER	1	130
	45107	45107-MEN5-007	PISTON	PISTON	2	2200
	45108	45108-MDL4-007	PAD SPG	PAD SPG	1	300
	45109	45109-GBE2-007	DUST SEAL	DUST SEAL	2	140
	45131-1F66	45131-1F66-017	PIN BOLT	PIN BOLT	1	890
	45131-GBE2	45131-GBE2-007	PIN BOLT A	PIN BOLT A	1	960
	45132	45132-1F66-017	BUSH BOOT PIN	BUSH BOOT PIN	1	780

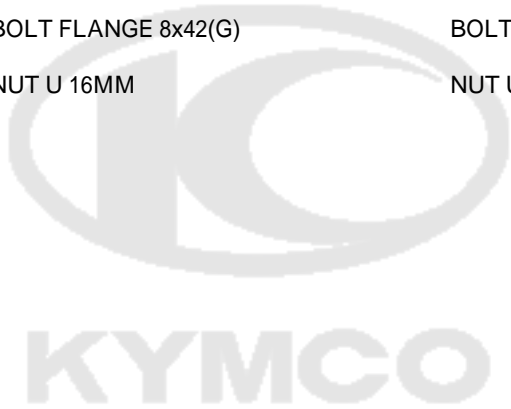
F08

F08

Rear Wheel

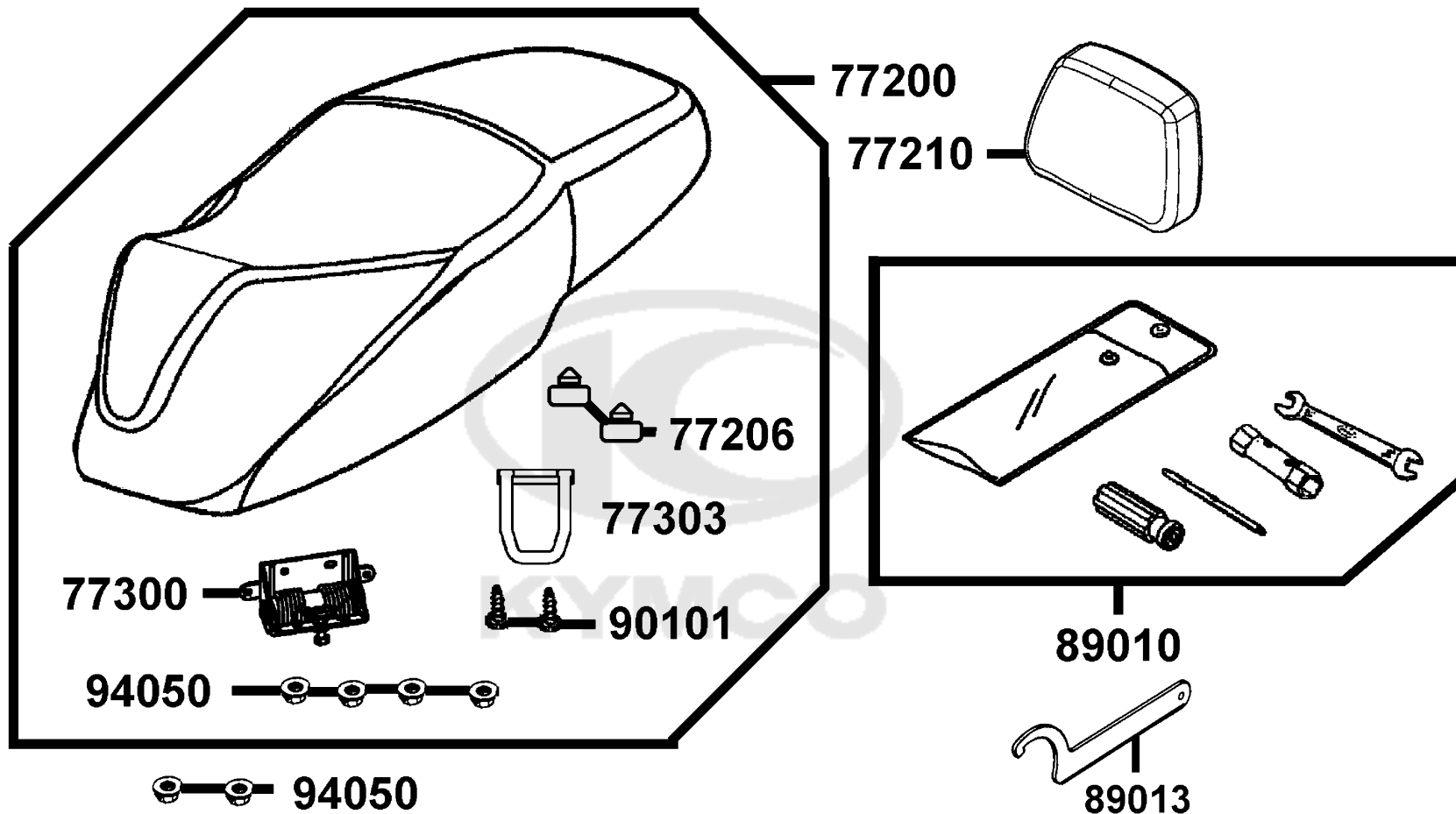


Sales mark 記号	Ref no 参照用番号	Part no パーツ番号	Description 部品名	Reg description 部品名	Regd no 必要個数	Ref Price 希望小売価格(税抜)	F08
45133		45133-MCA3-007	BOOT B	BOOT B	1	230	
45209		45209-GBE2-007	SEAL PISTON	SEAL PISTON	2	370	
45215		45215-KECE-900	PIN HANGER	PIN HANGER	2	300	
45216-1F66		45216-1F66-007	WASHER WAVE	WASHER WAVE	1	110	
45216-KFW6		45216-KFW6-90A	TORQUE NUT	TORQUE NUT	1	400	
45531		45531-GAR1-951	PLUG	PLUG	1	110	
90105		90105-KCR3-001	BOLT FR DISK 8*24	BOLT FR DISK 8*24	5	80	
90131		90131-LEA5-E00	BOLT FLANGE 8x42(G)	BOLT FLANGE 8x42(G)	2	260	
90305		90305-KFW6-91A	NUT U 16MM	NUT U 16MM	1	770	



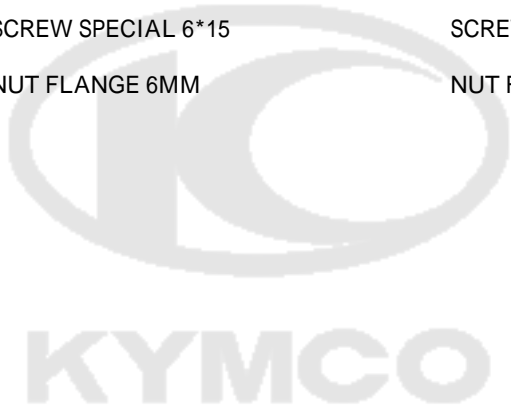
F09

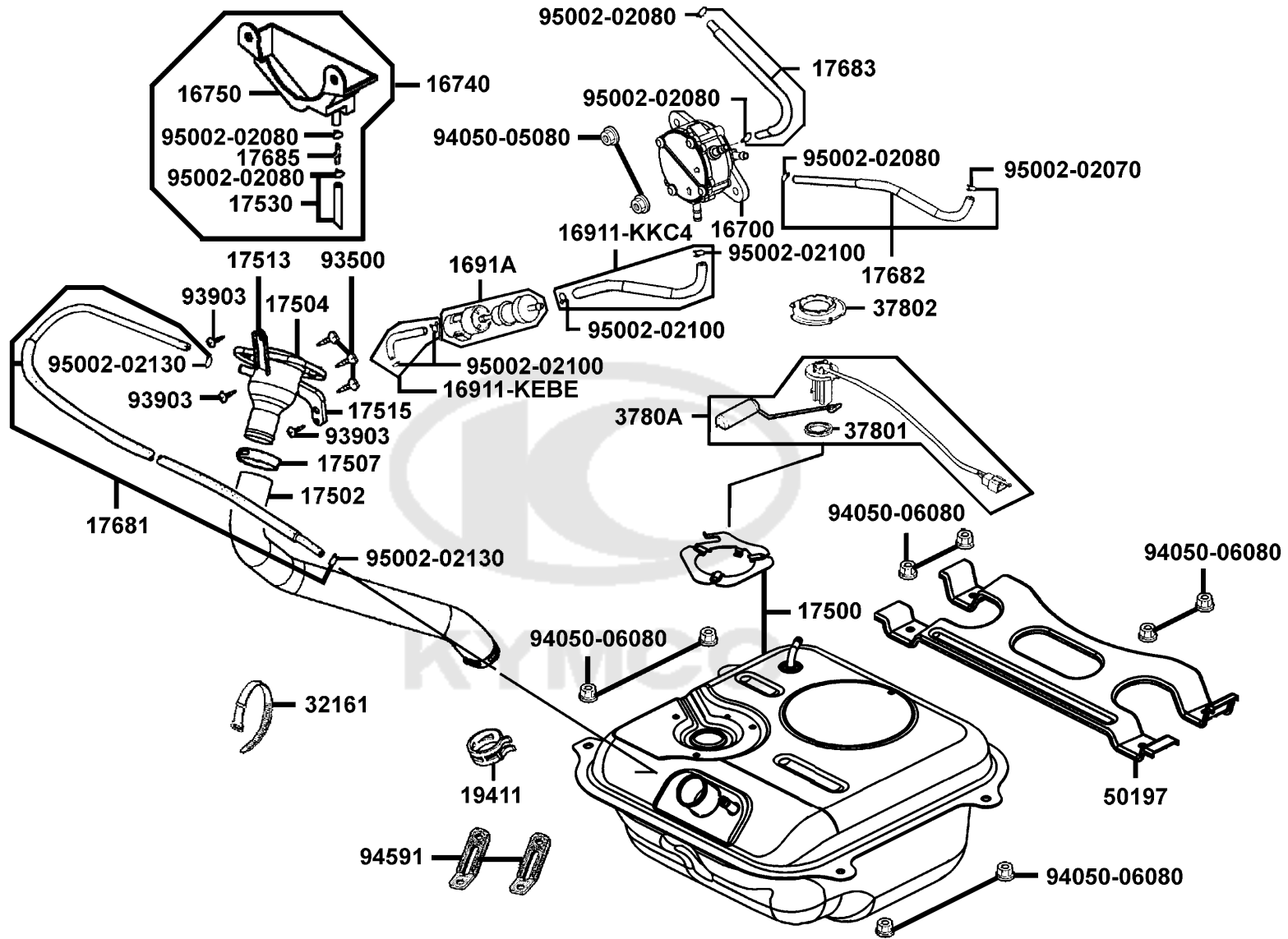
Seat



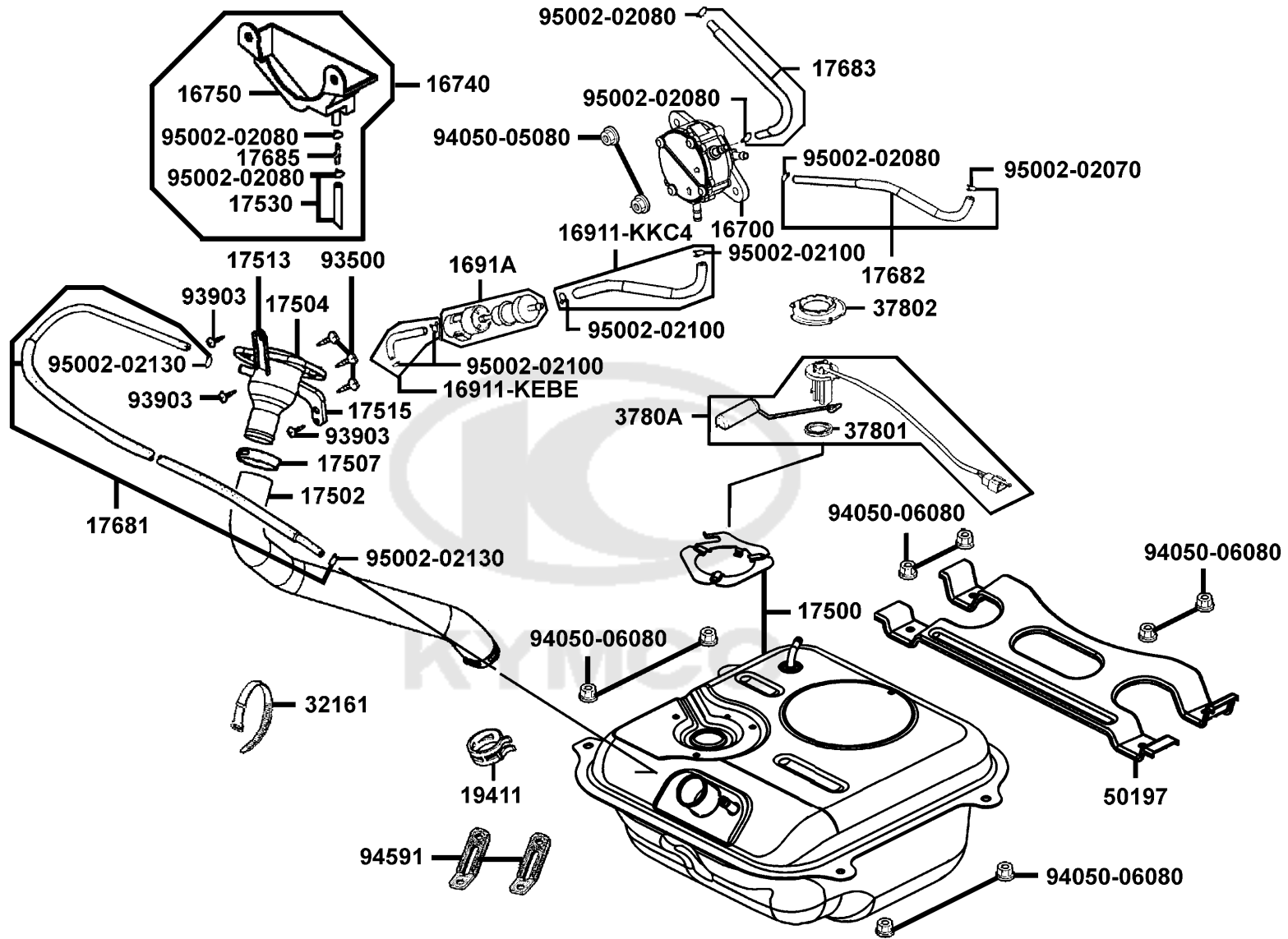
Sales mark 記号	Ref no 参照用番号	Part no パーツ番号	Description 部品名	Reg description 部品名	Regd no 必要個数	Ref Price 希望小売価格(税抜)
**	77200	77200-LEA5-E00	SEAT ASSY	SEAT ASSY	1	22280
	77206	77206-KEB7-900	RUBBER SEAT CUSH	RUBBER SEAT CUSH	2	110
**	77210	77210-LEA5-E00	SEAT ASSY BACK	SEAT ASSY BACK	1	2300
	77300	77300-LEA5-E00	HINGE ASSY SEAT	HINGE ASSY SEAT	1	12480
	77303	77303-LEA5-E00	HOOK SEAT LOCK	HOOK SEAT LOCK	1	390
	89010	89010-LEA5-E00	TOOL SET	TOOL SET	1	1530
	89013	89013-KFC8-E00	ADJUSTER REAR CUSHION	ADJUSTER REAR CUSHION	1	490
	90101	90101-KGC4-E00	SCREW SPECIAL 6*15	SCREW SPECIAL 6*15	2	60
	94050	94050-06080	NUT FLANGE 6MM	NUT FLANGE 6MM	6	60

F09





Sales mark 記号	Ref no 参照用番号	Part no パーツ番号	Description 部品名	Reg description 部品名	Regd no 必要個数	Ref Price 希望小売価格(税抜)	F10
16700		16700-KHE7-220	FUEL PUMP ASSY	FUEL PUMP ASSY	1	9990	
16740		16740-LLJ3-M30	LEAK COLLECTOR COMP	LEAK COLLECTOR COMP	1	1200	
16750		16750-KHE7-900	LEAK COLLECTOR FUEL PUMP	LEAK COLLECTOR FUEL PUMP	1	1530	
16911-KEBE		16911-KEBE-910	TUBE ASSY STRAINER TO TANK	TUBE ASSY STRAINER TO TANK	1	250	
16911-KKC4		16911-KKC4-900	TUBE ASSY TANK TO STRAINER	TUBE ASSY TANK TO STRAINER	1	390	
1691A		1691A-KEC2-E00	STRAINER ASSY FUEL	STRAINER ASSY FUEL	1	1010	
17500		17500-LEA5-E00	TANK COMP FUEL	TANK COMP FUEL	1	19010	
17502		17502-LEA5-E00	HOSE FUEL	HOSE FUEL	1	2860	
17504		17504-LAB4-900	FUEL FILLER	FUEL FILLER	1	1440	
17507		17507-LAB4-900	BAND 50 FUEL HOSE	BAND 50 FUEL HOSE	1	390	
17513		17513-LEA5-E00	STAY A FUEL PIPE	STAY A FUEL PIPE	1	350	
17515		17515-LEA5-E00	STAY B FUEL PIPE	STAY B FUEL PIPE	1	490	
17530		17530-KGB5-900	TUBE ASSY DRAIN	TUBE ASSY DRAIN	1	350	
17681		17681-LEA5-E00	TUBE A FUEL TANK	TUBE A FUEL TANK	1	870	
17682		17682-LEA5-E00	TUBE ASSY FUEL VACUUM	TUBE ASSY FUEL VACUUM	1	300	
17683		17683-LEA5-E00	TUBE ASSY FUEL	TUBE ASSY FUEL	1	510	
17685		17685-KZCZ-900	JOINT TUBE	JOINT TUBE	1	200	
19411		19411-KBCB-900	CLIP HOSE	CLIP HOSE	1	490	
32161		32161-LBA7-900	BAND WIRE	BAND WIRE	1	200	
37801		37801-GGA7-701	PACKING BASE	PACKING BASE	1	130	

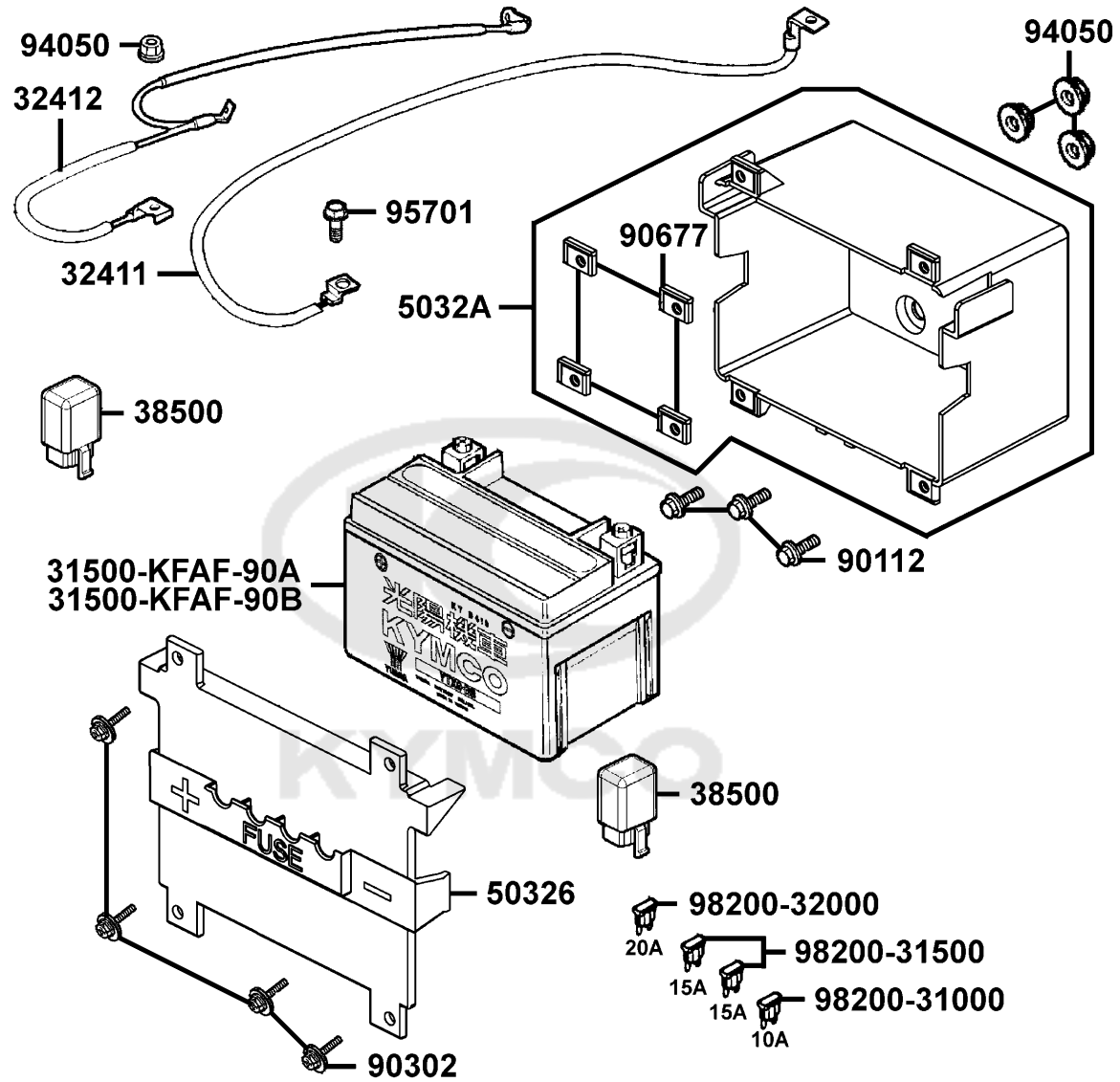


Sales mark 記号	Ref no 参照用番号	Part no パーツ番号	Description 部品名	Reg description 部品名	Regd no 必要個数	Ref Price 希望小売価格(税抜)
	37802	37802-GGA7-701	RET FUEL UNIT	RET FUEL UNIT	1	200
	3780A	3780A-LEA5-E00	FUEL UNIT ASSY	FUEL UNIT ASSY	1	3430
	50197	50197-LEA5-E00	STAY FLOOR	STAY FLOOR	1	1460
	93500	93500-04008-0F	SCREW PAN 4*8 (G)	SCREW PAN 4*8 (G)	1	200
	93903	93903-35360	SCREW WASHER 4*12	SCREW WASHER 4*12	3	60
	94050-05080	94050-05080	NUT FLANGE 5MM	NUT FLANGE 5MM	2	200
	94050-06080	94050-06080	NUT FLANGE 6MM	NUT FLANGE 6MM	8	60
	94591	94591-KFBF-900	CLIP 2*70	CLIP 2*70	2	60
	95002-02070	95002-02070	CLIP B7 TUBE	CLIP B7 TUBE	1	60
	95002-02080	95002-02080	CLIP B8 TUBE	CLIP B8 TUBE	5	60
	95002-02100	95002-02100	CLIP B15 TUBE	CLIP B15 TUBE	4	60
	95002-02130	95002-02130	CLIP B12.5 TUBE	CLIP B12.5 TUBE	2	60

F10

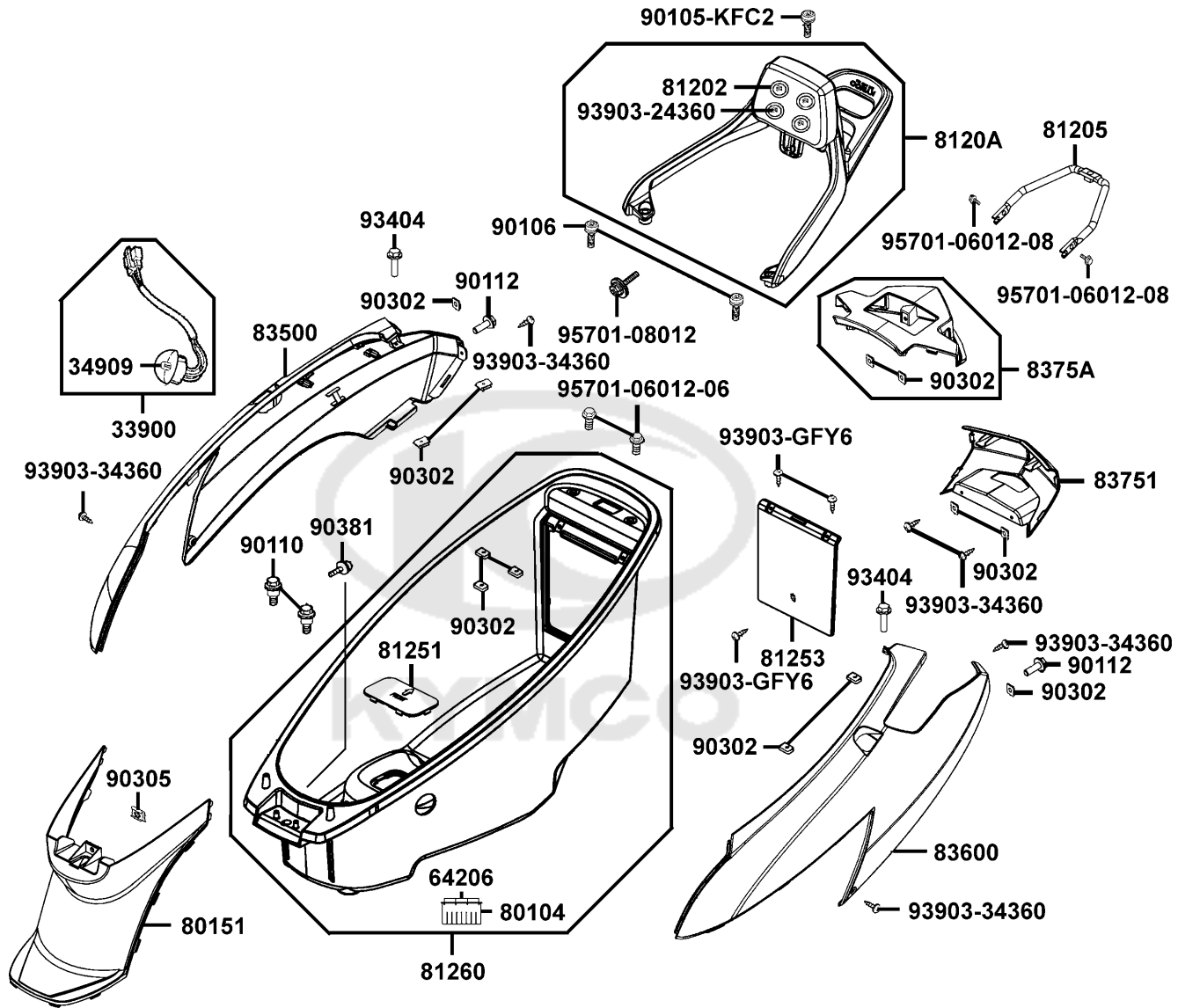
F11

Battery



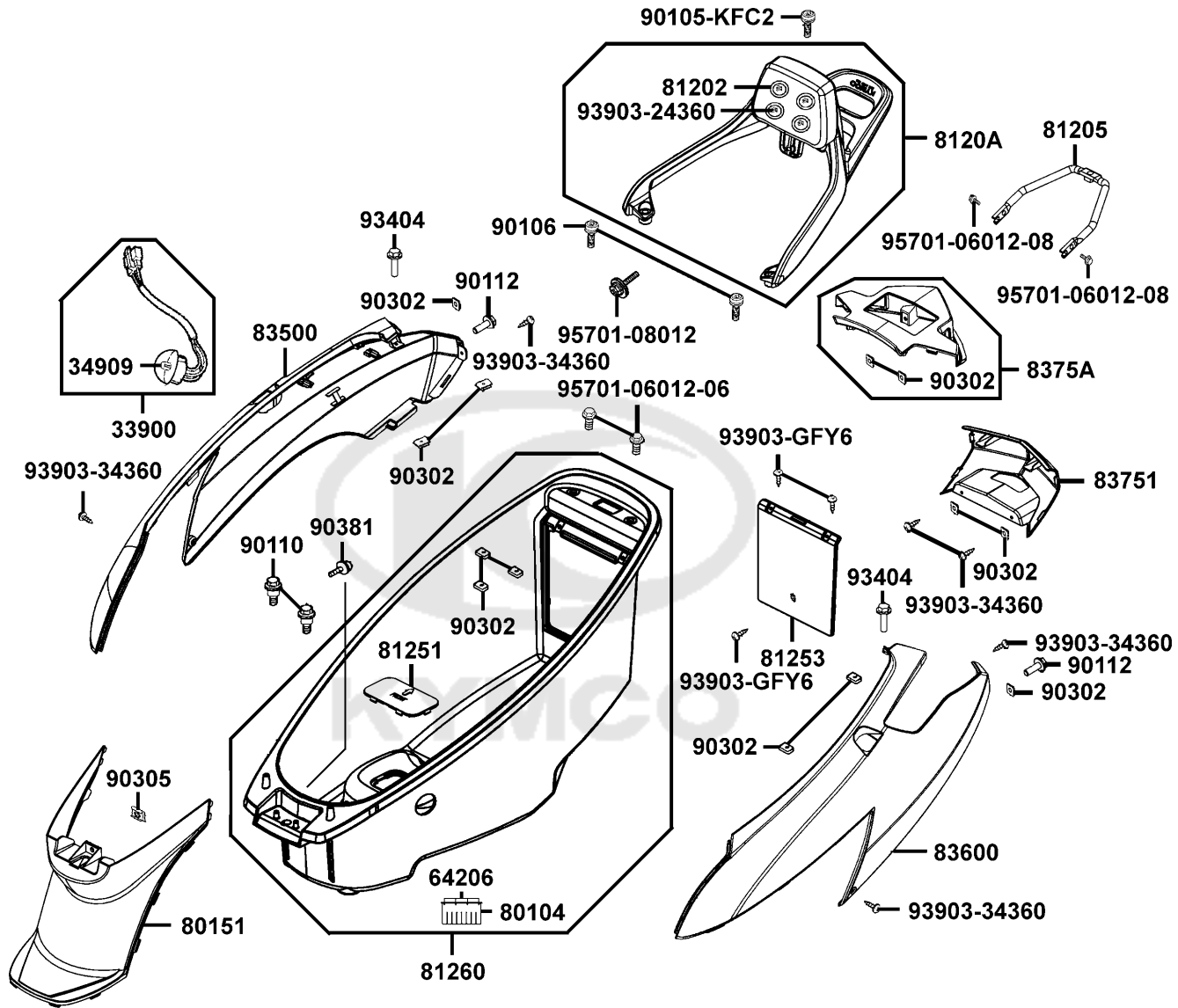
Sales mark 記号	Ref no 参照用番号	Part no パーツ番号	Description 部品名	Reg description 部品名	Regd no 必要個数	Ref Price 希望小売価格(税抜)
	31500-KFAF-90A	31500-KFAF-B2A	BATTERY YTX9-BS	BATTERY YTX9-BS	1	18540
	31500-KFAF-90B	31500-KFAF-B2B	BATTERY GTX9-BS	BATTERY GTX9-BS	1	18540
	32411	32411-LEA5-E00	CABLE BATTERY	CABLE BATTERY	1	1150
	32412	32412-LEA5-E00	CABLE EARTH	CABLE EARTH	1	2480
	38500	38500-LGL3-90A	RELAY ASSY LIGHT/D402(12V 20A)	RELAY ASSY LIGHT/D402(12V 20A)(also for	2	1730
**	50326	50326-LEA5-E00	COVER BATTERY	COVER BATTERY	1	490
	5032A	5032A-LEA5-E00	CASE ASSY BATTERY	CASE ASSY BATTERY	1	870
	90112	90112-KNBN-901	BOLT FLANGE 6MM	BOLT FLANGE 6MM	3	160
	90302	90302-GFY6-940	BOLT-WASH 5*16	BOLT-WASH 5*16	4	60
	90677	90677-GAR1-004	NUT CLIP 5MM	NUT CLIP 5MM	4	60
	94050	94050-06080	NUT FLANGE 6MM	NUT FLANGE 6MM	4	60
	95701	95701-06012-06	BOLT FLANGE 6*22 (K)	BOLT FLANGE 6*22 (K)	1	60
	98200-31000	98200-31000	BLADE FUSE 40A	BLADE FUSE 40A	1	110
	98200-31500	98200-31500	BLADE FUSE 40A	BLADE FUSE 40A	2	110
	98200-32000	98200-32000	BLADE FUSE 20A	BLADE FUSE 20A	1	110

F11

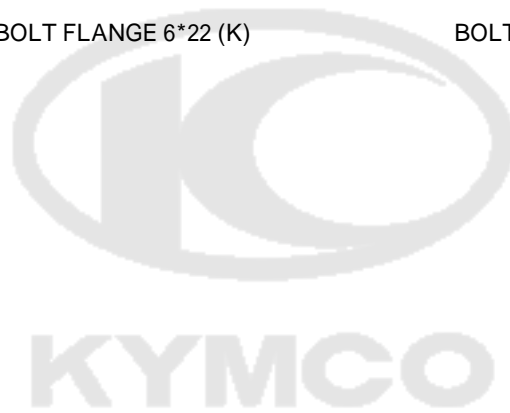


Sales mark 記号	Ref no 参照用番号	Part no パーツ番号	Description 部品名	Reg description 部品名	Regd no 必要個数	Ref Price 希望小売価格(税抜)
	33900	33900-KFBF-900	LIGHT ASSY LUGGAGE BOX	LIGHT ASSY LUGGAGE BOX	1	1080
	34909	34909-KFBF-900	BULB WEDGE BASE	BULB WEDGE BASE	1	250
	64206	64206-MLJ0-001	NUT SPEED 4MM	NUT SPEED 4MM	4	60
	80104	80104-LBA2-E00	PLATE C SPLASH GUARD	PLATE C SPLASH GUARD	1	960
**	80151	80151-LEA5-E00	COVER CENTER	COVER CENTER	1	4760
	81202	81202-KKC4-900	UNBRELLALIKE CLASP	UNBRELLALIKE CLASP	4	110
**	81205	81205-LEA5-E00	BAR-RR CARRIER	BAR-RR CARRIER	1	1340
**	8120A	8120A-LEA5-E00	CARRIER ASSY RR	CARRIER ASSY RR	1	19390
	81251	81251-LAB4-900	LID CARB MAINT	LID CARB MAINT	1	300
**	81253	81253-LEA5-E00	COVER BATTERY LUGGAGE	COVER BATTERY LUGGAGE	1	490
	81260	81260-LEA5-E00	BOX ASSY LUGGAGE	BOX ASSY LUGGAGE	1	6090
**	83500	83500-LEA5-E00	COVER R BODY	COVER R BODY	1	18030
**	83600	83600-LEA5-E00	COVER L BODY	COVER L BODY	1	18030
**	83751	83751-LEA5-E00	MOLDING RR CENTER	MOLDING RR CENTER	1	3430
**	8375A	8375A-LEA5-E00	COVER RR CENTER	COVER RR CENTER	1	4760
	90105	90105-KFC2-900	BOLT WASH 8*32	BOLT WASH 8*32	1	390
	90106	90106-KFC2-900	BOLT SPECIAL 8MM	BOLT SPECIAL 8MM	2	510
	90110	90110-KED9-900	SCREW PAN 6*18	SCREW PAN 6*18	2	230
	90112	90112-KNBN-901	BOLT FLANGE 6MM	BOLT FLANGE 6MM	2	160
	90302	90302-SDA4-004	NUT SPRING 4MM	NUT SPRING 4MM	13	60

F12

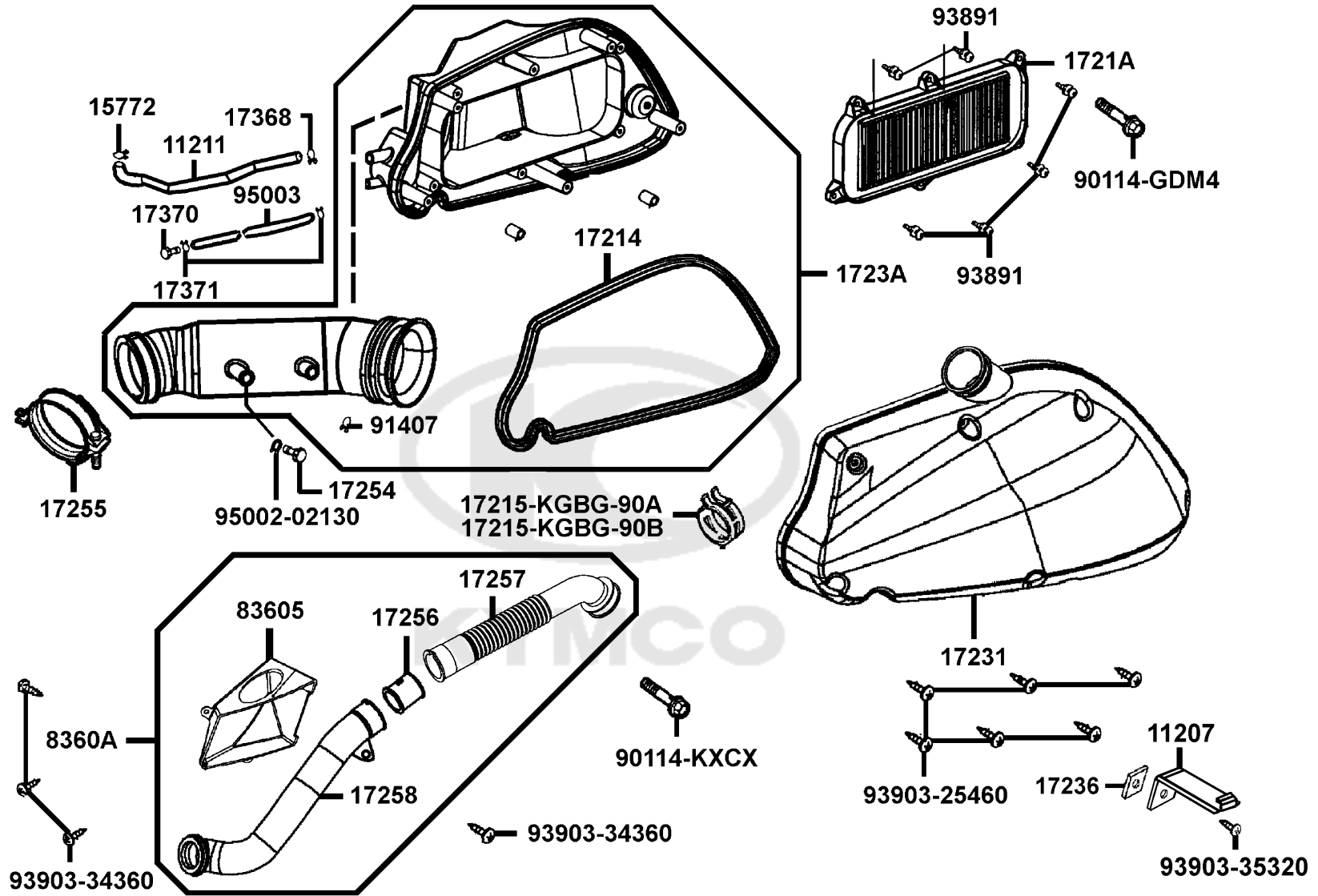


Sales mark 記号	Ref no 参照用番号	Part no パーツ番号	Description 部品名	Reg description 部品名	Regd no 必要個数	Ref Price 希望小売価格(税抜)	F12
90305		90305-GHK8-001	NUT CLIP 6MM	NUT CLIP 6MM	2	60	
90381		90381-GEZ5-001	SCREW SPECIAL 6*17	SCREW SPECIAL 6*17	1	200	
93404		93404-06016-06	BOLT WASHER 6*16	BOLT WASHER 6*16	2	60	
93903-24360		93903-24360	SCREW TAPPING 4*12	SCREW TAPPING 4*12	4	60	
93903-34360		93903-34360	SCREW WASHER 4*12	SCREW WASHER 4*12	6	60	
93903-GFY6		93903-GFY6-900	SCREW WASHER 4*12	SCREW WASHER 4*12	3	60	
95701-06012-06		95701-06012-06	BOLT FLANGE 6*22 (K)	BOLT FLANGE 6*22 (K)	3	60	
95701-08012		95701-08012-06	BOLT FLANGE 6*22 (K)	BOLT FLANGE 6*22 (K)	1	60	



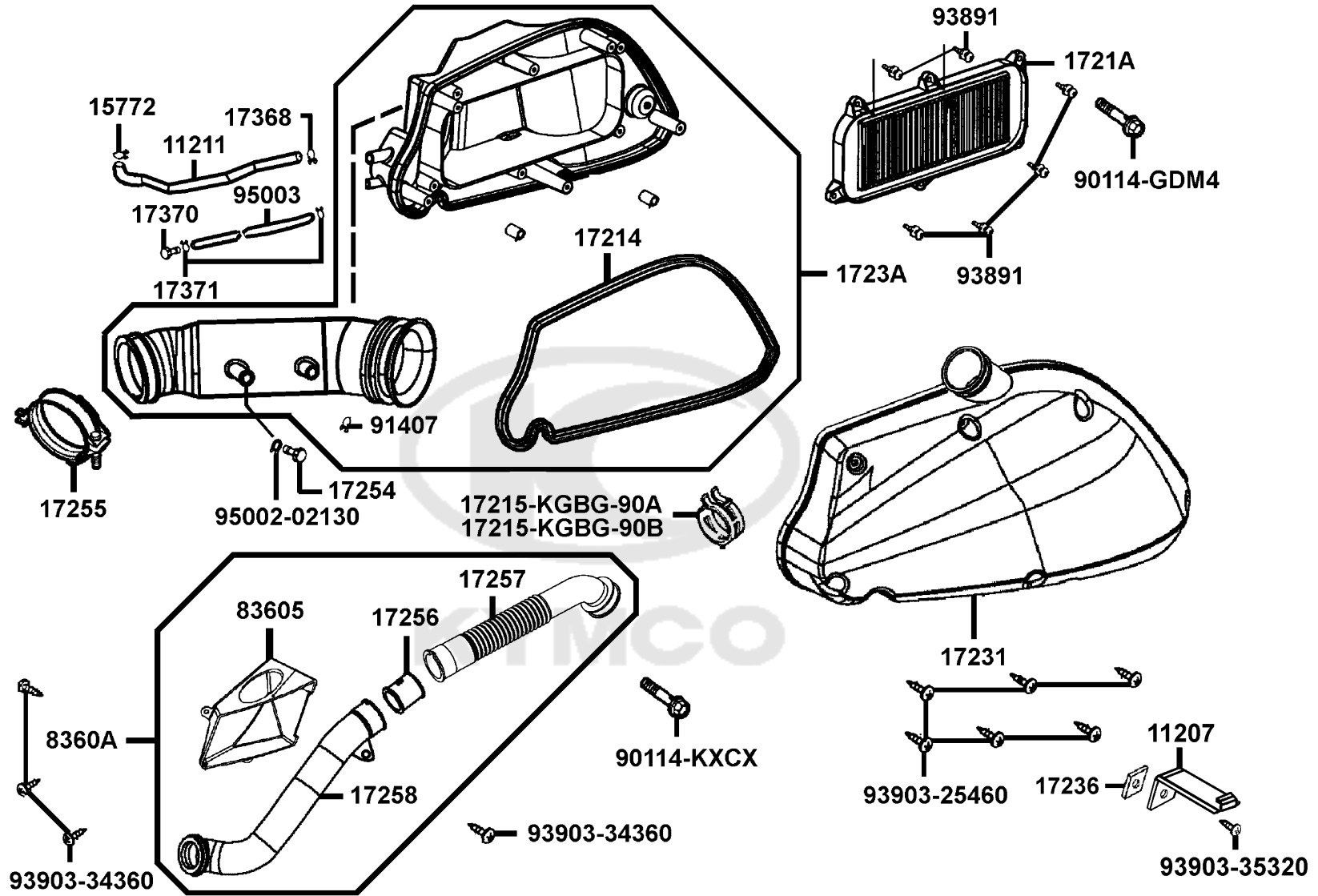
F13

Air Cleaner



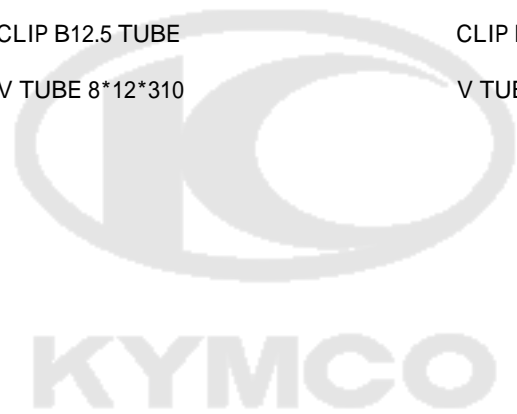
Sales mark 記号	Ref no 参照用番号	Part no パーツ番号	Description 部品名	Reg description 部品名	Regd no 必要個数	Ref Price 希望小売価格(税抜)
11207		11207-LEA5-E01	STAY RR FENDER	STAY RR FENDER	1	20
11211		11211-LEA5-E00	TUBE MISSION BREATHER	TUBE MISSION BREATHER	1	1820
15772		15772-5L00-013	CLIP B14.5 TUBE	CLIP B14.5 TUBE	1	60
17214		17214-KKC3-900	SEAL AIR/C COVER	SEAL AIR/C COVER	1	320
17215-KGBG-90A		17215-KGBG-90A	CLIP ASSY A/C DUCT	CLIP ASSY A/C DUCT	1	580
17215-KGBG-90B		17215-KGBG-90B	CLIP ASSY AIR/C DUCT	CLIP ASSY AIR/C DUCT	1	580
1721A		1721A-KKC3-900	ELEMENT ASSY AIR/C	ELEMENT ASSY AIR/C	1	1850
17231		17231-KKC3-900	COVER COMP AIR/C	COVER COMP AIR/C	1	2290
17236		17236-LEA5-900	BRACKET NUT	BRACKET NUT	1	300
1723A		1723A-KKC2-800	CASE ASSY AIR/C	CASE ASSY AIR/C	1	5520
17254		17254-KACA-P00	PLUG AIR/C CONN TUBE	PLUG AIR/C CONN TUBE	1	200
17255		17255-KHD8-920	BAND AIR/C CONN	BAND AIR/C CONN	1	370
17256		17256-KKC4-900	JOINT AIR/C	JOINT AIR/C	1	390
17257		17257-LEA5-E00	DUCT AIR/C COVER	DUCT AIR/C COVER	1	1630
17258		17258-LEA5-E00	DUCT AIR/C CHAMPER	DUCT AIR/C CHAMPER	1	1440
17368		17368-KDB4-670	CLIP B 14.5 TUBE	CLIP B 14.5 TUBE	1	160
17370		17370-4K19-701	PLUG BREATHER TUBE	PLUG BREATHER TUBE	1	110
17371		17371-1D74-671	CLIP BREATHER TUBE	CLIP BREATHER TUBE	2	60
83605		83605-LEA5-E00	CHAMPER AIR/C	CHAMPER AIR/C	1	390
8360A		8360A-LEA5-E00	CHAMBER ASSY AIR/C	CHAMBER ASSY AIR/C	1	2610

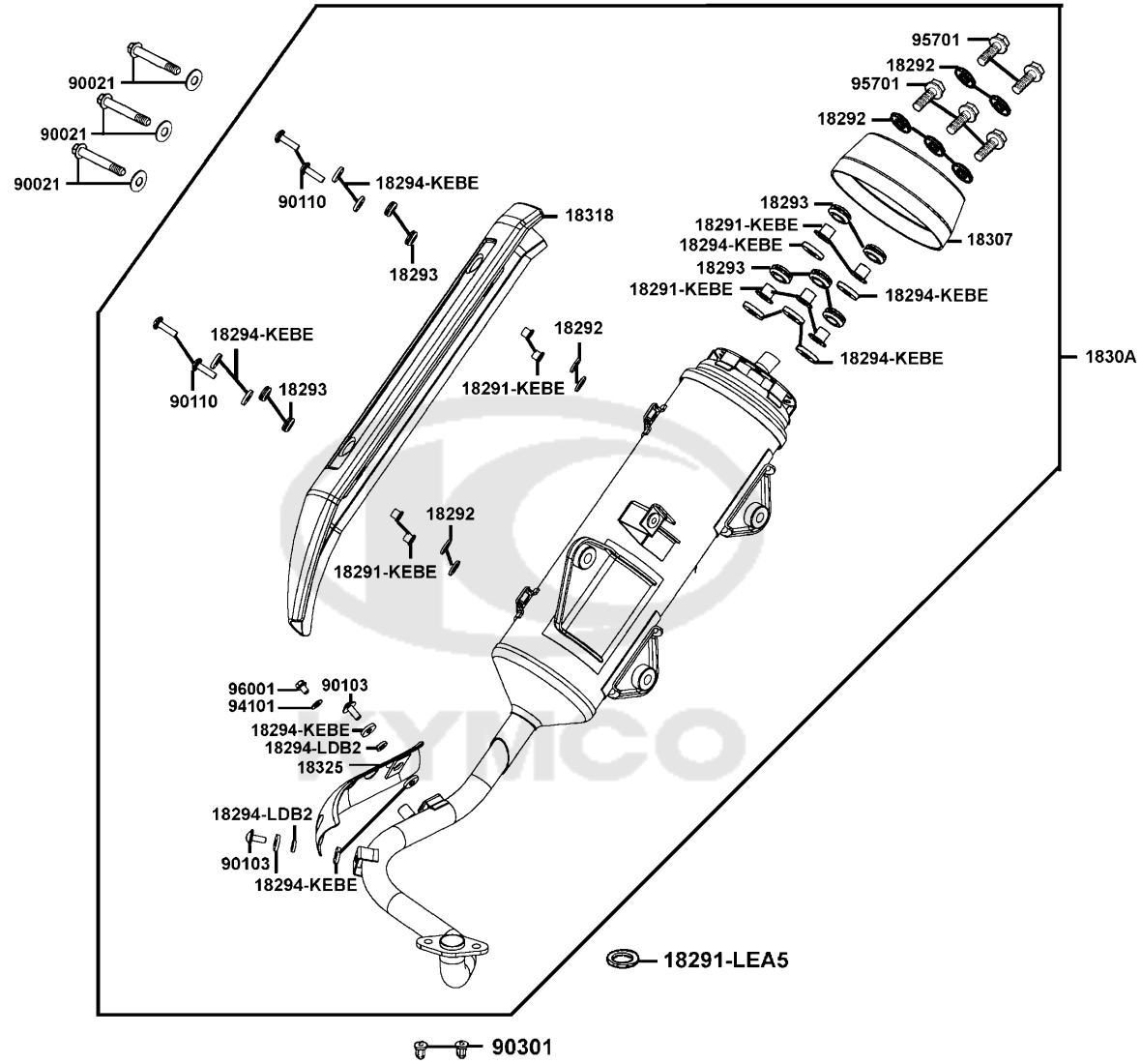
F13



Sales mark 記号	Ref no 参照用番号	Part no パーツ番号	Description 部品名	Reg description 部品名	Regd no 必要個数	Ref Price 希望小売価格(税抜)
	90114-GDM4	90001-GBHB-681	BOLT FLANGE SHF 6*28	BOLT FLANGE SHF 6*28	1	60
	90114-KXCX	90114-KXCX-900	BOLT FLANGE SH 5*20	BOLT FLANGE SH 5*20	1	60
	91407	91407-SGA7-004	CLAMP 17 FUSE HOSE	CLAMP 17 FUSE HOSE	1	300
	93891	93891-05016-06	SCREW WASHER 5*16	SCREW WASHER 5*16	1	60
	93903-25460	93903-25460	SCREW TAPPING 5*20 **93903-25480	SCREW TAPPING 5*20 **93903-25480 C.2005	6	60
	93903-34360	93903-34360	SCREW WASHER 4*12	SCREW WASHER 4*12	4	60
	93903-35320	93903-35360	SCREW WASHER 4*12	SCREW WASHER 4*12	1	60
	95002-02130	95002-02130	CLIP B12.5 TUBE	CLIP B12.5 TUBE	1	60
	95003	95003-23031-60	V TUBE 8*12*310	V TUBE 8*12*310	1	250

F13



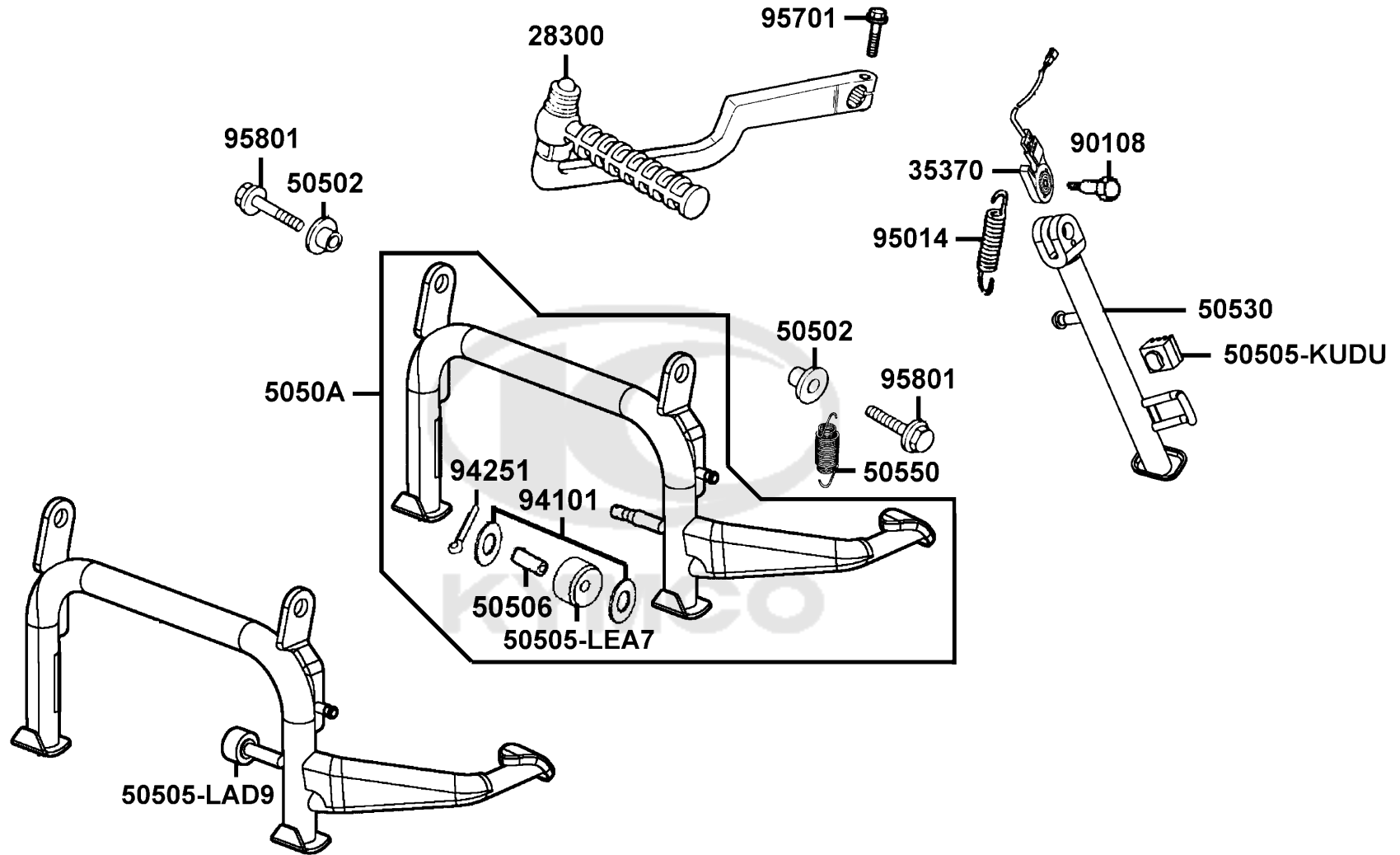


Sales mark 記号	Ref no 参照用番号	Part no パーツ番号	Description 部品名	Reg description 部品名	Regd no 必要個数	Ref Price 希望小売価格(税抜)
	18291-KEBE	18291-KEBE-900	COLLAR	COLLAR	9	60
	18291-LEA5	18291-LEA5-E00	GASKET EXH PIPE	GASKET EXH PIPE	1	210
	18292	18292-KEBE-900	PACKING PROTECTOR	PACKING PROTECTOR	9	60
	18293	18293-KEBE-900	RUBBER PKG PROTR	RUBBER PKG PROTR	9	140
	18294-KEBE	18294-KEBE-900	PACKING PROTECTOR	PACKING PROTECTOR	18	110
	18294-LDB2	18294-LDB2-900	PACKING INNER PROTECTOR	PACKING INNER PROTECTOR	2	130
**	18307	18307-LBA2-900	TAIL CAP COMP MUFFLER	TAIL CAP COMP MUFFLER	1	6870
**	18318	18318-LEA5-E00	PROTECTOR MUFFLER	PROTECTOR MUFFLER **HJF C.P.N.	1	5710
	18325	18325-LEA5-E00	PROTECTOR EXH PIPE	PROTECTOR EXH PIPE	1	3430
	90021	90021-GFY6-900	BOLT WASHER COMP	BOLT WASHER COMP	3	90
	90103	90103-LEA5-E00	SCREW WASHER SPECIAL 6*16	SCREW WASHER SPECIAL 6*16	2	110
	90110	90110-KEBE-900	SCREW SPECIAL 6*22	SCREW SPECIAL 6*22	4	70
	90301	90301-GFY6-901	NUT (HEX) CAP 8MM	NUT (HEX) CAP 8MM	2	140
	94101	94101-06700	WASHER PLAIN 6MM	WASHER PLAIN 6MM	1	60
	95701	95701-06022-06	BOLT FLANGE 6*22	BOLT FLANGE 6*22	5	60
	96001	96001-06008-07	BOLT FLANGE SH 6*8	BOLT FLANGE SH 6*8	1	60

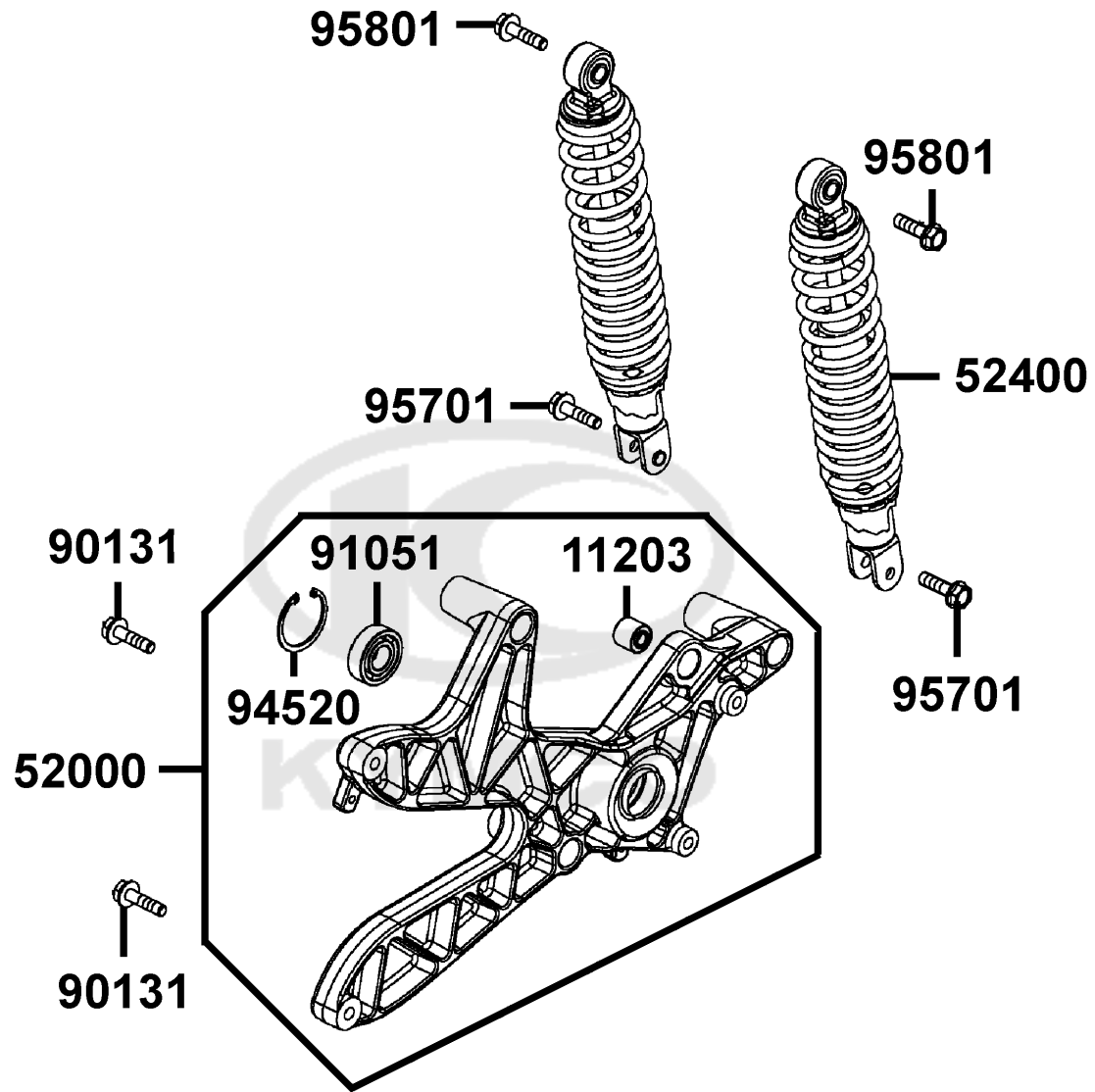
F14

F15

Stand Kick Starter Arm

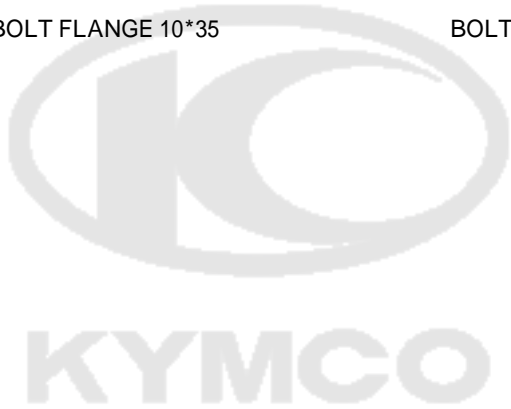


Sales mark 記号	Ref no 参照用番号	Part no パーツ番号	Description 部品名	Reg description 部品名	Regd no 必要個数	Ref Price 希望小売価格(税抜)	F15
**	28300	28300-LEA5-E00	ARM ASSY KICK STARTER	ARM ASSY KICK STARTER	1	3430	
	35370	35370-KEC8-E00	SW UNIT SIDE STAND	SW UNIT SIDE STAND	1	3810	
	50502	50502-GFY6-901	COLLAR MAIN STAND	COLLAR MAIN STAND	2	140	
	50505-KUDU	50505-KUDU-900	STOPPER RUBBER STAND	STOPPER RUBBER STAND	1	160	
	50505-LAD9	50505-LAD9-900	STOPPER RUBBER	STOPPER RUBBER	1	180	
	50505-LEA7	50505-LEA7-E00	STOPPER RUBBER	STOPPER RUBBER	1	230	
	50506	50506-KHE7-E00	COLLAR STOPPER RUBBER	COLLAR STOPPER RUBBER	1	160	
	5050A	5050A-LEA5-E00	STAND ASSY MAIN	STAND ASSY MAIN	1	7230	
	50530	50530-LEA5-E00	BAR SIDE STAND	BAR SIDE STAND	1	2670	
	50550	50550-KEB7-E00	SPG ASSY MAIN STAND	SPG ASSY MAIN STAND	1	870	
	90108	90108-KKC4-900	SCREW SIDE STAND PIVOT	SCREW SIDE STAND PIVOT	1	390	
	94101	94101-08700	WASHER PLAIN 8MM	WASHER PLAIN 8MM	2	200	
	94251	94251-08400	PIN LOCK 8MM	PIN LOCK 8MM	1	160	
	95014	95014-72204	SPG B1 SIDE STAND	SPG B1 SIDE STAND	1	300	
	95701	95701-06022-06	BOLT FLANGE 6*22	BOLT FLANGE 6*22	1	60	
	95801	95801-10025-06	BOLT FLANGE 10*25	BOLT FLANGE 10*25	1	60	



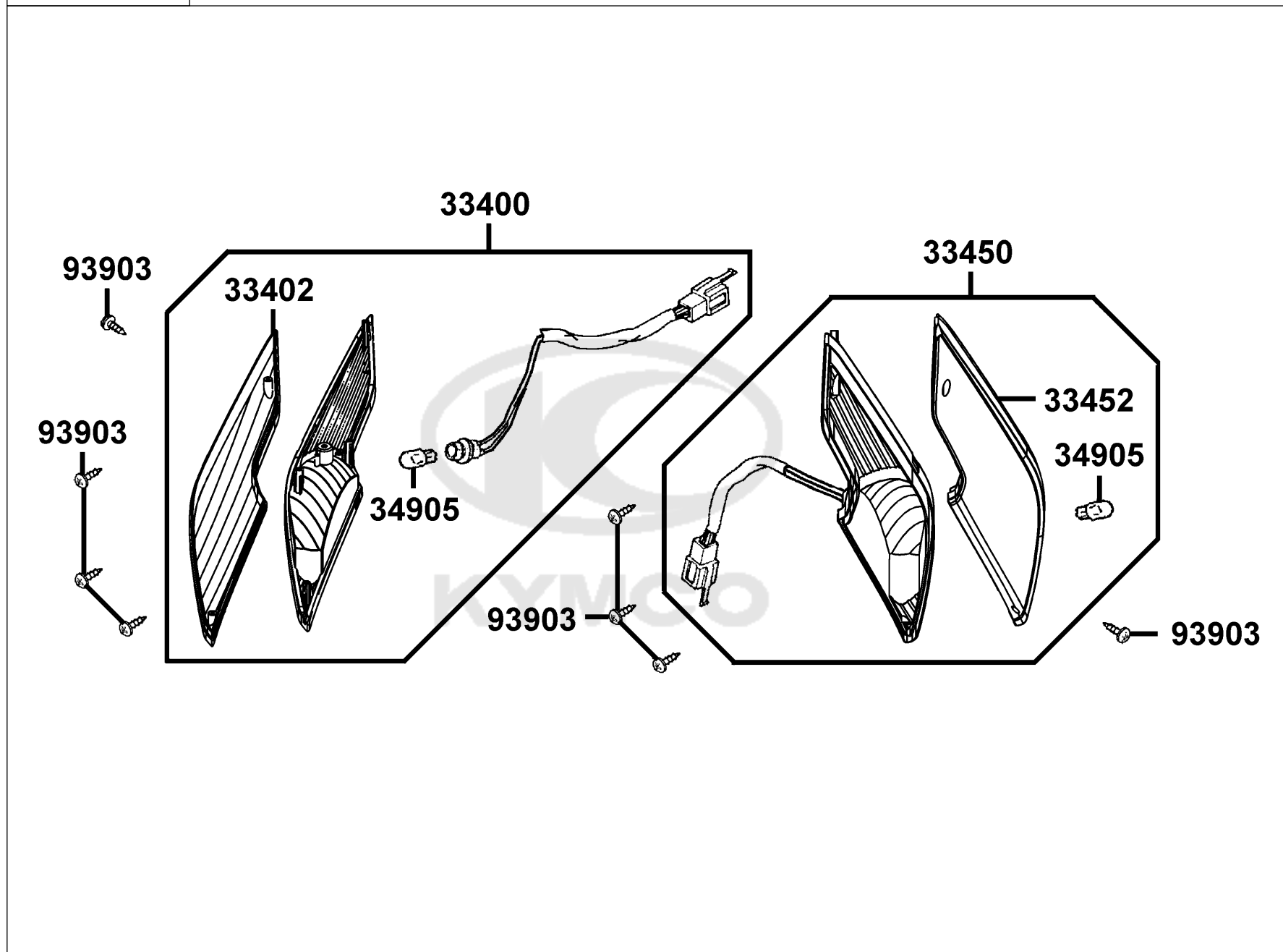
Sales mark 記号	Ref no 参照用番号	Part no パーツ番号	Description 部品名	Reg description 部品名	Regd no 必要個数	Ref Price 希望小売価格(税抜)
	11203	11203-GGC7-301	UNDER RUBBER BUSH REAR CUSHION	UNDER RUBBER BUSH REAR CUSHION	1	250
**	52000	52000-LEA5-E00	FORK ASSY REAR	FORK ASSY REAR	1	22970
**	52400	52400-LEA5-E00	CUSHION ASSY R RR	CUSHION ASSY R RR	2	12080
	90131	90131-KFAF-900	BOLT FLANGE 8*42	BOLT FLANGE 8*42	2	300
	91051	91051-KFBF-901	BRG BALL RAKIAL 6203LLU	BRG BALL RAKIAL 6203LLU	1	1440
	94524	94524-42000	CIR CLIP IN 42	CIR CLIP IN 42	1	390
	95701	95701-08030-06	BOLT FLANGE 8X30	BOLT FLANGE 8X30	1	160
	95801	95801-10035-06	BOLT FLANGE 10*35	BOLT FLANGE 10*35	1	300


F16



F17

Front Winker

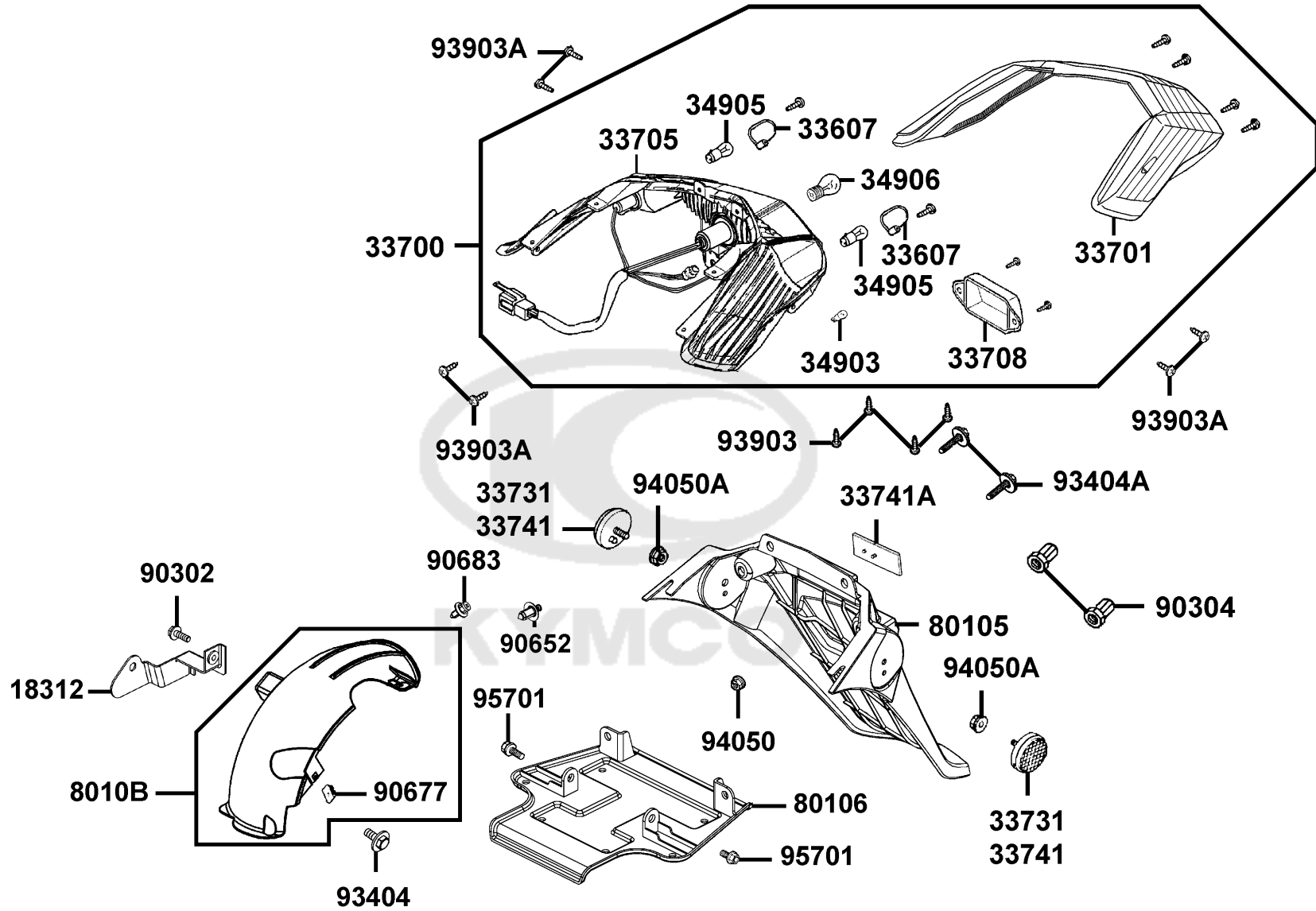


Sales mark 記号	Ref no 参照用番号	Part no パーツ番号	Description 部品名	Reg description 部品名	Regd no 必要個数	Ref Price 希望小売価格(税抜)
33400	33400-LEA5-E00	33400-LEA5-E00	WINKER ASSY R FR	WINKER ASSY R FR	1	4150
33402	33402-LEA5-E00	33402-LEA5-E00	LENS FR WINKER R	LENS FR WINKER R	1	1630
33450	33450-LEA5-E00	33450-LEA5-E00	WINKER ASSY L FR	WINKER ASSY L FR	1	4150
33452	33452-LEA5-E00	33452-LEA5-E00	LENS L FR WINKER	LENS L FR WINKER	1	1630
34905	34905-KHC4-900	34905-KHC4-900	BULB WINKER	BULB WINKER	2	400
93903	93903-34360	93903-34360	SCREW WASHER 4*12	SCREW WASHER 4*12	8	60
						

F17

F18

Tail Light

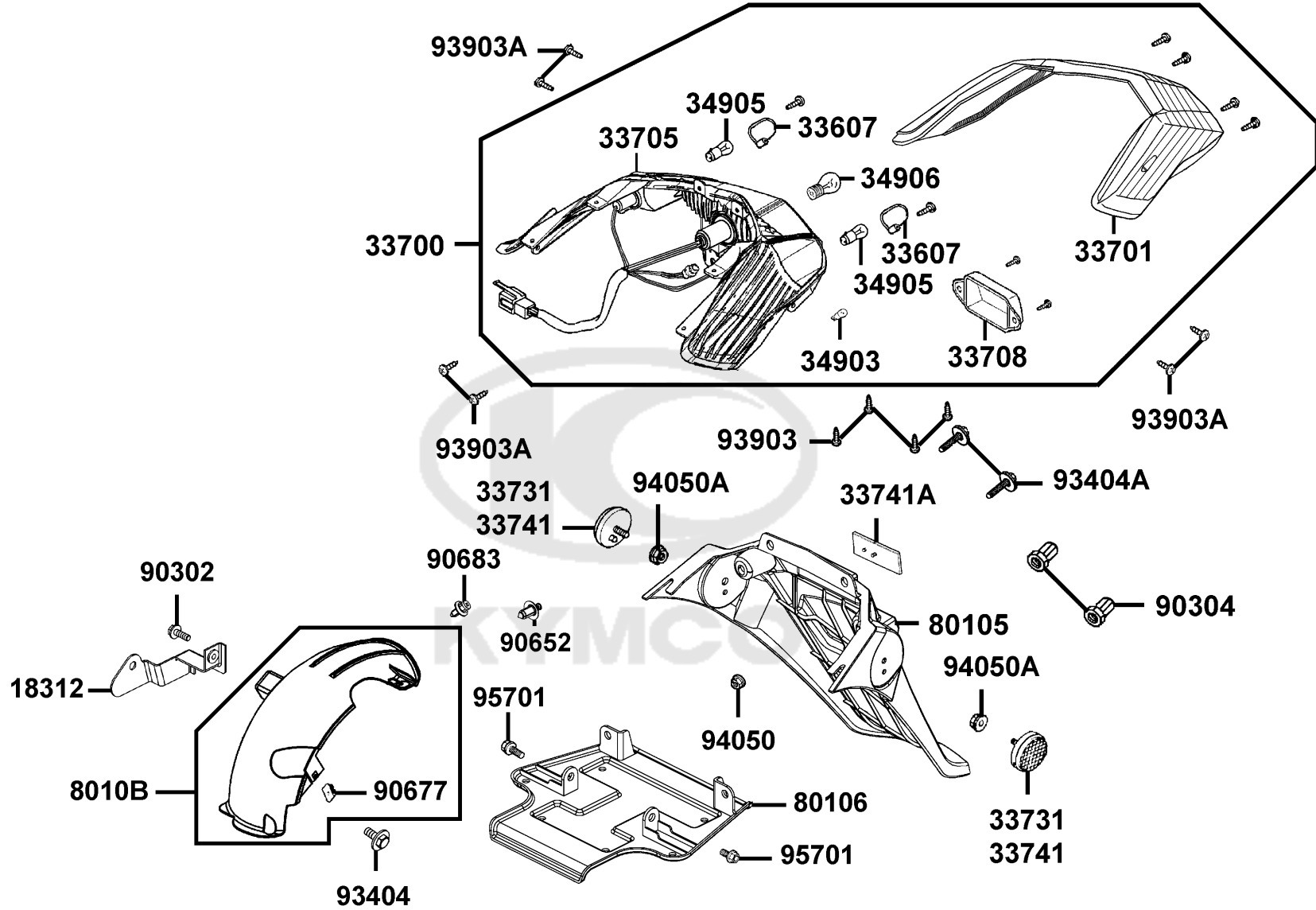


Sales mark 記号	Ref no 参照用番号	Part no パーツ番号	Description 部品名	Reg description 部品名	Regd no 必要個数	Ref Price 希望小売価格(税抜)
	18312	18312-LEA5-E00	STAY RR FENDER	STAY RR FENDER	1	1250
	33607	33607-KKD7-E00	INNER LENS WINKER	INNER LENS WINKER	2	320
	33700	33700-LEA5-E00	LIGHT ASSY RR COMB	LIGHT ASSY RR COMB	1	12960
	33701	33701-LEA5-E00	LENS COMP TAIL LIGHT	LENS COMP TAIL LIGHT	1	3050
	33705	33705-LEA5-305	BASE ASSY TAIL	BASE ASSY TAIL	1	7040
	33708	33708-KHE7-E00	LENS LICENSE	LENS LICENSE	1	200
	33731	33731-KHC5-M00	REFLEX REFLECTOR (AMBER)	REFLEX REFLECTOR (AMBER)	2	730
	33741	33741-GFY6-C30	REFLEX REFLECTOR	REFLEX REFLECTOR	2	730
	33741A	33741-KHC5-M00	REFLEX REFLECTOR	REFLEX REFLECTOR	1	580
	34903	34903-KPCP-900	BULB POSITION LIGHT 12V5W **KCP-	BULB POSITION LIGHT 12V5W **KCP-9000	1	320
	34905	34905-KPCP-900	BULB WINKER	BULB WINKER	2	400
	34906	34906-KPCP-900	BULB TAIL & STOP	BULB TAIL & STOP	1	770
**	80105	80105-LEA5-E00	FENDER RR	FENDER RR	1	1530
**	80106	80106-LEA5-E00	FENDER RR INNER	FENDER RR INNER	1	770
	8010B	8010B-LEA5-E00	FENDER ASSY RR TIRE	FENDER ASSY RR TIRE	1	1910
	8010B	8010B-LEA5-E01	FENDER ASSY RR TIRE	FENDER ASSY RR TIRE	1	1910
	90302	90302-GFY6-940	BOLT-WASH 5*16	BOLT-WASH 5*16	1	60
	90304	90304-4H38-001	NUT HEX CAP 6MM	NUT HEX CAP 6MM	2	200
	90652	90652-LFB5-900	CLIP MUDGUARD	CLIP MUDGUARD	1	60
	90677	90677-GAR1-004	NUT CLIP 5MM	NUT CLIP 5MM	1	60

F18

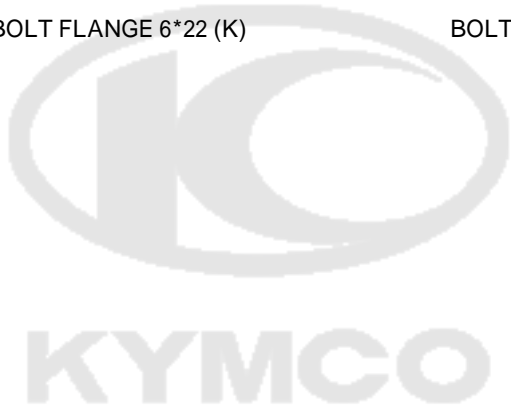
F18

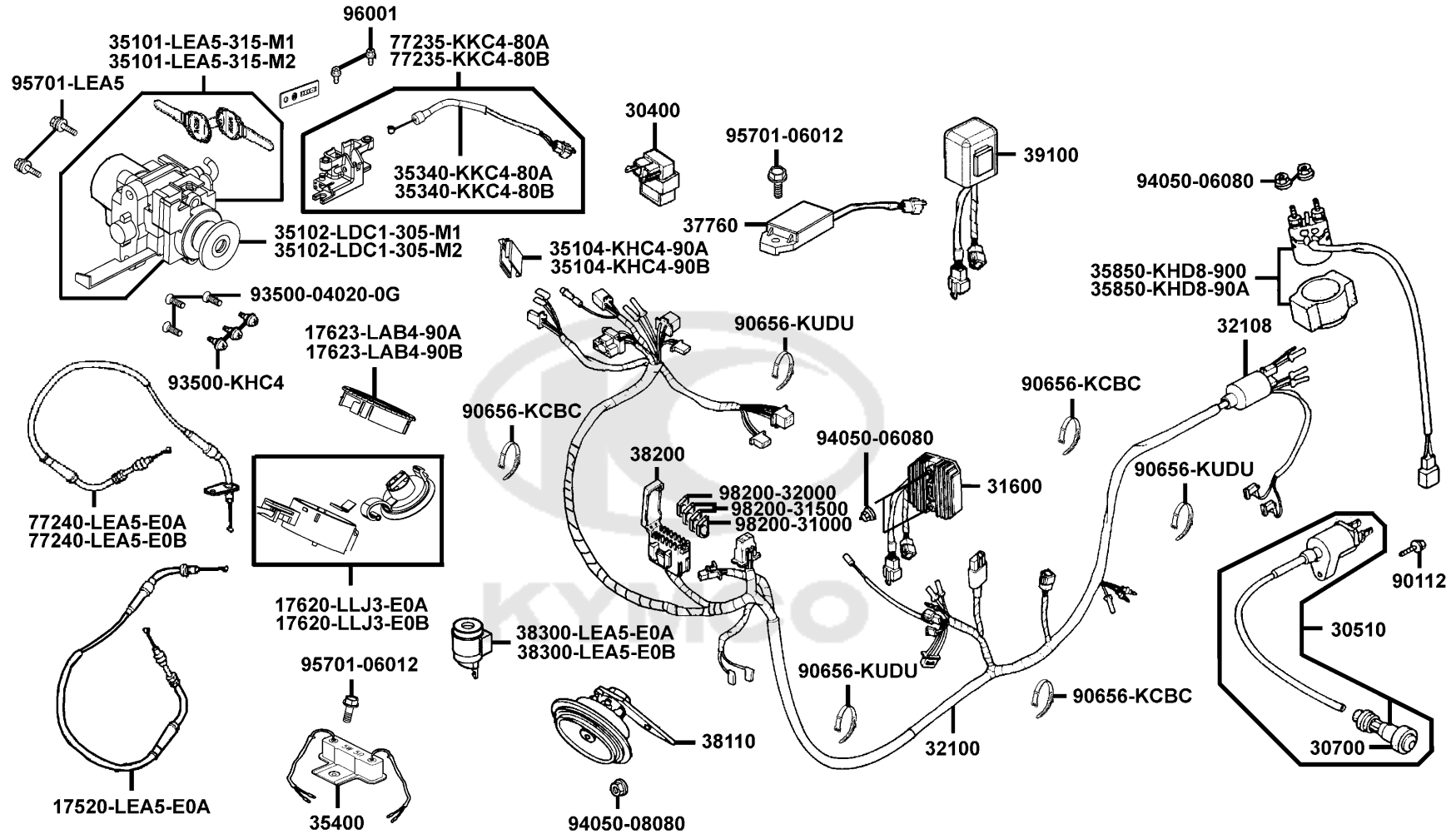
Tail Light



Sales mark 記号	Ref no 参照用番号	Part no パーツ番号	Description 部品名	Reg description 部品名	Regd no 必要個数	Ref Price 希望小売価格(税抜)
90683	90683-GAR1-004		CLIP BODY COVER	CLIP BODY COVER	1	60
93404	93404-06016-06		BOLT WASHER 6*16	BOLT WASHER 6*16	1	60
93404A	93404-KKC2-900		BOLT WASH 6*16	BOLT WASH 6*16	2	60
93903	93903-24360		SCREW TAPPING 4*12	SCREW TAPPING 4*12	4	60
93903A	93903-34360		SCREW WASHER 4*12	SCREW WASHER 4*12	10	60
94050	94050-05080		NUT FLANGE 5MM	NUT FLANGE 5MM	1	200
94050A	94050-06080		NUT FLANGE 6MM	NUT FLANGE 6MM	2	60
95701	95701-06012-06		BOLT FLANGE 6*22 (K)	BOLT FLANGE 6*22 (K)	1	60

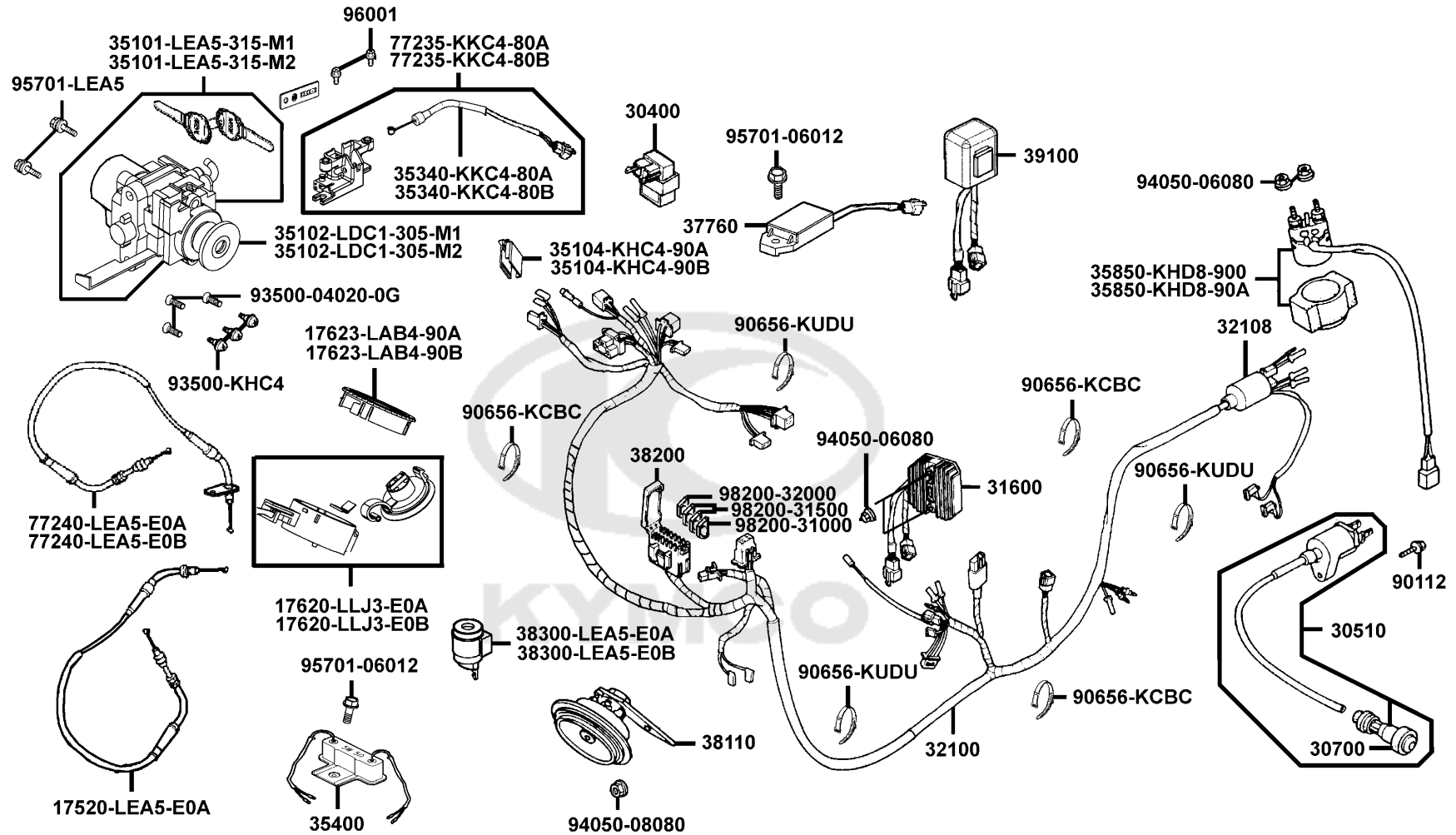
F18





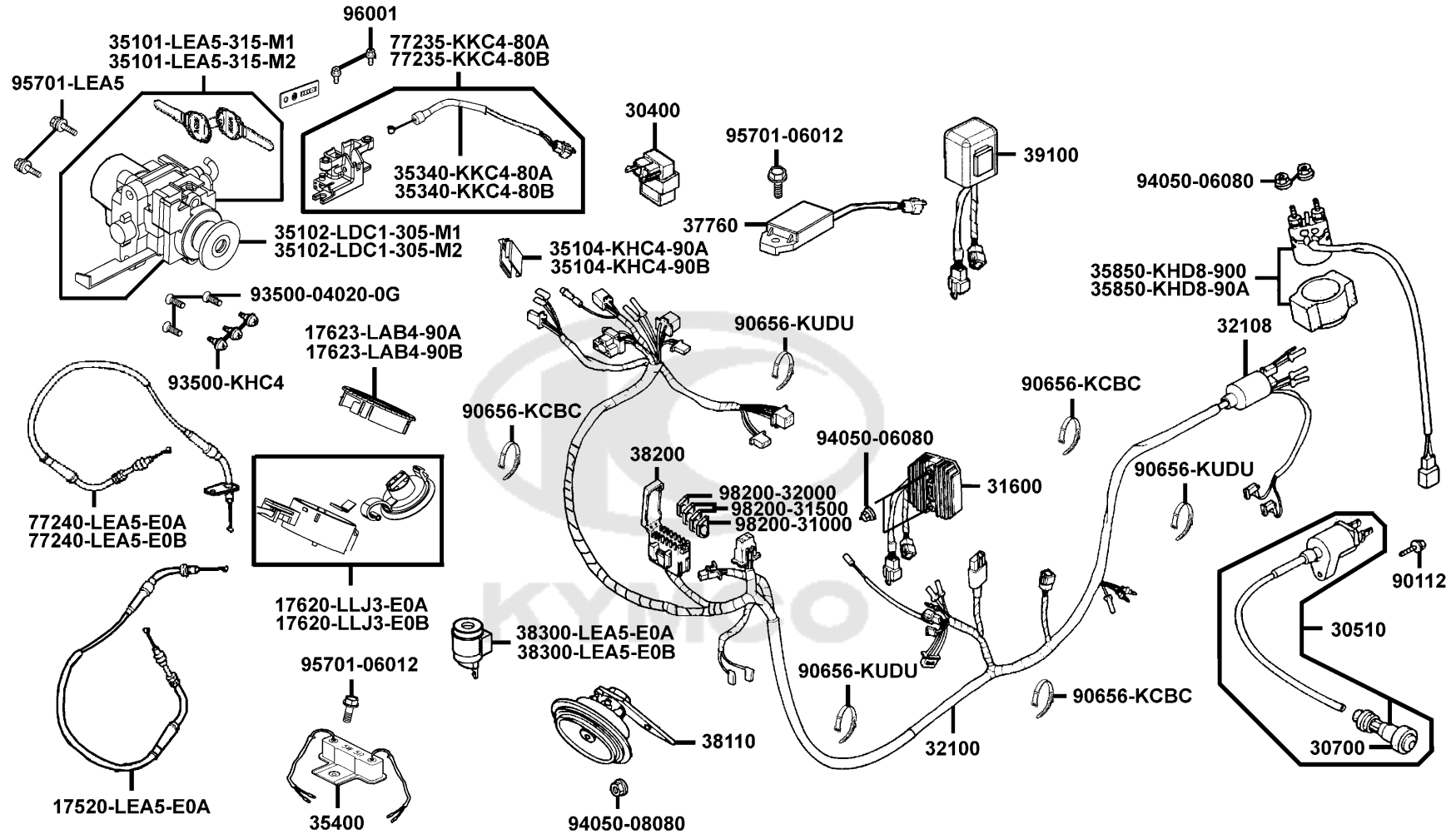
Sales mark 記号	Ref no 参照用番号	Part no パーツ番号	Description 部品名	Reg description 部品名	Regd no 必要個数	Ref Price 希望小売価格(税抜)
	17520	17520-LEA5-E0A	CABLE COMP FUEL CAP	CABLE COMP FUEL CAP	1	1340
**	17620-LLJ3-E0A	17620-LLJ3-E0A	CAP COMP FUEL FILLER	CAP COMP FUEL FILLER	1	4190
**	17620-LLJ3-E0B	17620-LLJ3-E0B	CAP COMP FUEL FILLER	CAP COMP FUEL FILLER	1	4190
	17623-LAB4-90A	17623-LAB4-90A	COLLAR FUEL CAP	COLLAR FUEL CAP	1	390
	17623-LAB4-90B	17623-LAB4-90B	COLLAR FUEL FILLER	COLLAR FUEL FILLER	1	390
	30400	30400-LEA5-B20	UNIT ASSY CDI	UNIT ASSY CDI	1	17490
	30510	30510-LEA5-E00	COIL COMP IGN	COIL COMP IGN	1	4190
	30700	30700-KGN7-671	CAP ASSY NOISE SUPPRESSOR	CAP ASSY NOISE SUPPRESSOR	1	870
	31600	31600-LEA5-E00	REG REC COMP	REG REC COMP	1	8090
	32100	32100-LEA5-B20	HARNESS WIRE	HARNESS WIRE	1	19960
	32108	32108-GFY6-901	COVER HARNESS WIRE	COVER HARNESS WIRE	1	490
	35101-LEA5-315-M1	35101-LEA5-315-M1	SW SET COMB & LOCK	SW SET COMB & LOCK	1	12550
	35101-LEA5-315-M2	35101-LEA5-315-M2	SW SET COMB & LOCK	SW SET COMB & LOCK	1	12550
	35102-LDC1-305-M1	35102-LDC1-305-M1	SHUTTER SET MAGNETIC LOCK	SHUTTER SET MAGNETIC LOCK	1	5520
	35102-LDC1-305-M2	35102-LDC1-305-M2	SHUTTER SET MAGNETIC LOCK	SHUTTER SET MAGNETIC LOCK	1	5520
	35104-KHC4-90A	35104-KHC4-90A	PLATE COVER FUEL CAP CABLE	PLATE COVER FUEL CAP CABLE	1	200
	35104-KHC4-90B	35104-KHC4-90B	PLATE COVER FUEL CAP CABLE	PLATE COVER FUEL CAP CABLE	1	200
	35340-KKC4-80A	35340-KKC4-80A	STOP SWITCH	STOP SWITCH	1	960
	35340-KKC4-80B	35340-KKC4-80B	STOP SWITCH	STOP SWITCH	1	1080
	35400	35400-KHE7-900	RESISTOR COMP	RESISTOR COMP	1	1150

F19



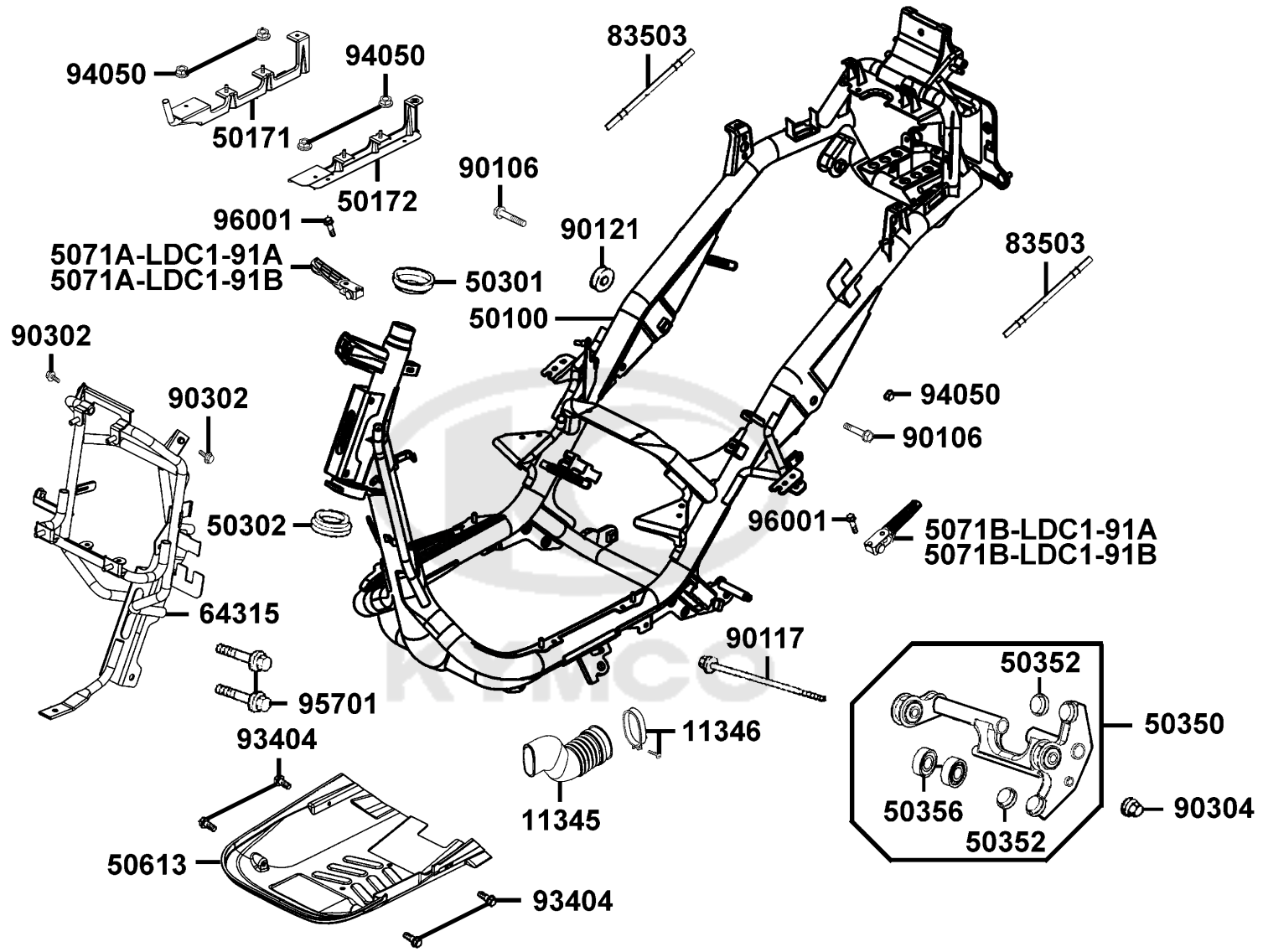
Sales mark 記号	Ref no 参照用番号	Part no パーツ番号	Description 部品名	Reg description 部品名	Regd no 必要個数	Ref Price 希望小売価格(税抜)
	35850-KHD8-90A	35850-LDA6-90A		SET START MAG(旧品番の「35850-KHD8-	1	2670
	35850-KHD8-900	35850-LDA6-90B		SET START MAG(旧品番の「35850-KHD8-	1	2860
	37760	37760-KKC4-E00	UNIT HEATER CONTROL	UNIT HEATER CONTROL	1	4760
	38110	38110-LEA5-E00	HORN COMP	HORN COMP	1	2670
	38200	38200-KHE7-900	BOX COMP FUSE	BOX COMP FUSE	1	300
	38300-LEA5-E0A	38300-LEA5-E0A	RELAY ASSY WINKER	RELAY ASSY WINKER	1	2290
	38300-LEA5-E0B	38300-LEA5-E0B	RELAY ASSY WINKER	RELAY ASSY WINKER	1	2290
	39100	39100-KKE5-E01	EMI FILTER MOTOR	EMI FILTER MOTOR	1	2510
	77235-KKC4-80A	77235-KKC4-80A	SEAT CATCH	SEAT CATCH	1	3240
	77235-KKC4-80B	77235-KKC4-80B	SEAT CATCH	SEAT CATCH	1	3240
	77240-LEA5-E0A	77240-LEA5-E0A	CABLE COMP SEAT LOCK	CABLE COMP SEAT LOCK	1	1720
	77240-LEA5-E0B	77240-LEA5-E0B	CABLE COMP SEAT LOCK	CABLE COMP SEAT LOCK	1	1720
	90112	90112-KRDR-900	BOLT FLANGE 5*22	BOLT FLANGE 5*22	1	130
	90656-KCBC	90656-KCBC-900	BAND OIL HANDLE	BAND OIL HANDLE	3	60
**	90656-KUDU	90656-KUDU-900	BAND HARNESS WIRE **KUDU-900	BAND HARNESS WIRE **KUDU-900	3	60
	93500-04020	93500-04020-0G	SCREW PAN 4*20	SCREW PAN 4*20	3	60
	93500-KHC4	93500-KHC4-90A	SCREW PAN 5*10	SCREW PAN 5*10	3	200
	94050-06080	94050-06080	NUT FLANGE 6MM	NUT FLANGE 6MM	4	60
	94050-08080	94050-08080	NUT FLANGE 8MM	NUT FLANGE 8MM	1	60
	95701-06012	95701-06012-06	BOLT FLANGE 6*22 (K)	BOLT FLANGE 6*22 (K)	1	60

F19

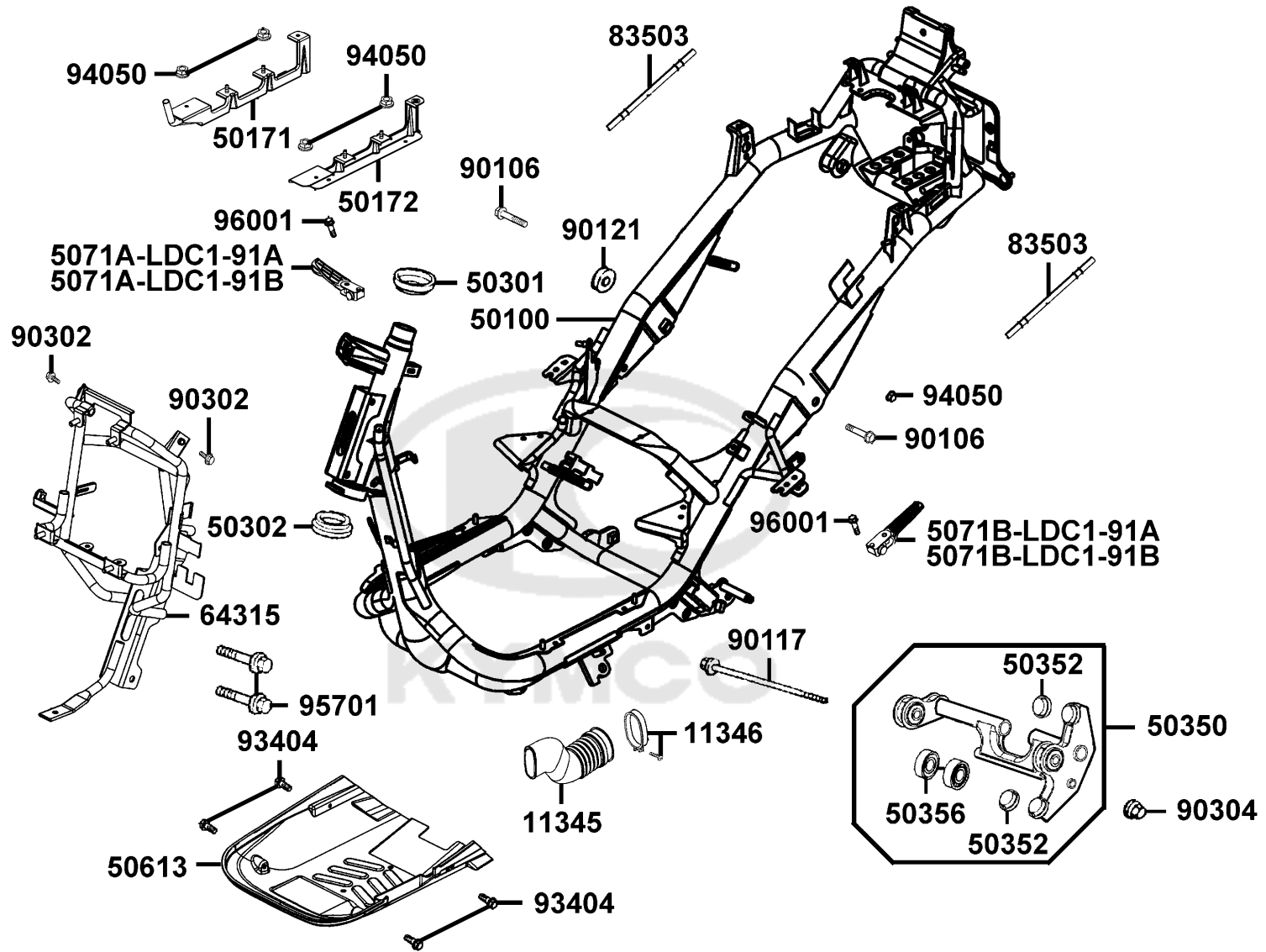


Sales mark 記号	Ref no 参照用番号	Part no パーツ番号	Description 部品名	Reg description 部品名	Regd no 必要個数	Ref Price 希望小売価格(税抜)	F19
95701-LEA5		95701-LEA5-E00	BOLT TORQUE 8*25 ** (0) C.2007.01.22	BOLT TORQUE 8*25 ** (0) C.2007.01.22	2	260	
96001		96001-06014-06	BOLT FLANGE SH 6*14 (G)	BOLT FLANGE SH 6*14 (G)	1	60	
98200-31000		98200-31000	BLADE FUSE 40A	BLADE FUSE 40A	1	110	
98200-31500		98200-31500	BLADE FUSE 40A	BLADE FUSE 40A	2	110	
98200-32000		98200-32000	BLADE FUSE 20A	BLADE FUSE 20A	1	110	



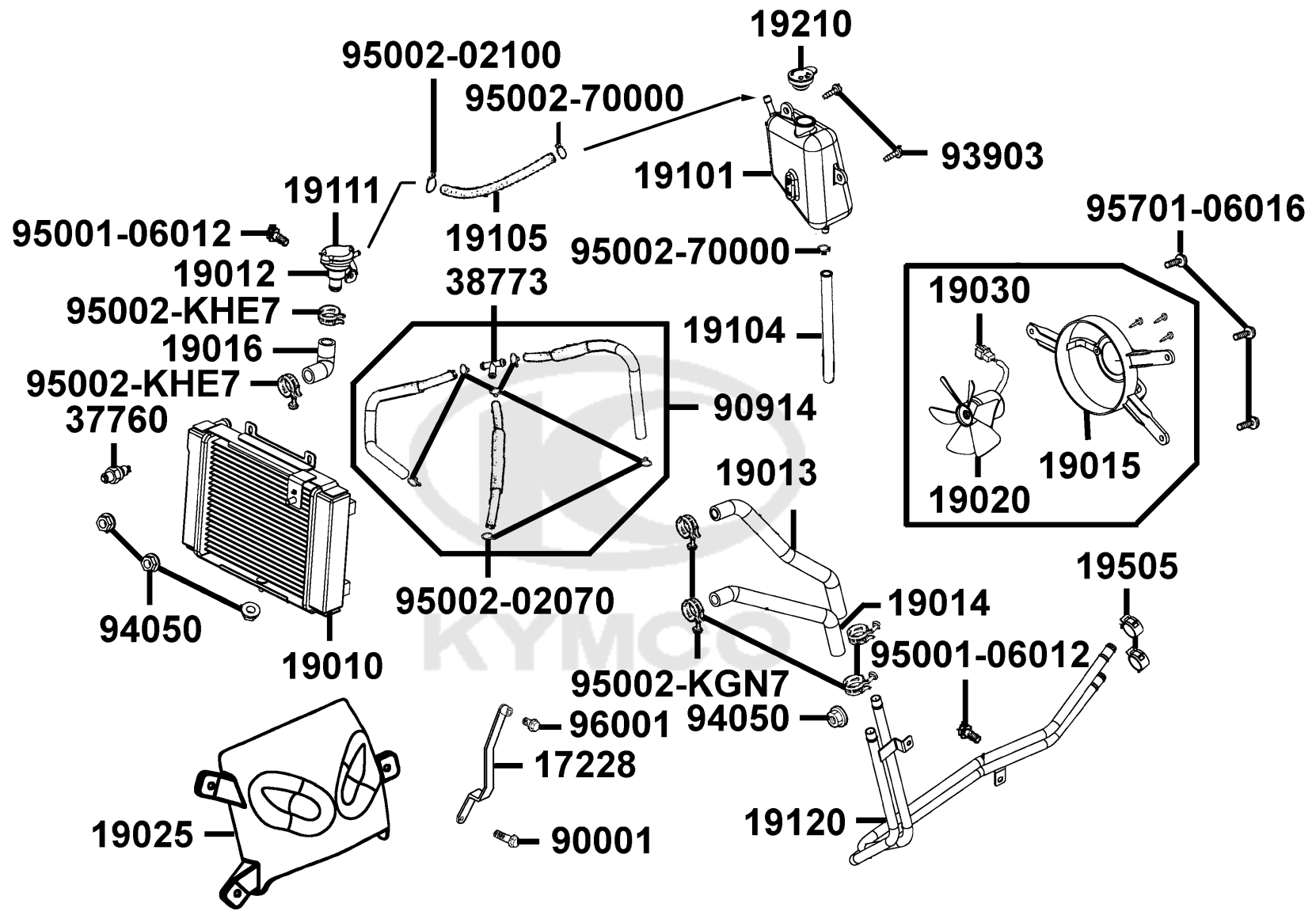


Sales mark 記号	Ref no 参照用番号	Part no パーツ番号	Description 部品名	Reg description 部品名	Regd no 必要個数	Ref Price 希望小売価格(税抜)	F20
	11345	11345-LEA5-E00	DUCT L COVER	DUCT L COVER	1	2770	
	11346	11346-KKC3-900	BAND L COVER DUCT	BAND L COVER DUCT	1	580	
	50100	50100-LEA5-E00	BODY COMP FRAME	BODY COMP FRAME	1	114050	
	50171	50171-LEA5-E00	BRKT COMP R PANEL	BRKT COMP R PANEL	1	3050	
	50172	50172-LEA5-E00	BRKT COMP L PANEL	BRKT COMP L PANEL	1	2010	
	50301	50301-KGN7-671	RACE UP STRG BALL	RACE UP STRG BALL	1	540	
	50302	50302-2H68-011	RACE STRG BOT BALL	RACE STRG BOT BALL	1	610	
	50350	50350-LEA5-B20	ENG HANGER COMP	ENG HANGER COMP	1	12270	
	50352	50352-GFY6-901	RUBBER STOPPER	RUBBER STOPPER	2	200	
	50356	50356-KHE7-E00	BUSH SWING LOCK	BUSH SWING LOCK	2	1060	
**	50613	50613-LEA5-E00	COVER UNDER	COVER UNDER	1	1680	
	5071A-LDC1-91A	5071A-LDC1-91A	BAR STEP R ASSY	BAR STEP R ASSY	1	2770	
	5071A-LDC1-91B	5071A-LDC1-91B	BAR STEP R ASSY	BAR STEP R ASSY	1	2770	
	5071B-LDC1-91A	5071B-LDC1-91A	BAR STEP L ASSY	BAR STEP L ASSY	1	2770	
	5071B-LDC1-91B	5071B-LDC1-91B	BAR STEP L ASSY	BAR STEP L ASSY	1	2770	
	64315	64315-LEA5-E00	STAY FR COVER	STAY FR COVER	1	10560	
	83503	83503-KHD6-900	COVER PROTECTOR SEAT WIRE	COVER PROTECTOR SEAT WIRE	2	200	
	90106	90106-KHE7-E00	BOLT FLANGE 12*59	BOLT FLANGE 12*59	2	390	
	90117	90117-KED9-900	BOLT FLANGE 10*265	BOLT FLANGE 10*265	1	870	
	90121	90121-KHE7-E00	COLLAR DISTANCE	COLLAR DISTANCE	1	200	

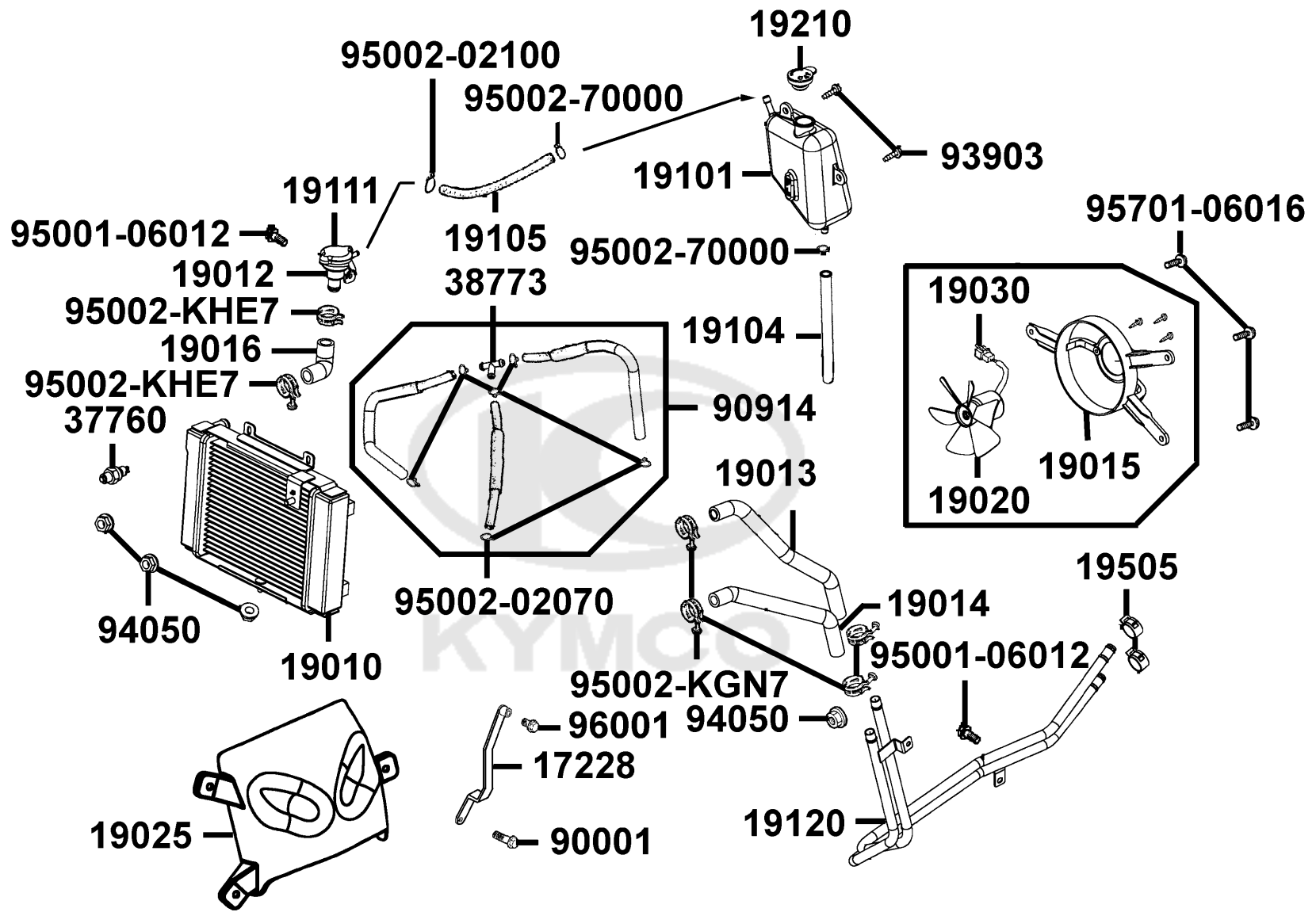


Sales mark 記号	Ref no 参照用番号	Part no パーツ番号	Description 部品名	Reg description 部品名	Regd no 必要個数	Ref Price 希望小売価格(税抜)	F20
90302		90302-GFY6-901	BOLT WASH 5*12 *(1) C.V.	BOLT WASH 5*12 *(1) C.V.	2	60	
90304		90304-GHE8-004-SY	NUT U 10MM	NUT U 10MM	1	200	
93404		93404-KKC2-900	BOLT WASH 6*16	BOLT WASH 6*16	4	60	
94050		94050-06080	NUT FLANGE 6MM	NUT FLANGE 6MM	5	60	
95701		95701-08050-06	BOLT FLANGE 8*50	BOLT FLANGE 8*50	1	230	
96001		96001-06032-06	BOLT FLANGE 6*32	BOLT FLANGE 6*32	2	60	



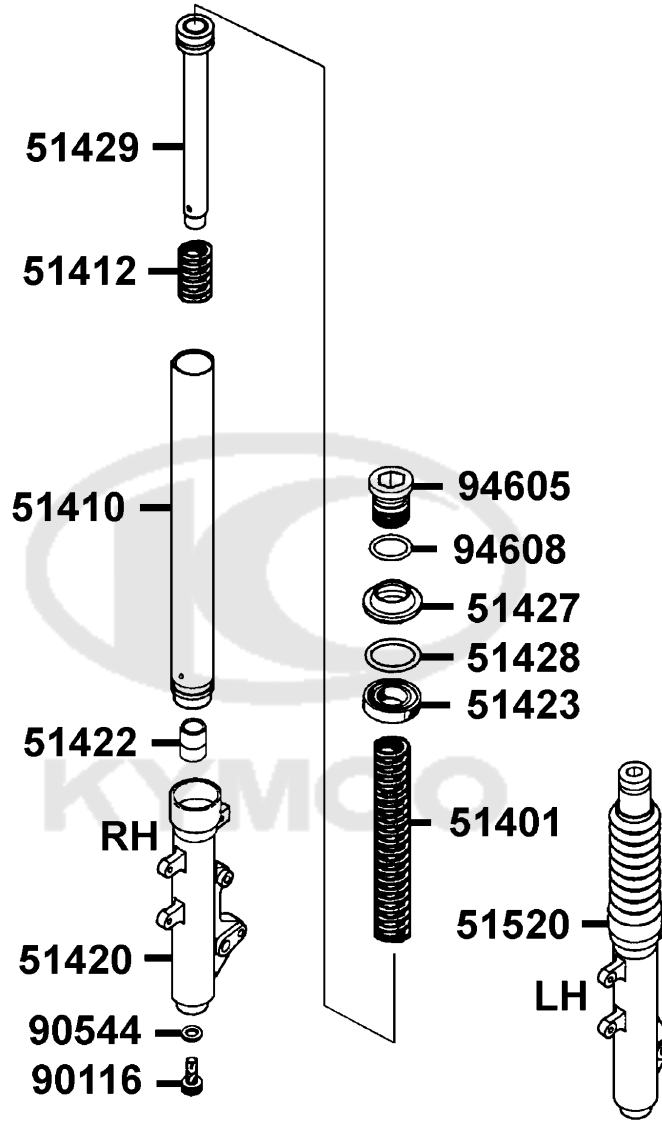


Sales mark 記号	Ref no 参照用番号	Part no パーツ番号	Description 部品名	Reg description 部品名	Regd no 必要個数	Ref Price 希望小売価格(税抜)	F21
17228		17228-KKC3-900	STAY A/C	STAY A/C	1	580	
19010		19010-LEA5-E00	RADIATOR COMP	RADIATOR COMP	1	18310	
19012		19012-KHD8-900	UNIT RADIATOR	UNIT RADIATOR	1	1720	
19013		19013-LEA5-E00	HOSE WATER INLET	HOSE WATER INLET	1	920	
19014		19014-LEA5-E00	HOSE WATER OUT	HOSE WATER OUT	1	890	
19015		19015-LEA5-E00	SHROUD COMP	SHROUD COMP	1	1820	
19016		19016-LEA5-E00	HOSE WATER-UNIT CAP	HOSE WATER-UNIT CAP	1	540	
19020		19020-KED9-900	FAN COOLING	FAN COOLING	1	870	
19025		19025-LEA5-E00	COVER RADIATOR	COVER RADIATOR	1	2290	
19030		19030-KHD8-900	MOTOR ASSY FAN	MOTOR ASSY FAN	1	16730	
19101		19101-LEA5-E00	TANK RESERVE	TANK RESERVE	1	2480	
19104		19104-LBA2-E00	HOSE ASSY DRAIN	HOSE ASSY DRAIN	1	770	
19105		19105-LBA2-E00	HOSE ASSY RESERVE-COOLER	HOSE ASSY RESERVE-COOLER	1	1910	
19111		19111-GBE2-004	CAP COMP	CAP COMP	1	1340	
19120		19120-LEA5-E00	PIPE COMP WATER	PIPE COMP WATER	1	4480	
19210		19210-KKC4-900	CAP RESERVE TANK	CAP RESERVE TANK	1	200	
19505		19505-GFY6-940	CLAMP A WATER HOSE	CLAMP A WATER HOSE	2	200	
37760		37760-KHD8-900	SW ASSY THERMO	SW ASSY THERMO	1	5500	
38773		38773-PKB9-001	JOINT 3 WAY 3.5	JOINT 3 WAY 3.5	1	110	
90001		90001-GBHB-661	BOLT FLANGE SH 6*22	BOLT FLANGE SH 6*22	1	60	

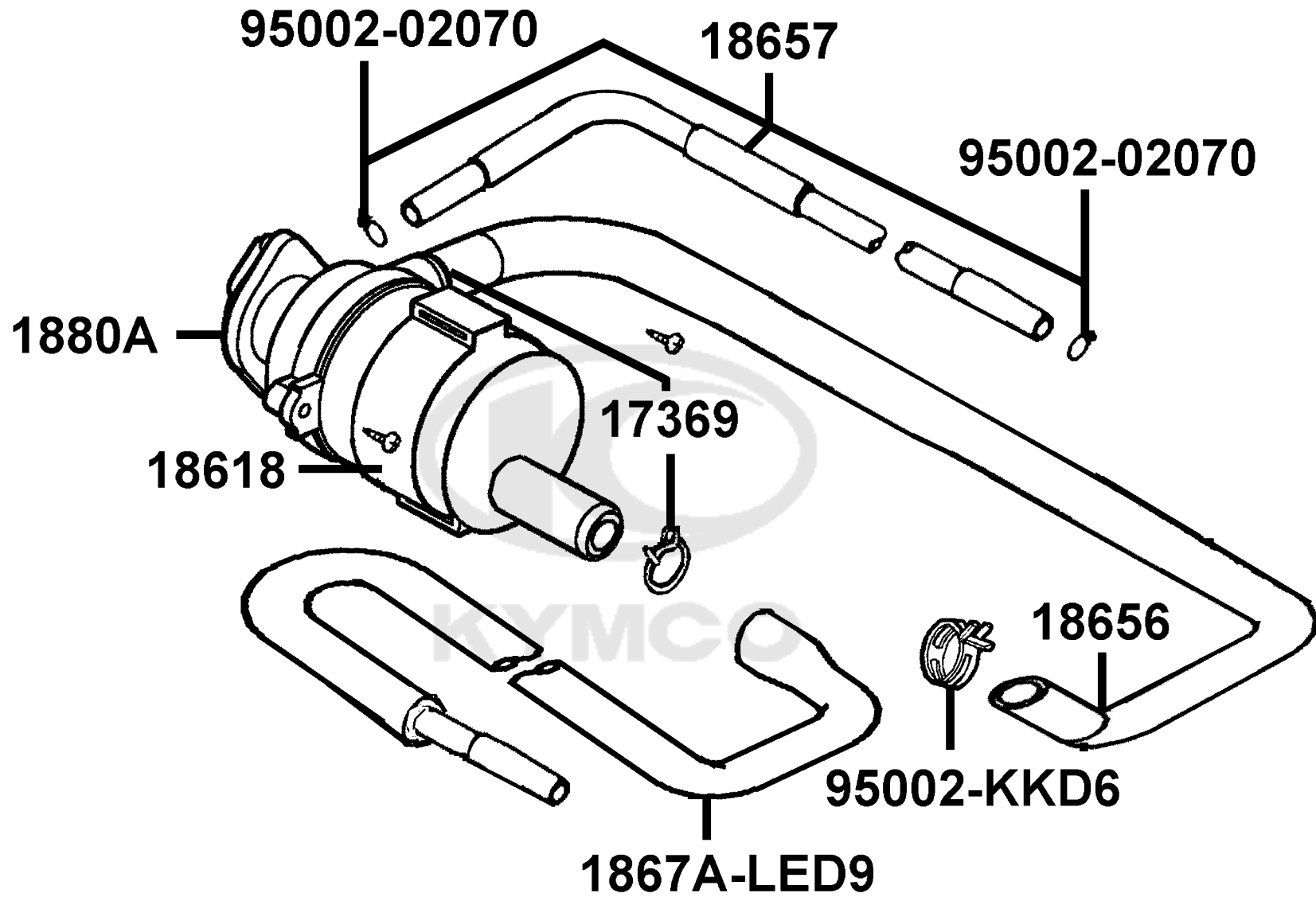


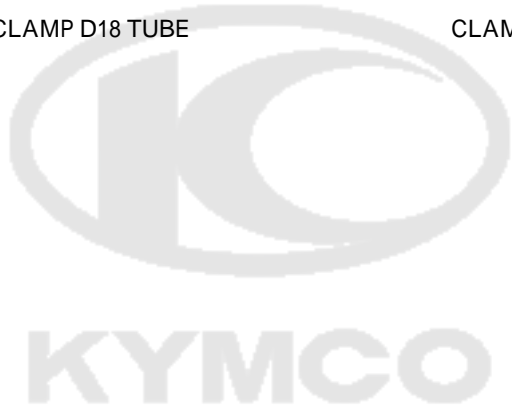
Sales mark 記号	Ref no 参照用番号	Part no パーツ番号	Description 部品名	Reg description 部品名	Regd no 必要個数	Ref Price 希望小売価格(税抜)	F21
90914	90914-LEA5-E00	90914-LEA5-E00	TUBE ASSY WATER	TUBE ASSY WATER	1	1200	
93903	93903-35260	93903-35260	SCREW WASHER 4*12	SCREW WASHER 4*12	1	60	
94050	94050-06080	94050-06080	NUT FLANGE 6MM	NUT FLANGE 6MM	4	60	
95002-02070	95002-02070	95002-02070	CLIP B7 TUBE	CLIP B7 TUBE	6	60	
95002-02100	95002-02100	95002-02100	CLIP B15 TUBE	CLIP B15 TUBE	1	60	
95002-70000	95002-70000	95002-70000	CLIP C11 TUBE	CLIP C11 TUBE	2	110	
95002-KGN7	95002-KGN7-910	95002-KGN7-910	CLIP TUBE	CLIP TUBE	4	200	
95002-KHE7	95002-KHE7-900	95002-KHE7-900	CLIP WATER HOSE	CLIP WATER HOSE	2	300	
95701-06012	95701-06012-06	95701-06012-06	BOLT FLANGE 6*22 (K)	BOLT FLANGE 6*22 (K)	2	60	
95701-06016	95701-06016-06	95701-06016-06	BOLT FLANGE 6*22 (K)	BOLT FLANGE 6*22 (K)	3	110	
96001	96001-06020-06	96001-06020-06	BOLT FLANGE SH 6*20	BOLT FLANGE SH 6*20	1	200	

Separated Parts Of Fr Fork

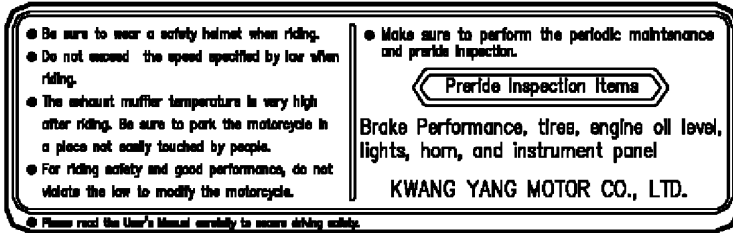


Sales mark 記号	Ref no 参照用番号	Part no パーツ番号	Description 部品名	Reg description 部品名	Regd no 必要個数	Ref Price 希望小売価格(税抜)	F22
	51401	51401-LEA5-E00	SPRING	SPRING	2	770	
	51410	51410-LEA5-E00	FORK PIPE COMP	FORK PIPE COMP	2	6660	
	51412	51412-KHD8-900	REBOUND SPRING	REBOUND SPRING	2	140	
**	51420	51420-KHD8-900	BOTTOM CASE R	BOTTOM CASE R	1	10650	
	51422	51422-KEC8-900	OIL LOCK PIECE	OIL LOCK PIECE	2	350	
	51423	51423-KKAK-900	OIL SEAL	OIL SEAL	2	510	
	51427	51427-KKAK-900	DUST SEAL	DUST SEAL	2	300	
	51428	51428-KKAK-900	RING OIL SEAL STOPPER	RING OIL SEAL STOPPER	2	110	
	51429	51429-KHD8-900	PIPE SEAT COMP	PIPE SEAT COMP	2	1490	
**	51520	51520-KHD8-900	BOTTOM CASE L	BOTTOM CASE L	1	10650	
	90116	90116-KHD8-900	PACKING	PACKING	2	300	
	90544	90544-KEC8-900	PACKING	PACKING	2	60	
	94605	94605-KHD8-900	FORK BOLT	FORK BOLT	2	680	
	94608	94608-30000	O-RING	O-RING	2	60	

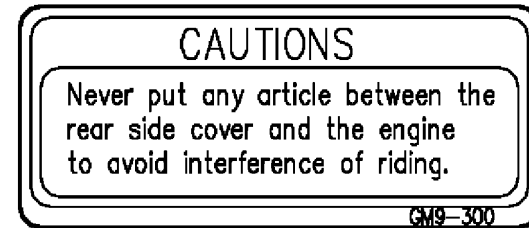


Sales mark 記号	Ref no 参照用番号	Part no パーツ番号	Description 部品名	Reg description 部品名	Regd no 必要個数	Ref Price 希望小売価格(税抜)
17369		17369-KDB4-671	CLIP BREATHER TUBE	CLIP BREATHER TUBE	2	160
18618		18618-KHD6-900	RUBBER AI CLEANER MOUNT	RUBBER AI CLEANER MOUNT	1	200
18656		18656-LEA5-E00	DUCT AICV REED VALVE	DUCT AICV REED VALVE	1	770
18657		18657-KHB4-900	TUBE ASSY AICV-INLET PIPE	TUBE ASSY AICV-INLET PIPE	1	390
1867A		1867A-LED9-900	DUCT AIR AICV	DUCT AIR AICV	1	960
1880A		1880A-KHD8-91A	AI/C AICV ASSY	AI/C AICV ASSY	1	3620
95002-02070		95002-02070	CLIP B7 TUBE	CLIP B7 TUBE	2	60
95002-KKD6		95002-KKD6-E05	CLAMP D18 TUBE	CLAMP D18 TUBE	1	300
						

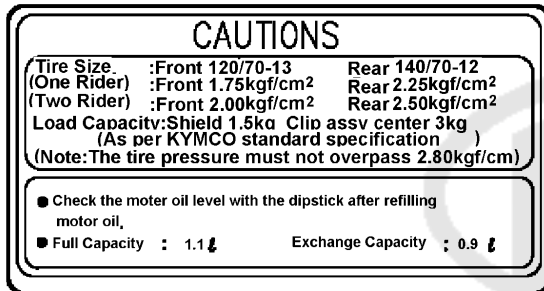
F23



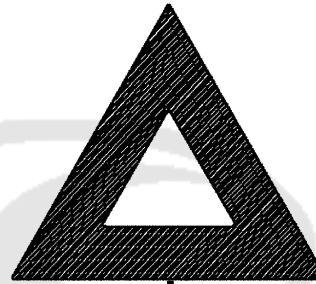
87560



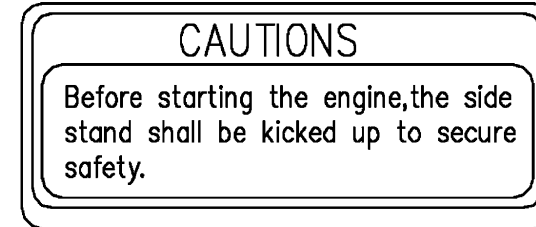
87542



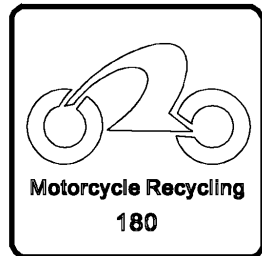
87505



86409



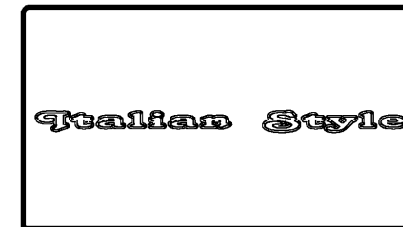
87541



87311-LAD9



86408

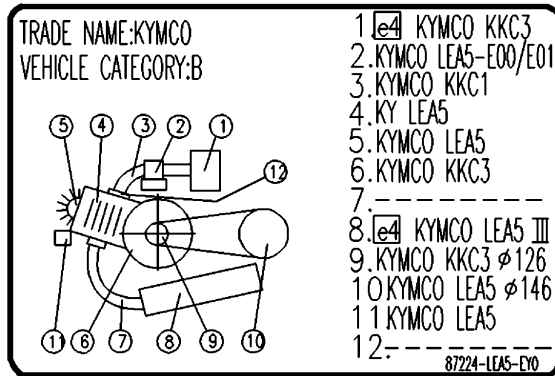


87311-LEA5

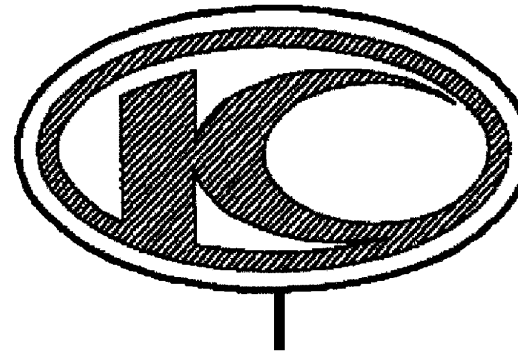
Sales mark 記号	Ref no 参照用番号	Part no パーツ番号	Description 部品名	Reg description 部品名	Regd no 必要個数	Ref Price 希望小売価格(税抜)
**	86408	86408-KKC8-B20	STRIPE FR FENDER	STRIPE FR FENDER	1	130
**	86409	86409-KHC4-B20	STRIPE RR FENDER **(0) C.2005.04.26	STRIPE RR FENDER **(0) C.2005.04.26	1	240
**	87311-LAD9	87311-LAD9-B20	STRIPE R MARK	EMB MARK ABS	1	200
**	87311-LEA5	87311-LEA5-B20	STRIPE FLAG MARK **(0)	STRIPE FLAG MARK **(0)	1	1060
**	87505	87505-LEA5-E00	LABEL TIRE	LABEL TIRE	1	200
**	87541	87541-GAR1-E00	CAUTION SIDE STAND	CAUTION SIDE STAND	1	200
**	87542	87542-GAR1-E00	MARK MAINT CAUTION	MARK MAINT CAUTION	1	200
**	87560	87560-GFY6-E00	MARK DRIVE CAUTION	MARK DRIVE CAUTION	1	200

F24

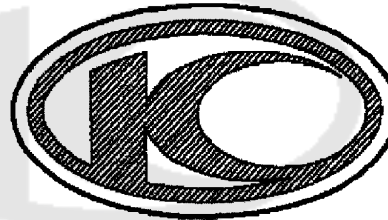




87224



86102-LCD3



86102-LEA5

DINK

86202

125

87140

Sales mark 記号	Ref no 参照用番号	Part no パーツ番号	Description 部品名	Reg description 部品名	Regd no 必要個数	Ref Price 希望小売価格(税抜)	F25
**	86102-LCD3	86102-LCD3-E00	EMB K-LOGO 38MM	EMB K-LOGO 38MM	1	2100	
**	86102-LEA5	86102-LEA5-E00	EMB K-LOGO 30MM	EMB K-LOGO 30MM	1	1260	
**	86202	86202-LEA5-E00	EMB BODY COVER	EMB BODY COVER	2	3150	
**	87140	87140-LEA5-E00	EMB MARK 125	EMB MARK 125	2	680	
**	87224	87224-LEA5-EY0	CAUTION ANTI TAMPERING	CAUTION ANTI TAMPERING	1	300	



PART NO. INDEX
 パーツ番号 検索

PART NO. パーツ番号	VERSION バージョン	PAGE ページ	PART NO. パーツ番号	VERSION バージョン	PAGE ページ	PART NO. パーツ番号	VERSION バージョン	PAGE ページ	
11000			12205-KHE8-301	5	E02	14554-KAM1-004	0	E03	
			12209-GDB4-68B	0	E02	14555-LBA2-E00	1	E03	
			1221A-KEBE-900	1	E02	14557-KGBG-900	0	E03	
	11100-KKC1-305	1	E01	12251-LEA5-E00	1	E02	14558-KGBG-900	1	E03
	11102-1G87-004	3	E01	12310-KEBE-900	7	E02	14559-KGBG-900	0	E03
	11192-LEA5-E00	3	E01	12361-LEA5-E00	1	E04	14560-KGBG-900	1	E03
	11200-KKC3-315	0	E01	12391-KEBE-900	0	E02	14610-KKJ9-001	0	E03
	11203-GGC7-301	2	E01				14711-KKC2-800	1	E02
	11203-GGC7-301	2	F16	13000			14721-KAAA-900	3	E02
	11207-LEA5-E01	1	F13				14751-KKJ9-003	1	E02
	11211-LEA5-E00	2	F13	13000-KKC2-900	6	E03	14761-KKJ9-003	1	E02
	1122A-KKC2-900	0	E05	13011-GFY6-90B	0	E03	14771-GDB4-680	0	E02
	11330-KKC3-900	6	E04	13101-KED1-900	1	E03	14775-MFA6-001	0	E02
	11341-KKC3-900	7	E01	13111-3D84-001	4	E03	14781-MFA6-001	0	E02
	11342-LEA6-900	2	E01						
	11345-LEA5-E00	3	F20	14000			15000		
	11346-KKC3-900	0	F20						
11383-KUDU-900	0	E01	14100-LEA6-910	1	E02	15100-KKC3-900	3	E07	
11394-LEA5-E00	5	E04	14401-KUDU-90C	0	E03	15133-KAM1-001	1	E07	
11395-LEA5-E00	1	E01	14431-KKC1-900	0	E02	15141-KKJ9-004	0	E07	
12000			14450-KEBE-900	1	E02	1541A-KKC3-900	1	E01	
			14461-KEBE-900	0	E02	15421-1G07-001	1	E04	
			14510-KEBE-900	0	E03	15421-KKC3-900	1	E01	
	12100-LEA5-E00	3	E03	14531-KKJ9-001	0	E03	15422-KKC3-900	3	E01
	12191-LEA5-E00	1	E03	14550-KDS4-00B	3	E03	15423-KKC3-900	1	E01
12200-LEA5-E00	4	E02	14553-KGBG-900	0	E03	15426-GAE1-921	0	E04	

PART NO. INDEX
 パーツ番号 検索

PART NO. パーツ番号	VERSION バージョン	PAGE ページ	PART NO. パーツ番号	VERSION バージョン	PAGE ページ	PART NO. パーツ番号	VERSION バージョン	PAGE ページ	
1565A-KEBE-900	0	E04	16116-KEC3-900	1	E09	17000			
15711-KKC3-900	1	E07	16117-KEC3-900	0	E09				
15712-KEBE-900	0	E07	16122-KEC3-900	1	E09				
15772-5L00-013	1	F13	16124-KEC3-900	2	E09		17110-KKC1-E00	3	E02
16000			16131-KEC3-900	0	E09		17214-KKC3-900	0	F13
			16132-KEC3-900	1	E09		17215-KGBG-90A	2	F13
			16133-KEC3-900	1	E09		17215-KGBG-90B	0	F13
			16134-KEC3-900	0	E09		1721A-KKC3-900	1	F13
			16138-KEC3-900	1	E09		17228-KKC3-900	2	F21
16001-KEC3-900	3	E09	16140-KEC3-900	1	E09		17231-KKC3-900	5	F13
16012-KEC3-800	4	E09	16142-KEC3-900	1	E09	17236-LEA5-900	0	F13	
16019-KUDU-900	0	E09	16150-KEC3-900	1	E09	1723A-KKC2-800	4	F13	
16035-KKC2-800	2	E09	16154-KEC3-900	0	E09	17254-KACA-P00	0	F13	
16051-KEC3-90A	1	E09	16165-KEC3-900	0	E09	17255-KHD8-920	2	F13	
16053-KEC3-900	0	E09	16170-KEC3-900	0	E09	17256-KKC4-900	0	F13	
16068-KEC3-900	0	E09	16179-KEC3-900	2	E09	17257-LEA5-E00	4	F13	
16069-KEC3-900	3	E09	16180-KEC3-900	0	E09	17258-LEA5-E00	2	F13	
16070-KEC3-900	3	E09	16181-KEC3-900	1	E09	17368-KDB4-670	2	F13	
16074-KEC3-900	4	E09	16196-KKC8-500	2	E09	17369-KDB4-671	1	F23	
16079-KEC3-900	3	E09	16217-KKC2-800	1	E02	17370-4K19-701	0	F13	
16087-KEC3-900	3	E09	16700-KHE7-220	0	F10	17371-1D74-671	0	F13	
16088-KEC3-900	1	E09	16740-LLJ3-M30	2	F10	17500-LEA5-E00	4	F10	
16093-KEC3-096	0	E09	16750-KHE7-900	1	F10	17502-LEA5-E00	2	F10	
16095-KEC3-035	2	E09	16911-KEBE-910	0	F10	17504-LAB4-900	2	F10	
16100-LEA5-B20	0	E09	16911-KKC4-900	0	F10	17507-LAB4-900	2	F10	
16110-KGC5-900	1	E09	1691A-KEC2-E00	0	F10	17513-LEA5-E00	1	F10	
16111-KEC3-900	1	E09							
16113-KEC3-900	2	E09							

PART NO. INDEX
 パーツ番号 検索

PART NO. パーツ番号	VERSION バージョン	PAGE ページ	PART NO. パーツ番号	VERSION バージョン	PAGE ページ	PART NO. パーツ番号	VERSION バージョン	PAGE ページ
17515-LEA5-E00	1	F10	18325-LEA5-E00	3	F14	19111-GBE2-004	1	F21
17520-LEA5-E0A	6	F19	18601-MAJ1-791	1	E02	19120-LEA5-E00	4	F21
17530-KGB5-900	1	F10	18612-KEBE-900	0	E02	19210-KKC4-900	0	F21
17620-LLJ3-E0A	3	F19	18618-KHD6-900	0	F23	19211-LEA5-E00	4	E08
17620-LLJ3-E0B	3	F19	18645-GFY6-941	0	E02	19215-KKJ9-011	0	E08
17623-LAB4-90A	1	F19	18646-GFY6-941	0	E02	19217-6G57-024	0	E08
17623-LAB4-90B	1	F19	18647-KEBE-900	0	E02	19221-KKC3-900	2	E08
17681-LEA5-E00	2	F10	18656-LEA5-E00	2	F23	19229-KKC3-980	0	E08
17682-LEA5-E00	3	F10	18657-KHB4-900	1	F23	19231-LEA5-E00	1	E08
17683-LEA5-E00	2	F10	1867A-LED9-900	0	F23	19232-LBA2-E00	2	E08
17685-KZCZ-900	0	F10	1880A-KHD8-91A	0	F23	19300-KAE1-004	1	E08
17910-LEA5-E00	2	F03				19310-KEBE-900	2	E08
			19000			19315-KEBE-900	2	E08
18000			19010-LEA5-E00	2	F21	19411-KBCB-900	0	F10
18291-KEBE-900	0	F14	19012-KHD8-900	4	F21	19501-LEA5-E00	3	E08
18291-LEA5-E00	1	F14	19013-LEA5-E00	4	F21	19502-KEBE-900	0	E03
18292-KEBE-900	0	F14	19014-LEA5-E00	3	F21	19503-LEA5-E00	2	E08
18293-KEBE-900	0	F14	19015-LEA5-E00	1	F21	19505-GFY6-940	3	F21
18294-KEBE-900	0	F14	19016-LEA5-E00	2	F21	19508-LBA2-E00	0	E03
18294-LDB2-900	0	F14	19020-KED9-900	1	F21	21000		
18307-LBA2-900	4	F14	19025-LEA5-E00	1	F21			
1830A-LEA5-B20	0	F14	19030-KHD8-900	2	F21	21201-KFC8-305	0	E05
1830A-LEA5-B21	1	F14	19101-LEA5-E00	1	F21	21395-LEA5-E00	2	E05
18312-LEA5-E00	0	F18	19104-LBA2-E00	1	F21			
18318-LEA5-E00	2	F14	19105-LBA2-E00	1	F21			

PART NO. INDEX
 パーツ番号 検索

PART NO. パーツ番号	VERSION バージョン	PAGE ページ	PART NO. パーツ番号	VERSION バージョン	PAGE ページ	PART NO. パーツ番号	VERSION バージョン	PAGE ページ
22000			23233-LEA5-E00	1	E06			
			23237-KHG8-901	0	E06	30000		
			23411-KKC2-900	0	E05			
22101-KEBE-900	1	E06	23420-LEA5-E00	2	E05	30300-KEBE-900	2	E08
22102-KKC3-900	3	E06	23431-KFC8-900	2	E05	30301-KEBE-90B	0	E08
22105-KHD4-E00	1	E06	23432-LEA5-E00	1	E05	30400-LEA5-B20	2	F19
22110-KKC3-900	1	E06				30510-LEA5-E00	1	F19
22112-KAAA-900	0	E06	28000			30700-KGN7-671	2	F19
22121-LEA5-305	0	E06						
22131-KAAA-900	1	E06	28101-KKJ9-011	0	E07	31000		
22132-KGN7-670	3	E06	28102-KKJ9-001	0	E07			
22300-LBF6-E00	4	E06	28110-KGN7-672	0	E07	31110-KKC2-81A	2	E08
22350-KGN7-671	1	E06	28120-KEBE-305	0	E07	31110-KKC2-81B	3	E08
22361-KGN7-671	1	E06	28125-4F26-001	0	E07	31120-KKC2-81A	2	E08
22401-LLB1-900	1	E06	28126-KUDU-900	1	E07	31120-KKC2-81B	2	E08
22530-LKG2-900	2	E06	28131-KGN7-671	0	E07	31204-KGN7-670	0	E07
22804-GBB2-001	0	E06	28211-KFC8-900	0	E06	31205-KGN7-670	0	E07
			28223-KNBN-901	0	E01	31206-KGN7-670	0	E07
23000			28230-KNBN-901	0	E01	31210-KKC3-900	4	E07
			28250-KFC8-900	1	E01	31210-KKC3-90C	2	E07
2301A-LEA5-E00	1	E06	28253-GBN2-60A	0	E01	31500-KFAF-B2A	1	F11
23100-KKC2-900	2	E06	28255-GFS6-001	0	E01	31500-KFAF-B2B	1	F11
23200-KEBE-900	3	E06	28281-LEA5-E00	1	E01	31600-LEA5-E00	3	F19
23220-LLB1-900	2	E06	28300-LEA5-E00	1	F15			
23225-GHC8-004	0	E06						
23226-GHC8-004	0	E06						

PART NO. INDEX

パーツ番号 検索

PART NO. パーツ番号	VERSION バージョン	PAGE ページ	PART NO. パーツ番号	VERSION バージョン	PAGE ページ	PART NO. パーツ番号	VERSION バージョン	PAGE ページ	
32000			33741-GFY6-C30	1	F18	35340-KKC4-80A	0	F19	
			33741-KHC5-M00	0	F18	35340-KKC4-80B	0	F19	
			33900-KFBF-900	0	F12	35340-KNBN-901	0	F04	
32100-LEA5-B20	2	F19	34000			35350-KNBN-901	0	F04	
32101-LDB2-E00	2	E09		35370-KEC8-E00	3	F15			
32108-GFY6-901	0	F19		35400-KHE7-900	1	F19			
32161-LBA7-900	0	F10	34300-KKE3-900	4	E09	35850-LDA6-90A	2	F19	
32410-LEA5-E00	2	E07	34301-KKE3-900	2	E09	35850-LDA6-90B	3	F19	
32411-LEA5-E00	3	F11	34901-KED9-900	0	F01	37000			
32412-LEA5-E00	2	F11	34903-KPCP-900	0	F01		37119-LEA5-E0A	0	F02
33000			34903-KPCP-900	0	F18		37200-LEA5-B2A	0	F02
			34905-KHC4-900	0	F17	37213-LDA6-90A	0	F02	
			34905-KPCP-900	0	F18	37216-LEA5-E0A	0	F02	
33100-LEA5-E00	4	F01	34906-KPCP-900	0	F18	37217-LEA5-E0A	0	F02	
33120-LEA5-E00	1	F01	34909-KFBF-900	0	F12	37710-LDB2-E00	1	E09	
33130-LEA5-E00	0	F01	35000			37720-KGB5-900	0	E08	
33400-LEA5-E00	5	F17		35101-LEA5-315-M1	0	F19	37720-KGBG-E00	0	E09
33402-LEA5-E00	0	F17		35101-LEA5-315-M2	0	F19	37740-LEA5-E00	2	E09
33450-LEA5-E00	5	F17	35102-LDC1-305-M1	0	F19	37750-PAC1-005	0	E08	
33452-LEA5-E00	0	F17	35102-LDC1-305-M2	0	F19	37760-KHD8-900	1	F21	
33607-KKD7-E00	0	F18	35104-KHC4-90A	0	F19	37760-KKC4-E00	3	F19	
33700-LEA5-E00	6	F18	35104-KHC4-90B	0	F19	37801-GGA7-701	1	F10	
33701-LEA5-E00	0	F18	3515A-LEA5-B80	1	F03	37802-GGA7-701	3	F10	
33705-LEA5-305	0	F18	3520A-KEBE-900	3	F03	3780A-LEA5-E00	1	F10	
33708-KHE7-E00	0	F18							
33731-KHC5-M00	2	F18							

PART NO. INDEX
 パーツ番号 検索

PART NO. パーツ番号	VERSION バージョン	PAGE ページ	PART NO. パーツ番号	VERSION バージョン	PAGE ページ	PART NO. パーツ番号	VERSION バージョン	PAGE ページ
38000			43000			44830-KGBG-900	3	F02
38110-LEA5-E00	1	F19	43100-LEA5-900	1	F08	44831-KGBG-900	0	F02
38200-KHE7-900	0	F19	43126-LEA5-E00	6	F04	45000		
38300-LEA5-E0A	1	F19	43150-LEA5-306	0	F08	45107-MEN5-007	0	F07
38300-LEA5-E0B	1	F19	43156-KKC4-900	2	F04	45107-MEN5-007	0	F08
38500-LGL3-90A	5	F11	43156-LDB2-900	2	F04	45108-MDL4-007	2	F07
38773-KEC3-900	0	E09	43156-LEA5-E00	3	E03	45108-MDL4-007	2	F08
38773-PKB9-001	0	F21	43210-KEBE-900	2	F08	45109-GBE2-007	0	F07
			43215-KEBE-900	0	F08	45109-GBE2-007	0	F08
39000			43351-KHE7-E00	3	F08	45126-LEA5-E00	4	F04
39100-KKE5-E01	4	F19	43352-5H68-004	3	F07	45128-KEBE-900	0	F04
			43352-5H68-004	3	F08	45128-KEBE-900	0	F06
42000			43353-4A61-77A	0	F07	45131-1F66-017	0	F07
42311-LEA5-E00	1	F08	43353-4A61-77A	0	F08	45131-1F66-017	0	F08
42312-KEBE-900	0	F08	43530-KHD4-305	0	F04	45131-GBE2-007	1	F07
42601-KHD8-90A	3	F08				45131-GBE2-007	1	F08
42601-KHD8-90B	2	F08	44000			45132-1F66-017	0	F07
42601-KHD8-90C	2	F08	44301-KXCX-900	4	F07	45132-1F66-017	0	F08
42710-KKC2-E00	2	F08	44311-KEBE-900	0	F07	45133-MCA3-007	0	F07
42753-KNBN-90B	1	F07	44620-KHD8-900	1	F07	45133-MCA3-007	0	F08
42753-KNBN-90B	1	F08	44650-LEA5-305	1	F07	45150-LLB5-305	0	F07
			44710-LEA5-E00	1	F07	45156-KECE-900	2	F06
			44800-LEA5-E00	2	F07	45200-LEA5-E00	2	F07
						45209-GBE2-007	0	F07

PART NO. INDEX
 パーツ番号 検索

PART NO. パーツ番号	VERSION バージョン	PAGE ページ	PART NO. パーツ番号	VERSION バージョン	PAGE ページ	PART NO. パーツ番号	VERSION バージョン	PAGE ページ
45209-GBE2-007	0	F08	5032A-LEA5-E00	3	F11	51422-KEC8-900	0	F22
45210-LEA5-E00	0	F07	50350-LEA5-B20	1	F20	51423-KKAK-900	0	F22
45215-KECE-900	0	F07	50352-GFY6-901	0	F20	51427-KKAK-900	0	F22
45215-KECE-900	0	F08	50356-KHE7-E00	0	F20	51428-KKAK-900	0	F22
45216-1F66-007	0	F07	50502-GFY6-901	3	F15	51429-KHD8-900	0	F22
45216-1F66-007	0	F08	50504-LEA5-E01	2	E01	51500-LEA5-E00	2	F06
45216-KFW6-90A	0	F07	50505-KUDU-900	1	F15	51520-KHD8-900	0	F22
45216-KFW6-90A	0	F08	50505-LAD9-900	3	F15			
45351-LEA5-E00	2	F07	50505-LEA7-E00	1	F15	52000		
45513-KHD4-B00	2	F04	50506-KHE7-E00	0	F15			
45517-KFAF-910	0	F04	5050A-LEA5-E00	6	F15	52000-LEA5-E00	6	F16
45520-GLW0-91A	0	F04	50530-LEA5-E00	4	F15	52400-LEA5-E00	3	F16
45530-KHD4-305	0	F04	50550-KEB7-E00	1	F15			
45531-GAR1-951	0	F07	50613-LEA5-E00	4	F20	53000		
45531-GAR1-951	0	F08	5071A-LDC1-91A	1	F20			
			5071A-LDC1-91B	1	F20	53100-LEA5-E00	4	F03
50000			5071B-LDC1-91A	1	F20	53102-LEA5-E00	3	F03
			5071B-LDC1-91B	1	F20	53105-LEA5-E00	3	F03
50100-LEA5-E00	8	F20				53125-GEN5-901	0	F03
50171-LEA5-E00	6	F20	51000			53140-KKC3-900	0	F03
50172-LEA5-E00	6	F20				53166-KGB5-900	0	F03
50197-LEA5-E00	3	F10	51400-LEA5-E00	2	F06	53175-LEA5-E00	1	F04
50301-KGN7-671	2	F20	51401-LEA5-E00	0	F22	53178-LEA5-E00	1	F04
50302-2H68-011	2	F20	51410-LEA5-E00	0	F22	53200-KKC2-900	2	F06
50306-1F96-001	0	F06	51412-KHD8-900	0	F22	53204-LEA5-E00	2	F05
50326-LEA5-E00	2	F11	51420-KHD8-900	0	F22	53205-LEA5-E00	3	F03

PART NO. INDEX
 パーツ番号 検索

PART NO. パーツ番号	VERSION バージョン	PAGE ページ	PART NO. パーツ番号	VERSION バージョン	PAGE ページ	PART NO. パーツ番号	VERSION バージョン	PAGE ページ
53206-LEA5-E00	3	F03	64310-LEA5-E00	3	F05			
53211-GFY6-940	1	F06	64315-LEA5-E00	7	F20	81000		
53212-2L50-011	1	F06	64316-KHE2-900	1	F05			
53214-LHJ6-900	1	F06	64400-LEA5-E00	2	F05	81131-LEA5-E00	3	F05
53215-2L50-001	0	F06				81132-KEB7-900	1	F05
61000			77000			81136-LEA5-E00	3	F05
			77200-LEA5-E00	2	F09	81202-KKC4-900	0	F12
61100-LEA5-E00	4	F06	77206-KEB7-900	0	F09	81205-LEA5-E00	2	F12
61101-LFA1-E90	0	F05	77210-LEA5-E00	2	F09	8120A-LEA5-E00	2	F12
61113-LEA5-E00	1	F06	77235-KKC4-80A	0	F19	81251-LAB4-900	3	F12
61123-LEA5-E00	1	F06	77235-KKC4-80B	0	F19	81253-LEA5-E00	3	F12
64000			77240-LEA5-E0A	2	F19	81260-LEA5-E00	6	F12
			77240-LEA5-E0B	2	F19	83000		
			77300-LEA5-E00	0	F09			
64206-MLJ0-001	1	F12	77303-LEA5-E00	1	F09	83500-LEA5-E00	2	F12
64210-LEA5-E00	5	F05	80000			83503-KHD6-900	2	F20
64214-LEA5-E00	1	F05				83520-LEA5-E00	2	F05
6421B-LEA5-E00	2	F05				83600-LEA5-E00	2	F12
6421B-LEA6-900	2	F05	80104-LBA2-E00	1	F12	83605-LEA5-E00	2	F13
64222-KKC4-900	3	F05	80105-LEA5-E00	3	F18	8360A-LEA5-E00	3	F13
64301-LEA5-E00	2	F05	80106-LEA5-E00	6	F18	83620-LEA5-E00	2	F05
64303-LEA5-E00	4	F05	8010B-LEA5-E00	0	F18	83751-LEA5-E00	3	F12
64304-LEA5-E00	2	F05	8010B-LEA5-E01	1	F18	8375A-LEA5-E00	2	F12
64305-LEA5-E00	3	F05	80151-LEA5-E00	2	F12	8376A-KEBE-900	4	F05
64306-LEA5-E00	3	F05						

PART NO. INDEX
 パーツ番号 検索

PART NO. パーツ番号	VERSION バージョン	PAGE ページ	PART NO. パーツ番号	VERSION バージョン	PAGE ページ	PART NO. パーツ番号	VERSION バージョン	PAGE ページ
86000			89000			90108-KKC4-900	1	F15
86102-LCD3-E00	3	F25	89010-LEA5-E00	2	F09	90110-KEB7-900	1	F06
86102-LEA5-E00	1	F25	89013-KFC8-E00	1	F09	90110-KEBE-900	1	F14
86202-LEA5-E00	1	F25				90110-KED9-900	2	F05
86408-KKC8-B20	2	F24	90000			90110-KED9-900	2	F12
86409-KHC4-B20	2	F24				90110-LCD1-E00	2	F05
			90001-GBHB-661	3	F21	90112-KNBN-901	1	F11
87000			90001-GBHB-681	3	F13	90112-KNBN-901	1	F12
			90012-3C33-001	1	E02	90112-KRDR-900	1	F19
87140-LEA5-E00	1	F25	90021-GFY6-900	2	F14	90114-1F66-007	2	F04
87224-LEA5-EY0	1	F25	90031-KEBE-900	0	E01	90114-KXCX-900	1	F13
87311-LAD9-B20	2	F24	90032-KEBE-900	0	E01	90116-KHD8-900	0	F22
87311-LEA5-B20	1	F24	90033-GFY6-900	1	E02	90117-KED9-900	1	F20
87505-LEA5-E00	1	F24	90084-LEA5-001	1	E04	90121-KHE7-E00	0	F20
87541-GAR1-E00	1	F24	9008A-LEA5-001	1	E04	90122-KEBE-900	2	F07
87542-GAR1-E00	2	F24	90101-KGC4-E00	1	F09	90131-KFAF-900	3	F16
87560-GFY6-E00	4	F24	90103-LEA5-E00	1	F14	90131-LEA5-E00	2	F08
			90105-KCR3-001	1	F07	90145-LEA3-E00	1	F04
88000			90105-KCR3-001	1	F08	90201-KHR8-75A	1	E08
			90105-KFC2-900	0	F12	90202-KGN7-671	0	E06
88110-LEA5-E00	4	F03	90106-GEN5-901	1	F03	90206-0A01-001	4	E02
88110-LEA5-E01	1	F03	90106-KFC2-900	0	F03	90301-GFY6-901	2	F14
88120-LEA5-E00	4	F03	90106-KFC2-900	0	F12	90302-GFY6-901	1	F05
88120-LEA5-E01	1	F03	90106-KHE7-E00	1	F20	90302-GFY6-901	1	F06
						90302-GFY6-901	1	F20
						90302-GFY6-940	1	F11

PART NO. INDEX
 パーツ番号 検索

PART NO. パーツ番号	VERSION バージョン	PAGE ページ	PART NO. パーツ番号	VERSION バージョン	PAGE ページ	PART NO. パーツ番号	VERSION バージョン	PAGE ページ
90302-GFY6-940	1	F18	90478-7L00-001	0	E03	91101-1K79-711	1	E07
90302-LLB1-E00	2	F03	90478-7L00-001	0	E08	91104-KGN7-671	0	E01
90302-SDA4-004	3	F05	9052A-GFY6-950	4	E01	91105-KGN7-672	0	E01
90302-SDA4-004	3	F12	90544-KEC8-900	0	F22	91105-KGN7-672	0	E05
90304-4H38-001	2	E02	90545-3L00-001	2	F04	91202-KGB4-C00	1	E08
90304-4H38-001	2	F18	90605-1F66-721	0	E06	91202-KKJ9-004	0	E01
90304-GHE8-004-SY	0	F03	90652-LCA4-E00	1	F05	91211-KEBE-900	0	E06
90304-GHE8-004-SY	0	F20	90652-LFB5-900	3	F18	91255-GLE0-006	0	E05
90305-GHK8-001	1	F05	90656-KCBC-900	0	F19	91261-4E15-004	0	E01
90305-GHK8-001	1	F12	90656-KUDU-900	0	F19	91301-0H28-001	0	E02
90305-KFW6-91A	1	F08	90677-GAR1-004	1	F11	91301-KGV7-671	0	E08
90306-KLF0-004-SY	1	F07	90677-GAR1-004	1	F18	91302-0A01-021	0	E04
90312-LCD3-E01	0	F05	90683-GAR1-004	4	F18	91302-5G67-004	0	E04
90381-GEZ5-001	1	F12	90701-HFB6-011	2	E03	91302-5G67-004	0	E08
90401-KKJ9-001	0	E08	90754-GHC8-00A	1	F07	91303-3G77-001	0	E04
90403-KGN7-671	0	E06	90754-GHC8-00B	1	F07	91307-0E35-001	0	E04
90411-KAM1-001	0	E05	90912-KFLF-00A	0	F07	91309-4E25-004	0	E07
90412-3K29-001	0	E01	90914-LEA5-E00	4	F21	91384-KEBE-900	0	E06
90421-KAM1-004	0	E03				91407-SGA7-004	0	F13
90423-KKJ9-001	0	E08	91000			91981-KGN7-670	0	E07
90428-9H58-001	0	E08						
90446-3G57-001	0	E05	91001-GFY6-90A	2	E06	92000		
90451-GBN2-601	0	E01	91002-GGA7-70A	0	E06			
90465-MDC4-001	0	E02	91003-KDS4-004	2	E05	92000-05032-0G	0	E08
90474-3C33-001	1	E05	91009-GLE0-004	1	E05	92000-06028-0G	0	E07
90478-7L00-001	0	E02	91051-KFBF-901	1	F16	92712-06028-0B	2	E02

PART NO. INDEX

パーツ番号 検索

PART NO. パーツ番号	VERSION バージョン	PAGE ページ	PART NO. パーツ番号	VERSION バージョン	PAGE ページ	PART NO. パーツ番号	VERSION バージョン	PAGE ページ
92900-06045-0B	0	E02	93892-04008-16	0	E09	94050-06080	0	E02
			93892-05012-06	0	E09	94050-06080	0	E09
93000			93893-04012-18	0	F04	94050-06080	0	F09
			93903-24360	0	F01	94050-06080	0	F10
93404-06016-06	0	F12	93903-24360	0	F12	94050-06080	0	F11
93404-06016-06	0	F18	93903-24360	0	F18	94050-06080	0	F18
93404-06020-06	1	F05	93903-25360	0	F02	94050-06080	0	F19
93404-KKC2-900	1	F05	93903-25460	0	F13	94050-06080	0	F20
93404-KKC2-900	1	F18	93903-34360	0	F03	94050-06080	0	F21
93404-KKC2-900	1	F20	93903-34360	0	F05	94050-08080	0	E02
93500-03010-0F	0	E07	93903-34360	0	F12	94050-08080	0	F19
93500-04008-0F	0	F10	93903-34360	0	F13	94050-12080	0	E06
93500-04010-0F	0	E09	93903-34360	0	F17	94101-06700	0	F14
93500-04014-0G	0	E09	93903-34360	0	F18	94101-08700	0	F15
93500-04020-0G	0	F19	93903-34460	0	F01	94111-04800	0	E09
93500-05016-0F	0	E08	93903-35260	0	F21	94111-05800	0	E07
93500-05016-1B	0	F03	93903-35360	0	F10	94111-06800	0	E09
93500-05025-1B	0	F03	93903-35360	0	F13	94251-08400	0	F15
93500-05032-1B	0	F03	93903-GFY6-900	1	F05	94301-08140	0	E01
93500-05045-1B	0	F03	93903-GFY6-900	1	F12	94301-08140	0	E04
93500-KHC4-90A	0	F19				94301-08140	0	E05
93600-04012-1G	0	F04	94000			94301-08140	0	E08
93700-05018-0F	0	F02				94301-10160	0	E02
93891-05016-06	0	E09	94050-05080	0	F10	94301-10160	0	E03
93891-05016-06	0	F13	94050-05080	0	F18	94303-04065	0	E07
93892-04006-08	0	E07	94050-06060	0	F04	94510-10000	0	E07

PART NO. INDEX
 パーツ番号 検索

PART NO. パーツ番号	VERSION バージョン	PAGE ページ	PART NO. パーツ番号	VERSION バージョン	PAGE ページ	PART NO. パーツ番号	VERSION バージョン	PAGE ページ
94510-14000	0	E08	95002-02130	0	F10	95701-LEA5-E00	1	F19
94510-20000	0	E05	95002-02130	0	F13	95801-08040-06	0	F06
94511-14000	0	E01	95002-70000	0	F21	95801-10025-06	0	F15
94520-28000	0	E06	95002-KGN7-910	1	E08	95801-10035-06	0	F16
94524-42000	0	F16	95002-KGN7-910	1	F21			
94540-50029	0	E09	95002-KHE7-900	0	F21	96000		
94591-KFBF-900	2	E02	95002-KKD6-E05	0	F23			
94591-KFBF-900	2	E08	95003-23031-60	0	F13	96001-06008-07	0	F14
94591-KFBF-900	2	F10	9500A-LAD9-900	1	E09	96001-06010-06	0	E08
94601-15000	0	E03	95014-72204	0	F15	96001-06012-06	0	F04
94601-33000	0	E06	95701-06012-06	1	F04	96001-06014-06	0	E07
94605-KHD8-900	0	F22	95701-06012-06	1	F11	96001-06014-06	0	F19
94608-30000	0	F22	95701-06012-06	1	F12	96001-06016-06	0	E01
			95701-06012-06	1	F18	96001-06016-06	0	E02
95000			95701-06012-06	1	F19	96001-06016-06	0	E07
			95701-06012-06	1	F21	96001-06018-06	0	E03
95001-35130-40	0	E09	95701-06016-06	1	F21	96001-06018-06	0	E08
95001-35135-40	0	E09	95701-06020-06	1	F06	96001-06020-06	0	E08
95002-02070	0	E09	95701-06022-06	1	F14	96001-06020-06	0	F21
95002-02070	0	F10	95701-06022-06	1	F15	96001-06022-06	1	E03
95002-02070	0	F21	95701-06025-06	2	E02	96001-06022-06	1	E08
95002-02070	0	F23	95701-08012-06	0	E01	96001-06022-06	1	F04
95002-02080	0	E05	95701-08012-06	0	E05	96001-06025-06	0	E02
95002-02080	0	F10	95701-08012-06	0	F12	96001-06028-06	0	E08
95002-02100	0	F10	95701-08030-06	0	F16	96001-06032-06	0	E02
95002-02100	0	F21	95701-08050-06	0	F20	96001-06032-06	0	F20

PART NO. INDEX

パーツ番号 検索

PART NO. パーツ番号	VERSION バージョン	PAGE ページ	PART NO. パーツ番号	VERSION バージョン	PAGE ページ	PART NO. パーツ番号	VERSION バージョン	PAGE ページ
96001-06035-06	0	E05						
96001-06040-06	12	E01						
96001-06040-06	12	E04						
96001-06040-06	12	E05						
96001-06045-06	0	E04						
96001-06050-06	0	E01						
96001-06060-06	0	E01						
96001-06120-06	1	E01						
96001-06120-06	1	E04						
96001-06125-06	1	E01						
96001-LEA6-900	2	E01						
96100-62030-00	0	E01						
96211-05000	0	F06						
96211-08000	1	F06						
96220-60100	0	E07						
96600-08015-16	0	E07						
98000								
98069-5791R-00	0	E02						
98200-31000	1	F11						
98200-31000	1	F19						
98200-31500	0	F11						
98200-31500	0	F19						
98200-32000	0	F11						
98200-32000	0	F19						