

PARTS CATALOGUE



SCOOTERS

SH25DC(JP)

GRAND DINK 125 (注意)



Release Date : 2016/11/10
Print Date : 2017/07/18

本パーツリストについて

- 本パーツリストは SH25DC(JP).の全てのパーツ番号が記載されています。
- 車輻のカラーチャートとバイクに相違がある場合は正規販売店もしくはKYMCO JAPANへお問い合わせください。
- 1. "***"記号が記載している場合、3文字の色コードをパーツ番号の最後に記入してください。
2. "#" 記号が記載している場合、パーツの設定、変更があります。正規販売店もしくはKYMCO JAPANへお問い合わせください。
- このパーツリストの変更または追加は、適切な時期に予告なく行われます。

ABOUT THIS PARTS LIST

- This parts list is compiled all service parts for model SH25DC(JP).
- Any difference between color chart and motorcycle will be revised according to motorcycle.
- The Mark:
 1. Marking "***" must add color code in the end before ordering parts.
 2. Marking "#" are parts with modification, Please find the details from e-Parts system.
- When modification or additions to this parts list are made a revised edition at an appropriate time.

目次

● 本パーツリストについて	1
● SH25DC(JP)のカラーチャート	3
● 目次-エンジン関	27
● 目次-フレーム関係	28
● エンジンパーツリスト	31
● フレームパーツリスト	67
● パーツ番号 検索	149

CONTENTS

● ABOUT THIS PARTS LIST	1
● COLOR CHART OF SH25DC(JP)	3
● CONTENTS-ENGINE GROUP	27
● CONTENTS-FRAME GROUP	28
● ENGINE PARTS LIST	31
● FRAME PARTS LIST	67
● PART NO. INDEX	149

NO	モデル			SH25DC(JP)のカラーチャート			
	写真番号			NO. 1	NO. 2	NO. 3	NO. 4
	基本色						
	コード			Deep Blue Metallic	Deep Blue Metallic	Bright Red	Bright Red
	パーツ名	パーツ番号	バージョン	PB183PB	PB183PA	RR339PA	RR339PB
1	CUSHION ASSY R RR	52400-KKC2-E00	2	F1S			
2	CUSHION ASSY L RR	52500-KKC2-E00	3				
3	COVER COMP RIGHT	11330-KKC3-900	6	HJA			
4	METER COVER FR	37203-KKC3-900	0	HJP			
5	METER COVER RR	37204-KKC3-900	0				
6	COVER HANDLE UP	53205-KKC4-900	2				
7	GRILL HANDLE UP	53208-KKC4-900	0				
8	LEVER R STRG HANDLE	53175-KFA5-E10	0	M3A			
9	LEVER L STRG HNDL	53178-KFC8-E10	0	M9A			
10	COVER WATER PUMP	19221-KKC3-900	2				
11	BRACKET RR	43210-KEBE-900	2	N1A			
12	WHEEL COMP RR CAST	42601-KHD8-90A	3	N1A	NJA	N1A	
13	FENDER FR	61110-KHD8-900	2	BHP			
14	COVER SCREEN	64301-KKC4-900	0				
15	MOLDING FR	64302-KKC4-900	0				
16	SKIRT R SIDE	64305-KKC4-900	2				
17	SKIRT L SIDE	64306-KKC4-900	2				
18	COWL UNDER	64400-KKC4-900	0				
19	COVER R BODY	83500-KKC4-800	2				
20	COVER L BODY	83600-KKC4-800	2				
21	COVER RR CENTER	83750-KKC4-900	2				
22	MIRROR ASSY R BACK	88110-KKC4-305	0				
23	MIRROR ASSY L BACK	88120-KKC4-305	0	EBP			
24	MIRROR ASSY R BACK	88110-KKC3-900	4				
25	MIRROR ASSY L BACK	88120-KKC3-900	4				
販売開始時期							
販売終了時期							

NO	モデル			SH25DC(JP)のカラーチャート			
	写真番号			NO. 5	NO. 6	NO. 7	NO. 8
	基本色						
	コード			Black	Black	Block	Bright Silver
	パーツ名	パーツ番号	バージョン	NH001SA	NH001SB	NH001SB	NH045MB
1	CUSHION ASSY R RR	52400-KKC2-E00	2	F1S			
2	CUSHION ASSY L RR	52500-KKC2-E00	3				
3	COVER COMP RIGHT	11330-KKC3-900	6	HJA			
4	METER COVER FR	37203-KKC3-900	0				
5	METER COVER RR	37204-KKC3-900	0	HJP			
6	COVER HANDLE UP	53205-KKC4-900	2				
7	GRILL HANDLE UP	53208-KKC4-900	0				
8	LEVER R STRG HANDLE	53175-KFA5-E10	0	M3A			
9	LEVER L STRG HNDL	53178-KFC8-E10	0				
10	COVER WATER PUMP	19221-KKC3-900	2	M9A			
11	BRACKET RR	43210-KEBE-900	2				
12	WHEEL COMP RR CAST	42601-KHD8-90A	3	N1A			
13	FENDER FR	61110-KHD8-900	2				
14	COVER SCREEN	64301-KKC4-900	0				
15	MOLDING FR	64302-KKC4-900	0	N1P			N8P
16	SKIRT R SIDE	64305-KKC4-900	2				
17	SKIRT L SIDE	64306-KKC4-900	2				
18	COWL UNDER	64400-KKC4-900	0				
19	COVER R BODY	83500-KKC4-800	2				
20	COVER L BODY	83600-KKC4-800	2				
21	COVER RR CENTER	83750-KKC4-900	2				
22	MIRROR ASSY R BACK	88110-KKC4-305	0				
23	MIRROR ASSY L BACK	88120-KKC4-305	0				
24	MIRROR ASSY R BACK	88110-KKC3-900	4				
25	MIRROR ASSY L BACK	88120-KKC3-900	4				
販売開始時期							
販売終了時期							

NO	モデル			SH25DC(JP)のカラーチャート			
	写真番号			NO. 9	NO. 10	NO. 11	NO. 12
	基本色						
	コード			Dark Gray Metallic	Peorly White	Ruby Red	
	パーツ名	パーツ番号	バージョン	NH124MB	NH193PB	RR004CB	RR123PBA
1	CUSHION ASSY R RR	52400-KKC2-E00	2	F1S			
2	CUSHION ASSY L RR	52500-KKC2-E00	3				
3	COVER COMP RIGHT	11330-KKC3-900	6	HJA			
4	METER COVER FR	37203-KKC3-900	0	HJP			
5	METER COVER RR	37204-KKC3-900	0				
6	COVER HANDLE UP	53205-KKC4-900	2				
7	GRILL HANDLE UP	53208-KKC4-900	0				
8	LEVER R STRG HANDLE	53175-KFA5-E10	0				
9	LEVER L STRG HNDL	53178-KFC8-E10	0	M3A			
10	COVER WATER PUMP	19221-KKC3-900	2	M9A			
11	BRACKET RR	43210-KEBE-900	2	N1A			
12	WHEEL COMP RR CAST	42601-KHD8-90A	3				
13	FENDER FR	61110-KHD8-900	2	NFP			
14	COVER SCREEN	64301-KKC4-900	0				
15	MOLDING FR	64302-KKC4-900	0				
16	SKIRT R SIDE	64305-KKC4-900	2				
17	SKIRT L SIDE	64306-KKC4-900	2				
18	COWL UNDER	64400-KKC4-900	0				
19	COVER R BODY	83500-KKC4-800	2				
20	COVER L BODY	83600-KKC4-800	2				
21	COVER RR CENTER	83750-KKC4-900	2				
22	MIRROR ASSY R BACK	88110-KKC4-305	0				
23	MIRROR ASSY L BACK	88120-KKC4-305	0				
24	MIRROR ASSY R BACK	88110-KKC3-900	4				
25	MIRROR ASSY L BACK	88120-KKC3-900	4				
販売開始時期							
販売終了時期							

NO	モデル			SH25DC(JP)のカラーチャート			
	写真番号			NO. 13	NO. 14	NO. 15	NO. 16
	基本色						
	コード			Red	Red		Red
	パーツ名	パーツ番号	バージョン	RR123PBA	RR123PAB	RR123PBB	RR123PBB
1	CUSHION ASSY R RR	52400-KKC2-E00	2	F1S			
2	CUSHION ASSY L RR	52500-KKC2-E00	3				
3	COVER COMP RIGHT	11330-KKC3-900	6	HJA			
4	METER COVER FR	37203-KKC3-900	0				
5	METER COVER RR	37204-KKC3-900	0	HJP			
6	COVER HANDLE UP	53205-KKC4-900	2				
7	GRILL HANDLE UP	53208-KKC4-900	0	M3A			
8	LEVER R STRG HANDLE	53175-KFA5-E10	0				
9	LEVER L STRG HNDL	53178-KFC8-E10	0	M9A			
10	COVER WATER PUMP	19221-KKC3-900	2				
11	BRACKET RR	43210-KEBE-900	2	N1A			
12	WHEEL COMP RR CAST	42601-KHD8-90A	3				
13	FENDER FR	61110-KHD8-900	2	R6P			
14	COVER SCREEN	64301-KKC4-900	0				
15	MOLDING FR	64302-KKC4-900	0				
16	SKIRT R SIDE	64305-KKC4-900	2				
17	SKIRT L SIDE	64306-KKC4-900	2				
18	COWL UNDER	64400-KKC4-900	0				
19	COVER R BODY	83500-KKC4-800	2				
20	COVER L BODY	83600-KKC4-800	2				
21	COVER RR CENTER	83750-KKC4-900	2				
22	MIRROR ASSY R BACK	88110-KKC4-305	0				
23	MIRROR ASSY L BACK	88120-KKC4-305	0				
24	MIRROR ASSY R BACK	88110-KKC3-900	4				
25	MIRROR ASSY L BACK	88120-KKC3-900	4				
販売開始時期							
販売終了時期							

NO	モデル			SH25DC(JP)のカラーチャート					
	写真番号			NO. 17	NO. 18	NO. 19	NO. 20		
	基本色								
	コード				Yellow Green	Bright Silver	Dark Gray Metallic		
	パーツ名	パーツ番号	バージョン	YG025MB	YG025MB	NH045MA	NH124MA		
1	CUSHION ASSY R RR	52400-KKC2-E00	2	F1S					
2	CUSHION ASSY L RR	52500-KKC2-E00	3						
3	COVER COMP RIGHT	11330-KKC3-900	6	HJA					
4	METER COVER FR	37203-KKC3-900	0	HJP					
5	METER COVER RR	37204-KKC3-900	0						
6	COVER HANDLE UP	53205-KKC4-900	2						
7	GRILL HANDLE UP	53208-KKC4-900	0						
8	LEVER R STRG HANDLE	53175-KFA5-E10	0	M3A					
9	LEVER L STRG HNDL	53178-KFC8-E10	0	M9A					
10	COVER WATER PUMP	19221-KKC3-900	2	N1A					
11	BRACKET RR	43210-KEBE-900	2	N1A					
12	WHEEL COMP RR CAST	42601-KHD8-90A	3	N1A		NJA			
13	FENDER FR	61110-KHD8-900	2	W3P					
14	COVER SCREEN	64301-KKC4-900	0						
15	MOLDING FR	64302-KKC4-900	0						
16	SKIRT R SIDE	64305-KKC4-900	2						
17	SKIRT L SIDE	64306-KKC4-900	2						
18	COWL UNDER	64400-KKC4-900	0						
19	COVER R BODY	83500-KKC4-800	2				N8P		NFP
20	COVER L BODY	83600-KKC4-800	2						
21	COVER RR CENTER	83750-KKC4-900	2						
22	MIRROR ASSY R BACK	88110-KKC4-305	0						
23	MIRROR ASSY L BACK	88120-KKC4-305	0						
24	MIRROR ASSY R BACK	88110-KKC3-900	4						
25	MIRROR ASSY L BACK	88120-KKC3-900	4						
販売開始時期									
販売終了時期									

NO	モデル			SH25DC(JP)のカラーチャート			
	写真番号			NO. 21	NO. 22	NO. 23	NO. 24
	基本色						
	コード			Pearly White	Ruby Red	Red	Yellow Green
	パーツ名	パーツ番号	バージョン	NH193PA	RR004CA	RR123PAA	YG025MA
1	CUSHION ASSY R RR	52400-KKC2-E00	2	F1S			
2	CUSHION ASSY L RR	52500-KKC2-E00	3				
3	COVER COMP RIGHT	11330-KKC3-900	6	HJA			
4	METER COVER FR	37203-KKC3-900	0				
5	METER COVER RR	37204-KKC3-900	0	HJP			
6	COVER HANDLE UP	53205-KKC4-900	2				
7	GRILL HANDLE UP	53208-KKC4-900	0				
8	LEVER R STRG HANDLE	53175-KFA5-E10	0	M3A			
9	LEVER L STRG HNDL	53178-KFC8-E10	0				
10	COVER WATER PUMP	19221-KKC3-900	2	M9A			
11	BRACKET RR	43210-KEBE-900	2				
12	WHEEL COMP RR CAST	42601-KHD8-90A	3	N1A			
13	FENDER FR	61110-KHD8-900	2				
14	COVER SCREEN	64301-KKC4-900	0	NJA			
15	MOLDING FR	64302-KKC4-900	0				
16	SKIRT R SIDE	64305-KKC4-900	2				
17	SKIRT L SIDE	64306-KKC4-900	2				
18	COWL UNDER	64400-KKC4-900	0				
19	COVER R BODY	83500-KKC4-800	2				
20	COVER L BODY	83600-KKC4-800	2				
21	COVER RR CENTER	83750-KKC4-900	2				
22	MIRROR ASSY R BACK	88110-KKC4-305	0				
23	MIRROR ASSY L BACK	88120-KKC4-305	0				
24	MIRROR ASSY R BACK	88110-KKC3-900	4	NVP			
25	MIRROR ASSY L BACK	88120-KKC3-900	4				
販売開始時期							
販売終了時期							
				R6P			
				W3P			

NO	モデル			SH25DC(JP)のカラーチャート							
	写真番号			NO. 1	NO. 2	NO. 3	NO. 4				
	基本色										
	コード			Deep Blue Metallic	Deep Blue Metallic	Bright Red	Bright Red				
	パーツ名	パーツ番号	バージョン	PB183PB	PB183PA	RR339PA	RR339PB				
26	GRIP COMP THROT	53140-KKC3-900	0	N1R							
27	GRIP L HANDLE	53166-KGB5-900	0								
28	COVER METER	53204-KKC4-900	2								
29	COVER R HANDLE LOW	53206-KKC4-900	1								
30	COVER L HANDLE LOW	53207-KKC4-900	0								
31	GRID R METER COVER	53214-KKC4-900	0								
32	GRID L METER COVER	53224-KKC4-900	0								
33	FLOOR PANEL	64310-KKC4-900	0								
34	COVER R PILLION STEP	64311-KKC4-900	3								
35	GRID R PILLION STEP	64312-KKC4-900	3								
36	MAT FLOOR	64320-KKC4-900	0								
37	COVER L PILLION STEP	64321-KKC4-900	3								
38	GRID L PILLION STEP	64322-KKC4-900	1								
39	FENDER RR TIRE	80100-KKC4-900	4								
40	FENDER RR INNER	80101-KKC4-800	3								
41	COVER CENTER	80151-KKC4-900	0								
42	LEG SHIELD	81131-KKC4-900	0								
43	LID LEG SHIELD	81132-KEB7-900	1								
44	LID RESERVE	81136-KKC4-900	0								
45	GRID R LEG SHIELD	81137-KKC4-900	0								
46	GRID L LEG SHIELD	81147-KKC4-900	0								
47	SIDE R GRIP	81400-KKC4-900	0								
48	SIDE L GRIP	81500-KKC4-900	0								
49	BAND HARNESS WIRE	90656-KUDU-900	0								
50	DISK RR BRAKE	43351-KHE7-E00	3					N1S			
販売開始時期											
販売終了時期											

NO	モデル			SH25DC(JP)のカラーチャート							
	写真番号			NO. 5	NO. 6	NO. 7	NO. 8				
	基本色										
	コード			Black	Black	Block	Bright Silver				
	パーツ名	パーツ番号	バージョン	NH001SA	NH001SB	NH001SB	NH045MB				
26	GRIP COMP THROT	53140-KKC3-900	0	N1R							
27	GRIP L HANDLE	53166-KGB5-900	0								
28	COVER METER	53204-KKC4-900	2								
29	COVER R HANDLE LOW	53206-KKC4-900	1								
30	COVER L HANDLE LOW	53207-KKC4-900	0								
31	GRID R METER COVER	53214-KKC4-900	0								
32	GRID L METER COVER	53224-KKC4-900	0								
33	FLOOR PANEL	64310-KKC4-900	0								
34	COVER R PILLION STEP	64311-KKC4-900	3								
35	GRID R PILLION STEP	64312-KKC4-900	3								
36	MAT FLOOR	64320-KKC4-900	0								
37	COVER L PILLION STEP	64321-KKC4-900	3								
38	GRID L PILLION STEP	64322-KKC4-900	1								
39	FENDER RR TIRE	80100-KKC4-900	4								
40	FENDER RR INNER	80101-KKC4-800	3								
41	COVER CENTER	80151-KKC4-900	0								
42	LEG SHIELD	81131-KKC4-900	0								
43	LID LEG SHIELD	81132-KEB7-900	1								
44	LID RESERVE	81136-KKC4-900	0								
45	GRID R LEG SHIELD	81137-KKC4-900	0								
46	GRID L LEG SHIELD	81147-KKC4-900	0								
47	SIDE R GRIP	81400-KKC4-900	0								
48	SIDE L GRIP	81500-KKC4-900	0								
49	BAND HARNESS WIRE	90656-KUDU-900	0								
50	DISK RR BRAKE	43351-KHE7-E00	3					N1S			
販売開始時期											
販売終了時期											

NO	モデル			SH25DC(JP)のカラーチャート							
	写真番号			NO. 9	NO. 10	NO. 11	NO. 12				
	基本色										
	コード			Dark Gray Metallic	Peorly White	Ruby Red					
	パーツ名	パーツ番号	バージョン	NH124MB	NH193PB	RR004CB	RR123PBA				
26	GRIP COMP THROT	53140-KKC3-900	0	N1R							
27	GRIP L HANDLE	53166-KGB5-900	0								
28	COVER METER	53204-KKC4-900	2								
29	COVER R HANDLE LOW	53206-KKC4-900	1								
30	COVER L HANDLE LOW	53207-KKC4-900	0								
31	GRID R METER COVER	53214-KKC4-900	0								
32	GRID L METER COVER	53224-KKC4-900	0								
33	FLOOR PANEL	64310-KKC4-900	0								
34	COVER R PILLION STEP	64311-KKC4-900	3								
35	GRID R PILLION STEP	64312-KKC4-900	3								
36	MAT FLOOR	64320-KKC4-900	0								
37	COVER L PILLION STEP	64321-KKC4-900	3								
38	GRID L PILLION STEP	64322-KKC4-900	1								
39	FENDER RR TIRE	80100-KKC4-900	4								
40	FENDER RR INNER	80101-KKC4-800	3								
41	COVER CENTER	80151-KKC4-900	0								
42	LEG SHIELD	81131-KKC4-900	0								
43	LID LEG SHIELD	81132-KEB7-900	1								
44	LID RESERVE	81136-KKC4-900	0								
45	GRID R LEG SHIELD	81137-KKC4-900	0								
46	GRID L LEG SHIELD	81147-KKC4-900	0								
47	SIDE R GRIP	81400-KKC4-900	0								
48	SIDE L GRIP	81500-KKC4-900	0								
49	BAND HARNESS WIRE	90656-KUDU-900	0								
50	DISK RR BRAKE	43351-KHE7-E00	3					N1S			
販売開始時期											
販売終了時期											

NO	モデル			SH25DC(JP)のカラーチャート							
	写真番号			NO. 13	NO. 14	NO. 15	NO. 16				
	基本色										
	コード			Red	Red		Red				
	パーツ名	パーツ番号	バージョン	RR123PBA	RR123PAB	RR123PBB	RR123PBB				
26	GRIP COMP THROT	53140-KKC3-900	0	N1R							
27	GRIP L HANDLE	53166-KGB5-900	0								
28	COVER METER	53204-KKC4-900	2								
29	COVER R HANDLE LOW	53206-KKC4-900	1								
30	COVER L HANDLE LOW	53207-KKC4-900	0								
31	GRID R METER COVER	53214-KKC4-900	0								
32	GRID L METER COVER	53224-KKC4-900	0								
33	FLOOR PANEL	64310-KKC4-900	0								
34	COVER R PILLION STEP	64311-KKC4-900	3								
35	GRID R PILLION STEP	64312-KKC4-900	3								
36	MAT FLOOR	64320-KKC4-900	0								
37	COVER L PILLION STEP	64321-KKC4-900	3								
38	GRID L PILLION STEP	64322-KKC4-900	1								
39	FENDER RR TIRE	80100-KKC4-900	4								
40	FENDER RR INNER	80101-KKC4-800	3								
41	COVER CENTER	80151-KKC4-900	0								
42	LEG SHIELD	81131-KKC4-900	0								
43	LID LEG SHIELD	81132-KEB7-900	1								
44	LID RESERVE	81136-KKC4-900	0								
45	GRID R LEG SHIELD	81137-KKC4-900	0								
46	GRID L LEG SHIELD	81147-KKC4-900	0								
47	SIDE R GRIP	81400-KKC4-900	0								
48	SIDE L GRIP	81500-KKC4-900	0								
49	BAND HARNESS WIRE	90656-KUDU-900	0								
50	DISK RR BRAKE	43351-KHE7-E00	3					N1S			
販売開始時期											
販売終了時期											

NO	モデル			SH25DC(JP)のカラーチャート							
	写真番号			NO. 17	NO. 18	NO. 19	NO. 20				
	基本色										
	コード				Yellow Green	Bright Silver	Dark Gray Metallic				
	パーツ名	パーツ番号	バージョン	YG025MB	YG025MB	NH045MA	NH124MA				
26	GRIP COMP THROT	53140-KKC3-900	0	N1R							
27	GRIP L HANDLE	53166-KGB5-900	0								
28	COVER METER	53204-KKC4-900	2								
29	COVER R HANDLE LOW	53206-KKC4-900	1								
30	COVER L HANDLE LOW	53207-KKC4-900	0								
31	GRID R METER COVER	53214-KKC4-900	0								
32	GRID L METER COVER	53224-KKC4-900	0								
33	FLOOR PANEL	64310-KKC4-900	0								
34	COVER R PILLION STEP	64311-KKC4-900	3								
35	GRID R PILLION STEP	64312-KKC4-900	3								
36	MAT FLOOR	64320-KKC4-900	0								
37	COVER L PILLION STEP	64321-KKC4-900	3								
38	GRID L PILLION STEP	64322-KKC4-900	1								
39	FENDER RR TIRE	80100-KKC4-900	4								
40	FENDER RR INNER	80101-KKC4-800	3								
41	COVER CENTER	80151-KKC4-900	0								
42	LEG SHIELD	81131-KKC4-900	0								
43	LID LEG SHIELD	81132-KEB7-900	1								
44	LID RESERVE	81136-KKC4-900	0								
45	GRID R LEG SHIELD	81137-KKC4-900	0								
46	GRID L LEG SHIELD	81147-KKC4-900	0								
47	SIDE R GRIP	81400-KKC4-900	0								
48	SIDE L GRIP	81500-KKC4-900	0								
49	BAND HARNESS WIRE	90656-KUDU-900	0								
50	DISK RR BRAKE	43351-KHE7-E00	3					N1S			
販売開始時期											
販売終了時期											

NO	モデル			SH25DC(JP)のカラーチャート							
	写真番号			NO. 21	NO. 22	NO. 23	NO. 24				
	基本色										
	コード			Pearly White	Ruby Red	Red	Yellow Green				
	パーツ名	パーツ番号	バージョン	NH193PA	RR004CA	RR123PAA	YG025MA				
26	GRIP COMP THROT	53140-KKC3-900	0	N1R							
27	GRIP L HANDLE	53166-KGB5-900	0								
28	COVER METER	53204-KKC4-900	2								
29	COVER R HANDLE LOW	53206-KKC4-900	1								
30	COVER L HANDLE LOW	53207-KKC4-900	0								
31	GRID R METER COVER	53214-KKC4-900	0								
32	GRID L METER COVER	53224-KKC4-900	0								
33	FLOOR PANEL	64310-KKC4-900	0								
34	COVER R PILLION STEP	64311-KKC4-900	3								
35	GRID R PILLION STEP	64312-KKC4-900	3								
36	MAT FLOOR	64320-KKC4-900	0								
37	COVER L PILLION STEP	64321-KKC4-900	3								
38	GRID L PILLION STEP	64322-KKC4-900	1								
39	FENDER RR TIRE	80100-KKC4-900	4								
40	FENDER RR INNER	80101-KKC4-800	3								
41	COVER CENTER	80151-KKC4-900	0								
42	LEG SHIELD	81131-KKC4-900	0								
43	LID LEG SHIELD	81132-KEB7-900	1								
44	LID RESERVE	81136-KKC4-900	0								
45	GRID R LEG SHIELD	81137-KKC4-900	0								
46	GRID L LEG SHIELD	81147-KKC4-900	0								
47	SIDE R GRIP	81400-KKC4-900	0								
48	SIDE L GRIP	81500-KKC4-900	0								
49	BAND HARNESS WIRE	90656-KUDU-900	0								
50	DISK RR BRAKE	43351-KHE7-E00	3					N1S			
販売開始時期											
販売終了時期											

NO	モデル			SH25DC(JP)のカラーチャート			
	写真番号			NO. 1	NO. 2	NO. 3	NO. 4
	基本色						
	コード			Deep Blue Metallic	Deep Blue Metallic	Bright Red	Bright Red
	パーツ名	パーツ番号	バージョン	PB183PB	PB183PA	RR339PA	RR339PB
51	COVER L	11341-KKC3-900	7	NEA			
52	CALIPER ASSY RR **(0)	43100-KEBE-910	1	NJA			
53	WHEEL SET FR	44650-KHD8-30A	3				
54	WHEEL SET FR	44650-KHD8-30C	4				
55	CALIPER ASSY FR	45200-KKC2-E00	1				
56	FORK ASSY R FR	51400-KKC4-900	2				
57	BOTTOM CASE R	51420-KKC4-900	0				
58	FORK SET L FR	5150A-KKC4-900	3				
59	BOTTOM CASE L	51520-KKC4-900	0				
60	FORK ASSY REAR	52000-KKC3-900	3				
61	CAP ASSY 30MM	9008A-KBE2-900	0				
62	SEAT ASSY (156-089)	77200-KKC4-B24	2	T01			
63	SEAT ASSY BACK	77210-KKC4-900	0				
64	SEAT ASSY PAD	77220-KKC4-910	1				
65	EMB HANDLE COVER RR	86030-KKC4-900	2				
66	EMB K-LOGO 28.5MM	86102-KKC4-900	3				
67	STRIPE RR FENDER **(0)	86409-KHC4-B20	2				
68	CAUTION USE GAS	87501-KRDR-E00	2				
69	LABEL TIRE	87505-KHE7-E00	1				
70	CAUTION FILTER	87512-KEBE-E00	0				
71	CAUTION SIDE STAND	87541-GAR1-E00	1				
72	CAUTION MOBILE	87541-KKC2-E00	1				
73	MARK MAINT CAUTION	87542-GAR1-E00	2				
74	MARK DRIVE CAUTION	87560-GFY6-E00	4				
75	STRIPE FR FENDER	86408-KKC1-B20	0				
販売開始時期							
販売終了時期							

NO	モデル			SH25DC(JP)のカラーチャート			
	写真番号			NO. 5	NO. 6	NO. 7	NO. 8
	基本色						
	コード			Black	Black	Block	Bright Silver
	パーツ名	パーツ番号	バージョン	NH001SA	NH001SB	NH001SB	NH045MB
51	COVER L	11341-KKC3-900	7	NEA			
52	CALIPER ASSY RR **(0)	43100-KEBE-910	1	NJA			
53	WHEEL SET FR	44650-KHD8-30A	3				
54	WHEEL SET FR	44650-KHD8-30C	4				
55	CALIPER ASSY FR	45200-KKC2-E00	1				
56	FORK ASSY R FR	51400-KKC4-900	2				
57	BOTTOM CASE R	51420-KKC4-900	0				
58	FORK SET L FR	5150A-KKC4-900	3				
59	BOTTOM CASE L	51520-KKC4-900	0				
60	FORK ASSY REAR	52000-KKC3-900	3				
61	CAP ASSY 30MM	9008A-KBE2-900	0				
62	SEAT ASSY (156-089)	77200-KKC4-B24	2	T01			
63	SEAT ASSY BACK	77210-KKC4-900	0				
64	SEAT ASSY PAD	77220-KKC4-910	1				
65	EMB HANDLE COVER RR	86030-KKC4-900	2				
66	EMB K-LOGO 28.5MM	86102-KKC4-900	3				
67	STRIPE RR FENDER **(0)	86409-KHC4-B20	2				
68	CAUTION USE GAS	87501-KRDR-E00	2				
69	LABEL TIRE	87505-KHE7-E00	1				
70	CAUTION FILTER	87512-KEBE-E00	0				
71	CAUTION SIDE STAND	87541-GAR1-E00	1				
72	CAUTION MOBILE	87541-KKC2-E00	1				
73	MARK MAINT CAUTION	87542-GAR1-E00	2				
74	MARK DRIVE CAUTION	87560-GFY6-E00	4				
75	STRIPE FR FENDER	86408-KKC1-B20	0				
販売開始時期							
販売終了時期							

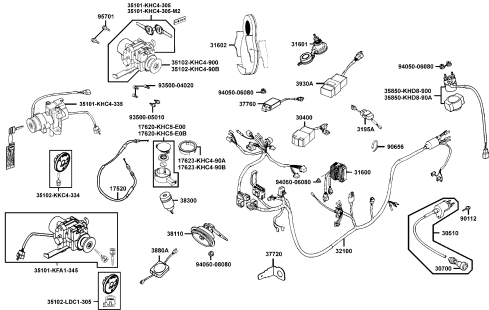
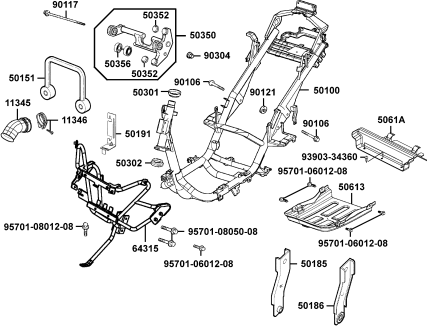
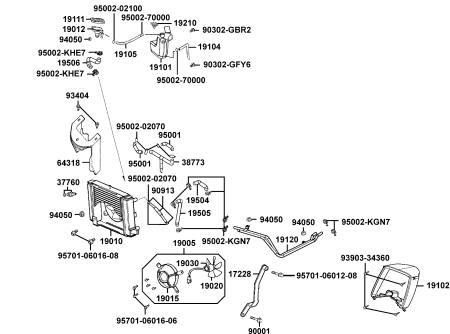
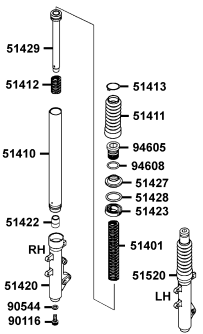
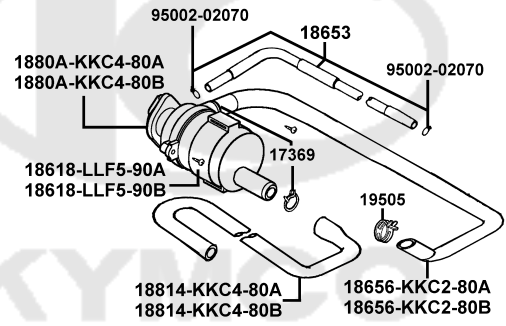
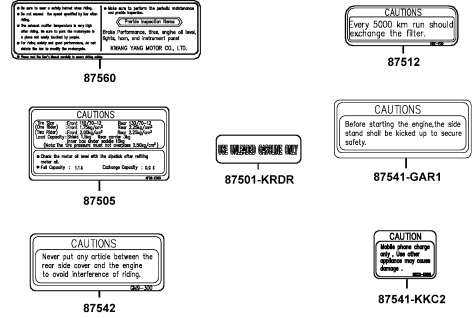
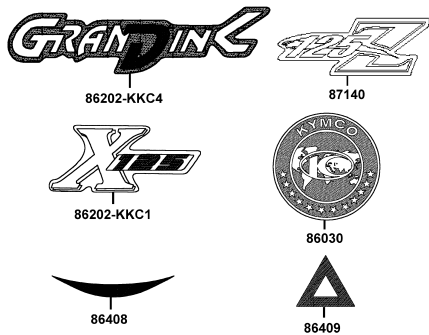
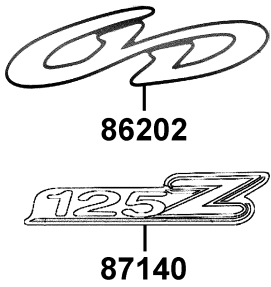
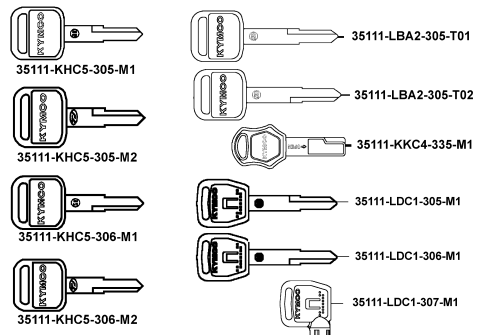
NO	モデル			SH25DC(JP)のカラーチャート			
	写真番号			NO. 9	NO. 10	NO. 11	NO. 12
	基本色						
	コード			Dark Gray Metallic	Peorly White	Ruby Red	
	パーツ名	パーツ番号	バージョン	NH124MB	NH193PB	RR004CB	RR123PBA
51	COVER L	11341-KKC3-900	7	NEA			
52	CALIPER ASSY RR **(0)	43100-KEBE-910	1	NJA			
53	WHEEL SET FR	44650-KHD8-30A	3				
54	WHEEL SET FR	44650-KHD8-30C	4				
55	CALIPER ASSY FR	45200-KKC2-E00	1				
56	FORK ASSY R FR	51400-KKC4-900	2				
57	BOTTOM CASE R	51420-KKC4-900	0				
58	FORK SET L FR	5150A-KKC4-900	3				
59	BOTTOM CASE L	51520-KKC4-900	0				
60	FORK ASSY REAR	52000-KKC3-900	3				
61	CAP ASSY 30MM	9008A-KBE2-900	0				
62	SEAT ASSY (156-089)	77200-KKC4-B24	2	T01			
63	SEAT ASSY BACK	77210-KKC4-900	0				
64	SEAT ASSY PAD	77220-KKC4-910	1				
65	EMB HANDLE COVER RR	86030-KKC4-900	2				
66	EMB K-LOGO 28.5MM	86102-KKC4-900	3				
67	STRIPE RR FENDER **(0)	86409-KHC4-B20	2				
68	CAUTION USE GAS	87501-KRDR-E00	2				
69	LABEL TIRE	87505-KHE7-E00	1				
70	CAUTION FILTER	87512-KEBE-E00	0				
71	CAUTION SIDE STAND	87541-GAR1-E00	1				
72	CAUTION MOBILE	87541-KKC2-E00	1				
73	MARK MAINT CAUTION	87542-GAR1-E00	2				
74	MARK DRIVE CAUTION	87560-GFY6-E00	4				
75	STRIPE FR FENDER	86408-KKC1-B20	0				
販売開始時期							
販売終了時期							

NO	モデル			SH25DC(JP)のカラーチャート			
	写真番号			NO. 13	NO. 14	NO. 15	NO. 16
	基本色						
	コード			Red	Red		Red
	パーツ名	パーツ番号	バージョン	RR123PBA	RR123PAB	RR123PBB	RR123PBB
51	COVER L	11341-KKC3-900	7	NEA			
52	CALIPER ASSY RR **(0)	43100-KEBE-910	1	NJA			
53	WHEEL SET FR	44650-KHD8-30A	3				
54	WHEEL SET FR	44650-KHD8-30C	4				
55	CALIPER ASSY FR	45200-KKC2-E00	1				
56	FORK ASSY R FR	51400-KKC4-900	2				
57	BOTTOM CASE R	51420-KKC4-900	0				
58	FORK SET L FR	5150A-KKC4-900	3				
59	BOTTOM CASE L	51520-KKC4-900	0				
60	FORK ASSY REAR	52000-KKC3-900	3				
61	CAP ASSY 30MM	9008A-KBE2-900	0				
62	SEAT ASSY (156-089)	77200-KKC4-B24	2	T01			
63	SEAT ASSY BACK	77210-KKC4-900	0				
64	SEAT ASSY PAD	77220-KKC4-910	1				
65	EMB HANDLE COVER RR	86030-KKC4-900	2				
66	EMB K-LOGO 28.5MM	86102-KKC4-900	3				
67	STRIPE RR FENDER **(0)	86409-KHC4-B20	2				
68	CAUTION USE GAS	87501-KRDR-E00	2				
69	LABEL TIRE	87505-KHE7-E00	1				
70	CAUTION FILTER	87512-KEBE-E00	0				
71	CAUTION SIDE STAND	87541-GAR1-E00	1				
72	CAUTION MOBILE	87541-KKC2-E00	1				
73	MARK MAINT CAUTION	87542-GAR1-E00	2				
74	MARK DRIVE CAUTION	87560-GFY6-E00	4				
75	STRIPE FR FENDER	86408-KKC1-B20	0				
販売開始時期							
販売終了時期							

NO	モデル			SH25DC(JP)のカラーチャート			
	写真番号			NO. 17	NO. 18	NO. 19	NO. 20
	基本色						
	コード				Yellow Green	Bright Silver	Dark Gray Metallic
	パーツ名	パーツ番号	バージョン	YG025MB	YG025MB	NH045MA	NH124MA
51	COVER L	11341-KKC3-900	7	NEA			
52	CALIPER ASSY RR **(0)	43100-KEBE-910	1	NJA			
53	WHEEL SET FR	44650-KHD8-30A	3				
54	WHEEL SET FR	44650-KHD8-30C	4				
55	CALIPER ASSY FR	45200-KKC2-E00	1				
56	FORK ASSY R FR	51400-KKC4-900	2				
57	BOTTOM CASE R	51420-KKC4-900	0				
58	FORK SET L FR	5150A-KKC4-900	3				
59	BOTTOM CASE L	51520-KKC4-900	0				
60	FORK ASSY REAR	52000-KKC3-900	3				
61	CAP ASSY 30MM	9008A-KBE2-900	0				
62	SEAT ASSY (156-089)	77200-KKC4-B24	2	T01			
63	SEAT ASSY BACK	77210-KKC4-900	0				
64	SEAT ASSY PAD	77220-KKC4-910	1				
65	EMB HANDLE COVER RR	86030-KKC4-900	2				
66	EMB K-LOGO 28.5MM	86102-KKC4-900	3				
67	STRIPE RR FENDER **(0)	86409-KHC4-B20	2				
68	CAUTION USE GAS	87501-KRDR-E00	2				
69	LABEL TIRE	87505-KHE7-E00	1				
70	CAUTION FILTER	87512-KEBE-E00	0				
71	CAUTION SIDE STAND	87541-GAR1-E00	1				
72	CAUTION MOBILE	87541-KKC2-E00	1				
73	MARK MAINT CAUTION	87542-GAR1-E00	2				
74	MARK DRIVE CAUTION	87560-GFY6-E00	4				
75	STRIPE FR FENDER	86408-KKC1-B20	0				
販売開始時期							
販売終了時期							

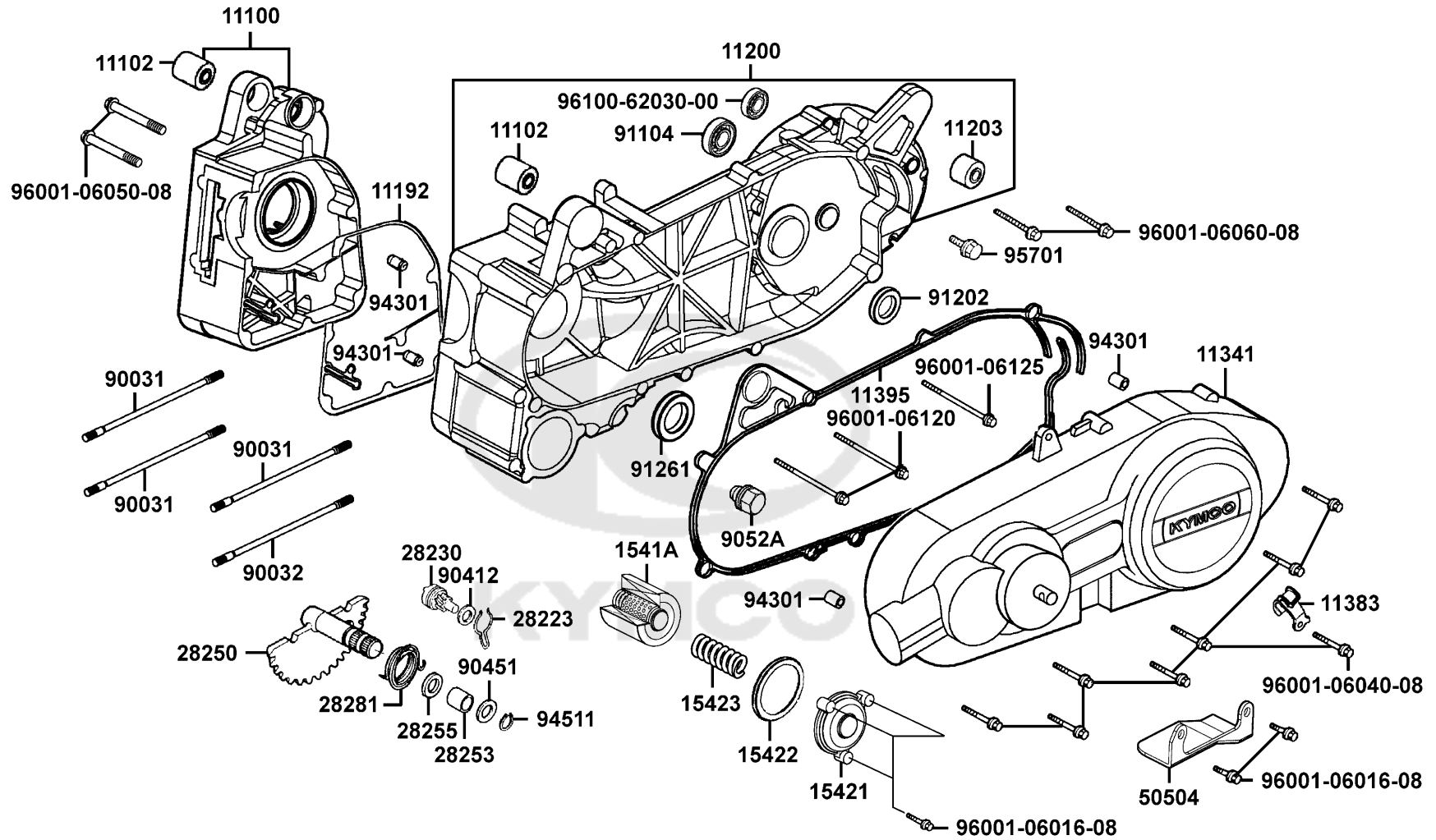
NO	モデル			SH25DC(JP)のカラーチャート							
	写真番号			NO. 21	NO. 22	NO. 23	NO. 24				
	基本色										
	コード			Pearly White	Ruby Red	Red	Yellow Green				
	パーツ名	パーツ番号	バージョン	NH193PA	RR004CA	RR123PAA	YG025MA				
51	COVER L	11341-KKC3-900	7	NEA							
52	CALIPER ASSY RR **(0)	43100-KEBE-910	1	NJA							
53	WHEEL SET FR	44650-KHD8-30A	3								
54	WHEEL SET FR	44650-KHD8-30C	4								
55	CALIPER ASSY FR	45200-KKC2-E00	1								
56	FORK ASSY R FR	51400-KKC4-900	2								
57	BOTTOM CASE R	51420-KKC4-900	0								
58	FORK SET L FR	5150A-KKC4-900	3								
59	BOTTOM CASE L	51520-KKC4-900	0								
60	FORK ASSY REAR	52000-KKC3-900	3								
61	CAP ASSY 30MM	9008A-KBE2-900	0					NKA			
62	SEAT ASSY (156-089)	77200-KKC4-B24	2	T01							
63	SEAT ASSY BACK	77210-KKC4-900	0								
64	SEAT ASSY PAD	77220-KKC4-910	1								
65	EMB HANDLE COVER RR	86030-KKC4-900	2								
66	EMB K-LOGO 28.5MM	86102-KKC4-900	3								
67	STRIPE RR FENDER **(0)	86409-KHC4-B20	2								
68	CAUTION USE GAS	87501-KRDR-E00	2								
69	LABEL TIRE	87505-KHE7-E00	1								
70	CAUTION FILTER	87512-KEBE-E00	0								
71	CAUTION SIDE STAND	87541-GAR1-E00	1								
72	CAUTION MOBILE	87541-KKC2-E00	1								
73	MARK MAINT CAUTION	87542-GAR1-E00	2								
74	MARK DRIVE CAUTION	87560-GFY6-E00	4								
75	STRIPE FR FENDER	86408-KKC1-B20	0					T02	T01		
販売開始時期											
販売終了時期											

CONTENTS - FRAME GROUP 目次-フレーム関係

F19 Wire Harness	F20 Frame Body	F21 Radiator
		
F22 Separated Parts Of Fr Fork	F23 Air Cleaner Two	F24 Caution Label
		
F25 Emblem Stripe	F26 Emblem Stripe	F27 Key
		

E01

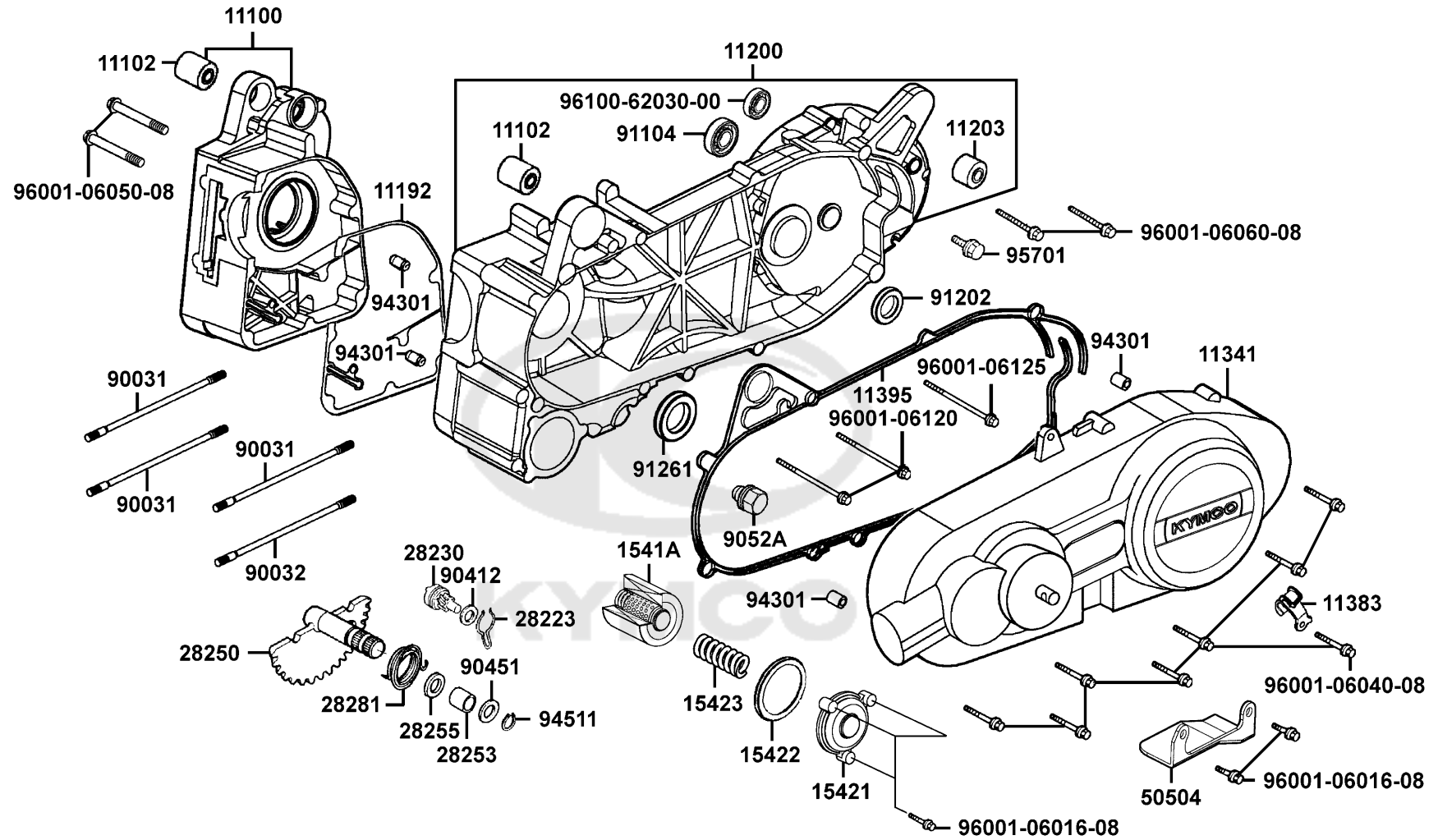
Crank Case



Sales mark 記号	Ref no 参照用番号	Part no パーツ番号	Description 部品名	Reg description 部品名	Regd no 必要個数	Ref Price 希望小売価格(税抜)	E01
	11100	11100-KKC1-305	CRANK CASE ASSY R	CRANK CASE ASSY R	1	19010	
	11102	11102-1G87-004	RUB BUSH ENG HANGER	RUB BUSH ENG HANGER	2	320	
	11192	11192-LEA5-E00	GASKET CRANK CASE @	GASKET CRANK CASE @	1	1180	
	11200	11200-KKC3-315	CASE SET L CRANK	CASE SET L CRANK	1	29280	
	11203	11203-GGC7-301	UNDER RUBBER BUSH REAR CUSHION	UNDER RUBBER BUSH REAR CUSHION	1	250	
**	11341	11341-KKC3-900	COVER L	COVER L	1	14260	
	11383	11383-KUDU-900	CLAMPER BRTH DRAIN TUBE	CLAMPER BRTH DRAIN TUBE	1	300	
	11395	11395-LEA5-E00	GASKET L COVER @	GASKET L COVER @	1	3270	
	1541A	1541A-KKC3-900	ELEMENT ASSY OIL FILTER	ELEMENT ASSY OIL FILTER	1	960	
	15421	15421-KKC3-900	CAP OIL FILTER	CAP OIL FILTER	1	630	
	15422	15422-KKC3-900	O RING 53.65*2.62	O RING 53.65*2.62	1	140	
	15423	15423-KKC3-900	SPRING CAP OIL	SPRING CAP OIL	1	160	
	28223	28223-KNBN-901	SPG KICK DRIVEN GEAR	SPG KICK DRIVEN GEAR	1	160	
	28230	28230-KNBN-901	GEAR COMP KICK DRIVEN	GEAR COMP KICK DRIVEN	1	1820	
	28250	28250-KFC8-900	SPINDLE COMP KICK STARTER	SPINDLE COMP KICK STARTER	1	2100	
	28253	28253-GBN2-60A	BUSH KICK SPINDLE	BUSH KICK SPINDLE	1	200	
	28255	28255-GFS6-001	COLLAR KICK BOSS	COLLAR KICK BOSS	1	160	
	28281	28281-KKC2-900	SPG KICK RETURN	SPG KICK RETURN	1	390	
	50504	50504-KKC3-900	STOPPER MAIN STAND	STOPPER MAIN STAND	1	490	
	90031	90031-KEBE-900	BOLT A STUD 8MM	BOLT A STUD 8MM	3	510	

E01

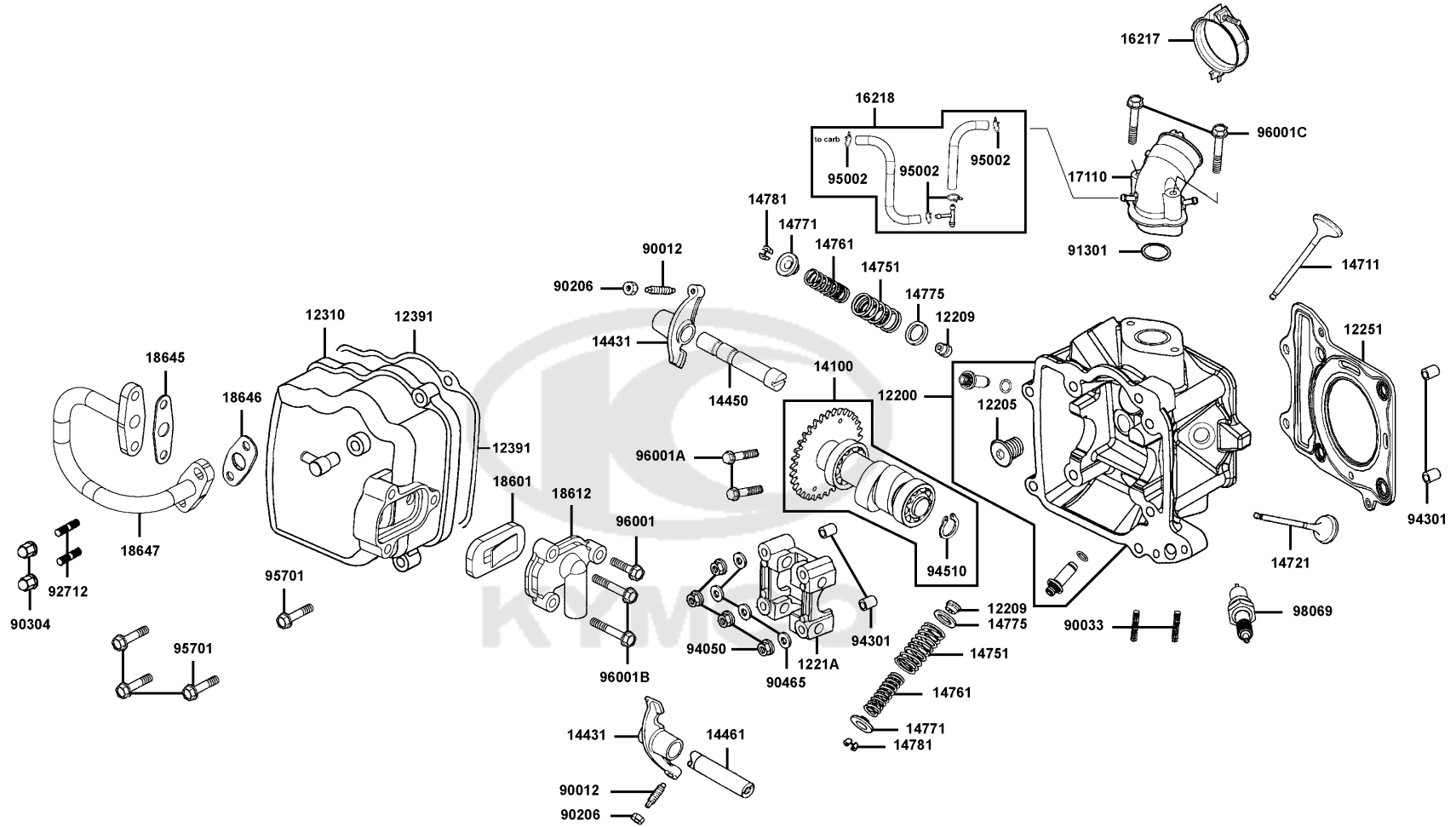
Crank Case



Sales mark 記号	Ref no 参照用番号	Part no パーツ番号	Description 部品名	Reg description 部品名	Regd no 必要個数	Ref Price 希望小売価格(税抜)	E01
90032		90032-KEBE-900	BOLT B STUD 8MM	BOLT B STUD 8MM	1	180	
90412		90412-3K29-001	WASHER THRUST 10M/M	WASHER THRUST 10M/M	1	200	
90451		90451-GBN2-601	WASHER KICK SPINDLE	WASHER KICK SPINDLE	1	200	
9052A		9052A-GFY6-950	BOLT ASSY DRAIN PLUG	BOLT ASSY DRAIN PLUG	1	120	
91104		91104-KGN7-671	BRG BALL RADIAL 6204	BRG BALL RADIAL 6204	1	2770	
91202		91202-KKJ9-004	OIL SEAL 20*32*6	OIL SEAL 20*32*6	1	80	
91261		91261-4E15-004	OIL SEAL 25*40*8	OIL SEAL 25*40*8	1	230	
94301		94301-08140	DOWEL PIN 8*14	DOWEL PIN 8*14	4	110	
94511		94511-14000	CIR CLIP EX 14	CIR CLIP EX 14	1	110	
95701		95701-08012-06	BOLT FLANGE 6*22 (K)	BOLT FLANGE 6*22 (K)	1	60	
96001-06016-08		96001-06016-06	BOLT FLANGE SH 6X16	BOLT FLANGE SH 6X16	1	60	
96001-06040-08		96001-06040-06	BOLT FLANGE SH 6*40	BOLT FLANGE SH 6*40	1	200	
96001-06050-08		96001-06050-06	BOLT FLANGE SH 6*50	BOLT FLANGE SH 6*50	1	60	
96001-06060-08		96001-06060-06	BOLT FLANGE 6*60	BOLT FLANGE 6*60	1	200	
96001-06120		96001-06120-06	BOLT FLANGE SH 6*120	BOLT FLANGE SH 6*120	1	180	
96001-06125		96001-06125-06	BOLT FLANGE SH 6*125	BOLT FLANGE SH 6*125	1	390	
96100-62030-00		96100-62030-00	BRG BALL RADIAL 6203	BRG BALL RADIAL 6203	1	260	

E02

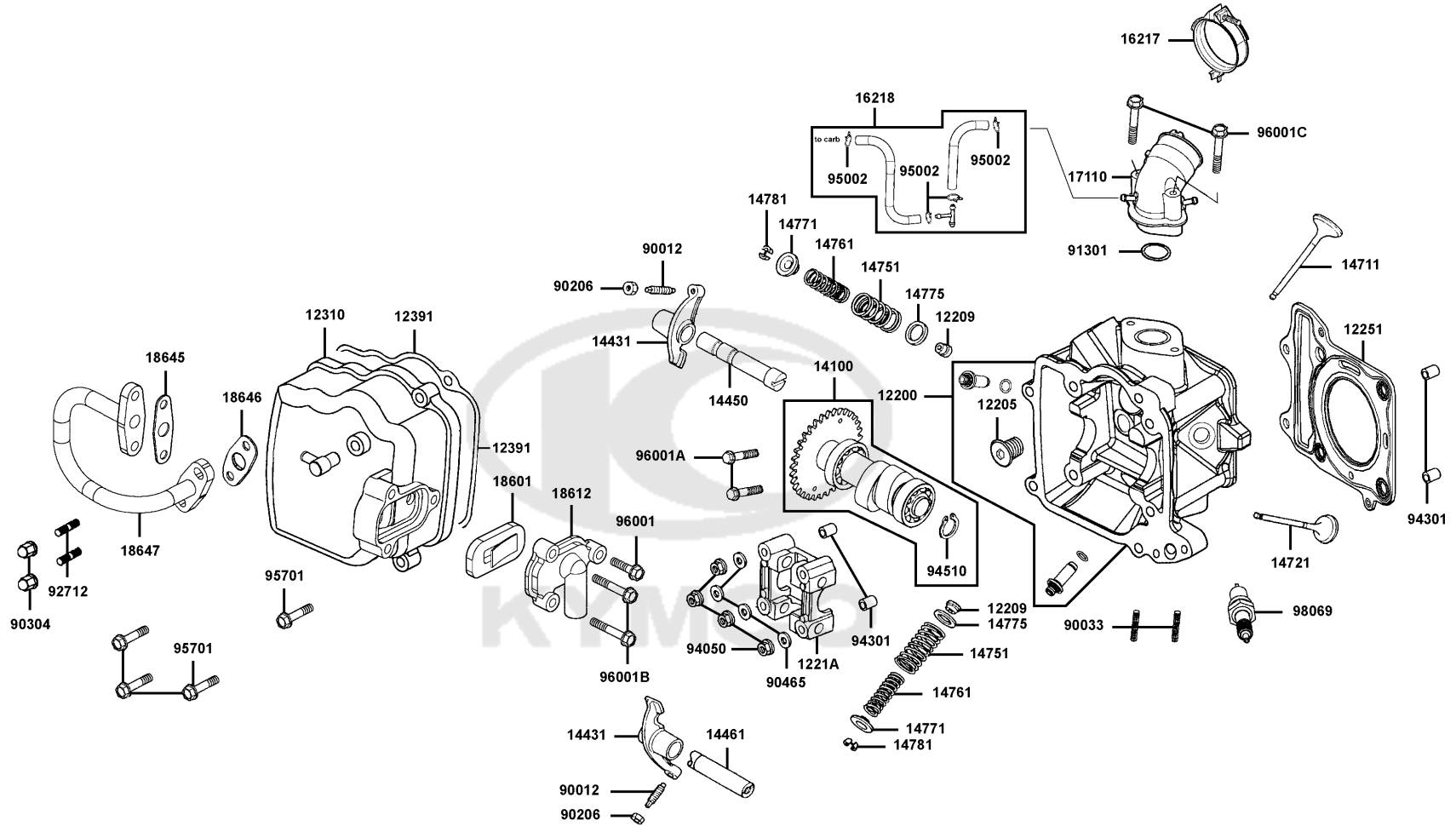
Cylinder Head Cover Cylinder Head



Sales mark 記号	Ref no 参照用番号	Part no パーツ番号	Description 部品名	Reg description 部品名	Regd no 必要個数	Ref Price 希望小売価格(税抜)	E02
12200		12200-KKC1-E00	HEAD COMP CYLN	HEAD COMP CYLN	1	26140	
12205		12205-KHE8-301	BOLT SEALING 12MM	BOLT SEALING 12MM	1	260	
12209		12209-GDB4-68B	SEAL VALVE STEM	SEAL VALVE STEM	3	490	
1221A		1221A-KEBE-900	HOLDER CAM SHAFT COMP	HOLDER CAM SHAFT COMP	1	2990	
12251		12251-KED1-901	GASKET CYLINDER HEAD	GASKET CYLINDER HEAD	1	1910	
12310		12310-KEBE-900	COVER COMP CYLN HEAD	COVER COMP CYLN HEAD	1	4190	
12310		12310-KEBE-E00	COVER COMP CYLN HEAD	COVER COMP CYLN HEAD	1	4380	
12391		12391-KEBE-900	GASKET HEAD COVER	GASKET HEAD COVER	1	370	
14100		14100-KKC2-220	SHAFT COMP CAM	SHAFT COMP CAM	1	9510	
14431		14431-KKC1-900	ARM VALVE ROCKER	ARM VALVE ROCKER	2	5520	
14450		14450-KEBE-900	SHAFT COMP IN ROCKER ARM	SHAFT COMP IN ROCKER ARM	1	820	
14461		14461-KEBE-900	SHAFT EX ROCKER ARM	SHAFT EX ROCKER ARM	1	320	
14711		14711-KEBE-900	VALVE INLET	VALVE INLET	1	1720	
14721		14721-KAAA-900	VALVE EXHAUST	VALVE EXHAUST	1	3530	
14751		14751-KKJ9-003	SPG VALVE OUTER	SPG VALVE OUTER	2	420	
14761		14761-KKJ9-003	SPG VALVE INNER	SPG VALVE INNER	2	300	
14771		14771-GDB4-680	RETAINER VALVE SPRING	RETAINER VALVE SPRING	2	350	
14775		14775-MFA6-001	SEAT VALVE SPG OUTER	SEAT VALVE SPG OUTER	2	160	
14781		14781-MFA6-001	COTTER VALVE	COTTER VALVE	4	200	
16217		16217-KEBE-900	BAND INSULATOR	BAND INSULATOR	1	420	

E02

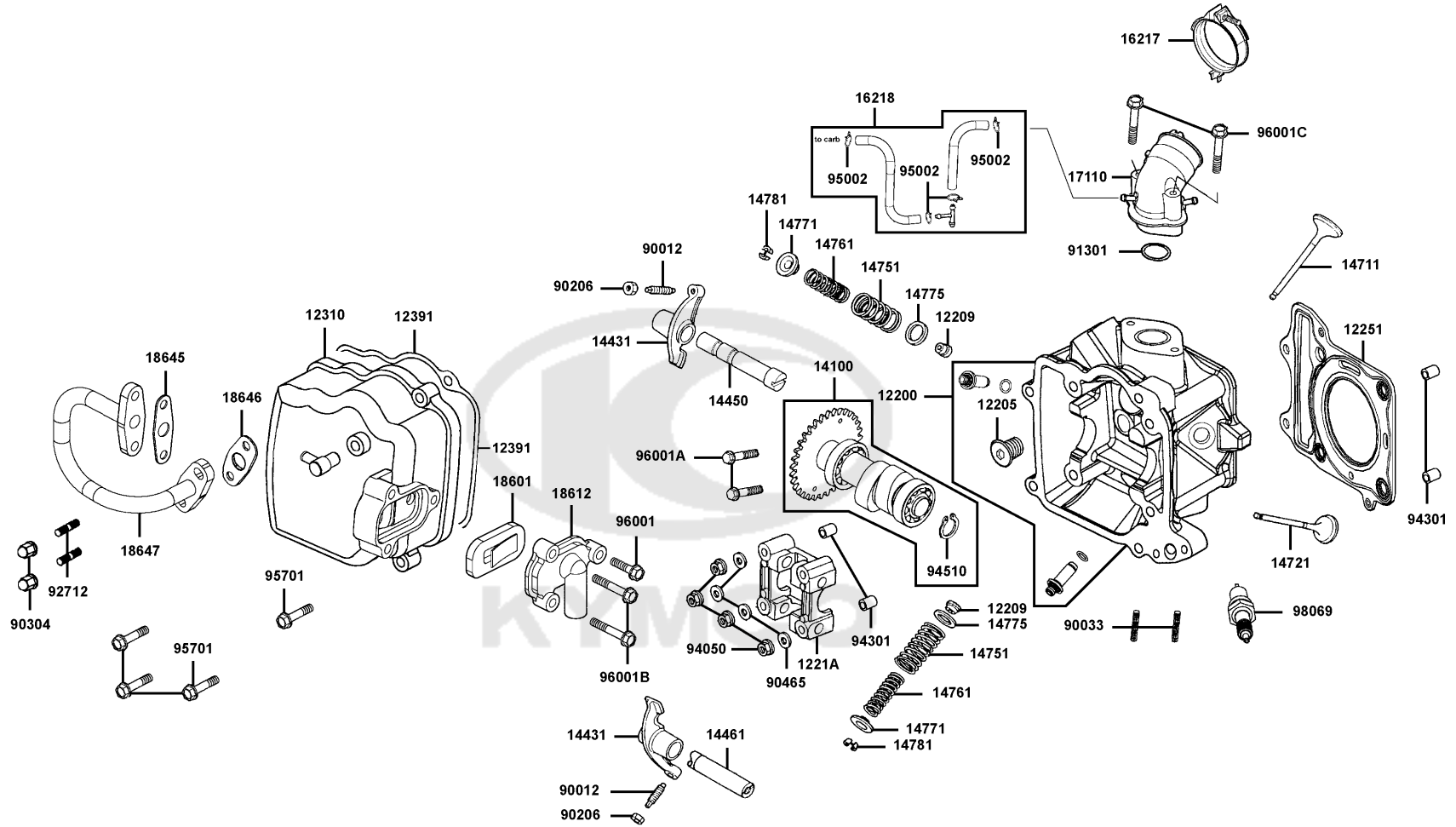
Cylinder Head Cover Cylinder Head



Sales mark 記号	Ref no 参照用番号	Part no パーツ番号	Description 部品名	Reg description 部品名	Regd no 必要個数	Ref Price 希望小売価格(税抜)	E02
16218		16218-KEBE-900	TUBE ASSY INLET PIPE CARB **KBE-	TUBE ASSY INLET PIPE CARB **KBE-9000	1	400	
16218		16218-KEBE-E00	TUBE ASSY INLET PIPE CARB	TUBE ASSY INLET PIPE CARB	1	450	
17110		17110-KKC1-E00	PIPE COMP INLET	PIPE COMP INLET	1	3010	
18601		18601-MAJ1-791	REED VALVE COMP	REED VALVE COMP	1	2220	
18601		18601-MAJ1-79A	REED VALVE COMP	REED VALVE COMP	1	2220	
18612		18612-KEBE-900	COVER REED VALVE	COVER REED VALVE	1	520	
18645		18645-GFY6-941	GASKET A/I PIPE	GASKET A/I PIPE	1	60	
18646		18646-GFY6-941	GASKET A/I PIPE	GASKET A/I PIPE	1	60	
18647		18647-KEBE-900	PIPE COMP AIR	PIPE COMP AIR	1	2010	
90012		90012-3C33-001	SCREW TAPPET ADJUSTING	SCREW TAPPET ADJUSTING	2	110	
90033		90033-GFY6-900	BOLT STUD 8*32	BOLT STUD 8*32	2	60	
90206		90206-0A01-001	NUT TAPPET ADJG	NUT TAPPET ADJG	2	60	
90304		90304-4H38-001	NUT HEX CAP 6MM	NUT HEX CAP 6MM	2	200	
90465		90465-MDC4-001	WASHER 8MM	WASHER 8MM	4	60	
91301		91301-0H28-001	O RING 27*2	O RING 27*2	1	70	
92712		92712-06028-0B	BOLT STUD 6*28	BOLT STUD 6*28	1	200	
94050		94050-08080	NUT FLANGE 8MM	NUT FLANGE 8MM	4	60	
94301		94301-10160	DOWEL PIN 10*16	DOWEL PIN 10*16	4	60	
94510		94510-15000	CIR CLIP EX 15	CIR CLIP EX 15	1	70	
95002		95002-02070	CLIP B7 TUBE	CLIP B7 TUBE	2	60	

E02

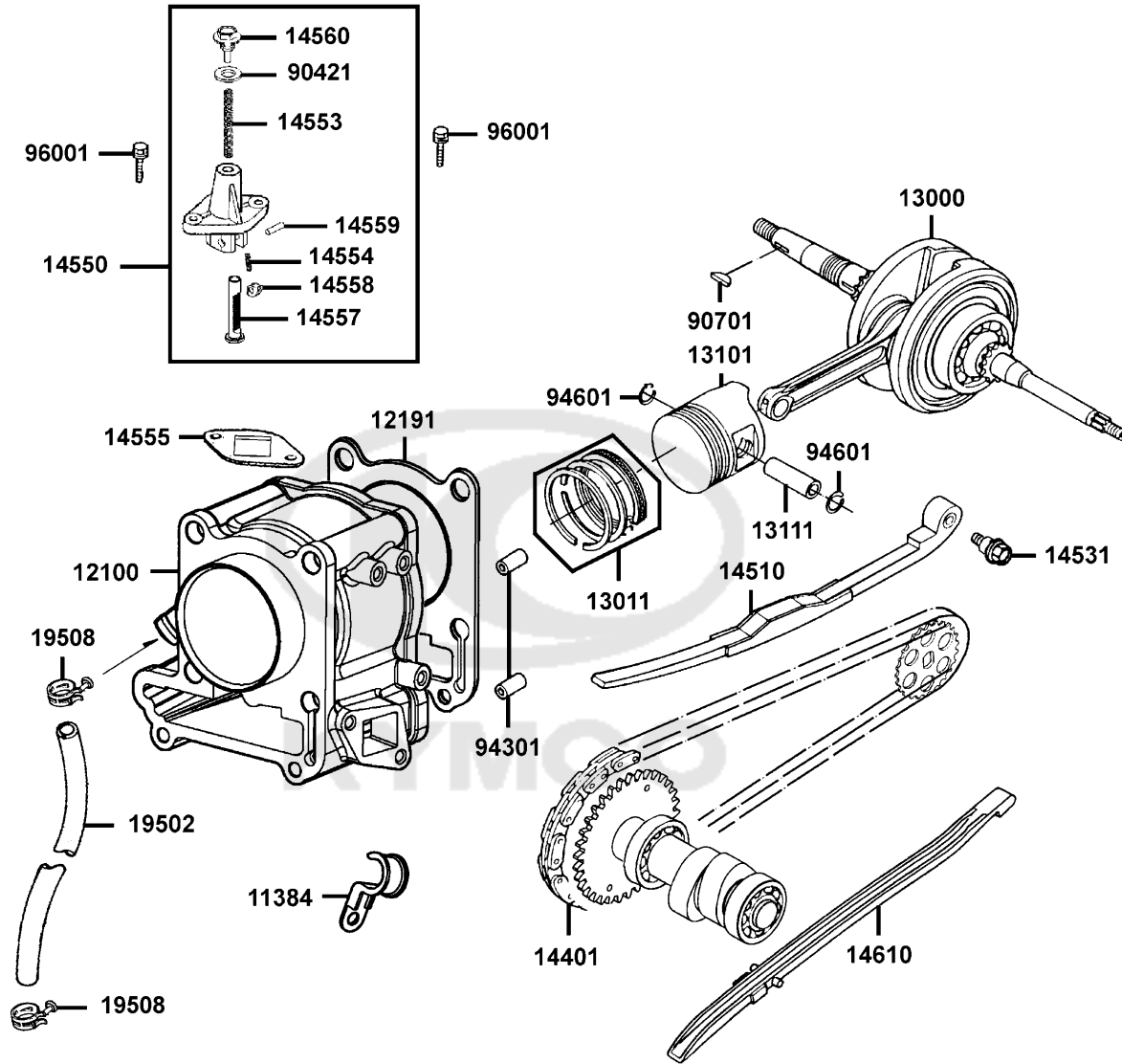
Cylinder Head Cover Cylinder Head



Sales mark 記号	Ref no 参照用番号	Part no パーツ番号	Description 部品名	Reg description 部品名	Regd no 必要個数	Ref Price 希望小売価格(税抜)	E02
95701		95701-06025-06	BOLT FLANGE 6*25	BOLT FLANGE 6*25	1	60	
96001		96001-06016-02	BOLT FLANGE SH 6*16	BOLT FLANGE SH 6*16	1	200	
96001A		96001-06025-06	BOLT FLANGE SH 6*25	BOLT FLANGE SH 6*25	1	60	
96001B		96001-06032-06	BOLT FLANGE 6*32	BOLT FLANGE 6*32	1	60	
96001C		96001-06045-06	BOLT FLANGE 6*45 **07 C.2005.07.01	BOLT FLANGE 6*45 **07 C.2005.07.01	1	60	
98069		98069-5791R-00	SPARK PLUG DPR(7EA-9)	SPARK PLUG DPR(7EA-9)	1	1210	

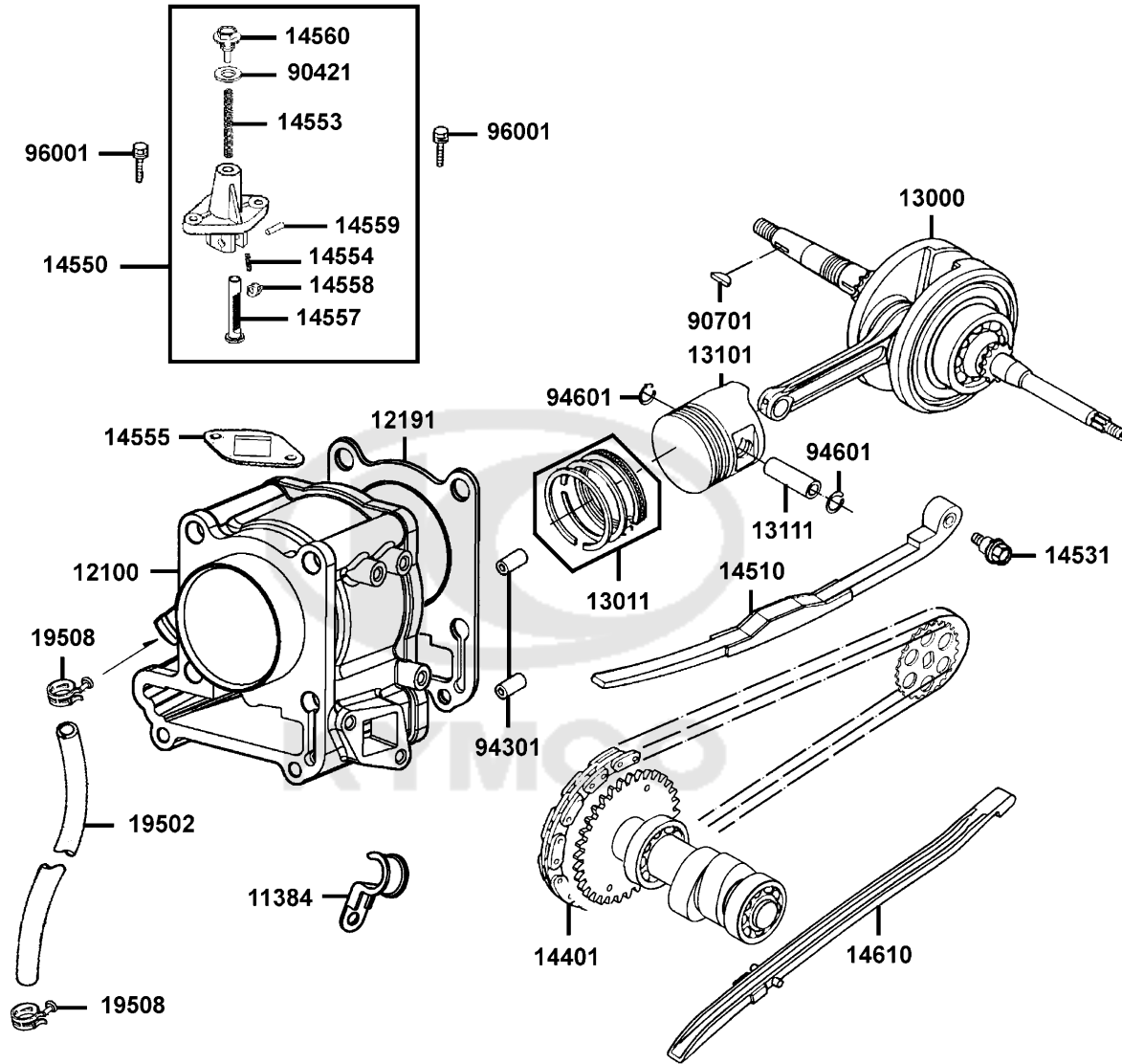



Cylinder Piston Crankshaft

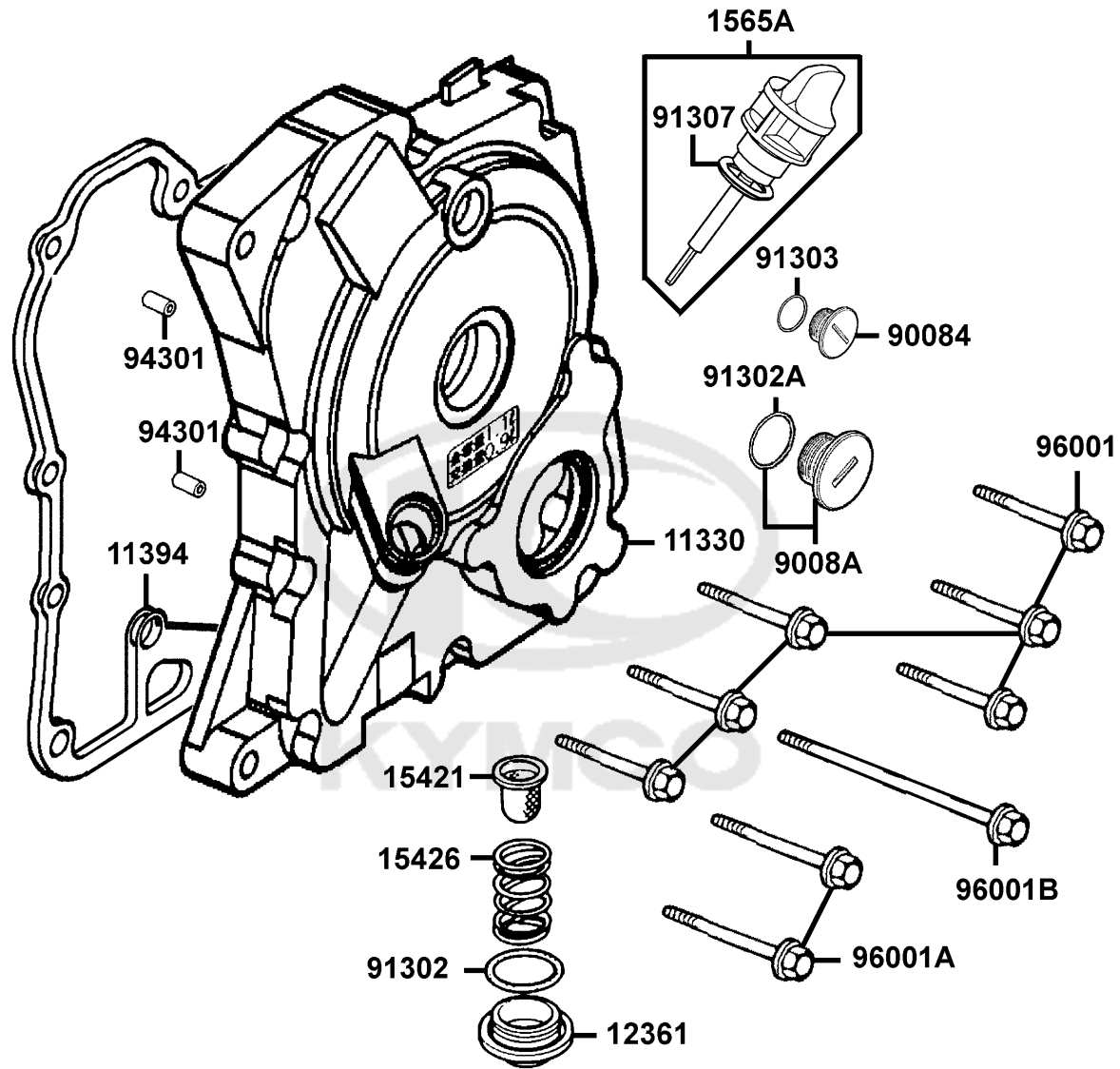


Sales mark 記号	Ref no 参照用番号	Part no パーツ番号	Description 部品名	Reg description 部品名	Regd no 必要個数	Ref Price 希望小売価格(税抜)	E03
11384		11384-KHE7-900	CLAMPER A RR BRK HOSE	CLAMPER A RR BRK HOSE	1	200	
12100		12100-KKC1-900	CYLINDER COMP	CYLINDER COMP	1	19800	
12191		12191-LEA5-E00	GASKET CYLINDER	GASKET CYLINDER	1	510	
13000		13000-KKC2-900	CRANK SHAFT COMP	CRANK SHAFT COMP	1	27950	
13011		13011-GFY6-90B	RING ASSY PISTON	RING ASSY PISTON	1	3050	
13101		13101-KED1-900	PISTON	PISTON	1	2800	
13111		13111-3D84-001	PIN PISTON	PIN PISTON	1	490	
14401		14401-KUDU-90C	CHAIN CAM	CHAIN CAM	2	3810	
14510		14510-KEBE-900	TENSIONER CAM CHAIN	TENSIONER CAM CHAIN	1	2290	
14531		14531-KKJ9-001	PIVOT CAM CHAIN TENSIONER	PIVOT CAM CHAIN TENSIONER	1	140	
14550		14550-KDS4-00B	ADJUSTER CAM CHAIN	ADJUSTER CAM CHAIN	1	3050	
14553		14553-KGBG-900	SPRING CAM CHAIN ADJUSTER	SPRING CAM CHAIN ADJUSTER	1	300	
14554		14554-KAM1-004	SPRING RATCHET	SPRING RATCHET	1	110	
14555		14555-KKJ9-001	GASKET CAM CHAIN ADJUSTER	GASKET CAM CHAIN ADJUSTER	1	70	
14555		14555-LBA2-E00	GASKET CAM CHAIN ADJUSTER	GASKET CAM CHAIN ADJUSTER	1	130	
14557		14557-KGBG-900	PLUGER ADJUSTER	PLUGER ADJUSTER	1	770	
14558		14558-KGBG-900	CAM ADJUSTER	CAM ADJUSTER	1	300	
14559		14559-KGBG-900	PIN ADJUSTER	PIN ADJUSTER	1	300	
14560		14560-KGBG-900	PLUG COMP ADJUSTER	PLUG COMP ADJUSTER	1	580	
14610		14610-KKJ9-001	GUIDE COMP CAM CHAIN	GUIDE COMP CAM CHAIN	1	1010	

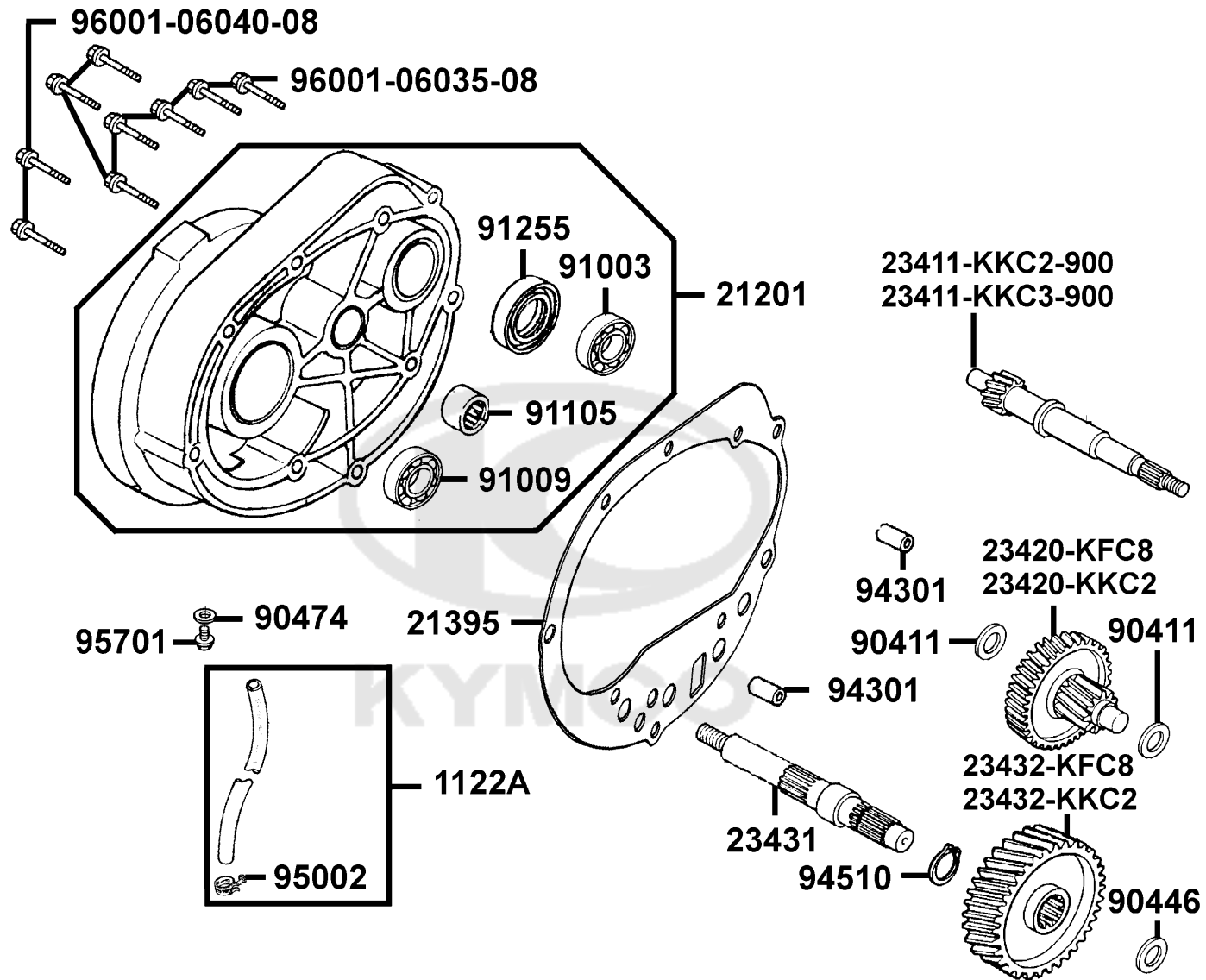
Cylinder Piston Crankshaft



Sales mark 記号	Ref no 参照用番号	Part no パーツ番号	Description 部品名	Reg description 部品名	Regd no 必要個数	Ref Price 希望小売価格(税抜)	E03
19502		19502-KEBE-900	HOSE WATER B	HOSE WATER B	1	510	
19508		19508-LBA2-E00	CLAMP WATER HOSE	CLAMP WATER HOSE	2	300	
90421		90421-KAM1-004	WASHER SEALING 8*16*1.6	WASHER SEALING 8*16*1.6	1	60	
90701		90701-HFB6-011	KEY WOODRUFF 25*14*4	KEY WOODRUFF 25*14*4	1	60	
94301		94301-10160	DOWEL PIN 10*16	DOWEL PIN 10*16	2	60	
94601		94601-15000	CLIP PISTON PIN 15MM	CLIP PISTON PIN 15MM	2	60	
96001		96001-06018-06	BOLT FLANGE SH 6X18	BOLT FLANGE SH 6X18	1	60	
							

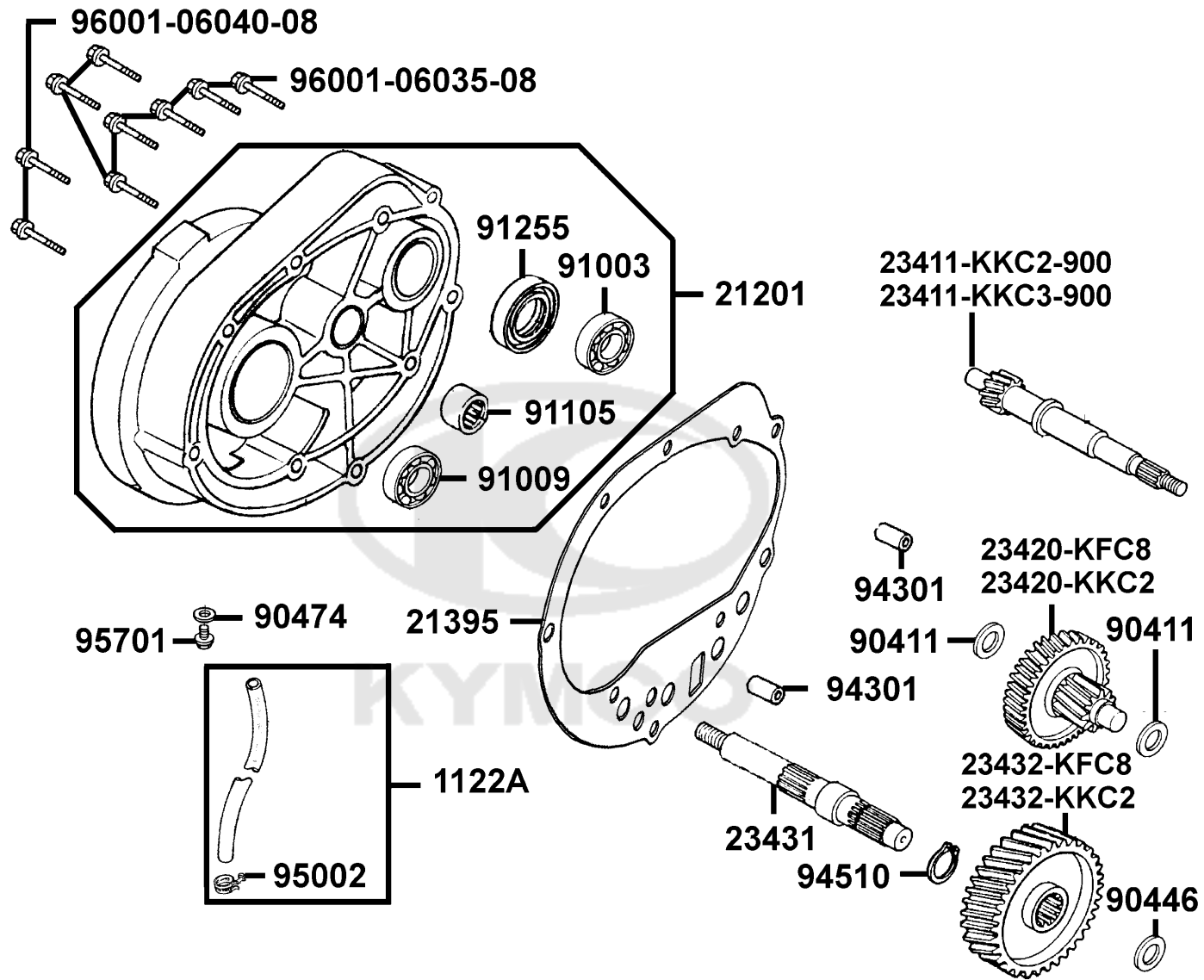


Sales mark 記号	Ref no 参照用番号	Part no パーツ番号	Description 部品名	Reg description 部品名	Regd no 必要個数	Ref Price 希望小売価格(税抜)	E04
**	11330	11330-KKC3-900	COVER COMP RIGHT	COVER COMP RIGHT	1	15590	
	11394	11394-LEA5-E00	GASKET R COVER	GASKET R COVER @	1	1530	
	12361	12361-GFY6-901	HOLE CAP TAPPET ADJUSTING	HOLE CAP TAPPET ADJUSTING	1	300	
	15421	15421-1G07-001	SCREEN OIL FILTER	SCREEN OIL FILTER	1	350	
	15426	15426-GAE1-921	SPG OIL FILTER SCREEN	SPG OIL FILTER SCREEN	1	160	
	1565A	1565A-KEBE-900	GAUGE OIL LEVEL ASSY	GAUGE OIL LEVEL ASSY	1	390	
	90084	90084-4H28-001	CAP ACG	CAP ACG	1	230	
**	9008A	9008A-KBE2-900	CAP ASSY 30MM	CAP ASSY 30MM	1	490	
	91302	91302-0A01-021	O-RING 30.8M/M	O-RING 30.8M/M	1	60	
	91302A	91302-5G67-004	O-RING 27.4*2.4	O-RING 27.4*2.4	1	200	
	91303	91303-3G77-001	O-RING 13.8*2.5	O-RING 13.8*2.5	1	60	
	91307	91307-0E35-001	O RING 18*3	O RING 18*3	1	60	
	94301	94301-08140	DOWEL PIN 8*14	DOWEL PIN 8*14	2	110	
	96001	96001-06040-06	BOLT FLANGE SH 6*40	BOLT FLANGE SH 6*40	1	200	
	96001A	96001-06045-06	BOLT FLANGE 6*45 **07 C.2005.07.01	BOLT FLANGE 6*45 **07 C.2005.07.01	1	60	
	96001B	96001-06120-06	BOLT FLANGE SH 6*120	BOLT FLANGE SH 6*120	1	180	



Sales mark 記号	Ref no 参照用番号	Part no パーツ番号	Description 部品名	Reg description 部品名	Regd no 必要個数	Ref Price 希望小売価格(税抜)
1122A	1122A-KKC2-900	1122A-KKC2-900	TUBE ASSY	TUBE ASSY	1	250
21201	21201-KFC8-305	21201-KFC8-305	CASE SET MISSION	CASE SET MISSION	1	11410
21395	21395-LEA5-E00	21395-LEA5-E00	GASKET MISSION CASE @	GASKET MISSION CASE @	1	1010
23411-KKC2-900	23411-KKC2-900	23411-KKC2-900	SHAFT DRIVE	SHAFT DRIVE	1	4570
23411-KKC3-900	23411-KKC3-900	23411-KKC3-900	SHAFT DRIVE	SHAFT DRIVE	1	4570
23420-KFC8	23420-KFC8-900	23420-KFC8-900	SHAFT COMP COUNTER	SHAFT COMP COUNTER	1	7900
23420-KKC2	23420-KKC2-900	23420-KKC2-900	SHAFT COMP COUNTER	SHAFT COMP COUNTER	1	8560
23431	23431-KFC8-900	23431-KFC8-900	SHAFT FINAL	SHAFT FINAL	1	6280
23432-KFC8	23432-KFC8-900	23432-KFC8-900	GEAR FINAL	GEAR FINAL	1	6830
23432-KKC2	23432-KKC2-900	23432-KKC2-900	GEAR FINAL	GEAR FINAL	1	7990
90411	90411-KAM1-001	90411-KAM1-001	WASHER THRUST 14*32*1	WASHER THRUST 14*32*1	2	130
90446	90446-3G57-001	90446-3G57-001	WASHER THRUST 17.2MM	WASHER THRUST 17.2MM	1	110
90474	90474-3C33-001	90474-3C33-001	WASHER 8MM	WASHER 8MM	1	60
91003	91003-KDS4-004	91003-KDS4-004	BRG BALL RADIAL 6301TMB	BRG BALL RADIAL 6301TMB	1	620
91009	91009-GLE0-004	91009-GLE0-004	BRG BALL RADIAL 6004 UU	BRG BALL RADIAL 6004 UU	1	1300
91105	91105-KGN7-672	91105-KGN7-672	BRG NEEDLE	BRG NEEDLE	1	1440
91255	91255-GLE0-006	91255-GLE0-006	OIL SEAL 27*42*7	OIL SEAL 27*42*7	1	60
94301	94301-08140	94301-08140	DOWEL PIN 8*14	DOWEL PIN 8*14	2	110
94510	94510-20000	94510-20000	CIR CLIP EX 20	CIR CLIP EX 20	1	60
95002	95002-02080	95002-02080	CLIP B8 TUBE	CLIP B8 TUBE	1	60

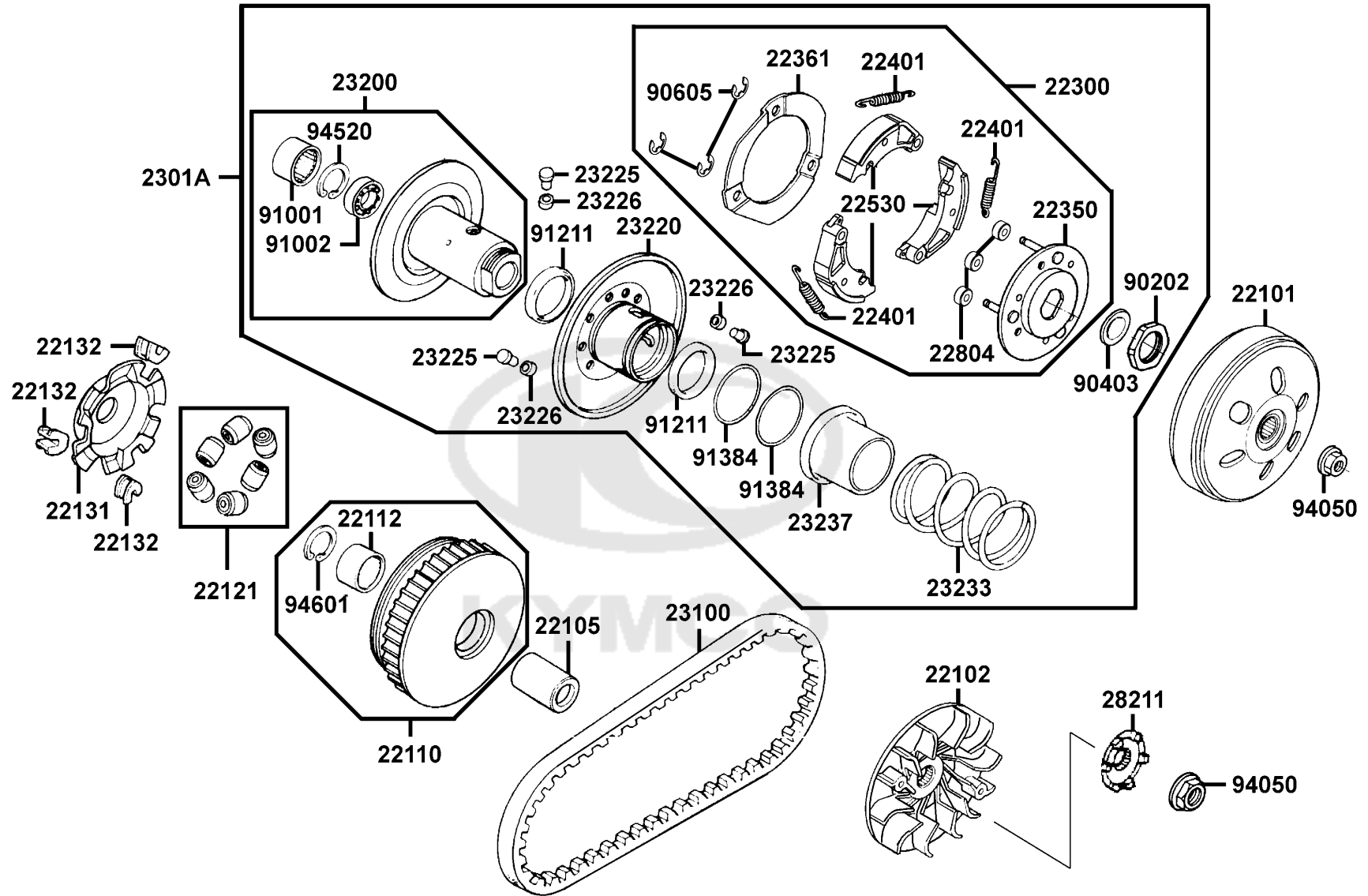
E05



Sales mark 記号	Ref no 参照用番号	Part no パーツ番号	Description 部品名	Reg description 部品名	Regd no 必要個数	Ref Price 希望小売価格(税抜)	E05
95701	95701-08012-06	95701-08012-06	BOLT FLANGE 6*22 (K)	BOLT FLANGE 6*22 (K)	1	60	
96001-06035-08	96001-06035-08	96001-06035-06	BOLT FLANGE SH 6*35	BOLT FLANGE SH 6*35	1	130	
96001-06040-08	96001-06040-08	96001-06040-06	BOLT FLANGE SH 6*40	BOLT FLANGE SH 6*40	1	200	



Transmission Pulley

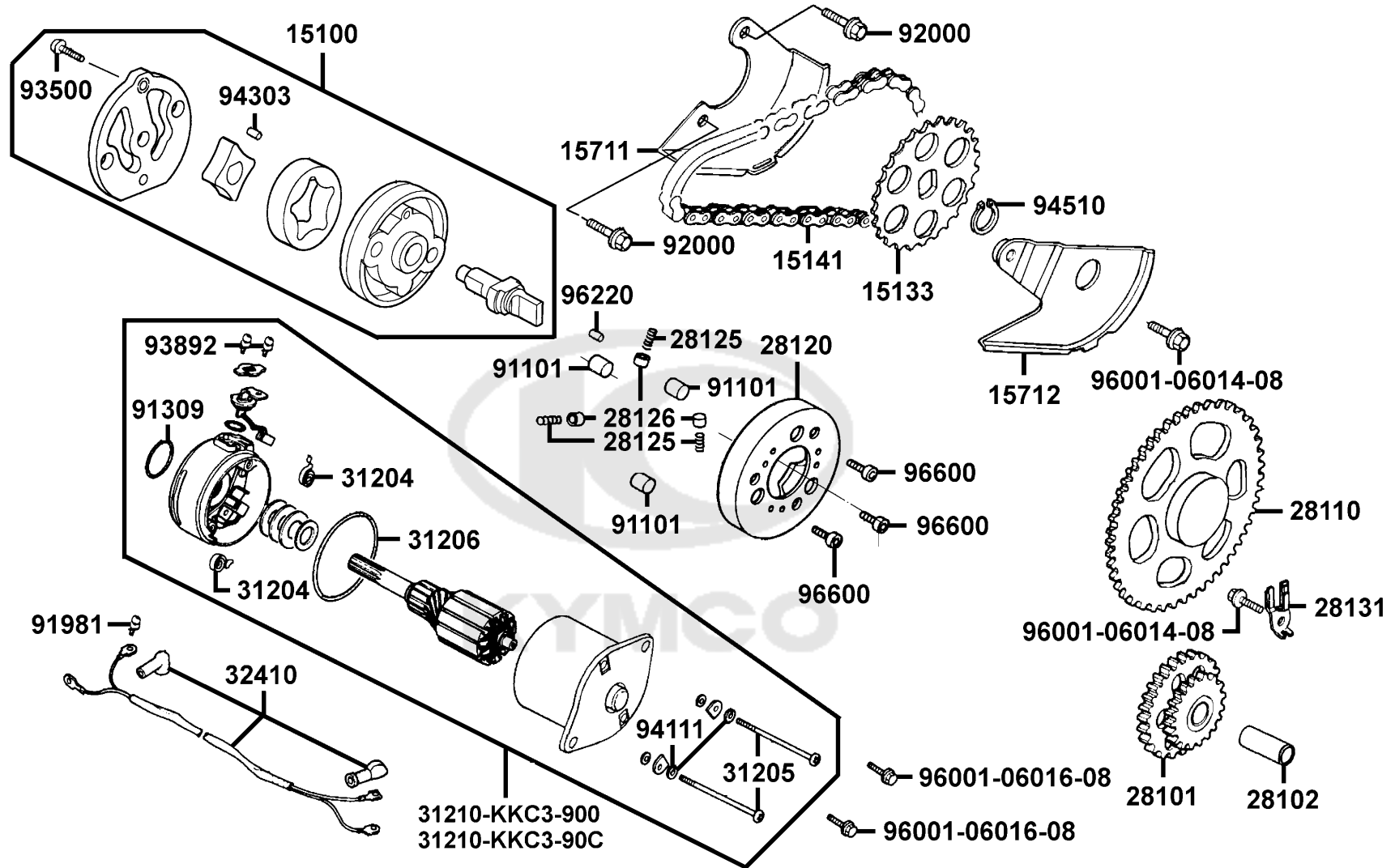


Sales mark 記号	Ref no 参照用番号	Part no パーツ番号	Description 部品名	Reg description 部品名	Regd no 必要個数	Ref Price 希望小売価格(税抜)	E06
22101		22101-KEBE-900	OUTER CLUTCH	OUTER CLUTCH	1	5330	
22102		22102-KKC3-900	FACE DRIVE	FACE DRIVE	1	2670	
22105		22105-KHD4-E00	BOSS DRIVE FACE	BOSS DRIVE FACE	1	1340	
22110		22110-KKC3-900	FACE COMP MOVABLE DRIVE	FACE COMP MOVABLE DRIVE	1	4000	
22112		22112-KAAA-900	COLLAR DRIVE FACE	COLLAR DRIVE FACE	1	250	
22121		22121-KED1-305	ROLLER SET WEIGHT (1SET:6PCS)	ROLLER SET WEIGHT(旧品番の22121-KED1	1	350	
22131		22131-KAAA-900	PLATE RAMP	PLATE RAMP	1	990	
22132		22132-KGN7-670	PIECE SLIDE	PIECE SLIDE	3	200	
22300		22300-LLB1-900	PLATE ASSY DRIVE	PLATE ASSY DRIVE	1	8510	
22350		22350-KGN7-671	PLATE COMP DRIVE	PLATE COMP DRIVE	1	5330	
22361		22361-KGN7-671	PLATE CLUTCH SIDE	PLATE CLUTCH SIDE	1	390	
22401		22401-KGN7-671	SPRING CLUTCH	SPRING CLUTCH	3	350	
22530		22530-LKE7-900	WEIGHT CLUTCH	WEIGHT CLUTCH(車台番号「	3	2720	
22804		22804-GBB2-001	RUBBER CLUTCH DAMPER	RUBBER CLUTCH DAMPER	3	200	
2301A		2301A-KKC1-B00	PULLEY SUB ASSY **B20 C.P.N.	PULLEY SUB ASSY **B20 C.P.N.	1	22970	
23100		23100-KKC2-900	BELT DRIVE	BELT DRIVE	1	5140	
23200		23200-KEBE-900	FACE ASSY DRIVEN	FACE ASSY DRIVEN	1	9890	
23220		23220-KKC2-900	FACE COMP MOVABLE DRIVEN **9000	FACE COMP MOVABLE DRIVEN **9000	1	7040	
23225		23225-GHC8-004	PIN ROLLER GUIDE	PIN ROLLER GUIDE	3	60	
23226		23226-GHC8-004	ROLLER GUIDE	ROLLER GUIDE	3	60	

Sales mark 記号	Ref no 参照用番号	Part no パーツ番号	Description 部品名	Reg description 部品名	Regd no 必要個数	Ref Price 希望小売価格(税抜)	E06
23233		23233-KGN7-671	SPG DRIVEN FACE	SPG DRIVEN FACE	1	1560	
23237		23237-KHG8-901	COLLAR SEAL	COLLAR SEAL	1	610	
28211		28211-KFC8-900	RATCHET KICK STARTER	RATCHET KICK STARTER	1	1150	
90202		90202-KGN7-671	NUT SPECIAL 28MM	NUT SPECIAL 28MM	1	250	
90403		90403-KGN7-671	WASHER THRUST	WASHER THRUST	1	260	
90605		90605-1F66-721	CIR CLIP 7MM	CIR CLIP 7MM	3	60	
91001		91001-GFY6-90A	BRG NDL 20*29*18	BRG NDL 20*29*18	1	480	
91002		91002-GGA7-70A	BRG BALL RADIAL 6902U	BRG BALL RADIAL 6902U	1	510	
91211		91211-KEBE-900	SEAL DRIVEN FACE 34*41*4	SEAL DRIVEN FACE 34*41*4	2	770	
91384		91384-KEBE-900	O-RING	O-RING	2	160	
94050		94050-12080	NUT C FLANGE 12MM	NUT C FLANGE 12MM	2	60	
94520		94520-28000	CIR CLIP IN 28	CIR CLIP IN 28	1	60	
94601		94601-33000	CLIP PISTON PIN 33MM	CLIP PISTON PIN 33MM	1	60	

E07

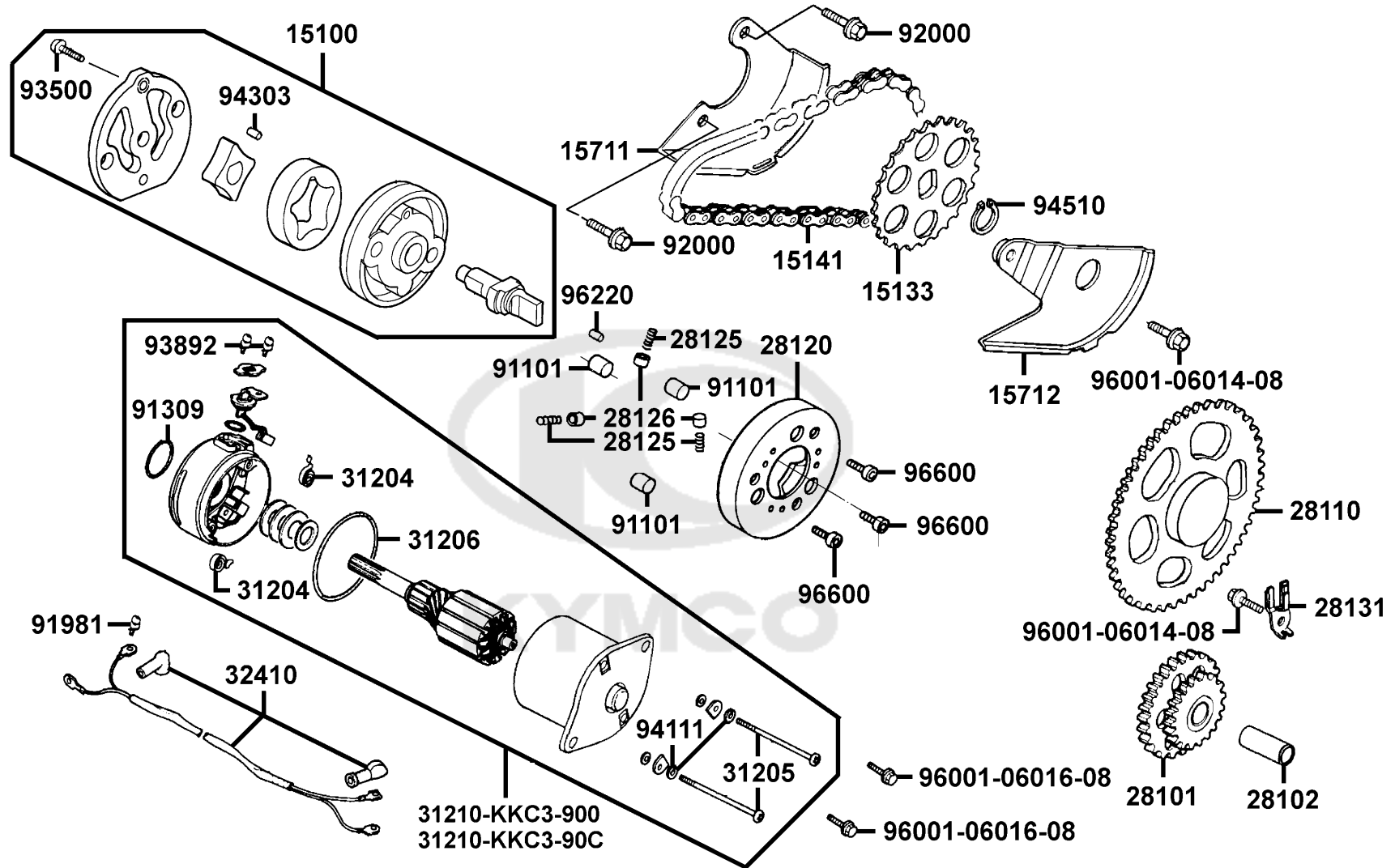
Starting Motor Oil Pump



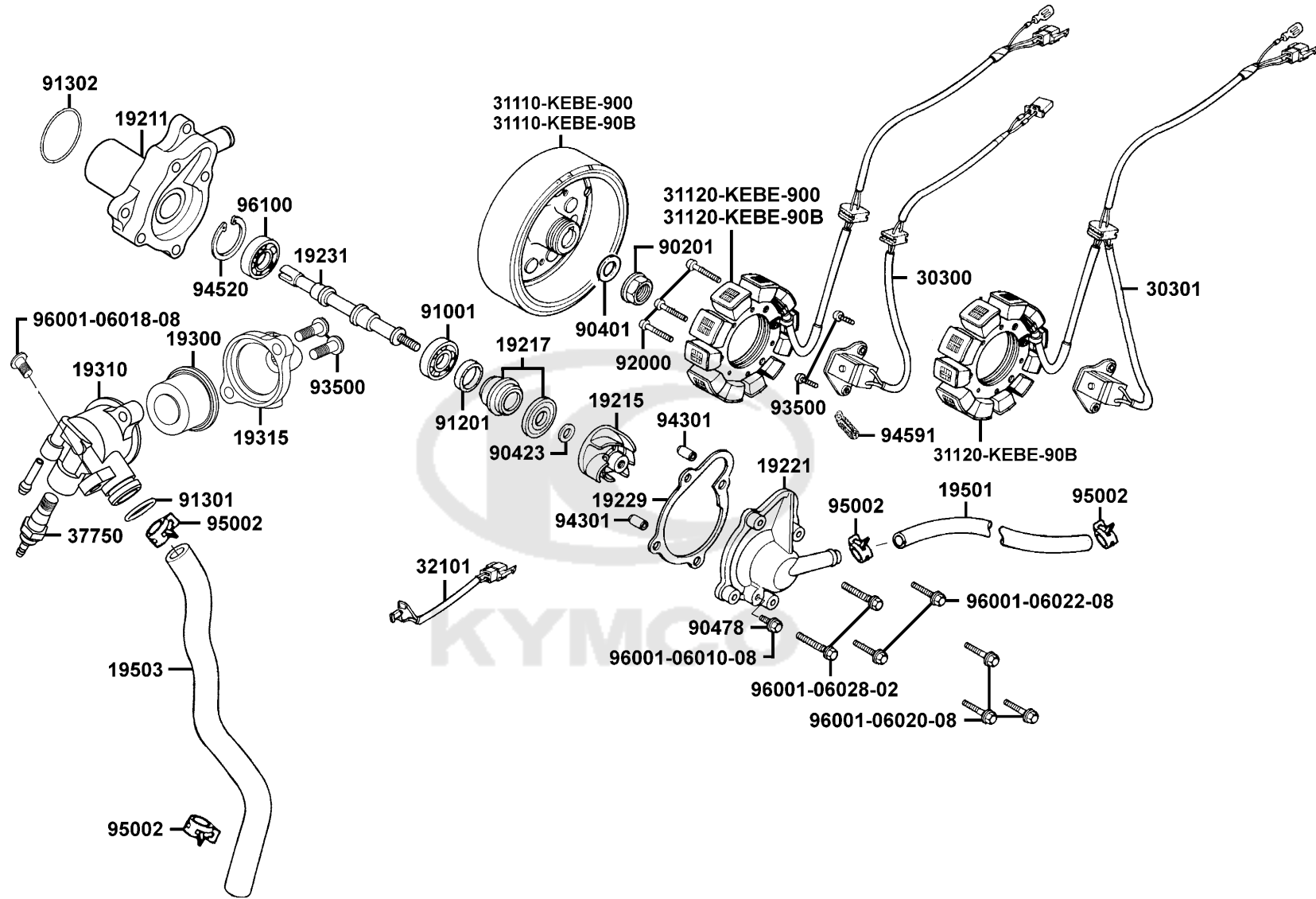
Sales mark 記号	Ref no 参照用番号	Part no パーツ番号	Description 部品名	Reg description 部品名	Regd no 必要個数	Ref Price 希望小売価格(税抜)	E07
15100		15100-KKC3-900	PUMP ASSY OIL	PUMP ASSY OIL	1	3240	
15133		15133-KAM1-001	SPROCKET OIL PUMP DRIVE	SPROCKET OIL PUMP DRIVE	1	960	
15141		15141-KKJ9-004	CHAIN OIL PUMP	CHAIN OIL PUMP	1	1210	
15711		15711-KKC3-900	OIL SEPARATER A	OIL SEPARATER A	1	200	
15712		15712-KEBE-900	OIL SEPARATER COMP B	OIL SEPARATER COMP B	1	230	
28101		28101-KKJ9-011	GEAR STARTER REDUCTION	GEAR STARTER REDUCTION	1	2860	
28102		28102-KKJ9-001	SHAFT STARTER REDUCTION GEAR	SHAFT STARTER REDUCTION GEAR	1	160	
28110		28110-KGN7-672	GEAR COMP STARTING CLUTCH	GEAR COMP STARTING CLUTCH	1	5520	
28120		28120-KEBE-305	OUTER COMP STARTING CLUTCH	OUTER COMP STARTING CLUTCH	1	8180	
28125		28125-4F26-001	SPRING ROLLER STARTER CLUTCH	SPRING ROLLER STARTER CLUTCH	3	160	
28126		28126-KUDU-900	CAP STARTING ROLLER SPRING	CAP STARTING ROLLER SPRING	3	160	
28131		28131-KGN7-671	GUIDE STARTING DRIVEN GEAR	GUIDE STARTING DRIVEN GEAR	1	110	
31204		31204-KGN7-670	SPG CARBON BRUSH	SPG CARBON BRUSH	2	160	
31205		31205-KGN7-670	BOLT SET	BOLT SET	2	160	
31206		31206-KGN7-670	O-RING	O-RING	1	160	
31210-KKC3-900		31210-KKC3-900	MOTOR UNIT START	MOTOR UNIT START	1	14830	
31210-KKC3-90C		31210-KKC3-90C	MOTOR UNIT START	MOTOR UNIT START	1	14830	
32410		32410-KKC3-900	CABLE START MOTOR	CABLE START MOTOR	1	1630	
91101		91101-1K79-711	ROLLER 10*10	ROLLER 10*10	3	60	
91309		91309-4E25-004	O-RING 24.4*3.1	O-RING 24.4*3.1	1	60	

E07

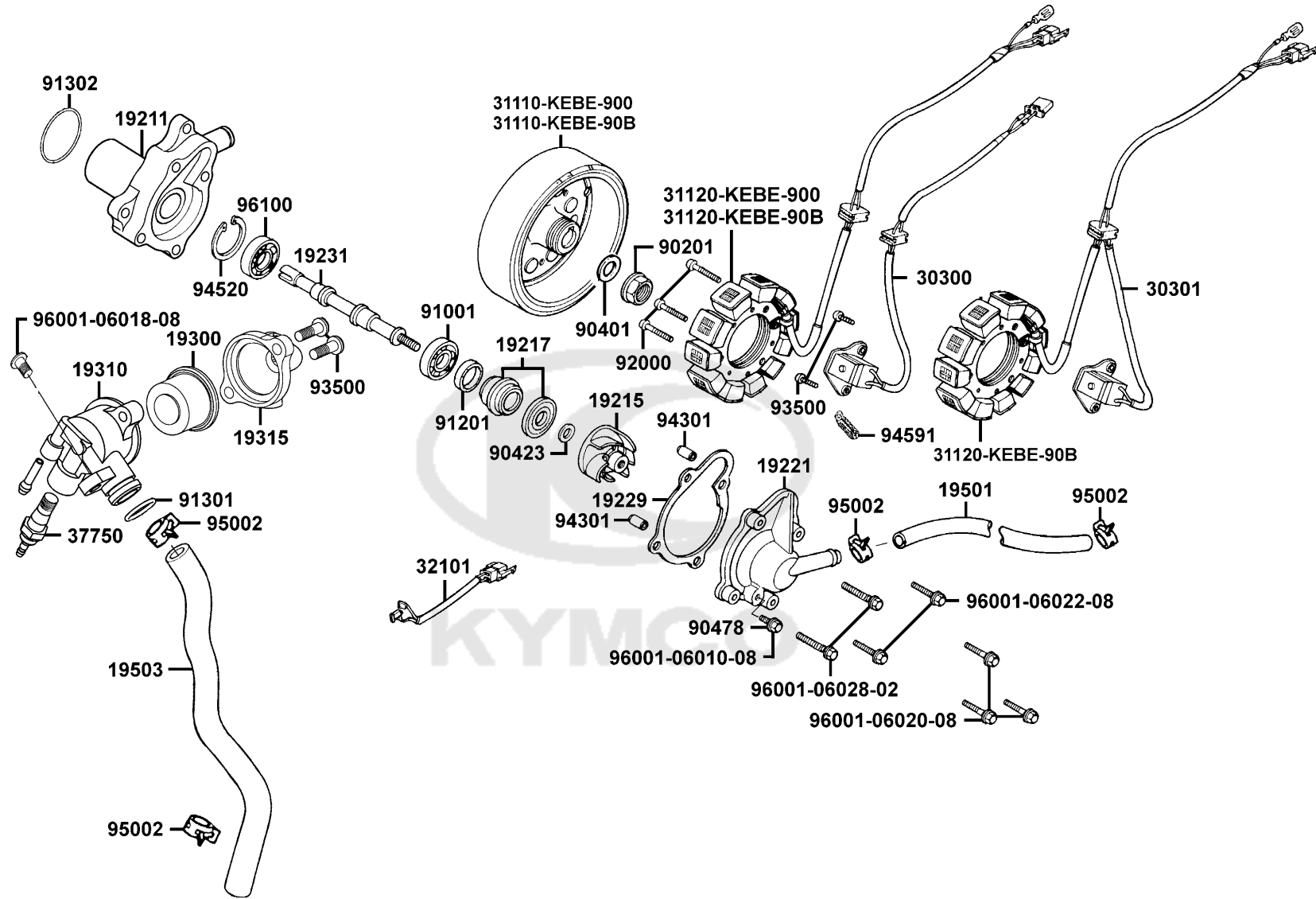
Starting Motor Oil Pump



Sales mark 記号	Ref no 参照用番号	Part no パーツ番号	Description 部品名	Reg description 部品名	Regd no 必要個数	Ref Price 希望小売価格(税抜)	E07
91981		91981-KGN7-670	SCREW WASH 5*8	SCREW WASH 5*8	1	60	
92000		92000-06028-0G	BOLT HEX 6X28	BOLT HEX 6X28	1	200	
93500		93500-03010-0F	SCREW PAN 3X10 (G)	SCREW PAN 3X10 (G)	1	60	
93892		93892-04006-08	SCREW WASHER 4*6	SCREW WASHER 4*6	2	60	
94111		94111-05800	WASHER SPRING 5MM	WASHER SPRING 5MM	2	60	
94303		94303-04065	DOWEL PIN 4*6.5	DOWEL PIN 4*6.5	1	60	
94510		94510-10000	CIR CLIP EX 10MM	CIR CLIP EX 10MM	1	70	
96001-06014-08		96001-06014-06	BOLT FLANGE SH 6*14 (G)	BOLT FLANGE SH 6*14 (G)	1	60	
96001-06016-08		96001-06016-06	BOLT FLANGE SH 6X16	BOLT FLANGE SH 6X16	1	60	
96220		96220-60100	ROLLER 6*10	ROLLER 6*10	1	60	
96600		96600-08015-16	SOCKET BOLT 8*15	SOCKET BOLT 8*15	1	390	

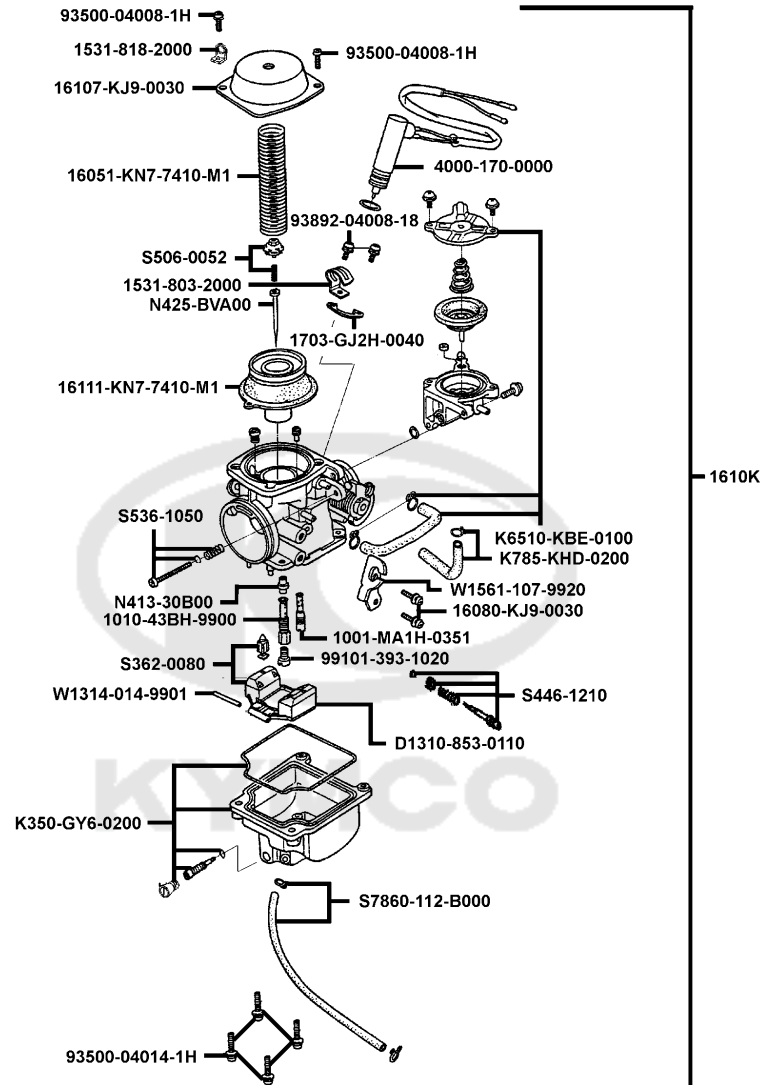


Sales mark 記号	Ref no 参照用番号	Part no パーツ番号	Description 部品名	Reg description 部品名	Regd no 必要個数	Ref Price 希望小売価格(税抜)	E08
	19211	19211-KKC3-900	BODY WATER PUMP	BODY WATER PUMP	1	3240	
	19215	19215-KKJ9-011	IMPELLER WATER PUMP	IMPELLER WATER PUMP	1	680	
	19217	19217-6G57-024	SEAL MECHANICAL	SEAL MECHANICAL	1	1720	
**	19221	19221-KKC3-900	COVER WATER PUMP	COVER WATER PUMP	1	1630	
	19229	19229-KKC3-980	GASKET WATER PUMP	GASKET WATER PUMP	1	300	
	19231	19231-KEBE-900	SHAFT WATER PUMP	SHAFT WATER PUMP	1	2390	
	19300	19300-KAE1-004	THERMOSTAT ASSY	THERMOSTAT ASSY	1	4930	
	19310	19310-KEBE-900	CASE COMP THERMOSTAT	CASE COMP THERMOSTAT	1	1340	
	19315	19315-KEBE-900	COVER THERMOSTAT	COVER THERMOSTAT	1	450	
	19501	19501-KKC3-910	HOSE WATER A	HOSE WATER A	1	580	
	19503	19503-KEBE-900	HOSE C WATER	HOSE C WATER	1	710	
	30300	30300-KEBE-900	GEN ASSY PULSE / D406	GEN ASSY PULSE / D406	1	3240	
	30301	30301-KEBE-90B	GEN ASSY PULSE / D402	GEN ASSY PULSE / D402	1	3430	
	31110-KEBE-900	31110-KEBE-900	FLYWHEEL COMP (D406)	FLYWHEEL COMP /D406	1	10650	
	31110-KEBE-90B	31110-KEBE-90B	FLYWHEEL COMP (D402)	FLYWHEEL COMP /D402	1	10650	
	31120-KEBE-900	31120-KEBE-900	STATOR COMP (D406)	STATOR COMP /D406	1	11220	
	31120-KEBE-90B	31120-KEBE-90B	STATOR COMP (D402)	STATOR COMP /D402	1	11220	
	32101	32101-KHD8-900	SUB CORD	SUB CORD	1	390	
	37750	37750-PAC1-005	THERMO UNIT ASSY	THERMO UNIT ASSY	1	1750	
	90201	90201-KHR8-75A	NUT FLANGE 14MM	NUT FLANGE 14MM	1	200	

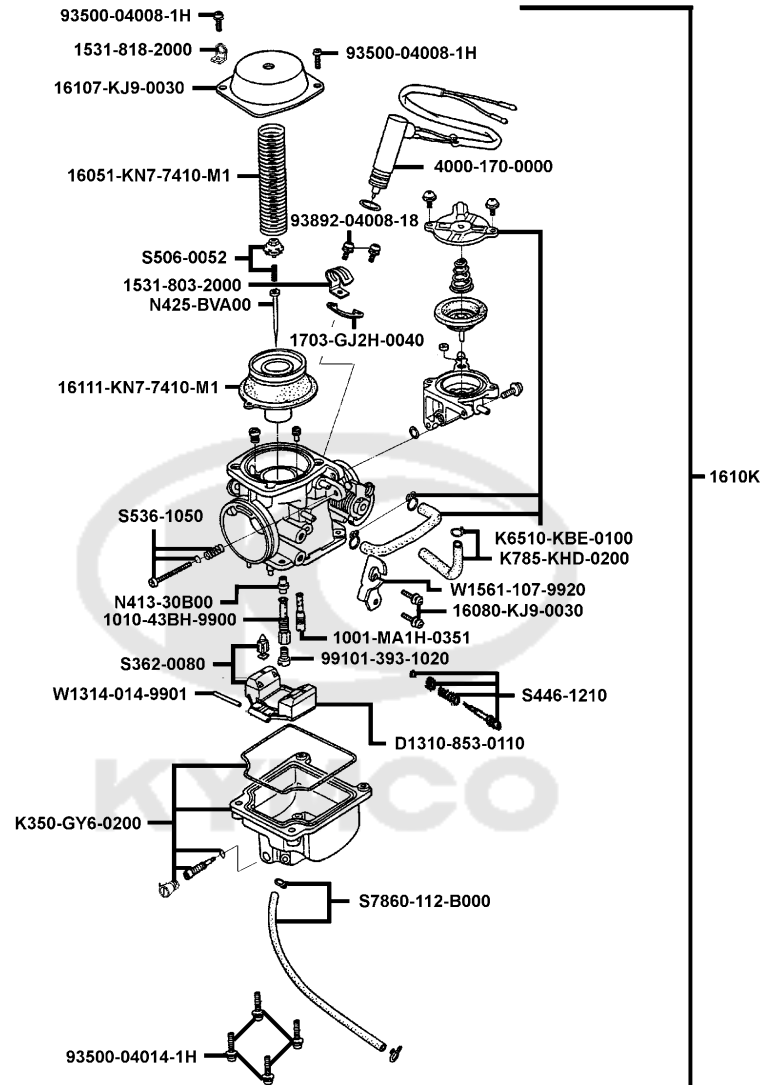


Sales mark 記号	Ref no 参照用番号	Part no パーツ番号	Description 部品名	Reg description 部品名	Regd no 必要個数	Ref Price 希望小売価格(税抜)
90401	90401-KKJ9-001	90401-KKJ9-001	WASHER THRUST 14*28*2	WASHER THRUST 14*28*2	1	160
90423	90423-KKJ9-001	90423-KKJ9-001	WASHER 7.2*13*1.2	WASHER 7.2*13*1.2	1	130
90478	90478-7L00-001	90478-7L00-001	WASHER A 6MM	WASHER A 6MM	1	60
91001	91001-KKJ9-006	91001-KKJ9-006	BRG BALL RADIAL 6901	BRG BALL RADIAL 6901	1	2290
91201	91201-KKJ9-004	91201-KKJ9-004	OIL SEAL 12*20*4	OIL SEAL 12*20*4	1	130
91301	91301-KGV7-671	91301-KGV7-671	O-RING 14.8*1.9	O-RING 14.8*1.9	1	60
91302	91302-5G67-004	91302-5G67-004	O-RING 27.4*2.4	O-RING 27.4*2.4	1	200
92000	92000-05032-0G	92000-05032-0G	BOLT HEX 5*32 (G)	BOLT HEX 5*32 (G)	1	200
93500	93500-05016-0F	93500-05016-0F	SCREW PAN 5*16	SCREW PAN 5*16	1	200
94301	94301-08140	94301-08140	DOWEL PIN 8*14	DOWEL PIN 8*14	2	110
94520	94520-26000	94520-26000	CIR CLIP INTERAL 26MM	CIR CLIP INTERAL 26MM	1	140
94591	94591-KFBF-900	94591-KFBF-900	CLIP 2*70	CLIP 2*70	1	60
95002	95002-KGN7-910	95002-KGN7-910	CLIP TUBE	CLIP TUBE	4	200
96001-06010-08	96001-06010-06	96001-06010-06	BOLT FLANGE 6*10	BOLT FLANGE 6*10	1	200
96001-06018-08	96001-06018-06	96001-06018-06	BOLT FLANGE SH 6X18	BOLT FLANGE SH 6X18	1	60
96001-06020-08	96001-06020-06	96001-06020-06	BOLT FLANGE SH 6*20	BOLT FLANGE SH 6*20	1	200
96001-06022-08	96001-06022-06	96001-06022-06	BOLT FLANGE SH 6*22 (G)	BOLT FLANGE SH 6*22 (G)	1	60
96001-06028-02	96001-06028-02	96001-06028-02	BOLT FLANGE SH 6*28	BOLT FLANGE SH 6*28	2	200
96100	96100-60000-00	96100-60000-00	BEARING BALL RADIAL 6000	BEARING BALL RADIAL 6000	1	1150

E08



Sales mark 記号	Ref no 参照用番号	Part no パーツ番号	Description 部品名	Reg description 部品名	Regd no 必要個数	Ref Price 希望小売価格(税抜)	E09
	1001-MA1H-0351	1001-MA1H-0351	SLOW JET	SLOW JET	1	680	
	1010-43BH-9900	1010-43BH-9900	NEEDLE JET	NEEDLE JET	1	520	
	1531-803-2000	1531-803-2000	BINDER	BINDER	1	140	
	1531-818-2000	1531-818-2000	BINDER	BINDER	1	140	
	16051-KN7-7410-M1	16051-KN7-7410-M1	SPG COMPR	SPG COMPR	1	350	
	16080-KJ9-0030	16080-KJ9-0030	SCREW PAN	SCREW PAN	2	40	
	16107-KJ9-0030	16107-KJ9-0030	TOP SET	TOP SET	1	400	
	1610K	1610K-KKC1-E00	CARBURETOR ASSY	CARBURETOR ASSY	1	53970	
	16111-KN7-7410-M1	16111-KN7-7410-M1	VACUUM PISTON COMP	VACUUM PISTON COMP	1	9010	
	1703-GJ2H-0040	1703-GJ2H-0040	SET PLATE	SET PLATE	1	110	
	4000-170-0000	4000-170-0000	AUTO BYSTARTER SET	AUTO BYSTARTER SET	1	13880	
	93500-04008-1H	93500-04008-1H-3	SCREW PAN	SCREW PAN	1	60	
	93500-04014-1H	93500-04014-1H-3	SCREW PAN	SCREW PAN	1	60	
	93892-04008-18	93892-04008-16	SCREW WASHER 4*8	SCREW WASHER 4*8	1	200	
	99101-393-1020	99101-393-1020	MAIN JET	MAIN JET	1	390	
	D1310-853-0110	D1310-853-0110	FLOAT COMP	FLOAT COMP	1	330	
	K350-GY6-0200	K350-GY6-0200	FLOAT CHAMBER SET	FLOAT CHAMBER SET	1	2290	
	K6510-KBE-0100	K6510-KBE-0100	A.C.V ASSY	A.C.V ASSY	1	12190	
	K785-KHD-0200	K785-KHD-0200	TUBE SET	TUBE SET	1	300	
	N413-30B00	N413-30B00	NEEDLE JET HOLDER	NEEDLE JET HOLDER	1	940	

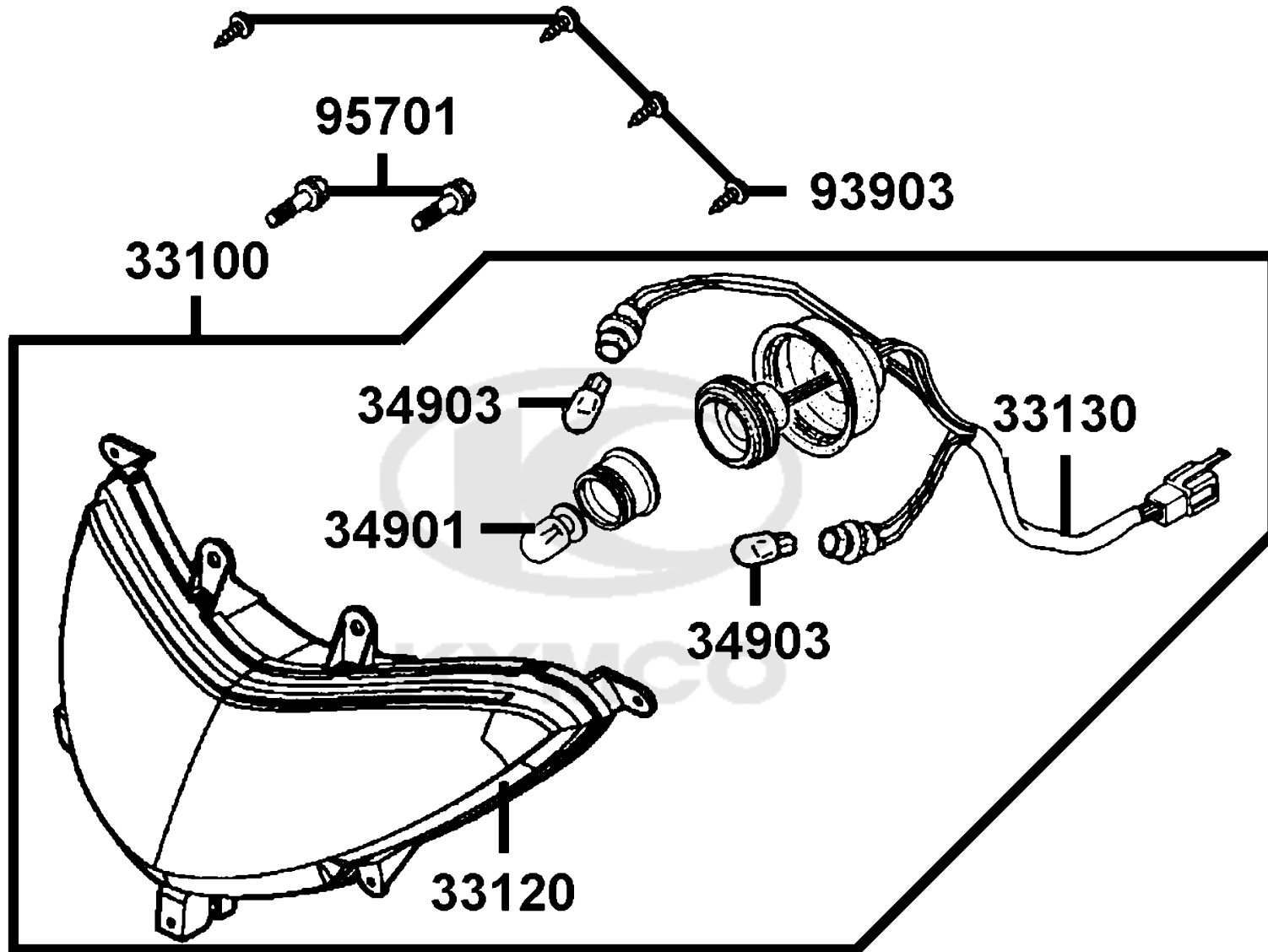


Sales mark 記号	Ref no 参照用番号	Part no パーツ番号	Description 部品名	Reg description 部品名	Regd no 必要個数	Ref Price 希望小売価格(税抜)	E09
N425-BVA00	N425-BVA00	N425-BVA00	JET NEEDLE COMP	JET NEEDLE COMP	1	870	
S362-0080	S362-0081	S362-0081	FLOAT VALVE SET **D19KT-002-0700	FLOAT VALVE SET **D19KT-002-0700	1		
S446-1210	S446-1210	S446-1210	SCREW SET	SCREW SET	1	260	
S506-0052	S506-0052	S506-0052	VALVE PLATE SET	VALVE PLATE SET	1	110	
S536-1050	S536-1050	S536-1050	SCREW SET	SCREW SET	1	210	
S7860-112-B000	S7860-112-B000	S7860-112-B000	TUBE SET	TUBE SET	1	320	
W1314-014-9901	W1314-014-9901	W1314-014-9901	ARM PIN	ARM PIN	1	110	
W1561-107-9920	W1561-107-9920	W1561-107-9920	STAY WIRE	STAY WIRE	1	1280	



F01

Head Light

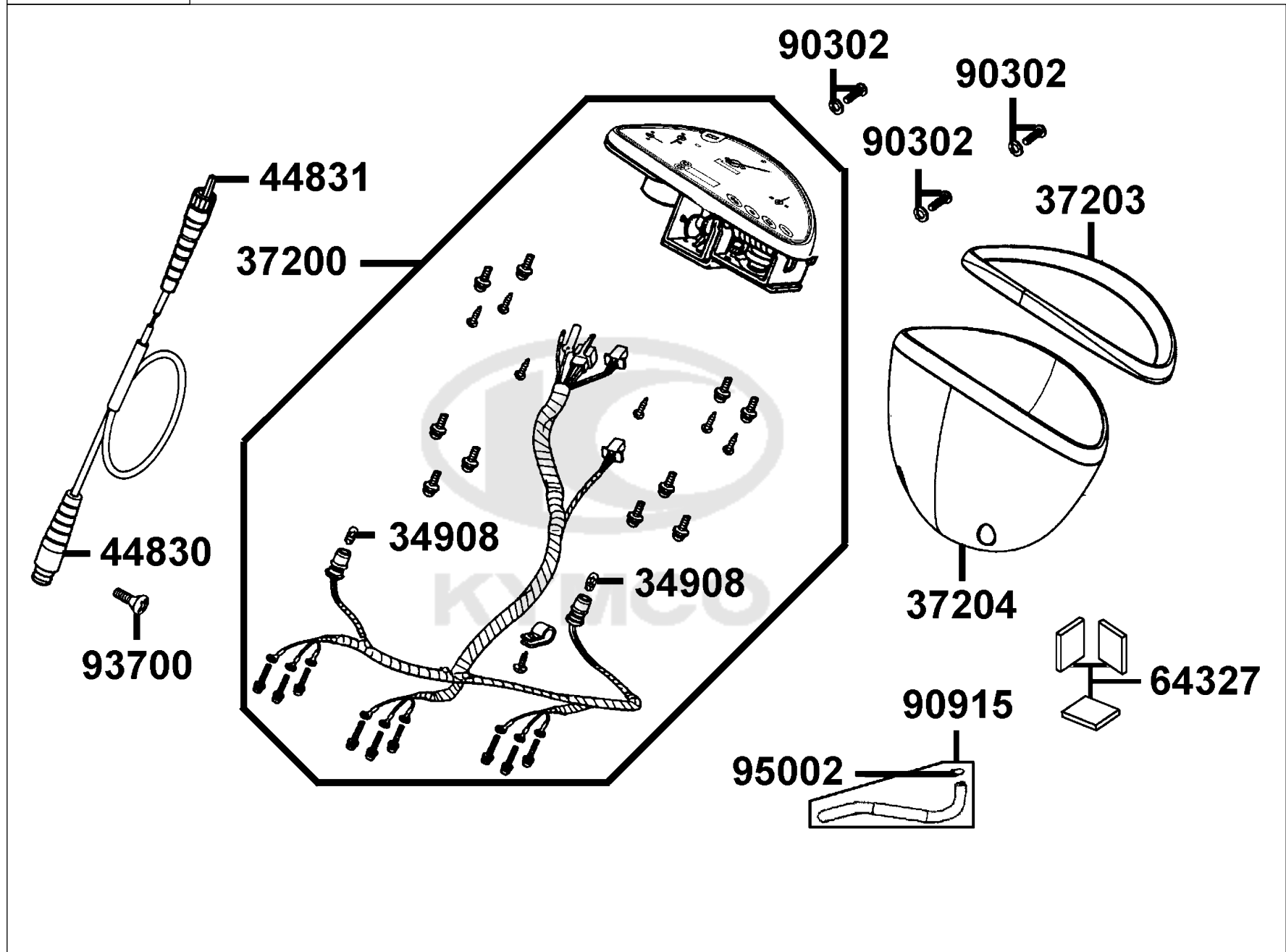


Sales mark 記号	Ref no 参照用番号	Part no パーツ番号	Description 部品名	Reg description 部品名	Regd no 必要個数	Ref Price 希望小売価格(税抜)	F01
33100	33100-KKC4-E20	33100-KKC4-E20	LIGHT ASSY HEAD ** (0) C.2006.08.21	LIGHT ASSY HEAD ** (0) C.2006.08.21	1	18550	
33120	33120-KKC4-E20	33120-KKC4-E20	UNIT HEAD LIGHT	UNIT HEAD LIGHT	1	13880	
33130	33130-KKC4-E00	33130-KKC4-E00	SOCKET COMP HEAD	SOCKET COMP HEAD	1	1340	
34901	34901-KED9-900	34901-KED9-900	BULB HEAD LIGHT	BULB HEAD LIGHT	1	2960	
34903	34903-KPCP-900	34903-KPCP-900	BULB POSITION LIGHT 12V5W **KCP-	BULB POSITION LIGHT 12V5W **KCP-9000	2	320	
93903	93903-35360	93903-35360	SCREW WASHER 4*12	SCREW WASHER 4*12	4	60	
95701	95701-06010-06	95701-06010-06	BOLT FLANGE 6*10	BOLT FLANGE 6*10	1	60	



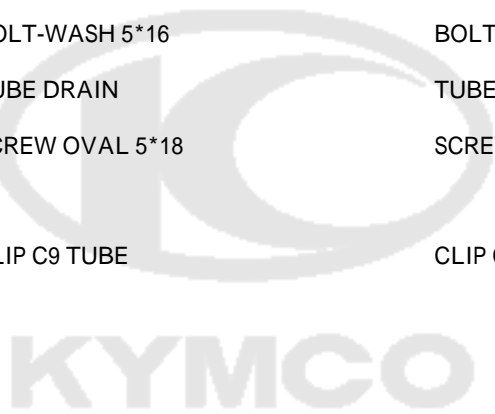
F02

Speedometer



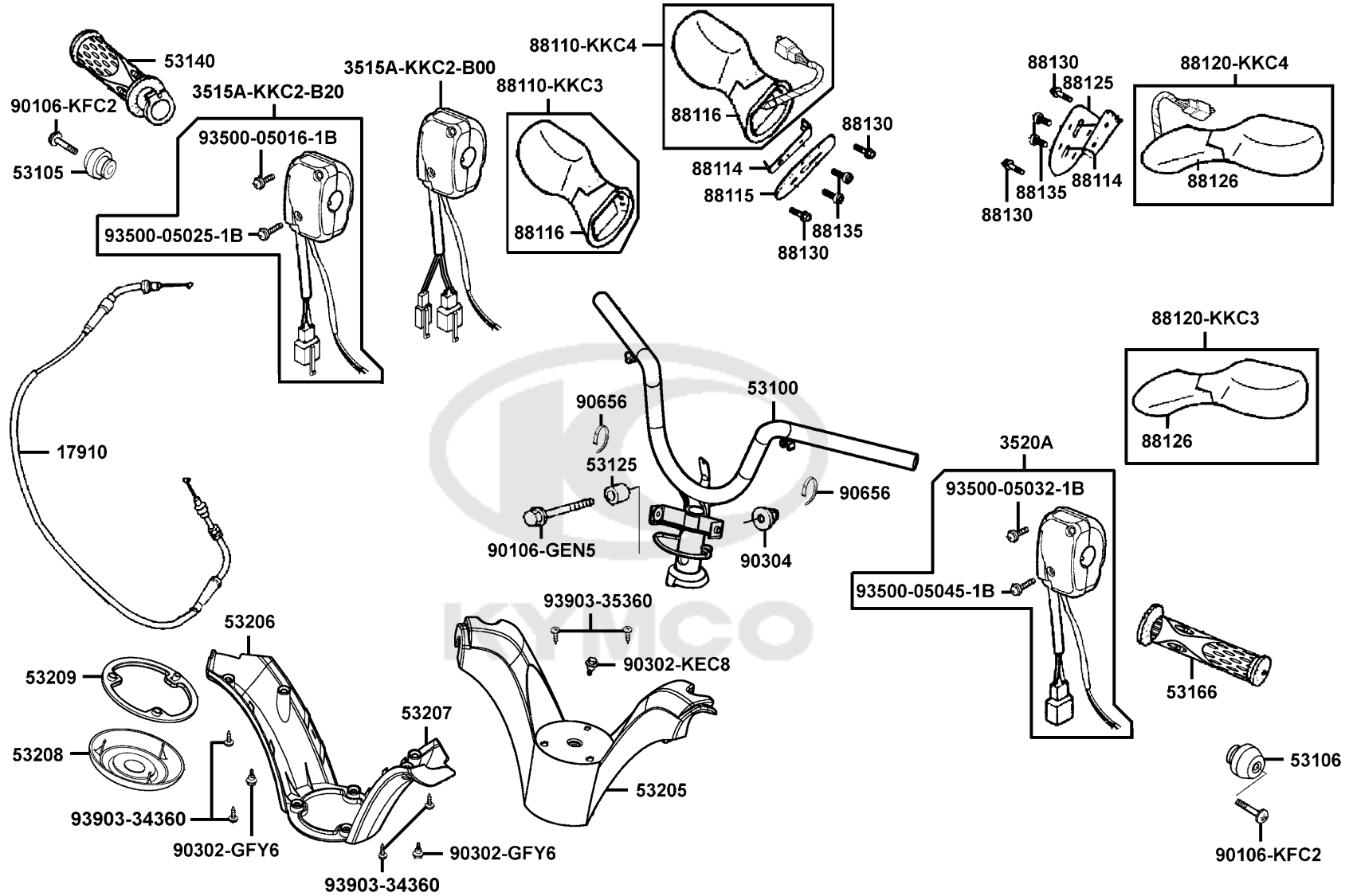
Sales mark 記号	Ref no 参照用番号	Part no パーツ番号	Description 部品名	Reg description 部品名	Regd no 必要個数	Ref Price 希望小売価格(税抜)
	34908	34908-MKB9-87A	BULB WEDGE BASE T10	BULB WEDGE BASE T10	2	130
	37200	37200-KKC2-B20	METER ASSY SPEED **B000-JP	METER ASSY SPEED **B000-JP C.2002.12.10	1	33760
**	37203	37203-KKC3-900	METER COVER FR	METER COVER FR	1	1840
**	37204	37204-KKC3-900	METER COVER RR	METER COVER RR	1	3810
	44830	44830-KKC4-900	CABLE COMP SPDMT	CABLE COMP SPDMT	1	1010
	44831	44831-KKC4-900	CABLE INNER	CABLE INNER	1	580
	64327	64327-KKC4-900	SPONGE TAPE METER COVER	SPONGE TAPE METER COVER	3	110
	90302	90302-GFY6-940	BOLT-WASH 5*16	BOLT-WASH 5*16	3	60
	90915	90915-KKC4-900	TUBE DRAIN	TUBE DRAIN	1	350
	93700	93700-05018-0F	SCREW OVAL 5*18	SCREW OVAL 5*18	1	60
	95002	95002-50000	CLIP C9 TUBE	CLIP C9 TUBE	1	60

F02



F03

Handle Steering Handle Cover

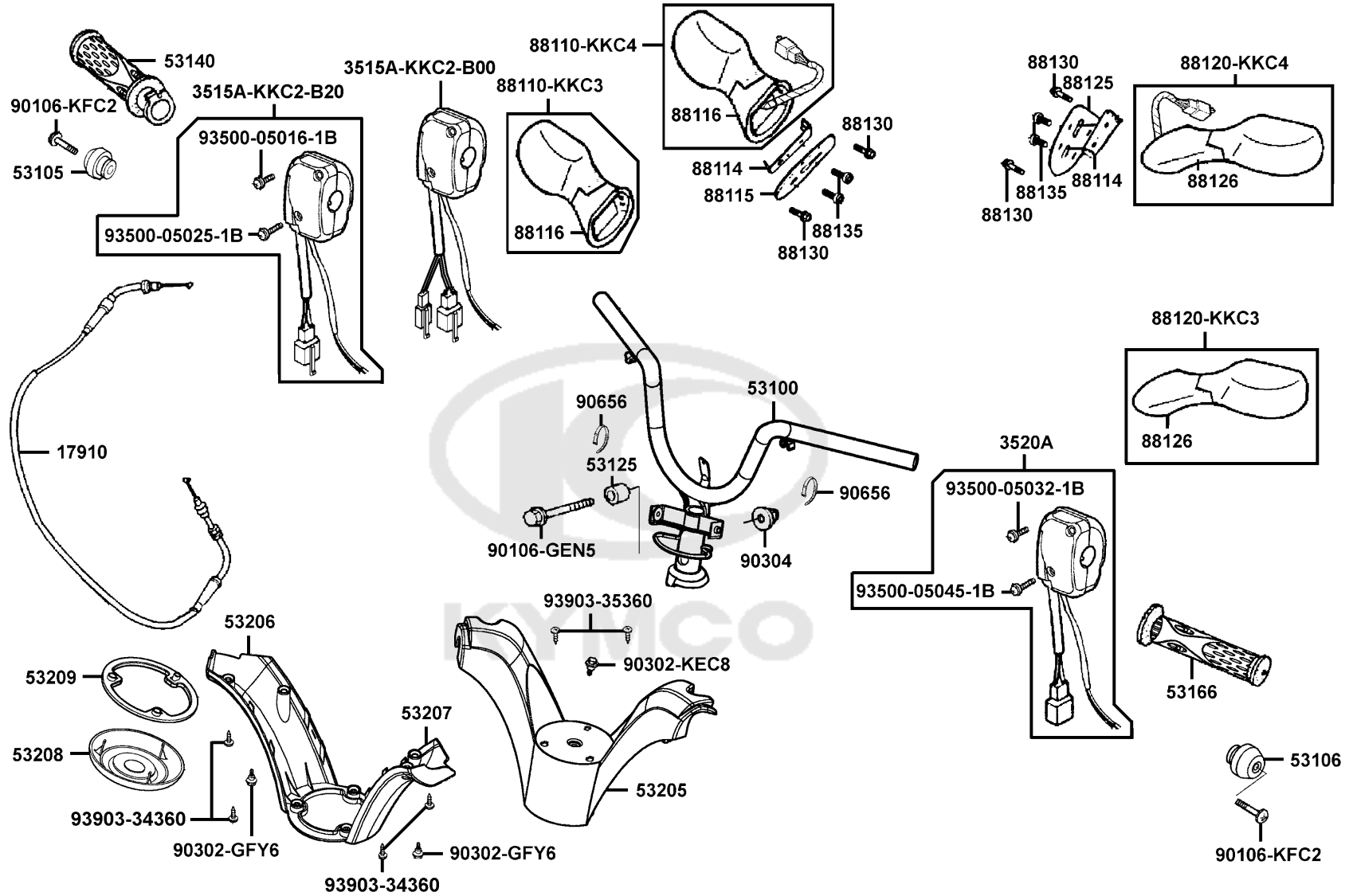


Sales mark 記号	Ref no 参照用番号	Part no パーツ番号	Description 部品名	Reg description 部品名	Regd no 必要個数	Ref Price 希望小売価格(税抜)
	17910	17910-KKC3-900	CABLE COMP THROT	CABLE COMP THROT	1	2100
	3515A-KKC2-B00	3515A-KKC2-B00	SW ASSY RH HANDLE COMP **B000-SG	SW ASSY RH HANDLE COMP **B000-SG	1	4570
	3515A-KKC2-B20	3515A-KKC2-B20	SW ASSY RH HANDLE **B000-SG N.C.	SW ASSY RH HANDLE **B000-SG N.C.	1	4150
	3520A	3520A-KEBE-900	SW ASSY L HNDL COMP	SW ASSY L HNDL COMP	1	5810
	53100	53100-KKC4-900	HANDLE COMP STRG	HANDLE COMP STRG	1	8940
	53105	53105-KFC8-900	END R STRG HANDLE	END R STRG HANDLE	1	770
	53106	53106-KFC8-900	END L STRG HANDLE	END L STRG HANDLE	1	590
	53125	53125-GEN5-901	COLLAR HANDLE SET	COLLAR HANDLE SET	1	390
**	53140	53140-KKC3-900	GRIP COMP THROT	GRIP COMP THROT	1	960
**	53166	53166-KGB5-900	GRIP L HANDLE	GRIP L HANDLE	1	770
**	53205	53205-KKC4-900	COVER HANDLE UP **(0) C.2004.06.16	COVER HANDLE UP **(0) C.2004.06.16	1	4000
**	53206	53206-KKC4-900	COVER R HANDLE LOW	COVER R HANDLE LOW	1	870
**	53207	53207-KKC4-900	COVER L HANDLE LOW	COVER L HANDLE LOW	1	770
**	53208	53208-KKC4-900	GRILL HANDLE UP	GRILL HANDLE UP	1	1340
	53209	53209-KKC4-900	PACKING HANDLE UP	PACKING HANDLE UP	1	870
**	88110-KKC4	88110-KKC4-305	MIRROR ASSY R BACK	MIRROR ASSY R BACK	1	26470
	88114	88114-KKC4-900	STAY MIRROR	STAY MIRROR	2	960
	88115	88115-KKC4-900	PAD R MIRROR	PAD R MIRROR	1	160
	88116	88116-KKC4-900	BASE R MIRROR	BASE R MIRROR	1	2290
**	88120-KKC4	88120-KKC4-305	MIRROR ASSY L BACK	MIRROR ASSY L BACK	1	26470

F03

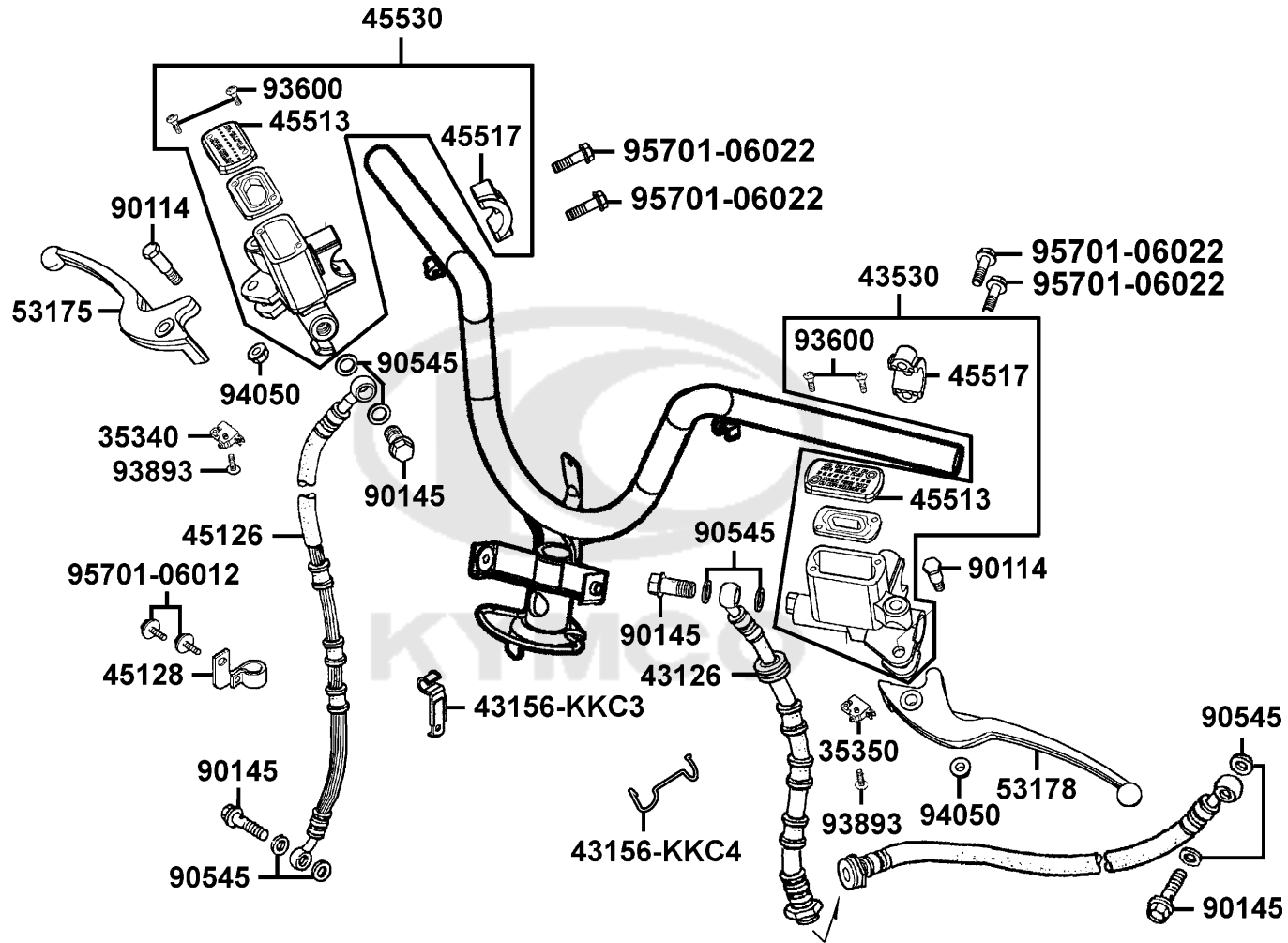
F03

Handle Steering Handle Cover



Sales mark 記号	Ref no 参照用番号	Part no パーツ番号	Description 部品名	Reg description 部品名	Regd no 必要個数	Ref Price 希望小売価格(税抜)	F03
88125	88125-KKC4-900	88125-KKC4-900	PAD L MIRROR	PAD L MIRROR	1	160	
88126	88126-KKC4-900	88126-KKC4-900	BASE L MIRROR	BASE L MIRROR	1	2480	
88130	88130-KKC4-900	88130-KKC4-900	BOLT SPECIAL	BOLT SPECIAL	4	160	
88135	88135-KKC4-900	88135-KKC4-900	SCREW PAN 5*20	SCREW PAN 5*20	4	300	
90106-GEN5	90106-GEN5-901	90106-GEN5-901	BOLT FLANGE 10*50	BOLT FLANGE 10*50	1	80	
90106-KFC2	90106-KFC2-900	90106-KFC2-900	BOLT SPECIAL 8MM	BOLT SPECIAL 8MM	2	510	
90302-GFY6	90302-GFY6-901	90302-GFY6-901	BOLT WASH 5*12 *(1) C.V.	BOLT WASH 5*12 *(1) C.V.	2	60	
90302-KEC8	90302-KEC8-900	90302-KEC8-900	BOLT PAN 5*9	BOLT PAN 5*9	1	200	
90304	90304-GHE8-004	90304-GHE8-004	NUT CAP 6MM	NUT CAP 6MM	1	200	
90656	90656-KCBC-900	90656-KCBC-900	BAND OIL HANDLE	BAND OIL HANDLE	1	60	
93500-05016-1B	93500-05016-1B	93500-05016-1B	SCREW PAN 5*16	SCREW PAN 5*16	1	200	
93500-05025-1B	93500-05025-1B	93500-05025-1B	SCREW PAN 5*25	SCREW PAN 5*25	1	60	
93500-05032-1B	93500-05032-1B	93500-05032-1B	SCREW PAN 5*32	SCREW PAN 5*32	1	60	
93500-05045-1B	93500-05045-1B	93500-05045-1B	SCREW PAN 5*45	SCREW PAN 5*45	1	60	
93903-34360	93903-34360	93903-34360	SCREW WASHER 4*12	SCREW WASHER 4*12	4	60	
93903-35360	93903-35360	93903-35360	SCREW WASHER 4*12	SCREW WASHER 4*12	2	60	

Sales mark 記号	Ref no 参照用番号	Part no パーツ番号	Description 部品名	Reg description 部品名	Regd no 必要個数	Ref Price 希望小売価格(税抜)	F04
	35340	35340-KNBN-901	SW ASSY FR STOP	SW ASSY FR STOP	1	960	
	35350	35350-KNBN-901	SW ASSY RR STOP	SW ASSY RR STOP	1	960	
	43126	43126-KKC2-E00	HOSE ASSY RR BRAAKE	HOSE ASSY RR BRAAKE	1	17730	
	43156-KKC3	43156-KKC3-900	CLAMPER B HOSE RR	CLAMPER B HOSE RR	1	300	
	43156-KKC4	43156-KKC4-900	CLAMPER HOSE RR	CLAMPER HOSE RR	1	300	
	43530	43530-KFC8-305	CYLN SET RR MASTER	CYLN SET RR MASTER	1	12740	
	45126	45126-KKC2-B20	HOSE ASSY FR BRAKE /978MM	HOSE ASSY FR BRAKE /978MM	1	12360	
	45128	45128-KEBE-900	CLAMPER FR BRAKE HOSE	CLAMPER FR BRAKE HOSE	1	400	
	45513	45513-KHD4-B00	CAP MASTER CYLINDER	CAP MASTER CYLINDER	1	580	
	45517	45517-KFAF-910	HOLDER M/C	HOLDER M/C	2	440	
	45530	45530-KFC8-E00	CYLINDER SET FR MASTER	CYLINDER SET FR MASTER	1	12080	
**	53175	53175-KFA5-E10	LEVER R STRG HANDLE	LEVER R STRG HANDLE	1	1700	
**	53178	53178-KFC8-E10	LEVER L STRG HANDLE	LEVER L STRG HANDLE	1	1440	
	90114	90114-1F66-007	BOLT HANDLE LEVER	BOLT HANDLE LEVER	2	60	
	90145	90145-LEA3-E00	OIL BOLT 10x22	OIL BOLT 10x22	1	150	
	90545	90545-3L00-001	WASHER OIL BOLT	WASHER OIL BOLT	8	60	
	93600	93600-04012-1G	SCREW FLAT 4*12	SCREW FLAT 4*12	4	60	
	93893	93893-04012-18	SCREW WASHER 4*12	SCREW WASHER 4*12	2	60	
	94050	94050-06080	NUT FLANGE 6MM	NUT FLANGE 6MM	2	60	
	95701-06012	95701-06012-06	BOLT FLANGE 6*22 (K)	BOLT FLANGE 6*22 (K)	1	60	

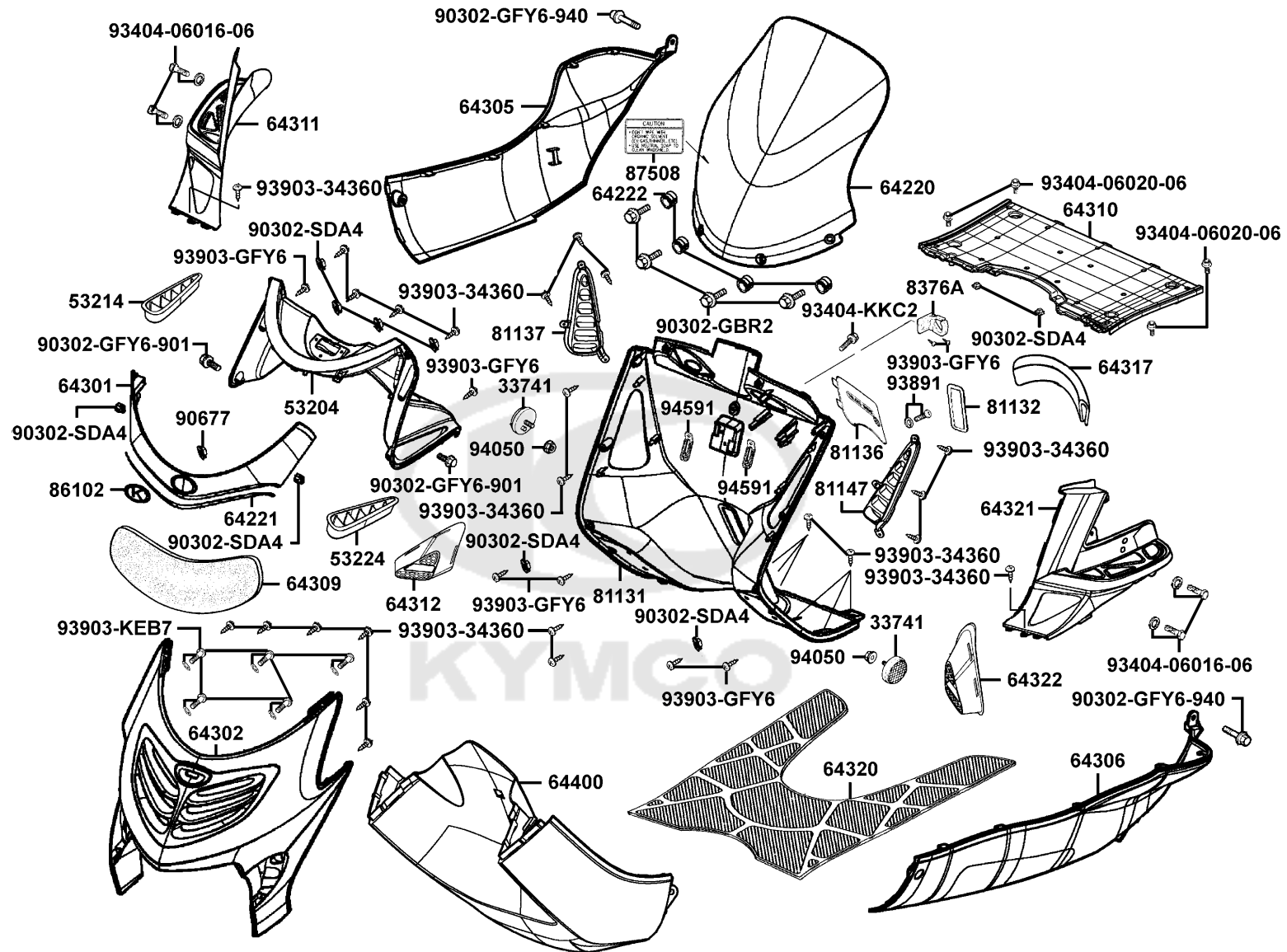


Sales mark 記号	Ref no 参照用番号	Part no パーツ番号	Description 部品名	Reg description 部品名	Regd no 必要個数	Ref Price 希望小売価格(税抜)
------------------	-----------------	------------------	--------------------	------------------------	-----------------	-------------------------

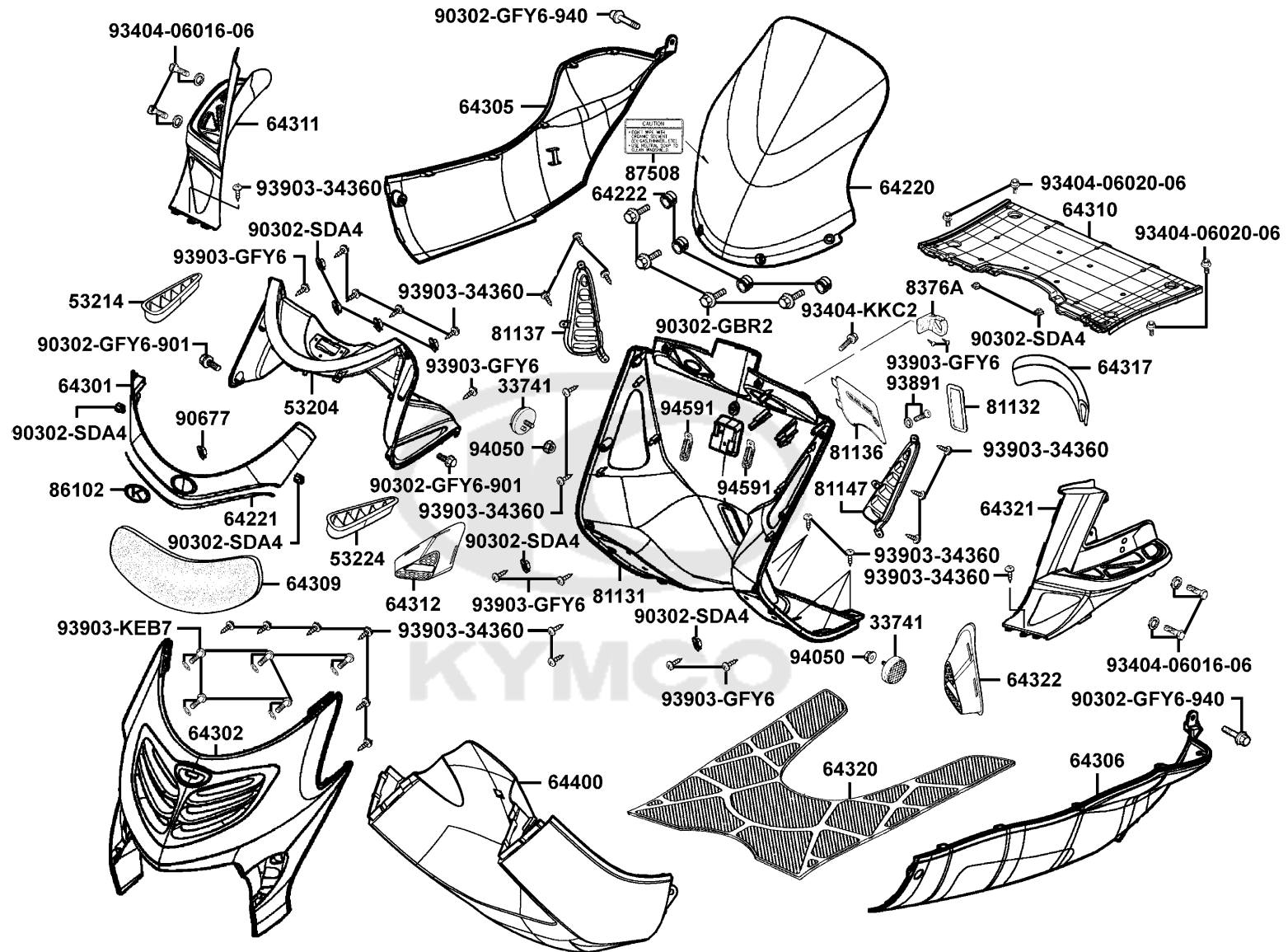
F04

95701-06022	95701-06022-06	BOLT FLANGE 6*22	BOLT FLANGE 6*22	4	60
-------------	----------------	------------------	------------------	---	----

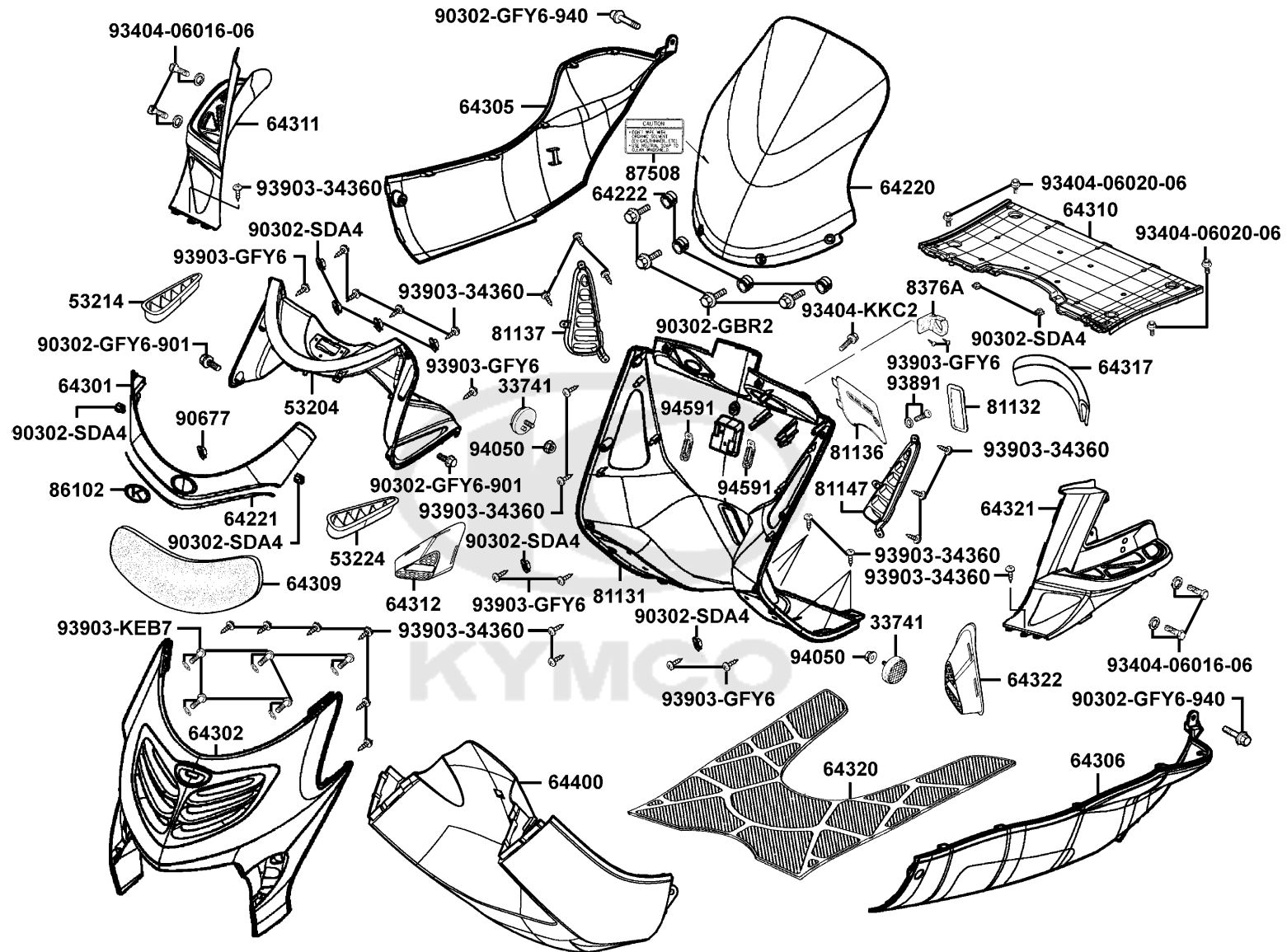




Sales mark 記号	Ref no 参照用番号	Part no パーツ番号	Description 部品名	Reg description 部品名	Regd no 必要個数	Ref Price 希望小売価格(税抜)	F05
	33741	33741-GFY6-C30	REFLEX REFLECTOR	REFLEX REFLECTOR	2	730	
**	53204	53204-KKC4-900	COVER METER	COVER METER	1	2390	
**	53214	53214-KKC4-900	GRID R METER COVER	GRID R METER COVER	1	390	
**	53224	53224-KKC4-900	GRID L METER COVER	GRID L METER COVER	1	390	
	64220	64220-KKC4-900	WIND SCREEN	WIND SCREEN	1	23760	
	64221	64221-KKC4-900	SEAL WIND SCREEN	SEAL WIND SCREEN	1	300	
	64222	64222-KKC4-900	RUBBER WIND SCREEN	RUBBER WIND SCREEN	4	160	
**	64301	64301-KKC4-900	COVER SCREEN	COVER SCREEN	1	3050	
**	64302	64302-KKC4-900	MOLDING FR	MOLDING FR	1	15210	
**	64305	64305-KKC4-900	SKIRT R SIDE	SKIRT R SIDE	1	9420	
**	64306	64306-KKC4-900	SKIRT L SIDE	SKIRT L SIDE	1	9420	
	64309	64309-KKC4-900	GRILL FR COVER	GRILL FR COVER	1	1530	
**	64310	64310-KKC4-900	FLOOR PANEL	FLOOR PANEL	1	2290	
**	64311	64311-KKC4-900	COVER R PILLION STEP	COVER R PILLION STEP	1	1910	
**	64312	64312-KKC4-900	GRID R PILLION STEP	GRID R PILLION STEP	1	390	
	64317	64317-KKC4-900	SEAL METER COVER FR	SEAL METER COVER FR	1	350	
**	64320	64320-KKC4-900	MAT FLOOR	MAT FLOOR	1	2200	
**	64321	64321-KKC4-900	COVER L PILLION STEP	COVER L PILLION STEP	1	1910	
**	64322	64322-KKC4-900	GRID L PILLION STEP	GRID L PILLION STEP	1	390	
**	64400	64400-KKC4-900	COWL UNDER	COWL UNDER	1	13690	



Sales mark 記号	Ref no 参照用番号	Part no パーツ番号	Description 部品名	Reg description 部品名	Regd no 必要個数	Ref Price 希望小売価格(税抜)	F05
**	81131	81131-KKC4-900	LEG SHIELD	LEG SHIELD	1	3430	
**	81132	81132-KEB7-900	LID LEG SHIELD	LID LEG SHIELD	1	300	
**	81136	81136-KKC4-900	LID RESERVE	LID RESERVE	1	300	
**	81137	81137-KKC4-900	GRID R LEG SHIELD	GRID R LEG SHIELD	1	300	
**	81147	81147-KKC4-900	GRID L LEG SHIELD	GRID L LEG SHIELD	1	300	
	8376A	8376A-KEBE-900	CLIP ASSY CENTER	CLIP ASSY CENTER	1	1060	
**	86102	86102-KKC4-900	EMB K-LOGO 28.5MM	EMB K-LOGO 28.5MM	1	1530	
	90302-GBR2	90302-GBR2-001	BOLT WASH 5*16	BOLT WASH 5*16	4	60	
	90302-GFY6-901	90302-GFY6-901	BOLT WASH 5*12 **(1) C.V.	BOLT WASH 5*12 **(1) C.V.	2	60	
	90302-GFY6-940	90302-GFY6-940	BOLT-WASH 5*16	BOLT-WASH 5*16	2	60	
	90302-SDA4	90302-SDA4-004	NUT SPRING 4MM	NUT SPRING 4MM	10	60	
	90677	90677-GAR1-004	NUT CLIP 5MM	NUT CLIP 5MM	1	60	
	93404-06016-06	93404-06016-06	BOLT WASH 6*16	BOLT WASHER 6*16	4	60	
	93404-06020-06	93404-06020-06	BOLT WASHER 6*20 (G)	BOLT WASHER 6*20 (G)	4	60	
	93404-KKC2	93404-KKC2-900	BOLT WASH 6*16	BOLT WASH 6*16	1	60	
	93891	93891-05012-06	SCREW WASHER 5*12	SCREW WASHER 5*12	1	60	
	93903-34360	93903-34360	SCREW WASHER 4*12	SCREW WASHER 4*12	28	60	
	93903-GFY6	93903-GFY6-900	SCREW WASHER 4*12	SCREW WASHER 4*12	8	60	
	93903-KEB7	93903-KEB7-900-06	SCREW WASHER 4*12	SCREW WASHER 4*12	5	200	
	94050	94050-06080	NUT FLANGE 6MM	NUT FLANGE 6MM	2	60	



Sales mark 記号	Ref no 参照用番号	Part no パーツ番号	Description 部品名	Reg description 部品名	Regd no 必要個数	Ref Price 希望小売価格(税抜)
------------------	-----------------	------------------	--------------------	------------------------	-----------------	-------------------------

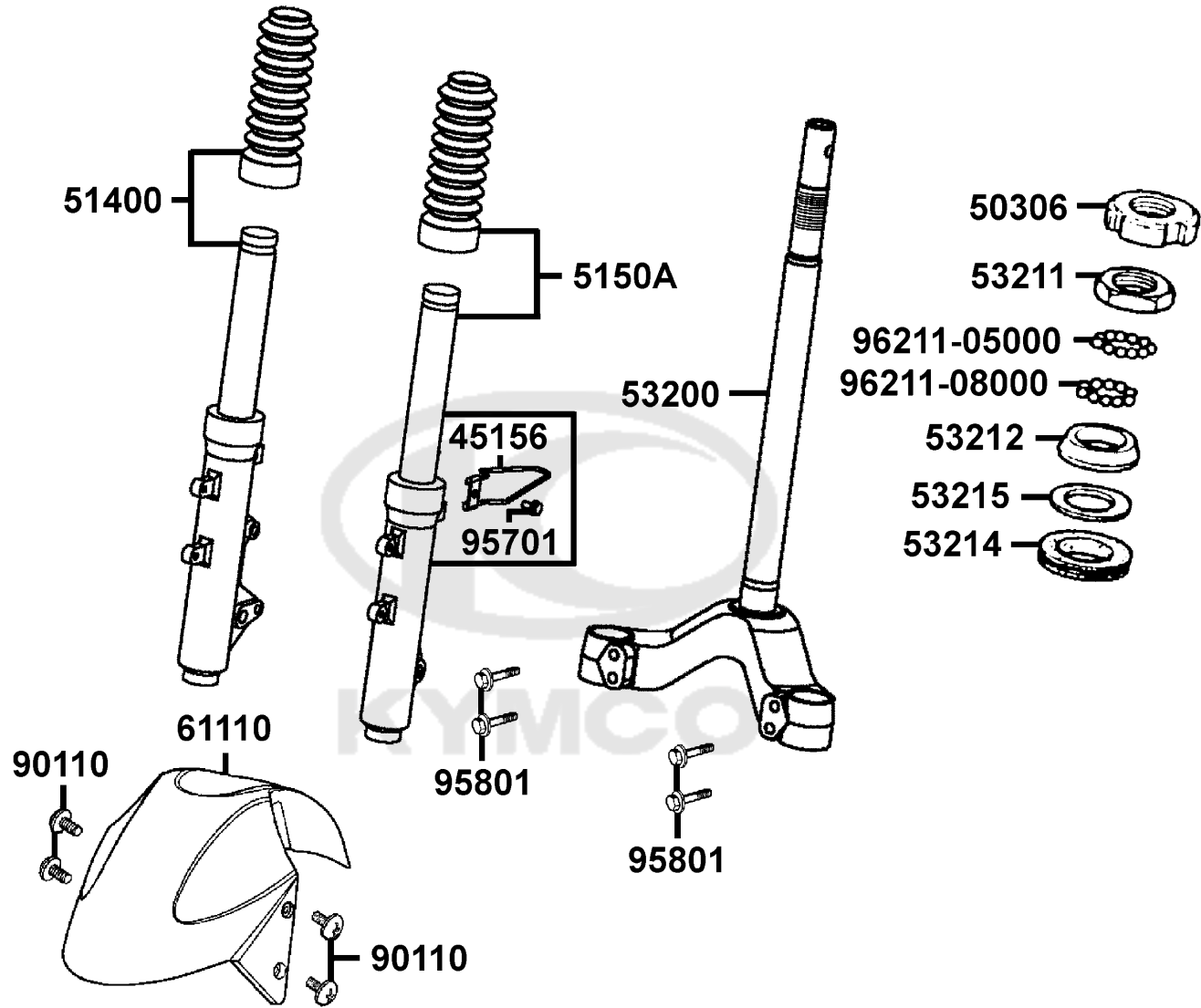
F05

94591	94591-27000		CLIP 2*70	CLIP 2*70	2	110
-------	-------------	--	-----------	-----------	---	-----



F06

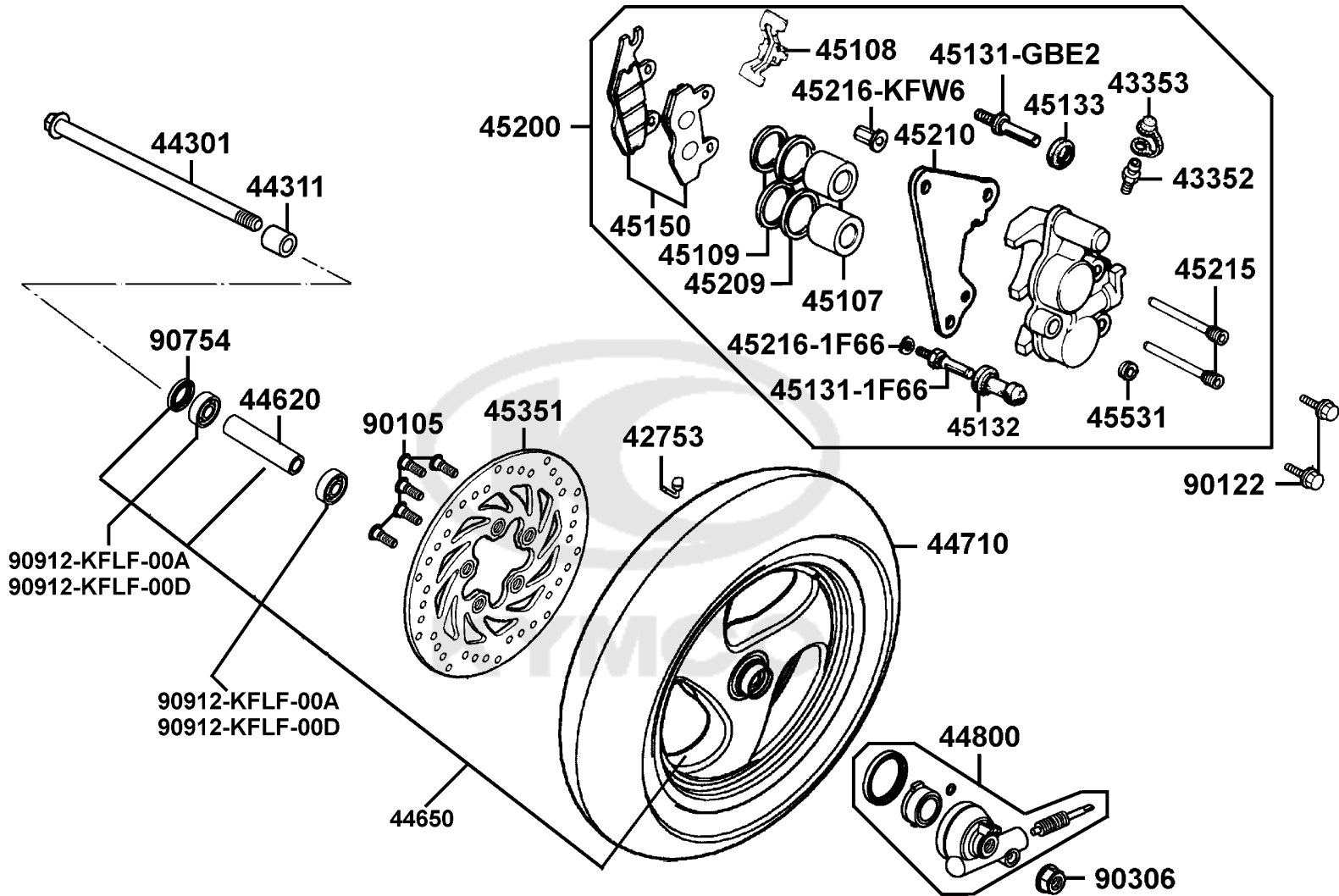
Front Cushion



Sales mark 記号	Ref no 参照用番号	Part no パーツ番号	Description 部品名	Reg description 部品名	Regd no 必要個数	Ref Price 希望小売価格(税抜)	F06
	45156	45156-KECE-900	CLAMPER FR BRK CABLE	CLAMPER FR BRK CABLE	1	560	
	50306	50306-1F96-001	NUT STRG STEM LOCK	NUT STRG STEM LOCK	1	300	
**	51400	51400-KKC4-900	FORK ASSY R FR	FORK ASSY R FR	1	16160	
**	5150A	5150A-KKC4-900	FORK SET L FR	FORK SET L FR	1	16840	
	53200	53200-KKC2-900	STEM COMP STRG	STEM COMP STRG	1	11600	
	53211	53211-GFY6-940	RACE STRG TOP CONE	RACE STRG TOP CONE	1	580	
	53212	53212-2L50-011	RACE STRG BOT CONE	RACE STRG BOT CONE	1	870	
	53214	53214-LHJ6-900	DUST SEAL STRG	DUST SEAL STRG	1	240	
	53215	53215-2L50-001	WASH STRG HDL DUST-SEAL	WASH STRG HDL DUST-SEAL	1	130	
**	61110	61110-KHD8-900	FENDER FR *(1) C.2003.09.30	FENDER FR *(1) C.2003.09.30	1	4290	
	90110	90110-KEB7-900	SCREW SPECIAL 6*14	SCREW SPECIAL 6*14	4	130	
	95701	95701-06012-06	BOLT FLANGE 6*22 (K)	BOLT FLANGE 6*22 (K)	1	60	
	95801	95801-08040-06	BOLT FLANGE 8*40	BOLT FLANGE 8*40	1	60	
	96211-05000	96211-05000	BALL STEEL #5	BALL STEEL #5	26	60	
	96211-08000	96211-08000	BALL STEEL #8	BALL STEEL #8	19	60	

F07

Front Wheel

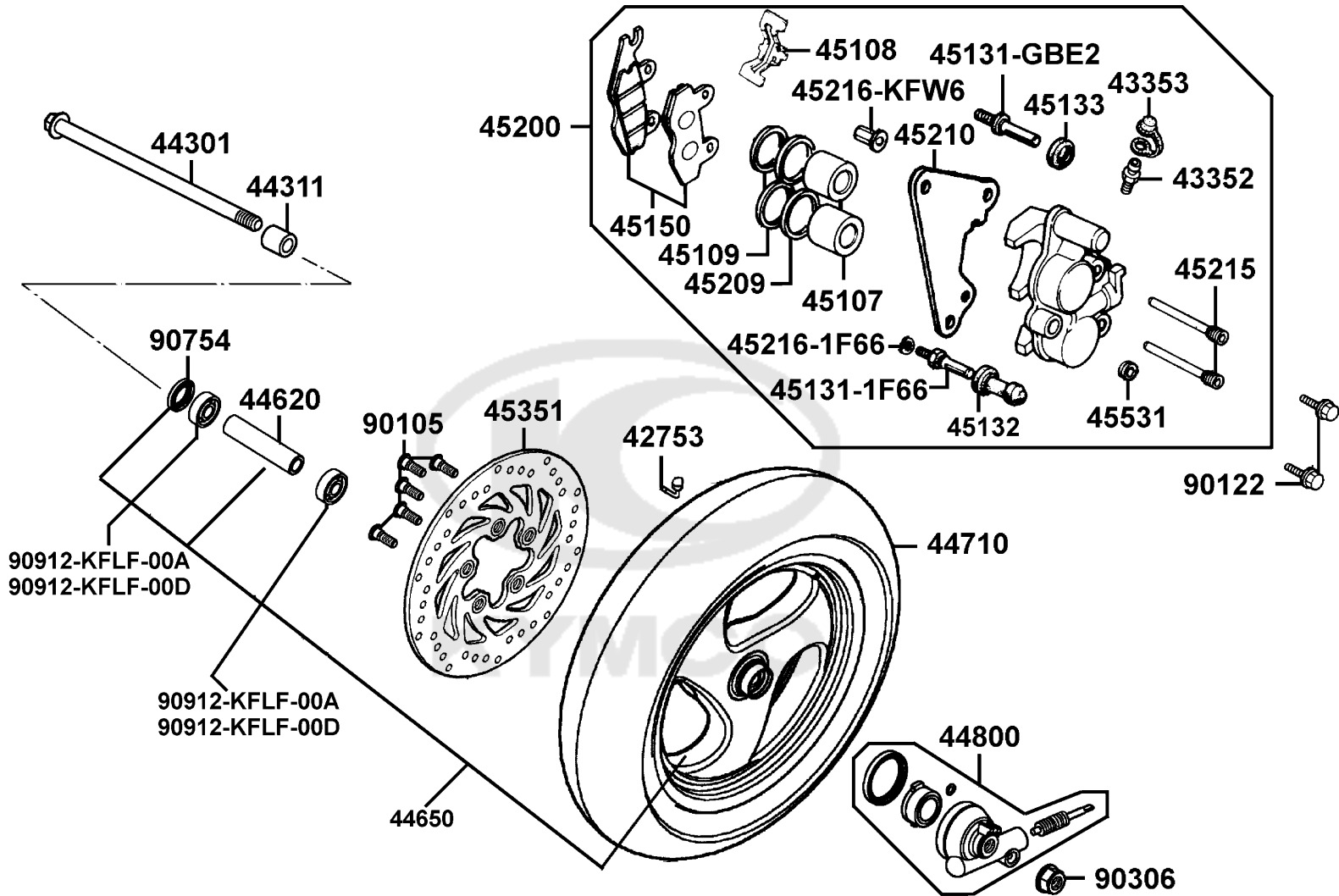


Sales mark 記号	Ref no 参照用番号	Part no パーツ番号	Description 部品名	Reg description 部品名	Regd no 必要個数	Ref Price 希望小売価格(税抜)
	42753	42753-KXCX-900	VALVE (PVR-70B) & CAP	VALVE (PVR-70B) & CAP	1	630
	43352	43352-5H68-004	SCREW BLEEDER	SCREW BLEEDER	1	300
	43353	43353-4A61-77A	CAP BLEEDER	CAP BLEEDER	1	130
	44301	44301-KXCX-900	AXLE FR WHEEL M12*240MM	AXLE FR WHEEL M12*240MM	1	780
	44311	44311-KEBE-900	COLLAR FR WHEEL SIDE	COLLAR FR WHEEL SIDE	1	390
	44620	44620-KHD8-900	COLLAR FR AXLE DISTANCE	COLLAR FR AXLE DISTANCE	1	490
**	44650	44650-KHD8-30A	WHEEL SET FR	WHEEL SET FR	1	28900
**	44650	44650-KHD8-30C	WHEEL SET FR	WHEEL SET FR	1	28900
	44710	44710-KKC4-900	TIRE ASSY FR 120/70-12 58P /CHENG	TIRE ASSY FR 120/70-12 58P /CHENG SHIN	1	11180
	44800	44800-KFA5-900	GEAR BOX ASSY	GEAR BOX ASSY	1	3240
	45107	45107-MEN5-007	PISTON	PISTON	2	2200
	45108	45108-MDL4-007	PAD SPG	PAD SPG	1	300
	45109	45109-GBE2-007	DUST SEAL	DUST SEAL	2	140
	45131-1F66	45131-1F66-017	PIN BOLT	PIN BOLT	1	890
	45131-GBE2	45131-GBE2-007	PIN BOLT A	PIN BOLT A	1	960
	45132	45132-1F66-017	BUSH BOOT PIN	BUSH BOOT PIN	1	780
	45133	45133-MCA3-007	BOOT B	BOOT B	1	230
	45150	45150-LLB5-305	PAD COMP	PAD COMP	1	4380
**	45200	45200-KKC2-E00	CALIPER ASSY FR	CALIPER ASSY FR	1	19960
	45209	45209-GBE2-007	SEAL PISTON	SEAL PISTON	2	370

F07

F07

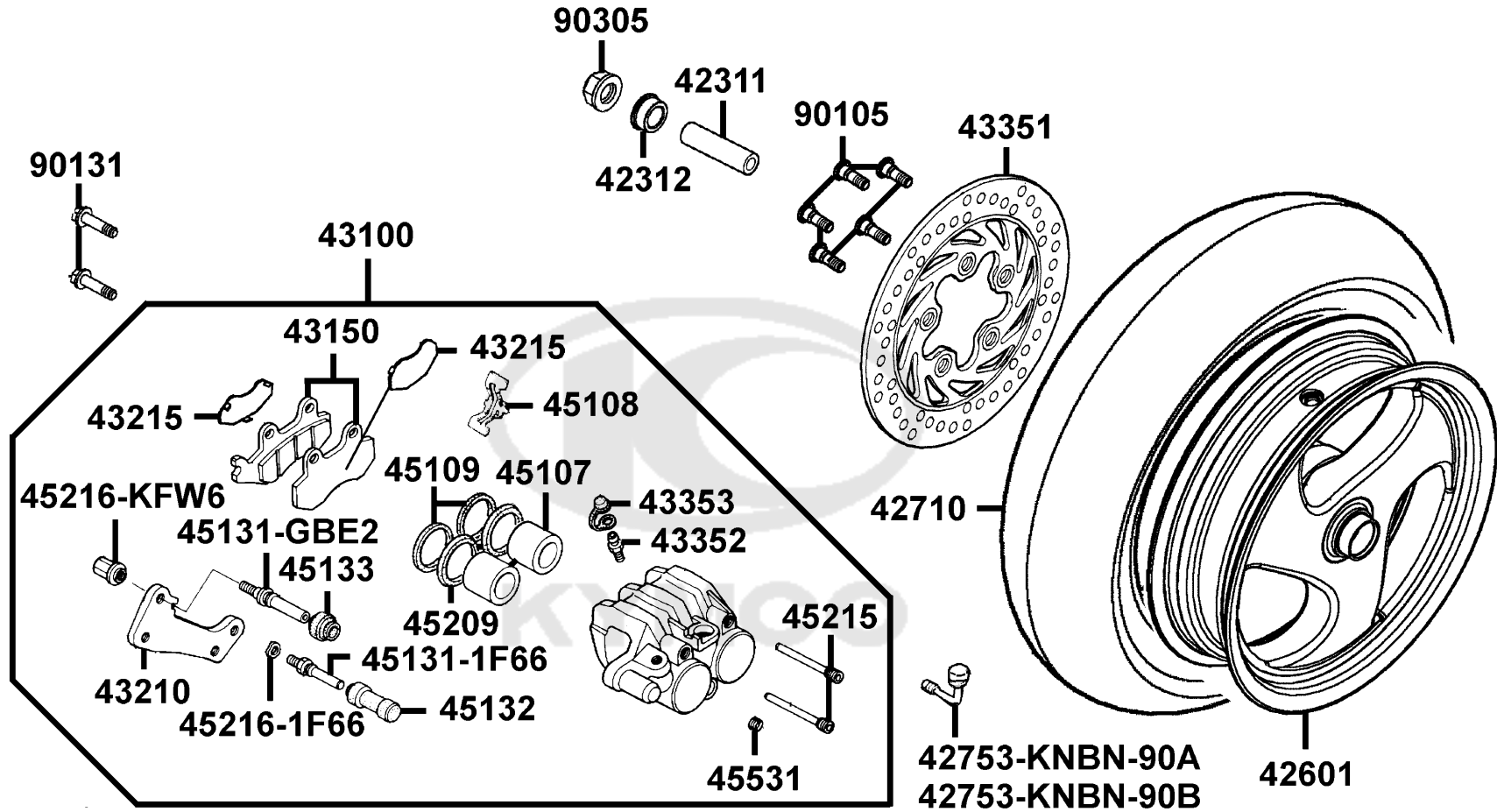
Front Wheel



Sales mark 記号	Ref no 参照用番号	Part no パーツ番号	Description 部品名	Reg description 部品名	Regd no 必要個数	Ref Price 希望小売価格(税抜)	F07
45210		45210-KHD8-900	BRACKET FR	BRACKET FR	1	1370	
45215		45215-KECE-900	PIN HANGER	PIN HANGER	2	300	
45216-1F66		45216-1F66-007	WASHER WAVE	WASHER WAVE	1	110	
45216-KFW6		45216-KFW6-90A	TORQUE NUT	TORQUE NUT	1	400	
45351		45351-KHE7-E00	DISK RR BRAKE	DISK RR BRAKE	1	8940	
45531		45531-GAR1-951	PLUG	PLUG	1	110	
90105		90105-KCR3-001	BOLT FR DISK 8*24	BOLT FR DISK 8*24	5	80	
90122		90122-KEBE-900	BOLT FLANGE 8*32	BOLT FLANGE 8*32	2	390	
90306		90306-GLW0-90A	NUT FLANGE 12MM	NUT FLANGE 12MM	1	320	
90754		90754-GHC8-00A	SEAL DUST 20*32*5	SEAL DUST 20*32*5	1	100	
90912-KFLF-00A		90912-KFLF-00A	BEARING 6201 LLU	BEARING 6201 LLU	2	610	
90912-KFLF-00D		90912-KFLF-00D	BEARING, L201 LLU	BEARING, L201 LLU	2	730	

F08

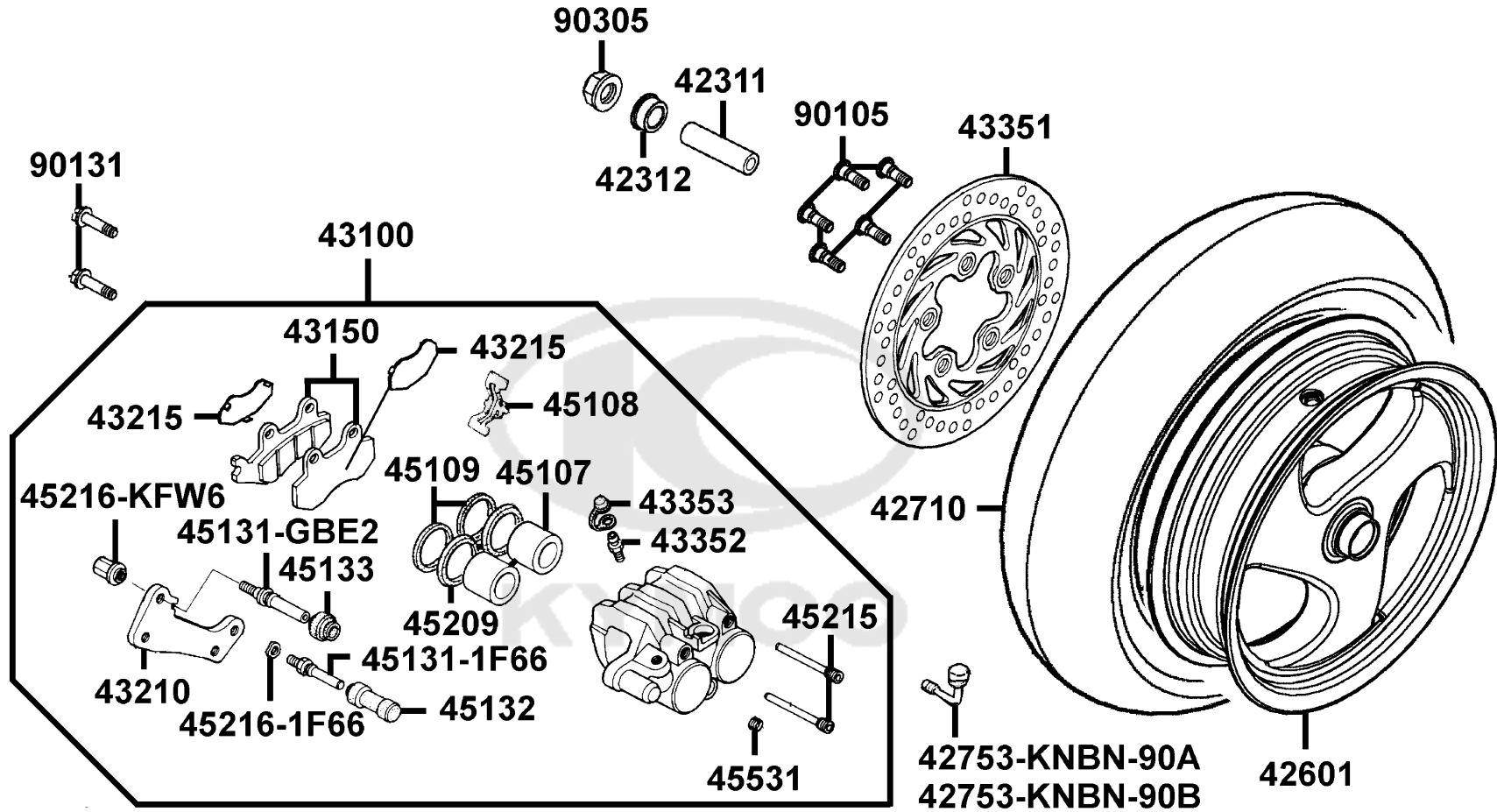
Rear Wheel




Sales mark 記号	Ref no 参照用番号	Part no パーツ番号	Description 部品名	Reg description 部品名	Regd no 必要個数	Ref Price 希望小売価格(税抜)	F08
	42311	42311-KFC8-900	COLLAR RR AXLE A	COLLAR RR AXLE A	1	1270	
	42312	42312-KEBE-900	COLLAR RR AXLE SIDE	COLLAR RR AXLE SIDE	1	440	
**	42601	42601-KHD8-90A	WHEEL RR CAST	WHEEL RR CAST	1	29660	
	42710	42710-KKC3-900	TIRE ASSY RR/140/70-12 65P /CHENG	TIRE ASSY RR/140/70-12 65P /CHENG SHIN	1	15470	
	42753-KNBN-90B	42753-KNBN-90B	VALAE RIM (TR412)	VALAE RIM (TR412)	2	630	
**	43100	43100-KEBE-910	CALIPER ASSY RR	CALIPER ASSY RR	1	18940	
	43150	43150-KEBE-306	PAD COMP	PAD COMP	1	4190	
**	43210	43210-KEBE-900	BRACKET RR	BRACKET RR	1	1750	
	43215	43215-KEBE-900	PAD HANGER	PAD HANGER	2	230	
**	43351	43351-KHE7-E00	DISK RR BRAKE	DISK RR BRAKE	1	8940	
	43352	43352-5H68-004	SCREW BLEEDER	SCREW BLEEDER	1	300	
	43353	43353-4A61-77A	CAP BLEEDER	CAP BLEEDER	1	130	
	45107	45107-MEN5-007	PISTON	PISTON	2	2200	
	45108	45108-MDL4-007	PAD SPG	PAD SPG	1	300	
	45109	45109-GBE2-007	DUST SEAL	DUST SEAL	2	140	
	45131-1F66	45131-1F66-017	PIN BOLT	PIN BOLT	1	890	
	45131-GBE2	45131-GBE2-007	PIN BOLT A	PIN BOLT A	1	960	
	45132	45132-1F66-017	BUSH BOOT PIN	BUSH BOOT PIN	1	780	
	45133	45133-MCA3-007	BOOT B	BOOT B	1	230	
	45209	45209-GBE2-007	SEAL PISTON	SEAL PISTON	2	370	

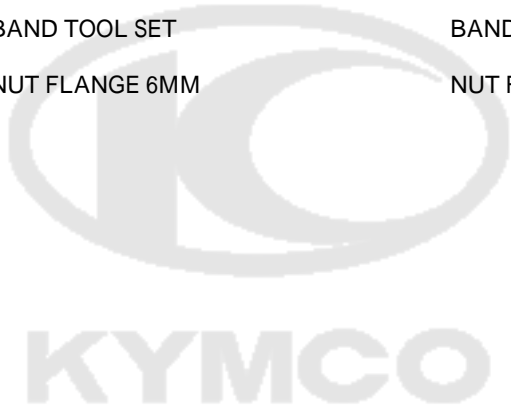
F08

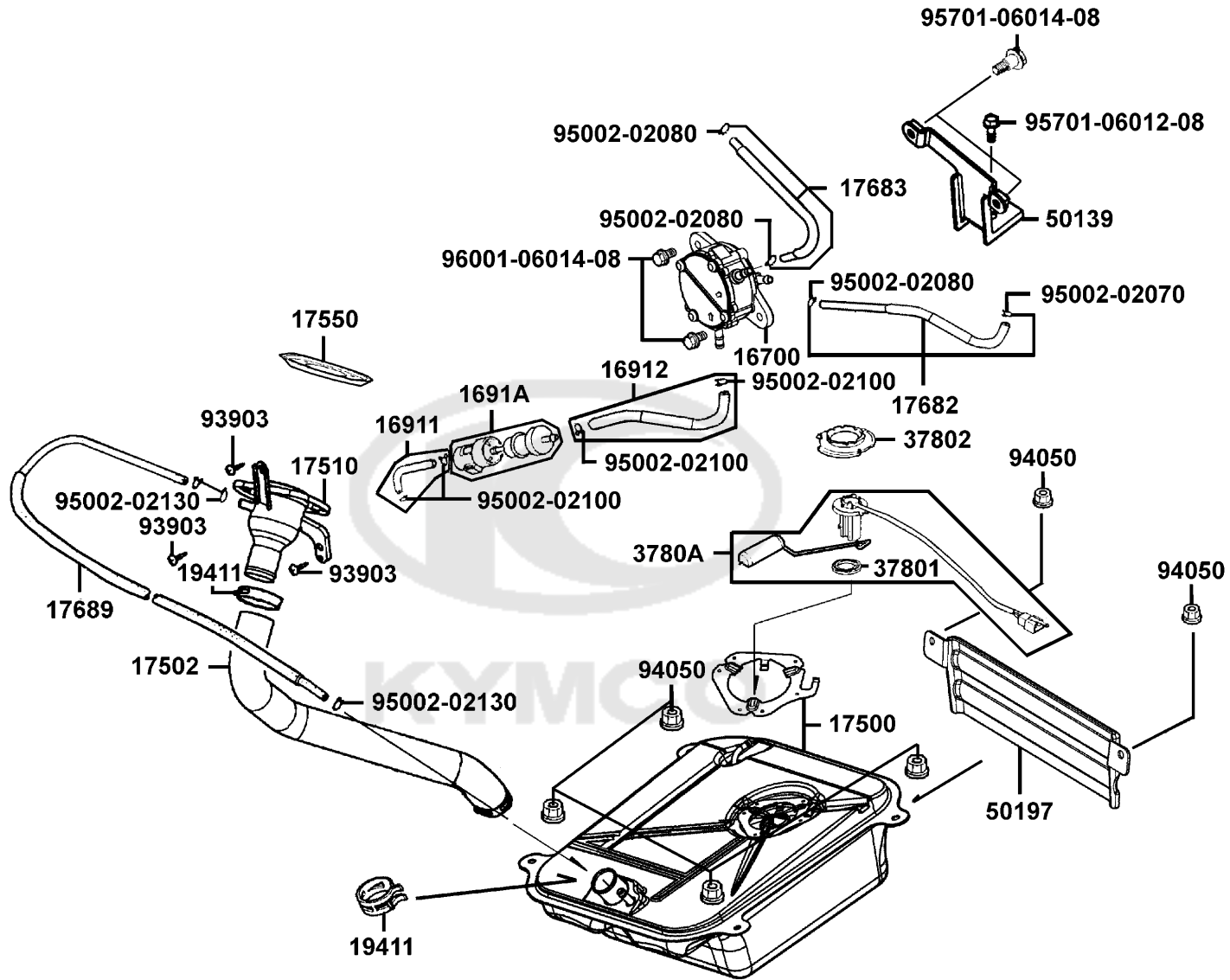
Rear Wheel



Sales mark 記号	Ref no 参照用番号	Part no パーツ番号	Description 部品名	Reg description 部品名	Regd no 必要個数	Ref Price 希望小売価格(税抜)	F08
45215		45215-KECE-900	PIN HANGER	PIN HANGER	2	300	
45216-1F66		45216-1F66-007	WASHER WAVE	WASHER WAVE	1	110	
45216-KFW6		45216-KFW6-90A	TORQUE NUT	TORQUE NUT	1	400	
45531		45531-GAR1-951	PLUG	PLUG	1	110	
90105		90105-KCR3-001	BOLT FR DISK 8*24	BOLT FR DISK 8*24	5	80	
90131		90131-GLW0-911	BOLT FLANGE 8*35	BOLT FLANGE 8*35	2	80	
90305		90305-KFW6-900	NUT U FLANGE 16MM (B)	NUT U FLANGE 16MM (B)	1	770	
							

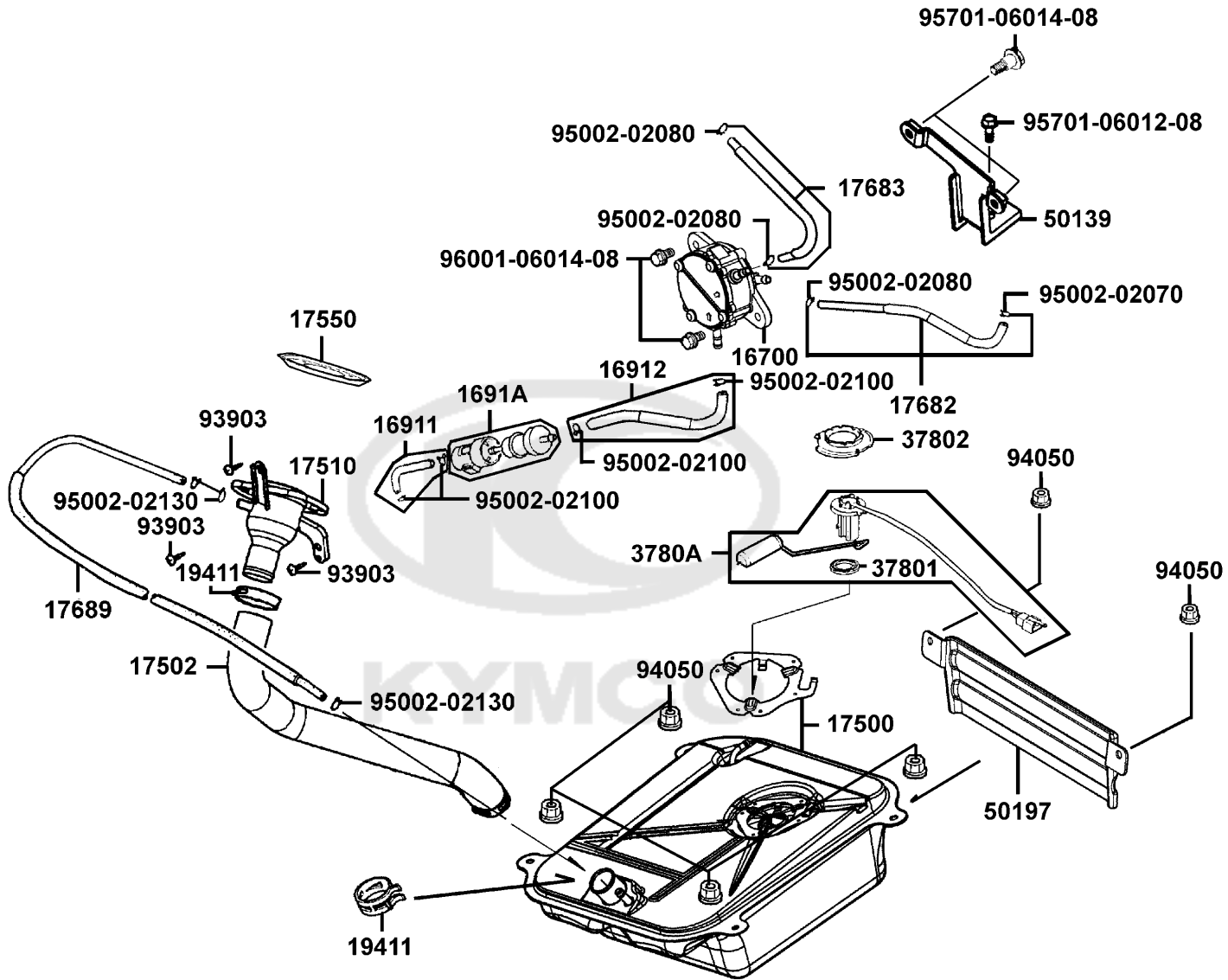
Sales mark 記号	Ref no 参照用番号	Part no パーツ番号	Description 部品名	Reg description 部品名	Regd no 必要個数	Ref Price 希望小売価格(税抜)	F09
**	77200	77200-KKC4-B24	SEAT ASSY (156-089)	SEAT ASSY (156-089)	1	24110	
**	77210	77210-KKC4-900	SEAT ASSY BACK	SEAT ASSY BACK	1	2300	
**	77220	77220-KKC4-910	SEAT ASSY PAD	SEAT ASSY PAD	1	7040	
	77220	77220-KKC4-B24	SEAT ASSY PAD **(0)	SEAT ASSY PAD **(0)	1	7040	
	77300	77300-KKC4-800	HINGE ASSY SEAT	HINGE ASSY SEAT	1	16940	
	89010	89010-KKC4-800	TOOL SET	TOOL SET	1	1630	
	89013	89013-KFC8-E00	ADJUSTER REAR CUSHION	ADJUSTER REAR CUSHION	1	490	
	89020	89020-KKC4-900	BAND TOOL SET	BAND TOOL SET	1	130	
	94050	94050-06080	NUT FLANGE 6MM	NUT FLANGE 6MM	6	60	





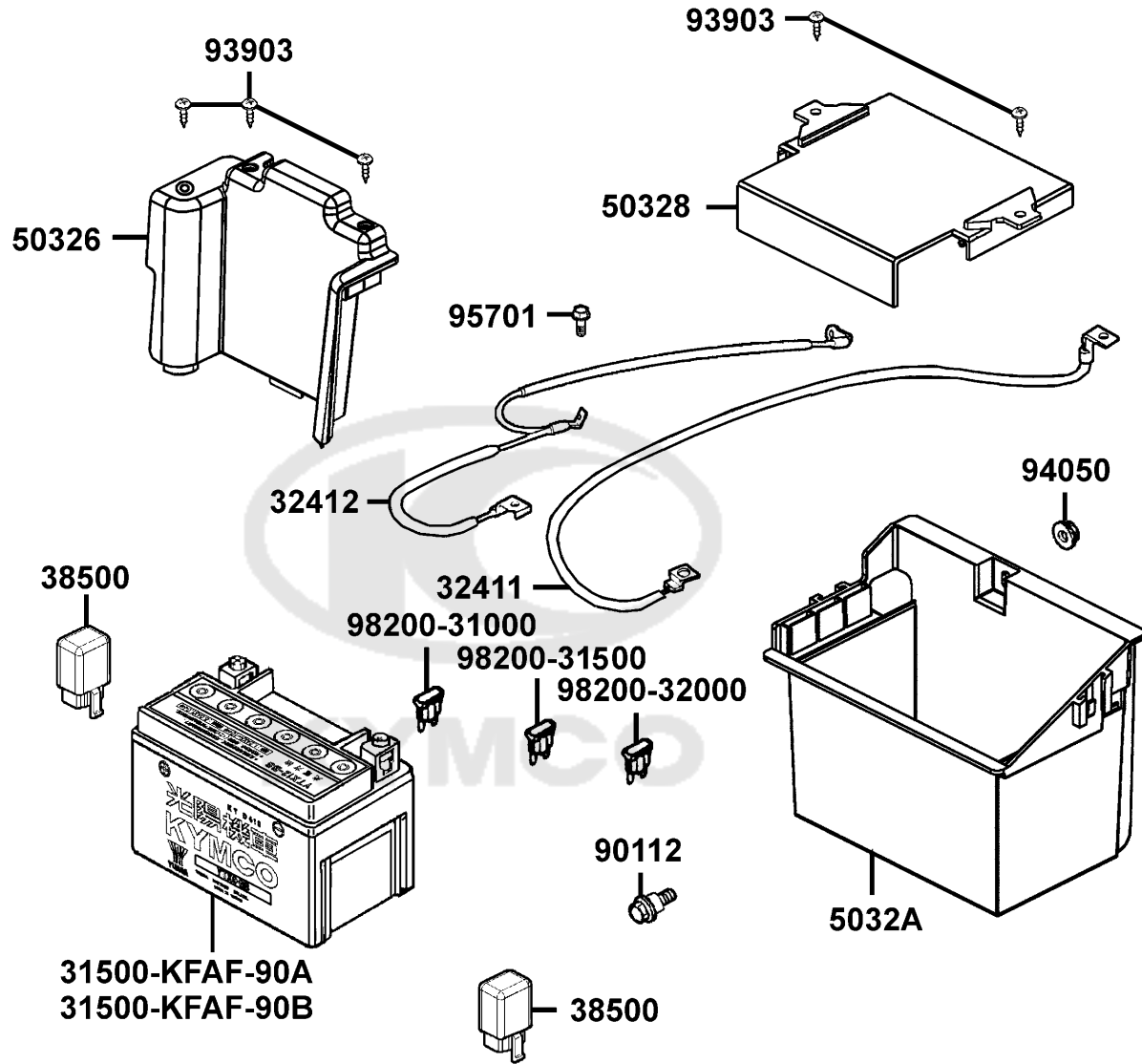
Sales mark 記号	Ref no 参照用番号	Part no パーツ番号	Description 部品名	Reg description 部品名	Regd no 必要個数	Ref Price 希望小売価格(税抜)
16700	16700-KHE7-220	16700-KHE7-220	FUEL PUMP ASSY	FUEL PUMP ASSY	1	9990
16911	16911-KKC4-900	16911-KKC4-900	TUBE ASSY TANK TO STRAINER	TUBE ASSY TANK TO STRAINER	1	390
16912	16912-KKC4-900	16912-KKC4-900	TUBE ASSY STRAINER TO FUEL PUMP	TUBE ASSY STRAINER TO FUEL PUMP	1	490
1691A	1691A-KEC2-E00	1691A-KEC2-E00	STRAINER ASSY FUEL	STRAINER ASSY FUEL	1	1010
17500	17500-KKC4-900	17500-KKC4-900	TANK COMP FUEL	TANK COMP FUEL	1	17430
17502	17502-KKC4-900	17502-KKC4-900	TUBE FUEL	TUBE FUEL	1	2290
17510	17510-KKC4-E00	17510-KKC4-E00	PIPE ASSY FUEL FILLER	PIPE ASSY FUEL FILLER	1	4950
17550	17550-KHC4-900	17550-KHC4-900	TRAY FUEL CAP	TRAY FUEL CAP	1	350
17682	17682-KKC4-900	17682-KKC4-900	TUBE ASSY FUEL VACUUM	TUBE ASSY FUEL VACUUM	1	490
17683	17683-KKC4-900	17683-KKC4-900	TUBE ASSY FUEL	TUBE ASSY FUEL	1	420
17689	17689-KEBE-900	17689-KEBE-900	TUBE ASSY TANK TO 3 WJT	TUBE ASSY TANK TO 3 WJT	1	700
19411	19411-KBCB-900	19411-KBCB-900	CLIP HOSE	CLIP HOSE	2	490
37801	37801-GGA7-701	37801-GGA7-701	PACKING BASE	PACKING BASE	1	130
37802	37802-GGA7-701	37802-GGA7-701	RET FUEL UNIT	RET FUEL UNIT	1	200
3780A	3780A-KKC3-900	3780A-KKC3-900	FUEL UNIT ASSY	FUEL UNIT ASSY	1	3050
50139	50139-KKC4-800	50139-KKC4-800	BRKT FUEL PUMP	BRKT FUEL PUMP	1	390
50197	50197-KKC4-900	50197-KKC4-900	STAY FLOOR	STAY FLOOR	1	1250
93903	93903-35260	93903-35260	SCREW WASHER 4*12	SCREW WASHER 4*12	1	60
94050	94050-06080	94050-06080	NUT FLANGE 6MM	NUT FLANGE 6MM	6	60
95002-02070	95002-02070	95002-02070	CLIP B7 TUBE	CLIP B7 TUBE	1	60

F10



Sales mark 記号	Ref no 参照用番号	Part no パーツ番号	Description 部品名	Reg description 部品名	Regd no 必要個数	Ref Price 希望小売価格(税抜)	F10
95002-02080	95002-02080	95002-02080	CLIP B8 TUBE	CLIP B8 TUBE	3	60	
95002-02100	95002-02100	95002-02100	CLIP B15 TUBE	CLIP B15 TUBE	4	60	
95002-02130	95002-02130	95002-02130	CLIP B12.5 TUBE	CLIP B12.5 TUBE	3	60	
95701-06012-08	95701-06012-06	95701-06012-06	BOLT FLANGE 6*22 (K)	BOLT FLANGE 6*22 (K)	1	60	
95701-06014-08	95701-06014-06	95701-06014-06	BOLT FLANGE 6*14	BOLT FLANGE 6*14	1	130	
96001-06014-08	96001-06014-06	96001-06014-06	BOLT FLANGE SH 6*14 (G)	BOLT FLANGE SH 6*14 (G)	1	60	



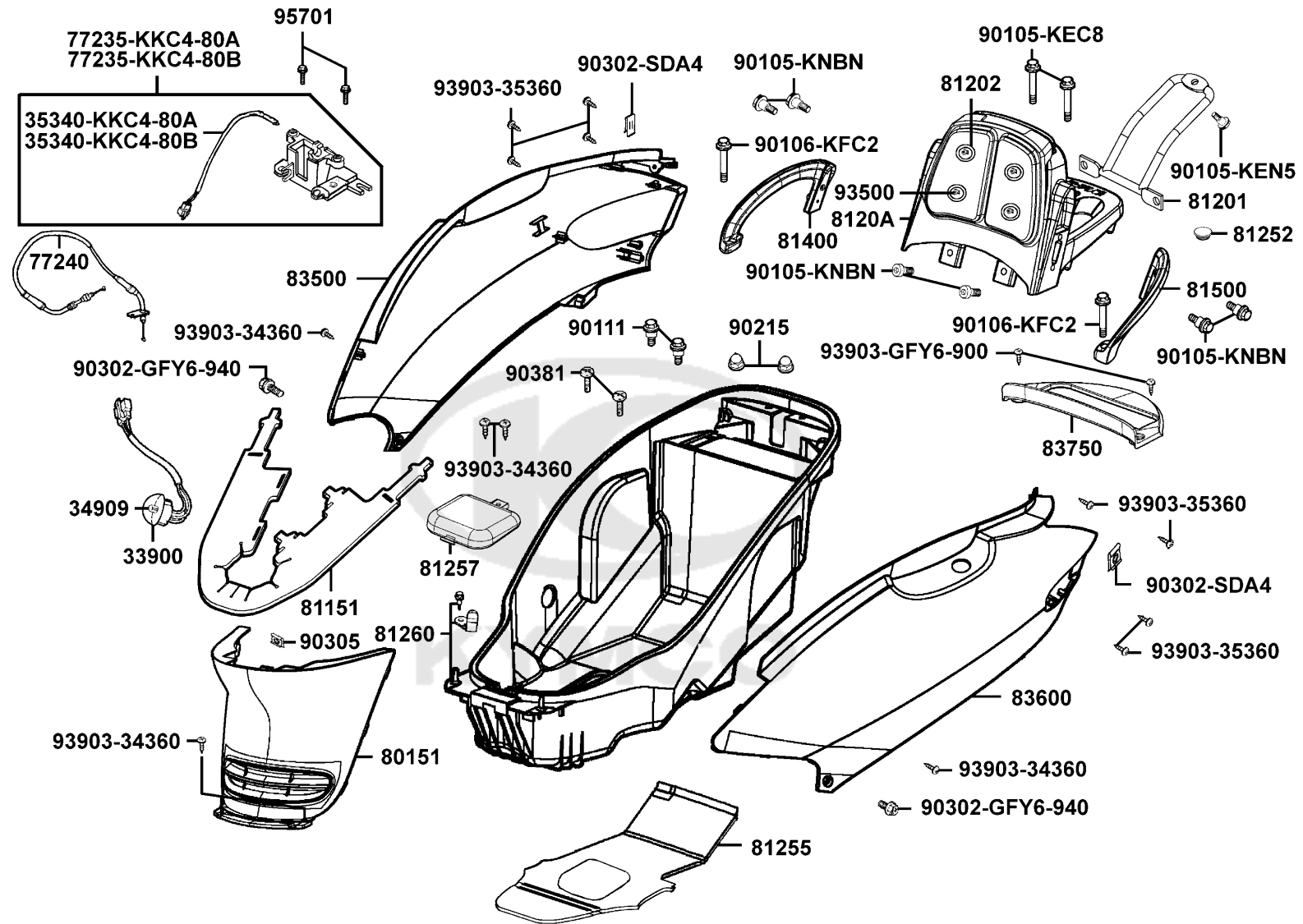


Sales mark 記号	Ref no 参照用番号	Part no パーツ番号	Description 部品名	Reg description 部品名	Regd no 必要個数	Ref Price 希望小売価格(税抜)
	31500-KFAF-90A	31500-KFAF-90A	BATTERY YTX9-BS	BATTERY YTX9-BS	1	16800
	31500-KFAF-90B	31500-KFAF-90B	BATTERY GTX9-BS	BATTERY GTX9-BS	1	17630
	32411	32411-KKC4-800	CABLE BATTERY	CABLE BATTERY	1	1250
	32412	32412-KKC4-800	CABLE EARTH	CABLE EARTH	1	2100
	38500	38500-LGL3-90A	RELAY ASSY LIGHT/D402(12V 20A)	RELAY ASSY LIGHT/D402(12V 20A)(also for	2	1730
	50326	50326-KKC4-800	COVER BATTERY	COVER BATTERY	1	1250
	50328	50328-KKC4-800	BAND BATTERY	BAND BATTERY	1	580
	5032A	5032A-KKC4-800	CASE ASSY BATTERY	CASE ASSY BATTERY	1	1150
	90112	90112-KNBN-901	BOLT FLANGE 6MM	BOLT FLANGE 6MM	1	160
	93903	93903-GFY6-900	SCREW WASHER 4*12	SCREW WASHER 4*12	5	60
	94050	94050-06080	NUT FLANGE 6MM	NUT FLANGE 6MM	1	60
	95701	95701-06012-06	BOLT FLANGE 6*22 (K)	BOLT FLANGE 6*22 (K)	1	60
	98200-31000	98200-31000	BLADE FUSE 40A	BLADE FUSE 40A	1	110
	98200-31500	98200-31500	BLADE FUSE 40A	BLADE FUSE 40A	1	110
	98200-32000	98200-32000	BLADE FUSE 20A	BLADE FUSE 20A	1	110

F11

Sales mark 記号	Ref no 参照用番号	Part no パーツ番号	Description 部品名	Reg description 部品名	Regd no 必要個数	Ref Price 希望小売価格(税抜)
	33900	33900-KFBF-900	LIGHT ASSY LUGGAGE BOX	LIGHT ASSY LUGGAGE BOX	1	1080
	34909	34909-KFBF-900	BULB WEDGE BASE	BULB WEDGE BASE	1	250
	35340-KKC4-80A	35340-KKC4-80A	STOP SWITCH	STOP SWITCH	1	960
	35340-KKC4-80B	35340-KKC4-80B	STOP SWITCH	STOP SWITCH	1	1080
	77235-KKC4-80A	77235-KKC4-80A	SEAT CATCH	SEAT CATCH	1	3240
	77235-KKC4-80B	77235-KKC4-80B	SEAT CATCH	SEAT CATCH	1	3240
	77240	77240-LLJ3-E01	CABLE COMP SEAT LOCK	CABLE COMP SEAT LOCK	1	1910
**	80151	80151-KKC4-900	COVER CENTER	COVER CENTER	1	2200
	81151	81151-KKC4-900	PLATE HEAT GUARD	PLATE HEAT GUARD	1	580
	81201	81201-KKC4-800	POWER BAR RR CARRIER	POWER BAR RR CARRIER	1	1340
	81202	81202-KKC4-900	UNBRELLALIKE CLASP	UNBRELLALIKE CLASP	4	110
	81252	81252-KKC4-800	PLUG LUGGAGE BOX	PLUG LUGGAGE BOX	1	160
	81255	81255-KKC4-800	BAG LUGGAGE	BAG LUGGAGE	1	3340
	81257	81257-KKC4-800	COVER CABB MAINT	COVER CABB MAINT	1	960
	81260	81260-KKC4-700	BOX ASSY LUGGAGE	BOX ASSY LUGGAGE	1	7040
**	81400	81400-KKC4-900	SIDE R GRIP	SIDE R GRIP	1	3620
**	81500	81500-KKC4-900	SIDE L GRIP	SIDE L GRIP	1	4570
**	83500	83500-KKC4-800	COVER R BODY	COVER R BODY	1	16540
**	83600	83600-KKC4-800	COVER L BODY	COVER L BODY	1	16540
**	83750	83750-KKC4-900	COVER RR CENTER	COVER RR CENTER	1	1720

F12

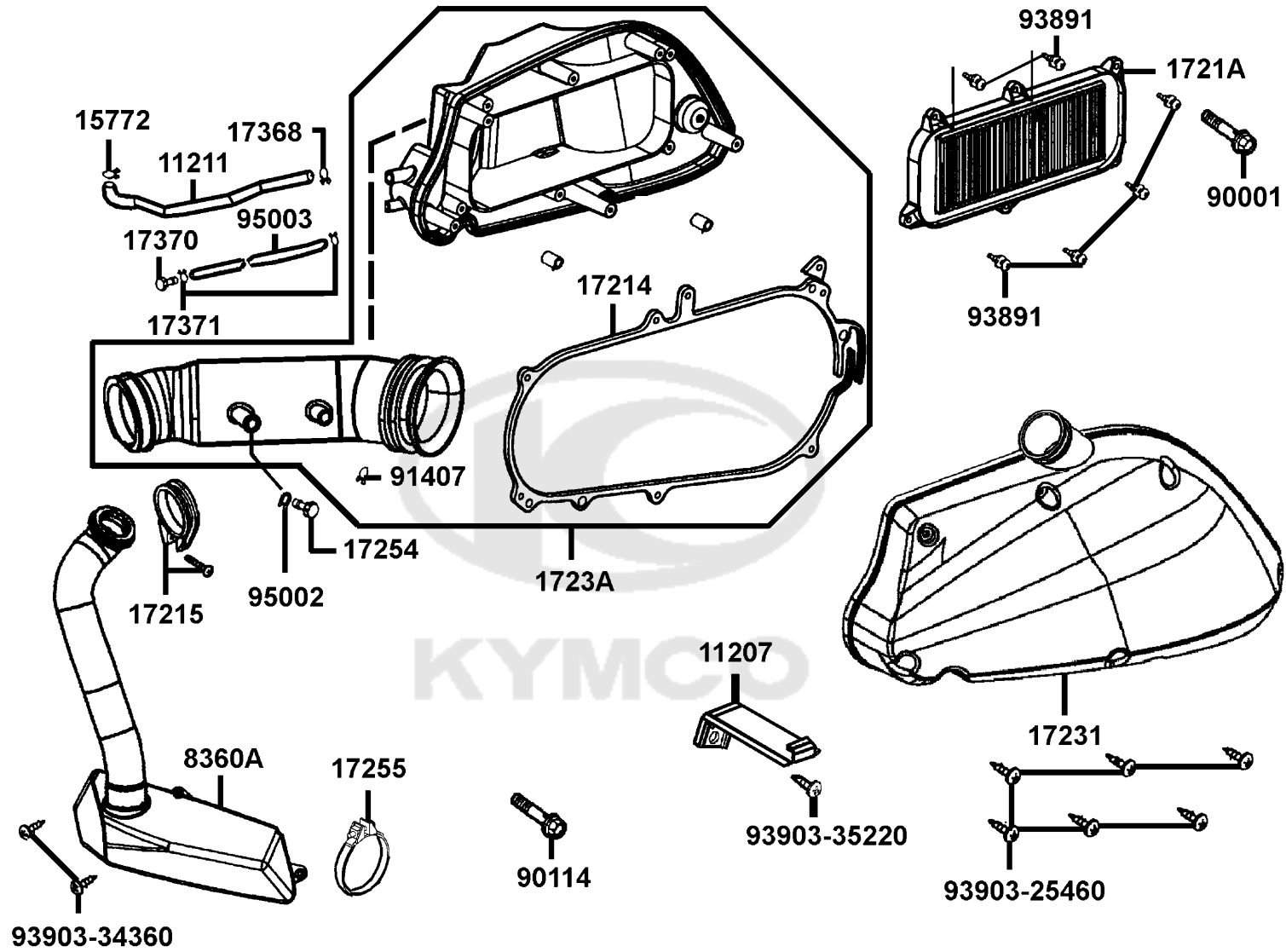


Sales mark 記号	Ref no 参照用番号	Part no パーツ番号	Description 部品名	Reg description 部品名	Regd no 必要個数	Ref Price 希望小売価格(税抜)
90105-KEC8	90105-KEC8-900	90105-KEC8-900	BOLT WASHER 8MM	BOLT WASHER 8MM	2	350
90105-KEN5	90105-KEN5-001	90105-KEN5-001	BOLT DISK 6*17	BOLT DISK 6*17	1	300
90105-KNBN	90105-KNBN-901	90105-KNBN-901	BOLT SPECIAL 8MM	BOLT SPECIAL 8MM	6	320
90106-KFC2	90106-KFC2-900	90106-KFC2-900	BOLT SPECIAL 8MM	BOLT SPECIAL 8MM	2	510
90111	90111-1G87-001	90111-1G87-001	BOLT FLANGE 6MM	BOLT FLANGE 6MM	2	60
90215	90215-KKC4-900	90215-KKC4-900	NUT CAP 6MM	NUT CAP 6MM	2	160
90302-GFY6-940	90302-GFY6-940	90302-GFY6-940	BOLT-WASH 5*16	BOLT-WASH 5*16	2	60
90302-SDA4	90302-SDA4-004	90302-SDA4-004	NUT SPRING 4MM	NUT SPRING 4MM	2	60
90305	90305-GHK8-001	90305-GHK8-001	NUT CLIP 6MM	NUT CLIP 6MM	1	60
90381	90381-GEZ5-001	90381-GEZ5-001	SCREW SPECIAL 6*17	SCREW SPECIAL 6*17	2	200
93500	93500-04012-0F	93500-04012-0F	SCREW PAN 4*12	SCREW PAN 4*12	1	160
93903-34360	93903-34360	93903-34360	SCREW WASHER 4*12	SCREW WASHER 4*12	6	60
93903-35360	93903-35360	93903-35360	SCREW WASHER 4*12	SCREW WASHER 4*12	8	60
93903-GFY6-900	93903-GFY6-900	93903-GFY6-900	SCREW WASHER 4*12	SCREW WASHER 4*12	2	60
95701	95701-06012-06	95701-06012-06	BOLT FLANGE 6*22 (K)	BOLT FLANGE 6*22 (K)	1	60

F12

Sales mark 記号	Ref no 参照用番号	Part no パーツ番号	Description 部品名	Reg description 部品名	Regd no 必要個数	Ref Price 希望小売価格(税抜)
11207		11207-KKC4-900	STAY RR FENDER	STAY RR FENDER	1	300
11211		11211-KKC2-900	TUBE MISSION BREATHER	TUBE MISSION BREATHER	1	750
15772		15772-5L00-013	CLIP B14.5 TUBE	CLIP B14.5 TUBE	1	60
17214		17214-KKC3-900	SEAL AIR/C COVER	SEAL AIR/C COVER	1	320
17215		17215-KGBG-90A	CLIP ASSY A/C DUCT	CLIP ASSY A/C DUCT	1	580
1721A		1721A-KKC3-900	ELEMENT ASSY AIR/C	ELEMENT ASSY AIR/C	1	1850
17231		17231-KKC3-900	COVER COMP AIR/C	COVER COMP AIR/C	1	2290
1723A		1723A-KKC3-E00	CASE ASSY AIR/C	CASE ASSY AIR/C	1	5520
17254		17254-KACA-P00	PLUG AIR/C CONN TUBE	PLUG AIR/C CONN TUBE	1	200
17255		17255-KGV7-671	BAND AIR/C CONN	BAND AIR/C CONN	1	390
17368		17368-KDB4-670	CLIP B 14.5 TUBE	CLIP B 14.5 TUBE	1	160
17370		17370-4K19-701	PLUG BREATHER TUBE	PLUG BREATHER TUBE	1	110
17371		17371-1D74-671	CLIP BREATHER TUBE	CLIP BREATHER TUBE	2	60
8360A		8360A-KKC4-900	CHAMBER ASSY AIR/C	CHAMBER ASSY AIR/C	1	2670
90001		90001-GBHB-681	BOLT FLANGE SHF 6*28	BOLT FLANGE SHF 6*28	1	60
90114		90114-KXCX-900	BOLT FLANGE SH 5*20	BOLT FLANGE SH 5*20	1	60
91407		91407-SGA7-004	CLAMP 17 FUSE HOSE	CLAMP 17 FUSE HOSE	1	300
93891		93891-05016-06	SCREW WASHER 5*16	SCREW WASHER 5*16	1	60
93903-25460		93903-25460	SCREW TAPPING 5*20 **93903-25480	SCREW TAPPING 5*20 **93903-25480 C.2005	6	60
93903-34360		93903-34360	SCREW WASHER 4*12	SCREW WASHER 4*12	2	60

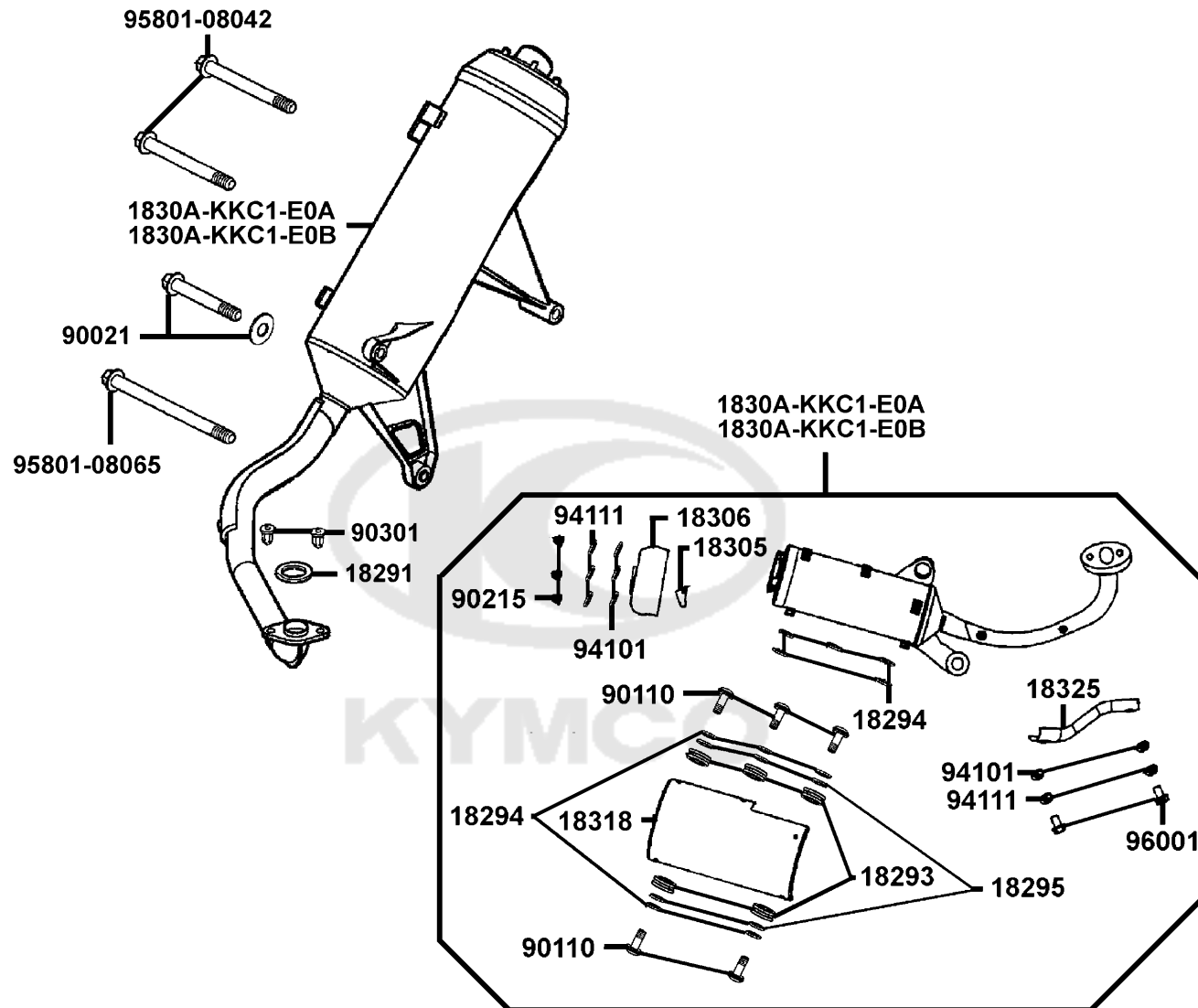
F13



Sales mark 記号	Ref no 参照用番号	Part no パーツ番号	Description 部品名	Reg description 部品名	Regd no 必要個数	Ref Price 希望小売価格(税抜)	F13
93903-35220	93903-35220	93903-35260	SCREW WASHER 4*12	SCREW WASHER 4*12	1	60	
95002	95002-02130	95002-02130	CLIP B12.5 TUBE	CLIP B12.5 TUBE	1	60	
95003	95003-23031-60	95003-23031-60	V TUBE 8*12*310	V TUBE 8*12*310	1	250	



Exhaust Muffler

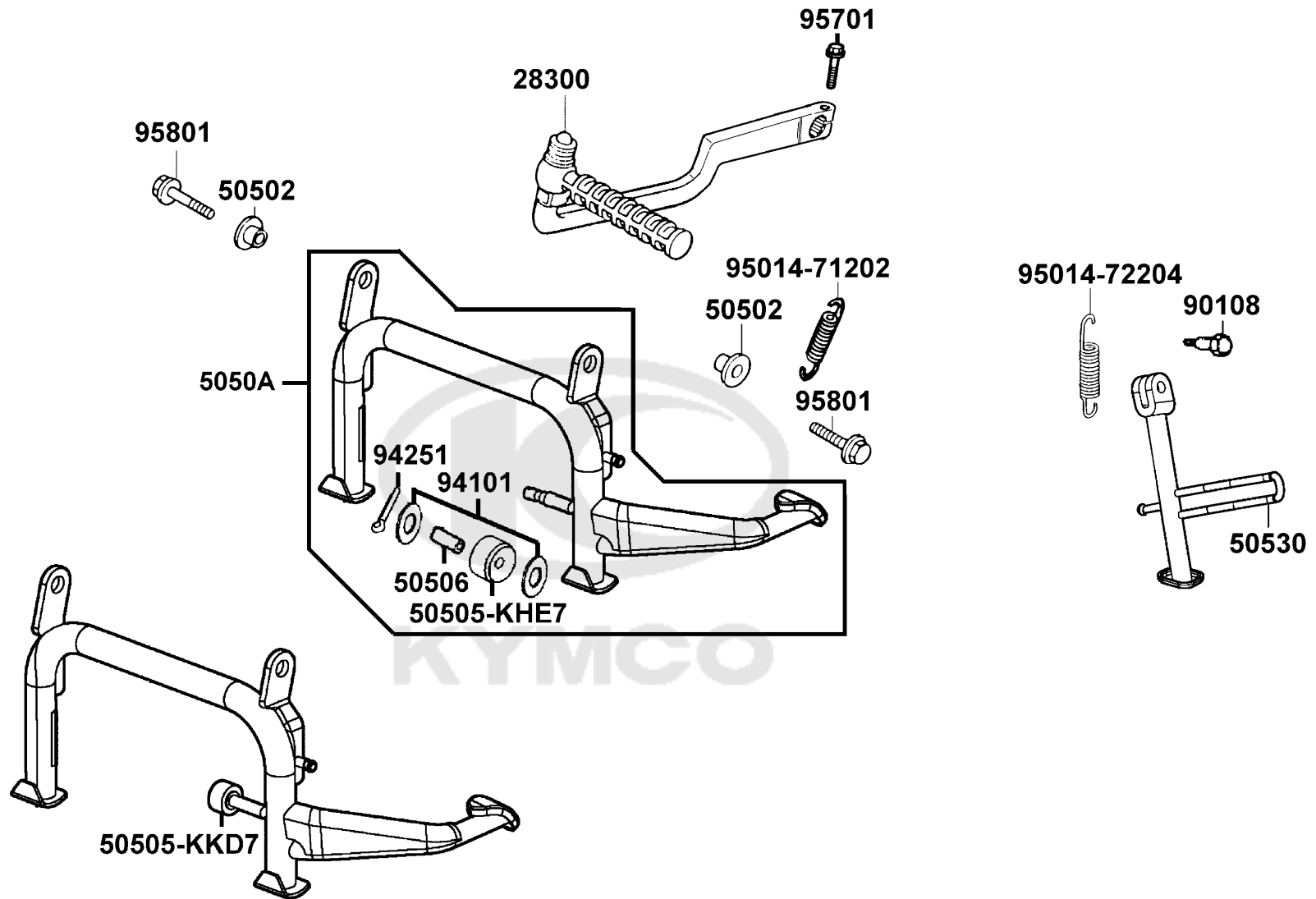


Sales mark 記号	Ref no 参照用番号	Part no パーツ番号	Description 部品名	Reg description 部品名	Regd no 必要個数	Ref Price 希望小売価格(税抜)
18291	18291-LEA5-E00	18291-LEA5-E00	GASKET EXH PIPE	GASKET EXH PIPE	1	210
18293	18293-KECE-900	18293-KECE-900	RUBBER A PROTECTOR	RUBBER A PROTECTOR	5	110
18294	18294-KEBE-900	18294-KEBE-900	PACKING PROTECTOR	PACKING PROTECTOR	10	110
18295	18295-KECE-900	18295-KECE-900	COLLAR 6MM	COLLAR 6MM	5	110
18305	18305-KHD8-900	18305-KHD8-900	PROTECTOR TAIL PIPE	PROTECTOR TAIL PIPE	1	780
18306	18306-KHD8-900	18306-KHD8-900	TAIL CAP MUFFLER	TAIL CAP MUFFLER	1	2390
1830A-KKC1-E0A	1830A-KKC1-E0A	1830A-KKC1-E0A	MUFFLER ASSY	MUFFLER ASSY	1	32160
1830A-KKC1-E0B	1830A-KKC1-E0B	1830A-KKC1-E0B	MUFFLER ASSY	MUFFLER ASSY	1	32160
18318	18318-KKC1-E00	18318-KKC1-E00	PROTECTOR MUFFLER	PROTECTOR MUFFLER	1	4000
18325	18325-KKC1-900	18325-KKC1-900	PROTECTOR EXH PIPE	PROTECTOR EXH PIPE	1	1540
90021	90021-GFY6-900	90021-GFY6-900	BOLT WASHER COMP	BOLT WASHER COMP	1	90
90110	90110-KHD8-900	90110-KHD8-900	SCREW SPECIAL 6*20	SCREW SPECIAL 6*20	5	60
90215	90215-GLM0-910	90215-GLM0-910	NUT CAP 6MM	NUT CAP 6MM	3	160
90301	90301-GFY6-901	90301-GFY6-901	NUT (HEX) CAP 8MM	NUT (HEX) CAP 8MM	2	140
94101	94101-06200	94101-06200	WASHER PLAIN 6MM	WASHER PLAIN 6MM	5	60
94111	94111-06800	94111-06800	WASHER SPRING 6MM	WASHER SPRING 6MM	5	60
95801-08042	95801-08042-06	95801-08042-06	BOLT FLANGE 8*42	BOLT FLANGE 8*42	2	70
95801-08065	95801-08065-06	95801-08065-06	BOLT FLANGE 8*65	BOLT FLANGE 8*65	1	320
96001	96001-06010-06	96001-06010-06	BOLT FLANGE 6*10	BOLT FLANGE 6*10	1	200

F14

F15

Stand Kick Starter Arm

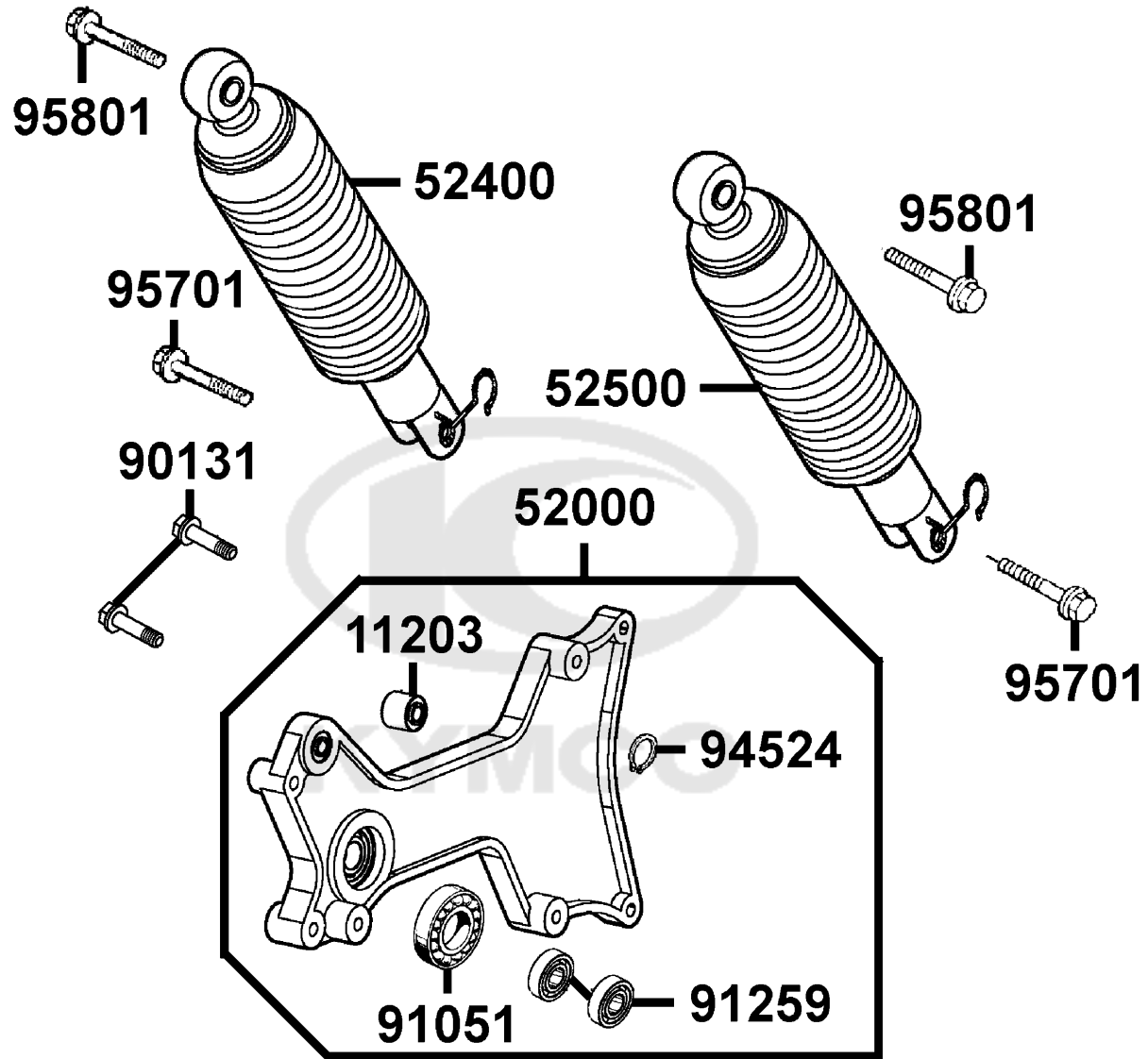


Sales mark 記号	Ref no 参照用番号	Part no パーツ番号	Description 部品名	Reg description 部品名	Regd no 必要個数	Ref Price 希望小売価格(税抜)
28300	28300-KKC2-E00	28300-KKC2-E00	ARM ASSY KICK STARTER	ARM ASSY KICK STARTER	1	3430
50502	50502-GFY6-901	50502-GFY6-901	COLLAR MAIN STAND	COLLAR MAIN STAND	2	140
50505-KHE7	50505-KHE7-E00	50505-KHE7-E00	STOPPER RUBBER	STOPPER RUBBER	1	130
50505-KKD7	50505-KKD7-900	50505-KKD7-900	RUBBER STOPPER MAIN	RUBBER STOPPER MAIN	1	200
50506	50506-KHE7-E00	50506-KHE7-E00	COLLAR STOPPER RUBBER	COLLAR STOPPER RUBBER	1	160
5050A	5050A-KKC3-900	5050A-KKC3-900	STAND ASSY MAIN	STAND ASSY MAIN	1	6280
50530	50530-KKC2-900	50530-KKC2-900	BAR SIDE STAND	BAR SIDE STAND	1	1530
90108	90108-KFC8-E10	90108-KFC8-E10	SCREW SIDE STAND PIVOT	SCREW SIDE STAND PIVOT	1	350
94101	94101-08700	94101-08700	WASHER PLAIN 8MM	WASHER PLAIN 8MM	2	200
94251	94251-08400	94251-08400	PIN LOCK 8MM	PIN LOCK 8MM	1	160
95014-71202	95014-71202	95014-71202	SPG B MAIN STAND	SPG B MAIN STAND	1	200
95014-72204	95014-72204	95014-72204	SPG B1 SIDE STAND	SPG B1 SIDE STAND	1	300
95701	95701-06022-06	95701-06022-06	BOLT FLANGE 6*22	BOLT FLANGE 6*22	1	60
95801	95801-10025-06	95801-10025-06	BOLT FLANGE 10*25	BOLT FLANGE 10*25	1	60

F15

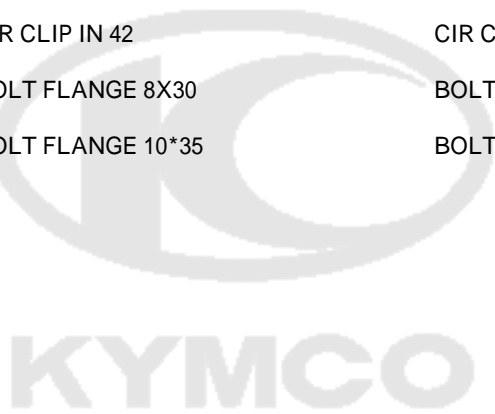
F16

Rear Cushion



Sales mark 記号	Ref no 参照用番号	Part no パーツ番号	Description 部品名	Reg description 部品名	Regd no 必要個数	Ref Price 希望小売価格(税抜)
	11203	11203-GGC7-301	UNDER RUBBER BUSH REAR CUSHION	UNDER RUBBER BUSH REAR CUSHION	1	250
**	52000	52000-KKC3-900	FORK ASSY REAR	FORK ASSY REAR	1	12170
**	52400	52400-KKC2-E00	CUSHION ASSY R RR	CUSHION ASSY R RR	1	9700
**	52500	52500-KKC2-E00	CUSHION ASSY L RR	CUSHION ASSY L RR	1	11130
	90131	90131-KFAF-900	BOLT FLANGE 8*42	BOLT FLANGE 8*42	2	300
	91051	91051-KFBF-901	BRG BALL RAKIAL 6203LLU	BRG BALL RAKIAL 6203LLU	1	1440
	91259	91259-KFBF-900	SEAL OIL	SEAL OIL	2	160
	94524	94524-42000	CIR CLIP IN 42	CIR CLIP IN 42	1	390
	95701	95701-08030-06	BOLT FLANGE 8X30	BOLT FLANGE 8X30	1	160
	95801	95801-10035-06	BOLT FLANGE 10*35	BOLT FLANGE 10*35	1	300

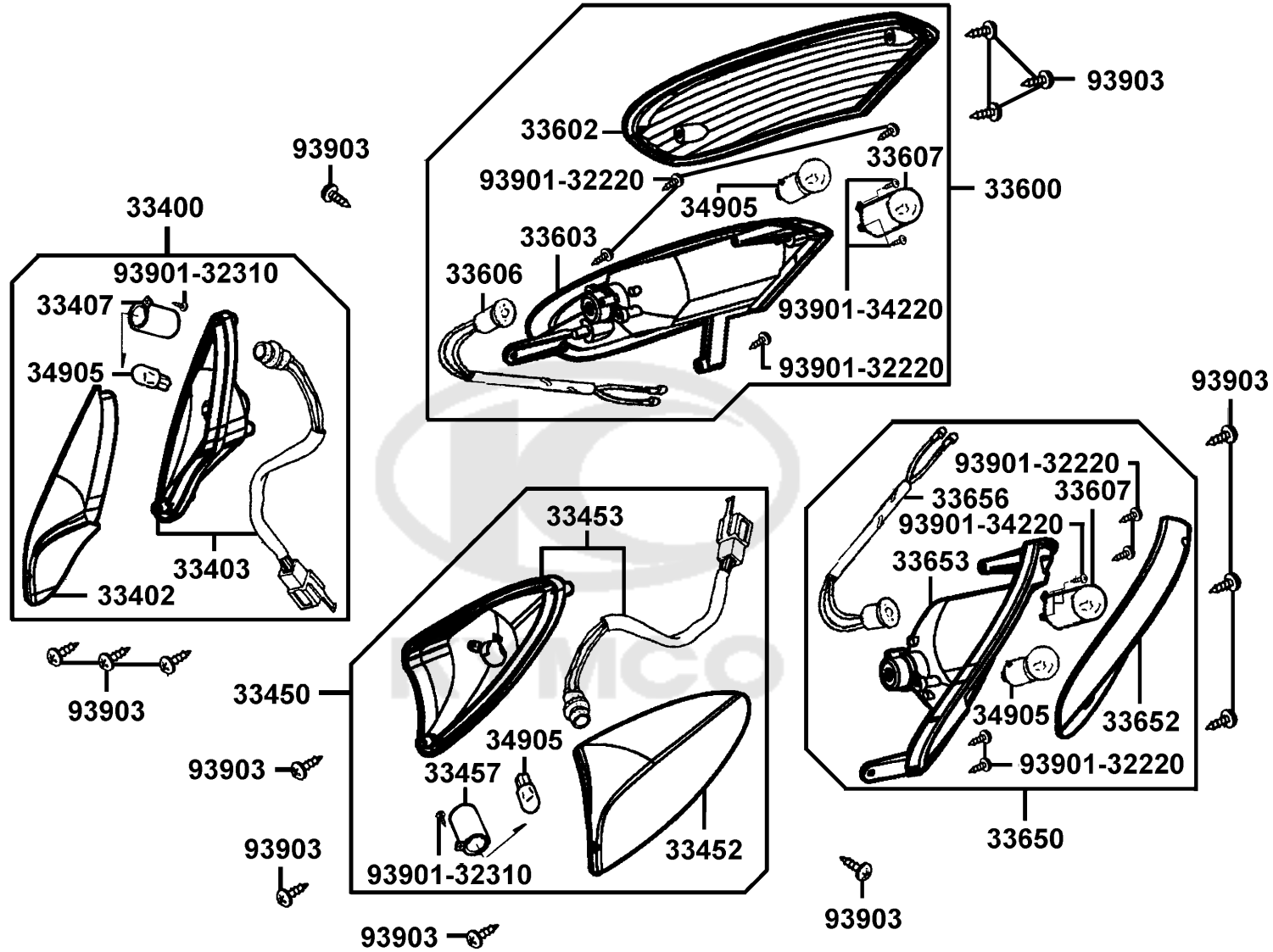
F16



F17

Front Winker

RR WINKER



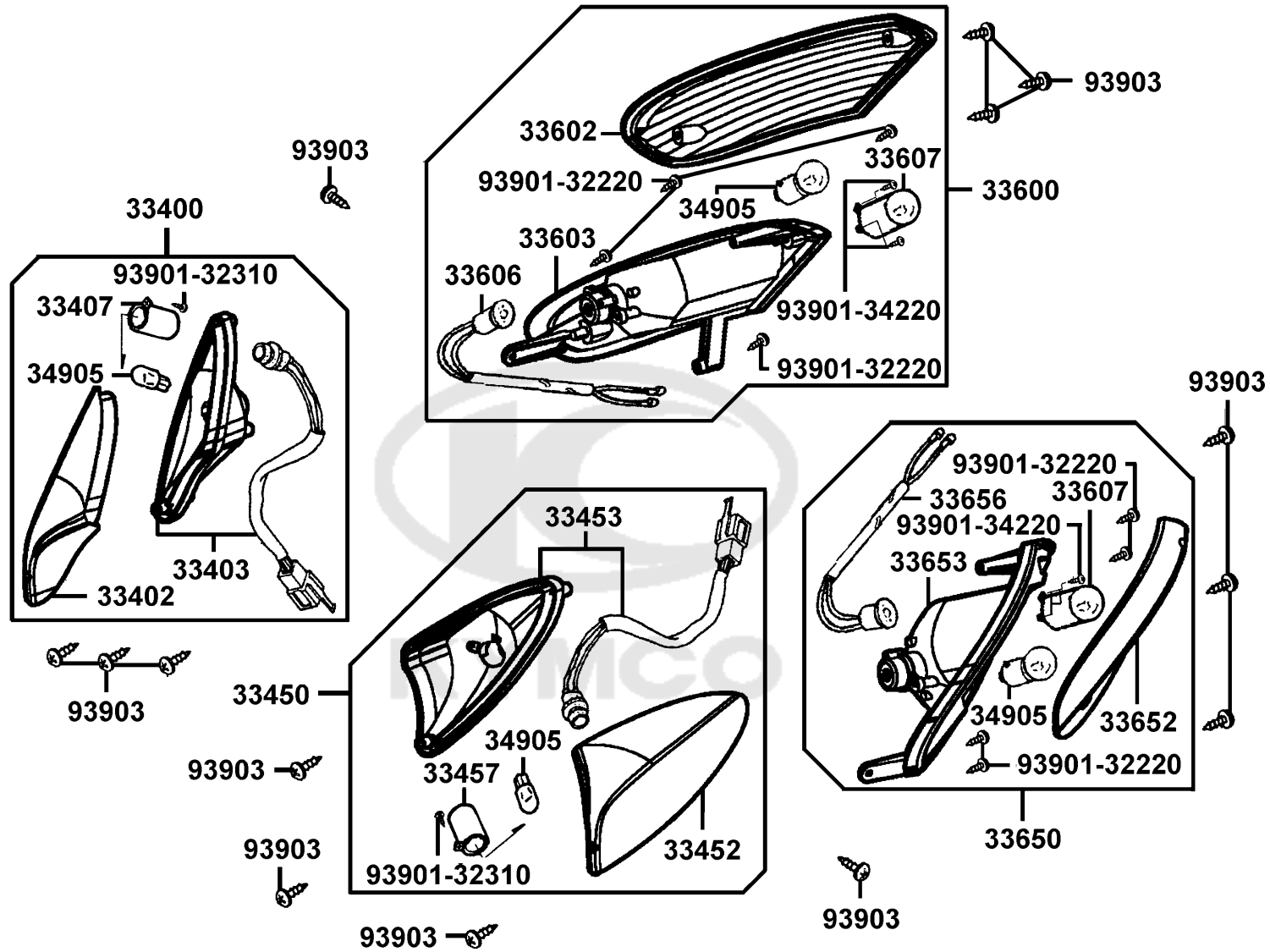
Sales mark 記号	Ref no 参照用番号	Part no パーツ番号	Description 部品名	Reg description 部品名	Regd no 必要個数	Ref Price 希望小売価格(税抜)
	33400	33400-KKC4-E00	WINKER ASSY R FR	WINKER ASSY R FR	1	2160
	33402	33402-KKC4-E00	LENS FR WINKER R	LENS FR WINKER R	1	490
	33403	33403-KKC4-E00	BASE COMP R FR WINKER	BASE COMP R FR WINKER	1	1820
	33407	33407-KKC4-E00	INNER LENS WINKER R	INNER LENS WINKER R	1	300
	33450	33450-KKC4-E00	WINKER ASSY L FR	WINKER ASSY L FR	1	2390
	33452	33452-KKC4-E00	LENS L FR WINKER	LENS L FR WINKER	1	490
	33453	33453-KKC4-E00	BASE COMP L FR WINKER	BASE COMP L FR WINKER	1	1820
	33457	33457-KKC4-E00	INNER LENS WINKER L	INNER LENS WINKER L	1	300
	33600	33600-KKC4-E00	WINKER ASSY R RR	WINKER ASSY R RR	1	3530
	33602	33602-KKC4-E00	LENS R RR WINKER	LENS R RR WINKER	1	490
	33603	33603-KKC4-E00	BASE R RR WINKER	BASE R RR WINKER	1	990
	33606	33606-KKC4-E00	SOCKET COMP R/L RR WINKER	SOCKET COMP R/L RR WINKER	1	700
	33607	33607-KKD7-E00	INNER LENS WINKER	INNER LENS WINKER	2	320
	33650	33650-KKC4-E00	WINKER ASSY L RR	WINKER ASSY L RR	1	3530
	33652	33652-KKC4-E00	LENS L RR WINKER	LENS L RR WINKER	1	490
	33653	33653-KKC4-E00	BASE L RR WINKER	BASE L RR WINKER	1	990
	33656	33656-KKC4-E00	SOCKET COMP R/L RR WINKER	SOCKET COMP R/L RR WINKER	1	700
	34905	34905-KPCP-900	BULB WINKER	BULB WINKER	4	400
	93901-32220	93901-32220	SCREW TAPPING 3*10	SCREW TAPPING 3*10	8	60
	93901-32310	93901-32310	SCREW TAPPING 3*12	SCREW TAPPING 3*12	2	60

F17

F17

Front Winker

RR WINKER



Sales mark 記号	Ref no 参照用番号	Part no パーツ番号	Description 部品名	Reg description 部品名	Regd no 必要個数	Ref Price 希望小売価格(税抜)
------------------	-----------------	------------------	--------------------	------------------------	-----------------	-------------------------

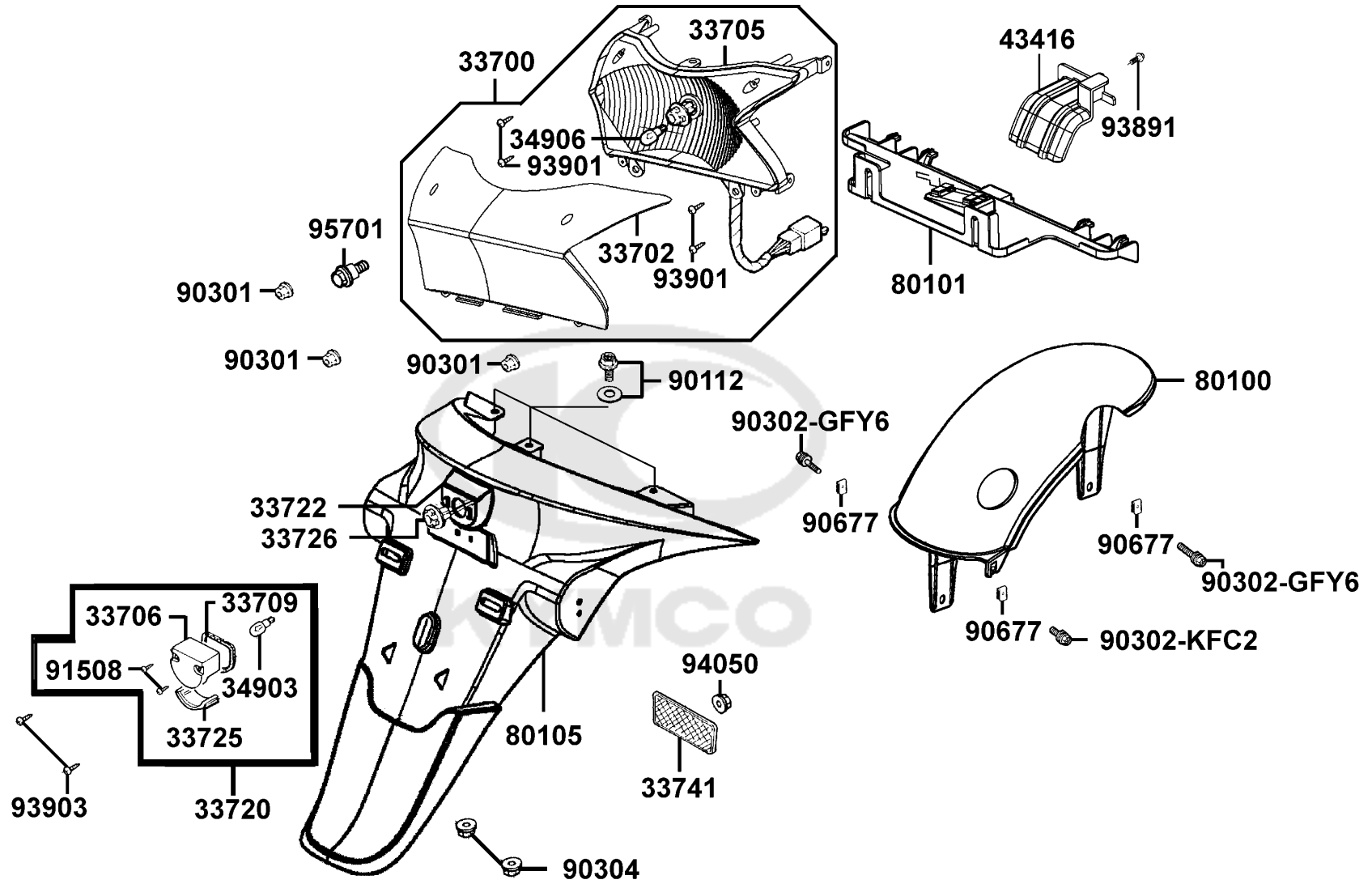
F17

93901-34220	93901-34220	93901-34220	SCREW TAPPING 4*10	SCREW TAPPING 4*10	4	60
93903	93903-34360	93903-34360	SCREW WASHER 4*12	SCREW WASHER 4*12	14	60



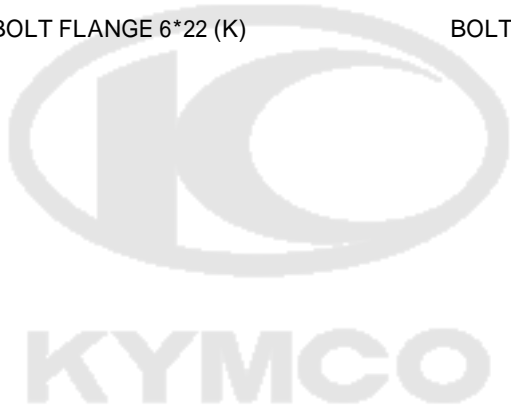
Sales mark 記号	Ref no 参照用番号	Part no パーツ番号	Description 部品名	Reg description 部品名	Regd no 必要個数	Ref Price 希望小売価格(税抜)
	33700	33700-KKC4-E00	LIGHT ASSY RR COMB	LIGHT ASSY RR COMB	1	10460
	33702	33702-KKC4-E00	LENS TAIL LIGHT	LENS TAIL LIGHT	1	3810
	33705	33705-KKC4-E00	BASE COMP TAIL LIGHT	BASE COMP TAIL LIGHT	1	4720
	33706	33706-GCN3-67A	COVER LICENSE	COVER LICENSE	1	130
	33709	33709-KBAB-003	PACKING LICENSE	PACKING LICENSE	1	130
	33720	33720-KHB4-E00	LIGHT ASSY LICENSE	LIGHT ASSY LICENSE	1	1150
	33722	33722-KHB4-E00	BASE LICENSE	BASE LICENSE	1	110
	33725	33725-KHB4-E00	LENS LICENSE	LENS LICENSE	1	110
	33726	33726-KHB4-E00	SOCKET COMP	SOCKET COMP	1	490
	33741	33741-KEBE-900	REFLEX REFLECTOR	REFLEX REFLECTOR	1	680
	34903	34903-KPCP-900	BULB POSITION LIGHT 12V5W **KCP-	BULB POSITION LIGHT 12V5W **KCP-9000	1	320
	34906	34906-KPCP-900	BULB TAIL & STOP	BULB TAIL & STOP	1	770
	43416	43416-KKC4-900	GUARD RR CALIPER	GUARD RR CALIPER	1	300
**	80100	80100-KKC4-900	FENDER RR TIRE	FENDER RR TIRE	1	960
**	80101	80101-KKC4-800	FENDER RR INNER	FENDER RR INNER	1	680
	80105	80105-KKC4-800	FENDER RR **(5) C.2007.12.12	FENDER RR **(5) C.2007.12.12	1	1250
	90112	90112-KNBN-901	BOLT FLANGE 6MM	BOLT FLANGE 6MM	3	160
	90301	90301-6D34-671	NUT FLANGE 6MM	NUT FLANGE 6MM	3	60
	90302-GFY6	90302-GFY6-940	BOLT-WASH 5*16	BOLT-WASH 5*16	2	60
	90302-KFC2	90302-KFC2-900	BOLT WASHER 5*25	BOLT WASHER 5*25	1	80

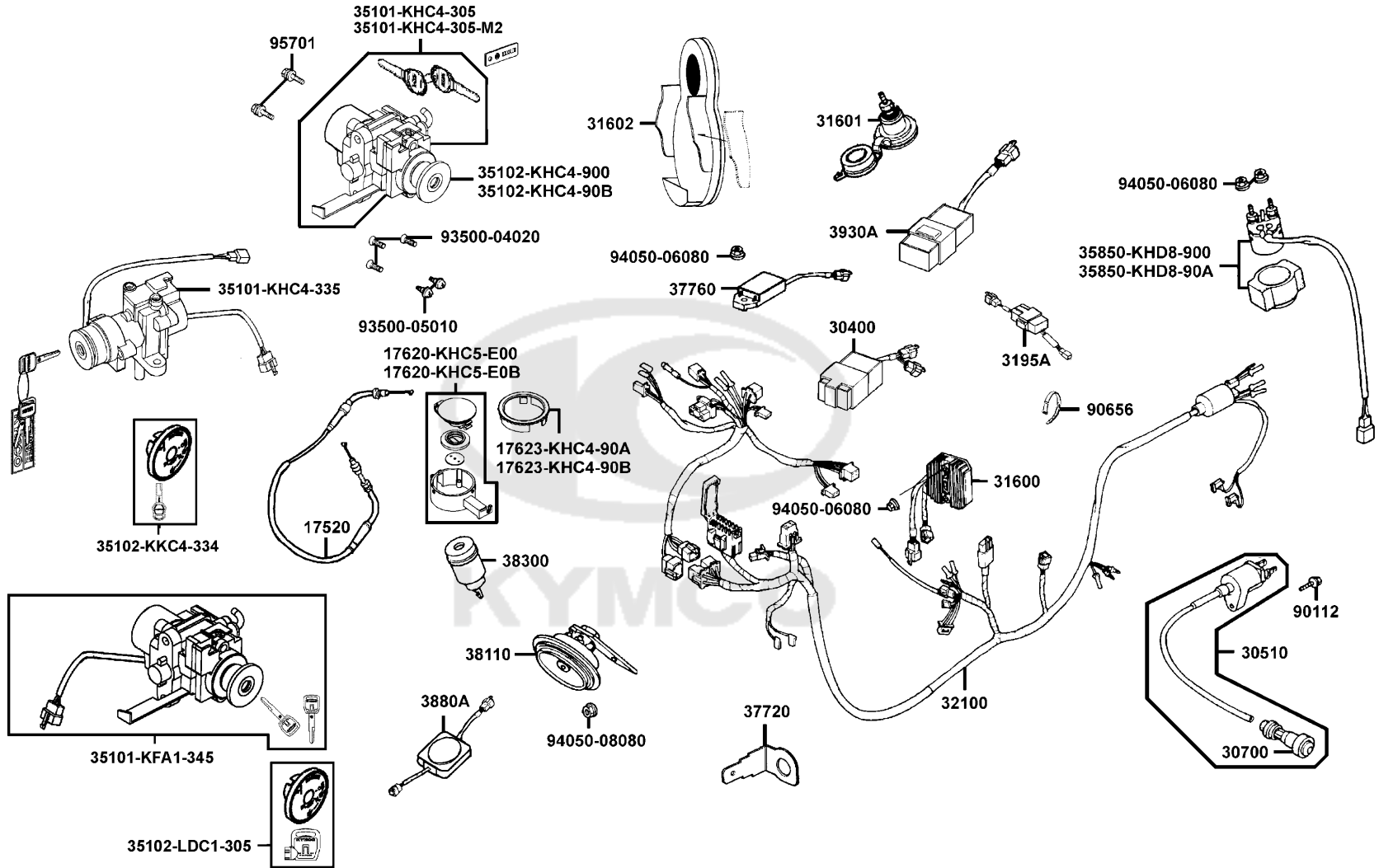
F18



Sales mark 記号	Ref no 参照用番号	Part no パーツ番号	Description 部品名	Reg description 部品名	Regd no 必要個数	Ref Price 希望小売価格(税抜)
90304	90304-4H38-001		NUT HEX CAP 6MM	NUT HEX CAP 6MM	2	200
90677	90677-GAR1-004		NUT CLIP 5MM	NUT CLIP 5MM	3	60
91508	91508-KGV7-67A		SCREW TAPPING 4*14	SCREW TAPPING 4*14	2	200
93891	93891-05030-06		SCREW WASHER 5*30	SCREW WASHER 5*30	1	60
93901	93901-34320		SCREW TAPPING 4*12	SCREW TAPPING 4*12	4	60
93903	93903-34360		SCREW WASHER 4*12	SCREW WASHER 4*12	2	60
94050	94050-05080		NUT FLANGE 5MM	NUT FLANGE 5MM	1	200
95701	95701-06012-06		BOLT FLANGE 6*22 (K)	BOLT FLANGE 6*22 (K)	1	60

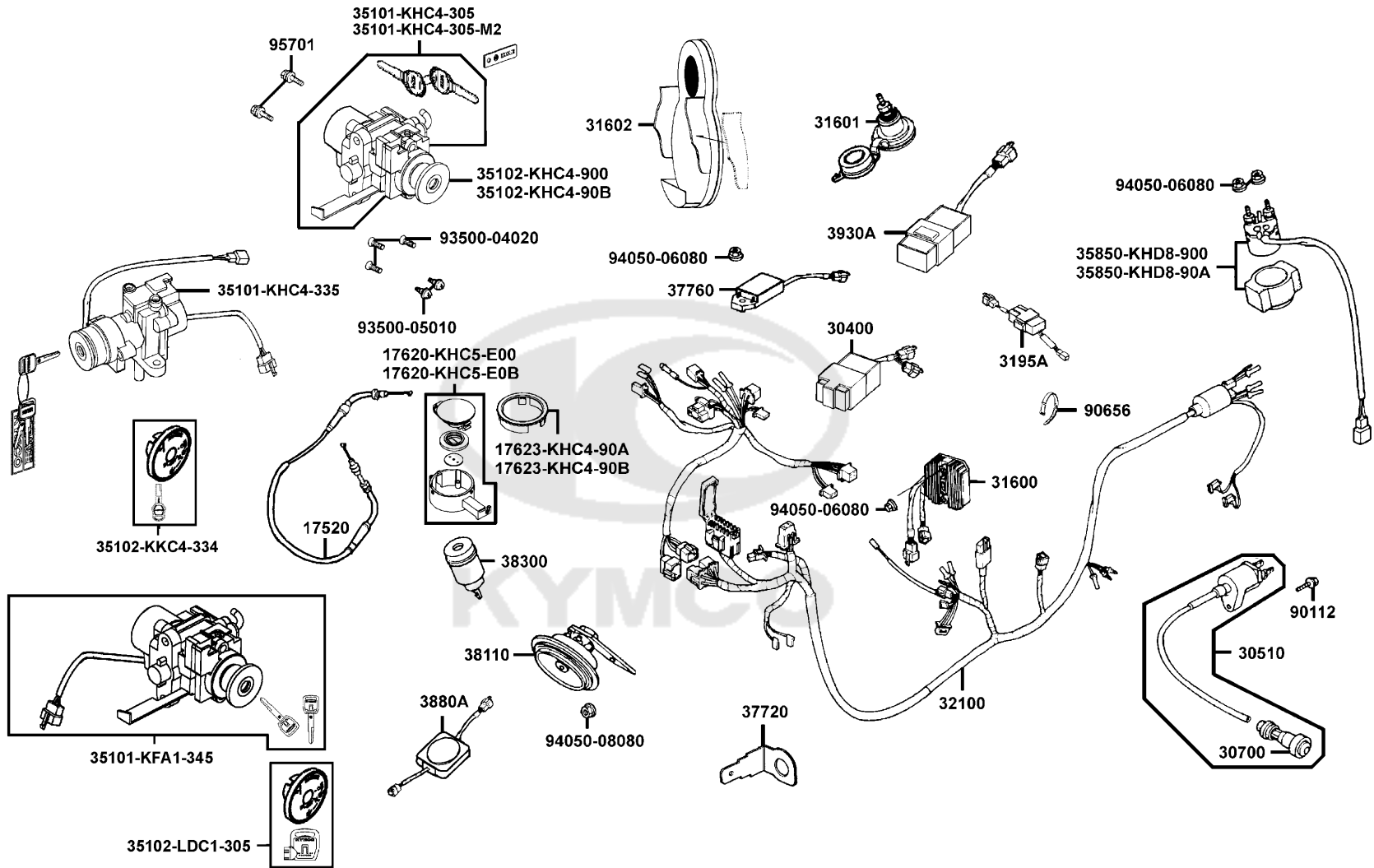
F18





Sales mark 記号	Ref no 参照用番号	Part no パーツ番号	Description 部品名	Reg description 部品名	Regd no 必要個数	Ref Price 希望小売価格(税抜)
17520		17520-KKC4-900	CABLE COMP FUEL CAP	CABLE COMP FUEL CAP	1	1250
17620-KHC5-E00		17620-KHC5-E00	CAP COMP FUEL FILLER	CAP COMP FUEL FILLER	1	3910
17620-KHC5-E0B		17620-KHC5-E0B	CAP COMP FUEL FILLER	CAP COMP FUEL FILLER	1	3910
17623-KHC4-90A		17623-KHC4-90A	COLLAR FUEL CAP	COLLAR FUEL CAP	1	300
17623-KHC4-90B		17623-KHC4-90B	COLLAR FUEL CAP	COLLAR FUEL CAP	1	300
30400		30400-KGN7-671	UNIT ASSY CDI	UNIT ASSY CDI	1	6660
30510		30510-KEBE-900	COIL COMP IGN	COIL COMP IGN	1	4190
30700		30700-KGN7-671	CAP ASSY NOISE SUPPRESSOR	CAP ASSY NOISE SUPPRESSOR	1	870
31600		31600-KAM1-009	REG REC COMP	REG REC COMP	1	7990
31601		31601-KKC4-900	SOCKET COMP DC12V	SOCKET COMP DC12V	1	1910
31602		31602-KKC4-900	SOCKET COMP CELL-PHONE	SOCKET COMP CELL-PHONE	1	2860
3195A		3195A-KKC4-B20	HAZARD CONTROL UNIT	HAZARD CONTROL UNIT	1	5100
32100		32100-KKC1-B20	HARNESS WIRE **KKC2-B23 N.C.	HARNESS WIRE **KKC2-B23 N.C.	1	17030
32100		32100-KKC2-B23	HARNESS WIRE	HARNESS WIRE	1	16650
35101-KFA1-345		35101-KFA1-345	SW COMB & LOCK SET	SW COMB & LOCK SET	1	11410
35101-KHC4-305		35101-KHC4-305	SW SET COMB & LOCK	SW SET COMB & LOCK	1	9890
35101-KHC4-305-M2		35101-KHC4-305-M2	SW SET COMB & LOCK	SW SET COMB & LOCK	1	9890
35101-KHC4-335		35101-KHC4-335	YW COMB & LOCK SET/FOR SERVICE	YW COMB & LOCK SET/FOR SERVICE	1	12360
35102-KHC4-900		35102-KHC4-900	COLLAR MAIN SW	COLLAR MAIN SW	1	300
35102-KHC4-90B		35102-KHC4-90B	COLLAR MAIN SW	COLLAR MAIN SW	1	300

F19

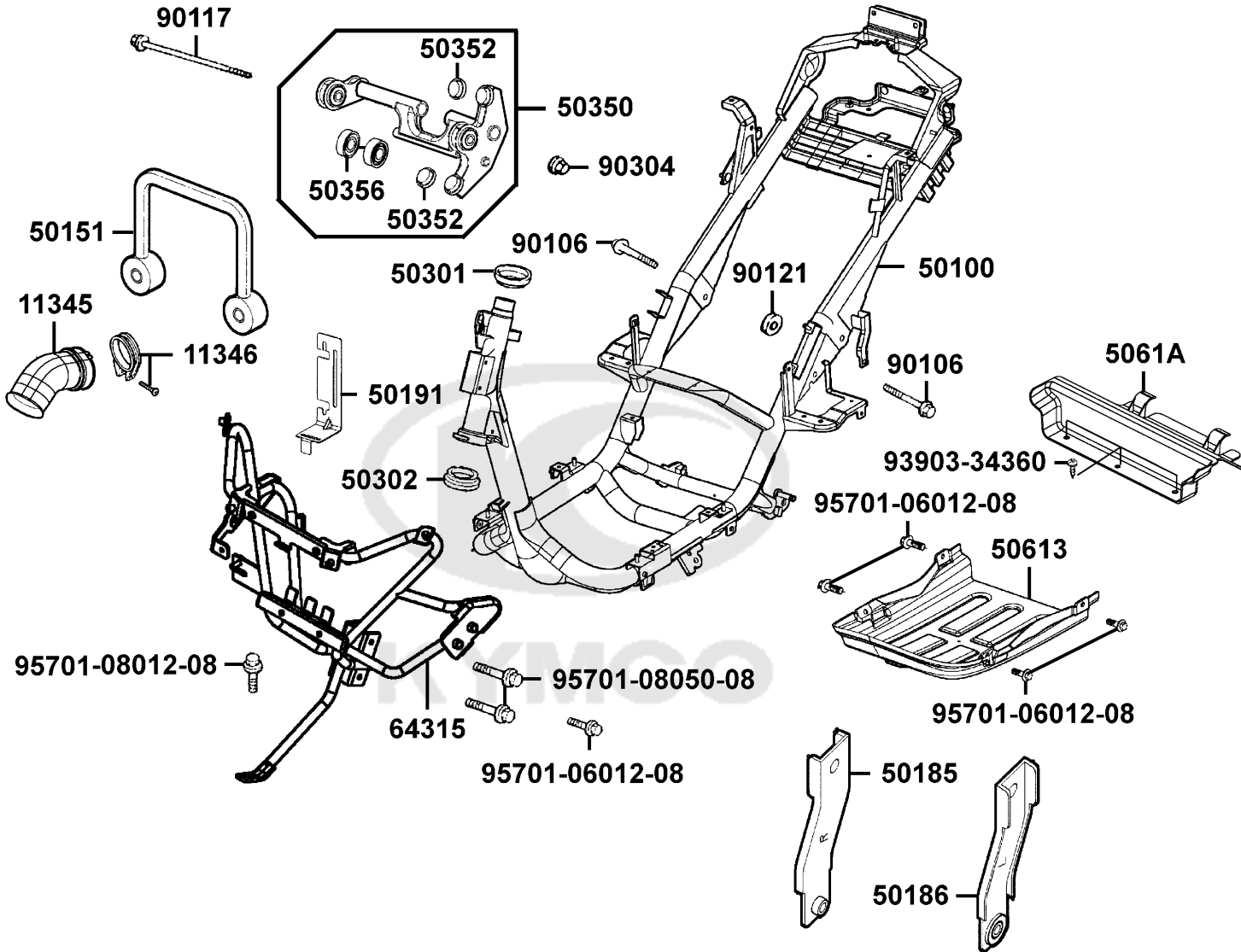


Sales mark 記号	Ref no 参照用番号	Part no パーツ番号	Description 部品名	Reg description 部品名	Regd no 必要個数	Ref Price 希望小売価格(税抜)
	35102-KKC4-334	35102-KKC4-334	SHUTTER MAGNETIC LOCK SET	SHUTTER MAGNETIC LOCK SET	1	5710
	35102-LDC1-305	35102-LDC1-305-M1	SHUTTER SET MAGNETIC LOCK	SHUTTER SET MAGNETIC LOCK	1	5520
	35850-KHD8-90A	35850-LDA6-90A		SET START MAG(旧品番の「35850-KHD8-	1	2670
	35850-KHD8-900	35850-LDA6-90B		SET START MAG(旧品番の「35850-KHD8-	1	2860
	37720	37720-KGBG-E00	EARTH TERMINAL HEATER	EARTH TERMINAL HEATER	1	110
	37760	37760-KGBG-E10	UNIT HEATER CONTROL	UNIT HEATER CONTROL	1	5620
	38110	38110-KKC3-90B	HORN COMP	HORN COMP	2	2480
	38300	38300-KECE-900	RELAY ASSY WINKER	RELAY ASSY WINKER	1	2530
	3880A	3880A-KKC4-B00	ASSY CELLULAR PHONE INDICATOR	ASSY CELLULAR PHONE INDICATOR	1	
	3930A	3930A-KKC4-900	BACK MIRROR CTRL ASSY	BACK MIRROR CTRL ASSY	1	6710
	90112	90112-KRDR-900	BOLT FLANGE 5*22	BOLT FLANGE 5*22	1	130
**	90656	90656-KUDU-900	BAND HARNESS WIRE **KUDU-900	BAND HARNESS WIRE **KUDU-900	1	60
	93500-04020	93500-04020-0G	SCREW PAN 4*20	SCREW PAN 4*20	3	60
	93500-05010	93500-05010-0F	SCREW PAN 5X10(G)	SCREW PAN 5X10(G)	2	200
	94050-06080	94050-06080	NUT FLANGE 6MM	NUT FLANGE 6MM	4	60
	94050-08080	94050-08080	NUT FLANGE 8MM	NUT FLANGE 8MM	1	60
	95701	95701-08025-06	BOLT FLANGE 6*22 (K)	BOLT FLANGE 6*22 (K)	1	60

F19

F20

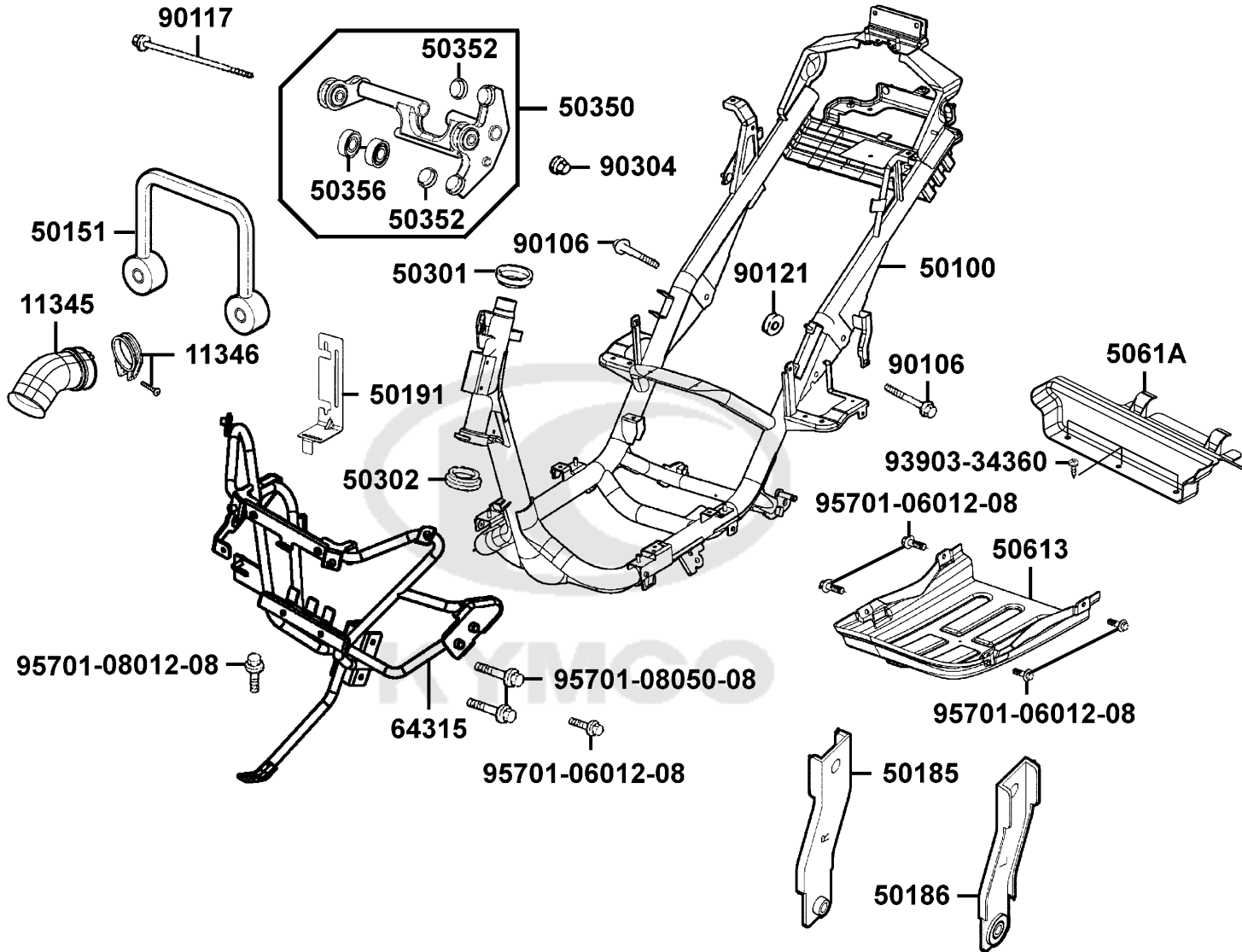
Frame Body



Sales mark 記号	Ref no 参照用番号	Part no パーツ番号	Description 部品名	Reg description 部品名	Regd no 必要個数	Ref Price 希望小売価格(税抜)	F20
11345		11345-KKC2-E00	DUCT L COVER	DUCT L COVER	1	420	
11346		11346-KKC3-900	BAND L COVER DUCT	BAND L COVER DUCT	1	580	
50100		50100-KKC2-B20	BODY COMP FRAME	BODY COMP FRAME	1	77180	
50151		50151-KKC4-900	HOOK CARRIER	HOOK CARRIER	1	580	
50185		50185-KKC4-900	STAY R BODY COVER	STAY R BODY COVER	1	390	
50186		50186-KKC4-900	STAY L BODY COVER	STAY L BODY COVER	1	390	
50191		50191-KKC4-900	STAY ALARM SYSTEM	STAY ALARM SYSTEM	1	580	
50301		50301-KGN7-671	RACE UP STRG BALL	RACE UP STRG BALL	1	540	
50302		50302-2H68-011	RACE STRG BOT BALL	RACE STRG BOT BALL	1	610	
50350		50350-LEA5-B20	ENG HANGER COMP	ENG HANGER COMP	1	12270	
50352		50352-GFY6-901	RUBBER STOPPER	RUBBER STOPPER	2	200	
50356		50356-KHE7-E00	BUSH SWING LOCK	BUSH SWING LOCK	2	1060	
50613		50613-KKC4-900	COVER UNDER	COVER UNDER	1	1440	
5061A		5061A-KKC3-900	DEFLECTION UNDER	DEFLECTION UNDER	1	1250	
64315		64315-KKC4-900	STAY FR COVER	STAY FR COVER	1	14260	
90106		90106-KHE7-E00	BOLT FLANGE 12*59	BOLT FLANGE 12*59	2	390	
90117		90117-KED9-900	BOLT FLANGE 10*265	BOLT FLANGE 10*265	1	870	
90121		90121-KHE7-E00	COLLAR DISTANCE	COLLAR DISTANCE	1	200	
90304		90304-GHE8-004	NUT CAP 6MM	NUT CAP 6MM	1	200	
93903-34360		93903-34360	SCREW WASHER 4*12	SCREW WASHER 4*12	3	60	

F20

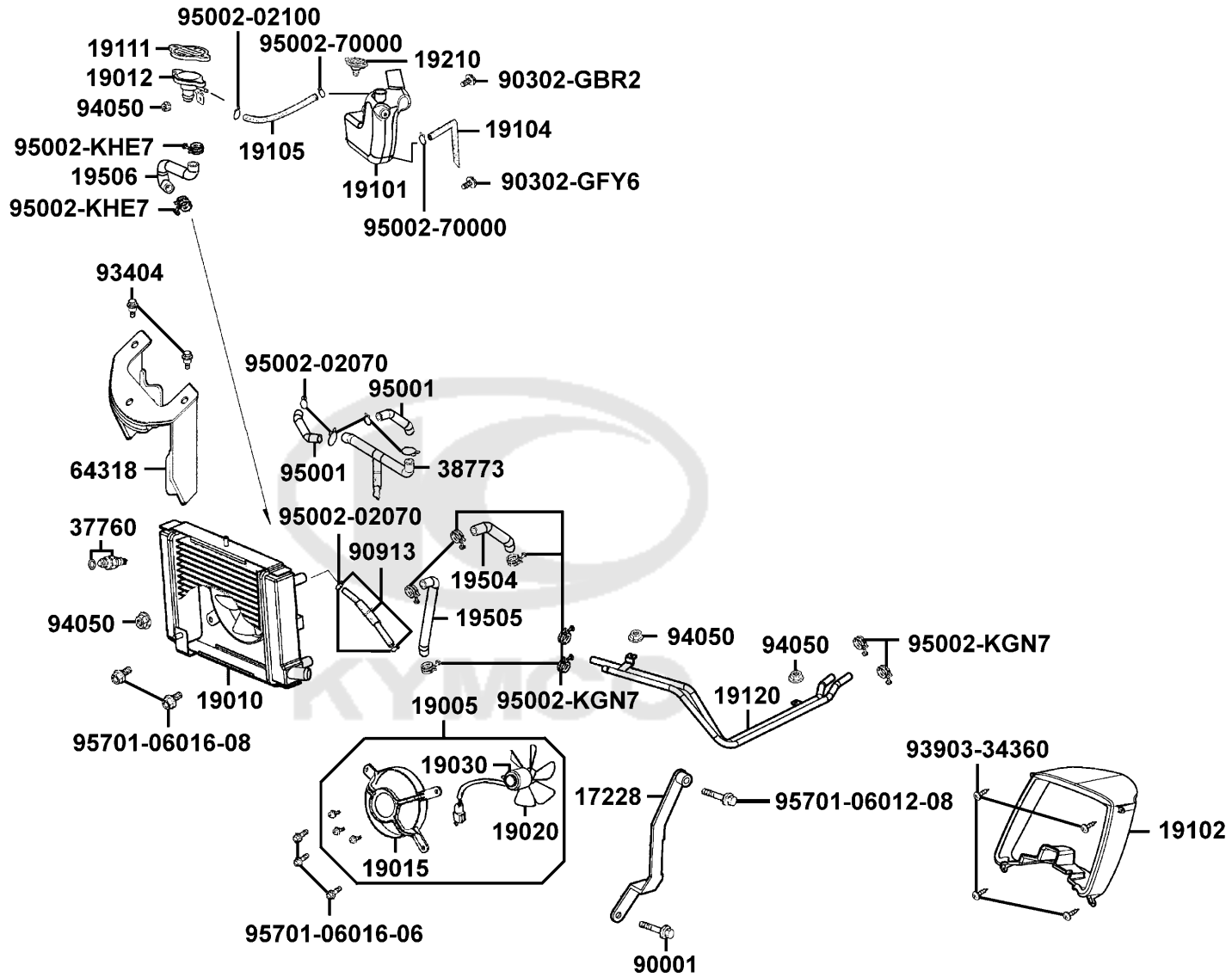
Frame Body



Sales mark 記号	Ref no 参照用番号	Part no パーツ番号	Description 部品名	Reg description 部品名	Regd no 必要個数	Ref Price 希望小売価格(税抜)	F20
95701-06012-08	95701-06012-06	95701-06012-06	BOLT FLANGE 6*22 (K)	BOLT FLANGE 6*22 (K)	1	60	
95701-08012-08	95701-08012-06	95701-08012-06	BOLT FLANGE 6*22 (K)	BOLT FLANGE 6*22 (K)	1	60	
95701-08050-08	95701-08050-06	95701-08050-06	BOLT FLANGE 8*50	BOLT FLANGE 8*50	1	230	

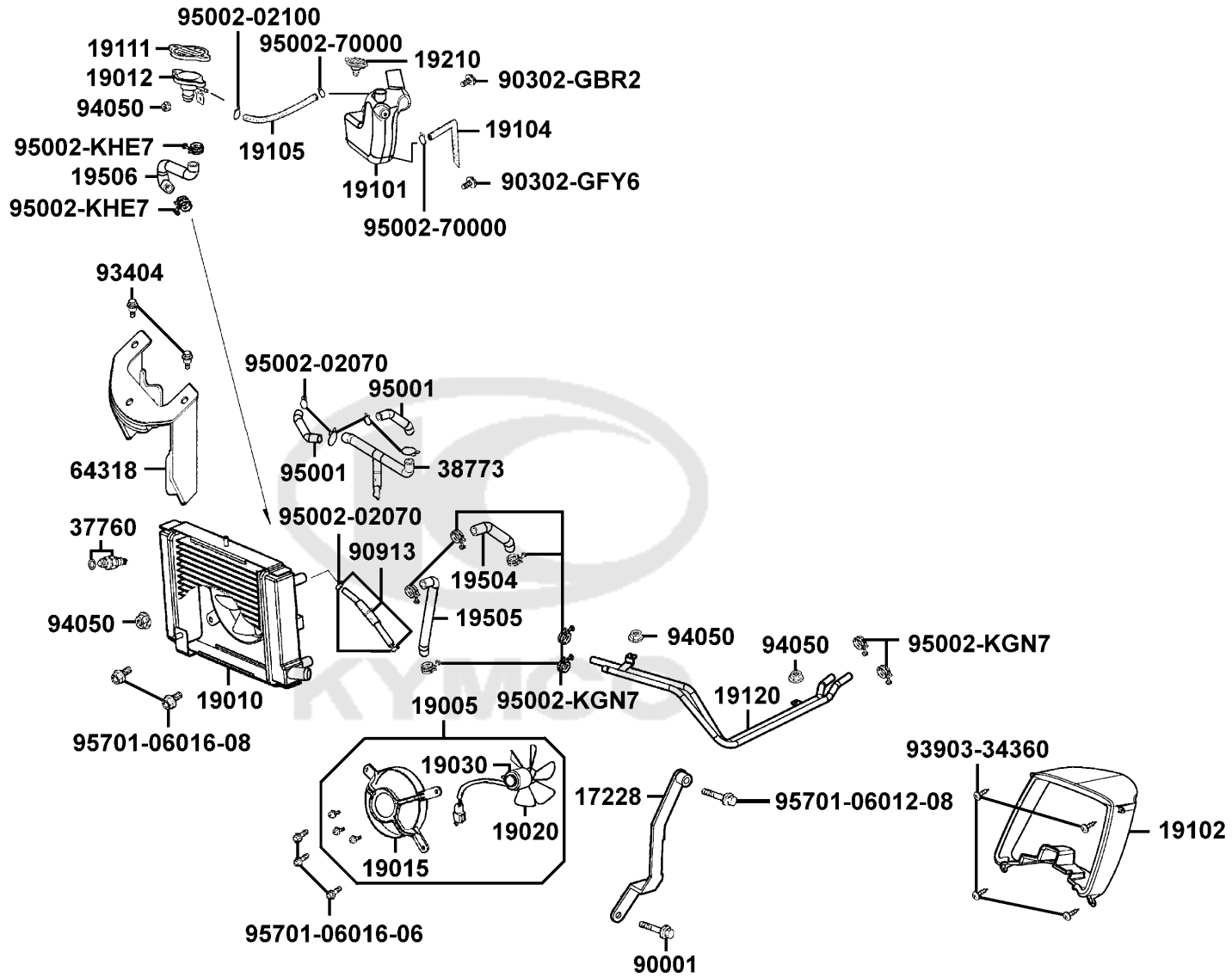


Radiator



Sales mark 記号	Ref no 参照用番号	Part no パーツ番号	Description 部品名	Reg description 部品名	Regd no 必要個数	Ref Price 希望小売価格(税抜)	F21
17228		17228-KKC3-900	STAY A/C	STAY A/C	1	580	
19005		19005-KKC4-900	SHROUD ASSY	SHROUD ASSY	1	17490	
19010		19010-KKC4-900	RADIATOR COMP	RADIATOR COMP	1	18310	
19012		19012-KHD8-900	UNIT RADIATOR	UNIT RADIATOR	1	1720	
19015		19015-KKC4-900	SHROUD COMP	SHROUD COMP	1	1820	
19020		19020-KED9-900	FAN COOLING	FAN COOLING	1	870	
19030		19030-KHD8-900	MOTOR ASSY FAN	MOTOR ASSY FAN	1	16730	
19101		19101-KKC4-900	TANK RESERVE	TANK RESERVE	1	2100	
19102		19102-KKC4-900	DUCT COOLING AIR	DUCT COOLING AIR	1	960	
19104		19104-KKC4-900	HOSE ASSY DRAIN	HOSE ASSY DRAIN	1	680	
19105		19105-KKC4-900	HOSE ASSY RESERVE-COOLER	HOSE ASSY RESERVE-COOLER	1	580	
19111		19111-GBE2-004	CAP COMP	CAP COMP	1	1340	
19120		19120-KKC4-900	PIPE COMP WATER	PIPE COMP WATER	1	4950	
19210		19210-KKC4-900	CAP RESERVE TANK	CAP RESERVE TANK	1	200	
19504		19504-KKC4-900	HOSE WATER D RADIATOR-PIPE	HOSE WATER D RADIATOR-PIPE	1	770	
19505		19505-KKC4-900	HOSE WATER F PIPE-RADIATOR	HOSE WATER F PIPE-RADIATOR	1	770	
19506		19506-KKC4-900	HOSE WATER G RADIATOR-UNIT	HOSE WATER G RADIATOR-UNIT	1	580	
37760		37760-KHD8-900	SW ASSY THERMO	SW ASSY THERMO	1	5500	
38773		38773-PKB9-001	JOINT 3 WAY 3.5	JOINT 3 WAY 3.5	1	110	
64318		64318-KKC4-900	STAY METER	STAY METER	1	580	

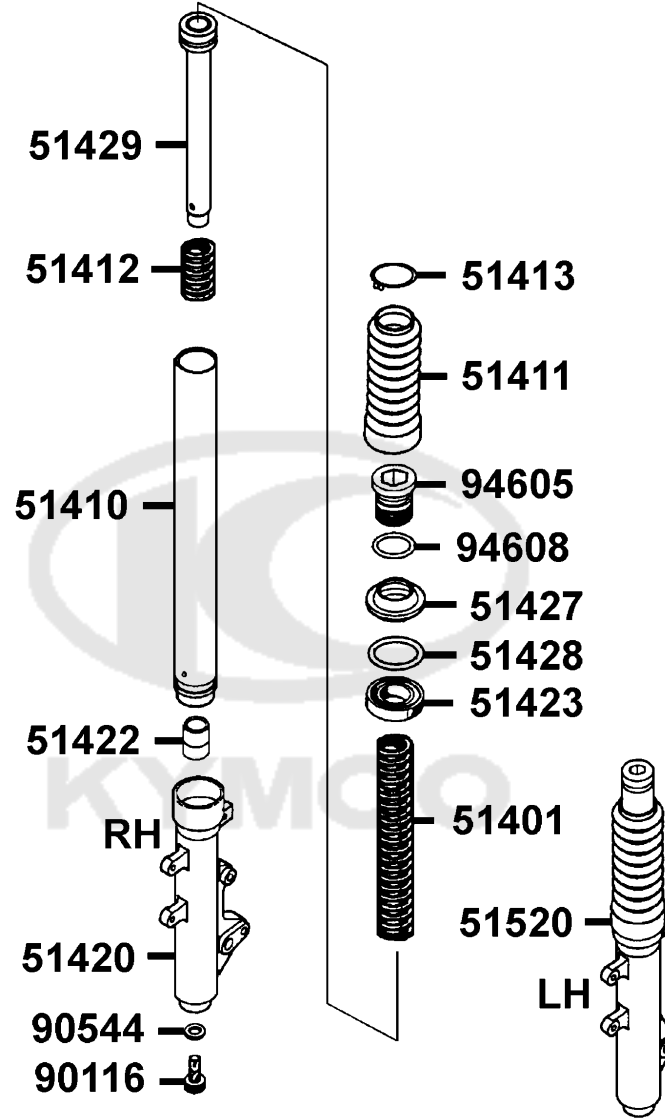
Radiator



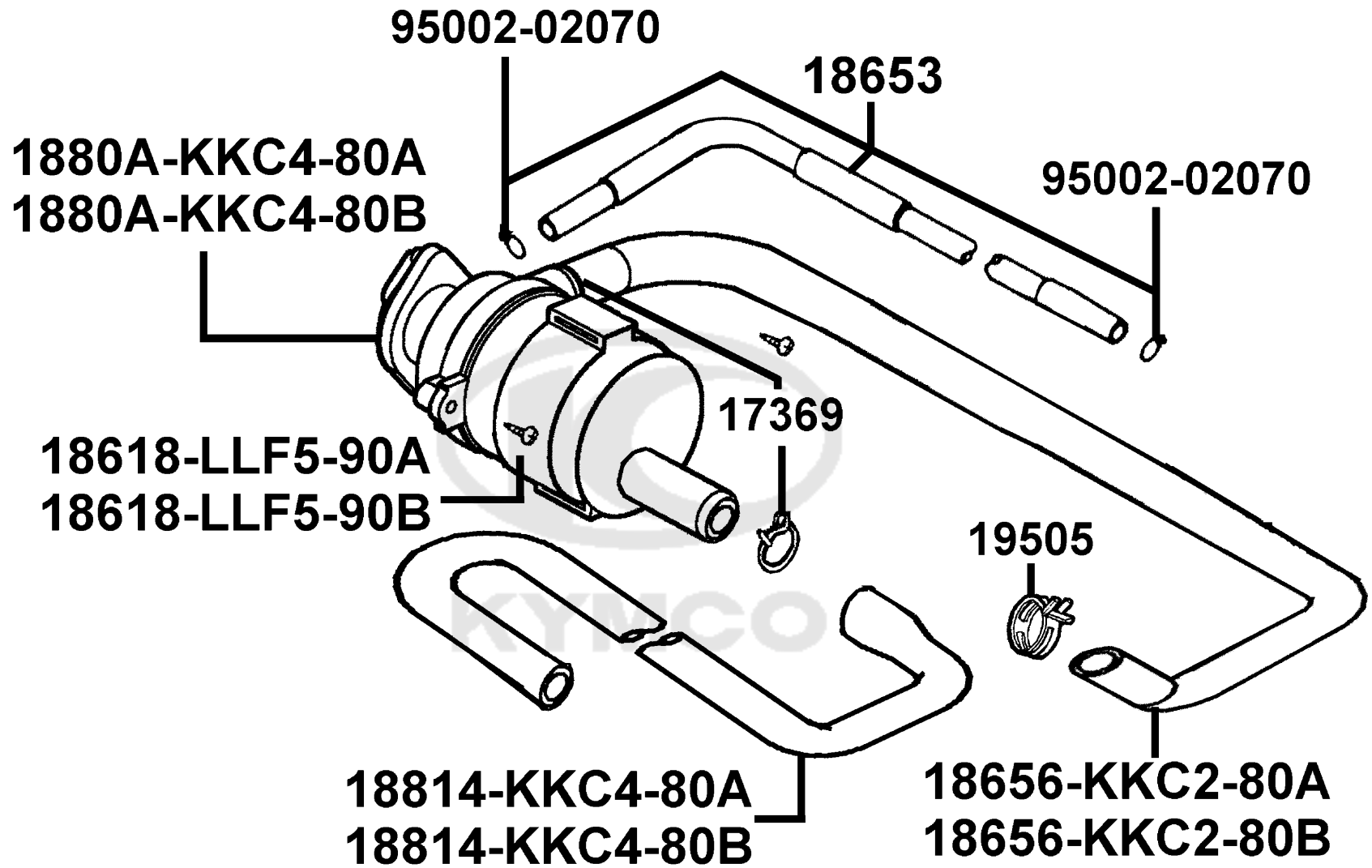
Sales mark 記号	Ref no 参照用番号	Part no パーツ番号	Description 部品名	Reg description 部品名	Regd no 必要個数	Ref Price 希望小売価格(税抜)
90001		90001-GBHB-661	BOLT FLANGE SH 6*22	BOLT FLANGE SH 6*22	1	60
90302-GBR2		90302-GBR2-001	BOLT WASH 5*16	BOLT WASH 5*16	1	60
90302-GFY6		90302-GFY6-901	BOLT WASH 5*12 **(1) C.V.	BOLT WASH 5*12 **(1) C.V.	1	60
90913		90913-KKC4-900	TUBE ASSY WATER PUMP TO RAD	TUBE ASSY WATER PUMP TO RAD	1	680
93404		93404-06016-06	BOLT WASHER 6*16	BOLT WASHER 6*16	2	60
93903-34360		93903-34360	SCREW WASHER 4*12	SCREW WASHER 4*12	4	60
94050		94050-06080	NUT FLANGE 6MM	NUT FLANGE 6MM	4	60
95001		95001-35225-40	TUBE FUEL 3.5*225	TUBE FUEL 3.5*225	2	200
95002-02070		95002-02070	CLIP B7 TUBE	CLIP B7 TUBE	6	60
95002-02100		95002-02100	CLIP B15 TUBE	CLIP B15 TUBE	1	60
95002-70000		95002-70000	CLIP C11 TUBE	CLIP C11 TUBE	2	110
95002-KGN7		95002-KGN7-910	CLIP TUBE	CLIP TUBE	8	200
95002-KHE7		95002-KHE7-900	CLIP WATER HOSE	CLIP WATER HOSE	2	300
95701-06012-08		95701-06012-06	BOLT FLANGE 6*22 (K)	BOLT FLANGE 6*22 (K)	1	60
95701-06016-06		95701-06016-06	BOLT FLANGE 6*22 (K)	BOLT FLANGE 6*22 (K)	4	110

F21

Separated Parts Of Fr Fork



Sales mark 記号	Ref no 参照用番号	Part no パーツ番号	Description 部品名	Reg description 部品名	Regd no 必要個数	Ref Price 希望小売価格(税抜)	F22
	51401	51401-KHD8-900	SPRING	SPRING	2	990	
	51410	51410-KHD8-900	FORK PIPE COMP	FORK PIPE COMP	2	5710	
	51411	51411-KHD8-900	BOOT	BOOT	2	960	
	51412	51412-KHD8-900	REBOUND SPRING	REBOUND SPRING	2	140	
	51413	51413-KHD8-900	BOOT BAND	BOOT BAND	2	160	
**	51420	51420-KKC4-900	BOTTOM CASE R	BOTTOM CASE R	1	8180	
	51422	51422-KKC4-900	OIL LOCK PIECE	OIL LOCK PIECE	2	350	
	51423	51423-KKAK-900	OIL SEAL	OIL SEAL	2	510	
	51427	51427-KKAK-900	DUST SEAL	DUST SEAL	2	300	
	51428	51428-KKAK-900	RING OIL SEAL STOPPER	RING OIL SEAL STOPPER	2	110	
	51429	51429-KHD8-900	PIPE SEAT COMP	PIPE SEAT COMP	2	1490	
**	51520	51520-KKC4-900	BOTTOM CASE L	BOTTOM CASE L	1	8180	
	90116	90116-KHD8-900	PACKING	PACKING	2	300	
	90544	90544-KEC8-900	PACKING	PACKING	2	60	
	94605	94605-KHD8-900	FORK BOLT	FORK BOLT	2	680	
	94608	94608-30000	O-RING	O-RING	2	60	



Sales mark 記号	Ref no 参照用番号	Part no パーツ番号	Description 部品名	Reg description 部品名	Regd no 必要個数	Ref Price 希望小売価格(税抜)
17369		17369-KDB4-671	CLIP BREATHER TUBE	CLIP BREATHER TUBE	1	160
18618-LLF5-90A		18618-LLF5-90A	RUBBER AICV MOUNT	RUBBER AICV MOUNT	1	140
18618-LLF5-90B		18618-LLF5-90B	RUBBER AICV MOUNT	RUBBER AICV MOUNT	1	140
18653		18653-KEBE-900	TUBE ASSY AICV-JOINT 3 WAY	TUBE ASSY AICV-JOINT 3 WAY	1	700
18656-KKC2-80A		18656-KKC2-80A	DUCT AICV REED VALVE	DUCT AICV REED VALVE	1	1250
18656-KKC2-80B		18656-KKC2-80B	DUCT AICV REED VALVE	DUCT AICV REED VALVE	1	1250
1880A-KKC4-80A		1880A-KKC4-80A	AI/C AICV ASSY	AI/C AICV ASSY	1	5330
1880A-KKC4-80B		1880A-KKC4-80B	AI/C AICV ASSY	AI/C AICV ASSY	1	5330
18814-KKC4-80A		18814-KKC4-80A	DUCT AIR AICV	DUCT AIR AICV	1	960
18814-KKC4-80B		18814-KKC4-80B	DUCT AIR AICV	DUCT AIR AICV	1	390
19505		19505-GFY6-940	CLAMP A WATER HOSE	CLAMP A WATER HOSE	1	200
95002-02070		95002-02070	CLIP B7 TUBE	CLIP B7 TUBE	2	60

F23

● Be sure to wear a safety helmet when riding.
 ● Do not exceed the speed specified by law when riding.
 ● The exhaust muffler temperature is very high after riding. Be sure to park the motorcycle in a place not easily touched by people.
 ● For riding safety and good performance, do not violate the law to modify the motorcycle.
 ● Please read the User's Manual carefully to ensure riding safety.

● Make sure to perform the periodic maintenance and periodic inspection.

Periodic Inspection Items

Brake Performance, tires, engine oil level, lights, horn, and instrument panel

KWANG YANG MOTOR CO., LTD.

87560

CAUTIONS

Every 5000 km run should exchange the filter.

87512

CAUTIONS

Tire Size (One Rider)	: Front 110/70-12	Rear 130/70-12
(Two Rider)	: Front 1.75kg/cm ²	Rear 2.25kg/cm ²
Load Capacity	: Shield 1.5kg	Rear carrier 3kg
	Inner box under saddle 10kg	
(Note: The tire pressure must not overpass 2.50kg/cm ²)		

● Check the motor oil level with the dipstick after refilling motor oil.
 ● Full Capacity : 1.1ℓ Exchange Capacity : 0.9 ℓ

87505

USE UNLEADED GASOLINE ONLY

87501-KRDR

CAUTIONS

Before starting the engine, the side stand shall be kicked up to secure safety.

87541-GAR1

CAUTIONS

Never put any article between the rear side cover and the engine to avoid interference of riding.

87542

CAUTION

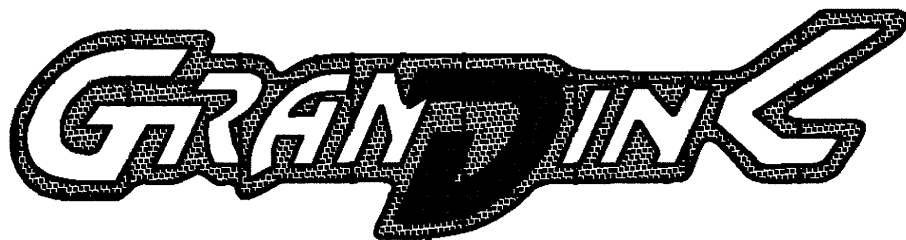
Mobile phone charge only, Use other appliance may cause damage.

87541-KKC2

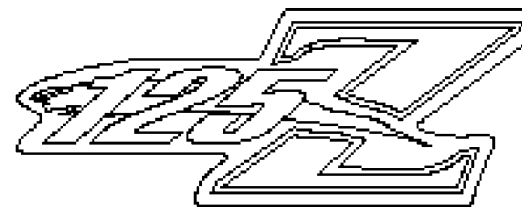
Sales mark 記号	Ref no 参照用番号	Part no パーツ番号	Description 部品名	Reg description 部品名	Regd no 必要個数	Ref Price 希望小売価格(税抜)
**	87501-KRDR	87501-KRDR-E00	CAUTION USE GAS ONLY	CAUTION USE GAS ONLY	1	200
**	87505	87505-KHE7-E00	LABEL TIRE	LABEL TIRE	1	200
**	87512	87512-KEBE-E00	CAUTION FILTER	CAUTION FILTER	1	200
**	87541-GAR1	87541-GAR1-E00	CAUTION SIDE STAND	CAUTION SIDE STAND	1	200
**	87541-KKC2	87541-KKC2-E00	CAUTION MOBILE PHONE	CAUTION MOBILE PHONE	1	200
**	87542	87542-GAR1-E00	MARK MAINT CAUTION	MARK MAINT CAUTION	1	200
**	87560	87560-GFY6-E00	MARK DRIVE CAUTION	MARK DRIVE CAUTION	1	200

F24

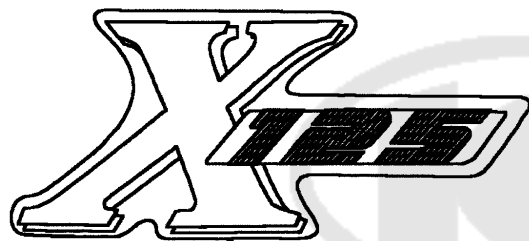




86202-KKC4



87140



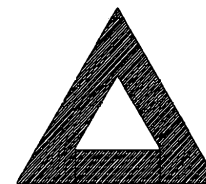
86202-KKC1



86030



86408



86409

Sales mark 記号	Ref no 参照用番号	Part no パーツ番号	Description 部品名	Reg description 部品名	Regd no 必要個数	Ref Price 希望小売価格(税抜)	F25
------------------	-----------------	------------------	--------------------	------------------------	-----------------	-------------------------	-----

**	86030	86030-KKC4-900	EMB HANDLE COVER RR	EMB HANDLE COVER RR	1	770	
**	86408	86408-KKC1-B20	STRIPE FR FENDER	STRIPE FR FENDER	1	390	
**	86409	86409-KHC4-B20	STRIPE RR FENDER **(0) C.2005.04.26	STRIPE RR FENDER **(0) C.2005.04.26	1	240	





86202



87140

Sales mark 記号	Ref no 参照用番号	Part no パーツ番号	Description 部品名	Reg description 部品名	Regd no 必要個数	Ref Price 希望小売価格(税抜)
------------------	-----------------	------------------	--------------------	------------------------	-----------------	-------------------------

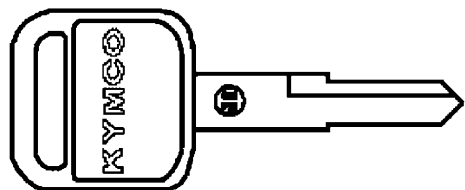
F26

**	86202	86202-KKC1-B21	EMB BODY COVER	EMB BODY COVER	2	1150
**	87140	87140-KKC1-B21	EMB MARK 125Z	EMB MARK 125Z	2	870

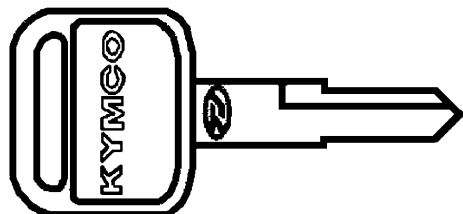


F27

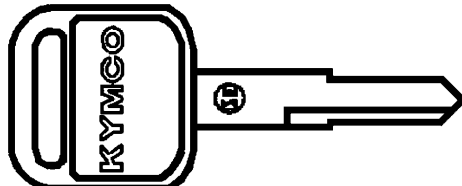
Key



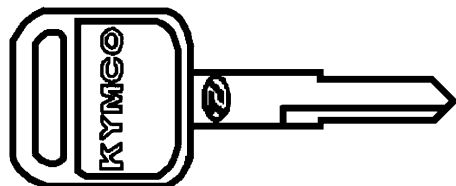
35111-KHC5-305-M1



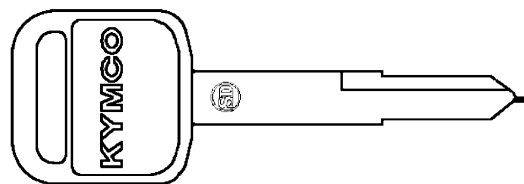
35111-KHC5-305-M2



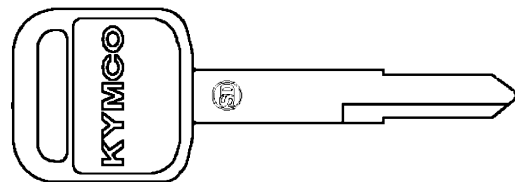
35111-KHC5-306-M1



35111-KHC5-306-M2



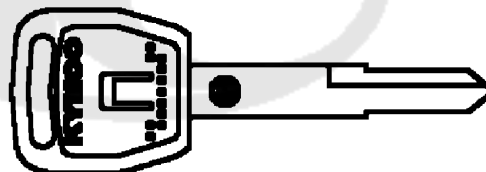
35111-LBA2-305-T01



35111-LBA2-305-T02



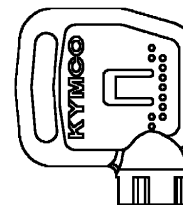
35111-KKC4-335-M1



35111-LDC1-305-M1



35111-LDC1-306-M1



35111-LDC1-307-M1

Sales mark 記号	Ref no 参照用番号	Part no パーツ番号	Description 部品名	Reg description 部品名	Regd no 必要個数	Ref Price 希望小売価格(税抜)	F27
	35111-KHC5-305-M1	35111-KHC5-305-M1	KEY COMP	KEY COMP	1	680	
	35111-KHC5-305-M2	35111-KHC5-305-M2	KEY COMP	KEY COMP	1	680	
	35111-KHC5-306-M1	35111-KHC5-306-M1	KEY COMP	KEY COMP	1	680	
	35111-KHC5-306-M2	35111-KHC5-306-M2	KEY COMP	KEY COMP	1	680	
	35111-KKC4-335-M1	35111-KKC4-335-M1	KEY COMP/SHUTTER MAGNETIC	KEY COMP/SHUTTER MAGNETIC	1	3240	
	35111-LBA2-305-	35111-LBA2-305-T01	KEY COMP(R TANGENT PLANE/SD)	KEY COMP(R TANGENT PLANE/SD)	1	870	
	35111-LBA2-305-	35111-LBA2-305-T02	KEY COMP (L TANGENT PLANE/SD)	KEY COMP (L TANGENT PLANE/SD)	1	870	
	35111-LDC1-305-M1	35111-LDC1-305-M1	KEY COMP (R TANGENT PLANE/SD)	KEY COMP (R TANGENT PLANE/SD)	1	770	
	35111-LDC1-306-M1	35111-LDC1-306-M1	KEY COMP (L TANGENT PLANE/SD)	KEY COMP (L TANGENT PLANE/SD)	1	770	
	35111-LDC1-307-M1	35111-LDC1-307-M1	KEY COMP SHUTTER MAGNETIC (SD)	KEY COMP SHUTTER MAGNETIC (SD)	1	3240	



PART NO. INDEX
 パーツ番号 検索

PART NO. パーツ番号	VERSION バージョン	PAGE ページ	PART NO. パーツ番号	VERSION バージョン	PAGE ページ	PART NO. パーツ番号	VERSION バージョン	PAGE ページ			
1000			11345-KKC2-E00	0	F20	13111-3D84-001	4	E03			
			11346-KKC3-900	0	F20	14000					
			11383-KUDU-900	0	E01						
			11384-KHE7-900	1	E03						
			11394-LEA5-E00	5	E04						
			11395-LEA5-E00	1	E01						
1001-MA1H-0351	0	E09	12000						14100-KKC2-220	1	E02
1010-43BH-9900	0	E09				14401-KUDU-90C	0	E03			
1531-803-2000	0	E09				14431-KKC1-900	0	E02			
1531-818-2000	0	E09				14450-KEBE-900	1	E02			
1703-GJ2H-0040	0	E09				14461-KEBE-900	0	E02			
4000						12100-KKC1-900	2	E03	14510-KEBE-900	0	E03
			12191-LEA5-E00	1	E03	14531-KKJ9-001	0	E03			
			4000-170-0000	0	E09	12200-KKC1-E00	2	E02	14550-KDS4-00B	3	E03
			11000			12205-KHE8-301	5	E02	14553-KGBG-900	0	E03
						12209-GDB4-68B	0	E02	14554-KAM1-004	0	E03
						1221A-KEBE-900	1	E02	14555-KKJ9-001	0	E03
11100-KKC1-305	1	E01				12251-KED1-901	0	E02	14555-LBA2-E00	1	E03
11102-1G87-004	3	E01				12310-KEBE-900	7	E02	14557-KGBG-900	0	E03
11192-LEA5-E00	3	E01				12310-KEBE-E00	4	E02	14558-KGBG-900	1	E03
11200-KKC3-315	0	E01	12361-GFY6-901	1	E04	14559-KGBG-900	0	E03			
11203-GGC7-301	2	E01	12391-KEBE-900	0	E02	14560-KGBG-900	1	E03			
11203-GGC7-301	2	F16	13000			14610-KKJ9-001	0	E03			
11207-KKC4-900	3	F13				14711-KEBE-900	1	E02			
11211-KKC2-900	1	F13				14721-KAAA-900	3	E02			
1122A-KKC2-900	0	E05				13000-KKC2-900	6	E03	14751-KKJ9-003	1	E02
11330-KKC3-900	6	E04				13011-GFY6-90B	0	E03	14761-KKJ9-003	1	E02
11341-KKC3-900	7	E01				13101-KED1-900	1	E03	14771-GDB4-680	0	E02

PART NO. INDEX
 パーツ番号 検索

PART NO. パーツ番号	VERSION バージョン	PAGE ページ	PART NO. パーツ番号	VERSION バージョン	PAGE ページ	PART NO. パーツ番号	VERSION バージョン	PAGE ページ	
14775-MFA6-001	0	E02	16217-KEBE-900	1	E02	17520-KKC4-900	1	F19	
14781-MFA6-001	0	E02	16218-KEBE-900	1	E02	17550-KHC4-900	0	F10	
15000			16218-KEBE-E00	0	E02	17620-KHC5-E00	1	F19	
			16700-KHE7-220	0	F10	17620-KHC5-E0B	1	F19	
			16911-KKC4-900	0	F10	17623-KHC4-90A	6	F19	
	15100-KKC3-900	3	E07	16912-KKC4-900	0	F10	17623-KHC4-90B	1	F19
	15133-KAM1-001	1	E07	1691A-KEC2-E00	0	F10	17682-KKC4-900	0	F10
15141-KKJ9-004	0	E07	17000			17683-KKC4-900	0	F10	
1541A-KKC3-900	1	E01		17689-KEBE-900	1	F10			
15421-1G07-001	1	E04		17910-KKC3-900	4	F03			
15421-KKC3-900	1	E01		17110-KKC1-E00	3	E02	18000		
15422-KKC3-900	3	E01		17214-KKC3-900	0	F13			
15423-KKC3-900	1	E01	17215-KGBG-90A	2	F13				
15426-GAE1-921	0	E04	1721A-KKC3-900	1	F13	18291-LEA5-E00		1	F14
1565A-KEBE-900	0	E04	17228-KKC3-900	2	F21	18293-KECE-900		0	F14
15711-KKC3-900	1	E07	17231-KKC3-900	5	F13	18294-KEBE-900	0	F14	
15712-KEBE-900	0	E07	1723A-KKC3-E00	5	F13	18295-KECE-900	0	F14	
15772-5L00-013	1	F13	17254-KACA-P00	0	F13	18305-KHD8-900	0	F14	
16000			17255-KGV7-671	0	F13	18306-KHD8-900	1	F14	
			17368-KDB4-670	2	F13	1830A-KKC1-E0A	3	F14	
			17369-KDB4-671	1	F23	1830A-KKC1-E0B	1	F14	
	16051-KN7-7410-M1	0	E09	17370-4K19-701	0	F13	18318-KKC1-E00	0	F14
	16080-KJ9-0030	0	E09	17371-1D74-671	0	F13	18325-KKC1-900	0	F14
16107-KJ9-0030	0	E09	17500-KKC4-900	4	F10	18601-MAJ1-791	1	E02	
1610K-KKC1-E00	0	E09	17502-KKC4-900	0	F10	18601-MAJ1-79A	0	E02	
16111-KN7-7410-M1	0	E09	17510-KKC4-E00	0	F10	18612-KEBE-900	0	E02	

PART NO. INDEX
 パーツ番号 検索

PART NO. パーツ番号	VERSION バージョン	PAGE ページ	PART NO. パーツ番号	VERSION バージョン	PAGE ページ	PART NO. パーツ番号	VERSION バージョン	PAGE ページ	
18618-LLF5-90A	2	F23	19120-KKC4-900	4	F21	22000			
18618-LLF5-90B	1	F23	19210-KKC4-900	0	F21				
18645-GFY6-941	0	E02	19211-KKC3-900	0	E08				
18646-GFY6-941	0	E02	19215-KKJ9-011	0	E08		22101-KEBE-900	1	E06
18647-KEBE-900	0	E02	19217-6G57-024	0	E08		22102-KKC3-900	3	E06
18653-KEBE-900	0	F23	19221-KKC3-900	2	E08		22105-KHD4-E00	1	E06
18656-KKC2-80A	0	F23	19229-KKC3-980	0	E08		22110-KKC3-900	1	E06
18656-KKC2-80B	0	F23	19231-KEBE-900	2	E08		22112-KAAA-900	0	E06
1880A-KKC4-80A	2	F23	19300-KAE1-004	1	E08		22121-KED1-305	0	E06
1880A-KKC4-80B	2	F23	19310-KEBE-900	2	E08		22131-KAAA-900	1	E06
18814-KKC4-80A	1	F23	19315-KEBE-900	2	E08		22132-KGN7-670	3	E06
18814-KKC4-80B	0	F23	19411-KBCB-900	0	F10		22300-LLB1-900	3	E06
19000			19501-KKC3-910	1	E08		22350-KGN7-671	1	E06
			19502-KEBE-900	0	E03	22361-KGN7-671	1	E06	
			19503-KEBE-900	0	E08	22401-KGN7-671	1	E06	
19005-KKC4-900	2	F21	19504-KKC4-900	0	F21	22530-LKE7-900	1	E06	
19010-KKC4-900	2	F21	19505-GFY6-940	3	F23	22804-GBB2-001	0	E06	
19012-KHD8-900	4	F21	19505-KKC4-900	0	F21				
19015-KKC4-900	2	F21	19506-KKC4-900	1	F21	23000			
19020-KED9-900	1	F21	19508-LBA2-E00	0	E03				
19030-KHD8-900	2	F21				2301A-KKC1-B00	0	E06	
19101-KKC4-900	0	F21	21000			23100-KKC2-900	2	E06	
19102-KKC4-900	0	F21				23200-KEBE-900	3	E06	
19104-KKC4-900	0	F21	21201-KFC8-305	0	E05	23220-KKC2-900	0	E06	
19105-KKC4-900	0	F21	21395-LEA5-E00	2	E05	23225-GHC8-004	0	E06	
19111-GBE2-004	1	F21				23226-GHC8-004	0	E06	

PART NO. INDEX
 パーツ番号 検索

PART NO. パーツ番号	VERSION バージョン	PAGE ページ	PART NO. パーツ番号	VERSION バージョン	PAGE ページ	PART NO. パーツ番号	VERSION バージョン	PAGE ページ
23233-KGN7-671	1	E06	28300-KKC2-E00	0	F15	3195A-KKC4-B20	0	F19
23237-KHG8-901	0	E06						
23411-KKC2-900	0	E05	30000			32000		
23411-KKC3-900	3	E05						
23420-KFC8-900	5	E05	30300-KEBE-900	2	E08	32100-KKC1-B20	0	F19
23420-KKC2-900	2	E05	30301-KEBE-90B	0	E08	32100-KKC2-B23	0	F19
23431-KFC8-900	2	E05	30400-KGN7-671	0	F19	32101-KHD8-900	1	E08
23432-KFC8-900	4	E05	30510-KEBE-900	6	F19	32410-KKC3-900	1	E07
23432-KKC2-900	1	E05	30700-KGN7-671	2	F19	32411-KKC4-800	2	F11
28000			31000			32412-KKC4-800	3	F11
						33000		
28101-KKJ9-011	0	E07	31110-KEBE-900	2	E08			
28102-KKJ9-001	0	E07	31110-KEBE-90B	1	E08	33100-KKC4-E20	1	F01
28110-KGN7-672	0	E07	31120-KEBE-900	5	E08	33120-KKC4-E20	0	F01
28120-KEBE-305	0	E07	31120-KEBE-90B	4	E08	33130-KKC4-E00	0	F01
28125-4F26-001	0	E07	31204-KGN7-670	0	E07	33400-KKC4-E00	0	F17
28126-KUDU-900	1	E07	31205-KGN7-670	0	E07	33402-KKC4-E00	0	F17
28131-KGN7-671	0	E07	31206-KGN7-670	0	E07	33403-KKC4-E00	0	F17
28211-KFC8-900	0	E06	31210-KKC3-900	4	E07	33407-KKC4-E00	0	F17
28223-KNBN-901	0	E01	31210-KKC3-90C	2	E07	33450-KKC4-E00	0	F17
28230-KNBN-901	0	E01	31500-KFAF-90A	9	F11	33452-KKC4-E00	0	F17
28250-KFC8-900	1	E01	31500-KFAF-90B	9	F11	33453-KKC4-E00	0	F17
28253-GBN2-60A	0	E01	31600-KAM1-009	1	F19	33457-KKC4-E00	0	F17
28255-GFS6-001	0	E01	31601-KKC4-900	4	F19	33600-KKC4-E00	2	F17
28281-KKC2-900	1	E01	31602-KKC4-900	0	F19	33602-KKC4-E00	0	F17

PART NO. INDEX
 パーツ番号 検索

PART NO. パーツ番号	VERSION バージョン	PAGE ページ	PART NO. パーツ番号	VERSION バージョン	PAGE ページ	PART NO. パーツ番号	VERSION バージョン	PAGE ページ
33603-KKC4-E00	0	F17	34906-KPCP-900	0	F18	3520A-KEBE-900	3	F03
33606-KKC4-E00	0	F17	34908-MKB9-87A	0	F02	35340-KKC4-80A	0	F12
33607-KKD7-E00	0	F17	34909-KFBF-900	0	F12	35340-KKC4-80B	0	F12
33650-KKC4-E00	2	F17				35340-KNBN-901	0	F04
33652-KKC4-E00	0	F17	35000			35350-KNBN-901	0	F04
33653-KKC4-E00	0	F17				35850-LDA6-90A	2	F19
33656-KKC4-E00	0	F17	35101-KFA1-345	0	F19	35850-LDA6-90B	3	F19
33700-KKC4-E00	1	F18	35101-KHC4-305	5	F19			
33702-KKC4-E00	0	F18	35101-KHC4-305-M2	0	F19	37000		
33705-KKC4-E00	0	F18	35101-KHC4-335	0	F19			
33706-GCN3-67A	0	F18	35102-KHC4-900	2	F19	37200-KKC2-B20	2	F02
33709-KBAB-003	0	F18	35102-KHC4-90B	1	F19	37203-KKC3-900	0	F02
33720-KHB4-E00	4	F18	35102-KKC4-334	0	F19	37204-KKC3-900	0	F02
33722-KHB4-E00	0	F18	35102-LDC1-305-M1	0	F19	37720-KGBG-E00	0	F19
33725-KHB4-E00	0	F18	35111-KHC5-305-M1	0	F27	37750-PAC1-005	0	E08
33726-KHB4-E00	0	F18	35111-KHC5-305-M2	0	F27	37760-KGBG-E10	1	F19
33741-GFY6-C30	1	F05	35111-KHC5-306-M1	0	F27	37760-KHD8-900	1	F21
33741-KEBE-900	3	F18	35111-KHC5-306-M2	0	F27	37801-GGA7-701	1	F10
33900-KFBF-900	0	F12	35111-KKC4-335-M1	0	F27	37802-GGA7-701	3	F10
			35111-LBA2-305-T01	0	F27	3780A-KKC3-900	3	F10
34000			35111-LBA2-305-T02	0	F27			
			35111-LDC1-305-M1	0	F27	38000		
34901-KED9-900	0	F01	35111-LDC1-306-M1	0	F27			
34903-KPCP-900	0	F01	35111-LDC1-307-M1	0	F27	38110-KKC3-90B	2	F19
34903-KPCP-900	0	F18	3515A-KKC2-B00	1	F03	38300-KECE-900	3	F19
34905-KPCP-900	0	F17	3515A-KKC2-B20	3	F03	38500-LGL3-90A	5	F11

PART NO. INDEX
 パーツ番号 検索

PART NO. パーツ番号	VERSION バージョン	PAGE ページ	PART NO. パーツ番号	VERSION バージョン	PAGE ページ	PART NO. パーツ番号	VERSION バージョン	PAGE ページ
38773-PKB9-001	0	F21	43352-5H68-004	3	F07	45109-GBE2-007	0	F08
3880A-KKC4-B00	0	F19	43352-5H68-004	3	F08	45126-KKC2-B20	2	F04
39000			43353-4A61-77A	0	F07	45128-KEBE-900	0	F04
			43353-4A61-77A	0	F08	45131-1F66-017	0	F07
			43416-KKC4-900	3	F18	45131-1F66-017	0	F08
			43530-KFC8-305	1	F04	45131-GBE2-007	1	F07
3930A-KKC4-900	2	F19				45131-GBE2-007	1	F08
42000			44000			45132-1F66-017	0	F07
						45132-1F66-017	0	F08
42311-KFC8-900	2	F08	44301-KXCX-900	4	F07	45133-MCA3-007	0	F07
42312-KEBE-900	0	F08	44311-KEBE-900	0	F07	45133-MCA3-007	0	F08
42601-KHD8-90A	3	F08	44620-KHD8-900	1	F07	45150-LLB5-305	0	F07
42710-KKC3-900	1	F08	44650-KHD8-30A	3	F07	45156-KECE-900	2	F06
42753-KNBN-90B	1	F08	44650-KHD8-30C	4	F07	45200-KKC2-E00	1	F07
42753-KXCX-900	1	F07	44710-KKC4-900	3	F07	45209-GBE2-007	0	F07
43000			44800-KFA5-900	2	F07	45209-GBE2-007	0	F08
			44830-KKC4-900	3	F02	45210-KHD8-900	0	F07
			44831-KKC4-900	0	F02	45215-KECE-900	0	F07
						45215-KECE-900	0	F08
43100-KEBE-910	1	F08				45216-1F66-007	0	F07
43126-KKC2-E00	1	F04	45000			45216-1F66-007	0	F08
43150-KEBE-306	0	F08				45216-KFW6-90A	0	F07
43156-KKC3-900	1	F04	45107-MEN5-007	0	F07	45216-KFW6-90A	0	F08
43156-KKC4-900	2	F04	45107-MEN5-007	0	F08	45351-KHE7-E00	1	F07
43210-KEBE-900	2	F08	45108-MDL4-007	2	F07	45513-KHD4-B00	2	F04
43215-KEBE-900	0	F08	45108-MDL4-007	2	F08	45517-KFAF-910	0	F04
43351-KHE7-E00	3	F08	45109-GBE2-007	0	F07			

PART NO. INDEX
 パーツ番号 検索

PART NO. パーツ番号	VERSION バージョン	PAGE ページ	PART NO. パーツ番号	VERSION バージョン	PAGE ページ	PART NO. パーツ番号	VERSION バージョン	PAGE ページ	
45530-KFC8-E00	2	F04	50506-KHE7-E00	0	F15	52400-KKC2-E00	2	F16	
45531-GAR1-951	0	F07	5050A-KKC3-900	9	F15	52500-KKC2-E00	3	F16	
45531-GAR1-951	0	F08	50530-KKC2-900	1	F15	53000			
50000			50613-KKC4-900	1	F20				
			5061A-KKC3-900	1	F20				
50100-KKC2-B20	2	F20	51000			53100-KKC4-900	0	F03	
50139-KKC4-800	1	F10				53105-KFC8-900	2	F03	
50151-KKC4-900	0	F20	51400-KKC4-900	2	F06	53106-KFC8-900	2	F03	
50185-KKC4-900	0	F20	51401-KHD8-900	0	F22	53125-GEN5-901	0	F03	
50186-KKC4-900	0	F20	51410-KHD8-900	0	F22	53140-KKC3-900	0	F03	
50191-KKC4-900	0	F20	51411-KHD8-900	0	F22	53166-KGB5-900	0	F03	
50197-KKC4-900	1	F10	51412-KHD8-900	0	F22	53175-KFA5-E10	0	F04	
50301-KGN7-671	2	F20	51413-KHD8-900	0	F22	53178-KFC8-E10	0	F04	
50302-2H68-011	2	F20	51420-KKC4-900	0	F22	53200-KKC2-900	2	F06	
50306-1F96-001	0	F06	51422-KKC4-900	0	F22	53204-KKC4-900	2	F05	
50326-KKC4-800	2	F11	51423-KKAK-900	0	F22	53205-KKC4-900	2	F03	
50328-KKC4-800	2	F11	51427-KKAK-900	0	F22	53206-KKC4-900	1	F03	
5032A-KKC4-800	2	F11	51428-KKAK-900	0	F22	53207-KKC4-900	0	F03	
50350-LEA5-B20	1	F20	51429-KHD8-900	0	F22	53208-KKC4-900	0	F03	
50352-GFY6-901	0	F20	5150A-KKC4-900	3	F06	53209-KKC4-900	0	F03	
50356-KHE7-E00	0	F20	51520-KKC4-900	0	F22	53211-GFY6-940	1	F06	
50502-GFY6-901	3	F15				53212-2L50-011	1	F06	
50504-KKC3-900	2	E01	52000			53214-KKC4-900	0	F05	
50505-KHE7-E00	0	F15				53214-LHJ6-900	1	F06	
50505-KKD7-900	2	F15	52000-KKC3-900	3	F16	53215-2L50-001	0	F06	
						53224-KKC4-900	0	F05	

PART NO. INDEX
 パーツ番号 検索

PART NO. パーツ番号	VERSION バージョン	PAGE ページ	PART NO. パーツ番号	VERSION バージョン	PAGE ページ	PART NO. パーツ番号	VERSION バージョン	PAGE ページ
61000			77000			81151-KKC4-900	0	F12
61110-KHD8-900	2	F06	77200-KKC4-B24	2	F09	81201-KKC4-800	1	F12
			77210-KKC4-900	0	F09	81202-KKC4-900	0	F12
64000			77220-KKC4-910	1	F09	81252-KKC4-800	2	F12
64220-KKC4-900	1	F05	77220-KKC4-B24	1	F09	81255-KKC4-800	1	F12
64221-KKC4-900	0	F05	77235-KKC4-80A	0	F12	81257-KKC4-800	1	F12
64222-KKC4-900	3	F05	77235-KKC4-80B	0	F12	81260-KKC4-700	3	F12
64301-KKC4-900	0	F05	77240-LLJ3-E01	1	F12	81400-KKC4-900	0	F12
64302-KKC4-900	0	F05	77300-KKC4-800	1	F09	81500-KKC4-900	0	F12
64305-KKC4-900	2	F05	80000			83000		
64306-KKC4-900	2	F05	80100-KKC4-900	4	F18	83500-KKC4-800	2	F12
64309-KKC4-900	0	F05	80101-KKC4-800	3	F18	83600-KKC4-800	2	F12
64310-KKC4-900	0	F05	80105-KKC4-800	6	F18	8360A-KKC4-900	0	F13
64311-KKC4-900	3	F05	80151-KKC4-900	0	F12	83750-KKC4-900	2	F12
64312-KKC4-900	3	F05	81000			8376A-KEBE-900	4	F05
64315-KKC4-900	4	F20				86000		
64317-KKC4-900	1	F05	81131-KKC4-900	0	F05	86030-KKC4-900	2	F25
64318-KKC4-900	0	F21	81132-KEB7-900	1	F05	86102-KKC4-900	3	F05
64320-KKC4-900	0	F05	81136-KKC4-900	0	F05	86202-KKC1-B20	0	F25
64321-KKC4-900	3	F05	81137-KKC4-900	0	F05	86202-KKC1-B21	1	F26
64322-KKC4-900	1	F05	81147-KKC4-900	0	F05	86202-KKC4-E00	0	F25
64327-KKC4-900	1	F02				86408-KKC1-B20	0	F25
64400-KKC4-900	0	F05						

PART NO. INDEX
 パーツ番号 検索

PART NO. パーツ番号	VERSION バージョン	PAGE ページ	PART NO. パーツ番号	VERSION バージョン	PAGE ページ	PART NO. パーツ番号	VERSION バージョン	PAGE ページ
86409-KHC4-B20	2	F25	88135-KKC4-900	1	F03	90106-KFC2-900	0	F12
87000			89000			90106-KHE7-E00	1	F20
87140-KKC1-B20	0	F25	89010-KKC4-800	3	F09	90108-KFC8-E10	1	F15
87140-KKC1-B21	1	F26	89013-KFC8-E00	1	F09	90110-KEB7-900	1	F06
87501-KRDR-E00	2	F24	89020-KKC4-900	1	F09	90110-KHD8-900	0	F14
87505-KHE7-E00	1	F24				90111-1G87-001	1	F12
87512-KEBE-E00	0	F24	90000			90112-KNBN-901	1	F11
87541-GAR1-E00	1	F24				90112-KNBN-901	1	F18
87541-KKC2-E00	1	F24	90001-GBHB-661	3	F21	90112-KRDR-900	1	F19
87542-GAR1-E00	2	F24	90001-GBHB-681	3	F13	90114-1F66-007	2	F04
87560-GFY6-E00	4	F24	90012-3C33-001	1	E02	90114-KXCX-900	1	F13
88000			90021-GFY6-900	2	F14	90116-KHD8-900	0	F22
			90031-KEBE-900	0	E01	90117-KED9-900	1	F20
			90032-KEBE-900	0	E01	90121-KHE7-E00	0	F20
			90033-GFY6-900	1	E02	90122-KEBE-900	2	F07
88110-KKC3-900	4	F03	90084-4H28-001	0	E04	90131-GLW0-911	0	F08
88110-KKC4-305	0	F03	9008A-KBE2-900	0	E04	90131-KFAF-900	3	F16
88114-KKC4-900	3	F03	90105-KCR3-001	1	F07	90145-LEA3-E00	1	F04
88115-KKC4-900	0	F03	90105-KCR3-001	1	F08	90201-KHR8-75A	1	E08
88116-KKC4-900	3	F03	90105-KEC8-900	0	F12	90202-KGN7-671	0	E06
88120-KKC3-900	4	F03	90105-KEN5-001	0	F12	90206-0A01-001	4	E02
88120-KKC4-305	0	F03	90105-KNBN-901	0	F12	90215-GLM0-910	1	F14
88125-KKC4-900	0	F03	90106-GEN5-901	1	F03	90215-KKC4-900	2	F12
88126-KKC4-900	3	F03	90106-KFC2-900	0	F03	90301-6D34-671	1	F18
88130-KKC4-900	0	F03				90301-GFY6-901	2	F14
						90302-GBR2-001	1	F05

PART NO. INDEX
 パーツ番号 検索

PART NO. パーツ番号	VERSION バージョン	PAGE ページ	PART NO. パーツ番号	VERSION バージョン	PAGE ページ	PART NO. パーツ番号	VERSION バージョン	PAGE ページ
90302-GBR2-001	1	F21	90446-3G57-001	0	E05	91009-GLE0-004	1	E05
90302-GFY6-901	1	F03	90451-GBN2-601	0	E01	91051-KFBF-901	1	F16
90302-GFY6-901	1	F05	90465-MDC4-001	0	E02	91101-1K79-711	1	E07
90302-GFY6-901	1	F21	90474-3C33-001	1	E05	91104-KGN7-671	0	E01
90302-GFY6-940	1	F02	90478-7L00-001	0	E08	91105-KGN7-672	0	E05
90302-GFY6-940	1	F05	9052A-GFY6-950	4	E01	91201-KKJ9-004	0	E08
90302-GFY6-940	1	F12	90544-KEC8-900	0	F22	91202-KKJ9-004	0	E01
90302-GFY6-940	1	F18	90545-3L00-001	2	F04	91211-KEBE-900	0	E06
90302-KEC8-900	1	F03	90605-1F66-721	0	E06	91255-GLE0-006	0	E05
90302-KFC2-900	1	F18	90656-KCBC-900	0	F03	91259-KFBF-900	0	F16
90302-SDA4-004	3	F05	90656-KUDU-900	0	F19	91261-4E15-004	0	E01
90302-SDA4-004	3	F12	90677-GAR1-004	1	F05	91301-0H28-001	0	E02
90304-4H38-001	2	E02	90677-GAR1-004	1	F18	91301-KGV7-671	0	E08
90304-4H38-001	2	F18	90701-HFB6-011	2	E03	91302-0A01-021	0	E04
90304-GHE8-004	0	F03	90754-GHC8-00A	1	F07	91302-5G67-004	0	E04
90304-GHE8-004	0	F20	90912-KFLF-00A	0	F07	91302-5G67-004	0	E08
90305-GHK8-001	1	F12	90912-KFLF-00D	1	F07	91303-3G77-001	0	E04
90305-KFW6-900	1	F08	90913-KKC4-900	0	F21	91307-0E35-001	0	E04
90306-GLW0-90A	1	F07	90915-KKC4-900	1	F02	91309-4E25-004	0	E07
90381-GEZ5-001	1	F12				91384-KEBE-900	0	E06
90401-KKJ9-001	0	E08	91000			91407-SGA7-004	0	F13
90403-KGN7-671	0	E06				91508-KGV7-67A	0	F18
90411-KAM1-001	0	E05	91001-GFY6-90A	2	E06	91981-KGN7-670	0	E07
90412-3K29-001	0	E01	91001-KKJ9-006	0	E08			
90421-KAM1-004	0	E03	91002-GGA7-70A	0	E06			
90423-KKJ9-001	0	E08	91003-KDS4-004	2	E05			

PART NO. INDEX
 パーツ番号 検索

PART NO. パーツ番号	VERSION バージョン	PAGE ページ	PART NO. パーツ番号	VERSION バージョン	PAGE ページ	PART NO. パーツ番号	VERSION バージョン	PAGE ページ				
92000			93891-05012-06	0	F05	93903-GFY6-900	1	F12				
			93891-05016-06	0	F13	93903-KEB7-900-06	1	F05				
			93891-05030-06	0	F18	94000						
92000-05032-0G	0	E08	93892-04006-08	0	E07							
92000-06028-0G	0	E07	93892-04008-16	0	E09							
92712-06028-0B	2	E02	93893-04012-18	0	F04		94050-05080	0	F18			
93000			93901-32220	0	F17		94050-06080	0	F04			
			93901-32310	0	F17		94050-06080	0	F05			
			93901-34220	0	F17		94050-06080	0	F09			
			93404-06016-06	0	F05		93901-34320	0	F18	94050-06080	0	F10
			93404-06016-06	0	F21		93903-25460	0	F13	94050-06080	0	F11
			93404-06020-06	1	F05		93903-34360	0	F03	94050-06080	0	F19
			93404-KKC2-900	1	F05	93903-34360	0	F05	94050-06080	0	F21	
			93500-03010-0F	0	E07	93903-34360	0	F12	94050-08080	0	E02	
			93500-04008-1H-3	0	E09	93903-34360	0	F13	94050-08080	0	F19	
			93500-04012-0F	0	F12	93903-34360	0	F17	94050-12080	0	E06	
93500-04014-1H-3	0	E09	93903-34360	0	F18	94101-06200	0	F14				
93500-04020-0G	0	F19	93903-34360	0	F20	94101-08700	0	F15				
93500-05010-0F	0	F19	93903-34360	0	F21	94111-05800	0	E07				
93500-05016-0F	0	E08	93903-35260	0	F10	94111-06800	0	F14				
93500-05016-1B	0	F03	93903-35260	0	F13	94251-08400	0	F15				
93500-05025-1B	0	F03	93903-35360	0	F01	94301-08140	0	E01				
93500-05032-1B	0	F03	93903-35360	0	F03	94301-08140	0	E04				
93500-05045-1B	0	F03	93903-35360	0	F12	94301-08140	0	E05				
93600-04012-1G	0	F04	93903-GFY6-900	1	F05	94301-08140	0	E08				
93700-05018-0F	0	F02	93903-GFY6-900	1	F11	94301-10160	0	E02				

PART NO. INDEX
 パーツ番号 検索

PART NO. パーツ番号	VERSION バージョン	PAGE ページ	PART NO. パーツ番号	VERSION バージョン	PAGE ページ	PART NO. パーツ番号	VERSION バージョン	PAGE ページ
94301-10160	0	E03	95002-02100	0	F21	95701-08012-06	0	E05
94303-04065	0	E07	95002-02130	0	F10	95701-08012-06	0	F20
94510-10000	0	E07	95002-02130	0	F13	95701-08025-06	0	F19
94510-15000	0	E02	95002-50000	0	F02	95701-08030-06	0	F16
94510-20000	0	E05	95002-70000	0	F21	95701-08050-06	0	F20
94511-14000	0	E01	95002-KGN7-910	1	E08	95801-08040-06	0	F06
94520-26000	0	E08	95002-KGN7-910	1	F21	95801-08042-06	0	F14
94520-28000	0	E06	95002-KHE7-900	0	F21	95801-08065-06	0	F14
94524-42000	0	F16	95003-23031-60	0	F13	95801-10025-06	0	F15
94591-27000	0	F05	95014-71202	0	F15	95801-10035-06	0	F16
94591-KFBF-900	2	E08	95014-72204	0	F15			
94601-15000	0	E03	95701-06010-06	1	F01	96000		
94601-33000	0	E06	95701-06012-06	1	F04			
94605-KHD8-900	0	F22	95701-06012-06	1	F06	96001-06010-06	0	E08
94608-30000	0	F22	95701-06012-06	1	F10	96001-06010-06	0	F14
			95701-06012-06	1	F11	96001-06014-06	0	E07
95000			95701-06012-06	1	F12	96001-06014-06	0	F10
			95701-06012-06	1	F18	96001-06016-02	0	E02
95001-35225-40	0	F21	95701-06012-06	1	F20	96001-06016-06	0	E01
95002-02070	0	E02	95701-06012-06	1	F21	96001-06016-06	0	E07
95002-02070	0	F10	95701-06014-06	0	F10	96001-06018-06	0	E03
95002-02070	0	F21	95701-06016-06	1	F21	96001-06018-06	0	E08
95002-02070	0	F23	95701-06022-06	1	F04	96001-06020-06	0	E08
95002-02080	0	E05	95701-06022-06	1	F15	96001-06022-06	1	E08
95002-02080	0	F10	95701-06025-06	2	E02	96001-06025-06	0	E02
95002-02100	0	F10	95701-08012-06	0	E01	96001-06028-02	0	E08

PART NO. INDEX

パーツ番号 検索

PART NO. パーツ番号	VERSION バージョン	PAGE ページ	PART NO. パーツ番号	VERSION バージョン	PAGE ページ	PART NO. パーツ番号	VERSION バージョン	PAGE ページ
96001-06032-06	0	E02				S7860-112-B000	0	E09
96001-06035-06	0	E05	99000					
96001-06040-06	12	E01				W		
96001-06040-06	12	E04	99101-393-1020	0	E09			
96001-06040-06	12	E05				W1314-014-9901	0	E09
96001-06045-06	0	E02	D			W1561-107-9920	0	E09
96001-06045-06	0	E04						
96001-06050-06	0	E01	D1310-853-0110	0	E09			
96001-06060-06	0	E01						
96001-06120-06	1	E01	K					
96001-06120-06	1	E04						
96001-06125-06	1	E01	K350-GY6-0200	0	E09			
96100-60000-00	0	E08	K6510-KBE-0100	0	E09			
96100-62030-00	0	E01	K785-KHD-0200	0	E09			
96211-05000	0	F06						
96211-08000	1	F06	N					
96220-60100	0	E07						
96600-08015-16	0	E07	N413-30B00	0	E09			
			N425-BVA00	0	E09			
98000								
			S					
98069-5791R-00	0	E02						
98200-31000	1	F11	S362-0081	0	E09			
98200-31500	0	F11	S446-1210	0	E09			
98200-32000	0	F11	S506-0052	0	E09			
			S536-1050	0	E09			