

PARTS CATALOGUE



SCOOTERS

SE22BA(JP)

MITCH 125



Release Date : 2017/01/16
Print Date : 2017/07/18

本パーツリストについて

- 本パーツリストは SE22BA(JP).の全てのパーツ番号が記載されています。
- 車輻のカラーチャートとバイクに相違がある場合は正規販売店もしくはKYMCO JAPANへお問い合わせください。
- 1. "***"記号が記載している場合、3文字の色コードをパーツ番号の最後に記入してください。
2. "#" 記号が記載している場合、パーツの設定、変更があります。正規販売店もしくはKYMCO JAPANへお問い合わせください。
- このパーツリストの変更または追加は、適切な時期に予告なく行われます。

ABOUT THIS PARTS LIST

- This parts list is compiled all service parts for model SE22BA(JP).
- Any difference between color chart and motorcycle will be revised according to motorcycle.
- The Mark:
 1. Marking "***" must add color code in the end before ordering parts.
 2. Marking "#" are parts with modification, Please find the details from e-Parts system.
- When modification or additions to this parts list are made a revised edition at an appropriate time.

目次

● 本パーツリストについて	1
● SE22BA(JP)のカラーチャート	3
● 目次-エンジン関	15
● 目次-フレーム関係	16
● エンジンパーツリスト	19
● フレームパーツリスト	53
● パーツ番号 検索	123

CONTENTS

● ABOUT THIS PARTS LIST	1
● COLOR CHART OF SE22BA(JP)	3
● CONTENTS-ENGINE GROUP	15
● CONTENTS-FRAME GROUP	16
● ENGINE PARTS LIST	19
● FRAME PARTS LIST	53
● PART NO. INDEX	123

NO	モデル			SE22BA(JP)のカラーチャート			
	写真番号			NO. 1	NO. 2	NO. 3	NO. 4
	基本色						
	コード				Light Blue Metallic	Pink Metallic	
	パーツ名	パーツ番号	バージョン	PB078MA	PB078MA	RR222MA	RR217PA
1	GRIP COMP THROT	53140-GFY6-960	0	E3R			
2	GRIP L HANDLE	53166-GBW2-001	1				
3	LEVER R STRG HANDLE	53175-LEA2-910	2				
4	LEVER L STRG HANDLE	53178-LEA2-900	1				
5	COVER UP HANDLE	53205-LEA2-900	4	CGP			EAP
6	COVER LOW HANDLE	53206-LEA2-900	7				
7	COVER FR HANDLE	53207-LEA2-900	5				
8	FENDER A FRONT	61100-LEA3-B20	1				
9	FENDER FR B INNER	61101-LEA2-910	1				
10	COVER. FRONT	64301-LEA2-900	5				
11	COVER CENTER UP	80151-LEA2-900	3				
12	COVER. R BODY	83500-LEA2-900	6				
13	COVER. L BODY	83600-LEA2-900	6				
14	COVER CENTER RR	83750-LEA2-900	7				
15	PROTECTOR. MUFF.	18318-LEA3-E00	0	N1R			EHP
16	COVER UNDER	50613-LEA2-900	4				
17	FENDER , FR. C INNER	61102-LEA2-910	1				
18	MOLDING. LOW FR.	64308-LEA2-900	5				
19	FLOOR. PANEL	64310-LEA2-900	6				
20	PLUG FLOOR	64316-LEA2-900	1				
21	COVER CENTER LOW	80152-LEA2-900	5				
22	LEG SHIELD UP	81131-LEA2-910	0				
23	LID LEG SHIELD	81132-KFAF-900	1				
24	CAP LEG SHIELD	81132-LEA2-900	2				
25	HOOK LUGGAGE	81132-LFG6-900	2				
販売開始時期							
販売終了時期							

NO	モデル			SE22BA(JP)のカラーチャート			
	写真番号			NO. 5	NO. 6	NO. 7	NO. 8
	基本色						
	コード			Bright Red	Ivory White	Black	Silver
	パーツ名	パーツ番号	バージョン	RR217PA	NH190PA	NH001SA	NH131MA
1	GRIP COMP THROT	53140-GFY6-960	0	E3R			
2	GRIP L HANDLE	53166-GBW2-001	1				
3	LEVER R STRG HANDLE	53175-LEA2-910	2				
4	LEVER L STRG HANDLE	53178-LEA2-900	1				
5	COVER UP HANDLE	53205-LEA2-900	4	M3A			
6	COVER LOW HANDLE	53206-LEA2-900	7				
7	COVER FR HANDLE	53207-LEA2-900	5				
8	FENDER A FRONT	61100-LEA3-B20	1				
9	FENDER FR B INNER	61101-LEA2-910	1				
10	COVER. FRONT	64301-LEA2-900	5				
11	COVER CENTER UP	80151-LEA2-900	3				
12	COVER. R BODY	83500-LEA2-900	6				
13	COVER. L BODY	83600-LEA2-900	6				
14	COVER CENTER RR	83750-LEA2-900	7				
15	PROTECTOR. MUFF.	18318-LEA3-E00	0	M5A			
16	COVER UNDER	50613-LEA2-900	4				
17	FENDER , FR. C INNER	61102-LEA2-910	1				
18	MOLDING. LOW FR.	64308-LEA2-900	5				
19	FLOOR. PANEL	64310-LEA2-900	6				
20	PLUG FLOOR	64316-LEA2-900	1				
21	COVER CENTER LOW	80152-LEA2-900	5				
22	LEG SHIELD UP	81131-LEA2-910	0				
23	LID LEG SHIELD	81132-KFAF-900	1				
24	CAP LEG SHIELD	81132-LEA2-900	2				
25	HOOK LUGGAGE	81132-LFG6-900	2				
販売開始時期							
販売終了時期							

NO	モデル			SE22BA(JP)のカラーチャート			
	写真番号			NO. 9	NO. 10	NO. 11	NO. 12
	基本色						
	コード			Light Yellow Green		Brown Crystal	
	パーツ名	パーツ番号	バージョン	YG022MA	YR167MA	YR167MA	NH190PA1
1	GRIP COMP THROT	53140-GFY6-960	0	E3R			
2	GRIP L HANDLE	53166-GBW2-001	1				
3	LEVER R STRG HANDLE	53175-LEA2-910	2	M3A			
4	LEVER L STRG HANDLE	53178-LEA2-900	1	M5A			
5	COVER UP HANDLE	53205-LEA2-900	4	W2P	YZP	HXP	
6	COVER LOW HANDLE	53206-LEA2-900	7				
7	COVER FR HANDLE	53207-LEA2-900	5				
8	FENDER A FRONT	61100-LEA3-B20	1				
9	FENDER FR B INNER	61101-LEA2-910	1				
10	COVER. FRONT	64301-LEA2-900	5				
11	COVER CENTER UP	80151-LEA2-900	3				
12	COVER. R BODY	83500-LEA2-900	6				
13	COVER. L BODY	83600-LEA2-900	6				
14	COVER CENTER RR	83750-LEA2-900	7				
15	PROTECTOR. MUFF.	18318-LEA3-E00	0	N1R			
16	COVER UNDER	50613-LEA2-900	4				
17	FENDER , FR. C INNER	61102-LEA2-910	1				
18	MOLDING. LOW FR.	64308-LEA2-900	5				
19	FLOOR. PANEL	64310-LEA2-900	6				
20	PLUG FLOOR	64316-LEA2-900	1				
21	COVER CENTER LOW	80152-LEA2-900	5				
22	LEG SHIELD UP	81131-LEA2-910	0				
23	LID LEG SHIELD	81132-KFAF-900	1				
24	CAP LEG SHIELD	81132-LEA2-900	2				
25	HOOK LUGGAGE	81132-LFG6-900	2				
販売開始時期							
販売終了時期							

NO	モデル			SE22BA(JP)のカラーチャート			
	写真番号			NO. 13	NO. 14	NO. 15	
	基本色						
	コード			Ivory White	Black	Brown Crystal	
	パーツ名	パーツ番号	バージョン	NH190PA1	NH001SA1	YR167MA1	
1	GRIP COMP THROT	53140-GFY6-960	0				
2	GRIP L HANDLE	53166-GBW2-001	1				
3	LEVER R STRG HANDLE	53175-LEA2-910	2		M3A		
4	LEVER L STRG HANDLE	53178-LEA2-900	1		M5A		
5	COVER UP HANDLE	53205-LEA2-900	4				
6	COVER LOW HANDLE	53206-LEA2-900	7				
7	COVER FR HANDLE	53207-LEA2-900	5				
8	FENDER A FRONT	61100-LEA3-B20	1				
9	FENDER FR B INNER	61101-LEA2-910	1				
10	COVER. FRONT	64301-LEA2-900	5	HXP	N1P	YZP	
11	COVER CENTER UP	80151-LEA2-900	3				
12	COVER. R BODY	83500-LEA2-900	6				
13	COVER. L BODY	83600-LEA2-900	6				
14	COVER CENTER RR	83750-LEA2-900	7				
15	PROTECTOR. MUFF.	18318-LEA3-E00	0				
16	COVER UNDER	50613-LEA2-900	4				
17	FENDER , FR. C INNER	61102-LEA2-910	1				
18	MOLDING. LOW FR.	64308-LEA2-900	5				
19	FLOOR. PANEL	64310-LEA2-900	6				
20	PLUG FLOOR	64316-LEA2-900	1				
21	COVER CENTER LOW	80152-LEA2-900	5		N1R		
22	LEG SHIELD UP	81131-LEA2-910	0				
23	LID LEG SHIELD	81132-KFAF-900	1				
24	CAP LEG SHIELD	81132-LEA2-900	2				
25	HOOK LUGGAGE	81132-LFG6-900	2				
販売開始時期							
販売終了時期							

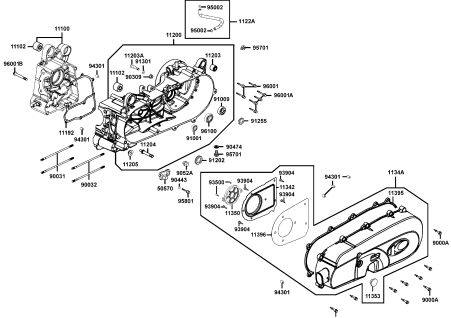
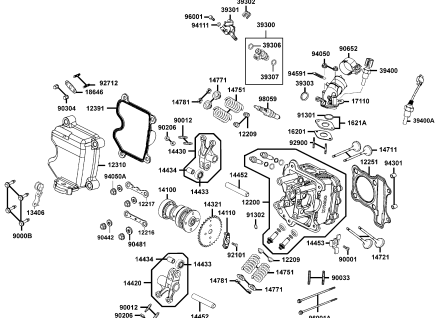
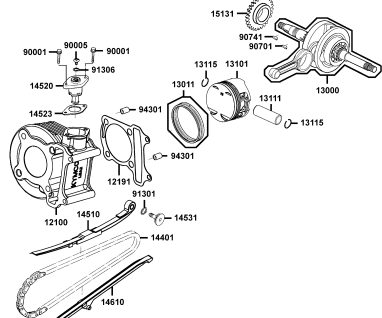
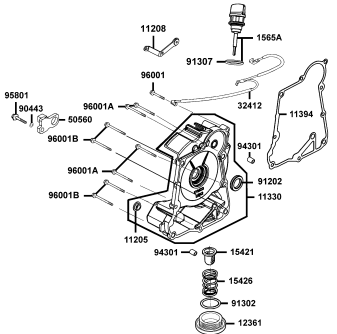
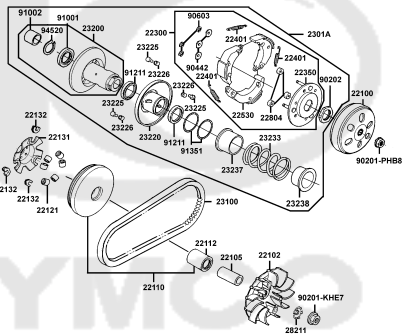
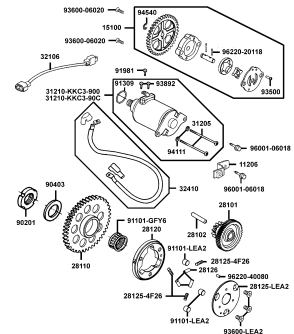
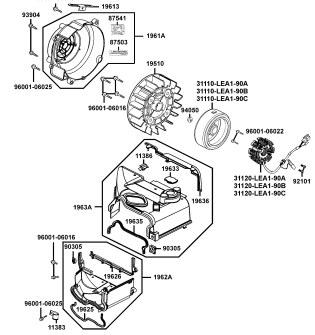
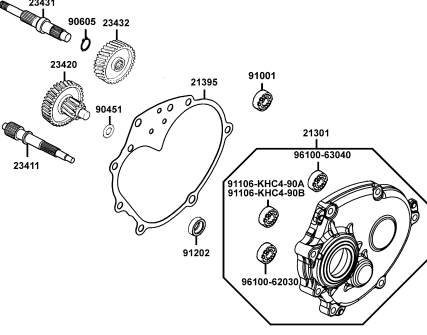
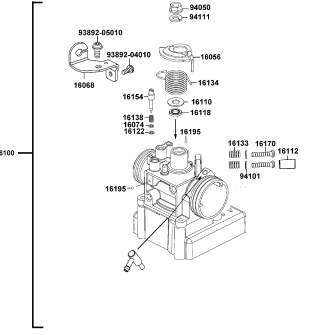
NO	モデル			SE22BA(JP)のカラーチャート			
	写真番号			NO. 1	NO. 2	NO. 3	NO. 4
	基本色						
	コード				Light Blue Metallic	Pink Metallic	
	パーツ名	パーツ番号	バージョン	PB078MA	PB078MA	RR222MA	RR217PA
26	LEG SHIELD UP B	81133-LEA2-910	1	N1R			
27	COVER SIDE REFLECTOR	81134-LKC7-960	1				
28	LEG SHIELD LOW	81141-LEA2-900	3				
29	LEG SHIELD LOW	81141-LEA2-910	1				
30	LID LEG SHIELD	81142-KUDU-900	1				
31	BAND HARNESS WIRE	90656-KUDU-900	0				
32	CUSHION ASSY.RR	52400-LEA2-900	9	N1S			
33	COLLAR FUEL FILLER	17623-KKE5-E1A	0	N8P			
34	COLLAR FUEL CILLER	17623-KKE5-E1B	0	NJA			
35	HUB SUB COMP RR	42610-GKAK-901	4				
36	HUB SUB COMP FR /D103	44610-KHC4-305	0				
37	GEAR BOX ASSY SPDMT	44800-KNBN-901	6				
38	CALIPER ASSY FR	45200-LEA1-900	3				
39	FORK SET FR R	5140A-LEA2-900	2				
40	FORK SET , FR R	5140A-LKC7-920	2				
41	BOTTOM CASE R	51420-LBC6-800	0				
42	FORK SET FR L	5150A-LEA2-900	0				
43	FORK SET FR L	5150A-LEA2-910	2				
44	FORK SET , FR L	5150A-LKC7-920	2	NJS			
45	BOTTOM CASE L	51520-LBC6-800	0				
46	RIM COMP RR WHEEL	42705-KHC4-900	5				
47	RIM COMP FR WHEEL	44705-KHC4-900	2	T01			
48	EMB BODY COVER	86202-LEA3-B20	3				
49	STRIPE FR FORK	86404-LGE3-900	1				
50	STRIPE RR FENDER	86409-LKC7-B20	0				
販売開始時期							
販売終了時期							

NO	モデル			SE22BA(JP)のカラーチャート			
	写真番号			NO. 5	NO. 6	NO. 7	NO. 8
	基本色						
	コード			Bright Red	Ivory White	Black	Silver
	パーツ名	パーツ番号	バージョン	RR217PA	NH190PA	NH001SA	NH131MA
26	LEG SHIELD UP B	81133-LEA2-910	1	N1R			
27	COVER SIDE REFLECTOR	81134-LKC7-960	1				
28	LEG SHIELD LOW	81141-LEA2-900	3				
29	LEG SHIELD LOW	81141-LEA2-910	1				
30	LID LEG SHIELD	81142-KUDU-900	1				
31	BAND HARNESS WIRE	90656-KUDU-900	0				
32	CUSHION ASSY.RR	52400-LEA2-900	9	N1S			
33	COLLAR FUEL FILLER	17623-KKE5-E1A	0	N8P			
34	COLLAR FUEL CILLER	17623-KKE5-E1B	0	NJA			
35	HUB SUB COMP RR	42610-GKAK-901	4				
36	HUB SUB COMP FR /D103	44610-KHC4-305	0				
37	GEAR BOX ASSY SPDMT	44800-KNBN-901	6				
38	CALIPER ASSY FR	45200-LEA1-900	3				
39	FORK SET FR R	5140A-LEA2-900	2				
40	FORK SET , FR R	5140A-LKC7-920	2				
41	BOTTOM CASE R	51420-LBC6-800	0				
42	FORK SET FR L	5150A-LEA2-900	0				
43	FORK SET FR L	5150A-LEA2-910	2				
44	FORK SET , FR L	5150A-LKC7-920	2	NJS			
45	BOTTOM CASE L	51520-LBC6-800	0				
46	RIM COMP RR WHEEL	42705-KHC4-900	5				
47	RIM COMP FR WHEEL	44705-KHC4-900	2				
48	EMB BODY COVER	86202-LEA3-B20	3	T01			
49	STRIPE FR FORK	86404-LGE3-900	1				
50	STRIPE RR FENDER	86409-LKC7-B20	0				
販売開始時期							
販売終了時期							

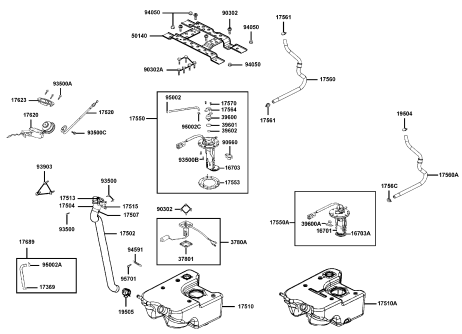
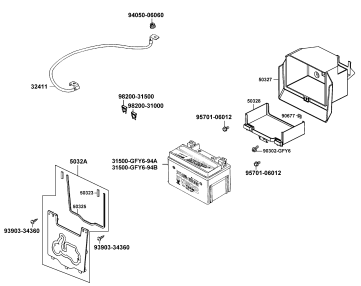
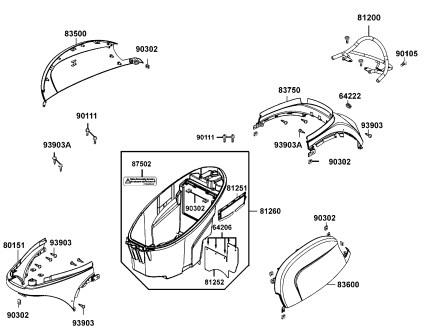
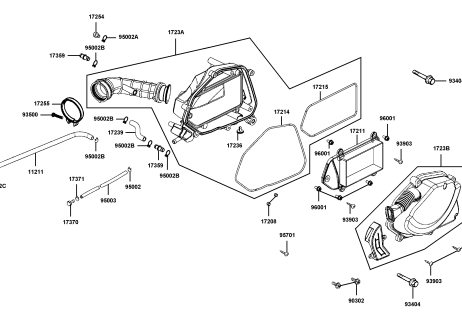
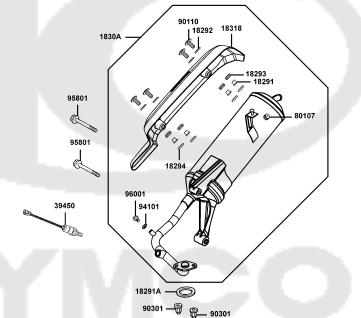
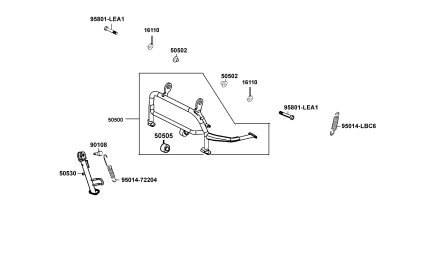
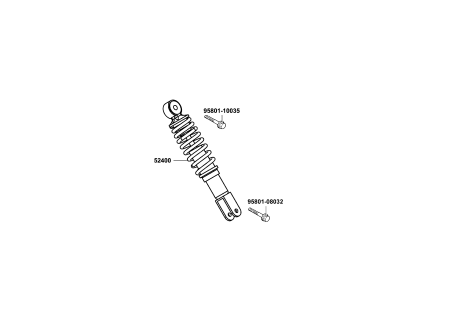
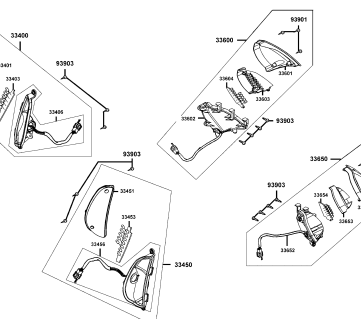
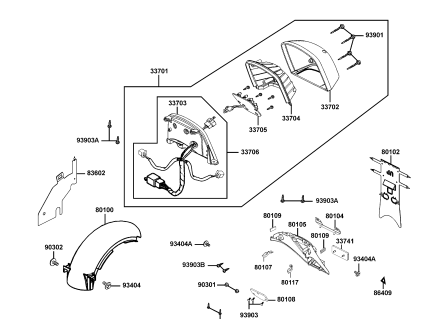
NO	モデル			SE22BA(JP)のカラーチャート			
	写真番号			NO. 9	NO. 10	NO. 11	NO. 12
	基本色						
	コード			Light Yellow Green		Brown Crystal	
	パーツ名	パーツ番号	バージョン	YG022MA	YR167MA	YR167MA	NH190PA1
26	LEG SHIELD UP B	81133-LEA2-910	1	N1R			
27	COVER SIDE REFLECTOR	81134-LKC7-960	1				
28	LEG SHIELD LOW	81141-LEA2-900	3				
29	LEG SHIELD LOW	81141-LEA2-910	1				
30	LID LEG SHIELD	81142-KUDU-900	1				
31	BAND HARNESS WIRE	90656-KUDU-900	0	N1S			
32	CUSHION ASSY.RR	52400-LEA2-900	9				
33	COLLAR FUEL FILLER	17623-KKE5-E1A	0	N8P			
34	COLLAR FUEL CILLER	17623-KKE5-E1B	0				
35	HUB SUB COMP RR	42610-GKAK-901	4	NJA			
36	HUB SUB COMP FR /D103	44610-KHC4-305	0				
37	GEAR BOX ASSY SPDMT	44800-KNBN-901	6				
38	CALIPER ASSY FR	45200-LEA1-900	3				
39	FORK SET FR R	5140A-LEA2-900	2				
40	FORK SET , FR R	5140A-LKC7-920	2				
41	BOTTOM CASE R	51420-LBC6-800	0				
42	FORK SET FR L	5150A-LEA2-900	0				
43	FORK SET FR L	5150A-LEA2-910	2				
44	FORK SET , FR L	5150A-LKC7-920	2				
45	BOTTOM CASE L	51520-LBC6-800	0	NJS			
46	RIM COMP RR WHEEL	42705-KHC4-900	5				
47	RIM COMP FR WHEEL	44705-KHC4-900	2				
48	EMB BODY COVER	86202-LEA3-B20	3	T01			
49	STRIPE FR FORK	86404-LGE3-900	1				
50	STRIPE RR FENDER	86409-LKC7-B20	0				
販売開始時期							
販売終了時期							

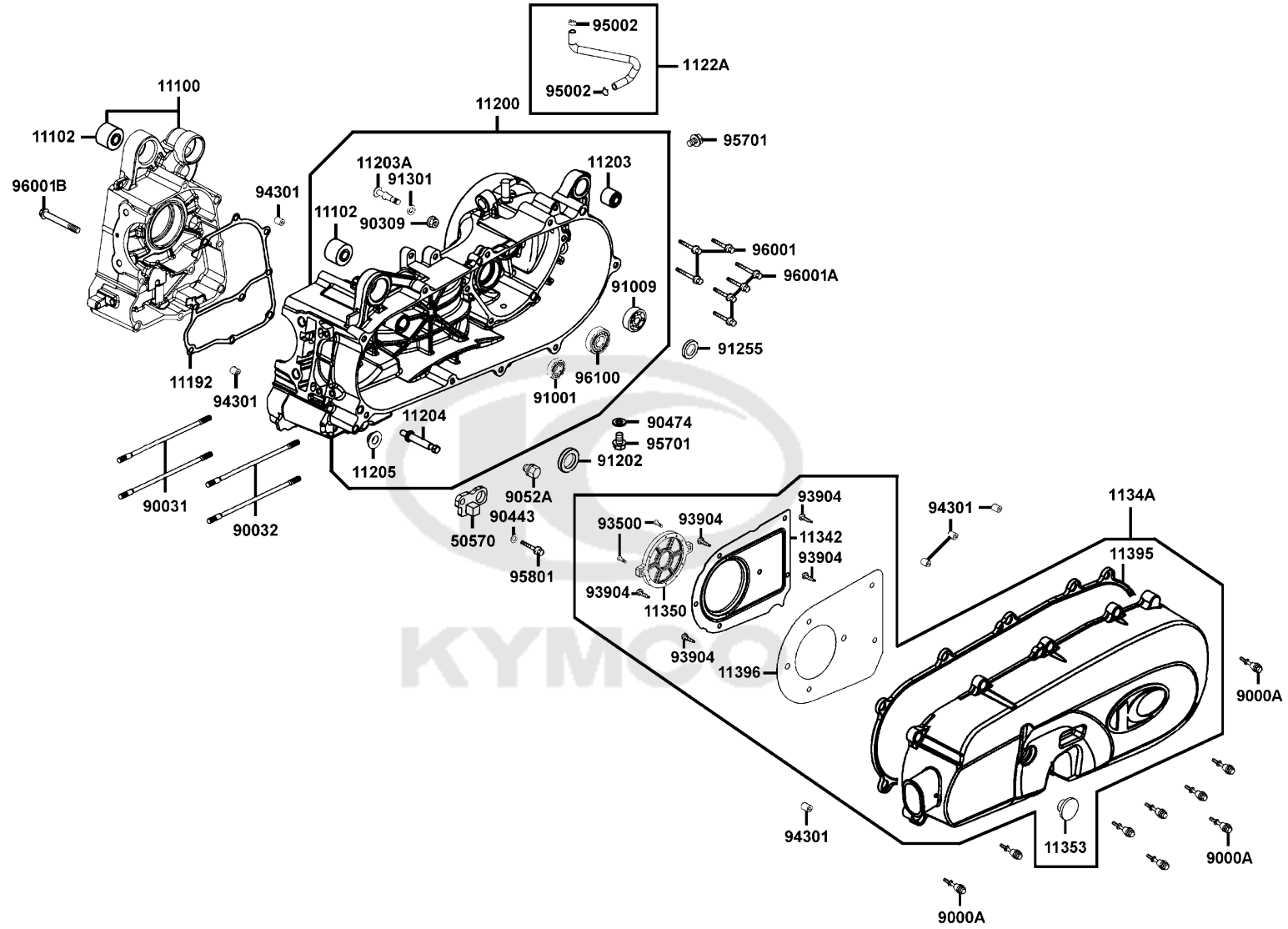
NO	モデル			SE22BA(JP)のカラーチャート			
	写真番号			NO. 13	NO. 14	NO. 15	
	基本色						
	コード			Ivory White	Black	Brown Crystal	
	パーツ名	パーツ番号	バージョン	NH190PA1	NH001SA1	YR167MA1	
26	LEG SHIELD UP B	81133-LEA2-910	1	N1R			
27	COVER SIDE REFLECTOR	81134-LKC7-960	1				
28	LEG SHIELD LOW	81141-LEA2-900	3				
29	LEG SHIELD LOW	81141-LEA2-910	1				
30	LID LEG SHIELD	81142-KUDU-900	1				
31	BAND HARNESS WIRE	90656-KUDU-900	0				
32	CUSHION ASSY.RR	52400-LEA2-900	9	N1S			
33	COLLAR FUEL FILLER	17623-KKE5-E1A	0	N8P			
34	COLLAR FUEL CILLER	17623-KKE5-E1B	0	NJA			
35	HUB SUB COMP RR	42610-GKAK-901	4				
36	HUB SUB COMP FR /D103	44610-KHC4-305	0				
37	GEAR BOX ASSY SPDMT	44800-KNBN-901	6				
38	CALIPER ASSY FR	45200-LEA1-900	3				
39	FORK SET FR R	5140A-LEA2-900	2				
40	FORK SET , FR R	5140A-LKC7-920	2				
41	BOTTOM CASE R	51420-LBC6-800	0				
42	FORK SET FR L	5150A-LEA2-900	0				
43	FORK SET FR L	5150A-LEA2-910	2				
44	FORK SET , FR L	5150A-LKC7-920	2				
45	BOTTOM CASE L	51520-LBC6-800	0	NJS			
46	RIM COMP RR WHEEL	42705-KHC4-900	5				
47	RIM COMP FR WHEEL	44705-KHC4-900	2				
48	EMB BODY COVER	86202-LEA3-B20	3	T01			
49	STRIPE FR FORK	86404-LGE3-900	1				
50	STRIPE RR FENDER	86409-LKC7-B20	0				
販売開始時期							
販売終了時期							

CONTENTS - ENGINE GROUP 目次-エンジン関

E01 Crank Case	E02 Cylinder Head	E03 Cylinder Piston Crankshaft
		
E04 Right Crankcase Cover	E05 Driven Pulley	E06 Starting Motor Oil Pump
		
E07 Fan Cover Generator	E08 Transmission	E09 Throttle Body Assy
		

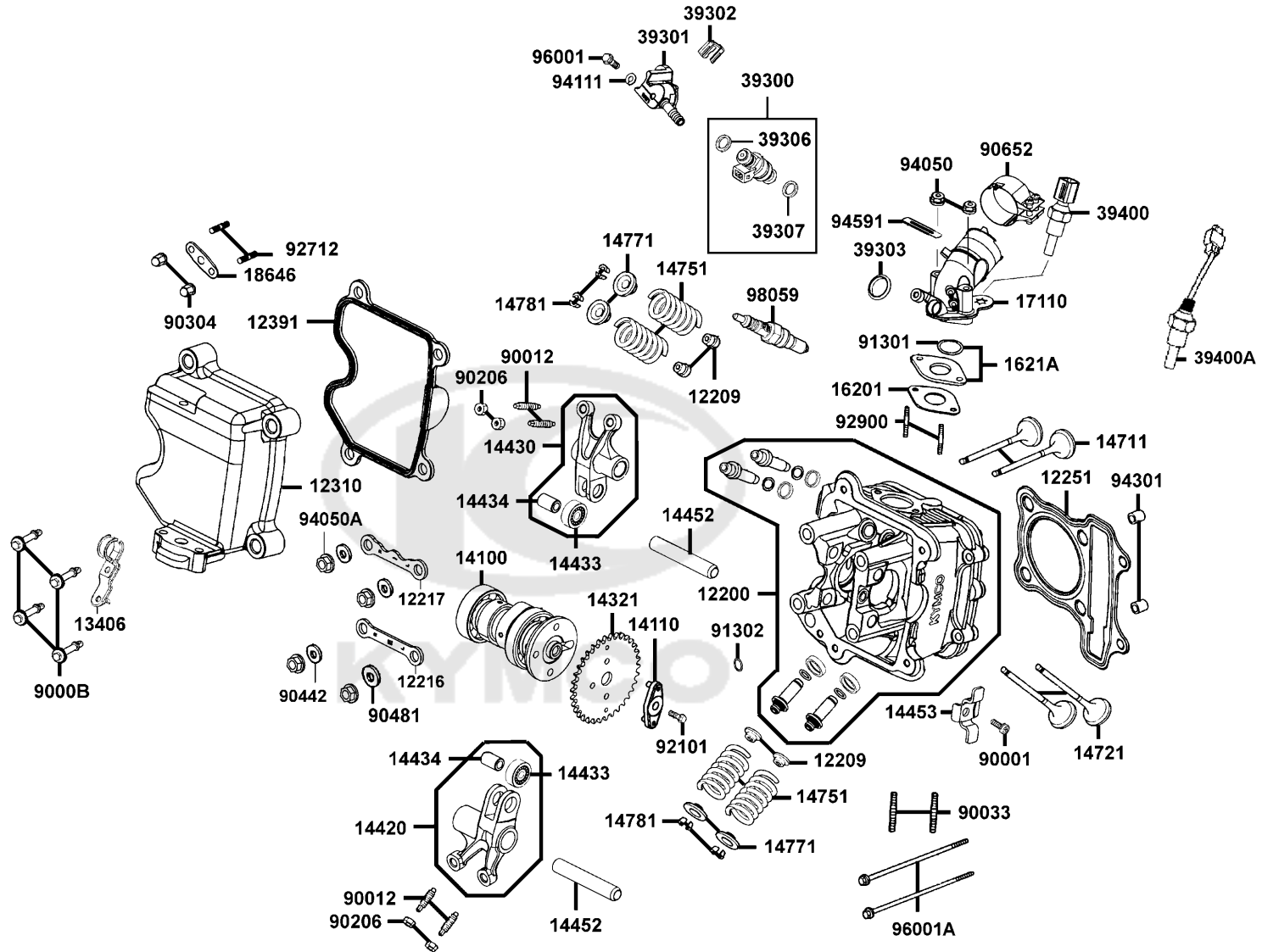
CONTENTS - FRAME GROUP 目次-フレーム関係

F10 Fuel Tank	F11 Battery	F12 Body Cover Luggage Box
		
F13 Air Cleaner	F14 Exhaust Muffler	F15 Stand
		
F16 Rear Cushion	F17 Front Winker	F18 Tail Light
		

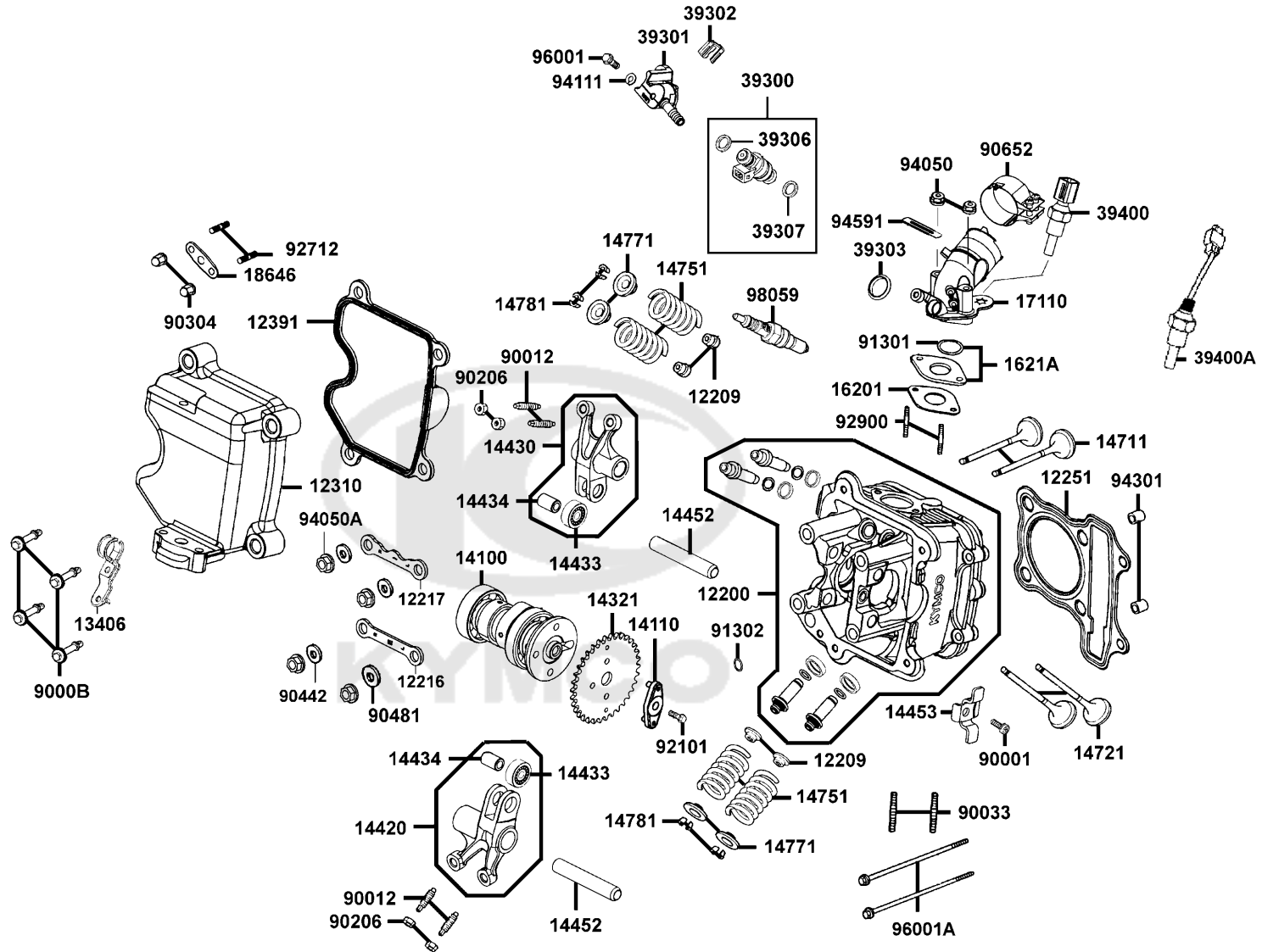


Sales mark 記号	Ref no 参照用番号	Part no パーツ番号	Description 部品名	Reg description 部品名	Regd no 必要個数	Ref Price 希望小売価格(税抜)	E01
11100		11100-LEA2-305	CRANK CASE SET R	CRANK CASE SET R	1	19800	
11102		11102-1G87-004	RUB BUSH ENG HANGER	RUB BUSH ENG HANGER	2	320	
11192		11192-LEA2-900	GASKET CRANK CASE A	GASKET CRANK CASE A	1	610	
11200		11200-LEA2-305	CRANKCASE SET L	CRANKCASE SET L	1	34060	
11203		11203-GGC7-301	UNDER RUBBER BUSH REAR CUSHION	UNDER RUBBER BUSH REAR CUSHION	1	250	
11203A		11203-KHG8-301	PIN BRAKE SHOE ANCHOR	PIN BRAKE SHOE ANCHOR	1	300	
11204		11204-LEA1-900	PIN SPG HOOK	PIN SPG HOOK	1	510	
11205		11205-LEA2-900	BUSH M STAND	BUSH M STAND	1	350	
1122A		1122A-LEA1-900	TUBE ASSY BREATHER	TUBE ASSY BREATHER	1	330	
11342		11342-LEA1-900	PLATE L COVER	PLATE L COVER	1	490	
1134A		1134A-LHJ8-900	COVER ASSY LEFT SIDE	COVER ASSY LEFT SIDE	1	11480	
11350		11350-LHJ8-900	ELEMENT L COVER	ELEMENT L COVER	1	1070	
11353		11353-LEB2-900	RUBBER PLUG. L COVER KICK	RUBBER PLUG. L COVER KICK	1	140	
11395		11395-LEA1-900	GASKET L COVER	GASKET L COVER	1	1530	
11396		11396-LKB9-900	GASKET L-COVER PLATE	GASKET L-COVER PLATE	1	510	
50570		50570-LEA2-900	STOPPER L.. MAIN STAND	STOPPER L.. MAIN STAND	1	770	
9000A		9000A-KTDT-900	BOLT ASSY SPECIAL 6*29.5	BOLT ASSY SPECIAL 6*29.5	9	100	
90031		90031-KUDU-900	BOLT A STUD 8*200.5	BOLT A STUD 8*200.5	2	490	
90032		90032-LEA1-900	BOLT B STUD 8*206	BOLT B STUD 8*206	2	710	
90309		90309-KLF0-004	NUT FLANGE 8MM	NUT FLANGE 8MM	1	60	

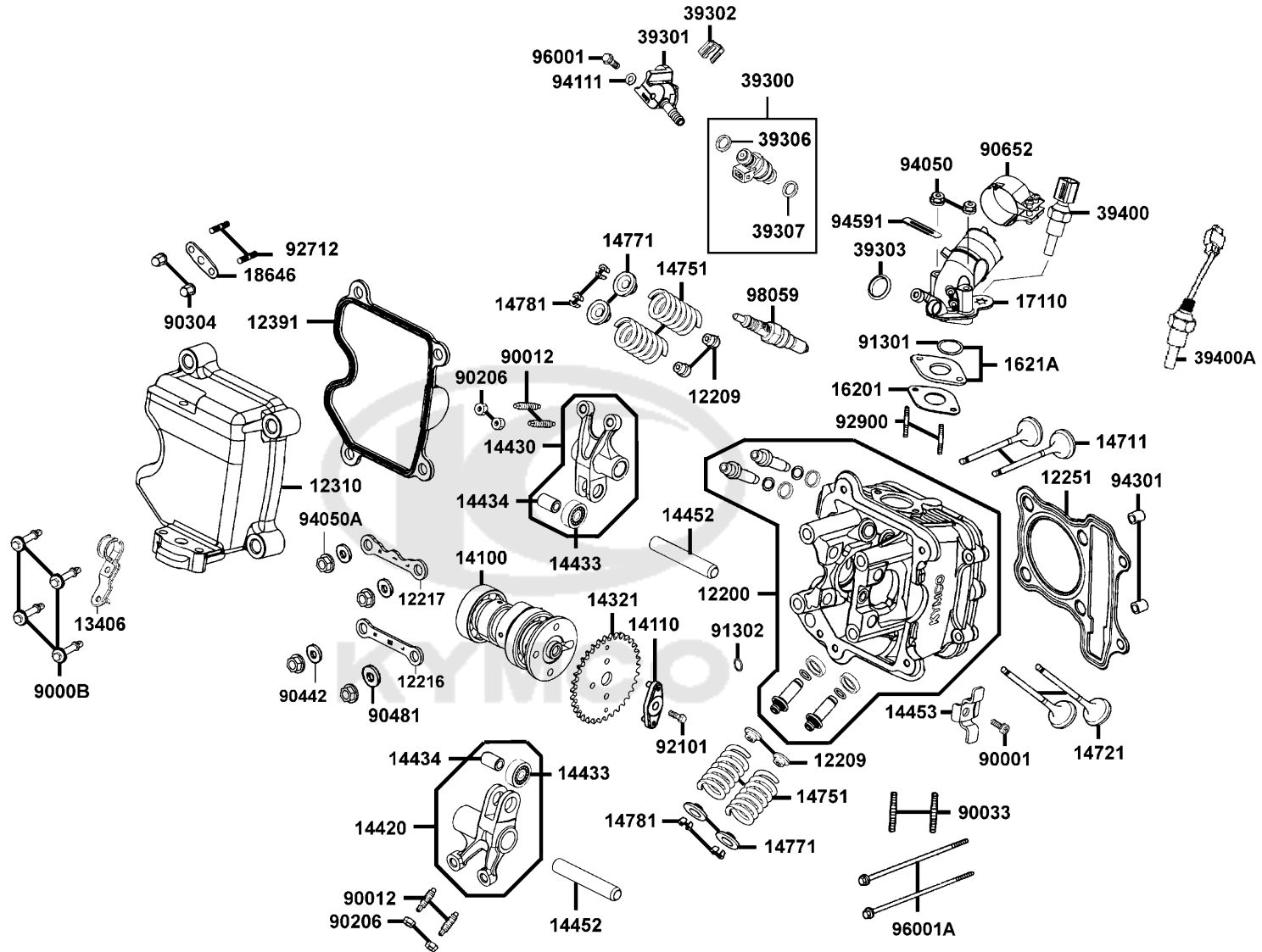
Sales mark 記号	Ref no 参照用番号	Part no パーツ番号	Description 部品名	Reg description 部品名	Regd no 必要個数	Ref Price 希望小売価格(税抜)	E01
90443		90443-GHC8-001	WASHER SPECIAL 8MM	WASHER SPECIAL 8MM	1	200	
90474		90474-3C33-001	WASHER 8MM	WASHER 8MM	1	60	
9052A		9052A-LEB1-900	BOLT ASSY DRAIN PLUG	BOLT ASSY DRAIN PLUG	1	870	
91001		91001-KGBG-90A	BRG BALL RADIAL TM-SC03A	BRG BALL RADIAL TM-SC03A	1	3620	
91001		91001-KGBG-90B	BRG BALL RADIAL TM-SC03A	BRG BALL RADIAL TM-SC03A	1	3620	
91009		91009-GLE0-004	BRG BALL RADIAL 6004 UU	BRG BALL RADIAL 6004 UU	1	1300	
91202		91202-LEA2-900	OIL SEAL 22*32*5	OIL SEAL 22*32*5	1	680	
91255		91255-GLE0-006	OIL SEAL 27*42*7	OIL SEAL 27*42*7	1	60	
91301		91301-0C53-001	O RING 7.5*1.5	O RING 7.5*1.5	1	60	
93500		93500-04010-0F	SCREW PAN 4X10	SCREW PAN 4X10	1	200	
93904		93904-35360	SCREW TAPPING 5*12	SCREW TAPPING 5*12	4	200	
94301		94301-08140	DOWEL PIN 8*14	DOWEL PIN 8*14	6	110	
95002		95002-50000	CLIP C9 KYMCO	CLIP C9 TUBE	2	60	
95701		95701-08012-06	BOLT FLANGE 6*22 (K)	BOLT FLANGE 6*22 (K)	1	60	
95801		95801-08025-06	BOLT FLANGE 8*25	BOLT FLANGE 8*25	1	160	
96001		96001-06025-06	BOLT FLANGE SH 6*25	BOLT FLANGE SH 6*25	1	60	
96001A		96001-06032-06	BOLT FLANGE 6*32	BOLT FLANGE 6*32	1	60	
96001B		96001-06050-06	BOLT FLANGE SH 6*50	BOLT FLANGE SH 6*50	1	60	
96100		96100-60020-00	BRG BALL RADIAL 6002	BRG BALL RADIAL 6002	1	250	



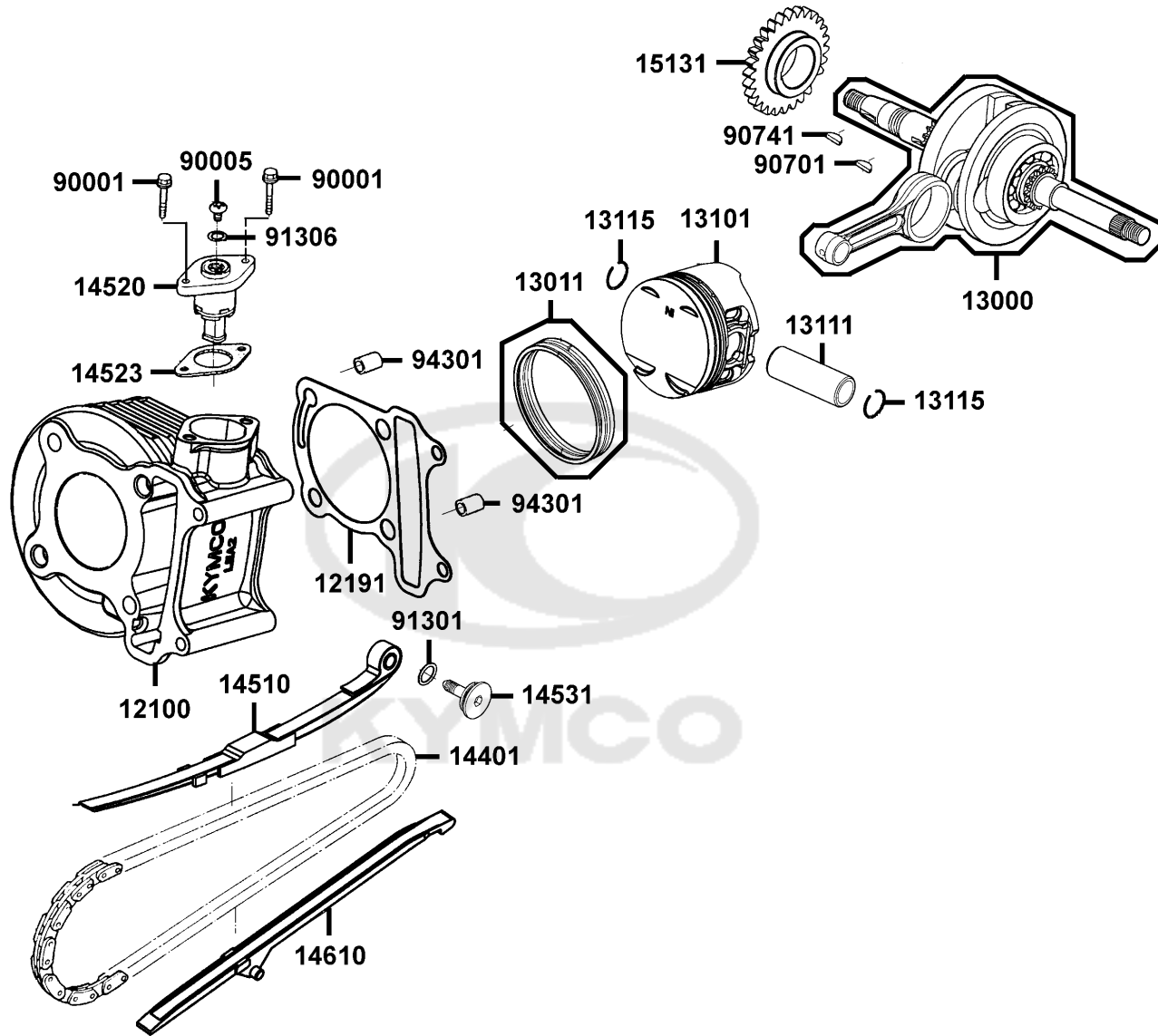
Sales mark 記号	Ref no 参照用番号	Part no パーツ番号	Description 部品名	Reg description 部品名	Regd no 必要個数	Ref Price 希望小売価格(税抜)	E02
12200		12200-LKC6-900	HEAD COMP CYLINDER	HEAD COMP CYLINDER	1	45810	
12209		12209-LEA2-90A	SEAL VALVE STEM	SEAL VALVE STEM	4	390	
12216		12216-LEB1-900	FORK A CAM HOLDER	FORK A CAM HOLDER	1	610	
12217		12217-LEA2-900	FORK B HOLDER	FORK B HOLDER	1	610	
12251		12251-LKC6-900	GASKET CYLINDER HEAD	GASKET CYLINDER HEAD	1	1150	
12310		12310-LEA2-900	COVER COMP HEAD	COVER COMP HEAD	1	6280	
12391		12391-LEA2-900	GASKET HEAD COVER	GASKET HEAD COVER	1	2670	
13406		13406-LEA2-900	PLATE FUEL INJECTOR	PLATE FUEL INJECTOR	1	390	
14100		14100-LEA2-900	SHAFT COMP CAM	SHAFT COMP CAM	1	11030	
14110		14110-LEB1-900	FIXTURE CAMSHAFT	FIXTURE CAMSHAFT	1	1340	
14321		14321-LEB1-900	SPROCKET CAM	SPROCKET CAM	1	2860	
14420		14420-LEA2-900	ARM COMP EXH VALVE ROCKER	ARM COMP EXH VALVE ROCKER	1	3490	
14430		14430-LEA2-900	ARM COMP IN VALVE ROCKER	ARM COMP IN VALVE ROCKER	1	4190	
14433		14433-LEB1-900	ROLLER ASSY ROCKER ARM	ROLLER ASSY ROCKER ARM	2	1540	
14434		14434-LEB1-900	PIN ROCKER ARM	PIN ROCKER ARM	2	770	
14452		14452-LKC6-900	SHAFT EXH ROCKER ARM	SHAFT EXH ROCKER ARM	2	580	
14453		14453-LKC6-900	SET PLATE ROCKER ARM SHAFT	SET PLATE ROCKER ARM SHAFT	1	200	
14711		14711-LEA2-900	VALVE INLET	VALVE INLET	2	1440	
14721		14721-LKC6-900	VALVE EXHAUST	VALVE EXHAUST	2	3580	
14751		14751-LEA2-900	SPG VALVE OUTER	SPG VALVE OUTER	4	350	



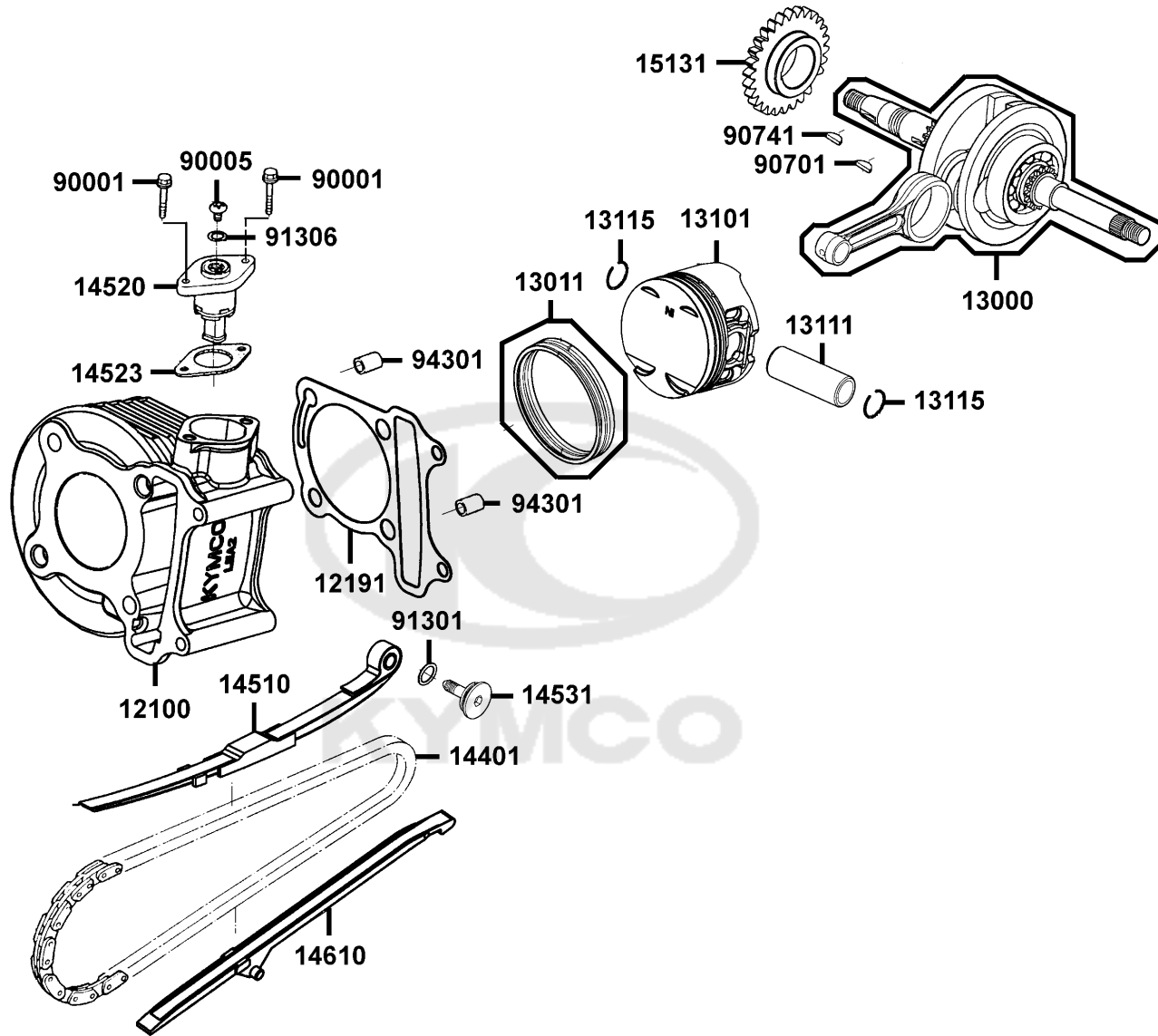
Sales mark 記号	Ref no 参照用番号	Part no パーツ番号	Description 部品名	Reg description 部品名	Regd no 必要個数	Ref Price 希望小売価格(税抜)
						E02
14771	14771-LEA2-900	14771-LEA2-900	RETAINER. UPPER SPRING	RETAINER. UPPER SPRING	4	580
14781	14781-KKE5-E00	14781-KKE5-E00	COTTER VALVE	COTTER VALVE	8	490
16201	16201-GFY6-910	16201-GFY6-910	GASKET CARB INSULATOR	GASKET CARB INSULATOR	2	130
1621A	1621A-LEA1-900	1621A-LEA1-900	INSULATOR CARB	INSULATOR CARB	1	390
17110	17110-LEA1-900	17110-LEA1-900	PIPE ASSY INLET	PIPE ASSY INLET	1	5330
17110	17110-LEA1-910	17110-LEA1-910	PIPE COMP. , INLET	PIPE COMP. , INLET	1	
18646	18646-GFY6-941	18646-GFY6-941	GASKET A/I PIPE	GASKET A/I PIPE	1	60
39300	39300-LEB2-800	39300-LEB2-800	FUEL INJECTOR	FUEL INJECTOR	1	14640
39301	39301-LEA1-910	39301-LEA1-910	HOLDER ASSY.. FUEL INJECTOR	HOLDER ASSY.. FUEL INJECTOR	1	490
39302	39302-KKE3-900	39302-KKE3-900	CLIP SPRING FUEL INJECTOR	CLIP SPRING FUEL INJECTOR	1	390
39303	39303-LEB2-900	39303-LEB2-900	SEAL HIGH TENSION FUEL INJECT	SEAL HIGH TENSION FUEL INJECT	1	110
39306	39306-LEB2-305	39306-LEB2-305	O-RING A INJECTOR /BLACK	O-RING A INJECTOR /BLACK	1	680
39307	39307-LEB2-305	39307-LEB2-305	O-RING B INJECTOR /GREEN	O-RING B INJECTOR /GREEN	1	680
39400	39400-KKE3-800	39400-KKE3-800	SENSOR HEAD TEMPERATURE	SENSOR HEAD TEMPERATURE	1	5830
39400A	39400-LHJ3-900	39400-LHJ3-900	SENSOR. HEAD TEMPERATURE	SENSOR. HEAD TEMPERATURE	1	5020
90001	90001-GFY6-901	90001-GFY6-901	SOCKET BOLT 6*10 (B)	SOCKET BOLT 6*10 (B)	1	110
9000B	9000B-KHD6-900	9000B-KHD6-900	BOLT ASSY SPECIAL 6*41.5	BOLT ASSY SPECIAL 6*41.5	4	440
90012	90012-3C33-001	90012-3C33-001	SCREW TAPPET ADJUSTING	SCREW TAPPET ADJUSTING	4	110
90033	90033-GFY6-900	90033-GFY6-900	BOLT STUD 8*32	BOLT STUD 8*32	2	60
90206	90206-0A01-001	90206-0A01-001	NUT TAPPET ADJG	NUT TAPPET ADJG	4	60



Sales mark 記号	Ref no 参照用番号	Part no パーツ番号	Description 部品名	Reg description 部品名	Regd no 必要個数	Ref Price 希望小売価格(税抜)	E02
90304		90304-4H38-001	NUT HEX CAP 6MM	NUT HEX CAP 6MM	2	200	
90442		90442-LEA1-900	WASHER SEALING 8MM	WASHER SEALING 8MM	3	160	
90481		90481-LEA1-900	WASHER. PLAIN 8.1MM	WASHER. PLAIN 8.1MM	1	220	
90652		90652-LGJ9-900	BAND 48. INLET-PIPE	BAND 48. INLET-PIPE	1	310	
91301		91301-0H28-001	O RING 27*2	O RING 27*2	1	70	
91302		91302-KHD6-900	O-RING 6.0*1.78	O-RING 6.0*1.78	1	130	
92101		92101-06014-0G	BOLT HEX 6*14	BOLT HEX 6*14	1	200	
92712		92712-06028-0B	BOLT STUD 6*28	BOLT STUD 6*28	2	200	
92900		92900-06060-0B	BOLT STUD ??*60	BOLT STUD ??*60	2	60	
94050		94050-06080	NUT FLANGE 6MM	NUT FLANGE 6MM	2	60	
94050A		94050-08080	NUT FLANGE 8MM	NUT FLANGE 8MM	4	60	
94111		94111-06800	WASHER SPRING 6MM	WASHER SPRING 6MM	1	60	
94301		94301-10160	DOWEL PIN 10*16	DOWEL PIN 10*16	2	60	
94591		94591-KFBF-900	CLIP 2*70	CLIP 2*70	1	60	
96001		96001-06014-06	BOLT FLANGE SH 6*14 (G)	BOLT FLANGE SH 6*14 (G)	1	60	
96001A		96001-06095-06	BOLT FLANGE SH 6*95 **07 C.2005.07.01	BOLT FLANGE SH 6*95 **07 C.2005.07.01	1	70	
98059		98059-57916-00	SPARK PLUG CR7E	SPARK PLUG CR7E	1	2930	



Sales mark 記号	Ref no 参照用番号	Part no パーツ番号	Description 部品名	Reg description 部品名	Regd no 必要個数	Ref Price 希望小売価格(税抜)	E03
12100		12100-LKC6-900	CYLINDER COMP	CYLINDER COMP	1	33270	
12191		12191-LEA2-900	GASKET CYLINDER A	GASKET CYLINDER A	1	260	
13000		13000-LKC7-900	CRANK SHAFT COMP	CRANK SHAFT COMP	1	25550	
13011		13011-LKC6-90B	RING ASSY PISTON	RING ASSY PISTON	1	2960	
13101		13101-LKC6-900	PISTON	PISTON	1	3050	
13111		13111-LKB9-900	PIN PISTON	PIN PISTON	1	680	
13115		13115-0A01-001	PISTON PIN CLIP	PISTON PIN CLIP	2	160	
14401		14401-LEA2-900	CHAIN CAM	CHAIN CAM	1	3810	
14510		14510-LHJ8-900	TENSIONER CAM CHAIN	TENSIONER CAM CHAIN	1	2300	
14520		14520-GFY6-90C	LIFTER ASSY.. TENSIONER	LIFTER ASSY.. TENSIONER	1	2060	
14523		14523-KED9-900	GASKET TENSIONER LIFTER @A	GASKET TENSIONER LIFTER @A	1	200	
14531		14531-GLR0-001	PIVOT CAM CHAIN TENSIONER	PIVOT CAM CHAIN TENSIONER	1	200	
14610		14610-LEA2-900	GUIDE COMP CAM CHAIN	GUIDE COMP CAM CHAIN	1	680	
15131		15131-LEA2-900	GEAR OIL DRIVE	GEAR OIL DRIVE	1	2860	
90001		90001-GBHB-661	BOLT FLANGE SH 6*22	BOLT FLANGE SH 6*22	2	60	
90005		90005-KAW1-901	SCREW PAN 6*6	SCREW PAN 6*6	1	60	
90701		90701-HFB6-011	KEY WOODRUFF 25*14*4	KEY WOODRUFF 25*14*4	1	60	
90741		90741-0E35-001	KEY WOODRUFF	KEY WOODRUFF	1	160	
91301		91301-GLR0-005	O-RING 15.2*1.5	O-RING 15.2*1.5	1	60	
91306		91306-1E05-691	O-RING 1.5*9.5	O-RING 1.5*9.5	1	60	



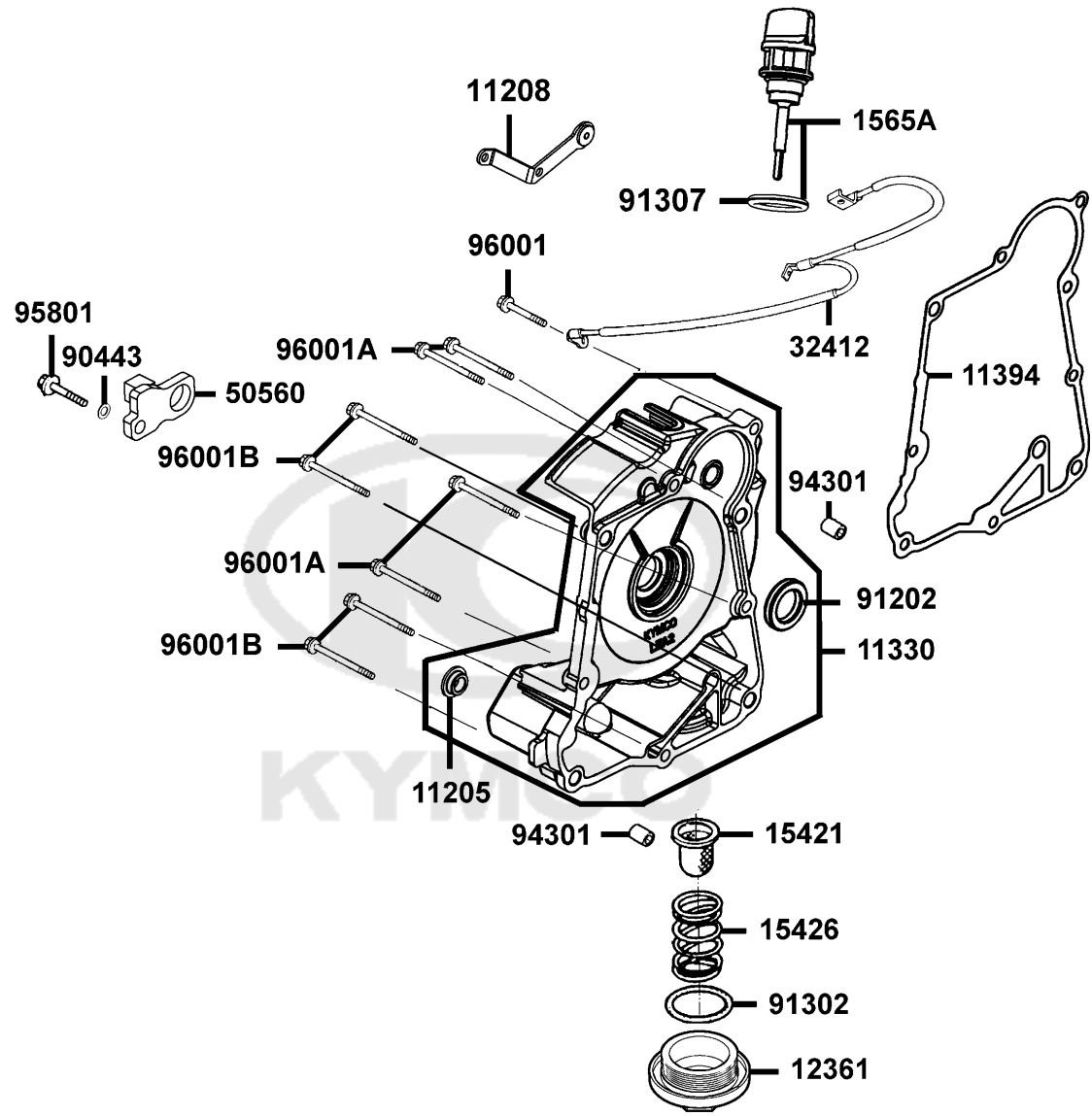
Sales mark 記号	Ref no 参照用番号	Part no パーツ番号	Description 部品名	Reg description 部品名	Regd no 必要個数	Ref Price 希望小売価格(税抜)
------------------	-----------------	------------------	--------------------	------------------------	-----------------	-------------------------

E03

94301	94301-10160		DOWEL PIN 10*16	DOWEL PIN 10*16	2	60
-------	-------------	--	-----------------	-----------------	---	----

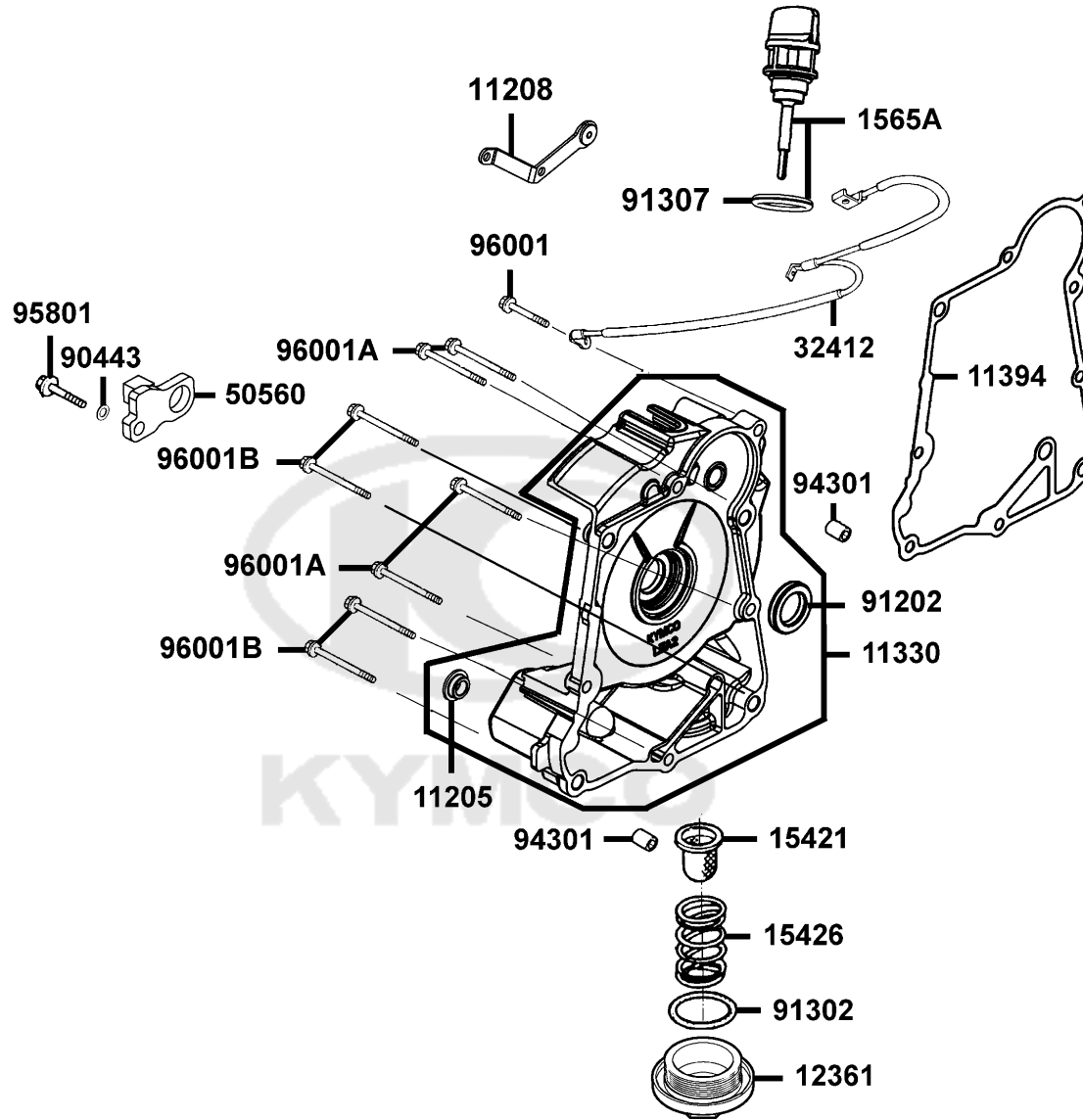


Right Crankcase Cover



Sales mark 記号	Ref no 参照用番号	Part no パーツ番号	Description 部品名	Reg description 部品名	Regd no 必要個数	Ref Price 希望小売価格(税抜)	E04
11205		11205-LEA2-900	BUSH M STAND	BUSH M STAND	1	350	
11208		11208-LEA2-900	STAY C. RR FENDER	STAY C. RR FENDER	1	390	
11330		11330-LHJ8-700	COVER COMP R SIDE	COVER COMP R SIDE	1	17280	
11394		11394-LEA2-900	GASKET R COVER	GASKET R COVER	1	920	
12361		12361-GFY6-901	HOLE CAP TAPPET ADJUSTING	HOLE CAP TAPPET ADJUSTING	1	300	
15421		15421-1G07-001	SCREEN OIL FILTER	SCREEN OIL FILTER	1	350	
15426		15426-GAE1-921	SPG OIL FILTER SCREEN	SPG OIL FILTER SCREEN	1	160	
1565A		1565A-GFY6-900	GAUGE OIL LEVEL ASSY	GAUGE OIL LEVEL ASSY	1	390	
32412		32412-LEA2-900	CABLE EARTH	CABLE EARTH	1	2480	
32412		32412-LEA2-90B	CABLE EARTH	CABLE EARTH	1	2480	
50560		50560-LEA2-900	STOPPER R MAIN STAND	STOPPER R MAIN STAND	1	770	
90443		90443-GHC8-001	WASHER SPECIAL 8MM	WASHER SPECIAL 8MM	1	200	
91202		91202-GFY6-90A	OIL SEAL 19.8*30*5	OIL SEAL 19.8*30*5	1	230	
91202		91202-GFY6-90C	OIL SEAL 19.8*30*5	OIL SEAL 19.8*30*5	2	230	
91302		91302-0A01-021	O-RING 30.8M/M	O-RING 30.8M/M	1	60	
91307		91307-0E35-001	O RING 18*3	O RING 18*3	1	60	
94301		94301-08140	DOWEL PIN 8*14	DOWEL PIN 8*14	2	110	
95801		95801-08025-06	BOLT FLANGE 8*25	BOLT FLANGE 8*25	1	160	
96001		96001-06032-06	BOLT FLANGE 6*32	BOLT FLANGE 6*32	1	60	
96001A		96001-06090-06	BOLT FLANGE SH 6*90	BOLT FLANGE SH 6*90	1	200	

Right Crankcase Cover



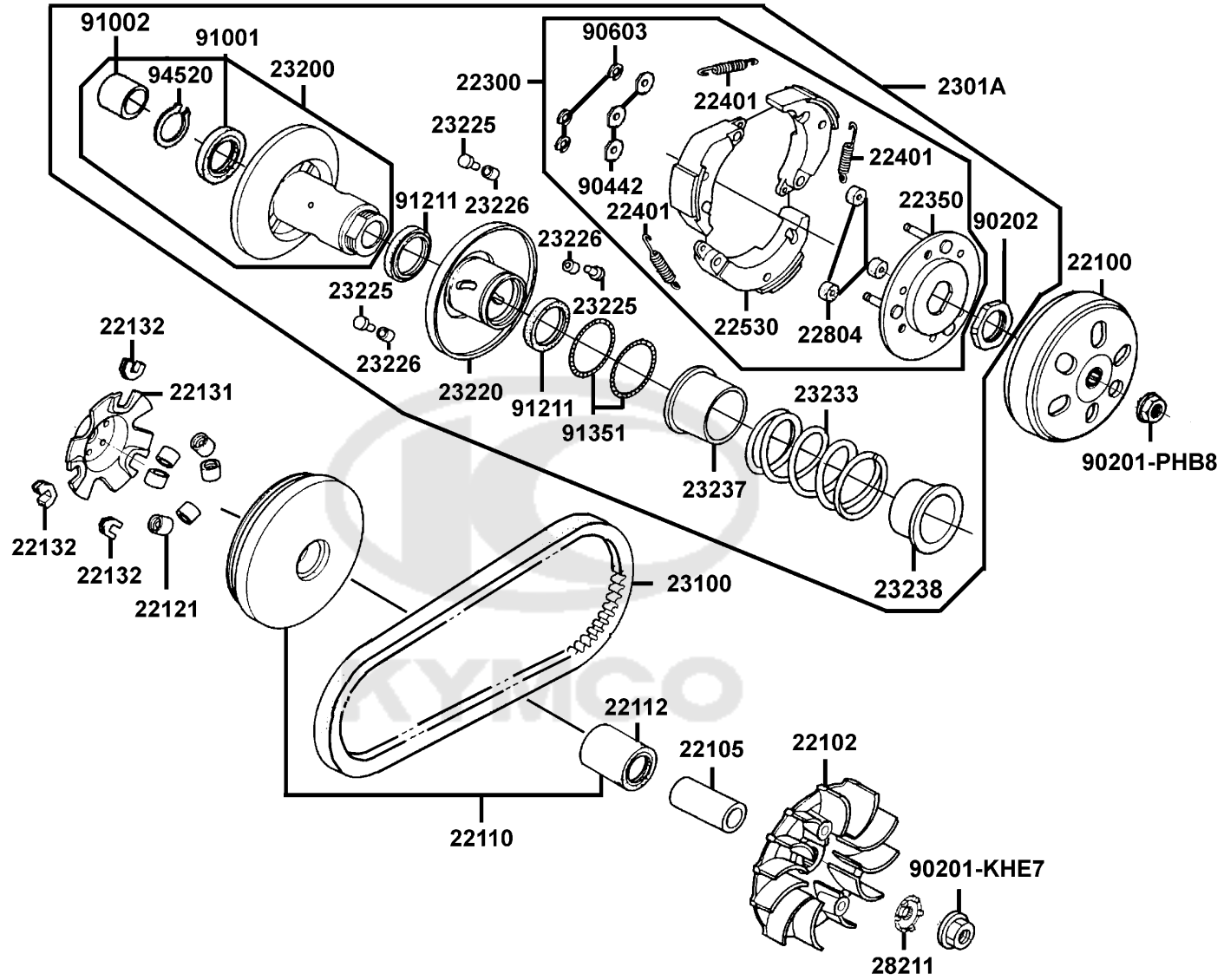
Sales mark 記号	Ref no 参照用番号	Part no パーツ番号	Description 部品名	Reg description 部品名	Regd no 必要個数	Ref Price 希望小売価格(税抜)
------------------	-----------------	------------------	--------------------	------------------------	-----------------	-------------------------

E04

96001B	96001-06100-06		BOLT FLANGE SH 6*100	BOLT FLANGE SH 6*100	1	60
--------	----------------	--	----------------------	----------------------	---	----

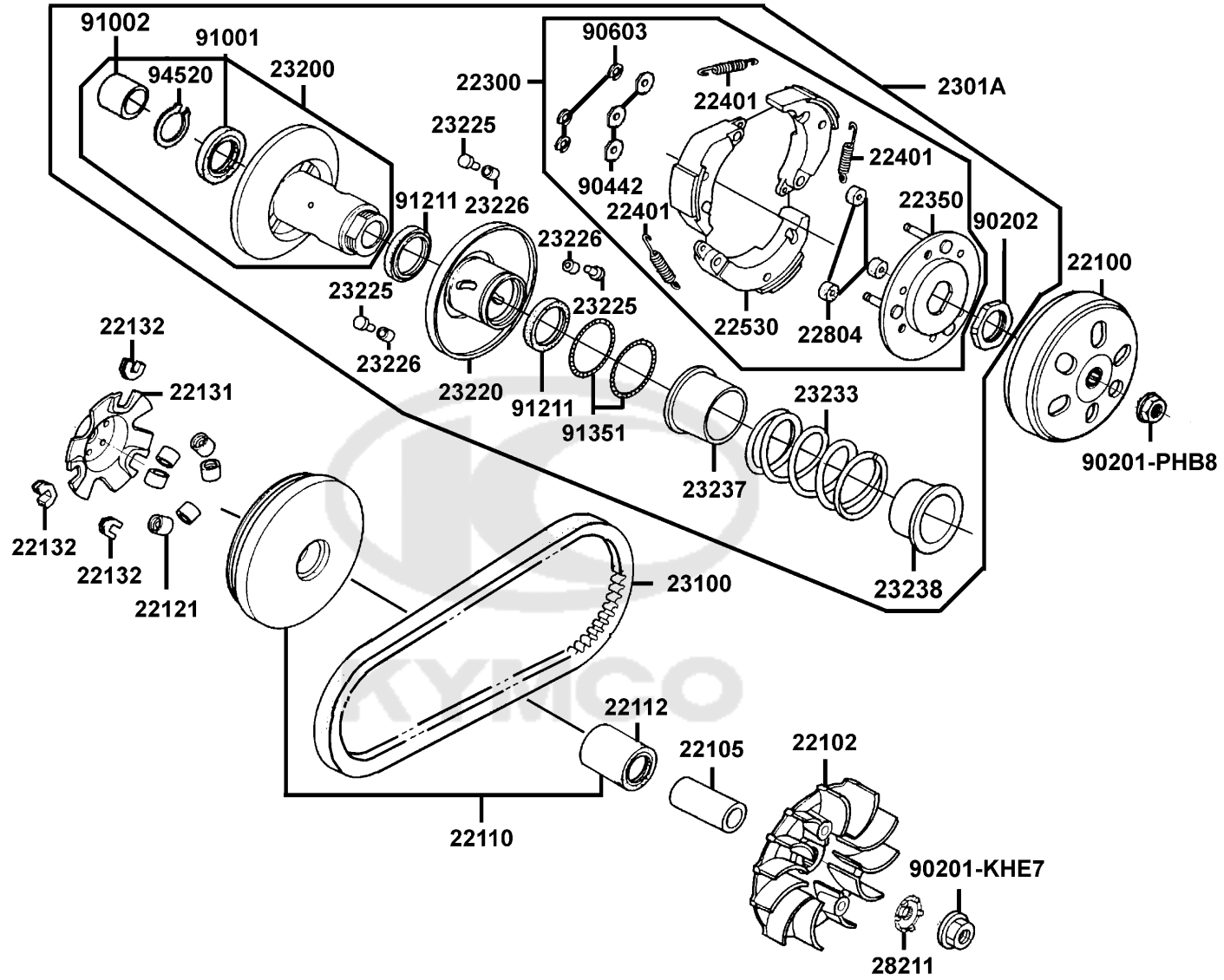


Driven Pulley



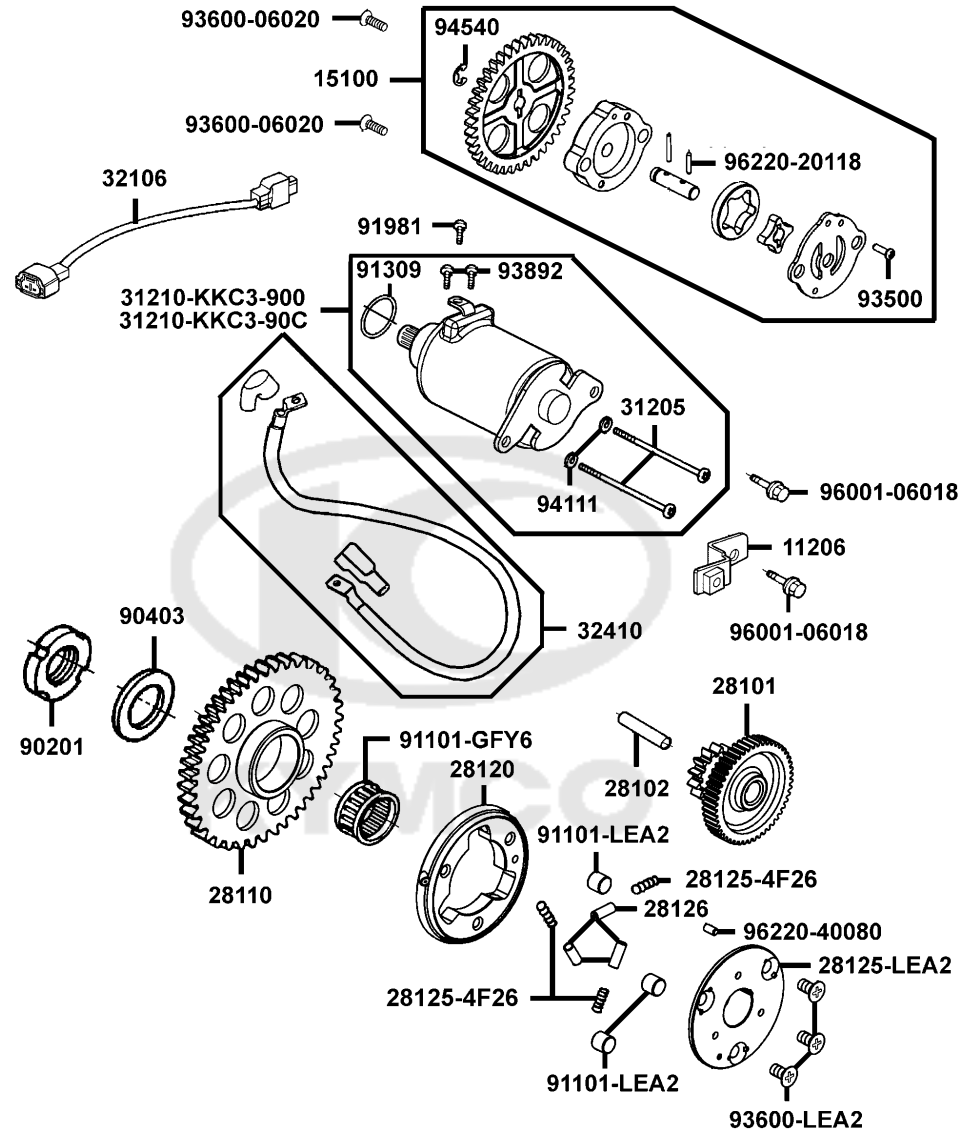
Sales mark 記号	Ref no 参照用番号	Part no パーツ番号	Description 部品名	Reg description 部品名	Regd no 必要個数	Ref Price 希望小売価格(税抜)	E05
22100		22100-LKC6-900	OUTER COMP CLUTCH	OUTER COMP CLUTCH	1	4380	
22102		22102-LEA2-900	FACE DRIVE	FACE DRIVE	1	2670	
22105		22105-LEA2-900	BOSS DRIVE FACE	BOSS DRIVE FACE	1	1250	
22110		22110-LEA2-900	FACE COMP MOVABLE DRIVE	FACE COMP MOVABLE DRIVE	1	3810	
22112		22112-GFY6-90A	BUSH 24*28*30	BUSH 24*28*30	1	250	
22121		22121-LEA2-305	ROLLER SET WEIGHT (1SET:6PCS)	ROLLER SET WEIGHT(旧品番の22121-LEA2	1	320	
22131		22131-LEA2-900	PLATE RAMP	PLATE RAMP	1	1180	
22132		22132-LKB9-900	PIECE SLIDE	PIECE SLIDE	3	230	
22300		22300-LEA2-900	PLATE ASSY DRIVE	PLATE ASSY DRIVE	1	9350	
22350		22350-KHC4-900	PLATE COMP DRIVE	PLATE COMP DRIVE	1	1250	
22401		22401-KEB8-900	SPRING CLUTCH	SPRING CLUTCH	3	140	
22530		22530-LBC6-900	WEIGHT SET CLUTCH	WEIGHT SET CLUTCH	3	1210	
22804		22804-1H48-001	RUBBER CLUTCH DAMPER	RUBBER CLUTCH DAMPER	3	110	
2301A		2301A-LKC6-900	PULLY SUB ASSY DRIVEN	PULLY SUB ASSY DRIVEN	1	24150	
23100		23100-LKC6-900	BELT DRIVE	BELT DRIVE	1	6900	
23200		23200-LKC6-900	FACE ASSY DRIVEN	FACE ASSY DRIVEN	1	9510	
23220		23220-LKC6-900	FACE COMP MOVABLE DRIVEN	FACE COMP MOVABLE DRIVEN	1	4570	
23225		23225-GHC8-004	PIN ROLLER GUIDE	PIN ROLLER GUIDE	3	60	
23226		23226-GHC8-004	ROLLER GUIDE	ROLLER GUIDE	3	60	
23233		23233-LFE2-910	SPG DRIVEN FACE	SPG DRIVEN FACE	1	1150	

Driven Pulley



Sales mark 記号	Ref no 参照用番号	Part no パーツ番号	Description 部品名	Reg description 部品名	Regd no 必要個数	Ref Price 希望小売価格(税抜)	E05
23237		23237-GFY6-941	COLLAR SEAL	COLLAR SEAL	1	580	
23238		23238-LEA2-900	COLLAR SPRING	COLLAR SPRING	1	580	
28211		28211-LFA7-E00	WASHER 16.6*24*5	WASHER 16.6*24*5	1	390	
90201-KHE7		90201-KHE7-900	NUT C FLANGE M12	NUT C FLANGE M12	1	390	
90201-PHB8		90201-PHB8-001	NUT C FLANGE M12(C)	NUT C FLANGE M12(C)	1	200	
90202		90202-1G87-001	NUT SPECIAL 28MM	NUT SPECIAL 28MM	1	100	
90442		90442-0D44-001	WASHER THRUST 6M	WASHER THRUST 6M	3	60	
90603		90603-0D44-001	CIR CLIP 6MM	CIR CLIP 6MM	3	60	
91001		91001-GFY6-90A	BRG NDL 20*29*18	BRG NDL 20*29*18	1	480	
91002		91002-GGA7-70A	BRG BALL RADIAL 6902U	BRG BALL RADIAL 6902U	1	510	
91211		91211-GHK8-014	OIL SEAL 34*39*3	OIL SEAL 34*39*3	2	230	
91351		91351-6B42-000	O-RING PINION CAP	O-RING PINION CAP	2	200	
94520		94520-28000	CIR CLIP IN 28	CIR CLIP IN 28	1	60	

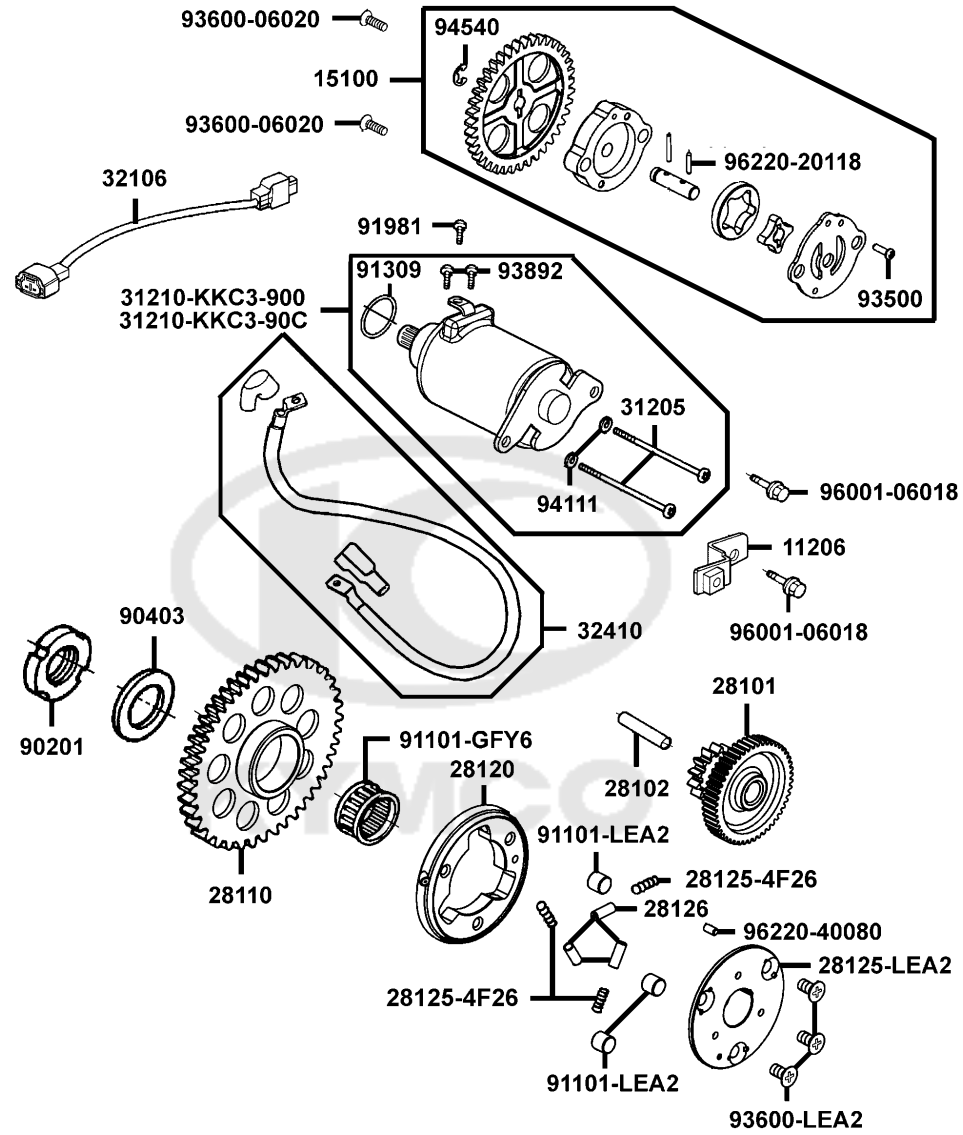
Starting Motor Oil Pump



Sales mark 記号	Ref no 参照用番号	Part no パーツ番号	Description 部品名	Reg description 部品名	Regd no 必要個数	Ref Price 希望小売価格(税抜)
11206		11206-LEA1-900	STAY A RR FENDER	STAY A RR FENDER	1	300
15100		15100-LEA2-900	PUMP ASSY OIL	PUMP ASSY OIL	1	3810
28101		28101-LEA2-900	GEAR STARTER REDUCTION	GEAR STARTER REDUCTION	1	5050
28102		28102-LEA2-900	SHAFT STARTER REDUCTION GEAR	SHAFT STARTER REDUCTION GEAR	1	300
28110		28110-LEA2-900	GEAR COMP STARTING CLUTCH	GEAR COMP STARTING CLUTCH	1	4860
28120		28120-LEA2-900	OUTER COMP STARTING CLUTCH	OUTER COMP STARTING CLUTCH	1	14230
28125-4F26		28125-4F26-001	SPRING ROLLER STARTER CLUTCH	SPRING ROLLER STARTER CLUTCH	3	160
28125-LEA2		28125-LEA2-910	FLANGE. STARTING CLUTCH	FLANGE. STARTING CLUTCH	1	2930
28126		28126-KNBN-901	CAP SPGING ROLLER SP	CAP SPGING ROLLER SP	3	200
31205		31205-KGN7-670	BOLT SET	BOLT SET	2	160
31210-KKC3-900		31210-KKC3-900	MOTOR UNIT START	MOTOR UNIT START	1	14830
31210-KKC3-90C		31210-KKC3-90C	MOTOR UNIT START	MOTOR UNIT START	1	14830
32106		32106-KKE3-900	SUB HARNESS A	SUB HARNESS A	1	1340
32410		32410-LDA6-900	CABLE START MOTOR	CABLE START MOTOR	1	1340
90201		90201-GFY6-901	NUT LOCK 22MM	NUT LOCK 22MM	1	110
90403		90403-LEA2-900	WASHER THRUST 22. 2*31*2.5	WASHER THRUST 22. 2*31*2.5	1	200
91101-GFY6		91101-GFY6-90A	BRG CON-ROD	BRG CON-ROD	1	2630
91101-LEA2		91101-LEA2-900	ROLLER 10*9	ROLLER 10*9	3	160
91101-GFY6		91104-LEA1-900	"BRG NEEDLE 28X33X14"	"BRG NEEDLE 28X33X14"	1	1440
91309		91309-4E25-004	O-RING 24.4*3.1	O-RING 24.4*3.1	1	60

E06

Starting Motor Oil Pump

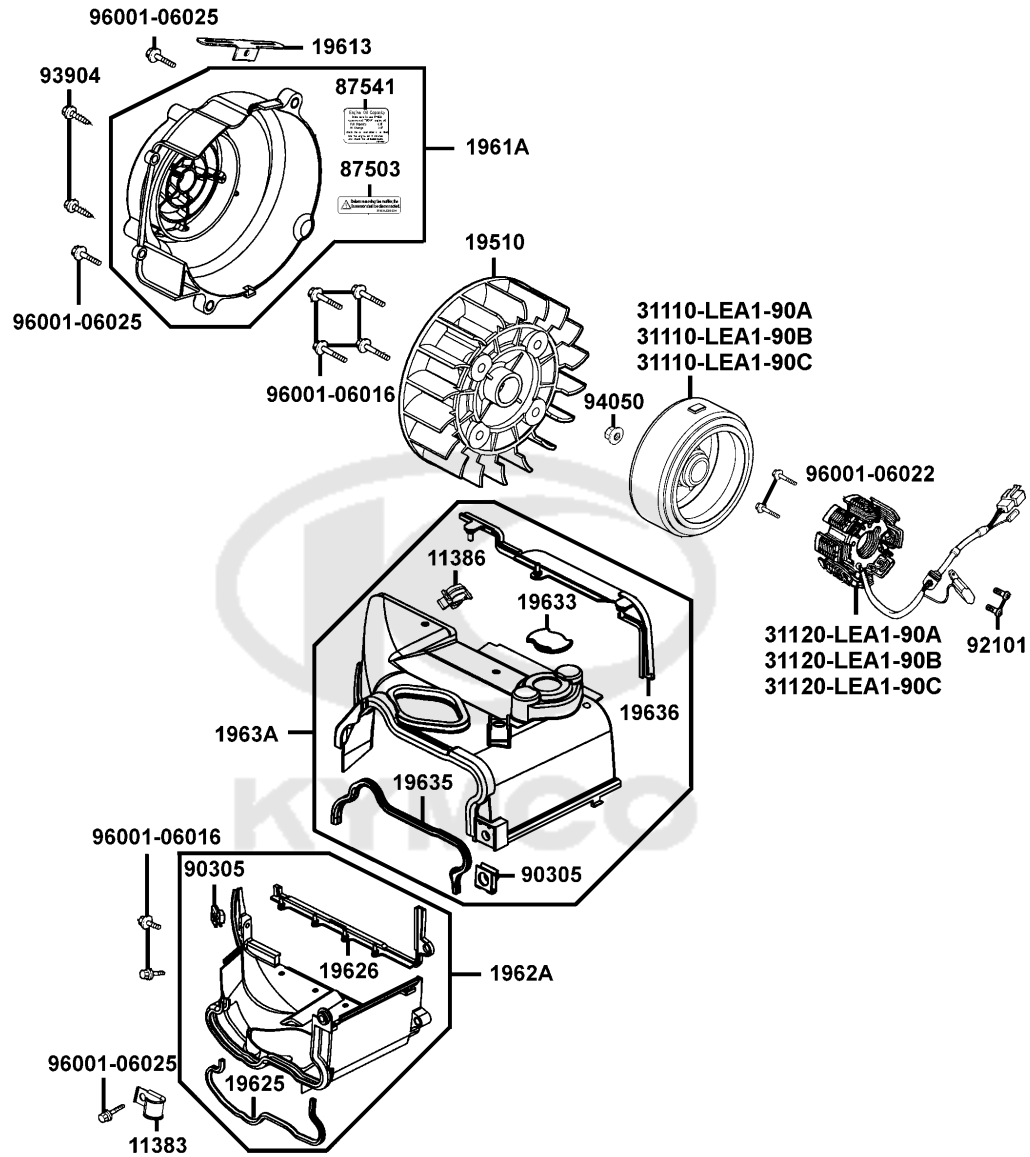


Sales mark 記号	Ref no 参照用番号	Part no パーツ番号	Description 部品名	Reg description 部品名	Regd no 必要個数	Ref Price 希望小売価格(税抜)
91981	91981-KGN7-670		SCREW WASH 5*8	SCREW WASH 5*8	1	60
93500	93500-03010-0F		SCREW PAN 3X10 (G)	SCREW PAN 3X10 (G)	1	60
93600-06020	93600-06020-0F		SCREW FLAT 2.5*8 (G)	SCREW FLAT 2.5*8 (G)	1	200
93600-LEA2	93600-LEA2-900		SCREW PLAT 6*12	SCREW PLAT 6*12	3	110
93892	93892-04006-08		SCREW WASHER 4*6	SCREW WASHER 4*6	2	60
94111	94111-05800		WASHER SPRING 5MM	WASHER SPRING 5MM	2	60
94540	94540-05018		E RING 5	E RING 5	1	160
96001-06018	96001-06018-06		BOLT FLANGE SH 6X18	BOLT FLANGE SH 6X18	1	60
96220-20118	96220-20118		ROLLER 2*11.8	ROLLER 2*11.8	1	60
96220-40080	96220-40080		ROLLER 4*8	ROLLER 4*8	1	60

E06

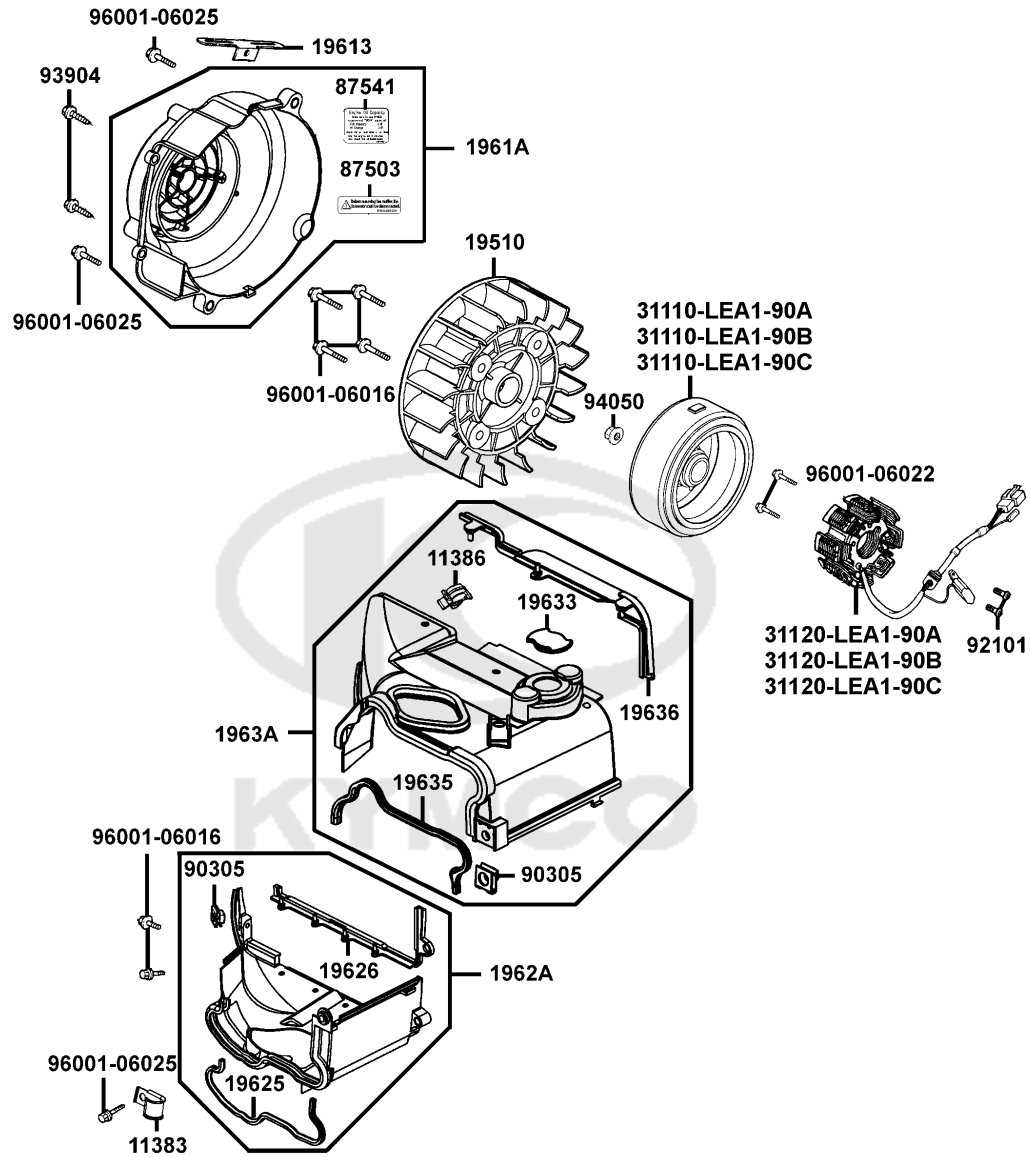


Fan Cover Generator



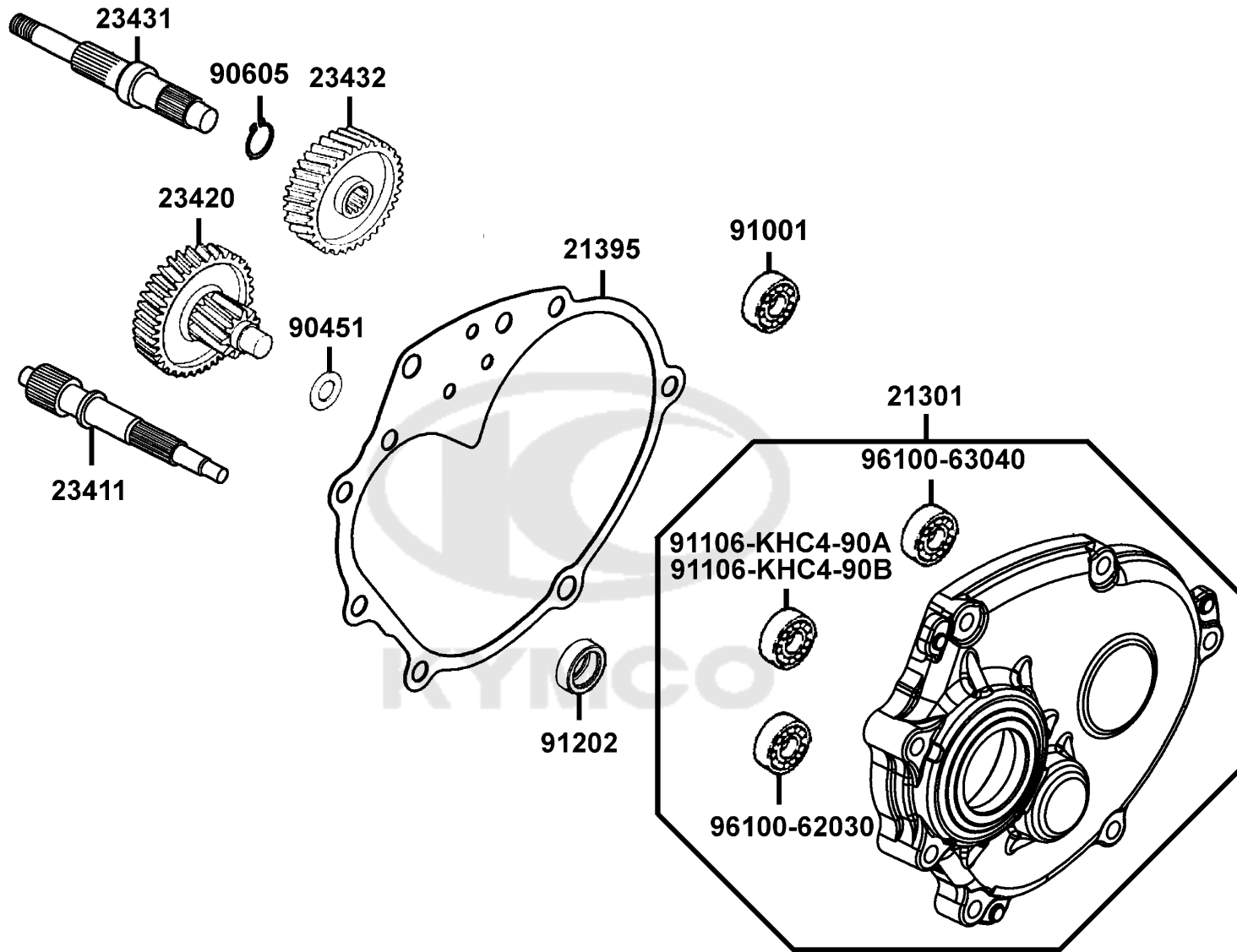
Sales mark 記号	Ref no 参照用番号	Part no パーツ番号	Description 部品名	Reg description 部品名	Regd no 必要個数	Ref Price 希望小売価格(税抜)	E07
	11383	11383-LEA1-900	CLAMPER DRAIN TUBE	CLAMPER DRAIN TUBE	1	140	
	11386	11386-GFY6-900	CLIP VACUUM TUBE	CLIP VACUUM TUBE	1	60	
	19510	19510-GBW2-901	FAN COMP COOLING	FAN COMP COOLING	1	580	
	19613	19613-GFY6-901	CLAMPER STARTER MOTOR	CLAMPER STARTER MOTOR	1	300	
	1961A	1961A-LEA2-B00	COVER ASSY.. FAN	COVER ASSY.. FAN	1	1080	
	19625	19625-LEA2-900	SEAL SHROUD A	SEAL SHROUD A	1	1060	
	19626	19626-LEA2-900	SEAL SHROUD A	SEAL SHROUD A	1	1060	
	1962A	1962A-LEA2-900	SHROUD ASSY A	SHROUD ASSY A	1	2700	
	19633	19633-GFY6-901	GROMET SHROUD B	GROMET SHROUD B	1	200	
	19635	19635-LEA2-900	SEAL SHROUD B	SEAL SHROUD B	1	1060	
	19636	19636-LEA2-900	SEAL SHROUD B	SEAL SHROUD B	1	1060	
	1963A	1963A-LEA1-900	SHROUD ASSY B	SHROUD ASSY B	1	2910	
	31110-LEA1-90A	31110-LEA1-90A	FLYWHEEL COMP (D402)	FLYWHEEL COMP /D402	1	10940	
	31110-LEA1-90B	31110-LEA1-90B	FLYWHEEL COMP (D406)	FLYWHEEL COMP /D406	1	10940	
	31110-LEA1-90C	31110-LEA1-90C	FLYWHEEL COMP (D414)	FLYWHEEL COMP /D414	1	9890	
	31120-LEA1-90A	31120-LEA1-90A	STATOR COMP (D402)	STATOR COMP /D402	1	12140	
	31120-LEA1-90B	31120-LEA1-90B	STATOR COMP (D406)	STATOR COMP /D406	1	12140	
	31120-LEA1-90C	31120-LEA1-90C	STATOR COMP (D414)	STATOR COMP /D414	1	11410	
**	87503	87503-LEB2-E00	CAUTION MUFFLER	CAUTION MUFFLER	1	200	
	90305	90305-GHK8-001	NUT CLIP 6MM	NUT CLIP 6MM	2	60	

Fan Cover Generator



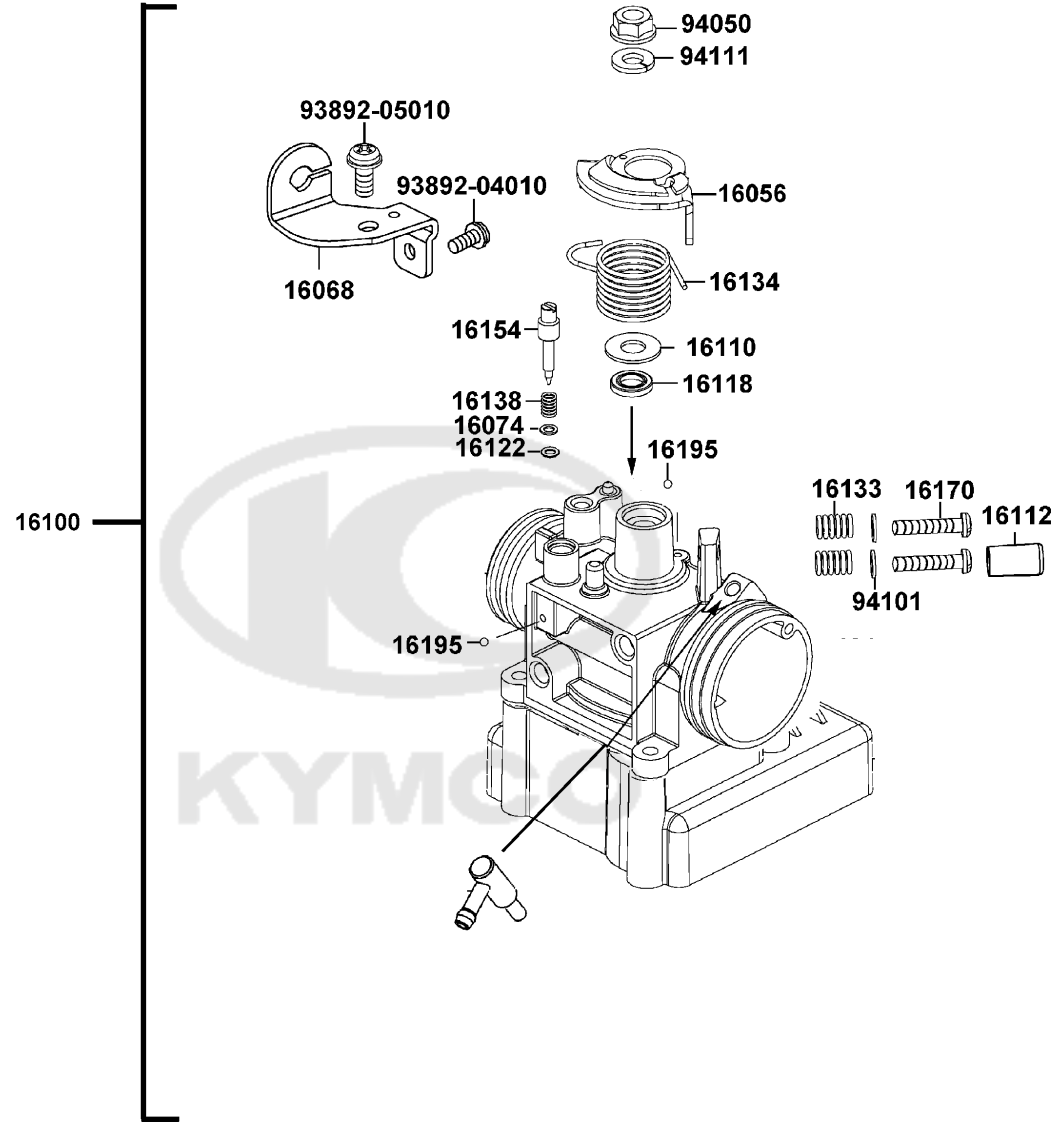
Sales mark 記号	Ref no 参照用番号	Part no パーツ番号	Description 部品名	Reg description 部品名	Regd no 必要個数	Ref Price 希望小売価格(税抜)	E07
92101		92101-05012-0G	BOLT HEX 5*12 (G)	BOLT HEX 5*12 (G)	1	60	
93904		93904-35360	SCREW TAPPING 5*12	SCREW TAPPING 5*12	2	200	
94050		94050-10080	NUT FLANGE 10MM	NUT FLANGE 10MM	1	60	
96001-06016		96001-06016-06	BOLT FLANGE SH 6X16	BOLT FLANGE SH 6X16	1	60	
96001-06022		96001-06022-06	BOLT FLANGE SH 6*22 (G)	BOLT FLANGE SH 6*22 (G)	1	60	
96001-06025		96001-06025-06	BOLT FLANGE SH 6*25	BOLT FLANGE SH 6*25	1	60	





E09

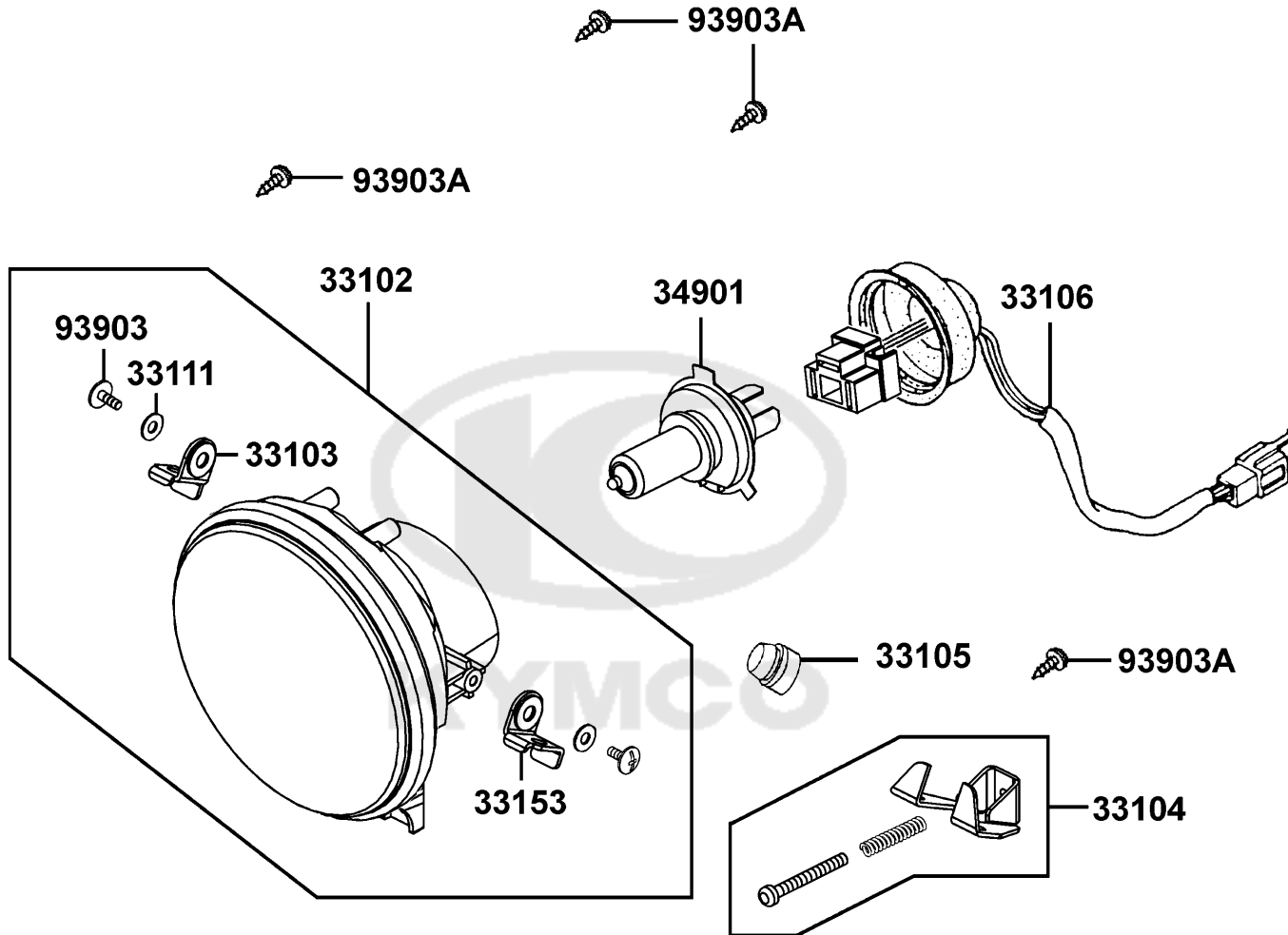
Throttle Body Assy



Sales mark 記号	Ref no 参照用番号	Part no パーツ番号	Description 部品名	Reg description 部品名	Regd no 必要個数	Ref Price 希望小売価格(税抜)	E09
16056		16056-LEB2-900	LEVER ASSY THROTTLE	LEVER ASSY THROTTLE	1	580	
16068		16068-LEB2-900	PLATE WIRE FIXED	PLATE WIRE FIXED	1	350	
16074		16074-KEC3-900	WASHER IDLE SCREW	WASHER IDLE SCREW	1	160	
16100		16100-LKC7-B00	THROTTLE BODY ASSY	THROTTLE BODY ASSY	1	35790	
16110		16110-KKE3-900	WASHER THROTTLE COMP	WASHER THROTTLE COMP	1	160	
16112		16112-KKE3-900	COVER IDLE SCREW	COVER IDLE SCREW	1	160	
16118		16118-KEC3-900	SEAL THROTTLE SHAFT	SEAL THROTTLE SHAFT	1	180	
16122		16122-KEC3-900	O-RING IDLE SCREW	O-RING IDLE SCREW	1	60	
16133		16133-KEC3-900	SPG THROTTLE ADJ SCREW	SPG THROTTLE ADJ SCREW	2	160	
16134		16134-KKE3-900	SPG THROTTLE SHAFT	SPG THROTTLE SHAFT	1	200	
16138		16138-KEC3-900	SPG IDLE SCREW	SPG IDLE SCREW	1	160	
16154		16154-KKE3-900	SCREW IDLE ADJUST	SCREW IDLE ADJUST	1	490	
16170		16170-KEC3-900	SCREW THROTTLE ADJUST	SCREW THROTTLE ADJUST	2	70	
16195		16195-KEC3-900	BALL 2.1	BALL 2.1	3	60	
93892-04010		93892-04010-06	SCREW WASHER 4*10	SCREW WASHER 4*10	1	60	
93892-05010		93892-05010-06	SCREW WASHER 5*10	SCREW WASHER 5*10	1	60	
94050		94050-06080	NUT FLANGE 6MM	NUT FLANGE 6MM	1	60	
94101		94101-KKE3-900	WASHER PLAN 4.5*8*0.8	WASHER PLAN 4.5*8*0.8	2	60	
94111		94111-06800	WASHER SPRING 6MM	WASHER SPRING 6MM	1	60	

F01

Head Light

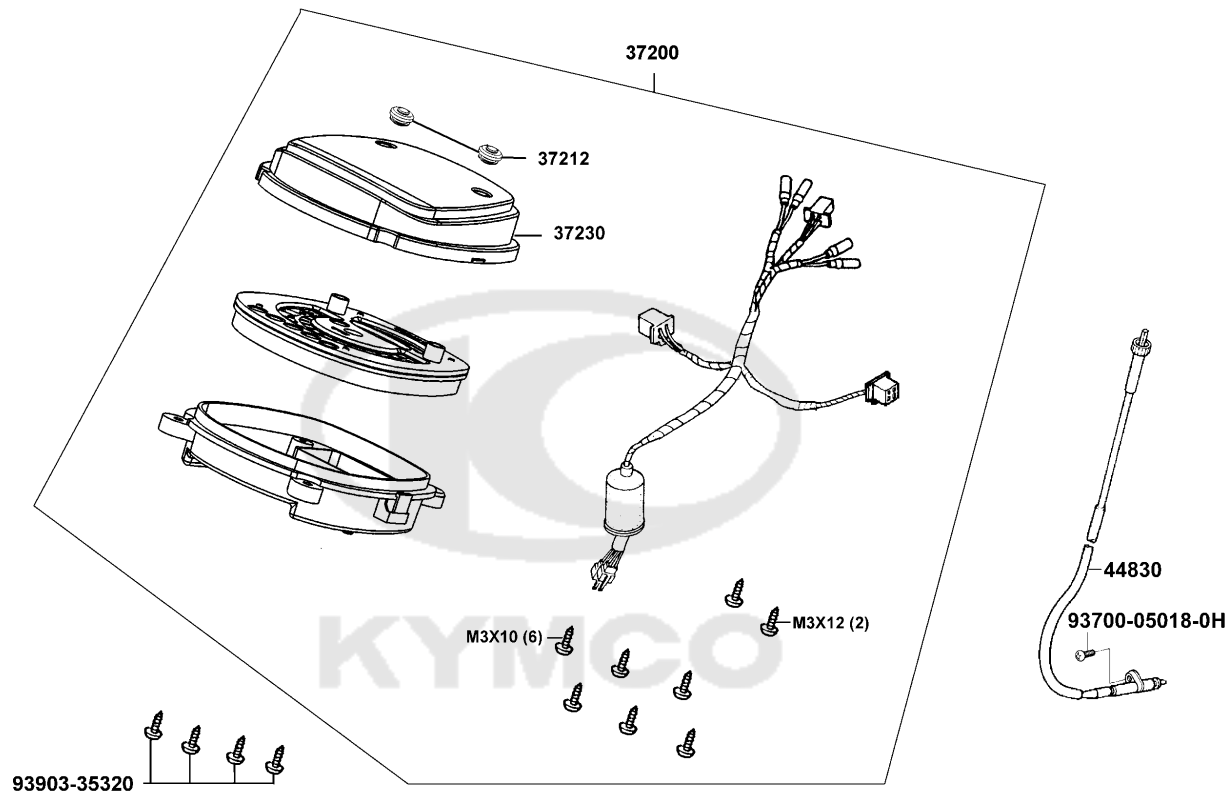


Sales mark 記号	Ref no 参照用番号	Part no パーツ番号	Description 部品名	Reg description 部品名	Regd no 必要個数	Ref Price 希望小売価格(税抜)	F01
33102		33102-LEA2-305	COMB HEAD LIGHT	COMB HEAD LIGHT	1	10460	
33103		33103-LEA2-900	PLATE R	PLATE R	1	60	
33104		33104-LEA2-305	ASSY PLATE	ASSY PLATE	1	1250	
33105		33105-LKC7-900	SOCKET(RUBBER)	SOCKET(RUBBER)	1	300	
33106		33106-LKC7-900	SOCKET COMP	SOCKET COMP	1	2200	
33111		33111-LEA2-900	WASHER	WASHER	2	60	
33153		33153-LEA2-900	PLATE L	PLATE L	1	60	
34901		34901-KFA6-900	BULB HEAD LIGHT	BULB HEAD LIGHT	1	4190	
93903		93903-34320	SCREW TAPPING 4*12	SCREW TAPPING 4*12	2	60	
93903A		93903-34360	SCREW WASHER 4*12	SCREW WASHER 4*12	4	60	



F02

Speedometer



Sales mark 記号	Ref no 参照用番号	Part no パーツ番号	Description 部品名	Reg description 部品名	Regd no 必要個数	Ref Price 希望小売価格(税抜)	F02
37200		37200-LKC7-B20	METER ASSY SPEED	METER ASSY SPEED	1	27760	
37212		37212-LEA2-90A	PACKING	PACKING	2	250	
37230		37230-LEA2-90A	LENS ASSY	LENS ASSY	1	2770	
44830		44830-LEA2-900	CABLE COMP SPDMT	CABLE COMP.SPDMT	1	1150	
44830		44830-LEA2-90B	CABLE COMP SPDMT	CABLE COMP SPDMT	1		
93700-05018-0H		93700-05018-0F	SCREW OVAL 5*18	SCREW OVAL 5*18	1	60	
93903-35320		93903-35360	SCREW WASHER 4*12	SCREW WASHER 4*12	1	60	



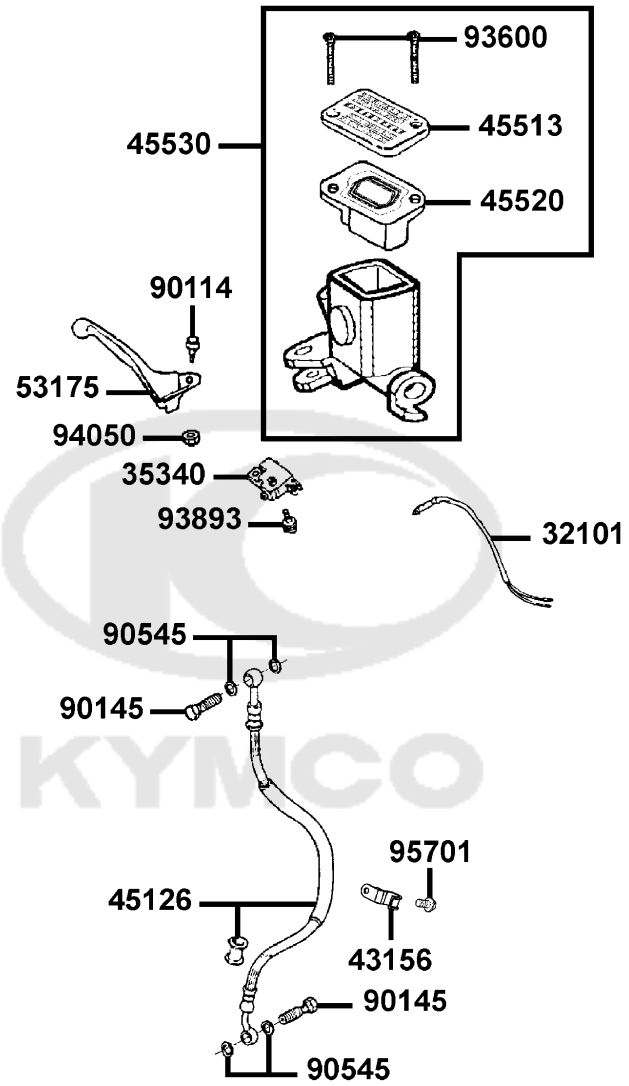
Sales mark 記号	Ref no 参照用番号	Part no パーツ番号	Description 部品名	Reg description 部品名	Regd no 必要個数	Ref Price 希望小売価格(税抜)	F03
	17910	17910-LEA2-E00	CABLE COMP THROT	CABLE COMP THROT	1	2910	
	35151	35151-LEA2-305	FR CASE COMP	FR CASE COMP	1	4190	
	35152	35152-LEA2-910	RR CASE RH	RR CASE RH	1	1910	
	35201	35201-LEA2-305	FR CASE COMP	FR CASE COMP	1	7040	
	35202	35202-LEA2-900	RR CASE LH	RR CASE LH	1	1910	
	35340	35340-GBN2-770	SW ASSY FR STOP	SW ASSY FR STOP	2	560	
	43450	43450-LEA2-900	CABLE COMP RR BRK	CABLE COMP RR BRK	1	1630	
	46514	46514-LEA1-900	SPG BRK ARM	SPG BRK ARM	1	200	
	53100	53100-LEA2-900	HANDLE COMP STRG	HANDLE COMP STRG	1	6090	
	53125	53125-GEN5-901	COLLAR HANDLE SET	COLLAR HANDLE SET	1	390	
**	53140	53140-GFY6-960	GRIP COMP THROT	GRIP COMP THROT	1	770	
**	53166	53166-GBW2-001	GRIP L HANDLE	GRIP L HANDLE	1	580	
	53173	53173-LEA2-900	HOLDER MASTER CYLINDER	HOLDER MASTER CYLINDER	1	870	
**	53178	53178-LEA2-900	LEVER L STRG HANDLE	LEVER L STRG HANDLE	1	1820	
**	53205	53205-LEA2-900	COVER. UP HANDLE	COVER. UP HANDLE	1	7140	
**	53206	53206-LEA2-900	COVER. LOW HANDLE	COVER. LOW HANDLE	1	3810	
**	53207	53207-LEA2-900	COVER FR HANDLE	COVER FR HANDLE	1	2100	
	88110	88110-LGE3-900	MIRROR ASSY R BACK	MIRROR ASSY R BACK	1	5830	
	88114	88114-LGE3-900	BOOTS MIRROR	BOOTS MIRROR	2	490	
	88120	88120-LGE3-900	MIRROR ASSY L BACK	MIRROR ASSY L BACK	1	5830	

Sales mark 記号	Ref no 参照用番号	Part no パーツ番号	Description 部品名	Reg description 部品名	Regd no 必要個数	Ref Price 希望小売価格(税抜)
90106		90106-GEN5-901	BOLT FLANGE 10*50	BOLT FLANGE 10*50	1	80
90110		90110-LDA7-900	BOLT SPECIAL 8MM	BOLT SPECIAL 8MM	2	1150
90115		90115-LBC6-900	BOLT HNDL LEVER PIVOT	BOLT HNDL LEVER PIVOT	2	140
90302		90302-KEC8-900	BOLT PAN 5*9	BOLT PAN 5*9	1	200
90304		90304-GHE8-004	NUT CAP 6MM	NUT CAP 6MM	1	200
90305		90305-KNCN-900	NUT SPECIAL 12MM	NUT SPECIAL 12MM	2	240
90656		90656-KCBC-900	BAND OIL HANDLE	BAND OIL HANDLE	2	60
93903		93903-34360	SCREW WASHER 4*12	SCREW WASHER 4*12	4	60
93903A		93903-35260	SCREW WASHER 4*12	SCREW WASHER 4*12	2	60
93903B		93903-LEA2-305	SCREW 5*22	SCREW 5*22	2	130
93903C		93903-LEA2-306	SCREW 5*32	SCREW 5*32	2	130
94001		94001-05080-0S	NUT HEX 5MM	NUT HEX 5MM	1	60
95015		95015-32001	JOINT B BRAKE ARM	JOINT B BRAKE ARM	1	60
95015A		95015-42000	NUT B ADJUST	NUT B ADJUST	1	60
96001		96001-06022-06	BOLT FLANGE SH 6*22 (G)	BOLT FLANGE SH 6*22 (G)	1	60
96001A		96001-06030-06	BOLT FLANGE SH 6*30 (G)	BOLT FLANGE SH 6*30 (G)	1	70

F03

F04

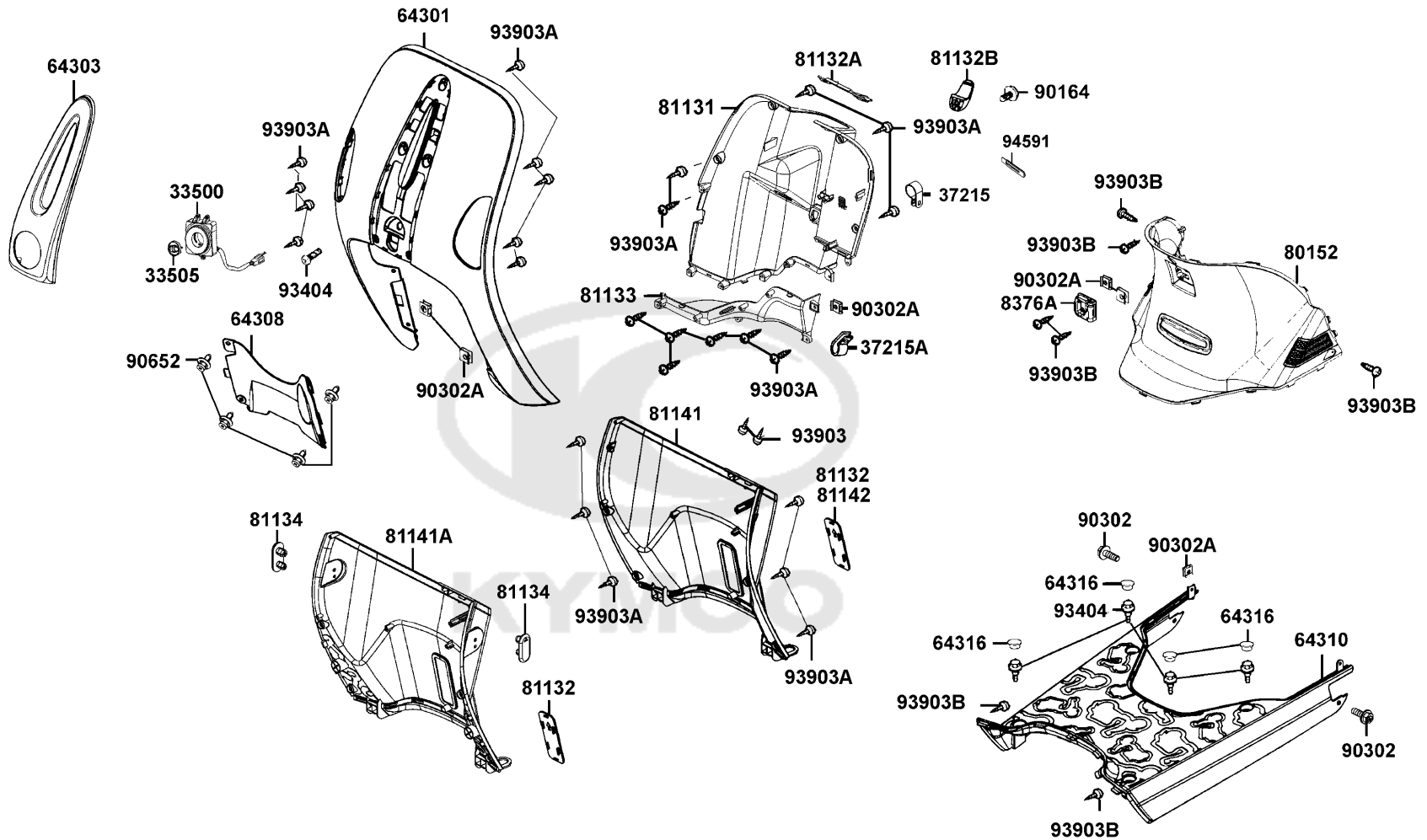
Cylinder Assy Fr



Sales mark 記号	Ref no 参照用番号	Part no パーツ番号	Description 部品名	Reg description 部品名	Regd no 必要個数	Ref Price 希望小売価格(税抜)	F04
	32101	32101-GFY6-901	SUB CORD R	SUB CORD R	1	300	
	35340	35340-KNBN-901	SW ASSY FR STOP	SW ASSY FR STOP	1	960	
	43156	43156-KKC4-900	CLAMPER HOSE RR	CLAMPER HOSE RR	1	300	
	45126	45126-LEA2-900	HOSE ASSY.FR BRK	HOSE ASSY.FR BRK	1	9890	
	45126	45126-LEA2-910	HOSE ASSY FR BRK	HOSE ASSY FR BRK	1	7710	
	45513	45513-LEA2-900	CAP MASTER CYLINDER	CAP MASTER CYLINDER	1	580	
	45520	45520-GLW0-91A	DIAPHRAGM	DIAPHRAGM	1	960	
	45530	45530-LEA2-305	CYLINDER SET FR	CYLINDER SET FR	1	12930	
**	53175	53175-LEA2-910	LEVER R STRG HANDLE	LEVER R STRG HANDLE	1	1900	
	90114	90114-KKAK-900	BOLT HANDLE LEVER	BOLT HANDLE LEVER	1	110	
	90145	90145-LEA3-E00	OIL BOLT 10x22	OIL BOLT 10x22	1	150	
	90545	90545-3L00-001	WASHER OIL BOLT	WASHER OIL BOLT	4	60	
	93600	93600-04012-1A	SCREW FLAT 4*12	SCREW FLAT 4*12	2	200	
	93893	93893-04012-18	SCREW WASHER 4*12	SCREW WASHER 4*12	1	60	
	94050	94050-06000	NUT FLANGE 6MM	NUT FLANGE 6MM	1	60	
	95701	95701-06012-06	BOLT FLANGE 6*22 (K)	BOLT FLANGE 6*22 (K)	1	60	

F05

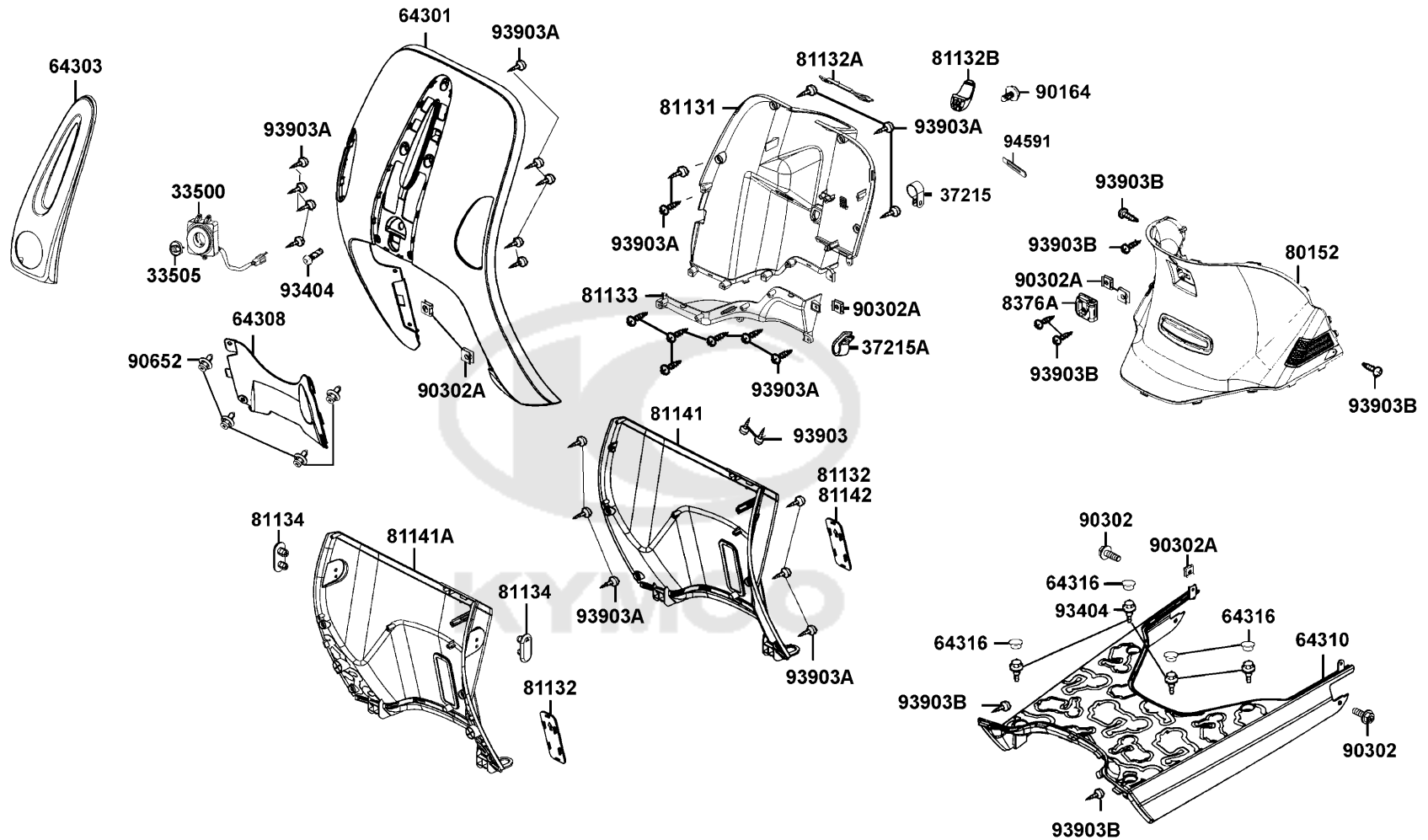
COVER SET FRONT FENDER FRONT



Sales mark 記号	Ref no 参照用番号	Part no パーツ番号	Description 部品名	Reg description 部品名	Regd no 必要個数	Ref Price 希望小売価格(税抜)	F05
	33500	33500-LKC7-B20	LIGHT ASSY FR POSITION	LIGHT ASSY FR POSITION	1	13470	
	33505	33505-LEA2-900	COVER ..K-LOGO	COVER ..K-LOGO	1	680	
	37215	37215-LEA2-900	CLAMP	CLAMP	1	390	
	37215A	37215-LGM9-900	CLAMP	CLAMP	1	390	
**	64301	64301-LEA2-900	COVER. FRONT	COVER. FRONT	1	15920	
**	64303	64303-LEA2-900	COVER TOP FRONT	COVER TOP FRONT	1	5710	
**	64308	64308-LEA2-900	MOLDING. LOW FR.	MOLDING. LOW FR.	1	580	
**	64310	64310-LEA2-900	FLOOR. PANEL	FLOOR. PANEL	1	5330	
**	64316	64316-LEA2-900	PLUG FLOOR	PLUG FLOOR	4	200	
**	80152	80152-LEA2-900	COVER CENTER LOW	COVER CENTER LOW	1	4760	
**	81131	81131-LEA2-910	LEG SHIELD UP	LEG SHIELD UP	1	4380	
**	81132	81132-KFAF-900	LID LEG SHIELD	LID LEG SHIELD	1	300	
**	81132A	81132-LEA2-900	CAP LEG SHIELD	CAP LEG SHIELD	1	490	
**	81132B	81132-LFG6-900	HOOK LUGGAGE	HOOK LUGGAGE	1	490	
**	81133	81133-LEA2-910	LEG SHIELD UP B	LEG SHIELD UP B	1	1250	
**	81134	81134-LKC7-960	COVER SIDE REFLECTOR	COVER SIDE REFLECTOR	2	200	
**	81141	81141-LEA2-900	LEG SHIELD LOW	LEG SHIELD LOW	1	4190	
**	81141A	81141-LEA2-910	LEG SHIELD LOW	LEG SHIELD LOW	1	4190	
**	81142	81142-KUDU-900	LID LEG SHIELD(VIN)(Black)	LID LEG SHIELD(VIN)(Black)	1	200	
	8376A	8376A-KECE-901	CLIP ASSY CENTER	CLIP ASSY CENTER	1	1060	

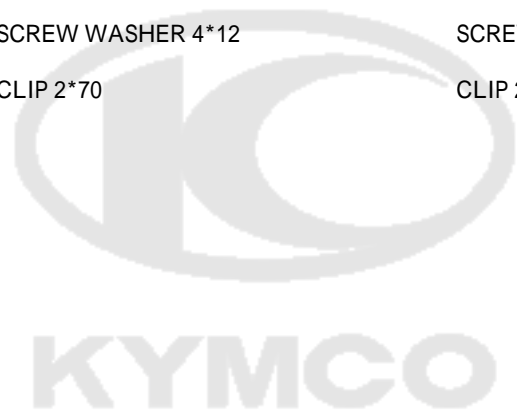
F05

COVER SET FRONT FENDER FRONT



Sales mark 記号	Ref no 参照用番号	Part no パーツ番号	Description 部品名	Reg description 部品名	Regd no 必要個数	Ref Price 希望小売価格(税抜)
90164	90164-MDR4-901	90164-MDR4-901	SCREW SPECIAL 6MM	SCREW SPECIAL 6MM	1	70
90302	90302-GFY6-901	90302-GFY6-901	BOLT WASH 5*12 *(1) C.V.	BOLT WASH 5*12 *(1) C.V.	2	60
90302A	90302-SDA4-004	90302-SDA4-004	NUT SPRING 4MM	NUT SPRING 4MM	3	60
90652	90652-LFB5-900	90652-LFB5-900	CLIP MUDGUARD	CLIP MUDGUARD	4	60
93404	93404-06016-06	93404-06016-06	BOLT WASHER 6*16	BOLT WASHER 6*16	5	60
93903	93903-14460	93903-14460	SCREW TAPPING 4*16	SCREW TAPPING 4*16	2	200
93903A	93903-34360	93903-34360	SCREW WASHER 4*12	SCREW WASHER 4*12	27	60
93903B	93903-GFY6-900	93903-GFY6-900	SCREW WASHER 4*12	SCREW WASHER 4*12	6	60
94591	94591-27000	94591-27000	CLIP 2*70	CLIP 2*70	1	110

F05



Sales mark 記号	Ref no 参照用番号	Part no パーツ番号	Description 部品名	Reg description 部品名	Regd no 必要個数	Ref Price 希望小売価格(税抜)
	45128	45128-KFC9-900	CLAMPER FR BRAKE HOSE	CLAMPER FR BRAKE HOSE	1	400
	45128A	45128-LEA2-910	CLAMPER FR BPAKE HOSE	CLAMPER FR BPAKE HOSE	1	400
	45156	45156-KEC6-900	CLAMPER FR BRAKE CABLE	CLAMPER FR BRAKE CABLE	1	770
	50306	50306-1F96-001	NUT STRG STEM LOCK	NUT STRG STEM LOCK	1	300
	51407	51407-LBC6-900	RUBBER FR COVER STAY	RUBBER FR COVER STAY	2	200
	51408	51408-LBC6-900	STAY FR COVER	STAY FR COVER	1	1440
	51408	51408-LEA2-900	STAY. FR FENDER	STAY. FR FENDER	1	960
**	5140A	5140A-LEA2-900	FORK SET FR R	FORK SET FR R	1	14110
**	5140A	5140A-LKC7-920	FORK SET ?FR R	FORK SET ?FR R	1	18250
**	5150A	5150A-LEA2-900	FORK SET FR L	FORK SET FR L	1	14110
**	5150AA	5150A-LEA2-910	FORK SET FR L	FORK SET FR L	1	14640
**	5150AA	5150A-LKC7-920	FORK SET ?FR L	FORK SET ?FR L	1	18250
	53200	53200-LEA2-900	STEM.COMP.STRG	STEM.COMP.STRG	1	14930
	53200	53200-LEA2-910	STEM COMP STRG	STEM COMP STRG	1	17490
	53211	53211-GFY6-940	RACE STRG TOP CONE	RACE STRG TOP CONE	1	580
	53212	53212-2L50-011	RACE STRG BOT CONE	RACE STRG BOT CONE	1	870
	53214	53214-LHJ6-900	DUST SEAL STRG	DUST SEAL STRG	1	240
	53215	53215-2L50-001	WASH STRG HDL DUST-SEAL	WASH STRG HDL DUST-SEAL	1	130
**	61100	61100-LEA3-B20	FENDER A FRONT	FENDER A FRONT	1	8250
**	61101	61101-LEA2-910	FENDER FR B INNER	FENDER FR B INNER	1	

F06

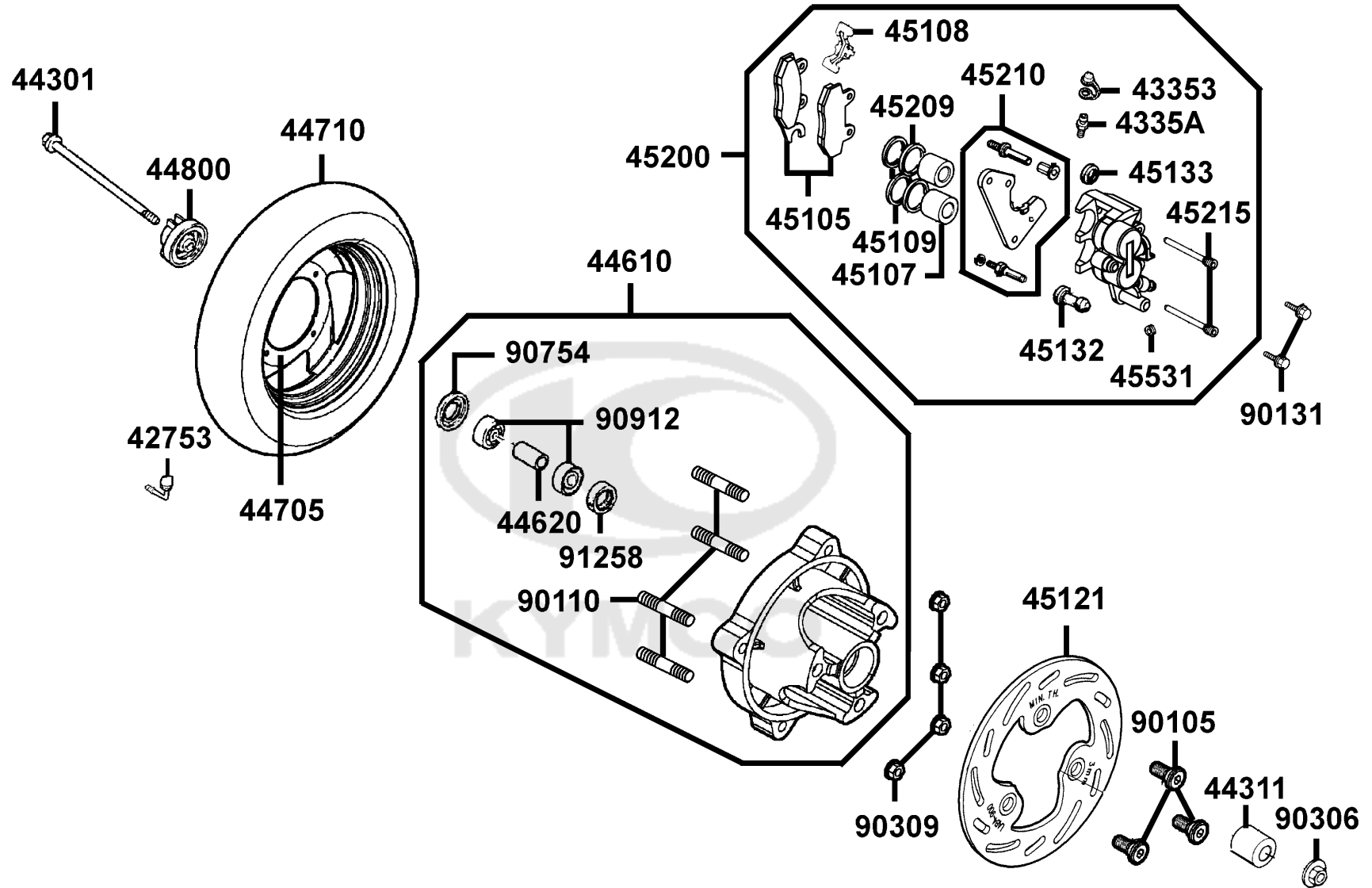
Sales mark 記号	Ref no 参照用番号	Part no パーツ番号	Description 部品名	Reg description 部品名	Regd no 必要個数	Ref Price 希望小売価格(税抜)
**	61102	61102-LEA2-910	FENDER FR C INNER	FENDER FR C INNER	1	
**	86404	86404-LGE3-900	STRIPE FR FORK	STRIPE FR FORK	2	580
	90110	90111-LEA2-900	SCREW.PAN 6*8	SCREW.PAN 6*8	2	300
	90302	90302-GFY6-901	BOLT WASH 5*12 **(1) C.V.	BOLT WASH 5*12 **(1) C.V.	1	60
	90302A	90302-SDA4-004	NUT SPRING 4MM	NUT SPRING 4MM	2	60
	93903	93903-24360	SCREW TAPPING 4*12	SCREW TAPPING 4*12	2	60
	95701	95701-06012-06	BOLT FLANGE 6*22 (K)	BOLT FLANGE 6*22 (K)	3	60
	95801	95801-08040-06	BOLT FLANGE 8*40	BOLT FLANGE 8*40	1	60
	96211	96211-05000	BALL STEEL #5	BALL STEEL #5	26	60
	96211A	96211-08000	BALL STEEL #8	BALL STEEL #8	19	60

F06



F07

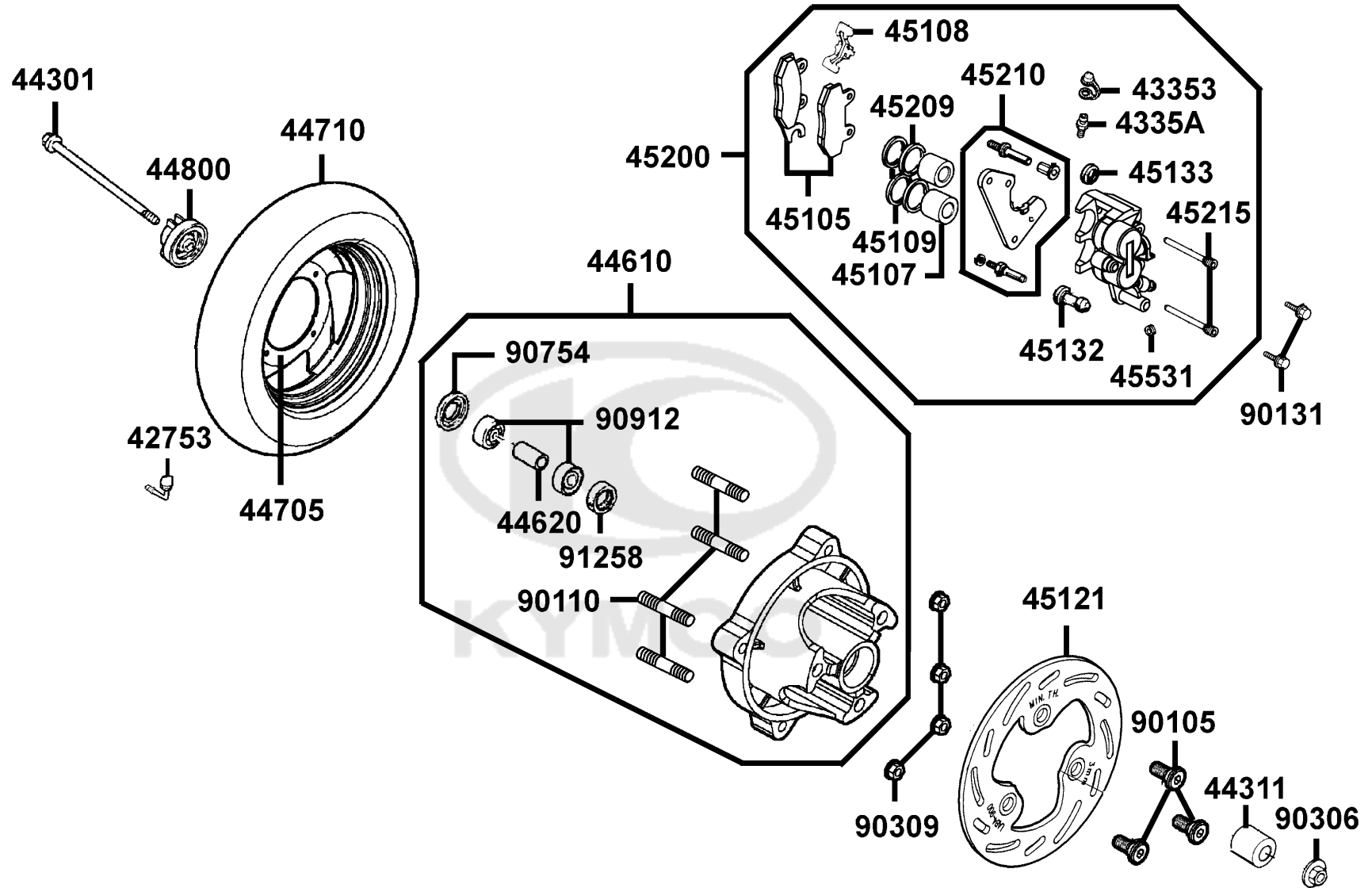
Front Wheel



Sales mark 記号	Ref no 参照用番号	Part no パーツ番号	Description 部品名	Reg description 部品名	Regd no 必要個数	Ref Price 希望小売価格(税抜)	F07
	42753	42753-KXCX-900	VALVE (PVR-70B) & CAP	VALVE (PVR-70B) & CAP	1	630	
	43353	43353-4A61-77A	CAP BLEEDER	CAP BLEEDER	1	130	
	4335A	4335A-LBA2-E01	BLEEDER ASSY	BLEEDER ASSY	1	700	
	44301	44301-LGE3-900	AXLE FR WHEEL M12*200MM	AXLE FR WHEEL M12*200MM	1	1250	
	44311	44311-GLW0-901	COLLAR FR WHEEL SIDE	COLLAR FR WHEEL SIDE	1	390	
**	44610	44610-KHC4-305	HUB SUB SET FR	HUB SUB SET FR	1	8560	
	44620	44620-KSBS-900	COLLAR FR DIST	COLLAR FR DIST	1	330	
**	44705	44705-KHC4-900	RIM COMP FR WHEEL	RIM COMP FR WHEEL	1	6850	
	44710	44710-LAB4-90A	TIRE FR ASSY/90/90-10 4P TL /KENDA	TIRE FR ASSY/90/90-10 4P TL /KENDA	1	8630	
	44710	44710-LAB4-90B	TIRE ASSY FR/90/90-10 50J /MAXXIS	TIRE ASSY FR/90/90-10 50J /MAXXIS	1	9910	
**	44800	44800-KNBN-901	GEAR BOX ASSY SPDMT	GEAR BOX ASSY SPDMT	1	3150	
	45105	45105-LEA1-306	PAD SET	PAD SET	1	3560	
	45107	45107-MEN5-007	PISTON	PISTON	2	2200	
	45108	45108-MDL4-007	PAD SPG	PAD SPG	1	300	
	45109	45109-GBE2-007	DUST SEAL	DUST SEAL	2	140	
	45121	45121-GAR1-950	DISK FR BRK	DISK FR BRK	1	7900	
	45132	45132-1F66-017	BUSH BOOT PIN	BUSH BOOT PIN	1	780	
	45133	45133-MCA3-007	BOOT B	BOOT B	1	230	
**	45200	45200-LEA1-900	CALIPER ASSY FR	CALIPER ASSY FR	1	19500	
	45209	45209-GBE2-007	SEAL PISTON	SEAL PISTON	2	370	

F07

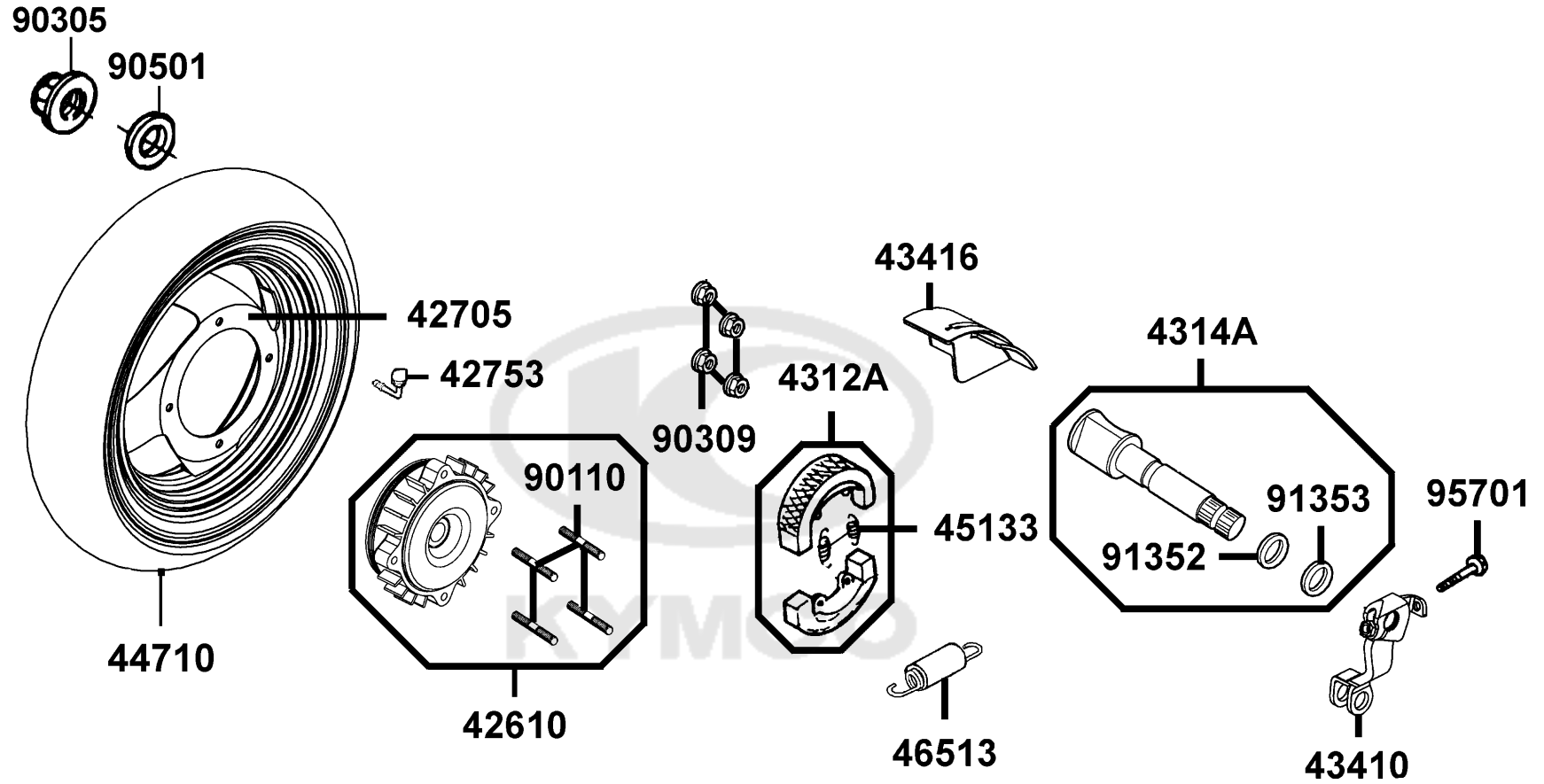
Front Wheel



Sales mark 記号	Ref no 参照用番号	Part no パーツ番号	Description 部品名	Reg description 部品名	Regd no 必要個数	Ref Price 希望小売価格(税抜)	F07
45210		45210-LEA1-306	BRKT FR CALIPER	BRKT FR CALIPER	1	2580	
45215		45215-KECE-900	PIN HANGER	PIN HANGER	2	300	
45531		45531-GAR1-951	PLUG	PLUG	1	110	
90105		90105-KCR3-001	BOLT FR DISK 8*24	BOLT FR DISK 8*24	3	80	
90110		90110-KHG8-901	BOLT STUD2 8*22	BOLT STUD2 8*22	4	130	
90131		90131-LEB1-900	BOLT FLANGE 8*35	BOLT FLANGE 8*35	2	320	
90306		90306-LFE2-900	NUT FLANGE 12MM	NUT FLANGE 12MM	1	320	
90309		90309-GLW0-90A	NUT U FLANGE 8MM	NUT U FLANGE 8MM	4	110	
90754		90754-GHC8-00A	SEAL DUST 20*32*5	SEAL DUST 20*32*5	1	100	
90754		90754-GHC8-00C	SAEL DUST 20*32*5	SAEL DUST 20*32*5	1	100	
90912		90912-GHC8-00A	BEARING 6201 (U)	BEARING 6201 (U)	2	770	
90912		90912-GHC8-00D	BEARING	BEARING	1	630	
91258		91258-KAM1-00A	SEAL SPDMT GEAR BOX	SEAL SPDMT GEAR BOX	1	300	

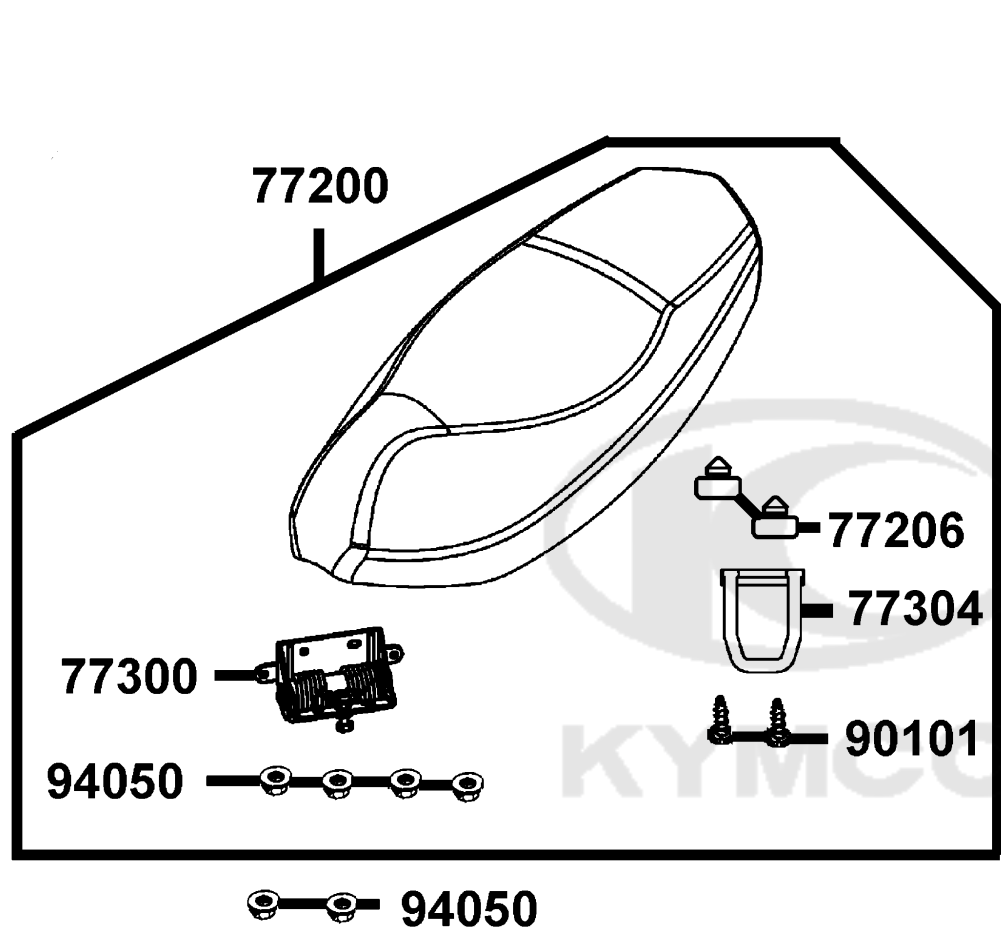
F08

Rear Wheel

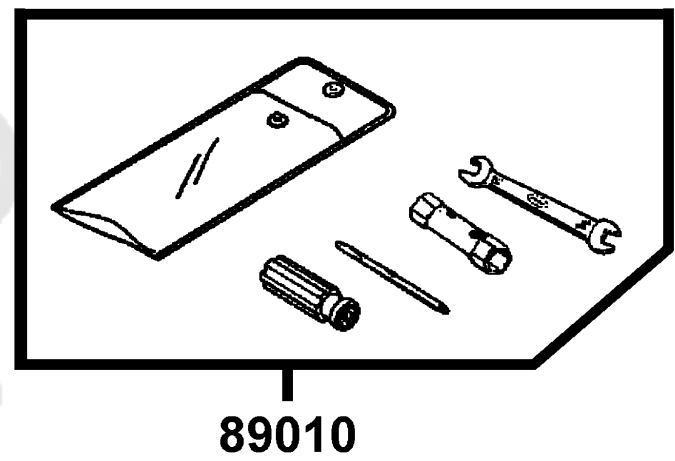
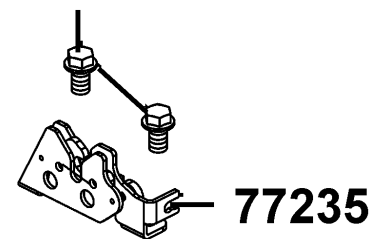


Sales mark 記号	Ref no 参照用番号	Part no パーツ番号	Description 部品名	Reg description 部品名	Regd no 必要個数	Ref Price 希望小売価格(税抜)
**	42610	42610-GKAK-901	HUB SUB COMP RR	HUB SUB COMP RR	1	7610
**	42705	42705-KHC4-900	RIM COMP WHEEL	RIM COMP WHEEL	1	7610
	42753	42753-KXCX-900	VALVE (PVR-70B) & CAP	VALVE (PVR-70B) & CAP	1	630
	4312A	4312A-LGM1-91A	SHOE ASSY BRAKE (E206)	SHOE ASSY BRAKE (E206)	1	2630
	4312A	4312A-LGM1-91B	SHOE ASSY BRAKE (D103)	SHOE ASSY BRAKE (D103)	1	2300
	4314A	4314A-LEA1-900	CAM RR BRAKE	CAM RR BRAKE	1	1530
	43410	43410-LEA2-900	ARM COMP . RR BRK.	ARM COMP . RR BRK.	1	1770
	43416	43416-LEA1-900	GUARD RR BRK ARM	GUARD RR BRK ARM	1	200
	44710	44710-LAB4-90A	TIRE FR ASSY/90/90-10 4P TL /KENDA	TIRE FR ASSY/90/90-10 4P TL /KENDA	1	8630
	44710	44710-LAB4-90B	TIRE ASSY FR/90/90-10 50J /MAXXIS	TIRE ASSY FR/90/90-10 50J /MAXXIS	1	9910
	45133	45133-LDA3-900	SPRING BRAKE SHOE REAR	SPRING BRAKE SHOE REAR	2	300
	46513	46513-LEB1-900	SPG ASSY BRK ARM	SPG ASSY BRK ARM	1	300
	90110	90110-KHG8-901	BOLT STUD2 8*22	BOLT STUD2 8*22	4	130
	90305	90305-KNBN-90A	NUT U 16MM(C)	NUT U 16MM(C)	1	420
	90305	90305-KNBN-90B	NUT U 16MM	NUT U 16MM	1	110
	90309	90309-GLW0-90A	NUT U FLANGE 8MM	NUT U FLANGE 8MM	4	110
	90501	90501-KNBN-901	WASHER 16MM	WASHER 16MM	1	80
	91352	91352-KHG8-83B	O-RING 11.3*1.3	O-RING 11.3*1.3	1	60
	91353	91353-GFY6-900	O-RING 13.1*10	O-RING 13.1*10	1	60
	95701	95701-06025-06	BOLT FLANGE 6*25	BOLT FLANGE 6*25	1	60

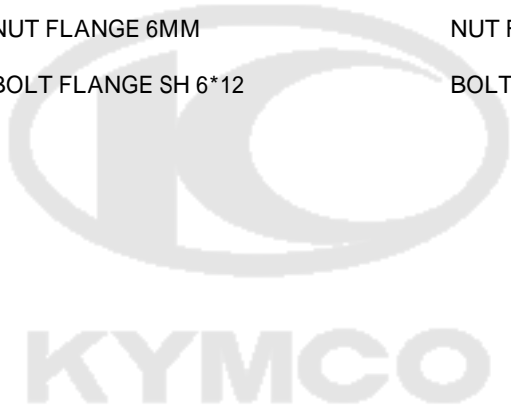
F08



96001-06012

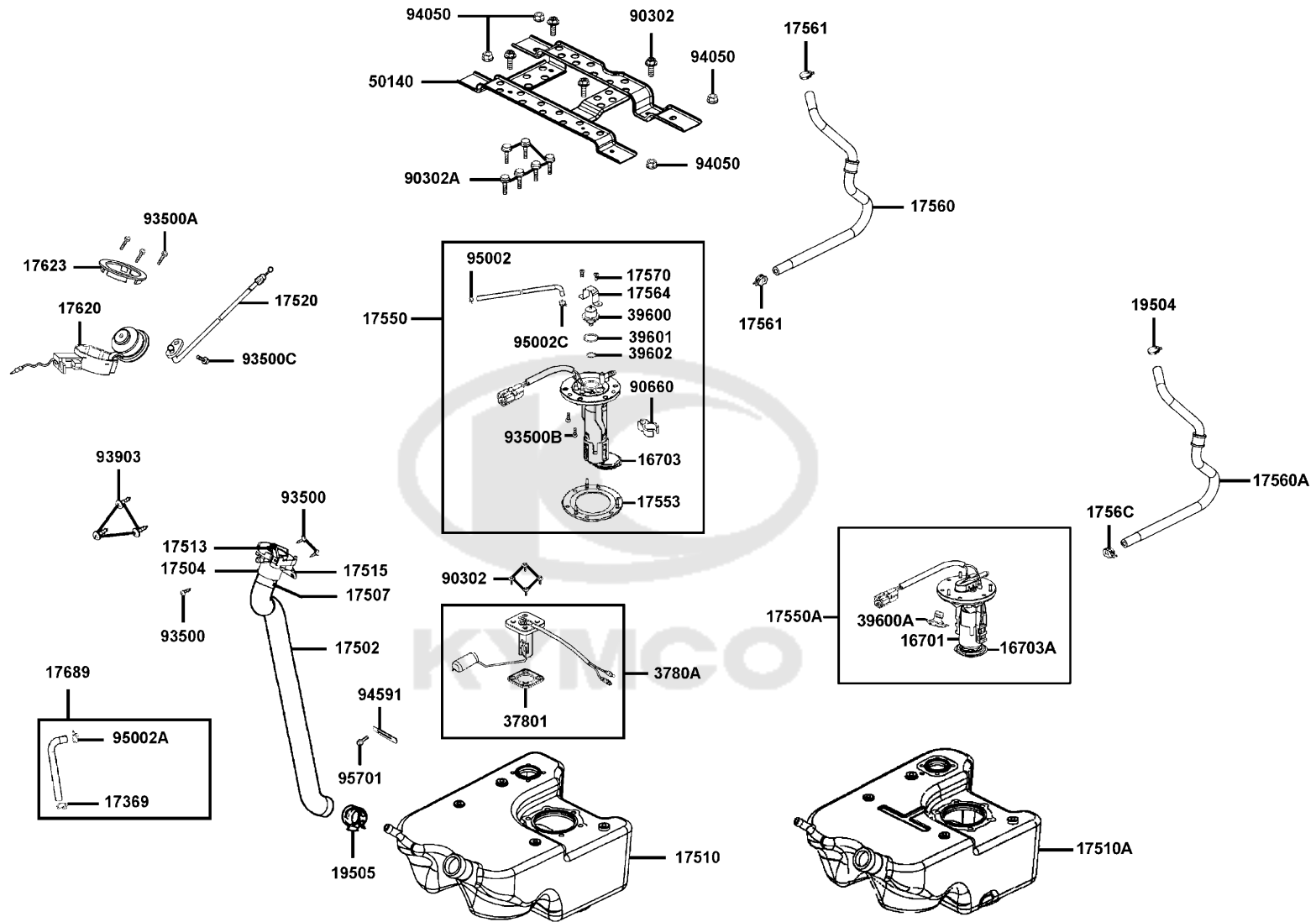


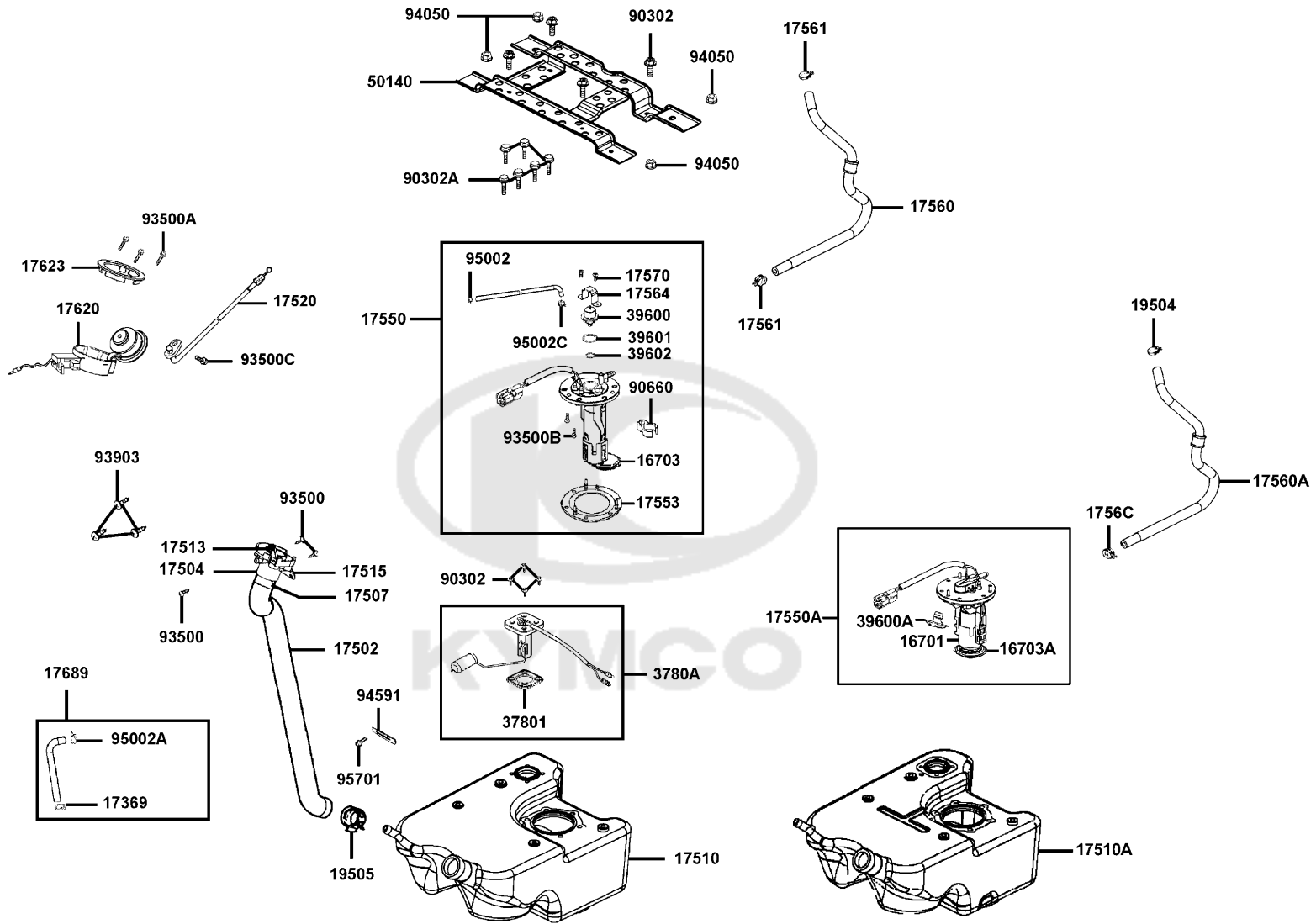
Sales mark 記号	Ref no 参照用番号	Part no パーツ番号	Description 部品名	Reg description 部品名	Regd no 必要個数	Ref Price 希望小売価格(税抜)	F09
**	77200	77200-LEA2-BT0	SEAT ASSY	SEAT ASSY	1	17750	
	77206	77206-KEB7-900	RUBBER SEAT CUSH	RUBBER SEAT CUSH	2	110	
	77235	77235-LEA1-900	CATCH COMP SEAT	CATCH COMP SEAT	1	2100	
	77300	77300-LEA2-900	HINGE COMP SEAT	HINGE COMP SEAT	1	1340	
	77304	77304-LEA2-900	HOOK SEAT LOCK	HOOK SEAT LOCK	1	580	
	89010	89010-LEA2-900	TOOL SET	TOOL SET	1	1820	
	90101	90101-KGC4-E00	SCREW SPECIAL 6*15	SCREW SPECIAL 6*15	2	60	
	94050	94050-06080	NUT FLANGE 6MM	NUT FLANGE 6MM	2	60	
	96001-06012	96001-06012-06	BOLT FLANGE SH 6*12	BOLT FLANGE SH 6*12	2	60	



F10

Fuel Tank



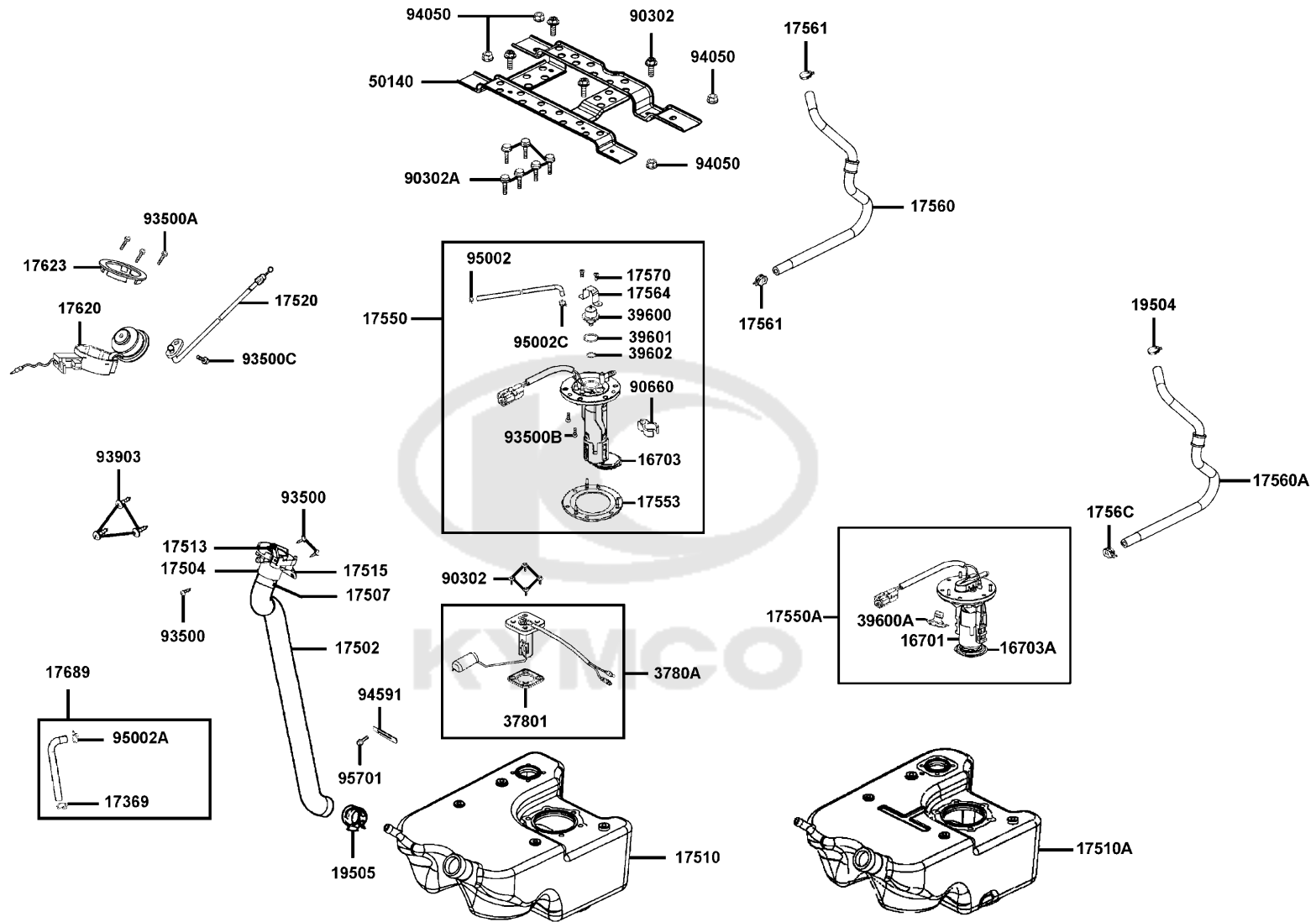


Sales mark 記号	Ref no 参照用番号	Part no パーツ番号	Description 部品名	Reg description 部品名	Regd no 必要個数	Ref Price 希望小売価格(税抜)
	17570	17570-KKE3-900	SCREW BOLT M 4*13	SCREW BOLT M 4*13	2	60
	17620	17620-LBA2-E0A	CAP COMP FUEL FILLER	CAP COMP FUEL FILLER	1	6280
	17620	17620-LBA2-E0B	CAP COMP FUEL FILLER	CAP COMP FUEL FILLER	1	6280
**	17623	17623-KKE5-E1A	COLLAR FUEL FILLER	COLLAR FUEL FILLER	1	1010
**	17623	17623-KKE5-E1B	COLLAR FUEL CILLER	COLLAR FUEL CILLER	1	1010
	17689	17689-LEA3-E00	TUBE ASSY FILLER	TUBE ASSY FILLER	1	1630
	19504	19504-LBA2-E00	CLAMP D16.8	CLAMP D16.8	1	390
	19505	19505-LEA2-900	CLAMP HOSE	CLAMP HOSE	1	390
	37801	37801-LLJ3-E00	PACKING BASE	PACKING BASE	1	230
	3780A	3780A-LEA2-920	FUEL UNIT ASSY	FUEL UNIT ASSY	1	2860
	39600	39600-KKE3-800	REGULATOR	REGULATOR	1	9080
	39600A	39600-LEA1-800	REGULATOR	REGULATOR	1	9080
	39601	39601-KKE3-900	O RING A	O RING A	1	770
	39602	39602-KKE3-900	O RING B	O RING B	1	680
	50140	50140-LEA2-900	BRKT FLOOR	BRKT FLOOR	1	2670
	90302	90302-GFY6-901	BOLT WASH 5*12 **(1) C.V.	BOLT WASH 5*12 **(1) C.V.	8	60
	90302A	90302-GFY6-940	BOLT-WASH 5*16	BOLT-WASH 5*16	6	60
	90660	90660-KNBN-921	CLAMP TUBE	CLAMP TUBE	1	110
	93500	93500-04008-0G	SCREW PAN 4*8	SCREW PAN 4*8	3	60
	93500A	93500-04020-0G	SCREW PAN 4*20	SCREW PAN 4*20	3	60

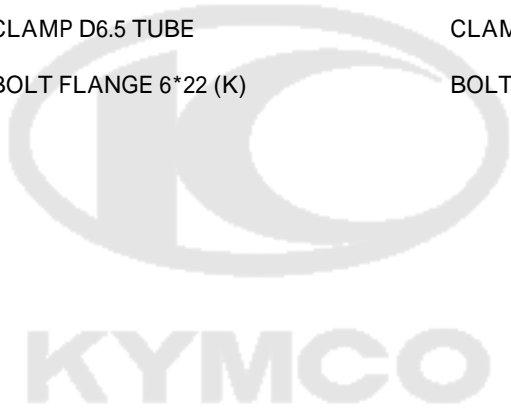
F10

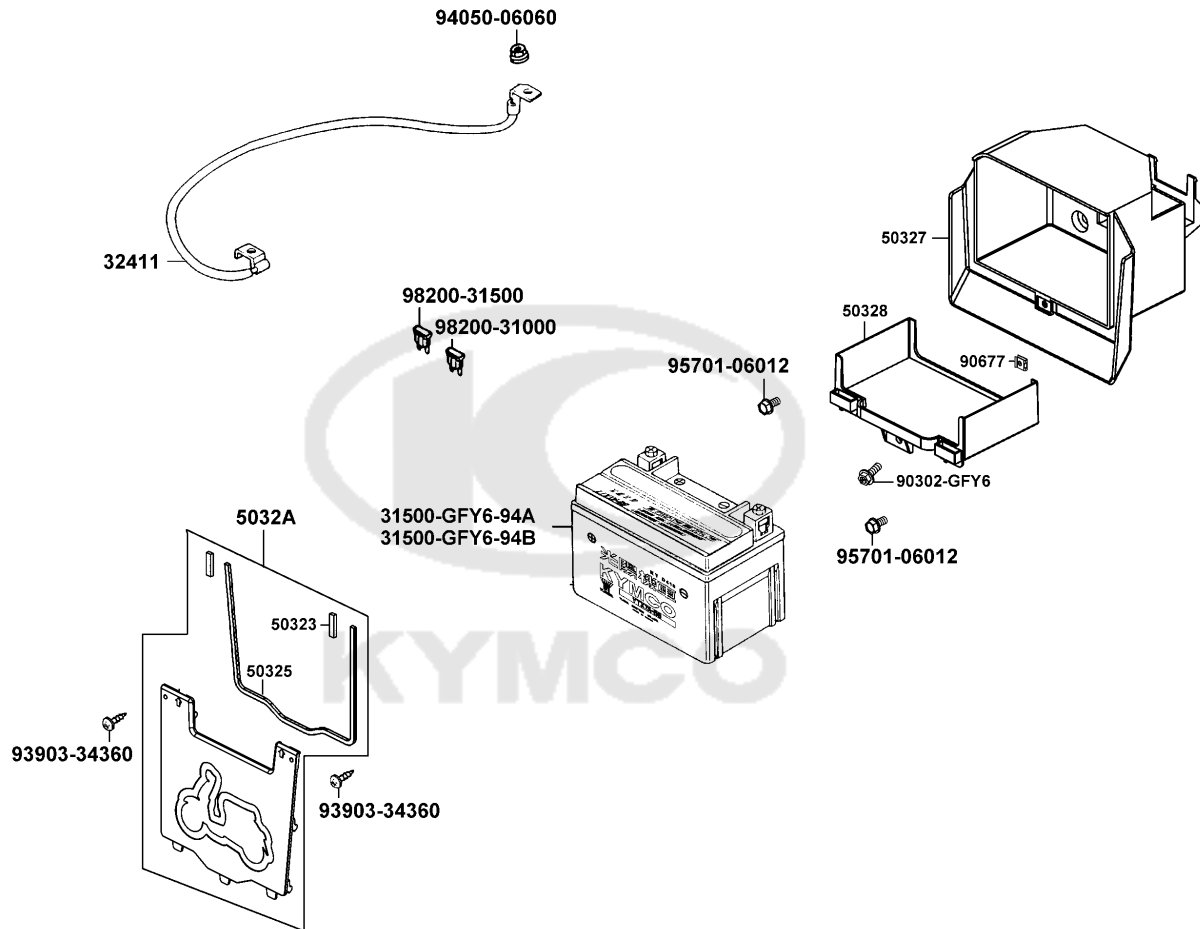
F10

Fuel Tank



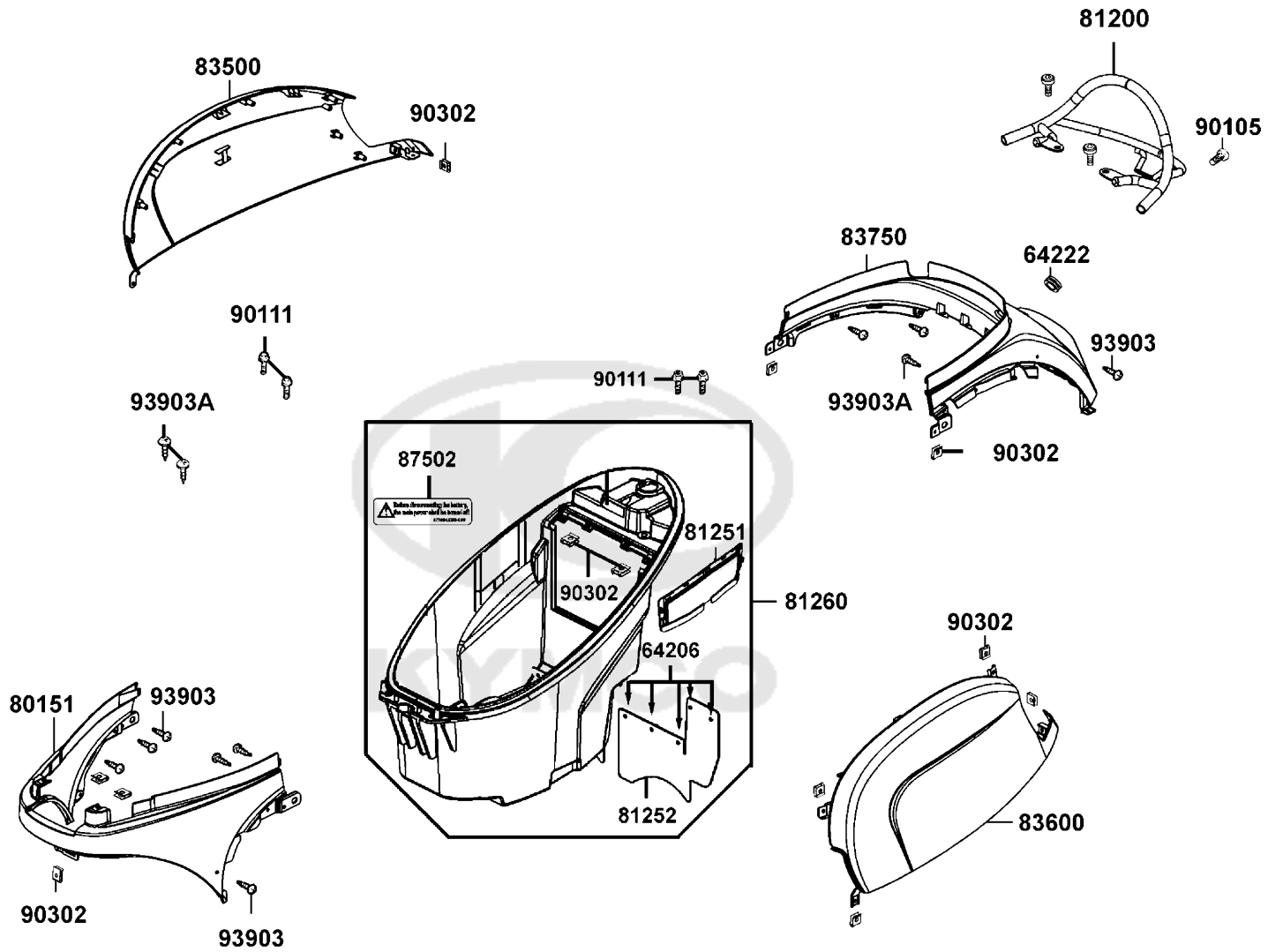
Sales mark 記号	Ref no 参照用番号	Part no パーツ番号	Description 部品名	Reg description 部品名	Regd no 必要個数	Ref Price 希望小売価格(税抜)	F10
93500B	93500-05010-0F	93500-05010-0F	SCREW PAN 5X10(G)	SCREW PAN 5X10(G)	4	200	
93500C	93500-KHC4-90A	93500-KHC4-90A	SCREW PAN 5*10	SCREW PAN 5*10	1	200	
93903	93903-35360	93903-35360	SCREW WASHER 4*12	SCREW WASHER 4*12	3	60	
94050	94050-06060	94050-06060	NUT FLANGE 6MM	NUT FLANGE 6MM	2	60	
94591	94591-KFBF-900	94591-KFBF-900	CLIP 2*70	CLIP 2*70	1	60	
95002	95002-02070	95002-02070	CLIP B7 TUBE	CLIP B7 TUBE	2	60	
95002A	95002-02130	95002-02130	CLIP B12.5 TUBE	CLIP B12.5 TUBE	1	60	
95002C	95002-40650-08	95002-40650-08	CLAMP D6.5 TUBE	CLAMP D6.5 TUBE	1	60	
95701	95701-06012-06	95701-06012-06	BOLT FLANGE 6*22 (K)	BOLT FLANGE 6*22 (K)	1	60	





Sales mark 記号	Ref no 参照用番号	Part no パーツ番号	Description 部品名	Reg description 部品名	Regd no 必要個数	Ref Price 希望小売価格(税抜)
	31500-GFY6-94A	31500-GFY6-B2A	BATTERY YTX7A-BS	BATTERY YTX7A-BS	1	
	31500-GFY6-94B	31500-GFY6-B2B	BATTERY GTX7A-BS	BATTERY GTX7A-BS	1	
	32411	32411-LEA2-900	CABLE. BATTERY	CABLE. BATTERY	1	1440
	50323	50323-LEB1-900	SEAL C.COVER BATTERY	SEAL C.COVER BATTERY	2	390
	50325	50325-LEA2-900	SEAL A .COVER BATTERY	SEAL A .COVER BATTERY	1	390
	5032A	50326-LEA2-900	COVER BATTERY	COVER BATTERY	1	390
	50327	50327-LEA2-900	BATTEY CASE	BATTEY CASE	1	1060
	50328	50328-LEA2-900	BATTERY DRAWER	BATTERY DRAWER	1	870
	90302-GFY6	90302-GFY6-940	BOLT-WASH 5*16	BOLT-WASH 5*16	1	60
	90677	90677-GAR1-004	NUT CLIP 5MM	NUT CLIP 5MM	1	60
	93903-34360	93903-GFY6-900	SCREW WASHER 4*12	SCREW WASHER 4*12	2	60
	94050-06060	94050-06060	NUT FLANGE 6MM	NUT FLANGE 6MM	1	60
	95701-06012	95701-06012-06	BOLT FLANGE 6*22 (K)	BOLT FLANGE 6*22 (K)	2	60
	98200-31000	98200-31000	BLADE FUSE 40A	BLADE FUSE 40A	1	110
	98200-31500	98200-31500	BLADE FUSE 40A	BLADE FUSE 40A	1	110

F11

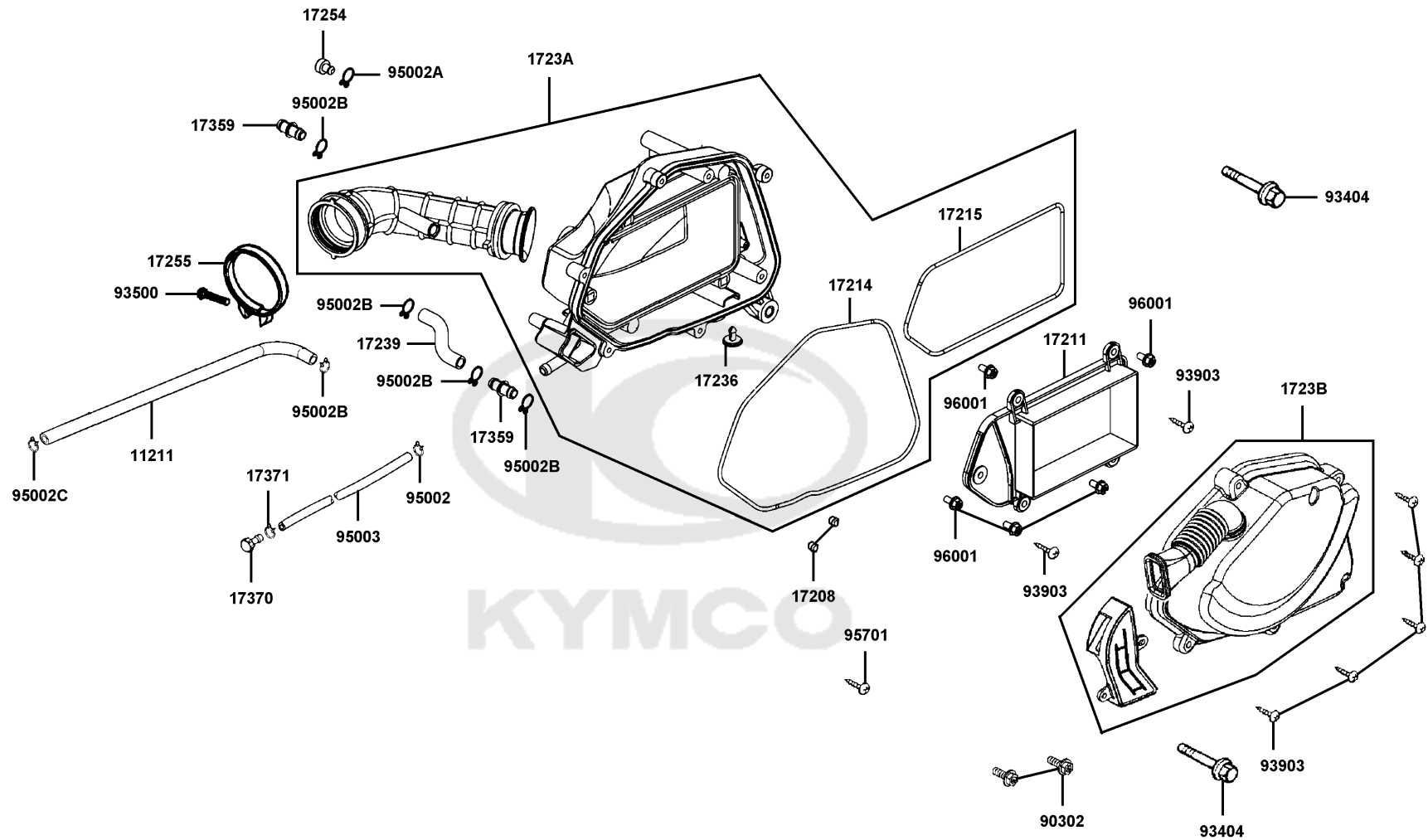


Sales mark 記号	Ref no 参照用番号	Part no パーツ番号	Description 部品名	Reg description 部品名	Regd no 必要個数	Ref Price 希望小売価格(税抜)
	64206	64206-MLJ0-001	NUT SPEED 4MM	NUT SPEED 4MM	4	60
	64222	64222-LBC6-900	CUSHION RR GRIP	CUSHION RR GRIP	1	160
**	80151	80151-LEA2-900	COVER CENTER UP	COVER CENTER UP	1	6660
	81200	81200-LEA2-800	GRIP RR	GRIP RR	1	8750
	81251	81251-LEA2-900	COVER L BODY MAINT	COVER L BODY MAINT	1	490
	81252	81252-LEA2-900	PLATE C SPLASH GUARD	PLATE C SPLASH GUARD	1	390
	81260	81260-LEA2-BT0	BOX ASSY LUGGAGE	BOX ASSY LUGGAGE	1	5520
**	83500	83500-LEA2-900	COVER. R BODY	COVER. R BODY	1	9040
**	83600	83600-LEA2-900	COVER L BODY	COVER L BODY	1	9040
**	83750	83750-LEA2-900	COVER CENTER RR	COVER CENTER RR	1	6050
**	87502	87502-LEB2-E00	CAUTION BATTERY	CAUTION BATTERY	1	200
	90105	90105-LBC6-900	BOLT-WASH 8MM	BOLT-WASH 8MM	3	490
	90111	90111-1G87-001	BOLT FLANGE 6MM	BOLT FLANGE 6MM	4	60
	90302	90302-SDA4-004	NUT SPRING 4MM	NUT SPRING 4MM	12	60
	93903	93903-34360	SCREW WASHER 4*12	SCREW WASHER 4*12	8	60
	93903A	93903-GFY6-900	SCREW WASHER 4*12	SCREW WASHER 4*12	4	60

F12

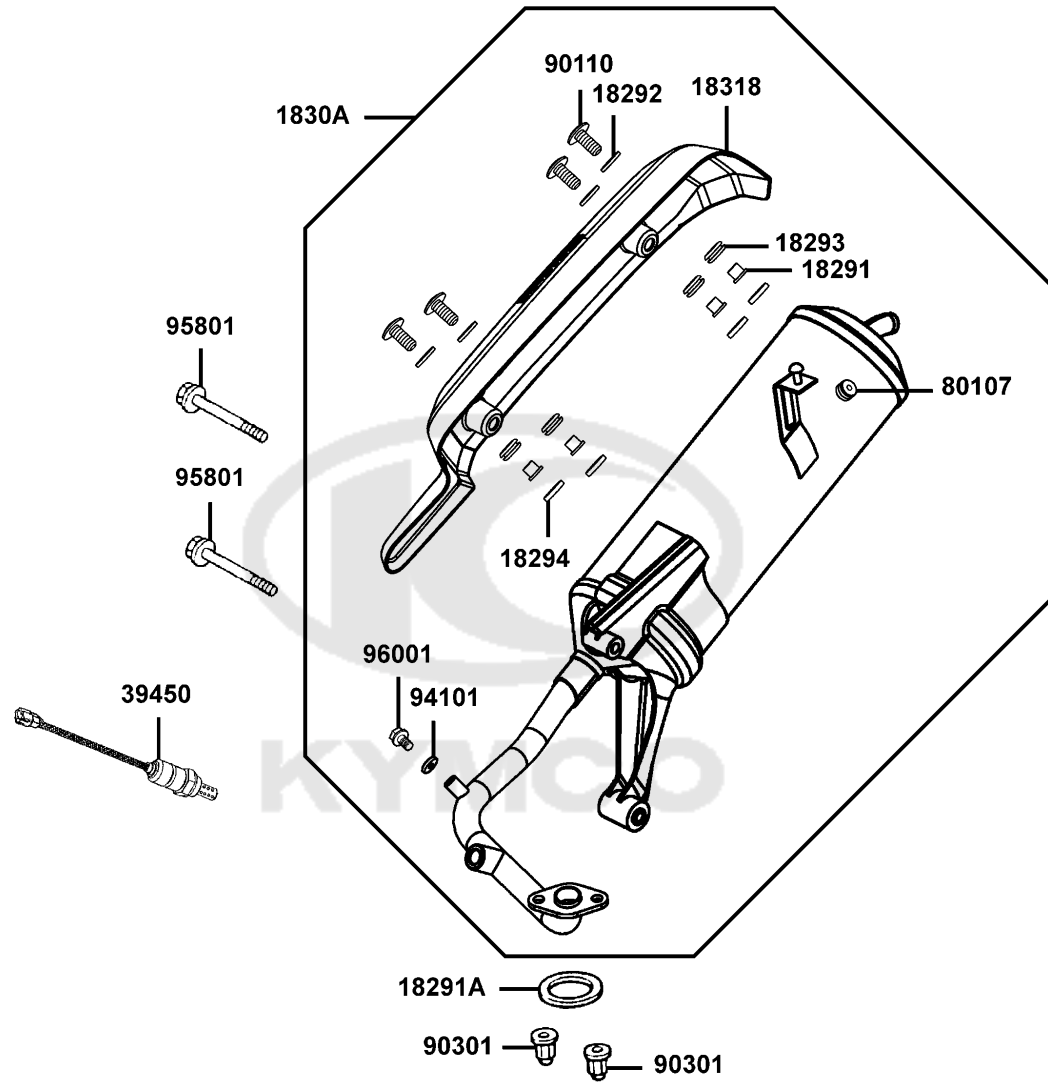
Sales mark 記号	Ref no 参照用番号	Part no パーツ番号	Description 部品名	Reg description 部品名	Regd no 必要個数	Ref Price 希望小売価格(税抜)
11211		11211-LEA1-900	TUBE BRTHER	TUBE BRTHER	1	770
17208		17208-GAR1-011	COLLAR AIR/C SET	COLLAR AIR/C SET	2	110
17211		17211-LEA1-900	ELEMENT COMP AIR/C	ELEMENT COMP AIR/C	1	1390
17214		17214-LEA1-900	SEAL AIR/C COVER	SEAL AIR/C COVER	1	580
17215		17215-LEA1-900	SEAL. ELEMENT	SEAL. ELEMENT	1	870
17236		17236-KFBF-910	PLATE	PLATE	1	200
17239		17239-LEA1-900	TUBE AIR/C BLOW-BY	TUBE AIR/C BLOW-BY	1	300
1723A		1723A-LEA2-900	CASE ASSY.. AIR/C	CASE ASSY.. AIR/C	1	4190
1723B		1723B-LEA2-900	COVER. AIR/C	COVER. AIR/C	1	2860
17254		17254-KACA-P00	PLUG AIR/C CONN TUBE	PLUG AIR/C CONN TUBE	1	200
17255		17255-KGBG-900	BAND A CONNECTING TUBE	BAND A CONNECTING TUBE	1	300
17359		17359-4K19-671	JOINT BREATHER TUBE	JOINT BREATHER TUBE	2	60
17370		17370-4K19-701	PLUG BREATHER TUBE	PLUG BREATHER TUBE	1	110
17371		17371-1D74-671	CLIP BREATHER TUBE	CLIP BREATHER TUBE	2	60
90302		90302-KNBN-900	BOLT PAN 5*10	BOLT PAN 5*10	2	60
93404		93404-06030-06	BOLT WASHER 6*30	BOLT WASHER 6*30	2	160
93500		93500-04025-0A	SCREW PAN 4*25	SCREW PAN 4*25	1	200
93903		93903-25460	SCREW TAPPING 5*20 **93903-25480	SCREW TAPPING 5*20 **93903-25480 C.2005	7	60
95002		95002-02120	CLIP B12 TUBE	CLIP B12 TUBE	1	60
95002A		95002-40850-08G	CLAMP D8.5 TUBE	CLAMP D8.5 TUBE	1	390

F13



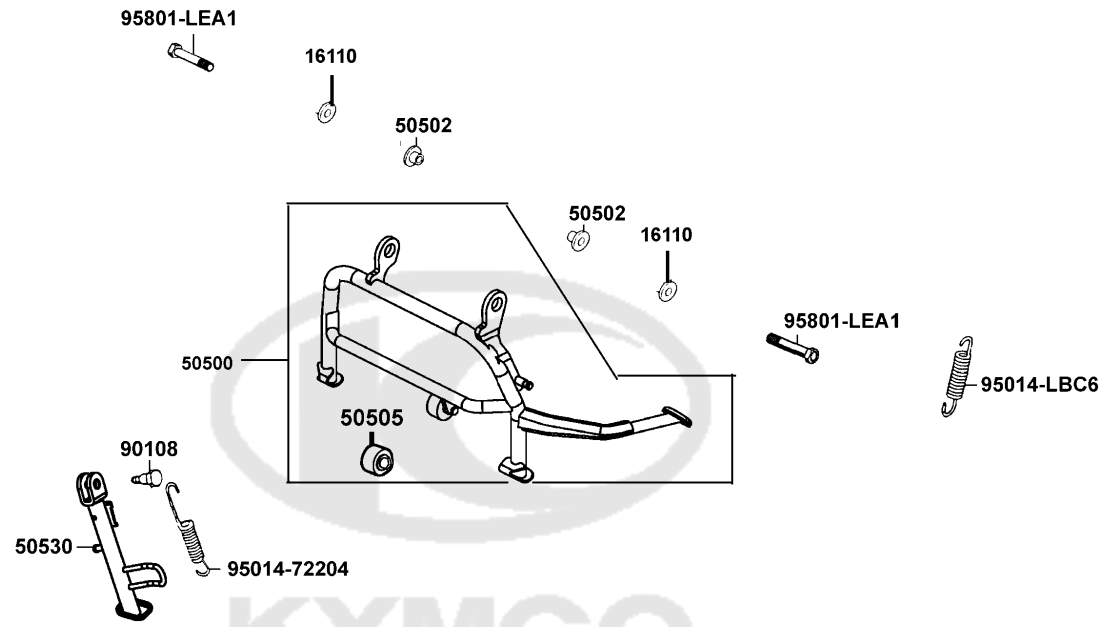
Sales mark 記号	Ref no 参照用番号	Part no パーツ番号	Description 部品名	Reg description 部品名	Regd no 必要個数	Ref Price 希望小売価格(税抜)	F13
95002B	95002-41150-00	95002-41150-00	CLIP D11.5 TUBE	CLIP D11.5 TUBE	5	230	
95002C	95002-50000	95002-50000	CLIP C9 TUBE	CLIP C9 TUBE	1	60	
95003	95003-23024-60	95003-23024-60	V TUBE 8*12*240	V TUBE 8*12*240	1	200	
95701	95701-06032-06	95701-06032-06	BOLT FLANGE 6*32	BOLT FLANGE 6*32	1	60	
96001	96001-GFY6-900	96001-GFY6-900	BOLT SPECIAL 5X10	BOLT SPECIAL 5X10	5	60	



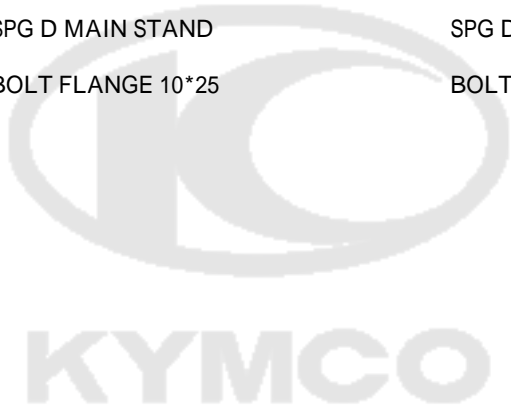


Sales mark 記号	Ref no 参照用番号	Part no パーツ番号	Description 部品名	Reg description 部品名	Regd no 必要個数	Ref Price 希望小売価格(税抜)
	18291	18291-KEBE-900	COLLAR	COLLAR	4	60
	18291A	18291-LBD4-900	GASKET EXH PIPE	GASKET EXH PIPE	1	200
	18292	18292-KEBE-900	PACKING PROTECTOR	PACKING PROTECTOR	4	60
	18293	18293-KEBE-900	RUBBER PKG PROTR	RUBBER PKG PROTR	4	140
	18294	18294-KEBE-900	PACKING PROTECTOR	PACKING PROTECTOR	4	110
	1830A	1830A-LKC7-E00	MUFFLER ASSY	MUFFLER ASSY	1	39120
**	18318	18318-LEA3-E00	PROTECTOR. MUFF.	PROTECTOR. MUFF.	1	3720
	39450	39450-LEA6-800	O2 SENSOR	O2 SENSOR **(1) C.2006.12.21	1	19800
	80107	80107-KHLH-900	RUBBER A RR FENDER	RUBBER A RR FENDER	1	110
	90110	90110-KHD8-900	SCREW SPECIAL 6*20	SCREW SPECIAL 6*20	4	60
	90301	90301-GFY6-901	NUT (HEX) CAP 8MM	NUT (HEX) CAP 8MM	2	140
	94101	94101-06200	WASHER PLAIN 6MM	WASHER PLAIN 6MM	1	60
	95801	95801-08050-06	BOLT FLANGE 8*50	BOLT FLANGE 8*50	1	300
	96001	96001-06008-07	BOLT FLANGE SH 6*8	BOLT FLANGE SH 6*8	1	60

F14

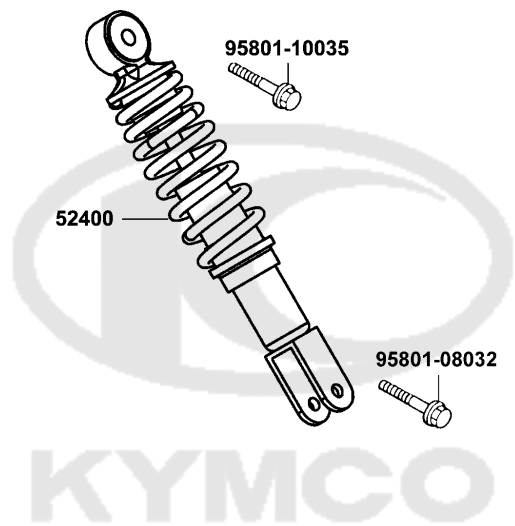


Sales mark 記号	Ref no 参照用番号	Part no パーツ番号	Description 部品名	Reg description 部品名	Regd no 必要個数	Ref Price 希望小売価格(税抜)	F15
16110		16110-LEA1-900	WASHER 15*20*1	WASHER 15*20*1	2	110	
50500		50500-LEA2-900	STAND COMP MAIN	STAND COMP MAIN	1	6660	
50502		50502-LEA1-910	COLLAR. MAIN STAND	COLLAR. MAIN STAND	1	160	
50505		50505-LAD9-900	STOPPER RUBBER	STOPPER RUBBER	1	180	
50530		50530-LEA2-900	STAND COMP SIDE	STAND COMP SIDE	1	1720	
90108		90108-LKE6-900	PIVOT SCREW SIDE STAND	PIVOT SCREW SIDE STAND	1	80	
95014-72204		95014-72204	SPG B1 SIDE STAND	SPG B1 SIDE STAND	1	300	
95014-LBC6		95014-LBC6-900	SPG D MAIN STAND	SPG D MAIN STAND	1	200	
95801-LEA1		95801-LEA1-900	BOLT FLANGE 10*25	BOLT FLANGE 10*25	2	300	



F16

Rear Cushion



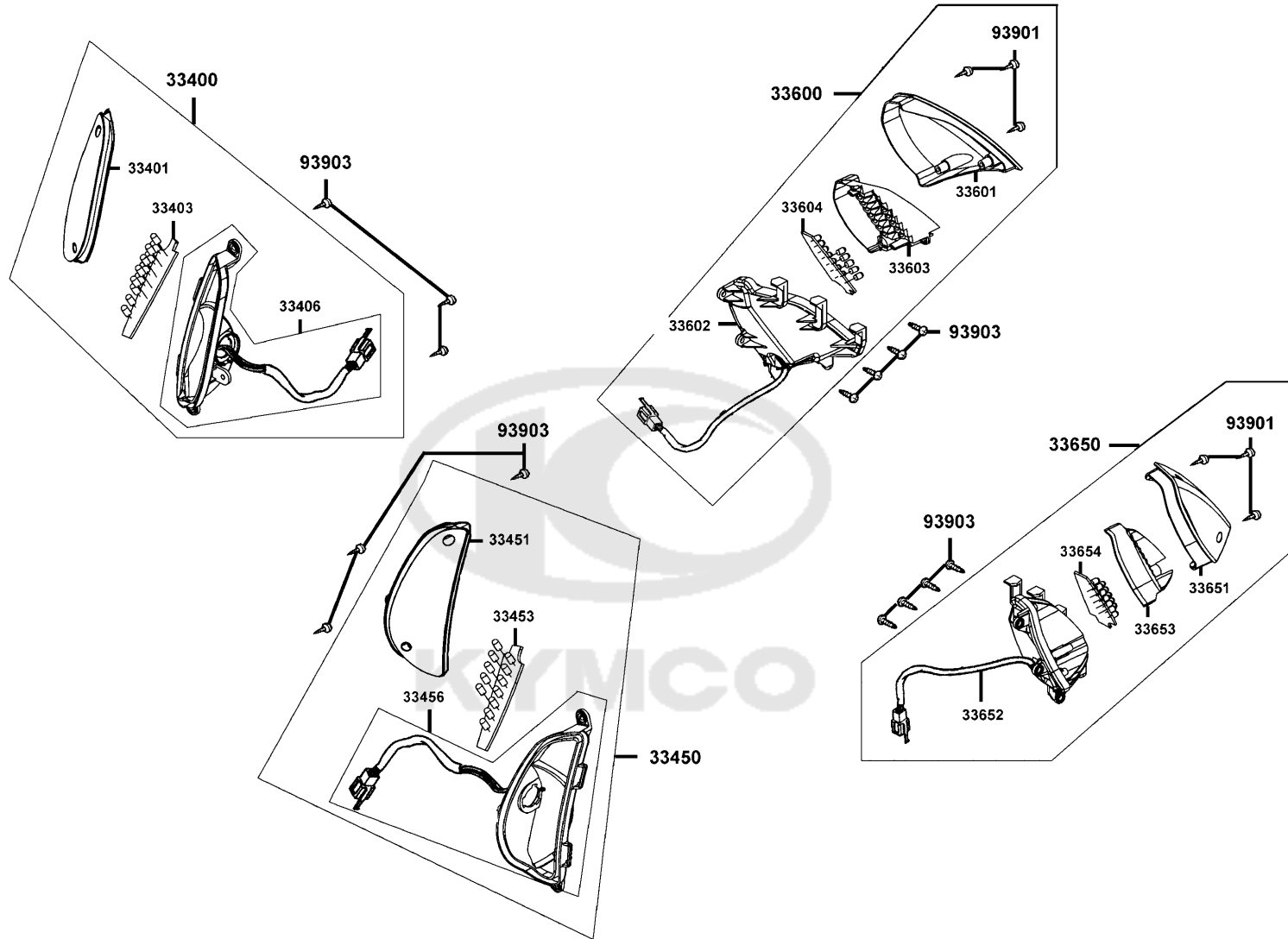
Sales mark 記号	Ref no 参照用番号	Part no パーツ番号	Description 部品名	Reg description 部品名	Regd no 必要個数	Ref Price 希望小売価格(税抜)	F16
------------------	-----------------	------------------	--------------------	------------------------	-----------------	-------------------------	-----

**	52400	52400-LEA2-900	CUSHION ASSY.RR	CUSHION ASSY.RR	1	12170	
	95801-08032	95801-08032-06	BOLT FLANGE 8*32	BOLT FLANGE 8*32	1	200	
	95801-10035	95801-10035-06	BOLT FLANGE 10*35	BOLT FLANGE 10*35	1	300	



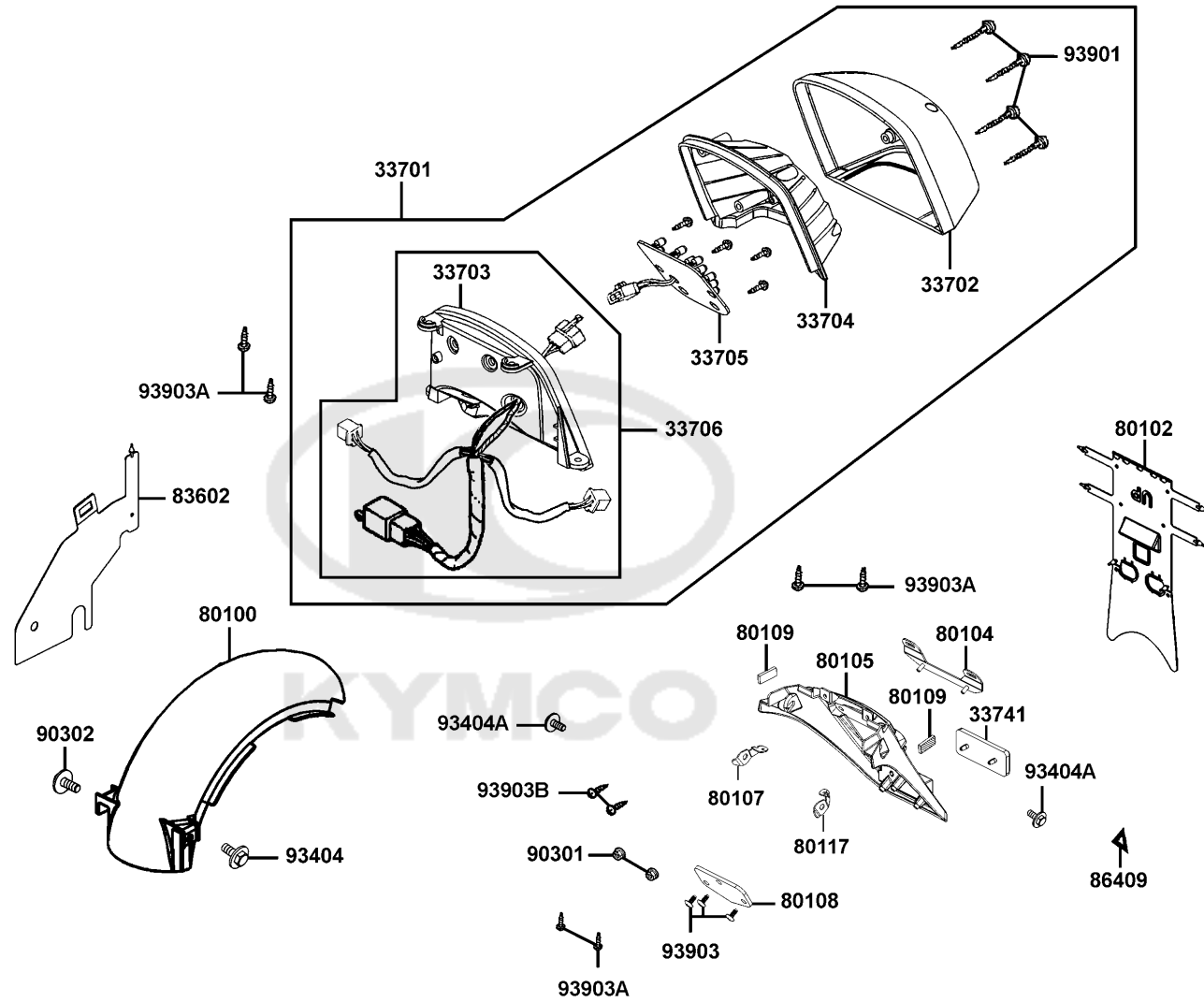
F17

Front Winker



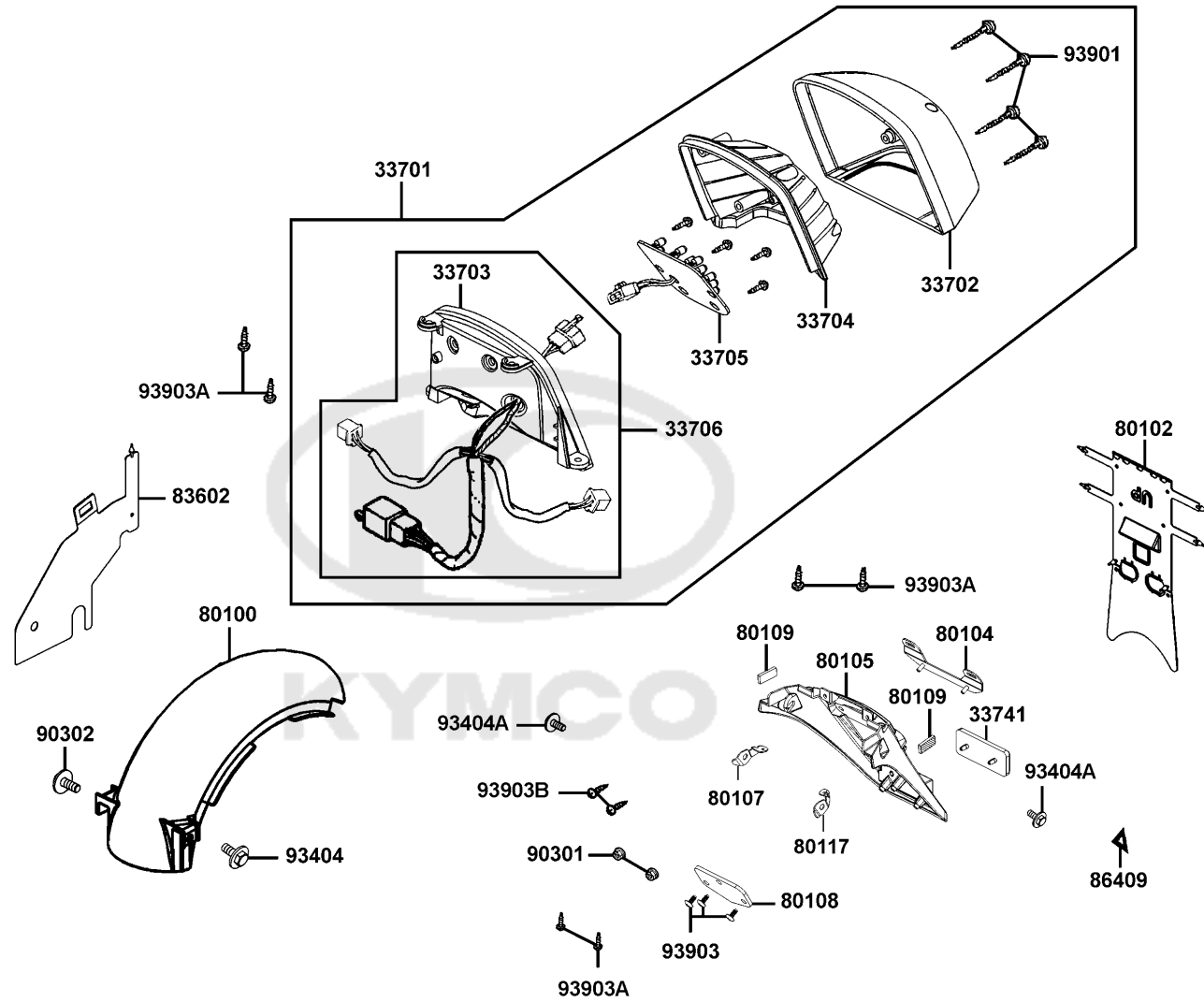
Sales mark 記号	Ref no 参照用番号	Part no パーツ番号	Description 部品名	Reg description 部品名	Regd no 必要個数	Ref Price 希望小売価格(税抜)
	33400	33400-LEA2-900	WINKER ASSY FR R	WINKER ASSY FR R	1	7920
	33401	33401-LEA2-900	LENS R FR WINKER	LENS R FR WINKER	1	390
	33403	33403-LEA2-900	LED COMP	LED COMP	1	6500
	33406	33406-LEA2-305	BASE COMP R FR WINKER	BASE COMP R FR WINKER	1	1720
	33450	33450-LEA2-900	WINKER ASSY FR L	WINKER ASSY FR L	1	7920
	33451	33451-LEA2-900	LENS L FR WINKER	LENS L FR WINKER	1	390
	33453	33453-LEA2-900	LED COMP	LED COMP	1	6500
	33456	33456-LEA2-305	BASE COMP L FR WINKER	BASE COMP L FR WINKER	1	1720
	33600	33600-LEA2-900	WINKER ASSY RR R	WINKER ASSY RR R	1	8940
	33601	33601-LEA2-900	LENS R RR WINKER	LENS R RR WINKER	1	1630
	33602	33602-LEA2-305	BASE & CORD R RR WINKER	BASE & CORD R RR WINKER	1	2860
	33603	33603-LEA2-900	RS R RR WINKER	RS R RR WINKER	1	1910
	33604	33604-LEA2-900	LED PLATE COMP	LED PLATE COMP	1	4070
	33650	33650-LEA2-900	WINKER ASSY RR L	WINKER ASSY RR L	1	8940
	33651	33651-LEA2-900	LENS L RR WINKER	LENS L RR WINKER	1	1630
	33652	33652-LEA2-305	BASE & CORD L RR WINKER	BASE & CORD L RR WINKER	1	2860
	33653	33653-LEA2-900	RS L RR WINKER	RS L RR WINKER	1	1910
	33654	33654-LEA2-900	LED PLATE COMP	LED PLATE COMP	1	4070
	93901	93901-32820	SCREW ASSY 3*25	SCREW ASSY 3*25	6	200
	93903	93903-34360	SCREW WASHER 4*12	SCREW WASHER 4*12	14	60

F17



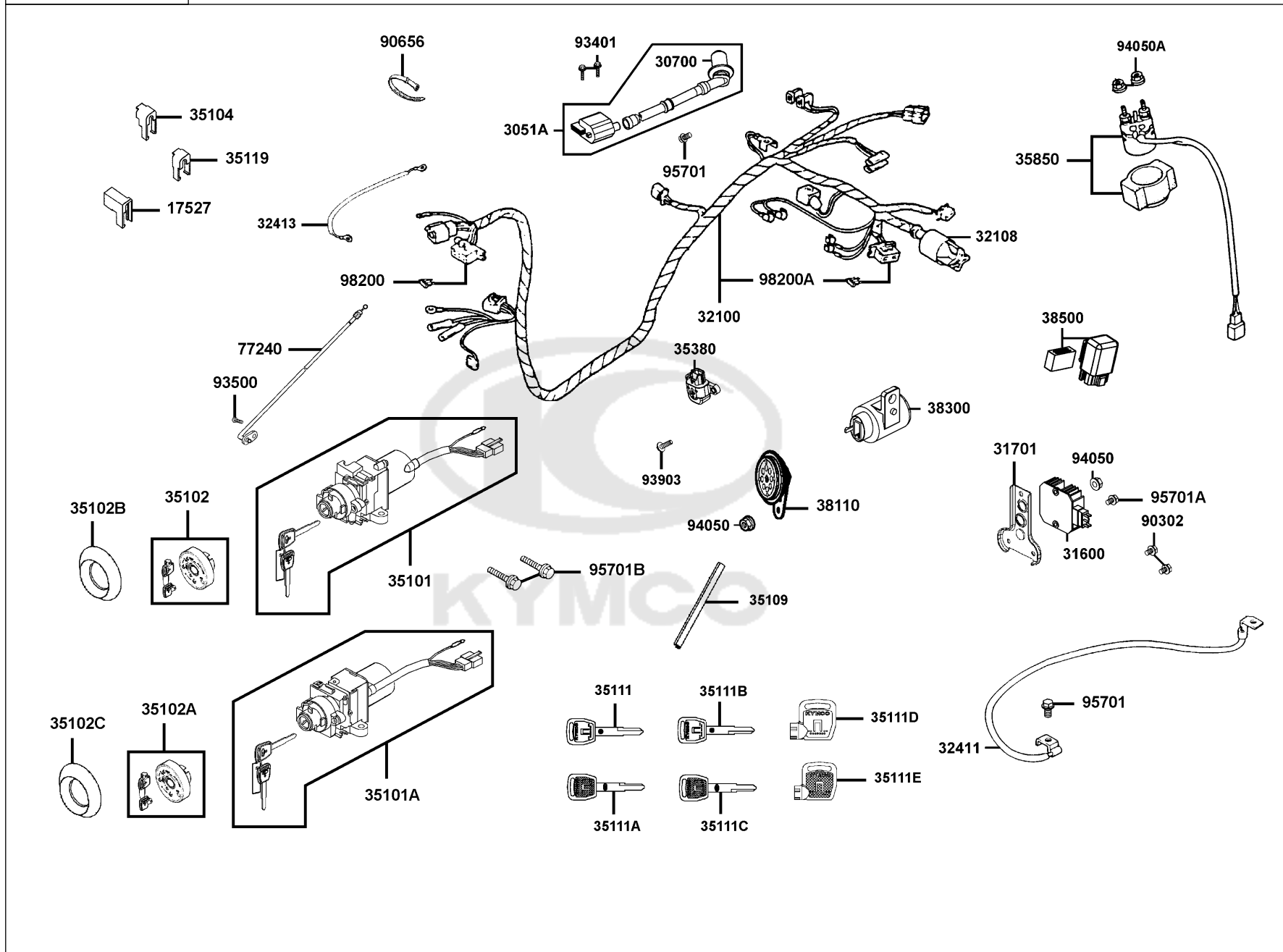
Sales mark 記号	Ref no 参照用番号	Part no パーツ番号	Description 部品名	Reg description 部品名	Regd no 必要個数	Ref Price 希望小売価格(税抜)
	33701	33701-LKC7-B20	UNIT TAIL LIGHT	UNIT TAIL LIGHT	1	16710
	33702	33702-LEA2-900	LENS COMP TAIL LIGHT	LENS COMP TAIL LIGHT	1	1720
	33703	33703-LEA2-900	BASE	BASE	1	960
	33704	33704-LEA2-900	RS TAIL LIGHT	RS TAIL LIGHT	1	1530
	33705	33705-LEA2-325	LED ASSY PCB	LED ASSY PCB	1	12290
	33706	33706-LEA2-900	CORD ASSY&BASE	CORD ASSY&BASE	1	4760
	33741	33741-KEC8-900	REFLEX REFLECTOR	REFLEX REFLECTOR	1	490
	33741	33741-LEA3-E00	REFLEX REFLECTOR	REFLEX REFLECTOR	1	730
	80100	80100-LEA2-900	FENDER TIRE . RR.	FENDER TIRE . RR.	1	920
	80102	80102-LEA2-910	PLATE A SPLASH GUARD	PLATE A SPLASH GUARD	1	680
	80104	80104-LEA2-900	STAY LICENSE PLATE	STAY LICENSE PLATE	1	680
	80105	80105-LEA2-900	FENDER . RR.	FENDER . RR.	1	2580
	80107	80107-LEA2-900	STAY.R.SIDE RR.FENDER	STAY.R.SIDE RR.FENDER	1	230
	80108	80108-LEA2-900	PLATE. RR FENDER	PLATE. RR FENDER	1	680
	80109	80109-LEA2-900	RUBBER A	RUBBER A	2	300
	80117	80117-LEA2-900	STAY.L.SIDE RR.FENDER	STAY.L.SIDE RR.FENDER	1	230
	83602	83602-LEA2-900	PLATE B SPLASH GUARD	PLATE B SPLASH GUARD	1	390
**	86409	86409-LKC7-B20	STRIPE RR FENDER	STRIPE RR FENDER	1	300
	90301	90301-6D34-671	NUT FLANGE 6MM	NUT FLANGE 6MM	2	60
	90302	90302-GFY6-901	BOLT WASH 5*12 *(1) C.V.	BOLT WASH 5*12 *(1) C.V.	1	60

F18



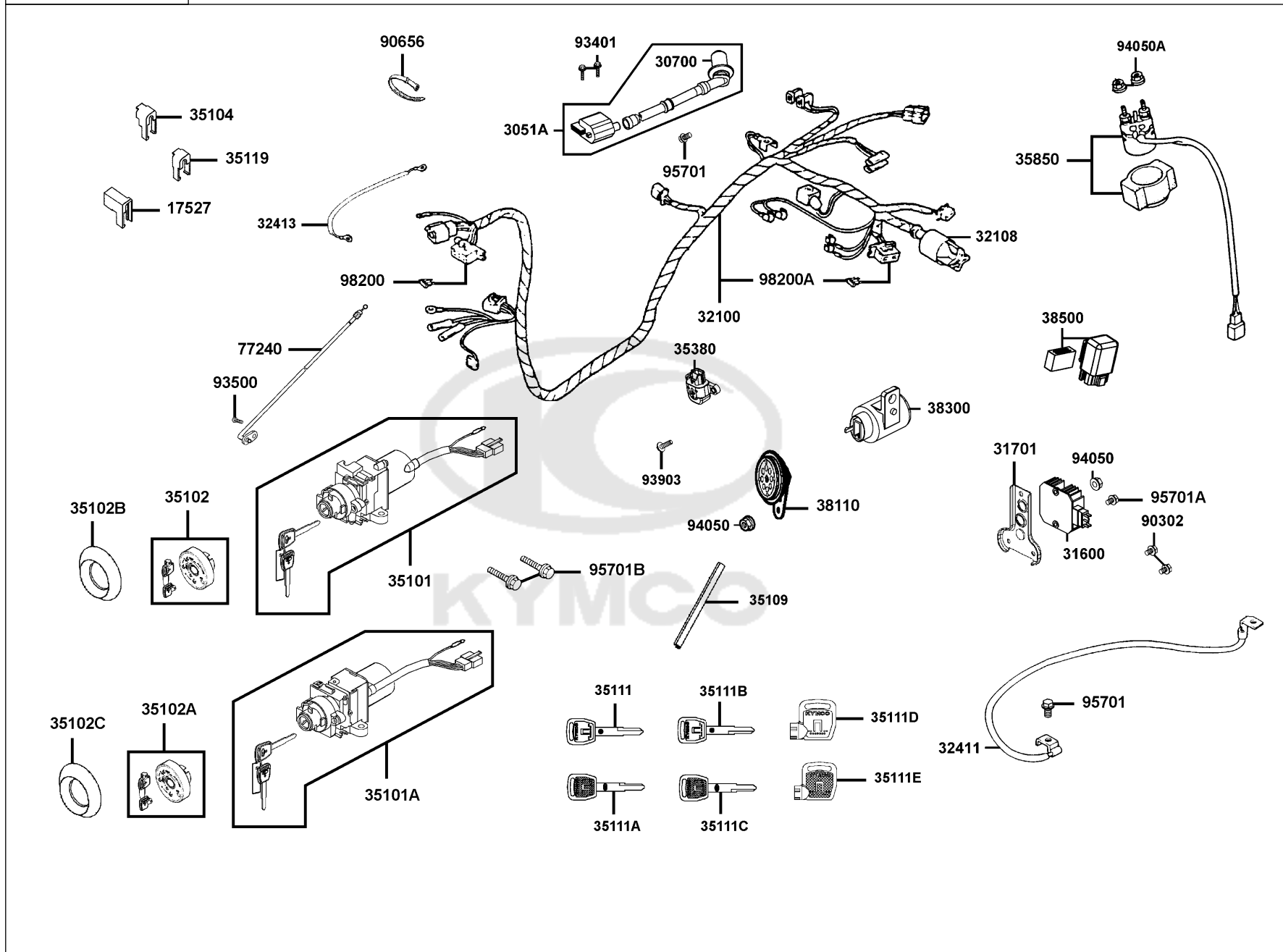
Sales mark 記号	Ref no 参照用番号	Part no パーツ番号	Description 部品名	Reg description 部品名	Regd no 必要個数	Ref Price 希望小売価格(税抜)	F18
93404		93404-06012-06	BOLT WASHER 6*12 (G)	BOLT WASHER 6*12 (G)	1	200	
93404A		93404-KKC2-900	BOLT WASH 6*16	BOLT WASH 6*16	2	60	
93901		93901-LEA2-307	SCREW PAN 3.5*43	SCREW PAN 3.5*43	4	200	
93903		93903-25360	SCREW TAPPING 5*16	SCREW TAPPING 5*16	3	60	
93903A		93903-34360	SCREW WASHER 4*12	SCREW WASHER 4*12	6	60	
93903B		93903-GFY6-900	SCREW WASHER 4*12	SCREW WASHER 4*12	2	60	





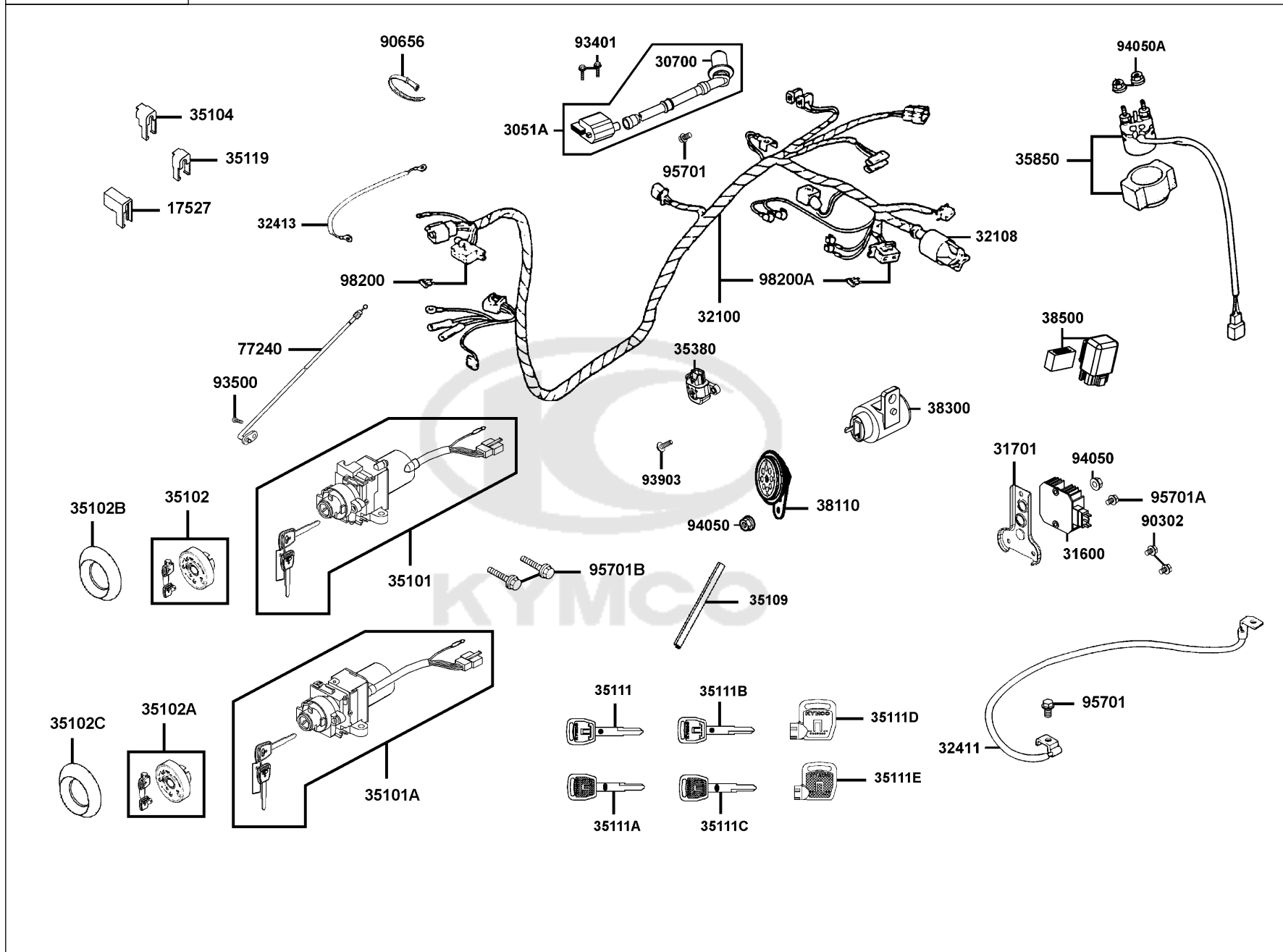
Sales mark 記号	Ref no 参照用番号	Part no パーツ番号	Description 部品名	Reg description 部品名	Regd no 必要個数	Ref Price 希望小売価格(税抜)
17527		17527-LBA2-900	SLIDE COVER FUEL CAP	SLIDE COVER FUEL CAP	1	300
3051A		3051A-LEA1-900	COIL ASSY IGN	COIL ASSY IGN	1	9890
30700		30700-LEA1-900	CAP ASSY NOISE SUPPRESOR	CAP ASSY NOISE SUPPRESOR	1	1720
31600		31600-LEA2-90A	REG. REC. COMP.	REG. REC. COMP.	1	8560
31701		31701-LEA2-700	STAY RECTIFIRE	STAY RECTIFIRE	1	680
32100		32100-LEA2-900	HARNESS WIRE	HARNESS WIRE	1	27250
32100		32100-LEA2-910	HARNESS WIRE	HARNESS WIRE	1	
32108		32108-GAR1-711	COVER HARNESS WIRE	COVER HARNESS WIRE	1	300
32411		32411-LEA2-900	CABLE. BATTERY	CABLE. BATTERY	1	1440
32413		32413-LEA1-900	CABLE BAT EARTH	CABLE BAT EARTH	1	920
35101		35101-LGE3-306-M1	SW COMP LOCK	SW COMP LOCK	1	13310
35101A		35101-LGE3-306-M2	SW COMP LOCK	SW COMP LOCK	1	13310
35102		35102-LDC1-305-M1	SHUTTER SET MAGNETIC LOCK	SHUTTER SET MAGNETIC LOCK	1	5520
35102A		35102-LDC1-305-M2	SHUTTER SET MAGNETIC LOCK	SHUTTER SET MAGNETIC LOCK	1	5520
35102B		35102-LKC7-920	COLLAR MAIN SW	COLLAR MAIN SW	1	400
35102C		35102-LKC7-92B	COLLAR MAIN SW	COLLAR MAIN SW	1	400
35104		35104-LBC6-90A	PLATE COVER FUEL CAP CABLE	PLATE COVER FUEL CAP CABLE	1	200
35104		35104-LBC6-90B	PLATE COVER FUEL CAP CABLE	PLATE COVER FUEL CAP CABLE	1	200
35109		35109-LBC6-90A	PROTECTING COVER CABLE	PROTECTING COVER CABLE	1	300
35109		35109-LBC6-90B	PROTECTING COVER CABLE	PROTECTING COVER CABLE	1	390

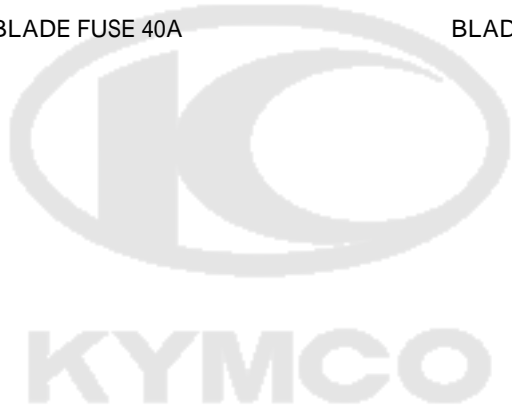
F19



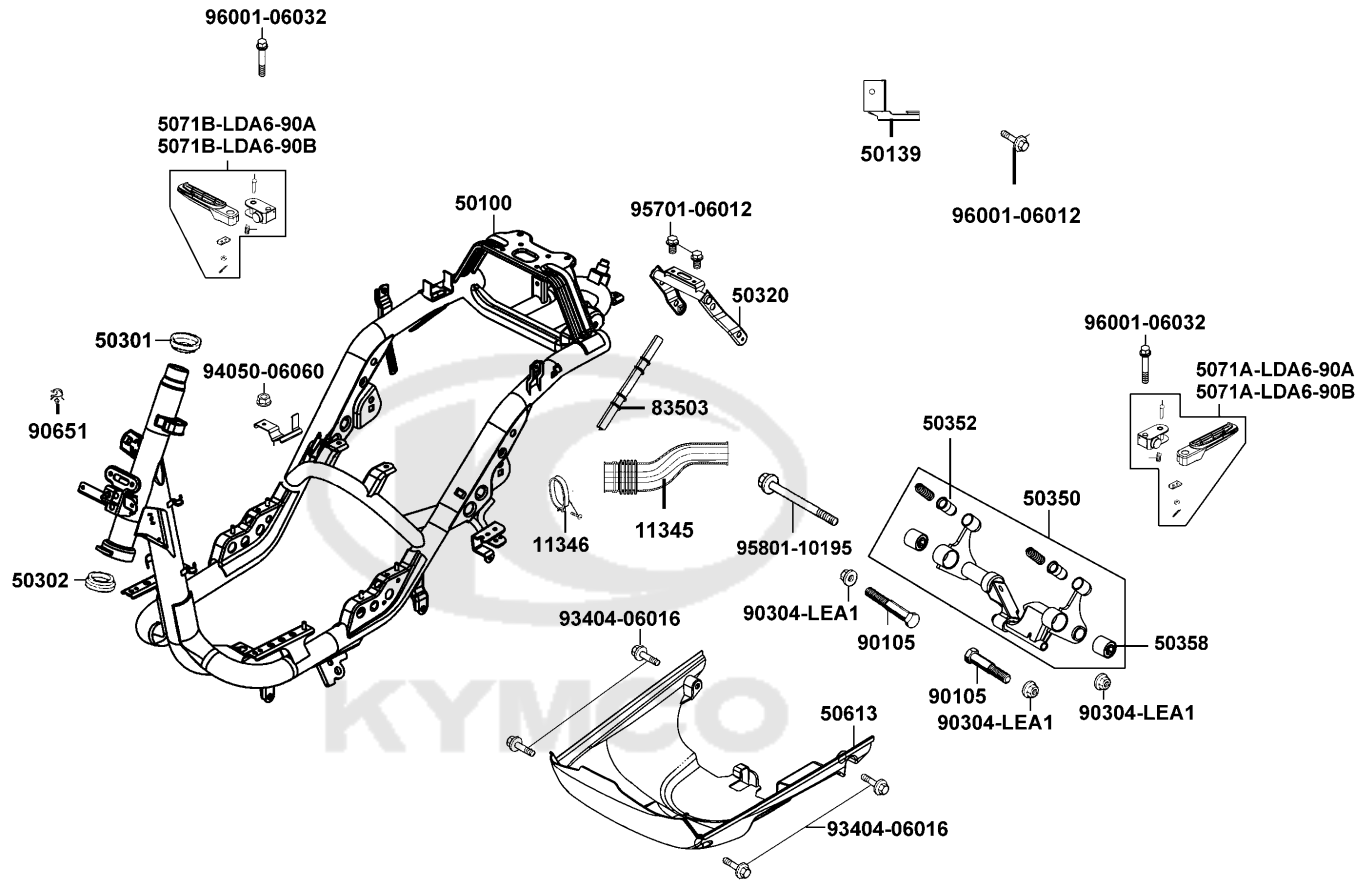
Sales mark 記号	Ref no 参照用番号	Part no パーツ番号	Description 部品名	Reg description 部品名	Regd no 必要個数	Ref Price 希望小売価格(税抜)
	35111	35111-LDC1-305-M1	KEY COMP (R TANGENT PLANE/SD)	KEY COMP (R TANGENT PLANE/SD)	1	770
	35111A	35111-LDC1-305-M2	KEY COMP (R TANGENT PLANE/TJ)	KEY COMP (R TANGENT PLANE/TJ)	1	770
	35111B	35111-LDC1-306-M1	KEY COMP (L TANGENT PLANE/SD)	KEY COMP (L TANGENT PLANE/SD)	1	770
	35111C	35111-LDC1-306-M2	KEY COMP (L TANGENT PLANE/TJ)	KEY COMP (L TANGENT PLANE/TJ)	1	770
	35111D	35111-LDC1-307-M1	KEY COMP SHUTTER MAGNETIC (SD)	KEY COMP SHUTTER MAGNETIC (SD)	1	3240
	35111E	35111-LDC1-307-M2	KEY COMP SHUTTER MAGNETIC (TJ)	KEY COMP SHUTTER MAGNETIC (TJ)	1	3240
	35119	35119-LBC6-90A	COVER SEAT CABLE	COVER SEAT CABLE	1	300
	35119	35119-LBC6-90B	COVER SEAT CABLE	COVER SEAT CABLE	1	300
	35380	35380-LEA2-900	SENSOR ANGLE DETECT	SENSOR ANGLE DETECT	1	11410
	35850	35850-LDA6-90A		SET START MAG(旧品番の「35850-KHD8-	1	2670
	35850	35850-LDA6-90B		SET START MAG(旧品番の「35850-KHD8-	1	2860
	38110	38110-KEB7-90A	HORN COMP	HORN COMP	1	1250
	38110	38110-KEB7-90B	HORN COMP	HORN COMP	1	1250
	38300	38300-LEA2-900	RELAY COMP. WINKER	RELAY COMP. WINKER	1	2600
	38500	38500-LGL3-90A	RELAY ASSY LIGHT/D402(12V 20A)	RELAY ASSY LIGHT/D402(12V 20A)(also for	2	1730
	77240	77240-LEA2-900	CABLE SEAT LOCK	CABLE SEAT LOCK	1	1820
	90302	90302-GFY6-940	BOLT-WASH 5*16	BOLT-WASH 5*16	2	60
**	90656	90656-KUDU-900	BAND HARNESS WIRE **KUDU-900	BAND HARNESS WIRE **KUDU-900	1	60
	93401	93401-04025-06	BOLT WASHER 4*25 (G)	BOLT WASHER 4*25 (G)	1	60
	93500	93500-KHC4-90A	SCREW PAN 5*10	SCREW PAN 5*10	2	200

F19

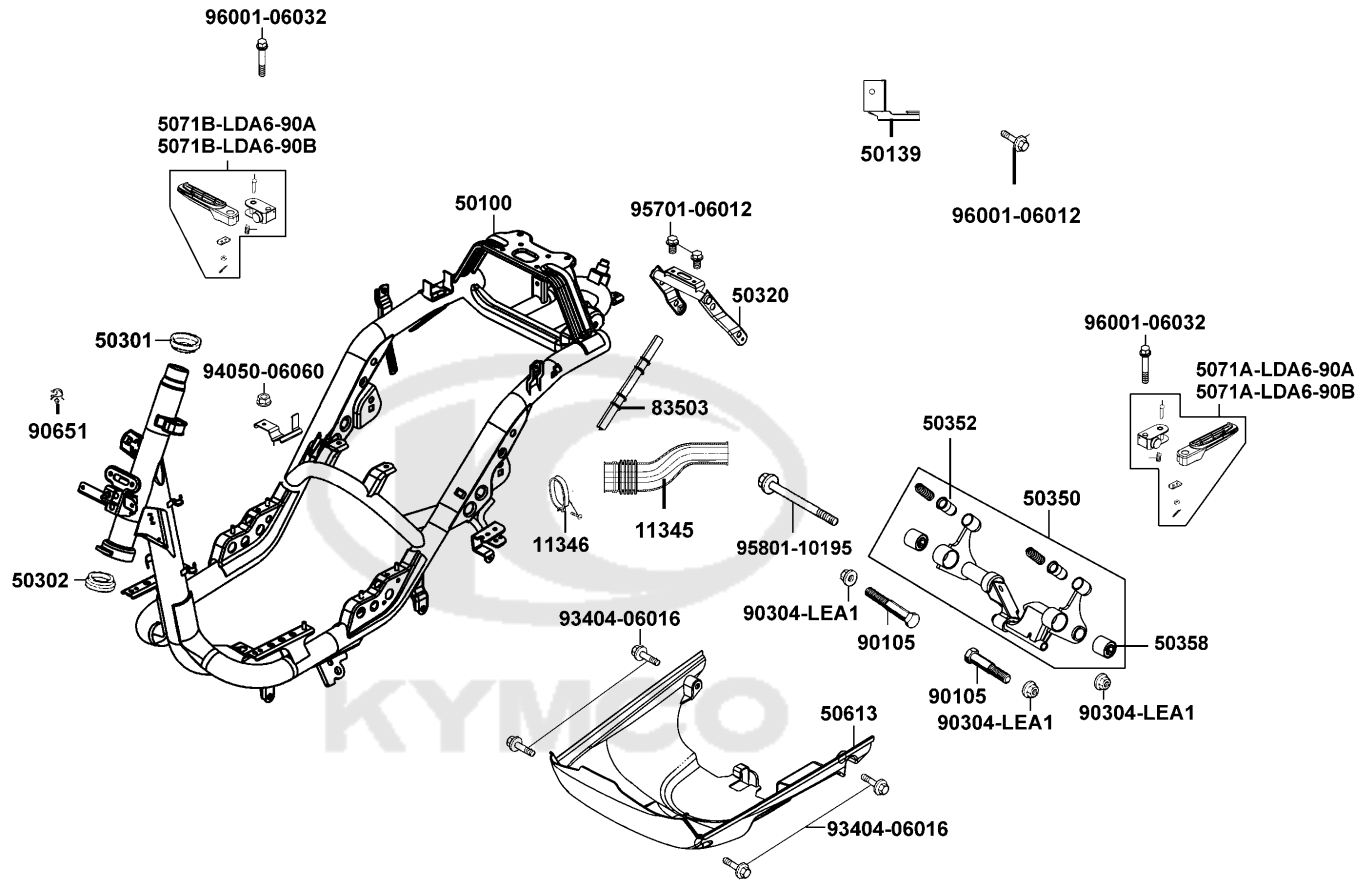


Sales mark 記号	Ref no 参照用番号	Part no パーツ番号	Description 部品名	Reg description 部品名	Regd no 必要個数	Ref Price 希望小売価格(税抜)
93903		93903-35360	SCREW WASHER 4*12	SCREW WASHER 4*12	1	60
94050		94050-06060	NUT FLANGE 6MM	NUT FLANGE 6MM	1	60
94050A		94050-06080	NUT FLANGE 6MM	NUT FLANGE 6MM	2	60
95701		95701-06012-06	BOLT FLANGE 6*22 (K)	BOLT FLANGE 6*22 (K)	1	60
95701A		95701-06014-06	BOLT FLANGE 6*14	BOLT FLANGE 6*14	1	130
95701B		95701-08025-06	BOLT FLANGE 6*22 (K)	BOLT FLANGE 6*22 (K)	2	60
98200		98200-31000	BLADE FUSE 40A	BLADE FUSE 40A	1	110
98200A		98200-31500	BLADE FUSE 40A	BLADE FUSE 40A	1	110
						

F19



Sales mark 記号	Ref no 参照用番号	Part no パーツ番号	Description 部品名	Reg description 部品名	Regd no 必要個数	Ref Price 希望小売価格(税抜)	F20
	11345	11345-LEA2-900	DUCT L COVER	DUCT L COVER	1	990	
	11346	11346-KEBE-900	BAND L COVER DUCT	BAND L COVER DUCT	1	490	
	50100	50100-LEA2-910	BODY COMP.. FRAME	BODY COMP.. FRAME	1	55510	
	50139	50139-LEA2-900	STAY AICV	STAY AICV	1	390	
	50301	50301-KGN7-671	RACE UP STRG BALL	RACE UP STRG BALL	1	540	
	50302	50302-2H68-011	RACE STRG BOT BALL	RACE STRG BOT BALL	1	610	
	50320	50320-LEA2-900	STAY RR FENDER	STAY RR FENDER	1	2010	
	50350	50350-LEA2-900	HANGER ASSY ENG	HANGER ASSY ENG	1	11410	
	50352	50352-LEA2-900	RUBBER STOPPER	RUBBER STOPPER	2	350	
	50358	50358-KHC4-900	RUBBER BUSH ENG HANGER	RUBBER BUSH ENG HANGER	2	540	
**	50613	50613-LEA2-900	COVER UNDER	COVER UNDER	1	2930	
	5071A-LDA6-90A	5071A-LDA6-90A	BAR R STEP ASSY	BAR R STEP ASSY	1	2670	
	5071A-LDA6-90B	5071A-LDA6-90B	BAR R STEP ASSY	BAR R STEP ASSY	1	2670	
	5071B-LDA6-90A	5071B-LDA6-90A	BAR L STEP ASSY	BAR L STEP ASSY	1	2670	
	5071B-LDA6-90B	5071B-LDA6-90B	BAR L STEP ASSY	BAR L STEP ASSY	1	2670	
	83503	83503-KHD6-900	COVER PROTECTOR SEAT WIRE	COVER PROTECTOR SEAT WIRE	1	200	
	90105	90105-KHC4-900	SQUARE BOLT M10X50	SQUARE BOLT M10X50	2	390	
	90304-LEA1	90304-LEA1-900	NUT CAP 6MM	NUT CAP 6MM	3	200	
	90651	90651-LEA2-900	CLIP TUBE	CLIP TUBE	1	110	
	93404-06016	93404-06016-06	BOLT WASHER 6*16	BOLT WASHER 6*16	4	60	

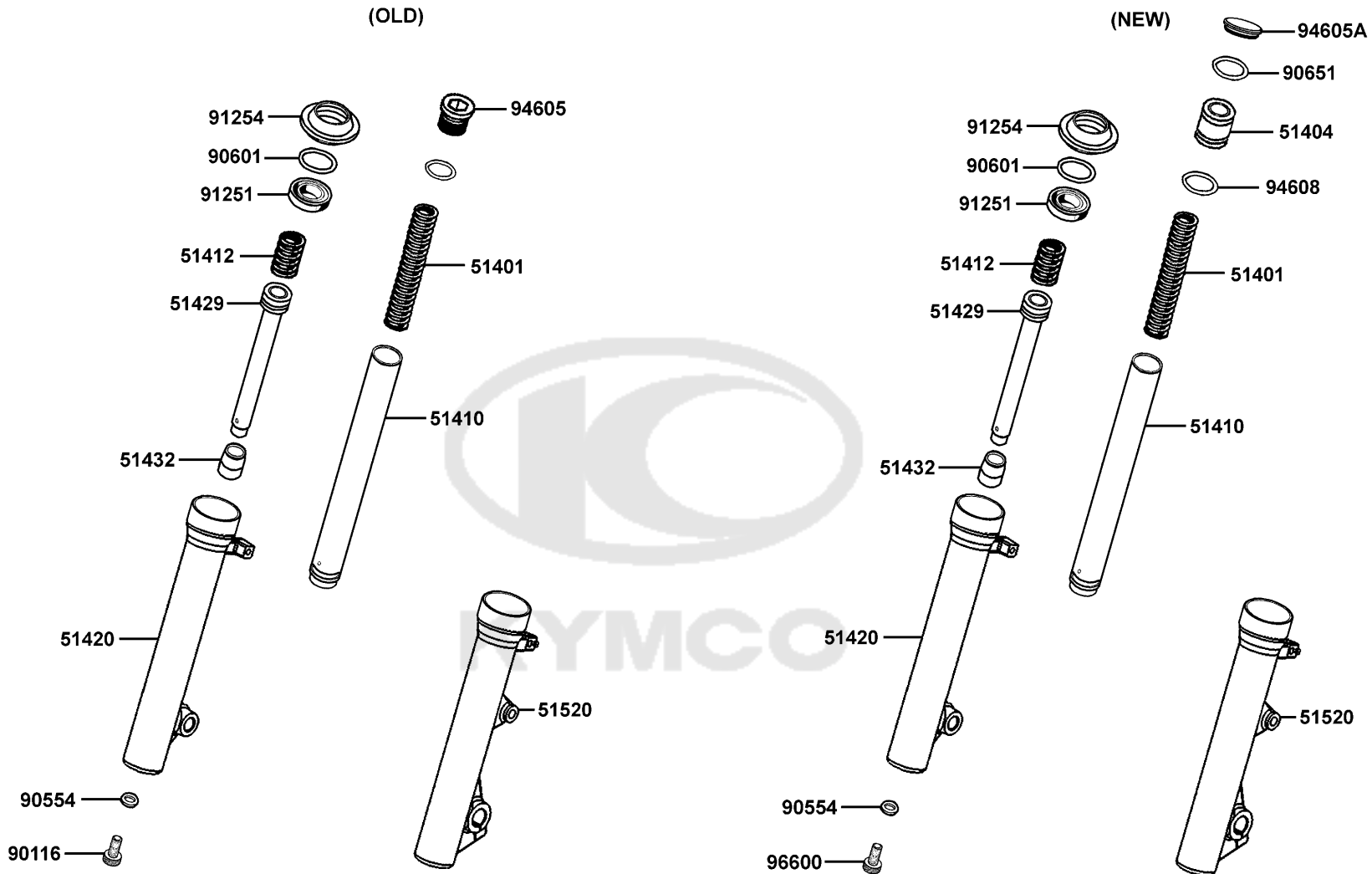


Sales mark 記号	Ref no 参照用番号	Part no パーツ番号	Description 部品名	Reg description 部品名	Regd no 必要個数	Ref Price 希望小売価格(税抜)	F20
94050-06060	94050-06060	94050-06060	NUT FLANGE 6MM	NUT FLANGE 6MM	1	60	
95701-06012	95701-06012	95701-06012-06	BOLT FLANGE 6*22 (K)	BOLT FLANGE 6*22 (K)	2	60	
95801-10195	95801-10195	95801-10195-06	BOLT FLANGE 10*195	BOLT FLANGE 10*195	1	700	
96001-06012	96001-06012	96001-06012-06	BOLT FLANGE SH 6*12	BOLT FLANGE SH 6*12	2	60	
96001-06032	96001-06032	96001-06032-06	BOLT FLANGE 6*32	BOLT FLANGE 6*32	4	60	

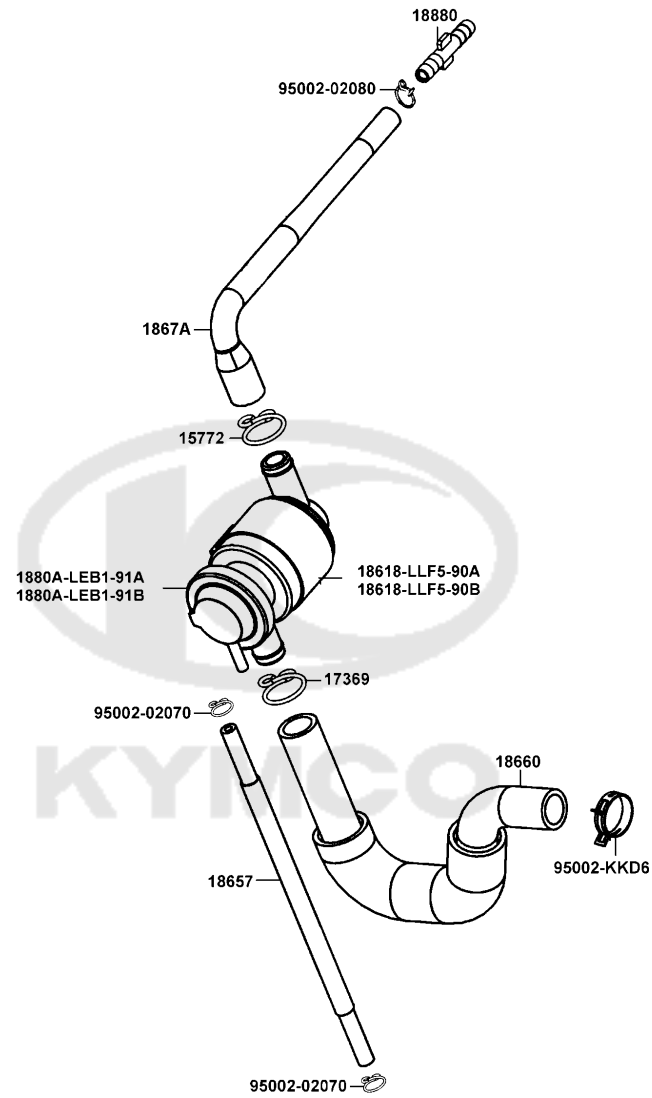


F21

Separated Parts Of Fr Fork



Sales mark 記号	Ref no 参照用番号	Part no パーツ番号	Description 部品名	Reg description 部品名	Regd no 必要個数	Ref Price 希望小売価格(税抜)	F21
	51401	51401-LEA2-900	SPRING	SPRING	2	680	
	51404	51404-LKB9-900	SPRING COLLAR	SPRING COLLAR	2	1110	
	51410	51410-LBC6-900	FORK PIPE COMP	FORK PIPE COMP	2	5710	
	51412	51412-KFA1-900	REBOUND SPRING	REBOUND SPRING	2	110	
**	51420	51420-LBC6-800	BOTTOM CASE R	BOTTOM CASE R	1	6660	
	51429	51429-KFA1-900	PIPE SEAT COMP	PIPE SEAT COMP	2	1340	
	51432	51432-KFA1-900	OIL LOCK PIECE	OIL LOCK PIECE	2	300	
**	51520	51520-LBC6-800	BOTTOM CASE L	BOTTOM CASE L	1	6660	
	90116	90116-3C83-72A	BOLT	BOLT	2	60	
	90554	90554-2C83-001	PACKING	PACKING	2	60	
	90601	90601-GAR1-900	RING OIL SEAL STOPPER	RING OIL SEAL STOPPER	2	110	
	90651	90651-LKB9-900	STOPER RING	STOPER RING	2	390	
	91251	91251-LAB4-900	OIL SEAL	OIL SEAL	2	300	
	91254	91254-GAR1-900	DUST SEAL	DUST SEAL	2	960	
	94605	94605-KFA1-900	FORK BOLT	FORK BOLT	2	870	
	94605A	94605-LKB9-910	FORK BOLT CAP	FORK BOLT CAP	2	1650	
	94608	94608-LKB9-900	O-RING	O-RING	2	390	
	96600	96600-LKJ1-800	SOCKET BOLT	SOCKET BOLT	2	60	



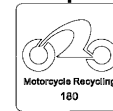
Sales mark 記号	Ref no 参照用番号	Part no パーツ番号	Description 部品名	Reg description 部品名	Regd no 必要個数	Ref Price 希望小売価格(税抜)
15772		15772-5A51-001	CLIP BREATHER TUBE	CLIP BREATHER TUBE	1	160
17369		17369-KDB4-671	CLIP BREATHER TUBE	CLIP BREATHER TUBE	1	160
18618-LLF5-90A		18618-LLF5-90A	RUBBER AICV MOUNT	RUBBER AICV MOUNT	1	140
18618-LLF5-90B		18618-LLF5-90B	RUBBER AICV MOUNT	RUBBER AICV MOUNT	1	140
18657		18657-LKC6-900	TUBE ASSY AICV INLET PIPE	TUBE ASSY AICV INLET PIPE	1	1340
18660		18660-LEB1-910	DUCT AICV-REED VALVE	DUCT AICV-REED VALVE	1	1530
1867A		1867A-LEA1-900	DUCT ASSY AICV-AIR	DUCT ASSY AICV-AIR	1	1720
1880A-LEB1-91A		1880A-LEB1-91A	AI/C-AICV ASSY	AI/C-AICV ASSY	1	3810
1880A-LEB1-91B		1880A-LEB1-91B	AI/C-AICV ASSY	AI/C-AICV ASSY	1	3810
18880		18880-KKD7-E00	"BODY. FLOW CONTROL "	"BODY. FLOW CONTROL "	1	390
95002-02070		95002-02070	CLIP B7 TUBE	CLIP B7 TUBE	2	60
95002-02080		95002-02080	CLIP B8 TUBE	CLIP B8 TUBE	1	60
95002-KKD6		95002-KKD6-E05	CLAMP D18 TUBE	CLAMP D18 TUBE	1	300

F22

87541

CAUTIONS
 Before starting the engine, the side stand shall be kicked up to secure safety.

87311



87505

CAUTION

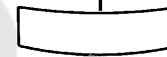
Maximum Tire Pressure :	Front 2.5kg/cm ²	Rear 2.5kg/cm ²
(One Rider)	: Front 1.5kg/cm ²	Rear 2.0kg/cm ²
(Two Rider)	: Front 1.75kg/cm ²	Rear 2.25kg/cm ²
Tire Size :	Front 90/90-10.50J	Rear 90/90-10.50J

Load Capacity :

Baggage Hook	3kg
Inner Box	1.5kg
Luggage Box	10kg

MS-000

86408



87560

It is necessary to wear a safety helmet when riding.
 It is necessary to wear a seat belt when riding.
 It is necessary to wear a safety helmet when riding.
 It is necessary to wear a seat belt when riding.

It is necessary to perform the periodic maintenance and periodic inspection.

Periodic Inspection Items

Brake Performance, Horn, engine oil level, lights, horn, and instrument panel.

It is necessary to perform the periodic maintenance and periodic inspection.

KYANG YANG MOTOR CO., LTD.

87542

CAUTIONS
 Never put any article between the rear side cover and the engine to avoid interference of riding.

GM8-300

Sales mark 記号	Ref no 参照用番号	Part no パーツ番号	Description 部品名	Reg description 部品名	Regd no 必要個数	Ref Price 希望小売価格(税抜)
**	86408	86408-LKC7-B20	STRIPE FR FENDER	STRIPE FR FENDER	1	200
**	87311	87311-LAD9-B20	STRIPE R MARK	EMB MARK ABS	1	200
**	87505	87505-KGBG-E00	LABEL TIRE	LABEL TIRE	1	200
**	87541	87541-GAR1-E00	CAUTION SIDE STAND	CAUTION SIDE STAND	1	200
**	87542	87542-GAR1-E00	MARK MAINT CAUTION	MARK MAINT CAUTION	1	200
**	87560	87560-GFY6-E00	MARK DRIVE CAUTION	MARK DRIVE CAUTION	1	200

F23



MITEH

86202

125

87140

Sales mark 記号	Ref no 参照用番号	Part no パーツ番号	Description 部品名	Reg description 部品名	Regd no 必要個数	Ref Price 希望小売価格(税抜)
------------------	-----------------	------------------	--------------------	------------------------	-----------------	-------------------------

F24

**	86202	86202-LEA3-B20	EMB BODY COVER	EMB BODY COVER	3	1630
**	87140	87140-KUDU-E00	EMB B BODY COVER	EMB B BODY COVER	1	770



PART NO. INDEX
 パーツ番号 検索

PART NO. パーツ番号	VERSION バージョン	PAGE ページ	PART NO. パーツ番号	VERSION バージョン	PAGE ページ	PART NO. パーツ番号	VERSION バージョン	PAGE ページ
11000			11395-LEA1-900	3	E01	14000		
			11396-LKB9-900	3	E01			
11100-LEA2-305	0	E01	12000			14100-LEA2-900	9	E02
11102-1G87-004	3	E01				14110-LEB1-900	3	E02
11192-LEA2-900	5	E01	12100-LKC6-900	3	E03	14321-LEB1-900	4	E02
11200-LEA2-305	0	E01	12191-LEA2-900	4	E03	14401-LEA2-900	2	E03
11203-GGC7-301	2	E01	12200-LKC6-900	8	E02	14420-LEA2-900	3	E02
11203-KHG8-301	2	E01	12209-LEA2-90A	2	E02	14430-LEA2-900	4	E02
11204-LEA1-900	1	E01	12216-LEB1-900	2	E02	14433-LEB1-900	1	E02
11205-LEA2-900	3	E01	12217-LEA2-900	2	E02	14434-LEB1-900	1	E02
11205-LEA2-900	3	E04	12251-LKC6-900	2	E02	14452-LKC6-900	2	E02
11206-LEA1-900	2	E06	12310-LEA2-900	9	E02	14453-LKC6-900	4	E02
11208-LEA2-900	2	E04	12361-GFY6-901	1	E04	14510-LHJ8-900	1	E03
11211-LEA1-900	5	F13	12391-LEA2-900	6	E02	14520-GFY6-90C	2	E03
1122A-LEA1-900	3	E01	13000			14523-KED9-900	1	E03
11330-LHJ8-700	3	E04				14531-GLR0-001	1	E03
11342-LEA1-900	6	E01				14610-LEA2-900	5	E03
11345-LEA2-900	1	F20	13000-LKC7-900	4	E03	14711-LEA2-900	3	E02
11346-KEBE-900	0	F20	13011-LKC6-90B	2	E03	14721-LKC6-900	2	E02
1134A-LHJ8-900	2	E01	13101-LKC6-900	4	E03	14751-LEA2-900	3	E02
11350-LHJ8-900	1	E01	13111-LKB9-900	2	E03	14771-LEA2-900	2	E02
11353-LEB2-900	1	E01	13115-0A01-001	0	E03	14781-KKE5-E00	2	E02
11383-LEA1-900	1	E07	13406-LEA2-900	4	E02			
11386-GFY6-900	0	E07						
11394-LEA2-900	6	E04						

PART NO. INDEX
 パーツ番号 検索

PART NO. パーツ番号	VERSION バージョン	PAGE ページ	PART NO. パーツ番号	VERSION バージョン	PAGE ページ	PART NO. パーツ番号	VERSION バージョン	PAGE ページ	
15000			16195-KEC3-900	0	E09	17502-LEA2-910	2	F10	
			16201-GFY6-910	1	E02	17504-LAB4-900	2	F10	
			1621A-LEA1-900	1	E02	17507-LAB4-900	2	F10	
	15100-LEA2-900	7	E06	16701-LHJ8-800	1	F10	17510-LEA2-900	5	F10
	15131-LEA2-900	1	E03	16703-LEB2-800	0	F10	17510-LEA2-920	1	F10
	15421-1G07-001	1	E04	16703-LHJ8-800	1	F10	17513-LEA2-900	1	F10
	15426-GAE1-921	0	E04				17515-LAB4-900	1	F10
1565A-GFY6-900	0	E04	17000			17520-LEA2-900	0	F10	
15772-5A51-001	1	F22				17527-LBA2-900	0	F19	
16000			17110-LEA1-900	7	E02	17550-LEA2-910	4	F10	
			17110-LEA1-910	5	E02	17550-LHJ8-810	1	F10	
			17208-GAR1-011	0	F13	17553-LEB2-900	0	F10	
	16056-LEB2-900	3	E09	17211-LEA1-900	3	F13	17560-LEA2-900	3	F10
	16068-LEB2-900	4	E09	17214-LEA1-900	1	F13	17560-LKC7-720	1	F10
	16074-KEC3-900	4	E09	17215-LEA1-900	1	F13	17561-LKB9-900	1	F10
	16100-LKC7-B00	0	E09	17236-KFBF-910	1	F13	17564-KKE3-900	0	F10
	16110-KKE3-900	2	E09	17239-LEA1-900	1	F13	1756C-KKE2-900	2	F10
	16110-LEA1-900	1	F15	1723A-LEA2-900	6	F13	17570-KKE3-900	0	F10
	16112-KKE3-900	1	E09	1723B-LEA2-900	2	F13	17620-LBA2-E0A	0	F10
	16118-KEC3-900	0	E09	17254-KACA-P00	0	F13	17620-LBA2-E0B	0	F10
	16122-KEC3-900	1	E09	17255-KGBG-900	1	F13	17623-KKE5-E1A	0	F10
	16133-KEC3-900	1	E09	17359-4K19-671	0	F13	17623-KKE5-E1B	0	F10
	16134-KKE3-900	5	E09	17369-KDB4-671	1	F22	17689-LEA3-E00	1	F10
	16138-KEC3-900	1	E09	17369-KHC4-900	0	F10	17910-LEA2-E00	1	F03
	16154-KKE3-900	4	E09	17370-4K19-701	0	F13			
	16170-KEC3-900	0	E09	17371-1D74-671	0	F13			

PART NO. INDEX
 パーツ番号 検索

PART NO. パーツ番号	VERSION バージョン	PAGE ページ	PART NO. パーツ番号	VERSION バージョン	PAGE ページ	PART NO. パーツ番号	VERSION バージョン	PAGE ページ			
18000			1961A-LEA2-B00	2	E07	22401-KEB8-900	1	E05			
			19625-LEA2-900	1	E07	22530-LBC6-900	1	E05			
			19626-LEA2-900	2	E07	22804-1H48-001	0	E05			
	18291-KEBE-900	0	F14	1962A-LEA2-900	9	E07	23000				
	18291-LBD4-900	2	F14	19633-GFY6-901	0	E07					
	18292-KEBE-900	0	F14	19635-LEA2-900	1	E07					
	18293-KEBE-900	0	F14	19636-LEA2-900	2	E07		2301A-LKC6-900	9	E05	
	18294-KEBE-900	0	F14	1963A-LEA1-900	9	E07		23100-LKC6-900	1	E05	
	1830A-LKC7-E00	4	F14	21000				23200-LKC6-900	7	E05	
	18318-LEA3-E00	0	F14					23220-LKC6-900	4	E05	
	18618-LLF5-90A	2	F22					23225-GHC8-004	0	E05	
	18618-LLF5-90B	1	F22		21301-LEA2-305	0		E08	23226-GHC8-004	0	E05
	18646-GFY6-941	0	E02		21395-LEA2-900	9		E08	23233-LFE2-910	2	E05
	18657-LKC6-900	1	F22		22000			23237-GFY6-941	0	E05	
	18660-LEB1-910	2	F22					23238-LEA2-900	3	E05	
	1867A-LEA1-900	1	F22					23411-LKC6-900	2	E08	
	1880A-LEB1-91A	2	F22			22100-LKC6-900	2	E05	23420-LKC6-900	1	E08
	1880A-LEB1-91B	2	F22	22102-LEA2-900	4	E05	23431-LKC7-900	1	E08		
	18880-KKD7-E00	2	F22	22105-LEA2-900	2	E05	23432-LKC6-900	1	E08		
19000			22110-LEA2-900	2	E05	28000					
			22112-GFY6-90A	0	E05						
			22121-LEA2-305	0	E05						
	19504-LBA2-E00	3	F10	22131-LEA2-900	1		E05	28101-LEA2-900	1	E06	
	19505-LEA2-900	1	F10	22132-LKB9-900	1		E05	28102-LEA2-900	2	E06	
	19510-GBW2-901	8	E07	22300-LEA2-900	5		E05	28110-LEA2-900	2	E06	
	19613-GFY6-901	0	E07	22350-KHC4-900	0		E05	28120-LEA2-900	8	E06	

PART NO. INDEX
 パーツ番号 検索

PART NO. パーツ番号	VERSION バージョン	PAGE ページ	PART NO. パーツ番号	VERSION バージョン	PAGE ページ	PART NO. パーツ番号	VERSION バージョン	PAGE ページ
28125-4F26-001	0	E06				33403-LEA2-900	0	F17
28125-LEA2-910	4	E06	32000			33406-LEA2-305	0	F17
28126-KNBN-901	0	E06				33450-LEA2-900	7	F17
28211-LFA7-E00	5	E05	32100-LEA2-900	9	F19	33451-LEA2-900	0	F17
			32100-LEA2-910	4	F19	33453-LEA2-900	0	F17
30000			32101-GFY6-901	1	F04	33456-LEA2-305	0	F17
			32106-KKE3-900	3	E06	33500-LKC7-B20	2	F05
3051A-LEA1-900	9	F19	32108-GAR1-711	1	F19	33505-LEA2-900	2	F05
30700-LEA1-900	4	F19	32410-LDA6-900	1	E06	33600-LEA2-900	3	F17
			32411-LEA2-900	4	F11	33601-LEA2-900	0	F17
31000			32411-LEA2-900	4	F19	33602-LEA2-305	0	F17
			32412-LEA2-900	4	E04	33603-LEA2-900	0	F17
31110-LEA1-90A	3	E07	32412-LEA2-90B	1	E04	33604-LEA2-900	0	F17
31110-LEA1-90B	2	E07	32413-LEA1-900	6	F19	33650-LEA2-900	3	F17
31110-LEA1-90C	2	E07				33651-LEA2-900	0	F17
31120-LEA1-90A	6	E07	33000			33652-LEA2-305	0	F17
31120-LEA1-90B	6	E07				33653-LEA2-900	0	F17
31120-LEA1-90C	5	E07	33102-LEA2-305	0	F01	33654-LEA2-900	0	F17
31205-KGN7-670	0	E06	33103-LEA2-900	0	F01	33701-LKC7-B20	2	F18
31210-KKC3-900	4	E06	33104-LEA2-305	0	F01	33702-LEA2-900	0	F18
31210-KKC3-90C	2	E06	33105-LKC7-900	0	F01	33703-LEA2-900	0	F18
31500-GFY6-B2A	1	F11	33106-LKC7-900	0	F01	33704-LEA2-900	0	F18
31500-GFY6-B2B	1	F11	33111-LEA2-900	0	F01	33705-LEA2-325	0	F18
31600-LEA2-90A	2	F19	33153-LEA2-900	0	F01	33706-LEA2-900	0	F18
31701-LEA2-700	1	F19	33400-LEA2-900	7	F17	33741-KEC8-900	0	F18
			33401-LEA2-900	0	F17	33741-LEA3-E00	2	F18

PART NO. INDEX
 パーツ番号 検索

PART NO. パーツ番号	VERSION バージョン	PAGE ページ	PART NO. パーツ番号	VERSION バージョン	PAGE ページ	PART NO. パーツ番号	VERSION バージョン	PAGE ページ
			35152-LEA2-910	0	F03			
			35201-LEA2-305	0	F03	39000		
			35202-LEA2-900	0	F03			
34901-KFA6-900	0	F01	35340-GBN2-770	3	F03	39300-LEB2-800	1	E02
			35340-KNBN-901	0	F04	39301-LEA1-910	1	E02
35000			35380-LEA2-900	1	F19	39302-KKE3-900	2	E02
			35850-LDA6-90A	2	F19	39303-LEB2-900	2	E02
35101-LGE3-306-M1	0	F19	35850-LDA6-90B	3	F19	39306-LEB2-305	0	E02
35101-LGE3-306-M2	0	F19				39307-LEB2-305	0	E02
35102-LDC1-305-M1	0	F19	37000			39400-KKE3-800	2	E02
35102-LDC1-305-M2	0	F19				39400-LHJ3-900	3	E02
35102-LKC7-920	0	F19	37200-LKC7-B20	3	F02	39450-LEA6-800	3	F14
35102-LKC7-92B	0	F19	37212-LEA2-90A	0	F02	39600-KKE3-800	1	F10
35104-LBC6-90A	0	F19	37215-LEA2-900	0	F05	39600-LEA1-800	1	F10
35104-LBC6-90B	0	F19	37215-LGM9-900	0	F05	39601-KKE3-900	0	F10
35109-LBC6-90A	1	F19	37230-LEA2-90A	0	F02	39602-KKE3-900	0	F10
35109-LBC6-90B	1	F19	37801-LLJ3-E00	1	F10			
35111-LDC1-305-M1	0	F19	3780A-LEA2-920	2	F10	42000		
35111-LDC1-305-M2	0	F19						
35111-LDC1-306-M1	0	F19	38000			42610-GKAK-901	4	F08
35111-LDC1-306-M2	0	F19				42705-KHC4-900	5	F08
35111-LDC1-307-M1	0	F19	38110-KEB7-90A	2	F19	42753-KXCX-900	1	F07
35111-LDC1-307-M2	0	F19	38110-KEB7-90B	3	F19	42753-KXCX-900	1	F08
35119-LBC6-90A	0	F19	38300-LEA2-900	1	F19			
35119-LBC6-90B	0	F19	38500-LGL3-90A	5	F19			
35151-LEA2-305	0	F03						

PART NO. INDEX
 パーツ番号 検索

PART NO. パーツ番号	VERSION バージョン	PAGE ページ	PART NO. パーツ番号	VERSION バージョン	PAGE ページ	PART NO. パーツ番号	VERSION バージョン	PAGE ページ
43000			44830-LEA2-90B	2	F02	46000		
4312A-LGM1-91A	0	F08	45000			46513-LEB1-900	1	F08
4312A-LGM1-91B	0	F08	45105-LEA1-306	0	F07	46514-LEA1-900	3	F03
4314A-LEA1-900	3	F08	45107-MEN5-007	0	F07	50000		
43156-KKC4-900	2	F04	45108-MDL4-007	2	F07	50100-LEA2-910	7	F20
43353-4A61-77A	0	F07	45109-GBE2-007	0	F07	50139-LEA2-900	1	F20
4335A-LBA2-E01	2	F07	45121-GAR1-950	2	F07	50140-LEA2-900	7	F10
43410-LEA2-900	1	F08	45126-LEA2-900	8	F04	50301-KGN7-671	2	F20
43416-LEA1-900	3	F08	45126-LEA2-910	3	F04	50302-2H68-011	2	F20
43450-LEA2-900	7	F03	45128-KFC9-900	0	F06	50306-1F96-001	0	F06
44000			45128-LEA2-910	1	F06	50320-LEA2-900	3	F20
44301-LGE3-900	1	F07	45132-1F66-017	0	F07	50323-LEB1-900	1	F11
44311-GLW0-901	0	F07	45133-LDA3-900	1	F08	50325-LEA2-900	1	F11
44610-KHC4-305	0	F07	45133-MCA3-007	0	F07	50326-LEA2-900	3	F11
44620-KSBS-900	0	F07	45156-KEC6-900	2	F06	50327-LEA2-900	5	F11
44705-KHC4-900	2	F07	45200-LEA1-900	3	F07	50328-LEA2-900	0	F11
44710-LAB4-90A	5	F07	45209-GBE2-007	0	F07	50350-LEA2-900	3	F20
44710-LAB4-90A	5	F08	45210-LEA1-306	0	F07	50352-LEA2-900	1	F20
44710-LAB4-90B	2	F07	45215-KECE-900	0	F07	50358-KHC4-900	1	F20
44710-LAB4-90B	2	F08	45513-LEA2-900	0	F04	50500-LEA2-900	2	F15
44800-KNBN-901	6	F07	45520-GLW0-91A	0	F04	50502-LEA1-910	2	F15
44830-LEA2-900	1	F02	45530-LEA2-305	0	F04	50505-LAD9-900	3	F15
			45531-GAR1-951	0	F07			

PART NO. INDEX
 パーツ番号 検索

PART NO. パーツ番号	VERSION バージョン	PAGE ページ	PART NO. パーツ番号	VERSION バージョン	PAGE ページ	PART NO. パーツ番号	VERSION バージョン	PAGE ページ
50530-LEA2-900	4	F15	51520-LBC6-800	0	F21	53215-2L50-001	0	F06
50560-LEA2-900	0	E04						
50570-LEA2-900	0	E01	52000			61000		
50613-LEA2-900	4	F20						
5071A-LDA6-90A	1	F20	52400-LEA2-900	9	F16	61100-LEA3-B20	1	F06
5071A-LDA6-90B	1	F20				61101-LEA2-910	1	F06
5071B-LDA6-90A	1	F20	53000			61102-LEA2-910	1	F06
5071B-LDA6-90B	1	F20						
			53100-LEA2-900	5	F03	64000		
51000			53125-GEN5-901	0	F03			
			53140-GFY6-960	0	F03	64206-MLJ0-001	1	F12
51401-LEA2-900	0	F21	53140-LCB4-700	3	F03	64222-LBC6-900	1	F12
51404-LKB9-900	0	F21	53150-LCB4-700	4	F03	64301-LEA2-900	5	F05
51407-LBC6-900	1	F06	53166-GBW2-001	1	F03	64303-LEA2-900	7	F05
51408-LBC6-900	2	F06	53173-LEA2-900	1	F03	64308-LEA2-900	2	F05
51408-LEA2-900	0	F06	53175-LEA2-910	2	F04	64308-LEA2-900	5	F05
5140A-LEA2-900	2	F06	53178-LEA2-900	0	F03	64310-LEA2-900	6	F05
5140A-LKC7-920	2	F06	53178-LEA2-900	1	F03	64316-LEA2-900	1	F05
51410-LBC6-900	0	F21	53200-LEA2-900	6	F06			
51412-KFA1-900	0	F21	53200-LEA2-910	3	F06	77000		
51420-LBC6-800	0	F21	53205-LEA2-900	4	F03			
51429-KFA1-900	0	F21	53206-LEA2-900	7	F03	77200-LEA2-BT0	0	F09
51432-KFA1-900	0	F21	53207-LEA2-900	5	F03	77206-KEB7-900	0	F09
5150A-LEA2-900	0	F06	53211-GFY6-940	1	F06	77235-LEA1-900	7	F09
5150A-LEA2-910	2	F06	53212-2L50-011	1	F06	77240-LEA2-900	0	F19
5150A-LKC7-920	2	F06	53214-LHJ6-900	1	F06	77300-LEA2-900	1	F09

PART NO. INDEX
 パーツ番号 検索

PART NO. パーツ番号	VERSION バージョン	PAGE ページ	PART NO. パーツ番号	VERSION バージョン	PAGE ページ	PART NO. パーツ番号	VERSION バージョン	PAGE ページ		
77304-LEA2-900	0	F09	81142-KUDU-900	1	F05	87502-LEB2-E00	1	F12		
80000			81200-LEA2-800	0	F12	87503-LEB2-E00	1	E07		
			81251-LEA2-900	2	F12	87505-KGBG-E00	1	F23		
			81252-LEA2-900	2	F12	87541-GAR1-E00	1	F23		
			81260-LEA2-BT0	2	F12	87541-KUDU-E00	0	E07		
80100-LEA2-900	3	F18	83000			87542-GAR1-E00	2	F23		
80102-LEA2-910	1	F18				87560-GFY6-E00	4	F23		
80104-LEA2-900	1	F18				88000				
80105-LEA2-900	8	F18								
80107-KHLH-900	0	F14	83500-LEA2-900	6	F12					
80107-LEA2-900	1	F18	83503-KHD6-900	2	F20					
80108-LEA2-900	0	F18	83600-LEA2-900	6	F12	88110-LGE3-900	1	F03		
80109-LEA2-900	0	F18	83602-LEA2-900	2	F18	88114-LGE3-900	0	F03		
80117-LEA2-900	1	F18	83750-LEA2-900	7	F12	88120-LGE3-900	1	F03		
80151-LEA2-900	3	F12	8376A-KECE-901	2	F05	89000				
80152-LEA2-900	5	F05	86000							
81000								89010-LEA2-900	2	F09
				86202-LEA3-B20	3		F24			
				86404-LGE3-900	1	F06	90000			
			86408-LKC7-B20	0	F23					
		86409-LKC7-B20	0	F18	90001-GBHB-661	3		E03		
		87000			90001-GFY6-901	5		E02		
81131-LEA2-910	0		F05			90005-KAW1-901	1	E03		
81132-KFAF-900	1		F05			9000A-KTDT-900	1	E01		
81132-LEA2-900	2		F05			9000B-KHD6-900	2	E02		
81132-LFG6-900	2	F05			90012-3C33-001	1	E02			
81133-LEA2-910	1	F05	87140-KUDU-E00	1	F24					
81134-LKC7-960	1	F05	87311-LAD9-B20	2	F23					
81141-LEA2-900	3	F05								
81141-LEA2-910	1	F05								

PART NO. INDEX
 パーツ番号 検索

PART NO. パーツ番号	VERSION バージョン	PAGE ページ	PART NO. パーツ番号	VERSION バージョン	PAGE ページ	PART NO. パーツ番号	VERSION バージョン	PAGE ページ
90031-KUDU-900	0	E01	90301-6D34-671	1	F18	90442-0D44-001	0	E05
90032-LEA1-900	2	E01	90301-GFY6-901	2	F14	90442-LEA1-900	1	E02
90033-GFY6-900	1	E02	90302-GFY6-901	1	F05	90443-GHC8-001	0	E01
90101-KGC4-E00	1	F09	90302-GFY6-901	1	F06	90443-GHC8-001	0	E04
90105-KCR3-001	1	F07	90302-GFY6-901	1	F10	90451-KUDU-900	0	E08
90105-KHC4-900	1	F20	90302-GFY6-901	1	F18	90474-3C33-001	1	E01
90105-LBC6-900	0	F12	90302-GFY6-940	1	F10	90481-LEA1-900	1	E02
90106-GEN5-901	1	F03	90302-GFY6-940	1	F11	90501-KNBN-901	0	F08
90108-LKE6-900	1	F15	90302-GFY6-940	1	F19	9052A-LEB1-900	2	E01
90110-KHD8-900	0	F14	90302-KEC8-900	1	F03	90545-3L00-001	2	F04
90110-KHG8-901	1	F07	90302-KNBN-900	1	F13	90554-2C83-001	0	F21
90110-KHG8-901	1	F08	90302-SDA4-004	3	F05	90601-GAR1-900	0	F21
90110-LDA7-900	1	F03	90302-SDA4-004	3	F06	90603-0D44-001	0	E05
90111-1G87-001	1	F12	90302-SDA4-004	3	F12	90605-2L00-001	0	E08
90111-LEA2-900	1	F06	90304-4H38-001	2	E02	90651-LEA2-900	0	F20
90114-KKAK-900	0	F04	90304-GHE8-004	0	F03	90651-LKB9-900	0	F21
90115-LBC6-900	1	F03	90304-LEA1-900	1	F20	90652-LFB5-900	3	F05
90116-3C83-72A	0	F21	90305-GHK8-001	1	E07	90652-LGJ9-900	2	E02
90131-LEB1-900	1	F07	90305-KNBN-90A	0	F08	90656-KCBC-900	0	F03
90145-LEA3-E00	1	F04	90305-KNBN-90B	0	F08	90656-KUDU-900	0	F19
90164-MDR4-901	1	F05	90305-KNCN-900	1	F03	90660-KNBN-921	0	F10
90201-GFY6-901	1	E06	90306-LFE2-900	1	F07	90677-GAR1-004	1	F11
90201-KHE7-900	1	E05	90309-GLW0-90A	1	F07	90701-HFB6-011	2	E03
90201-PHB8-001	1	E05	90309-GLW0-90A	1	F08	90741-0E35-001	0	E03
90202-1G87-001	2	E05	90309-KLF0-004	1	E01	90754-GHC8-00A	1	F07
90206-0A01-001	4	E02	90403-LEA2-900	2	E06	90754-GHC8-00C	1	F07

PART NO. INDEX
 パーツ番号 検索

PART NO. パーツ番号	VERSION バージョン	PAGE ページ	PART NO. パーツ番号	VERSION バージョン	PAGE ページ	PART NO. パーツ番号	VERSION バージョン	PAGE ページ	
90912-GHC8-00A	0	F07	91301-0H28-001	0	E02	93404-KKC2-900	1	F18	
90912-GHC8-00D	0	F07	91301-GLR0-005	1	E03	93500-03010-0F	0	E06	
91000			91302-0A01-021	0	E04	93500-04008-0G	0	F10	
			91302-KHD6-900	0	E02	93500-04010-0F	0	E01	
			91306-1E05-691	0	E03	93500-04020-0G	0	F10	
			91307-0E35-001	0	E04	93500-04025-0A	0	F13	
			91309-4E25-004	0	E06	93500-05010-0F	0	F10	
91001-KGBG-90A	0	E01	91351-6B42-000	0	E05	93500-KHC4-90A	0	F10	
91001-KGBG-90B	1	E01	91352-KHG8-83B	0	F08	93500-KHC4-90A	0	F19	
91001-KHC4-90B	0	E08	91353-GFY6-900	0	F08	93600-04012-1A	0	F04	
91002-GGA7-70A	0	E05	91981-KGN7-670	0	E06	93600-06020-0F	0	E06	
91009-GLE0-004	1	E01	92000			93600-LEA2-900	7	E06	
91101-GFY6-90A	0	E06				93700-05018-0F	0	F02	
91101-LEA2-900	1	E06				93892-04006-08	0	E06	
91104-LEA1-900	2	E06				93892-04010-06	0	E09	
91106-KHC4-90A	0	E08		92101-05012-0G	0	E07	93892-05010-06	0	E09
91106-KHC4-90B	0	E08	92101-06014-0G	0	E02	93893-04012-18	0	F04	
91202-GFY6-90A	1	E04	92712-06028-0B	2	E02	93901-32820	0	F17	
91202-GFY6-90C	1	E04	92900-06060-0B	0	E02	93901-LEA2-307	0	F18	
91202-LEA1-90A	4	E08	93000			93903-14460	0	F05	
91202-LEA2-900	3	E01				93903-24360	0	F06	
91211-GHK8-014	1	E05				93903-25360	0	F18	
91251-LAB4-900	0	F21		93401-04025-06	0	F19	93903-25460	0	F13
91254-GAR1-900	0	F21		93404-06012-06	0	F18	93903-34320	0	F01
91255-GLE0-006	0	E01	93404-06016-06	0	F05	93903-34360	0	F01	
91258-KAM1-00A	1	F07	93404-06016-06	0	F20	93903-34360	0	F01	
91301-0C53-001	0	E01	93404-06030-06	0	F13	93903-34360	0	F03	

PART NO. INDEX
 パーツ番号 検索

PART NO. パーツ番号	VERSION バージョン	PAGE ページ	PART NO. パーツ番号	VERSION バージョン	PAGE ページ	PART NO. パーツ番号	VERSION バージョン	PAGE ページ
93903-34360	0	F05	94050-06080	0	E09	95002-02070	0	F22
93903-34360	0	F12	94050-06080	0	F09	95002-02080	0	F22
93903-34360	0	F17	94050-06080	0	F19	95002-02120	1	F13
93903-34360	0	F18	94050-08080	0	E02	95002-02130	0	F10
93903-35260	0	F03	94050-10080	0	E07	95002-40650-08	0	F10
93903-35360	0	F02	94101-06200	0	F14	95002-40850-08G	0	F13
93903-35360	0	F10	94101-KKE3-900	1	E09	95002-41150-00	0	F13
93903-35360	0	F19	94111-05800	0	E06	95002-50000	0	E01
93903-GFY6-900	1	F05	94111-06800	0	E02	95002-50000	0	F13
93903-GFY6-900	1	F11	94111-06800	0	E09	95002-KKD6-E05	0	F22
93903-GFY6-900	1	F12	94301-08140	0	E01	95003-23024-60	0	F13
93903-GFY6-900	1	F18	94301-08140	0	E04	95014-72204	0	F15
93903-LEA2-305	0	F03	94301-10160	0	E02	95014-LBC6-900	0	F15
93903-LEA2-306	0	F03	94301-10160	0	E03	95015-32001	0	F03
93904-35360	0	E01	94520-28000	0	E05	95015-42000	0	F03
93904-35360	0	E07	94540-05018	0	E06	95701-06012-06	1	F04
			94591-27000	0	F05	95701-06012-06	1	F06
94000			94591-KFBF-900	2	E02	95701-06012-06	1	F10
			94591-KFBF-900	2	F10	95701-06012-06	1	F11
94001-05080-0S	0	F03	94605-KFA1-900	0	F21	95701-06012-06	1	F19
94050-06000	0	F04	94605-LKB9-910	0	F21	95701-06012-06	1	F20
94050-06060	0	F10	94608-LKB9-900	0	F21	95701-06014-06	0	F19
94050-06060	0	F11				95701-06025-06	2	F08
94050-06060	0	F19	95000			95701-06032-06	0	F13
94050-06060	0	F20				95701-08012-06	0	E01
94050-06080	0	E02	95002-02070	0	F10	95701-08025-06	0	F19

PART NO. INDEX

パーツ番号 検索

PART NO. パーツ番号	VERSION バージョン	PAGE ページ	PART NO. パーツ番号	VERSION バージョン	PAGE ページ	PART NO. パーツ番号	VERSION バージョン	PAGE ページ
95801-08025-06	0	E01	96001-06090-06	2	E04			
95801-08025-06	0	E04	96001-06095-06	0	E02			
95801-08032-06	1	F16	96001-06100-06	0	E04			
95801-08040-06	0	F06	96001-GFY6-900	2	F13			
95801-08050-06	1	F14	96100-60020-00	0	E01			
95801-10035-06	0	F16	96100-62030-00	0	E08			
95801-10195-06	0	F20	96100-63040-00	1	E08			
95801-LEA1-900	1	F15	96211-05000	0	F06			
			96211-08000	1	F06			
96000			96220-20118	0	E06			
			96220-40080	0	E06			
96001-06008-07	0	F14	96600-LKJ1-800	0	F21			
96001-06012-06	0	F09						
96001-06012-06	0	F20	98000					
96001-06014-06	0	E02						
96001-06016-06	0	E07	98059-57916-00	2	E02			
96001-06018-06	0	E06	98200-31000	1	F11			
96001-06022-06	1	E07	98200-31000	1	F19			
96001-06022-06	1	F03	98200-31500	0	F11			
96001-06025-06	0	E01	98200-31500	0	F19			
96001-06025-06	0	E07						
96001-06030-06	0	F03						
96001-06032-06	0	E01						
96001-06032-06	0	E04						
96001-06032-06	0	F20						
96001-06050-06	0	E01						