

# PARTS CATALOGUE



## SCOOTERS

SD25LD(JP)

VLINK SR125 (注意)



Release Date : 2017/06/13  
Print Date : 2017/07/18

## 本パーツリストについて

- 本パーツリストは SD25LD(JP).の全てのパーツ番号が記載されています。
- 車輻のカラーチャートとバイクに相違がある場合は正規販売店もしくはKYMCO JAPANへお問い合わせください。
- 1. "\*\*\*"記号が記載している場合、3文字の色コードをパーツ番号の最後に記入してください。  
2. "#" 記号が記載している場合、パーツの設定、変更があります。正規販売店もしくはKYMCO JAPANへお問い合わせください。
- このパーツリストの変更または追加は、適切な時期に予告なく行われます。

## ABOUT THIS PARTS LIST

- This parts list is compiled all service parts for model SD25LD(JP).
- Any difference between color chart and motorcycle will be revised according to motorcycle.
- The Mark:
  1. Marking "\*\*\*" must add color code in the end before ordering parts.
  2. Marking "#" are parts with modification, Please find the details from e-Parts system.
- When modification or additions to this parts list are made a revised edition at an appropriate time.

## 目次

● 本パーツリストについて .....	1
● SD25LD(JP)のカラーチャート .....	3
● 目次-エンジン関 .....	12
● 目次-フレーム関係 .....	13
● エンジンパーツリスト .....	16
● フレームパーツリスト .....	50
● パーツ番号 検索 .....	118

## CONTENTS

● ABOUT THIS PARTS LIST .....	1
● COLOR CHART OF SD25LD(JP) .....	3
● CONTENTS-ENGINE GROUP .....	12
● CONTENTS-FRAME GROUP .....	13
● ENGINE PARTS LIST .....	16
● FRAME PARTS LIST .....	50
● PART NO. INDEX .....	118

NO	モデル			SD25LD(JP)のカラーチャート			
	写真番号			NO. 1	NO. 2	NO. 3	NO. 4
	基本色						
	コード			Met Block Metallic	Mat Black Metallic	Black	Black
	パーツ名	パーツ番号	バージョン	NH125FB	NH125FA	NH001SA	NH001SB
1	GRILL FR COVER	64314-LAD9-900	2	E4R			
2	LEVER R STRG HANDLE	53175-KNBN-901	1	M2A			
3	LEVER L STRG HANDLE	53178-GKAK-901	0				
4	BRKT FLOOR PANEL	50179-KHD6-900	0	M2S			
5	FORK SET R FR	5140A-LAC7-B20	0	N1A			
6	BOTTOM CASE R	51420-KUDU-900	0				
7	FORK SET L FR	5150A-LAC7-B20	0				
8	BOTTOM CASE L	51520-KUDU-900	0				
9	WHEEL COMP RR CAST	42601-KUDU-90D	2			N1A	
10	WHEEL SET FR	44650-KUDU-305	2	HJP			
11	COVER FR HANDLE	53205-LAD9-900	1				
12	COVER SET FRONT	64301-LAD9-900	2				
13	COVER R BODY	83500-LAD9-920	1				
14	COVER L BODY	83600-LAD9-920	1	HUP			
15	MOLDING FR	64302-LAD9-900	4				
16	SKIRT R SIDE	64305-LAD9-920	2	HUP	N8P	N1P	
17	SKIRT L SIDE /MAT	64306-LAD9-920	2	N8P			
18	GRIP REAR	81200-LAD9-920	0				
19	MIRROR ASSY R BACK	88110-LAD9-900	2				
20	MIRROR ASSY L BACK	88120-LAD9-900	2	N1R			
21	TAIL ACP MUFFLER	18306-LAC7-900	4				
22	PROTECTOR MUFFLER	18317-LAC7-B20	0				
23	COVER ASSY UNDER	50613-LAD9-900	3				
24	GRIP COMP THROT/DEEP	53140-KFA1-900	2				
25	GRIP L HANDLE/DEEP	53166-KFA1-900	2				
販売開始時期							
販売終了時期							

NO	モデル			SD25LD(JP)のカラーチャート						
	写真番号			NO. 5	NO. 6	NO. 7	NO. 8			
	基本色									
	コード			Block	Red	Peorly White	Bright Silver			
	パーツ名	パーツ番号	バージョン	NH001SB	RR123PA	NH193PB	NH045MA			
1	GRILL FR COVER	64314-LAD9-900	2	E4R						
2	LEVER R STRG HANDLE	53175-KNBN-901	1	M2A						
3	LEVER L STRG HANDLE	53178-GKAK-901	0							
4	BRKT FLOOR PANEL	50179-KHD6-900	0	M2S						
5	FORK SET R FR	5140A-LAC7-B20	0	N1A				NJA		
6	BOTTOM CASE R	51420-KUDU-900	0							
7	FORK SET L FR	5150A-LAC7-B20	0							
8	BOTTOM CASE L	51520-KUDU-900	0							
9	WHEEL COMP RR CAST	42601-KUDU-90D	2	N1A		NJA				
10	WHEEL SET FR	44650-KUDU-305	2	N1P				R6P	NVP	N8P
11	COVER FR HANDLE	53205-LAD9-900	1							
12	COVER SET FRONT	64301-LAD9-900	2							
13	COVER R BODY	83500-LAD9-920	1							
14	COVER L BODY	83600-LAD9-920	1	N1P				NVP	N8P	
15	MOLDING FR	64302-LAD9-900	4							
16	SKIRT R SIDE	64305-LAD9-920	2							
17	SKIRT L SIDE /MAT	64306-LAD9-920	2	N1P				R6P	NVP	N8P
18	GRIP REAR	81200-LAD9-920	0							
19	MIRROR ASSY R BACK	88110-LAD9-900	2							
20	MIRROR ASSY L BACK	88120-LAD9-900	2							
21	TAIL ACP MUFFLER	18306-LAC7-900	4	N1R						
22	PROTECTOR MUFFLER	18317-LAC7-B20	0							
23	COVER ASSY UNDER	50613-LAD9-900	3							
24	GRIP COMP THROT/DEEP	53140-KFA1-900	2							
25	GRIP L HANDLE/DEEP	53166-KFA1-900	2							
販売開始時期										
販売終了時期										

NO	モデル			SD25LD(JP)のカラーチャート			
	写真番号			NO. 9			
	基本色						
	コード			Bright Silver			
	パーツ名	パーツ番号	バージョン	NH045MB			
1	GRILL FR COVER	64314-LAD9-900	2	E4R			
2	LEVER R STRG HANDLE	53175-KNBN-901	1	M2A			
3	LEVER L STRG HANDLE	53178-GKAK-901	0				
4	BRKT FLOOR PANEL	50179-KHD6-900	0				
5	FORK SET R FR	5140A-LAC7-B20	0	M2S			
6	BOTTOM CASE R	51420-KUDU-900	0				
7	FORK SET L FR	5150A-LAC7-B20	0				
8	BOTTOM CASE L	51520-KUDU-900	0				
9	WHEEL COMP RR CAST	42601-KUDU-90D	2				
10	WHEEL SET FR	44650-KUDU-305	2				
11	COVER FR HANDLE	53205-LAD9-900	1	NJA			
12	COVER SET FRONT	64301-LAD9-900	2				
13	COVER R BODY	83500-LAD9-920	1				
14	COVER L BODY	83600-LAD9-920	1				
15	MOLDING FR	64302-LAD9-900	4				
16	SKIRT R SIDE	64305-LAD9-920	2				
17	SKIRT L SIDE /MAT	64306-LAD9-920	2				
18	GRIP REAR	81200-LAD9-920	0				
19	MIRROR ASSY R BACK	88110-LAD9-900	2				
20	MIRROR ASSY L BACK	88120-LAD9-900	2				
21	TAIL ACP MUFFLER	18306-LAC7-900	4	N8P			
22	PROTECTOR MUFFLER	18317-LAC7-B20	0				
23	COVER ASSY UNDER	50613-LAD9-900	3				
24	GRIP COMP THROT/DEEP	53140-KFA1-900	2				
25	GRIP L HANDLE/DEEP	53166-KFA1-900	2				
販売開始時期							
販売終了時期							

NO	モデル			SD25LD(JP)のカラーチャート							
	写真番号			NO. 1	NO. 2	NO. 3	NO. 4				
	基本色										
	コード			Met Block Metallic	Mat Black Metallic	Black	Black				
	パーツ名	パーツ番号	バージョン	NH125FB	NH125FA	NH001SA	NH001SB				
26	COVER RR HANDLE ** (0)	53206-LAD9-900	1	N1R							
27	COVER SWITCH ** (0)	53207-KKD9-B00	3								
28	FENDER FR INNER **900	61100-LAD9-900	4								
29	FENDER FRONT INNER	61110-KKC8-900	2								
30	FLOOR PANEL ** (0)	64310-LAD9-920	2								
31	PLUG FLOOR	64316-KHE2-900	1								
32	FENDER RR **900	80105-LAD9-900	1								
33	COVER CENTER ** (0)	80151-LAD9-900	1								
34	LEG SHIELD UP ** (0)	81131-LAD9-900	2								
35	CAP LEG SHIELD UP	81132-LAD9-900	1								
36	LEG SHIELD LOW ** (0)	81141-LAD9-900	2								
37	LID LEG SHIELD	81142-KUDU-900	1								
38	COVER R SIDE A	83510-LAD9-920	0								
39	COVER R SIDE B	83520-LAD9-920	0								
40	COVER L SIDE A	83610-LAD9-920	0								
41	COVER R SIDE B	83620-LAD9-920	0								
42	COVER LEFT ** (0)	11341-LLF5-900	2					NEA			
43	CALIPER ASSY FR /BLUE	45200-KUDU-W00	6					R8A			
44	FRONT BRAKE DISK	45121-KUDU-900	2					R8S			
45	CUSHION ASSY RR	52400-LAD9-900	3					T01			
46	SEAT ASSY (K01Y-OBC)	77200-LAD9-B20	0								
47	EMB K-LOGO 28.5MM	86102-KKC4-900	3								
48	EMB BODY COVER	86202-LAD9-B20	1								
49	EMB BODY COVER	86202-LAD9-B21	1								
50	STRIPE RR FENDER ** (0)	86409-KHC4-B20	2								
販売開始時期											
販売終了時期											

NO	モデル			SD25LD(JP)のカラーチャート							
	写真番号			NO. 5	NO. 6	NO. 7	NO. 8				
	基本色										
	コード			Block	Red	Peorly White	Bright Silver				
	パーツ名	パーツ番号	バージョン	NH001SB	RR123PA	NH193PB	NH045MA				
26	COVER RR HANDLE ** (0)	53206-LAD9-900	1	N1R							
27	COVER SWITCH ** (0)	53207-KKD9-B00	3								
28	FENDER FR INNER **900	61100-LAD9-900	4								
29	FENDER FRONT INNER	61110-KKC8-900	2								
30	FLOOR PANEL ** (0)	64310-LAD9-920	2								
31	PLUG FLOOR	64316-KHE2-900	1								
32	FENDER RR **900	80105-LAD9-900	1								
33	COVER CENTER ** (0)	80151-LAD9-900	1								
34	LEG SHIELD UP ** (0)	81131-LAD9-900	2								
35	CAP LEG SHIELD UP	81132-LAD9-900	1								
36	LEG SHIELD LOW ** (0)	81141-LAD9-900	2								
37	LID LEG SHIELD	81142-KUDU-900	1								
38	COVER R SIDE A	83510-LAD9-920	0								
39	COVER R SIDE B	83520-LAD9-920	0								
40	COVER L SIDE A	83610-LAD9-920	0								
41	COVER R SIDE B	83620-LAD9-920	0								
42	COVER LEFT ** (0)	11341-LLF5-900	2					NEA			
43	CALIPER ASSY FR /BLUE	45200-KUDU-W00	6					R8A			
44	FRONT BRAKE DISK	45121-KUDU-900	2					R8S			
45	CUSHION ASSY RR	52400-LAD9-900	3					T01			
46	SEAT ASSY (K01Y-OBC)	77200-LAD9-B20	0								
47	EMB K-LOGO 28.5MM	86102-KKC4-900	3								
48	EMB BODY COVER	86202-LAD9-B20	1								
49	EMB BODY COVER	86202-LAD9-B21	1								
50	STRIPE RR FENDER ** (0)	86409-KHC4-B20	2								
販売開始時期											
販売終了時期											



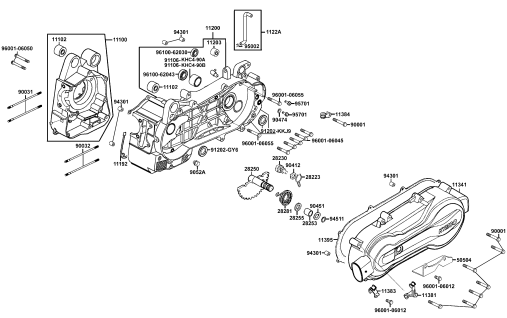
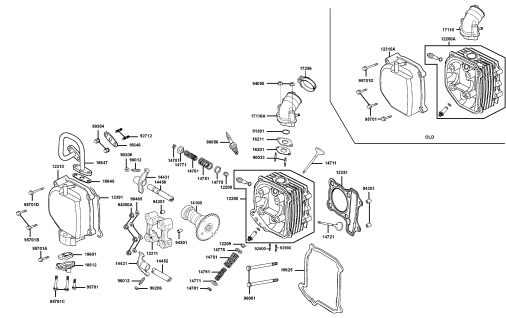
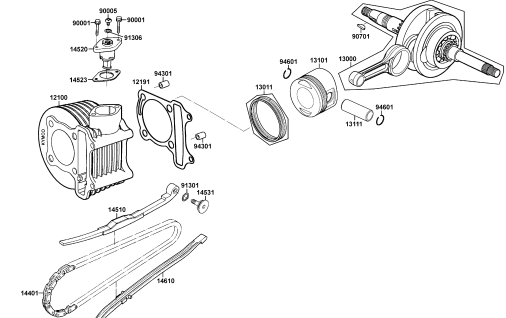
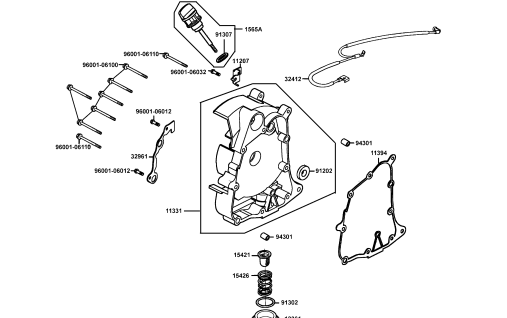
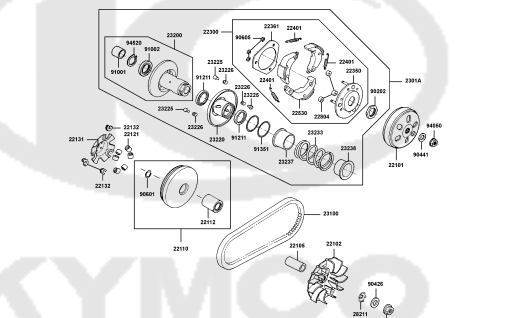
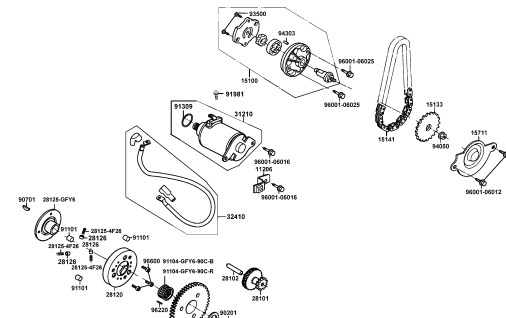
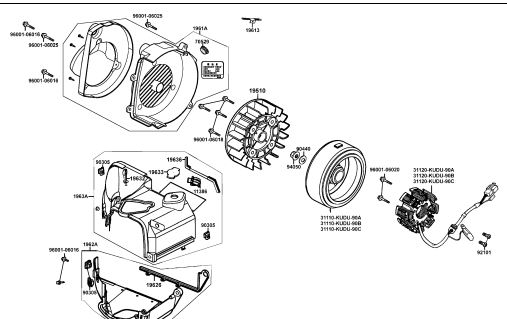
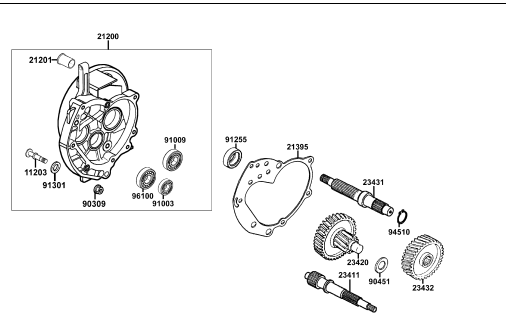
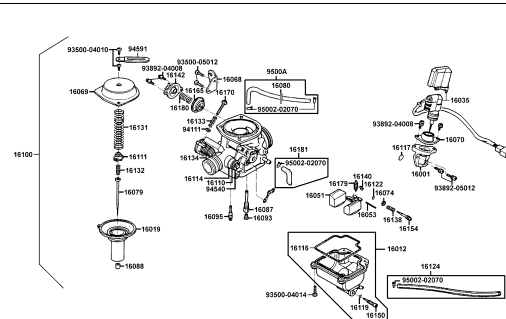
NO	モデル			SD25LD(JP)のカラーチャート				
	写真番号			NO. 9				
	基本色							
	コード			Bright Silver				
	パーツ名	パーツ番号	バージョン	NH045MB				
26	COVER RR HANDLE ** (0)	53206-LAD9-900	1	N1R				
27	COVER SWITCH ** (0)	53207-KKD9-B00	3					
28	FENDER FR INNER **900	61100-LAD9-900	4					
29	FENDER FRONT INNER	61110-KKC8-900	2					
30	FLOOR PANEL ** (0)	64310-LAD9-920	2					
31	PLUG FLOOR	64316-KHE2-900	1					
32	FENDER RR **900	80105-LAD9-900	1					
33	COVER CENTER ** (0)	80151-LAD9-900	1					
34	LEG SHIELD UP ** (0)	81131-LAD9-900	2					
35	CAP LEG SHIELD UP	81132-LAD9-900	1					
36	LEG SHIELD LOW ** (0)	81141-LAD9-900	2					
37	LID LEG SHIELD	81142-KUDU-900	1					
38	COVER R SIDE A	83510-LAD9-920	0					
39	COVER R SIDE B	83520-LAD9-920	0					
40	COVER L SIDE A	83610-LAD9-920	0					
41	COVER R SIDE B	83620-LAD9-920	0					
42	COVER LEFT ** (0)	11341-LLF5-900	2		NEA			
43	CALIPER ASSY FR /BLUE	45200-KUDU-W00	6		R8A			
44	FRONT BRAKE DISK	45121-KUDU-900	2		R8S			
45	CUSHION ASSY RR	52400-LAD9-900	3					
46	SEAT ASSY (K01Y-OBC)	77200-LAD9-B20	0	T01				
47	EMB K-LOGO 28.5MM	86102-KKC4-900	3					
48	EMB BODY COVER	86202-LAD9-B20	1					
49	EMB BODY COVER	86202-LAD9-B21	1					
50	STRIPE RR FENDER ** (0)	86409-KHC4-B20	2					
販売開始時期								
販売終了時期								



NO	モデル			SD25LD(JP)のカラーチャート							
	写真番号			NO. 5	NO. 6	NO. 7	NO. 8				
	基本色										
	コード			Block	Red	Peorly White	Bright Silver				
	パーツ名	パーツ番号	バージョン	NH001SB	RR123PA	NH193PB	NH045MA				
51	MARK 2005	87140-LAD9-B20	1	T01							
52	STRIPE MARK C	87140-LAD9-B21	0								
53	EMB MARK ACC	87311-LAC7-B20	0								
54	LABEL TIRE	87505-KUDU-E00	1								
55	CAUTION SIDE STAND	87541-GAR1-E00	1								
56	MARK MAINT CAUTION	87542-GAR1-E00	2								
57	MARK DRIVE CAUTION	87560-GFY6-E00	4								
58	STRIPE FR FENDER	86408-KKC8-B20	2					T01		T02	
59	WHEEL COMP RR CAST	42601-LAD9-910	0					T01			
60	WHEEL SET FR /F417	44650-LAD9-305	0								
販売開始時期											
販売終了時期											

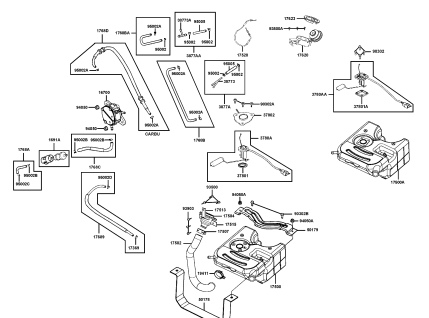
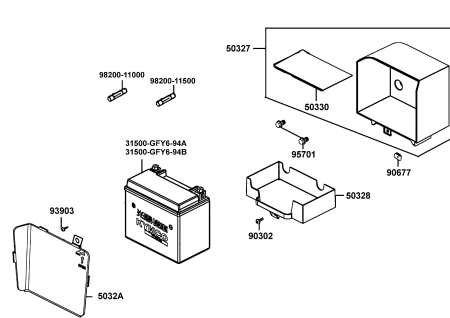
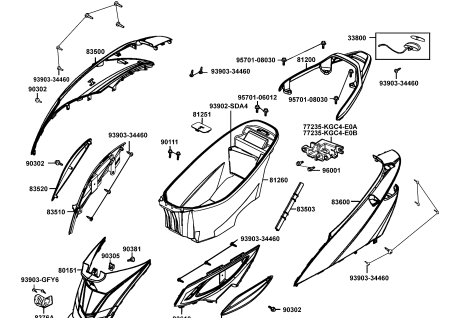
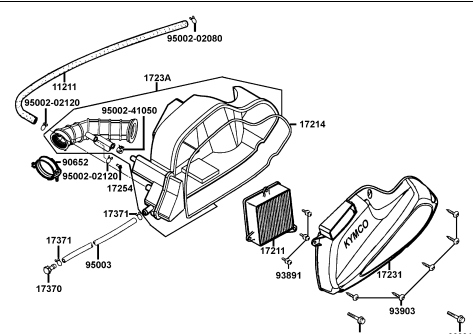
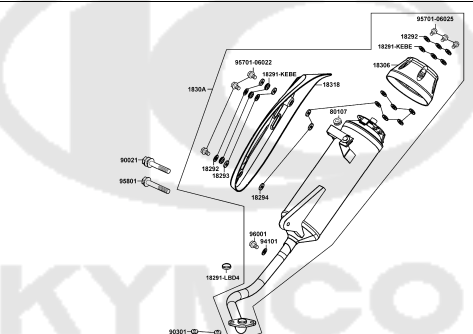
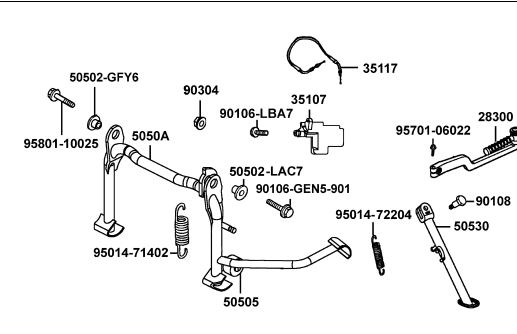
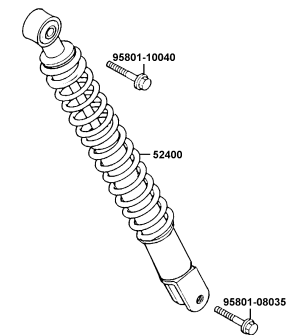
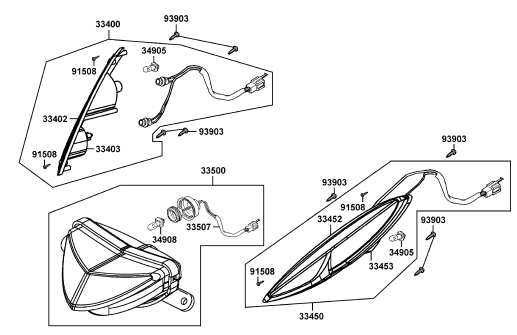
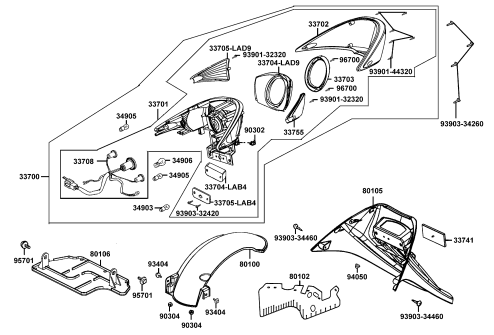


# CONTENTS - ENGINE GROUP 目次-エンジン関

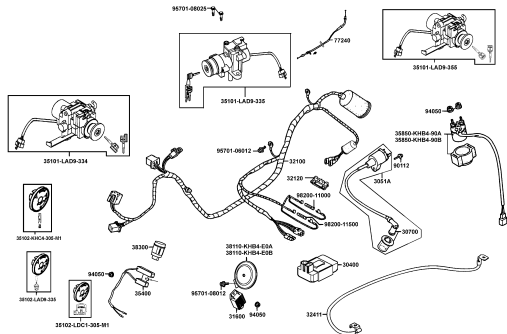
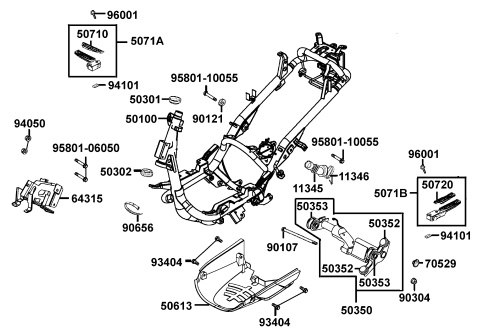
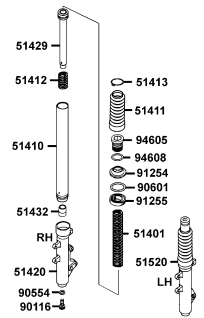
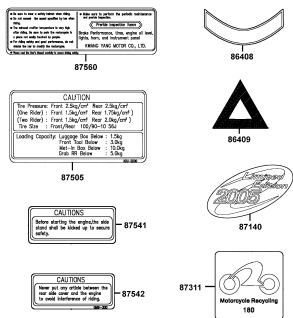
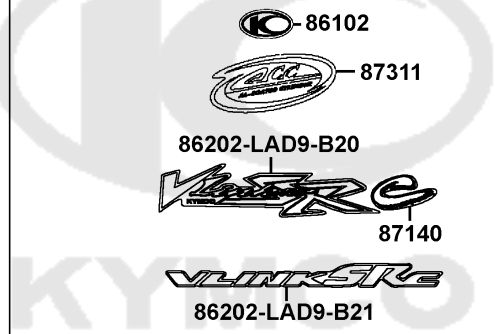
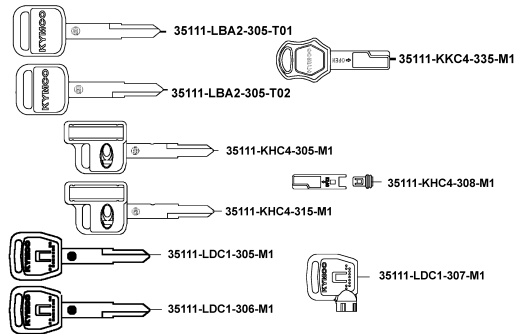
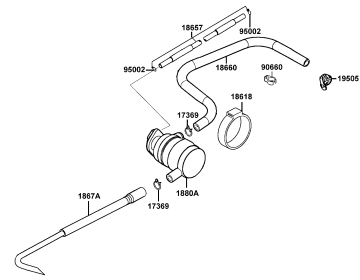
<p><b>E01 Crank Case</b></p> 	<p><b>E02 Cylinder Head</b></p> 	<p><b>E03 Cylinder Piston Crankshaft</b></p> 
<p><b>E04 Right Crankcase Cover</b></p> 	<p><b>E05 Driven Pulley</b></p> 	<p><b>E06 Starting Motor Oil Pump</b></p> 
<p><b>E07 Fan Cover Generator</b></p> 	<p><b>E08 Transmission</b></p> 	<p><b>E09 Carburetor</b></p> 



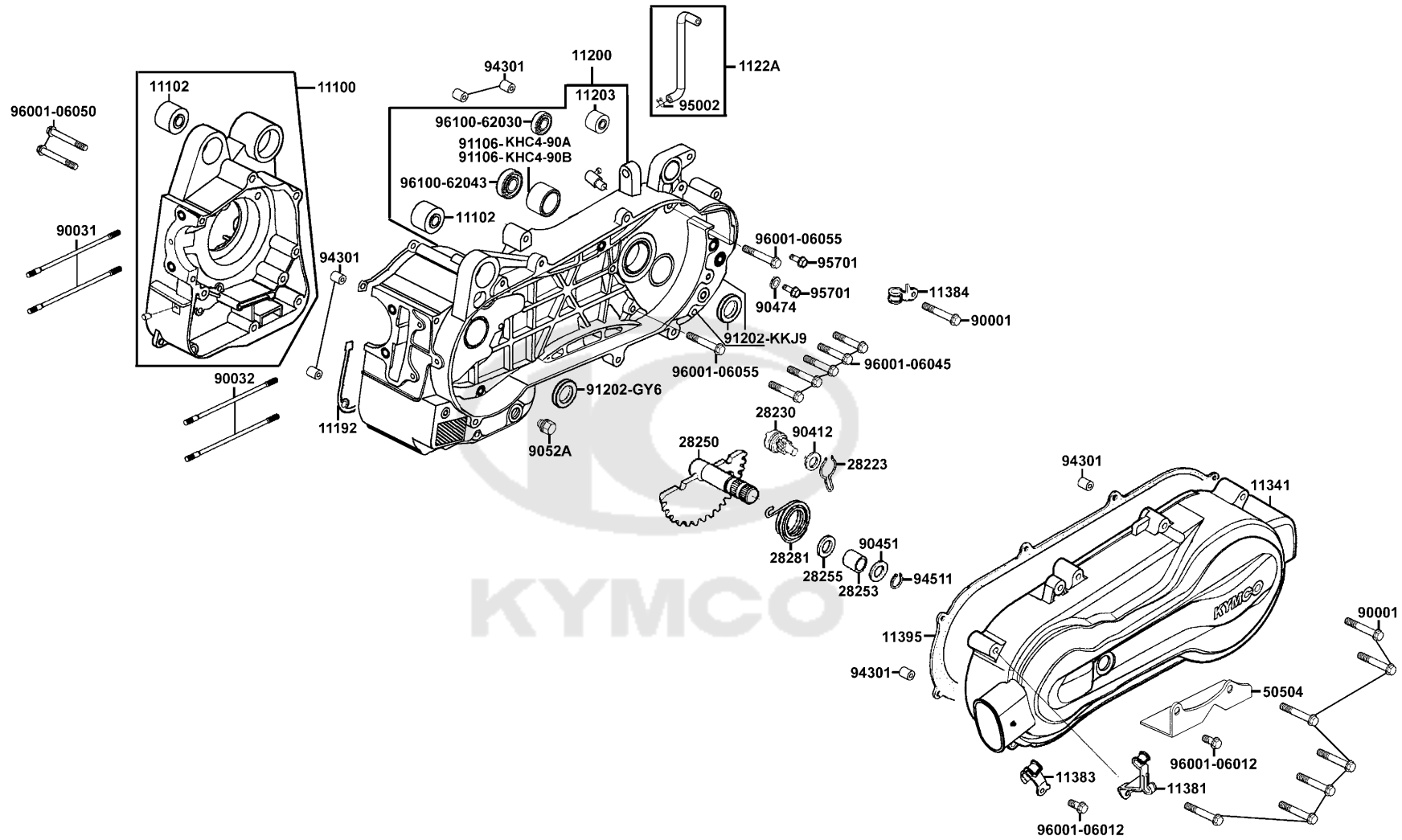
# CONTENTS - FRAME GROUP 目次-フレーム関係

<p><b>F10 Fuel Tank</b></p> 	<p><b>F11 Battery</b></p> 	<p><b>F12 Body Cover Luggage Box</b></p> 
<p><b>F13 Air Cleaner</b></p> 	<p><b>F14 Exhaust Muffler</b></p> 	<p><b>F15 Stand Kick Starter Arm</b></p> 
<p><b>F16 Rear Cushion</b></p> 	<p><b>F17 Front Winker</b></p> 	<p><b>F18 Tail Light</b></p> 

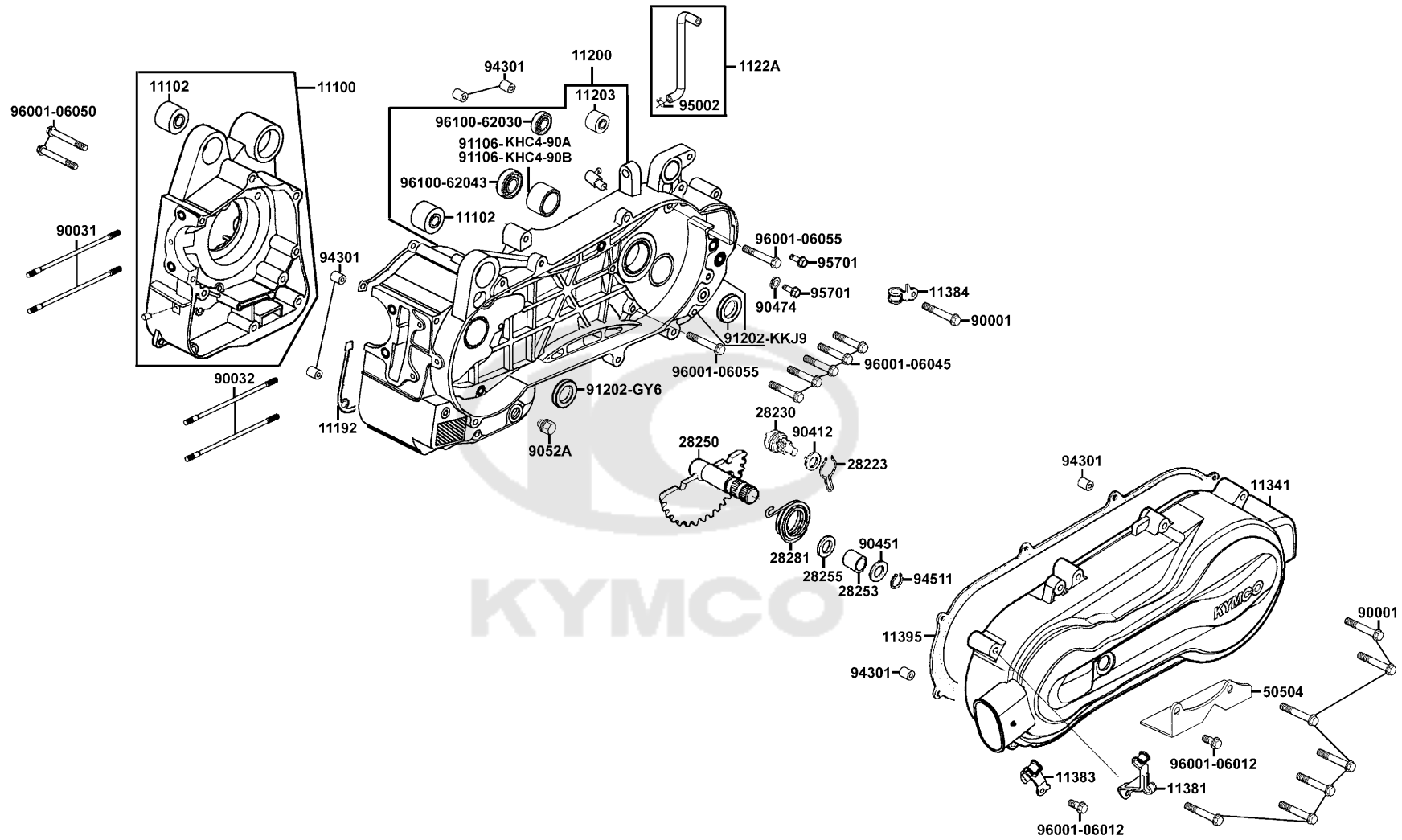
# CONTENTS - FRAME GROUP 目次-フレーム関係

F19 Wire Harness	F20 Frame Body	F21 Separated Parts Of Fr Fork
		
<b>F22 Caution Label</b>	<b>F23 Emblem Stripe</b>	<b>F24 Key</b>
		
<b>F25 Air Cleaner Two</b>		
		





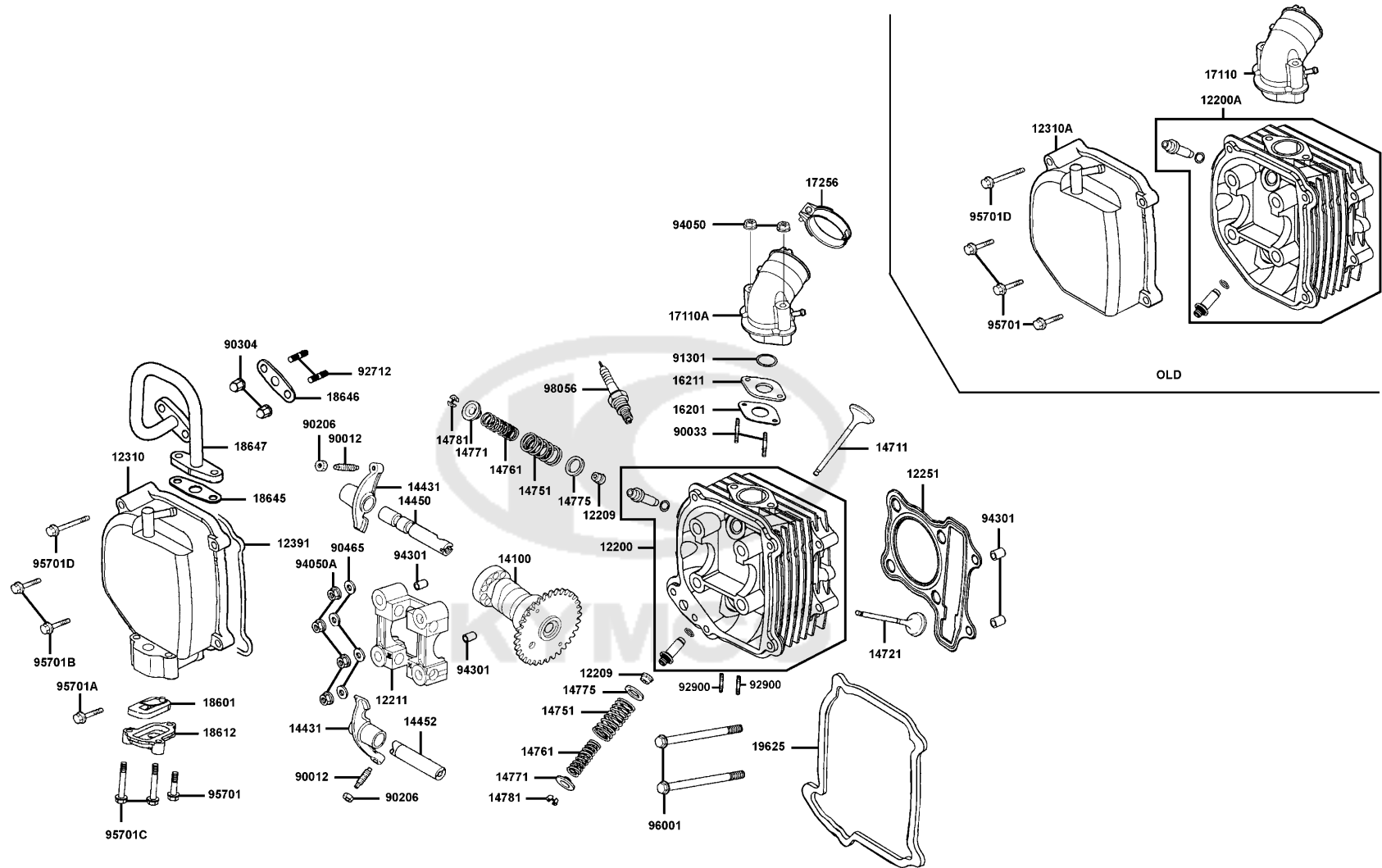
Sales mark 記号	Ref no 参照用番号	Part no パーツ番号	Description 部品名	Reg description 部品名	Regd no 必要個数	Ref Price 希望小売価格(税抜)	E01
	11100	11100-KUDU-305	CASE SET CRANK R	CASE SET CRANK R	1	19010	
	11102	11102-1G87-004	RUB BUSH ENG HANGER	RUB BUSH ENG HANGER	2	320	
	11192	11192-KUDU-980	GASKET CRANK CASE A	GASKET CRANK CASE A	2	820	
	11200	11200-LAD9-305	CASE SET L CRANK	CASE SET L CRANK	1	27380	
	11203	11203-GGC7-301	UNDER RUBBER BUSH REAR CUSHION	UNDER RUBBER BUSH REAR CUSHION	1	250	
	1122A	1122A-LAD9-900	TUBE ASSY MISSION BREATHER	TUBE ASSY MISSION BREATHER	1	300	
**	11341	11341-LLF5-900	COVER LEFT **(0) C.2005.12.19	COVER LEFT **(0) C.2005.12.19	1	12080	
	11381	11381-KUDU-900	CLAMPER THROTTLE CABLE	CLAMPER THROTTLE CABLE	1	390	
	11383	11383-KUDU-900	CLAMPER BRTH DRAIN TUBE	CLAMPER BRTH DRAIN TUBE	1	300	
	11384	11384-KUDU-900	CLAMPER BREATHER TUBE	CLAMPER BREATHER TUBE	2	60	
	11395	11395-KUDU-980	GASKET L COVER @ A	GASKET L COVER @ A	1	2980	
	28223	28223-KNBN-901	SPG KICK DRIVEN GEAR	SPG KICK DRIVEN GEAR	1	160	
	28230	28230-KNBN-901	GEAR COMP KICK DRIVEN	GEAR COMP KICK DRIVEN	1	1820	
	28250	28250-KCCC-900	SPINDLE COMP KICK STARTER	SPINDLE COMP KICK STARTER	1	2100	
	28253	28253-GBN2-60A	BUSH KICK SPINDLE	BUSH KICK SPINDLE	1	200	
	28255	28255-GFS6-001	COLLAR KICK BOSS	COLLAR KICK BOSS	1	160	
	28281	28281-GBN2-60A	SPRING KICK RETURN	SPRING KICK RETURN	1	390	
	50504	50504-LLF5-900	STAY MAIN STAND STOPPER **(0)	STAY MAIN STAND STOPPER **(0)	1	490	
	90001	90001-GBHB-711	BOLT FLANGE SHF 6*40	BOLT FLANGE SHF 6*40	8	60	
	90031	90031-KUDU-900	BOLT A STUD 8*200.5	BOLT A STUD 8*200.5	2	490	



Sales mark 記号	Ref no 参照用番号	Part no パーツ番号	Description 部品名	Reg description 部品名	Regd no 必要個数	Ref Price 希望小売価格(税抜)	E01
90032		90032-KUDU-900	BOLT B STUD 8*208.5	BOLT B STUD 8*208.5	2	510	
90412		90412-3K29-001	WASHER THRUST 10M/M	WASHER THRUST 10M/M	1	200	
90451		90451-GBN2-601	WASHER KICK SPINDLE	WASHER KICK SPINDLE	1	200	
90474		90474-3C33-001	WASHER 8MM	WASHER 8MM	2	60	
9052A		9052A-GFY6-950	BOLT ASSY DRAIN PLUG	BOLT ASSY DRAIN PLUG	1	120	
91106-KHC4-90A		91106-KHC4-90A	BRG NEEDLE 15MM	BRG NEEDLE 15MM	1	340	
91106-KHC4-90B		91106-KHC4-90B	BRG NEEDLE 15MM	BRG NEEDLE 15MM	1	270	
91202-GFY6		91202-GFY6-90A	OIL SEAL 19.8*30*5	OIL SEAL 19.8*30*5	1	230	
91202-KKJ9		91202-KKJ9-004	OIL SEAL 20*32*6	OIL SEAL 20*32*6	1	80	
94301		94301-10160	DOWEL PIN 10*16	DOWEL PIN 10*16	6	60	
94511		94511-14000	CIR CLIP EX 14	CIR CLIP EX 14	1	110	
95002		95002-02080	CLIP B8 TUBE	CLIP B8 TUBE	1	60	
95701		95701-08012-06	BOLT FLANGE 6*22 (K)	BOLT FLANGE 6*22 (K)	1	60	
96001-06012		96001-06012-06	BOLT FLANGE SH 6*12	BOLT FLANGE SH 6*12	1	60	
96001-06045		96001-06045-06	BOLT FLANGE 6*45 **07 C.2005.07.01	BOLT FLANGE 6*45 **07 C.2005.07.01	1	60	
96001-06050		96001-06050-06	BOLT FLANGE SH 6*50	BOLT FLANGE SH 6*50	1	60	
96001-06055		96001-06055-06	BOLT FLANGE 6*55 **07 C.2005.07.01	BOLT FLANGE 6*55 **07 C.2005.07.01	1	60	
96100-62030		96100-62030-00	BRG BALL RADIAL 6203	BRG BALL RADIAL 6203	1	260	
96100-62043		96100-62043-00	BEARING BALL RADIAL 6204	BEARING BALL RADIAL 6204	1	430	

E02

# Cylinder Head



Sales mark 記号	Ref no 参照用番号	Part no パーツ番号	Description 部品名	Reg description 部品名	Regd no 必要個数	Ref Price 希望小売価格(税抜)	E02
12200		12200-KUDU-900	HEAD COMP CYLN	HEAD COMP CYLN	1	27250	
12200A		12200-KUDU-C00	HEAD COMP CYLN	HEAD COMP CYLN	1	27290	
12209		12209-GDB4-68B	SEAL VALVE STEM	SEAL VALVE STEM	1	490	
12211		12211-KUDU-900	HOLDER CAM SHAFT	HOLDER CAM SHAFT	1	2490	
12251		12251-GFY6-90A	GASKET CYLINDER HEAD	GASKET CYLINDER HEAD	1	700	
12310		12310-KUDU-900	COVER COMP HEAD	COVER COMP HEAD	1	4380	
12310A		12310-KUDU-C00	COVER COMP HEAD	COVER COMP HEAD	1	4380	
12391		12391-GFY6-941	GASKET HEAD COVER	GASKET HEAD COVER	1	780	
14100		14100-KFA9-220	SHAFT COMP CAM **2200 C.2005.03.25	SHAFT COMP CAM **2200 C.2005.03.25	1	9510	
14431		14431-KUDU-900	ARM VALVE ROCKER	ARM VALVE ROCKER	2	6090	
14450		14450-GFY6-901	SHAFT COMP IN ROCKER ARM	SHAFT COMP IN ROCKER ARM	1	770	
14452		14452-GFY6-901	SHAFT EXH ROCKER ARM	SHAFT EXH ROCKER ARM	1	300	
14711		14711-KUDU-900	VALVE INLET	VALVE INLET	1	1720	
14721		14721-KUDU-900	VALVE EXHAUST	VALVE EXHAUST	1	1720	
14751		14751-KKJ9-003	SPG VALVE OUTER	SPG VALVE OUTER	2	420	
14761		14761-KKJ9-003	SPG VALVE INNER	SPG VALVE INNER	2	300	
14771		14771-GDB4-680	RETAINER VALVE SPRING	RETAINER VALVE SPRING	2	350	
14775		14775-MFA6-001	SEAT VALVE SPG OUTER	SEAT VALVE SPG OUTER	2	160	
14781		14781-MFA6-001	COTTER VALVE	COTTER VALVE	4	200	
16201		16201-GFY6-910	GASKET CARB INSULATOR	GASKET CARB INSULATOR	2	130	

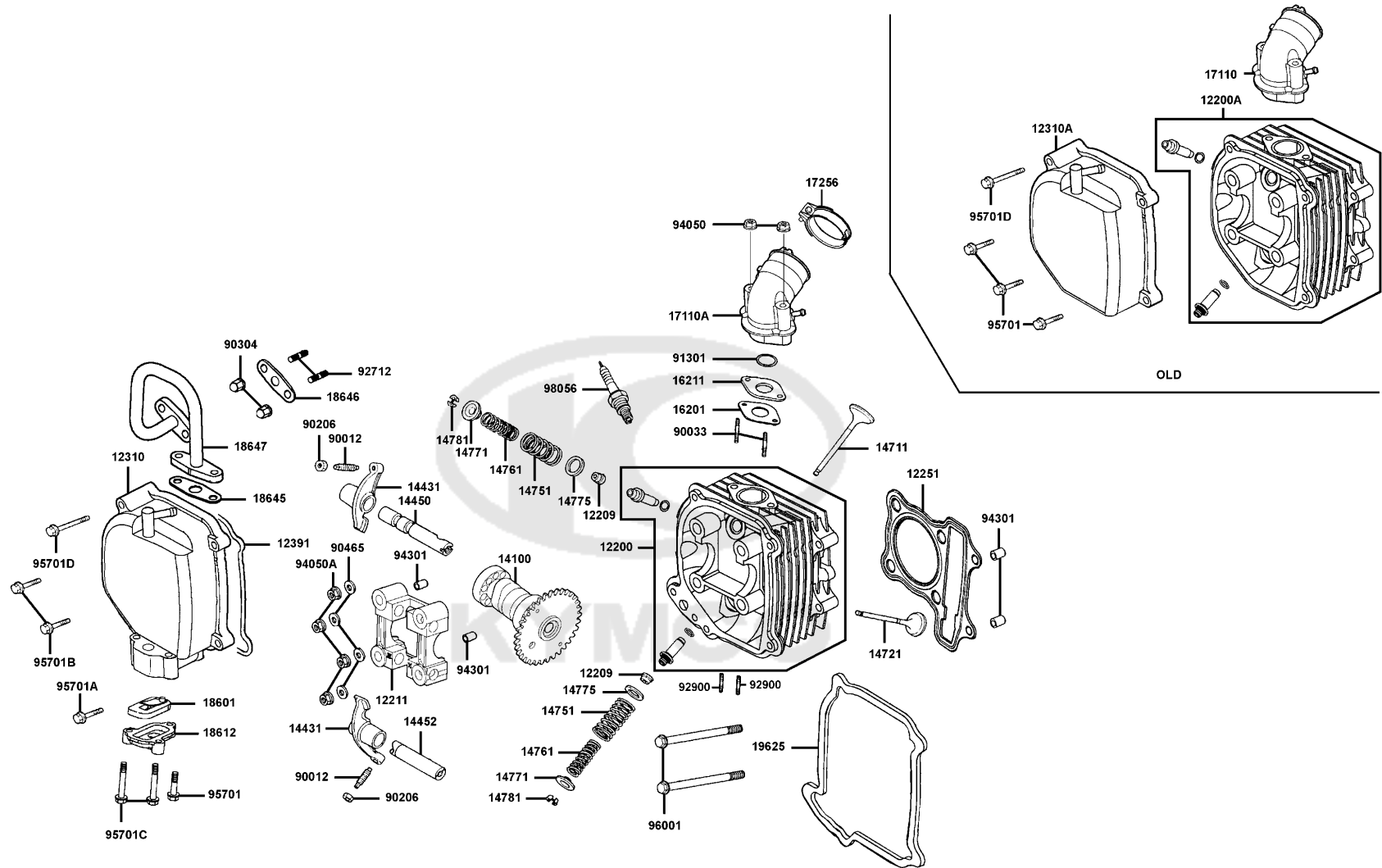






E02

# Cylinder Head

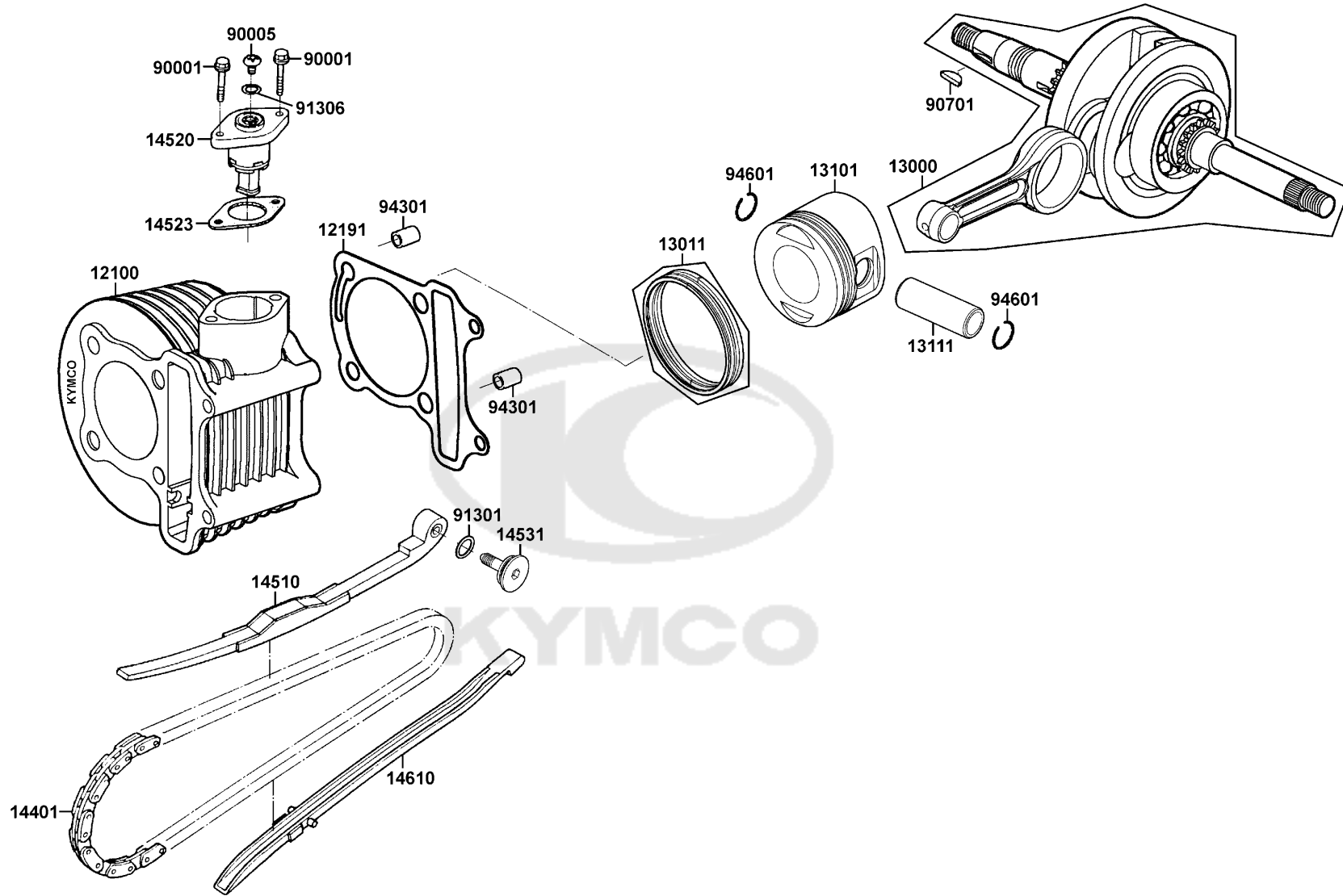


Sales mark 記号	Ref no 参照用番号	Part no パーツ番号	Description 部品名	Reg description 部品名	Regd no 必要個数	Ref Price 希望小売価格(税抜)	E02
95701		95701-06025-06	BOLT FLANGE 6*25	BOLT FLANGE 6*25	1	60	
95701A		95701-06030-06	BOLT FLANGE 6*30 (G)	BOLT FLANGE 6*30 (G)	2	60	
95701B		95701-06035-06	BOLT FLANGE 6*35	BOLT FLANGE 6*35	1	60	
95701C		95701-06040-06	BOLT FLANGE 6*40 (C)	BOLT FLANGE 6*40 (C)	2	200	
95701D		95701-06050-06	BOLT FLANGE 6*22 (K)	BOLT FLANGE 6*22 (K)	1	60	
96001		96001-06100-06	BOLT FLANGE SH 6*100	BOLT FLANGE SH 6*100	2	60	
98056		98056-5771R-00	SPARK PLUG (CR7HSA)	SPARK PLUG (CR7HSA)	1	450	



E03

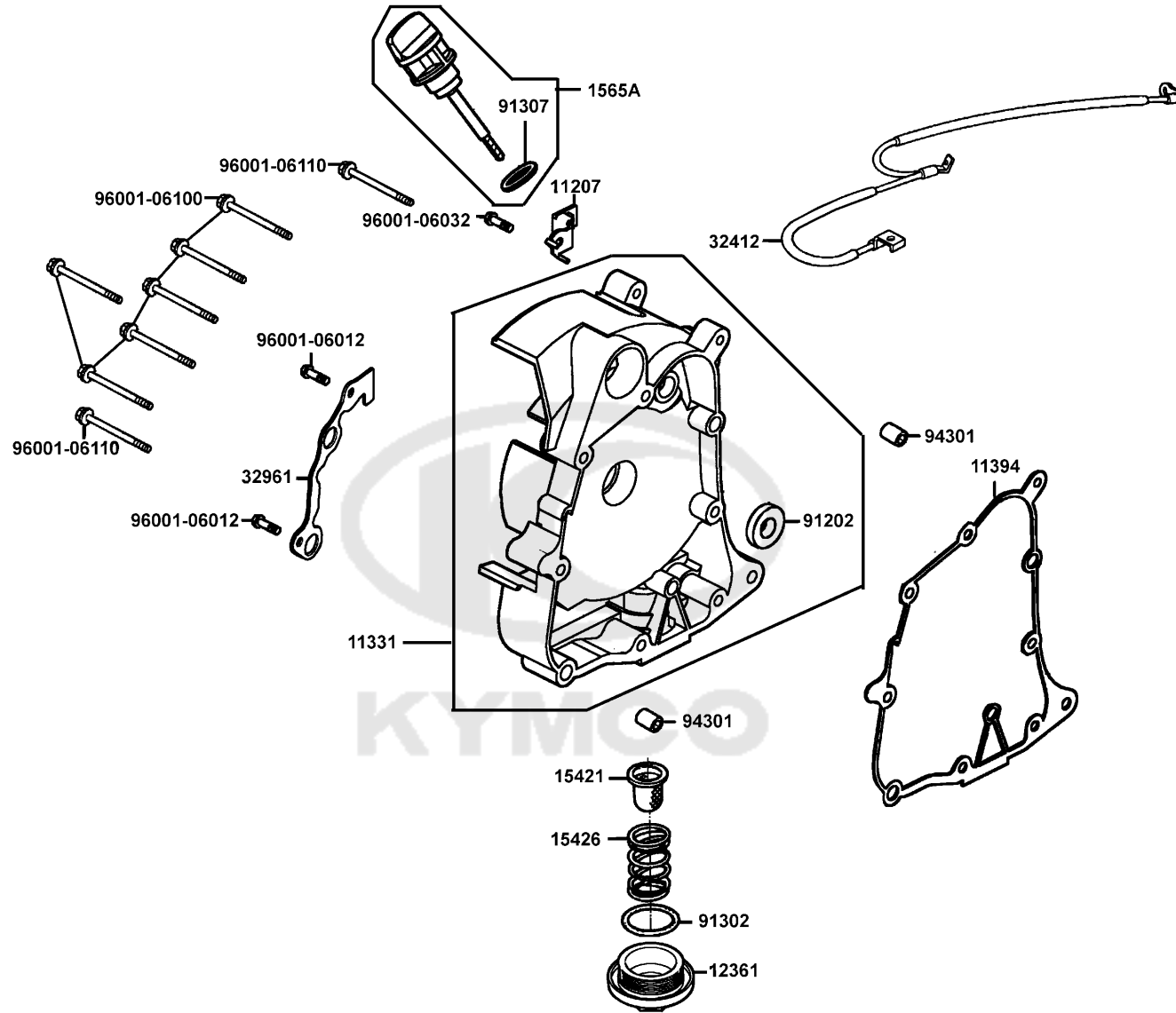
Cylinder Piston Crankshaft



Sales mark 記号	Ref no 参照用番号	Part no パーツ番号	Description 部品名	Reg description 部品名	Regd no 必要個数	Ref Price 希望小売価格(税抜)	E03
12100		12100-KFA9-C00	CYLINDER COMP	CYLINDER COMP	1	31680	
12191		12191-GFY6-980	GASKET. CYLINDER	GASKET. CYLINDER	1	330	
13000		13000-KUDU-900	CRANK SHAFT COMP	CRANK SHAFT COMP	1	23290	
13011		13011-KFA9-90B	PISTON RING SET **9000-M2	PISTON RING SET **9000-M2 C.2005.10.28	1	3310	
13101		13101-KFA9-900	PISTON A **9000 C.2005.12.19	PISTON A **9000 C.2005.12.19	1	2800	
13111		13111-3D84-001	PIN PISTON	PIN PISTON	1	490	
14401		14401-KUDU-90C	CHAIN CAM	CHAIN CAM	1	3810	
14510		14510-KUDU-C0B	TENSIONER CAM CHAIN	TENSIONER CAM CHAIN	2	2670	
14523		14523-KED9-900	GASKET TENSIONER LIFTER @A	GASKET TENSIONER LIFTER @A	1	200	
14531		14531-GLR0-001	PIVOT CAM CHAIN TENSIONER	PIVOT CAM CHAIN TENSIONER	1	200	
14610		14610-KUDU-C0B	GUIDE COMP CAM CHAIN	GUIDE COMP CAM CHAIN	2	1250	
90001		90001-GBHB-661	BOLT FLANGE SH 6*22	BOLT FLANGE SH 6*22	2	60	
90005		90005-KAW1-901	SCREW PAN 6*6	SCREW PAN 6*6	1	60	
90701		90701-HFB6-011	KEY WOODRUFF 25*14*4	KEY WOODRUFF 25*14*4	1	60	
91301		91301-GLR0-005	O-RING 15.2*1.5	O-RING 15.2*1.5	1	60	
91306		91306-1E05-691	O-RING 1.5*9.5	O-RING 1.5*9.5	1	60	
94301		94301-10160	DOWEL PIN 10*16	DOWEL PIN 10*16	2	60	
94601		94601-15000	CLIP PISTON PIN 15MM	CLIP PISTON PIN 15MM	2	60	

E04

# Right Crankcase Cover



Sales mark 記号	Ref no 参照用番号	Part no パーツ番号	Description 部品名	Reg description 部品名	Regd no 必要個数	Ref Price 希望小売価格(税抜)	E04
11207		11207-KKE3-900	STAY B RR FENDER*	STAY B RR FENDER*	1	390	
11331		11331-KUDU-C00	COVER R CRANK CASE	COVER R CRANK CASE	1	13980	
11394		11394-KUDU-980	GASKET R COVER	GASKET R COVER	2	890	
12361		12361-GFY6-901	HOLE CAP TAPPET ADJUSTING	HOLE CAP TAPPET ADJUSTING	1	300	
15421		15421-1G07-001	SCREEN OIL FILTER	SCREEN OIL FILTER	1	350	
15426		15426-GAE1-921	SPG OIL FILTER SCREEN	SPG OIL FILTER SCREEN	1	160	
1565A		1565A-KUDU-900	GAUGE OIL LEVEL ASSY	GAUGE OIL LEVEL ASSY	1	390	
32412		32412-LLF5-900	CABLE EARTH **(4) C.2003.09.18	CABLE EARTH **(4) C.2003.09.18	1	2100	
32961		32961-KUDU-900	CLAMPER ACG CORD	CLAMPER ACG CORD	1	200	
91202		91202-GFY6-90C	OIL SEAL 19.8*30*5	OIL SEAL 19.8*30*5	2	230	
91302		91302-0A01-021	O-RING 30.8M/M	O-RING 30.8M/M	1	60	
91307		91307-0E35-001	O RING 18*3	O RING 18*3	1	60	
94301		94301-10160	DOWEL PIN 10*16	DOWEL PIN 10*16	2	60	
96001-06012		96001-06012-06	BOLT FLANGE SH 6*12	BOLT FLANGE SH 6*12	1	60	
96001-06032		96001-06032-06	BOLT FLANGE 6*32	BOLT FLANGE 6*32	1	60	
96001-06100		96001-06100-06	BOLT FLANGE SH 6*100	BOLT FLANGE SH 6*100	1	60	
96001-06110		96001-06110-06	BOLT FLANGE SH 6*110	BOLT FLANGE SH 6*110	1	60	



Sales mark 記号	Ref no 参照用番号	Part no パーツ番号	Description 部品名	Reg description 部品名	Regd no 必要個数	Ref Price 希望小売価格(税抜)	E05
22101		22101-GFY6-941	OUTER CLUTCH	OUTER CLUTCH	1	4760	
22102		22102-KUDU-220	FACE DRIVE	FACE DRIVE	1	2290	
22105		22105-GFY6-220	BOSS DRIVE FACE	BOSS DRIVE FACE	1	960	
22110		22110-KKE3-900	FACE COMP MOVABLE DRIVE	FACE COMP MOVABLE DRIVE	1	3050	
22112		22112-GFY6-90A	BUSH 24*28*30	BUSH 24*28*30	1	250	
22121		22121-GFY6-325	ROLLER SET WEIGHT (1SET:6PCS)	ROLLER SET WEIGHT(旧品番の22121-GFY6	1	320	
22131		22131-GFY6-901	PLATE RAMP	PLATE RAMP	1	1340	
22132		22132-LKB9-900	PIECE SLIDE	PIECE SLIDE	3	230	
22300		22300-LHJ3-900	PLATE ASSY DRIVE	PLATE ASSY DRIVE	1	12140	
22350		22350-GFY6-90A	PLATE COMP DRIVE	PLATE COMP DRIVE	1	1250	
22350		22350-LHJ3-900	PLATE COMP DRIVE	PLATE COMP DRIVE	1	1910	
22361		22361-KGN7-671	PLATE CLUTCH SIDE	PLATE CLUTCH SIDE	1	390	
22361		22361-LHJ3-900	PLATE CLUTCH SIDE	PLATE CLUTCH SIDE	1	590	
22401		22401-GFY6-90A	SPRING CLUTCH	SPRING CLUTCH	3	140	
22401		22401-LHJ3-900	SPRING CLUTCH	SPRING CLUTCH(車台番号「	3	180	
22530		22530-LHJ3-900	WEIGHT CLUTCH	WEIGHT CLUTCH(車台番号「	3	2890	
22804		22804-GBB2-001	RUBBER CLUTCH DAMPER	RUBBER CLUTCH DAMPER	3	200	
2301A		2301A-KFA9-900	PULLEY SUB ASSY	PULLEY SUB ASSY	1	19800	
23100		23100-KFBF-90B	BELT DRIVE(Maker:MITSUBOSHI)	BELT DRIVE(Maker:MITSUBOSHI)	1	5260	
23200		23200-GFY6-901	FACE ASSY DRIVEN	FACE ASSY DRIVEN	1	9890	

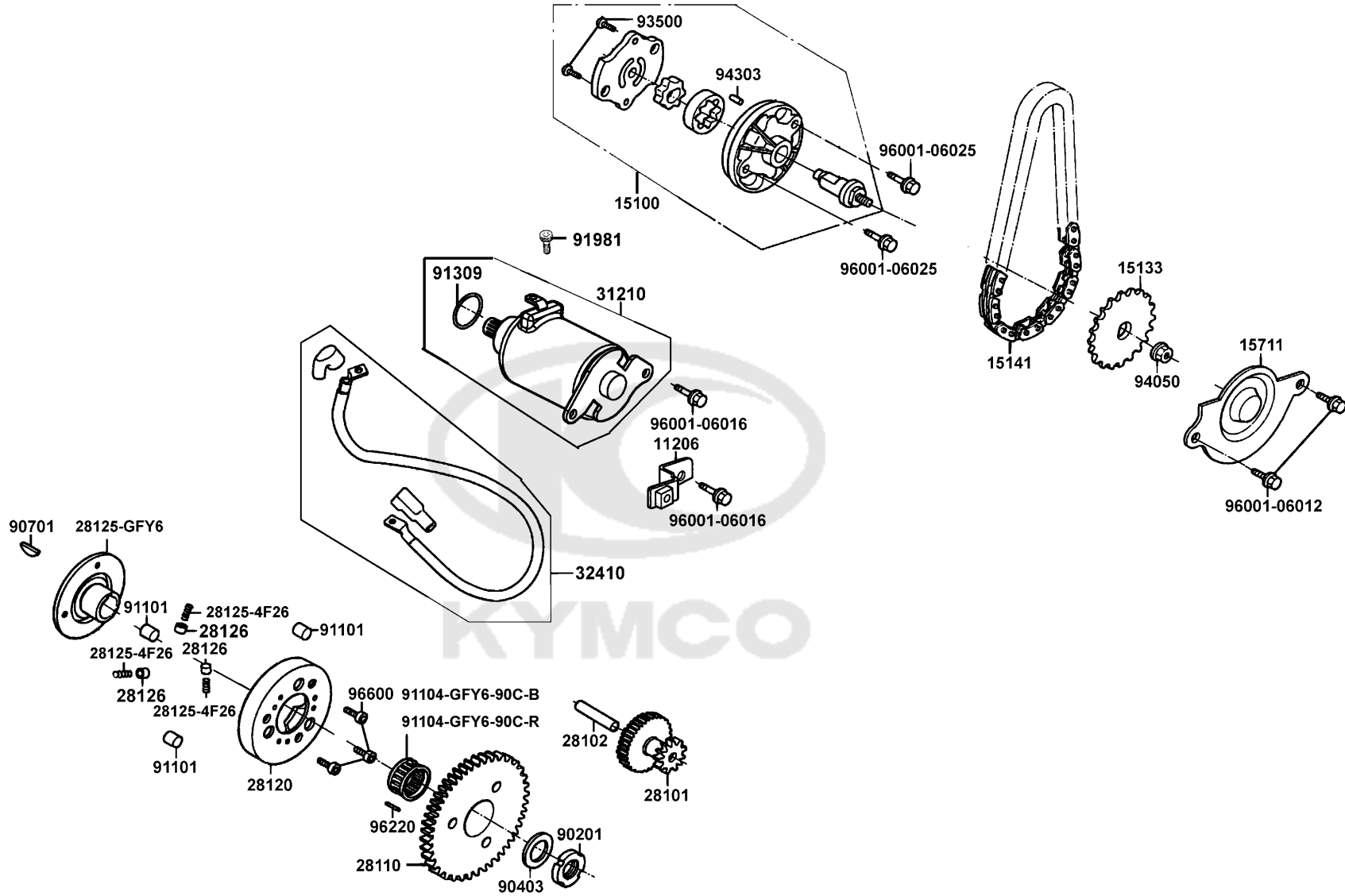




Sales mark 記号	Ref no 参照用番号	Part no パーツ番号	Description 部品名	Reg description 部品名	Regd no 必要個数	Ref Price 希望小売価格(税抜)	E05
23220		23220-GFY6-921	FACE COMP MOVABLE DRIVEN	FACE COMP MOVABLE DRIVEN	1	5810	
23225		23225-GHC8-004	PIN ROLLER GUIDE	PIN ROLLER GUIDE	3	60	
23226		23226-GHC8-004	ROLLER GUIDE	ROLLER GUIDE	3	60	
23233		23233-GCW3-011	SPG DRIVEN FACE	SPG DRIVEN FACE	1	1060	
23237		23237-GFY6-941	COLLAR SEAL	COLLAR SEAL	1	580	
23238		23238-GFY6-941	COLLAR SPG	COLLAR SPG	1	450	
28211		28211-KUDU-900	RATCHET KICK STARTER	RATCHET KICK STARTER	1	970	
90202		90202-1G87-001	NUT SPECIAL 28MM	NUT SPECIAL 28MM	1	100	
90426		90426-KNBN-901	WASHER SPECIAL 12MM	WASHER SPECIAL 12MM	1	70	
90441		90441-GFY6-941	WASHER 12.2*29*2.5	WASHER 12.2*29*2.5	1	70	
90601		90601-GFY6-901	CLIP 28MM	CLIP 28MM	1	60	
90605		90605-1F66-721	CIR CLIP 7MM	CIR CLIP 7MM	3	60	
91001		91001-GFY6-90A	BRG NDL 20*29*18	BRG NDL 20*29*18	1	480	
91002		91002-GGA7-70A	BRG BALL RADIAL 6902U	BRG BALL RADIAL 6902U	1	510	
91211		91211-KEBE-900	SEAL DRIVEN FACE 34*41*4	SEAL DRIVEN FACE 34*41*4	2	770	
91351		91351-6B42-000	O-RING PINION CAP	O-RING PINION CAP	2	200	
94050		94050-12080	NUT C FLANGE 12MM	NUT C FLANGE 12MM	2	60	
94520		94520-28000	CIR CLIP IN 28	CIR CLIP IN 28	1	60	

E06

Starting Motor Oil Pump

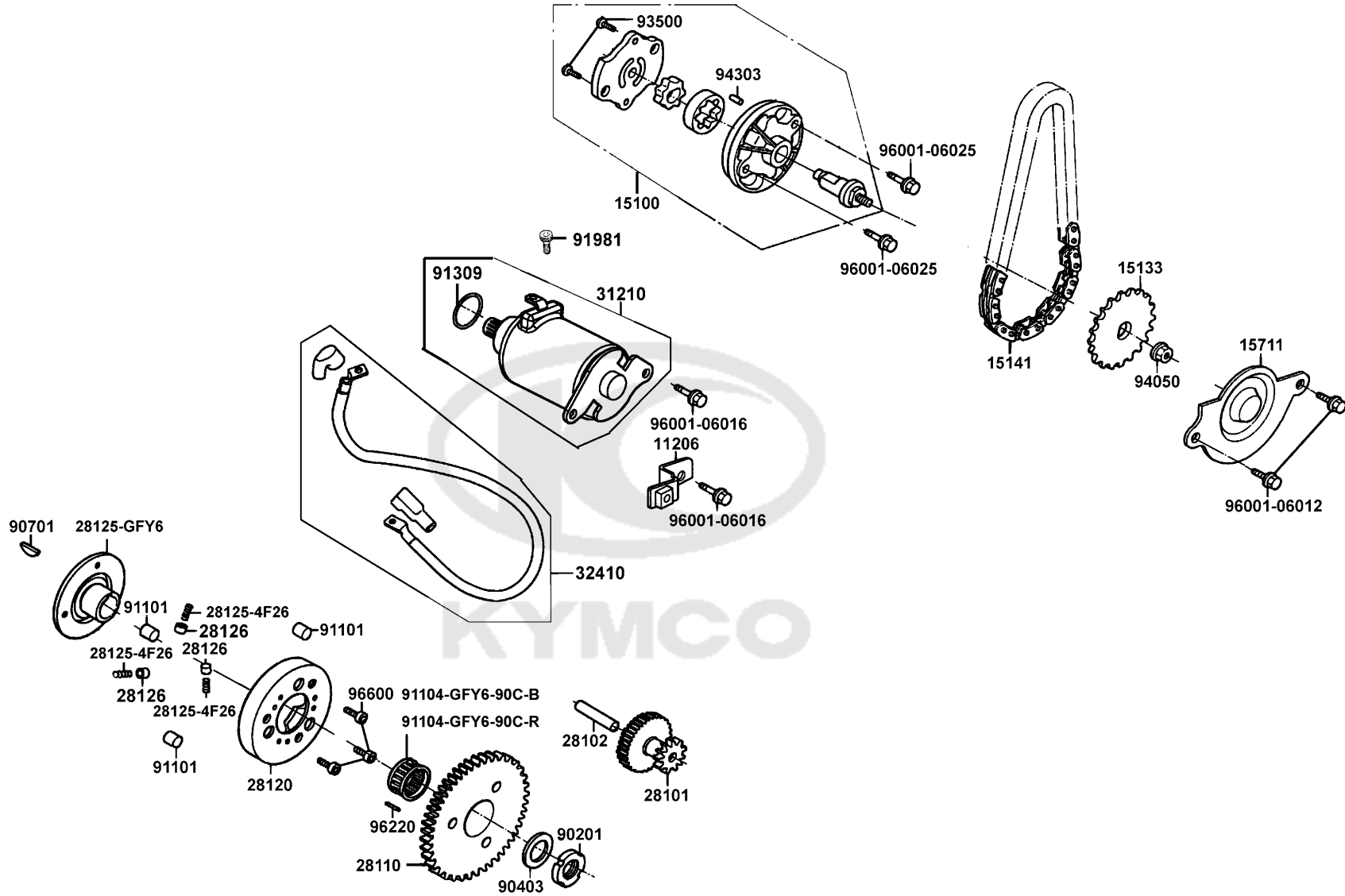


Sales mark 記号	Ref no 参照用番号	Part no パーツ番号	Description 部品名	Reg description 部品名	Regd no 必要個数	Ref Price 希望小売価格(税抜)
11206		11206-KKE3-900	STAY A RR FENDER	STAY A RR FENDER	1	390
15100		15100-KUDU-900	PUMP ASSY OIL	PUMP ASSY OIL	1	3240
15133		15133-GFY6-901	SPRKT OIL PUMP DRIVEN	SPRKT OIL PUMP DRIVEN	1	580
15141		15141-GFY6-90B	CHAIN OIL PUMP	CHAIN OIL PUMP	1	2230
15711		15711-KUDU-900	SEPARATER OIL	SEPARATER OIL	1	390
28101		28101-GFY6-901	GEAR STARTER REDUCTION	GEAR STARTER REDUCTION	1	2860
28102		28102-GFY6-901	SHAFT STARTER REDUCTION GEAR	SHAFT STARTER REDUCTION GEAR	1	300
28110		28110-GFY6-901	GEAR COMP STARTING CLUTCH	GEAR COMP STARTING CLUTCH	1	4600
28120		28120-GFY6-315	OUTER COMP STARTING CLUTCH	OUTER COMP STARTING CLUTCH	1	7800
28125-4F26		28125-4F26-001	SPRING ROLLER STARTER CLUTCH	SPRING ROLLER STARTER CLUTCH	3	160
28125-GFY6		28125-GFY6-960	FLANGE STARTING CLUTCH	FLANGE STARTING CLUTCH	1	2010
28126		28126-KUDU-900	CAP STARTING ROLLER SPRING	CAP STARTING ROLLER SPRING	3	160
31210		31210-GFY6-20C	MOTOR UNIT START	MOTOR UNIT START	1	16840
32410		32410-GFY6-901	CABLE START MOTOR	CABLE START MOTOR	1	1150
90201		90201-GFY6-901	NUT LOCK 22MM	NUT LOCK 22MM	1	110
90403		90403-KUDU-900	WASHER THRUST 22.2*39*2.5	WASHER THRUST 22.2*39*2.5	1	120
90701		90701-HFB6-011	KEY WOODRUFF 25*14*4	KEY WOODRUFF 25*14*4	1	60
91101		91101-1K79-711	ROLLER 10*10	ROLLER 10*10	3	60
91104-GFY6-90C-B		91104-GFY6-90C-B	BRG NEEDLE/28*32*17/0.002-0.004	BRG NEEDLE/28*32*17/0.002-0.004	1	360
91104-GFY6-90C-R		91104-GFY6-90C-R	BRG NEEDLE 28*32*17	BRG NEEDLE 28*32*17	1	360

E06

E06

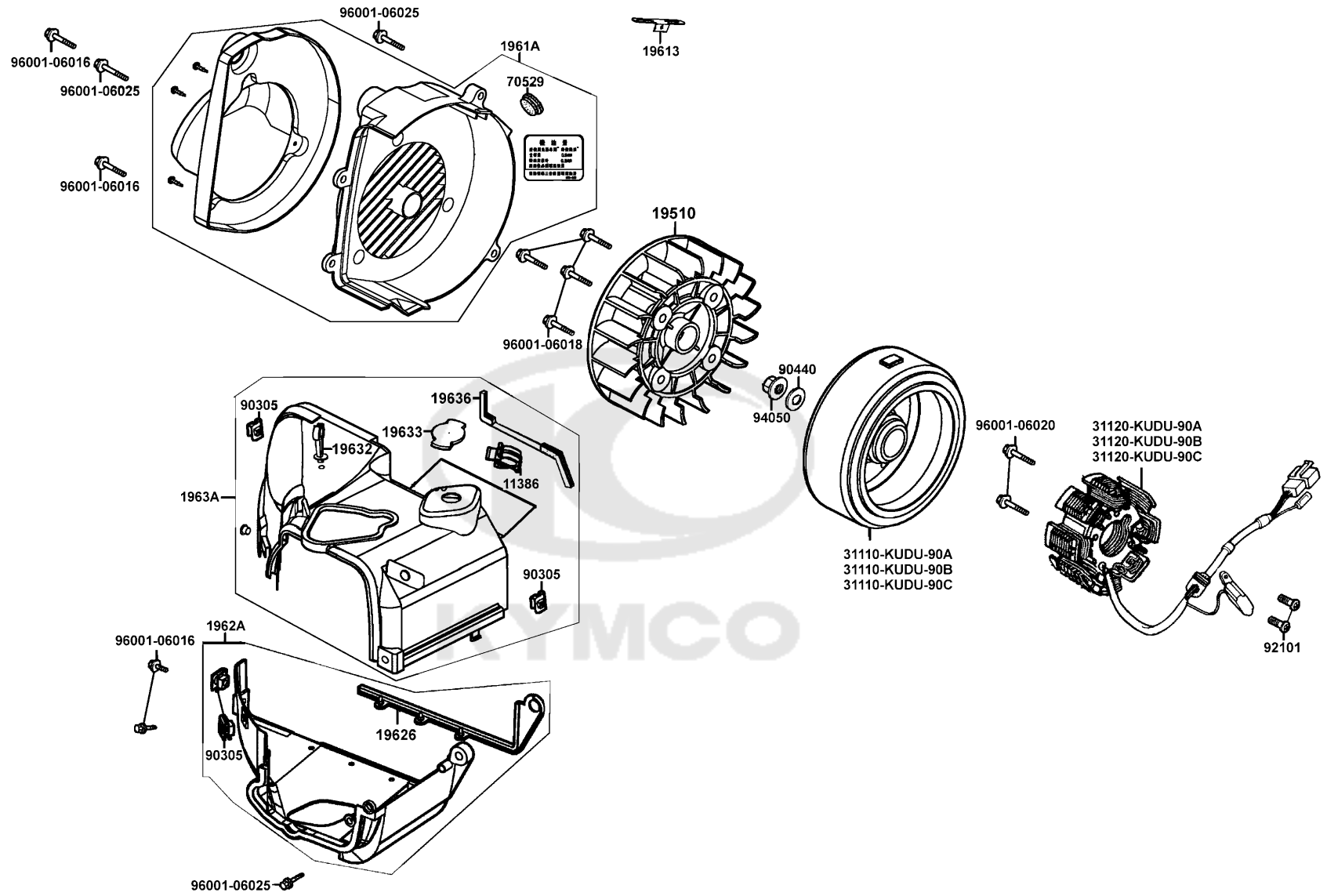
Starting Motor Oil Pump



Sales mark 記号	Ref no 参照用番号	Part no パーツ番号	Description 部品名	Reg description 部品名	Regd no 必要個数	Ref Price 希望小売価格(税抜)	E06
91309		91309-4E25-004	O-RING 24.4*3.1	O-RING 24.4*3.1	1	60	
91981		91981-KGN7-670	SCREW WASH 5*8	SCREW WASH 5*8	1	60	
93500		93500-03010-0F	SCREW PAN 3X10 (G)	SCREW PAN 3X10 (G)	1	60	
94050		94050-06080	NUT FLANGE 6MM	NUT FLANGE 6MM	1	60	
94303		94303-04065	DOWEL PIN 4*6.5	DOWEL PIN 4*6.5	1	60	
96001-06012		96001-06012-06	BOLT FLANGE SH 6*12	BOLT FLANGE SH 6*12	1	60	
96001-06016		96001-06016-06	BOLT FLANGE SH 6X16	BOLT FLANGE SH 6X16	1	60	
96001-06025		96001-06025-06	BOLT FLANGE SH 6*25	BOLT FLANGE SH 6*25	1	60	
96220		96220-60100	ROLLER 6*10	ROLLER 6*10	1	60	
96600		96600-08010-16	SOCKET BOLT 8*10	SOCKET BOLT 8*10	1	60	

E07

Fan Cover Generator



Sales mark 記号	Ref no 参照用番号	Part no パーツ番号	Description 部品名	Reg description 部品名	Regd no 必要個数	Ref Price 希望小売価格(税抜)
						<b>E07</b>
11386		11386-GFY6-900	CLIP VACUUM TUBE	CLIP VACUUM TUBE	1	60
19510		19510-KKE3-900	FAN COMP COOLING	FAN COMP COOLING	1	700
19613		19613-GFY6-901	CLAMPER STARTER MOTOR	CLAMPER STARTER MOTOR	1	300
1961A		1961A-KUDU-E10	COVER ASSY FAN	COVER ASSY FAN	3	2860
19626		19626-KUDU-900	SEAL SHROUD A	SEAL SHROUD A	1	870
1962A		1962A-KUDU-900	SHROUD ASSY A	SHROUD ASSY A	1	2790
19632		19632-GFY6-901	CLIP HIGHTENSION CORD	CLIP HIGHTENSION CORD	1	200
19633		19633-GFY6-901	GROMET SHROUD B	GROMET SHROUD B	4	200
19636		19636-KUDU-C00	SEAL SHROUD B	SEAL SHROUD B	1	960
1963A		1963A-KUDU-C00	SHROUD ASSY B	SHROUD ASSY B	1	2860
31110-KUDU-90A	31110-KUDU-90A		FLYWHEEL COMP (D402)	FLYWHEEL COMP	4	10080
31110-KUDU-90B	31110-KUDU-90B		FLYWHEEL COMP (D406)	FLYWHEEL COMP /D406	3	10080
31110-KUDU-90C	31110-KUDU-90C		FLYWHEEL COMP (D414)	FLYWHEEL COMP /D414	1	10080
31120-KUDU-90A	31120-KUDU-90A		STATOR COMP (D402)	STATOR COMP /D402	1	11600
31120-KUDU-90B	31120-KUDU-90B		STATOR COMP (D406)	STATOR COMP /D406	1	11600
31120-KUDU-90C	31120-KUDU-90C		STATOR COMP (D414)	STATOR COMP /D414	1	11600
70529		70529-6G57-671	GROM B SIDE PNL	GROM B SIDE PNL	1	200
90305		90305-GHK8-001	NUT CLIP 6MM	NUT CLIP 6MM	4	60
90440		90440-1F66-001	WASHER PLAIN 12MM	WASHER PLAIN 12MM	1	60
92101		92101-05012-0G	BOLT HEX 5*12 (G)	BOLT HEX 5*12 (G)	1	60

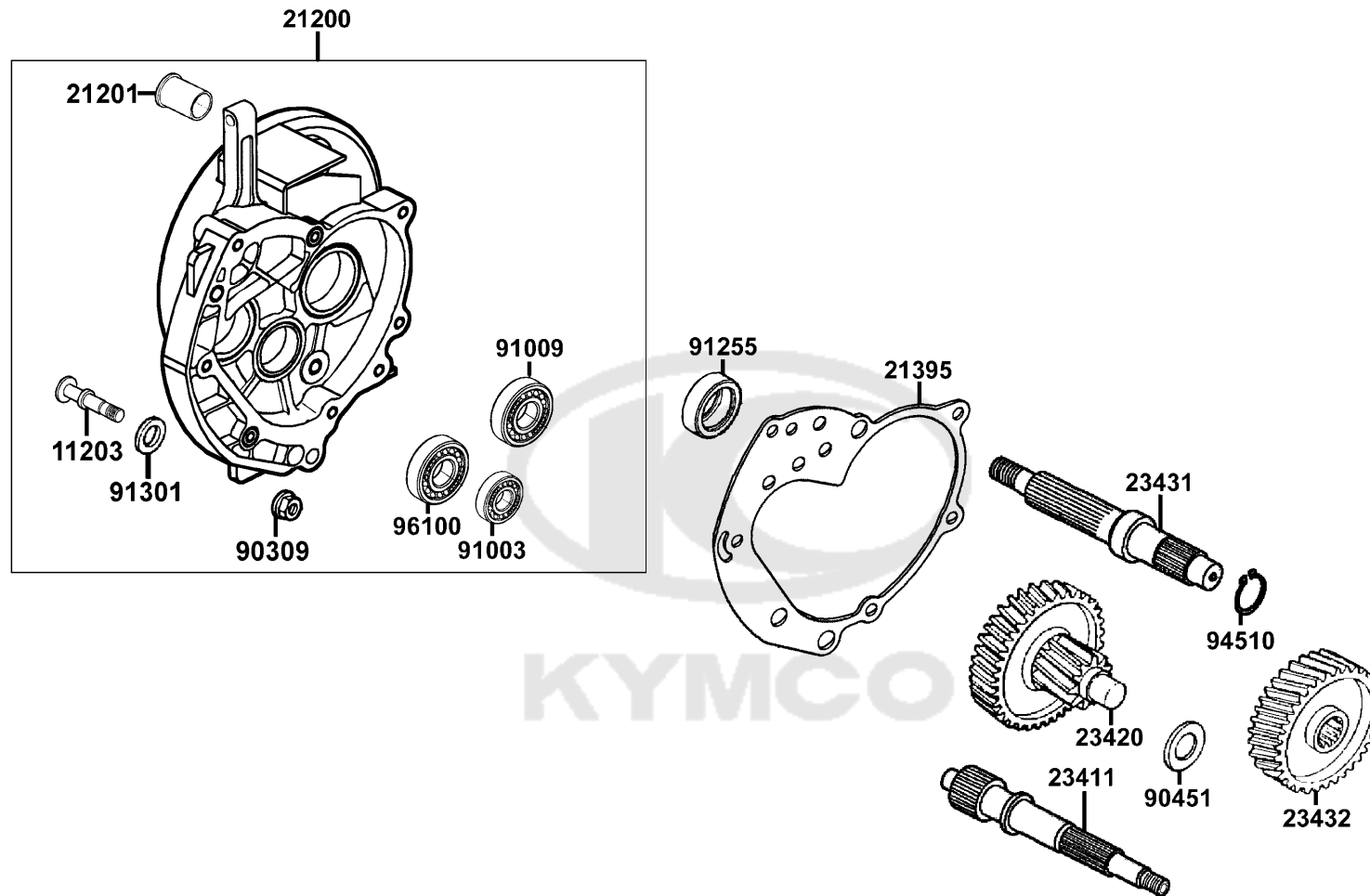




Sales mark 記号	Ref no 参照用番号	Part no パーツ番号	Description 部品名	Reg description 部品名	Regd no 必要個数	Ref Price 希望小売価格(税抜)	E07
------------------	-----------------	------------------	--------------------	------------------------	-----------------	-------------------------	-----

94050		94050-12080	NUT C FLANGE 12MM	NUT C FLANGE 12MM	1	60	
96001-06016		96001-06016-06	BOLT FLANGE SH 6X16	BOLT FLANGE SH 6X16	1	60	
96001-06018		96001-06018-06	BOLT FLANGE SH 6X18	BOLT FLANGE SH 6X18	1	60	
96001-06020		96001-06020-06	BOLT FLANGE SH 6*20	BOLT FLANGE SH 6*20	1	200	
96001-06025		96001-06025-06	BOLT FLANGE SH 6*25	BOLT FLANGE SH 6*25	1	60	

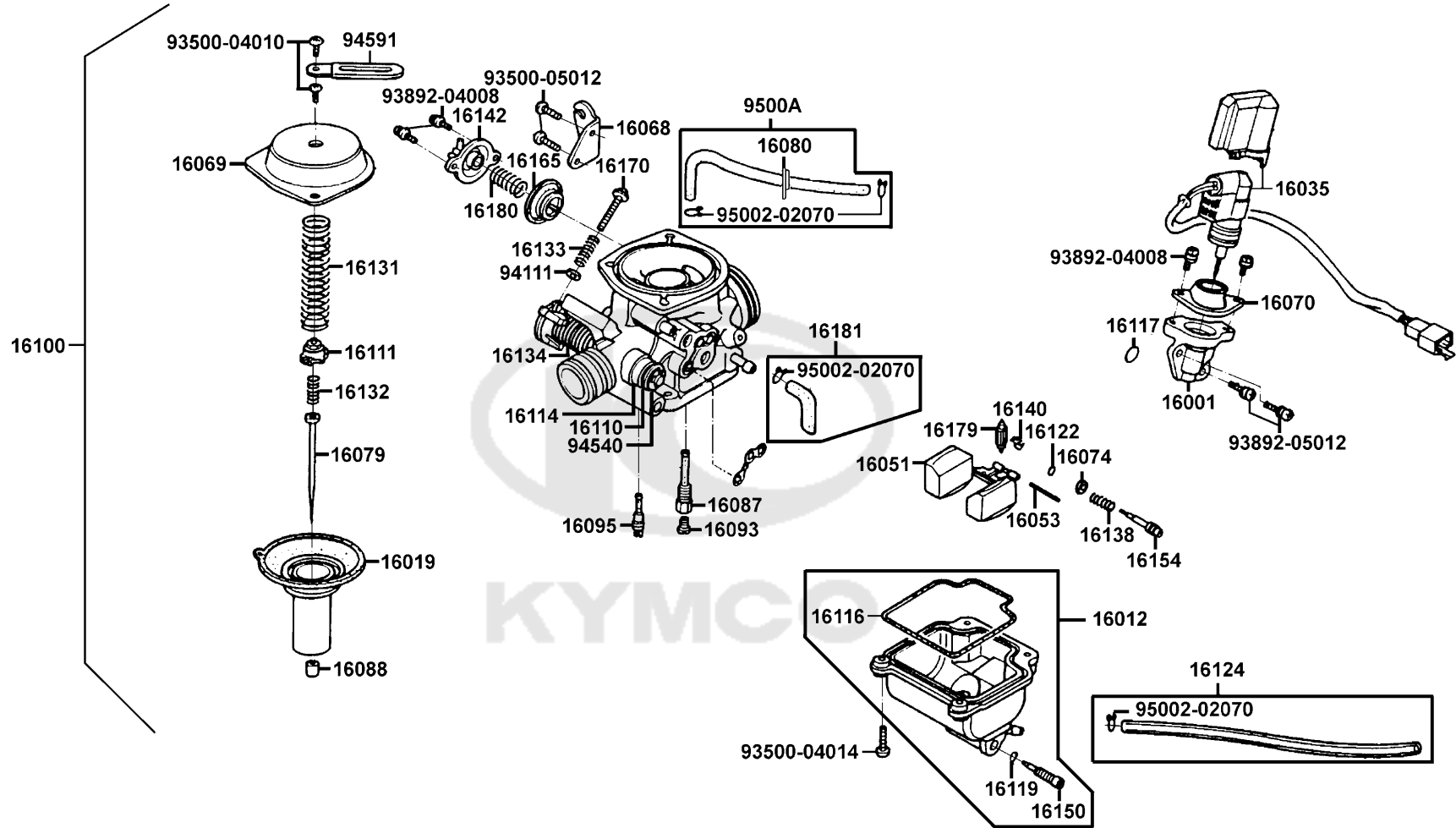




Sales mark 記号	Ref no 参照用番号	Part no パーツ番号	Description 部品名	Reg description 部品名	Regd no 必要個数	Ref Price 希望小売価格(税抜)	E08
11203		11203-KUDU-900	PIN BRAKE SHOE ANCHOR	PIN BRAKE SHOE ANCHOR	1	680	
21200		21200-KUDU-305	CASE SET MISSION	CASE SET MISSION	5	13880	
21201		21201-KUDU-900	BUSH MISSION	BUSH MISSION	1	870	
21395		21395-KUDU-980	GASKET MISSION CASE	GASKET MISSION CASE	1	1150	
23411		23411-KUDU-900	SHAFT DRIVE	SHAFT DRIVE	1	6380	
23420		23420-GFY6-901	SHAFT COMP COUNTER	SHAFT COMP COUNTER	1	11700	
23431		23431-KUDU-900	SHAFT FINAL	SHAFT FINAL	1	4570	
23432		23432-GFY6-901	GEAR FINAL	GEAR FINAL	1	4000	
90309		90309-KLF0-004	NUT FLANGE 8MM	NUT FLANGE 8MM	1	60	
90451		90451-KUDU-900	WASHER THRUST 15MM	WASHER THRUST 15MM	1	60	
91003		91003-KDS4-004	BRG BALL RADIAL 6301TMB	BRG BALL RADIAL 6301TMB	1	620	
91009		91009-GLE0-004	BRG BALL RADIAL 6004 UU	BRG BALL RADIAL 6004 UU	1	1300	
91255		91255-GLE0-006	OIL SEAL 27*42*7	OIL SEAL 27*42*7	1	60	
91301		91301-0H28-001	O RING 27*2	O RING 27*2	1	70	
94510		94510-20000	CIR CLIP EX 20	CIR CLIP EX 20	1	60	
96100		96100-60020-00	BRG BALL RADIAL 6002	BRG BALL RADIAL 6002	1	250	

E09

Carburetor



Sales mark 記号	Ref no 参照用番号	Part no パーツ番号	Description 部品名	Reg description 部品名	Regd no 必要個数	Ref Price 希望小売価格(税抜)	E09
16001		16001-KEC3-900	BODY ASSY BY-ST	BODY ASSY BY-ST	1	6660	
16012		16012-KEC3-800	CHAMBER COMP FLOAT	CHAMBER COMP FLOAT	1	6660	
16019		16019-KUDU-900	VALVE ASSY PISTON	VALVE ASSY PISTON	1	2670	
16035		16035-LLF5-900	UNIT BY-SET	UNIT BY-SET	1	9040	
16051		16051-KEC3-90A	BODY FLOAT	BODY FLOAT	1	1150	
16053		16053-KEC3-900	PIN FLOAT	PIN FLOAT	1	160	
16068		16068-KEC3-900	PLATE WIRE FIXED	PLATE WIRE FIXED	1	110	
16069		16069-KEC3-900	COVER PISTON VALVE DIAPHRAGM	COVER PISTON VALVE DIAPHRAGM	1	300	
16070		16070-KEC3-900	STOPPER BY-ST	STOPPER BY-ST	1	70	
16074		16074-KEC3-900	WASHER IDLE SCREW	WASHER IDLE SCREW	1	160	
16079		16079-KEC3-900	NEEDLE ASSY JET	NEEDLE ASSY JET	1	1890	
16080		16080-KEC3-900	CLIP TUBE HOLDER	CLIP TUBE HOLDER	1	160	
16087		16087-KEC3-900	TUBE MAIN EMULSION	TUBE MAIN EMULSION	1	610	
16088		16088-KEC3-900	JET NEEDLE	JET NEEDLE	1	510	
16093		16093-KEC3-096	JET MAIN	JET MAIN	1	870	
16095		16095-KEC3-035	JET SLOW #35	JET SLOW #35	1	1820	
16100		16100-LAD9-900	CARBURETOR ASSY	CARBURETOR ASSY	1	29320	
16110		16110-KEC3-900	WASHER THROTTLE ASSY	WASHER THROTTLE ASSY	1	160	
16111		16111-KEC3-900	STOPPER J.N SPG	STOPPER J.N SPG	1	160	
16114		16114-KEC3-900	SHAFT COVER	SHAFT COVER	1	110	

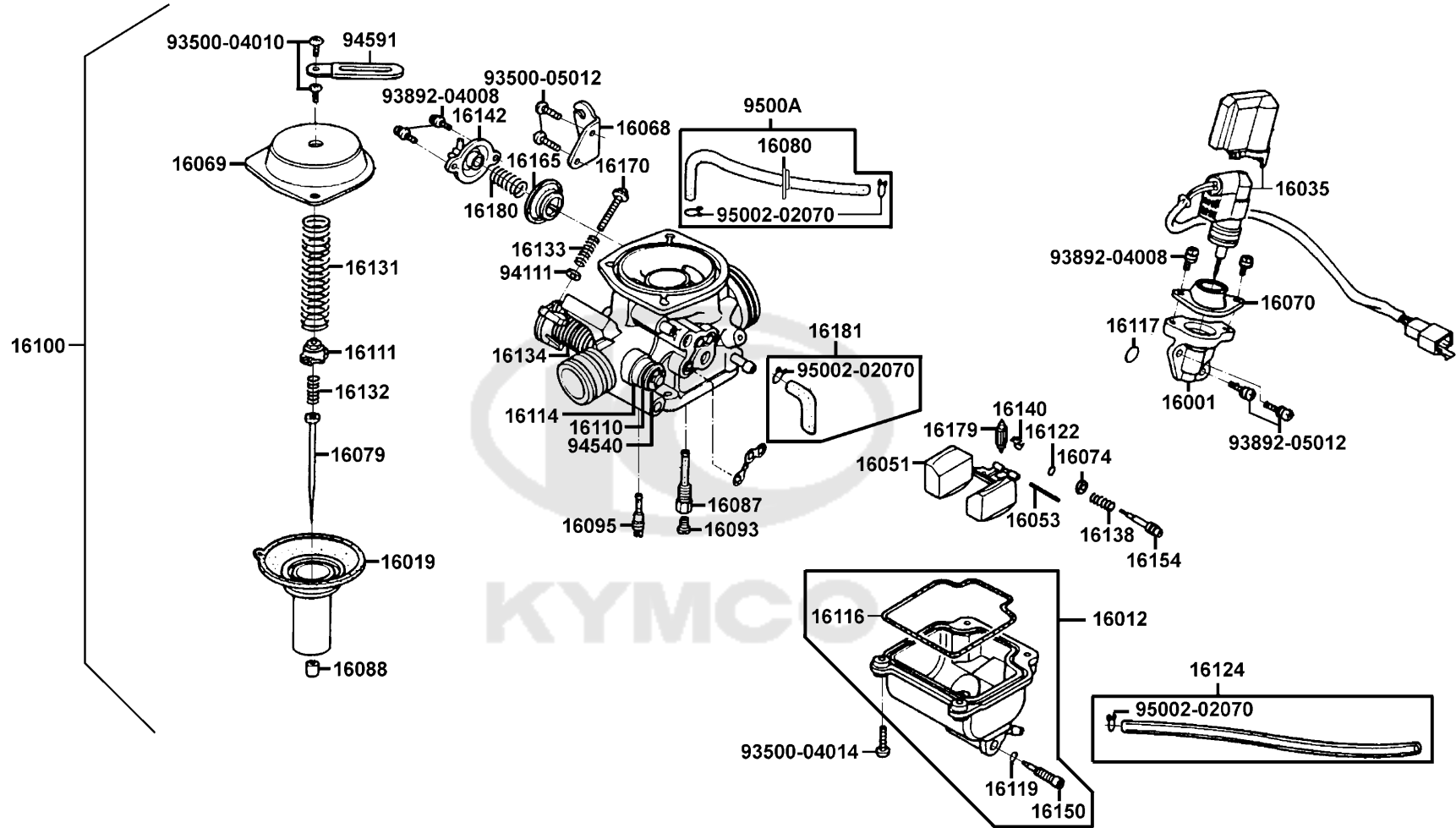


Sales mark 記号	Ref no 参照用番号	Part no パーツ番号	Description 部品名	Reg description 部品名	Regd no 必要個数	Ref Price 希望小売価格(税抜)	E09
16116	16116-KEC3-900	16116-KEC3-900	PACKING FLOAT CHAMBER	PACKING FLOAT CHAMBER	1	230	
16117	16117-KEC3-900	16117-KEC3-900	PACKING BY-ST	PACKING BY-ST	1	130	
16119	16119-KEC3-900	16119-KEC3-900	O-RING	O-RING	1	60	
16122	16122-KEC3-900	16122-KEC3-900	O-RING IDLE SCREW	O-RING IDLE SCREW	1	60	
16124	16124-KEC3-900	16124-KEC3-900	TUBE COMPL 3.5*300	TUBE COMPL 3.5*300	1	210	
16131	16131-KEC3-900	16131-KEC3-900	SPG PISTON VALVE RETURN	SPG PISTON VALVE RETURN	1	230	
16132	16132-KEC3-900	16132-KEC3-900	SPG JET NEEDLE	SPG JET NEEDLE	1	160	
16133	16133-KEC3-900	16133-KEC3-900	SPG THROTTLE ADJ SCREW	SPG THROTTLE ADJ SCREW	1	160	
16134	16134-KEC3-900	16134-KEC3-900	SPG THROTTLE SHAFT	SPG THROTTLE SHAFT	1	230	
16138	16138-KEC3-900	16138-KEC3-900	SPG IDLE SCREW	SPG IDLE SCREW	1	160	
16140	16140-KEC3-900	16140-KEC3-900	CLIP FLOAT VALVE	CLIP FLOAT VALVE	1	160	
16142	16142-KEC3-900	16142-KEC3-900	COVER ACV	COVER ACV	1	400	
16150	16150-KEC3-900	16150-KEC3-900	SCREW COMP DRAIN	SCREW COMP DRAIN	1	490	
16154	16154-KEC3-900	16154-KEC3-900	SCREW IDLE ADJ	SCREW IDLE ADJ	1	390	
16165	16165-KEC3-900	16165-KEC3-900	DIAPHRAGM COMP	DIAPHRAGM COMP	1	580	
16170	16170-KEC3-900	16170-KEC3-900	SCREW THROTTLE ADJUST	SCREW THROTTLE ADJUST	1	70	
16179	16179-KEC3-900	16179-KEC3-900	VALVE ASSY FLOAT	VALVE ASSY FLOAT(廃盤部品の為、代用品)	1	1770	
16180	16180-KEC3-900	16180-KEC3-900	SPRING ACV	SPRING ACV	1	160	
16181	16181-KEC3-900	16181-KEC3-900	TUBE AIR VENT	TUBE AIR VENT	1	210	
93500-04010	93500-04010-0F	93500-04010-0F	SCREW PAN 4X10	SCREW PAN 4X10	1	200	

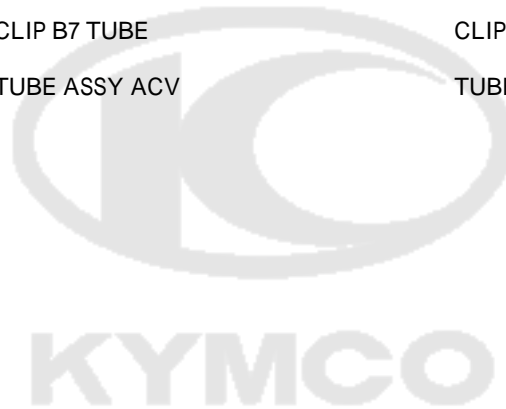


E09

Carburetor

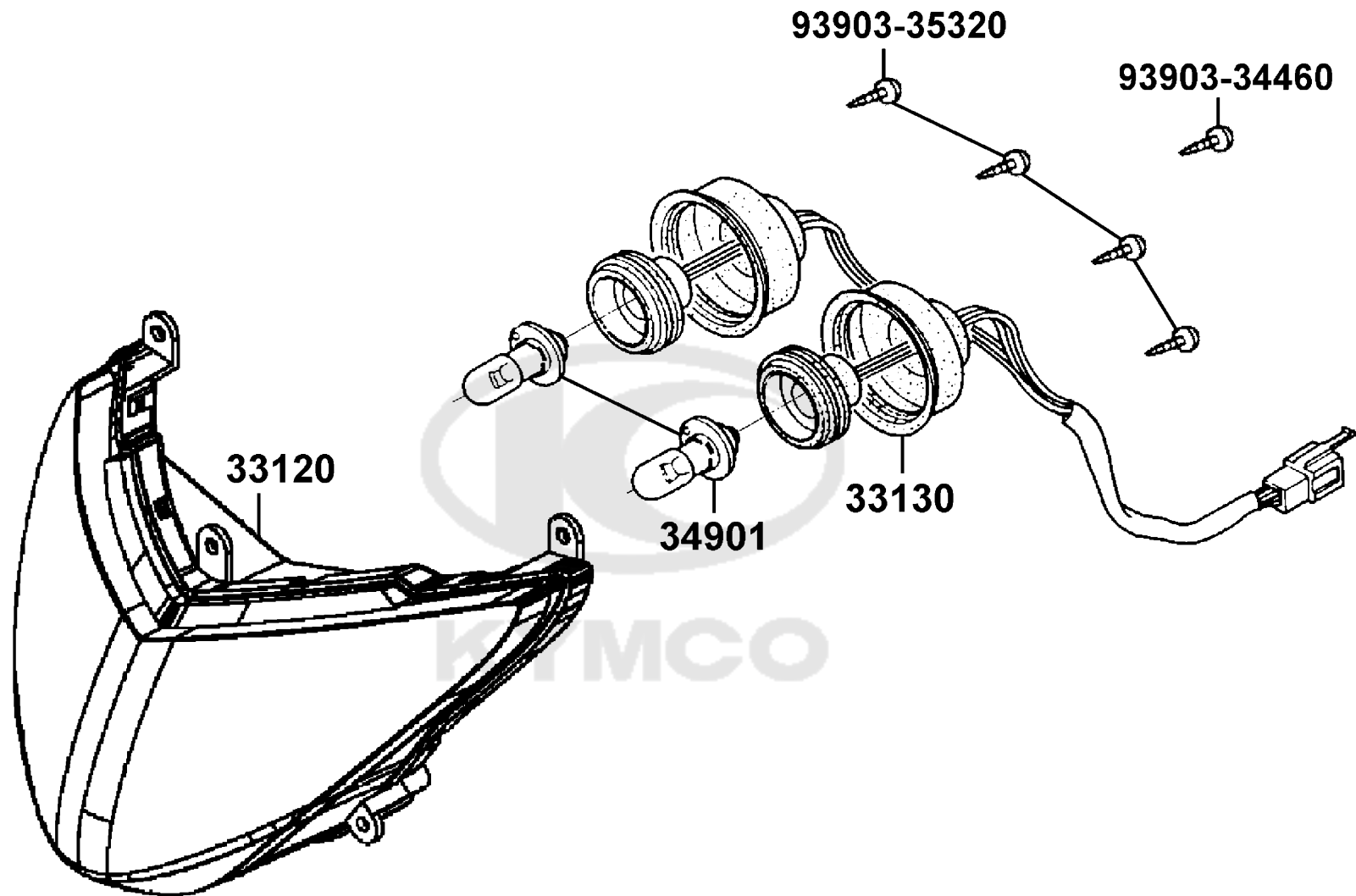


Sales mark 記号	Ref no 参照用番号	Part no パーツ番号	Description 部品名	Reg description 部品名	Regd no 必要個数	Ref Price 希望小売価格(税抜)	E09
93500-04014	93500-04014-0F	93500-04014-0F	SCREW PAN 4*14 (G)	SCREW PAN 4*14 (G)	1	200	
93500-05012	93500-05012-0F	93500-05012-0F	SCREW PAN 5*12	SCREW PAN 5*12	1	200	
93892-04008	93892-04008-16	93892-04008-16	SCREW WASHER 4*8	SCREW WASHER 4*8	1	200	
93892-05012	93892-05012-06	93892-05012-06	SCREW WASHER 5*12	SCREW WASHER 5*12	1	200	
94111	94111-04800	94111-04800	WASHER SPRING 4MM	WASHER SPRING 4MM	1	60	
94540	94540-50029	94540-50029	E CLIP SHAFT	E CLIP SHAFT	1	60	
94591	94591-25000	94591-25000	CLIP BIND	CLIP BIND	1	110	
95002	95002-02070	95002-02070	CLIP B7 TUBE	CLIP B7 TUBE	6	60	
9500A	9500A-KHB5-EZ0	9500A-KHB5-EZ0	TUBE ASSY ACV	TUBE ASSY ACV	1	350	



F01

Head Light

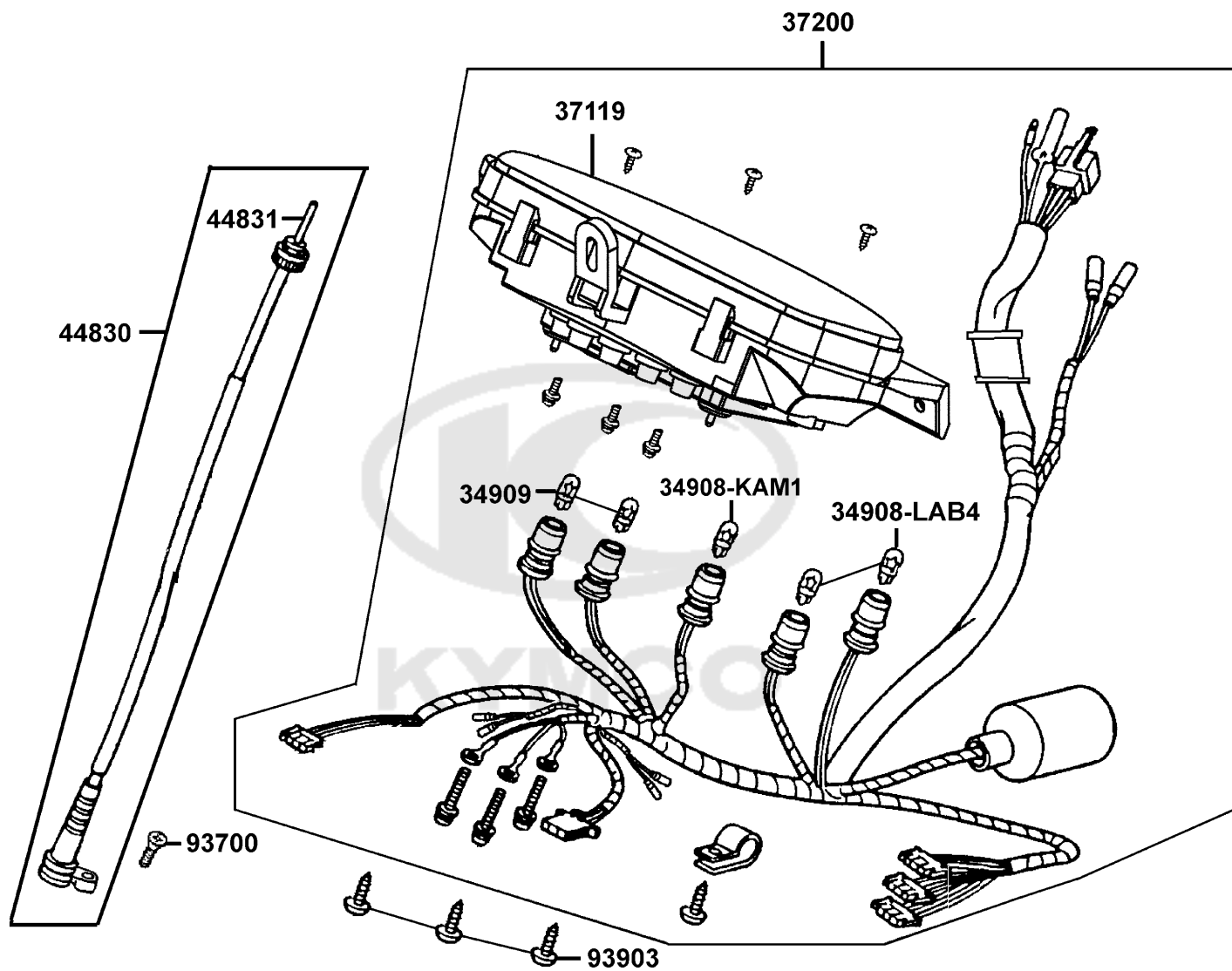


Sales mark 記号	Ref no 参照用番号	Part no パーツ番号	Description 部品名	Reg description 部品名	Regd no 必要個数	Ref Price 希望小売価格(税抜)	F01
33120		33120-LAD9-900	UNIT HEAD LIGHT	UNIT HEAD LIGHT	1	6660	
33130		33130-KHE2-900	SOCKET COMP	SOCKET COMP	1	1820	
34901		34901-LAD9-900	BULB HEAD LIGHT 12V18W/18W	BULB HEAD LIGHT 12V18W/18W	2	2770	
93903-34460		93903-34460	SCREW TAPPING 4*16	SCREW TAPPING 4*16	1	200	
93903-35320		93903-35360	SCREW WASHER 4*12	SCREW WASHER 4*12	1	60	



F02

Speedometer



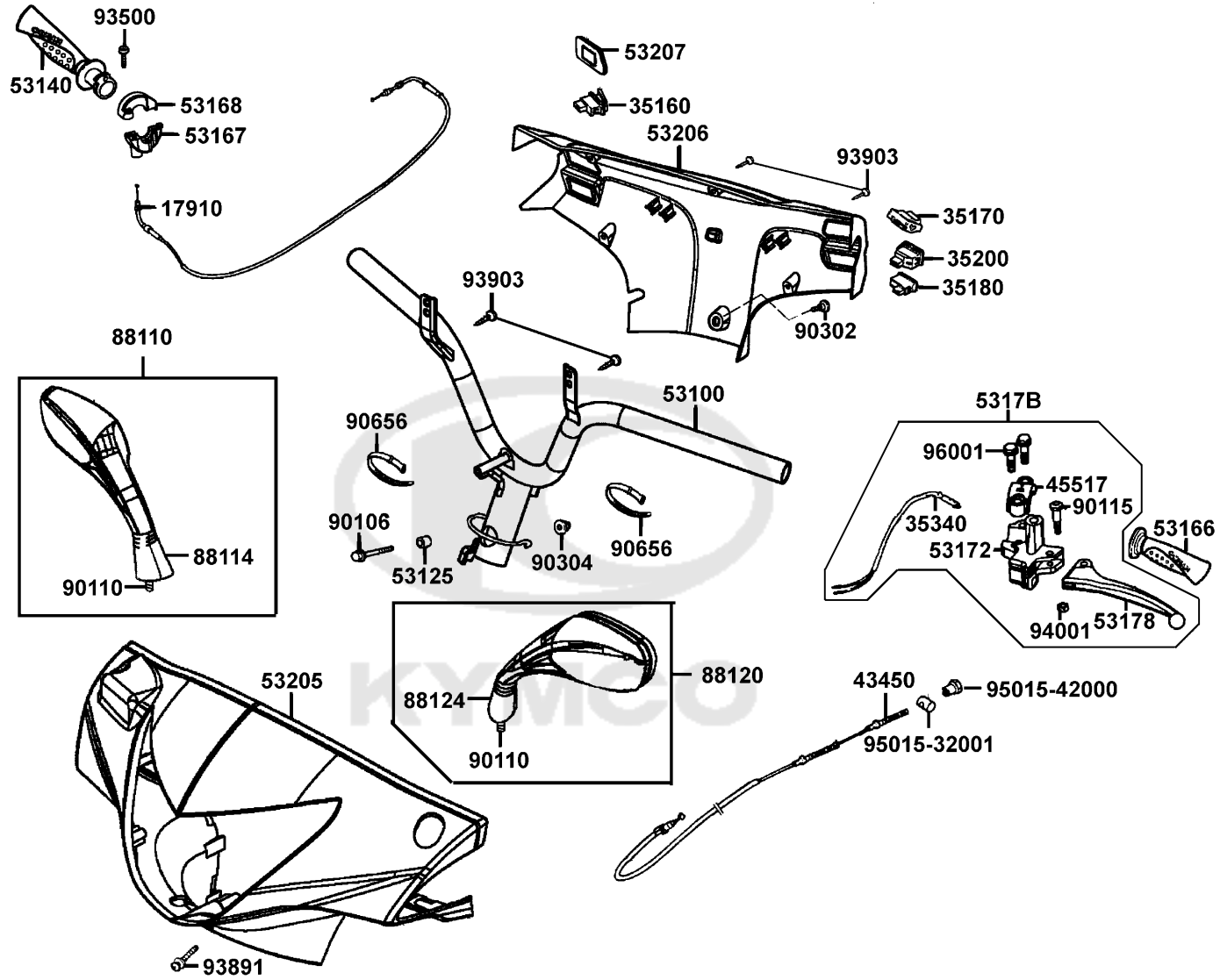
Sales mark 記号	Ref no 参照用番号	Part no パーツ番号	Description 部品名	Reg description 部品名	Regd no 必要個数	Ref Price 希望小売価格(税抜)
	34908-KAM1	34908-KAM1-67A	BULB WEDGE BASE T6.5(12V/3W)	BULB WEDGE BASE T6.5(12V/3W)	2	300
	34908-LAB4	34908-LBE8-900	BULB WEDGE BASE (12V3.4W)	BULB WEDGE BASE (12V3.4W)	1	300
	34909	34909-KEBE-900	BULB WEDGE BASE	BULB WEDGE BASE	1	300
	37119	37119-LAD9-90B	LENS	LENS	1	1150
	37200	37200-LAD9-B20	SPEED METER ASSY	SPEED METER ASSY	1	25350
	44830	44830-LAD9-900	CABLE COMP SPDMT	CABLE COMP SPDMT	1	1110
	44831	44831-KUDU-900	CABLE INNER	CABLE INNER	1	580
	93700	93700-05018-0F	SCREW OVAL 5*18	SCREW OVAL 5*18	1	60
	93903	93903-35360	SCREW WASHER 4*12	SCREW WASHER 4*12	1	60

F02



F03

Handle Steering Handle Cover

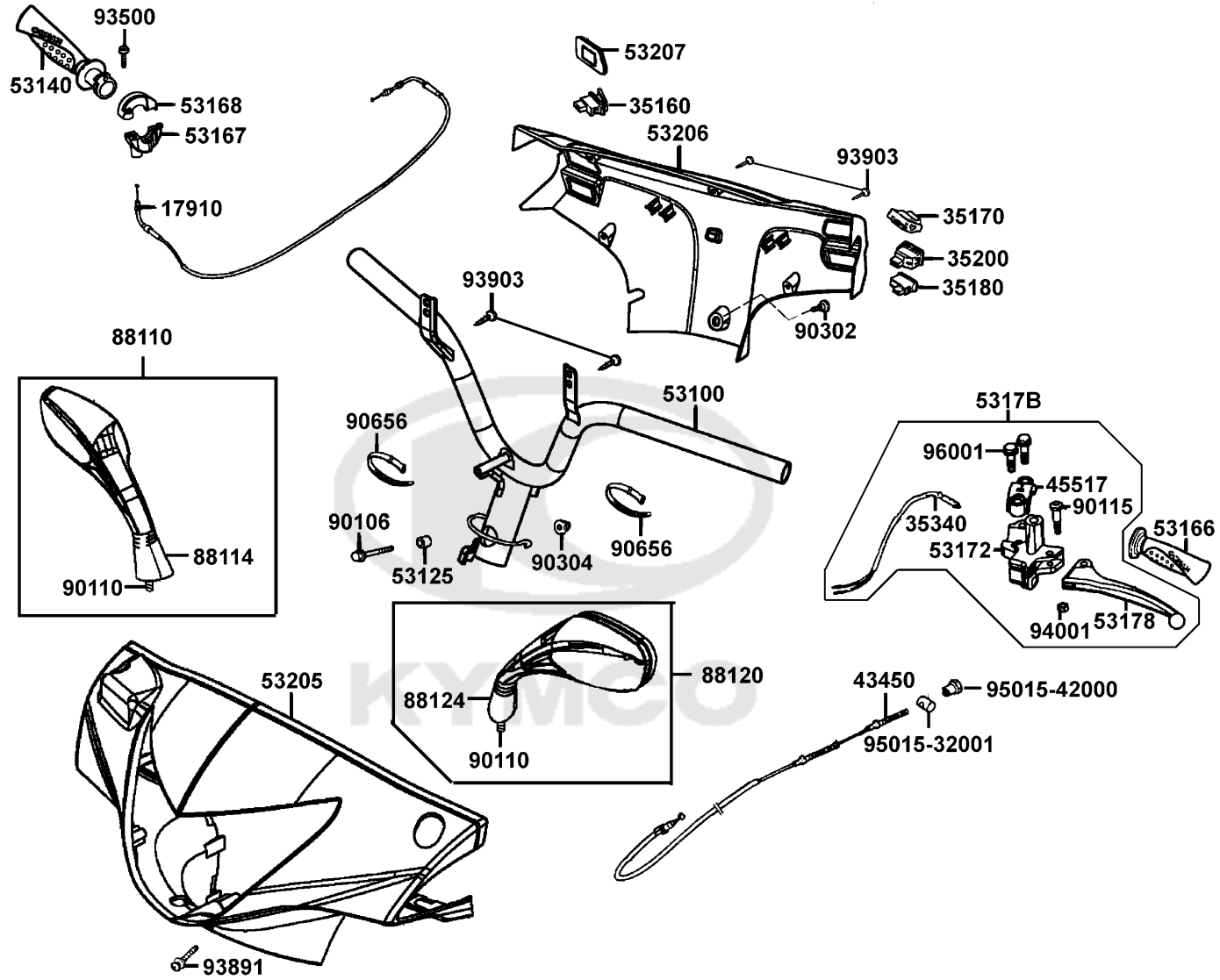


Sales mark 記号	Ref no 参照用番号	Part no パーツ番号	Description 部品名	Reg description 部品名	Regd no 必要個数	Ref Price 希望小売価格(税抜)	F03
	17910	17910-LAD9-900	CABLE COMP THROT	CABLE COMP THROT	1	1910	
	35160	35160-GFY6-900	SW UNIT STARTER	SW UNIT STARTER	1	580	
	35170	35170-KNBN-910	SW UNIT DIMMER & PASSING	SW UNIT DIMMER & PASSING	1	1110	
	35180	35180-GFY6-900	SW UNIT HORN	SW UNIT HORN	1	560	
	35200	35200-GFY6-910	SW UNIT WINKER	SW UNIT WINKER	1	830	
	35340	35340-KFLF-900	SW ASSY FR STOP	SW ASSY FR STOP	1	540	
	43450	43450-LAD9-950	CABLE COMP RR **900 C.2006.03.21	CABLE COMP RR **900 C.2006.03.21	1	1530	
	45517	45517-GFY6-900	HOLDER HNDL BRKT	HOLDER HNDL BRKT	1	260	
	53100	53100-LAD9-900	HANDLE COMP STEERING **(0)	HANDLE COMP STEERING **(0)	1	5900	
	53125	53125-GEN5-901	COLLAR HANDLE SET	COLLAR HANDLE SET	1	390	
**	53140	53140-KFA1-900	GRIP COMP THROT	GRIP COMP THROT	1	870	
**	53166	53166-KFA1-900	GRIP L HANDLE	GRIP L HANDLE	1	770	
	53167	53167-GAR1-951	HOUSING UND THROT	HOUSING UND THROT	1	440	
	53167	53167-LHJ6-900	HOUSING UND THROT	HOUSING UND THROT	1	320	
	53168	53168-GAR1-951	HOUSING UP THROT	HOUSING UP THROT	1	300	
	53168	53168-KFA1-900	HOUSING UP THROT	HOUSING UP THROT	1	300	
	53172	53172-KUDU-901	BRKT HNDL L	BRKT HNDL L	1	1060	
**	53178	53178-GKAK-901	LEVER L STRG HANDLE	LEVER L STRG HANDLE	1	610	
	5317B	5317B-KUDU-900	BRKT ASSY L/H HANDLE	BRKT ASSY L/H HANDLE	1	2670	
**	53205	53205-LAD9-900	COVER FR HANDLE **(0) C.2005.10.24	COVER FR HANDLE **(0) C.2005.10.24	1	4190	



F03

Handle Steering Handle Cover

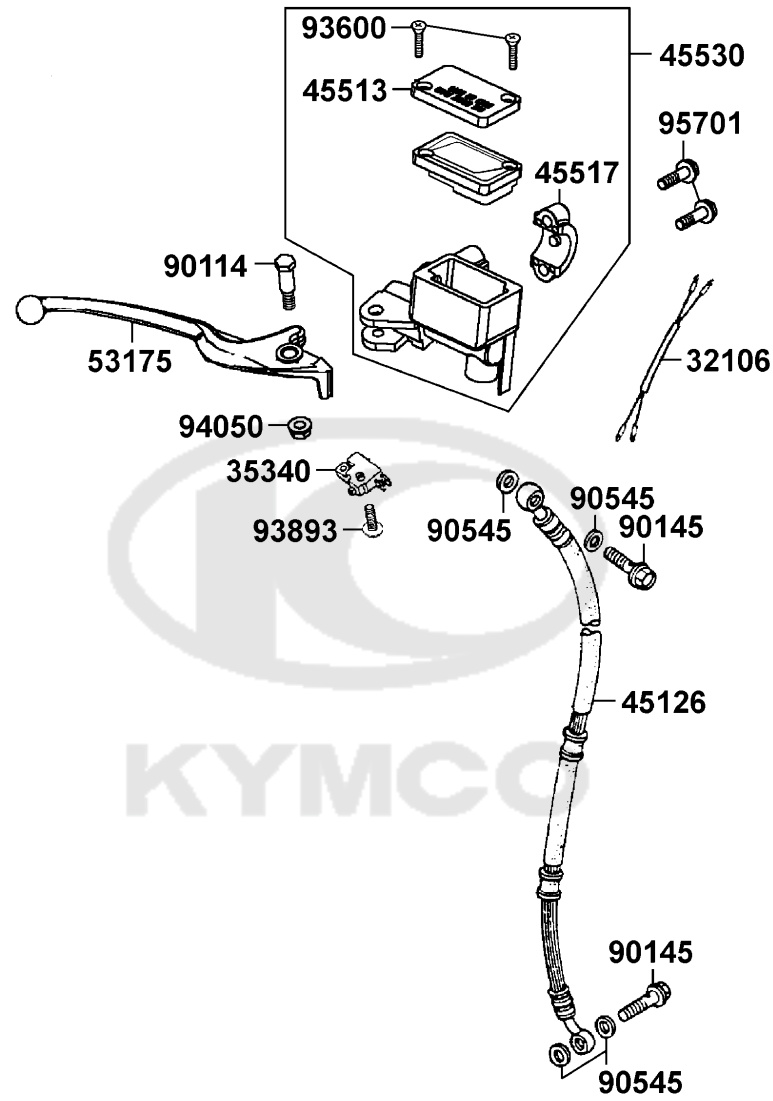


Sales mark 記号	Ref no 参照用番号	Part no パーツ番号	Description 部品名	Reg description 部品名	Regd no 必要個数	Ref Price 希望小売価格(税抜)
**	53206	53206-LAD9-900	COVER RR HANDLE **(0) C.2005.10.28	COVER RR HANDLE **(0) C.2005.10.28	1	1330
**	53207	53207-KKD9-B00	COVER SWITCH **(0) C.2005.04.25	COVER SWITCH **(0) C.2005.04.25 (Black)	1	160
**	88110	88110-LAD9-900	MIRROR ASSY R BACK	MIRROR ASSY R BACK	1	5910
	88114	88114-LAD9-900	BOOTS R MIRROR **(0) C.2005.10.25	BOOTS R MIRROR **(0) C.2005.10.25	1	390
**	88120	88120-LAD9-900	MIRROR ASSY L BACK **(1)	MIRROR ASSY L BACK **(1) C.2008.01.16	1	5910
	88124	88124-LAD9-900	BOOTS L MIRROR **(0) C.2005.10.25	BOOTS L MIRROR **(0) C.2005.10.25	1	390
	90106	90106-GEN5-901	BOLT FLANGE 10*50	BOLT FLANGE 10*50	1	80
	90110	90110-LAD9-900	BOLT SPECIAL 8MM **(0) C.2005.12.24	BOLT SPECIAL 8MM **(0) C.2005.12.24	2	770
	90115	90115-GLE0-001	BOLT HNDL LEVER PIVOT	BOLT HNDL LEVER PIVOT	1	60
	90302	90302-KNBN-900	BOLT PAN 5*10	BOLT PAN 5*10	1	60
	90304	90304-GHE8-004	NUT CAP 6MM	NUT CAP 6MM	1	200
	90656	90656-KCBC-900	BAND OIL HANDLE	BAND OIL HANDLE	1	60
	93500	93500-05022-0F	SCREW PAN 5X22 (G)	SCREW PAN 5X22 (G)	1	60
	93891	93891-05040-06	SCREW WASHER 5*40	SCREW WASHER 5*40	1	200
	93903	93903-34460	SCREW TAPPING 4*16	SCREW TAPPING 4*16	4	200
	94001	94001-05080-0S	NUT HEX 5MM	NUT HEX 5MM	1	60
	95015-32001	95015-32001	JOINT B BRAKE ARM	JOINT B BRAKE ARM	1	60
	95015-42000	95015-42000	NUT B ADJUST	NUT B ADJUST	1	60
	96001	96001-06025-06	BOLT FLANGE SH 6*25	BOLT FLANGE SH 6*25	2	60

F03

F04

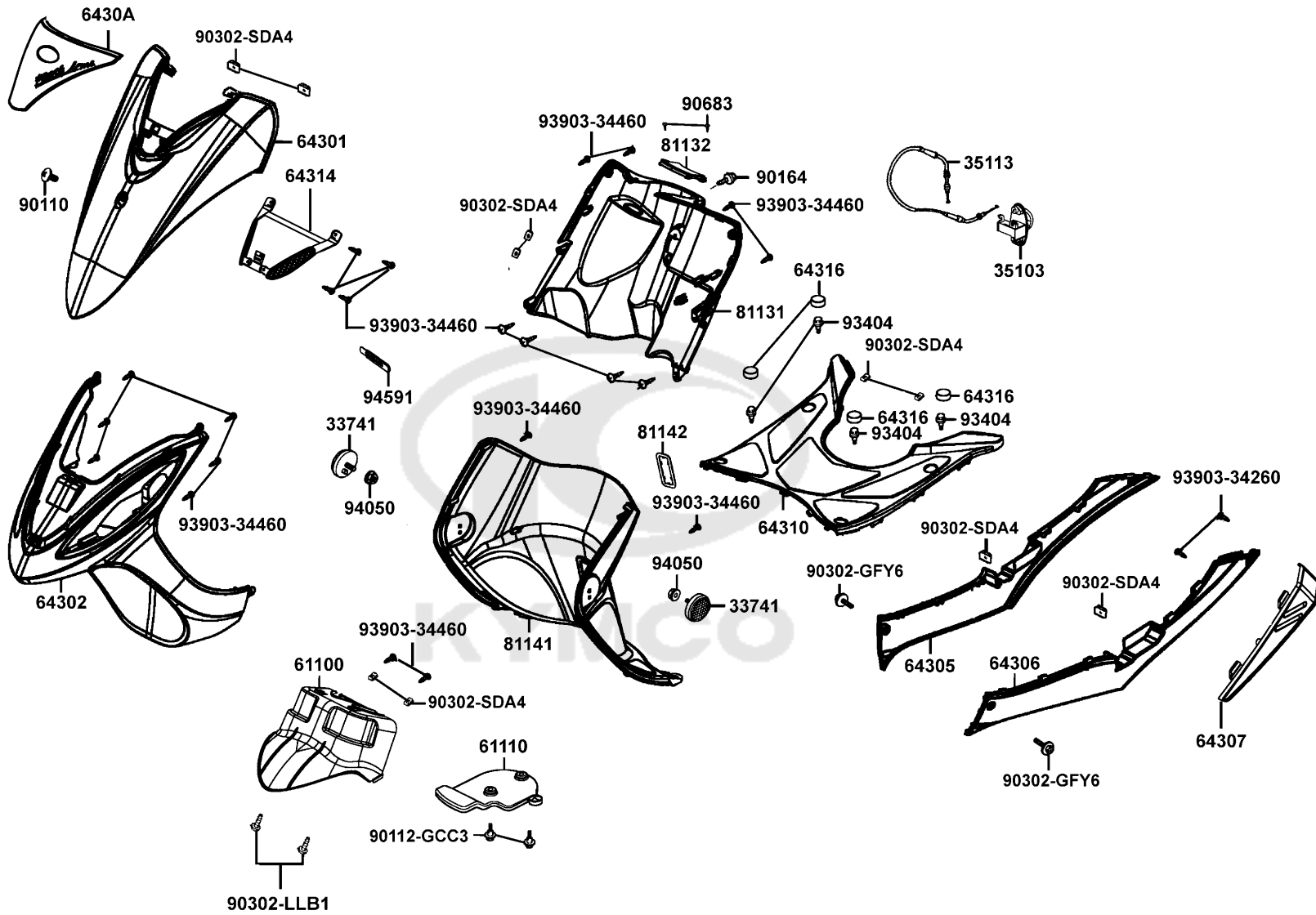
Brake Master Cylinder



Sales mark 記号	Ref no 参照用番号	Part no パーツ番号	Description 部品名	Reg description 部品名	Regd no 必要個数	Ref Price 希望小売価格(税抜)	F04
	32106	32106-KNBN-901	SUB HARNESS	SUB HARNESS	1	210	
	35340	35340-KNBN-901	SW ASSY FR STOP	SW ASSY FR STOP	1	960	
	45126	45126-LAC7-900	HOSE ASSY FR BRAKE /850MM	HOSE ASSY FR BRAKE /850MM	1	7630	
	45513	45513-KCCC-900	CAP M/C	CAP M/C	1	580	
	45517	45517-KFAF-910	HOLDER M/C	HOLDER M/C	1	440	
	45530	45530-LAC7-305	CYLINDER SET MASTER	CYLINDER SET MASTER	1	13120	
**	53175	53175-KNBN-901	LEVER R STRG HANDLE	LEVER R STRG HANDLE	1	780	
	90114	90114-1F66-007	BOLT HANDLE LEVER	BOLT HANDLE LEVER	1	60	
	90145	90145-LEA3-E00	OIL BOLT 10x22	OIL BOLT 10x22	1	150	
	90545	90545-3L00-001	WASHER OIL BOLT	WASHER OIL BOLT	4	60	
	93600	93600-04012-1G	SCREW FLAT 4*12	SCREW FLAT 4*12	2	60	
	93893	93893-04012-18	SCREW WASHER 4*12	SCREW WASHER 4*12	1	60	
	94050	94050-06060	NUT FLANGE 6MM	NUT FLANGE 6MM	1	60	
	95701	95701-06022-06	BOLT FLANGE 6*22	BOLT FLANGE 6*22	2	60	

F05

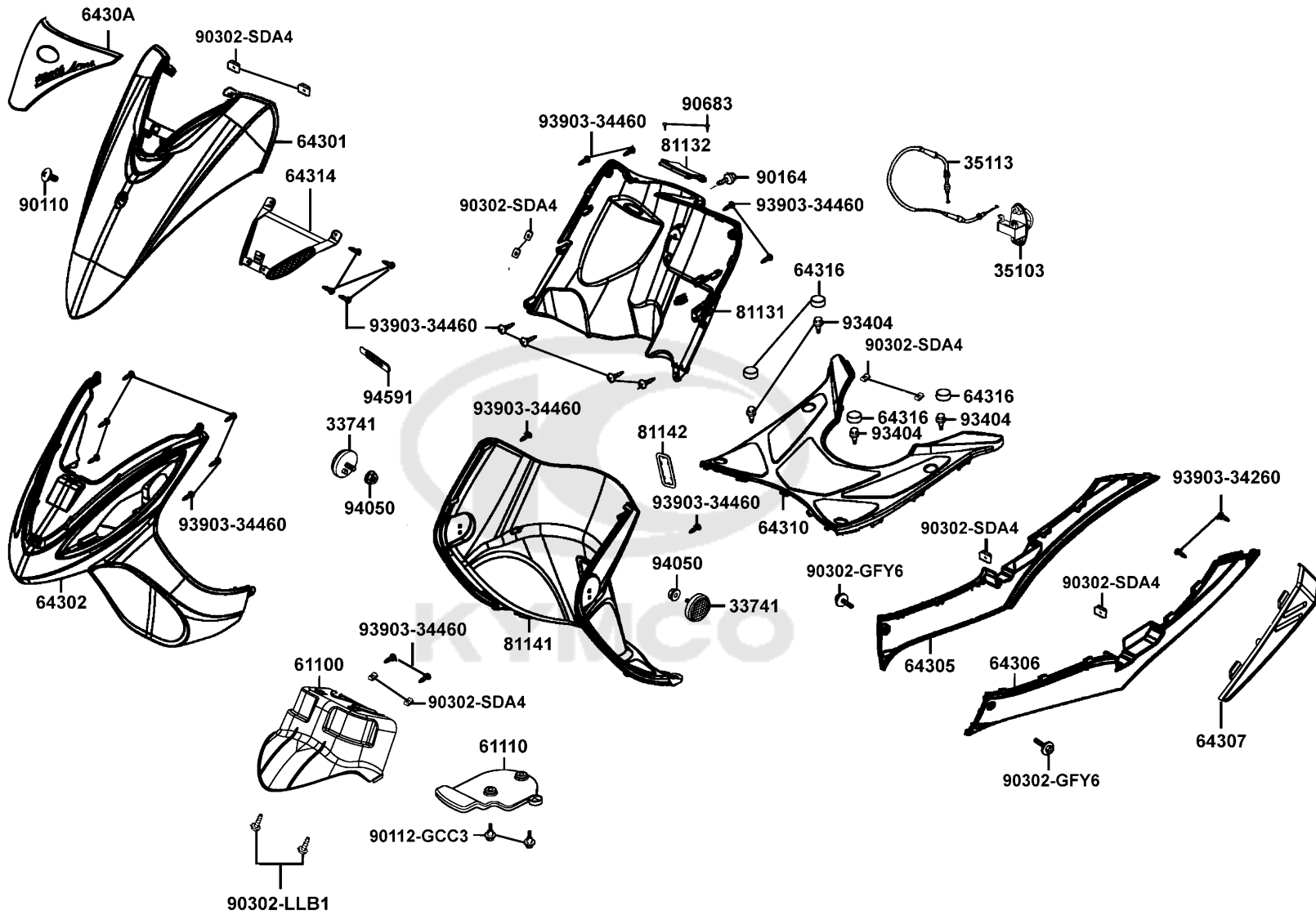
Front Cover Front Fender



Sales mark 記号	Ref no 参照用番号	Part no パーツ番号	Description 部品名	Reg description 部品名	Regd no 必要個数	Ref Price 希望小売価 格(税抜)	F05
	33741	33741-GFY6-C30	REFLEX REFLECTOR	REFLEX REFLECTOR	2	730	
	35103	35103-LAB4-90B	LOCK HOOK HANGER	LOCK HOOK HANGER	1	2480	
	35113	35113-LAB4-900	CABLE HOOK & HANGER LOCK	CABLE HOOK & HANGER LOCK	1	580	
**	61100	61100-LAD9-900	FENDER FR INNER **900 C.2005.11.18	FENDER FR INNER **900 C.2005.11.18	1	3530	
**	61110	61110-KKC8-900	FENDER FRONT INNER	FENDER FRONT INNER	1	390	
**	64301	64301-LAD9-900	COVER FRONT	COVER FRONT	1	8560	
**	64302	64302-LAD9-900	MOLD FR **(3) C.2006.06.12	MOLD FR **(3) C.2006.06.12	1	11790	
**	64305	64305-LAD9-920	SKIRT SET R SIDE	SKIRT SET R SIDE	1	4950	
**	64306	64306-LAD9-920	SKIRT SET L SIDE	SKIRT SET L SIDE	1	4950	
	64307	64307-LAD9-900	RR COVER L SIDE SKIRT **(0)	RR COVER L SIDE SKIRT **(0) C.2005.10.25	1	680	
	6430A	6430A-LBB8-B20	COVER ASSY FR TOP	COVER ASSY FR TOP(廃盤部品の為、入手	1	5330	
**	64310	64310-LAD9-920	FLOOR PANEL **(0) C.2006.08.01	FLOOR PANEL **(0) C.2006.08.01	1	4950	
**	64314	64314-LAD9-900	GRILL FR COVER	GRILL FR COVER	1	770	
**	64316	64316-KHE2-900	PLUG FLOOR	PLUG FLOOR	4	200	
**	81131	81131-LAD9-900	LEG SHIELD UP **(0) C.2003.12.24	LEG SHIELD UP **(0) C.2003.12.24	1	3240	
**	81132	81132-LAD9-900	CAP LEG SHIELD UP **900 C.2005.11.21	CAP LEG SHIELD UP **900 C.2005.11.21	1	390	
**	81141	81141-LAD9-900	LEG SHIELD LOW **(0) C.2005.10.25	LEG SHIELD LOW **(0) C.2005.10.25	1	5140	
**	81142	81142-KUDU-900	LID LEG SHIELD(VIN)(Black)	LID LEG SHIELD(VIN)(Black)	1	200	
	90110	90110-GLW0-001	SCREW SPECIAL 6*14	SCREW SPECIAL 6*14	1	200	
	90112	90112-GCC3-001	BOLT SPECIAL 5MM	BOLT SPECIAL 5MM	2	60	

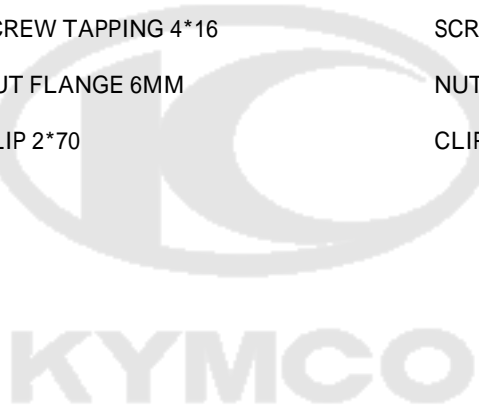
F05

Front Cover Front Fender

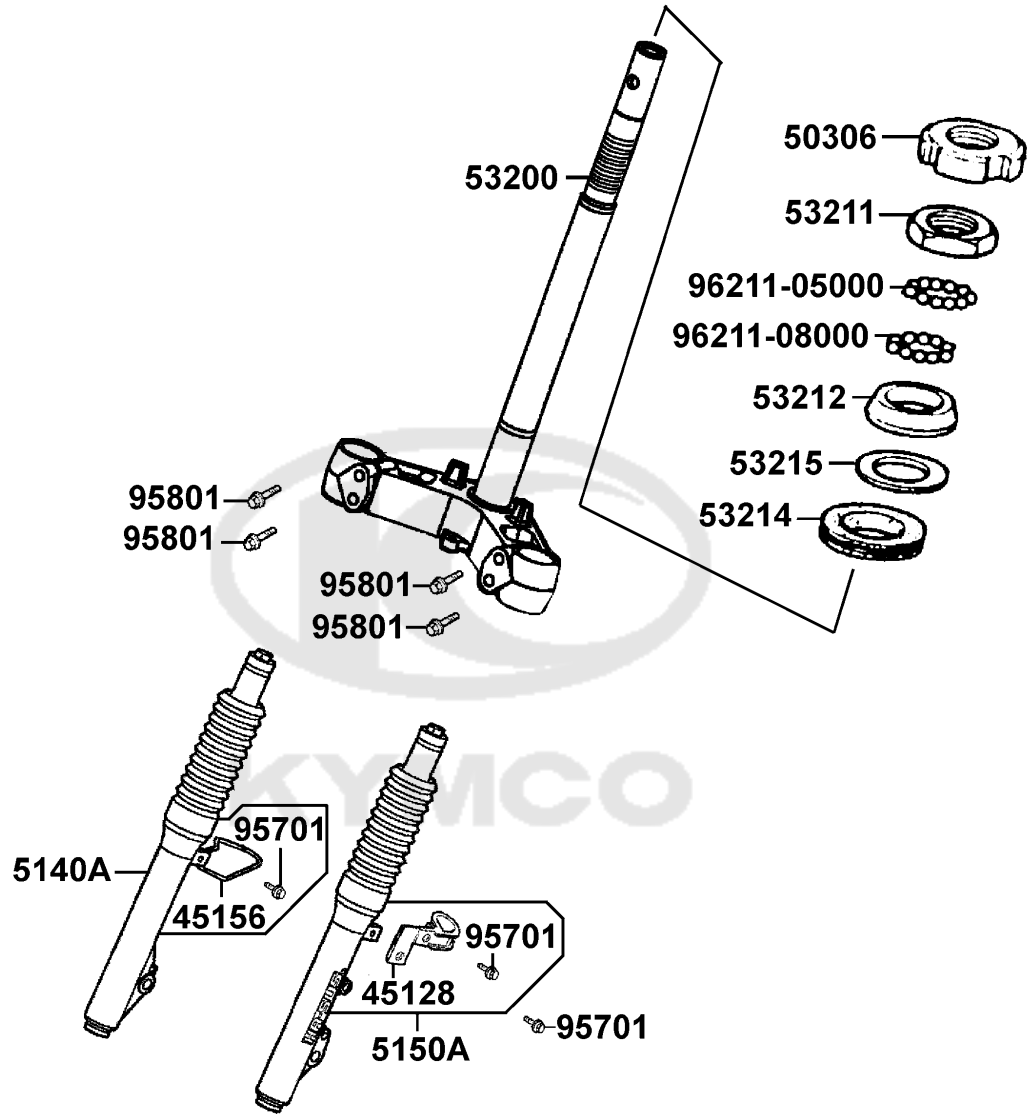


Sales mark 記号	Ref no 参照用番号	Part no パーツ番号	Description 部品名	Reg description 部品名	Regd no 必要個数	Ref Price 希望小売価格(税抜)
90164	90164-MDR4-901	90164-MDR4-901	SCREW SPECIAL 6MM	SCREW SPECIAL 6MM	1	70
90302-GFY6	90302-GFY6-901	90302-GFY6-901	BOLT WASH 5*12 *(1) C.V.	BOLT WASH 5*12 *(1) C.V.	2	60
90302-LLB1	90302-LLB1-E00	90302-LLB1-E00	BOLT-WASHER 5*12	BOLT-WASHER 5*12	2	60
90302-SDA4	90302-SDA4-004	90302-SDA4-004	NUT SPRING 4MM	NUT SPRING 4MM	10	60
90683	90683-GAR1-004	90683-GAR1-004	CLIP BODY COVER	CLIP BODY COVER	2	60
93404	93404-06020-06	93404-06020-06	BOLT WASHER 6*20 (G)	BOLT WASHER 6*20 (G)	4	60
93903-34260	93903-34260	93903-34260	SCREW TAPPING 4*10	SCREW TAPPING 4*10	2	60
93903-34460	93903-34460	93903-34460	SCREW TAPPING 4*16	SCREW TAPPING 4*16	17	200
94050	94050-06080	94050-06080	NUT FLANGE 6MM	NUT FLANGE 6MM	2	60
94591	94591-27000	94591-27000	CLIP 2*70	CLIP 2*70	1	110

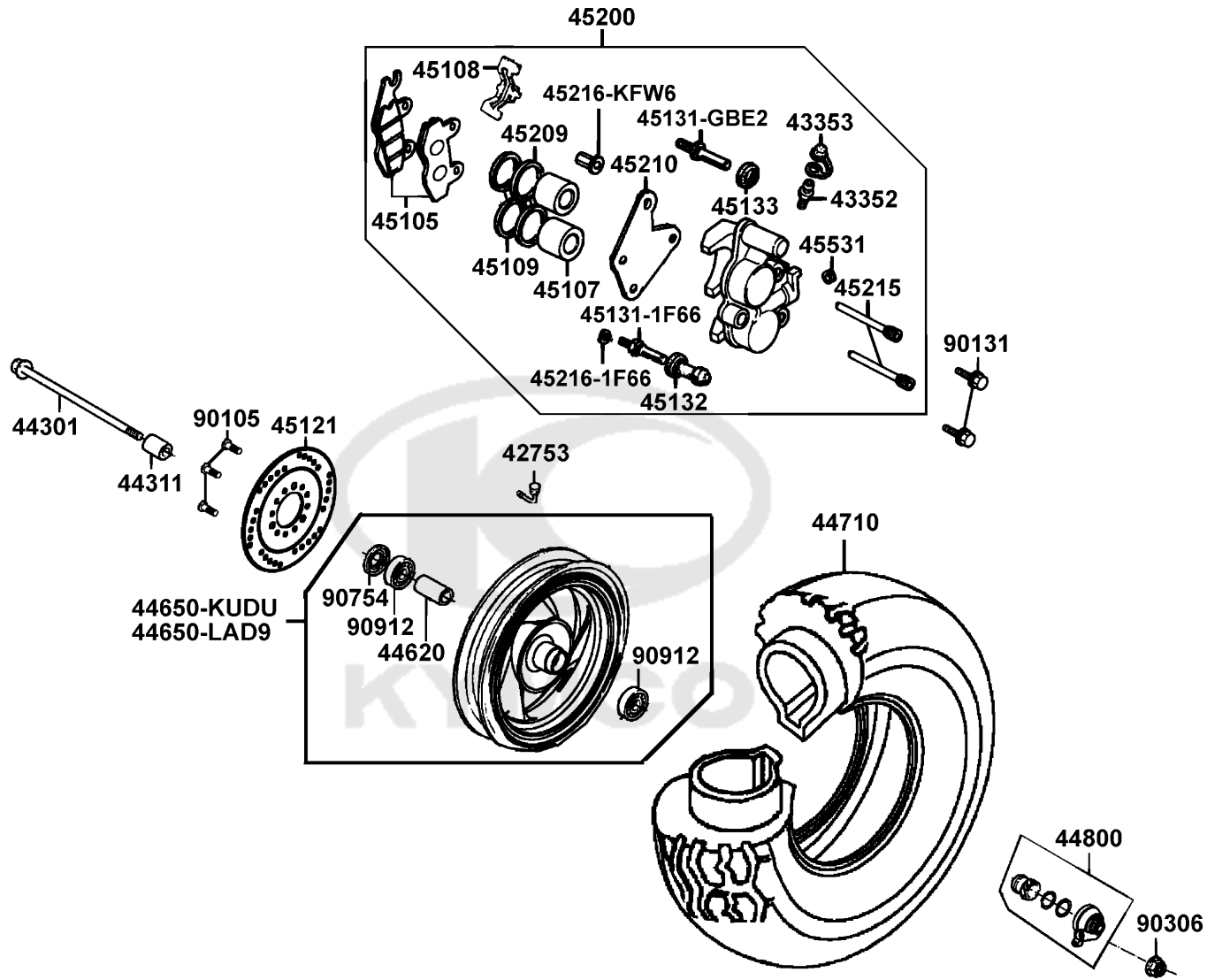
F05







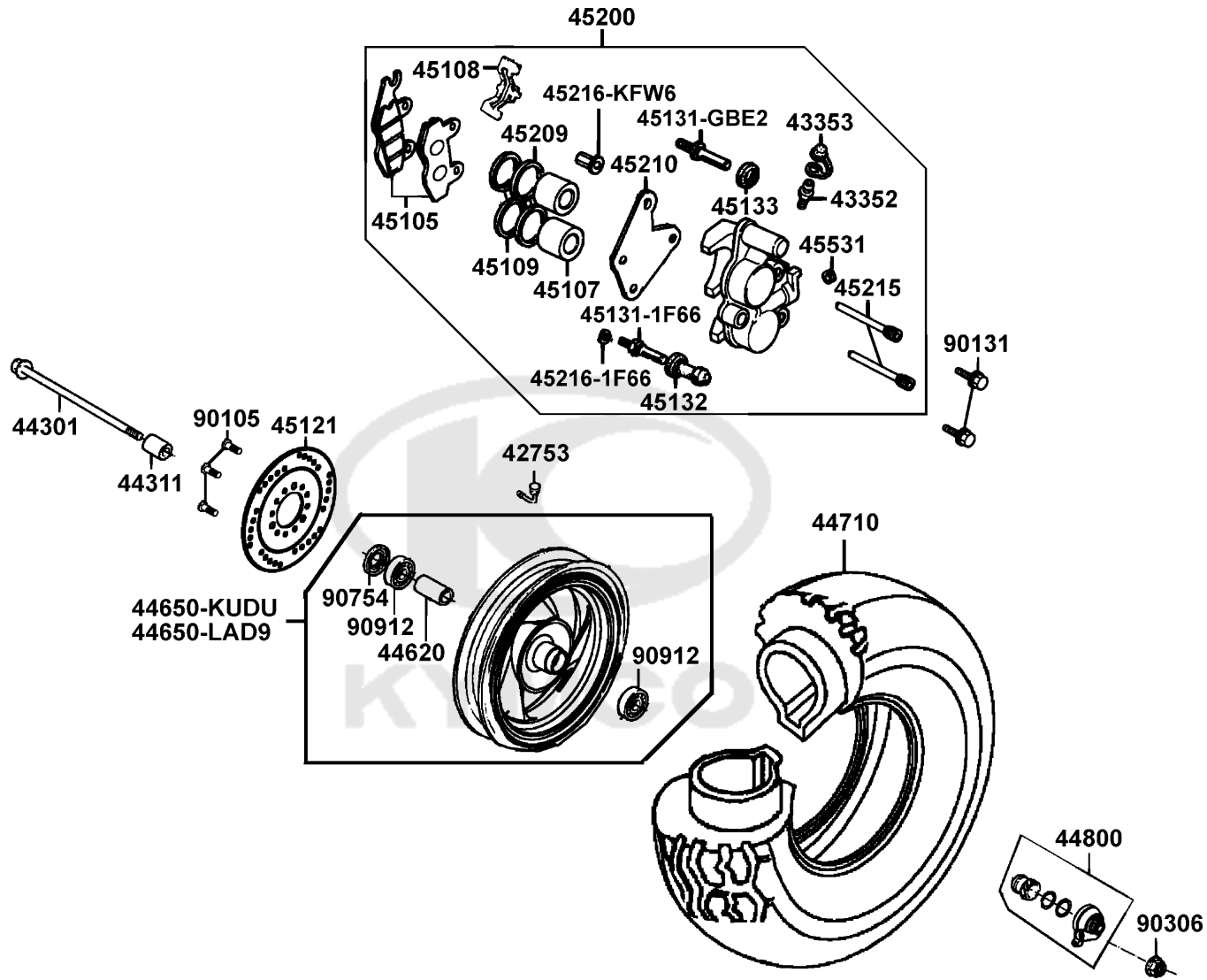
Sales mark 記号	Ref no 参照用番号	Part no パーツ番号	Description 部品名	Reg description 部品名	Regd no 必要個数	Ref Price 希望小売価格(税抜)	F06
	45128	45128-KFC9-900	CLAMPER FR BRAKE HOSE	CLAMPER FR BRAKE HOSE	1	400	
	45156	45156-KECE-900	CLAMPER FR BRK CABLE	CLAMPER FR BRK CABLE	1	560	
	50306	50306-1F96-001	NUT STRG STEM LOCK	NUT STRG STEM LOCK	1	300	
**	5140A	5140A-LAC7-B20	FORK SET R FR	FORK SET R FR	1	18250	
**	5150A	5150A-LAC7-B20	FORK SET L FR	FORK SET L FR	1	18250	
	53200	53200-KHE1-900	STEM COMP STEERING	STEM COMP STEERING	1	10180	
	53211	53211-GFY6-940	RACE STRG TOP CONE	RACE STRG TOP CONE	1	580	
	53212	53212-2L50-011	RACE STRG BOT CONE	RACE STRG BOT CONE	1	870	
	53214	53214-LHJ6-900	DUST SEAL STRG	DUST SEAL STRG	1	240	
	53215	53215-2L50-001	WASH STRG HDL DUST-SEAL	WASH STRG HDL DUST-SEAL	1	130	
	95701	95701-06012-06	BOLT FLANGE 6*22 (K)	BOLT FLANGE 6*22 (K)	1	60	
	95801	95801-08040-06	BOLT FLANGE 8*40	BOLT FLANGE 8*40	1	60	
	96211-05000	96211-05000	BALL STEEL #5	BALL STEEL #5	26	60	
	96211-08000	96211-08000	BALL STEEL #8	BALL STEEL #8	19	60	



Sales mark 記号	Ref no 参照用番号	Part no パーツ番号	Description 部品名	Reg description 部品名	Regd no 必要個数	Ref Price 希望小売価格(税抜)	F07
	42753	42753-0D04-900	RIM VALVE (PVR 70)	RIM VALVE (PVR 70)	1	540	
	43352	43352-5H68-004	SCREW BLEEDER	SCREW BLEEDER	1	300	
	43353	43353-4A61-77A	CAP BLEEDER	CAP BLEEDER	1	130	
	44301	44301-KKB1-E00	AXLE FR WHEEL	AXLE FR WHEEL	1	960	
	44311	44311-KUDU-900	COLLAR FR WHEEL SIDE	COLLAR FR WHEEL SIDE	1	390	
	44620	44620-KFLF-930	COLLAR FR DIST	COLLAR FR DIST	1	390	
**	44650	44650-KUDU-305	WHEEL SET FR	WHEEL SET FR	1	23760	
	44710	44710-LAD9-90A	TIRE ASSY FR/100/90-10 56J /MAXXIS	TIRE ASSY FR/100/90-10 56J /MAXXIS	1	9910	
	44800	44800-KECE-900	GEAR BOX ASSY	GEAR BOX ASSY	1	3530	
	45105	45105-KECE-305-M2	PAD ASSY	PAD ASSY	1	2110	
	45107	45107-MEN5-007	PISTON	PISTON	1	2200	
	45108	45108-MDL4-007	PAD SPG	PAD SPG	1	300	
	45109	45109-GBE2-007	DUST SEAL	DUST SEAL	2	140	
**	45121	45121-KUDU-900	DISK FR BRAKE	DISK FR BRAKE	1	8970	
	45131-1F66	45131-1F66-017	PIN BOLT	PIN BOLT	1	890	
	45131-GBE2	45131-GBE2-007	PIN BOLT A	PIN BOLT A	1	960	
	45132	45132-1F66-017	BUSH BOOT PIN	BUSH BOOT PIN	1	780	
	45133	45133-MCA3-007	BOOT B	BOOT B	1	230	
**	45200	45200-KUDU-W00	CALIPER ASSY FR	CALIPER ASSY FR	2	17490	
	45209	45209-GBE2-007	SEAL PISTON	SEAL PISTON	2	370	

F07

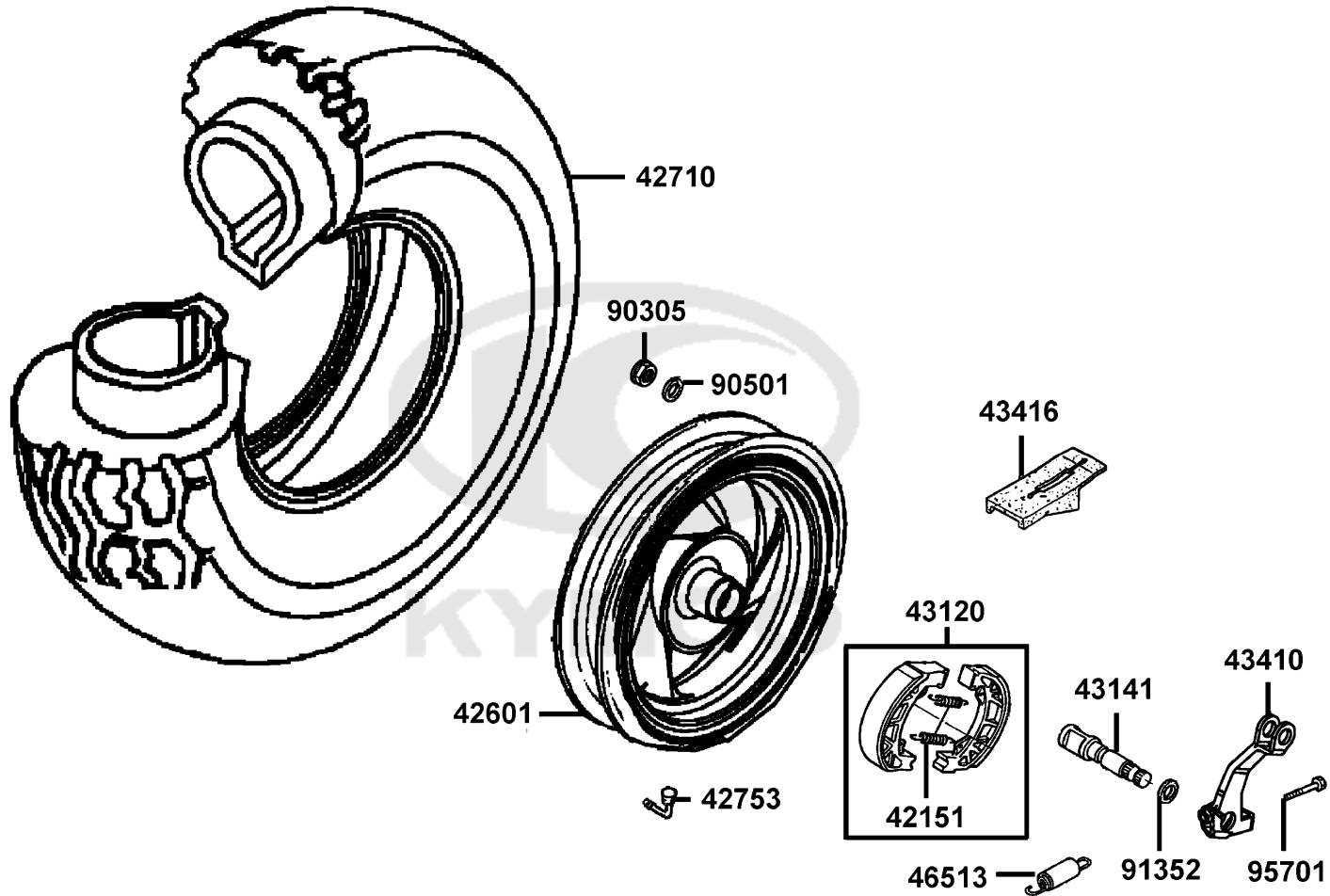
Front Wheel



Sales mark 記号	Ref no 参照用番号	Part no パーツ番号	Description 部品名	Reg description 部品名	Regd no 必要個数	Ref Price 希望小売価格(税抜)	F07
45210		45210-KUDU-900	BRKT FR CALIPER	BRKT FR CALIPER	1	2390	
45215		45215-KECE-900	PIN HANGER	PIN HANGER	2	300	
45216-1F66		45216-1F66-007	WASHER WAVE	WASHER WAVE	1	110	
45216-KFW6		45216-KFW6-90A	TORQUE NUT	TORQUE NUT	1	400	
45531		45531-GAR1-951	PLUG	PLUG	1	110	
90105		90105-KCR3-001	BOLT FR DISK 8*24	BOLT FR DISK 8*24	3	80	
90131		90131-GLW0-911	BOLT FLANGE 8*35	BOLT FLANGE 8*35	2	80	
90306		90306-GLW0-90A	NUT FLANGE 12MM	NUT FLANGE 12MM	1	320	
90754		90754-GHC8-00A	SEAL DUST 20*32*5	SEAL DUST 20*32*5	1	100	
90912		90912-KFLF-00A	BEARING 6201 LLU	BEARING 6201 LLU	2	610	

F08

Rear Wheel

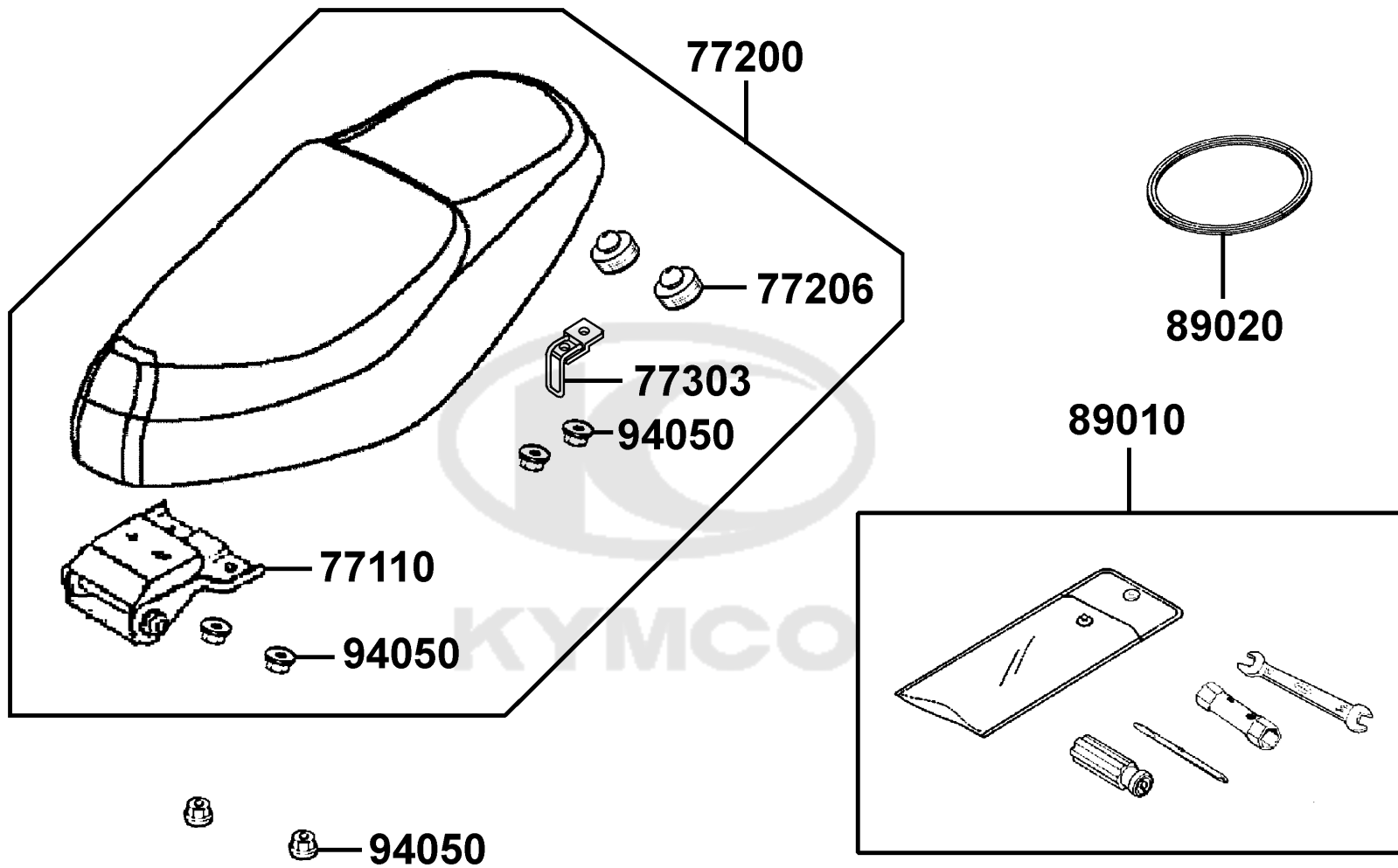


Sales mark 記号	Ref no 参照用番号	Part no パーツ番号	Description 部品名	Reg description 部品名	Regd no 必要個数	Ref Price 希望小売価格(税抜)	F08
**	42601	42601-KUDU-90D	WHEEL COMP RR CAST	HUB COMP RR WHEEL	1	22180	
	42710	42710-LAD9-90A	TIRE ASSY RR/100/90-10 56J /MAXXIS	TIRE ASSY RR/100/90-10 56J /MAXXIS	1	9910	
	42753	42753-0D04-900	RIM VALVE (PVR 70)	RIM VALVE (PVR 70)	1	540	
	43120	4312A-KUDU-920	SHOE ASSY RR BRAKE	SHOE ASSY RR BRAKE	1	2980	
	43141	43141-KKD7-E00	CAM RR BRAKE	CAM RR BRAKE	1	960	
	42151	43151-KGM7-961	SPRING BRAKE SHOE REAR	SPRING BRAKE SHOE REAR	2	160	
	43410	43410-LAD9-900	ARM COMP RR BRAKE	ARM COMP RR BRAKE	1	870	
	43416	43416-KUDU-900	GUARD RR BRK ARM	GUARD RR BRK ARM	1	230	
	46513	46513-KUDU-900	SPG ASSY BRK ARM	SPG ASSY BRK ARM	1	300	
	90305	90305-KNBN-90B	NUT U 16MM	NUT U 16MM	1	110	
	90501	90501-KNBN-901	WASHER 16MM	WASHER 16MM	1	80	
	91352	91352-KHG8-83B	O-RING 11.3*1.3	O-RING 11.3*1.3	1	60	
	95701	95701-06032-06	BOLT FLANGE 6*32	BOLT FLANGE 6*32	1	60	



F09

Seat

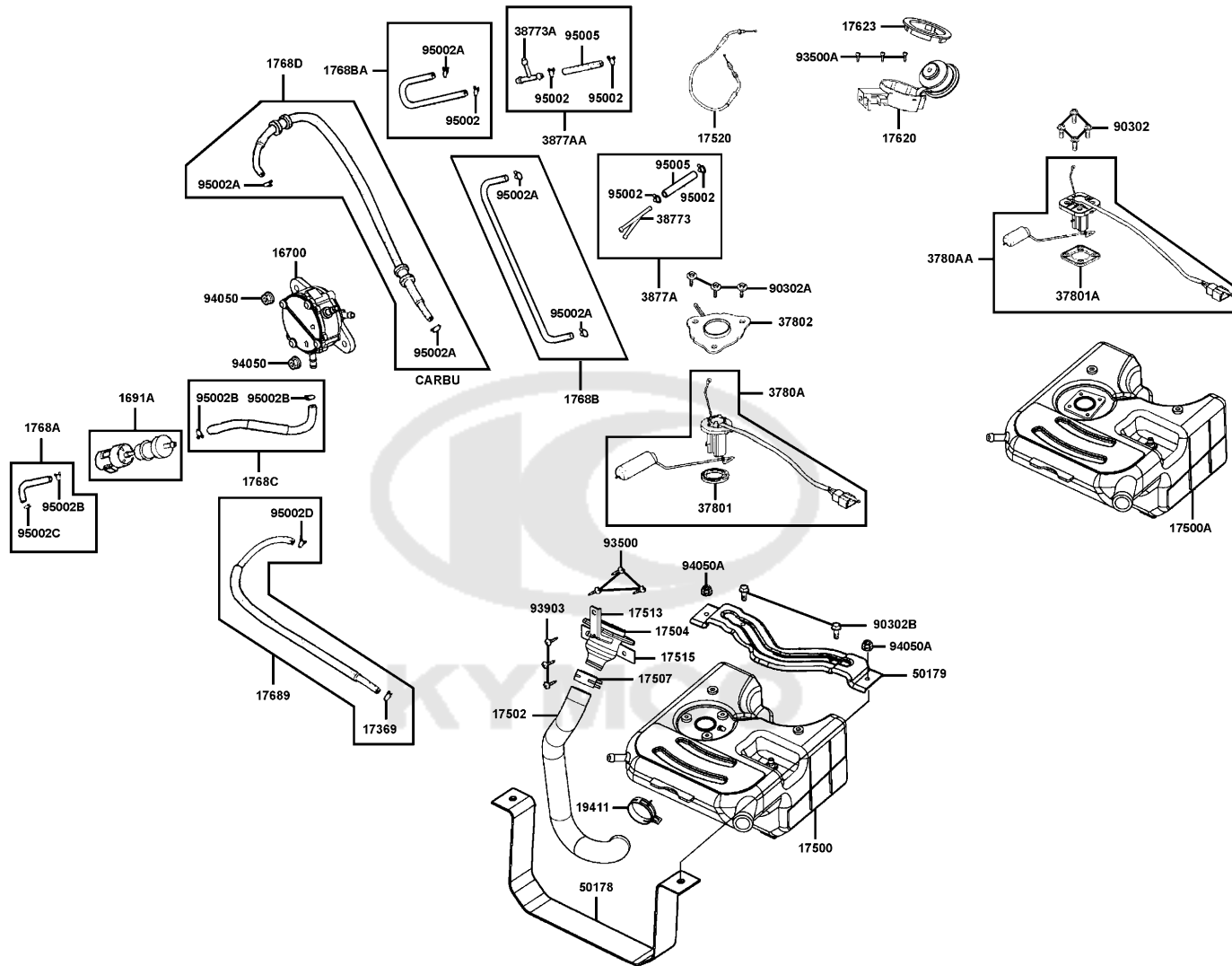


Sales mark 記号	Ref no 参照用番号	Part no パーツ番号	Description 部品名	Reg description 部品名	Regd no 必要個数	Ref Price 希望小売価格(税抜)	F09
	77110	77110-LLF5-900	HINGE COMP SEAT	HINGE COMP SEAT	1	770	
**	77200	77200-LAD9-B20	SEAT ASSY (K01Y-OBC)	SEAT ASSY (K01Y-OBC)	1	12310	
	77206	77206-KEB7-900	RUBBER SEAT CUSH	RUBBER SEAT CUSH	2	110	
	77303	77303-KKC4-800	HOOK SEAT LOCK	HOOK SEAT LOCK	1	440	
	89010	89010-LAD9-900	TOOL SET	TOOL SET	1	1720	
	89020	89020-KKC4-900	BAND TOOL SET	BAND TOOL SET	1	130	
	94050	94050-06080	NUT FLANGE 6MM	NUT FLANGE 6MM	6	60	



F10

# Fuel Tank



Sales mark 記号	Ref no 参照用番号	Part no パーツ番号	Description 部品名	Reg description 部品名	Regd no 必要個数	Ref Price 希望小売価格(税抜)
16700	16700-KHE7-220	FUEL PUMP ASSY	FUEL PUMP ASSY	FUEL PUMP ASSY	1	9990
1691A	1691A-KEC2-E00	STRAINER ASSY FUEL	STRAINER ASSY FUEL	STRAINER ASSY FUEL	1	1010
17369	17369-KHC4-900	CLIP BREATHER TUBE	CLIP BREATHER TUBE	CLIP BREATHER TUBE	1	160
17500	17500-KHD6-900	TANK COMP FUEL	TANK COMP FUEL	TANK COMP FUEL	1	17110
17500A	17500-KHD6-910	TANK COMP FUEL	TANK COMP FUEL	TANK COMP FUEL	1	17110
17502	17502-LAD9-900	HOSE FUEL **(0) C.2005.10.24	HOSE FUEL **(0) C.2005.10.24	HOSE FUEL **(0) C.2005.10.24	1	2390
17504	17504-LAB4-900	FUEL FILLER	FUEL FILLER	FUEL FILLER	1	1440
17507	17507-LAB4-900	BAND 50 FUEL HOSE	BAND 50 FUEL HOSE	BAND 50 FUEL HOSE	1	390
17513	17513-LAD9-900	FUEL PIPE STAY A	FUEL PIPE STAY A	FUEL PIPE STAY A	1	350
17515	17515-LAD9-900	FUEL PIPE STAY B	FUEL PIPE STAY B	FUEL PIPE STAY B	1	350
17520	17520-LLF5-900	CABLE COMP FUEL CAP	CABLE COMP FUEL CAP	CABLE COMP FUEL CAP	1	1340
17620	17620-LAB4-90A	CAP COMP FUEL FILLER	CAP COMP FUEL FILLER	CAP COMP FUEL FILLER	1	4760
17620	17620-LAB4-90B	CAP COMP FUEL FILLER	CAP COMP FUEL FILLER	CAP COMP FUEL FILLER	1	4760
17623	17623-LAB4-90A	COLLAR FUEL CAP	COLLAR FUEL CAP	COLLAR FUEL CAP	1	390
17623	17623-LAB4-90B	COLLAR FUEL FILLER	COLLAR FUEL FILLER	COLLAR FUEL FILLER	1	390
17689	17689-LAD9-B20	TUBE ASSY FILLER	TUBE ASSY FILLER	TUBE ASSY FILLER	1	1340
1768A	1768A-LAD9-900	TUBE ASSY FUEL	TUBE ASSY FUEL	TUBE ASSY FUEL	1	960
1768B	1768B-LAC7-900	TUBE ASSY VACUUM **(5) C.2006.01.13	TUBE ASSY VACUUM **(5) C.2006.01.13	TUBE ASSY VACUUM **(5) C.2006.01.13	1	390
1768C	1768C-KHE2-900	TUBE ASSY STRAINER **(0)	TUBE ASSY STRAINER **(0) C.2005.08.10	TUBE ASSY STRAINER **(0) C.2005.08.10	1	520
1768D	1768D-KHE2-910	TUBE ASSY PUMP-CARBU	TUBE ASSY PUMP-CARBU	TUBE ASSY PUMP-CARBU	2	490

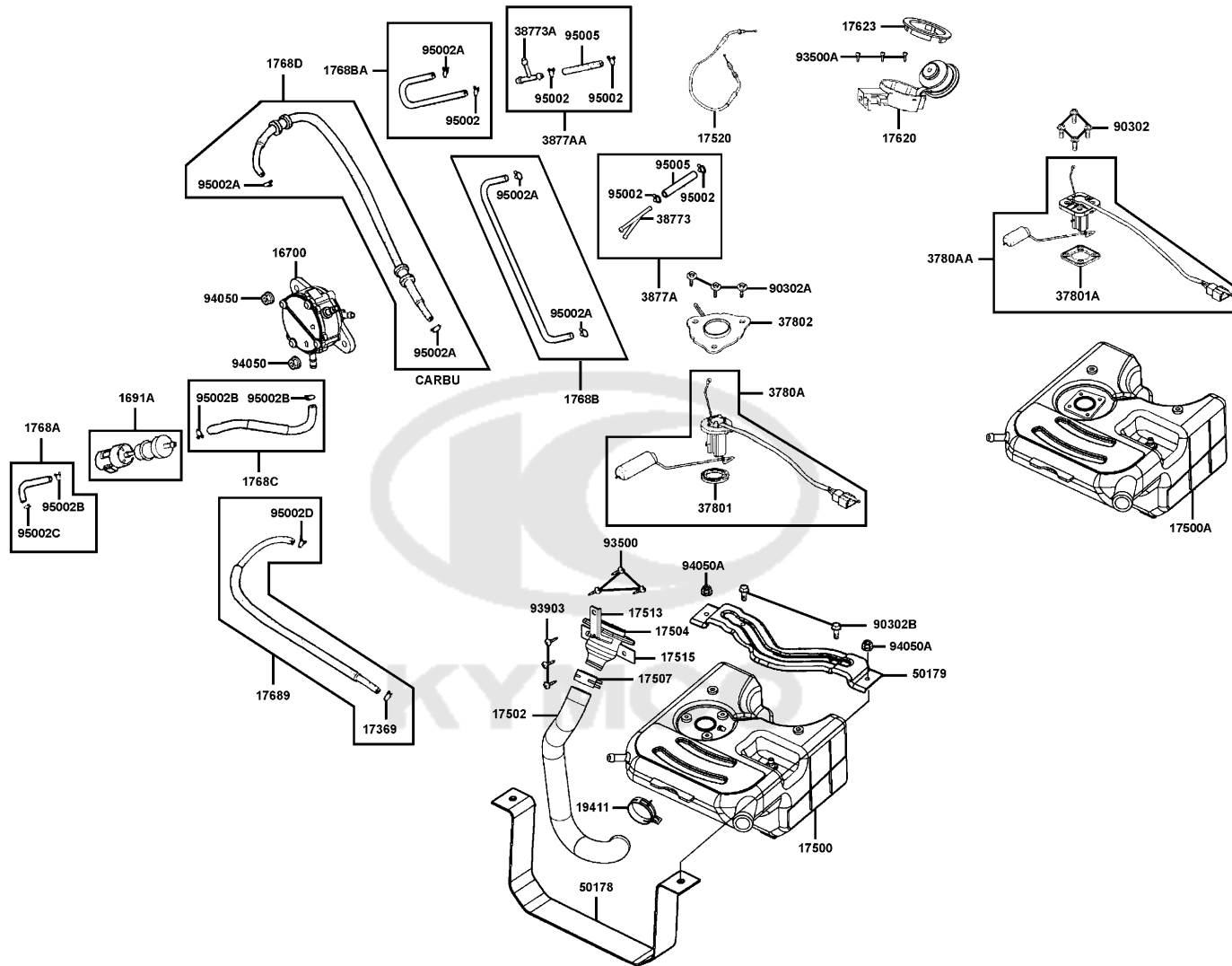
F10



Sales mark 記号	Ref no 参照用番号	Part no パーツ番号	Description 部品名	Reg description 部品名	Regd no 必要個数	Ref Price 希望小売価格(税抜)	F10
	19411	19411-KBCB-900	CLIP HOSE	CLIP HOSE	2	490	
	37801	37801-GGA7-701	PACKING BASE	PACKING BASE	1	130	
	37801A	37801-LAB4-910	PACKING BASE	PACKING BASE	1	390	
	37802	37802-KEC8-900	RET FUEL UNIT	RET FUEL UNIT	1	390	
	3780A	3780A-KHD6-900	FUEL UNIT ASSY	FUEL UNIT ASSY	1	3620	
	3780AA	3780A-KHD6-91A	FUEL UNIT ASSY	FUEL UNIT ASSY	1	4000	
	38773	38773-KEC3-900	JOINT ASSY TANK CAP	JOINT ASSY TANK CAP	1	330	
	38773A	38773-PKB9-001	JOINT 3 WAY 3.5	JOINT 3 WAY 3.5	1	110	
	3877AA	3877A-PKB9-001	JOINT ASSY 3WAY	JOINT ASSY 3WAY	1	260	
	50178	50178-KHD6-900	PLATE TANK SUPPORT	PLATE TANK SUPPORT	1	960	
**	50179	50179-KHD6-900	BRKT FLOOR PANEL	BRKT FLOOR PANEL	1	1910	
	90302	90302-GBR2-001	BOLT WASH 5*16	BOLT WASH 5*16	4	60	
	90302A	90302-GFY6-901	BOLT WASH 5*12 **(1) C.V.	BOLT WASH 5*12 **(1) C.V.	3	60	
	90302B	90302-LLB1-E00	BOLT-WASHER 5*12	BOLT-WASHER 5*12	3	60	
	93500	93500-04008-0F	SCREW PAN 4*8 (G)	SCREW PAN 4*8 (G)	1	200	
	93500A	93500-04020-0G	SCREW PAN 4*20	SCREW PAN 4*20	3	60	
	93903	93903-35360	SCREW WASHER 4*12	SCREW WASHER 4*12	1	60	
	94050	94050-05080	NUT FLANGE 5MM	NUT FLANGE 5MM	2	200	
	94050A	94050-06080	NUT FLANGE 6MM	NUT FLANGE 6MM	4	60	
	95002	95002-02070	CLIP B7 TUBE	CLIP B7 TUBE	2	60	

F10

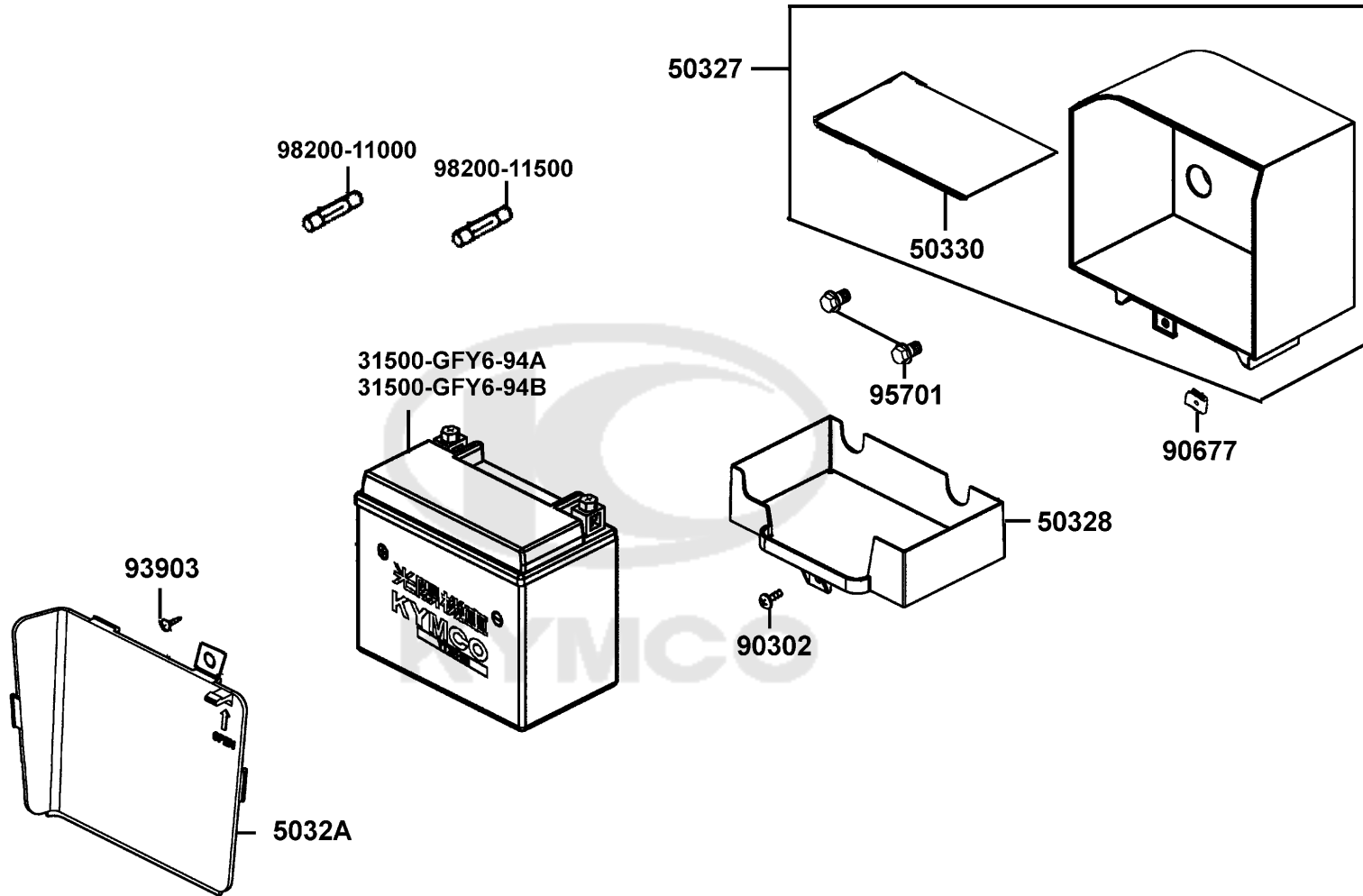
# Fuel Tank



Sales mark 記号	Ref no 参照用番号	Part no パーツ番号	Description 部品名	Reg description 部品名	Regd no 必要個数	Ref Price 希望小売価格(税抜)	F10
95002A	95002-02080	95002-02080	CLIP B8 TUBE	CLIP B8 TUBE	5	60	
95002B	95002-02100	95002-02100	CLIP B15 TUBE	CLIP B15 TUBE	3	60	
95002C	95002-02120	95002-02120	CLIP B12 TUBE	CLIP B12 TUBE	1	60	
95002D	95002-02130	95002-02130	CLIP B12.5 TUBE	CLIP B12.5 TUBE	3	60	
95005	95005-35065-10	95005-35065-10	TUBE 3.5*6.5	TUBE 3.5*6.5	1	110	



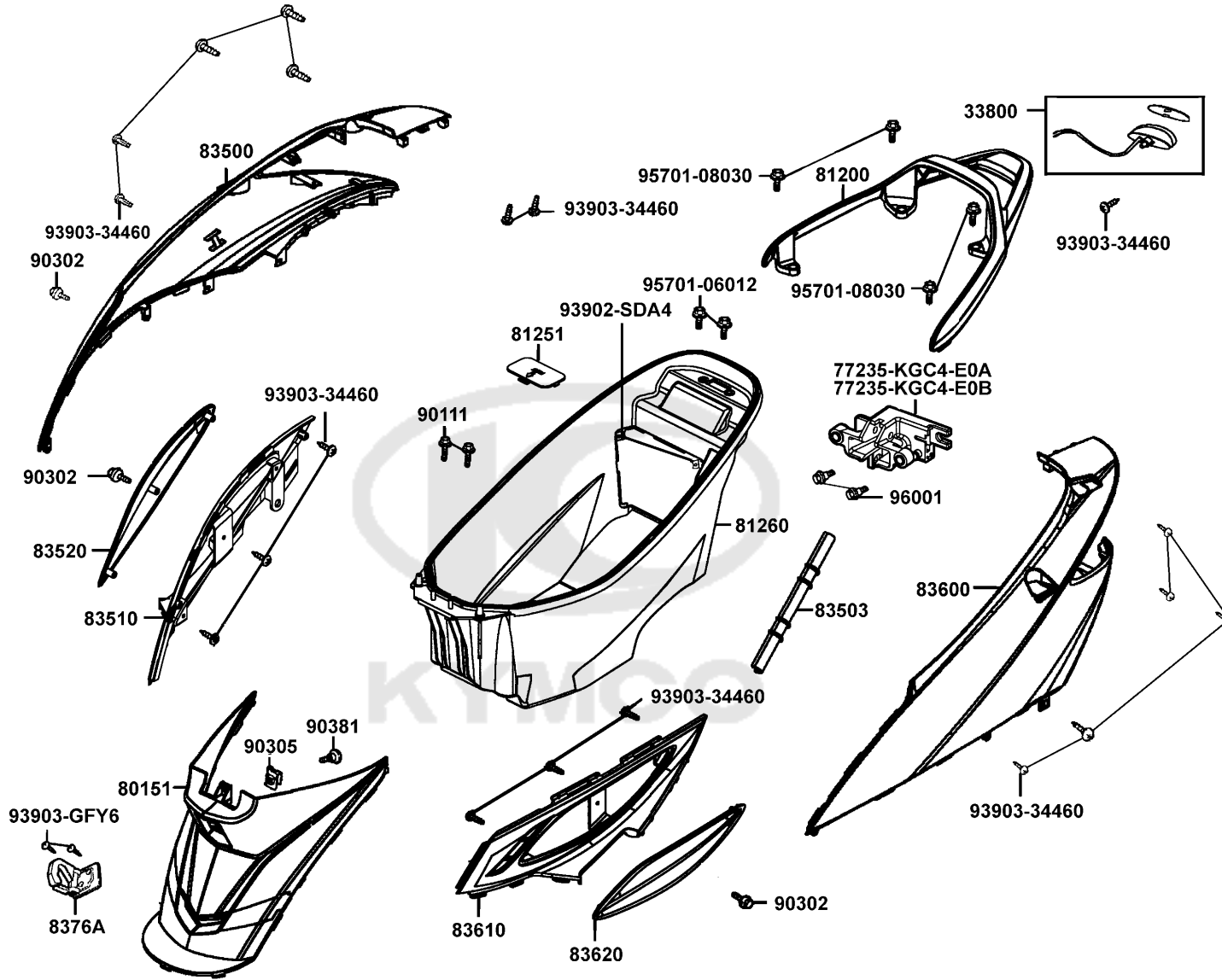




Sales mark 記号	Ref no 参照用番号	Part no パーツ番号	Description 部品名	Reg description 部品名	Regd no 必要個数	Ref Price 希望小売価格(税抜)	F11
	31500-GFY6-94A	31500-GFY6-94A	BATTERY YTX7A-BS	BATTERY YTX7A-BS	1	11790	
	31500-GFY6-94B	31500-GFY6-94B	BATTERY GTX7A-BS	BATTERY GTX7A-BS	1	12900	
	50327	50327-LAD9-305	BATTERY CASE	BATTERY CASE	1	960	
	50328	50328-LBB8-900	BATTERY DRAWER	BATTERY DRAWER	1	680	
	5032A	5032A-LAD9-900	COVER ASSY BATTERY MAINT	COVER ASSY BATTERY MAINT	1	680	
	50330	50330-LAD9-900	SPONGE	SPONGE	1	390	
	90302	90302-GFY6-940	BOLT-WASH 5*16	BOLT-WASH 5*16	1	60	
	90677	90677-GAR1-004	NUT CLIP 5MM	NUT CLIP 5MM	1	60	
	93903	93903-34260	SCREW TAPPING 4*10	SCREW TAPPING 4*10	2	60	
	95701	95701-06012-06	BOLT FLANGE 6*22 (K)	BOLT FLANGE 6*22 (K)	1	60	
	98200-11000	98200-11000	FUSE A10	FUSE A10	1	60	
	98200-11500	98200-11500	FUSE A15	FUSE A15	1	60	

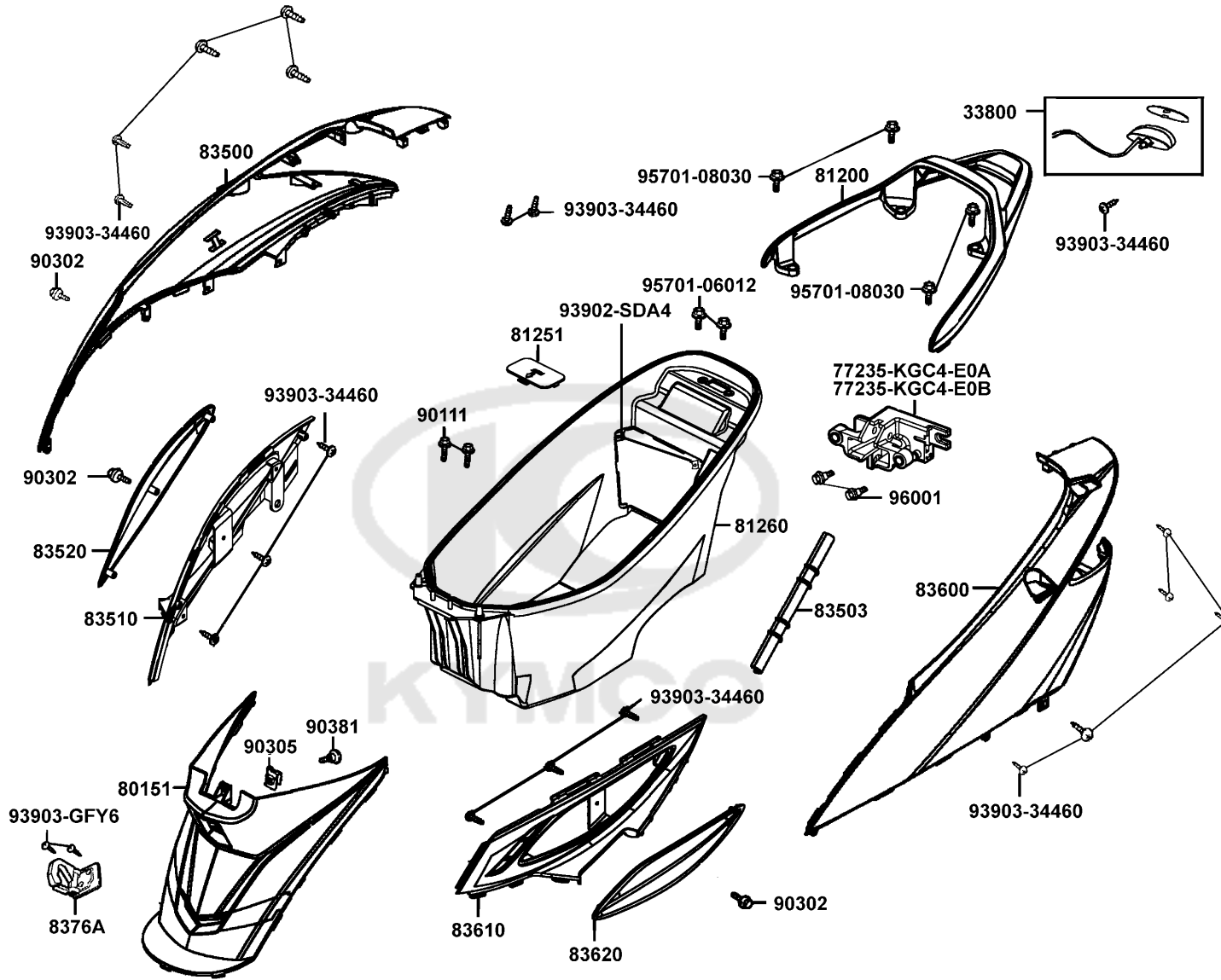
F12

Body Cover Luggage Box



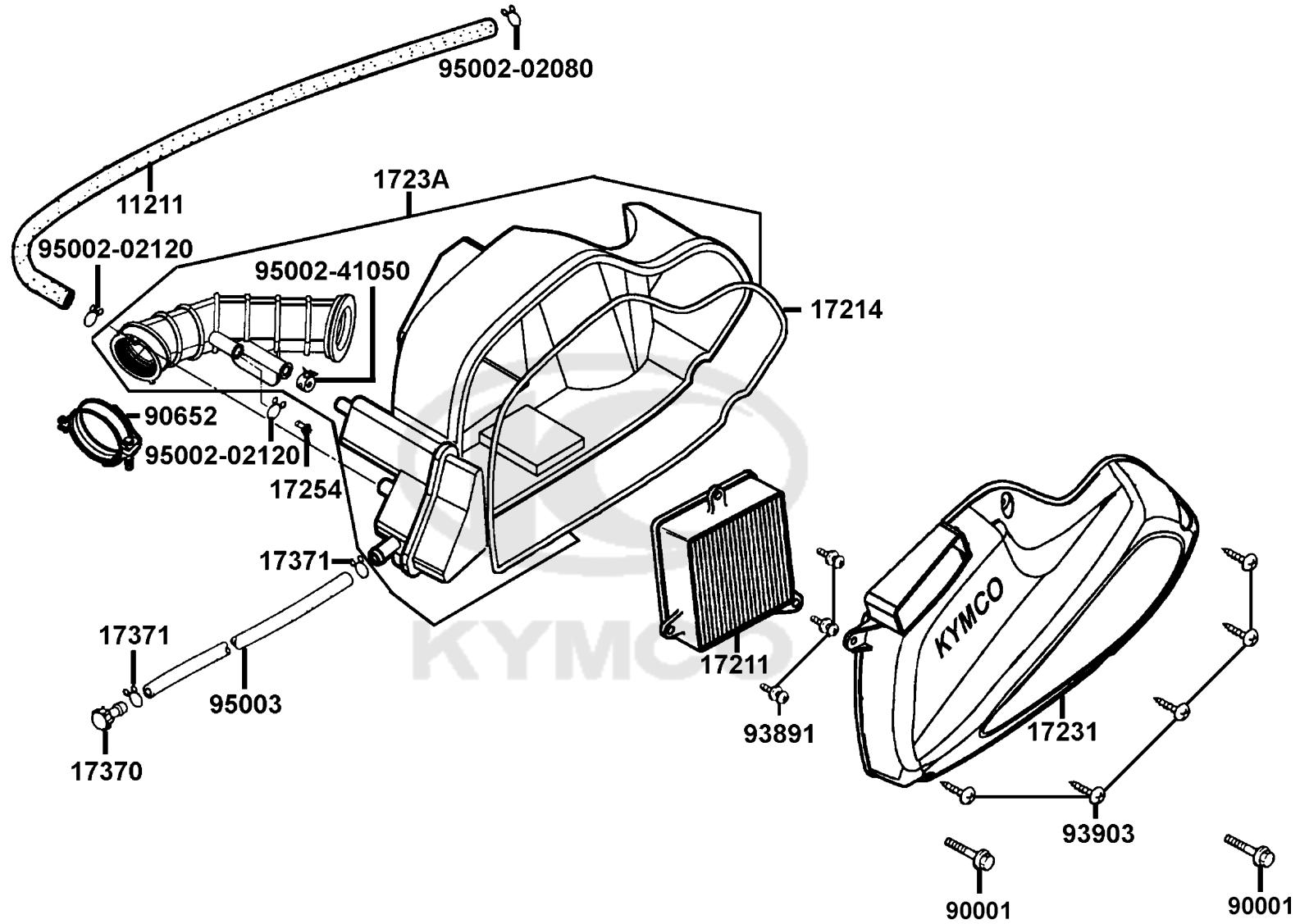
Sales mark 記号	Ref no 参照用番号	Part no パーツ番号	Description 部品名	Reg description 部品名	Regd no 必要個数	Ref Price 希望小売価格(税抜)
	33800	33800-KHD6-900	LIGHT ASSY 2ND STOP	LIGHT ASSY 2ND STOP	1	3240
	77235-KGC4-E0A	77235-KGC4-E0A	SEAT CATCH	SEAT CATCH	1	2100
	77235-KGC4-E0B	77235-KGC4-E0B	SEAT CATCH	SEAT CATCH COMP	1	2100
**	80151	80151-LAD9-900	COVER CENTER **(0) C.2005.10.25	COVER CENTER **(0) C.2005.10.25	1	4380
**	81200	81200-LAD9-920	GRIP REAR	GRIP REAR	1	11220
	81251	81251-LAB4-900	LID CARB MAINT	LID CARB MAINT	1	300
	81260	81260-LAD9-900	BOX ASSY LUGGAGE **(8) C.2006.03.06	BOX ASSY LUGGAGE **(8) C.2006.03.06	1	19130
**	83500	83500-LAD9-920	COVER R BODY	COVER R BODY	1	8440
	83503	83503-KHD6-900	COVER PROTECTOR SEAT WIRE	COVER PROTECTOR SEAT WIRE	1	200
**	83510	83510-LAD9-920	COVER R SIDE A	COVER R SIDE A	1	770
**	83520	83520-LAD9-920	COVER R SIDE B	COVER R SIDE B	1	4480
**	83600	83600-LAD9-920	COVER L BODY	COVER L BODY	1	8440
**	83610	83610-LAD9-920	COVER L SIDE A	COVER L SIDE A	1	770
**	83620	83620-LAD9-920	COVER R SIDE B	COVER R SIDE B	1	4480
	8376A	8376A-KECE-901	CLIP ASSY CENTER	CLIP ASSY CENTER	1	1060
	90111	90111-1G87-001	BOLT FLANGE 6MM	BOLT FLANGE 6MM	2	60
	90302-GFY6	90302-GFY6-901	BOLT WASH 5*12 *(1) C.V.	BOLT WASH 5*12 *(1) C.V.	2	60
	93902-SDA4	90302-SDA4-004	NUT SPRING 4MM	NUT SPRING 4MM	2	60
	90305	90305-GHK8-001	NUT CLIP 6MM	NUT CLIP 6MM	1	60
	90381	90381-GEZ5-001	SCREW SPECIAL 6*17	SCREW SPECIAL 6*17	1	200

F12



Sales mark 記号	Ref no 参照用番号	Part no パーツ番号	Description 部品名	Reg description 部品名	Regd no 必要個数	Ref Price 希望小売価格(税抜)	F12
93903-34460	93903-34460	93903-34460	SCREW TAPPING 4*16	SCREW TAPPING 4*16	8	200	
93903-GFY6	93903-GFY6-900	93903-GFY6-900	SCREW WASHER 4*12	SCREW WASHER 4*12	2	60	
95701-06012	95701-06012-06	95701-06012-06	BOLT FLANGE 6*22 (K)	BOLT FLANGE 6*22 (K)	1	60	
95701-08030	95701-08030-06	95701-08030-06	BOLT FLANGE 8X30	BOLT FLANGE 8X30	1	160	
96001	96001-06014-06	96001-06014-06	BOLT FLANGE SH 6*14 (G)	BOLT FLANGE SH 6*14 (G)	1	60	



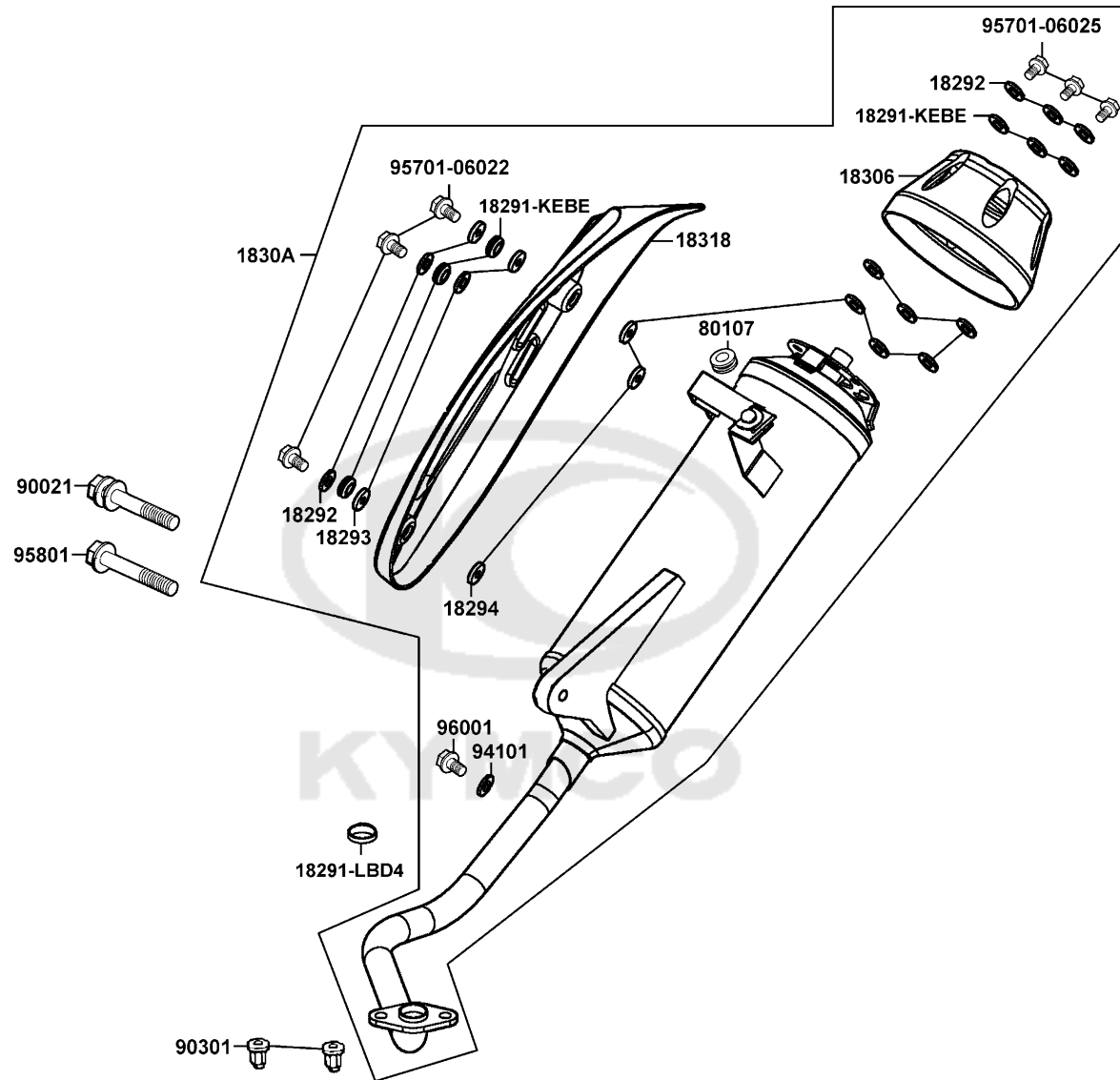


Sales mark 記号	Ref no 参照用番号	Part no パーツ番号	Description 部品名	Reg description 部品名	Regd no 必要個数	Ref Price 希望小売価格(税抜)	F13
11211	11211-KUDU-900	11211-KUDU-900	TUBE BRTHER	TUBE BRTHER	1	300	
17211	17211-KEC6-900	17211-KEC6-900	ELEMENT COMP AIR/C	ELEMENT COMP AIR/C	1	1350	
17214	17214-KEC6-900	17214-KEC6-900	SEAL AIR/C COVER	SEAL AIR/C COVER	1	300	
17231	17231-LAD9-900	17231-LAD9-900	COVER COMP AIR/C	COVER COMP AIR/C	1	1150	
1723A	1723A-LAD9-BA0	1723A-LAD9-BA0	CASE ASSY AIR/C	CASE ASSY AIR/C	1	4760	
17254	17254-KACA-P00	17254-KACA-P00	PLUG AIR/C CONN TUBE	PLUG AIR/C CONN TUBE	1	200	
17370	17370-4K19-670	17370-4K19-670	PLUG BREATHER TUBE	PLUG BREATHER TUBE	1	200	
17371	17371-1D74-671	17371-1D74-671	CLIP BREATHER TUBE	CLIP BREATHER TUBE	2	60	
90001	90001-GBHB-681	90001-GBHB-681	BOLT FLANGE SHF 6*28	BOLT FLANGE SHF 6*28	1	60	
90652	90652-GFY6-901	90652-GFY6-901	BAND 49 AIR/C CONNECTING TUBE	BAND 49 AIR/C CONNECTING TUBE	1	120	
93891	93891-05016-06	93891-05016-06	SCREW WASHER 5*16	SCREW WASHER 5*16	1	60	
93903	93903-25460	93903-25460	SCREW TAPPING 5*20 **93903-25480	SCREW TAPPING 5*20 **93903-25480 C.2005	5	60	
95002-02080	95002-02080	95002-02080	CLIP B8 TUBE	CLIP B8 TUBE	1	60	
95002-02120	95002-02120	95002-02120	CLIP B12 TUBE	CLIP B12 TUBE	1	60	
95002-41050	95002-41050-00	95002-41050-00	CLIP D10.5 TUBE	CLIP D10.5 TUBE	1	300	
95003	95003-23024-60	95003-23024-60	V TUBE 8*12*240	V TUBE 8*12*240	1	200	



F14

# Exhaust Muffler

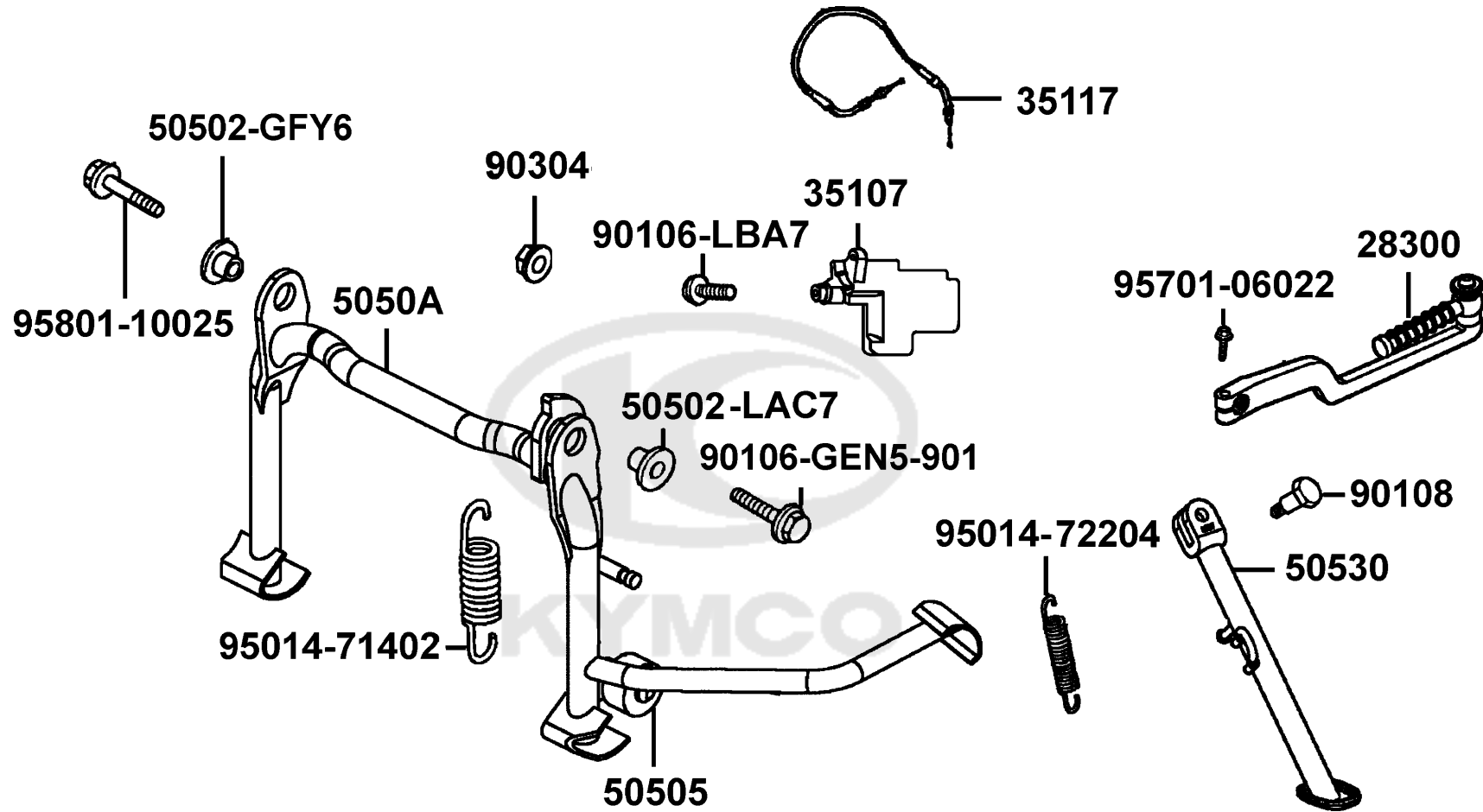


Sales mark 記号	Ref no 参照用番号	Part no パーツ番号	Description 部品名	Reg description 部品名	Regd no 必要個数	Ref Price 希望小売価格(税抜)
	18291-KEBE	18291-KEBE-900	COLLAR	COLLAR	3	60
	18291-LBD4	18291-LBD4-900	GASKET EXH PIPE	GASKET EXH PIPE	1	200
	18292	18292-KEBE-900	PACKING PROTECTOR	PACKING PROTECTOR	3	60
	18293	18293-KEBE-900	RUBBER PKG PROTR	RUBBER PKG PROTR	3	140
	18294	18294-KEBE-900	PACKING PROTECTOR	PACKING PROTECTOR	3	110
**	18306	18306-LAC7-900	TAIL ACP MUFFLER	TAIL ACP MUFFLER	1	2670
	1830A	1830A-LAD9-B2D	MUFFLER ASSY EXH/P208 **(1)	MUFFLER ASSY EXH/P208 **(1)	1	32000
**	18318	18317-LAC7-B20	PROTECTOR MUFFLER	PROTECTOR MUFFLER	1	3810
	80107	80107-KHLH-900	RUBBER A RR FENDER	RUBBER A RR FENDER	1	110
	90021	90021-GFY6-900	BOLT WASHER COMP	BOLT WASHER COMP	1	90
	90301	90301-GFY6-901	NUT (HEX) CAP 8MM	NUT (HEX) CAP 8MM	2	140
	94101	94101-06700	WASHER PLAIN 6MM	WASHER PLAIN 6MM	1	60
	95701-06022	95701-06022-06	BOLT FLANGE 6*22	BOLT FLANGE 6*22	3	60
	95701-06025	95701-06025-06	BOLT FLANGE 6*25	BOLT FLANGE 6*25	3	60
	95801	95801-08042-06	BOLT FLANGE 8*42	BOLT FLANGE 8*42	1	70
	96001	96001-06008-07	BOLT FLANGE SH 6*8	BOLT FLANGE SH 6*8	1	60

F14

F15

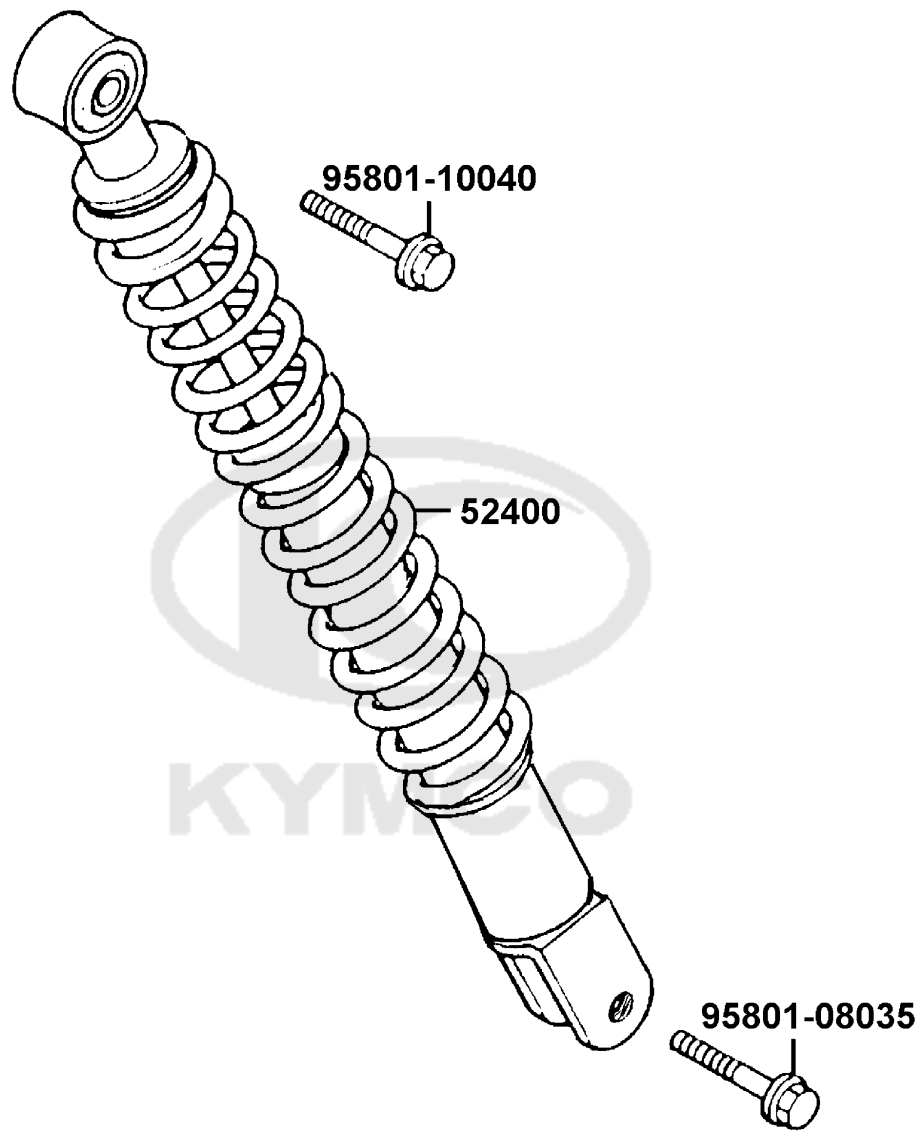
Stand Kick Starter Arm



Sales mark 記号	Ref no 参照用番号	Part no パーツ番号	Description 部品名	Reg description 部品名	Regd no 必要個数	Ref Price 希望小売価格(税抜)	F15
28300	28300-KNBN-901	28300-KNBN-901	ARM ASSY KICK STARTER	ARM ASSY KICK STARTER	1	2030	
35107	35107-LAD9-90B	35107-LAD9-90B	LOCK MAIN STAND	LOCK MAIN STAND	1	3810	
35117	35117-LAD9-900	35117-LAD9-900	CABLE SEAT LOCK	CABLE SEAT LOCK	1	2010	
50502-GFY6	50502-GFY6-901	50502-GFY6-901	COLLAR MAIN STAND	COLLAR MAIN STAND	1	140	
50502-LAC7	50502-LAC7-900	50502-LAC7-900	COLLAR MAIN STAND	COLLAR MAIN STAND	1	230	
50505	50505-LAD9-900	50505-LAD9-900	STOPPER RUBBER	STOPPER RUBBER	1	180	
5050A	5050A-LAD9-900	5050A-LAD9-900	STAND ASSY MAIN	STAND ASSY MAIN	1	5520	
50530	50530-LAD9-900	50530-LAD9-900	SIDE STAND COMP	SIDE STAND COMP	1	1340	
90106-GEN5	90106-GEN5-901	90106-GEN5-901	BOLT FLANGE 10*50	BOLT FLANGE 10*50	1	80	
90106-LBA7	90106-LBA7-900	90106-LBA7-900	BOLT FLANGE 8*25	BOLT FLANGE 8*25	1	100	
90108	90108-LKE6-900	90108-LKE6-900	PIVOT SCREW SIDE STAND	PIVOT SCREW SIDE STAND	1	80	
90304	90304-GHE8-004	90304-GHE8-004	NUT CAP 6MM	NUT CAP 6MM	1	200	
95014-71402	95014-71402	95014-71402	SPRING D MAIN STAND	SPRING D MAIN STAND	1	60	
95014-72204	95014-72204	95014-72204	SPG B1 SIDE STAND	SPG B1 SIDE STAND	1	300	
95701	95701-06022-06	95701-06022-06	BOLT FLANGE 6*22	BOLT FLANGE 6*22	1	60	
95801	95801-10025-06	95801-10025-06	BOLT FLANGE 10*25	BOLT FLANGE 10*25	1	60	

F16

Rear Cushion



Sales mark 記号	Ref no 参照用番号	Part no パーツ番号	Description 部品名	Reg description 部品名	Regd no 必要個数	Ref Price 希望小売価格(税抜)
------------------	-----------------	------------------	--------------------	------------------------	-----------------	-------------------------

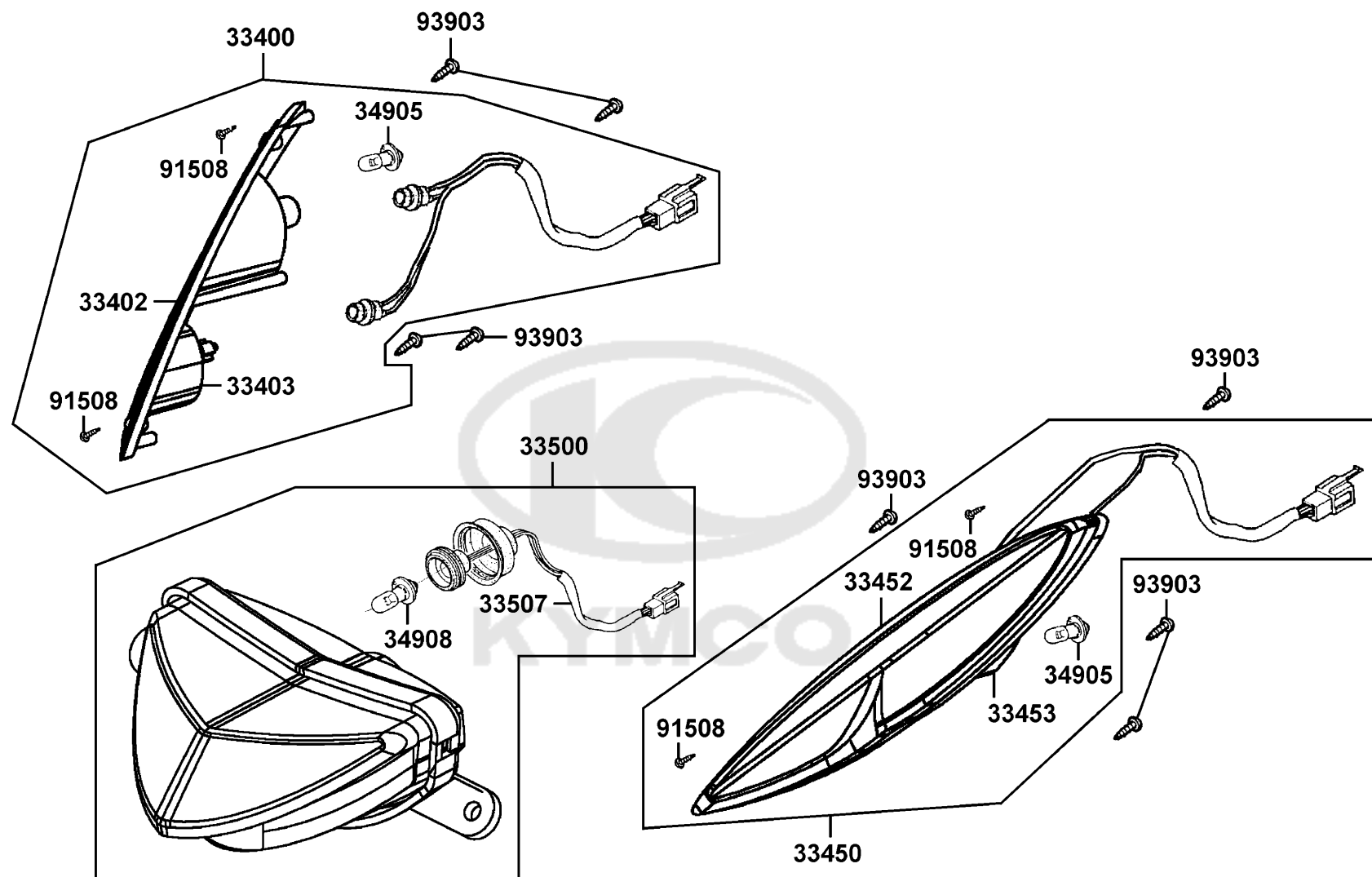
**F16**

**	52400	52400-LAD9-900	CUSHION ASSY RR	CUSHION ASSY RR	1	9700
	95801-08035	95801-08035-06	BOLT FLANGE 8*35	BOLT FLANGE 8*35	1	60
	95801-10040	95801-10040-06	BOLT FLANGE 10*40	BOLT FLANGE 10*40	1	80



F17

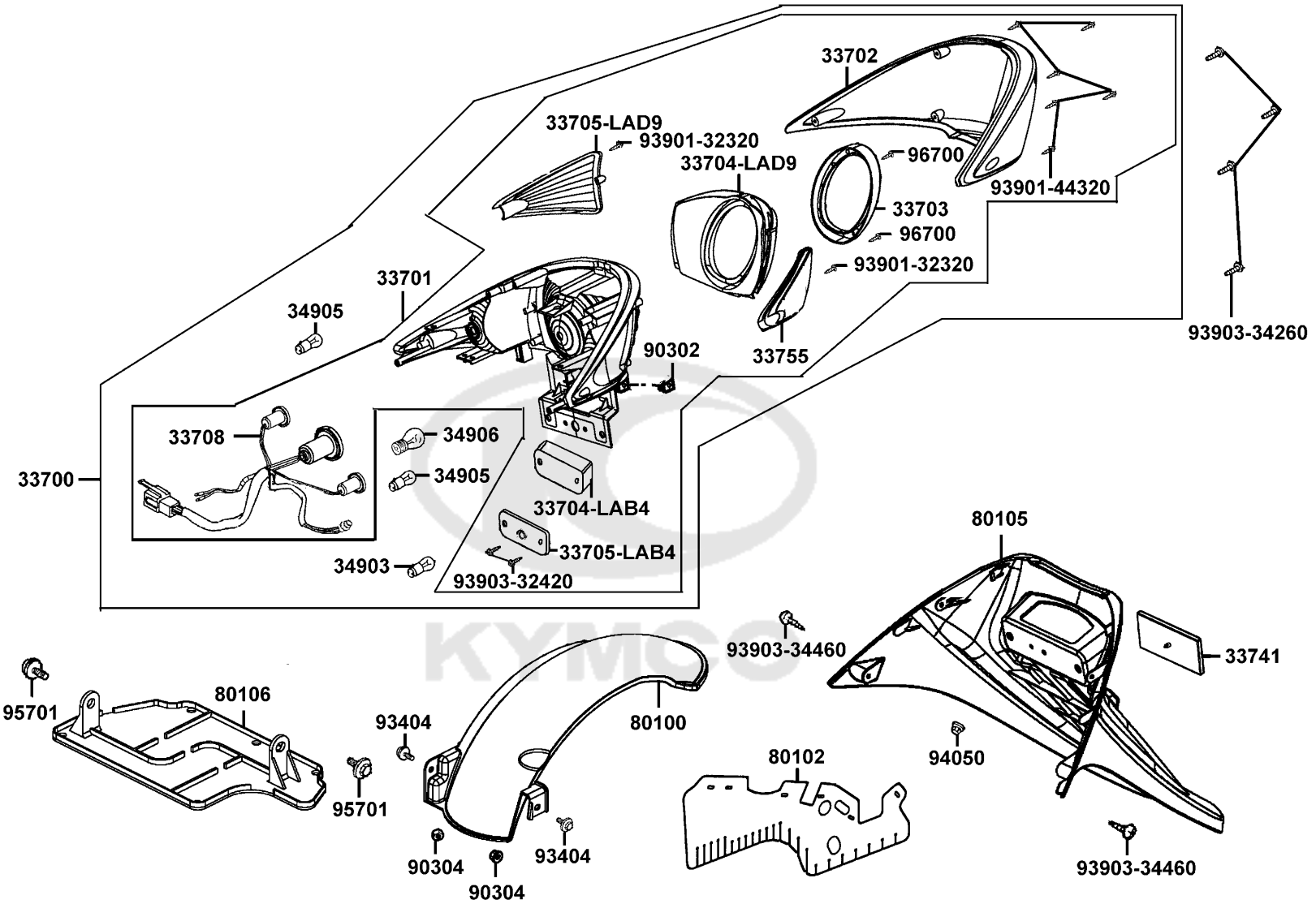
Front Winker



Sales mark 記号	Ref no 参照用番号	Part no パーツ番号	Description 部品名	Reg description 部品名	Regd no 必要個数	Ref Price 希望小売価格(税抜)
33400	33400-LAD9-900	33400-LAD9-900	WINKER ASSY R FR ** (2) C.2005.05.19	WINKER ASSY R FR ** (2) C.2005.05.19	1	3810
33402	33402-LAD9-900	33402-LAD9-900	LENS R FR WINKER	LENS R FR WINKER	1	960
33403	33403-LAD9-900	33403-LAD9-900	BASE COMP R FR WINKER ** (0)	BASE COMP R FR WINKER ** (0)	1	2860
33450	33450-LAD9-900	33450-LAD9-900	WINKER ASSY L FR ** (2) C.2005.05.19	WINKER ASSY L FR ** (2) C.2005.05.19	1	3810
33452	33452-LAD9-900	33452-LAD9-900	LENS L FR WINKER	LENS L FR WINKER	1	960
33453	33453-LAD9-900	33453-LAD9-900	BASE COMP L FR WINKER ** (0)	BASE COMP L FR WINKER ** (0)	1	2860
33500	33500-LAD9-900	33500-LAD9-900	LIGHT ASSY FR POSITION ** (0)	LIGHT ASSY FR POSITION ** (0) C.2005.12	1	1910
33507	33507-LAD9-900	33507-LAD9-900	SOCKET COMP FR POSITION LIGHT	SOCKET COMP FR POSITION LIGHT	1	580
34905	34905-KHC4-900	34905-KHC4-900	BULB WINKER	BULB WINKER	2	400
34908	34908-GGA7-70A	34908-GGA7-70A	BULB WEDGE BASE 12V*3.4W	BULB WEDGE BASE 12V*3.4W	1	130
91508	91508-KGV7-67A	91508-KGV7-67A	SCREW TAPPING 4*14	SCREW TAPPING 4*14	4	200
93903	93903-34460	93903-34460	SCREW TAPPING 4*16	SCREW TAPPING 4*16	8	200

F17





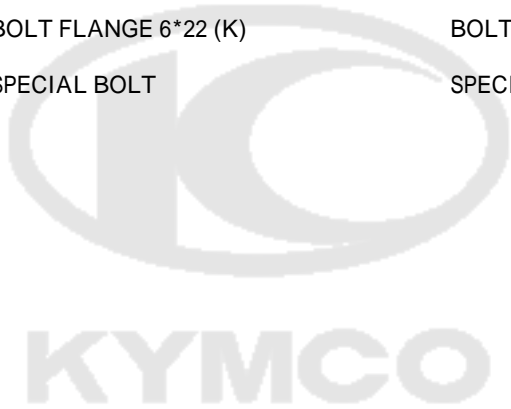
Sales mark 記号	Ref no 参照用番号	Part no パーツ番号	Description 部品名	Reg description 部品名	Regd no 必要個数	Ref Price 希望小売価格(税抜)
	33700	33700-LAD9-920	LIGHT ASSY RR COMB	LIGHT ASSY RR COMB	1	15440
	33701	33701-LAD9-900	LIGHT UNIT RR COMB	LIGHT UNIT RR COMB	1	17110
	33702	33702-LAD9-900	OUT LENS RR COMB	OUT LENS RR COMB	1	1340
	33703	33703-LAD9-900	COSMETIC TAIL LIGHT	COSMETIC TAIL LIGHT	1	960
	33704-LAB4	33704-LAB4-900	LENS LICENSE	LENS LICENSE	1	200
	33704-LAD9	33704-LAD9-900	LENS TAIL LIGHT	LENS TAIL LIGHT	1	1910
	33705-LAB4	33705-LAB4-900	BASE LICENSE LIGHT	BASE LICENSE LIGHT	1	390
	33705-LAD9	33705-LAD9-900	LENS R RR WINKER	LENS R RR WINKER	1	580
	33708	33708-LAD9-920	SOCKET COMP RR COMB	SOCKET COMP RR COMB	1	2480
	33741	33741-KEBE-900	REFLEX REFLECTOR	REFLEX REFLECTOR	1	680
	33755	33755-LAD9-900	LENS L RR WINKER	LENS L RR WINKER	1	580
	34903	34903-KALA-900	BULB POSITION (12V 5W)	BULB POSITION	1	300
	34905	34905-KHC4-900	BULB WINKER	BULB WINKER	2	400
	34906	34906-2H68-601	BULB TAIL LIGHT	BULB TAIL LIGHT	1	300
	80100	80100-LAD9-900	FENDER RR TIRE	FENDER RR TIRE	1	870
	80102	80102-LAD9-900	PLATE SPLASH BOARD	PLATE SPLASH BOARD	1	590
**	80105	80105-LAD9-900	FENDER RR **900 C.2005.12.24	FENDER RR **900 C.2005.12.24	1	2890
	80106	80106-LAD9-900	FENDER RR INNER **(0) C.2005.12.19	FENDER RR INNER **(0) C.2005.12.19	1	580
	90302	90302-SDA4-004	NUT SPRING 4MM	NUT SPRING 4MM	2	60
	90304	90304-4H38-001	NUT HEX CAP 6MM	NUT HEX CAP 6MM	2	200

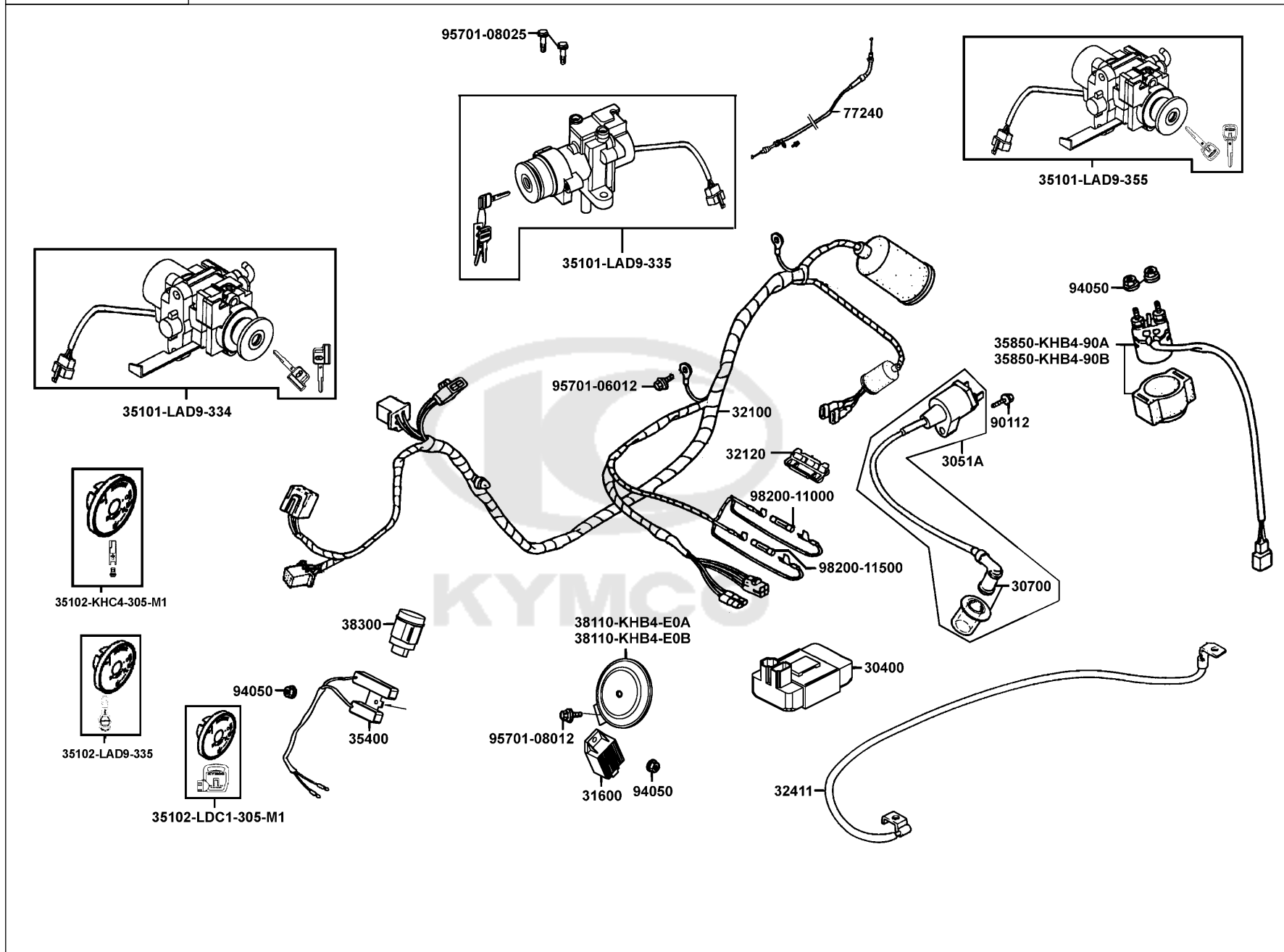
F18



Sales mark 記号	Ref no 参照用番号	Part no パーツ番号	Description 部品名	Reg description 部品名	Regd no 必要個数	Ref Price 希望小売価格(税抜)
93404	93404-KKC2-900		BOLT WASH 6*16	BOLT WASH 6*16	2	60
93901-32320	93901-32320		SCREW TAPPING 3*12	SCREW TAPPING 3*12	2	60
93901-44320	93901-44320		SCREW TAPPING 4*12	SCREW TAPPING 4*12	6	60
93903-32420	93903-32420		SCREW TAPPING 3*12	SCREW TAPPING 3*12	2	60
93903-34260	93903-34260		SCREW TAPPING 4*10	SCREW TAPPING 4*10	2	60
93903-34460	93903-34460		SCREW TAPPING 4*16	SCREW TAPPING 4*16	2	200
94050	94050-05080		NUT FLANGE 5MM	NUT FLANGE 5MM	1	200
95701	95701-06012-06		BOLT FLANGE 6*22 (K)	BOLT FLANGE 6*22 (K)	1	60
96700	96700-LAD9-900		SPECIAL BOLT	SPECIAL BOLT	2	110

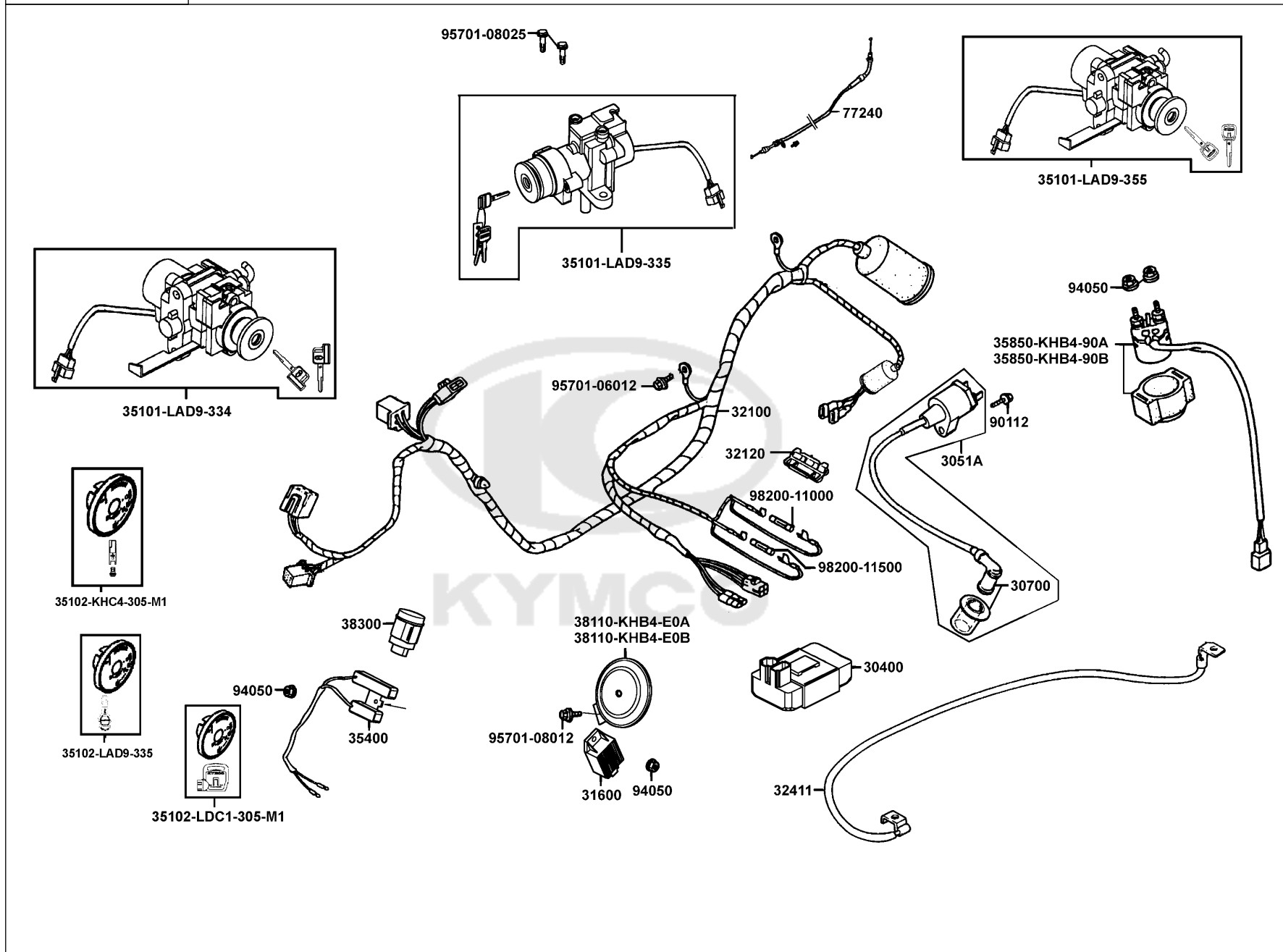
F18





Sales mark 記号	Ref no 参照用番号	Part no パーツ番号	Description 部品名	Reg description 部品名	Regd no 必要個数	Ref Price 希望小売価格(税抜)
30400		30400-LAD9-B20	UNIT ASSY CDI **(1)	UNIT ASSY CDI **(1)	1	17300
3051A		3051A-LBD4-900	COIL ASSY IGN	COIL ASSY IGN	1	4000
30700		30700-LLF5-900	CAP ASSY NOISE SUPPRESSOR **(1)	CAP ASSY NOISE SUPPRESSOR **(1) C.2003	1	1090
31600		31600-KUDU-900	REG REC COMP	REG REC COMP	1	2960
32100		32100-LAD9-B20	HARNESS WIRE	HARNESS WIRE	1	11890
32120		32120-KFAF-900	CASE FUSE 15A	CASE FUSE 15A	1	110
32411		32411-LAD9-900	CABLE BATTERY **(4) C.2006.02.14	CABLE BATTERY **(4) C.2006.02.14	1	1340
35101-LAD9-334		35101-LAD9-334	SW SET COMB LOCK/FOR SERVICE	SW SET COMB LOCK/FOR SERVICE	1	11980
35101-LAD9-335		35101-LAD9-335	SW COMB & LOCK SET	SW COMB & LOCK SET	1	11980
35101-LAD9-355		35101-LAD9-355	SW COMB & LOCK SET	SW COMB & LOCK SET	1	11410
35102-KHC4		35102-KHC4-305-M1	SHUTTER SET MAGNETIC LOCK	SHUTTER SET MAGNETIC LOCK	1	6660
35102-LAD9		35102-LAD9-335	SHUTTER MAGNETIC LOCK SET/SD	SHUTTER MAGNETIC LOCK SET/SD	1	5140
35102-LDC1		35102-LDC1-305-M1	SHUTTER SET MAGNETIC LOCK	SHUTTER SET MAGNETIC LOCK	1	5520
35400		35400-LAC7-B20	RESISTOR COMP	RESISTOR COMP	1	1530
35850-KHB4-90A		35850-KHB4-90A	SET START MAG	SET START MAG	1	2670
35850-KHB4-90B		35850-KHB4-90B	SET START MAG	SET START MAG	1	2860
38110-KHB4-E0A		38110-KHB4-E0A	HORN COMP	HORN COMP	1	2480
38110-KHB4-E0B		38110-KHB4-E0B	HORN COMP	HORN COMP	1	2480
38300		38300-KECE-900	RELAY ASSY WINKER	RELAY ASSY WINKER	1	2530
77240		77240-LAB4-900	CABLE SEAT LOCK	CABLE SEAT LOCK	1	1530

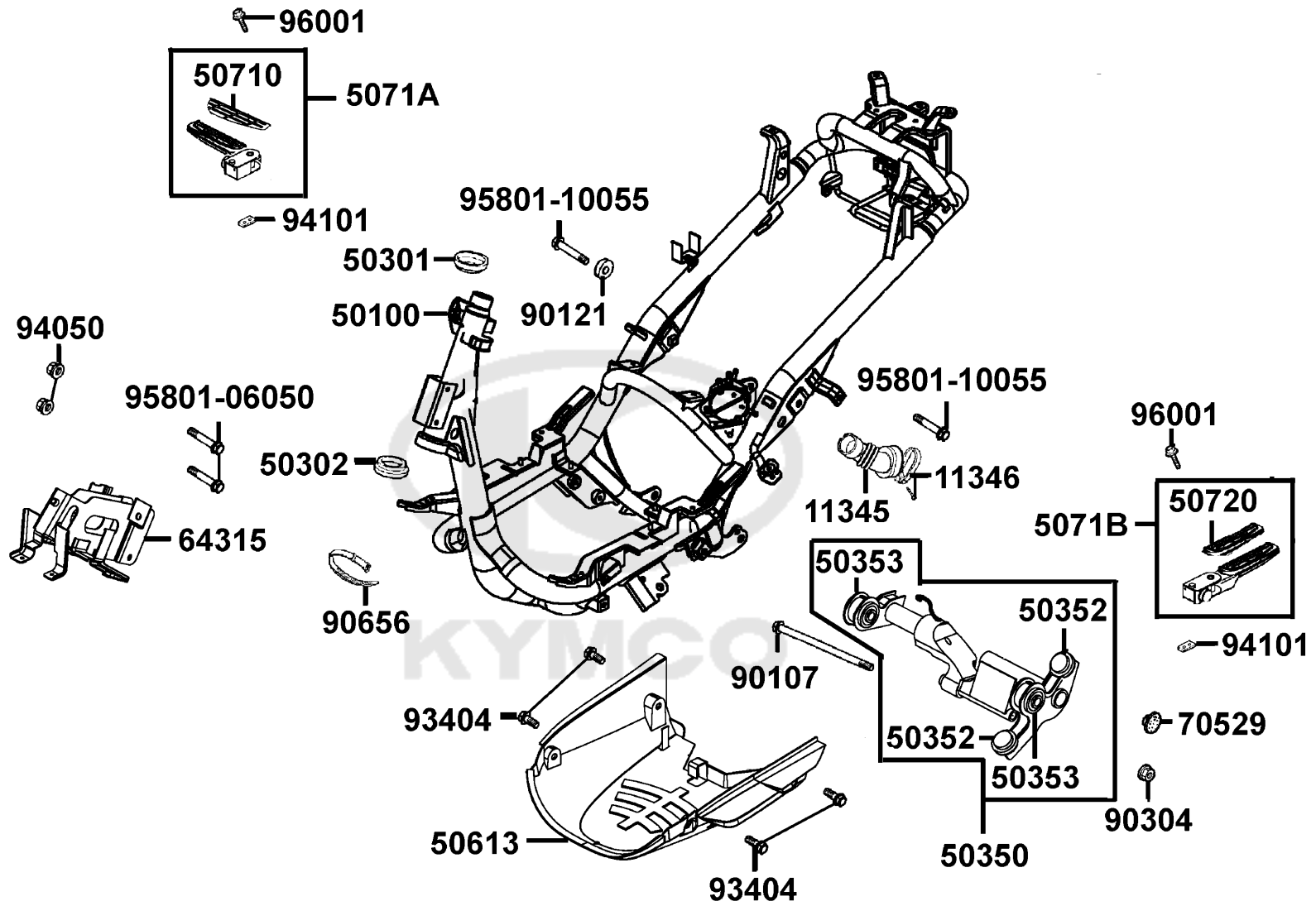
**F19**



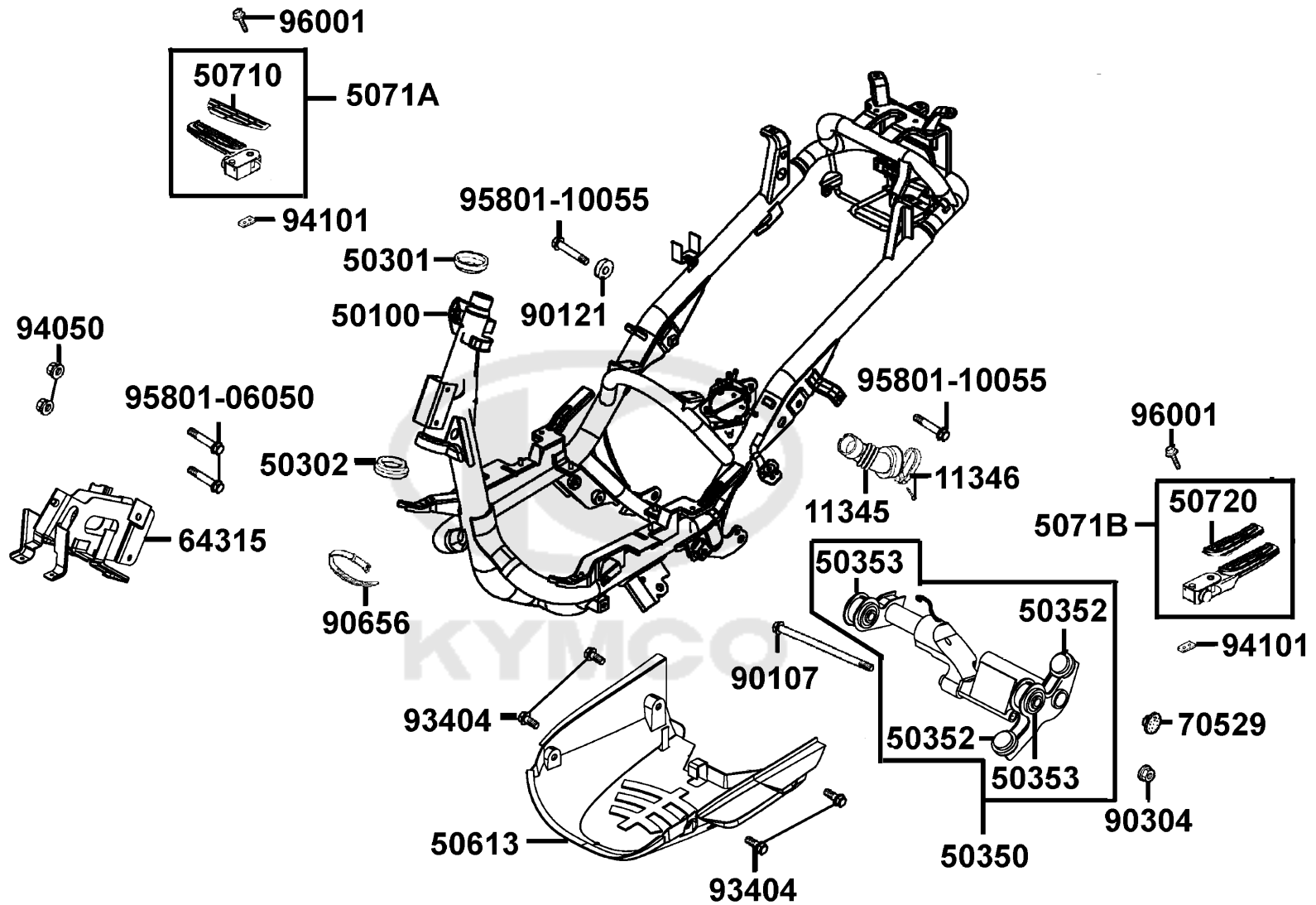
Sales mark 記号	Ref no 参照用番号	Part no パーツ番号	Description 部品名	Reg description 部品名	Regd no 必要個数	Ref Price 希望小売価格(税抜)	F19
90112		90112-KRDR-900	BOLT FLANGE 5*22	BOLT FLANGE 5*22	1	130	
94050		94050-06080	NUT FLANGE 6MM	NUT FLANGE 6MM	4	60	
95701-06012		95701-06012-06	BOLT FLANGE 6*22 (K)	BOLT FLANGE 6*22 (K)	1	60	
95701-08012		95701-08012-06	BOLT FLANGE 6*22 (K)	BOLT FLANGE 6*22 (K)	1	60	
95701-08025		95701-08025-06	BOLT FLANGE 6*22 (K)	BOLT FLANGE 6*22 (K)	1	60	
98200-11000		98200-11000	FUSE A10	FUSE A10	1	60	
98200-11500		98200-11500	FUSE A15	FUSE A15	1	60	







Sales mark 記号	Ref no 参照用番号	Part no パーツ番号	Description 部品名	Reg description 部品名	Regd no 必要個数	Ref Price 希望小売価格(税抜)	F20
	11345	11345-LAD9-900	DUCT L COVER	DUCT L COVER	1	1850	
	11346	11346-GFY6-901	BAND L COVER DUCT	BAND L COVER DUCT	1	490	
	50100	50100-LAD9-920	BODY COMP FRAME **(2) C.2006.07.18	BODY COMP FRAME **(2) C.2006.07.18	1	62360	
	50301	50301-KGN7-671	RACE UP STRG BALL	RACE UP STRG BALL	1	540	
	50302	50302-2H68-011	RACE STRG BOT BALL	RACE STRG BOT BALL	1	610	
	50350	50350-LLF5-900	ENG HANGER ASSY	ENG HANGER ASSY	1	10460	
	50352	50352-GFY6-901	RUBBER STOPPER	RUBBER STOPPER	2	200	
	50353	50353-GBG2-711	BUSH SWING LOCK	BUSH SWING LOCK	2	680	
**	50613	50613-LAD9-900	COVER ASSY UNDER	COVER ASSY UNDER	1	1340	
	50710	50710-LBC6-90A	RUBBER R STOP	RUBBER R STOP	1	160	
	5071A	5071A-LBC6-90A	BAR STEP R ASSY	BAR STEP R ASSY	1	2580	
	5071B	5071B-LBC6-90A	BAR STEP L ASSY	BAR STEP L ASSY	1	2580	
	50720	50720-LBC6-90A	RUBBER L STOP	RUBBER L STOP	1	160	
	64315	64315-LAD9-900	STAY FR COVER **(4) C.2006.01.14	STAY FR COVER **(4) C.2006.01.14	1	3240	
	70529	70529-KUDU-900	GROM B SIDE PNL	GROM B SIDE PNL	1	200	
	90107	90107-KUDU-900	BOLT FLANGE 10*188	BOLT FLANGE 10*188	1	240	
	90121	90121-GFY6-901	COLLAR DISTANCE	COLLAR DISTANCE	1	60	
	90304	90304-GHE8-004	NUT CAP 6MM	NUT CAP 6MM	1	200	
	90656	90656-KCBC-900	BAND OIL HANDLE	BAND OIL HANDLE	1	60	
	93404	93404-06016-06	BOLT WASHER 6*16	BOLT WASHER 6*16	4	60	

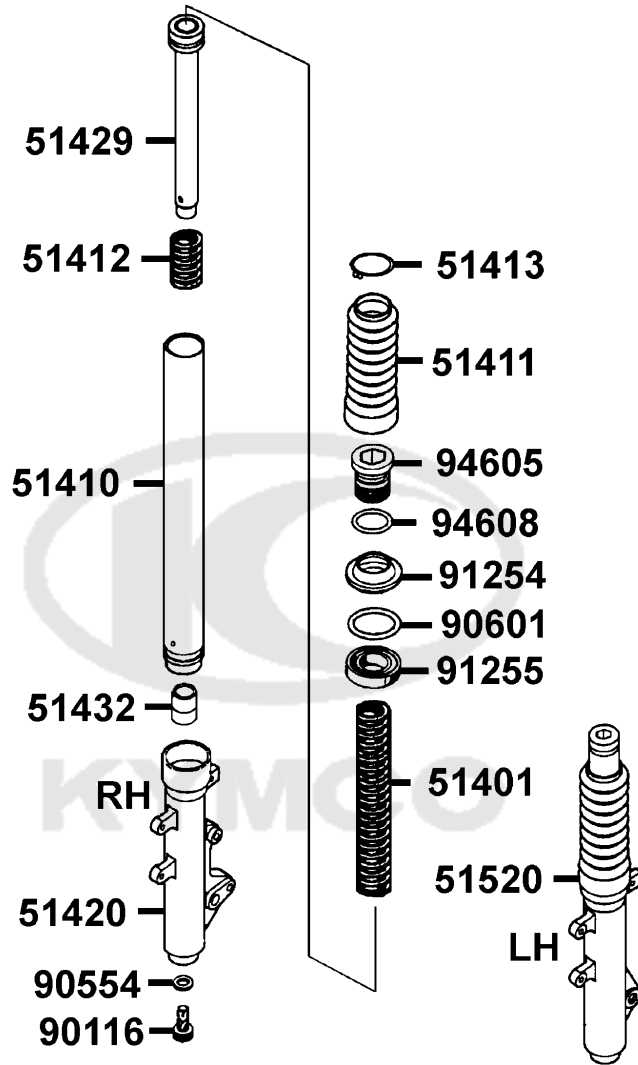


Sales mark 記号	Ref no 参照用番号	Part no パーツ番号	Description 部品名	Reg description 部品名	Regd no 必要個数	Ref Price 希望小売価格(税抜)	F20
94050	94050-06080	94050-06080	NUT FLANGE 6MM	NUT FLANGE 6MM	2	60	
94101	94101-06000	94101-06000	WASHER PLAIN 6MM	WASHER PLAIN 6MM	2	60	
95801-06050	95801-06050-06	95801-06050-06	BOLT FLANGE 6*50 (G)	BOLT FLANGE 6*50 (G)	1	390	
95801-10055	95801-10055-06	95801-10055-06	BOLT FLANGE 10*55	BOLT FLANGE 10*55	1	90	
96001	96001-06035-06	96001-06035-06	BOLT FLANGE SH 6*35	BOLT FLANGE SH 6*35	2	130	

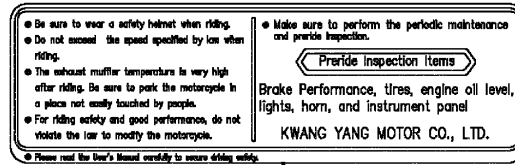


F21

Separated Parts Of Fr Fork



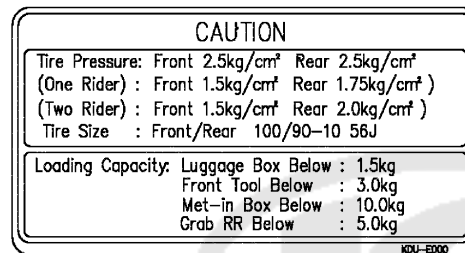
Sales mark 記号	Ref no 参照用番号	Part no パーツ番号	Description 部品名	Reg description 部品名	Regd no 必要個数	Ref Price 希望小売価格(税抜)	F21
	51401	51401-KHD6-800	SPRING	SPRING	2	580	
	51410	51410-KEC6-800	FORK PIPE COMP	FORK PIPE COMP	2	4950	
	51411	51411-KEBE-E00	BOOT	BOOT	2	940	
	51412	51412-KECE-900	REBOUND SPRING	REBOUND SPRING	2	130	
	51413	51413-KEBE-E00	BOOT BAND	BOOT BAND	2	130	
**	51420	51420-KUDU-900	BOTTOM CASE R	BOTTOM CASE R	1	9090	
	51429	51429-KHD6-900	PIPE SEAT COMP	PIPE SEAT COMP	2	1060	
	51432	51432-KGM7-911	OIL LOCK PIECE	OIL LOCK PIECE	2	200	
**	51520	51520-KUDU-900	BOTTOM CASE L	BOTTOM CASE L	1	9090	
	90116	90116-3C83-72A	BOLT	BOLT	2	60	
	90554	90554-2C83-001	PACKING	PACKING	2	60	
	90601	90601-3D54-001	RING OIL-SEAL STOPPER	RING OIL-SEAL STOPPER	2	60	
	91254	91254-KEC5-004	DUST SEAL	DUST SEAL	2	340	
	91255	91255-4F46-014	OIL SEAL	OIL SEAL	2	270	
	94605	94605-KUDU-900	FORK BOLT	FORK BOLT	2	300	
	94608	94608-30000	O-RING	O-RING	2	60	



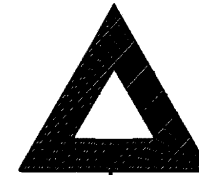
87560



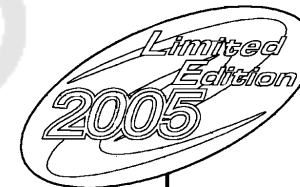
86408



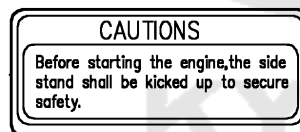
87505



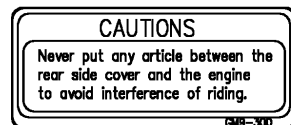
86409



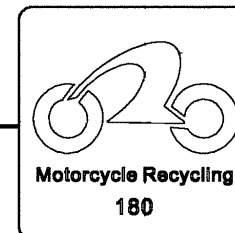
87140



87541



87542

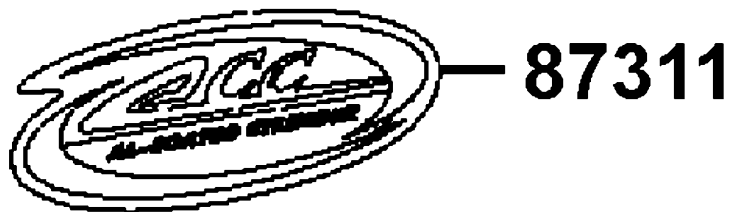
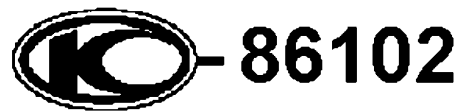


87311

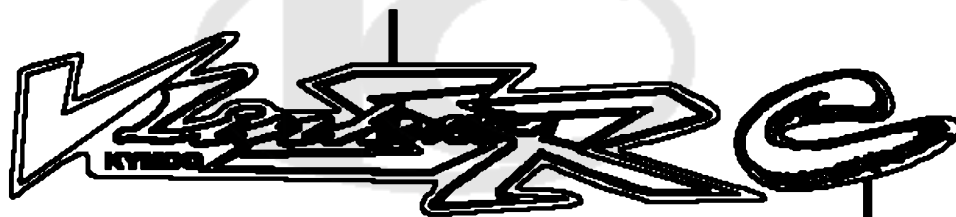
Sales mark 記号	Ref no 参照用番号	Part no パーツ番号	Description 部品名	Reg description 部品名	Regd no 必要個数	Ref Price 希望小売価格(税抜)	F22
**	86408	86408-KKC8-B20	STRIPE FR FENDER	STRIPE FR FENDER	1	130	
**	86409	86409-KHC4-B20	STRIPE RR FENDER ** (0) C.2005.04.26	STRIPE RR FENDER ** (0) C.2005.04.26	1	240	
**	87140	87140-LAD9-B20	MARK 2005	MARK 2005	1	390	
**	87311	87311-LAD9-B20	STRIPE R MARK	EMB MARK ABS	1	200	
**	87505	87505-KUDU-E00	LABEL TIRE	LABEL TIRE	1	200	
**	87541	87541-GAR1-E00	CAUTION SIDE STAND	CAUTION SIDE STAND	1	200	
**	87542	87542-GAR1-E00	MARK MAINT CAUTION	MARK MAINT CAUTION	1	200	
**	87560	87560-GFY6-E00	MARK DRIVE CAUTION	MARK DRIVE CAUTION	1	200	







86202-LAD9-B20



KYMCO 87140



86202-LAD9-B21

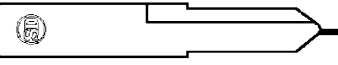
Sales mark 記号	Ref no 参照用番号	Part no パーツ番号	Description 部品名	Reg description 部品名	Regd no 必要個数	Ref Price 希望小売価格(税抜)	F23
------------------	-----------------	------------------	--------------------	------------------------	-----------------	-------------------------	-----

**	86102	86102-KKC4-900	EMB K-LOGO 28.5MM	EMB K-LOGO 28.5MM	1	1530	
**	86202-LAD9-B20	86202-LAD9-B20	EMB BODY COVER	EMB BODY COVER	2	1720	
**	86202-LAD9-B21	86202-LAD9-B21	EMB BODY COVER	EMB BODY COVER	2	870	
**	87140-LAD9-B21	87140-LAD9-B21	STRIPE MARK C	STRIPE MARK C	2	490	
**	87311	87311-LAC7-B20	EMB MARK ACC	EMB MARK ACC	1	680	

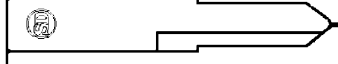


F24

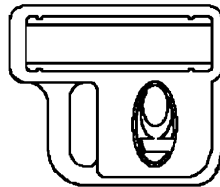
Key



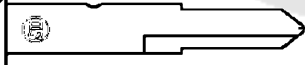
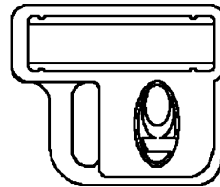
35111-LBA2-305-T01



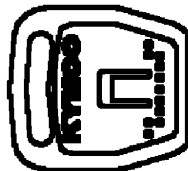
35111-LBA2-305-T02



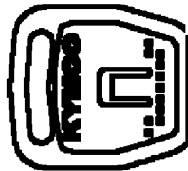
35111-KHC4-305-M1



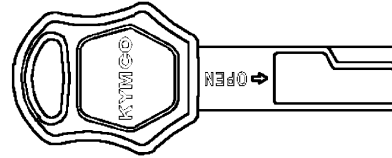
35111-KHC4-315-M1



35111-LDC1-305-M1



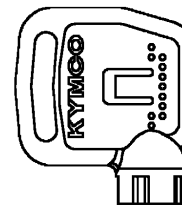
35111-LDC1-306-M1



35111-KKC4-335-M1

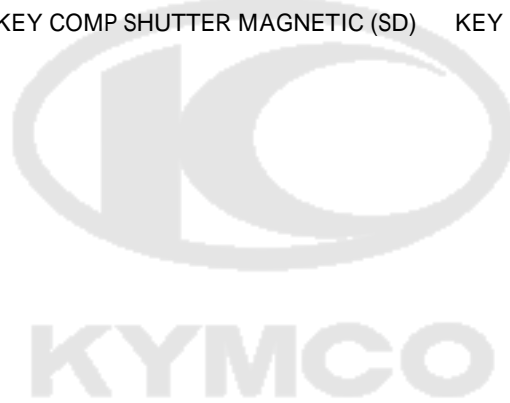


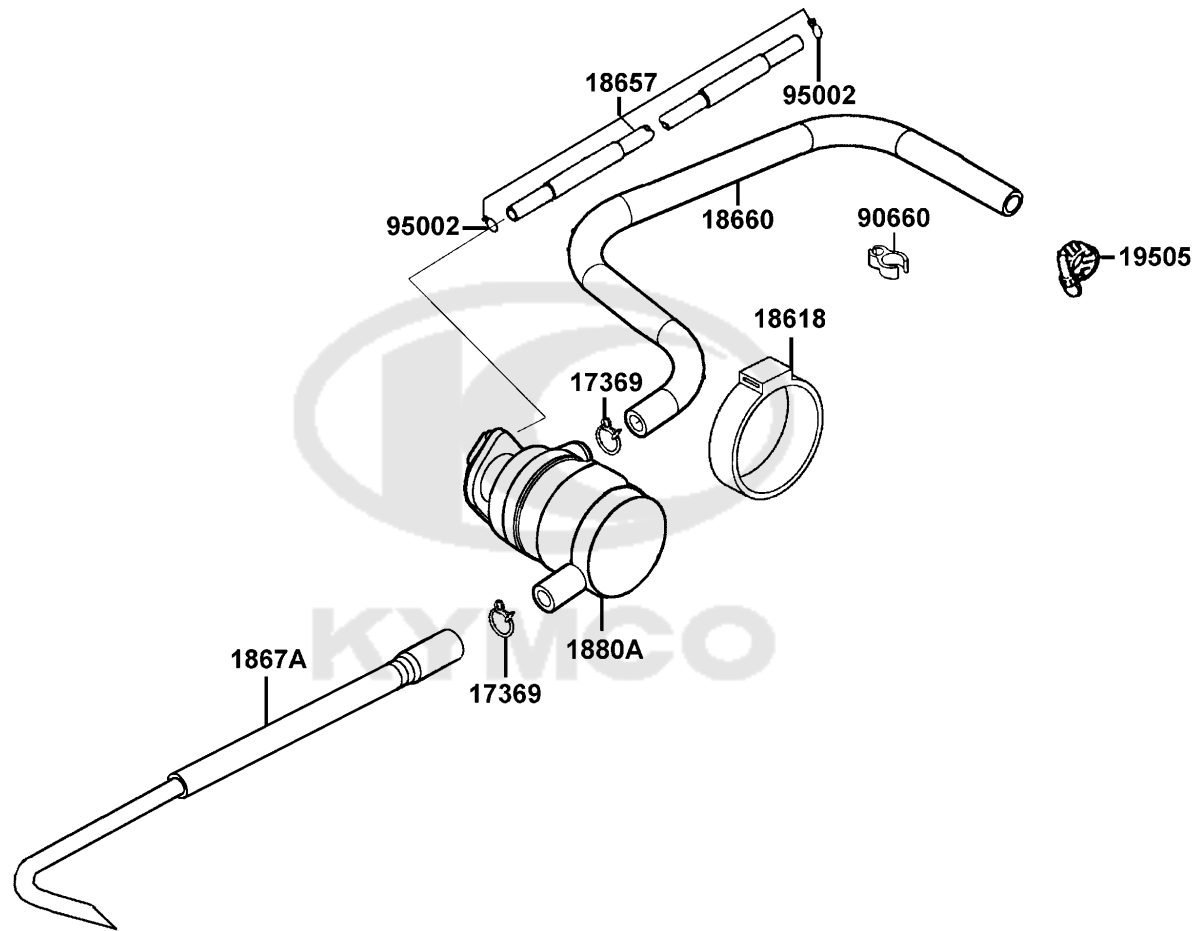
35111-KHC4-308-M1



35111-LDC1-307-M1

Sales mark 記号	Ref no 参照用番号	Part no パーツ番号	Description 部品名	Reg description 部品名	Regd no 必要個数	Ref Price 希望小売価格(税抜)	F24
	35111-KHC4-308-M1	35111-KHC4-308-M1	KEY COMP/SHUTTER MAGNETIC LOCK	KEY COMP/SHUTTER MAGNETIC LOCK	1	3620	
	35111-KHC4-315-M1	35111-KHC4-315-M1	KEY MAIN SWITCH /RAW	KEY MAIN SWITCH /RAW	1	960	
	35111-KKC4-335-M1	35111-KKC4-335-M1	KEY COMP/SHUTTER MAGNETIC	KEY COMP/SHUTTER MAGNETIC	1	3240	
	35111-LBA2-305-	35111-LBA2-305-T01	KEY COMP(R TANGENT PLANE/SD)	KEY COMP(R TANGENT PLANE/SD)	1	870	
	35111-LBA2-305-	35111-LBA2-305-T02	KEY COMP (L TANGENT PLANE/SD)	KEY COMP (L TANGENT PLANE/SD)	1	870	
	35111-LDC1-305-M1	35111-LDC1-305-M1	KEY COMP (R TANGENT PLANE/SD)	KEY COMP (R TANGENT PLANE/SD)	1	770	
	35111-LDC1-306-M1	35111-LDC1-306-M1	KEY COMP (L TANGENT PLANE/SD)	KEY COMP (L TANGENT PLANE/SD)	1	770	
	35111-LDC1-307-M1	35111-LDC1-307-M1	KEY COMP SHUTTER MAGNETIC (SD)	KEY COMP SHUTTER MAGNETIC (SD)	1	3240	





Sales mark 記号	Ref no 参照用番号	Part no パーツ番号	Description 部品名	Reg description 部品名	Regd no 必要個数	Ref Price 希望小売価格(税抜)	F25
17369		17369-KDB4-671	CLIP BREATHER TUBE	CLIP BREATHER TUBE	2	160	
18618		18618-LLF5-90A	RUBBER AICV MOUNT	RUBBER AICV MOUNT	1	140	
18618		18618-LLF5-90B	RUBBER AICV MOUNT	RUBBER AICV MOUNT	1	140	
18657		18657-KHB4-900	TUBE ASSY AICV-INLET PIPE	TUBE ASSY AICV-INLET PIPE	1	390	
18660		18660-LAD9-900	DUCT AICV-REED VALVE	DUCT AICV-REED VALVE	1	720	
1867A		1867A-LAD9-900	TAIL TUBE AICV	TAIL TUBE AICV	1	540	
1880A		1880A-LAD9-90A	AI/C-AICV ASSY	AI/C-AICV ASSY	1	2400	
1880A		1880A-LAD9-90B	AI/C-AICV ASSY	AI/C-AICV ASSY	1	3040	
19505		19505-GFY6-940	CLAMP A WATER HOSE	CLAMP A WATER HOSE	1	200	
90660		90660-KNBN-921	CLAMP TUBE	CLAMP TUBE	1	110	
95002		95002-02070	CLIP B7 TUBE	CLIP B7 TUBE	2	60	

PART NO. INDEX  
 パーツ番号 検索

PART NO. パーツ番号	VERSION バージョン	PAGE ページ	PART NO. パーツ番号	VERSION バージョン	PAGE ページ	PART NO. パーツ番号	VERSION バージョン	PAGE ページ
<b>11000</b>			<b>12000</b>			14431-KUDU-900	3	E02
11100-KUDU-305	5	E01	12100-KFA9-C00	6	E03	14450-GFY6-901	0	E02
11102-1G87-004	3	E01	12191-GFY6-980	1	E03	14452-GFY6-901	0	E02
11192-KUDU-980	1	E01	12200-KUDU-900	10	E02	14510-KUDU-C0B	0	E03
11200-LAD9-305	3	E01	12200-KUDU-C00	8	E02	14523-KED9-900	1	E03
11203-GGC7-301	2	E01	12209-GDB4-68B	0	E02	14531-GLR0-001	1	E03
11203-KUDU-900	2	E08	12211-KUDU-900	4	E02	14610-KUDU-C0B	0	E03
11206-KKE3-900	4	E06	12251-GFY6-90A	1	E02	14711-KUDU-900	1	E02
11207-KKE3-900	6	E04	12310-KUDU-900	2	E02	14721-KUDU-900	0	E02
11211-KUDU-900	0	F13	12310-KUDU-C00	2	E02	14751-KKJ9-003	1	E02
1122A-LAD9-900	1	E01	12361-GFY6-901	1	E04	14761-KKJ9-003	1	E02
11331-KUDU-C00	5	E04	12391-GFY6-941	0	E02	14771-GDB4-680	0	E02
11341-LLF5-900	2	E01				14775-MFA6-001	0	E02
11345-LAD9-900	1	F20	<b>13000</b>			14781-MFA6-001	0	E02
11346-GFY6-901	0	F20				<b>15000</b>		
11381-KUDU-900	3	E01	13000-KUDU-900	12	E03	15100-KUDU-900	1	E06
11383-KUDU-900	0	E01	13011-KFA9-90B	2	E03	15133-GFY6-901	0	E06
11384-KUDU-900	0	E01	13101-KFA9-900	3	E03	15141-GFY6-90B	0	E06
11386-GFY6-900	0	E07	13111-3D84-001	4	E03	15421-1G07-001	1	E04
11394-KUDU-980	1	E04				15426-GAE1-921	0	E04
11395-KUDU-980	0	E01	<b>14000</b>			1565A-KUDU-900	0	E04
			14100-KFA9-220	1	E02	15711-KUDU-900	0	E06
			14401-KUDU-90C	0	E03			

PART NO. INDEX  
 パーツ番号 検索

PART NO. パーツ番号	VERSION バージョン	PAGE ページ	PART NO. パーツ番号	VERSION バージョン	PAGE ページ	PART NO. パーツ番号	VERSION バージョン	PAGE ページ	
<b>16000</b>			16122-KEC3-900	1	E09	17214-KEC6-900	0	F13	
			16124-KEC3-900	2	E09	17231-LAD9-900	1	F13	
			16131-KEC3-900	0	E09	1723A-LAD9-BA0	0	F13	
	16001-KEC3-900	3	E09	16132-KEC3-900	1	E09	17254-KACA-P00	0	F13
	16012-KEC3-800	4	E09	16133-KEC3-900	1	E09	17256-GFY6-901	4	E02
	16019-KUDU-900	0	E09	16134-KEC3-900	0	E09	17369-KDB4-671	1	F25
	16035-LLF5-900	0	E09	16138-KEC3-900	1	E09	17369-KHC4-900	0	F10
	16051-KEC3-90A	1	E09	16140-KEC3-900	1	E09	17370-4K19-670	0	F13
	16053-KEC3-900	0	E09	16142-KEC3-900	1	E09	17371-1D74-671	0	F13
	16068-KEC3-900	0	E09	16150-KEC3-900	1	E09	17500-KHD6-900	4	F10
	16069-KEC3-900	3	E09	16154-KEC3-900	0	E09	17500-KHD6-910	3	F10
	16070-KEC3-900	3	E09	16165-KEC3-900	0	E09	17502-LAD9-900	1	F10
	16074-KEC3-900	4	E09	16170-KEC3-900	0	E09	17504-LAB4-900	2	F10
	16079-KEC3-900	3	E09	16179-KEC3-900	2	E09	17507-LAB4-900	2	F10
	16080-KEC3-900	0	E09	16180-KEC3-900	0	E09	17513-LAD9-900	1	F10
	16087-KEC3-900	3	E09	16181-KEC3-900	1	E09	17515-LAD9-900	1	F10
	16088-KEC3-900	1	E09	16201-GFY6-910	1	E02	17520-LLF5-900	1	F10
	16093-KEC3-096	0	E09	16211-GFY6-901	0	E02	17620-LAB4-90A	1	F10
	16095-KEC3-035	2	E09	16700-KHE7-220	0	F10	17620-LAB4-90B	1	F10
	16100-LAD9-900	2	E09	1691A-KEC2-E00	0	F10	17623-LAB4-90A	1	F10
16110-KEC3-900	1	E09				17623-LAB4-90B	1	F10	
16111-KEC3-900	1	E09	<b>17000</b>			17689-LAD9-B20	0	F10	
16114-KEC3-900	0	E09				1768A-LAD9-900	1	F10	
16116-KEC3-900	1	E09	17110-KUDU-900	5	E02	1768B-LAC7-900	6	F10	
16117-KEC3-900	0	E09	17110-LLF5-900	2	E02	1768B-LAD9-B20	1	F10	
16119-KEC3-900	1	E09	17211-KEC6-900	5	F13	1768C-KHE2-900	1	F10	



PART NO. INDEX  
 パーツ番号 検索

PART NO. パーツ番号	VERSION バージョン	PAGE ページ	PART NO. パーツ番号	VERSION バージョン	PAGE ページ	PART NO. パーツ番号	VERSION バージョン	PAGE ページ
1768D-KHE2-910	2	F10				22105-GFY6-220	1	E05
17910-LAD9-900	2	F03	<b>19000</b>			22110-KKE3-900	1	E05
<b>18000</b>			19411-KBCB-900	0	F10	22112-GFY6-90A	0	E05
			19505-GFY6-940	3	F25	22121-GFY6-325	0	E05
18291-KEBE-900	0	F14	19510-KKE3-900	3	E07	22131-GFY6-901	3	E05
18291-LBD4-900	2	F14	19613-GFY6-901	0	E07	22132-LKB9-900	1	E05
18292-KEBE-900	0	F14	1961A-KUDU-E10	3	E07	22300-LHJ3-900	5	E05
18293-KEBE-900	0	F14	19625-KUDU-910	0	E02	22350-GFY6-90A	1	E05
18294-KEBE-900	0	F14	19626-KUDU-900	0	E07	22350-LHJ3-900	1	E05
18306-LAC7-900	4	F14	1962A-KUDU-900	2	E07	22361-KGN7-671	1	E05
1830A-LAD9-B2D	2	F14	19632-GFY6-901	1	E07	22361-LHJ3-900	1	E05
18317-LAC7-B20	0	F14	19633-GFY6-901	0	E07	22401-GFY6-90A	1	E05
18601-MAJ1-791	1	E02	19636-KUDU-C00	0	E07	22401-LHJ3-900	1	E05
18612-GFY6-941	0	E02	1963A-KUDU-C00	0	E07	22530-LHJ3-900	4	E05
18618-LLF5-90A	2	F25	<b>21000</b>			22804-GBB2-001	0	E05
18618-LLF5-90B	1	F25				<b>23000</b>		
18645-GFY6-941	0	E02						
18646-GFY6-941	0	E02	21200-KUDU-305	6	E08	2301A-KFA9-900	2	E05
18647-GFY6-941	0	E02	21201-KUDU-900	0	E08	23100-KFBF-90B	1	E05
18657-KHB4-900	1	F25	21395-KUDU-980	2	E08	23200-GFY6-901	3	E05
18660-LAD9-900	5	F25				23220-GFY6-921	1	E05
1867A-LAD9-900	0	F25	<b>22000</b>			23225-GHC8-004	0	E05
1880A-LAD9-90A	1	F25				23226-GHC8-004	0	E05
1880A-LAD9-90B	1	F25	22101-GFY6-941	3	E05	23233-GCW3-011	0	E05
			22102-KUDU-220	1	E05	23237-GFY6-941	0	E05

PART NO. INDEX  
 パーツ番号 検索

PART NO. パーツ番号	VERSION バージョン	PAGE ページ	PART NO. パーツ番号	VERSION バージョン	PAGE ページ	PART NO. パーツ番号	VERSION バージョン	PAGE ページ
23238-GFY6-941	0	E05				32411-LAD9-900	6	F19
23411-KUDU-900	2	E08	<b>30000</b>			32412-LLF5-900	5	E04
23420-GFY6-901	5	E08				32961-KUDU-900	2	E04
23431-KUDU-900	2	E08	30400-LAD9-B20	2	F19			
23432-GFY6-901	4	E08	3051A-LBD4-900	2	F19	<b>33000</b>		
			30700-LLF5-900	4	F19			
<b>28000</b>						33120-LAD9-900	0	F01
			<b>31000</b>			33130-KHE2-900	0	F01
28101-GFY6-901	2	E06				33400-LAD9-900	3	F17
28102-GFY6-901	1	E06	31110-KUDU-90A	4	E07	33402-LAD9-900	0	F17
28110-GFY6-901	2	E06	31110-KUDU-90B	3	E07	33403-LAD9-900	1	F17
28120-GFY6-315	6	E06	31110-KUDU-90C	2	E07	33450-LAD9-900	3	F17
28125-4F26-001	0	E06	31120-KUDU-90A	3	E07	33452-LAD9-900	0	F17
28125-GFY6-960	3	E06	31120-KUDU-90B	2	E07	33453-LAD9-900	1	F17
28126-KUDU-900	1	E06	31120-KUDU-90C	0	E07	33500-LAD9-900	1	F17
28211-KUDU-900	4	E05	31210-GFY6-20C	4	E06	33507-LAD9-900	0	F17
28223-KNBN-901	0	E01	31500-GFY6-94A	9	F11	33700-LAD9-920	3	F18
28230-KNBN-901	0	E01	31500-GFY6-94B	9	F11	33701-LAD9-900	0	F18
28250-KCCC-900	2	E01	31600-KUDU-900	2	F19	33702-LAD9-900	0	F18
28253-GBN2-60A	0	E01				33703-LAD9-900	0	F18
28255-GFS6-001	0	E01	<b>32000</b>			33704-LAB4-900	0	F18
28281-GBN2-60A	1	E01				33704-LAD9-900	0	F18
28300-KNBN-901	3	F15	32100-LAD9-B20	0	F19	33705-LAB4-900	0	F18
			32106-KNBN-901	0	F04	33705-LAD9-900	0	F18
			32120-KFAF-900	0	F19	33708-LAD9-920	0	F18
			32410-GFY6-901	3	E06	33741-GFY6-C30	1	F05

## PART NO. INDEX

## パーツ番号 検索

PART NO. パーツ番号	VERSION バージョン	PAGE ページ	PART NO. パーツ番号	VERSION バージョン	PAGE ページ	PART NO. パーツ番号	VERSION バージョン	PAGE ページ
33741-KEBE-900	3	F18	35111-KHC4-308-M1	0	F24	37802-KEC8-900	0	F10
33755-LAD9-900	0	F18	35111-KHC4-315-M1	0	F24	3780A-KHD6-900	0	F10
33800-KHD6-900	1	F12	35111-KKC4-335-M1	0	F24	3780A-KHD6-91A	6	F10
<b>34000</b>			35111-LBA2-305-T01	0	F24	<b>38000</b>		
			35111-LBA2-305-T02	0	F24			
			35111-LDC1-305-M1	0	F24			
34901-LAD9-900	0	F01	35111-LDC1-306-M1	0	F24	38110-KHB4-E0A	2	F19
34903-KALA-900	0	F18	35111-LDC1-307-M1	0	F24	38110-KHB4-E0B	2	F19
34905-KHC4-900	0	F17	35113-LAB4-900	1	F05	38300-KECE-900	3	F19
34905-KHC4-900	0	F18	35117-LAD9-900	2	F15	38773-KEC3-900	0	F10
34906-2H68-601	0	F18	35160-GFY6-900	3	F03	38773-PKB9-001	0	F10
34908-GGA7-70A	1	F17	35170-KNBN-910	1	F03	3877A-LAD9-B21	1	F10
34908-KAM1-67A	0	F02	35180-GFY6-900	2	F03	3877A-PKB9-001	1	F10
34908-LBE8-900	0	F02	35200-GFY6-910	1	F03			
34909-KEBE-900	0	F02	35340-KFLF-900	2	F03	<b>42000</b>		
<b>35000</b>			35340-KNBN-901	0	F04			
			35400-LAC7-B20	0	F19	42601-KUDU-90D	2	F08
			35850-KHB4-90A	5	F19	42601-LAD9-910	0	F08
			35850-KHB4-90B	4	F19	42710-LAD9-90A	1	F08
35101-LAD9-334	0	F19	<b>37000</b>			42753-0D04-900	1	F07
35101-LAD9-335	0	F19				42753-0D04-900	1	F08
35101-LAD9-355	0	F19				<b>43000</b>		
35102-KHC4-305-M1	0	F19	37119-LAD9-90B	0	F02			
35102-LAD9-335	0	F19	37200-LAD9-B20	3	F02			
35102-LDC1-305-M1	0	F19	37801-GGA7-701	1	F10	4312A-KUDU-920	1	F08
35103-LAB4-90B	2	F05	37801-LAB4-910	1	F10	43141-KKD7-E00	1	F08
35107-LAD9-90B	0	F15						

PART NO. INDEX  
 パーツ番号 検索

PART NO. パーツ番号	VERSION バージョン	PAGE ページ	PART NO. パーツ番号	VERSION バージョン	PAGE ページ	PART NO. パーツ番号	VERSION バージョン	PAGE ページ	
43151-KGM7-961	1	F08	45126-LAC7-900	2	F04	<b>50000</b>			
43352-5H68-004	3	F07	45128-KFC9-900	0	F06				
43353-4A61-77A	0	F07	45131-1F66-017	0	F07				
43410-LAD9-900	1	F08	45131-GBE2-007	1	F07		50100-LAD9-920	4	F20
43416-KUDU-900	0	F08	45132-1F66-017	0	F07		50178-KHD6-900	0	F10
43450-LAD9-950	0	F03	45133-MCA3-007	0	F07		50179-KHD6-900	0	F10
<b>44000</b>			45156-KECE-900	2	F06		50301-KGN7-671	2	F20
			45200-KUDU-900	4	F07		50302-2H68-011	2	F20
			45200-KUDU-W00	6	F07		50306-1F96-001	0	F06
44301-KKB1-E00	3	F07	45209-GBE2-007	0	F07		50327-LAD9-305	0	F11
44311-KUDU-900	3	F07	45210-KUDU-900	2	F07	50328-LBB8-900	4	F11	
44620-KFLF-930	1	F07	45215-KECE-900	0	F07	5032A-LAD9-900	0	F11	
44650-KUDU-305	2	F07	45216-1F66-007	0	F07	50330-LAD9-900	0	F11	
44650-LAD9-305	0	F07	45216-KFW6-90A	0	F07	50350-LLF5-900	2	F20	
44710-LAD9-90A	1	F07	45513-KCCC-900	0	F04	50352-GFY6-901	0	F20	
44800-KECE-900	9	F07	45517-GFY6-900	5	F03	50353-GBG2-711	1	F20	
44830-LAD9-900	5	F02	45517-KFAF-910	0	F04	50502-GFY6-901	3	F15	
44831-KUDU-900	0	F02	45530-LAC7-305	0	F04	50502-LAC7-900	5	F15	
<b>45000</b>			45531-GAR1-951	0	F07	50504-LLF5-900	1	E01	
			<b>46000</b>			50505-LAD9-900	3	F15	
						5050A-LAD9-900	5	F15	
45105-KECE-305-M2	0	F07				50530-LAD9-900	1	F15	
45107-MEN5-007	0	F07	46513-KUDU-900	2	F08	50613-LAD9-900	3	F20	
45108-MDL4-007	2	F07				50710-LBC6-90A	2	F20	
45109-GBE2-007	0	F07				5071A-LBC6-90A	3	F20	
45121-KUDU-900	2	F07				5071B-LBC6-90A	3	F20	

PART NO. INDEX  
 パーツ番号 検索

PART NO. パーツ番号	VERSION バージョン	PAGE ページ	PART NO. パーツ番号	VERSION バージョン	PAGE ページ	PART NO. パーツ番号	VERSION バージョン	PAGE ページ
50720-LBC6-90A	2	F20	53167-GAR1-951	0	F03	64305-LAD9-920	2	F05
<b>51000</b>			53167-LHJ6-900	2	F03	64306-LAD9-920	2	F05
			53168-GAR1-951	0	F03	64307-LAD9-900	1	F05
			53168-KFA1-900	1	F03	6430A-LBB8-B20	0	F05
			53172-KUDU-901	0	F03	64310-LAD9-920	2	F05
51401-KHD6-800	0	F21	53175-KNBN-901	1	F04	64314-LAD9-900	2	F05
5140A-LAC7-B20	0	F06	53178-GKAK-901	0	F03	64315-LAD9-900	5	F20
51410-KEC6-800	0	F21	5317B-KUDU-900	5	F03	64316-KHE2-900	1	F05
51411-KEBE-E00	0	F21	53200-KHE1-900	0	F06			
51412-KECE-900	0	F21	53205-LAD9-900	1	F03	<b>70000</b>		
51413-KEBE-E00	0	F21	53206-LAD9-900	1	F03			
51420-KUDU-900	0	F21	53207-KKD9-B00	3	F03	70529-6G57-671	0	E07
51429-KHD6-900	0	F21	53211-GFY6-940	1	F06	70529-KUDU-900	0	F20
51432-KGM7-911	0	F21	53212-2L50-011	1	F06			
5150A-LAC7-B20	0	F06	53214-LHJ6-900	1	F06	<b>77000</b>		
51520-KUDU-900	0	F21	53215-2L50-001	0	F06			
<b>52000</b>			<b>61000</b>			77110-LLF5-900	3	F09
						77200-LAD9-B20	0	F09
52400-LAD9-900	3	F16	61100-LAD9-900	4	F05	77206-KEB7-900	0	F09
<b>53000</b>			61110-KKC8-900	2	F05	77235-KGC4-E0A	2	F12
			<b>64000</b>			77235-KGC4-E0B	2	F12
53100-LAD9-900	2	F03			77240-LAB4-900	2	F19	
53125-GEN5-901	0	F03			77303-KKC4-800	1	F09	
53140-KFA1-900	2	F03	64301-LAD9-900	2	F05			
53166-KFA1-900	2	F03	64302-LAD9-900	4	F05			

PART NO. INDEX  
 パーツ番号 検索

PART NO. パーツ番号	VERSION バージョン	PAGE ページ	PART NO. パーツ番号	VERSION バージョン	PAGE ページ	PART NO. パーツ番号	VERSION バージョン	PAGE ページ
<b>80000</b>			83600-LAD9-920	1	F12			
			83610-LAD9-920	0	F12	<b>88000</b>		
			83620-LAD9-920	0	F12			
80100-LAD9-900	7	F18	8376A-KECE-901	2	F12	88110-LAD9-900	2	F03
80102-LAD9-900	2	F18				88114-LAD9-900	1	F03
80105-LAD9-900	1	F18	<b>86000</b>			88120-LAD9-900	2	F03
80106-LAD9-900	1	F18				88124-LAD9-900	1	F03
80107-KHLH-900	0	F14	86102-KKC4-900	3	F23			
80151-LAD9-900	1	F12	86202-LAD9-B20	1	F23	<b>89000</b>		
			86202-LAD9-B21	1	F23			
<b>81000</b>			86408-KKC8-B20	2	F22	89010-LAD9-900	1	F09
			86409-KHC4-B20	2	F22	89020-KKC4-900	1	F09
81131-LAD9-900	2	F05						
81132-LAD9-900	1	F05	<b>87000</b>			<b>90000</b>		
81141-LAD9-900	2	F05						
81142-KUDU-900	1	F05	87140-LAD9-B20	1	F22	90001-GBHB-661	3	E03
81200-LAD9-920	0	F12	87140-LAD9-B21	0	F23	90001-GBHB-681	3	F13
81251-LAB4-900	3	F12	87311-LAC7-B20	0	F23	90001-GBHB-711	3	E01
81260-LAD9-900	9	F12	87311-LAD9-B20	2	F22	90005-KAW1-901	1	E03
			87505-KUDU-E00	1	F22	90012-3C33-001	1	E02
<b>83000</b>			87541-GAR1-E00	1	F22	90021-GFY6-900	2	F14
			87542-GAR1-E00	2	F22	90031-KUDU-900	0	E01
83500-LAD9-920	1	F12	87560-GFY6-E00	4	F22	90032-KUDU-900	0	E01
83503-KHD6-900	2	F12				90033-GFY6-900	1	E02
83510-LAD9-920	0	F12				90105-KCR3-001	1	F07
83520-LAD9-920	0	F12				90106-GEN5-901	1	F03

PART NO. INDEX  
 パーツ番号 検索

PART NO. パーツ番号	VERSION バージョン	PAGE ページ	PART NO. パーツ番号	VERSION バージョン	PAGE ページ	PART NO. パーツ番号	VERSION バージョン	PAGE ページ
90106-GEN5-901	1	F15	90302-LLB1-E00	2	F05	9052A-GFY6-950	4	E01
90106-LBA7-900	2	F15	90302-LLB1-E00	2	F10	90545-3L00-001	2	F04
90107-KUDU-900	3	F20	90302-SDA4-004	3	F05	90554-2C83-001	0	F21
90108-LKE6-900	1	F15	90302-SDA4-004	3	F12	90601-3D54-001	0	F21
90110-GLW0-001	0	F05	90302-SDA4-004	3	F18	90601-GFY6-901	0	E05
90110-LAD9-900	1	F03	90304-4H38-001	2	E02	90605-1F66-721	0	E05
90111-1G87-001	1	F12	90304-4H38-001	2	F18	90652-GFY6-901	1	F13
90112-GCC3-001	1	F05	90304-GHE8-004	0	F03	90656-KCBC-900	0	F03
90112-KRDR-900	1	F19	90304-GHE8-004	0	F15	90656-KCBC-900	0	F20
90114-1F66-007	2	F04	90304-GHE8-004	0	F20	90660-KNBN-921	0	F25
90115-GLE0-001	0	F03	90305-GHK8-001	1	E07	90677-GAR1-004	1	F11
90116-3C83-72A	0	F21	90305-GHK8-001	1	F12	90683-GAR1-004	4	F05
90121-GFY6-901	1	F20	90305-KNBN-90B	0	F08	90701-HFB6-011	2	E03
90131-GLW0-911	0	F07	90306-GLW0-90A	1	F07	90701-HFB6-011	2	E06
90145-LEA3-E00	1	F04	90309-KLF0-004	1	E08	90754-GHC8-00A	1	F07
90164-MDR4-901	1	F05	90381-GEZ5-001	1	F12	90912-KFLF-00A	0	F07
90201-GFY6-901	1	E06	90403-KUDU-900	0	E06			
90202-1G87-001	2	E05	90412-3K29-001	0	E01	<b>91000</b>		
90206-0A01-001	4	E02	90426-KNBN-901	0	E05			
90301-GFY6-901	2	F14	90440-1F66-001	0	E07	91001-GFY6-90A	2	E05
90302-GBR2-001	1	F10	90441-GFY6-941	0	E05	91002-GGA7-70A	0	E05
90302-GFY6-901	1	F05	90451-GBN2-601	0	E01	91003-KDS4-004	2	E08
90302-GFY6-901	1	F10	90451-KUDU-900	0	E08	91009-GLE0-004	1	E08
90302-GFY6-901	1	F12	90465-MDC4-001	0	E02	91101-1K79-711	1	E06
90302-GFY6-940	1	F11	90474-3C33-001	1	E01	91104-GFY6-90C-B	0	E06
90302-KNBN-900	1	F03	90501-KNBN-901	0	F08	91104-GFY6-90C-R	0	E06

PART NO. INDEX  
 パーツ番号 検索

PART NO. パーツ番号	VERSION バージョン	PAGE ページ	PART NO. パーツ番号	VERSION バージョン	PAGE ページ	PART NO. パーツ番号	VERSION バージョン	PAGE ページ
91106-KHC4-90A	0	E01				93903-34260	0	F18
91106-KHC4-90B	0	E01	<b>93000</b>			93903-34460	0	F01
91202-GFY6-90A	1	E01				93903-34460	0	F03
91202-GFY6-90C	1	E04	93404-06016-06	0	F20	93903-34460	0	F05
91202-KKJ9-004	0	E01	93404-06020-06	1	F05	93903-34460	0	F12
91211-KEBE-900	0	E05	93404-KKC2-900	1	F18	93903-34460	0	F17
91254-KEC5-004	0	F21	93500-03010-0F	0	E06	93903-34460	0	F18
91255-4F46-014	0	F21	93500-04008-0F	0	F10	93903-35360	0	F01
91255-GLE0-006	0	E08	93500-04010-0F	0	E09	93903-35360	0	F02
91301-0C53-001	0	E02	93500-04014-0F	0	E09	93903-35360	0	F10
91301-0H28-001	0	E08	93500-04020-0G	0	F10	93903-GFY6-900	1	F12
91301-GLR0-005	1	E03	93500-05012-0F	0	E09			
91302-0A01-021	0	E04	93500-05022-0F	0	F03	<b>94000</b>		
91306-1E05-691	0	E03	93600-04012-1G	0	F04			
91307-0E35-001	0	E04	93700-05018-0F	0	F02	94001-05080-0S	0	F03
91309-4E25-004	0	E06	93891-05016-06	0	F13	94050-05080	0	F10
91351-6B42-000	0	E05	93891-05040-06	0	F03	94050-05080	0	F18
91352-KHG8-83B	0	F08	93892-04008-16	0	E09	94050-06060	0	F04
91508-KGV7-67A	0	F17	93892-05012-06	0	E09	94050-06080	0	E02
91981-KGN7-670	0	E06	93893-04012-18	0	F04	94050-06080	0	E06
			93901-32320	0	F18	94050-06080	0	F05
<b>92000</b>			93901-44320	0	F18	94050-06080	0	F09
			93903-25460	0	F13	94050-06080	0	F10
92101-05012-0G	0	E07	93903-32420	0	F18	94050-06080	0	F19
92712-06028-0B	2	E02	93903-34260	0	F05	94050-06080	0	F20
92900-06060-0B	0	E02	93903-34260	0	F11	94050-08080	0	E02



## PART NO. INDEX

## パーツ番号 検索

PART NO. パーツ番号	VERSION バージョン	PAGE ページ	PART NO. パーツ番号	VERSION バージョン	PAGE ページ	PART NO. パーツ番号	VERSION バージョン	PAGE ページ
94050-12080	0	E05	95002-02080	0	F10	95701-06035-06	1	E02
94050-12080	0	E07	95002-02080	0	F13	95701-06040-06	0	E02
94101-06000	0	F20	95002-02100	0	F10	95701-06050-06	0	E02
94101-06700	0	F14	95002-02120	1	F10	95701-08012-06	0	E01
94111-04800	0	E09	95002-02120	1	F13	95701-08012-06	0	F19
94301-10160	0	E01	95002-02130	0	F10	95701-08025-06	0	F19
94301-10160	0	E02	95002-41050-00	0	F13	95701-08030-06	0	F12
94301-10160	0	E03	95003-23024-60	0	F13	95801-06050-06	0	F20
94301-10160	0	E04	95005-35065-10	0	F10	95801-08035-06	1	F16
94303-04065	0	E06	9500A-KHB5-EZ0	1	E09	95801-08040-06	0	F06
94510-20000	0	E08	95014-71402	0	F15	95801-08042-06	0	F14
94511-14000	0	E01	95014-72204	0	F15	95801-10025-06	0	F15
94520-28000	0	E05	95015-32001	0	F03	95801-10040-06	0	F16
94540-50029	0	E09	95015-42000	0	F03	95801-10055-06	0	F20
94591-25000	0	E09	95701-06012-06	1	F06			
94591-27000	0	F05	95701-06012-06	1	F11	<b>96000</b>		
94601-15000	0	E03	95701-06012-06	1	F12			
94605-KUDU-900	1	F21	95701-06012-06	1	F18	96001-06008-07	0	F14
94608-30000	0	F21	95701-06012-06	1	F19	96001-06012-06	0	E01
			95701-06022-06	1	F04	96001-06012-06	0	E04
<b>95000</b>			95701-06022-06	1	F14	96001-06012-06	0	E06
			95701-06022-06	1	F15	96001-06014-06	0	F12
95002-02070	0	E09	95701-06025-06	2	E02	96001-06016-06	0	E06
95002-02070	0	F10	95701-06025-06	2	F14	96001-06016-06	0	E07
95002-02070	0	F25	95701-06030-06	0	E02	96001-06018-06	0	E07
95002-02080	0	E01	95701-06032-06	0	F08	96001-06020-06	0	E07

## PART NO. INDEX

## パーツ番号 検索

PART NO. パーツ番号	VERSION バージョン	PAGE ページ	PART NO. パーツ番号	VERSION バージョン	PAGE ページ	PART NO. パーツ番号	VERSION バージョン	PAGE ページ
96001-06025-06	0	E06	98200-11500	0	F19			
96001-06025-06	0	E07						
96001-06025-06	0	F03						
96001-06032-06	0	E04						
96001-06035-06	0	F20						
96001-06045-06	0	E01						
96001-06050-06	0	E01						
96001-06055-06	0	E01						
96001-06100-06	0	E02						
96001-06100-06	0	E04						
96001-06110-06	1	E04						
96100-60020-00	0	E08						
96100-62030-00	0	E01						
96100-62043-00	0	E01						
96211-05000	0	F06						
96211-08000	1	F06						
96220-60100	0	E06						
96600-08010-16	0	E06						
96700-LAD9-900	0	F18						
<b>98000</b>								
98056-5771R-00	0	E02						
98200-11000	0	F11						
98200-11000	0	F19						
98200-11500	0	F11						