

PARTS CATALOGUE



SCOOTERS

NE25AD(JP)

CAPTURE125 (注意)



Release Date : 2017/04/17
Print Date : 2017/07/18

本パーツリストについて

- 本パーツリストは NE25AD(JP).の全てのパーツ番号が記載されています。
- 車輻のカラーチャートとバイクに相違がある場合は正規販売店もしくは KYMCO JAPANへお問い合わせください。
- 1. "***"記号が記載している場合、3文字の色コードをパーツ番号の最後に記入してください。
2. "#" 記号が記載している場合、パーツの設定、変更があります。正規販売店もしくは KYMCO JAPANへお問い合わせください。
- このパーツリストの変更または追加は、適切な時期に予告なく行われます。

ABOUT THIS PARTS LIST

- This parts list is compiled all service parts for model NE25AD(JP).
- Any difference between color chart and motorcycle will be revised according to motorcycle.
- The Mark:
 1. Marking "***" must add color code in the end before ordering parts.
 2. Marking "#" are parts with modification, Please find the details from e-Parts system.
- When modification or additions to this parts list are made a revised edition at an appropriate time.

目次

● 本パーツリストについて	1
● NE25AD(JP)のカラーチャート	3
● 目次-エンジン関	7
● 目次-フレーム関係	8
● エンジンパーツリスト	11
● フレームパーツリスト	37
● パーツ番号 検索	91

CONTENTS

● ABOUT THIS PARTS LIST	1
● COLOR CHART OF NE25AD(JP)	3
● CONTENTS-ENGINE GROUP	7
● CONTENTS-FRAME GROUP	8
● ENGINE PARTS LIST	11
● FRAME PARTS LIST	37
● PART NO. INDEX	91

NO	モデル			NE25AD(JP)のカラーチャート			
	写真番号			NO. 1	NO. 2	NO. 3	NO. 4
	基本色						
	コード				Pearly Black/Black		Bule-Black
	パーツ名	パーツ番号	バージョン	NH387P	NH387P	KB388M	KB388M
1	COVER HANDLE FR	5320B-LDD9-C50	0	73P	74P	DH3	DH0
2	COVER FR COMP	6430A-LEB7-B20	0				
3	COVER R BODY SIDE	8350A-LEB7-B20	0				
4	COVER L BODY SIDE	8360A-LEB7-B20	0				
5	MIRROR ASSY R BACK	88110-LEB7-C57	0				
6	MIRROR ASSY L BACK	88120-LEB7-C57	0				
7	RR BOX ASSY	8150A-LEB7-B20	0				
8	MOLDING FRONT COMP	6430B-LEB7-B20	0	N1P	N1R	N8	NG
9	SKIRT R SIDE COMP	6430C-LEB7-C50	0				
10	SKIRT L SIDE COMP	6430D-LEB7-C50	0				
11	MOLD R RR SIDE	83501-LEB7-C50	0				
12	MOLD L RR SIDE	83601-LEB7-C50	0				
13	FENDER FR INNER	61110-LBF9-C50	0				
14	MAT FLOOR	64320-LDD9-C50	0				
15	LID SPARK MAINT	80152-LDD9-C50	0				
16	LID LEG SHIELD	81142-LDD9-C50	0				
17	BOX LUGGAGE ASSY	8125A-LDD9-C50	0				
18	COVER ASSY CARB	8125B-LDD9-C50	0	T01	R8A		
19	REAR CARRIER COMP	8120A-LDD9-C51	0				
20	COVER LEFT ASSY	1134A-LEB7-B80	0				
21	CALIPER ASSY. FR.	45200-KUDU-C00	0				
22	STRIPE MOTOR NUMBER	86101-LEB7-B20	0				
23	EMB " K-LOGO " 30MM	86102-LEB7-C57	0				
24	EMB BODY COVER	86202-LEB7-B20	0				
25	STRIPE FR LOGO	86408-LEJ3-B20	0				
販売開始時期							
販売終了時期							

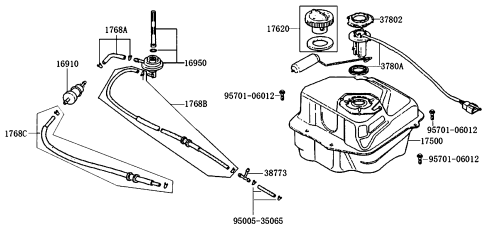
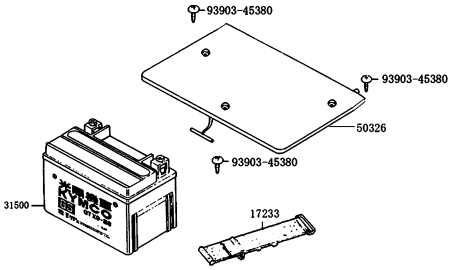
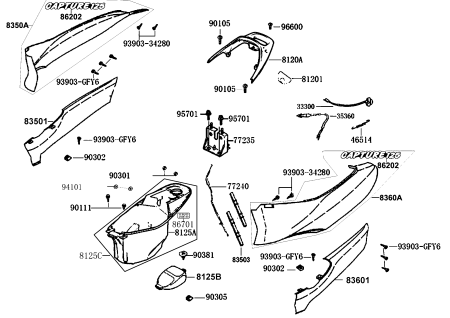
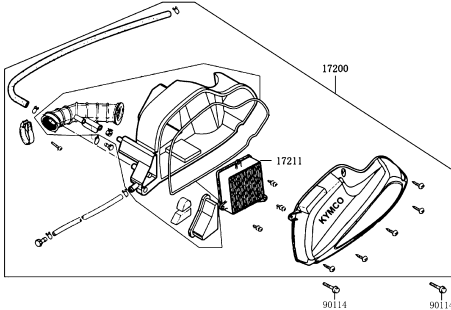
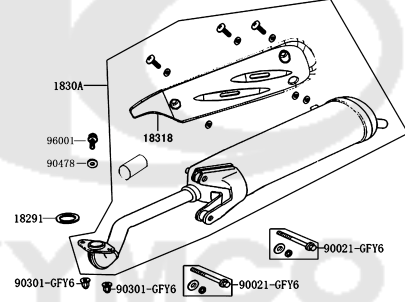
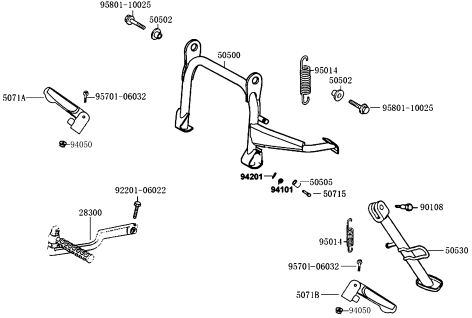
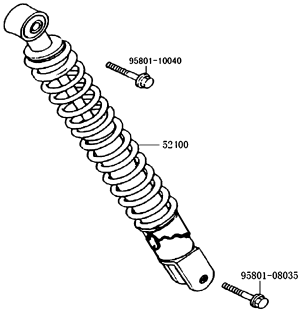
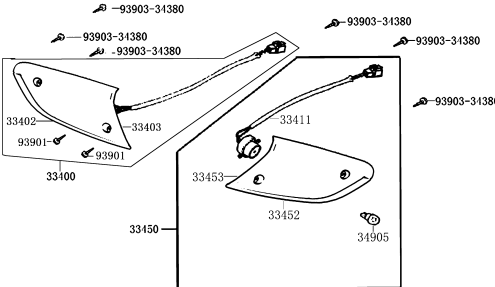
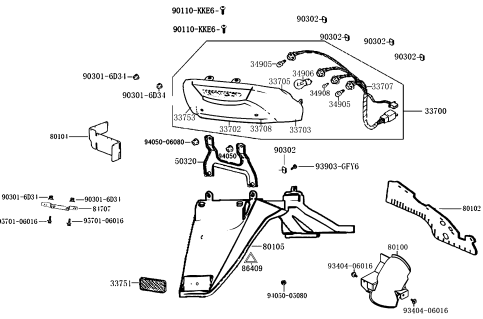
NO	モデル			NE25AD(JP)のカラーチャート			
	写真番号			NO. 5	NO. 6	NO. 7	NO. 8
	基本色						
	コード				Bright Silver-Black		Red-Black
	パーツ名	パーツ番号	バージョン	NH045	NH045	RR339P	RR339P
1	COVER HANDLE FR	5320B-LDD9-C50	0	N8P	EBP		
2	COVER FR COMP	6430A-LEB7-B20	0				
3	COVER R BODY SIDE	8350A-LEB7-B20	0				
4	COVER L BODY SIDE	8360A-LEB7-B20	0				
5	MIRROR ASSY R BACK	88110-LEB7-C57	0				
6	MIRROR ASSY L BACK	88120-LEB7-C57	0				
7	RR BOX ASSY	8150A-LEB7-B20	0				D0B
8	MOLDING FRONT COMP	6430B-LEB7-B20	0	N1P			
9	SKIRT R SIDE COMP	6430C-LEB7-C50	0				
10	SKIRT L SIDE COMP	6430D-LEB7-C50	0				
11	MOLD R RR SIDE	83501-LEB7-C50	0				
12	MOLD L RR SIDE	83601-LEB7-C50	0				
13	FENDER FR INNER	61110-LBF9-C50	0				
14	MAT FLOOR	64320-LDD9-C50	0				
15	LID SPARK MAINT	80152-LDD9-C50	0				
16	LID LEG SHIELD	81142-LDD9-C50	0				N1R
17	BOX LUGGAGE ASSY	8125A-LDD9-C50	0				
18	COVER ASSY CARB	8125B-LDD9-C50	0	N8			
19	REAR CARRIER COMP	8120A-LDD9-C51	0	NG			
20	COVER LEFT ASSY	1134A-LEB7-B80	0	R8A			
21	CALIPER ASSY. FR.	45200-KUDU-C00	0	T01			
22	STRIPE MOTOR NUMBER	86101-LEB7-B20	0				
23	EMB " K-LOGO " 30MM	86102-LEB7-C57	0				
24	EMB BODY COVER	86202-LEB7-B20	0				
25	STRIPE FR LOGO	86408-LEJ3-B20	0				
販売開始時期							
販売終了時期							

NO	モデル			NE25AD(JP)のカラーチャート			
	写真番号			NO. 5	NO. 6	NO. 7	NO. 8
	基本色						
	コード				Bright Silver-Black		Red-Black
	パーツ名	パーツ番号	バージョン	NH045	NH045	RR339P	RR339P
26	EMB LOGO A	86701-LAE7-M10	0	T01			
27	STRIPE REFLEX BOX UP	86704-LEB7-B20	0				
28	STRIPE BOX MAX LOAD	86709-LEB7-B20	0				
29	KYMCO LOGO	86720-LEB7-C50	2				
30	EMB LOGO	86722-LEB7-C51	0				
31	STRIPE R MARK	87311-LAD9-B20	0				
32	STRIPE R MARK	87311-LAD9-C00	0				
33	LABEL TIRE	87505-LDD9-M10	0				
34	MARK DRIVE CAUTION	87560-LBF7-E80	1				
35	STRIPE RR FENDER	86409-KHC4-B20	0				
販売開始時期							
販売終了時期							

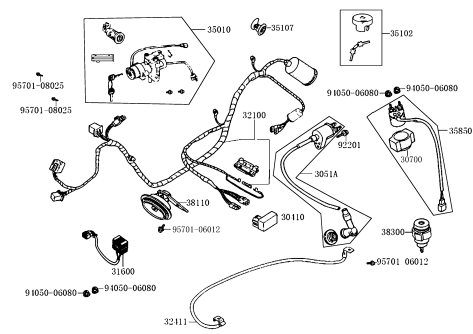
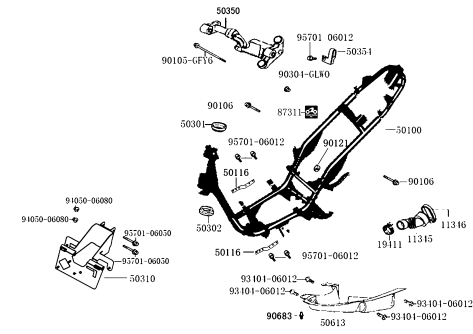
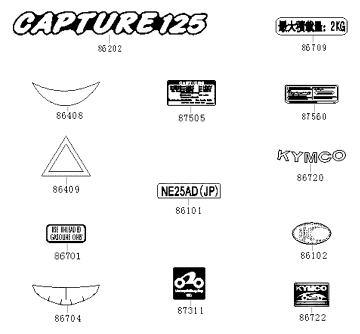

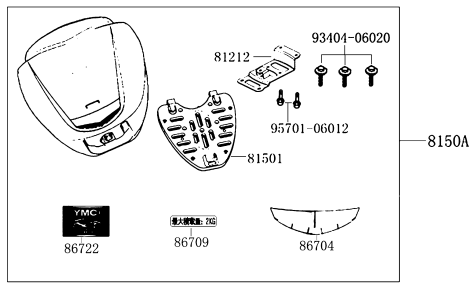
CONTENTS - ENGINE GROUP 目次-エンジン関

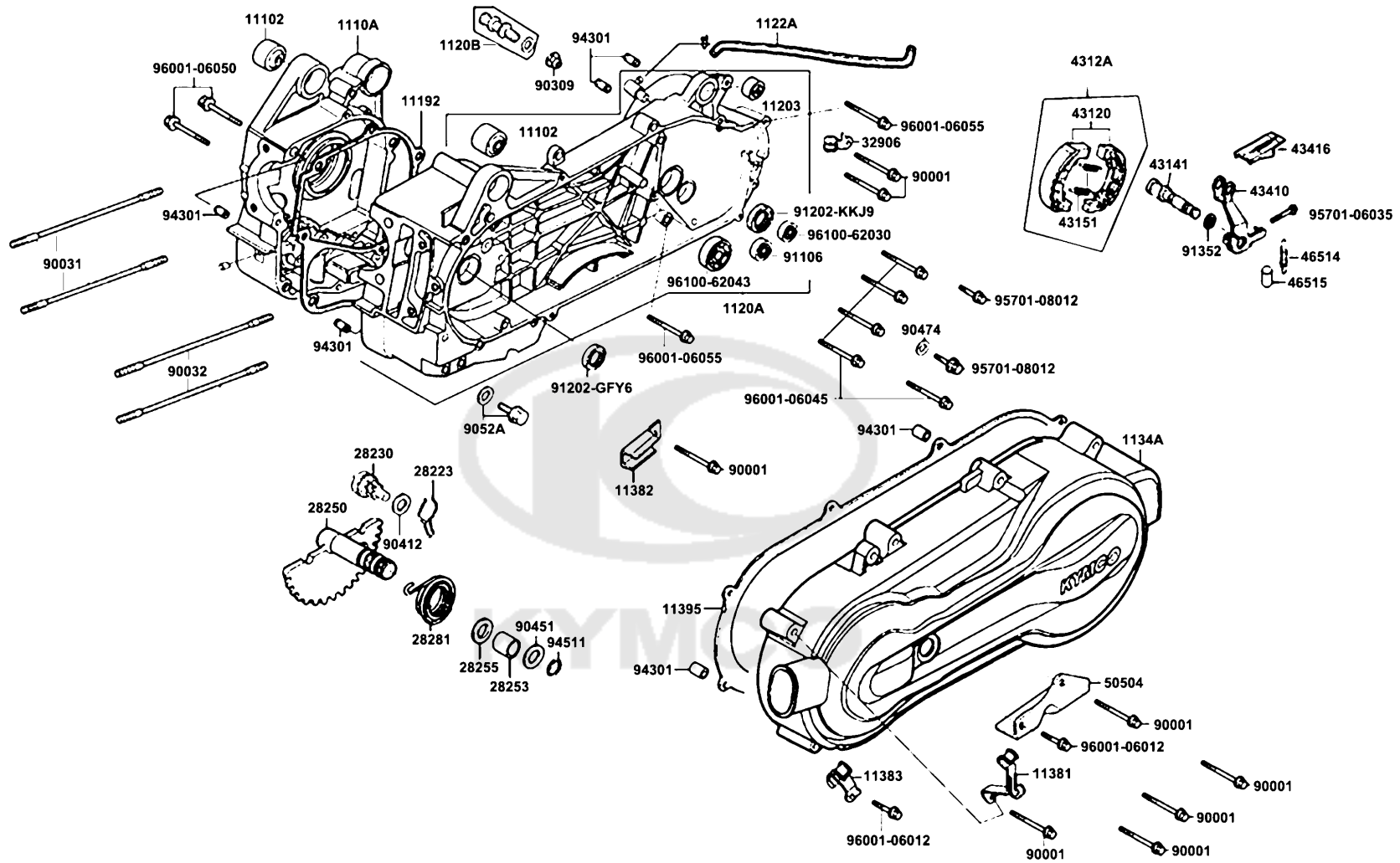
E01 Crank Case	E02 Cylinder Head Cover Cylinder	E03 Cylinder Piston Crankshaft
E04 Right Crankcase Cover	E05 Carburetor	E06 Driven Pulley
E07 Starting Motor Oil Pump	E08 Fan Cover Generator	E09 Transmission

CONTENTS - FRAME GROUP 目次-フレーム関係

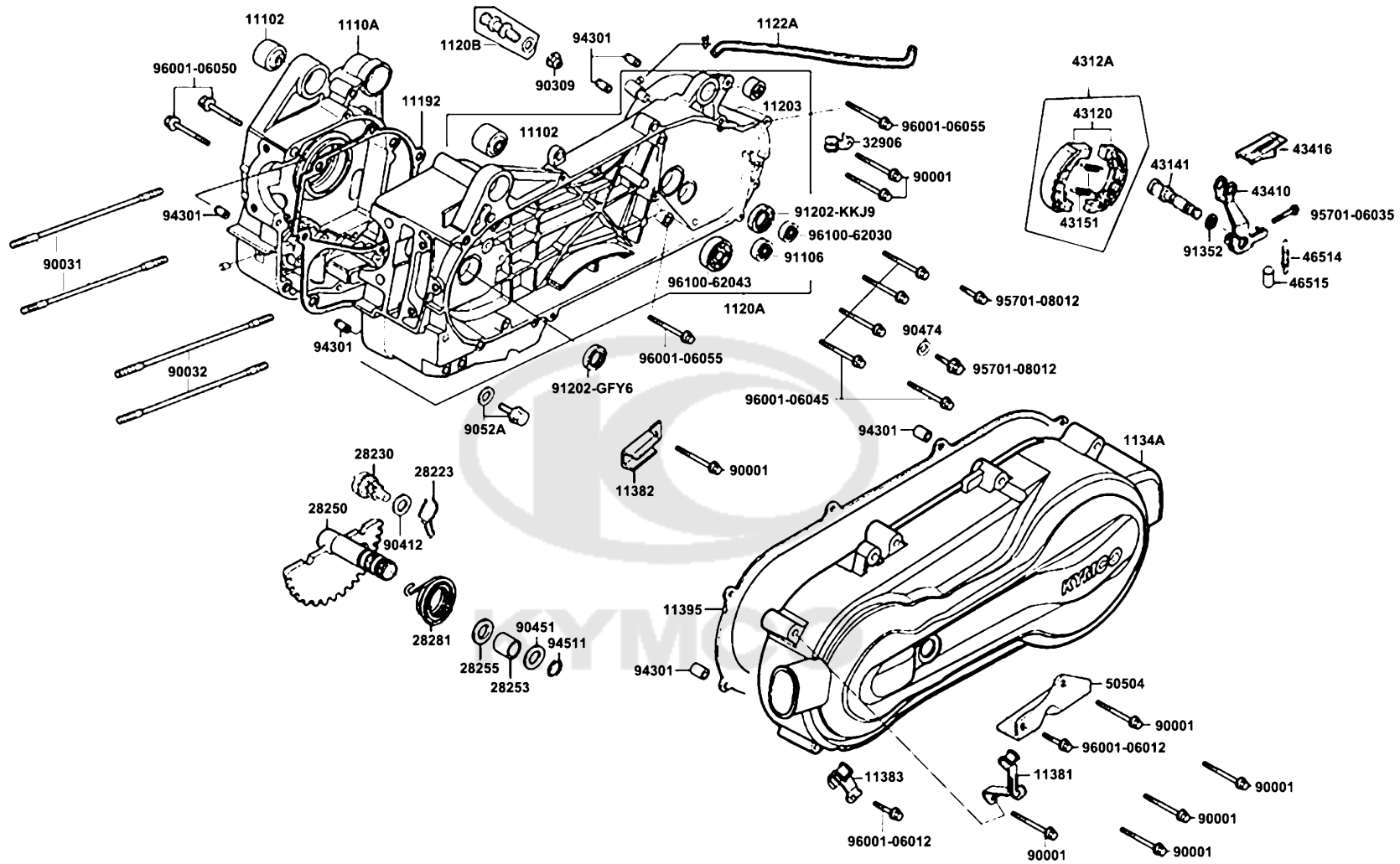
<p>F10 Fuel Tank</p> 	<p>F11 Battery</p> 	<p>F12 Body Cover Luggage Box</p> 
<p>F13 Air Cleaner</p> 	<p>F14 Exhaust Muffler</p> 	<p>F15 Stand Kick Starter Arm</p> 
<p>F16 Rear Cushion</p> 	<p>F17 Front Winker</p> 	<p>F18 Rear Light Rear Fender</p> 

CONTENTS - FRAME GROUP 目次-フレーム関係

F19 Wire Harness	F20 Frame Body	F21 Emblem Stripe
		
F22 RR BOX ASSY		
		



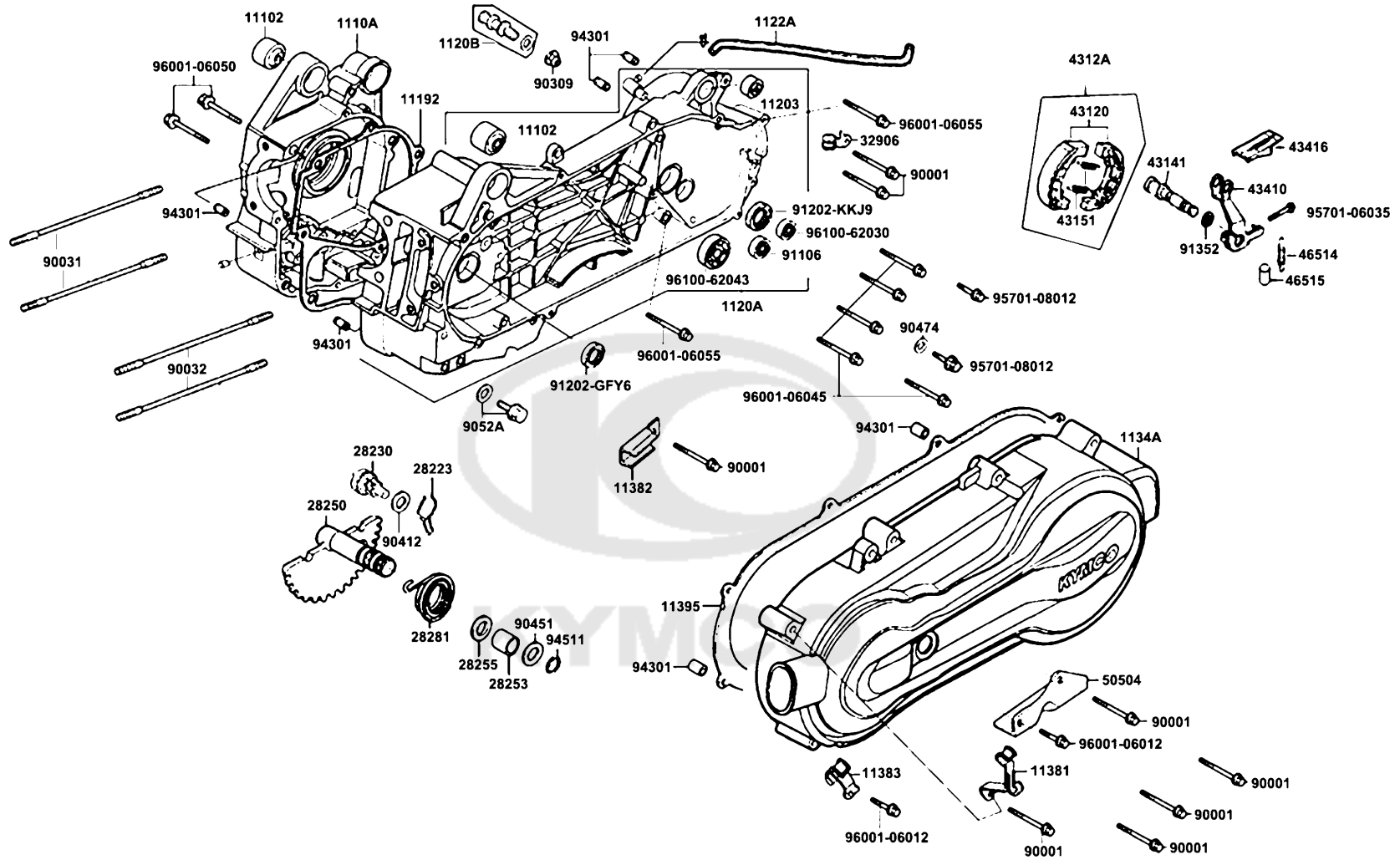
Sales mark 記号	Ref no 参照用番号	Part no パーツ番号	Description 部品名	Reg description 部品名	Regd no 必要個数	Ref Price 希望小売価格(税抜)	E01
	11102	11102-1G87-C00	RUB BUSH ENG HANGER	RUB BUSH ENG HANGER	1	400	
	1110A	1110A-KUDU-900-RP3	CRANK CASE COMP RIGHT	CRANK CASE COMP RIGHT	1	17180	
	11192	11192-KUDU-900-RP3	GASKET CRANK CASE @ A	GASKET CRANK CASE @ A	1	520	
	11203	11203-GGC7-301	UNDER RUBBER BUSH REAR CUSHION	UNDER RUBBER BUSH REAR CUSHION	1	250	
	1120A	1120A-KUDU-C00-RP3	CRANK CASE COMP L	CRANK CASE COMP L	1	31640	
	1120B	1120B-KUDU-900-RP3	PIN ASSY ANCHOR	PIN ASSY ANCHOR	1	680	
	1122A	1122A-KUDU-900-RP3	TUBE ASSY MISSION BREATHER	TUBE ASSY MISSION BREATHER	1	580	
**	1134A	1134A-LEB7-B80	COVER LEFT ASSY	COVER LEFT ASSY	1	14120	
	11381	11381-KUDU-90B-RP3	CLAMPER THROTTLE CABLE	CLAMPER THROTTLE CABLE	1	490	
	11382	11382-KUDU-900-RP3	CLAMPER BRAKE CABLE	CLAMPER BRAKE CABLE	1	160	
	11383	11383-KUDU-90B-RP3	CLAMPER BRTH DRAIN TUBE	CLAMPER BRTH DRAIN TUBE	1	280	
	11395	11395-KUDU-C00	GASTET L COVER	GASTET L COVER	1	1230	
	28223	28223-KNBN-C00	SPG KICK DRIVEN GEAR	SPG KICK DRIVEN GEAR	1	250	
	28230	28230-KNBN-900-RP3	GEAR COMP KICK DRIVEN	GEAR COMP KICK DRIVEN	1	2560	
	28250	28250-KCCC-C00	SPINDLE COMP KICK STARTER	SPINDLE COMP KICK STARTER	1	2370	
	28253	28253-GBN2-C00	BUSH KICK SPINDLE	BUSH KICK SPINDLE	1	130	
	28255	28255-GFS6-C00	COLLAR KICK BOSS	COLLAR KICK BOSS	1	90	
	28281	28281-GBN2-C00	SPRING KICK RETURN	SPRING KICK RETURN	1	450	
	32906	32906-1G07-001	CLIP HIGH TENSIONER CORD	CLIP HIGH TENSIONER CORD	1	110	
	43120	43120-KUDU-910-RP3	SHOE COMP REAR BRAKE	SHOE COMP REAR BRAKE	2	2440	



Sales mark 記号	Ref no 参照用番号	Part no パーツ番号	Description 部品名	Reg description 部品名	Regd no 必要個数	Ref Price 希望小売価格(税抜)	E01
4312A		4312A-KUDU-C10	SHOE ASSY RR BRAKE	SHOE ASSY RR BRAKE	1	3290	
43141		43141-KUDU-900-RP3	CAM RR BRAKE	CAM RR BRAKE	1	1540	
43151		43151-KGM7-C00	SPRING BRAKE SHOE REAR	SPRING BRAKE SHOE REAR	1	130	
43410		43410-KUDU-C00	ARM COMP RR BRAKE	ARM COMP RR BRAKE	1	970	
43416		43416-KUDU-C00	GUARD RR BRK ARM	GUARD RR BRK ARM	1	250	
46514		46514-KUDU-900-RP3	SPG BRK ARM	SPG BRK ARM	1	180	
46515		46515-KUDU-900-RP3	TUBE BRK ARM SPG	TUBE BRK ARM SPG	1	90	
50504		50504-LEB7-C50	STAY MAIN STAND STOPPER	STAY MAIN STAND STOPPER	1	1160	
90001		90001-GBHB-C11	BOLT FLANGE SHF 6*40	BOLT FLANGE SHF 6*40	1	450	
90031		90031-KUDU-C00	BOLT A STUD 8*200.5	BOLT A STUD 8*200.5	1	450	
90032		90032-KUDU-C00	BOLT B STUD 8*208.5	BOLT B STUD 8*208.5	1	450	
90309		90309-KLF0-C00	NUT FLANGE 8MM	NUT FLANGE 8MM	1	110	
90412		90412-3K29-C00	WASHER THRUST 10M/M	WASHER THRUST 10M/M	1	60	
90451		90451-GBN2-C00	WASHER KICK SPINDLE	WASHER KICK SPINDLE	1	70	
90474		90474-3C33-C00	WASHER 8MM (T*2)	WASHER 8MM (T*2)	1	60	
9052A		9052A-GFY6-C00	BOLT ASSY DRAIN PLUG	BOLT ASSY DRAIN PLUG	1	260	
91106		91106-3C83-C00	BRG NEEDLE 15MM	BRG NEEDLE 15MM	1	450	
91202-GFY6		91202-GFY6-C00	OIL SEAL 19.8*30*5	OIL SEAL 19.8*30*5	1	210	
91202-KKJ9		91202-KKJ9-C00	OIL SEAL 20*32*6	OIL SEAL 20*32*6	1	250	
91352		91352-KHG8-83B	O-RING 11.3*1.3	O-RING 11.3*1.3	1	60	

E01

Crank Case

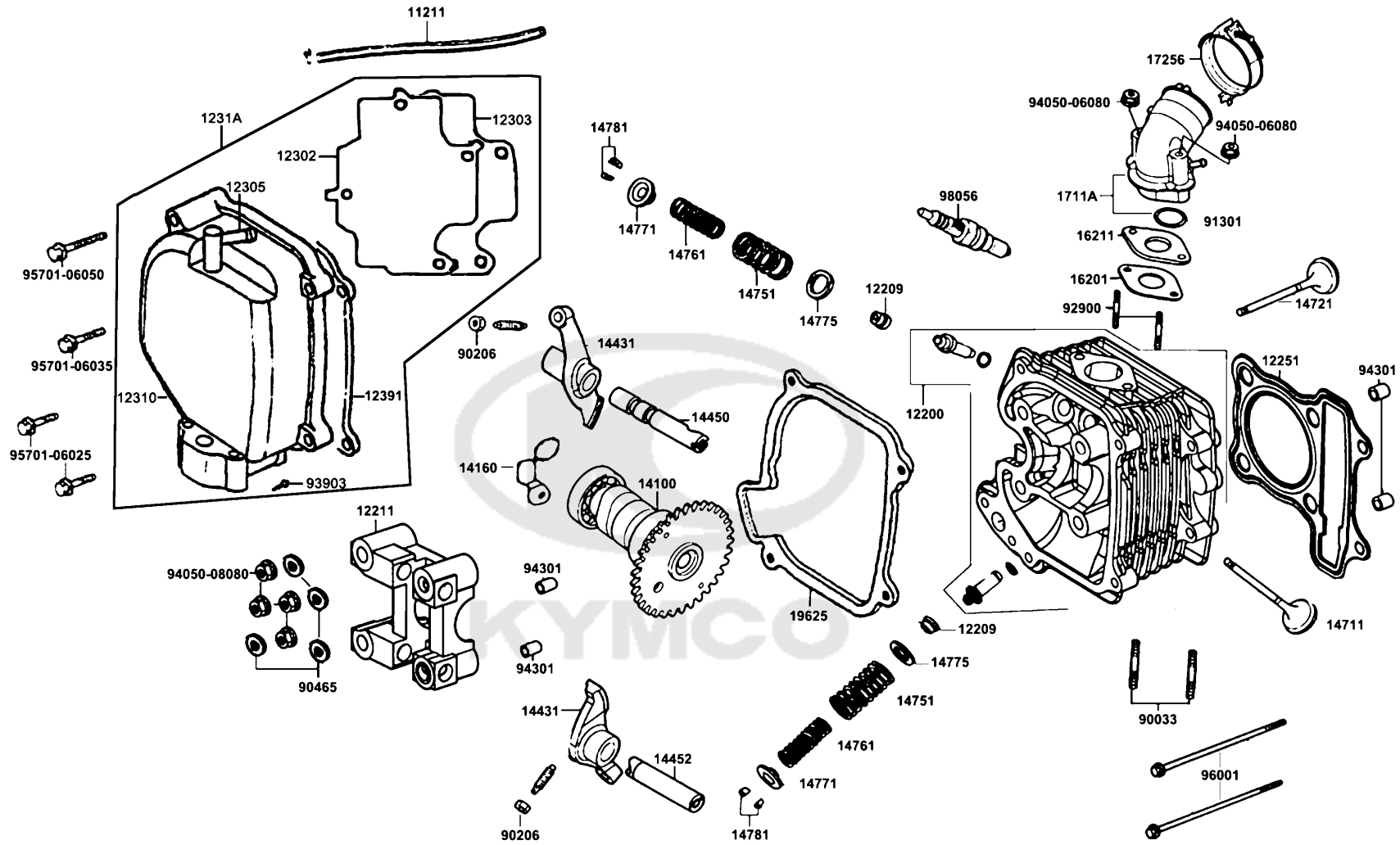


Sales mark 記号	Ref no 参照用番号	Part no パーツ番号	Description 部品名	Reg description 部品名	Regd no 必要個数	Ref Price 希望小売価格(税抜)	E01
94301	94301-10160	94301-10160	DOWEL PIN 10*16	DOWEL PIN 10*16	6	60	
94511	94511-14000-RP3	94511-14000-RP3	CIR CLIP EX 14	CIR CLIP EX 14(廃盤部品の為代用品「94511	1	160	
95701-06035	95701-06035-08	95701-06035-08	BOLT FLANGE 6*35	BOLT FLANGE 6*35	1	60	
95701-08012	95701-08012-08	95701-08012-08	BOLT FLANGE 8*12	BOLT FLANGE 8*12	2	130	
96001-06012	96001-06012-08	96001-06012-08	BOLT FLANGE 6*12	BOLT FLANGE 6*12	2	60	
96001-06045	96001-06045-08-RP3	96001-06045-08-RP3	BOLT FLANGE SH 6*45 (C)	BOLT FLANGE SH 6*45 (C)	5	60	
96001-06050	96001-06050-08	96001-06050-08	BOLT FLANGE 6*50	BOLT FLANGE 6*50	2	130	
96001-06055	96001-06055-08-RP3	96001-06055-08-RP3	BOLT FLANGE SH 6*55 (C)	BOLT FLANGE SH 6*55 (C)	2	70	
96100-62030	96100-62030-00	96100-62030-00	BRG BALL RADIAL 6203	BRG BALL RADIAL 6203	1	260	
96100-62043	96100-62043-00	96100-62043-00	BEARING BALL RADIAL 6204	BEARING BALL RADIAL 6204	1	430	



E02

Cylinder Head Cover Cylinder Head

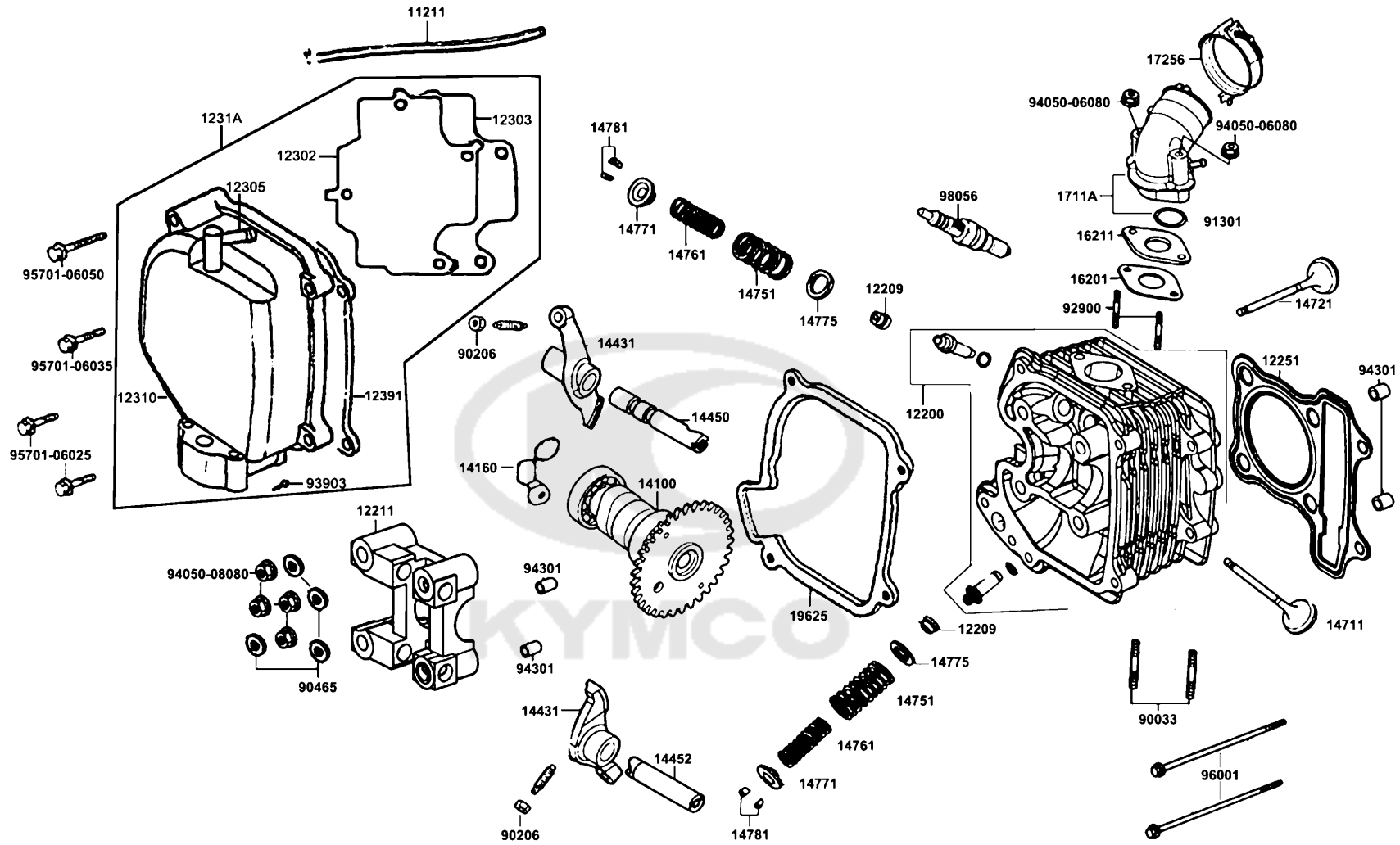


Sales mark 記号	Ref no 参照用番号	Part no パーツ番号	Description 部品名	Reg description 部品名	Regd no 必要個数	Ref Price 希望小売価格(税抜)
11211		11211-LBE9-C54-RP3	TUBE BREATHER	TUBE BREATHER	1	470
12200		12200-KUDU-C00-RP3	HEAD COMP CYLINDER	HEAD COMP CYLINDER	1	9040
12209		12209-GDB4-C00	SEAL VALVE STEM	SEAL VALVE STEM	1	370
12211		12211-LEB7-C50-RP3	HOLDER CAM SHAFT	HOLDER CAM SHAFT	1	900
12251		12251-GFY6-C00	GASKET CYLINDER HEAD	GASKET CYLINDER HEAD	1	1060
12302		12302-LEB7-C50	PLATE BREATHER SEPARATER	PLATE BREATHER SEPARATER	1	320
12303		12303-KUDU-C00	GASKET PLATE	GASKET PLATE	1	350
12305		12305-LEB7-C50	JOINT COMP? REATHER	JOINT COMP? REATHER	1	450
12310		12310-KKD5-C5C-RP3	COVER COMP HEAD	COVER COMP HEAD	1	90
1231A		1231A-KKD5-C5F-RP3	COVER ASSY HEAD	COVER ASSY HEAD	1	900
12391		12391-GFY6-C10	GASKET HEAD COVER	GASKET HEAD COVER	1	450
14100		14100-LEB7-C50-RP3	SHAFT COMP CAM	SHAFT COMP CAM	1	4530
14160		14160-LEB7-C50-RP3	CAGING PLATE COMP	CAGING PLATE COMP	1	90
14431		14431-KUDU-900-RP3	ARM VALVE ROCKER	ARM VALVE ROCKER	2	3810
14450		14450-GFY6-W10	SHAFT COMP IN ROCKER ARM	SHAFT COMP IN ROCKER ARM	1	440
14452		14452-GFY6-W10	SHAFT EXH ROCKER ARM	SHAFT EXH ROCKER ARM	1	610
14711		14711-KUDU-900-RP3	VALVE INLET	VALVE INLET	1	900
14721		14721-KUDU-900-RP3	VALVE EXHAUST	VALVE EXHAUST	1	900
14751		14751-KKJ9-C00	SPRING VALVE OUTER	SPRING VALVE OUTER	1	350
14761		14761-KKJ9-C00	SPG VALVE INNER	SPG VALVE INNER	1	130

E02

E02

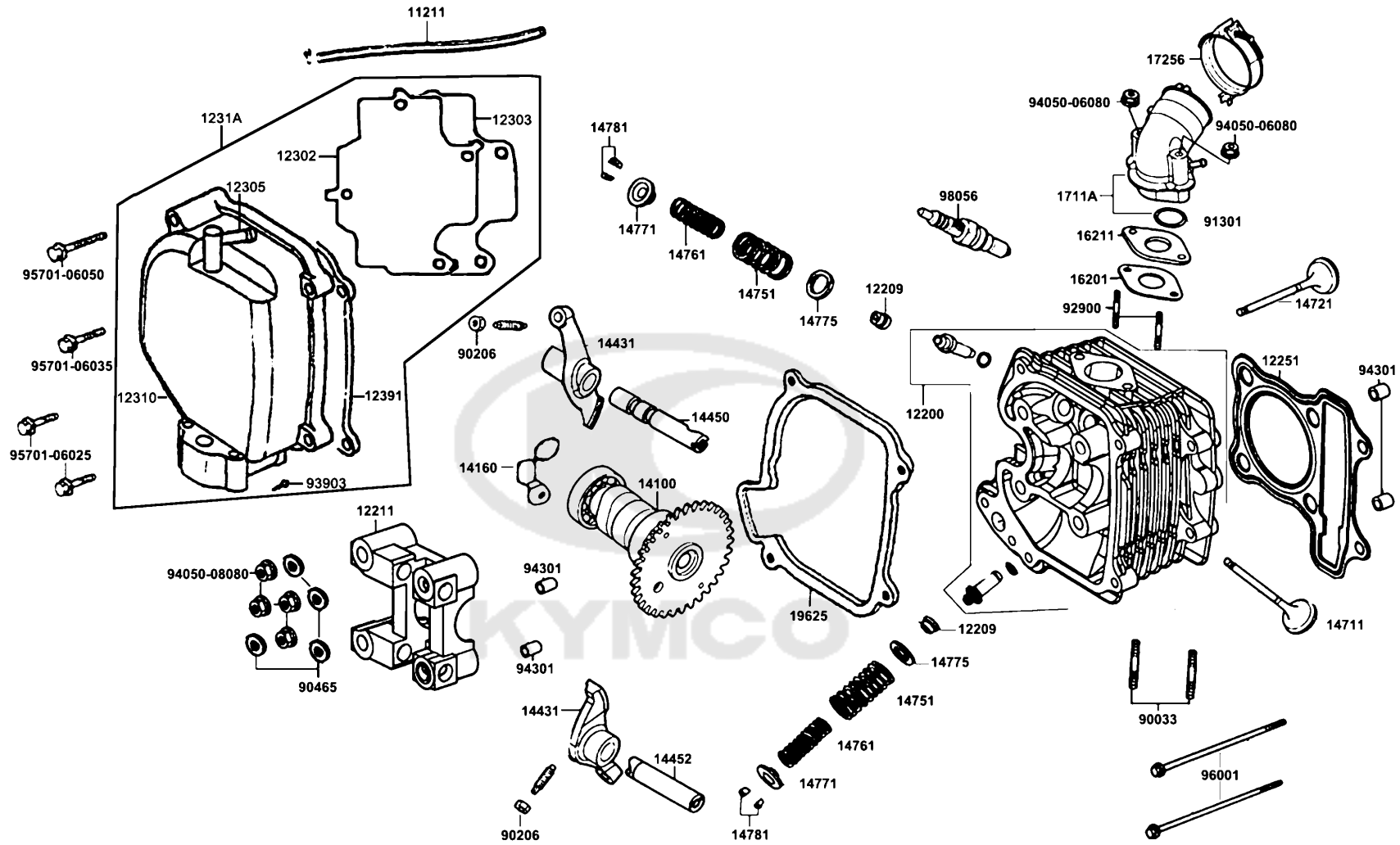
Cylinder Head Cover Cylinder Head



Sales mark 記号	Ref no 参照用番号	Part no パーツ番号	Description 部品名	Reg description 部品名	Regd no 必要個数	Ref Price 希望小売価格(税抜)	E02
14771		14771-GDB4-C00	RETAINER VALVE SPRING	RETAINER VALVE SPRING	1	320	
14775		14775-MFA6-001-RP3	SEAT VALVE SPG OUTER	SEAT VALVE SPG OUTER	2	60	
14781		14781-MFA6-C00	COTTER VALVE	COTTER VALVE	1	110	
16201		16201-GFY6-E90	GASKET CARBURETOR INSULATOR	GASKET CARBURETOR INSULATOR	1	60	
16211		16211-GFY6-901	INSULATOR CARB	INSULATOR CARB	1	350	
1711A		1711A-KUDU-900-RP3	PIPE COMP INLET	PIPE COMP INLET	1	2750	
17256		17256-GFY6-C00	BAND INSULATOR	BAND INSULATOR	1	210	
19625		19625-KUDU-C00	SEAL SHROUD	SEAL SHROUD	1	710	
90033		90033-GFY6-C00	BOLT STUD 8*32	BOLT STUD 8*32	1	90	
90206		90206-0A01-C00	NUT TAPPET ADJG	NUT TAPPET ADJG	1	60	
90465		90465-MDC4-C00	WASHER 8MM	WASHER 8MM	1	130	
91301		91301-0H28-C00	O-RING 27*2	O-RING 27*2	1	230	
92900		92900-06060-0B	BOLT STUD ??*60	BOLT STUD ??*60	2	60	
93903		93903-34120	SCREW TAPPING 4*12	SCREW TAPPING 4*12	1		
94050-06080		94050-06080	NUT FLANGE 6MM	NUT FLANGE 6MM	2	60	
94050-08080		94050-08080	NUT FLANGE 8MM	NUT FLANGE 8MM	4	60	
94301		94301-10160	DOWEL PIN 10*16	DOWEL PIN 10*16	4	60	
95701-06025		95701-06025-08-RP3	BOLT FLANGE 6*25 (C)	BOLT FLANGE 6*25 (C)	2	90	
95701-06035		95701-06035-08	BOLT FLANGE 6*35	BOLT FLANGE 6*35	1	60	
95701-06050		95701-06050-08	BOLT FLANGE 6*50 (C)	BOLT FLANGE 6*50 (C)	1	130	

E02

Cylinder Head Cover Cylinder Head



Sales mark 記号	Ref no 参照用番号	Part no パーツ番号	Description 部品名	Reg description 部品名	Regd no 必要個数	Ref Price 希望小売価格(税抜)
------------------	-----------------	------------------	--------------------	------------------------	-----------------	-------------------------

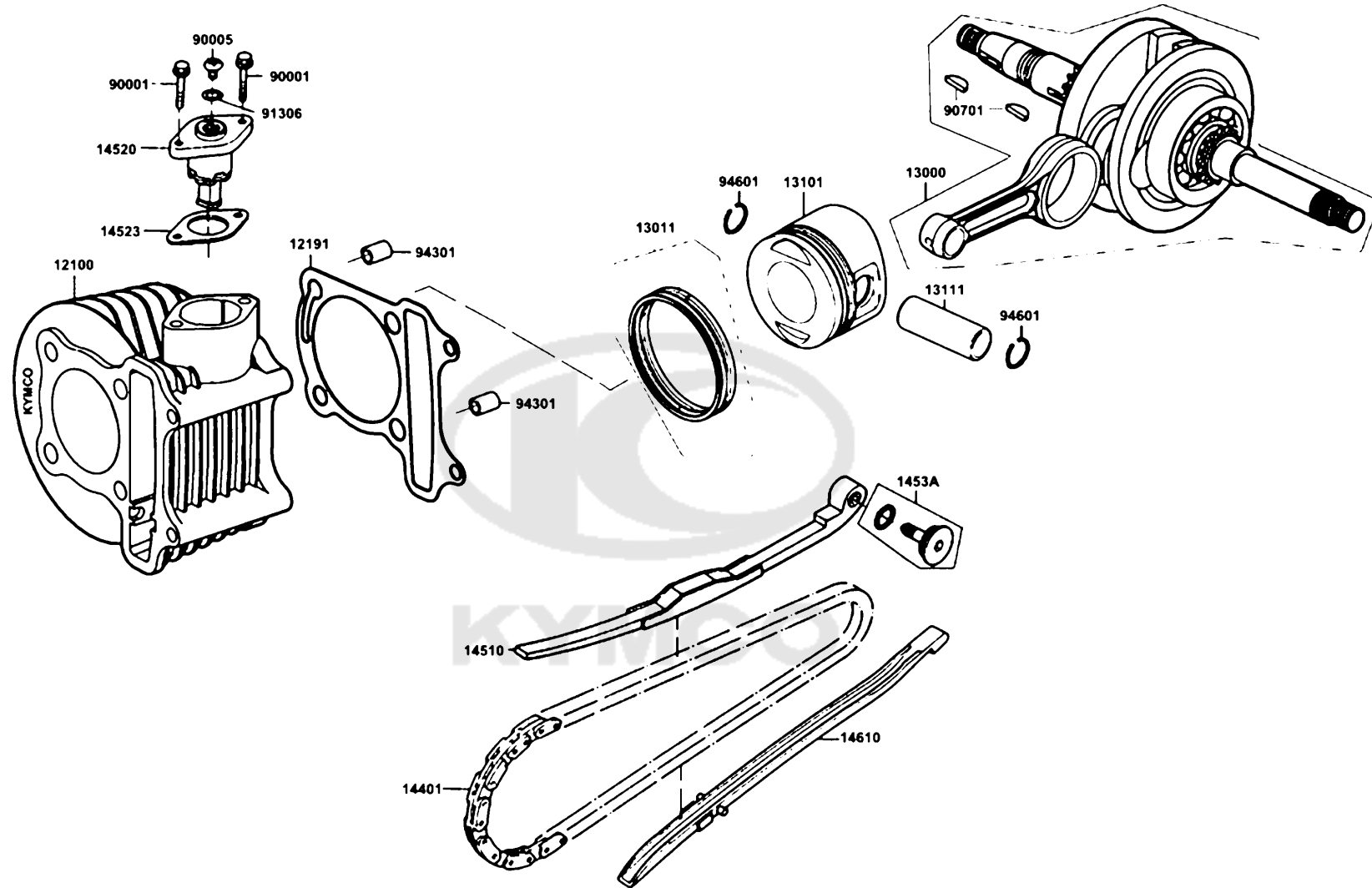
E02

96001	96001-06100-08	BOLT FLANGE SH 6*100	BOLT FLANGE SH 6*100	2	200
98056	98056-5771R-00	SPARK PLUG (CR7HSA)	SPARK PLUG (CR7HSA)	1	450



E03

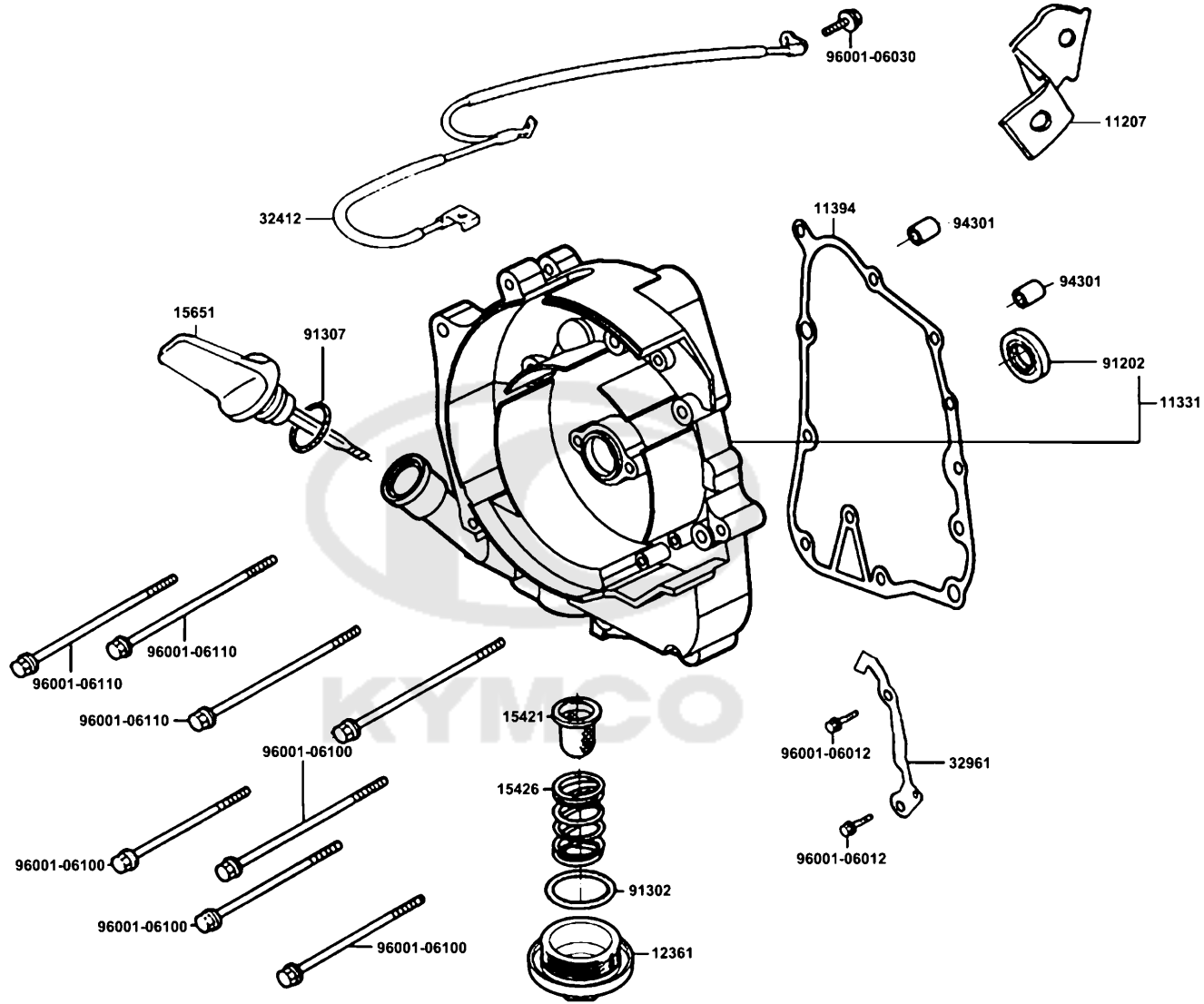
Cylinder Piston Crankshaft



Sales mark 記号	Ref no 参照用番号	Part no パーツ番号	Description 部品名	Reg description 部品名	Regd no 必要個数	Ref Price 希望小売価格(税抜)	E03
	12100	12100-GFY6-C2B	CYLINDER COMP	CYLINDER COMP	1	900	
	12191	12191-GFY6-E90	GASKET CRANK CASE @ A	GASKET CRANK CASE @ A	1	280	
	13000	13000-KUDU-900-RP3	CRANK SHAFT COMP	CRANK SHAFT COMP	1	9040	
	13011	13011-GFY6-C00	RING ASSY PISTON	RING ASSY PISTON	1	1820	
	13101	13101-KUDU-900-RP3	PISTON A	PISTON A	1	900	
	13111	13111-3D84-00B	PIN PISTON	PIN PISTON	1	90	
	14401	14401-KUDU-90C-RP3	CHAIN CAM	CHAIN CAM	1	3820	
	14510	14510-KUDU-C00	TENSIONER CAM CHAIN	TENSIONER CAM CHAIN	1	1910	
	14520	14520-GFY6-C00	LIFTER ASSY TENSIONER	LIFTER ASSY TENSIONER	1	1350	
	14523	14523-GFY6-901	GASKET TENSIONER LIFTER @ A	GASKET TENSIONER LIFTER @ A	1	60	
	1453A	1453A-GFY6-W10	PIVOT CAM CHAIN SET	PIVOT CAM CHAIN SET	1	230	
	14610	14610-KUDU-C00	GUIDE COMP CAM CHAIN	GUIDE COMP CAM CHAIN	1	960	
	90001	90001-GBHB-C00	BOLT FLANGE SHF 6*22 (B)	BOLT FLANGE SHF 6*22 (B)	1	350	
	90005	90005-KAW1-901	SCREW PAN 6*6	SCREW PAN 6*6	1	60	
	90701	90701-HFB6-C00	KEY WOODRUFF 25*14*4	KEY WOODRUFF 25*14*4	1	560	
	91306	91306-1E05-C00	O-RING 1.5*9.5	O-RING 1.5*9.5	1	140	
	94301	94301-10160	DOWEL PIN 10*16	DOWEL PIN 10*16	2	60	
	94601	94601-15000	CLIP PISTON PIN 15MM	CLIP PISTON PIN 15MM	2	60	

E04

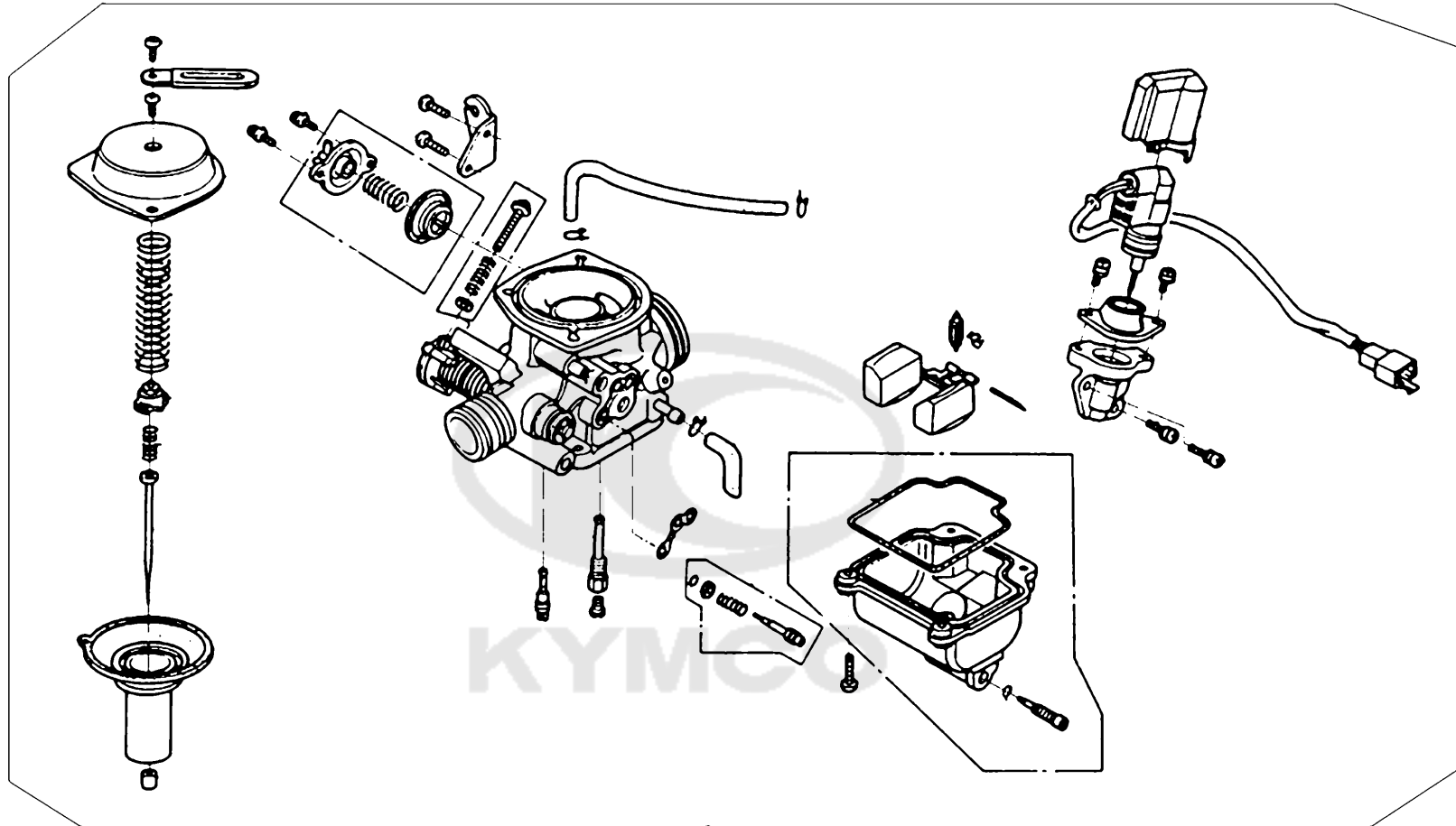
Right Crankcase Cover



Sales mark 記号	Ref no 参照用番号	Part no パーツ番号	Description 部品名	Reg description 部品名	Regd no 必要個数	Ref Price 希望小売価格(税抜)	E04
11207		11207-KKE6-C20-RP3	STAY B RR FENDER	STAY B RR FENDER	1	450	
11331		11331-KHB4-C00-RP3	COVER R CRANK CASE	COVER R CRANK CASE	1	9820	
11394		11394-KUDU-900-RP3	GASKET R COVER	GASKET R COVER	1	90	
12361		12361-GFY6-C00	HOLE CAP TAPPET ADJUSTING	HOLE CAP TAPPET ADJUSTING	1	330	
15421		15421-1G07-W10	SCREEN OIL FILTER	SCREEN OIL FILTER	1	470	
15426		15426-GAE1-C00	SPG OIL FILTER SCREEN	SPG OIL FILTER SCREEN	1	300	
15651		15651-KUDU-W10	GUAGE OIL LEVEL	GUAGE OIL LEVEL	1	180	
32412		32412-LEB7-C5A	CABLE EARTH	CABLE EARTH	1	1720	
32961		32961-KUDU-C00	CLAMPER ACG CORD	CLAMPER ACG CORD	1	160	
91202		91202-GFY6-C00	OIL SEAL 19.8*30*5	OIL SEAL 19.8*30*5	1	210	
91302		91302-0A01-C00	O-RING 30.8MM	O-RING 30.8MM	1	70	
91307		91307-0E35-W10	O-RING 18*3	O-RING 18*3	1	60	
94301		94301-10160	DOWEL PIN 10*16	DOWEL PIN 10*16	2	60	
96001-06012		96001-06012-08	BOLT FLANGE 6*12	BOLT FLANGE 6*12	2	60	
96001-06030		96001-06030-08	BOLT FLANGE SH 6*30	BOLT FLANGE SH 6*30	1		
96001-06100		96001-06100-08	BOLT FLANGE SH 6*100	BOLT FLANGE SH 6*100	6	200	
96001-06110		96001-06110-08	BOLT FLANGE SH 6*110	BOLT FLANGE SH 6*110	2	160	

E05

Carburetor



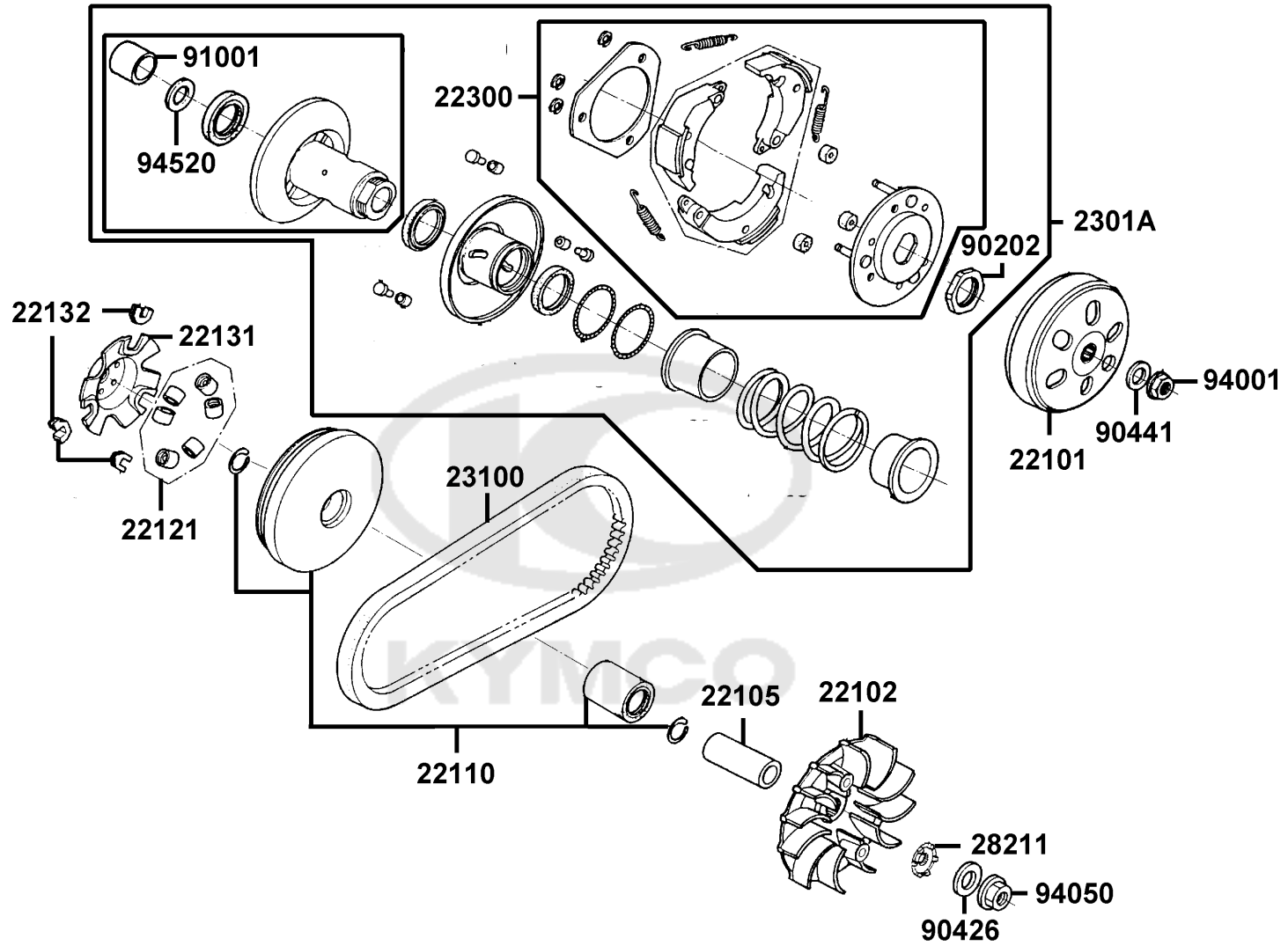
1610K

Sales mark 記号	Ref no 参照用番号	Part no パーツ番号	Description 部品名	Reg description 部品名	Regd no 必要個数	Ref Price 希望小売価格(税抜)
------------------	-----------------	------------------	--------------------	------------------------	-----------------	-------------------------

E05

1610K	1610K-LDF7-E00		CARBURETOR ASSY	CARBURETOR ASSY	1	21000
-------	----------------	--	-----------------	-----------------	---	-------

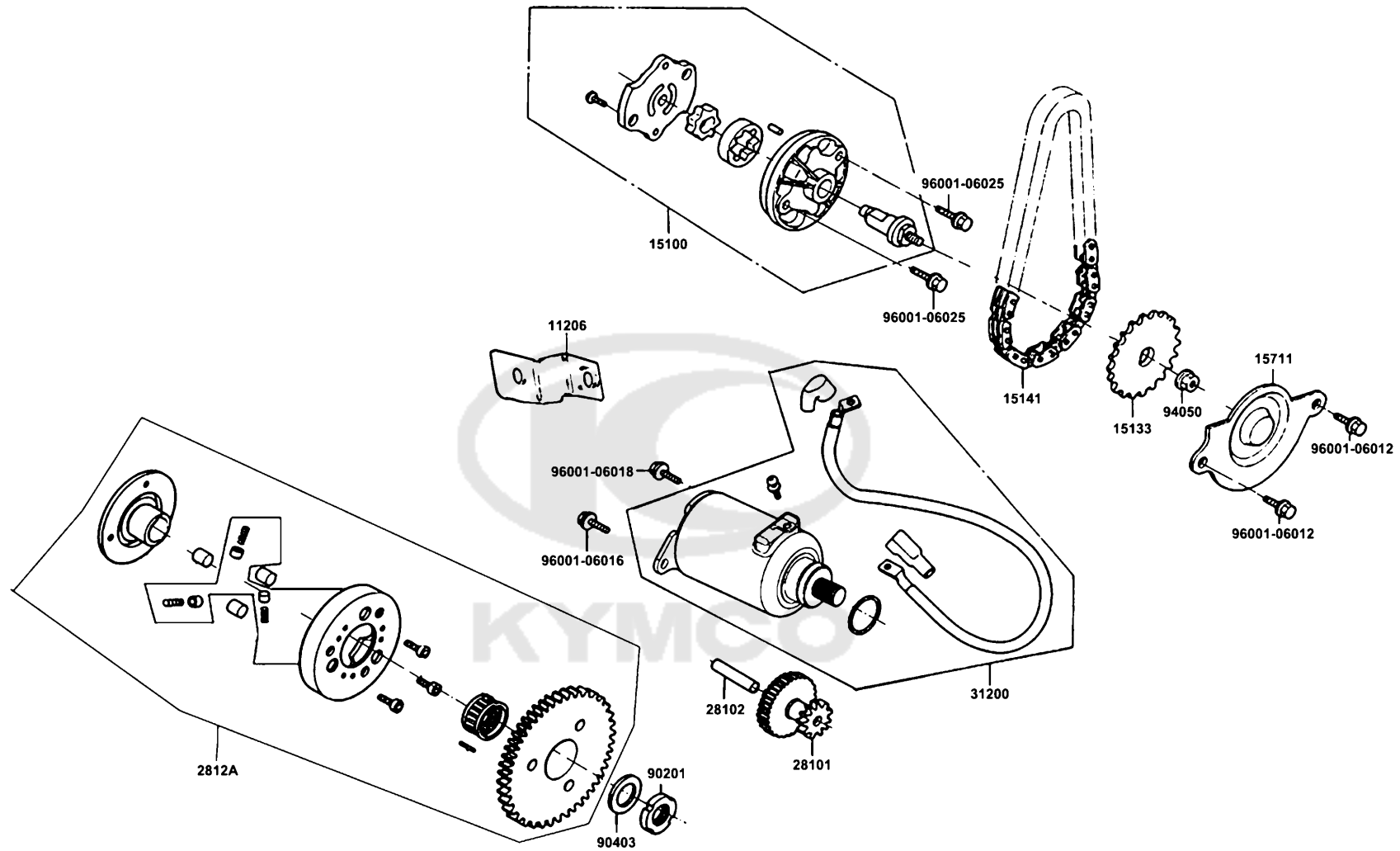




Sales mark 記号	Ref no 参照用番号	Part no パーツ番号	Description 部品名	Reg description 部品名	Regd no 必要個数	Ref Price 希望小売価格(税抜)	E06
22101		22101-LCD3-C00	OUTER CLUTCH	OUTER CLUTCH	1	3810	
22102		22102-KUDU-C10	FACE DRIVE	FACE DRIVE	1	1040	
22105		22105-GFY6-C10	BOSS DRIVE FACE	BOSS DRIVE FACE	1	960	
22110		22110-KUDU-220-RP3	FACE COMP MOVABLE DRIVE	FACE COMP MOVABLE DRIVE	1		
22121		22121-GFY6-345	ROLLER SET WEIGHT (1SET:6PCS)	ROLLER SET WEIGHT(旧品番の22121-GFY6	1	320	
22131		22131-GFY6-901-RP2	PLATE RAMP	PLATE RAMP	1		
22132		22132-KBN2-901-RP2	PIECE SLIDE	PIECE SLIDE(生産中止の為共通部品の22132	3	60	
22300		22300-GFY6-C00	PLATE ASSY DRIVE	PLATE ASSY DRIVE	1	7350	
2301A		2301A-GFY6-C00	PULLEY SUB ASSY	PULLEY SUB ASSY	1	12900	
23100		23100-KFBF-90B-RP3	BELT DRIVE	BELT DRIVE(生産中止の為共通部品の23100-	1	6450	
28211		28211-KUDU-900-RP3	RATCHET KICK STARTER	RATCHET KICK STARTER	1	1350	
90202		90202-1G87-C00	NUT SPECIAL 28MM	NUT SPECIAL 28MM	1	140	
90426		90426-KNBN-C00	WASHER SPECIAL 12MM	WASHER SPECIAL 12MM	1	60	
90441		90441-GFY6-C00	WASHER 12.2*29*2.5	WASHER 12.2*29*2.5	1	130	
91001		91001-GFY6-C00	BRG NDL 20*29*18	BRG NDL 20*29*18	1	900	
94001		94001-12200-0S	NUT FLANGE 12MM (C)	NUT FLANGE 12MM (C)	1	60	
94050		94050-12080	NUT C FLANGE 12MM	NUT C FLANGE 12MM	1	60	
94520		94520-28000	CIR CLIP IN 28	CIR CLIP IN 28	1	60	

E07

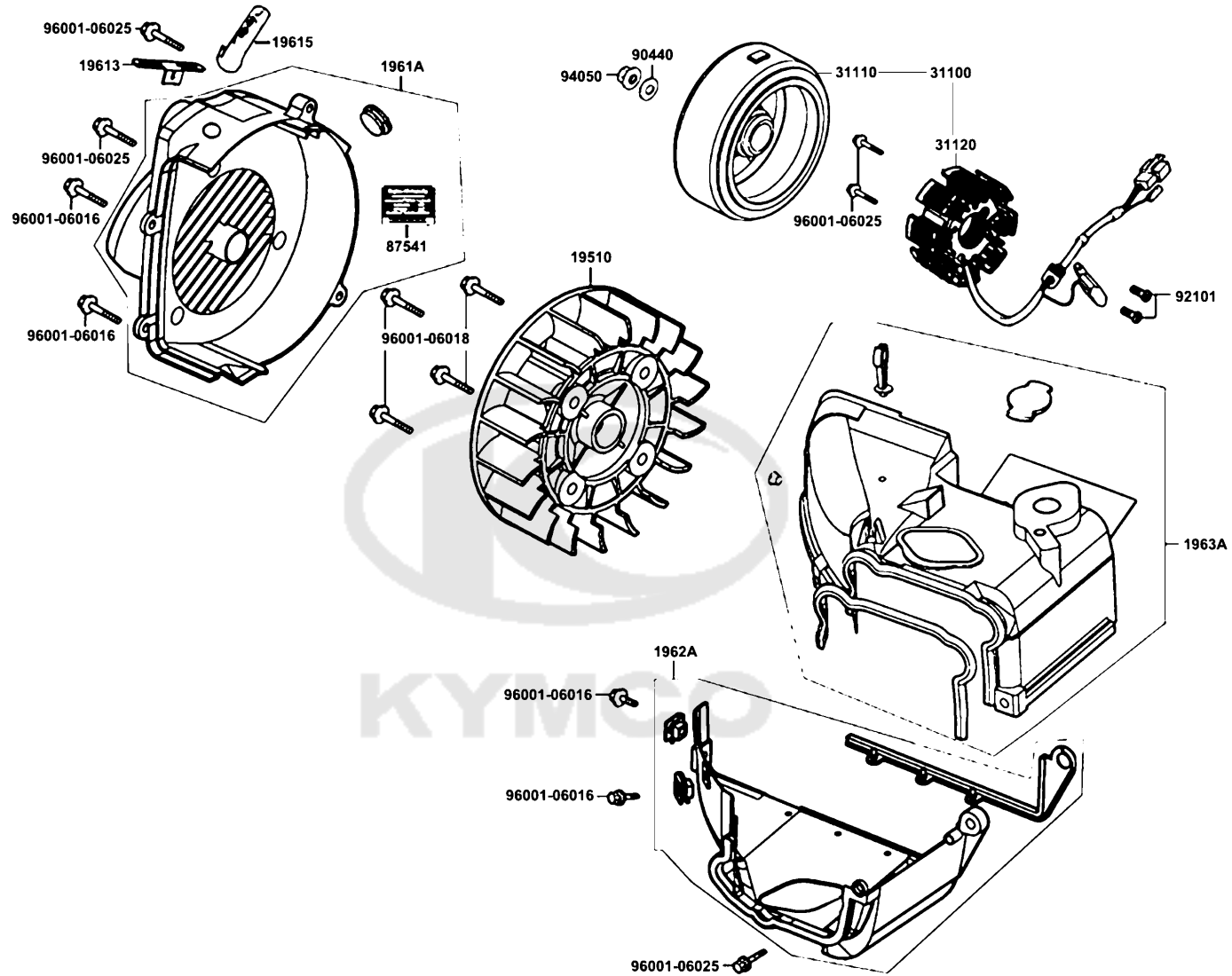
Starting Motor Oil Pump



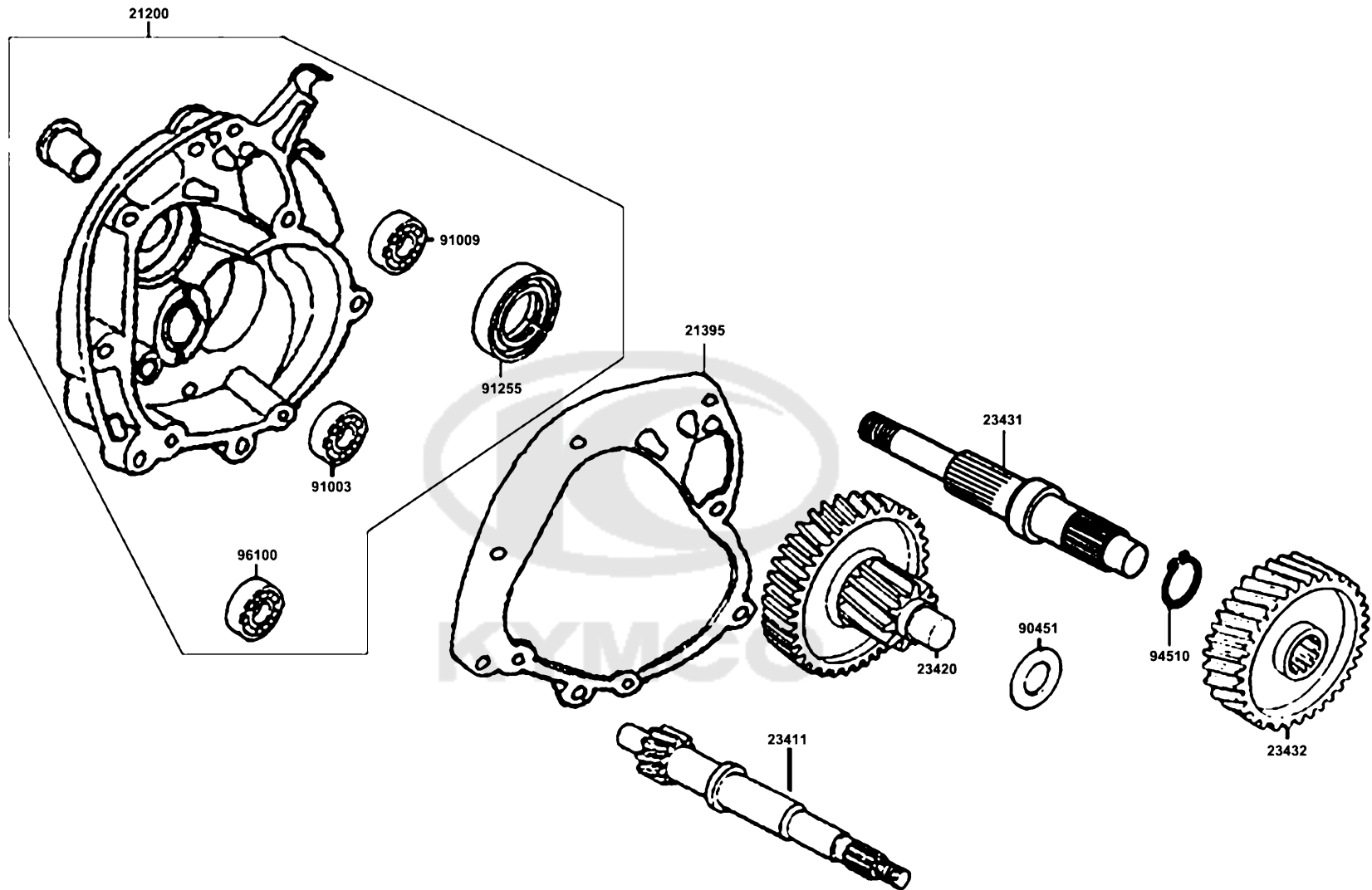
Sales mark 記号	Ref no 参照用番号	Part no パーツ番号	Description 部品名	Reg description 部品名	Regd no 必要個数	Ref Price 希望小売価格(税抜)	E07
11206		11206-KKE6-C20-RP3	STAY A RR FENDER	STAY A RR FENDER	1	90	
15100		15100-LEB7-C5A-RP3	PUMP ASSY OIL	PUMP ASSY OIL	1	4620	
15133		15133-GFY6-W10	SPROCKET OIL PUMP DRIVE	SPROCKET OIL PUMP DRIVE	1	800	
15141		15141-GFY6-90C	CHAIN OIL PUMP	CHAIN OIL PUMP	1	2230	
15711		15711-KUDU-C00	SEPARATER OIL	SEPARATER OIL	1	280	
28101		28101-GFY6-C00	GEAR STARTER REDUCTION	GEAR STARTER REDUCTION	1	1820	
28102		28102-GFY6-C00	SHAFT STARTER REDUCTION GEAR	SHAFT STARTER REDUCTION GEAR	1	330	
2812A		2812A-GFY6-200	OUTER ASSY START CLUTCH	OUTER ASSY START CLUTCH	1	5600	
31200		31200-KUDU-C00	MOTOR ASSY START	MOTOR ASSY START	1	8920	
90201		90201-GFY6-901	NUT LOCK 22MM	NUT LOCK 22MM	1	110	
90403		90403-KUDU-900-RP3	WASHER THRUST 22.2*39*2.5	WASHER THRUST 22.2*39*2.5	1	130	
94050		94050-06080	NUT FLANGE 6MM	NUT FLANGE 6MM	1	60	
96001-06012		96001-06012-08	BOLT FLANGE 6*12	BOLT FLANGE 6*12	2	60	
96001-06016		96001-06016-08	BOLT FLANGE SH 6*16	BOLT FLANGE SH 6*16	1	200	
96001-06018		96001-06018-08	BOLT FLANGE SH 6*18	BOLT FLANGE SH 6*18	1		
96001-06025		96001-06025-08	BOLT FLANGE SH 6*25	BOLT FLANGE SH 6*25	2	90	

E08

Fan Cover Generator



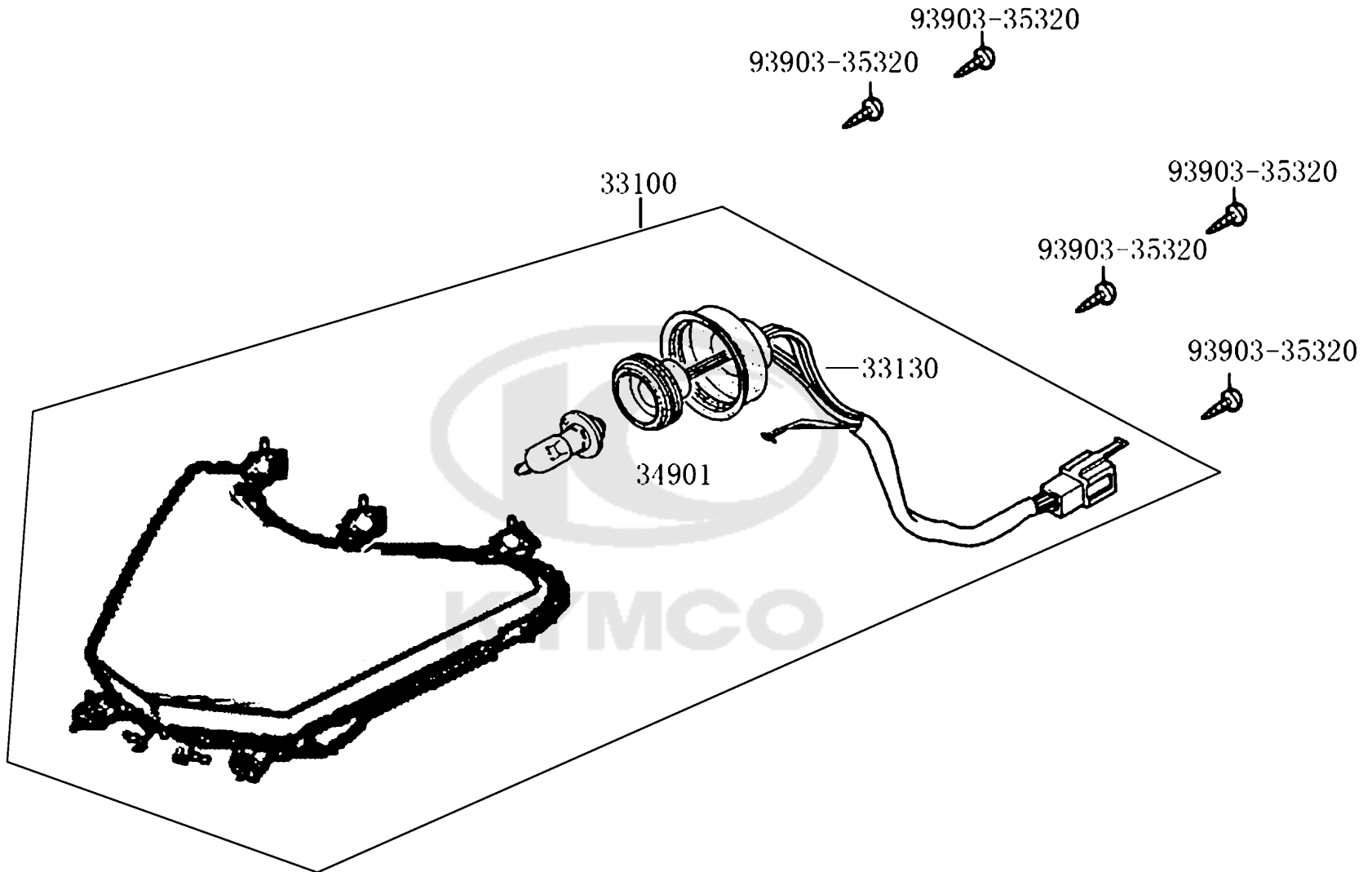
Sales mark 記号	Ref no 参照用番号	Part no パーツ番号	Description 部品名	Reg description 部品名	Regd no 必要個数	Ref Price 希望小売価格(税抜)	E08
19510		19510-GFY6-C00	FAN COMP COOLING	FAN COMP COOLING	1	890	
19613		19613-GFY6-C00	CLAMPER STARTER MOTOR CORD	CLAMPER STARTER MOTOR CORD	1	390	
19615		19615-LEB7-B80	DUCT CARB COOLING	DUCT CARB COOLING	1	230	
1961A		1961A-LEB7-B20	COVER ASSY FAN	COVER ASSY FAN	1	2340	
1962A		1962A-LDD9-C50-RP3	SHROUD ASSY B	SHROUD ASSY B	1	1470	
1963A		1963A-KUDU-C10	SHROUD ASSY B	SHROUD ASSY B	1	3560	
31100		31100-LAE6-C5B-RP3	AC GEN ASSY	AC GEN ASSY	1	16390	
31110		31110-KKE6-C5B-RP3	FLYWHEEL COMP	FLYWHEEL COMP	1	10110	
31120		31120-LAE6-C5B-RP3	STATOR COMP	STATOR COMP	1	10180	
87541		87541-LBF7-E80	LABEL OIL CAP	LABEL OIL CAP	1	230	
90440		90440-1F66-C00	WASHER PLAIN 12MM	WASHER PLAIN 12MM	1	140	
92101		92101-05012-0H	BOLT HEX 5*12	BOLT HEX 5*12	2	60	
94050		94050-12080	NUT C FLANGE 12MM	NUT C FLANGE 12MM	1	60	
96001-06016		96001-06016-08	BOLT FLANGE SH 6*16	BOLT FLANGE SH 6*16	4	200	
96001-06018		96001-06018-08	BOLT FLANGE SH 6*18	BOLT FLANGE SH 6*18	4		
96001-06025		96001-06025-08	BOLT FLANGE SH 6*25	BOLT FLANGE SH 6*25	5	90	



Sales mark 記号	Ref no 参照用番号	Part no パーツ番号	Description 部品名	Reg description 部品名	Regd no 必要個数	Ref Price 希望小売価格(税抜)	E09
21200		21200-KUDU-C00	CASE COMP MISSION	CASE COMP MISSION	1	11570	
21395		21395-KUDU-C00	GASKET MISSION CASE	GASKET MISSION CASE	1	420	
23411		23411-KUDU-C00	SHAFT DRIVE	SHAFT DRIVE	1	6240	
23420		23420-GFY6-C00	SHAFT COMP COUNTER	SHAFT COMP COUNTER	1	7950	
23431		23431-KUDU-900-RP3	SHAFT FINAL	SHAFT FINAL	1	4650	
23432		23432-GFY6-C00	GEAR FINAL	GEAR FINAL	1	2980	
90451		90451-1G07-C00	WASHER THRUST 15MM	WASHER THRUST 15MM	1	60	
91003		91003-KDS4-C00	BRG BALL RADIAL 6301TMB	BRG BALL RADIAL 6301TMB	1	3200	
91009		91009-GLE0-C00	BRG BALL RADIAL 6004 UU	BRG BALL RADIAL 6004 UU	1	2040	
91255		91255-LDC8-E10	OIL SEAL 27*42*7(C?)	OIL SEAL 27*42*7(C?)	1	160	
94510		94510-20000	CIR CLIP EX 20	CIR CLIP EX 20	1	60	
96100		96100-60020-00	BRG BALL RADIAL 6002	BRG BALL RADIAL 6002	1	250	

F01

Head Light

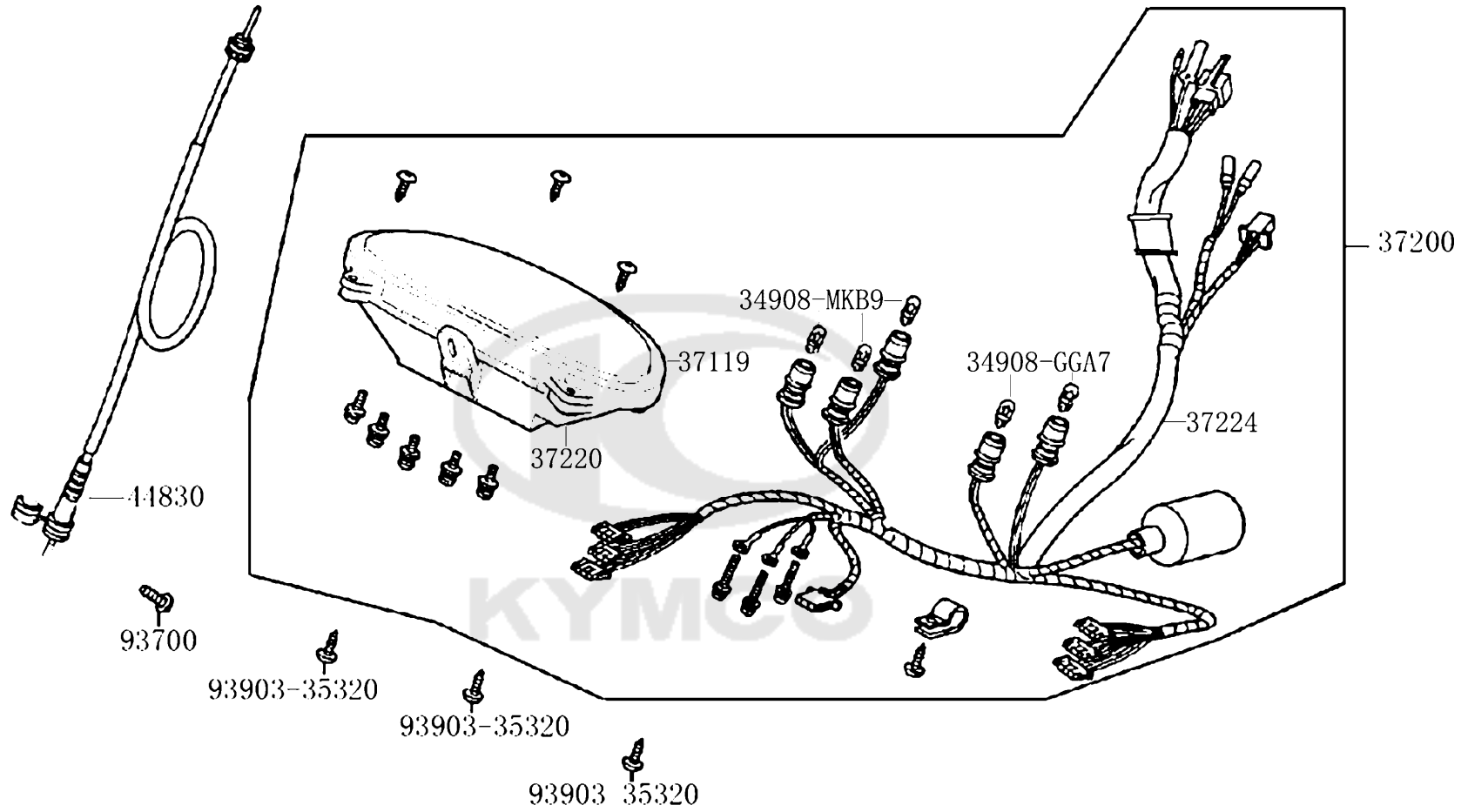


Sales mark 記号	Ref no 参照用番号	Part no パーツ番号	Description 部品名	Reg description 部品名	Regd no 必要個数	Ref Price 希望小売価格(税抜)	F01
33100	33100-LEB7-B20	33100-LEB7-B20	LIGHT ASSY HEAD	LIGHT ASSY HEAD	1	14690	
33130	33130-LDD9-C50	33130-LDD9-C50	SOCKET COMP	SOCKET COMP	1	1400	
34901	34901-LDD9-C50	34901-LDD9-C50	BULB HEAD LIGHT	BULB HEAD LIGHT	1	2370	
93903	93903-35320	93903-35320	SCREW TAPPING 5*16	SCREW TAPPING 5*16	5	60	



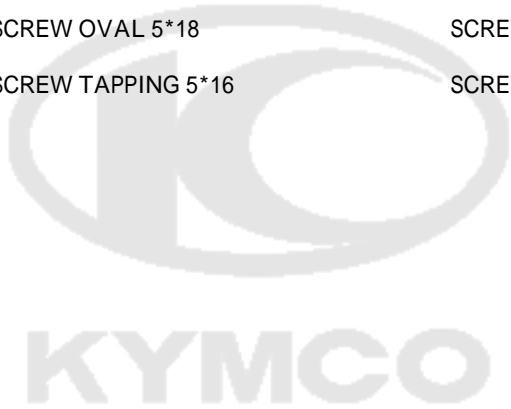
F02

Speedometer



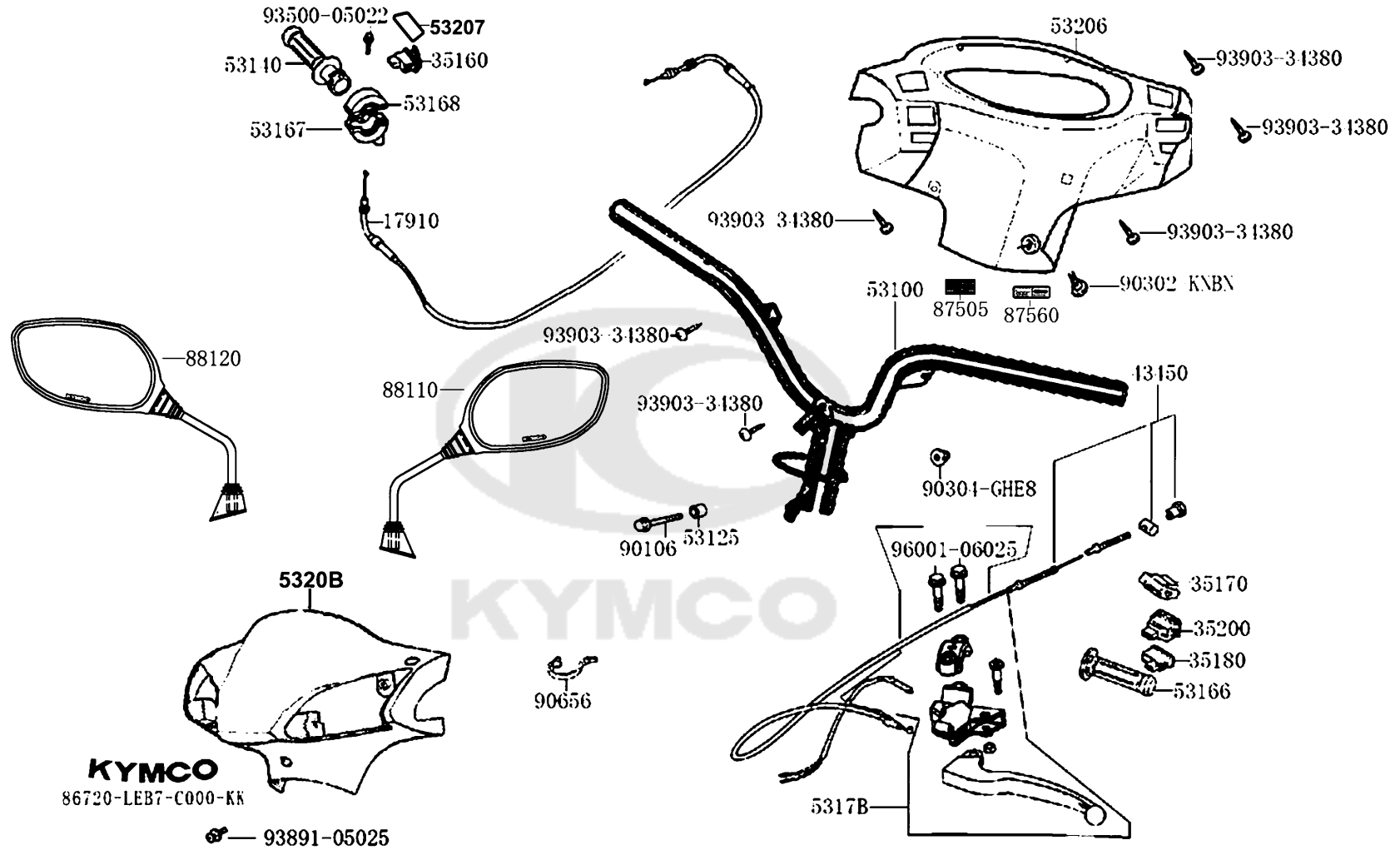
Sales mark 記号	Ref no 参照用番号	Part no パーツ番号	Description 部品名	Reg description 部品名	Regd no 必要個数	Ref Price 希望小売価格(税抜)
	34908-GGA7	34908-GGA7-C00	BULB,WEDGE BASE T10	BULB,WEDGE BASE T10	1	180
	34908-MKB9	34908-MKB9-C00	BULB WEDGE BASE	BULB WEDGE BASE	1	160
	37119	37119-KUDU-C00	METER SET	METER SET	1	870
	37200	37200-LEB7-B20	SPEED METER ASSY	SPEED METER ASSY	1	23930
	37220	37220-KFA9-800	CASE ASSY	CASE ASSY	1	3810
	37224	37224-LEB7-B20	SOCKET COMP METER	SOCKET COMP METER	1	2270
	44830	44830-KUDU-C00	CABLE COMP SPDMT	CABLE COMP SPDMT	1	1010
	93700	93700-05018-0H	SCREW OVAL 5*18	SCREW OVAL 5*18	1	60
	93903	93903-35320	SCREW TAPPING 5*16	SCREW TAPPING 5*16	3	60

F02



F03

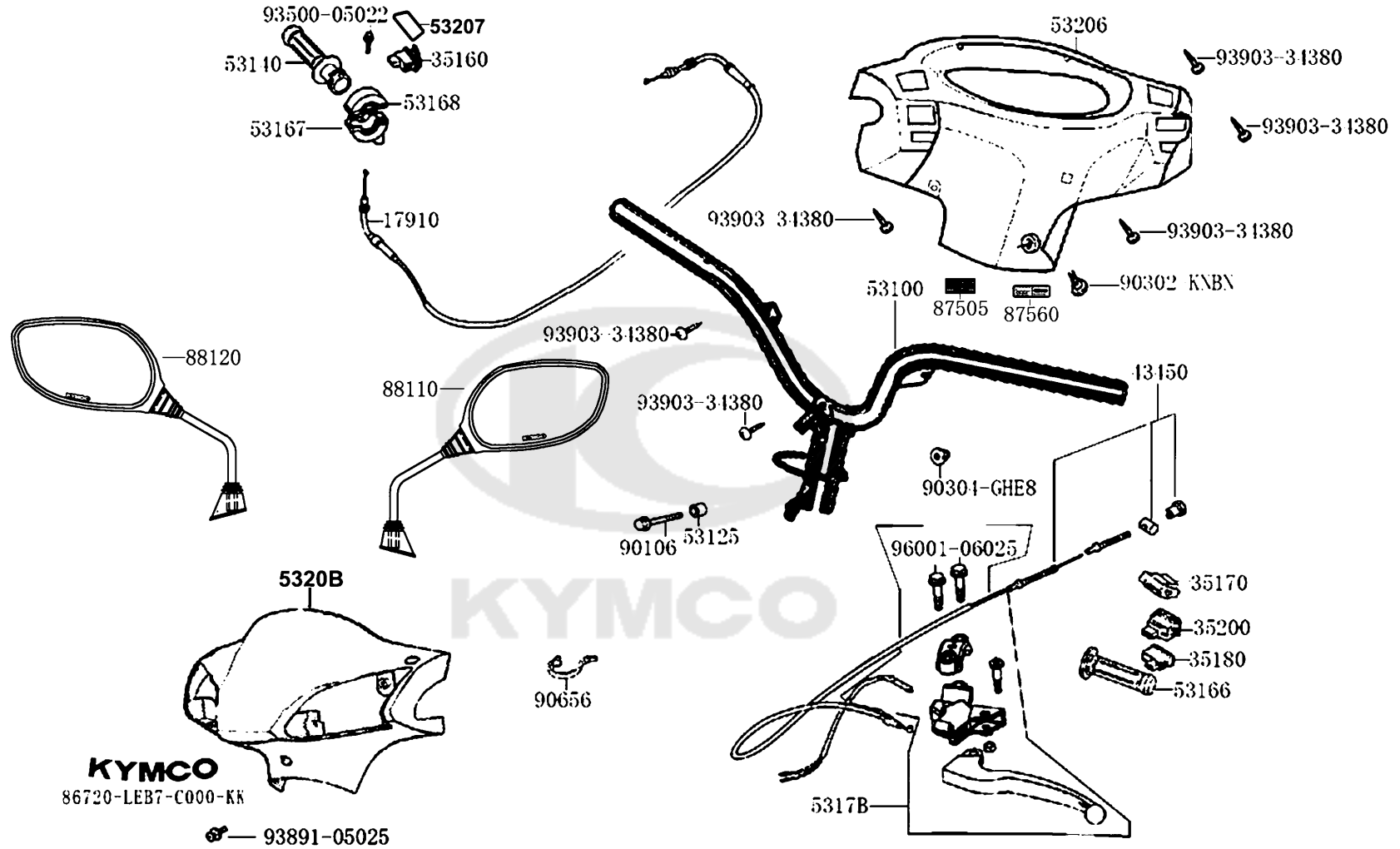
Handle Steering Handle Cover



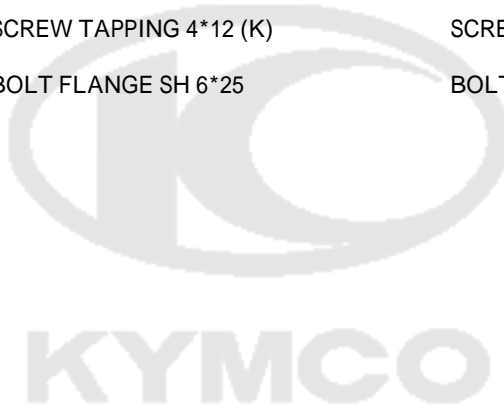
Sales mark 記号	Ref no 参照用番号	Part no パーツ番号	Description 部品名	Reg description 部品名	Regd no 必要個数	Ref Price 希望小売価格(税抜)	F03
	17910	17910-KKE6-C5A	CABLE COMP THROT	CABLE COMP THROT	1	1420	
	35160	35160-GFY6-C00	SW UNIT START	SW UNIT START	1	540	
	35170	35170-KNBN-C00	SW UNIT DIMMER	SW UNIT DIMMER	1	1110	
	35180	35180-GFY6-C00	SW UNIT HORN	SW UNIT HORN	1	540	
	35200	35200-GFY6-C00	SW ASSY LH HNDL COMP	SW ASSY LH HNDL COMP	1	770	
	43450	43450-LEB7-C5A	CABLE COMP RR BRK	CABLE COMP RR BRK	1	1470	
	53100	53100-LDD9-C51	HANDLE COMP STRG	HANDLE COMP STRG	1	8630	
	53125	53125-GEN5-C00	COLLAR HANDLE SET	COLLAR HANDLE SET	1	470	
	53140	53140-KFA1-900	GRIP COMP THROT	GRIP COMP THROT	1		
	53166	53166-LBF7-C50	GRIP L HANDLE	GRIP L HANDLE	1	280	
	53167	53167-GBN2-C00	HOUSING UND THROT	HOUSING UND THROT	1	140	
	53168	53168-GBN2-C00	HOUSING UP THROT	HOUSING UP THROT	1	110	
	5317B	5317B-LEB7-C57	BRKT ASSY HANDLE L/H	BRKT ASSY HANDLE L/H	1	3620	
	53206	53206-LDD9-C50	COVER HANDLE RR	COVER HANDLE RR	1	1350	
	53207	53207-KKD9-B20	"COVER,SWITCH"	"COVER,SWITCH"	1	110	
**	5320B	5320B-LDD9-C50	COVER HANDLE FR COMP	COVER HANDLE FR COMP	1	9200	
**	86720	86720-LEB7-C50	""KYMCO"" LOGO"	""KYMCO"" LOGO"	1	230	
**	87505	87505-LDD9-M10	LABEL TIRE	LABEL TIRE	1	60	
**	87560	87560-LBF7-E80	MARK DRIVE CAUTION	MARK DRIVE CAUTION	1	60	
**	88110	88110-LEB7-C57	MIRROR ASSY R BACK	MIRROR ASSY R BACK	1	1820	

F03

Handle Steering Handle Cover

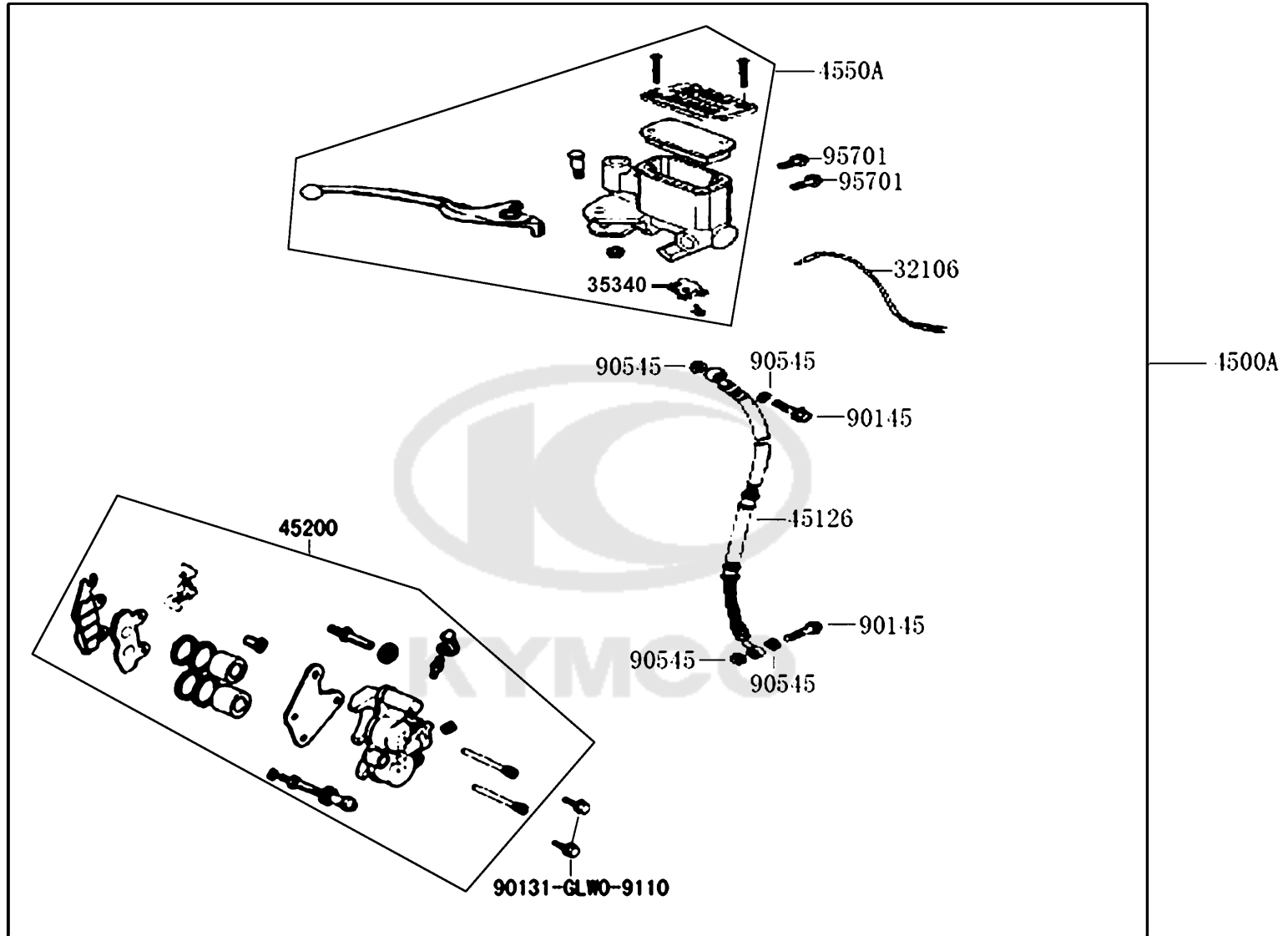


Sales mark 記号	Ref no 参照用番号	Part no パーツ番号	Description 部品名	Reg description 部品名	Regd no 必要個数	Ref Price 希望小売価格(税抜)	F03
**	88120	88120-LEB7-C57	MIRROR ASSY L BACK	MIRROR ASSY L BACK	1	1820	
	90106	90106-GEN5-901	BOLT FLANGE 10*50	BOLT FLANGE 10*50	1	80	
	90302	90302-KNBN-C00	BOLT PAN 5*10	BOLT PAN 5*10	1	60	
	90304	90304-GHE8-C00	NUT U 10MM (C)	NUT U 10MM (C)	1	200	
	90656	90656-GFY6-911	BAND HOSE **GFY6-901 C.2005.04.13	BAND HOSE **GFY6-901 C.2005.04.13	2	160	
	93500	93500-05022-0G	SCREW PAN 5*22	SCREW PAN 5*22	1	60	
	93891	93891-05025-07	SCREW WASHER 5*25 (K)	SCREW WASHER 5*25 (K)	1	60	
	93903-34380	93903-34380	SCREW TAPPING 4*12 (K)	SCREW TAPPING 4*12 (K)	6	60	
	96001-06025	96001-06025-08	BOLT FLANGE SH 6*25	BOLT FLANGE SH 6*25	1	90	



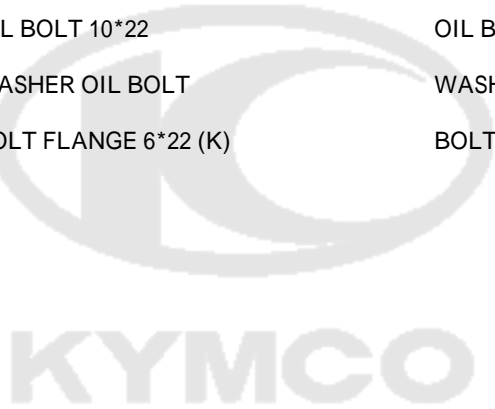
F04

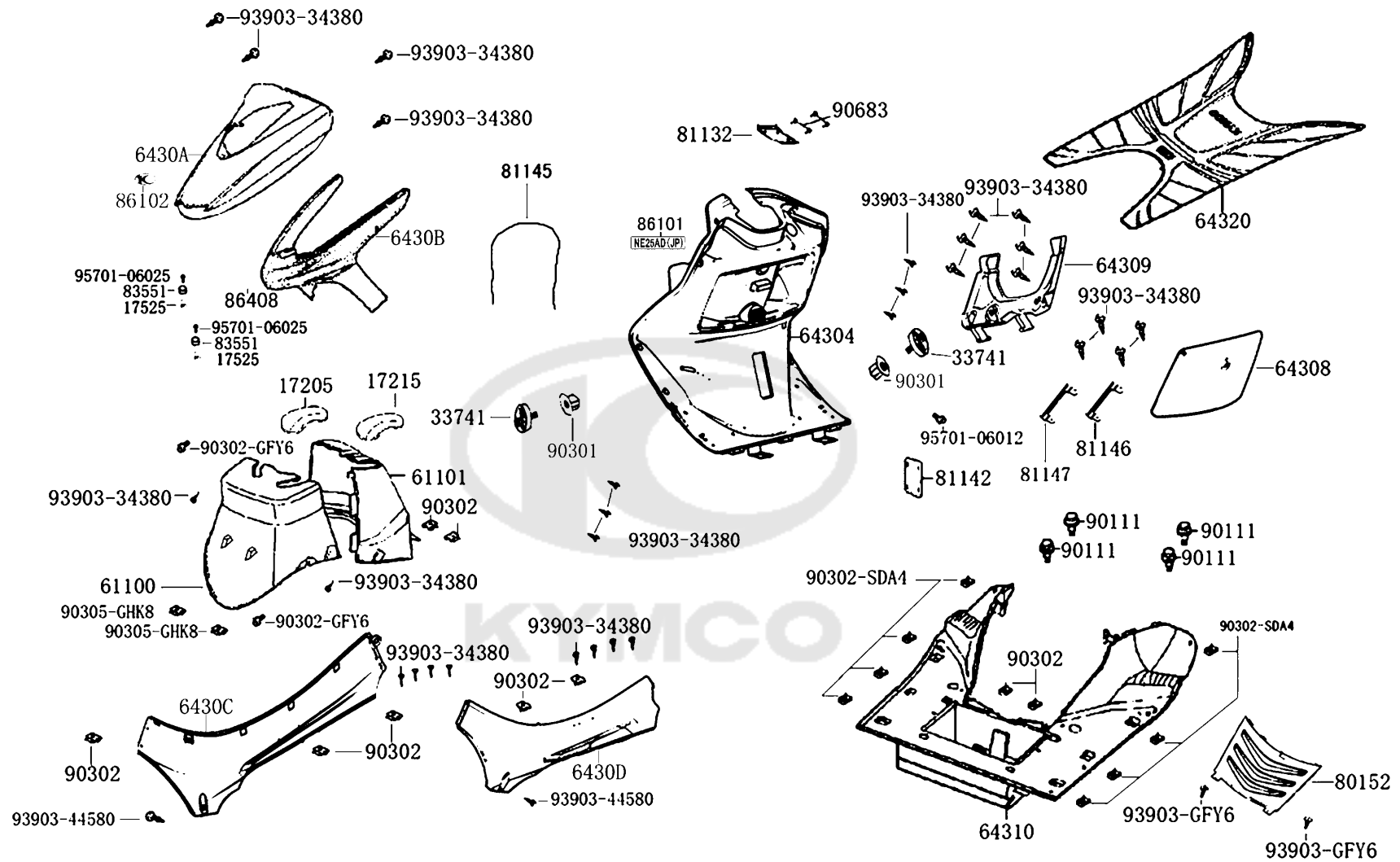
Brake Master Cylinder



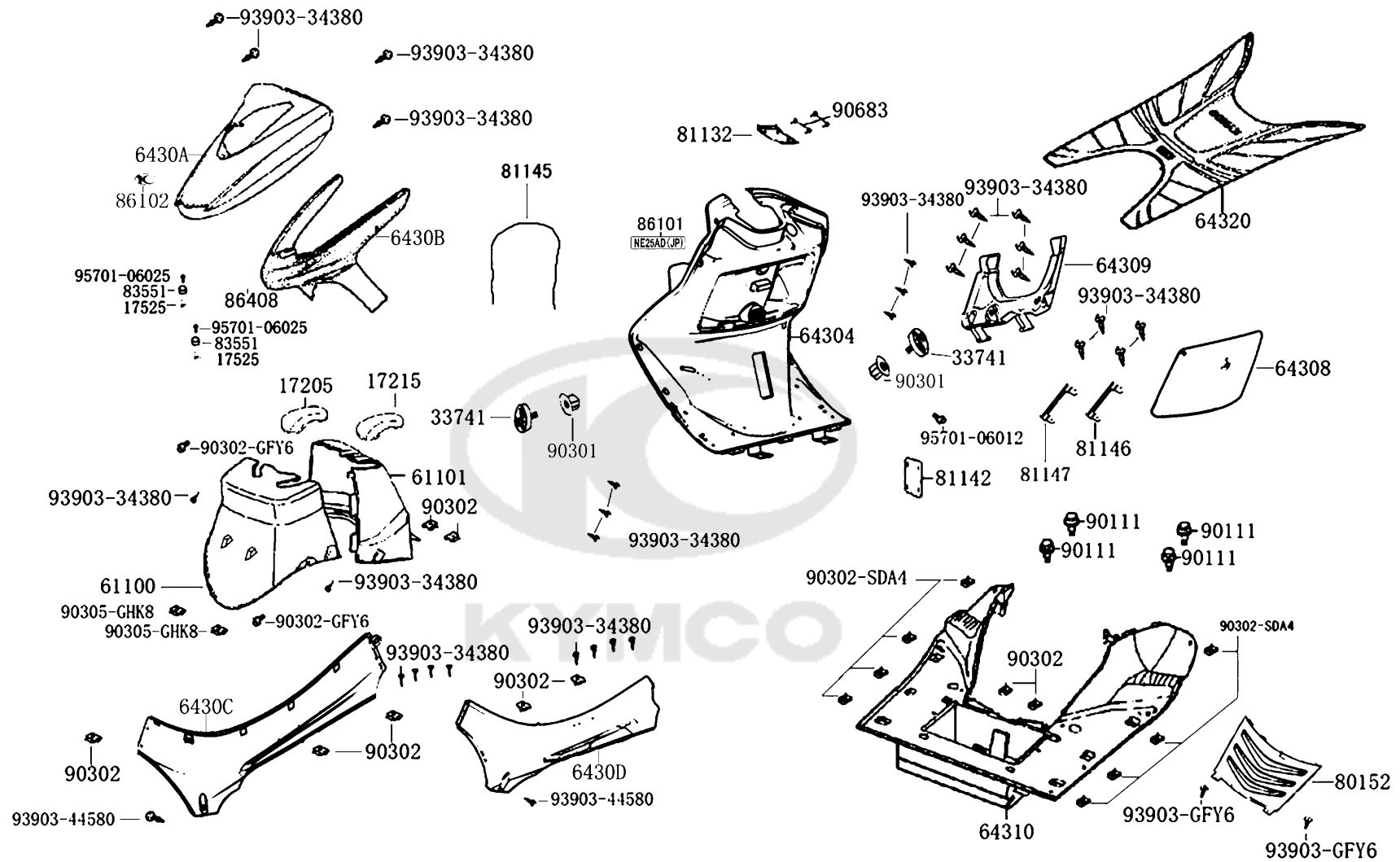
Sales mark 記号	Ref no 参照用番号	Part no パーツ番号	Description 部品名	Reg description 部品名	Regd no 必要個数	Ref Price 希望小売価格(税抜)
	32106	32106-KNBN-901	SUB HARNESS	SUB HARNESS	1	210
	35340	35340-KNBN-901	SW ASSY FR STOP	SW ASSY FR STOP	1	960
	4500A	4500A-LEB7-B20	SUB HARNESS SET FR M/C COMP	SUB HARNESS SET FR M/C COMP	1	8590
	45126	45126-LEB7-B20	HOSE ASSY FR BRK	HOSE ASSY FR BRK	1	4070
**	45200	45200-KUDU-C00	CALIPER ASSY FR	CALIPER ASSY FR	1	14020
	4550A	4550A-LEB7-C57	SUB HARNESS SET FR M/C	SUB HARNESS SET FR M/C	1	8900
	90131	90131-GLW0-C00	BOLT FLANGE 8*35	BOLT FLANGE 8*35	1	140
	90145	90145-MKS9-61A	OIL BOLT 10*22	OIL BOLT 10*22	2	300
	90545	90545-3L00-C00	WASHER OIL BOLT	WASHER OIL BOLT	1	70
	95701	95701-06022-07	BOLT FLANGE 6*22 (K)	BOLT FLANGE 6*22 (K)	2	190

F04

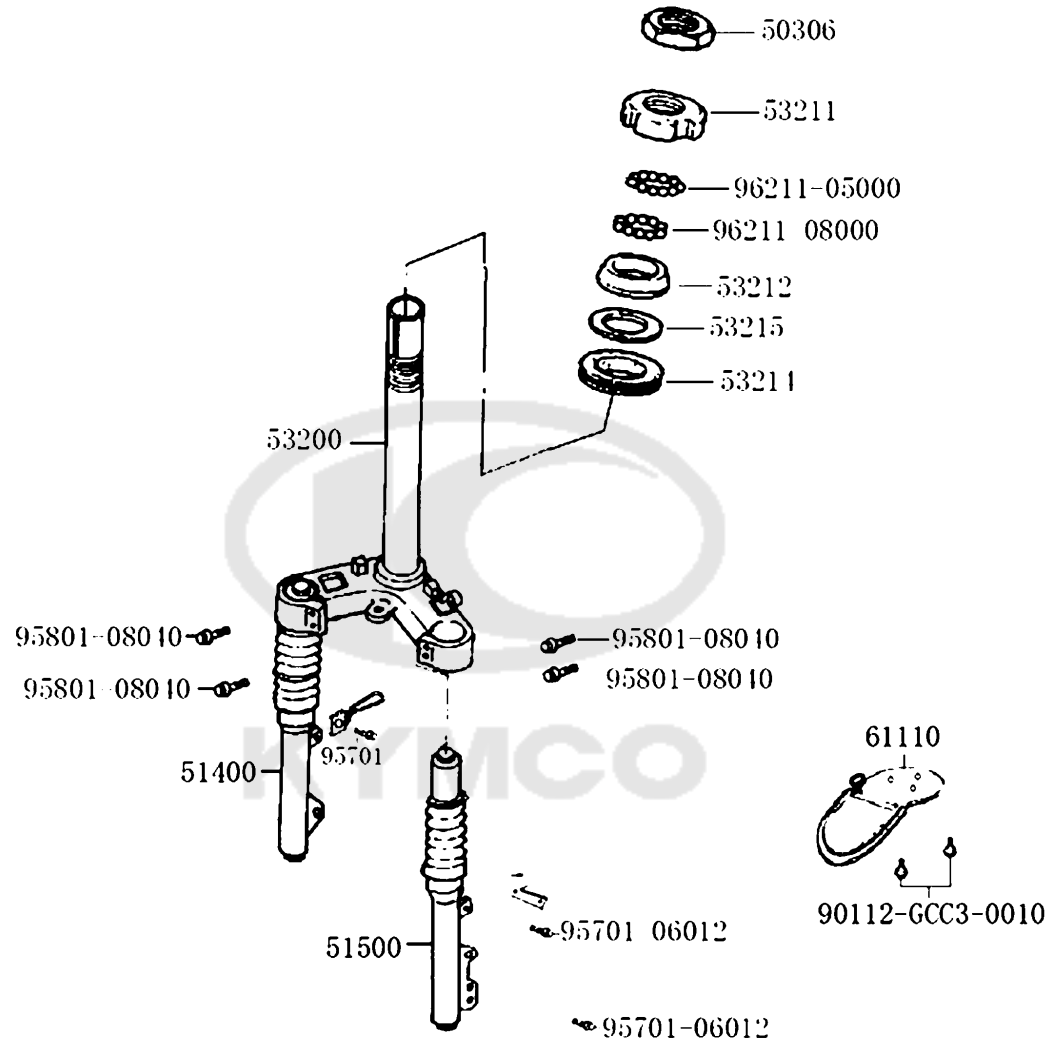




Sales mark 記号	Ref no 参照用番号	Part no パーツ番号	Description 部品名	Reg description 部品名	Regd no 必要個数	Ref Price 希望小売価格(税抜)	F05
	17205	17205-KECE-C00	ELEMENT R FR FENDER	ELEMENT R FR FENDER	1	160	
	17215	17215-KECE-C00	ELEMENT L FR FENDER	ELEMENT L FR FENDER	1	160	
	17525	17525-LDE8-C50	COLLER	COLLER	2	160	
	33741	33741-GFY6-C00	REFLEX REFLECTOR	REFLEX REFLECTOR	1	630	
	61100	61100-LDD9-C50	FENDER A FR INNER	FENDER A FR INNER	1	2180	
	61101	61101-LDD9-C50	ASSY FR INNER FENDER B	ASSY FR INNER FENDER B	1	2180	
	64304	64304-LDD9-C50	LEG SHIELD	LEG SHIELD	1	5430	
	64308	64308-LDD9-C50	LID INNER BOX	LID INNER BOX	1	680	
**	6430A	6430A-LEB7-B20	COVER FR COMP	COVER FR COMP	1	10360	
**	6430B	6430B-LEB7-B20	MOLDING FRONT COMP	MOLDING FRONT COMP	1	8920	
**	6430C	6430C-LEB7-C50	SKIRT R SIDE COMP	SKIRT R SIDE COMP	1	4070	
**	6430D	6430D-LEB7-C50	SKIRT L SIDE COMP	SKIRT L SIDE COMP	1	4070	
	64310	64310-LDD9-C50	FLOOR PANEL	FLOOR PANEL	1	4070	
**	64320	64320-LDD9-C50	MAT FLOOR	MAT FLOOR	1	1630	
**	80152	80152-LDD9-C50	LID SPARK MAINT	LID SPARK MAINT	1	420	
	81132	81132-LDD9-C50	CAP LEG SHIELD UP	CAP LEG SHIELD UP	1	130	
**	81142	81142-LDD9-C50	LID LEG SHIELD	LID LEG SHIELD	1	130	
	81145	81145-LDD9-C5B	SEAL RUBBER	SEAL RUBBER	1	230	
	81146	81146-LDD9-C50	COVER R LEG SHIELD STAY	COVER R LEG SHIELD STAY	1	180	
	81147	81147-LDD9-C50	COVER L LEG SHIELD STAY	COVER L LEG SHIELD STAY	1	180	



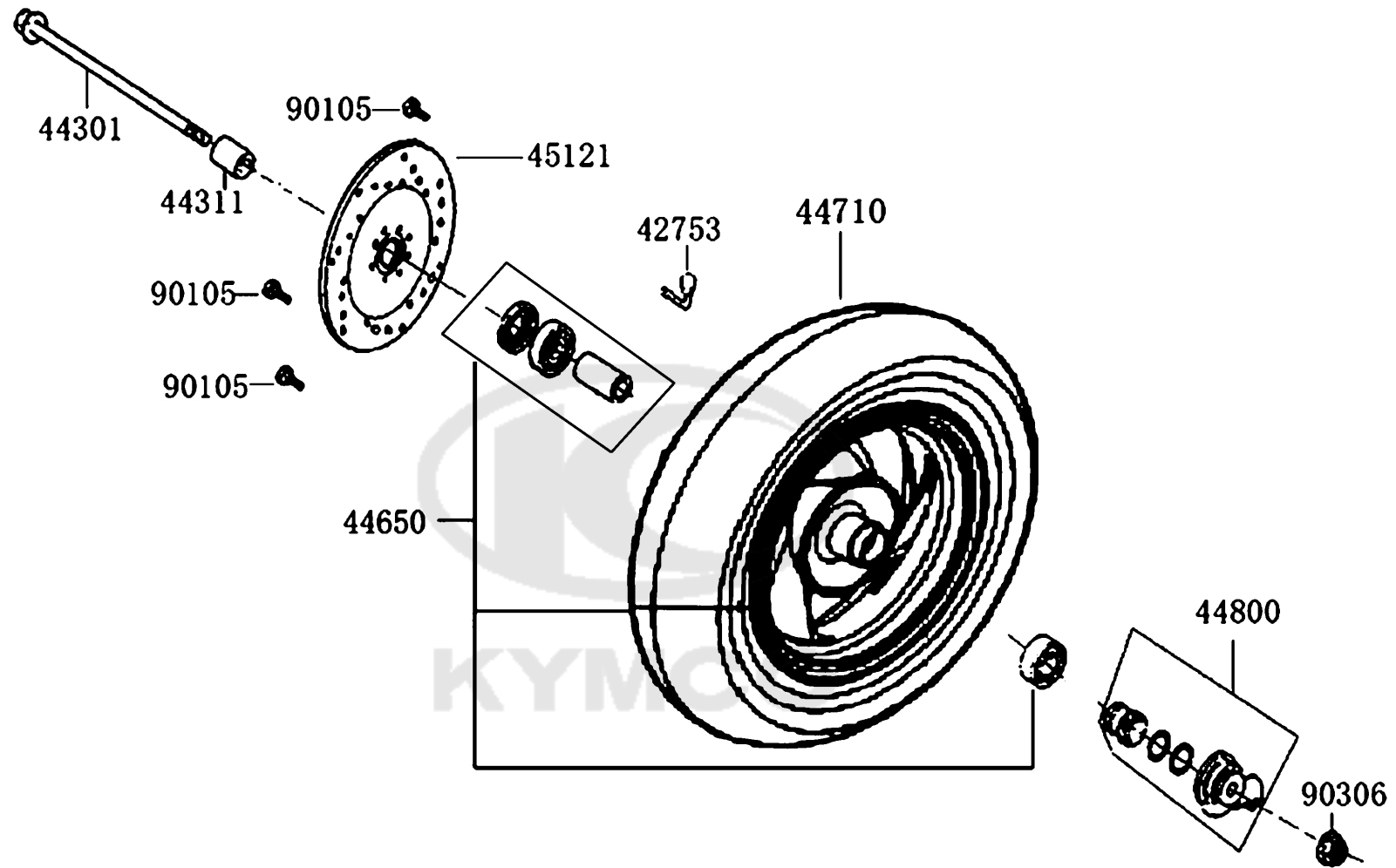
Sales mark 記号	Ref no 参照用番号	Part no パーツ番号	Description 部品名	Reg description 部品名	Regd no 必要個数	Ref Price 希望小売価格(税抜)	F05
	83551	83551-KEC8-C10	GROMMET COVER	GROMMET COVER	1	60	
**	86101	86101-LEB7-B20	STRIPE MOTOR NUMBER	STRIPE MOTOR NUMBER	1	70	
**	86102	86102-LEB7-C57	EMB U-LOGO ?0MM	EMB U-LOGO ?0MM	1	160	
**	86408	86408-LEJ3-B20	STRIPE FR LOGO	STRIPE FR LOGO	1	370	
	90111	90111-1G47-C00	BOLT FLANGE 6*17	BOLT FLANGE 6*17	1	60	
	90301	90301-6D34-C00	NUT FLANGE 6MM	NUT FLANGE 6MM	1	60	
	90302-GFY6	90302-GFY6-C10	BOLT-WASH 5*16	BOLT-WASH 5*16	1	60	
	90302-SDA4-004	90302-SDA4-C00	NUT SPRING 4MM	NUT SPRING 4MM	1	60	
	90305	90305-GHK8-C00	NUT CLIP 6MM	NUT CLIP 6MM	1	70	
	90683	90683-GAR1-C00	CLIP BODY COVER	CLIP BODY COVER	1	60	
	93903-34380	93903-34380	SCREW TAPPING 4*12 (K)	SCREW TAPPING 4*12 (K)	22	60	
	93903-44580	93903-44580	SCREW TAPPING 4*20 (K)	SCREW TAPPING 4*20 (K)	2	60	
	93903-GFY6-900	93903-GFY6-C00	SCREW TAPPING 4*14	SCREW TAPPING 4*14	1	60	
	95701-06012	95701-06012-07	BOLT FLANGE 6*12(K)	BOLT FLANGE 6*12(K)	1	60	
	95701-06025	95701-06025-08	BOLT FLANGE 6*25	BOLT FLANGE 6*25	2	60	



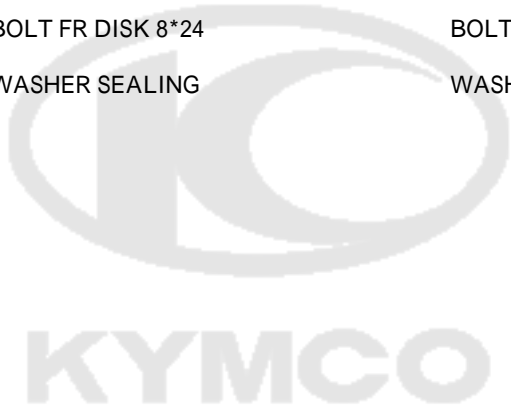
Sales mark 記号	Ref no 参照用番号	Part no パーツ番号	Description 部品名	Reg description 部品名	Regd no 必要個数	Ref Price 希望小売価格(税抜)	F06
	50306	50306-1F96-C00	NUT STRG STEM LOCK	NUT STRG STEM LOCK	1	200	
	51400	51400-LEB7-B20	FORK ASSY R FR	FORK ASSY R FR	1	17860	
	51500	51500-LEB7-B20	FORK ASSY L FR	FORK ASSY L FR	1	17860	
	53200	53200-LDD9-C5B	STEM COMP STRG	STEM COMP STRG	1	14310	
	53211	53211-GFY6-C00	RACE STRG TOP CONE	RACE STRG TOP CONE	1	470	
	53212	53212-2L50-C00	RACE (STRG BOTTOM) CONE	RACE (STRG BOTTOM) CONE	1	680	
	53214	53214-2L50-C00	DUST SEAL STRG HEAD	DUST SEAL STRG HEAD	1	110	
	53215	53215-2L50-C00	WASHER STRG HDL DUST-SEAL	WASHER STRG HDL DUST-SEAL	1	60	
**	61110	61110-LBF9-C50	FENDER FR INNER	FENDER FR INNER	1	540	
	90112	90112-GCC3-C00	BOLT SPECIAL 5MM	BOLT SPECIAL 5MM	1	60	
	95701-06012-08	95701-06012-08	BOLT FLANGE 6*12	BOLT FLANGE 6*12	3	60	
	95801	95801-08040-08	BOLT FLANGE 8*40	BOLT FLANGE 8*40	4	90	
	96211-05000	96211-05000	BALL STEEL #5	BALL STEEL #5	26	60	
	96211-08000	96211-08000	BALL STEEL #8	BALL STEEL #8	19	60	

F07

Front Wheel

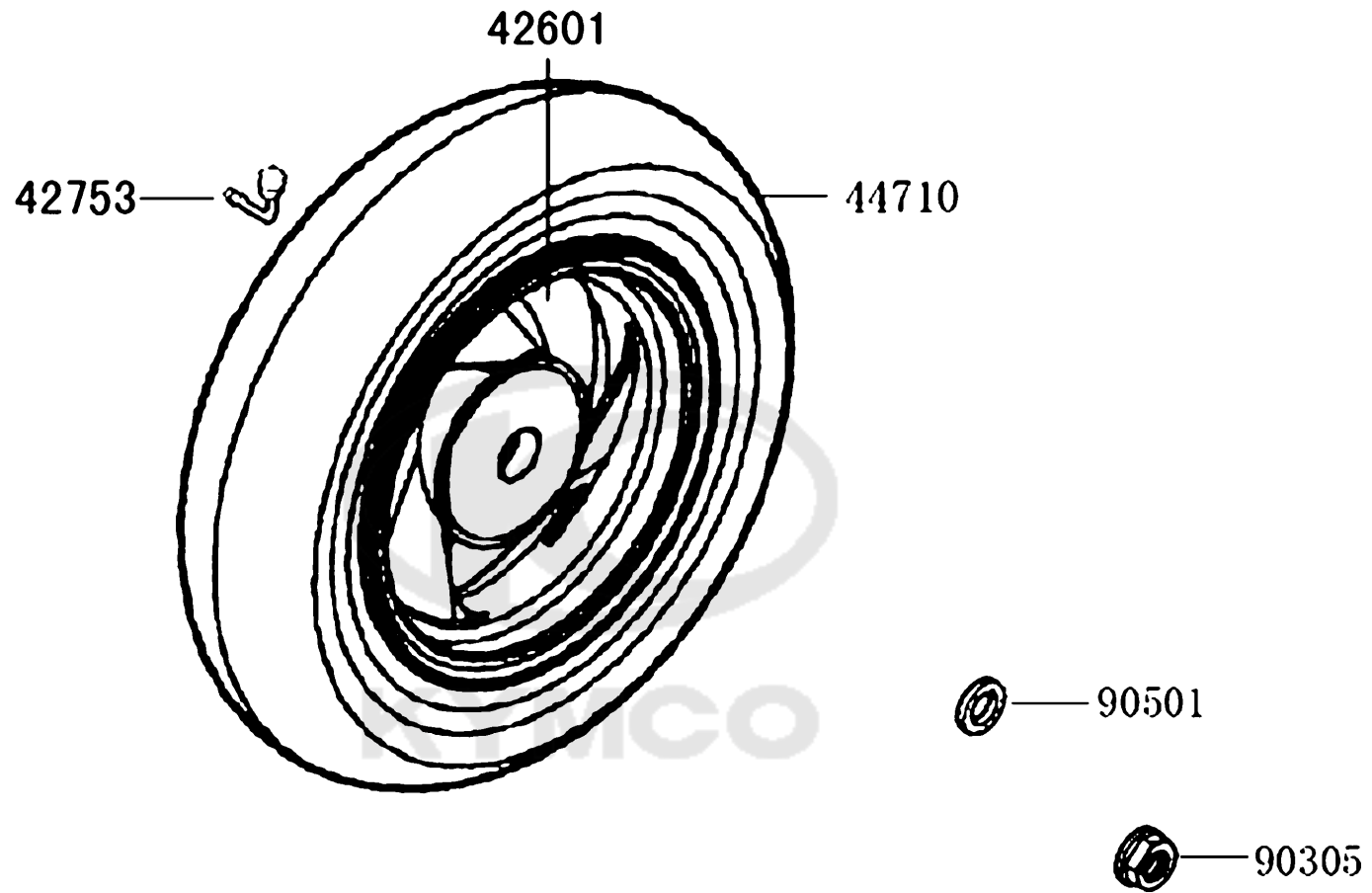


Sales mark 記号	Ref no 参照用番号	Part no パーツ番号	Description 部品名	Reg description 部品名	Regd no 必要個数	Ref Price 希望小売価 格(税抜)	F07
42753		42753-0D04-90A	VALVE(PVR-70)&CAP(E)	VALVE(PVR-70)&CAP(E)	1	450	
44301		44301-KKC7-C00	AXLE FR WHEEL12*224	AXLE FR WHEEL12*224	1	1210	
44311		44311-KUDU-C00	COLLAR FR WHEEL SIDE	COLLAR FR WHEEL SIDE	1	470	
44650		44650-KUDU-900	WHEEL SET FR	WHEEL SET FR	1	17300	
44710		44710-KUDU-90A	TIRE ASSY FR	TIRE ASSY FR	1	7910	
44800		44800-KUDU-900	GEAR BOX ASSY	GEAR BOX ASSY	1	2440	
45121		45121-LDD9-M10	DISK FR BRAKE	DISK FR BRAKE	1	4760	
90105		90105-KCR3-001	BOLT FR DISK 8*24	BOLT FR DISK 8*24	3	80	
90306		90306-GLW0-C00	WASHER SEALING	WASHER SEALING	1	70	



F08

Rear Wheel



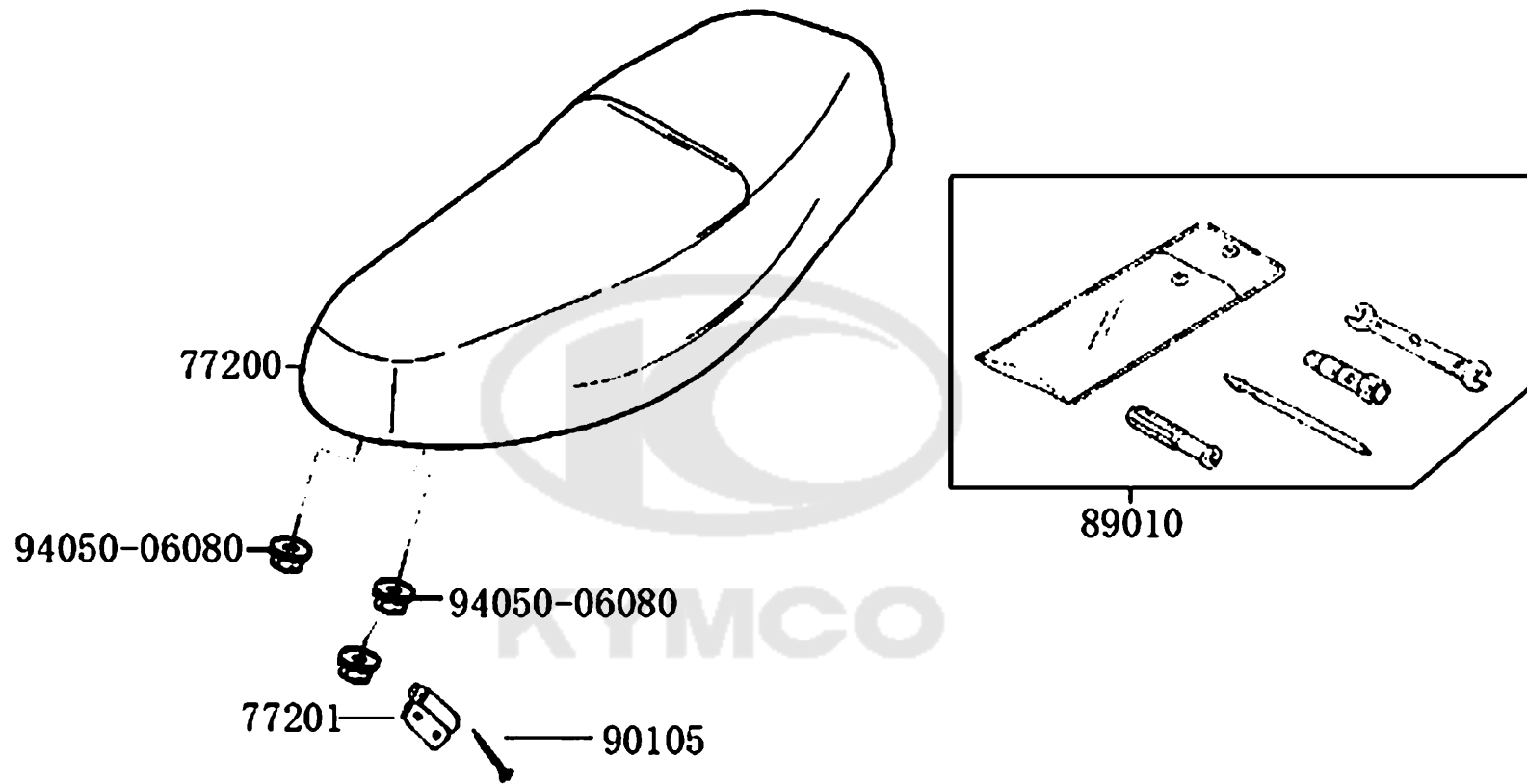
Sales mark 記号	Ref no 参照用番号	Part no パーツ番号	Description 部品名	Reg description 部品名	Regd no 必要個数	Ref Price 希望小売価格(税抜)	F08
------------------	-----------------	------------------	--------------------	------------------------	-----------------	-------------------------	-----

42601		42601-KUDU-900	WHEEL COMP RR CAST	WHEEL COMP RR CAST	1	17870	
42753		42753-0D04-90A	VALVE(PVR-70)&CAP(E)	VALVE(PVR-70)&CAP(E)	1	450	
44710		44710-KUDU-90A	TIRE ASSY FR	TIRE ASSY FR	1	7910	
90305		90305-KNBN-C00	NUT U 16MM(C)	NUT U 16MM(C)	1	330	
90501		90501-KNBN-C00	WASHER 16MM	WASHER 16MM	1	70	



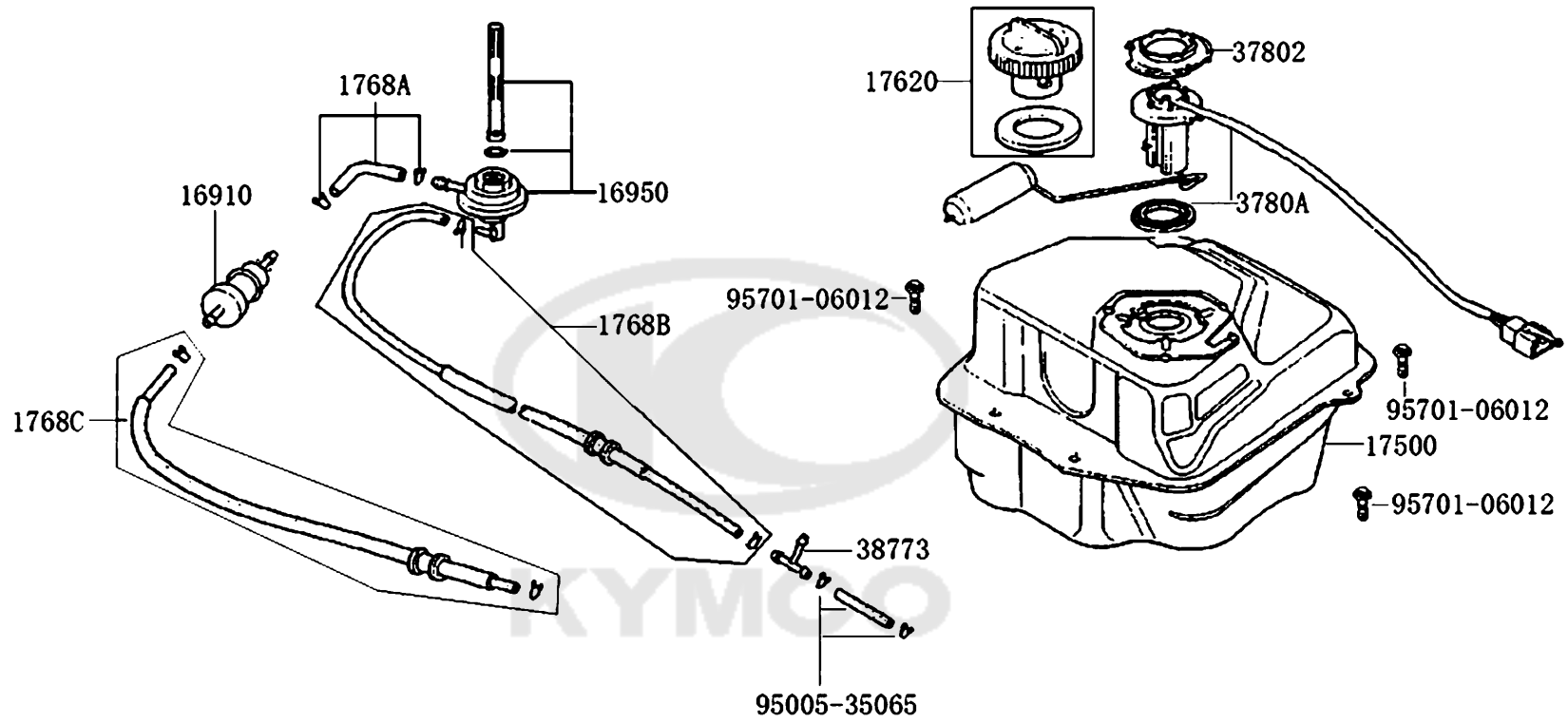
F09

Seat



Sales mark 記号	Ref no 参照用番号	Part no パーツ番号	Description 部品名	Reg description 部品名	Regd no 必要個数	Ref Price 希望小売価格(税抜)	F09
77200		77200-LEB7-B20	SEAT ASSY	SEAT ASSY	1	15590	
77201		77201-KUDU-C00	HINGE SEAT	HINGE SEAT	1	450	
89010		89010-LEB7-C50	TOOL SET	TOOL SET	1	870	
90105		90105-LDD9-C50	PIN HINGE	PIN HINGE	1	180	
94050-06080		94050-06080	NUT FLANGE 6MM	NUT FLANGE 6MM	3	60	



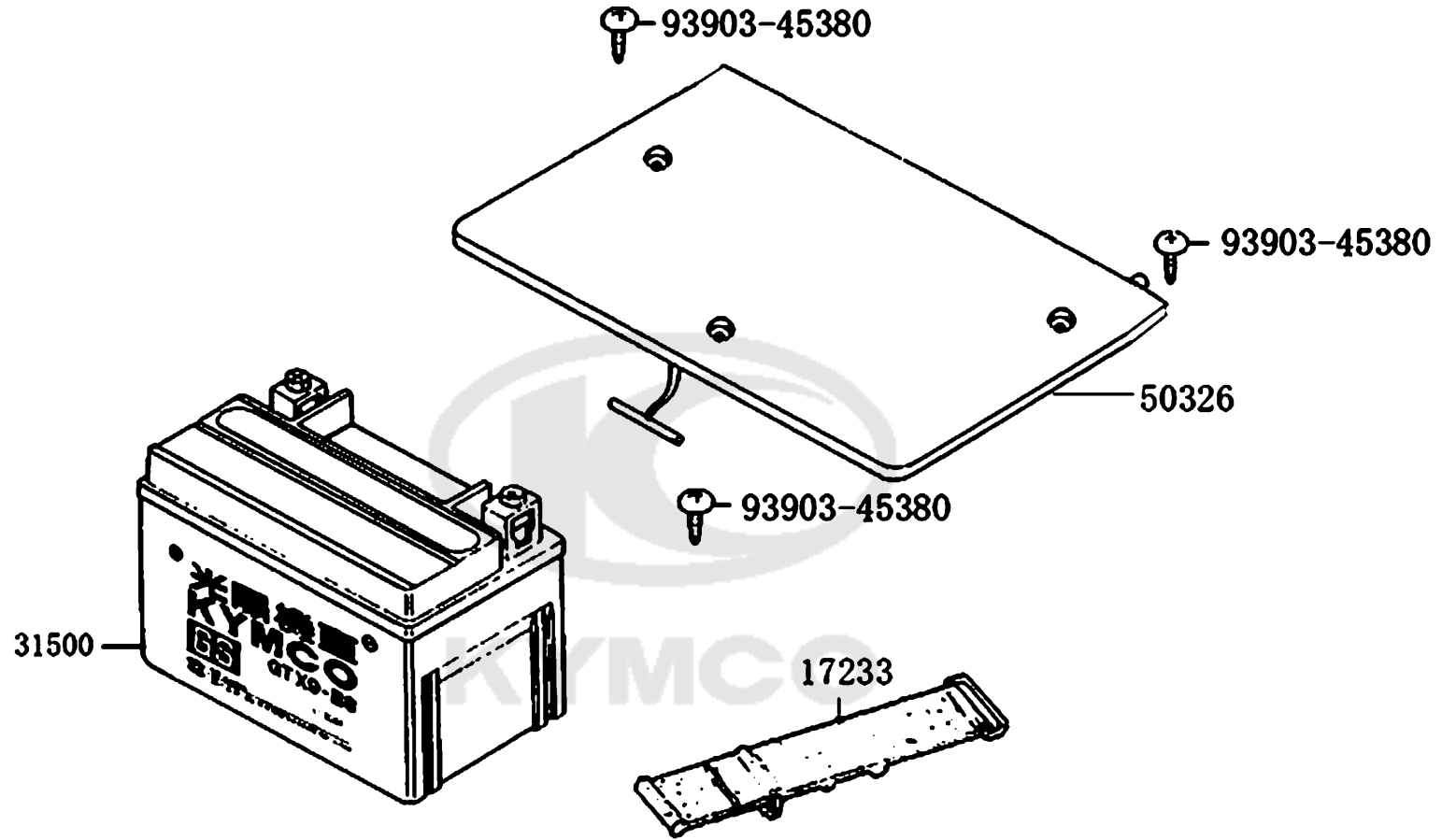


Sales mark 記号	Ref no 参照用番号	Part no パーツ番号	Description 部品名	Reg description 部品名	Regd no 必要個数	Ref Price 希望小売価格(税抜)
16910	16910	16910-GBB2-900	STRAINER COMP FUEL	STRAINER COMP FUEL	1	330
16950	16950	16950-KKJ9-C00	AUTO COCK ASSY FUEL	AUTO COCK ASSY FUEL	1	1720
17500	17500	17500-KKC7-C50	TANK COMP FUEL	TANK COMP FUEL	1	7110
17620	17620	17620-LDD9-C50	CAP COMP FUEL FILLER	CAP COMP FUEL FILLER	1	1080
1768A	1768A	1768A-GFY6-C00	TUBE ASSY FUEL	TUBE ASSY FUEL	1	180
1768B	1768B	1768B-LDD9-C50	TUBE ASSY VACUUM	TUBE ASSY VACUUM	1	700
1768C	1768C	1768C-LEB7-C50	TUBE FUEL ASSY	TUBE FUEL ASSY	1	590
37802	37802	37802-GGA7-C00	RET FUEL UNIT	RET FUEL UNIT	1	160
3780A	3780A	3780A-KUDU-C00	FUEL UNIT ASSY	FUEL UNIT ASSY	1	1350
38773	38773	38773-PKB9-C00	JOINT 3 WAY 3.5	JOINT 3 WAY 3.5	1	180
95005	95005	95005-35065-10	TUBE 3.5*6.5	TUBE 3.5*6.5	1	110
95701	95701	95701-06012-08	BOLT FLANGE 6*12	BOLT FLANGE 6*12	3	60

F10

F11

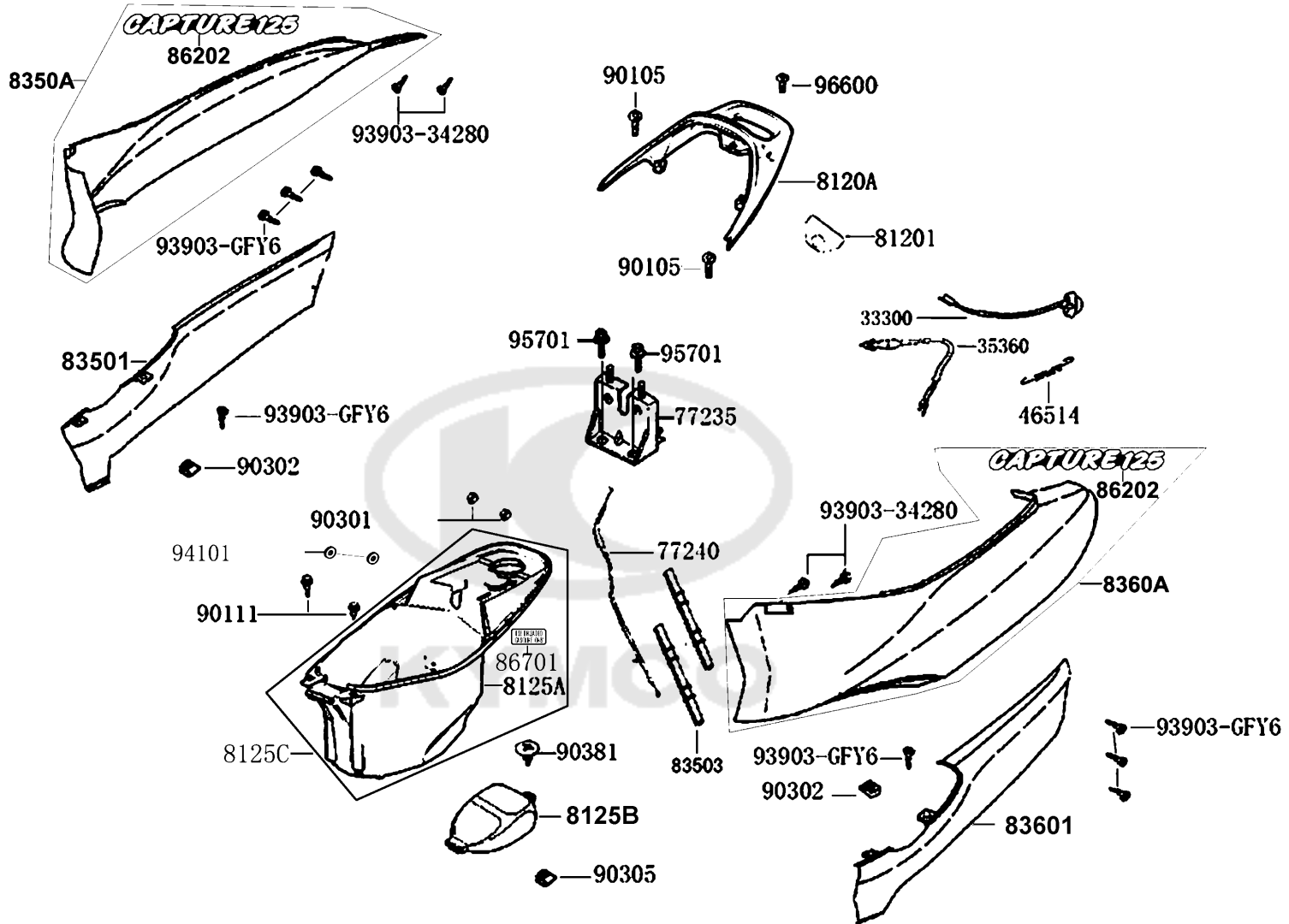
Battery



Sales mark 記号	Ref no 参照用番号	Part no パーツ番号	Description 部品名	Reg description 部品名	Regd no 必要個数	Ref Price 希望小売価格(税抜)	F11
------------------	-----------------	------------------	--------------------	------------------------	-----------------	-------------------------	-----

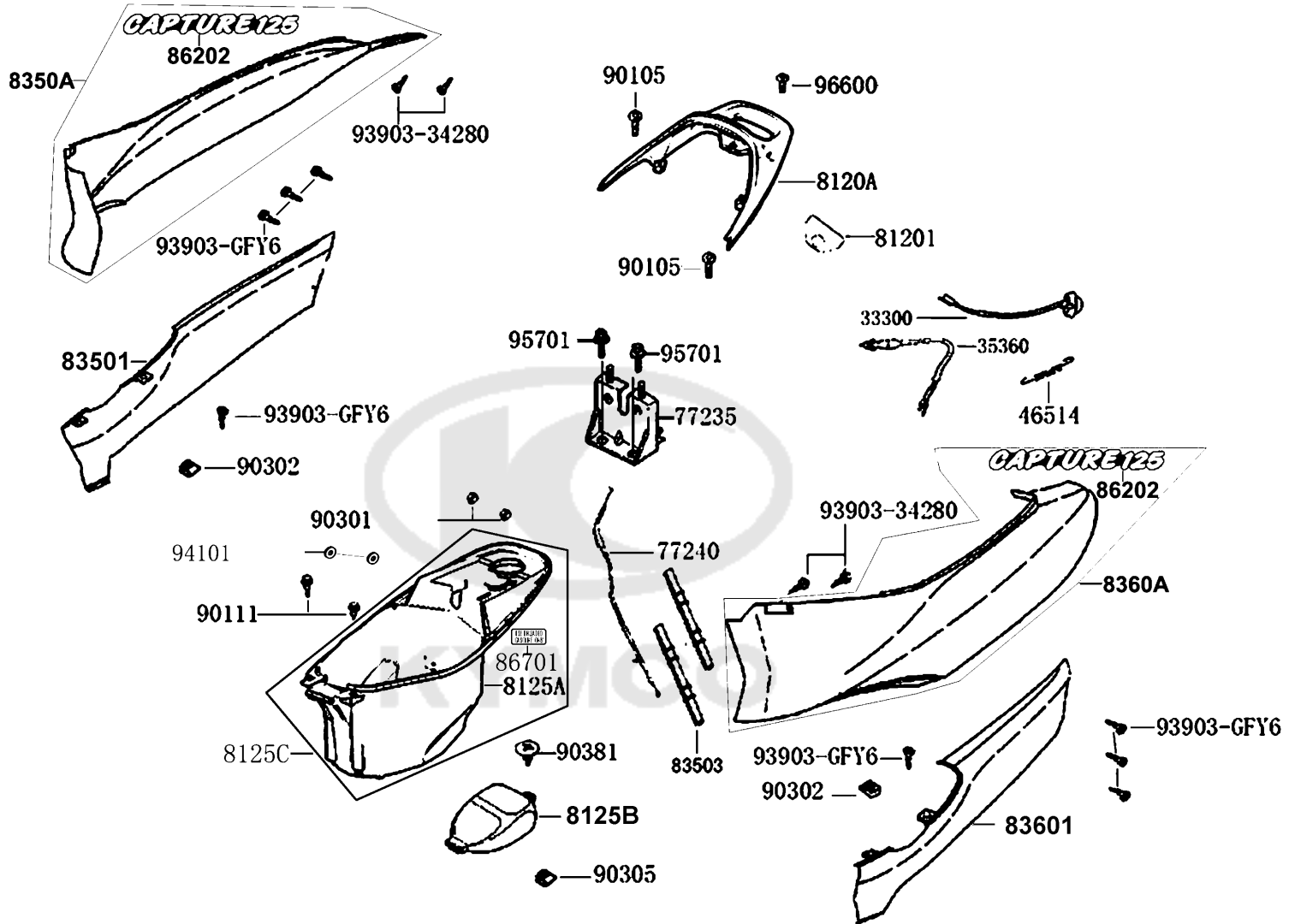
17233		17233-LDD9-C5B	BAND BATTERY	BAND BATTERY	1	230	
31500		31500-GFY6-C51	BATTERY GTX7A-BS	BATTERY GTX7A-BS	1	17580	
93903		93903-45380	SCREW TAPPING 5*16(K)	SCREW TAPPING 5*16(K)	3	60	





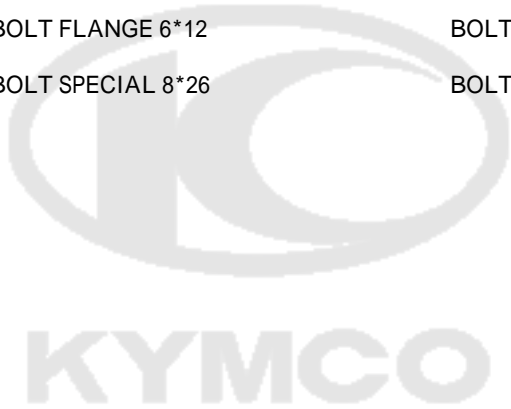
Sales mark 記号	Ref no 参照用番号	Part no パーツ番号	Description 部品名	Reg description 部品名	Regd no 必要個数	Ref Price 希望小売価格(税抜)
	33300	33300-KECE-900	LIGHT ASS'Y LUGGAGE BOX **KCE-	LIGHT ASS'Y LUGGAGE BOX **KCE-9000	1	1560
	35360	35360-KFBF-C00	SW UNIT LUGGAGE BOX LIGHT	SW UNIT LUGGAGE BOX LIGHT	1	420
	46514	46514-LDD9-C50	SPRING STOP SWITCH	SPRING STOP SWITCH	1	180
	77235	77235-LDD9-C50	SEAT CATCH COMP	SEAT CATCH COMP	1	2060
	77240	77240-LDD9-C5A	CABLE SEAT LOCK	CABLE SEAT LOCK	1	1320
	81201	81201-LDD9-C5B	SIDE COVER RUBBER	SIDE COVER RUBBER	1	130
**	8120A	8120A-LDD9-C51	REAR CARRIER COMP	REAR CARRIER COMP	1	17080
**	8125A	8125A-LDD9-C50	BOX LUGGAGE ASSY	BOX LUGGAGE ASSY	1	4070
	8125B	8125B-LDD9-C50	COVER ASSY CARB MAINT ASSY	COVER ASSY CARB MAINT ASSY	1	420
**	8125B	8125B-LDD9-C50	COVER ASSY CARB MAINT ASSY	COVER ASSY CARB MAINT ASSY	1	420
	8125C	8125C-LEB7-B20	BOX LUGGAGE ASSY	BOX LUGGAGE ASSY	1	4070
**	83501	83501-LEB7-C50		MOLD R RR SIDE	1	3580
	83503	83503-KHD6-900	COVER PROTECTOR SEAT WIRE	COVER PROTECTOR SEAT WIRE	2	200
**	8350A	8350A-LEB7-B20	COVER R BODY SIDE COMP	COVER R BODY SIDE COMP	1	8870
**	83601	83601-LEB7-C50		MOLD L RR SIDE	1	3580
**	8360A	8360A-LEB7-B20	COVER L BODY SIDE COMP	COVER L BODY SIDE COMP	1	8870
**	86202	86202-LEB7-B20	EMB BODY COVER	EMB BODY COVER	1	1160
**	86701	86701-LAE7-M10	STRIPE LOGO	STRIPE LOGO	1	40
	90105	90105-LBF7-C53	BOLT SPECIAL 8*35	BOLT SPECIAL 8*35	2	180
	90111	90111-1G87-C00	BOLT, PLANGE 6*14	BOLT, PLANGE 6*14	1	70

F12



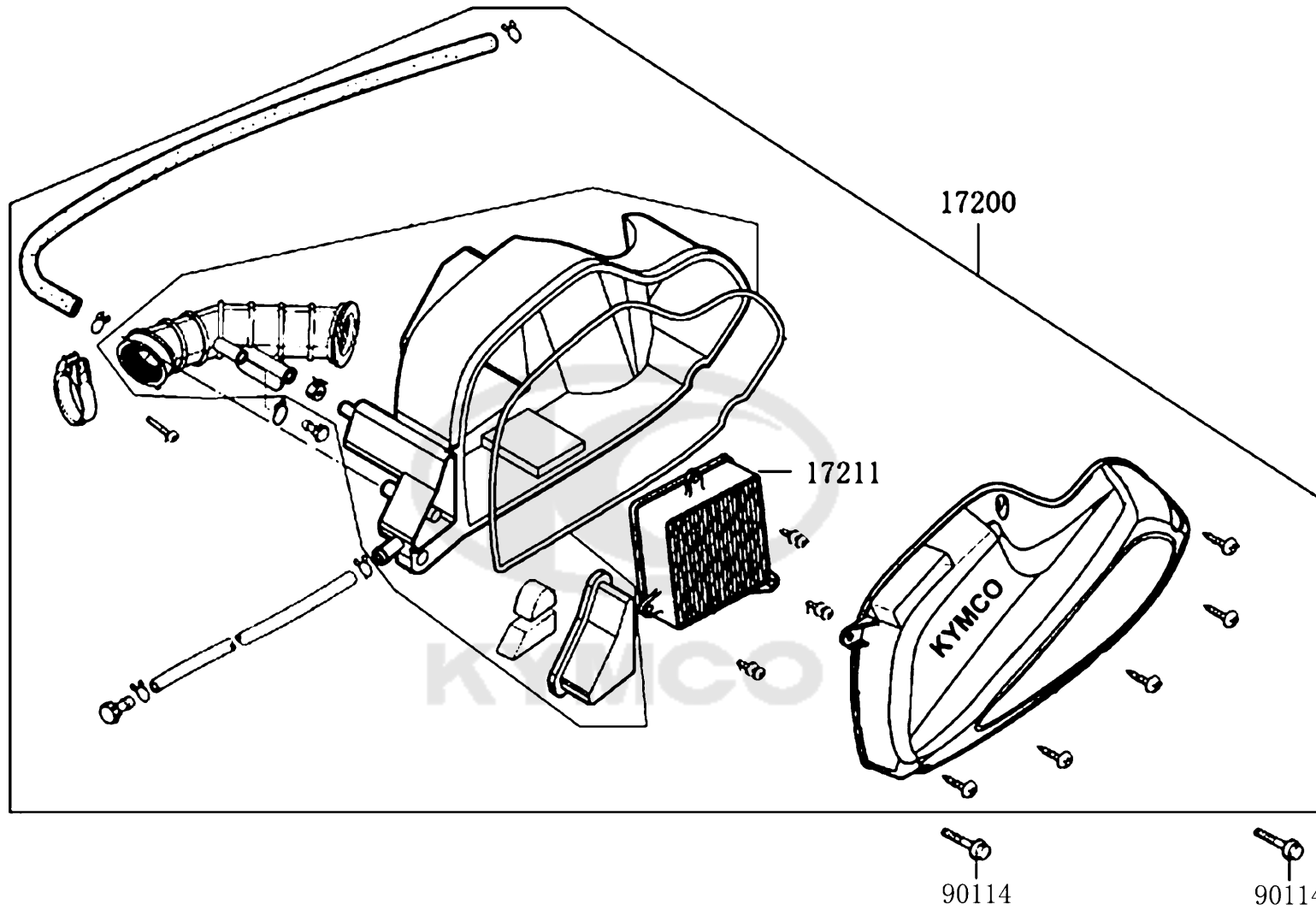
Sales mark 記号	Ref no 参照用番号	Part no パーツ番号	Description 部品名	Reg description 部品名	Regd no 必要個数	Ref Price 希望小売価格(税抜)
90301	90301-6D34-C00		NUT FLANGE 6MM	NUT FLANGE 6MM	1	60
90302	90302-SDA4-C00		NUT SPRING 4MM	NUT SPRING 4MM	1	60
90305	90305-GHK8-C00		NUT CLIP 6MM	NUT CLIP 6MM	1	70
90381	90381-LFD6-C50		SCREW SPECIAL 6*17	SCREW SPECIAL 6*17	1	140
93903-34280	93903-34280		SCREW TAPPING 4*10 (K)	SCREW TAPPING 4*10 (K)	4	60
93903-GFY6	93903-GFY6-C00		SCREW TAPPING 4*14	SCREW TAPPING 4*14	1	60
94101	94101-08800		WASHER PLAIN 8MM	WASHER PLAIN 8MM	2	160
95701	95701-06012-08		BOLT FLANGE 6*12	BOLT FLANGE 6*12	2	60
96600	96600-08026-0G		BOLT SPECIAL 8*26	BOLT SPECIAL 8*26	1	130

F12



F13

Air Cleaner



Sales mark 記号	Ref no 参照用番号	Part no パーツ番号	Description 部品名	Reg description 部品名	Regd no 必要個数	Ref Price 希望小売価格(税抜)
------------------	-----------------	------------------	--------------------	------------------------	-----------------	-------------------------

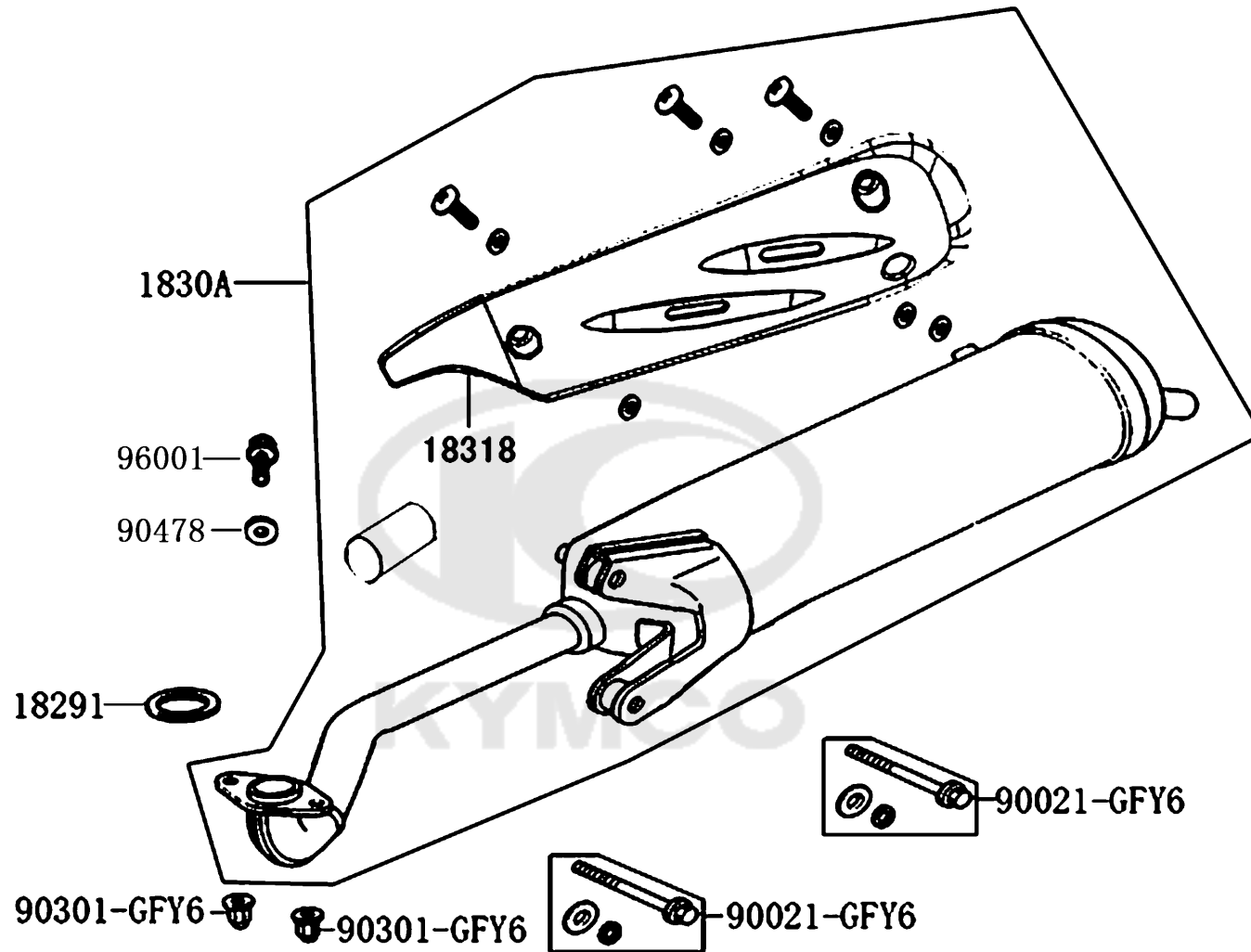
F13

17200	17200-LDD1-BAE	AIR/C ASSY	AIR/C ASSY	1	6780
17211	17211-KEC6-C0B	ELEMENT COMP AIR/C	ELEMENT COMP AIR/C	1	1010
90114	90114-GDM4-C00	BOLT M6*28	BOLT M6*28	1	60



F14

Exhaust Muffler

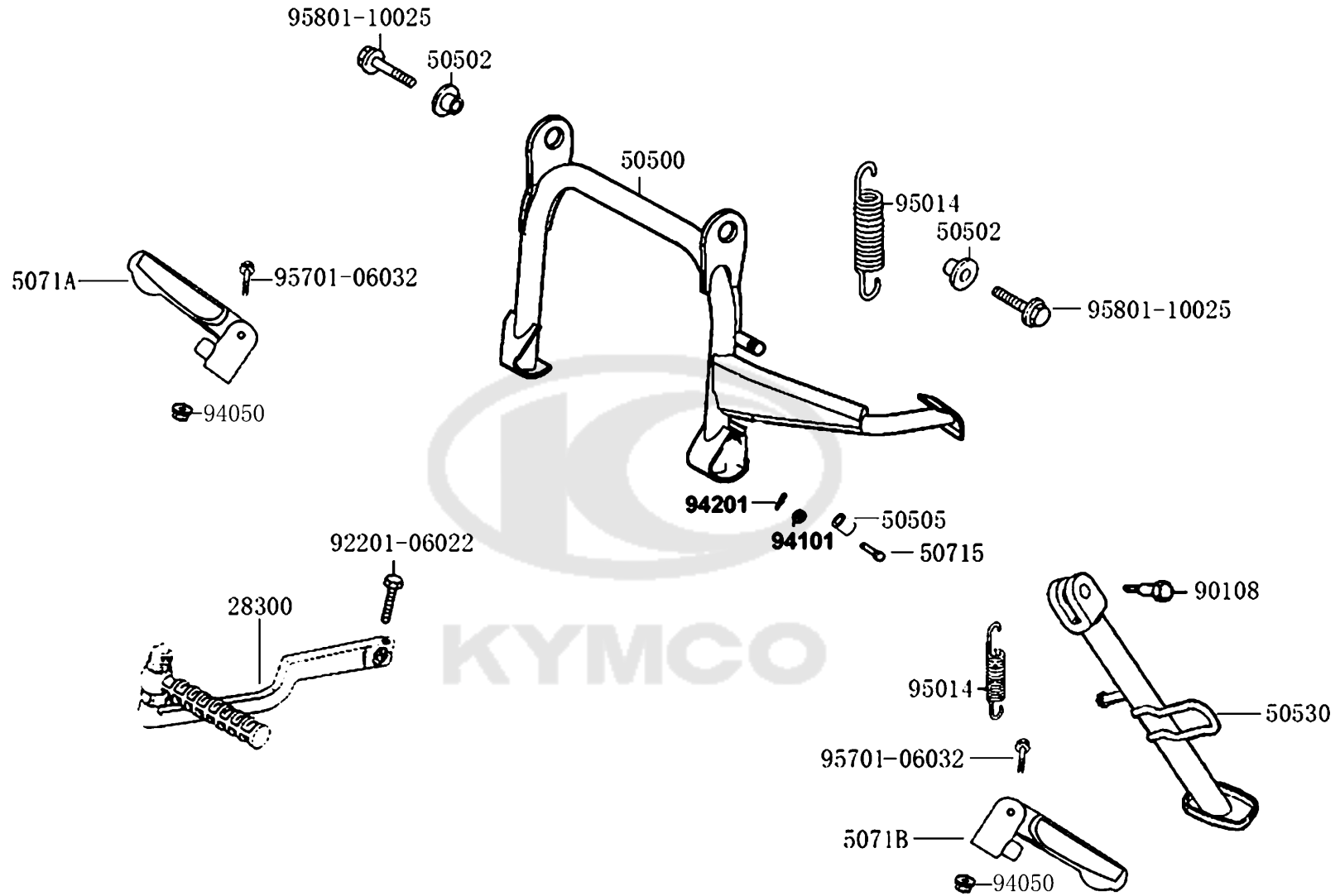


Sales mark 記号	Ref no 参照用番号	Part no パーツ番号	Description 部品名	Reg description 部品名	Regd no 必要個数	Ref Price 希望小売価格(税抜)	F14
18291		18291-GGA7-C01	GASKET EXH PIPE	GASKET EXH PIPE	1	210	
1830A		1830A-LEB7-C50	MUFFLER ASSY EXH	MUFFLER ASSY EXH	1	25360	
18318		18318-LDD9-C50	PROTECTOR MUFFLER	PROTECTOR MUFFLER	1	1820	
90021		90021-GFY6-C10	BOLT WASHER COMP	BOLT WASHER COMP	1	230	
90301		90301-GFY6-C00	NUT (HEX) CAP 8MM	NUT (HEX) CAP 8MM	1	510	
90478		90478-700-000	WASHER PLAIN 6MM	WASHER PLAIN 6MM	1	230	
96001		96001-06008-02	6	6	1	110	



F15

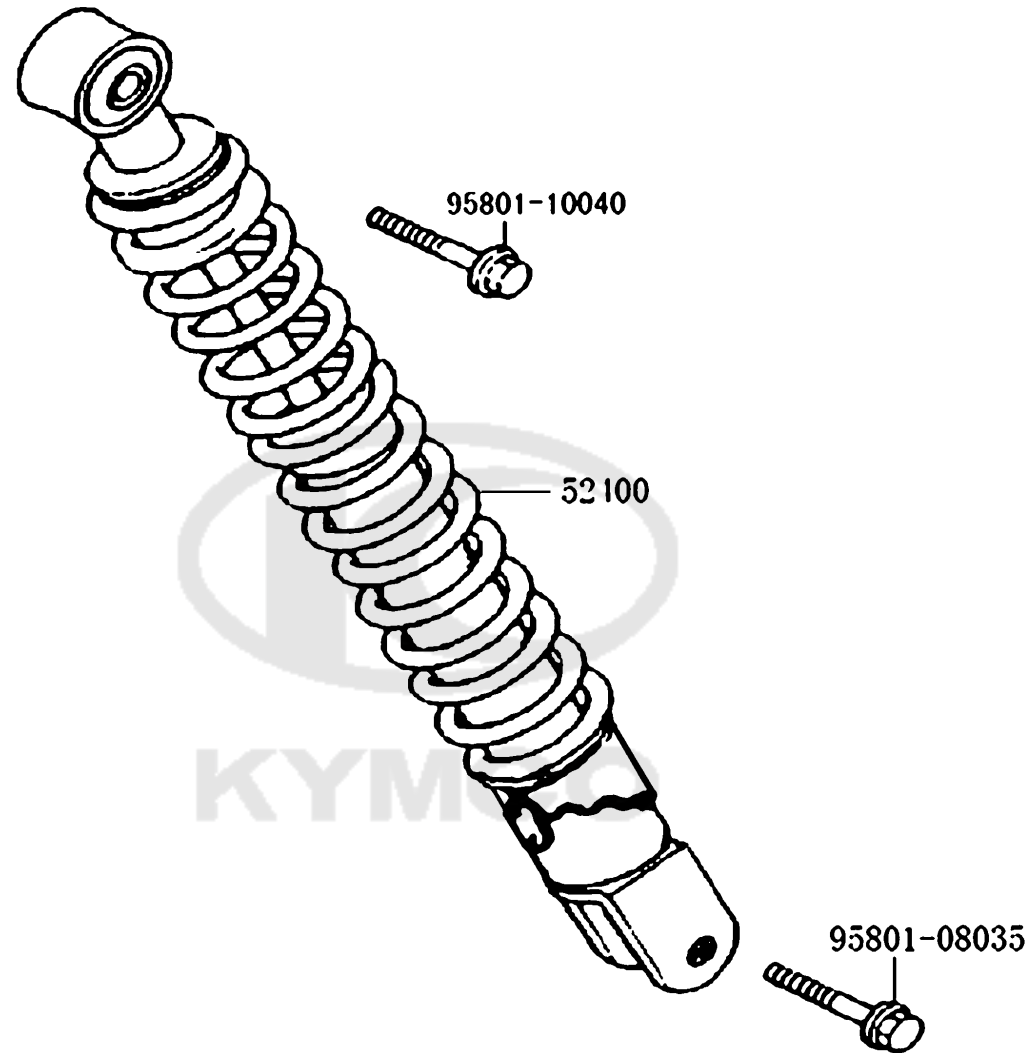
Stand Kick Starter Arm



Sales mark 記号	Ref no 参照用番号	Part no パーツ番号	Description 部品名	Reg description 部品名	Regd no 必要個数	Ref Price 希望小売価格(税抜)	F15
28300		28300-KNBN-C00	ARM ASSY KICK STARTER	ARM ASSY KICK STARTER	1	1700	
50500		50500-LEB7-B20	STAND COMP MAIN	STAND COMP MAIN	1	3930	
50502		50502-GFY6-C00	COLLAR MAIN STAND	COLLAR MAIN STAND	1	230	
50505		50505-LEB7-B20	STOPPER RUBBER	STOPPER RUBBER	1	90	
50530		50530-KKE6-C50	SIDE STAND COMP	SIDE STAND COMP	1	1250	
50715		50715-LDD9-C50	PIN PILLION STEP	PIN PILLION STEP	1		
5071A		5071A-LDD9-C50	BAR R P STEP ASSY	BAR R P STEP ASSY	1	2800	
5071B		5071B-LDD9-C50	BAR L P STEP ASSY	BAR L P STEP ASSY	1	2800	
90108		90108-KUDU-900	SCREW SIDE STAND PIVOT	SCREW SIDE STAND PIVOT	1		
92201		92201-06022-0G	BOLT HEX 6*22	BOLT HEX 6*22	1	60	
94050		94050-06080	NUT FLANGE 6MM	NUT FLANGE 6MM	2	60	
94101		94101-06800	WASHER PLAIN 6MM	WASHER PLAIN 6MM	1	60	
94201		94201-16150	PIN SPLIT 1.6*15	PIN SPLIT 1.6*15	1	160	
95014-71402		95014-71402	SPRING D MAIN STAND	SPRING D MAIN STAND	1	60	
95014-72102		95014-72102	SPG A SIDE STAND	SPG A SIDE STAND	1	60	
95701		95701-06032-08	BOLT FLANGE 6*32	BOLT FLANGE 6*32	2	60	
95801		95801-10025-08	BOLT FLANGE 10*25	BOLT FLANGE 10*25	2	140	

F16

Rear Cushion



Sales mark 記号	Ref no 参照用番号	Part no パーツ番号	Description 部品名	Reg description 部品名	Regd no 必要個数	Ref Price 希望小売価格(税抜)
------------------	-----------------	------------------	--------------------	------------------------	-----------------	-------------------------

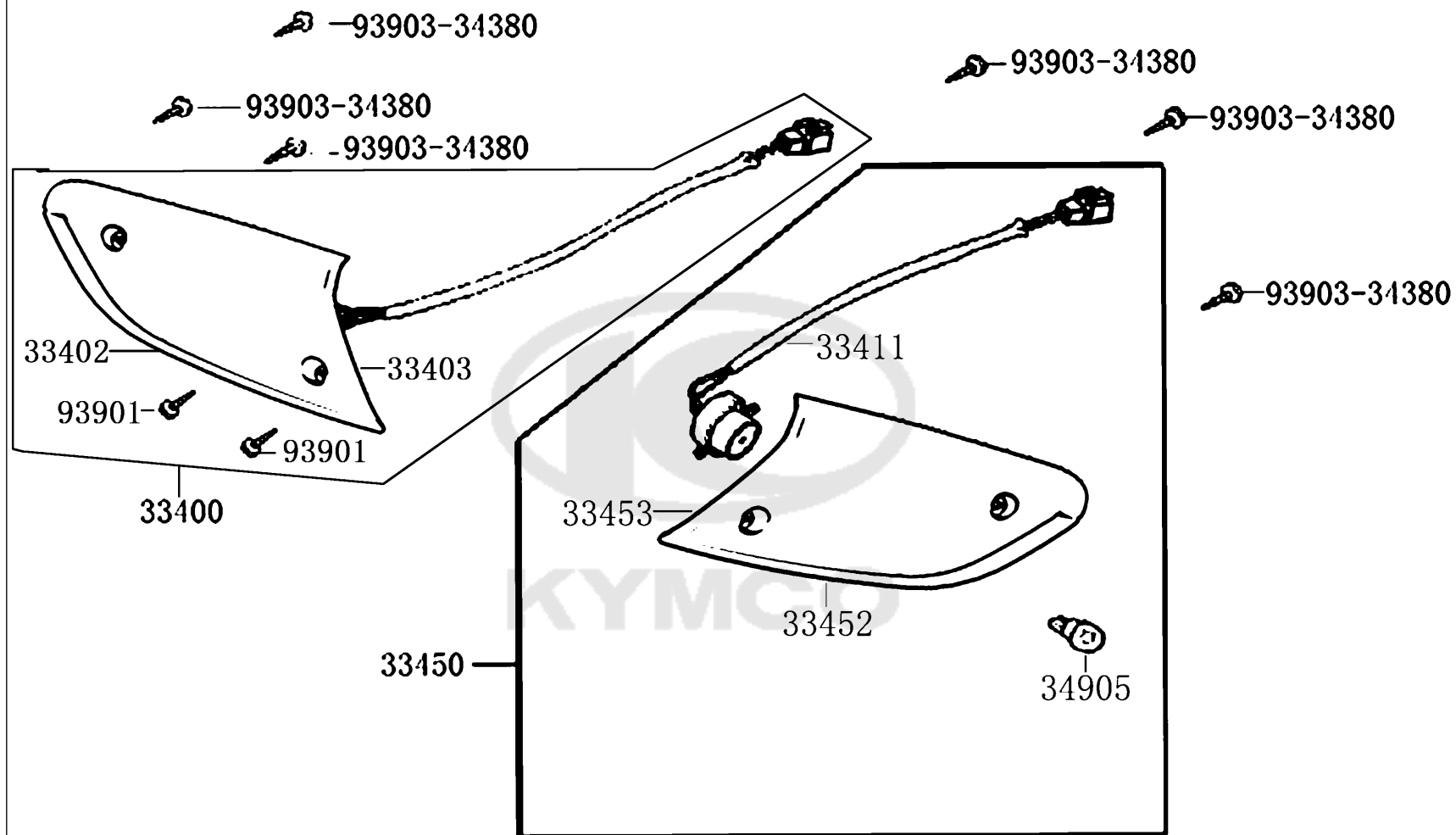
F16

52400		52400-LEB7-C50	CUSHION ASSY RR	CUSHION ASSY RR	1	9040
95801-08035		95801-08035-08	BOLT FLANGE 8*35	BOLT FLANGE 8*35	1	
95801-10040		95801-10040-08	BOLT FLANGE 10*40	BOLT FLANGE 10*40	1	230



F17

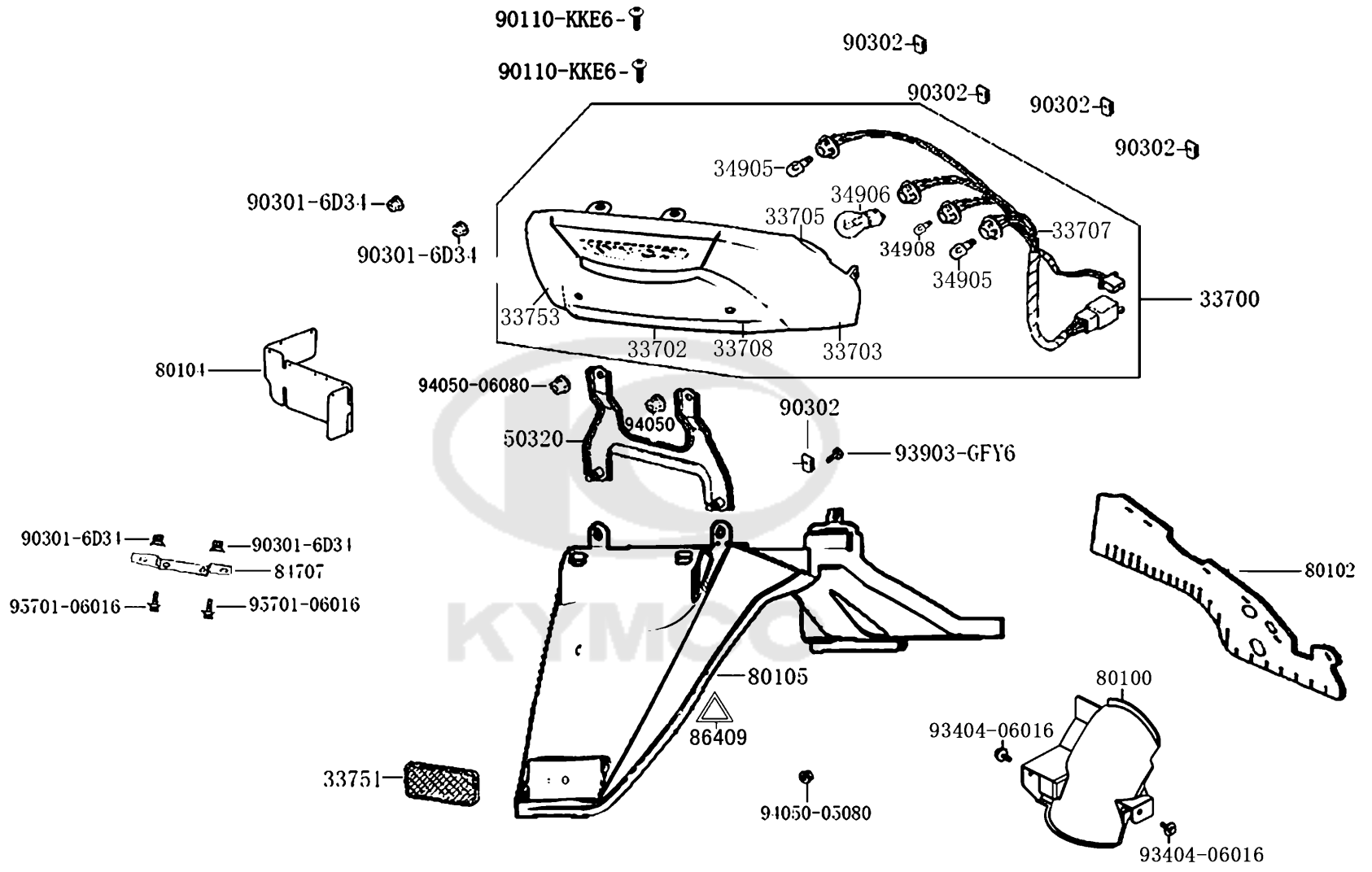
Front Winker



Sales mark 記号	Ref no 参照用番号	Part no パーツ番号	Description 部品名	Reg description 部品名	Regd no 必要個数	Ref Price 希望小売価格(税抜)	F17
33400	33400-LDD9-C50	33400-LDD9-C50	WINKER ASSY R FR	WINKER ASSY R FR	1	1590	
33402	33402-LDD9-C50	33402-LDD9-C50	LENS R FR WINKER	LENS R FR WINKER	1	450	
33403	33403-LDD9-C50	33403-LDD9-C50	BASE R FR WINKER	BASE R FR WINKER	1	230	
33411	33411-LDD9-C50	33411-LDD9-C50	SOCKET COMP L FR WINKER	SOCKET COMP L FR WINKER	2	230	
33450	33450-LDD9-C50	33450-LDD9-C50	WINKER ASSY L FR	WINKER ASSY L FR	1	1910	
33452	33452-LDD9-C50	33452-LDD9-C50	LENS L FR WINKER	LENS L FR WINKER	1	450	
33453	33453-LDD9-C50	33453-LDD9-C50	BASE L FR WINKER	BASE L FR WINKER	1	230	
34905	34905-LDD9-C50	34905-LDD9-C50	BULB WINKER	BULB WINKER	2	420	
93901	93901-32320	93901-32320	SCREW TAPPING 3*12	SCREW TAPPING 3*12	4	60	
93903	93903-34380	93903-34380	SCREW TAPPING 4*12 (K)	SCREW TAPPING 4*12 (K)	6	60	

F18

Rear Light Rear Fender

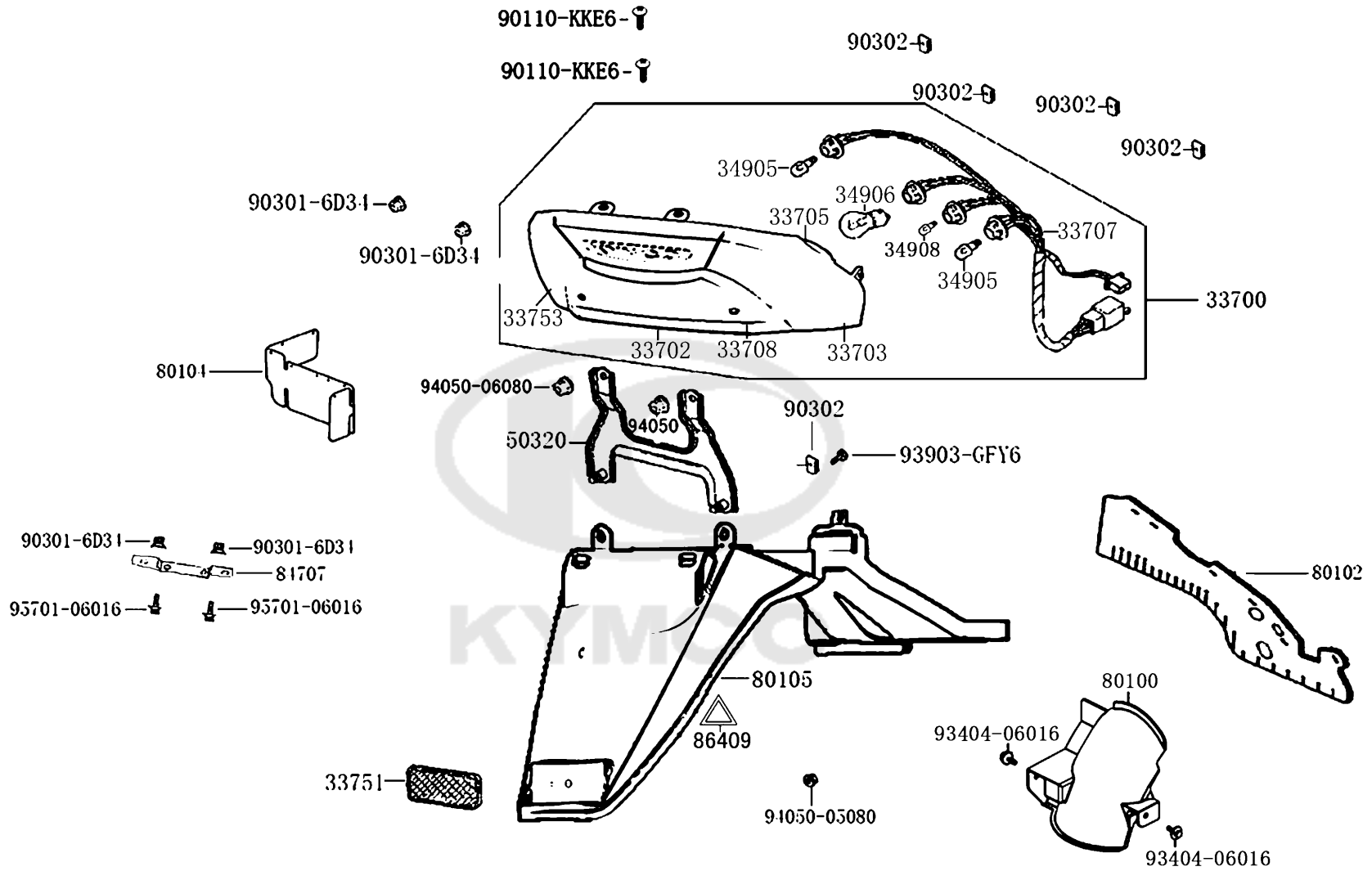


Sales mark 記号	Ref no 参照用番号	Part no パーツ番号	Description 部品名	Reg description 部品名	Regd no 必要個数	Ref Price 希望小売価格(税抜)
	33700	33700-LEB7-B20	LIGHT ASSY RR COMB	LIGHT ASSY RR COMB	1	12900
	33702	33702-LDD9-C50	LENS COMP TAIL LIGHT	LENS COMP TAIL LIGHT	1	4530
	33703	33703-LDD9-C50	"LENS,R RR WINKER"	"LENS,R RR WINKER"	1	2270
	33705	33705-LDD9-C50	"BASE,RR COMB"	"BASE,RR COMB"	1	1350
	33707	33707-LDD9-C50	TERMINAL	TERMINAL	1	90
	33708	33708-LDD9-C50	LIGHT ASSY FR KYMCO	LIGHT ASSY FR KYMCO	1	1350
	33751	33751-LBE9-C51	REFLEX REFLECTOR RR	REFLEX REFLECTOR RR	1	280
	33753	33753-LDD9-C50	"LENS,L RR WINKER"	"LENS,L RR WINKER"	1	2270
	34905	34905-GKM9-C00	BULB WINKER	BULB WINKER	1	230
	34906	34906-LBA8-E80	BULB TAIL & STOP	BULB TAIL & STOP	1	510
	34908	34908-GGA7-C00	BULB,WEDGE BASE T10	BULB,WEDGE BASE T10	1	180
	50320	50320-KUDU-900	STAY TAIL LIGHT	STAY TAIL LIGHT	1	1150
	80102	80102-LDD9-C50	PLATE SPLASH BOARD	PLATE SPLASH BOARD	1	640
	80104	80104-LDD9-C50	PLATE SPLASH GUARD	PLATE SPLASH GUARD	1	580
	80105	80105-LDD9-C50	FENDER RR	FENDER RR	1	1590
	84707	84707-LDE8-BJ0	UNDER NUMBER BRKT RR	UNDER NUMBER BRKT RR	1	330
**	86409	86409-KHC4-B20	STRIPE RR LOGO	STRIPE RR LOGO	1	240
	90110	90110-KKE6-C50	SCREW SPECIAL 6*14	SCREW SPECIAL 6*14	2	60
	90301	90301-6D34-C00	NUT FLANGE 6MM	NUT FLANGE 6MM	1	60
	90302	90302-SDA4-C00	NUT SPRING 4MM	NUT SPRING 4MM	1	60

F18

F18

Rear Light Rear Fender



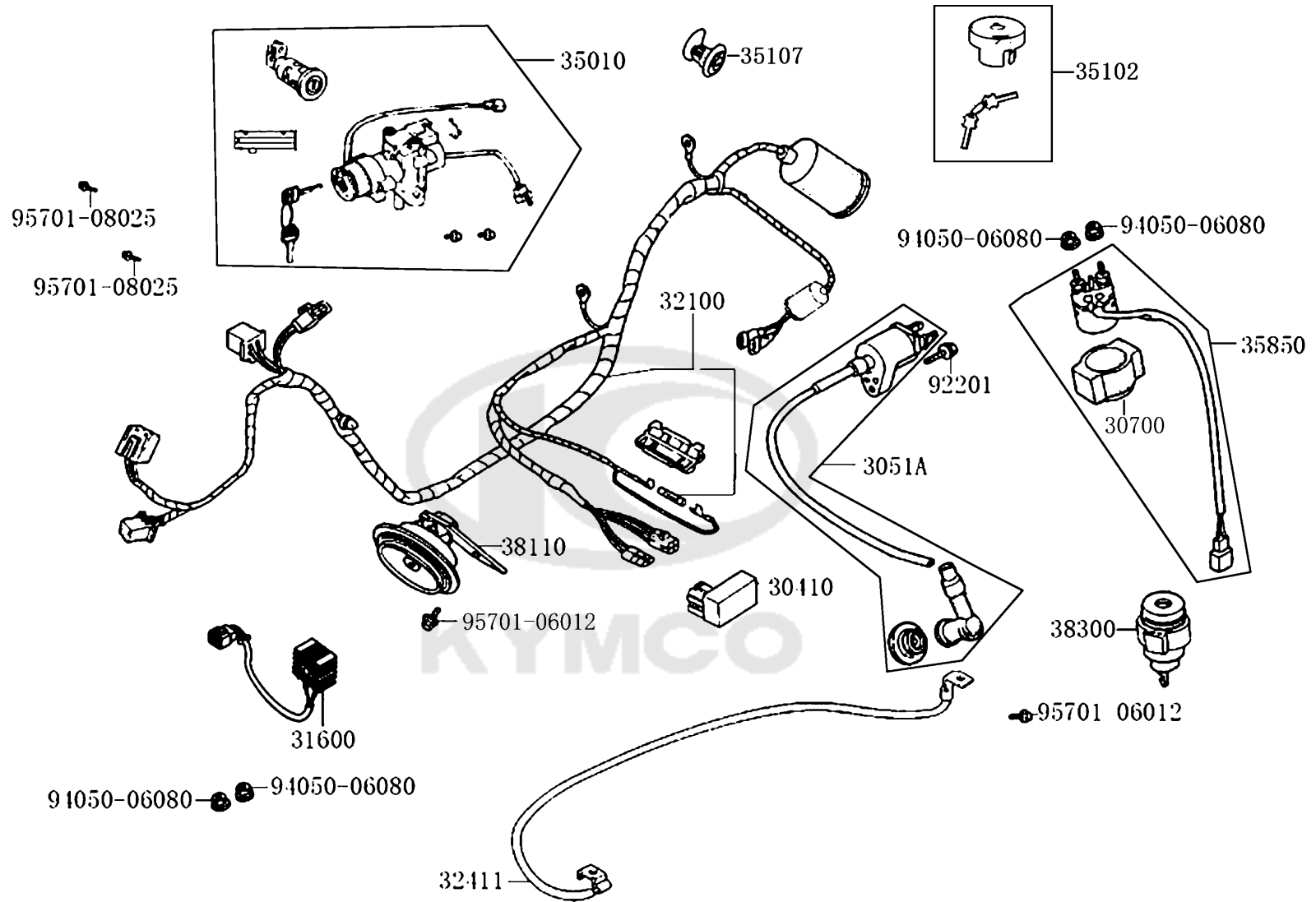
Sales mark 記号	Ref no 参照用番号	Part no パーツ番号	Description 部品名	Reg description 部品名	Regd no 必要個数	Ref Price 希望小売価格(税抜)
93404		93404-06016-07	BOLT WASHER 6*16 (K)	BOLT WASHER 6*16 (K)	2	140
93903		93903-GFY6-C00	SCREW TAPPING 4*14	SCREW TAPPING 4*14	1	60
94050-05080		94050-05080	NUT FLANGE 5MM	NUT FLANGE 5MM	1	200
94050-06080		94050-06080	NUT FLANGE 6MM	NUT FLANGE 6MM	2	60
95701		95701-06016-08	BOLT FLANGE 6*16	BOLT FLANGE 6*16	2	60

F18



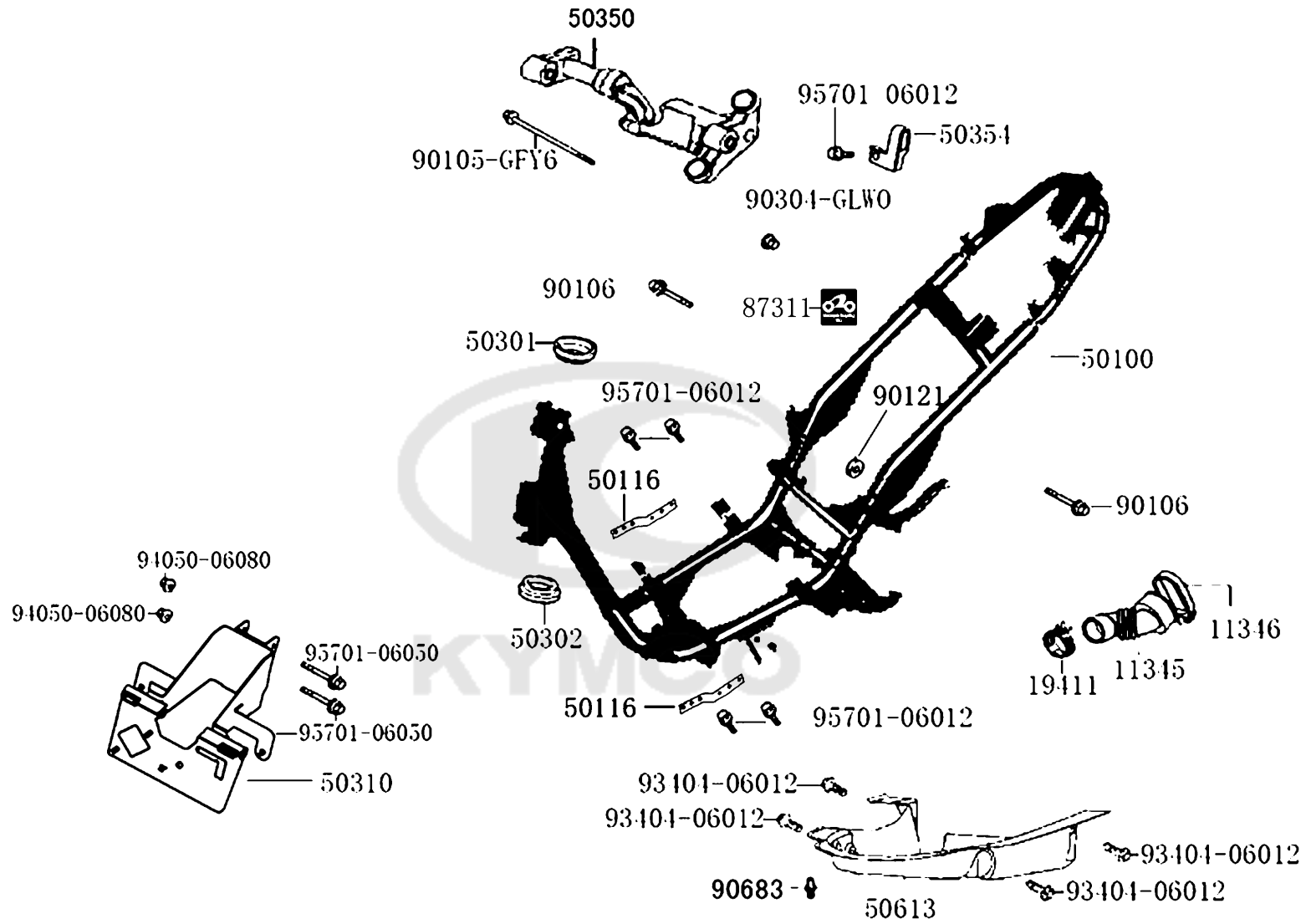
F19

Wire Harness

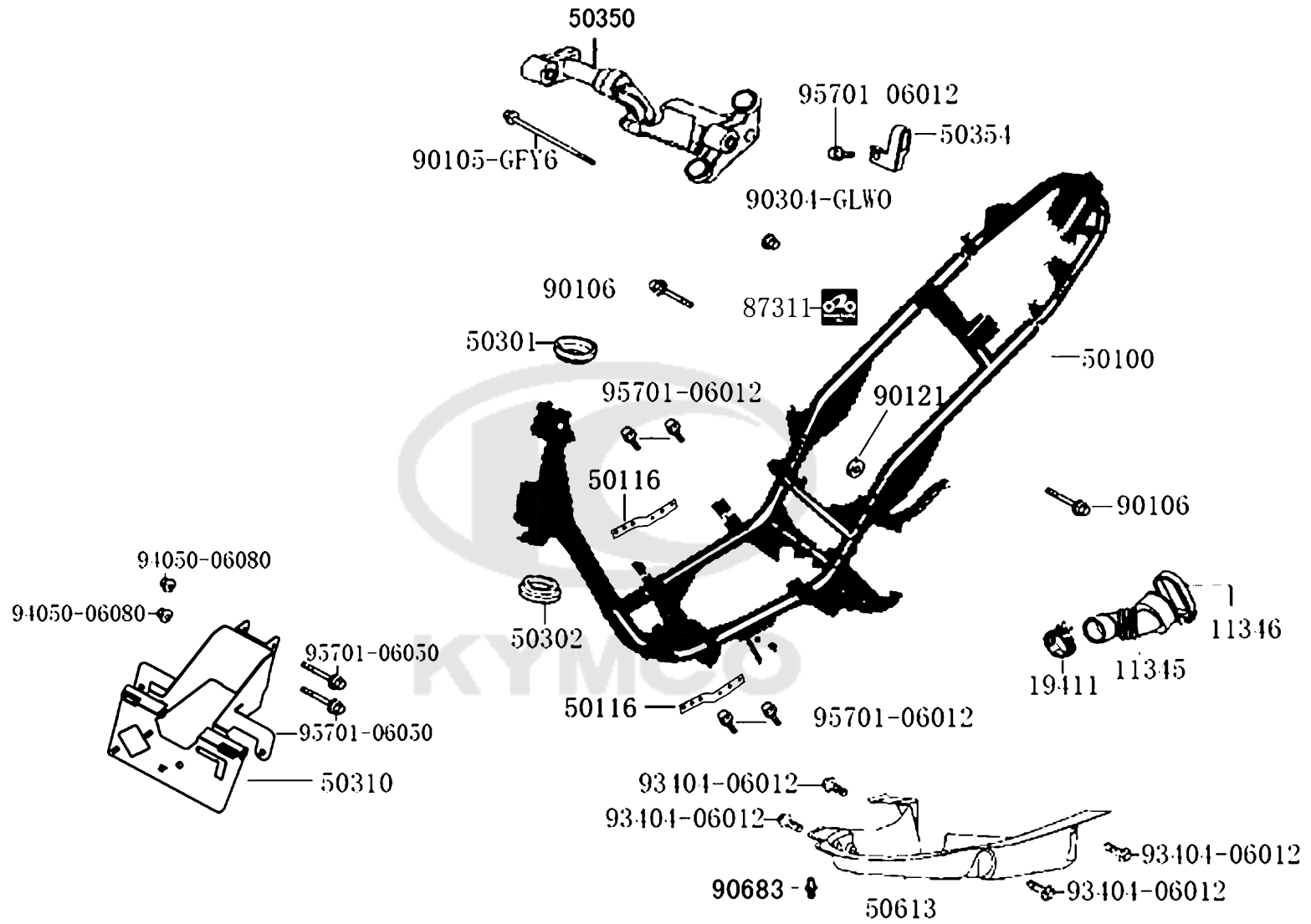


Sales mark 記号	Ref no 参照用番号	Part no パーツ番号	Description 部品名	Reg description 部品名	Regd no 必要個数	Ref Price 希望小売価格(税抜)
	30410	30410-GFY6-C00	UNIT COMP CDI	UNIT COMP CDI(生産中止の為共通部品の	1	3690
	3051A	3051A-GFY6-C00	COIL ASSY IGN	COIL ASSY IGN	1	2130
	30700	30700-GFY6-C00	CAP ASSY NOISE SUPPRESOR	CAP ASSY NOISE SUPPRESOR	1	1270
	31600	31600-KAR1-C00	REG REC (DC)	REG REC (DC)	1	3820
	32100	32100-LEB7-C5A	HARNESS WIRE	HARNESS WIRE	1	10630
	32411	32411-GFY6-C00	CABLE BAT	CABLE BAT	1	920
	35010	35010-LEB7-C57	SW COMP LOCK	SW COMP LOCK	1	14470
	35102	35102-LEB7-C50	KEY SET	KEY SET	1	9490
	35107	35107-LDD9-C50	RR BOX ASSY LOCK	RR BOX ASSY LOCK	1	2270
	35850	35850-GFY6-C00	SET START MAG	SET START MAG	1	3560
	38110	38110-LLK1-C52	HORN COMP (HIGH)	HORN COMP (HIGH)	1	1350
	38300	38300-LEB7-B20	RELAY ASSY WINKER	RELAY ASSY WINKER	1	2370
	92201	92201-05020-0H	BOLT HEX 5*20	BOLT HEX 5*20	1	
	94050	94050-06080	NUT FLANGE 6MM	NUT FLANGE 6MM	4	60
	95701	95701-06012-08	BOLT FLANGE 6*12	BOLT FLANGE 6*12	2	60
	95701-08025	95701-08025-08	BOLT FLANGE 8*25	BOLT FLANGE 8*25	2	

F19



Sales mark 記号	Ref no 参照用番号	Part no パーツ番号	Description 部品名	Reg description 部品名	Regd no 必要個数	Ref Price 希望小売価格(税抜)	F20
	11345	11345-KHD6-900	DUCT L COVER	DUCT L COVER	1	580	
	11346	11346-KEBE-C00	BAND L COVER DUCT	BAND L COVER DUCT	1	450	
	19411	19411-LBF9-C50	CLIP HOSE	CLIP HOSE	1	180	
	50100	50100-LEB7-B20	BODY COMP FRAME	BODY COMP FRAME	1	48600	
	50116	50116-LDD9-C50	STAY	STAY	2	440	
	50301	50301-KGN7-C00	RACE UPPER STRG BALL	RACE UPPER STRG BALL	1	660	
	50302	50302-2H68-C00	RACE (STRG BOT) BALL	RACE (STRG BOT) BALL	1	610	
	50310	50310-LDD9-C50	STAY LEG SHIELD	STAY LEG SHIELD	1	4070	
	50350	50350-KUDU-900	ENG HANGER ASSY	ENG HANGER ASSY	1	10680	
	50354	50354-GFY6-901	CLIP FUEL TUBE	CLIP FUEL TUBE	1	300	
	50613	50613-LDD9-C51	COVER UNDER	COVER UNDER	1	2270	
**	87311	87311-LAD9-C00	STRIPE R MARK	STRIPE R MARK	1	90	
	90105	90105-GFY6-901	BOLT FLANGE 10*184	BOLT FLANGE 10*184	1	580	
	90106	90106-GFY6-901	BOLT FLANGE 10*55	BOLT FLANGE 10*55	2	300	
	90121	90121-GFY6-C00	COLLAR DISTANCE	COLLAR DISTANCE	1	350	
	90304	90304-GLW0-C00	NUT U FLANGE 10MM(C)	NUT U FLANGE 10MM(C)	1	200	
	90683	90683-GAR1-C00	CLIP BODY COVER	CLIP BODY COVER	1	60	
	93404	93404-06012-08	BOLT WASHER 6*12	BOLT WASHER 6*12	4	60	
	94050	94050-06080	NUT FLANGE 6MM	NUT FLANGE 6MM	2	60	
	95701	95701-06012-08	BOLT FLANGE 6*12	BOLT FLANGE 6*12	5	60	



Sales mark 記号	Ref no 参照用番号	Part no パーツ番号	Description 部品名	Reg description 部品名	Regd no 必要個数	Ref Price 希望小売価格(税抜)
------------------	-----------------	------------------	--------------------	------------------------	-----------------	-------------------------

F20

95701-06050	95701-06050-08	BOLT FLANGE 6*50 (C)	BOLT FLANGE 6*50 (C)	2	130
-------------	----------------	----------------------	----------------------	---	-----

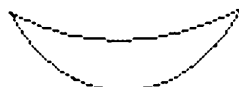


CAPTURE125

86202

最大積載量: 2KG

86709



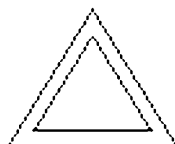
86408



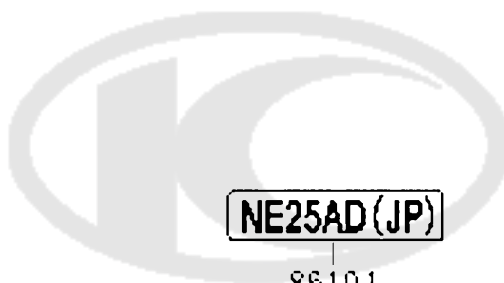
87505



87560



86409



NE25AD(JP)

86101

KYMCO

86720

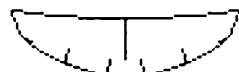


86701

KYMCO



86102



86704



87311

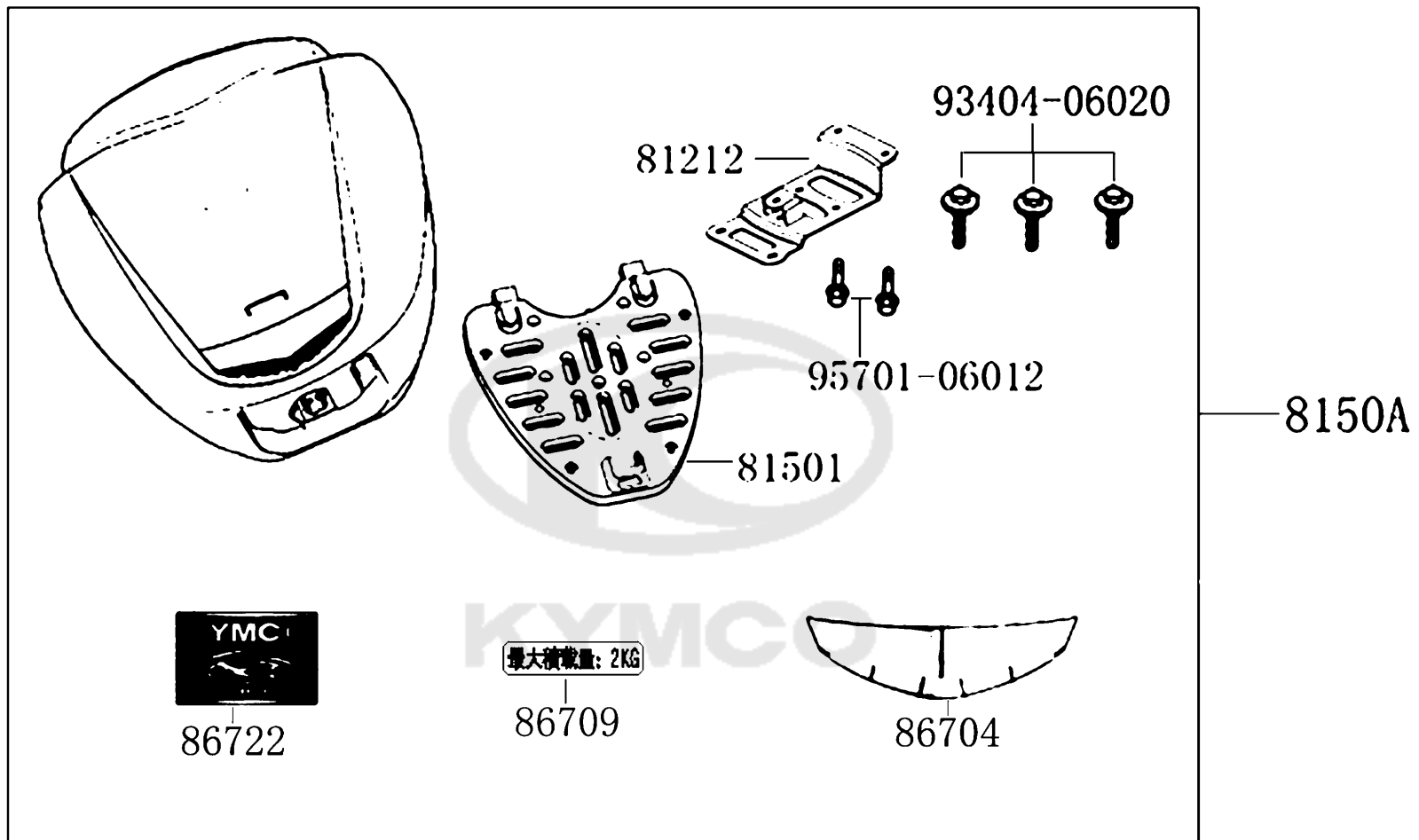


86722

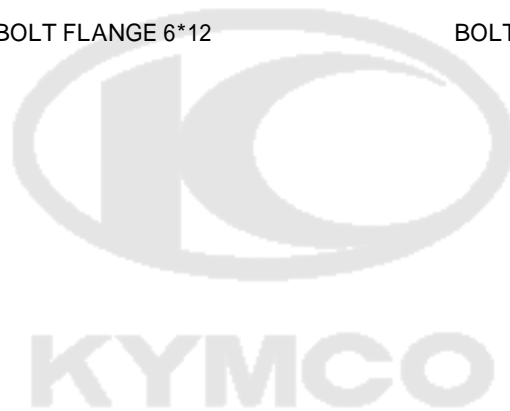
Sales mark 記号	Ref no 参照用番号	Part no パーツ番号	Description 部品名	Reg description 部品名	Regd no 必要個数	Ref Price 希望小売価格(税抜)	F21
**	86101	86101-LEB7-B20	STRIPE MOTOR NUMBER	STRIPE MOTOR NUMBER	1	70	
**	86102	86102-LEB7-C57	EMB U-LOGO ?0MM	EMB U-LOGO ?0MM	1	160	
**	86202	86202-LEB7-B20	EMB BODY COVER	EMB BODY COVER	2	1160	
**	86408	86408-LEJ3-B20	STRIPE FR LOGO	STRIPE FR LOGO	1	370	
**	86409	86409-KHC4-B20	STRIPE RR LOGO	STRIPE RR LOGO	1	240	
**	86701	86701-LAE7-M10	STRIPE LOGO	STRIPE LOGO	1	40	
**	86704	86704-LEB7-B20	STRIPE REFLEX BOX UNDER	STRIPE REFLEX BOX UNDER	1	130	
**	86709	86709-LEB7-B20	STRIPE BOX MAX LOAD	STRIPE BOX MAX LOAD	1	60	
**	86720	86720-LEB7-C50	""KYMCO"" LOGO"	""KYMCO"" LOGO"	1	230	
**	86722	86722-LEB7-C51	EMB MARK LOGO	EMB MARK LOGO	1	390	
**	87311	87311-LAD9-B20	STRIPE R MARK	EMB MARK ABS	1	200	
**	87505	87505-LDD9-M10	LABEL TIRE	LABEL TIRE	1	60	
**	87560	87560-LBF7-E80	MARK DRIVE CAUTION	MARK DRIVE CAUTION	1	60	

F22

RR BOX ASSY



Sales mark 記号	Ref no 参照用番号	Part no パーツ番号	Description 部品名	Reg description 部品名	Regd no 必要個数	Ref Price 希望小売価格(税抜)	F22
	81212	81212-LDD9-C50	STAY RR BOX	STAY RR BOX	1	1230	
	81501	81501-LDD9-C50	BRKT RR BOX STAY	BRKT RR BOX STAY	1	5020	
**	8150A	8150A-LEB7-B20	RR BOX ASSY	RR BOX ASSY	1	20960	
**	86704	86704-LEB7-B20	STRIPE REFLEX BOX UNDER	STRIPE REFLEX BOX UNDER	1	130	
**	86709	86709-LEB7-B20	STRIPE BOX MAX LOAD	STRIPE BOX MAX LOAD	1	60	
**	86722	86722-LEB7-C51	EMB MARK LOGO	EMB MARK LOGO	1	390	
	93404	93404-06020-08	BOLT WASHER 6X20	BOLT WASHER 6X20	3	60	
	95701	95701-06012-08	BOLT FLANGE 6*12	BOLT FLANGE 6*12	2	60	



PART NO. INDEX
 パーツ番号 検索

PART NO. パーツ番号	VERSION バージョン	PAGE ページ	PART NO. パーツ番号	VERSION バージョン	PAGE ページ	PART NO. パーツ番号	VERSION バージョン	PAGE ページ
11000			12191-GFY6-E90	1	E03	14450-GFY6-W10	1	E02
			12200-KUDU-C00-RP3	0	E02	14452-GFY6-W10	1	E02
			12209-GDB4-C00	2	E02	14510-KUDU-C00	1	E03
11102-1G87-C00	3	E01	12211-LEB7-C50-RP3	0	E02	14520-GFY6-C00	1	E03
1110A-KUDU-900-RP3	0	E01	12251-GFY6-C00	1	E02	14523-GFY6-901	1	E03
11192-KUDU-900-RP3	0	E01	12302-LEB7-C50	0	E02	1453A-GFY6-W10	1	E03
11203-GGC7-301	2	E01	12303-KUDU-C00	0	E02	14610-KUDU-C00	1	E03
11206-KKE6-C20-RP3	0	E07	12305-LEB7-C50	0	E02	14711-KUDU-900-RP3	0	E02
11207-KKE6-C20-RP3	0	E04	12310-KKD5-C5C-RP3	0	E02	14721-KUDU-900-RP3	0	E02
1120A-KUDU-C00-RP3	0	E01	1231A-KKD5-C5F-RP3	0	E02	14751-KKJ9-C00	2	E02
1120B-KUDU-900-RP3	0	E01	12361-GFY6-C00	5	E04	14761-KKJ9-C00	2	E02
11211-LBE9-C54-RP3	0	E02	12391-GFY6-C10	0	E02	14771-GDB4-C00	2	E02
1122A-KUDU-900-RP3	0	E01				14775-MFA6-001-RP3	0	E02
11331-KHB4-C00-RP3	0	E04	13000			14781-MFA6-C00	4	E02
11345-KHD6-900	0	F20				15000		
11346-KEBE-C00	1	F20	13000-KUDU-900-RP3	0	E03			
1134A-LEB7-B80	0	E01	13011-GFY6-C00	1	E03			
11381-KUDU-90B-RP3	0	E01	13101-KUDU-900-RP3	0	E03	15100-LEB7-C5A-RP3	0	E07
11382-KUDU-900-RP3	0	E01	13111-3D84-00B	0	E03	15133-GFY6-W10	1	E07
11383-KUDU-90B-RP3	0	E01				15141-GFY6-90C	0	E07
11394-KUDU-900-RP3	0	E04	14000			15421-1G07-W10	1	E04
11395-KUDU-C00	0	E01				15426-GAE1-C00	1	E04
			14100-LEB7-C50-RP3	0	E02	15651-KUDU-W10	5	E04
12000			14160-LEB7-C50-RP3	0	E02	15711-KUDU-C00	1	E07
			14401-KUDU-90C-RP3	0	E03			
12100-GFY6-C2B	0	E03	14431-KUDU-900-RP3	0	E02			

PART NO. INDEX
 パーツ番号 検索

PART NO. パーツ番号	VERSION バージョン	PAGE ページ	PART NO. パーツ番号	VERSION バージョン	PAGE ページ	PART NO. パーツ番号	VERSION バージョン	PAGE ページ
16000			18000			22102-KUDU-C10	0	E06
1610K-LDF7-E00	0	E05	18291-GGA7-C01	1	F14	22105-GFY6-C10	1	E06
16201-GFY6-E90	0	E02	1830A-LEB7-C50	1	F14	22110-KUDU-220-RP3	0	E06
16211-GFY6-901	0	E02	18318-LDD9-C50	1	F14	22121-GFY6-345	0	E06
16910-GBB2-900	0	F10				22131-GFY6-901-RP2	0	E06
16950-KKJ9-C00	4	F10	19000			22132-KBN2-901-RP2	0	E06
						22300-GFY6-C00	0	E06
17000						23000		
			19411-LBF9-C50	1	F20			
			19510-GFY6-C00	1	E08	2301A-GFY6-C00	1	E06
1711A-KUDU-900-RP3	0	E02	19613-GFY6-C00	0	E08	23100-KFBF-90B-RP3	0	E06
17200-LDD1-BAE	0	F13	19615-LEB7-B80	0	E08	23411-KUDU-C00	0	E09
17205-KECE-C00	0	F05	1961A-LEB7-B20	0	E08	23420-GFY6-C00	0	E09
17211-KEC6-C0B	0	F13	19625-KUDU-C00	1	E02	23431-KUDU-900-RP3	0	E09
17215-KECE-C00	0	F05	1962A-LDD9-C50-RP3	0	E08	23432-GFY6-C00	0	E09
17233-LDD9-C5B	2	F11	1963A-KUDU-C10	0	E08			
17256-GFY6-C00	4	E02				28000		
17500-KKC7-C50	1	F10	21000					
17525-LDE8-C50	0	F05				28101-GFY6-C00	1	E07
17620-LDD9-C50	0	F10	21200-KUDU-C00	0	E09	28102-GFY6-C00	1	E07
1768A-GFY6-C00	0	F10	21395-KUDU-C00	0	E09	2812A-GFY6-200	2	E07
1768B-LDD9-C50	0	F10				28211-KUDU-900-RP3	0	E06
1768C-LEB7-C50	0	F10	22000			28223-KNBN-C00	0	E01
17910-KKE6-C5A	0	F03				28230-KNBN-900-RP3	0	E01
			22101-LCD3-C00	3	E06	28250-KCCC-C00	0	E01

PART NO. INDEX
 パーツ番号 検索

PART NO. パーツ番号	VERSION バージョン	PAGE ページ	PART NO. パーツ番号	VERSION バージョン	PAGE ページ	PART NO. パーツ番号	VERSION バージョン	PAGE ページ
28253-GBN2-C00	5	E01	32906-1G07-001	1	E01			
28255-GFS6-C00	5	E01	32961-KUDU-C00	5	E04	34000		
28281-GBN2-C00	1	E01				34901-LDD9-C50	0	F01
28300-KNBN-C00	3	F15	33000			34905-GKM9-C00	0	F18
30000			33100-LEB7-B20	0	F01	34905-LDD9-C50	0	F17
			33130-LDD9-C50	0	F01	34906-LBA8-E80	1	F18
30410-GFY6-C00	0	F19	33300-KECE-900	0	F12	34908-GGA7-C00	0	F02
3051A-GFY6-C00	0	F19	33400-LDD9-C50	2	F17	34908-GGA7-C00	0	F18
30700-GFY6-C00	0	F19	33402-LDD9-C50	0	F17	34908-MKB9-C00	0	F02
31000			33403-LDD9-C50	0	F17			
			33411-LDD9-C50	0	F17	35000		
			33450-LDD9-C50	2	F17			
31100-LAE6-C5B-RP3	1	E08	33452-LDD9-C50	0	F17	35010-LEB7-C57	2	F19
31110-KKE6-C5B-RP3	0	E08	33453-LDD9-C50	0	F17	35102-LEB7-C50	0	F19
31120-LAE6-C5B-RP3	1	E08	33700-LEB7-B20	0	F18	35107-LDD9-C50	1	F19
31200-KUDU-C00	4	E07	33702-LDD9-C50	0	F18	35160-GFY6-C00	5	F03
31500-GFY6-C51	1	F11	33703-LDD9-C50	0	F18	35170-KNBN-C00	5	F03
31600-KAR1-C00	2	F19	33705-LDD9-C50	0	F18	35180-GFY6-C00	2	F03
32000			33707-LDD9-C50	0	F18	35200-GFY6-C00	5	F03
			33708-LDD9-C50	0	F18	35340-KNBN-901	1	F04
			33741-GFY6-C00	0	F05	35360-KFBF-C00	0	F12
32100-LEB7-C5A	0	F19	33751-LBE9-C51	1	F18	35850-GFY6-C00	0	F19
32106-KNBN-901	0	F04	33753-LDD9-C50	0	F18			
32411-GFY6-C00	0	F19						
32412-LEB7-C5A	0	E04						

PART NO. INDEX
 パーツ番号 検索

PART NO. パーツ番号	VERSION バージョン	PAGE ページ	PART NO. パーツ番号	VERSION バージョン	PAGE ページ	PART NO. パーツ番号	VERSION バージョン	PAGE ページ
			43141-KUDU-900-RP3	0	E01			
37000			43151-KGM7-C00	0	E01	46000		
			43410-KUDU-C00	0	E01			
37119-KUDU-C00	0	F02	43416-KUDU-C00	1	E01	46514-KUDU-900-RP3	0	E01
37200-LEB7-B20	0	F02	43450-LEB7-C5A	1	F03	46514-LDD9-C50	0	F12
37220-KFA9-800	1	F02				46515-KUDU-900-RP3	0	E01
37224-LEB7-B20	0	F02	44000					
37802-GGA7-C00	1	F10				50000		
3780A-KUDU-C00	0	F10	44301-KKC7-C00	0	F07			
			44311-KUDU-C00	1	F07	50100-LEB7-B20	1	F20
38000			44650-KUDU-900	0	F07	50116-LDD9-C50	0	F20
			44710-KUDU-90A	5	F07	50301-KGN7-C00	2	F20
38110-LLK1-C52	1	F19	44710-KUDU-90A	5	F08	50302-2H68-C00	2	F20
38300-LEB7-B20	0	F19	44800-KUDU-900	2	F07	50306-1F96-C00	1	F06
38773-PKB9-C00	0	F10	44830-KUDU-C00	0	F02	50310-LDD9-C50	0	F20
			45000			50320-KUDU-900	0	F18
42000						50326-LDD9-C50	0	F11
			4500A-LEB7-B20	0	F04	50350-KUDU-900	2	F20
42601-KUDU-900	0	F08	45121-LDD9-M10	0	F07	50354-GFY6-901	0	F20
42753-0D04-90A	1	F07	45126-LEB7-B20	0	F04	50500-LEB7-B20	0	F15
42753-0D04-90A	1	F08	45200-KUDU-C00	0	F04	50502-GFY6-C00	5	F15
			4550A-LEB7-C57	0	F04	50504-LEB7-C50	0	E01
43000						50505-LEB7-B20	0	F15
						50530-KKE6-C50	1	F15
43120-KUDU-910-RP3	0	E01				50613-LDD9-C51	0	F20
4312A-KUDU-C10	0	E01				50715-LDD9-C50	0	F15

PART NO. INDEX
 パーツ番号 検索

PART NO. パーツ番号	VERSION バージョン	PAGE ページ	PART NO. パーツ番号	VERSION バージョン	PAGE ページ	PART NO. パーツ番号	VERSION バージョン	PAGE ページ
5071A-LDD9-C50	0	F15	53212-2L50-C00	1	F06	77235-LDD9-C50	1	F12
5071B-LDD9-C50	0	F15	53214-2L50-C00	5	F06	77240-LDD9-C5A	2	F12
			53215-2L50-C00	1	F06			
51000			61000			80000		
51400-LEB7-B20	0	F06				80100-KKE6-C20	0	F18
51500-LEB7-B20	0	F06	61100-LDD9-C50	1	F05	80102-LDD9-C50	0	F18
			61101-LDD9-C50	1	F05	80104-LDD9-C50	0	F18
52000			61110-LBF9-C50	0	F06	80105-LDD9-C50	1	F18
52400-LEB7-C50	0	F16	64000			80152-LDD9-C50	0	F05
53000						81000		
			64304-LDD9-C50	1	F05			
			64308-LDD9-C50	0	F05	81132-LDD9-C50	0	F05
53100-LDD9-C51	3	F03	64309-LDD9-C50	0	F05	81142-LDD9-C50	0	F05
53125-GEN5-C00	1	F03	6430A-LEB7-B20	0	F05	81145-LDD9-C5B	0	F05
53140-KFA1-900	0	F03	6430B-LEB7-B20	0	F05	81146-LDD9-C50	2	F05
53166-LBF7-C50	1	F03	6430C-LEB7-C50	0	F05	81147-LDD9-C50	1	F05
53167-GBN2-C00	1	F03	6430D-LEB7-C50	0	F05	81201-LDD9-C5B	2	F12
53168-GBN2-C00	1	F03	64310-LDD9-C50	0	F05	8120A-LDD9-C51	0	F12
5317B-LEB7-C57	0	F03	64320-LDD9-C50	0	F05	81212-LDD9-C50	2	F22
53200-LDD9-C5B	3	F06				8125A-LDD9-C50	0	F12
53206-LDD9-C50	1	F03	77000			8125B-LDD9-C50	0	F12
53207-KKD9-B20	1	F03				8125C-LEB7-B20	0	F12
5320B-LDD9-C50	0	F03	77200-LEB7-B20	0	F09	81501-LDD9-C50	0	F22
53211-GFY6-C00	1	F06	77201-KUDU-C00	0	F09	8150A-LEB7-B20	0	F22

PART NO. INDEX
 パーツ番号 検索

PART NO. パーツ番号	VERSION バージョン	PAGE ページ	PART NO. パーツ番号	VERSION バージョン	PAGE ページ	PART NO. パーツ番号	VERSION バージョン	PAGE ページ
83000			86701-LAE7-M10	0	F12			
			86701-LAE7-M10	0	F21	89000		
			86704-LEB7-B20	0	F21			
83501-LEB7-C50	0	F12	86704-LEB7-B20	0	F22	89010-LEB7-C50	0	F09
83503-KHD6-900	0	F12	86709-LEB7-B20	0	F21			
8350A-LEB7-B20	0	F12	86709-LEB7-B20	0	F22	90000		
83551-KEC8-C10	4	F05	86720-LEB7-C50	2	F03			
83601-LEB7-C50	0	F12	86720-LEB7-C50	2	F21	90001-GBHB-C00	1	E03
8360A-LEB7-B20	0	F12	86722-LEB7-C51	0	F21	90001-GBHB-C11	1	E01
			86722-LEB7-C51	0	F22	90005-KAW1-901	1	E03
84000						90021-GFY6-C10	0	F14
			87000			90031-KUDU-C00	5	E01
84707-LDE8-BJ0	0	F18				90032-KUDU-C00	5	E01
			87311-LAD9-B20	0	F20	90033-GFY6-C00	2	E02
86000			87311-LAD9-B20	0	F21	90105-GFY6-901	0	F20
			87311-LAD9-C00	0	F20	90105-KCR3-001	3	F07
86101-LEB7-B20	0	F05	87505-LDD9-M10	0	F03	90105-LBF7-C53	0	F12
86101-LEB7-B20	0	F21	87505-LDD9-M10	0	F21	90105-LDD9-C50	0	F09
86102-LEB7-C57	0	F05	87541-LBF7-E80	0	E08	90106-GEN5-901	1	F03
86102-LEB7-C57	0	F21	87560-LBF7-E80	1	F03	90106-GFY6-901	1	F20
86202-LEB7-B20	0	F12	87560-LBF7-E80	1	F21	90108-KUDU-900	1	F15
86202-LEB7-B20	0	F21				90110-KKE6-C50	0	F18
86408-LEJ3-B20	0	F05	88000			90111-1G47-C00	0	F05
86408-LEJ3-B20	0	F21				90111-1G87-C00	6	F12
86409-KHC4-B20	0	F18	88110-LEB7-C57	0	F03	90112-GCC3-C00	0	F06
86409-KHC4-B20	0	F21	88120-LEB7-C57	0	F03	90114-GDM4-C00	0	F13

PART NO. INDEX
 パーツ番号 検索

PART NO. パーツ番号	VERSION バージョン	PAGE ページ	PART NO. パーツ番号	VERSION バージョン	PAGE ページ	PART NO. パーツ番号	VERSION バージョン	PAGE ページ
90121-GFY6-C00	1	F20	90440-1F66-C00	1	E08	91302-0A01-C00	10	E04
90131-GLW0-C00	1	F04	90441-GFY6-C00	1	E06	91306-1E05-C00	1	E03
90145-MKS9-61A	1	F04	90451-1G07-C00	0	E09	91307-0E35-W10	1	E04
90201-GFY6-901	1	E07	90451-GBN2-C00	10	E01	91352-KHG8-83B	0	E01
90202-1G87-C00	1	E06	90465-MDC4-C00	1	E02			
90206-0A01-C00	2	E02	90474-3C33-C00	1	E01	92000		
90301-6D34-C00	1	F05	90478-700-000	0	F14			
90301-6D34-C00	1	F12	90501-KNBN-C00	1	F08	92101-05012-0H	2	E08
90301-6D34-C00	1	F18	9052A-GFY6-C00	5	E01	92201-05020-0H	0	F19
90301-GFY6-C00	2	F14	90545-3L00-C00	2	F04	92201-06022-0G	1	F15
90302-GFY6-C10	1	F05	90656-GFY6-911	1	F03	92900-06060-0B	2	E02
90302-KNBN-C00	1	F03	90683-GAR1-C00	4	F05			
90302-SDA4-C00	2	F05	90683-GAR1-C00	4	F20	93000		
90302-SDA4-C00	2	F12	90701-HFB6-C00	0	E03			
90302-SDA4-C00	2	F18				93404-06012-08	0	F20
90304-GHE8-C00	1	F03	91000			93404-06016-07	1	F18
90304-GLW0-C00	0	F20				93404-06020-08	0	F22
90305-GHK8-C00	2	F05	91001-GFY6-C00	0	E06	93500-05022-0G	2	F03
90305-GHK8-C00	2	F12	91003-KDS4-C00	1	E09	93700-05018-0H	1	F02
90305-KNBN-C00	1	F08	91009-GLE0-C00	1	E09	93891-05025-07	0	F03
90306-GLW0-C00	0	F07	91106-3C83-C00	1	E01	93901-32320	0	F17
90309-KLF0-C00	1	E01	91202-GFY6-C00	1	E01	93903-34120	0	E02
90381-LFD6-C50	0	F12	91202-GFY6-C00	1	E04	93903-34280	0	F12
90403-KUDU-900-RP3	0	E07	91202-KKJ9-C00	5	E01	93903-34380	6	F03
90412-3K29-C00	5	E01	91255-LDC8-E10	5	E09	93903-34380	6	F05
90426-KNBN-C00	1	E06	91301-0H28-C00	1	E02	93903-34380	6	F17

PART NO. INDEX
 パーツ番号 検索

PART NO. パーツ番号	VERSION バージョン	PAGE ページ	PART NO. パーツ番号	VERSION バージョン	PAGE ページ	PART NO. パーツ番号	VERSION バージョン	PAGE ページ
93903-35320	4	F01	94301-10160	4	E02	95701-06035-08	1	E02
93903-35320	4	F02	94301-10160	4	E03	95701-06050-08	1	E02
93903-44580	0	F05	94301-10160	4	E04	95701-06050-08	1	F20
93903-45380	0	F11	94510-20000	1	E09	95701-08012-08	2	E01
93903-GFY6-C00	2	F05	94511-14000-RP3	0	E01	95701-08025-08	2	F19
93903-GFY6-C00	2	F12	94520-28000	1	E06	95801-08035-08	0	F16
93903-GFY6-C00	2	F18	94601-15000	10	E03	95801-08040-08	4	F06
						95801-10025-08	0	F15
94000			95000			95801-10040-08	1	F16
94001-12200-0S	0	E06	95005-35065-10	0	F10	96000		
94050-05080	6	F18	95014-71402	0	F15			
94050-06080	2	E02	95014-72102	3	F15	96001-06008-02	0	F14
94050-06080	2	E07	95701-06012-07	3	F05	96001-06012-08	3	E01
94050-06080	2	F09	95701-06012-08	3	F06	96001-06012-08	3	E04
94050-06080	2	F15	95701-06012-08	3	F10	96001-06012-08	3	E07
94050-06080	2	F18	95701-06012-08	3	F12	96001-06016-08	6	E07
94050-06080	2	F19	95701-06012-08	3	F19	96001-06016-08	6	E08
94050-06080	2	F20	95701-06012-08	3	F20	96001-06018-08	1	E07
94050-08080	4	E02	95701-06012-08	3	F22	96001-06018-08	1	E08
94050-12080	1	E06	95701-06016-08	1	F18	96001-06025-08	4	E07
94050-12080	1	E08	95701-06022-07	3	F04	96001-06025-08	4	E08
94101-06800	3	F15	95701-06025-08	2	F05	96001-06025-08	4	F03
94101-08800	0	F12	95701-06025-08-RP3	0	E02	96001-06030-08	0	E04
94201-16150	0	F15	95701-06032-08	1	F15	96001-06045-08-RP3	0	E01
94301-10160	4	E01	95701-06035-08	1	E01	96001-06050-08	1	E01

PART NO. INDEX
 パーツ番号 検索

PART NO. パーツ番号	VERSION バージョン	PAGE ページ	PART NO. パーツ番号	VERSION バージョン	PAGE ページ	PART NO. パーツ番号	VERSION バージョン	PAGE ページ
96001-06055-08-RP3	0	E01						
96001-06100-08	2	E02						
96001-06100-08	2	E04						
96001-06110-08	1	E04						
96100-60020-00	1	E09						
96100-62030-00	1	E01						
96100-62043-00	1	E01						
96211-05000	26	F06						
96211-08000	19	F06						
96600-08026-0G	0	F12						
98000								
98056-5771R-00	1	E02						

