

PARTS CATALOGUE



SCOOTERS

KN25SR(JP)

Agility 125 RS(2010) (注意)



Release Date : 2017/04/19
Print Date : 2017/07/18

本パーツリストについて

- 本パーツリストは KN25SR(JP).の全てのパーツ番号が記載されています。
- 車輻のカラーチャートとバイクに相違がある場合は正規販売店もしくはKYMCO JAPANへお問い合わせください。
- 1. "***"記号が記載している場合、3文字の色コードをパーツ番号の最後に記入してください。
2. "#" 記号が記載している場合、パーツの設定、変更があります。正規販売店もしくはKYMCO JAPANへお問い合わせください。
- このパーツリストの変更または追加は、適切な時期に予告なく行われます。

ABOUT THIS PARTS LIST

- This parts list is compiled all service parts for model KN25SR(JP).
- Any difference between color chart and motorcycle will be revised according to motorcycle.
- The Mark:
 1. Marking "***" must add color code in the end before ordering parts.
 2. Marking "#" are parts with modification, Please find the details from e-Parts system.
- When modification or additions to this parts list are made a revised edition at an appropriate time.

目次

● 本パーツリストについて	1
● KN25SR(JP)のカラーチャート	3
● 目次-エンジン関	9
● 目次-フレーム関係	10
● エンジンパーツリスト	13
● フレームパーツリスト	39
● パーツ番号 検索	87

CONTENTS

● ABOUT THIS PARTS LIST	1
● COLOR CHART OF KN25SR(JP)	3
● CONTENTS-ENGINE GROUP	9
● CONTENTS-FRAME GROUP	10
● ENGINE PARTS LIST	13
● FRAME PARTS LIST	39
● PART NO. INDEX	87

NO	モデル			KN25SR(JP)のカラーチャート			
	写真番号			NO. 1	NO. 2	NO. 3	NO. 4
	基本色						
	コード			Orange	Deep Blue	Light Blue Metallic	Dark Gray Metallic
	パーツ名	パーツ番号	バージョン	MR068PA	PB281MA	PB281MA	NH230MA
1	COVERT FRONT	64301-LGB5-E10	1	41P	CAP	HKP	
2	CAP FRONT COVER	64304-LGB5-E10	1				
3	COVER R BODY	83500-LGB5-E10	2				
4	COVER L BODY	83600-LGB5-E10	4				
5	MIRROR ASSY R BACK	88110-LEB5-C10	2	D0C			
6	MIRROR ASSY L BACK	88120-LEB5-C10	1				
7	COVER BATTERY	50326-LGB5-E10	0				
8	CARRIER RR	50613-LGB5-E10	1				
9	GRIP COMP. THROT	53140-KNBN-C00	1				
10	GRIP L. HANDLE	53166-KNBN-C00	1				
11	COVER HANDLE RR	53206-LGB5-E10	1				
12	MOLDING FRONT	64302-LGB5-E10	3				
13	GRILL FRONT	64303-LGB5-E10	0				
14	FLOOR PANEL	64310-LGB5-E10	1				
15	PLUG FLOOR	64316-LCB9-C10	5				
16	FENDER RR TIRE	80100-LDF7-E10	0	N1R			
17	FENDER RR INNER	80101-LGB6-E10	0				
18	FENDER REAR	80105-LGB5-E10	0				
19	COVER CENTER	80151-LGB5-E10	0				
20	LID LEG SHIELD	81132-LCB9-C10	1				
21	HOOK LUGGAGE	81132-LDC8-E10	1				
22	BOX LUGGAGE	81250-LGB5-E10	1				
23	LID CARB MAINT	81251-LCB9-C10	0				
24	COVER R BOX LUGGAGE	81255-LGB6-E10	0				
25	COVER L BOX LUGGAGE	81256-LGB6-E10	0				
販売開始時期							
販売終了時期							

NO	モデル			KN25SR(JP)のカラーチャート			
	写真番号			NO. 5	NO. 6	NO. 7	NO. 8
	基本色						
	コード			Black	Pearly White	Bright Red	Vivid Yellow
	パーツ名	パーツ番号	バージョン	NH001SA	NH193PA	RR136PA	YR039SA
1	COVERT FRONT	64301-LGB5-E10	1	N1P	NVP	R9P	Y3P
2	CAP FRONT COVER	64304-LGB5-E10	1				
3	COVER R BODY	83500-LGB5-E10	2				
4	COVER L BODY	83600-LGB5-E10	4				
5	MIRROR ASSY R BACK	88110-LEB5-C10	2	D0C			
6	MIRROR ASSY L BACK	88120-LEB5-C10	1				
7	COVER BATTERY	50326-LGB5-E10	0	N1R			
8	CARRIER RR	50613-LGB5-E10	1				
9	GRIP COMP. THROT	53140-KNBN-C00	1				
10	GRIP L. HANDLE	53166-KNBN-C00	1				
11	COVER HANDLE RR	53206-LGB5-E10	1				
12	MOLDING FRONT	64302-LGB5-E10	3				
13	GRILL FRONT	64303-LGB5-E10	0				
14	FLOOR PANEL	64310-LGB5-E10	1				
15	PLUG FLOOR	64316-LCB9-C10	5				
16	FENDER RR TIRE	80100-LDF7-E10	0				
17	FENDER RR INNER	80101-LGB6-E10	0				
18	FENDER REAR	80105-LGB5-E10	0				
19	COVER CENTER	80151-LGB5-E10	0				
20	LID LEG SHIELD	81132-LCB9-C10	1				
21	HOOK LUGGAGE	81132-LDC8-E10	1				
22	BOX LUGGAGE	81250-LGB5-E10	1				
23	LID CARB MAINT	81251-LCB9-C10	0				
24	COVER R BOX LUGGAGE	81255-LGB6-E10	0				
25	COVER L BOX LUGGAGE	81256-LGB6-E10	0				
販売開始時期							
販売終了時期							

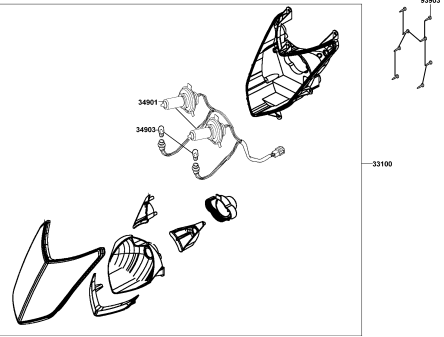
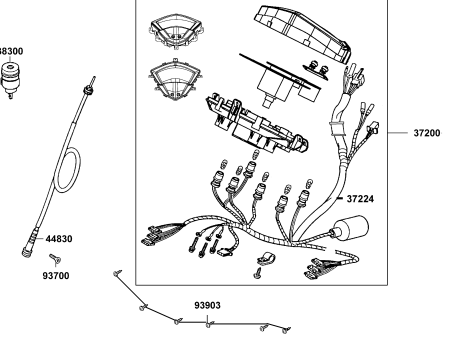
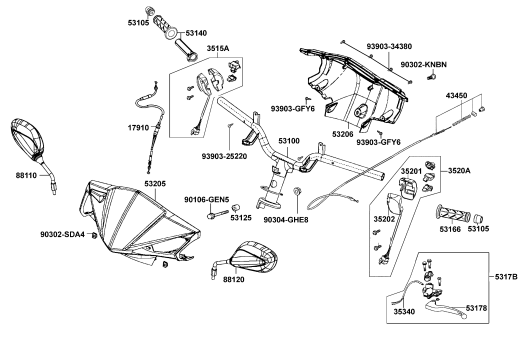
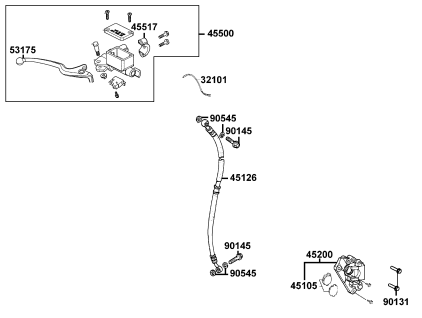
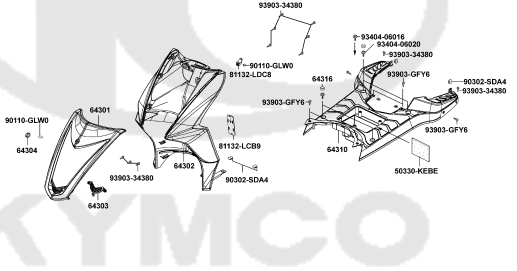
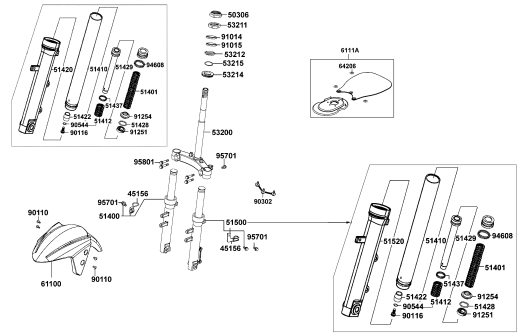
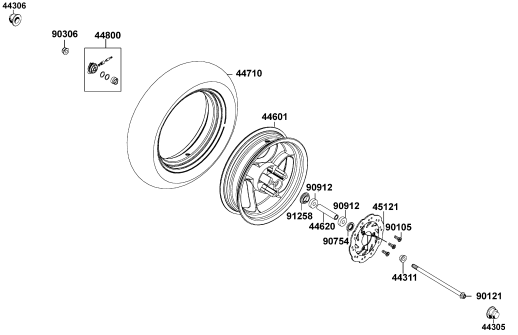
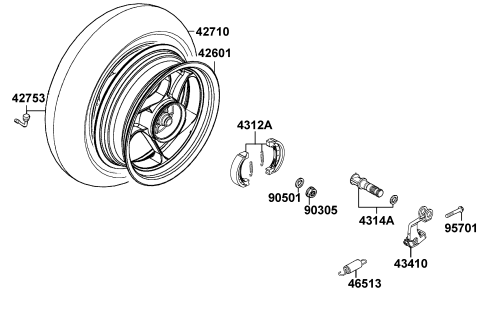
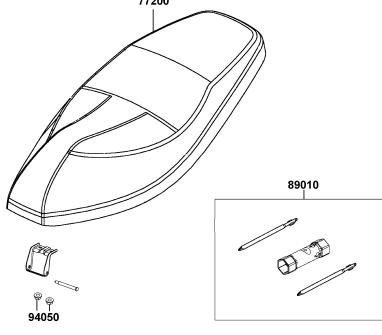
NO	モデル			KN25SR(JP)のカラーチャート						
	写真番号			NO. 1	NO. 2	NO. 3	NO. 4			
	基本色									
	コード			Orange	Deep Blue	Light Blue Metallic	Dark Gray Metallic			
	パーツ名	パーツ番号	バージョン	MR068PA	PB281MA	PB281MA	NH230MA			
26	COVER R SIDE	83510-LGB5-E10	1	N1R						
27	COVER L SIDE	83610-LGB5-E10	0							
28	COVER COMP L SIDE	11341-KEC4-900	1	NEA						
29	WHEEL CAST , RR	42601-LGB6-E10	0							
30	WHEEL ASSY FR	44601-LGB5-E10	1	NEP						
31	COVERT FR HANDLE	53205-LGB5-E10	1							
32	FENDER FRONT	61100-LGB5-E10	1	NGA						
33	CARRIER REAR	81200-LGB5-E10	0							
34	SEAT ASSY	77200-LGB6-E10	0	T01						
35	EMB K-LOGO	86102-ALG1-E00	2							
36	STRIPE R BODY COVER	86221-LGB5-E10	0							
37	STRIPE L BODY COVER	86231-LGB5-E10	1							
38	STRIPE R FR MOLD	86282-LGB5-E10	0							
39	STRIPE L FR MOLD	86283-LGB5-E10	0							
40	STRIPE FR LOGO	86408-LEJ3-B20	0							
41	STRIPE R LEG SHIELD	86732-LGB5-E10	0							
42	STRIPE L LEG SHIELD	86733-LGB5-E10	0							
43	STRIPE B R LEG SHIELD	86734-LGB6-E10	0							
44	STRIPE B L LEG SHIELD	86735-LGB6-E10	0							
45	STRIPE R MARK	87311-LAD9-C00	0							
46	LABEL TIRE	87505-LDC8-E10	3							
47	CAUTION SIDE STAND	87541-GAR1-C01	1							
48	LABEL OIL CAP	87541-KUDU-E00	1							
49	MARK MAINT CAUTION	87542-GAR1-C01	2							
50	STRIPE RR FENDER	87543-LLC5-C10	0							
販売開始時期										
販売終了時期										

NO	モデル			KN25SR(JP)のカラーチャート						
	写真番号			NO. 5	NO. 6	NO. 7	NO. 8			
	基本色									
	コード			Black	Pearly White	Bright Red	Vivid Yellow			
	パーツ名	パーツ番号	バージョン	NH001SA	NH193PA	RR136PA	YR039SA			
26	COVER R SIDE	83510-LGB5-E10	1	N1R						
27	COVER L SIDE	83610-LGB5-E10	0							
28	COVER COMP L SIDE	11341-KEC4-900	1	NEA						
29	WHEEL CAST , RR	42601-LGB6-E10	0							
30	WHEEL ASSY FR	44601-LGB5-E10	1	NEP						
31	COVERT FR HANDLE	53205-LGB5-E10	1							
32	FENDER FRONT	61100-LGB5-E10	1	NGA						
33	CARRIER REAR	81200-LGB5-E10	0							
34	SEAT ASSY	77200-LGB6-E10	0	T01						
35	EMB K-LOGO	86102-ALG1-E00	2							
36	STRIPE R BODY COVER	86221-LGB5-E10	0							
37	STRIPE L BODY COVER	86231-LGB5-E10	1							
38	STRIPE R FR MOLD	86282-LGB5-E10	0							
39	STRIPE L FR MOLD	86283-LGB5-E10	0							
40	STRIPE FR LOGO	86408-LEJ3-B20	0							
41	STRIPE R LEG SHIELD	86732-LGB5-E10	0							
42	STRIPE L LEG SHIELD	86733-LGB5-E10	0							
43	STRIPE B R LEG SHIELD	86734-LGB6-E10	0							
44	STRIPE B L LEG SHIELD	86735-LGB6-E10	0							
45	STRIPE R MARK	87311-LAD9-C00	0							
46	LABEL TIRE	87505-LDC8-E10	3							
47	CAUTION SIDE STAND	87541-GAR1-C01	1							
48	LABEL OIL CAP	87541-KUDU-E00	1							
49	MARK MAINT CAUTION	87542-GAR1-C01	2							
50	STRIPE RR FENDER	87543-LLC5-C10	0							
販売開始時期										
販売終了時期										

CONTENTS - ENGINE GROUP 目次-エンジン関

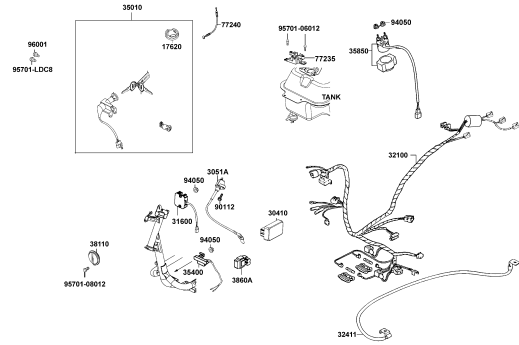
E01 Crank Case	E02 Cylinder Head	E03 Cylinder Piston Crankshaft
E04 Right Crankcase Cover	E05 Driven Pulley	E06 Starting Motor Oil Pump
E07 Fan Cover Generator	E08 Transmission	E09 Carburetor

CONTENTS - FRAME GROUP 目次-フレーム関係

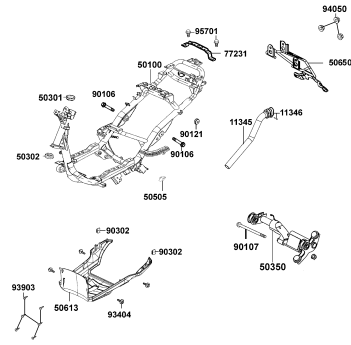
<p>F01 Head Light</p> 	<p>F02 Speedometer</p> 	<p>F03 Handle Steering Handle Cover</p> 
<p>F04 Brake Master Cylinder</p> 	<p>F05 Front Cover Front Fender</p> 	<p>F06 Stem Steering Front Cushion</p> 
<p>F07 Front Wheel</p> 	<p>F08 Rear Wheel</p> 	<p>F09 Seat</p> 

CONTENTS - FRAME GROUP 目次-フレーム関係

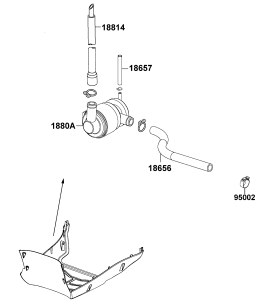
F19 Wire Harness



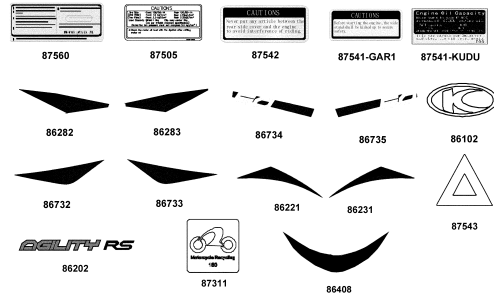
F20 Frame Body



F21 Air Cleaner Two

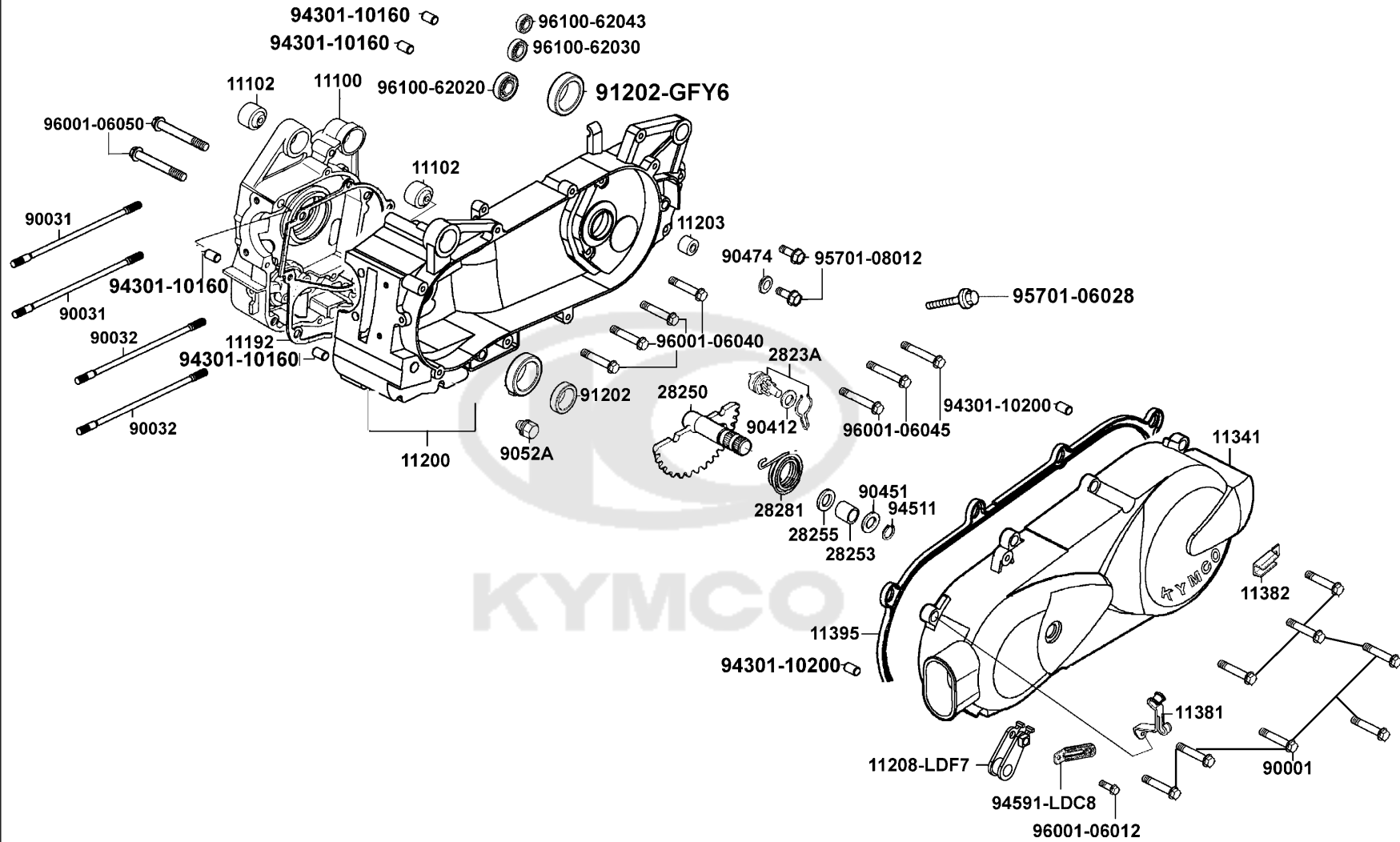


F22 Emblem Stripe



E01

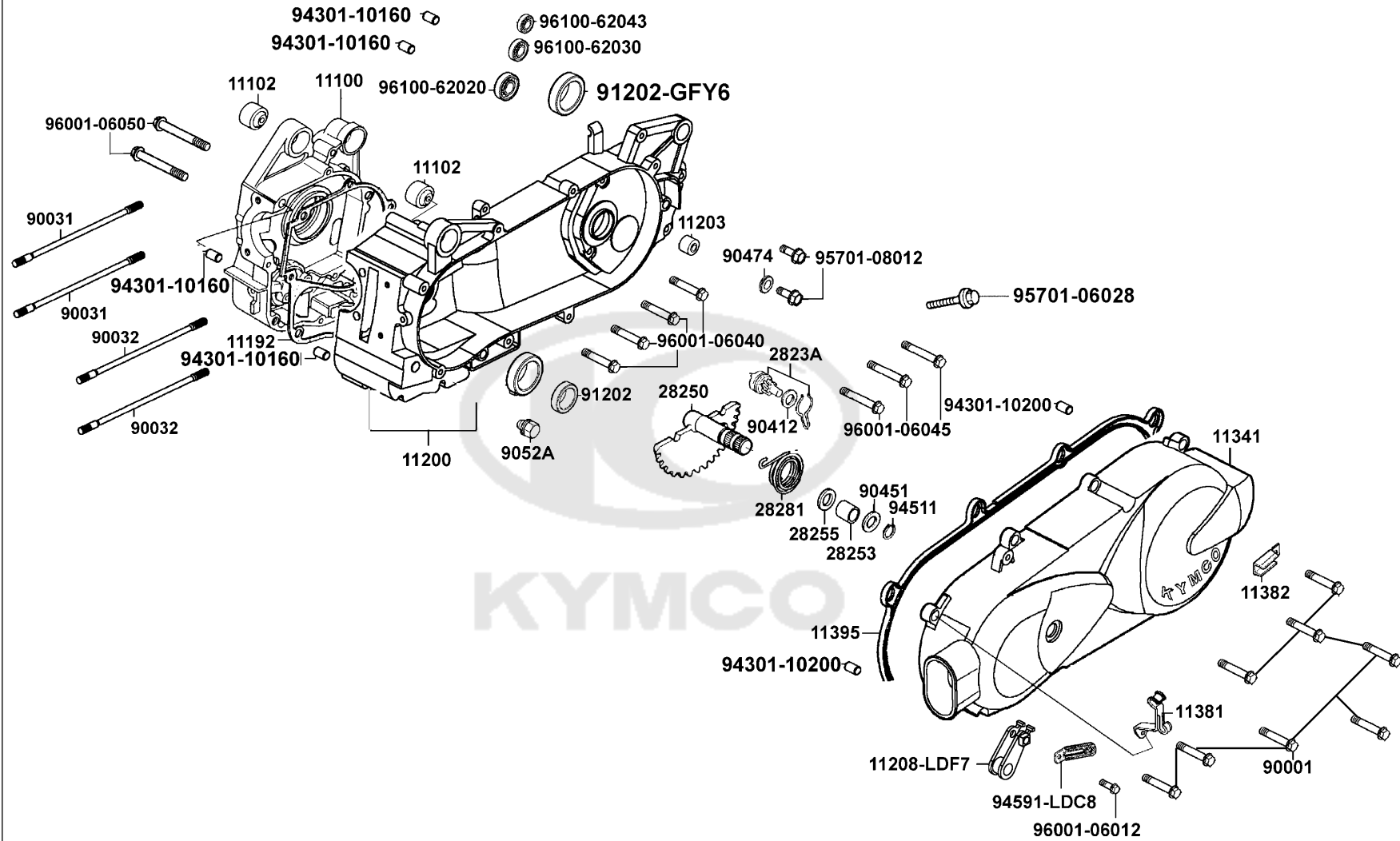
Crank Case



Sales mark 記号	Ref no 参照用番号	Part no パーツ番号	Description 部品名	Reg description 部品名	Regd no 必要個数	Ref Price 希望小売価格(税抜)	E01
	11100	11100-KUDU-C00	CRANK CASE COMP R	CRANK CASE COMP R	1	16380	
	11102	11102-1G87-C00	RUB BUSH ENG HANGER	RUB BUSH ENG HANGER	1	400	
	11192	11192-KUDU-E90	GASKET CRANK CASE @ A	GASKET CRANK CASE @ A	1	420	
	11200	11200-KEC4-C00	CRANK CASE COMP L	CRANK CASE COMP L	1	24540	
	11203	11203-GGC7-W10	UNDER RUBBER BUSH REAR CUSHION	UNDER RUBBER BUSH REAR CUSHION	1	280	
	11208	11208-LDF7-E10	CLAMP BRAKE WIRE	CLAMP BRAKE WIRE	1	750	
**	11341	11341-KEC4-900	COVER L /MAT BLACK	COVER L /MAT BLACK	1	14690	
	11381	11381-KUDU-C00	CLAMPER THROTTLE CABLE	CLAMPER THROTTLE CABLE	1	300	
	11382	11382-KUDU-W10	CLAMPER BRAKE CABLE	CLAMPER BRAKE CABLE	1	110	
	11395	11395-KKD7-E90	GASKET L COVER @A	GASKET L COVER @A	1	2370	
	2823A	2823A-GKAK-W10	GEAR ASSY KICK DRIVEN	GEAR ASSY KICK DRIVEN	1	1820	
	28250	28250-LDF7-E10	SPINDLE COMP KICK STARTER	SPINDLE COMP KICK STARTER	1	1990	
	28253	28253-GBN2-C00	BUSH KICK SPINDLE	BUSH KICK SPINDLE	1	130	
	28255	28255-GFS6-C00	COLLAR KICK BOSS	COLLAR KICK BOSS	1	90	
	28281	28281-GBN2-C00	SPRING KICK RETURN	SPRING KICK RETURN	1	450	
	90001	90001-GBHB-C11	BOLT FLANGE SHF 6*40	BOLT FLANGE SHF 6*40	1	450	
	90031	90031-KUDU-C00	BOLT A STUD 8*200.5	BOLT A STUD 8*200.5	1	450	
	90032	90032-KUDU-C00	BOLT B STUD 8*208.5	BOLT B STUD 8*208.5	1	450	
	90412	90412-3K29-C00	WASHER THRUST 10M/M	WASHER THRUST 10M/M	1	60	
	90451	90451-GBN2-C00	WASHER KICK SPINDLE	WASHER KICK SPINDLE	1	70	

E01

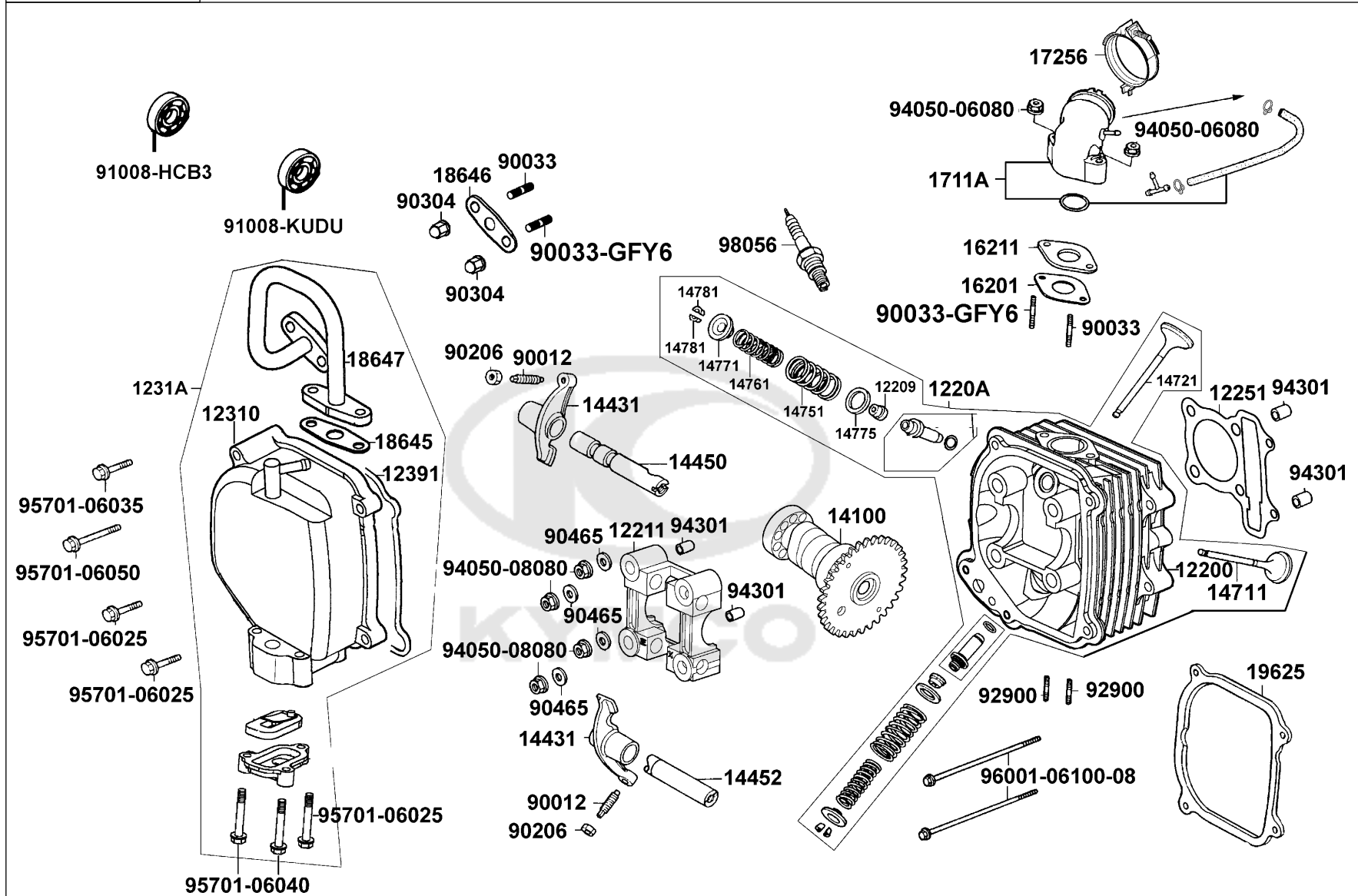
Crank Case



Sales mark 記号	Ref no 参照用番号	Part no パーツ番号	Description 部品名	Reg description 部品名	Regd no 必要個数	Ref Price 希望小売価格(税抜)	E01
90474		90474-3C33-C00	WASHER 8MM (T*2)	WASHER 8MM (T*2)	1	60	
9052A		9052A-GFY6-C00	BOLT ASSY DRAIN PLUG	BOLT ASSY DRAIN PLUG	1	260	
91202-GFY6		91202-GFY6-C00	OIL SEAL 19.8*30*5	OIL SEAL 19.8*30*5	1	210	
91202-KKJ9		91202-KKJ9-C00	OIL SEAL 20*32*6	OIL SEAL 20*32*6	1	250	
94301-10160		94301-10160	DOWEL PIN 10*16	DOWEL PIN 10*16	4	60	
94301-10200		94301-10200	DOWEL PIN 10*20	DOWEL PIN 10*20	2	200	
94511		94511-14000	CIR CLIP EX 14	CIR CLIP EX 14	1	110	
94591		94591-LDC8-E10	CLIP BIND	CLIP BIND	1	140	
95701-06028		95701-06028-08	BOLT FLANGE 6*28	BOLT FLANGE 6*28	1	60	
95701-08012		95701-08012-08	BOLT FLANGE 8*12	BOLT FLANGE 8*12	2	130	
96001-06012		96001-06012-08	BOLT FLANGE 6*12	BOLT FLANGE 6*12	1	60	
96001-06040		96001-06040-08	BOLT FLANGE 6*40	BOLT FLANGE 6*40	4	60	
96001-06045		96001-06045-08	BOLT FLANGE SH 6*45	BOLT FLANGE SH 6*45	3	130	
96001-06050		96001-06050-08	BOLT FLANGE 6*50	BOLT FLANGE 6*50	2	130	
96100-62020		96100-62020-00	BEARING BALL RADIAL 6202	BEARING BALL RADIAL 6202	1	770	
96100-62030		96100-62030-00	BRG BALL RADIAL 6203	BRG BALL RADIAL 6203	1	260	
96100-62043		96100-62043-00	BEARING BALL RADIAL 6204	BEARING BALL RADIAL 6204	1	430	

E02

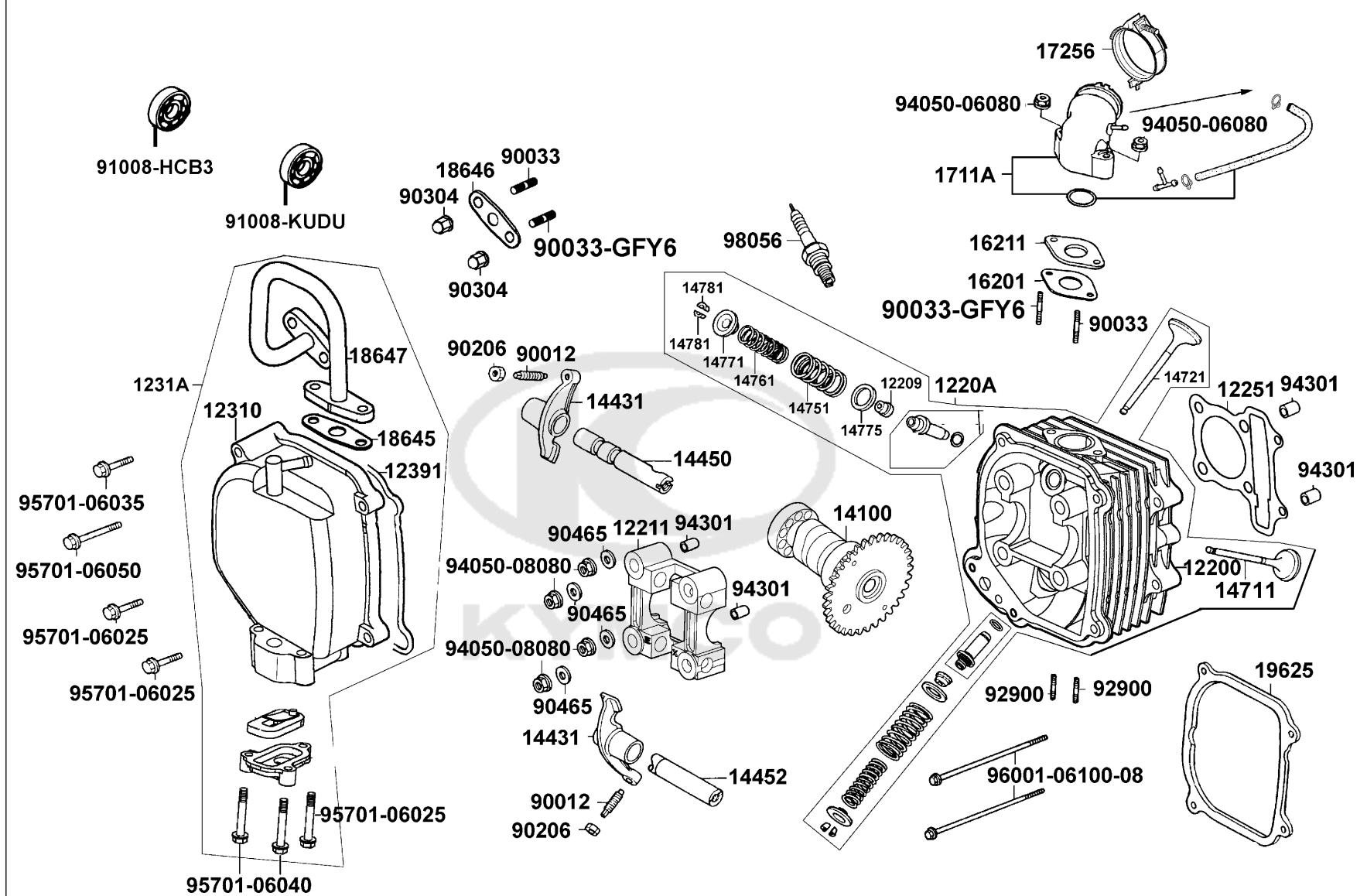
Cylinder Head



Sales mark 記号	Ref no 参照用番号	Part no パーツ番号	Description 部品名	Reg description 部品名	Regd no 必要個数	Ref Price 希望小売価格(税抜)	E02
12200		12200-KUDU-C10	HEAD COMP CYLN	HEAD COMP CYLN	1	14970	
12209		12209-GDB4-C00	SEAL VALVE STEM	SEAL VALVE STEM	1	370	
1220A		1220A-KUDU-C00	HEAD ASSY CYLINDER	HEAD ASSY CYLINDER	1	21210	
12211		12211-KUDU-W10	HOLDER CAM SHAFT	HOLDER CAM SHAFT	1	2230	
12251		12251-GFY6-C00	GASKET CYLINDER HEAD	GASKET CYLINDER HEAD	1	1060	
12310		12310-KUDU-C10	COVER COMP HEAD	COVER COMP HEAD	1	5590	
1231A		1231A-KUDU-C10	COVER ASSY HEAD	COVER ASSY HEAD	1	11270	
12391		12391-GFY6-C10	GASKET HEAD COVER	GASKET HEAD COVER	1	450	
14100		14100-LGS6-E10	SHAFT COMP CAM	SHAFT COMP CAM	1	4340	
14431		14431-KUDU-W10	ARM VALVE ROCKER	ARM VALVE ROCKER	2	4790	
14450		14450-GFY6-W10	SHAFT COMP IN ROCKER ARM	SHAFT COMP IN ROCKER ARM	1	440	
14452		14452-GFY6-W10	SHAFT EXH ROCKER ARM	SHAFT EXH ROCKER ARM	1	610	
14711		14711-KUDU-C00	VALVE INLET	VALVE INLET	1	1270	
14721		14721-KUDU-C00	VALVE EXHAUST	VALVE EXHAUST	1	1890	
14751		14751-KUDU-C10	SPRING VALVE OUTER	SPRING VALVE OUTER	2	210	
14761		14761-KUDU-C10	SPG VALVE INNER	SPG VALVE INNER	2	140	
14771		14771-GDB4-C00	RETAINER VALVE SPRING	RETAINER VALVE SPRING	1	320	
14775		14775-MFA6-C00	SEAT VALVE SPG OUTER	SEAT VALVE SPG OUTER	1	180	
14781		14781-MFA6-C00	COTTER VALVE	COTTER VALVE	1	110	
16201		16201-GFY6-E90	GASKET CARBURETOR INSULATOR	GASKET CARBURETOR INSULATOR	1	60	

E02

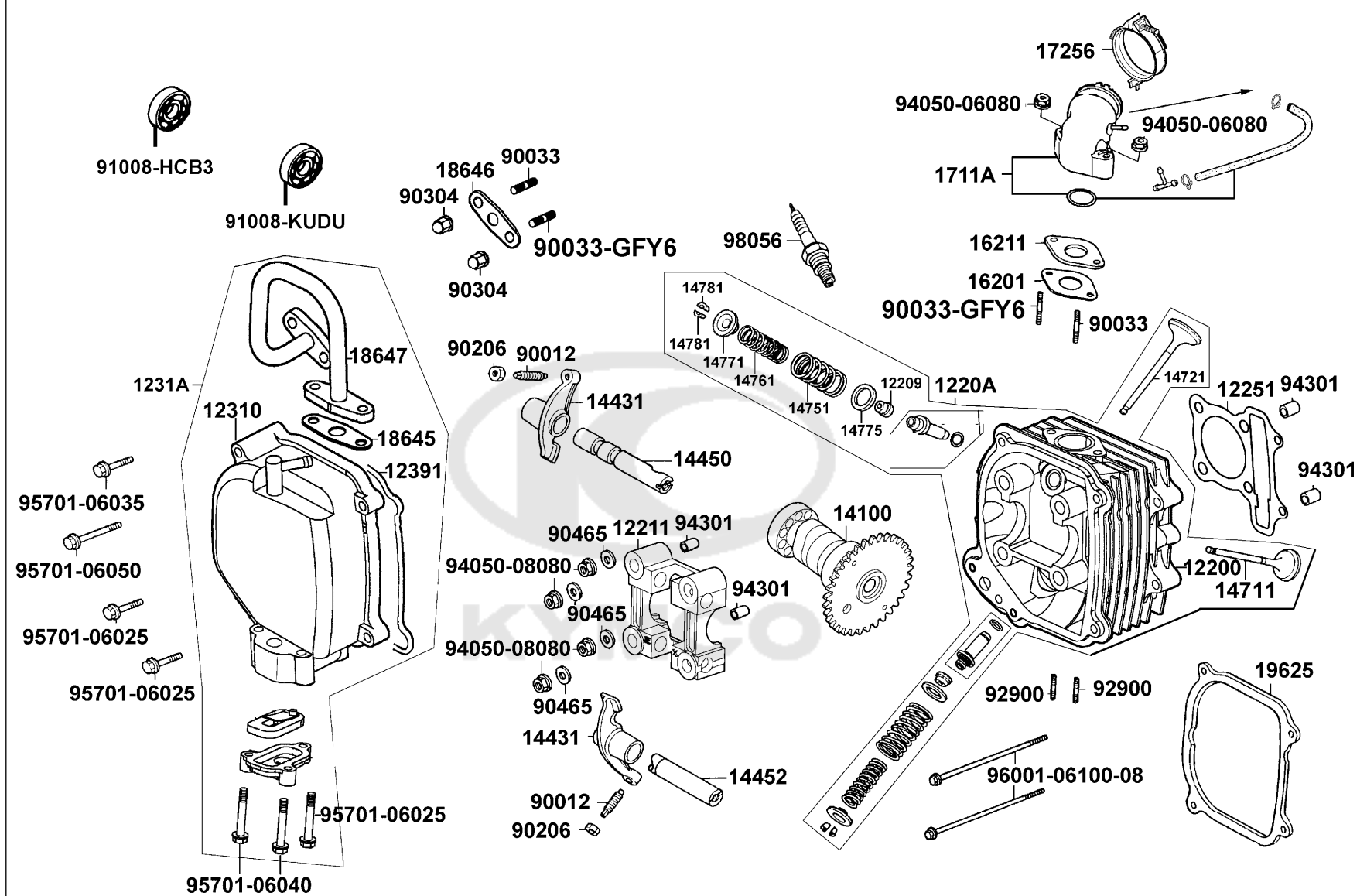
Cylinder Head



Sales mark 記号	Ref no 参照用番号	Part no パーツ番号	Description 部品名	Reg description 部品名	Regd no 必要個数	Ref Price 希望小売価格(税抜)	E02
16211		16211-GFY6-W10	INSULATOR	INSULATOR	1	390	
1711A		1711A-LDF7-E10	PIPE COMP INLET	PIPE COMP INLET	1	3670	
17256		17256-GFY6-C00	BAND INSULATOR	BAND INSULATOR	1	210	
18645		18645-GFY6-C00	GASKET A/I PIPE	GASKET A/I PIPE	1	110	
18646		18646-LDC8-E10	GASKET A/I PIPE	GASKET A/I PIPE	1	70	
18647		18647-GFY6-C00	PIPE COMP AIR	PIPE COMP AIR	1	1820	
19625		19625-KUDU-C00	SEAL SHROUD	SEAL SHROUD	1	710	
90012		90012-3C33-C00	SCREW TAPPET ADJUSTING	SCREW TAPPET ADJUSTING	1	90	
90033-GFY6		90033-GFY6-C00	BOLT STUD 8*32	BOLT STUD 8*32	1	90	
90033		90033-GFY6-C10	BOLT STUD 6*16	BOLT STUD 6*16	1	90	
90206		90206-0A01-C00	NUT TAPPET ADJG	NUT TAPPET ADJG	1	60	
90304		90304-4H38-C00	NUT HEX CAP 6MM	NUT HEX CAP 6MM	1	60	
90465		90465-MDC4-C00	WASHER 8MM	WASHER 8MM	1	130	
91008-HCB3		91008-HCB3-00A	BRG BALL RADIAL 16002 C3	BRG BALL RADIAL 16002 C3	1		
91008-KUDU		91008-KUDU-900	BRG BALL RADIAL TMB002JR2C3	BRG BALL RADIAL TMB002JR2C3	1		
92900		92900-06060-0B	BOLT STUD ??*60	BOLT STUD ??*60	2	60	
94050-06080		94050-06080	NUT FLANGE 6MM	NUT FLANGE 6MM	2	60	
94050-08080		94050-08080	NUT FLANGE 8MM	NUT FLANGE 8MM	4	60	
94301		94301-10160	DOWEL PIN 10*16	DOWEL PIN 10*16	4	60	
95701		95701-06025-00	BOLT FLANGE 6*25	BOLT FLANGE 6*25	1	200	

E02

Cylinder Head

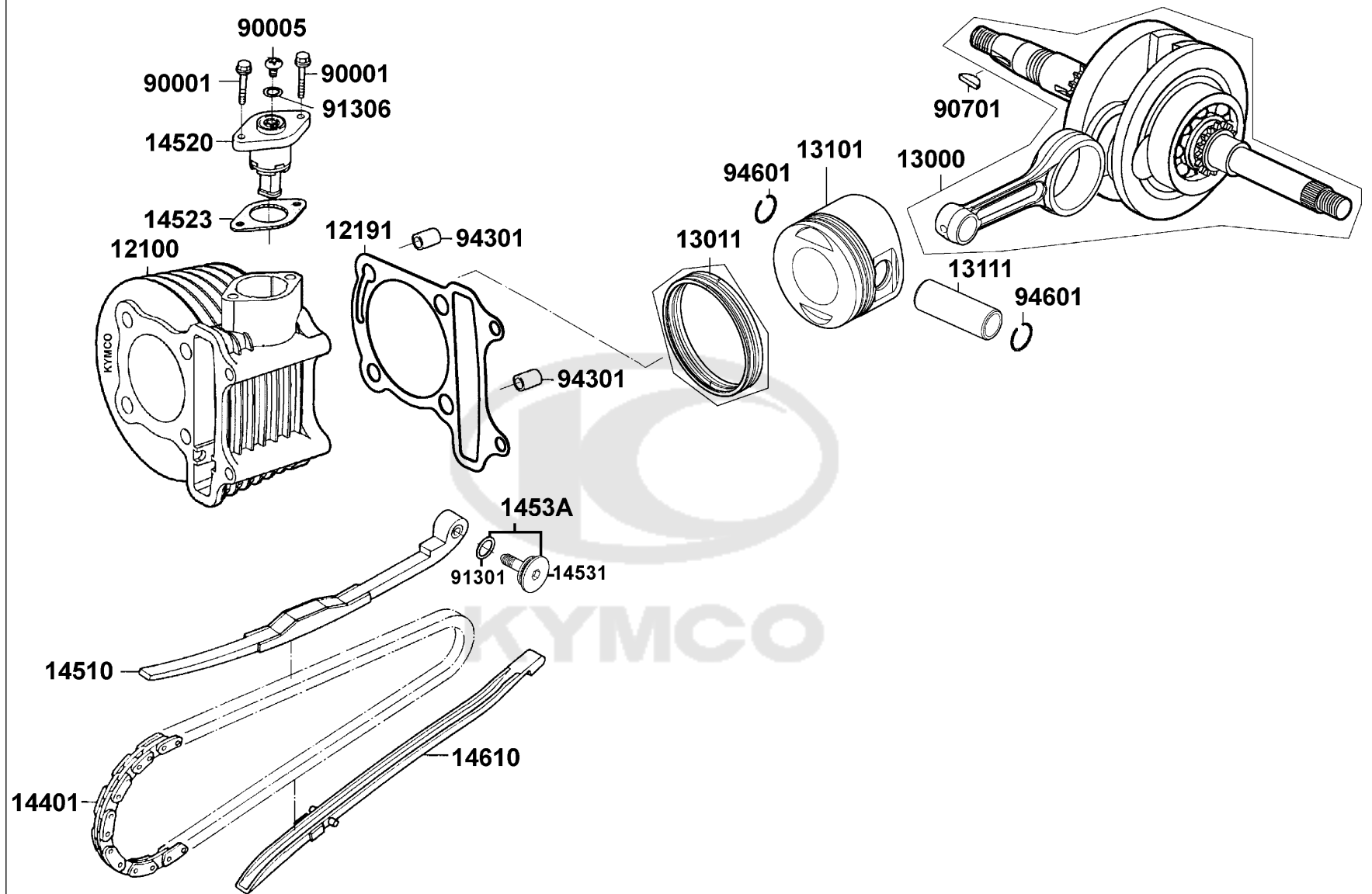


Sales mark 記号	Ref no 参照用番号	Part no パーツ番号	Description 部品名	Reg description 部品名	Regd no 必要個数	Ref Price 希望小売価格(税抜)	E02
95701-06025		95701-06025-08	BOLT FLANGE 6*25	BOLT FLANGE 6*25	1	60	
95701-06035		95701-06035-08	BOLT FLANGE 6*35	BOLT FLANGE 6*35	1	60	
95701-06040		95701-06040-00	BOLT FLANGE 6*40	BOLT FLANGE 6*40	1	60	
95701-06050		95701-06050-08	BOLT FLANGE 6*50 (C)	BOLT FLANGE 6*50 (C)	1	130	
96001-06100		96001-06100-08	BOLT FLANGE SH 6*100	BOLT FLANGE SH 6*100	1	200	
98056		98056-5771R-00	SPARK PLUG (CR7HSA)	SPARK PLUG (CR7HSA)	1	450	



E03

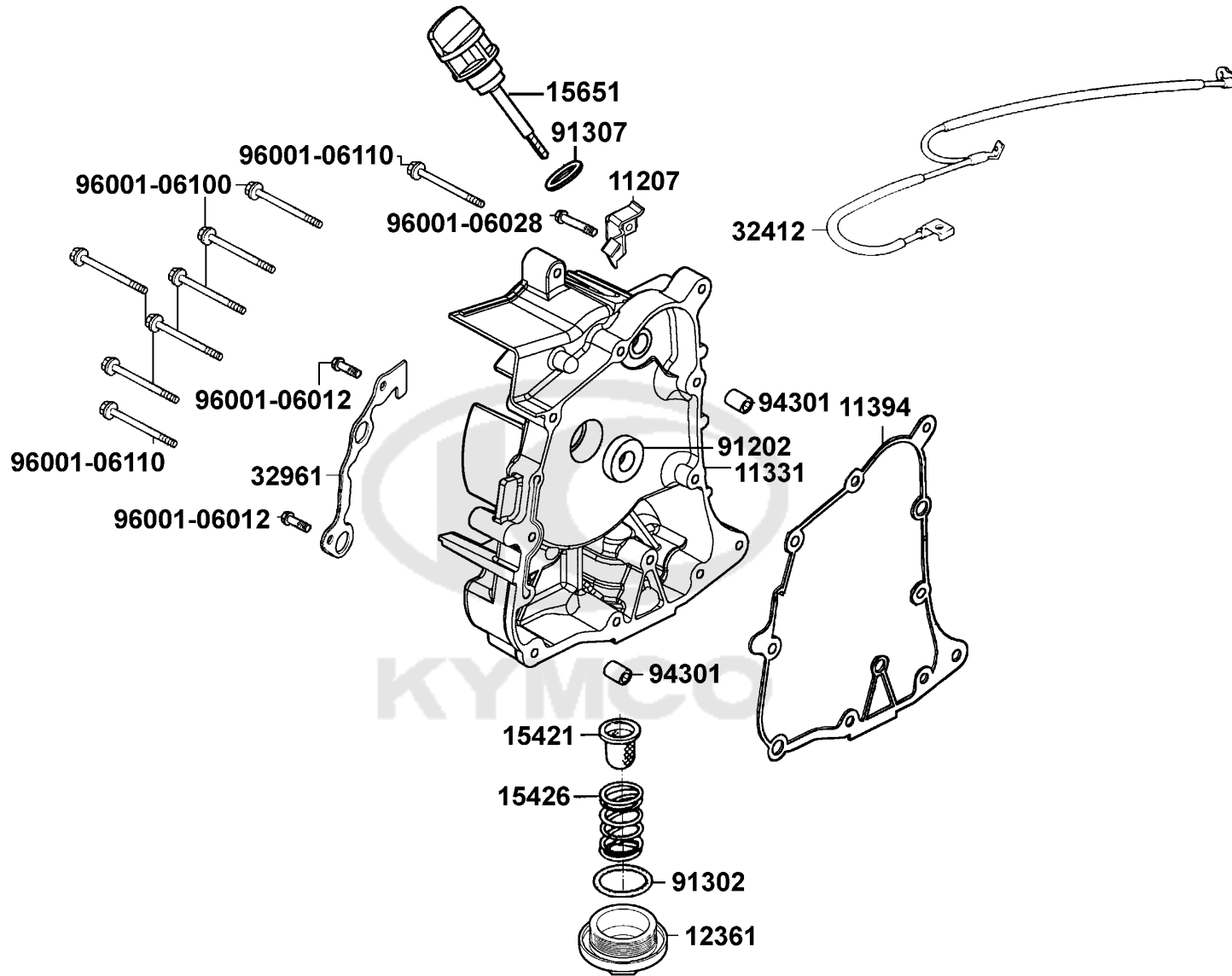
Cylinder Piston Crankshaft



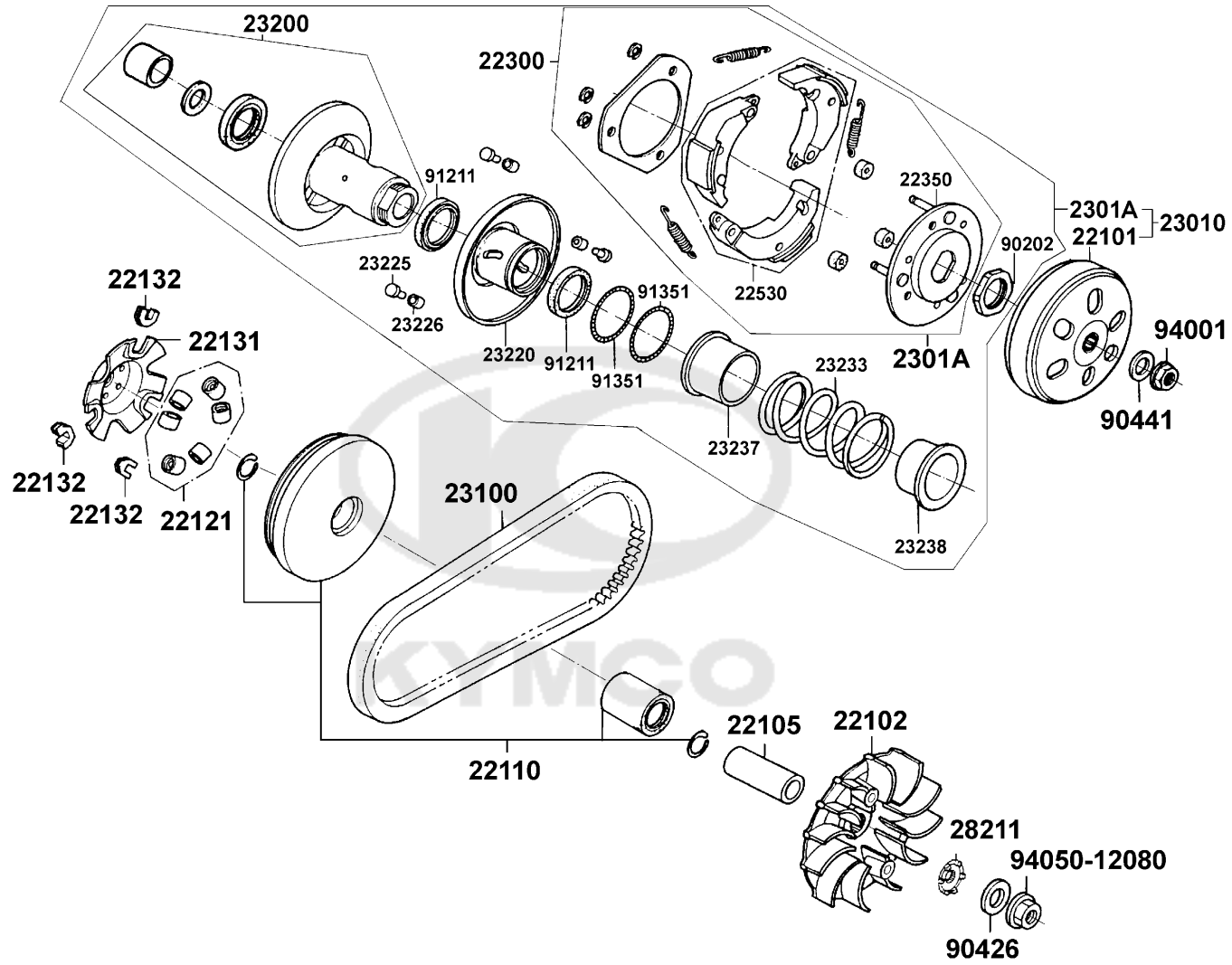
Sales mark 記号	Ref no 参照用番号	Part no パーツ番号	Description 部品名	Reg description 部品名	Regd no 必要個数	Ref Price 希望小売価格(税抜)	E03
12100		12100-GFY6-C00	CYLINDER COMP	CYLINDER COMP	1	10490	
12191		12191-GFY6-E90	GASKET CRANK CASE @ A	GASKET CRANK CASE @ A	1	280	
13000		13000-KUDU-C00	CRANK SHAFT COMP	CRANK SHAFT COMP	1	26840	
13011		13011-GFY6-C00	RING ASSY PISTON	RING ASSY PISTON	1	1820	
13101		13101-KUDU-C00	PISTON	PISTON	1	2870	
13111		13111-3D84-C00	PIN,PISTON	PIN,PISTON	1	900	
14401		14401-KUDU-C00	CHAIN CAM	CHAIN CAM	1	3670	
14510		14510-KUDU-C00	TENSIONER CAM CHAIN	TENSIONER CAM CHAIN	1	1910	
14520		14520-GFY6-C00	LIFTER ASSY TENSIONER	LIFTER ASSY TENSIONER	1	1350	
14523		14523-GFY6-E90	GASKET TENSIONER LIFTER @A	GASKET TENSIONER LIFTER @A	1	60	
14531		14531-GLR0-W10	PIVOT CAM CHAIN TENSIONER	PIVOT CAM CHAIN TENSIONER	1	210	
1453A		1453A-GFY6-W10	PIVOT CAM CHAIN SET	PIVOT CAM CHAIN SET	1	230	
14610		14610-KUDU-C00	GUIDE COMP CAM CHAIN	GUIDE COMP CAM CHAIN	1	960	
90001		90001-GBHB-C00	BOLT FLANGE SHF 6*22 (B)	BOLT FLANGE SHF 6*22 (B)	1	350	
90005		90005-KAW1-901	SCREW PAN 6*6	SCREW PAN 6*6	1	60	
90701		90701-HFB6-C00	KEY WOODRUFF 25*14*4	KEY WOODRUFF 25*14*4	1	560	
91301		91301-GLR0-W10	O-RING 15.2*1.5	O-RING 15.2*1.5	1	70	
91306		91306-1E05-C00	O-RING 1.5*9.5	O-RING 1.5*9.5	1	140	
94301		94301-10160	DOWEL PIN 10*16	DOWEL PIN 10*16	2	60	
94601		94601-15000	CLIP PISTON PIN 15MM	CLIP PISTON PIN 15MM	2	60	

E04

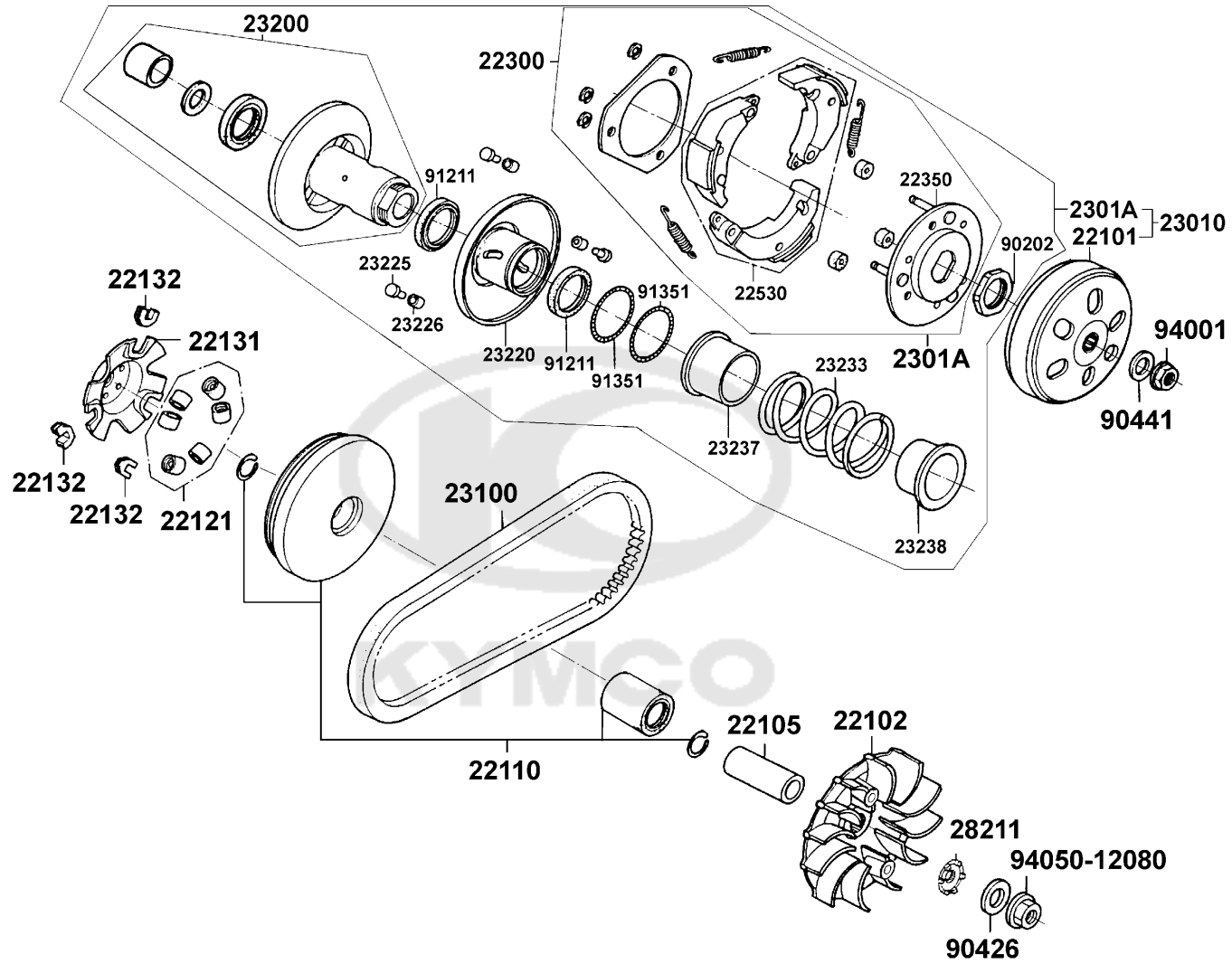
Right Crankcase Cover



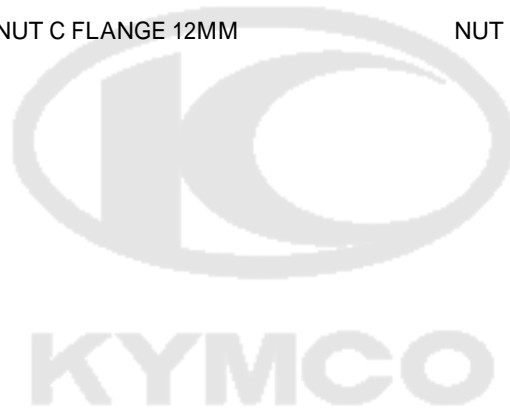
Sales mark 記号	Ref no 参照用番号	Part no パーツ番号	Description 部品名	Reg description 部品名	Regd no 必要個数	Ref Price 希望小売価格(税抜)	E04
11207		11207-KKE3-C01	"STAY B, RR FENDER"	"STAY B, RR FENDER"	1	400	
11331		11331-KUDU-C10	COVER R CRANK CASE	COVER R CRANK CASE	1	17680	
11394		11394-KUDU-E90	GASKET R COVER	GASKET R COVER	1	700	
12361		12361-GFY6-C00	HOLE CAP TAPPET ADJUSTING	HOLE CAP TAPPET ADJUSTING	1	330	
15421		15421-1G07-C00	SCREEN OIL FILTER	SCREEN OIL FILTER	1	240	
15426		15426-GAE1-C00	SPG OIL FILTER SCREEN	SPG OIL FILTER SCREEN	1	300	
15651		15651-KUDU-W10	GUAGE OIL LEVEL	GUAGE OIL LEVEL	1	180	
32412		32412-LEH3-C10	GUAGE OIL LEVEL	GUAGE OIL LEVEL	1	3390	
32961		32961-KUDU-C00	CLAMPER ACG CORD	CLAMPER ACG CORD	1	160	
91202		91201-GFY6-C00	OIL SEAL 19.8*30*5	OIL SEAL 19.8*30*5	1	210	
91302		91302-0A01-C00	O-RING 30.8MM	O-RING 30.8MM	1	70	
91307		91307-0E35-W10	O-RING 18*3	O-RING 18*3	1	60	
94301		94301-10160	DOWEL PIN 10*16	DOWEL PIN 10*16	2	60	
96001-06012		96001-06012-08	BOLT FLANGE 6*12	BOLT FLANGE 6*12	2	60	
96001-06028		96001-06028-08	BOLT FLANGE SH 6*28	BOLT FLANGE SH 6*28	1	200	
96001-06100		96001-06100-08	BOLT FLANGE SH 6*100	BOLT FLANGE SH 6*100	6	200	
96001-06110		96001-06110-08	BOLT FLANGE SH 6*110	BOLT FLANGE SH 6*110	2	160	



Sales mark 記号	Ref no 参照用番号	Part no パーツ番号	Description 部品名	Reg description 部品名	Regd no 必要個数	Ref Price 希望小売価格(税抜)	E05
22101		22101-LCD3-C00	OUTER CLUTCH	OUTER CLUTCH	1	3810	
22102		22102-KUDU-E80	FACE DRIVE	FACE DRIVE	1	1910	
22105		22105-GFY6-C10	BOSS DRIVE FACE	BOSS DRIVE FACE	1	960	
22110		22110-KUDU-E80	FACE MOVABLE DRIVE	FACE MOVABLE DRIVE	1	3250	
22121		22121-KKD7-315	ROLLER SET WEIGHT (1SET:6PCS)	ROLLER SET WEIGHT(旧品番の22121-KKD7	1	420	
22131		22131-GFY6-C00	PLATE RAMP	PLATE RAMP	1	800	
22132		22132-KBN2-C00	PIECE SLIDE	PIECE SLIDE	1	70	
22300		22300-KEC6-C00	PLATE ASSY DRIVE	PLATE ASSY DRIVE	1	16730	
22350		22350-GFY6-C00	PLATE COMP DRIVE	PLATE COMP DRIVE	1	450	
22530		22530-GFY6-C00	WEIGHT CLUTCH	WEIGHT CLUTCH	1	3320	
23010		23010-LDF7-E10	PULLY ASSY DRIVEN	PULLY ASSY DRIVEN	1	20740	
2301A		2301A-KEC6-C00	PULLEY SUB ASSY	PULLEY SUB ASSY	1	18160	
23100		23100-KEC4-C00	BELT DRIVE	BELT DRIVE	1	6900	
23200		23200-GFY6-C00	FACE ASSY DRIVEN	FACE ASSY DRIVEN	1	10150	
23220		23220-KFBF-C00	FACE COMP MOVABLE DRIVEN	FACE COMP MOVABLE DRIVEN	1	5660	
23225		23225-GHC8-C00	PIN ROLLER GUIDE	PIN ROLLER GUIDE	1	60	
23226		23226-GHC8-C00	ROLLER GUIDE	ROLLER GUIDE	1	60	
23233		23233-GCW3-C00	SPG DRIVEN FACE	SPG DRIVEN FACE	1	750	
23237		23237-GFY6-C00	COLLAR SEAL	COLLAR SEAL	1	900	
23238		23238-GFY6-C00	COLLAR SPG	COLLAR SPG	1	1180	

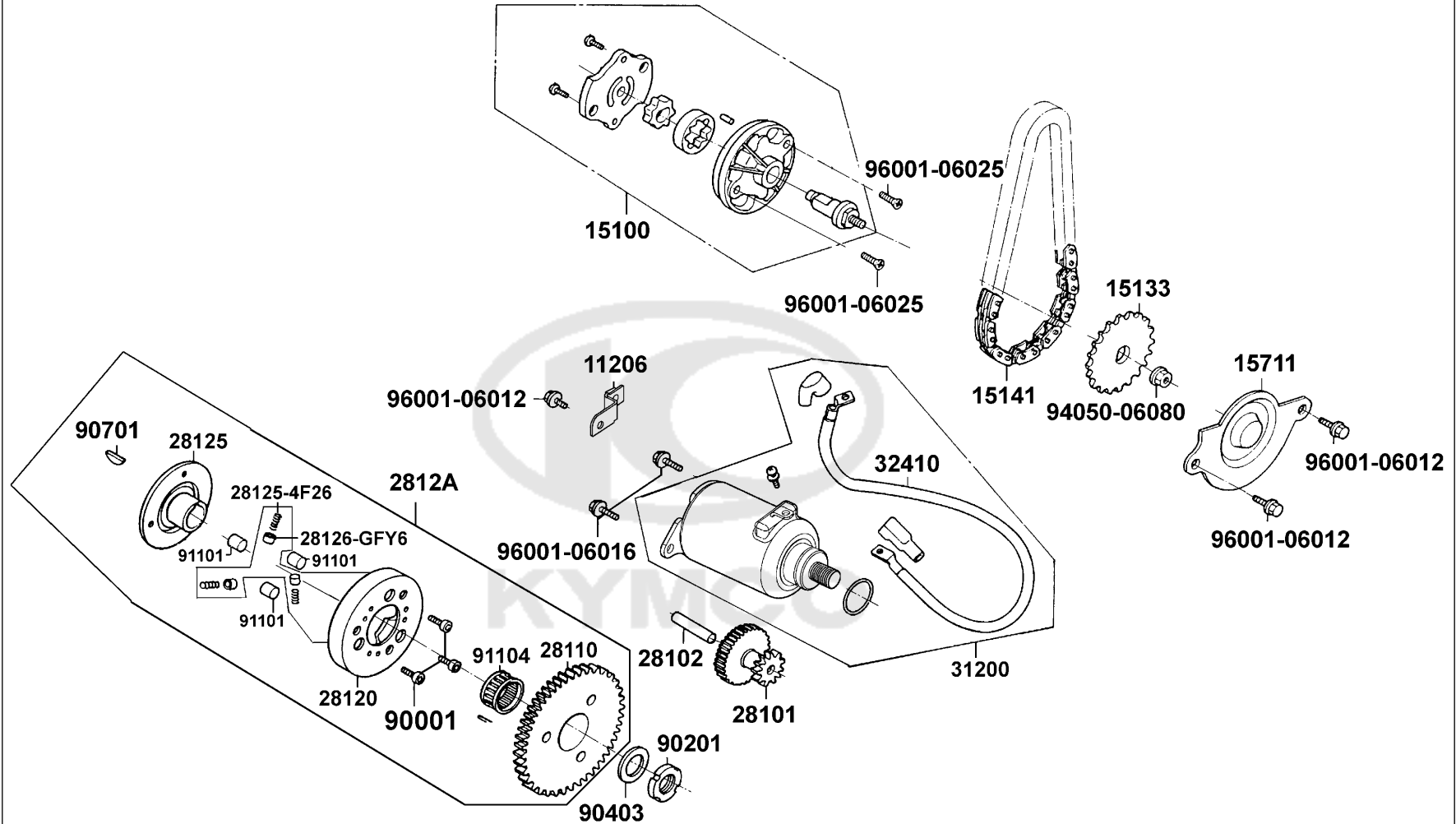


Sales mark 記号	Ref no 参照用番号	Part no パーツ番号	Description 部品名	Reg description 部品名	Regd no 必要個数	Ref Price 希望小売価格(税抜)	E05
28211	28211-KUDU-W10	28211-KUDU-W10	RATCHET KICK STARTER	RATCHET KICK STARTER	1	1350	
90202	90202-1G87-C00	90202-1G87-C00	NUT SPECIAL 28MM	NUT SPECIAL 28MM	1	140	
90426	90426-KNBN-C00	90426-KNBN-C00	WASHER SPECIAL 12MM	WASHER SPECIAL 12MM	1	60	
90441	90441-GFY6-C00	90441-GFY6-C00	WASHER 12.2*29*2.5	WASHER 12.2*29*2.5	1	130	
91211	91211-KEBE-C00	91211-KEBE-C00	SEAL DRIVEN FACE 34*41*4	SEAL DRIVEN FACE 34*41*4	1	590	
91351	91351-6B42-C00	91351-6B42-C00	O-RING PINION CAP	O-RING PINION CAP	1	130	
94001	94001-12280-0S	94001-12280-0S	NUT HEX 12MM	NUT HEX 12MM	1	160	
94050	94050-12080	94050-12080	NUT C FLANGE 12MM	NUT C FLANGE 12MM	1	60	



E06

Starting Motor Oil Pump

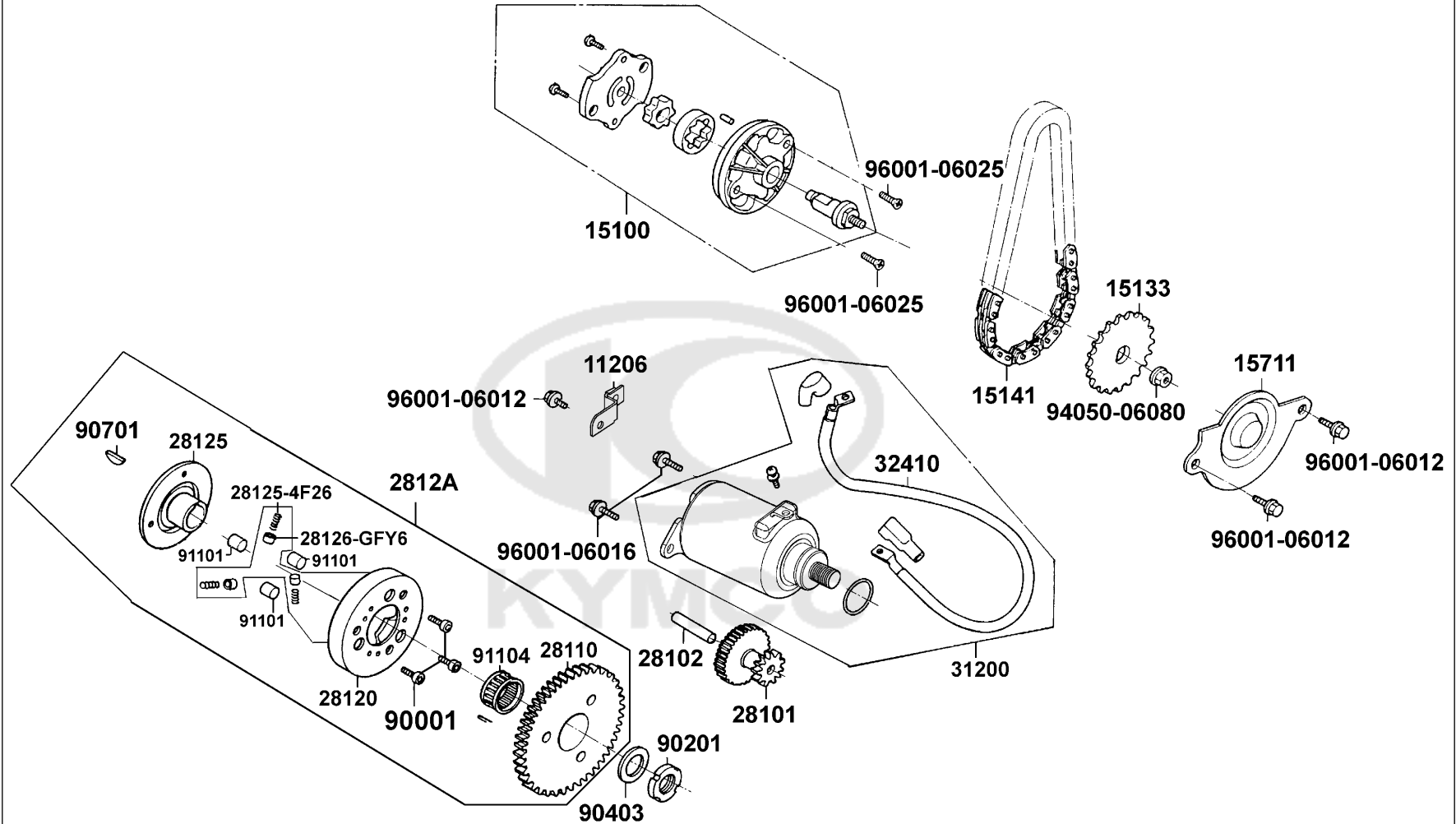


Sales mark 記号	Ref no 参照用番号	Part no パーツ番号	Description 部品名	Reg description 部品名	Regd no 必要個数	Ref Price 希望小売価格(税抜)
11206		11206-LDF7-E10	STAY A RR FENDER	STAY A RR FENDER	1	800
15100		15100-KUDU-W10	PUMP ASSY OIL	PUMP ASSY OIL	1	4620
15133		15133-GFY6-W10	SPROCKET OIL PUMP DRIVE	SPROCKET OIL PUMP DRIVE	1	800
15141		15141-GFY6-C00	CHAIN OIL PUMP	CHAIN OIL PUMP	1	1990
15711		15711-KUDU-C00	SEPARATER OIL	SEPARATER OIL	1	280
28101		28101-GFY6-C00	GEAR STARTER REDUCTION	GEAR STARTER REDUCTION	1	1820
28102		28102-GFY6-C00	SHAFT STARTER REDUCTION GEAR	SHAFT STARTER REDUCTION GEAR	1	330
28110		28110-GFY6-C10	GEAR COMP STARTING CLUTCH	GEAR COMP STARTING CLUTCH	1	2230
28120		28120-GFY6-C10	OUTER COMP STARTING CLUTCH	OUTER COMP STARTING CLUTCH	1	4950
28125-4F26		28125-4F26-C00	SPRING ROLLER STARTER CLUTCH	SPRING ROLLER STARTER CLUTCH	1	60
28125-GFY6		28125-GFY6-C10	FLANGE STARTING CLUTCH	FLANGE STARTING CLUTCH	1	1590
28126		28126-GFY6-C10	CAP STARTING ROLLER SPRING	CAP STARTING ROLLER SPRING	3	130
2812A		2812A-GFY6-C10	OUTER ASSY START CLUTCH	OUTER ASSY START CLUTCH	1	5600
31200		31200-LDF7-E10	MOTOR ASSY START	MOTOR ASSY START	1	13480
32410		32410-LDF7-E10	CABLE START MOTOR	CABLE START MOTOR	1	1580
90001		90001-GFY6-C00	SOCKET BOLT 6*10	SOCKET BOLT 6*10	1	70
90201		90201-GFY6-901	NUT LOCK 22MM	NUT LOCK 22MM	1	110
90403		90403-KUDU-C00	WASHER THRUST 22.2*39*2.5	WASHER THRUST 22.2*39*2.5	1	120
90701-GFY6		90701-GFY6-C00	PIN DOWEL 5*6	PIN DOWEL 5*6	1	60
91101		91101-1K79-C00	ROLLER 10*10	ROLLER 10*10	1	450

E06

E06

Starting Motor Oil Pump



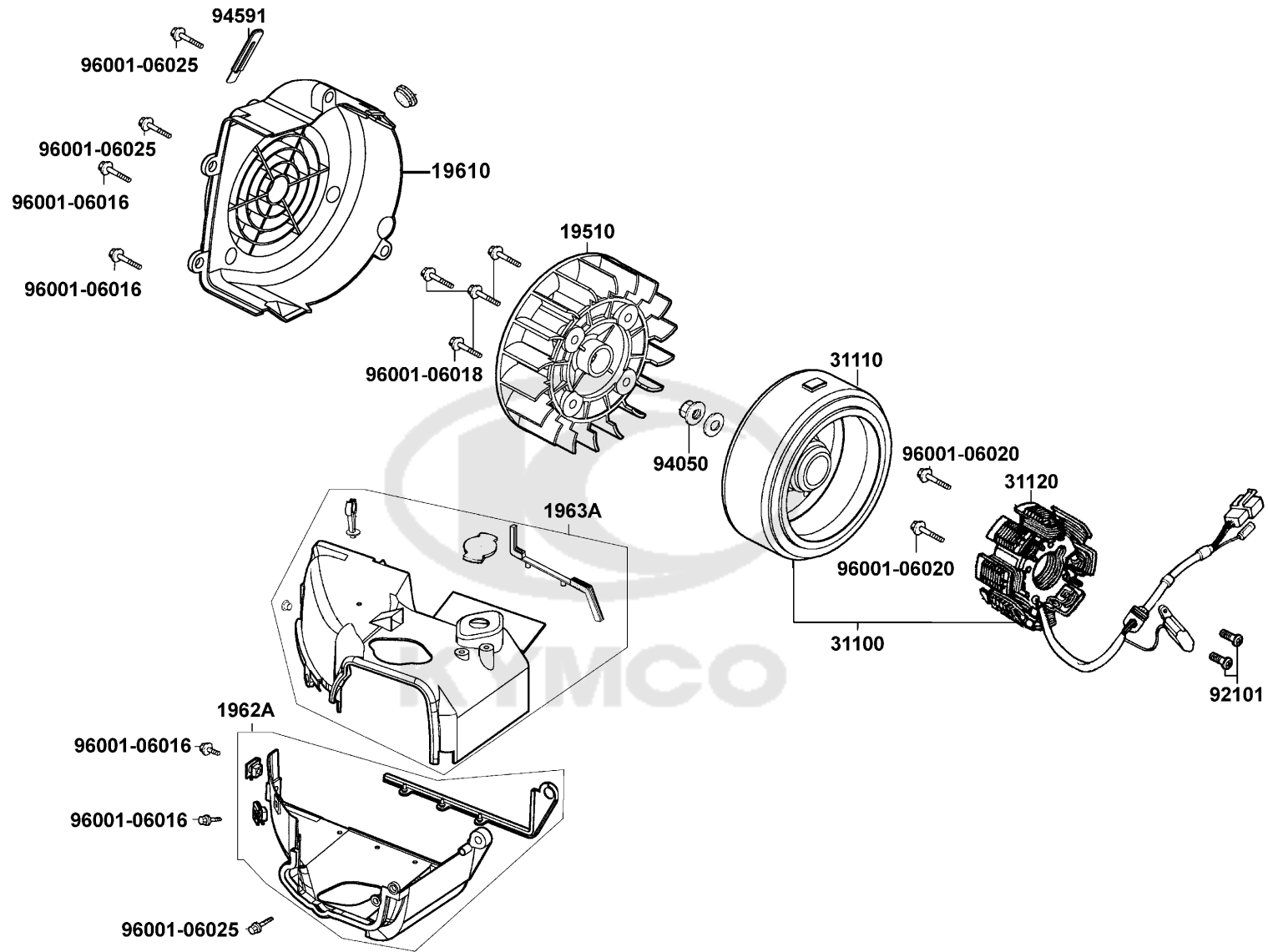
Sales mark 記号	Ref no 参照用番号	Part no パーツ番号	Description 部品名	Reg description 部品名	Regd no 必要個数	Ref Price 希望小売価格(税抜)	E06
------------------	-----------------	------------------	--------------------	------------------------	-----------------	-------------------------	-----

91104-GFY6-90A	91104-GFY6-C00	BRG NEEDLE 28*32*17	BRG NEEDLE 28*32*17	1	4050	
94050	94050-06080	NUT FLANGE 6MM	NUT FLANGE 6MM	1	60	
96001-06012	96001-06012-08	BOLT FLANGE 6*12	BOLT FLANGE 6*12	3	60	
96001-06016	96001-06016-08	BOLT FLANGE SH 6*16	BOLT FLANGE SH 6*16	2	200	
96001-06025	96001-06025-08	BOLT FLANGE SH 6*25	BOLT FLANGE SH 6*25	2	90	



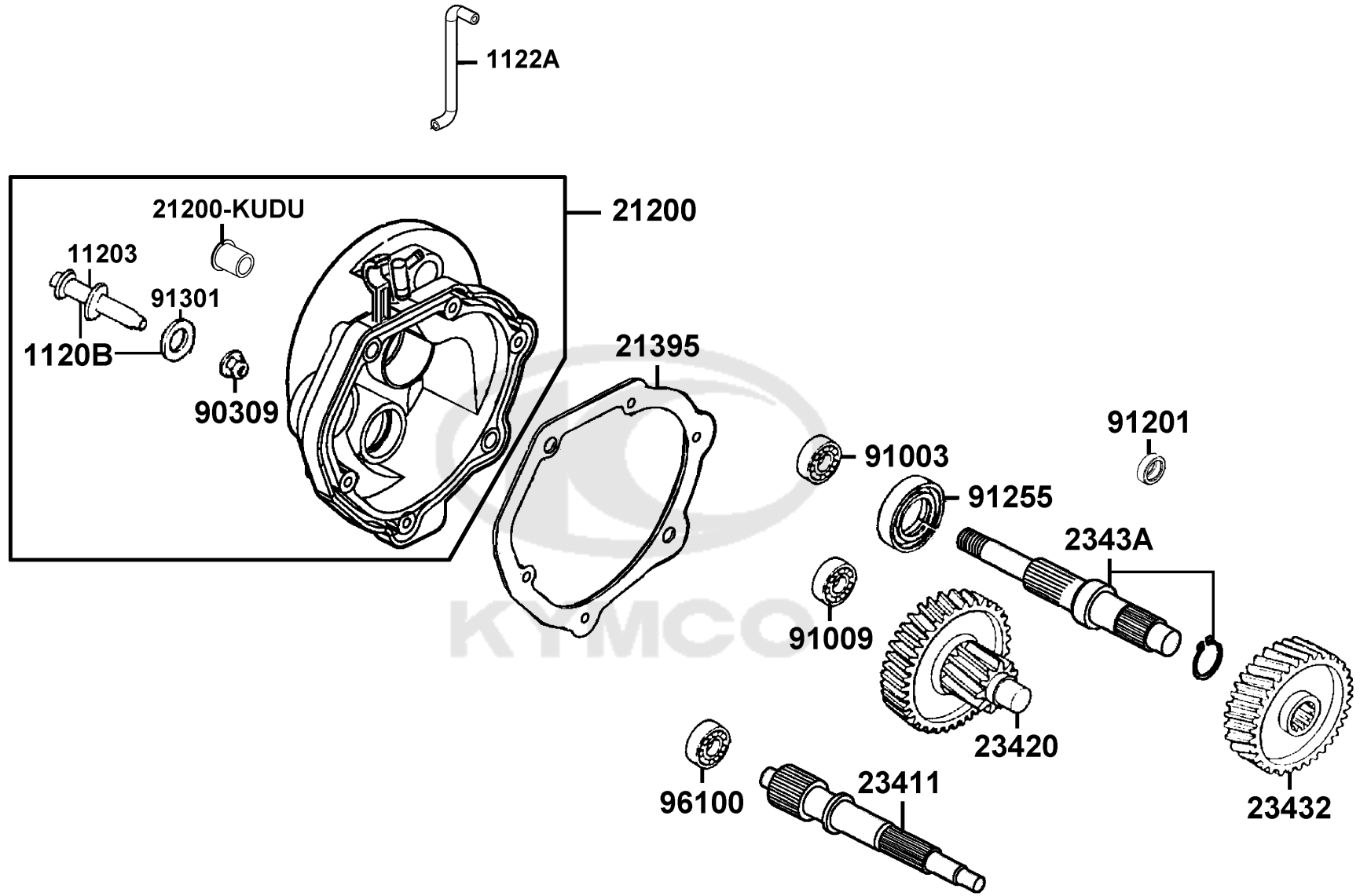
E07

Fan Cover Generator



Sales mark 記号	Ref no 参照用番号	Part no パーツ番号	Description 部品名	Reg description 部品名	Regd no 必要個数	Ref Price 希望小売価格(税抜)
19510	19510-GFY6-C00	19510-GFY6-C00	FAN COMP COOLING	FAN COMP COOLING	1	890
19610	19610-KUDU-C10	19610-KUDU-C10	COVER COMP FAN	COVER COMP FAN	1	
1962A	1962A-KUDU-C00	1962A-KUDU-C00	SHROUD ASSY A	SHROUD ASSY A	1	3310
1963A	1963A-LDF7-E10	1963A-LDF7-E10	SHROUD ASSY B	SHROUD ASSY B	1	2360
31100	31100-LHA2-M30	31100-LHA2-M30	AC GEN ASSY	AC GEN ASSY	1	
92101	92101-05012-0H	92101-05012-0H	BOLT HEX 5*12	BOLT HEX 5*12	1	60
94050	94050-12080	94050-12080	NUT C FLANGE 12MM	NUT C FLANGE 12MM	1	60
94591	94591-LDC8-E10	94591-LDC8-E10	CLIP BIND	CLIP BIND	1	140
96001-06016	96001-06016-08	96001-06016-08	BOLT FLANGE SH 6*16	BOLT FLANGE SH 6*16	4	200
96001-06018	96001-06018-08	96001-06018-08	BOLT FLANGE SH 6*18	BOLT FLANGE SH 6*18	4	
96001-06020	96001-06020-08	96001-06020-08	BOLT FLANGE SH 6*20	BOLT FLANGE SH 6*20	2	200
96001-06025	96001-06025-08	96001-06025-08	BOLT FLANGE SH 6*25	BOLT FLANGE SH 6*25	3	90

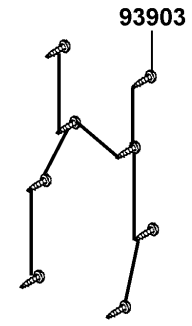
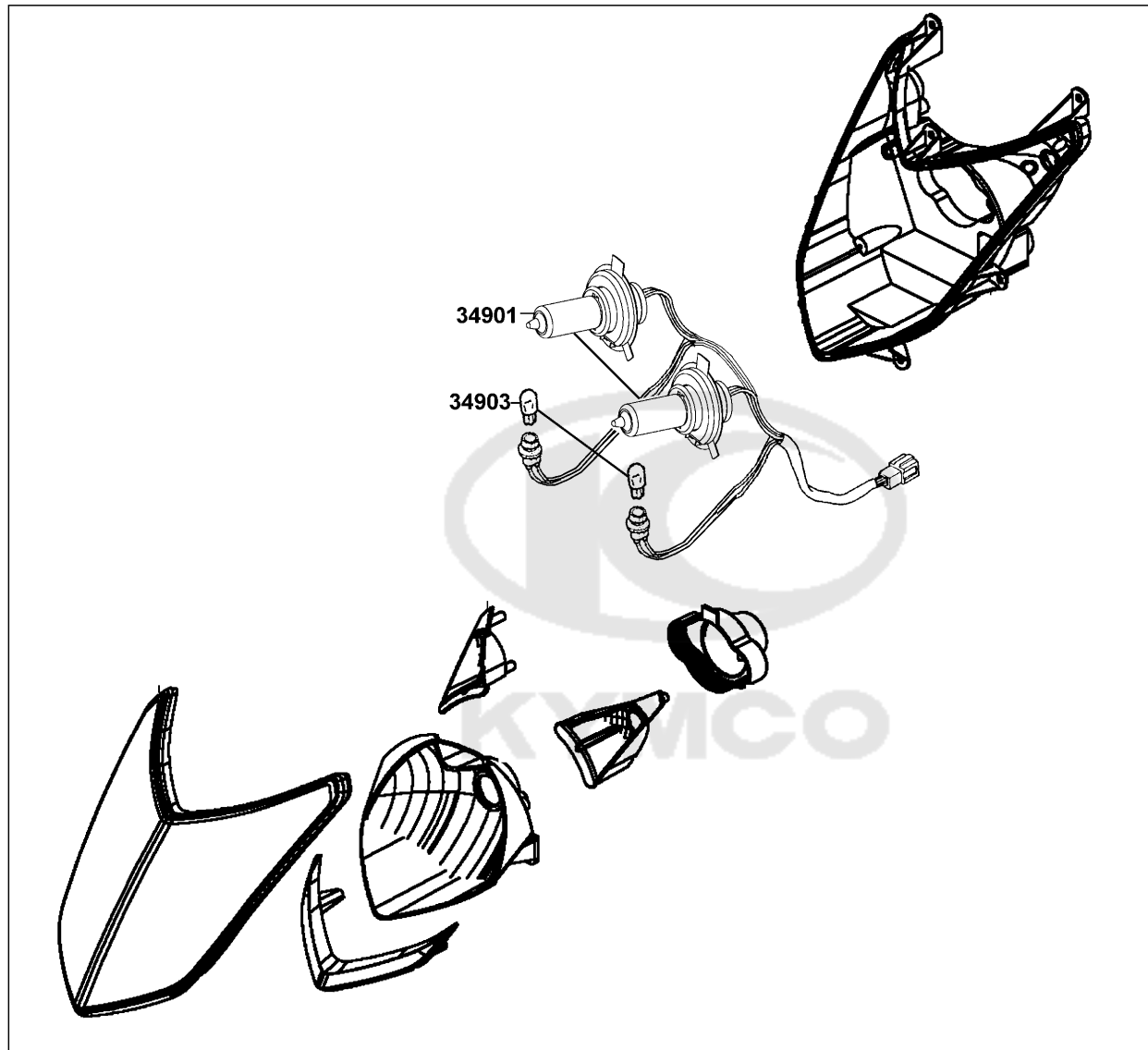
E07



Sales mark 記号	Ref no 参照用番号	Part no パーツ番号	Description 部品名	Reg description 部品名	Regd no 必要個数	Ref Price 希望小売価格(税抜)	E08
11203		11203-KUDU-C00	PIN BRAKE SHOE ANCHOR	PIN BRAKE SHOE ANCHOR	1	830	
1120B		1120B-KUDU-C00	PIN ASSY ANCHOR	PIN ASSY ANCHOR	1	680	
1122A		1122A-LDF7-E10	TUBE ASSY MISSION BREATHER	TUBE ASSY MISSION BREATHER	1	330	
21200		21200-KEC4-C00	CASE COMP MISSION	CASE COMP MISSION	1	11320	
21200-KUDU		21200-KUDU-C00	CASE COMP MISSION	CASE COMP MISSION	1	11570	
21395		21395-KEC4-E90	GASKET MISSION CASE	GASKET MISSION CASE	1	590	
23411		23411-KEC4-C00	SHAFT DRIVE	SHAFT DRIVE	1	5850	
23420		23420-KEC4-C00	SHAFT COMP COUNTER	SHAFT COMP COUNTER	1	9580	
23432		23432-KEC4-C00	GEAR FINAL	GEAR FINAL	1	4150	
2343A		2343A-KUDU-W00	SHAFT FINAL	SHAFT FINAL	1	60	
90309		90309-KLF0-C00	NUT FLANGE 8MM	NUT FLANGE 8MM	1	110	
91003		91003-KDS4-C00	BRG BALL RADIAL 6301TMB	BRG BALL RADIAL 6301TMB	1	3200	
91009		91009-GLE0-C00	BRG BALL RADIAL 6004 UU	BRG BALL RADIAL 6004 UU	1	2040	
91201		91201-KUDU-C00	OIL SEAL 15.6*25.5*7	OIL SEAL 15.6*25.5*7	1	1130	
91255		91255-LDC8-E10	OIL SEAL 27*42*7(C?)	OIL SEAL 27*42*7(C?)	1	160	
91301		91301-0C53-W10	O RING 7.5*1.5	O RING 7.5*1.5	1	60	
96100		96100-60020-00	BRG BALL RADIAL 6002	BRG BALL RADIAL 6002	1	250	

F01

Head Light



33100

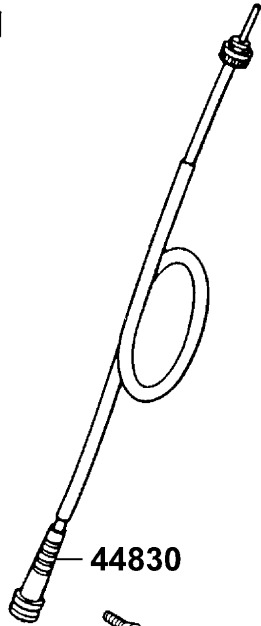
Sales mark 記号	Ref no 参照用番号	Part no パーツ番号	Description 部品名	Reg description 部品名	Regd no 必要個数	Ref Price 希望小売価格(税抜)	F01
33100	33100-LGB5-E10	33100-LGB5-E10	LIGHT ASSY HEAD	LIGHT ASSY HEAD	1	19230	
34901	34901-LDC8-E10	34901-LDC8-E10	BULB HEAD LIGHT	BULB HEAD LIGHT	2	2360	
34903	34903-LDC8-E10	34903-LDC8-E10	BULB POSITION	BULB POSITION	2	300	
93903	93903-35220	93903-35220	SCREW TAPPING 5*12	SCREW TAPPING 5*12	8	60	



F02

Speedometer

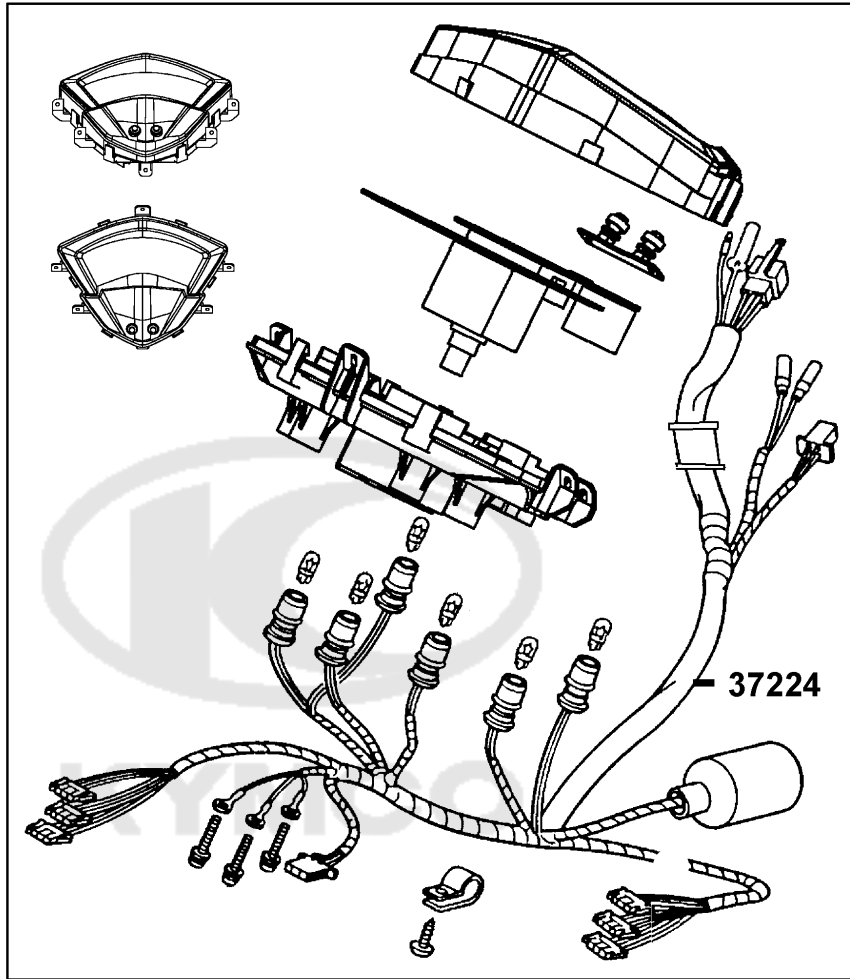
38300



44830



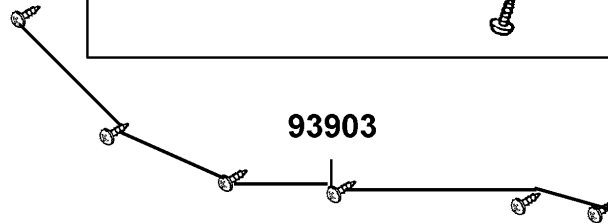
93700



37200

37224

93903

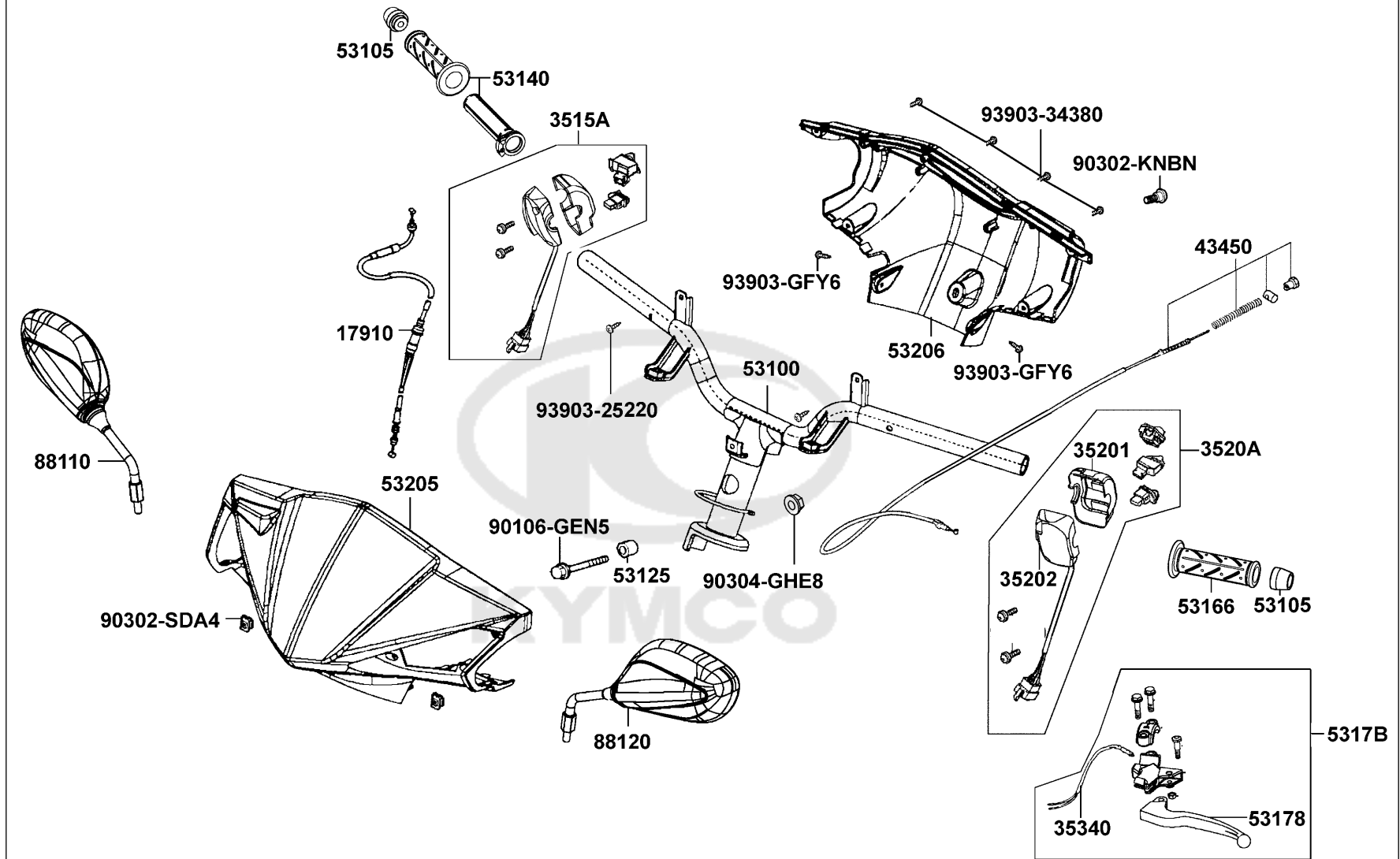


Sales mark 記号	Ref no 参照用番号	Part no パーツ番号	Description 部品名	Reg description 部品名	Regd no 必要個数	Ref Price 希望小売価格(税抜)	F02
37200		37200-LGB6-B20	METER ASSY SPEED	METER ASSY SPEED	1	16200	
37224		37224-LGB5-B20	SOCKET COME METER	SOCKET COME METER	1	4080	
38300		38300-KECE-W10	RELAY ASS'Y WINKER	RELAY ASS'Y WINKER	1	2370	
44830		44830-LGB5-E10	CABLE COMP SPDMT	CABLE COMP SPDMT	1	1280	
93700		93700-05018-0H	SCREW OVAL 5*18	SCREW OVAL 5*18	1	60	
93903		93903-34380	SCREW TAPPING 4*12 (K)	SCREW TAPPING 4*12 (K)	6	60	



F03

Handle Steering Handle Cover

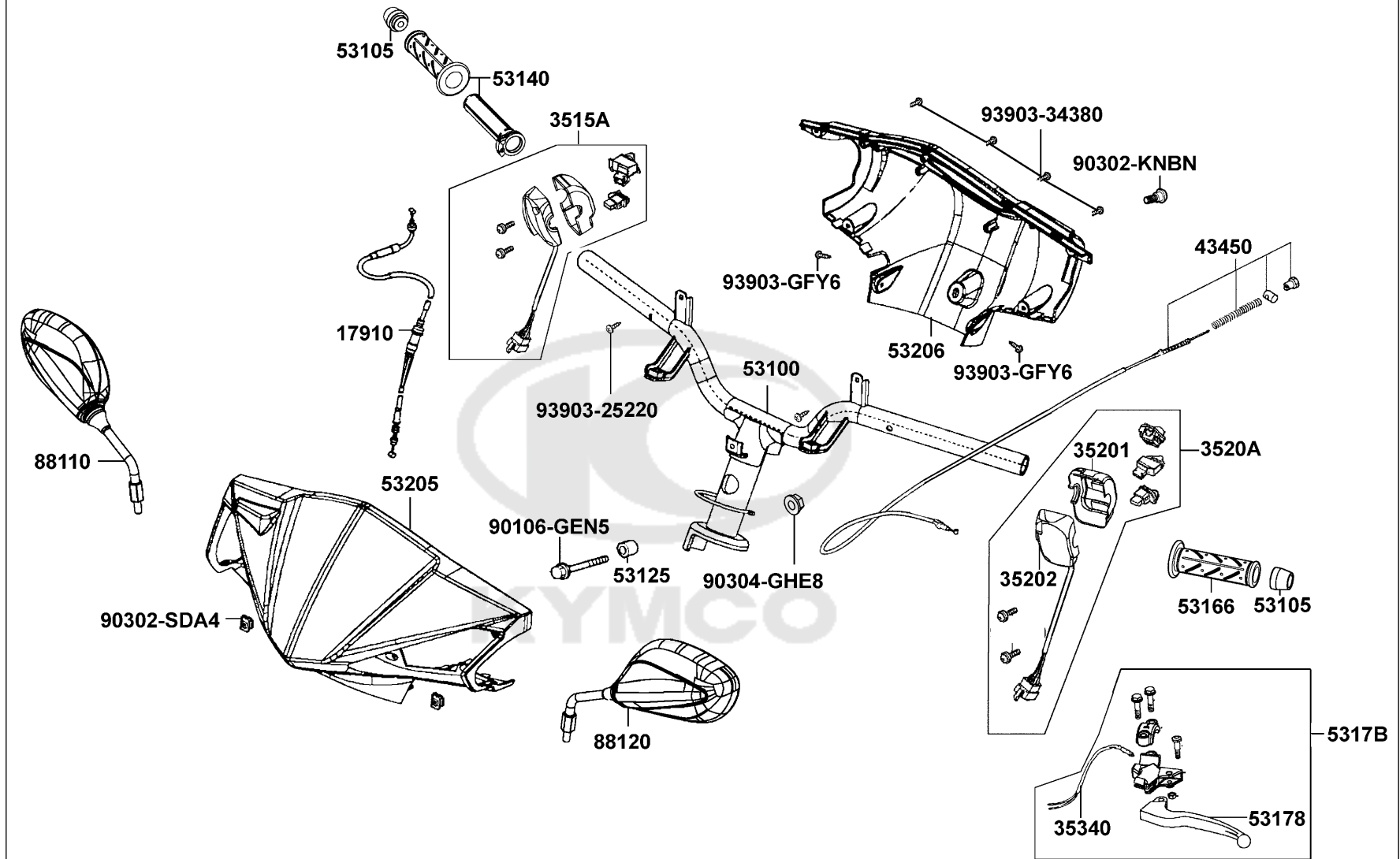


Sales mark 記号	Ref no 参照用番号	Part no パーツ番号	Description 部品名	Reg description 部品名	Regd no 必要個数	Ref Price 希望小売価格(税抜)
	17910	17910-LDF7-E10	CABLE COMP THROT	CABLE COMP THROT	1	1920
	3515A	3515A-LDF7-B20	SW ASSY RH HNDL COMP	SW ASSY RH HNDL COMP	1	3220
	35201	35201-LGB5-E10	FR CASE LH HNDL COMP SW	FR CASE LH HNDL COMP SW	1	2040
	35202	35202-LGB5-E10	RR CASE LH HNDL SW COMP	RR CASE LH HNDL SW COMP	1	1910
	3520A	3520A-LGB5-E11	"SW ASS'Y..LH HANDLE COMP"	"SW ASS'Y..LH HANDLE COMP"	1	3890
	35340	35340-KKJ9-C00	SW ASSY FR STOP	SW ASSY FR STOP	1	900
	43450	43450-LDF7-E10	CABLE COMP RR BRK	CABLE COMP RR BRK	1	1780
	53100	53100-LGB5-E10	HANDLE COMP STRG	HANDLE COMP STRG	1	7250
	53105	53105-KNBN-C00	END STRG HANDLE	END STRG HANDLE	1	90
	53125	53125-GEN5-C00	COLLAR HANDLE SET	COLLAR HANDLE SET	1	470
**	53140	53140-KNBN-C00	GRIP COMP THROT	GRIP COMP THROT	1	470
**	53166	53166-KNBN-C00	GRIP L HANDLE	GRIP L HANDLE	1	440
	53178	53178-LGB6-E10	"LEVER L ,STRG HANDL"	"LEVER L ,STRG HANDL"	1	1590
	5317B	5317B-LGB6-E10	BRKT ASSY HNDL LH	BRKT ASSY HNDL LH	1	4620
**	53205	53205-LGB5-E10	COVER HANDLE FR	COVER HANDLE FR	1	7490
**	53206	53206-LGB5-E10	COVER HANDLE RR	COVER HANDLE RR	1	1770
	88110	88110-LEB5-C10-D0C		MIRROR ASSY R BACK	1	
	88120	88120-LEB5-C10-D0C		MIRROR ASSY.,L BACK	1	
	90106	90106-GEN5-901	BOLT FLANGE 10*50	BOLT FLANGE 10*50	1	80
	90302-KNBN	90302-KNBN-C00	BOLT PAN 5*10	BOLT PAN 5*10	1	60

F03

F03

Handle Steering Handle Cover

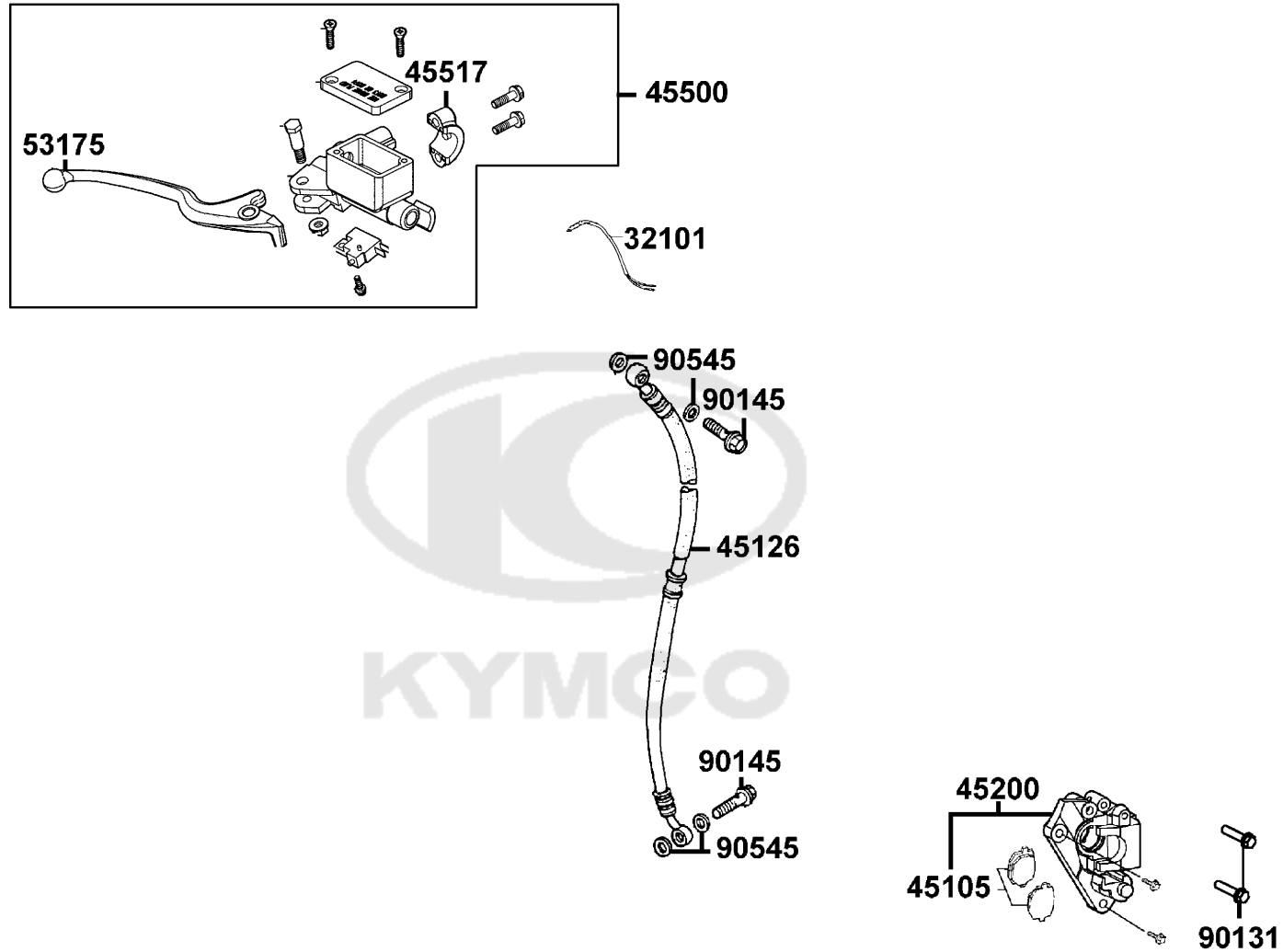


Sales mark 記号	Ref no 参照用番号	Part no パーツ番号	Description 部品名	Reg description 部品名	Regd no 必要個数	Ref Price 希望小売価格(税抜)	F03
90302-SDA4		90302-SDA4-C00	NUT SPRING 4MM	NUT SPRING 4MM	1	60	
90304		90304-GHE8-C00	NUT U 10MM (C)	NUT U 10MM (C)	1	200	
93903-25220		93903-25220	SCREW TAPPING 5*12	SCREW TAPPING 5*12	2	60	
93903-34380		93903-34380	SCREW TAPPING 4*12 (K)	SCREW TAPPING 4*12 (K)	4	60	
93903-GFY6		93903-GFY6-C00	SCREW TAPPING 4*14	SCREW TAPPING 4*14	1	60	

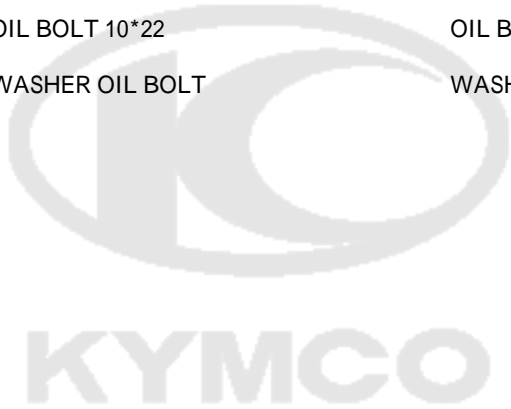


F04

Brake Master Cylinder

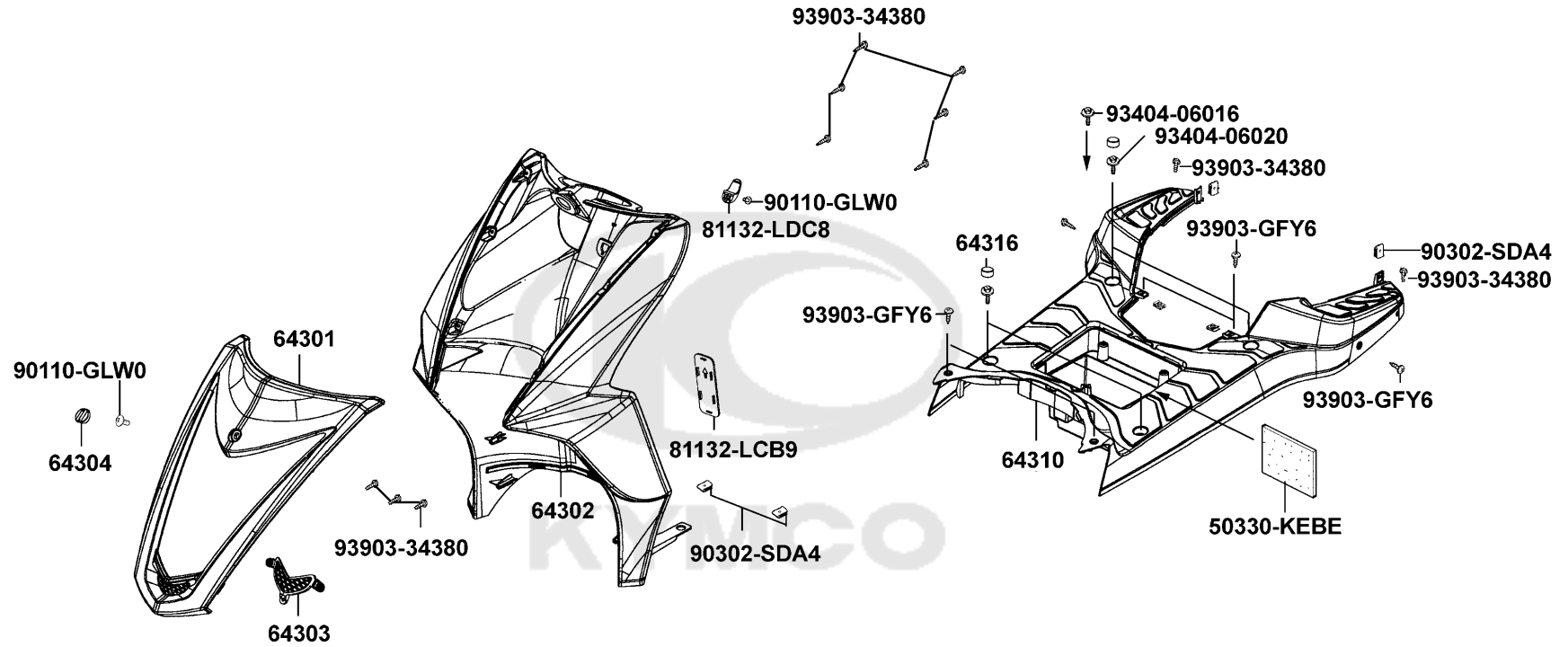


Sales mark 記号	Ref no 参照用番号	Part no パーツ番号	Description 部品名	Reg description 部品名	Regd no 必要個数	Ref Price 希望小売価格(税抜)	F04
32101		32101-GFY6-C00	SUB CORD R	SUB CORD R	1	580	
45105		45105-LDC8-305	PAD COMP A+B	PAD COMP A+B	1	3810	
45126		45126-LGB5-E10	HOSE ASSY FR BRK	HOSE ASSY FR BRK	1	6780	
45500		45500-LDC8-E10	M/C ASSY FR	M/C ASSY FR	1	9320	
45517		45517-KFAF-910	HOLDER M/C	HOLDER M/C	1	440	
53175		53175-KXBX-E00	LEVER R STRG HNDL	LEVER R STRG HNDL	1	1650	
90131		90131-GLW0-C00	BOLT FLANGE 8*35	BOLT FLANGE 8*35	1	140	
90145		90145-9A61-C00	OIL BOLT 10*22	OIL BOLT 10*22	1	280	
90545		90545-3L00-C00	WASHER OIL BOLT	WASHER OIL BOLT	1	70	



F05

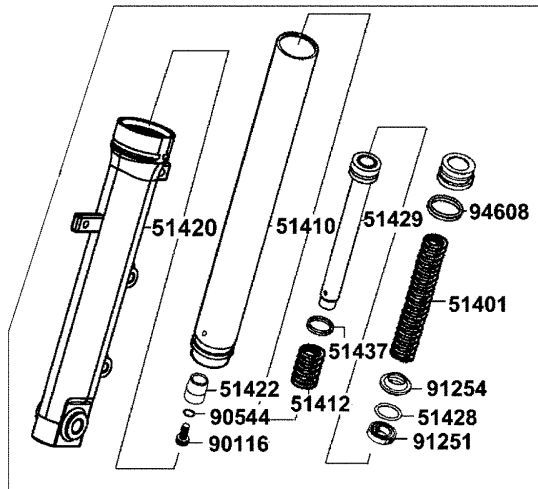
Front Cover Front Fender



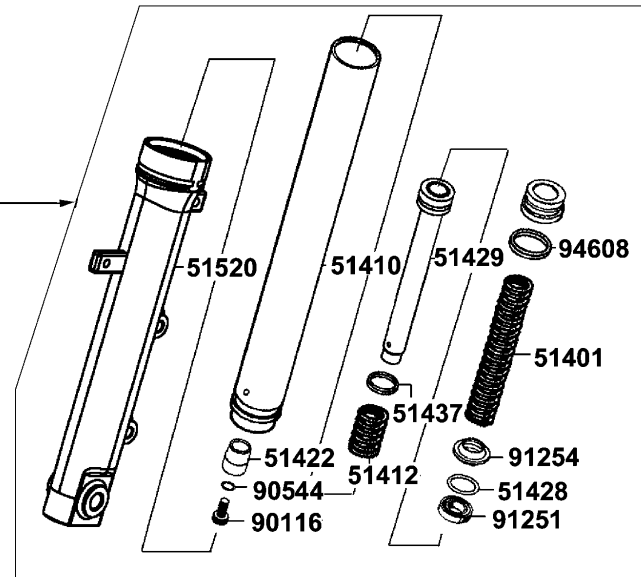
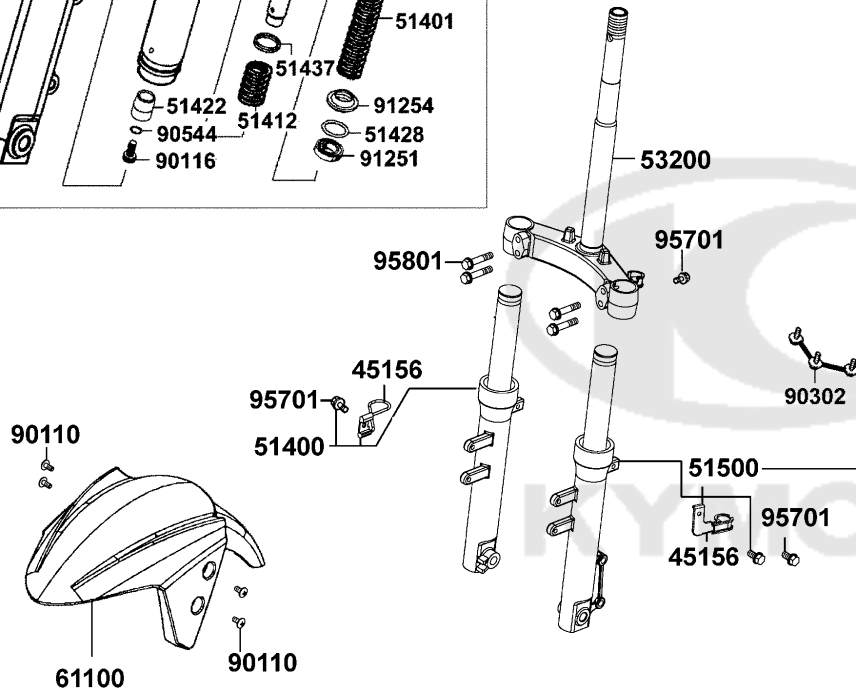
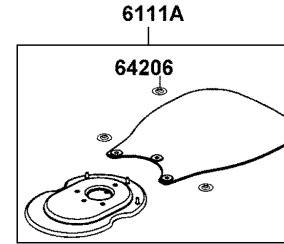
Sales mark 記号	Ref no 参照用番号	Part no パーツ番号	Description 部品名	Reg description 部品名	Regd no 必要個数	Ref Price 希望小売価格(税抜)	F05
	50330	50330-KEBE-C00	SEAL BATTERY FRONT	SEAL BATTERY FRONT	1	250	
**	64301	64301-LGB5-E10	COVER FRONT	COVER FRONT	1	6380	
**	64302	64302-LGB5-E10	MOLDING FRONT	MOLDING FRONT	1	6990	
**	64303	64303-LGB5-E10	GRILL FRONT	GRILL FRONT	1	250	
**	64304	64304-LGB5-E10	CAP FRONT COVER	CAP FRONT COVER	1	130	
**	64310	64310-LGB5-E10	FLOOR PANEL	FLOOR PANEL	1	6850	
**	64316	64316-LCB9-C10	PLUG FLOOR	PLUG FLOOR	4	180	
**	81132-LCB9	81132-LCB9-C10	LID LEG SHIELD	LID LEG SHIELD	1	440	
**	81132-LDC8	81132-LDC8-E10	HOOK LUGGAGE	HOOK LUGGAGE	1	130	
	90110-GLW0	90110-GLW0-C00	SCREW SPECIAL 6*14	SCREW SPECIAL 6*14	1	140	
	90302-SDA4	90302-SDA4-C00	NUT SPRING 4MM	NUT SPRING 4MM	1	60	
	93404-06016	93404-06016-07	BOLT WASHER 6*16 (K)	BOLT WASHER 6*16 (K)	1	140	
	93404-06020	93404-06020-07	BOLT WASHER 6*20 (K)	BOLT WASHER 6*20 (K)	4	140	
	93903-34380	93903-34380	SCREW TAPPING 4*12 (K)	SCREW TAPPING 4*12 (K)	11	60	
	93903-GFY6	93903-GFY6-C00	SCREW TAPPING 4*14	SCREW TAPPING 4*14	1	60	

F06

Stem Steering Front Cushion



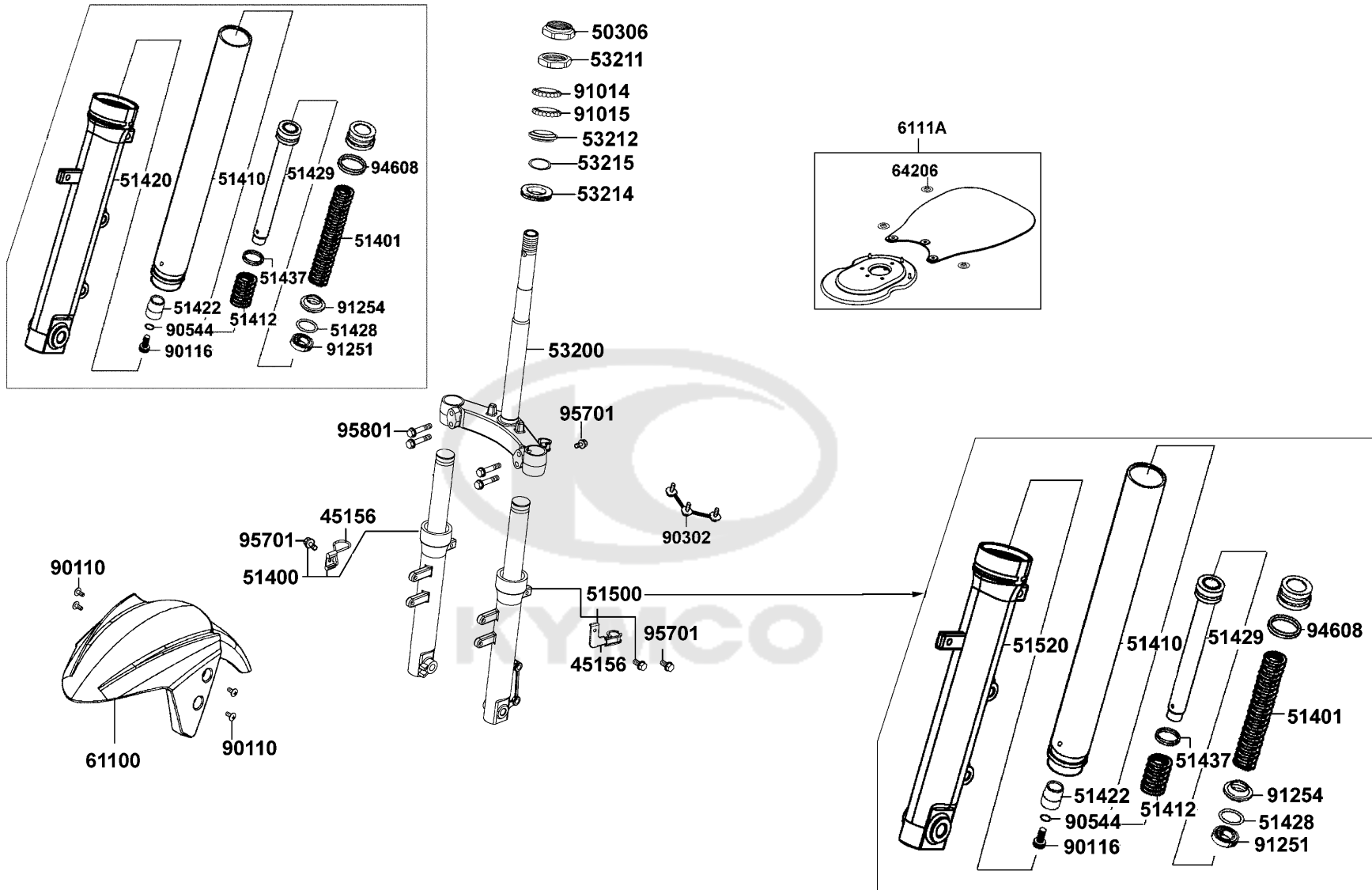
- 50306
- 53211
- 91014
- 91015
- 53212
- 53215
- 53214



Sales mark 記号	Ref no 参照用番号	Part no パーツ番号	Description 部品名	Reg description 部品名	Regd no 必要個数	Ref Price 希望小売価格(税抜)	F06
	45156	45156-LCB9-B20	CLAMPER FR SPDMT CABLE	CLAMPER FR SPDMT CABLE	1	450	
	50306	50306-1F96-C00	NUT STRG STEM LOCK	NUT STRG STEM LOCK	1	200	
	51401	51401-LDC8-E10	SPRING	SPRING	1	640	
	51410	51410-LDC8-E10	FORK PIPE COMP	FORK PIPE COMP	1	4980	
	51412	51412-LDC8-E10	REBOUND SPRING	REBOUND SPRING	1	110	
	51422	51422-LDC8-E10	OIL LOCK PIECE	OIL LOCK PIECE	1	370	
	51428	51428-LDC8-E10	OIL SEAL STOPPER RING	OIL SEAL STOPPER RING	1	60	
	51437	51437-LDC8-E10	PIPE SEAT	PIPE SEAT	1	60	
	51500	51500-LGB6-E10	FORK ASSY FR L	FORK ASSY FR L	1	15450	
	53211	53211-GFY6-C00	RACE STRG TOP CONE	RACE STRG TOP CONE	1	470	
	53212	53212-2L50-C00	RACE (STRG BOTTOM) CONE	RACE (STRG BOTTOM) CONE	1	680	
	53214	53214-2L50-C00	DUST SEAL STRG HEAD	DUST SEAL STRG HEAD	1	110	
	53215	53215-2L50-C00	WASHER STRG HDL DUST-SEAL	WASHER STRG HDL DUST-SEAL	1	60	
**	61100	61100-LGB5-E10	FENDER FRONT	FENDER FRONT	1	7940	
	6111A	6111A-LDC8-E90	FENDERMFR. INNER ASSY	FENDERMFR. INNER ASSY	1	1590	
	64206	64206-MLJ0-C00	NUT SPEED 4MM	NUT SPEED 4MM	3	60	
	90110	90110-KEB7-C00	SCREW SPECIAL 6*14	SCREW SPECIAL 6*14	1	140	
	90116	90116-LDC8-E10	BOLT	BOLT	1	70	
	90302	90302-GFY6-C00	BOLT-WASH 5*12	BOLT-WASH 5*12	3	60	
	90544	90544-LDC8-E10	PACKING (CU)B	PACKING (CU)B	1	60	

F06

Stem Steering Front Cushion



Sales mark 記号	Ref no 参照用番号	Part no パーツ番号	Description 部品名	Reg description 部品名	Regd no 必要個数	Ref Price 希望小売価格(税抜)	F06
91014	91014-LLJ3-C00	91014-LLJ3-C00	CAGE STRG TOPP	CAGE STRG TOPP	1	90	
91015	91015-LLJ3-C00	91015-LLJ3-C00	CAGE STRG BOT	CAGE STRG BOT	1	180	
91251	91251-LDC8-E10	91251-LDC8-E10	OIL SEAL	OIL SEAL	1	630	
91254	91254-LDC8-E10	91254-LDC8-E10	DUST SEAL	DUST SEAL	1	250	
94608	94608-LDC8-E10	94608-LDC8-E10	O-RING B	O-RING B	1	60	
95701	95701-06012-08	95701-06012-08	BOLT FLANGE 6*12	BOLT FLANGE 6*12	4	60	
95801	95801-08040-08	95801-08040-08	BOLT FLANGE 8*40	BOLT FLANGE 8*40	4	90	



F07

Front Wheel

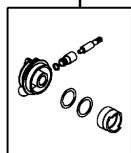
44306



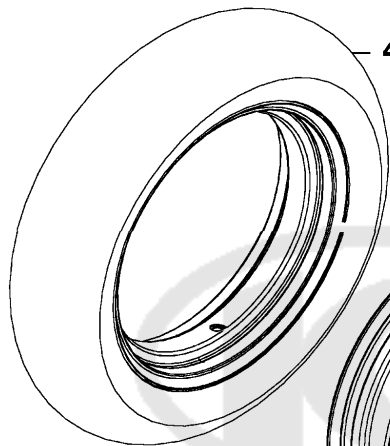
90306



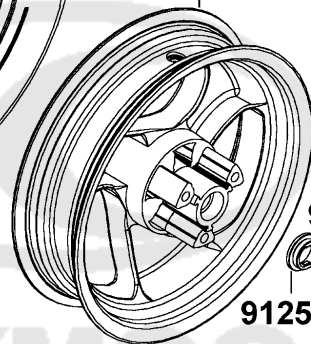
44800



44710



44601



90912



90912



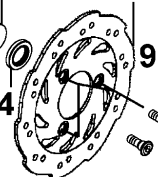
45121

91258

44620

90105

90754



44311



90121



44305

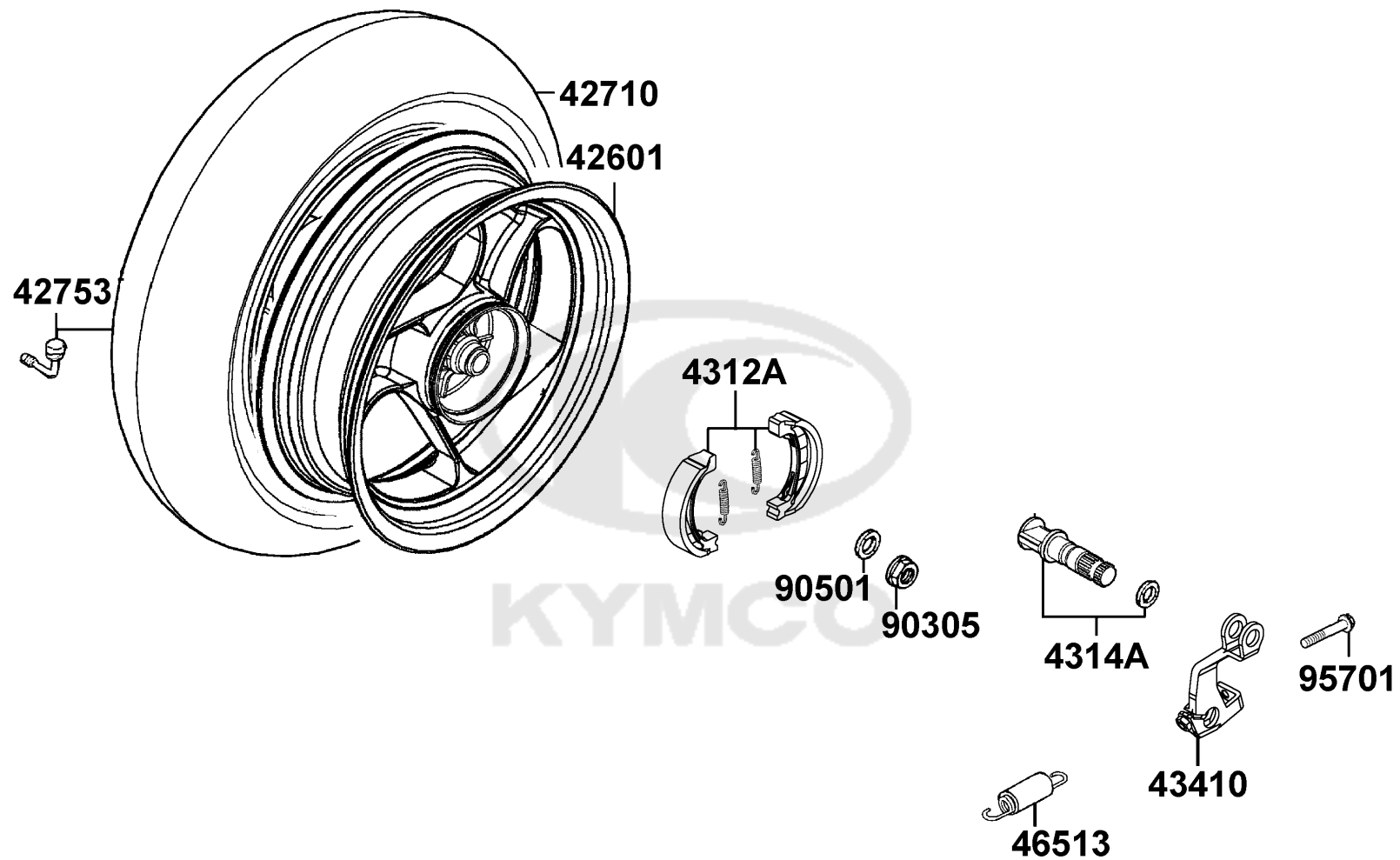


KYMCO

Sales mark 記号	Ref no 参照用番号	Part no パーツ番号	Description 部品名	Reg description 部品名	Regd no 必要個数	Ref Price 希望小売価格(税抜)	F07
44305		44305-KGE2-E00	AXLE PROTECTOR L	AXLE PROTECTOR L	1	440	
44306		44306-KGE2-E00	AXLE PROTECTOR R	AXLE PROTECTOR R	1	440	
44311		44311-GLW0-W10	CLLAR FR WHEEL SIDE	CLLAR FR WHEEL SIDE	1	580	
44620		44620-KEB7-C00	COLLAR FR DIST	COLLAR FR DIST	1	350	
44710		44710-LDC8-E10	TIRE ASSY FR	TIRE ASSY FR	1	13760	
44800		44800-LDC8-E10	GEAR BOX ASSY SPDMT	GEAR BOX ASSY SPDMT	1	2960	
90105		90105-KCR3-001	BOLT FR DISK 8*24	BOLT FR DISK 8*24	3	80	
90121		90121-KBE2-C00	BOLT RR FORK PIVOT	BOLT RR FORK PIVOT	1	1490	
90306		90306-KLF0-C00	NUT FLANGE 12MM	NUT FLANGE 12MM	1	210	
90754		90754-GHC8-C00	DUST SEAL 20*32*5	DUST SEAL 20*32*5	1	200	
90912		90912-GHC8-C00	BEARING 6201 (U) (NTN)	BEARING 6201 (U) (NTN)	1	1010	
91258		91258-KAM1-C00	SEAL SPDMT GEAR BOX	SEAL SPDMT GEAR BOX	1	450	

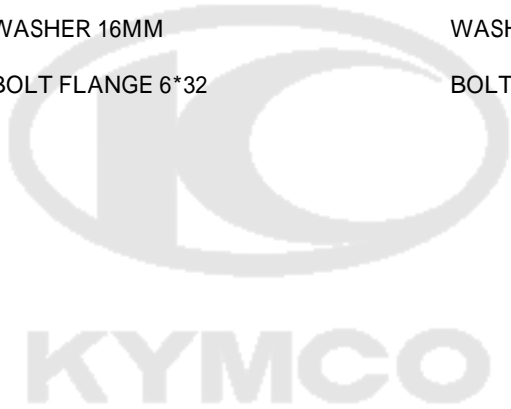
F08

Rear Wheel



Sales mark 記号	Ref no 参照用番号	Part no パーツ番号	Description 部品名	Reg description 部品名	Regd no 必要個数	Ref Price 希望小売価格(税抜)
42710	42710-LDC8-E10	42710-LDC8-E10	TIRE ASSY RR	TIRE ASSY RR	1	12220
42753	42753-0A01-C00	42753-0A01-C00	VALVE (TR 412) & CAP (C)	VALVE (TR 412) & CAP (C)	1	520
4312A	4312A-KUDU-C00	4312A-KUDU-C00	SHOE ASSY RR BRAKE	SHOE ASSY RR BRAKE	1	2870
4314A	4314A-KKD7-E00	4314A-KKD7-E00	CAM ASSY RR BRAKE ** (0)	CAM ASSY RR BRAKE ** (0) N.C.2006.09.26	1	1250
43410	43410-KEC4-900	43410-KEC4-900	ARM COMP RR BRAKE	ARM COMP RR BRAKE	1	1060
46513	46513-KUDU-C00	46513-KUDU-C00	SPG BRK ARM	SPG BRK ARM	1	350
90305	90305-KNBN-C00	90305-KNBN-C00	NUT U 16MM(C)	NUT U 16MM(C)	1	330
90501	90501-KNBN-C00	90501-KNBN-C00	WASHER 16MM	WASHER 16MM	1	70
95701	95701-06032-08	95701-06032-08	BOLT FLANGE 6*32	BOLT FLANGE 6*32	1	60

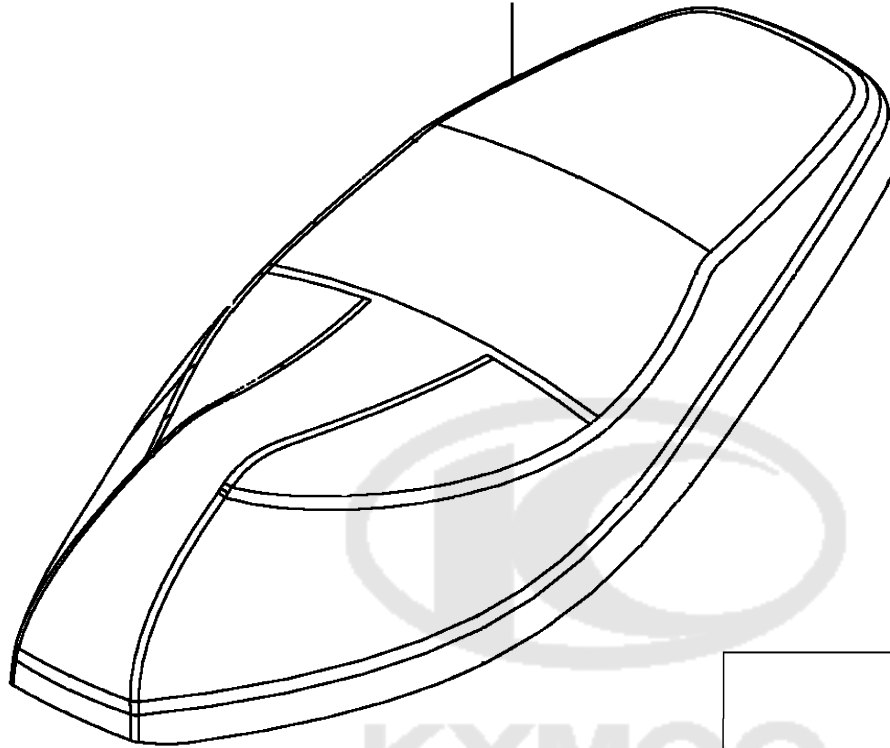
F08



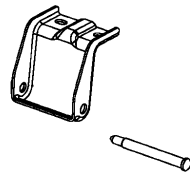
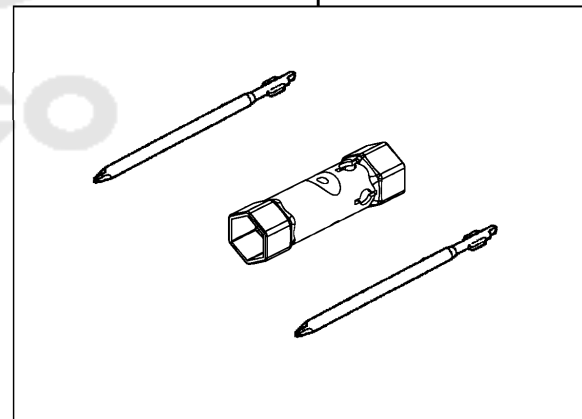
F09

Seat

77200



89010



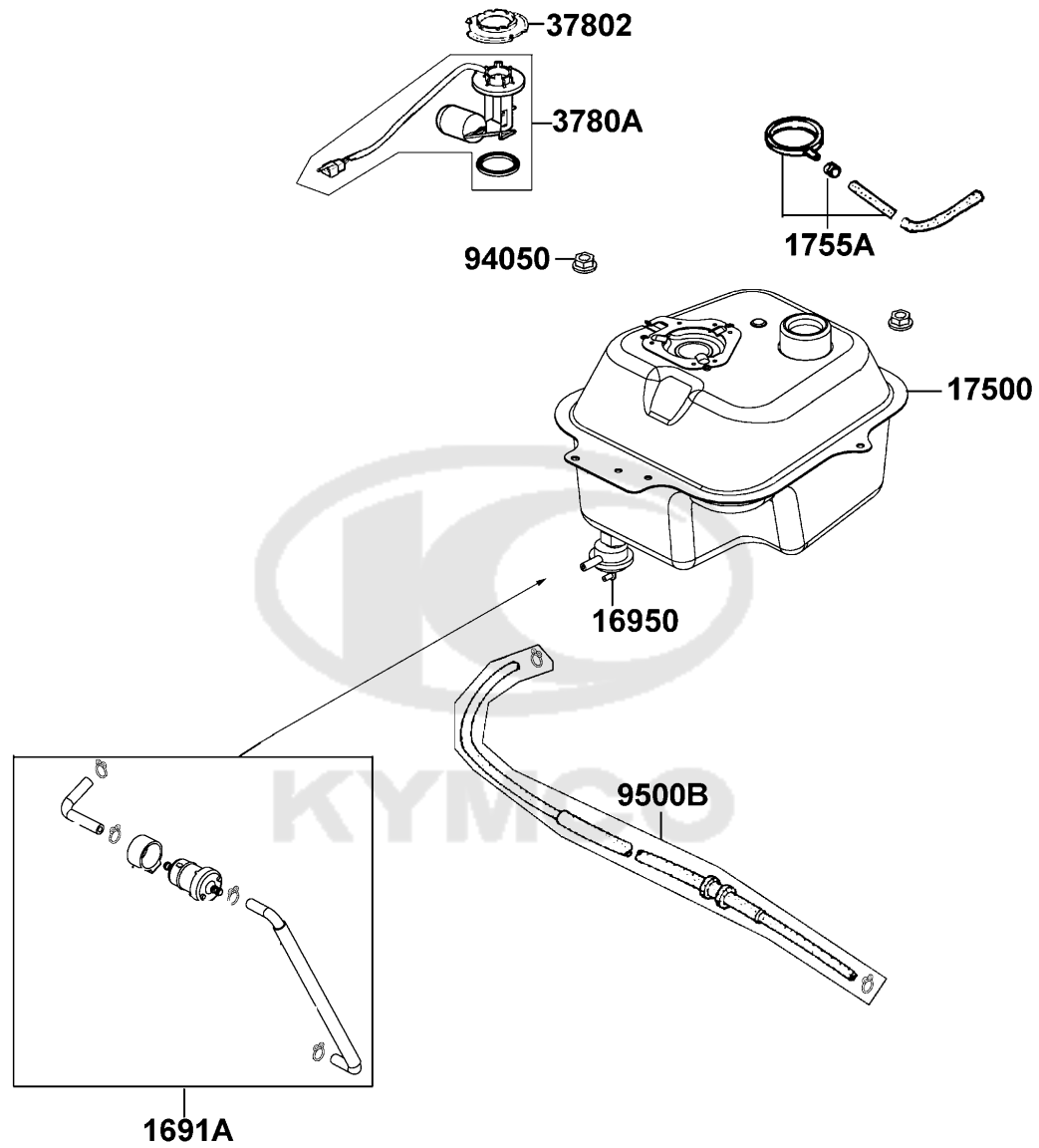
94050

Sales mark 記号	Ref no 参照用番号	Part no パーツ番号	Description 部品名	Reg description 部品名	Regd no 必要個数	Ref Price 希望小売価格(税抜)	F09
**	77200	77200-LGB6-E10	SEAT ASSY	SEAT ASSY	1	16230	
	89010	89010-KGBG-C00	TOOL SET	TOOL SET	1	1250	
	94050	94050-06080	NUT FLANGE 6MM	NUT FLANGE 6MM	2	60	



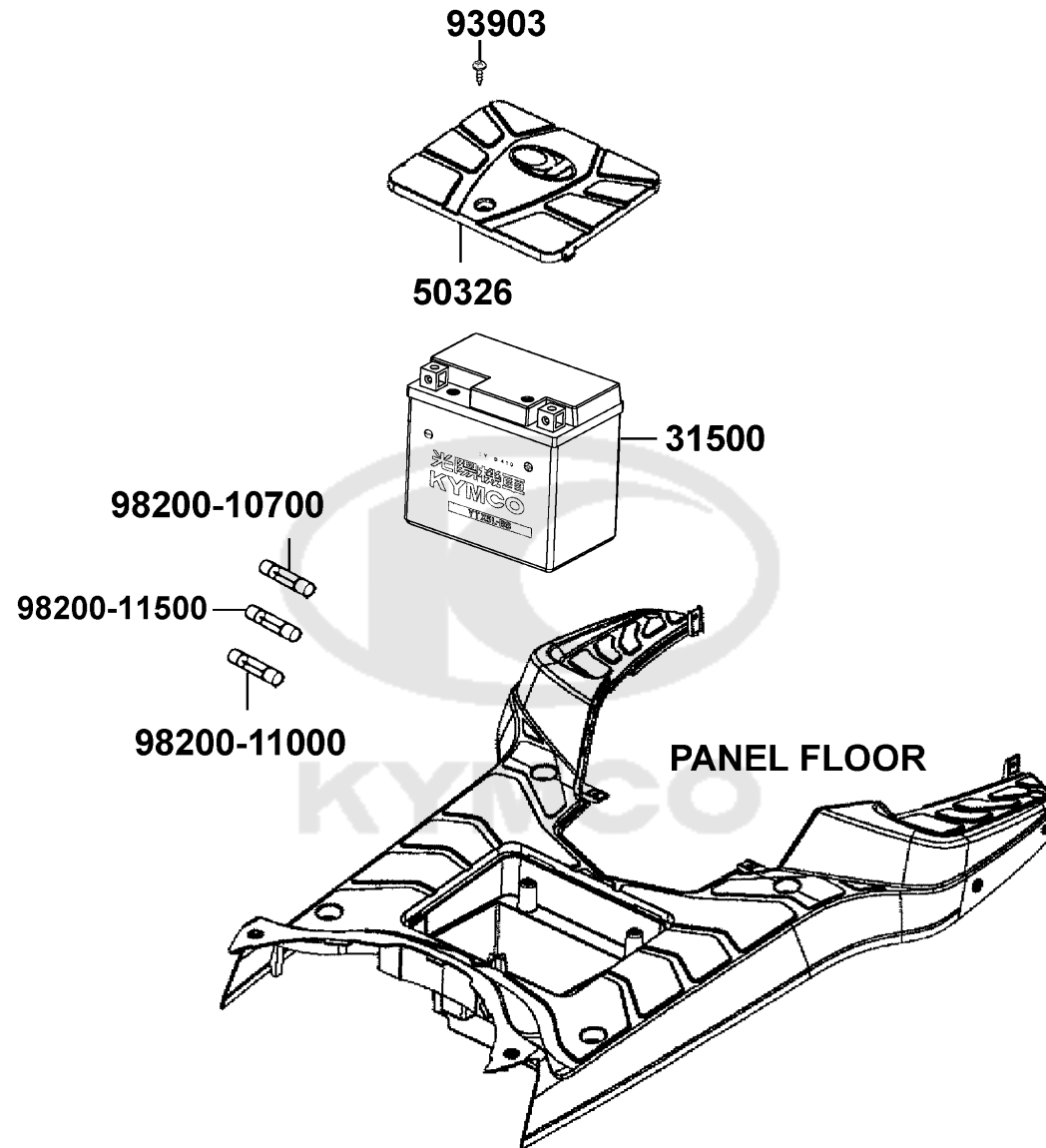
F10

Fuel Tan



Sales mark 記号	Ref no 参照用番号	Part no パーツ番号	Description 部品名	Reg description 部品名	Regd no 必要個数	Ref Price 希望小売価 格(税抜)	F10
1691A		1691A-LDF7-E10	STRAINER ASSY FUEL	STRAINER ASSY FUEL	1	2560	
16950		16950-KKJ9-C00	AUTO COCK ASSY FUEL	AUTO COCK ASSY FUEL	1	1720	
17500		17500-LCB9-C10	TANK COMP FUEL	TANK COMP FUEL	1	10440	
1755A		1755A-KKD5-C10	TRAY ASSY FUEL CAP	TRAY ASSY FUEL CAP	1	1750	
37802		37802-GGA7-C00	RET FUEL UNIT	RET FUEL UNIT	1	160	
3780A		3780A-LDC8-E10	FUEL UNIT ASSY	FUEL UNIT ASSY	1	2860	
94050		94050-06080	NUT FLANGE 6MM	NUT FLANGE 6MM	2	60	
9500B		9500B-LDC8-E10	TUBE ASSY VACUUM	TUBE ASSY VACUUM	1	1560	

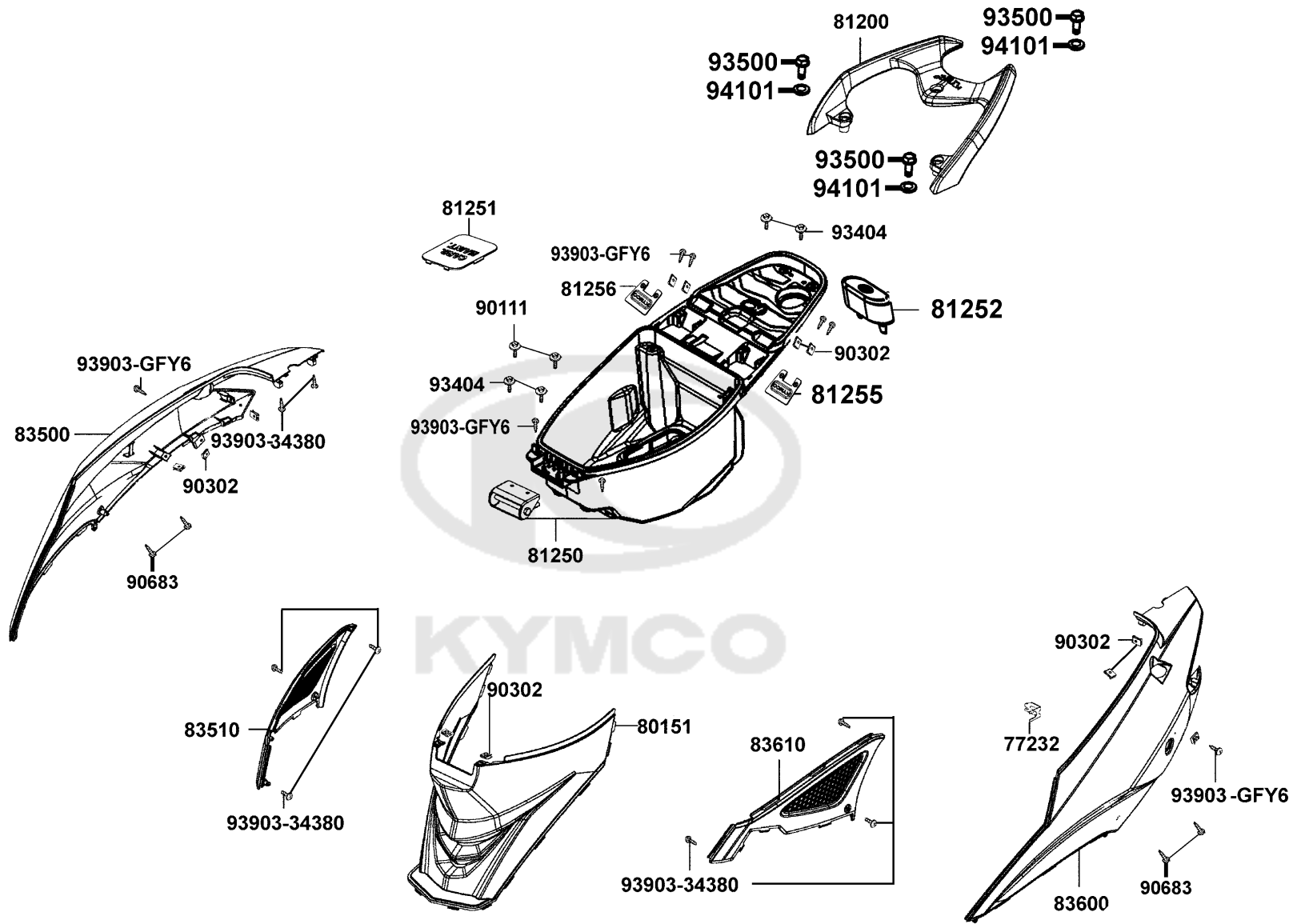




Sales mark 記号	Ref no 参照用番号	Part no パーツ番号	Description 部品名	Reg description 部品名	Regd no 必要個数	Ref Price 希望小売価格(税抜)
	31500	31500-GFY6-C00	BATTERY GTX7A-BS	BATTERY GTX7A-BS	1	16330
**	50326	50326-LGB5-E10	COVER BATTERY	COVER BATTERY	1	890
	93903	93903-35380	SCREW TAPPING 5*16 (K)	SCREW TAPPING 5*16 (K)	1	60
	98200-10700	98200-10700	FUSE A7	FUSE A7	1	60
	98200-11000	98200-11000	FUSE A10	FUSE A10	1	60
	98200-11500	98200-11500	FUSE A15	FUSE A15	1	60

F11



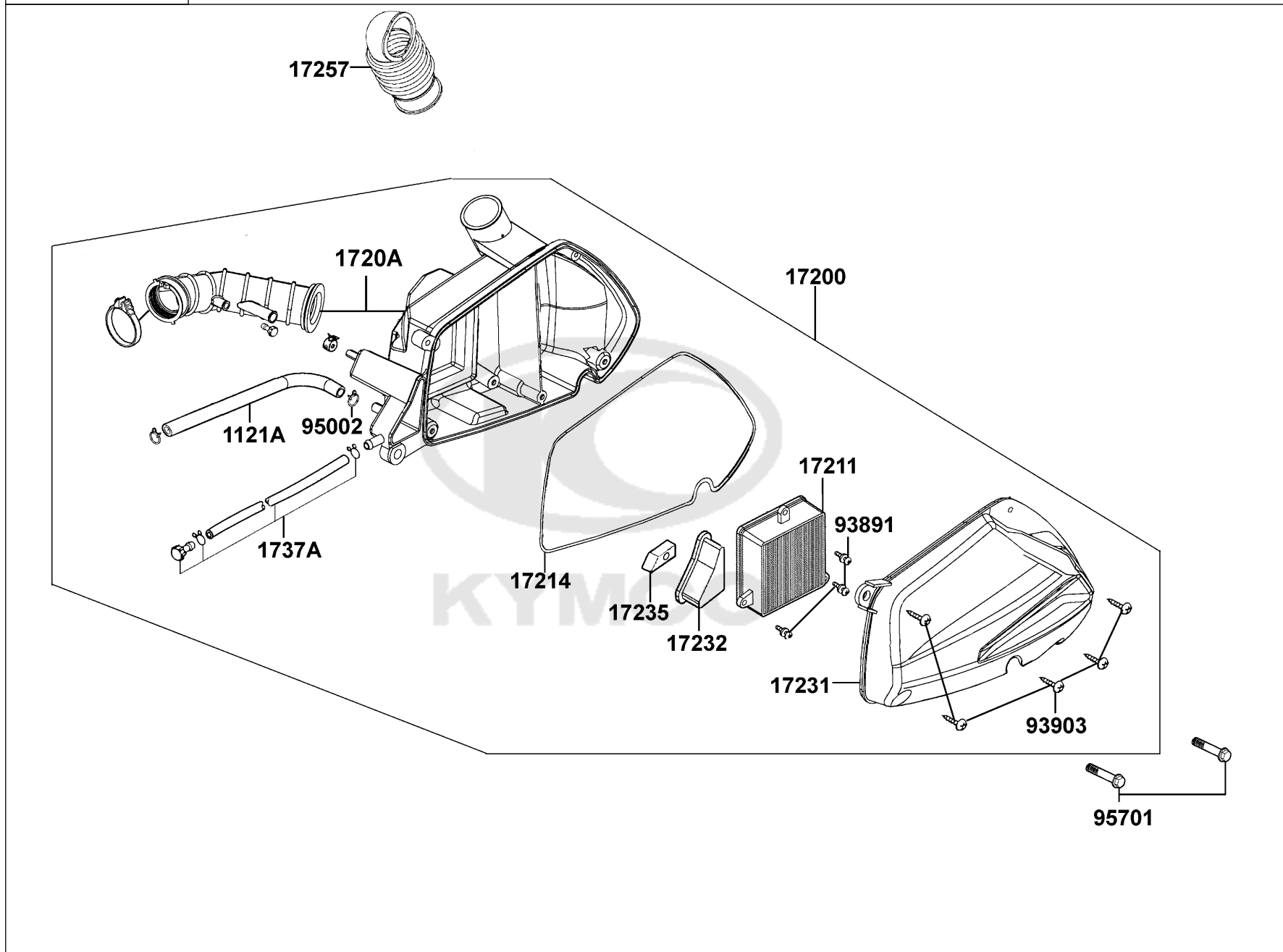


Sales mark 記号	Ref no 参照用番号	Part no パーツ番号	Description 部品名	Reg description 部品名	Regd no 必要個数	Ref Price 希望小売価格(税抜)
	77232	77232-KCAC-C00	SET SPG SEAT LOCK	SET SPG SEAT LOCK	1	200
**	80151	80151-LGB5-E10	COVER CENTER	COVER CENTER	1	2340
**	81250	81250-LGB5-E10	BOX LUGGAGE	BOX LUGGAGE	1	7850
**	81251	81251-LCB9-C10	LID CARB MAINT	LID CARB MAINT	1	850
	81252	81252-LGB5-E10	BOX LUGGAGE RUBBER	BOX LUGGAGE RUBBER	1	320
**	81256	81256-LGB6-E10	COVER L BOX LUGGAGE	COVER L BOX LUGGAGE	1	160
**	83500	83500-LGB5-E10	COVER R BODY SIDE	COVER R BODY SIDE	1	7660
**	83510	83510-LGB5-E10	GRILL R SIDE	GRILL R SIDE	1	580
**	83600	83600-LGB5-E10	COVER L BODY SIDE	COVER L BODY SIDE	1	7660
**	83610	83610-LGB5-E10	COVER L SIDE	COVER L SIDE	1	580
	90111	90111-1G87-C00	BOLT, PLANGE 6*14	BOLT, PLANGE 6*14	1	70
	90302	90302-SDA4-C00	NUT SPRING 4MM	NUT SPRING 4MM	1	60
	90683	90683-GAR1-C00	CLIP BODY COVER	CLIP BODY COVER	4	60
	93404	93404-06016-07	BOLT WASHER 6*16 (K)	BOLT WASHER 6*16 (K)	4	140
	93500	93500-LGB5-E10	BOLT SPECIAL 8*35	BOLT SPECIAL 8*35	3	210
	93903-34380	93903-34380	SCREW TAPPING 4*12 (K)	SCREW TAPPING 4*12 (K)	8	60
	93903-GFY6	93903-GFY6-C00	SCREW TAPPING 4*14	SCREW TAPPING 4*14	1	60

F12

F13

Air Cleaner

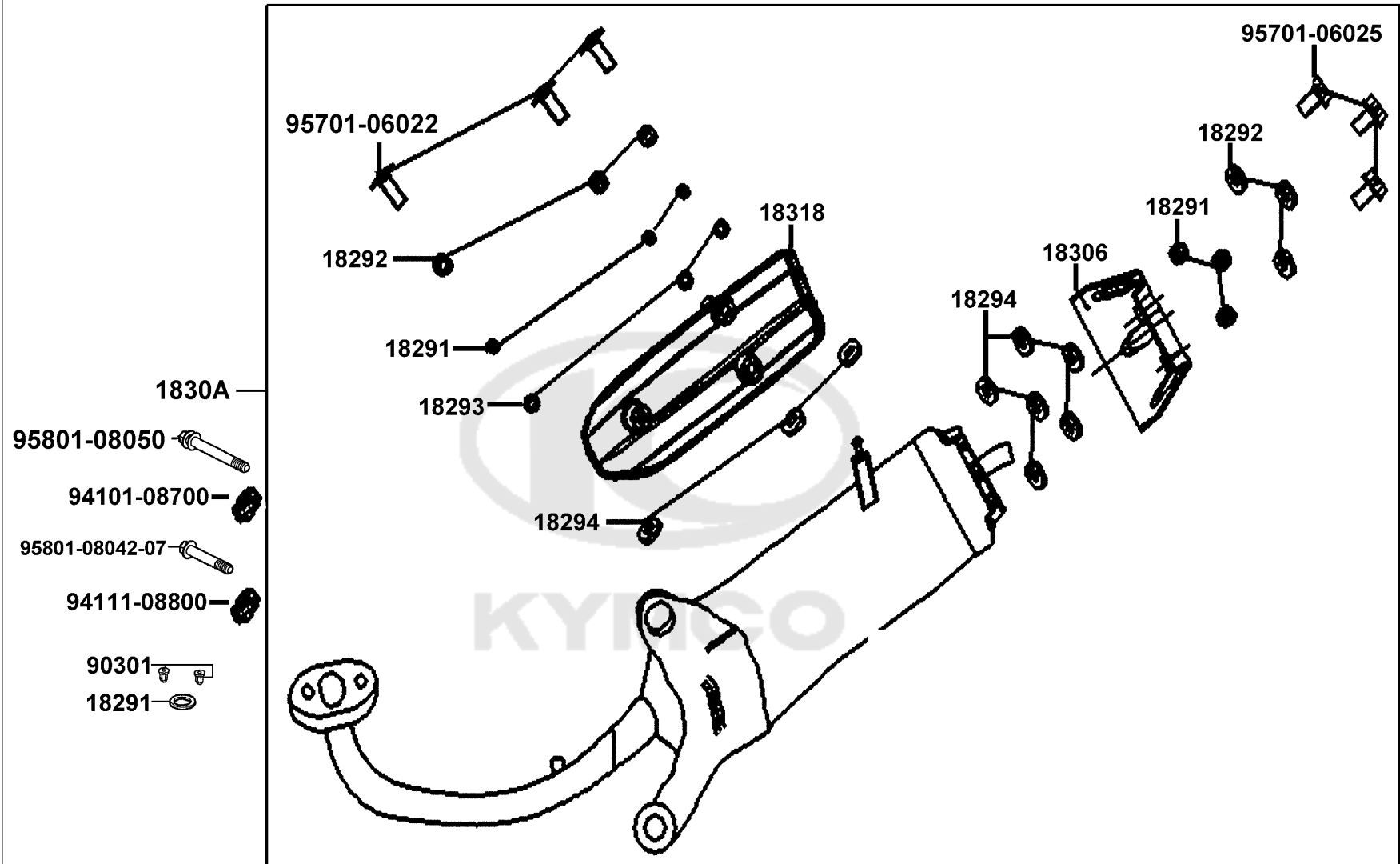


Sales mark 記号	Ref no 参照用番号	Part no パーツ番号	Description 部品名	Reg description 部品名	Regd no 必要個数	Ref Price 希望小売価格(税抜)
1121A	1121A-KUDU-C00	TUBE BREATHER	TUBE BREATHER	TUBE BREATHER	1	450
17200	17200-LDF7-E10	AIR/C ASSY	AIR/C ASSY	AIR/C ASSY	1	19500
1720A	1720A-LDF7-E10	CASE COMP AIR/C	CASE COMP AIR/C	CASE COMP AIR/C	1	4300
17211	17211-LDF7-B000	ELEMENT COMP AIR/C	ELEMENT COMP AIR/C	ELEMENT COMP AIR/C	1	1730
17214	17214-KKD7-C00	SEAL AIR/C CASE	SEAL AIR/C CASE	SEAL AIR/C CASE	1	470
17231	17231-LDF7-E10	COVER AIR/C	COVER AIR/C	COVER AIR/C	1	1370
17232	17232-LDF7-E10	COVER OIL CATCH	COVER OIL CATCH	COVER OIL CATCH	1	110
17235	17235-GFY6-C00	FILTER OIL CATCH	FILTER OIL CATCH	FILTER OIL CATCH	1	60
17257	17257-LGB6-E10	DUCT AIR/C	DUCT AIR/C	DUCT AIR/C	1	1590
1737A	1737A-KUDU-C00	V TUBE ASSY	V TUBE ASSY	V TUBE ASSY	1	390
93891	93891-05016-00	SCREW WASHER 5*16	SCREW WASHER 5*16	SCREW WASHER 5*16	3	200
93903	93903-25480	SCREW TAPPING 5*20 (K)	SCREW TAPPING 5*20 (K)	SCREW TAPPING 5*20 (K)	5	200
95002	95002-02120	CLIP B12 TUBE	CLIP B12 TUBE	CLIP B12 TUBE	1	60
95701	95701-06032-08	BOLT FLANGE 6*32	BOLT FLANGE 6*32	BOLT FLANGE 6*32	2	60

F13

F14

Exhaust Muffler

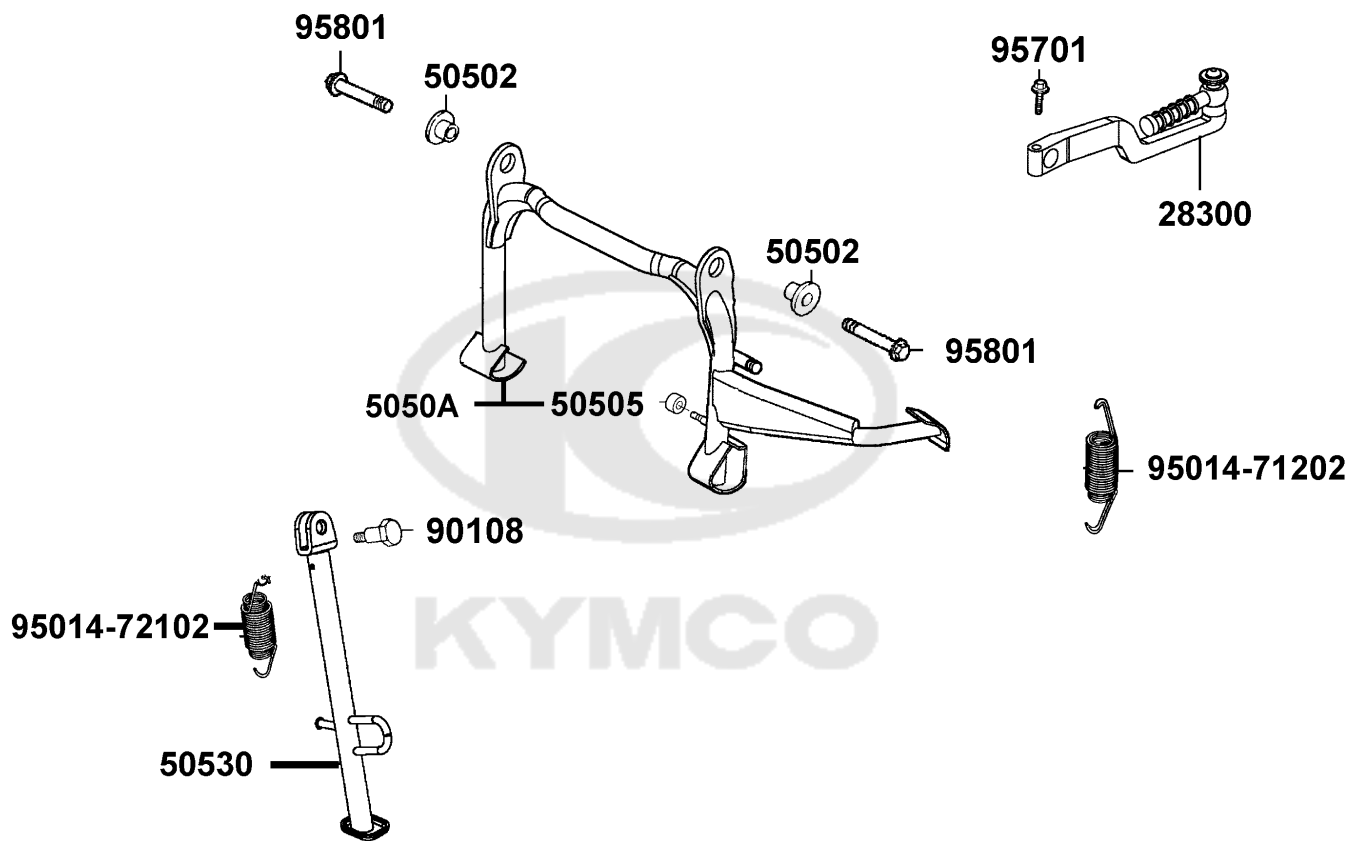


Sales mark 記号	Ref no 参照用番号	Part no パーツ番号	Description 部品名	Reg description 部品名	Regd no 必要個数	Ref Price 希望小売価格(税抜)
	18291-GGA7	18291-GGA7-C01	GASKET EXH PIPE	GASKET EXH PIPE	1	210
	18291-KEBE	18291-KEBE-C00	COLLAR	COLLAR	1	70
	18292	18292-KEBE-C00	PACKING PROTECTOR	PACKING PROTECTOR	1	90
	18293	18293-KEBE-C00	RUBBER PKG PROTR	RUBBER PKG PROTR	1	110
	18294	18294-PUA3-B50	PACKING PROTECTOR	PACKING PROTECTOR	1	70
	18306	18306-LDF7-E10	TAIL CAP MUFFLER	TAIL CAP MUFFLER	1	3820
	1830A	1830A-LDF7-EY0	MUFFLER ASSY EXH	MUFFLER ASSY EXH	1	43440
	18318	18318-LDF7-E10	PROTECTOR MUFFLER	PROTECTOR MUFFLER	1	3550
	90301	90301-GFY6-C00	NUT (HEX) CAP 8MM	NUT (HEX) CAP 8MM	1	510
	94101	94101-08700	WASHER PLAIN 8MM	WASHER PLAIN 8MM	1	200
	94111	94111-08800	WASHER SPG 8MM	WASHER SPG 8MM	1	60
	95701-06022	95701-06022-07	BOLT FLANGE 6*22 (K)	BOLT FLANGE 6*22 (K)	3	190
	95701-06025	95701-06025-07	BOLT FLANGE 6*25 (K) **06 C.P.N.	BOLT FLANGE 6*25 (K) **06 C.P.N.(廃盤)	3	580
	95801-08042	95801-08042-07	BOLT FLANGE8*42 (K)	BOLT FLANGE8*42 (K)	1	130
	95801-08050	95801-08050-07	BOLT FLANGE 8*50 (K)	BOLT FLANGE 8*50 (K)	1	180

F14

F15

Stand Kick Starter Arm



F16

Rear Cushion



Sales mark 記号	Ref no 参照用番号	Part no パーツ番号	Description 部品名	Reg description 部品名	Regd no 必要個数	Ref Price 希望小売価格(税抜)
------------------	-----------------	------------------	--------------------	------------------------	-----------------	-------------------------

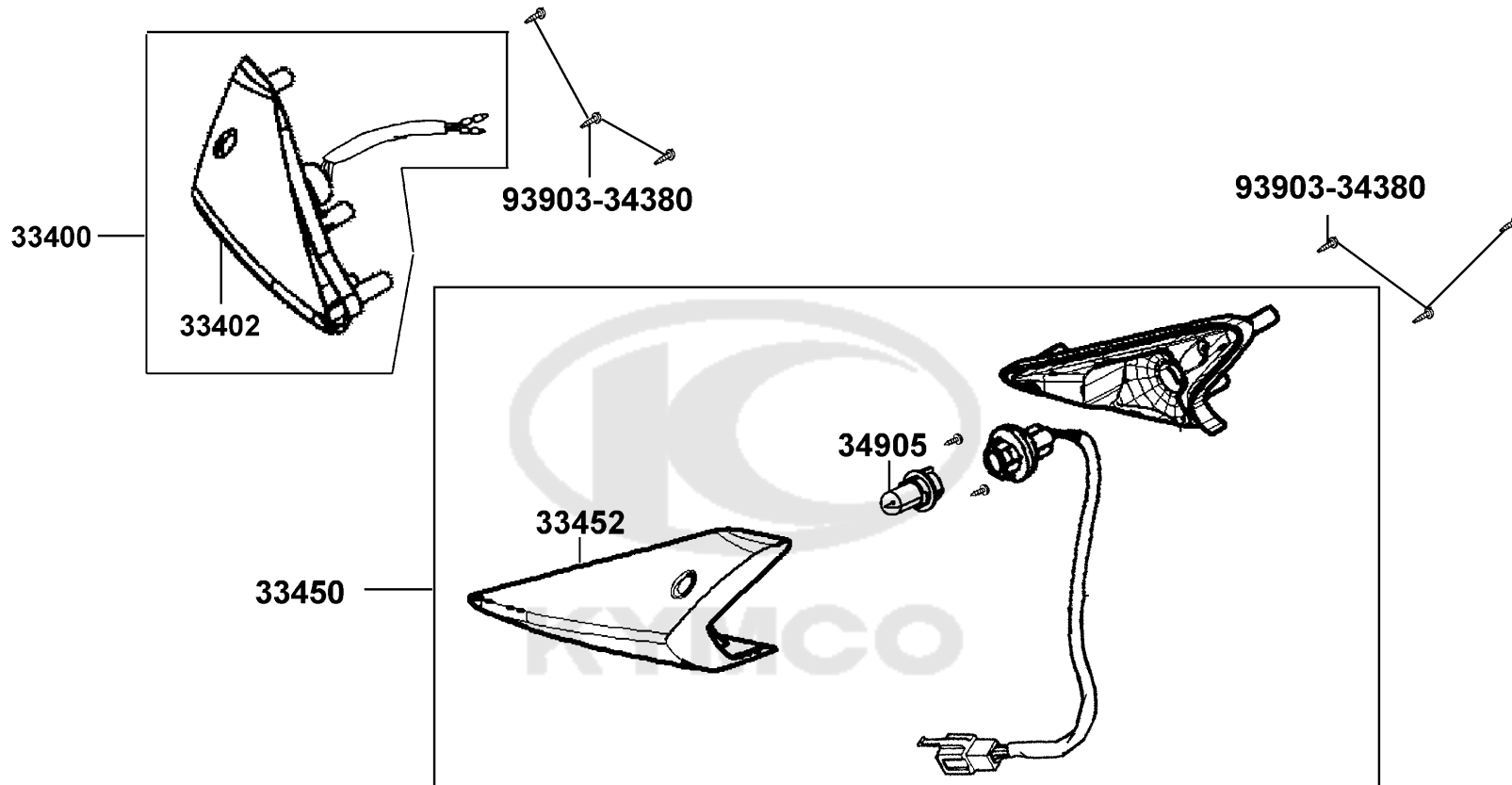
F16

52400		52400-LDF7-E10	CUSHION ASSY RR	CUSHION ASSY RR	1	6660
95801-08032		95801-08032-08	BOLT FLANGE 8*32(C)	BOLT FLANGE 8*32(C)	1	110
95801-10035		95801-10035-08	BOLT FLANGE 10*35	BOLT FLANGE 10*35	1	160



F17

Front Winker

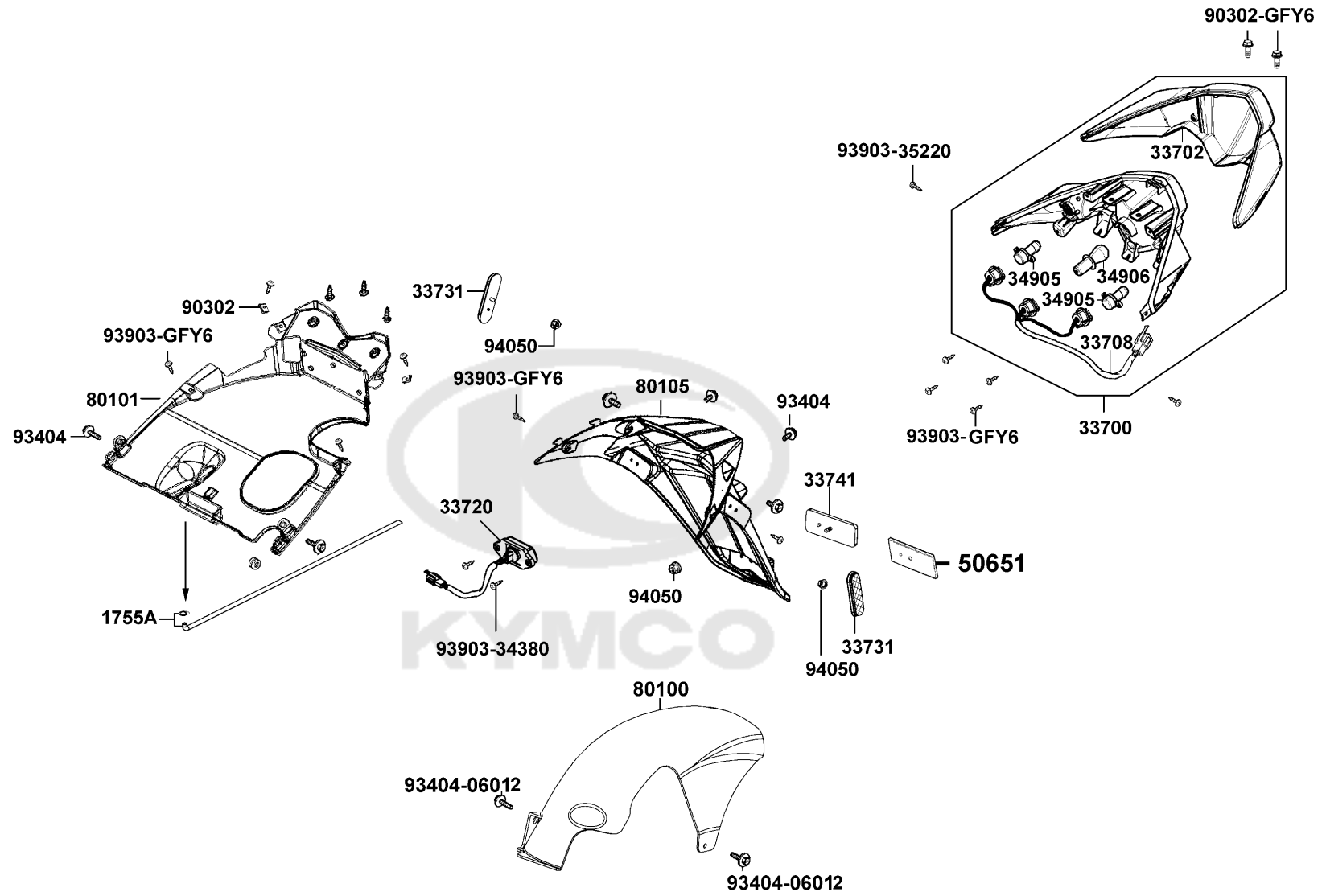


Sales mark 記号	Ref no 参照用番号	Part no パーツ番号	Description 部品名	Reg description 部品名	Regd no 必要個数	Ref Price 希望小売価格(税抜)	F17
33400		33400-LGB5-E10	WINKER ASSY R FR	WINKER ASSY R FR	1	4070	
33402		33402-LGB5-E10	LENS R FR WINKER	LENS R FR WINKER	1	830	
33450		33450-LGB5-E10	WINKER ASSY L FR	WINKER ASSY L FR	1	4070	
33452		33452-LGB5-E10	LENS L FR WINKER	LENS L FR WINKER	1	830	
34905		34905-LBA8-E80	BULB WINKER	BULB WINKER	1	540	
93903		93903-34380	SCREW TAPPING 4*12 (K)	SCREW TAPPING 4*12 (K)	6	60	



F18

Tail Light

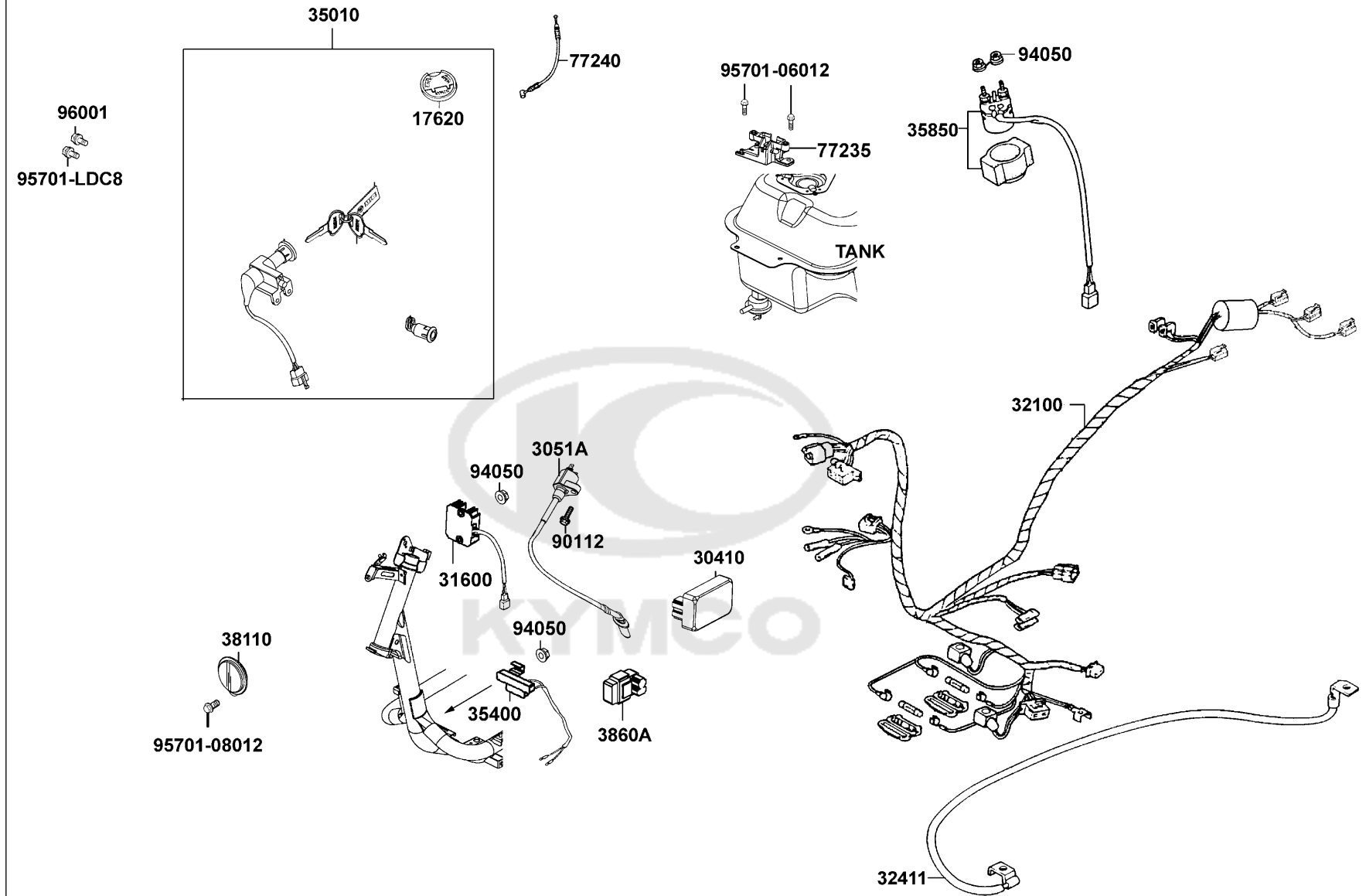


Sales mark 記号	Ref no 参照用番号	Part no パーツ番号	Description 部品名	Reg description 部品名	Regd no 必要個数	Ref Price 希望小売価格(税抜)
	1755A	1755A-LDC8-E10	TUBE ASSY FUEL DRAIN	TUBE ASSY FUEL DRAIN	1	2390
	33700	33700-LGB5-E10	LIGHT ASSY RR COMB	LIGHT ASSY RR COMB	1	13570
	33702	33702-LGB5-E10	LENS COMP RR COMB	LENS COMP RR COMB	1	3860
	33708	33708-LGB5-E10	SOCKET COMP RR COMB	SOCKET COMP RR COMB	1	2150
	33720	33720-LGB5-E10	LIGHT ASSY LICENSE	LIGHT ASSY LICENSE	1	960
	33731	33731-KGB5-C00	REFLEX REFLECTOR,SIDE	REFLEX REFLECTOR,SIDE	1	540
	33741	33741-KEBE-C00	REFLEX REFLECTOR	REFLEX REFLECTOR	1	730
	34905	34905-KPCP-C00	BULB WINKER	BULB WINKER	1	390
**	80100	80100-LDF7-E10	FENDER RR TIRE	FENDER RR TIRE	1	2600
**	80101	80101-LGB6-E10	FENDER RR INNER	FENDER RR INNER	1	2180
**	80105	80105-LGB5-E10	FENDER REAR	FENDER REAR	1	2180
	90302-GFY6	90302-GFY6-C00	BOLT-WASH 5*12	BOLT-WASH 5*12	2	60
	90302	90302-SDA4-C00	NUT SPRING 4MM	NUT SPRING 4MM	1	60
	93404	93404-06012-07	BOLT WASH 6*12	BOLT WASH 6*12	8	60
	93903-34380	93903-34380	SCREW TAPPING 4*12 (K)	SCREW TAPPING 4*12 (K)	2	60
	93903-35220	93903-35220	SCREW TAPPING 5*12	SCREW TAPPING 5*12	2	60
	93903-GFY6	93903-GFY6-C00	SCREW TAPPING 4*14	SCREW TAPPING 4*14	1	60
	94050	94050-05080	NUT FLANGE 5MM	NUT FLANGE 5MM	3	200

F18

F19

Wire Harness

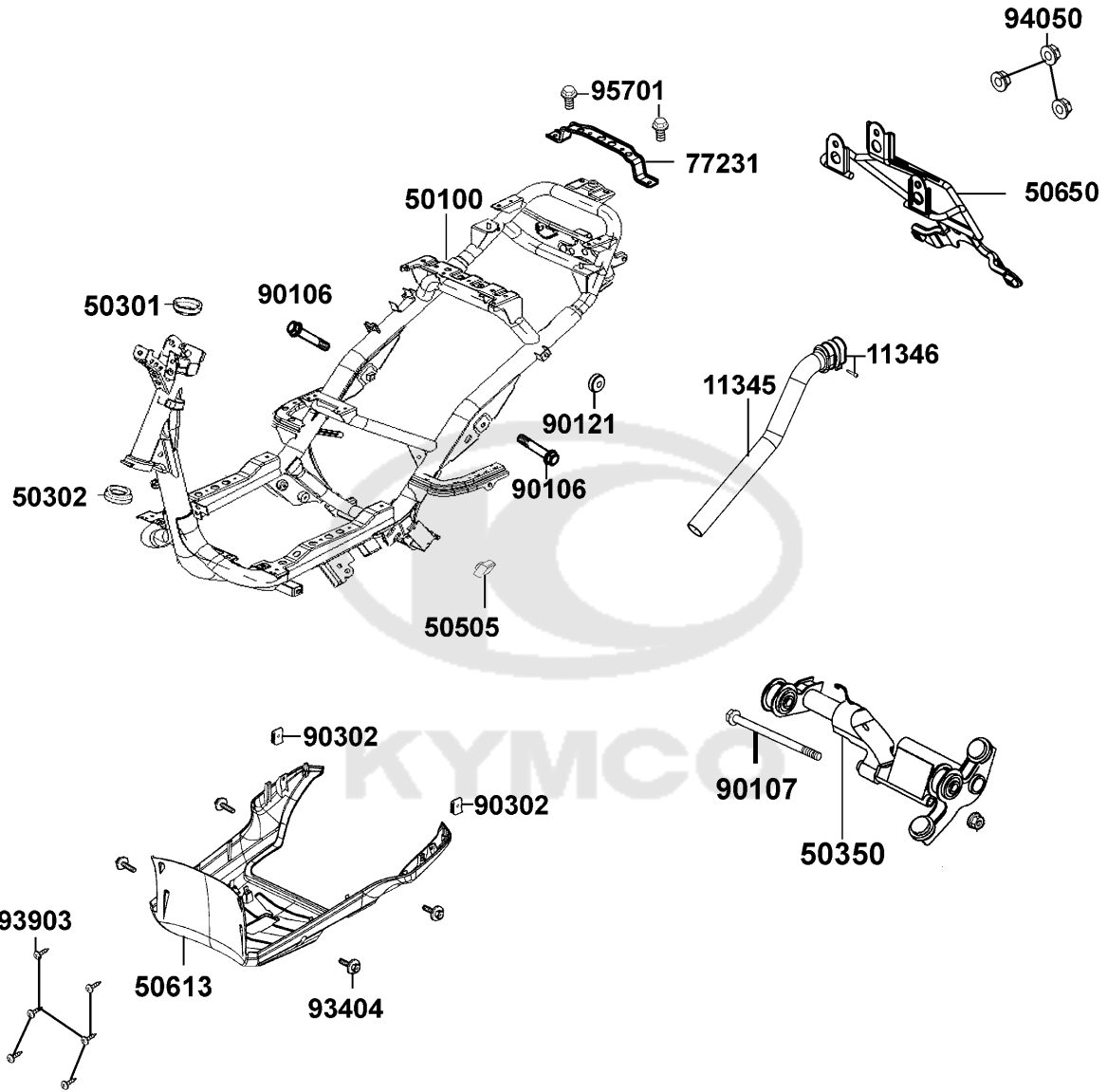


Sales mark 記号	Ref no 参照用番号	Part no パーツ番号	Description 部品名	Reg description 部品名	Regd no 必要個数	Ref Price 希望小売価格(税抜)
17620	17620-LDF7-E10	17620-LDF7-E10	CAP COMP FUEL FILLER	CAP COMP FUEL FILLER	1	2670
30410	30410-LEJ3-E10	30410-LEJ3-E10	UNIT COMP CDI	UNIT COMP CDI	1	18060
3051A	3051A-GFY6-C00	3051A-GFY6-C00	COIL ASSY IGN	COIL ASSY IGN	1	2130
31600	31600-LFC2-E11	31600-LFC2-E11	REG REC COMP DC	REG REC COMP DC	1	5040
32100	32100-LGB6-E10	32100-LGB6-E10	HARNESS WIRE	HARNESS WIRE	1	16490
32411	32411-LEJ3-E11	32411-LEJ3-E11	CABLE BAT	CABLE BAT	1	2200
35010	35010-LGB6-E10	35010-LGB6-E10	KEY SET	KEY SET	1	10060
35400	35400-LEJ3-E10	35400-LEJ3-E10	RESISTOR COMP	RESISTOR COMP	1	890
35850	35850-KHD8-C00	35850-KHD8-C00	RELAY ASSY START	RELAY ASSY START	1	2650
38110	38110-KFAF-90B	38110-KFAF-90B	HORN COMP	HORN COMP	1	2480
3860A	3860A-LGB5-E12	3860A-LGB5-E12	CONTROL ASSY AUTO LIGHTING	CONTROL ASSY AUTO LIGHTING	1	7840
77235	77235-LGB5-E10	77235-LGB5-E10	SEAT CATCH COMP	SEAT CATCH COMP	1	1890
77240	77240-LGB5-E10	77240-LGB5-E10	CABLE COMP SEAT LOCK	CABLE COMP SEAT LOCK	1	440
90112	90112-KRDR-C00	90112-KRDR-C00	BOLT FLANGE 5*22	BOLT FLANGE 5*22	1	60
94050	94050-06080	94050-06080	NUT FLANGE 6MM	NUT FLANGE 6MM	4	60
95701-06012	95701-06012-08	95701-06012-08	BOLT FLANGE 6*12	BOLT FLANGE 6*12	2	60
95701-08012	95701-08012-08	95701-08012-08	BOLT FLANGE 8*12	BOLT FLANGE 8*12	1	130
95701-LDC8	95701-LDC8-E10	95701-LDC8-E10	BOLT TORQUE 6x16	BOLT TORQUE 6x16	1	160
96001	96001-06016-08	96001-06016-08	BOLT FLANGE SH 6*16	BOLT FLANGE SH 6*16	1	200

F19

F20

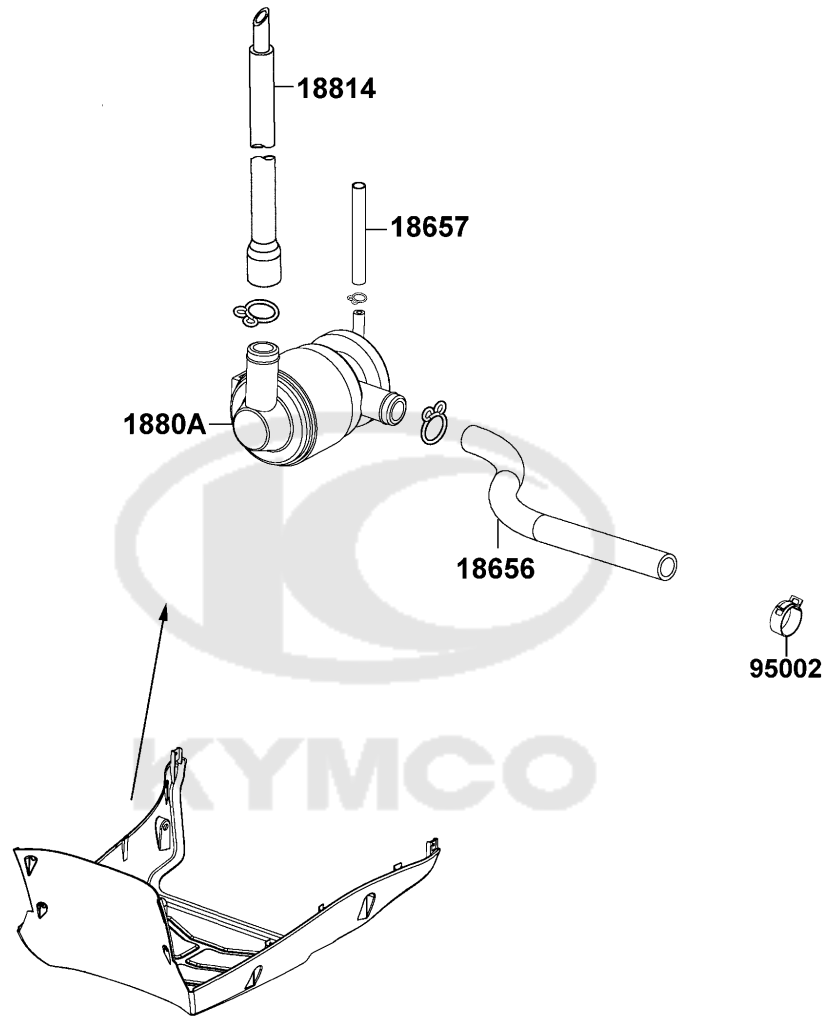
Frame Body



Sales mark 記号	Ref no 参照用番号	Part no パーツ番号	Description 部品名	Reg description 部品名	Regd no 必要個数	Ref Price 希望小売価格(税抜)	F20
	11345	11345-LDF7-E10	DUCT L COVER	DUCT L COVER	1	2940	
	11346	11346-KEBE-C00	BAND L COVER DUCT	BAND L COVER DUCT	1	450	
	50100	50100-LGB6-E10	BODY COMP FRAME	BODY COMP FRAME	1	42960	
	50301	50301-KGN7-C00	RACE UPPER STRG BALL	RACE UPPER STRG BALL	1	660	
	50302	50302-2H68-C00	RACE (STRG BOT) BALL	RACE (STRG BOT) BALL	1	610	
	50350	50350-LFC3-B40	ENG HANGER COMP	ENG HANGER COMP	1	10790	
	50505	50505-LDC8-E10	STOPPER RUBBER	STOPPER RUBBER	1	320	
**	50613	50613-LGB5-E10	COVER UNDER	COVER UNDER	1	5100	
	50650	50650-LGB5-E10	STAY RR FENDER	STAY RR FENDER	1	2160	
	77231	77231-LGB5-E10	STAY BACK SEAT	STAY BACK SEAT	1	2110	
	90106	90106-LGB6-E10	"BOLT,FLANGE,10x55"	"BOLT,FLANGE,10x55"	2	160	
	90107	90107-KUDU-900	BOLT FLANGE 10*188	BOLT FLANGE 10*188	1	240	
	90121	90121-GFY6-C00	COLLAR DISTANCE	COLLAR DISTANCE	1	350	
	90302	90302-SDA4-C00	NUT SPRING 4MM	NUT SPRING 4MM	1	60	
	93404	93404-06016-07	BOLT WASHER 6*16 (K)	BOLT WASHER 6*16 (K)	4	140	
	93903	93903-34380	SCREW TAPPING 4*12 (K)	SCREW TAPPING 4*12 (K)	6	60	
	94050	94050-06080	NUT FLANGE 6MM	NUT FLANGE 6MM	3	60	
	95701	95701-06012-08	BOLT FLANGE 6*12	BOLT FLANGE 6*12	2	60	

F21

Air Cleaner Two

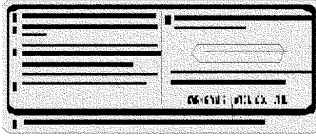


Sales mark 記号	Ref no 参照用番号	Part no パーツ番号	Description 部品名	Reg description 部品名	Regd no 必要個数	Ref Price 希望小売価格(税抜)	F21
18656	18656-LDF7-E10	18656-LDF7-E10	DUCT AICV-REED VALVE	DUCT AICV-REED VALVE	1	890	
18657	18657-LDC8-E10	18657-LDC8-E10	TUBE ASSY AICV-INNET PIPE	TUBE ASSY AICV-INNET PIPE	1	520	
1880A	1880A-LGB6-E10	1880A-LGB6-E10	AI/C-AICV SET	AI/C-AICV SET	1	3840	
18814	18814-LDF7-EY0	18814-LDF7-EY0	DUCT ASSY AIR-AICV	DUCT ASSY AIR-AICV	1	1130	
95002	95002-KKD6-C00	95002-KKD6-C00	CLAMP D18 TUBE	CLAMP D18 TUBE	1	610	

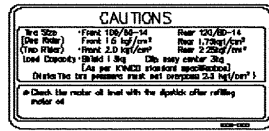


F22

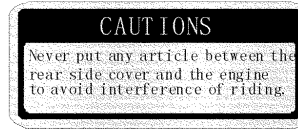
Emblem Stripe



87560



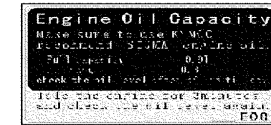
87505



87542



87541-GAR1



87541-KUDU



86282



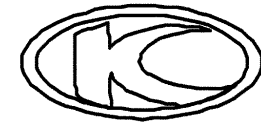
86283



86734



86735



86102



86732



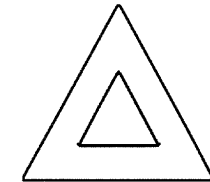
86733



86221



86231



87543

AGILITY RS

86202



87311



86408

Sales mark 記号	Ref no 参照用番号	Part no パーツ番号	Description 部品名	Reg description 部品名	Regd no 必要個数	Ref Price 希望小売価格(税抜)	F22
**	86102	86102-ALG1-E00	EMB K-LOGO	EMB K-LOGO	1	960	
**	86202	86202-LGB5-E10	EMB BODY COVER	EMB BODY COVER	2	1060	
**	86221	86221-LGB5-E10	STRIPE R BODY COVER	STRIPE R BODY COVER	1	1350	
**	86231	86231-LGB5-E10	STRIPE L BODY COVER	STRIPE L BODY COVER	1	1350	
**	86282	86282-LGB5-E10	STRIPE R FR MOLD	STRIPE R FR MOLD	1	1210	
**	86283	86283-LGB5-E10	STRIPE L FR MOLD	STRIPE L FR MOLD	1	1210	
**	86408	86408-LEJ3-B20	STRIPE FR LOGO	STRIPE FR LOGO	1	370	
**	86732	86732-LGB5-E10	STRIPE R LEG SHIELD	STRIPE R LEG SHIELD	1	420	
**	86733	86733-LGB5-E10	STRIPE L LEG SHIELD	STRIPE L LEG SHIELD	1	420	
**	86734	86734-LGB6-E10	STRIPE B R LEG SHIELD	STRIPE B R LEG SHIELD	1	330	
**	86735	86735-LGB6-E10	STRIPE B L LEG SHIELD	STRIPE B L LEG SHIELD	1	280	
**	87311	87311-LAD9-C00	STRIPE R MARK	STRIPE R MARK	1	90	
**	87505	87505-LDC8-E10	LABEL TIRE	LABEL TIRE	1	230	
**	87541-GAR1	87541-GAR1-C01	MARK MAINT CAUTION L	MARK MAINT CAUTION L	1	130	
**	87542	87542-GAR1-C01	MARK MAINT CAUTION	MARK MAINT CAUTION	1	130	
**	87543	87543-LLC5-C10		STRIPE RR FENDER	1	390	
**	87560	87560-GFY6-E11	MARK DRIVE CAUTION	MARK DRIVE CAUTION	1	100	

PART NO. INDEX
 パーツ番号 検索

PART NO. パーツ番号	VERSION バージョン	PAGE ページ	PART NO. パーツ番号	VERSION バージョン	PAGE ページ	PART NO. パーツ番号	VERSION バージョン	PAGE ページ
11000			12000			14431-KUDU-W10	4	E02
11100-KUDU-C00	6	E01	12100-GFY6-C00	6	E03	14450-GFY6-W10	1	E02
11102-1G87-C00	3	E01	12191-GFY6-E90	1	E03	14452-GFY6-W10	1	E02
11192-KUDU-E90	1	E01	12200-KUDU-C10	1	E02	14510-KUDU-C00	1	E03
11200-KEC4-C00	6	E01	12209-GDB4-C00	2	E02	14520-GFY6-C00	1	E03
11203-GGC7-W10	2	E01	1220A-KUDU-C00	9	E02	14523-GFY6-E90	1	E03
11203-KUDU-C00	0	E08	12211-KUDU-W10	4	E02	14531-GLR0-W10	1	E03
11206-LDF7-E10	0	E06	12251-GFY6-C00	1	E02	1453A-GFY6-W10	1	E03
11207-KKE3-C01	6	E04	12310-KUDU-C10	1	E02	14610-KUDU-C00	1	E03
11208-LDF7-E10	1	E01	1231A-KUDU-C10	1	E02	14711-KUDU-C00	1	E02
1120B-KUDU-C00	1	E08	12361-GFY6-C00	5	E04	14721-KUDU-C00	1	E02
1121A-KUDU-C00	0	F13	12391-GFY6-C10	0	E02	14751-KUDU-C10	2	E02
1122A-LDF7-E10	1	E08				14761-KUDU-C10	2	E02
11331-KUDU-C10	1	E04	13000			14771-GDB4-C00	2	E02
11341-KEC4-900	1	E01	13000-KUDU-C00	9	E03	14775-MFA6-C00	5	E02
11345-LDF7-E10	1	F20	13011-GFY6-C00	1	E03	14781-MFA6-C00	4	E02
11346-KEBE-C00	1	F20	13101-KUDU-C00	1	E03	15000		
11381-KUDU-C00	1	E01	13111-3D84-C00	1	E03	15100-KUDU-W10	1	E06
11382-KUDU-W10	1	E01				15133-GFY6-W10	1	E06
11394-KUDU-E90	1	E04	14000			15141-GFY6-C00	1	E06
11395-KKD7-E90	0	E01	14100-LGS6-E10	1	E02	15421-1G07-C00	1	E04
			14401-KUDU-C00	1	E03	15426-GAE1-C00	1	E04
						15651-KUDU-W10	5	E04
						15711-KUDU-C00	1	E06

PART NO. INDEX
 パーツ番号 検索

PART NO. パーツ番号	VERSION バージョン	PAGE ページ	PART NO. パーツ番号	VERSION バージョン	PAGE ページ	PART NO. パーツ番号	VERSION バージョン	PAGE ページ
16000			17910-LDF7-E10	2	F03	1963A-LDF7-E10	1	E07
			18000			21000		
16100-LGB6-EY1	0	E09						
16201-GFY6-E90	0	E02	18291-GGA7-C01	1	F14	21200-KEC4-C00	2	E08
16211-GFY6-W10	1	E02	18291-KEBE-C00	0	F14	21200-KUDU-C00	0	E08
1691A-LDF7-E10	1	F10	18292-KEBE-C00	0	F14	21395-KEC4-E90	0	E08
16950-KKJ9-C00	4	F10	18293-KEBE-C00	0	F14			
			18294-PUA3-B50	0	F14	22000		
17000			18306-LDF7-E10	0	F14			
			1830A-LDF7-EY0	0	F14	22101-LCD3-C00	3	E05
1711A-LDF7-E10	2	E02	18318-LDF7-E10	0	F14	22102-KUDU-E80	1	E05
17200-LDF7-E10	1	F13	18645-GFY6-C00	1	E02	22105-GFY6-C10	1	E05
1720A-LDF7-E10	0	F13	18646-LDC8-E10	1	E02	22110-KUDU-E80	0	E05
17211-LDF7-B000	0	F13	18647-GFY6-C00	1	E02	22121-KKD7-315	0	E05
17214-KKD7-C00	0	F13	18656-LDF7-E10	1	F21	22131-GFY6-C00	3	E05
17231-LDF7-E10	0	F13	18657-LDC8-E10	2	F21	22132-KBN2-C00	3	E05
17232-LDF7-E10	0	F13	1880A-LGB6-E10	1	F21	22300-KEC6-C00	0	E05
17235-GFY6-C00	0	F13	18814-LDF7-EY0	1	F21	22350-GFY6-C00	1	E05
17256-GFY6-C00	4	E02				22530-GFY6-C00	1	E05
17257-LGB6-E10	0	F13	19000					
1737A-KUDU-C00	0	F13				23000		
17500-LCB9-C10	3	F10	19510-GFY6-C00	1	E07			
1755A-KKD5-C10	1	F10	19610-KUDU-C10	2	E07	23010-LDF7-E10	1	E05
1755A-LDC8-E10	1	F18	19625-KUDU-C00	1	E02	2301A-KEC6-C00	1	E05
17620-LDF7-E10	0	F19	1962A-KUDU-C00	1	E07	23100-KEC4-C00	2	E05

PART NO. INDEX
 パーツ番号 検索

PART NO. パーツ番号	VERSION バージョン	PAGE ページ	PART NO. パーツ番号	VERSION バージョン	PAGE ページ	PART NO. パーツ番号	VERSION バージョン	PAGE ページ	
23200-GFY6-C00	3	E05	28255-GFS6-C00	5	E01	33000			
23220-KFBF-C00	1	E05	28281-GBN2-C00	1	E01				
23225-GHC8-C00	1	E05	28300-KNBN-C00	3	F15				
23226-GHC8-C00	1	E05					33100-LGB5-E10	0	F01
23233-GCW3-C00	1	E05	30000				33400-LGB5-E10	3	F17
23237-GFY6-C00	1	E05					33402-LGB5-E10	0	F17
23238-GFY6-C00	1	E05	30410-LEJ3-E10	1	F19		33450-LGB5-E10	1	F17
23411-KEC4-C00	1	E08	3051A-GFY6-C00	0	F19		33452-LGB5-E10	0	F17
23420-KEC4-C00	1	E08					33700-LGB5-E10	0	F18
23432-KEC4-C00	1	E08	31000				33702-LGB5-E10	0	F18
2343A-KUDU-W00	1	E08				33708-LGB5-E10	0	F18	
			31100-LHA2-M30	3	E07	33720-LGB5-E10	1	F18	
28000			31110-LHA2-M30	1	E07	33731-KGB5-C00	2	F18	
			31120-LHA2-M30	2	E07	33741-KEBE-C00	0	F18	
28101-GFY6-C00	1	E06	31200-LDF7-E10	4	E06				
28102-GFY6-C00	1	E06	31500-GFY6-C00	1	F11	34000			
28110-GFY6-C10	1	E06	31600-LFC2-E11	0	F19				
28120-GFY6-C10	1	E06				34901-LDC8-E10	1	F01	
28125-4F26-C00	1	E06	32000			34903-LDC8-E10	1	F01	
28125-GFY6-C10	3	E06				34905-KPCP-C00	1	F18	
28126-GFY6-C10	1	E06	32100-LGB6-E10	2	F19	34905-LBA8-E80	1	F17	
2812A-GFY6-C10	2	E06	32101-GFY6-C00	1	F04	34906-KPCP-C00	0	F18	
28211-KUDU-W10	4	E05	32410-LDF7-E10	0	E06				
2823A-GKAK-W10	1	E01	32411-LEJ3-E11	0	F19	35000			
28250-LDF7-E10	1	E01	32412-LEH3-C10	1	E04				
28253-GBN2-C00	5	E01	32961-KUDU-C00	5	E04	35010-LGB6-E10	1	F19	

PART NO. INDEX
 パーツ番号 検索

PART NO. パーツ番号	VERSION バージョン	PAGE ページ	PART NO. パーツ番号	VERSION バージョン	PAGE ページ	PART NO. パーツ番号	VERSION バージョン	PAGE ページ
3515A-LDF7-B20	3	F03				45200-LGB5-E10	0	F04
35201-LGB5-E10	1	F03	43000			45500-LDC8-E10	3	F04
35202-LGB5-E10	0	F03				45517-KFAF-910	1	F04
3520A-LGB5-E11	0	F03	4312A-KUDU-C00	1	F08			
35340-KKJ9-C00	0	F03	4314A-KKD7-E00	3	F08	46000		
35400-LEJ3-E10	1	F19	43410-KEC4-900	1	F08			
35850-KHD8-C00	1	F19	43450-LDF7-E10	4	F03	46513-KUDU-C00	2	F08
37000			44000			50000		
37200-LGB6-B20	0	F02	44305-KGE2-E00	9	F07	50100-LGB6-E10	1	F20
37224-LGB5-B20	0	F02	44306-KGE2-E00	9	F07	50301-KGN7-C00	2	F20
37802-GGA7-C00	1	F10	44311-GLW0-W10	1	F07	50302-2H68-C00	2	F20
3780A-LDC8-E10	0	F10	44601-LGB5-E10	0	F07	50306-1F96-C00	1	F06
			44601-LGB5-E10	1	F07	50326-LGB5-E10	0	F11
38000			44620-KEB7-C00	0	F07	50330-KEBE-C00	1	F05
			44710-LDC8-E10	2	F07	50350-LFC3-B40	1	F20
38110-KFAF-90B	2	F19	44800-LDC8-E10	1	F07	50502-LDF7-C00	1	F15
38300-KECE-W10	2	F02	44830-LGB5-E10	0	F02	50505-KKD7-C00	0	F15
3860A-LGB5-E12	0	F19				50505-LDC8-E10	2	F20
			45000			5050A-LGB6-E10	2	F15
42000						50530-LGB6-M40	0	F15
			45105-LDC8-305	1	F04	50613-LGB5-E10	1	F20
42601-LGB6-E10	0	F08	45121-LGB5-E80	2	F07	50650-LGB5-E10	1	F20
42710-LDC8-E10	3	F08	45126-LGB5-E10	2	F04	50651-LFC4-E10	0	F18
42753-0A01-C00	1	F08	45156-LCB9-B20	0	F06			

PART NO. INDEX
 パーツ番号 検索

PART NO. パーツ番号	VERSION バージョン	PAGE ページ	PART NO. パーツ番号	VERSION バージョン	PAGE ページ	PART NO. パーツ番号	VERSION バージョン	PAGE ページ			
51000	0	F06	53166-KNBN-C00	0	F03	64316-LCB9-C10	4	F05			
			53166-KNBN-C00	1	F03	64316-LCB9-C10	5	F05			
			53175-KXBX-E00	1	F04	77000					
			53178-LGB6-E10	1	F03						
			5317B-LGB6-E10	3	F03						
			53200-LDC8-E91	6	F06		77200-LGB6-E10	0	F09		
			53205-LGB5-E10	1	F03		77231-LGB5-E10	0	F20		
			53206-LGB5-E10	1	F03		77232-KCAC-C00	2	F12		
			53211-GFY6-C00	1	F06		77235-LGB5-E10	6	F19		
			53212-2L50-C00	1	F06		77240-LGB5-E10	1	F19		
			53214-2L50-C00	5	F06		80000				
			53215-2L50-C00	1	F06						
51520-LDF7-E10	1	F06	61000			80100-LDF7-E10	0	F18			
52000	0	F16	61100-LGB5-E10	1	F06	80101-LGB6-E10	0	F18			
			6111A-LDC8-E90	0	F06	80105-LGB5-E10	0	F18			
52400-LDF7-E10	0	F16	80151-LGB5-E10	0	F06	80151-LGB5-E10	0	F12			
53000	2	F03	64000			81000					
			64206-MLJ0-C00	1	F06		81132-LCB9-C10	1	F05		
			64301-LGB5-E10	1	F05		81132-LDC8-E10	1	F05		
			64302-LGB5-E10	3	F05		81200-LGB5-E10	0	F12		
			64303-LGB5-E10	0	F05		81250-LGB5-E10	1	F12		
			64304-LGB5-E10	1	F05		81251-LCB9-C10	0	F12		
			64310-LGB5-E10	1	F05		81252-LGB5-E10	1	F12		
			53100-LGB5-E10	2	F03						
			53105-KNBN-C00	2	F03						
			53125-GEN5-C00	1	F03						
53140-KNBN-C00	0	F03									
53140-KNBN-C00	1	F03									

PART NO. INDEX

パーツ番号 検索

PART NO. パーツ番号	VERSION バージョン	PAGE ページ	PART NO. パーツ番号	VERSION バージョン	PAGE ページ	PART NO. パーツ番号	VERSION バージョン	PAGE ページ
81255-LGB6-E10	0	F12	86733-LGB5-E10	0	F22	90000		
81256-LGB6-E10	0	F12	86734-LGB6-E10	0	F22			
83000			86735-LGB6-E10	0	F22			
			87000			90001-GBHB-C00	1	E03
83500-LGB5-E10	1	F12				90001-GBHB-C11	1	E01
83500-LGB5-E10	2	F12	87311-LAD9-C00	0	F22	90001-GFY6-C00	4	E06
83510-LGB5-E10	0	F12	87505-LDC8-E10	2	F22	90005-KAW1-901	1	E03
83510-LGB5-E10	1	F12	87505-LDC8-E10	3	F22	90012-3C33-C00	1	E02
83600-LGB5-E10	0	F12	87541-GAR1-C01	0	F22	90031-KUDU-C00	5	E01
83600-LGB5-E10	4	F12	87541-GAR1-C01	1	F22	90032-KUDU-C00	5	E01
83610-LGB5-E10	0	F12	87541-KUDU-E00	0	F22	90033-GFY6-C00	2	E02
86000			87541-KUDU-E00	1	F22	90033-GFY6-C10	2	E02
			87542-GAR1-C01	2	F22	90105-KCR3-001	3	F07
			87543-LLC5-C10	0	F22	90106-GEN5-901	1	F03
86102-ALG1-E00	0	F22	87560-GFY6-E11	3	F22	90106-LGB6-E10	1	F20
86102-ALG1-E00	2	F22				90107-KUDU-900	5	F20
86202-LGB5-E10	0	F22	88000			90108-GFY6-901	1	F15
86202-LGB5-E10	1	F22				90110-GLW0-C00	0	F05
86221-LGB5-E10	0	F22	88110-LEB5-C10	2	F03	90110-KEB7-C00	1	F06
86231-LGB5-E10	0	F22	88120-LEB5-C10	1	F03	90111-1G87-C00	6	F12
86231-LGB5-E10	1	F22				90112-KRDR-C00	1	F19
86282-LGB5-E10	0	F22	89000			90116-LDC8-E10	0	F06
86283-LGB5-E10	0	F22				90121-GFY6-C00	1	F20
86408-LEJ3-B20	0	F22	89010-KGBG-C00	1	F09	90121-KBE2-C00	4	F07
86732-LGB5-E10	0	F22				90131-GLW0-C00	1	F04
						90145-9A61-C00	1	F04

PART NO. INDEX
 パーツ番号 検索

PART NO. パーツ番号	VERSION バージョン	PAGE ページ	PART NO. パーツ番号	VERSION バージョン	PAGE ページ	PART NO. パーツ番号	VERSION バージョン	PAGE ページ
90201-GFY6-901	1	E06	90544-LDC8-E10	0	F06	91258-KAM1-C00	1	F07
90202-1G87-C00	1	E05	90545-3L00-C00	2	F04	91301-0C53-W10	0	E08
90206-0A01-C00	2	E02	90683-GAR1-C00	4	F12	91301-GLR0-W10	1	E03
90301-GFY6-C00	2	F14	90701-GFY6-C00	6	E06	91302-0A01-C00	10	E04
90302-GFY6-C00	2	F06	90701-HFB6-C00	0	E03	91306-1E05-C00	1	E03
90302-GFY6-C00	2	F18	90754-GHC8-C00	1	F07	91307-0E35-W10	1	E04
90302-KNBN-C00	1	F03	90912-GHC8-C00	1	F07	91351-6B42-C00	1	E05
90302-SDA4-C00	2	F03						
90302-SDA4-C00	2	F05	91000			92000		
90302-SDA4-C00	2	F12						
90302-SDA4-C00	2	F18	91003-KDS4-C00	1	E08	92101-05012-0H	2	E07
90302-SDA4-C00	2	F20	91008-HCB3-00A	0	E02	92900-06060-0B	2	E02
90304-4H38-C00	1	E02	91008-KUDU-900	0	E02			
90304-GHE8-C00	1	F03	91009-GLE0-C00	1	E08	93000		
90305-KNBN-C00	1	F08	91014-LLJ3-C00	1	F06			
90306-KLF0-C00	1	F07	91015-LLJ3-C00	1	F06	93404-06012-07	5	F18
90309-KLF0-C00	1	E08	91101-1K79-C00	1	E06	93404-06016-07	1	F05
90403-KUDU-C00	1	E06	91104-GFY6-C00	1	E06	93404-06016-07	1	F12
90412-3K29-C00	5	E01	91201-GFY6-C00	1	E04	93404-06016-07	1	F20
90426-KNBN-C00	1	E05	91201-KUDU-C00	0	E08	93404-06020-07	4	F05
90441-GFY6-C00	1	E05	91202-GFY6-C00	1	E01	93500-LGB5-E10	0	F12
90451-GBN2-C00	10	E01	91202-KKJ9-C00	5	E01	93700-05018-0H	1	F02
90465-MDC4-C00	1	E02	91211-KEBE-C00	1	E05	93891-05016-00	0	F13
90474-3C33-C00	1	E01	91251-LDC8-E10	0	F06	93903-25220	2	F03
90501-KNBN-C00	1	F08	91254-LDC8-E10	0	F06	93903-25480	1	F13
9052A-GFY6-C00	5	E01	91255-LDC8-E10	5	E08	93903-34380	6	F02

PART NO. INDEX
 パーツ番号 検索

PART NO. パーツ番号	VERSION バージョン	PAGE ページ	PART NO. パーツ番号	VERSION バージョン	PAGE ページ	PART NO. パーツ番号	VERSION バージョン	PAGE ページ
93903-34380	6	F03	94050-12080	1	E07	95701-06022-07	3	F15
93903-34380	6	F05	94101-08700	0	F14	95701-06025-00	1	E02
93903-34380	6	F12	94101-LGB5-E10	0	F12	95701-06025-07	3	F14
93903-34380	6	F17	94111-08800	0	F14	95701-06025-08	2	E02
93903-34380	6	F18	94301-10160	4	E01	95701-06028-08	0	E01
93903-34380	6	F20	94301-10160	4	E02	95701-06032-08	1	F08
93903-35220	4	F01	94301-10160	4	E03	95701-06032-08	1	F13
93903-35220	4	F18	94301-10160	4	E04	95701-06035-08	1	E02
93903-35380	2	F11	94301-10200	4	E01	95701-06040-00	1	E02
93903-GFY6-C00	2	F03	94511-14000	10	E01	95701-06050-08	1	E02
93903-GFY6-C00	2	F05	94591-LDC8-E10	1	E01	95701-08012-08	2	E01
93903-GFY6-C00	2	F12	94591-LDC8-E10	1	E07	95701-08012-08	2	F19
93903-GFY6-C00	2	F18	94601-15000	10	E03	95701-LDC8-E10	0	F19
			94608-LDC8-E10	0	F06	95801-08032-08	1	F16
94000						95801-08040-08	4	F06
			95000			95801-08042-07	0	F14
94001-12280-0S	0	E05				95801-08050-07	0	F14
94050-05080	6	F18	95002-02120	1	F13	95801-10025-08	0	F15
94050-06080	2	E02	95002-KKD6-C00	1	F21	95801-10035-08	1	F16
94050-06080	2	E06	9500B-LDC8-E10	3	F10			
94050-06080	2	F09	95014-71202	1	F15	96000		
94050-06080	2	F10	95014-72102	3	F15			
94050-06080	2	F19	95701-06012-08	3	F06	96001-06012-08	3	E01
94050-06080	2	F20	95701-06012-08	3	F19	96001-06012-08	3	E04
94050-08080	4	E02	95701-06012-08	3	F20	96001-06012-08	3	E06
94050-12080	1	E05	95701-06022-07	3	F14	96001-06016-08	6	E06

PART NO. INDEX

パーツ番号 検索

PART NO. パーツ番号	VERSION バージョン	PAGE ページ	PART NO. パーツ番号	VERSION バージョン	PAGE ページ	PART NO. パーツ番号	VERSION バージョン	PAGE ページ
96001-06016-08	6	E07						
96001-06016-08	6	F19						
96001-06018-08	1	E07						
96001-06020-08	2	E07						
96001-06025-08	4	E06						
96001-06025-08	4	E07						
96001-06028-08	1	E04						
96001-06040-08	0	E01						
96001-06045-08	1	E01						
96001-06050-08	1	E01						
96001-06100-08	2	E02						
96001-06100-08	2	E04						
96001-06110-08	1	E04						
96100-60020-00	1	E08						
96100-62020-00	1	E01						
96100-62030-00	1	E01						
96100-62043-00	1	E01						
98000								
98056-5771R-00	1	E02						
98200-10700	2	F11						
98200-11000	1	F11						
98200-11500	2	F11						