

PARTS CATALOGUE



SCOOTERS

KN25CD(JP)

Agility 125 (注意)



Release Date : 2017/05/23
Print Date : 2017/07/18

本パーツリストについて

- 本パーツリストは KN25CD(JP).の全てのパーツ番号が記載されています。
- 車輻のカラーチャートとバイクに相違がある場合は正規販売店もしくはKYMCO JAPANへお問い合わせください。
- 1. "***"記号が記載している場合、3文字の色コードをパーツ番号の最後に記入してください。
2. "#" 記号が記載している場合、パーツの設定、変更があります。正規販売店もしくはKYMCO JAPANへお問い合わせください。
- このパーツリストの変更または追加は、適切な時期に予告なく行われます。

ABOUT THIS PARTS LIST

- This parts list is compiled all service parts for model KN25CD(JP).
- Any difference between color chart and motorcycle will be revised according to motorcycle.
- The Mark:
 1. Marking "***" must add color code in the end before ordering parts.
 2. Marking "#" are parts with modification, Please find the details from e-Parts system.
- When modification or additions to this parts list are made a revised edition at an appropriate time.

目次

● 本パーツリストについて	1
● KN25CD(JP)のカラーチャート	3
● 目次-エンジン関	7
● 目次-フレーム関係	8
● エンジンパーツリスト	11
● フレームパーツリスト	39
● パーツ番号 検索	89

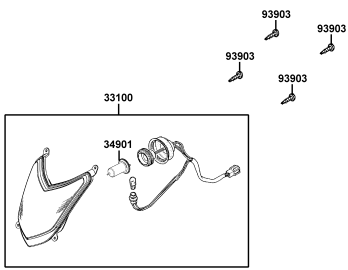
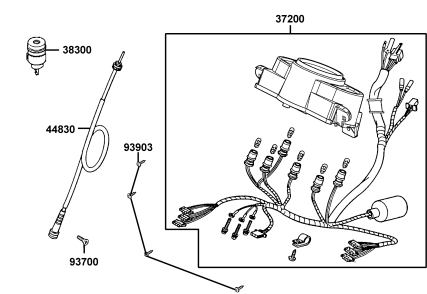
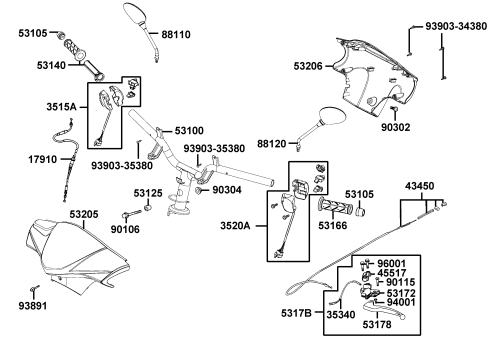
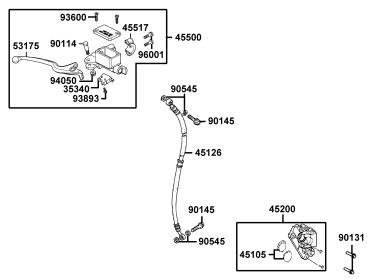
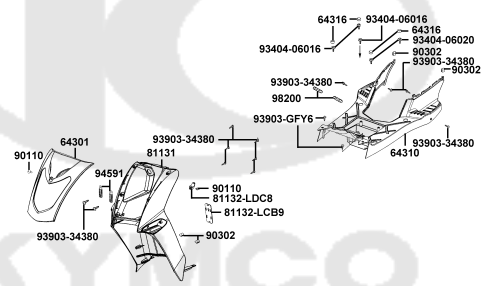
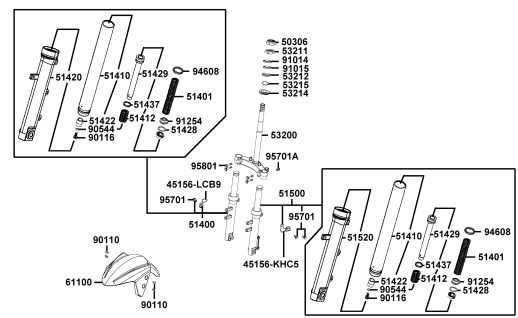
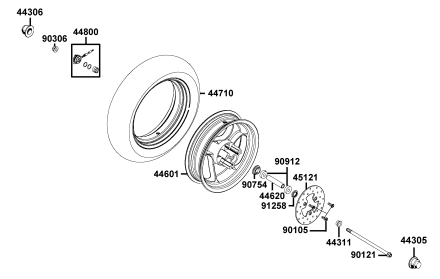
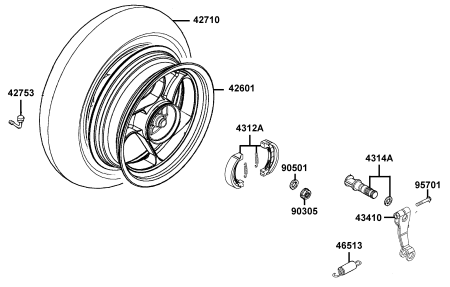
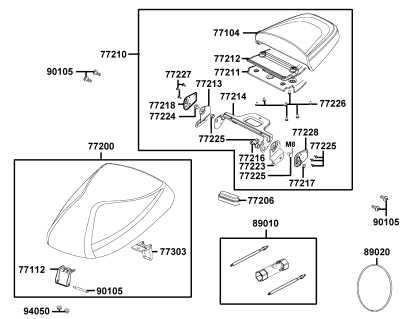
CONTENTS

● ABOUT THIS PARTS LIST	1
● COLOR CHART OF KN25CD(JP)	3
● CONTENTS-ENGINE GROUP	7
● CONTENTS-FRAME GROUP	8
● ENGINE PARTS LIST	11
● FRAME PARTS LIST	39
● PART NO. INDEX	89

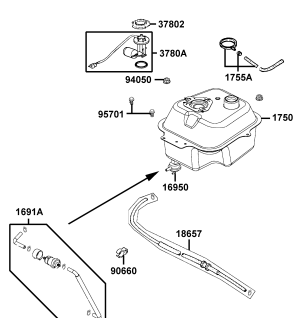
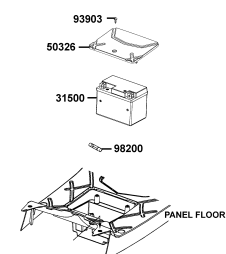
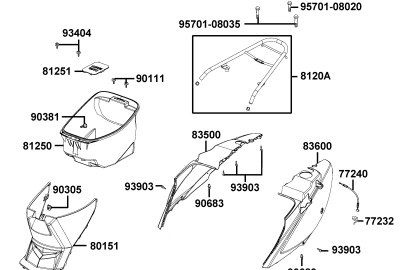
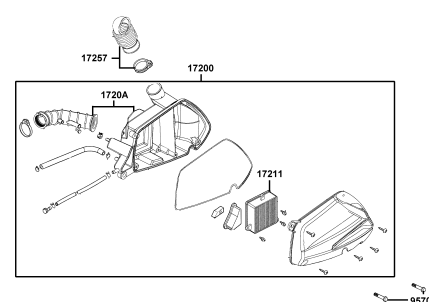
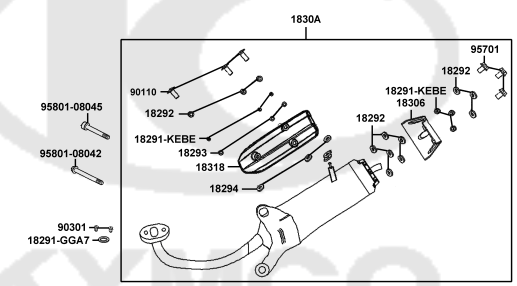
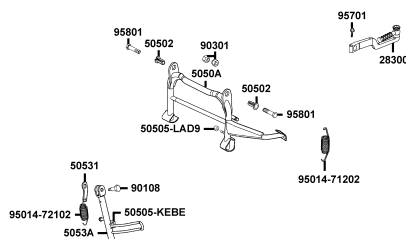
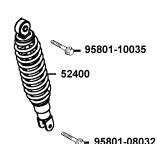
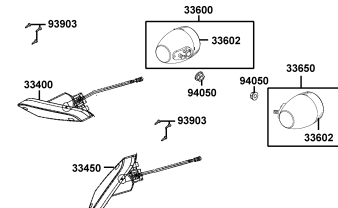
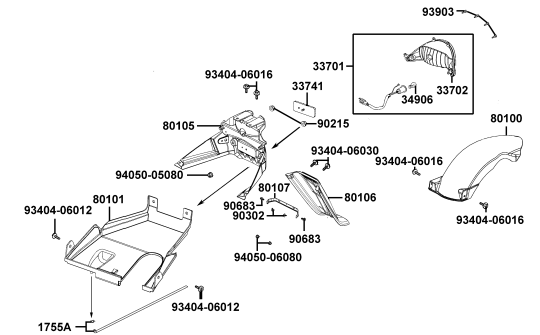
NO	モデル			KN25CD(JP)のカラーチャート			
	写真番号			NO. 1	NO. 2	NO. 3	NO. 4
	基本色						
	コード			Bright Blue	Black	Bright Silver	Ruby Red
	パーツ名	パーツ番号	バージョン	PB107CA	NH001SA	NH045MA	RR004CA
1	COVER HANDLE FR	53205-LEB9-B50	0	BAP	N1P	N8P	R1P
2	FENDER FR	61100-LDC8-E10	0				
3	COVER FR	64301-LCB9-C10	0				
4	COVER R BODY	83500-LDF7-E60	0				
5	COVER L BODY	83600-LDF7-E60	0				
6	COVER BATTERY	50326-LCB9-C10	0	N1R			
7	COVER UNDER	50613-LCB9-C11	0				
8	GRIP COMP. THROT	53140-KNBN-C00	1				
9	GRIP L. HANDLE	53166-KNBN-C00	1				
10	COVE RHANDLE RR	53206-LCB9-C10	0				
11	PANEL FLOOR	64310-LCB9-C10	0				
12	PLUG FLOOR	64316-LCB9-C10	5				
13	FENDER RR TIRE	80100-LDF7-E10	0				
14	FENDER RR INNER	80101-LDF7-E10	1				
15	FENDER A RR	80105-LDF7-E10	1				
16	FENDER RR LOW	80106-LDC8-E10	0				
17	COVER CENTER	80151-LCB9-C10	0				
18	LEG SHIELD	81131-LEC5-C10	0				
19	LID LEG SHIELD	81132-LCB9-C10	1				
20	HOOK LUGGAGE	81132-LDC8-E10	1				
21	BOX LUGGAGE	81250-LCB9-C10	2				
22	COVER COMP L SIDE	11341-KEC4-900	1	N8A			
23	WHEEL COMP RR CAST	42601-LDF7-E10	1	NJA			
24	WHEEL FR CAST SSS	44601-KEB7-E0E	0				
25	CALIPER ASSY FR	45200-KKD6-C00	1				
販売開始時期							
販売終了時期							

NO	モデル			KN25CD(JP)のカラーチャート			
	写真番号			NO. 5			
	基本色						
	コード			Vivid Yellow			
	パーツ名	パーツ番号	バージョン	YR039SA			
1	COVER HANDLE FR	53205-LEB9-B50	0	Y3P			
2	FENDER FR	61100-LDC8-E10	0				
3	COVER FR	64301-LCB9-C10	0				
4	COVER R BODY	83500-LDF7-E60	0				
5	COVER L BODY	83600-LDF7-E60	0				
6	COVER BATTERY	50326-LCB9-C10	0	N1R			
7	COVER UNDER	50613-LCB9-C11	0				
8	GRIP COMP. THROT	53140-KNBN-C00	1				
9	GRIP L. HANDLE	53166-KNBN-C00	1				
10	COVE RHANDLE RR	53206-LCB9-C10	0				
11	PANEL FLOOR	64310-LCB9-C10	0				
12	PLUG FLOOR	64316-LCB9-C10	5				
13	FENDER RR TIRE	80100-LDF7-E10	0				
14	FENDER RR INNER	80101-LDF7-E10	1				
15	FENDER A RR	80105-LDF7-E10	1				
16	FENDER RR LOW	80106-LDC8-E10	0				
17	COVER CENTER	80151-LCB9-C10	0				
18	LEG SHIELD	81131-LEC5-C10	0				
19	LID LEG SHIELD	81132-LCB9-C10	1				
20	HOOK LUGGAGE	81132-LDC8-E10	1				
21	BOX LUGGAGE	81250-LCB9-C10	2				
22	COVER COMP L SIDE	11341-KEC4-900	1	N8A			
23	WHEEL COMP RR CAST	42601-LDF7-E10	1	NJA			
24	WHEEL FR CAST SSS	44601-KEB7-E0E	0				
25	CALIPER ASSY FR	45200-KKD6-C00	1				
販売開始時期							
販売終了時期							

CONTENTS - FRAME GROUP 目次-フレーム関係

<p>F01 Head Light</p> 	<p>F02 Speedometer</p> 	<p>F03 Handle Steering Handle Cover</p> 
<p>F04 Brake Master Cylinder</p> 	<p>F05 Front Cover Front Fender</p> 	<p>F06 Stem Steering Front Cushion</p> 
<p>F07 Front Wheel</p> 	<p>F08 Rear Wheel</p> 	<p>F09 Seat</p> 

CONTENTS - FRAME GROUP 目次-フレーム関係

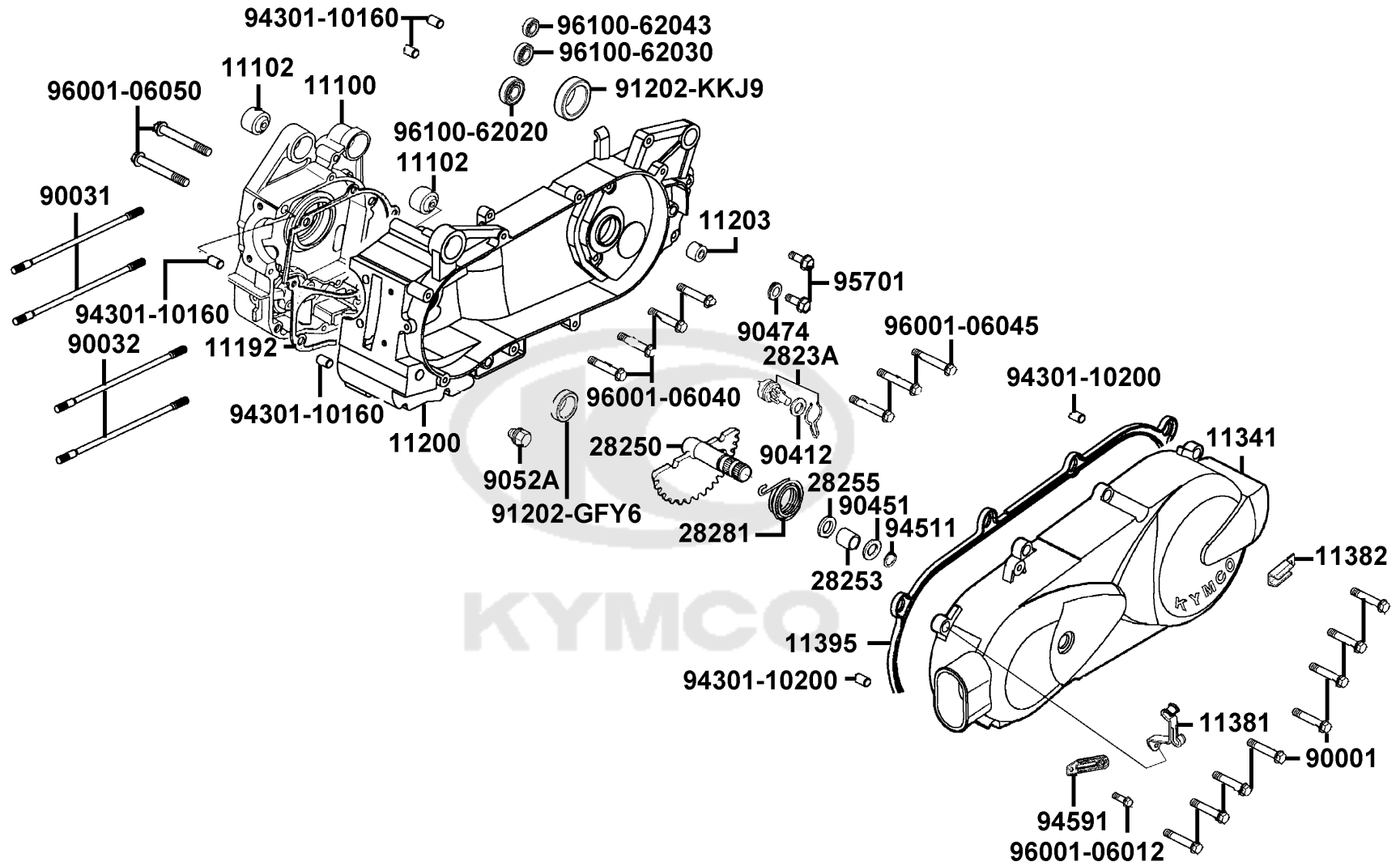
<p>F10 Fuel Tank</p> 	<p>F11 Battery</p> 	<p>F12 Body Cover Luggage Box</p> 
<p>F13 Air Cleaner</p> 	<p>F14 Exhaust Muffler</p> 	<p>F15 Stand Kick Starter Arm</p> 
<p>F16 Rear Cushion</p> 	<p>F17 Winker</p> 	<p>F18 Tail Light</p> 

CONTENTS - FRAME GROUP 目次-フレーム関係

F19 Wire Harness	F20 Frame Body	F21 Air Cleaner Two
F22 Emblem Stripe		

E01

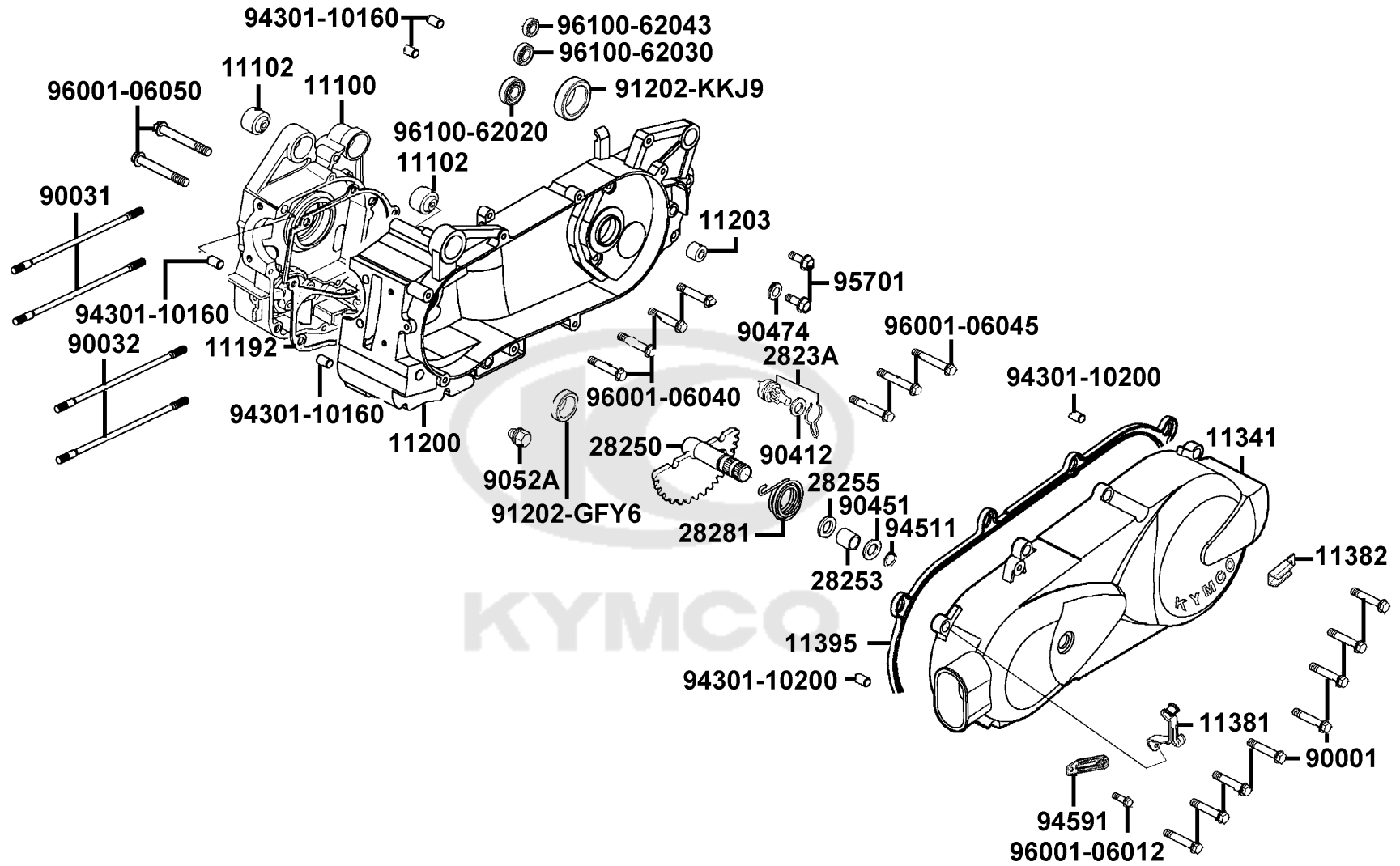
Crank Case



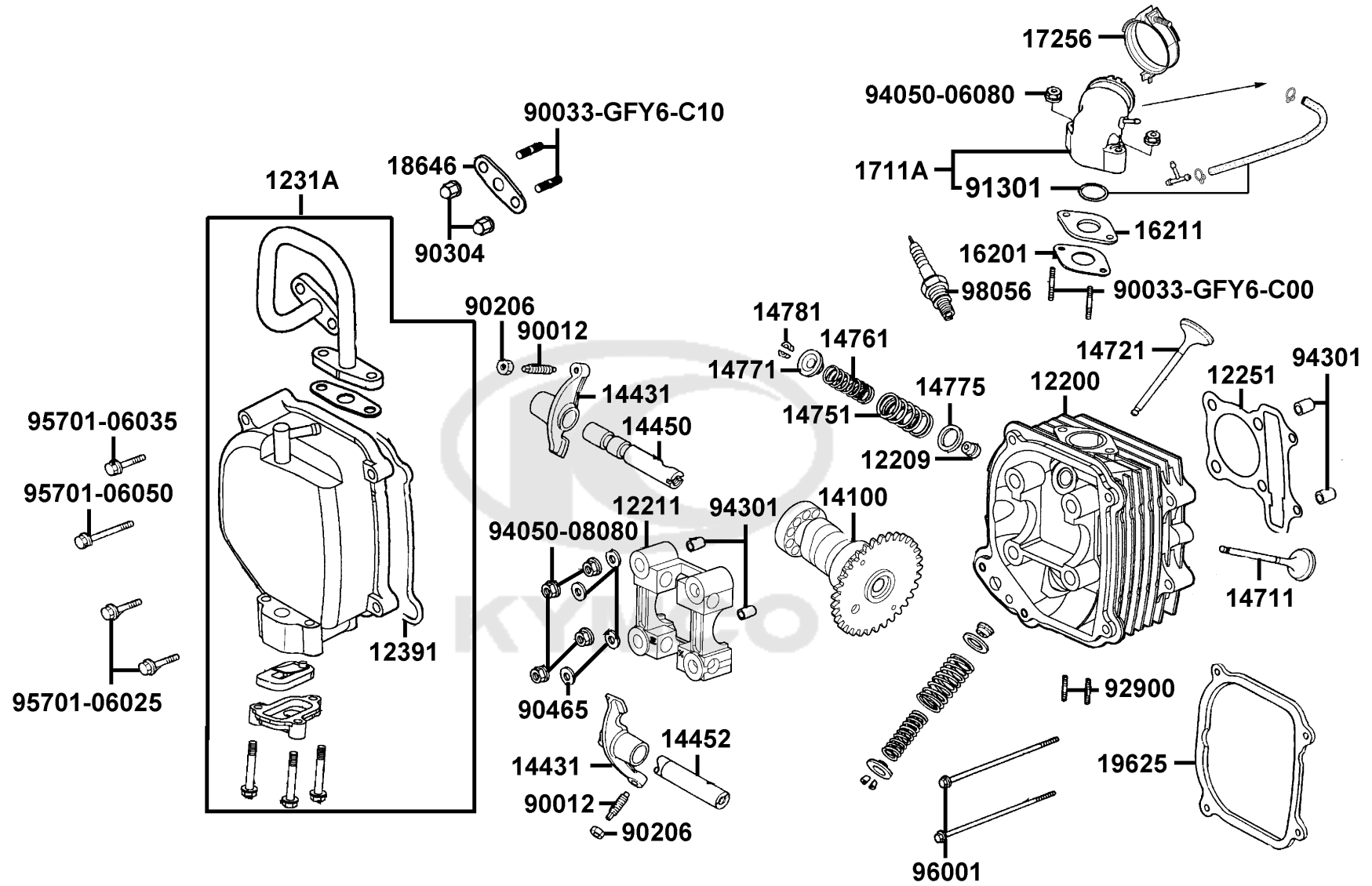
Sales mark 記号	Ref no 参照用番号	Part no パーツ番号	Description 部品名	Reg description 部品名	Regd no 必要個数	Ref Price 希望小売価格(税抜)	E01
	11100	11100-KUDU-C00	CRANK CASE COMP R	CRANK CASE COMP R	1	16380	
	11102	11102-1G87-C00	RUB BUSH ENG HANGER	RUB BUSH ENG HANGER	1	400	
	11192	11192-KUDU-E90	GASKET CRANK CASE @ A	GASKET CRANK CASE @ A	1	420	
	11200	11200-KEC4-C00	CRANK CASE COMP L	CRANK CASE COMP L	1	24540	
	11203	11203-GGC7-W10	UNDER RUBBER BUSH REAR CUSHION	UNDER RUBBER BUSH REAR CUSHION	1	280	
**	11341	11341-KEC4-900	COVER L	COVER L	1	14690	
	11381	11381-KUDU-C00	CLAMPER THROTTLE CABLE	CLAMPER THROTTLE CABLE	1	300	
	11382	11382-KUDU-W10	CLAMPER BRAKE CABLE	CLAMPER BRAKE CABLE	1	110	
	11395	11395-KKD7-E90	GASKET L COVER @A	GASKET L COVER @A	1	2370	
	2823A	2823A-GKAK-W10	GEAR ASSY KICK DRIVEN	GEAR ASSY KICK DRIVEN	1	1820	
	28250	28250-LDF7-E10	SPINDLE COMP KICK STARTER	SPINDLE COMP KICK STARTER	1	1990	
	28253	28253-GBN2-C00	BUSH KICK SPINDLE	BUSH KICK SPINDLE	1	130	
	28255	28255-GFS6-C00	COLLAR KICK BOSS	COLLAR KICK BOSS	1	90	
	28281	28281-GBN2-C00	SPRING KICK RETURN	SPRING KICK RETURN	1	450	
	90001	90001-GBHB-C11	BOLT FLANGE SHF 6*40	BOLT FLANGE SHF 6*40	1	450	
	90031	90031-KUDU-C00	BOLT A STUD 8*200.5	BOLT A STUD 8*200.5	1	450	
	90032	90032-KUDU-C00	BOLT B STUD 8*208.5	BOLT B STUD 8*208.5	1	450	
	90412	90412-3K29-C00	WASHER THRUST 10M/M	WASHER THRUST 10M/M	1	60	
	90451	90451-GBN2-C00	WASHER KICK SPINDLE	WASHER KICK SPINDLE	1	70	
	90474	90474-3C33-C00	WASHER 8MM (T*2)	WASHER 8MM (T*2)	1	60	

E01

Crank Case



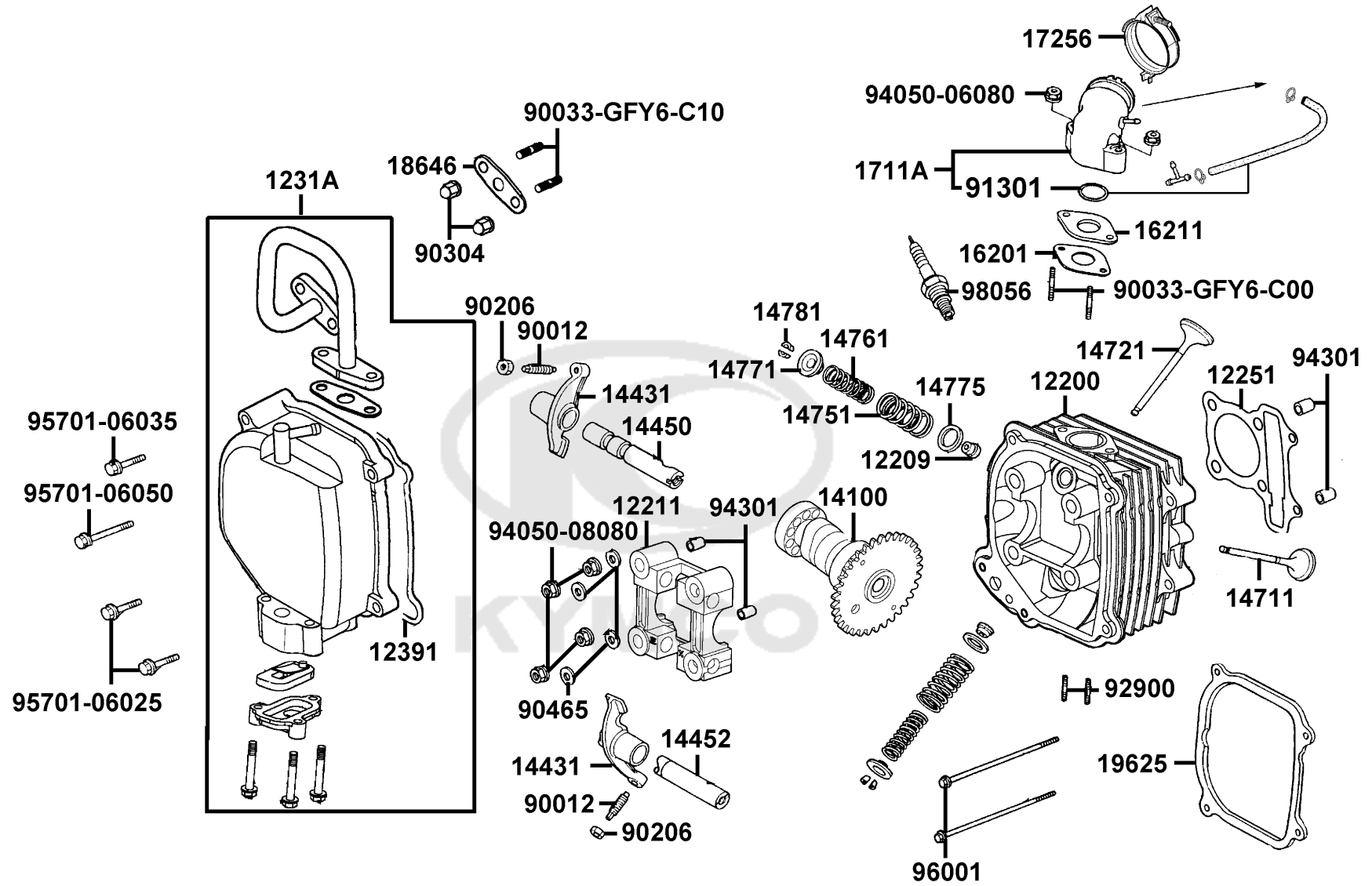
Sales mark 記号	Ref no 参照用番号	Part no パーツ番号	Description 部品名	Reg description 部品名	Regd no 必要個数	Ref Price 希望小売価格(税抜)	E01
9052A		9052A-GFY6-C00	BOLT ASSY DRAIN PLUG	BOLT ASSY DRAIN PLUG	1	260	
91202-GFY6		91202-GFY6-C00	OIL SEAL 19.8*30*5	OIL SEAL 19.8*30*5	1	210	
91202-KKJ9		91202-KKJ9-C00	OIL SEAL 20*32*6	OIL SEAL 20*32*6	1	250	
94301-10160		94301-10160	DOWEL PIN 10*16	DOWEL PIN 10*16	6	60	
94301-10200		94301-10200	DOWEL PIN 10*20	DOWEL PIN 10*20	1	200	
94511		94511-14000	CIR CLIP EX 14	CIR CLIP EX 14	1	110	
94591		94591-LDC8-E10	CLIP BIND	CLIP BIND	1	140	
95701		95701-08012-08	BOLT FLANGE 8*12	BOLT FLANGE 8*12	2	130	
96001-06012		96001-06012-08	BOLT FLANGE 6*12	BOLT FLANGE 6*12	1	60	
96001-06040		96001-06040-08	BOLT FLANGE 6*40	BOLT FLANGE 6*40	4	60	
96001-06045		96001-06045-08	BOLT FLANGE SH 6*45	BOLT FLANGE SH 6*45	3	130	
96001-06050		96001-06050-08	BOLT FLANGE 6*50	BOLT FLANGE 6*50	2	130	
96100-62020		96100-62020-00	BEARING BALL RADIAL 6202	BEARING BALL RADIAL 6202	1	770	
96100-62030		96100-62030-00	BRG BALL RADIAL 6203	BRG BALL RADIAL 6203	1	260	
96100-62043		96100-62043-00	BEARING BALL RADIAL 6204	BEARING BALL RADIAL 6204	1	430	



Sales mark 記号	Ref no 参照用番号	Part no パーツ番号	Description 部品名	Reg description 部品名	Regd no 必要個数	Ref Price 希望小売価格(税抜)	E02
12200		12200-KUDU-C10	HEAD COMP CYLN	HEAD COMP CYLN	1	14970	
12209		12209-GDB4-C00	SEAL VALVE STEM	SEAL VALVE STEM	1	370	
12211		12211-KUDU-W10	HOLDER CAM SHAFT	HOLDER CAM SHAFT	1	2230	
12251		12251-GFY6-C00	GASKET CYLINDER HEAD	GASKET CYLINDER HEAD	1	1060	
1231A		1231A-KUDU-C10	COVER ASSY HEAD	COVER ASSY HEAD	1	11270	
12391		12391-GFY6-C00	GASKET CYLINDER HEAD COVER	GASKET CYLINDER HEAD COVER	1	530	
14100		14100-LGS6-E10	SHAFT COMP CAM	SHAFT COMP CAM	1	4340	
14431		14431-KUDU-W10	ARM VALVE ROCKER	ARM VALVE ROCKER	2	4790	
14450		14450-GFY6-W10	SHAFT COMP IN ROCKER ARM	SHAFT COMP IN ROCKER ARM	1	440	
14452		14452-GFY6-W10	SHAFT EXH ROCKER ARM	SHAFT EXH ROCKER ARM	1	610	
14711		14711-KUDU-C00	VALVE INLET	VALVE INLET	1	1270	
14721		14721-KUDU-C00	VALVE EXHAUST	VALVE EXHAUST	1	1890	
14751		14751-KUDU-C10	SPRING VALVE OUTER	SPRING VALVE OUTER	1	210	
14761		14761-KUDU-C10	SPG VALVE INNER	SPG VALVE INNER	1	140	
14771		14771-GDB4-C00	RETAINER VALVE SPRING	RETAINER VALVE SPRING	1	320	
14775		14775-MFA6-C00	SEAT VALVE SPG OUTER	SEAT VALVE SPG OUTER	1	180	
14781		14781-MFA6-C00	COTTER VALVE	COTTER VALVE	1	110	
16201		16201-GFY6-E90	GASKET CARBURETOR INSULATOR	GASKET CARBURETOR INSULATOR	1	60	
16211		16211-GFY6-W10	INSULATOR	INSULATOR	1	390	
1711A		1711A-LDF7-E10	PIPE COMP INLET	PIPE COMP INLET	1	3670	

E02

Cylinder Head

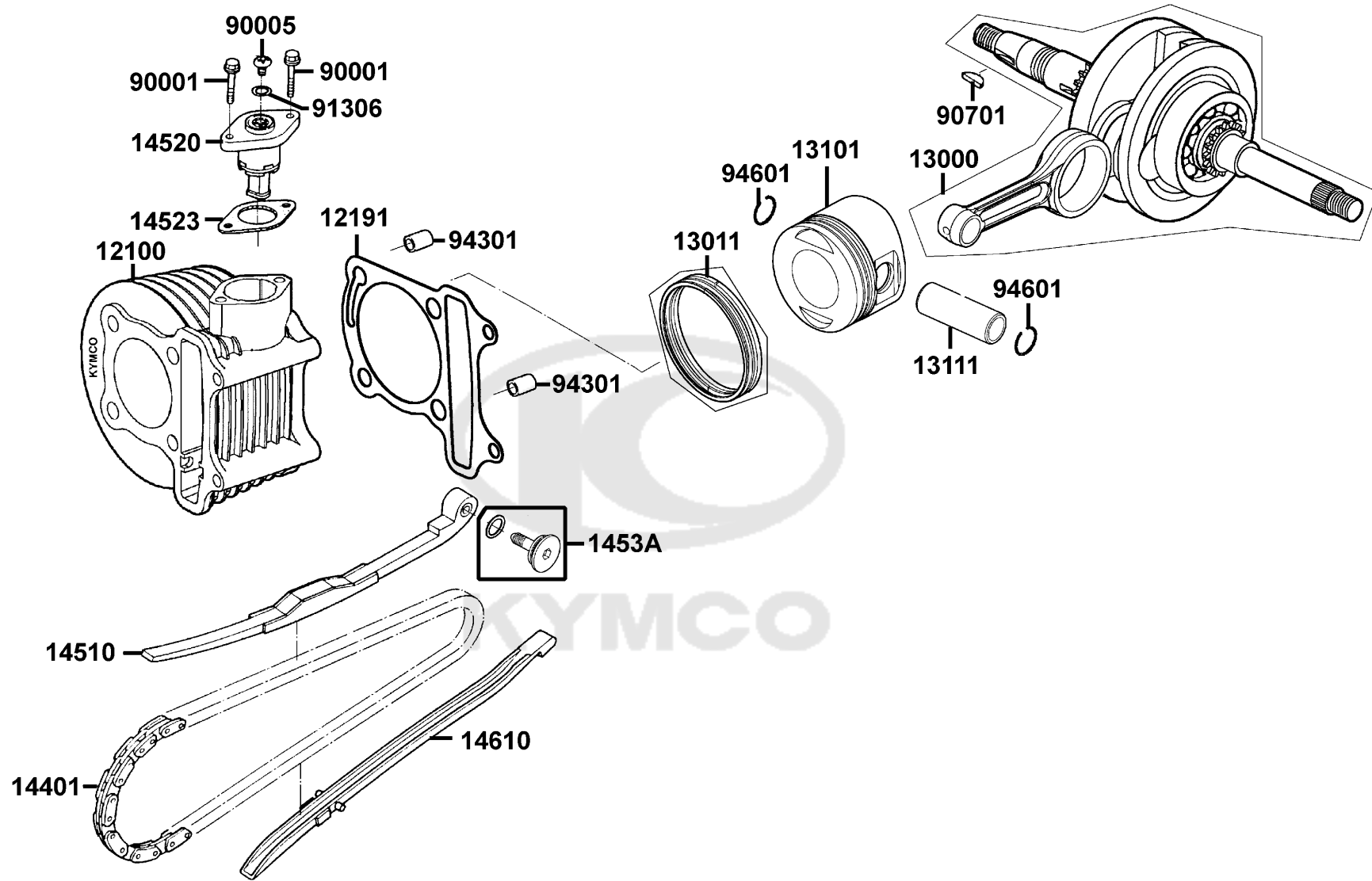


Sales mark 記号	Ref no 参照用番号	Part no パーツ番号	Description 部品名	Reg description 部品名	Regd no 必要個数	Ref Price 希望小売価格(税抜)
17256	17256-GFY6-C00	17256-GFY6-C00	BAND INSULATOR	BAND INSULATOR	1	210
18646	18646-LDC8-E10	18646-LDC8-E10	GASKET A/I PIPE	GASKET A/I PIPE	1	70
19625	19625-KUDU-C00	19625-KUDU-C00	SEAL SHROUD	SEAL SHROUD	1	710
90012	90012-3C33-C00	90012-3C33-C00	SCREW TAPPET ADJUSTING	SCREW TAPPET ADJUSTING	1	90
90033-GFY6-C00	90033-GFY6-C00	90033-GFY6-C00	BOLT STUD 8*32	BOLT STUD 8*32	1	90
90033-GFY6-C10	90033-GFY6-C10	90033-GFY6-C10	BOLT STUD 6*16	BOLT STUD 6*16	1	90
90206	90206-0A01-C00	90206-0A01-C00	NUT TAPPET ADJG	NUT TAPPET ADJG	1	60
90304	90304-4H38-C00	90304-4H38-C00	NUT HEX CAP 6MM	NUT HEX CAP 6MM	1	60
90465	90465-MDC4-C00	90465-MDC4-C00	WASHER 8MM	WASHER 8MM	1	130
91301	91301-0H28-C00	91301-0H28-C00	O-RING 27*2	O-RING 27*2	1	230
92900	92900-06060-0B	92900-06060-0B	BOLT STUD ??*60	BOLT STUD ??*60	2	60
94050-06080	94050-06080	94050-06080	NUT FLANGE 6MM	NUT FLANGE 6MM	2	60
94050-08080	94050-08080	94050-08080	NUT FLANGE 8MM	NUT FLANGE 8MM	4	60
94301	94301-10160	94301-10160	DOWEL PIN 10*16	DOWEL PIN 10*16	4	60
95701-06025	95701-06025-08	95701-06025-08	BOLT FLANGE 6*25	BOLT FLANGE 6*25	2	60
95701-06035	95701-06035-08	95701-06035-08	BOLT FLANGE 6*35	BOLT FLANGE 6*35	1	60
95701-06050	95701-06050-08	95701-06050-08	BOLT FLANGE 6*50 (C)	BOLT FLANGE 6*50 (C)	1	130
96001	96001-06100-08	96001-06100-08	BOLT FLANGE SH 6*100	BOLT FLANGE SH 6*100	2	200
98056	98056-5771R	98056-5771R	SPARK PLUG	SPARK PLUG(Champion P-RZ9HC)	1	1770

E02

E03

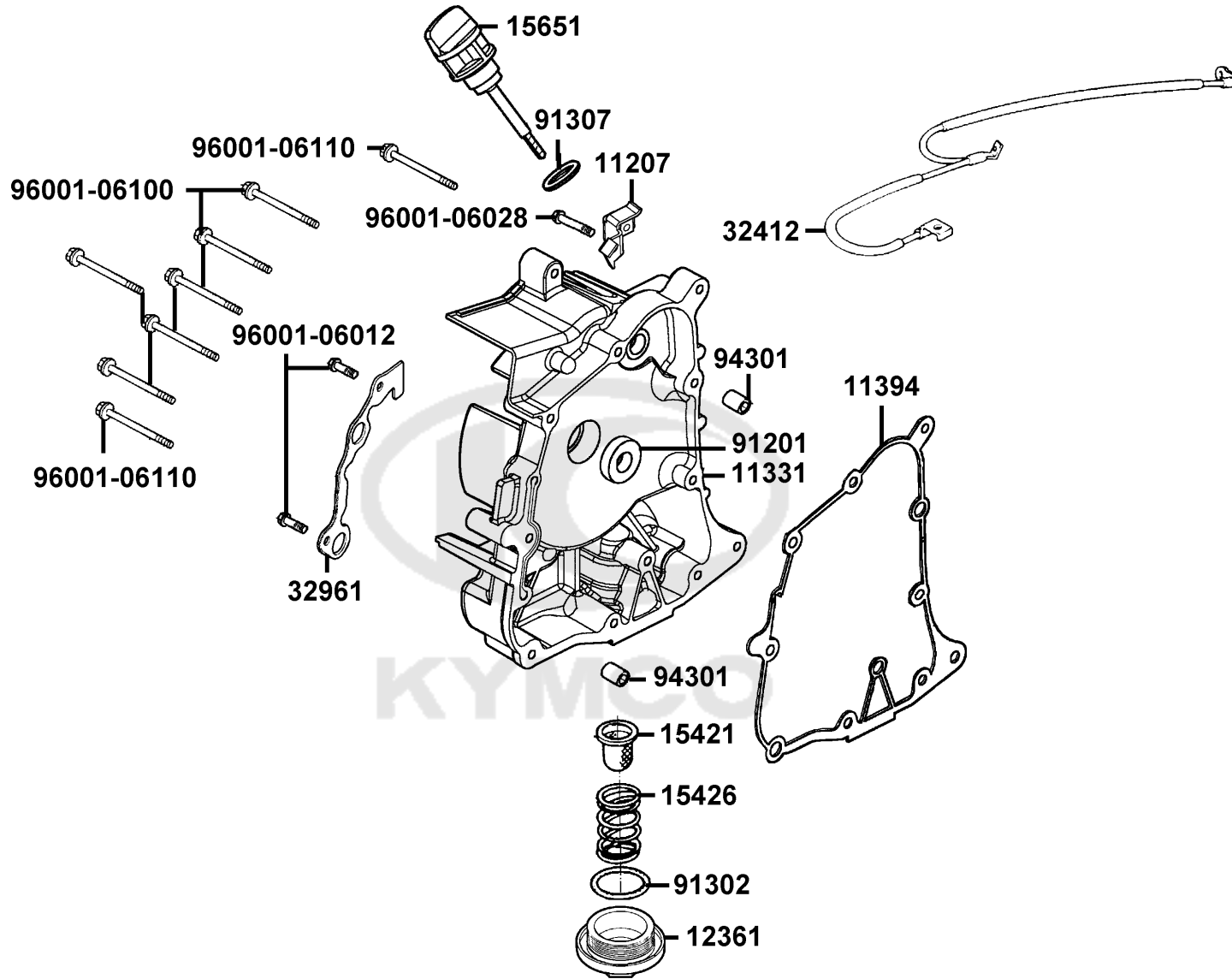
Cylinder Piston Crankshaft



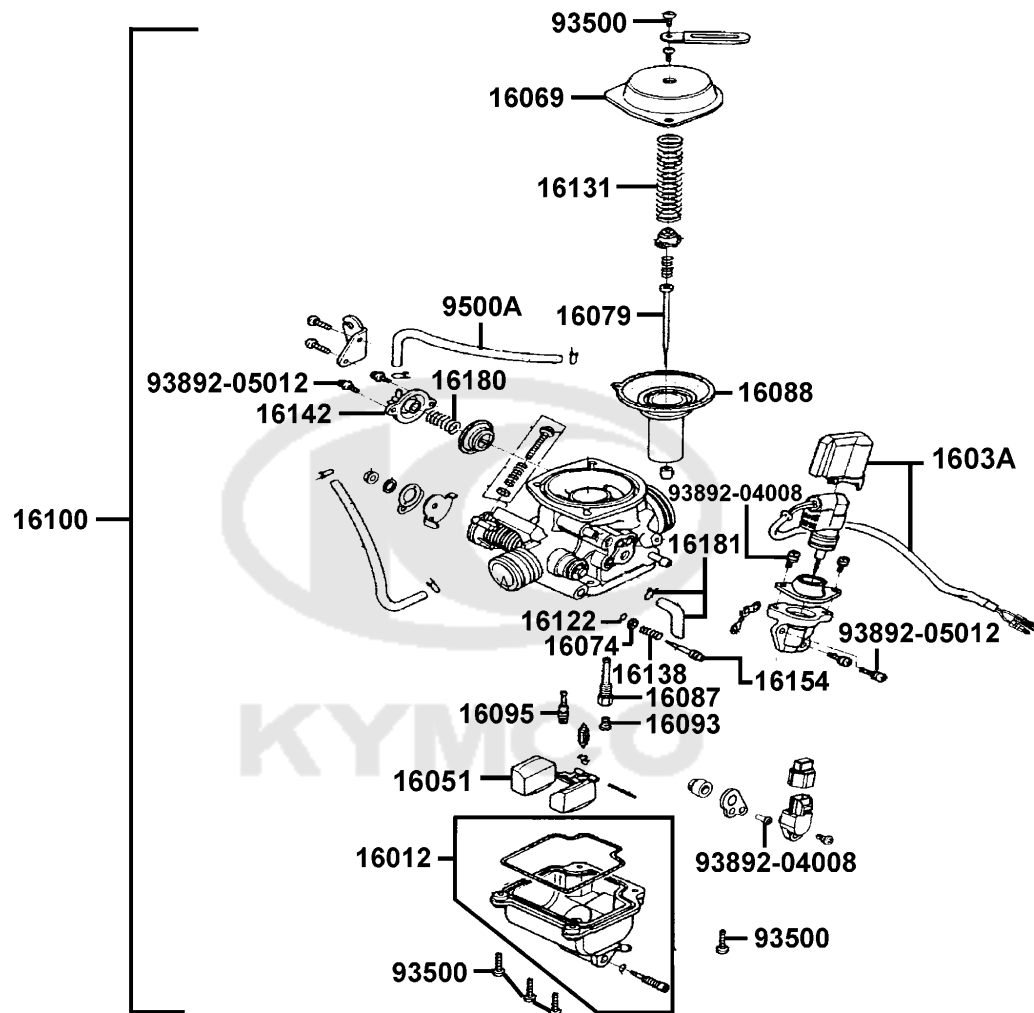
Sales mark 記号	Ref no 参照用番号	Part no パーツ番号	Description 部品名	Reg description 部品名	Regd no 必要個数	Ref Price 希望小売価格(税抜)	E03
12100		12100-GFY6-C00	CYLINDER COMP	CYLINDER COMP	1	10490	
12191		12191-GFY6-E90	GASKET CRANK CASE @ A	GASKET CRANK CASE @ A	1	280	
13000		13000-KUDU-C00	CRANK SHAFT COMP	CRANK SHAFT COMP	1	26840	
13011		13011-GFY6-C00	RING ASSY PISTON	RING ASSY PISTON	1	1820	
13101		13101-KUDU-C00	PISTON	PISTON	1	2870	
13111		13111-3D84-C00	PIN,PISTON	PIN,PISTON	1	900	
14401		14401-KUDU-C00	CHAIN CAM	CHAIN CAM	1	3670	
14510		14510-KUDU-C00	TENSIONER CAM CHAIN	TENSIONER CAM CHAIN	1	1910	
14520		14520-GFY6-C00	LIFTER ASSY TENSIONER	LIFTER ASSY TENSIONER	1	1350	
14523		14523-GFY6-E90	GASKET TENSIONER LIFTER @A	GASKET TENSIONER LIFTER @A	1	60	
1453A		1453A-GFY6-W10	PIVOT CAM CHAIN SET	PIVOT CAM CHAIN SET	1	230	
14610		14610-KUDU-C00	GUIDE COMP CAM CHAIN	GUIDE COMP CAM CHAIN	1	960	
90001		90001-GBHB-C00	BOLT FLANGE SHF 6*22 (B)	BOLT FLANGE SHF 6*22 (B)	1	350	
90005		90005-KAW1-901	SCREW PAN 6*6	SCREW PAN 6*6	1	60	
90701		90701-HFB6-C00	KEY WOODRUFF 25*14*4	KEY WOODRUFF 25*14*4	1	560	
91306		91306-1E05-C00	O-RING 1.5*9.5	O-RING 1.5*9.5	1	140	
94301		94301-10160	DOWEL PIN 10*16	DOWEL PIN 10*16	2	60	
94601		94601-15000	CLIP PISTON PIN 15MM	CLIP PISTON PIN 15MM	2	60	

E04

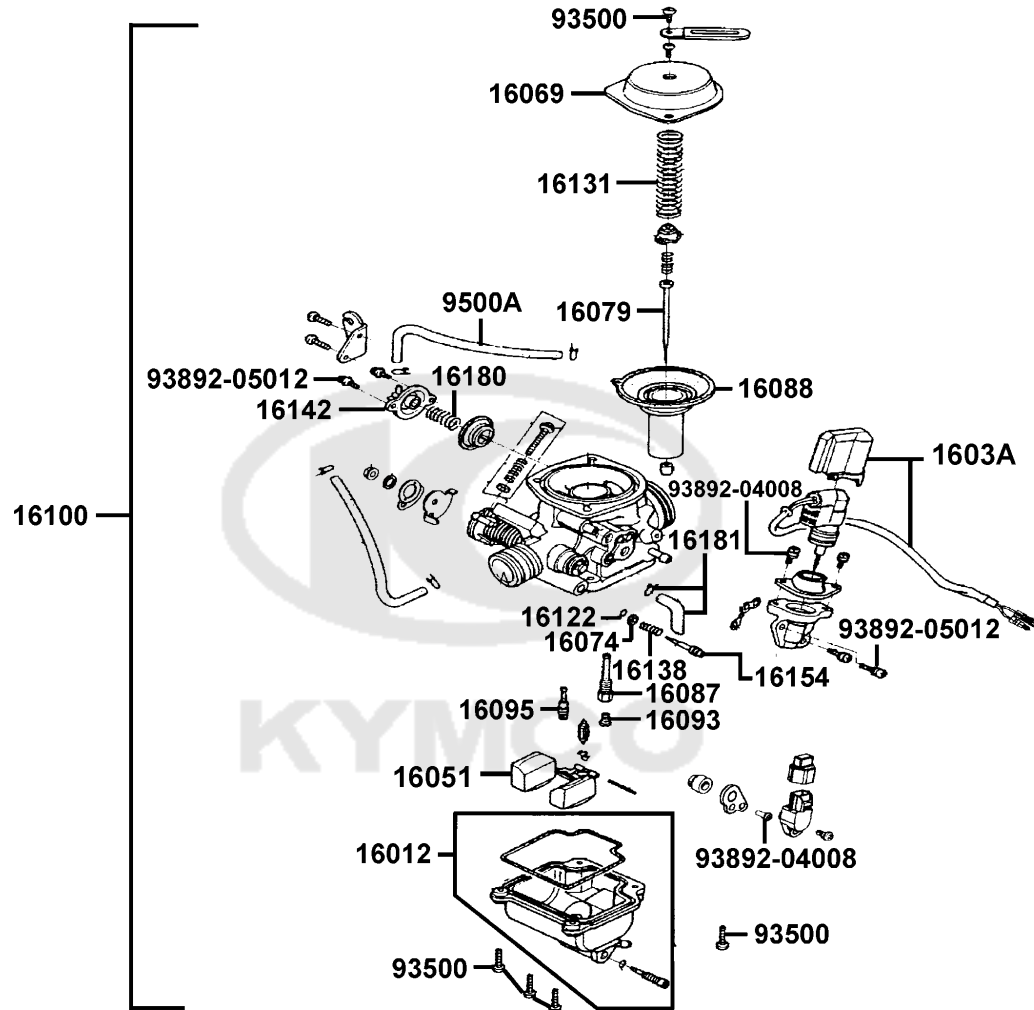
Right Crankcase Cover



Sales mark 記号	Ref no 参照用番号	Part no パーツ番号	Description 部品名	Reg description 部品名	Regd no 必要個数	Ref Price 希望小売価格(税抜)	E04
11207		11207-KKE3-C01	"STAY B, RR FENDER"	"STAY B, RR FENDER"	1	400	
11331		11331-KUDU-C10	COVER R CRANK CASE	COVER R CRANK CASE	1	17680	
11394		11394-KUDU-E90	GASKET R COVER	GASKET R COVER	1	700	
12361		12361-GFY6-C00	HOLE CAP TAPPET ADJUSTING	HOLE CAP TAPPET ADJUSTING	1	330	
15421		15421-1G07-W10	SCREEN OIL FILTER	SCREEN OIL FILTER	1	470	
15426		15426-GAE1-C00	SPG OIL FILTER SCREEN	SPG OIL FILTER SCREEN	1	300	
15651		15651-KUDU-W10	GUAGE OIL LEVEL	GUAGE OIL LEVEL	1	180	
32412		32412-LDF7-E10	CABLE EARTH	CABLE EARTH	1	3670	
32961		32961-KUDU-C00	CLAMPER ACG CORD	CLAMPER ACG CORD	1	160	
91201		91201-GFY6-C00	OIL SEAL 19.8*30*5	OIL SEAL 19.8*30*5	1	210	
91302		91302-0A01-C00	O-RING 30.8MM	O-RING 30.8MM	1	70	
91307		91307-0E35-W10	O-RING 18*3	O-RING 18*3	1	60	
94301		94301-10160	DOWEL PIN 10*16	DOWEL PIN 10*16	2	60	
96001-06012		96001-06012-08	BOLT FLANGE 6*12	BOLT FLANGE 6*12	2	60	
96001-06028		96001-06028-08	BOLT FLANGE SH 6*28	BOLT FLANGE SH 6*28	1	200	
96001-06100		96001-06100-08	BOLT FLANGE SH 6*100	BOLT FLANGE SH 6*100	6	200	
96001-06110		96001-06110-08	BOLT FLANGE SH 6*110	BOLT FLANGE SH 6*110	2	160	



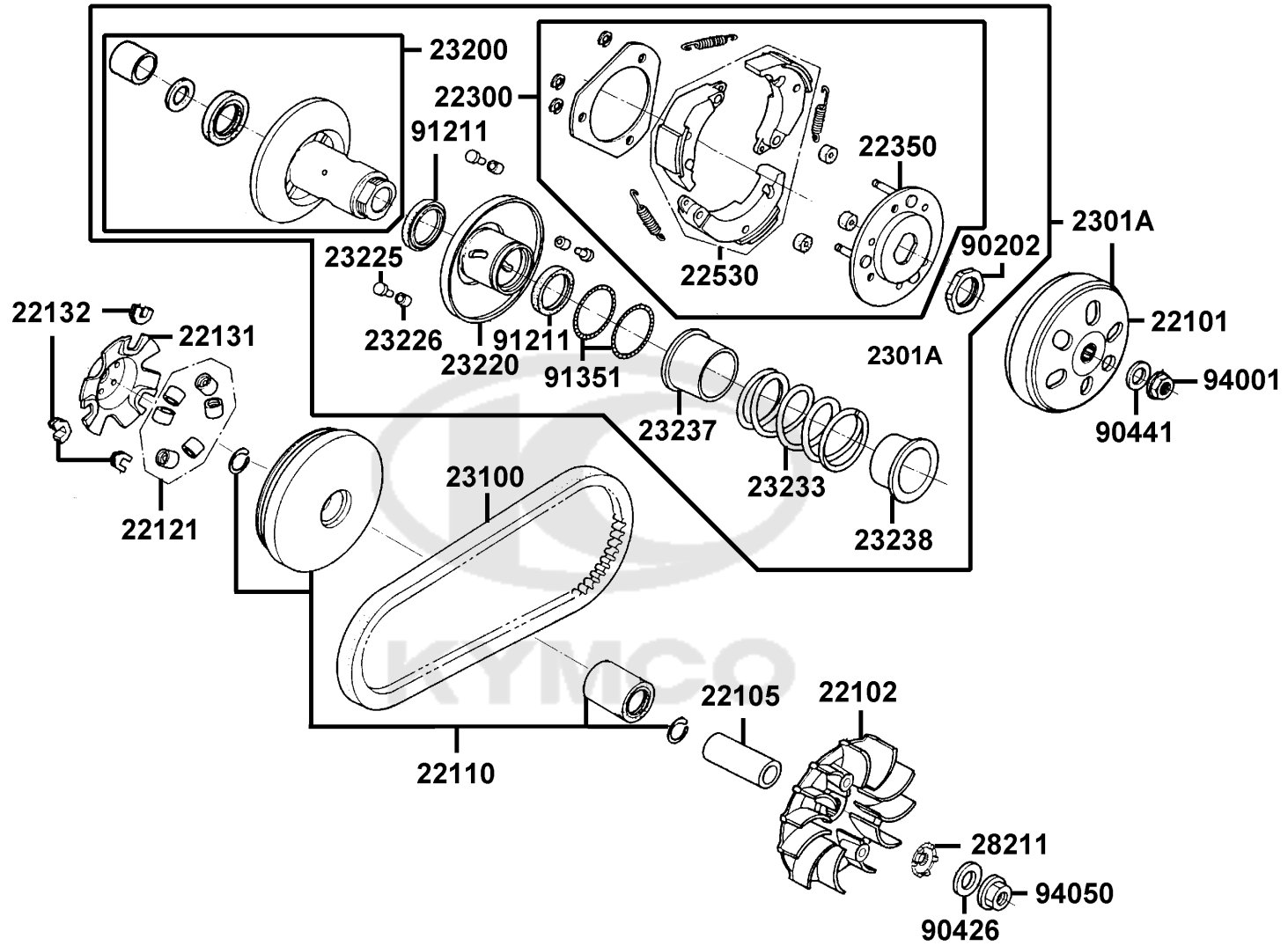
Sales mark 記号	Ref no 参照用番号	Part no パーツ番号	Description 部品名	Reg description 部品名	Regd no 必要個数	Ref Price 希望小売価格(税抜)	E05
16012		16012-KEC3-C01	CHAMBER COMP FLOAT	CHAMBER COMP FLOAT	1	1630	
1603A		1603A-LFC3-E10	UNIT BY-ST ASSY	UNIT BY-ST ASSY	1	4170	
16051		16051-KEC3-C00	BODY FLOAT	BODY FLOAT	1	750	
16069		16069-KEC3-C00	COVER PISTON VALVE DIAPHRAGM	COVER PISTON VALVE DIAPHRAGM	1	320	
16074		16074-KEC3-C00	WASHER IDLE ADJUST SCREW	WASHER IDLE ADJUST SCREW	1	60	
16079		16079-LEJ2-E10	NEEDLE ASSY JET	NEEDLE ASSY JET	1	1350	
16087		16087-KEC3-C00	TUBE EMULSION	TUBE EMULSION	1	670	
16088		16088-LDF7-C00	JET NEEDLE	JET NEEDLE	1	370	
16093		16093-5102-C00	JET MAIN	JET MAIN	1	170	
16095		16095-KEC3-900	JET SLOW	JET SLOW	1	1820	
16100		16100-LDF7-E11	CARBURETOR ASSY	CARBURETOR ASSY	1	33180	
16122		16122-KEC3-C00	O-RING IDLE SCREW	O-RING IDLE SCREW	1	60	
16131		16131-KEC3-C00	SPRING VACUUM PISTON	SPRING VACUUM PISTON	1	130	
16138		16138-KEC3-C00	SPG IDLE ADJ SCREW	SPG IDLE ADJ SCREW	1	60	
16142		16142-KEC3-900	COVER ACV	COVER ACV	1	400	
16154		16154-KEC3-C00	SCREW IDLE ADJUST	SCREW IDLE ADJUST	1	240	
16180		16180-KEC3-C00	PLATE WIRE FIXED	PLATE WIRE FIXED	1	60	
16181		16181-KEC3-C00	TUBE AIR VENT	TUBE AIR VENT	1	100	
93500		93500-04014-1A	SCREW 4*12	SCREW 4*12	4	60	
93892-04008		93892-04008-18	SCREW WASHER 4*8	SCREW WASHER 4*8	4	60	



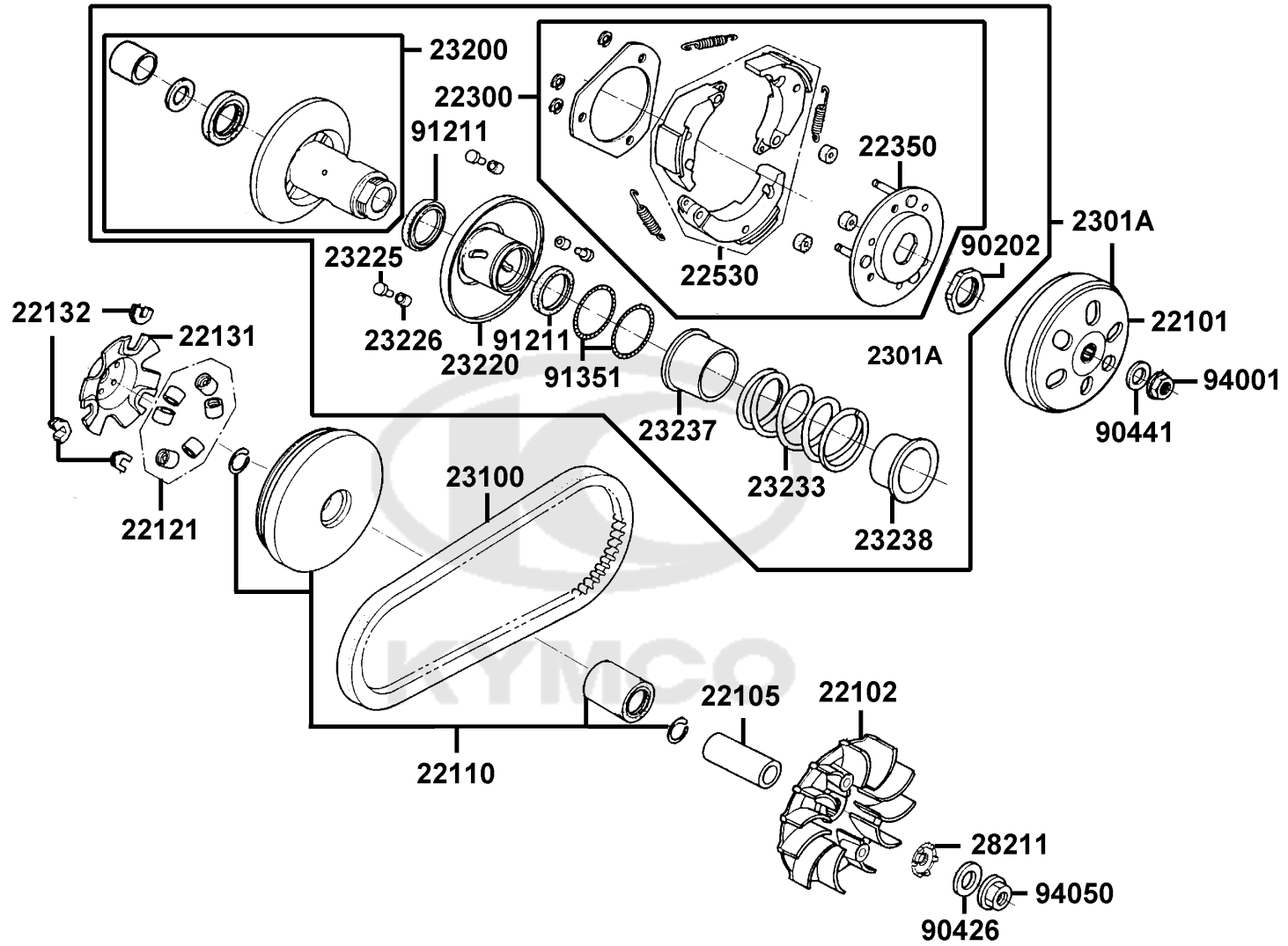
Sales mark 記号	Ref no 参照用番号	Part no パーツ番号	Description 部品名	Reg description 部品名	Regd no 必要個数	Ref Price 希望小売価格(税抜)	E05
------------------	-----------------	------------------	--------------------	------------------------	-----------------	-------------------------	-----

93892-05012	93892-05012-18	SCREW WASHER 5*12	SCREW WASHER 5*12	2	60	
9500A	9500A-KHB5-EZ0	TUBE ASSY ACV	TUBE ASSY ACV	1	350	



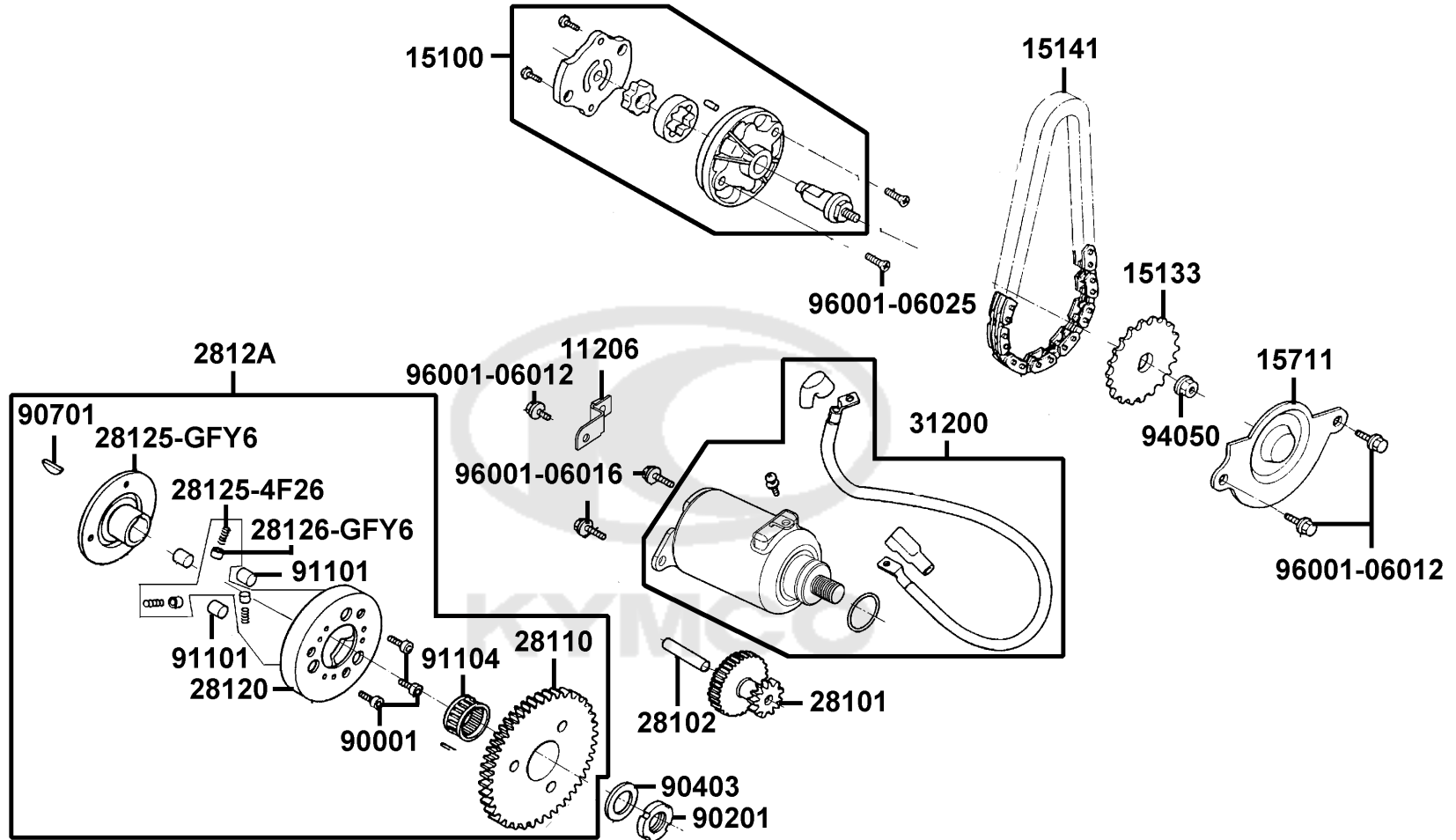


Sales mark 記号	Ref no 参照用番号	Part no パーツ番号	Description 部品名	Reg description 部品名	Regd no 必要個数	Ref Price 希望小売価格(税抜)	E06
22101		22101-LCD3-C00	OUTER CLUTCH	OUTER CLUTCH	1	3810	
22102		22102-KUDU-E80	FACE DRIVE	FACE DRIVE	1	1910	
22105		22105-GFY6-C00	BOSS DRIVE FACE	BOSS DRIVE FACE	1	730	
22110		22110-KUDU-E80	FACE MOVABLE DRIVE	FACE MOVABLE DRIVE	1	3250	
22121		22121-KKD7-315	ROLLER SET WEIGHT (1SET:6PCS)	ROLLER SET WEIGHT(旧品番の22121-KKD7	1	420	
22131		22131-GFY6-C00	PLATE RAMP	PLATE RAMP	1	800	
22132		22132-KBN2-C00	PIECE SLIDE	PIECE SLIDE	1	70	
22300		22300-KEC6-C00	PLATE ASSY DRIVE	PLATE ASSY DRIVE	1	16730	
22350		22350-GFY6-C00	PLATE COMP DRIVE	PLATE COMP DRIVE	1	450	
22530		22530-GFY6-C00	WEIGHT CLUTCH	WEIGHT CLUTCH	1	3320	
2301A		2301A-KEC6-C00	PULLEY SUB ASSY	PULLEY SUB ASSY	1	18160	
23100		23100-KEC4-C00	BELT DRIVE	BELT DRIVE	1	6900	
23200		23200-GFY6-C00	FACE ASSY DRIVEN	FACE ASSY DRIVEN	1	10150	
23220		23220-KFBF-C00	FACE COMP MOVABLE DRIVEN	FACE COMP MOVABLE DRIVEN	1	5660	
23225		23225-GHC8-C00	PIN ROLLER GUIDE	PIN ROLLER GUIDE	3	60	
23226		23226-GHC8-C00	ROLLER GUIDE	ROLLER GUIDE	3	60	
23233		23233-GCW3-C00	SPG DRIVEN FACE	SPG DRIVEN FACE	1	750	
23237		23237-GFY6-C00	COLLAR SEAL	COLLAR SEAL	1	900	
23238		23238-GFY6-C00	COLLAR SPG	COLLAR SPG	1	1180	
28211		28211-KUDU-W10	RATCHET KICK STARTER	RATCHET KICK STARTER	1	1350	



Sales mark 記号	Ref no 参照用番号	Part no パーツ番号	Description 部品名	Reg description 部品名	Regd no 必要個数	Ref Price 希望小売価格(税抜)	E06
90202		90202-1G87-C00	NUT SPECIAL 28MM	NUT SPECIAL 28MM	1	140	
90426		90426-KNBN-C00	WASHER SPECIAL 12MM	WASHER SPECIAL 12MM	1	60	
90441		90441-GFY6-C00	WASHER 12.2*29*2.5	WASHER 12.2*29*2.5	1	130	
91211		91211-KEBE-C00	SEAL DRIVEN FACE 34*41*4	SEAL DRIVEN FACE 34*41*4	1	590	
91351		91351-6B42-C00	O-RING PINION CAP	O-RING PINION CAP	1	130	
94001		94001-12280-0S	NUT HEX 12MM	NUT HEX 12MM	1	160	
94050		94050-12080	NUT C FLANGE 12MM	NUT C FLANGE 12MM	2	60	

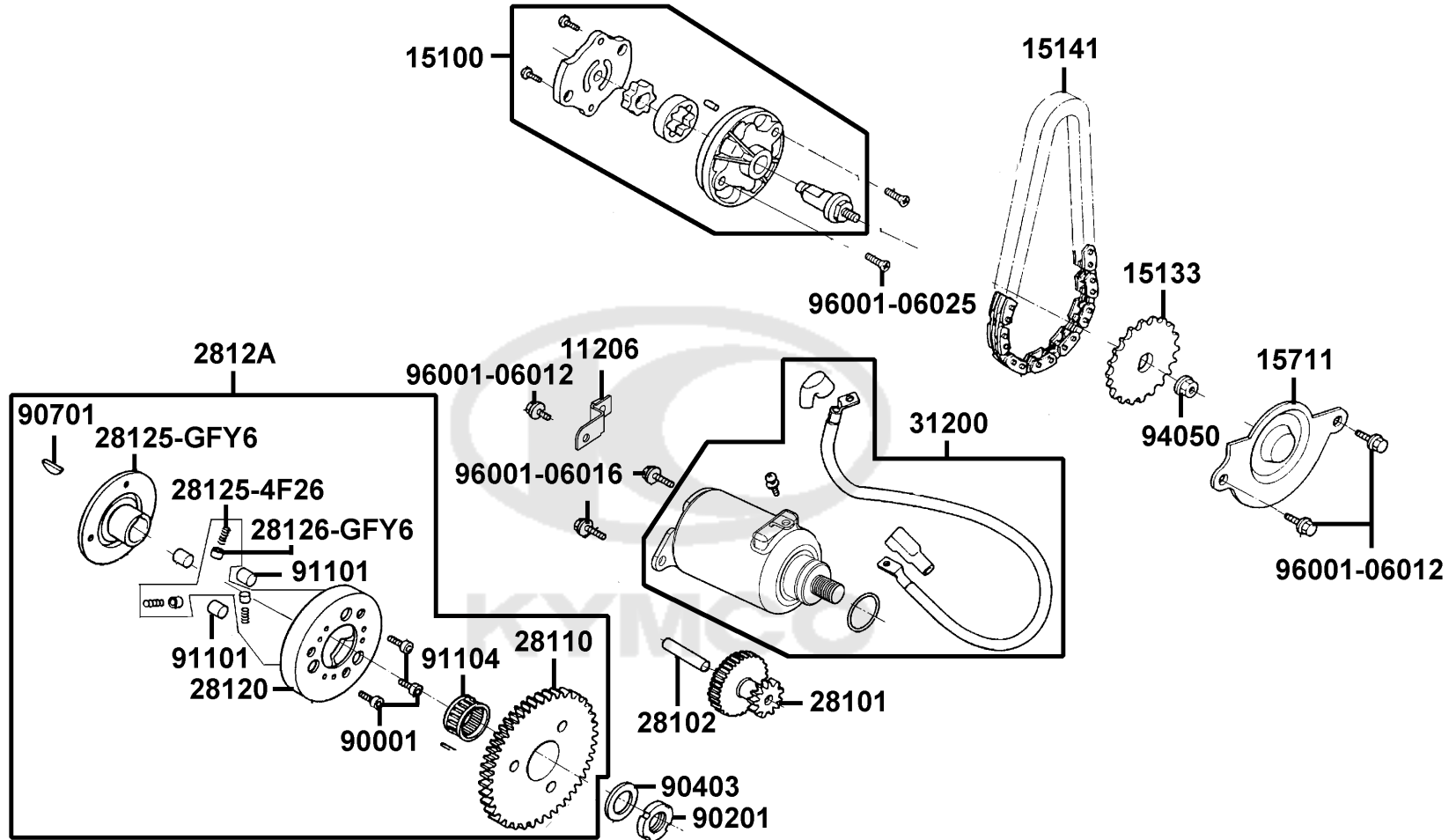




Sales mark 記号	Ref no 参照用番号	Part no パーツ番号	Description 部品名	Reg description 部品名	Regd no 必要個数	Ref Price 希望小売価格(税抜)	E07
11206		11206-LDF7-E10	STAY A RR FENDER	STAY A RR FENDER	1	800	
15100		15100-KUDU-W10	PUMP ASSY OIL	PUMP ASSY OIL	1	4620	
15133		15133-GFY6-W10	SPROCKET OIL PUMP DRIVE	SPROCKET OIL PUMP DRIVE	1	800	
15141		15141-GFY6-C00	CHAIN OIL PUMP	CHAIN OIL PUMP	1	1990	
15711		15711-KUDU-C00	SEPARATER OIL	SEPARATER OIL	1	280	
28101		28101-GFY6-C00	GEAR STARTER REDUCTION	GEAR STARTER REDUCTION	1	1820	
28102		28102-GFY6-C00	SHAFT STARTER REDUCTION GEAR	SHAFT STARTER REDUCTION GEAR	1	330	
28110		28110-GFY6-C10	GEAR COMP STARTING CLUTCH	GEAR COMP STARTING CLUTCH	1	2230	
28120		28120-GFY6-C00	OUTER COMP STARTING CLUTCH	OUTER COMP STARTING CLUTCH	1	3940	
28125-4F26		28125-4F26-C00	SPRING ROLLER STARTER CLUTCH	SPRING ROLLER STARTER CLUTCH	3	60	
28125-GFY6		28125-GFY6-C10	FLANGE STARTING CLUTCH	FLANGE STARTING CLUTCH	1	1590	
28126-GFY6		28126-GFY6-C10	CAP STARTING ROLLER SPRING	CAP STARTING ROLLER SPRING	1	130	
2812A		2812A-GFY6-C10	OUTER ASSY START CLUTCH	OUTER ASSY START CLUTCH	1	5600	
31200		31200-KUDU-C00	MOTOR ASSY START	MOTOR ASSY START	1	8920	
90001		90001-GFY6-C00	SOCKET BOLT 6*10	SOCKET BOLT 6*10	1	70	
90201		90201-GFY6-901	NUT LOCK 22MM	NUT LOCK 22MM	1	110	
90403		90403-KUDU-900	WASHER THRUST 22.2*39*2.5	WASHER THRUST 22.2*39*2.5	1	120	
90701		90701-HFB6-C00	KEY WOODRUFF 25*14*4	KEY WOODRUFF 25*14*4	1	560	
91101		91101-1K79-C00	ROLLER 10*10	ROLLER 10*10	1	450	
91104		91104-GFY6-C00	BRG NEEDLE 28*32*17	BRG NEEDLE 28*32*17	1	4050	

E07

Starting Motor Oil Pump

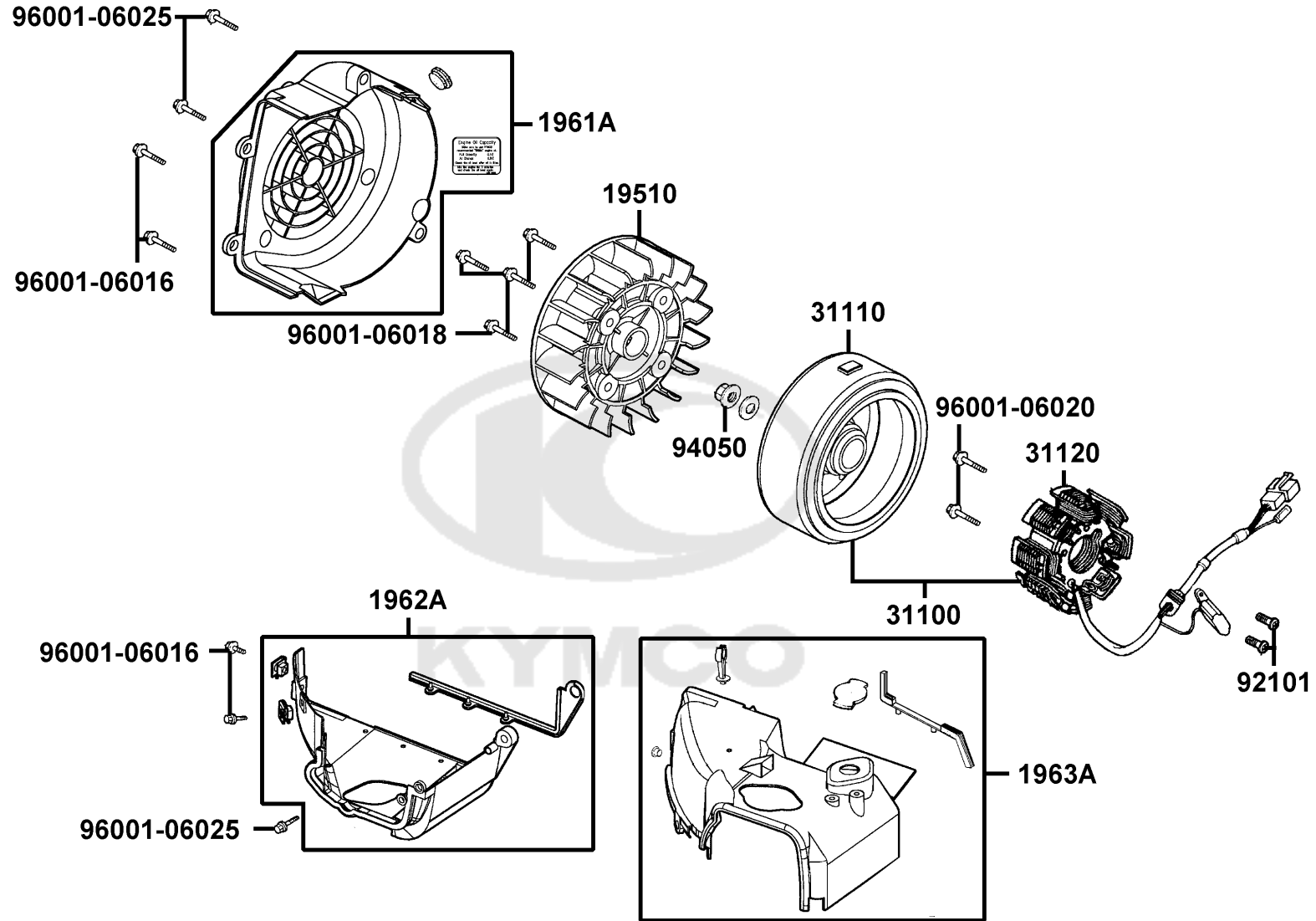


Sales mark 記号	Ref no 参照用番号	Part no パーツ番号	Description 部品名	Reg description 部品名	Regd no 必要個数	Ref Price 希望小売価格(税抜)	E07
94050	94050-06080	94050-06080	NUT FLANGE 6MM	NUT FLANGE 6MM	1	60	
96001-06012	96001-06012	96001-06012-08	BOLT FLANGE 6*12	BOLT FLANGE 6*12	3	60	
96001-06016	96001-06016	96001-06016-08	BOLT FLANGE SH 6*16	BOLT FLANGE SH 6*16	2	200	
96001-06025	96001-06025	96001-06025-08	BOLT FLANGE SH 6*25	BOLT FLANGE SH 6*25	2	90	



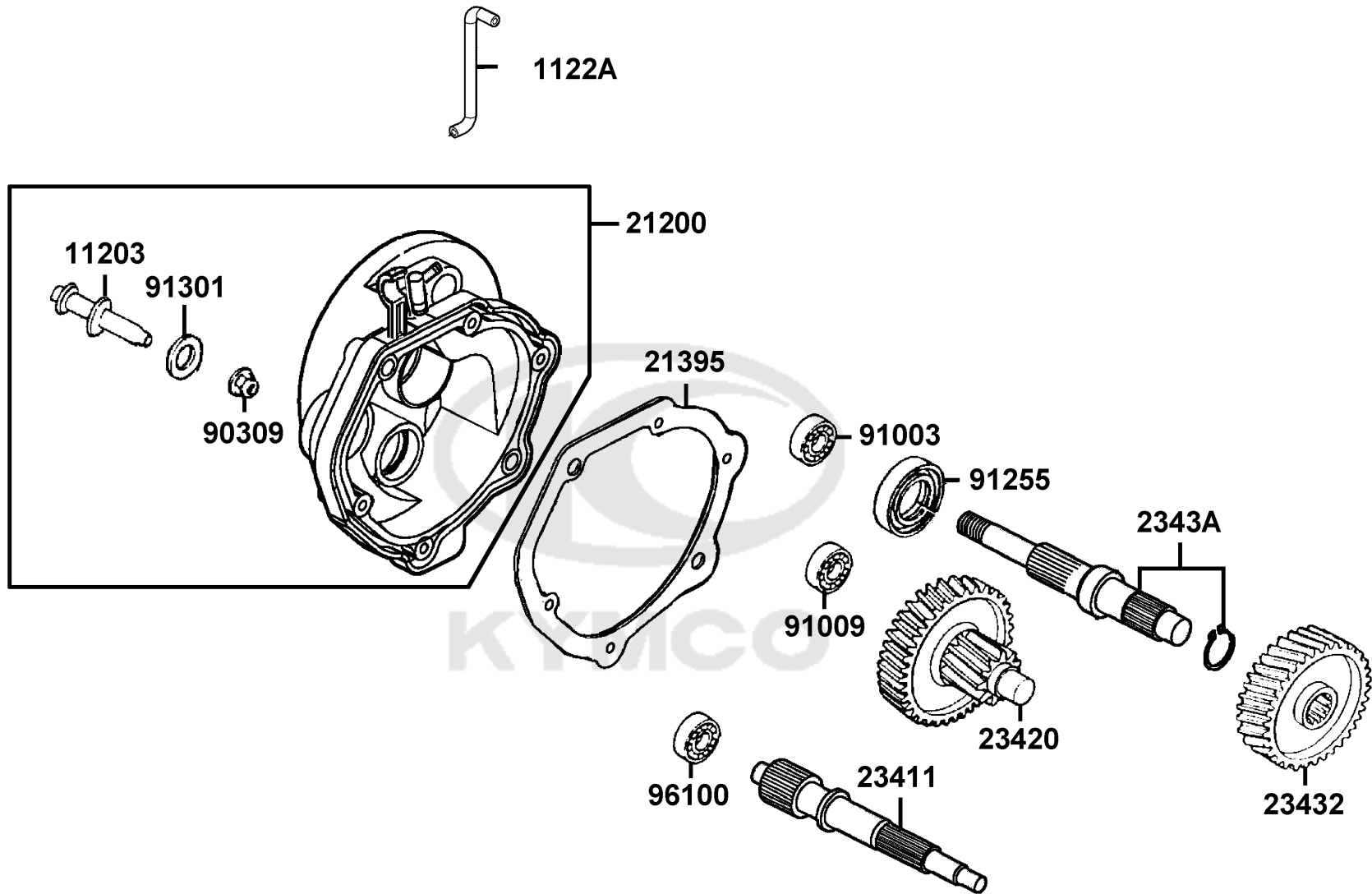
E08

Fan Cover Generator



Sales mark 記号	Ref no 参照用番号	Part no パーツ番号	Description 部品名	Reg description 部品名	Regd no 必要個数	Ref Price 希望小売価格(税抜)
	19510	19510-GFY6-C00	FAN COMP COOLING	FAN COMP COOLING	1	890
	1961A	1961A-KUDU-E10	COVER ASSY FAN	COVER ASSY FAN	1	2860
	1962A	1962A-KUDU-C00	SHROUD ASSY A	SHROUD ASSY A	1	3310
	1963A	1963A-LDF7-E10	SHROUD ASSY B	SHROUD ASSY B	1	2360
	31100	31100-KUDU-C00	AC GEN ASSY	AC GEN ASSY	1	15830
	31110	31110-KUDU-C00	FLYWHEEL COMP	FLYWHEEL COMP	1	10600
	31120	31120-KUDU-C00	STATOR COMP	STATOR COMP	1	9350
	92101	92101-05012-0H	BOLT HEX 5*12	BOLT HEX 5*12	2	60
	94050	94050-12080	NUT C FLANGE 12MM	NUT C FLANGE 12MM	1	60
	96001-06016	96001-06016-08	BOLT FLANGE SH 6*16	BOLT FLANGE SH 6*16	4	200
	96001-06018	96001-06018-08	BOLT FLANGE SH 6*18	BOLT FLANGE SH 6*18	4	
	96001-06020	96001-06020-08	BOLT FLANGE SH 6*20	BOLT FLANGE SH 6*20	2	200
	96001-06025	96001-06025-08	BOLT FLANGE SH 6*25	BOLT FLANGE SH 6*25	3	90

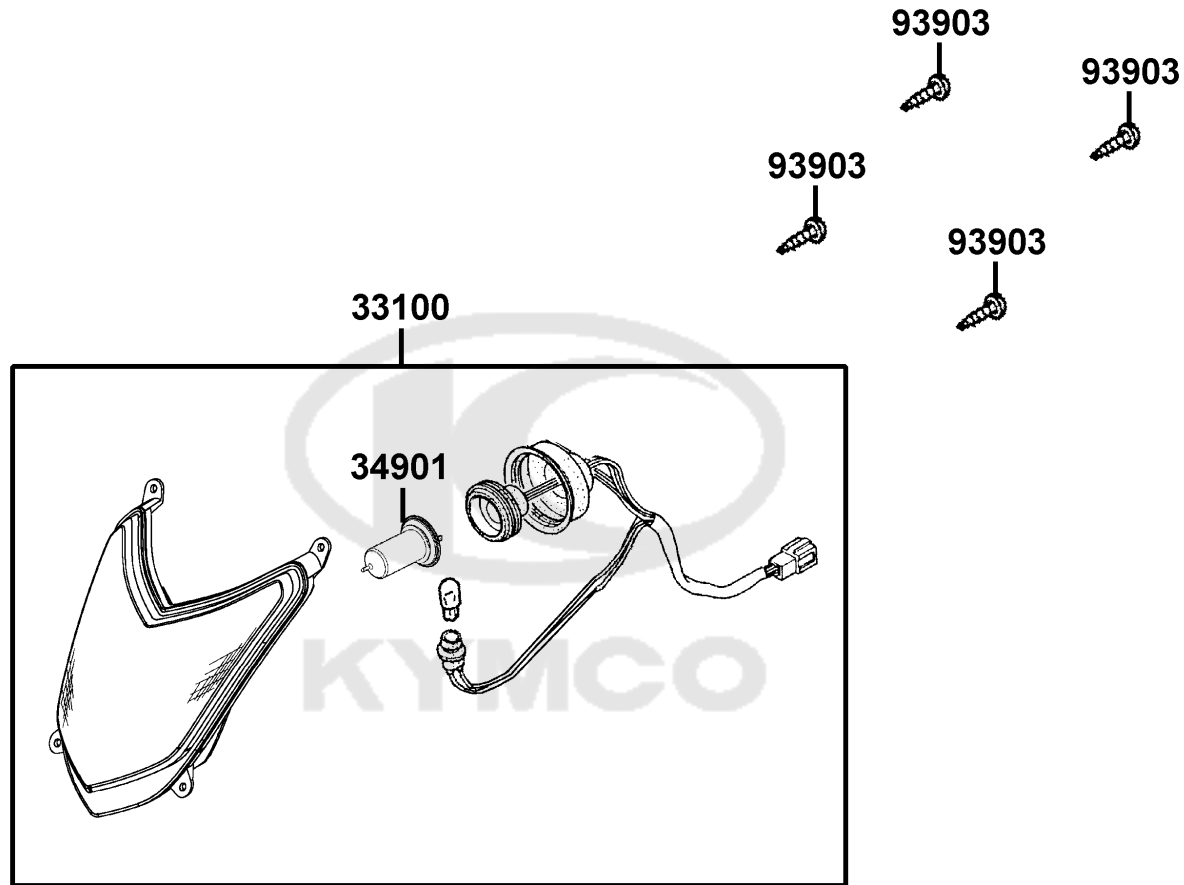
E08



Sales mark 記号	Ref no 参照用番号	Part no パーツ番号	Description 部品名	Reg description 部品名	Regd no 必要個数	Ref Price 希望小売価格(税抜)	E09
11203		11203-KUDU-C00	PIN BRAKE SHOE ANCHOR	PIN BRAKE SHOE ANCHOR	1	830	
1122A		1122A-LDF7-E10	TUBE ASSY MISSION BREATHER	TUBE ASSY MISSION BREATHER	1	330	
21200		21200-KEC4-C00	CASE COMP MISSION	CASE COMP MISSION	1	11320	
21395		21395-KEC4-E90	GASKET MISSION CASE	GASKET MISSION CASE	1	590	
23411		23411-KEC4-C00	SHAFT DRIVE	SHAFT DRIVE	1	5850	
23420		23420-KEC4-C00	SHAFT COMP COUNTER	SHAFT COMP COUNTER	1	9580	
23432		23432-KEC4-C00	GEAR FINAL	GEAR FINAL	1	4150	
2343A		2343A-KUDU-W00	SHAFT FINAL	SHAFT FINAL	1	60	
90309		90309-KLF0-C00	NUT FLANGE 8MM	NUT FLANGE 8MM	1	110	
91003		91003-KDS4-C00	BRG BALL RADIAL 6301TMB	BRG BALL RADIAL 6301TMB	1	3200	
91009		91009-GLE0-C00	BRG BALL RADIAL 6004 UU	BRG BALL RADIAL 6004 UU	1	2040	
91255		91255-LDC8-E10	OIL SEAL 27*42*7(C?)	OIL SEAL 27*42*7(C?)	1	160	
91301		91301-0C53-W10	O RING 7.5*1.5	O RING 7.5*1.5	1	60	
96100		96100-60020-00	BRG BALL RADIAL 6002	BRG BALL RADIAL 6002	1	250	

F01

Head Light



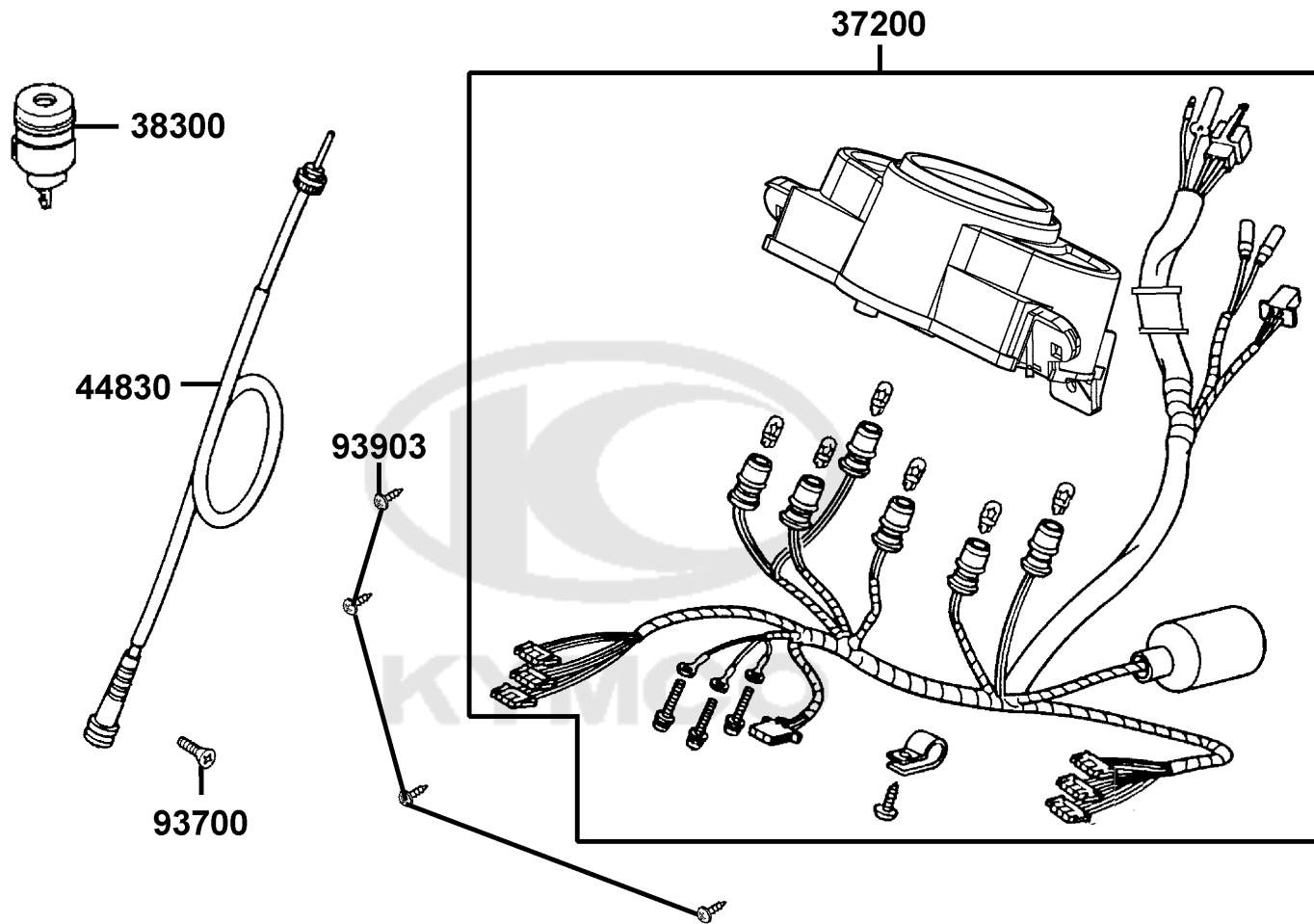
Sales mark 記号	Ref no 参照用番号	Part no パーツ番号	Description 部品名	Reg description 部品名	Regd no 必要個数	Ref Price 希望小売価格(税抜)	F01
------------------	-----------------	------------------	--------------------	------------------------	-----------------	-------------------------	-----

33100		33100-LDF7-B20	LIGHT ASSY HEAD	LIGHT ASSY HEAD	1	11040	
34901		34901-LBA8-E80	BULB HEAD LIGHT	BULB HEAD LIGHT	1	1000	
93903		93903-25220	SCREW TAPPING 5*12	SCREW TAPPING 5*12	4	60	



F02

Speedometer



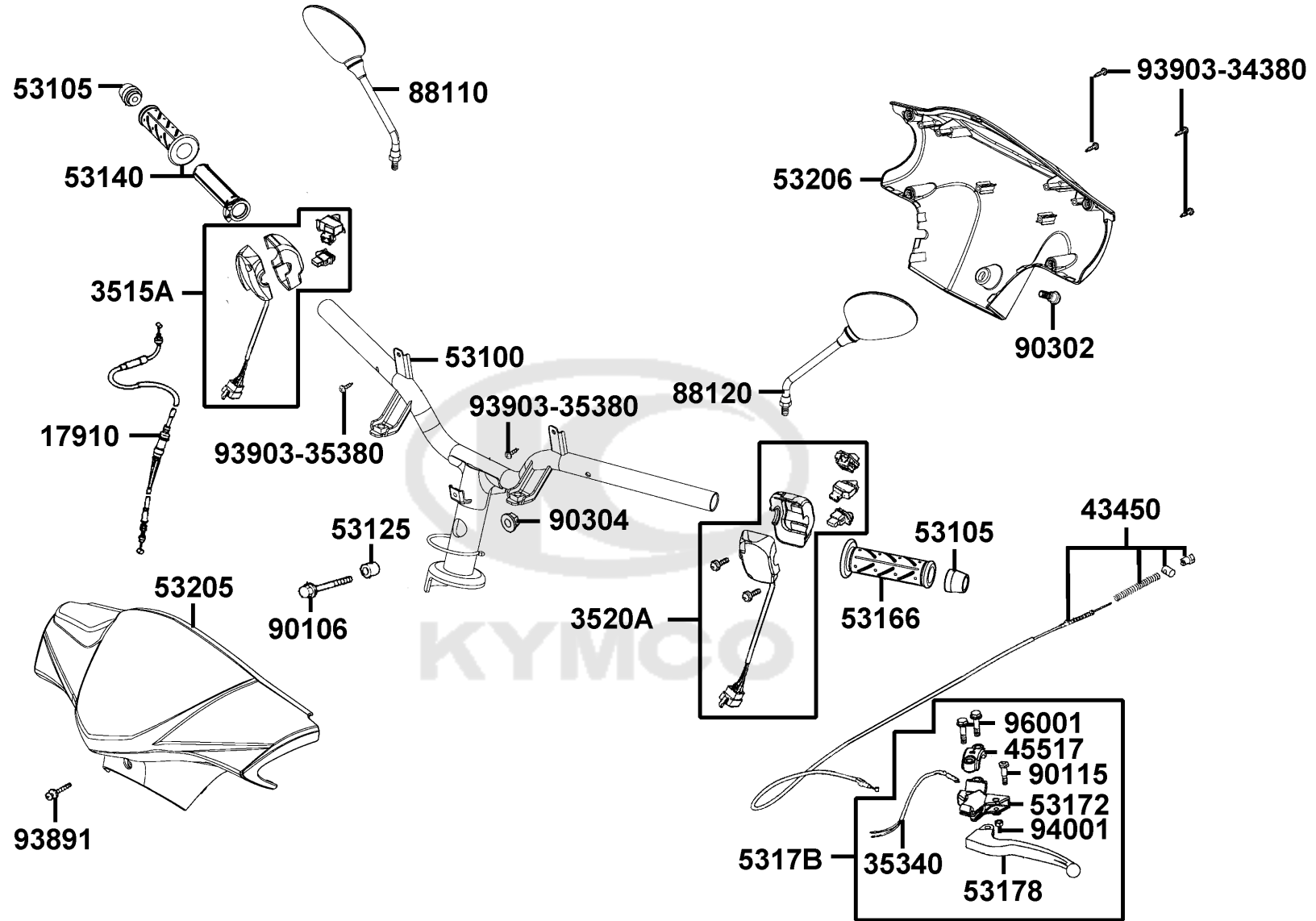
Sales mark 記号	Ref no 参照用番号	Part no パーツ番号	Description 部品名	Reg description 部品名	Regd no 必要個数	Ref Price 希望小売価格(税抜)	F02
------------------	-----------------	------------------	--------------------	------------------------	-----------------	-------------------------	-----

37200		37200-LDF7-B20	METER ASSY SPEED	METER ASSY SPEED	1	21480	
38300		38300-KECE-W10	RELAY ASS'Y WINKER	RELAY ASS'Y WINKER	1	2370	
44830		44830-LDC8-E10	CABLE COMP SPDMT	CABLE COMP SPDMT	1	870	
93700		93700-05018-0H	SCREW OVAL 5*18	SCREW OVAL 5*18	1	60	
93903		93903-35380	SCREW TAPPING 5*16 (K)	SCREW TAPPING 5*16 (K)	4	60	



F03

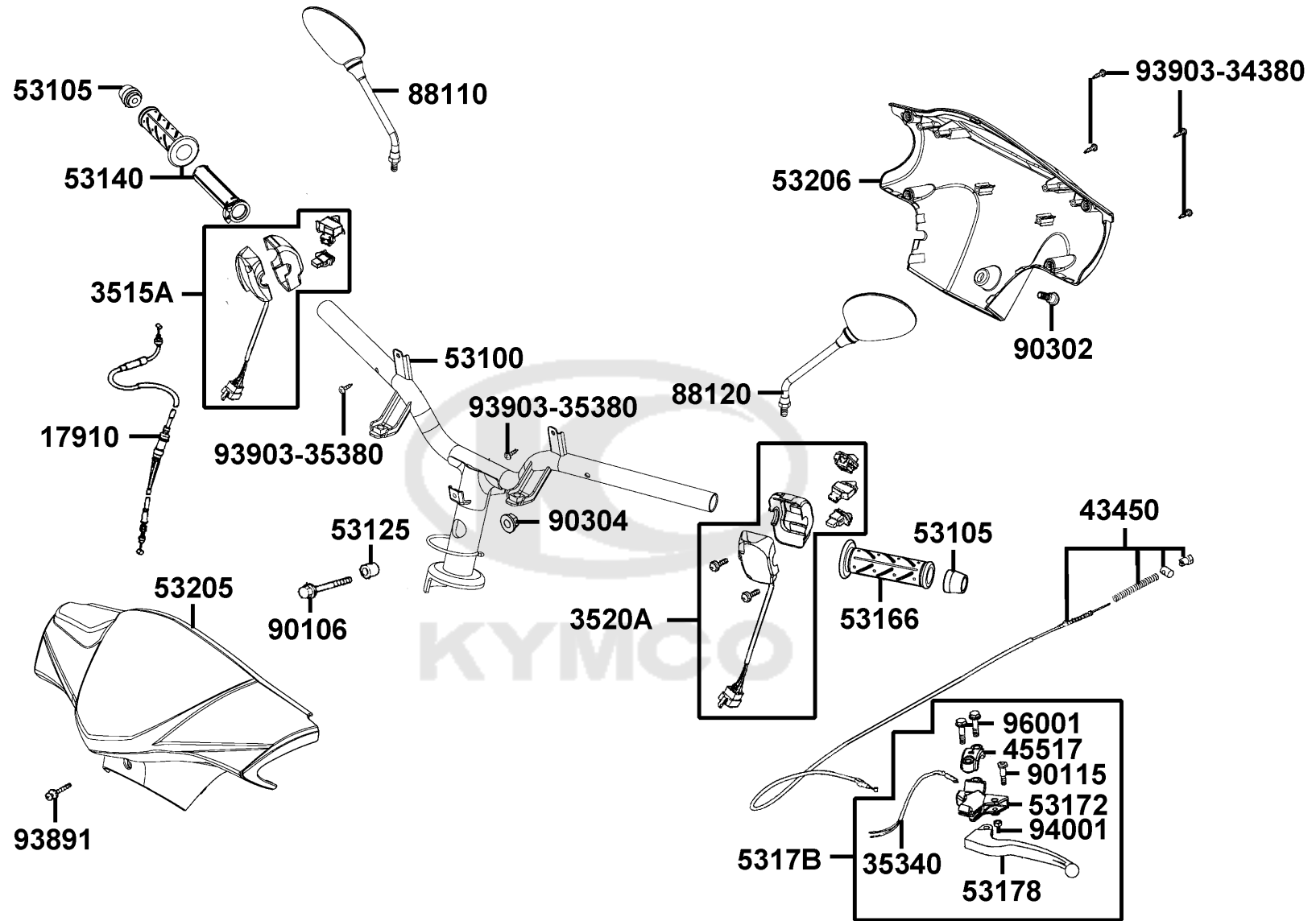
Handle Steering Handle Cover



Sales mark 記号	Ref no 参照用番号	Part no パーツ番号	Description 部品名	Reg description 部品名	Regd no 必要個数	Ref Price 希望小売価格(税抜)	F03
	17910	17910-LDF7-E10	CABLE COMP THROT	CABLE COMP THROT	1	1920	
	3515A	3515A-LDF7-B20	SW ASSY RH HNDL COMP	SW ASSY RH HNDL COMP	1	3220	
	3520A	3520A-LGB5-E11	"SW ASS'Y..LH HANDLE COMP"	"SW ASS'Y..LH HANDLE COMP"	1	3890	
	35340	35340-KKJ9-C00	SW ASSY FR STOP	SW ASSY FR STOP	1	900	
	43450	43450-LDF7-E10	CABLE COMP RR BRK	CABLE COMP RR BRK	1	1780	
	45517	45517-GFY6-C00	HOLDER MASTER CYLINDER	HOLDER MASTER CYLINDER	1	320	
	53100	53100-LCB9-C10	HANDLE COMP STRG	HANDLE COMP STRG	1	7710	
	53105	53105-KNBN-C00	END STRG HANDLE	END STRG HANDLE	1	90	
	53125	53125-GEN5-C00	COLLAR HANDLE SET	COLLAR HANDLE SET	1	470	
**	53140	53140-KNBN-C00	GRIP COMP THROT	GRIP COMP THROT	1	470	
**	53166	53166-KNBN-C00	GRIP L HANDLE	GRIP L HANDLE	1	440	
	53172	53172-KTCT-C00	BRKT HNDL L	BRKT HNDL L	1	900	
	53178	53178-KXCX-C00	LEVER L STRG HANDLE	LEVER L STRG HANDLE	1	710	
	5317B	5317B-KFA6-C00	BRKT ASSY HNDL LH	BRKT ASSY HNDL LH	1	4200	
**	53205	53205-LEB9-B50	COVER HANDLE FR	COVER HANDLE FR	1	6570	
**	53206	53206-LCB9-C10	COVER HANDLE RR	COVER HANDLE RR	1	2720	
	88110	88110-LCB9-C10	MIRROR ASSY R BACK	MIRROR ASSY R BACK	1	1990	
	88120	88120-LCB9-C10	MIRROR ASSY L BACK	MIRROR ASSY L BACK	1	1990	
	90106	90106-GEN5-901	BOLT FLANGE 10*50	BOLT FLANGE 10*50	1	80	
	90115	90115-GLE0-C00	BOLT HNDL LEVER PIVOT	BOLT HNDL LEVER PIVOT	1	230	

F03

Handle Steering Handle Cover

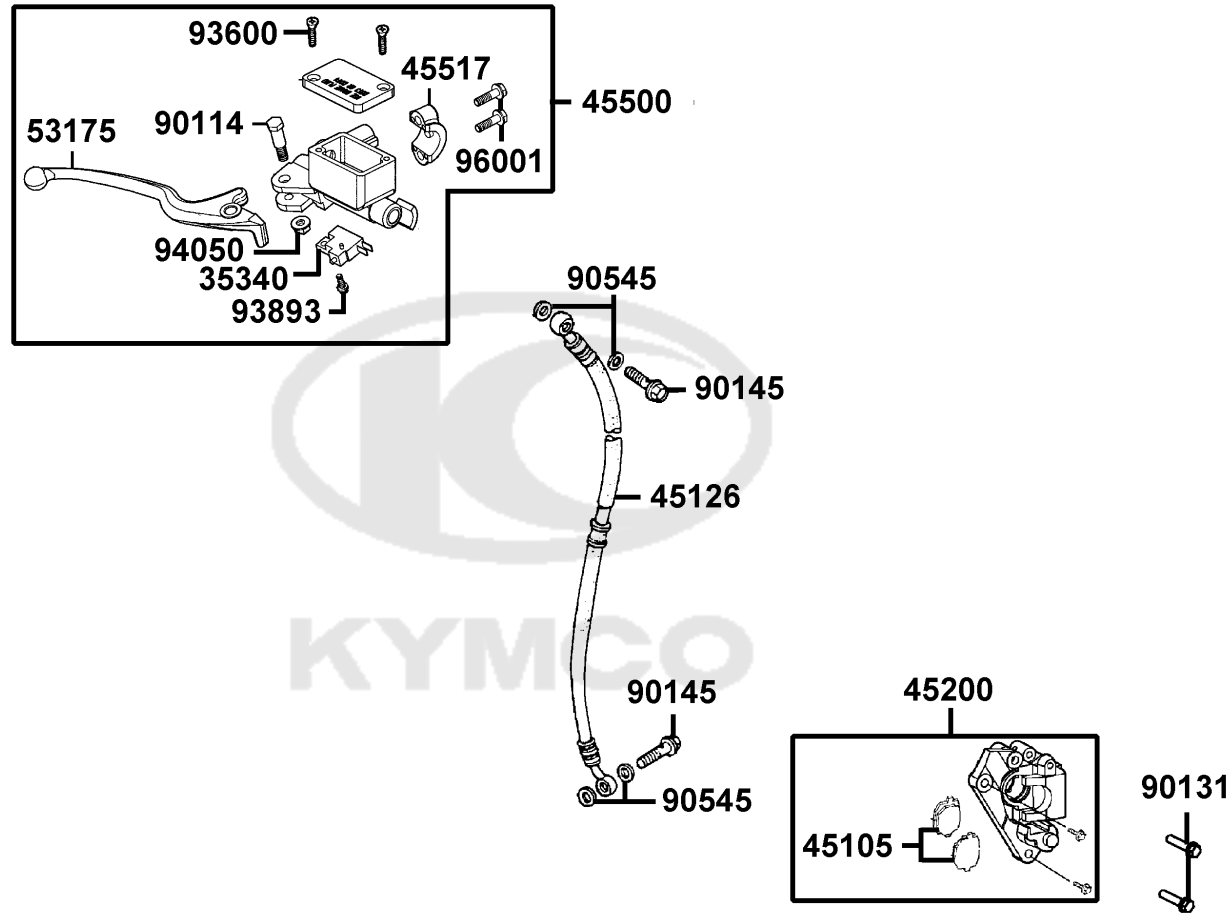


Sales mark 記号	Ref no 参照用番号	Part no パーツ番号	Description 部品名	Reg description 部品名	Regd no 必要個数	Ref Price 希望小売価格(税抜)	F03
90302		90302-KNBN-C00	BOLT PAN 5*10	BOLT PAN 5*10	1	60	
90304		90304-GHE8-C00	NUT U 10MM (C)	NUT U 10MM (C)	1	200	
93891		93891-05035-07	SCREW WASHER 5*35 (K)	SCREW WASHER 5*35 (K)	1	60	
93903-34380		93903-34380	SCREW TAPPING 4*12 (K)	SCREW TAPPING 4*12 (K)	4	60	
93903-35380		93903-35380	SCREW TAPPING 5*16 (K)	SCREW TAPPING 5*16 (K)	2	60	
94001		94001-05080-0S	NUT HEX 5MM	NUT HEX 5MM	1	60	
96001		96001-06025-06	BOLT FLANGE SH 6*25	BOLT FLANGE SH 6*25	2	60	



F04

Brake Master Cylinder

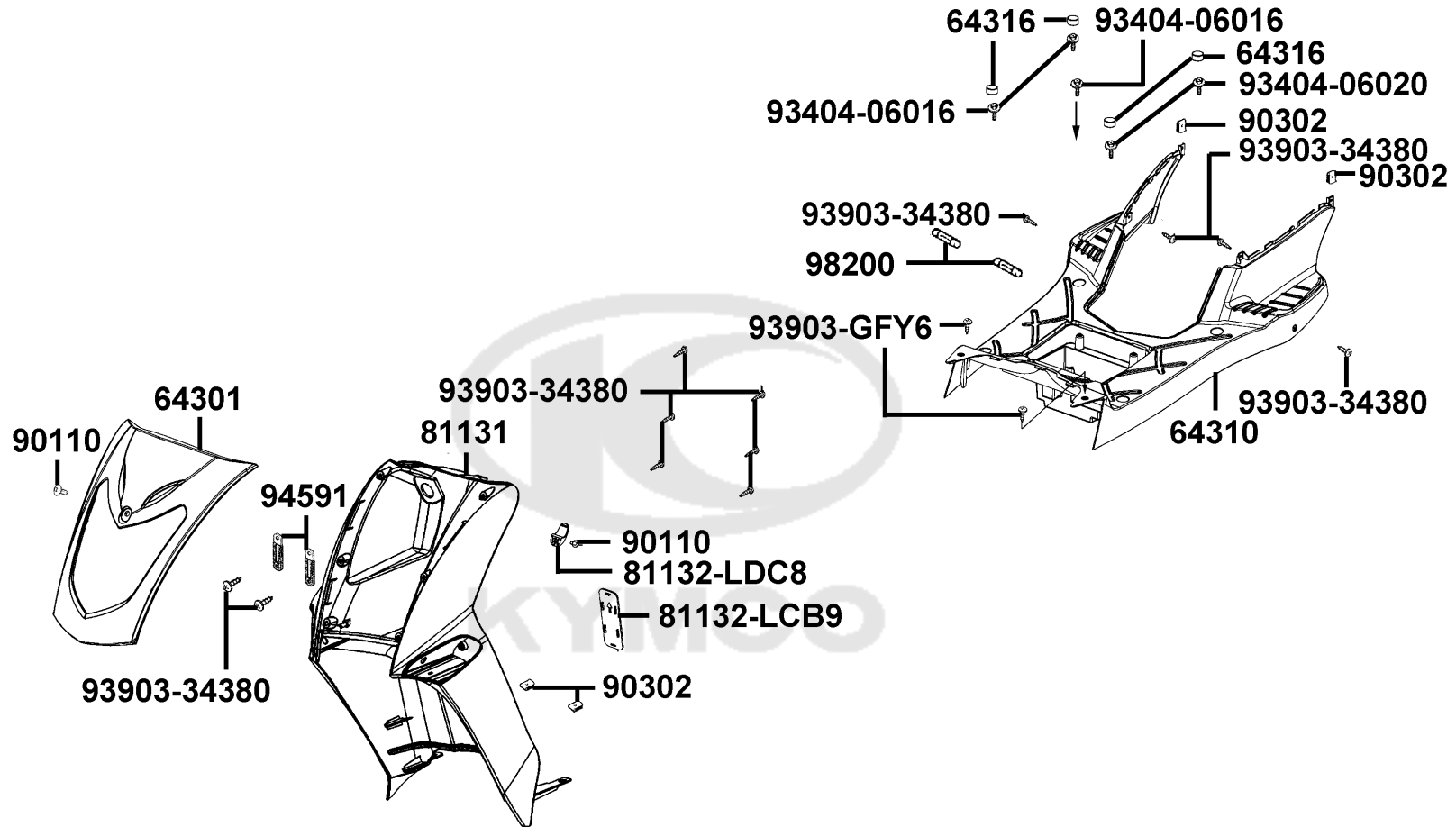


Sales mark 記号	Ref no 参照用番号	Part no パーツ番号	Description 部品名	Reg description 部品名	Regd no 必要個数	Ref Price 希望小売価格(税抜)
	35340	35340-KNBN-C00	SW ASSY FR STOP	SW ASSY FR STOP	1	900
	45105	45105-KKD6-305	PAD COMP A+B	PAD COMP A+B	1	3240
	45126	45126-LDC8-E10	HOSE ASSY FR BRAKE	HOSE ASSY FR BRAKE	1	5790
**	45200	45200-KKD6-C00	CALIPER ASSY FR	CALIPER ASSY FR	1	12480
	45500	45500-LDC8-E10	M/C ASSY FR	M/C ASSY FR	1	9320
	45517	45517-KFAF-910	HOLDER M/C	HOLDER M/C	1	440
	53175	53175-KXBX-E00	LEVER R STRG HNDL	LEVER R STRG HNDL	1	1650
	90114	90114-1F66-C00	BOLT HANDLE LEVER	BOLT HANDLE LEVER	1	300
	90131	90131-GLW0-C00	BOLT FLANGE 8*35	BOLT FLANGE 8*35	1	140
	90145	90145-9A61-C00	OIL BOLT 10*22	OIL BOLT 10*22	1	280
	90545	90545-3L00-C00	WASHER OIL BOLT	WASHER OIL BOLT	1	70
	93600	93600-04012-1G	SCREW FLAT 4*12	SCREW FLAT 4*12	1	60
	93893	93893-04012-18	SCREW WASHER 4*12	SCREW WASHER 4*12	1	60
	94050	94050-06070	NUT FLANGE 6MM(K)	NUT FLANGE 6MM(K)	1	
	96001	96001-06012-07	BOLT FLANGE SH 6X12	BOLT FLANGE SH 6X12	2	60

F04

F05

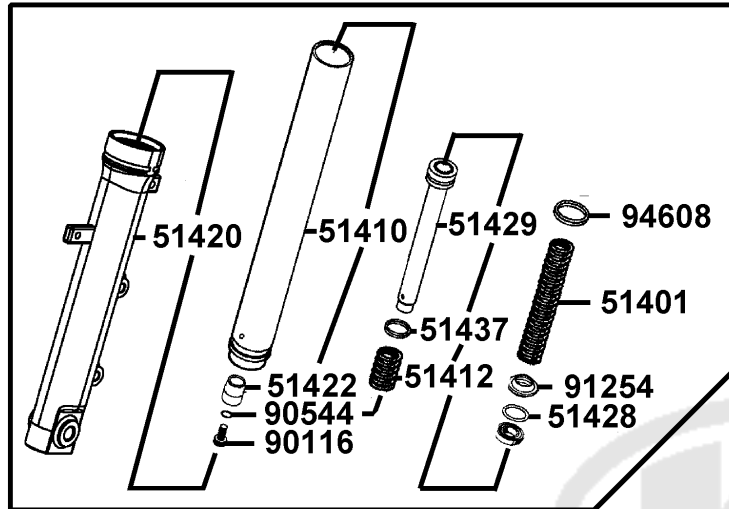
Front Cover Front Fender



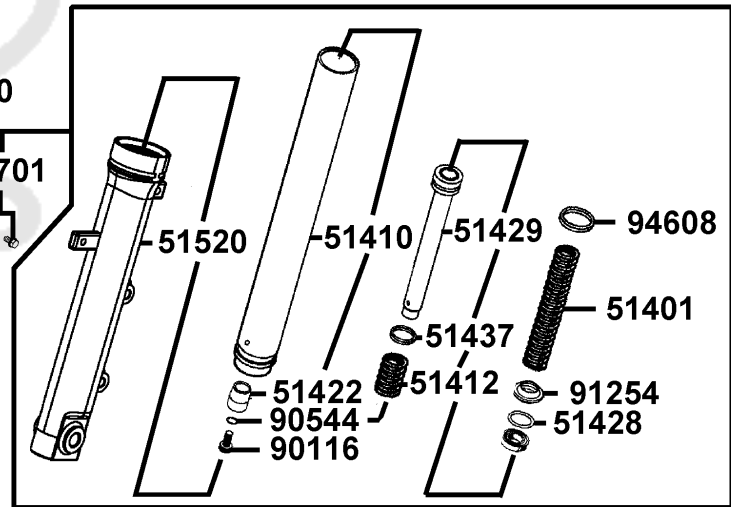
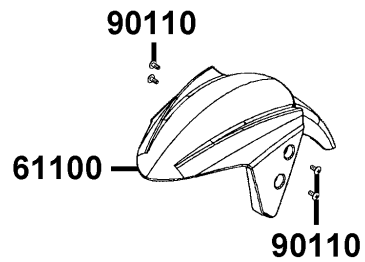
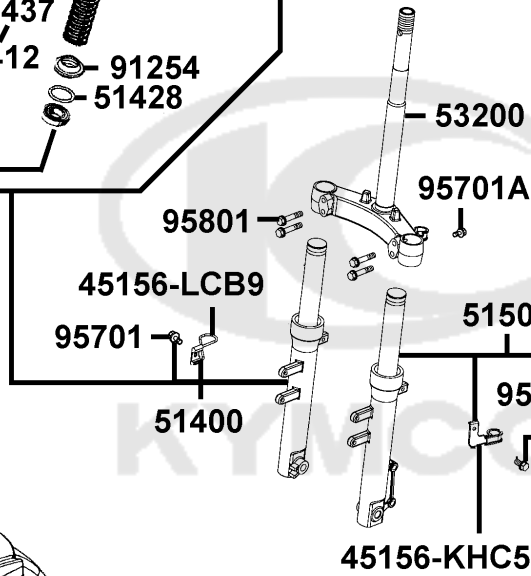
Sales mark 記号	Ref no 参照用番号	Part no パーツ番号	Description 部品名	Reg description 部品名	Regd no 必要個数	Ref Price 希望小売価格(税抜)	F05
**	64301	64301-LCB9-C10	COVER FR	COVER FR	1	7490	
**	64310	64310-LCB9-C10	PANEL FLOOR	PANEL FLOOR	1	8850	
**	64316	64316-LCB9-C10	PLUG FLOOR	PLUG FLOOR	1	180	
**	81131	81131-LEC5-C10	LEG SHIELD	LEG SHIELD	1	7400	
**	81132-LCB9	81132-LCB9-C10	LID LEG SHIELD	LID LEG SHIELD	1	440	
**	81132-LDC8	81132-LDC8-E10	HOOK LUGGAGE	HOOK LUGGAGE	1	130	
	90110	90110-GLW0-C00	SCREW SPECIAL 6*14	SCREW SPECIAL 6*14	1	140	
	90302	90302-SDA4-C00	NUT SPRING 4MM	NUT SPRING 4MM	1	60	
	93404-06016	93404-06016-07	BOLT WASHER 6*16 (K)	BOLT WASHER 6*16 (K)	1	140	
	93404-06020	93404-06020-07	BOLT WASHER 6*20 (K)	BOLT WASHER 6*20 (K)	4	140	
	93903-34380	93903-34380	SCREW TAPPING 4*12 (K)	SCREW TAPPING 4*12 (K)	12	60	
	93903-GFY6	93903-GFY6-C00	SCREW TAPPING 4*14	SCREW TAPPING 4*14	1	60	
	94591	94591-25000	CLIP BIND	CLIP BIND	2	110	
	98200	98200-10700	FUSE A7	FUSE A7	1	60	

F06

Stem Steering Front Cushion



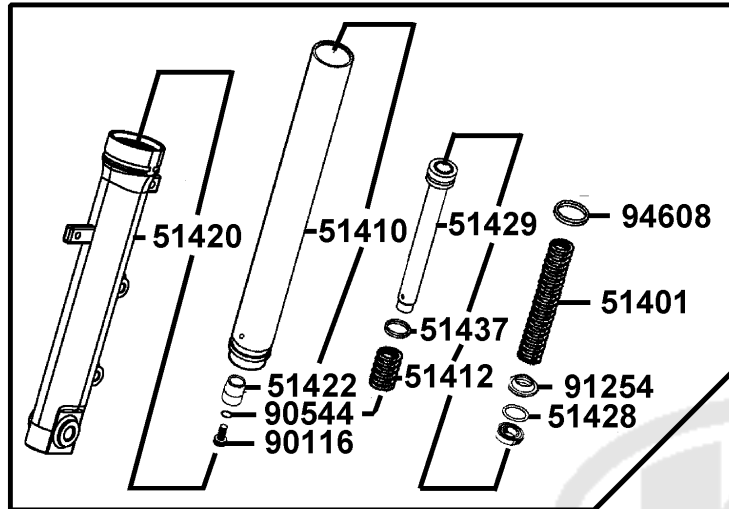
- 50306
- 53211
- 91014
- 91015
- 53212
- 53215
- 53214



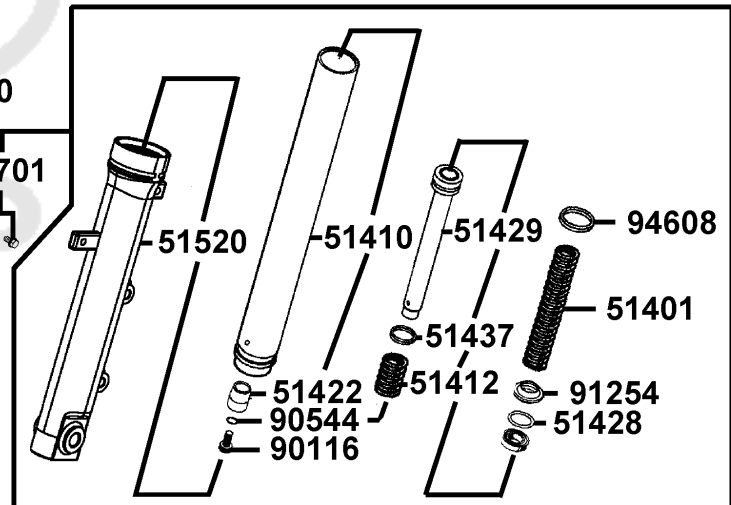
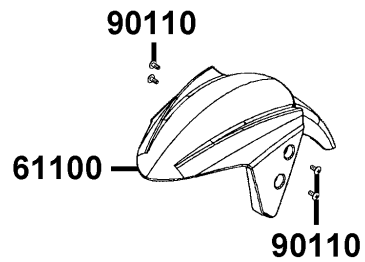
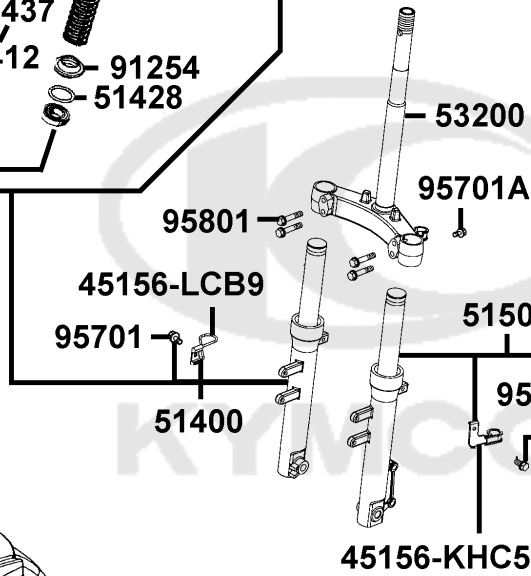
Sales mark 記号	Ref no 参照用番号	Part no パーツ番号	Description 部品名	Reg description 部品名	Regd no 必要個数	Ref Price 希望小売価格(税抜)	F06
	45156-KHC5	45156-KHC5-E10	CLAMPER FR BRAKE HOSE	CLAMPER FR BRAKE HOSE	1	350	
	45156-LCB9	45156-LCB9-B20	CLAMPER FR SPDMT CABLE	CLAMPER FR SPDMT CABLE	1	450	
	50306	50306-1F96-C00	NUT STRG STEM LOCK	NUT STRG STEM LOCK	1	200	
	51400	51400-LDF7-E10	FORK ASSY R FR	FORK ASSY R FR	1	17250	
	51401	51401-LDC8-E10	SPRING	SPRING	1	640	
	51410	51410-LDC8-E10	FORK PIPE COMP	FORK PIPE COMP	1	4980	
	51412	51412-LDC8-E10	REBOUND SPRING	REBOUND SPRING	1	110	
	51420	51420-LDF7-E10	BOTTOM CASE R	BOTTOM CASE R	1	5520	
	51422	51422-LDC8-E10	OIL LOCK PIECE	OIL LOCK PIECE	1	370	
	51428	51428-LDC8-E10	OIL SEAL STOPPER RING	OIL SEAL STOPPER RING	1	60	
	51429	51429-LDC8-E10	PIPE SEAT	PIPE SEAT	1	640	
	51437	51437-LDC8-E10	PIPE SEAT	PIPE SEAT	1	60	
	51500	51500-LDF7-E10	FORK ASSY L FR	FORK ASSY L FR	1	17250	
	51520	51520-LDF7-E10	BOTTOM CASE L	BOTTOM CASE L	1	5520	
	53200	53200-LDC8-E10	STEM COMP STRG	STEM COMP STRG	1	12650	
	53211	53211-GFY6-C00	RACE STRG TOP CONE	RACE STRG TOP CONE	1	470	
	53212	53212-2L50-C00	RACE (STRG BOTTOM) CONE	RACE (STRG BOTTOM) CONE	1	680	
	53214	53214-2L50-C00	DUST SEAL STRG HEAD	DUST SEAL STRG HEAD	1	110	
	53215	53215-2L50-C00	WASHER STRG HDL DUST-SEAL	WASHER STRG HDL DUST-SEAL	1	60	
**	61100	61100-LDC8-E10	FENDER FR	FENDER FR	1	6550	

F06

Stem Steering Front Cushion

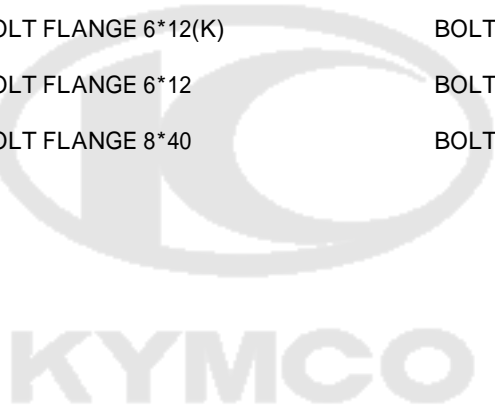


- 50306
- 53211
- 91014
- 91015
- 53212
- 53215
- 53214



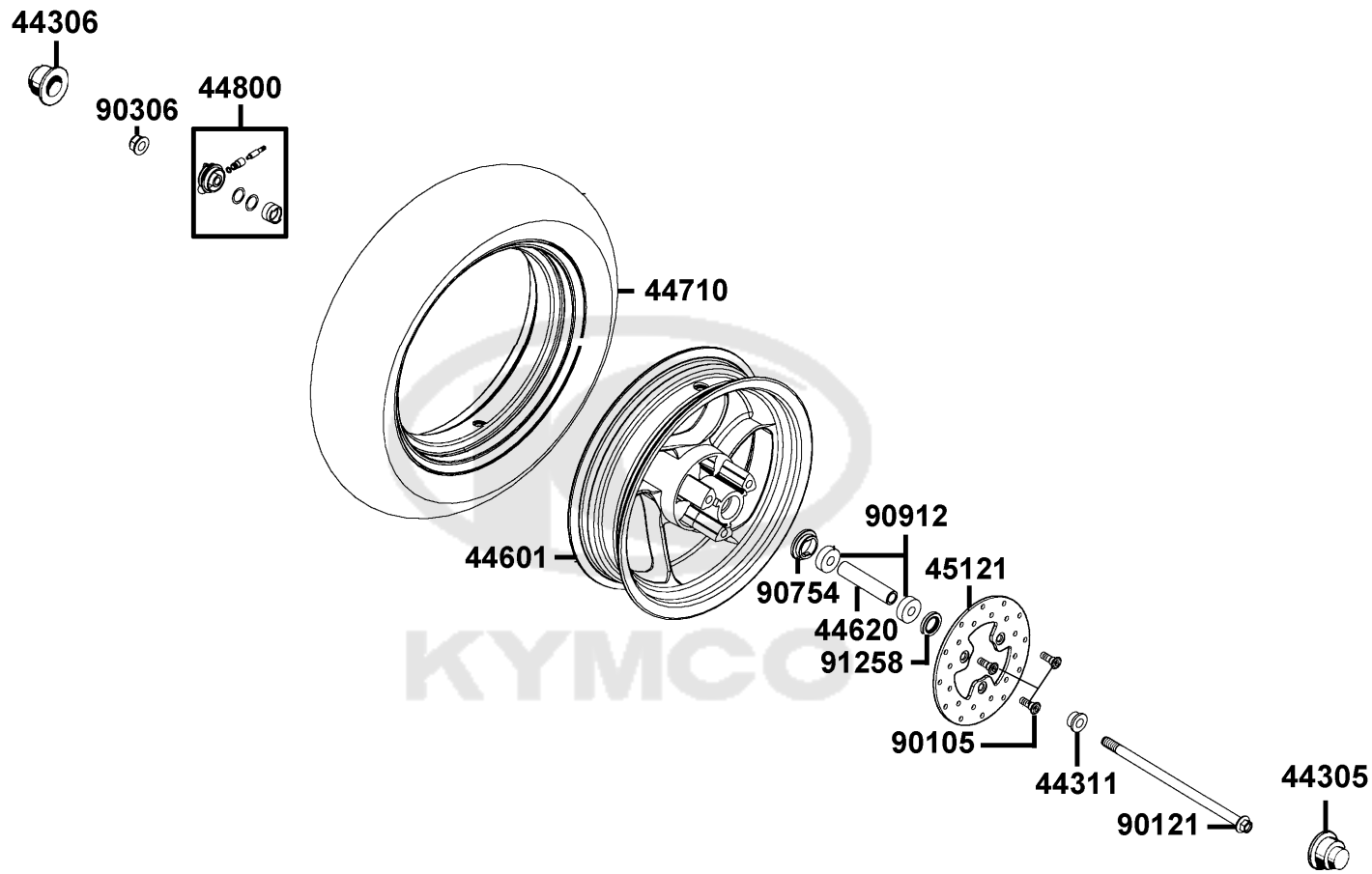
Sales mark 記号	Ref no 参照用番号	Part no パーツ番号	Description 部品名	Reg description 部品名	Regd no 必要個数	Ref Price 希望小売価格(税抜)
90110	90110-KEB7-C00	90110-KEB7-C00	SCREW SPECIAL 6*14	SCREW SPECIAL 6*14	1	140
90116	90116-LDC8-E10	90116-LDC8-E10	BOLT	BOLT	1	70
90544	90544-LDC8-E10	90544-LDC8-E10	PACKING (CU)B	PACKING (CU)B	1	60
91014	91014-LLJ3-C00	91014-LLJ3-C00	CAGE STRG TOPP	CAGE STRG TOPP	1	90
91015	91015-LLJ3-C00	91015-LLJ3-C00	CAGE STRG BOT	CAGE STRG BOT	1	180
91254	91254-LDC8-E10	91254-LDC8-E10	DUST SEAL	DUST SEAL	1	250
94608	94608-LDC8-E10	94608-LDC8-E10	O-RING B	O-RING B	1	60
95701A	95701-06012-07	95701-06012-07	BOLT FLANGE 6*12(K)	BOLT FLANGE 6*12(K)	1	60
95701	95701-06012-08	95701-06012-08	BOLT FLANGE 6*12	BOLT FLANGE 6*12	2	60
95801	95801-08040-08	95801-08040-08	BOLT FLANGE 8*40	BOLT FLANGE 8*40	4	90

F06



F07

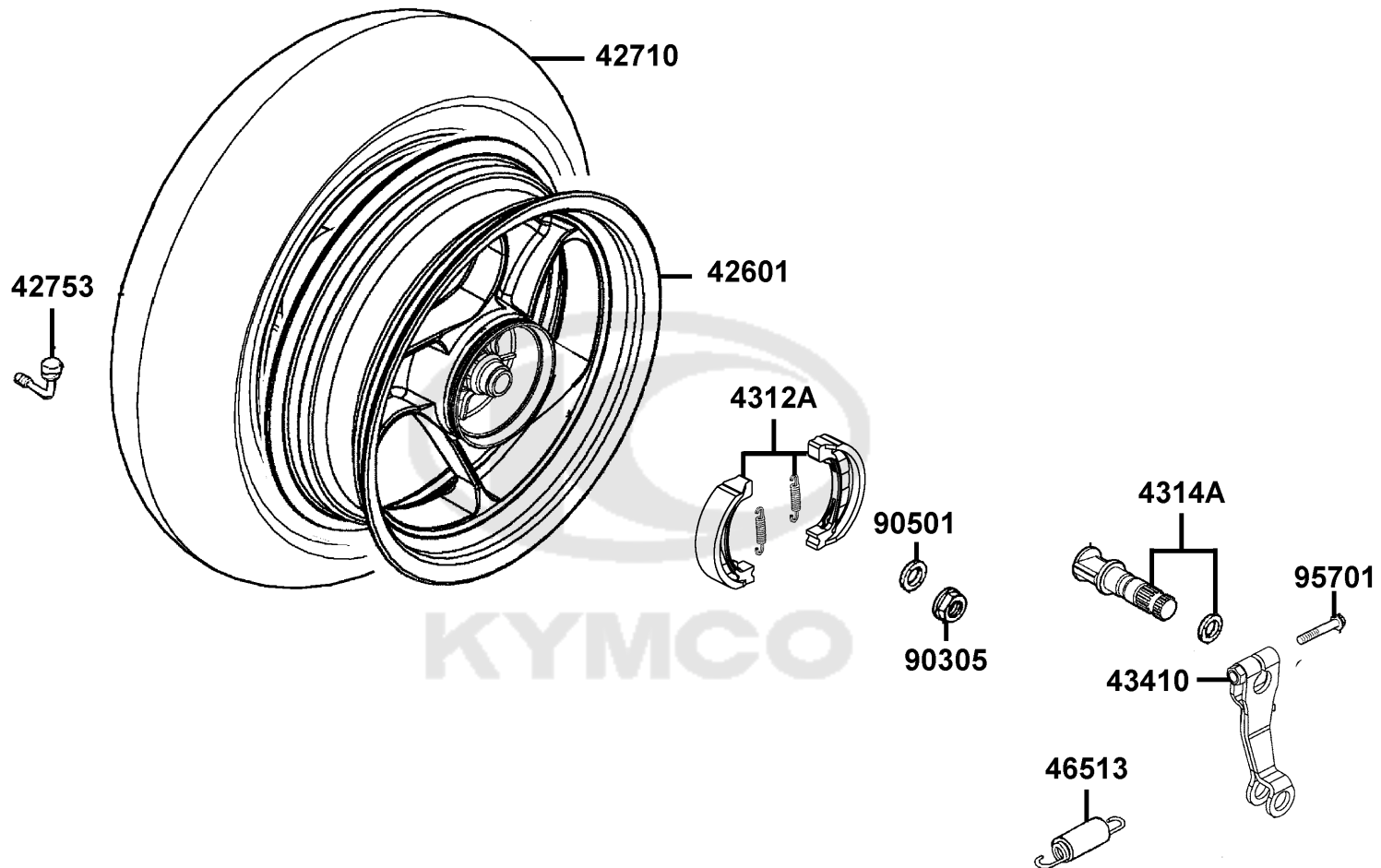
Front Wheel



Sales mark 記号	Ref no 参照用番号	Part no パーツ番号	Description 部品名	Reg description 部品名	Regd no 必要個数	Ref Price 希望小売価格(税抜)	F07
	44305	44305-KGE2-E00	AXLE PROTECTOR L	AXLE PROTECTOR L	1	440	
	44306	44306-KGE2-E00	AXLE PROTECTOR R	AXLE PROTECTOR R	1	440	
	44311	44311-GLW0-W10	CLLAR FR WHEEL SIDE	CLLAR FR WHEEL SIDE	1	580	
**	44601	44601-KEB7-E0E	WHEEL FR CAST	WHEEL FR CAST	1	27760	
	44620	44620-KEB7-C00	COLLAR FR DIST	COLLAR FR DIST	1	350	
	44710	44710-LDC8-E10	TIRE ASSY FR	TIRE ASSY FR	1	13760	
	44800	44800-LDC8-E10	GEAR BOX ASSY SPDMT	GEAR BOX ASSY SPDMT	1	2960	
	45121	45121-LBD5-C00	DISK FR BRK	DISK FR BRK	1	5640	
	90105	90105-KCR3-001	BOLT FR DISK 8*24	BOLT FR DISK 8*24	3	80	
	90121	90121-KBE2-C00	BOLT RR FORK PIVOT	BOLT RR FORK PIVOT	1	1490	
	90306	90306-KLF0-C00	NUT FLANGE 12MM	NUT FLANGE 12MM	1	210	
	90754	90754-GHC8-C00	DUST SEAL 20*32*5	DUST SEAL 20*32*5	1	200	
	90912	90912-GHC8-C00	BEARING 6201 (U) (NTN)	BEARING 6201 (U) (NTN)	2	1010	
	91258	91258-KAM1-C00	SEAL SPDMT GEAR BOX	SEAL SPDMT GEAR BOX	1	450	

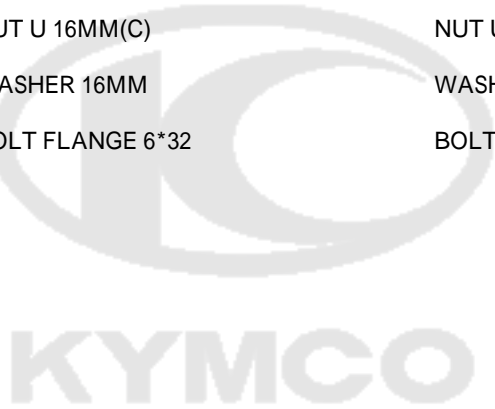
F08

Rear Wheel



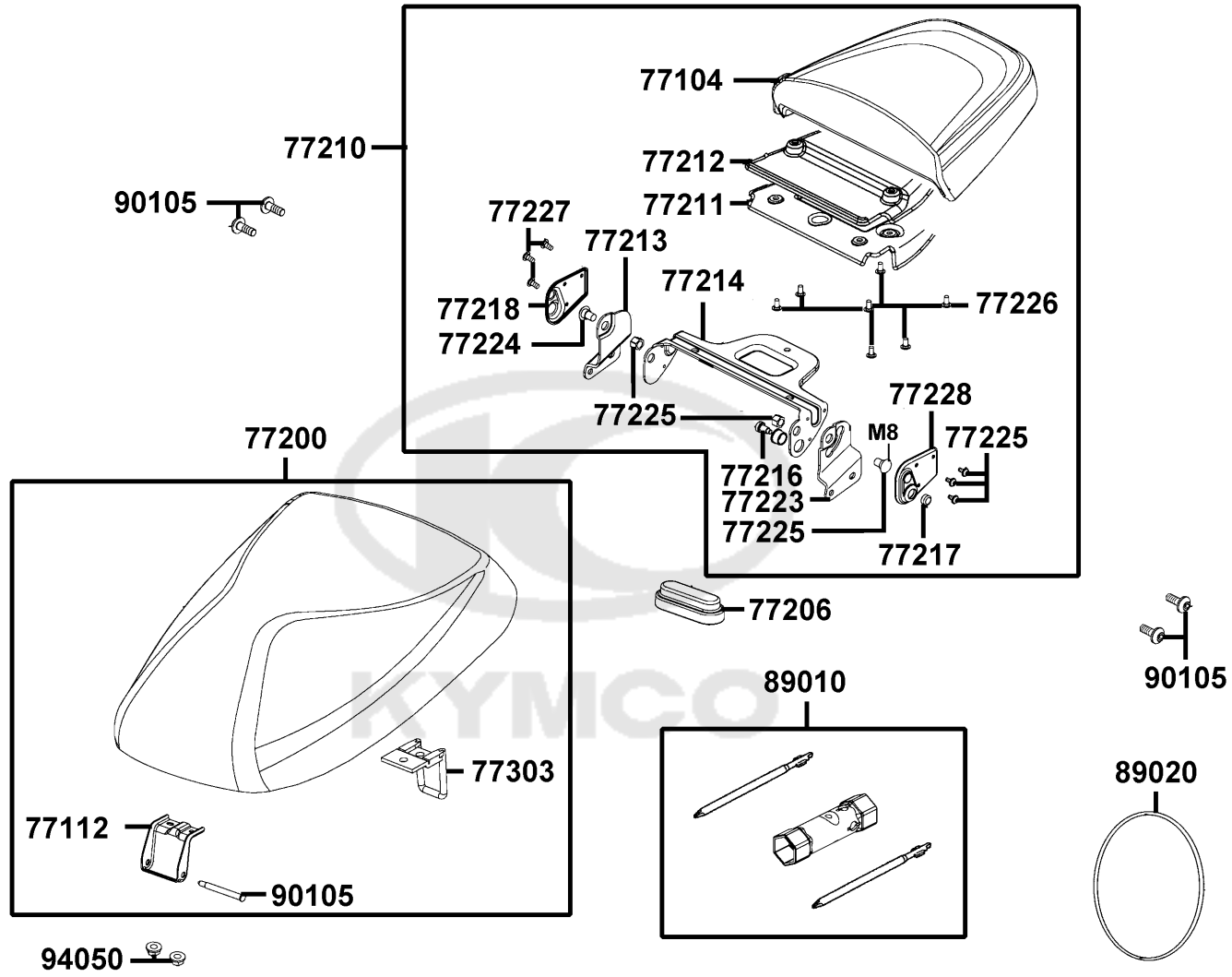
Sales mark 記号	Ref no 参照用番号	Part no パーツ番号	Description 部品名	Reg description 部品名	Regd no 必要個数	Ref Price 希望小売価格(税抜)
**	42601	42601-LDF7-E10	WHEEL COMP RR CAST	WHEEL COMP RR CAST	1	23510
	42710	42710-LDC8-E10	TIRE ASSY RR	TIRE ASSY RR	1	12220
	42753	42753-HHJ1-C00	CAP VALVE	CAP VALVE	1	730
	4312A	4312A-KUDU-C00	SHOE ASSY RR BRAKE	SHOE ASSY RR BRAKE	1	2870
	4314A	4314A-KKD7-E00	CAM ASSY RR BRAKE **(0)	CAM ASSY RR BRAKE **(0) N.C.2006.09.26	1	1250
	43410	43410-KEC4-900	ARM COMP RR BRAKE	ARM COMP RR BRAKE	1	1060
	46513	46513-KUDU-C00	SPG BRK ARM	SPG BRK ARM	1	350
	90305	90305-KNBN-C00	NUT U 16MM(C)	NUT U 16MM(C)	1	330
	90501	90501-KNBN-C00	WASHER 16MM	WASHER 16MM	1	70
	95701	95701-06032-08	BOLT FLANGE 6*32	BOLT FLANGE 6*32	1	60

F08



F09

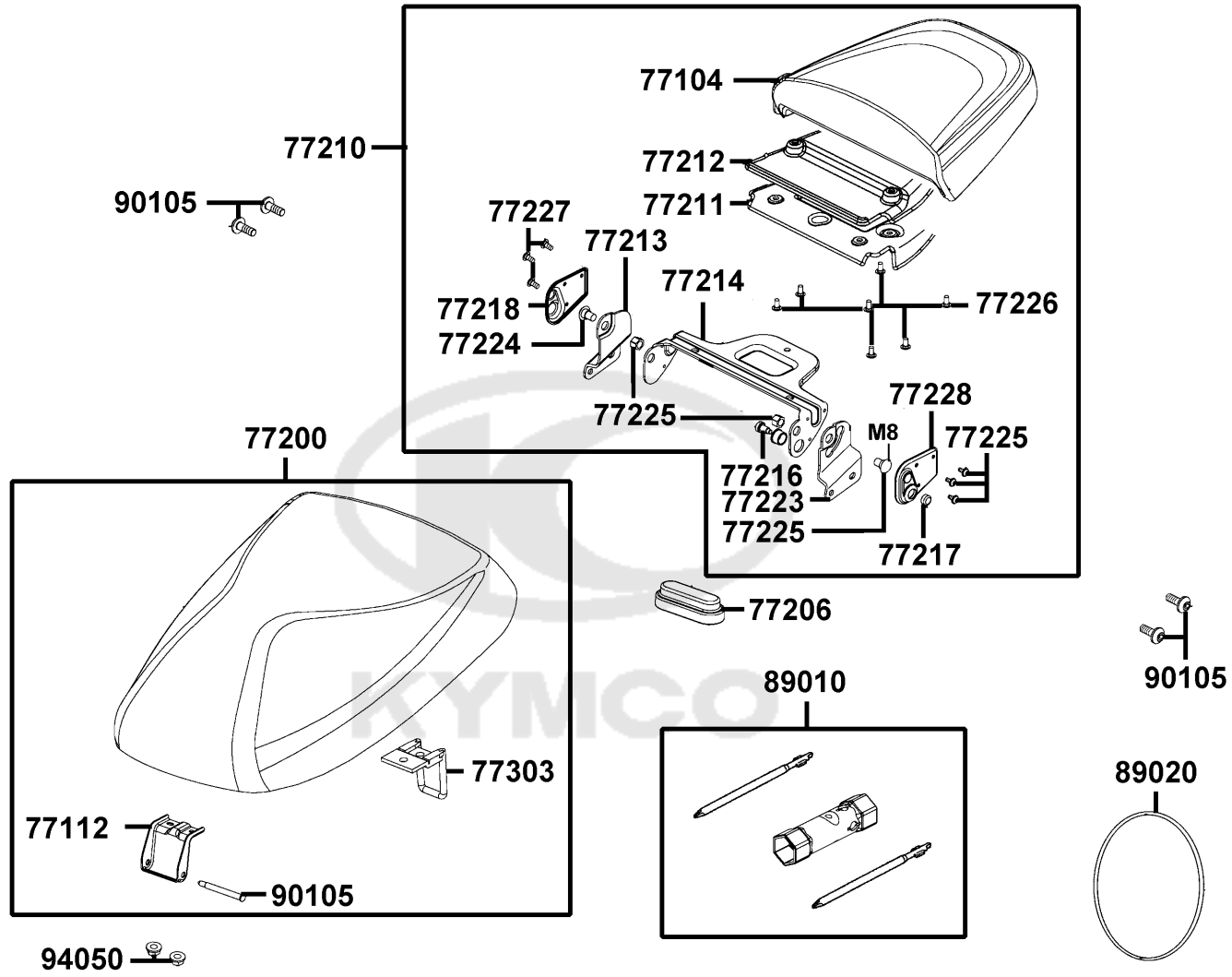
Seat



Sales mark 記号	Ref no 参照用番号	Part no パーツ番号	Description 部品名	Reg description 部品名	Regd no 必要個数	Ref Price 希望小売価格(税抜)	F09
	77104	77104-LCB9-C10	SKIN, BACK SEAT	SKIN, BACK SEAT	1	1180	
	77112	77112-LCB9-C10	HINGE SEAT	HINGE SEAT	1		
**	77200	77200-LCB9-C10	SEAT ASSY	SEAT ASSY	1	11950	
	77206	77206-LCB9-C10	RUBBER SEAT CUSHION	RUBBER SEAT CUSHION	1	1020	
**	77210	77210-LCB9-C10	SEAT ASSY BACK	SEAT ASSY BACK	1	9770	
	77211	77211-LCB9-C10	PLATE COMP BACK SEAT	PLATE COMP BACK SEAT	1	590	
	77212	77212-LCB9-C10	COVER BACK SEAT	COVER BACK SEAT	1	590	
	77213	77213-LCB9-C10	STAY LOW R HINGE	STAY LOW R HINGE	1	640	
	77214	77214-LCB9-C10	STAY COMP UP HINGE	STAY COMP UP HINGE	1	4030	
	77216	77216-LCB9-C10	PIN SWITCH	PIN SWITCH	1	120	
	77217	77217-LCB9-C10	PUSH BUTTOM SWITCH	PUSH BUTTOM SWITCH	1	120	
	77218	77218-LCB9-C10	GUARD R BACK SEAT	GUARD R BACK SEAT	1	380	
	77223	77223-LCB9-C10	STAY LOW L HINGE	STAY LOW L HINGE	1	640	
	77224	77224-LCB9-C10	BOLT SPECIAL M8	BOLT SPECIAL M8	1	170	
	77225	77225-LCB9-C10	NUT M8	NUT M8	1	100	
	77226	77226-LCB9-C10	NUT M6	NUT M6	1	90	
	77227	77227-LCB9-C10	BOLT WASHER	BOLT WASHER	1	90	
	77228	77228-LCB9-C10	GUARD L BACK SEAT	GUARD L BACK SEAT	1	380	
	77303	77303-LCB9-C10	HOOK SEAT LOCK	HOOK SEAT LOCK	1	400	
	89010	89010-KGBG-C00	TOOL SET	TOOL SET	1	1250	

F09

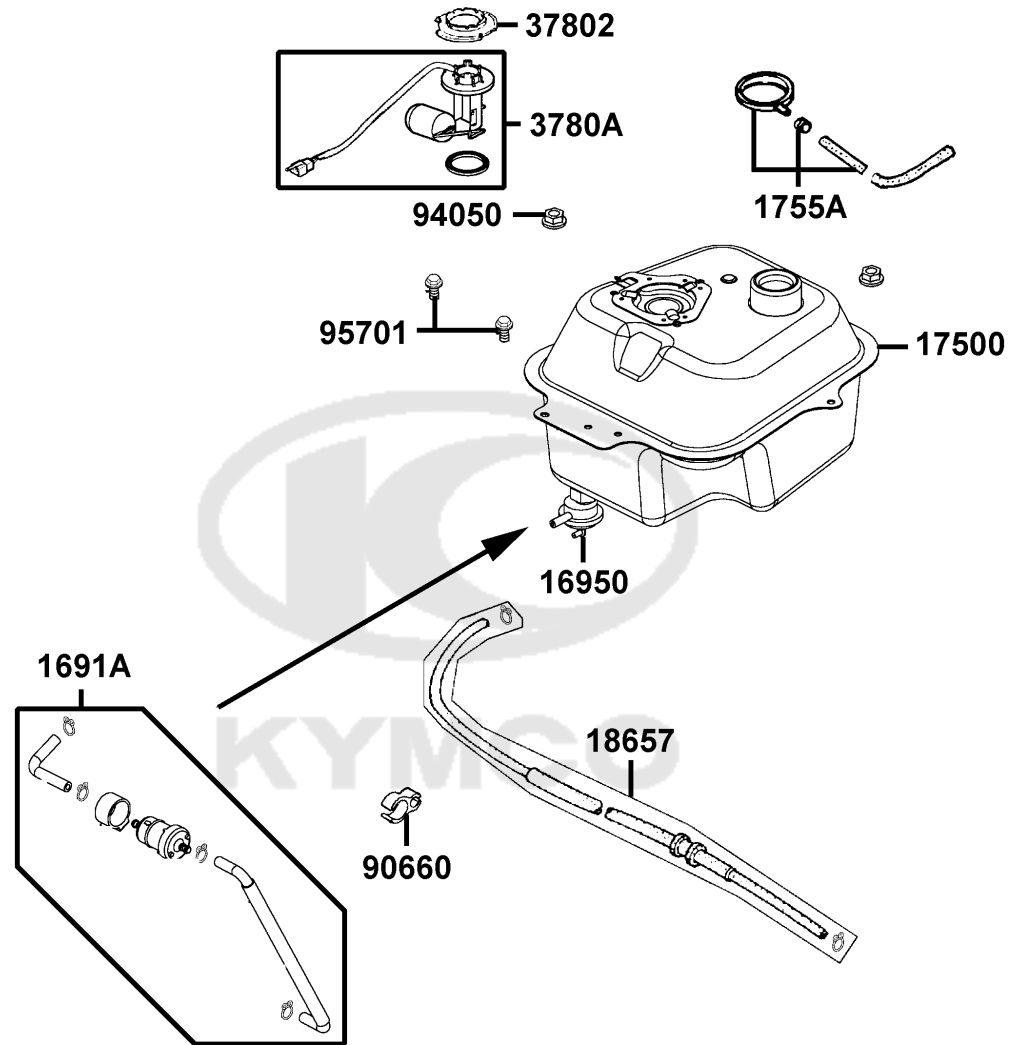
Seat



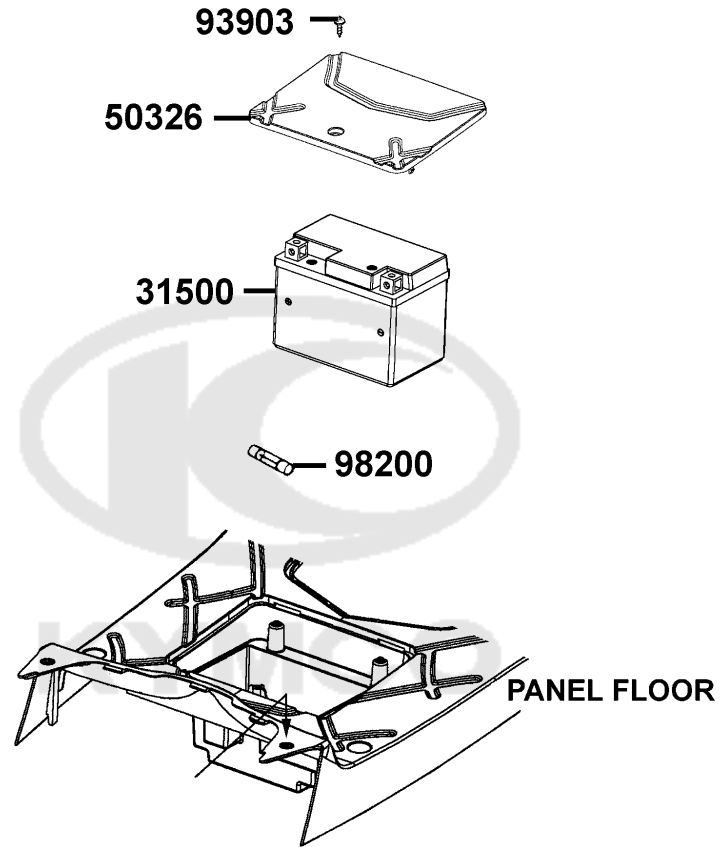
Sales mark 記号	Ref no 参照用番号	Part no パーツ番号	Description 部品名	Reg description 部品名	Regd no 必要個数	Ref Price 希望小売価格(税抜)	F09
------------------	-----------------	------------------	--------------------	------------------------	-----------------	-------------------------	-----

89020	89020-KKC4-C00	BAND TOOL SET	BAND TOOL SET	BAND TOOL SET	1	220	
90105	90105-LLJ3-E00	BOLT SPECAL 8MM	BOLT SPECAL 8MM	BOLT SPECAL 8MM	1	200	
94050	94050-06080	NUT FLANGE 6MM	NUT FLANGE 6MM	NUT FLANGE 6MM	2	60	



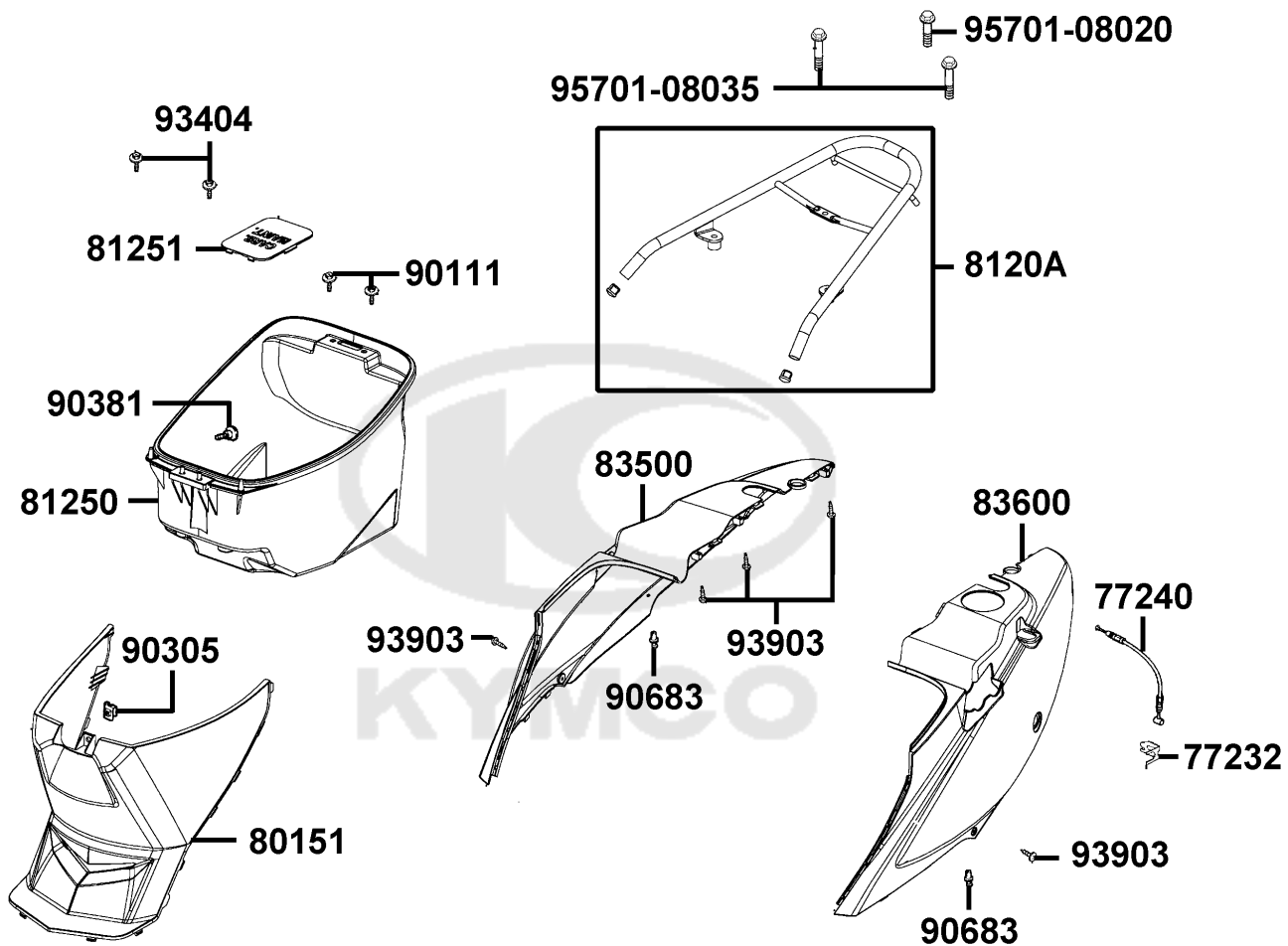


Sales mark 記号	Ref no 参照用番号	Part no パーツ番号	Description 部品名	Reg description 部品名	Regd no 必要個数	Ref Price 希望小売価格(税抜)	F10
1691A		1691A-LDF7-E10	STRAINER ASSY FUEL	STRAINER ASSY FUEL	1	2560	
16950		16950-KKJ9-C00	AUTO COCK ASSY FUEL	AUTO COCK ASSY FUEL	1	1720	
17500		17500-LCB9-C10	TANK COMP FUEL	TANK COMP FUEL	1	10440	
1755A		1755A-KKD5-C10	TRAY ASSY FUEL CAP	TRAY ASSY FUEL CAP	1	1750	
18657		18657-LEH2-B50	"TUBE ASSY. ,AICV-INLET PIPE"	"TUBE ASSY. ,AICV-INLET PIPE"	1	420	
37802		37802-GGA7-C00	RET FUEL UNIT	RET FUEL UNIT	1	160	
3780A		3780A-LDC8-E10	FUEL UNIT ASSY	FUEL UNIT ASSY	1	2860	
90660		90660-KGBG-C00	CLAMPER TUBE	CLAMPER TUBE	1	60	
94050		94050-06080	NUT FLANGE 6MM	NUT FLANGE 6MM	1	60	
95701		95701-06012-08	BOLT FLANGE 6*12	BOLT FLANGE 6*12	2	60	



Sales mark 記号	Ref no 参照用番号	Part no パーツ番号	Description 部品名	Reg description 部品名	Regd no 必要個数	Ref Price 希望小売価格(税抜)	F11
	31500	31500-GFY6-C00	BATTERY GTX7A-BS	BATTERY GTX7A-BS	1	16330	
**	50326	50326-LCB9-C10	COVER BATTERY	COVER BATTERY	1	1200	
	93903	93903-35380	SCREW TAPPING 5*16 (K)	SCREW TAPPING 5*16 (K)	1	60	
	98200	98200-10700	FUSE A7	FUSE A7	1	60	



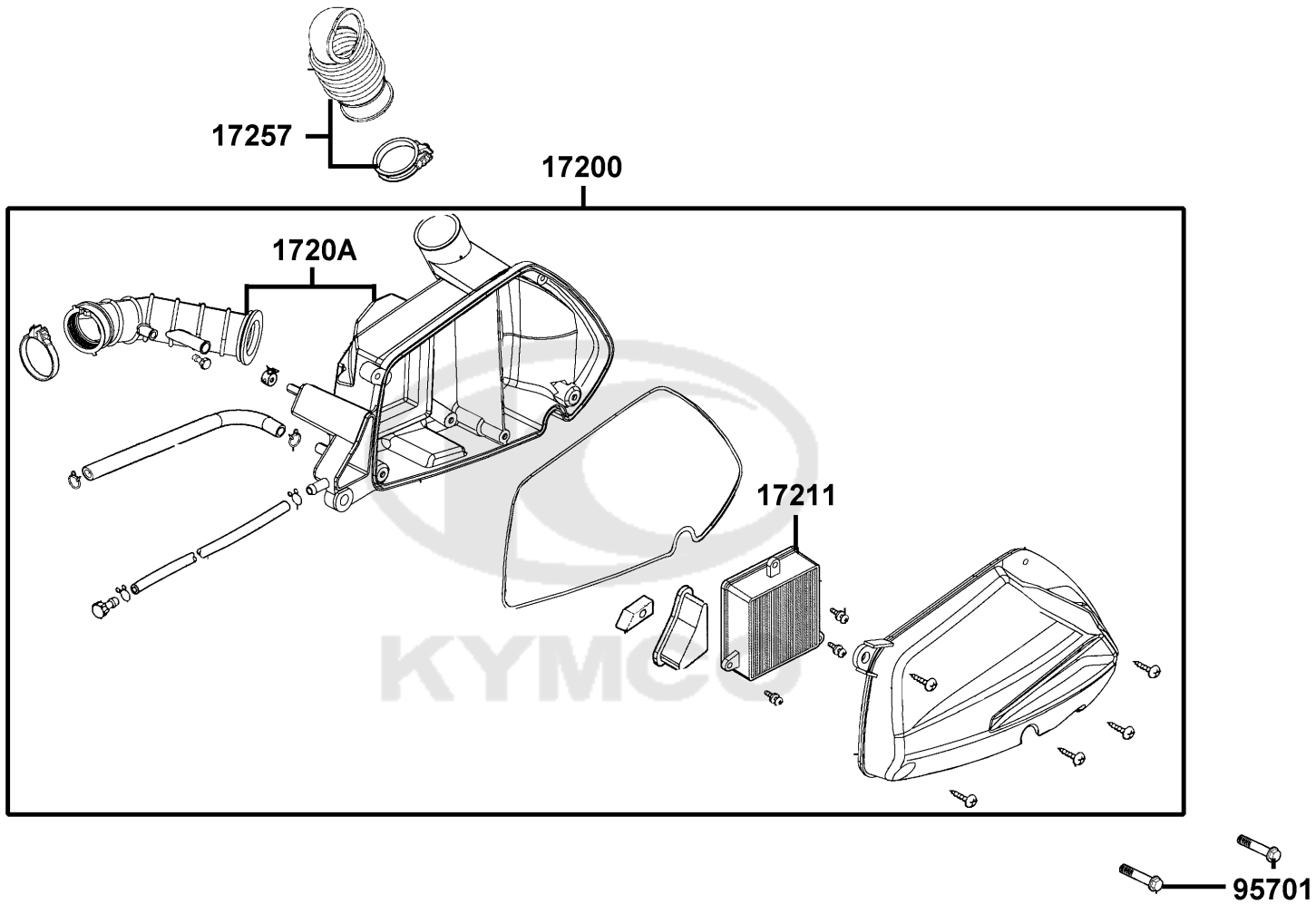


Sales mark 記号	Ref no 参照用番号	Part no パーツ番号	Description 部品名	Reg description 部品名	Regd no 必要個数	Ref Price 希望小売価格(税抜)
	77232	77232-KCAC-C00	SET SPG SEAT LOCK	SET SPG SEAT LOCK	1	200
	77240	77240-LDC8-E10	CABLE COMP SEAT LOCK	CABLE COMP SEAT LOCK	1	490
**	80151	80151-LCB9-C10	COVER CENTER	COVER CENTER	1	3910
	8120A	8120A-LCB9-C10	CARRIER ASSY LUGGER	CARRIER ASSY LUGGER	1	4290
**	81250	81250-LCB9-C10	BOX LUGGAGE	BOX LUGGAGE	1	8820
**	83500	83500-LDF7-E60	COVER R BODY	COVER R BODY	1	6830
**	83600	83600-LDF7-E60	COVER L BODY	COVER L BODY	1	6830
	90111	90111-1G87-C00	BOLT, PLANGE 6*14	BOLT, PLANGE 6*14	1	70
	90305	90305-GHK8-C00	NUT CLIP 6MM	NUT CLIP 6MM	1	70
	90381	90381-GEZ5-C00	SCREW SPECIAL 6*17	SCREW SPECIAL 6*17	1	60
	90683	90683-GAR1-C00	CLIP BODY COVER	CLIP BODY COVER	1	60
	93404	93404-06016-07	BOLT WASHER 6*16 (K)	BOLT WASHER 6*16 (K)	2	140
	93903	93903-34380	SCREW TAPPING 4*12 (K)	SCREW TAPPING 4*12 (K)	5	60
	95701-08020	95701-08020-07	BOLT FLANGE 8*20 (K)	BOLT FLANGE 8*20 (K)	1	70
	95701-08035	95701-08035-07	BOLT FLANGE 8*35	BOLT FLANGE 8*35	2	90

F12

F13

Air Cleaner



Sales mark 記号	Ref no 参照用番号	Part no パーツ番号	Description 部品名	Reg description 部品名	Regd no 必要個数	Ref Price 希望小売価格(税抜)
------------------	-----------------	------------------	--------------------	------------------------	-----------------	-------------------------

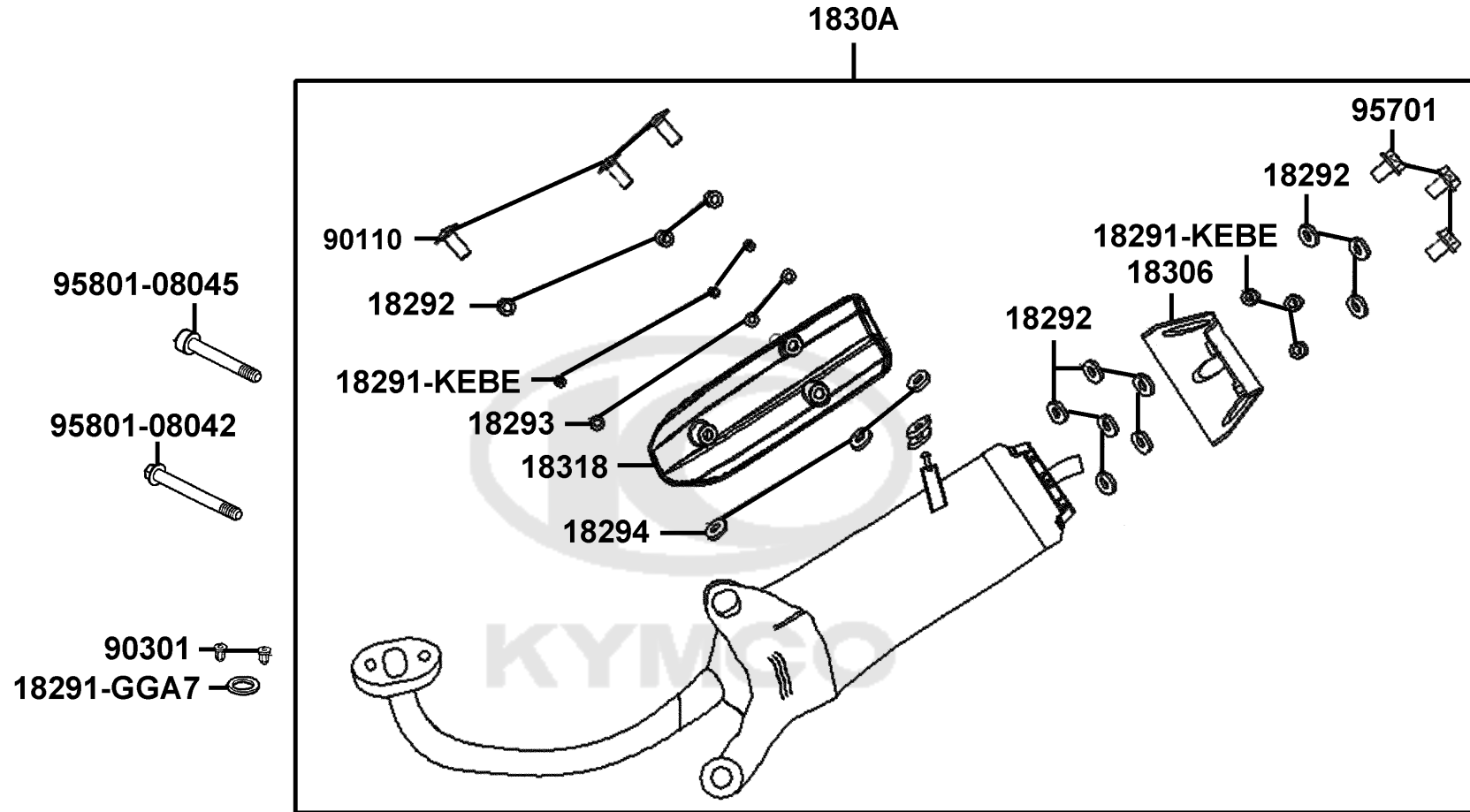
F13

17200		17200-LDF7-E10	AIR/C ASSY	AIR/C ASSY	1	19500
1720A		1720A-LDF7-E10	CASE COMP AIR/C	CASE COMP AIR/C	1	4300
17211		17211-KEC6-C0B	ELEMENT COMP AIR/C	ELEMENT COMP AIR/C	1	1010
17257		17257-LDF7-E10	DUCT AIR/C	DUCT AIR/C	1	1590
95701		95701-06040-08	BOLT FLANGE 6*40	BOLT FLANGE 6*40	1	130



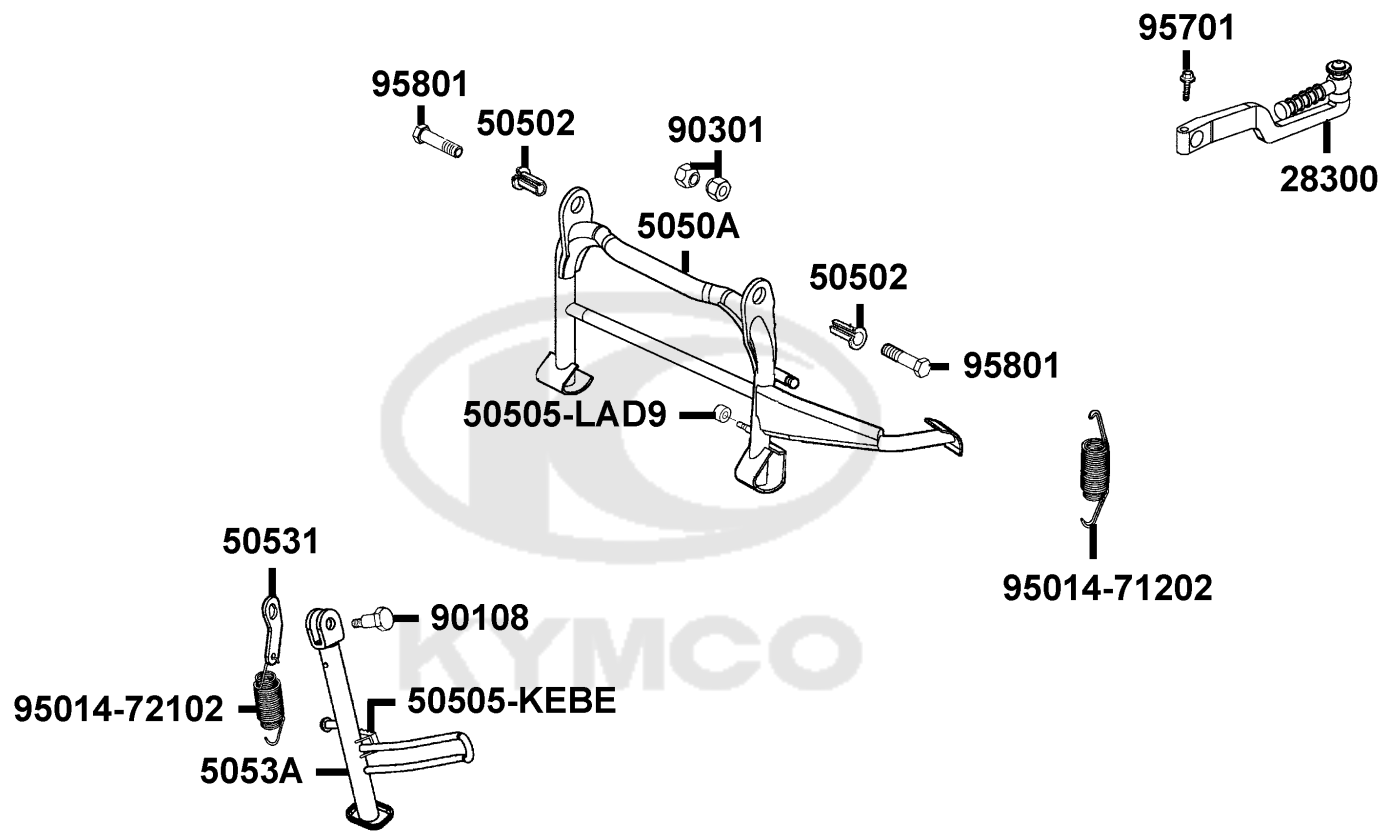
F14

Exhaust Muffler



Sales mark 記号	Ref no 参照用番号	Part no パーツ番号	Description 部品名	Reg description 部品名	Regd no 必要個数	Ref Price 希望小売価格(税抜)
	18291-GGA7	18291-GGA7-C01	GASKET EXH PIPE	GASKET EXH PIPE	1	210
	18291-KEBE	18291-KEBE-C00	COLLAR	COLLAR	6	70
	18292	18292-KEBE-C00	PACKING PROTECTOR	PACKING PROTECTOR	6	90
	18293	18293-KEBE-C00	RUBBER PKG PROTR	RUBBER PKG PROTR	3	110
	18294	18294-PUA3-B50	PACKING PROTECTOR	PACKING PROTECTOR	1	70
	18306	18306-LDF7-E10	TAIL CAP MUFFLER	TAIL CAP MUFFLER	1	3820
	1830A	1830A-LDF7-M61	MUFFLER ASSY EXH	MUFFLER ASSY EXH	1	30370
	18318	18318-LDF7-E10	PROTECTOR MUFFLER	PROTECTOR MUFFLER	1	3550
	90110	90110-LDC8-E10	SCREW SPECIAL 6X20	SCREW SPECIAL 6X20	3	230
	90301	90301-GFY6-C00	NUT (HEX) CAP 8MM	NUT (HEX) CAP 8MM	1	510
	95701	95701-06025-07	BOLT FLANGE 6*25 (K) **06 C.P.N.	BOLT FLANGE 6*25 (K) **06 C.P.N.(廃盤)	3	580
	95801-08042	95801-08042-07	BOLT FLANGE8*42 (K)	BOLT FLANGE8*42 (K)	1	130
	95801-08045	95801-08045-07	BOLT FLANGE8*45 (K)	BOLT FLANGE8*45 (K)	1	140

F14

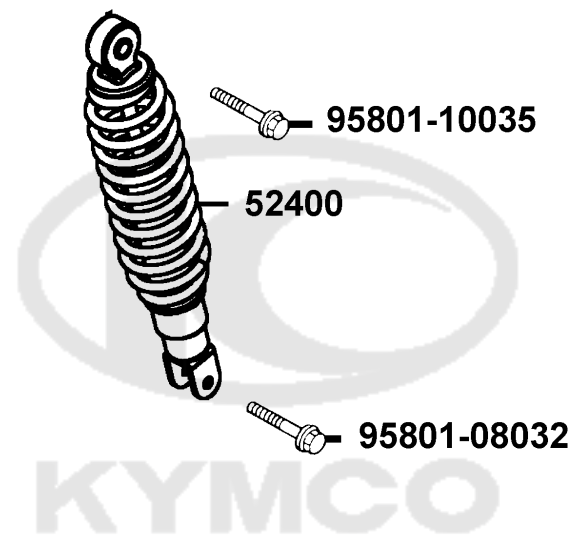


Sales mark 記号	Ref no 参照用番号	Part no パーツ番号	Description 部品名	Reg description 部品名	Regd no 必要個数	Ref Price 希望小売価格(税抜)
	28300	28300-KFA3-C00	ARM ASSY KICK STARTER	ARM ASSY KICK STARTER	1	1720
	50502	50502-LDF7-C00	COLLAR,MAIN STAND	COLLAR,MAIN STAND	1	110
	50505-KEBE	50505-KEBE-C00	STOPPER RUBBER	STOPPER RUBBER	1	180
	50505-LAD9	50505-LAD9-C00	STOPPER RUBBER	STOPPER RUBBER	1	180
	5050A	5050A-LDF7-E10	STAND ASSY MAIN	STAND ASSY MAIN	1	3610
	50531	50531-KEB7-C00	PLATE SPRING STOPPER	PLATE SPRING STOPPER	1	210
	5053A	5053A-LDF7-M60	STAND ASSY SIDE	STAND ASSY SIDE	1	3120
	90108	90108-GFY6-901	SCREW SIDE STAND PIVOT	SCREW SIDE STAND PIVOT	1	130
	90301	90301-6C93-C00	NUT 6MM OPENSTAY	NUT 6MM OPENSTAY	1	140
	95014-71202	95014-71202	SPG B MAIN STAND	SPG B MAIN STAND	1	200
	95014-72102	95014-72102	SPG A SIDE STAND	SPG A SIDE STAND	1	60
	95701	95701-06022-02	BOLT FLANGE 6*22	BOLT FLANGE 6*22	1	130
	95801	95801-10025-08	BOLT FLANGE 10*25	BOLT FLANGE 10*25	2	140

F15

F16

Rear Cushion

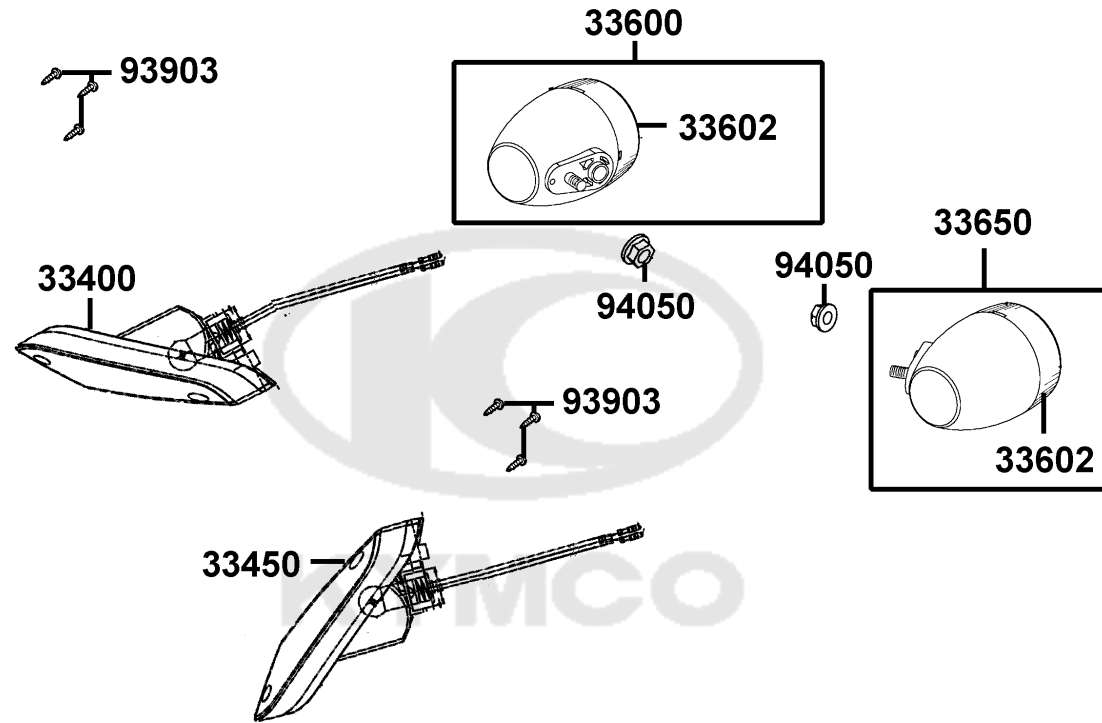



Sales mark 記号	Ref no 参照用番号	Part no パーツ番号	Description 部品名	Reg description 部品名	Regd no 必要個数	Ref Price 希望小売価格(税抜)
------------------	-----------------	------------------	--------------------	------------------------	-----------------	-------------------------

F16

52400		52400-LDF7-E10	CUSHION ASSY RR	CUSHION ASSY RR	1	6660
95801-08032		95801-08032-08	BOLT FLANGE 8*32(C)	BOLT FLANGE 8*32(C)	1	110
95801-10035		95801-10035-08	BOLT FLANGE 10*35	BOLT FLANGE 10*35	1	160



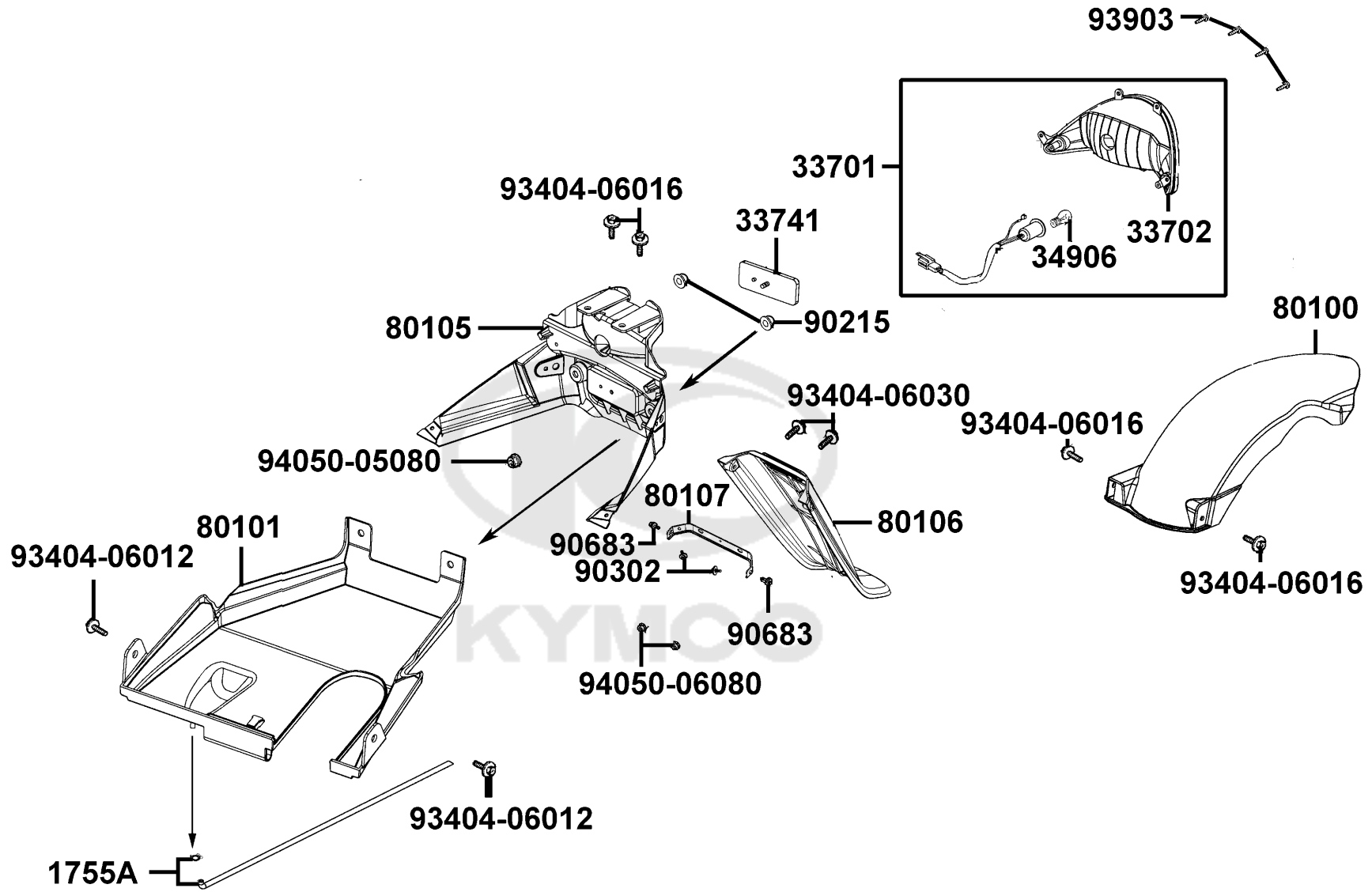


Sales mark 記号	Ref no 参照用番号	Part no パーツ番号	Description 部品名	Reg description 部品名	Regd no 必要個数	Ref Price 希望小売価格(税抜)
33400	33400-LEC5-B20	33400-LEC5-B20	WINKER ASSY R FR	WINKER ASSY R FR	1	3120
33450	33450-LEC5-B20	33450-LEC5-B20	WINKER ASSY L FR	WINKER ASSY L FR	1	3390
33600	33600-LDC8-E10	33600-LDC8-E10	WINKER ASSY RH RR	WINKER ASSY RH RR	1	2820
33602	33602-LDC8-E10	33602-LDC8-E10	LENS RR WINKE	LENS RR WINKE	2	280
33650	33650-LDC8-E10	33650-LDC8-E10	WINKER ASSY LH RR	WINKER ASSY LH RR	1	3240
93903	93903-34380	93903-34380	SCREW TAPPING 4*12 (K)	SCREW TAPPING 4*12 (K)	6	60
94050	94050-05080	94050-05080	NUT FLANGE 5MM	NUT FLANGE 5MM	2	200
						

F17

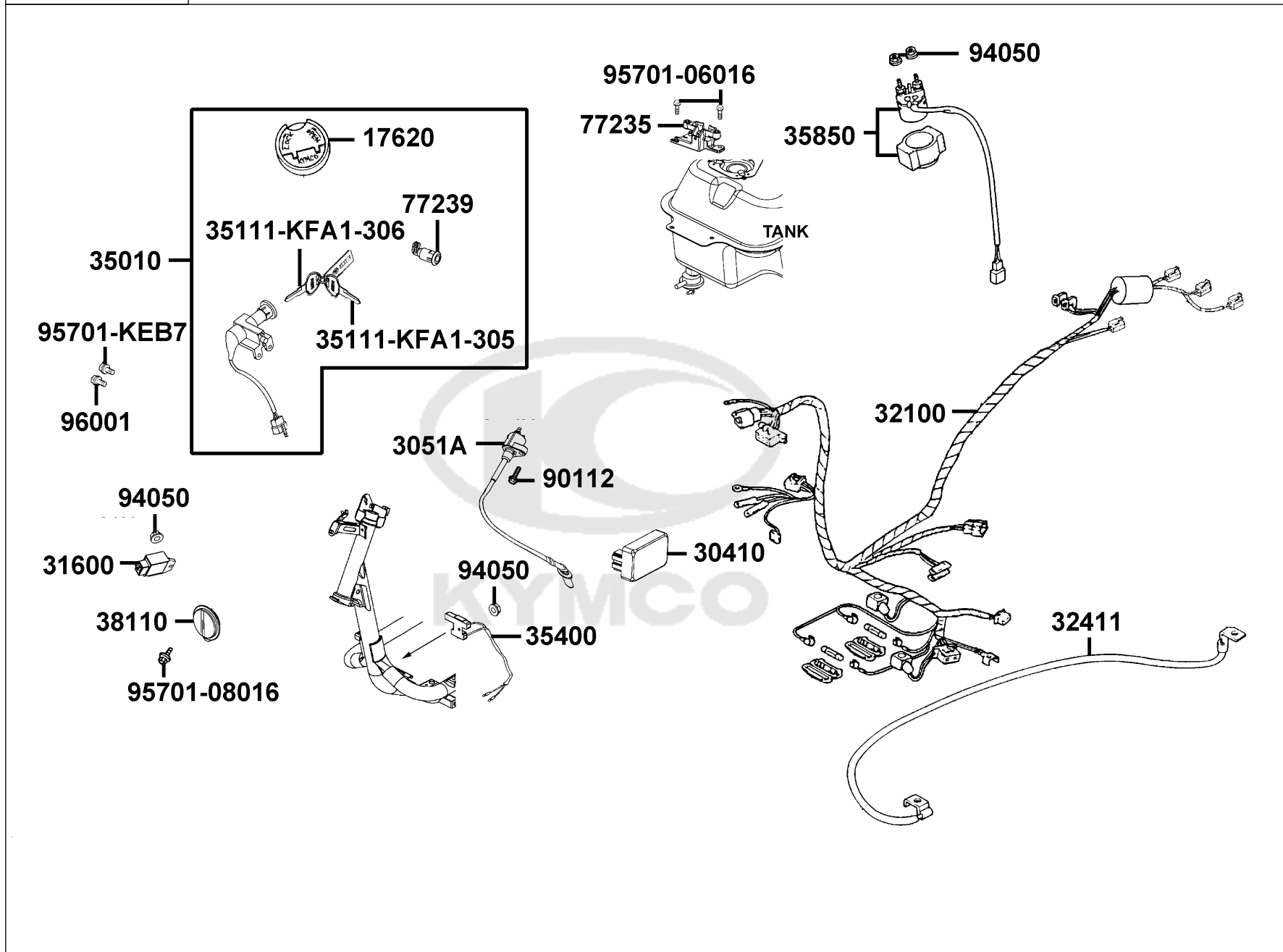
F18

Tail Light



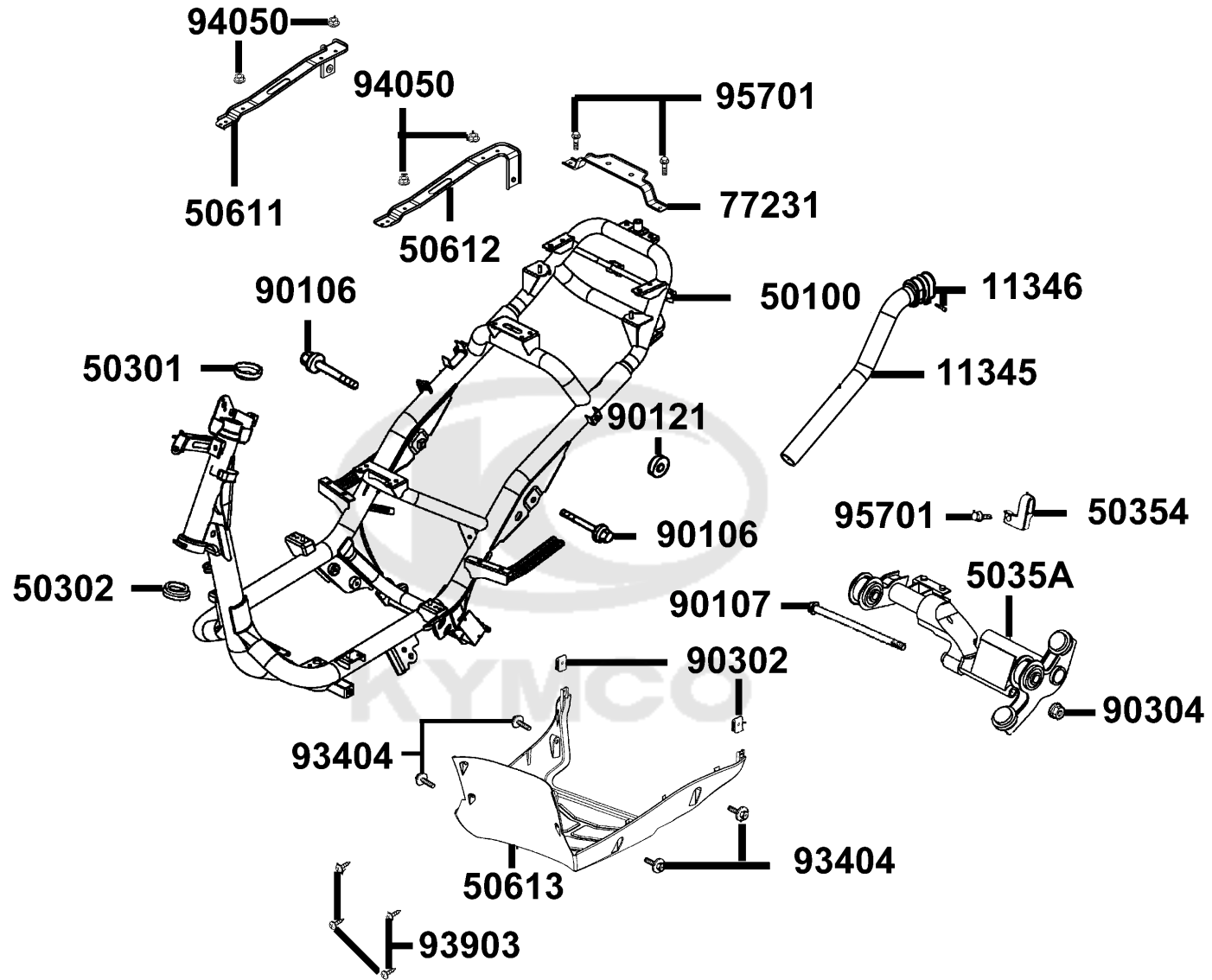
Sales mark 記号	Ref no 参照用番号	Part no パーツ番号	Description 部品名	Reg description 部品名	Regd no 必要個数	Ref Price 希望小売価格(税抜)
	1755A	1755A-LDC8-E10	TUBE ASSY FUEL DRAIN	TUBE ASSY FUEL DRAIN	1	2390
	33701	33701-LDC8-E10	UNIT TAIL LIGHT	UNIT TAIL LIGHT	1	5000
	33702	33702-LDC8-E10	LENS TAIL HIGHT	LENS TAIL HIGHT	1	730
	33741	33741-KEBE-C00	REFLEX REFLECTOR	REFLEX REFLECTOR	1	730
	34906	34906-LBA8-E80	BULB TAIL & STOP	BULB TAIL & STOP	1	510
**	80100	80100-LDF7-E10	FENDER RR TIRE	FENDER RR TIRE	1	2600
**	80101	80101-LDF7-E10	FENDER RR INNER	FENDER RR INNER	1	2360
**	80105	80105-LDF7-E10	FENDER RR	FENDER RR	1	2030
**	80106	80106-LDC8-E10	FENDER RR LOW	FENDER RR LOW	1	3770
	80107	80107-LDC8-E10	STAY RR FENDER	STAY RR FENDER	1	2940
	90215	90215-KKC4-C00	NUT CAP 6MM	NUT CAP 6MM	1	140
	90302	90302-GFY6-C00	BOLT-WASH 5*12	BOLT-WASH 5*12	1	60
	90683	90683-GAR1-C00	CLIP BODY COVER	CLIP BODY COVER	1	60
	93404-06012	93404-06012-07	BOLT WASH 6*12	BOLT WASH 6*12	2	60
	93404-06016	93404-06016-07	BOLT WASHER 6*16 (K)	BOLT WASHER 6*16 (K)	4	140
	93404-06030	93404-06030-07	5	5	2	90
	93903	93903-34380	SCREW TAPPING 4*12 (K)	SCREW TAPPING 4*12 (K)	4	60
	94050-05080	94050-05080	NUT FLANGE 5MM	NUT FLANGE 5MM	1	200
	94050-06080	94050-06080	NUT FLANGE 6MM	NUT FLANGE 6MM	2	60

F18

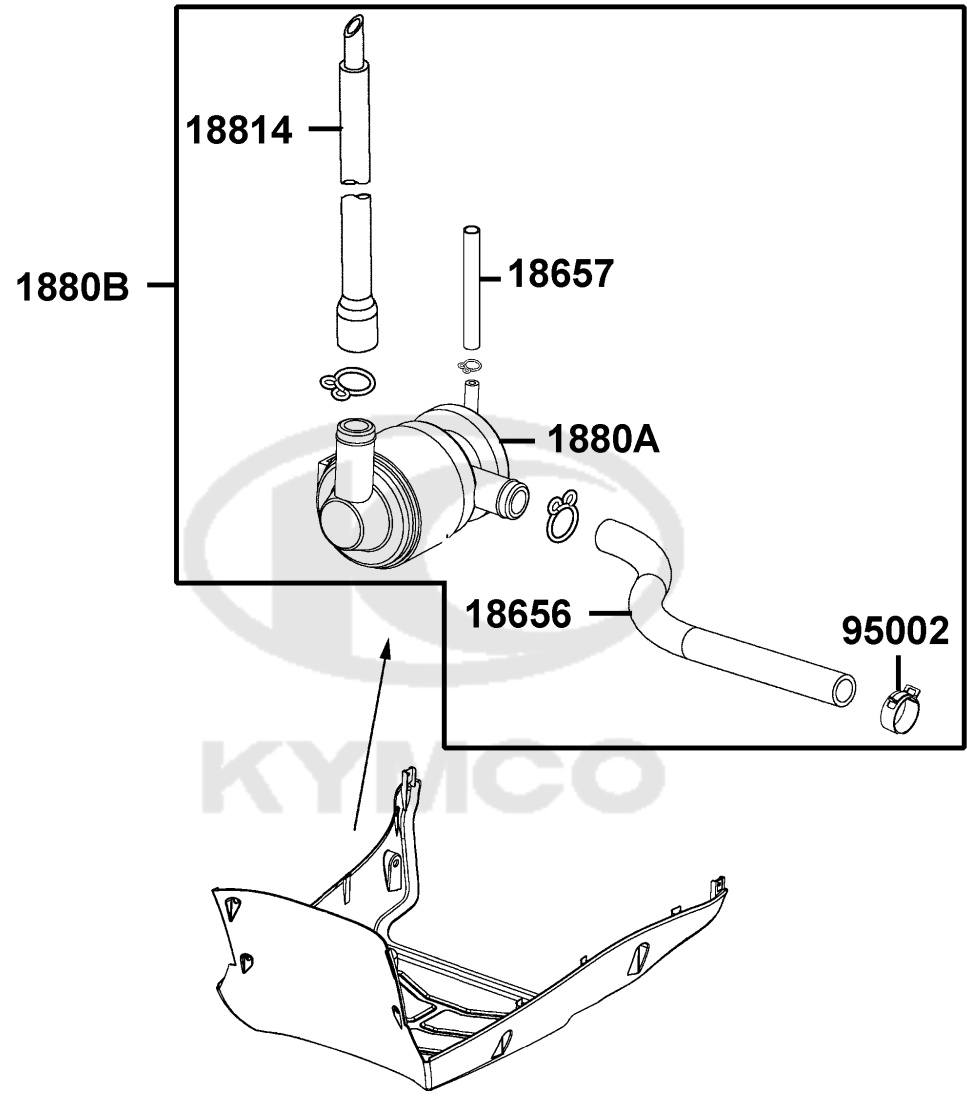


Sales mark 記号	Ref no 参照用番号	Part no パーツ番号	Description 部品名	Reg description 部品名	Regd no 必要個数	Ref Price 希望小売価格(税抜)
17620		17620-KGBG-E00	CAP COMP FUEL FILLER	CAP COMP FUEL FILLER	1	2500
30410		30410-KUDU-C00	UNIT COMP CDI	UNIT COMP CDI	1	10040
3051A		3051A-GFY6-C00	COIL ASSY IGN	COIL ASSY IGN	1	2130
31600		31600-KUDU-C00	REG REC COMP	REG REC COMP	1	1660
32100		32100-LDF7-E10	HARNESS WIRE	HARNESS WIRE	1	9270
32411		32411-LDF7-E60	CABLE BAT	CABLE BAT	1	2200
35010		35010-LDF7-B21	KEY SET	KEY SET	1	23340
35111-KFA1-305		35111-KFA1-305	BLANK KEY R	BLANK KEY R	1	640
35111-KFA1-306		35111-KFA1-306	BLANK KEY L	BLANK KEY L	1	640
35400		35400-LDF7-B80	RESISTOR COMP	RESISTOR COMP	1	1280
35850		35850-KEBE-C00	SET START MAG	SET START MAG	1	2740
38110		38110-KHB4-E0A	HORN COMP	HORN COMP	1	2480
77235		77235-KGC4-C00	SEAT CATCH	SEAT CATCH	1	1110
77239		77239-GFY6-C00	KEY SEAT LOCK	KEY SEAT LOCK	1	1470
90112		90112-KRDR-C00	BOLT FLANGE 5*22	BOLT FLANGE 5*22	1	60
94050		94050-06080	NUT FLANGE 6MM	NUT FLANGE 6MM	3	60
95701-06016		95701-06016-08	BOLT FLANGE 6*16	BOLT FLANGE 6*16	2	60
95701-08016		95701-08016-08	BOLT FLANGE 8*16	BOLT FLANGE 8*16	1	160
95701-KEB7		95701-KEB7-C00	BOLT TORQUE 6*16	BOLT TORQUE 6*16	1	90
96001		96001-06016-08	BOLT FLANGE SH 6*16	BOLT FLANGE SH 6*16	1	200

F19

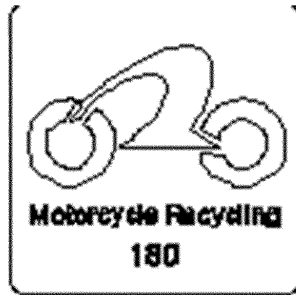


Sales mark 記号	Ref no 参照用番号	Part no パーツ番号	Description 部品名	Reg description 部品名	Regd no 必要個数	Ref Price 希望小売価格(税抜)	F20
	11345	11345-LDF7-E10	DUCT L COVER	DUCT L COVER	1	2940	
	11346	11346-KEBE-C00	BAND L COVER DUCT	BAND L COVER DUCT	1	450	
	50100	50100-LDF7-E61	BODY COMP FRAME	BODY COMP FRAME	1	60100	
	50301	50301-KGN7-C00	RACE UPPER STRG BALL	RACE UPPER STRG BALL	1	660	
	50302	50302-2H68-C00	RACE (STRG BOT) BALL	RACE (STRG BOT) BALL	1	610	
	50354	50354-GFY6-901	CLIP FUEL TUBE	CLIP FUEL TUBE	1	300	
	5035A	5035A-KUDU-900	ENG HANGER ASSY	ENG HANGER ASSY	1	10080	
	50611	50611-LCB9-C10	RNFCT R FLOOR	RNFCT R FLOOR	1	2160	
	50612	50612-LCB9-C10	RNFCT L FLOOR	RNFCT L FLOOR	1	2160	
**	50613	50613-LCB9-C11	COVER UNDER	COVER UNDER	1	3010	
	77231	77231-LCB9-C10	STAY SEAT RUBBER	STAY SEAT RUBBER	1	1660	
	90106	90106-LGB6-E10	"BOLT,FLANGE,10x55"	"BOLT,FLANGE,10x55"	1	160	
	90107	90107-KUDU-900	BOLT FLANGE 10*188	BOLT FLANGE 10*188	1	240	
	90121	90121-GFY6-C00	COLLAR DISTANCE	COLLAR DISTANCE	1	350	
	90302	90302-SDA4-C00	NUT SPRING 4MM	NUT SPRING 4MM	1	60	
	90304	90304-GHE8-C00	NUT U 10MM (C)	NUT U 10MM (C)	1	200	
	93404	93404-06016-07	BOLT WASHER 6*16 (K)	BOLT WASHER 6*16 (K)	4	140	
	93903	93903-34380	SCREW TAPPING 4*12 (K)	SCREW TAPPING 4*12 (K)	7	60	
	94050	94050-06080	NUT FLANGE 6MM	NUT FLANGE 6MM	4	60	
	95701	95701-06012-08	BOLT FLANGE 6*12	BOLT FLANGE 6*12	3	60	

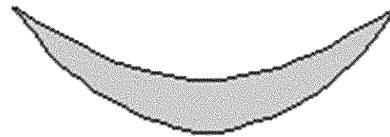


Sales mark 記号	Ref no 参照用番号	Part no パーツ番号	Description 部品名	Reg description 部品名	Regd no 必要個数	Ref Price 希望小売価格(税抜)	F21
18656		18656-LDF7-E10	DUCT AICV-REED VALVE	DUCT AICV-REED VALVE	1	890	
18657		18657-LDC8-E10	TUBE ASSY AICV-INNET PIPE	TUBE ASSY AICV-INNET PIPE	1	520	
1880A		1880A-LDF7-E10	AI/C-AICV ASSY	AI/C-AICV ASSY	1	5210	
1880B		1880B-LDF7-E10	AI/C-AICV SET	AI/C-AICV SET	1	7920	
18814		18814-LDF7-E10	DUCT ASSY AIR-AICV	DUCT ASSY AIR-AICV	1	920	
95002		95002-KKD6-C00	CLAMP D18 TUBE	CLAMP D18 TUBE	1	610	

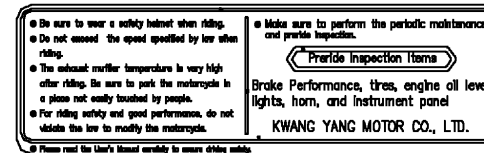




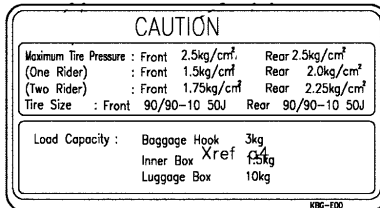
87311



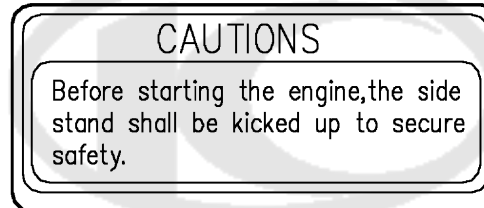
86408



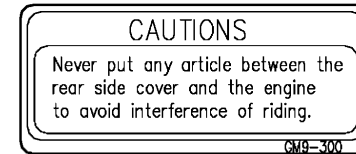
87560



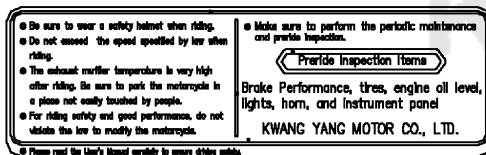
87505



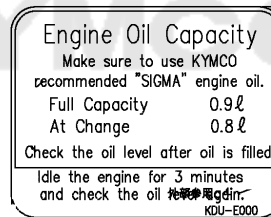
87541-GAR1



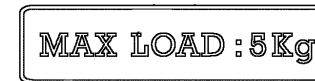
87542



87560



87541-KUDU



87556



86202

Sales mark 記号	Ref no 参照用番号	Part no パーツ番号	Description 部品名	Reg description 部品名	Regd no 必要個数	Ref Price 希望小売価格(税抜)	F22
**	86202	86202-LDF7-E10	EMB BODY COVER	EMB BODY COVER	1	1700	
**	86408	86408-LDF6-B20	STRIPE FR FENDER	STRIPE FR FENDER	1	400	
**	87311	87311-LAD9-C00	STRIPE R MARK	STRIPE R MARK	1	90	
**	87505	87505-LDC8-E10	LABEL TIRE	LABEL TIRE	1	230	
**	87541-GAR1	87541-GAR1-C01	MARK MAINT CAUTION L	MARK MAINT CAUTION L	1	130	
**	87542	87542-GAR1-C01	MARK MAINT CAUTION	MARK MAINT CAUTION	1	130	
**	87556	87556-LEJ2-E00	STRIPE GRAB RR	STRIPE GRAB RR	1	60	
**	87560	87560-GFY6-E11	MARK DRIVE CAUTION	MARK DRIVE CAUTION	1	100	



PART NO. INDEX
 パーツ番号 検索

PART NO. パーツ番号	VERSION バージョン	PAGE ページ	PART NO. パーツ番号	VERSION バージョン	PAGE ページ	PART NO. パーツ番号	VERSION バージョン	PAGE ページ
11000			12209-GDB4-C00	2	E02	14711-KUDU-C00	1	E02
11100-KUDU-C00	6	E01	12211-KUDU-W10	4	E02	14721-KUDU-C00	1	E02
11102-1G87-C00	3	E01	12251-GFY6-C00	1	E02	14751-KUDU-C10	2	E02
11192-KUDU-E90	1	E01	1231A-KUDU-C10	1	E02	14761-KUDU-C10	2	E02
11200-KEC4-C00	6	E01	12361-GFY6-C00	5	E04	14771-GDB4-C00	2	E02
11203-GGC7-W10	2	E01	12391-GFY6-C00	5	E02	14775-MFA6-C00	5	E02
11203-KUDU-C00	0	E09				14781-MFA6-C00	4	E02
11206-LDF7-E10	0	E07	13000			15000		
11207-KKE3-C01	6	E04	13000-KUDU-C00	9	E03	15100-KUDU-W10	1	E07
1122A-LDF7-E10	1	E09	13011-GFY6-C00	1	E03	15133-GFY6-W10	1	E07
11331-KUDU-C10	1	E04	13101-KUDU-C00	1	E03	15141-GFY6-C00	1	E07
11341-KEC4-900	1	E01	13111-3D84-C00	1	E03	15421-1G07-W10	1	E04
11345-LDF7-E10	1	F20				15426-GAE1-C00	1	E04
11346-KEBE-C00	1	F20	14000			15651-KUDU-W10	5	E04
11381-KUDU-C00	1	E01	14100-LGS6-E10	1	E02	15711-KUDU-C00	1	E07
11382-KUDU-W10	1	E01	14401-KUDU-C00	1	E03			
11394-KUDU-E90	1	E04	14431-KUDU-W10	4	E02	16000		
11395-KKD7-E90	0	E01	14450-GFY6-W10	1	E02	16012-KEC3-C01	0	E05
12000			14452-GFY6-W10	1	E02	1603A-LFC3-E10	0	E05
12100-GFY6-C00	6	E03	14510-KUDU-C00	1	E03	16051-KEC3-C00	0	E05
12191-GFY6-E90	1	E03	14520-GFY6-C00	1	E03	16069-KEC3-C00	0	E05
12200-KUDU-C10	1	E02	14523-GFY6-E90	1	E03	16074-KEC3-C00	3	E05
			1453A-GFY6-W10	1	E03	16079-LEJ2-E10	3	E05
			14610-KUDU-C00	1	E03			

PART NO. INDEX

パーツ番号 検索

PART NO. パーツ番号	VERSION バージョン	PAGE ページ	PART NO. パーツ番号	VERSION バージョン	PAGE ページ	PART NO. パーツ番号	VERSION バージョン	PAGE ページ
16087-KEC3-C00	3	E05	1755A-KKD5-C10	1	F10	1961A-KUDU-E10	2	E08
16088-LDF7-C00	0	E05	1755A-LDC8-E10	1	F18	19625-KUDU-C00	1	E02
16093-5102-C00	1	E05	17620-KGBG-E00	0	F19	1962A-KUDU-C00	1	E08
16095-KEC3-900	2	E05	17910-LDF7-E10	2	F03	1963A-LDF7-E10	1	E08
16100-LDF7-E11	0	E05						
16122-KEC3-C00	0	E05	18000			21000		
16131-KEC3-C00	0	E05						
16138-KEC3-C00	0	E05	18291-GGA7-C01	1	F14	21200-KEC4-C00	2	E09
16142-KEC3-900	1	E05	18291-KEBE-C00	0	F14	21395-KEC4-E90	0	E09
16154-KEC3-C00	0	E05	18292-KEBE-C00	0	F14			
16180-KEC3-C00	0	E05	18293-KEBE-C00	0	F14	22000		
16181-KEC3-C00	1	E05	18294-PUA3-B50	0	F14			
16201-GFY6-E90	0	E02	18306-LDF7-E10	0	F14	22101-LCD3-C00	3	E06
16211-GFY6-W10	1	E02	1830A-LDF7-M61	1	F14	22102-KUDU-E80	1	E06
1691A-LDF7-E10	1	F10	18318-LDF7-E10	0	F14	22105-GFY6-C00	0	E06
16950-KKJ9-C00	4	F10	18646-LDC8-E10	1	E02	22110-KUDU-E80	0	E06
			18656-LDF7-E10	1	F21	22121-KKD7-315	0	E06
17000			18657-LDC8-E10	2	F21	22131-GFY6-C00	3	E06
			18657-LEH2-B50	1	F10	22132-KBN2-C00	3	E06
1711A-LDF7-E10	2	E02	1880A-LDF7-E10	1	F21	22300-KEC6-C00	0	E06
17200-LDF7-E10	1	F13	1880B-LDF7-E10	1	F21	22350-GFY6-C00	1	E06
1720A-LDF7-E10	0	F13	18814-LDF7-E10	1	F21	22530-GFY6-C00	1	E06
17211-KEC6-C0B	0	F13						
17256-GFY6-C00	4	E02	19000			23000		
17257-LDF7-E10	0	F13						
17500-LCB9-C10	3	F10	19510-GFY6-C00	1	E08	2301A-KEC6-C00	1	E06

PART NO. INDEX

パーツ番号 検索

PART NO. パーツ番号	VERSION バージョン	PAGE ページ	PART NO. パーツ番号	VERSION バージョン	PAGE ページ	PART NO. パーツ番号	VERSION バージョン	PAGE ページ
23100-KEC4-C00	2	E06	28253-GBN2-C00	5	E01			
23200-GFY6-C00	3	E06	28255-GFS6-C00	5	E01	33000		
23220-KFBF-C00	1	E06	28281-GBN2-C00	1	E01			
23225-GHC8-C00	1	E06	28300-KFA3-C00	3	F15	33100-LDF7-B20	0	F01
23226-GHC8-C00	1	E06				33400-LEC5-B20	1	F17
23233-GCW3-C00	1	E06	30000			33450-LEC5-B20	1	F17
23237-GFY6-C00	1	E06				33600-LDC8-E10	3	F17
23238-GFY6-C00	1	E06	30410-KUDU-C00	0	F19	33602-LDC8-E10	0	F17
23411-KEC4-C00	1	E09	3051A-GFY6-C00	0	F19	33650-LDC8-E10	1	F17
23420-KEC4-C00	1	E09				33701-LDC8-E10	2	F18
23432-KEC4-C00	1	E09	31000			33702-LDC8-E10	0	F18
2343A-KUDU-W00	1	E09				33741-KEBE-C00	0	F18
			31100-KUDU-C00	0	E08			
28000			31110-KUDU-C00	0	E08	34000		
			31120-KUDU-C00	0	E08			
28101-GFY6-C00	1	E07	31200-KUDU-C00	4	E07	34901-LBA8-E80	0	F01
28102-GFY6-C00	1	E07	31500-GFY6-C00	1	F11	34906-LBA8-E80	1	F18
28110-GFY6-C10	1	E07	31600-KUDU-C00	2	F19			
28120-GFY6-C00	0	E07				35000		
28125-4F26-C00	1	E07	32000					
28125-GFY6-C10	3	E07				35010-LDF7-B21	1	F19
28126-GFY6-C10	1	E07	32100-LDF7-E10	0	F19	35111-KFA1-305	0	F19
2812A-GFY6-C10	2	E07	32411-LDF7-E60	0	F19	35111-KFA1-306	0	F19
28211-KUDU-W10	4	E06	32412-LDF7-E10	1	E04	3515A-LDF7-B20	3	F03
2823A-GKAK-W10	1	E01	32961-KUDU-C00	5	E04	3520A-LGB5-E11	0	F03
28250-LDF7-E10	1	E01				35340-KKJ9-C00	0	F03

PART NO. INDEX
 パーツ番号 検索

PART NO. パーツ番号	VERSION バージョン	PAGE ページ	PART NO. パーツ番号	VERSION バージョン	PAGE ページ	PART NO. パーツ番号	VERSION バージョン	PAGE ページ
35340-KNBN-C00	1	F04	43450-LDF7-E10	4	F03			
35400-LDF7-B80	0	F19				46000		
35850-KEBE-C00	0	F19	44000			46513-KUDU-C00	2	F08
37000			44305-KGE2-E00	9	F07			
			44306-KGE2-E00	9	F07	50000		
37200-LDF7-B20	0	F02	44311-GLW0-W10	1	F07			
37802-GGA7-C00	1	F10	44601-KEB7-E0E	0	F07	50100-LDF7-E61	0	F20
3780A-LDC8-E10	0	F10	44620-KEB7-C00	0	F07	50301-KGN7-C00	2	F20
38000			44710-LDC8-E10	2	F07	50302-2H68-C00	2	F20
			44800-LDC8-E10	1	F07	50306-1F96-C00	1	F06
			44830-LDC8-E10	3	F02	50326-LCB9-C10	0	F11
38110-KHB4-E0A	0	F19				50354-GFY6-901	0	F20
38300-KECE-W10	2	F02	45000			5035A-KUDU-900	2	F20
42000			45105-KKD6-305	1	F04	50502-LDF7-C00	1	F15
			45121-LBD5-C00	2	F07	50505-KEBE-C00	0	F15
42601-LDF7-E10	1	F08	45126-LDC8-E10	2	F04	50505-LAD9-C00	1	F15
42710-LDC8-E10	3	F08	45156-KHC5-E10	0	F06	5050A-LDF7-E10	0	F15
42753-HHJ1-C00	0	F08	45156-LCB9-B20	0	F06	50531-KEB7-C00	1	F15
43000			45200-KKD6-C00	1	F04	5053A-LDF7-M60	0	F15
			45500-LDC8-E10	3	F04	50611-LCB9-C10	1	F20
			45517-GFY6-C00	1	F03	50612-LCB9-C10	1	F20
4312A-KUDU-C00	1	F08	45517-KFAF-910	1	F04	50613-LCB9-C11	0	F20
4314A-KKD7-E00	3	F08						
43410-KEC4-900	1	F08						

PART NO. INDEX
 パーツ番号 検索

PART NO. パーツ番号	VERSION バージョン	PAGE ページ	PART NO. パーツ番号	VERSION バージョン	PAGE ページ	PART NO. パーツ番号	VERSION バージョン	PAGE ページ
51000			53166-KNBN-C00	0	F03	77000		
			53166-KNBN-C00	1	F03			
			53172-KTCT-C00	0	F03			
51400-LDF7-E10	3	F06	53175-KXBX-E00	1	F04	77104-LCB9-C10	0	F09
51401-LDC8-E10	0	F06	53178-KXCX-C00	1	F03	77112-LCB9-C10	0	F09
51410-LDC8-E10	0	F06	5317B-KFA6-C00	2	F03	77200-LCB9-C10	0	F09
51412-LDC8-E10	0	F06	53200-LDC8-E10	6	F06	77206-LCB9-C10	0	F09
51420-LDF7-E10	0	F06	53205-LEB9-B50	0	F03	77210-LCB9-C10	0	F09
51422-LDC8-E10	0	F06	53206-LCB9-C10	0	F03	77211-LCB9-C10	0	F09
51428-LDC8-E10	0	F06	53211-GFY6-C00	1	F06	77212-LCB9-C10	0	F09
51429-LDC8-E10	0	F06	53212-2L50-C00	1	F06	77213-LCB9-C10	0	F09
51437-LDC8-E10	0	F06	53214-2L50-C00	5	F06	77214-LCB9-C10	0	F09
51500-LDF7-E10	3	F06	53215-2L50-C00	1	F06	77216-LCB9-C10	0	F09
51520-LDF7-E10	1	F06				77217-LCB9-C10	0	F09
			61000			77218-LCB9-C10	0	F09
52000						77223-LCB9-C10	0	F09
			61100-LDC8-E10	0	F06	77224-LCB9-C10	0	F09
52400-LDF7-E10	0	F16				77225-LCB9-C10	0	F09
			64000			77226-LCB9-C10	0	F09
53000						77227-LCB9-C10	0	F09
			64301-LCB9-C10	0	F05	77228-LCB9-C10	0	F09
53100-LCB9-C10	2	F03	64310-LCB9-C10	0	F05	77231-LCB9-C10	0	F20
53105-KNBN-C00	2	F03	64316-LCB9-C10	4	F05	77232-KCAC-C00	2	F12
53125-GEN5-C00	1	F03	64316-LCB9-C10	5	F05	77235-KGC4-C00	2	F19
53140-KNBN-C00	0	F03				77239-GFY6-C00	0	F19
53140-KNBN-C00	1	F03				77240-LDC8-E10	1	F12

PART NO. INDEX
 パーツ番号 検索

PART NO. パーツ番号	VERSION バージョン	PAGE ページ	PART NO. パーツ番号	VERSION バージョン	PAGE ページ	PART NO. パーツ番号	VERSION バージョン	PAGE ページ
77303-LCB9-C10	0	F09	83600-LDF7-E60	0	F12	89000		
80000			86000			89010-KGBG-C00	1	F09
80100-LDF7-E10	0	F18	86202-LDF7-E10	0	F22	89020-KKC4-C00	1	F09
80101-LDF7-E10	0	F18	86408-LDF6-B20	0	F22	90000		
80101-LDF7-E10	1	F18						
80105-LDF7-E10	0	F18	87000					
80105-LDF7-E10	1	F18				90001-GBHB-C00	1	E03
80106-LDC8-E10	0	F18	87311-LAD9-C00	0	F22	90001-GBHB-C11	1	E01
80107-LDC8-E10	1	F18	87505-LDC8-E10	2	F22	90001-GFY6-C00	4	E07
80151-LCB9-C10	0	F12	87505-LDC8-E10	3	F22	90005-KAW1-901	1	E03
81000			87541-GAR1-C01	0	F22	90012-3C33-C00	1	E02
			87541-GAR1-C01	1	F22	90031-KUDU-C00	5	E01
			87541-KUDU-E00	0	F22	90032-KUDU-C00	5	E01
81131-LEC5-C10	0	F05	87541-KUDU-E00	1	F22	90033-GFY6-C00	2	E02
81132-LCB9-C10	1	F05	87542-GAR1-C01	2	F22	90033-GFY6-C10	2	E02
81132-LDC8-E10	1	F05	87556-LEJ2-E00	2	F22	90105-KCR3-001	3	F07
8120A-LCB9-C10	1	F12	87560-GFY6-E11	3	F22	90105-LLJ3-E00	3	F09
81250-LCB9-C10	1	F12				90106-GEN5-901	1	F03
81250-LCB9-C10	2	F12	88000			90106-LGB6-E10	1	F20
81251-LCB9-C10	0	F12				90107-KUDU-900	5	F20
83000			88110-LCB9-C10	2	F03	90108-GFY6-901	1	F15
			88120-LCB9-C10	1	F03	90110-GLW0-C00	0	F05
						90110-KEB7-C00	1	F06
83500-LDF7-E60	0	F12				90110-LDC8-E10	0	F14

PART NO. INDEX
 パーツ番号 検索

PART NO. パーツ番号	VERSION バージョン	PAGE ページ	PART NO. パーツ番号	VERSION バージョン	PAGE ページ	PART NO. パーツ番号	VERSION バージョン	PAGE ページ
90111-1G87-C00	6	F12	90381-GEZ5-C00	1	F12	91101-1K79-C00	1	E07
90112-KRDR-C00	1	F19	90403-KUDU-900	1	E07	91104-GFY6-C00	1	E07
90114-1F66-C00	2	F04	90412-3K29-C00	5	E01	91201-GFY6-C00	1	E04
90115-GLE0-C00	6	F03	90426-KNBN-C00	1	E06	91202-GFY6-C00	1	E01
90116-LDC8-E10	0	F06	90441-GFY6-C00	1	E06	91202-KKJ9-C00	5	E01
90121-GFY6-C00	1	F20	90451-GBN2-C00	10	E01	91211-KEBE-C00	1	E06
90121-KBE2-C00	4	F07	90465-MDC4-C00	1	E02	91254-LDC8-E10	0	F06
90131-GLW0-C00	1	F04	90474-3C33-C00	1	E01	91255-LDC8-E10	5	E09
90145-9A61-C00	1	F04	90501-KNBN-C00	1	F08	91258-KAM1-C00	1	F07
90201-GFY6-901	1	E07	9052A-GFY6-C00	5	E01	91301-0C53-W10	0	E09
90202-1G87-C00	1	E06	90544-LDC8-E10	0	F06	91301-0H28-C00	1	E02
90206-0A01-C00	2	E02	90545-3L00-C00	2	F04	91302-0A01-C00	10	E04
90215-KKC4-C00	1	F18	90660-KGBG-C00	1	F10	91306-1E05-C00	1	E03
90301-6C93-C00	0	F15	90683-GAR1-C00	4	F12	91307-0E35-W10	1	E04
90301-GFY6-C00	2	F14	90683-GAR1-C00	4	F18	91351-6B42-C00	1	E06
90302-GFY6-C00	2	F18	90701-HFB6-C00	0	E03			
90302-KNBN-C00	1	F03	90701-HFB6-C00	0	E07	92000		
90302-SDA4-C00	2	F05	90754-GHC8-C00	1	F07			
90302-SDA4-C00	2	F20	90912-GHC8-C00	1	F07	92101-05012-0H	2	E08
90304-4H38-C00	1	E02				92900-06060-0B	2	E02
90304-GHE8-C00	1	F03	91000					
90304-GHE8-C00	1	F20				93000		
90305-GHK8-C00	2	F12	91003-KDS4-C00	1	E09			
90305-KNBN-C00	1	F08	91009-GLE0-C00	1	E09	93404-06012-07	5	F18
90306-KLF0-C00	1	F07	91014-LLJ3-C00	1	F06	93404-06016-07	1	F05
90309-KLF0-C00	1	E09	91015-LLJ3-C00	1	F06	93404-06016-07	1	F12

PART NO. INDEX
 パーツ番号 検索

PART NO. パーツ番号	VERSION バージョン	PAGE ページ	PART NO. パーツ番号	VERSION バージョン	PAGE ページ	PART NO. パーツ番号	VERSION バージョン	PAGE ページ	
93404-06016-07	1	F18	94001-12280-0S	0	E06	95000			
93404-06016-07	1	F20	94050-05080	6	F17				
93404-06020-07	4	F05	94050-05080	6	F18				
93404-06030-07	2	F18	94050-06070	0	F04		95002-KKD6-C00	1	F21
93500-04014-1A	0	E05	94050-06080	2	E02		9500A-KHB5-EZ0	1	E05
93600-04012-1G	1	F04	94050-06080	2	E07		95014-71202	1	F15
93700-05018-0H	1	F02	94050-06080	2	F09		95014-72102	3	F15
93891-05035-07	0	F03	94050-06080	2	F10		95701-06012-07	3	F06
93892-04008-18	0	E05	94050-06080	2	F18		95701-06012-08	3	F06
93892-05012-18	0	E05	94050-06080	2	F19		95701-06012-08	3	F10
93893-04012-18	0	F04	94050-06080	2	F20		95701-06012-08	3	F20
93903-25220	2	F01	94050-08080	4	E02		95701-06016-08	1	F19
93903-34380	6	F03	94050-12080	1	E06		95701-06022-02	1	F15
93903-34380	6	F05	94050-12080	1	E08		95701-06025-07	3	F14
93903-34380	6	F12	94301-10160	4	E01		95701-06025-08	2	E02
93903-34380	6	F17	94301-10160	4	E02		95701-06032-08	1	F08
93903-34380	6	F18	94301-10160	4	E03		95701-06035-08	1	E02
93903-34380	6	F20	94301-10160	4	E04	95701-06040-08	0	F13	
93903-35380	2	F02	94301-10200	4	E01	95701-06050-08	1	E02	
93903-35380	2	F03	94511-14000	10	E01	95701-08012-08	2	E01	
93903-35380	2	F11	94591-25000	1	F05	95701-08016-08	1	F19	
93903-GFY6-C00	2	F05	94591-LDC8-E10	1	E01	95701-08020-07	0	F12	
94000			94601-15000	10	E03	95701-08035-07	0	F12	
			94608-LDC8-E10	0	F06	95701-KEB7-C00	0	F19	
						95801-08032-08	1	F16	
94001-05080-0S	0	F03				95801-08040-08	4	F06	

PART NO. INDEX

パーツ番号 検索

PART NO. パーツ番号	VERSION バージョン	PAGE ページ	PART NO. パーツ番号	VERSION バージョン	PAGE ページ	PART NO. パーツ番号	VERSION バージョン	PAGE ページ
95801-08042-07	0	F14	96100-60020-00	1	E09			
95801-08045-07	0	F14	96100-62020-00	1	E01			
95801-10025-08	0	F15	96100-62030-00	1	E01			
95801-10035-08	1	F16	96100-62043-00	1	E01			
96000			98000					
96001-06012-07	0	F04	98056-5771R	0	E02			
96001-06012-08	3	E01	98200-10700	2	F05			
96001-06012-08	3	E04	98200-10700	2	F11			
96001-06012-08	3	E07						
96001-06016-08	6	E07						
96001-06016-08	6	E08						
96001-06016-08	6	F19						
96001-06018-08	1	E08						
96001-06020-08	2	E08						
96001-06025-06	1	F03						
96001-06025-08	4	E07						
96001-06025-08	4	E08						
96001-06028-08	1	E04						
96001-06040-08	0	E01						
96001-06045-08	1	E01						
96001-06050-08	1	E01						
96001-06100-08	2	E02						
96001-06100-08	2	E04						
96001-06110-08	1	E04						