

# PARTS CATALOGUE



## SCOOTERS

SG20FB(JP)

CARO II 100 (注意)



Release Date : 2014/02/26  
Print Date : 2017/07/18

## 本パーツリストについて

- 本パーツリストは SG20FB(JP).の全てのパーツ番号が記載されています。
- 車輻のカラーチャートとバイクに相違がある場合は正規販売店もしくはKYMCO JAPANへお問い合わせください。
- 1. "\*\*\*"記号が記載している場合、3文字の色コードをパーツ番号の最後に記入してください。  
2. "#" 記号が記載している場合、パーツの設定、変更があります。正規販売店もしくはKYMCO JAPANへお問い合わせください。
- このパーツリストの変更または追加は、適切な時期に予告なく行われます。

## ABOUT THIS PARTS LIST

- This parts list is compiled all service parts for model SG20FB(JP).
- Any difference between color chart and motorcycle will be revised according to motorcycle.
- The Mark:
  1. Marking "\*\*\*" must add color code in the end before ordering parts.
  2. Marking "#" are parts with modification, Please find the details from e-Parts system.
- When modification or additions to this parts list are made a revised edition at an appropriate time.

## 目次

● 本パーツリストについて .....	1
● SG20FB(JP)のカラーチャート .....	3
● 目次-エンジン関 .....	7
● 目次-フレーム関係 .....	8
● エンジンパーツリスト .....	11
● フレームパーツリスト .....	45
● パーツ番号 検索 .....	103

## CONTENTS

● ABOUT THIS PARTS LIST .....	1
● COLOR CHART OF SG20FB(JP) .....	3
● CONTENTS-ENGINE GROUP .....	7
● CONTENTS-FRAME GROUP .....	8
● ENGINE PARTS LIST .....	11
● FRAME PARTS LIST .....	45
● PART NO. INDEX .....	103

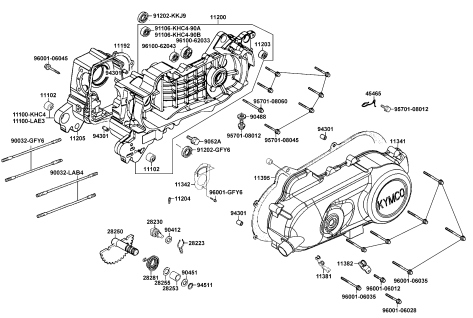
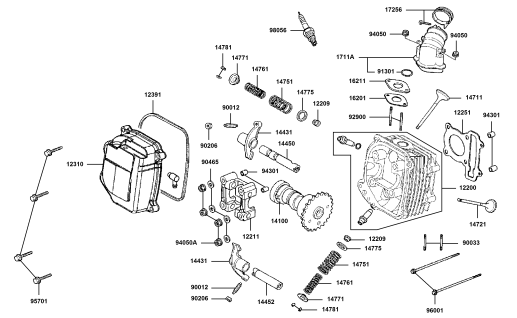
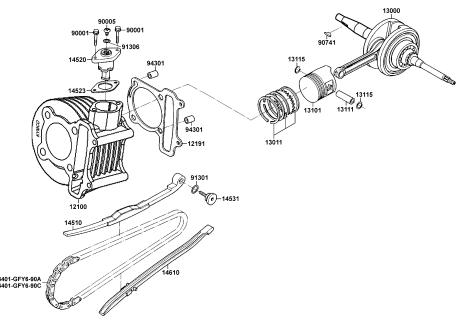
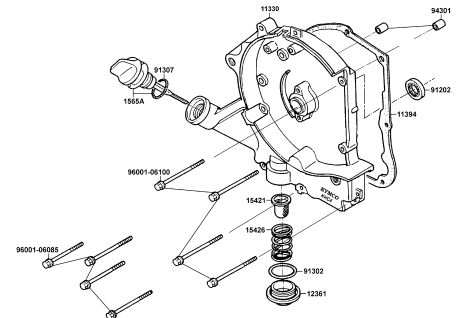
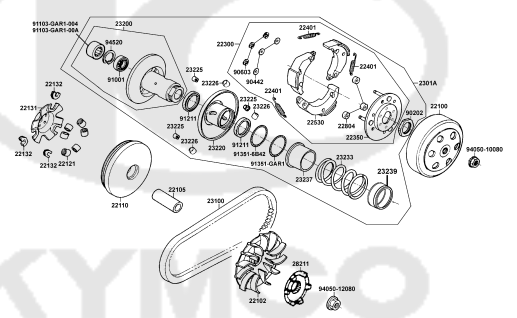
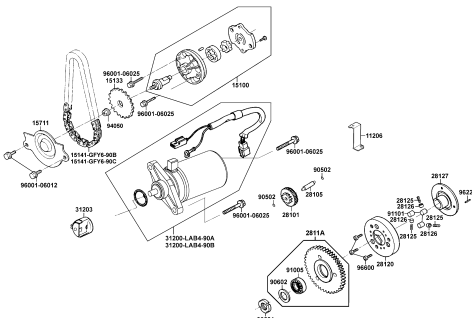
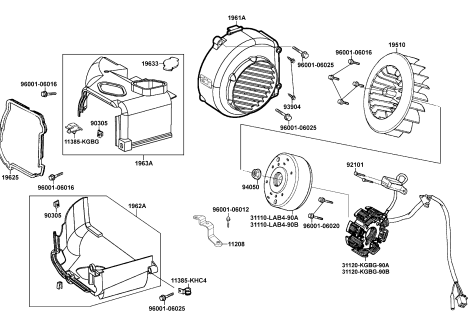
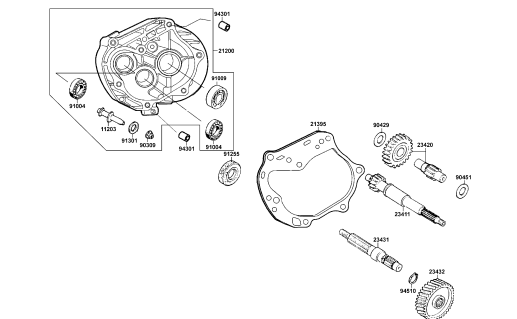
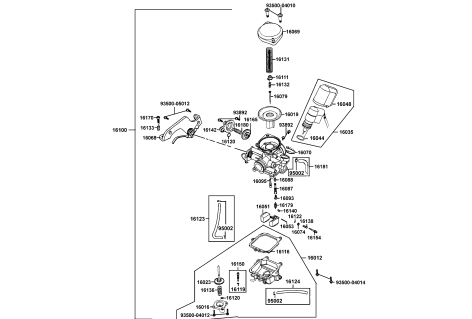
NO	モデル			SG20FB(JP)のカラーチャート			
	写真番号			NO. 1	NO. 2	NO. 3	NO. 4
	基本色						
	コード			Crystal Blue	Black Blue	Bright Silver	Pearly White
	パーツ名	パーツ番号	バージョン	PB041MA	PB184PA	NH045MA	NH193PA
1	LEVER R STRG HANDLE	53175-KFA1-900	1	M2A			
2	LEVER L STRG HANDLE	53178-KHC4-900	0	N1A			
3	PROTECTOR COMP	18317-KHC4-B20	2	N1R			
4	COVER BATTERY	5032A-LAB4-900	3				
5	GRIP COMP	53140-KHC4-900	1				
6	GRIP L HANDLE/DEEP	53166-KFA1-900	2				
7	COVER RR HANDLE	53206-LAB4-900	0				
8	COVER SWITCH ** (0)	53207-KKD9-B00	3				
9	FENDER A FR **900	61100-LAB4-900	4				
10	FENDER B FR **900	61101-LAB4-900	4				
11	FLOOR PANEL ** (0)	64310-LAB4-900	3				
12	FENDER REAR INNER	80106-LAB4-900	5				
13	COVER PLUG CENTER	80151-LAB4-900	2				
14	LEG SHIELD ** (0)	81131-LAB4-900	2				
15	HOOK LUGGAGE	81132-GHAH-001	2				
16	COVER ASSY INNER	8113A-LAB4-900	1				
17	LID LEG SHIELD	81142-KUDU-900	1				
18	COVER L SIDE	11341-KHC4-900	6	N8A			
19	MOLDING FRONT ** (2)	64302-LAB4-900	3	N8P	N1P	N8P	
20	SKIRT R SIDE ** (0)	64305-LAB4-900	0				
21	SKIRT L SIDE	64306-LAB4-900	0				
22	COVER HANDLE FR	53205-LAB4-900	0	B5P	BJP	N8P	NVP
23	COVER SET FR	64301-LAB4-900	0				
24	GRIP REAR ** (0)	81200-LAB4-900	3				
25	COVER R BODY ** (0)	83500-LAB4-900	3				
販売開始時期							
販売終了時期							

NO	モデル			SG20FB(JP)のカラーチャート			
	写真番号			NO. 5	NO. 6		
	基本色						
	コード			Sapphire Blue Metallic	Diamond Red		
	パーツ名	パーツ番号	バージョン	PB242MA	RR166MA		
1	LEVER R STRG HANDLE	53175-KFA1-900	1	M2A			
2	LEVER L STRG HANDLE	53178-KHC4-900	0	N1A			
3	PROTECTOR COMP	18317-KHC4-B20	2	N1R			
4	COVER BATTERY	5032A-LAB4-900	3				
5	GRIP COMP	53140-KHC4-900	1				
6	GRIP L HANDLE/DEEP	53166-KFA1-900	2				
7	COVER RR HANDLE	53206-LAB4-900	0				
8	COVER SWITCH ** (0)	53207-KKD9-B00	3				
9	FENDER A FR **900	61100-LAB4-900	4				
10	FENDER B FR **900	61101-LAB4-900	4				
11	FLOOR PANEL ** (0)	64310-LAB4-900	3				
12	FENDER REAR INNER	80106-LAB4-900	5				
13	COVER PLUG CENTER	80151-LAB4-900	2				
14	LEG SHIELD ** (0)	81131-LAB4-900	2				
15	HOOK LUGGAGE	81132-GHAH-001	2				
16	COVER ASSY INNER	8113A-LAB4-900	1				
17	LID LEG SHIELD	81142-KUDU-900	1				
18	COVER L SIDE	11341-KHC4-900	6	N8A			
19	MOLDING FRONT ** (2)	64302-LAB4-900	3	N8P			
20	SKIRT R SIDE ** (0)	64305-LAB4-900	0				
21	SKIRT L SIDE	64306-LAB4-900	0				
22	COVER HANDLE FR	53205-LAB4-900	0				
23	COVER SET FR	64301-LAB4-900	0				
24	GRIP REAR ** (0)	81200-LAB4-900	3				
25	COVER R BODY ** (0)	83500-LAB4-900	3				
販売開始時期							
販売終了時期							

NO	モデル			SG20FB(JP)のカラーチャート			
	写真番号			NO. 1	NO. 2	NO. 3	NO. 4
	基本色						
	コード			Crystal Blue	Black Blue	Bright Silver	Pearly White
	パーツ名	パーツ番号	バージョン	PB041MA	PB184PA	NH045MA	NH193PA
26	COVER SET L BODY	83600-LAB4-900	3	B5P	BJP	N8P	NVP
27	HUB SUB COMP RR	42610-GKAK-901	4	NJA			
28	HUB SUB COMP FR /D103	44610-KHC4-305	0				
29	GEAR BOX ASSY SPDMT	44800-KNBN-901	6				
30	FORK ASSY R FR	51400-LAB4-900	2				
31	FORK ASSY L FR	51500-LAB4-900	2				
32	RIM COMP RR WHEEL	42705-KHC4-900	5	NJS			
33	RIM COMP FR WHEEL	44705-KHC4-900	2				
34	PLUG FLOOR	64316-KHE2-900	1	NRR			
35	CAP COMP FUEL FILLER	17620-LLJ3-E0B	3	NYA			
36	CLAMPER ASSY FR L	45200-KHC4-900	3	R8A			
37	CUSHION ASSY RR	52400-LAB4-900	0	R8S			
38	SEAT COMP/K01Y-OBC	77200-LAB4-B30	1	T01			
39	EMB BODY COVER	86202-LAB4-B20	0				
40	STRIPE MARK TYPEK	87311-LBB8-B20	0				
41	CAUTION USE GAS	87501-KRDR-E00	2				
42	LABEL TIRE	87505-LAB4-900	2				
43	CAUTION FILTER	87512-KEBE-E00	0				
44	CAUTION SIDE STAND	87541-GAR1-E00	1				
45	CAUTION MOBILE	87541-KKC2-E00	1				
46	MARK MAINT CAUTION	87542-GAR1-E00	2				
47	MARK DRIVE CAUTION	87560-GFY6-E00	4				
48	EMB K-LOGO 24MM	86102-LAB4-900	2	T02			
	販売開始時期						
	販売終了時期						

NO	モデル			SG20FB(JP)のカラーチャート			
	写真番号			NO. 5	NO. 6		
	基本色						
	コード			Sapphire Blue Metallic	Diamond Red		
	パーツ名	パーツ番号	バージョン	PB242MA	RR166MA		
26	COVER SET L BODY	83600-LAB4-900	3				
27	HUB SUB COMP RR	42610-GKAK-901	4				
28	HUB SUB COMP FR /D103	44610-KHC4-305	0				
29	GEAR BOX ASSY SPDMT	44800-KNBN-901	6		NJA		
30	FORK ASSY R FR	51400-LAB4-900	2				
31	FORK ASSY L FR	51500-LAB4-900	2				
32	RIM COMP RR WHEEL	42705-KHC4-900	5		NJS		
33	RIM COMP FR WHEEL	44705-KHC4-900	2				
34	PLUG FLOOR	64316-KHE2-900	1		NRR		
35	CAP COMP FUEL FILLER	17620-LLJ3-E0B	3		NYA		
36	CLAMPER ASSY FR L	45200-KHC4-900	3		R8A		
37	CUSHION ASSY RR	52400-LAB4-900	0		R8S		
38	SEAT COMP/K01Y-OBC	77200-LAB4-B30	1				
39	EMB BODY COVER	86202-LAB4-B20	0				
40	STRIPE MARK TYPEK	87311-LBB8-B20	0				
41	CAUTION USE GAS	87501-KRDR-E00	2				
42	LABEL TIRE	87505-LAB4-900	2		T01		
43	CAUTION FILTER	87512-KEBE-E00	0				
44	CAUTION SIDE STAND	87541-GAR1-E00	1				
45	CAUTION MOBILE	87541-KKC2-E00	1				
46	MARK MAINT CAUTION	87542-GAR1-E00	2				
47	MARK DRIVE CAUTION	87560-GFY6-E00	4				
48	EMB K-LOGO 24MM	86102-LAB4-900	2		T02		
	販売開始時期						
	販売終了時期						

# CONTENTS - ENGINE GROUP 目次-エンジン関

E01 Crank Case	E02 Cylinder Head Cover Cylinder	E03 Cylinder Piston Crankshaft
		
<b>E04 Right Crankcase Cover</b>	<b>E05 Transmission Pulley</b>	<b>E06 Starting Motor Oil Pump</b>
		
<b>E07 Generator Water Pump</b>	<b>E08 Transmission</b>	<b>E09 Carburetor</b>
		

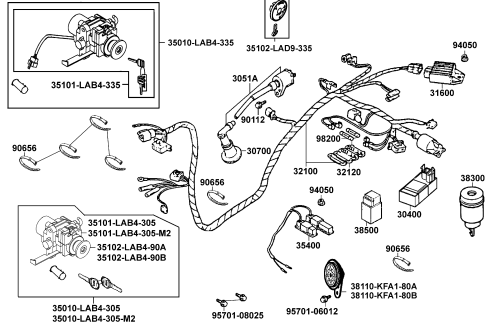




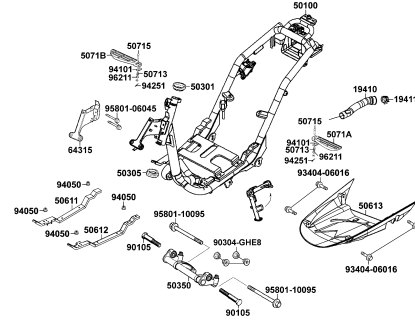


# CONTENTS - FRAME GROUP 目次-フレーム関係

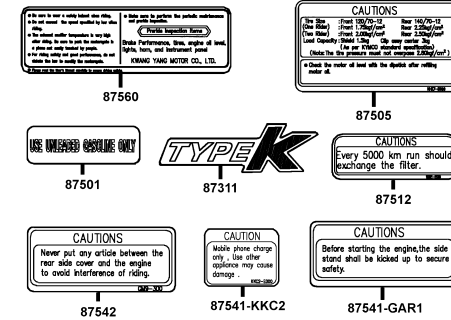
## F19 Wire Harness



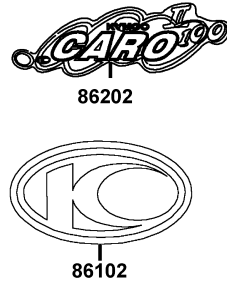
## F20 Frame Body



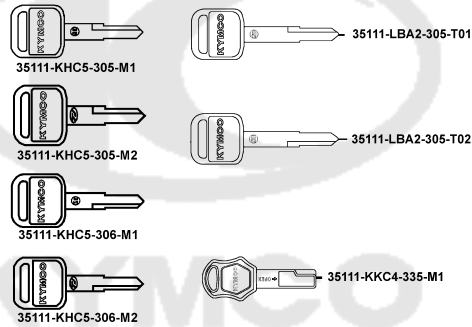
## F21 Caution Label



## F22 Emblem Stripe

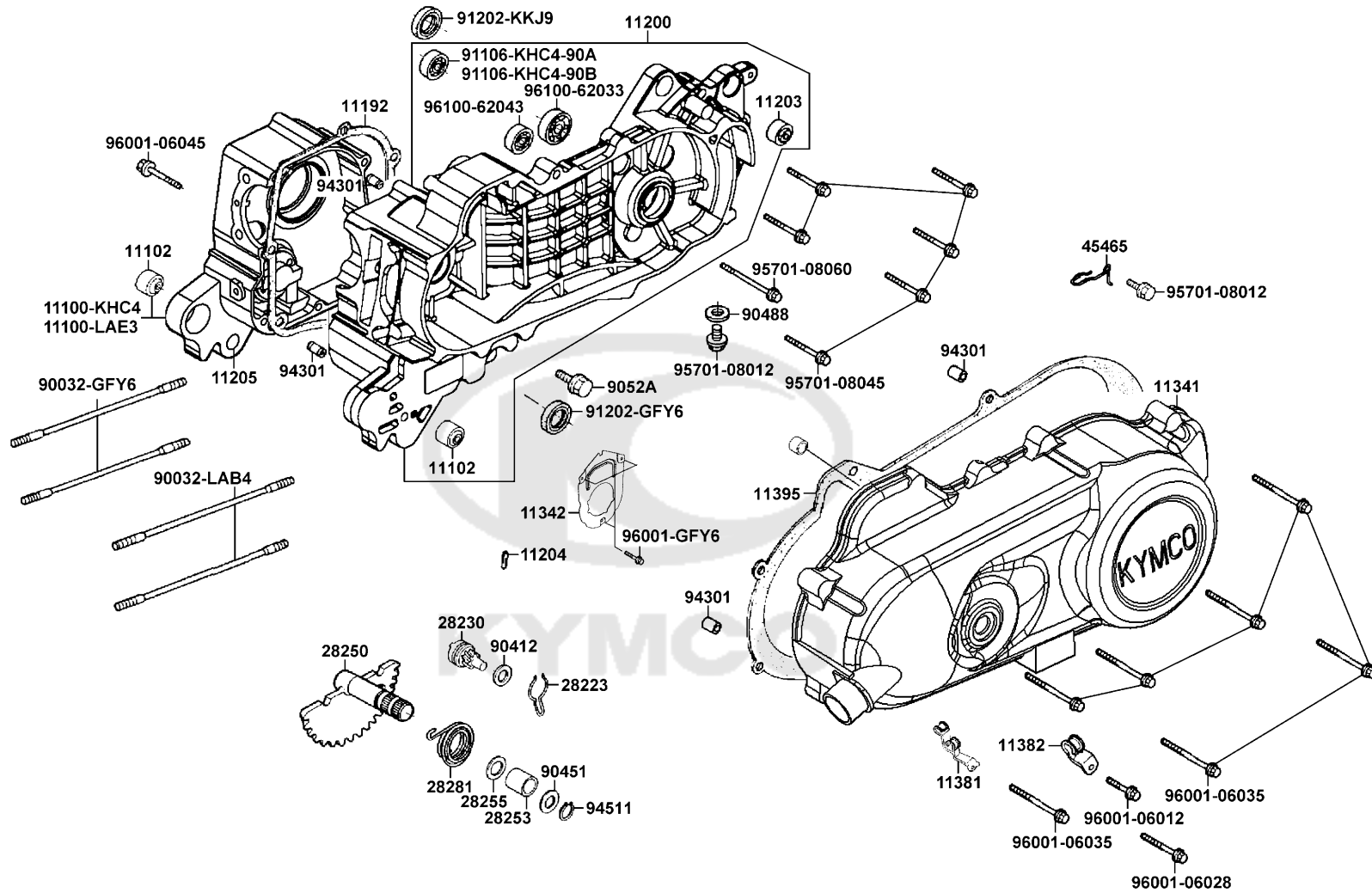


## F23 Key



E01

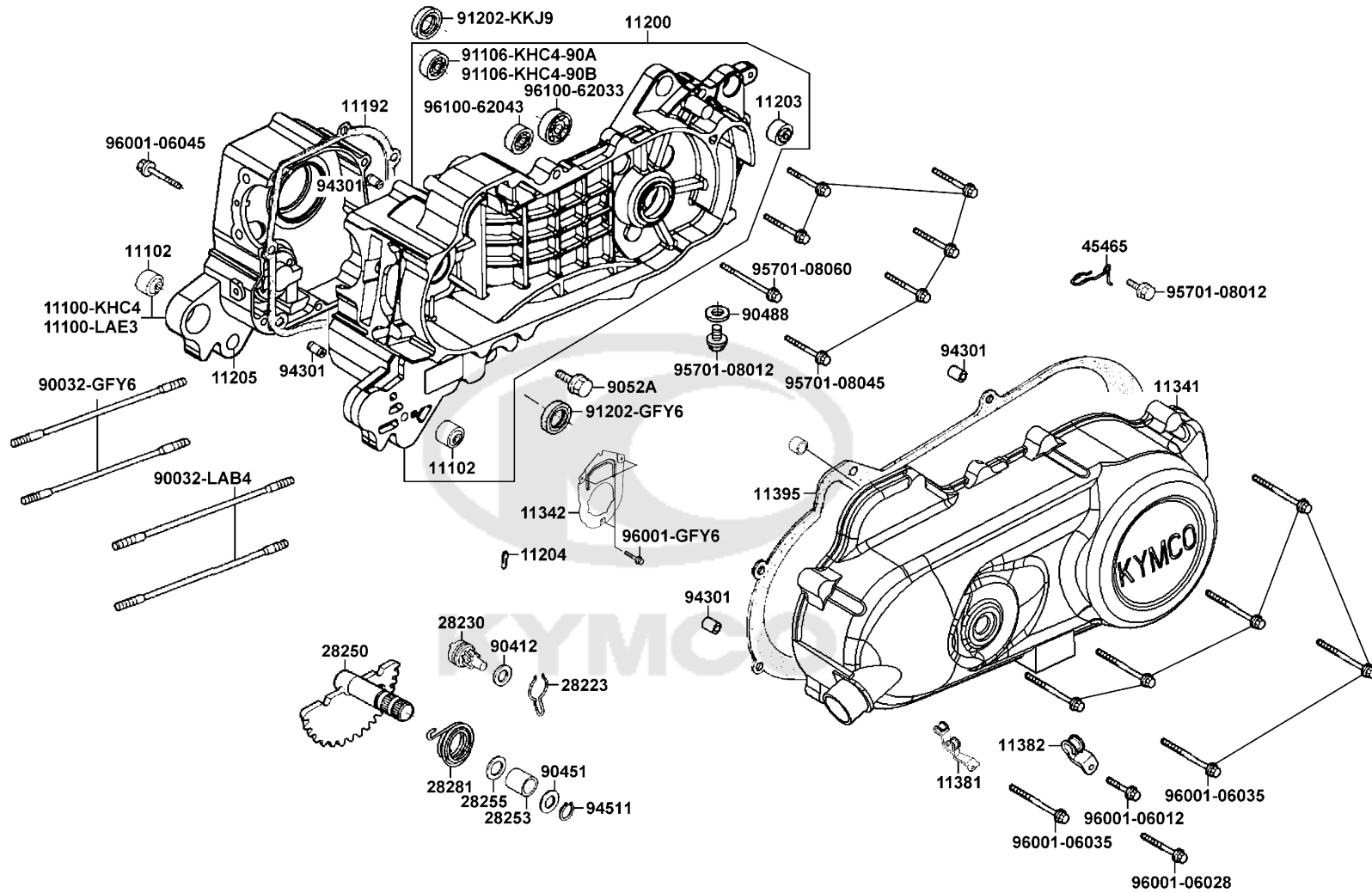
# Crank Case



Sales mark 記号	Ref no 参照用番号	Part no パーツ番号	Description 部品名	Reg description 部品名	Regd no 必要個数	Ref Price 希望小売価格(税抜)	E01
	11100-KHC4-305	11100-KHC4-305	CRANK CASE SET R	CRANK CASE SET R	1	19010	
	11100-LAE3-305	11100-LAE3-305	CRANK CASE SET RIGHT(KD)	CRANK CASE SET RIGHT(KD)	1	19010	
	11102	11102-1G87-004	RUB BUSH ENG HANGER	RUB BUSH ENG HANGER	2	320	
	11192	11192-LBD4-900	GASTER CRANK CASE @ A	GASTER CRANK CASE @ A	1	540	
	11200	11200-LAE3-305	CRANK CASE ASSY LEFT	CRANK CASE ASSY LEFT	1	27380	
	11203	11203-GGC7-301	UNDER RUBBER BUSH REAR CUSHION	UNDER RUBBER BUSH REAR CUSHION	1	250	
	11204	11204-KNBN-901	PIN SPG HOOK	PIN SPG HOOK	1	300	
	11205	11205-KNBN-901	BUSH M STAND	BUSH M STAND	1	300	
**	11341	11341-KHC4-900	COVER L SIDE	COVER L SIDE	1	12930	
	11342	11342-LAB4-900	PLATE L COVER	PLATE L COVER	1	490	
	11381	11381-LAB4-900	CLAMPER THROTTLE CABLE **(0)	CLAMPER THROTTLE CABLE **(0)	1	390	
	11382	11382-LAB4-900	CLAMPER BRAKE WIRE	CLAMPER BRAKE WIRE	1	300	
	11395	11395-LBD4-900	GASKET L COVER @A	GASKET L COVER @A	1	1840	
	28223	28223-KNBN-901	SPG KICK DRIVEN GEAR	SPG KICK DRIVEN GEAR	1	160	
	28230	28230-KNBN-901	GEAR COMP KICK DRIVEN	GEAR COMP KICK DRIVEN	1	1820	
	28250	28250-KNBN-901	SPINDLE COMP KICK STARTER	SPINDLE COMP KICK STARTER	1	1820	
	28253	28253-GBN2-60A	BUSH KICK SPINDLE	BUSH KICK SPINDLE	1	200	
	28255	28255-GFS6-001	COLLAR KICK BOSS	COLLAR KICK BOSS	1	160	
	28281	28281-GBN2-60A	SPRING KICK RETURN	SPRING KICK RETURN	1	390	
	45465	45465-LAB4-900	GUIDE BRAKE WIRE	GUIDE BRAKE WIRE	1	300	

E01

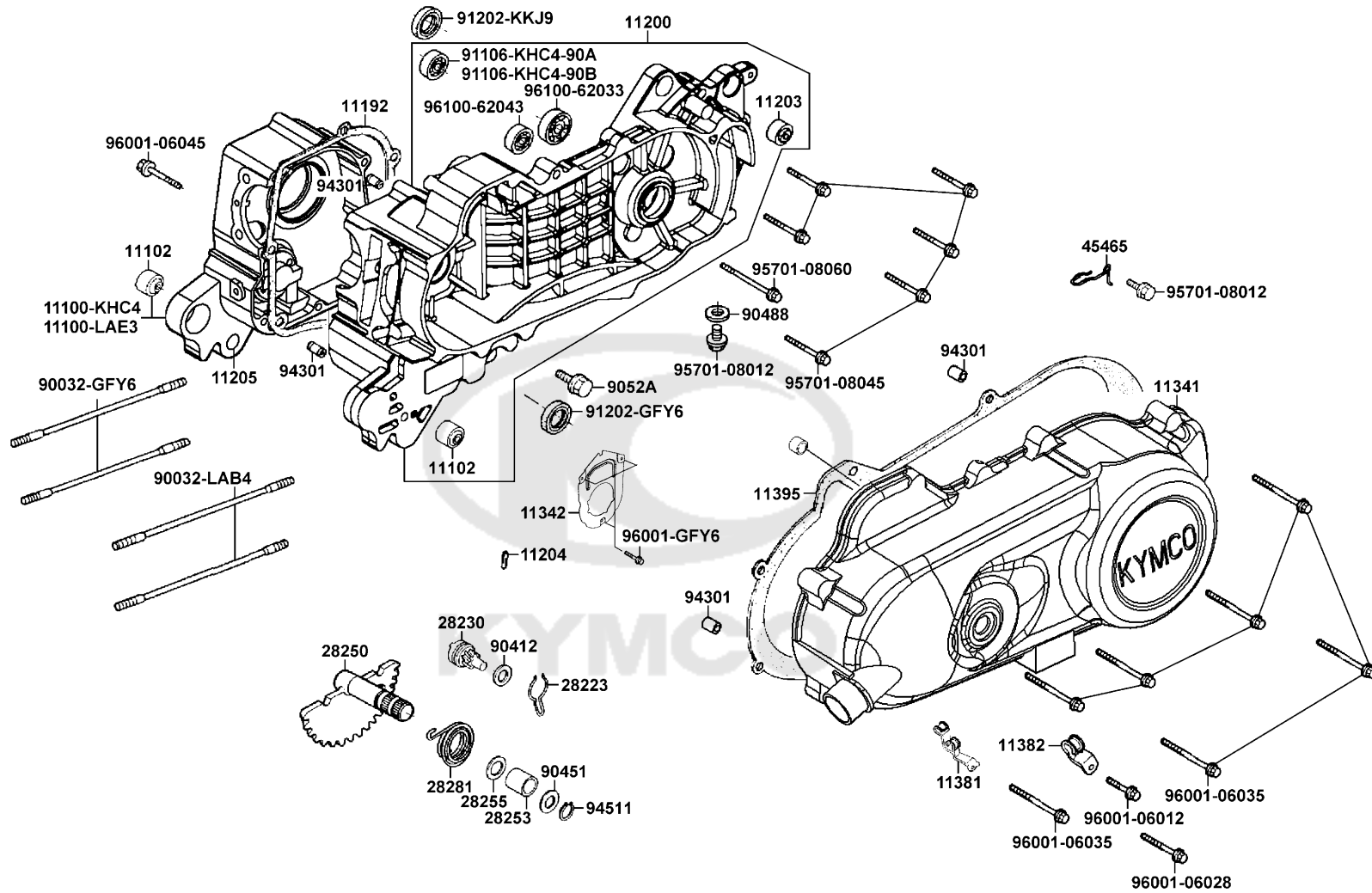
# Crank Case



Sales mark 記号	Ref no 参照用番号	Part no パーツ番号	Description 部品名	Reg description 部品名	Regd no 必要個数	Ref Price 希望小売価格(税抜)	E01
90032-GFY6	90032-GFY6-901	90032-GFY6-901	BOLT B STUD 8*195.5	BOLT B STUD 8*195.5	2	400	
90032-LAB4	90032-LAB4-900	90032-LAB4-900	BOLT B STUD 8*203.5	BOLT B STUD 8*203.5	2	200	
90412	90412-3K29-001	90412-3K29-001	WASHER THRUST 10M/M	WASHER THRUST 10M/M	1	200	
90451	90451-GBN2-601	90451-GBN2-601	WASHER KICK SPINDLE	WASHER KICK SPINDLE	1	200	
90488	90488-7L00-001	90488-7L00-001	WASHER 8MM	WASHER 8MM	1	60	
9052A	9052A-GFY6-950	9052A-GFY6-950	BOLT ASSY DRAIN PLUG	BOLT ASSY DRAIN PLUG	1	120	
91106-KHC4-90A	91106-KHC4-90A	91106-KHC4-90A	BRG NEEDLE 15MM	BRG NEEDLE 15MM	1	340	
91106-KHC4-90B	91106-KHC4-90B	91106-KHC4-90B	BRG NEEDLE 15MM	BRG NEEDLE 15MM	1	270	
91202-GFY6	91202-GFY6-90A	91202-GFY6-90A	OIL SEAL 19.8*30*5	OIL SEAL 19.8*30*5	1	230	
91202-KKJ9	91202-KKJ9-004	91202-KKJ9-004	OIL SEAL 20*32*6	OIL SEAL 20*32*6	1	80	
94301	94301-08140	94301-08140	DOWEL PIN 8*14	DOWEL PIN 8*14	4	110	
94511	94511-14000	94511-14000	CIR CLIP EX 14	CIR CLIP EX 14	1	110	
95701-08012	95701-08012-06	95701-08012-06	BOLT FLANGE 6*22 (K)	BOLT FLANGE 6*22 (K)	1	60	
95701-08045	95701-08045-06	95701-08045-06	BOLT FLANGE 8*45 (G)	BOLT FLANGE 8*45 (G)	1	230	
95701-08060	95701-08060-06	95701-08060-06	BOLT FLANGE 8*60 (G)	BOLT FLANGE 8*60 (G)	1	390	
96001-06012	96001-06012-06	96001-06012-06	BOLT FLANGE SH 6*12	BOLT FLANGE SH 6*12	1	60	
96001-06028	96001-06028-06	96001-06028-06	BOLT FLANGE SH 6*28	BOLT FLANGE SH 6*28	1	60	
96001-06035	96001-06035-06	96001-06035-06	BOLT FLANGE SH 6*35	BOLT FLANGE SH 6*35	1	130	
96001-06045	96001-06045-06	96001-06045-06	BOLT FLANGE 6*45 **07 C.2005.07.01	BOLT FLANGE 6*45 **07 C.2005.07.01	1	60	
96001-GFY6	96001-GFY6-900	96001-GFY6-900	BOLT SPECIAL 5X10	BOLT SPECIAL 5X10	3	60	

E01

# Crank Case





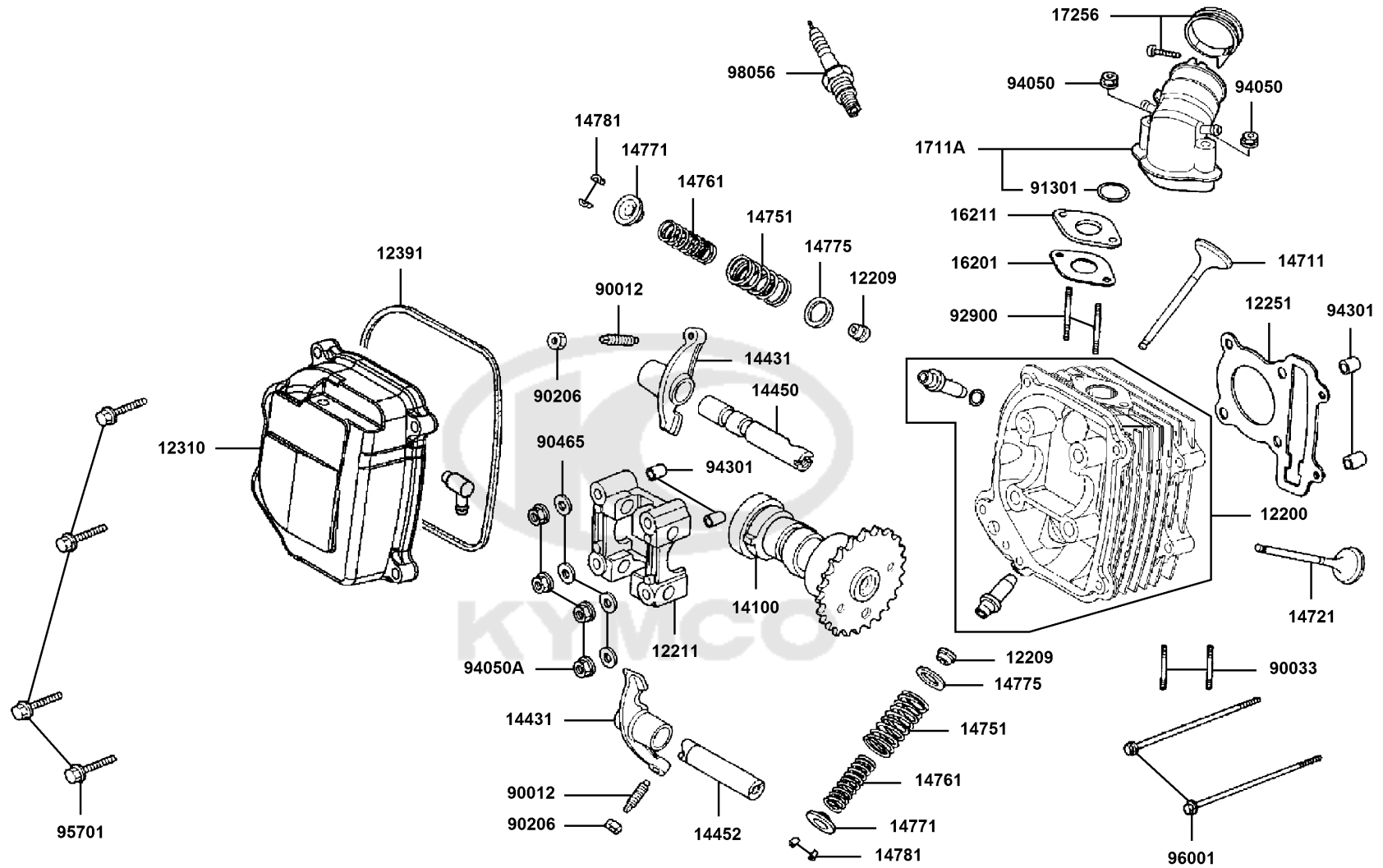
Sales mark 記号	Ref no 参照用番号	Part no パーツ番号	Description 部品名	Reg description 部品名	Regd no 必要個数	Ref Price 希望小売価格(税抜)	E01
------------------	-----------------	------------------	--------------------	------------------------	-----------------	-------------------------	-----

96100-62033	96100-62033-00	BEARING BALL RADIAL 6203	BEARING BALL RADIAL 6203	1	960	
96100-62043	96100-62043-00	BEARING BALL RADIAL 6204	BEARING BALL RADIAL 6204	1	430	



E02

Cylinder Head Cover Cylinder Head

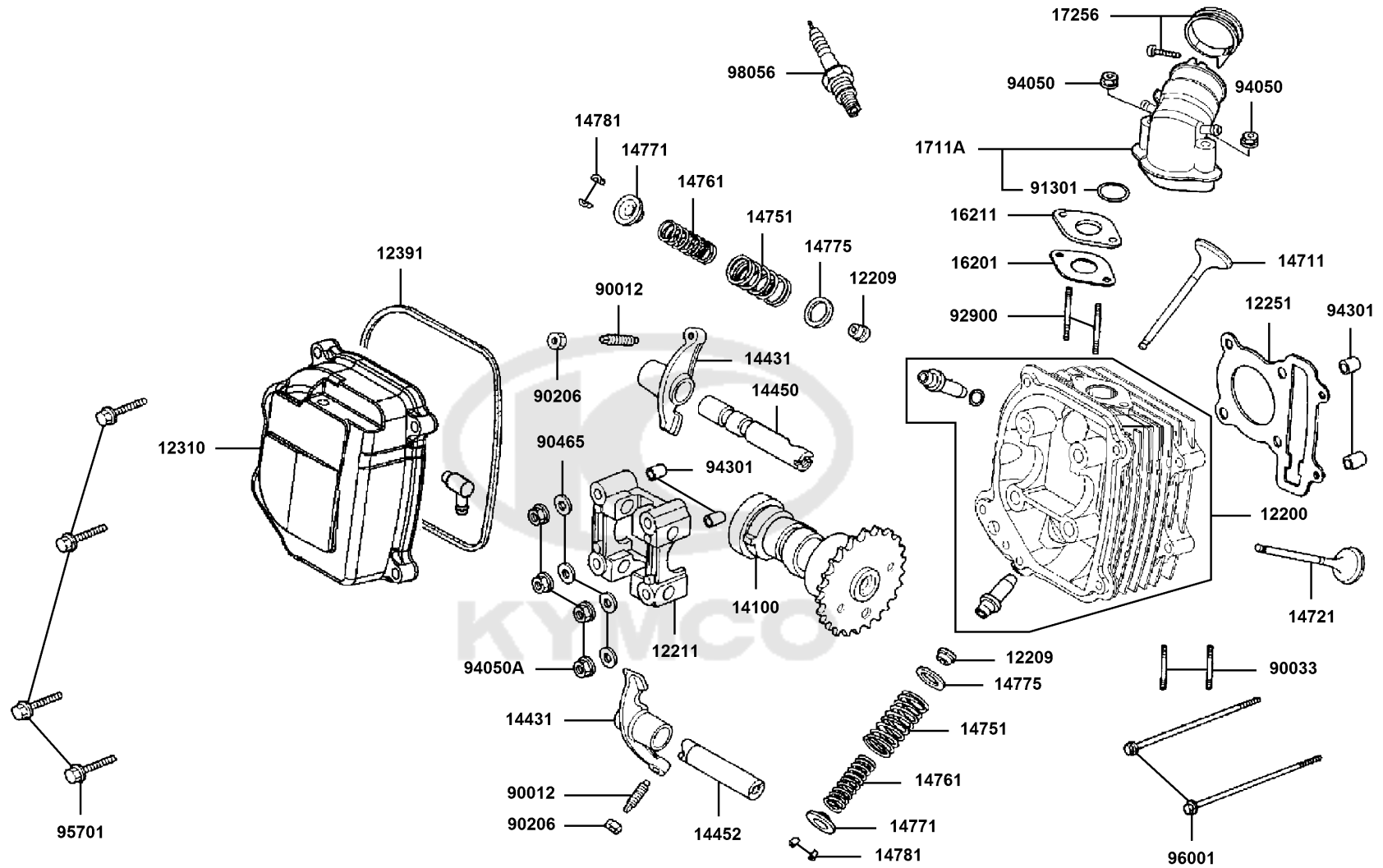


Sales mark 記号	Ref no 参照用番号	Part no パーツ番号	Description 部品名	Reg description 部品名	Regd no 必要個数	Ref Price 希望小売価格(税抜)
12200	12200-LAB4-B20	HEAD COMP CYLINDER ** (0)	HEAD COMP CYLINDER ** (0) C.2005.04.22	HEAD COMP CYLINDER ** (0) C.2005.04.22	1	30880
12209	12209-GDB4-68B	SEAL VALVE STEM	SEAL VALVE STEM	SEAL VALVE STEM	1	490
12211	12211-KUDU-900	HOLDER CAM SHAFT	HOLDER CAM SHAFT	HOLDER CAM SHAFT	1	2490
12251	12251-KHC4-900	GASKET CYLINDER HEAD	GASKET CYLINDER HEAD	GASKET CYLINDER HEAD	1	680
12310	12310-LAB4-B20	COVER COMP HEAD ** (0) C.2005.04.22	COVER COMP HEAD ** (0) C.2005.04.22	COVER COMP HEAD ** (0) C.2005.04.22	1	4380
12391	12391-GFY6-941	GASKET HEAD COVER	GASKET HEAD COVER	GASKET HEAD COVER	1	780
14100	14100-LAB4-900	SHAFT COMP CAM ** (2) C.2006.11.14	SHAFT COMP CAM ** (2) C.2006.11.14	SHAFT COMP CAM ** (2) C.2006.11.14	1	9510
14431	14431-KUDU-900	ARM VALVE ROCKER	ARM VALVE ROCKER	ARM VALVE ROCKER	2	6090
14450	14450-GFY6-901	SHAFT COMP IN ROCKER ARM	SHAFT COMP IN ROCKER ARM	SHAFT COMP IN ROCKER ARM	1	770
14452	14452-GFY6-901	SHAFT EXH ROCKER ARM	SHAFT EXH ROCKER ARM	SHAFT EXH ROCKER ARM	1	300
14711	14711-LAB4-900	VALVE INLET	VALVE INLET	VALVE INLET	1	1440
14721	14721-LAB4-900	VALVE EXHAUST	VALVE EXHAUST	VALVE EXHAUST	1	2580
14751	14751-GEN5-91A	SPRING VALVE OUTER	SPRING VALVE OUTER	SPRING VALVE OUTER	2	350
14761	14761-GEN5-91A	SPG VALVE INNER	SPG VALVE INNER	SPG VALVE INNER	2	300
14771	14771-GDB4-680	RETAINER VALVE SPRING	RETAINER VALVE SPRING	RETAINER VALVE SPRING	2	350
14775	14775-MFA6-001	SEAT VALVE SPG OUTER	SEAT VALVE SPG OUTER	SEAT VALVE SPG OUTER	2	160
14781	14781-MFA6-001	COTTER VALVE	COTTER VALVE	COTTER VALVE	4	200
16201	16201-LAB4-980	GASKET CARB INSULATOR @A	GASKET CARB INSULATOR @A	GASKET CARB INSULATOR @A	1	450
16211	16211-LAB4-900	INSULATOR CARB	INSULATOR CARB	INSULATOR CARB	1	300
1711A	1711A-LAB4-B20	PIPE ASSY INLET ** (0) C.2005.04.22	PIPE ASSY INLET ** (0) C.2005.04.22	PIPE ASSY INLET ** (0) C.2005.04.22	1	1910

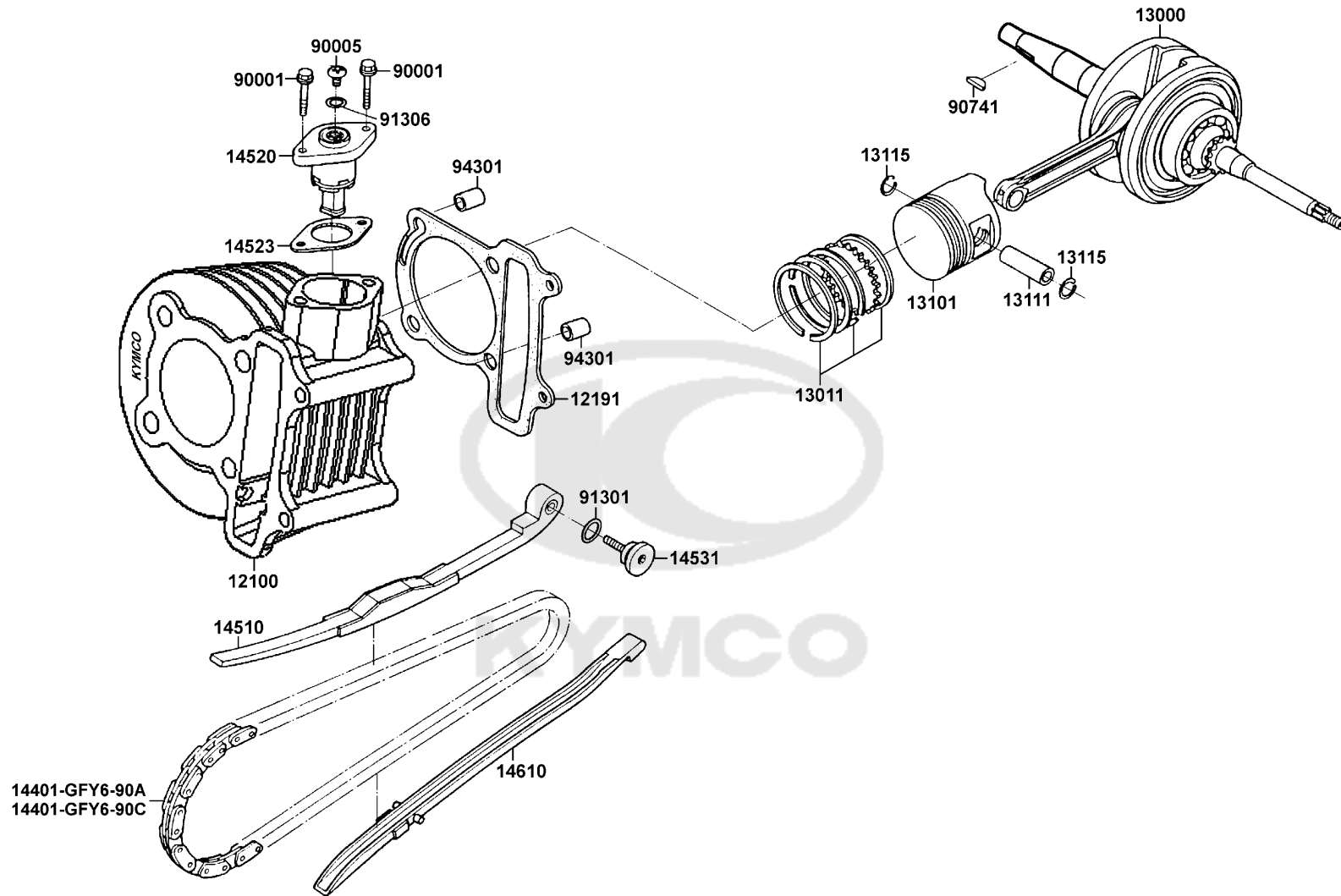
E02

E02

Cylinder Head Cover Cylinder Head



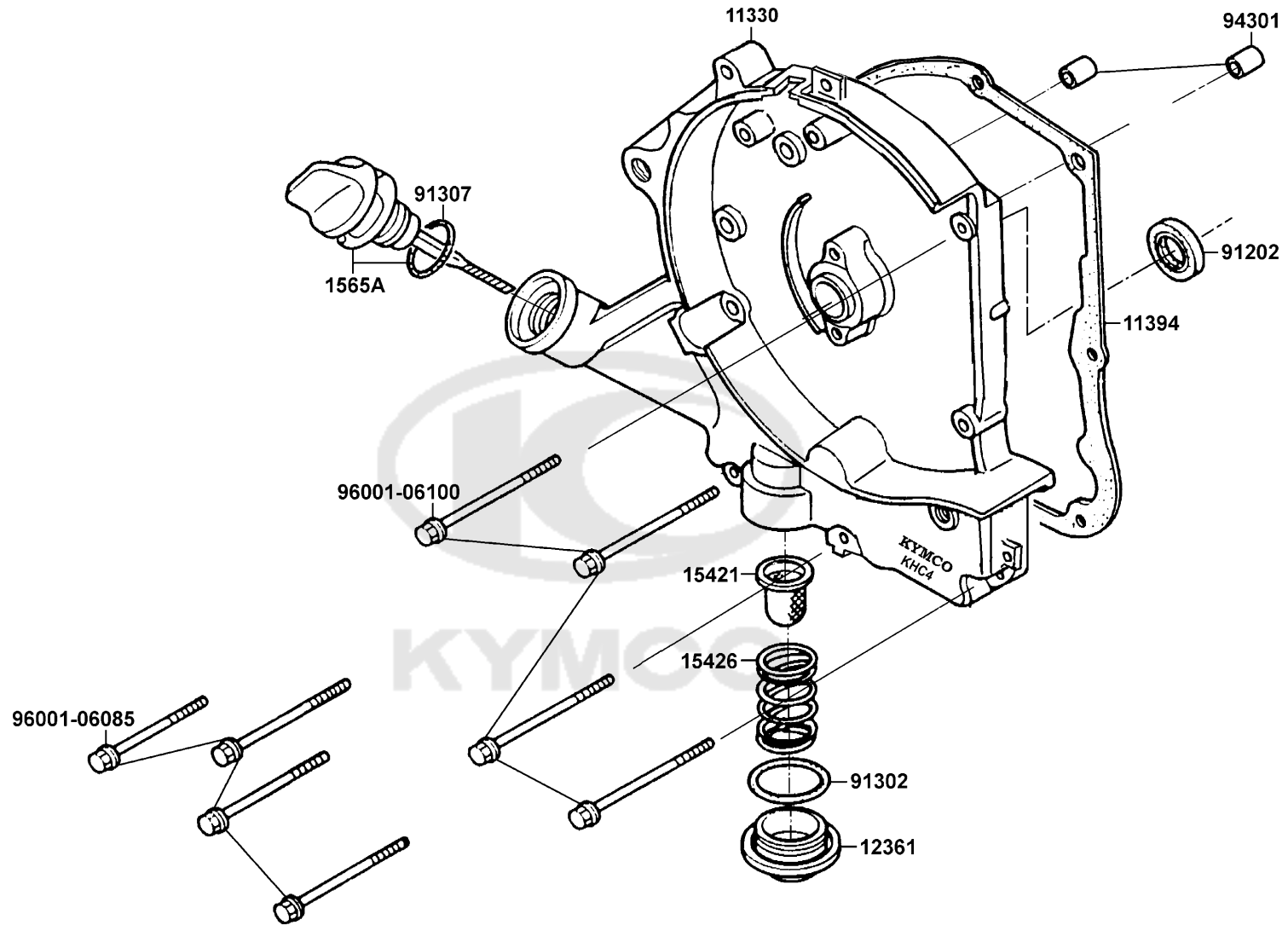
Sales mark 記号	Ref no 参照用番号	Part no パーツ番号	Description 部品名	Reg description 部品名	Regd no 必要個数	Ref Price 希望小売価格(税抜)	E02
17256		17256-KGBG-900	BAND INSULATOR	BAND INSULATOR	1	330	
90012		90012-3C33-001	SCREW TAPPET ADJUSTING	SCREW TAPPET ADJUSTING	2	110	
90033		90033-GFY6-900	BOLT STUD 8*32	BOLT STUD 8*32	2	60	
90206		90206-0A01-001	NUT TAPPET ADJG	NUT TAPPET ADJG	2	60	
90465		90465-MDC4-001	WASHER 8MM	WASHER 8MM	4	60	
91301		91301-0H28-001	O RING 27*2	O RING 27*2	1	70	
92900		92900-06060-0B	BOLT STUD ??*60	BOLT STUD ??*60	2	60	
94050		94050-06080	NUT FLANGE 6MM	NUT FLANGE 6MM	2	60	
94050A		94050-08080	NUT FLANGE 8MM	NUT FLANGE 8MM	4	60	
94301		94301-10160	DOWEL PIN 10*16	DOWEL PIN 10*16	4	60	
95701		95701-06025-06	BOLT FLANGE 6*25	BOLT FLANGE 6*25	1	60	
96001		96001-06100-06	BOLT FLANGE SH 6*100	BOLT FLANGE SH 6*100	1	60	
98056		98056-57713-00	SPARK PLUG (C7HSA)	SPARK PLUG (C7HSA)	1	770	



Sales mark 記号	Ref no 参照用番号	Part no パーツ番号	Description 部品名	Reg description 部品名	Regd no 必要個数	Ref Price 希望小売価格(税抜)	E03
12100		12100-KHC4-900	CYLINDER COMP	CYLINDER COMP **9000 C.2005.04.22	1	19010	
12191		12191-LBD4-900	GASTET CYLINDER @ A	GASTET CYLINDER @ A	1	230	
13000		13000-KHC4-900	CRANK SHAFT COMP	CRANK SHAFT COMP **(5) C.2008.10.08	1	23760	
13011		13011-GFF6-90B	PISTON RING SET **GF6 C.2005.05.23	PISTON RING SET **GF6 C.2005.05.23	1	3430	
13101		13101-LAB4-900	PISTON	PISTON	1	2580	
13111		13111-0G87-001	PIN PISTON	PIN PISTON	1	870	
13115		13115-0A01-001	PISTON PIN CLIP	PISTON PIN CLIP	2	160	
14401-GFY6-90A		14401-GFY6-90A	CHAIN CAM	CHAIN CAM	1	3810	
14401-GFY6-90C		14401-GFY6-90C	CHAIN CAM	CHAIN CAM	1	3810	
14510		14510-LAB4-900	TENSIONER CAM CHAIN	TENSIONER CAM CHAIN	1	1250	
14523		14523-KED9-900	GASKET TENSIONER LIFTER @A	GASKET TENSIONER LIFTER @A	1	200	
14531		14531-GLR0-001	PIVOT CAM CHAIN TENSIONER	PIVOT CAM CHAIN TENSIONER	1	200	
14610		14610-LAB4-900	GUIDE COMP CAM CHAIN	GUIDE COMP CAM CHAIN	1	680	
90001		90001-GBHB-661	BOLT FLANGE SH 6*22	BOLT FLANGE SH 6*22	2	60	
90005		90005-KAW1-901	SCREW PAN 6*6	SCREW PAN 6*6	1	60	
90741		90741-0E35-001	KEY WOODRUFF	KEY WOODRUFF	1	160	
91301		91301-GLR0-005	O-RING 15.2*1.5	O-RING 15.2*1.5	1	60	
91306		91306-1E05-691	O-RING 1.5*9.5	O-RING 1.5*9.5	1	60	
94301		94301-10160	DOWEL PIN 10*16	DOWEL PIN 10*16	2	60	

E04

# Right Crankcase Cover

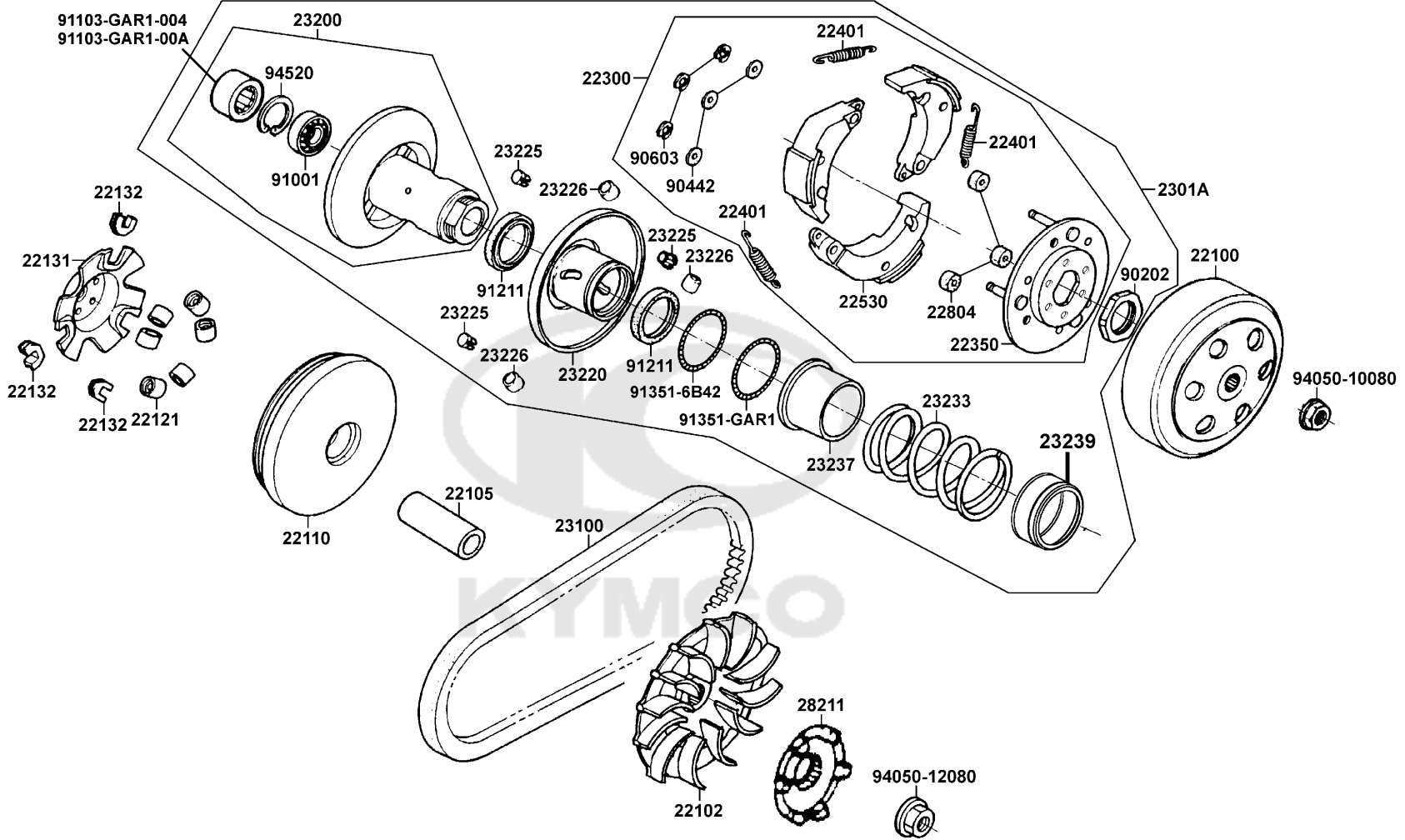




Sales mark 記号	Ref no 参照用番号	Part no パーツ番号	Description 部品名	Reg description 部品名	Regd no 必要個数	Ref Price 希望小売価格(税抜)
11330		11330-LAB4-900	COVER COMP R CRANK CASE	COVER COMP R CRANK CASE	1	10940
11394		11394-LBD4-900	GASTER R COVER @ A	GASTER R COVER @ A	1	490
12361		12361-GFY6-901	HOLE CAP TAPPET ADJUSTING	HOLE CAP TAPPET ADJUSTING	1	300
15421		15421-1G07-001	SCREEN OIL FILTER	SCREEN OIL FILTER	1	350
15426		15426-GAE1-921	SPG OIL FILTER SCREEN	SPG OIL FILTER SCREEN	1	160
1565A		1565A-GFY6-900	GAUGE OIL LEVEL ASSY	GAUGE OIL LEVEL ASSY	1	390
91202		91202-GFY6-90C	OIL SEAL 19.8*30*5	OIL SEAL 19.8*30*5	2	230
91302		91302-0A01-021	O-RING 30.8M/M	O-RING 30.8M/M	1	60
91307		91307-0E35-001	O RING 18*3	O RING 18*3	1	60
94301		94301-08140	DOWEL PIN 8*14	DOWEL PIN 8*14	2	110
96001-06085		96001-06085-06	BOLT FLANGE 6*85	BOLT FLANGE 6*85	4	160
96001-06100		96001-06100-06	BOLT FLANGE SH 6*100	BOLT FLANGE SH 6*100	1	60

E04

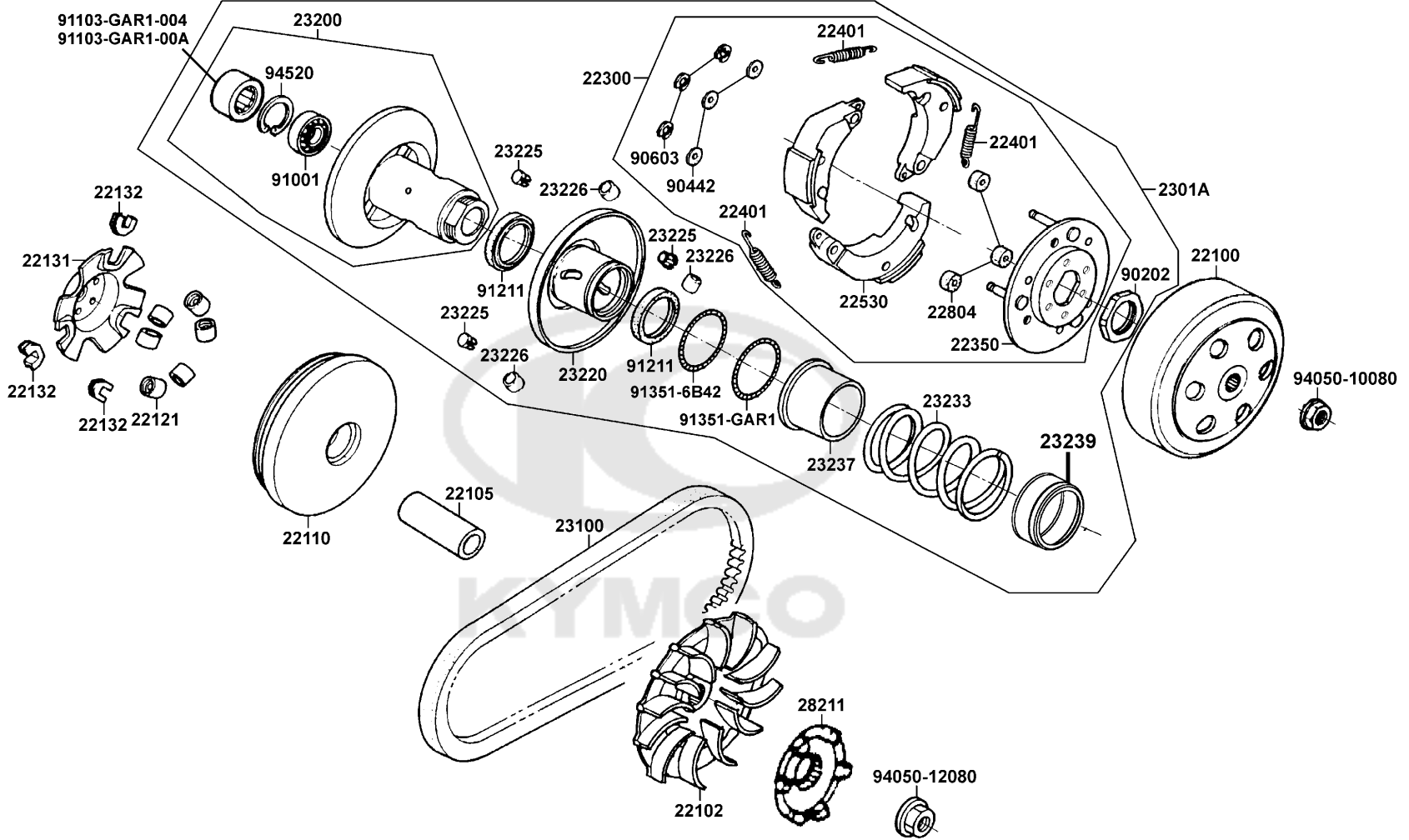
Transmission Pulley



Sales mark 記号	Ref no 参照用番号	Part no パーツ番号	Description 部品名	Reg description 部品名	Regd no 必要個数	Ref Price 希望小売価格(税抜)	E05
22100		22100-KNBN-902	OUTER COMP CLUTCH	OUTER COMP CLUTCH	1	4100	
22102		22102-KHC4-900	FACE DRIVE	FACE DRIVE	1	1720	
22105		22105-LAB4-900	BOSS DRIVE FACE **(0) C.2005.04.22	BOSS DRIVE FACE **(0) C.2005.04.22	1	1530	
22110		22110-KED5-900	FACE COMP MOVABLE	FACE COMP MOVABLE	1	3810	
22121		22121-GHT8-305	ROLLER SET WEIGHT (1SET:6PCS)	ROLLER SET WEIGHT(旧品番の22121-GHT8	1	320	
22131		22131-GCW3-901	PLATE RAMP	PLATE RAMP	1	1180	
22132		22132-LAB4-900	PIECE SLIDE	PIECE SLIDE	3	60	
22300		22300-LAB4-900	PLATE ASSY DRIVE	PLATE ASSY DRIVE	1	7450	
22350		22350-KHC4-900	PLATE COMP DRIVE	PLATE COMP DRIVE	1	1250	
22401		22401-LAB4-900	SPG CLUTCH	SPG CLUTCH	3	160	
22530		22530-KHC4-900	WEIGHT SET CLUTCH	WEIGHT SET CLUTCH	3	1630	
22804		22804-1H48-001	RUBBER CLUTCH DAMPER	RUBBER CLUTCH DAMPER	3	110	
2301A		2301A-LAB4-900	PULLEY SUB ASSY DRIVEN	PULLEY SUB ASSY DRIVEN	1	18380	
23100		23100-KHC4-900	BELT DRIVE	BELT DRIVE	1	4830	
23200		23200-GCW3-001	FACE ASSY DRIVEN	FACE ASSY DRIVEN	1	9890	
23220		23220-KHC4-900	FACE COMP MOVABLE DRIVEN	FACE COMP MOVABLE DRIVEN	1	6090	
23225		23225-GCW3-001	PIN GUIDE	PIN GUIDE	3	60	
23226		23226-GCW3-001	ROLLER GUIDE	ROLLER GUIDE	3	60	
23233		23233-LAB4-900	SPG DRIVEN FACE	SPG DRIVEN FACE	1	920	
23237		23237-GFY6-941	COLLAR SEAL	COLLAR SEAL	1	580	

E05

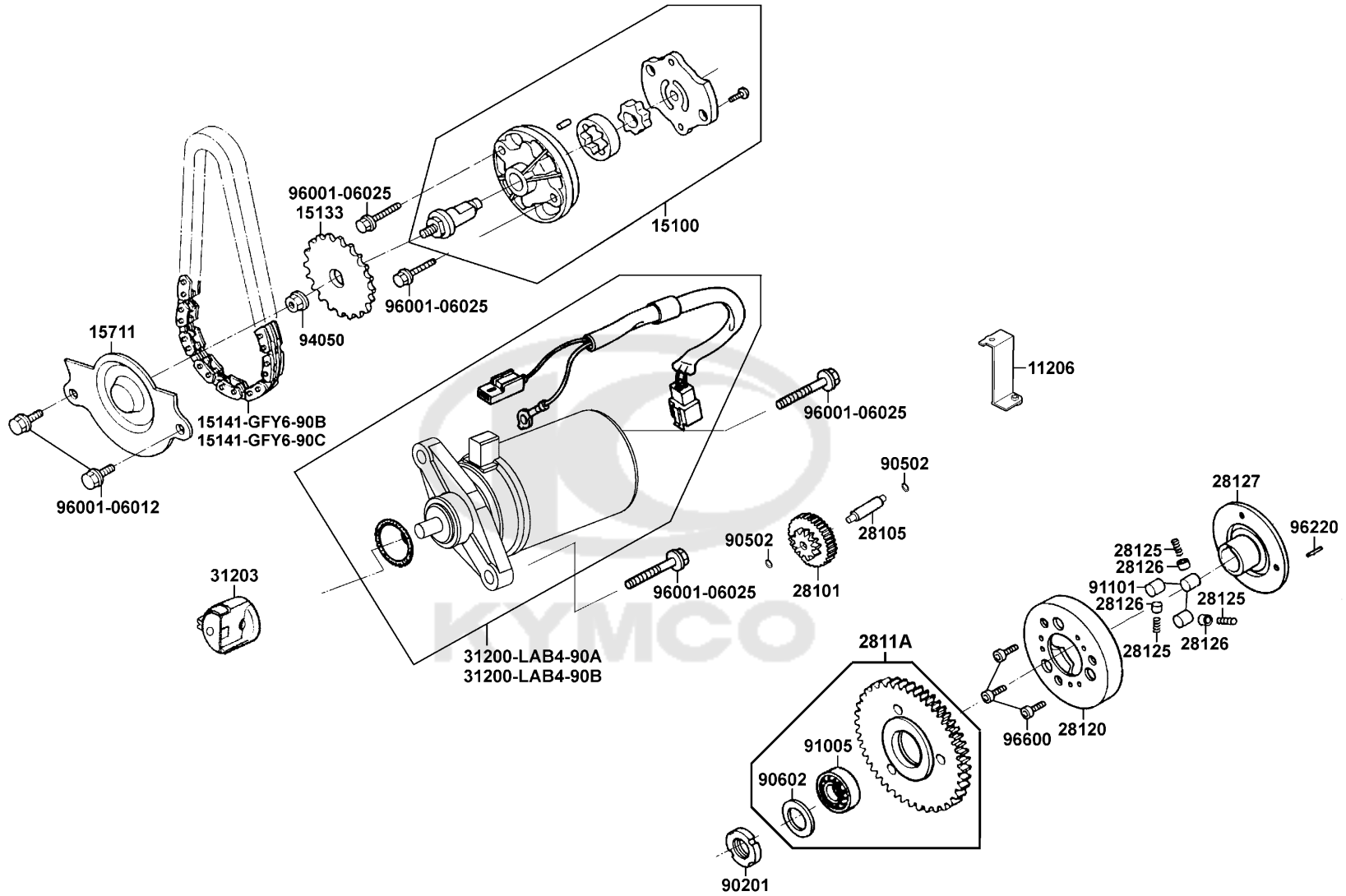
# Transmission Pulley



Sales mark 記号	Ref no 参照用番号	Part no パーツ番号	Description 部品名	Reg description 部品名	Regd no 必要個数	Ref Price 希望小売価格(税抜)	E05
23239		23239-GCW3-851	GUIDE SPG	GUIDE SPG	1	440	
28211		28211-KNBN-901	RATCHET KICK STARTER	RATCHET KICK STARTER	1	920	
90202		90202-1G87-001	NUT SPECIAL 28MM	NUT SPECIAL 28MM	1	100	
90442		90442-0D44-001	WASHER THRUST 6M	WASHER THRUST 6M	3	60	
90603		90603-0D44-001	CIR CLIP 6MM	CIR CLIP 6MM	3	60	
91001		91001-GGA7-70A	BRG RADIAL BALL 6901U	BRG RADIAL BALL 6901U	1	1720	
91103-GAR1-004		91103-GAR1-004	BRG NEEDLE 17*25*18 WS	BRG NEEDLE 17*25*18 WS	1	1530	
91103-GAR1-00A		91103-GAR1-00A	BRG NEEDLE 17*25*18 WS	BRG NEEDLE 17*25*18 WS	1	1530	
91211		91211-GHK8-014	OIL SEAL 34*39*3	OIL SEAL 34*39*3	2	230	
91351-6B42		91351-6B42-000	O-RING PINION CAP	O-RING PINION CAP	1	200	
91351-GAR1		91351-GAR1-001	O-RING 38.5*2	O-RING 38.5*2	1	320	
94050-10080		94050-10080	NUT FLANGE 10MM	NUT FLANGE 10MM	1	60	
94050-12080		94050-12080	NUT C FLANGE 12MM	NUT C FLANGE 12MM	1	60	
94520		94520-24000	CIR CLIP IN 24	CIR CLIP IN 24	1	80	

E06

# Starting Motor Oil Pump

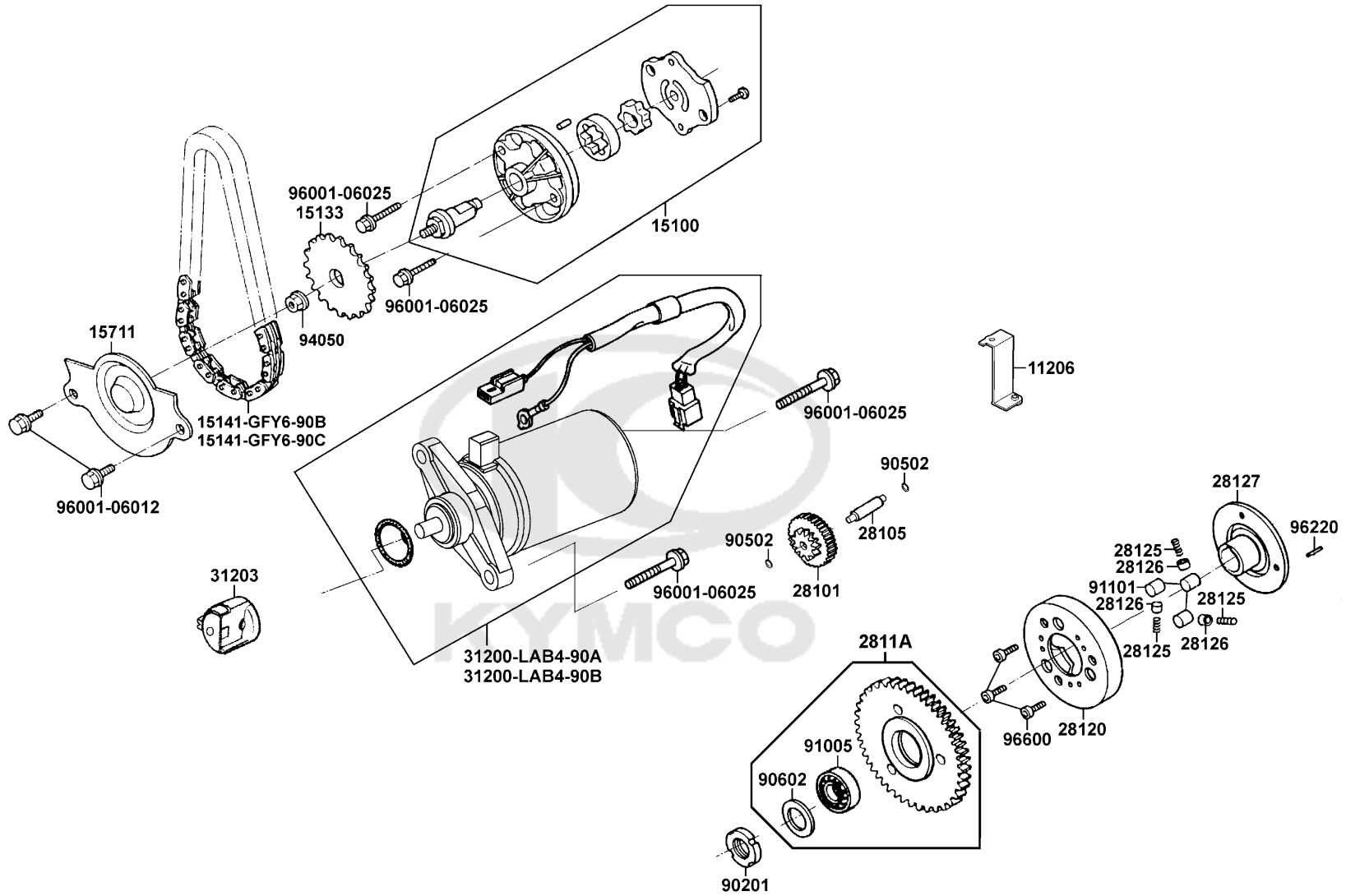


Sales mark 記号	Ref no 参照用番号	Part no パーツ番号	Description 部品名	Reg description 部品名	Regd no 必要個数	Ref Price 希望小売価格(税抜)
11206		11206-LAB4-900	STAY A RR FENDER	STAY A RR FENDER	1	300
15100		15100-GFY6-901	PUMP ASSY OIL	PUMP ASSY OIL	1	3430
15133		15133-GFY6-901	SPRKT OIL PUMP DRIVEN	SPRKT OIL PUMP DRIVEN	1	580
15141-GFY6-90B		15141-GFY6-90B	CHAIN OIL PUMP	CHAIN OIL PUMP	1	2230
15141-GFY6-90C		15141-GFY6-90C	CHAIN OIL PUMP	CHAIN OIL PUMP	1	2230
15711		15711-GFY6-901	SEPARATER OIL	SEPARATER OIL	1	300
28101		28101-KNBN-901	GEAR COMP STARTER REDUCTION	GEAR COMP STARTER REDUCTION	1	5240
28105		28105-KNBN-901	SHAFT START REDUCTION	SHAFT START REDUCTION	1	900
2811A		2811A-KNBN-940	GEAR ASSY STARTER	GEAR ASSY STARTER	1	6880
28120		28120-KNBN-901	OUTER COMP ST CLUCH	OUTER COMP ST CLUCH	1	8180
28125		28125-3C23-001	SPRING ROLLER ST CLUTCH	SPRING ROLLER ST CLUTCH	3	160
28126		28126-KNBN-901	CAP SPGING ROLLER SP	CAP SPGING ROLLER SP	3	200
28127		28127-KNBN-901	BOSS STARTER CLUTCH	BOSS STARTER CLUTCH	1	3240
31200-LAB4-90A		31200-LAB4-90A	MOTOR ASSY START **(2) C.2006.01.12	MOTOR ASSY START **(2) C.2006.01.12	1	15590
31200-LAB4-90B		31200-LAB4-90B	MOTOR ASSY START **(1) C.2006.01.05	MOTOR ASSY START **(1) C.2006.01.05	1	15590
31203		31203-KHC4-900	HOLDER COMP STARTER REDUCTION	HOLDER COMP STARTER REDUCTION	1	1150
90201		90201-KNBN-901	NUT SPECIAL 24MM	NUT SPECIAL 24MM	1	300
90502		90502-MBS2-001	WASHER 24*8.5	WASHER 24*8.5	2	70
90602		90602-PDX4-001	CIR CLIP B IN 47	CIR CLIP B IN 47	1	300
91005		91005-KNBN-901	BRG RADIAL 6005-2NKG	BRG RADIAL 6005-2NKG	1	2010

E06

E06

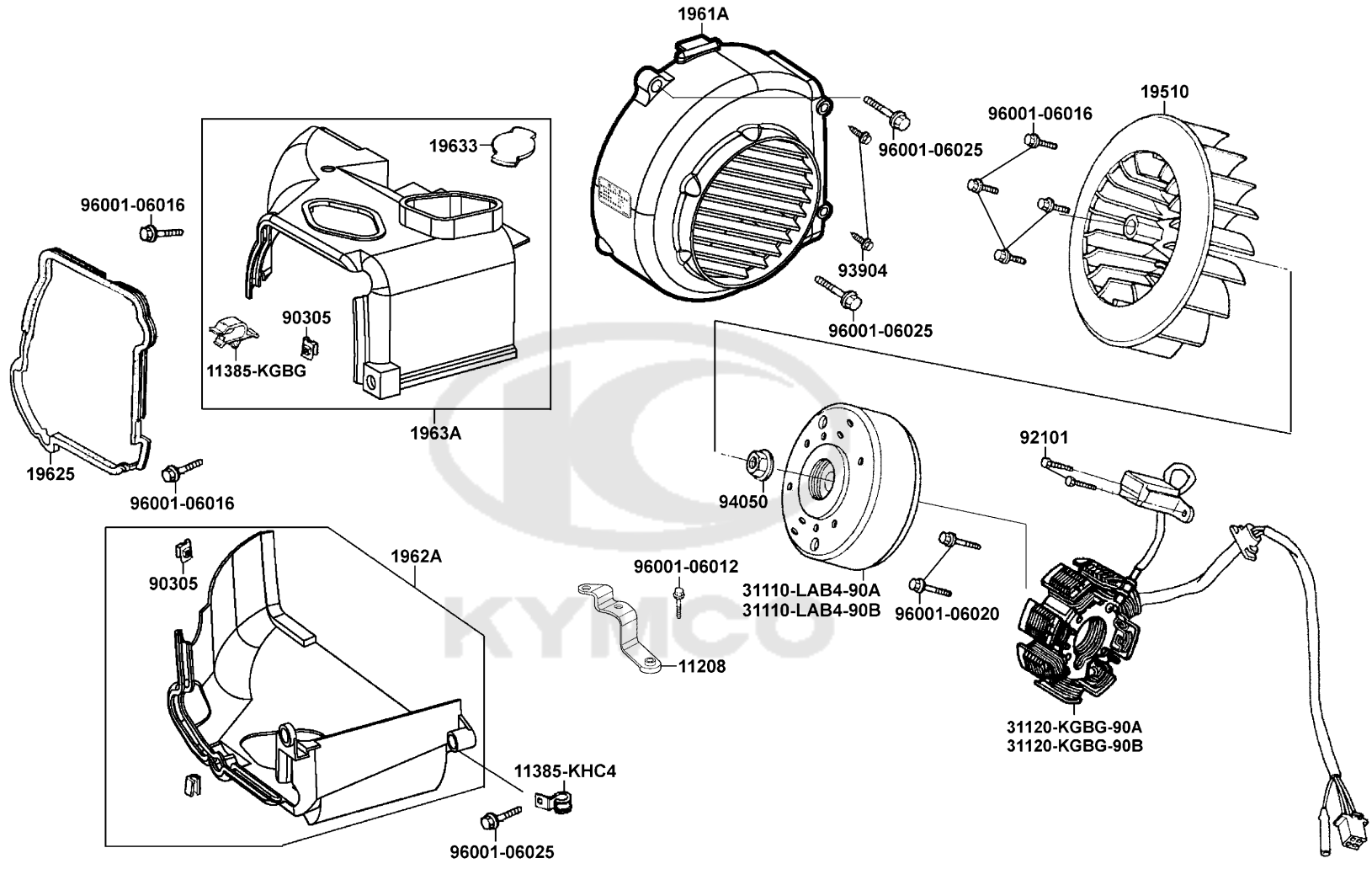
# Starting Motor Oil Pump



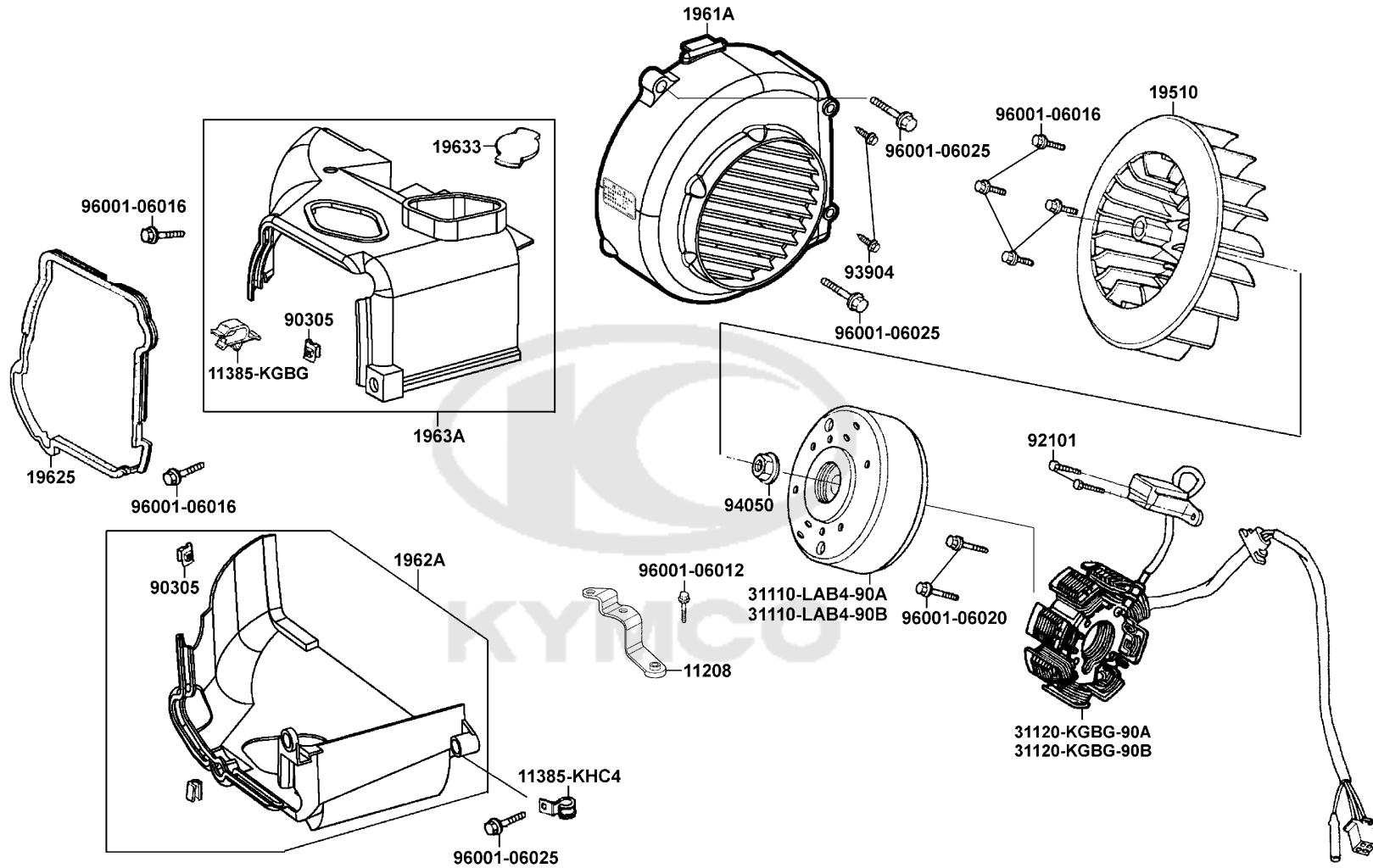


Sales mark 記号	Ref no 参照用番号	Part no パーツ番号	Description 部品名	Reg description 部品名	Regd no 必要個数	Ref Price 希望小売価格(税抜)	E06
91101		91101-KNBN-901	ROLLER 10.2*11.5	ROLLER 10.2*11.5	3	160	
94050		94050-06080	NUT FLANGE 6MM	NUT FLANGE 6MM	1	60	
96001-06012		96001-06012-06	BOLT FLANGE SH 6*12	BOLT FLANGE SH 6*12	1	60	
96001-06025		96001-06025-06	BOLT FLANGE SH 6*25	BOLT FLANGE SH 6*25	1	60	
96220		96220-60100	ROLLER 6*10	ROLLER 6*10	1	60	
96600		96600-LGL3-900	SOCKET BOLT	SOCKET BOLT	1	390	





Sales mark 記号	Ref no 参照用番号	Part no パーツ番号	Description 部品名	Reg description 部品名	Regd no 必要個数	Ref Price 希望小売価格(税抜)	E07
11208		11208-KHC4-800	STAY C RR FENDER	STAY C RR FENDER	1	490	
11385-KGBG		11385-KGBG-900	CLIP VACUUM TUBE	CLIP VACUUM TUBE	1	200	
11385-KHC4		11385-KHC4-900	CLAMPER CARB DRAIN TUBE	CLAMPER CARB DRAIN TUBE	1	200	
19510		19510-GBW2-901	FAN COMP COOLING	FAN COMP COOLING	1	580	
1961A		1961A-LAB4-B20	COVER ASSY FAN	COVER ASSY FAN	1	1060	
19625		19625-KHC4-900	SEAL SHROUD	SEAL SHROUD	1	580	
1962A		1962A-LAB4-900	SHROUD ASSY A	SHROUD ASSY A	1	960	
19633		19633-GFY6-901	GROMET SHROUD B	GROMET SHROUD B	1	200	
1963A		1963A-LAB4-900	SHROUD ASSY B	SHROUD ASSY B	1	1020	
31110-LAB4-90A		31110-LAB4-90A	FLYWHEEL COMP (D402)	FLYWHEEL COMP /D402	1	10080	
31110-LAB4-90B		31110-LAB4-90B	FLYWHEEL COMP /D406	FLYWHEEL COMP /D406	1	10080	
31120-KGBG-90A		31120-KGBG-90A	STATOR COMP (D402)	STATOR COMP /D402	1	10650	
31120-KGBG-90B		31120-KGBG-90B	STATOR COMP (D406)	STATOR COMP	1	10650	
90305		90305-GHK8-001	NUT CLIP 6MM	NUT CLIP 6MM	2	60	
92101		92101-05012-0G	BOLT HEX 5*12 (G)	BOLT HEX 5*12 (G)	1	60	
93904		93904-35380	SCREW TAPPING 5*16	SCREW TAPPING 5*16	2	200	
94050		94050-10080	NUT FLANGE 10MM	NUT FLANGE 10MM	1	60	
96001-06012		96001-06012-06	BOLT FLANGE SH 6*12	BOLT FLANGE SH 6*12	1	60	
96001-06016		96001-06016-06	BOLT FLANGE SH 6X16	BOLT FLANGE SH 6X16	1	60	
96001-06020		96001-06020-06	BOLT FLANGE SH 6*20	BOLT FLANGE SH 6*20	1	200	



Sales mark 記号	Ref no 参照用番号	Part no パーツ番号	Description 部品名	Reg description 部品名	Regd no 必要個数	Ref Price 希望小売価格(税抜)	E07
------------------	-----------------	------------------	--------------------	------------------------	-----------------	-------------------------	-----

96001-06025

96001-06025-06

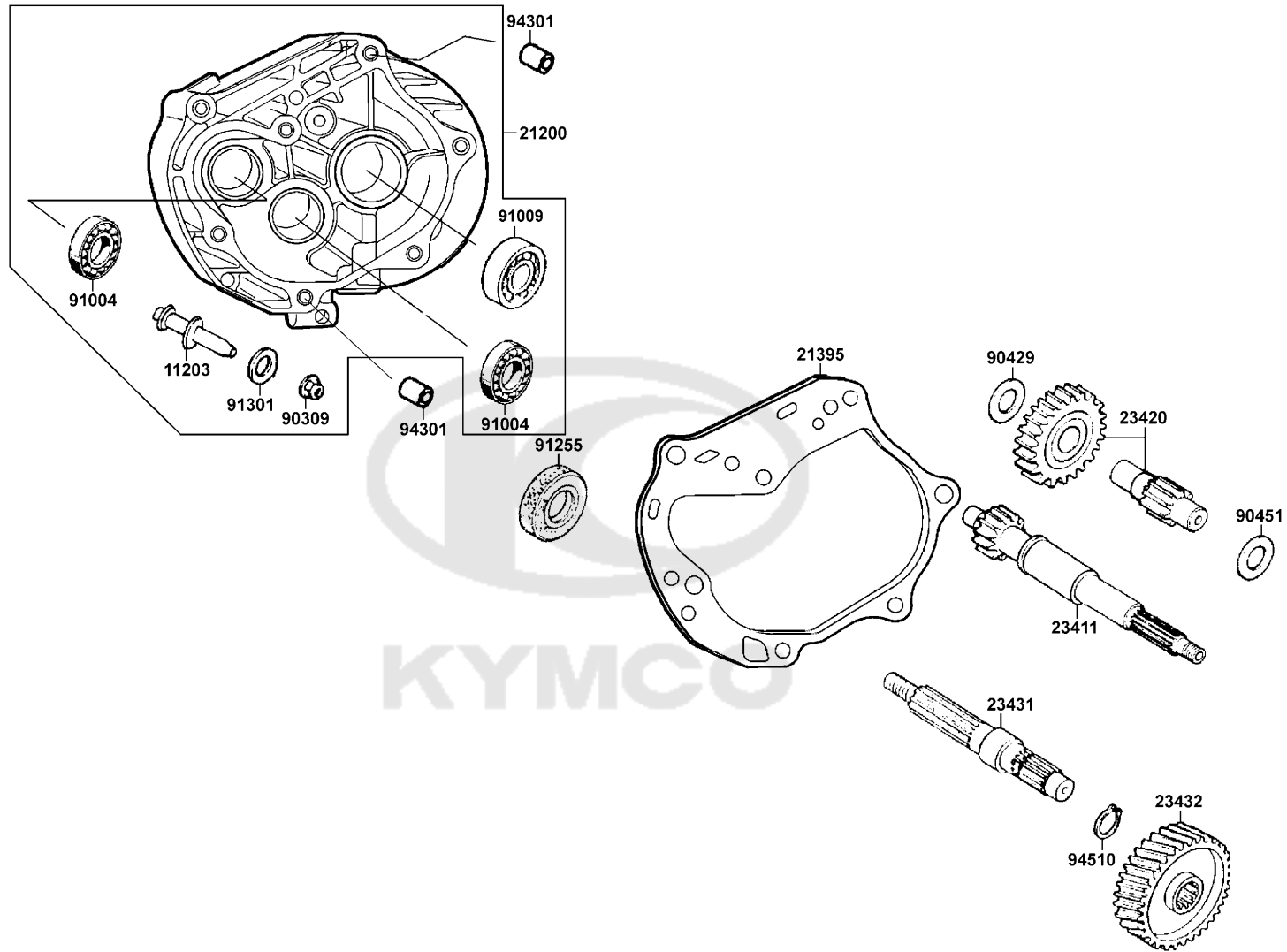
BOLT FLANGE SH 6\*25

BOLT FLANGE SH 6\*25

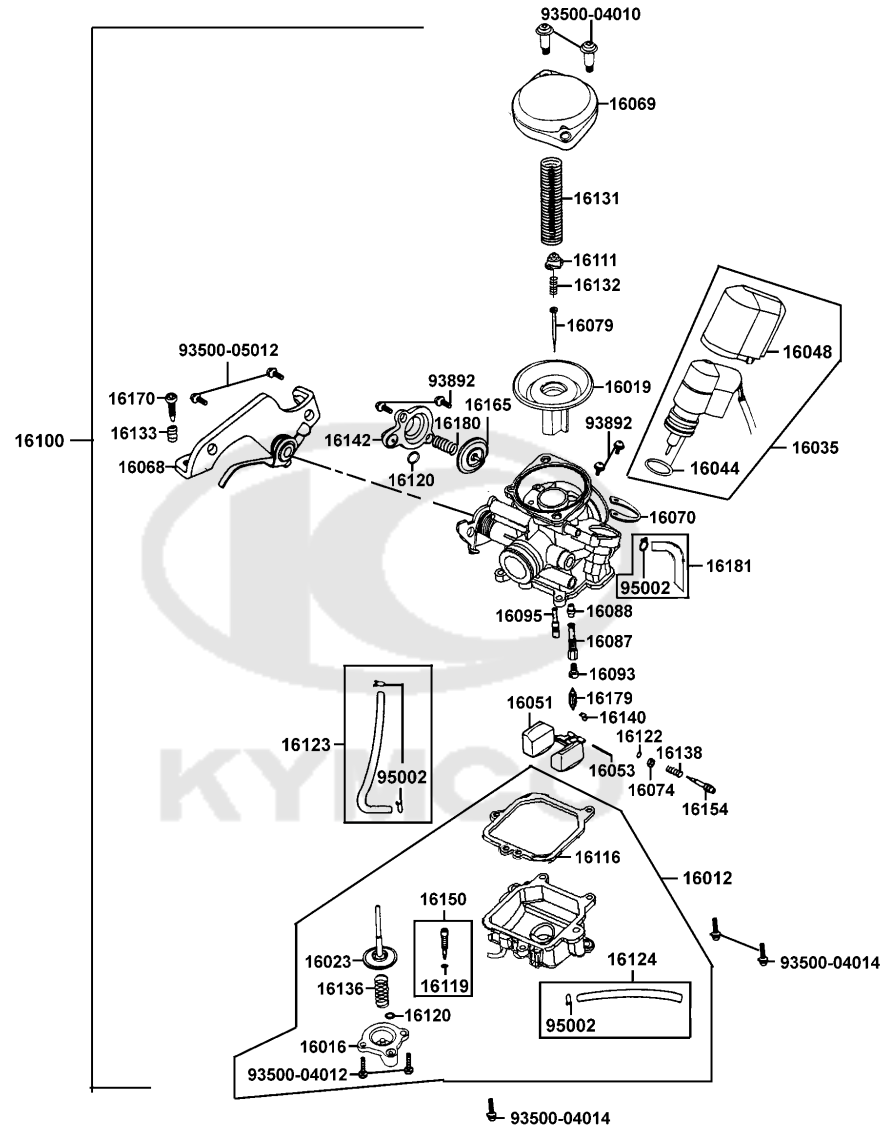
1

60



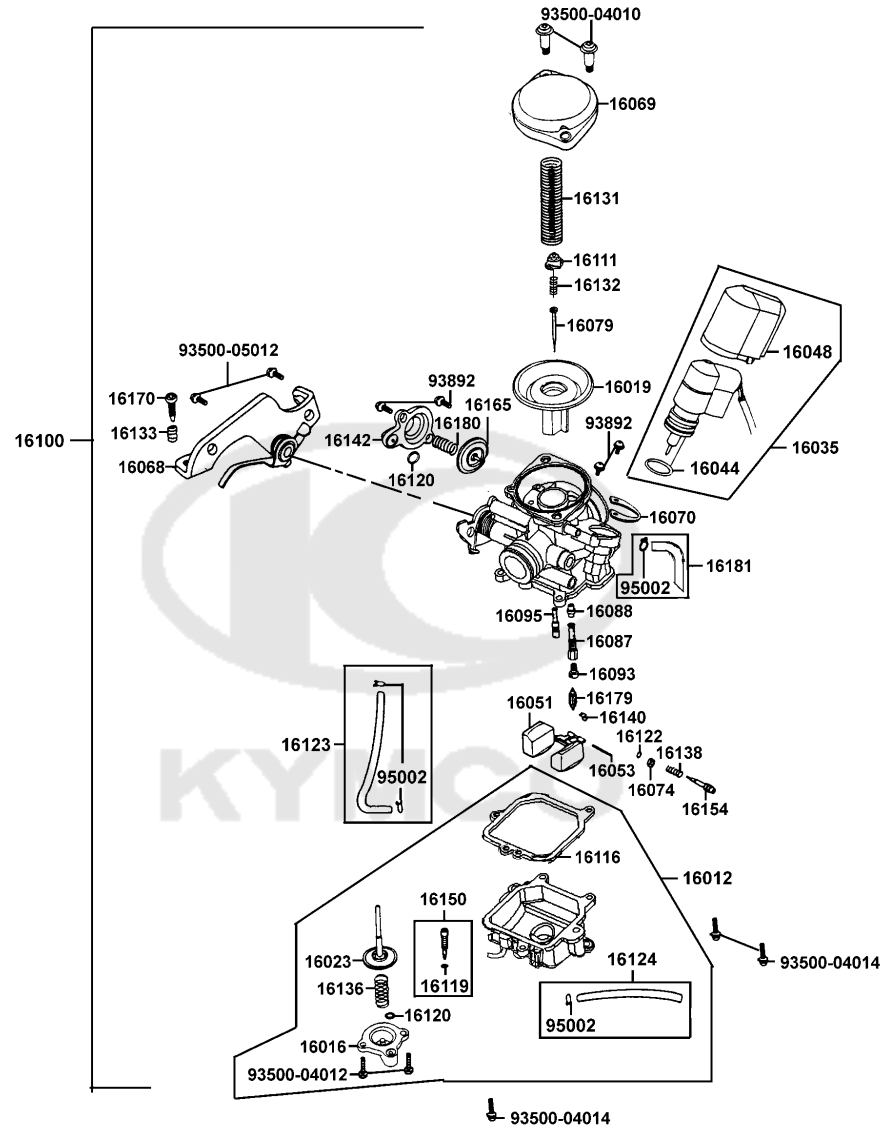


Sales mark 記号	Ref no 参照用番号	Part no パーツ番号	Description 部品名	Reg description 部品名	Regd no 必要個数	Ref Price 希望小売価格(税抜)	E08
11203		11203-KHG8-301	PIN BRAKE SHOE ANCHOR	PIN BRAKE SHOE ANCHOR	1	300	
21200		21200-KFA3-305	CASE ASSY MISSION	CASE ASSY MISSION	1	16840	
21395		21395-LBD3-900	GASKET MISSION CASE @A	GASKET MISSION CASE @A	2	520	
23411		23411-KHC4-900	SHAFT DRIVE	SHAFT DRIVE	1	5240	
23420		23420-LAB4-900	SHAFT COMP COUNTER	SHAFT COMP COUNTER	1	6950	
23431		23431-KDLD-901	SHAFT FINAL	SHAFT FINAL	1	4570	
23432		23432-LAB4-900	GEAR FINAL	GEAR FINAL	1	5340	
90309		90309-KLF0-004	NUT FLANGE 8MM	NUT FLANGE 8MM	1	60	
90429		90429-KNBN-901	WASHER SIDE 12MM	WASHER SIDE 12MM	1	350	
90451		90451-1G07-001	WASHER THRUST 15MM	WASHER THRUST 15MM	1	110	
91004		91004-KBN2-90A	BRG BALL RADIAL 6201	BRG BALL RADIAL 6201	2	2100	
91009		91009-GLE0-004	BRG BALL RADIAL 6004 UU	BRG BALL RADIAL 6004 UU	1	1300	
91255		91255-GLE0-006	OIL SEAL 27*42*7	OIL SEAL 27*42*7	1	60	
91301		91301-0C53-001	O RING 7.5*1.5	O RING 7.5*1.5	1	60	
94301		94301-10200	DOWEL PIN 10*20	DOWEL PIN 10*20	2	200	
94510		94510-20000	CIR CLIP EX 20	CIR CLIP EX 20	1	60	





Sales mark 記号	Ref no 参照用番号	Part no パーツ番号	Description 部品名	Reg description 部品名	Regd no 必要個数	Ref Price 希望小売価格(税抜)	E09
16012		16012-LAB4-B20	CHAMBER COMP FLOAT	CHAMBER COMP FLOAT	1	6050	
16016		16016-KGC5-900	COVER ACCP	COVER ACCP	1	390	
16019		16019-LAB4-900	VALVE ASSY PISTON	VALVE ASSY PISTON	1	2860	
16023		16023-KGC5-900	DIAPHRAGM ASSY ACCP	DIAPHRAGM ASSY ACCP	1	680	
16035		16035-KGC5-900	UNIT BY-ST **(0)	UNIT BY-ST **(0)	1	9040	
16044		16044-KEC3-900	SEAL A BY-ST	SEAL A BY-ST	1	60	
16048		16048-KEC3-900	CAP BY-ST	CAP BY-ST	1	200	
16051		16051-KGC5-90A	BODY FLOAT	BODY FLOAT	1	1060	
16053		16053-KEC3-900	PIN FLOAT	PIN FLOAT	1	160	
16068		16068-KGC5-900	PLATE WIRE FIXED COMP	PLATE WIRE FIXED COMP	1	1060	
16069		16069-KHC4-900	COVER PISTON VALVE DIAPHRAGM	COVER PISTON VALVE DIAPHRAGM	1	300	
16070		16070-KEC3-900	STOPPER BY-ST	STOPPER BY-ST	1	70	
16074		16074-KEC3-900	WASHER IDLE SCREW	WASHER IDLE SCREW	1	160	
16079		16079-KHC4-900	NEEDLE ASSY JET	NEEDLE ASSY JET	1	890	
16087		16087-KEC3-900	TUBE MAIN EMULSION	TUBE MAIN EMULSION	1	610	
16088		16088-KEC5-900	JET NEEDLE	JET NEEDLE	1	680	
16093		16093-KEC3-094	JET MAIN #94	JET MAIN #94	1	420	
16095		16095-KGC5-035	JET SLOW #35	JET SLOW #35	1	1250	
16100		16100-LAB4-B20	CARBURETOR ASSY **(0) C.2005.10.22	CARBURETOR ASSY **(0) C.2005.10.22	1	29090	
16111		16111-KEC3-900	STOPPER J.N SPG	STOPPER J.N SPG	1	160	



Sales mark 記号	Ref no 参照用番号	Part no パーツ番号	Description 部品名	Reg description 部品名	Regd no 必要個数	Ref Price 希望小売価格(税抜)	E09
16116	16116-KGC5-900	16116-KGC5-900	PACKING FLOAT CHAMBER	PACKING FLOAT CHAMBER	1	200	
16119	16119-KEC3-900	16119-KEC3-900	O-RING	O-RING	1	60	
16120	16120-KEC3-900	16120-KEC3-900	O-RING ACCP	O-RING ACCP	2	140	
16122	16122-KEC3-900	16122-KEC3-900	O-RING IDLE SCREW	O-RING IDLE SCREW	1	60	
16123	16123-KGC5-900	16123-KGC5-900	TUBE COMP 3.5X180	TUBE COMP 3.5X180	1	300	
16124	16124-KEC3-900	16124-KEC3-900	TUBE COMPL 3.5*300	TUBE COMPL 3.5*300	1	210	
16131	16131-KGC6-900	16131-KGC6-900	SPG PISTON VALVE RETURN	SPG PISTON VALVE RETURN	1	160	
16132	16132-KEC3-900	16132-KEC3-900	SPG JET NEEDLE	SPG JET NEEDLE	1	160	
16133	16133-KGC5-900	16133-KGC5-900	SPRING THROTTLE ADJUST SCREW	SPRING THROTTLE ADJUST SCREW	1	160	
16136	16136-KGC5-900	16136-KGC5-900	SPRING ACCP DIAPHRAGM	SPRING ACCP DIAPHRAGM	1	160	
16138	16138-KEC3-900	16138-KEC3-900	SPG IDLE SCREW	SPG IDLE SCREW	1	160	
16140	16140-KEC3-900	16140-KEC3-900	CLIP FLOAT VALVE	CLIP FLOAT VALVE	1	160	
16142	16142-KGC5-900	16142-KGC5-900	COVER ACV	COVER ACV	1	580	
16150	16150-KEC3-900	16150-KEC3-900	SCREW COMP DRAIN	SCREW COMP DRAIN	1	490	
16154	16154-KHC4-900	16154-KHC4-900	SCREW IDLE ADJ	SCREW IDLE ADJ	1	400	
16165	16165-KGC5-900	16165-KGC5-900	DIAPHRAGM	DIAPHRAGM	1	580	
16170	16170-KGC5-900	16170-KGC5-900	SCREW THROTTLE ADJUST	SCREW THROTTLE ADJUST	1	70	
16179	16179-KEC3-900	16179-KEC3-900	VALVE ASSY FLOAT	VALVE ASSY FLOAT(廃盤部品の為、代用品)	1	1770	
16180	16180-KGC5-900	16180-KGC5-900	SPG ACV	SPG ACV	1	160	
16181	16181-KEC3-900	16181-KEC3-900	TUBE AIR VENT	TUBE AIR VENT	1	210	

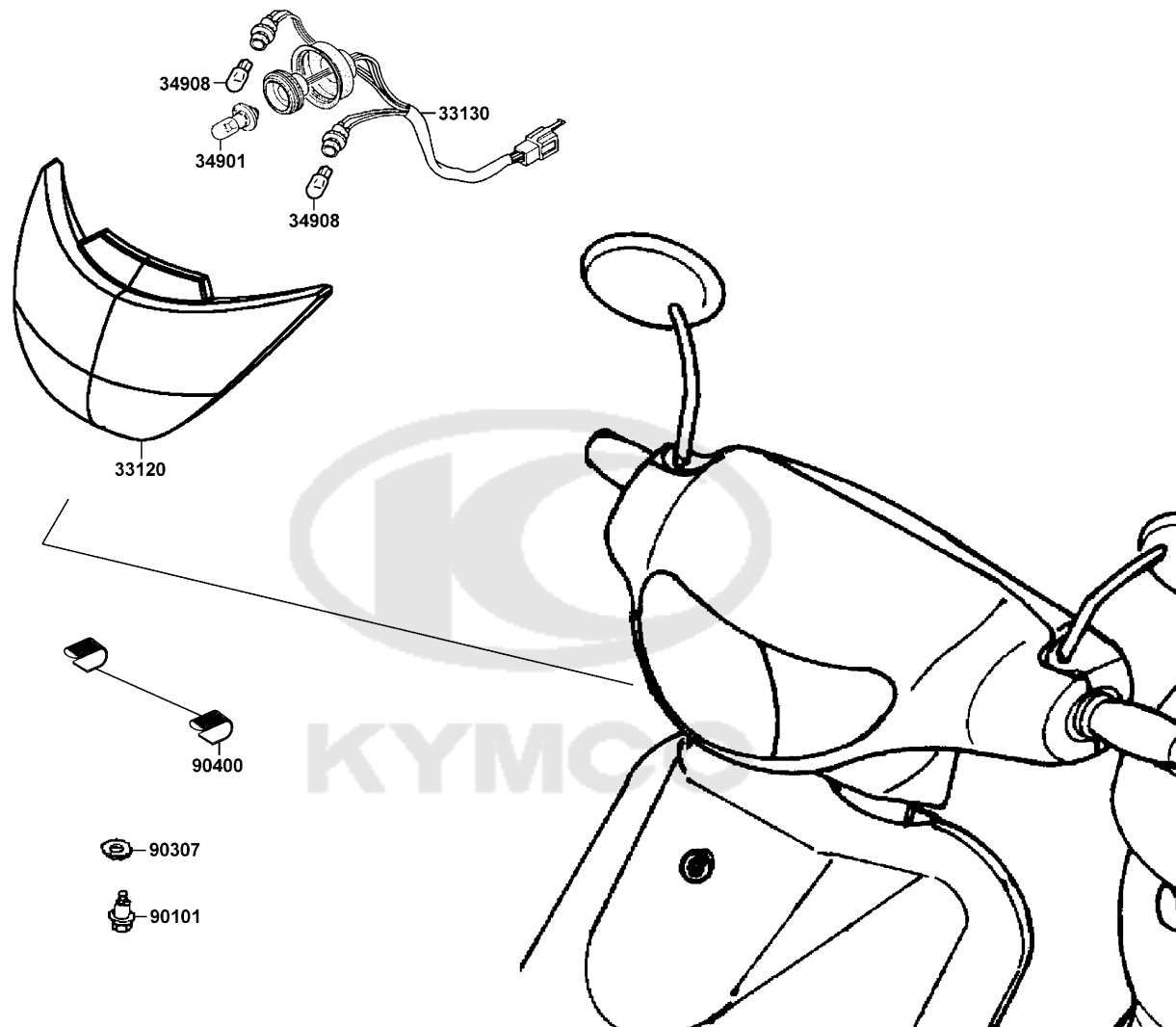



Sales mark 記号	Ref no 参照用番号	Part no パーツ番号	Description 部品名	Reg description 部品名	Regd no 必要個数	Ref Price 希望小売価格(税抜)	E09
93500-04010-1A	93500-04010-0F	93500-04010-0F	SCREW PAN 4X10	SCREW PAN 4X10	1	200	
93500-04012-1A	93500-04012-0F	93500-04012-0F	SCREW PAN 4*12	SCREW PAN 4*12	1	160	
93500-04014-1A	93500-04014-0F	93500-04014-0F	SCREW PAN 4*14 (G)	SCREW PAN 4*14 (G)	1	200	
93500-05012-1A	93500-05012-0F	93500-05012-0F	SCREW PAN 5*12	SCREW PAN 5*12	1	200	
93892-04008-18	93892-04008-16	93892-04008-16	SCREW WASHER 4*8	SCREW WASHER 4*8	1	200	
95002-02070	95002-02070	95002-02070	CLIP B7 TUBE	CLIP B7 TUBE	4	60	



F01

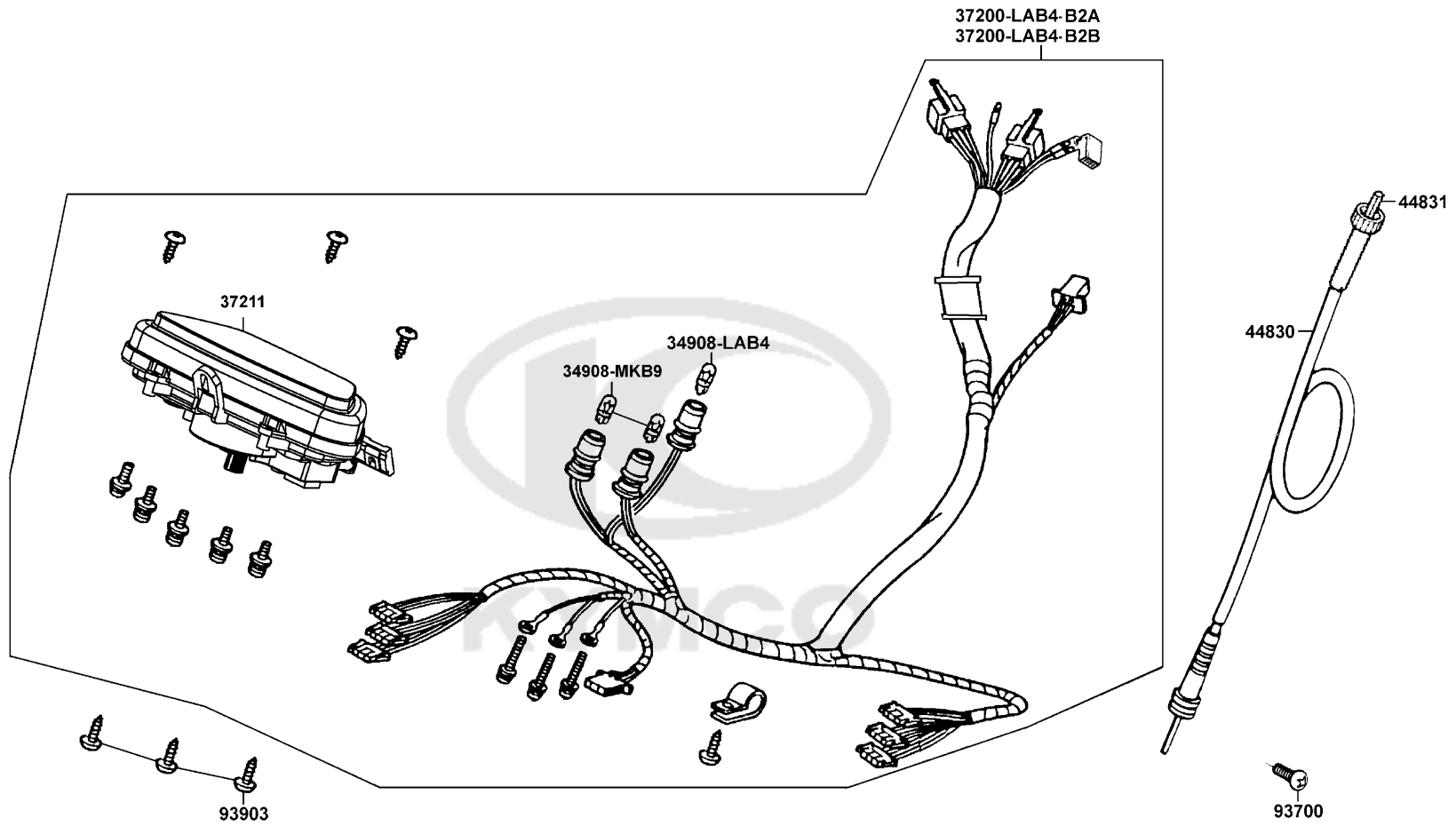
# Head Light



Sales mark 記号	Ref no 参照用番号	Part no パーツ番号	Description 部品名	Reg description 部品名	Regd no 必要個数	Ref Price 希望小売価格(税抜)	F01
33120		33120-LAB4-900	UNIT HAED LIGHT	UNIT HAED LIGHT	1	10650	
33130		33130-LAB4-900	SOCKET COMP	SOCKET COMP	1	1160	
34901		34901-KKA8-900	BULB HEAD LIGHT (12V35/35W)	BULB HEAD LIGHT (12V35/35W)	1	4570	
34908		34908-GGA7-70A	BULB WEDGE BASE 12V*3.4W	BULB WEDGE BASE 12V*3.4W	2	130	
90101		90101-GAR1-001	BOLT ADJUST	BOLT ADJUST	1	200	
90307		90307-GFJ6-004	WASHER LOCK 6MM	WASHER LOCK 6MM	1	70	
90400		90400-KTDT-900	CLIP SPRING	CLIP SPRING	2	60	
							

F02

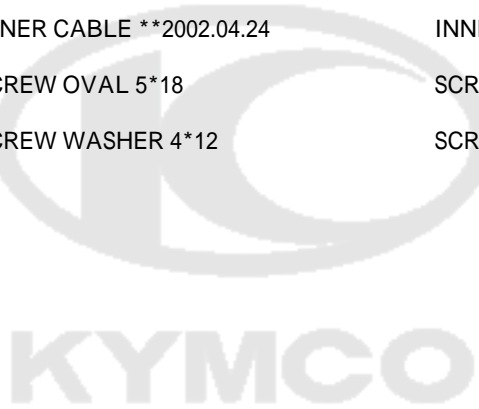
Speedometer





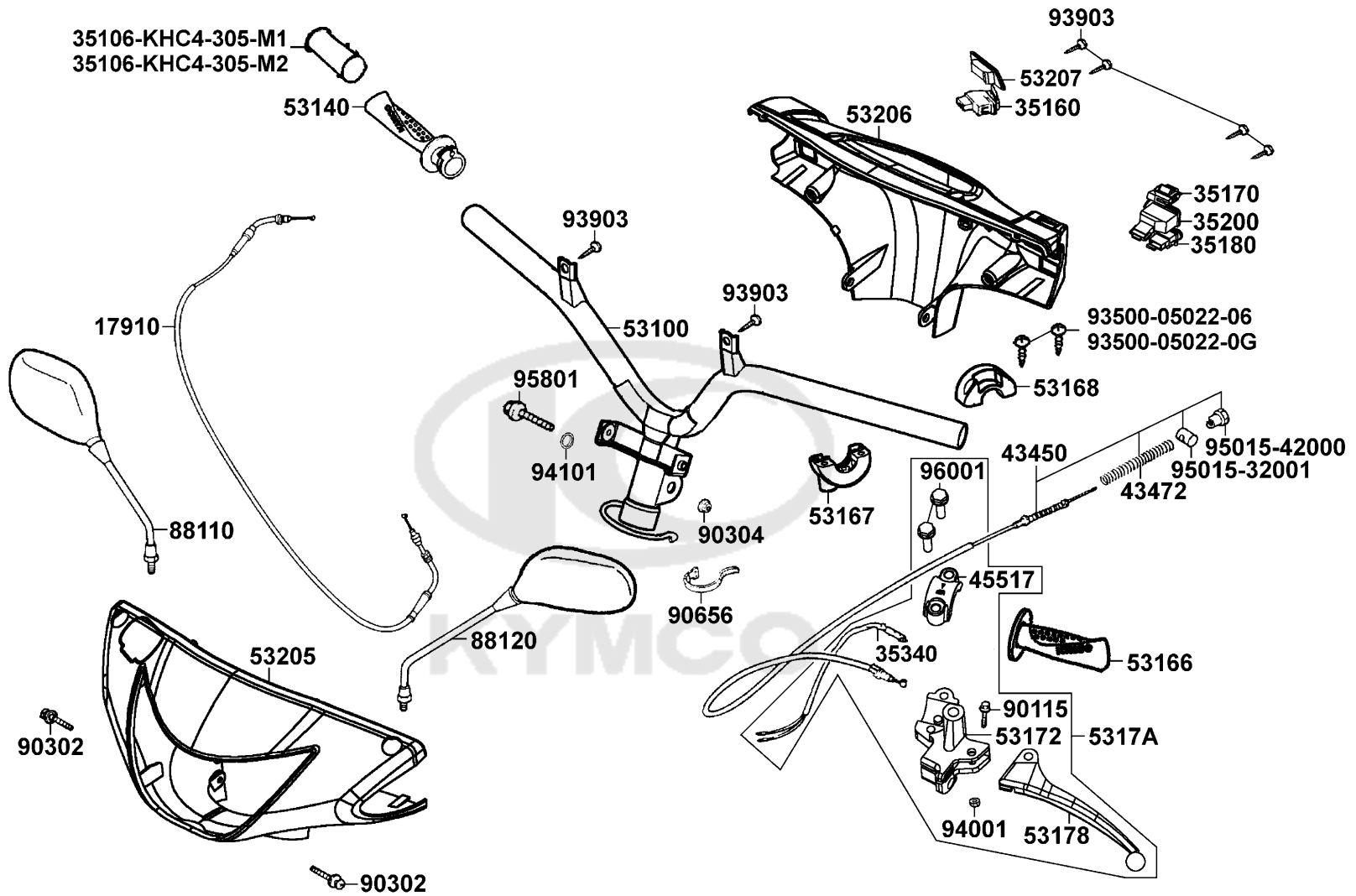
Sales mark 記号	Ref no 参照用番号	Part no パーツ番号	Description 部品名	Reg description 部品名	Regd no 必要個数	Ref Price 希望小売価格(税抜)
	34908-LAB4	34908-LBE8-900	BULB WEDGE BASE (12V3.4W)	BULB WEDGE BASE (12V3.4W)	1	300
	34908-MKB9	34908-MKB9-87A	BULB WEDGE BASE T10	BULB WEDGE BASE T10	2	130
	37200-LAB4-B2A	37200-LAB4-B2A	METER ASSY SPEED	METER ASSY SPEED	1	16160
	37200-LAB4-B2B	37200-LAB4-B2B	METER ASSY SPEED	METER ASSY SPEED	1	16730
	37211	37211-KTCT-90A	LENS	LENS	1	870
	37211	37211-KTCT-90B	LENS	LENS	1	990
	44830	44830-LAB4-900	CABLE ASSY METER *(1) C.2007.07.31	CABLE ASSY METER *(1) C.2007.07.31	1	1150
	44831	44831-LAB4-900	INNER CABLE **2002.04.24	INNER CABLE **2002.04.24	1	580
	93700	93700-05018-0F	SCREW OVAL 5*18	SCREW OVAL 5*18	1	60
	93903	93903-35260	SCREW WASHER 4*12	SCREW WASHER 4*12	1	60

F02



F03

Handle Steering Handle Cover

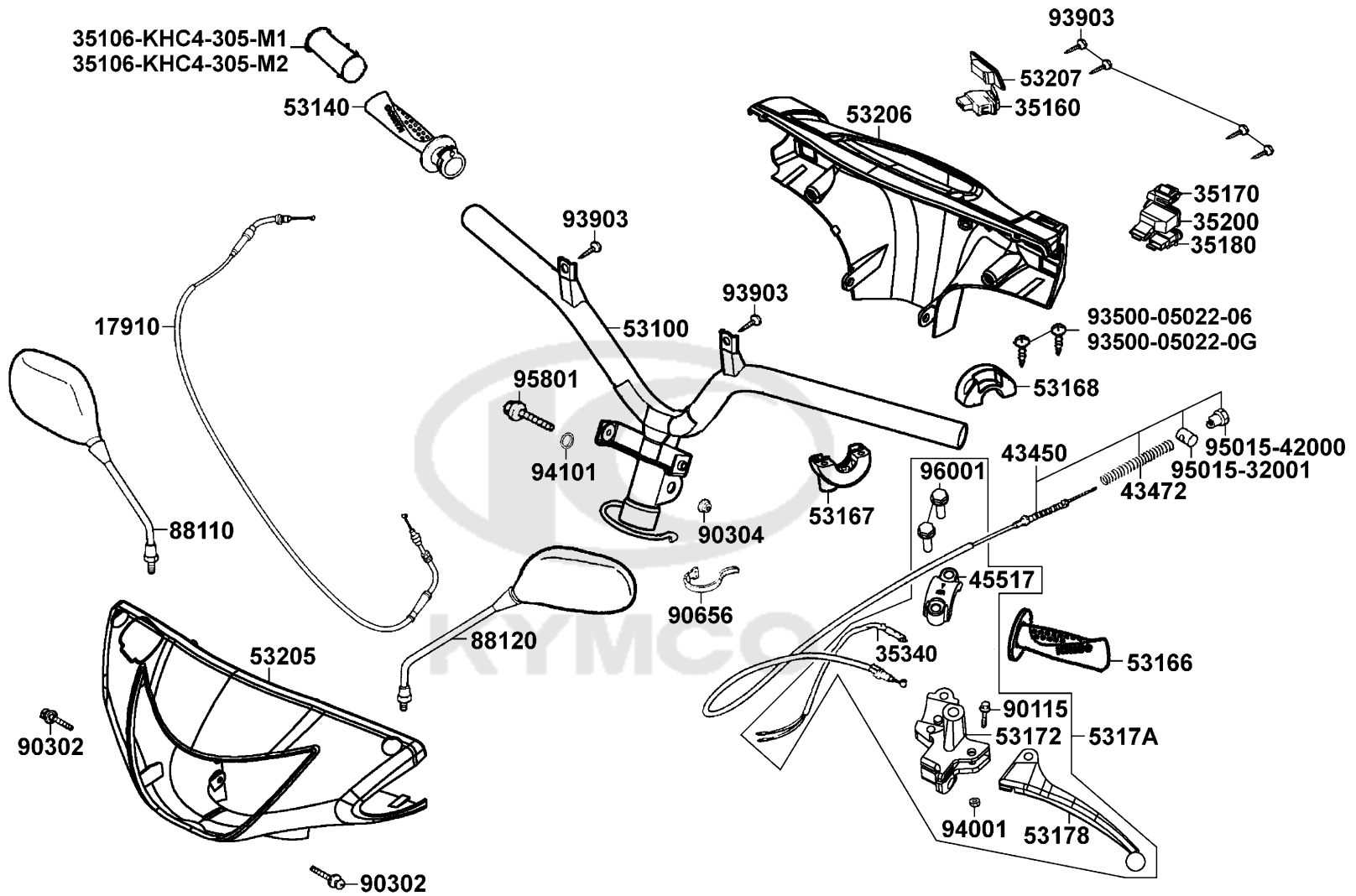


Sales mark 記号	Ref no 参照用番号	Part no パーツ番号	Description 部品名	Reg description 部品名	Regd no 必要個数	Ref Price 希望小売価格(税抜)
	17910	17910-KHC4-900	CABLE COMP THROT	CABLE COMP THROT	1	1910
	35106-KHC4-305-M1	35106-KHC4-305-M1	LOCK SET THROT GRIP	LOCK SET THROT GRIP	1	2670
	35106-KHC4-305-M2	35106-KHC4-305-M2	LOCK SET THROT GRIP	LOCK SET THROT GRIP	1	2100
	35160	35160-GGS7-900	SW UNIT START	SW UNIT START	1	730
	35170	35170-GGS7-900	SW UNIT DIMMER	SW UNIT DIMMER	1	730
	35180	35180-GGS7-900	SW UNIT HORN	SW UNIT HORN	1	540
	35200	35200-GFY6-910	SW UNIT WINKER	SW UNIT WINKER	1	830
	35340	35340-GBN2-770	SW ASSY FR STOP	SW ASSY FR STOP	1	560
	43450	43450-LAB4-900	CABLE COMP RR BRAKE ** (4)	CABLE COMP RR BRAKE ** (4) C.2004.02.01	1	1530
	43472	43472-1A61-001	SPG RR BRK ARM	SPG RR BRK ARM	1	160
	45517	45517-GFY6-900	HOLDER HNDL BRKT	HOLDER HNDL BRKT	1	260
	53100	53100-LAB4-900	HANDLE COMP STRG ** (0) C.2003.01.02	HANDLE COMP STRG ** (0) C.2003.01.02	1	4950
**	53140	53140-KHC4-900	GRIP COMP THROT/BLACK	GRIP COMP THROT/BLACK	1	960
**	53166	53166-KFA1-900	GRIP L HANDLE	GRIP L HANDLE	1	770
	53167	53167-LHJ6-900	HOUSING UND THROT	HOUSING UND THROT	1	320
	53168	53168-KFA1-900	HOUSING UP THROT	HOUSING UP THROT	1	300
	53172	53172-KHC4-900	BRKT L STRG HANDLE **9000	BRKT L STRG HANDLE **9000 C.2005.04.25	1	1150
**	53178	53178-KHC4-900	LEVER L STRG HANDLE **N1S	LEVER L STRG HANDLE **N1S C.2005.04.25	1	770
	5317A	5317A-KHC4-900	BRKT ASSY HANDLE L ** (0) C.	BRKT ASSY HANDLE L ** (0) C.	1	2670
**	53206	53206-LAB4-900	COVER RR HANDLE	COVER RR HANDLE	1	1340

F03

F03

Handle Steering Handle Cover

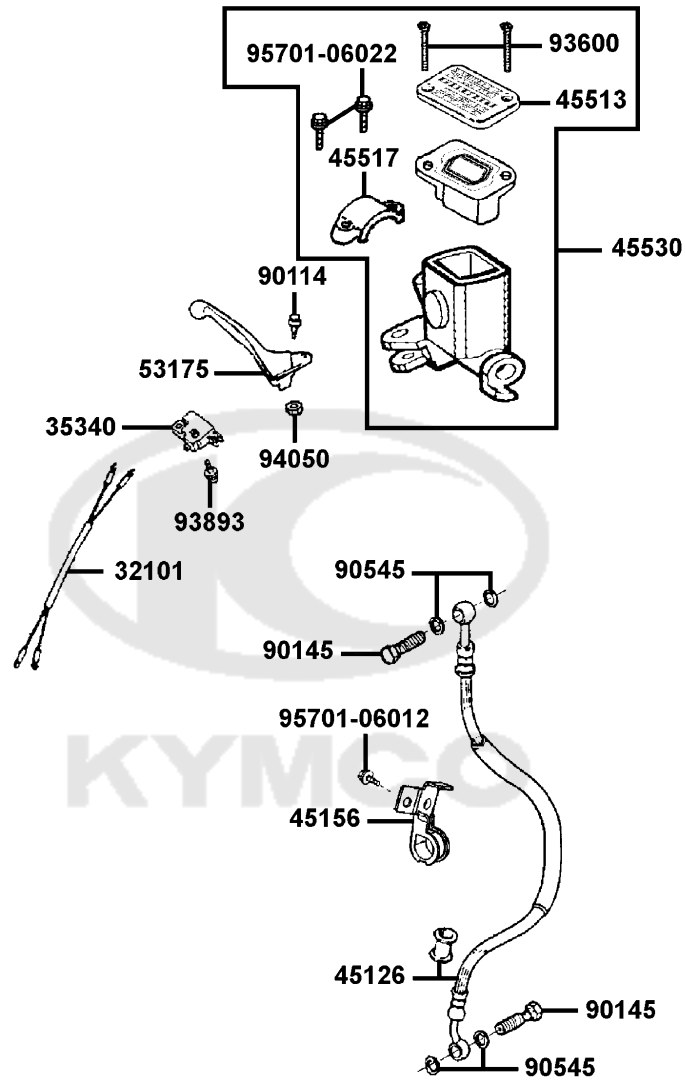


Sales mark 記号	Ref no 参照用番号	Part no パーツ番号	Description 部品名	Reg description 部品名	Regd no 必要個数	Ref Price 希望小売価格(税抜)
**	53207	53207-KKD9-B00	COVER SWITCH **(0) C.2005.04.25	COVER SWITCH **(0) C.2005.04.25 (Black)	1	160
	88110	88110-KHC3-900	MIRROR ASSY R BACK **9000	MIRROR ASSY R BACK **9000 C.2003.03.01	1	1720
	88120	88120-KHC3-900	MIRROR ASSY L BACK **9000	MIRROR ASSY L BACK **9000 C.2003.03.01	1	1720
	90115	90115-GLE0-001	BOLT HNDL LEVER PIVOT	BOLT HNDL LEVER PIVOT	1	60
	90302	90302-GBR2-001	BOLT WASH 5*16	BOLT WASH 5*16	2	60
	90304	90304-GHE8-004	NUT CAP 6MM	NUT CAP 6MM	1	200
	90656	90656-KCBC-900	BAND OIL HANDLE	BAND OIL HANDLE	1	60
	93500-05022-06	93500-05022-0F	SCREW PAN 5X22 (G)	SCREW PAN 5X22 (G)	1	60
	93500-05022-0G	93500-05022-0G	SCREW PAN 5*22	SCREW PAN 5*22	2	60
	93903	93903-34360	SCREW WASHER 4*12	SCREW WASHER 4*12	6	60
	94001	94001-05080-0S	NUT HEX 5MM	NUT HEX 5MM	1	60
	94101	94101-10800	WASHER PLAIN 10MM	WASHER PLAIN 10MM	1	200
	95015-32001	95015-32001	JOINT B BRAKE ARM	JOINT B BRAKE ARM	1	60
	95015-42000	95015-42000	NUT B ADJUST	NUT B ADJUST	1	60
	95801	95801-10040-06	BOLT FLANGE 10*40	BOLT FLANGE 10*40	1	80
	96001	96001-06025-06	BOLT FLANGE SH 6*25	BOLT FLANGE SH 6*25	2	60

F03

F04

# Brake Master Cylinder

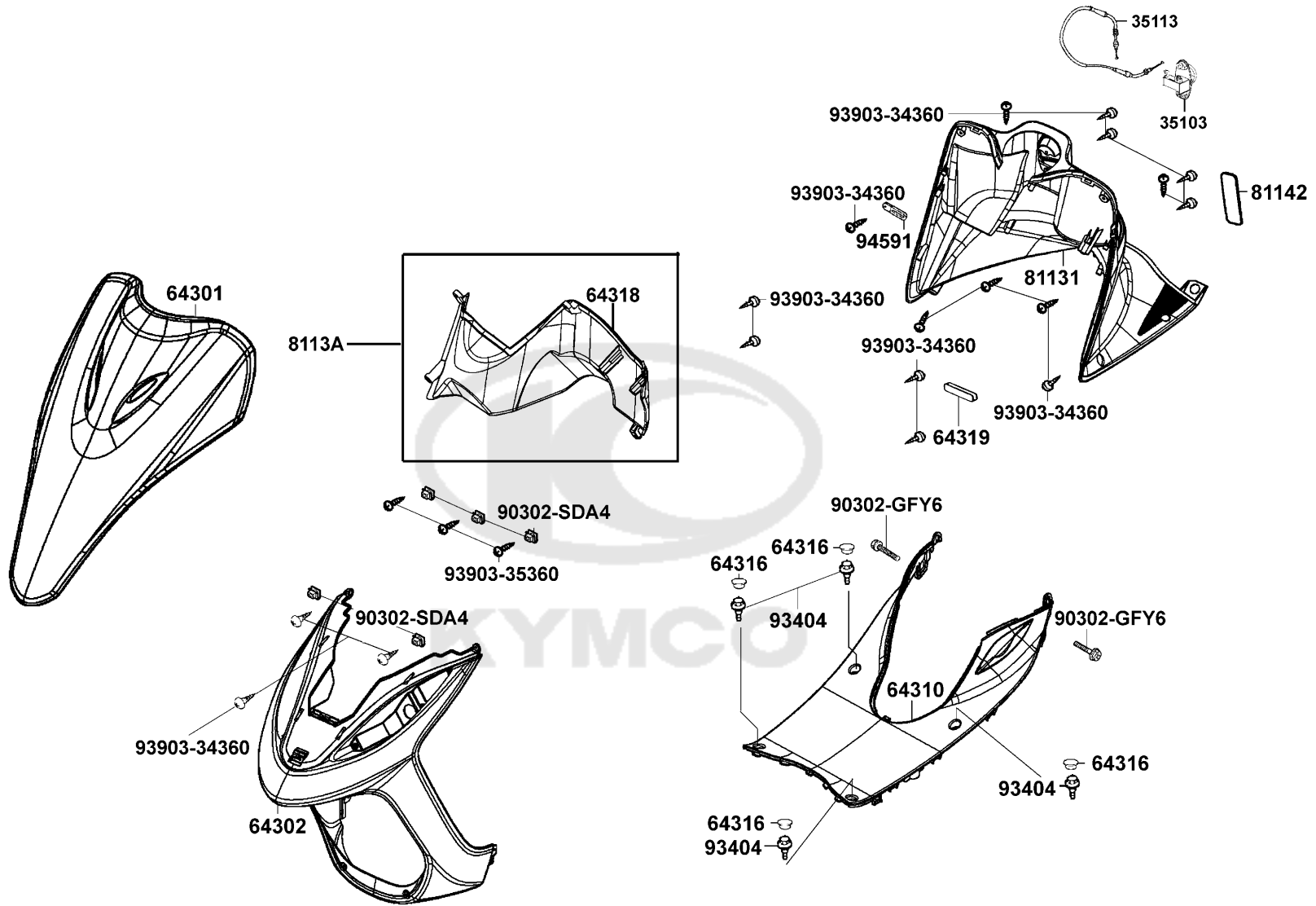


Sales mark 記号	Ref no 参照用番号	Part no パーツ番号	Description 部品名	Reg description 部品名	Regd no 必要個数	Ref Price 希望小売価格(税抜)
	32101	32101-GFY6-901	SUB CORD R	SUB CORD R	1	300
	35340	35340-KNBN-901	SW ASSY FR STOP	SW ASSY FR STOP	1	960
	45126	45126-KHC4-900	HOSE ASSY FR BRK /850MM	HOSE ASSY FR BRK /850MM	1	8560
	45156	45156-KNBN-902	CLAMPER FR BRK HOSE	CLAMPER FR BRK HOSE	1	300
	45513	45513-GLW0-91A	CAP MASTER CYLINDER	CAP MASTER CYLINDER	1	560
	45517	45517-KFAF-900	HOLDER M/C	HOLDER M/C	1	440
	45530	45530-KHC4-305	CYLINDER SET MASTER	CYLINDER SET MASTER	1	11790
**	53175	53175-KFA1-900	LEVER R STRG HANDLE	LEVER R STRG HANDLE	1	920
	90114	90114-1F66-007	BOLT HANDLE LEVER	BOLT HANDLE LEVER	1	60
	90145	90145-LEA3-E00	OIL BOLT 10x22	OIL BOLT 10x22	1	150
	90545	90545-3L00-001	WASHER OIL BOLT	WASHER OIL BOLT	4	60
	93600	93600-04012-1G	SCREW FLAT 4*12	SCREW FLAT 4*12	2	60
	93893	93893-04012-18	SCREW WASHER 4*12	SCREW WASHER 4*12	1	60
	94050	94050-06080	NUT FLANGE 6MM	NUT FLANGE 6MM	1	60
	95701-06012	95701-06012-06	BOLT FLANGE 6*22 (K)	BOLT FLANGE 6*22 (K)	1	60
	95701-06022	95701-06022-06	BOLT FLANGE 6*22	BOLT FLANGE 6*22	2	60

F04

F05

Front Cover Floor Panel

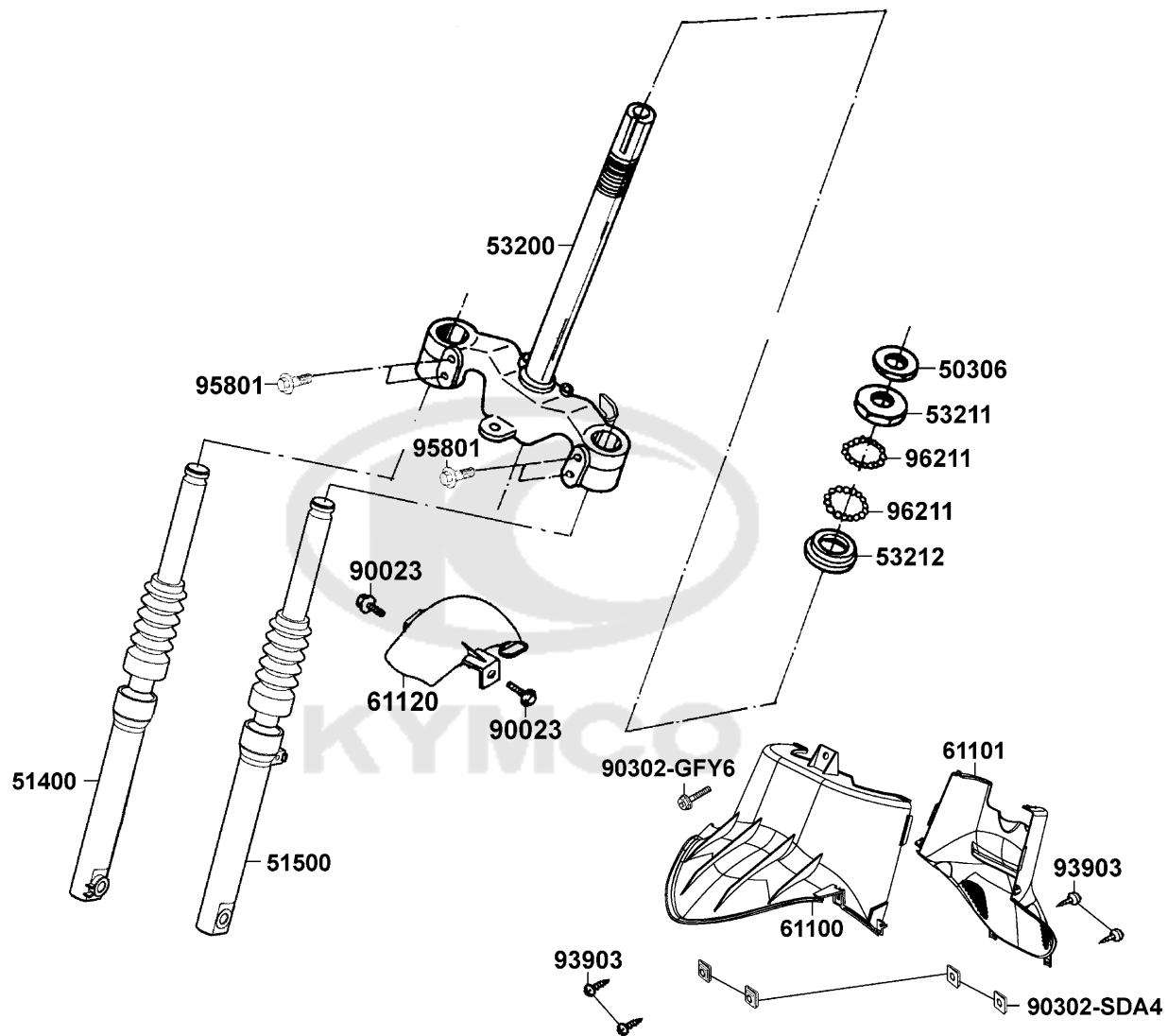




Sales mark 記号	Ref no 参照用番号	Part no パーツ番号	Description 部品名	Reg description 部品名	Regd no 必要個数	Ref Price 希望小売価格(税抜)	F05
	35103	35103-LAB4-90B	LOCK HOOK HANGER	LOCK HOOK HANGER	1	2480	
	35113	35113-LAB4-900	CABLE HOOK & HANGER LOCK	CABLE HOOK & HANGER LOCK	1	580	
**	64302	64302-LAB4-900	MOLDING FRONT **(2) C.2004.05.12	MOLDING FRONT **(2) C.2004.05.12	1	6660	
**	64310	64310-LAB4-900	FLOOR PANEL **(0) C.2003.01.28	FLOOR PANEL **(0) C.2003.01.28	1	5330	
**	64316	64316-KHE2-900	PLUG FLOOR	PLUG FLOOR	4	200	
	64318	64318-LAB4-900	SEAL INNER BOX LOW **(0)	SEAL INNER BOX LOW **(0) C.2005.10.18	1	200	
	64319	64319-LAB4-900	SEAL LEG SHIELD	SEAL LEG SHIELD	1	110	
**	81131	81131-LAB4-900	LEG SHIELD **(0) C.2003.01.07	LEG SHIELD **(0) C.2003.01.07	1	3240	
**	8113A	8113A-LAB4-900	COVER ASSY INNER BOX **(0)	COVER ASSY INNER BOX **(0) C.2005.04.26	1	960	
**	81142	81142-KUDU-900	LID LEG SHIELD(VIN)(Black)	LID LEG SHIELD(VIN)(Black)	1	200	
	90302-GFY6	90302-GFY6-940	BOLT-WASH 5*16	BOLT-WASH 5*16	2	60	
	90302-SDA4	90302-SDA4-004	NUT SPRING 4MM	NUT SPRING 4MM	5	60	
	93404	93404-06016-06	BOLT WASHER 6*16	BOLT WASHER 6*16	4	60	
	93903-34360	93903-34360	SCREW WASHER 4*12	SCREW WASHER 4*12	17	60	
	93903-35360	93903-35360	SCREW WASHER 4*12	SCREW WASHER 4*12	3	60	
	94591	94591-27000	CLIP 2*70	CLIP 2*70	1	110	

F06

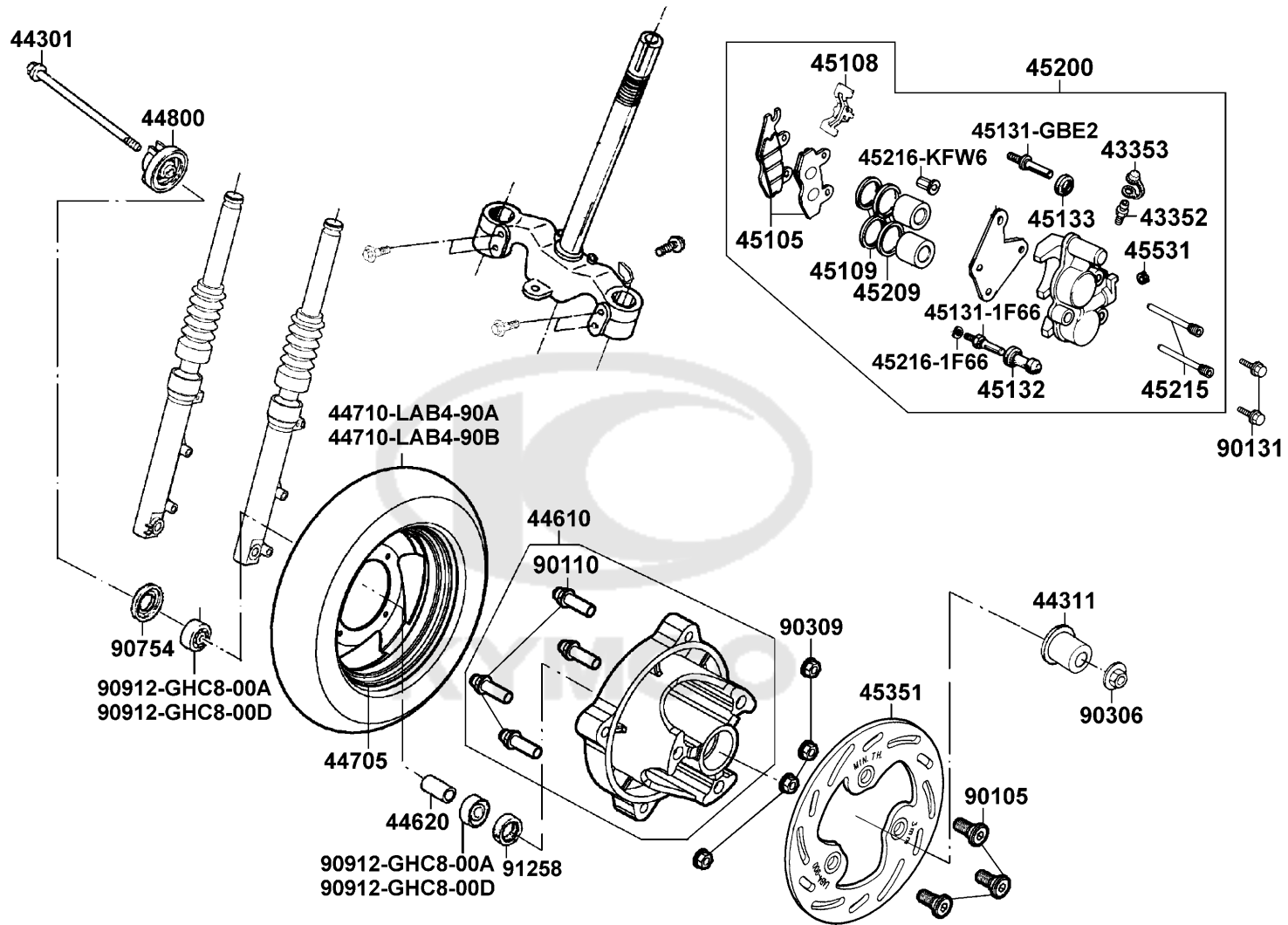
Front Cushion



Sales mark 記号	Ref no 参照用番号	Part no パーツ番号	Description 部品名	Reg description 部品名	Regd no 必要個数	Ref Price 希望小売価格(税抜)	F06
	50306	50306-1F96-001	NUT STRG STEM LOCK	NUT STRG STEM LOCK	1	300	
**	51400	51400-LAB4-900	FORK ASSY R FR	FORK ASSY R FR	1	11790	
**	51500	51500-LAB4-900	FORK ASSY L FR	FORK ASSY L FR	1	11790	
	53200	53200-LAB4-900	STEM COMP STRG	STEM COMP STRG	1	8560	
	53211	53211-GFY6-940	RACE STRG TOP CONE	RACE STRG TOP CONE	1	580	
	53212	53212-GHC8-004	RACE (STRG BOTTOM) CONE	RACE (STRG BOTTOM) CONE	1	390	
**	61100	61100-LAB4-900	FENDER A FR **900 C.2005.04.25	FENDER A FR **900 C.2005.04.25	1	870	
**	61101	61101-LAB4-900	FENDER B FR **900 C.2005.04.25	FENDER B FR **900 C.2005.04.25	1	870	
	61120	61120-KFA1-900	FENDER FR DOWN	FENDER FR DOWN	1	300	
	90023	90023-GBN2-001	BOLT SEAT LOCK 6*13.5 (B)	BOLT SEAT LOCK 6*13.5 (B)	2	110	
	90302-GFY6	90302-GFY6-901	BOLT WASH 5*12 **(1) C.V.	BOLT WASH 5*12 **(1) C.V.	1	60	
	90302-SDA4	90302-SDA4-004	NUT SPRING 4MM	NUT SPRING 4MM	4	60	
	93903	93903-34360	SCREW WASHER 4*12	SCREW WASHER 4*12	4	60	
	95801	95801-08040-06	BOLT FLANGE 8*40	BOLT FLANGE 8*40	1	60	
	96211	96211-05000	BALL STEEL #5	BALL STEEL #5	55	60	

F07

Front Wheel

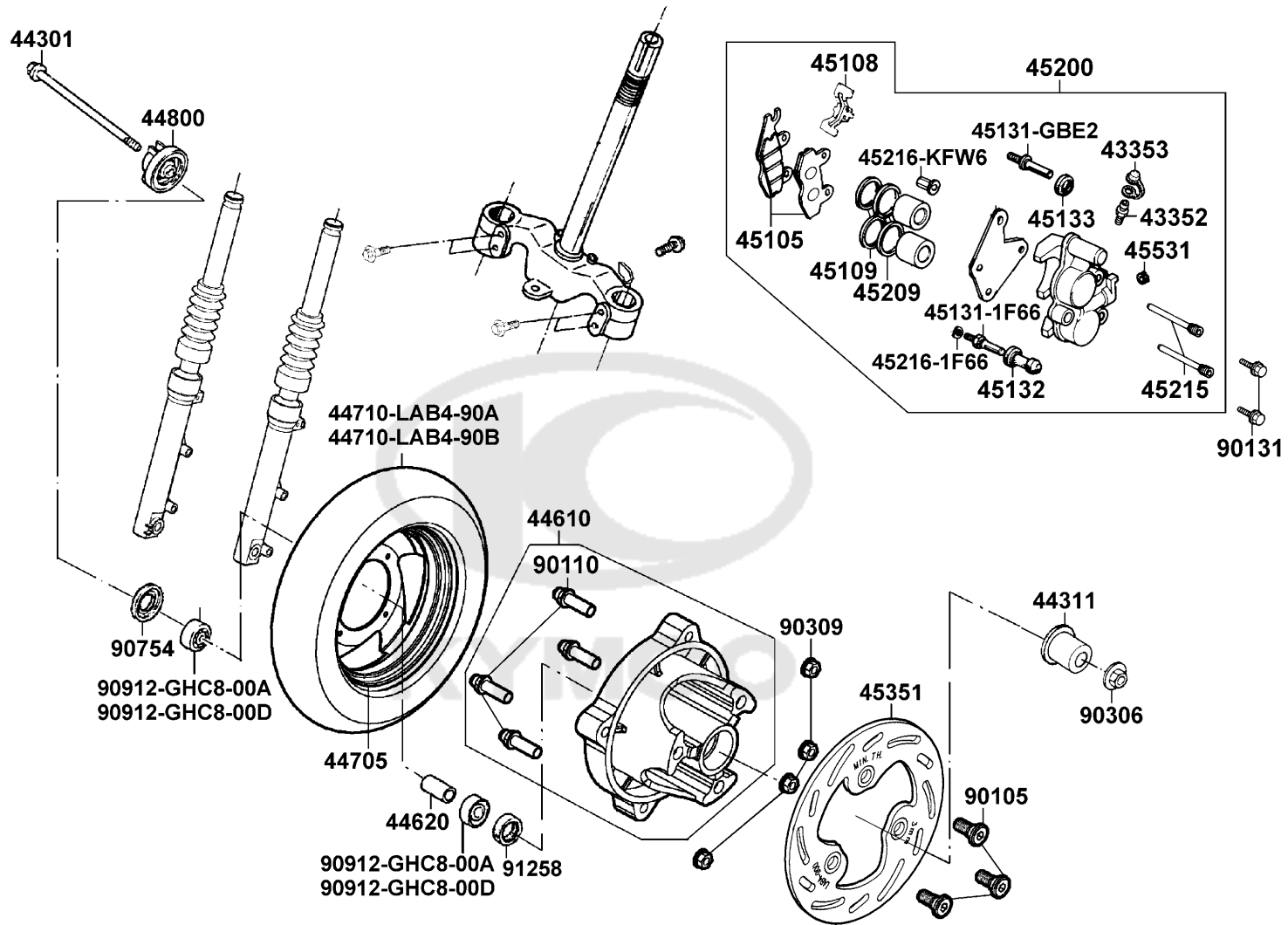


Sales mark 記号	Ref no 参照用番号	Part no パーツ番号	Description 部品名	Reg description 部品名	Regd no 必要個数	Ref Price 希望小売価格(税抜)
	43352	43352-5H68-004	SCREW BLEEDER	SCREW BLEEDER	1	300
	43353	43353-4A61-77A	CAP BLEEDER	CAP BLEEDER	1	130
	44301	44301-KBE2-981	AXLE FR WHEEL M12*200MM	AXLE FR WHEEL M12*200MM	1	770
	44311	44311-GLW0-911	COLLAR FR WHEEL SIDE	COLLAR FR WHEEL SIDE	1	390
**	44610	44610-KHC4-305	HUB SUB SET FR	HUB SUB SET FR	1	8560
	44620	44620-KSBS-900	COLLAR FR DIST	COLLAR FR DIST	1	330
**	44705	44705-KHC4-900	RIM COMP FR WHEEL	RIM COMP FR WHEEL	1	6850
	44710-LAB4-90A	44710-LAB4-90A	TIRE FR ASSY/90/90-10 4P TL /KENDA	TIRE FR ASSY/90/90-10 4P TL /KENDA	1	8630
	44710-LAB4-90B	44710-LAB4-90B	TIRE ASSY FR/90/90-10 50J /MAXXIS	TIRE ASSY FR/90/90-10 50J /MAXXIS	1	9910
**	44800	44800-KNBN-901	GEAR BOX ASSY SPDMT	GEAR BOX ASSY SPDMT	1	3150
	45105	45105-KECE-305	PAD ASSY	PAD ASSY	1	3560
	45108	45108-MDL4-007	PAD SPG	PAD SPG	1	300
	45109	45109-GBE2-007	DUST SEAL	DUST SEAL	2	140
	45131-1F66	45131-1F66-017	PIN BOLT	PIN BOLT	1	890
	45131-GBE2	45131-GBE2-007	PIN BOLT A	PIN BOLT A	1	960
	45132	45132-1F66-017	BUSH BOOT PIN	BUSH BOOT PIN	1	780
	45133	45133-MCA3-007	BOOT B	BOOT B	1	230
**	45200	45200-KHC4-900	CLAMPER ASSY FR L	CLAMPER ASSY FR L	1	19500
	45209	45209-GBE2-007	SEAL PISTON	SEAL PISTON	2	370
	45215	45215-KECE-900	PIN HANGER	PIN HANGER	2	300

F07

F07

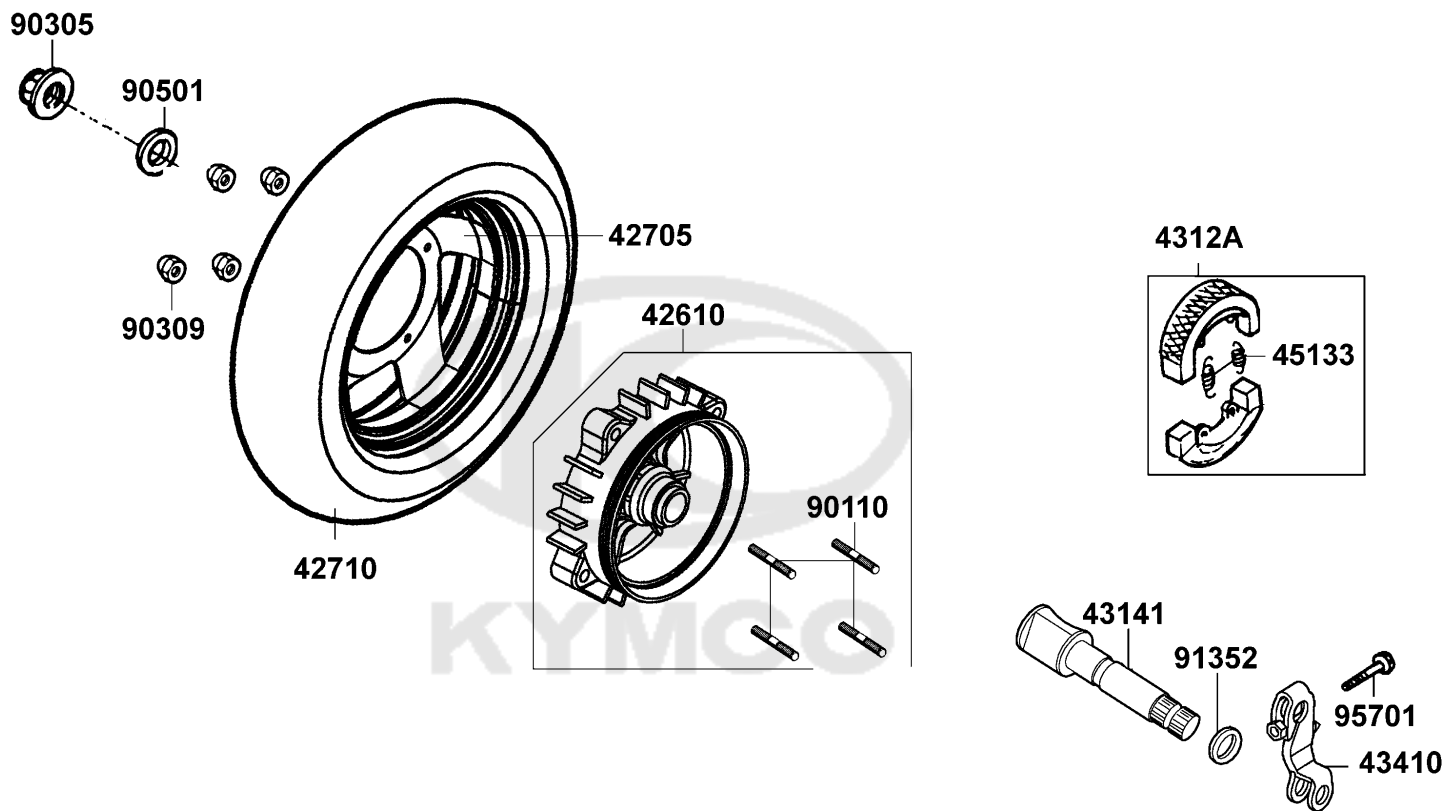
Front Wheel



Sales mark 記号	Ref no 参照用番号	Part no パーツ番号	Description 部品名	Reg description 部品名	Regd no 必要個数	Ref Price 希望小売価格(税抜)	F07
45216-1F66	45216-1F66-007	45216-1F66-007	WASHER WAVE	WASHER WAVE	1	110	
45216-KFW6	45216-KFW6-90A	45216-KFW6-90A	TORQUE NUT	TORQUE NUT	1	400	
45351	45351-LAB4-900	45351-LAB4-900	DISK FR BRK	DISK FR BRK	1	5430	
90105	90105-KCR3-001	90105-KCR3-001	BOLT FR DISK 8*24	BOLT FR DISK 8*24	3	80	
90110	90110-KHG8-901	90110-KHG8-901	BOLT STUD2 8*22	BOLT STUD2 8*22	4	130	
90131	90131-GLW0-911	90131-GLW0-911	BOLT FLANGE 8*35	BOLT FLANGE 8*35	2	80	
90306	90306-GLW0-90A	90306-GLW0-90A	NUT FLANGE 12MM	NUT FLANGE 12MM	1	320	
90309	90309-GLW0-90A	90309-GLW0-90A	NUT U FLANGE 8MM	NUT U FLANGE 8MM	4	110	
90754	90754-GHC8-00A	90754-GHC8-00A	SEAL DUST 20*32*5	SEAL DUST 20*32*5	1	100	
90912-GHC8-00A	90912-GHC8-00A	90912-GHC8-00A	BEARING 6201 (U)	BEARING 6201 (U)	2	770	
90912-GHC8-00D	90912-GHC8-00D	90912-GHC8-00D	BEARING	BEARING	2	630	
91258	91258-KAM1-00A	91258-KAM1-00A	SEAL SPDMT GEAR BOX	SEAL SPDMT GEAR BOX	1	300	

F08

Rear Wheel

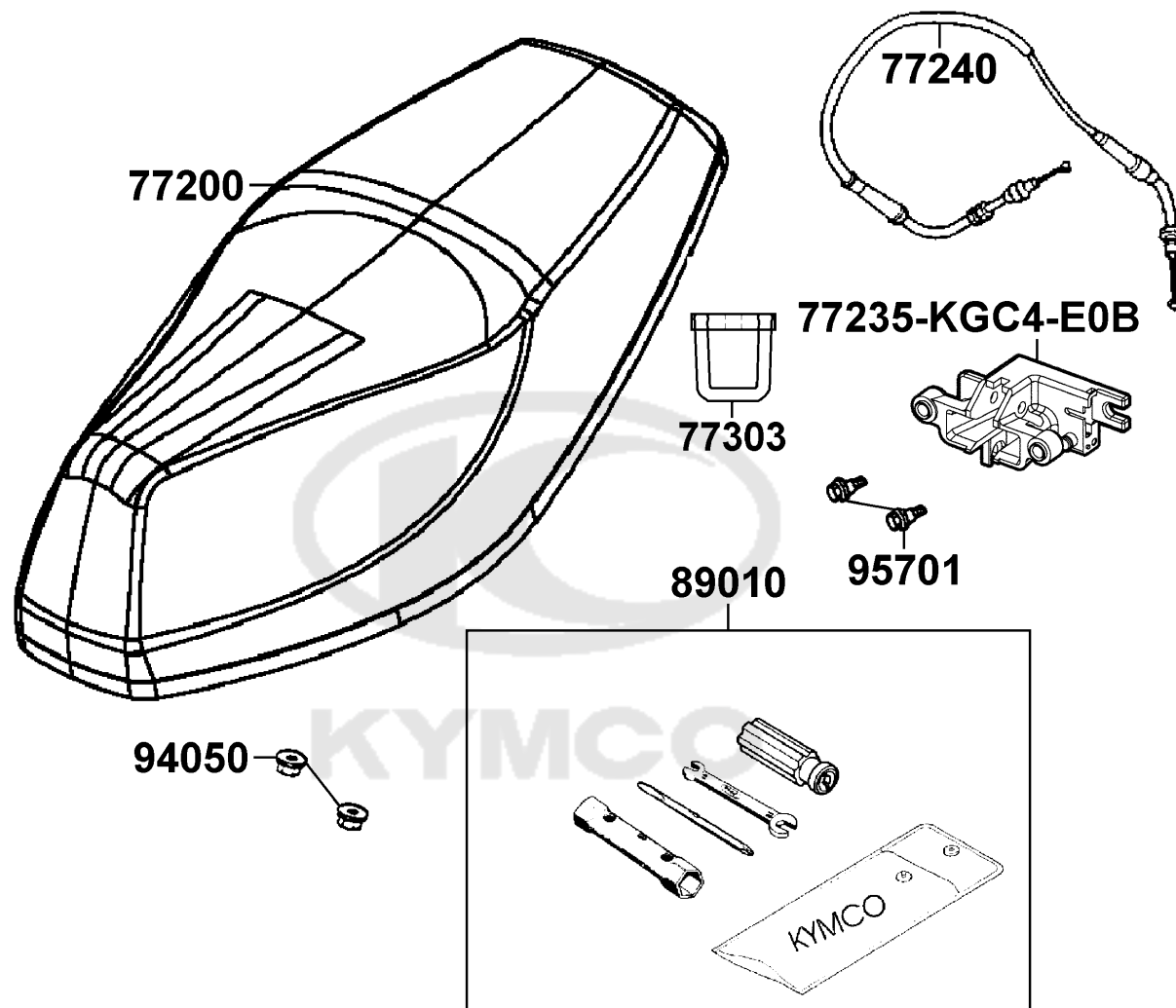




Sales mark 記号	Ref no 参照用番号	Part no パーツ番号	Description 部品名	Reg description 部品名	Regd no 必要個数	Ref Price 希望小売価格(税抜)	F08
**	42610	42610-GKAK-901	HUB SUB COMP RR	HUB SUB COMP RR	1	7610	
**	42705	42705-KHC4-900	RIM COMP WHEEL	RIM COMP WHEEL	1	7610	
	42710	42710-LAB4-90B	TIRE ASSY RR/100/80-10 53J/MAXXIS	TIRE ASSY RR/100/80-10 53J/MAXXIS	1	9910	
	4312A	4312A-LAB4-90A	SHOE COMP RR BRAKE	SHOE COMP RR BRAKE	2	2110	
	4312A	4312A-LAB4-90B	SHOE COMP RR BRAKE	SHOE COMP RR BRAKE	2	2510	
	4312A	4312A-LGM1-91A	SHOE ASSY BRAKE (E206)	SHOE ASSY BRAKE (E206)	1	2630	
	4312A	4312A-LGM1-91B	SHOE ASSY BRAKE (D103)	SHOE ASSY BRAKE (D103)	1	2300	
	43141	43141-LAB4-900	CAM RR BRK	CAM RR BRK	1	1470	
	43410	43410-KFA1-900	ARM COMP RR BRAKE	ARM COMP RR BRAKE	1	610	
	45133	45133-0H28-001	SPRING BRAKE SHOE	SPRING BRAKE SHOE	2	160	
	90110	90110-KHG8-901	BOLT STUD2 8*22	BOLT STUD2 8*22	4	130	
	90305	90305-KNBN-90B	NUT U 16MM	NUT U 16MM	1	110	
	90309	90309-GLW0-90A	NUT U FLANGE 8MM	NUT U FLANGE 8MM	4	110	
	90501	90501-KNBN-901	WASHER 16MM	WASHER 16MM	1	80	
	91352	91352-KHG8-83B	O-RING 11.3*1.3	O-RING 11.3*1.3	1	60	
	95701	95701-06032-06	BOLT FLANGE 6*32	BOLT FLANGE 6*32	1	60	

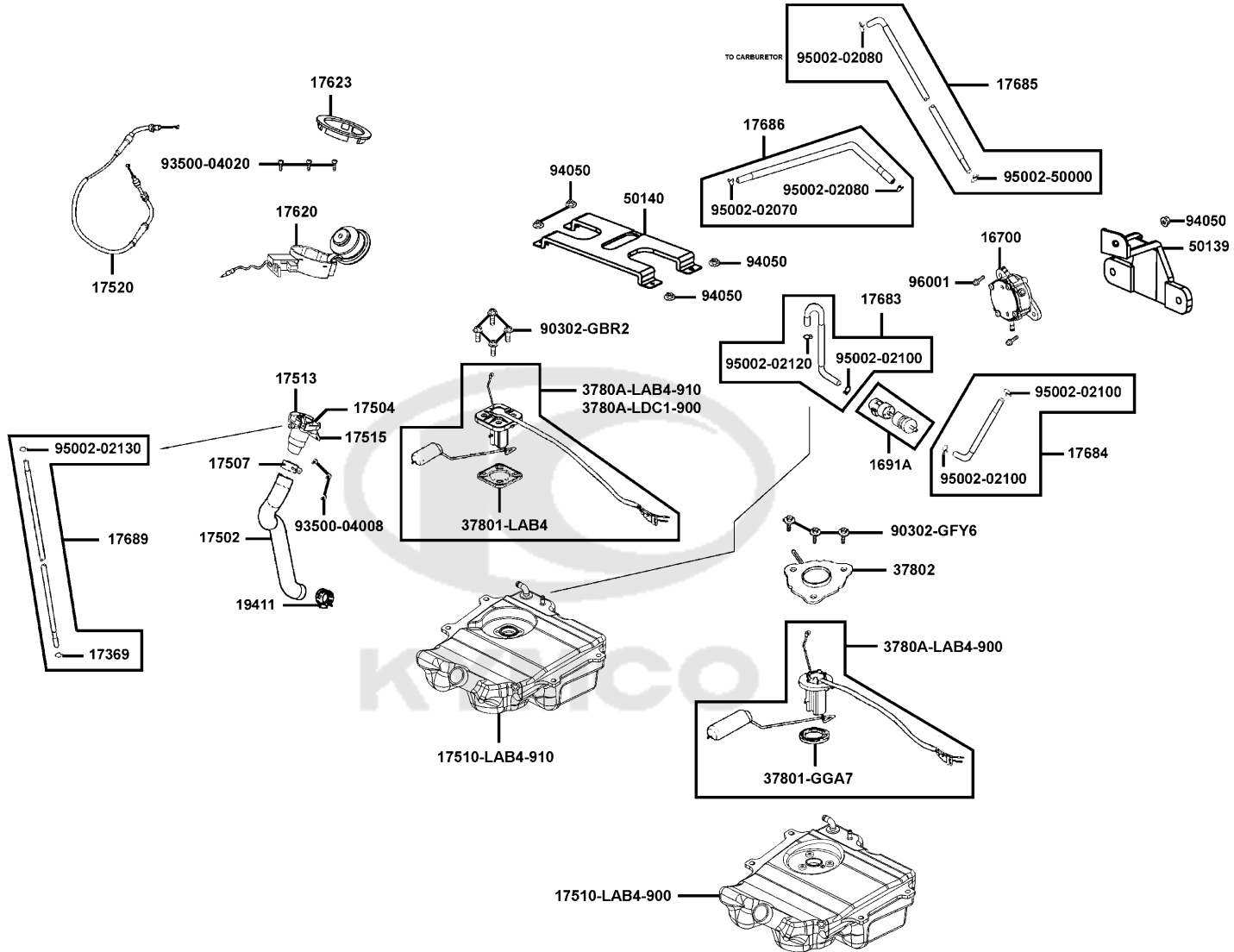
F09

Seat



Sales mark 記号	Ref no 参照用番号	Part no パーツ番号	Description 部品名	Reg description 部品名	Regd no 必要個数	Ref Price 希望小売価格(税抜)	F09
**	77200	77200-LAB4-B30	SEAT COMP/K01Y-OBC	SEAT COMP/K01Y-OBC	1	10750	
	77235-KGC4-E0B	77235-KGC4-E0B	SEAT CATCH	SEAT CATCH COMP	1	2100	
	77240	77240-LAB4-900	CABLE SEAT LOCK	CABLE SEAT LOCK	1	1530	
	77303	77303-KGC4-E00	HOOK SEAT LOCK	HOOK SEAT LOCK	1	320	
	89010	89010-KGBG-900	TOOL SET	TOOL SET	1	1720	
	94050	94050-06080	NUT FLANGE 6MM	NUT FLANGE 6MM	2	60	
	95701	95701-06012-06	BOLT FLANGE 6*22 (K)	BOLT FLANGE 6*22 (K)	1	60	



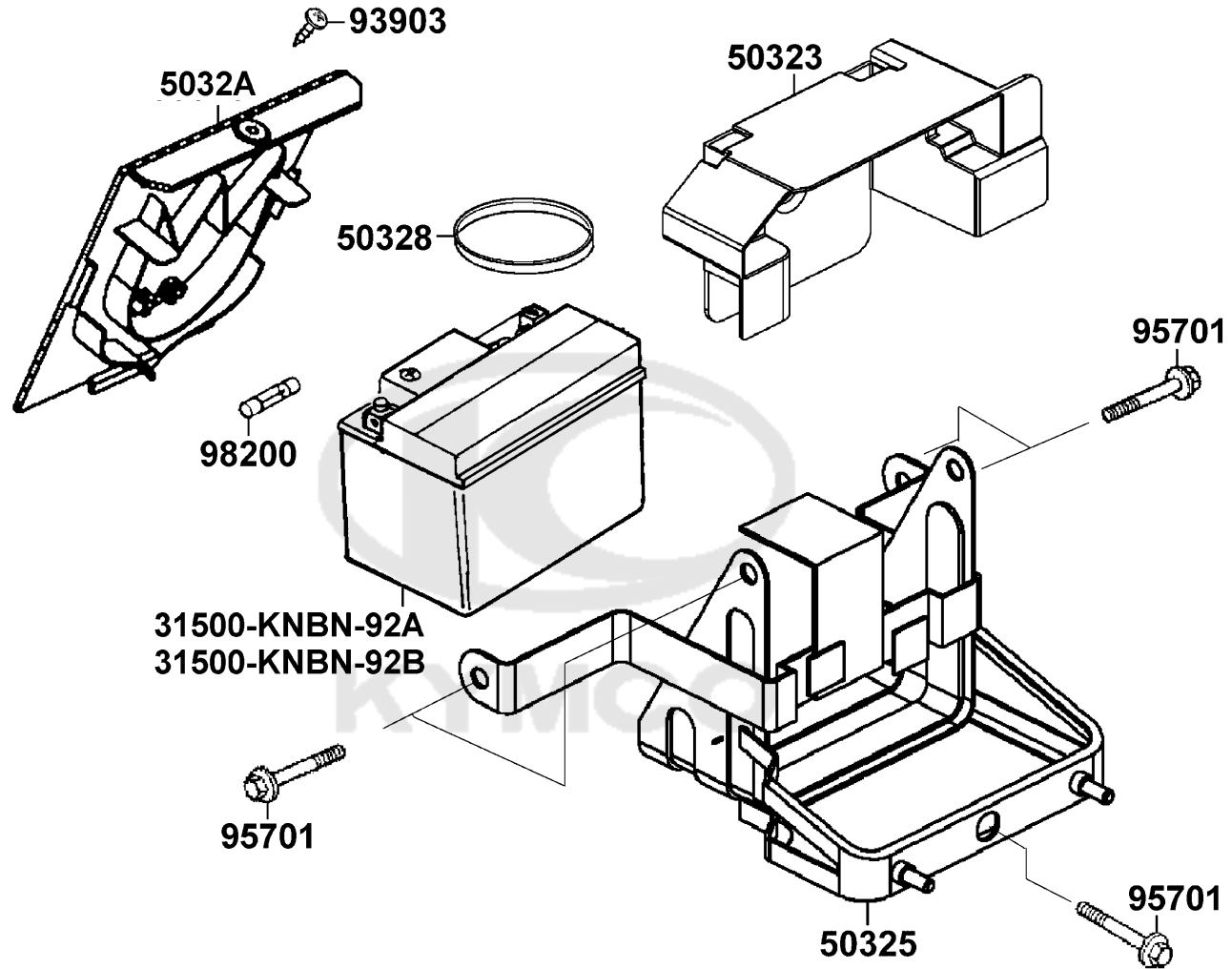


Sales mark 記号	Ref no 参照用番号	Part no パーツ番号	Description 部品名	Reg description 部品名	Regd no 必要個数	Ref Price 希望小売価格(税抜)	F10
	16700	16700-KHE2-900	FUEL PUMP ASSY	FUEL PUMP ASSY	1	8750	
	1691A	1691A-KEC2-E00	STRAINER ASSY FUEL	STRAINER ASSY FUEL	1	1010	
	17369	17369-KHC4-900	CLIP BREATHER TUBE	CLIP BREATHER TUBE	1	160	
	17502	17502-LAB4-900	HOSE FUEL	HOSE FUEL	1	1530	
	17504	17504-LAB4-B20	PIPE COMP FUEL FILLER **(0)	PIPE COMP FUEL FILLER **(0) C.2005.04.22	1	1370	
	17507	17507-LAB4-900	BAND 50 FUEL HOSE	BAND 50 FUEL HOSE	1	390	
	17510-LAB4-900	17510-LAB4-900	FUEL TANK COMP	FUEL TANK COMP	1	8520	
	17510-LAB4-910	17510-LAB4-910	FUEL TANK COMP	FUEL TANK COMP	1	9890	
	17513	17513-LAB4-900	STAY A FUEL FILLER **(0) C.2005.04.22	STAY A FUEL FILLER **(0) C.2005.04.22	1	230	
	17515	17515-LAB4-900	STAY B FUEL FILLER	STAY B FUEL FILLER	1	230	
	17520	17520-LAB4-900	CABLE COMP FUEL CAP	CABLE COMP FUEL CAP	1	1250	
**	17620	17620-LLJ3-E0B	CAP COMP FUEL FILLER	CAP COMP FUEL FILLER	1	4190	
	17623	17623-LAB4-90B	COLLAR FUEL FILLER	COLLAR FUEL FILLER	1	390	
	17683	17683-LAB4-900	TUBE TANK-STRAINER	TUBE TANK-STRAINER	1	390	
	17684	17684-LAB4-900	TUBE STRAINER-PUMP	TUBE STRAINER-PUMP	1	580	
	17685	17685-LAB4-900	TUBE PUMP-CARB	TUBE PUMP-CARB	1	1150	
	17686	17686-LAB4-900	TUBE PUMP-INLET PIPE	TUBE PUMP-INLET PIPE	1	350	
	17689	17689-LAB4-B20	TUBE TANK-FILLER **(0) C.2005.04.22	TUBE TANK-FILLER **(0) C.2005.04.22	1	450	
	19411	19411-KHC4-900	CLIP HOSE	CLIP HOSE	1	490	
	37801-GGA7	37801-GGA7-701	PACKING BASE	PACKING BASE	1	130	



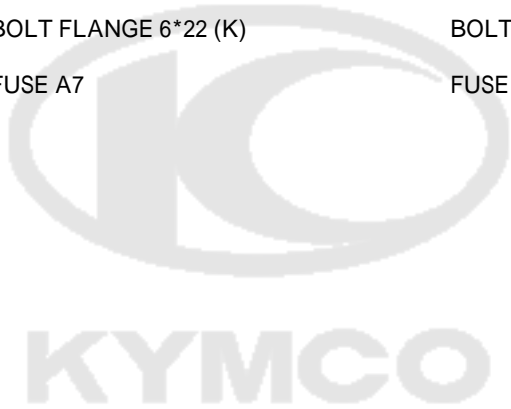
Sales mark 記号	Ref no 参照用番号	Part no パーツ番号	Description 部品名	Reg description 部品名	Regd no 必要個数	Ref Price 希望小売価格(税抜)
	37801-LAB4	37801-LAB4-910	PACKING BASE	PACKING BASE	1	390
	37802	37802-KEC8-900	RET FUEL UNIT	RET FUEL UNIT	1	390
	3780A-LAB4-900	3780A-LAB4-900	FUEL UNIT ASSY	FUEL UNIT ASSY	1	3050
	3780A-LAB4-910	3780A-LAB4-910	FUEL UNIT ASSY	FUEL UNIT ASSY	1	3240
	3780A-LDC1-900	3780A-LDC1-900	FUEL UNIT ASS.Y.	FUEL UNIT ASS.Y.	1	3240
	50139	50139-LAB4-900	STAY FUEL PUMP *(0) C.2005.04.25	STAY FUEL PUMP *(0) C.2005.04.25	1	580
	50140	50140-LAB4-900	PLATE FLOOR *(0) C.2005.04.25	PLATE FLOOR *(0) C.2005.04.25	1	1340
	90302-GBR2	90302-GBR2-001	BOLT WASH 5*16	BOLT WASH 5*16	4	60
	90302-GFY6	90302-GFY6-901	BOLT WASH 5*12 *(1) C.V.	BOLT WASH 5*12 *(1) C.V.	3	60
	93500-04008	93500-04008-0F	SCREW PAN 4*8 (G)	SCREW PAN 4*8 (G)	1	200
	93500-04020	93500-04020-0G	SCREW PAN 4*20	SCREW PAN 4*20	3	60
	94050	94050-06080	NUT FLANGE 6MM	NUT FLANGE 6MM	5	60
	95002-02070	95002-02070	CLIP B7 TUBE	CLIP B7 TUBE	1	60
	95002-02080	95002-02080	CLIP B8 TUBE	CLIP B8 TUBE	2	60
	95002-02100	95002-02100	CLIP B15 TUBE	CLIP B15 TUBE	3	60
	95002-02120	95002-02120	CLIP B12 TUBE	CLIP B12 TUBE	1	60
	95002-02130	95002-02130	CLIP B12.5 TUBE	CLIP B12.5 TUBE	1	60
	95002-50000	95002-50000	CLIP C9 TUBE	CLIP C9 TUBE	1	60
	96001	96001-06016-06	BOLT FLANGE SH 6X16	BOLT FLANGE SH 6X16	1	60

F10



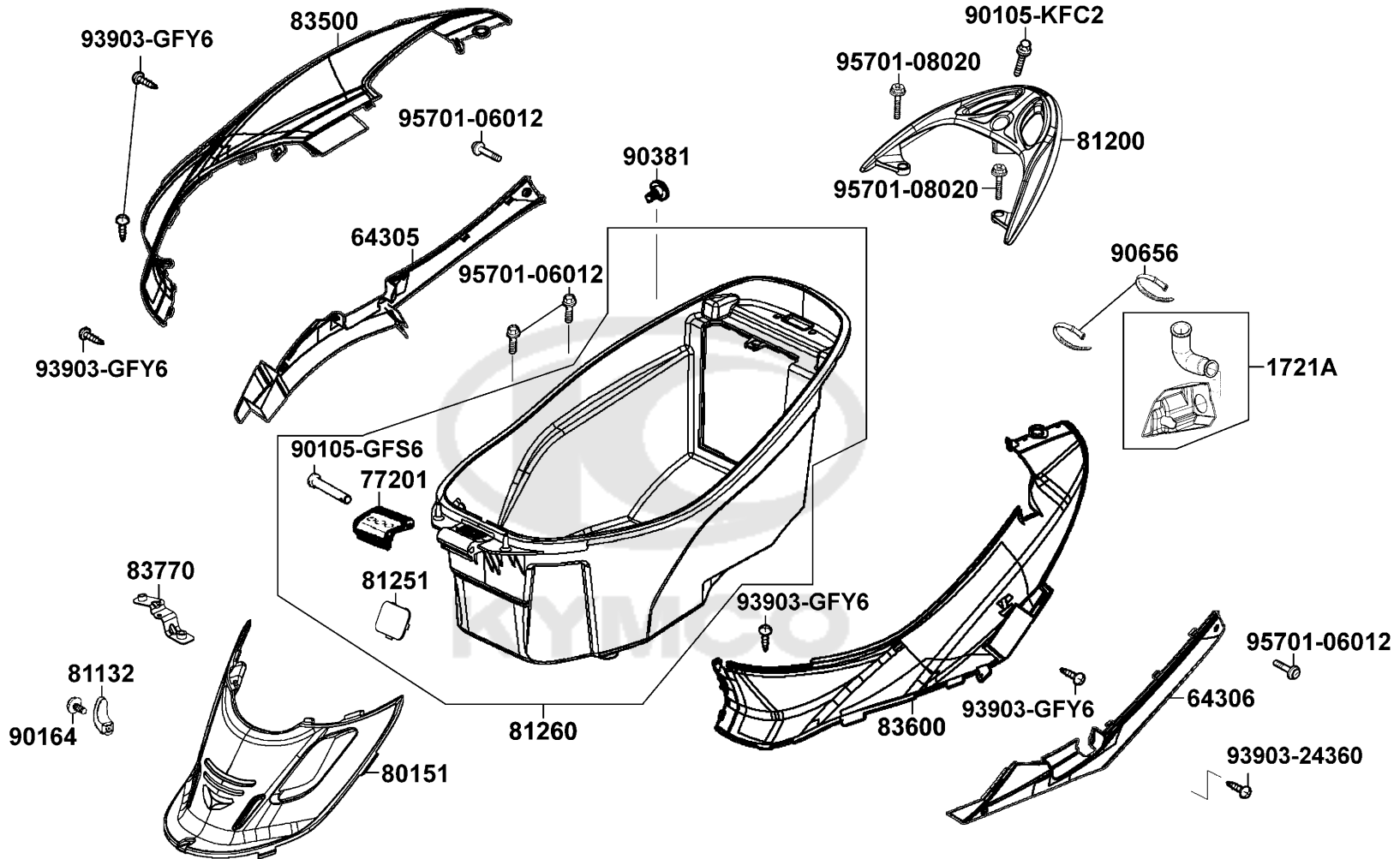


Sales mark 記号	Ref no 参照用番号	Part no パーツ番号	Description 部品名	Reg description 部品名	Regd no 必要個数	Ref Price 希望小売価格(税抜)	F11
	31500-KNBN-92A	31500-KNBN-92A	BATTERY YTX5L-BS	BATTERY YTX5L-BS	1	11130	
	31500-KNBN-92B	31500-KNBN-92B	BATTERY YTX5L-BS	BATTERY YTX5L-BS	1	11130	
	50323	50323-LAB4-900	BOX BATTERY **(0) C.2005.04.25	BOX BATTERY **(0) C.2005.04.25	1	580	
	50325	50325-LAB4-900	STAY BATTERY CASE *(1) C.2005.04.25	STAY BATTERY CASE *(1) C.2005.04.25	1	2960	
	50328	50328-KNBN-200	BAND BATTERY	BAND BATTERY	1	200	
**	5032A	5032A-LAB4-900	COVER BATTERY	COVER BATTERY	1	680	
	93903	93903-34360	SCREW WASHER 4*12	SCREW WASHER 4*12	1	60	
	95701	95701-06012-06	BOLT FLANGE 6*22 (K)	BOLT FLANGE 6*22 (K)	1	60	
	98200	98200-10700	FUSE A7	FUSE A7	1	60	



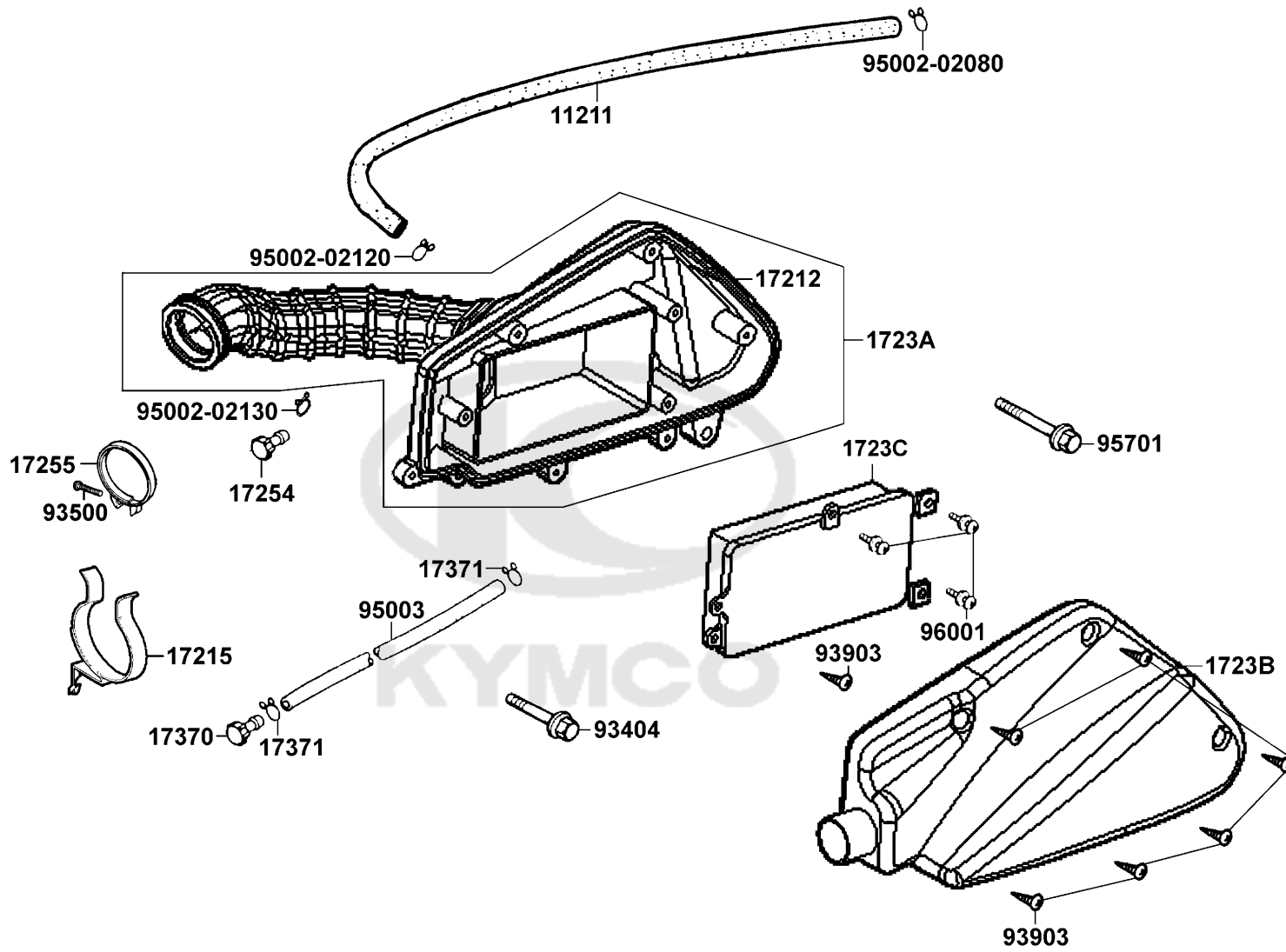
F12

Body Cover Luggage Box



Sales mark 記号	Ref no 参照用番号	Part no パーツ番号	Description 部品名	Reg description 部品名	Regd no 必要個数	Ref Price 希望小売価格(税抜)
	1721A	1721A-LAB4-900	DUCT ASSY AIR/C ** (0) C.2005.04.22	DUCT ASSY AIR/C ** (0) C.2005.04.22	1	1060
**	64305	64305-LAB4-900	SKIRT R SIDE ** (0) C.2005.10.18	SKIRT R SIDE ** (0) C.2005.10.18	1	2860
**	64306	64306-LAB4-900	SKIRT L SIDE ** (0) C.2005.10.18	SKIRT L SIDE ** (0) C.2005.10.18	1	2860
	77201	77201-GFS6-001	HINGE SEAT	HINGE SEAT	1	580
**	80151	80151-LAB4-900	COVER PLUG CENTER ** (0) C.2005.04.26	COVER PLUG CENTER ** (0) C.2005.04.26	1	770
**	81132	81132-GHAH-001	HOOK LUGGAGE	HOOK LUGGAGE	1	300
	81251	81251-LAB4-900	LID CARB MAINT	LID CARB MAINT	1	300
	81260	81260-LAB4-900	BOX ASSY LUGGAGE ** (5) C.2003.06.07	BOX ASSY LUGGAGE ** (5) C.2003.06.07	1	5330
	83770	83770-LAB4-900	HOOK STAY CENTER ** (0) C.2003.04.28	HOOK STAY CENTER ** (0) C.2003.04.28	1	490
	90105-GFS6	90105-GFS6-001	PIN HINGE	PIN HINGE	1	300
	90105-KFC2	90105-KFC2-900	BOLT WASH 8*32	BOLT WASH 8*32	1	390
	90164	90164-KGBG-900	SCREW SPECIAL 6MM	SCREW SPECIAL 6MM	1	60
	90381	90381-GEZ5-001	SCREW SPECIAL 6*17	SCREW SPECIAL 6*17	1	200
	90656	90656-KCBC-900	BAND OIL HANDLE	BAND OIL HANDLE	1	60
	93903-24360	93903-24360	SCREW TAPPING 4*12	SCREW TAPPING 4*12	1	60
	93903-GFY6	93903-GFY6-900	SCREW WASHER 4*12	SCREW WASHER 4*12	5	60
	95701-06012	95701-06012-06	BOLT FLANGE 6*22 (K)	BOLT FLANGE 6*22 (K)	1	60
	95701-08020	95701-08020-06	BOLT FLANGE 8*20MM **07	BOLT FLANGE 8*20MM **07 C.2005.07.01	1	160

F12

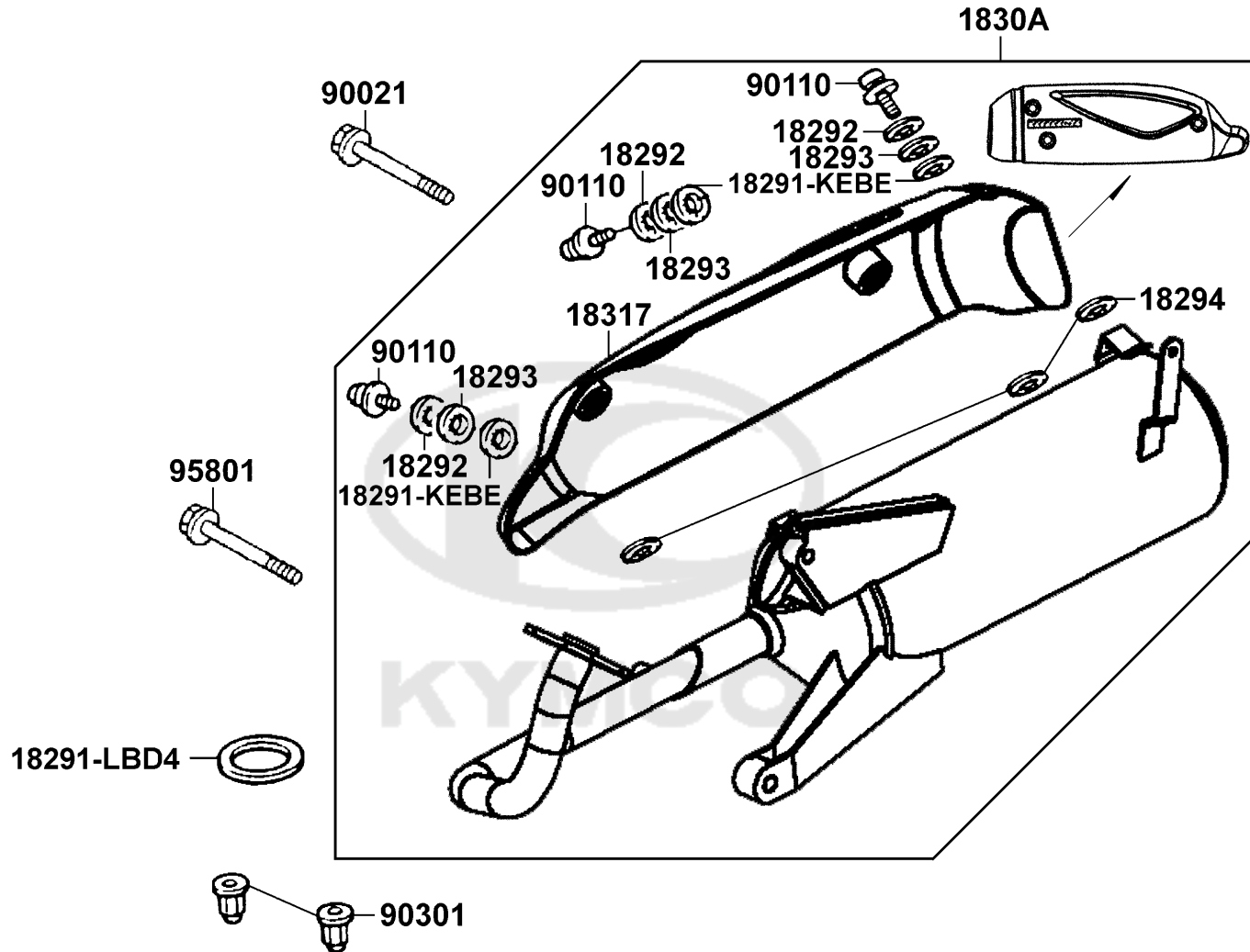


Sales mark 記号	Ref no 参照用番号	Part no パーツ番号	Description 部品名	Reg description 部品名	Regd no 必要個数	Ref Price 希望小売価格(税抜)
11211	11211-LAB4-900	11211-LAB4-900	TUBE BREATHER ** (0) C.2005.04.22	TUBE BREATHER ** (0) C.2005.04.22	1	420
17212	17212-LAB4-900	17212-LAB4-900	SEAL AIR/C CASE	SEAL AIR/C CASE	1	300
17215	17215-KGBG-90A	17215-KGBG-90A	CLIP ASSY A/C DUCT	CLIP ASSY A/C DUCT	1	580
1723A	1723A-LAB4-900	1723A-LAB4-900	CASE ASSY AIR/C	CASE ASSY AIR/C	1	4070
1723B	1723B-LAB4-900	1723B-LAB4-900	COVER COMP AIR/C	COVER COMP AIR/C	1	1530
1723C	1723C-LAB4-900	1723C-LAB4-900	ELEMENT COMP AIR/C	ELEMENT COMP AIR/C	1	1560
17254	17254-KACA-P00	17254-KACA-P00	PLUG AIR/C CONN TUBE	PLUG AIR/C CONN TUBE	1	200
17255	17255-KGBG-900	17255-KGBG-900	BAND A CONNECTING TUBE	BAND A CONNECTING TUBE	1	300
17370	17370-4K19-670	17370-4K19-670	PLUG BREATHER TUBE	PLUG BREATHER TUBE	1	200
17371	17371-1D74-671	17371-1D74-671	CLIP BREATHER TUBE	CLIP BREATHER TUBE	2	60
93404	93404-06025-06	93404-06025-06	BOLT WASHER 6*25	BOLT WASHER 6*25	1	200
93500	93500-04025-0A	93500-04025-0A	SCREW PAN 4*25	SCREW PAN 4*25	1	200
93903	93903-25360	93903-25360	SCREW TAPPING 5*16	SCREW TAPPING 5*16	7	60
95002-02080	95002-02080	95002-02080	CLIP B8 TUBE	CLIP B8 TUBE	1	60
95002-02120	95002-02120	95002-02120	CLIP B12 TUBE	CLIP B12 TUBE	1	60
95002-02130	95002-02130	95002-02130	CLIP B12.5 TUBE	CLIP B12.5 TUBE	1	60
95003	95003-23021-60	95003-23021-60	V TUBE 8*12*210	V TUBE 8*12*210	1	130
95701	95701-06032-06	95701-06032-06	BOLT FLANGE 6*32	BOLT FLANGE 6*32	1	60
96001	96001-LAB4-900	96001-LAB4-900	BOLT SPECIAL M5X16	BOLT SPECIAL M5X16	3	60

**F13**

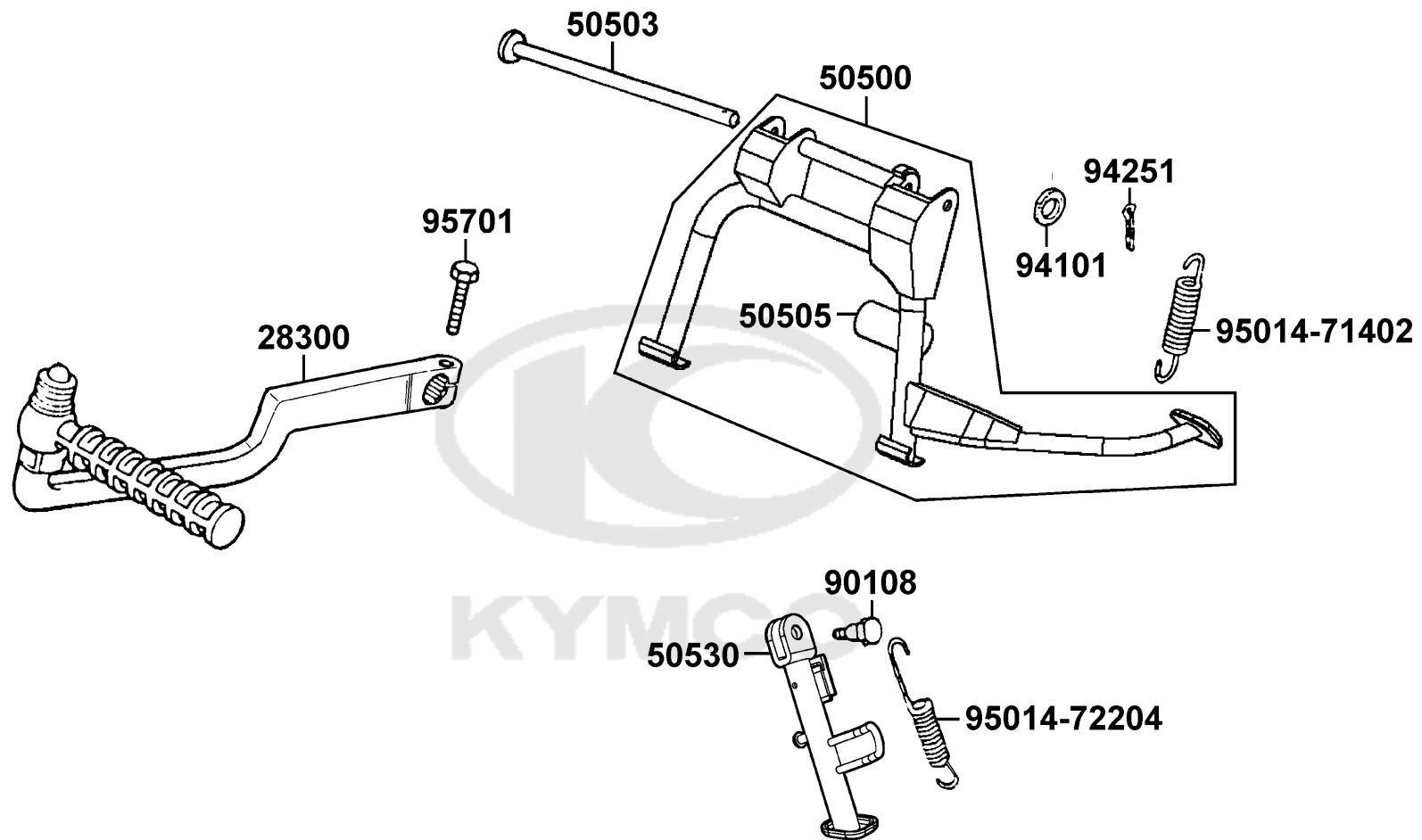
F14

Exhaust Muffler



Sales mark 記号	Ref no 参照用番号	Part no パーツ番号	Description 部品名	Reg description 部品名	Regd no 必要個数	Ref Price 希望小売価格(税抜)
	18291-KEBE	18291-KEBE-900	COLLAR	COLLAR	3	60
	18291-LBD4	18291-LBD4-900	GASKET EXH PIPE	GASKET EXH PIPE	1	200
	18292	18292-KEBE-900	PACKING PROTECTOR	PACKING PROTECTOR	3	60
	18293	18293-KEBE-900	RUBBER PKG PROTR	RUBBER PKG PROTR	3	140
	18294	18294-KEBE-900	PACKING PROTECTOR	PACKING PROTECTOR	3	110
	1830A	1830A-LAB4-B20	MUFLER ASSY EXHAUST **(1)	MUFLER ASSY EXHAUST **(1)	1	24560
**	18317	18317-KHC4-B20	PROTECTOR COMP MUFFLER	PROTECTOR COMP MUFFLER	1	2960
	90021	90021-GFY6-900	BOLT WASHER COMP	BOLT WASHER COMP	1	90
	90110	90110-KFA6-900	SCREW SPECIAL 6*18	SCREW SPECIAL 6*18	3	70
	90301	90301-GFY6-901	NUT (HEX) CAP 8MM	NUT (HEX) CAP 8MM	2	140
	95801	95801-08042-06	BOLT FLANGE 8*42	BOLT FLANGE 8*42	1	70

F14

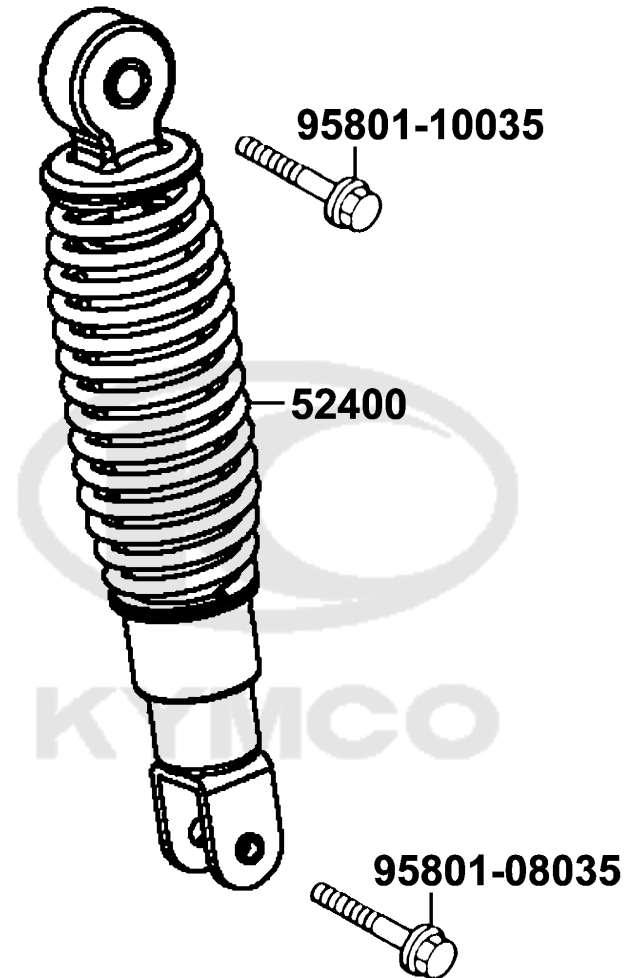






F16

Rear Cushion



Sales mark 記号	Ref no 参照用番号	Part no パーツ番号	Description 部品名	Reg description 部品名	Regd no 必要個数	Ref Price 希望小売価格(税抜)
------------------	-----------------	------------------	--------------------	------------------------	-----------------	-------------------------

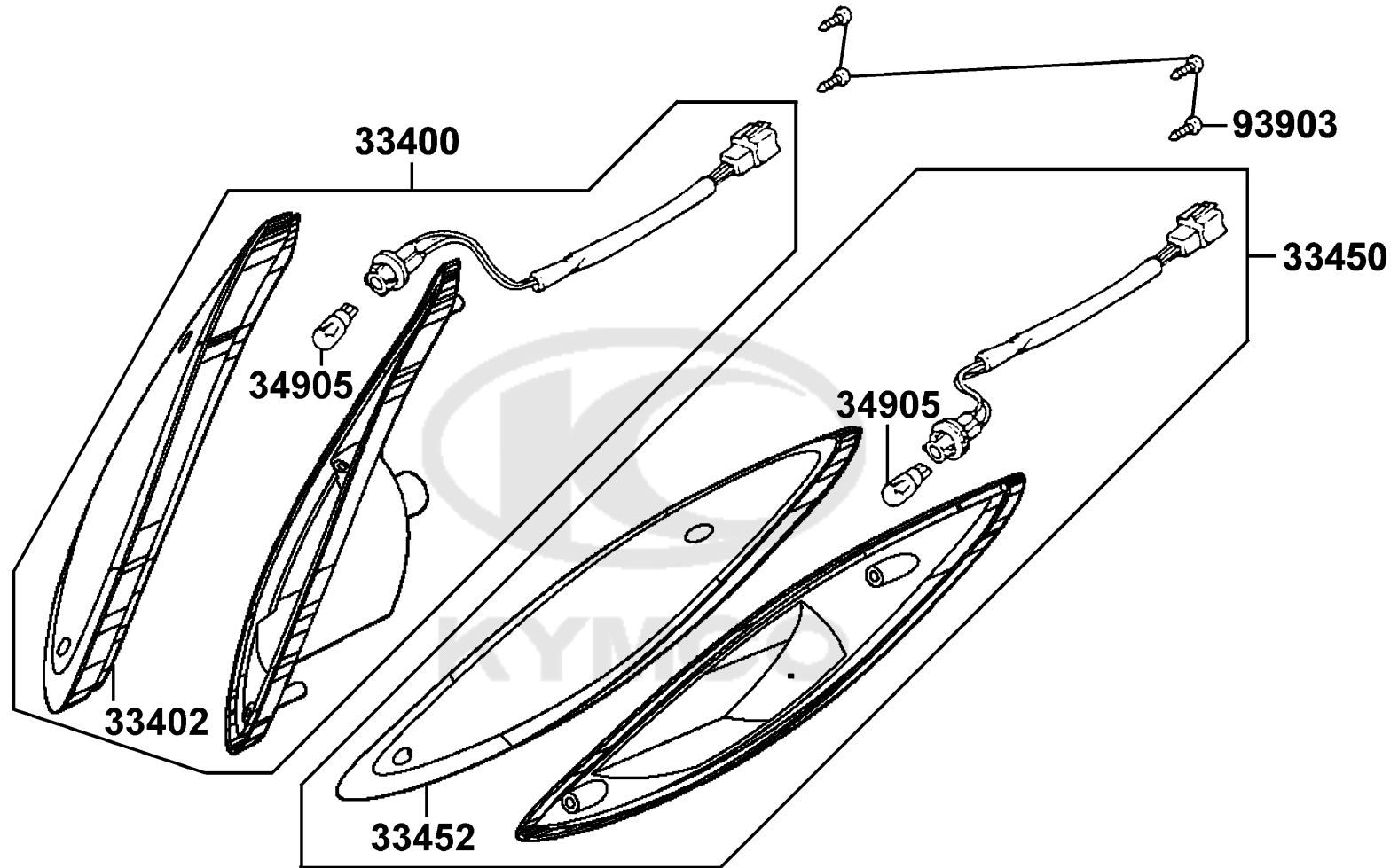
**F16**

**	52400	52400-LAB4-900	CUSHION ASSY RR	CUSHION ASSY RR	1	6470
	95801-08035	95801-08035-06	BOLT FLANGE 8*35	BOLT FLANGE 8*35	1	60
	95801-10035	95801-10035-06	BOLT FLANGE 10*35	BOLT FLANGE 10*35	1	300



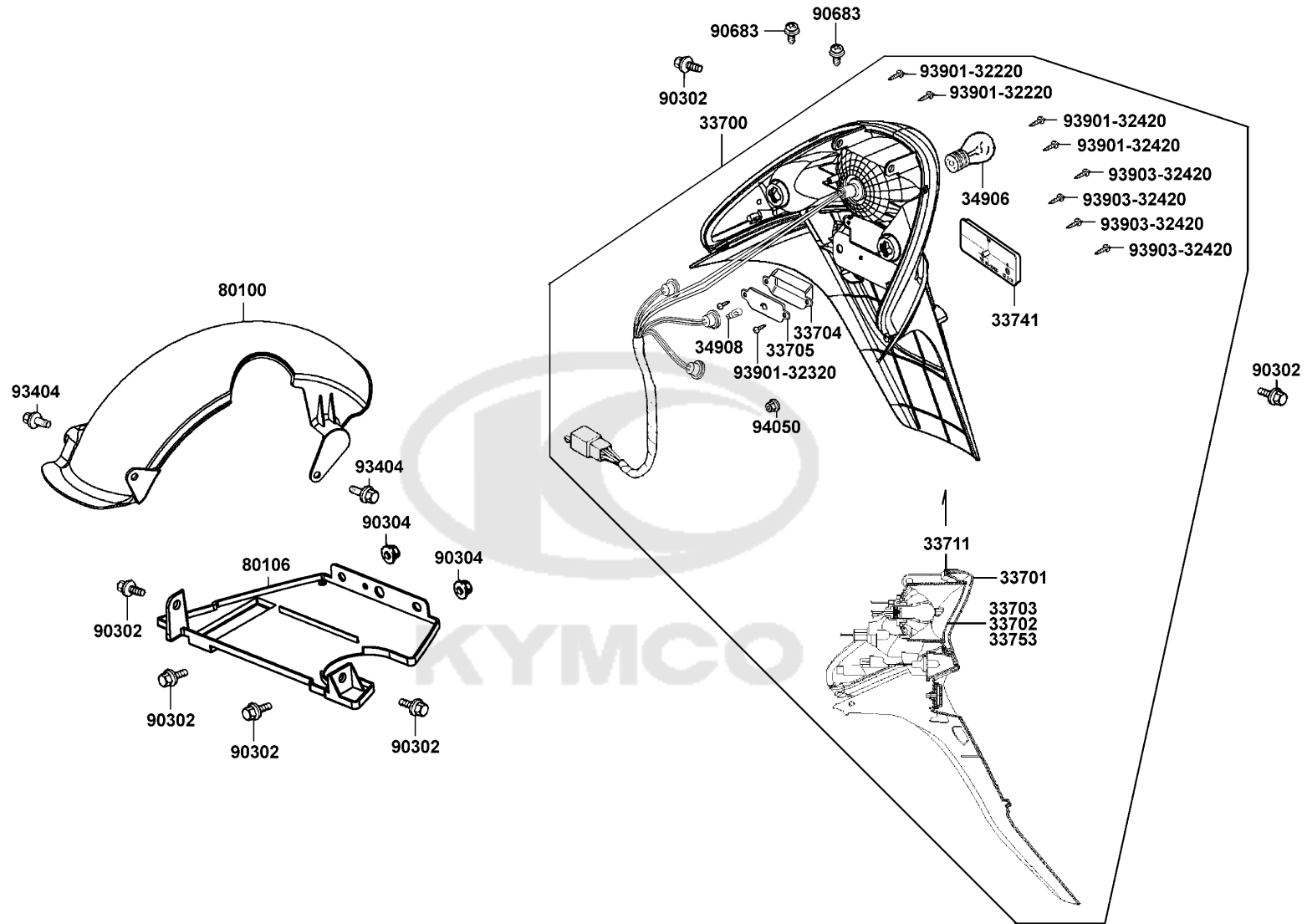
F17

Front Winker



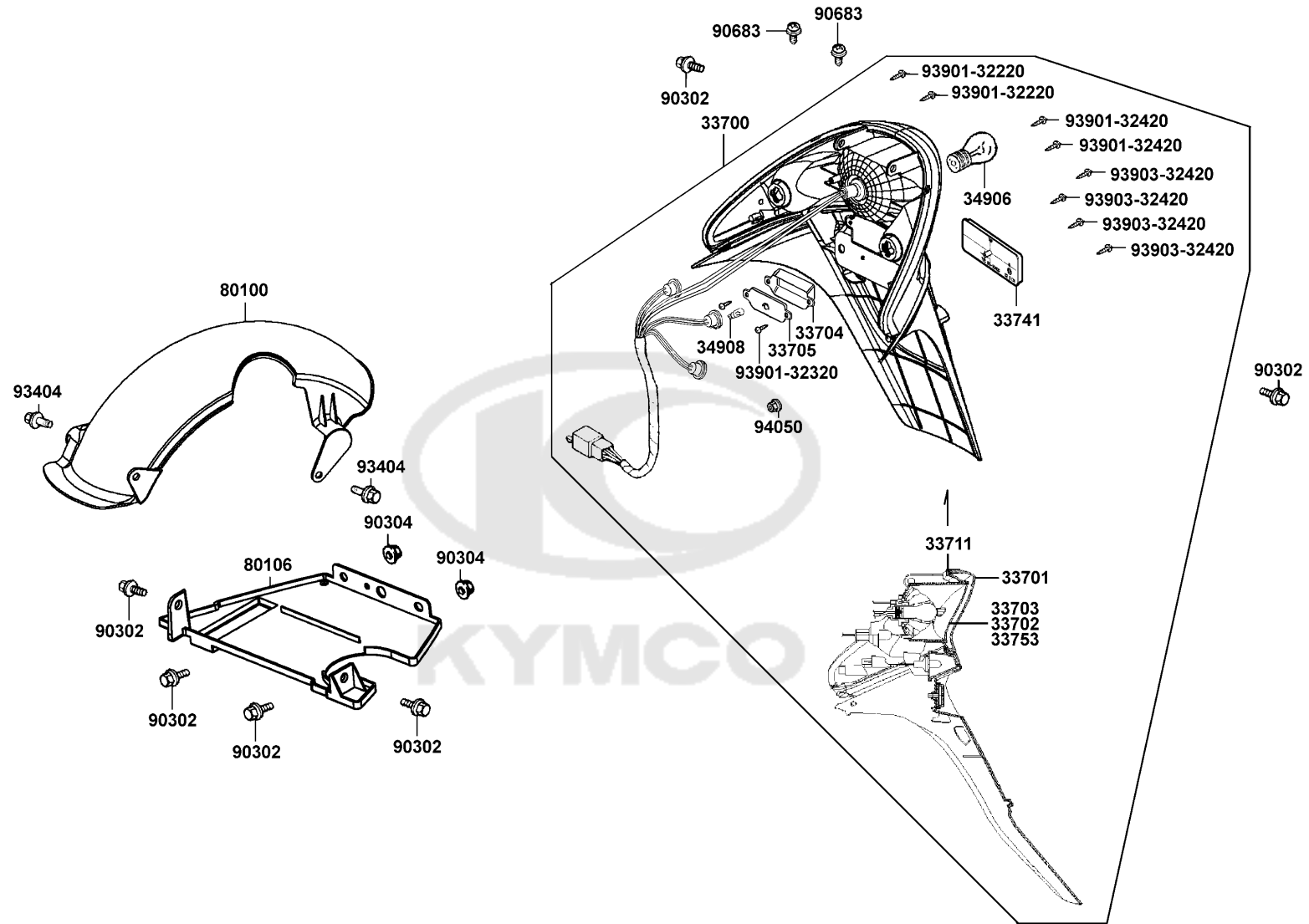
Sales mark 記号	Ref no 参照用番号	Part no パーツ番号	Description 部品名	Reg description 部品名	Regd no 必要個数	Ref Price 希望小売価格(税抜)	F17
33400	33400-LAB4-900	33400-LAB4-900	WINKER ASSY R FR ** (0) C.2005.04.22	WINKER ASSY R FR ** (0) C.2005.04.22	1	2320	
33402	33402-LAB4-900	33402-LAB4-900	LENS R FR WINKER ** (0) C.2005.04.22	LENS R FR WINKER ** (0) C.2005.04.22	1	590	
33450	33450-LAB4-900	33450-LAB4-900	WINKER ASSY L FR ** (0) C.2005.04.22	WINKER ASSY L FR ** (0) C.2005.04.22	1	2320	
33452	33452-LAB4-900	33452-LAB4-900	LENS L FR WINKER * (0) C.2005.04.22	LENS L FR WINKER * (0) C.2005.04.22	1	590	
34905	34905-KMCM-900	34905-KMCM-900	BULB WINKER	BULB WINKER	2	320	
93903	93903-34360	93903-34360	SCREW WASHER 4*12	SCREW WASHER 4*12	4	60	





Sales mark 記号	Ref no 参照用番号	Part no パーツ番号	Description 部品名	Reg description 部品名	Regd no 必要個数	Ref Price 希望小売価格(税抜)
	33700	33700-LAB4-900	LIGHT ASSY RR COMB **(0)	LIGHT ASSY RR COMB **(0) C.2003.05.12	1	10180
	33701	33701-LAB4-900	OUTER LENS TAIL LIGHT **C.2003.05.12	OUTER LENS TAIL LIGHT **C.2003.05.12	1	1910
	33702	33702-LAB4-900	LENS TAIL LIGHT **C.2003.05.12	LENS TAIL LIGHT **C.2003.05.12	1	390
	33703	33703-LAB4-900	LENS R RR WINKER **C.2003.05.12	LENS R RR WINKER **C.2003.05.12	1	390
	33704	33704-LAB4-900	LENS LICENSE	LENS LICENSE	1	200
	33705	33705-LAB4-900	BASE LICENSE LIGHT	BASE LICENSE LIGHT	1	390
	33711	33711-LAB4-900	PACKING **C.2003.05.12	PACKING **C.2003.05.12	1	580
	33741	33741-KEBE-900	REFLEX REFLECTOR	REFLEX REFLECTOR	1	680
	33753	33753-LAB4-900	LENS L RR WINKER **C.2003.05.12	LENS L RR WINKER **C.2003.05.12	1	390
	34906	34906-2H68-601	BULB TAIL LIGHT	BULB TAIL LIGHT	1	300
	34908	34908-GGA7-70A	BULB WEDGE BASE 12V*3.4W	BULB WEDGE BASE 12V*3.4W	1	130
	80100	80100-LAB4-900	FENDER RR TIRE **(0) C.2003.03.10	FENDER RR TIRE **(0) C.2003.03.10	1	490
**	80106	80106-LAB4-900	FENDER REAR INNER **900 C.2005.04.26	FENDER REAR INNER **900 C.2005.04.26	1	490
	90302	90302-GFY6-901	BOLT WASH 5*12 **(1) C.V.	BOLT WASH 5*12 **(1) C.V.	6	60
	90304	90304-4H38-001	NUT HEX CAP 6MM	NUT HEX CAP 6MM	2	200
	90683	90683-GAR1-004	CLIP BODY COVER	CLIP BODY COVER	2	60
	93404	93404-06016-06	BOLT WASHER 6*16	BOLT WASHER 6*16	2	60
	93901-32220	93901-32220	SCREW TAPPING 3*10	SCREW TAPPING 3*10	2	60
	93901-32320	93901-32320	SCREW TAPPING 3*12	SCREW TAPPING 3*12	2	60
	93901-32420	93901-32420	SCREW TAPPING 3*16	SCREW TAPPING 3*16	2	60

F18



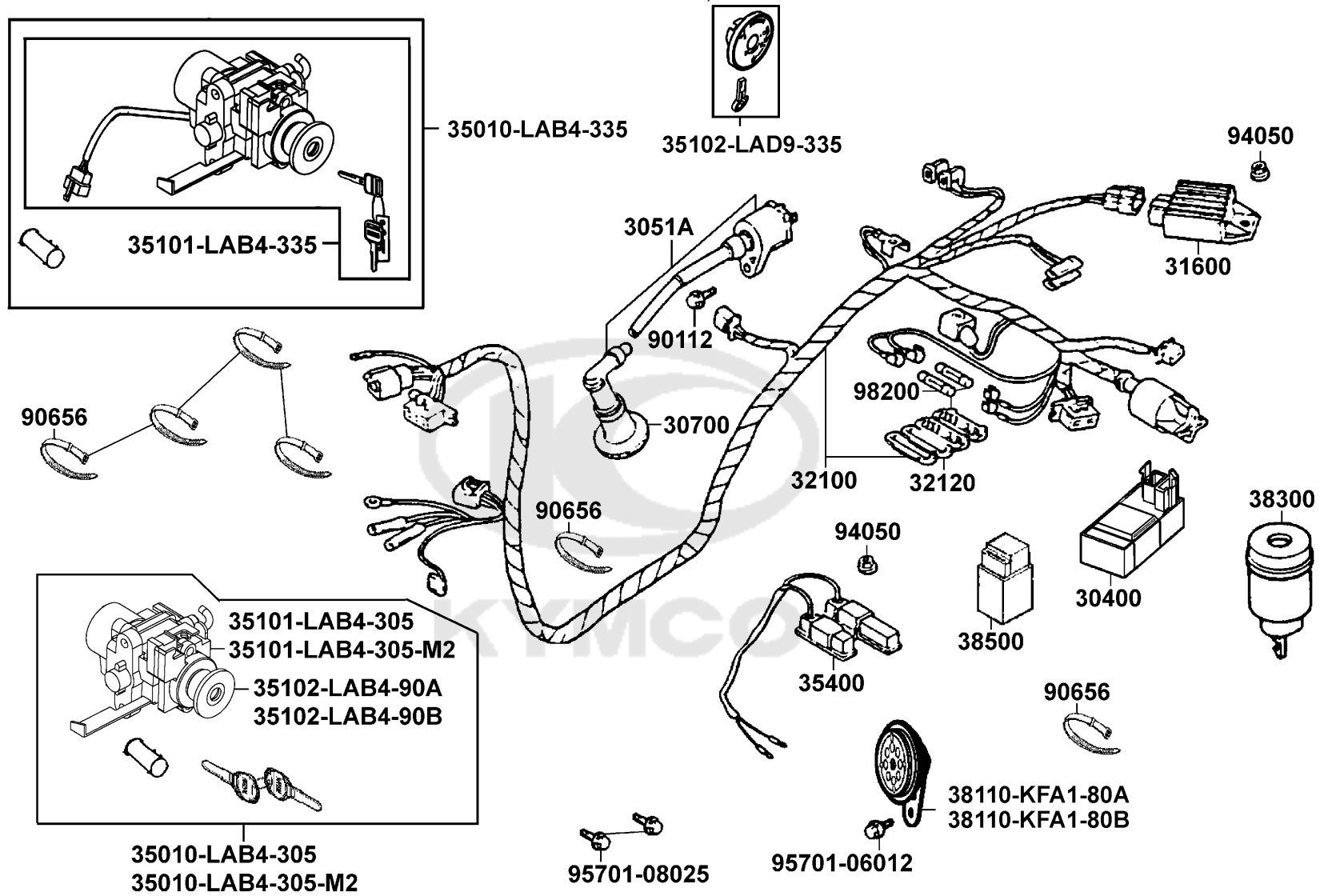


Sales mark 記号	Ref no 参照用番号	Part no パーツ番号	Description 部品名	Reg description 部品名	Regd no 必要個数	Ref Price 希望小売価格(税抜)
------------------	-----------------	------------------	--------------------	------------------------	-----------------	-------------------------

**F18**

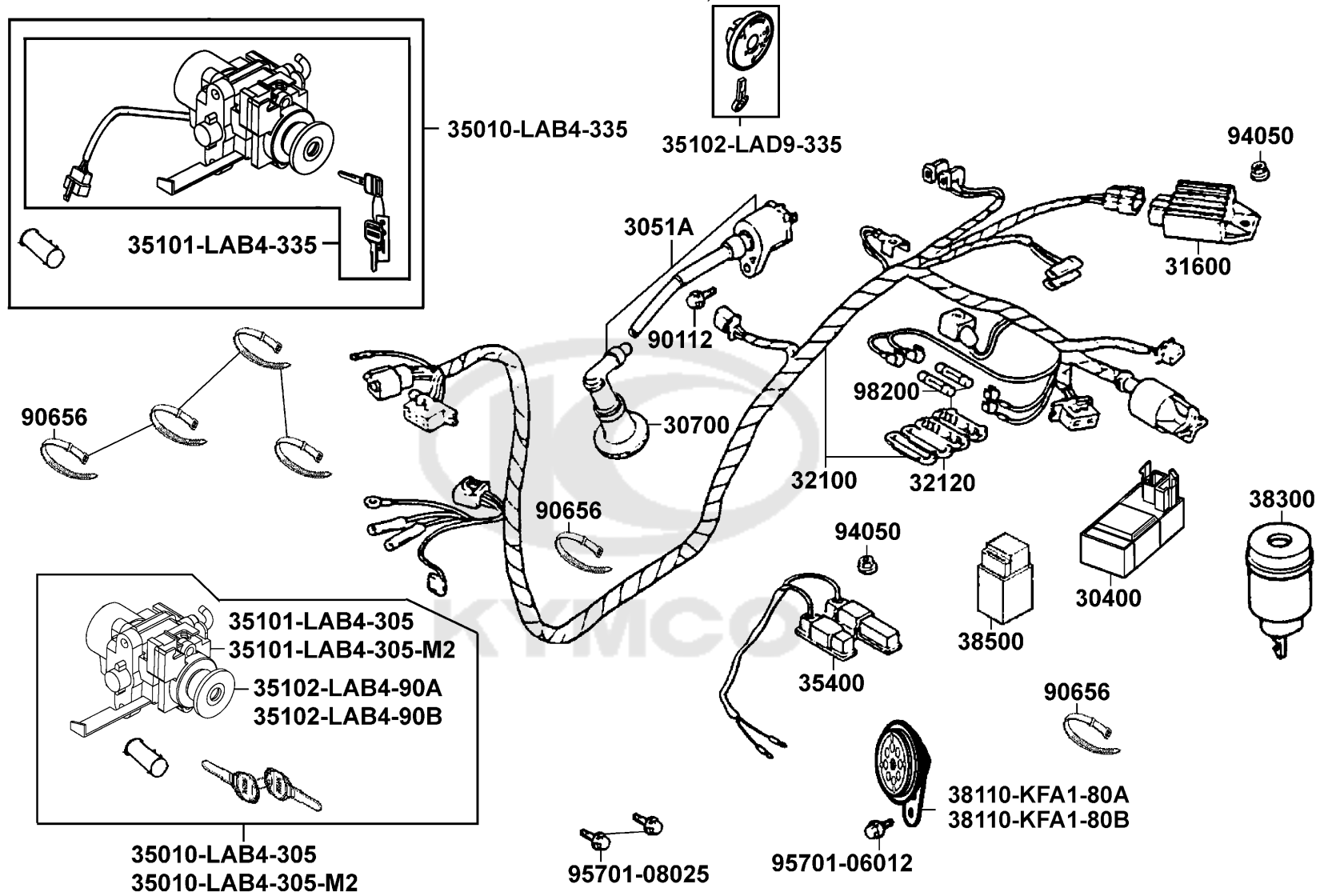
93903-32420	93903-32420	93903-32420	SCREW TAPPING 3*12	SCREW TAPPING 3*12	4	60
94050-05080	94050-05080	94050-05080	NUT FLANGE 5MM	NUT FLANGE 5MM	1	200





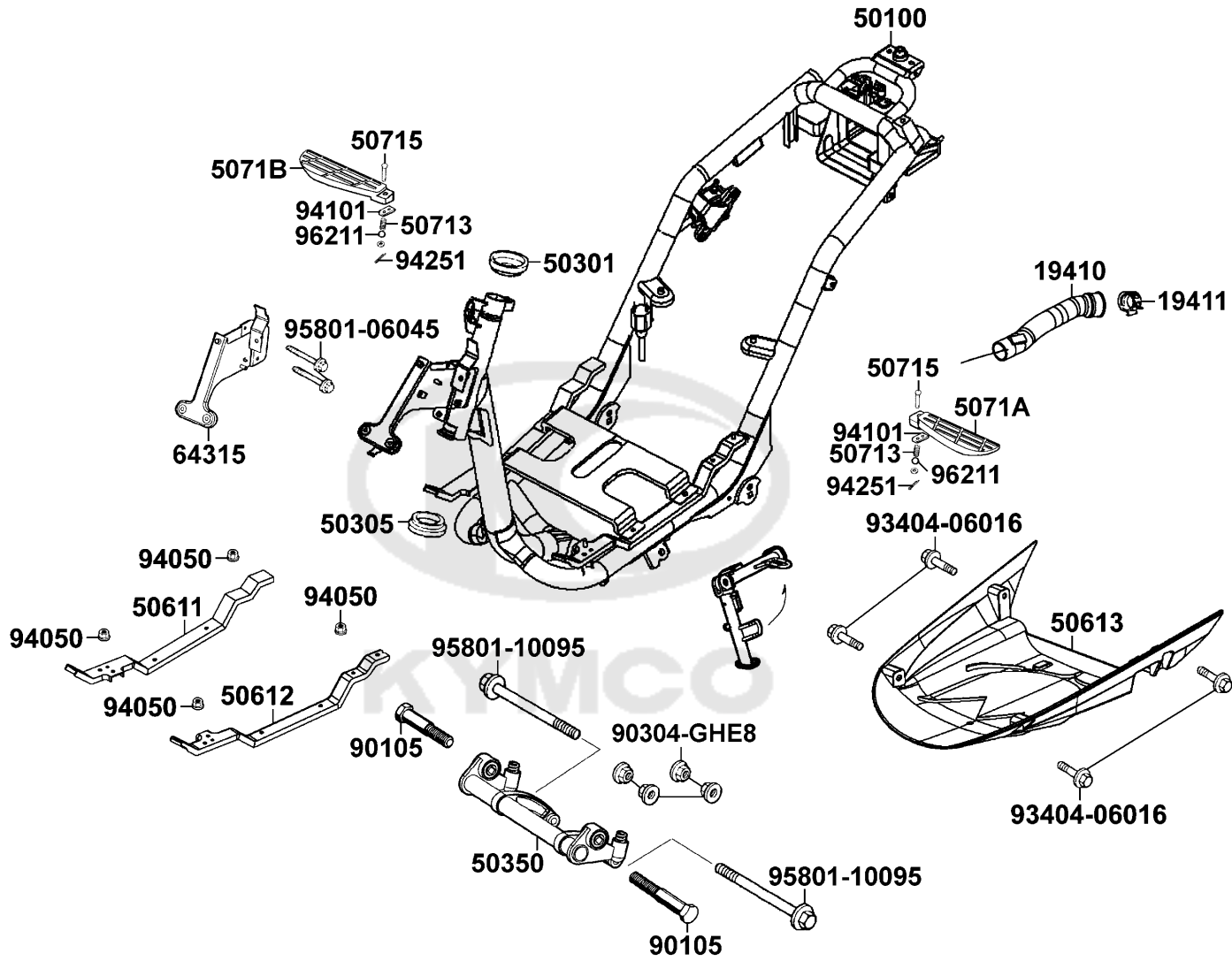
Sales mark 記号	Ref no 参照用番号	Part no パーツ番号	Description 部品名	Reg description 部品名	Regd no 必要個数	Ref Price 希望小売価格(税抜)
30400		30400-LAE3-900	UNIT ASSY CDI **(1) C.2003.06.10	UNIT ASSY CDI **(1) C.2003.06.10	1	15210
3051A		3051A-LLF5-900	COIL ASSY IGN **(0) C.2003.03.10	COIL ASSY IGN **(0) C.2003.03.10	1	4190
30700		30700-LLF5-900	CAP ASSY NOISE SUPPRESSOR **(1)	CAP ASSY NOISE SUPPRESSOR **(1) C.2003	1	1090
31600		31600-KUDU-900	REG REC COMP	REG REC COMP	1	2960
32100		32100-LAB4-B20	HARNESS WIRE **(2) C.2003.11.01	HARNESS WIRE **(2) C.2003.11.01	1	11600
32120		32120-1E55-001	CASE FUSE 7A	CASE FUSE 7A	2	110
35010-LAB4-305		35010-LAB4-305	KEY COMB & THROT GRIP LOCK	KEY COMB & THROT GRIP LOCK	1	13690
35010-LAB4-305-M2		35010-LAB4-305-M2	KEY COMB & THROT GRIP LOCK	KEY COMB & THROT GRIP LOCK	1	13310
35010-LAB4-335		35010-LAB4-335	KEY COMB THROT GRIP LOCK	KEY COMB THROT GRIP LOCK	1	16730
35101-LAB4-305		35101-LAB4-305	SW COMB & LOCK SET	SW COMB & LOCK SET	1	10460
35101-LAB4-305-M2		35101-LAB4-305-M2	SW COMB & LOCK SET	SW COMB & LOCK SET	1	10460
35101-LAB4-335		35101-LAB4-335	SW COMB & LOCK	SW COMB & LOCK	1	11410
35102-LAB4-90A		35102-LAB4-90A	COLLAR MAIN SW	COLLAR MAIN SW	1	350
35102-LAB4-90B		35102-LAB4-90B	COLLAR MAIN SW	COLLAR MAIN SW	1	350
35102-LAD9-335		35102-LAD9-335	SHUTTER MAGNETIC LOCK SET/SD	SHUTTER MAGNETIC LOCK SET/SD	1	5140
35400		35400-KHC4-B20	RESISTOR COMP	RESISTOR COMP	1	1110
38110-KFA1-80A		38110-KFA1-80A	HORN COMP	HORN COMP	1	1960
38110-KFA1-80B		38110-KFA1-80B	HORN COMP	HORN COMP	1	1250
38300		38300-KECE-900	RELAY ASSY WINKER	RELAY ASSY WINKER	1	2530
38500		38500-KKDK-900	RELAY ASSY START	RELAY ASSY START	1	2270

F19



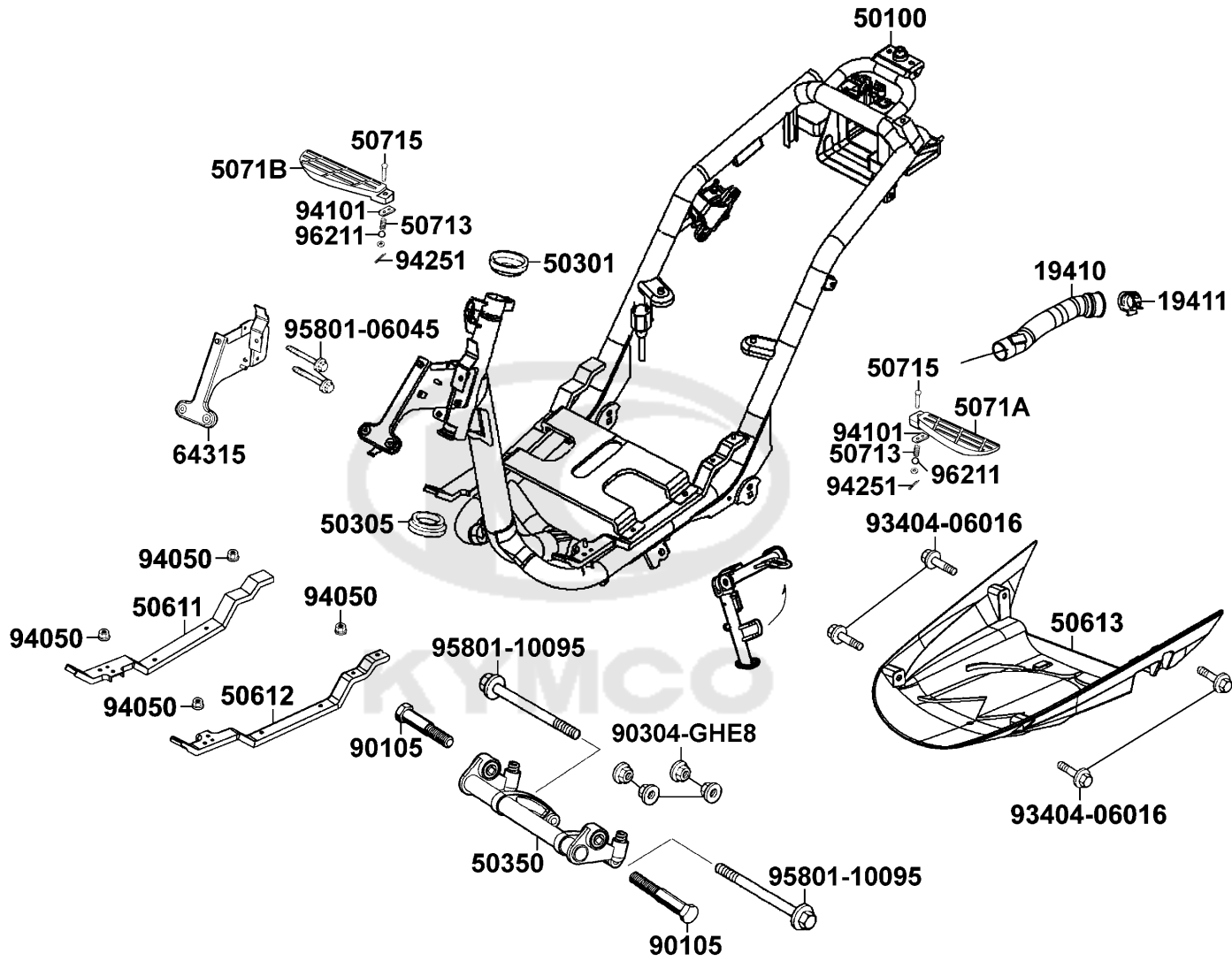
Sales mark 記号	Ref no 参照用番号	Part no パーツ番号	Description 部品名	Reg description 部品名	Regd no 必要個数	Ref Price 希望小売価格(税抜)	F19
90112		90112-KRDR-900	BOLT FLANGE 5*22	BOLT FLANGE 5*22	1	130	
90656		90656-KCBC-900	BAND OIL HANDLE	BAND OIL HANDLE	1	60	
94050		94050-06080	NUT FLANGE 6MM	NUT FLANGE 6MM	2	60	
95701-06012		95701-06012-06	BOLT FLANGE 6*22 (K)	BOLT FLANGE 6*22 (K)	1	60	
95701-08025		95701-08025-06	BOLT FLANGE 6*22 (K)	BOLT FLANGE 6*22 (K)	1	60	
98200		98200-10700	FUSE A7	FUSE A7	2	60	





Sales mark 記号	Ref no 参照用番号	Part no パーツ番号	Description 部品名	Reg description 部品名	Regd no 必要個数	Ref Price 希望小売価格(税抜)
19410		19410-LAB4-900	DUCT COOLING	DUCT COOLING	1	630
19411		19411-KNBN-900	CLIP HOSE	CLIP HOSE	1	390
50100		50100-LAB4-B20	BODY COMP FRAME **(2) C.2006.07.14	BODY COMP FRAME **(2) C.2006.07.14	1	48670
50301		50301-GLM0-001	RACE UP STRG BALL	RACE UP STRG BALL	1	440
50305		50305-GHC8-004	RACE (UNDER STR ) BALL	RACE (UNDER STR ) BALL	1	420
50350		50350-LAB4-900	HANGER ASSY ENG **(7) C.2006.05.09	HANGER ASSY ENG **(7) C.2006.05.09	1	10460
50611		50611-LAB4-900	RNFCT R FLOOR	RNFCT R FLOOR	1	1250
50612		50612-LAB4-900	RNFCT L FLOOR	RNFCT L FLOOR	1	1250
50613		50613-LAB4-900	COVER UNDER **(7) C.2003.10.31	COVER UNDER **(7) C.2003.10.31	1	1150
50713		50713-KEB7-900	SPRING	SPRING	2	160
50715		50715-KEB7-900	PIN RR STEP	PIN RR STEP	2	200
5071A		5071A-LLF5-900	BAR R STEP ASSY **(3) C.2004.08.02	BAR R STEP ASSY **(3) C.2004.08.02	1	1150
5071B		5071B-LLF5-900	BAR L STEP ASSY	BAR L STEP ASSY	1	1150
64315		64315-LAB4-B20	STAY FR COVER **(0) C.2004.04.08	STAY FR COVER **(0) C.2004.04.08	1	2100
90105		90105-KHC4-900	SQUARE BOLT M10X50	SQUARE BOLT M10X50	2	390
90304-GHE8		90304-GHE8-004	NUT CAP 6MM	NUT CAP 6MM	4	200
93404-06016		93404-06016-06	BOLT WASHER 6*16	BOLT WASHER 6*16	4	60
94050		94050-06080	NUT FLANGE 6MM	NUT FLANGE 6MM	4	60
94101		94101-06000	WASHER PLAIN 6MM	WASHER PLAIN 6MM	2	60
94251		94251-08400	PIN LOCK 8MM	PIN LOCK 8MM	2	160

F20





Sales mark 記号	Ref no 参照用番号	Part no パーツ番号	Description 部品名	Reg description 部品名	Regd no 必要個数	Ref Price 希望小売価格(税抜)	F20
------------------	-----------------	------------------	--------------------	------------------------	-----------------	-------------------------	-----

95801-06045	95801-06045-06	BOLT FLANGE 6*45 (G)	BOLT FLANGE 6*45 (G)	1	390	
95801-10095	95801-10095-06	BOLT FLANGE 10*95	BOLT FLANGE 10*95	2	350	
96211	96211-08000	BALL STEEL #8	BALL STEEL #8	2	60	



● Be sure to wear a safety helmet when riding.  
 ● Do not exceed the speed specified by law when riding.  
 ● The exhaust muffler temperature is very high after riding. Be sure to push the motorcycle in a place not easily touched by people.  
 ● For riding safety and good performance, do not violate the law to modify the motorcycle.  
 ● Make sure to perform the periodic maintenance and periodic inspection.  
**Periodic Inspection Items**  
 Brake Performance, tires, engine oil level, lights, horn, and instrument panel  
 KWANG YANG MOTOR CO., LTD.  
© Please read the user's manual carefully to ensure riding safety.

87560

**CAUTIONS**

Tire Size	:Front 120/70-12	Rear 140/70-12
(One Rider)	:Front 1.75kgf/cm <sup>2</sup>	Rear 2.25kgf/cm <sup>2</sup>
(Two Rider)	:Front 2.00kgf/cm <sup>2</sup>	Rear 2.50kgf/cm <sup>2</sup>
Load Capacity	:Shield 1.5kg	Clip away center 3kg
	(As per KYMCO standard specification)	
	(Note: The tire pressure must not surpass 2.00kgf/cm <sup>2</sup> )	

● Check the motor oil level with the dipstick after refilling motor oil.

87505

**USE UNLEADED GASOLINE ONLY**

87501

**TYPE K**

87311

**CAUTIONS**

Every 5000 km run should exchange the filter.

87512

**CAUTIONS**

Never put any article between the rear side cover and the engine to avoid interference of riding.

GMP-300

87542

**CAUTION**

Mobile phone charge only, Use other appliance may cause damage.

KKC2-ED00

87541-KKC2

**CAUTIONS**

Before starting the engine, the side stand shall be kicked up to secure safety.

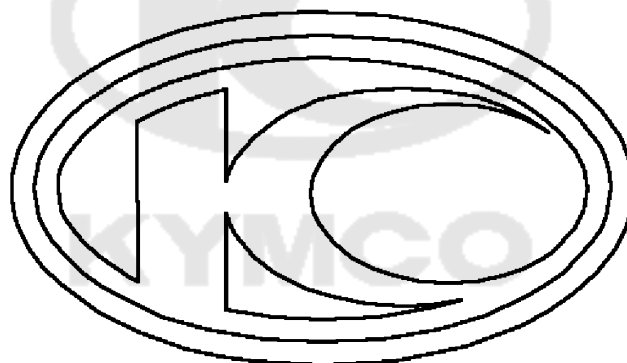
87541-GAR1

Sales mark 記号	Ref no 参照用番号	Part no パーツ番号	Description 部品名	Reg description 部品名	Regd no 必要個数	Ref Price 希望小売価格(税抜)	F21
**	87311	87311-LBB8-B20	STRIPE MARK TYPEK **T01 C.P.N.	STRIPE MARK TYPEK **T01 C.P.N.	2	300	
**	87501	87501-KRDR-E00	CAUTION USE GAS ONLY	CAUTION USE GAS ONLY	1	200	
**	87505	87505-LAB4-900	LABEL TIRE	LABEL TIRE	1	200	
**	87512	87512-KEBE-E00	CAUTION FILTER	CAUTION FILTER	1	200	
**	87541-GAR1	87541-GAR1-E00	CAUTION SIDE STAND	CAUTION SIDE STAND	1	200	
**	87541-KKC2	87541-KKC2-E00	CAUTION MOBILE PHONE	CAUTION MOBILE PHONE	1	200	
**	87542	87542-GAR1-E00	MARK MAINT CAUTION	MARK MAINT CAUTION	1	200	
**	87560	87560-GFY6-E00	MARK DRIVE CAUTION	MARK DRIVE CAUTION	1	200	





86202



86102

Sales mark 記号	Ref no 参照用番号	Part no パーツ番号	Description 部品名	Reg description 部品名	Regd no 必要個数	Ref Price 希望小売価格(税抜)
------------------	-----------------	------------------	--------------------	------------------------	-----------------	-------------------------

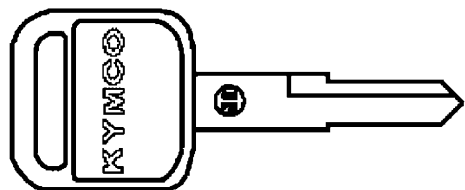
**F22**

**	86102	86102-LAB4-900	EMB K-LOGO 24MM	EMB K-LOGO 24MM	1	390
**	86202	86202-LAB4-B20	EMB BODY COVER /CARO 100 II	EMB BODY COVER /CARO 100 II	3	1720

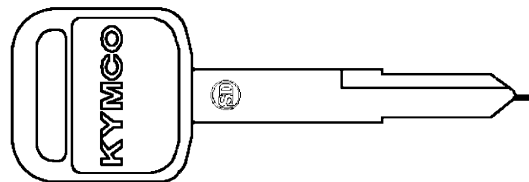


F23

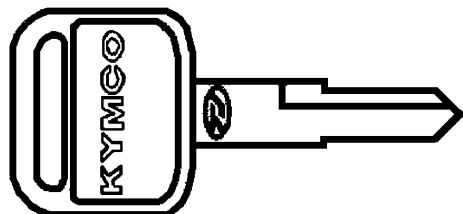
Key



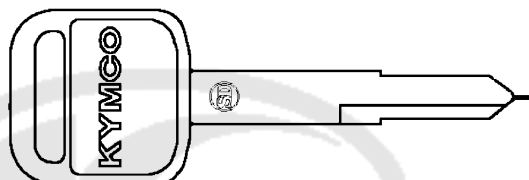
35111-KHC5-305-M1



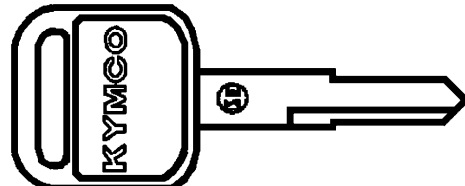
35111-LBA2-305-T01



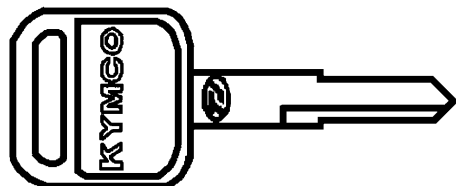
35111-KHC5-305-M2



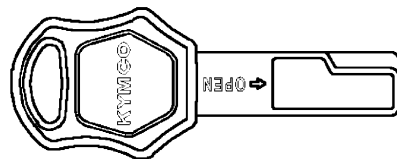
35111-LBA2-305-T02




35111-KHC5-306-M1



35111-KHC5-306-M2



35111-KKC4-335-M1

Sales mark 記号	Ref no 参照用番号	Part no パーツ番号	Description 部品名	Reg description 部品名	Regd no 必要個数	Ref Price 希望小売価格(税抜)	F23
	35111-KHC5-305-M1	35111-KHC5-305-M1	KEY COMP	KEY COMP	1	680	
	35111-KHC5-305-M2	35111-KHC5-305-M2	KEY COMP	KEY COMP	1	680	
	35111-KHC5-306-M1	35111-KHC5-306-M1	KEY COMP	KEY COMP	1	680	
	35111-KHC5-306-M2	35111-KHC5-306-M2	KEY COMP	KEY COMP	1	680	
	35111-KKC4-335-M1	35111-KKC4-335-M1	KEY COMP/SHUTTER MAGNETIC	KEY COMP/SHUTTER MAGNETIC	1	3240	
	35111-LBA2-305-	35111-LBA2-305-T01	KEY COMP(R TANGENT PLANE/SD)	KEY COMP(R TANGENT PLANE/SD)	1	870	
	35111-LBA2-305-	35111-LBA2-305-T02	KEY COMP (L TANGENT PLANE/SD)	KEY COMP (L TANGENT PLANE/SD)	1	870	
							

PART NO. INDEX  
 パーツ番号 検索

PART NO. パーツ番号	VERSION バージョン	PAGE ページ	PART NO. パーツ番号	VERSION バージョン	PAGE ページ	PART NO. パーツ番号	VERSION バージョン	PAGE ページ
<b>11000</b>			<b>12000</b>			14431-KUDU-900	3	E02
11100-KHC4-305	0	E01	12100-KHC4-900	0	E03	14450-GFY6-901	0	E02
11100-LAE3-305	0	E01	12191-LBD4-900	1	E03	14452-GFY6-901	0	E02
11102-1G87-004	3	E01	12200-LAB4-B20	2	E02	14510-LAB4-900	2	E03
11192-LBD4-900	1	E01	12209-GDB4-68B	0	E02	14523-KED9-900	1	E03
11200-LAE3-305	3	E01	12211-KUDU-900	4	E02	14531-GLR0-001	1	E03
11203-GGC7-301	2	E01	12251-KHC4-900	0	E02	14610-LAB4-900	2	E03
11203-KHG8-301	2	E08	12310-LAB4-B20	2	E02	14711-LAB4-900	1	E02
11204-KNBN-901	0	E01	12361-GFY6-901	1	E04	14721-LAB4-900	1	E02
11205-KNBN-901	0	E01	12391-GFY6-941	0	E02	14751-GEN5-91A	0	E02
11206-LAB4-900	1	E06				14761-GEN5-91A	0	E02
11208-KHC4-800	1	E07	<b>13000</b>			14771-GDB4-680	0	E02
11211-LAB4-900	2	F13				14775-MFA6-001	0	E02
11330-LAB4-900	6	E04	13000-KHC4-900	8	E03	14781-MFA6-001	0	E02
11341-KHC4-900	6	E01	13011-GFF6-90B	0	E03	<b>15000</b>		
11342-LAB4-900	1	E01	13101-LAB4-900	0	E03	15100-GFY6-901	2	E06
11381-LAB4-900	1	E01	13111-0G87-001	3	E03	15133-GFY6-901	0	E06
11382-LAB4-900	3	E01	13115-0A01-001	0	E03	15141-GFY6-90B	0	E06
11385-KGBG-900	0	E07				15141-GFY6-90C	1	E06
11385-KHC4-900	2	E07	<b>14000</b>			15421-1G07-001	1	E04
11394-LBD4-900	2	E04				15426-GAE1-921	0	E04
11395-LBD4-900	1	E01	14100-LAB4-900	3	E02	1565A-GFY6-900	0	E04
			14401-GFY6-90A	0	E03	15711-GFY6-901	0	E06
			14401-GFY6-90C	0	E03			



PART NO. INDEX  
 パーツ番号 検索

PART NO. パーツ番号	VERSION バージョン	PAGE ページ	PART NO. パーツ番号	VERSION バージョン	PAGE ページ	PART NO. パーツ番号	VERSION バージョン	PAGE ページ	
<b>16000</b>			16122-KEC3-900	1	E09	17215-KGBG-90A	2	F13	
			16123-KGC5-900	1	E09	1721A-LAB4-900	2	F12	
			16124-KEC3-900	2	E09	1723A-LAB4-900	0	F13	
	16012-LAB4-B20	0	E09	16131-KGC6-900	1	E09	1723B-LAB4-900	0	F13
	16016-KGC5-900	1	E09	16132-KEC3-900	1	E09	1723C-LAB4-900	0	F13
	16019-LAB4-900	1	E09	16133-KGC5-900	1	E09	17254-KACA-P00	0	F13
	16023-KGC5-900	1	E09	16136-KGC5-900	1	E09	17255-KGBG-900	1	F13
	16035-KGC5-900	6	E09	16138-KEC3-900	1	E09	17256-KGBG-900	0	E02
	16044-KEC3-900	1	E09	16140-KEC3-900	1	E09	17369-KHC4-900	0	F10
	16048-KEC3-900	1	E09	16142-KGC5-900	1	E09	17370-4K19-670	0	F13
	16051-KGC5-90A	4	E09	16150-KEC3-900	1	E09	17371-1D74-671	0	F13
	16053-KEC3-900	0	E09	16154-KHC4-900	0	E09	17502-LAB4-900	3	F10
	16068-KGC5-900	6	E09	16165-KGC5-900	2	E09	17504-LAB4-B20	1	F10
	16069-KHC4-900	0	E09	16170-KGC5-900	2	E09	17507-LAB4-900	2	F10
	16070-KEC3-900	3	E09	16179-KEC3-900	2	E09	17510-LAB4-900	5	F10
	16074-KEC3-900	4	E09	16180-KGC5-900	2	E09	17510-LAB4-910	0	F10
	16079-KHC4-900	2	E09	16181-KEC3-900	1	E09	17513-LAB4-900	1	F10
	16087-KEC3-900	3	E09	16201-LAB4-980	0	E02	17515-LAB4-900	1	F10
	16088-KEC5-900	0	E09	16211-LAB4-900	2	E02	17520-LAB4-900	0	F10
	16093-KEC3-094	1	E09	16700-KHE2-900	5	F10	17620-LLJ3-E0B	3	F10
	16095-KGC5-035	0	E09	1691A-KEC2-E00	0	F10	17623-LAB4-90B	1	F10
	16100-LAB4-B20	2	E09				17683-LAB4-900	3	F10
	16111-KEC3-900	1	E09	<b>17000</b>			17684-LAB4-900	3	F10
	16116-KGC5-900	1	E09				17685-LAB4-900	1	F10
	16119-KEC3-900	1	E09	1711A-LAB4-B20	2	E02	17686-LAB4-900	2	F10
	16120-KEC3-900	1	E09	17212-LAB4-900	1	F13	17689-LAB4-B20	1	F10

PART NO. INDEX  
 パーツ番号 検索

PART NO. パーツ番号	VERSION バージョン	PAGE ページ	PART NO. パーツ番号	VERSION バージョン	PAGE ページ	PART NO. パーツ番号	VERSION バージョン	PAGE ページ
17910-KHC4-900	3	F03				23220-KHC4-900	2	E05
			<b>21000</b>			23225-GCW3-001	0	E05
						23226-GCW3-001	0	E05
<b>18000</b>			21200-KFA3-305	5	E08	23233-LAB4-900	2	E05
18291-KEBE-900	0	F14	21395-LBD3-900	4	E08	23237-GFY6-941	0	E05
18291-LBD4-900	2	F14				23239-GCW3-851	0	E05
18292-KEBE-900	0	F14	<b>22000</b>			23411-KHC4-900	0	E08
18293-KEBE-900	0	F14				23420-LAB4-900	6	E08
18294-KEBE-900	0	F14	22100-KNBN-902	1	E05	23431-KDLD-901	2	E08
1830A-LAB4-B20	2	F14	22102-KHC4-900	4	E05	23432-LAB4-900	4	E08
18317-KHC4-B20	2	F14	22105-LAB4-900	1	E05			
			22110-KED5-900	2	E05	<b>28000</b>		
<b>19000</b>			22121-GHT8-305	0	E05			
			22131-GCW3-901	1	E05	28101-KNBN-901	1	E06
19410-LAB4-900	1	F20	22132-LAB4-900	1	E05	28105-KNBN-901	1	E06
19411-KHC4-900	0	F10	22300-LAB4-900	4	E05	2811A-KNBN-940	0	E06
19411-KNBN-900	1	F20	22350-KHC4-900	0	E05	28120-KNBN-901	0	E06
19510-GBW2-901	8	E07	22401-LAB4-900	3	E05	28125-3C23-001	0	E06
1961A-LAB4-B20	3	E07	22530-KHC4-900	1	E05	28126-KNBN-901	0	E06
19625-KHC4-900	0	E07	22804-1H48-001	0	E05	28127-KNBN-901	0	E06
1962A-LAB4-900	1	E07				28211-KNBN-901	0	E05
19633-GFY6-901	0	E07	<b>23000</b>			28223-KNBN-901	0	E01
1963A-LAB4-900	2	E07				28230-KNBN-901	0	E01
			2301A-LAB4-900	5	E05	28250-KNBN-901	1	E01
			23100-KHC4-900	1	E05	28253-GBN2-60A	0	E01
			23200-GCW3-001	1	E05	28255-GFS6-001	0	E01

PART NO. INDEX  
 パーツ番号 検索

PART NO. パーツ番号	VERSION バージョン	PAGE ページ	PART NO. パーツ番号	VERSION バージョン	PAGE ページ	PART NO. パーツ番号	VERSION バージョン	PAGE ページ
28281-GBN2-60A	1	E01	32120-1E55-001	0	F19	34908-GGA7-70A	1	F18
28300-KNBN-901	3	F15				34908-LBE8-900	0	F02
<b>30000</b>			<b>33000</b>			34908-MKB9-87A	0	F02
			33120-LAB4-900	0	F01	<b>35000</b>		
30400-LAE3-900	4	F19	33130-LAB4-900	0	F01			
3051A-LLF5-900	4	F19	33400-LAB4-900	1	F17	35010-LAB4-305	0	F19
30700-LLF5-900	4	F19	33402-LAB4-900	1	F17	35010-LAB4-305-M2	0	F19
<b>31000</b>			33450-LAB4-900	1	F17	35010-LAB4-335	0	F19
			33452-LAB4-900	1	F17	35101-LAB4-305	0	F19
			33700-LAB4-900	2	F18	35101-LAB4-305-M2	0	F19
31110-LAB4-90A	0	E07	33701-LAB4-900	0	F18	35101-LAB4-335	0	F19
31110-LAB4-90B	0	E07	33702-LAB4-900	0	F18	35102-LAB4-90A	0	F19
31120-KGBG-90A	2	E07	33703-LAB4-900	0	F18	35102-LAB4-90B	1	F19
31120-KGBG-90B	2	E07	33704-LAB4-900	0	F18	35102-LAD9-335	0	F19
31200-LAB4-90A	3	E06	33705-LAB4-900	0	F18	35103-LAB4-90B	2	F05
31200-LAB4-90B	2	E06	33711-LAB4-900	0	F18	35106-KHC4-305-M1	1	F03
31203-KHC4-900	3	E06	33741-KEBE-900	3	F18	35106-KHC4-305-M2	1	F03
31500-KNBN-92A	9	F11	33753-LAB4-900	0	F18	35111-KHC5-305-M1	0	F23
31500-KNBN-92B	9	F11				35111-KHC5-305-M2	0	F23
31600-KUDU-900	2	F19	<b>34000</b>			35111-KHC5-306-M1	0	F23
<b>32000</b>			34901-KKA8-900	1	F01	35111-KHC5-306-M2	0	F23
			34905-KMCM-900	0	F17	35111-KKC4-335-M1	0	F23
32100-LAB4-B20	3	F19	34906-2H68-601	0	F18	35111-LBA2-305-T01	0	F23
32101-GFY6-901	1	F04	34908-GGA7-70A	1	F01	35111-LBA2-305-T02	0	F23
						35113-LAB4-900	1	F05

PART NO. INDEX  
 パーツ番号 検索

PART NO. パーツ番号	VERSION バージョン	PAGE ページ	PART NO. パーツ番号	VERSION バージョン	PAGE ページ	PART NO. パーツ番号	VERSION バージョン	PAGE ページ
35160-GGS7-900	1	F03	38500-KKDK-900	4	F19	44620-KSBS-900	0	F07
35170-GGS7-900	0	F03				44705-KHC4-900	2	F07
35180-GGS7-900	1	F03	<b>42000</b>			44710-LAB4-90A	5	F07
35200-GFY6-910	1	F03				44710-LAB4-90B	2	F07
35340-GBN2-770	3	F03	42610-GKAK-901	4	F08	44800-KNBN-901	6	F07
35340-KNBN-901	0	F04	42705-KHC4-900	5	F08	44830-LAB4-900	4	F02
35400-KHC4-B20	1	F19	42710-LAB4-90B	2	F08	44831-LAB4-900	0	F02
<b>37000</b>			<b>43000</b>			<b>45000</b>		
37200-LAB4-B2A	0	F02	4312A-LAB4-90A	3	F08	45105-KECE-305	3	F07
37200-LAB4-B2B	0	F02	4312A-LAB4-90B	3	F08	45108-MDL4-007	2	F07
37211-KTCT-90A	1	F02	4312A-LGM1-91A	0	F08	45109-GBE2-007	0	F07
37211-KTCT-90B	1	F02	4312A-LGM1-91B	0	F08	45126-KHC4-900	1	F04
37801-GGA7-701	1	F10	43141-LAB4-900	4	F08	45131-1F66-017	0	F07
37801-LAB4-910	1	F10	43352-5H68-004	3	F07	45131-GBE2-007	1	F07
37802-KEC8-900	0	F10	43353-4A61-77A	0	F07	45132-1F66-017	0	F07
3780A-LAB4-900	2	F10	43410-KFA1-900	0	F08	45133-0H28-001	1	F08
3780A-LAB4-910	1	F10	43450-LAB4-900	5	F03	45133-MCA3-007	0	F07
3780A-LDC1-900	1	F10	43472-1A61-001	2	F03	45156-KNBN-902	0	F04
<b>38000</b>			<b>44000</b>			45200-KHC4-900	3	F07
						45209-GBE2-007	0	F07
						45215-KECE-900	0	F07
38110-KFA1-80A	1	F19	44301-KBE2-981	5	F07	45216-1F66-007	0	F07
38110-KFA1-80B	1	F19	44311-GLW0-911	0	F07	45216-KFW6-90A	0	F07
38300-KECE-900	3	F19	44610-KHC4-305	0	F07	45351-LAB4-900	3	F07

PART NO. INDEX  
 パーツ番号 検索

PART NO. パーツ番号	VERSION バージョン	PAGE ページ	PART NO. パーツ番号	VERSION バージョン	PAGE ページ	PART NO. パーツ番号	VERSION バージョン	PAGE ページ
45465-LAB4-900	0	E01	50713-KEB7-900	0	F20	53205-LAB4-900	0	F03
45513-GLW0-91A	0	F04	50715-KEB7-900	0	F20	53206-LAB4-900	0	F03
45517-GFY6-900	5	F03	5071A-LLF5-900	4	F20	53207-KKD9-B00	3	F03
45517-KFAF-900	0	F04	5071B-LLF5-900	4	F20	53211-GFY6-940	1	F06
45530-KHC4-305	3	F04				53212-GHC8-004	1	F06
<b>50000</b>			<b>51000</b>			<b>61000</b>		
			51400-LAB4-900	2	F06			
50100-LAB4-B20	3	F20	51500-LAB4-900	2	F06	61100-LAB4-900	4	F06
50139-LAB4-900	1	F10				61101-LAB4-900	4	F06
50140-LAB4-900	2	F10	<b>52000</b>			61120-KFA1-900	1	F06
50301-GLM0-001	0	F20						
50305-GHC8-004	0	F20	52400-LAB4-900	0	F16	<b>64000</b>		
50306-1F96-001	0	F06						
50323-LAB4-900	1	F11	<b>53000</b>			64301-LAB4-900	0	F05
50325-LAB4-900	4	F11				64302-LAB4-900	3	F05
50328-KNBN-200	0	F11	53100-LAB4-900	3	F03	64305-LAB4-900	0	F12
5032A-LAB4-900	3	F11	53140-KHC4-900	1	F03	64306-LAB4-900	0	F12
50350-LAB4-900	8	F20	53166-KFA1-900	2	F03	64310-LAB4-900	3	F05
50500-LAB4-900	5	F15	53167-LHJ6-900	2	F03	64315-LAB4-B20	2	F20
50503-KGBG-900	1	F15	53168-KFA1-900	1	F03	64316-KHE2-900	1	F05
50505-KKD7-900	2	F15	53172-KHC4-900	0	F03	64318-LAB4-900	1	F05
50530-KFA1-900	1	F15	53175-KFA1-900	1	F04	64319-LAB4-900	1	F05
50611-LAB4-900	4	F20	53178-KHC4-900	0	F03			
50612-LAB4-900	4	F20	5317A-KHC4-900	1	F03			
50613-LAB4-900	8	F20	53200-LAB4-900	0	F06			

PART NO. INDEX  
 パーツ番号 検索

PART NO. パーツ番号	VERSION バージョン	PAGE ページ	PART NO. パーツ番号	VERSION バージョン	PAGE ページ	PART NO. パーツ番号	VERSION バージョン	PAGE ページ
<b>77000</b>			<b>83000</b>			88120-KHC3-900	1	F03
77200-LAB4-B30	1	F09	83500-LAB4-900	3	F12	<b>89000</b>		
77201-GFS6-001	0	F12	83600-LAB4-900	3	F12	89010-KGBG-900	2	F09
77235-KGC4-E0B	2	F09	83770-LAB4-900	2	F12	<b>90000</b>		
77240-LAB4-900	2	F09				90001-GBHB-661	3	E03
77303-KGC4-E00	2	F09	<b>86000</b>			90005-KAW1-901	1	E03
			86102-LAB4-900	2	F22	90012-3C33-001	1	E02
<b>80000</b>			86202-LAB4-B20	0	F22	90021-GFY6-900	2	F14
80100-LAB4-900	2	F18	<b>87000</b>			90023-GBN2-001	3	F06
80106-LAB4-900	5	F18	87311-LBB8-B20	0	F21	90032-GFY6-901	0	E01
80151-LAB4-900	2	F12	87501-KRDR-E00	2	F21	90032-LAB4-900	1	E01
			87505-LAB4-900	2	F21	90033-GFY6-900	1	E02
<b>81000</b>			87512-KEBE-E00	0	F21	90101-GAR1-001	0	F01
81131-LAB4-900	2	F05	87541-GAR1-E00	1	F21	90105-GFS6-001	0	F12
81132-GHAH-001	2	F12	87541-KKC2-E00	1	F21	90105-KCR3-001	1	F07
8113A-LAB4-900	1	F05	87542-GAR1-E00	2	F21	90105-KFC2-900	0	F12
81142-KUDU-900	1	F05	87560-GFY6-E00	4	F21	90105-KHC4-900	1	F20
81200-LAB4-900	3	F12				90108-GFY6-901	0	F15
81251-LAB4-900	3	F12	<b>88000</b>			90110-KFA6-900	0	F14
81260-LAB4-900	6	F12	88110-KHC3-900	1	F03	90110-KHG8-901	1	F07
						90110-KHG8-901	1	F08
						90112-KRDR-900	1	F19

PART NO. INDEX  
 パーツ番号 検索

PART NO. パーツ番号	VERSION バージョン	PAGE ページ	PART NO. パーツ番号	VERSION バージョン	PAGE ページ	PART NO. パーツ番号	VERSION バージョン	PAGE ページ	
90114-1F66-007	2	F04	90309-KLF0-004	1	E08	<b>91000</b>			
90115-GLE0-001	0	F03	90381-GEZ5-001	1	F12				
90131-GLW0-911	0	F07	90400-KTDT-900	0	F01				
90145-LEA3-E00	1	F04	90412-3K29-001	0	E01		91001-GGA7-70A	2	E05
90164-KGBG-900	1	F12	90429-KNBN-901	0	E08		91004-KBN2-90A	0	E08
90201-KNBN-901	0	E06	90442-0D44-001	0	E05		91005-KNBN-901	0	E06
90202-1G87-001	2	E05	90451-1G07-001	1	E08		91009-GLE0-004	1	E08
90206-0A01-001	4	E02	90451-GBN2-601	0	E01		91101-KNBN-901	0	E06
90301-GFY6-901	2	F14	90465-MDC4-001	0	E02		91103-GAR1-004	0	E05
90302-GBR2-001	1	F03	90488-7L00-001	0	E01		91103-GAR1-00A	0	E05
90302-GBR2-001	1	F10	90501-KNBN-901	0	F08		91106-KHC4-90A	0	E01
90302-GFY6-901	1	F06	90502-MBS2-001	0	E06		91106-KHC4-90B	0	E01
90302-GFY6-901	1	F10	9052A-GFY6-950	4	E01		91202-GFY6-90A	1	E01
90302-GFY6-901	1	F18	90545-3L00-001	2	F04		91202-GFY6-90C	1	E04
90302-GFY6-940	1	F05	90602-PDX4-001	0	E06		91202-KKJ9-004	0	E01
90302-SDA4-004	3	F05	90603-0D44-001	0	E05		91211-GHK8-014	1	E05
90302-SDA4-004	3	F06	90656-KCBC-900	0	F03		91255-GLE0-006	0	E08
90304-4H38-001	2	F18	90656-KCBC-900	0	F12		91258-KAM1-00A	1	F07
90304-GHE8-004	0	F03	90656-KCBC-900	0	F19		91301-0C53-001	0	E08
90304-GHE8-004	0	F20	90683-GAR1-004	4	F18	91301-0H28-001	0	E02	
90305-GHK8-001	1	E07	90741-0E35-001	0	E03	91301-GLR0-005	1	E03	
90305-KNBN-90B	0	F08	90754-GHC8-00A	1	F07	91302-0A01-021	0	E04	
90306-GLW0-90A	1	F07	90912-GHC8-00A	0	F07	91306-1E05-691	0	E03	
90307-GFJ6-004	2	F01	90912-GHC8-00D	0	F07	91307-0E35-001	0	E04	
90309-GLW0-90A	1	F07				91351-6B42-000	0	E05	
90309-GLW0-90A	1	F08				91351-GAR1-001	0	E05	

## PART NO. INDEX

## パーツ番号 検索

PART NO. パーツ番号	VERSION バージョン	PAGE ページ	PART NO. パーツ番号	VERSION バージョン	PAGE ページ	PART NO. パーツ番号	VERSION バージョン	PAGE ページ
91352-KHG8-83B	0	F08	93901-32220	0	F18	94050-06080	0	F20
			93901-32320	0	F18	94050-08080	0	E02
<b>92000</b>			93901-32420	0	F18	94050-10080	0	E05
			93903-24360	0	F12	94050-10080	0	E07
92101-05012-0G	0	E07	93903-25360	0	F13	94050-12080	0	E05
92900-06060-0B	0	E02	93903-32420	0	F18	94101-06000	0	F20
			93903-34360	0	F03	94101-08600	0	F15
<b>93000</b>			93903-34360	0	F05	94101-10800	0	F03
			93903-34360	0	F06	94251-08400	0	F15
93404-06016-06	0	F05	93903-34360	0	F11	94251-08400	0	F20
93404-06016-06	0	F18	93903-34360	0	F17	94301-08140	0	E01
93404-06016-06	0	F20	93903-35260	0	F02	94301-08140	0	E04
93404-06025-06	0	F13	93903-35360	0	F05	94301-10160	0	E02
93500-04008-0F	0	F10	93903-GFY6-900	1	F12	94301-10160	0	E03
93500-04010-0F	0	E09	93904-35380	0	E07	94301-10200	0	E08
93500-04012-0F	0	E09				94510-20000	0	E08
93500-04014-0F	0	E09	<b>94000</b>			94511-14000	0	E01
93500-04020-0G	0	F10				94520-24000	1	E05
93500-04025-0A	0	F13	94001-05080-0S	0	F03	94591-27000	0	F05
93500-05012-0F	0	E09	94050-05080	0	F18			
93500-05022-0F	0	F03	94050-06080	0	E02	<b>95000</b>		
93500-05022-0G	0	F03	94050-06080	0	E06			
93600-04012-1G	0	F04	94050-06080	0	F04	95002-02070	0	E09
93700-05018-0F	0	F02	94050-06080	0	F09	95002-02070	0	F10
93892-04008-16	0	E09	94050-06080	0	F10	95002-02080	0	F10
93893-04012-18	0	F04	94050-06080	0	F19	95002-02080	0	F13



## PART NO. INDEX

## パーツ番号 検索

PART NO. パーツ番号	VERSION バージョン	PAGE ページ	PART NO. パーツ番号	VERSION バージョン	PAGE ページ	PART NO. パーツ番号	VERSION バージョン	PAGE ページ
95002-02100	0	F10	95801-06045-06	0	F20	96001-LAB4-900	3	F13
95002-02120	1	F10	95801-08035-06	1	F16	96100-62033-00	0	E01
95002-02120	1	F13	95801-08040-06	0	F06	96100-62043-00	0	E01
95002-02130	0	F10	95801-08042-06	0	F14	96211-05000	0	F06
95002-02130	0	F13	95801-10035-06	0	F16	96211-08000	1	F20
95002-50000	0	F10	95801-10040-06	0	F03	96220-60100	0	E06
95003-23021-60	0	F13	95801-10095-06	0	F20	96600-LGL3-900	0	E06
95014-71402	0	F15						
95014-72204	0	F15	<b>96000</b>			<b>98000</b>		
95015-32001	0	F03						
95015-42000	0	F03	96001-06012-06	0	E01	98056-57713-00	1	E02
95701-06012-06	1	F04	96001-06012-06	0	E06	98200-10700	0	F11
95701-06012-06	1	F09	96001-06012-06	0	E07	98200-10700	0	F19
95701-06012-06	1	F11	96001-06016-06	0	E07			
95701-06012-06	1	F12	96001-06016-06	0	F10			
95701-06012-06	1	F19	96001-06020-06	0	E07			
95701-06022-06	1	F04	96001-06025-06	0	E06			
95701-06022-06	1	F15	96001-06025-06	0	E07			
95701-06025-06	2	E02	96001-06025-06	0	F03			
95701-06032-06	0	F08	96001-06028-06	0	E01			
95701-06032-06	0	F13	96001-06035-06	0	E01			
95701-08012-06	0	E01	96001-06045-06	0	E01			
95701-08020-06	1	F12	96001-06085-06	1	E04			
95701-08025-06	0	F19	96001-06100-06	0	E02			
95701-08045-06	1	E01	96001-06100-06	0	E04			
95701-08060-06	0	E01	96001-GFY6-900	2	E01			