

PARTS CATALOGUE



SCOOTERS

SG20AA(JP)

CARO 100 (注意)



Release Date : 2015/12/03
Print Date : 2017/07/18

本パーツリストについて

- 本パーツリストは SG20AA(JP).の全てのパーツ番号が記載されています。
- 車輻のカラーチャートとバイクに相違がある場合は正規販売店もしくは KYMCO JAPANへお問い合わせください。
- 1. "***"記号が記載している場合、3文字の色コードをパーツ番号の最後に記入してください。
2. "#" 記号が記載している場合、パーツの設定、変更があります。正規販売店もしくは KYMCO JAPANへお問い合わせください。
- このパーツリストの変更または追加は、適切な時期に予告なく行われます。

ABOUT THIS PARTS LIST

- This parts list is compiled all service parts for model SG20AA(JP).
- Any difference between color chart and motorcycle will be revised according to motorcycle.
- The Mark:
 1. Marking "***" must add color code in the end before ordering parts.
 2. Marking "#" are parts with modification, Please find the details from e-Parts system.
- When modification or additions to this parts list are made a revised edition at an appropriate time.

目次

● 本パーツリストについて	1
● SG20AA(JP)のカラーチャート	3
● 目次-エンジン関	5
● 目次-フレーム関係	6
● エンジンパーツリスト	9
● フレームパーツリスト	41
● パーツ番号 検索	95

CONTENTS

● ABOUT THIS PARTS LIST	1
● COLOR CHART OF SG20AA(JP)	3
● CONTENTS-ENGINE GROUP	5
● CONTENTS-FRAME GROUP	6
● ENGINE PARTS LIST	9
● FRAME PARTS LIST	41
● PART NO. INDEX	95

NO	モデル			SG20AA(JP)のカラーチャート			
	写真番号			NO. 1	NO. 2	NO. 3	NO. 4
	基本色						
	コード			Crystal Blue	Sapphire Blue Metallic	Bright Silver	Diamond Red
	パーツ名	パーツ番号	バージョン	PB041MA	PB242MA	NH045MA	RR166MA
1	COVER RR HANDLE	53206-KHC4-900	3	H5R			
2	COVER INNER UP **(1)	81131-KHC4-900	4				
3	LEVER R STRG HANDLE	53175-KFA1-900	1				
4	LEVER L STRG HANDLE	53178-KHC4-900	0				
5	YOX BATTERY **(3)	50325-KHC4-900	4				
6	COVER UNDER	50613-KHC4-900	4				
7	GRIP COMP	53140-KHC4-900	1				
8	GRIP L HANDLE/DEEP	53166-KFA1-900	2				
9	FLOOR PANEL **9000-	64310-KHC4-900	2				
10	PLUG FLOOR **9000-	64316-KHC4-900	1				
11	FENDER RR TIRE	80100-KHC4-800	2				
12	COVER CENTER **(0)	80151-KHC4-900	2				
13	HOOK LUGGAGE	81132-GHAH-001	2				
14	COVER INNER LOW **(4)	81141-KHC4-900	5				
15	LID LEG SHIELD	81142-KUDU-900	1				
16	COVER FR HANDLE	53205-KHC4-900	1				
17	COVER FRONT **9000-	64301-KHC4-900	1				
18	GRIP RR **(0)	81200-KHC4-900	5				
19	COVER BODY R	83500-KHC4-900	2				
20	COVER BODY L **9000-	83600-KHC4-900	2				
21	MOLDING FR **9000-	64302-KHC4-900	1	B5P			
22	SIDE MOLD R	83501-KHC4-900	3				
23	SIDE MOLD L **9000-	83601-KHC4-900	3				
24	RIM COMP RR WHEEL	42705-KHC4-900	5	BSP			
25	RIM COMP FR WHEEL	44705-KHC4-900	2				
販売開始時期				N8P			
販売終了時期							
				NGS			

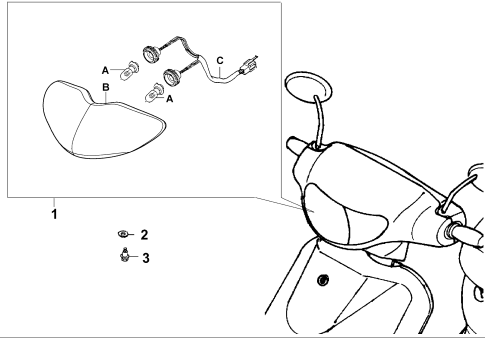
NO	モデル			SG20AA(JP)のカラーチャート							
	写真番号			NO. 1	NO. 2	NO. 3	NO. 4				
	基本色										
	コード			Crystal Blue	Sapphire Blue Metallic	Bright Silver	Diamond Red				
	パーツ名	パーツ番号	バージョン	PB041MA	PB242MA	NH045MA	RR166MA				
26	HUB SUB COMP RR	42610-GKAK-901	4	NJA							
27	HUB SUB COMP FR /D103	44610-KHC4-305	0								
28	GEAR BOX ASSY SPDMT	44800-KNBN-901	6								
29	FORK SET R FR *(0)	5140A-KHC4-900	2								
30	FORK SET L FR *(0) N.C.	5150A-KHC4-900	2								
31	COVER L SIDE	11341-KHC4-900	6	NQA							
32	SEAT COMP (KO1Y-OBC)	77200-KHC5-E00	5	T01							
33	STRIPE FR FENDER	86408-KHC4-B20	[Not define]								
34	STRIPE RR FENDER *(0)	86409-KHC4-B20	2								
35	CAUTION USE GAS	87501-KRDR-E00	2								
36	LABEL TIRE **E00	87505-KHC5-E00	1								
37	CAUTION SIDE STAND	87541-GAR1-E00	1								
38	MARK MAINT CAUTION	87542-GAR1-E00	2								
39	MARK DRIVE CAUTION	87560-GFY6-E00	4								
40	EMB BODY COVER	86201-KHC4-B00	[Not define]					T01		T02	
41	EMB HNDL COVER	87552-KQCQ-900	0					T02			
42	CLAMPER ASSY FR L	45200-KHC4-900	3	YAA							
43	CUSHION ASSY REAR	52400-KHC4-900	1	YAS							
販売開始時期											
販売終了時期											

CONTENTS - ENGINE GROUP 目次-エンジン関

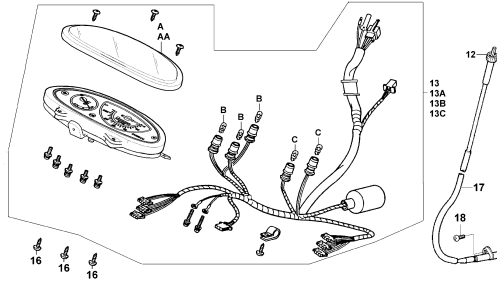
E01 Crank Case	E02 Cylinder Head Cover Cylinder	E03 Cylinder Piston Crankcase
E04 Right Crankcase Cover	E05 Carburetor	E06 Transmission Pulley
E07 Starting Motor	E08 Generator	E09 Transmission

CONTENTS - FRAME GROUP 目次-フレーム関係

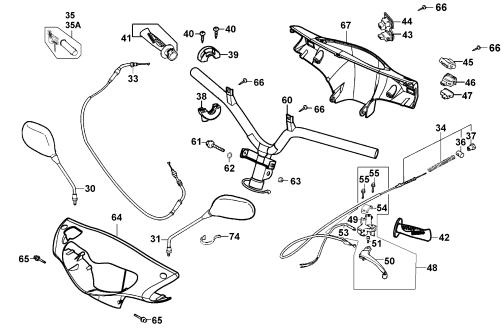
F01 Head Light



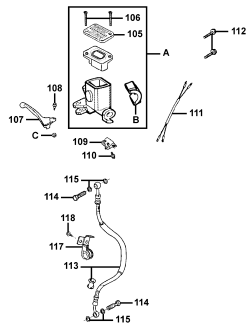
F02 Speedometer



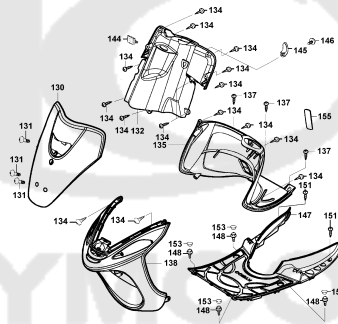
F03 Handle Steering Handle Cover



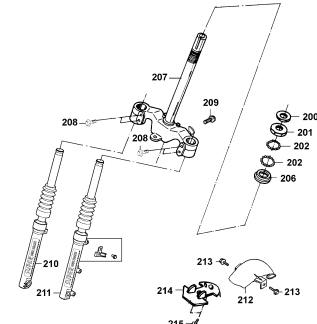
F04 Brake Master Cylinder



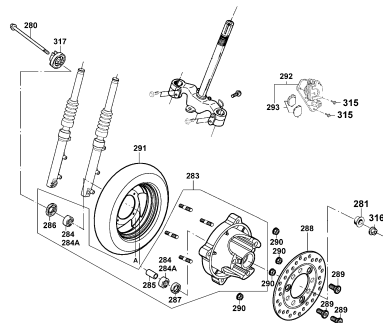
F05 Front Cover Floor Panel



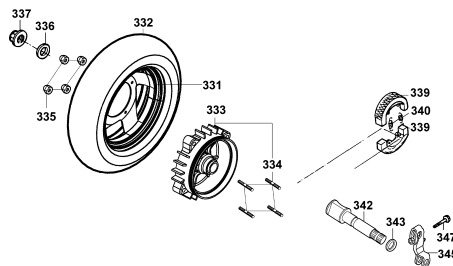
F06 Front Cushion



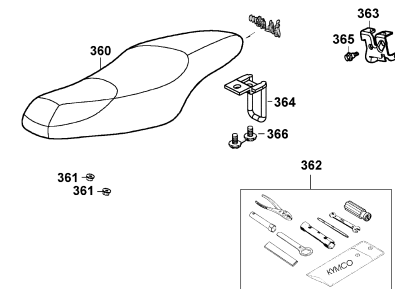
F07 Front Wheel



F08 Rear Wheel



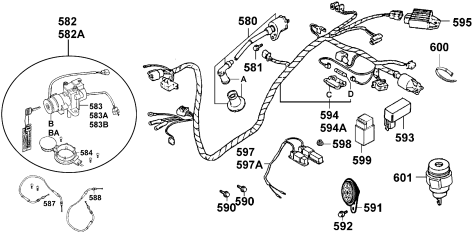
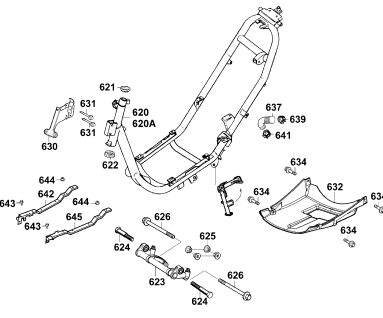
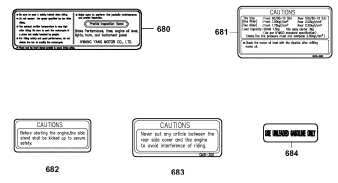
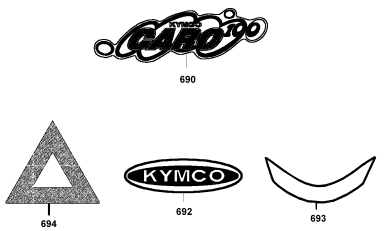

F09 Seat



CONTENTS - FRAME GROUP 目次-フレーム関係

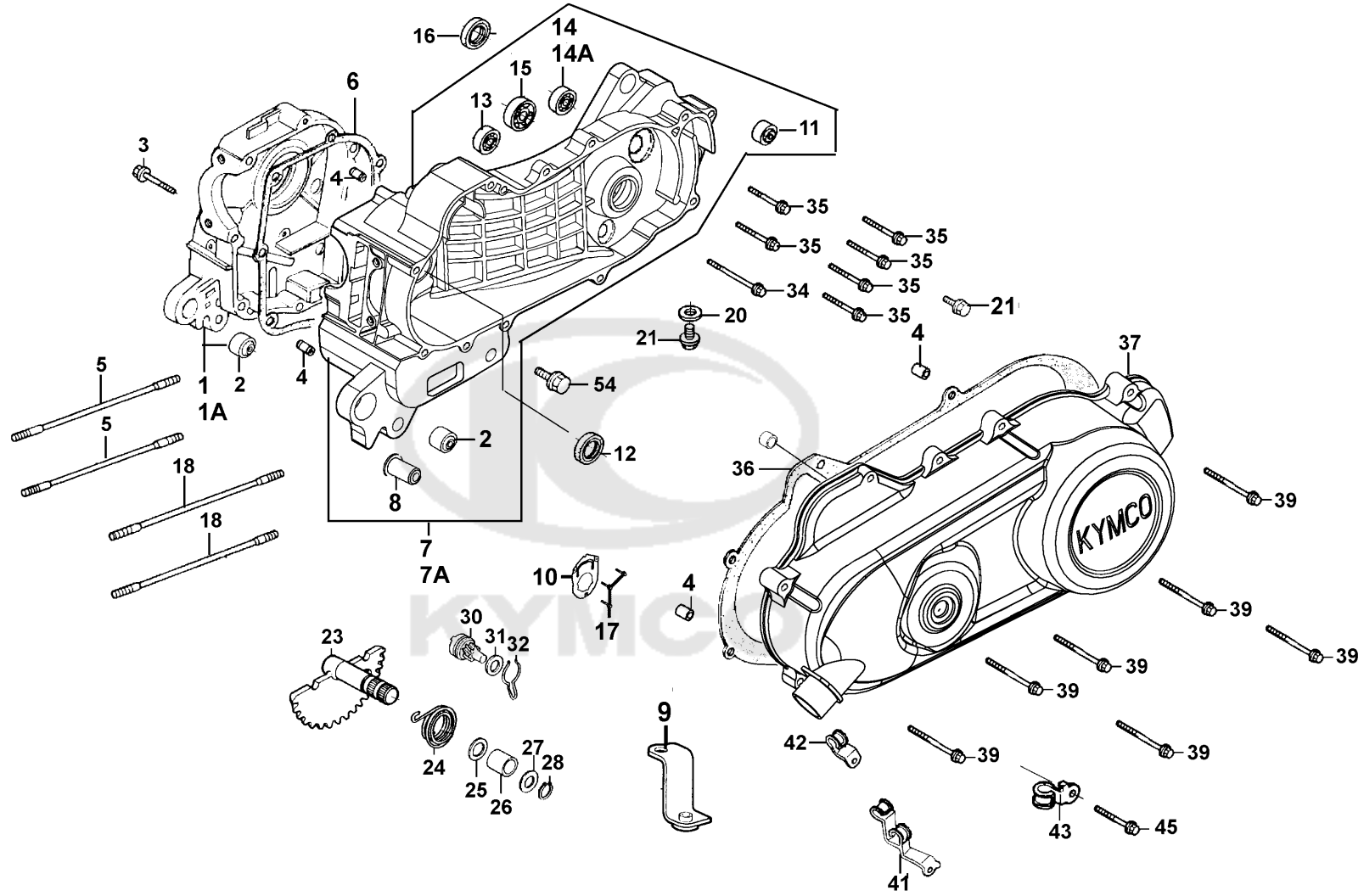
<p>F10 Fuel Tank</p>	<p>F11 Battery</p>	<p>F12 Body Cover Luggage Box</p>
<p>F13 Air Cleaner</p>	<p>F14 Exhaust Muffler</p>	<p>F15 Stand Kick Starter Arm</p>
<p>F16 Rear Cushion</p>	<p>F17 Front Winker</p>	<p>F18 Rear Light Rear Fender</p>

CONTENTS - FRAME GROUP 目次-フレーム関係

F19 Wire Harness	F20 Frame Body	F21 Caution Label
		
<p>F22 Emblem Stripe</p> 		

E01

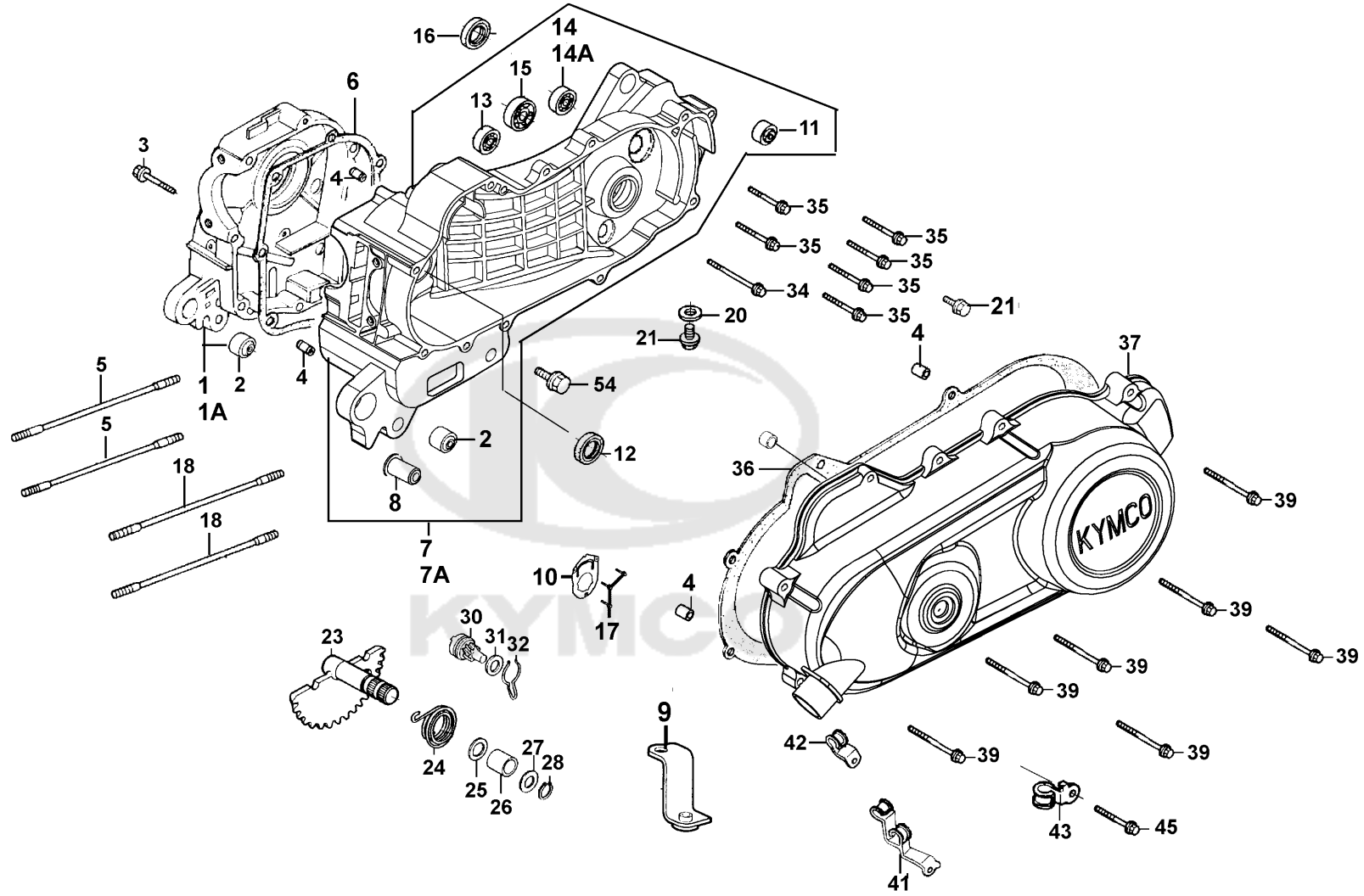
Crank Case



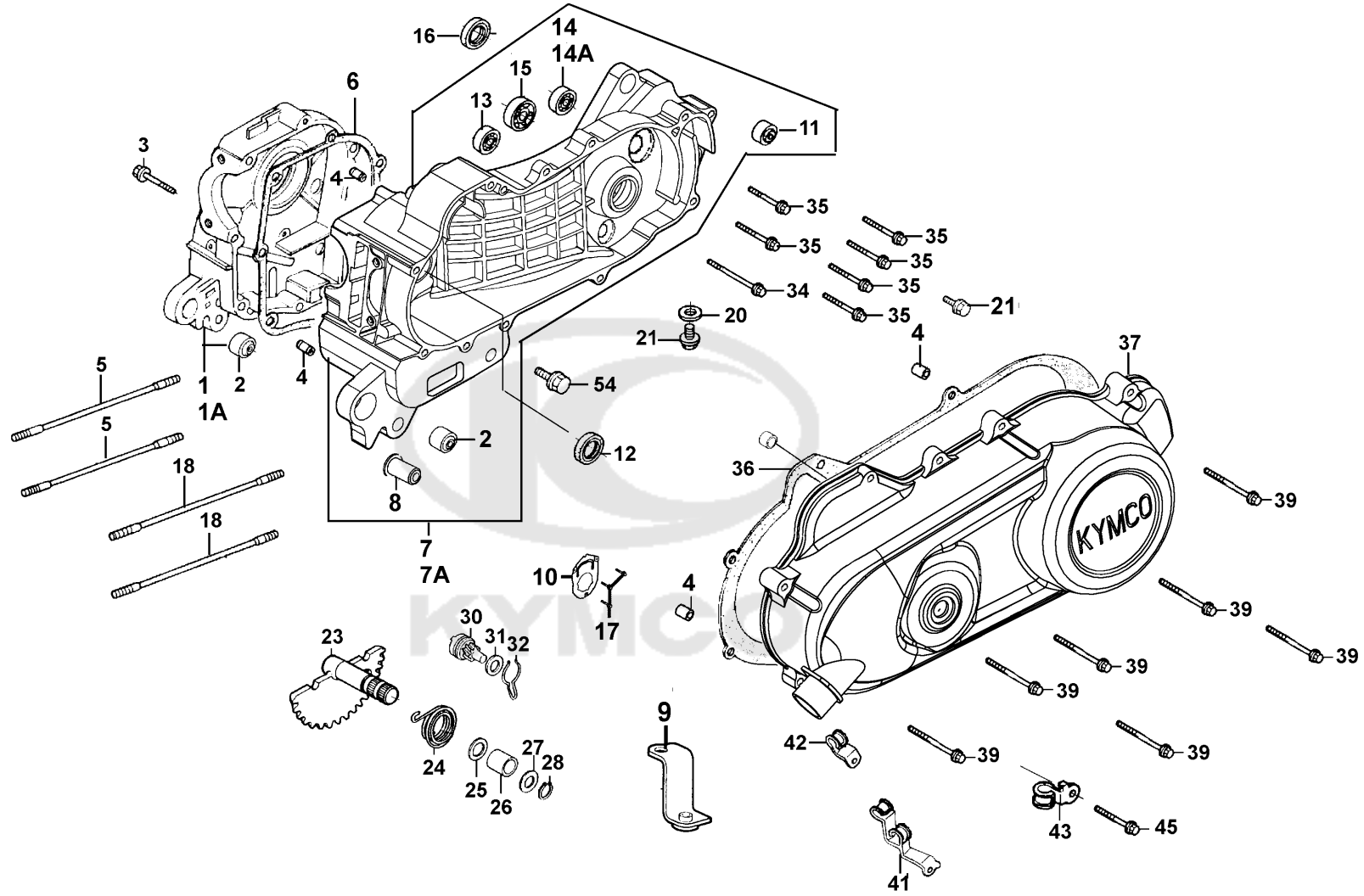
Sales mark 記号	Ref no 参照用番号	Part no パーツ番号	Description 部品名	Reg description 部品名	Regd no 必要個数	Ref Price 希望小売価格(税抜)	E01
1		11100-KHC4-305	CRANK CASE SET R	CRANK CASE SET R	1	19010	
1A		11100-LAE3-305	CRANK CASE SET RIGHT(KD)	CRANK CASE SET RIGHT(KD)	1	19010	
2		11102-1G87-004	RUB BUSH ENG HANGER	RUB BUSH ENG HANGER	1	320	
6		11192-LBD4-900	GASTER CRANK CASE @ A	GASTER CRANK CASE @ A	1	540	
7		11200-KHC4-305	CRANK CASE SET L/OLD	CRANK CASE SET L/OLD	1	28900	
7A		11200-KHC4-315	CRANK CASE SET LEFT(KD)	CRANK CASE SET LEFT(KD)	1	28900	
11		11203-GGC7-301	UNDER RUBBER BUSH REAR CUSHION	UNDER RUBBER BUSH REAR CUSHION	1	250	
8		11205-LAB4-900	BUSH MAIN STAND	BUSH MAIN STAND	1	350	
9		11207-KHC4-800	STAY B RR FENDER **8000 C.	STAY B RR FENDER **8000 C.	1	390	
**	37	11341-KHC4-900	COVER L SIDE	COVER L SIDE	1	12930	
10		11342-LAB4-900	PLATE L COVER	PLATE L COVER	1	490	
41		11381-KHC4-900	CLAMPER THROTTLE CABLE	CLAMPER THROTTLE CABLE	1	390	
42		11382-KHC4-900	CLAMPER BRAKE CABLE **9000	CLAMPER BRAKE CABLE **9000	1	160	
43		11383-KHC4-900	CLAMPER BREATHER **9000	CLAMPER BREATHER **9000 C.2005.05.23	1	300	
36		11395-LBD4-900	GASKET L COVER @A	GASKET L COVER @A	1	1840	
32		28223-KNBN-901	SPG KICK DRIVEN GEAR	SPG KICK DRIVEN GEAR	1	160	
30		28230-KNBN-901	GEAR COMP KICK DRIVEN	GEAR COMP KICK DRIVEN	1	1820	
23		28250-KNBN-901	SPINDLE COMP KICK STARTER	SPINDLE COMP KICK STARTER	1	1820	
26		28253-GBN2-60A	BUSH KICK SPINDLE	BUSH KICK SPINDLE	1	200	
25		28255-GFS6-001	COLLAR KICK BOSS	COLLAR KICK BOSS	1	160	

E01

Crank Case



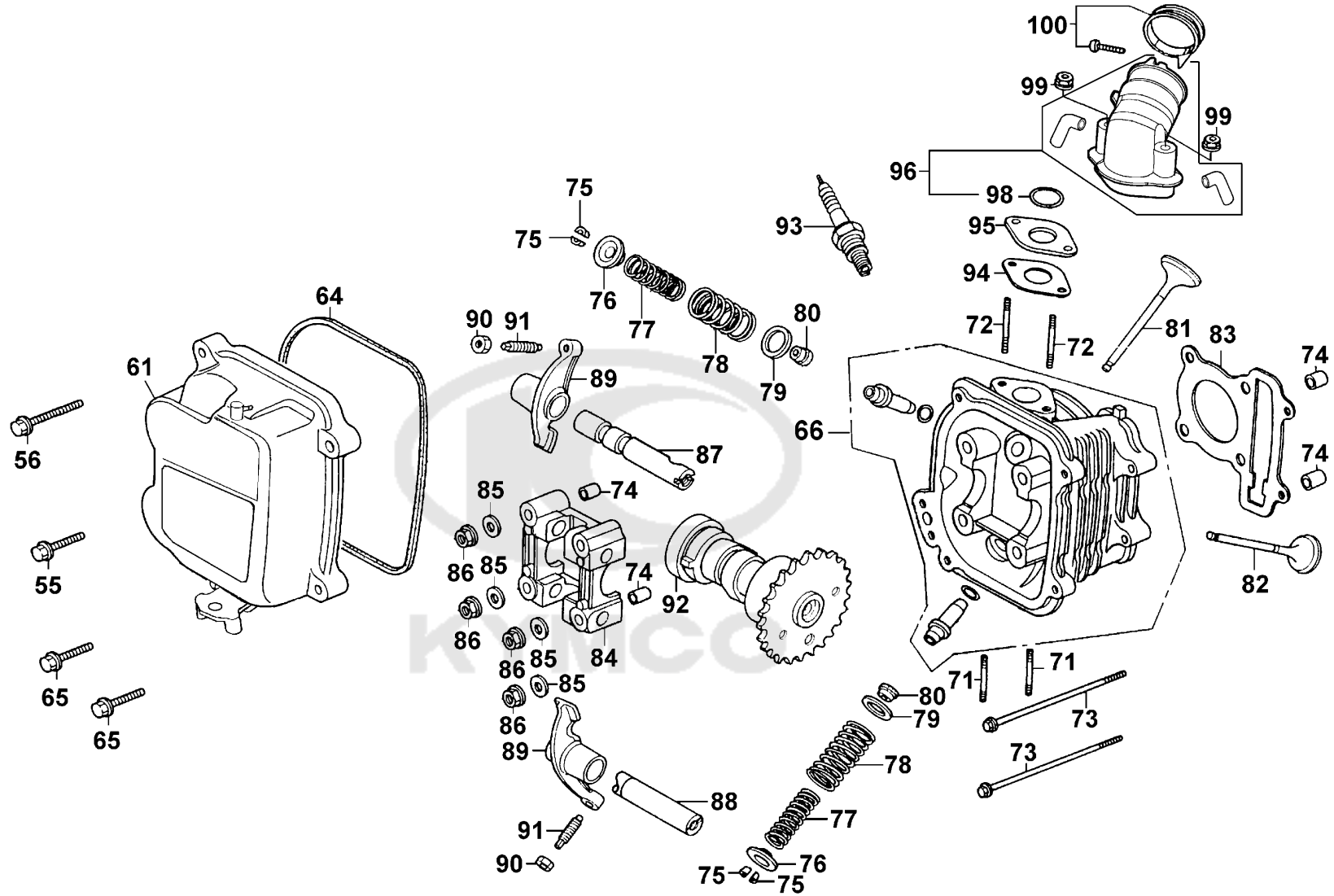
Sales mark 記号	Ref no 参照用番号	Part no パーツ番号	Description 部品名	Reg description 部品名	Regd no 必要個数	Ref Price 希望小売価格(税抜)	E01
24		28281-GBN2-60A	SPRING KICK RETURN	SPRING KICK RETURN	1	390	
5		90031-KHC4-900	BOLT A STUD 8*182.5	BOLT A STUD 8*182.5	2	390	
18		90032-KHC4-900	BOLT B STUD 8*190.5	BOLT B STUD 8*190.5	2	390	
31		90412-3K29-001	WASHER THRUST 10M/M	WASHER THRUST 10M/M	1	200	
27		90451-GBN2-601	WASHER KICK SPINDLE	WASHER KICK SPINDLE	1	200	
20		90488-7L00-001	WASHER 8MM	WASHER 8MM	1	60	
54		9052A-GFY6-950	BOLT ASSY DRAIN PLUG	BOLT ASSY DRAIN PLUG	1	120	
14		91106-KHC4-90A	BRG NEEDLE 15MM	BRG NEEDLE 15MM	1	340	
14A		91106-KHC4-90B	BRG NEEDLE 15MM	BRG NEEDLE 15MM	1	270	
12		91202-GFY6-90A	OIL SEAL 19.8*30*5	OIL SEAL 19.8*30*5	1	230	
16		91202-KKJ9-004	OIL SEAL 20*32*6	OIL SEAL 20*32*6	1	80	
4		94301-08140	DOWEL PIN 8*14	DOWEL PIN 8*14	2	110	
28		94511-14000	CIR CLIP EX 14	CIR CLIP EX 14	1	110	
21		95701-08012-06	BOLT FLANGE 6*22 (K)	BOLT FLANGE 6*22 (K)	1	60	
35		95701-08045-06	BOLT FLANGE 8*45 (G)	BOLT FLANGE 8*45 (G)	1	230	
34		95701-08060-06	BOLT FLANGE 8*60 (G)	BOLT FLANGE 8*60 (G)	1	390	
45		96001-06028-06	BOLT FLANGE SH 6*28	BOLT FLANGE SH 6*28	1	60	
39		96001-06035-06	BOLT FLANGE SH 6*35	BOLT FLANGE SH 6*35	1	130	
3		96001-06045-06	BOLT FLANGE 6*45 **07 C.2005.07.01	BOLT FLANGE 6*45 **07 C.2005.07.01	1	60	
17		96001-GFY6-900	BOLT SPECIAL 5X10	BOLT SPECIAL 5X10	3	60	



Sales mark 記号	Ref no 参照用番号	Part no パーツ番号	Description 部品名	Reg description 部品名	Regd no 必要個数	Ref Price 希望小売価格(税抜)	E01
------------------	-----------------	------------------	--------------------	------------------------	-----------------	-------------------------	-----

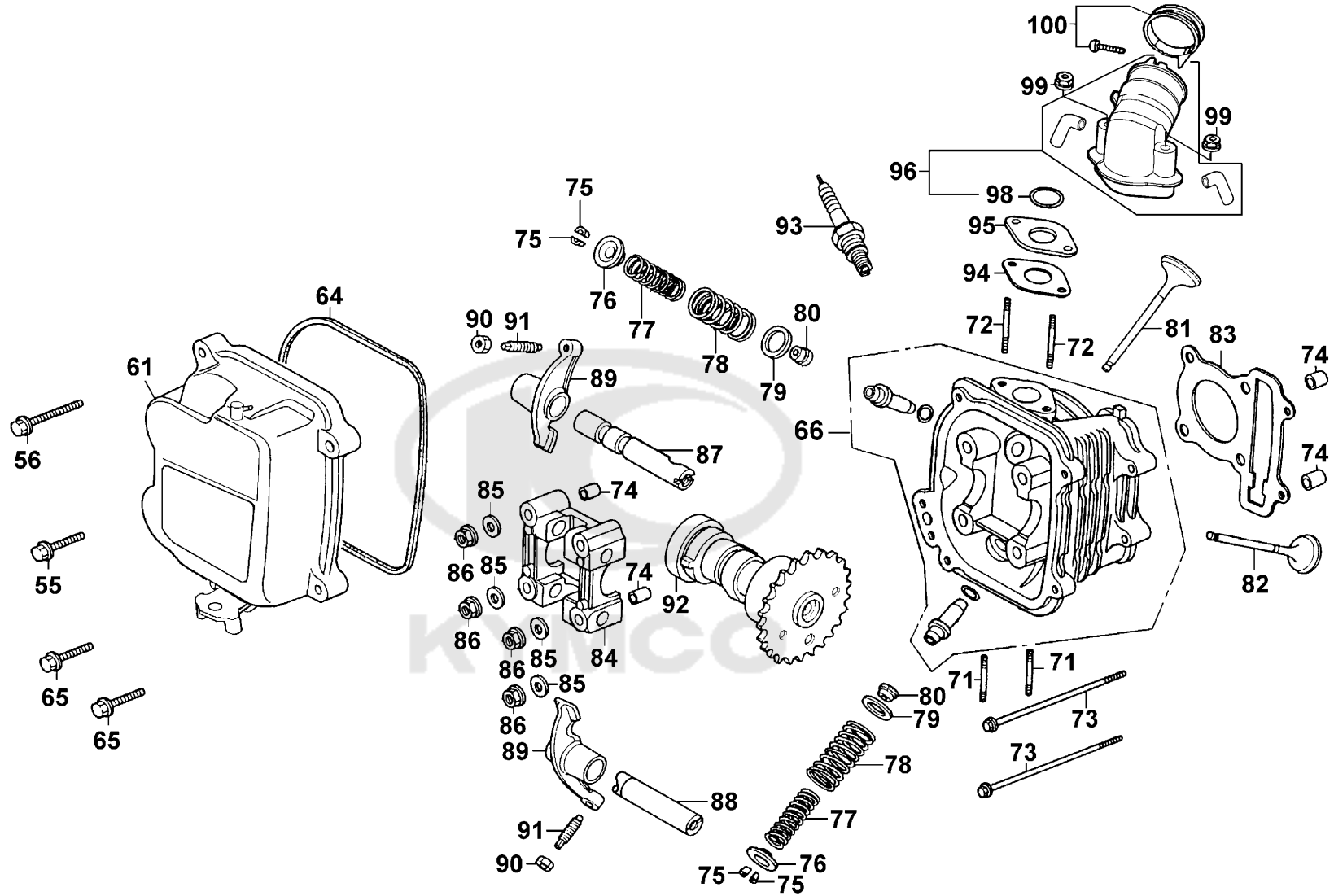
15		96100-62033-00	BEARING BALL RADIAL 6203	BEARING BALL RADIAL 6203	1	960	
13		96100-62043-00	BEARING BALL RADIAL 6204	BEARING BALL RADIAL 6204	1	430	



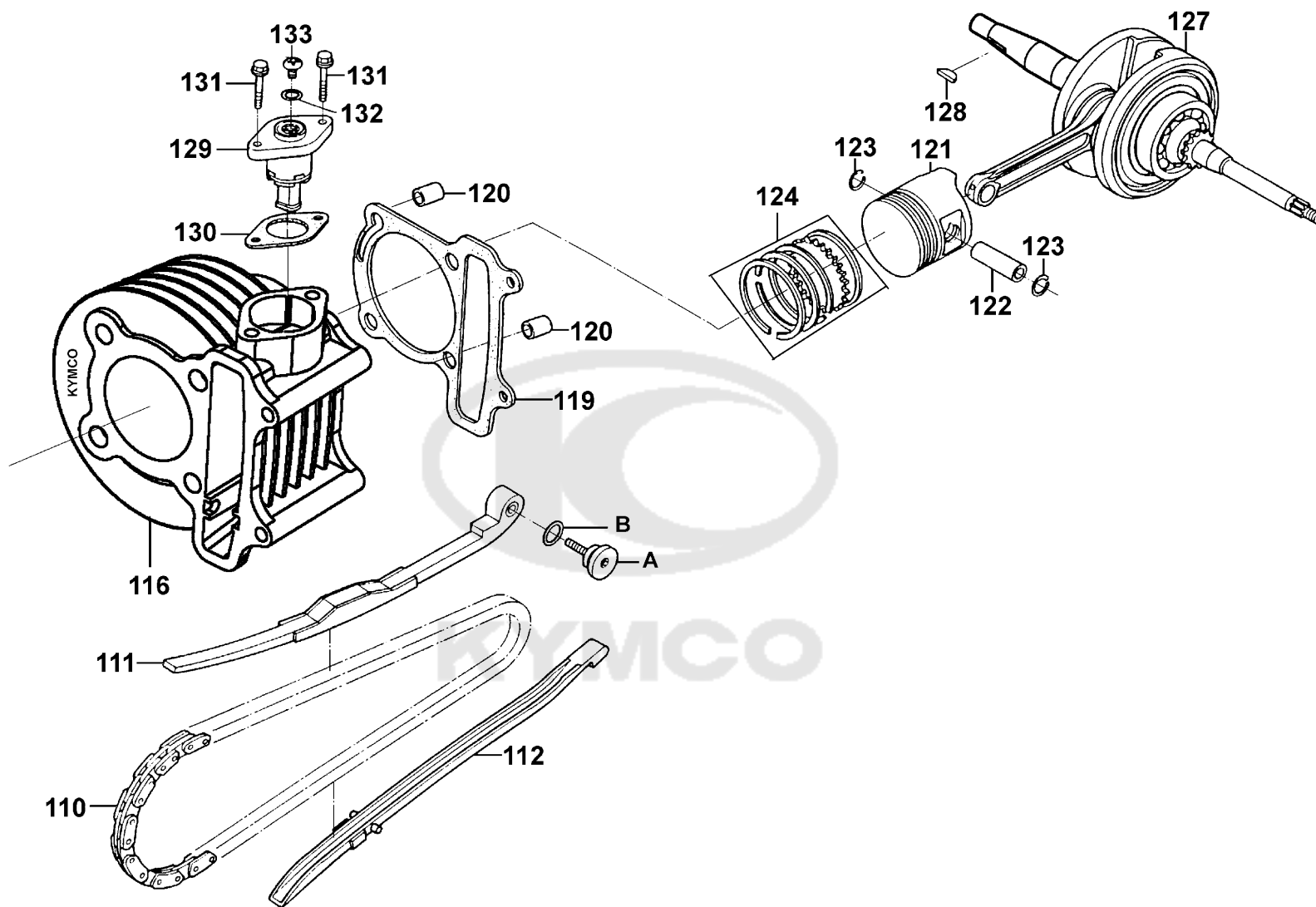


Sales mark 記号	Ref no 参照用番号	Part no パーツ番号	Description 部品名	Reg description 部品名	Regd no 必要個数	Ref Price 希望小売価格(税抜)
66		12200-KHC4-B00	HEAD COMP CYLN **B000-IN	HEAD COMP CYLN **B000-IN C.2002.10.01	1	27700
80		12209-GDB4-68B	SEAL VALVE STEM	SEAL VALVE STEM	1	490
84		12211-KUDU-900	HOLDER CAM SHAFT	HOLDER CAM SHAFT	1	2490
83		12251-KHC4-900	GASKET CYLINDER HEAD	GASKET CYLINDER HEAD	1	680
61		12310-KHC4-B00	COVER COMP HEAD	COVER COMP HEAD	1	4380
64		12391-GFY6-901	GASKET HEAD COVER	GASKET HEAD COVER	1	330
92		14100-KHC4-220	SHAFT COMP CAM	SHAFT COMP CAM	1	9510
89		14431-GFY6-901	ARM VALVE ROCKER	ARM VALVE ROCKER	2	3270
87		14450-GFY6-901	SHAFT COMP IN ROCKER ARM	SHAFT COMP IN ROCKER ARM	1	770
88		14452-GFY6-901	SHAFT EXH ROCKER ARM	SHAFT EXH ROCKER ARM	1	300
81		14711-KHC4-900	VALVE INLET	VALVE INLET	1	1720
82		14721-KHC4-900	VALVE EXHAUST	VALVE EXHAUST	1	3050
78		14751-KFBF-900	SPRING VALVE OUTER	SPRING VALVE OUTER	2	420
77		14761-KFBF-900	SPG VALVE INNER	SPG VALVE INNER	2	300
76		14771-GDB4-680	RETAINER VALVE SPRING	RETAINER VALVE SPRING	2	350
79		14775-MFA6-001	SEAT VALVE SPG OUTER	SEAT VALVE SPG OUTER	2	160
75		14781-MFA6-001	COTTER VALVE	COTTER VALVE	4	200
94		16201-KHC4-980	GASKET CARB INSULATOR	GASKET CARB INSULATOR	1	450
95		16211-KHC4-900	INSULATOR CARB **9000 C.2005.05.23	INSULATOR CARB **9000 C.2005.05.23	1	390
96		1711A-KHC4-B000-IN	PIPE ASSY INLET **B00 C.P.N.	PIPE ASSY INLET **B00 C.P.N.	1	3150

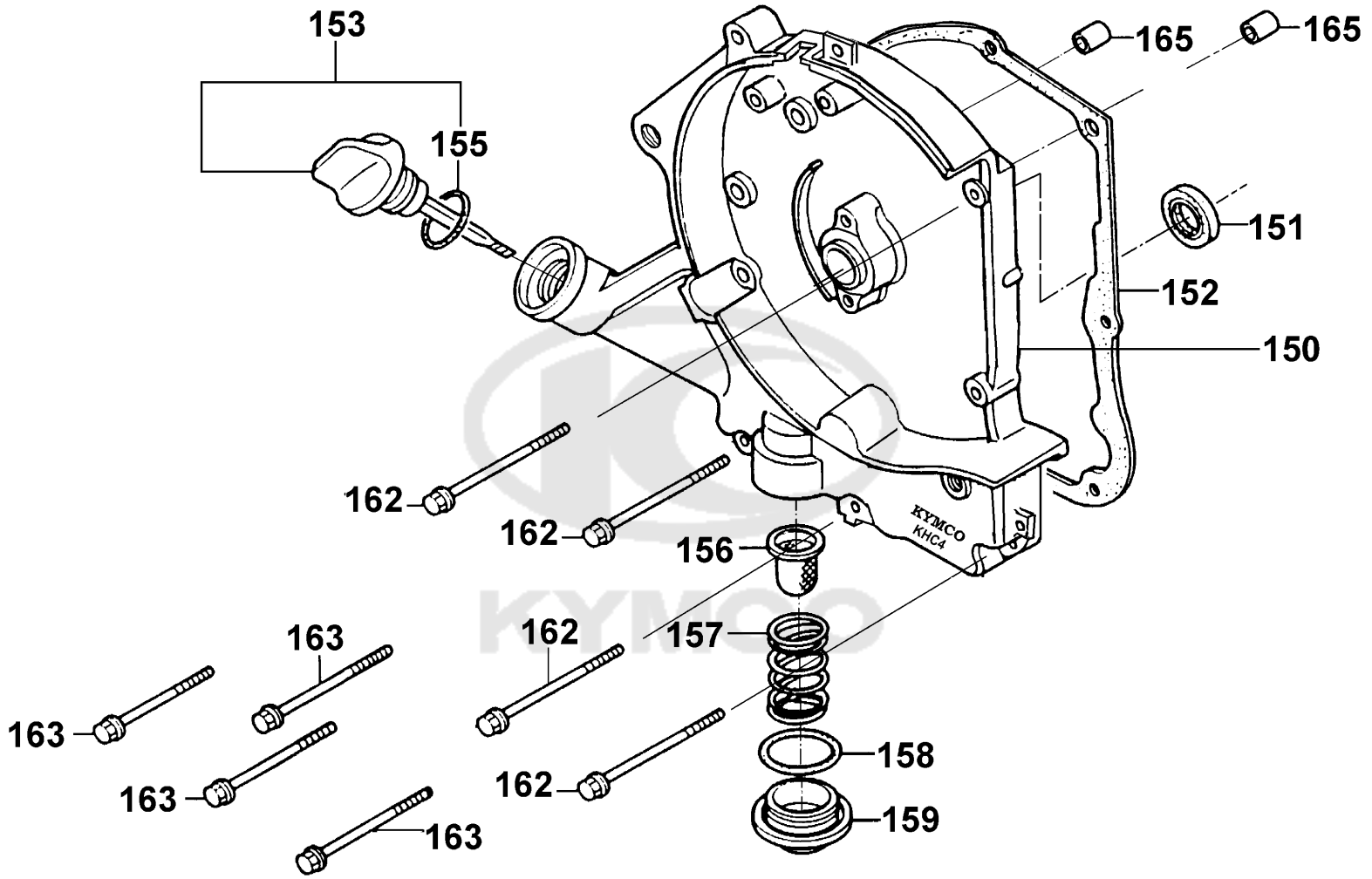
E02



Sales mark 記号	Ref no 参照用番号	Part no パーツ番号	Description 部品名	Reg description 部品名	Regd no 必要個数	Ref Price 希望小売価格(税抜)	E02
100		17256-KGBG-900	BAND INSULATOR	BAND INSULATOR	1	330	
91		90012-3C33-001	SCREW TAPPET ADJUSTING	SCREW TAPPET ADJUSTING	2	110	
71		90033-GFY6-900	BOLT STUD 8*32	BOLT STUD 8*32	2	60	
90		90206-0A01-001	NUT TAPPET ADJG	NUT TAPPET ADJG	2	60	
85		90465-MDC4-001	WASHER 8MM	WASHER 8MM	4	60	
98		91304-KHC4-900	O- RING 22*2.0	O- RING 22*2.0	1	60	
72		92900-06050-0B	BOLT STUD II 6*50	BOLT STUD II 6*50	2	160	
99		94050-06080	NUT FLANGE 6MM	NUT FLANGE 6MM	2	60	
86		94050-08080	NUT FLANGE 8MM	NUT FLANGE 8MM	4	60	
74		94301-10160	DOWEL PIN 10*16	DOWEL PIN 10*16	4	60	
65		95701-06025-06	BOLT FLANGE 6*25	BOLT FLANGE 6*25	1	60	
55		95701-06035-06	BOLT FLANGE 6*35	BOLT FLANGE 6*35	1	60	
56		95701-06050-06	BOLT FLANGE 6*22 (K)	BOLT FLANGE 6*22 (K)	1	60	
73		96001-06095-06	BOLT FLANGE SH 6*95 **07 C.2005.07.01	BOLT FLANGE SH 6*95 **07 C.2005.07.01	1	70	
93		98056-57713-00	SPARK PLUG (C7HSA)	SPARK PLUG (C7HSA)	1	770	

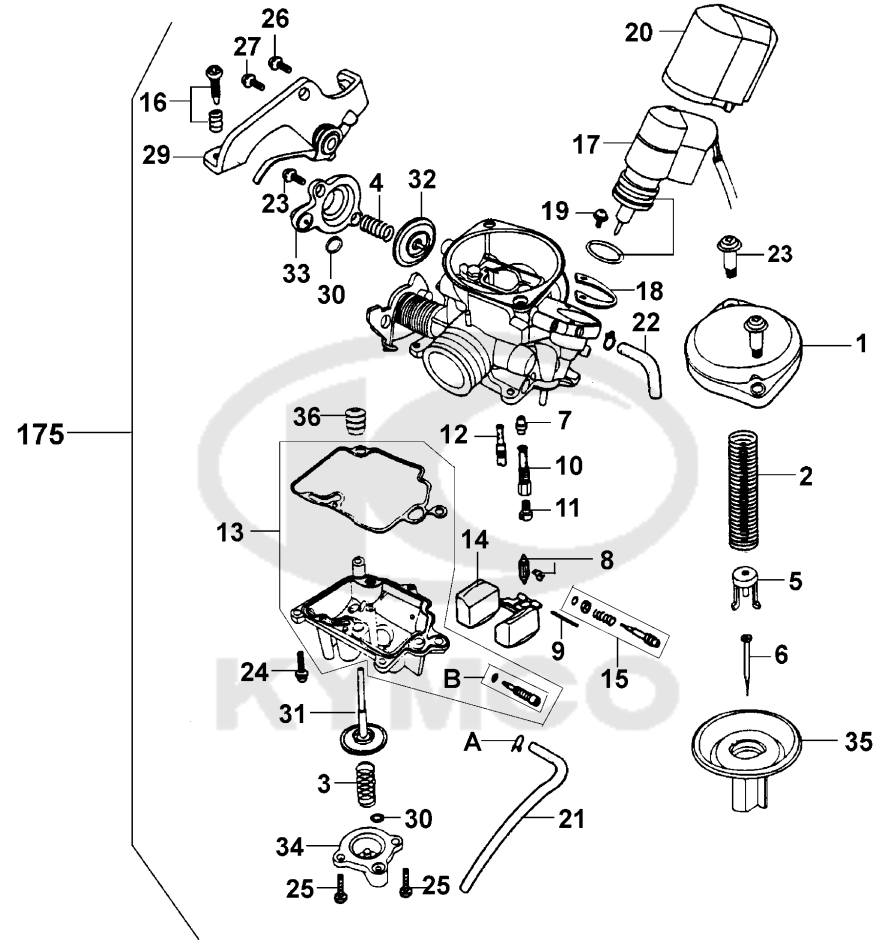


Sales mark 記号	Ref no 参照用番号	Part no パーツ番号	Description 部品名	Reg description 部品名	Regd no 必要個数	Ref Price 希望小売価格(税抜)	E03
116		12100-KHC4-900	CYLINDER COMP	CYLINDER COMP **9000 C.2005.04.22	1	19010	
119		12191-LBD4-900	GASTET CYLINDER @ A	GASTET CYLINDER @ A	1	230	
127		13000-KHC4-900	CRANK SHAFT COMP	CRANK SHAFT COMP **(5) C.2008.10.08	1	23760	
124		13011-GFF6-90B	PISTON RING SET **GF6 C.2005.05.23	PISTON RING SET **GF6 C.2005.05.23	1	3430	
121		13101-KHC4-900	PISTON **(2) C.2008.09.16	PISTON **(2) C.2008.09.16	1	2420	
122		13111-0G87-001	PIN PISTON	PIN PISTON	1	870	
123		13115-0A01-001	PISTON PIN CLIP	PISTON PIN CLIP	2	160	
110		14401-KHC4-900	CHAIN CAM	CHAIN CAM	1	3180	
111		14510-KHC4-900	TENSIONER CAM CHAIN	TENSIONER CAM CHAIN	1	2290	
129		14520-GFY6-90C	LIFTER ASSY.. TENSIONER	LIFTER ASSY.. TENSIONER	1	2060	
130		14523-KED9-900	GASKET TENSIONER LIFTER @A	GASKET TENSIONER LIFTER @A	1	200	
A		14531-GLR0-001	PIVOT CAM CHAIN TENSIONER	PIVOT CAM CHAIN TENSIONER	1	200	
112		14610-KHC4-900	GUIDE COMP CAM CHAIN	GUIDE COMP CAM CHAIN	1	1060	
131		90001-GBHB-661	BOLT FLANGE SH 6*22	BOLT FLANGE SH 6*22	2	60	
133		90005-KAW1-901	SCREW PAN 6*6	SCREW PAN 6*6	1	60	
128		90741-0E35-001	KEY WOODRUFF	KEY WOODRUFF	1	160	
B		91301-GLR0-005	O-RING 15.2*1.5	O-RING 15.2*1.5	1	60	
132		91306-1E05-691	O-RING 1.5*9.5	O-RING 1.5*9.5	1	60	
120		94301-10160	DOWEL PIN 10*16	DOWEL PIN 10*16	2	60	



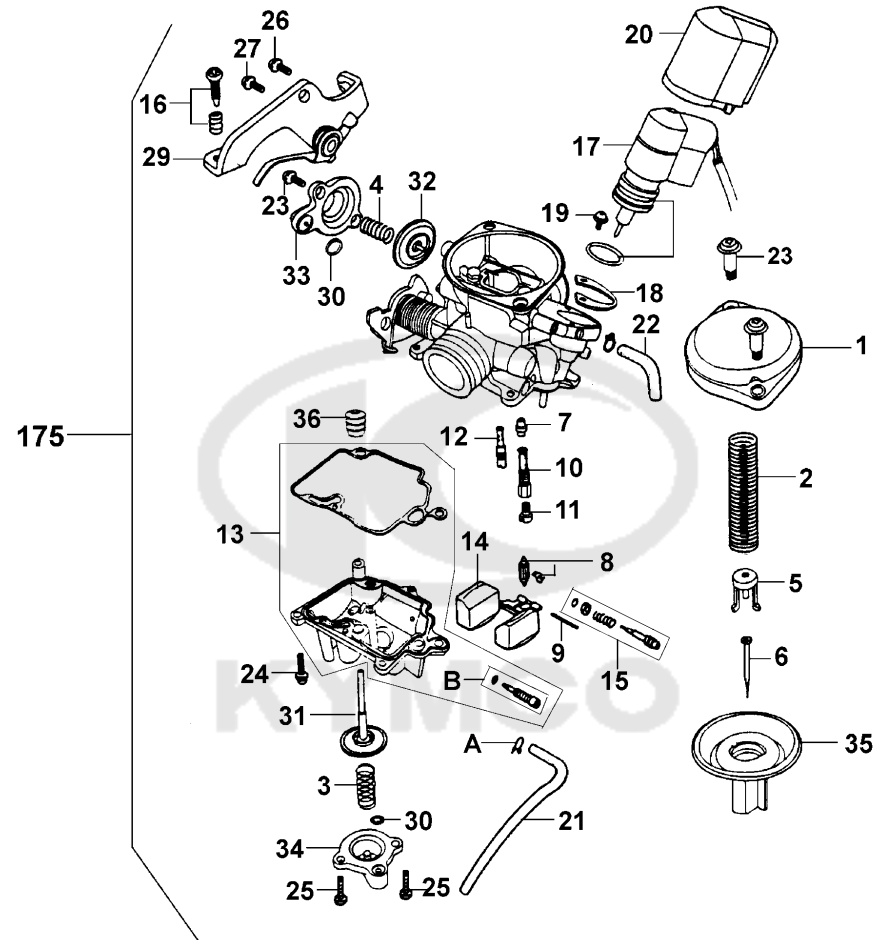
Sales mark 記号	Ref no 参照用番号	Part no パーツ番号	Description 部品名	Reg description 部品名	Regd no 必要個数	Ref Price 希望小売価格(税抜)
150	11330-LAB4-900	COVER COMP R CRANK CASE	COVER COMP R CRANK CASE	COVER COMP R CRANK CASE	1	10940
152	11394-LBD4-900	GASTER R COVER @ A	GASTER R COVER @ A	GASTER R COVER @ A	1	490
159	12361-GFY6-901	HOLE CAP TAPPET ADJUSTING	HOLE CAP TAPPET ADJUSTING	HOLE CAP TAPPET ADJUSTING	1	300
156	15421-1G07-001	SCREEN OIL FILTER	SCREEN OIL FILTER	SCREEN OIL FILTER	1	350
157	15426-GAE1-921	SPG OIL FILTER SCREEN	SPG OIL FILTER SCREEN	SPG OIL FILTER SCREEN	1	160
153	1565A-GFY6-900	GAUGE OIL LEVEL ASSY	GAUGE OIL LEVEL ASSY	GAUGE OIL LEVEL ASSY	1	390
151	91202-GFY6-90C	OIL SEAL 19.8*30*5	OIL SEAL 19.8*30*5	OIL SEAL 19.8*30*5	2	230
158	91302-0A01-021	O-RING 30.8M/M	O-RING 30.8M/M	O-RING 30.8M/M	1	60
155	91307-0E35-001	O RING 18*3	O RING 18*3	O RING 18*3	1	60
165	94301-08140	DOWEL PIN 8*14	DOWEL PIN 8*14	DOWEL PIN 8*14	2	110
163	96001-06085-06	BOLT FLANGE 6*85	BOLT FLANGE 6*85	BOLT FLANGE 6*85	4	160
162	96001-06100-06	BOLT FLANGE SH 6*100	BOLT FLANGE SH 6*100	BOLT FLANGE SH 6*100	1	60

E04



Sales mark 記号	Ref no 参照用番号	Part no パーツ番号	Description 部品名	Reg description 部品名	Regd no 必要個数	Ref Price 希望小売価格(税抜)
36		1028-054-7000	RUBBER CAP	RUBBER CAP	1	350
1		1030-880-2103	TOP SET	TOP SET	1	1210
14		1052-862-2101	FLOAT COMP	FLOAT COMP	1	420
18		1090-873-2001	SET PLATE	SET PLATE	1	110
29		1190-A78-2102	STAY PLATE SET	STAY PLATE SET	1	4520
31		1201-830-2101	DIAPHRAGM COMP	DIAPHRAGM COMP	1	3310
5		1229-805-7000	SPG SET	SPG SET	1	110
33		1230-850-2000	COVER (ACV)	COVER (ACV)	1	800
34		1230-851-2001	COVER (ACCP)	COVER (ACCP)	1	700
20		1230-856-7001	COVER	COVER	1	580
4		1290-996-2000-3	SPG COMPR	SPG COMPR	1	200
3		1290-A07-2000	SPG COMPR	SPG COMPR	1	110
2		1290-A27-2000	SPG COMPR **D19KT-036-0200	SPG COMPR **D19KT-036-0200 C.2002.06.01	1	60
35		1402-910-2201	VACUUM PISTON COMP **D19KT-005-	VACUUM PISTON COMP **D19KT-005-4400	1	5710
175		1610K-KHC4-B21	CARBURETOR ASSY **(4) C.2008.02.12	CARBURETOR ASSY **(4) C.2008.02.12	1	27490
B		16162-KG8-9010-M1	DRAIN SCREW PAN	DRAIN SCREW PAN	1	300
22		16199-GFY6-900	TUBE SET	TUBE SET	1	200
17		4000-160-0001	AUTO BYSTARTER SET **D19KT-074-	AUTO BYSTARTER SET **D19KT-074-1710	1	10840
26		4115-803-1100	SCREW PAN	SCREW PAN	1	260
27		4115-804-1100	SCREW PAN	SCREW PAN	1	210

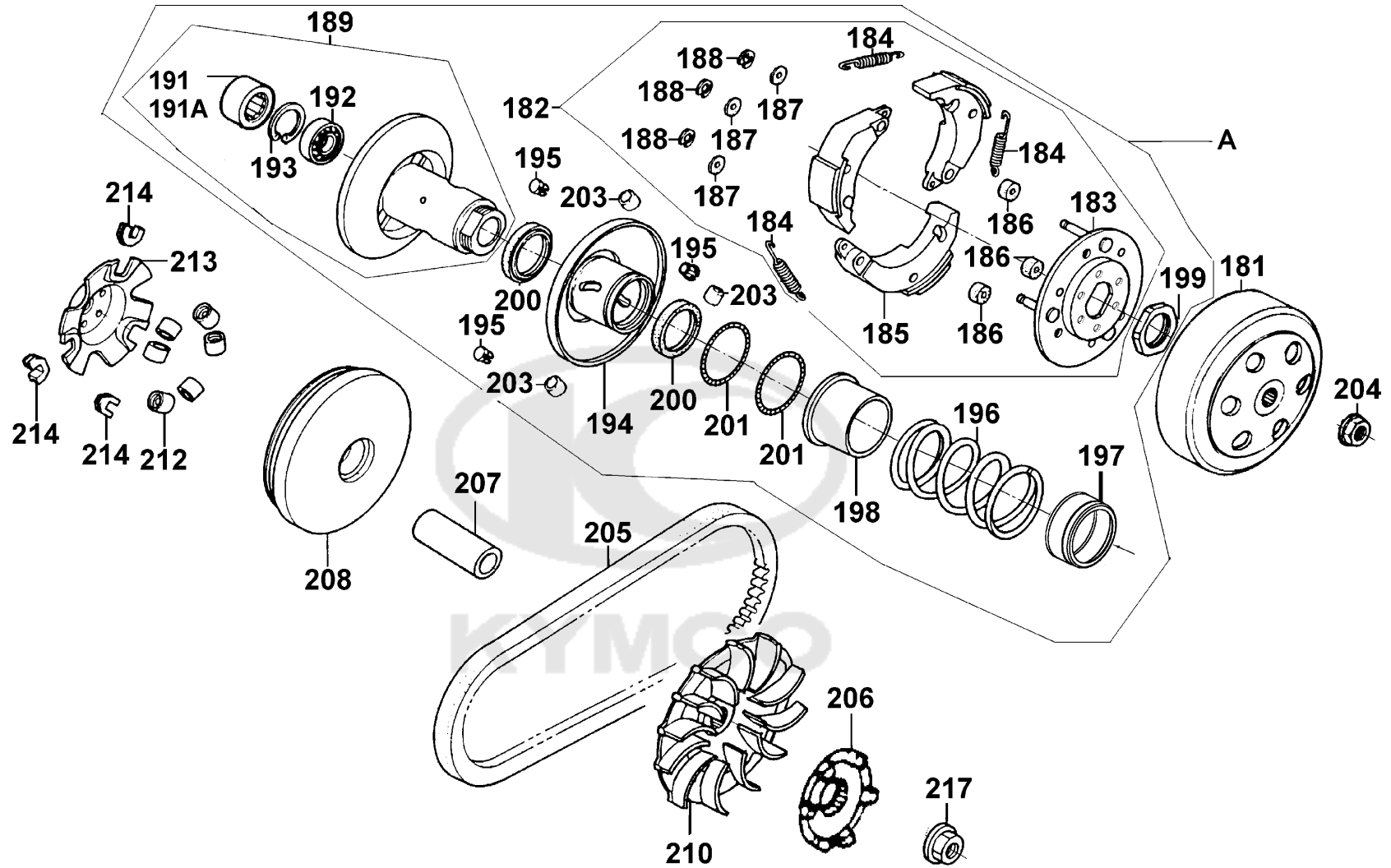
E05



Sales mark 記号	Ref no 参照用番号	Part no パーツ番号	Description 部品名	Reg description 部品名	Regd no 必要個数	Ref Price 希望小売価格(税抜)
23		93500-04008-1H-3	SCREW PAN	SCREW PAN	1	60
25		93500-04010-1H-3	SCREW	SCREW	1	110
24		93500-04012-1H-3	SCREW PAN	SCREW PAN	1	110
19		93892-04008-16	SCREW WASHER 4*8	SCREW WASHER 4*8	1	200
A		95002-02070	CLIP B7 TUBE	CLIP B7 TUBE	1	60
11		99101-116-0880	JEN MAIN 88 (OPTION)	JEN MAIN 88 (OPTION)	1	450
15		K446-A31-0100	SCREW SET	SCREW SET	1	400
10		N413-18C00	NEEDLE JET HOLDER	NEEDLE JET HOLDER	1	1340
12		N423-09A35	SLOW JET	SLOW JET	1	1440
6		N425-4HLLN	JET NEEDLE COMP **D19KT-096-0400	JET NEEDLE COMP **D19KT-096-0400	1	890
7		N426-33A00	NEEDLE JET	NEEDLE JET	1	870
21		S7860-112-B000	TUBE SET	TUBE SET	1	320
32		W1470-MW0-7500	DIAPHRAGM COMP	DIAPHRAGM COMP	1	2550
30		W9353-36000	U RING	U RING	2	110
9		W9525-25250	ARM PIN	ARM PIN	1	110
13		Y1901-001-2600	FLOAT CHAMBER SET	FLOAT CHAMBER SET	1	6050
16		Y1901-002-0100	SCREW SET (S.S)	SCREW SET (S.S)	1	140
8		Z062-0061	FLOAT VALVE SET **D19KT-010-0700	FLOAT VALVE SET **D19KT-010-0700	1	1580

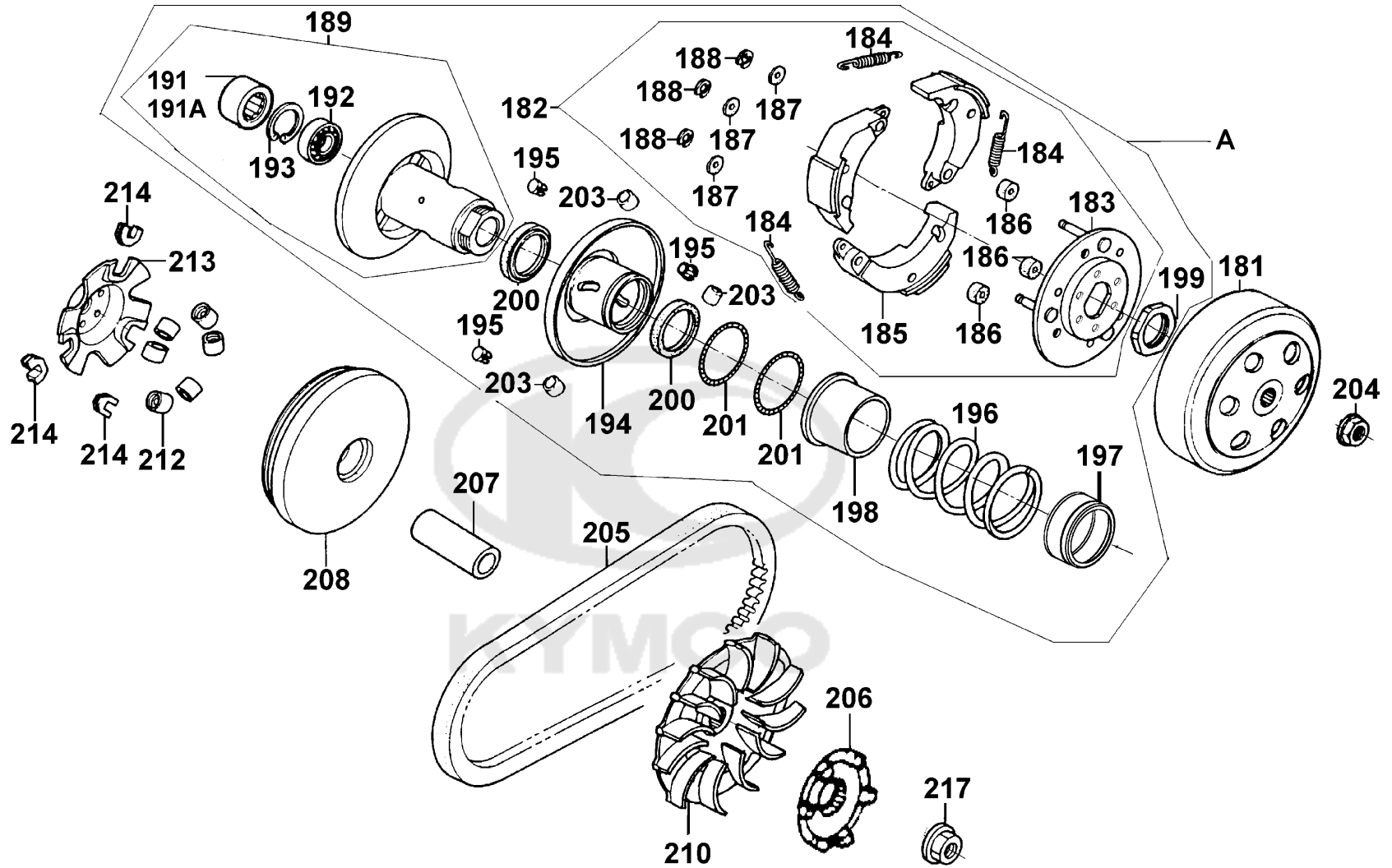
E05

Transmission Pulley

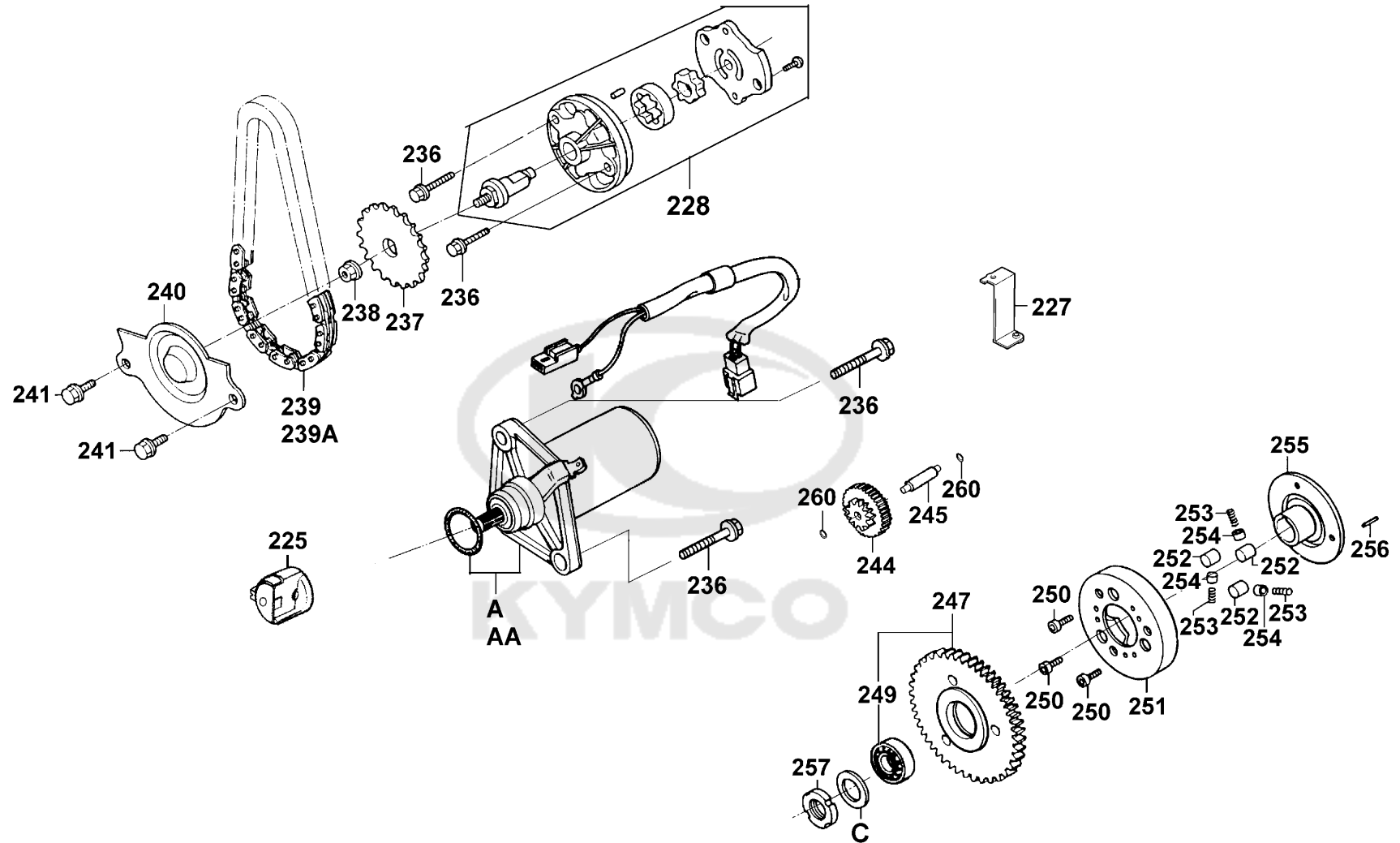


Sales mark 記号	Ref no 参照用番号	Part no パーツ番号	Description 部品名	Reg description 部品名	Regd no 必要個数	Ref Price 希望小売価 格(税抜)	E06
181		22100-KNBN-902	OUTER COMP CLUTCH	OUTER COMP CLUTCH	1	4100	
210		22102-KHC4-900	FACE DRIVE	FACE DRIVE	1	1720	
207		22105-KHC4-900	BOSS DRIVE FACE	BOSS DRIVE FACE	1	1440	
208		22110-KHC4-900	FACE COMP MOVABLE	FACE COMP MOVABLE	1	2010	
212		22121-GHT8-305	ROLLER SET WEIGHT (1SET:6PCS)	ROLLER SET WEIGHT(旧品番の22121-GHT8)	1	320	
213		22131-GCW3-901	PLATE RAMP	PLATE RAMP	1	1180	
214		22132-KHC4-900	PIECE SLIDE	PIECE SLIDE	3	160	
182		22300-KHC4-900	PLATE ASSY DRIVE **9000 C.	PLATE ASSY DRIVE **9000 C.	1	7450	
183		22350-KHC4-900	PLATE COMP DRIVE	PLATE COMP DRIVE	1	1250	
184		22401-KED5-900	SPRING CLUTCH	SPRING CLUTCH	3	140	
185		22530-KHC4-900	WEIGHT SET CLUTCH	WEIGHT SET CLUTCH	3	1630	
186		22804-1H48-001	RUBBER CLUTCH DAMPER	RUBBER CLUTCH DAMPER	3	110	
A		2301A-KHC4-900	PULLEY ASSY DRIVEN **9000	PULLEY ASSY DRIVEN **9000 C.2002.05.27	1	19650	
205		23100-KHC4-900	BELT DRIVE	BELT DRIVE	1	4830	
189		23200-GCW3-001	FACE ASSY DRIVEN	FACE ASSY DRIVEN	1	9890	
194		23220-KHC4-900	FACE COMP MOVABLE DRIVEN	FACE COMP MOVABLE DRIVEN	1	6090	
195		23225-GCW3-001	PIN GUIDE	PIN GUIDE	3	60	
203		23226-GCW3-001	ROLLER GUIDE	ROLLER GUIDE	3	60	
196		23233-KED5-900	SPG DRIVEN FACE	SPG DRIVEN FACE	1	1150	
198		23237-GFY6-941	COLLAR SEAL	COLLAR SEAL	1	580	

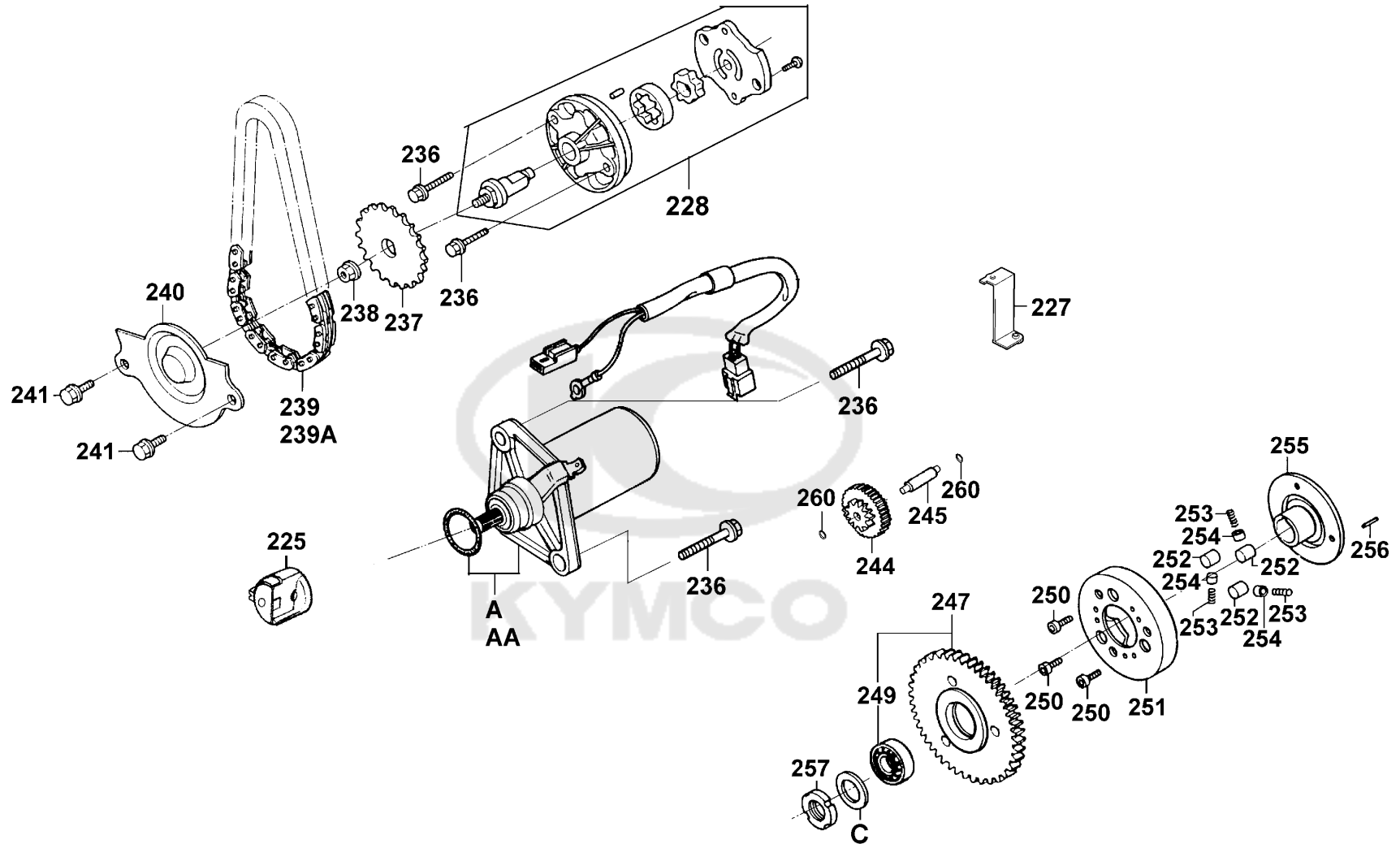
Transmission Pulley



Sales mark 記号	Ref no 参照用番号	Part no パーツ番号	Description 部品名	Reg description 部品名	Regd no 必要個数	Ref Price 希望小売価格(税抜)	E06
197		23239-GCW3-851	GUIDE SPG	GUIDE SPG	1	440	
206		28211-KNBN-901	RATCHET KICK STARTER	RATCHET KICK STARTER	1	920	
199		90202-1G87-001	NUT SPECIAL 28MM	NUT SPECIAL 28MM	1	100	
187		90442-0D44-001	WASHER THRUST 6M	WASHER THRUST 6M	3	60	
188		90603-0D44-001	CIR CLIP 6MM	CIR CLIP 6MM	3	60	
192		91001-GGA7-70A	BRG RADIAL BALL 6901U	BRG RADIAL BALL 6901U	1	1720	
191		91103-GAR1-004	BRG NEEDLE 17*25*18 WS	BRG NEEDLE 17*25*18 WS	1	1530	
191A		91103-GAR1-00A	BRG NEEDLE 17*25*18 WS	BRG NEEDLE 17*25*18 WS	1	1530	
200		91211-KEE1-900	OIL SEAL 34*39*3	OIL SEAL 34*39*3	2	770	
201		91384-KEBE-900	O-RING	O-RING	2	160	
204		94050-10080	NUT FLANGE 10MM	NUT FLANGE 10MM	1	60	
217		94050-12080	NUT C FLANGE 12MM	NUT C FLANGE 12MM	1	60	
193		94520-24000	CIR CLIP IN 24	CIR CLIP IN 24	1	80	

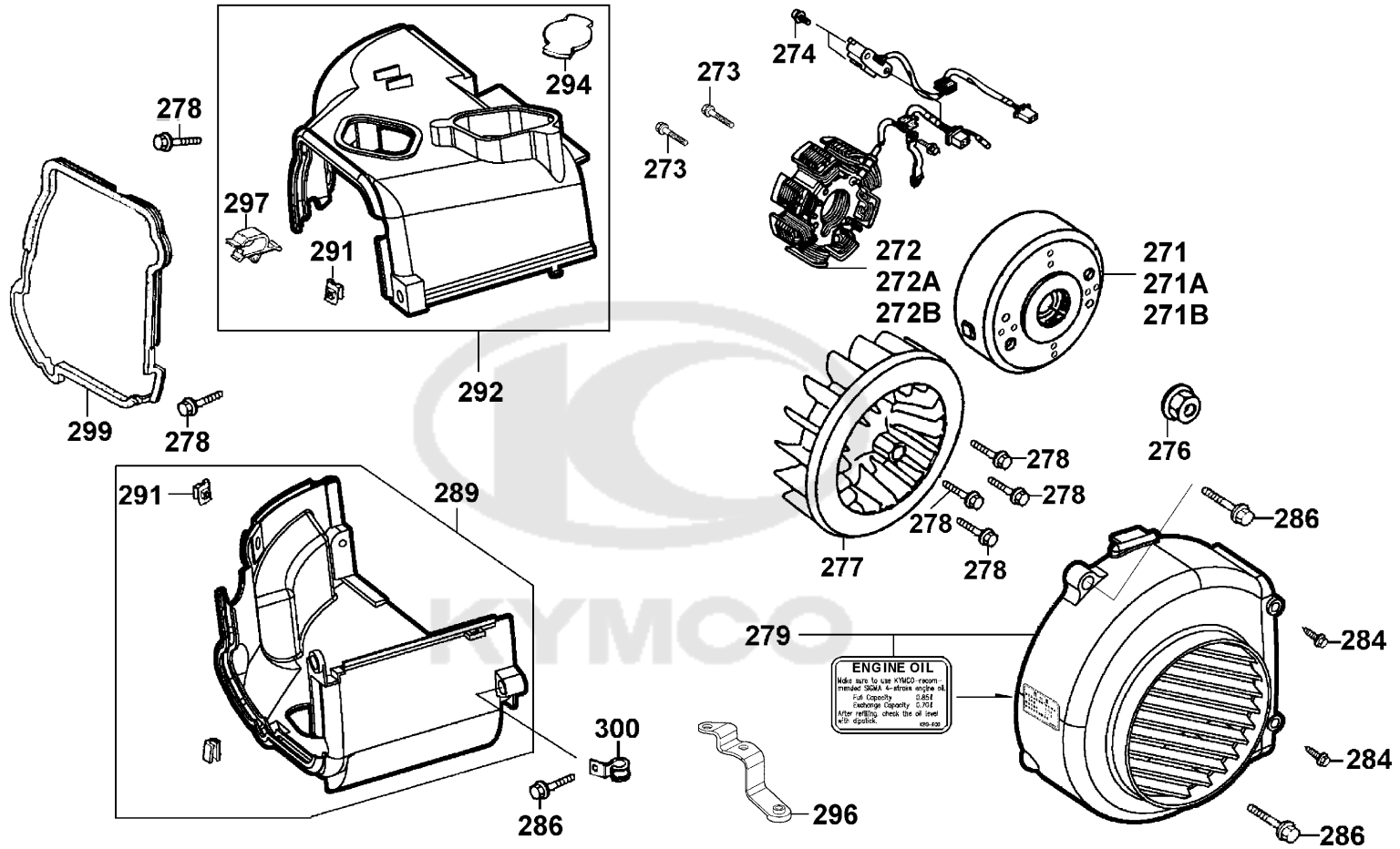


Sales mark 記号	Ref no 参照用番号	Part no パーツ番号	Description 部品名	Reg description 部品名	Regd no 必要個数	Ref Price 希望小売価格(税抜)	E07
	227	11206-KHC4-800	STAY A RR FENDER **8000 C.	STAY A RR FENDER **8000 C.	1	490	
	228	15100-GFY6-901	PUMP ASSY OIL	PUMP ASSY OIL	1	3430	
	237	15133-GFY6-901	SPRKT OIL PUMP DRIVEN	SPRKT OIL PUMP DRIVEN	1	580	
	239	15141-GFY6-90B	CHAIN OIL PUMP	CHAIN OIL PUMP	1	2230	
	239A	15141-GFY6-90C	CHAIN OIL PUMP	CHAIN OIL PUMP	1	2230	
	240	15711-GFY6-901	SEPARATER OIL	SEPARATER OIL	1	300	
	244	28101-KNBN-901	GEAR COMP STARTER REDUCTION	GEAR COMP STARTER REDUCTION	1	5240	
	245	28105-KNBN-901	SHAFT START REDUCTION	SHAFT START REDUCTION	1	900	
	247	2811A-KNBN-940	GEAR ASSY STARTER	GEAR ASSY STARTER	1	6880	
	251	28120-KNBN-901	OUTER COMP ST CLUCH	OUTER COMP ST CLUCH	1	8180	
	253	28125-3C23-001	SPRING ROLLER ST CLUTCH	SPRING ROLLER ST CLUTCH	3	160	
	254	28126-KNBN-901	CAP SPGING ROLLER SP	CAP SPGING ROLLER SP	3	200	
	255	28127-KNBN-901	BOSS STARTER CLUTCH	BOSS STARTER CLUTCH	1	3240	
	A	31200-KHC4-900	MOTOR ASSY START **(1) C.2008.07.15	MOTOR ASSY START **(1) C.2008.07.15	1	13880	
	AA	31200-KHC4-90B	MOTOR ASSY START	MOTOR ASSY START	1	15400	
	225	31203-KHC4-900	HOLDER COMP STARTER REDUCTION	HOLDER COMP STARTER REDUCTION	1	1150	
	257	90201-KNBN-901	NUT SPECIAL 24MM	NUT SPECIAL 24MM	1	300	
	260	90502-MBS2-001	WASHER 24*8.5	WASHER 24*8.5	2	70	
	C	90602-PDX4-001	CIR CLIP B IN 47	CIR CLIP B IN 47	1	300	
	249	91005-KNBN-901	BRG RADIAL 6005-2NKG	BRG RADIAL 6005-2NKG	1	2010	



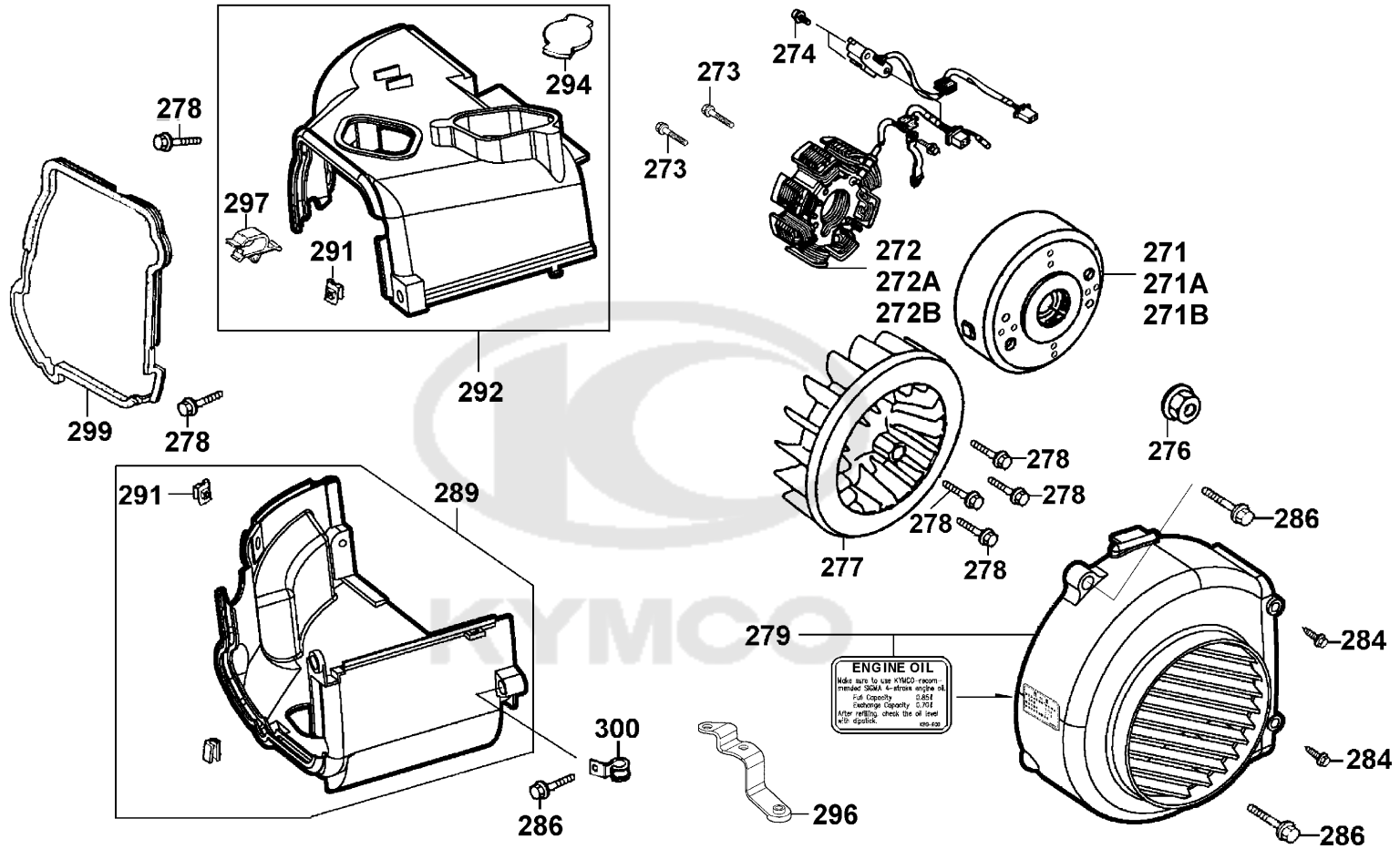
Sales mark 記号	Ref no 参照用番号	Part no パーツ番号	Description 部品名	Reg description 部品名	Regd no 必要個数	Ref Price 希望小売価格(税抜)	E07
252	91101-KNBN-901		ROLLER 10.2*11.5	ROLLER 10.2*11.5	3	160	
238	94050-06080		NUT FLANGE 6MM	NUT FLANGE 6MM	1	60	
241	96001-06012-06		BOLT FLANGE SH 6*12	BOLT FLANGE SH 6*12	1	60	
236	96001-06025-06		BOLT FLANGE SH 6*25	BOLT FLANGE SH 6*25	1	60	
256	96220-60100		ROLLER 6*10	ROLLER 6*10	1	60	
250	96600-LGL3-900		SOCKET BOLT	SOCKET BOLT	1	390	





Sales mark 記号	Ref no 参照用番号	Part no パーツ番号	Description 部品名	Reg description 部品名	Regd no 必要個数	Ref Price 希望小売価格(税抜)
296		11208-KHC4-800	STAY C RR FENDER	STAY C RR FENDER	1	490
297		11385-KGBG-900	CLIP VACUUM TUBE	CLIP VACUUM TUBE	1	200
300		11385-KHC4-900	CLAMPER CARB DRAIN TUBE	CLAMPER CARB DRAIN TUBE	1	200
277		19510-GBW2-901	FAN COMP COOLING	FAN COMP COOLING	1	580
279		1961A-KHC4-B000-JP	COVER ASSY FAN **B10 C.P.N.	COVER ASSY FAN **B10 C.P.N.	1	960
299		19625-KHC4-900	SEAL SHROUD	SEAL SHROUD	1	580
289		1962A-KHC4-900	SHROUD ASSY A	SHROUD ASSY A	1	1160
294		19633-GFY6-901	GROMET SHROUD B	GROMET SHROUD B	1	200
292		1963A-KHC4-900	SHROUD ASSY B	SHROUD ASSY B	1	1280
271		31110-KHC4-90A	FLYWHEEL COMP (D402)	FLYWHEEL COMP /D402	1	9890
271A		31110-KHC4-90B	FLYWHEEL COMP (D406)	FLYWHEEL COMP /D406	1	9890
271B		31110-KHC4-90C	FLYWHEEL COMP (D414)	FLYWHEEL COMP /D414	1	9890
272		31120-KGBG-90A	STATOR COMP (D402)	STATOR COMP /D402	1	10650
272A		31120-KGBG-90B	STATOR COMP (D406)	STATOR COMP	1	10650
272B		31120-KGBG-90C	STATOR COMP (D414)	STATOR COMP /D414	1	10650
291		90305-GHK8-001	NUT CLIP 6MM	NUT CLIP 6MM	1	60
274		92101-05012-0G	BOLT HEX 5*12 (G)	BOLT HEX 5*12 (G)	1	60
284		93904-35380	SCREW TAPPING 5*16	SCREW TAPPING 5*16	2	200
276		94050-10080	NUT FLANGE 10MM	NUT FLANGE 10MM	1	60
278		96001-06016-06	BOLT FLANGE SH 6X16	BOLT FLANGE SH 6X16	1	60

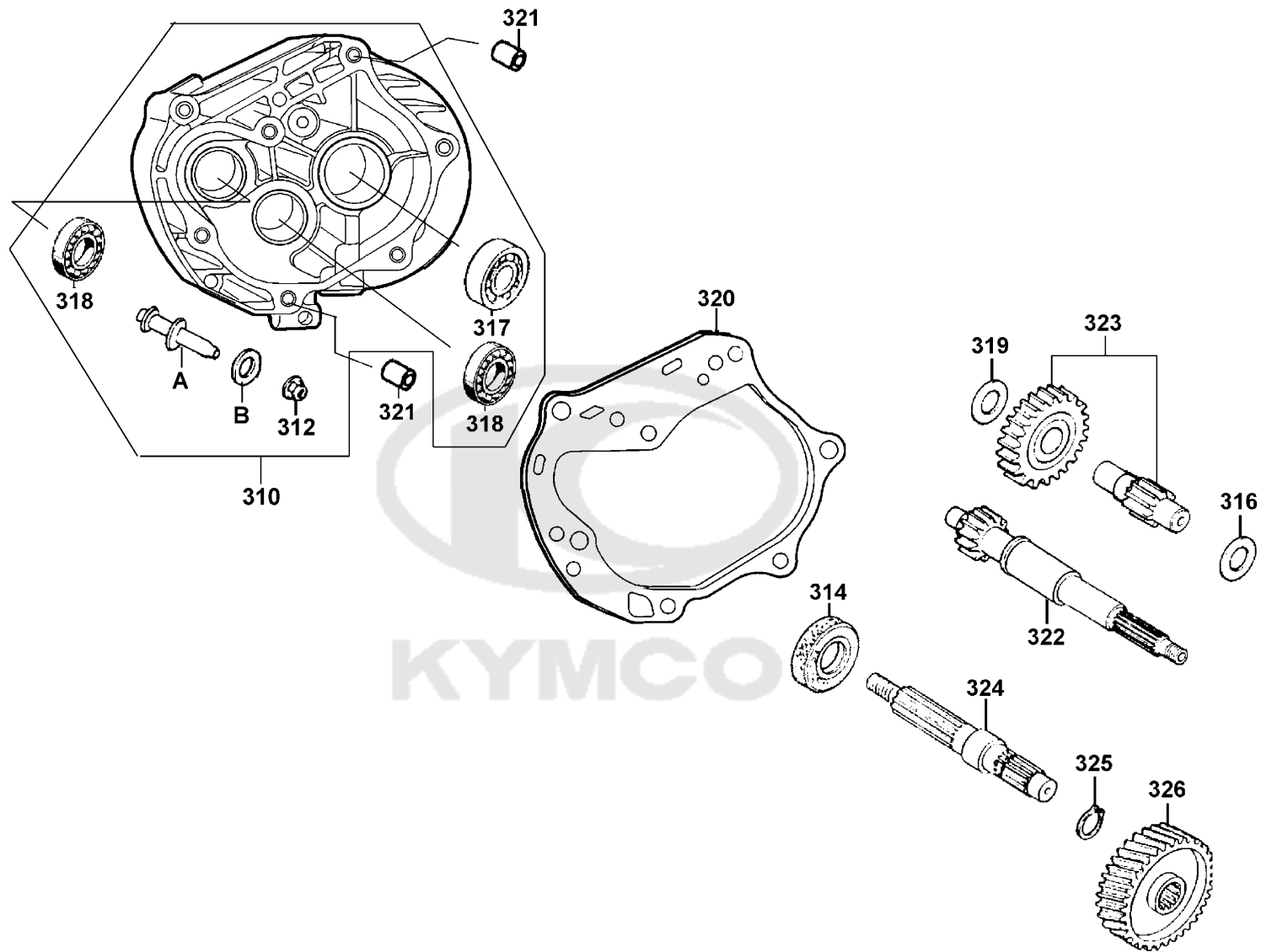
E08



Sales mark 記号	Ref no 参照用番号	Part no パーツ番号	Description 部品名	Reg description 部品名	Regd no 必要個数	Ref Price 希望小売価格(税抜)	E08
------------------	-----------------	------------------	--------------------	------------------------	-----------------	-------------------------	-----

273	96001-06020-06		BOLT FLANGE SH 6*20	BOLT FLANGE SH 6*20	1	200	
286	96001-06025-06		BOLT FLANGE SH 6*25	BOLT FLANGE SH 6*25	1	60	

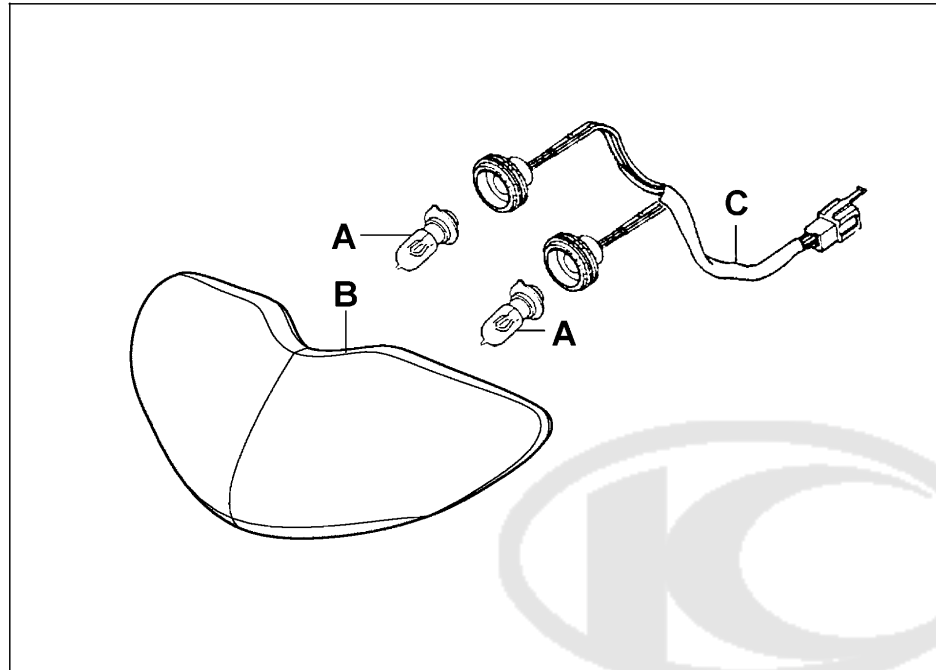




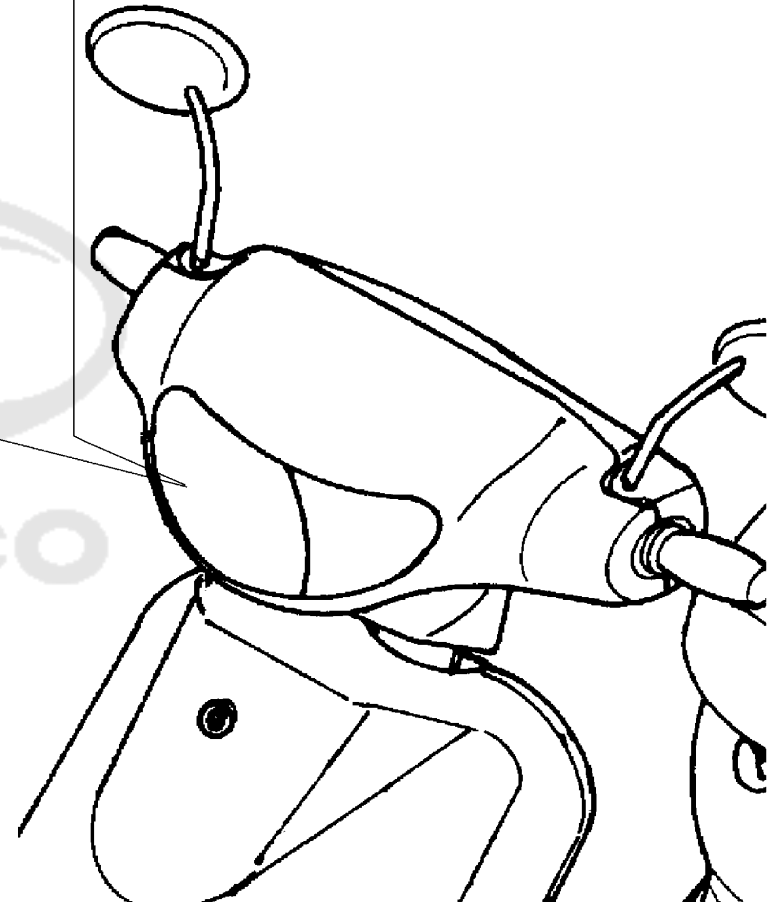
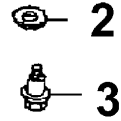
Sales mark 記号	Ref no 参照用番号	Part no パーツ番号	Description 部品名	Reg description 部品名	Regd no 必要個数	Ref Price 希望小売価格(税抜)	E09
A		11203-KHG8-301	PIN BRAKE SHOE ANCHOR	PIN BRAKE SHOE ANCHOR	1	300	
310		21200-KFA3-305	CASE ASSY MISSION	CASE ASSY MISSION	1	16840	
320		21395-LBD3-900	GASKET MISSION CASE @A	GASKET MISSION CASE @A	2	520	
322		23411-KHC4-900	SHAFT DRIVE	SHAFT DRIVE	1	5240	
322		23411-LGM9-900	SHAFT.DRIVE	SHAFT.DRIVE	1	5810	
323		23420-KHC4-900	SHAFT COMP COUNTER	SHAFT COMP COUNTER	1	9470	
323		23420-LGM9-900	SHAFT COMP COUNTER	SHAFT COMP COUNTER	1	11790	
324		23431-KDLD-901	SHAFT FINAL	SHAFT FINAL	1	4570	
326		23432-KNBN-901	GEAR FINAL	GEAR FINAL	1	4570	
326		23432-LGM9-900	GEAR.FINAL	GEAR.FINAL	1	9770	
312		90309-KLF0-004	NUT FLANGE 8MM	NUT FLANGE 8MM	1	60	
319		90429-KNBN-901	WASHER SIDE 12MM	WASHER SIDE 12MM	1	350	
316		90451-1G07-001	WASHER THRUST 15MM	WASHER THRUST 15MM	1	110	
318		91004-KBN2-90A	BRG BALL RADIAL 6201	BRG BALL RADIAL 6201	2	2100	
317		91009-GLE0-004	BRG BALL RADIAL 6004 UU	BRG BALL RADIAL 6004 UU	1	1300	
314		91255-GLE0-006	OIL SEAL 27*42*7	OIL SEAL 27*42*7	1	60	
B		91301-0C53-001	O RING 7.5*1.5	O RING 7.5*1.5	1	60	
321		94301-10200	DOWEL PIN 10*20	DOWEL PIN 10*20	2	200	
325		94510-20000	CIR CLIP EX 20	CIR CLIP EX 20	1	60	

F01

Head Light



1



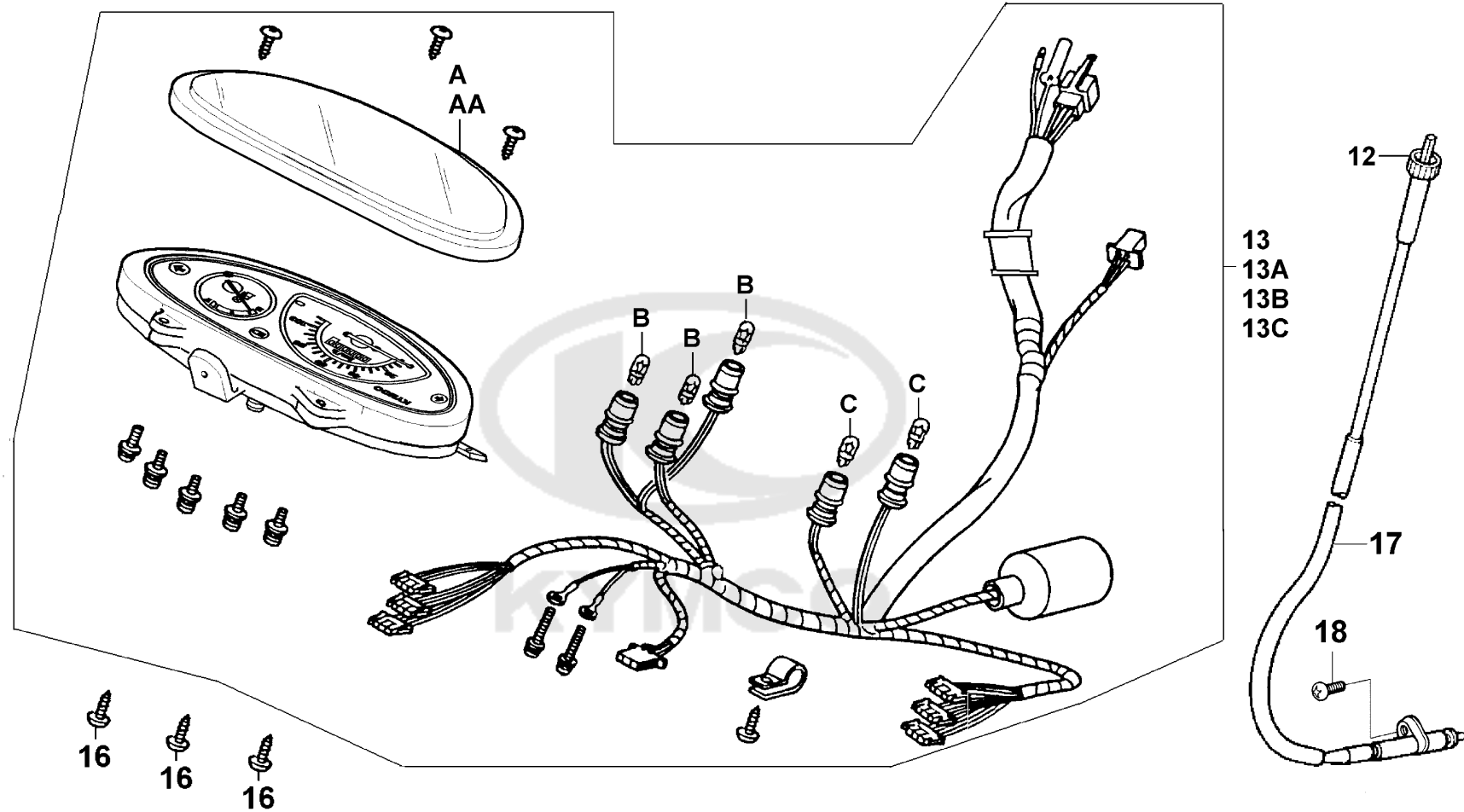
Sales mark 記号	Ref no 参照用番号	Part no パーツ番号	Description 部品名	Reg description 部品名	Regd no 必要個数	Ref Price 希望小売価格(税抜)	F01
------------------	-----------------	------------------	--------------------	------------------------	-----------------	-------------------------	-----

1		33100-KHC4-900	LIGHT ASSY HEAD **9000 C.2003.12.10	LIGHT ASSY HEAD **9000 C.2003.12.10	1	8660	
B		33120-KHC4-900	UNIT HEAD LIGHT **9000	UNIT HEAD LIGHT **9000	1	4670	
C		33130-KHC4-900	SOCKET COMP **9000 C.	SOCKET COMP **9000 C.	1	890	
A		34901-KYBY-900	BULB HEAD LIGHT	BULB HEAD LIGHT	2	1340	
3		90101-GAR1-001	BOLT ADJUST	BOLT ADJUST	1	200	
2		90307-GFJ6-004	WASHER LOCK 6MM	WASHER LOCK 6MM	1	70	



F02

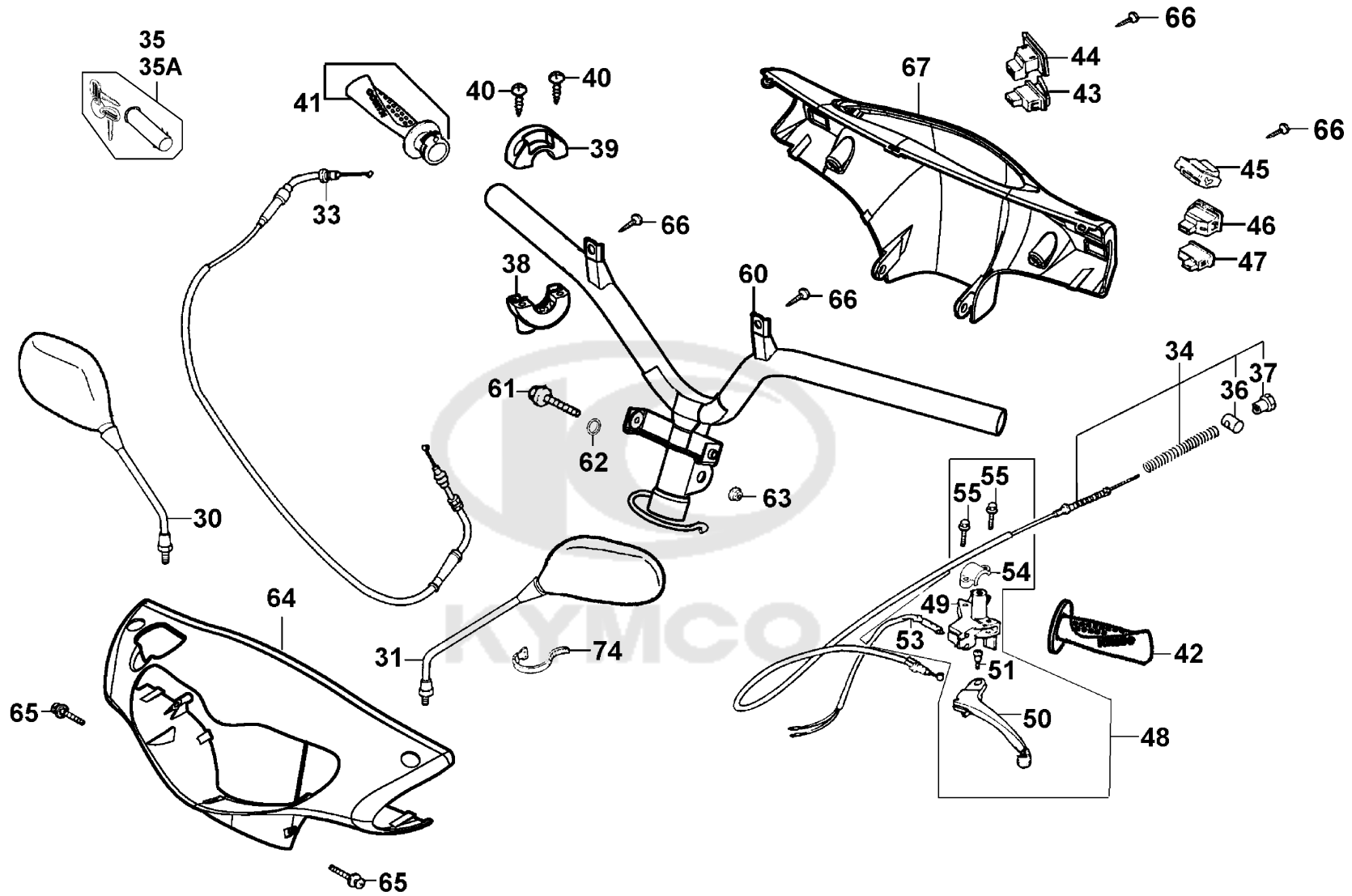
Speedometer



Sales mark 記号	Ref no 参照用番号	Part no パーツ番号	Description 部品名	Reg description 部品名	Regd no 必要個数	Ref Price 希望小売価格(税抜)	F02
C		34908-MKB9-87A	BULB WEDGE BASE T10	BULB WEDGE BASE T10	2	130	
B		34909-KEBE-900	BULB WEDGE BASE	BULB WEDGE BASE	3	300	
13		37200-KHC4-B1A	METER ASSY SPEED **B000-VN-M1	METER ASSY SPEED **B000-VN-M1	1	18060	
13A		37200-KHC4-B1B	METER ASSY SPEED **B000-VN-M2	METER ASSY SPEED **B000-VN-M2	1	18060	
13B		37200-KHC4-B2A	METER ASSY SPEED **(1) C.2002.03.25	METER ASSY SPEED **(1) C.2002.03.25	1	18060	
13C		37200-KHC4-B2B	METER ASSY SPEED **(1) C.2002.03.25	METER ASSY SPEED **(1) C.2002.03.25	1	18060	
A		37211-KHC4-90A	LENS **9000-M1 C.2002.12.02	LENS **9000-M1 C.2002.12.02	1	1530	
AA		37211-KHC4-90B	LENS **9000-M2 C.2002.12.02	LENS **9000-M2 C.2002.12.02	1	1530	
17		44830-LAB4-900	CABLE ASSY METER **(1) C.2007.07.31	CABLE ASSY METER **(1) C.2007.07.31	1	1150	
12		44831-LAB4-900	INNER CABLE **2002.04.24	INNER CABLE **2002.04.24	1	580	
18		93700-05018-0F	SCREW OVAL 5*18	SCREW OVAL 5*18	1	60	
16		93903-35360	SCREW WASHER 4*12	SCREW WASHER 4*12	1	60	

F03

Handle Steering Handle Cover

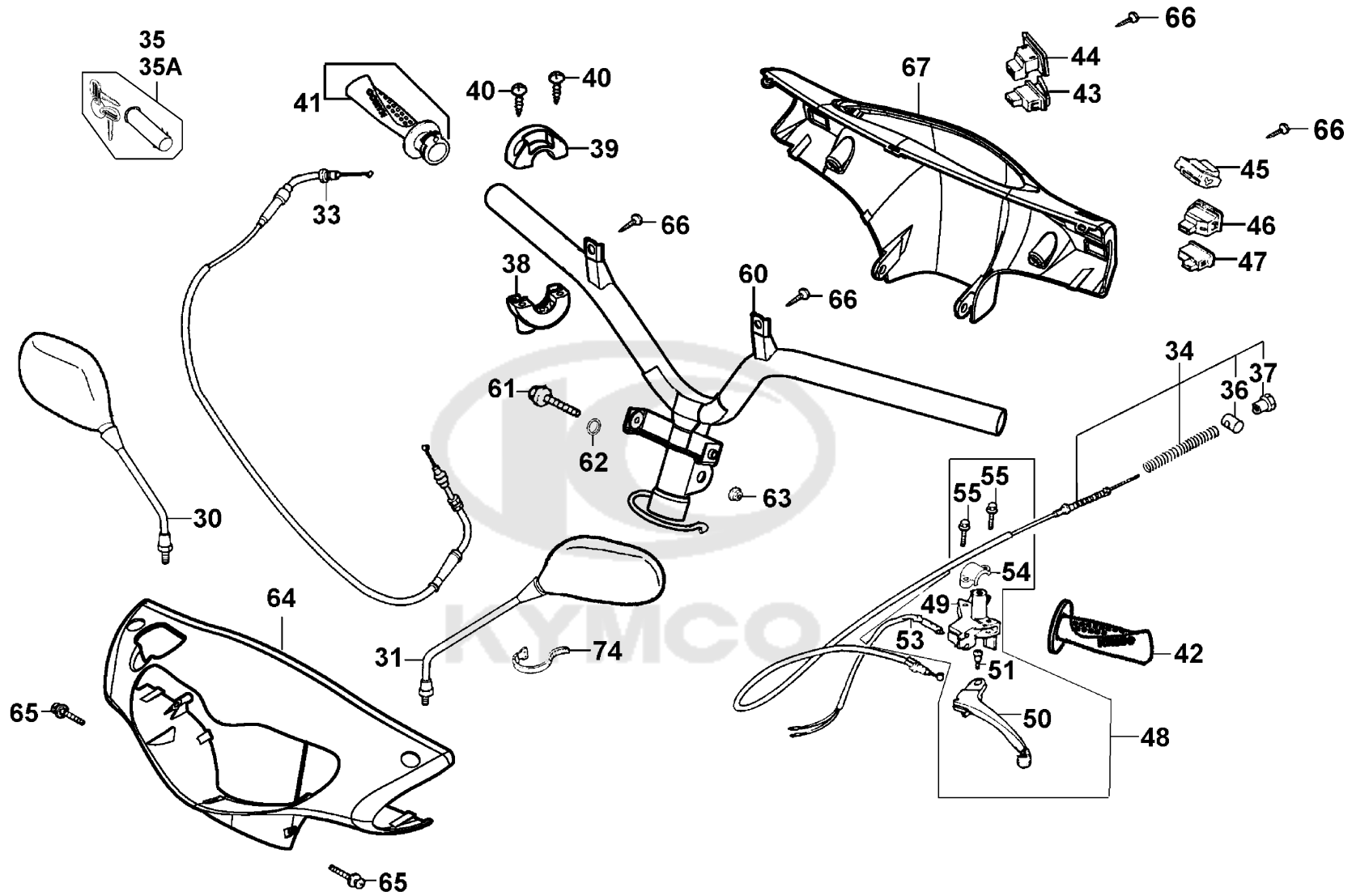


Sales mark 記号	Ref no 参照用番号	Part no パーツ番号	Description 部品名	Reg description 部品名	Regd no 必要個数	Ref Price 希望小売価格(税抜)
	33	17910-KHC4-900	CABLE COMP THROT	CABLE COMP THROT	1	1910
	35	35106-KHC4-305-M1	LOCK SET THROT GRIP	LOCK SET THROT GRIP	1	2670
	35A	35106-KHC4-305-M2	LOCK SET THROT GRIP	LOCK SET THROT GRIP	1	2100
	44	35150-GFY6-900	SW UNIT LIGHTING	SW UNIT LIGHTING	1	680
	43	35160-GGS7-900	SW UNIT START	SW UNIT START	1	730
	45	35170-GGS7-900	SW UNIT DIMMER	SW UNIT DIMMER	1	730
	47	35180-GGS7-900	SW UNIT HORN	SW UNIT HORN	1	540
	46	35200-GFY6-910	SW UNIT WINKER	SW UNIT WINKER	1	830
	53	35340-GBN2-770	SW ASSY FR STOP	SW ASSY FR STOP	1	560
	34	43450-KHC4-910	CABLE COMP RR BRAKE	CABLE COMP RR BRAKE	1	1630
	54	45517-GFY6-900	HOLDER HNDL BRKT	HOLDER HNDL BRKT	1	260
	60	53100-KHC4-900	HANDLE COMP STRG **(2) C.2004.06.09	HANDLE COMP STRG **(2) C.2004.06.09	1	5520
**	41	53140-KHC4-900	GRIP COMP THROT/BLACK	GRIP COMP THROT/BLACK	1	960
**	42	53166-KFA1-900	GRIP L HANDLE	GRIP L HANDLE	1	770
	38	53167-LHJ6-900	HOUSING UND THROT	HOUSING UND THROT	1	320
	39	53168-KFA1-900	HOUSING UP THROT	HOUSING UP THROT	1	300
	49	53172-KHC4-900	BRKT L STRG HANDLE **9000	BRKT L STRG HANDLE **9000 C.2005.04.25	1	1150
**	50	53178-KHC4-900	LEVER L STRG HANDLE **N1S	LEVER L STRG HANDLE **N1S C.2005.04.25	1	770
	48	5317A-KHC4-900	BRKT ASSY HANDLE L **(0) C.	BRKT ASSY HANDLE L **(0) C.	1	2670
**	64	53205-KHC4-900	COVER FR HANDLE **9000-RR166P	COVER FR HANDLE **9000-RR166P	1	3790

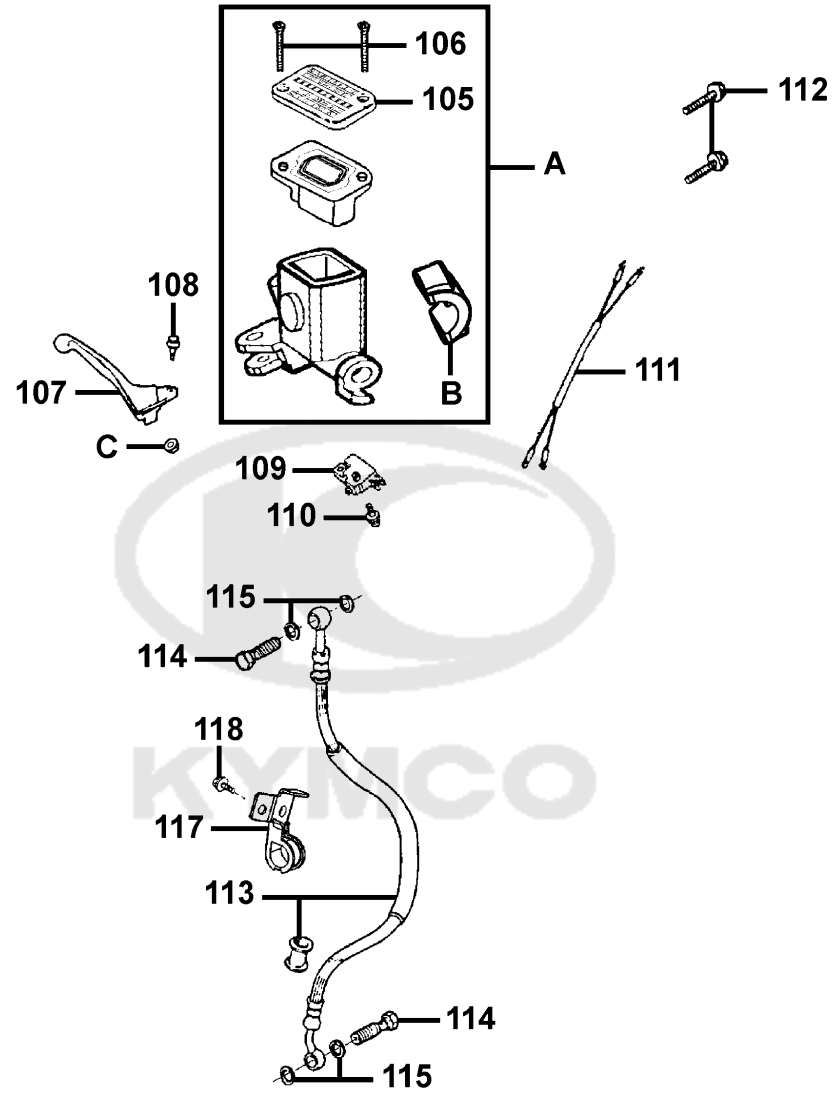
F03

F03

Handle Steering Handle Cover

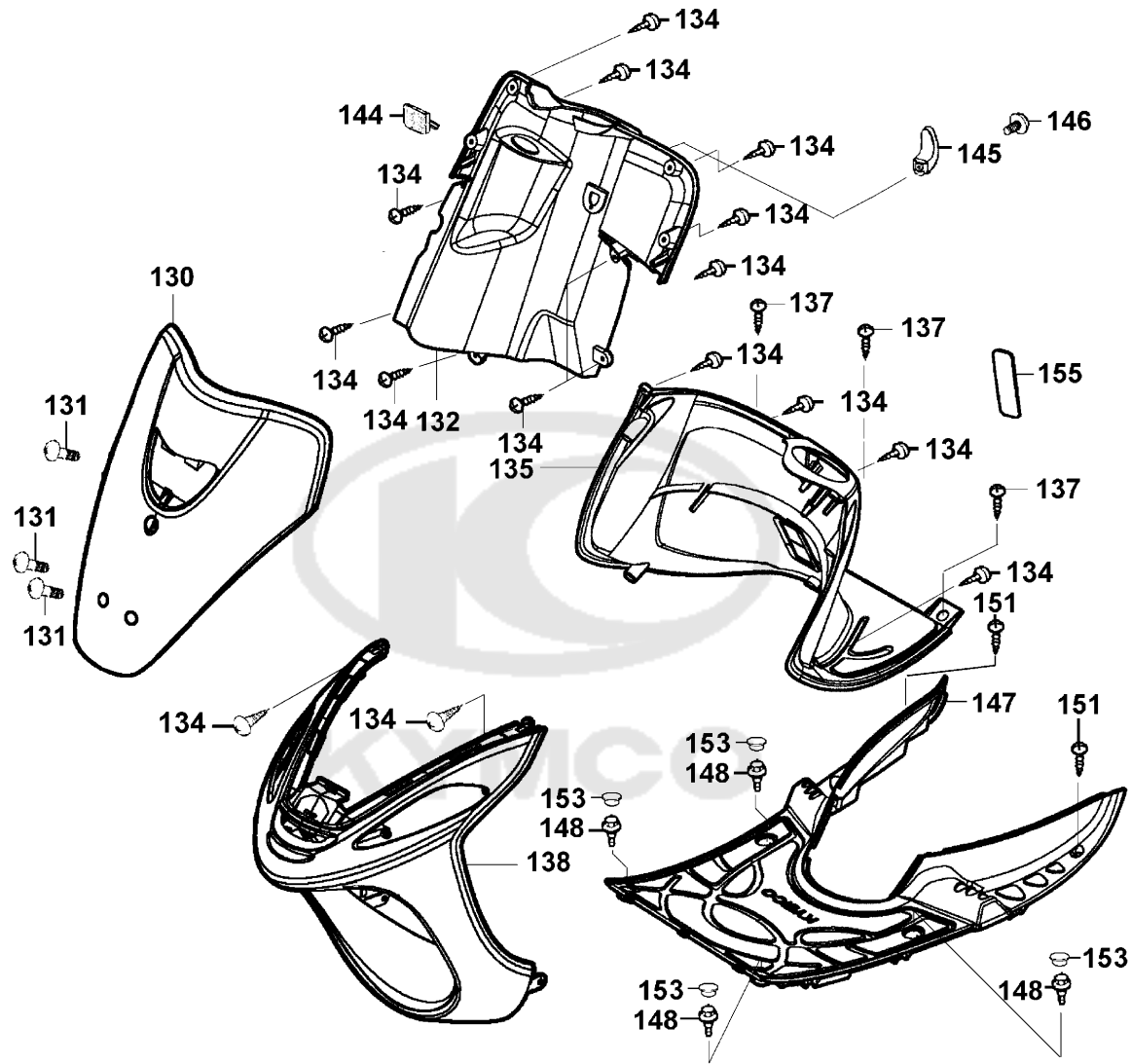


Sales mark 記号	Ref no 参照用番号	Part no パーツ番号	Description 部品名	Reg description 部品名	Regd no 必要個数	Ref Price 希望小売価格(税抜)	F03
**	67	53206-KHC4-900	COVER RR HANDLE **9000-NH001R	COVER RR HANDLE **9000-NH001R	1	1720	
	30	88110-KFA1-900	MIRROR ASSY R BACK **9000	MIRROR ASSY R BACK **9000 C.2003.03.01	1	1440	
	31	88120-KFA1-900	MIRROR ASSY L BACK **9000	MIRROR ASSY L BACK **9000 C.2003.03.01	1	1440	
	51	90115-GLE0-001	BOLT HNDL LEVER PIVOT	BOLT HNDL LEVER PIVOT	1	60	
	63	90304-GHE8-004	NUT CAP 6MM	NUT CAP 6MM	1	200	
	74	90656-KCBC-900	BAND OIL HANDLE	BAND OIL HANDLE	1	60	
	40	93500-05016-0F	SCREW PAN 5*16	SCREW PAN 5*16	1	200	
	65	93891-05012-06	SCREW WASHER 5*12	SCREW WASHER 5*12	2	60	
	66	93903-34360	SCREW WASHER 4*12	SCREW WASHER 4*12	2	60	
	62	94101-10800	WASHER PLAIN 10MM	WASHER PLAIN 10MM	1	200	
	36	95015-32001	JOINT B BRAKE ARM	JOINT B BRAKE ARM	1	60	
	37	95015-42000	NUT B ADJUST	NUT B ADJUST	1	60	
	61	95801-10040-06	BOLT FLANGE 10*40	BOLT FLANGE 10*40	1	80	
	55	96001-06025-06	BOLT FLANGE SH 6*25	BOLT FLANGE SH 6*25	2	60	



Sales mark 記号	Ref no 参照用番号	Part no パーツ番号	Description 部品名	Reg description 部品名	Regd no 必要個数	Ref Price 希望小売価格(税抜)
	111	32101-GFY6-901	SUB CORD R	SUB CORD R	1	300
	109	35340-KNBN-901	SW ASSY FR STOP	SW ASSY FR STOP	1	960
	113	45126-KHC4-900	HOSE ASSY FR BRK /850MM	HOSE ASSY FR BRK /850MM	1	8560
	117	45156-KNBN-902	CLAMPER FR BRK HOSE	CLAMPER FR BRK HOSE	1	300
	105	45513-GLW0-91A	CAP MASTER CYLINDER	CAP MASTER CYLINDER	1	560
	B	45517-KFAF-900	HOLDER M/C	HOLDER M/C	1	440
	A	45530-KHC4-305	CYLINDER SET MASTER	CYLINDER SET MASTER	1	11790
**	107	53175-KFA1-900	LEVER R STRG HANDLE	LEVER R STRG HANDLE	1	920
	108	90114-1F66-007	BOLT HANDLE LEVER	BOLT HANDLE LEVER	1	60
	114	90145-LEA3-E00	OIL BOLT 10x22	OIL BOLT 10x22	1	150
	115	90545-3L00-001	WASHER OIL BOLT	WASHER OIL BOLT	4	60
	106	93600-04012-1G	SCREW FLAT 4*12	SCREW FLAT 4*12	2	60
	110	93893-04012-18	SCREW WASHER 4*12	SCREW WASHER 4*12	1	60
	C	94050-06060	NUT FLANGE 6MM	NUT FLANGE 6MM	1	60
	118	95701-06012-06	BOLT FLANGE 6*22 (K)	BOLT FLANGE 6*22 (K)	1	60
	112	95701-06022-06	BOLT FLANGE 6*22	BOLT FLANGE 6*22	2	60

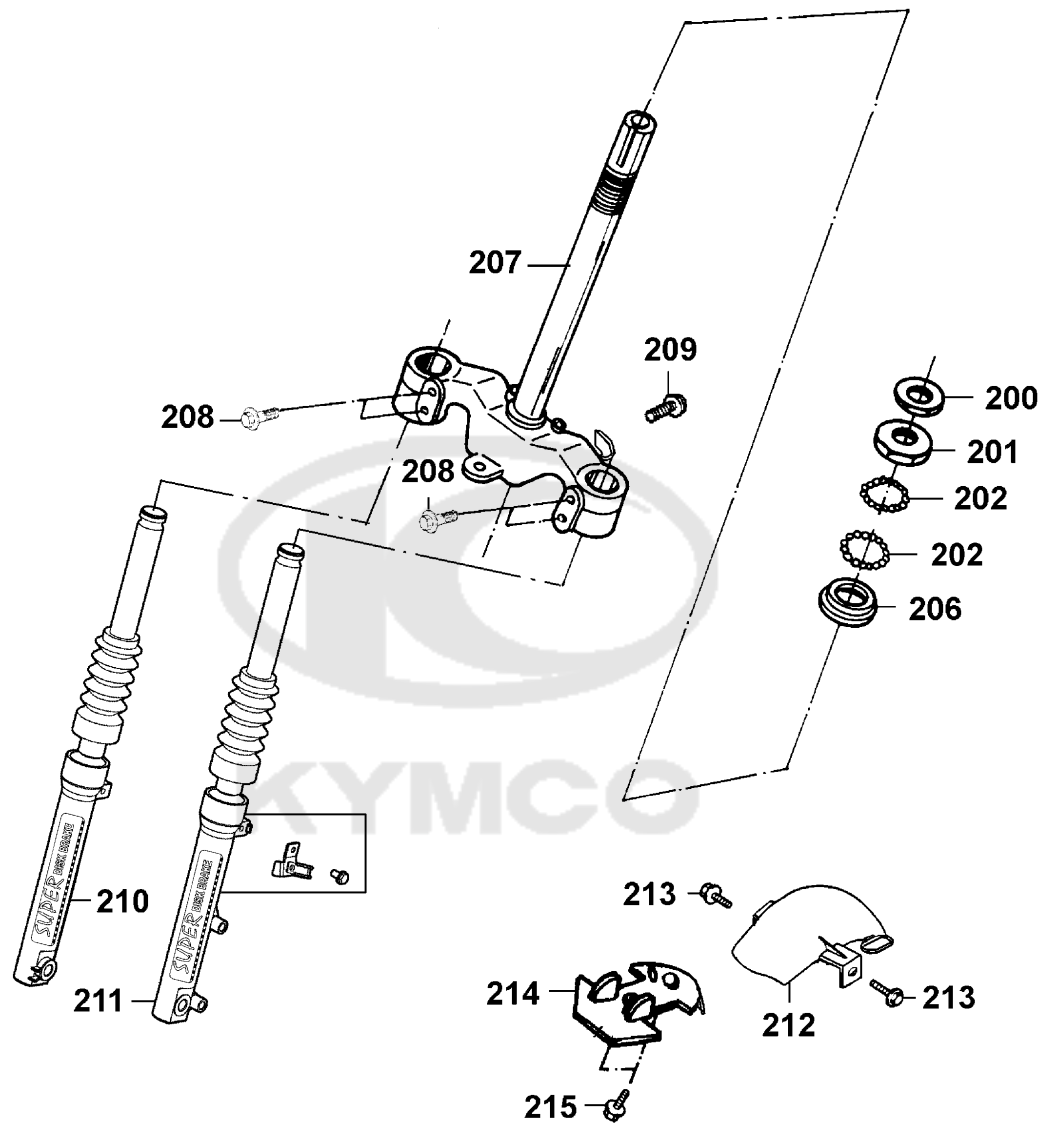
F04



Sales mark 記号	Ref no 参照用番号	Part no パーツ番号	Description 部品名	Reg description 部品名	Regd no 必要個数	Ref Price 希望小売価格(税抜)	F05
**	130	64301-KHC4-900	COVER FR **9000-PB242P C.2004.05.12	COVER FR **9000-PB242P C.2004.05.12	1	10270	
**	138	64302-KHC4-900	MOLDING FR **9000-NH001R	MOLDING FR **9000-NH001R C.2002.05.01	1	5100	
**	147	64310-KHC4-900	FLOOR PANEL **9000-NH001R	FLOOR PANEL **9000-NH001R	1	5330	
**	153	64316-KHC4-900	PLUG FLOOR **9000-NH001R	PLUG FLOOR **9000-NH001R	4	200	
**	132	81131-KHC4-900	COVER INNER UP **(1) C.2002.05.28	COVER INNER UP **(1) C.2002.05.28	1	3050	
**	145	81132-GHAH-001	HOOK LUGGAGE	HOOK LUGGAGE	1	300	
	144	81133-KNBN-901	COVER INNER BOX	COVER INNER BOX	1	60	
**	135	81141-KHC4-900	COVER INNER LOW **(4) C.2002.05.28	COVER INNER LOW **(4) C.2002.05.28	1	4760	
**	155	81142-KUDU-900	LID LEG SHIELD(VIN)(Black)	LID LEG SHIELD(VIN)(Black)	1	200	
	131	90110-GLW0-001	SCREW SPECIAL 6*14	SCREW SPECIAL 6*14	3	200	
	146	90164-MDR4-901	SCREW SPECIAL 6MM	SCREW SPECIAL 6MM	1	70	
	148	93404-06016-06	BOLT WASHER 6*16	BOLT WASHER 6*16	4	60	
	134	93903-34360	SCREW WASHER 4*12	SCREW WASHER 4*12	10	60	
	137	93903-35360	SCREW WASHER 4*12	SCREW WASHER 4*12	3	60	
	151	93903-GFY6-900	SCREW WASHER 4*12	SCREW WASHER 4*12	2	60	

F06

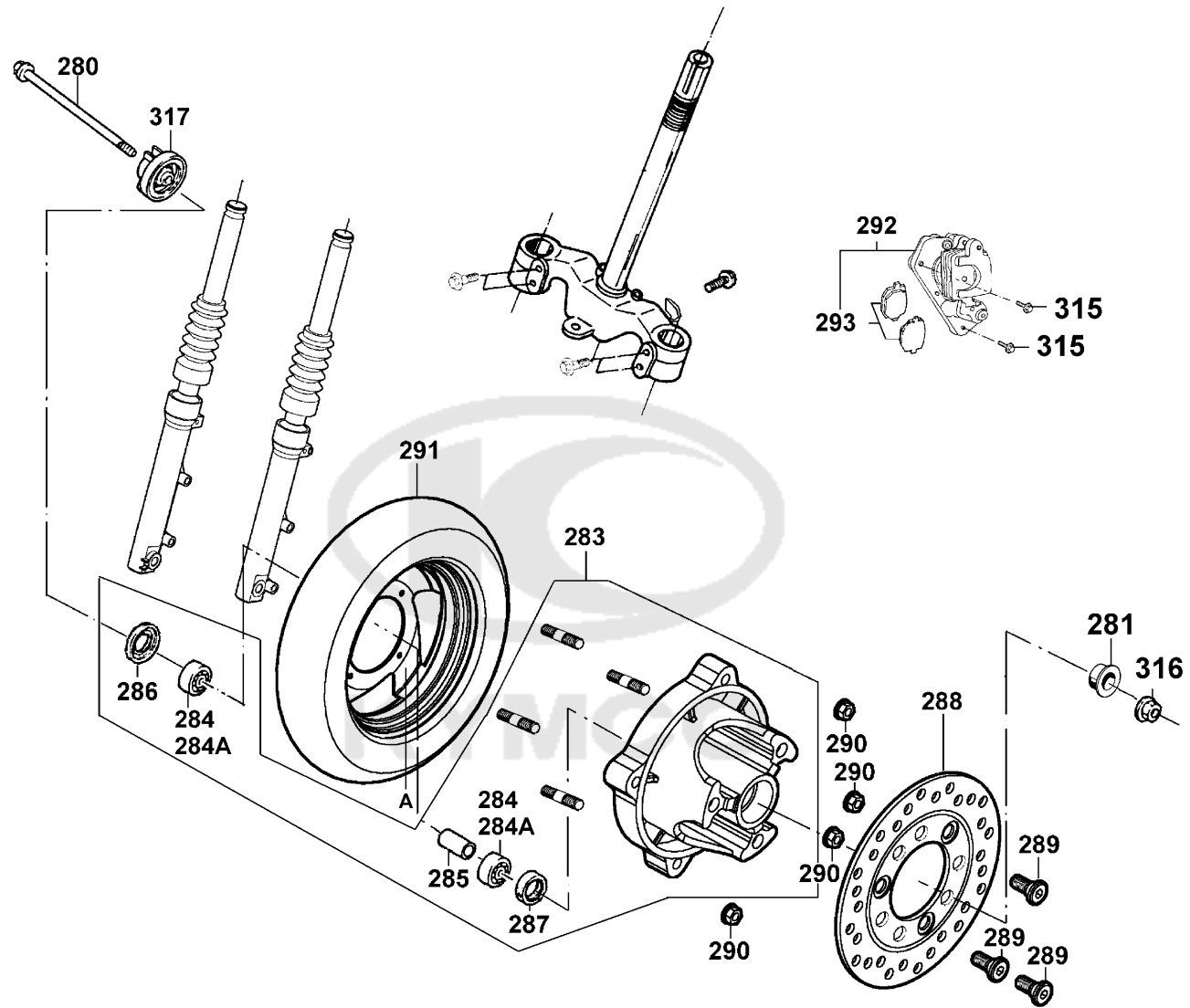
Front Cushion



Sales mark 記号	Ref no 参照用番号	Part no パーツ番号	Description 部品名	Reg description 部品名	Regd no 必要個数	Ref Price 希望小売価格(税抜)	F06
	200	50306-1F96-001	NUT STRG STEM LOCK	NUT STRG STEM LOCK	1	300	
**	210	5140A-KHC4-900	FORK SET R FR **(0) C.2005.03.17	FORK SET R FR **(0) C.2005.03.17	1	13500	
**	211	5150A-KHC4-900	FORK SET L FR **(0) N.C.	FORK SET L FR **(0) N.C.	1	13500	
	207	53200-KFA1-900	STEM COMP STRG **KFA1-9000	STEM COMP STRG **KFA1-9000	1	8750	
	201	53211-GFY6-940	RACE STRG TOP CONE	RACE STRG TOP CONE	1	580	
	206	53212-GHC8-004	RACE (STRG BOTTOM) CONE	RACE (STRG BOTTOM) CONE	1	390	
	214	61110-KNBN-902	FENDER FR INNER **KBN-9020	FENDER FR INNER **KBN-9020	1	390	
	212	61120-KFA1-900	FENDER FR DOWN	FENDER FR DOWN	1	300	
	213	90023-GBN2-001	BOLT SEAT LOCK 6*13.5 (B)	BOLT SEAT LOCK 6*13.5 (B)	2	110	
	215	90112-GCC3-001	BOLT SPECIAL 5MM	BOLT SPECIAL 5MM	1	60	
	209	95701-06012-06	BOLT FLANGE 6*22 (K)	BOLT FLANGE 6*22 (K)	1	60	
	208	95801-08040-06	BOLT FLANGE 8*40	BOLT FLANGE 8*40	1	60	
	202	96211-05000	BALL STEEL #5	BALL STEEL #5	26	60	

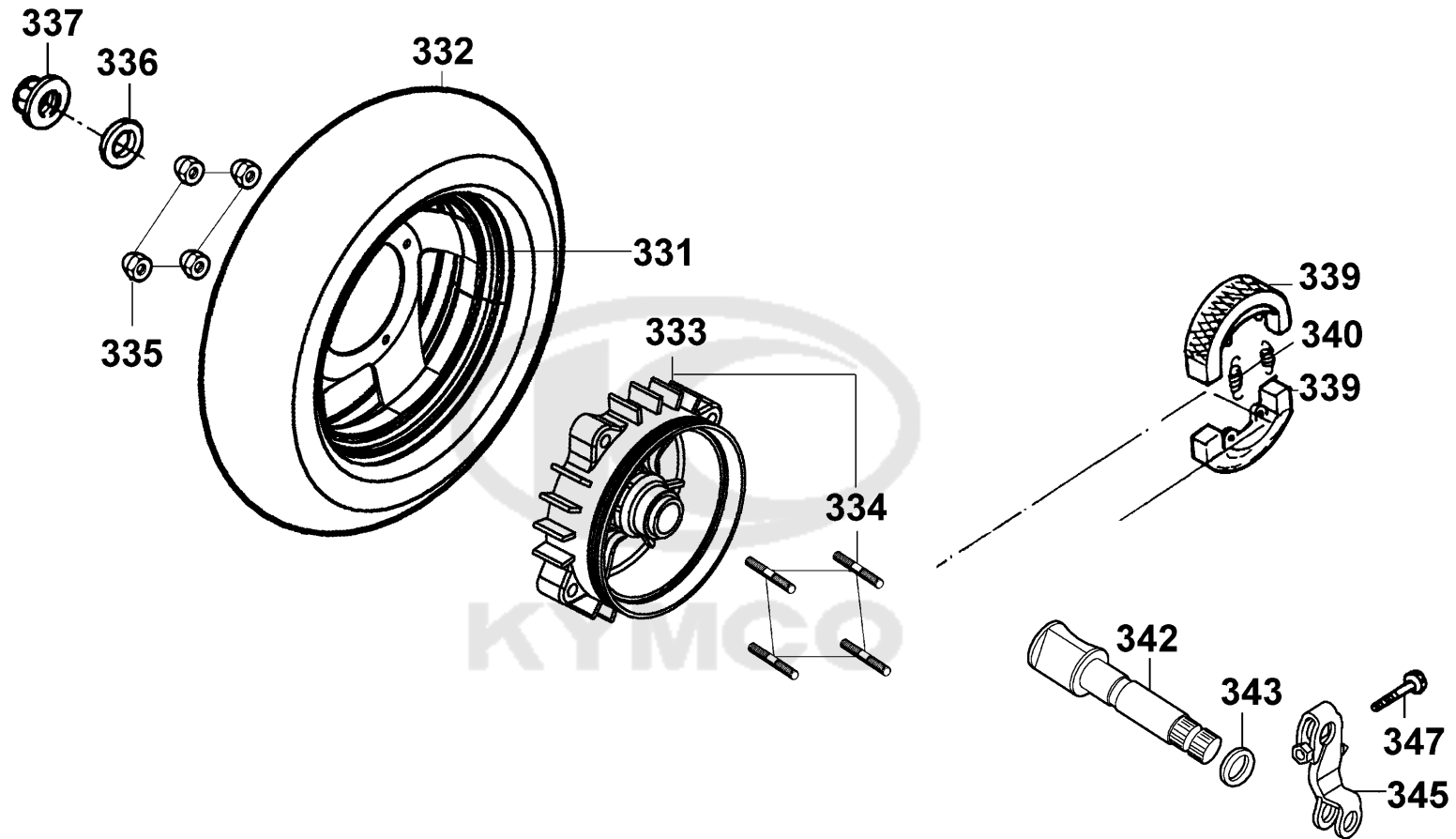
F07

Front Wheel

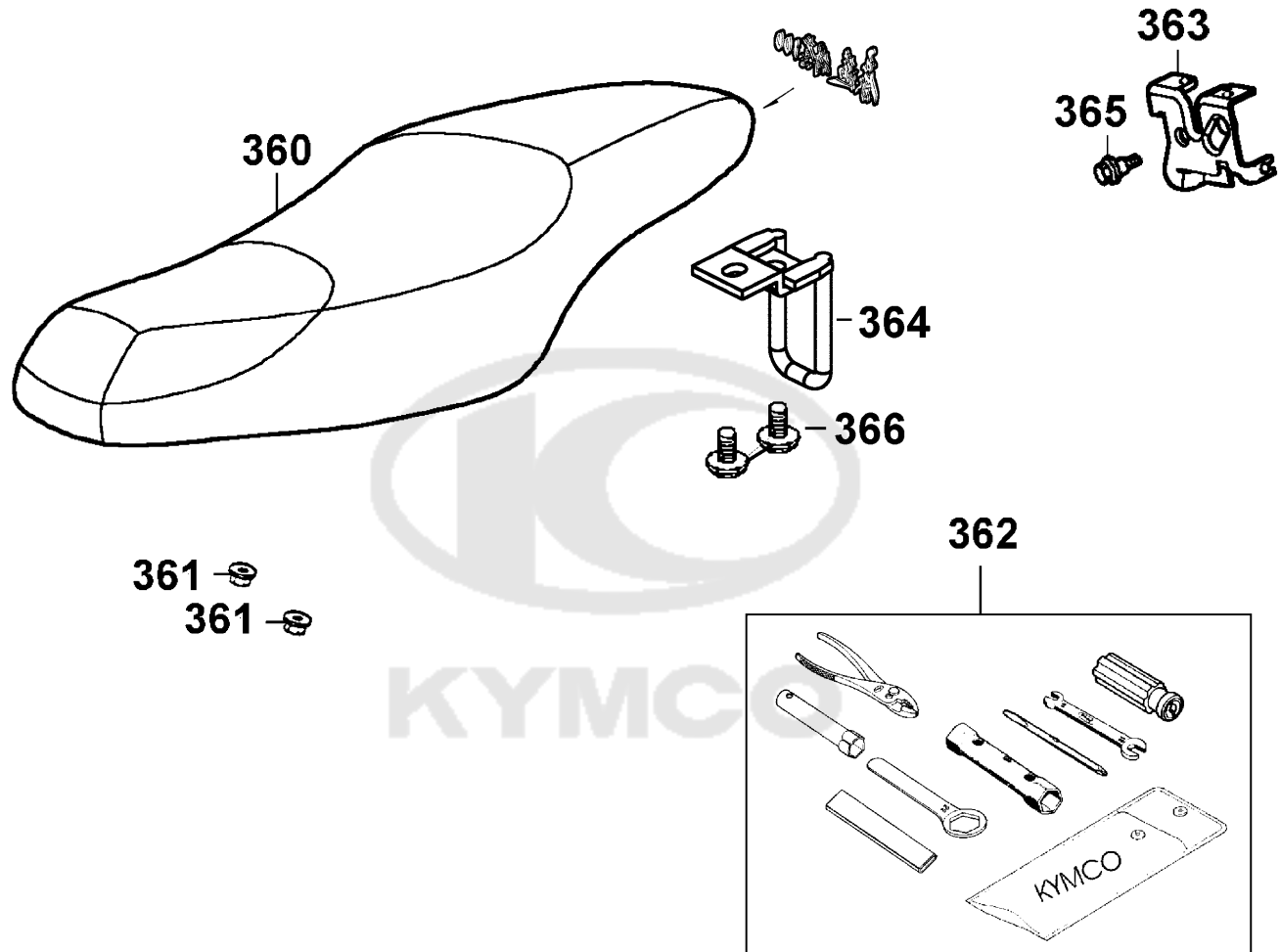


Sales mark 記号	Ref no 参照用番号	Part no パーツ番号	Description 部品名	Reg description 部品名	Regd no 必要個数	Ref Price 希望小売価格(税抜)
	280	44301-KBE2-981	AXLE FR WHEEL M12*200MM	AXLE FR WHEEL M12*200MM	1	770
	281	44311-GLW0-911	COLLAR FR WHEEL SIDE	COLLAR FR WHEEL SIDE	1	390
**	283	44610-KHC4-305	HUB SUB SET FR	HUB SUB SET FR	1	8560
	285	44620-KSBS-900	COLLAR FR DIST	COLLAR FR DIST	1	330
**	A	44705-KHC4-900	RIM COMP FR WHEEL **(1) C.2006.10.05	RIM COMP FR WHEEL **(1) C.2006.10.05	1	6850
	291	44710-KFA1-90B	TIRE ASSY FR/90/90-10 4P TL /KENDA	TIRE ASSY FR/90/90-10 4P TL /KENDA	1	5520
**	317	44800-KNBN-901	GEAR BOX ASSY SPDMT	GEAR BOX ASSY SPDMT	1	3150
	293	45105-KECE-305-M2	PAD ASSY	PAD ASSY	1	2110
**	292	45200-KHC4-900	CALIPER ASSY FR L **(2) N.C.	CALIPER ASSY FR L **(2) N.C.	1	19500
	288	45351-KHC4-900	DISK FR BRK **9000	DISK FR BRK **9000	1	7070
	289	90105-KCR3-001	BOLT FR DISK 8*24	BOLT FR DISK 8*24	3	80
	315	90131-GLW0-911	BOLT FLANGE 8*35	BOLT FLANGE 8*35	2	80
	316	90306-GLW0-90A	NUT FLANGE 12MM	NUT FLANGE 12MM	1	320
	290	90309-GLW0-90A	NUT U FLANGE 8MM	NUT U FLANGE 8MM	4	110
	286	90754-GHC8-00A	SEAL DUST 20*32*5	SEAL DUST 20*32*5	1	100
	284	90912-GHC8-00A	BEARING 6201 (U)	BEARING 6201 (U)	2	770
	284A	90912-GHC8-00D	BEARING	BEARING	2	630
	287	91258-KAM1-00A	SEAL SPDMT GEAR BOX	SEAL SPDMT GEAR BOX	1	300

F07



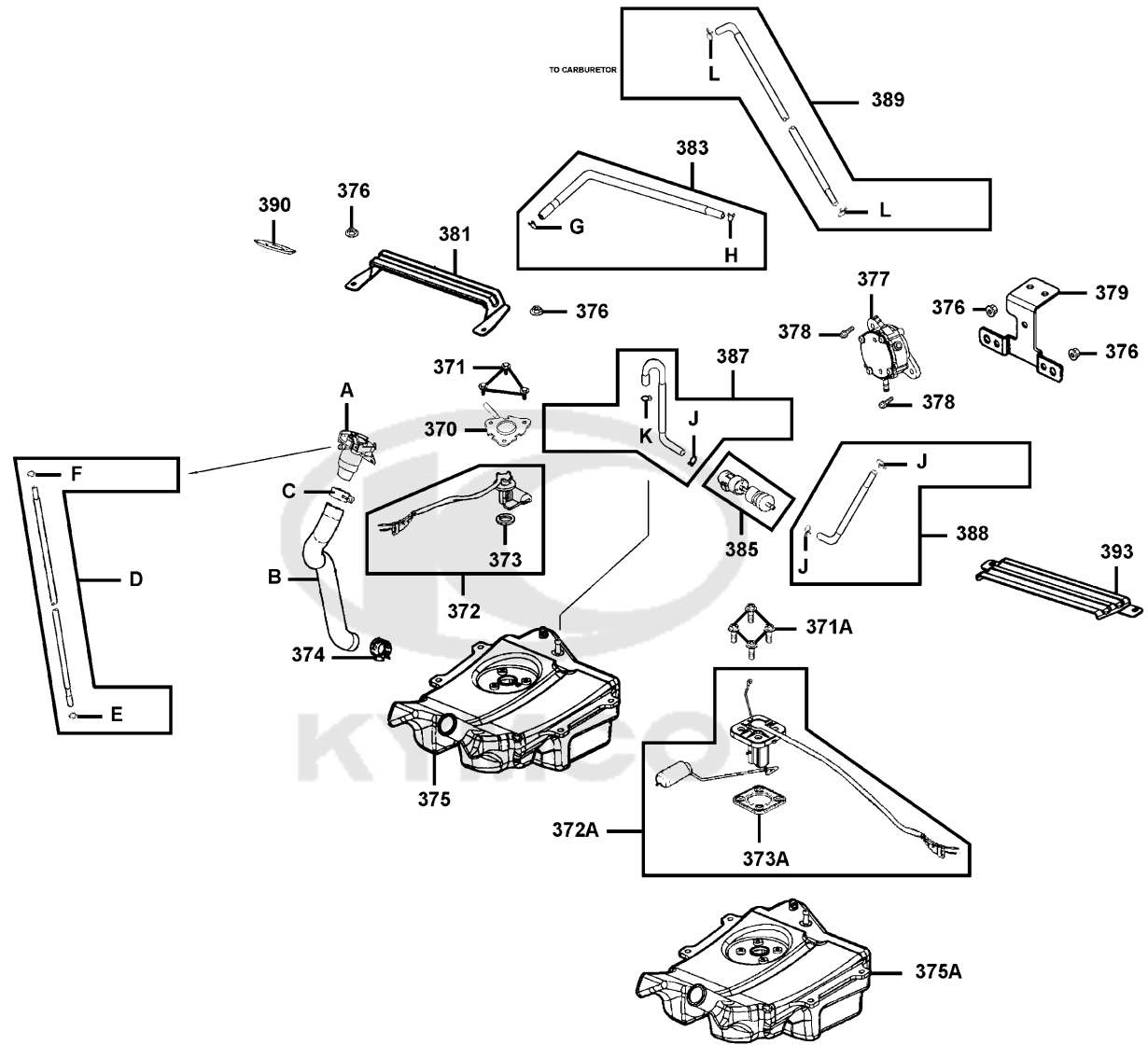
Sales mark 記号	Ref no 参照用番号	Part no パーツ番号	Description 部品名	Reg description 部品名	Regd no 必要個数	Ref Price 希望小売価格(税抜)	F08
**	333	42610-GKAK-901	HUB SUB COMP RR	HUB SUB COMP RR	1	7610	
**	331	42705-KHC4-900	RIM COMP RR WHEEL	RIM COMP RR WHEEL **(4) C.2006.10.05	1	7610	
	339	4312A-KXCX-900	SHOE ASSY RR BRK	SHOE ASSY RR BRK	1	1960	
	342	43141-GKAK-901	CAM RR BRAKE	CAM RR BRAKE	1	770	
	345	43410-KFA1-900	ARM COMP RR BRAKE	ARM COMP RR BRAKE	1	610	
	332	44710-KFA1-90B	TIRE ASSY FR/90/90-10 4P TL /KENDA	TIRE ASSY FR/90/90-10 4P TL /KENDA	1	5520	
	340	45133-0H28-001	SPRING BRAKE SHOE	SPRING BRAKE SHOE	2	160	
	334	90110-KHG8-901	BOLT STUD2 8*22	BOLT STUD2 8*22	4	130	
	337	90305-KNBN-90B	NUT U 16MM	NUT U 16MM	1	110	
	335	90309-GLW0-90A	NUT U FLANGE 8MM	NUT U FLANGE 8MM	4	110	
	336	90501-KNBN-901	WASHER 16MM	WASHER 16MM	1	80	
	343	91352-KHG8-83B	O-RING 11.3*1.3	O-RING 11.3*1.3	1	60	
	347	95701-06032-06	BOLT FLANGE 6*32	BOLT FLANGE 6*32	1	60	



Sales mark 記号	Ref no 参照用番号	Part no パーツ番号	Description 部品名	Reg description 部品名	Regd no 必要個数	Ref Price 希望小売価格(税抜)
**	360	77200-KHC5-E00	SEAT COMP (KO1Y-OBC) **(3)	SEAT COMP (KO1Y-OBC) **(3) C.2009.04.14	1	9320
	363	77235-KHC4-900	SEAT CATCH COMP	SEAT CATCH COMP	1	1250
	364	77303-KHC4-900	HOOK SEAT LOCK **9000 C.2007.03.16	HOOK SEAT LOCK **9000 C.2007.03.16	1	260
	362	89010-KGBG-900	TOOL SET	TOOL SET	1	1720
	366	90101-KGC4-E00	SCREW SPECIAL 6*15	SCREW SPECIAL 6*15	2	60
	361	94050-06080	NUT FLANGE 6MM	NUT FLANGE 6MM	2	60
	365	95701-06012-06	BOLT FLANGE 6*22 (K)	BOLT FLANGE 6*22 (K)	1	60

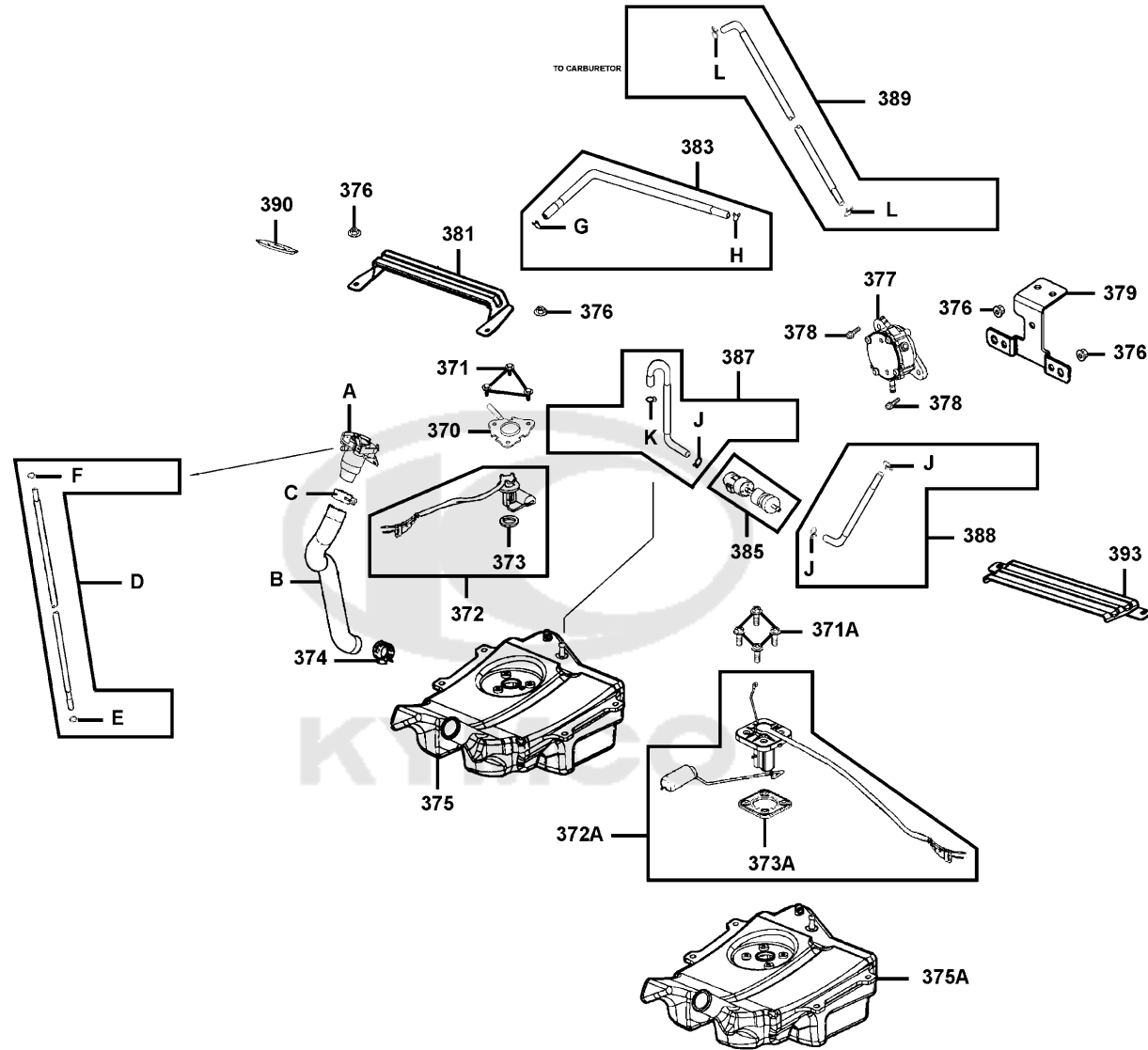
F09





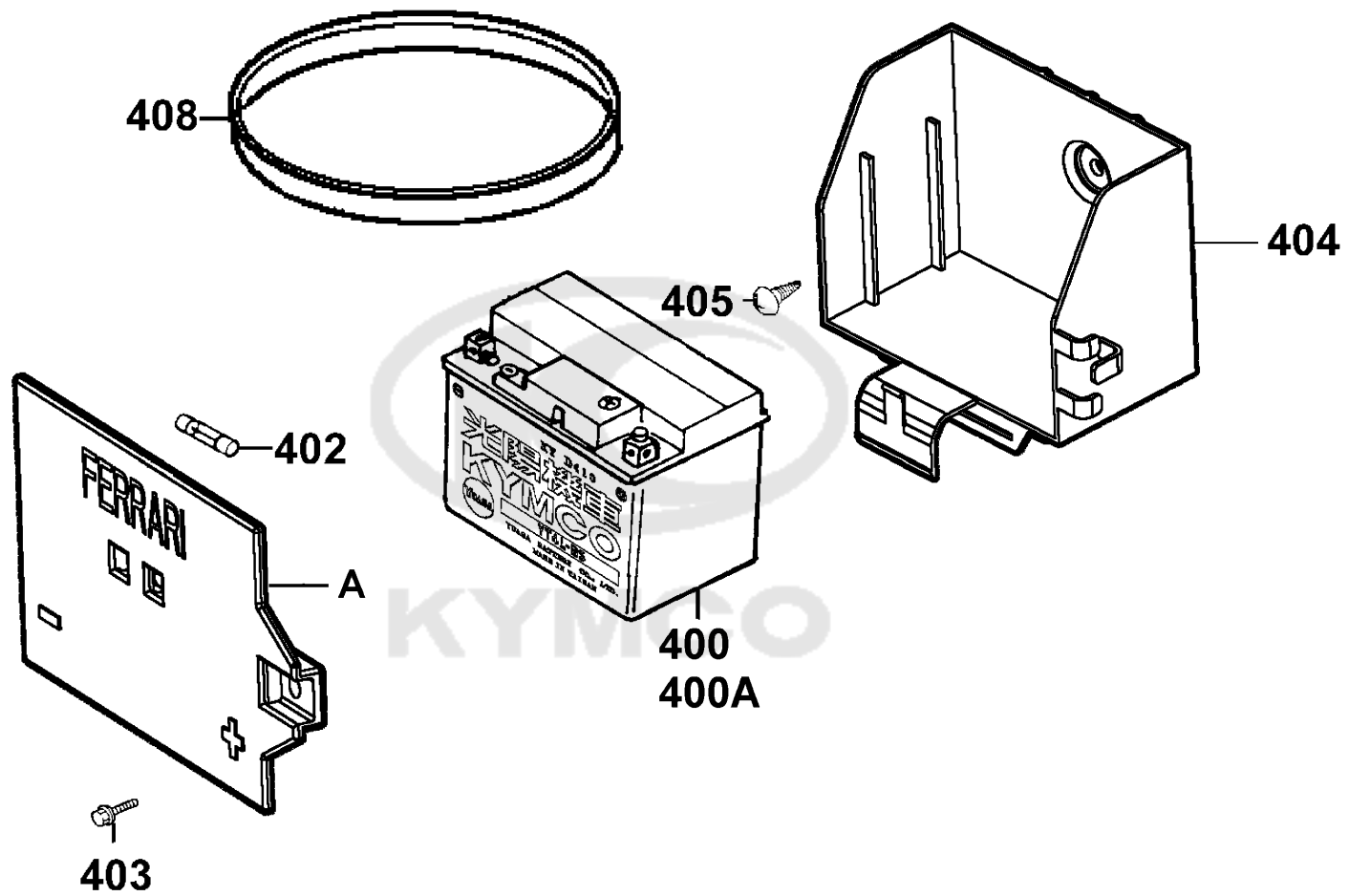
Sales mark 記号	Ref no 参照用番号	Part no パーツ番号	Description 部品名	Reg description 部品名	Regd no 必要個数	Ref Price 希望小売価格(税抜)
	377	16700-GKAK-220	FUEL PUMP ASSY	FUEL PUMP ASSY	1	7610
	385	1691A-KEC2-E00	STRAINER ASSY FUEL	STRAINER ASSY FUEL	1	1010
E		17369-KHC4-900	CLIP BREATHER TUBE	CLIP BREATHER TUBE	1	160
B		17502-KHC4-900	HOSE FUEL ASS'Y **9000 C.	HOSE FUEL ASS'Y **9000 C.	1	2010
A		17504-KHC4-900	PIPE COMP FUEL FILLER **9000 C.	PIPE COMP FUEL FILLER **9000 C.	1	3240
	375	17510-KHC4-900	FUEL TANK COMP **910 N.C.	FUEL TANK COMP **910 N.C.	1	10980
	375A	17510-KHC4-910	TANK COMP FUEL **2005.03.01	TANK COMP FUEL **2005.03.01	1	10980
	390	17550-KHC4-900	TRAY FUEL CAP	TRAY FUEL CAP	1	350
	387	17683-KHC4-900	TUBE TANK-STRAINER **9000	TUBE TANK-STRAINER **9000	1	390
	388	17684-KHC4-900	TUBE STRAINER-PUMP **9000	TUBE STRAINER-PUMP **9000 C.2004.12.04	1	350
	389	17685-KHC4-900	TUBE PUMP-CARB **9000 C.2004.11.17	TUBE PUMP-CARB **9000 C.2004.11.17	1	960
	383	17686-KHC4-900	TUBE PUMP-INLET PIPE **(0) C.	TUBE PUMP-INLET PIPE **(0) C.	1	520
D		17689-KHC4-900	TUBE TANK-JOINT **9000	TUBE TANK-JOINT **9000	1	1060
C		19411-KBCB-900	CLIP HOSE	CLIP HOSE	1	490
	374	19411-KHC4-900	CLIP HOSE	CLIP HOSE	1	490
	373	37801-GGA7-701	PACKING BASE	PACKING BASE	1	130
	373A	37801-LAB4-910	PACKING BASE	PACKING BASE	1	390
	370	37802-KEC8-900	RET FUEL UNIT	RET FUEL UNIT	1	390
	372	3780A-KHC4-900	FUEL UNIT ASSY **(2) C.2003.11.19	FUEL UNIT ASSY **(2) C.2003.11.19	1	3430
	372A	3780A-KHC4-910	FUEL UNIT ASSY **2005.03.01	FUEL UNIT ASSY **2005.03.01	1	3430

F10



Sales mark 記号	Ref no 参照用番号	Part no パーツ番号	Description 部品名	Reg description 部品名	Regd no 必要個数	Ref Price 希望小売価格(税抜)
393		50137-KHC4-900	PLATE FLOOR A **9000	PLATE FLOOR A **9000	1	680
379		50139-KHC4-900	STAY FUEL PUMP **(0) C.2007.03.16	STAY FUEL PUMP **(0) C.2007.03.16	1	490
381		50140-KHC4-900	PLATE FLOOR **9000	PLATE FLOOR **9000	1	510
371A		90302-GBR2-001	BOLT WASH 5*16	BOLT WASH 5*16	4	60
371		90302-GFY6-901	BOLT WASH 5*12 **(1) C.V.	BOLT WASH 5*12 **(1) C.V.	3	60
376		94050-06080	NUT FLANGE 6MM	NUT FLANGE 6MM	2	60
G		95002-02070	CLIP B7 TUBE	CLIP B7 TUBE	1	60
L		95002-02080	CLIP B8 TUBE	CLIP B8 TUBE	2	60
J		95002-02100	CLIP B15 TUBE	CLIP B15 TUBE	3	60
K		95002-02120	CLIP B12 TUBE	CLIP B12 TUBE	1	60
F		95002-02130	CLIP B12.5 TUBE	CLIP B12.5 TUBE	1	60
H		95002-50000	CLIP C9 TUBE	CLIP C9 TUBE	1	60
378		95701-06014-06	BOLT FLANGE 6*14	BOLT FLANGE 6*14	1	130

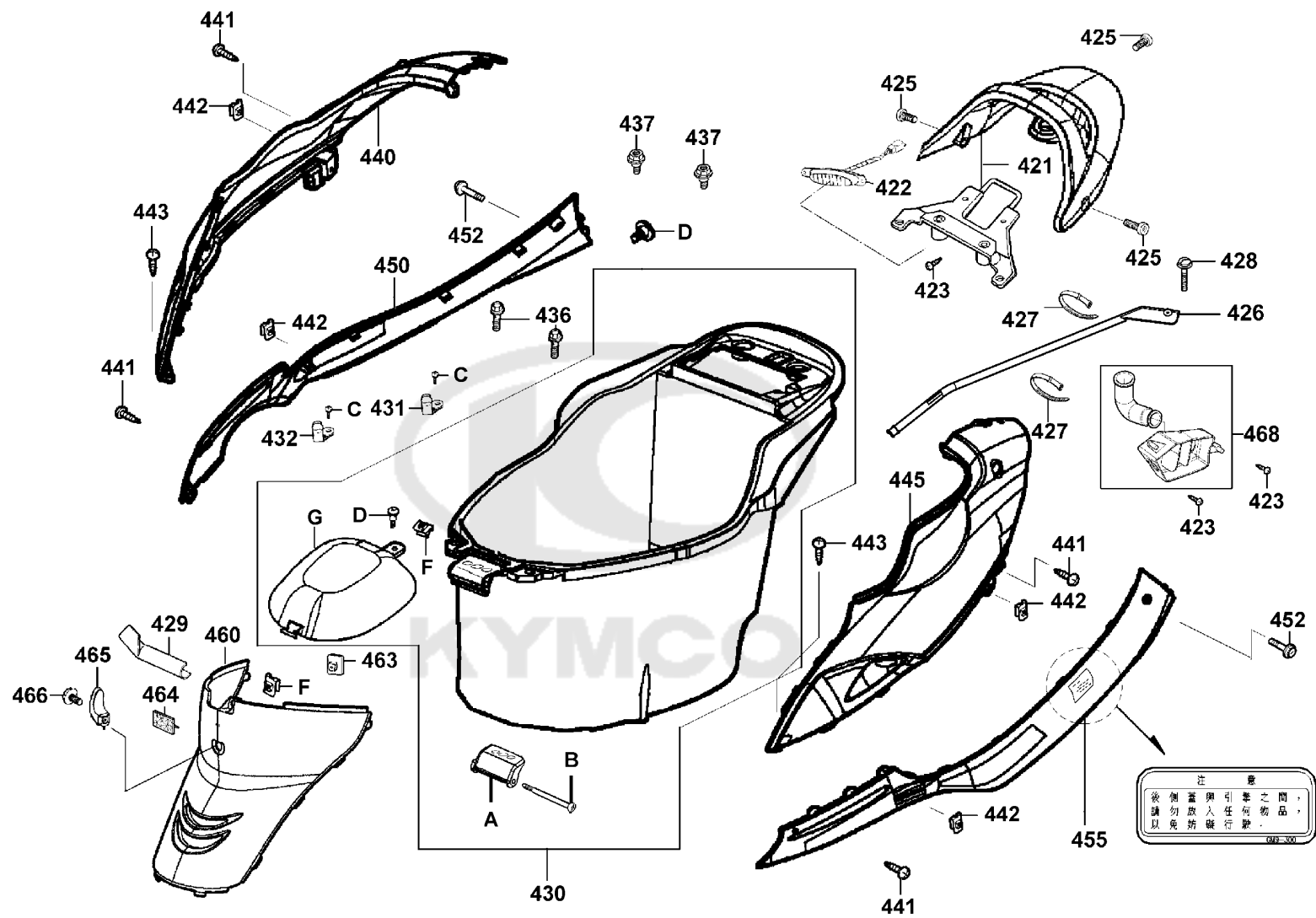
F10



Sales mark 記号	Ref no 参照用番号	Part no パーツ番号	Description 部品名	Reg description 部品名	Regd no 必要個数	Ref Price 希望小売価格(税抜)
	400	31500-KNBN-92A	BATTERY YTX5L-BS	BATTERY YTX5L-BS	1	11130
	400A	31500-KNBN-92B	BATTERY YTX5L-BS	BATTERY YTX5L-BS	1	11130
**	404	50325-KHC4-900	YOX BATTERY *(3) C.2001.09.03	YOX BATTERY *(3) C.2001.09.03	1	580
A		50326-KHC4-900	COVER BATTERY **9000 C.2006.11.01	COVER BATTERY **9000 C.2006.11.01	1	490
	408	50328-KNBN-200	BAND BATTERY	BAND BATTERY	1	200
	405	93404-06016-06	BOLT WASHER 6*16	BOLT WASHER 6*16	1	60
	403	93891-05012-06	SCREW WASHER 5*12	SCREW WASHER 5*12	1	60
	402	98200-10700	FUSE A7	FUSE A7	1	60

F11

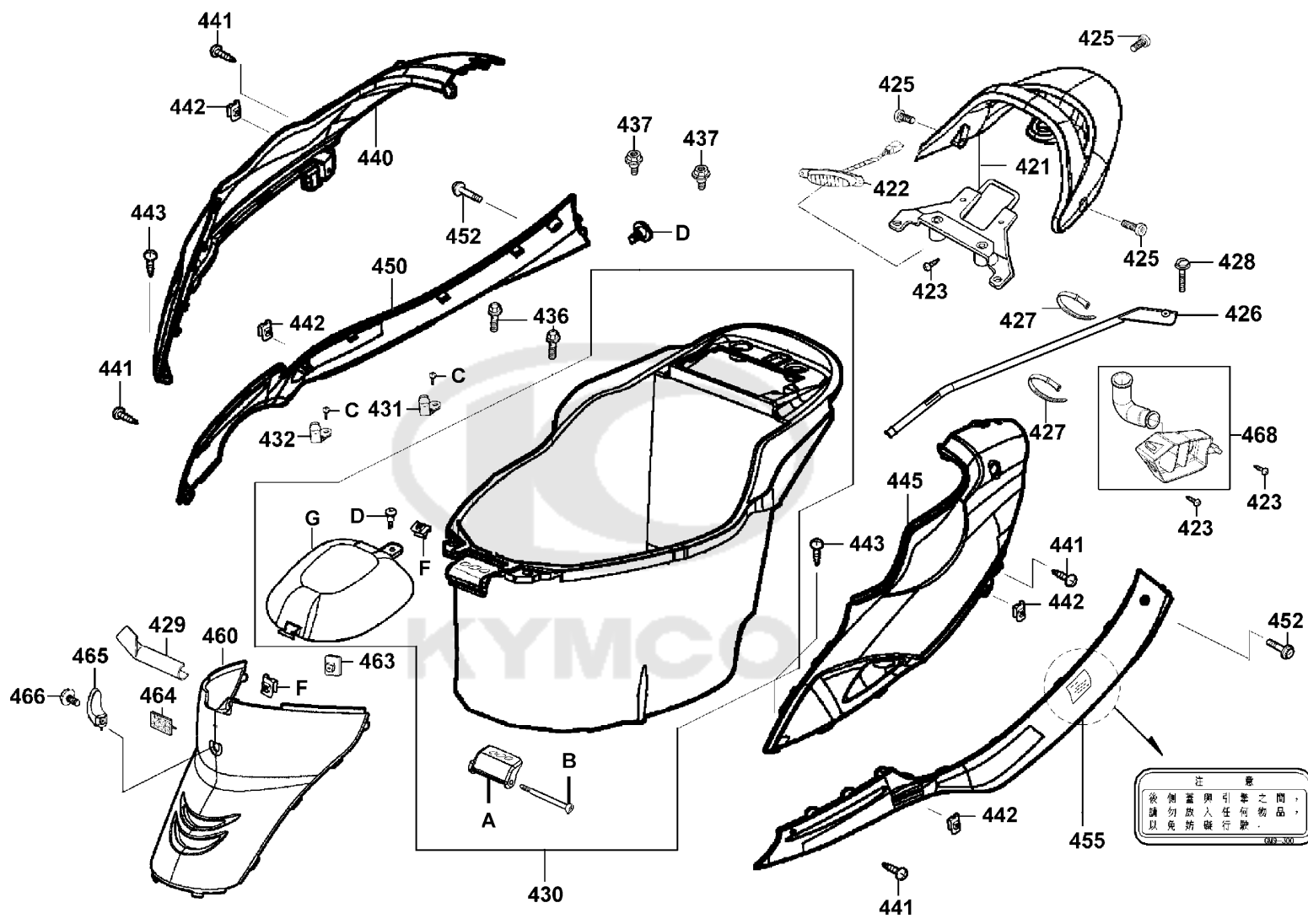




注意
後側蓋與引擎之間，
請勿放入任何物品，
以免妨礙行駛。
092-300

Sales mark 記号	Ref no 参照用番号	Part no パーツ番号	Description 部品名	Reg description 部品名	Regd no 必要個数	Ref Price 希望小売価格(税抜)
	468	1721A-KHC4-900	DUCT ASSY A/C **(0)	DUCT ASSY A/C **(0)	1	1080
	422	33800-KFA1-900	LIGHT ASSY 2ND STOP	LIGHT ASSY 2ND STOP	1	2860
	432	77105-GFS6-001	HOOK R HELMET	HOOK R HELMET	1	200
	431	77106-GFS6-001	HOOK L HELMET	HOOK L HELMET	1	160
	A	77201-GFS6-001	HINGE SEAT	HINGE SEAT	1	580
**	460	80151-KHC4-900	COVER CENTER **(0)	COVER CENTER **(0)	1	3480
	464	81133-KGBG-900	STOPPER LUGGAGE	STOPPER LUGGAGE	1	110
	465	81134-KGBG-900	HOOK LUGGAGE	HOOK LUGGAGE	1	200
	463	81135-KGBG-900	STAY LUGGAGE HOOK	STAY LUGGAGE HOOK	1	200
**	421	81200-KHC4-900	GRIP RR **(0) C.2005.05.02	GRIP RR **(0) C.2005.05.02	1	8180
	G	81251-KHC4-900	COVER MAINT **9000	COVER MAINT **9000	1	1150
	430	81260-KHC4-900	BOX ASSY LUGGAGE **(4) C.2004.03.01	BOX ASSY LUGGAGE **(4) C.2004.03.01	1	6280
**	440	83500-KHC4-900	COVER BODY R	COVER BODY R	1	11130
**	450	83501-KHC4-900	SIDE MOLD R **(1) C.2001.09.06	SIDE MOLD R **(1) C.2001.09.06	1	5520
	429	83502-KHC4-900	PROJECTOR SEAT CABLE **9000	PROJECTOR SEAT CABLE **9000	1	390
	426	83503-KHC4-900	COVER PROTECT SEAT WIRE FR	COVER PROTECT SEAT WIRE FR	1	200
**	445	83600-KHC4-900	COVER BODY L **9000-PB242P	COVER BODY L **9000-PB242P C.2002.03.01	1	11130
**	455	83601-KHC4-900	SIDE MOLD L **(1) C.2001.09.06	SIDE MOLD L **(1) C.2001.09.06	1	5520
	428	90101-0G87-721	SCREW HEAD LIGHTTT SET	SCREW HEAD LIGHTTT SET	1	60
	B	90105-GFS6-001	PIN HINGE	PIN HINGE	1	300

F12



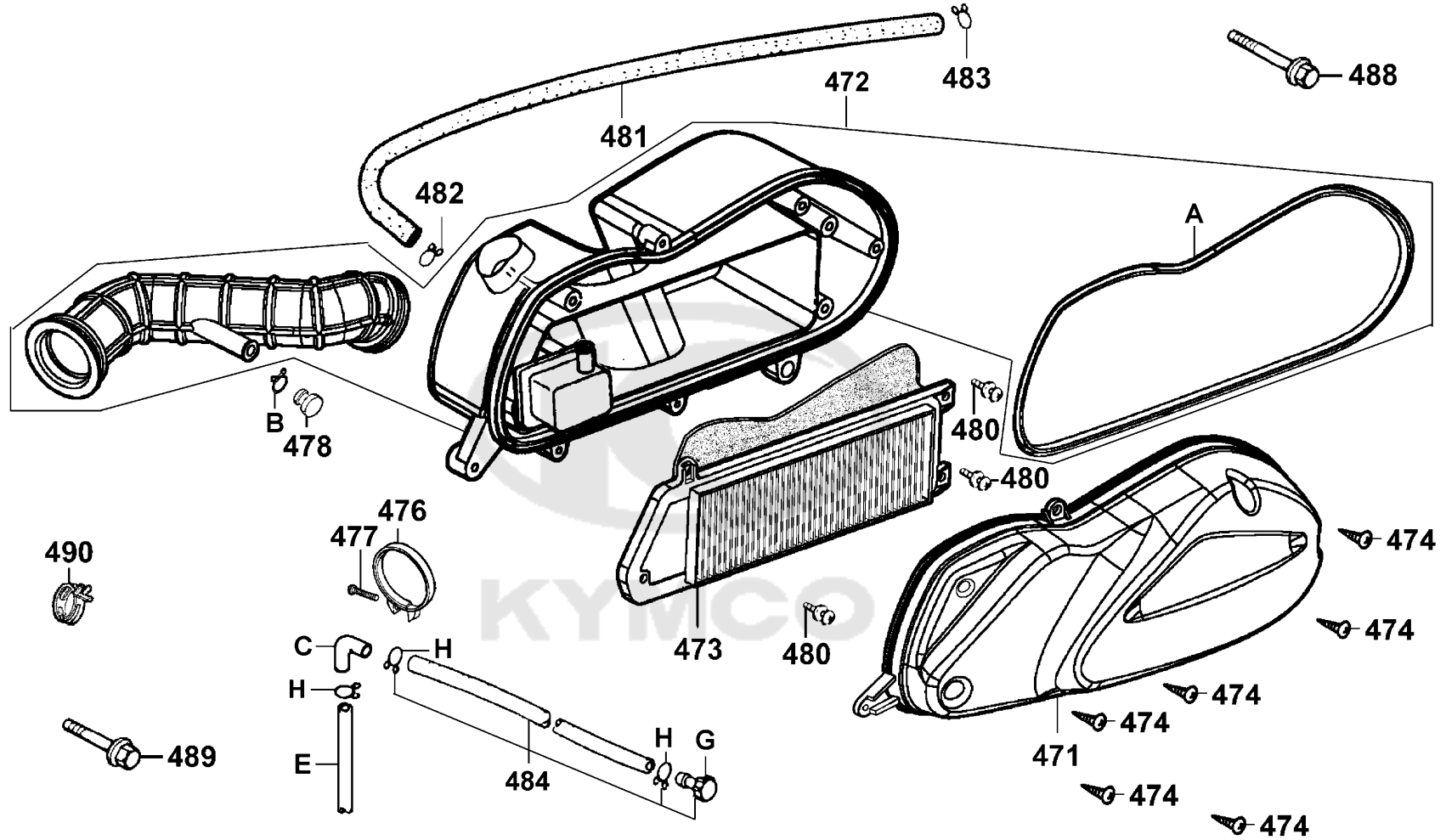
注意
後側蓋與引擎之間，
請勿放入任何物品，
以免妨礙行駛。
D9E-200

Sales mark 記号	Ref no 参照用番号	Part no パーツ番号	Description 部品名	Reg description 部品名	Regd no 必要個数	Ref Price 希望小売価格(税抜)
425		90105-KFC2-900	BOLT WASH 8*32	BOLT WASH 8*32	3	390
452		90110-GLW0-001	SCREW SPECIAL 6*14	SCREW SPECIAL 6*14	1	200
437		90111-1G87-001	BOLT FLANGE 6MM	BOLT FLANGE 6MM	2	60
466		90164-KGBG-900	SCREW SPECIAL 6MM	SCREW SPECIAL 6MM	1	60
442		90302-SDA4-004	NUT SPRING 4MM	NUT SPRING 4MM	1	60
F		90305-GHK8-001	NUT CLIP 6MM	NUT CLIP 6MM	1	60
D		90381-GEZ5-001	SCREW SPECIAL 6*17	SCREW SPECIAL 6*17	1	200
427		90656-KCBC-900	BAND OIL HANDLE	BAND OIL HANDLE	1	60
C		93891-06010-07	SCREW WASHER 6*10	SCREW WASHER 6*10	2	160
423		93903-34360	SCREW WASHER 4*12	SCREW WASHER 4*12	1	60
443		93903-34460	SCREW TAPPING 4*16	SCREW TAPPING 4*16	1	200
441		93903-GFY6-900	SCREW WASHER 4*12	SCREW WASHER 4*12	1	60
436		95701-06012-06	BOLT FLANGE 6*22 (K)	BOLT FLANGE 6*22 (K)	1	60

F12

F13

Air Cleaner

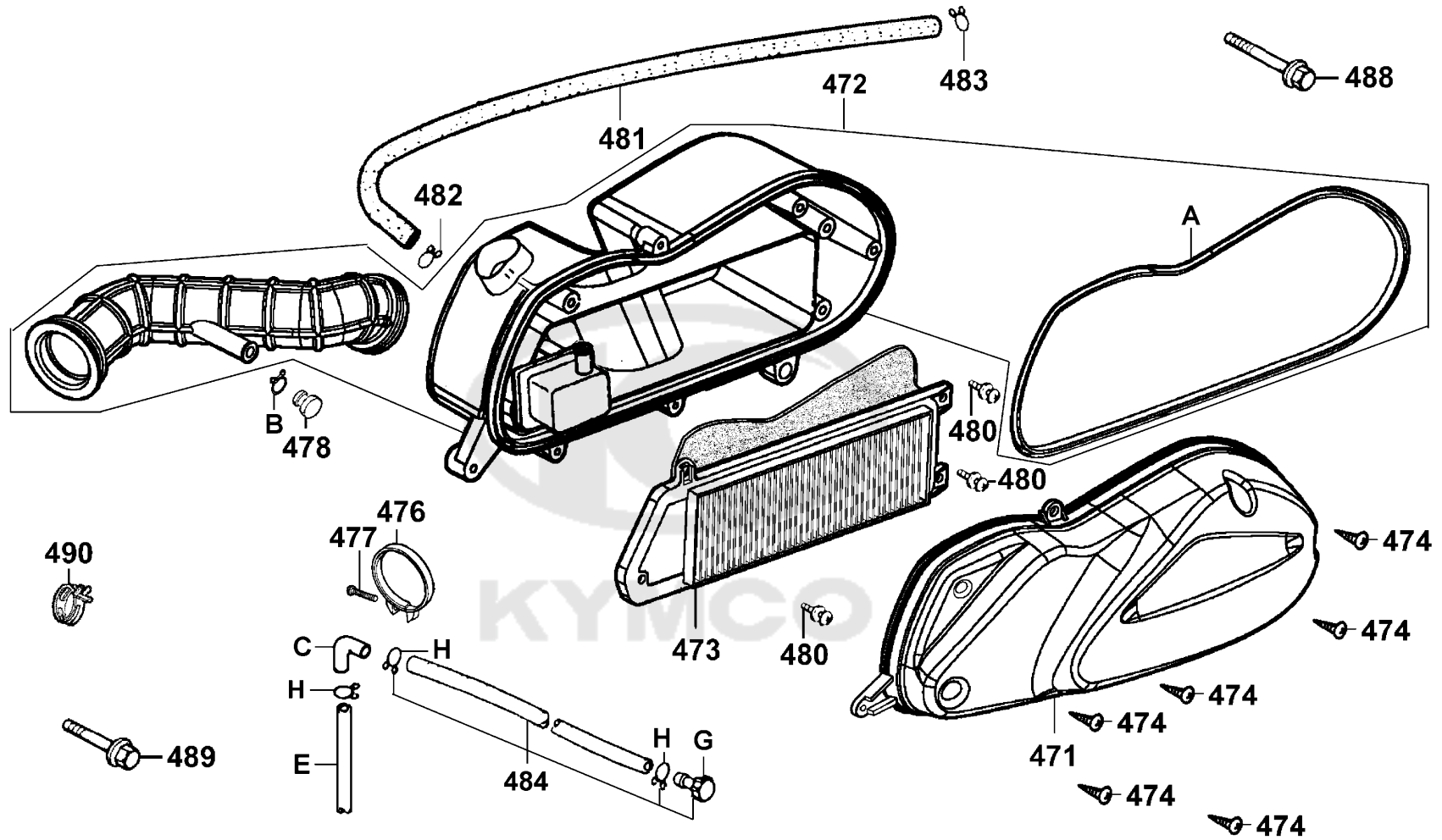


Sales mark 記号	Ref no 参照用番号	Part no パーツ番号	Description 部品名	Reg description 部品名	Regd no 必要個数	Ref Price 希望小売価格(税抜)
	481	11211-KHC5-900	TUBE BREATHER **9000 C.	TUBE BREATHER **9000 C.	1	1780
	471	17207-KHC4-900	COVER AIR/C **9000 C.	COVER AIR/C **9000 C.	1	770
A		17212-KHC4-900	SEAL AIR/C CASE **9000 C.	SEAL AIR/C CASE **9000 C.	1	300
	490	17215-KGBG-90A	CLIP ASSY A/C DUCT	CLIP ASSY A/C DUCT	1	580
C		17216-KHC4-900	L JOINT BREATHER TUBE	L JOINT BREATHER TUBE	1	60
	472	1723A-KHC4-900	CASE ASSY AIR/C **9000 C.	CASE ASSY AIR/C **9000 C.	1	3810
	473	1723C-KHC4-900	ELEMENT ASSY AIR/C **9000 C.	ELEMENT ASSY AIR/C **9000 C.	1	1540
	478	17254-KACA-P00	PLUG AIR/C CONN TUBE	PLUG AIR/C CONN TUBE	1	200
	476	17255-KGBG-900	BAND A CONNECTING TUBE	BAND A CONNECTING TUBE	1	300
	484	1736A-GFY6-900	TUBE DRAIN ASSY	TUBE DRAIN ASSY	1	520
G		17370-4K19-701	PLUG BREATHER TUBE	PLUG BREATHER TUBE	1	110
H		17371-1D74-671	CLIP BREATHER TUBE	CLIP BREATHER TUBE	2	60
	489	93404-06025-06	BOLT WASHER 6*25	BOLT WASHER 6*25	1	200
	477	93500-04025-0A	SCREW PAN 4*25	SCREW PAN 4*25	1	200
	480	93891-05010-06	SCREW WASHER 5*10 (G)	SCREW WASHER 5*10 (G)	1	200
	474	93903-25460	SCREW TAPPING 5*20 **93903-25480	SCREW TAPPING 5*20 **93903-25480 C.2005	6	60
	482	95002-02080	CLIP B8 TUBE	CLIP B8 TUBE	1	60
	483	95002-02120	CLIP B12 TUBE	CLIP B12 TUBE	1	60
B		95002-02130	CLIP B12.5 TUBE	CLIP B12.5 TUBE	1	60
E		95003-23004-60	V TUBE 8*12*40	V TUBE 8*12*40	1	110

F13

F13

Air Cleaner

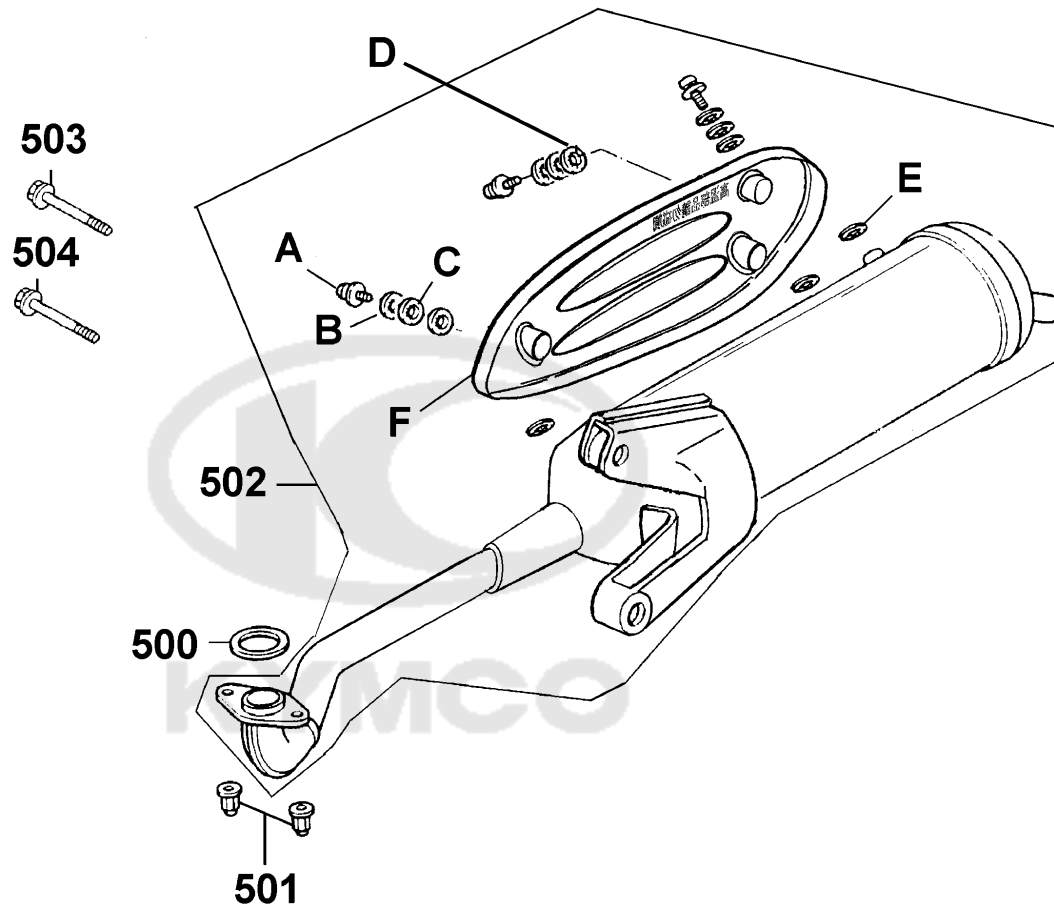


Sales mark 記号	Ref no 参照用番号	Part no パーツ番号	Description 部品名	Reg description 部品名	Regd no 必要個数	Ref Price 希望小売価格(税抜)
------------------	-----------------	------------------	--------------------	------------------------	-----------------	-------------------------

F13

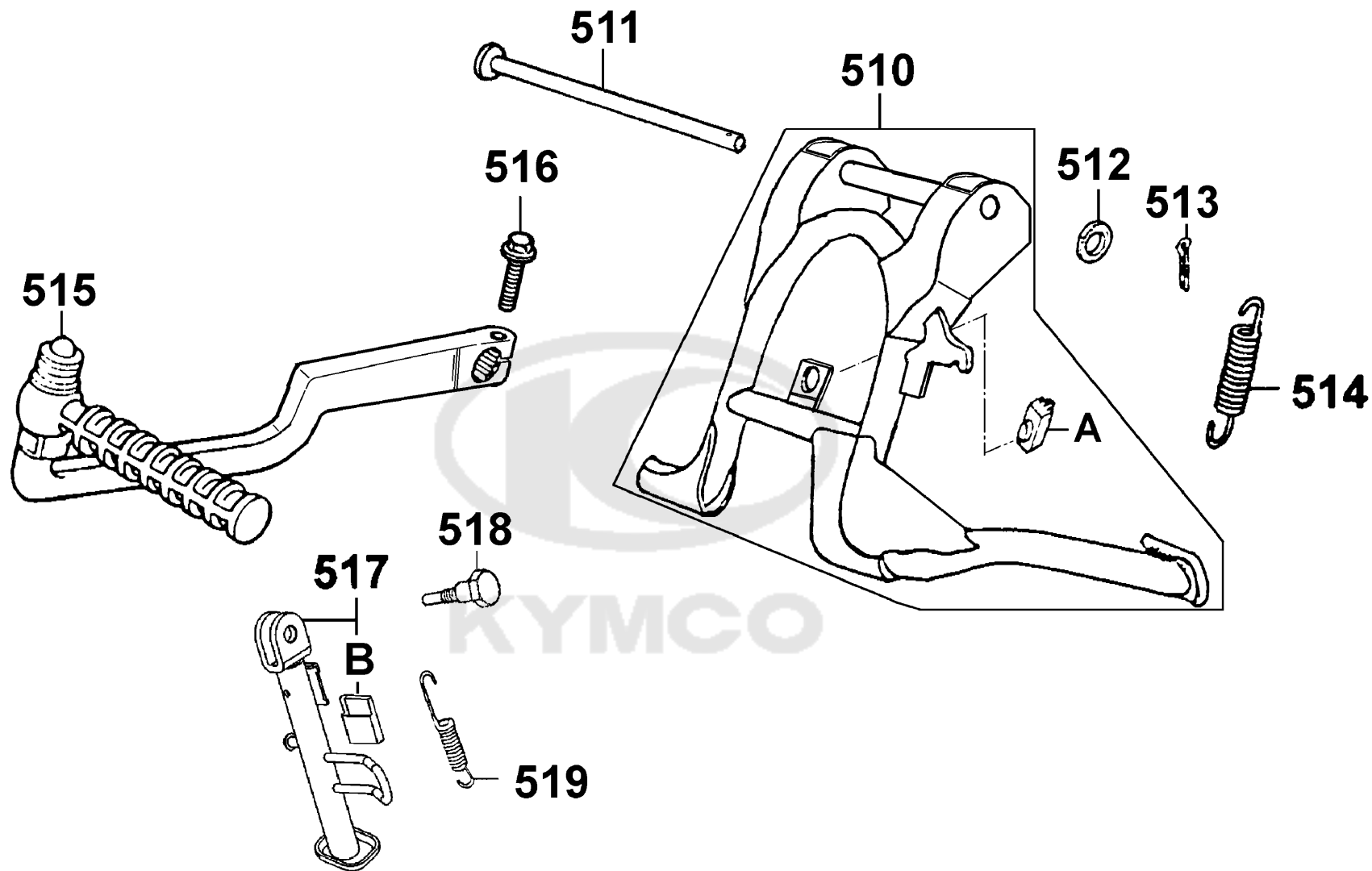
488	95701-06032-06		BOLT FLANGE 6*32	BOLT FLANGE 6*32	1	60
-----	----------------	--	------------------	------------------	---	----





Sales mark 記号	Ref no 参照用番号	Part no パーツ番号	Description 部品名	Reg description 部品名	Regd no 必要個数	Ref Price 希望小売価格(税抜)
D		18291-KEBE-900	COLLAR	COLLAR	3	60
500		18291-LBD4-900	GASKET EXH PIPE	GASKET EXH PIPE	1	200
B		18292-KEBE-900	PACKING PROTECTOR	PACKING PROTECTOR	3	60
C		18293-KEBE-900	RUBBER PKG PROTR	RUBBER PKG PROTR	3	140
E		18294-KEBE-900	PACKING PROTECTOR	PACKING PROTECTOR	3	110
502		1830A-KHC4-B20	MUFFLER ASSY EXHAUST **(0)	MUFFLER ASSY EXHAUST **(0)	1	25350
F		18318-KFA3-E00	PROTECTOR MUFFLER	PROTECTOR MUFFLER	1	3050
503		90021-GFY6-900	BOLT WASHER COMP	BOLT WASHER COMP	1	90
A		90110-KFA6-900	SCREW SPECIAL 6*18	SCREW SPECIAL 6*18	3	70
501		90301-GFY6-901	NUT (HEX) CAP 8MM	NUT (HEX) CAP 8MM	2	140
504		95801-08042-06	BOLT FLANGE 8*42	BOLT FLANGE 8*42	1	70

F14

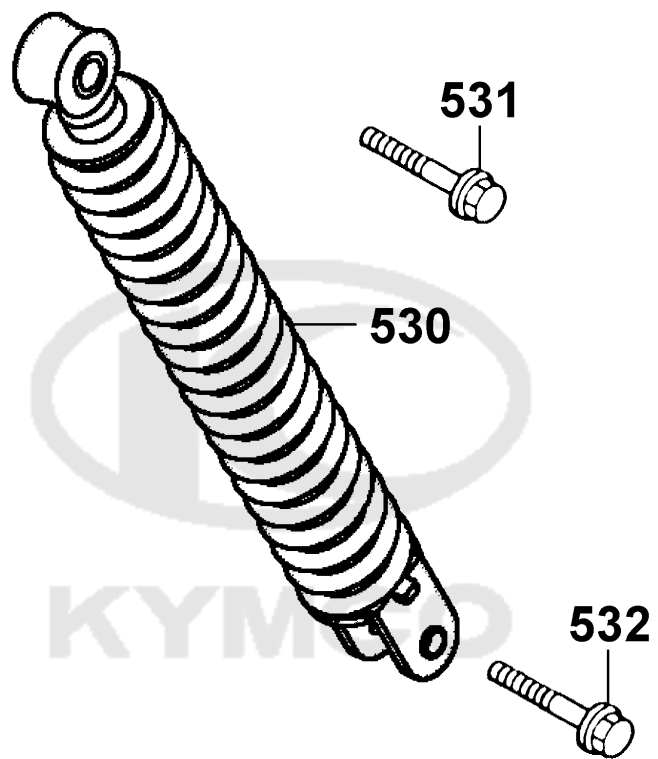


Sales mark 記号	Ref no 参照用番号	Part no パーツ番号	Description 部品名	Reg description 部品名	Regd no 必要個数	Ref Price 希望小売価格(税抜)
	515	28300-KNBN-901	ARM ASSY KICK STARTER	ARM ASSY KICK STARTER	1	2030
	510	50500-KHC4-910	STAND ASSY MAIN *(0) C.2009.04.10	STAND ASSY MAIN *(0) C.2009.04.10	1	5140
	511	50503-KGBG-900	SHAFT MAIN STAND	SHAFT MAIN STAND	1	490
A		50505-GAR1-711	STOPPER RUBBER STAND	STOPPER RUBBER STAND	1	110
	517	50530-KHC4-900	STAND COMP SIDE *(2) C.2009.05.08	STAND COMP SIDE *(2) C.2009.05.08	1	1530
B		50531-KHC4-900	STOPPER RUBBER	STOPPER RUBBER	1	300
	518	90108-GFY6-901	SCREW SIDE STAND PIVOT	SCREW SIDE STAND PIVOT	1	130
	512	94101-08600	WASHER PLAIN 6.5*18*105	WASHER PLAIN 6.5*18*105	1	200
	513	94251-08400	PIN LOCK 8MM	PIN LOCK 8MM	1	160
	514	95014-71402	SPRING D MAIN STAND	SPRING D MAIN STAND	1	60
	519	95014-72204	SPG B1 SIDE STAND	SPG B1 SIDE STAND	1	300
	516	95701-06022-06	BOLT FLANGE 6*22	BOLT FLANGE 6*22	1	60

F15

F16

Rear Cushion



Sales mark 記号	Ref no 参照用番号	Part no パーツ番号	Description 部品名	Reg description 部品名	Regd no 必要個数	Ref Price 希望小売価格(税抜)
------------------	-----------------	------------------	--------------------	------------------------	-----------------	-------------------------

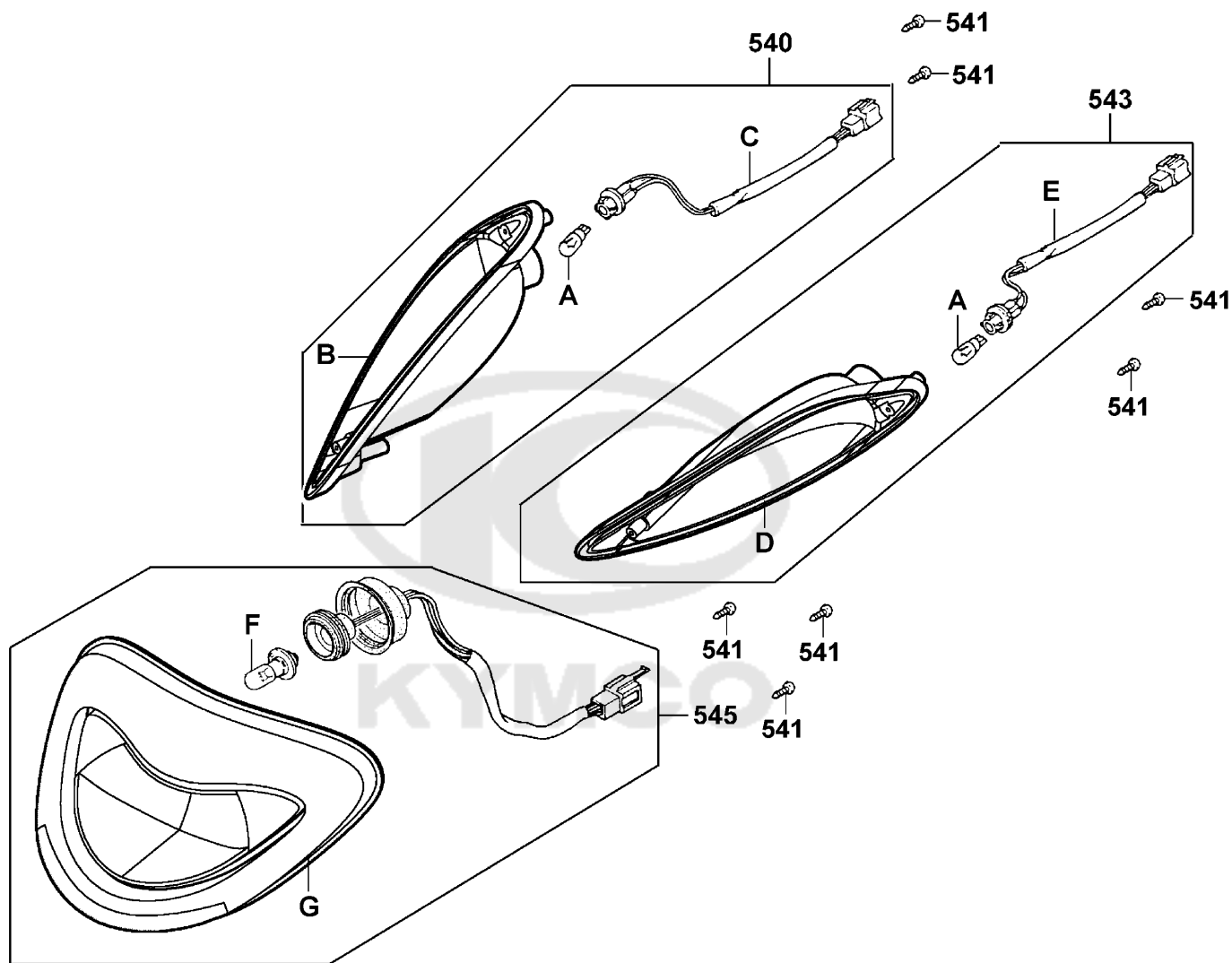
F16

**	530	52400-KHC4-900	CUSHION ASSY REAR ** (0) C.2005.10.08	CUSHION ASSY REAR ** (0) C.2005.10.08	1	5710
	532	95801-08035-06	BOLT FLANGE 8*35	BOLT FLANGE 8*35	1	60
	531	95801-10035-06	BOLT FLANGE 10*35	BOLT FLANGE 10*35	1	300



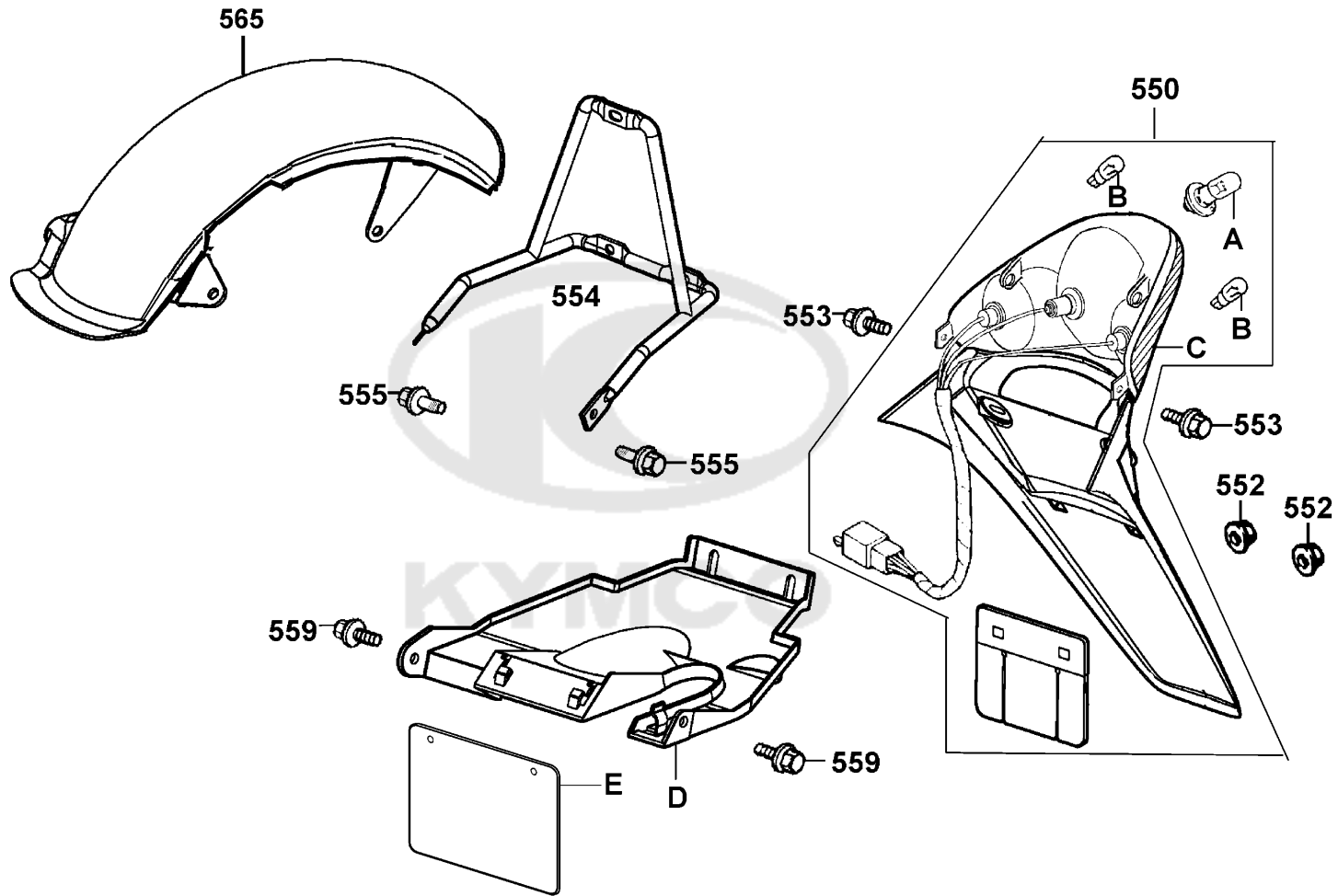
F17

Front Winker



Sales mark 記号	Ref no 参照用番号	Part no パーツ番号	Description 部品名	Reg description 部品名	Regd no 必要個数	Ref Price 希望小売価格(税抜)
540		33400-KHC4-900	WINKER ASSY R FR **9000	WINKER ASSY R FR **9000	1	1590
B		33402-KHC4-900	LENS R FR WINKER **9000	LENS R FR WINKER **9000	1	300
C		33406-KHC4-900	SOCKET COMP R FR WINKER **9000	SOCKET COMP R FR WINKER **9000	1	420
543		33450-KHC4-900	WINKER ASSY L FR **9000	WINKER ASSY L FR **9000	1	1590
D		33452-KHC4-900	LENS L FR WINKER **9000	LENS L FR WINKER **9000	1	300
E		33456-KHC4-900	SOCKET COMP L FR WINKER **9000	SOCKET COMP L FR WINKER **9000	1	420
545		33500-KHC4-910	LIGHT ASSY FR POSITION **9000	LIGHT ASSY FR POSITION **9000 N.C.2003.	1	2700
G		33501-KHC4-900	LENS POSITION LIGHT **9000 C.	LENS POSITION LIGHT **9000 C.	1	350
A		34905-KHC4-900	BULB WINKER	BULB WINKER	2	400
F		34908-GGA7-70A	BULB WEDGE BASE 12V*3.4W	BULB WEDGE BASE 12V*3.4W	1	130
541		93903-34360	SCREW WASHER 4*12	SCREW WASHER 4*12	2	60

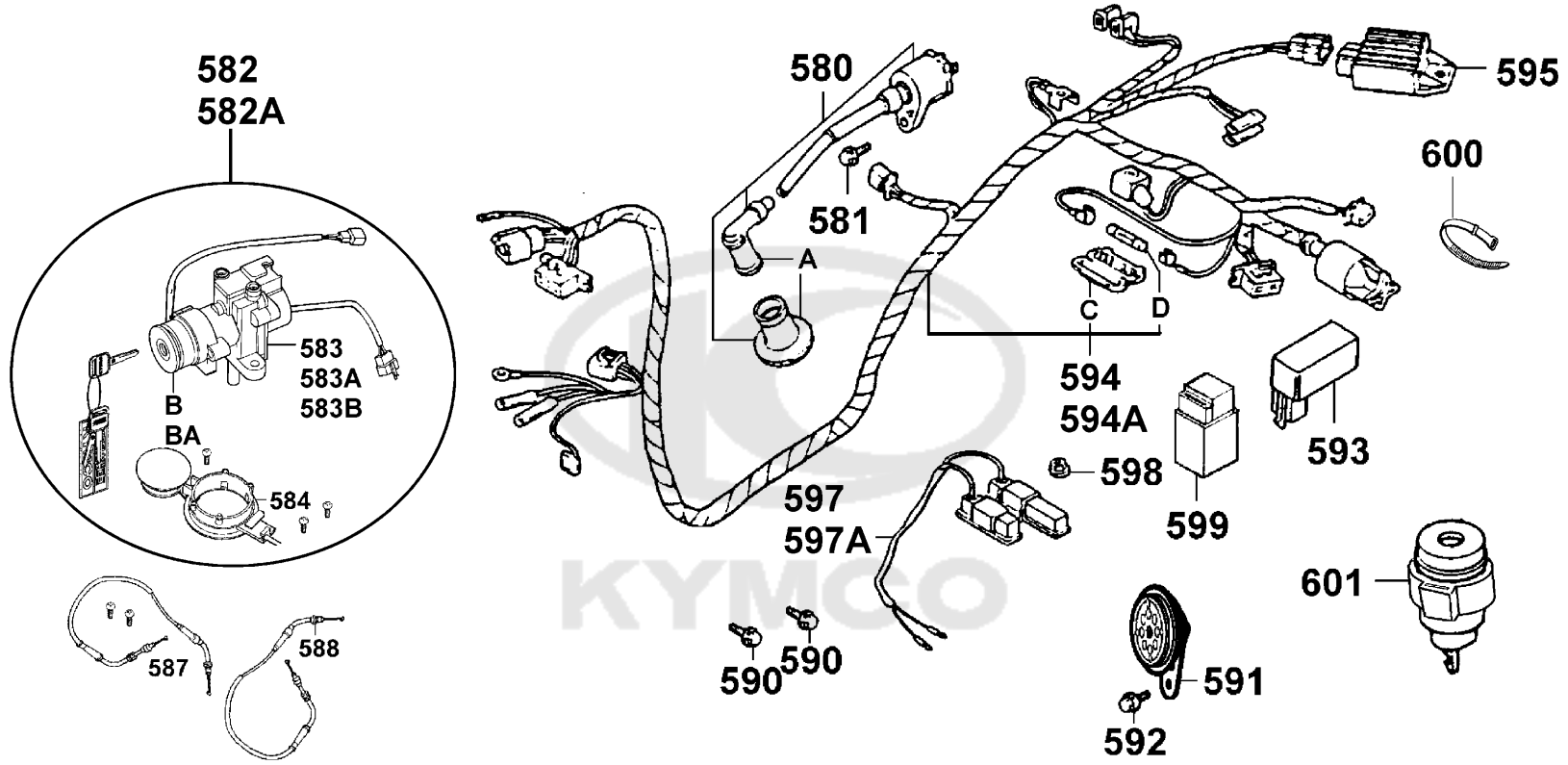
F17



Sales mark 記号	Ref no 参照用番号	Part no パーツ番号	Description 部品名	Reg description 部品名	Regd no 必要個数	Ref Price 希望小売価格(税抜)
	550	33700-KHC4-900	LIGHT ASSY RR COMB **9000	LIGHT ASSY RR COMB **9000	1	7590
C		33701-KHC4-900	LENS COMP TAIL LIGHT **9000	LENS COMP TAIL LIGHT **9000	1	1590
B		34905-KHC4-900	BULB WINKER	BULB WINKER	2	400
A		34906-2H68-601	BULB TAIL LIGHT	BULB TAIL LIGHT	1	300
	554	50172-KHC4-900	STAY TAIL LIGHT **9000 C.2004.03.30	STAY TAIL LIGHT **9000 C.2004.03.30	1	1820
**	565	80100-KHC4-800	FENDER RR TIRE /BLACK	FENDER RR TIRE /BLACK	1	680
E		80104-KGBG-900	PLATE SPLASH GUARD	PLATE SPLASH GUARD	1	390
D		80106-KHC4-900	FENDER RR INNER **9000 (0) C.	FENDER RR INNER **9000 (0) C.	1	680
	552	90301-6D34-671	NUT FLANGE 6MM	NUT FLANGE 6MM	2	60
	553	90302-GFY6-901	BOLT WASH 5*12 **(1) C.V.	BOLT WASH 5*12 **(1) C.V.	2	60
	555	95701-06012-06	BOLT FLANGE 6*22 (K)	BOLT FLANGE 6*22 (K)	1	60

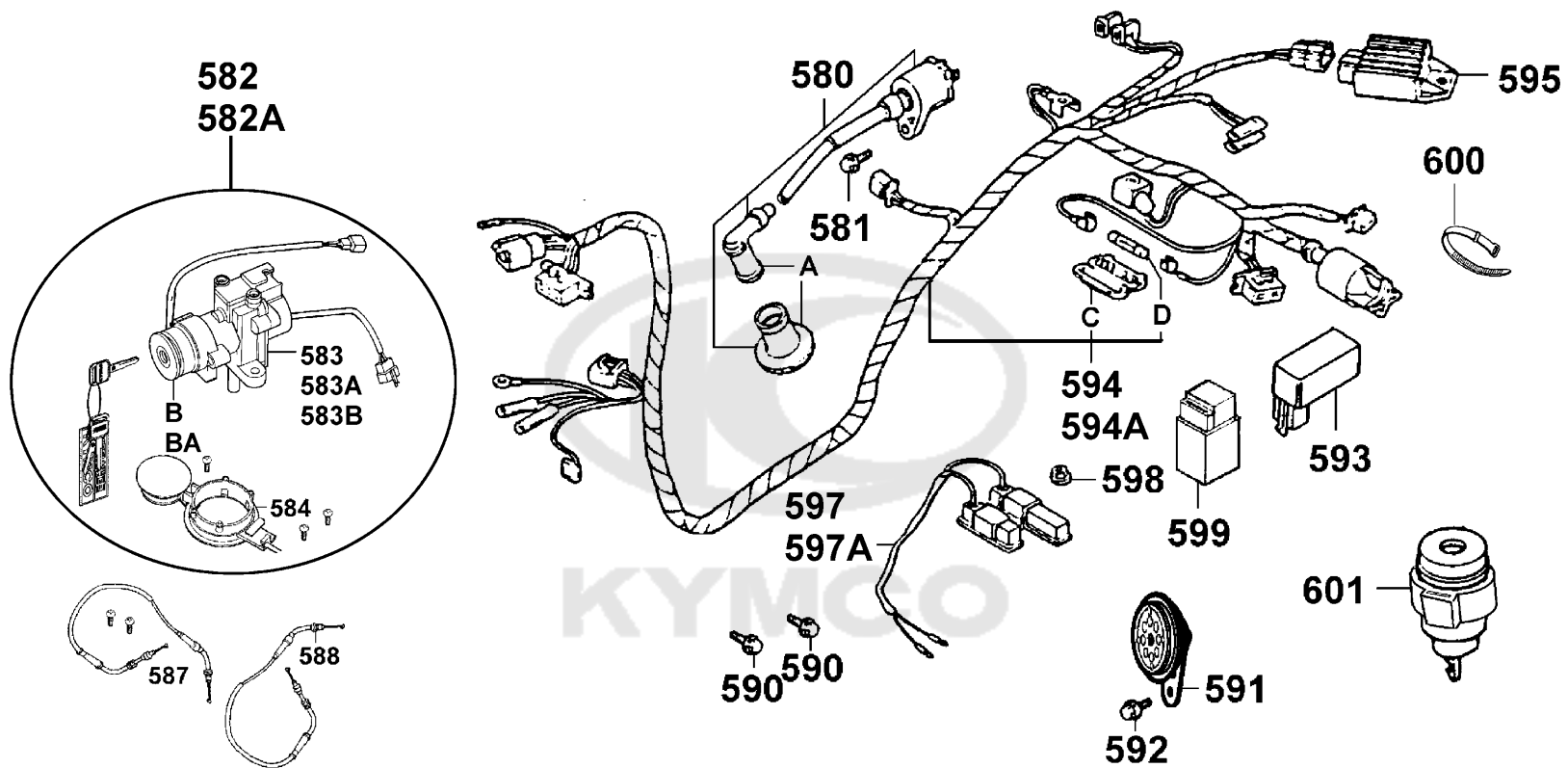
F18





Sales mark 記号	Ref no 参照用番号	Part no パーツ番号	Description 部品名	Reg description 部品名	Regd no 必要個数	Ref Price 希望小売価格(税抜)
588		17520-KHC4-900	CABLE COMP FUEL CAP **9000 (3) C.	CABLE COMP FUEL CAP **9000 (3) C.	1	1150
584		17620-KHC5-E00	CAP COMP FUEL FILLER	CAP COMP FUEL FILLER	1	3910
593		30400-KHC4-900	CDI ASSY & SPEED CONTROL	CDI ASSY & SPEED CONTROL	1	10650
580		3051A-KHC4-900	COIL ASSY IGN	COIL ASSY IGN	1	4000
A		30700-GFY6-901	CAP ASSY NOISE SUPPRESOR	CAP ASSY NOISE SUPPRESOR	1	1280
595		31600-KUDU-900	REG REC COMP	REG REC COMP	1	2960
594		32100-KHC4-900	HARNESS WIRE **(11) C.2005.08.30	HARNESS WIRE **(11) C.2005.08.30	1	9700
594A		32100-KHC4-B20	HARNESS WIRE **(3) C.2004.04.01	HARNESS WIRE **(3) C.2004.04.01	1	9700
C		32120-1E55-001	CASE FUSE 7A	CASE FUSE 7A	1	110
582		35010-KHC4-305	KEY SET **3050	KEY SET **3050	1	11790
582A		35010-KHC4-335	KEY COMB & THROT GRIP LOCK	KEY COMB & THROT GRIP LOCK	1	13120
583		35101-KHC4-305	SW SET COMB & LOCK	SW SET COMB & LOCK	1	9890
583A		35101-KHC4-305-M2	SW SET COMB & LOCK	SW SET COMB & LOCK	1	9890
583B		35101-KHC4-335	YW COMB & LOCK SET/FOR SERVICE	YW COMB & LOCK SET/FOR SERVICE	1	12360
B		35102-KHC4-900	COLLAR MAIN SW	COLLAR MAIN SW	1	300
BA		35102-LAD9-335	SHUTTER MAGNETIC LOCK SET/SD	SHUTTER MAGNETIC LOCK SET/SD	1	5140
597		35400-KEE1-900	RESISTOR COMP	RESISTOR COMP	1	1780
597A		35400-KHC4-B20	RESISTOR COMP	RESISTOR COMP	1	1110
591		38110-KFA1-80A	HORN COMP	HORN COMP	1	1960
601		38300-KECE-900	RELAY ASSY WINKER	RELAY ASSY WINKER	1	2530

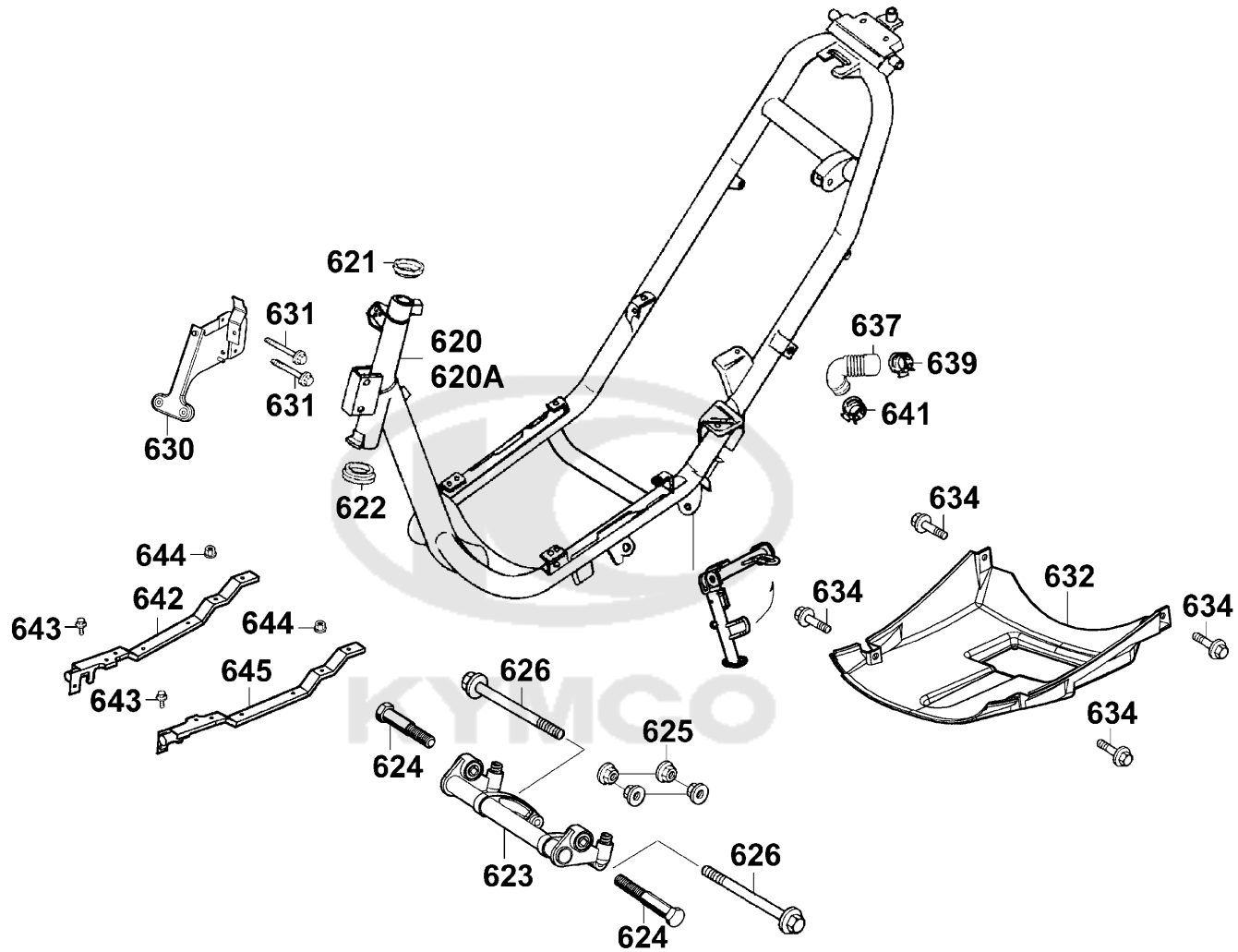
F19



Sales mark 記号	Ref no 参照用番号	Part no パーツ番号	Description 部品名	Reg description 部品名	Regd no 必要個数	Ref Price 希望小売価格(税抜)
599	38500-KKDK-900	RELAY ASSY START	RELAY ASSY START	RELAY ASSY START	1	2270
587	77240-KHC4-900	CABLE COMP SEAT LOCK **9000 C.	CABLE COMP SEAT LOCK **9000 C.	CABLE COMP SEAT LOCK **9000 C.	1	1820
581	90112-KRDR-900	BOLT FLANGE 5*22	BOLT FLANGE 5*22	BOLT FLANGE 5*22	1	130
600	90656-KCBC-900	BAND OIL HANDLE	BAND OIL HANDLE	BAND OIL HANDLE	1	60
598	94050-06080	NUT FLANGE 6MM	NUT FLANGE 6MM	NUT FLANGE 6MM	1	60
592	95701-06012-06	BOLT FLANGE 6*22 (K)	BOLT FLANGE 6*22 (K)	BOLT FLANGE 6*22 (K)	1	60
590	95701-08025-06	BOLT FLANGE 6*22 (K)	BOLT FLANGE 6*22 (K)	BOLT FLANGE 6*22 (K)	1	60
D	98200-10700	FUSE A7	FUSE A7	FUSE A7	1	60

F19





Sales mark 記号	Ref no 参照用番号	Part no パーツ番号	Description 部品名	Reg description 部品名	Regd no 必要個数	Ref Price 希望小売価格(税抜)
	641	17215-KNBN-200	CLIP ASSY AIR/C DUCT	CLIP ASSY AIR/C DUCT	1	390
	637	19410-KHC4-900	DUCT COOLING **9000 C.2006.11.01	DUCT COOLING **9000 C.2006.11.01	1	770
	639	19411-KNBN-900	CLIP HOSE	CLIP HOSE	1	390
	620	50100-KHC4-B10	BODY COMP FRAME **(4) C.2007.01.18	BODY COMP FRAME **(4) C.2007.01.18	1	57800
	620A	50100-KHC5-B20	BODY COMP FRAME *(0) C.2007.01.18	BODY COMP FRAME *(0) C.2007.01.18	1	57800
	621	50301-GLM0-001	RACE UP STRG BALL	RACE UP STRG BALL	1	440
	622	50305-GHC8-004	RACE (UNDER STR) BALL	RACE (UNDER STR) BALL	1	420
	623	50350-KHC4-900	HANGER ASSY ENG **(4) C.2006.05.09	HANGER ASSY ENG **(4) C.2006.05.09	1	10460
	642	50611-KHC4-900	RNFCT R FLOOR **9000	RNFCT R FLOOR **9000	1	1630
	645	50612-KHC4-900	RNFCT L FLOOR **9000	RNFCT L FLOOR **9000	1	1630
**	632	50613-KHC4-900	COVER UNDER	COVER UNDER	1	1910
	630	64315-KHC4-900	STAY FR COVER **(1) C.2004.07.22	STAY FR COVER **(1) C.2004.07.22	1	2100
	624	90105-KHC4-900	SQUARE BOLT M10X50	SQUARE BOLT M10X50	2	390
	625	90304-GHE8-004	NUT CAP 6MM	NUT CAP 6MM	4	200
	634	93404-06016-06	BOLT WASHER 6*16	BOLT WASHER 6*16	4	60
	644	94050-06080	NUT FLANGE 6MM	NUT FLANGE 6MM	1	60
	643	95701-06012-06	BOLT FLANGE 6*22 (K)	BOLT FLANGE 6*22 (K)	1	60
	631	95801-06045-06	BOLT FLANGE 6*45 (G)	BOLT FLANGE 6*45 (G)	1	390
	626	95801-10070-06	BOLT FLANGE 10*70	BOLT FLANGE 10*70	1	320

F20

● Be sure to wear a safety helmet when riding.
 ● Do not exceed the speed specified by law when riding.
 ● The exhaust muffler temperature is very high after riding. Be sure to park the motorcycle in a place not easily touched by people.
 ● For riding safety and good performance, do not violate the law to modify the motorcycle.
 ● Please read the User's Manual carefully to ensure riding safety.

● Make sure to perform the periodic maintenance and periodic inspection.
Periodic Inspection Items
 Brake Performance, tires, engine oil level, lights, horn, and Instrument panel
 KWANG YANG MOTOR CO., LTD.

680

CAUTIONS

Tire Size	:Front 80/90-10 50J	Rear 100/80-10 53J
(One Rider)	:Front 1.50kgf/cm ²	Rear 2.00kgf/cm ²
(Two Rider)	:Front 1.75kgf/cm ²	Rear 2.25kgf/cm ²
Load Capacity	:Shield 1.5kg	Clip assy center 3kg
	(As per KYMCO standard specification)	
	(Note: The tire pressure must not overpass 2.50kgf/cm ²)	

● Check the motor oil level with the dipstick after refilling motor oil.

KMS-1300

681

CAUTIONS

Before starting the engine, the side stand shall be kicked up to secure safety.

682

CAUTIONS

Never put any article between the rear side cover and the engine to avoid interference of riding.

GVS-300

683

USE UNLEADED GASOLINE ONLY

684

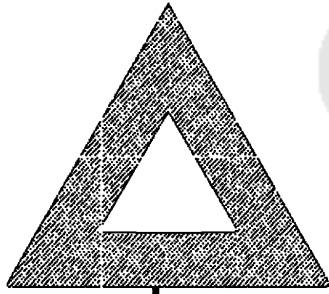
Sales mark 記号	Ref no 参照用番号	Part no パーツ番号	Description 部品名	Reg description 部品名	Regd no 必要個数	Ref Price 希望小売価格(税抜)	F21
------------------	-----------------	------------------	--------------------	------------------------	-----------------	-------------------------	-----

**	684	87501-KRDR-E00	CAUTION USE GAS ONLY	CAUTION USE GAS ONLY	1	200	
**	681	87505-KHC5-E00	LABEL TIRE **E00 C.2006.10.24	LABEL TIRE **E00 C.2006.10.24	1	200	
**	682	87541-GAR1-E00	CAUTION SIDE STAND	CAUTION SIDE STAND	1	200	
**	683	87542-GAR1-E00	MARK MAINT CAUTION	MARK MAINT CAUTION	1	200	
**	680	87560-GFY6-E00	MARK DRIVE CAUTION	MARK DRIVE CAUTION	1	200	





690



694



692



693

Sales mark 記号	Ref no 参照用番号	Part no パーツ番号	Description 部品名	Reg description 部品名	Regd no 必要個数	Ref Price 希望小売価格(税抜)	F22
------------------	-----------------	------------------	--------------------	------------------------	-----------------	-------------------------	-----

**	690	86201-KHC4-B00	EMB BODY COVER	EMB BODY COVER	3	770	
**	693	86408-KHC4-B20	STRIPE FR FENDER	STRIPE FR FENDER	1	300	
**	694	86409-KHC4-B20	STRIPE RR FENDER ** (0) C.2005.04.26	STRIPE RR FENDER ** (0) C.2005.04.26	1	240	
**	692	87552-KQCQ-900	EMB HNDL COVER	EMB HNDL COVER	1	580	



PART NO. INDEX
 パーツ番号 検索

PART NO. パーツ番号	VERSION バージョン	PAGE ページ	PART NO. パーツ番号	VERSION バージョン	PAGE ページ	PART NO. パーツ番号	VERSION バージョン	PAGE ページ
1000			11000			12000		
1028-054-7000	0	E05	11100-KHC4-305	0	E01	12100-KHC4-900	0	E03
1030-880-2103	0	E05	11100-LAE3-305	0	E01	12191-LBD4-900	1	E03
1052-862-2101	0	E05	11102-1G87-004	3	E01	12200-KHC4-B00	1	E02
1090-873-2001	0	E05	11192-LBD4-900	1	E01	12209-GDB4-68B	0	E02
1190-A78-2102	0	E05	11200-KHC4-305	5	E01	12211-KUDU-900	4	E02
1201-830-2101	0	E05	11200-KHC4-315	3	E01	12251-KHC4-900	0	E02
1229-805-7000	0	E05	11203-GGC7-301	2	E01	12310-KHC4-B00	3	E02
1230-850-2000	0	E05	11203-KHG8-301	2	E09	12361-GFY6-901	1	E04
1230-851-2001	0	E05	11205-LAB4-900	1	E01	12391-GFY6-901	0	E02
1230-856-7001	0	E05	11206-KHC4-800	0	E07			
1290-996-2000-3	0	E05	11207-KHC4-800	0	E01	13000		
1290-A07-2000	0	E05	11208-KHC4-800	1	E08			
1290-A27-2000	0	E05	11211-KHC5-900	1	F13	13000-KHC4-900	8	E03
1402-910-2201	0	E05	11330-LAB4-900	6	E04	13011-GFF6-90B	0	E03
			11341-KHC4-900	6	E01	13101-KHC4-900	3	E03
4000			11342-LAB4-900	1	E01	13111-0G87-001	3	E03
4000-160-0001	0	E05	11381-KHC4-900	0	E01	13115-0A01-001	0	E03
4115-803-1100	0	E05	11382-KHC4-900	0	E01			
4115-804-1100	0	E05	11383-KHC4-900	0	E01	14000		
			11385-KGBG-900	0	E08			
			11385-KHC4-900	2	E08	14100-KHC4-220	1	E02
			11394-LBD4-900	2	E04	14401-KHC4-900	0	E03
			11395-LBD4-900	1	E01	14431-GFY6-901	5	E02

PART NO. INDEX
 パーツ番号 検索

PART NO. パーツ番号	VERSION バージョン	PAGE ページ	PART NO. パーツ番号	VERSION バージョン	PAGE ページ	PART NO. パーツ番号	VERSION バージョン	PAGE ページ
14450-GFY6-901	0	E02				1736A-GFY6-900	1	F13
14452-GFY6-901	0	E02	16000			17370-4K19-701	0	F13
14510-KHC4-900	1	E03				17371-1D74-671	0	F13
14520-GFY6-90C	2	E03	1610K-KHC4-B21	5	E05	17502-KHC4-900	2	F10
14523-KED9-900	1	E03	16162-KG8-9010-M1	0	E05	17504-KHC4-900	1	F10
14531-GLR0-001	1	E03	16199-GFY6-900	0	E05	17510-KHC4-900	5	F10
14610-KHC4-900	0	E03	16201-KHC4-980	0	E02	17510-KHC4-910	0	F10
14711-KHC4-900	1	E02	16211-KHC4-900	0	E02	17520-KHC4-900	4	F19
14721-KHC4-900	1	E02	16700-GKAK-220	2	F10	17550-KHC4-900	0	F10
14751-KFBF-900	1	E02	1691A-KEC2-E00	0	F10	17620-KHC5-E00	1	F19
14761-KFBF-900	1	E02				17683-KHC4-900	0	F10
14771-GDB4-680	0	E02	17000			17684-KHC4-900	1	F10
14775-MFA6-001	0	E02				17685-KHC4-900	4	F10
14781-MFA6-001	0	E02	1711A-KHC4-B000-IN		E02	17686-KHC4-900	1	F10
15000			17207-KHC4-900	2	F13	17689-KHC4-900	1	F10
			17212-KHC4-900	0	F13	17910-KHC4-900	3	F03
			17215-KGBG-90A	2	F13			
15100-GFY6-901	2	E07	17215-KNBN-200	0	F20	18000		
15133-GFY6-901	0	E07	17216-KHC4-900	0	F13			
15141-GFY6-90B	0	E07	1721A-KHC4-900	1	F12	18291-KEBE-900	0	F14
15141-GFY6-90C	1	E07	1723A-KHC4-900	1	F13	18291-LBD4-900	2	F14
15421-1G07-001	1	E04	1723C-KHC4-900	0	F13	18292-KEBE-900	0	F14
15426-GAE1-921	0	E04	17254-KACA-P00	0	F13	18293-KEBE-900	0	F14
1565A-GFY6-900	0	E04	17255-KGBG-900	1	F13	18294-KEBE-900	0	F14
15711-GFY6-901	0	E07	17256-KGBG-900	0	E02	1830A-KHC4-B20	1	F14
			17369-KHC4-900	0	F10	18318-KFA3-E00	0	F14

PART NO. INDEX
 パーツ番号 検索

PART NO. パーツ番号	VERSION バージョン	PAGE ページ	PART NO. パーツ番号	VERSION バージョン	PAGE ページ	PART NO. パーツ番号	VERSION バージョン	PAGE ページ
19000			22131-GCW3-901	1	E06	28000		
			22132-KHC4-900	1	E06			
			22300-KHC4-900	0	E06			
19410-KHC4-900	0	F20	22350-KHC4-900	0	E06	28101-KNBN-901	1	E07
19411-KBCB-900	0	F10	22401-KED5-900	0	E06	28105-KNBN-901	1	E07
19411-KHC4-900	0	F10	22530-KHC4-900	1	E06	2811A-KNBN-940	0	E07
19411-KNBN-900	1	F20	22804-1H48-001	0	E06	28120-KNBN-901	0	E07
19510-GBW2-901	8	E08				28125-3C23-001	0	E07
1961A-KHC4-B000-JP		E08	23000			28126-KNBN-901	0	E07
19625-KHC4-900	0	E08				28127-KNBN-901	0	E07
1962A-KHC4-900	2	E08	2301A-KHC4-900	2	E06	28211-KNBN-901	0	E06
19633-GFY6-901	0	E08	23100-KHC4-900	1	E06	28223-KNBN-901	0	E01
1963A-KHC4-900	2	E08	23200-GCW3-001	1	E06	28230-KNBN-901	0	E01
21000			23220-KHC4-900	2	E06	28250-KNBN-901	1	E01
			23225-GCW3-001	0	E06	28253-GBN2-60A	0	E01
			23226-GCW3-001	0	E06	28255-GFS6-001	0	E01
21200-KFA3-305	5	E09	23233-KED5-900	0	E06	28281-GBN2-60A	1	E01
21395-LBD3-900	4	E09	23237-GFY6-941	0	E06	28300-KNBN-901	3	F15
			23239-GCW3-851	0	E06			
22000			23411-KHC4-900	0	E09	30000		
			23411-LGM9-900	2	E09			
22100-KNBN-902	1	E06	23420-KHC4-900	4	E09	30400-KHC4-900	1	F19
22102-KHC4-900	4	E06	23420-LGM9-900	1	E09	3051A-KHC4-900	1	F19
22105-KHC4-900	1	E06	23431-KDLD-901	2	E09	30700-GFY6-901	3	F19
22110-KHC4-900	1	E06	23432-KNBN-901	3	E09			
22121-GHT8-305	0	E06	23432-LGM9-900	1	E09			

PART NO. INDEX

パーツ番号 検索

PART NO. パーツ番号	VERSION バージョン	PAGE ページ	PART NO. パーツ番号	VERSION バージョン	PAGE ページ	PART NO. パーツ番号	VERSION バージョン	PAGE ページ
31000			33120-KHC4-900	1	F01	35000		
			33130-KHC4-900	2	F01			
			33400-KHC4-900	0	F17			
31110-KHC4-90A	1	E08	33402-KHC4-900	0	F17	35010-KHC4-305	9	F19
31110-KHC4-90B	1	E08	33406-KHC4-900	0	F17	35010-KHC4-335	0	F19
31110-KHC4-90C	1	E08	33450-KHC4-900	0	F17	35101-KHC4-305	5	F19
31120-KGBG-90A	2	E08	33452-KHC4-900	0	F17	35101-KHC4-305-M2	0	F19
31120-KGBG-90B	2	E08	33456-KHC4-900	0	F17	35101-KHC4-335	0	F19
31120-KGBG-90C	0	E08	33500-KHC4-910	0	F17	35102-KHC4-900	2	F19
31200-KHC4-900	3	E07	33501-KHC4-900	0	F17	35102-LAD9-335	0	F19
31200-KHC4-90B	0	E07	33700-KHC4-900	3	F18	35106-KHC4-305-M1	1	F03
31203-KHC4-900	3	E07	33701-KHC4-900	0	F18	35106-KHC4-305-M2	1	F03
31500-KNBN-92A	9	F11	33800-KFA1-900	1	F12	35150-GFY6-900	4	F03
31500-KNBN-92B	9	F11	34000			35160-GGS7-900	1	F03
31600-KUDU-900	2	F19				35170-GGS7-900	0	F03
32000			34901-KYBY-900	0	F01	35180-GGS7-900	1	F03
			34905-KHC4-900	0	F17	35200-GFY6-910	1	F03
32100-KHC4-900	12	F19	34905-KHC4-900	0	F18	35340-GBN2-770	3	F03
32100-KHC4-B20		F19	34906-2H68-601	0	F18	35340-KNBN-901	0	F04
32101-GFY6-901	1	F04	34908-GGA7-70A	1	F17	35400-KEE1-900	0	F19
32120-1E55-001	0	F19	34908-MKB9-87A	0	F02	35400-KHC4-B20	1	F19
33000			34909-KEBE-900	0	F02	37000		
						37200-KHC4-B1A	1	F02
33100-KHC4-900	3	F01				37200-KHC4-B1B	1	F02

PART NO. INDEX
 パーツ番号 検索

PART NO. パーツ番号	VERSION バージョン	PAGE ページ	PART NO. パーツ番号	VERSION バージョン	PAGE ページ	PART NO. パーツ番号	VERSION バージョン	PAGE ページ
37200-KHC4-B2A		F02	43450-KHC4-910	0	F03	45530-KHC4-305	3	F04
37200-KHC4-B2B		F02						
37211-KHC4-90A	0	F02	44000			50000		
37211-KHC4-90B	0	F02						
37801-GGA7-701	1	F10	44301-KBE2-981	5	F07	50100-KHC4-B10	7	F20
37801-LAB4-910	1	F10	44311-GLW0-911	0	F07	50100-KHC5-B20	3	F20
37802-KEC8-900	0	F10	44610-KHC4-305	0	F07	50137-KHC4-900	0	F10
3780A-KHC4-900	3	F10	44620-KSBS-900	0	F07	50139-KHC4-900	1	F10
3780A-KHC4-910	1	F10	44705-KHC4-900	2	F07	50140-KHC4-900	0	F10
			44710-KFA1-90B	4	F07	50172-KHC4-900	1	F18
38000			44710-KFA1-90B	4	F08	50301-GLM0-001	0	F20
			44800-KNBN-901	6	F07	50305-GHC8-004	0	F20
38110-KFA1-80A	1	F19	44830-LAB4-900	4	F02	50306-1F96-001	0	F06
38300-KECE-900	3	F19	44831-LAB4-900	0	F02	50325-KHC4-900	4	F11
38500-KKDK-900	4	F19				50326-KHC4-900	2	F11
			45000			50328-KNBN-200	0	F11
						50350-KHC4-900	5	F20
			45105-KECE-305-M2	0	F07	50500-KHC4-910	1	F15
42610-GKAK-901	4	F08	45126-KHC4-900	1	F04	50503-KGBG-900	1	F15
42705-KHC4-900	5	F08	45133-0H28-001	1	F08	50505-GAR1-711	0	F15
			45156-KNBN-902	0	F04	50530-KHC4-900	3	F15
43000			45200-KHC4-900	3	F07	50531-KHC4-900	0	F15
			45351-KHC4-900	0	F07	50611-KHC4-900	2	F20
4312A-KXCX-900	9	F08	45513-GLW0-91A	0	F04	50612-KHC4-900	2	F20
43141-GKAK-901	3	F08	45517-GFY6-900	5	F03	50613-KHC4-900	4	F20
43410-KFA1-900	0	F08	45517-KFAF-900	0	F04			

PART NO. INDEX

パーツ番号 検索

PART NO. パーツ番号	VERSION バージョン	PAGE ページ	PART NO. パーツ番号	VERSION バージョン	PAGE ページ	PART NO. パーツ番号	VERSION バージョン	PAGE ページ
51000			53211-GFY6-940	1	F06	77303-KHC4-900	0	F09
			53212-GHC8-004	1	F06			
			61000			80000		
5140A-KHC4-900		F06				80100-KHC4-800	2	F18
5140A-KHC4-900	2	F06				80104-KGBG-900	0	F18
5150A-KHC4-900		F06	61110-KNBN-902	1	F06	80106-KHC4-900	3	F18
5150A-KHC4-900	2	F06	61120-KFA1-900	1	F06	80151-KHC4-900	2	F12
			64000			81000		
52000								
52400-KHC4-900	1	F16	64301-KHC4-900		F05			
			64301-KHC4-900	1	F05	81131-KHC4-900	4	F05
53000			64302-KHC4-900		F05	81132-GHAH-001	2	F05
			64302-KHC4-900	1	F05	81133-KGBG-900	0	F12
53100-KHC4-900	3	F03	64310-KHC4-900	2	F05	81133-KNBN-901	0	F05
53140-KHC4-900	1	F03	64315-KHC4-900	2	F20	81134-KGBG-900	2	F12
53166-KFA1-900	2	F03	64316-KHC4-900	1	F05	81135-KGBG-900	2	F12
53167-LHJ6-900	2	F03				81141-KHC4-900	5	F05
53168-KFA1-900	1	F03	77000			81142-KUDU-900	1	F05
53172-KHC4-900	0	F03				81200-KHC4-900	5	F12
53175-KFA1-900	1	F04	77105-GFS6-001	1	F12	81251-KHC4-900	0	F12
53178-KHC4-900	0	F03	77106-GFS6-001	1	F12	81260-KHC4-900	5	F12
5317A-KHC4-900	1	F03	77200-KHC5-E00	5	F09			
53200-KFA1-900	6	F06	77201-GFS6-001	0	F12	83000		
53205-KHC4-900	1	F03	77235-KHC4-900	2	F09			
53206-KHC4-900	3	F03	77240-KHC4-900	1	F19	83500-KHC4-900	2	F12

PART NO. INDEX

パーツ番号 検索

PART NO. パーツ番号	VERSION バージョン	PAGE ページ	PART NO. パーツ番号	VERSION バージョン	PAGE ページ	PART NO. パーツ番号	VERSION バージョン	PAGE ページ
83501-KHC4-900	3	F12				90110-KHG8-901	1	F08
83502-KHC4-900	2	F12	89000			90111-1G87-001	1	F12
83503-KHC4-900	2	F12				90112-GCC3-001	1	F06
83600-KHC4-900	2	F12	89010-KGBG-900	2	F09	90112-KRDR-900	1	F19
83601-KHC4-900	3	F12				90114-1F66-007	2	F04
86000			90000			90115-GLE0-001	0	F03
			90001-GBHB-661	3	E03	90131-GLW0-911	0	F07
86201-KHC4-B00		F22	90005-KAW1-901	1	E03	90145-LEA3-E00	1	F04
86408-KHC4-B20		F22	90012-3C33-001	1	E02	90164-KGBG-900	1	F12
86409-KHC4-B20	2	F22	90021-GFY6-900	2	F14	90164-MDR4-901	1	F05
87000			90023-GBN2-001	3	F06	90201-KNBN-901	0	E07
			90031-KHC4-900	0	E01	90202-1G87-001	2	E06
			90032-KHC4-900	0	E01	90206-0A01-001	4	E02
87501-KRDR-E00	2	F21	90033-GFY6-900	1	E02	90301-6D34-671	1	F18
87505-KHC5-E00	1	F21	90101-0G87-721	2	F12	90301-GFY6-901	2	F14
87541-GAR1-E00	1	F21	90101-GAR1-001	0	F01	90302-GBR2-001	1	F10
87542-GAR1-E00	2	F21	90101-KGC4-E00	1	F09	90302-GFY6-901	1	F10
87552-KQCQ-900	0	F22	90105-GFS6-001	0	F12	90302-GFY6-901	1	F18
87560-GFY6-E00	4	F21	90105-KCR3-001	1	F07	90302-SDA4-004	3	F12
88000			90105-KFC2-900	0	F12	90304-GHE8-004	0	F03
			90105-KHC4-900	1	F20	90304-GHE8-004	0	F20
			90108-GFY6-901	0	F15	90305-GHK8-001	1	E08
88110-KFA1-900	3	F03	90110-GLW0-001	0	F05	90305-GHK8-001	1	F12
88120-KFA1-900	3	F03	90110-GLW0-001	0	F12	90305-KNBN-90B	0	F08
			90110-KFA6-900	0	F14	90306-GLW0-90A	1	F07
						90307-GFJ6-004	2	F01

PART NO. INDEX
 パーツ番号 検索

PART NO. パーツ番号	VERSION バージョン	PAGE ページ	PART NO. パーツ番号	VERSION バージョン	PAGE ページ	PART NO. パーツ番号	VERSION バージョン	PAGE ページ
90309-GLW0-90A	1	F07						
90309-GLW0-90A	1	F08	91000			92000		
90309-KLF0-004	1	E09						
90381-GEZ5-001	1	F12	91001-GGA7-70A	2	E06	92101-05012-0G	0	E08
90412-3K29-001	0	E01	91004-KBN2-90A	0	E09	92900-06050-0B	0	E02
90429-KNBN-901	0	E09	91005-KNBN-901	0	E07			
90442-0D44-001	0	E06	91009-GLE0-004	1	E09	93000		
90451-1G07-001	1	E09	91101-KNBN-901	0	E07			
90451-GBN2-601	0	E01	91103-GAR1-004	0	E06	93404-06016-06	0	F05
90465-MDC4-001	0	E02	91103-GAR1-00A	0	E06	93404-06016-06	0	F11
90488-7L00-001	0	E01	91106-KHC4-90A	0	E01	93404-06016-06	0	F20
90501-KNBN-901	0	F08	91106-KHC4-90B	0	E01	93404-06025-06	0	F13
90502-MBS2-001	0	E07	91202-GFY6-90A	1	E01	93500-04008-1H-3	0	E05
9052A-GFY6-950	4	E01	91202-GFY6-90C	1	E04	93500-04010-1H-3	0	E05
90545-3L00-001	2	F04	91202-KKJ9-004	0	E01	93500-04012-1H-3	0	E05
90602-PDX4-001	0	E07	91211-KEE1-900	0	E06	93500-04025-0A	0	F13
90603-0D44-001	0	E06	91255-GLE0-006	0	E09	93500-05016-0F	0	F03
90656-KCBC-900	0	F03	91258-KAM1-00A	1	F07	93600-04012-1G	0	F04
90656-KCBC-900	0	F12	91301-0C53-001	0	E09	93700-05018-0F	0	F02
90656-KCBC-900	0	F19	91301-GLR0-005	1	E03	93891-05010-06	1	F13
90741-0E35-001	0	E03	91302-0A01-021	0	E04	93891-05012-06	0	F03
90754-GHC8-00A	1	F07	91304-KHC4-900	0	E02	93891-05012-06	0	F11
90912-GHC8-00A	0	F07	91306-1E05-691	0	E03	93891-06010-07	0	F12
90912-GHC8-00D	0	F07	91307-0E35-001	0	E04	93892-04008-16	0	E05
			91352-KHG8-83B	0	F08	93893-04012-18	0	F04
			91384-KEBE-900	0	E06	93903-25460	0	F13

PART NO. INDEX

パーツ番号 検索

PART NO. パーツ番号	VERSION バージョン	PAGE ページ	PART NO. パーツ番号	VERSION バージョン	PAGE ページ	PART NO. パーツ番号	VERSION バージョン	PAGE ページ
93903-34360	0	F03	94251-08400	0	F15	95015-42000	0	F03
93903-34360	0	F05	94301-08140	0	E01	95701-06012-06	1	F04
93903-34360	0	F12	94301-08140	0	E04	95701-06012-06	1	F06
93903-34360	0	F17	94301-10160	0	E02	95701-06012-06	1	F09
93903-34460	0	F12	94301-10160	0	E03	95701-06012-06	1	F12
93903-35360	0	F02	94301-10200	0	E09	95701-06012-06	1	F18
93903-35360	0	F05	94510-20000	0	E09	95701-06012-06	1	F19
93903-GFY6-900	1	F05	94511-14000	0	E01	95701-06012-06	1	F20
93903-GFY6-900	1	F12	94520-24000	1	E06	95701-06014-06	0	F10
93904-35380	0	E08				95701-06022-06	1	F04
			95000			95701-06022-06	1	F15
94000						95701-06025-06	2	E02
			95002-02070	0	E05	95701-06032-06	0	F08
94050-06060	0	F04	95002-02070	0	F10	95701-06032-06	0	F13
94050-06080	0	E02	95002-02080	0	F10	95701-06035-06	1	E02
94050-06080	0	E07	95002-02080	0	F13	95701-06050-06	0	E02
94050-06080	0	F09	95002-02100	0	F10	95701-08012-06	0	E01
94050-06080	0	F10	95002-02120	1	F10	95701-08025-06	0	F19
94050-06080	0	F19	95002-02120	1	F13	95701-08045-06	1	E01
94050-06080	0	F20	95002-02130	0	F10	95701-08060-06	0	E01
94050-08080	0	E02	95002-02130	0	F13	95801-06045-06	0	F20
94050-10080	0	E06	95002-50000	0	F10	95801-08035-06	1	F16
94050-10080	0	E08	95003-23004-60	0	F13	95801-08040-06	0	F06
94050-12080	0	E06	95014-71402	0	F15	95801-08042-06	0	F14
94101-08600	0	F15	95014-72204	0	F15	95801-10035-06	0	F16
94101-10800	0	F03	95015-32001	0	F03	95801-10040-06	0	F03

PART NO. INDEX

パーツ番号 検索

PART NO. パーツ番号	VERSION バージョン	PAGE ページ	PART NO. パーツ番号	VERSION バージョン	PAGE ページ	PART NO. パーツ番号	VERSION バージョン	PAGE ページ
95801-10070-06	1	F20	98200-10700	0	F11	W9525-25250	0	E05
			98200-10700	0	F19			
96000			99000			Y		
96001-06012-06	0	E07				Y1901-001-2600	0	E05
96001-06016-06	0	E08	99101-116-0880	0	E05	Y1901-002-0100	0	E05
96001-06020-06	0	E08						
96001-06025-06	0	E07	K			Z		
96001-06025-06	0	E08						
96001-06025-06	0	F03	K446-A31-0100	0	E05	Z062-0061	0	E05
96001-06028-06	0	E01						
96001-06035-06	0	E01	N					
96001-06045-06	0	E01						
96001-06085-06	1	E04	N413-18C00	0	E05			
96001-06095-06	0	E02	N423-09A35	0	E05			
96001-06100-06	0	E04	N425-4HLLN	0	E05			
96001-GFY6-900	2	E01	N426-33A00	0	E05			
96100-62033-00	0	E01						
96100-62043-00	0	E01	S					
96211-05000	0	F06						
96220-60100	0	E07	S7860-112-B000	0	E05			
96600-LGL3-900	0	E07						
98000			W					
			W1470-MW0-7500	0	E05			
98056-57713-00	1	E02	W9353-36000	0	E05			