

PARTS CATALOGUE



SCOOTERS

SE22AC(JP)

VJR 110



Release Date : 2016/12/01
Print Date : 2017/07/18

本パーツリストについて

- 本パーツリストは SE22AC(JP).の全てのパーツ番号が記載されています。
- 車輻のカラーチャートとバイクに相違がある場合は正規販売店もしくはKYMCO JAPANへお問い合わせください。
- 1. "***"記号が記載している場合、3文字の色コードをパーツ番号の最後に記入してください。
2. "#" 記号が記載している場合、パーツの設定、変更があります。正規販売店もしくはKYMCO JAPANへお問い合わせください。
- このパーツリストの変更または追加は、適切な時期に予告なく行われます。

ABOUT THIS PARTS LIST

- This parts list is compiled all service parts for model SE22AC(JP).
- Any difference between color chart and motorcycle will be revised according to motorcycle.
- The Mark:
 1. Marking "***" must add color code in the end before ordering parts.
 2. Marking "#" are parts with modification, Please find the details from e-Parts system.
- When modification or additions to this parts list are made a revised edition at an appropriate time.

目次

● 本パーツリストについて	1
● SE22AC(JP)のカラーチャート	3
● 目次-エンジン関	6
● 目次-フレーム関係	7
● エンジンパーツリスト	10
● フレームパーツリスト	44
● パーツ番号 検索	114

CONTENTS

● ABOUT THIS PARTS LIST	1
● COLOR CHART OF SE22AC(JP)	3
● CONTENTS-ENGINE GROUP	6
● CONTENTS-FRAME GROUP	7
● ENGINE PARTS LIST	10
● FRAME PARTS LIST	44
● PART NO. INDEX	114

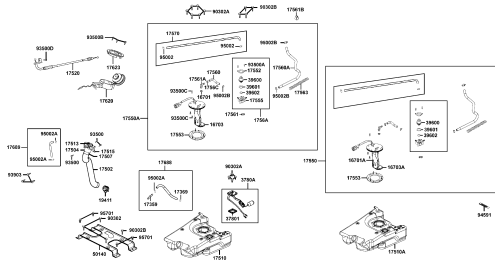
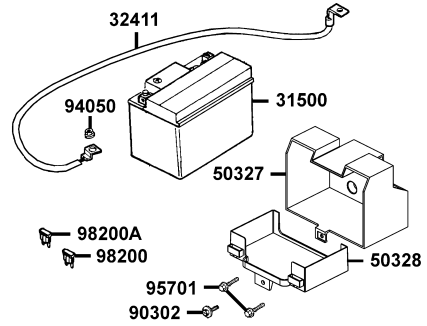
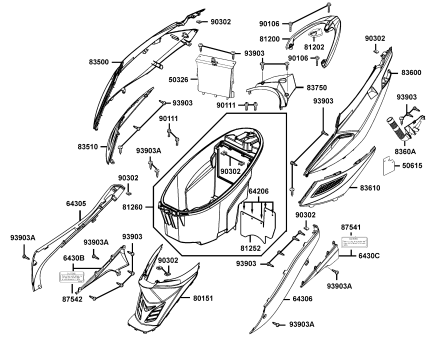
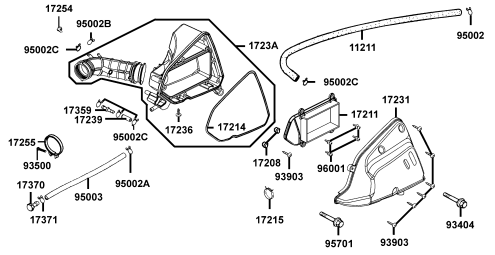
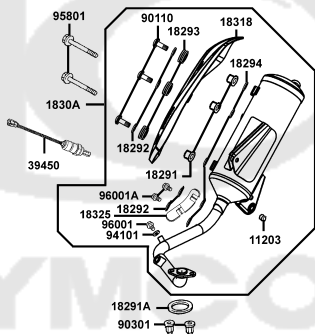
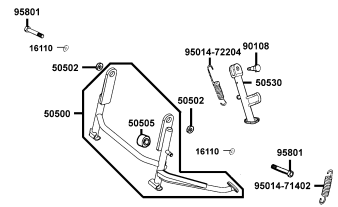
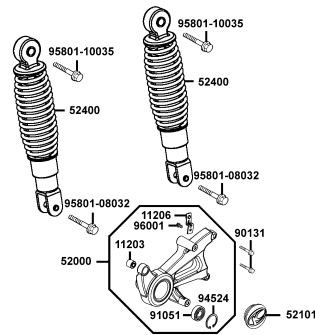
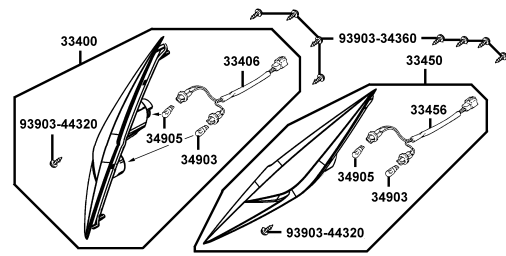
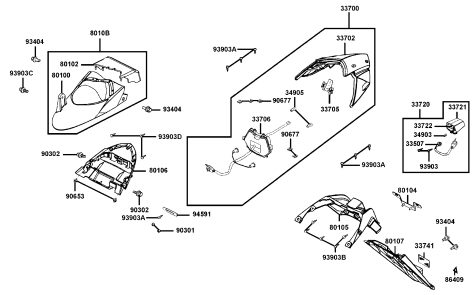
NO	モデル			SE22AC(JP)のカラーチャート			
	写真番号			NO. 1	NO. 2	NO. 3	NO. 4
	基本色						
	コード				Shine Blue Metallic	Black	Pearly White
	パーツ名	パーツ番号	バージョン	PB331MA	PB331MA	NH001SA	NH193PA
1	FORK SET FR R	5140A-LKC6-900	2	A01			
2	FORK SET FR L	5150A-LKC6-900	2				
3	TOP FR COVER B	64304-LEA1-900	5	J2P			
4	LEVER R STRG HANDLE	53175-KFA1-900	1	M2A			
5	LEVER L STRG HANDLE	53178-KKE2-900	2				
6	DISK FR BRAKE	45351-LEA1-900	1	M2S			
7	HUB SUB COMP RR	42601-LCB4-70B	3	N1A			
8	WHEEL SET FR	44600-LCB4-306	0				
9	GEAR BOX ASSY SPDMT	44800-KNBN-901	6				
10	BOTTOM CASE R	51420-KNBN-900	0				
11	BOTTOM CASE L	51520-KHC4-900	0				
12	COVER FR HANDLE	53205-LEA1-900	4	CKP			
13	COVER FR /NH193PA	64301-LEA1-900	6				
14	SKIRT R SIDE	64305-LEA1-900	5				
15	SKIRT L SIDE	64306-LEA1-900	5				
16	CARRIER REAR	81200-LEA1-900	5				
17	MOLD FR	64302-LEA1-900	4	NVP			
18	COVER R BODY	83500-LEA1-900	6				
19	COVER L BODY	83600-LEA1-900	6				
20	COVER RR CENTER	83750-LEA1-900	4				
21	COVER ASSY L SIDE	1134A-LKC6-900	9				
22	COLLAR FUEL FILLER	17623-KKE5-E0A	0	N1R			
23	COLLAR FUEL FILLER	17623-KKE5-E0B	0				
24	PROTECTOR MUFF	18318-LEA1-B00	0				
25	COVER UNDER	50613-LHJ6-900	2				
販売開始時期							
販売終了時期							

NO	モデル			SE22AC(JP)のカラーチャート							
	写真番号			NO. 1	NO. 2	NO. 3	NO. 4				
	基本色										
	コード				Shine Blue Metallic	Black	Pearly White				
	パーツ名	パーツ番号	バージョン	PB331MA	PB331MA	NH001SA	NH193PA				
26	GRIP COMP THROT/DEEP	53140-KFA1-900	2	N1R							
27	GRIP L HANDLE/DEEP	53166-KFA1-900	2								
28	COVER HANDLE RR	53206-LEA1-900	3								
29	FENDER FR INNER	61100-LEA1-900	6								
30	FENDER.FR C INNER	61102-LEA1-900	4								
31	SKIRT B ASSY. R SIDE	6430B-LEA1-B80	0								
32	SKIRT B ASSY L SIDE	6430C-LEA1-B80	0								
33	FLOOR PANEL	64310-LEA1-900	8								
34	PLUG FLOOR	64316-KHE2-900	1								
35	FENDER RR UP	80105-LEA1-900	3								
36	FENDER RR INNER	80106-LEA1-900	6								
37	FENDER RR LOW	80107-LEA1-900	8								
38	COVER CENTER	80151-LEA1-900	5								
39	LEG SHIELD UP	81131-LEA1-910	2								
40	LID LEG SHIELD	81132-KFAF-900	1								
41	LEG SHIELD UP B	81133-LEA1-910	1								
42	HOOK LEG SHIELD	81134-LGH6-B20	1								
43	LEG SHIELD LOW	81141-LEA1-900	4								
44	LID LEG SHIELD	81142-KUDU-900	1								
45	COVER R SIDE	83510-LEA1-900	1								
46	STEP COVER R SIDE	83520-LKC6-900	1								
47	COVER L SIDE	83610-LEA1-900	1								
48	STEP COVER L SIDE	83620-LKC6-900	1								
49	BAND HARNESS WIRE	90656-KUDU-900	0								
50	FORK ASSY, RR	52000-LEA1-900	9					N8A			
販売開始時期											
販売終了時期											

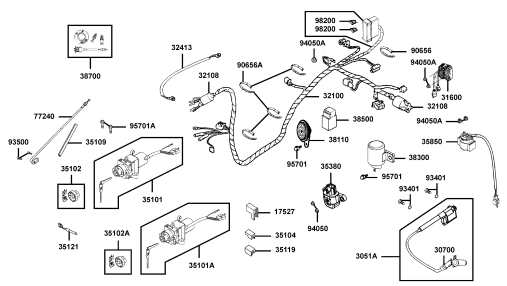
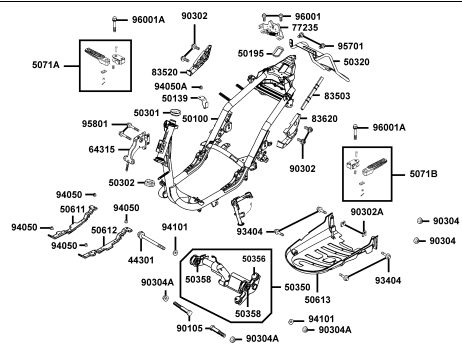
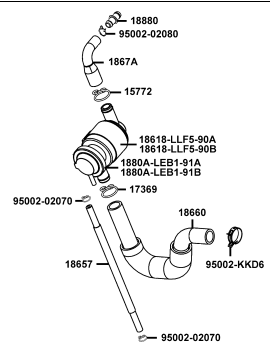
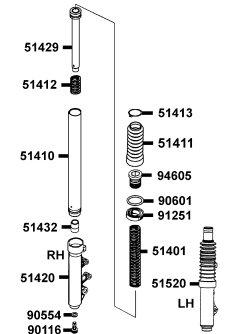
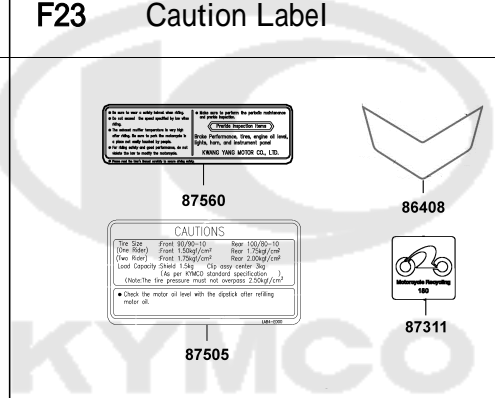

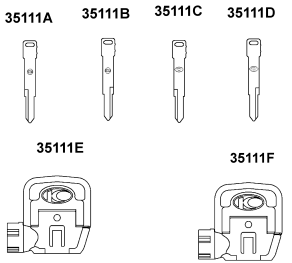
CONTENTS - ENGINE GROUP 目次-エンジン関

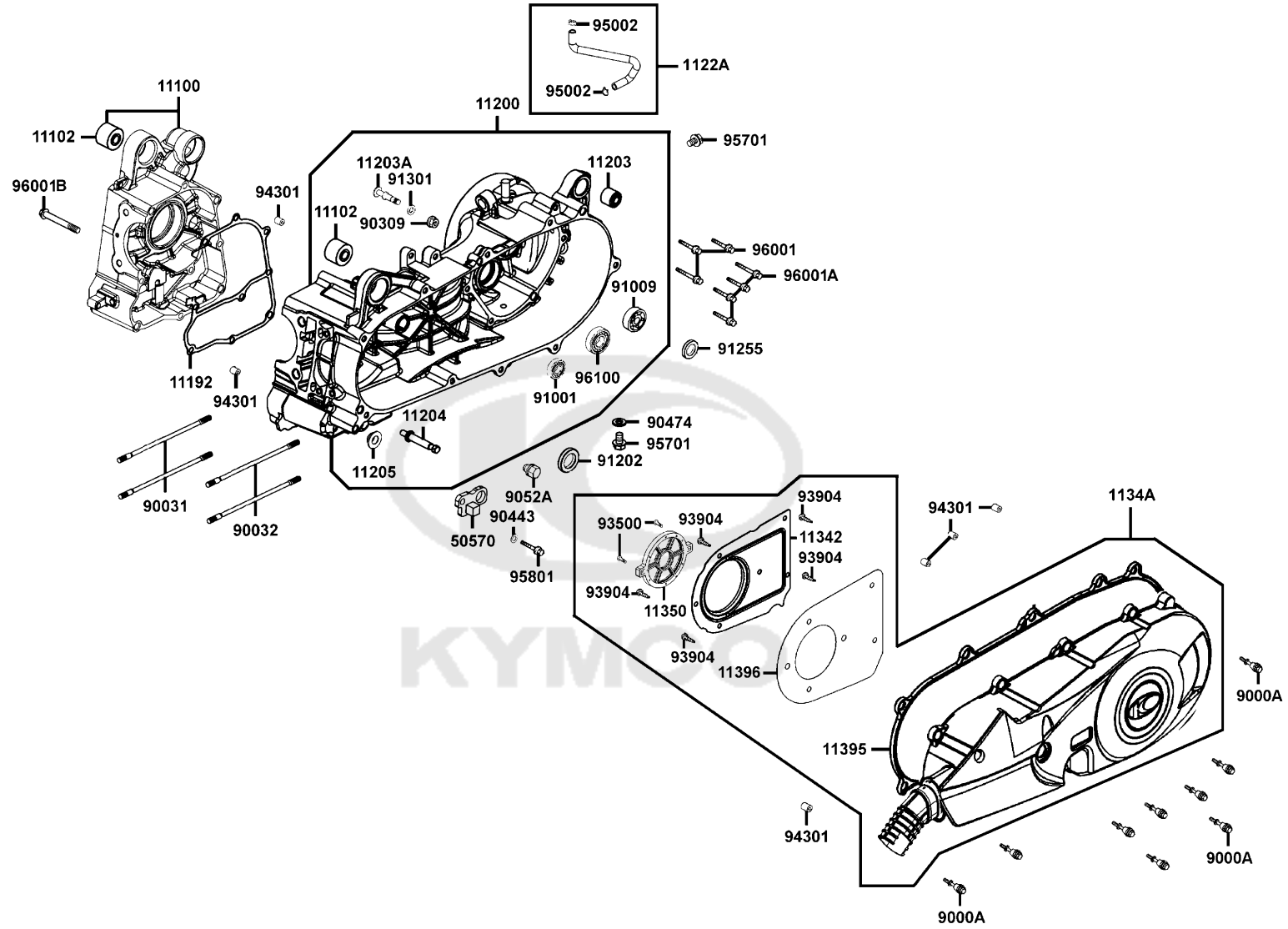
E01 Crank Case	E02 Cylinder Head	E03 Cylinder Piston Crankshaft
E04 Right Crankcase Cover	E05 Driven Pulley	E06 Starting Motor Oil Pump
E07 Fan Cover Generator	E08 Transmission	E09 Throttle Body Assy

CONTENTS - FRAME GROUP 目次-フレーム関係

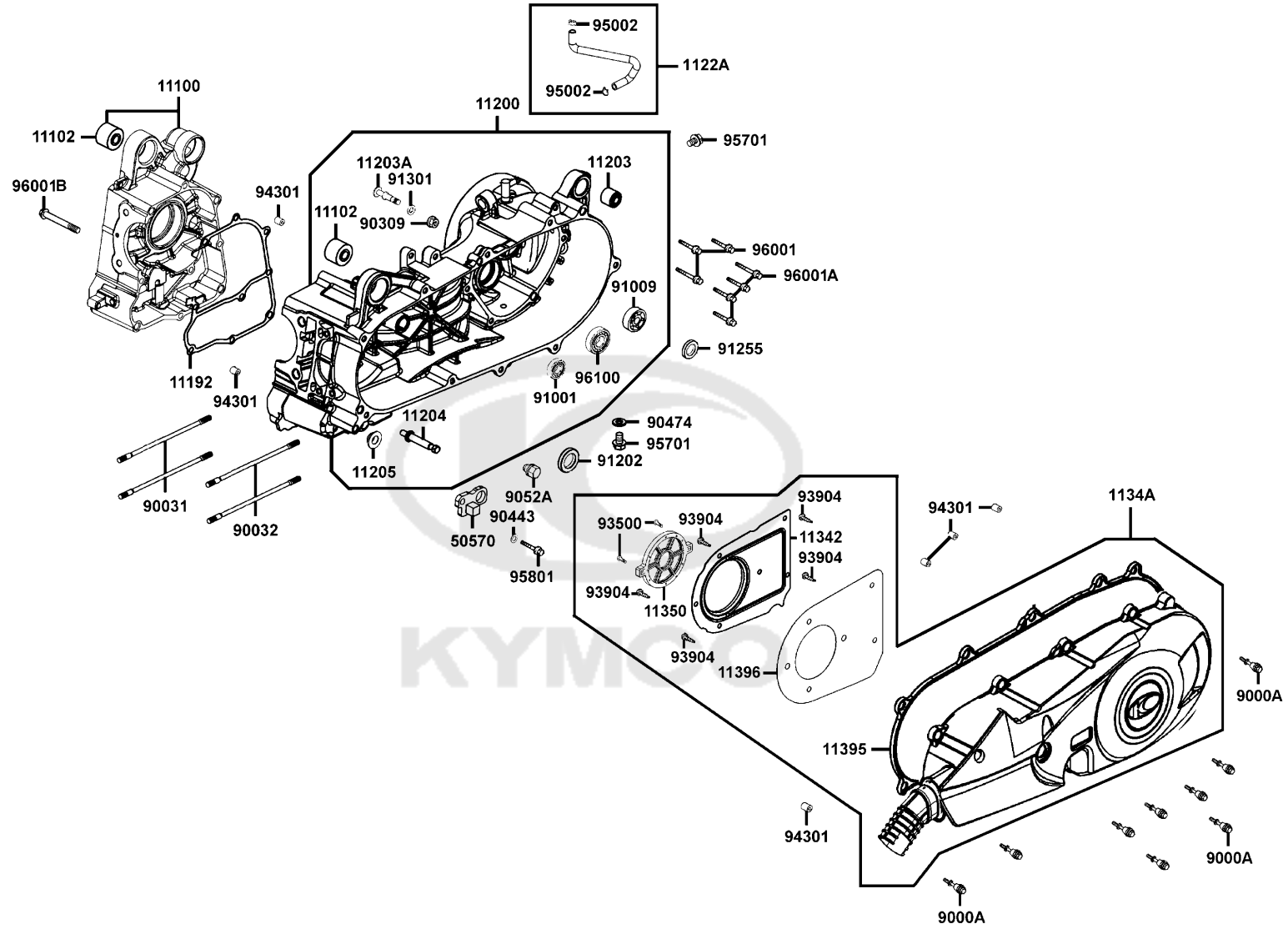
<p>F10 Fuel Tank</p> 	<p>F11 Battery</p> 	<p>F12 Body Cover Luggage Box</p> 
<p>F13 Air Cleaner</p> 	<p>F14 Exhaust Muffler</p> 	<p>F15 Stand Kick Starter Arm</p> 
<p>F16 Rear Cushion</p> 	<p>F17 Front Winker</p> 	<p>F18 Tail Light</p> 

CONTENTS - FRAME GROUP 目次-フレーム関係

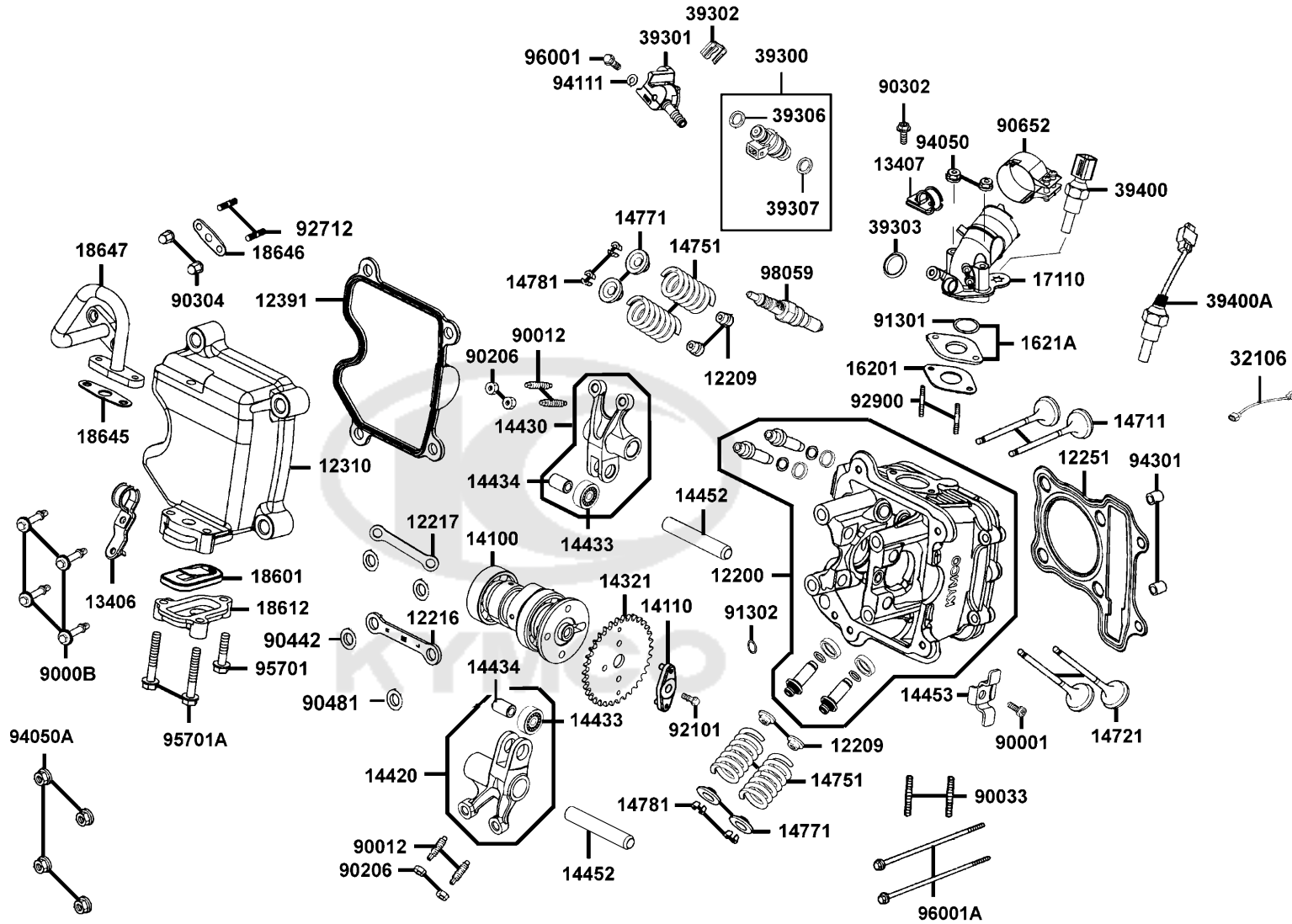
<p>F19 Wire Harness</p> 	<p>F20 Frame Body</p> 	<p>F21 Air Cleaner Two</p> 
<p>F22 Separated Parts Of Fr Fork</p> 	<p>F23 Caution Label</p> 	<p>F24 Emblem Stripe</p> 
<p>F25 Key</p> 		



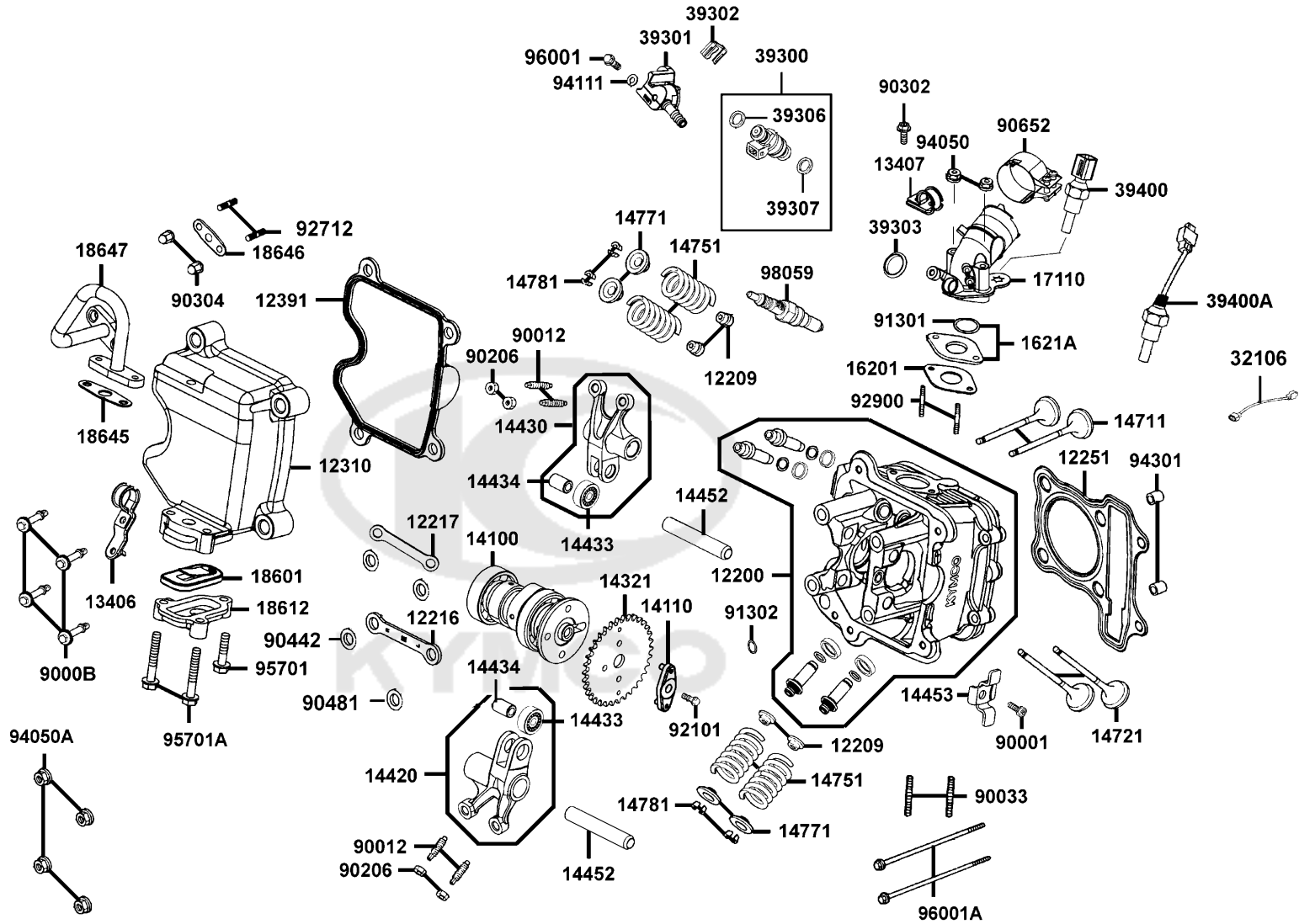
Sales mark 記号	Ref no 参照用番号	Part no パーツ番号	Description 部品名	Reg description 部品名	Regd no 必要個数	Ref Price 希望小売価格(税抜)	E01
	11100	11100-LEA2-305	CRANK CASE SET R	CRANK CASE SET R	1	19800	
	11102	11102-1G87-004	RUB BUSH ENG HANGER	RUB BUSH ENG HANGER	2	320	
	11192	11192-LEA2-900	GASKET CRANK CASE A	GASKET CRANK CASE A	1	610	
	11200	11200-LKC6-305	CRANK CASE SET L	CRANK CASE SET L	1	28610	
	11203	11203-GGC7-301	UNDER RUBBER BUSH REAR CUSHION	UNDER RUBBER BUSH REAR CUSHION	1	250	
	11203A	11203-KHG8-301	PIN BRAKE SHOE ANCHOR	PIN BRAKE SHOE ANCHOR	1	300	
	11204	11204-LEA1-900	PIN SPG HOOK	PIN SPG HOOK	1	510	
	11205	11205-LEA2-900	BUSH M STAND	BUSH M STAND	1	350	
	1122A	1122A-LEA1-900	TUBE ASSY BREATHER	TUBE ASSY BREATHER	1	330	
	11342	11342-LKB9-900	COVER L COVER	COVER L COVER	1	510	
**	1134A	1134A-LKC6-900	COVER ASSY L SIDE	COVER ASSY L SIDE	1	12170	
	11350	11350-LHJ8-900	ELEMENT L COVER	ELEMENT L COVER	1	1070	
	11395	11395-LKC6-900	GASKET L COVER	GASKET L COVER	1	1630	
	11396	11396-LKB9-900	GASKET L-COVER PLATE	GASKET L-COVER PLATE	1	510	
	50570	50570-LEA1-900	STOPPER L MAIN STAND	STOPPER L MAIN STAND	1	960	
	9000A	9000A-KTDT-900	BOLT ASSY SPECIAL 6*29.5	BOLT ASSY SPECIAL 6*29.5	9	100	
	90031	90031-KUDU-900	BOLT A STUD 8*200.5	BOLT A STUD 8*200.5	2	490	
	90032	90032-LEA1-900	BOLT B STUD 8*206	BOLT B STUD 8*206	2	710	
	90309	90309-KLF0-004	NUT FLANGE 8MM	NUT FLANGE 8MM	1	60	
	90443	90443-8D44-001	WASHER THRUST 8MM	WASHER THRUST 8MM	1	60	



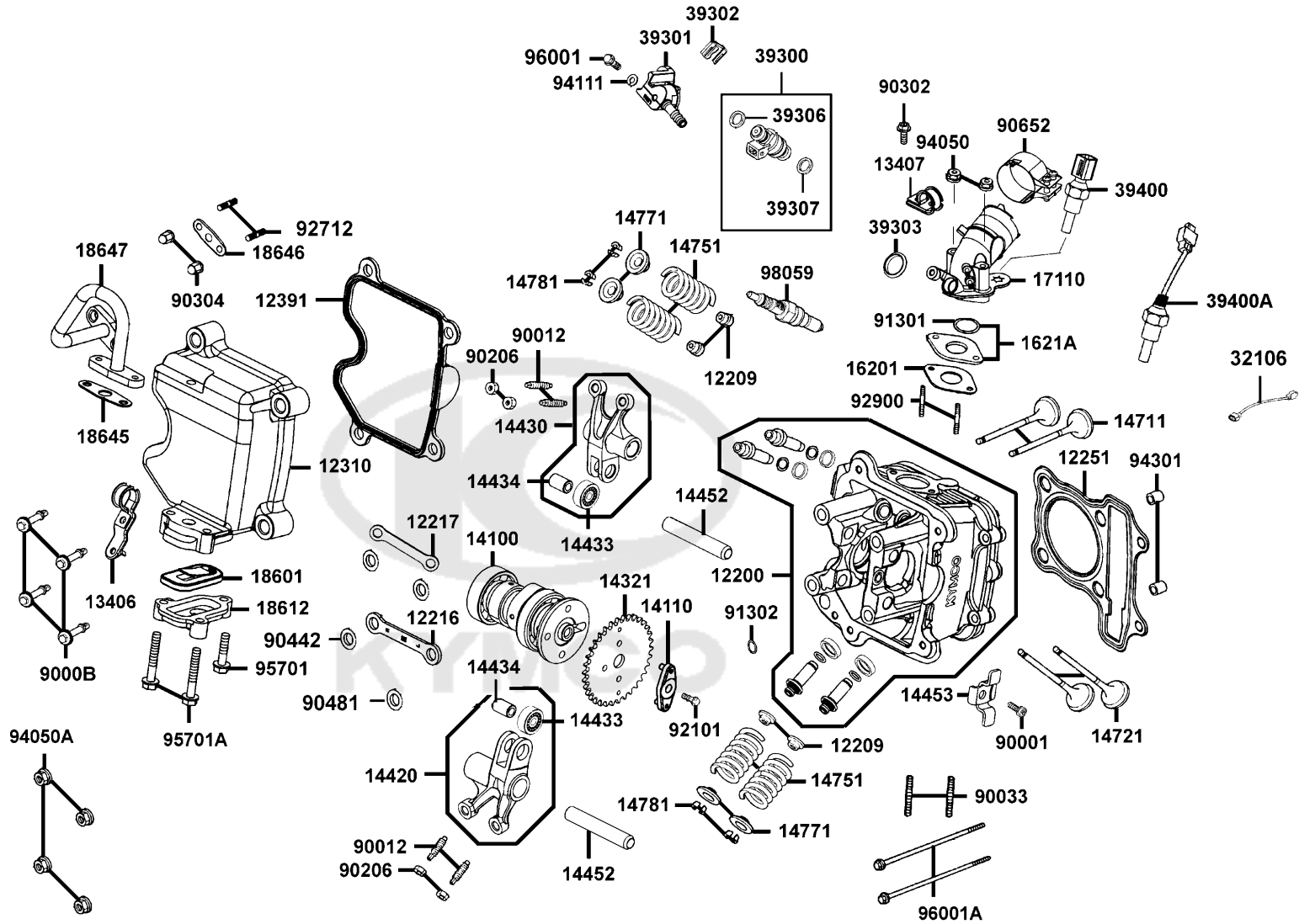
Sales mark 記号	Ref no 参照用番号	Part no パーツ番号	Description 部品名	Reg description 部品名	Regd no 必要個数	Ref Price 希望小売価格(税抜)	E01
90474		90474-3C33-001	WASHER 8MM	WASHER 8MM	1	60	
9052A		9052A-LEB1-900	BOLT ASSY DRAIN PLUG	BOLT ASSY DRAIN PLUG	1	870	
91001		91001-KGBG-90A	BRG BALL RADIAL TM-SC03A	BRG BALL RADIAL TM-SC03A	1	3620	
91009		91009-GLE0-004	BRG BALL RADIAL 6004 UU	BRG BALL RADIAL 6004 UU	1	1300	
91202		91202-LEA2-900	OIL SEAL 22*32*5	OIL SEAL 22*32*5	1	680	
91255		91255-GLE0-006	OIL SEAL 27*42*7	OIL SEAL 27*42*7	1	60	
91301		91301-0C53-001	O RING 7.5*1.5	O RING 7.5*1.5	1	60	
93500		93500-04010-0F	SCREW PAN 4X10	SCREW PAN 4X10	1	200	
93904		93904-35360	SCREW TAPPING 5*12	SCREW TAPPING 5*12	4	200	
94301		94301-08140	DOWEL PIN 8*14	DOWEL PIN 8*14	6	110	
95002		95002-50000	CLIP C9 TUBE	CLIP C9 TUBE	2	60	
95701		95701-08012-06	BOLT FLANGE 6*22 (K)	BOLT FLANGE 6*22 (K)	2	60	
95801		95801-08025-06	BOLT FLANGE 8*25	BOLT FLANGE 8*25	1	160	
96001		96001-06025-06	BOLT FLANGE SH 6*25	BOLT FLANGE SH 6*25	1	60	
96001A		96001-06032-06	BOLT FLANGE 6*32	BOLT FLANGE 6*32	1	60	
96001B		96001-06050-06	BOLT FLANGE SH 6*50	BOLT FLANGE SH 6*50	1	60	
96100		96100-60020-00	BRG BALL RADIAL 6002	BRG BALL RADIAL 6002	1	250	



Sales mark 記号	Ref no 参照用番号	Part no パーツ番号	Description 部品名	Reg description 部品名	Regd no 必要個数	Ref Price 希望小売価格(税抜)	E02
12200		12200-LKC6-900	HEAD COMP CYLINDER	HEAD COMP CYLINDER	1	45810	
12209		12209-LEA2-90A	SEAL VALVE STEM	SEAL VALVE STEM	2	390	
12216		12216-LEB1-900	FORK A CAM HOLDER	FORK A CAM HOLDER	1	610	
12217		12217-LEA2-900	FORK B HOLDER	FORK B HOLDER	1	610	
12251		12251-LKC6-900	GASKET CYLINDER HEAD	GASKET CYLINDER HEAD	1	1150	
12310		12310-LEA2-900	COVER COMP HEAD	COVER COMP HEAD	1	6280	
12391		12391-LEA2-900	GASKET HEAD COVER	GASKET HEAD COVER	1	2670	
13406		13406-LKC6-900	CLAMPER FUEL TUBE	CLAMPER FUEL TUBE	1	390	
13407		13407-LKC6-900	PLATE A ECU MODULE	PLATE A ECU MODULE	1	300	
14100		14100-LEA2-900	SHAFT COMP CAM	SHAFT COMP CAM	1	11030	
14110		14110-LEB1-900	FIXTURE CAMSHAFT	FIXTURE CAMSHAFT	1	1340	
14321		14321-LEB1-900	SPROCKET CAM	SPROCKET CAM	1	2860	
14420		14420-LEA2-900	ARM COMP EXH VALVE ROCKER	ARM COMP EXH VALVE ROCKER	1	3490	
14430		14430-LEA2-900	ARM COMP IN VALVE ROCKER	ARM COMP IN VALVE ROCKER	1	4190	
14433		14433-LEB1-900	ROLLER ASSY ROCKER ARM	ROLLER ASSY ROCKER ARM	2	1540	
14434		14434-LEB1-900	PIN ROCKER ARM	PIN ROCKER ARM	2	770	
14452		14452-LKC6-900	SHAFT EXH ROCKER ARM	SHAFT EXH ROCKER ARM	1	580	
14453		14453-LKC6-900	SET PLATE ROCKER ARM SHAFT	SET PLATE ROCKER ARM SHAFT	1	200	
14711		14711-LEA2-900	VALVE INLET	VALVE INLET	2	1440	
14721		14721-LEA2-900	VALVE EXHAUST	VALVE EXHAUST	2	2960	



Sales mark 記号	Ref no 参照用番号	Part no パーツ番号	Description 部品名	Reg description 部品名	Regd no 必要個数	Ref Price 希望小売価格(税抜)	E02
14751	14751-LEA2-900	14751-LEA2-900	SPG VALVE OUTER	SPG VALVE OUTER	4	350	
14771	14771-LEA2-900	14771-LEA2-900	RETAINER. UPPER SPRING	RETAINER. UPPER SPRING	4	580	
14781	14781-KKE5-E00	14781-KKE5-E00	COTTER VALVE	COTTER VALVE	8	490	
16201	16201-GFY6-910	16201-GFY6-910	GASKET CARB INSULATOR	GASKET CARB INSULATOR	1	130	
1621A	1621A-LEA1-900	1621A-LEA1-900	INSULATOR CARB	INSULATOR CARB	1	390	
17110	17110-LEA1-900	17110-LEA1-900	PIPE ASSY INLET	PIPE ASSY INLET	1	5330	
18601	18601-MAJ1-79A	18601-MAJ1-79A	REED VALVE COMP	REED VALVE COMP	1	2220	
18612	18612-GFY6-941	18612-GFY6-941	COVER REED VALVE	COVER REED VALVE	1	440	
18645	18645-GFY6-941	18645-GFY6-941	GASKET A/I PIPE	GASKET A/I PIPE	1	60	
18646	18646-GFY6-941	18646-GFY6-941	GASKET A/I PIPE	GASKET A/I PIPE	1	60	
18647	18647-KHD6-900	18647-KHD6-900	PIPE ASSY AIR	PIPE ASSY AIR	1	2290	
32106	32106-KKE3-900	32106-KKE3-900	SUB HARNESS A	SUB HARNESS A	1	1340	
39300	39300-LEB2-800	39300-LEB2-800	FUEL INJECTOR	FUEL INJECTOR	1	14640	
39301	39301-LEA1-910	39301-LEA1-910	HOLDER ASSY.. FUEL INJECTOR	HOLDER ASSY.. FUEL INJECTOR	1	490	
39302	39302-KKE3-900	39302-KKE3-900	CLIP SPRING FUEL INJECTOR	CLIP SPRING FUEL INJECTOR	1	390	
39303	39303-LEB2-900	39303-LEB2-900	SEAL HIGH TENSION FUEL INJECT	SEAL HIGH TENSION FUEL INJECT	1	110	
39306	39306-LEB2-305	39306-LEB2-305	O-RING A INJECTOR /BLACK	O-RING A INJECTOR /BLACK	1	680	
39307	39307-LEB2-305	39307-LEB2-305	O-RING B INJECTOR /GREEN	O-RING B INJECTOR /GREEN	1	680	
39400	39400-KKE3-800	39400-KKE3-800	SENSOR HEAD TEMPERATURE	SENSOR HEAD TEMPERATURE	1	5830	
39400A	39400-LHJ3-900	39400-LHJ3-900	SENSOR. HEAD TEMPERATURE	SENSOR. HEAD TEMPERATURE	1	5020	

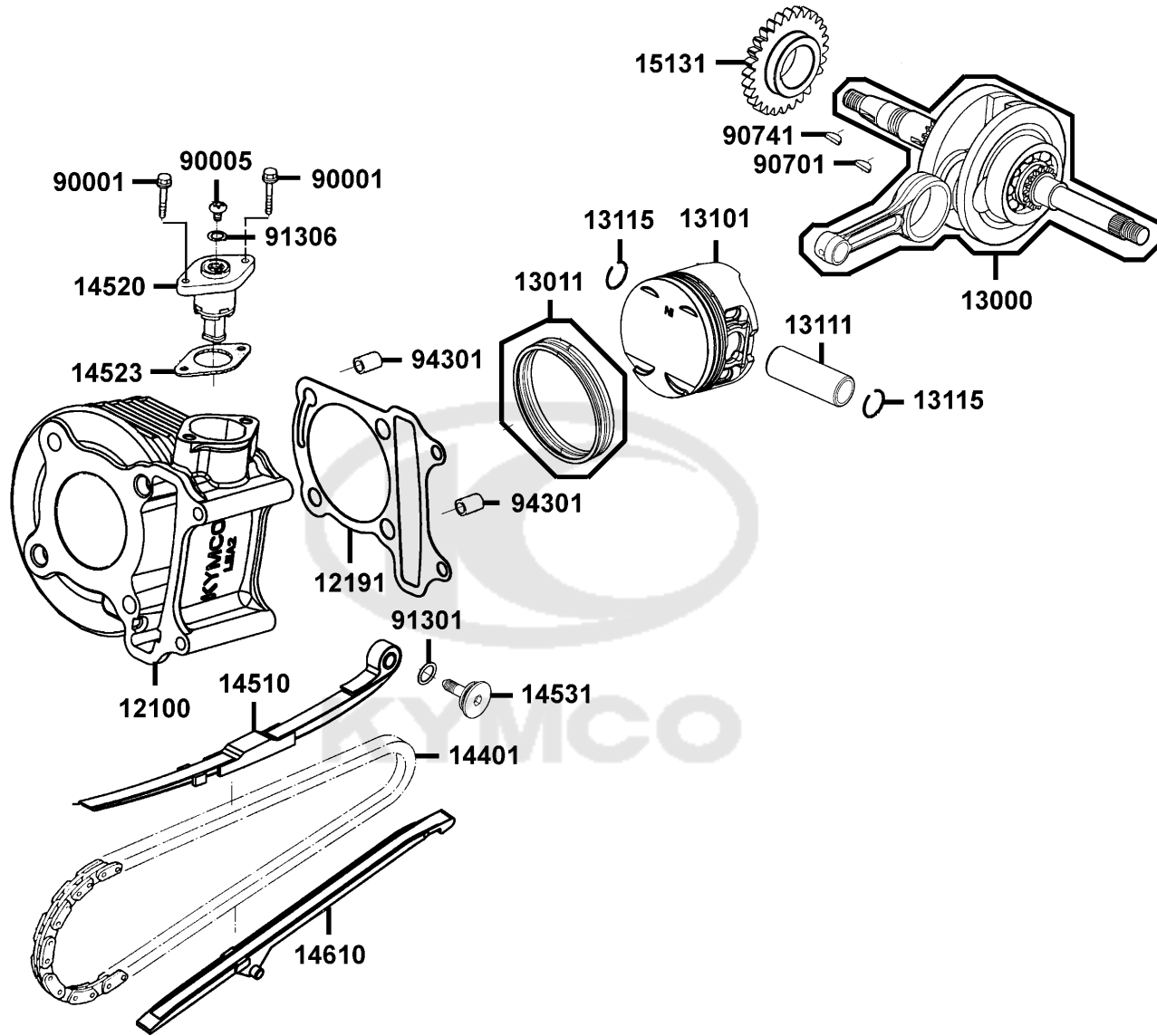


Sales mark 記号	Ref no 参照用番号	Part no パーツ番号	Description 部品名	Reg description 部品名	Regd no 必要個数	Ref Price 希望小売価格(税抜)
90001		90001-GFY6-901	SOCKET BOLT 6*10 (B)	SOCKET BOLT 6*10 (B)	1	110
9000B		9000B-KHD6-900	BOLT ASSY SPECIAL 6*41.5	BOLT ASSY SPECIAL 6*41.5	4	440
90012		90012-3C33-001	SCREW TAPPET ADJUSTING	SCREW TAPPET ADJUSTING	4	110
90033		90033-GFY6-900	BOLT STUD 8*32	BOLT STUD 8*32	2	60
90206		90206-0A01-001	NUT TAPPET ADJG	NUT TAPPET ADJG	4	60
90302		90302-LLB1-E00	BOLT-WASHER 5*12	BOLT-WASHER 5*12	1	60
90304		90304-4H38-001	NUT HEX CAP 6MM	NUT HEX CAP 6MM	2	200
90442		90442-LEA1-900	WASHER SEALING 8MM	WASHER SEALING 8MM	3	160
90481		90481-LEA1-900	WASHER. PLAIN 8.1MM	WASHER. PLAIN 8.1MM	1	220
90652		90652-LGJ9-900	BAND 48. INLET-PIPE	BAND 48. INLET-PIPE	1	310
91301		91301-0H28-001	O RING 27*2	O RING 27*2	1	70
91302		91302-KHD6-900	O-RING 6.0*1.78	O-RING 6.0*1.78	1	130
92101		92101-06014-0G	BOLT HEX 6*14	BOLT HEX 6*14	1	200
92712		92712-06028-0B	BOLT STUD 6*28	BOLT STUD 6*28	2	200
92900		92900-06060-0B	BOLT STUD ??*60	BOLT STUD ??*60	2	60
94050		94050-06080	NUT FLANGE 6MM	NUT FLANGE 6MM	2	60
94050A		94050-08080	NUT FLANGE 8MM	NUT FLANGE 8MM	4	60
94111		94111-06800	WASHER SPRING 6MM	WASHER SPRING 6MM	1	60
94301		94301-10160	DOWEL PIN 10*16	DOWEL PIN 10*16	2	60
95701		95701-06025-06	BOLT FLANGE 6*25	BOLT FLANGE 6*25	1	60

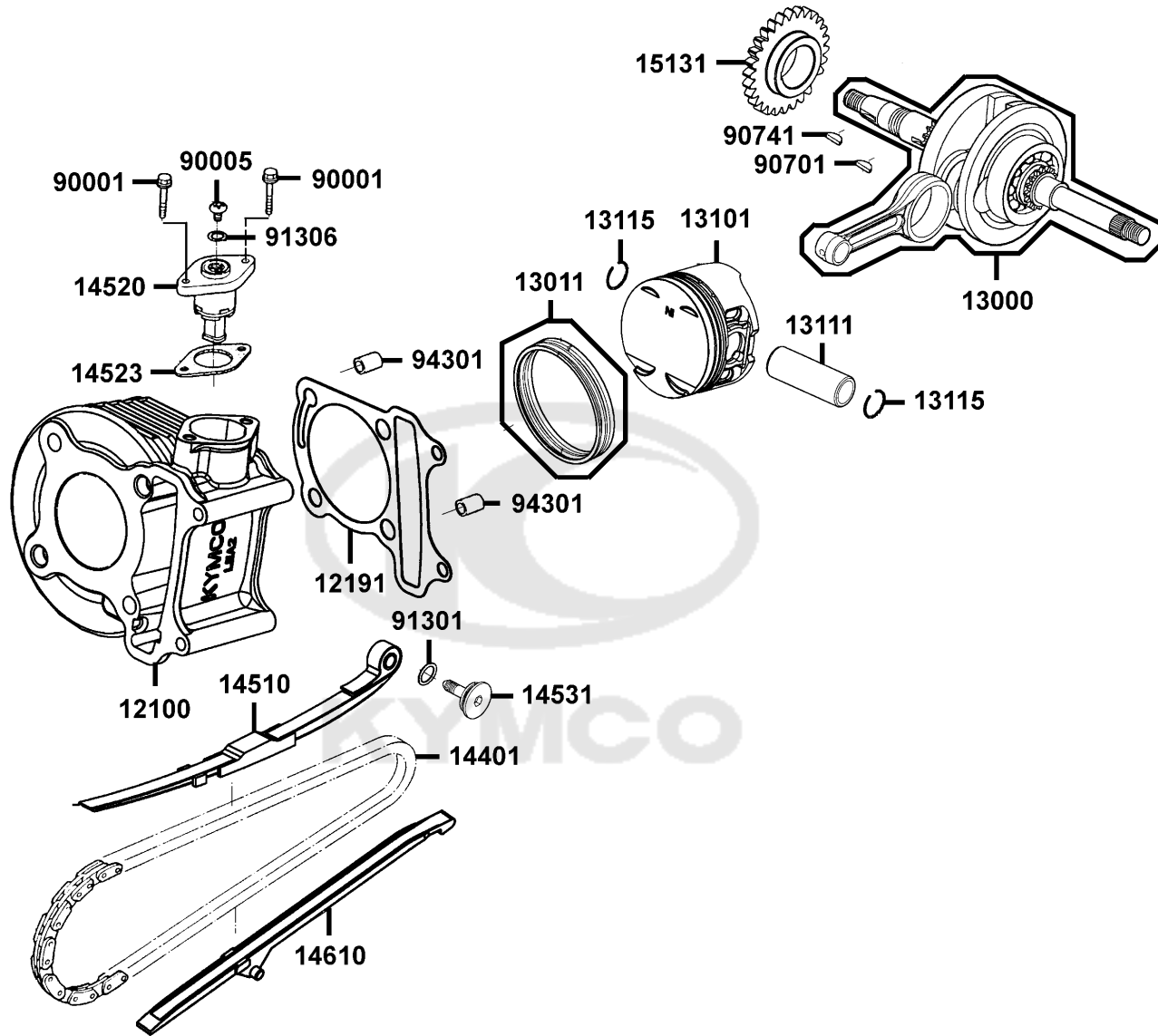
E02

Sales mark 記号	Ref no 参照用番号	Part no パーツ番号	Description 部品名	Reg description 部品名	Regd no 必要個数	Ref Price 希望小売価格(税抜)	E02
95701A	95701-06040-06	95701-06040-06	BOLT FLANGE 6*40 (C)	BOLT FLANGE 6*40 (C)	1	200	
96001	96001-06014-06	96001-06014-06	BOLT FLANGE SH 6*14 (G)	BOLT FLANGE SH 6*14 (G)	1	60	
96001A	96001-06095-06	96001-06095-06	BOLT FLANGE SH 6*95 **07 C.2005.07.01	BOLT FLANGE SH 6*95 **07 C.2005.07.01	1	70	
98059	98059-57916-00	98059-57916-00	SPARK PLUG CR7E	SPARK PLUG CR7E	1	2930	





Sales mark 記号	Ref no 参照用番号	Part no パーツ番号	Description 部品名	Reg description 部品名	Regd no 必要個数	Ref Price 希望小売価格(税抜)	E03
12100		12100-LKC6-900	CYLINDER COMP	CYLINDER COMP	1	33270	
12191		12191-LEA2-900	GASKET CYLINDER A	GASKET CYLINDER A	1	260	
13000		13000-LKC6-900	CRANK SHAFT COMP.	CRANK SHAFT COMP.	1	36500	
13011		13011-LKC6-90B	RING ASSY PISTON	RING ASSY PISTON	1	2960	
13101		13101-LKC6-900	PISTON	PISTON	1	3050	
13111		13111-LKB9-900	PIN PISTON	PIN PISTON	1	680	
13115		13115-0A01-001	PISTON PIN CLIP	PISTON PIN CLIP	2	160	
14401		14401-LEA2-900	CHAIN CAM	CHAIN CAM	1	3810	
14510		14510-LHJ8-900	TENSIONER CAM CHAIN	TENSIONER CAM CHAIN	1	2300	
14520		14520-GFY6-90C	LIFTER ASSY.. TENSIONER	LIFTER ASSY.. TENSIONER	1	2060	
14523		14523-KED9-900	GASKET TENSIONER LIFTER @A	GASKET TENSIONER LIFTER @A	1	200	
14531		14531-GLR0-001	PIVOT CAM CHAIN TENSIONER	PIVOT CAM CHAIN TENSIONER	1	200	
14610		14610-LEA2-900	GUIDE COMP CAM CHAIN	GUIDE COMP CAM CHAIN	1	680	
15131		15131-LEA2-900	GEAR OIL DRIVE	GEAR OIL DRIVE	1	2860	
90001		90001-GBHB-661	BOLT FLANGE SH 6*22	BOLT FLANGE SH 6*22	2	60	
90005		90005-KAW1-901	SCREW PAN 6*6	SCREW PAN 6*6	1	60	
90701		90701-HFB6-011	KEY WOODRUFF 25*14*4	KEY WOODRUFF 25*14*4	1	60	
90741		90741-0E35-001	KEY WOODRUFF	KEY WOODRUFF	1	160	
91301		91301-GLR0-005	O-RING 15.2*1.5	O-RING 15.2*1.5	1	60	
91306		91306-1E05-691	O-RING 1.5*9.5	O-RING 1.5*9.5	1	60	

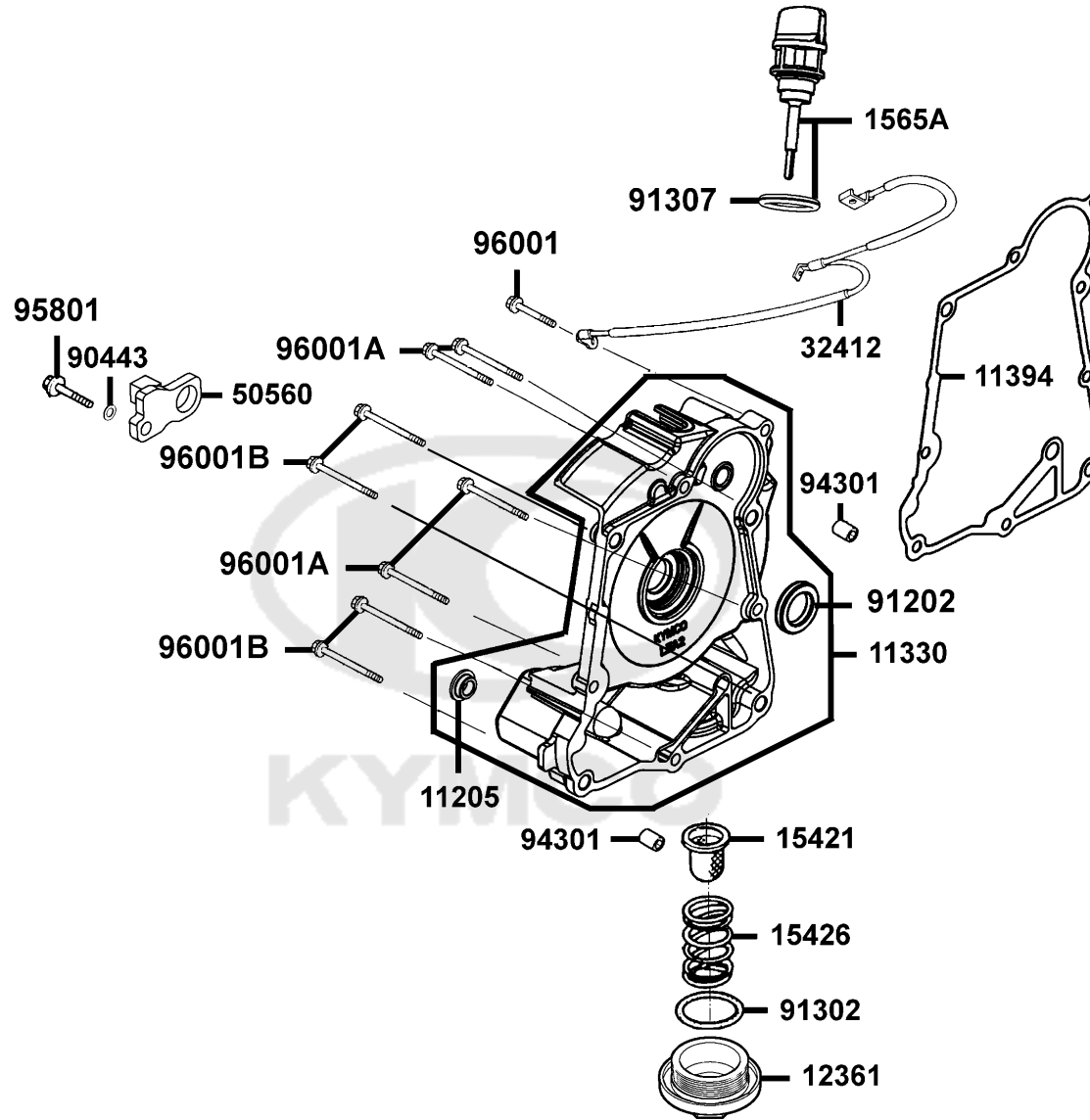


Sales mark 記号	Ref no 参照用番号	Part no パーツ番号	Description 部品名	Reg description 部品名	Regd no 必要個数	Ref Price 希望小売価格(税抜)
------------------	-----------------	------------------	--------------------	------------------------	-----------------	-------------------------

E03

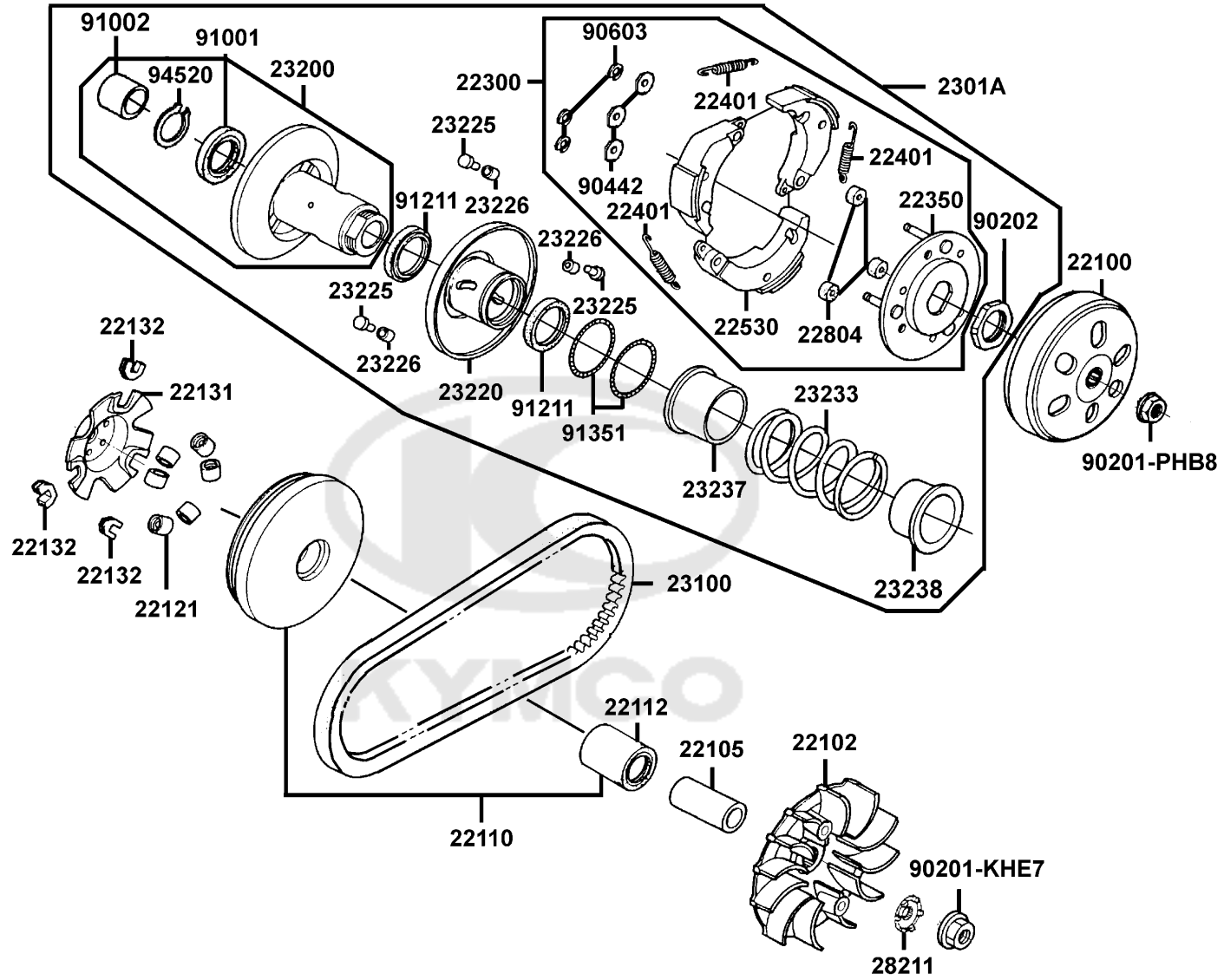
94301	94301-10160		DOWEL PIN 10*16	DOWEL PIN 10*16	2	60
-------	-------------	--	-----------------	-----------------	---	----





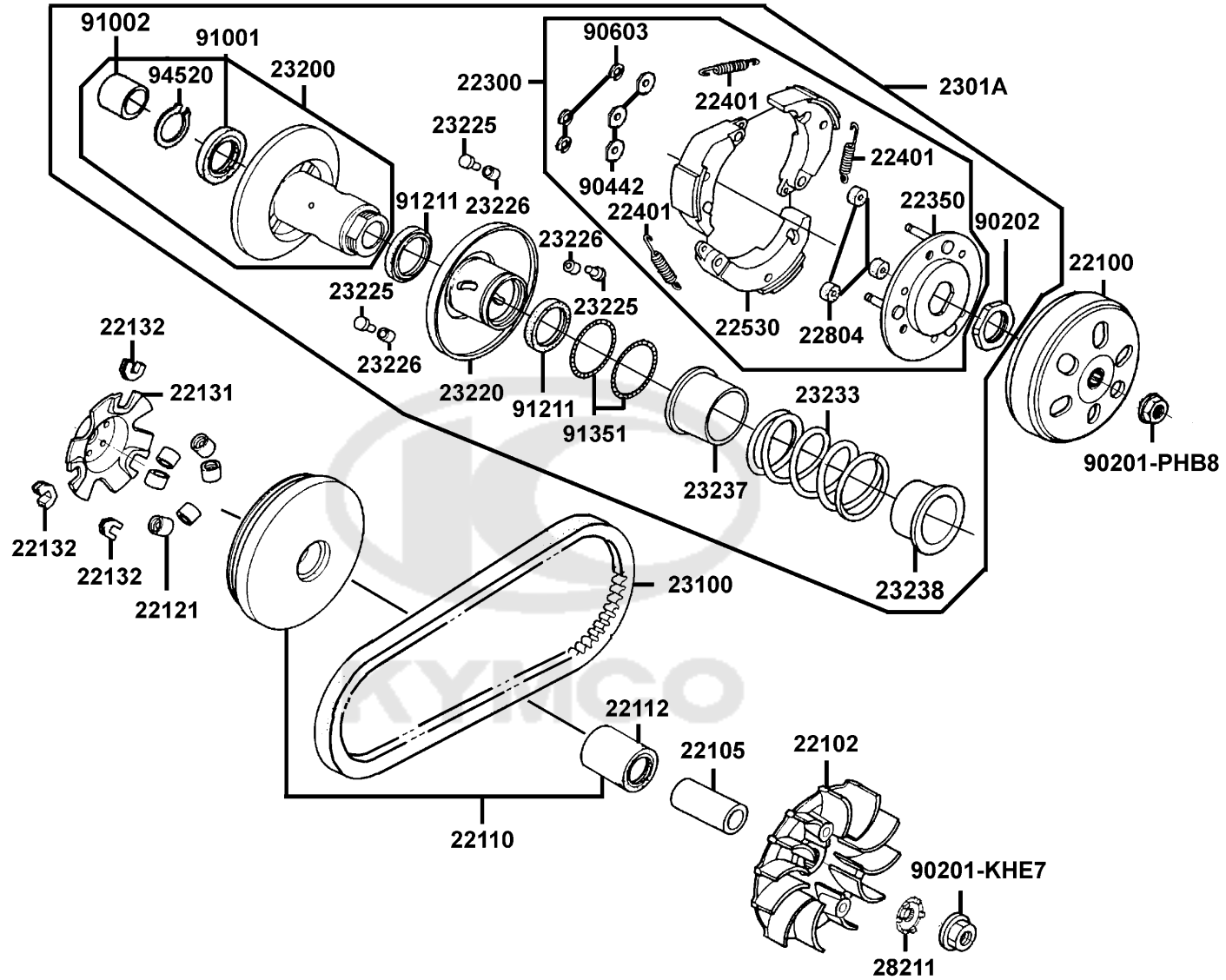
Sales mark 記号	Ref no 参照用番号	Part no パーツ番号	Description 部品名	Reg description 部品名	Regd no 必要個数	Ref Price 希望小売価格(税抜)	E04
11205		11205-LEA2-900	BUSH M STAND	BUSH M STAND	1	350	
11330		11330-LHJ8-700	COVER COMP R SIDE	COVER COMP R SIDE	1	17280	
11394		11394-LEA2-900	GASKET R COVER	GASKET R COVER	1	920	
12361		12361-GFY6-901	HOLE CAP TAPPET ADJUSTING	HOLE CAP TAPPET ADJUSTING	1	300	
15421		15421-1G07-001	SCREEN OIL FILTER	SCREEN OIL FILTER	1	350	
15426		15426-GAE1-921	SPG OIL FILTER SCREEN	SPG OIL FILTER SCREEN	1	160	
1565A		1565A-GFY6-900	GAUGE OIL LEVEL ASSY	GAUGE OIL LEVEL ASSY	1	390	
32412		32412-LEA1-910	CABLE EARTH	CABLE EARTH	1	2480	
50560		50560-LEA1-900	STOPPER R MAIN STAND	STOPPER R MAIN STAND	1	960	
90443		90443-8D44-001	WASHER THRUST 8MM	WASHER THRUST 8MM	1	60	
91202		91202-GFY6-90A	OIL SEAL 19.8*30*5	OIL SEAL 19.8*30*5	1	230	
91202		91202-GFY6-90C	OIL SEAL 19.8*30*5	OIL SEAL 19.8*30*5	2	230	
91302		91302-0A01-021	O-RING 30.8M/M	O-RING 30.8M/M	1	60	
91307		91307-0E35-001	O RING 18*3	O RING 18*3	1	60	
94301		94301-08140	DOWEL PIN 8*14	DOWEL PIN 8*14	2	110	
95801		95801-08025-06	BOLT FLANGE 8*25	BOLT FLANGE 8*25	1	160	
96001		96001-06025-06	BOLT FLANGE SH 6*25	BOLT FLANGE SH 6*25	1	60	
96001A		96001-06090-06	BOLT FLANGE SH 6*90	BOLT FLANGE SH 6*90	4	200	
96001B		96001-06100-06	BOLT FLANGE SH 6*100	BOLT FLANGE SH 6*100	4	60	

Driven Pulley



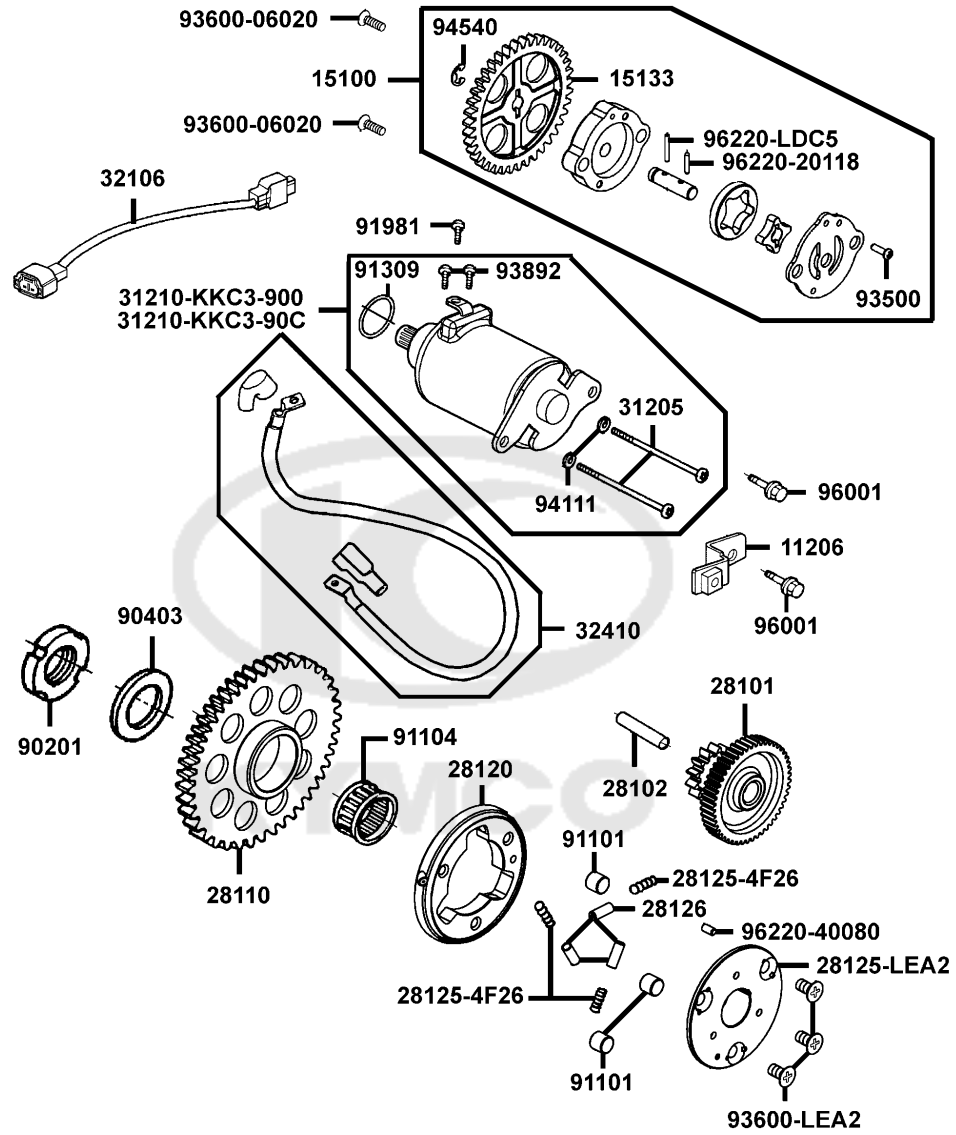
Sales mark 記号	Ref no 参照用番号	Part no パーツ番号	Description 部品名	Reg description 部品名	Regd no 必要個数	Ref Price 希望小売価格(税抜)	E05
22100		22100-LKC6-900	OUTER COMP CLUTCH	OUTER COMP CLUTCH	1	4380	
22102		22102-LEA2-900	FACE DRIVE	FACE DRIVE	1	2670	
22105		22105-LEA2-900	BOSS DRIVE FACE	BOSS DRIVE FACE	1	1250	
22110		22110-LEA2-900	FACE COMP MOVABLE DRIVE	FACE COMP MOVABLE DRIVE	1	3810	
22112		22112-GFY6-90A	BUSH 24*28*30	BUSH 24*28*30	1	250	
22121		22121-LEA2-305	ROLLER SET WEIGHT (1SET:6PCS)	ROLLER SET WEIGHT(旧品番の22121-LEA2	1	320	
22131		22131-LEA2-900	PLATE RAMP	PLATE RAMP	1	1180	
22132		22132-LKB9-900	PIECE SLIDE	PIECE SLIDE	3	230	
22300		22300-LEA2-900	PLATE ASSY DRIVE	PLATE ASSY DRIVE	1	9350	
22350		22350-KHC4-W00	PLATE COMP DRIVE	PLATE COMP DRIVE	1	1530	
22401		22401-KEB8-900	SPRING CLUTCH	SPRING CLUTCH	3	140	
22530		22530-LBC6-900	WEIGHT SET CLUTCH	WEIGHT SET CLUTCH	3	1210	
22804		22804-GAR1-W00	RUBBER CLUTCH DUMPER	RUBBER CLUTCH DUMPER	3	300	
2301A		2301A-LKC6-900	PULLY SUB ASSY DRIVEN	PULLY SUB ASSY DRIVEN	1	24150	
23100		23100-LKC6-900	BELT DRIVE	BELT DRIVE	1	6900	
23200		23200-LKC6-900	FACE ASSY DRIVEN	FACE ASSY DRIVEN	1	9510	
23220		23220-LKC6-900	FACE COMP MOVABLE DRIVEN	FACE COMP MOVABLE DRIVEN	1	4570	
23225		23225-GHC8-004	PIN ROLLER GUIDE	PIN ROLLER GUIDE	1	60	
23226		23226-GHC8-004	ROLLER GUIDE	ROLLER GUIDE	1	60	
23233		23233-LFE2-910	SPG DRIVEN FACE	SPG DRIVEN FACE	1	1150	

Driven Pulley



Sales mark 記号	Ref no 参照用番号	Part no パーツ番号	Description 部品名	Reg description 部品名	Regd no 必要個数	Ref Price 希望小売価格(税抜)	E05
23237		23237-GFY6-W00	COLLAR SEAL	COLLAR SEAL	1	420	
23238		23238-LEA2-900	COLLAR SPRING	COLLAR SPRING	1	580	
28211		28211-LFA7-E00	WASHER 16.6*24*5	WASHER 16.6*24*5	1	390	
90201-KHE7		90201-KHE7-900	NUT C FLANGE M12	NUT C FLANGE M12	1	390	
90201-PHB8		90201-PHB8-001	NUT C FLANGE M12(C)	NUT C FLANGE M12(C)	1	200	
90202		90202-1G87-001	NUT SPECIAL 28MM	NUT SPECIAL 28MM	1	100	
90442		90442-0D44-001	WASHER THRUST 6M	WASHER THRUST 6M	3	60	
90603		90603-0D44-001	CIR CLIP 6MM	CIR CLIP 6MM	3	60	
91001		91001-GFY6-90A	BRG NDL 20*29*18	BRG NDL 20*29*18	1	480	
91002		91002-GFY6-W00	BRG BALL RADIAL	BRG BALL RADIAL	1	5520	
91211		91211-KEE1-900	OIL SEAL 34*39*3	OIL SEAL 34*39*3	2	770	
91351		91351-KEBE-W00	O-RING PINION CAP	O-RING PINION CAP	2	300	
94520		94520-28000	CIR CLIP IN 28	CIR CLIP IN 28	1	60	

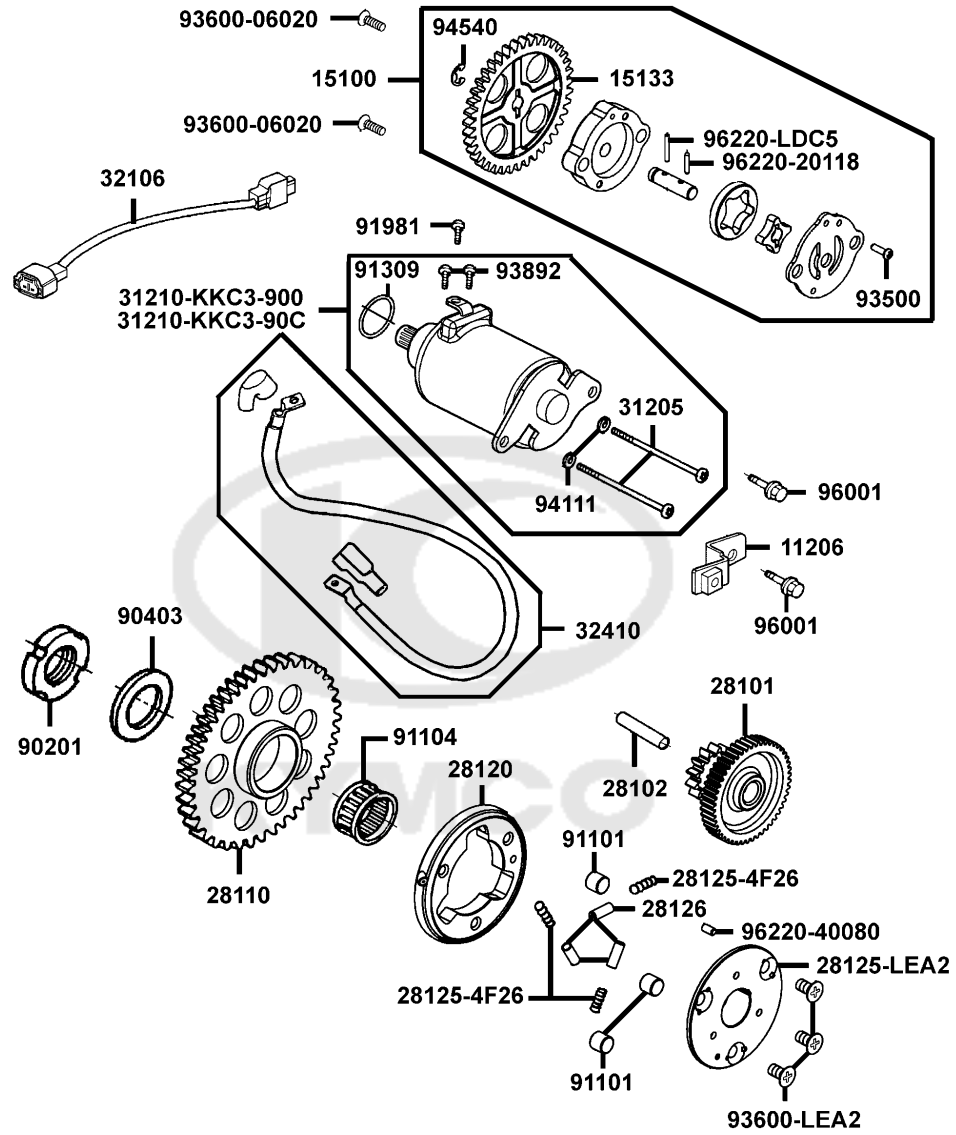
Starting Motor Oil Pump



Sales mark 記号	Ref no 参照用番号	Part no パーツ番号	Description 部品名	Reg description 部品名	Regd no 必要個数	Ref Price 希望小売価格(税抜)
11206		11206-LEA1-900	STAY A RR FENDER	STAY A RR FENDER	1	300
15100		15100-LEA2-900	PUMP ASSY OIL	PUMP ASSY OIL	1	3810
15133		15133-LEA2-900	SPRKT OIL PUMP DRIVEN 39T	SPRKT OIL PUMP DRIVEN 39T	1	490
28101		28101-LEA2-900	GEAR STARTER REDUCTION	GEAR STARTER REDUCTION	1	5050
28102		28102-LEA2-900	SHAFT STARTER REDUCTION GEAR	SHAFT STARTER REDUCTION GEAR	1	300
28110		28110-LEA2-900	GEAR COMP STARTING CLUTCH	GEAR COMP STARTING CLUTCH	1	4860
28120		28120-LEA2-900	OUTER COMP STARTING CLUTCH	OUTER COMP STARTING CLUTCH	1	14230
28125-4F26		28125-4F26-001	SPRING ROLLER STARTER CLUTCH	SPRING ROLLER STARTER CLUTCH	3	160
28125-LEA2		28125-LEA2-910	FLANGE. STARTING CLUTCH	FLANGE. STARTING CLUTCH	1	2930
28126		28126-KNBN-901	CAP SPGING ROLLER SP	CAP SPGING ROLLER SP	3	200
31205		31205-KGN7-670	BOLT SET	BOLT SET	2	160
31210-KKC3-900		31210-KKC3-900	MOTOR UNIT START	MOTOR UNIT START	1	14830
31210-KKC3-90C		31210-KKC3-90C	MOTOR UNIT START	MOTOR UNIT START	1	14830
32106		32106-KKE3-910	SUB HARNESS A	SUB HARNESS A	1	2080
32410		32410-LEA1-900	CABLE START MOTOR	CABLE START MOTOR	1	1250
90201		90201-GFY6-901	NUT LOCK 22MM	NUT LOCK 22MM	1	110
90403		90403-LEA2-900	WASHER THRUST 22. 2*31*2.5	WASHER THRUST 22. 2*31*2.5	1	200
91101		91101-LEA2-900	ROLLER 10*9	ROLLER 10*9	3	160
91104		91104-LEA1-900	"BRG NEEDLE 28X33X14"	"BRG NEEDLE 28X33X14"	1	1440
91309		91309-4E25-004	O-RING 24.4*3.1	O-RING 24.4*3.1	1	60

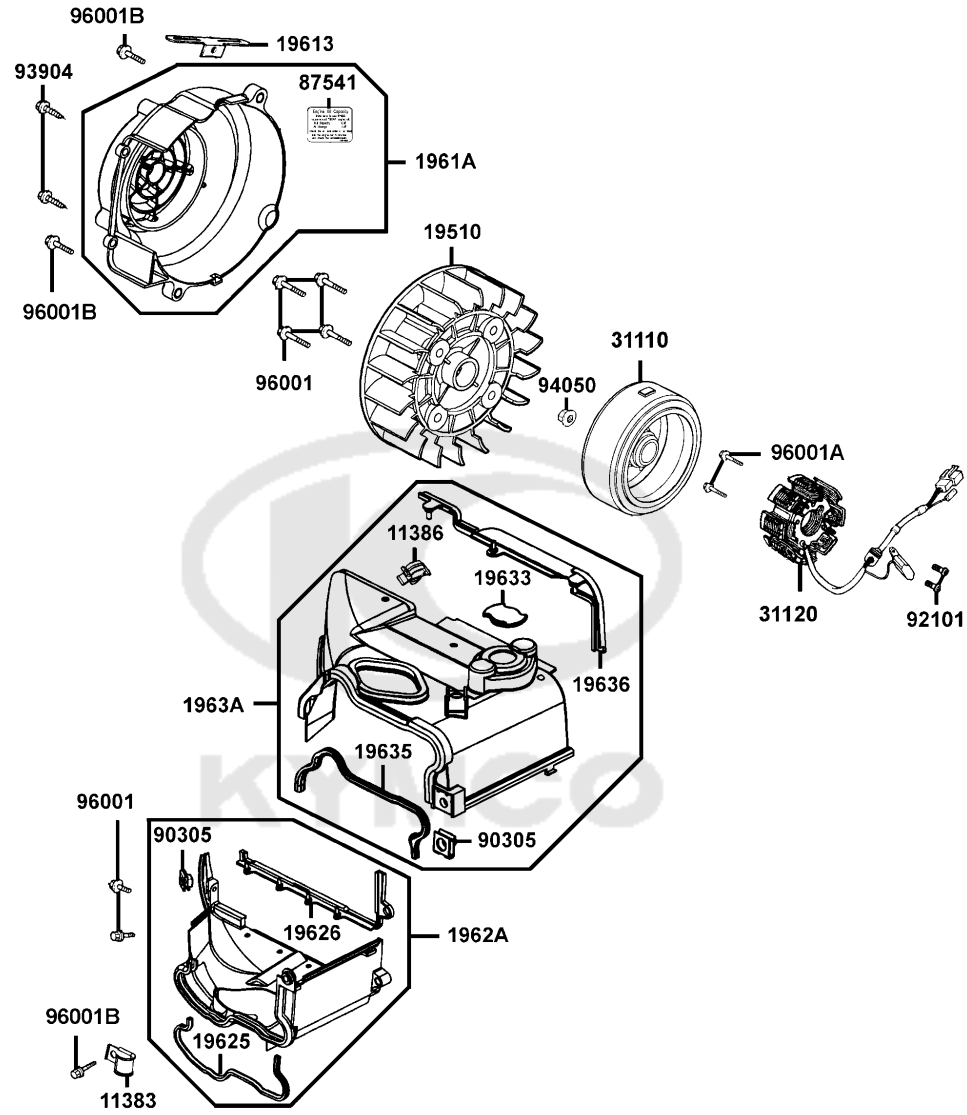
E06

Starting Motor Oil Pump



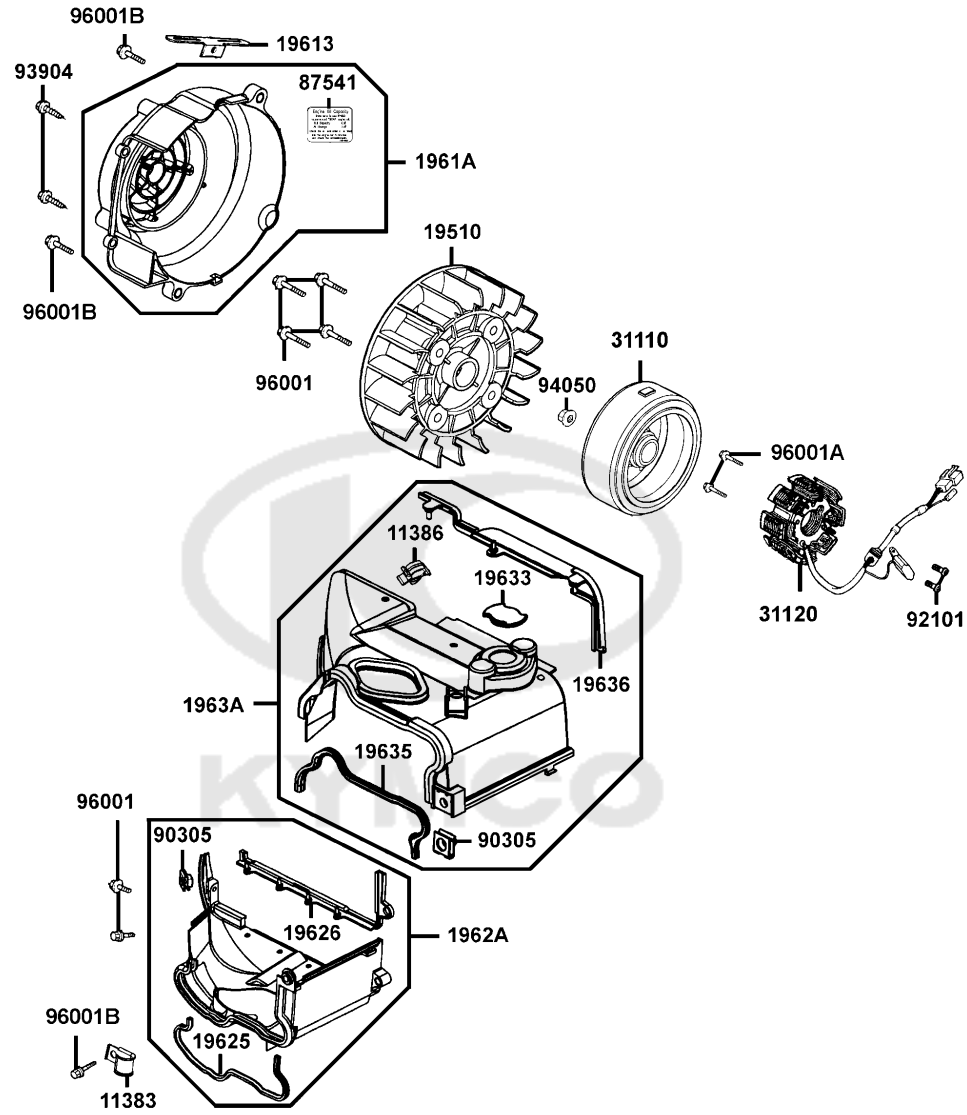
Sales mark 記号	Ref no 参照用番号	Part no パーツ番号	Description 部品名	Reg description 部品名	Regd no 必要個数	Ref Price 希望小売価格(税抜)	E06
91981		91981-KGN7-670	SCREW WASH 5*8	SCREW WASH 5*8	1	60	
93500		93500-03010-0F	SCREW PAN 3X10 (G)	SCREW PAN 3X10 (G)	1	60	
93600-06020		93600-06020-0F	SCREW FLAT 2.5*8 (G)	SCREW FLAT 2.5*8 (G)	1	200	
93600-LEA2		93600-LEA2-900	SCREW PLAT 6*12	SCREW PLAT 6*12	3	110	
93892		93892-04006-08	SCREW WASHER 4*6	SCREW WASHER 4*6	2	60	
94111		94111-05800	WASHER SPRING 5MM	WASHER SPRING 5MM	2	60	
94540		94540-05018	E RING 5	E RING 5	1	160	
96001		96001-06018-06	BOLT FLANGE SH 6X18	BOLT FLANGE SH 6X18	2	60	
96220-20118		96220-20118	ROLLER 2*11.8	ROLLER 2*11.8	1	60	
96220-40080		96220-40080	ROLLER 4*8	ROLLER 4*8	1	60	
96220-LDC5		96220-LDC5-900	ROLLER 2*14.8	ROLLER 2*14.8	1	200	

Fan Cover Generator



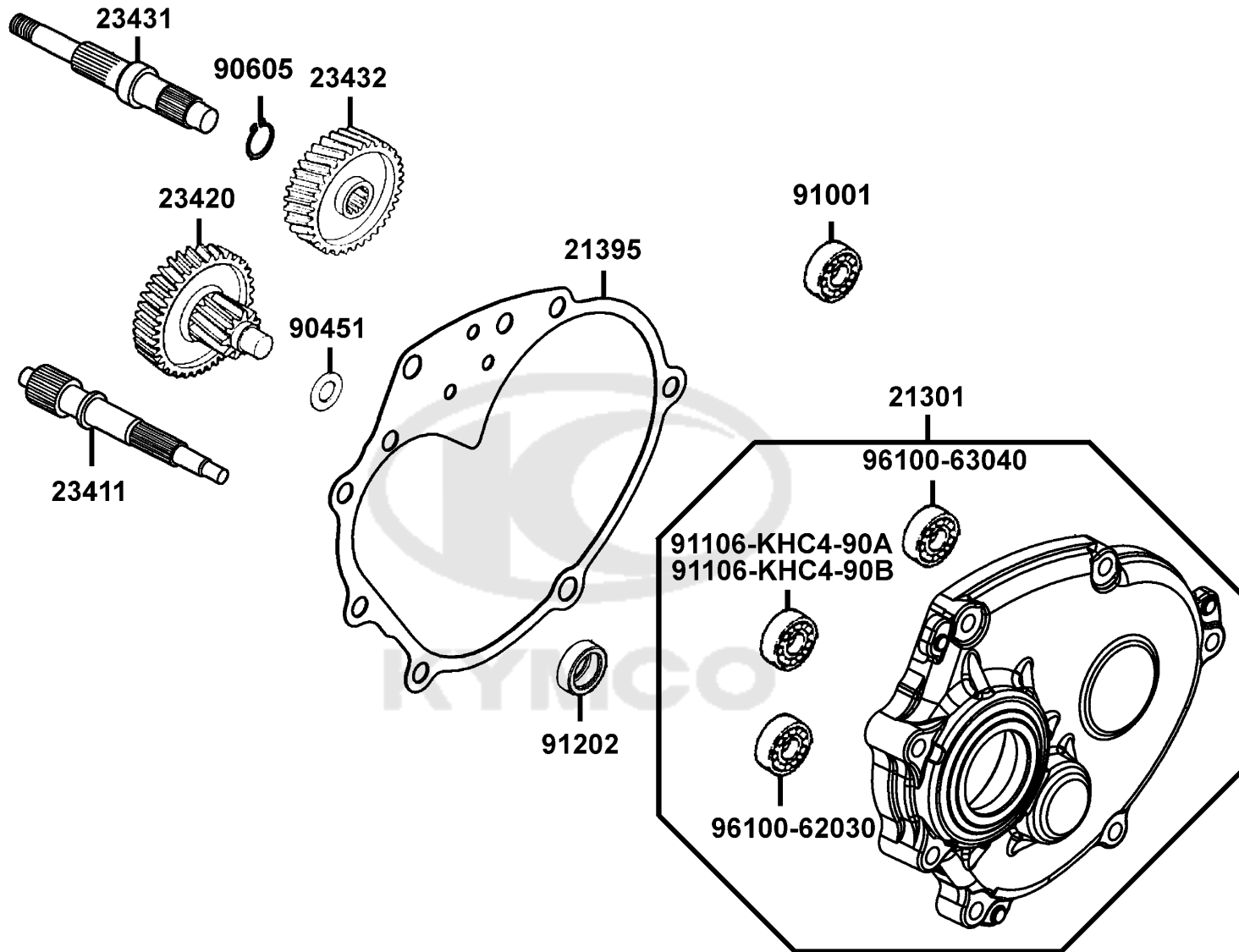
Sales mark 記号	Ref no 参照用番号	Part no パーツ番号	Description 部品名	Reg description 部品名	Regd no 必要個数	Ref Price 希望小売価格(税抜)	E07
11383		11383-LEA1-900	CLAMPER DRAIN TUBE	CLAMPER DRAIN TUBE	1	140	
11386		11386-GFY6-900	CLIP VACUUM TUBE	CLIP VACUUM TUBE	1	60	
19510		19510-GBW2-901	FAN COMP COOLING	FAN COMP COOLING	1	580	
19613		19613-GFY6-901	CLAMPER STARTER MOTOR	CLAMPER STARTER MOTOR	1	300	
1961A		1961A-LEA2-B00	COVER ASSY.. FAN	COVER ASSY.. FAN	1	1080	
19625		19625-LEA2-900	SEAL SHROUD A	SEAL SHROUD A	1	1060	
19626		19626-LEA2-900	SEAL SHROUD A	SEAL SHROUD A	1	1060	
1962A		1962A-LEA2-900	SHROUD ASSY A	SHROUD ASSY A	1	2700	
19633		19633-GFY6-901	GROMET SHROUD B	GROMET SHROUD B	1	200	
19635		19635-LEA2-900	SEAL SHROUD B	SEAL SHROUD B	1	1060	
19636		19636-LEA2-900	SEAL SHROUD B	SEAL SHROUD B	1	1060	
1963A		1963A-LEA1-900	SHROUD ASSY B	SHROUD ASSY B	1	2910	
31110		31110-LEA1-90A	FLYWHEEL COMP (D402)	FLYWHEEL COMP /D402	1	10940	
31110		31110-LEA1-90B	FLYWHEEL COMP (D406)	FLYWHEEL COMP /D406	1	10940	
31110		31110-LEA1-90C	FLYWHEEL COMP (D414)	FLYWHEEL COMP /D414	1	9890	
31120		31120-LEA1-90A	STATOR COMP (D402)	STATOR COMP /D402	1	12140	
31120		31120-LEA1-90B	STATOR COMP (D406)	STATOR COMP /D406	1	12140	
31120		31120-LEA1-90C	STATOR COMP (D414)	STATOR COMP /D414	1	11410	
90305		90305-GHK8-001	NUT CLIP 6MM	NUT CLIP 6MM	2	60	
92101		92101-05012-0G	BOLT HEX 5*12 (G)	BOLT HEX 5*12 (G)	2	60	

Fan Cover Generator



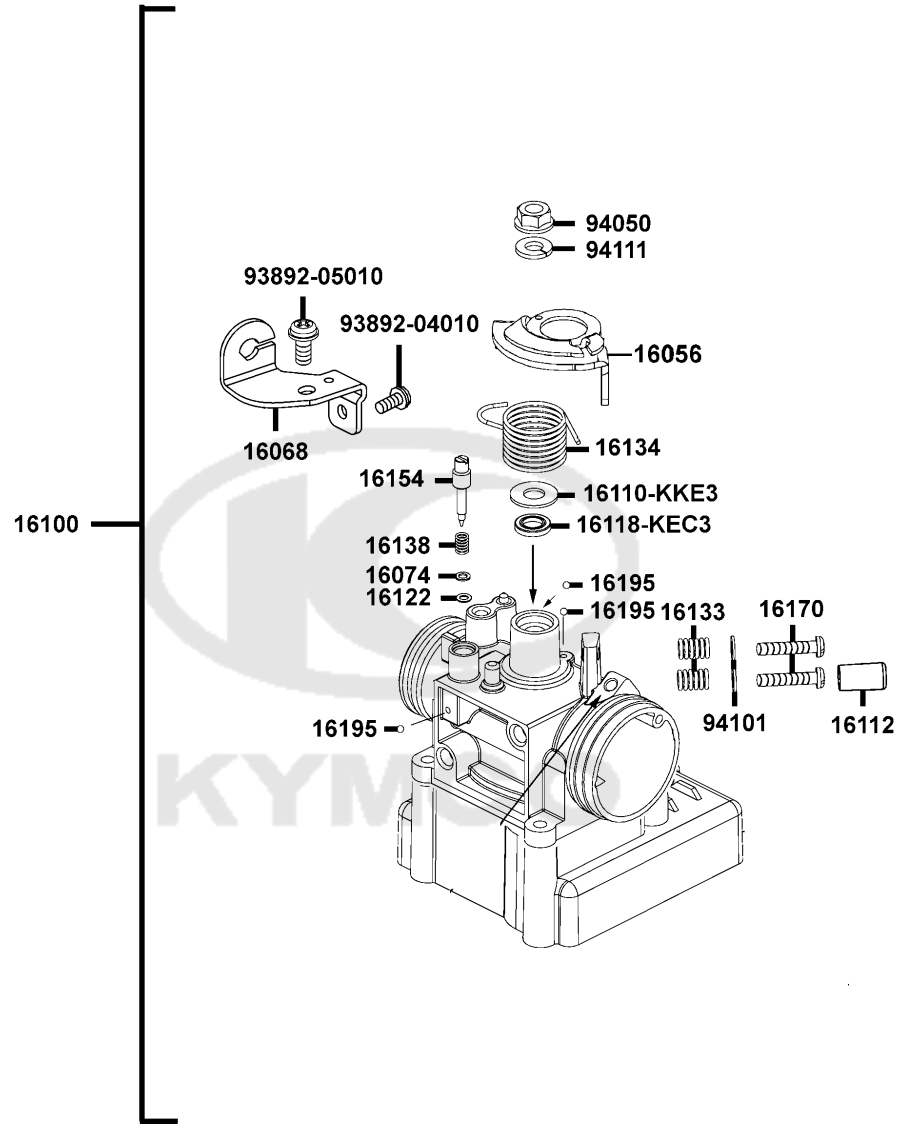
Sales mark 記号	Ref no 参照用番号	Part no パーツ番号	Description 部品名	Reg description 部品名	Regd no 必要個数	Ref Price 希望小売価格(税抜)	E07
93904		93904-35360	SCREW TAPPING 5*12	SCREW TAPPING 5*12	2	200	
94050		94050-10080	NUT FLANGE 10MM	NUT FLANGE 10MM	1	60	
96001		96001-06016-06	BOLT FLANGE SH 6X16	BOLT FLANGE SH 6X16	1	60	
96001A		96001-06022-06	BOLT FLANGE SH 6*22 (G)	BOLT FLANGE SH 6*22 (G)	2	60	
96001B		96001-06025-06	BOLT FLANGE SH 6*25	BOLT FLANGE SH 6*25	1	60	





E09

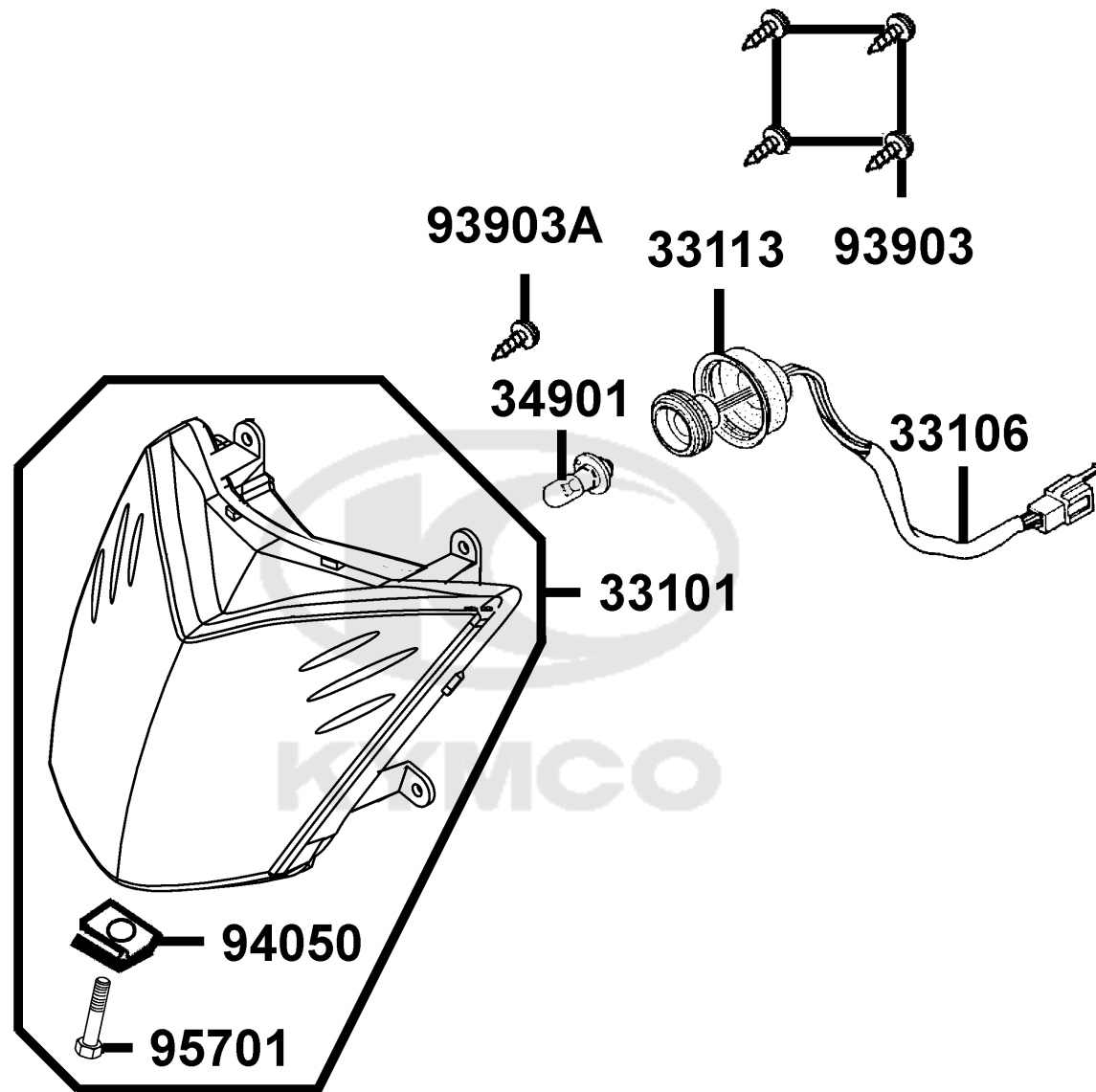
Throttle Body Assy



Sales mark 記号	Ref no 参照用番号	Part no パーツ番号	Description 部品名	Reg description 部品名	Regd no 必要個数	Ref Price 希望小売価格(税抜)	E09
16056		16056-LEB2-900	LEVER ASSY THROTTLE	LEVER ASSY THROTTLE	1	580	
16068		16068-LEB2-900	PLATE WIRE FIXED	PLATE WIRE FIXED	1	350	
16074		16074-KEC3-900	WASHER IDLE SCREW	WASHER IDLE SCREW	1	160	
16100		16100-LKC6-B00	THROTTLE BODY ASSY	THROTTLE BODY ASSY	1	41240	
16110-KKE3		16110-KKE3-900	WASHER THROTTLE COMP	WASHER THROTTLE COMP	1	160	
16112		16112-KKE3-900	COVER IDLE SCREW	COVER IDLE SCREW	1	160	
16118-KEC3		16118-KEC3-900	SEAL THROTTLE SHAFT	SEAL THROTTLE SHAFT	1	180	
16122		16122-KEC3-900	O-RING IDLE SCREW	O-RING IDLE SCREW	1	60	
16133		16133-KEC3-900	SPG THROTTLE ADJ SCREW	SPG THROTTLE ADJ SCREW	2	160	
16134		16134-KKE3-900	SPG THROTTLE SHAFT	SPG THROTTLE SHAFT	1	200	
16138		16138-KEC3-900	SPG IDLE SCREW	SPG IDLE SCREW	1	160	
16154		16154-KKE3-900	SCREW IDLE ADJUST	SCREW IDLE ADJUST	1	490	
16170		16170-KEC3-900	SCREW THROTTLE ADJUST	SCREW THROTTLE ADJUST	2	70	
16195		16195-KEC3-900	BALL 2.1	BALL 2.1	3	60	
93892-04010		93892-04010-06	SCREW WASHER 4*10	SCREW WASHER 4*10	1	60	
93892-05010		93892-05010-06	SCREW WASHER 5*10	SCREW WASHER 5*10	1	60	
94050		94050-06080	NUT FLANGE 6MM	NUT FLANGE 6MM	1	60	
94101		94101-KKE3-900	WASHER PLAN 4.5*8*0.8	WASHER PLAN 4.5*8*0.8	2	60	
94111		94111-06800	WASHER SPRING 6MM	WASHER SPRING 6MM	1	60	

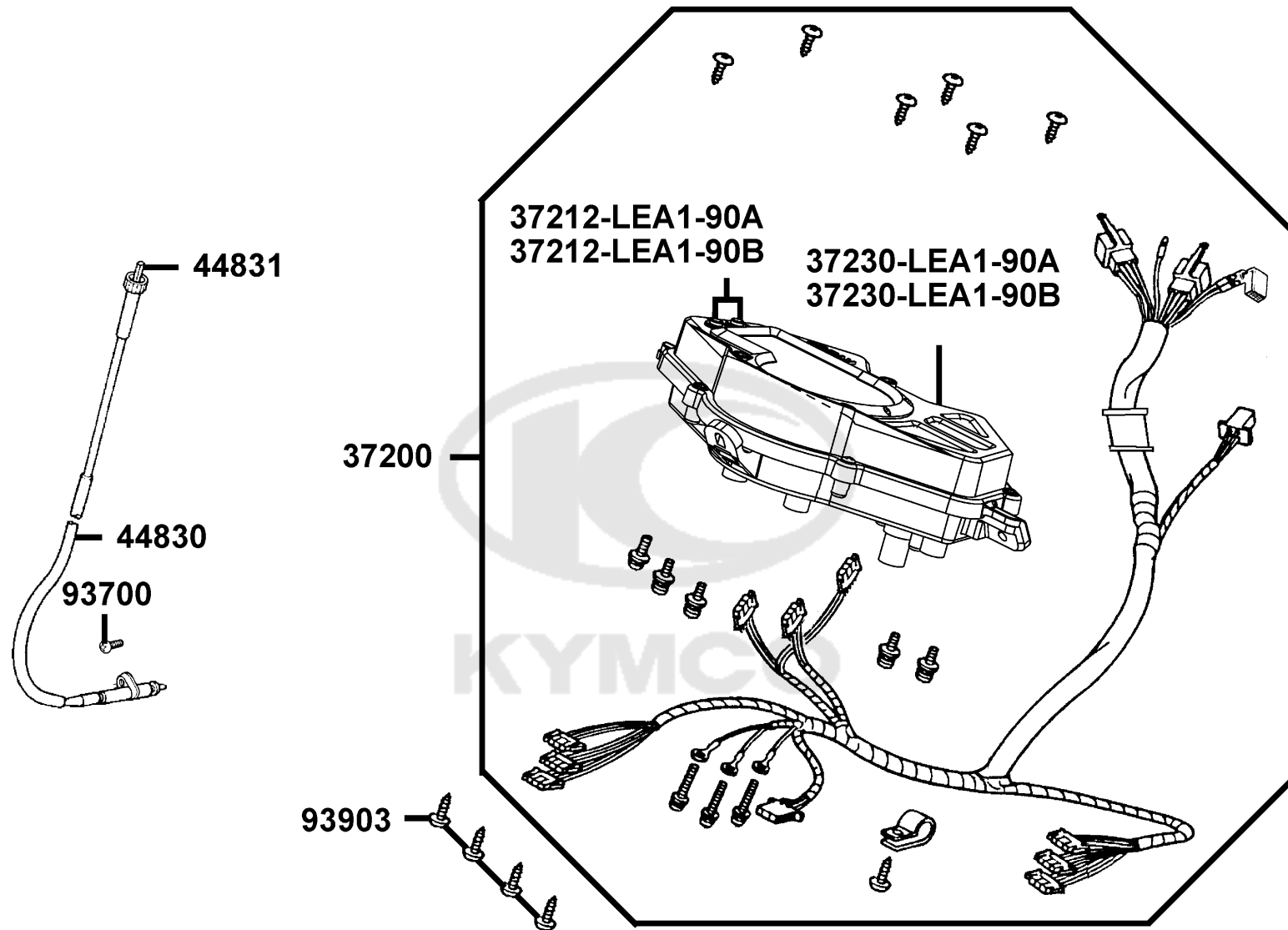
F01

Head Light



Sales mark 記号	Ref no 参照用番号	Part no パーツ番号	Description 部品名	Reg description 部品名	Regd no 必要個数	Ref Price 希望小売価格(税抜)	F01
33101	33101-LKC6-305	33101-LKC6-305	UNIT HEAD LIGHT	UNIT HEAD LIGHT	1	9850	
33106	33106-LEA1-900	33106-LEA1-900	SOCKET COMP	SOCKET COMP	1	1530	
33113	33113-LEA1-900	33113-LEA1-900	COVER RUBBER	COVER RUBBER	1	780	
34901	34901-KED9-900	34901-KED9-900	BULB HEAD LIGHT	BULB HEAD LIGHT	1	2960	
93903	93903-35360	93903-35360	SCREW WASHER 4*12	SCREW WASHER 4*12	4	60	
93903A	93903-44320	93903-44320	SCREW TAPPING 4*12	SCREW TAPPING 4*12	1	200	
94050	94050-LEA6-900	94050-LEA6-900	CLIP NUT M4	CLIP NUT M4	1	110	
95701	95701-LEA1-900	95701-LEA1-900	SCREW ADJ M4*L22.5	SCREW ADJ M4*L22.5	1	300	



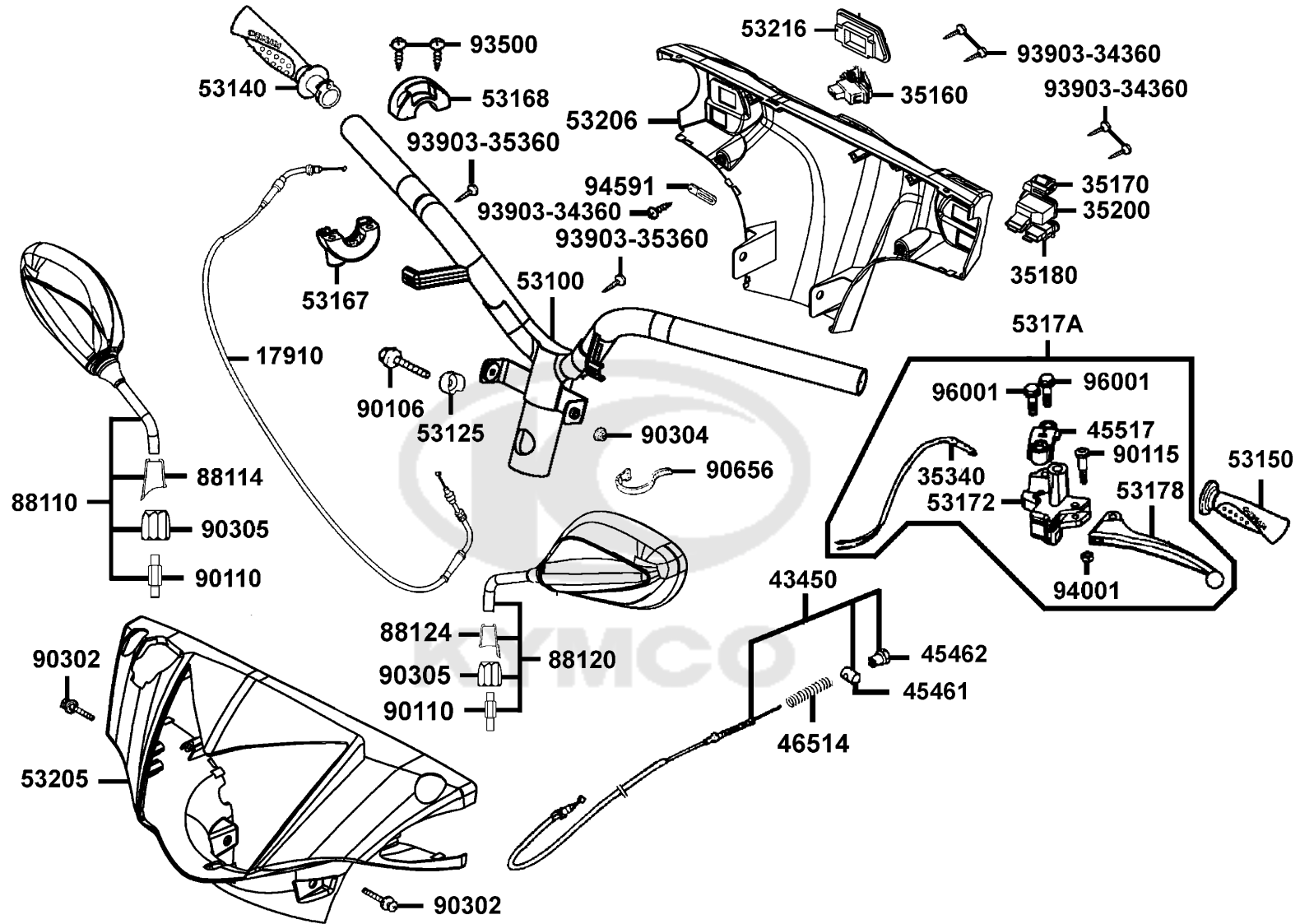


Sales mark 記号	Ref no 参照用番号	Part no パーツ番号	Description 部品名	Reg description 部品名	Regd no 必要個数	Ref Price 希望小売価格(税抜)	F02
37200		37200-LKC6-B21	METER ASSY SPEED	METER ASSY SPEED	1	37740	
37212-LEA1-90A		37212-LEA1-90A	PACKING(BUTTON-ADJ)	PACKING(BUTTON-ADJ)	1	730	
37212-LEA1-90B		37212-LEA1-90B	PACKING(BUTTON-ADJ)	PACKING(BUTTON-ADJ)	1	250	
37230-LEA1-90A		37230-LEA1-90A	LENS ASSY	LENS ASSY	1	6430	
37230-LEA1-90B		37230-LEA1-90B	LENS ASSY	LENS ASSY	1	3340	
44830		44830-KUDU-900	CABLE COMP SPDMT	CABLE COMP SPDMT	1	1110	
44831		44831-KUDU-900	CABLE INNER	CABLE INNER	1	580	
93700		93700-05018-0F	SCREW OVAL 5*18	SCREW OVAL 5*18	1	60	
93903		93903-35360	SCREW WASHER 4*12	SCREW WASHER 4*12	4	60	



F03

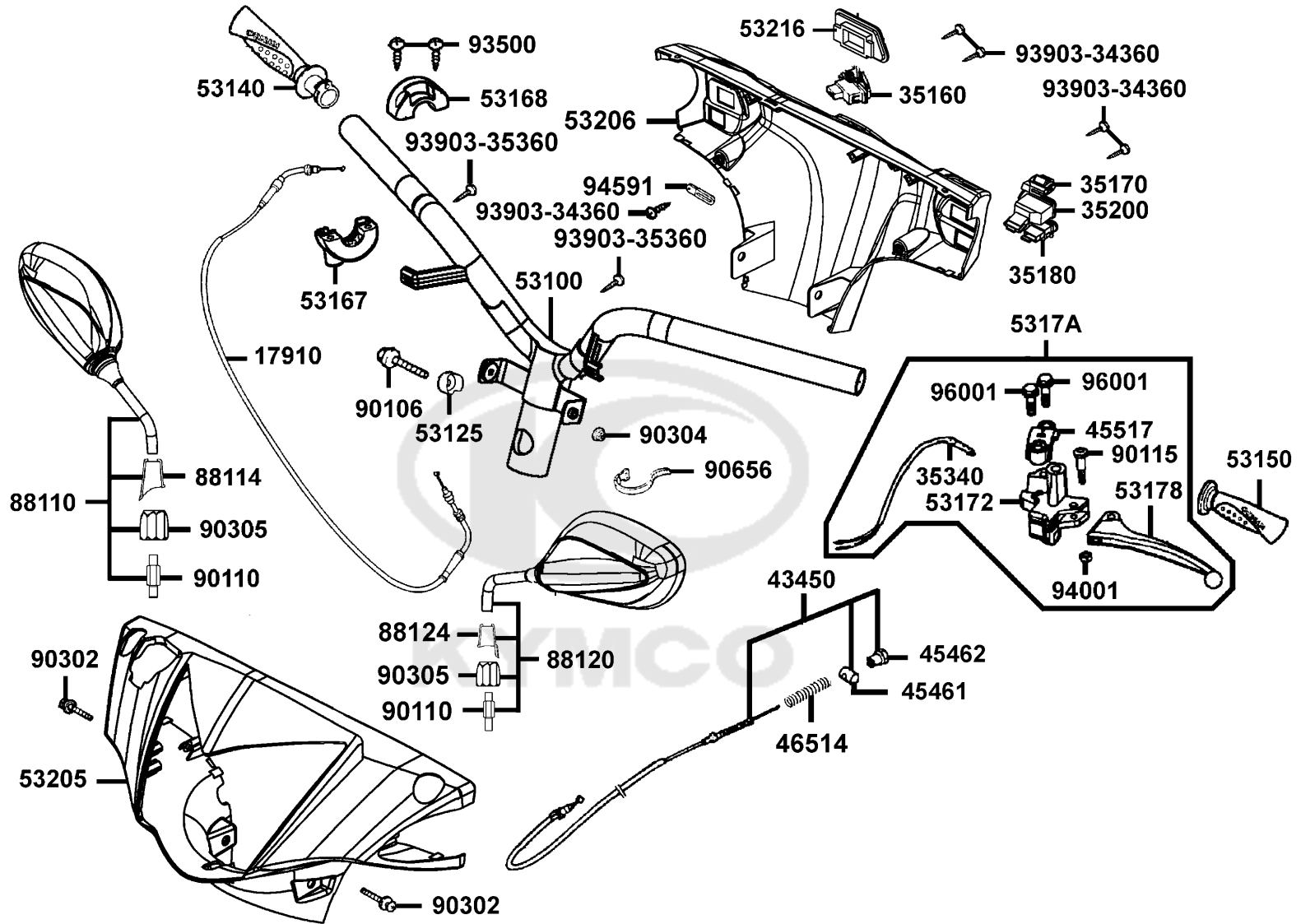
Handle Steering Handle Cover



Sales mark 記号	Ref no 参照用番号	Part no パーツ番号	Description 部品名	Reg description 部品名	Regd no 必要個数	Ref Price 希望小売価 格(税抜)	F03
	17910	17910-LEA1-900	CABLE COMP.. THROT	CABLE COMP.. THROT	1	1630	
	35160	35160-GGS7-900	SW UNIT START	SW UNIT START	1	730	
	35170	35170-KNBN-910	SW UNIT DIMMER & PASSING	SW UNIT DIMMER & PASSING	1	1110	
	35180	35180-GGS7-900	SW UNIT HORN	SW UNIT HORN	1	540	
	35200	35200-GFY6-910	SW UNIT WINKER	SW UNIT WINKER	1	830	
	35340	35340-GBN2-770	SW ASSY FR STOP	SW ASSY FR STOP	1	560	
	43450	43450-LEA1-900	CABLE COMP RR BRK	CABLE COMP RR BRK	1	1630	
	45461	45461-GHJ8-941	JOINT B BRAKE ARM **GJ8-9410	JOINT B BRAKE ARM **GJ8-9410 C.2005.11	1	200	
	45462	45462-KGAG-900	NUT B ADJUST	NUT B ADJUST	1	200	
	45517	45517-GFY6-900	HOLDER HNDL BRKT	HOLDER HNDL BRKT	1	260	
	46514	46514-LEA1-900	SPG BRK ARM	SPG BRK ARM	1	200	
	53100	53100-LBG7-900	HANDLE COMP STRG	HANDLE COMP STRG	1	5330	
	53125	53125-GEN5-901	COLLAR HANDLE SET	COLLAR HANDLE SET	1	390	
**	53140	53140-KFA1-900	GRIP COMP THROT	GRIP COMP THROT	1	870	
**	53150	53166-KFA1-900	GRIP L HANDLE	GRIP L HANDLE	1	770	
	53167	53167-LHJ6-900	HOUSING UND THROT	HOUSING UND THROT	1	320	
	53168	53168-KFA1-900	HOUSING UP THROT	HOUSING UP THROT	1	300	
	53172	53172-KKE2-900	BRKT L STRG HANDLE	BRKT L STRG HANDLE	1	1150	
**	53178	53178-KKE2-900	LEVER L STRG HANDLE	LEVER L STRG HANDLE	1	870	
	5317A	5317A-KKE2-900	BRKT ASSY HNDL L	BRKT ASSY HNDL L	1	3150	

F03

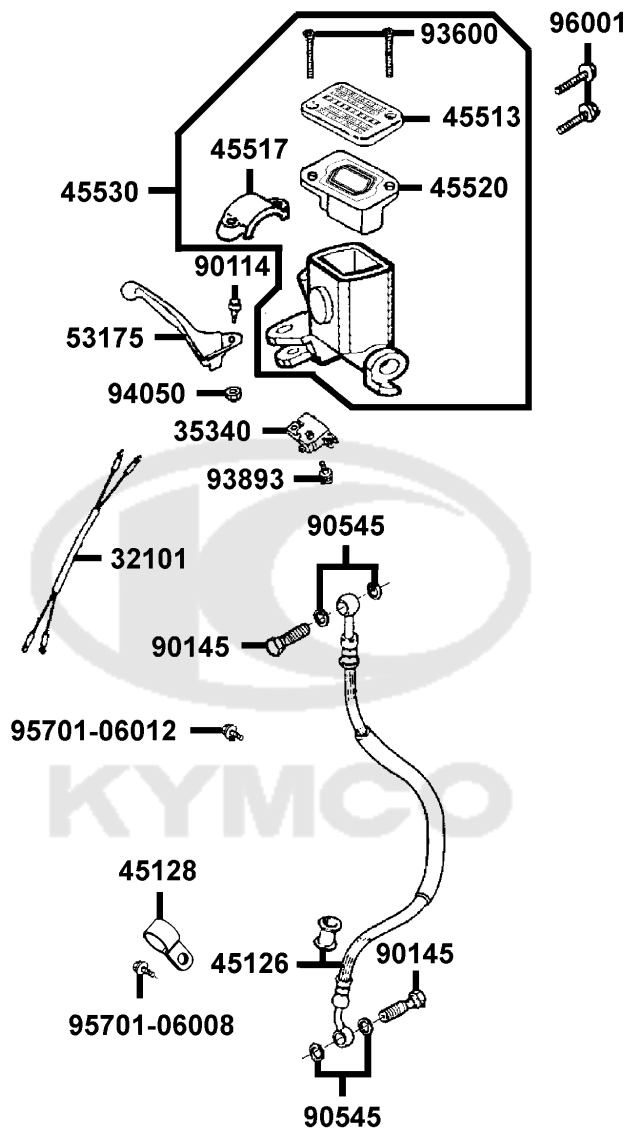
Handle Steering Handle Cover



Sales mark 記号	Ref no 参照用番号	Part no パーツ番号	Description 部品名	Reg description 部品名	Regd no 必要個数	Ref Price 希望小売価格(税抜)	F03
**	53205	53205-LEA1-900	COVER FR HANDLE	COVER FR HANDLE	1	6950	
**	53206	53206-LEA1-900	COVER HANDLE RR	COVER HANDLE RR	1	1440	
	53216	53216-KXCX-MG0	PLUG RR HANDLE COVER	PLUG RR HANDLE COVER	1	200	
	88110	88110-LEA1-900	MIRROR ASSY R BACK	MIRROR ASSY R BACK	1	3360	
	88114	88114-LEA1-900	BOOT R MIRROR	BOOT R MIRROR	1	490	
	88120	88120-LEA1-900	MIRROR ASSY L BACK	MIRROR ASSY L BACK	1	3360	
	88124	88124-LEA1-900	BOOT L MIRROR	BOOT L MIRROR	1	490	
	90106	90106-GEN5-901	BOLT FLANGE 10*50	BOLT FLANGE 10*50	1	80	
	90110	90110-LFG6-900	BOLT SPECIAL	BOLT SPECIAL	2	960	
	90115	90115-GLE0-001	BOLT HNDL LEVER PIVOT	BOLT HNDL LEVER PIVOT	1	60	
	90302	90302-LLB1-E00	BOLT-WASHER 5*12	BOLT-WASHER 5*12	2	60	
	90304	90304-GHE8-004	NUT CAP 6MM	NUT CAP 6MM	1	200	
	90305	90305-KNCN-900	NUT SPECIAL 12MM	NUT SPECIAL 12MM	2	240	
	90656	90656-KCBC-900	BAND OIL HANDLE	BAND OIL HANDLE	1	60	
	93500	93500-05022-0F	SCREW PAN 5X22 (G)	SCREW PAN 5X22 (G)	1	60	
	93903-34360	93903-34360	SCREW WASHER 4*12	SCREW WASHER 4*12	5	60	
	93903-35360	93903-35360	SCREW WASHER 4*12	SCREW WASHER 4*12	2	60	
	94001	94001-05080-0S	NUT HEX 5MM	NUT HEX 5MM	1	60	
	94591	94591-27000	CLIP 2*70	CLIP 2*70	1	110	
	96001	96001-06025-06	BOLT FLANGE SH 6*25	BOLT FLANGE SH 6*25	2	60	

F04

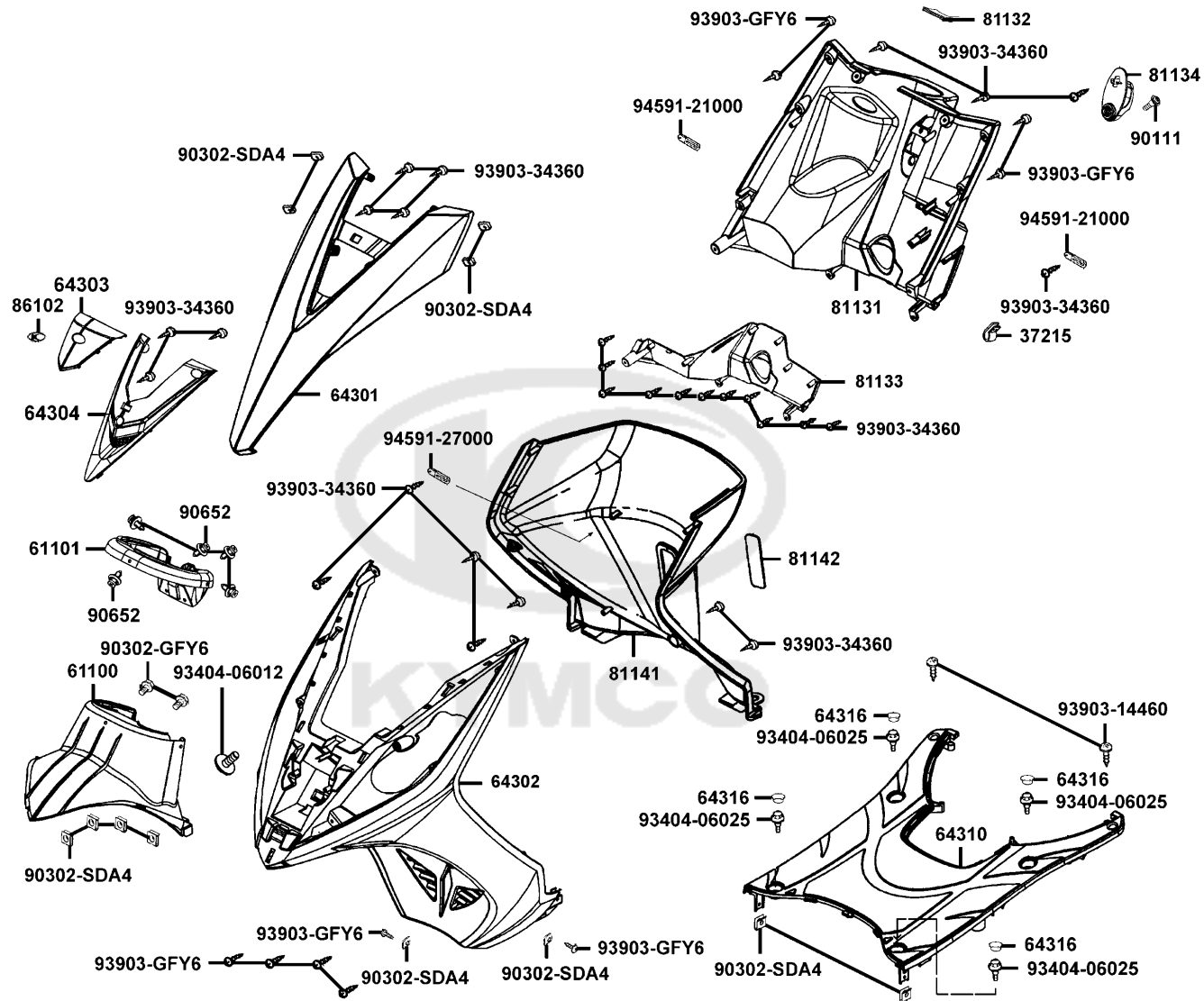
HOLDER M/C



Sales mark 記号	Ref no 参照用番号	Part no パーツ番号	Description 部品名	Reg description 部品名	Regd no 必要個数	Ref Price 希望小売価格(税抜)
	32101	32101-GFY6-901	SUB CORD R	SUB CORD R	1	300
	35340	35340-KNBN-901	SW ASSY FR STOP	SW ASSY FR STOP	1	960
	45126	45126-LEA1-900	HOSE ASSY FR BRK	HOSE ASSY FR BRK	1	9850
	45128	45128-LEA1-800	CLAMPER BRAKE HOSE	CLAMPER BRAKE HOSE	1	200
	45513	45513-GLW0-91A	CAP MASTER CYLINDER	CAP MASTER CYLINDER	1	560
	45517	45517-KFAF-900	HOLDER M/C	HOLDER M/C	1	440
	45520	45520-GLW0-91A	DIAPHRAGM	DIAPHRAGM	1	960
	45530	45530-KHC4-305	CYLINDER SET MASTER	CYLINDER SET MASTER	1	11790
**	53175	53175-KFA1-900	LEVER R STRG HANDLE	LEVER R STRG HANDLE	1	920
	90114	90114-1F66-007	BOLT HANDLE LEVER	BOLT HANDLE LEVER	1	60
	90145	90145-LEA3-E00	OIL BOLT 10x22	OIL BOLT 10x22	2	150
	90545	90545-3L00-001	WASHER OIL BOLT	WASHER OIL BOLT	4	60
	93600	93600-04012-1G	SCREW FLAT 4*12	SCREW FLAT 4*12	2	60
	93893	93893-04012-18	SCREW WASHER 4*12	SCREW WASHER 4*12	1	60
	94050	94050-06060	NUT FLANGE 6MM	NUT FLANGE 6MM	1	60
	95701-06008	95701-06008-06	BOLT FLANGE 6*8	BOLT FLANGE 6*8	1	60
	95701-06012	95701-06012-06	BOLT FLANGE 6*22 (K)	BOLT FLANGE 6*22 (K)	1	60
	96001	96001-06022-06	BOLT FLANGE SH 6*22 (G)	BOLT FLANGE SH 6*22 (G)	2	60

F04

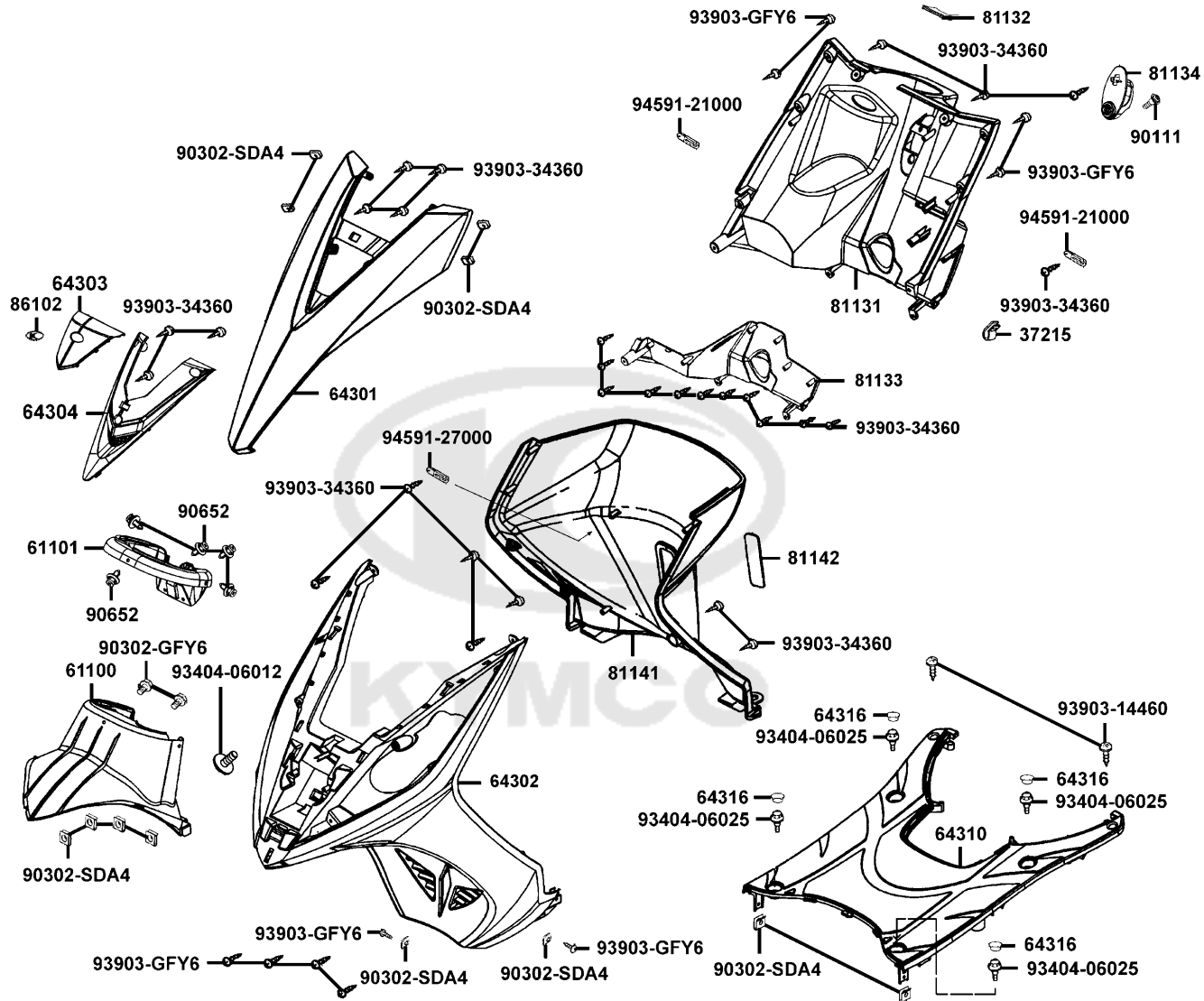
COVER SET FRONT FENDER FRONT



Sales mark 記号	Ref no 参照用番号	Part no パーツ番号	Description 部品名	Reg description 部品名	Regd no 必要個数	Ref Price 希望小売価格(税抜)
	37215	37215-LGM9-900	CLAMP	CLAMP	1	390
**	61100	61100-LEA1-900	FENDER FR INNER	FENDER FR INNER	1	1250
	61101	61101-LEA1-900	FENDER FRONT B INNER	FENDER FRONT B INNER	1	870
**	64301	64301-LEA1-900	COVER FR /NH193PA	COVER FR /NH193PA	1	9130
**	64302	64302-LEA1-900	MOLD FR	MOLD FR	1	11130
**	64303	64303-LEA1-900	TOP FR COVER A	TOP FR COVER A	1	2480
**	64304	64304-LEA1-900	TOP FR COVER B	TOP FR COVER B	1	
**	64310	64310-LEA1-900	FLOOR PANEL	FLOOR PANEL	1	5330
**	64316	64316-KHE2-900	PLUG FLOOR	PLUG FLOOR	4	200
**	81131	81131-LEA1-910	LEG SHIELD UP	LEG SHIELD UP	1	4380
**	81132	81132-KFAF-900	LID LEG SHIELD	LID LEG SHIELD	1	300
**	81133	81133-LEA1-910	LEG SHIELD UP B	LEG SHIELD UP B	1	1250
**	81134	81134-LGH6-B20	HOOK.LEG SHIELD	HOOK.LEG SHIELD	1	200
**	81141	81141-LEA1-900	LEG SHIELD LOW	LEG SHIELD LOW	1	4190
**	81142	81142-KUDU-900	LID LEG SHIELD(VIN)(Black)	LID LEG SHIELD(VIN)(Black)	1	200
**	86102	86102-KKC4-900	EMB K-LOGO 28.5MM	EMB K-LOGO 28.5MM	1	1530
	90111	90111-LGE3-900	BOLT FLANGE 6MM	BOLT FLANGE 6MM	1	160
	90302-GFY6	90302-GFY6-901	BOLT WASH 5*12 **(1) C.V.	BOLT WASH 5*12 **(1) C.V.	2	60
	90302-SDA4	90302-SDA4-004	NUT SPRING 4MM	NUT SPRING 4MM	12	60
	90652	90652-LEA1-900	CLIP MUDGURAD	CLIP MUDGURAD	5	200

F05

COVER SET FRONT FENDER FRONT

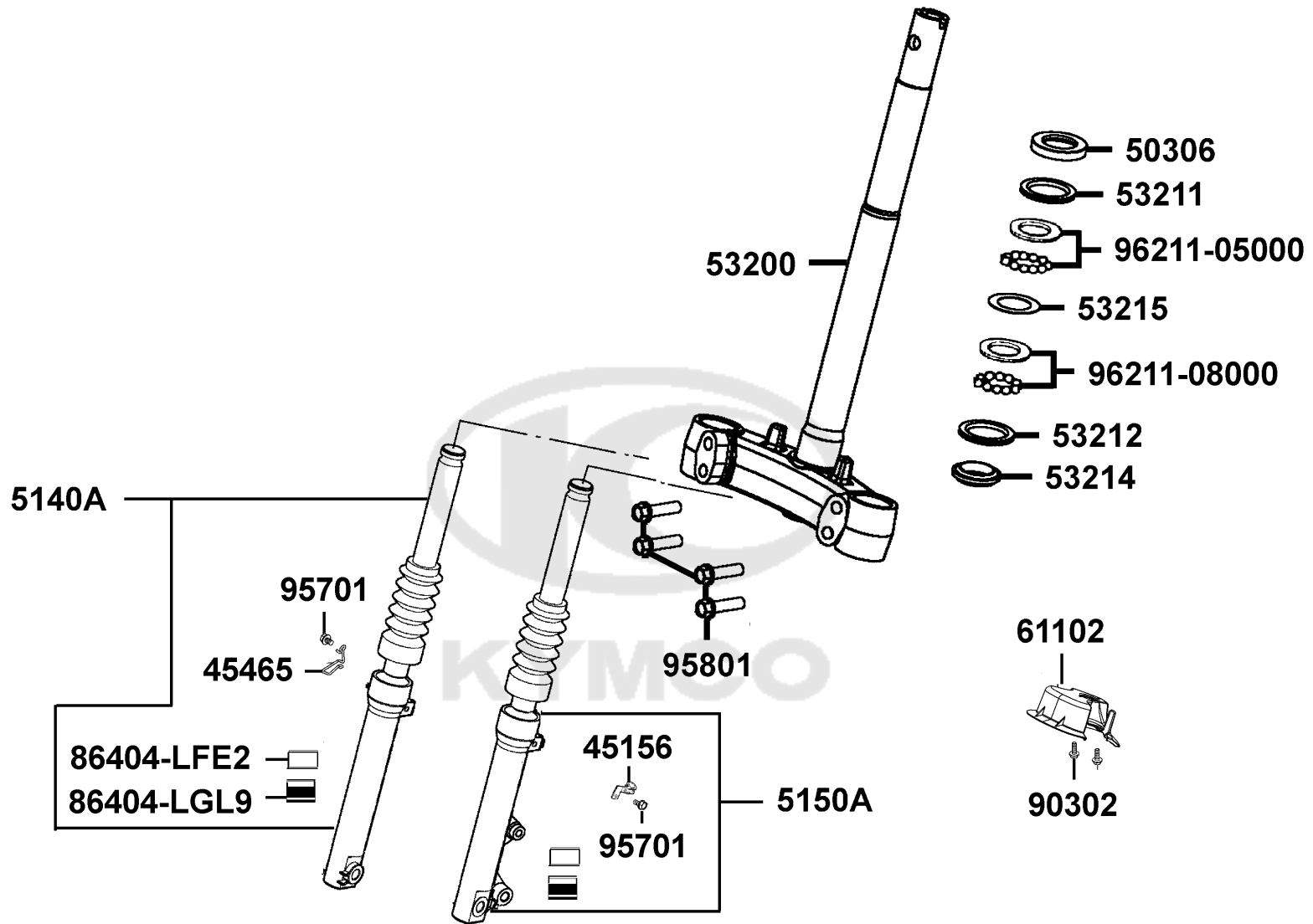


Sales mark 記号	Ref no 参照用番号	Part no パーツ番号	Description 部品名	Reg description 部品名	Regd no 必要個数	Ref Price 希望小売価格(税抜)	F05
93404-06012	93404-06012-06	93404-06012-06	BOLT WASHER 6*12 (G)	BOLT WASHER 6*12 (G)	1	200	
93404-06025	93404-06025-06	93404-06025-06	BOLT WASHER 6*25	BOLT WASHER 6*25	4	200	
93903-14460	93903-14460	93903-14460	SCREW TAPPING 4*16	SCREW TAPPING 4*16	2	200	
93903-34360	93903-34360	93903-34360	SCREW WASHER 4*12	SCREW WASHER 4*12	25	60	
93903-GFY6	93903-GFY6-900	93903-GFY6-900	SCREW WASHER 4*12	SCREW WASHER 4*12	10	60	
94591-21000	94591-21000	94591-21000	CLIP 2*100	CLIP 2*100	2	110	
94591-27000	94591-27000	94591-27000	CLIP 2*70	CLIP 2*70	1	110	



F06

Front Fork Front Cushion

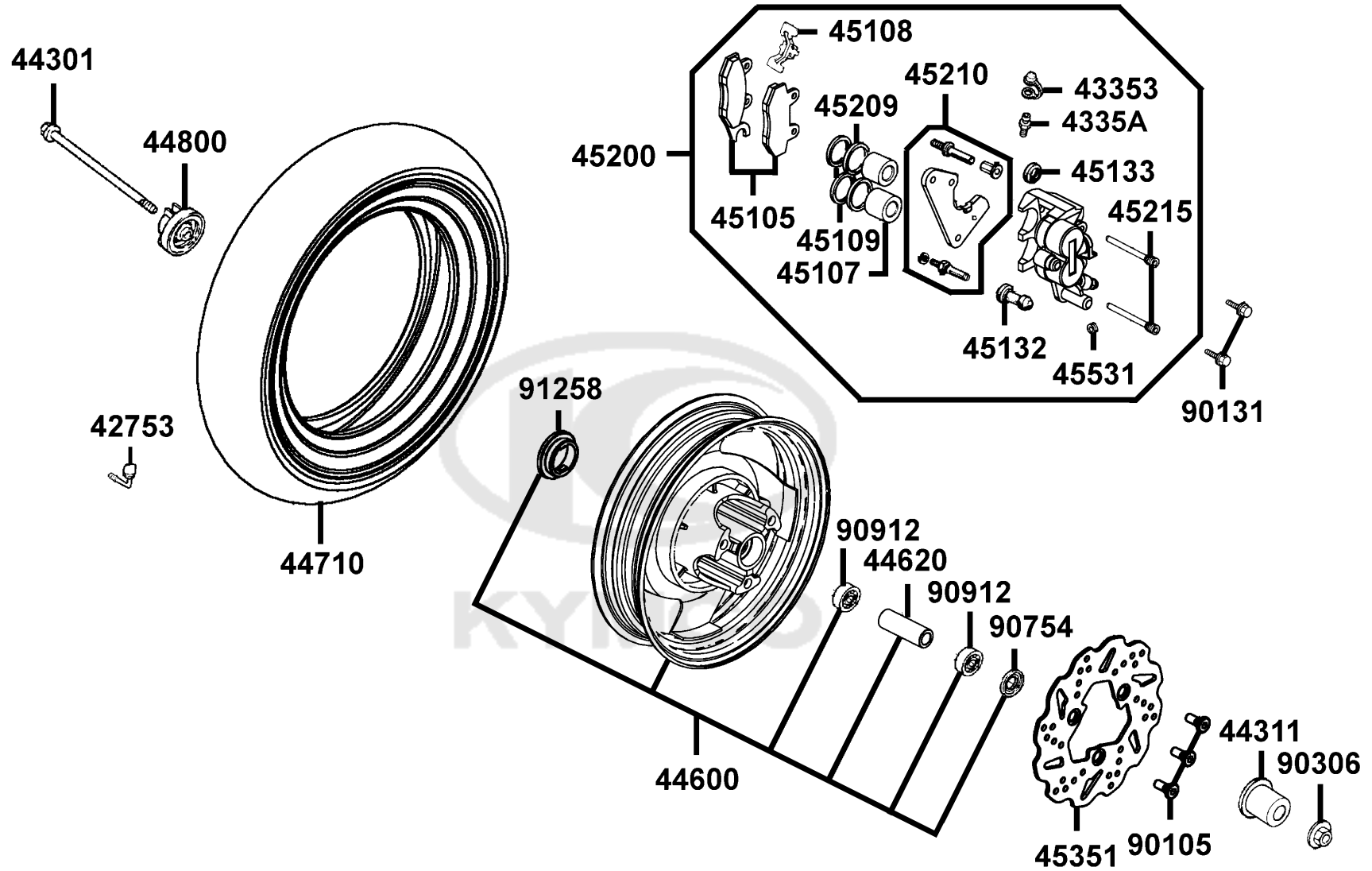


Sales mark 記号	Ref no 参照用番号	Part no パーツ番号	Description 部品名	Reg description 部品名	Regd no 必要個数	Ref Price 希望小売価格(税抜)
	45156	45156-KNBN-902	CLAMPER FR BRK HOSE	CLAMPER FR BRK HOSE	1	300
	45465	45465-LEA1-900	GUIDE CABLE	GUIDE CABLE	1	300
	50306	50306-1F96-001	NUT STRG STEM LOCK	NUT STRG STEM LOCK	1	300
**	5140A	5140A-LKC6-900	FORK SET FR R	FORK SET FR R	1	15260
**	5150A	5150A-LKC6-900	FORK SET FR L	FORK SET FR L	1	15260
	53200	53200-LEA1-900	STEM COMP STRG	STEM COMP STRG	1	9890
	53211	53211-GFY6-940	RACE STRG TOP CONE	RACE STRG TOP CONE	1	580
	53212	53212-2L50-011	RACE STRG BOT CONE	RACE STRG BOT CONE	1	870
	53214	53214-LHJ6-900	DUST SEAL STRG	DUST SEAL STRG	1	240
	53215	53215-2L50-001	WASH STRG HDL DUST-SEAL	WASH STRG HDL DUST-SEAL	1	130
**	61102	61102-LEA1-900	FENDER.FR C INNER	FENDER.FR C INNER	1	680
**	86404-LFE2	86404-LFE2-900	STRIPE FR FORK	STRIPE FR FORK	2	490
**	86404-LGL9	86404-LGL9-710	STRIPE FORK FR	STRIPE FORK FR	2	770
	90302	90302-GFY6-940	BOLT-WASH 5*16	BOLT-WASH 5*16	2	60
	95701	95701-06012-06	BOLT FLANGE 6*22 (K)	BOLT FLANGE 6*22 (K)	2	60
	95801	95801-08040-06	BOLT FLANGE 8*40	BOLT FLANGE 8*40	4	60
	96211-05000	96211-05000	BALL STEEL #5	BALL STEEL #5	1	60
	96211-08000	96211-08000	BALL STEEL #8	BALL STEEL #8	1	60

F06

F07

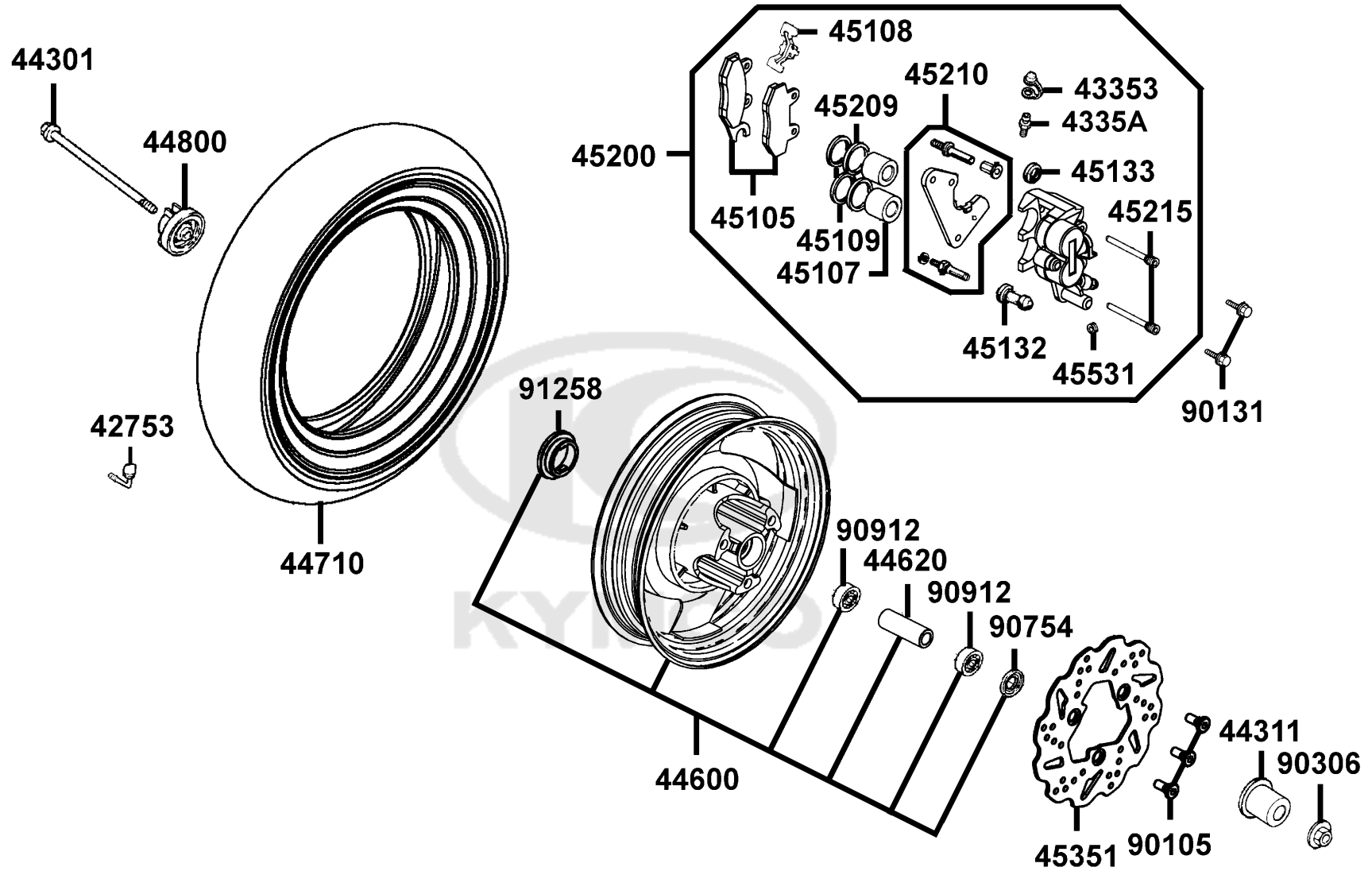
Front Wheel



Sales mark 記号	Ref no 参照用番号	Part no パーツ番号	Description 部品名	Reg description 部品名	Regd no 必要個数	Ref Price 希望小売価格(税抜)	F07
	42753	42753-KXCX-900	VALVE (PVR-70B) & CAP	VALVE (PVR-70B) & CAP	1	630	
	43353	43353-4A61-77A	CAP BLEEDER	CAP BLEEDER	1	130	
	4335A	4335A-LBA2-E01	BLEEDER ASSY	BLEEDER ASSY	1	700	
	44301	44301-LGE3-900	AXLE FR WHEEL M12*200MM	AXLE FR WHEEL M12*200MM	1	1250	
	44311	44311-GLW0-911	COLLAR FR WHEEL SIDE	COLLAR FR WHEEL SIDE	1	390	
**	44600	44600-LCB4-306	WHEEL SET FR	WHEEL SET FR	1	22810	
	44620	44620-KSBS-900	COLLAR FR DIST	COLLAR FR DIST	1	330	
	44710	44710-LAB4-90A	TIRE FR ASSY/90/90-10 4P TL /KENDA	TIRE FR ASSY/90/90-10 4P TL /KENDA	1	8630	
	44710	44710-LAB4-90B	TIRE ASSY FR/90/90-10 50J /MAXXIS	TIRE ASSY FR/90/90-10 50J /MAXXIS	1	9910	
**	44800	44800-KNBN-901	GEAR BOX ASSY SPDMT	GEAR BOX ASSY SPDMT	1	3150	
	45105	45105-LEA1-306	PAD SET	PAD SET	1	3560	
	45107	45107-MEN5-007	PISTON	PISTON	2	2200	
	45108	45108-MDL4-007	PAD SPG	PAD SPG	1	300	
	45109	45109-GBE2-007	DUST SEAL	DUST SEAL	2	140	
	45132	45132-1F66-017	BUSH BOOT PIN	BUSH BOOT PIN	1	780	
	45133	45133-MCA3-007	BOOT B	BOOT B	1	230	
**	45200	45200-LEA1-700	CALIPER ASSY FR	CALIPER ASSY FR	1	19500	
	45209	45209-GBE2-007	SEAL PISTON	SEAL PISTON	2	370	
	45210	45210-LEA1-305	BRKT FR CALIPER	BRKT FR CALIPER	1	2580	
	45215	45215-KECE-900	PIN HANGER	PIN HANGER	2	300	

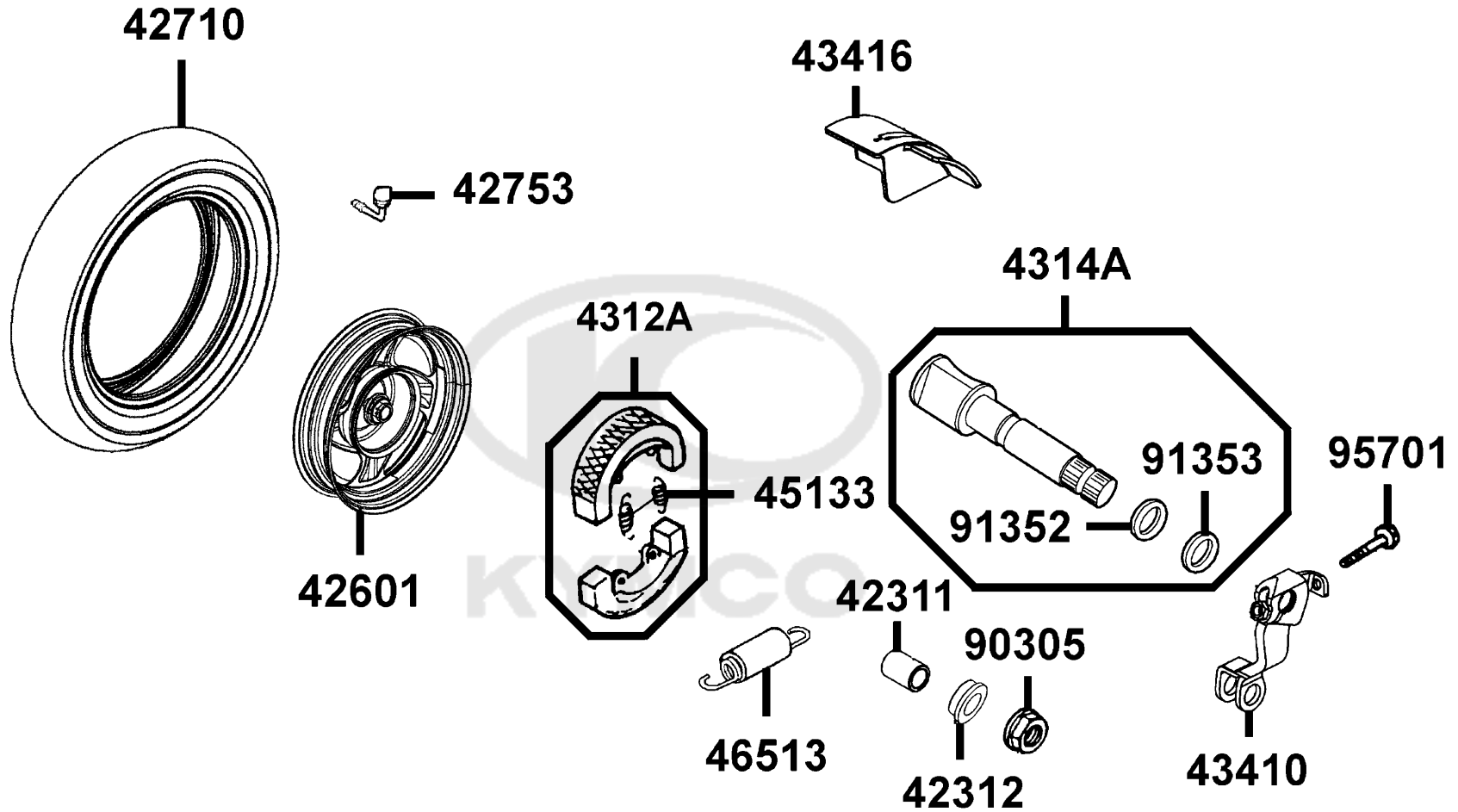
F07

Front Wheel

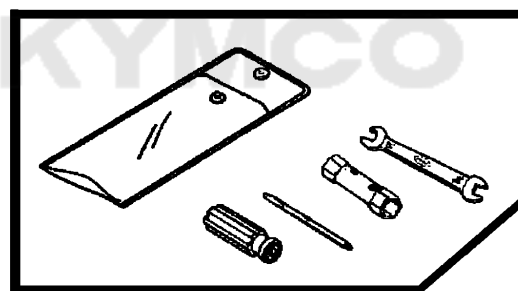
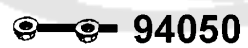
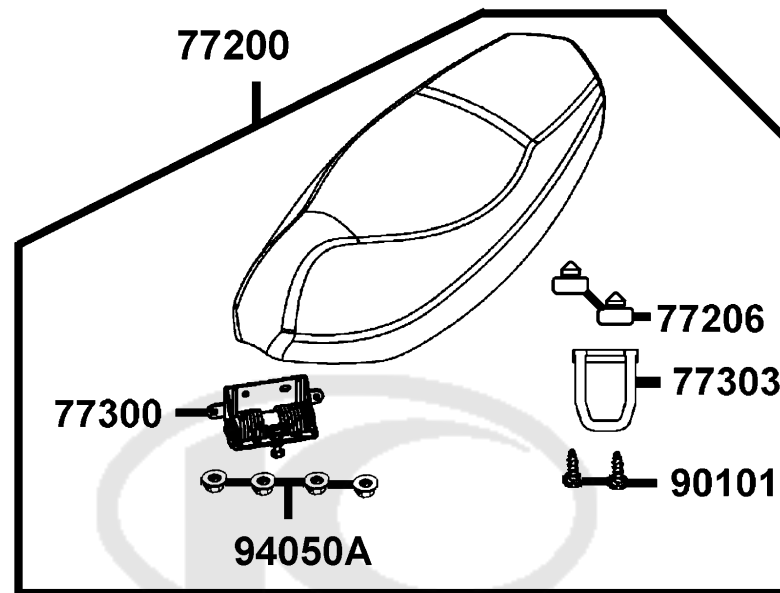


Sales mark 記号	Ref no 参照用番号	Part no パーツ番号	Description 部品名	Reg description 部品名	Regd no 必要個数	Ref Price 希望小売価格(税抜)	F07
**	45351	45351-LEA1-900	DISK FR BRAKE	DISK FR BRAKE	1	6290	
	45531	45531-GAR1-951	PLUG	PLUG	1	110	
	90105	90105-KCR3-001	BOLT FR DISK 8*24	BOLT FR DISK 8*24	3	80	
	90131	90131-LEB1-900	BOLT FLANGE 8*35	BOLT FLANGE 8*35	2	320	
	90306	90306-LFE2-900	NUT FLANGE 12MM	NUT FLANGE 12MM	1	320	
	90754	90754-GHC8-00A	SEAL DUST 20*32*5	SEAL DUST 20*32*5	1	100	
	90754	90754-GHC8-00B	SEAL DUST 20*32*5	SEAL DUST 20*32*5	1	100	
	90912	90912-GHC8-00A	BEARING 6201 (U)	BEARING 6201 (U)	2	770	
	90912	90912-GHC8-00D	BEARING	BEARING	2	630	
	91258	91258-KAM1-00A	SEAL SPDMT GEAR BOX	SEAL SPDMT GEAR BOX	1	300	





Sales mark 記号	Ref no 参照用番号	Part no パーツ番号	Description 部品名	Reg description 部品名	Regd no 必要個数	Ref Price 希望小売価格(税抜)	F08
	42311	42311-LEB1-900	COLLAR RR AXLE SIDE A	COLLAR RR AXLE SIDE A	1	580	
	42312	42312-LEB1-900	COLLAR RR AXLE SIDE	COLLAR RR AXLE SIDE	1	390	
**	42601	42601-LCB4-70B	HUB SUB COMP RR	HUB SUB COMP RR	1	20910	
	42710	42710-LAB4-90A	TIRE ASSY RR 100/80-10 4P TL /KENDA	TIRE ASSY RR 100/80-10 4P TL /KENDA	1	6340	
	42710	42710-LAB4-90B	TIRE ASSY RR/100/80-10 53J /MAXXIS	TIRE ASSY RR/100/80-10 53J /MAXXIS	1	9910	
	42753	42753-KXCX-900	VALVE (PVR-70B) & CAP	VALVE (PVR-70B) & CAP	1	630	
	4312A	4312A-LGM1-91A	SHOE ASSY BRAKE (E206)	SHOE ASSY BRAKE (E206)	1	2630	
	4312A	4312A-LGM1-91B	SHOE ASSY BRAKE (D103)	SHOE ASSY BRAKE (D103)	1	2300	
	4314A	4314A-LEA1-900	CAM RR BRAKE	CAM RR BRAKE	1	1530	
	43410	43410-LEA1-910	ARM COMP RR BRAKE	ARM COMP RR BRAKE	1	1770	
	43416	43416-LEA1-910	GUARD RR BRK ARM	GUARD RR BRK ARM	1	200	
	45133	45133-LDA3-900	SPRING BRAKE SHOE REAR	SPRING BRAKE SHOE REAR	2	300	
	46513	46513-LEB1-900	SPG ASSY BRK ARM	SPG ASSY BRK ARM	1	300	
	90305	90305-KNBN-90B	NUT U 16MM	NUT U 16MM	1	110	
	91352	91352-KHG8-83B	O-RING 11.3*1.3	O-RING 11.3*1.3	1	60	
	91353	91353-GFY6-900	O-RING 13.1*10	O-RING 13.1*10	1	60	
	95701	95701-06025-06	BOLT FLANGE 6*25	BOLT FLANGE 6*25	1	60	

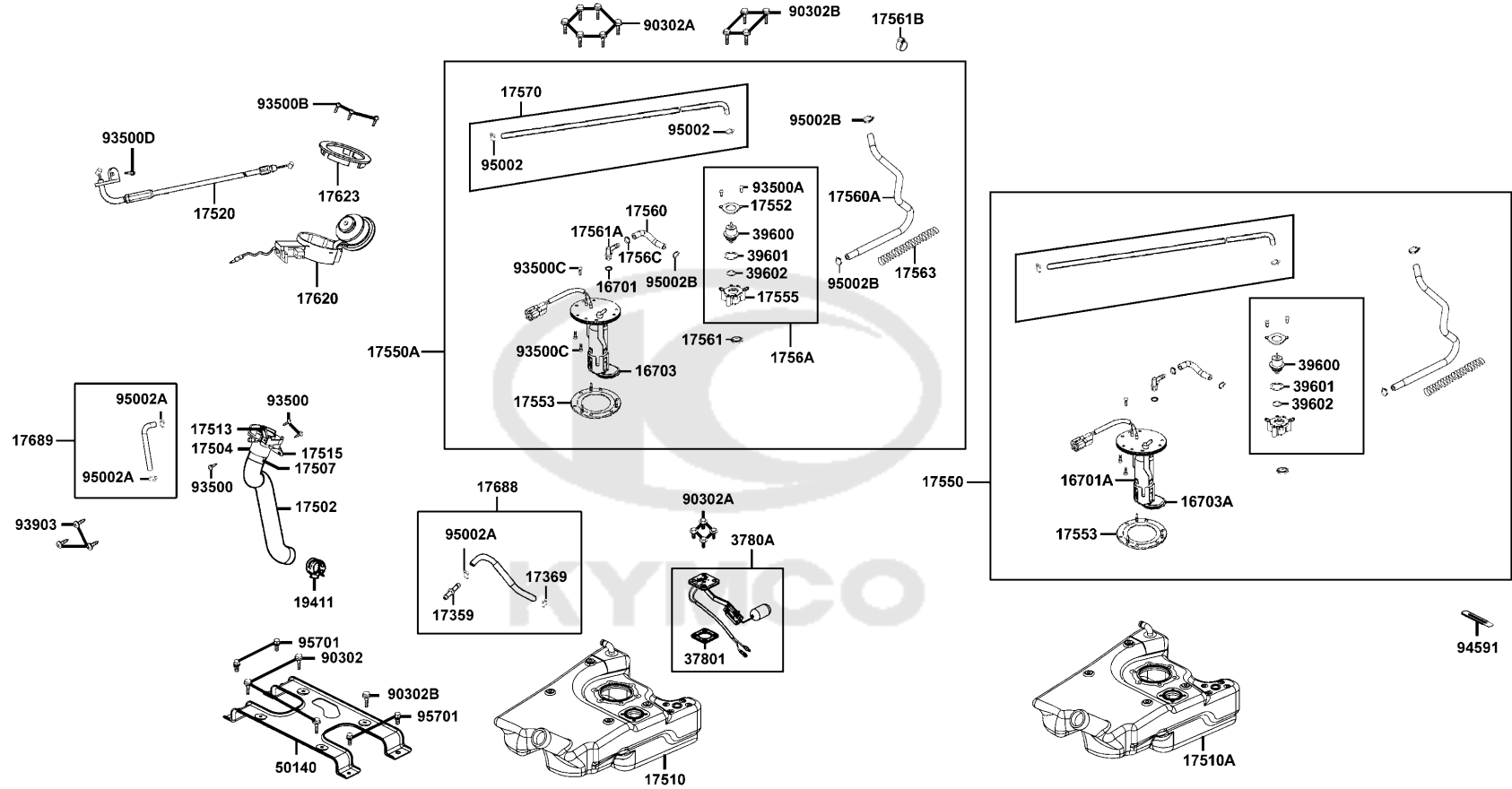


Sales mark 記号	Ref no 参照用番号	Part no パーツ番号	Description 部品名	Reg description 部品名	Regd no 必要個数	Ref Price 希望小売価格(税抜)	F09
**	77200	77200-LKC6-B31	SEAT ASSY	SEAT ASSY	1	19010	
	77206	77206-KEB7-900	RUBBER SEAT CUSH	RUBBER SEAT CUSH	1	110	
	77300	77300-LEA1-900	HINGE ASSY SEAT	HINGE ASSY SEAT	1	1340	
	77303	77303-LEA1-900	HOOK SEAT LOCK	HOOK SEAT LOCK	1	490	
	89010	89010-LEA1-900	TOOL SET	TOOL SET	1	1820	
	90101	90101-KGC4-E00	SCREW SPECIAL 6*15	SCREW SPECIAL 6*15	2	60	
	94050	94050-06060	NUT FLANGE 6MM	NUT FLANGE 6MM	2	60	
	94050A	94050-06080	NUT FLANGE 6MM	NUT FLANGE 6MM	4	60	



F10

Fuel Tank

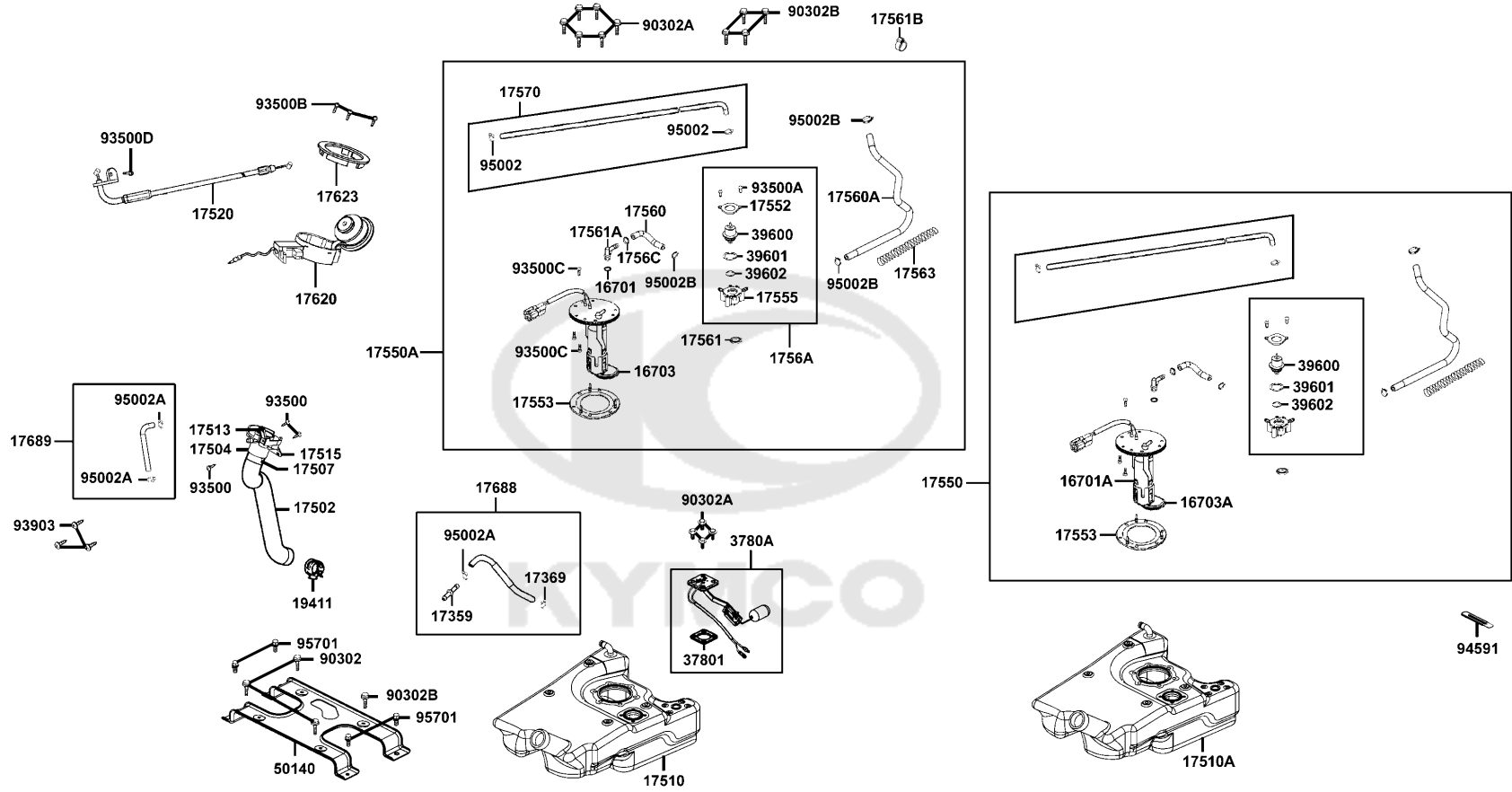


Sales mark 記号	Ref no 参照用番号	Part no パーツ番号	Description 部品名	Reg description 部品名	Regd no 必要個数	Ref Price 希望小売価格(税抜)
16701		16701-LEB2-900	O RING	O RING	1	420
16701A		16701-LHJ8-800	FUEL PUMP	FUEL PUMP	1	11980
16703		16703-LEB2-800	FUEL FILTER ASSEMBLY	FUEL FILTER ASSEMBLY	1	2860
16703A		16703-LHJ8-800	FUEL FILTER ASSY	FUEL FILTER ASSY	1	2860
17359		17359-4K19-671	JOINT BREATHER TUBE	JOINT BREATHER TUBE	1	60
17369		17369-KHC4-900	CLIP BREATHER TUBE	CLIP BREATHER TUBE	1	160
17502		17502-LEA1-900	TUBE FUEL	TUBE FUEL	1	2770
17504		17504-LAB4-900	FUEL FILLER	FUEL FILLER	1	1440
17507		17507-LAB4-900	BAND 50 FUEL HOSE	BAND 50 FUEL HOSE	1	390
17510		17510-LEA1-900	TANK COMP FUEL	TANK COMP FUEL	1	13980
17510A		17510-LKC6-800	TANK FUEL	TANK FUEL	1	16160
17513		17513-LEA1-900	FUEL PIPE STAY A	FUEL PIPE STAY A	1	490
17515		17515-LEA1-900	FUEL PIPE STAY B	FUEL PIPE STAY B	1	490
17520		17520-LEA1-900	CABLE COMP FUEL CAP	CABLE COMP FUEL CAP	1	960
17550		17550-LKC6-800	PUMP ASSY.. FUEL	PUMP ASSY.. FUEL	1	27810
17550A		17550-LKC6-910	PUMP ASSY FUEL/D106	PUMP ASSY FUEL/D106	1	45990
17552		17552-KKE3-900	CLAMPE REG INJECTOR	CLAMPE REG INJECTOR	1	200
17553		17553-LEB2-900	PACKING PUMP	PACKING PUMP	1	250
17555		17555-LBG7-800	HOLDER REGULATOR	HOLDER REGULATOR	1	540
17560		17560-LBG7-800	TUBE PUMP-REGULATOR COMP	TUBE PUMP-REGULATOR COMP	1	3050

F10

F10

Fuel Tank

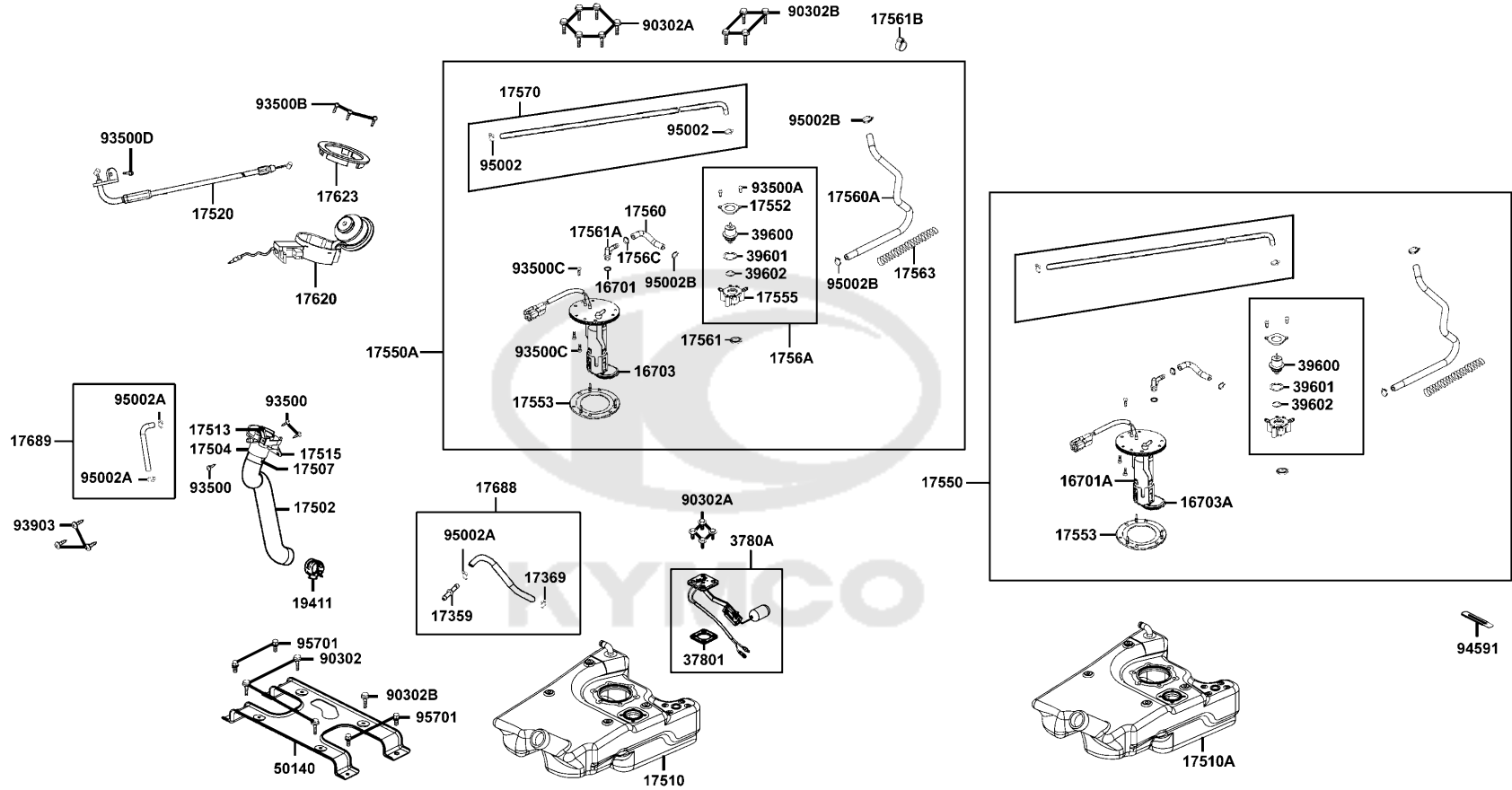


Sales mark 記号	Ref no 参照用番号	Part no パーツ番号	Description 部品名	Reg description 部品名	Regd no 必要個数	Ref Price 希望小売価格(税抜)
	17560A	17560-LKC6-900	TUBE REGULATOR ENG COMP	TUBE REGULATOR ENG COMP	1	3240
	17561	17561-LBG7-900	PACKING REGULATOR	PACKING REGULATOR	1	390
	17561A	17561-LEB2-910	JOINT	JOINT	1	490
	17561B	17561-LKB9-900	CLIP 12.5	CLIP 12.5	1	300
	17563	17563-LEA1-900	SPRING TUBE	SPRING TUBE	1	800
	1756A	1756A-LBG7-900	REUGLATOR COMP	REUGLATOR COMP	1	10230
	1756C	1756C-KKE2-900	CLIC R 89-115	CLIC R 89-115	1	230
	17570	17570-LKC6-900	TUBE SET	TUBE SET	1	1530
	17620	17620-KKE5-E0A	CAP COMP FUEL FILLER	CAP COMP FUEL FILLER	1	6900
	17620	17620-KKE5-E0B	CAP COMP FUEL FILLER	CAP COMP FUEL FILLER	1	5380
**	17623	17623-KKE5-E0A	COLLAR FUEL FILLER	COLLAR FUEL FILLER	1	960
**	17623	17623-KKE5-E0B	COLLAR FUEL FILLER	COLLAR FUEL FILLER	1	390
	17688	17688-LEA1-900	TUBE TANK-FUEL FILLER	TUBE TANK-FUEL FILLER	1	920
	17689	17689-LEH1-B50	TUBE TANK JOINT	TUBE TANK JOINT	1	1630
	19411	19411-KHC4-900	CLIP HOSE	CLIP HOSE	1	490
	37801	37801-LLJ3-E00	PACKING BASE	PACKING BASE	1	230
	3780A	3780A-LEA1-910	FUEL UNIT ASSY	FUEL UNIT ASSY(旧品番の「3780A-LEA1-	1	4570
	39600	39600-KKE3-800	REGULATOR	REGULATOR	1	9080
	39601	39601-KKE3-900	O RING A	O RING A	1	770
	39602	39602-KKE3-900	O RING B	O RING B	1	680

F10

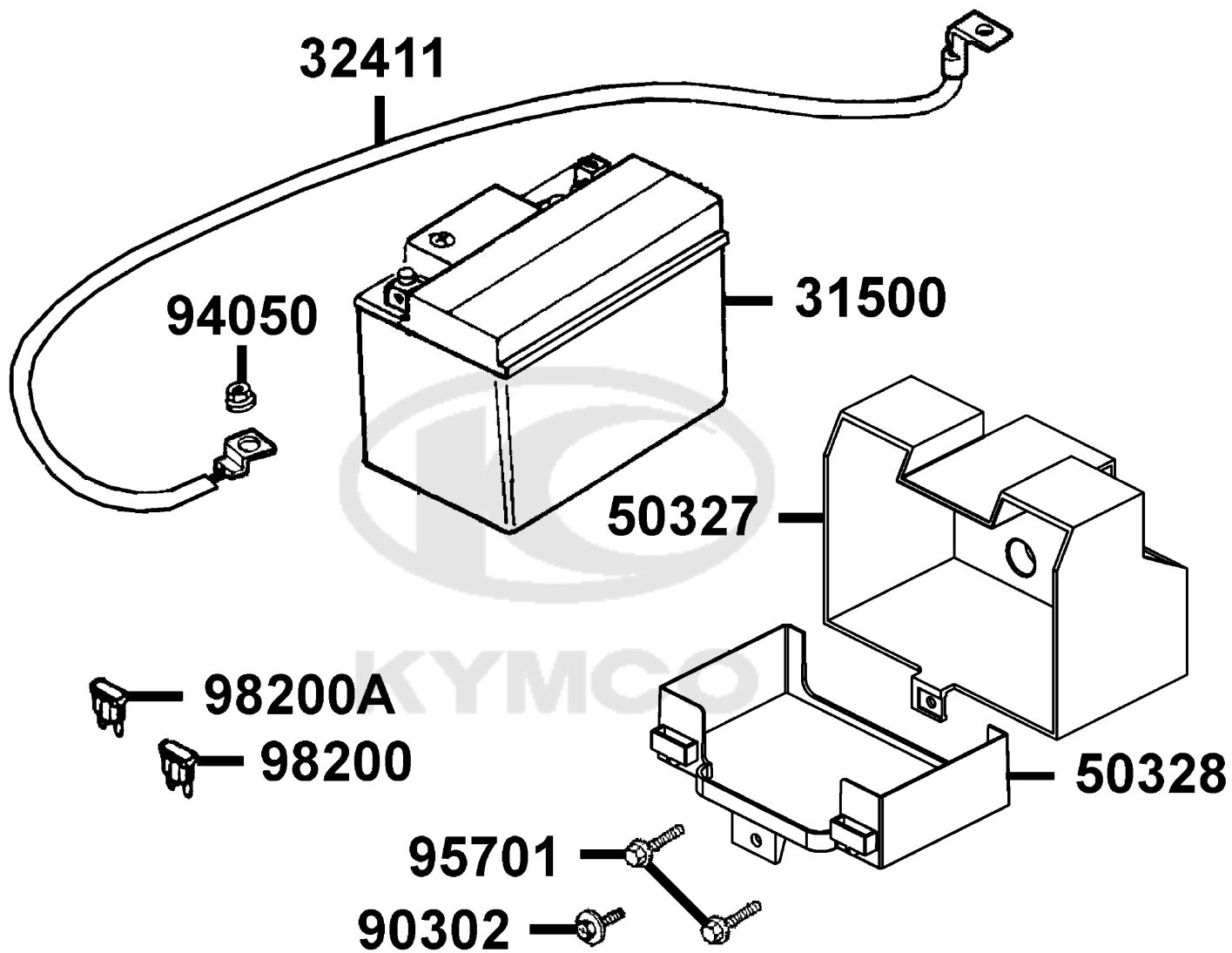
F10

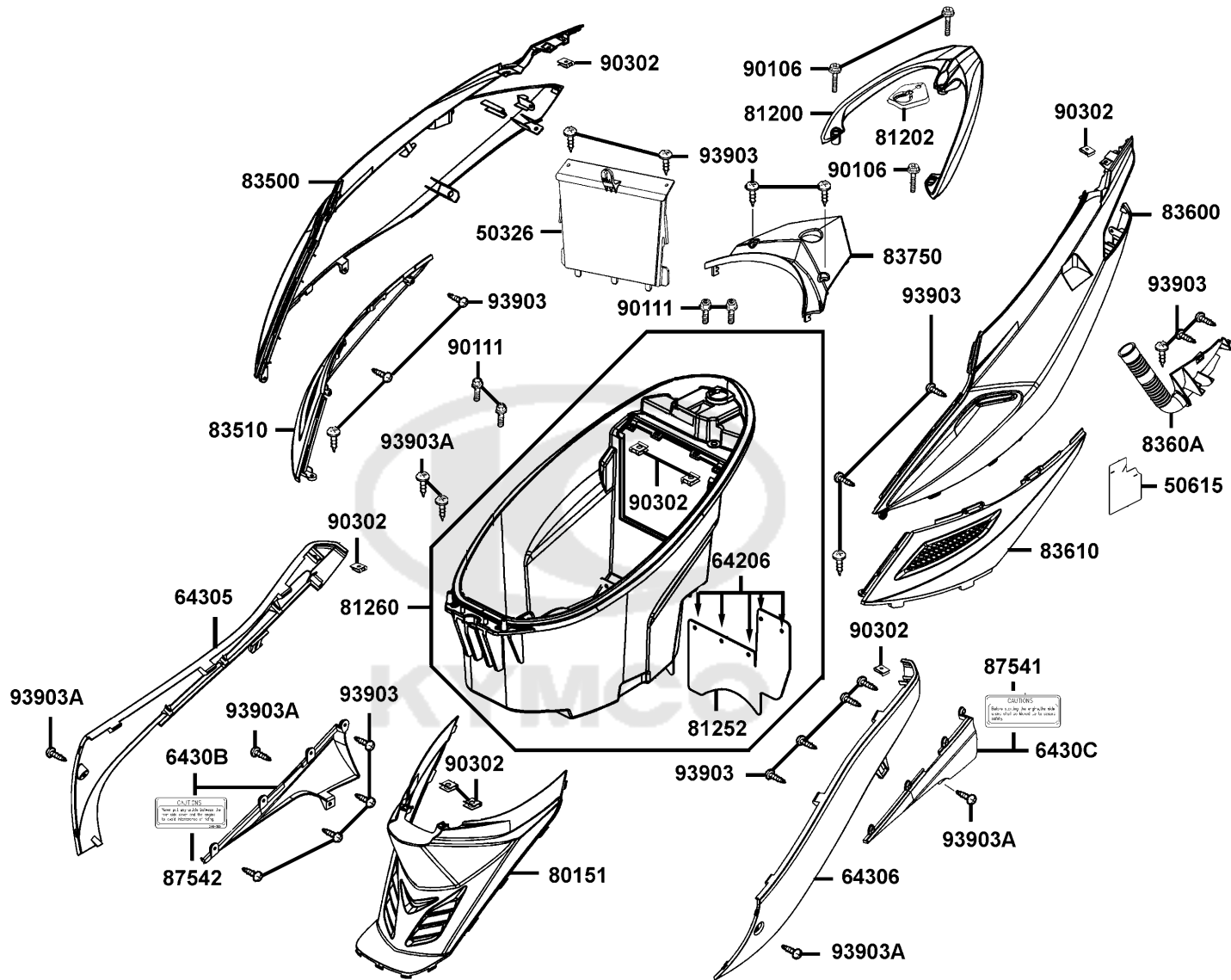
Fuel Tank



Sales mark 記号	Ref no 参照用番号	Part no パーツ番号	Description 部品名	Reg description 部品名	Regd no 必要個数	Ref Price 希望小売価格(税抜)
50140	50140-LBG7-900	50140-LBG7-900	PLATE FLOOR	PLATE FLOOR	1	1910
90302	90302-GFY6-901	90302-GFY6-901	BOLT WASH 5*12 *(1) C.V.	BOLT WASH 5*12 *(1) C.V.	3	60
90302A	90302-GFY6-940	90302-GFY6-940	BOLT-WASH 5*16	BOLT-WASH 5*16	10	60
90302B	90302-LEA1-900	90302-LEA1-900	BOLT-WASH 5X30	BOLT-WASH 5X30	5	110
93500	93500-04008-0G	93500-04008-0G	SCREW PAN 4*8	SCREW PAN 4*8	3	60
93500A	93500-04010-0F	93500-04010-0F	SCREW PAN 4X10	SCREW PAN 4X10	1	200
93500B	93500-04020-0G	93500-04020-0G	SCREW PAN 4*20	SCREW PAN 4*20	3	60
93500C	93500-05010-0F	93500-05010-0F	SCREW PAN 5X10(G)	SCREW PAN 5X10(G)	2	200
93500D	93500-KHC4-90A	93500-KHC4-90A	SCREW PAN 5*10	SCREW PAN 5*10	1	200
93903	93903-35360	93903-35360	SCREW WASHER 4*12	SCREW WASHER 4*12	3	60
94591	94591-KFBF-900	94591-KFBF-900	CLIP 2*70	CLIP 2*70	1	60
95002	95002-02070	95002-02070	CLIP B7 TUBE	CLIP B7 TUBE	2	60
95002A	95002-02130	95002-02130	CLIP B12.5 TUBE	CLIP B12.5 TUBE	3	60
95002B	95002-KKE3-900	95002-KKE3-900	CLIP SPA 13	CLIP SPA 13	2	200
95701	95701-06012-06	95701-06012-06	BOLT FLANGE 6*22 (K)	BOLT FLANGE 6*22 (K)	5	60

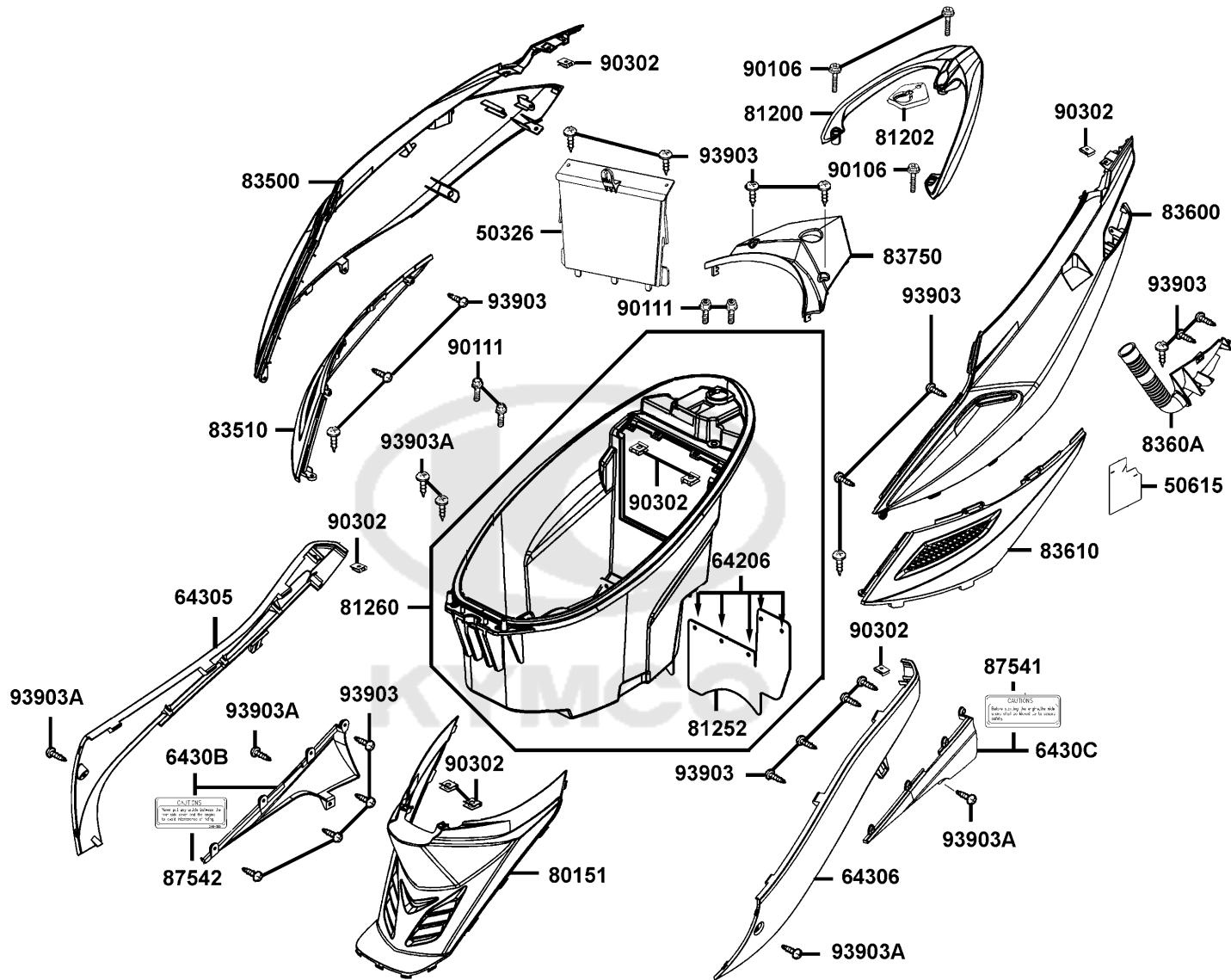
F10





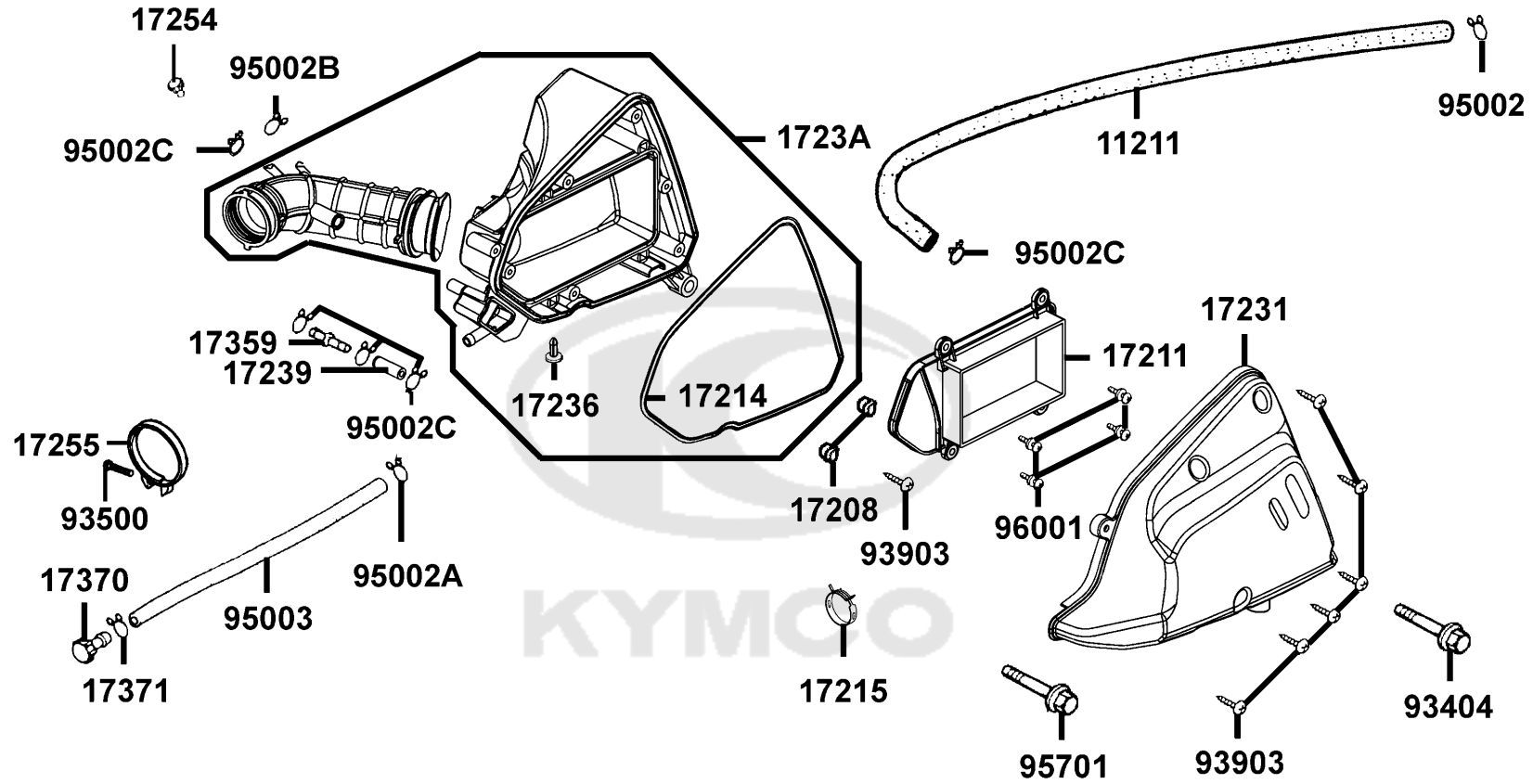
Sales mark 記号	Ref no 参照用番号	Part no パーツ番号	Description 部品名	Reg description 部品名	Regd no 必要個数	Ref Price 希望小売価格(税抜)
	50326	50326-LEA1-900	COVER BATTERY	COVER BATTERY	1	450
	50615	50615-LEA1-900	PLATE B SPLASH GUARD	PLATE B SPLASH GUARD	1	300
	64206	64206-MLJ0-001	NUT SPEED 4MM	NUT SPEED 4MM	5	60
**	64305	64305-LEA1-900	SKIRT R SIDE	SKIRT R SIDE	1	5710
**	64306	64306-LEA1-900	SKIRT L SIDE	SKIRT L SIDE	1	5710
**	6430B	6430B-LEA1-B80	SKIRT B ASSY. R SIDE	SKIRT B ASSY. R SIDE	1	490
**	6430C	6430C-LEA1-B80	SKIRT B ASSY L SIDE	SKIRT B ASSY L SIDE	1	490
**	80151	80151-LEA1-900	COVER CENTER	COVER CENTER	1	4000
**	81200	81200-LEA1-900	CARRIER REAR	CARRIER REAR	1	8180
	81202	81202-LEA1-900	CAUTION RR GRIP	CAUTION RR GRIP	1	300
	81252	81252-LEA1-900	PLATE A SPLASH GUARD	PLATE A SPLASH GUARD	1	490
	81260	81260-LKC6-B20	BOX ASSY LUGGAGE	BOX ASSY LUGGAGE	1	5090
**	83500	83500-LEA1-900	COVER R BODY /NH193PA	COVER R BODY /NH193PA	1	7230
**	83510	83510-LEA1-900	COVER R SIDE	COVER R SIDE	1	2580
**	83600	83600-LEA1-900	COVER L BODY /NH193PA	COVER L BODY /NH193PA	1	7230
	8360A	8360A-LEA1-900	DUCT ASSY A/C	DUCT ASSY A/C	1	1340
**	83610	83610-LEA1-900	COVER L SIDE	COVER L SIDE	1	2580
**	83750	83750-LEA1-900	COVER RR CENTER	COVER RR CENTER	1	3050
**	87541	87541-GAR1-E00	CAUTION SIDE STAND	CAUTION SIDE STAND	1	200
**	87542	87542-GAR1-E00	MARK MAINT CAUTION	MARK MAINT CAUTION	1	200

F12



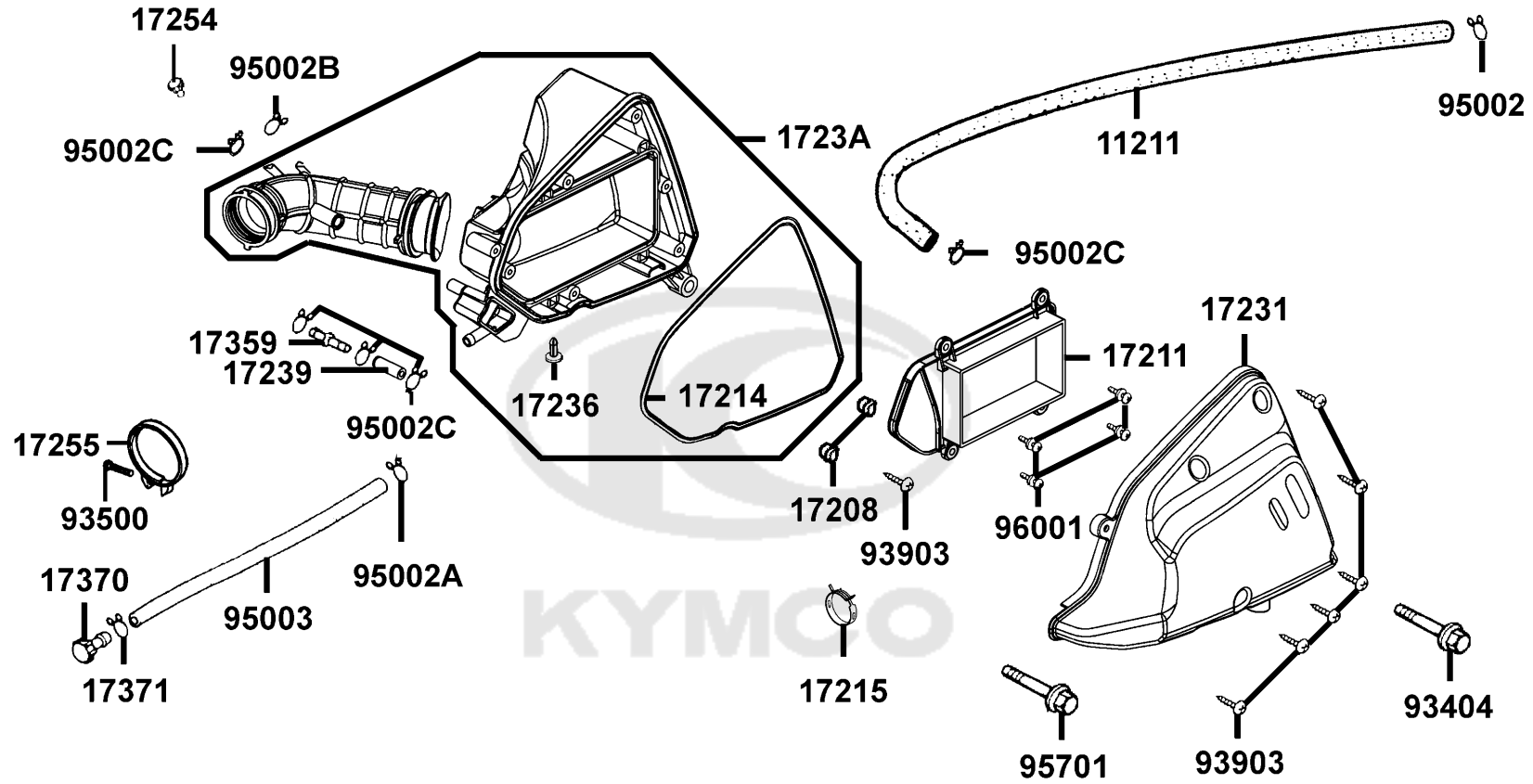
Sales mark 記号	Ref no 参照用番号	Part no パーツ番号	Description 部品名	Reg description 部品名	Regd no 必要個数	Ref Price 希望小売価格(税抜)	F12
90106		90106-KFC2-900	BOLT SPECIAL 8MM	BOLT SPECIAL 8MM	3	510	
90111		90111-1G87-001	BOLT FLANGE 6MM	BOLT FLANGE 6MM	4	60	
90302		90302-SDA4-004	NUT SPRING 4MM	NUT SPRING 4MM	8	60	
93903		93903-34360	SCREW WASHER 4*12	SCREW WASHER 4*12	21	60	
93903A		93903-GFY6-900	SCREW WASHER 4*12	SCREW WASHER 4*12	6	60	





Sales mark 記号	Ref no 参照用番号	Part no パーツ番号	Description 部品名	Reg description 部品名	Regd no 必要個数	Ref Price 希望小売価格(税抜)
11211		11211-LEA1-900	TUBE BRTHER	TUBE BRTHER	1	770
17208		17208-GAR1-011	COLLAR AIR/C SET	COLLAR AIR/C SET	2	110
17211		17211-LEA1-900	ELEMENT COMP AIR/C	ELEMENT COMP AIR/C	1	1390
17214		17214-LEA1-900	SEAL AIR/C COVER	SEAL AIR/C COVER	1	580
17215		17215-KGBG-90A	CLIP ASSY A/C DUCT	CLIP ASSY A/C DUCT	1	580
17215		17215-KGBG-90B	CLIP ASSY AIR/C DUCT	CLIP ASSY AIR/C DUCT	1	580
17231		17231-LEA1-900	COVER AIR/C	COVER AIR/C	1	1530
17236		17236-KFBF-910	PLATE	PLATE	1	200
17239		17239-LEA1-900	TUBE AIR/C BLOW-BY	TUBE AIR/C BLOW-BY	1	300
1723A		1723A-LEA1-900	CASE ASSY AIR/C	CASE ASSY AIR/C	1	4190
17254		17254-KACA-P00	PLUG AIR/C CONN TUBE	PLUG AIR/C CONN TUBE	1	200
17255		17255-KGBG-900	BAND A CONNECTING TUBE	BAND A CONNECTING TUBE	1	300
17359		17359-4K19-671	JOINT BREATHER TUBE	JOINT BREATHER TUBE	2	60
17370		17370-4K19-701	PLUG BREATHER TUBE	PLUG BREATHER TUBE	1	110
17371		17371-1D74-671	CLIP BREATHER TUBE	CLIP BREATHER TUBE	1	60
93404		93404-06030-06	BOLT WASHER 6*30	BOLT WASHER 6*30	1	160
93500		93500-04025-0A	SCREW PAN 4*25	SCREW PAN 4*25	1	200
93903		93903-25460	SCREW TAPPING 5*20 **93903-25480	SCREW TAPPING 5*20 **93903-25480 C.2005	7	60
95002		95002-02080	CLIP B8 TUBE	CLIP B8 TUBE	1	60
95002A		95002-02120	CLIP B12 TUBE	CLIP B12 TUBE	1	60

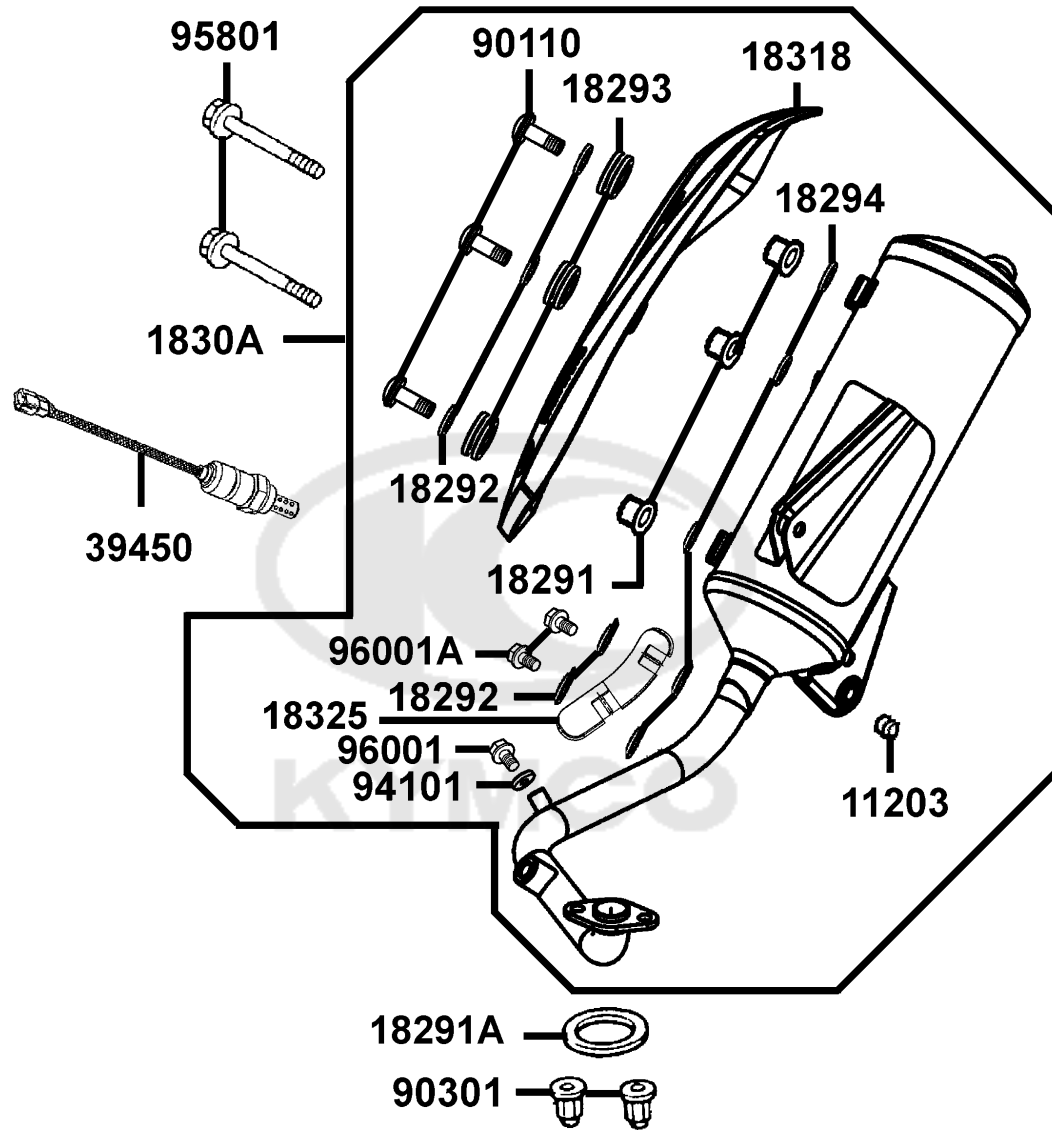
F13



Sales mark 記号	Ref no 参照用番号	Part no パーツ番号	Description 部品名	Reg description 部品名	Regd no 必要個数	Ref Price 希望小売価格(税抜)	F13
------------------	-----------------	------------------	--------------------	------------------------	-----------------	-------------------------	-----

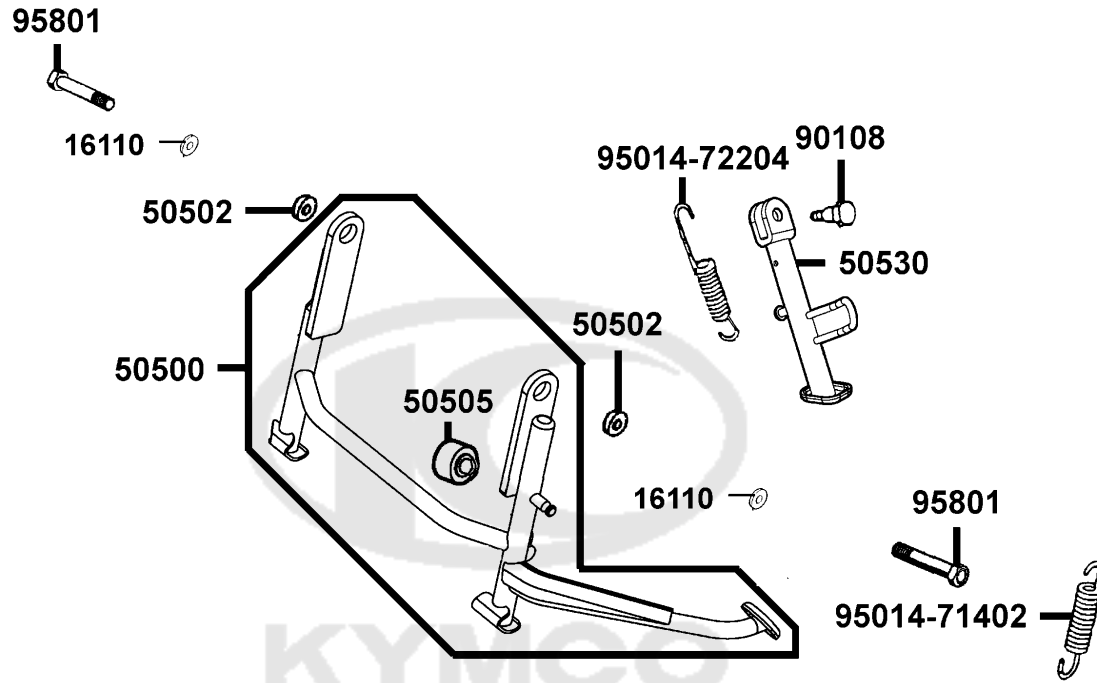
95002B	95002-40800-08	CLAMP D8 TUBE	CLAMP D8 TUBE	1	160	
95002C	95002-41150-00	CLIP D11.5 TUBE	CLIP D11.5 TUBE	5	230	
95003	95003-23024-60	V TUBE 8*12*240	V TUBE 8*12*240	1	200	
95701	95701-06032-06	BOLT FLANGE 6*32	BOLT FLANGE 6*32	1	60	
96001	96001-GFY6-900	BOLT SPECIAL 5X10	BOLT SPECIAL 5X10	4	60	





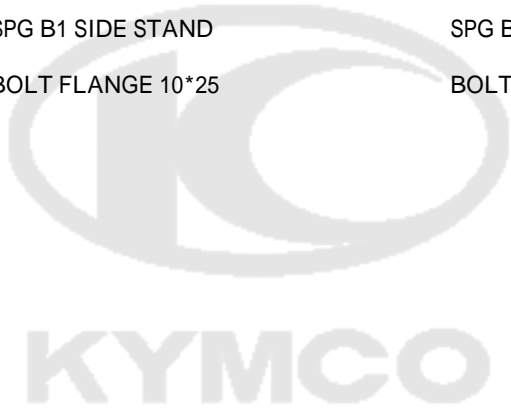
Sales mark 記号	Ref no 参照用番号	Part no パーツ番号	Description 部品名	Reg description 部品名	Regd no 必要個数	Ref Price 希望小売価格(税抜)
	11203	11203-KKE2-900	RUBBER BUSH MUFFLER STAY	RUBBER BUSH MUFFLER STAY	2	300
	18291	18291-KEBE-900	COLLAR	COLLAR	3	60
	18291A	18291-LBD4-900	GASKET EXH PIPE	GASKET EXH PIPE	1	200
	18292	18292-KEBE-900	PACKING PROTECTOR	PACKING PROTECTOR	3	60
	18293	18293-KEBE-900	RUBBER PKG PROTR	RUBBER PKG PROTR	3	140
	18294	18294-KEBE-900	PACKING PROTECTOR	PACKING PROTECTOR	3	110
	1830A	1830A-LEA1-B00	MUFFLER ASSY	MUFFLER ASSY	1	34900
**	18318	18318-LEA1-B00	PROTECTOR MUFF	PROTECTOR MUFF	1	2890
	18325	18325-LEA1-900	PROTECTOR EXH PIPE	PROTECTOR EXH PIPE	1	2290
	39450	39450-LEA6-800	O2 SENSOR	O2 SENSOR **(1) C.2006.12.21	1	19800
	90110	90110-KHD8-900	SCREW SPECIAL 6*20	SCREW SPECIAL 6*20	3	60
	90301	90301-GFY6-901	NUT (HEX) CAP 8MM	NUT (HEX) CAP 8MM	2	140
	94101	94101-06200	WASHER PLAIN 6MM	WASHER PLAIN 6MM	1	60
	95801	95801-08042-06	BOLT FLANGE 8*42	BOLT FLANGE 8*42	2	70
	96001	96001-06008-07	BOLT FLANGE SH 6*8	BOLT FLANGE SH 6*8	1	60
	96001A	96001-06016-07	BOLT FLANGE SH 6*16 (K)	BOLT FLANGE SH 6*16 (K)	2	130

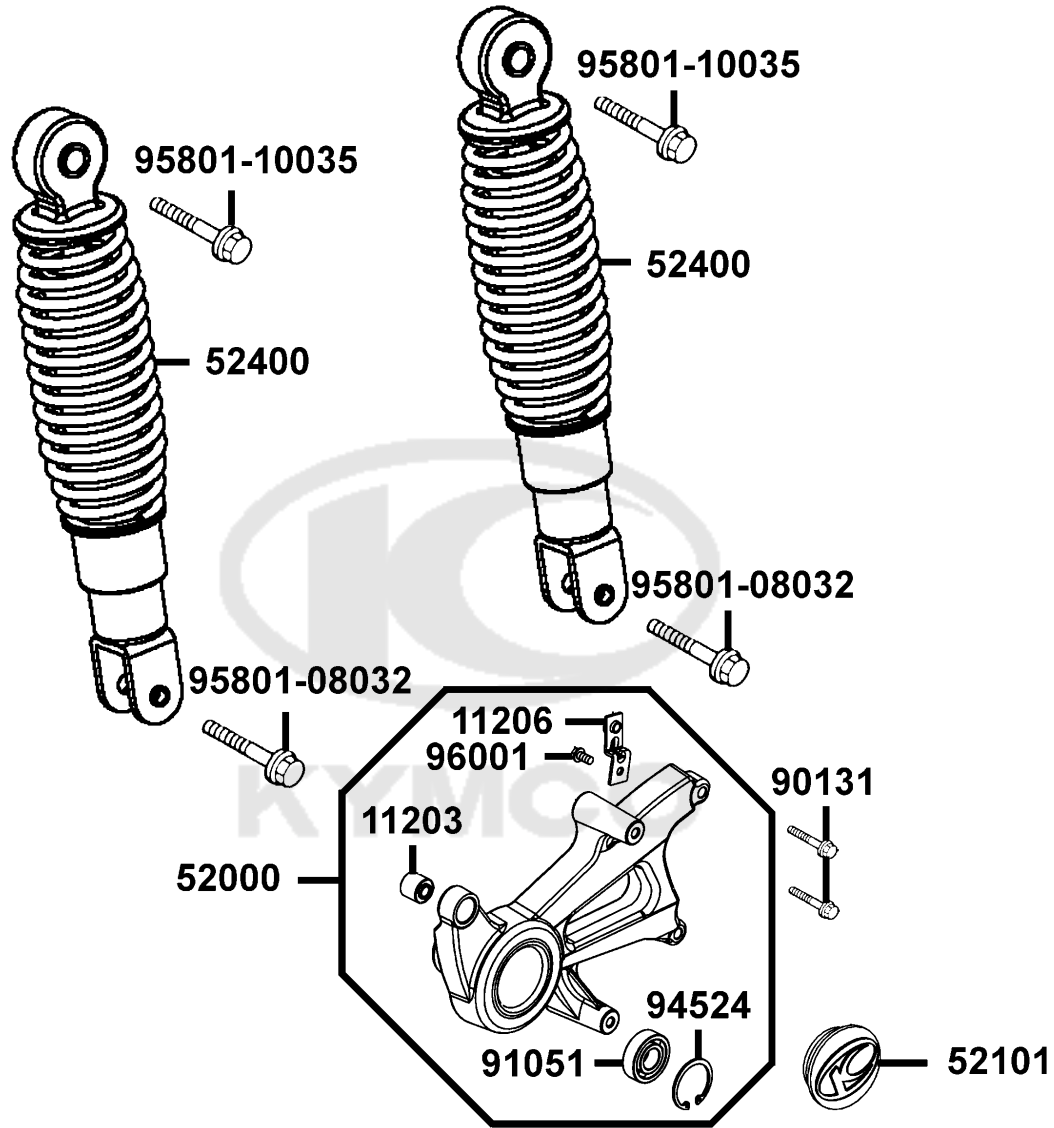
F14



Sales mark 記号	Ref no 参照用番号	Part no パーツ番号	Description 部品名	Reg description 部品名	Regd no 必要個数	Ref Price 希望小売価格(税抜)
16110	16110-LEA1-900	16110-LEA1-900	WASHER 15*20*1	WASHER 15*20*1	2	110
50500	50500-LEA1-910	50500-LEA1-910	STAND COMP MAIN	STAND COMP MAIN	1	5520
50502	50502-LEA1-910	50502-LEA1-910	COLLAR. MAIN STAND	COLLAR. MAIN STAND	2	160
50505	50505-LAD9-900	50505-LAD9-900	STOPPER RUBBER	STOPPER RUBBER	1	180
50530	50530-LEA1-900	50530-LEA1-900	SIDE STAND COMP	SIDE STAND COMP	1	1720
90108	90108-LKE6-900	90108-LKE6-900	PIVOT SCREW SIDE STAND	PIVOT SCREW SIDE STAND	1	80
95014-71402	95014-71402	95014-71402	SPRING D MAIN STAND	SPRING D MAIN STAND	1	60
95014-72204	95014-72204	95014-72204	SPG B1 SIDE STAND	SPG B1 SIDE STAND	1	300
95801	95801-LEA1-900	95801-LEA1-900	BOLT FLANGE 10*25	BOLT FLANGE 10*25	2	300

F15



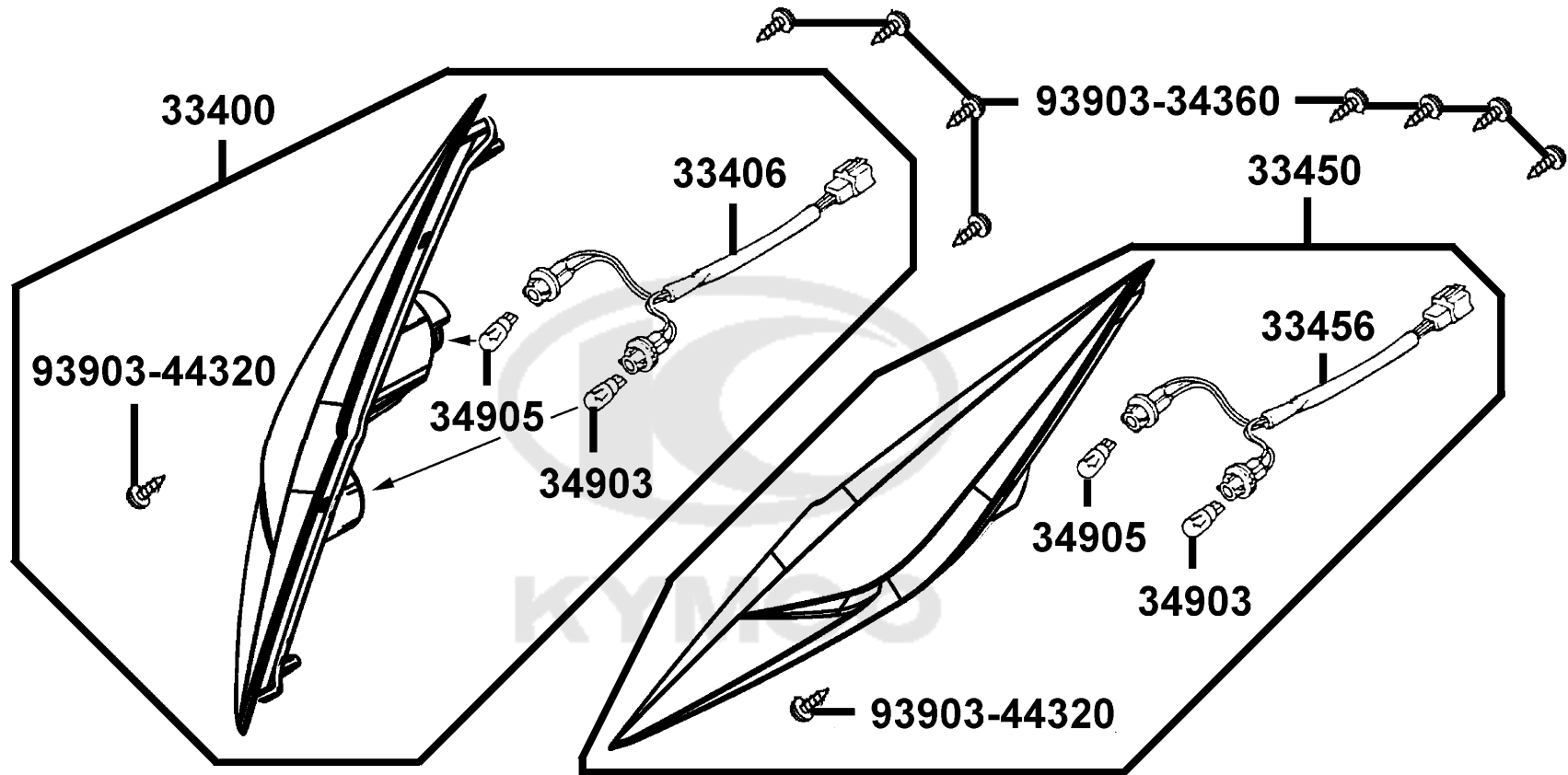


Sales mark 記号	Ref no 参照用番号	Part no パーツ番号	Description 部品名	Reg description 部品名	Regd no 必要個数	Ref Price 希望小売価格(税抜)
	11203	11203-GGC7-301	UNDER RUBBER BUSH REAR CUSHION	UNDER RUBBER BUSH REAR CUSHION	1	250
	11206	11206-LEA1-900	STAY A RR FENDER	STAY A RR FENDER	1	300
**	52000	52000-LEA1-900	FORK ASSY, RR	FORK ASSY, RR	1	13850
	52101	52101-LEA1-900	FORK RR CAP	FORK RR CAP	1	540
**	52400	52400-LEA1-900	CUSHION ASSY RR	CUSHION ASSY RR	2	9890
	90131	90131-LEA5-E00	BOLT FLANGE 8x42(G)	BOLT FLANGE 8x42(G)	2	260
	91051	91051-KFBF-901	BRG BALL RAKIAL 6203LLU	BRG BALL RAKIAL 6203LLU	1	1440
	94524	94524-40000	CIR CLIP IN 40	CIR CLIP IN 40	1	160
	95801-08032	95801-08032-06	BOLT FLANGE 8*32	BOLT FLANGE 8*32	2	200
	95801-10035	95801-10035-06	BOLT FLANGE 10*35	BOLT FLANGE 10*35	2	300
	96001	96001-06012-06	BOLT FLANGE SH 6*12	BOLT FLANGE SH 6*12	1	60

F16

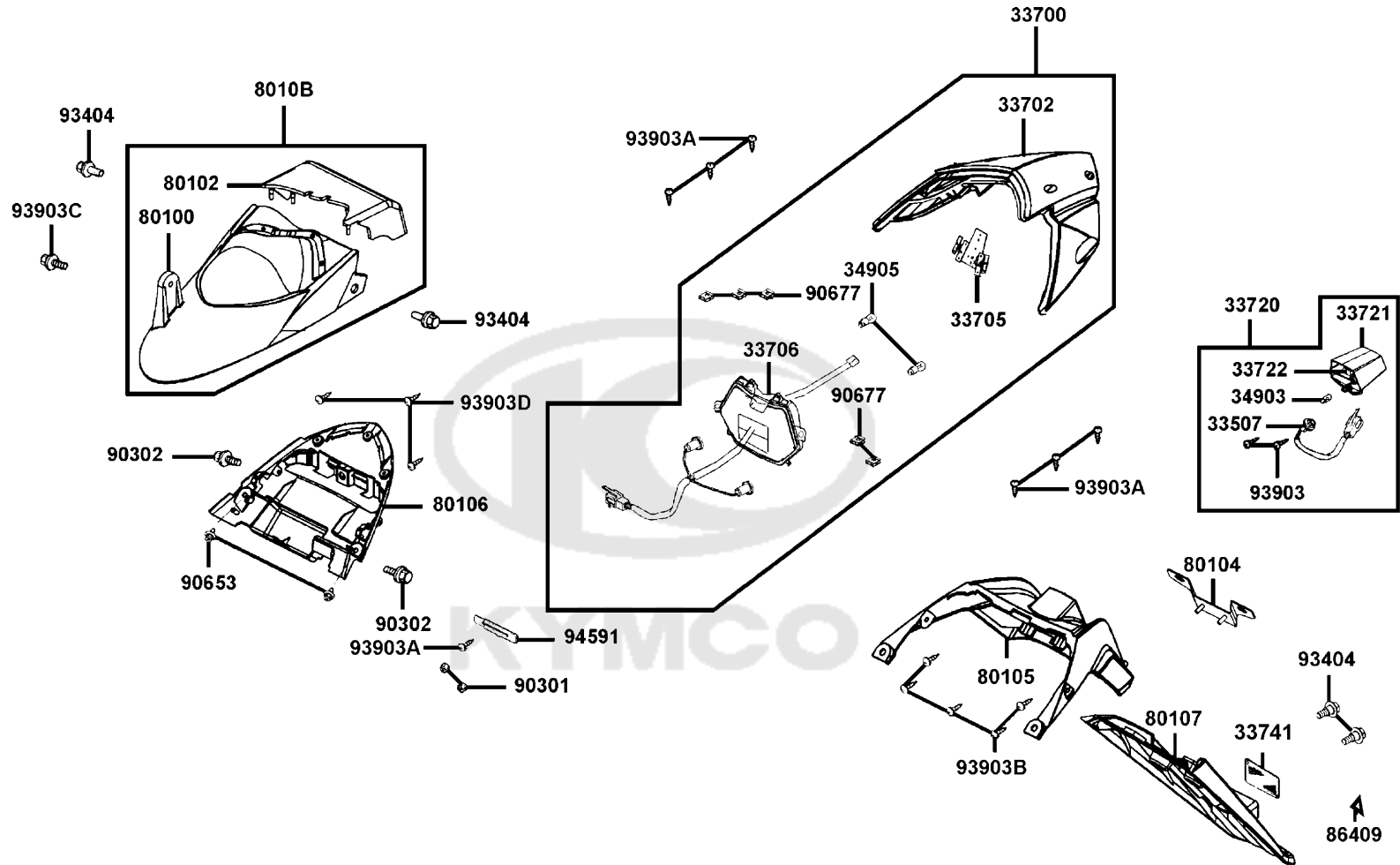
F17

Front Winker



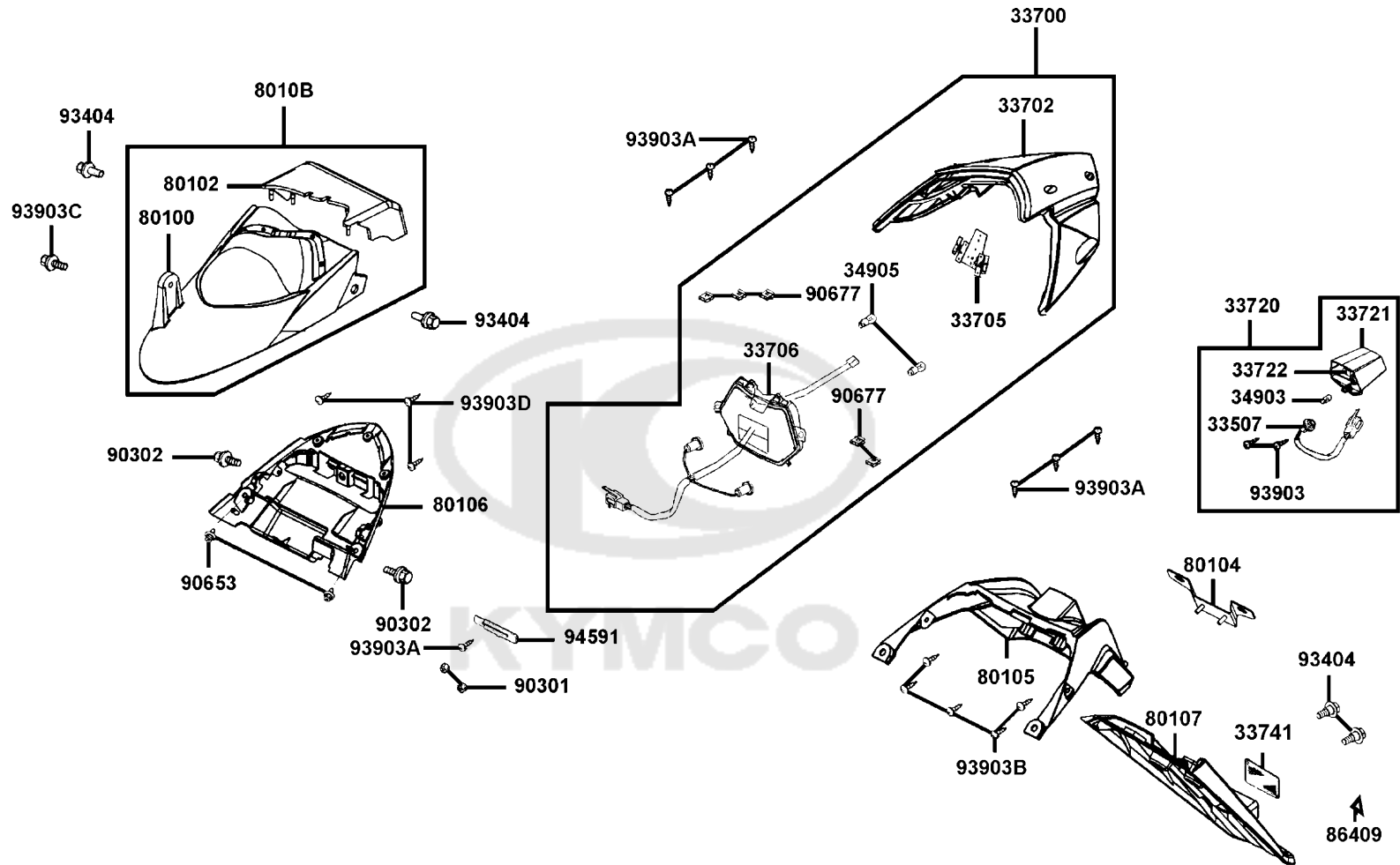
Sales mark 記号	Ref no 参照用番号	Part no パーツ番号	Description 部品名	Reg description 部品名	Regd no 必要個数	Ref Price 希望小売価格(税抜)	F17
33400	33400-LKC6-900	33400-LKC6-900	WINKER ASSY FR R	WINKER ASSY FR R	1	6210	
33406	33406-LKC6-900	33406-LKC6-900	SOCKET R FR WINKER	SOCKET R FR WINKER	1	1470	
33450	33450-LKC6-900	33450-LKC6-900	WINKER ASSY FR L	WINKER ASSY FR L	1	6210	
33456	33456-LKC6-900	33456-LKC6-900	SOCKET L FR WINKER	SOCKET L FR WINKER	1	1470	
34903	34903-KALA-900	34903-KALA-900	BULB POSITION (12V 5W)	BULB POSITION	2	300	
34905	34905-LCA5-E00	34905-LCA5-E00	BULB WINKER (12V 10W)	BULB WINKER	2	1200	
93903-34360	93903-34360	93903-34360	SCREW WASHER 4*12	SCREW WASHER 4*12	8	60	
93903-44320	93903-44320	93903-44320	SCREW TAPPING 4*12	SCREW TAPPING 4*12	2	200	





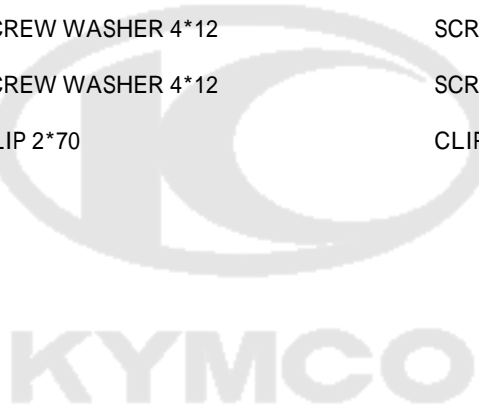
Sales mark 記号	Ref no 参照用番号	Part no パーツ番号	Description 部品名	Reg description 部品名	Regd no 必要個数	Ref Price 希望小売価格(税抜)
	33507	33507-LAD9-900	SOCKET COMP FR POSITION LIGHT	SOCKET COMP FR POSITION LIGHT	1	580
	33700	33700-LKC6-900	LIGHT ASSY RR COMB	LIGHT ASSY RR COMB	1	35950
	33702	33702-LKC6-305	UNIT TAIL LIGHT	UNIT TAIL LIGHT	1	12080
	33705	33705-LKC6-900	LED COMP TAIL &STOP	LED COMP TAIL &STOP	1	16520
	33706	33706-LKC6-305	SOCKET COMP TAIL LIGHT	SOCKET COMP TAIL LIGHT	1	4380
	33720	33720-LEA1-900	LIGHT ASSY LICENSE	LIGHT ASSY LICENSE	1	1440
	33721	33721-LEA1-900	BASE	BASE	1	580
	33722	33722-LEA1-900	REFLECTOR	REFLECTOR	1	490
	33741	33741-LKC6-E00	REFLEX REFLECTOR	REFLEX REFLECTOR	1	680
	34903	34903-KALA-900	BULB POSITION (12V 5W)	BULB POSITION	1	300
	34905	34905-LCA5-E00	BULB WINKER (12V 10W)	BULB WINKER	2	1200
	80100	80100-LHJ6-900	FENDER RR TIRE	FENDER RR TIRE	1	630
	80102	80102-LEA1-900	MUDGUARD PLATE RR	MUDGUARD PLATE RR	1	390
	80104	80104-LBC6-900	STAY LICENSE PLATE	STAY LICENSE PLATE	1	580
**	80105	80105-LEA1-900	FENDER RR UP	FENDER RR UP	1	2390
**	80106	80106-LEA1-900	FENDER RR INNER	FENDER RR INNER	1	680
**	80107	80107-LEA1-900	FENDER RR LOW	FENDER RR LOW	1	1820
	8010B	8010B-LEA1-900	FENDER ASSY RR TIRE	FENDER ASSY RR TIRE	1	770
**	86409	86409-LBE8-B20	STRIPE RR FENDER	STRIPE RR FENDER	1	300
	90301	90301-6D34-671	NUT FLANGE 6MM	NUT FLANGE 6MM	2	60

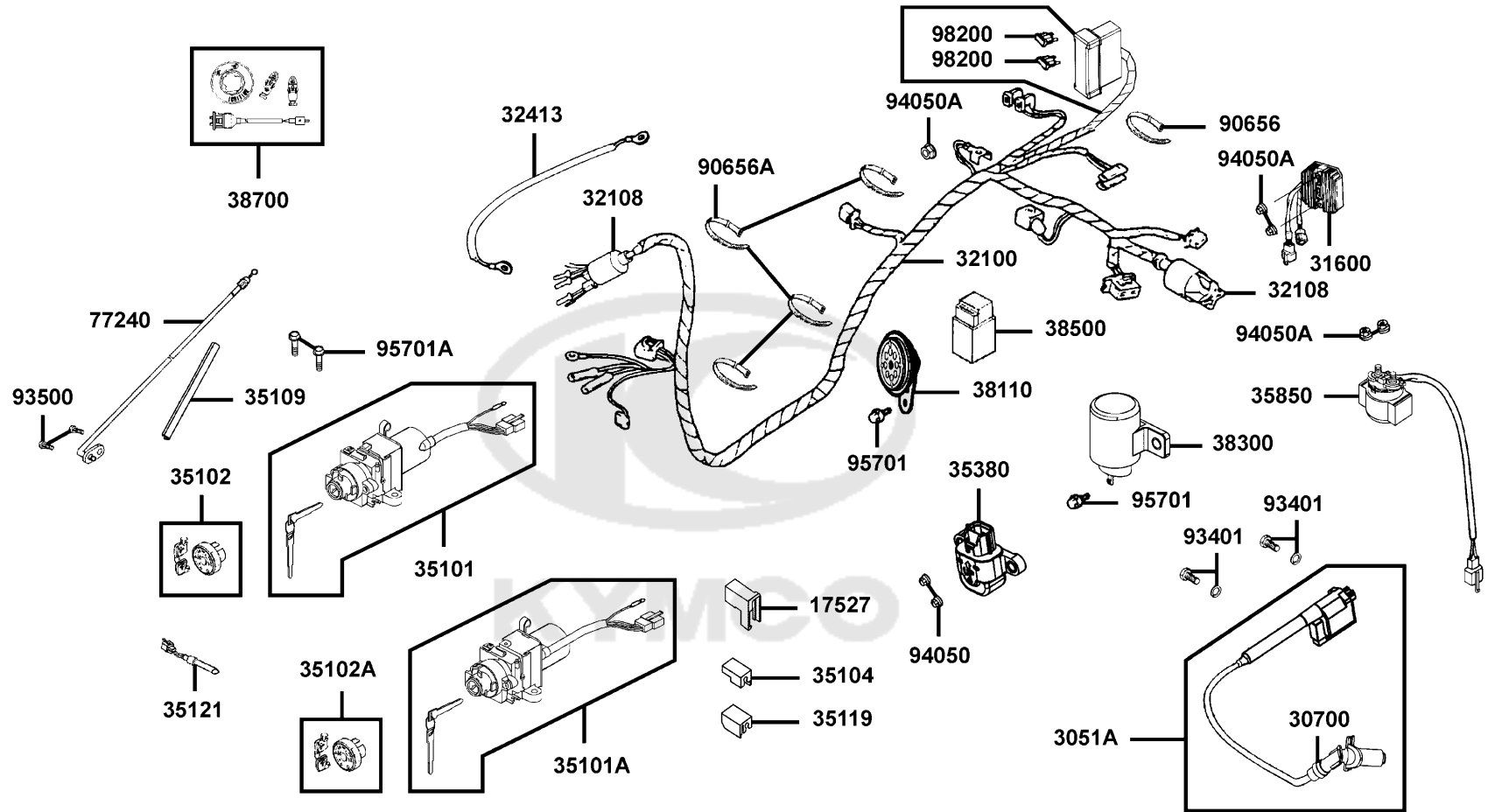
F18



Sales mark 記号	Ref no 参照用番号	Part no パーツ番号	Description 部品名	Reg description 部品名	Regd no 必要個数	Ref Price 希望小売価格(税抜)
90302	90302-LLB1-E00		BOLT-WASHER 5*12	BOLT-WASHER 5*12	2	60
90653	90653-LCA4-E00		CLIP MUDGUARD	CLIP MUDGUARD	2	60
90677	90677-KFC9-900		NUT CLIP 4MM	NUT CLIP 4MM	5	60
93404	93404-06012-06		BOLT WASHER 6*12 (G)	BOLT WASHER 6*12 (G)	2	200
93903	93903-32220		SCREW TAPPING 3*10	SCREW TAPPING 3*10	2	200
93903A	93903-34360		SCREW WASHER 4*12	SCREW WASHER 4*12	13	60
93903B	93903-35260		SCREW WASHER 4*12	SCREW WASHER 4*12	5	60
93903C	93903-35360		SCREW WASHER 4*12	SCREW WASHER 4*12	1	60
93903D	93903-GFY6-900		SCREW WASHER 4*12	SCREW WASHER 4*12	3	60
94591	94591-27000		CLIP 2*70	CLIP 2*70	1	110

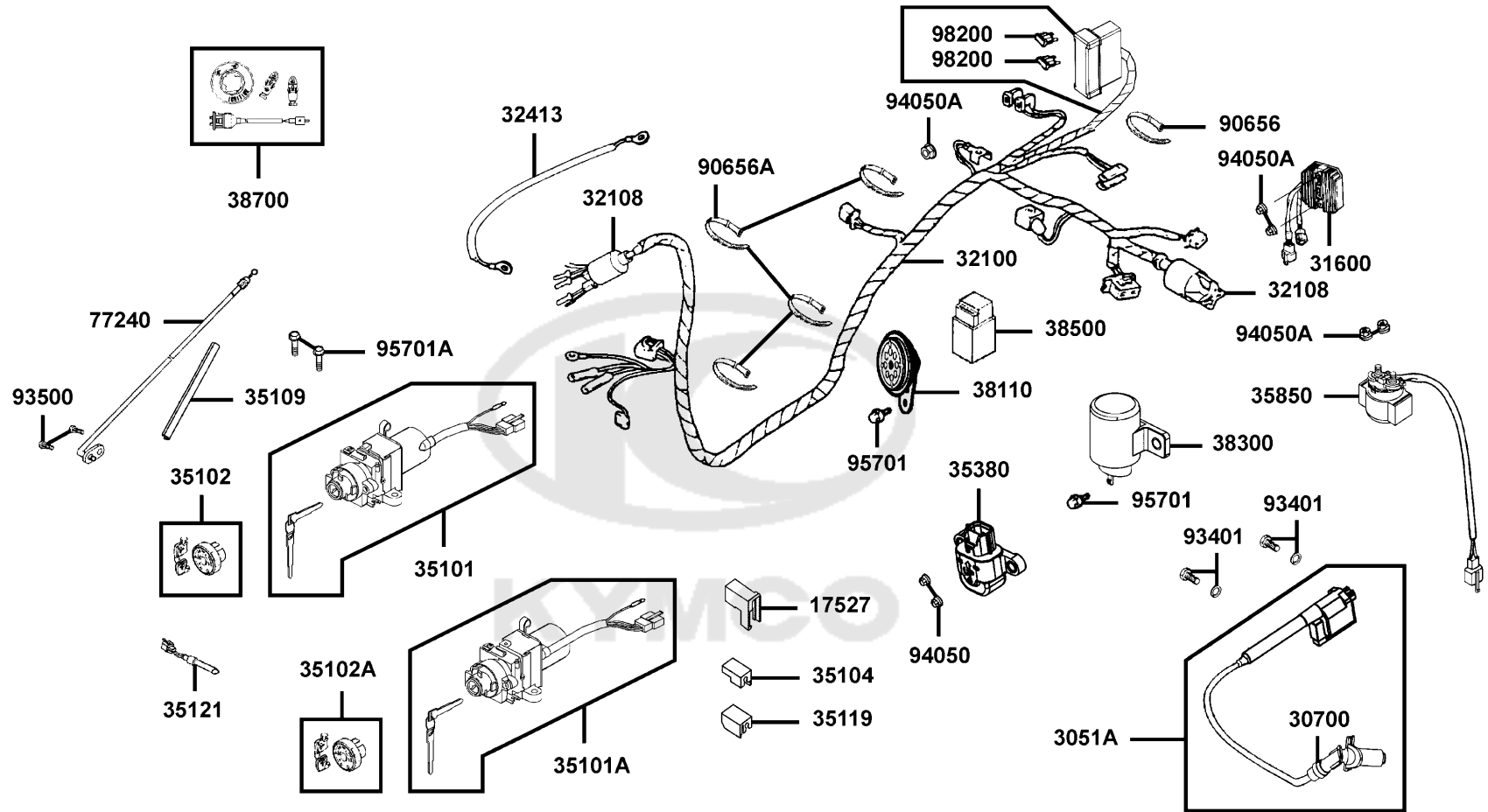
F18





Sales mark 記号	Ref no 参照用番号	Part no パーツ番号	Description 部品名	Reg description 部品名	Regd no 必要個数	Ref Price 希望小売価格(税抜)
17527		17527-LBA2-900	SLIDE COVER FUEL CAP	SLIDE COVER FUEL CAP	1	300
3051A		3051A-LEA1-900	COIL ASSY IGN	COIL ASSY IGN	1	9890
30700		30700-LEA1-900	CAP ASSY NOISE SUPPRESOR	CAP ASSY NOISE SUPPRESOR	1	1720
31600		31600-LEA5-E00	REG REC COMP	REG REC COMP	1	8090
32100		32100-LKC6-730	HARNESS WIRE	HARNESS WIRE	1	43500
32108		32108-GAR1-711	COVER HARNESS WIRE	COVER HARNESS WIRE	2	300
32413		32413-LKC6-900	CABLE BAT. EARTH	CABLE BAT. EARTH	1	1630
35101		35101-LEA1-308-M1	SW COMB & LOCK/SD	SW COMB & LOCK/SD	1	14610
35101A		35101-LEA1-308-M2	SW COMB & LOCK/TJ	SW COMB & LOCK/TJ	1	14610
35102		35102-LDC1-308-M1	SHUTTER SET MAGNETIC LOCK/SD	SHUTTER SET MAGNETIC LOCK/SD	1	6070
35102A		35102-LDC1-308-M2	SHUTTER SET MAGNETIC LOCK/TJ	SHUTTER SET MAGNETIC LOCK/TJ	1	6070
35104		35104-LEB1-90A	PLATE COVER FUEL CAP CABLE	PLATE COVER FUEL CAP CABLE	1	200
35104		35104-LEB1-90B	PLATE COVER FUEL CAP CABLE	PLATE COVER FUEL CAP CABLE	1	200
35109		35109-LAD9-90A	PROTECTOR COVER CABLE	PROTECTOR COVER CABLE	1	130
35109		35109-LAD9-90B	PROTECTING COVER CABLE	PROTECTING COVER CABLE	1	130
35119		35119-LEB1-90A	COVER SEAT CABLE	COVER SEAT CABLE	1	390
35119		35119-LEB1-90B	COVER SEAT CABLE	COVER SEAT CABLE	1	390
35121		35121-LEA1-90A	BUZZER	BUZZER	1	5710
35121		35121-LEA1-90B	BUZZER	BUZZER	1	2100
35380		35380-LEA2-900	SENSOR ANGLE DETECT	SENSOR ANGLE DETECT	1	11410

F19

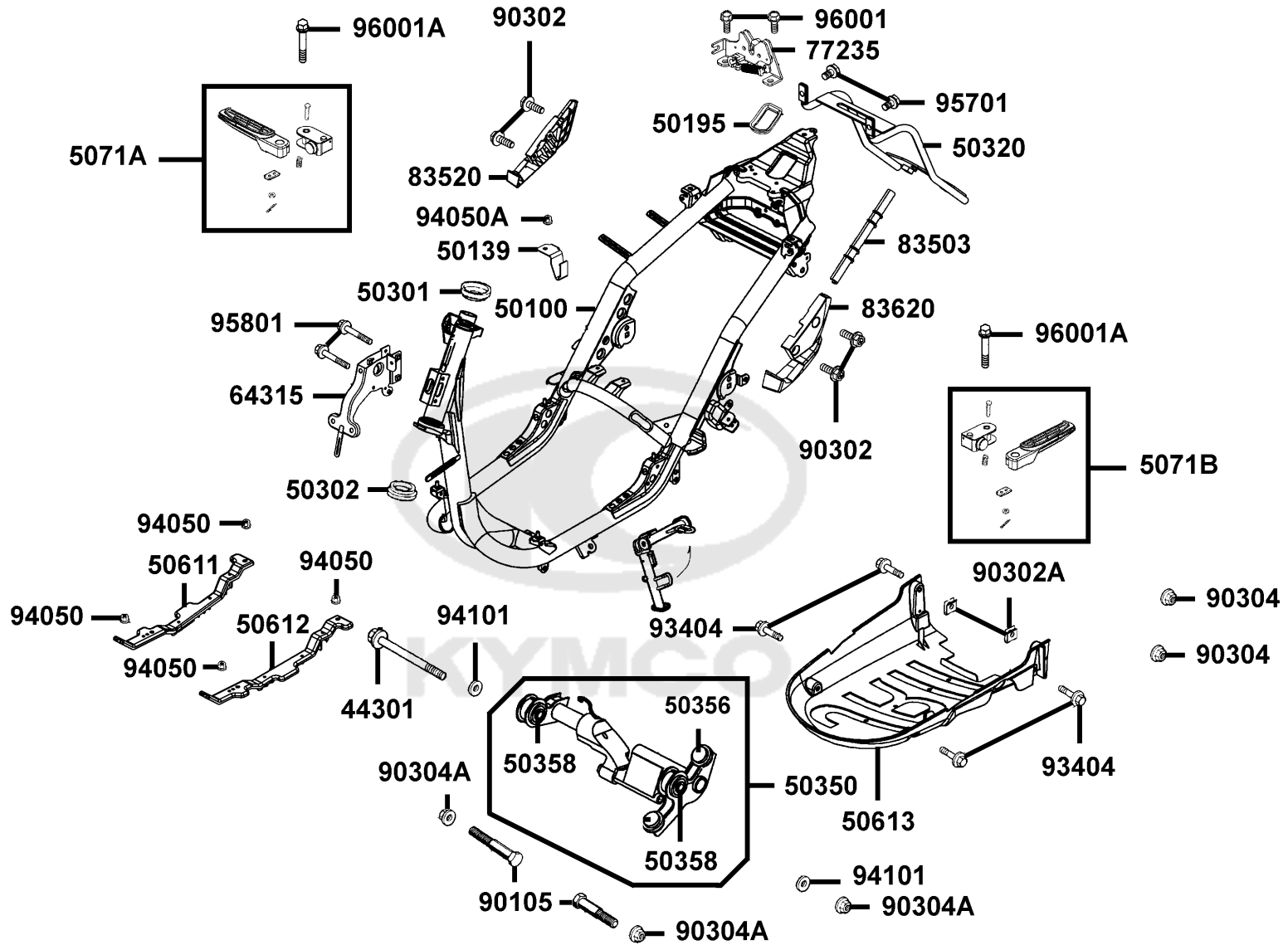


Sales mark 記号	Ref no 参照用番号	Part no パーツ番号	Description 部品名	Reg description 部品名	Regd no 必要個数	Ref Price 希望小売価格(税抜)
	35850	35850-KHB4-90A	SET START MAG	SET START MAG	1	2670
	35850	35850-KHB4-90B	SET START MAG	SET START MAG	1	2860
	38110	38110-KFA1-80A	HORN COMP	HORN COMP	1	1960
	38110	38110-KFA1-80B	HORN COMP	HORN COMP	1	1250
	38300	38300-LEA5-E0A	RELAY ASSY WINKER	RELAY ASSY WINKER	1	2290
	38500	38500-LGL3-90A	RELAY ASSY LIGHT/D402(12V 20A)	RELAY ASSY LIGHT/D402(12V 20A)(also for	2	1730
	38700	38700-LEA1-70A	MAGNETIC SW ASSY ANTI-THIEF(SD)	MAGNETIC SW ASSY ANTI-THIEF(SD)	1	10460
	38700	38700-LEA1-70B	MAGNETIC SW ASSY ANTI-THIEF(TJ)	MAGNETIC SW ASSY ANTI-THIEF(TJ)	1	10460
	77240	77240-LEA1-900	CABLE SEAT LOCK	CABLE SEAT LOCK	1	1530
	90656	90656-KCBC-900	BAND OIL HANDLE	BAND OIL HANDLE	1	60
**	90656A	90656-KUDU-900	BAND HARNESS WIRE **KUDU-900	BAND HARNESS WIRE **KUDU-900	3	60
	93401	93401-04025-06	BOLT WASHER 4*25 (G)	BOLT WASHER 4*25 (G)	2	60
	93500	93500-KHC4-90A	SCREW PAN 5*10	SCREW PAN 5*10	2	200
	94050	94050-05060	NUT FLANGE 5MM	NUT FLANGE 5MM	2	60
	94050A	94050-06060	NUT FLANGE 6MM	NUT FLANGE 6MM	5	60
	95701	95701-06012-06	BOLT FLANGE 6*22 (K)	BOLT FLANGE 6*22 (K)	2	60
	95701A	95701-08025-06	BOLT FLANGE 6*22 (K)	BOLT FLANGE 6*22 (K)	2	60
	98200	98200-31500	BLADE FUSE 40A	BLADE FUSE 40A	2	110

F19

F20

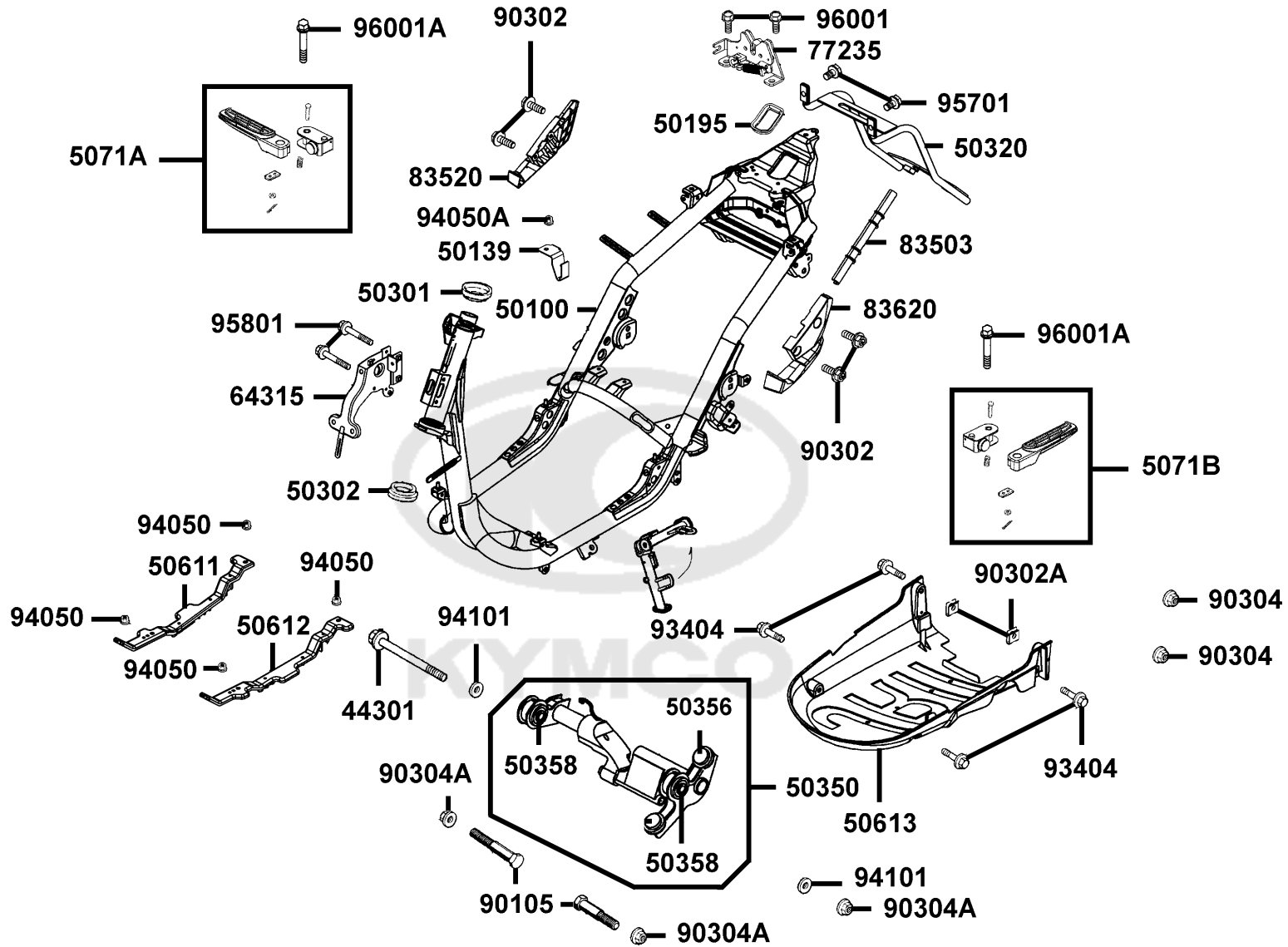
Frame Body



Sales mark 記号	Ref no 参照用番号	Part no パーツ番号	Description 部品名	Reg description 部品名	Regd no 必要個数	Ref Price 希望小売価格(税抜)	F20
	44301	44301-LKC6-900	BOLT FLANGE 10*200	BOLT FLANGE 10*200	1	800	
	50100	50100-LKC6-900	BODY COMP FRAME	BODY COMP FRAME	1	48570	
	50139	50139-LEA1-900	STAY AICV	STAY AICV	1	210	
	50195	50195-LEA1-900	CAP SEAT CATCH BRKT	CAP SEAT CATCH BRKT	1	300	
	50301	50301-KGN7-671	RACE UP STRG BALL	RACE UP STRG BALL	1	540	
	50302	50302-2H68-011	RACE STRG BOT BALL	RACE STRG BOT BALL	1	610	
	50320	50320-LEA1-900	STAY RR FENDER	STAY RR FENDER	1	1440	
	50350	50350-LKC6-900	HANGER ASSY ENG	HANGER ASSY ENG	1	11600	
	50356	50356-KNBN-200	RUBBER C ENG HANGE STPR	RUBBER C ENG HANGE STPR	2	440	
	50358	50358-KHC4-900	RUBBER BUSH ENG HANGER	RUBBER BUSH ENG HANGER	2	540	
	50611	50611-LEA1-900	RNFCT R FLOOR	RNFCT R FLOOR	1	1250	
	50612	50612-LEA1-900	RNFCT L FLOOR	RNFCT L FLOOR	1	1250	
**	50613	50613-LHJ6-900	COVER UNDER	COVER UNDER	1	2580	
	5071A	5071A-LDC1-91A	BAR STEP R ASSY	BAR STEP R ASSY	1	2770	
	5071A	5071A-LDC1-91B	BAR STEP R ASSY	BAR STEP R ASSY	1	2770	
	5071B	5071B-LDC1-91A	BAR STEP L ASSY	BAR STEP L ASSY	1	2770	
	5071B	5071B-LDC1-91B	BAR STEP L ASSY	BAR STEP L ASSY	1	2770	
	64315	64315-LGM2-900	STAY. FR COVER	STAY. FR COVER	1	2390	
	77235	77235-LEA1-900	CATCH COMP SEAT	CATCH COMP SEAT	1	2100	
	83503	83503-KHD6-900	COVER PROTECTOR SEAT WIRE	COVER PROTECTOR SEAT WIRE	1	200	

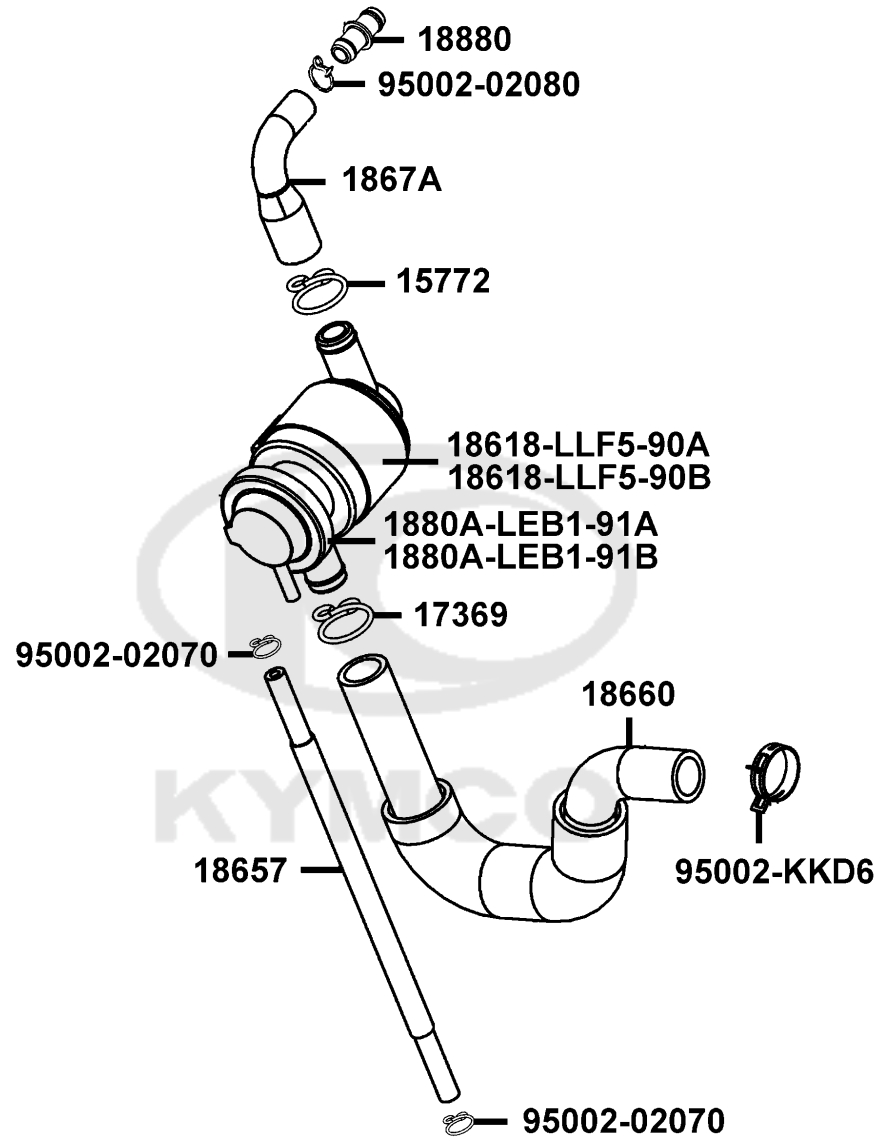
F20

Frame Body



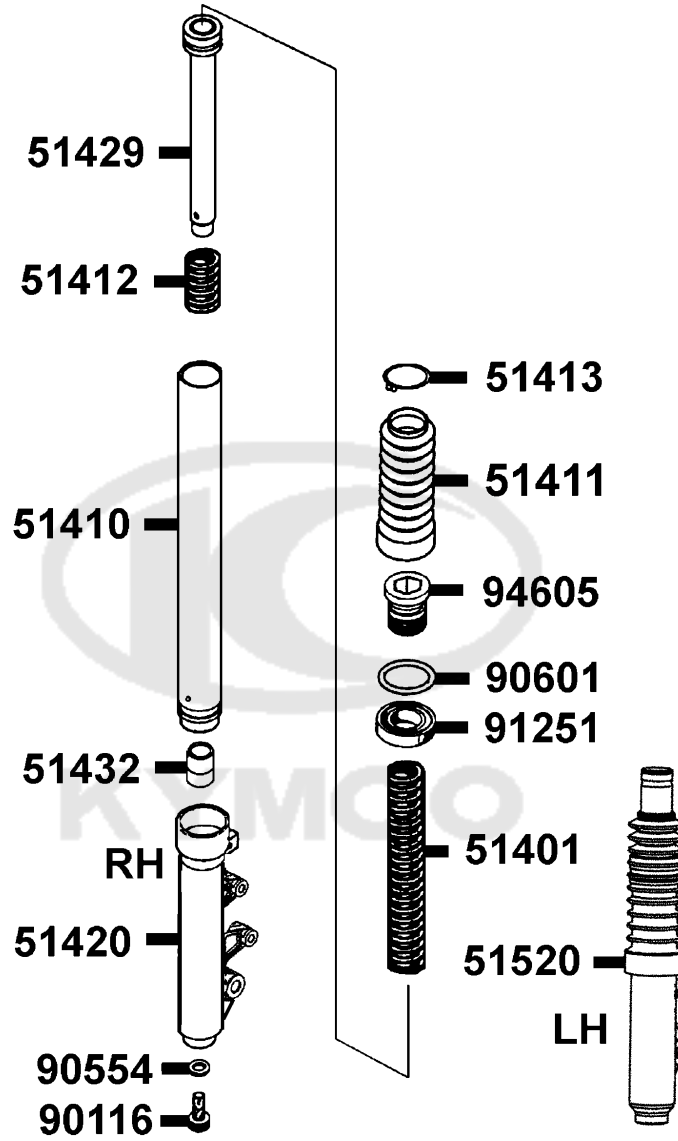
Sales mark 記号	Ref no 参照用番号	Part no パーツ番号	Description 部品名	Reg description 部品名	Regd no 必要個数	Ref Price 希望小売価格(税抜)
**	83520	83520-LKC6-900	STEP COVER R SIDE	STEP COVER R SIDE	1	770
**	83620	83620-LKC6-900	STEP COVER L SIDE	STEP COVER L SIDE	1	770
	90105	90105-KHC4-900	SQUARE BOLT M10X50	SQUARE BOLT M10X50	2	390
	90302	90302-LLB1-E00	BOLT-WASHER 5*12	BOLT-WASHER 5*12	4	60
	90302A	90302-SDA4-004	NUT SPRING 4MM	NUT SPRING 4MM	2	60
	90304	90304-4H38-001	NUT HEX CAP 6MM	NUT HEX CAP 6MM	2	200
	90304A	90304-LEA1-900	NUT CAP 6MM	NUT CAP 6MM	3	200
	93404	93404-06016-06	BOLT WASHER 6*16	BOLT WASHER 6*16	4	60
	94050	94050-06060	NUT FLANGE 6MM	NUT FLANGE 6MM	4	60
	94050A	94050-06080	NUT FLANGE 6MM	NUT FLANGE 6MM	1	60
	94101	94101-LKC6-900	WASHER 10.5*38*3(G)	WASHER 10.5*38*3(G)	2	200
	95701	95701-06012-06	BOLT FLANGE 6*22 (K)	BOLT FLANGE 6*22 (K)	2	60
	95801	95801-06040-06	BOLT FLANGE 6*40 (G)	BOLT FLANGE 6*40 (G)	2	390
	96001	96001-06012-06	BOLT FLANGE SH 6*12	BOLT FLANGE SH 6*12	2	60
	96001A	96001-06032-06	BOLT FLANGE 6*32	BOLT FLANGE 6*32	2	60

F20

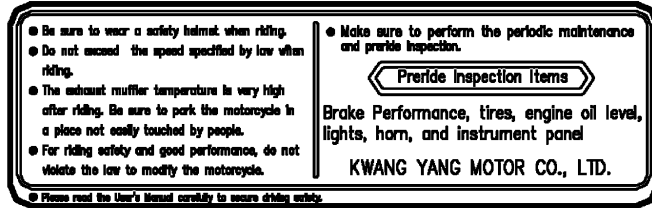


Sales mark 記号	Ref no 参照用番号	Part no パーツ番号	Description 部品名	Reg description 部品名	Regd no 必要個数	Ref Price 希望小売価格(税抜)	F21
15772		15772-5A51-001	CLIP BREATHER TUBE	CLIP BREATHER TUBE	1	160	
17369		17369-KDB4-671	CLIP BREATHER TUBE	CLIP BREATHER TUBE	1	160	
18618-LLF5-90A		18618-LLF5-90A	RUBBER AICV MOUNT	RUBBER AICV MOUNT	1	140	
18618-LLF5-90B		18618-LLF5-90B	RUBBER AICV MOUNT	RUBBER AICV MOUNT	1	140	
18657		18657-LKC6-900	TUBE ASSY AICV INLET PIPE	TUBE ASSY AICV INLET PIPE	1	1340	
18660		18660-LEB1-910	DUCT AICV-REED VALVE	DUCT AICV-REED VALVE	2	1530	
1867A		1867A-LEA1-900	DUCT ASSY AICV-AIR	DUCT ASSY AICV-AIR	1	1720	
1880A-LEB1-91A		1880A-LEB1-91A	AI/C-AICV ASSY	AI/C-AICV ASSY	1	3810	
1880A-LEB1-91B		1880A-LEB1-91B	AI/C-AICV ASSY	AI/C-AICV ASSY	1	3810	
18880		18880-KKD7-E00	"BODY. FLOW CONTROL "	"BODY. FLOW CONTROL "	1	390	
95002-02070		95002-02070	CLIP B7 TUBE	CLIP B7 TUBE	2	60	
95002-02080		95002-02080	CLIP B8 TUBE	CLIP B8 TUBE	1	60	
95002-KKD6		95002-KKD6-E05	CLAMP D18 TUBE	CLAMP D18 TUBE	1	300	

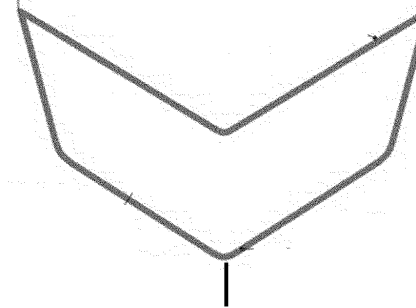
Separated Parts Of Fr Fork



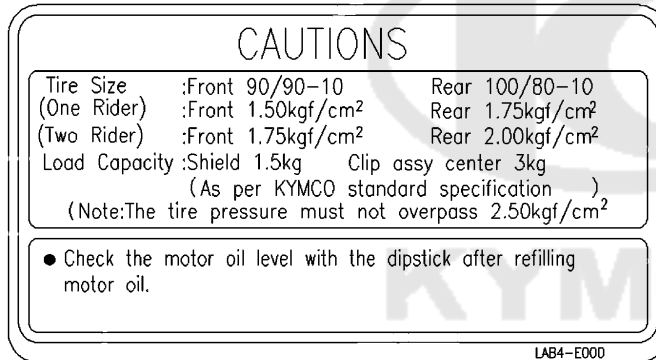
Sales mark 記号	Ref no 参照用番号	Part no パーツ番号	Description 部品名	Reg description 部品名	Regd no 必要個数	Ref Price 希望小売価格(税抜)	F22
	51401	51401-LCB4-900	SPRING FR CUSHION	SPRING FR CUSHION	2	390	
	51410	51410-KFA1-900	FORK PIPE COMP	FORK PIPE COMP	2	5710	
	51411	51411-KNBN-900	BOOT	BOOT	2	870	
	51412	51412-KFA1-900	REBOUND SPRING	REBOUND SPRING	2	110	
	51413	51413-KNBN-900	BOOT BAND	BOOT BAND	2	130	
**	51420	51420-KNBN-900	BOTTOM CASE R	BOTTOM CASE R	1	6380	
	51429	51429-LAB4-900	PIPE SEAT COMP	PIPE SEAT COMP	2	1390	
	51432	51432-KFA1-900	OIL LOCK PIECE	OIL LOCK PIECE	2	300	
**	51520	51520-KHC4-900	BOTTOM CASE L	BOTTOM CASE L	1	6660	
	90116	90116-3C83-72A	BOLT	BOLT	2	60	
	90554	90554-2C83-001	PACKING	PACKING	2	60	
	90601	90601-GAR1-900	RING OIL SEAL STOPPER	RING OIL SEAL STOPPER	2	110	
	91251	91251-LAB4-900	OIL SEAL	OIL SEAL	2	300	
	94605	94605-KFA1-900	FORK BOLT	FORK BOLT	2	870	



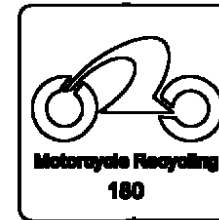
87560



86408



87505



87311

Sales mark 記号	Ref no 参照用番号	Part no パーツ番号	Description 部品名	Reg description 部品名	Regd no 必要個数	Ref Price 希望小売価格(税抜)
------------------	-----------------	------------------	--------------------	------------------------	-----------------	-------------------------

F23

**	86408	86408-LKC6-B20	STRIPE FR FENDER	STRIPE FR FENDER	1	210
**	87311	87311-LAD9-B20	STRIPE R MARK	EMB MARK ABS	1	200
**	87505	87505-LAB4-E00	LABEL TIRE	LABEL TIRE	1	200
**	87560	87560-GFY6-E00	MARK DRIVE CAUTION	MARK DRIVE CAUTION	1	200



F24

Emblem Stripe

VTR 125R

86202

KYMCO

Sales mark 記号	Ref no 参照用番号	Part no パーツ番号	Description 部品名	Reg description 部品名	Regd no 必要個数	Ref Price 希望小売価格(税抜)
------------------	-----------------	------------------	--------------------	------------------------	-----------------	-------------------------

F24

**	86202	86202-LKC6-B20	EMB BODY COVER	EMB BODY COVER	1	1780
----	-------	----------------	----------------	----------------	---	------



35111A



35111B



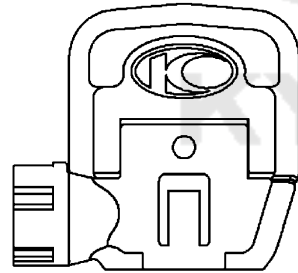
35111C



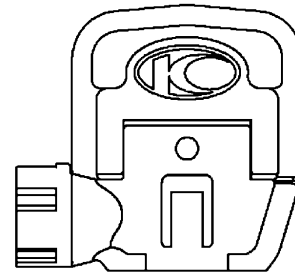
35111D



35111E



35111F



Sales mark 記号	Ref no 参照用番号	Part no パーツ番号	Description 部品名	Reg description 部品名	Regd no 必要個数	Ref Price 希望小売価格(税抜)	F25
35111A		35111-LKC6-301-M1L	KEY COMP (L TANGENT PLANE/SD)	KEY COMP (L TANGENT PLANE/SD)	1	540	
35111B		35111-LKC6-301-M1R	KEY COMP (R TANGENT PLANE/SD)	KEY COMP (R TANGENT PLANE/SD)	1	540	
35111C		35111-LKC6-301-M2L	KEY COMP (L TANGENT PLANE/TJ)	KEY COMP (L TANGENT PLANE/TJ)	1	540	
35111D		35111-LKC6-301-M2R	KEY COMP (R TANGENT PLANE/TJ)	KEY COMP (R TANGENT PLANE/TJ)	1	540	
35111E		35111-LKC6-306-M1	KEY COMP SHOTTER MAGNETIC (SD)	KEY COMP SHOTTER MAGNETIC (SD)	1	1340	
35111F		35111-LKC6-306-M2	KEY COMP SHOTTER MAGNETIC (TJ)	KEY COMP SHOTTER MAGNETIC (TJ)	1	1340	



PART NO. INDEX
 パーツ番号 検索

PART NO. パーツ番号	VERSION バージョン	PAGE ページ	PART NO. パーツ番号	VERSION バージョン	PAGE ページ	PART NO. パーツ番号	VERSION バージョン	PAGE ページ
11000			11396-LKB9-900	3	E01	14000		
11100-LEA2-305	0	E01	12000			14100-LEA2-900	9	E02
11102-1G87-004	3	E01	12100-LKC6-900	3	E03	14110-LEB1-900	3	E02
11192-LEA2-900	5	E01	12191-LEA2-900	4	E03	14321-LEB1-900	4	E02
11200-LKC6-305	0	E01	12200-LKC6-900	8	E02	14401-LEA2-900	2	E03
11203-GGC7-301	2	E01	12209-LEA2-90A	2	E02	14420-LEA2-900	3	E02
11203-GGC7-301	2	F16	12216-LEB1-900	2	E02	14430-LEA2-900	4	E02
11203-KHG8-301	2	E01	12217-LEA2-900	2	E02	14433-LEB1-900	1	E02
11203-KKE2-900	0	F14	12251-LKC6-900	2	E02	14434-LEB1-900	1	E02
11204-LEA1-900	1	E01	12310-LEA2-900	9	E02	14452-LKC6-900	2	E02
11205-LEA2-900	3	E01	12361-GFY6-901	1	E04	14453-LKC6-900	4	E02
11205-LEA2-900	3	E04	12391-LEA2-900	6	E02	14510-LHJ8-900	1	E03
11206-LEA1-900	2	E06	13000			14520-GFY6-90C	2	E03
11206-LEA1-900	2	F16	13000-LKC6-900	9	E03	14523-KED9-900	1	E03
11211-LEA1-900	5	F13	13011-LKC6-90B	2	E03	14531-GLR0-001	1	E03
1122A-LEA1-900	3	E01	13101-LKC6-900	4	E03	14610-LEA2-900	5	E03
11330-LHJ8-700	3	E04	13111-LKB9-900	2	E03	14711-LEA2-900	3	E02
11342-LKB9-900	1	E01	13115-0A01-001	0	E03	14721-LEA2-900	3	E02
1134A-LKC6-900	9	E01	13406-LKC6-900	2	E02	14751-LEA2-900	3	E02
11350-LHJ8-900	1	E01	13407-LKC6-900	7	E02	14771-LEA2-900	2	E02
11383-LEA1-900	1	E07				14781-KKE5-E00	2	E02
11386-GFY6-900	0	E07						
11394-LEA2-900	6	E04						
11395-LKC6-900	1	E01						

PART NO. INDEX
 パーツ番号 検索

PART NO. パーツ番号	VERSION バージョン	PAGE ページ	PART NO. パーツ番号	VERSION バージョン	PAGE ページ	PART NO. パーツ番号	VERSION バージョン	PAGE ページ		
15000			16170-KEC3-900	0	E09	17369-KHC4-900	0	F10		
			16195-KEC3-900	0	E09	17370-4K19-701	0	F13		
			16201-GFY6-910	1	E02	17371-1D74-671	0	F13		
	15100-LEA2-900	7	E06	1621A-LEA1-900	1	E02	17502-LEA1-900	1	F10	
	15131-LEA2-900	1	E03	16701-LEB2-900	0	F10	17504-LAB4-900	2	F10	
	15133-LEA2-900	6	E06	16701-LHJ8-800	1	F10	17507-LAB4-900	2	F10	
	15421-1G07-001	1	E04	16703-LEB2-800	0	F10	17510-LEA1-900	5	F10	
	15426-GAE1-921	0	E04	16703-LHJ8-800	1	F10	17510-LKC6-800	1	F10	
	1565A-GFY6-900	0	E04	17000			17513-LEA1-900	1	F10	
	15772-5A51-001	1	F21		17515-LEA1-900	1	F10			
16000			17110-LEA1-900		7	E02	17520-LEA1-900	0	F10	
			17208-GAR1-011		0	F13	17527-LBA2-900	0	F19	
	16056-LEB2-900	3	E09		17211-LEA1-900	3	F13	17550-LKC6-800	3	F10
	16068-LEB2-900	4	E09		17214-LEA1-900	1	F13	17550-LKC6-910	4	F10
	16074-KEC3-900	4	E09		17215-KGBG-90A	2	F13	17552-KKE3-900	0	F10
	16100-LKC6-B00	0	E09		17215-KGBG-90B	0	F13	17553-LEB2-900	0	F10
	16110-KKE3-900	2	E09		17231-LEA1-900	6	F13	17555-LBG7-800	0	F10
	16110-LEA1-900	1	F15		17236-KFBF-910	1	F13	17560-LBG7-800	0	F10
	16112-KKE3-900	1	E09	17239-LEA1-900	1	F13	17560-LKC6-900	0	F10	
	16118-KEC3-900	0	E09	1723A-LEA1-900	6	F13	17561-LBG7-900	0	F10	
16122-KEC3-900	1	E09	17254-KACA-P00	0	F13	17561-LEB2-910	0	F10		
16133-KEC3-900	1	E09	17255-KGBG-900	1	F13	17561-LKB9-900	1	F10		
16134-KKE3-900	5	E09	17359-4K19-671	0	F10	17563-LEA1-900	0	F10		
16138-KEC3-900	1	E09	17359-4K19-671	0	F13	1756A-LBG7-900	0	F10		
16154-KKE3-900	4	E09	17369-KDB4-671	1	F21	1756C-KKE2-900	2	F10		
						17570-LKC6-900	0	F10		

PART NO. INDEX
 パーツ番号 検索

PART NO. パーツ番号	VERSION バージョン	PAGE ページ	PART NO. パーツ番号	VERSION バージョン	PAGE ページ	PART NO. パーツ番号	VERSION バージョン	PAGE ページ	
17620-KKE5-E0A	1	F10	18660-LEB1-910	2	F21	22000			
17620-KKE5-E0B	1	F10	1867A-LEA1-900	1	F21				
17623-KKE5-E0A	0	F10	1880A-LEB1-91A	2	F21				
17623-KKE5-E0B	0	F10	1880A-LEB1-91B	2	F21		22100-LKC6-900	2	E05
17688-LEA1-900	1	F10	18880-KKD7-E00	2	F21		22102-LEA2-900	4	E05
17689-LEH1-B50	2	F10	19000				22105-LEA2-900	2	E05
17910-LEA1-900	3	F03					22110-LEA2-900	2	E05
18000			19411-KHC4-900	0	F10	22112-GFY6-90A	0	E05	
			19510-GBW2-901	8	E07	22121-LEA2-305	0	E05	
18291-KEBE-900	0	F14	19613-GFY6-901	0	E07	22131-LEA2-900	1	E05	
18291-LBD4-900	2	F14	1961A-LEA2-B00	2	E07	22132-LKB9-900	1	E05	
18292-KEBE-900	0	F14	19625-LEA2-900	1	E07	22300-LEA2-900	5	E05	
18293-KEBE-900	0	F14	19626-LEA2-900	2	E07	22350-KHC4-W00	0	E05	
18294-KEBE-900	0	F14	1962A-LEA2-900	9	E07	22401-KEB8-900	1	E05	
1830A-LEA1-B00	0	F14	19633-GFY6-901	0	E07	22530-LBC6-900	1	E05	
18318-LEA1-B00	0	F14	19635-LEA2-900	1	E07	22804-GAR1-W00	0	E05	
18325-LEA1-900	2	F14	19636-LEA2-900	2	E07	23000			
18601-MAJ1-79A	0	E02	1963A-LEA1-900	9	E07				
18612-GFY6-941	0	E02	21000			2301A-LKC6-900	9	E05	
18618-LLF5-90A	2	F21				23100-LKC6-900	1	E05	
18618-LLF5-90B	1	F21				23200-LKC6-900	7	E05	
18645-GFY6-941	0	E02	21301-LEA2-305	0	E08	23220-LKC6-900	4	E05	
18646-GFY6-941	0	E02	21395-LEA2-900	9	E08	23225-GHC8-004	0	E05	
18647-KHD6-900	0	E02				23226-GHC8-004	0	E05	
18657-LKC6-900	1	F21				23233-LFE2-910	2	E05	

PART NO. INDEX

パーツ番号 検索

PART NO. パーツ番号	VERSION バージョン	PAGE ページ	PART NO. パーツ番号	VERSION バージョン	PAGE ページ	PART NO. パーツ番号	VERSION バージョン	PAGE ページ	
23237-GFY6-W00	0	E05	31110-LEA1-90B	2	E07	33000			
23238-LEA2-900	3	E05	31110-LEA1-90C	2	E07				
23411-LKC6-900	2	E08	31120-LEA1-90A	6	E07				
23420-LKC6-900	1	E08	31120-LEA1-90B	6	E07		33101-LKC6-305	0	F01
23431-LKC6-900	1	E08	31120-LEA1-90C	5	E07		33106-LEA1-900	0	F01
23432-LKC6-900	1	E08	31205-KGN7-670	0	E06		33113-LEA1-900	0	F01
28000			31210-KKC3-900	4	E06	33400-LKC6-900	2	F17	
			31210-KKC3-90C	2	E06	33406-LKC6-900	0	F17	
			31500-GFY6-B2A	1	F11	33450-LKC6-900	2	F17	
			31500-GFY6-B2B	1	F11	33456-LKC6-900	0	F17	
28101-LEA2-900	1	E06	31600-LEA5-E00	3	F19	33507-LAD9-900	0	F18	
28102-LEA2-900	2	E06	32000			33700-LKC6-900	3	F18	
28110-LEA2-900	2	E06				33702-LKC6-305	0	F18	
28120-LEA2-900	8	E06				33705-LKC6-900	0	F18	
28125-4F26-001	0	E06				33706-LKC6-305	0	F18	
28125-LEA2-910	4	E06	32100-LKC6-730	3	F19	33720-LEA1-900	1	F18	
28126-KNBN-901	0	E06	32101-GFY6-901	1	F04	33721-LEA1-900	0	F18	
28211-LFA7-E00	5	E05	32106-KKE3-900	3	E02	33722-LEA1-900	0	F18	
30000			32106-KKE3-910	3	E06	33741-LKC6-E00	1	F18	
			32108-GAR1-711	1	F19				
			32410-LEA1-900	3	E06				
			32411-LEA1-900	7	F11	34000			
3051A-LEA1-900	9	F19	32412-LEA1-910	1	E04				
30700-LEA1-900	4	F19	32413-LKC6-900	1	F19	34901-KED9-900	0	F01	
31000						34903-KALA-900	0	F17	
						34903-KALA-900	0	F18	
						34905-LCA5-E00	0	F17	
31110-LEA1-90A	3	E07							

PART NO. INDEX
 パーツ番号 検索

PART NO. パーツ番号	VERSION バージョン	PAGE ページ	PART NO. パーツ番号	VERSION バージョン	PAGE ページ	PART NO. パーツ番号	VERSION バージョン	PAGE ページ
34905-LCA5-E00	0	F18	35340-GBN2-770	3	F03	39000		
35000			35340-KNBN-901	0	F04			
			35380-LEA2-900	1	F19			
			35850-KHB4-90A	5	F19			
35101-LEA1-308-M1	0	F19	35850-KHB4-90B	4	F19	39300-LEB2-800	1	E02
35101-LEA1-308-M2	0	F19	37000			39301-LEA1-910	1	E02
35102-LDC1-308-M1	0	F19				39302-KKE3-900	2	E02
35102-LDC1-308-M2	0	F19				39303-LEB2-900	2	E02
35104-LEB1-90A	0	F19				37200-LKC6-B21	0	F02
35104-LEB1-90B	0	F19	37212-LEA1-90A	0	F02	39307-LEB2-305	0	E02
35109-LAD9-90A	0	F19	37212-LEA1-90B	0	F02	39400-KKE3-800	2	E02
35109-LAD9-90B	0	F19	37215-LGM9-900	0	F05	39400-LHJ3-900	3	E02
35111-LKC6-301-M1L	0	F25	37230-LEA1-90A	0	F02	39450-LEA6-800	3	F14
35111-LKC6-301-M1R	0	F25	37230-LEA1-90B	0	F02	39600-KKE3-800	1	F10
35111-LKC6-301-M2L	0	F25	37801-LLJ3-E00	1	F10	39601-KKE3-900	0	F10
35111-LKC6-301-M2R	0	F25	3780A-LEA1-910	1	F10	39602-KKE3-900	0	F10
35111-LKC6-306-M1	0	F25	38000			42000		
35111-LKC6-306-M2	0	F25						
35119-LEB1-90A	0	F19						
35119-LEB1-90B	0	F19						
35121-LEA1-90A	0	F19	38110-KFA1-80A	1	F19	42311-LEB1-900	1	F08
35121-LEA1-90B	0	F19	38110-KFA1-80B	1	F19	42312-LEB1-900	2	F08
35160-GGS7-900	1	F03	38300-LEA5-E0A	1	F19	42601-LCB4-70B	3	F08
35170-KNBN-910	1	F03	38500-LGL3-90A	5	F19	42710-LAB4-90A	5	F08
35180-GGS7-900	1	F03	38700-LEA1-70A	0	F19	42710-LAB4-90B	2	F08
35200-GFY6-910	1	F03	38700-LEA1-70B	0	F19	42753-KXCX-900	1	F07
						42753-KXCX-900	1	F08

PART NO. INDEX
 パーツ番号 検索

PART NO. パーツ番号	VERSION バージョン	PAGE ページ	PART NO. パーツ番号	VERSION バージョン	PAGE ページ	PART NO. パーツ番号	VERSION バージョン	PAGE ページ
43000			45000			45531-GAR1-951	0	F07
4312A-LGM1-91A	0	F08	45105-LEA1-306	0	F07	46000		
4312A-LGM1-91B	0	F08	45107-MEN5-007	0	F07	46513-LEB1-900	1	F08
4314A-LEA1-900	3	F08	45108-MDL4-007	2	F07	46514-LEA1-900	3	F03
43353-4A61-77A	0	F07	45109-GBE2-007	0	F07	50000		
4335A-LBA2-E01	2	F07	45126-LEA1-900	8	F04			
43410-LEA1-910	7	F08	45128-LEA1-800	3	F04			
43416-LEA1-910	2	F08	45132-1F66-017	0	F07	50100-LKC6-900	6	F20
43450-LEA1-900	4	F03	45133-LDA3-900	1	F08	50139-LEA1-900	1	F20
44000			45133-MCA3-007	0	F07	50140-LBG7-900	6	F10
			45156-KNBN-902	0	F06	50195-LEA1-900	2	F20
			45200-LEA1-700	4	F07	50301-KGN7-671	2	F20
44301-LGE3-900	1	F07	45209-GBE2-007	0	F07	50302-2H68-011	2	F20
44301-LKC6-900	1	F20	45210-LEA1-305	0	F07	50306-1F96-001	0	F06
44311-GLW0-911	0	F07	45215-KECE-900	0	F07	50320-LEA1-900	1	F20
44600-LCB4-306	0	F07	45351-LEA1-900	1	F07	50326-LEA1-900	4	F12
44620-KSBS-900	0	F07	45461-GHJ8-941	0	F03	50327-LEA1-900	2	F11
44710-LAB4-90A	5	F07	45462-KGAG-900	0	F03	50328-LEA1-900	2	F11
44710-LAB4-90B	2	F07	45465-LEA1-900	1	F06	50350-LKC6-900	3	F20
44800-KNBN-901	6	F07	45513-GLW0-91A	0	F04	50356-KNBN-200	1	F20
44830-KUDU-900	8	F02	45517-GFY6-900	5	F03	50358-KHC4-900	1	F20
44831-KUDU-900	0	F02	45517-KFAF-900	0	F04	50500-LEA1-910	3	F15
			45520-GLW0-91A	0	F04	50502-LEA1-910	2	F15
			45530-KHC4-305	3	F04	50505-LAD9-900	3	F15

PART NO. INDEX
 パーツ番号 検索

PART NO. パーツ番号	VERSION バージョン	PAGE ページ	PART NO. パーツ番号	VERSION バージョン	PAGE ページ	PART NO. パーツ番号	VERSION バージョン	PAGE ページ
50530-LEA1-900	3	F15				53216-KXCX-MG0	0	F03
50560-LEA1-900	5	E04	52000					
50570-LEA1-900	5	E01				61000		
50611-LEA1-900	3	F20	52000-LEA1-900	9	F16			
50612-LEA1-900	3	F20	52101-LEA1-900	2	F16	61100-LEA1-900	6	F05
50613-LHJ6-900	2	F20	52400-LEA1-900	6	F16	61101-LEA1-900	3	F05
50615-LEA1-900	1	F12				61102-LEA1-900	4	F06
5071A-LDC1-91A	1	F20	53000					
5071A-LDC1-91B	1	F20				64000		
5071B-LDC1-91A	1	F20	53100-LBG7-900	5	F03			
5071B-LDC1-91B	1	F20	53125-GEN5-901	0	F03	64206-MLJ0-001	1	F12
			53140-KFA1-900	2	F03	64301-LEA1-900	6	F05
51000			53166-KFA1-900	2	F03	64302-LEA1-900	4	F05
			53167-LHJ6-900	2	F03	64303-LEA1-900	3	F05
51401-LCB4-900	0	F22	53168-KFA1-900	1	F03	64304-LEA1-900	5	F05
5140A-LKC6-900	2	F06	53172-KKE2-900	3	F03	64305-LEA1-900	5	F12
51410-KFA1-900	0	F22	53175-KFA1-900	1	F04	64306-LEA1-900	5	F12
51411-KNBN-900	0	F22	53178-KKE2-900	2	F03	6430B-LEA1-B80	0	F12
51412-KFA1-900	0	F22	5317A-KKE2-900	4	F03	6430C-LEA1-B80	0	F12
51413-KNBN-900	0	F22	53200-LEA1-900	7	F06	64310-LEA1-900	8	F05
51420-KNBN-900	0	F22	53205-LEA1-900	4	F03	64315-LGM2-900	2	F20
51429-LAB4-900	0	F22	53206-LEA1-900	3	F03	64316-KHE2-900	1	F05
51432-KFA1-900	0	F22	53211-GFY6-940	1	F06			
5150A-LKC6-900	2	F06	53212-2L50-011	1	F06	77000		
51520-KHC4-900	0	F22	53214-LHJ6-900	1	F06			
			53215-2L50-001	0	F06	77200-LKC6-B31	1	F09

PART NO. INDEX
 パーツ番号 検索

PART NO. パーツ番号	VERSION バージョン	PAGE ページ	PART NO. パーツ番号	VERSION バージョン	PAGE ページ	PART NO. パーツ番号	VERSION バージョン	PAGE ページ
77206-KEB7-900	0	F09	81202-LEA1-900	2	F12			
77235-LEA1-900	7	F20	81252-LEA1-900	2	F12	87000		
77240-LEA1-900	2	F19	81260-LKC6-B20	2	F12			
77300-LEA1-900	1	F09				87311-LAD9-B20	2	F23
77303-LEA1-900	1	F09	83000			87505-LAB4-E00	1	F23
80000						87541-GAR1-E00	1	F12
			83500-LEA1-900	6	F12	87541-KUDU-E00	0	E07
			83503-KHD6-900	2	F20	87542-GAR1-E00	2	F12
80100-LHJ6-900	0	F18	83510-LEA1-900	1	F12	87560-GFY6-E00	4	F23
80102-LEA1-900	1	F18	83520-LKC6-900	1	F20			
80104-LBC6-900	1	F18	83600-LEA1-900	6	F12	88000		
80105-LEA1-900	3	F18	8360A-LEA1-900	3	F12			
80106-LEA1-900	6	F18	83610-LEA1-900	1	F12	88110-LEA1-900	2	F03
80107-LEA1-900	8	F18	83620-LKC6-900	1	F20	88114-LEA1-900	0	F03
8010B-LEA1-900	3	F18	83750-LEA1-900	4	F12	88120-LEA1-900	2	F03
80151-LEA1-900	5	F12	86000			88124-LEA1-900	0	F03
81000						89000		
			86102-KKC4-900	3	F05			
81131-LEA1-910	2	F05	86202-LKC6-B20	0	F24	89010-LEA1-900	2	F09
81132-KFAF-900	1	F05	86404-LFE2-900	2	F06			
81133-LEA1-910	1	F05	86404-LGL9-710	0	F06	90000		
81134-LGH6-B20	1	F05	86408-LKC6-B20	1	F23			
81141-LEA1-900	4	F05	86409-LBE8-B20	1	F18	90001-GBHB-661	3	E03
81142-KUDU-900	1	F05				90001-GFY6-901	5	E02
81200-LEA1-900	5	F12				90005-KAW1-901	1	E03

PART NO. INDEX
 パーツ番号 検索

PART NO. パーツ番号	VERSION バージョン	PAGE ページ	PART NO. パーツ番号	VERSION バージョン	PAGE ページ	PART NO. パーツ番号	VERSION バージョン	PAGE ページ
9000A-KTDT-900	1	E01	90206-0A01-001	4	E02	90442-0D44-001	0	E05
9000B-KHD6-900	2	E02	90301-6D34-671	1	F18	90442-LEA1-900	1	E02
90012-3C33-001	1	E02	90301-GFY6-901	2	F14	90443-8D44-001	0	E01
90031-KUDU-900	0	E01	90302-GFY6-901	1	F05	90443-8D44-001	0	E04
90032-LEA1-900	2	E01	90302-GFY6-901	1	F10	90451-KUDU-900	0	E08
90033-GFY6-900	1	E02	90302-GFY6-940	1	F06	90474-3C33-001	1	E01
90101-KGC4-E00	1	F09	90302-GFY6-940	1	F10	90481-LEA1-900	1	E02
90105-KCR3-001	1	F07	90302-GFY6-940	1	F11	9052A-LEB1-900	2	E01
90105-KHC4-900	1	F20	90302-LEA1-900	1	F10	90545-3L00-001	2	F04
90106-GEN5-901	1	F03	90302-LLB1-E00	2	E02	90554-2C83-001	0	F22
90106-KFC2-900	0	F12	90302-LLB1-E00	2	F03	90601-GAR1-900	0	F22
90108-LKE6-900	1	F15	90302-LLB1-E00	2	F18	90603-0D44-001	0	E05
90110-KHD8-900	0	F14	90302-LLB1-E00	2	F20	90605-2L00-001	0	E08
90110-LFG6-900	3	F03	90302-SDA4-004	3	F05	90652-LEA1-900	1	F05
90111-1G87-001	1	F12	90302-SDA4-004	3	F12	90652-LGJ9-900	2	E02
90111-LGE3-900	0	F05	90302-SDA4-004	3	F20	90653-LCA4-E00	1	F18
90114-1F66-007	2	F04	90304-4H38-001	2	E02	90656-KCBC-900	0	F03
90115-GLE0-001	0	F03	90304-4H38-001	2	F20	90656-KCBC-900	0	F19
90116-3C83-72A	0	F22	90304-GHE8-004	0	F03	90656-KUDU-900	0	F19
90131-LEA5-E00	2	F16	90304-LEA1-900	1	F20	90677-KFC9-900	0	F18
90131-LEB1-900	1	F07	90305-GHK8-001	1	E07	90701-HFB6-011	2	E03
90145-LEA3-E00	1	F04	90305-KNBN-90B	0	F08	90741-0E35-001	0	E03
90201-GFY6-901	1	E06	90305-KNCN-900	1	F03	90754-GHC8-00A	1	F07
90201-KHE7-900	1	E05	90306-LFE2-900	1	F07	90754-GHC8-00B	1	F07
90201-PHB8-001	1	E05	90309-KLF0-004	1	E01	90912-GHC8-00A	0	F07
90202-1G87-001	2	E05	90403-LEA2-900	2	E06	90912-GHC8-00D	0	F07

PART NO. INDEX

パーツ番号 検索

PART NO. パーツ番号	VERSION バージョン	PAGE ページ	PART NO. パーツ番号	VERSION バージョン	PAGE ページ	PART NO. パーツ番号	VERSION バージョン	PAGE ページ	
91000			91306-1E05-691	0	E03	93500-04010-0F	0	F10	
			91307-0E35-001	0	E04	93500-04020-0G	0	F10	
			91309-4E25-004	0	E06	93500-04025-0A	0	F13	
	91001-GFY6-90A	2	E05	91351-KEBE-W00	0	E05	93500-05010-0F	0	F10
	91001-KGBG-90A	0	E01	91352-KHG8-83B	0	F08	93500-05022-0F	0	F03
	91001-KHC4-90B	0	E08	91353-GFY6-900	0	F08	93500-KHC4-90A	0	F10
	91002-GFY6-W00	0	E05	91981-KGN7-670	0	E06	93500-KHC4-90A	0	F19
	91009-GLE0-004	1	E01				93600-04012-1G	0	F04
	91051-KFBF-901	1	F16	92000			93600-06020-0F	0	E06
	91101-LEA2-900	1	E06				93600-LEA2-900	7	E06
	91104-LEA1-900	2	E06	92101-05012-0G	0	E07	93700-05018-0F	0	F02
	91106-KHC4-90A	0	E08	92101-06014-0G	0	E02	93892-04006-08	0	E06
	91106-KHC4-90B	0	E08	92712-06028-0B	2	E02	93892-04010-06	0	E09
	91202-GFY6-90A	1	E04	92900-06060-0B	0	E02	93892-05010-06	0	E09
	91202-GFY6-90C	1	E04				93893-04012-18	0	F04
	91202-LEA1-90A	4	E08	93000			93903-14460	0	F05
	91202-LEA2-900	3	E01				93903-25460	0	F13
	91211-KEE1-900	0	E05	93401-04025-06	0	F19	93903-32220	0	F18
	91251-LAB4-900	0	F22	93404-06012-06	0	F05	93903-34360	0	F03
91255-GLE0-006	0	E01	93404-06012-06	0	F18	93903-34360	0	F05	
91258-KAM1-00A	1	F07	93404-06016-06	0	F20	93903-34360	0	F12	
91301-0C53-001	0	E01	93404-06025-06	0	F05	93903-34360	0	F17	
91301-0H28-001	0	E02	93404-06030-06	0	F13	93903-34360	0	F18	
91301-GLR0-005	1	E03	93500-03010-0F	0	E06	93903-35260	0	F18	
91302-0A01-021	0	E04	93500-04008-0G	0	F10	93903-35360	0	F01	
91302-KHD6-900	0	E02	93500-04010-0F	0	E01	93903-35360	0	F02	

PART NO. INDEX

パーツ番号 検索

PART NO. パーツ番号	VERSION バージョン	PAGE ページ	PART NO. パーツ番号	VERSION バージョン	PAGE ページ	PART NO. パーツ番号	VERSION バージョン	PAGE ページ
93903-35360	0	F03	94050-LEA6-900	0	F01	95002-02080	0	F21
93903-35360	0	F10	94101-06200	0	F14	95002-02120	1	F13
93903-35360	0	F18	94101-KKE3-900	1	E09	95002-02130	0	F10
93903-44320	0	F01	94101-LKC6-900	1	F20	95002-40800-08	0	F13
93903-44320	0	F17	94111-05800	0	E06	95002-41150-00	0	F13
93903-GFY6-900	1	F05	94111-06800	0	E02	95002-50000	0	E01
93903-GFY6-900	1	F12	94111-06800	0	E09	95002-KKD6-E05	0	F21
93903-GFY6-900	1	F18	94301-08140	0	E01	95002-KKE3-900	2	F10
93904-35360	0	E01	94301-08140	0	E04	95003-23024-60	0	F13
93904-35360	0	E07	94301-10160	0	E02	95014-71402	0	F15
			94301-10160	0	E03	95014-72204	0	F15
94000			94520-28000	0	E05	95701-06008-06	1	F04
			94524-40000	0	F16	95701-06010-06	1	F11
94001-05080-0S	0	F03	94540-05018	0	E06	95701-06012-06	1	F04
94050-05060	0	F19	94591-21000	0	F05	95701-06012-06	1	F06
94050-06060	0	F04	94591-27000	0	F03	95701-06012-06	1	F10
94050-06060	0	F09	94591-27000	0	F05	95701-06012-06	1	F19
94050-06060	0	F11	94591-27000	0	F18	95701-06012-06	1	F20
94050-06060	0	F19	94591-KFBF-900	2	F10	95701-06025-06	2	E02
94050-06060	0	F20	94605-KFA1-900	0	F22	95701-06025-06	2	F08
94050-06080	0	E02				95701-06032-06	0	F13
94050-06080	0	E09	95000			95701-06040-06	0	E02
94050-06080	0	F09				95701-08012-06	0	E01
94050-06080	0	F20	95002-02070	0	F10	95701-08025-06	0	F19
94050-08080	0	E02	95002-02070	0	F21	95701-LEA1-900	0	F01
94050-10080	0	E07	95002-02080	0	F13	95801-06040-06	0	F20

PART NO. INDEX

パーツ番号 検索

PART NO. パーツ番号	VERSION バージョン	PAGE ページ	PART NO. パーツ番号	VERSION バージョン	PAGE ページ	PART NO. パーツ番号	VERSION バージョン	PAGE ページ
95801-08025-06	0	E01	96001-06090-06	2	E04			
95801-08025-06	0	E04	96001-06095-06	0	E02			
95801-08032-06	1	F16	96001-06100-06	0	E04			
95801-08040-06	0	F06	96001-GFY6-900	2	F13			
95801-08042-06	0	F14	96100-60020-00	0	E01			
95801-10035-06	0	F16	96100-62030-00	0	E08			
95801-LEA1-900	1	F15	96100-63040-00	1	E08			
			96211-05000	0	F06			
96000			96211-08000	1	F06			
			96220-20118	0	E06			
96001-06008-07	0	F14	96220-40080	0	E06			
96001-06012-06	0	F16	96220-LDC5-900	1	E06			
96001-06012-06	0	F20						
96001-06014-06	0	E02	98000					
96001-06016-06	0	E07						
96001-06016-07	0	F14	98059-57916-00	2	E02			
96001-06018-06	0	E06	98200-31000	1	F11			
96001-06022-06	1	E07	98200-31500	0	F11			
96001-06022-06	1	F04	98200-31500	0	F19			
96001-06025-06	0	E01						
96001-06025-06	0	E04						
96001-06025-06	0	E07						
96001-06025-06	0	F03						
96001-06032-06	0	E01						
96001-06032-06	0	F20						
96001-06050-06	0	E01						