

# PARTS CATALOGUE



## SCOOTERS

SA20EB(JP)

SOONER 100S (注意)



Release Date : 2016/03/04  
Print Date : 2017/07/18

## 本パーツリストについて

- 本パーツリストは SA20EB(JP).の全てのパーツ番号が記載されています。
- 車輻のカラーチャートとバイクに相違がある場合は正規販売店もしくはKYMCO JAPANへお問い合わせください。
- 1. "\*\*\*"記号が記載している場合、3文字の色コードをパーツ番号の最後に記入してください。  
2. "#" 記号が記載している場合、パーツの設定、変更があります。正規販売店もしくはKYMCO JAPANへお問い合わせください。
- このパーツリストの変更または追加は、適切な時期に予告なく行われます。

## ABOUT THIS PARTS LIST

- This parts list is compiled all service parts for model SA20EB(JP).
- Any difference between color chart and motorcycle will be revised according to motorcycle.
- The Mark:
  1. Marking "\*\*\*" must add color code in the end before ordering parts.
  2. Marking "#" are parts with modification, Please find the details from e-Parts system.
- When modification or additions to this parts list are made a revised edition at an appropriate time.

## 目次

● 本パーツリストについて .....	1
● SA20EB(JP)のカラーチャート .....	3
● 目次-エンジン関 .....	9
● 目次-フレーム関係 .....	11
● エンジンパーツリスト .....	14
● フレームパーツリスト .....	44
● パーツ番号 検索 .....	106

## CONTENTS

● ABOUT THIS PARTS LIST .....	1
● COLOR CHART OF SA20EB(JP) .....	3
● CONTENTS-ENGINE GROUP .....	9
● CONTENTS-FRAME GROUP .....	11
● ENGINE PARTS LIST .....	14
● FRAME PARTS LIST .....	44
● PART NO. INDEX .....	106

NO	モデル			SA20EB(JP)のカラーチャート							
	写真番号			NO. 1	NO. 2	NO. 3	NO. 4				
	基本色										
	コード			Crystal Blue	Black Blue	Bright Silver	Diamond Red				
	パーツ名	パーツ番号	バージョン	PB041MA	PB184PA	NH045MA	RR164MA				
1	LEVER R STRG HANDLE	53175-KFA1-900	1	M2A							
2	LEVER L STRG HANDLE	53178-GBN2-931	0								
3	COVER UNDER **901 C.	50621-KNBN-901	7	N1R							
4	GRIP COMP THROT/DEEP	53140-KFA1-900	2								
5	GRIP L HANDLE/DEEP	53166-KFA1-900	2								
6	COVER RR HANDLE	53206-KFA1-900	3								
7	PANEL FLOOR **(0)	64310-KFA1-900	1								
8	PLUG FLOOR **9000-	64316-KFA1-900	0								
9	FENDER A REAR **N1R	80101-KFA1-900	2								
10	COVER FR INNER UP	81131-KFA1-910	0								
11	LEG SHIELD UP **910-	81131-KFA1-920	3								
12	HOOK LUGGAGE	81132-GHAH-001	2								
13	LEG SHIELD INNER	81132-KFA1-920	2								
14	HOOK LUGGAGE	81132-LFG6-900	2								
15	COVER FR INNER LOW	81141-KFA1-910	2								
16	LID FR INNER LOW **(0)	81142-KFA1-900	1								
17	COVER ASSY BATTERY	8125A-KNBN-200	1								
18	CARRIER LUGGAGE	77330-KFA1-B21	2					N1S			
19	COVER FRONT TOP	64303-KFA3-900	0					N4P			
20	COVER FR HANDLE	53205-KFA1-900	2	B5P							
21	COVER FRONT	64301-KFA1-900	4								
22	PLUG MAINT **9000-	80152-KFA1-900	0								
23	COVER R BODY	83500-KFA1-900	4								
24	COVER L BODY	83600-KFA1-900	4								
25	COVER L BODY	83600-KFA2-900	2								
								BJP			
				N8P							
				RDP							
	販売開始時期										
	販売終了時期										

NO	モデル			SA20EB(JP)のカラーチャート							
	写真番号			NO. 5							
	基本色										
	コード			Pearly White							
	パーツ名	パーツ番号	バージョン	NH193PA							
1	LEVER R STRG HANDLE	53175-KFA1-900	1	M2A							
2	LEVER L STRG HANDLE	53178-GBN2-931	0								
3	COVER UNDER **901 C.	50621-KNBN-901	7	N1R							
4	GRIP COMP THROT/DEEP	53140-KFA1-900	2								
5	GRIP L HANDLE/DEEP	53166-KFA1-900	2								
6	COVER RR HANDLE	53206-KFA1-900	3								
7	PANEL FLOOR **(0)	64310-KFA1-900	1								
8	PLUG FLOOR **9000-	64316-KFA1-900	0								
9	FENDER A REAR **N1R	80101-KFA1-900	2								
10	COVER FR INNER UP	81131-KFA1-910	0								
11	LEG SHIELD UP **910-	81131-KFA1-920	3								
12	HOOK LUGGAGE	81132-GHAH-001	2								
13	LEG SHIELD INNER	81132-KFA1-920	2								
14	HOOK LUGGAGE	81132-LFG6-900	2								
15	COVER FR INNER LOW	81141-KFA1-910	2								
16	LID FR INNER LOW **(0)	81142-KFA1-900	1								
17	COVER ASSY BATTERY	8125A-KNBN-200	1								
18	CARRIER LUGGAGE	77330-KFA1-B21	2					N1S			
19	COVER FRONT TOP	64303-KFA3-900	0					N4P			
20	COVER FR HANDLE	53205-KFA1-900	2	NVP							
21	COVER FRONT	64301-KFA1-900	4								
22	PLUG MAINT **9000-	80152-KFA1-900	0								
23	COVER R BODY	83500-KFA1-900	4								
24	COVER L BODY	83600-KFA1-900	4								
25	COVER L BODY	83600-KFA2-900	2								
販売開始時期											
販売終了時期											

NO	モデル			SA20EB(JP)のカラーチャート			
	写真番号			NO. 1	NO. 2	NO. 3	NO. 4
	基本色						
	コード			Crystal Blue	Black Blue	Bright Silver	Diamond Red
	パーツ名	パーツ番号	バージョン	PB041MA	PB184PA	NH045MA	RR164MA
26	MOLDING FRONT	64302-KFA3-900	1	N8P	BJP	N8P	
27	MOLD R SIDE	83501-KFA3-900	0				
28	MOLD L SIDE	83601-KFA3-900	0				
29	DISK FR BRAKE **E000-	45351-KHC5-E00	0	N8S			
30	COVER L SIDE **KDT-	11341-KTDT-800	0	NEA			
31	HUB SUB COMP RR	42610-GKAK-901	4	NJA			
32	HUB SUB COMP FR /D103	44610-KHC4-305	0				
33	GEAR BOX ASSY SPDMT	44800-KNBN-901	6				
34	FORK SET R FR **9000-	5140A-KFA1-900	6				
35	FORK SET L FR **9000-	5150A-KFA1-900	6				
36	RIM COMP RR WHEEL	42705-KHC4-900	5	NJS			
37	RIM COMP FR WHEEL	44705-KHC4-900	2				
38	CALIPER ASSY FR L	45100-KFA1-900	0	R8A			
39	CUSHION ASSY REAR	52400-KFA1-900	1	R8S			
40	SEAT ASSY/KO1Y-3Y2	77200-KFA1-C00	2	T01			
41	STRIPE BODY COVER	86201-KFA3-B21	0				
42	STRIPE FR FENDER	86408-KKC8-B20	2				
43	STRIPE RR FENDER **(0)	86409-KHC4-B20	2				
44	EMB MARK KYMCO	87206-GFY6-900	1				
45	CAUTION USE GAS	87501-KRDR-E00	2				
46	LABEL TIRE **E00	87505-KHC5-E00	1				
47	CAUTION SIDE STAND	87541-GAR1-E00	1				
48	MARK MAINT CAUTION	87542-GAR1-E00	2				
49	CAUTION MAXIMUM	87556-KFA3-E00	0				
50	MARK DRIVE CAUTION	87560-KNBN-E00	1				
販売開始時期							
販売終了時期							

NO	モデル			SA20EB(JP)のカラーチャート			
	写真番号			NO. 5			
	基本色						
	コード			Pearly White			
	パーツ名	パーツ番号	バージョン	NH193PA			
26	MOLDING FRONT	64302-KFA3-900	1	NVP			
27	MOLD R SIDE	83501-KFA3-900	0				
28	MOLD L SIDE	83601-KFA3-900	0				
29	DISK FR BRAKE **E000-	45351-KHC5-E00	0	N8S			
30	COVER L SIDE **KDT-	11341-KTDT-800	0	NEA			
31	HUB SUB COMP RR	42610-GKAK-901	4	NJA			
32	HUB SUB COMP FR /D103	44610-KHC4-305	0				
33	GEAR BOX ASSY SPDMT	44800-KNBN-901	6				
34	FORK SET R FR **9000-	5140A-KFA1-900	6				
35	FORK SET L FR **9000-	5150A-KFA1-900	6				
36	RIM COMP RR WHEEL	42705-KHC4-900	5	NJS			
37	RIM COMP FR WHEEL	44705-KHC4-900	2				
38	CALIPER ASSY FR L	45100-KFA1-900	0	R8A			
39	CUSHION ASSY REAR	52400-KFA1-900	1	R8S			
40	SEAT ASSY/KO1Y-3Y2	77200-KFA1-C00	2	T01			
41	STRIPE BODY COVER	86201-KFA3-B21	0				
42	STRIPE FR FENDER	86408-KKC8-B20	2				
43	STRIPE RR FENDER **(0)	86409-KHC4-B20	2				
44	EMB MARK KYMCO	87206-GFY6-900	1				
45	CAUTION USE GAS	87501-KRDR-E00	2				
46	LABEL TIRE **E00	87505-KHC5-E00	1				
47	CAUTION SIDE STAND	87541-GAR1-E00	1				
48	MARK MAINT CAUTION	87542-GAR1-E00	2				
49	CAUTION MAXIMUM	87556-KFA3-E00	0				
50	MARK DRIVE CAUTION	87560-KNBN-E00	1				
販売開始時期							
販売終了時期							

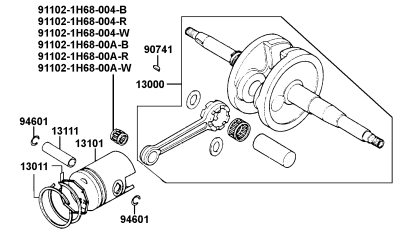
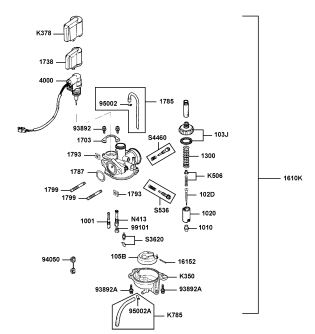









## CONTENTS - ENGINE GROUP 目次-エンジン関

E10 Crankshaft Piston	E11 Carburetor	
 <p>91102-1H68-004-B            91102-1H68-004-R            91102-1H68-004-W            91102-1H68-00A-B            91102-1H68-00A-R            91102-1H68-00A-W</p> <p>90741            13000            94601            13111            13101            13011            94801</p>	 <p>K37B            173B            4000            90002            1785            103J            1300            K506            102D            1020            1010            90892            1793            1787            1799            1793            1001            N413            99101            93000            94050            1080            16162            K350            90902A            90902A            K785            1010K</p>	
		

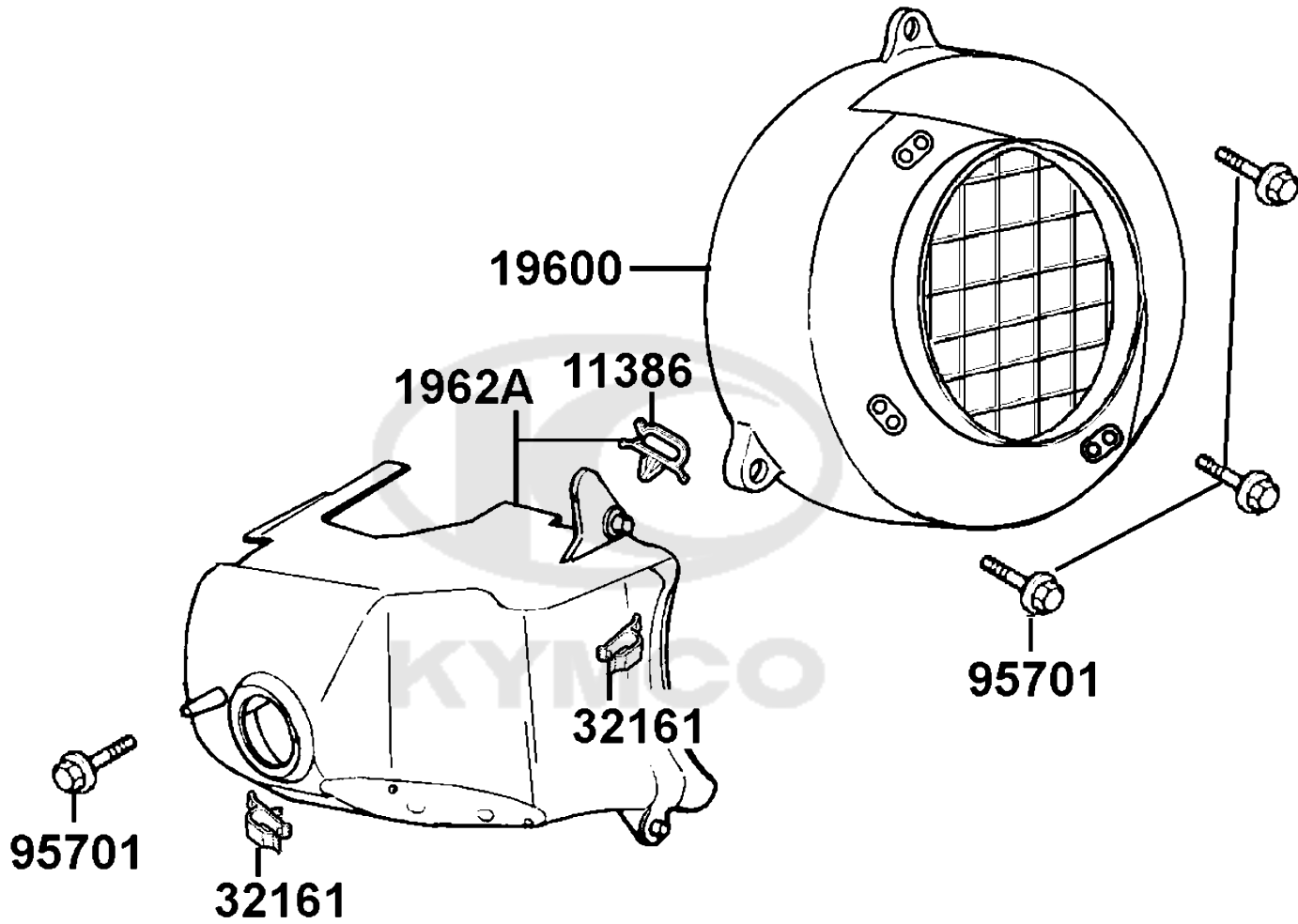






E01

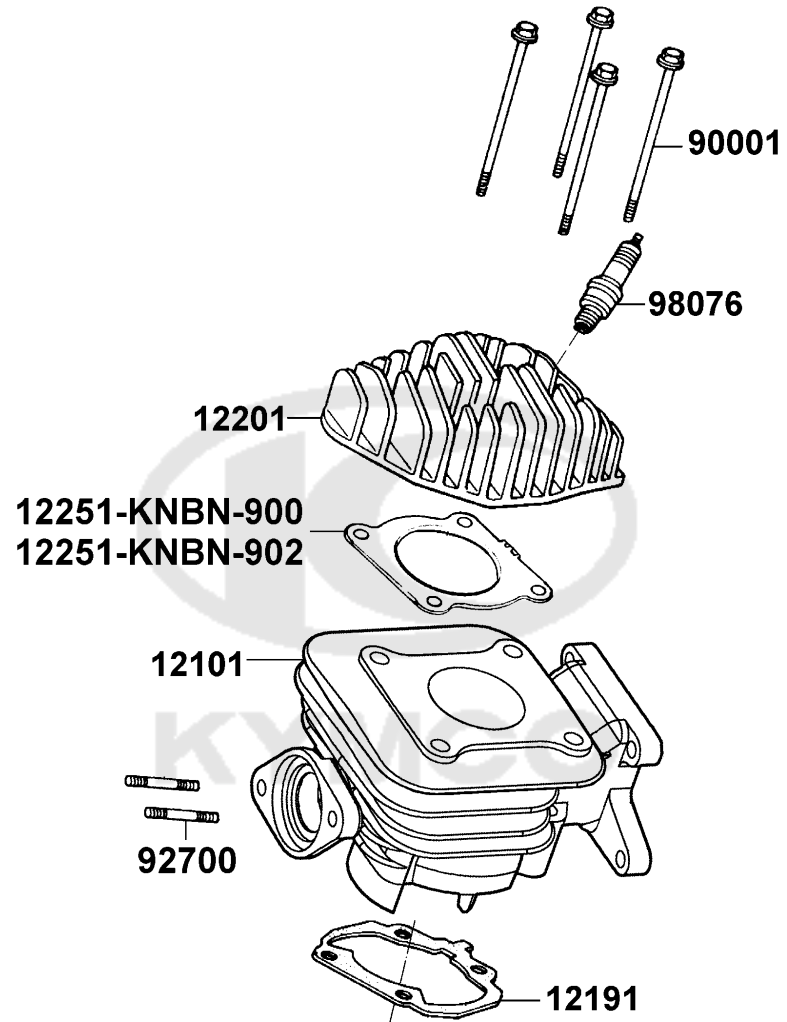
Fan Cover Shroud



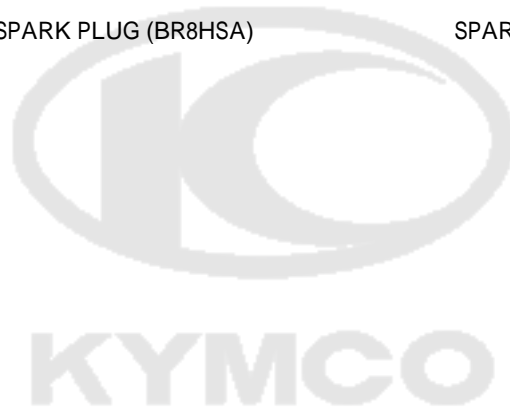
Sales mark 記号	Ref no 参照用番号	Part no パーツ番号	Description 部品名	Reg description 部品名	Regd no 必要個数	Ref Price 希望小売価格(税抜)	E01
11386		11386-GFY6-900	CLIP VACUUM TUBE	CLIP VACUUM TUBE	1	60	
19600		19600-KTDT-800	FAN COVER COMP **KDT-8000	FAN COVER COMP **KDT-8000	1	1910	
1962A		1962A-KNBN-901	SHROUD ASSY **KBN-9010	SHROUD ASSY **KBN-9010	1	1580	
32161		32161-3C93-004	CLIP HARNESS WIRE	CLIP HARNESS WIRE	2	160	
95701		95701-06025-06	BOLT FLANGE 6*25	BOLT FLANGE 6*25	1	60	

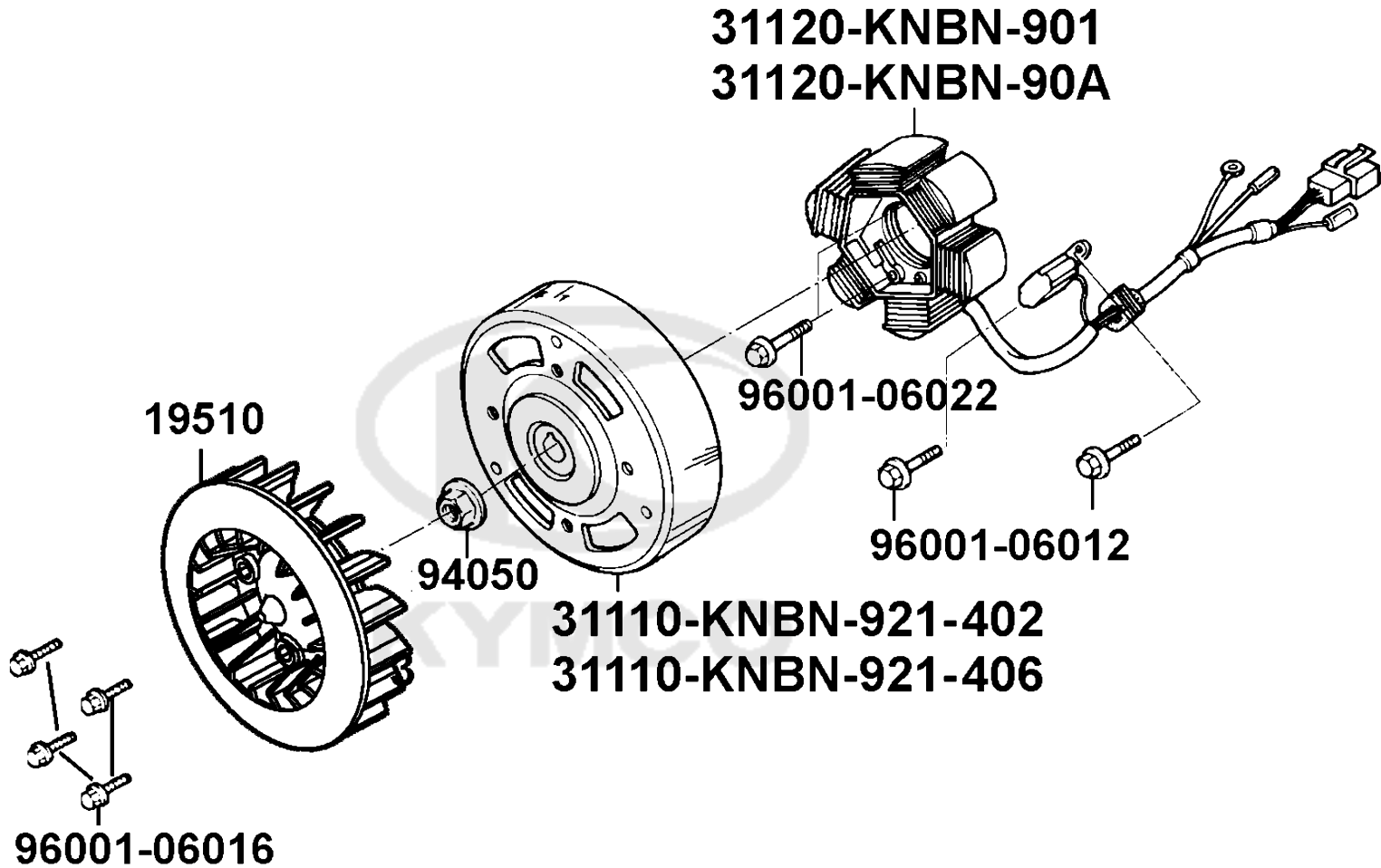




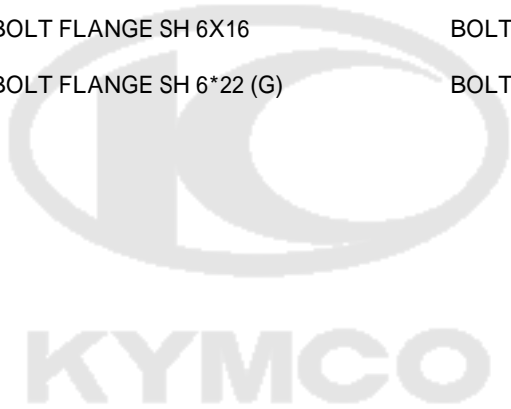


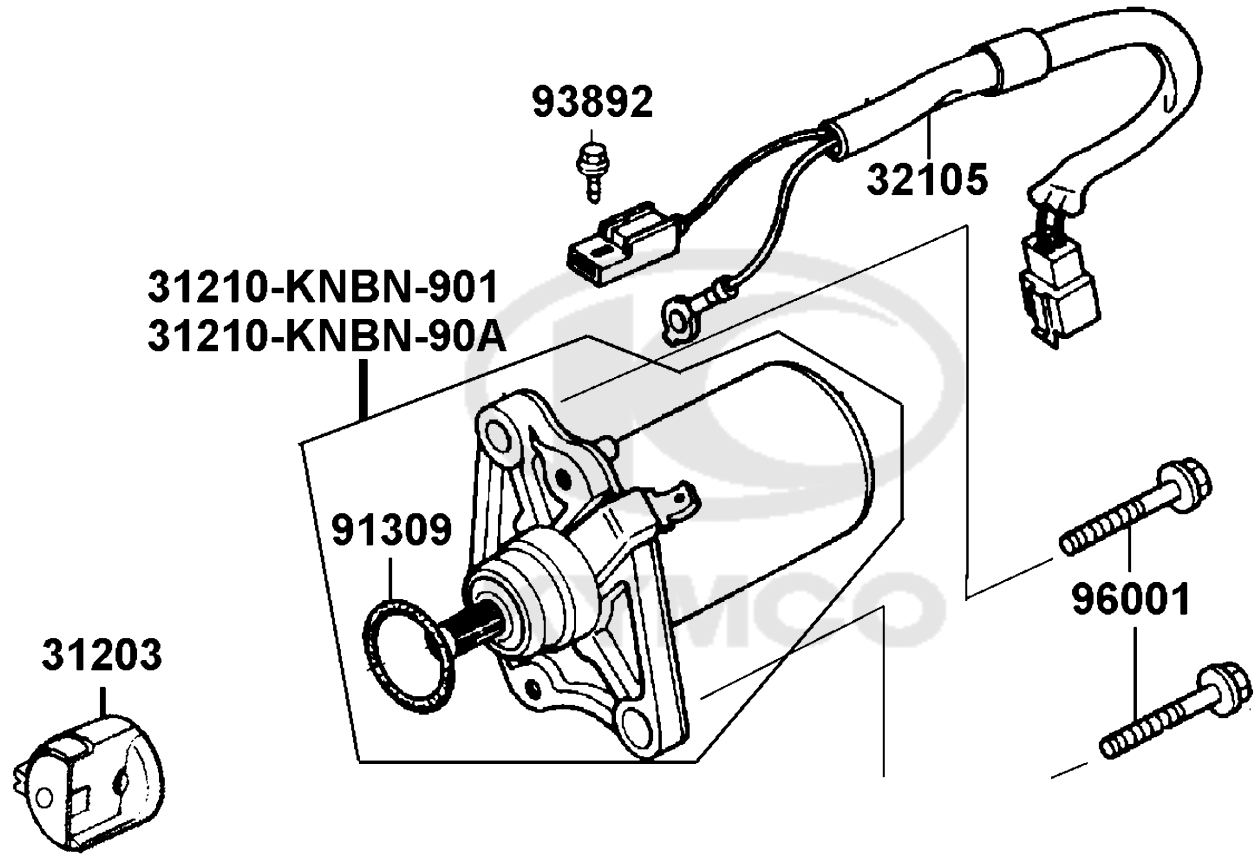
Sales mark 記号	Ref no 参照用番号	Part no パーツ番号	Description 部品名	Reg description 部品名	Regd no 必要個数	Ref Price 希望小売価格(税抜)	E02
12101		12101-KNBN-920	CYLINDER **KBN-9200 C.2005.08.01	CYLINDER **KBN-9200 C.2005.08.01	1	16800	
12191		12191-KNBN-980	GASKET CYLINDER A	GASKET CYLINDER A	1	560	
12201		12201-KNBN-901	HEAD CYLINDER	HEAD CYLINDER	1	4520	
12251-KNBN-900		12251-KNBN-900	GASKET CYLINDER HEAD	GASKET CYLINDER HEAD	1	250	
12251-KNBN-902		12251-KNBN-902	GASKET CYLINDER HEAD	GASKET CYLINDER HEAD	1	230	
90001		90001-KNBN-901	BOLT FLANGE 7*115(G)	BOLT FLANGE 7*115(G)	4	230	
92700		92700-06028-1B	BOLT STUD 6*28	BOLT STUD 6*28	2	60	
98076		98076-5871G-00	SPARK PLUG (BR8HSA)	SPARK PLUG (BR8HSA)	1	1060	





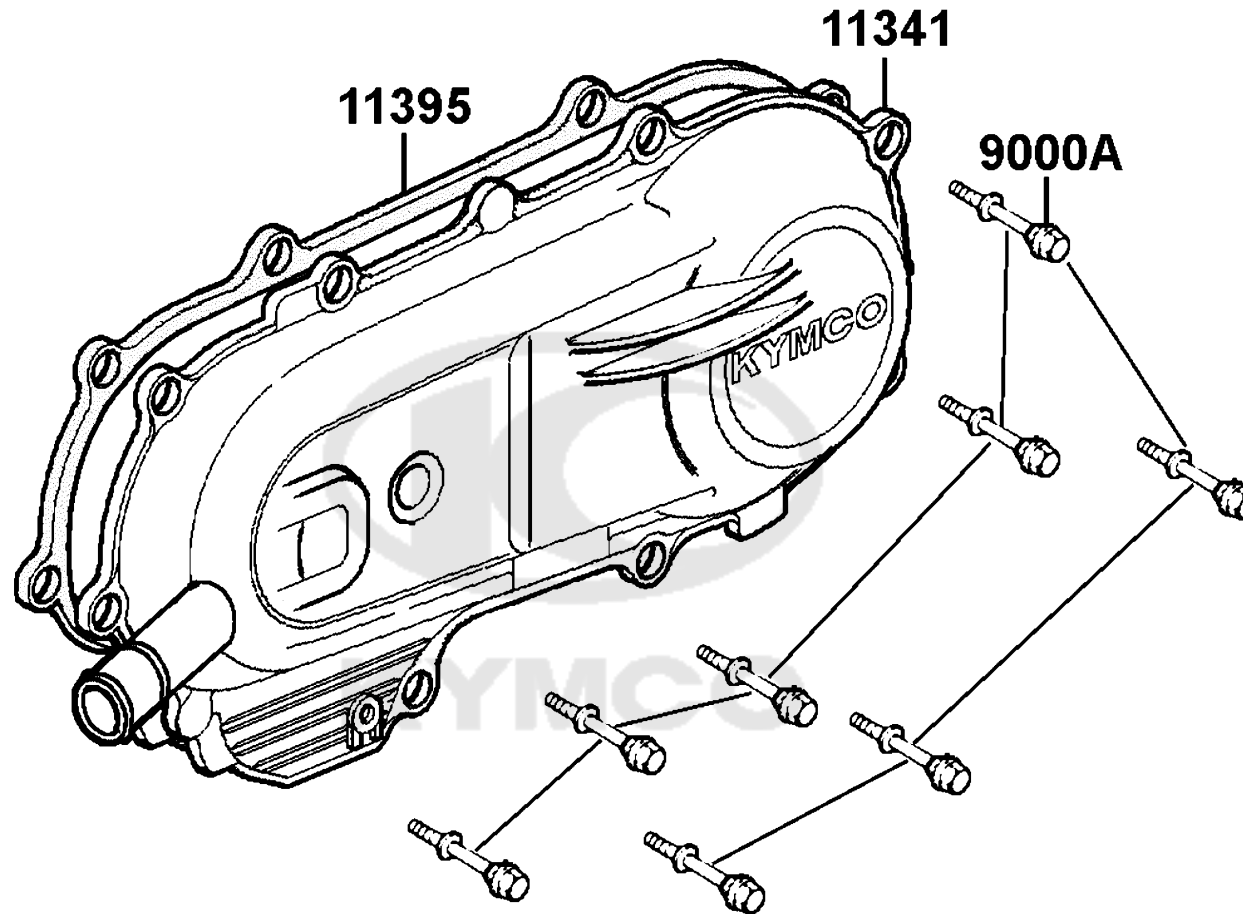
Sales mark 記号	Ref no 参照用番号	Part no パーツ番号	Description 部品名	Reg description 部品名	Regd no 必要個数	Ref Price 希望小売価格(税抜)	E03
19510		19510-KEB8-900	FAN COMP COOLING	FAN COMP COOLING	1	590	
31110-KNBN-921-		31110-KNBN-921-402	FLYWHEEL COMP (D402)	FLYWHEEL COMP /D402	1	9130	
31110-KNBN-921-		31110-KNBN-921-406	FLYWHEEL COMP (D406)	FLYWHEEL COMP **D406	1	9320	
31120-KNBN-901		31120-KNBN-901	STATOR COMP (D406)	STATOR COMP /D406	1	9510	
31120-KNBN-90A		31120-KNBN-90A	STATOR COMP (D402)	STATOR COMP /D402	1	9510	
94050		94050-10080	NUT FLANGE 10MM	NUT FLANGE 10MM	1	60	
96001-06012		96001-06012-06	BOLT FLANGE SH 6*12	BOLT FLANGE SH 6*12	1	60	
96001-06016		96001-06016-06	BOLT FLANGE SH 6X16	BOLT FLANGE SH 6X16	1	60	
96001-06022		96001-06022-06	BOLT FLANGE SH 6*22 (G)	BOLT FLANGE SH 6*22 (G)	1	60	





Sales mark 記号	Ref no 参照用番号	Part no パーツ番号	Description 部品名	Reg description 部品名	Regd no 必要個数	Ref Price 希望小売価格(税抜)	E04
31203		31203-KNBN-901	HOLDER COMP ST REDUCTION	HOLDER COMP ST REDUCTION	1	730	
31210-KNBN-901		31210-KNBN-901	MOTOR UNIT START	MOTOR UNIT START	1	14830	
31210-KNBN-90A		31210-KNBN-90A	MOTOR UNIT START	MOTOR UNIT START	1	14830	
32105		32105-KNBN-901	SUB HARNESS **9010 C.2005.09.19	SUB HARNESS **9010 C.2005.09.19	1	1870	
91309		91309-KNBN-901	O RING	O RING	1	110	
93892		93892-04006-08	SCREW WASHER 4*6	SCREW WASHER 4*6	1	60	
96001		96001-06032-06	BOLT FLANGE 6*32	BOLT FLANGE 6*32	1	60	



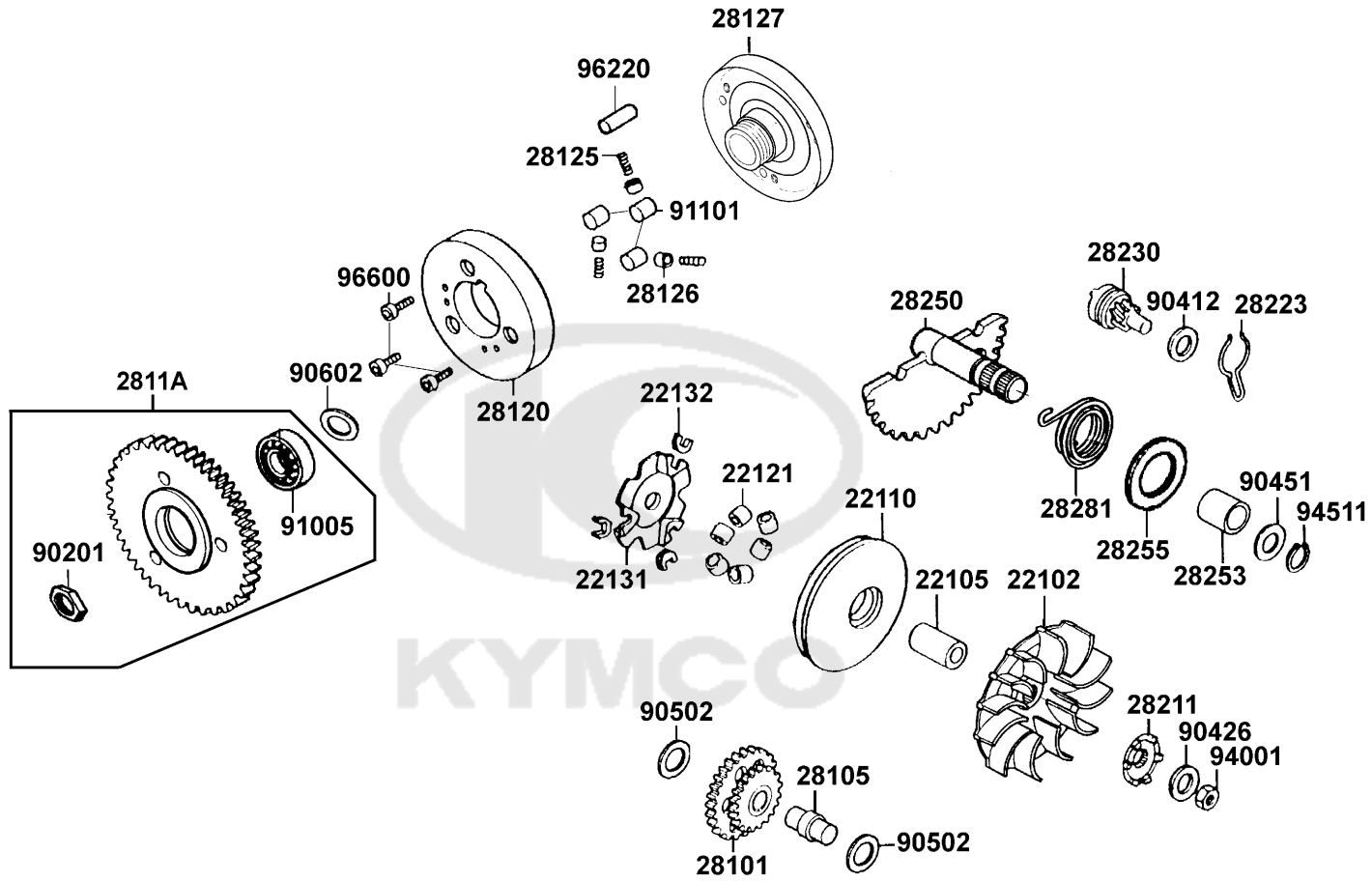


Sales mark 記号	Ref no 参照用番号	Part no パーツ番号	Description 部品名	Reg description 部品名	Regd no 必要個数	Ref Price 希望小売価格(税抜)	E05
------------------	-----------------	------------------	--------------------	------------------------	-----------------	-------------------------	-----

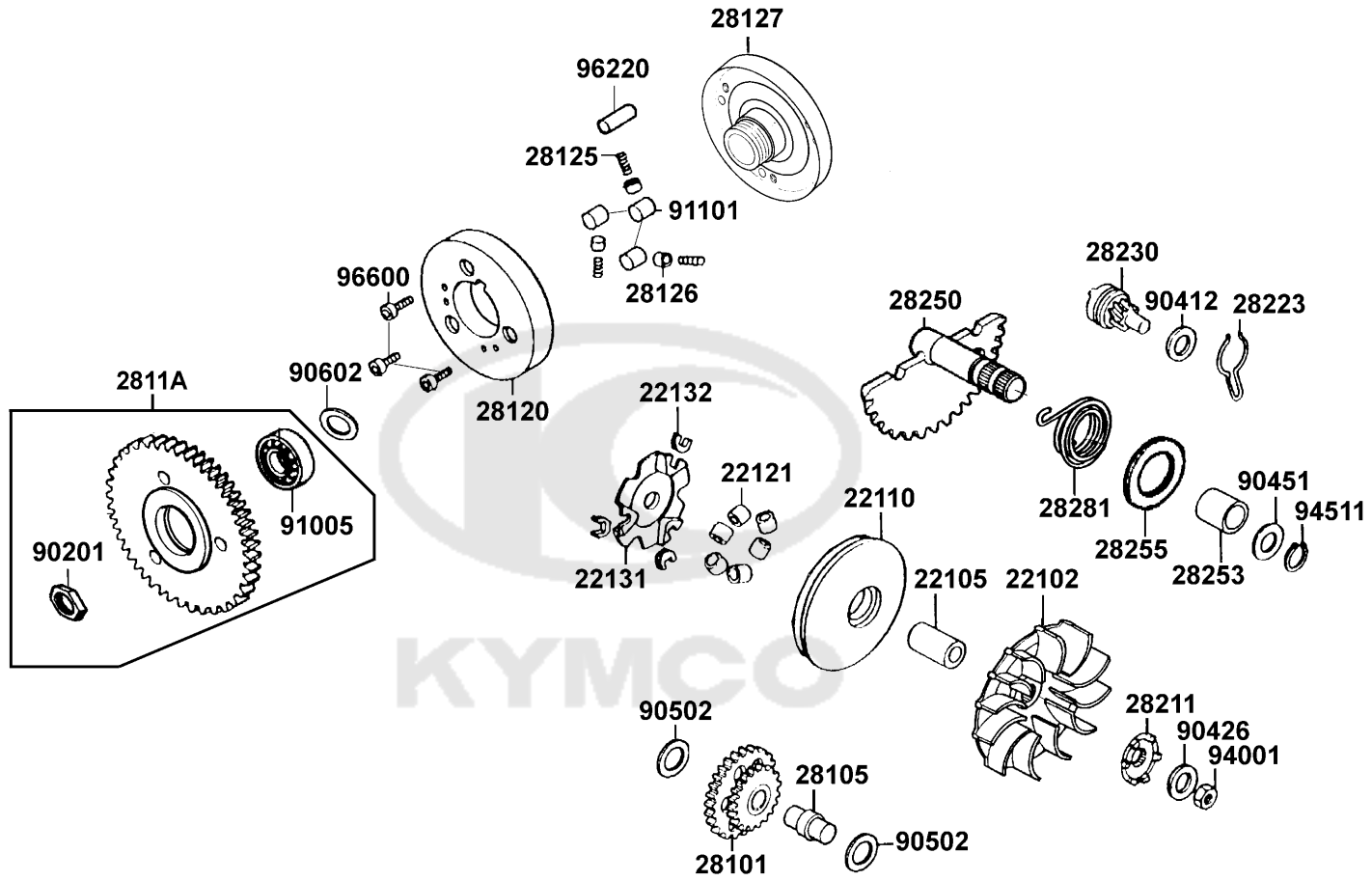
**	11341	11341-KTDT-800	COVER L SIDE **KDT-800-NEA	COVER L SIDE **KDT-800-NEA C.2005.08.01	1	11930	
	11395	11395-KTDT-800	GASKET L COVER SIDE **KDT-8000	GASKET L COVER SIDE **KDT-8000	1	1200	
	9000A	9000A-KTDT-900	BOLT ASSY SPECIAL 6*29.5	BOLT ASSY SPECIAL 6*29.5	8	100	



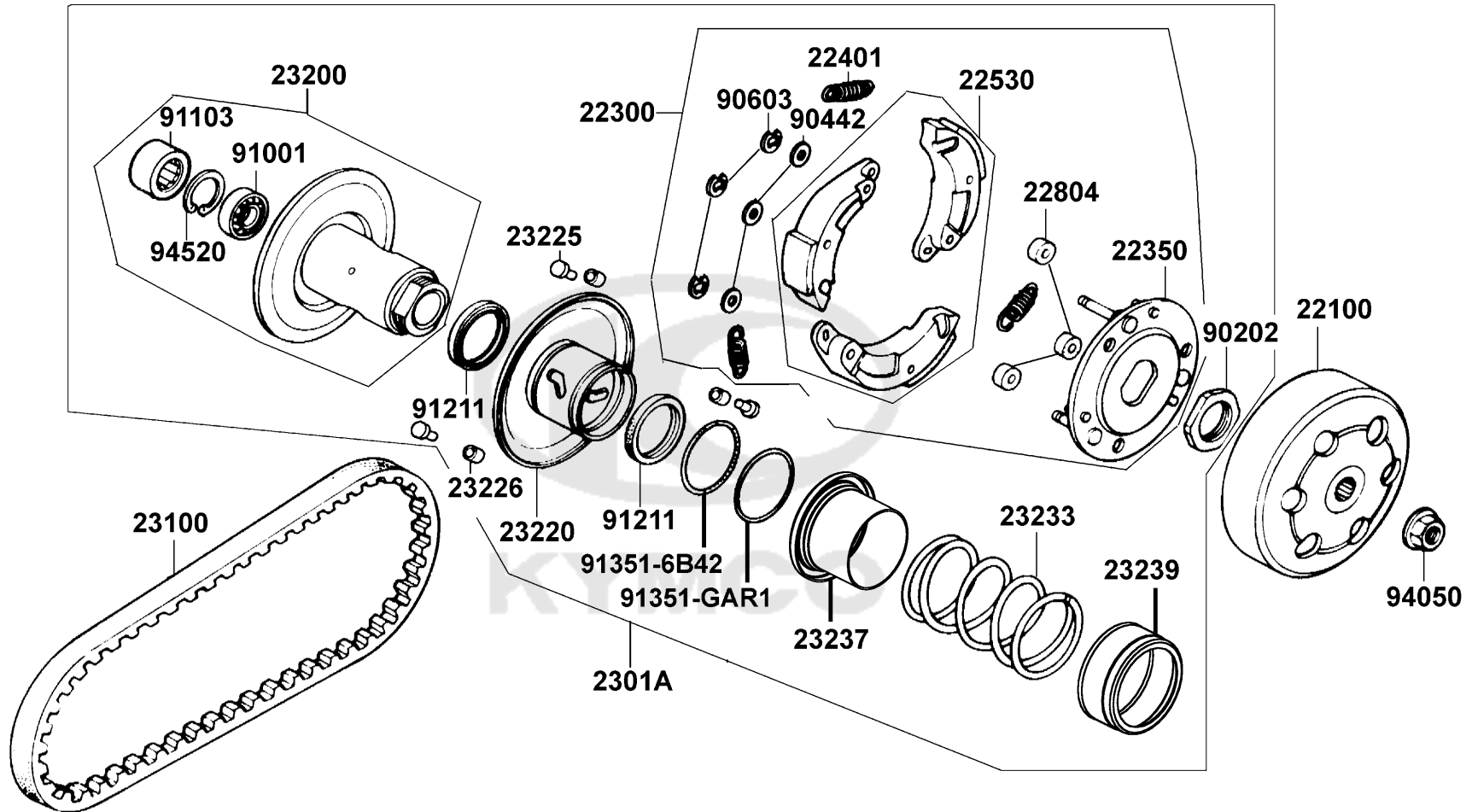




Sales mark 記号	Ref no 参照用番号	Part no パーツ番号	Description 部品名	Reg description 部品名	Regd no 必要個数	Ref Price 希望小売価格(税抜)	E06
22102		22102-KHC4-900	FACE DRIVE	FACE DRIVE	1	1720	
22105		22105-GCW3-001	BOSS DRIVE FACE **GW3-010	BOSS DRIVE FACE **GW3-010 C.2005.09.19	1	1250	
22110		22110-KED5-900	FACE COMP MOVABLE	FACE COMP MOVABLE	1	3810	
22121		22121-GLZ0-305	ROLLER SET WEIGHT (1SET:6PCS)	ROLLER SET WEIGHT(旧品番の22121-GLZ0	1	320	
22131		22131-GCW3-901	PLATE RAMP	PLATE RAMP	1	1180	
22132		22132-LAB4-900	PIECE SLIDE	PIECE SLIDE	3	60	
28101		28101-KNBN-901	GEAR COMP STARTER REDUCTION	GEAR COMP STARTER REDUCTION	1	5240	
28105		28105-KNBN-901	SHAFT START REDUCTION	SHAFT START REDUCTION	1	900	
2811A		2811A-KNBN-940	GEAR ASSY STARTER	GEAR ASSY STARTER	1	6880	
28120		28120-KNBN-901	OUTER COMP ST CLUCH	OUTER COMP ST CLUCH	1	8180	
28125		28125-3C23-001	SPRING ROLLER ST CLUTCH	SPRING ROLLER ST CLUTCH	3	160	
28126		28126-KNBN-901	CAP SPGING ROLLER SP	CAP SPGING ROLLER SP	3	200	
28127		28127-KNBN-901	BOSS STARTER CLUTCH	BOSS STARTER CLUTCH	1	3240	
28211		28211-KNBN-901	RATCHET KICK STARTER	RATCHET KICK STARTER	1	920	
28223		28223-KNBN-901	SPG KICK DRIVEN GEAR	SPG KICK DRIVEN GEAR	1	160	
28230		28230-KNBN-901	GEAR COMP KICK DRIVEN	GEAR COMP KICK DRIVEN	1	1820	
28250		28250-KNBN-901	SPINDLE COMP KICK STARTER	SPINDLE COMP KICK STARTER	1	1820	
28253		28253-GBN2-60A	BUSH KICK SPINDLE	BUSH KICK SPINDLE	1	200	
28255		28255-GFS6-001	COLLAR KICK BOSS	COLLAR KICK BOSS	1	160	
28281		28281-GBN2-60A	SPRING KICK RETURN	SPRING KICK RETURN	1	390	



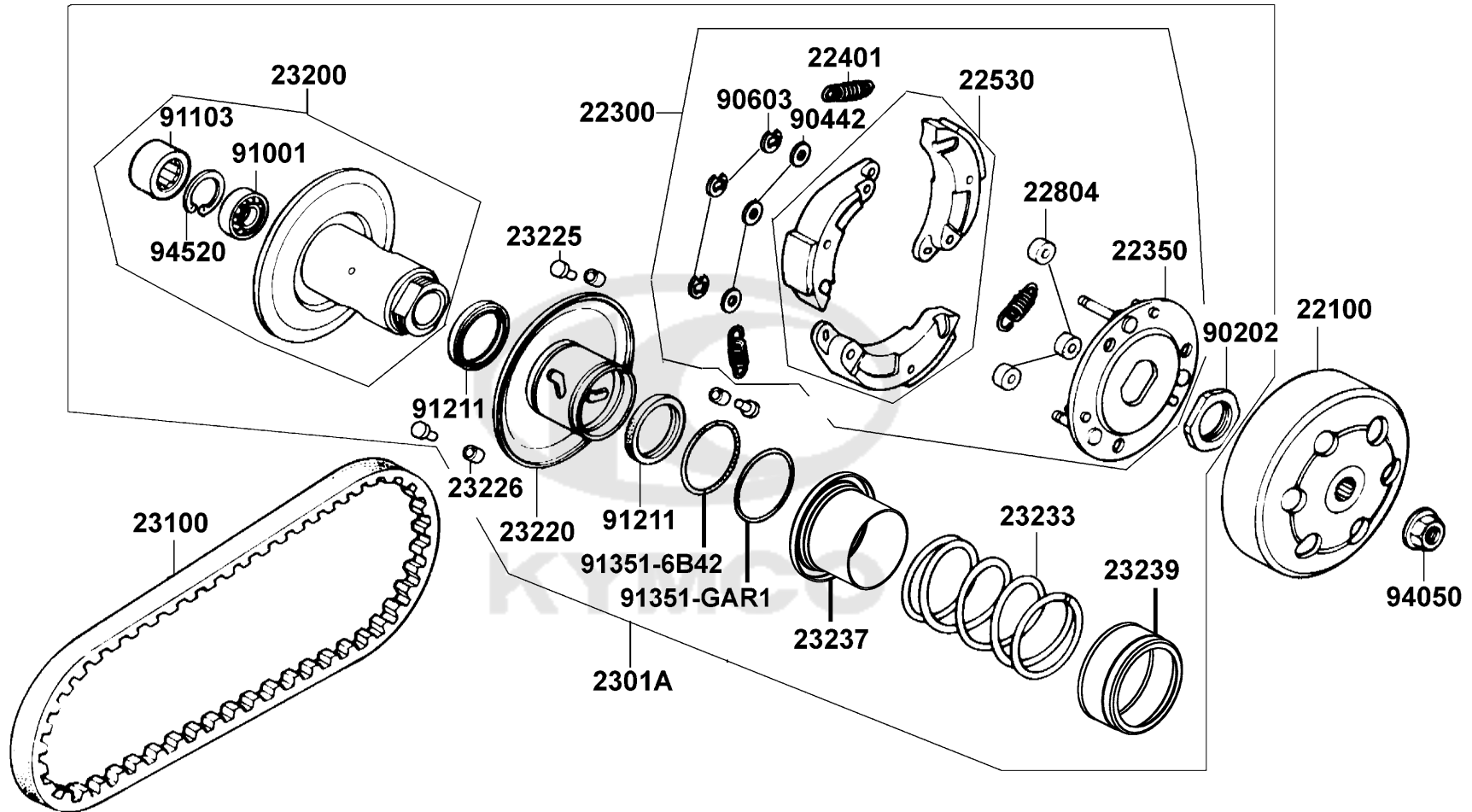
Sales mark 記号	Ref no 参照用番号	Part no パーツ番号	Description 部品名	Reg description 部品名	Regd no 必要個数	Ref Price 希望小売価格(税抜)	E06
90201	90201-KNBN-901	90201-KNBN-901	NUT SPECIAL 24MM	NUT SPECIAL 24MM	1	300	
90412	90412-3K29-001	90412-3K29-001	WASHER THRUST 10M/M	WASHER THRUST 10M/M	1	200	
90426	90426-KNBN-901	90426-KNBN-901	WASHER SPECIAL 12MM	WASHER SPECIAL 12MM	1	70	
90451	90451-GBN2-601	90451-GBN2-601	WASHER KICK SPINDLE	WASHER KICK SPINDLE	1	200	
90502	90502-MBS2-001	90502-MBS2-001	WASHER 24*8.5	WASHER 24*8.5	2	70	
90602	90602-PDX4-001	90602-PDX4-001	CIR CLIP B IN 47	CIR CLIP B IN 47	1	300	
91005	91005-KNBN-901	91005-KNBN-901	BRG RADIAL 6005-2NKG	BRG RADIAL 6005-2NKG	1	2010	
91101	91101-KNBN-901	91101-KNBN-901	ROLLER 10.2*11.5	ROLLER 10.2*11.5	3	160	
94001	94001-12280-0S	94001-12280-0S	NUT HEX 12MM	NUT HEX 12MM	1	160	
94511	94511-14000	94511-14000	CIR CLIP EX 14	CIR CLIP EX 14	1	110	
96220	96220-60100	96220-60100	ROLLER 6*10	ROLLER 6*10	1	60	
96600	96600-LGL3-900	96600-LGL3-900	SOCKET BOLT	SOCKET BOLT	1	390	



Sales mark 記号	Ref no 参照用番号	Part no パーツ番号	Description 部品名	Reg description 部品名	Regd no 必要個数	Ref Price 希望小売価格(税抜)	E07
22100		22100-KNBN-902	OUTER COMP CLUTCH	OUTER COMP CLUTCH	1	4100	
22300		22300-KED5-900	PLATE ASS'Y DRIVEN **9000	PLATE ASS'Y DRIVEN **9000	1	7450	
22350		22350-KNBN-901	PLATE COMP DRIVE	PLATE COMP DRIVE	1	5330	
22401		22401-KED5-900	SPRING CLUTCH	SPRING CLUTCH	3	140	
22530		22530-KNBN-931	WEIGHT CLUTCH	WEIGHT CLUTCH	3	1630	
22804		22804-1H48-001	RUBBER CLUTCH DAMPER	RUBBER CLUTCH DAMPER	3	110	
2301A		2301A-KED5-900	PULLEY ASSY DRIVE **(0) C.2007.03.28	PULLEY ASSY DRIVE **(0) C.2007.03.28	1	18700	
23100		23100-KNBN-901	BELT DRIVE **900 C.2007.08.24	BELT DRIVE **900 C.2007.08.24	1	4030	
23200		23200-GCW3-001	FACE ASSY DRIVEN	FACE ASSY DRIVEN	1	9890	
23220		23220-KKDK-900	FACE COMP MOVABLE DRIVEN	FACE COMP MOVABLE DRIVEN	1	5900	
23225		23225-GCW3-001	PIN GUIDE	PIN GUIDE	3	60	
23226		23226-GCW3-001	ROLLER GUIDE	ROLLER GUIDE	3	60	
23233		23233-KED5-900	SPG DRIVEN FACE	SPG DRIVEN FACE	1	1150	
23237		23237-GCW3-001	COLLAR SEAL	COLLAR SEAL	1	580	
23239		23239-GCW3-851	GUIDE SPG	GUIDE SPG	1	440	
90202		90202-1G87-001	NUT SPECIAL 28MM	NUT SPECIAL 28MM	1	100	
90442		90442-0D44-001	WASHER THRUST 6M	WASHER THRUST 6M	3	60	
90603		90603-0D44-001	CIR CLIP 6MM	CIR CLIP 6MM	3	60	
91001		91001-GGA7-70A	BRG RADIAL BALL 6901U	BRG RADIAL BALL 6901U	1	1720	
91103		91103-GAR1-004	BRG NEEDLE 17*25*18 WS	BRG NEEDLE 17*25*18 WS	1	1530	

E07

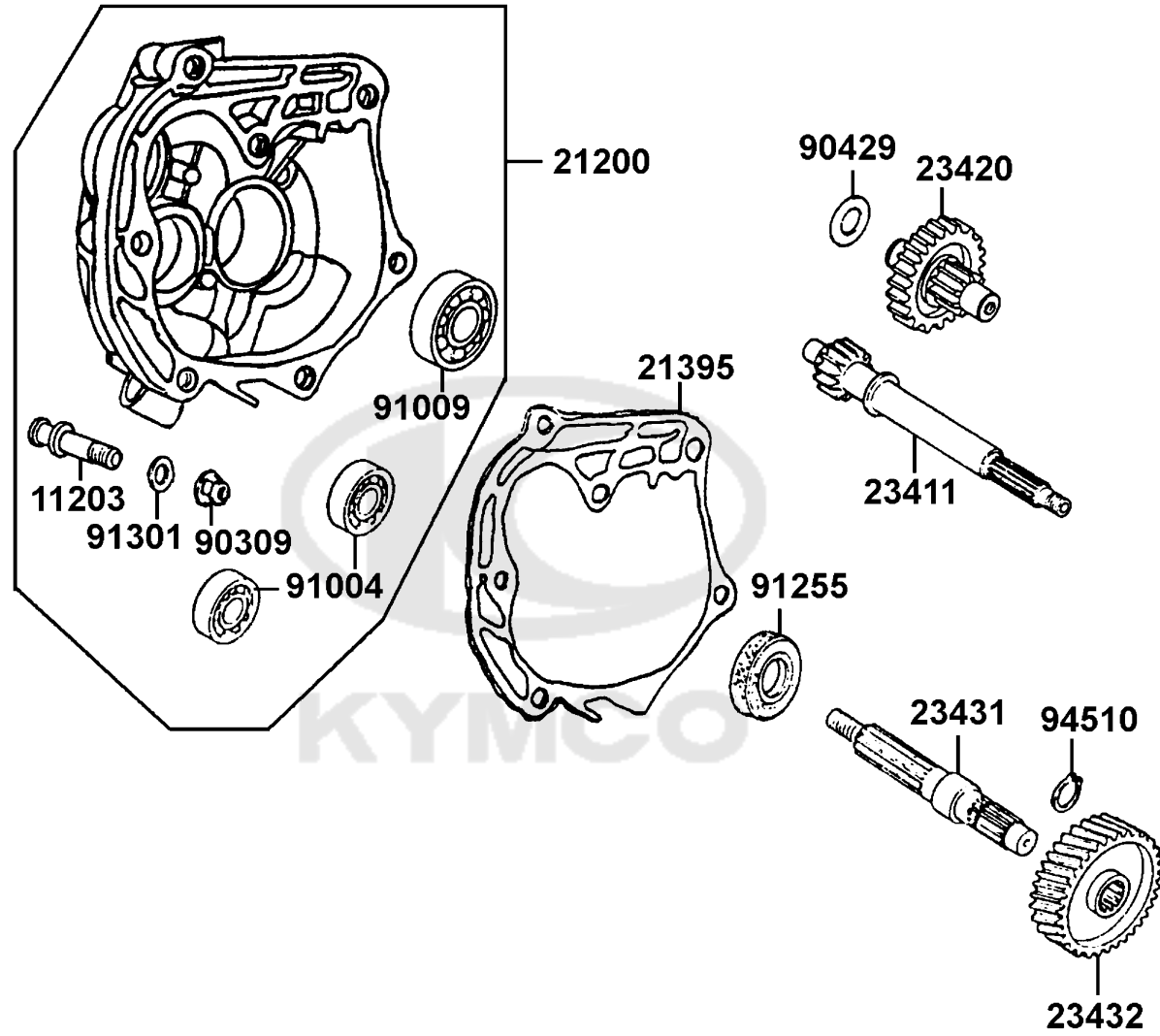
Driven Pulley



Sales mark 記号	Ref no 参照用番号	Part no パーツ番号	Description 部品名	Reg description 部品名	Regd no 必要個数	Ref Price 希望小売価格(税抜)	E07
91211		91211-GHK8-014	OIL SEAL 34*39*3	OIL SEAL 34*39*3	2	230	
91351-6B42		91351-6B42-000	O-RING PINION CAP	O-RING PINION CAP	1	200	
91351-GAR1		91351-GAR1-001	O-RING 38.5*2	O-RING 38.5*2	1	320	
94050		94050-10080	NUT FLANGE 10MM	NUT FLANGE 10MM	1	60	
94520		94520-24000	CIR CLIP IN 24	CIR CLIP IN 24	1	80	







Sales mark 記号	Ref no 参照用番号	Part no パーツ番号	Description 部品名	Reg description 部品名	Regd no 必要個数	Ref Price 希望小売価格(税抜)	E08
11203		11203-KHG8-301	PIN BRAKE SHOE ANCHOR	PIN BRAKE SHOE ANCHOR	1	300	
21200		21200-KFA3-305	CASE ASSY MISSION	CASE ASSY MISSION	1	16840	
21395		21395-LBD3-900	GASKET MISSION CASE @A	GASKET MISSION CASE @A	2	520	
23411		23411-KNBN-921	SHAFT DRIVE	SHAFT DRIVE	1	6760	
23420		23420-KNBN-901	SHAFT COMP COUNTER	SHAFT COMP COUNTER	1	7610	
23431		23431-KDLD-901	SHAFT FINAL	SHAFT FINAL	1	4570	
23432		23432-KNBN-901	GEAR FINAL	GEAR FINAL	1	4570	
90309		90309-KLF0-004	NUT FLANGE 8MM	NUT FLANGE 8MM	1	60	
90429		90429-KNBN-901	WASHER SIDE 12MM	WASHER SIDE 12MM	1	350	
91004		91004-KBN2-90A	BRG BALL RADIAL 6201	BRG BALL RADIAL 6201	2	2100	
91009		91009-GLE0-004	BRG BALL RADIAL 6004 UU	BRG BALL RADIAL 6004 UU	1	1300	
91255		91255-GLE0-006	OIL SEAL 27*42*7	OIL SEAL 27*42*7	1	60	
91301		91301-OC53-001	O RING 7.5*1.5	O RING 7.5*1.5	1	60	
94510		94510-20000	CIR CLIP EX 20	CIR CLIP EX 20	1	60	

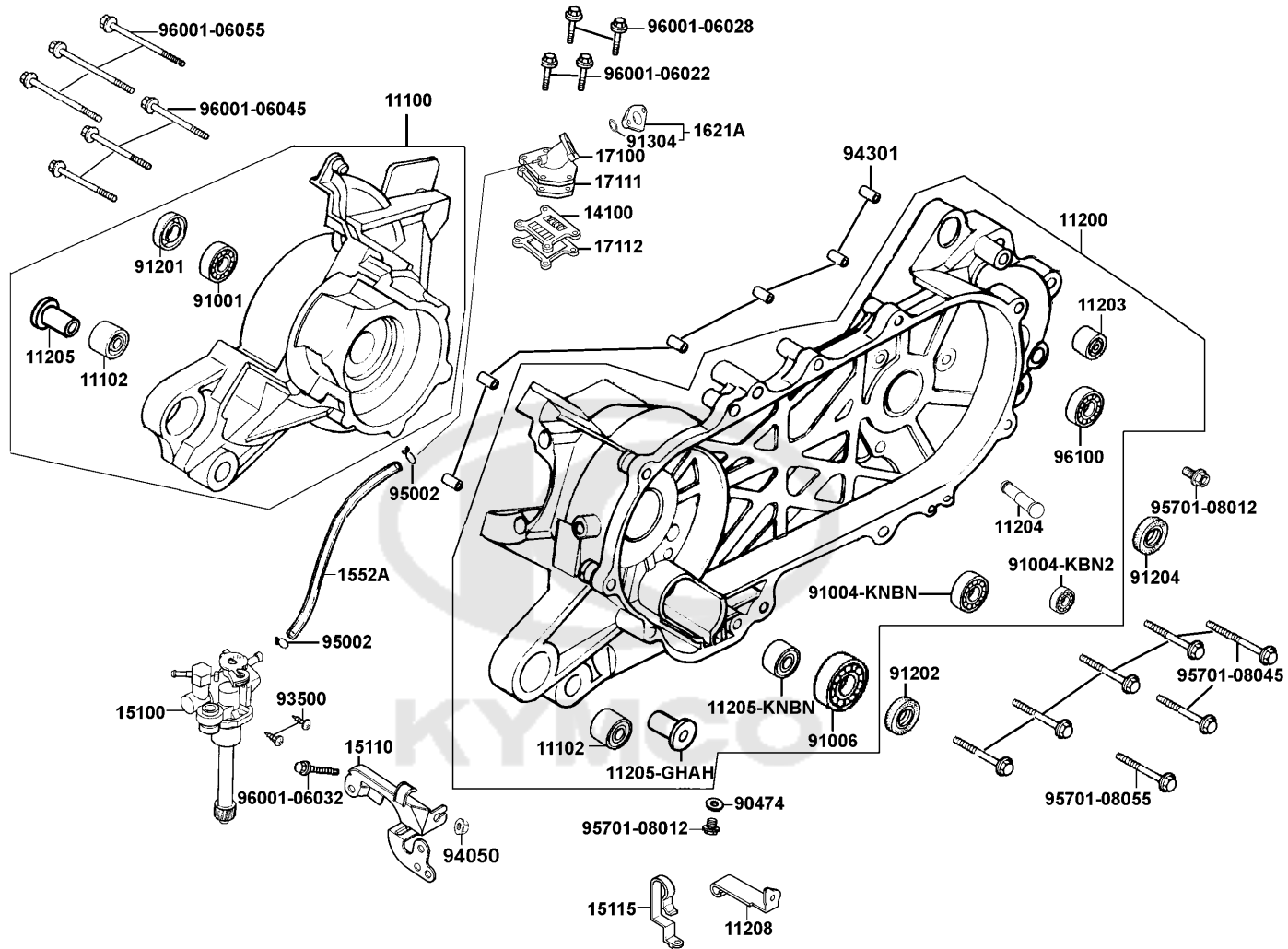


Sales mark 記号	Ref no 参照用番号	Part no パーツ番号	Description 部品名	Reg description 部品名	Regd no 必要個数	Ref Price 希望小売価格(税抜)
11100		11100-KNBN-305	CRANK CASE SET R	CRANK CASE SET R	1	17430
11102		11102-1G87-004	RUB BUSH ENG HANGER	RUB BUSH ENG HANGER	2	320
11200		11200-KNBN-307	L CRANK CASE ASSY **KBN-3070	CRANK CASE ASSY L **KBN-3070	1	27380
11203		11203-GGC7-301	UNDER RUBBER BUSH REAR CUSHION	UNDER RUBBER BUSH REAR CUSHION	1	250
11204		11204-KNBN-901	PIN SPG HOOK	PIN SPG HOOK	1	300
11205-GHAH		11205-GHAH-004	BUSH 8*12*8	BUSH 8*12*8	1	110
11205-KNBN		11205-KNBN-901	BUSH M STAND	BUSH M STAND	2	300
11208		11208-KNBN-901	CLAMPER CARB DRAIN	CLAMPER CARB DRAIN	1	110
14100		14100-KNBN-921	VALVE COMP **KBN-9210 C.2005.09.19	VALVE COMP **KBN-9210 C.2005.09.19	1	2480
15100		15100-KNBN-950	OIL PUMP ASSY **KBN-9500	OIL PUMP ASSY **KBN-9500 C.2005.08.01	1	11220
15110		15110-KNBN-901	PLATE COMP OIL PUMP SET	PLATE COMP OIL PUMP SET	1	580
15115		15115-KNBN-921	CLAMPER OIL TUBE	CLAMPER OIL TUBE	1	130
1552A		1552A-KFA1-B00	TUBE ASSY OIL PASS **B000-JP	TUBE ASSY OIL PASS **B000-JP	1	390
1621A		1621A-KNBN-901	INSULATOR CARB ASSY	INSULATOR CARB ASSY	1	350
17100		17100-KFA3-B00	INLET PIPE COMP **B000-JP	INLET PIPE COMP **B000-JP	1	2960
17111		17111-KNBN-980	INLET PIPE GASKET A	INLET PIPE GASKET A	1	920
17112		17112-KNBN-980	INLET PIPE GASKET B	INLET PIPE GASKET B	1	920
90474		90474-3C33-001	WASHER 8MM	WASHER 8MM	1	60
91001		91001-GLW0-90A	BRG BALL RADIAL 6204 SPECIAL	BRG BALL RADIAL 6204 SPECIAL	1	2100
91004-KBN2		91004-KBN2-90A	BRG BALL RADIAL 6201	BRG BALL RADIAL 6201	1	2100

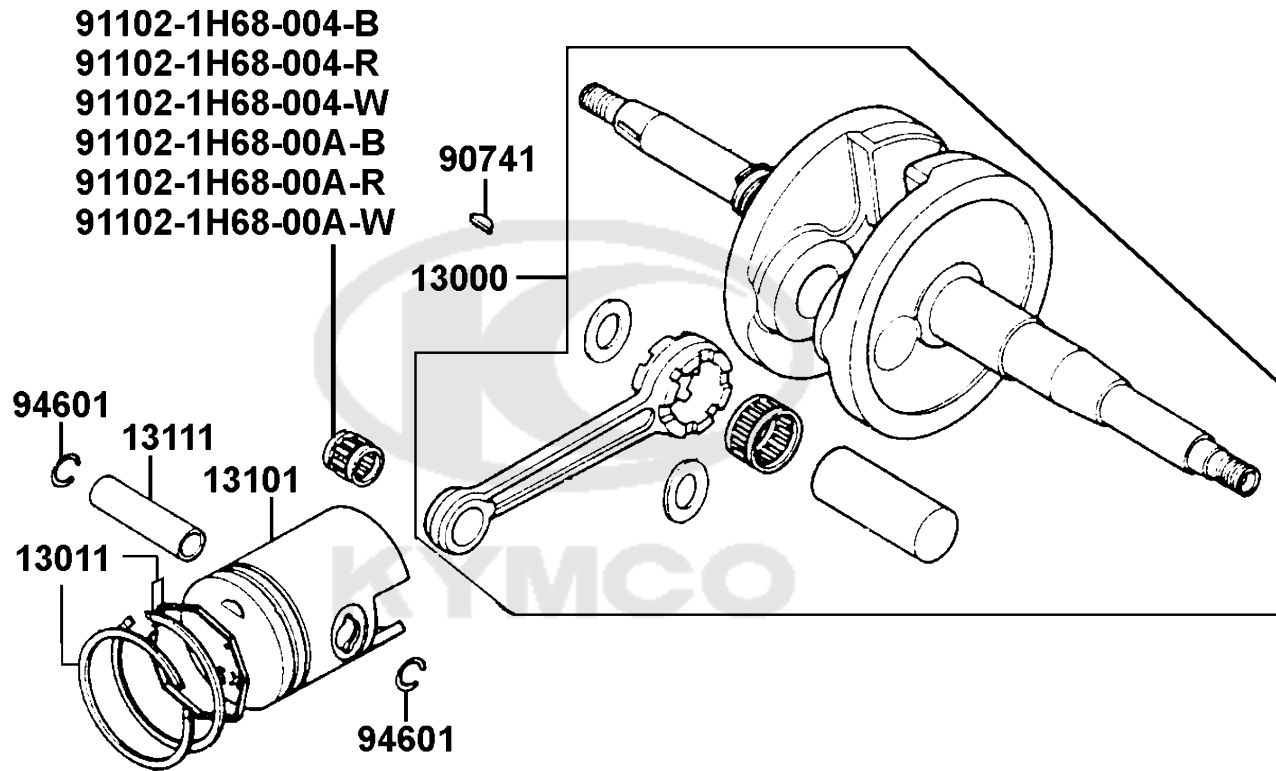
E09

E09

# Crankcase OIL PUMP

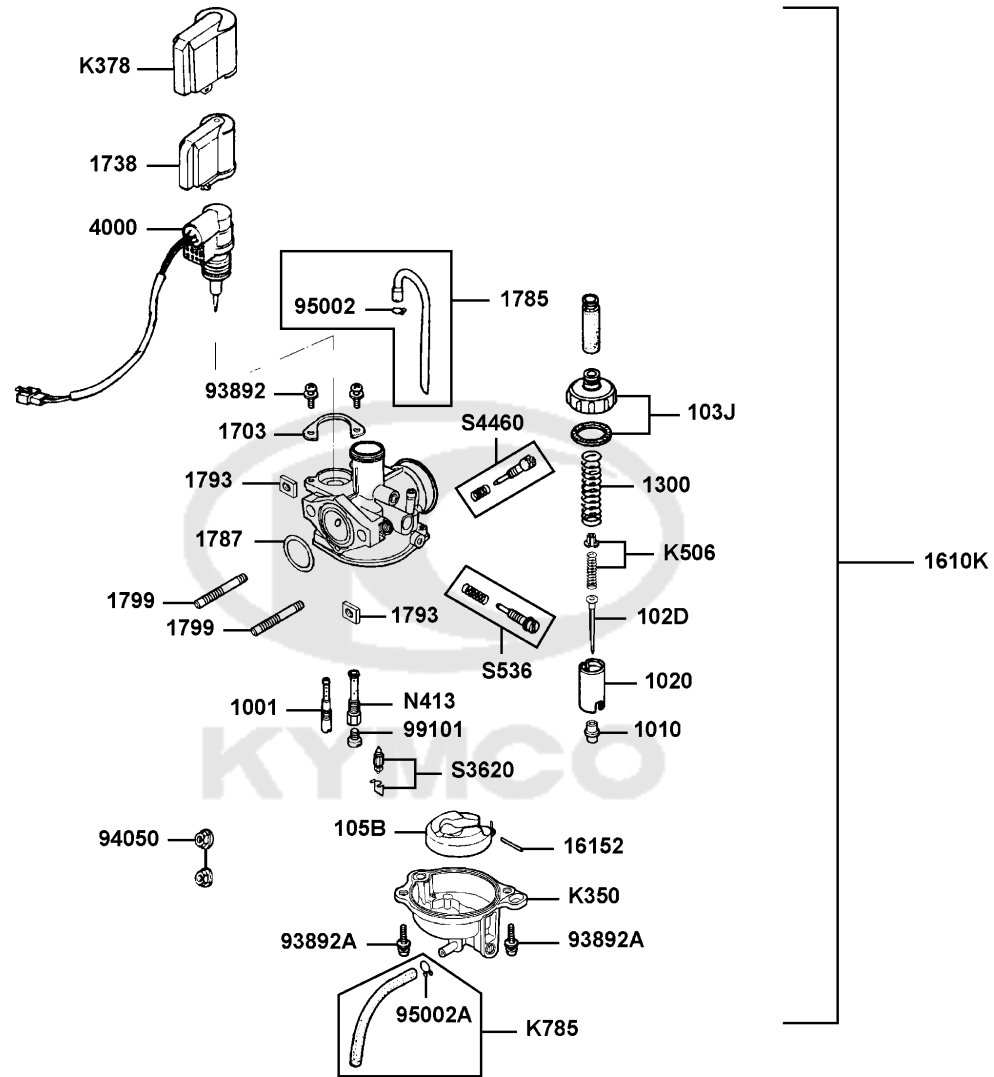


Sales mark 記号	Ref no 参照用番号	Part no パーツ番号	Description 部品名	Reg description 部品名	Regd no 必要個数	Ref Price 希望小売価格(税抜)	E09
91004-KNBN	91004-KNBN-92A	91004-KNBN-92A	BRG BALL RADIAL 6203 SPC 17*40*12	BRG BALL RADIAL 6203 SPC 17*40*12	1	2290	
91006	91006-KNBN-901	91006-KNBN-901	BRG BALL RADIAL 25*56*12	BRG BALL RADIAL 25*56*12	1	2290	
91201	91201-KNBN-92A	91201-KNBN-92A	OIL SEAL 15.6*25.5*7	OIL SEAL 15.6*25.5*7	1	710	
91202	91202-KNBN-92B	91202-KNBN-92B	OIL SEAL 20*31*7	OIL SEAL 20*31*7	1	130	
91204	91204-KNBN-90A	91204-KNBN-90A	OIL SEAL 17*30*6	OIL SEAL 17*30*6	1	610	
91304	91304-GHC8-004	91304-GHC8-004	O RING 23*2.4	O RING 23*2.4	1	60	
93500	93500-05012-0F	93500-05012-0F	SCREW PAN 5*12	SCREW PAN 5*12	1	200	
94050	94050-06080	94050-06080	NUT FLANGE 6MM	NUT FLANGE 6MM	1	60	
94301	94301-10200	94301-10200	DOWEL PIN 10*20	DOWEL PIN 10*20	6	200	
95002	95002-02650	95002-02650	CLIP B6.5 TUBE	CLIP B6.5 TUBE	2	110	
95701-08012	95701-08012-06	95701-08012-06	BOLT FLANGE 6*22 (K)	BOLT FLANGE 6*22 (K)	1	60	
95701-08045	95701-08045-06	95701-08045-06	BOLT FLANGE 8*45 (G)	BOLT FLANGE 8*45 (G)	1	230	
95701-08055	95701-08055-06	95701-08055-06	BOLT FLANGE 8*55	BOLT FLANGE 8*55	1	230	
96001-06022	96001-06022-06	96001-06022-06	BOLT FLANGE SH 6*22 (G)	BOLT FLANGE SH 6*22 (G)	1	60	
96001-06028	96001-06028-06	96001-06028-06	BOLT FLANGE SH 6*28	BOLT FLANGE SH 6*28	1	60	
96001-06032	96001-06032-06	96001-06032-06	BOLT FLANGE 6*32	BOLT FLANGE 6*32	1	60	
96001-06045	96001-06045-06	96001-06045-06	BOLT FLANGE 6*45 **07 C.2005.07.01	BOLT FLANGE 6*45 **07 C.2005.07.01	1	60	
96001-06055	96001-06055-06	96001-06055-06	BOLT FLANGE 6*55 **07 C.2005.07.01	BOLT FLANGE 6*55 **07 C.2005.07.01	1	60	
96100	96100-62033-00	96100-62033-00	BEARING BALL RADIAL 6203	BEARING BALL RADIAL 6203	1	960	



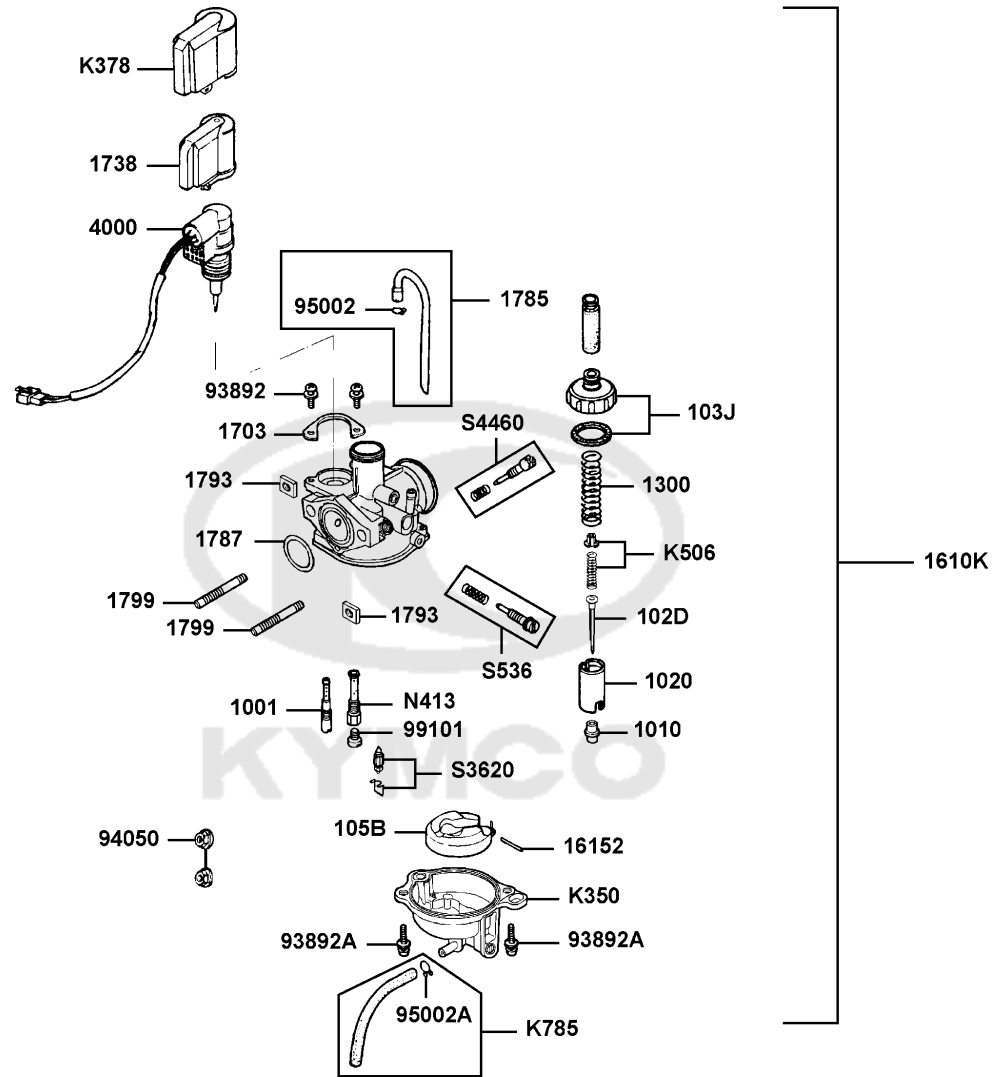
Sales mark 記号	Ref no 参照用番号	Part no パーツ番号	Description 部品名	Reg description 部品名	Regd no 必要個数	Ref Price 希望小売価格(税抜)	E10
13000		13000-KNBN-901	CRANK SHAFT COMP	CRANK SHAFT COMP	1	19010	
13011		13011-KNBN-90A	RING ASSY PISTON	RING ASSY PISTON	1	3810	
13101		13101-KNBN-901	PISTON	PISTON	1	2600	
13111		13111-KNBN-901	PIN PISTON	PIN PISTON	1	770	
90741		90741-0E35-001	KEY WOODRUFF	KEY WOODRUFF	1	160	
91102-1H68-004-B		91102-1H68-004-B	BRG CON-ROD S. E.	BRG CON-ROD S. E.	1	1340	
91102-1H68-004-R		91102-1H68-004-R	BRG CON-ROD S. E.	BRG CON-ROD S. E.	1	1340	
91102-1H68-004-W		91102-1H68-004-W	BRG CON-ROD SMALL END/0.004-0.006	BRG CON-ROD SMALL END/0.004-0.006	1	1340	
91102-1H68-00A-B		91102-1H68-00A-B	BRG CON-ROD S. E.	BRG CON-ROD S. E.	1	960	
91102-1H68-00A-R		91102-1H68-00A-R	BRG CON-ROD S. E.	BRG CON-ROD S. E.	1	960	
91102-1H68-00A-W		91102-1H68-00A-W	BRG CON-ROD S. E.	BRG CON-ROD S. E.	1	960	
94601		94601-14000	CLIP PISTON PIN 12MM	CLIP PISTON PIN 12MM	2	110	





Sales mark 記号	Ref no 参照用番号	Part no パーツ番号	Description 部品名	Reg description 部品名	Regd no 必要個数	Ref Price 希望小売価格(税抜)
1001		1001-GW3H-0351	SLOW JET	SLOW JET	1	1010
1010		1010-KBNH-9200	NEEDLE JET	NEEDLE JET	1	3030
1020		1020-GW3H-9300	THROTTLE VALVE	THROTTLE VALVE	1	6330
102D		102D-KBNH-9300	JET NEEDLE COMP	JET NEEDLE COMP	1	770
103J		103J-095H-9910-SB0	TOP SET	TOP SET	1	2060
105B		105B-KBNH-9000	FLOAT COMP	FLOAT COMP	1	3810
1300		1300-GW3H-9800-K	SPG COMPR	SPG COMPR	1	130
1610K		1610K-KFA3-B20	CARBURETOR ASSY **KFA3-B000-JP	CARBURETOR ASSY **KFA3-B000-JP	1	27400
16152		16152-KG8-9010-M1	ARM PIN	ARM PIN	1	110
1703		1703-GJ2H-0040	SET PLATE	SET PLATE	1	110
1738		1738-GJ2H-0040	HOLDER CAP	HOLDER CAP	1	200
1785		1785-KBNH-9000-SB0	TUBE SET (A.V)	TUBE SET (A.V)	1	330
1787		1787-KG8H-9010	O-RING	O-RING	1	110
1793		1793-144H-9900	HEX NUT	HEX NUT	2	110
1799		1799-KBNH-9000	STUD BOLT	STUD BOLT	2	330
4000		4000-103-0000	AUTO BYSTARTER SET **D19KT-059-	AUTO BYSTARTER SET **D19KT-059-1700	1	10270
93892		93892-04008-16	SCREW WASHER 4*8	SCREW WASHER 4*8	1	200
93892A		93892-04014-18-3	SCREW WASHER 4*14	SCREW WASHER 4*14	1	60
94050		94050-06080	NUT FLANGE 6MM	NUT FLANGE 6MM	2	60
95002		95002-02070	CLIP B7 TUBE	CLIP B7 TUBE	1	60

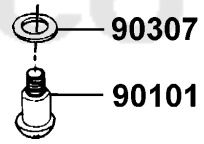
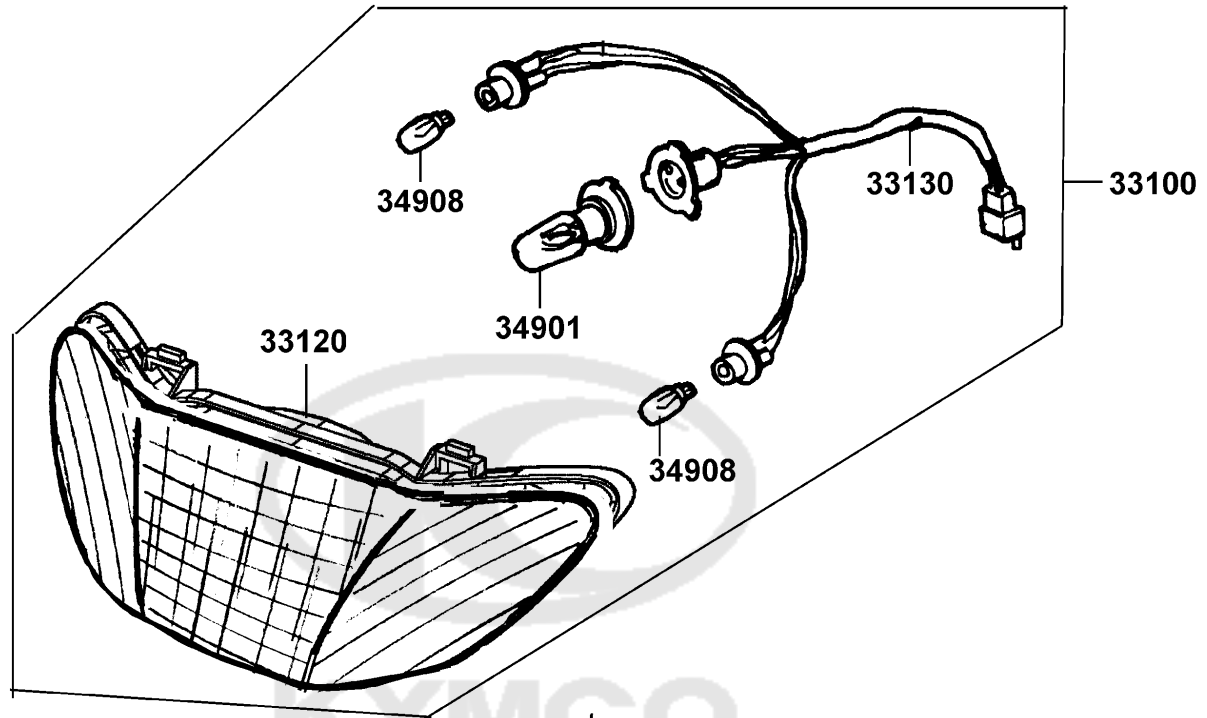
E11



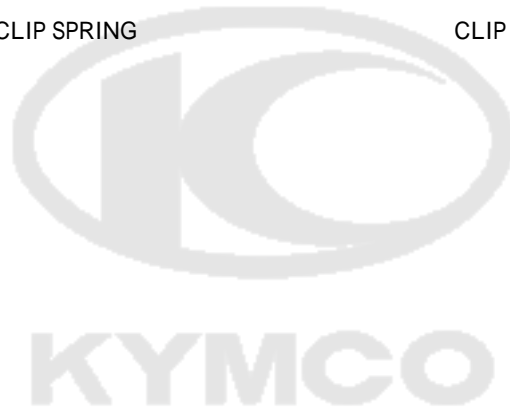
Sales mark 記号	Ref no 参照用番号	Part no パーツ番号	Description 部品名	Reg description 部品名	Regd no 必要個数	Ref Price 希望小売価格(税抜)	E11
95002A		95002-02080	CLIP B8 TUBE	CLIP B8 TUBE	1	60	
99101		99101-116-0950	MAIN JET#95	MAIN JET#95	1	350	
K350		K350-KBN-0200	FLOAT CHAMBER SET **D19KT-004-	FLOAT CHAMBER SET **D19KT-004-1200	1	2440	
K378		K378-001	CAP ASSY	CAP ASSY	1	210	
K506		K506-GW0-0100	VALVE PLATE SET	VALVE PLATE SET	1	140	
K785		K785-KEB-0300	TUBE SET (DRAIN)	TUBE SET (DRAIN)	1	300	
N413		N413-18M00	NEEDLE JET HOLDER	NEEDLE JET HOLDER	1	680	
S3620		S3620-031-B000	FLOAT VALVE SET	FLOAT VALVE SET	1	960	
S4460		S4460-208-B020	SCREW SET	SCREW SET	1	250	
S536		S536-1231	SCREW SET	SCREW SET	1	200	

F01

Head Light

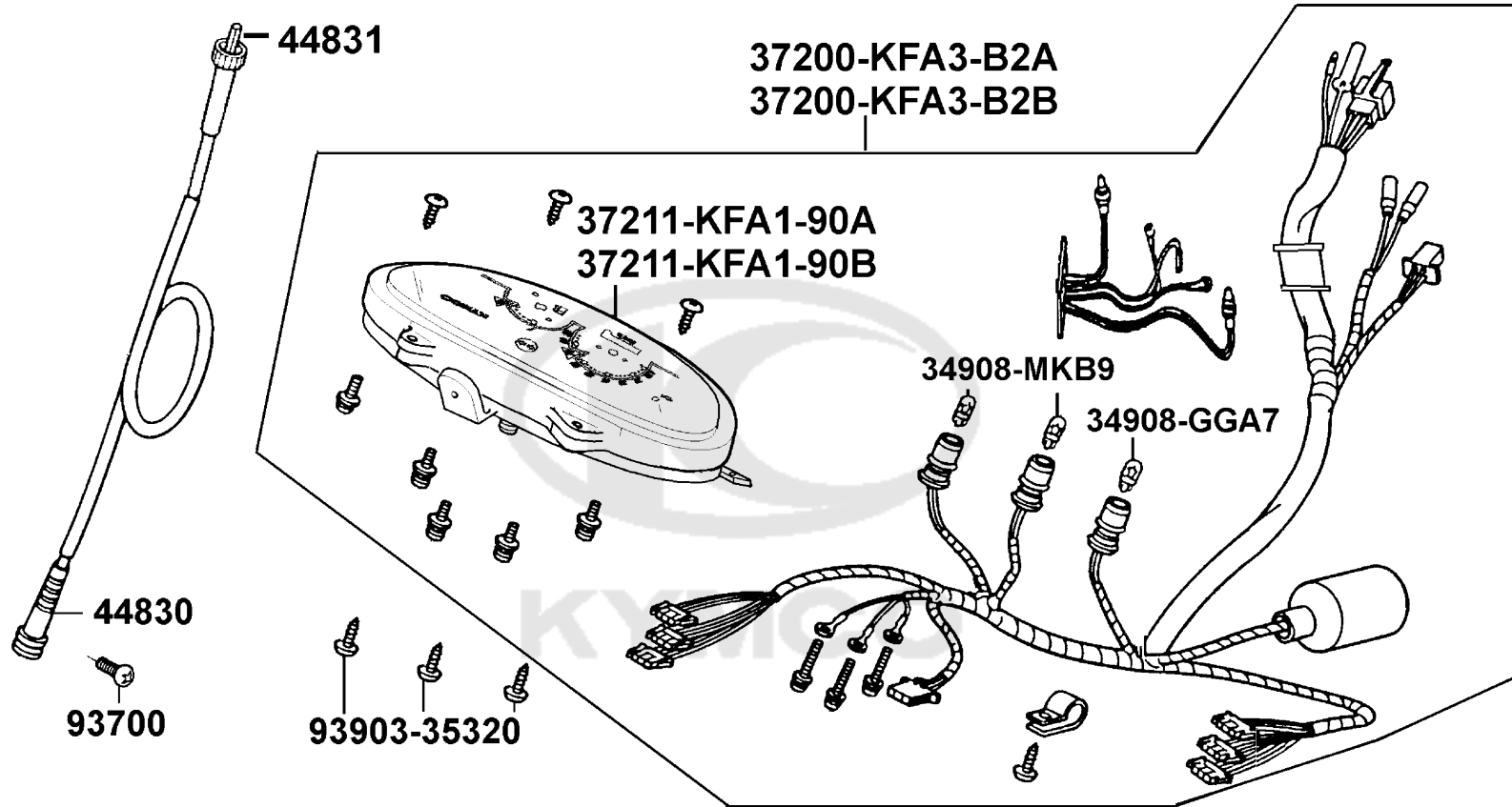


Sales mark 記号	Ref no 参照用番号	Part no パーツ番号	Description 部品名	Reg description 部品名	Regd no 必要個数	Ref Price 希望小売価格(税抜)	F01
33100	33100-KFA1-900	33100-KFA1-900	LIGHT ASSY HEAD	LIGHT ASSY HEAD	1	7110	
33120	33120-KFA1-900	33120-KFA1-900	UNIT HEAD LIGHT	UNIT HEAD LIGHT	1	4570	
33130	33130-KFA1-900	33130-KFA1-900	SOCKET COMP **9000 C.2005.09.19	SOCKET COMP **9000 C.2005.09.19	1	1280	
34901	34901-GGS7-003	34901-GGS7-003	BULB LIGHT HEAD 12V35/30W **GS7-	BULB LIGHT HEAD 12V35/30W **GS7-0030	1	1060	
34908	34908-GGA7-70A	34908-GGA7-70A	BULB WEDGE BASE 12V*3.4W	BULB WEDGE BASE 12V*3.4W	2	130	
90101	90101-GAR1-001	90101-GAR1-001	BOLT ADJUST	BOLT ADJUST	1	200	
90307	90307-GFJ6-004	90307-GFJ6-004	WASHER LOCK 6MM	WASHER LOCK 6MM	1	70	
90400	90400-KTDT-900	90400-KTDT-900	CLIP SPRING	CLIP SPRING	2	60	



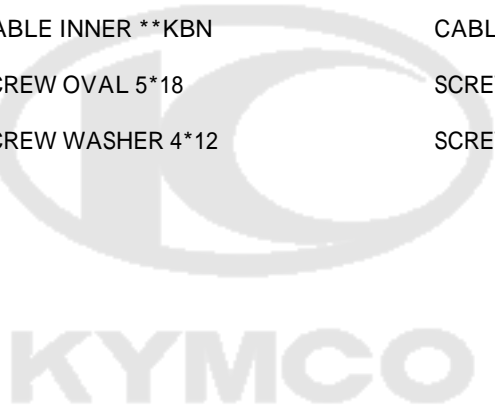
F02

Speedometer



Sales mark 記号	Ref no 参照用番号	Part no パーツ番号	Description 部品名	Reg description 部品名	Regd no 必要個数	Ref Price 希望小売価格(税抜)
	34908-GGA7	34908-GGA7-70A	BULB WEDGE BASE 12V*3.4W	BULB WEDGE BASE 12V*3.4W	1	130
	34908-MKB9	34908-MKB9-87A	BULB WEDGE BASE T10	BULB WEDGE BASE T10	2	130
	37200-KFA3-B2A	37200-KFA3-B2A	METER ASSY SPEED **(3) C.2005.06.15	METER ASSY SPEED **(3) C.2005.06.15	1	14450
	37200-KFA3-B2B	37200-KFA3-B2B	METER ASSY SPEED **(3) C.2005.06.15	METER ASSY SPEED **(3) C.2005.06.15	1	14830
	37211-KFA1-90A	37211-KFA1-90A	LENS **9000-M1 C.2003.03.29	LENS **9000-M1 C.2003.03.29	1	870
	37211-KFA1-90B	37211-KFA1-90B	LENS **9000-M2 C.2003.03.29	LENS **9000-M2 C.2003.03.29	1	990
	44830	44830-KNBN-951	CABLE COMP SPDMT **(5) C.2007.07.31	CABLE COMP SPDMT **(5) C.2007.07.31	1	1080
	44831	44831-KNBN-950	CABLE INNER **KBN	CABLE INNER **KBN	1	580
	93700	93700-05018-0F	SCREW OVAL 5*18	SCREW OVAL 5*18	1	60
	93903	93903-35360	SCREW WASHER 4*12	SCREW WASHER 4*12	1	60

F02





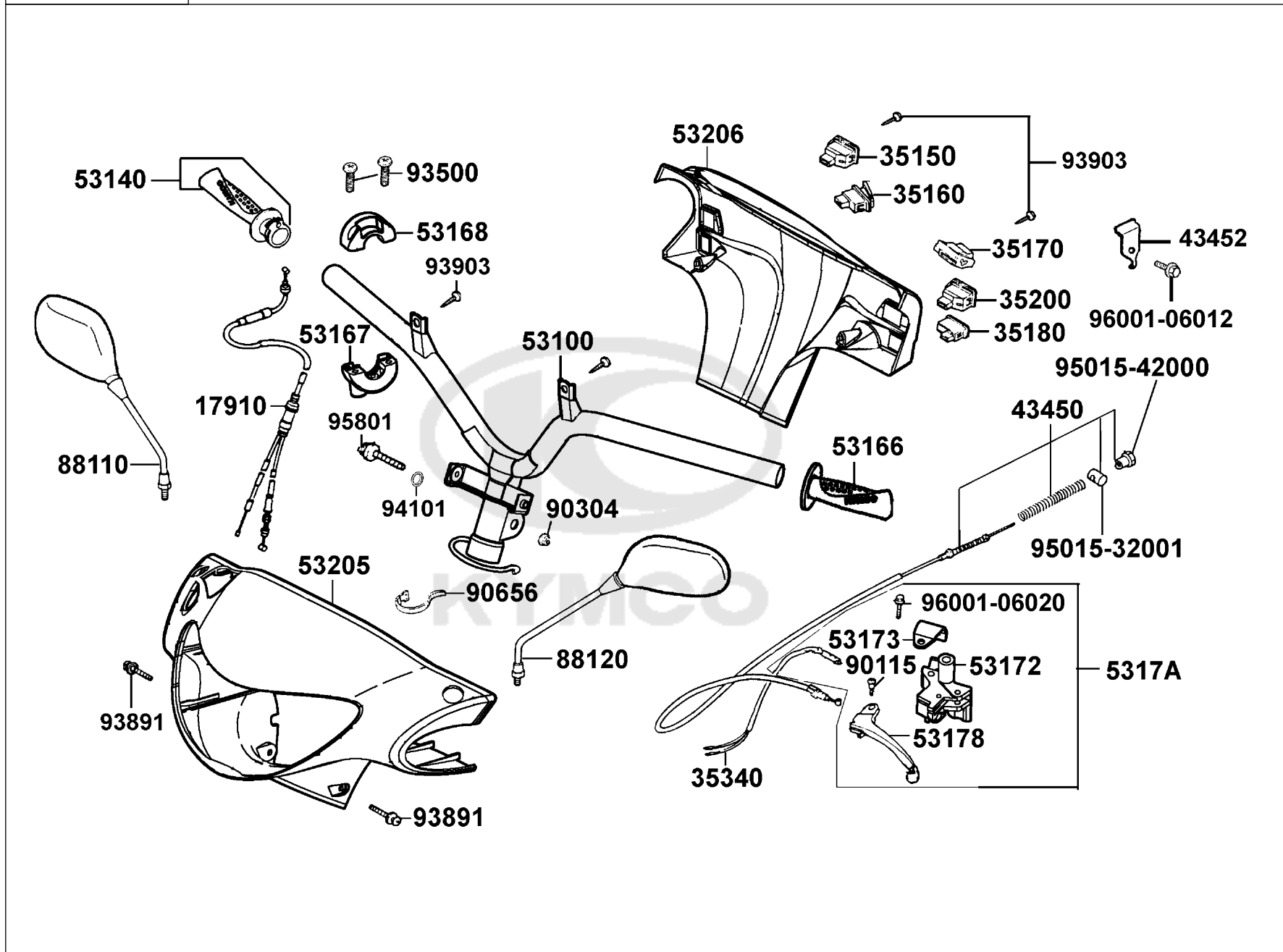


Sales mark 記号	Ref no 参照用番号	Part no パーツ番号	Description 部品名	Reg description 部品名	Regd no 必要個数	Ref Price 希望小売価格(税抜)
	17910	17910-KFA3-900	CABLE COMP THROT **KFA3-9000	CABLE COMP THROT **KFA3-9000	1	2860
	35150	35150-GFY6-900	SW UNIT LIGHTING	SW UNIT LIGHTING	1	680
	35160	35160-GGS7-900	SW UNIT START	SW UNIT START	1	730
	35170	35170-GGS7-900	SW UNIT DIMMER	SW UNIT DIMMER	1	730
	35180	35180-GGS7-900	SW UNIT HORN	SW UNIT HORN	1	540
	35200	35200-GFY6-910	SW UNIT WINKER	SW UNIT WINKER	1	830
	35340	35340-GBN2-770	SW ASSY FR STOP	SW ASSY FR STOP	1	560
	43450	43450-KFA1-900	CABLE COMP RR BRAKE	CABLE COMP RR BRAKE	1	1530
	43452	43452-GKAK-900	CLAMP BRK CABLE	CLAMP BRK CABLE	1	110
	53100	53100-KFA1-900	HANDLE COMP STRG **(2) C.2003.12.25	HANDLE COMP STRG **(2) C.2003.12.25	1	5520
**	53140	53140-KFA1-900	GRIP COMP THROT	GRIP COMP THROT	1	870
**	53166	53166-KFA1-900	GRIP L HANDLE	GRIP L HANDLE	1	770
	53167	53167-LHJ6-900	HOUSING UND THROT	HOUSING UND THROT	1	320
	53168	53168-KFA1-900	HOUSING UP THROT	HOUSING UP THROT	1	300
	53172	53172-GGS7-004	BRACKET HANDLE **GS7-004	BRACKET HANDLE **GS7-004 C.2005.11.22	1	770
	53173	53173-KFA1-900	BAND HANDLE BRKT	BAND HANDLE BRKT	1	140
**	53178	53178-GBN2-931	LEVER L STRG HANDLE **GN2-931-	LEVER L STRG HANDLE **GN2-931-M2A	1	490
	5317A	5317A-KFA1-900	BRKT ASSY HANDLE **(3) C.2007.03.22	BRKT ASSY HANDLE **(3) C.2007.03.22	1	2100
**	53205	53205-KFA1-900	COVER FR HANDLE **9000-PB023P	COVER FR HANDLE **9000-PB023P	1	3740
**	53206	53206-KFA1-900	COVER RR HANDLE **9000-NH001R	COVER RR HANDLE **9000-NH001R	1	1720

F03

F03

Handle Steering Handle Cover

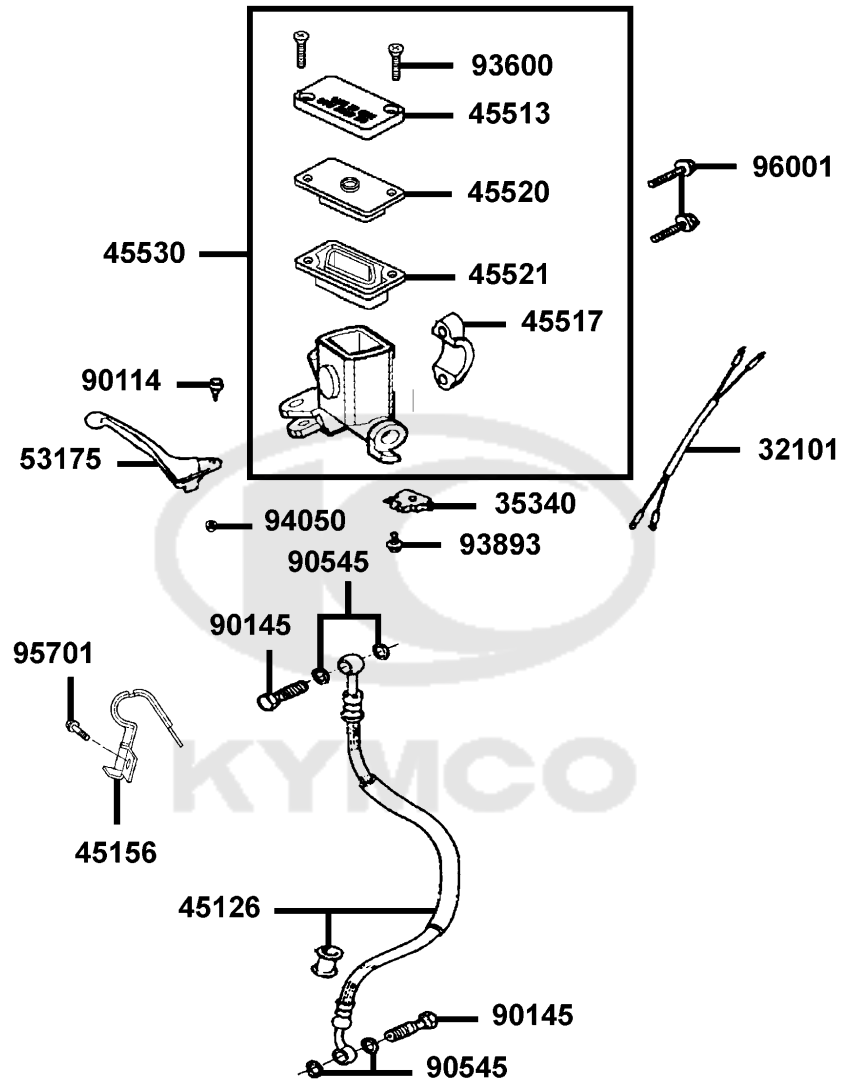


Sales mark 記号	Ref no 参照用番号	Part no パーツ番号	Description 部品名	Reg description 部品名	Regd no 必要個数	Ref Price 希望小売価格(税抜)
88110	88110-KFA1-900	88110-KFA1-900	MIRROR ASSY R BACK **9000	MIRROR ASSY R BACK **9000 C.2003.03.01	1	1440
88120	88120-KFA1-900	88120-KFA1-900	MIRROR ASSY L BACK **9000	MIRROR ASSY L BACK **9000 C.2003.03.01	1	1440
90115	90115-GLE0-001	90115-GLE0-001	BOLT HNDL LEVER PIVOT	BOLT HNDL LEVER PIVOT	1	60
90304	90304-GHE8-004	90304-GHE8-004	NUT CAP 6MM	NUT CAP 6MM	1	200
90656	90656-KCBC-900	90656-KCBC-900	BAND OIL HANDLE	BAND OIL HANDLE	1	60
93500	93500-05022-0F	93500-05022-0F	SCREW PAN 5X22 (G)	SCREW PAN 5X22 (G)	1	60
93891	93891-05012-06	93891-05012-06	SCREW WASHER 5*12	SCREW WASHER 5*12	2	60
93903	93903-34360	93903-34360	SCREW WASHER 4*12	SCREW WASHER 4*12	4	60
94101	94101-10800	94101-10800	WASHER PLAIN 10MM	WASHER PLAIN 10MM	1	200
95015-32001	95015-32001	95015-32001	JOINT B BRAKE ARM	JOINT B BRAKE ARM	1	60
95015-42000	95015-42000	95015-42000	NUT B ADJUST	NUT B ADJUST	1	60
95801	95801-10040-06	95801-10040-06	BOLT FLANGE 10*40	BOLT FLANGE 10*40	1	80
96001-06012	96001-06012-06	96001-06012-06	BOLT FLANGE SH 6*12	BOLT FLANGE SH 6*12	1	60
96001-06020	96001-06020-06	96001-06020-06	BOLT FLANGE SH 6*20	BOLT FLANGE SH 6*20	1	200

F03

F04

# Brake Master Cylinder

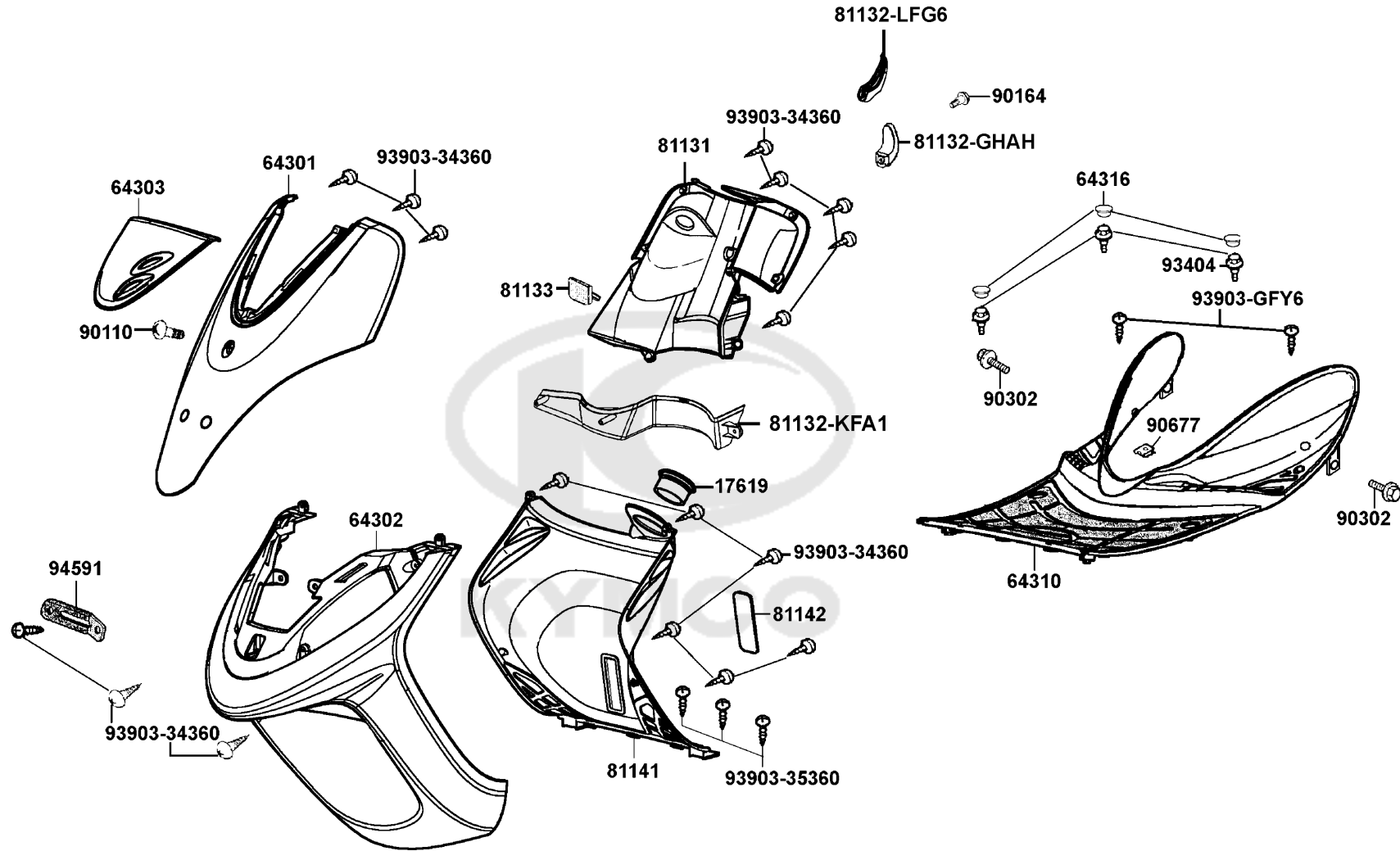


Sales mark 記号	Ref no 参照用番号	Part no パーツ番号	Description 部品名	Reg description 部品名	Regd no 必要個数	Ref Price 希望小売価格(税抜)
	32101	32101-GFY6-901	SUB CORD R	SUB CORD R	1	300
	35340	35340-KNBN-901	SW ASSY FR STOP	SW ASSY FR STOP	1	960
	45126	45126-KFA1-900	HOSE ASSY FR BRK /855MM	HOSE ASSY FR BRK /855MM	1	8780
	45156	45156-KNBN-902	CLAMPER FR BRK HOSE	CLAMPER FR BRK HOSE	1	300
	45513	45513-GLW0-91A	CAP MASTER CYLINDER	CAP MASTER CYLINDER	1	560
	45517	45517-KFAF-910	HOLDER M/C	HOLDER M/C	1	440
	45520	45520-GLW0-91A	DIAPHRAGM	DIAPHRAGM	1	960
	45521	45521-GLW0-91A	PLATE DIAPHRAGM	PLATE DIAPHRAGM	1	390
	45530	45530-KFA1-305	CYLINDER SET MASTER FR	CYLINDER SET MASTER FR	1	11030
**	53175	53175-KFA1-900	LEVER R STRG HANDLE	LEVER R STRG HANDLE	1	920
	90114	90114-1F66-007	BOLT HANDLE LEVER	BOLT HANDLE LEVER	1	60
	90145	90145-LEA3-E00	OIL BOLT 10x22	OIL BOLT 10x22	1	150
	90545	90545-3L00-001	WASHER OIL BOLT	WASHER OIL BOLT	4	60
	93600	93600-04012-1G	SCREW FLAT 4*12	SCREW FLAT 4*12	2	60
	93893	93893-04012-18	SCREW WASHER 4*12	SCREW WASHER 4*12	1	60
	94050	94050-06060	NUT FLANGE 6MM	NUT FLANGE 6MM	1	60
	95701	95701-06012-06	BOLT FLANGE 6*22 (K)	BOLT FLANGE 6*22 (K)	1	60
	96001	96001-06022-06	BOLT FLANGE SH 6*22 (G)	BOLT FLANGE SH 6*22 (G)	2	60

F04

F05

Front Cover Floor Panel



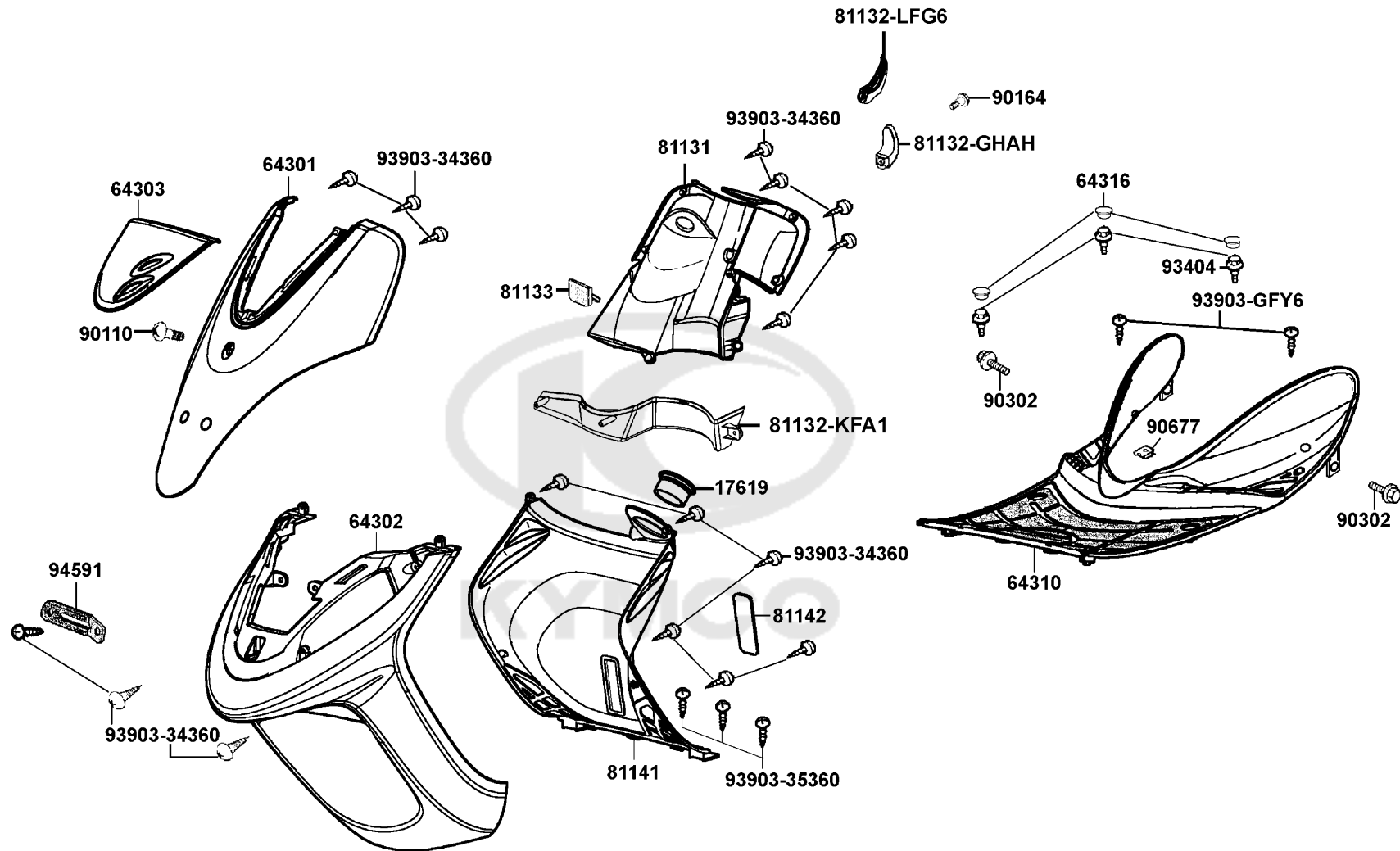
Sales mark 記号	Ref no 参照用番号	Part no パーツ番号	Description 部品名	Reg description 部品名	Regd no 必要個数	Ref Price 希望小売価格(税抜)
	17619	17619-KFA1-900	SEAL CAP FUEL	SEAL CAP FUEL	1	390
**	64301	64301-KFA1-900	COVER FR **(0) C.2007.03.28	COVER FR **(0) C.2007.03.28	1	8180
**	64302	64302-KFA3-900	MOLDING FRONT **(0) C.2007.03.28	MOLDING FRONT **(0) C.2007.03.28	1	6090
**	64303	64303-KFA3-900	COVER FRONT TOP	COVER FRONT TOP	1	3810
**	64310	64310-KFA1-900	PANEL FLOOR **(0) C.2004.08.18	PANEL FLOOR **(0) C.2004.08.18	1	4380
**	64316	64316-KFA1-900	PLUG FLOOR **9000-NH001R	PLUG FLOOR **9000-NH001R C.2002.04.01	3	200
**	81131	81131-KFA1-910	COVER FR INNER UP	COVER FR INNER UP	1	2860
**	81131	81131-KFA1-920	LEG SHIELD UP **910-N1R N.C.	LEG SHIELD UP **910-N1R N.C.	1	2860
**	81132-GHAH	81132-GHAH-001	HOOK LUGGAGE	HOOK LUGGAGE	1	300
**	81132-KFA1	81132-KFA1-920	LEG SHIELD INNER	LEG SHIELD INNER	1	770
**	81132-LFG6	81132-LFG6-900	HOOK LUGGAGE	HOOK LUGGAGE	1	490
	81133	81133-KNBN-901	COVER INNER BOX	COVER INNER BOX	1	60
**	81141	81141-KFA1-910	COVER FR INNER LOW **9100-NH001R	COVER FR INNER LOW **9100-NH001R	1	2770
**	81142	81142-KFA1-900	LID FR INNER LOW **(0) C.2003.11.28	LID FR INNER LOW **(0) C.2003.11.28	1	200
	90110	90110-GLW0-001	SCREW SPECIAL 6*14	SCREW SPECIAL 6*14	1	200
	90164	90164-KGBG-900	SCREW SPECIAL 6MM	SCREW SPECIAL 6MM	1	60
	90302	90302-GFY6-901	BOLT WASH 5*12 *(1) C.V.	BOLT WASH 5*12 *(1) C.V.	2	60
	90677	90677-GAR1-004	NUT CLIP 5MM	NUT CLIP 5MM	1	60
	93404	93404-06016-06	BOLT WASHER 6*16	BOLT WASHER 6*16	3	60
	93903-34360	93903-34360	SCREW WASHER 4*12	SCREW WASHER 4*12	17	60

F05



F05

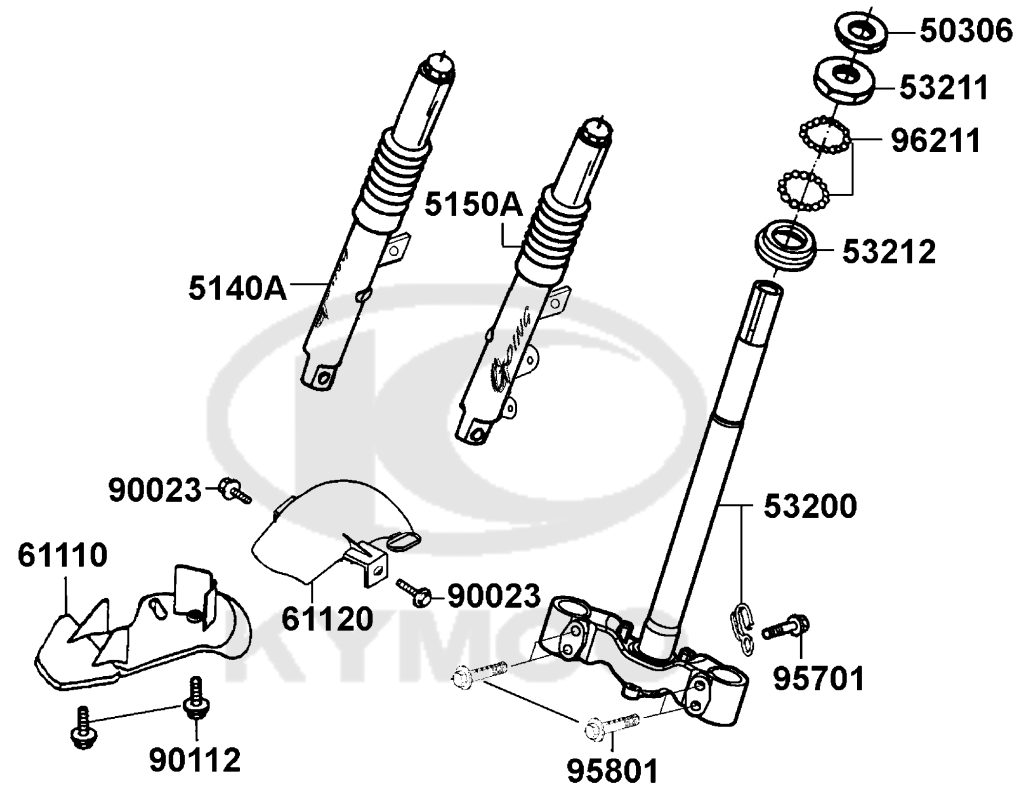
Front Cover Floor Panel



Sales mark 記号	Ref no 参照用番号	Part no パーツ番号	Description 部品名	Reg description 部品名	Regd no 必要個数	Ref Price 希望小売価格(税抜)	F05
------------------	-----------------	------------------	--------------------	------------------------	-----------------	-------------------------	-----

93903-35360	93903-35360	93903-35360	SCREW WASHER 4*12	SCREW WASHER 4*12	3	60	
93903-GFY6	93903-GFY6-900	93903-GFY6-900	SCREW WASHER 4*12	SCREW WASHER 4*12	2	60	
94591	94591-27000	94591-27000	CLIP 2*70	CLIP 2*70	1	110	



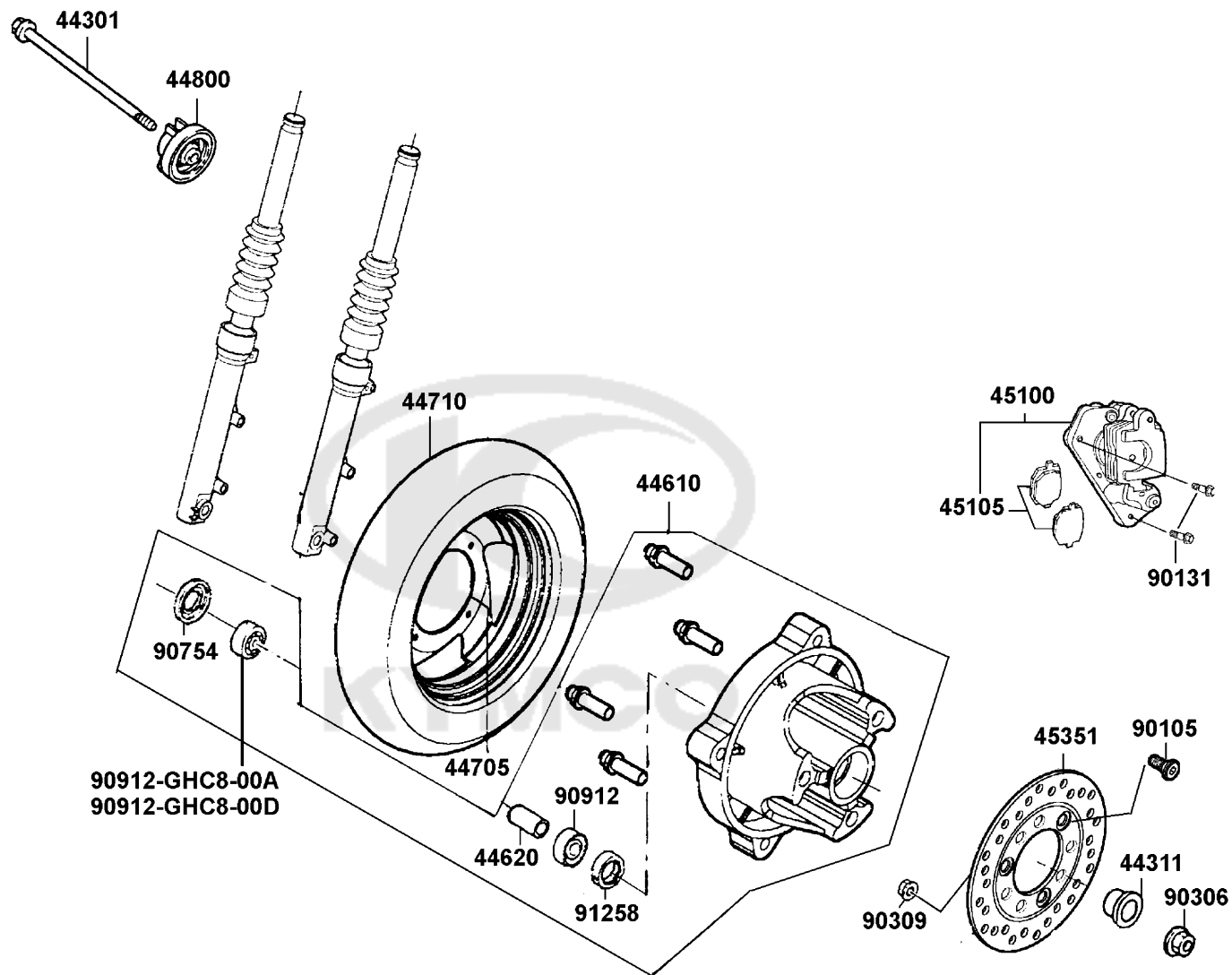


Sales mark 記号	Ref no 参照用番号	Part no パーツ番号	Description 部品名	Reg description 部品名	Regd no 必要個数	Ref Price 希望小売価格(税抜)
	50306	50306-1F96-001	NUT STRG STEM LOCK	NUT STRG STEM LOCK	1	300
**	5140A	5140A-KFA1-900	FORK SET R FR **9000-NH131A	FORK SET R FR **9000-NH131A C.2002.04.01	1	13310
**	5150A	5150A-KFA1-900	FORK SET L FR **9000-NH131A	FORK SET L FR **9000-NH131A C.2002.04.01	1	13310
	53200	53200-KFA1-900	STEM COMP STRG **KFA1-9000	STEM COMP STRG **KFA1-9000	1	8750
	53211	53211-GFY6-940	RACE STRG TOP CONE	RACE STRG TOP CONE	1	580
	53212	53212-GHC8-004	RACE (STRG BOTTOM) CONE	RACE (STRG BOTTOM) CONE	1	390
	61110	61110-KNBN-902	FENDER FR INNER **KBN-9020	FENDER FR INNER **KBN-9020	1	390
	61120	61120-KFA1-900	FENDER FR DOWN	FENDER FR DOWN	1	300
	90023	90023-GBN2-001	BOLT SEAT LOCK 6*13.5 (B)	BOLT SEAT LOCK 6*13.5 (B)	2	110
	90112	90112-GCC3-001	BOLT SPECIAL 5MM	BOLT SPECIAL 5MM	2	60
	95701	95701-06012-06	BOLT FLANGE 6*22 (K)	BOLT FLANGE 6*22 (K)	1	60
	95801	95801-08040-06	BOLT FLANGE 8*40	BOLT FLANGE 8*40	1	60
	96211	96211-05000	BALL STEEL #5	BALL STEEL #5	55	60

F06

F07

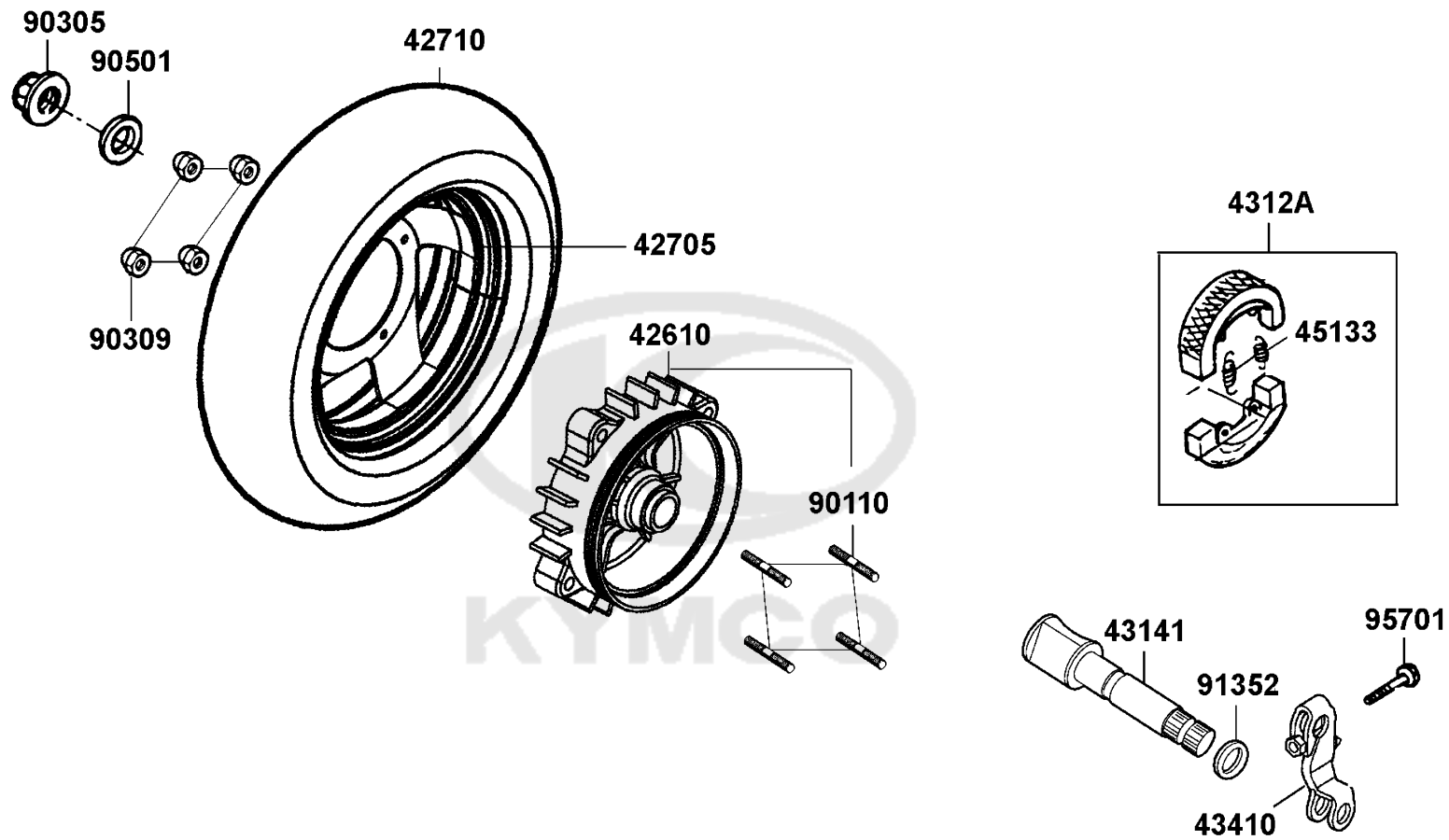
Front Wheel



Sales mark 記号	Ref no 参照用番号	Part no パーツ番号	Description 部品名	Reg description 部品名	Regd no 必要個数	Ref Price 希望小売価格(税抜)	F07
	44301	44301-KBE2-981	AXLE FR WHEEL M12*200MM	AXLE FR WHEEL M12*200MM	1	770	
	44311	44311-GLW0-911	COLLAR FR WHEEL SIDE	COLLAR FR WHEEL SIDE	1	390	
**	44610	44610-KHC4-305	HUB SUB SET FR	HUB SUB SET FR	1	8560	
	44620	44620-KSBS-900	COLLAR FR DIST	COLLAR FR DIST	1	330	
**	44705	44705-KHC4-900	RIM COMP FR WHEEL	RIM COMP FR WHEEL	1	6850	
	44710	44710-KFA3-900	TIRE ASSY FR/90/90-10	TIRE ASSY FR/90/90-10	1	7450	
**	44800	44800-KNBN-901	GEAR BOX ASSY SPDMT	GEAR BOX ASSY SPDMT	1	3150	
**	45100	45100-KFA1-900	CALIPER ASSY FR L **9000-RR134A	CALIPER ASSY FR L **9000-RR134A C.2002.	1	17900	
	45105	45105-KXCX-305-M2	PAD ASSY	PAD ASSY	1	2200	
**	45351	45351-KHC5-E00	DISK FR BRAKE **E000-IT-NH045S	DISK FR BRAKE **E000-IT-NH045S	1	7070	
	90105	90105-KCR3-001	BOLT FR DISK 8*24	BOLT FR DISK 8*24	3	80	
	90131	90131-GLW0-911	BOLT FLANGE 8*35	BOLT FLANGE 8*35	2	80	
	90306	90306-KLF0-004-SY	NUT FLANGE 12MM	NUT FLANGE 12MM	1	200	
	90309	90309-GLW0-90A	NUT U FLANGE 8MM	NUT U FLANGE 8MM	4	110	
	90754	90754-GHC8-00A	SEAL DUST 20*32*5	SEAL DUST 20*32*5	1	100	
	90912-GHC8-00A	90912-GHC8-00A	BEARING 6201 (U)	BEARING 6201 (U)	2	770	
	90912-GHC8-00D	90912-GHC8-00D	BEARING	BEARING	2	630	
	91258	91258-KAM1-00A	SEAL SPDMT GEAR BOX	SEAL SPDMT GEAR BOX	1	300	

F08

Rear Wheel

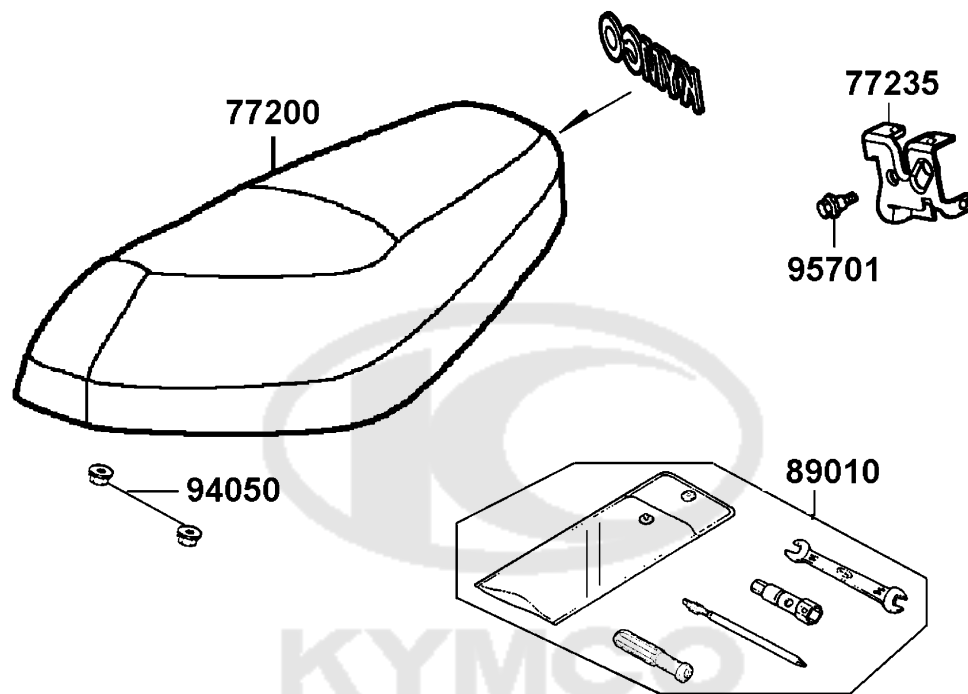


Sales mark 記号	Ref no 参照用番号	Part no パーツ番号	Description 部品名	Reg description 部品名	Regd no 必要個数	Ref Price 希望小売価格(税抜)	F08
**	42610	42610-GKAK-901	HUB SUB COMP RR	HUB SUB COMP RR	1	7610	
**	42705	42705-KHC4-900	RIM COMP WHEEL	RIM COMP WHEEL	1	7610	
	42710	42710-KFA3-900	TIRE ASSY RR	TIRE ASSY RR	1	9020	
	4312A	4312A-KXCX-910	SHOE ASSY BRAKE	SHOE ASSY BRAKE	2	2080	
	43141	43141-GKAK-901	CAM RR BRAKE	CAM RR BRAKE	1	770	
	43410	43410-KFA1-900	ARM COMP RR BRAKE	ARM COMP RR BRAKE	1	610	
	45133	45133-0H28-001	SPRING BRAKE SHOE	SPRING BRAKE SHOE	2	160	
	90110	90110-KHG8-901	BOLT STUD2 8*22	BOLT STUD2 8*22	4	130	
	90305	90305-KNBN-90B	NUT U 16MM	NUT U 16MM	1	110	
	90309	90309-GLW0-90A	NUT U FLANGE 8MM	NUT U FLANGE 8MM	4	110	
	90501	90501-KNBN-901	WASHER 16MM	WASHER 16MM	1	80	
	91352	91352-KHG8-83B	O-RING 11.3*1.3	O-RING 11.3*1.3	1	60	
	95701	95701-06032-06	BOLT FLANGE 6*32	BOLT FLANGE 6*32	1	60	



F09

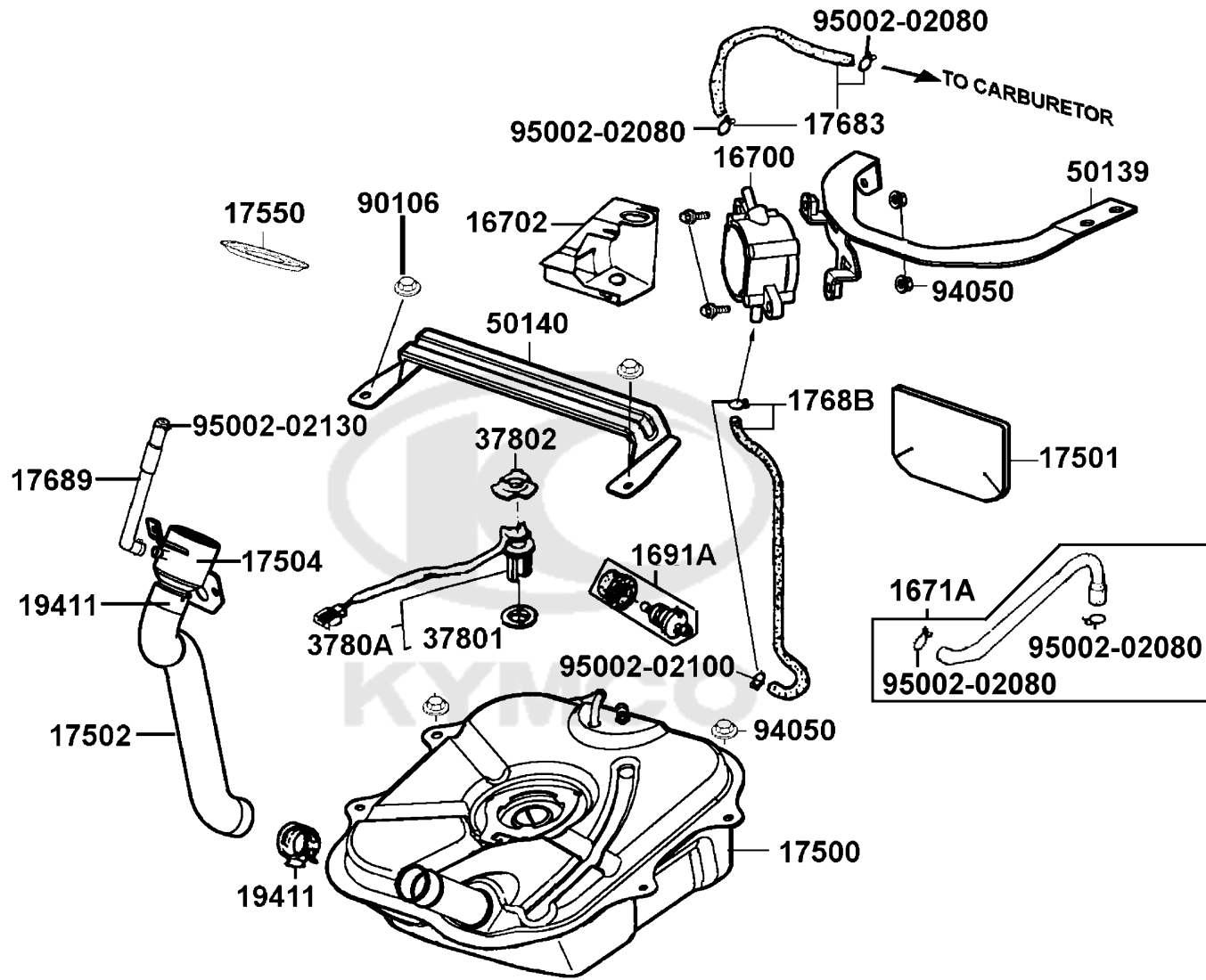
Seat



Sales mark 記号	Ref no 参照用番号	Part no パーツ番号	Description 部品名	Reg description 部品名	Regd no 必要個数	Ref Price 希望小売価格(税抜)	F09
------------------	-----------------	------------------	--------------------	------------------------	-----------------	-------------------------	-----

**	77200	77200-KFA1-C00	SEAT ASSY/KO1Y-3Y2 **(0) C.	SEAT ASSY/KO1Y-3Y2 **(0) C.	1	11380	
	77235	77235-KFA1-B20	SEAT CATCH COMP	SEAT CATCH COMP	1	1820	
	89010	89010-KNBN-900	TOOL SET	TOOL SET	1	1080	
	94050	94050-06080	NUT FLANGE 6MM	NUT FLANGE 6MM	2	60	
	95701	95701-06012-06	BOLT FLANGE 6*22 (K)	BOLT FLANGE 6*22 (K)	1	60	





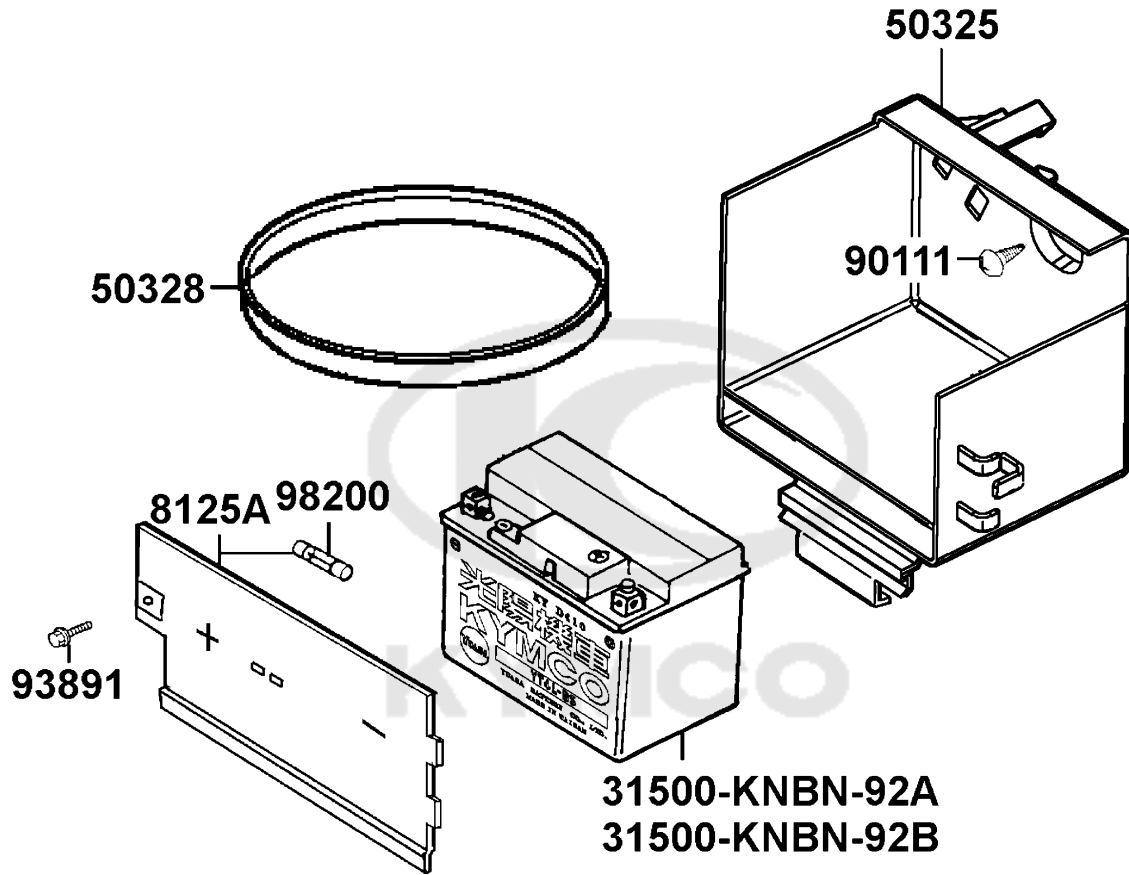
Sales mark 記号	Ref no 参照用番号	Part no パーツ番号	Description 部品名	Reg description 部品名	Regd no 必要個数	Ref Price 希望小売価格(税抜)
16700	16700-KNBN-220	16700-KNBN-220	PUMP ASSY FUEL **KBN-220	PUMP ASSY FUEL **KBN-220 C.2005.08.01	1	7610
16702	16702-KNBN-901	16702-KNBN-901	COVER FUEL PUMP	COVER FUEL PUMP	1	260
1671A	1671A-KNBN-901	1671A-KNBN-901	TUBE ASSY PULSE	TUBE ASSY PULSE	1	300
1691A	1691A-KEC2-E00	1691A-KEC2-E00	STRAINER ASSY FUEL	STRAINER ASSY FUEL	1	1010
17500	17500-KFA1-900	17500-KFA1-900	TANK COMP FUEL **9000 C.2004.05.08	TANK COMP FUEL **9000 C.2004.05.08	1	16920
17501	17501-KNBN-901	17501-KNBN-901	HEAT GUARD FUEL TANK **KNBN-900	HEAT GUARD FUEL TANK **KNBN-900	1	210
17502	17502-KFA1-900	17502-KFA1-900	HOSE FUEL **(0) C.2006.09.11	HOSE FUEL **(0) C.2006.09.11	1	2100
17504	17504-KFA1-C00	17504-KFA1-C00	PIPE COMP FUEL FILLER **C000-MC	PIPE COMP FUEL FILLER **C000-MC	1	2770
17550	17550-KHC4-900	17550-KHC4-900	TRAY FUEL CAP	TRAY FUEL CAP	1	350
17683	17683-KFA2-B00	17683-KFA2-B00	TUBE ASSY FUEL **B000-JP	TUBE ASSY FUEL **B000-JP	1	540
17689	17689-KFA1-C00	17689-KFA1-C00	TUBE ASS'Y FILLER **C000-MC	TUBE ASS'Y FILLER **C000-MC	1	1010
1768B	1768B-KFA1-900	1768B-KFA1-900	TUBE ASSY FUEL	TUBE ASSY FUEL	1	320
19411	19411-KBCB-900	19411-KBCB-900	CLIP HOSE	CLIP HOSE	2	490
37801	37801-GGA7-701	37801-GGA7-701	PACKING BASE	PACKING BASE	1	130
37802	37802-GGA7-701	37802-GGA7-701	RET FUEL UNIT	RET FUEL UNIT	1	200
3780A	3780A-KFA1-900	3780A-KFA1-900	FUEL UNIT ASSY	FUEL UNIT ASSY	1	3240
50139	50139-KFA1-900	50139-KFA1-900	STAY COMP FUEL PUMP **(0)	STAY COMP FUEL PUMP **(0) C.2007.03.22	1	1440
50140	50140-KFA1-900	50140-KFA1-900	PLATE FLOOR	PLATE FLOOR	1	580
90106	90106-KRDR-900	90106-KRDR-900	BOLT SPECIAL 6*14 **KDR-9000	BOLT SPECIAL 6*14 **KDR-9000	2	60
94050	94050-06080	94050-06080	NUT FLANGE 6MM	NUT FLANGE 6MM	6	60

F10



Sales mark 記号	Ref no 参照用番号	Part no パーツ番号	Description 部品名	Reg description 部品名	Regd no 必要個数	Ref Price 希望小売価格(税抜)	F10
95002-02080	95002-02080	95002-02080	CLIP B8 TUBE	CLIP B8 TUBE	6	60	
95002-02100	95002-02100	95002-02100	CLIP B15 TUBE	CLIP B15 TUBE	4	60	
95002-02130	95002-02130	95002-02130	CLIP B12.5 TUBE	CLIP B12.5 TUBE	2	60	

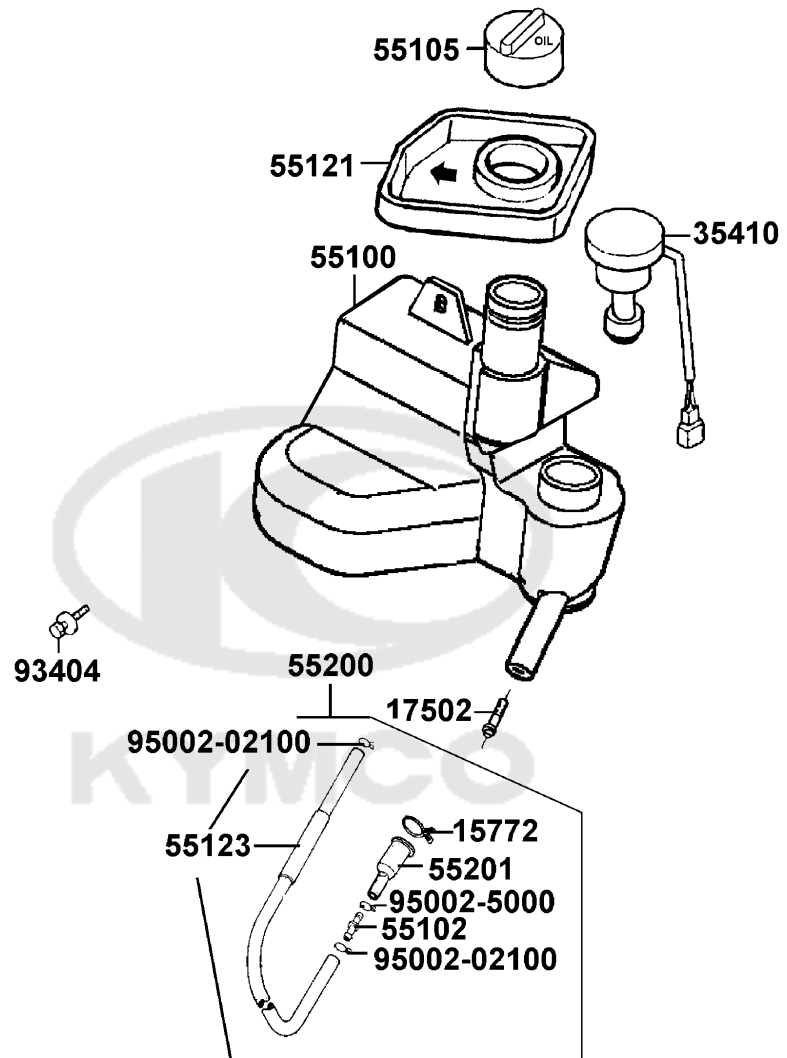




Sales mark 記号	Ref no 参照用番号	Part no パーツ番号	Description 部品名	Reg description 部品名	Regd no 必要個数	Ref Price 希望小売価格(税抜)	F11
	31500-KNBN-92A	31500-KNBN-92A	BATTERY YTX5L-BS	BATTERY YTX5L-BS	1	11130	
	31500-KNBN-92B	31500-KNBN-92B	BATTERY YTX5L-BS	BATTERY YTX5L-BS	1	11130	
	50325	50325-KNBN-200	CASE BATTERY **KBN-200	CASE BATTERY **KBN-200	1	680	
	50328	50328-KNBN-200	BAND BATTERY	BAND BATTERY	1	200	
**	8125A	8125A-KNBN-200	COVER ASSY BATTERY **KBN-200-N1R	COVER ASSY BATTERY **KBN-200-N1R	1	390	
	90111	90111-1G87-001	BOLT FLANGE 6MM	BOLT FLANGE 6MM	1	60	
	93891	93891-05012-06	SCREW WASHER 5*12	SCREW WASHER 5*12	2	60	
	98200	98200-10700	FUSE A7	FUSE A7	1	60	

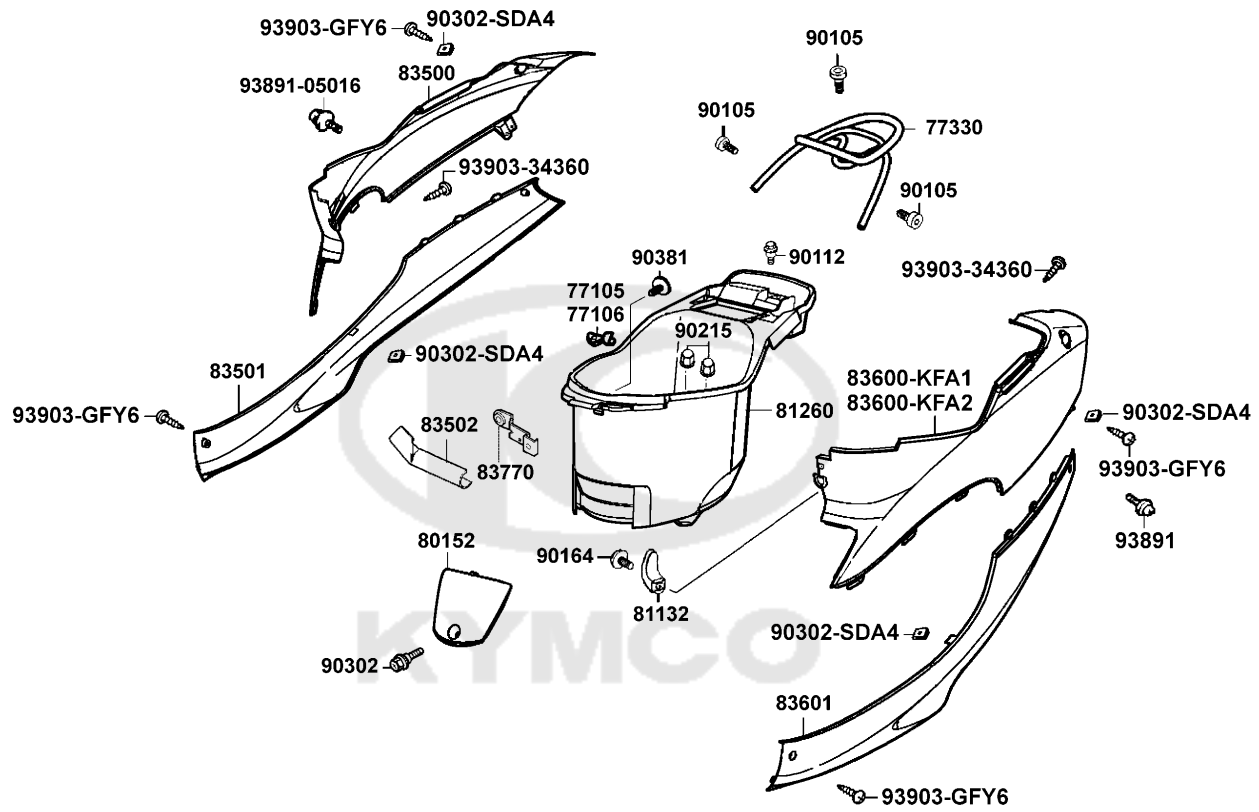






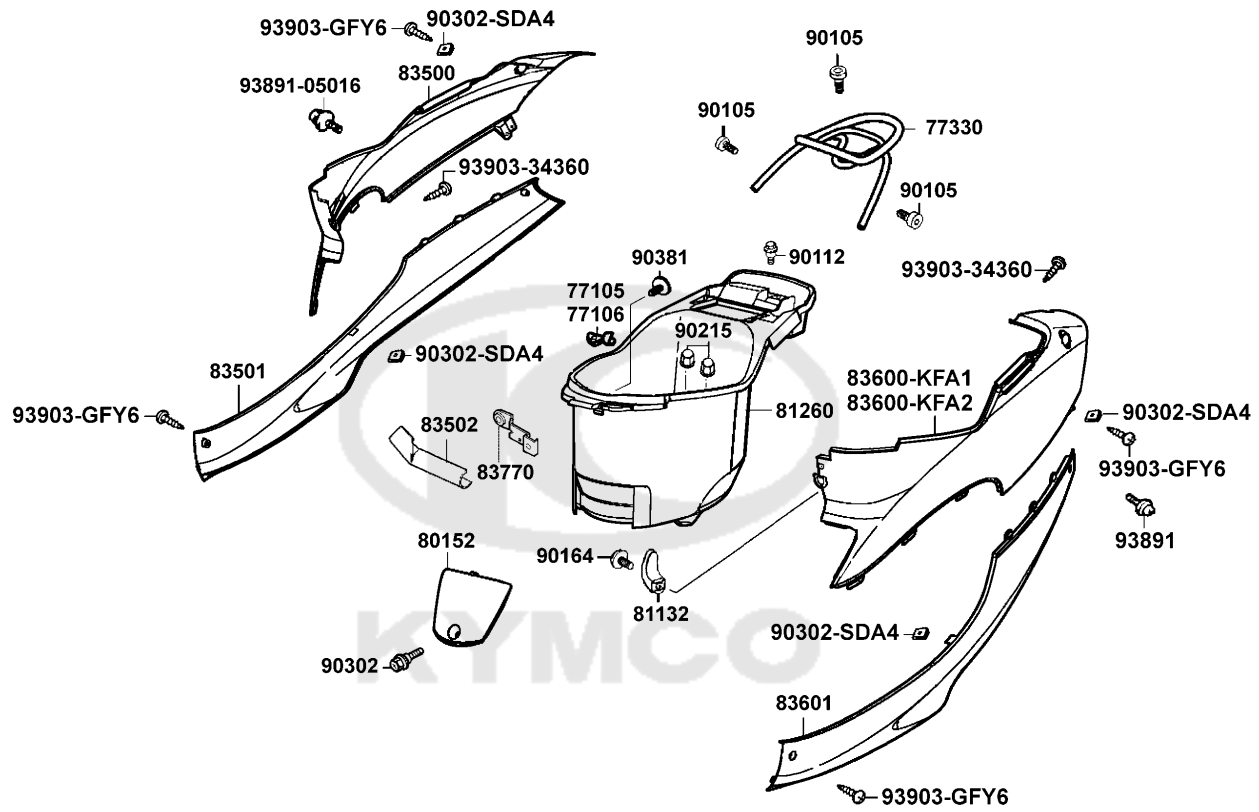
Sales mark 記号	Ref no 参照用番号	Part no パーツ番号	Description 部品名	Reg description 部品名	Regd no 必要個数	Ref Price 希望小売価格(税抜)
15772	15772-5A51-001	15772-5A51-001	CLIP BREATHER TUBE	CLIP BREATHER TUBE	1	160
17502	17502-1G87-001	17502-1G87-001	OIL STRAINER	OIL STRAINER	1	300
35410	35410-KNBN-91A	35410-KNBN-91A	SW ASSY OIL LEVEL	SW ASSY OIL LEVEL	1	4000
55100	55100-KNBN-901	55100-KNBN-901	TANK OIL	TANK OIL	1	1660
55102	55102-1F66-001	55102-1F66-001	JOINT OIL TUBE	JOINT OIL TUBE	1	160
55105	55105-KNBN-901	55105-KNBN-901	CAP ASSY OIL	CAP ASSY OIL	1	200
55121	55121-KNBN-901	55121-KNBN-901	RUBBER OIL GUIDE **KBN-9010	RUBBER OIL GUIDE **KBN-9010	1	230
55123	55123-KNBN-901	55123-KNBN-901	TUBE 5.3 OIL	TUBE 5.3 OIL	1	420
55200	55200-KNBN-901	55200-KNBN-901	TUBE ASSY OIL	TUBE ASSY OIL	1	820
55201	55201-GHC8-001	55201-GHC8-001	JOINT OIL STRN	JOINT OIL STRN	1	140
93404	93404-06016-06	93404-06016-06	BOLT WASHER 6*16	BOLT WASHER 6*16	1	60
95002-02100	95002-02100	95002-02100	CLIP B15 TUBE	CLIP B15 TUBE	2	60
95002-50000	95002-50000	95002-50000	CLIP C9 TUBE	CLIP C9 TUBE	1	60

F12



Sales mark 記号	Ref no 参照用番号	Part no パーツ番号	Description 部品名	Reg description 部品名	Regd no 必要個数	Ref Price 希望小売価格(税抜)
	77105	77105-GFS6-001	HOOK R HELMET	HOOK R HELMET	1	200
	77106	77106-GFS6-001	HOOK L HELMET	HOOK L HELMET	1	160
**	77330	77330-KFA1-B21	CARRIER LUGGAGE	CARRIER LUGGAGE	1	6950
**	80152	80152-KFA1-900	PLUG MAINT **9000-NH045P	PLUG MAINT **9000-NH045P C.2002.04.01	1	1160
**	81132	81132-GHAH-001	HOOK LUGGAGE	HOOK LUGGAGE	1	300
	81260	81260-KFA1-B20	BOX ASSY LUGGAGE **2005.09.19	BOX ASSY LUGGAGE **2005.09.19	1	9130
**	83500	83500-KFA1-900	COVER R BODY **(0) C.2007.03.22	COVER R BODY **(0) C.2007.03.22	1	8940
**	83501	83501-KFA3-900	MOLD R SIDE	MOLD R SIDE	1	4760
	83502	83502-KFA1-900	PROTECTOR SEAT CABLE **9000	PROTECTOR SEAT CABLE **9000	1	490
**	83600-KFA1	83600-KFA1-900	COVER L BODY	COVER L BODY	1	8940
**	83600-KFA2	83600-KFA2-900	COVER L BODY	COVER L BODY	1	8940
**	83601	83601-KFA3-900	MOLD L SIDE	MOLD L SIDE	1	4760
	83770	83770-KFA1-900	STAY CENTER CLIP **9000 C.2003.06.13	STAY CENTER CLIP **9000 C.2003.06.13	1	230
	90105	90105-KFC2-900	BOLT WASH 8*32	BOLT WASH 8*32	3	390
	90112	90112-KFA1-900	BOLT FLANGE 6MM	BOLT FLANGE 6MM	1	160
	90164	90164-MDR4-901	SCREW SPECIAL 6MM	SCREW SPECIAL 6MM	1	70
	90215	90215-GLM0-910	NUT CAP 6MM	NUT CAP 6MM	2	160
	90302	90302-KFC2-900	BOLT WASHER 5*25	BOLT WASHER 5*25	1	80
	90302-SDA4	90302-SDA4-004	NUT SPRING 4MM	NUT SPRING 4MM	4	60
	90381	90381-GEZ5-001	SCREW SPECIAL 6*17	SCREW SPECIAL 6*17	1	200

F13

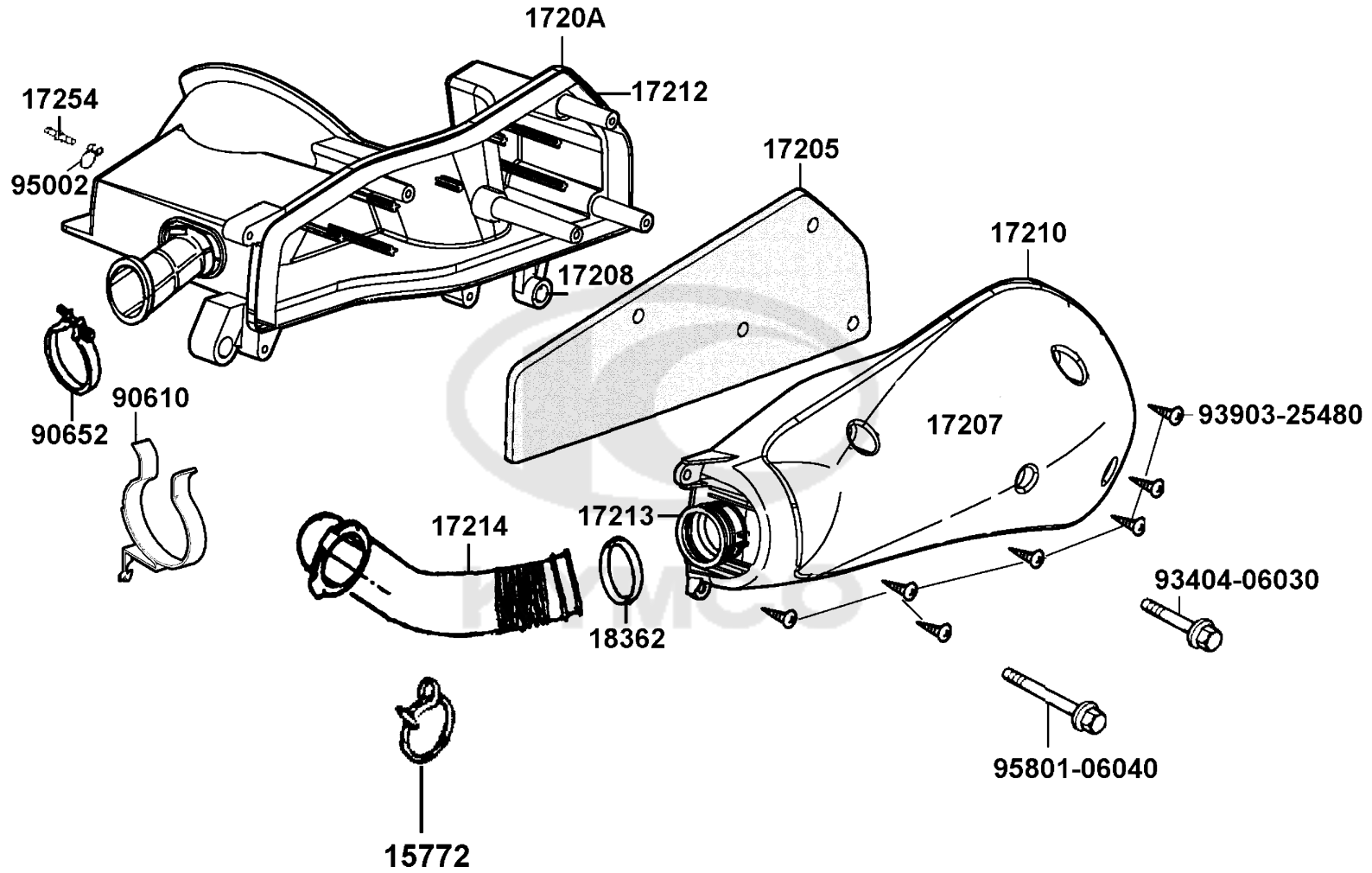


Sales mark 記号	Ref no 参照用番号	Part no パーツ番号	Description 部品名	Reg description 部品名	Regd no 必要個数	Ref Price 希望小売価格(税抜)	F13
93891	93891-05016-06	93891-05016-06	SCREW WASHER 5*16	SCREW WASHER 5*16	2	60	
93903-34360	93903-34360	93903-34360	SCREW WASHER 4*12	SCREW WASHER 4*12	4	60	
93903-GFY6	93903-GFY6	93903-GFY6-900	SCREW WASHER 4*12	SCREW WASHER 4*12	4	60	



F14

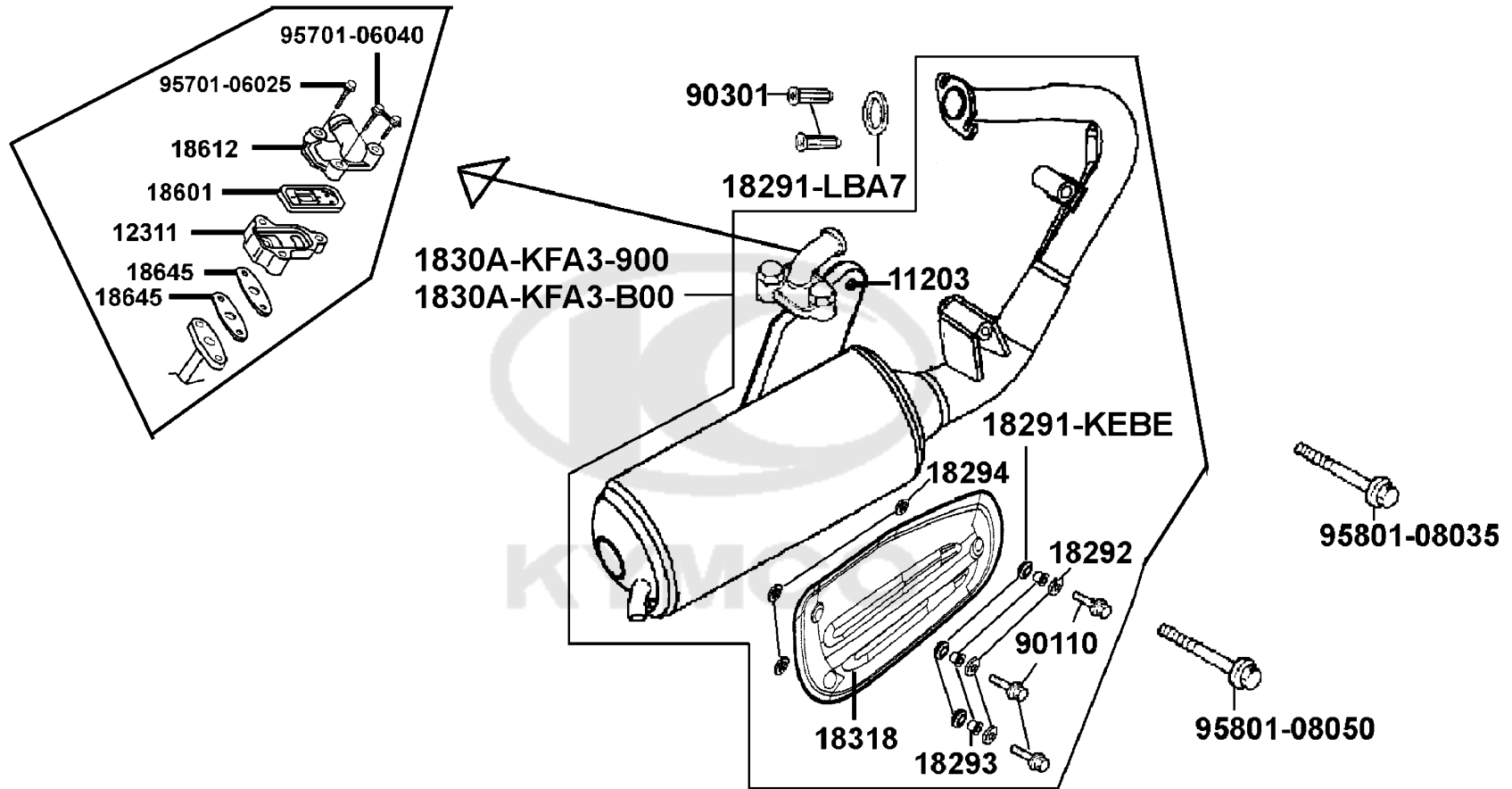
Air Cleaner



Sales mark 記号	Ref no 参照用番号	Part no パーツ番号	Description 部品名	Reg description 部品名	Regd no 必要個数	Ref Price 希望小売価格(税抜)
15772	15772-5L00-013	15772-5L00-013	CLIP B14.5 TUBE	CLIP B14.5 TUBE	1	60
17205	17205-KNBN-901	17205-KNBN-901	ELEMENT AIR/C **KBN-9010	ELEMENT AIR/C **KBN-9010 C.2005.09.19	1	1090
17207	17207-KFA1-900	17207-KFA1-900	COVER AIR/C **9000 C.2003.03.10	COVER AIR/C **9000 C.2003.03.10	1	960
17208	17208-GAR1-011	17208-GAR1-011	COLLAR AIR/C SET	COLLAR AIR/C SET	1	110
1720A	1720A-KFA1-900	1720A-KFA1-900	CASE ASSY AIR/C **910 N.C.	CASE ASSY AIR/C **910 N.C.	1	2290
17210	17210-KFA3-900	17210-KFA3-900	COVER COMP AIR/C **KFA3-9000	COVER COMP AIR/C **KFA3-9000	1	1730
17212	17212-KNBN-901	17212-KNBN-901	SEAL AIR/C CASE	SEAL AIR/C CASE	1	300
17213	17213-KFA1-900	17213-KFA1-900	DUCT AIR/C INNER **(0) C.2007.03.22	DUCT AIR/C INNER **(0) C.2007.03.22	1	610
17214	17214-KFA1-900	17214-KFA1-900	DUCT AIR/C CONN **9000 C.2005.09.19	DUCT AIR/C CONN **9000 C.2005.09.19	1	770
17254	17254-KACA-P00	17254-KACA-P00	PLUG AIR/C CONN TUBE	PLUG AIR/C CONN TUBE	1	200
18362	18362-KDA4-901	18362-KDA4-901	BAND SILENCR SEAL	BAND SILENCR SEAL	1	390
90610	90610-KRDR-900	90610-KRDR-900	BAND ASSY AIR/C TUBE	BAND ASSY AIR/C TUBE	1	490
90652	90652-KTCT-900	90652-KTCT-900	BAND AIR/C CONN	BAND AIR/C CONN	1	390
93404	93404-06030-06	93404-06030-06	BOLT WASHER 6*30	BOLT WASHER 6*30	1	160
93903	93903-25460	93903-25460	SCREW TAPPING 5*20 **93903-25480	SCREW TAPPING 5*20 **93903-25480 C.2005	7	60
95002	95002-02110	95002-02110	CLIP	CLIP	1	110
95801	95801-06040-06	95801-06040-06	BOLT FLANGE 6*40 (G)	BOLT FLANGE 6*40 (G)	1	390

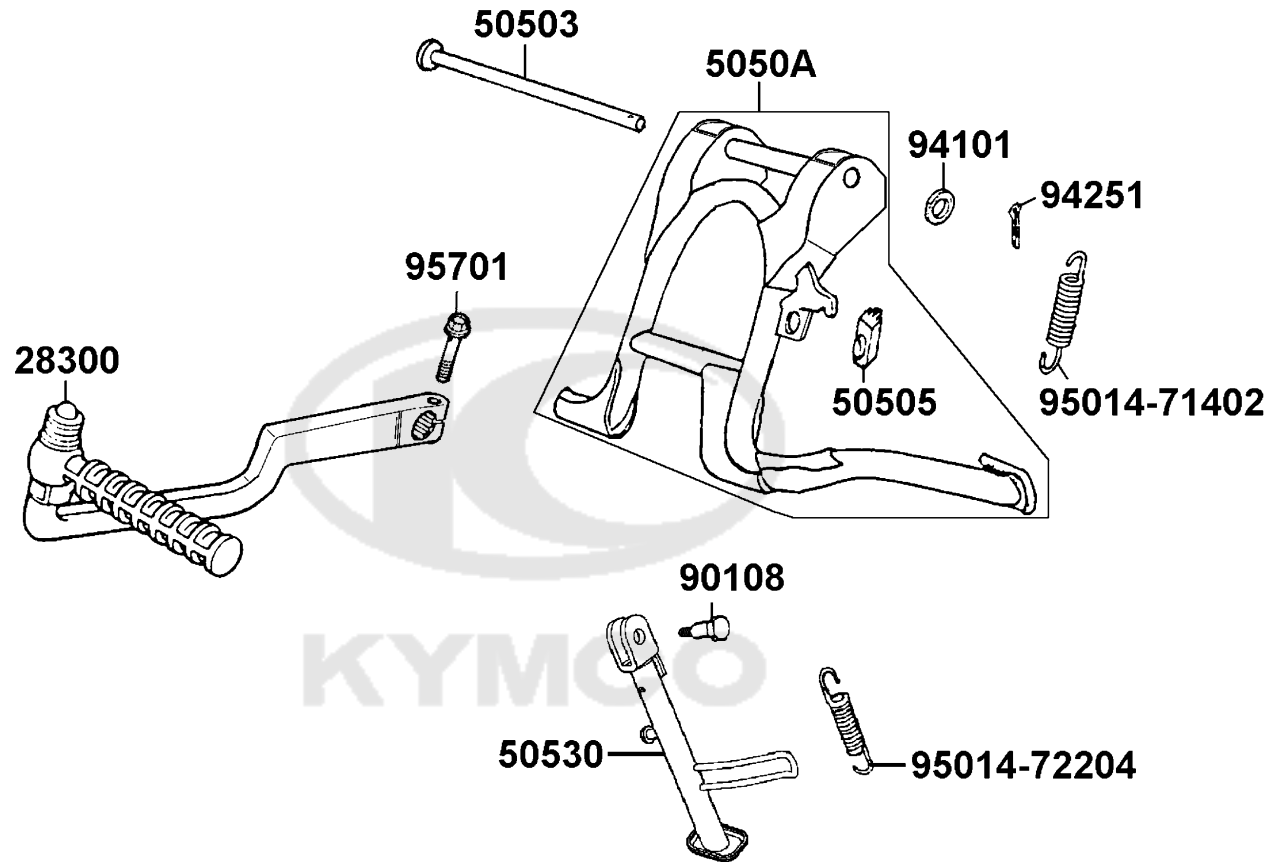
F14





Sales mark 記号	Ref no 参照用番号	Part no パーツ番号	Description 部品名	Reg description 部品名	Regd no 必要個数	Ref Price 希望小売価格(税抜)
11203		11203-GFY6-901	RUBBER BUSH MUFFLER STAY	RUBBER BUSH MUFFLER STAY	1	320
12311		12311-KFB5-900	BODY REED VALVE	BODY REED VALVE	1	1250
18291-KEBE		18291-KEBE-900	COLLAR	COLLAR	3	60
18291-LBA7		18291-LBA7-900	GASKET EXH PIPE	GASKET EXH PIPE	1	230
18292		18292-KEBE-900	PACKING PROTECTOR	PACKING PROTECTOR	3	60
18293		18293-KEBE-900	RUBBER PKG PROTR	RUBBER PKG PROTR	3	140
18294		18294-KEBE-900	PACKING PROTECTOR	PACKING PROTECTOR	3	110
1830A-KFA3-900		1830A-KFA3-900	MUFFLER ASSY EXH/P112 **(8)	MUFFLER ASSY EXH/P112 **(8)	1	34220
1830A-KFA3-B00		1830A-KFA3-B00	MUFFLER ASSY EXHAUST/P112 **(0)	MUFFLER ASSY EXHAUST/P112 **(0)	1	34220
18318		18318-KFA3-900	PROTECTOR MUFFLER	PROTECTOR MUFFLER	1	2870
18601		18601-KFB5-900	VALVE COMP REED	VALVE COMP REED	1	1910
18612		18612-KFB5-900	COVER REED VALVE	COVER REED VALVE	1	870
18645		18645-GFY6-941	GASKET A/I PIPE	GASKET A/I PIPE	2	60
90110		90110-KFA6-900	SCREW SPECIAL 6*18	SCREW SPECIAL 6*18	3	70
90301		90301-KGBG-900	NUT CAP 6MM	NUT CAP 6MM	2	250
95701-06025		95701-06025-06	BOLT FLANGE 6*25	BOLT FLANGE 6*25	1	60
95701-06040		95701-06040-06	BOLT FLANGE 6*40 (C)	BOLT FLANGE 6*40 (C)	2	200
95801		95801-08035-06	BOLT FLANGE 8*35	BOLT FLANGE 8*35	2	60

F15

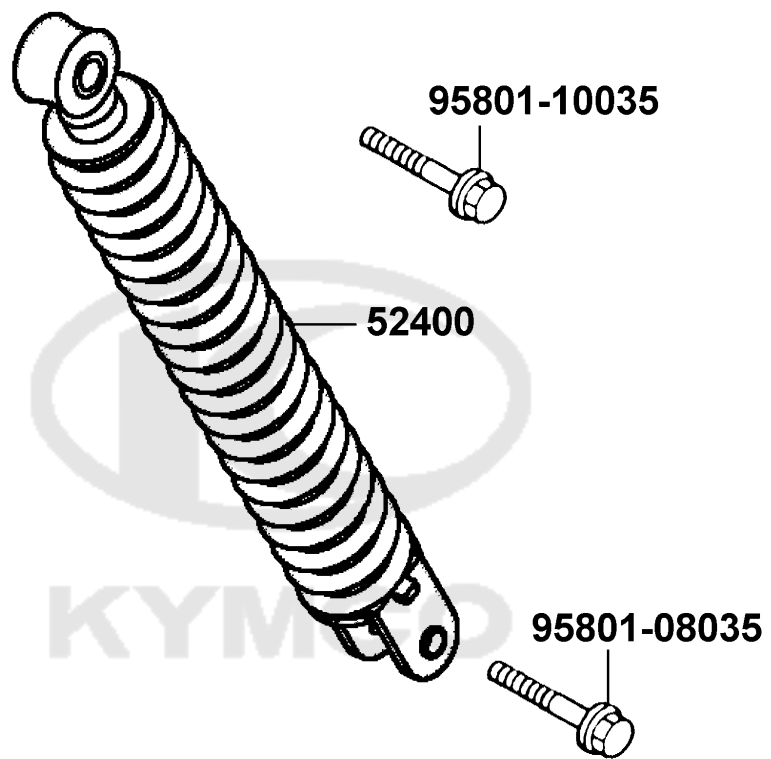


Sales mark 記号	Ref no 参照用番号	Part no パーツ番号	Description 部品名	Reg description 部品名	Regd no 必要個数	Ref Price 希望小売価格(税抜)
28300	28300-KNBN-901	28300-KNBN-901	ARM ASSY KICK STARTER	ARM ASSY KICK STARTER	1	2030
50503	50503-KNBN-901	50503-KNBN-901	SHAFT MAIN STAND	SHAFT MAIN STAND	1	390
50505	50505-GAR1-711	50505-GAR1-711	STOPPER RUBBER STAND	STOPPER RUBBER STAND	1	110
5050A	5050A-KFA3-900	5050A-KFA3-900	STAND ASSY MAIN *(1) C.2007.03.28	STAND ASSY MAIN *(1) C.2007.03.28	1	6090
50530	50530-KFA1-900	50530-KFA1-900	BAR SIDE STAND **9000 C.2003.09.06	BAR SIDE STAND **9000 C.2003.09.06	1	1060
90108	90108-GFY6-901	90108-GFY6-901	SCREW SIDE STAND PIVOT	SCREW SIDE STAND PIVOT	1	130
94101	94101-08600	94101-08600	WASHER PLAIN 6.5*18*105	WASHER PLAIN 6.5*18*105	1	200
94251	94251-08400	94251-08400	PIN LOCK 8MM	PIN LOCK 8MM	1	160
95014-71402	95014-71402	95014-71402	SPRING D MAIN STAND	SPRING D MAIN STAND	1	60
95014-72204	95014-72204	95014-72204	SPG B1 SIDE STAND	SPG B1 SIDE STAND	1	300
95701	95701-06022-06	95701-06022-06	BOLT FLANGE 6*22	BOLT FLANGE 6*22	1	60

F16

F17

Rear Cushion

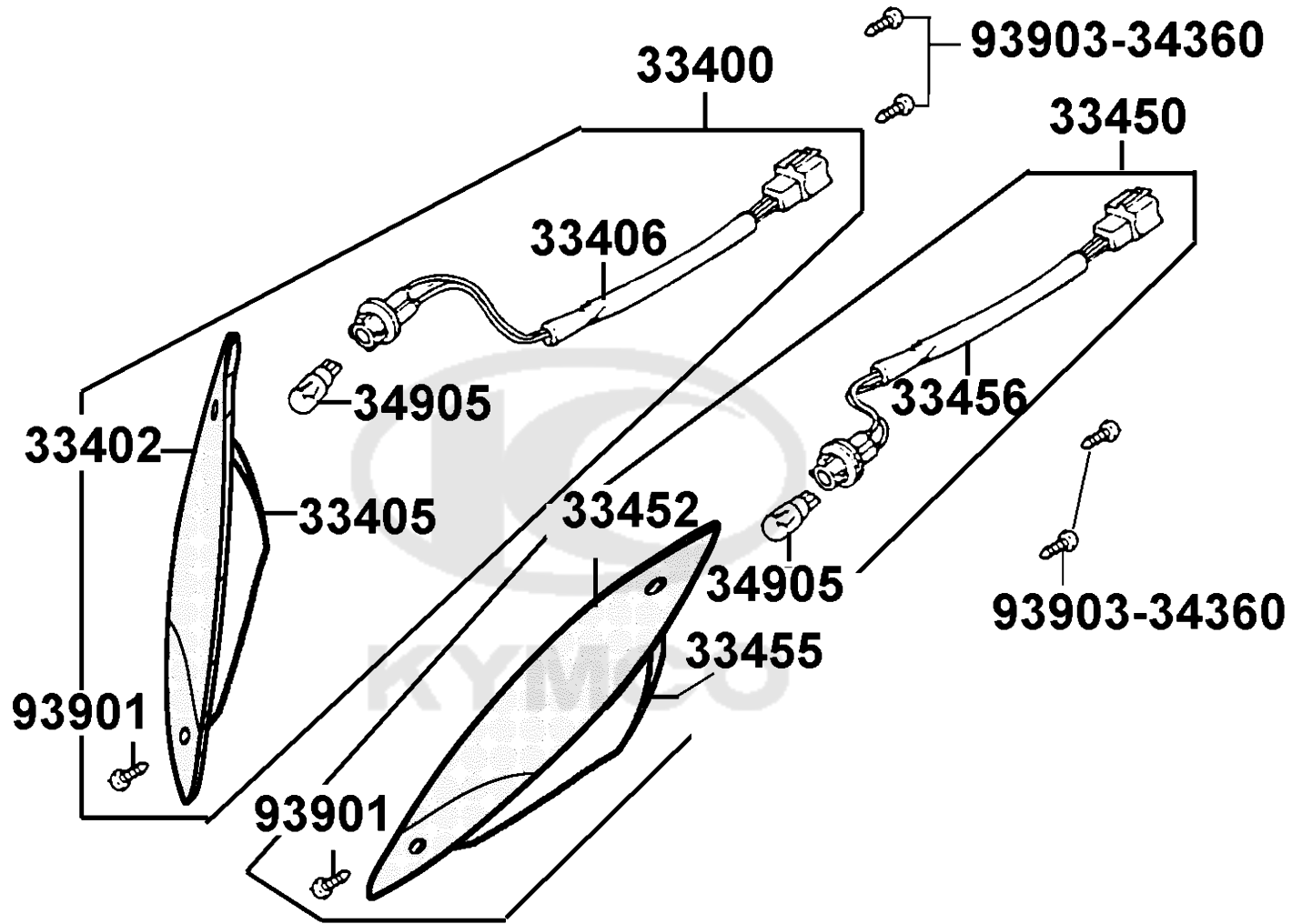


Sales mark 記号	Ref no 参照用番号	Part no パーツ番号	Description 部品名	Reg description 部品名	Regd no 必要個数	Ref Price 希望小売価格(税抜)
------------------	-----------------	------------------	--------------------	------------------------	-----------------	-------------------------

**F17**

**	52400	52400-KFA1-900	CUSHION ASSY REAR	CUSHION ASSY REAR	1	5710
	95801-08035	95801-08035-06	BOLT FLANGE 8*35	BOLT FLANGE 8*35	1	60
	95801-10035	95801-10035-06	BOLT FLANGE 10*35	BOLT FLANGE 10*35	1	300

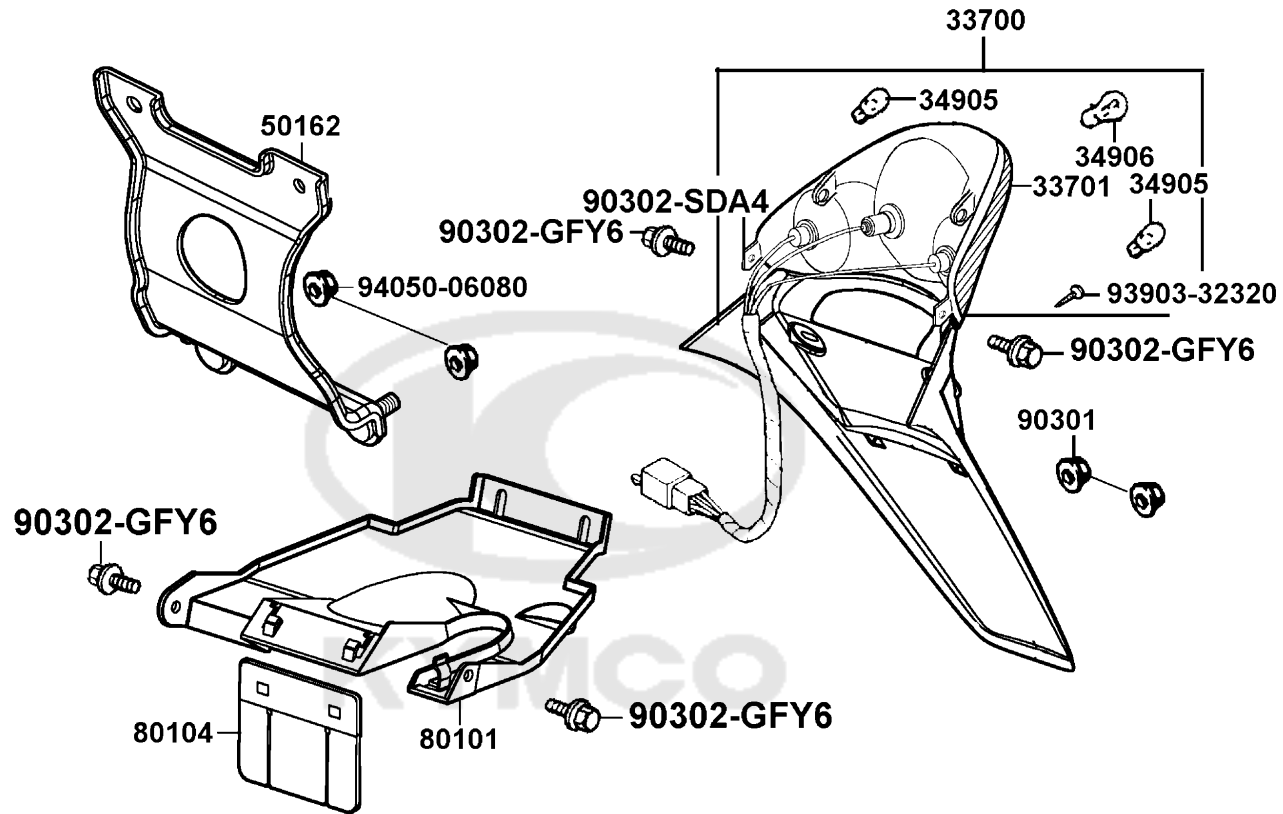




Sales mark 記号	Ref no 参照用番号	Part no パーツ番号	Description 部品名	Reg description 部品名	Regd no 必要個数	Ref Price 希望小売価格(税抜)
33400	33400-KFA1-S00	33400-KFA1-S00	WINKER ASSY R FR **KFA1-S000	WINKER ASSY R FR **KFA1-S000	1	1850
33402	33402-KFA1-900	33402-KFA1-900	LENS A R FR WINKER	LENS A R FR WINKER	1	420
33405	33405-KFA1-900	33405-KFA1-900	BASE R FR WINKER	BASE R FR WINKER	1	630
33406	33406-KFA1-900	33406-KFA1-900	SOCKET COMP R FR WINKER	SOCKET COMP R FR WINKER	1	630
33450	33450-KFA1-S00	33450-KFA1-S00	WINKER ASSY L FR **KFA1-S000	WINKER ASSY L FR **KFA1-S000	1	1850
33452	33452-KFA1-900	33452-KFA1-900	LENS A L FR WINKER **9000	LENS A L FR WINKER **9000	1	420
33455	33455-KFA1-900	33455-KFA1-900	BASE L FR WINKER	BASE L FR WINKER	1	630
33456	33456-KFA1-900	33456-KFA1-900	SOCKET COMP L FR WINKER	SOCKET COMP L FR WINKER	1	630
34905	34905-KMCM-900	34905-KMCM-900	BULB WINKER	BULB WINKER	2	320
93901	93901-32510	93901-32510	SCREW TAPPING 3*12	SCREW TAPPING 3*12	4	60
93903	93903-34360	93903-34360	SCREW WASHER 4*12	SCREW WASHER 4*12	4	60

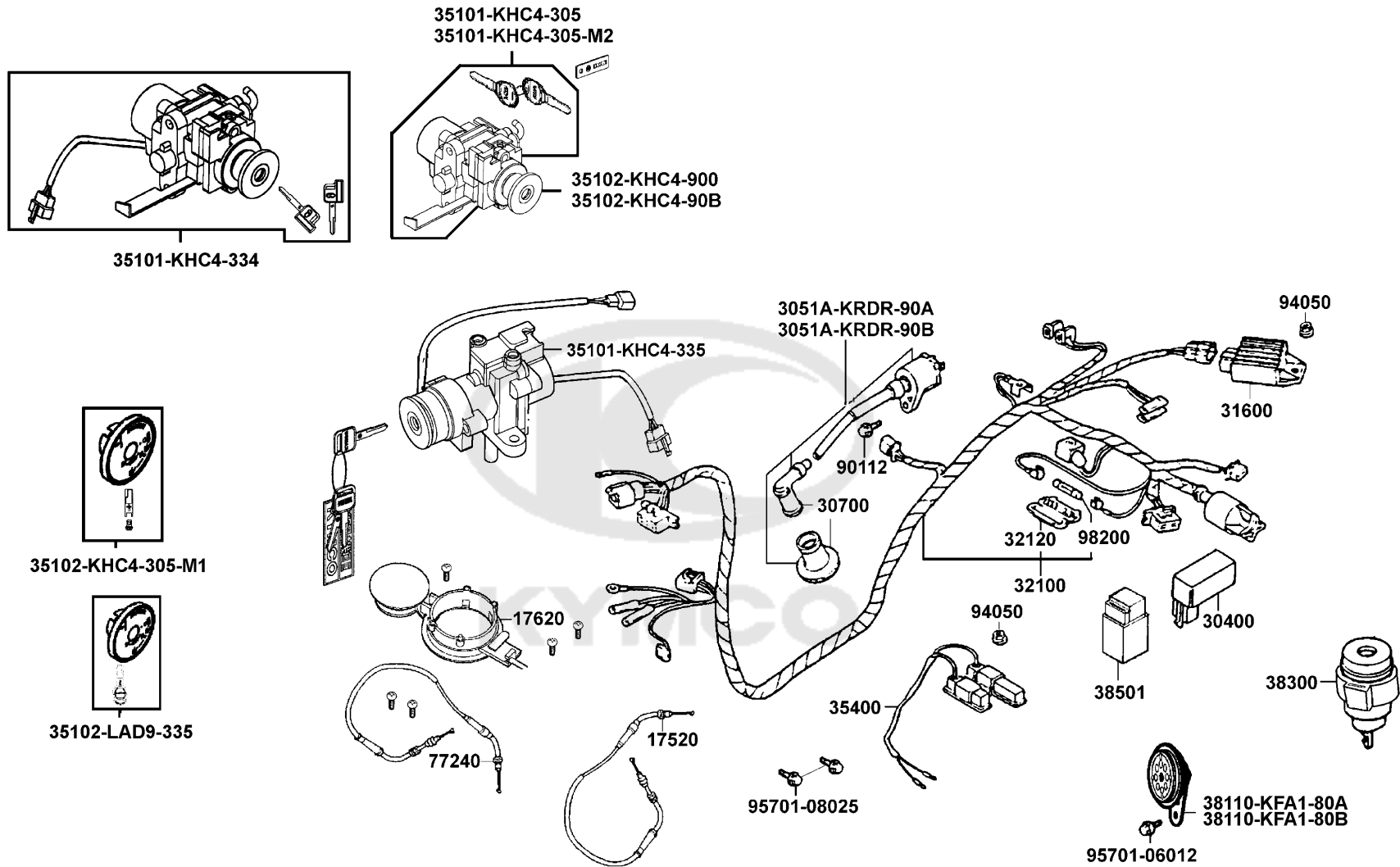
F18



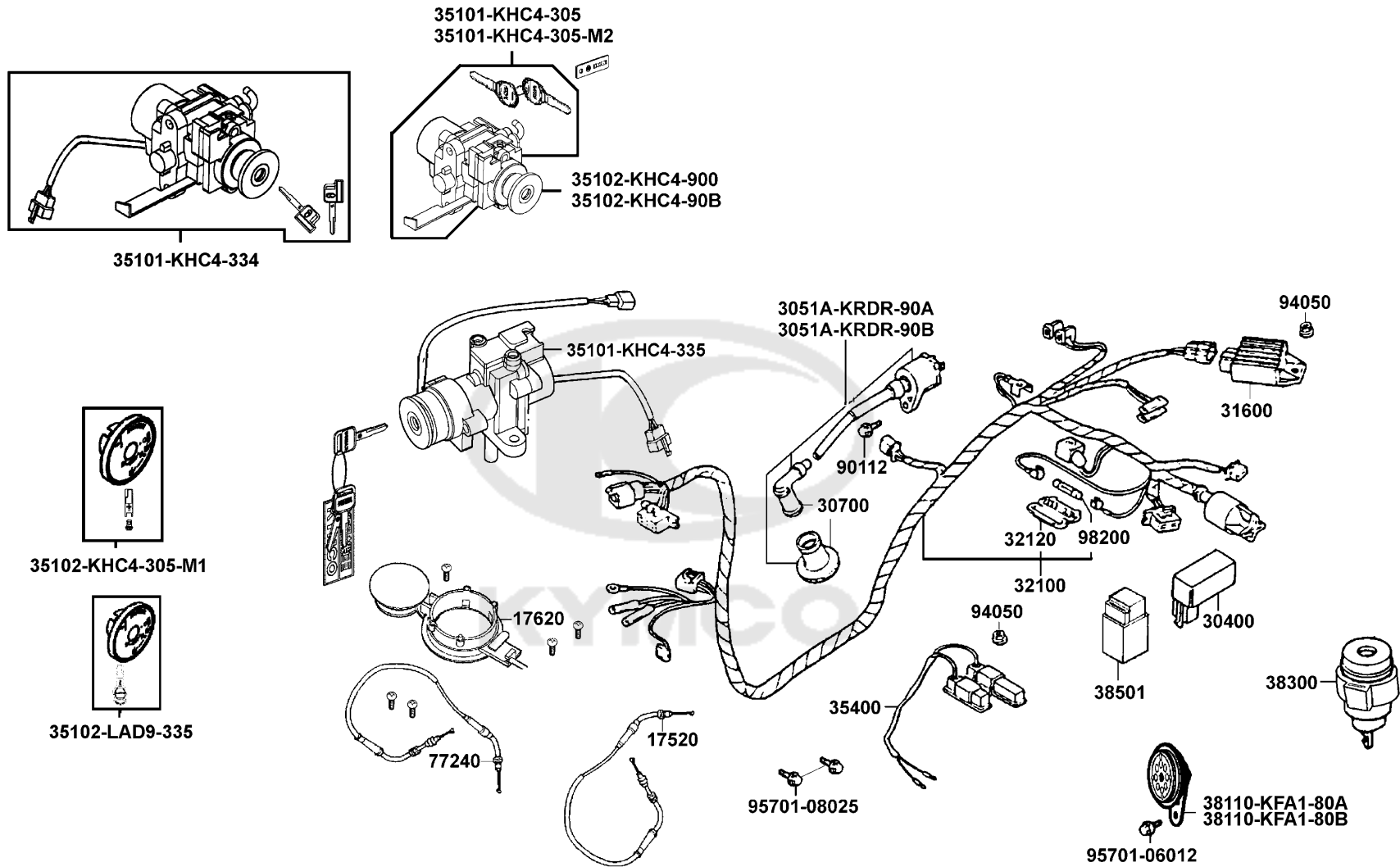


Sales mark 記号	Ref no 参照用番号	Part no パーツ番号	Description 部品名	Reg description 部品名	Regd no 必要個数	Ref Price 希望小売価格(税抜)
	33700	33700-KFA1-900	LIGHT ASSY RR COMP **(6) C.2007.03.22	LIGHT ASSY RR COMP **(6) C.2007.03.22	1	5710
	33701	33701-KFA1-900	LENS COMP TAIL LIGHT	LENS COMP TAIL LIGHT	1	1470
	34905	34905-GKM9-003	BULB WINKER	BULB WINKER	2	210
	34906	34906-2H68-601	BULB TAIL LIGHT	BULB TAIL LIGHT	1	300
	50162	50162-KFA1-900	STAY TAIL LIGHT	STAY TAIL LIGHT	1	960
**	80101	80101-KFA1-900	FENDER A REAR **900 C.	FENDER A REAR **900 C.	1	870
	80104	80104-KNBN-901	PLATE SPLASH GUARD **KBN-9010	PLATE SPLASH GUARD **KBN-9010	1	230
	90301	90301-6D34-671	NUT FLANGE 6MM	NUT FLANGE 6MM	2	60
	90302-GFY6	90302-GFY6-901	BOLT WASH 5*12 **(1) C.V.	BOLT WASH 5*12 **(1) C.V.	4	60
	90302-SDA4	90302-SDA4-004	NUT SPRING 4MM	NUT SPRING 4MM	2	60
	93903	93903-32320	SCREW TAPPING 3*12	SCREW TAPPING 3*12	2	60
	94050	94050-06080	NUT FLANGE 6MM	NUT FLANGE 6MM	2	60

F19

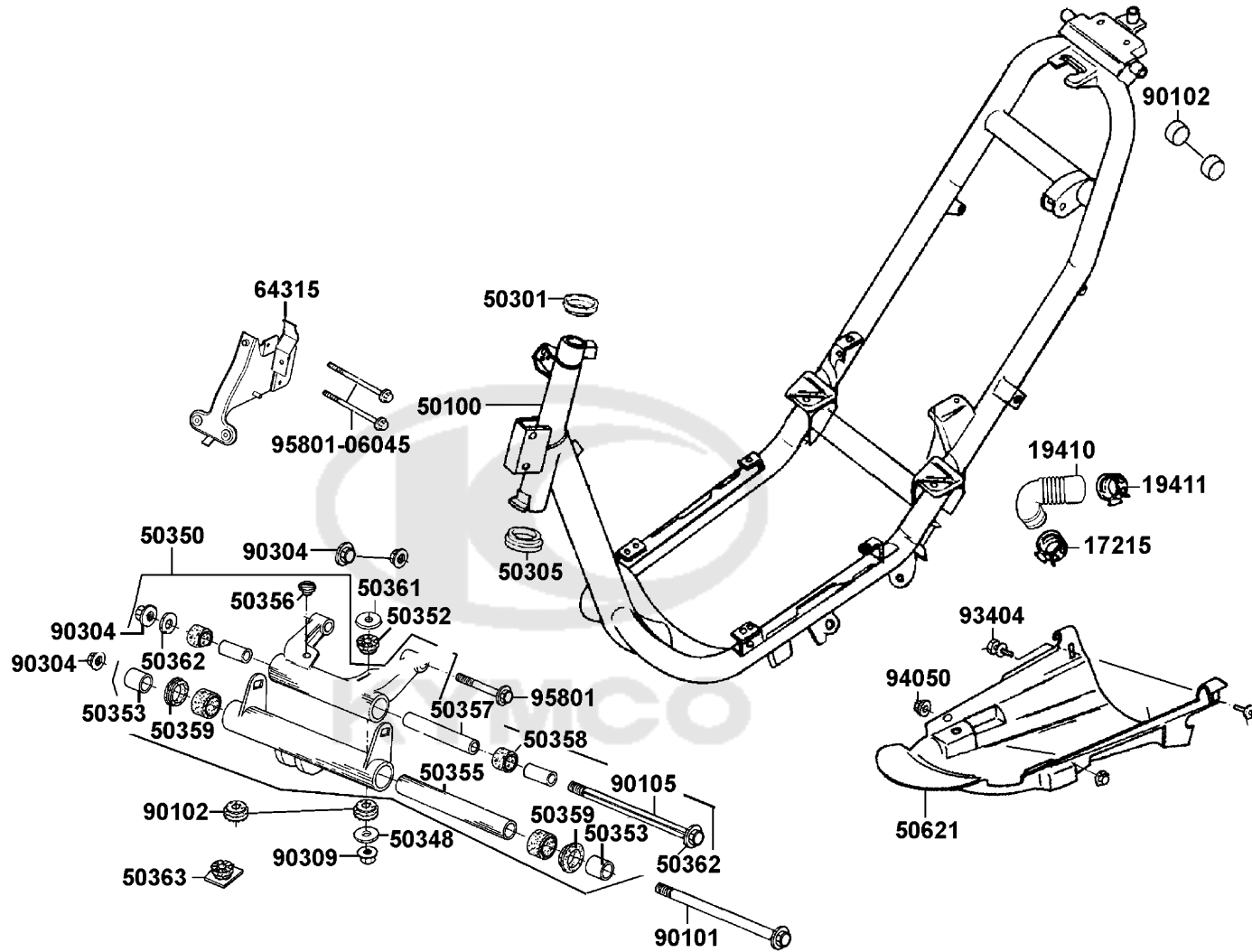


Sales mark 記号	Ref no 参照用番号	Part no パーツ番号	Description 部品名	Reg description 部品名	Regd no 必要個数	Ref Price 希望小売価格(税抜)	F20
17520		17520-KFA1-910	CABLE COMP FUEL CAP **9100	CABLE COMP FUEL CAP **9100	1	1250	
17620		17620-KHC5-E00	CAP COMP FUEL FILLER	CAP COMP FUEL FILLER	1	3910	
30400		30400-GKAK-901	UNIT ASSY CDI	UNIT ASSY CDI	1	3430	
3051A-KRDR-90A		3051A-KRDR-90A	COIL ASSY ING	COIL ASSY ING	1	3620	
3051A-KRDR-90B		3051A-KRDR-90B	COIL ASSY ING	COIL ASSY ING	1	3620	
30700		30700-KNBN-901	CAP ASSY NOISE SUPPRESOR	CAP ASSY NOISE SUPPRESOR	1	970	
31600		31600-KUDU-900	REG REC COMP	REG REC COMP	3	2960	
32100		32100-KFA3-B20	HARNESS WIRE **(2) C.2003.05.01	HARNESS WIRE **(2) C.2003.05.01	1	7800	
32120		32120-1E55-001	CASE FUSE 7A	CASE FUSE 7A	1	110	
35101-KHC4-305		35101-KHC4-305	SW SET COMB & LOCK	SW SET COMB & LOCK	1	9890	
35101-KHC4-305-M2		35101-KHC4-305-M2	SW SET COMB & LOCK	SW SET COMB & LOCK	1	9890	
35101-KHC4-334		35101-KHC4-334	SW SET COMB LOCK/FOR SERVICE	SW SET COMB LOCK/FOR SERVICE	1	12360	
35101-KHC4-335		35101-KHC4-335	YW COMB & LOCK SET/FOR SERVICE	YW COMB & LOCK SET/FOR SERVICE	1	12360	
35102-KHC4-305-M1		35102-KHC4-305-M1	SHUTTER SET MAGNETIC LOCK	SHUTTER SET MAGNETIC LOCK	1	6660	
35102-KHC4-900		35102-KHC4-900	COLLAR MAIN SW	COLLAR MAIN SW	1	300	
35102-KHC4-90B		35102-KHC4-90B	COLLAR MAIN SW	COLLAR MAIN SW	1	300	
35102-LAD9-335		35102-LAD9-335	SHUTTER MAGNETIC LOCK SET/SD	SHUTTER MAGNETIC LOCK SET/SD	1	5140	
35400		35400-KFA3-B20	RESISTOR COMP	RESISTOR COMP	1	1110	
38110-KFA1-80A		38110-KFA1-80A	HORN COMP	HORN COMP	1	1960	
38110-KFA1-80B		38110-KFA1-80B	HORN COMP	HORN COMP	1	1250	



Sales mark 記号	Ref no 参照用番号	Part no パーツ番号	Description 部品名	Reg description 部品名	Regd no 必要個数	Ref Price 希望小売価格(税抜)	F20
38300		38300-KECE-900	RELAY ASSY WINKER	RELAY ASSY WINKER	1	2530	
38501		38501-GCW3-901	RELAY COMP START **(3) C.2006.03.01	RELAY COMP START **(3) C.2006.03.01	1	2480	
77240		77240-KFA1-900	CABLE COMP SEAT LOCK **9000	CABLE COMP SEAT LOCK **9000	1	1440	
90112		90112-KRDR-900	BOLT FLANGE 5*22	BOLT FLANGE 5*22	1	130	
94050		94050-06080	NUT FLANGE 6MM	NUT FLANGE 6MM	3	60	
95701-06012		95701-06012-06	BOLT FLANGE 6*22 (K)	BOLT FLANGE 6*22 (K)	1	60	
95701-08025		95701-08025-06	BOLT FLANGE 6*22 (K)	BOLT FLANGE 6*22 (K)	1	60	
98200		98200-10700	FUSE A7	FUSE A7	1	60	

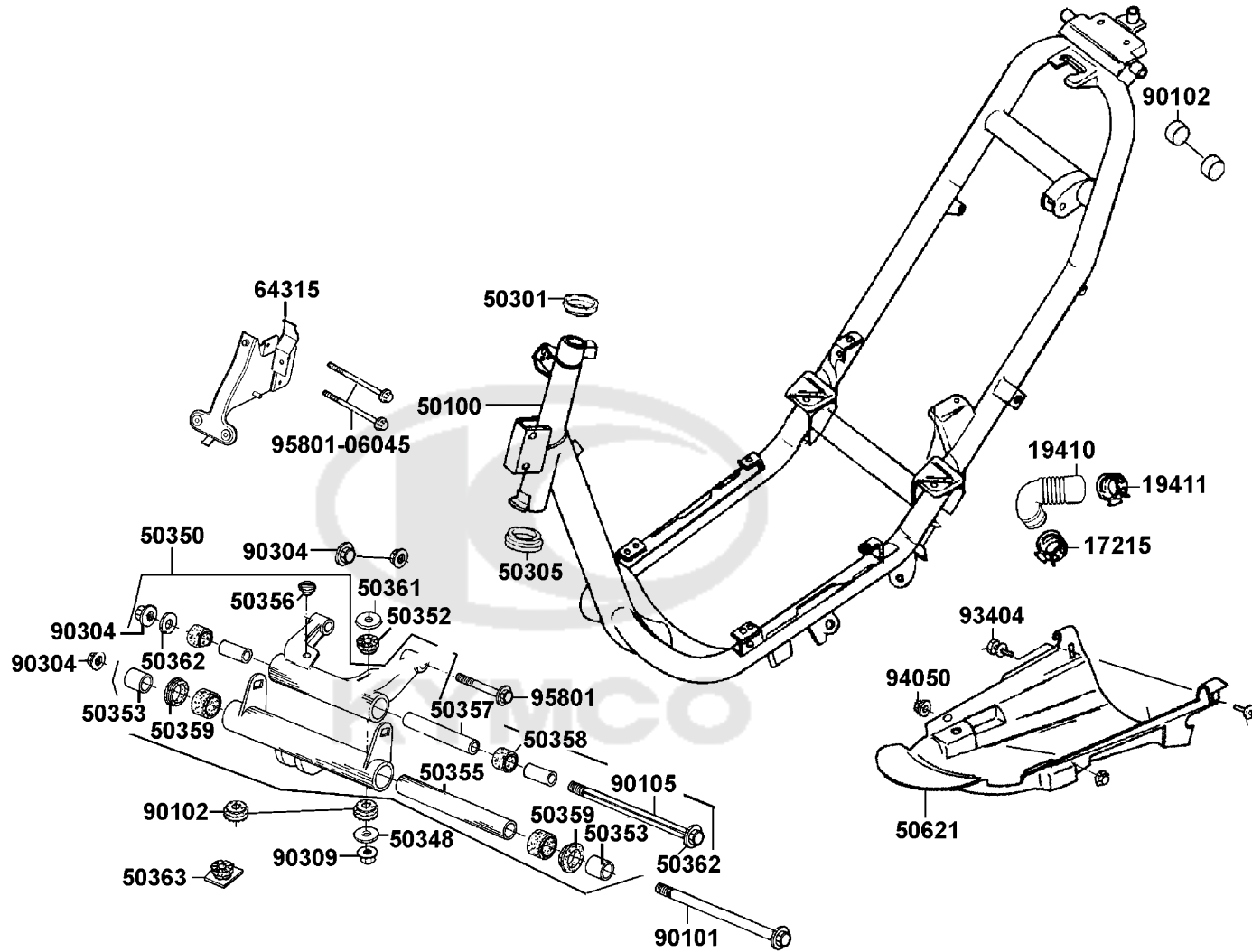




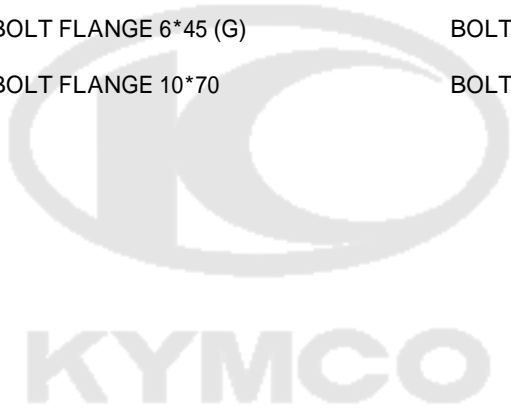
Sales mark 記号	Ref no 参照用番号	Part no パーツ番号	Description 部品名	Reg description 部品名	Regd no 必要個数	Ref Price 希望小売価格(税抜)
	17215	17215-KNBN-200	CLIP ASSY AIR/C DUCT	CLIP ASSY AIR/C DUCT	1	390
	19410	19410-KNBN-200	DUCT COOLING **KBN-2000	DUCT COOLING **KBN-2000 C.2005.09.19	1	540
	19411	19411-KNBN-900	CLIP HOSE	CLIP HOSE	1	390
	50100	50100-KFA3-B20	BODY COMP **KFA3-B00	BODY COMP **KFA3-B00	1	50190
	50301	50301-GLM0-001	RACE UP STRG BALL	RACE UP STRG BALL	1	440
	50305	50305-GHC8-004	RACE (UNDER STR ) BALL	RACE (UNDER STR ) BALL	1	420
	50348	50348-KGN7-671	WASHER ENG HANGER STPR	WASHER ENG HANGER STPR	1	110
	50350	50350-KNBN-200	HANGER ASSY ENG	HANGER ASSY ENG	1	11220
	50352	50352-KNBN-200	RUB A/ENG HANGER STRP	RUB A/ENG HANGER STRP	1	420
	50353	50353-KNBN-200	BUSH A ENG HANGER **(2) C.2007.04.04	BUSH A ENG HANGER **(2) C.2007.04.04	2	440
	50355	50355-KNBN-200	COLLAR A ENG HANGER **(0) C	COLLAR A ENG HANGER **(0) C 2007.03.28	1	420
	50356	50356-KNBN-200	RUBBER C ENG HANGE STPR	RUBBER C ENG HANGE STPR	1	440
	50357	50357-KNBN-200	COLLAR B ENG HANGER **KBN-2000	COLLAR B ENG HANGER **KBN-2000	1	420
	50358	50358-KNBN-200	RUBBER BUSH ENG HANGER **KBN-	RUBBER BUSH ENG HANGER **KBN-2000	2	350
	50359	50359-KNBN-200	BEARING ENG HANGER	BEARING ENG HANGER	2	250
	50361	50361-KNBN-200	CAP STPR RUBBER	CAP STPR RUBBER	1	200
	50362	50362-KNBN-200	SQUARE WASHER **KBN-2000	SQUARE WASHER **KBN-2000 C.2005.09.19	2	110
	50363	50363-KNBN-200	RUBBER B ENG HANGER **(0)	RUBBER B ENG HANGER **(0) C.2007.03.22	1	350
**	50621	50621-KNBN-901	COVER UNDER **901 C.	COVER UNDER **901 C.	1	1150
	64315	64315-KFA1-900	STAY FR COVER **9000 C.2003.01.29	STAY FR COVER **9000 C.2003.01.29	1	2480

F21



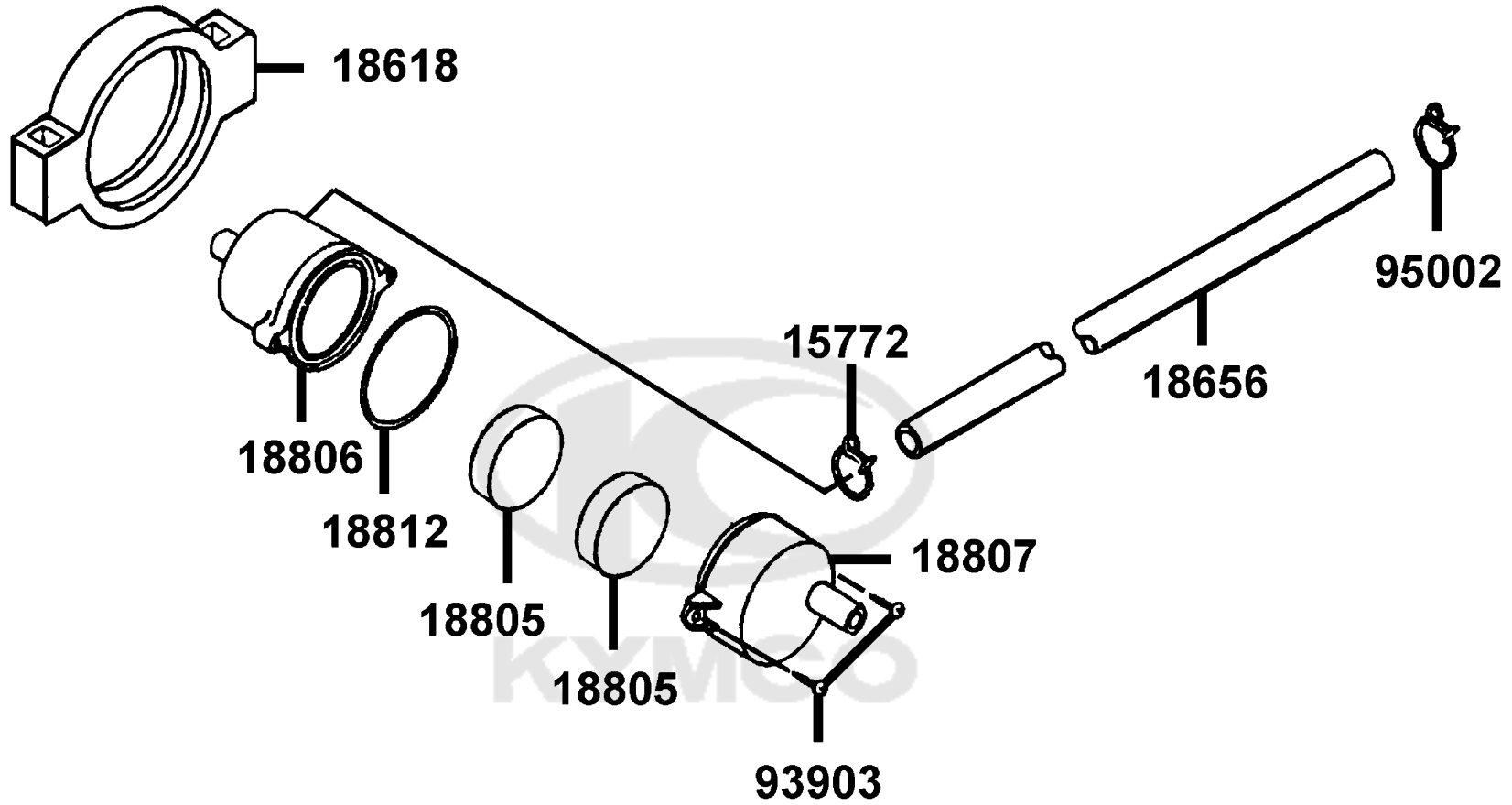


Sales mark 記号	Ref no 参照用番号	Part no パーツ番号	Description 部品名	Reg description 部品名	Regd no 必要個数	Ref Price 希望小売価格(税抜)	F21
90101	90101-KNBN-200	90101-KNBN-200	BOLT FLANGE 10*275	BOLT FLANGE 10*275	1	770	
90102	90102-KNBN-900	90102-KNBN-900	PLUG HOSE	PLUG HOSE	2	110	
90105	90105-KNBN-200	90105-KNBN-200	SQUARE BOLT 10*230 **KBN	SQUARE BOLT 10*230 **KBN C.2005.09.19	1	1060	
90304	90304-GHE8-004	90304-GHE8-004	NUT CAP 6MM	NUT CAP 6MM	4	200	
90309	90309-GLW0-90A	90309-GLW0-90A	NUT U FLANGE 8MM	NUT U FLANGE 8MM	1	110	
93404	93404-06016-06	93404-06016-06	BOLT WASHER 6*16	BOLT WASHER 6*16	2	60	
94050	94050-06080	94050-06080	NUT FLANGE 6MM	NUT FLANGE 6MM	2	60	
95801-06045	95801-06045-06	95801-06045-06	BOLT FLANGE 6*45 (G)	BOLT FLANGE 6*45 (G)	1	390	
95801-10070	95801-10070-06	95801-10070-06	BOLT FLANGE 10*70	BOLT FLANGE 10*70	1	320	



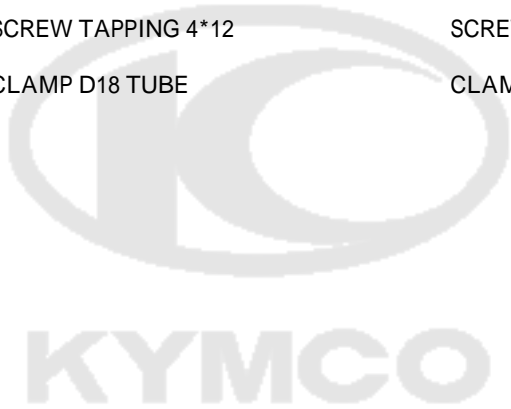
F22

Canister



Sales mark 記号	Ref no 参照用番号	Part no パーツ番号	Description 部品名	Reg description 部品名	Regd no 必要個数	Ref Price 希望小売価格(税抜)
15772	15772-5L00-013	15772-5L00-013	CLIP B14.5 TUBE	CLIP B14.5 TUBE	1	60
18618	18618-KBE2-900	18618-KBE2-900	RUBBER AI CLEANER MOUNT	RUBBER AI CLEANER MOUNT	1	330
18656	18656-KFA1-900	18656-KFA1-900	DUCT AIR/C-REED VALVE **9000	DUCT AIR/C-REED VALVE **9000	1	610
18805	18805-KHB4-910	18805-KHB4-910	ELEMENT AI CLEANER	ELEMENT AI CLEANER	2	960
18806	18806-KFA1-900	18806-KFA1-900	CASE AIR/C **9000 C.2006.01.13	CASE AIR/C **9000 C.2006.01.13	1	230
18807	18807-KFA1-900	18807-KFA1-900	COVER AIR/C **9000 C.2006.01.13	COVER AIR/C **9000 C.2006.01.13	1	200
18812	18812-KBE2-900	18812-KBE2-900	SEAL AI CLEANER COVER	SEAL AI CLEANER COVER	1	230
93903	93903-24320	93903-24320	SCREW TAPPING 4*12	SCREW TAPPING 4*12	2	60
95002	95002-KKD6-E05	95002-KKD6-E05	CLAMP D18 TUBE	CLAMP D18 TUBE	1	300

F22



● Be sure to wear a safety helmet when riding.  
 ● Do not exceed the speed specified by law when riding.  
 ● The exhaust muffler temperature is very high after riding. Be sure to park the motorcycle in a place not easily touched by people.  
 ● For riding safety and good performance, do not violate the law to modify the motorcycle.  
 ● Please read the User's Manual carefully to secure riding safety.

● Make sure to perform the periodic maintenance and periodic inspection.

Pre-ride Inspection Items  
 Brake performance, tires, 2-cycle motor oil, lights, horn, and instrument panel.

KWANG YANG MOTOR CO., LTD.  
KR9-E000

87560

**CAUTIONS**

Tire Size	:Front 90/90-10 50J	Rear 100/80-10 53J
(One Rider)	:Front 1.50kgf/cm <sup>2</sup>	Rear 2.00kgf/cm <sup>2</sup>
(Two Rider)	:Front 1.75kgf/cm <sup>2</sup>	Rear 2.25kgf/cm <sup>2</sup>
Load Capacity:	Shield 1.5kg	Clip assy center 3kg
(As per KYMCO standard specification)		
(Note: The tire pressure must not overpass 2.50kgf/cm <sup>2</sup> )		

● Check the motor oil level with the dipstick after refilling motor oil.

KHCS-E000

87505

**MAX.LOAD:5KG**

87556

**USE UNLEADED GASOLINE ONLY**

87501

**CAUTIONS**

Never put any article between the rear side cover and the engine to avoid interference of riding.

GM9-300

87542

87541

**CAUTIONS**

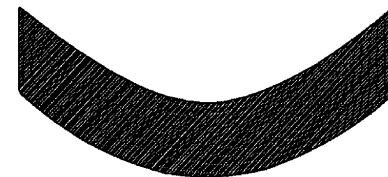
Before starting the engine, the side stand shall be kicked up to secure safety.

Sales mark 記号	Ref no 参照用番号	Part no パーツ番号	Description 部品名	Reg description 部品名	Regd no 必要個数	Ref Price 希望小売価格(税抜)	F23
**	87501	87501-KRDR-E00	CAUTION USE GAS ONLY	CAUTION USE GAS ONLY	1	200	
**	87505	87505-KHC5-E00	LABEL TIRE **E00 C.2006.10.24	LABEL TIRE **E00 C.2006.10.24	1	200	
**	87541	87541-GAR1-E00	CAUTION SIDE STAND	CAUTION SIDE STAND	1	200	
**	87542	87542-GAR1-E00	MARK MAINT CAUTION	MARK MAINT CAUTION	1	200	
**	87556	87556-KFA3-E00	CAUTION MAXIMUM CAPACITY	CAUTION MAXIMUM CAPACITY	1	200	
**	87560	87560-KNBN-E00	MARK DRIVE CAUTION	MARK DRIVE CAUTION	1	200	





86201

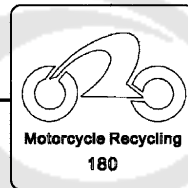


86408

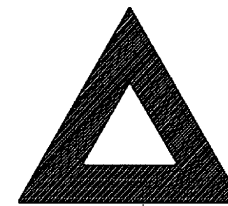


86202

87311



87206



86409

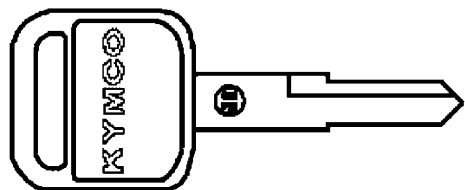
Sales mark 記号	Ref no 参照用番号	Part no パーツ番号	Description 部品名	Reg description 部品名	Regd no 必要個数	Ref Price 希望小売価格(税抜)	F24
**	86201	86201-KFA3-B21	STRIPE BODY COVER	STRIPE BODY COVER	2	870	
**	86202	86202-KFA3-B21	EMB BODY COVER/SOONER100Z	EMB BODY COVER/SOONER100Z	2	2290	
**	86408	86408-KKC8-B20	STRIPE FR FENDER	STRIPE FR FENDER	1	130	
**	86409	86409-KHC4-B20	STRIPE RR FENDER ** (0) C.2005.04.26	STRIPE RR FENDER ** (0) C.2005.04.26	1	240	
**	87206	87206-GFY6-900	EMB MARK KYMCO	EMB MARK KYMCO	1	580	
**	87311	87311-LAD9-B20	STRIPE R MARK	EMB MARK ABS	1	200	



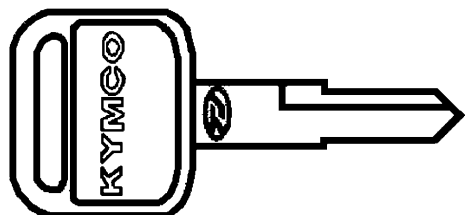


F25

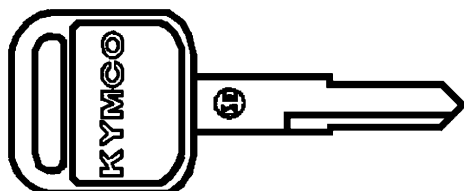
Key



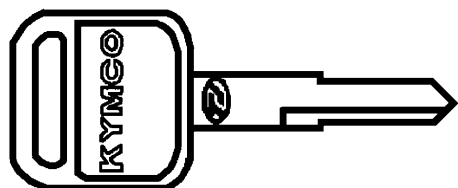
35111-KHC5-305-M1



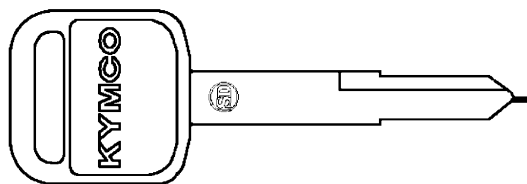
35111-KHC5-305-M2



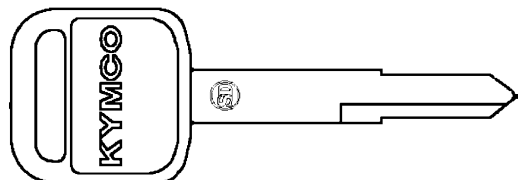
35111-KHC5-306-M1



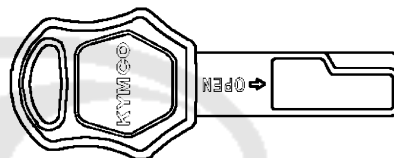
35111-KHC5-306-M2



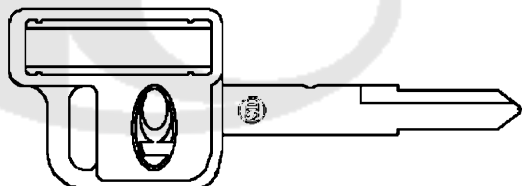
35111-LBA2-305-T01



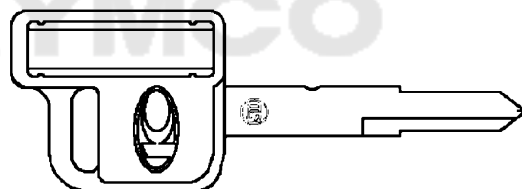
35111-LBA2-305-T02



35111-KKC4-335-M1



35111-KHC4-305-M1



35111-KHC4-315-M1



35111-KHC4-308-M1

Sales mark 記号	Ref no 参照用番号	Part no パーツ番号	Description 部品名	Reg description 部品名	Regd no 必要個数	Ref Price 希望小売価格(税抜)	F25
35111-KHC4-305-M1	35111-KHC4-305-M1	35111-KHC4-305-M1	KEY MAIN SWITCH/RAW	KEY MAIN SWITCH/RAW	1	960	
35111-KHC4-308-M1	35111-KHC4-308-M1	35111-KHC4-308-M1	KEY COMP/SHUTTER MAGNETIC LOCK	KEY COMP/SHUTTER MAGNETIC LOCK	1	3620	
35111-KHC4-315-M1	35111-KHC4-315-M1	35111-KHC4-315-M1	KEY MAIN SWITCH /RAW	KEY MAIN SWITCH /RAW	1	960	
35111-KHC5-305-M1	35111-KHC5-305-M1	35111-KHC5-305-M1	KEY COMP	KEY COMP	1	680	
35111-KHC5-305-M2	35111-KHC5-305-M2	35111-KHC5-305-M2	KEY COMP	KEY COMP	1	680	
35111-KHC5-306-M1	35111-KHC5-306-M1	35111-KHC5-306-M1	KEY COMP	KEY COMP	1	680	
35111-KHC5-306-M2	35111-KHC5-306-M2	35111-KHC5-306-M2	KEY COMP	KEY COMP	1	680	
35111-KKC4-335-M1	35111-KKC4-335-M1	35111-KKC4-335-M1	KEY COMP/SHUTTER MAGNETIC	KEY COMP/SHUTTER MAGNETIC	1	3240	
35111-LBA2-305-	35111-LBA2-305-T01	35111-LBA2-305-T01	KEY COMP(R TANGENT PLANE/SD)	KEY COMP(R TANGENT PLANE/SD)	1	870	
35111-LBA2-305-	35111-LBA2-305-T02	35111-LBA2-305-T02	KEY COMP (L TANGENT PLANE/SD)	KEY COMP (L TANGENT PLANE/SD)	1	870	



## PART NO. INDEX

## パーツ番号 検索

PART NO. パーツ番号	VERSION バージョン	PAGE ページ	PART NO. パーツ番号	VERSION バージョン	PAGE ページ	PART NO. パーツ番号	VERSION バージョン	PAGE ページ
<b>1000</b>			11203-GFY6-901	0	F15			
			11203-GGC7-301	2	E09	<b>14000</b>		
			11203-KHG8-301	2	E08			
1001-GW3H-0351	0	E11	11204-KNBN-901	0	E09	14100-KNBN-921	1	E09
1010-KBNH-9200	0	E11	11205-GHAH-004	0	E09			
1020-GW3H-9300	0	E11	11205-KNBN-901	0	E09	<b>15000</b>		
102D-KBNH-9300	0	E11	11208-KNBN-901	2	E09			
103J-095H-9910-SB0	0	E11	11341-KTDT-800	0	E05	15100-KNBN-950	12	E09
105B-KBNH-9000	0	E11	11386-GFY6-900	0	E01	15110-KNBN-901	0	E09
1300-GW3H-9800-K	0	E11	11395-KTDT-800	1	E05	15115-KNBN-921	0	E09
1703-GJ2H-0040	0	E11				1552A-KFA1-B00	0	E09
1738-GJ2H-0040	0	E11	<b>12000</b>			15772-5A51-001	1	F12
1785-KBNH-9000-SB0	0	E11				15772-5L00-013	1	F14
1787-KG8H-9010	0	E11	12101-KNBN-920	1	E02	15772-5L00-013	1	F22
1793-144H-9900	0	E11	12191-KNBN-980	0	E02			
1799-KBNH-9000	0	E11	12201-KNBN-901	0	E02	<b>16000</b>		
			12251-KNBN-900	0	E02			
<b>4000</b>			12251-KNBN-902	0	E02	1610K-KFA3-B20	1	E11
			12311-KFB5-900	2	F15	16152-KG8-9010-M1	0	E11
4000-103-0000	0	E11				1621A-KNBN-901	0	E09
<b>11000</b>			<b>13000</b>			16700-KNBN-220	0	F10
						16702-KNBN-901	1	F10
			13000-KNBN-901	9	E10	1671A-KNBN-901	1	F10
11100-KNBN-305	5	E09	13011-KNBN-90A	0	E10	1691A-KEC2-E00	0	F10
11102-1G87-004	3	E09	13101-KNBN-901	2	E10			
11200-KNBN-307	0	E09	13111-KNBN-901	2	E10			

PART NO. INDEX  
 パーツ番号 検索

PART NO. パーツ番号	VERSION バージョン	PAGE ページ	PART NO. パーツ番号	VERSION バージョン	PAGE ページ	PART NO. パーツ番号	VERSION バージョン	PAGE ページ
<b>17000</b>			17689-KFA1-C00	0	F10			
			1768B-KFA1-900	0	F10	<b>19000</b>		
			17910-KFA3-900	1	F03			
17100-KFA3-B00	0	E09				19410-KNBN-200	0	F21
17111-KNBN-980	0	E09	<b>18000</b>			19411-KBCB-900	0	F10
17112-KNBN-980	0	E09				19411-KNBN-900	1	F21
17205-KNBN-901	0	F14	18291-KEBE-900	0	F15	19510-KEB8-900	0	E03
17207-KFA1-900	2	F14	18291-LBA7-900	2	F15	19600-KTDT-800	0	E01
17208-GAR1-011	0	F14	18292-KEBE-900	0	F15	1962A-KNBN-901	2	E01
1720A-KFA1-900	1	F14	18293-KEBE-900	0	F15			
17210-KFA3-900	0	F14	18294-KEBE-900	0	F15	<b>21000</b>		
17212-KNBN-901	0	F14	1830A-KFA3-900	11	F15			
17213-KFA1-900	1	F14	1830A-KFA3-B00	1	F15	21200-KFA3-305	5	E08
17214-KFA1-900	1	F14	18318-KFA3-900	1	F15	21395-LBD3-900	4	E08
17215-KNBN-200	0	F21	18362-KDA4-901	0	F14			
17254-KACA-P00	0	F14	18601-KFB5-900	0	F15	<b>22000</b>		
17500-KFA1-900	6	F10	18612-KFB5-900	1	F15			
17501-KNBN-901	1	F10	18618-KBE2-900	0	F22	22100-KNBN-902	1	E07
17502-1G87-001	0	F12	18645-GFY6-941	0	F15	22102-KHC4-900	4	E06
17502-KFA1-900	1	F10	18656-KFA1-900	0	F22	22105-GCW3-001	1	E06
17504-KFA1-C00	1	F10	18805-KHB4-910	0	F22	22110-KED5-900	2	E06
17520-KFA1-910	1	F20	18806-KFA1-900	1	F22	22121-GLZ0-305	0	E06
17550-KHC4-900	0	F10	18807-KFA1-900	1	F22	22131-GCW3-901	1	E06
17619-KFA1-900	1	F05	18812-KBE2-900	0	F22	22132-LAB4-900	1	E06
17620-KHC5-E00	1	F20				22300-KED5-900	2	E07
17683-KFA2-B00	0	F10				22350-KNBN-901	1	E07

PART NO. INDEX  
 パーツ番号 検索

PART NO. パーツ番号	VERSION バージョン	PAGE ページ	PART NO. パーツ番号	VERSION バージョン	PAGE ページ	PART NO. パーツ番号	VERSION バージョン	PAGE ページ	
22401-KED5-900	0	E07	28125-3C23-001	0	E06	31210-KNBN-901	1	E04	
22530-KNBN-931	3	E07	28126-KNBN-901	0	E06	31210-KNBN-90A	0	E04	
22804-1H48-001	0	E07	28127-KNBN-901	0	E06	31500-KNBN-92A	9	F11	
<b>23000</b>			28211-KNBN-901	0	E06	31500-KNBN-92B	9	F11	
			28223-KNBN-901	0	E06	31600-KUDU-900	2	F20	
			28230-KNBN-901	0	E06	<b>32000</b>			
			28250-KNBN-901	1	E06				
			28253-GBN2-60A	0	E06				
		28255-GFS6-001	0	E06					
		28281-GBN2-60A	1	E06					
2301A-KED5-900	2	E07	28300-KNBN-901	3	F16	32100-KFA3-B20	3	F20	
23100-KNBN-901	2	E07	<b>30000</b>			32101-GFY6-901	1	F04	
23200-GCW3-001	1	E07				32105-KNBN-901	0	E04	
23220-KKDK-900	2	E07				32120-1E55-001	0	F20	
23225-GCW3-001	0	E07				32161-3C93-004	0	E01	
23226-GCW3-001	0	E07				<b>33000</b>			
23233-KED5-900	0	E07	30400-GKAK-901	0	F20				
23237-GCW3-001	0	E07	3051A-KRDR-90A	4	F20				
23239-GCW3-851	0	E07	3051A-KRDR-90B	1	F20		33100-KFA1-900	1	F01
23411-KNBN-921	0	E08	30700-KNBN-901	2	F20		33120-KFA1-900	1	F01
23420-KNBN-901	3	E08	<b>31000</b>			33130-KFA1-900	0	F01	
23431-KDLD-901	2	E08				33400-KFA1-S00	0	F18	
23432-KNBN-901	3	E08				33402-KFA1-900	0	F18	
<b>28000</b>							33405-KFA1-900	0	F18
							33406-KFA1-900	0	F18
						33450-KFA1-S00	0	F18	
						33452-KFA1-900	0	F18	
						33455-KFA1-900	0	F18	
28101-KNBN-901	1	E06	31110-KNBN-921-402	0	E03				
28105-KNBN-901	1	E06	31110-KNBN-921-406	0	E03				
2811A-KNBN-940	0	E06	31120-KNBN-901	0	E03				
28120-KNBN-901	0	E06	31120-KNBN-90A	0	E03				
			31203-KNBN-901	0	E04				

PART NO. INDEX  
 パーツ番号 検索

PART NO. パーツ番号	VERSION バージョン	PAGE ページ	PART NO. パーツ番号	VERSION バージョン	PAGE ページ	PART NO. パーツ番号	VERSION バージョン	PAGE ページ
33456-KFA1-900	0	F18	35111-KHC4-315-M1	0	F25	3780A-KFA1-900	0	F10
33700-KFA1-900	7	F19	35111-KHC5-305-M1	0	F25			
33701-KFA1-900	0	F19	35111-KHC5-305-M2	0	F25	<b>38000</b>		
<b>34000</b>			35111-KHC5-306-M1	0	F25			
			35111-KHC5-306-M2	0	F25	38110-KFA1-80A	1	F20
34901-GGS7-003	1	F01	35111-KKC4-335-M1	0	F25	38110-KFA1-80B	1	F20
34905-GKM9-003	0	F19	35111-LBA2-305-T01	0	F25	38300-KECE-900	3	F20
34905-KMCM-900	0	F18	35111-LBA2-305-T02	0	F25	38501-GCW3-901	4	F20
34906-2H68-601	0	F19	35150-GFY6-900	4	F03			
34908-GGA7-70A	1	F01	35160-GGS7-900	1	F03	<b>42000</b>		
34908-GGA7-70A	1	F02	35170-GGS7-900	0	F03			
34908-MKB9-87A	0	F02	35180-GGS7-900	1	F03	42610-GKAK-901	4	F08
<b>35000</b>			35200-GFY6-910	1	F03	42705-KHC4-900	5	F08
			35340-GBN2-770	3	F03	42710-KFA3-900	2	F08
			35340-KNBN-901	0	F04			
			35400-KFA3-B20	1	F20	<b>43000</b>		
35101-KHC4-305	5	F20	35410-KNBN-91A	0	F12			
35101-KHC4-305-M2	0	F20				4312A-KXCX-910	5	F08
35101-KHC4-334	0	F20	<b>37000</b>			43141-GKAK-901	3	F08
35101-KHC4-335	0	F20				43410-KFA1-900	0	F08
35102-KHC4-305-M1	0	F20	37200-KFA3-B2A	5	F02	43450-KFA1-900	5	F03
35102-KHC4-900	2	F20	37200-KFA3-B2B	5	F02	43452-GKAK-900	0	F03
35102-KHC4-90B	1	F20	37211-KFA1-90A	1	F02			
35102-LAD9-335	0	F20	37211-KFA1-90B	1	F02	<b>44000</b>		
35111-KHC4-305-M1	0	F25	37801-GGA7-701	1	F10			
35111-KHC4-308-M1	0	F25	37802-GGA7-701	3	F10	44301-KBE2-981	5	F07

PART NO. INDEX  
 パーツ番号 検索

PART NO. パーツ番号	VERSION バージョン	PAGE ページ	PART NO. パーツ番号	VERSION バージョン	PAGE ページ	PART NO. パーツ番号	VERSION バージョン	PAGE ページ
44311-GLW0-911	0	F07	50139-KFA1-900	1	F10			
44610-KHC4-305	0	F07	50140-KFA1-900	0	F10	<b>51000</b>		
44620-KSBS-900	0	F07	50162-KFA1-900	1	F19			
44705-KHC4-900	2	F07	50301-GLM0-001	0	F21	5140A-KFA1-900	6	F06
44710-KFA3-900	2	F07	50305-GHC8-004	0	F21	5150A-KFA1-900	6	F06
44800-KNBN-901	6	F07	50306-1F96-001	0	F06			
44830-KNBN-951	8	F02	50325-KNBN-200	4	F11	<b>52000</b>		
44831-KNBN-950	0	F02	50328-KNBN-200	0	F11			
			50348-KGN7-671	0	F21	52400-KFA1-900	1	F17
<b>45000</b>			50350-KNBN-200	10	F21			
			50352-KNBN-200	0	F21	<b>53000</b>		
45100-KFA1-900	0	F07	50353-KNBN-200	3	F21			
45105-KXCX-305-M2	0	F07	50355-KNBN-200	1	F21	53100-KFA1-900	3	F03
45126-KFA1-900	2	F04	50356-KNBN-200	1	F21	53140-KFA1-900	2	F03
45133-0H28-001	1	F08	50357-KNBN-200	0	F21	53166-KFA1-900	2	F03
45156-KNBN-902	0	F04	50358-KNBN-200	0	F21	53167-LHJ6-900	2	F03
45351-KHC5-E00	0	F07	50359-KNBN-200	0	F21	53168-KFA1-900	1	F03
45513-GLW0-91A	0	F04	50361-KNBN-200	1	F21	53172-GGS7-004	1	F03
45517-KFAF-910	0	F04	50362-KNBN-200	0	F21	53173-KFA1-900	2	F03
45520-GLW0-91A	0	F04	50363-KNBN-200	1	F21	53175-KFA1-900	1	F04
45521-GLW0-91A	0	F04	50503-KNBN-901	1	F16	53178-GBN2-931	0	F03
45530-KFA1-305	0	F04	50505-GAR1-711	0	F16	5317A-KFA1-900	4	F03
			5050A-KFA3-900	2	F16	53200-KFA1-900	6	F06
<b>50000</b>			50530-KFA1-900	1	F16	53205-KFA1-900	2	F03
			50621-KNBN-901	7	F21	53206-KFA1-900	3	F03
50100-KFA3-B20	7	F21				53211-GFY6-940	1	F06

## PART NO. INDEX

## パーツ番号 検索

PART NO. パーツ番号	VERSION バージョン	PAGE ページ	PART NO. パーツ番号	VERSION バージョン	PAGE ページ	PART NO. パーツ番号	VERSION バージョン	PAGE ページ
53212-GHC8-004	1	F06				81141-KFA1-910	2	F05
			<b>77000</b>			81142-KFA1-900	1	F05
<b>55000</b>						8125A-KNBN-200	1	F11
			77105-GFS6-001	1	F13	81260-KFA1-B20	0	F13
55100-KNBN-901	3	F12	77106-GFS6-001	1	F13			
55102-1F66-001	0	F12	77200-KFA1-C00	2	F09	<b>83000</b>		
55105-KNBN-901	0	F12	77235-KFA1-B20	2	F09			
55121-KNBN-901	0	F12	77240-KFA1-900	2	F20	83500-KFA1-900	4	F13
55123-KNBN-901	0	F12	77330-KFA1-B21	2	F13	83501-KFA3-900	0	F13
55200-KNBN-901	0	F12				83502-KFA1-900	2	F13
55201-GHC8-001	0	F12	<b>80000</b>			83600-KFA1-900	4	F13
						83600-KFA2-900	2	F13
<b>61000</b>			80101-KFA1-900	2	F19	83601-KFA3-900	0	F13
			80104-KNBN-901	0	F19	83770-KFA1-900	3	F13
61110-KNBN-902	1	F06	80152-KFA1-900	0	F13			
61120-KFA1-900	1	F06				<b>86000</b>		
			<b>81000</b>					
<b>64000</b>						86201-KFA3-B21	0	F24
			81131-KFA1-910	0	F05	86202-KFA3-B21	0	F24
64301-KFA1-900	4	F05	81131-KFA1-920	3	F05	86408-KKC8-B20	2	F24
64302-KFA3-900	1	F05	81132-GHAH-001	2	F05	86409-KHC4-B20	2	F24
64303-KFA3-900	0	F05	81132-GHAH-001	2	F13			
64310-KFA1-900	1	F05	81132-KFA1-920	1	F05	<b>87000</b>		
64315-KFA1-900	6	F21	81132-KFA1-920	2	F05			
64316-KFA1-900	0	F05	81132-LFG6-900	2	F05	87206-GFY6-900	1	F24
			81133-KNBN-901	0	F05	87311-LAD9-B20	2	F24



PART NO. INDEX  
 パーツ番号 検索

PART NO. パーツ番号	VERSION バージョン	PAGE ページ	PART NO. パーツ番号	VERSION バージョン	PAGE ページ	PART NO. パーツ番号	VERSION バージョン	PAGE ページ
87501-KRDR-E00	2	F23	90105-KNBN-200	0	F21	90304-GHE8-004	0	F03
87505-KHC5-E00	1	F23	90106-KRDR-900	0	F10	90304-GHE8-004	0	F21
87541-GAR1-E00	1	F23	90108-GFY6-901	0	F16	90305-KNBN-90B	0	F08
87542-GAR1-E00	2	F23	90110-GLW0-001	0	F05	90306-KLF0-004-SY	1	F07
87556-KFA3-E00	0	F23	90110-KFA6-900	0	F15	90307-GFJ6-004	2	F01
87560-KNBN-E00	1	F23	90110-KHG8-901	1	F08	90309-GLW0-90A	1	F07
			90111-1G87-001	1	F11	90309-GLW0-90A	1	F08
<b>88000</b>			90112-GCC3-001	1	F06	90309-GLW0-90A	1	F21
			90112-KFA1-900	1	F13	90309-KLF0-004	1	E08
88110-KFA1-900	3	F03	90112-KRDR-900	1	F20	90381-GEZ5-001	1	F13
88120-KFA1-900	3	F03	90114-1F66-007	2	F04	90400-KTDT-900	0	F01
			90115-GLE0-001	0	F03	90412-3K29-001	0	E06
<b>89000</b>			90131-GLW0-911	0	F07	90426-KNBN-901	0	E06
			90145-LEA3-E00	1	F04	90429-KNBN-901	0	E08
89010-KNBN-900	0	F09	90164-KGBG-900	1	F05	90442-0D44-001	0	E07
			90164-MDR4-901	1	F13	90451-GBN2-601	0	E06
<b>90000</b>			90201-KNBN-901	0	E06	90474-3C33-001	1	E09
			90202-1G87-001	2	E07	90501-KNBN-901	0	F08
90001-KNBN-901	2	E02	90215-GLM0-910	1	F13	90502-MBS2-001	0	E06
9000A-KTDT-900	1	E05	90301-6D34-671	1	F19	90545-3L00-001	2	F04
90023-GBN2-001	3	F06	90301-KGBG-900	1	F15	90602-PDX4-001	0	E06
90101-GAR1-001	0	F01	90302-GFY6-901	1	F05	90603-0D44-001	0	E07
90101-KNBN-200	3	F21	90302-GFY6-901	1	F19	90610-KRDR-900	2	F14
90102-KNBN-900	0	F21	90302-KFC2-900	1	F13	90652-KTCT-900	1	F14
90105-KCR3-001	1	F07	90302-SDA4-004	3	F13	90656-KCBC-900	0	F03
90105-KFC2-900	0	F13	90302-SDA4-004	3	F19	90677-GAR1-004	1	F05

## PART NO. INDEX

## パーツ番号 検索

PART NO. パーツ番号	VERSION バージョン	PAGE ページ	PART NO. パーツ番号	VERSION バージョン	PAGE ページ	PART NO. パーツ番号	VERSION バージョン	PAGE ページ		
90741-0E35-001	0	E10	91211-GHK8-014	1	E07	93891-05016-06	0	F13		
90754-GHC8-00A	1	F07	91255-GLE0-006	0	E08	93892-04006-08	0	E04		
90912-GHC8-00A	0	F07	91258-KAM1-00A	1	F07	93892-04008-16	0	E11		
90912-GHC8-00D	0	F07	91301-0C53-001	0	E08	93892-04014-18-3	0	E11		
<b>91000</b>			91304-GHC8-004	0	E09	93893-04012-18	0	F04		
			91309-KNBN-901	0	E04	93901-32510	0	F18		
			91351-6B42-000	0	E07	93903-24320	0	F22		
			91351-GAR1-001	0	E07	93903-25460	0	F14		
			91352-KHG8-83B	0	F08	93903-32320	0	F19		
91001-GGA7-70A	2	E07	<b>92000</b>			93903-34360	0	F03		
91001-GLW0-90A	6	E09		92700-06028-1B	0	E02	93903-34360	0	F05	
91004-KBN2-90A	0	E08		<b>93000</b>			93903-34360	0	F13	
91004-KBN2-90A	0	E09			93903-35360	0	F02	93903-35360	0	F05
91004-KNBN-92A	0	E09			93903-35360	0	F05	93903-GFY6-900	1	F05
91005-KNBN-901	0	E06	<b>94000</b>			93903-GFY6-900	1	F13		
91006-KNBN-901	5	E09		93404-06016-06	0	F05				
91009-GLE0-004	1	E08		93404-06016-06	0	F12				
91101-KNBN-901	0	E06		93404-06016-06	0	F21				
91102-1H68-004-B	0	E10		93404-06030-06	0	F14				
91102-1H68-004-R	0	E10		93500-05012-0F	0	E09	94001-12280-0S	0	E06	
91102-1H68-004-W	0	E10		93500-05022-0F	0	F03	94050-06060	0	F04	
91102-1H68-00A-B	0	E10		93600-04012-1G	0	F04	94050-06080	0	E09	
91102-1H68-00A-R	0	E10		93700-05018-0F	0	F02	94050-06080	0	E11	
91102-1H68-00A-W	0	E10		93891-05012-06	0	F03	94050-06080	0	F09	
91103-GAR1-004	0	E07	93891-05012-06	0	F11	94050-06080	0	F10		
91201-KNBN-92A	0	E09								
91202-KNBN-92B	0	E09								
91204-KNBN-90A	1	E09								

## PART NO. INDEX

## パーツ番号 検索

PART NO. パーツ番号	VERSION バージョン	PAGE ページ	PART NO. パーツ番号	VERSION バージョン	PAGE ページ	PART NO. パーツ番号	VERSION バージョン	PAGE ページ
94050-06080	0	F19	95002-KKD6-E05	0	F22			
94050-06080	0	F20	95014-71402	0	F16	<b>96000</b>		
94050-06080	0	F21	95014-72204	0	F16			
94050-10080	0	E03	95015-32001	0	F03	96001-06012-06	0	E03
94050-10080	0	E07	95015-42000	0	F03	96001-06012-06	0	F03
94101-08600	0	F16	95701-06012-06	1	F04	96001-06016-06	0	E03
94101-10800	0	F03	95701-06012-06	1	F06	96001-06020-06	0	F03
94251-08400	0	F16	95701-06012-06	1	F09	96001-06022-06	1	E03
94301-10200	0	E09	95701-06012-06	1	F20	96001-06022-06	1	E09
94510-20000	0	E08	95701-06022-06	1	F16	96001-06022-06	1	F04
94511-14000	0	E06	95701-06025-06	2	E01	96001-06028-06	0	E09
94520-24000	1	E07	95701-06025-06	2	F15	96001-06032-06	0	E04
94591-27000	0	F05	95701-06032-06	0	F08	96001-06032-06	0	E09
94601-14000	0	E10	95701-06040-06	0	F15	96001-06045-06	0	E09
			95701-08012-06	0	E09	96001-06055-06	0	E09
<b>95000</b>			95701-08025-06	0	F20	96100-62033-00	0	E09
			95701-08045-06	1	E09	96211-05000	0	F06
95002-02070	0	E11	95701-08055-06	0	E09	96220-60100	0	E06
95002-02080	0	E11	95801-06040-06	0	F14	96600-LGL3-900	0	E06
95002-02080	0	F10	95801-06045-06	0	F21			
95002-02100	0	F10	95801-08035-06	1	F15	<b>98000</b>		
95002-02100	0	F12	95801-08035-06	1	F17			
95002-02110	0	F14	95801-08040-06	0	F06	98076-5871G-00	0	E02
95002-02130	0	F10	95801-10035-06	0	F17	98200-10700	0	F11
95002-02650	0	E09	95801-10040-06	0	F03	98200-10700	0	F20
95002-50000	0	F12	95801-10070-06	1	F21			

PART NO. INDEX  
 パーツ番号 検索

PART NO. パーツ番号	VERSION バージョン	PAGE ページ	PART NO. パーツ番号	VERSION バージョン	PAGE ページ	PART NO. パーツ番号	VERSION バージョン	PAGE ページ
<b>99000</b>								
99101-116-0950	0	E11						
<b>K</b>								
K350-KBN-0200	0	E11						
K378-001	0	E11						
K506-GW0-0100	0	E11						
K785-KEB-0300	0	E11						
<b>N</b>								
N413-18M00	0	E11						
<b>S</b>								
S3620-031-B000	0	E11						
S4460-208-B020	0	E11						
S536-1231	0	E11						